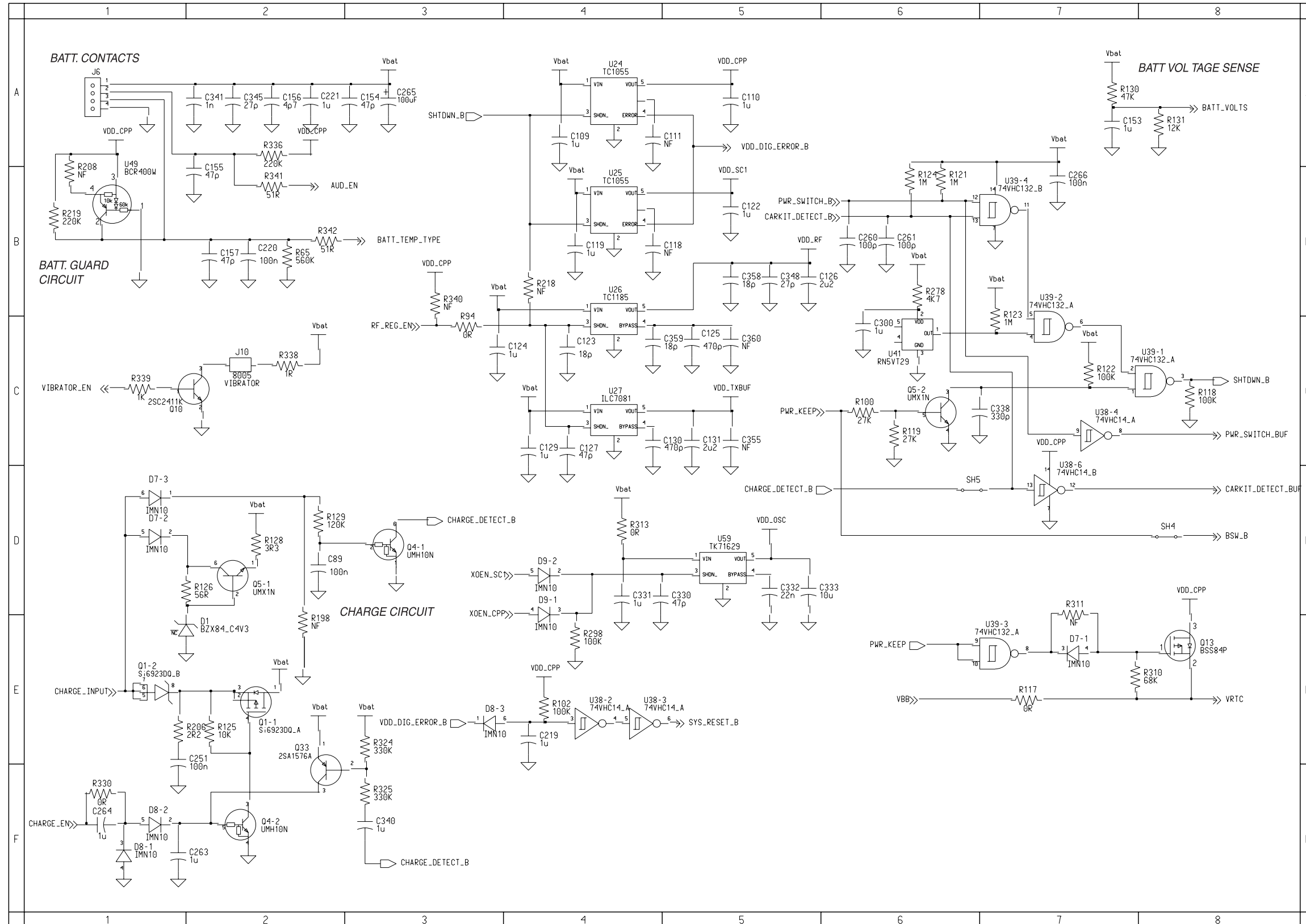
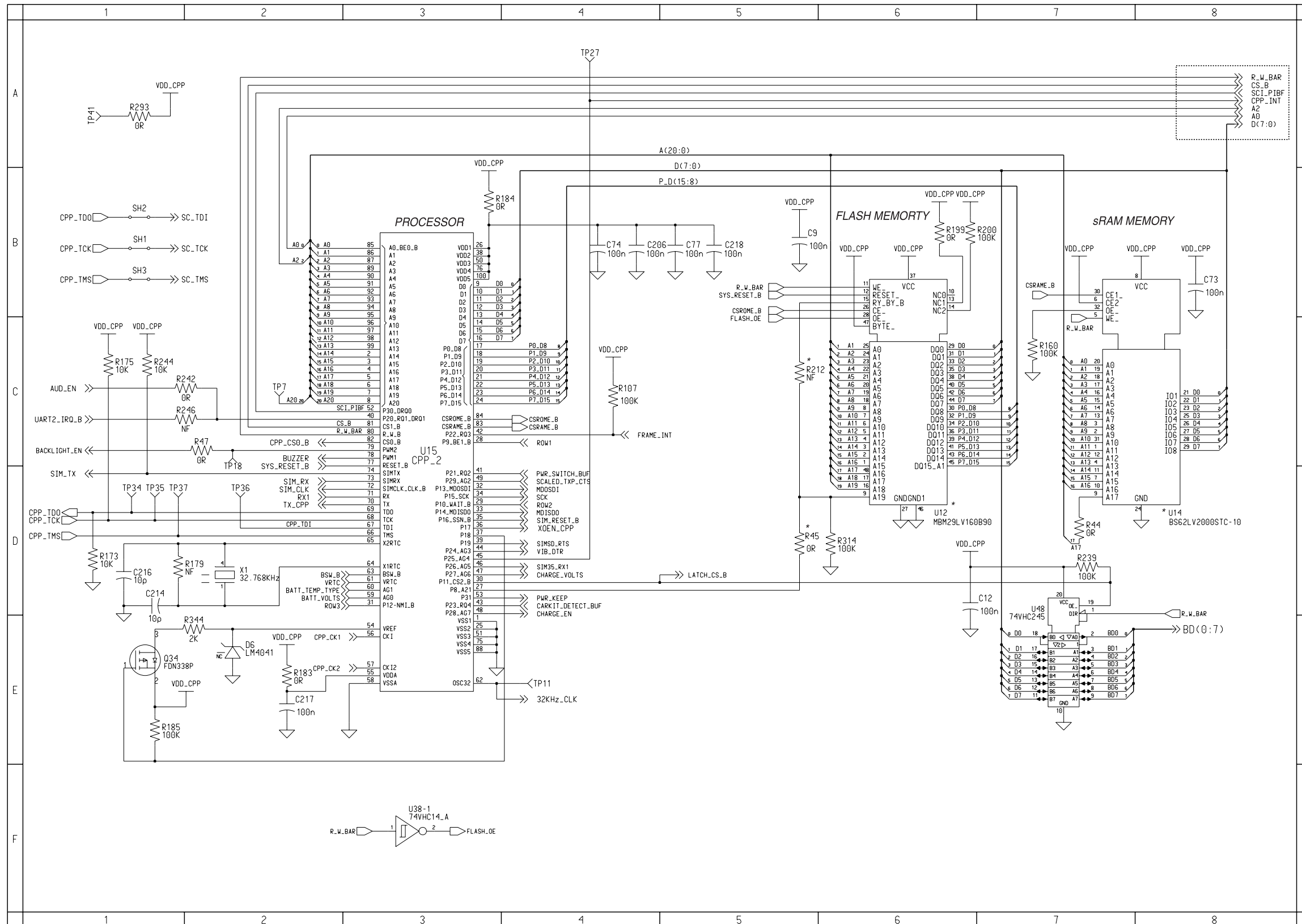


# 7. CIRCUIT DIAGRAM

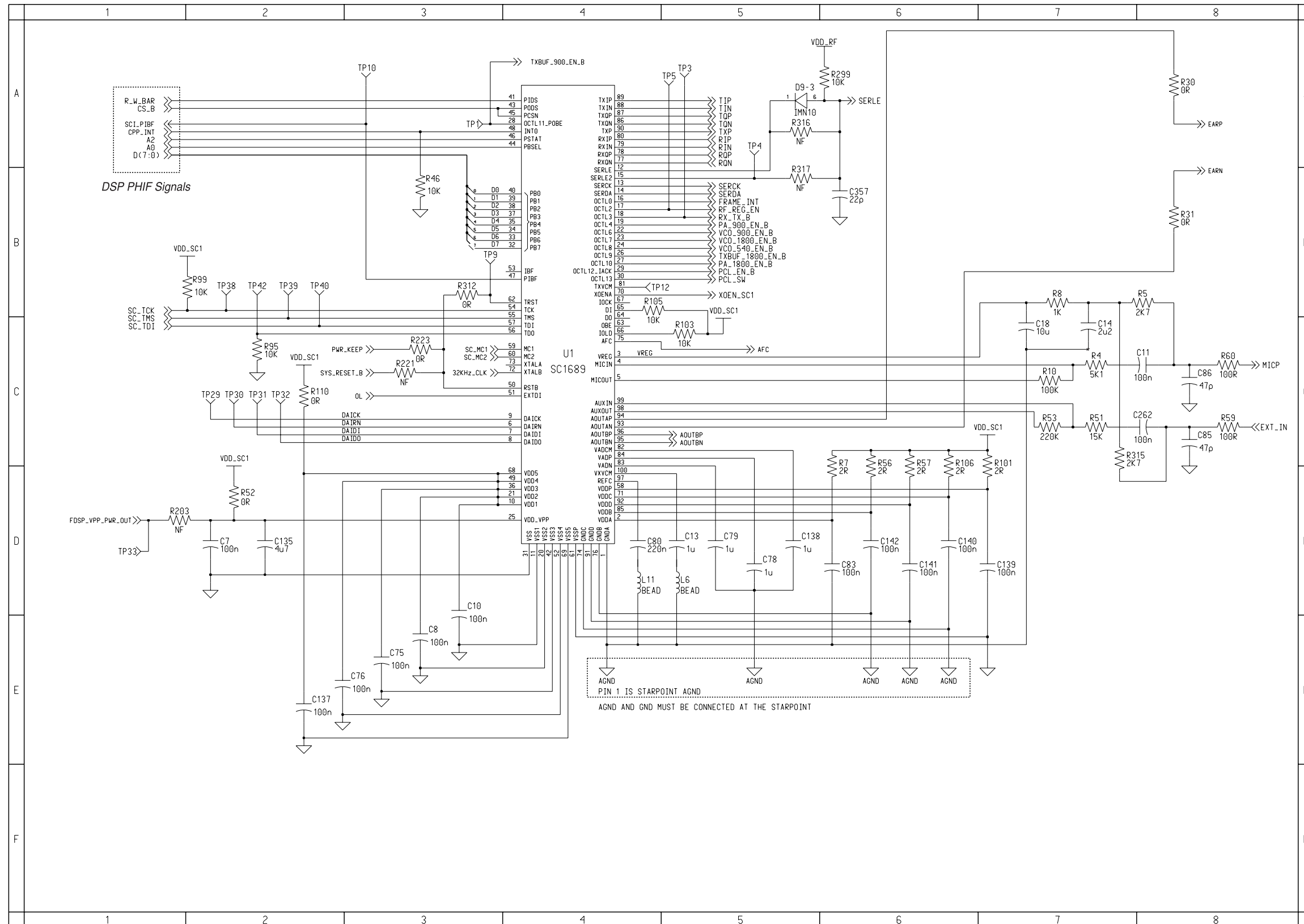
## • POWER SUPPLY



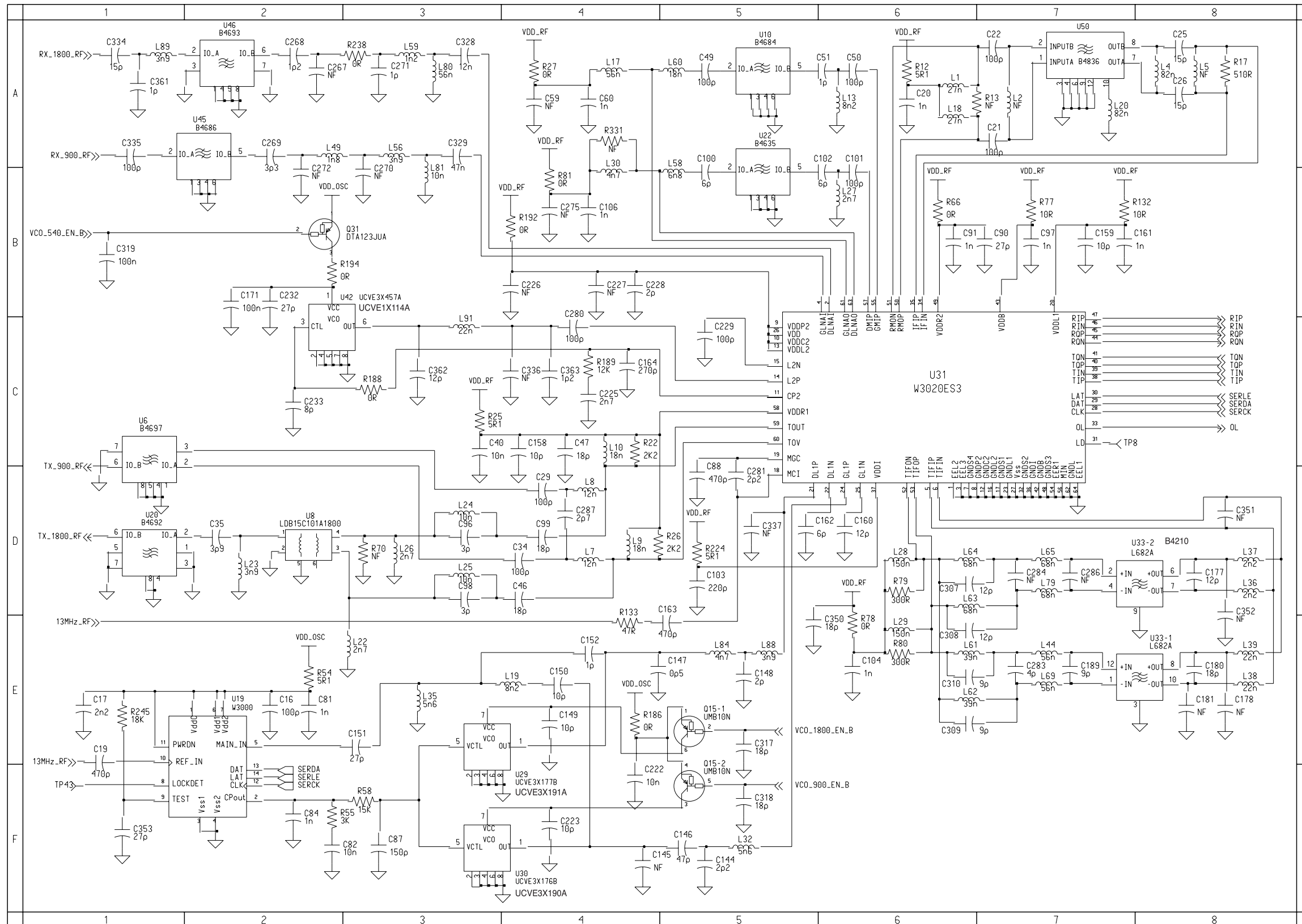
• MCU & MEMORY



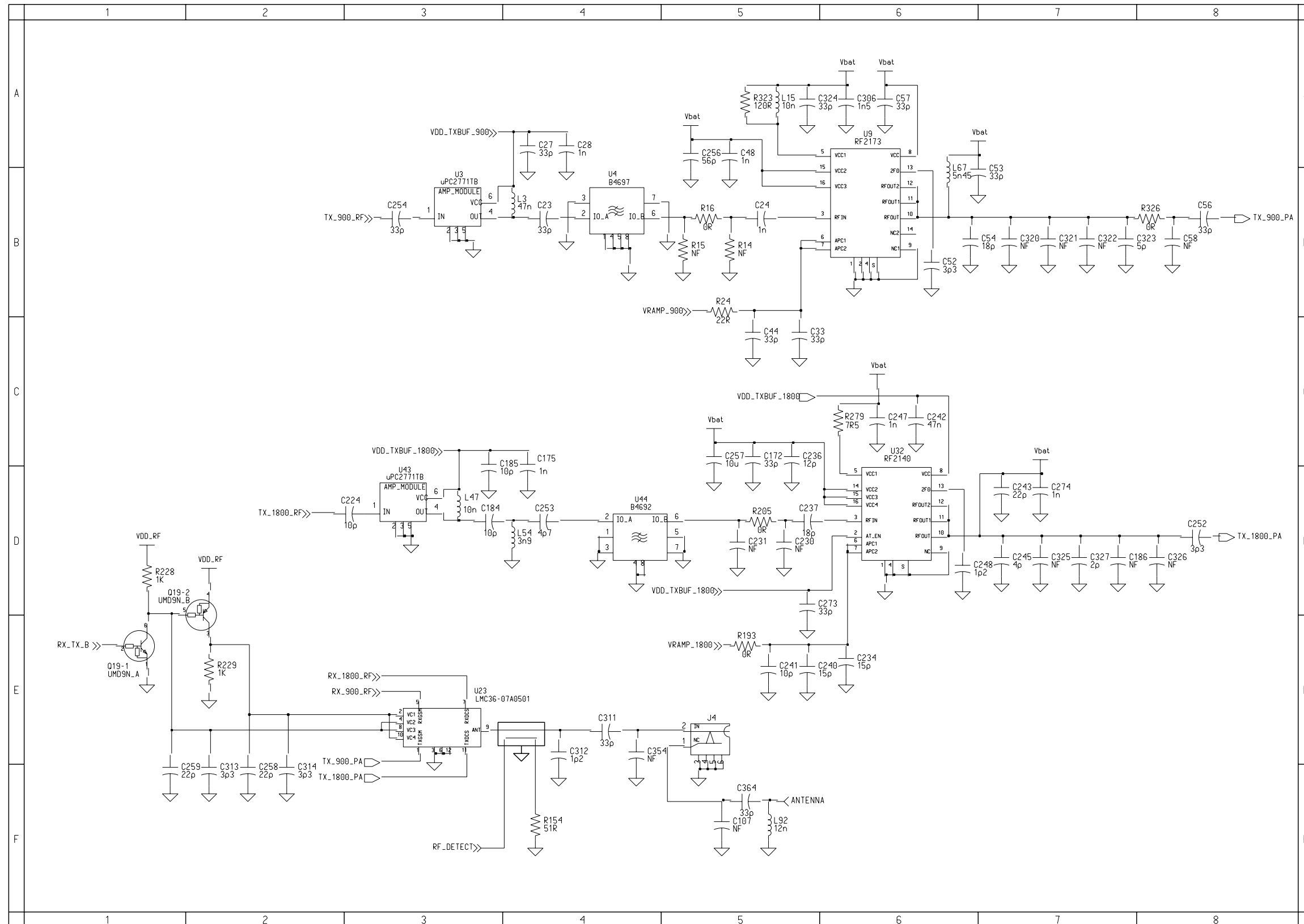
• SCI



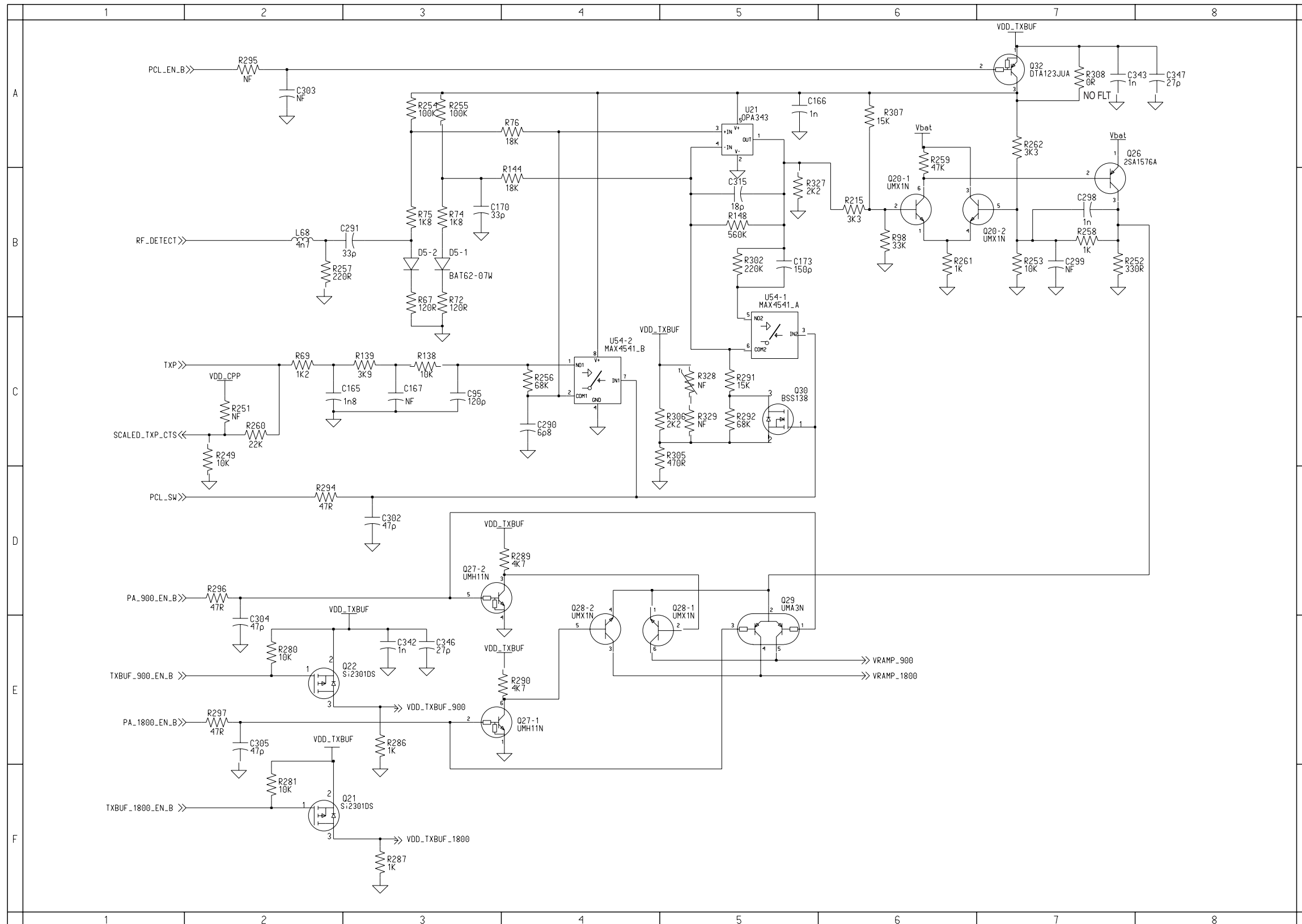
• RF CORE



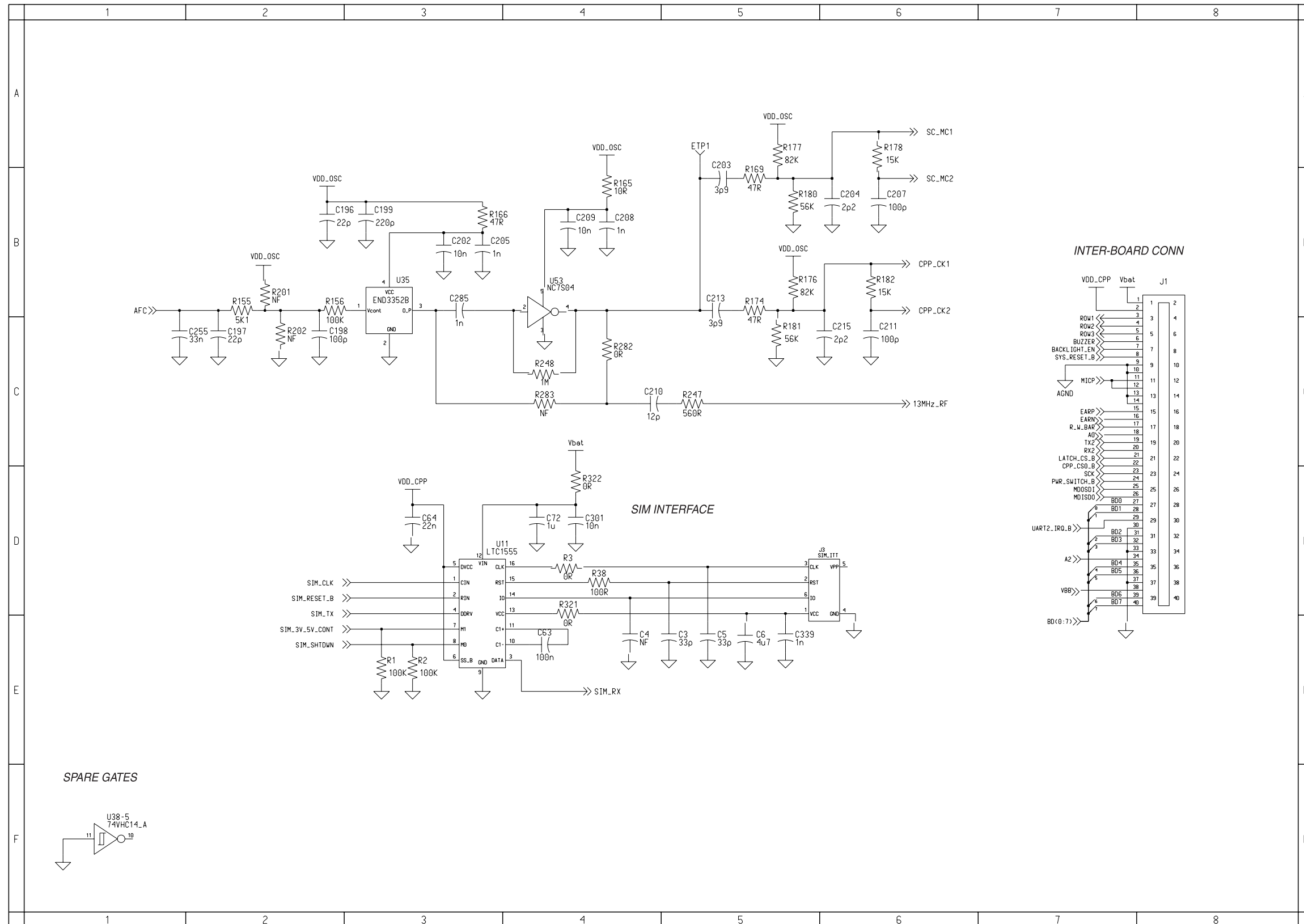
• RF FRONT END



• POWER CONTROL LOOP



• MISC



• CARKIT CONNECTOR

