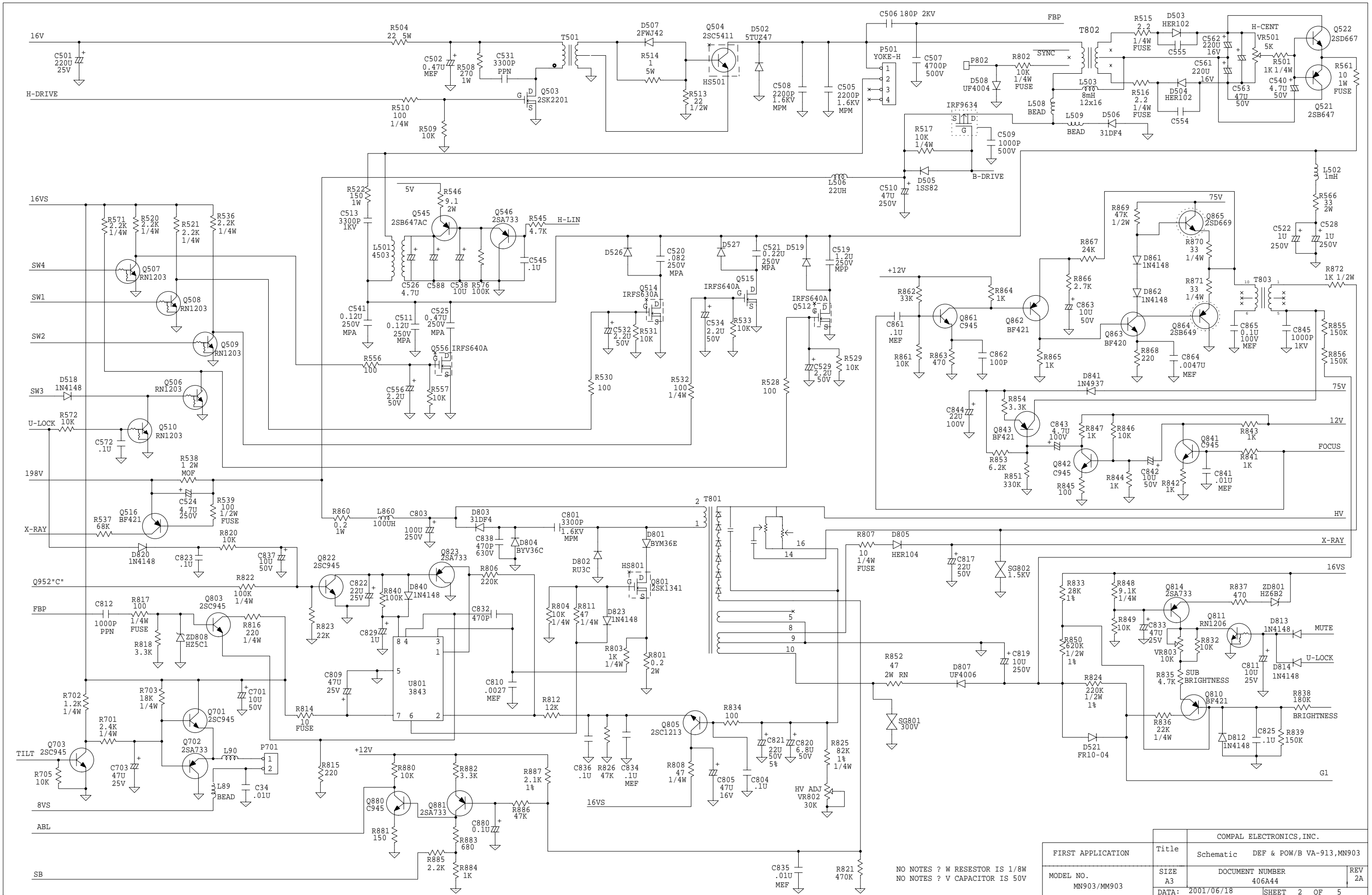


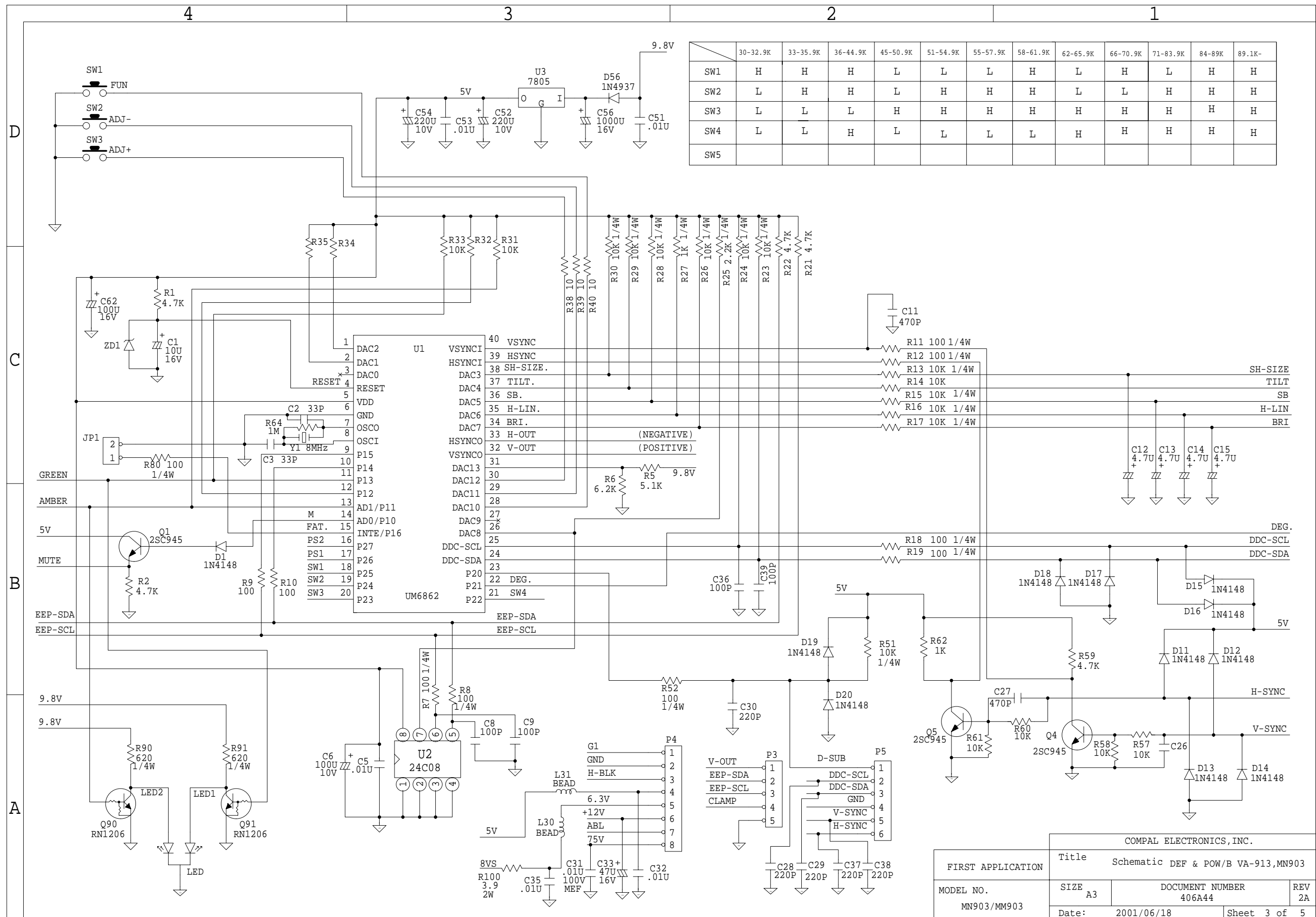
COMPAL ELECTRONICS, INC.			
FIRST APPLICATION	Title	Schematic CRT/B VQ-913, MN903	
MODEL NO. MN903/MM903	SIZE A3	DOCUMENT NUMBER 402A44	REV 1D
Date:	2001-06-18	Sheet 2	of 2

FOR 452A44-01  
442A44-01

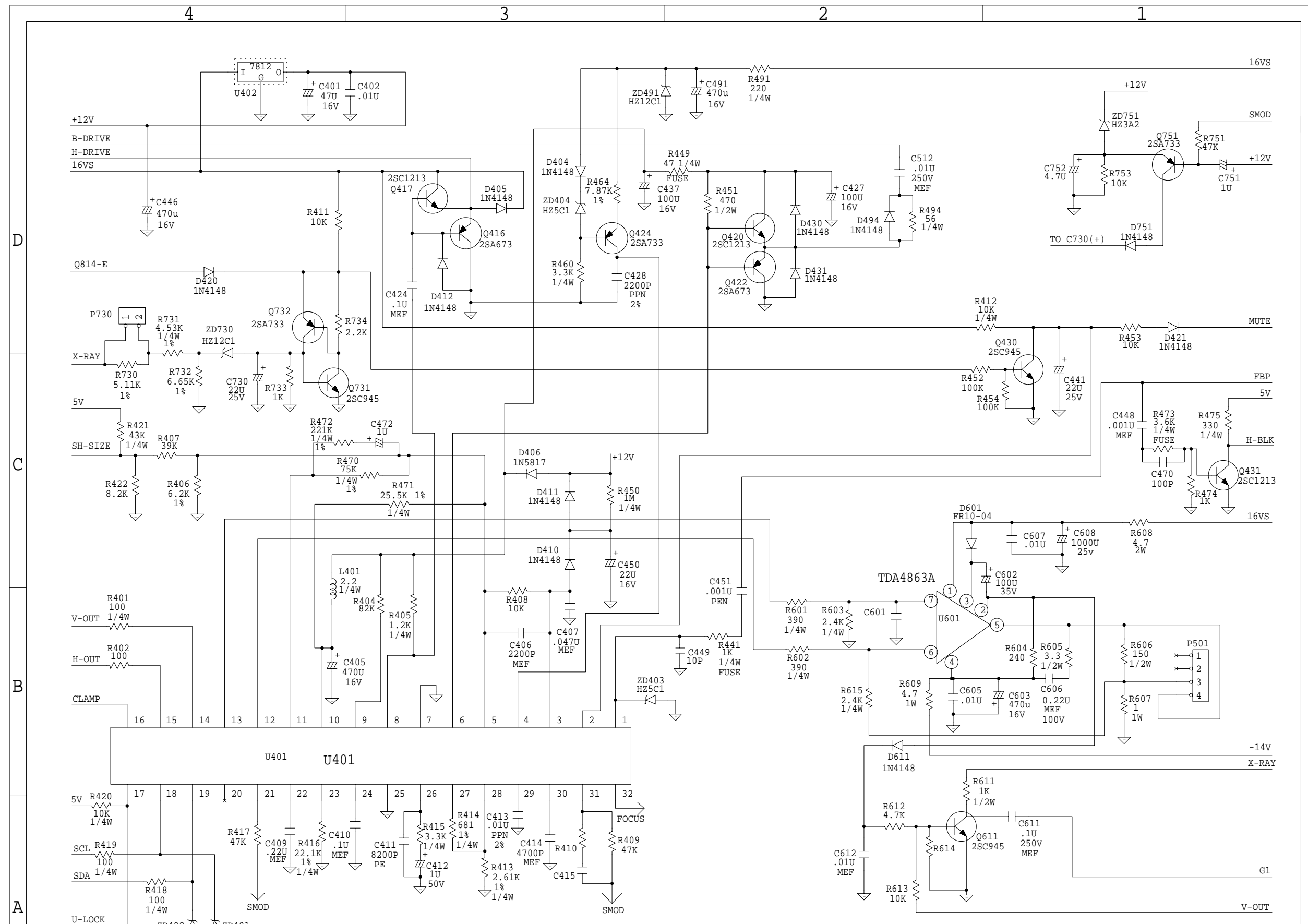


NO NOTES ? W RESESTOR IS 1/8W  
 NO NOTES ? V CAPACITOR IS 50V

COMPAL ELECTRONICS, INC.			
FIRST APPLICATION	Title	Schematic	DEF & POW/B VA-913, MN903
MODEL NO. MN903/MM903	SIZE A3	DOCUMENT NUMBER 406A44	REV 2A
	DATA: 2001/06/18	SHEET	2 OF 5

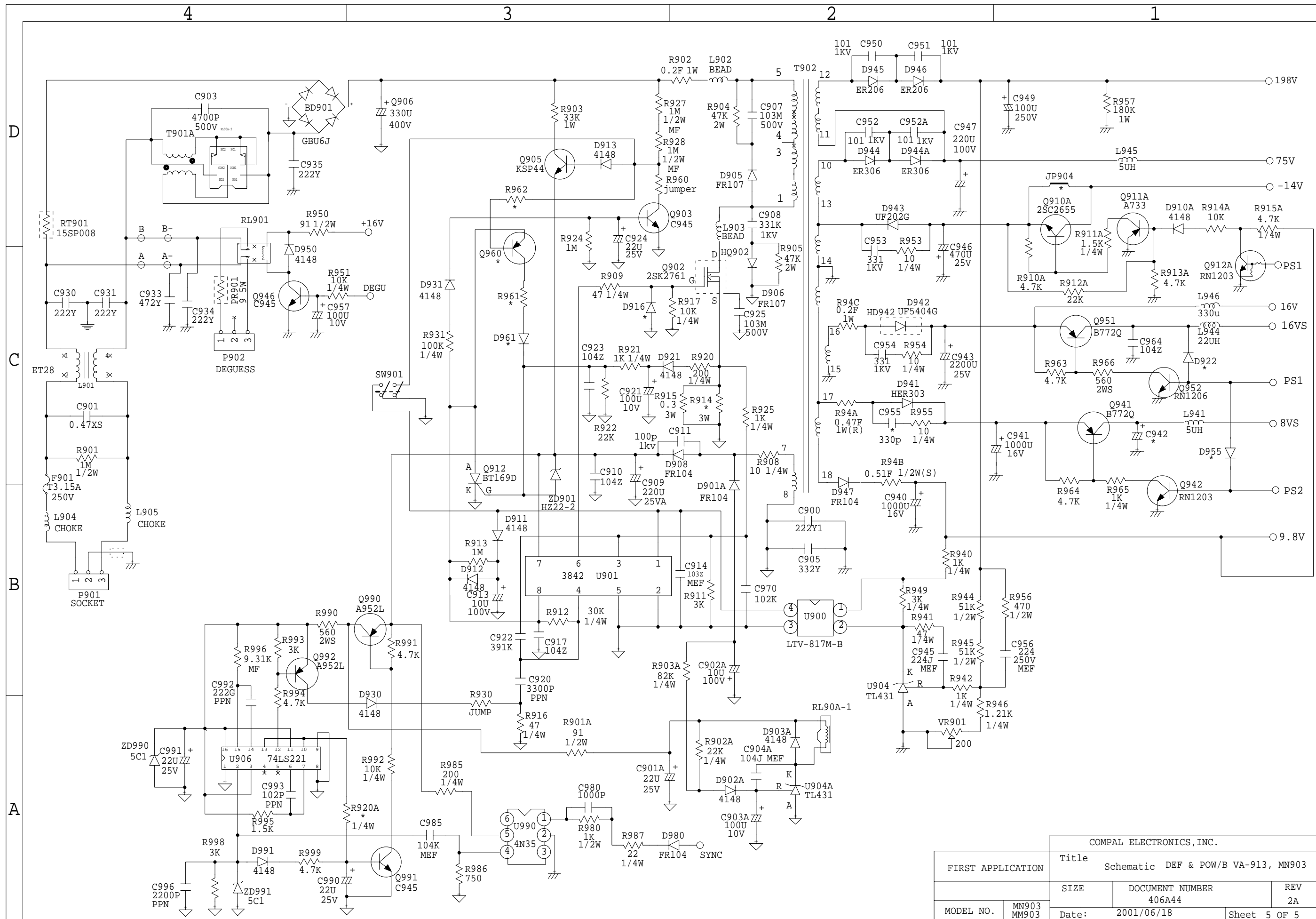


COMPAL ELECTRONICS, INC.			
FIRST APPLICATION	Title Schematic DEF & POW/B VA-913,MN903		
MODEL NO. MN903/MM903	SIZE A3	DOCUMENT NUMBER 406A44	REV 2A
Date:	2001/06/18	Sheet 3 of 5	



NO NOTES ? W RESISTOR IS 1/8W  
 NO NOTES ? V CAPACITOR IS 50V

COMPAL ELECTRONICS, INC.			
FIRST APPLICATION	Title Schematic DEF & POW/B VA-913, MN903		
MODEL NO.	SIZE A3	DOCUMENT NUMBER 406A44	REV 2A
MN903/MM903	Date: 2001/06/18	Sheet 4 of 5	



COMPAL ELECTRONICS, INC.		
FIRST APPLICATION		Title Schematic DEF & POW/B VA-913, MN903
SIZE	DOCUMENT NUMBER	REV
MODEL NO.	MN903	406A44
	MM903	2A
Date:	2001/06/18	Sheet 5 OF 5

FOR X62A44-01  
X61A44-01