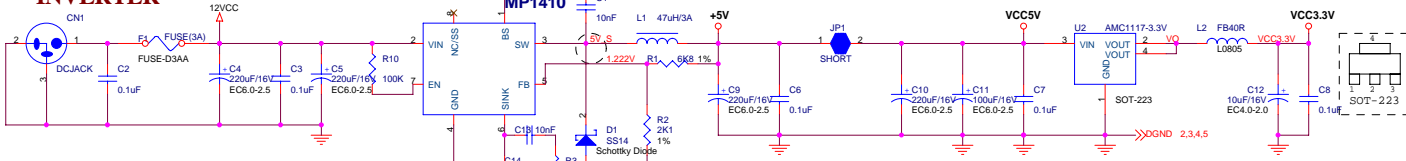
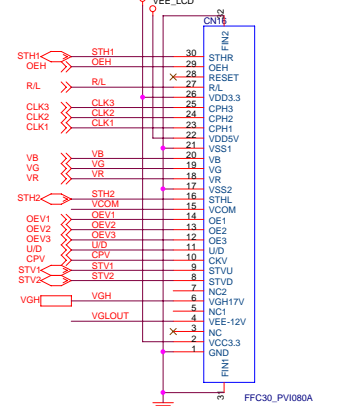


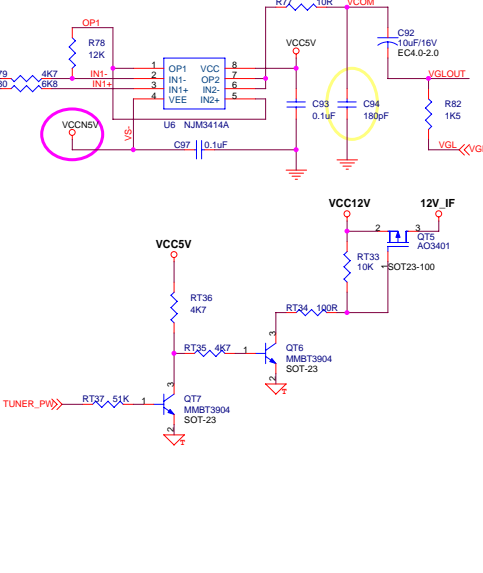
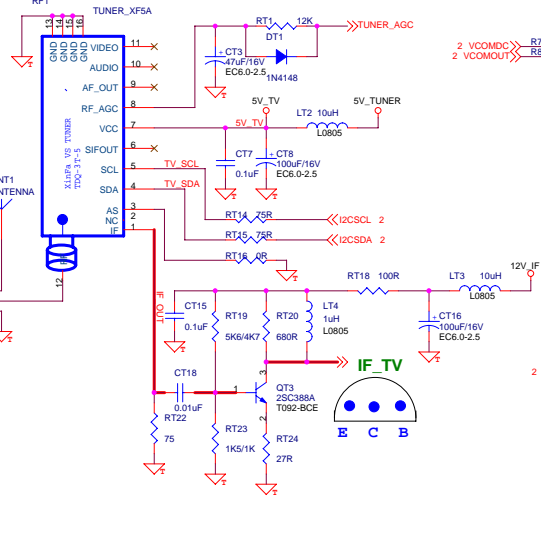
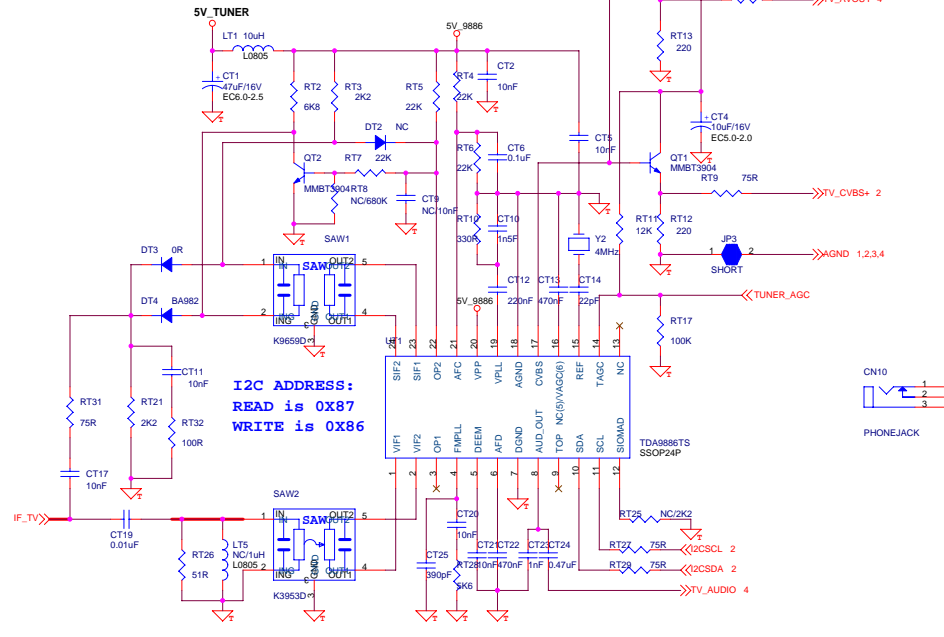
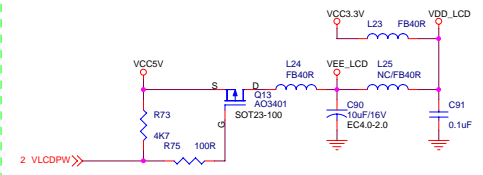
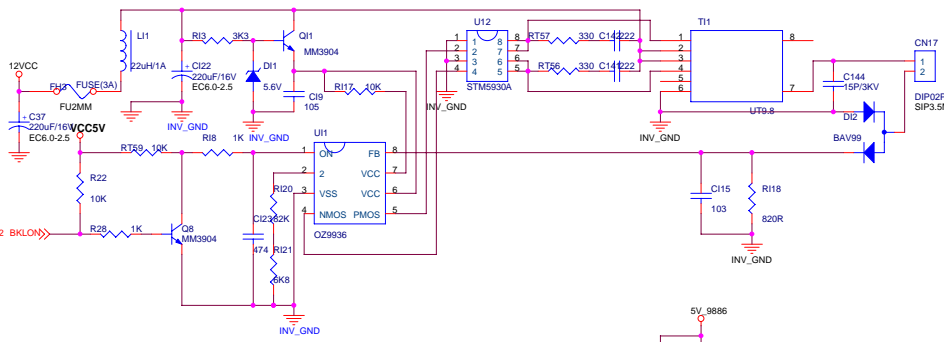
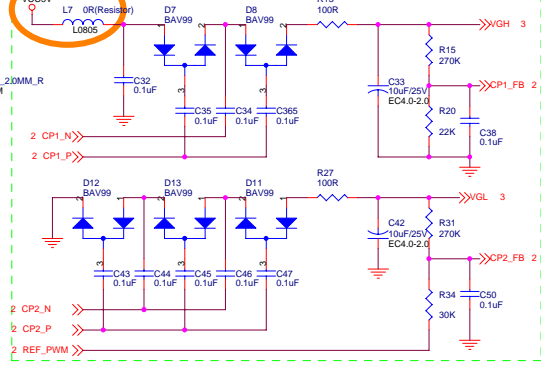
INVERTER

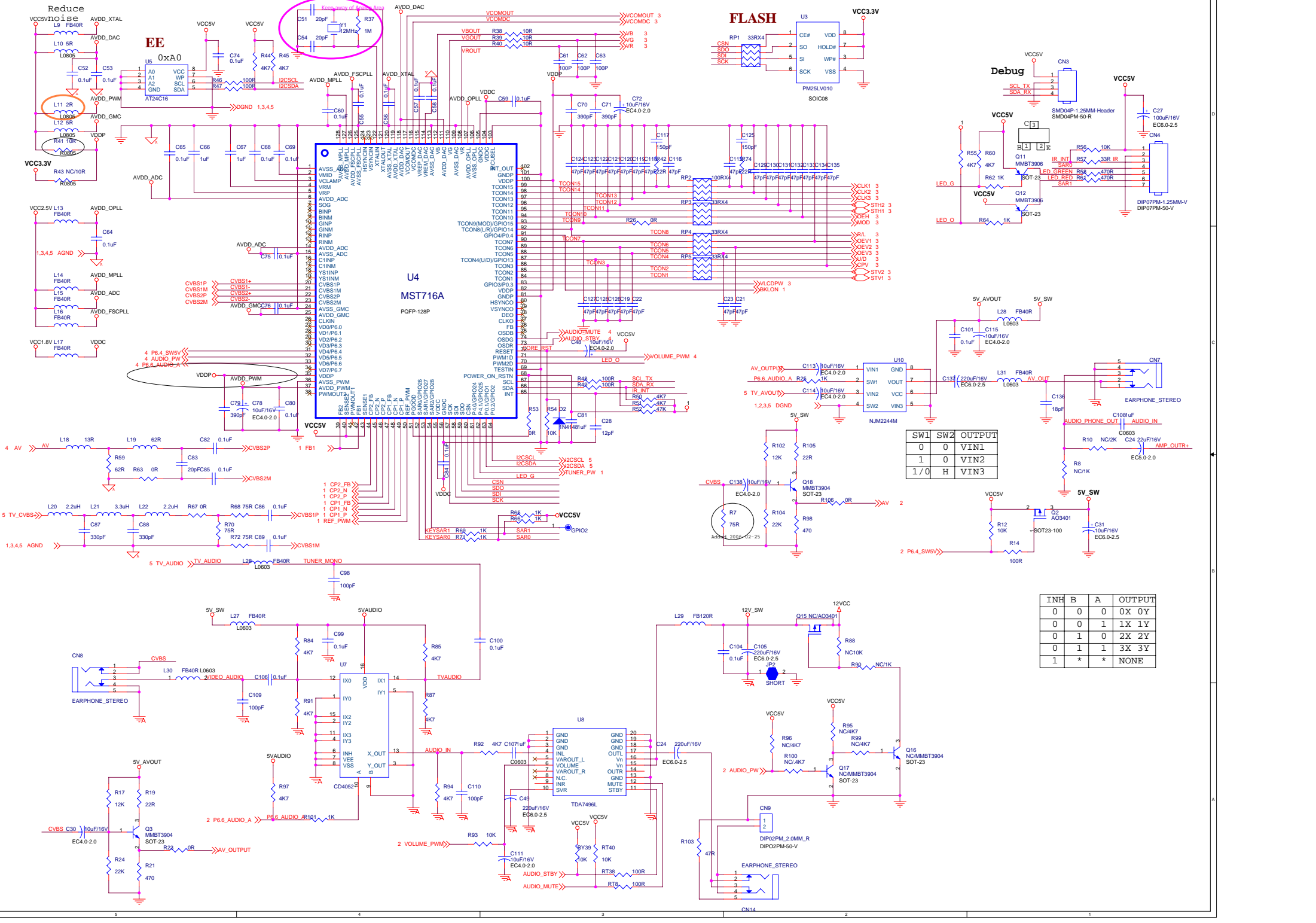


R/B None SWAP on LG Panel



StepUp Circuit





SW1	SW2	OUTPUT
0	0	VIN1
1	0	VIN2
1	0	VIN3

INH	B	A	OUTPUT
0	0	0	0X 0Y
0	0	1	1X 1Y
0	1	0	2X 2Y
0	1	1	3X 3Y
1	*	*	NONE