

BBK

Angel 2 Series

SERVICE MANUAL

CONTENT

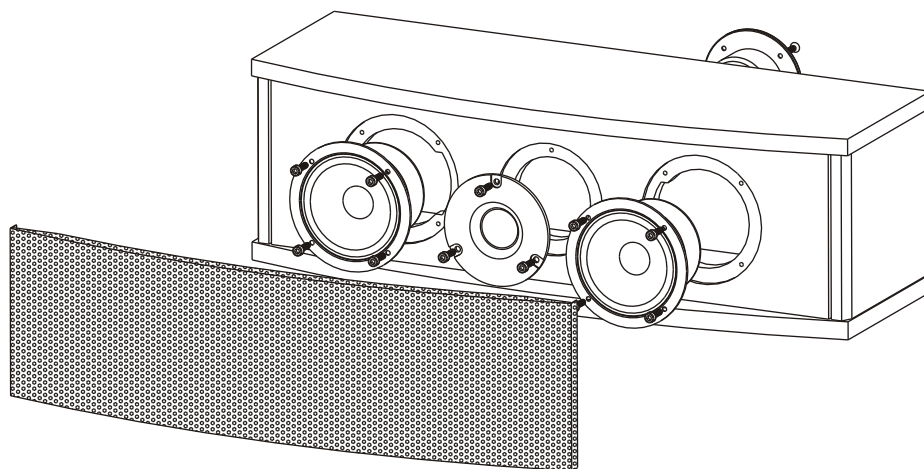
SPECIFICATIONS	2
GENERAL CHART	2
Angel 2C	2
Angel 2F	3
Angel 2S	3
BILL OF MATERIAL	4

SPECIFICATIONS

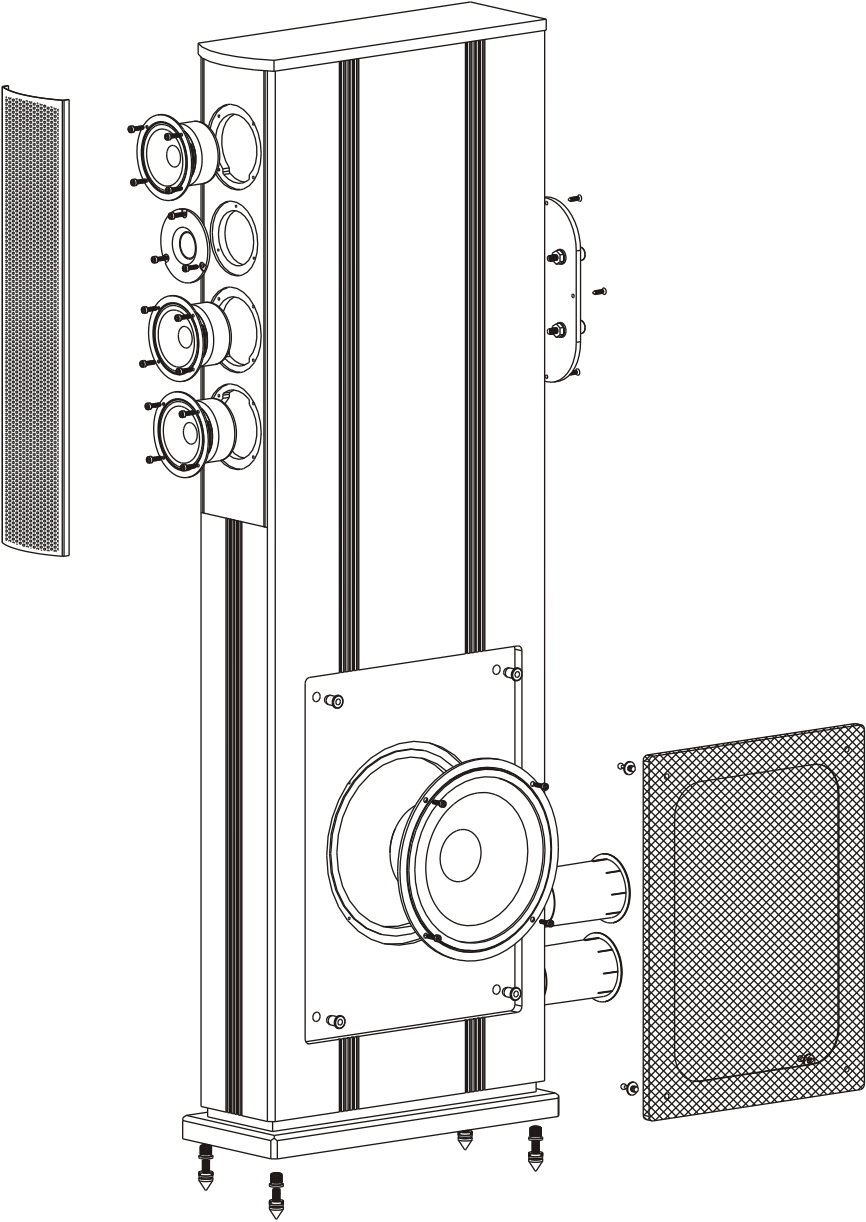
Model Number	Angel 2C	Angel 2F	Angel 2S
Speaker System	Center Speaker	Front Speaker	Surround Speaker
Component	1 " tweeter 3 " woofer x 2	1 " tweeter 3 " MID x 3 8 " woofer x 1	1 " tweeter 3 " woofer
Cabinet Type	Vented	Vented	Vented
Speaker Terminals	Binding Post	Binding Post	Binding Post
Dimensions (WxDxH)mm	460 x 160 x 145 mm	130 x 433 x 1060 mm	130 x 160 x 250 mm
Weight(net)	4.0 kg/pc	19.0 kg/pc	2.2 kg/pc

GENERAL CHART

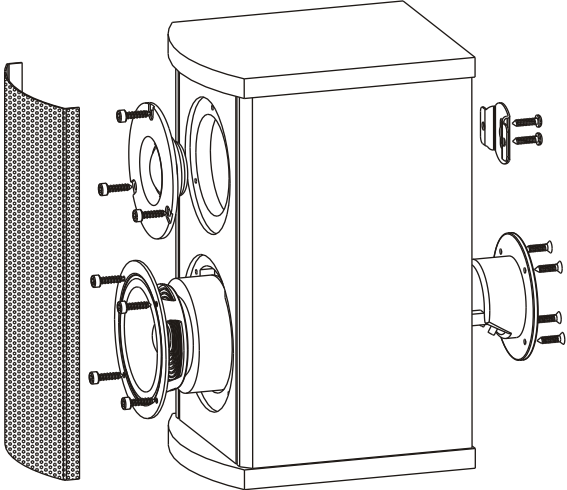
Angel 2C



Angel 2F



Angel 2S



BILL OF MATERIAL

Model: Angel 2C

Unit: 1pc

Item	Material Code	Material Name	Specification	Unit	Dosage	Remark
33	D180R23N8A25-21	Tweeter Antimagnetic panel 80 Round magnet 23 neodymium ferroboron 8 Ω	Coil made of ASV material 25core	PCS	1.0000	
34	W192R60B4A15-6	Woofers Antimagnetic bracket 92 Round magnet 60 Ferrite 4 Ω	Coil made of ASV material 15core	PCS	2.0000	

Model: Angel 2F

Unit: 1pc

Item	Material Code	Material Name	Specification
50	D180R23N8K25-6	Tweeter Antimagnetic panel 80 Round magnet 23 neodymium ferroboron 8 Ω	Coil made of KSV material 25core
51	W192R60B4A15-6	Woofers Antimagnetic bracket 92 Round magnet 60 Ferrite 4 Ω	Coil made of ASV material 15core
52	W192R60B8A15-4	Woofers Antimagnetic bracket 92 Round magnet 60 Ferrite 8 Ω	Coil made of ASV material 15core
53	W0200R120B8K35-7	Woofers Unantimagnetic bracket 200 Round magnet 120 Ferrite 8 Ω	Coil made of KSV material 35core

Model: Angel 2S

Unit: 1pc

Item	Material Code	Material Name	Specification	Unit	Dosage	Remark
27	D180R23N8A25-21	Tweeter Antimagnetic panel 80 Round magnet 23 neodymium ferroboron 8 Ω	Coil made of ASV material 25core	PCS	1.0000	
28	W192R60B8A15-4	Woofers Antimagnetic bracket 92 Round magnet 60 Ferrite 8 Ω	Coil made of ASV material 15core	PCS	1.0000	

IBK