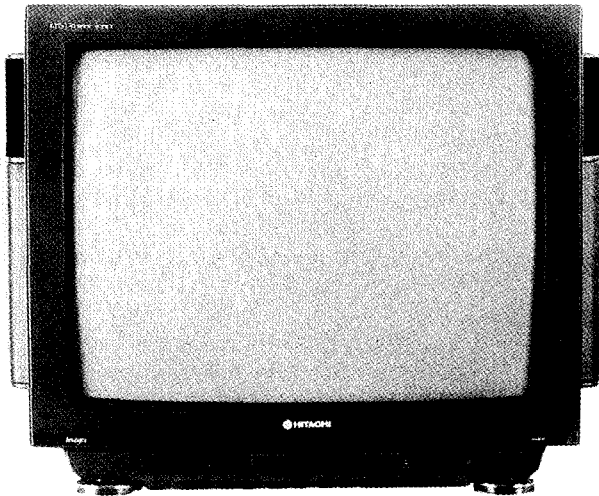


SERVICE MANUAL

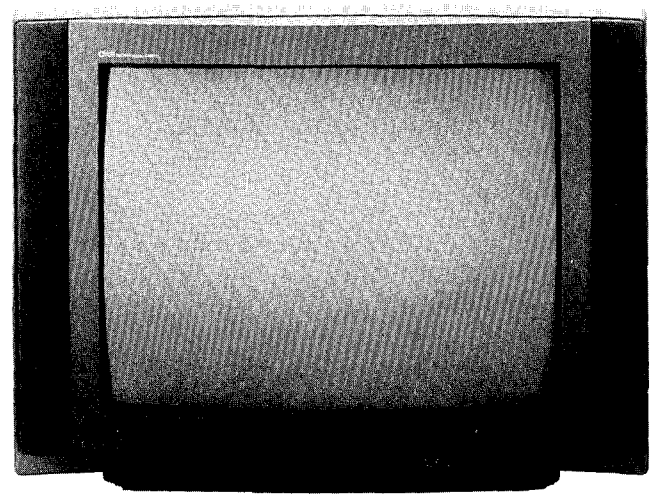
CAUTION:

Before servicing this chassis, it is important that the service technician read the "Safety Precautions" and "Product Safety Notices" in this service manual.

C2544TN
C2844TN



C2564TN
C2864TN



TECHNICAL SPECIFICATIONS

TV Standard	625 lines
Channel coverage	UHF channels 21-68
Aerial input impedance	75 ohm unbalanced
Intermediate frequencies	
I.F. Luminance	39.5 MHz
I.F. Sound	33.5 MHz
I.F. Chrominance	35.07 MHz
F.M. Sound	6.0 MHz
Colour sub carrier	4.43 MHz
Focusing	Electro static
Mains Voltage	240 V 50 Hz
Fuses	T3.15A, 630 mA
Picture tubes	59 cm and 66 cm Type

Programme Selectors Channel UP/DOWN buttons with 59 programme remote control

Speakers CL25/2844TN 10 cm 8 Ohm
CL25/2864TN 13 cm and 7 x 13 cm

Power consumption C25/2844TN Approx. 85 W
C25/2864TN Approx. 95 W

Dimensions:	C2544TN	C2844TN	C2564TN	C2864TN
Width	662 mm	772 mm	701 mm	772 mm
Height	511 mm	549 mm	520 mm	576 mm
Depth	439 mm	467 mm	464 mm	500 mm
Weight	30 kg	35 kg	32 kg	37 kg

● Use this Service Manual in conjunction with the "Technical Book" X830798.

SAFETY PRECAUTIONS

WARNING: The following precautions should be observed.

1. Do not install, remove, or handle the picture tube in any manner unless shatter proof goggles are worn. People not so equipped should be kept away while picture tubes are handled. Keep the picture tube away from the body while handling.
2. When service is required, an isolation transformer should be inserted between the power line and the receiver before any service is performed on the chassis.
3. When replacing the chassis in the cabinet, ensure all the protective devices are put back in place, such as barriers, non-metallic knobs, adjustment or compartment covers or shields, isolation resistors/capacitors, etc.
4. When service is required, observe the original lead dressing. Extra precaution should be taken to assure correct lead dressing in the high voltage circuitry area. Particularly note the R.G.B. lead dressing. Ensure they are dressed well away from the horizontal scan and F.B.T. circuitry.
5. Always use the manufacturer's replacement component. Always replace original spacers and maintain lead lengths. Especially critical components are indicated thus Δ on the parts list and should not be replaced by other makes. Furthermore, where a short circuit has occurred, replace those components that indicate evidence of overheating.
6. Before returning a serviced receiver to the customer, the service technician must thoroughly test the unit to be certain that it is completely safe to operate without danger of electrical shock, and be sure that no protective device built into the instrument by the manufacturer has become defective, or inadvertently damaged during servicing.
Therefore, the following checks are recommended for the continued protection of the customers and service technicians.

INSULATION

Insulation resistance should not be less than $10M\Omega$ at 500V DC between the mains poles and any accessible metal parts.

Also, no flashover or breakdown should occur during the dielectric strength test, applying 3kV AC or 4.25kV DC for two seconds between the main poles and accessible metal parts.

HIGH VOLTAGE

High voltage should always be kept at the rated value of the chassis and no higher. Operating at higher voltages may cause a failure of the picture tube or high voltage supply, and also, under certain circumstances could produce X-radiation levels moderately in excess of design levels. The high voltage must not, under any circumstances, exceed 27kV on the chassis.

X-RADIATION

TUBES: The primary source of X-radiation in this receiver is the picture tube. The tube utilised for the above mentioned function in this chassis is specially constructed to limit X-radiation.

For continued X-radiation protection, replace tube with the same type as the original HITACHI approved type.

PRODUCT SAFETY NOTICE

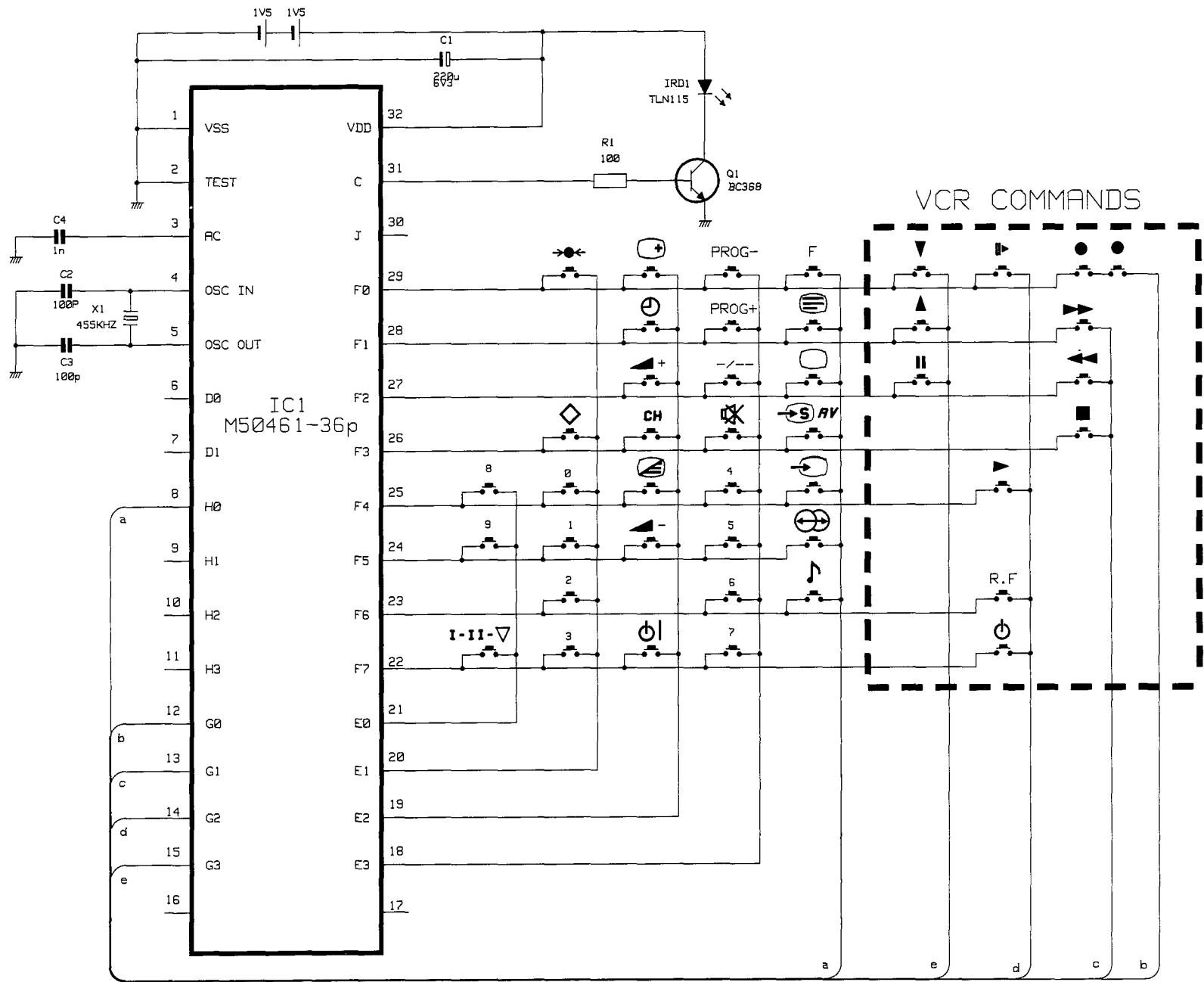
Many electrical and mechanical parts in HITACHI television receivers have special safety related characteristics. These characteristics are often not evident from visual inspection, nor can the protection afforded by them necessarily be obtained by using replacement components rated for higher voltage, wattage, etc. Replacement parts which have these special safety characteristics are identified by marking with a Δ on the schematics and the replacement parts list contained in this service manual.

The use of a substitute replacement component which does not have the same safety characteristics as the HITACHI recommended replacement one, shown in the parts list of this service manual, may create electrical shock, fire, X-radiation, or other hazards.

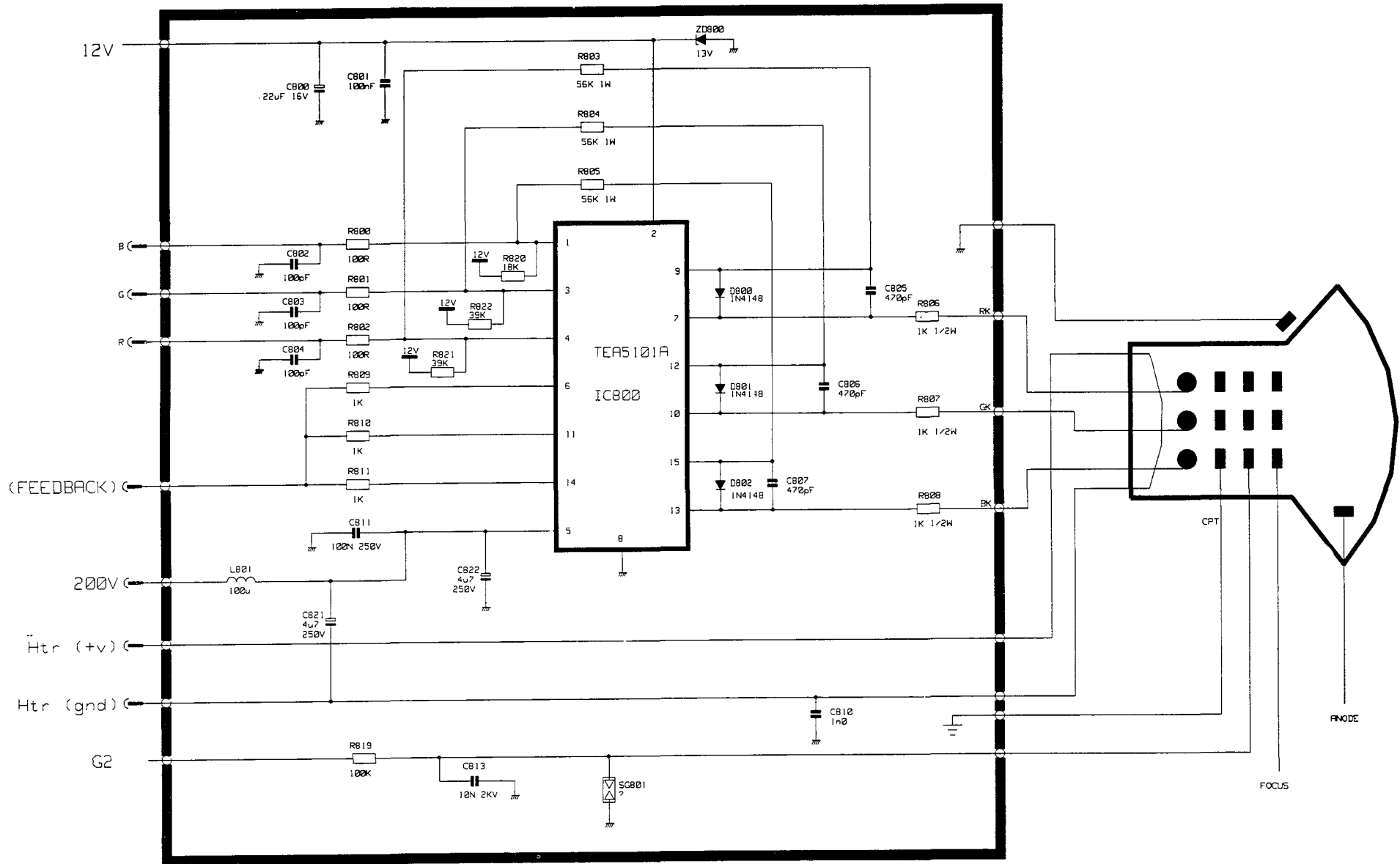
Product Safety is continuously under review, and new instructions are issued from time to time. For the latest information, always consult the current HITACHI service manual. A subscription to, or additional copies of HITACHI service manuals, may be obtained at a nominal charge from your HITACHI SALES CORPORATION.

TUBE DISCHARGE

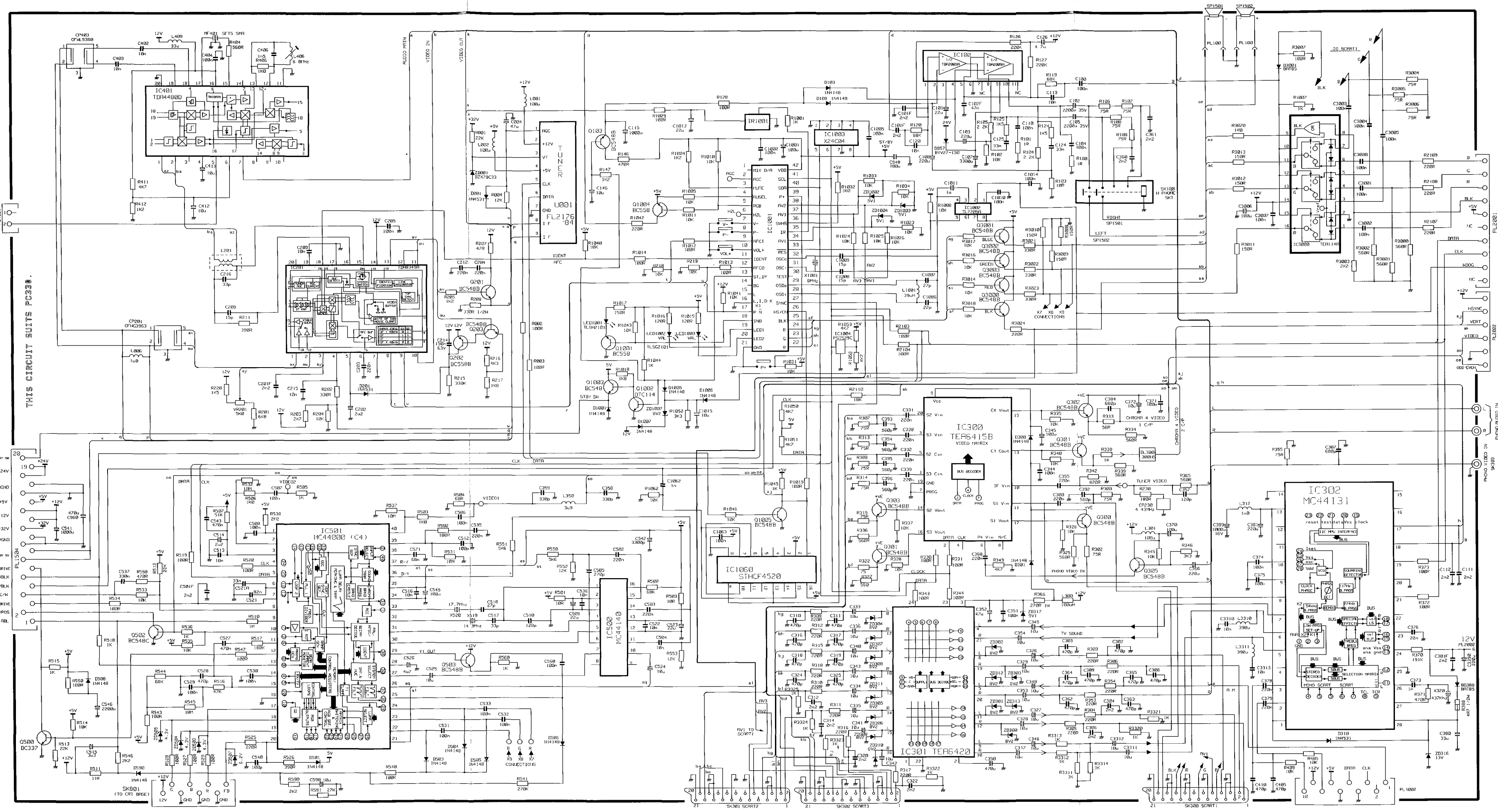
The line output stage can develop voltages in excess of 25kV; if the E.H.T. cap is required to be removed, discharge the anode to chassis via a high value resistor, prior to its removal from the tube.



REMOTE CONTROL HANDSET CIRCUIT

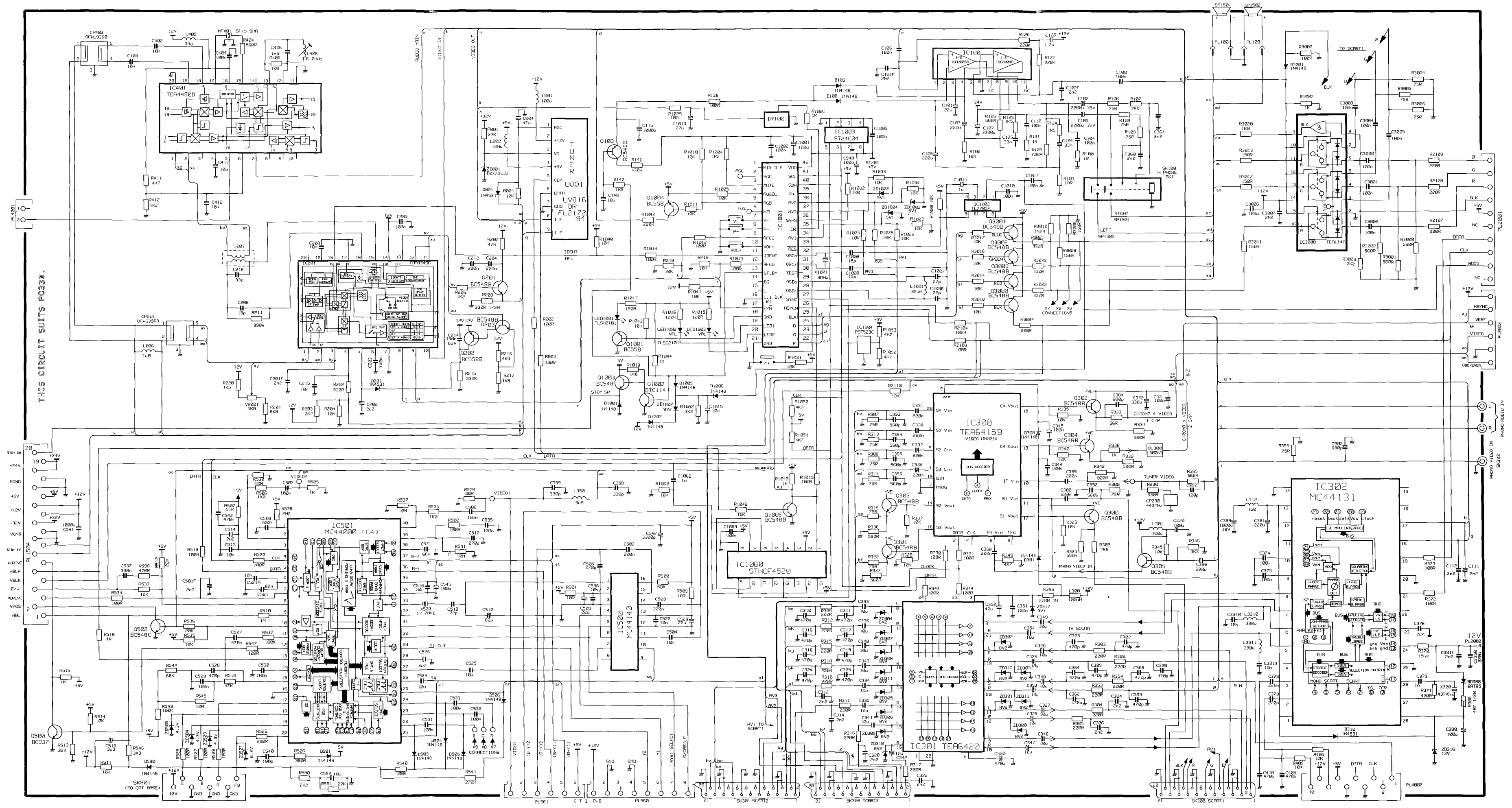


C.R.T. BASE CIRCUIT DIAGRAM

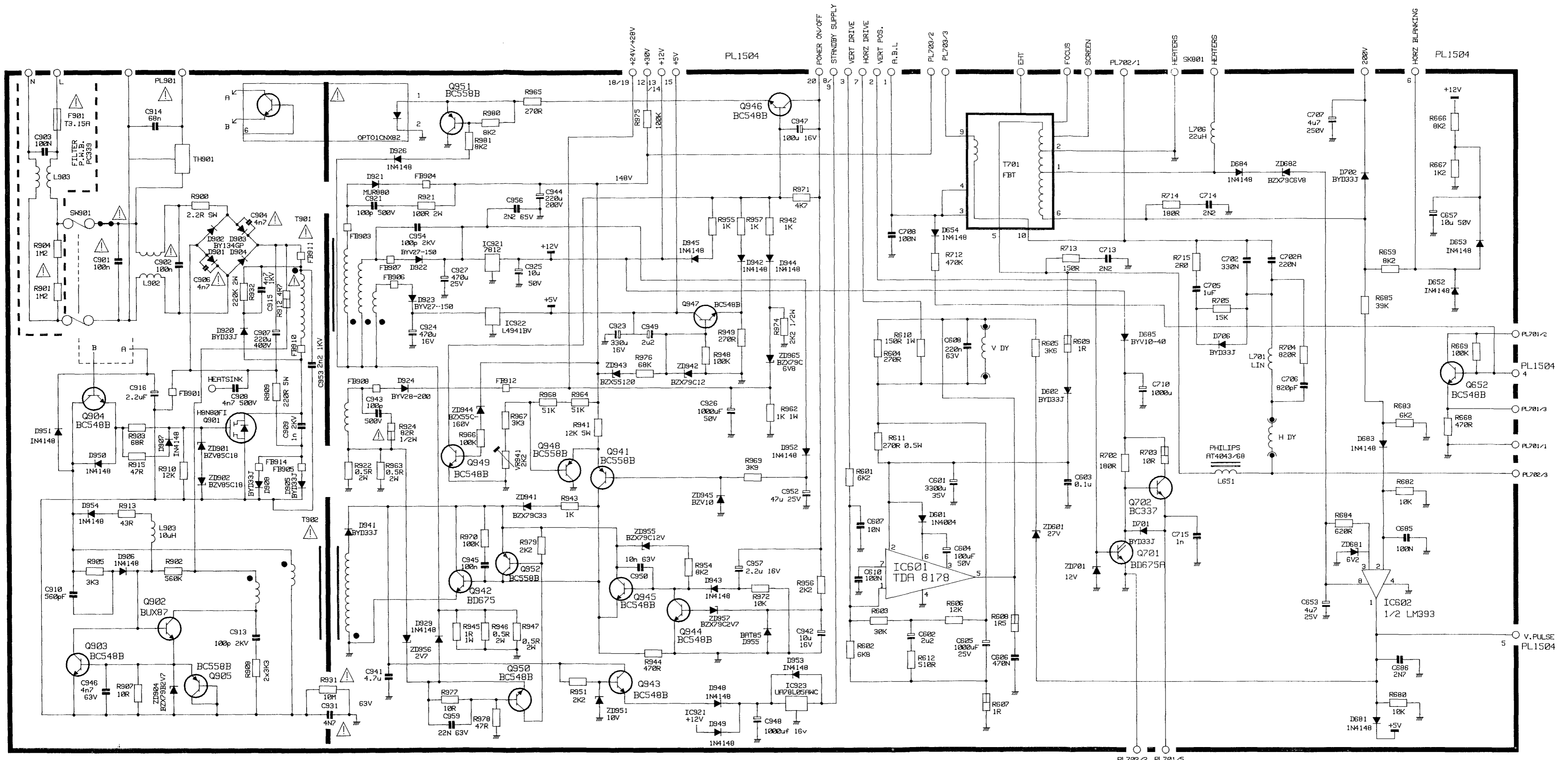


THIS CIRCUIT SUITS PC330.

SIGNAL AND CONTROL CIRCUIT DIAGRAM
(C25/2844TN)

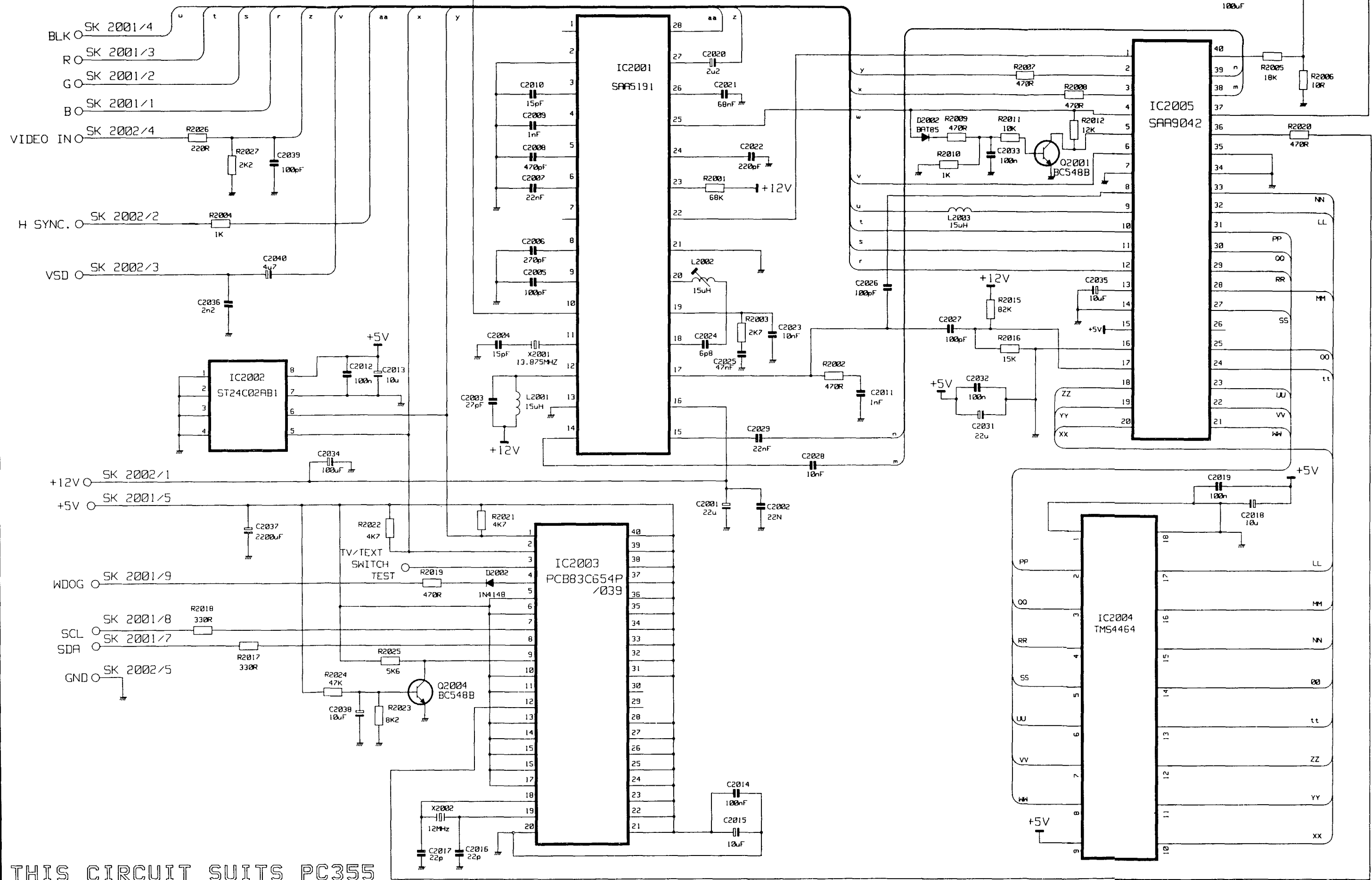


SIGNAL AND CONTROL CIRCUIT DIAGRAM
(C25/2864TN)



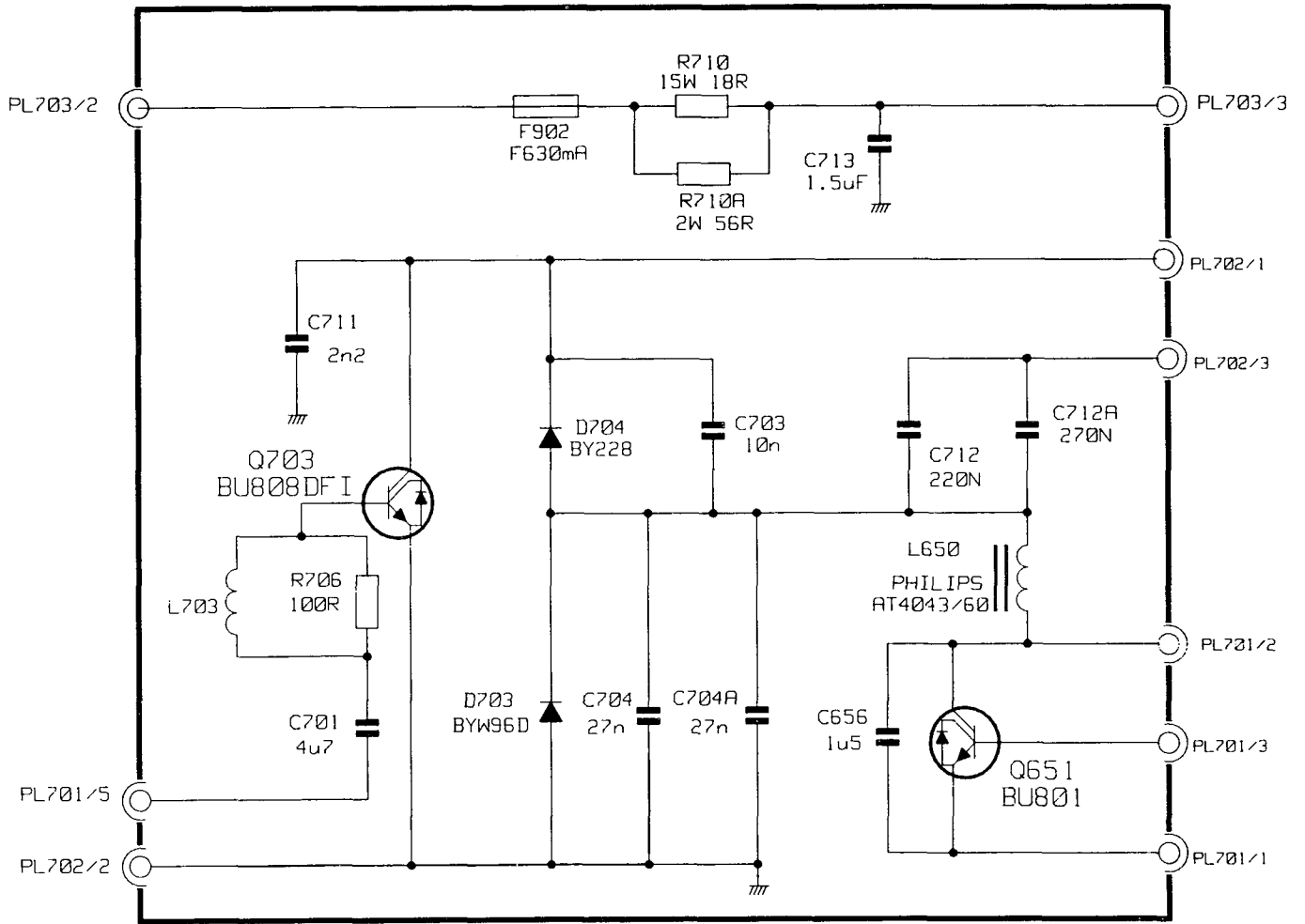
POWER SUPPLY AND TIME BASE CIRCUIT DIAGRAM

ODD/EVEN O SK 2002/6

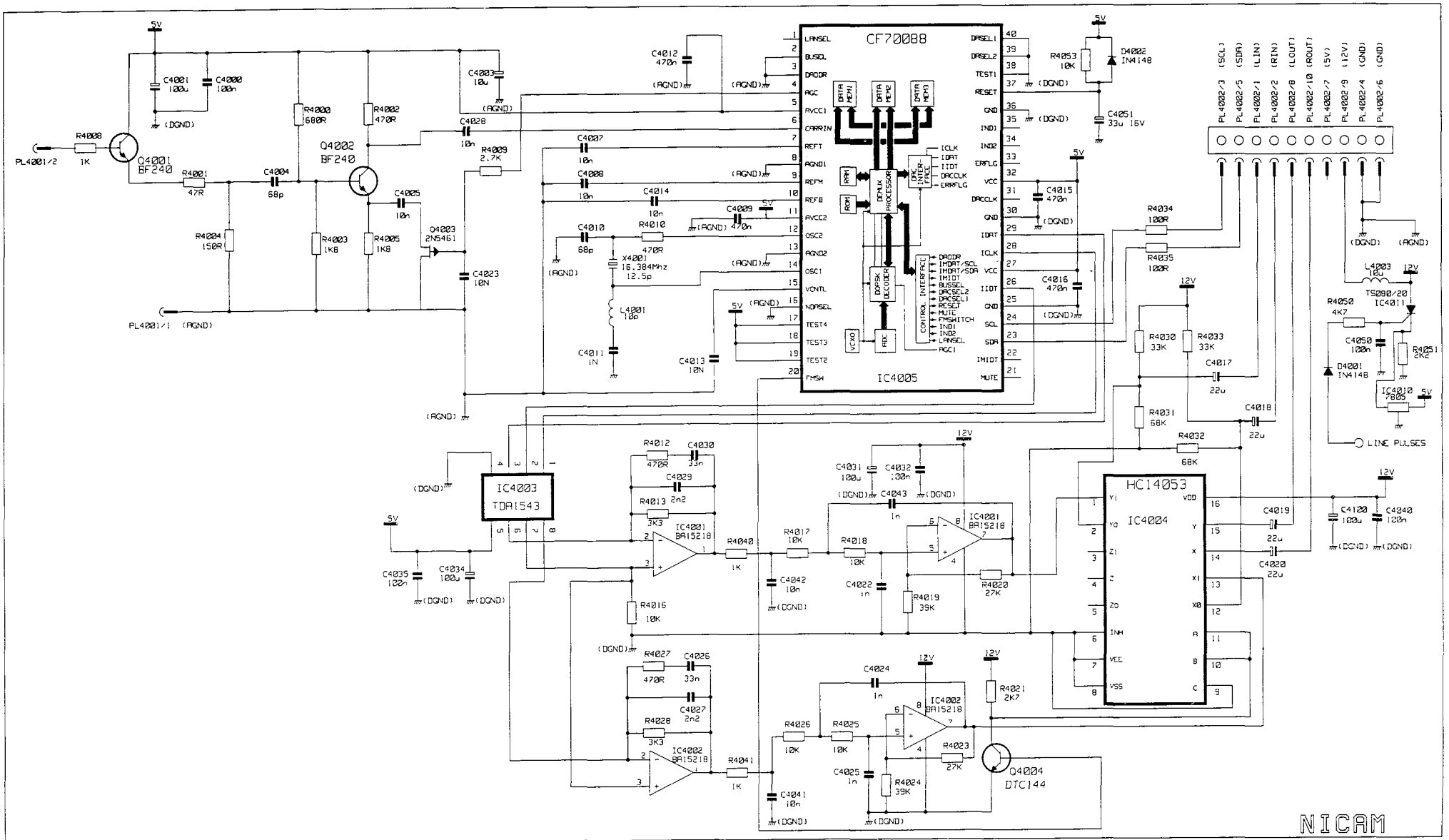


THIS CIRCUIT SUITS PC355

TELETEXT CIRCUIT DIAGRAM

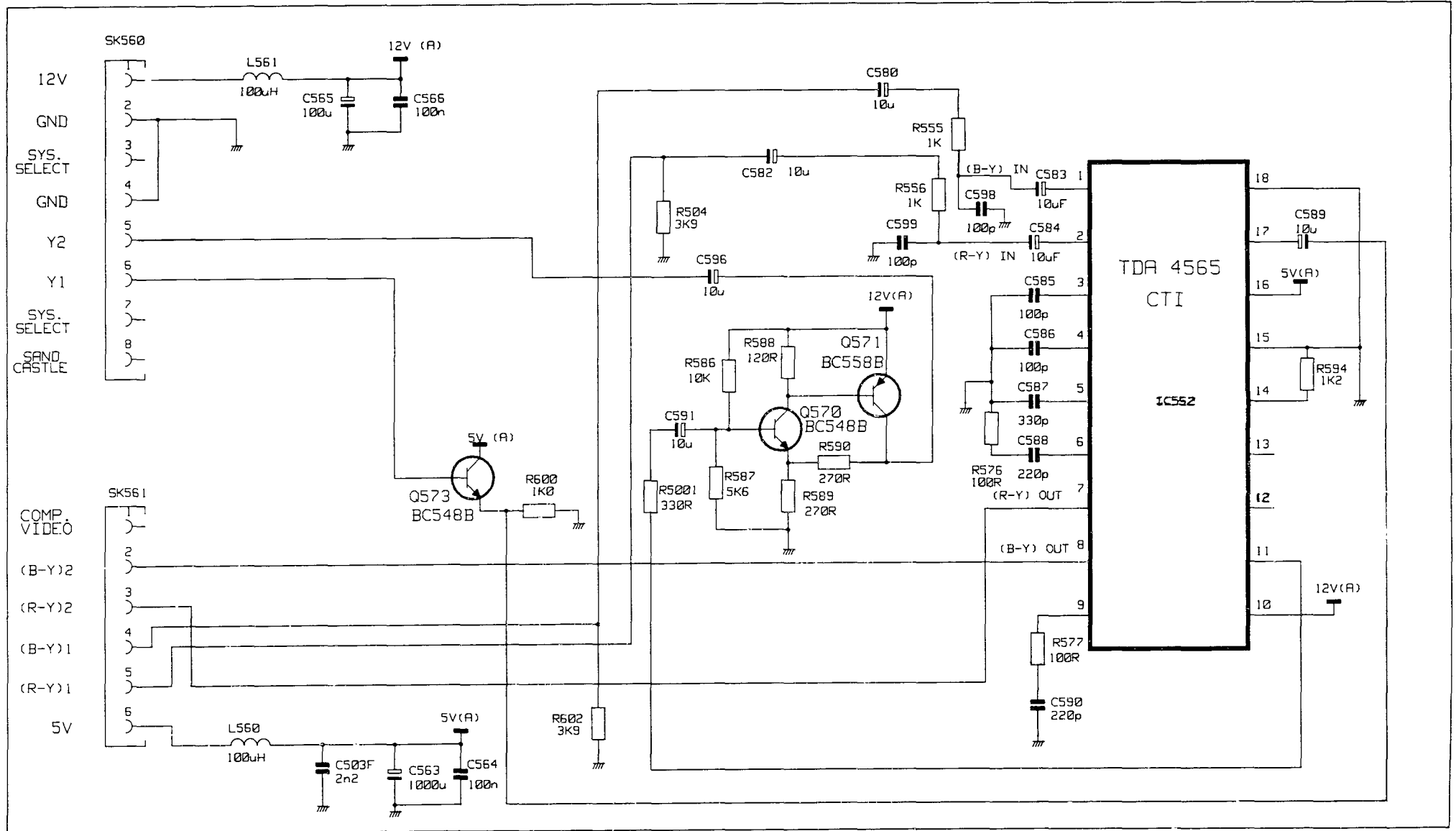


EAST/WEST CORRECTION CIRCUIT DIAGRAM

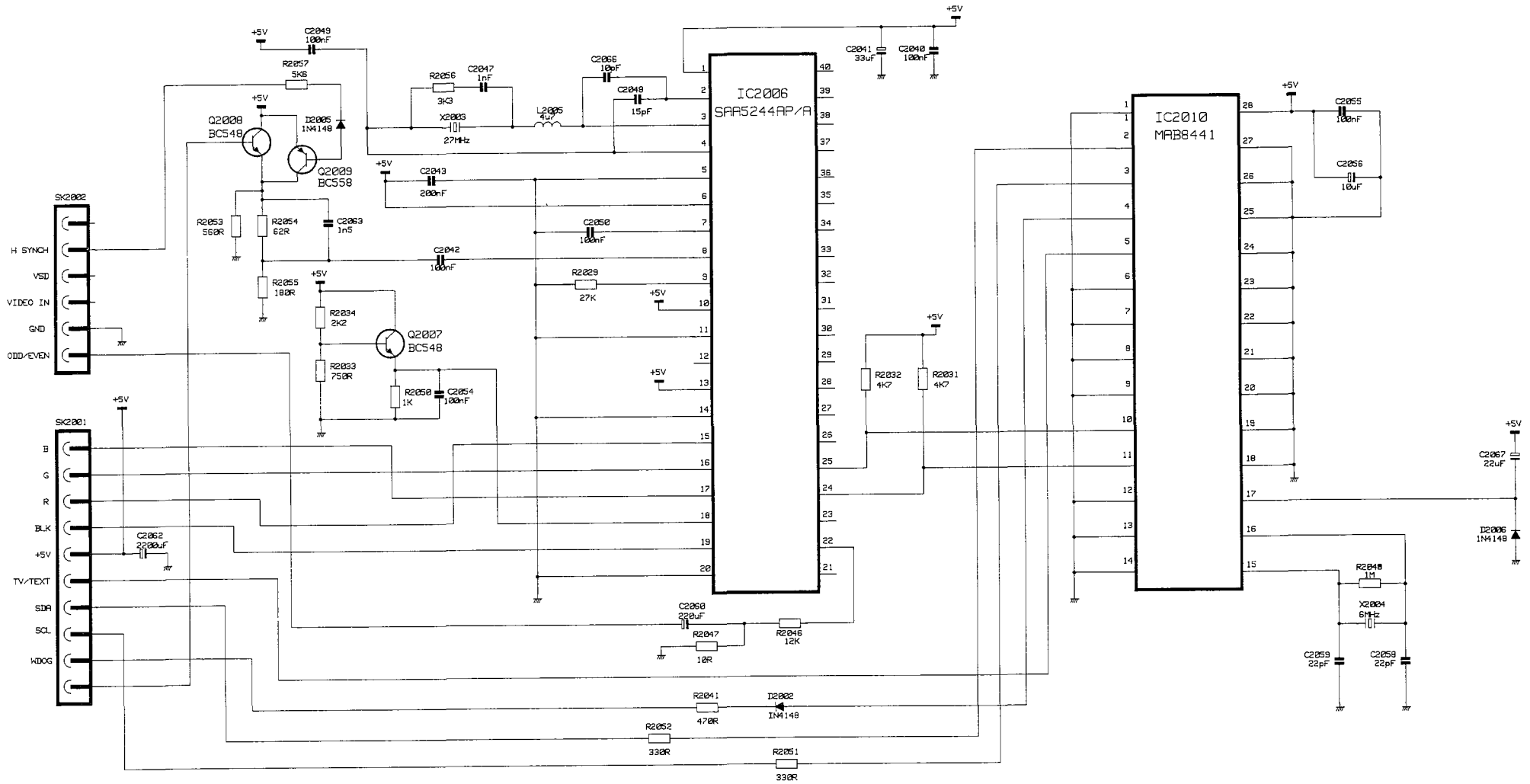


NICAM CIRCUIT DIAGRAM

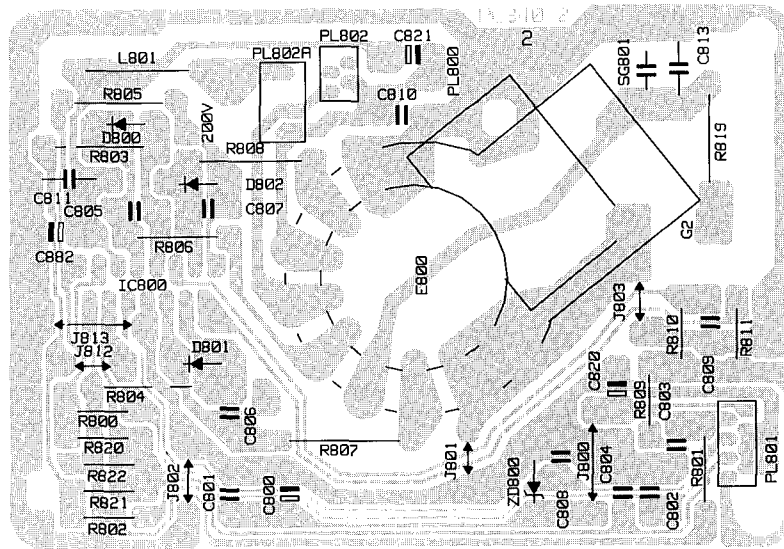
NICAM



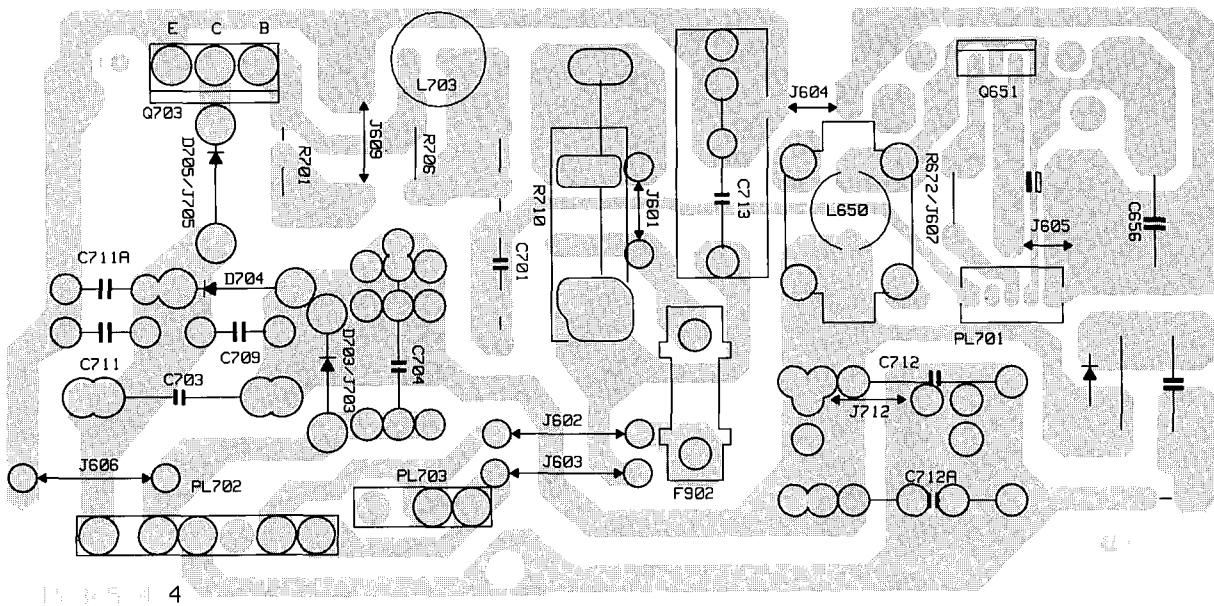
C.T.I. CIRCUIT DIAGRAM



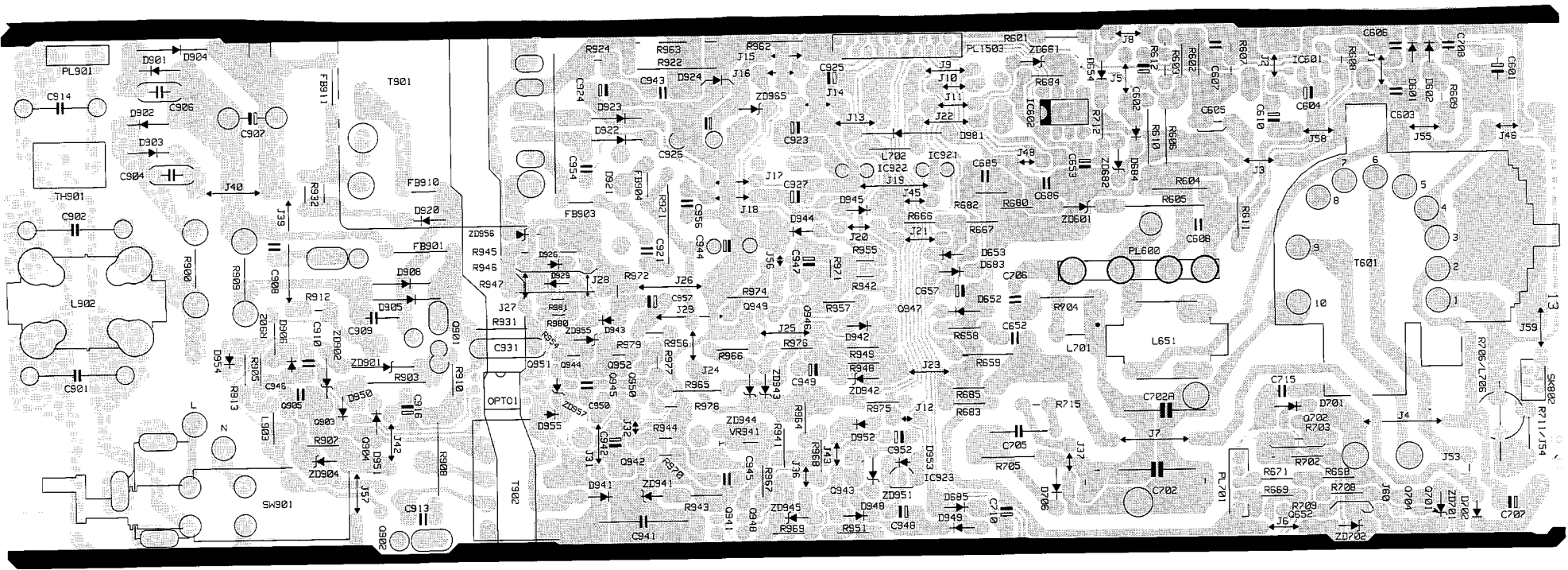
SIMPLIFIED TELETEXT CIRCUIT DIAGRAM
(C25/2844 MODELS)



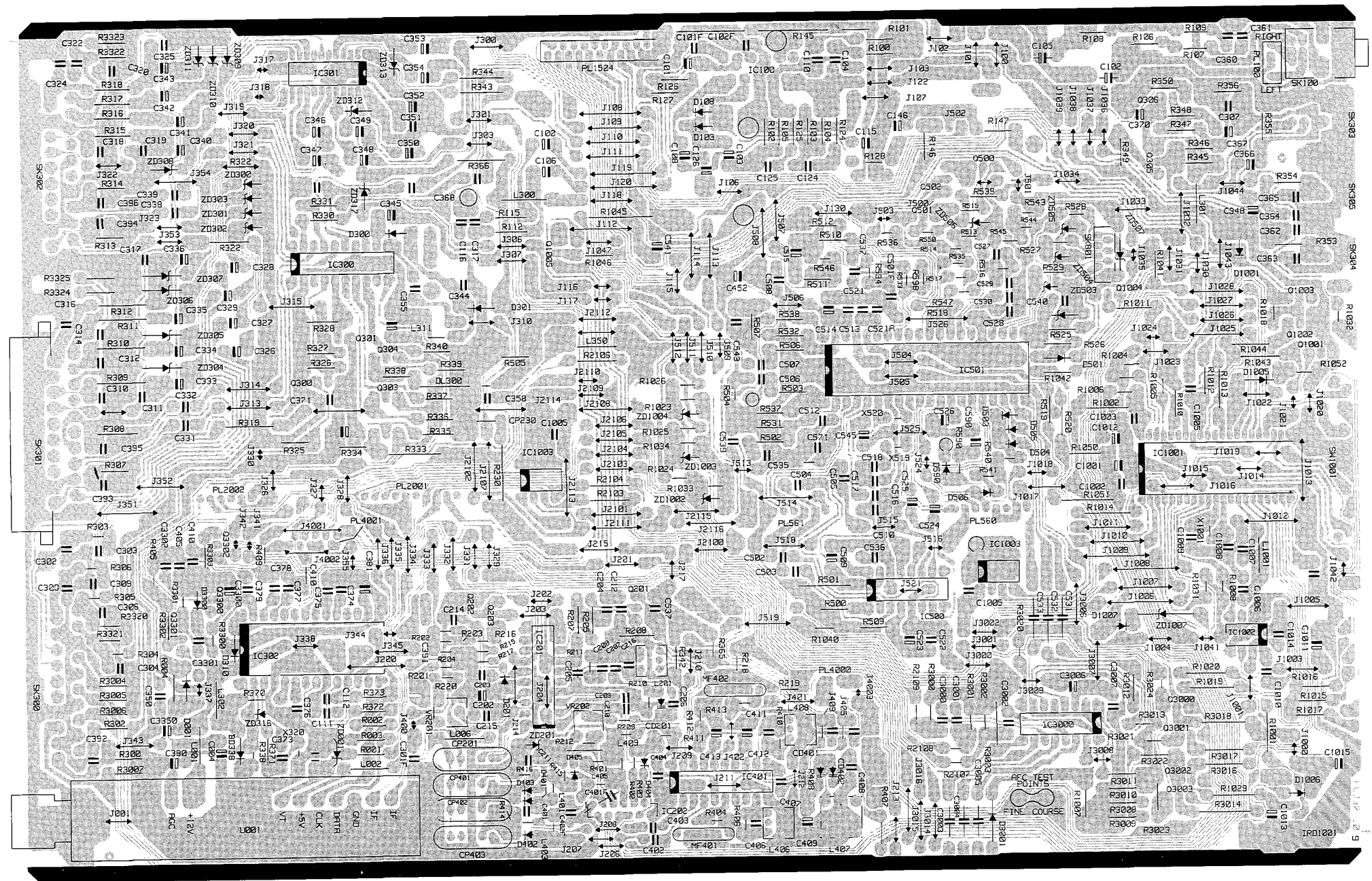
CRT BASE P.C.B. — PRINT SIDE



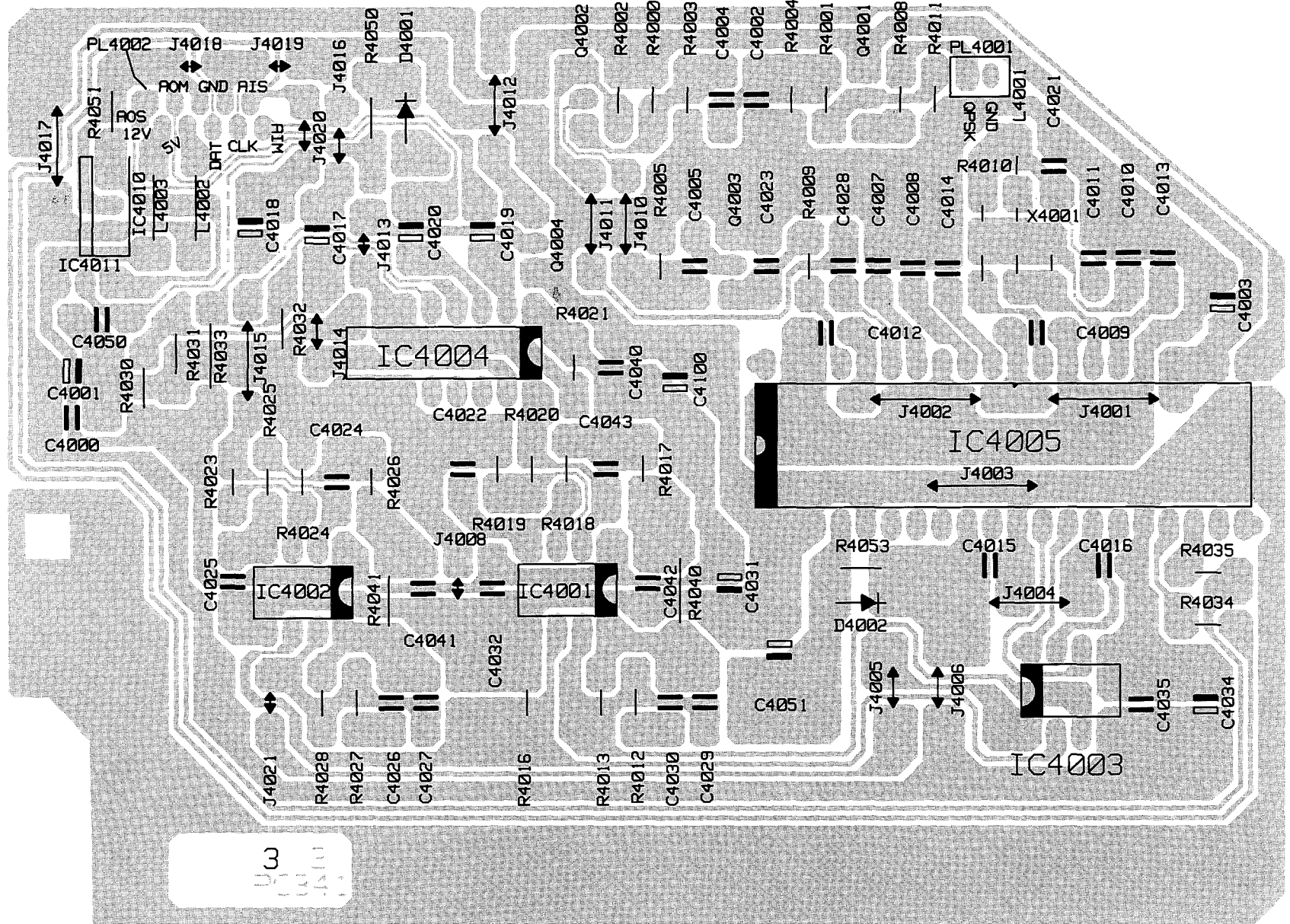
EAST/WEST CORRECTION P.C.B. — PRINT SIDE



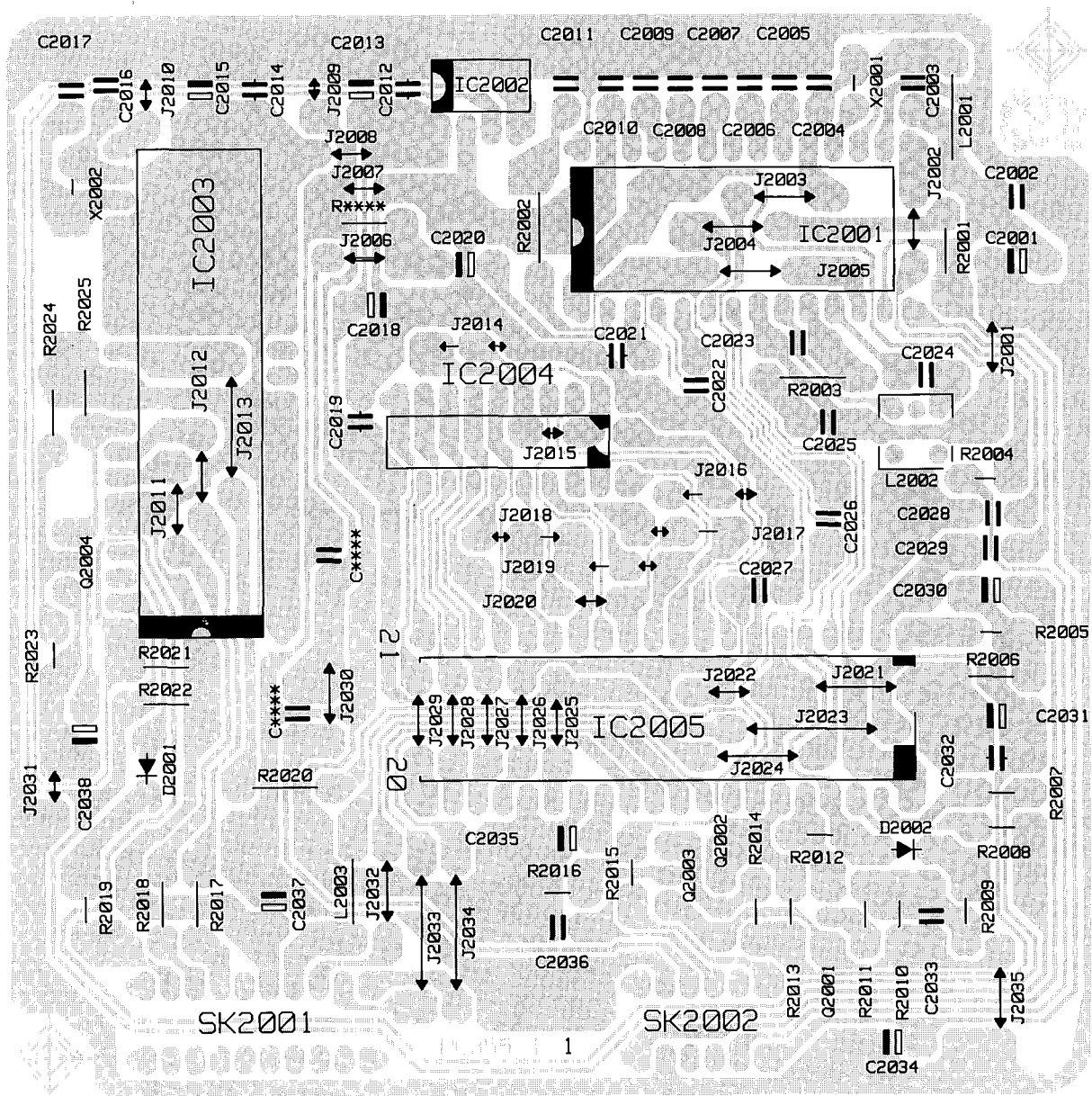
POWER SUPPLY AND TIME BASE P.C.B.—PRINT SIDE



SIGNAL AND CONTROL P.C.B.—PRINT SIDE



NICAM PANEL P.C.B. - PRINT SIDE



TELETEXT P.C.B. — PRINT SIDE

PRESENTATION PARTS

△CRT TYPE A59ECF10X05 C2544TN	T159009
△CRT TYPE A59ECY13X01 C2564TN	T159006
△CRT TYPE A66ECF10X05 C2844TN	T166013
△CRT TYPE A66ECY13X01 C2864TN	T166012
△CABINET BACK C2544TN	X263151
△CABINET BACK C2844TN	X263161
△CABINET BACK C2564TN	X240331
△CABINET BACK C2864TN	X263102
CABINET FRONT C2544TN	X254095
CABINET FRONT C2844TN	X254133
CABINET FRONT C2564TN	X240374
CABINET FRONT C2864TN	X212376
CONTROL DOOR C25/2844TN	X262081
CONTROL DOOR C25/2864TN	X263142
HITACHI BADGE C25/2844TN	X640231
HITACHI BADGE C25/2864TN	X640242
IR WINDOW (cabinet) C25/2844TN	X420753
IR LENS (cabinet) C25/2864TN	X425051
△MAINS LEAD WITH MOULDED PLUG	E846629
MAINS ON/OFF KNOB C25/2844TN	X321001
MAINS ON/OFF KNOB C25/2864TN	X321031
OPERATING GUIDE C25/2844TN	X830737
OPERATING GUIDE C25/2864TN	X830768
QUICK GUIDE C25/2844TN	X830738
QUICK GUIDE C25/2864TN	X830739
REMOTE CONTROL HANDSET	X100023
TV STAND ASSEMBLY C25/2844TN	X711174
TV STAND ASSEMBLY C2564TN	X711173
TV STAND ASSEMBLY C2864TN	X711199

MISCELLANEOUS PARTS

△CRT BASE SOCKET	2698351
△DEGAUSSING COIL C2544/64TN MODELS	2274361
△DEGAUSSING COIL C2844/64TN MODELS	2274362
△FUSE FOR MOULDED PLUG (5 Amp)	E882400
△FUSE F901 T3.15A	E882368
△FUSE F902 F630mA	E882371
FUSE HOLDER FOR F901	2721791
FUSE HOLDER FOR F902	2721793
MINI HEADPHONE SOCKET	2671351
△MAINS ON/OFF SWITCH	2633391
PHONO SOCKET (Red)	E826138
PHONO SOCKET (White)	E826139
PHONO SOCKET (Yellow)	E826140
21 PIN SCART SOCKET	E826923
SPEAKER 4" 8 Ohm WOOFER C25/2844TN	E511114
SPEAKER (SUB WOOFER) C25/2864TN	E511113
SPEAKER 8 Ohm 12W C25/2864TN	2413131
TUNER TYPE FL2178/84	E710033

PRODUCT SAFETY NOTE: Components marked with a Δ have special characteristics important to safety. Before replacing any of these components, read carefully the PRODUCT SAFETY NOTICE at the beginning of this service manual. Don't degrade the safety of this receiver through improper servicing.

Resistor Abbreviation	Type
CF	Carbon Film
MO	Metal Oxide
FF	Fusible Film
VR	Variable Control
MF	Metal Film
WW	Wire Wound

Capacitor Abbreviation	Type
C	Ceramic
PF	Plastic Film
FT	Feed Through
MPO	Met Polyester
MPS	Mica/Polystyrene
MP	Metallised Paper
TA	Tantalum
MPP	Met. Polypropylene

Parts marked * in the following list denote the value and type for models C25/2864TN. The parts list for the simplified teletext panel used on C25/2844TN models can be found at the end of this parts list.

Ref No	Part No.	Value	Type	Tol %	Wattage
R001	0700058M	22K	CF	5	1/16
R002	0700027M	100R	CF	5	1/16
R003	0700027M	100R	CF	5	1/16
R004	0700055M	12K	CF	5	1/16
R100	R100330	1R0	CF	5	1/4
R101	R100330	1R0	CF	5	1/4
R102	R110330	10R	CF	5	1/4
*R102	R118330	18R	CF	5	1/4
R103	R110330	10R	CF	5	1/4
*R103	R118330	18R	CF	5	1/4
R104	0700045M	2K2	CF	5	1/16
*R104	0700038M	680R	CF	5	1/16
R105	0700045M	2K2	CF	5	1/16
*R105	0700038M	680R	CF	5	1/16
R106-09	R715330	75R	CF	5	1/4
R119	0700065M	68K	CF	5	1/16
R120	0700065M	68K	CF	5	1/16
R124	0700043M	1K5	CF	5	1/16
R125	0700043M	1K5	CF	5	1/16
R126	0700072M	220K	CF	5	1/16
R127	0700072M	220K	CF	5	1/16
R128	0700027M	100R	CF	5	1/16
R145	R100565	1R0	WW	5	6
R146	0700036M	470R	CF	5	1/16
R147	0700042M	1K2	CF	5	1/16
VR201	0160214	5K0	VR	AGC	CONTROL
R201	0700052M	6K8	CF	5	1/16
R202	0700034M	330R	CF	5	1/16
R203	0700046M	2K7	CF	5	1/16
R204	0700054M	10K	CF	5	1/16
R205	0700042M	1K2	CF	5	1/16
R207	R417330	47R	CF	5	1/4
R208	R323319	330R	CF	5	1/2
R211	0700035M	390R	CF	5	1/16
R215	0700074M	330K	CF	5	1/16
R216	0187080M	4K3	CF	5	1/16
R217	0700044M	1K8	CF	5	1/16
R218	0700054M	10K	CF	5	1/16
R219	0700054M	10K	CF	5	1/16
R220	0700043M	1K5	CF	5	1/16
R230	0700034M	330R	CF	5	1/16
R300	R715330	75R	CF	5	1/4
R302	R715330	75R	CF	5	1/4
R303-06	0700032M	220R	CF	5	1/16
R307	0187038M	75R	CF	5	1/16
R308	0187038M	75R	CF	5	1/16
R309-12	R222330	220R	CF	5	1/4
R313	0187038M	75R	CF	5	1/16
R314	0187038M	75R	CF	5	1/16
R315-18	R222330	220R	CF	5	1/4
R319	R715330	75R	CF	5	1/4
R322	R715330	75R	CF	5	1/4
R325	R526330	560R	CF	5	1/4
R326	R140330	10K	CF	5	1/4
R327	R526330	560R	CF	5	1/4
R328	R140330	10K	CF	5	1/4
R330	R120330	100R	CF	5	1/4
R331	R120330	100R	CF	5	1/4
R333	R516330	56R	CF	5	1/4
R334	R526330	560R	CF	5	1/4
R335	R140330	10K	CF	5	1/4

Ref No	Part No.	Value	Type	Tol %	Wattage
R336	R526330	560R	CF	5	1/4
R337	R140330	10K	CF	5	1/4
R338	0700041M	1K0	CF	5	1/16
R339	R526330	560R	CF	5	1/4
R340	R140330	10K	CF	5	1/4
R342	0700039M	820R	CF	5	1/16
R343	R120330	100R	CF	5	1/4
R344	R120330	100R	CF	5	1/4
R345	R140330	10K	CF	5	1/4
R346	R333330	3K3	CF	5	1/4
R349	R437330	4K7	CF	5	1/4
R353	R222330	220R	CF	5	1/4
R354	R222330	220R	CF	5	1/4
R355	R715330	75R	CF	5	1/4
R365	0700037M	560R	CF	5	1/16
R366	R227542	270R	MO	5	1
R370	R000304	191K	MF	1	1/5
R371	0700036M	470R	CF	5	1/16
R372	0700027M	100R	CF	5	1/16
R373	0700027M	100R	CF	5	1/16
Δ R388	R407551	4R7	FF	5	1/2
R404	0700037M	560R	CF	5	1/16
R405	0700054M	10K	CF	5	1/16
R406	0700041M	1K0	CF	5	1/16
R409	0700054M	10K	CF	5	1/16
R411	0700049M	4K7	CF	5	1/16
R412	0700042M	1K2	CF	5	1/16
R500	R648330	68K	CF	5	1/4
R501	R110330	10R	CF	5	1/4
R502	R158330	180K	CF	5	1/4
R503	R130330	1K0	CF	5	1/4
R504	0700025M	68R	CF	5	1/16
*R504	0700048M	3K9	CF	5	1/16
R505	R130330	1K0	CF	5	1/4
*R505	0187064M	910R	CF	5	1/16
R506	R130330	1K0	CF	5	1/4
R507	R541330	51K	CF	5	1/4
R509	R110330	10R	CF	5	1/4
R510	R160330	1M0	CF	5	1/4
R511	0700054M	10K	CF	5	1/16
R511A	0700054M	10K	CF	5	1/16
R511B	0700041M	1K0	CF	5	1/16
R512	R242330	22K	CF	5	1/4
R513	0700058M	22K	CF	5	1/16
R514	0700054M	10K	CF	5	1/16
R515	0700041M	1K0	CF	5	1/16
R516	0700063M	47K	CF	5	1/16
R517	0700071M	180K	CF	5	1/16
R518	R130330	1K0	CF	5	1/4
R519	R120330	100R	CF	5	1/4
R520	R120330	100R	CF	5	1/4
R525	R222330	220R	CF	5	1/4
R526	R329330	390R	CF	5	1/4
R527	0700027M	100R	CF	5	1/16
R528	0700027M	100R	CF	5	1/16
R529	0700027M	100R	CF	5	1/16
R531	R170330	10M	CF	5	1/4
R532	R170330	10M	CF	5	1/4
R533	0700054M	10K	CF	5	1/16

PRODUCT SAFETY NOTE: Components marked with a Δ have special characteristics important to safety. Before replacing any of these components, read carefully the PRODUCT SAFETY NOTICE at the beginning of this service manual. Don't degrade the safety of this receiver through improper servicing.

Ref No	Part No.	Value	Type	Tol %	Wattage		Ref No	Part No.	Value	Type	Tol %	Wattage
R534	0700027M	100R	CF	5	1/16		Δ R715	R200551	2R0	FF	5	1/2
R535	0700054M	10K	CF	5	1/16		R800	R120330	100R	CF	5	1/4
R536	0700041M	1K0	CF	5	1/16		R801	R120330	100R	CF	5	1/4
*R536	R240360	20K	CF	5	1/16		R802	R120330	100R	CF	5	1/4
R537	R170330	10M	CF	5	1/4		R803	R349542	39K	MO	5	1
R538	R262330	2M2	CF	5	1/4		R804	R349542	39K	MO	5	1
R540	0700067M	100K	CF	5	1/16		R805	R349542	39K	MO	5	1
R541	0700073M	270K	CF	5	1/16		R806	R130319	1K0	CF	5	1/2
R543	0700067M	100K	CF	5	1/16		R807	R130319	1K0	CF	5	1/2
R544	0700065M	68K	CF	5	1/16		R808	R130319	1K0	CF	5	1/2
R545	R170360	10M	CF	5	1/16		R809	R130330	1K0	CF	5	1/4
R546	0700045M	2K2	CF	5	1/16		R810	R130330	1K0	CF	5	1/4
*R546A	0700041M	1K0	CF	5	1/16		R811	R130330	1K0	CF	5	1/4
*R546B	0700041M	1K0	CF	5	1/16		R819	R150714	100K	MF	5	1/2
R547	0700027M	100R	CF	5	1/16		R820	R148330	18K	CF	5	1/4
R550	R120330	100R	CF	5	1/4		R821	R349330	39K	CF	5	1/4
*R555	0700041M	1K0	CF	5	1/16		R822	R349330	39K	CF	5	1/4
				(CTI)	PANEL)		R900	0147524	2R2	WW	10	5
*R556	0700041M	1K0	CF	5	1/16		Δ R901	R162714	1M2	MF	5	1/2
				(CTI)	PANEL)		R902	R556716	560K	MF	5	1/4
R560	R130330	1K0	CF	5	1/4		R903	R618330	68R	CF	5	1/4
*R576	0700027M	100R	CF	5	1/16		Δ R904	R162714	1M2	MF	5	1/2
				(CTI)	PANEL)		R905	R333330	3K3	CF	5	1/4
*R577	0700027M	100R	CF	5	1/16		R907	R110721	10R	MF	1	1/4
				(CTI)	PANEL)		R908	R333549	3K3	MO	5	2
*R586	0700054M	10K	CF	5	1/16		R909	0147572	220R	MO	5	5
				(CTI)	PANEL)		R910	R142330	12K	CF	5	1/4
*R588	0700028M	120R	CF	5	1/16		Δ R912	R407551	4R7	FF	5	1/2
				(CTI)	PANEL)		R913	R413330	43R	CF	5	1/4
*R589	0700037M	560R	CF	5	1/16		R914	R333549	3K3	MO	5	2
				(CTI)	PANEL)		R915	R417330	47R	CF	5	1/4
R590	0700045M	2K2	CF	5	1/16		R921	0110221S	100R	MO	5	1
*R590	0700038M	680R	CF	5	1/16		R922	R000505	0R5	MO	5	7
				(CTI)	PANEL)		Δ R924	R812551	82R	FF	5	1/2
R591	0700059M	27K	CF	5	1/16		Δ R931	R170714	10M	MF	5	1/2
*R594	0700042M	1K2	CF	5	1/16		R932	R252726	220K	MF	5	2
				(CTI)	PANEL)		VR941	E311036	2K2	VR	HT	PRESET
R598	0700036M	470R	CF	5	1/16		R941	R142562	12K	MO	5	5
*R600	0700041M	1K0	CF	5	1/16		R942	0700041M	1K0	CF	5	1/16
				(CTI)	PANEL)		R943	R130330	1K0	CF	5	1/4
R601	R632330	6K2	CF	5	1/4		R944	0700036M	470R	CF	5	1/16
R602	R638725	6K8	MF	1	1/2		R945	R100542	1R0	MO	5	1
*R602	0700048M	3K9	CF	5	1/16		R946	R000505	0R5	MO	5	7
				(CTI)	PANEL)		R947	R000505	0R5	MO	5	7
R603	R340330	30K	CF	5	1/4		R948	0700067M	100K	CF	5	1/16
*R603	0187064M	910R	CF	5	1/16		R949	R227330	270R	CF	5	1/4
				(CTI)	PANEL)		R951	0700045M	2K2	CF	5	1/16
R604	R227319	270R	CF	5	1/2		R954	0700053M	8K2	CF	5	1/16
R605	R336330	3K6	CF	5	1/4		R955	0700051M	1K0	CF	5	1/16
R606	R142330	12K	CF	5	1/4		R956	0700045M	2K2	CF	5	1/16
Δ R607	R100551	1R0	FF	5	1/2		R957	0700041M	1K0	CF	5	1/16
Δ R608	R105551	1R5	FF	5	1/2		R962	R132542	1K2	MO	5	1
Δ R609	R100551	1R0	FF	5	1/2		R963	R000505	0R5	MO	5	7
R610	R125542	150R	MO	5	1		R964	R541330	51K	CF	5	1/4
R611	R227319	270R	CF	5	1/2		R965	R227330	270R	CF	5	1/4
R612	R521330	510R	CF	5	1/4		R966	R150716	100K	MF	5	1/4
R659	R832542	8K2	MO	5	1		R967	0700047M	3K3	CF	5	1/16
R666	R832330	8K2	CF	5	1/4		R968	R541330	51K	CF	5	1/4
R667	R132330	1K2	CF	5	1/4		R969	R339330	3K9	CF	5	1/4
R668	R427330	470R	CF	5	1/4		R970	0700067M	100K	CF	5	1/16
R669	R150330	100K	CF	5	1/4		R971	0700049M	4K7	CF	5	1/16
R680	R140330	10K	CF	5	1/4		R972	0700054M	10K	CF	5	1/16
R682	R140721	10K	MF	1	1/4		R974	R232319	2K2	CF	5	1/2
R683	R632721	6K2	MF	1	1/4		R975	R150716	100K	MF	5	1/4
R684	R622330	620R	CF	5	1/4		R976	R648728	68K	MF	5	1/2
R685	R349330	39K	CF	5	1/4		R977	0700014R	10R	CF	5	1/16
R702	R128319	180R	CF	5	1/2		R978	0700023M	47R	CF	5	1/16
Δ R703	R110551	10R	FF	5	1/2		R979	0700045M	2K2	CF	5	1/16
R704	R822546	820R	MO	5	1		R980	0700053M	8K2	CF	5	1/16
R705	R145542	15K	MO	5	1		R981	0700053M	8K2	CF	5	1/16
R706	R120330	100R	CF	5	1/4		R1001	R130330	1K0	CF	5	1/4
R710	0147837	18R	WW	5	15		R1003	R237330	2K7	CF	5	1/4
R710A	R516539	56R	MO	5	2		R1004	0700042M	1K2	CF	5	1/16
R712	R457716	470K	MF	5	1/4		R1005	0700054M	10K	CF	5	1/16
R713	R222547	220R	MO	5	1/2		R1007	R130330	1K0	CF	5	1/4
R714	R128547	180R	MO	5	1/2		R1008	0700054M	10K	CF	5	1/16

PRODUCT SAFETY NOTE: Components marked with a Δ have special characteristics important to safety. Before replacing any of these components, read carefully the PRODUCT SAFETY NOTICE at the beginning of this service manual. Don't degrade the safety of this receiver through improper servicing.

Ref No.	Part No	Value	Type	Tol %	Wattage
R1010	R140330	10K	CF	5	1/4
R1011	R140330	10K	CF	5	1/4
R1012	R120330	100R	CF	5	1/4
R1013	R120330	100R	CF	5	1/4
R1014	R120330	100R	CF	5	1/4
R1015	R122330	120R	CF	5	1/4
R1016	R122330	120R	CF	5	1/4
R1017	R125330	150R	CF	5	1/4
R1018	0700044M	1K8	CF	5	1/16
R1019	R120330	100R	CF	5	1/4
R1023-26	0700054M	10K	CF	5	1/16
R1029	R120330	100R	CF	5	1/4
R1031	0700054M	10K	CF	5	1/16
R1032	0700041M	1K0	CF	5	1/16
R1033	0700054M	10K	CF	5	1/16
R1034	0700054M	10K	CF	5	1/16
R1040	0700054M	10K	CF	5	1/16
R1041	0700054M	10K	CF	5	1/16
R1042	R222330	220R	CF	5	1/4
R1043	R140330	10K	CF	5	1/4
R1044	R130330	1K0	CF	5	1/4
R1045	R130330	1K0	CF	5	1/4
R1046	R140330	10K	CF	5	1/4
R1050	0700049M	4K7	CF	5	1/16
R1051	0700049M	4K7	CF	5	1/16
R1052	0700047M	3K3	CF	5	1/16
R1053	0700049M	4K7	CF	5	1/16
R1062	R140330	10K	CF	5	1/4
R2001	0700065M	68K	CF	5	1/16
R2002	0700036M	470R	CF	5	1/16
R2003	0700046M	2K7	CF	5	1/16
R2004	0700041M	1K0	CF	5	1/16
R2005	0700057M	18K	CF	5	1/16
R2006	0700014M	10R	CF	5	1/16
R2007	0700036M	470R	CF	5	1/16
R2008	0700036M	470R	CF	5	1/16
R2009	0700036M	470R	CF	5	1/16
R2010	0700041M	1K0	CF	5	1/16
R2011	0700054M	10K	CF	5	1/16
R2012	0700055M	12K	CF	5	1/16
R2015	0700066M	82K	CF	5	1/16
R2016	0700056M	15K	CF	5	1/16
R2017	0700034M	330R	CF	5	1/16
R2018	0700034M	330R	CF	5	1/16
R2019	0700036M	470R	CF	5	1/16
R2020	0700036M	470R	CF	5	1/16
R2021	0700049M	4K7	CF	5	1/16
R2022	0700049M	4K7	CF	5	1/16
R2023	0700053M	8K2	CF	5	1/16
R2024	0700063M	47K	CF	5	1/16
R2025	0700051M	5K6	CF	5	1/16
R2026	0700032M	220R	CF	5	1/16
R2027	0700045M	2K2	CF	5	1/16
R2103	R120330	100R	CF	5	1/4
R2104	R120330	100R	CF	5	1/4
R2107	0700032M	220R	CF	5	1/16
R2108	0700032M	220R	CF	5	1/16
R2109	0700032M	220R	CF	5	1/16
R2110	0700057M	18K	CF	5	1/16
R3000	0700037M	560R	CF	5	1/16
R3001	0700037M	560R	CF	5	1/16
R3002	0700037M	560R	CF	5	1/16
R3003	0700045M	2K2	CF	5	1/16
R3004	R715330	75R	CF	5	1/4
R3005	R715330	75R	CF	5	1/4
R3006	R715330	75R	CF	5	1/4
R3007	R120330	100R	CF	5	1/4
R3008	R125330	150R	CF	5	1/4
R3009	R125330	150R	CF	5	1/4
R3010	R125330	150R	CF	5	1/4
R3011	0700029M	150R	CF	5	1/16
R3012	0700029M	150R	CF	5	1/16
R3013	0700029M	150R	CF	5	1/16
R3014	0700054M	10K	CF	5	1/16
R3016	0700054M	10K	CF	5	1/16
R3017	0700054M	10K	CF	5	1/16

Ref No.	Part No	Value	Type	Tol %	Wattage
R3018	0700054M	10K	CF	5	1/16
R3020	0700041M	1K0	CF	5	1/16
R3021	0700034M	330R	CF	5	1/16
R3022	0700034M	330R	CF	5	1/16
R3023	0700034M	330R	CF	5	1/16
R3024	0700032M	220R	CF	5	1/16
R4000	0700038M	680R	CF	5	1/16
R4001	0700023M	47R	CF	5	1/16
R4002	0700036M	470R	CF	5	1/16
R4003	0700044M	1K8	CF	5	1/16
R4004	0700029M	150R	CF	5	1/16
R4005	0700044M	1K8	CF	5	1/16
R4008	0700041M	1K0	CF	5	1/16
R4009	0700046M	2K7	CF	5	1/16
R4010	0700036M	470R	CF	5	1/16
R4012	0700036M	470R	CF	5	1/16
R4013	0700047M	3K3	CF	5	1/16
R4016	0700054M	10K	CF	5	1/16
R4017	0700054M	10K	CF	5	1/16
R4018	0700054M	10K	CF	5	1/16
R4019	0700062M	39K	CF	5	1/16
R4020	0700059M	27K	CF	5	1/16
R4021	0700046M	2K7	CF	5	1/16
R4023	0700059M	27K	CF	5	1/16
R4024	0700062M	39K	CF	5	1/16
R4025	0700054M	10K	CF	5	1/16
R4026	0700054M	10K	CF	5	1/16
R4027	0700036M	470R	CF	5	1/16
R4028	0700047M	3K3	CF	5	1/16
R4030	0700067M	100K	CF	5	1/16
R4031	0700062M	39K	CF	5	1/16
R4032	0700062M	39K	CF	5	1/16
R4033	0700067M	100K	CF	5	1/16
R4034	0700027M	100R	CF	5	1/16
R4035	0700027M	100R	CF	5	1/16
R4040	0700041M	1K0	CF	5	1/16
R4041	0700041M	1K0	CF	5	1/16
R4042	0700039M	820R	CF	5	1/16
R4043	0700039M	820R	CF	5	1/16
R4051	0700045M	2K2	CF	5	1/16
R4053	0700054M	10K	CF	5	1/16
*R5001	0700034M	330R	CF	5	1/16

(CTI PANEL)

PRODUCT SAFETY NOTE: Components marked with a Δ have special characteristics important to safety. Before replacing any of these components, read carefully the PRODUCT SAFETY NOTICE at the beginning of this service manual. Don't degrade the safety of this receiver through improper servicing.

Ref No	Part No.	Value	Type	Tol %	Voltage
C004	0800041R	47u	EL	-	16
C100	C150715	100n	MPO	10	63
C101	0800027R	22u	EL	-	6.3
C101F	C447711	47n	MPO	10	100
*C101F	C232877	2n2	C	10	25
C102	0253934	2200u	EL	-	31.5
C102F	C447711	47n	MPO	10	100
*C102F	C232877	2n2	C	10	25
C103	0800061R	220u	EL	-	31.5
C104	C150877	100n	C	10	25
C105	0253934	2200u	EL	-	31.5
C106	C150715	100n	MPO	10	63
C107	0253935	3300u	EL	-	35
C108	0800061R	220u	EL	-	31.5
C110	C150877	100n	C	10	25
C111	C232877	2n2	C	10	25
C112	C232877	2n2	C	10	25
C115	0800079R	1000u	EL	-	6.3
C119	0800044R	10n	PF	10	50
C120	0800044R	10n	PF	10	50
C124	0880051R	33n	PF	10	50
C125	0880051R	33n	PF	10	50
*C126	0800009R	4u7	EL	-	25
C146	0800015R	10u	EL	-	16
C202	0800005R	2u2	EL	-	50
C203	C252715	220n	MPO	10	63
C204	C252715	220n	MPO	10	63
C205	C150877	100n	C	10	25
C208	C115182	15p	C	2	50
C209	C140877	10n	C	10	25
C212	C252715	220n	MPO	10	63
C214	C155715	150n	MPO	10	63
C215	C140877	10n	C	10	25
C216	C313345	33p	C	2	110
C300	C252715	220n	MPO	10	63
C301F	0244105R	2n2	C	10	50
C302	0244118R	470p	C	10	50
C303	0244118R	470p	C	10	50
C304	C232877	2n2	C	10	25
C306	C232877	2n2	C	10	25
C307	0244117R	680p	C	10	50
C308-11	0244118R	470p	C	10	50
C312	C232877	2n2	C	10	25
C314	C232877	2n2	C	10	25
C316-19	0244118R	470p	C	10	50
C320	C232877	2n2	C	10	25
C322	C232877	2n2	C	10	25
C324	0244118R	470p	C	10	50
C325	0244118R	470p	C	10	50
C326-29	0800015R	10u	EL	-	16
C331	C252715	220n	MPO	10	63
C332	C252715	220n	MPO	10	63
C333-06	0800015R	10u	EL	-	16
C338	C252715	220n	MPO	10	63
C339	C252715	220n	MPO	10	63
C340-43	0800015R	10u	EL	-	16
C344	C150877	100n	C	10	25
C345	0800049R	100u	EL	-	16
C346-49	0800015R	10u	EL	-	16
C350	0800074	470u	EL	-	16
C351	C150877	100n	C	10	25
C352	0800041R	47u	EL	-	16
C353	0800015R	10u	EL	-	16
C354	0800015R	10u	EL	-	16
C355	C252715	220n	MPO	10	63
C357	C122182	120p	C	2	50
C358	C323182	330p	C	2	50
C359	C323182	330p	C	2	50
C360	C232877	2n2	C	10	25
C361	C232877	2n2	C	10	25
C362-65	0244118R	470p	C	10	50
C366	0800058R	220u	EL	-	16
C368	C252715	220n	MPO	10	63
C370	0800049R	100u	EL	-	16
C371	C150877	100n	C	10	25
C372	0800066R	330u	EL	-	16

Ref No.	Part No.	Value	Type	Tol %	Voltage
C373	C130877	1n0	C	10	25
C374	C150877	100n	C	10	25
C375	C150877	100n	C	10	25
C376	C242715	22n	MPO	10	63
C378	C252715	220n	MPO	10	63
C379	C252715	220n	MPO	10	63
C380	0800049R	100u	EL	-	16
C381	0800058R	220u	EL	-	16
C384	0244117	680p	C	10	50
C392-96	0244115R	560p	C	10	50
C399	0800082	1000u	EL	-	16
C402	C140877	10n	C	10	25
C403	C140877	10n	C	10	25
C404	C150877	100n	C	10	25
C405	0244118R	470p	C	10	50
C406	0299005R	1n5	PF	2	100
C410	0244118R	470p	C	10	50
C412	0800015R	10u	EL	-	16
C413	0800015R	10u	EL	-	16
C501F	0244105R	2n2	C	10	50
C502	C252715	220n	MPO	10	63
C503	C252715	220n	MPO	10	63
C504	C140877	10n	C	10	25
C505	C227130	270p	C	5	50
C506	C150877	100n	C	10	25
C507	C150877	100n	C	10	25
C508	C150877	100n	C	10	25
C509	0800023R	22u	EL	-	16
C510	0248682R	82p	C	5	50
C512	0248694R	270p	C	5	50
C513	C140877	10n	C	10	25
C514	0800005R	2u2	EL	-	50
C515	0800007R	3u3	EL	-	50
C518	C212182	22p	C	2	50
C521	C842715	82n	MPO	10	63
C521A	C140877	10n	C	10	25
C522	C140877	10n	C	10	25
C523	0800023R	22u	EL	-	16
C524	0800015R	10u	EL	-	16
C525	0800015R	10u	EL	-	16
C526	0800009R	4u7	EL	-	25
C527	C457715	470n	MPO	10	63
C528	0244118R	470p	C	10	50
C529	C150877	100n	C	10	25
C530	C150877	100n	C	10	25
C531	C150422	100n	C	-	50
C532	C150422	100n	C	-	50
C533	C150422	100n	C	-	50
C535	C150877	100n	C	10	25
C536	C140877	10n	C	10	25
C537	C353715	330n	MPO	10	63
C537A	C457715	470n	MPO	10	63
C540	0246464R	100p	C	5	50
C541	0800082	1000u	EL	-	16
C542	0800089	3300u	EL	-	10
C543	C457715	470n	MPO	10	63
C545	0800048R	100u	EL	-	10
C546	0800087	2200u	EL	-	16
C560	C150877	100n	C	10	25
*C563	0800079R	100u	EL	-	6.3
*C564	C150877	100n	C	10	25
*C565	0800049R	100u	EL	-	16
*C566	C150877	100n	C	10	25
C571	C648715	68n	MPO	10	63
*C580	0253046R	10u	EL	-	16
*C582	0253046R	10u	EL	-	16
*C583	0253046R	10u	EL	-	16
*C584	0253046R	10u	EL	-	16

PRODUCT SAFETY NOTE: Components marked with a Δ have special characteristics important to safety. Before replacing any of these components, read carefully the PRODUCT SAFETY NOTICE at the beginning of this service manual. Don't degrade the safety of this receiver through improper servicing.

Ref No.	Part No.	Value	Type	Tol %	Voltage	Ref No.	Part No.	Value	Type	Tol %	Voltage	
*C585	0248054R	100p	C	5	50	Δ	C910	0890084R	560p	C	10	50
*C586	0248054R	100p	C	5	50		C913	0246344	100p	C	10	2000
*C587	C323182	330p	C	2	50		C914	C648712	68n	MP	20	275 AC
*C588	0248692R	220u	EL	-	50		C915	0245612	4n7	C	10	1000
*C589	0253046R	10u	EL	-	16		C916	0800005R	2u2	EL	-	50
C590	0800015R	10u	EL	-	16		C921	0246344	100p	C	10	2000
*C590	0248692R	220p	C	5	50		C923	0800066R	330u	EL	-	16
*C591	0253046R	10u	EL	-	16		C924	C001542	470u	EL	-	16
*C592	C150877	100n	C	10	25		C925	0800018R	10u	EL	-	50
*C598	0248054R	100p	C	5	50		C926	0258116F	1000u	EL	-	50
*C599	0248054R	100p	C	5	50	C927	C001541	470u	EL	-	25	
C601	0253935	3300u	EL	-	35	Δ	C931	0249499	4n7	C	20	4000
C602	0800005R	2u2	EL	-	50		C941	C472733	4u7	MPO	10-27	63
C603	C150715	100n	MPO	10	63		C942	0800018R	10u	EL	-	50
C604	0800053R	100u	EL	-	50		C943	0246344	100p	C	10	2000
C605	0800084	1000u	EL	-	31 5		C944	0259431	220u	EL	-	200
C606	C457715	470n	MPO	10	63		C945	C150877	100n	C	10	25
C607	C140877	10n	C	10	25		C946	C437715	4n7	MPO	10	63
C608	C252715	220n	MPO	10	63		C947	0800049R	100u	EL	-	16
C610	C150715	100n	MPO	10	63		C948	0800082R	1000u	EL	-	16
C653	0800009R	4u7	EL	-	25		C948	0800049R	100u	EL	-	16
C656	D546006	1u5	EL	-	22 5	C949	0800005R	2u2	EL	-	50	
C657	0800018R	10u	EL	-	50	C950	C140715	10n	MPO	10	63	
C685	C150877	100n	C	10	25	C952	0800044R	47u	EL	-	50	
C686	C237877	2n7	C	10	25	Δ	C953	0247975	3n3	C	-	50
C701	C472733	4u7	MPO	10-27	63		C954	0246344	100p	C	10	2000
C702	0299932	330n	PF	10	200		C956	0244105R	2n2	C	10	50
C702A	0299930	220n	PF	10	200		C957	0800005R	2u2	EL	-	50
C703	0262441	10n	C	2	1600		C959	C242877	22n	C	10	25
C704	0299995F	27n	PF	5	630		C960	0800074	470u	EL	-	16
C704A	0299995F	27n	PF	5	630		C1001	0800049R	100u	EL	-	16
C705	C160736	1u0	PF	5	100		C1002	C150877	100n	C	10	25
C706	0243512R	820p	C	10	500		C1005	C150877	100n	C	10	25
C707	0257540F	4u7	EL	-	250		C1006	C212182	22p	C	2	50
C708	C150711	100n	MPO	10	100	C1007	C217182	27p	C	2	50	
C709	0244211	1n0	C	10	2000	C1008	C115182	15p	C	2	50	
C709A	0244202	470p	C	10	2000	C1009	C115182	15p	C	2	50	
C710	0800082	1000u	EL	-	16	C1010	C150877	100n	C	10	25	
C711	0244215	2n2	C	10	2000	C1011	0800003R	1u0	EL	-	50	
C711A	0244215	2n2	C	10	2000	C1012	0800052R	100u	EL	-	31 5	
C712	0299930F	220n	PF	10	200	C1013	0800023R	22u	EL	-	16	
C712A	0299931F	270n	PF	10	200	C1014	C150877	100n	C	10	25	
C713	0244505R	2n2	C	10	500	C1015	0800015R	10u	EL	-	16	
C714	0244505R	2n2	C	10	500	C1062	C437877	4n7	C	10	25	
C715	C130877	1n0	C	10	25	C1063	C150877	100n	C	10	25	
C800	0800023R	22u	EL	-	16	C2001	0800023R	22u	EL	-	16	
C801	C150877	100n	C	10	25	C2002	C242877	22n	C	10	25	
C802	0248054R	100p	C	5	50	C2003	C217145	27p	C	2	100	
C803	0248054R	100p	C	5	50	C2004	C115182	15p	C	2	50	
C804	0248054R	100p	C	5	50	C2005	C120182	100p	C	2	50	
C805	0243509R	470p	C	10	500	C2006	0890079R	270p	C	10	50	
C806	0243509R	470p	C	10	500	C2007	C242877	22n	C	10	25	
C807	0243509R	470p	C	10	500	C2008	0890083R	470p	C	10	50	
C810	C130877	1n0	C	10	25	C2009	C130877	1n0	C	10	25	
C811	C150710	100n	MPO	10	250	C2010	C115182	15p	C	2	50	
C813	E884110	10n	SPARK	GAP	2000	C2011	C130877	1n0	C	10	25	
C821	0257540	4u7	EL	-	250	C2012	C150877	100n	C	10	25	
C822	0257540	4u7	EL	-	250	C2013	0800018R	10u	EL	-	50	
Δ C901	C150712	100n	MP	20	275 AC	C2014	C150877	100n	C	10	25	
Δ C902	C150712	100n	MP	20	275 AC	C2015	0800018R	10u	EL	-	50	
Δ C903	C150712	100n	MP	20	275 AC	C2016	C212182	22p	C	2	50	
Δ C904	0249395	4n7	C	-	400	C2017	C212182	22p	C	2	50	
Δ C906	0249395	4n7	C	-	400	C2018	0800018R	10u	EL	-	50	
C907	C001544	220u	EL	-	400	C2019	C150877	100n	C	10	25	
C908	0244509R	4n7	C	10	500	C2020	0800005R	2u2	EL	-	50	
C909	0244211	1n0	C	10	2000	C2021	C648877	68n	C	10	25	
						C2022	0890078R	220p	C	10	50	
						C2023	C140877	10n	C	10	25	
						C2024	C608182	6p8	C	2	50	
						C2025	C447877	47n	C	10	25	
						C2026	C120182	100p	C	2	50	
						C2027	C120182	100p	C	2	50	
						C2028	C140877	10n	C	10	25	
						C2029	C242877	22n	C	10	25	
						C2030	0800048R	100u	EL	-	10	

PRODUCT SAFETY NOTE: Components marked with a Δ have special characteristics important to safety. Before replacing any of these components, read carefully the PRODUCT SAFETY NOTICE of this service manual. Don't degrade the safety of this receiver through improper servicing.

Ref. No.	Part No	Description
Δ OPT01	T548009	CNX82/TLP731LF2
IC100	T900523	TDA2009A
IC201	T900525	TDA8349A
IC300	T900517	TEA6415B
IC301	T900516	TEA6420/L
IC302	T900537	MC44131
IC401	T900557	TDA4480 - D
IC500	T900519	MC44140
IC501	T900559	MC44000
IC560	T900533	TDA4565
IC601	T900556	TDA8178S
IC602	T900508	LM393
IC800	T900509	TEA5101A
IC921	T900326	12V REGULATOR
IC922	T900515	L4941BV
IC923	T900536	5V REGULATOR
IC1001	T900565	ST6385
IC1002	T900529	TL7705 ACP
IC1003	T900528	X24C04 512x8EEPROM
IC1004	2009401R	PST529C
IC1060	T900548	HCF4520B
IC2001	T900505	SAA5191
IC2002	T900539	ST24C02 AB1
IC2003	T900555	PCB83C528 P
IC2004	T900460	TMS4464/KM41C64P
IC2005	T900506	SAA9042
IC3000	T900512	TEA5114A
IC4001	T900545	BA15218
IC4002	T900545	BA15218
IC4003	T900483	TDA1543
IC4004	T900546	HCF4053BE
IC4005	T900543	CF70088
IC4010	T900345	5V REGULATOR
IC4011	T732013	TS0820 - 20
Q103	T631275	BC548B
Q201	T631275	BC548B
Q202	T631276	BC558B
Q203	T631275	BC548B
Q300 - 05	T631275	BC548B
Q500	T631247	BC337
Q502	T631286	BC548C
Q503	T633134	BF240
Q570	T631275	BC548B
Q571	T631276	BC558B
Q573	T631275	BC548B
Q651	T636046	BU801
Q652	T631275	BC548B
Q701	T636045	BD675A
Q702	T631247	BC337
Q703	T636050	BU808
Q901	T636054	H8N80FI
Q902	T636043	BUX87
Q903	T631275	BC548B
Q904	T631275	BC548B
Q905	T631276	BC558B
Q941	T631276	BC558B
Q942	T636052	BD675
Q943 - 47	T631275	BC548B
Q948	T631276	BC558B
Q949	T631275	BC548B
Q950	T631275	BC548B
Q951	T631276	BC558B
Q952	T631276	BC558B
Q1001	T631276	BC558B
Q1002	T631292	DTC 114 ES
Q1003	T631275	BC548B
Q1004	T631276	BC558B
Q1005	T631275	BC548B
Q2001	T631275	BC548B
Q2004	T631275	BC548B
Q3000 - 03	T631275	BC548B
Q4001	T633134	BF240
Q4002	T633134	BF240
Q4003	T633141	2N5461
Q4004	2326873R	DTC 144 EST
D001	T531057	1N4531

Ref. No	Part No.	Description
D103	T531053	IN4148
D108	T531053	IN4148
D201	T531057	1N4531
D300	T531053	IN4148
D301	T531053	IN4148
D310	T531057	1N4531
BD388	T531055	BAT85
D501	T531053	IN4148
D503 - 06	T531053	IN4148
D508	T531053	IN4148
D590	T531053	IN4148
D601	T431040	1N4004
D602	T431113	BYD33J
D652	T531053	IN4148
D653	T531053	IN4148
D654	T531053	IN4148
D681	T531053	IN4148
D683	T531053	IN4148
D684	T531053	IN4148
D685	T531056	BYV10 - 40
D701	T431113	BYD33J
D702	T431113	BYD33J
D703	T431116	BYW96D
D704	T431117	BY228
D706	T431113	BYD33J
D800	T531053	IN4148
D801	T531053	IN4148
D802	T531053	IN4148
D901 - 04	2344111M	BY134GP
D905	T431113	BYD33J
D906	T531053	IN4148
D907	T531053	IN4148
D908	T431113	BYD33J
D920	T431113	BYD33J
D921	T431121	MUR880
D922	T431120	BYV27 - 150
D923	T431120	BYV27 - 150
D924	T431122	BYV28 - 200
D926	T531053	IN4148
D929	T531053	IN4148
D941	T431113	BYD33J
D942 - 45	T531053	IN4148
D948 - 54	T531053	IN4148
D955	T531055	BAT85
D1001	T531053	IN4148
LED1001	T547041	TL5H2101
LED1002	T547046	TL5G 2101
LED1003	T547046	TL5G 2101
D1105 - 09	T531053	IN4148
D2001	T531053	IN4148
D2002	T531055	BAT85
D3001	T531055	BAT85
D4002	T531053	IN4148
ZD001	T536215	BZX79C33V
ZD300 - 13	T536186	BZX79C8V2
ZD316	T536181	BZX79C13V
ZD317	T536229	BZX79B9V1
ZD503	T536213	BZX79C4V3
ZD504	T536213	BZX79C4V3
ZD505	T536213	BZX79C4V3
ZD507	T536225	BZX79B6V2
ZD601	T536172	BZX79C27V
ZD681	T536077	BZX79C6V2
ZD701	T536177	BZX79C12V
ZD800	T536181	BZX79C13V
ZD901	T536246	18V ZENER 1.3W
ZD902	T536246	18V ZENER 1.3W
ZD904	T536217	BZX79B2V7
ZD941	T536172	BZX79C27V
ZD942	T536177	12V ZENER 500mW
ZD943	T536247	BZX55C120
ZD944	T536248	BZX55C160
ZD945	T536207	BZV10
ZD951	T536230	BZX79B10
ZD955	T536177	BZX79C12V
ZD956	T536089	BZX79C6V8

PRODUCT SAFETY NOTE: Components marked with a Δ have special characteristics important to safety. Before replacing any of these components, read carefully the PRODUCT SAFETY NOTICE of this service manual. Don't degrade the safety of this receiver through improper servicing.

Ref. No	Part No.	Description
ZD957	T536217	BZX79C2V7
ZD965	T536089	BZX79C6V8
ZD1002	T536201	BZX79B5V
ZD1003	T536201	BZX79B5V
ZD1004	T536201	BZX79B5V
ZD1007	T536186	BZX79C8V2
L001	2122253M	100uH AXIAL COIL
L002	2122253M	100uH AXIAL COIL
L006	2122299M	1uH AXIAL COIL
L201	L410164	VISION DETECTOR COIL
L301	2122253M	100uH AXIAL COIL
L311	2122253M	100uH AXIAL COIL
L312	2122299M	1uH AXIAL COIL
L350	2122234M	3.9uH AXIAL COIL
L406	L410154	6MHZ SOUND DETECTOR COIL
L409	2123109M	33uH FILTER COIL
L560	2123781R	100uH FILTER COIL
L561	2123781R	100uH FILTER COIL
L650	2220641	E-W CORRECTION COIL
L651	2220642	FILTER COIL
L701	2161371	LINEARITY COIL
L703	2121211	FILTER COIL
L706	2122094	22uH FIXED INDUCTOR
L801	2122253M	100uH AXIAL COIL
L901	2124531	LINE FILTER
L902	L210061	MAINS FILTER CHOKE
L903	2122239M	10uH AXIAL COIL
L1001	2122247M	39uH AXIAL COIL
L2001	2122945M	15uH AXIAL COIL
L2002	L410165	15uH VARIABLE COIL
L2003	2122945M	15uH AXIAL COIL
L4001	2122943M	10uH AXIAL COIL
L4003	2122239M	10uH AXIAL COIL
Δ T701	2436797	FLYBACK TRANSFORMER
Δ *T701	2436796	FLYBACK TRANSFORMER
Δ T901	L380091	SWITCH MODE TRANSFORMER
Δ T902	L380090	START UP TRANSFORMER

CRYSTALS, FILTERS, DELAY LINES etc.

X320	E518030	CERAMIC RESONATOR
X520	E516038	17.734MHz CRYSTAL
X1001	E516034	8MHz CRYSTAL
X2001	2940251	13.875MHz CRYSTAL
X2002	E516030	12MHz CRYSTAL
X4001	E516046	16.384MHz CRYSTAL
MF401	2142784	6MHz CERAMIC TRAP
CP201	E518035	SAW FILTER
CP230	2150793	4.43MHz TRAP
CP403	E518040	SAW FILTER
DL300	2165903	300ns DELAY LINE
TH901	E441034	THERMISTOR
IR1001	T549010	INFRA RED AMPLIFIER ASSEMBLY
SG801	2340037	SPARK GAP

SIMPLIFIED TELETEXT PARTS LIST FOR 25/2844TN MODELS

Ref No	Part No.	Value	Type	Tol %	Wattage
R2029	0700059M	27K	CF	5	1/16
R2031	0700049M	4K7	CF	5	1/16
R2032	0700049M	4K7	CF	5	1/16
R2033	0187062M	750R	CF	5	1/16
R2034	0700045M	2K2	CF	5	1/16
R2041	0700036M	470R	CF	5	1/16
R2046	0700055M	12K	CF	5	1/16
R2047	0700014M	10R	CF	5	1/16
R2048	0700081M	1M0	CF	5	1/16
R2050	0700041M	1K0	CF	5	1/16
R2051	0700034M	330R	CF	5	1/16
R2052	0700034M	330R	CF	5	1/16
R2053	0700037M	560R	CF	5	1/16
R2054	0187036M	62R	CF	5	1/16
R2055	0700031M	180R	CF	5	1/16
R2056	0700047M	3K3	CF	5	1/16
R2057	0700051M	5K6	CF	5	1/16

Ref No.	Part No	Value	Type	Tol %	Voltage
C2040	C150877	100n	C	10	25
C2041	0800031R	33u	EL	-	10
C2042	C150877	100n	C	10	25
C2043	C252715	220n	MPO	10	63
C2047	C130877	1n0	C	10	25
C2048	C115182	15p	C	2	50
C2049	C150877	100n	C	10	25
C2050	C150877	100n	C	10	25
C2054	C150877	100n	C	10	25
C2055	C150877	100n	C	10	25
C2056	0800018R	10u	EL	-	50
C2058	C212182	22p	C	2	50
C2059	C212182	22p	C	2	50
C2060	0800056R	220u	EL	-	6.3
C2062	0800087	2200u	EL	-	16
C2063	C135877	1n5	C	10	25
C2066	C110182	10p	C	2	50
C2067	0800022	22u	EL	-	10

Ref. No	Part No.	Description
IC2006	T900550	SAA5244AP/A
IC2010	T900551	MAB8441P/T184
Q2007	T631275	BC548B
Q2008	T631275	BC548B
Q2009	T631276	BC558B
D2002	T531053	IN4148
D2005	T531053	IN4148
D2006	T531053	IN4148
L2005	2122938M	4.7uH AXIAL COIL
X2003	E516045	27MHz CRYSTAL
X2004	2940241	6MHz CRYSTAL

HITACHI

HITACHI LTD. TOKYO JAPAN
International Sales Division,
THE HITACHI ATAGO BLDG.
No. 15 -12 Nishi-Shinbashi, 2 - Chome,
Minato-Ku, Tokyo 105, Japan
Tel. Tokyo 3 32581111

HITACHI SALES EUROPA GmbH
Am Seestern 18,
40547 Düsseldorf,
Germany
Tel. 0211 5291 50

HITACHI SALES (HELLAS) S.A.
91, Falirou Street, 117-41 Athens,
Greece
Tel. 92 42-620-4

HITACHI HOME ELECTRONICS (EUROPE) Ltd.
Hitachi House, Station Road, Hayes,
Middlesex UB3 4DR,
England
Tel. 0181 849 2000

HITACHI SALES IBERICA, S.A.
Gran Via Carlos Tercero.101,1 -1
Barcelona 08028
Tel. 3- 330.86.52

HITACHI FRANCE (RADIO-T.V.-ELECTRO-MENAGER) S.A.
4, allée des Sorbiers,
Parc d'active de Chêne,
69671 BRON Cedex,
France
Tel. 72 14-29-70

HITACHI HOME ELECTRONICS NORDIC
Domnarvsgatan 29 Lunda, Box 62
S-163 91 Spanga,
Sweden
Tel. 08 621 8250

**Scan & PDF-Design: Schaltungsdienst
Lange oHG
Verlag technische Druckschriften**

**Zehrendorfer Straße 11
D-12277 Berlin**

<http://www.schaltungsdienst.com>