

Proprietary data, Company confidential.  
all rights reserved

Als Betriebsgeheimnis anvertraut  
alle Rechte vorbehalten

	1	2	3	4	5	6	7	8	9	10	11	12	13	14	15
A						HIERARCHY			SHEET		PDF-SHEET				
						A5B00900212036-36309	—	index	—	sheet 1					
B							—	netlist1	—	sheet 2					
							—	poslist1	—	sheet 3					
C							—	page1	—	----					
							—	sheet2	—	sheet 4					
D							—	sheet4	—	sheet 5					
							—	sheet10	—	sheet 6					
E							—	sheet11	—	sheet 7					
							—	sheet12	—	sheet 8					
F							—	sheet13	—	sheet 9					
							—	sheet14	—	sheet 10					
G							—	sheet15	—	sheet 11					
							—	sheet16	—	sheet 12					
							—	sheet19	—	sheet 13					
							—	sheet22	—	sheet 14					
							—	sheet23	—	sheet 15					
							—	sheet24	—	sheet 16					
							—	sheet27	—	sheet 17					
							—	sheet35	—	sheet 18					
							—	sheet38	—	sheet 19					
							—	sheet39	—	sheet 20					
							—	sheet48	—	sheet 21					
							—	sheet49	—	sheet 22					
							—	sheet51	—	sheet 23					

				DATE	15.03.2005	Swift Mainboard B2+ build Q2620-A5 TOP HIERARCHY LEVEL SCHEMATIC	1:1
				USER	Bartenschl.		
				APPR'D			
						HW4 MCH1	
						Siemens AG	
						257674	index
1	36309	09.02.2006	bar				
VERS.	CHANGE NUMBER	DATE	NAME				( Created by BOM number: A5B00900212037-36309 )

Proprietary data, company confidential.  
All rights reserved

Als Betriebsgeheimnis anvertraut  
Alle Rechte vorbehalten

	1	2	3	4	5	6	7	8	9	10			
A	1.5V_DSP /sheet13 12 A /sheet11 11 D	AKKU_TYP /sheet14 7 C /sheet10 11 B	BT_PCM_SYNC /sheet4 10 F /sheet4 10 F /sheet10 14 E /sheet51 2 C	/sheet35 11 B /sheet10 5 B	/sheet22 11 B /sheet10 4 C	/sheet12 7 C /sheet10 4 F	KP_IN0 /sheet22 11 C /sheet13 7 C /sheet10 5 G	/sheet23 4 C	MONO2_OUT /sheet35 11 C /sheet13 8 E	/sheet10 6 G	RF_RAMP1 /sheet4 4 C /sheet4 2 C /sheet39 1 F /sheet10 9 B	TVCXO /sheet4 4 C /sheet4 2 C /sheet39 15 C /sheet10 11 B /sheet10 15 A	VDD_CHARGE /sheet13 3 D /sheet13 9 G
B	1.5V_UC /sheet13 11 A /sheet11 11 D /sheet11 10 B	BATT+ /sheet48 4 A /sheet4 9 B /sheet4 12 B /sheet38 8 D /sheet35 6 D /sheet15 11 E /sheet15 2 B /sheet14 7 C /sheet13 3 C /sheet13 9 A /sheet13 2 B /sheet13 3 A /sheet13 3 B /sheet13 3 B /sheet12 7 B /sheet12 7 C /sheet12 9 C /sheet12 8 E /sheet12 8 E	BT_RESET /sheet4 10 F /sheet4 10 F /sheet4 10 F /sheet10 14 D /sheet10 14 D /sheet51 2 C	CAM_VSYNC /sheet35 11 B /sheet10 6 B	DISP_CS1 /sheet22 11 B /sheet10 4 C	GND_MIC /sheet19 7 E /sheet19 7 E /sheet19 6 D /sheet15 13 B /sheet11 10 F /sheet10 10 B	KP_IN1 /sheet35 11 C /sheet22 11 C /sheet10 5 G /sheet27 10 B	LIGHT_PWM2 /sheet13 7 D /sheet23 2 D	OPEN_CLOSE_SW1 /sheet22 11 B /sheet10 4 C	REF_GND /sheet13 6 G /sheet13 3 A	RF_STR /sheet4 4 A /sheet4 2 A /sheet39 10 B /sheet10 8 B	TX /sheet15 9 E /sheet15 13 A	VDD_RF1 /sheet4 2 D /sheet4 4 D /sheet39 13 B /sheet39 9 B /sheet39 2 A /sheet13 8 C
C	1.8V_MEM1 /sheet4 12 A /sheet4 9 A /sheet13 8 B /sheet12 8 E /sheet11 12 E	/sheet4 9 A /sheet13 8 B /sheet13 3 C /sheet13 9 A /sheet13 2 B /sheet13 3 A /sheet13 3 B /sheet13 3 B /sheet12 7 B /sheet12 7 C /sheet12 9 C /sheet12 8 E /sheet12 8 E	BT_RESET /sheet4 10 F /sheet4 10 F /sheet4 10 F /sheet10 14 D /sheet10 14 D /sheet51 2 C	CAS /sheet12 7 C /sheet10 6 G	DISP_D0 /sheet22 4 C /sheet10 4 C	GSM_RX1 /sheet39 2 C /sheet38 9 B	KP_IN2 /sheet35 11 C /sheet22 11 C /sheet10 5 G /sheet27 10 B	LIGHT_PWM3 /sheet10 14 D /sheet24 2 D	OPEN_CLOSE_SW2 /sheet22 4 C /sheet10 12 B	RF_AFC /sheet4 2 B /sheet4 4 B /sheet39 15 C /sheet4 2 E	RF_TPA_DIG /sheet4 4 E /sheet38 2 F	TXOUTD /sheet39 1 E /sheet38 2 F	VDD_RF2 /sheet4 4 D /sheet4 2 D /sheet39 1 E /sheet39 2 B /sheet38 5 B /sheet38 6 D /sheet13 8 C
D	1.8V_MEM2 /sheet13 8 C /sheet13 8 B /sheet12 7 B /sheet12 7 C /sheet12 9 C /sheet12 8 E /sheet12 8 E	/sheet13 8 C /sheet13 8 B /sheet12 7 B /sheet12 7 C /sheet12 9 C /sheet12 8 E /sheet12 8 E	BT_RX /sheet4 10 E /sheet4 10 E /sheet4 10 F /sheet10 14 D /sheet51 2 C	CIF_PD /sheet35 5 D /sheet10 6 B	DISP_D3 /sheet22 4 C /sheet10 4 C	HF_OUT_BT2 /sheet51 10 B /sheet27 5 B	KP_IN3 /sheet35 3 C /sheet22 11 C /sheet10 5 G /sheet27 10 B	MIC1A /sheet19 8 C /sheet10 9 A	PCS_RX1 /sheet39 2 B /sheet38 9 B	RF_ANT_DET /sheet4 4 D /sheet4 2 D /sheet38 7 B /sheet10 7 A	RTS /sheet15 13 A /sheet15 9 E	TX_ON /sheet39 1 F /sheet38 2 F	VDD_RTC /sheet13 8 B /sheet13 2 C /sheet11 10 B
E	2.65V /sheet22 4 B /sheet15 11 E /sheet14 7 C /sheet13 3 D /sheet13 8 B /sheet11 4 C /sheet11 11 C /sheet11 6 B /sheet11 7 B /sheet11 7 B /sheet11 7 B /sheet11 10 C /sheet10 15 D /sheet10 2 A /page1 3 C /sheet51 5 A /sheet51 4 A /sheet51 3 A /sheet51 3 A	BATT+_DCDC /sheet13 3 B /sheet13 10 C	BT_TX /sheet4 10 E /sheet4 10 E /sheet10 14 F /sheet51 2 C	CLK32 /sheet4 10 G /sheet4 10 G /sheet10 6 B /sheet51 2 D	DISP_D5 /sheet22 4 B /sheet10 4 C	HW_DET_BLUETOOTH /sheet10 3 E /sheet10 2 B /sheet10 2 B /sheet10 3 E	KP_IN4 /sheet35 3 C /sheet22 11 C /sheet10 5 G /sheet27 10 B	MICBIAS_F /sheet19 6 D /sheet19 7 B /sheet15 13 C	PHANTOM_BUF_OUT /sheet15 13 B /sheet13 7 E	RF_CLK /sheet4 2 A /sheet4 4 A /sheet39 11 D /sheet10 8 B	SDCLKI /sheet12 9 C /sheet10 7 G	USB_D+ /sheet15 13 D /sheet10 14 C	VDD_SIM /sheet16 10 C /sheet13 8 B
	2.9V /sheet4 12 A /sheet4 9 A /sheet22 11 C /sheet13 11 D /sheet13 8 B /sheet13 12 D /sheet11 10 B /sheet11 10 B	BFCLKI /sheet12 7 B /sheet10 7 G	BT_TX_DEBUG /sheet4 10 E /sheet10 14 F /sheet51 5 E	CS0_FLASH /sheet12 7 B /sheet10 7 G	DISP_D6 /sheet22 4 B /sheet10 4 C	HW_DET_MOB_TYPE1 /sheet10 3 E /sheet10 2 A /sheet10 3 E	KP_ON_OFF /sheet22 4 C /sheet13 2 C	MICEA /sheet15 13 B /sheet10 10 A	PM_CHARGE_UC /sheet13 3 D /sheet10 7 B	RF_DAT /sheet4 2 A /sheet4 4 A /sheet39 11 C /sheet10 8 B	SENSE_IN1 /sheet13 11 F /sheet13 3 D	VAUDREGA /sheet13 8 C /sheet13 3 E /sheet13 3 C	VDD_VIBRA /sheet22 11 C /sheet13 8 B
	A(0:24) /sheet12 4 D /sheet12 8 C /sheet10 12 G	BFCLKO /sheet12 7 B /sheet10 7 G	BT_VCXOEN /sheet4 10 F /sheet4 10 F /sheet13 3 D /sheet51 2 D	CS1_SDRAM /sheet12 7 C /sheet10 8 G	DISP_RD /sheet22 11 B /sheet10 4 C	HW_DET_MOB_TYPE3 /sheet10 2 A /sheet10 3 E	KP_OUT0 /sheet11 4 D /sheet10 5 G /sheet27 5 B	MMCI_CD /sheet48 3 C /sheet10 14 F	PM_POWER_ON /sheet13 7 C /sheet13 3 C	RF_FE_CTR_DCS /sheet4 4 B /sheet4 2 B /sheet38 14 B /sheet10 7 B	SERIAL_EN /sheet15 11 E /sheet10 8 B	VBAT /sheet10 11 B /sheet10 15 F	VREFEXS_GND /sheet13 2 E /sheet13 4 F
	AC_CTS /sheet15 13 E /sheet10 14 C	BFCLKI /sheet12 7 B /sheet10 7 G	CAM_CLKOUT /sheet35 11 B /sheet10 6 B	CS2_FLASH /sheet12 7 B /sheet10 8 G	DISP_VD /sheet22 11 B /sheet10 4 D /sheet10 4 D	I2C_2_CLK /sheet35 11 B /sheet10 8 B	KP_OUT1 /sheet10 5 G /sheet27 5 B	MMCI_CMD /sheet48 3 C /sheet10 12 B	PM_RF2_EN /sheet13 3 C /sheet10 7 B	RF_FE_CTR_GSM /sheet4 2 C /sheet4 4 C /sheet38 14 B /sheet10 7 B	SIM_CLK /sheet16 10 C /sheet10 14 C	VBOOST /sheet4 12 B /sheet4 9 B /sheet35 3 B /sheet35 3 B /sheet22 4 B /sheet13 12 C /sheet27 5 B	WAIT /sheet12 7 B /sheet10 6 G
	AC_DCD /sheet15 13 E /sheet10 6 B	BFCLKO /sheet12 7 B /sheet10 7 G	CAM_DAT0 /sheet35 3 B /sheet10 4 B	CS3_MEMORY /sheet12 7 B /sheet10 8 G	DISP_WR /sheet22 11 C /sheet10 4 C	I2C_2_DAT /sheet35 11 B /sheet10 8 B	KP_OUT2 /sheet22 4 C /sheet10 6 G	MMCI_DAT0 /sheet48 3 C /sheet10 12 B	PM_RINGIN /sheet13 3 E /sheet10 8 B	RF_I /sheet4 4 B /sheet4 2 B /sheet39 8 E /sheet10 9 B	SIM_RST /sheet16 10 C /sheet10 14 C	VBUCK_FB /sheet13 10 A /sheet13 3 C	WR /sheet12 6 B /sheet12 7 C /sheet10 7 G
	AC_RTS /sheet15 13 E /sheet10 14 C	BOOST_EN /sheet13 10 C /sheet13 12 E	CAM_DAT1 /sheet35 3 B /sheet10 5 B	CS1_SDRAM /sheet12 7 C /sheet10 8 G	DMIXIN /sheet39 2 D /sheet38 13 D	I2C_CLK /sheet13 3 F /sheet10 15 E	LED /sheet22 11 C /sheet24 3 C	MMCI_VCC /sheet48 6 A /sheet48 8 A /sheet48 3 B	PM_RTC_INT /sheet13 3 C /sheet10 4 F	STEPDOWN_GND /sheet13 11 A /sheet13 6 F /sheet13 8 H /sheet13 3 B /sheet13 11 A	VBUCK_LX /sheet13 10 A /sheet13 6 B	VCXOEN_UC /sheet13 3 C /sheet10 4 F	
	AC_RX /sheet15 13 E /sheet10 14 C	BREF /sheet10 15 B /sheet10 12 B	CAM_DAT2 /sheet35 3 B /sheet10 5 B	CS2_FLASH /sheet12 7 B /sheet10 8 G	DVDD_CAMERA /sheet35 11 B /sheet35 9 D	I2C_DAT /sheet13 3 F /sheet10 15 E	LED_FL_EN /sheet10 6 B /sheet49 4 C	MMC_VCC_EN /sheet48 3 A /sheet10 6 G	PM_SIN26M /sheet4 2 E /sheet4 4 E /sheet39 6 A /sheet13 3 E	RF_IX /sheet4 4 B /sheet4 2 B /sheet39 8 E /sheet10 9 B	STEPUP_GND /sheet13 11 D /sheet13 9 H	VDD_AFC /sheet13 8 C /sheet11 7 B	
	AC_TX /sheet15 13 E /sheet10 14 C	BT_PCM_CLK /sheet4 10 F /sheet4 10 F /sheet10 14 E /sheet51 2 C	CAM_DAT3 /sheet35 3 B /sheet10 5 B	CS3_MEMORY /sheet12 7 B /sheet10 8 G	EPP1 /sheet22 11 C /sheet10 10 A	I2S2_RXCLO /sheet13 3 F /sheet10 14 E	LED_FL_OFF /sheet13 10 E /sheet10 7 B /sheet49 4 B	MONO1_LP_OUT /sheet13 3 E /sheet13 7 E	PM_WADOG /sheet13 3 D /sheet10 6 B	RF_Q /sheet4 4 B /sheet4 2 B /sheet39 8 E /sheet10 9 B	STEREO1_OUT /sheet15 13 B /sheet13 7 E	VDD_BT /sheet13 8 C /sheet51 5 B /sheet51 2 A /sheet51 4 B /sheet51 2 A	
	ADV /sheet12 6 B /sheet10 6 G	BT_PCM_IN /sheet4 10 F /sheet4 10 F /sheet10 14 E /sheet51 2 C	CAM_DAT4 /sheet35 3 B /sheet10 5 B	CS3_MEMORY /sheet12 7 B /sheet10 8 G	EXTBOOST_EN /sheet13 7 D /sheet13 11 E	I2S2_RXDAO /sheet13 3 F /sheet10 14 F	LED_FL_TRIG /sheet10 14 E /sheet49 4 D	MONO1_OUT /sheet35 11 B /sheet13 8 E	POWER /sheet15 13 B /sheet13 8 F	RF_QX /sheet4 2 B /sheet4 4 B /sheet39 8 E /sheet10 9 B	STEREO2_OUT /sheet15 13 B /sheet13 7 E		
		BT_PCM_OUT /sheet4 10 F /sheet4 10 F /sheet10 14 E /sheet51 2 C	CAM_DAT5 /sheet35 3 B /sheet10 5 B	CS3_MEMORY /sheet12 7 B /sheet10 8 G	F32K /sheet10 2 F	I2S2_TXCLO /sheet13 8 F /sheet10 14 E	LIGHT_KP /sheet23 4 E /sheet27 10 B	MONO2_LP_OUT /sheet13 7 E	RAS /sheet12 7 C				
		BT_TX_DEBUG /sheet4 10 E /sheet10 14 F /sheet51 5 E	CAM_DAT6 /sheet35 3 B /sheet10 5 B	CS3_MEMORY /sheet12 7 B /sheet10 8 G	FLASH_LED_K /sheet35 3 C /sheet35 3 C /sheet49 9 B	I2S2_TXDAO /sheet13 8 F /sheet10 14 E	LIGHT_KT /sheet22 4 C /sheet23 7 D						
		BT_TX_DEBUG /sheet4 10 E /sheet10 14 F /sheet51 5 E	CAM_DAT7 /sheet35 3 B /sheet10 5 B	CS3_MEMORY /sheet12 7 B /sheet10 8 G	FLASH_RESET /sheet13 7 C	I2S2_TXWAO /sheet13 8 F /sheet10 14 F	LIGHT_PWM1 /sheet13 7 D /sheet23 4 B						

DATE	15.03.2005	Swift Mainboard B2+ build		1:1
USER	Bartenschl.	Q2620-A5		
APPR'D		TOP HIERARCHY LEVEL		
		HW4 MCH1		netlist1
		BENQ mobile		
1	36309	09.02.2006	bar	257674
VERS.	CHANGE NUMBER	DATE	NAME	( Created by BOM number: A5B00900212037-36309 )

Proprietary data, company confidential.  
All rights reserved

Als Betriebsgeheimnis anvertraut  
Alle Rechte vorbehalten

	1	2	3	4	5	6	7	8	9	10
A	C1000 /sheet10 2 E	C1337 /sheet13 6 A	C2709 /sheet27 7 B	C5106 /sheet51 5 B	R1331 /sheet13 3 B	TP1301 /sheet13 2 C				
	C1001 /sheet10 2 F	C1338 /sheet13 8 A	C3513 /sheet35 6 E	C5108 /sheet51 6 B	R1339 /sheet13 11 C	TP1306 /sheet13 8 B				
	C1002 /sheet10 1 F	C1340 /sheet13 7 C	C3514 /sheet35 6 E	C5111 /sheet51 7 C	R1340 /sheet13 11 C	TP1334 /sheet13 7 C				
	C1003 /sheet10 1 F	C1344 /sheet13 8 B	C3515 /sheet35 8 E	C5112 /sheet51 6 B	R1341 /sheet13 12 C	TP1309 /sheet13 8 B				
	C1008 /sheet10 15 D	C1345 /sheet13 8 B	C3523 /sheet35 8 C	C5113 /sheet51 9 C	R1344 /sheet13 11 F	TP1327 /sheet13 12 A				
	C1009 /sheet10 15 D	C1347 /sheet13 7 E	C3524 /sheet35 8 C	C5117 /sheet51 2 A	R1353 /sheet13 9 G	TP1317 /sheet13 8 B				
	C1011 /sheet11 9 E	C1348 /sheet13 8 E	C3525 /sheet35 6 C	C5120 /sheet51 3 A	R1355 /sheet13 10 C	TP1355 /sheet13 12 C				
	C1038 /sheet10 6 A	C1352 /sheet13 11 C	C3530 /sheet35 9 C	C5122 /sheet51 7 D	R1360 /sheet13 11 E	TP1013 /sheet10 15 A				
	C1070 /sheet10 9 A	C1354 /sheet13 11 A	C3531 /sheet35 9 C	C5125 /sheet51 3 A	R1399 /sheet13 6 C	TP1014 /sheet10 15 B				
	C1071 /sheet10 9 A	C1355 /sheet13 12 D	C3532 /sheet35 9 C	C5130 /sheet51 2 A	R1500 /sheet15 6 C	TP5101 /sheet51 10 C				
	C1072 /sheet10 11 A	C1356 /sheet13 11 D	C3533 /sheet35 9 C	C5149 /sheet51 10 C	R1501 /sheet15 7 C	TP2301 /sheet23 7 D				
	C1073 /sheet10 11 A	C1357 /sheet13 11 D	C3535 /sheet35 10 C	D1000-2 /sheet11 5 E	R1502 /sheet15 7 C	TP2300 /sheet23 4 E				
	C1074 /sheet10 9 A	C1358 /sheet13 11 C	C3536 /sheet35 10 C	D1000-1 /sheet10 12 F	R1505 /sheet15 7 C	TP2302 /sheet23 7 B				
	C1075 /sheet10 10 A	C1359 /sheet13 11 A	C3801 /sheet38 5 B	D1250 /sheet12 5 E	R1508 /sheet15 10 B	TP4900 /sheet49 7 B				
	C1076 /sheet10 10 A	C1360 /sheet13 10 F	C3802 /sheet38 4 B	D1300 /sheet13 4 F	R1512 /sheet15 6 A	TP2401 /sheet24 3 C				
	C1077 /sheet10 11 A	C1361 /sheet13 10 F	C3803 /sheet38 4 B	D1360 /sheet13 10 E	R1524 /sheet15 11 B	V1302 /sheet13 11 A				
	C1083 /sheet10 9 A	C1362 /sheet13 11 F	C3804 /sheet38 7 E	D1361 /sheet13 11 E	R1525 /sheet15 11 B	V1303 /sheet13 11 C				
	C1084 /sheet10 9 A	C1363 /sheet13 12 D	C3805 /sheet38 5 C	D5100 /sheet51 2 D	R1530 /sheet15 12 D	V1305-2 /sheet13 10 F				
	C1085 /sheet10 10 A	C1364-2 /sheet13 7 C	C3806 /sheet38 13 D	L1300 /sheet13 2 B	R1531 /sheet15 12 D	V1305-1 /sheet13 10 F				
	C1086 /sheet10 10 A	C1364-1 /sheet13 7 C	C3807 /sheet38 13 D	L1301 /sheet13 11 A	R1532 /sheet15 12 D	V1400 /sheet14 5 C				
	C1088 /sheet10 10 B	C1365 /sheet13 6 D	C3808 /sheet38 15 D	L1302 /sheet13 11 C	R1614 /sheet16 9 C	V2100 /sheet13 8 A				
	C1110 /sheet11 6 B	C1366 /sheet13 6 D	C3809 /sheet38 15 C	L1331 /sheet13 10 D	R1901 /sheet19 6 C	V2302 /sheet23 6 B				
	C1120 /sheet11 9 C	C1367-1 /sheet13 7 C	C3810 /sheet38 7 E	L1501 /sheet15 4 B	R1902 /sheet19 6 C	V2330 /sheet23 4 E				
	C1121 /sheet11 9 C	C1367-2 /sheet13 7 C	C3818 /sheet38 8 B	L1502 /sheet15 4 B	R1926 /sheet19 7 C	V2350 /sheet23 6 D				
	C1122 /sheet11 8 B	C1368 /sheet13 12 A	C3819 /sheet38 7 B	L1503 /sheet15 3 B	R1927 /sheet19 6 C	V2404-1 /sheet24 2 D				
	C1123 /sheet11 8 B	C1369 /sheet13 11 F	C3822 /sheet38 12 C	L1504 /sheet15 4 B	R1930 /sheet19 7 D	V3961 /sheet39 13 C				
	C1124 /sheet11 8 B	C1371 /sheet13 4 A	C3829 /sheet38 12 C	L1505 /sheet15 12 B	R2310 /sheet23 5 B	V3962 /sheet39 12 B				
	C1125 /sheet11 8 B	C1372 /sheet13 4 A	C3832 /sheet38 6 F	L3804 /sheet38 3 B	R2311 /sheet23 6 C	V4901 /sheet49 5 B				
	C1126 /sheet11 6 C	C1373 /sheet13 4 A	C3857 /sheet38 5 F	L3805 /sheet38 5 B	R2330 /sheet23 2 D	V4903 /sheet49 7 C				
	C1128 /sheet11 6 C	C1374 /sheet13 4 D	C3859 /sheet38 5 F	L3806 /sheet38 14 D	R2332 /sheet23 3 E	V4904 /sheet49 8 D				
	C1129 /sheet11 6 B	C1381 /sheet13 3 E	C3862 /sheet38 8 D	L3807 /sheet38 13 D	R2350 /sheet23 5 C	X1 /page1 3 B				
	C1130 /sheet11 6 B	C1382 /sheet13 4 E	C3863 /sheet38 8 E	L3808 /sheet38 4 B	R2351 /sheet23 6 D	X2 /page1 3 B				
	C1131 /sheet11 11 D	C1389 /sheet13 10 D	C3868 /sheet38 8 E	L3819 /sheet38 7 B	R2417 /sheet24 3 D	X1000 /sheet10 2 G				
	C1132 /sheet11 11 D	C1391 /sheet13 6 E	C3871 /sheet38 8 E	L3901 /sheet39 2 C	R2419 /sheet24 2 D	X1300 /sheet13 7 H				
	C1133 /sheet11 11 D	C1400 /sheet14 5 D	C3901 /sheet39 5 B	L3902 /sheet39 2 C	R3539 /sheet35 6 E	X1510 /sheet15 1 B				
	C1134 /sheet11 8 B	C1402 /sheet14 6 D	C3902 /sheet39 5 B	L3903 /sheet39 5 D	R3801 /sheet38 5 B	X1603 /sheet16 2 C				
	C1135 /sheet11 11 D	C1405 /sheet14 6 D	C3904 /sheet39 4 B	L3904 /sheet39 5 D	R3802 /sheet38 5 B	X2201 /sheet22 7 C				
	C1136 /sheet11 11 E	C1426 /sheet14 6 C	C3905 /sheet39 5 B	L3905 /sheet39 3 E	R3812 /sheet38 10 D	X2705 /sheet27 7 B				
	C1137 /sheet11 11 E	C1502 /sheet15 9 B	C3906 /sheet39 5 B	L5101 /sheet51 9 B	R3813 /sheet38 11 D	X3500 /sheet35 7 C				
	C1138 /sheet11 11 D	C1504 /sheet15 2 A	C3907 /sheet39 3 C	L5103 /sheet51 7 C	R3814 /sheet38 12 E	X3800 /sheet38 6 B				
	C1139 /sheet11 11 E	C1507 /sheet15 5 A	C3908 /sheet39 4 C	L5104 /sheet51 7 C	R3815 /sheet38 12 E	X3805 /sheet38 2 G				
	C1140 /sheet11 10 C	C1510 /sheet15 8 B	C3909 /sheet39 3 C	L5149 /sheet51 10 B	R3827 /sheet38 3 F	X3811 /sheet38 2 B				
	C1250 /sheet12 6 A	C1511 /sheet15 8 B	C3910 /sheet39 4 C	N1330 /sheet13 10 C	R3901 /sheet39 4 F	X4899 /sheet48 9 C				
	C1251 /sheet12 9 C	C1512 /sheet15 8 B	C3914 /sheet39 8 B	N3500 /sheet35 6 E	R3902 /sheet39 3 D	X5100 /sheet51 1 E				
	C1252 /sheet12 6 E	C1513 /sheet15 9 B	C3915 /sheet39 7 B	N3800 /sheet38 10 B	R3903 /sheet39 3 D	Z1001 /sheet10 1 F				
	C1253 /sheet12 7 E	C1514 /sheet15 10 B	C3916 /sheet39 3 C	N3801 /sheet38 7 F	R3904 /sheet39 4 D	Z1501 /sheet15 10 E				
	C1254 /sheet12 7 E	C1516 /sheet15 10 B	C3917 /sheet39 4 D	N3911 /sheet39 4 C	R3905 /sheet39 4 F	Z1601 /sheet16 5 C				
	C1256 /sheet12 6 E	C1523 /sheet15 5 A	C3918 /sheet39 4 D	N4800 /sheet48 4 B	R3916 /sheet39 6 D	Z3961 /sheet39 12 C				
	C1257 /sheet12 7 E	C1524 /sheet15 5 B	C3919 /sheet39 4 D	R1006 /sheet10 2 F	R3917 /sheet39 6 E	Z4801 /sheet48 5 C				
	C1258 /sheet12 7 E	C1525 /sheet15 6 B	C3920 /sheet39 4 D	R1014 /sheet10 12 B	R3922 /sheet39 6 B	Z5100 /sheet51 9 C				
	C1259 /sheet12 7 E	C1526 /sheet15 6 B	C3921 /sheet39 2 E	R1018 /sheet10 15 B	R3923 /sheet39 6 B					
	C1260 /sheet12 6 E	C1541 /sheet15 6 B	C3922 /sheet39 4 E	R1021 /sheet10 15 B	R3924 /sheet39 7 B					
	C1261 /sheet12 7 E	C1548 /sheet15 12 B	C3923 /sheet39 4 F	R1022 /sheet10 15 F	R3925 /sheet39 9 D					
	C1262 /sheet12 7 E	C1549 /sheet15 11 B	C3924 /sheet39 3 E	R1023 /sheet10 15 G	R3950 /sheet39 2 E					
	C1263 /sheet12 7 E	C1605 /sheet16 9 D	C3925 /sheet39 5 D	R1024 /sheet10 15 D	R3951 /sheet39 2 E					
	C1264 /sheet12 8 F	C1901 /sheet19 5 B	C3927 /sheet39 5 D	R1025 /sheet10 15 D	R3952 /sheet39 3 E					
	C1265 /sheet12 7 E	C1904 /sheet19 5 C	C3928 /sheet39 6 D	R1038 /sheet10 6 B	R3961 /sheet39 13 B					
	C1301 /sheet13 3 A	C1910 /sheet19 7 B	C3929 /sheet39 6 D	R1041 /sheet10 2 A	R3962 /sheet39 13 C					
	C1302 /sheet13 4 A	C1911 /sheet19 7 C	C3931 /sheet39 5 F	R1042 /sheet10 2 A	R3963 /sheet39 13 C					
	C1303 /sheet13 4 A	C1930 /sheet19 7 D	C3940 /sheet39 9 D	R1043 /sheet10 2 A	R3964 /sheet39 14 C					
	C1304-2 /sheet13 2 B	C1931 /sheet19 7 D	C3941 /sheet39 9 C	R1044 /sheet10 3 A	R3965 /sheet39 14 C					
	C1304-1 /sheet13 2 B	C2204 /sheet22 9 D	C3942 /sheet39 9 D	R1045 /sheet10 2 B	R3966 /sheet39 15 C					
	C1306-2 /sheet13 3 B	C2205 /sheet22 5 D	C3943 /sheet39 9 D	R1046 /sheet10 2 B	R3967 /sheet39 15 C					
	C1306-1 /sheet13 3 B	C2206 /sheet22 9 D	C3944 /sheet39 8 B	R1047 /sheet10 2 B	R4536 /sheet35 10 B					
	C1308 /sheet13 4 D	C2216 /sheet22 9 D	C3949 /sheet39 10 B	R1048 /sheet10 3 B	R4800 /sheet48 3 B					
	C1309 /sheet13 4 D	C2217 /sheet22 9 D	C3950 /sheet39 11 D	R1050 /sheet10 3 A	R4806 /sheet48 3 C					
	C1310 /sheet13 4 D	C2218 /sheet22 9 D	C3951 /sheet39 11 D	R1052 /sheet10 3 B	R4807 /sheet48 3 C					
	C1311 /sheet13 4 D	C2219 /sheet22 10 D	C3952 /sheet39 4 B	R1054 /sheet10 3 B	R4808 /sheet48 8 C					
	C1312 /sheet13 4 D	C2220 /sheet22 10 D	C3961 /sheet39 11 C	R1060 /sheet10 11 A	R4809 /sheet48 8 C					
	C1313 /sheet13 4 D	C2221 /sheet22 10 D	C3962 /sheet39 13 C	R1061 /sheet10 11 A	R4900 /sheet49 4 B					
	C1314 /sheet13 4 D	C2222 /sheet22 5 D	C3963 /sheet39 13 C	R1100 /sheet11 5 D	R4901 /sheet49 4 C					
	C1316 /sheet13 7 C	C2223 /sheet22 6 D	C3964 /sheet39 13 C	R1130 /sheet11 9 B	R4902 /sheet49 5 C					
	C1317 /sheet13 3 E	C2224 /sheet22 11 D	C3965 /sheet39 14 C	R1251 /sheet12 7 B	R4904 /sheet49 7 C					
	C1319 /sheet13 3 E	C2320 /sheet23 5 B	C3966 /sheet39 14 C	R1252 /sheet12 7 B	R4907 /sheet49 8 C					
	C1325 /sheet13 3 E	C2321 /sheet23 7 B	C3970 /sheet39 2 A	R1254 /sheet12 9 C	R4908 /sheet49 8 D					
	C1329-2 /sheet13 6 A	C2330 /sheet23 3 D	C3971 /sheet39 2 B	R1255 /sheet12 8 C	R4909 /sheet49 6 D					
	C1329-1 /sheet13 6 A	C2331 /sheet23 4 E	C3972 /sheet39 3 B	R1256 /sheet12 6 C	R5110 /sheet51 9 C					
	C1330-1 /sheet13 6 A	C2350 /sheet23 5 C	C4800 /sheet48 5 B	R1257 /sheet12 6 C	R5111 /sheet51 9 C					
	C1330-2 /sheet13 6 A	C2351 /sheet23 7 D	C4801 /sheet48 6 B	R1260 /sheet12 8 E	R5149 /sheet51 10 B					
	C1331-1 /sheet13 7 A	C2422 /sheet24 2 D	C4806 /sheet48 3 C	R1261 /sheet12 8 E	TP4800 /sheet48 6 A					
	C1331-2 /sheet13 7 A	C2702 /sheet27 9 B	C4807 /sheet48 4 B	R1262 /sheet12 8 E	TP3802 /sheet38 5 F					
	C1332-1 /sheet13 8 A	C2703 /sheet27 9 B	C4900 /sheet49 5 A	R1300 /sheet13 4 B	TP3502 /sheet35 8 D					
	C1332-2 /sheet13 7 A	C2704 /sheet27 9 B	C4901 /sheet49 5 C	R1302 /sheet13 3 B	TP1551 /sheet15 1 B					
	C1333 /sheet13 6 E	C2705 /sheet27 9 B	C4905 /sheet49 7 B	R1303 /sheet13 2 C	TP1554 /sheet15 1 B					
	C1334 /sheet13 6 E	C2706 /sheet27 7 B	C4906 /sheet49 8 D	R1308 /sheet13 3 D	TP1552 /sheet15 1 B					
	C1336-2 /sheet13 10 D	C2707 /sheet27 6 B	C5100 /sheet51 4 B	R1309 /sheet13 7 D	TP1550 /sheet15 1 A					
	C1336-1 /sheet13 10 D	C2708 /sheet27 6 B	C5104 /sheet51 7 C	R1320 /sheet13 8 C	TP1553 /sheet15 1 B					

DATE	15.03.2005	Swift Mainboard B2+ build Q2620-A5 TOP HIERARCHY LEVEL SCHEMATIC	1:1
USER	Bartenschl.		
APPR'D			
HW4 MCH1		257674	poslist1
BENQ mobile			
1	36309	09.02.2006	bar
VERS.	CHANGE NUMBER	DATE	NAME
( Created by BOM number: A5B00900212037-36309 )			

Proprietary data, Company confidential.  
all rights reserved

Als Betriebsgeheimnis anvertraut  
alle Rechte vorbehalten

**TABLE\_OF\_CONTENTS\_PLATFORM**

PAGE	BLOCK	STATUS
1	TOP HIERARCHICAL OVERVIEW	EMPTY
2	TABLE OF CONTENTS PLATFORM	
3	TABLE OF CONTENTS PROJECT	EMPTY
4	DEFINITION OF HIT POINTS	
5-8	DEFINITION OF HIT POINTS	EMPTY
9	DEBUG CONNECTOR	EMPTY
10	SGOLD2	
11	SGOLD2 SUPPLY DOMAIN	
12	SDRAM FLASH	
13	MOZART / TWIGO	
14	BATTERY CONNECTOR	
15	IO-CONNECTOR	
16	SIM-CONNECTOR	
17	SPEAKER SOLUTION 1	EMPTY
19	MICROPHONE CIRCUIT 1	
21	VIBRA	EMPTY
22	DISPLAY CONNECTOR	
23	DISPLAY/ KEYPAD BACKLIGHT CONTROL	
24	NIGHT DESIGN	EMPTY
26	IRDA	EMPTY
27	MMI CONNECTOR	
28	KEYPAD BACKLIGHT	EMPTY
32	OPEN/CLOSE DETECTION	EMPTY
35	CAMERA INTERFACE	
38	ANTENNA CIRCUIT with small PA	
39	RF HITACHI BRIGHT	
44	AMBIENT LIGHT SENSOR	EMPTY
45	BAROMETER	EMPTY
48	MMC-READER	
49	LED FLASHLIGHT with out LED	
51	BLUETOOTH SOLUTION 2	
54	AUDIO-VIDEO INTERFACE	EMPTY

PAGE	BLOCK	STATUS
94	Keypad as components	EMPTY
98	NAND FLASH	EMPTY
99	DEBUG	EMPTY

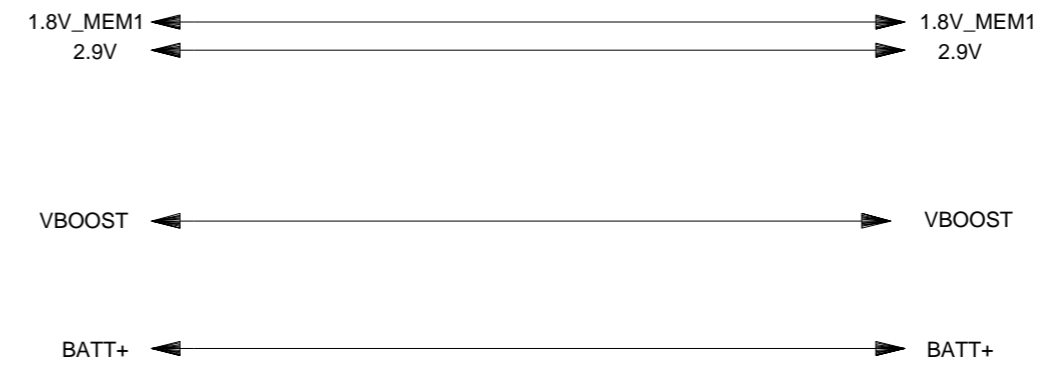
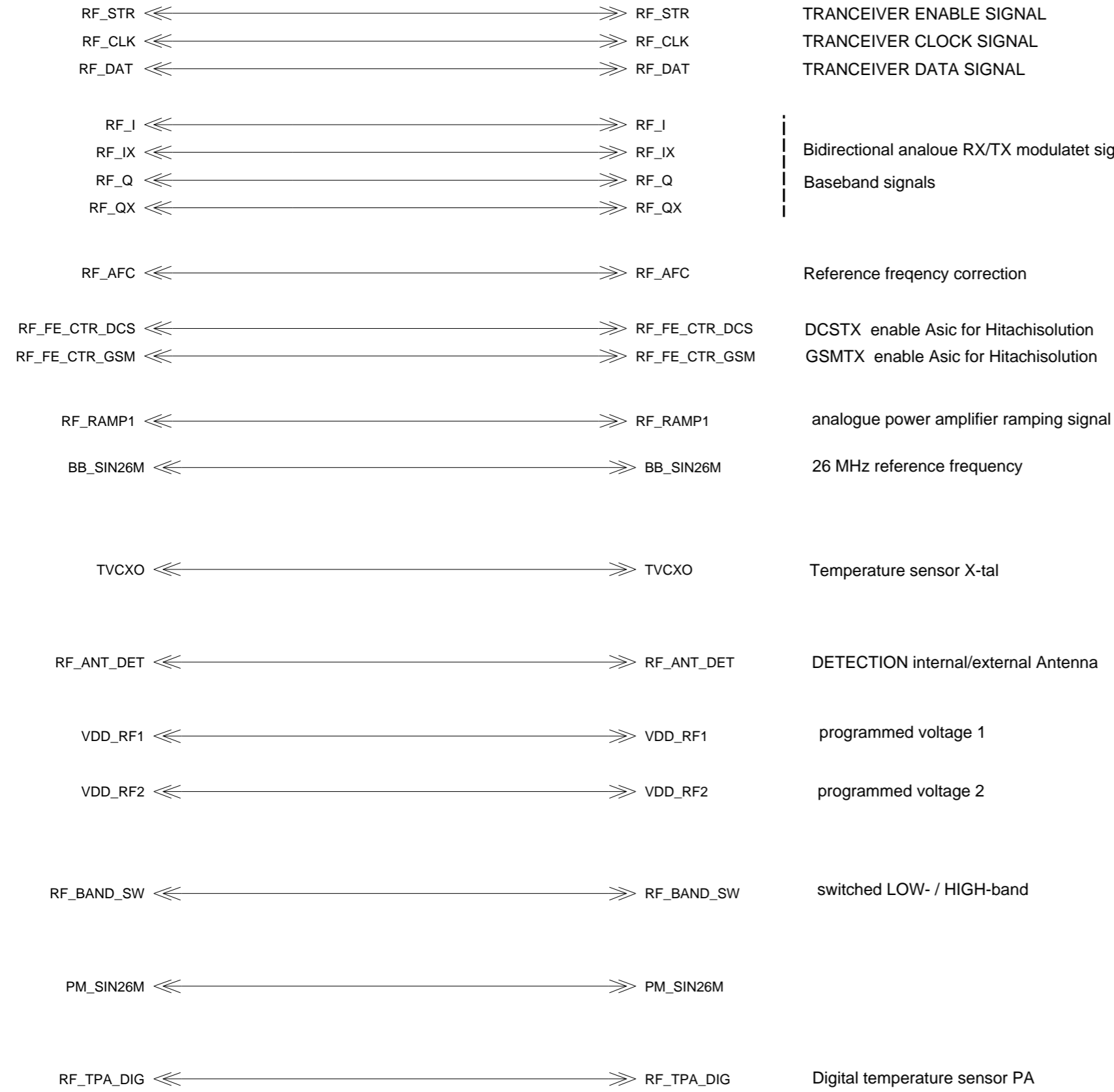
DATE	15.03.2005	Swift Mainboard B2+ build Q2620-A5 TOP HIERARCHY LEVEL SCHEMATIC	1:1
USER	Bartenschl.		
APPR'D			
HW4 MCH1		BENQ mobile	257674
VERS.	1		
		DATE	09.02.2006
		NAME	bar
( Created by BOM number: A5B00900212037-36309 )			

Proprietary data, Company confidential.  
all rights reserved

Als Betriebsgeheimnis anvertraut  
alle Rechte vorbehalten

# HIT\_POINTS LOGIK/HF\_PART\_1

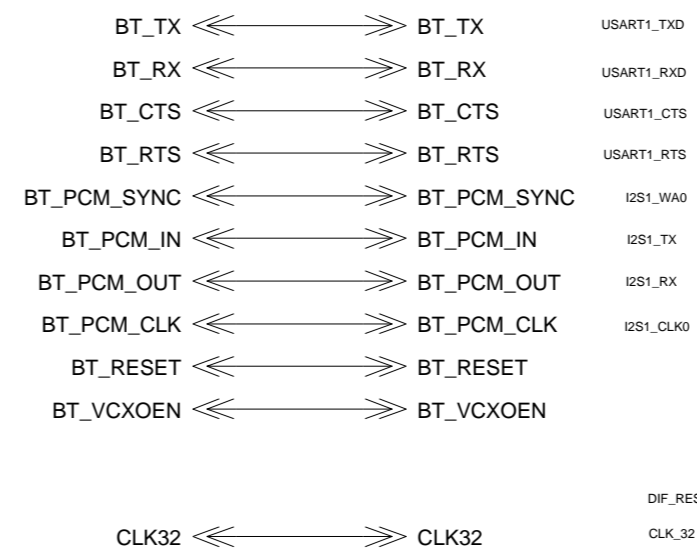
## HIT\_POINTS LOGIK/HF 400-449



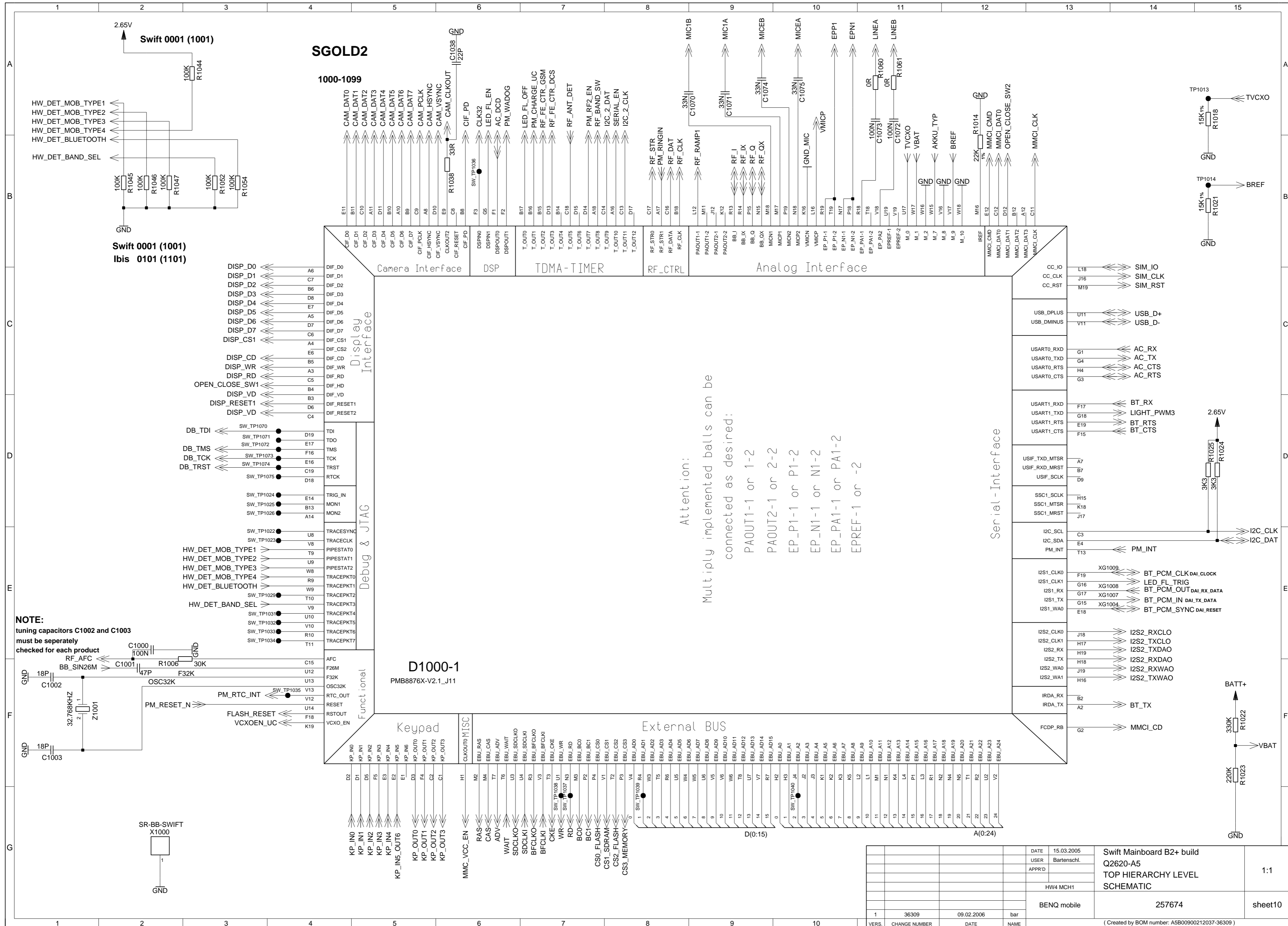
## HIT\_POINTS HF\_PART\_1/BLUETOOTH



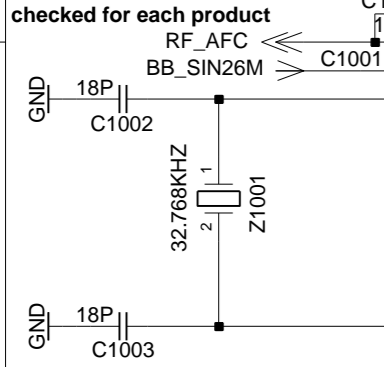
## HIT\_POINTS LOGIK/BLUETOOTH



DATE	15.03.2005	Swift Mainboard B2+ build Q2620-A5 TOP HIERARCHY LEVEL SCHEMATIC	1:1
USER	Bartenschl.		
APPR'D			
HW4 MCH1		BENQ mobile	257674
VERS.	36309		
NAME	bar	( Created by BOM number: A5B00900212037-36309 )	



**NOTE:**  
tuning capacitors C1002 and C1003  
must be separately  
checked for each product

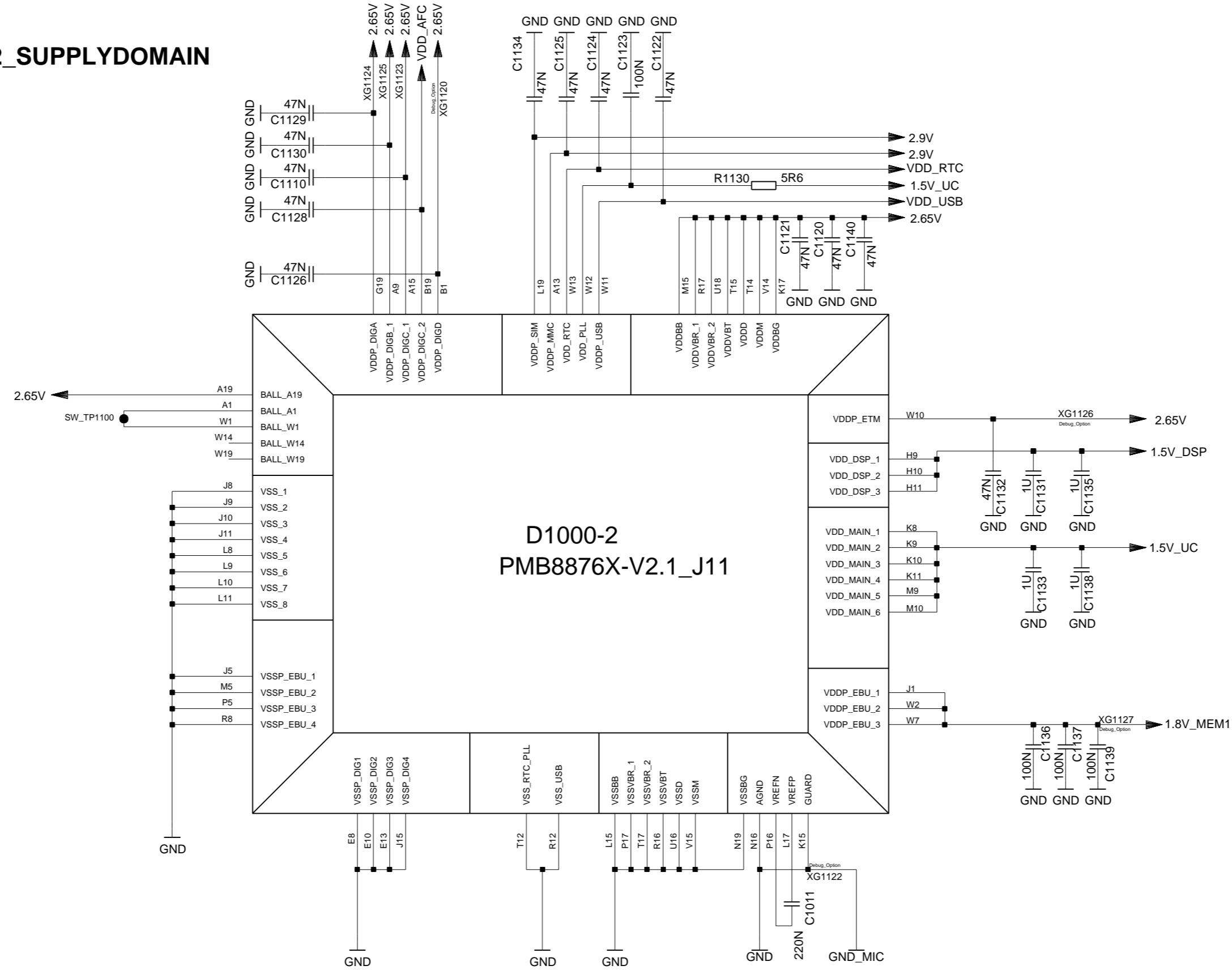


Attention:  
Multiply implemented balls can be  
connected as desired:  
PAOUT1-1 or 1-2  
PAOUT2-1 or 2-2  
EP\_P1-1 or P1-2  
EP\_N1-1 or N1-2  
EP\_PA1-1 or PA1-2  
EPREF-1 or -2

DATE	15.03.2005	Swift Mainboard B2+ build	
USER	Bartenschl.	Q2620-A5	
APPRD		TOP HIERARCHY LEVEL	1:1
		HW4 MCH1	
		BENQ mobile	257674
			sheet10
( Created by BOM number: A5B00900212037-36309 )			

### SGOLD2\_SUPPLYDOMAIN

1100-1199

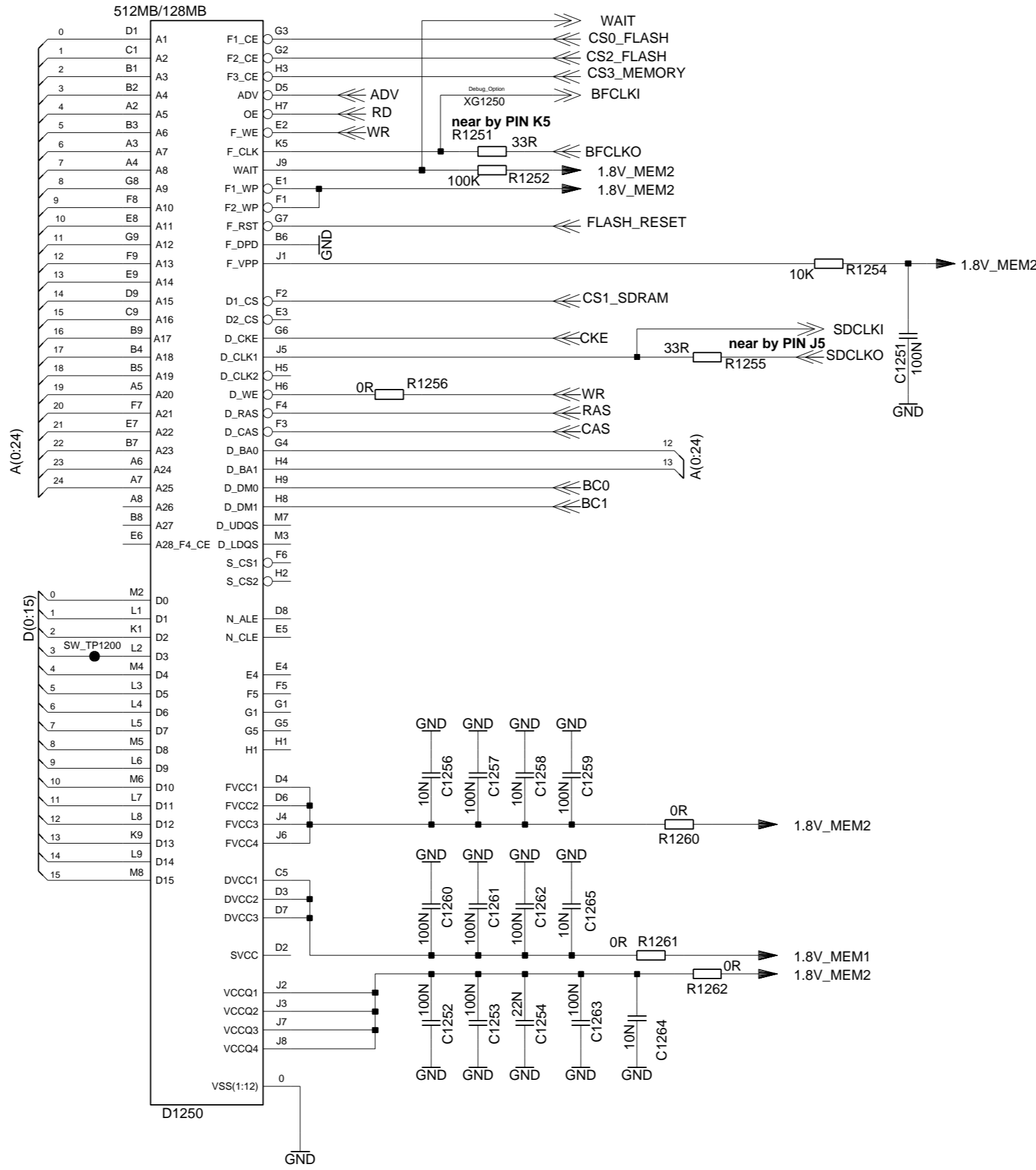


Proprietary data, Company confidential.  
all rights reserved

Als Betriebsgeheimnis anvertraut  
alle Rechte vorbehalten

# FLASH\_SDRAM

1200-1299



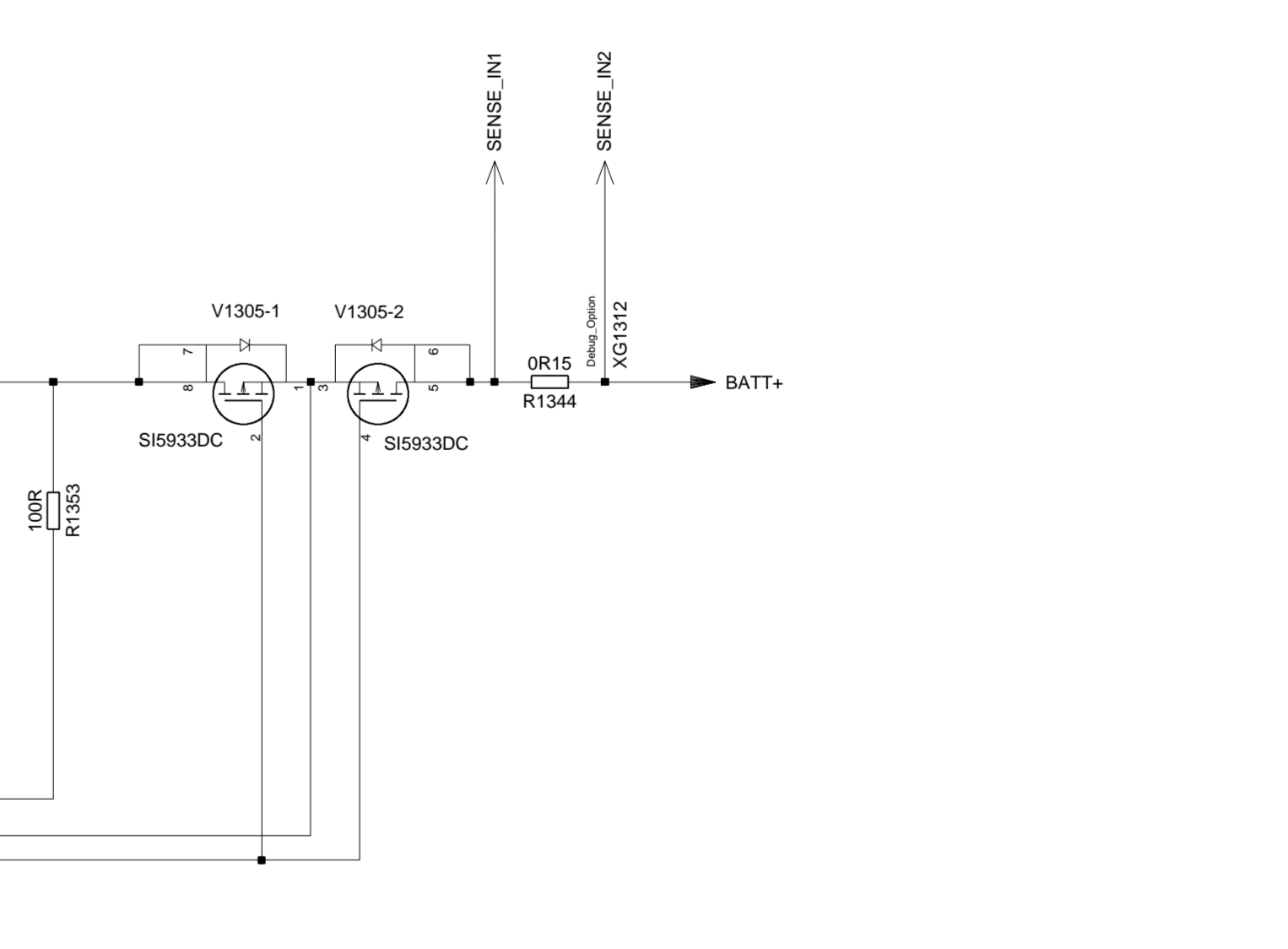
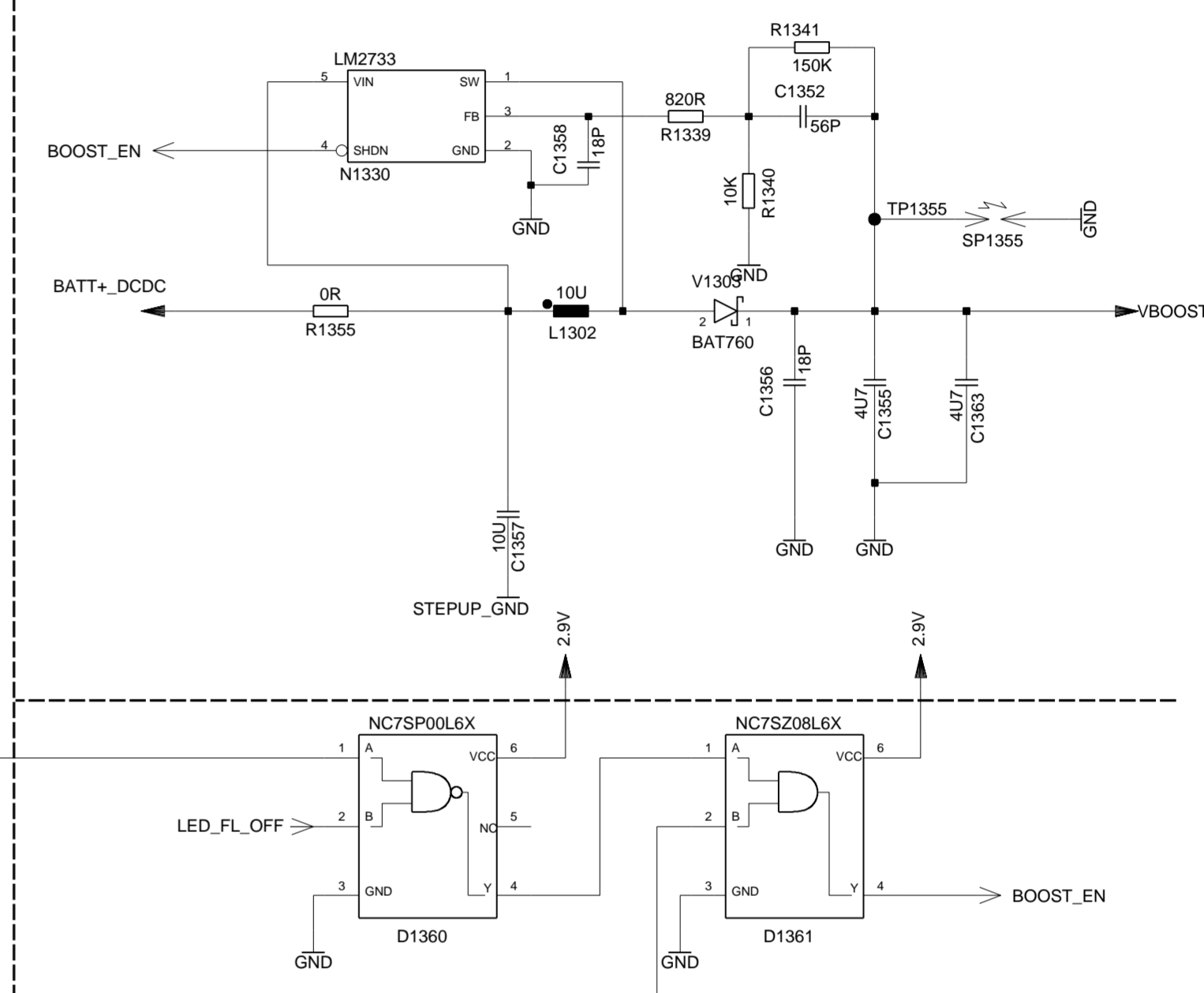
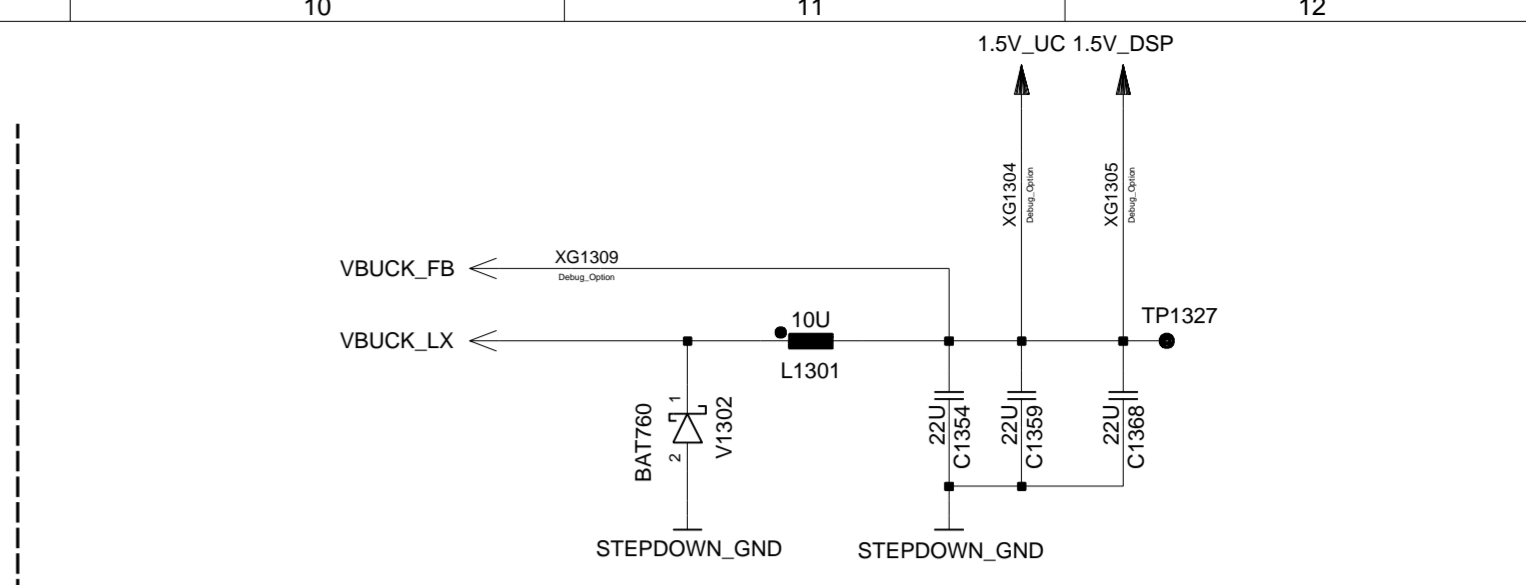
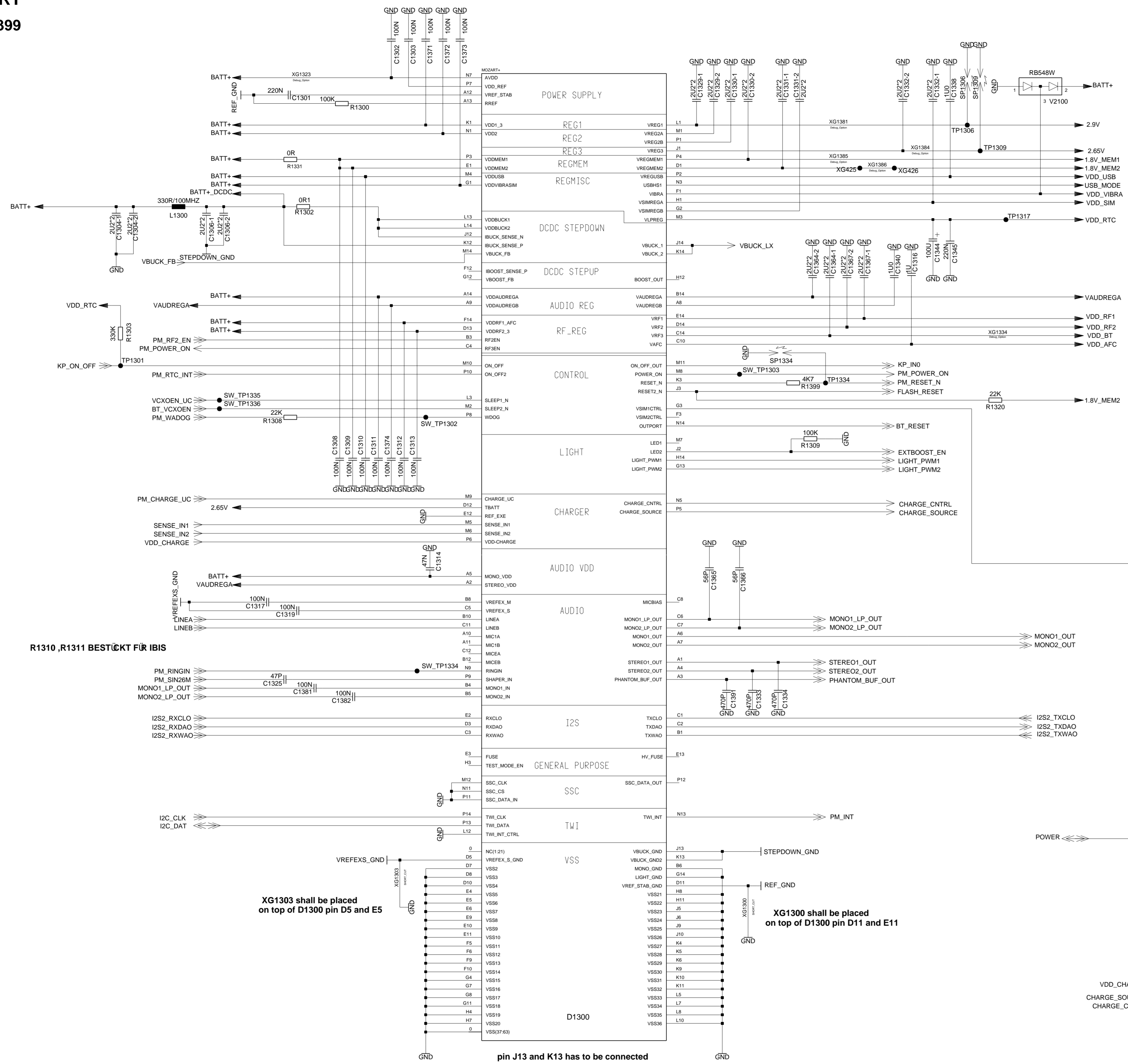
DATE	15.03.2005	Swift Mainboard B2+ build	
USER	Bartenschl.	Q2620-A5	
APPR'D		TOP HIERARCHY LEVEL	1:1
		SCHMATIC	
		HW4 MCH1	
		BENQ mobile	257674
			sheet12
VERS.	CHANGE NUMBER	DATE	NAME
1	36309	09.02.2006	bar

( Created by BOM number: A5B00900212037-36309 )



# MOZART

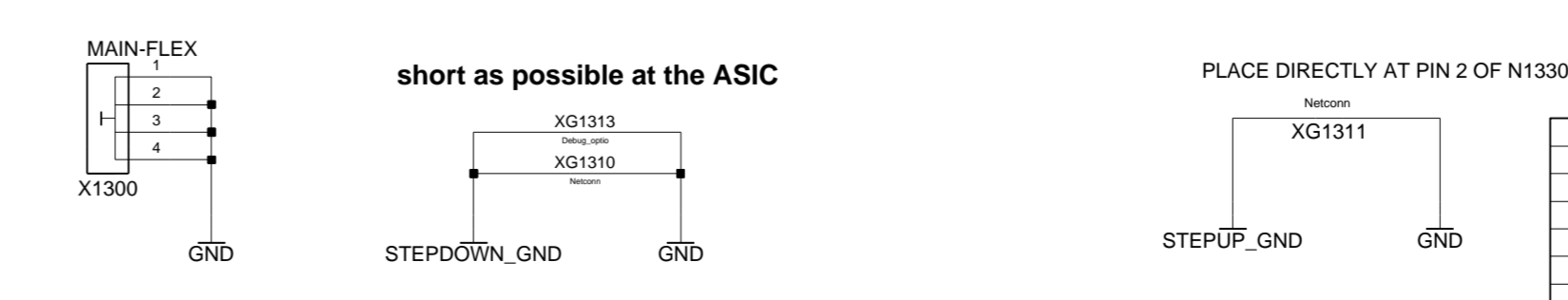
## 1300-1399



XG1303 shall be placed on top of D1300 pin D5 and E5

XG1300 shall be placed on top of D1300 pin D11 and E11

pin J13 and K13 has to be connected directly with H11 and K11 without any via



Without express authorization, queda terminantemente prohibida la reproducción total o parcial de este documento, así como su uso indebido y/o su exhibición o comunicación terceros. De los efectos de la infracción el correspondiente resarcimiento de daños y perjuicios. Se reserva todos los derechos para el caso de la concesión de patente de invención o a otro modo de Diseño.

Copyright of this document, and giving it to others and the use or communication of the contents thereof, are forbidden without express authority. Offenders are liable to the payment of damages. All rights are reserved in the event of the grant of a Patent or the registration of a utility model or Design.

Wiedergabe sowie Weiterverbreitung dieser Unterlagen, Verwertung und Mitteilung Fern Inhalts nicht gestattet, soweit nicht ausdrücklich zugestanden. Zuwiderhandlungen verpflichten zu Schadenersatz. Alle Rechte für den Fall der Patentierung oder G.M. Eintragung vorbehalten.

DATE	15.03.2005	Swift Mainboard B2+ build	
USER	Bartenschl.	Q2620-A5	
APPVED		TOP HIERARCHY LEVEL	
		SCHEMATIC	
		257674	
			sheet13
1	36309	09.02.2006	bar
VERS.	CHANGE NUMBER	DATE	NAME

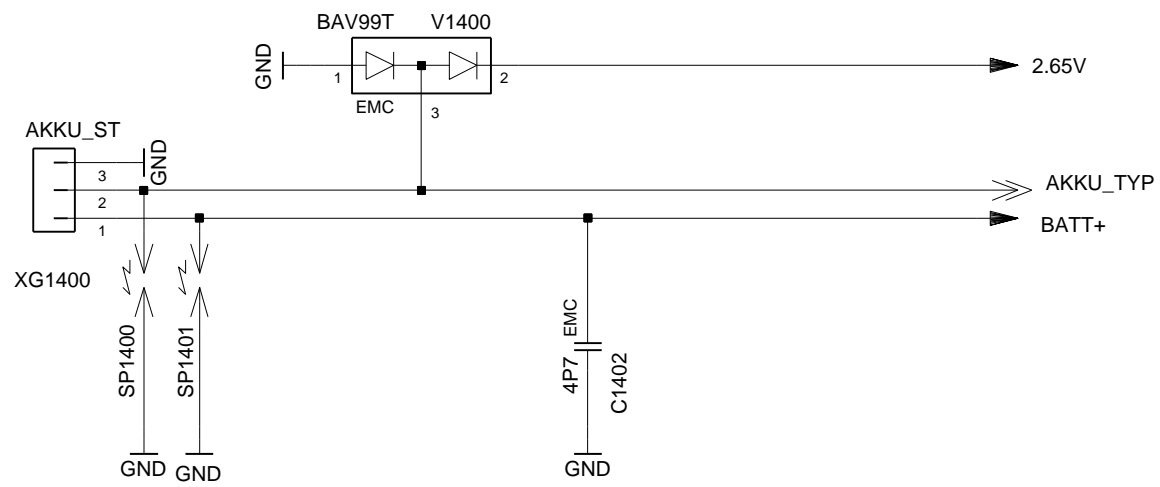
( Created by BOM number: A5B00900212037-36309 )

Proprietary data, company confidential.  
All rights reserved

Als Betriebsgeheimnis anvertraut  
Alle Rechte vorbehalten

# BATTERY\_CONNECTOR

1400-1449



				DATE	15.03.2005	Swift Mainboard B2+ build Q2620-A5 TOP HIERARCHY LEVEL SCHEMATIC	1:1
				USER	Bartenschl.		
				APPR'D			
					HW4 MCH1		
					BENQ mobile	257674	sheet14
1	36309	09.02.2006	bar	VERS.	CHANGE NUMBER	DATE	NAME

( Created by BOM number: A5B00900212037-36309 )

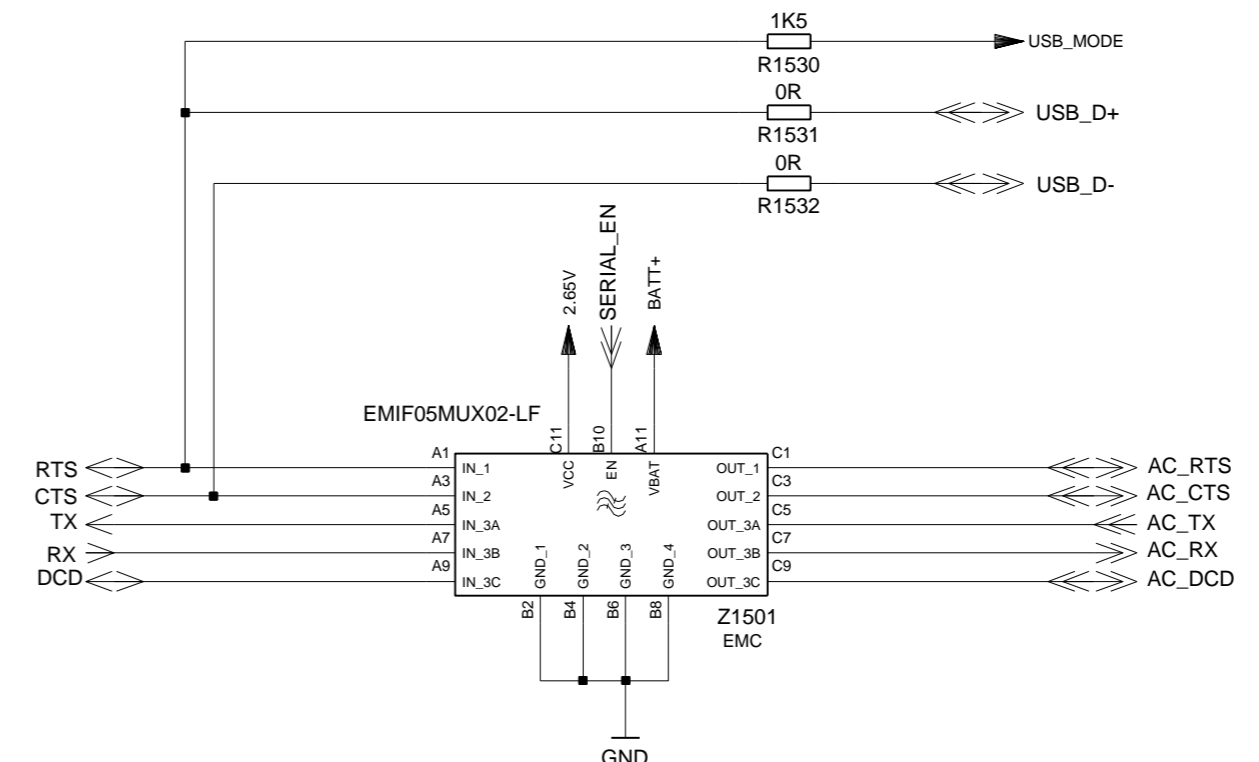
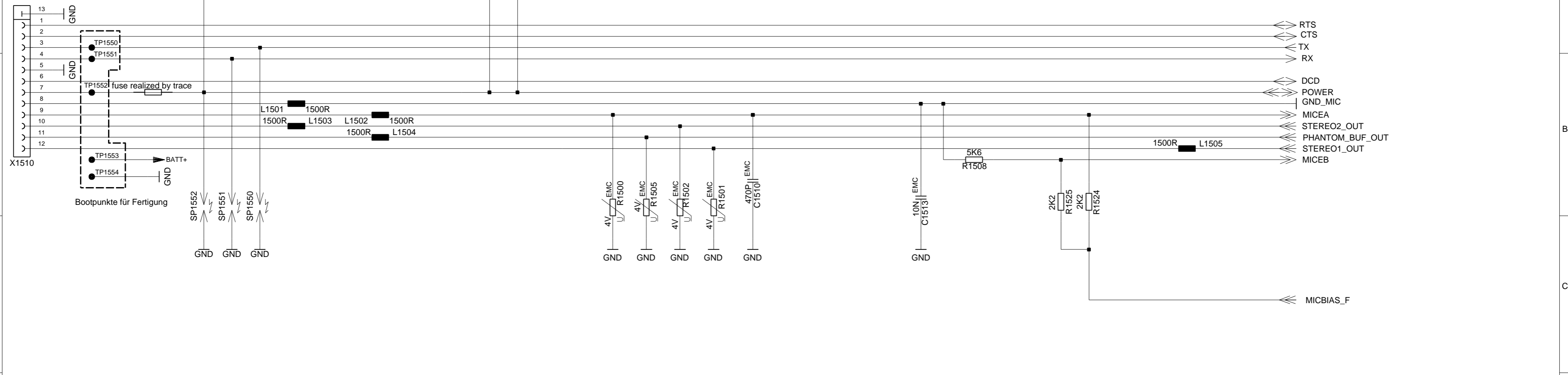
Proprietary data, Company confidential.  
all rights reserved

Als Betriebsgeheimnis anvertraut  
alle Rechte vorbehalten

# IO\_CONNECTOR

1500-1599

Nano\_IO\_LUMBERG



DATE	15.03.2005	Swift Mainboard B2+ build	
USER	Bartenschl.	Q2620-A5	
APPR'D		TOP HIERARCHY LEVEL	1:1
		SCHEMATIC	
	HW4 MCH1		
	BENQ mobile	257674	sheet15
1	36309	09.02.2006	bar
VERS.	CHANGE NUMBER	DATE	NAME

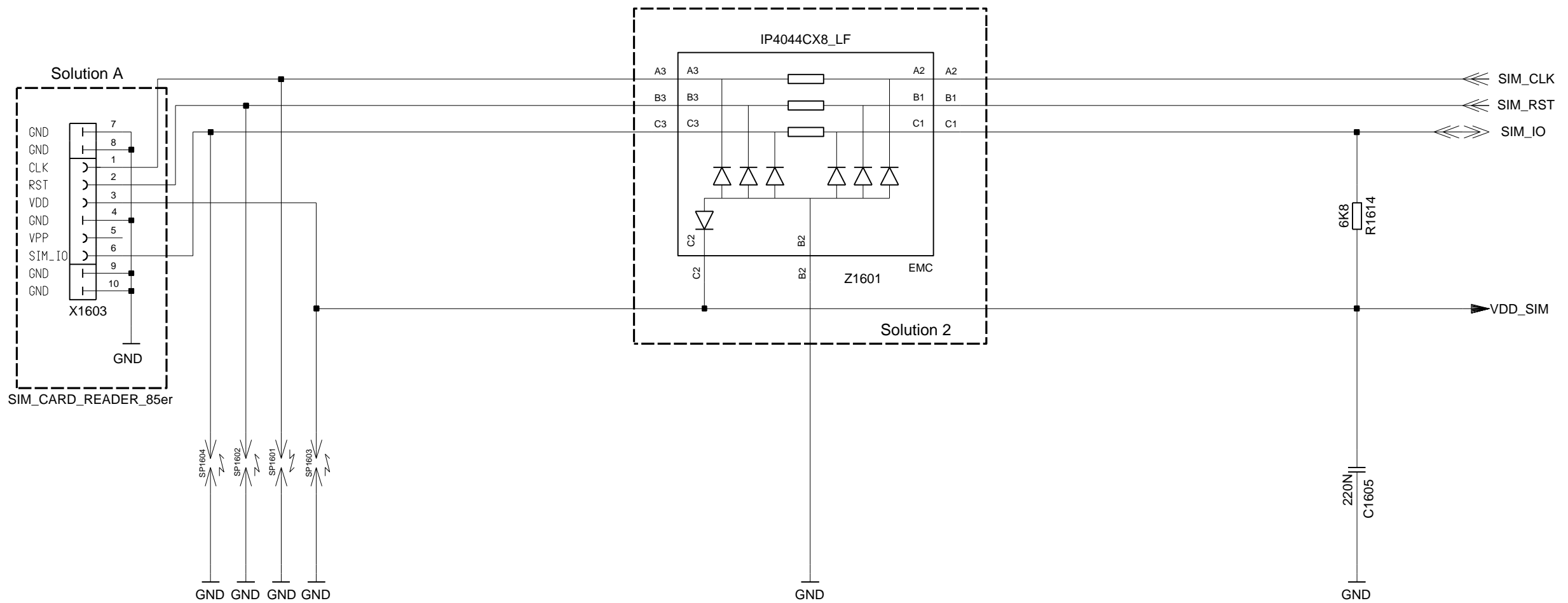
( Created by BOM number: A5B00900212037-36309 )

# SIM\_CONNECTOR

1600-1659

Proprietary data, company confidential.  
All rights reserved

Als Betriebsgeheimnis anvertraut  
Alle Rechte vorbehalten



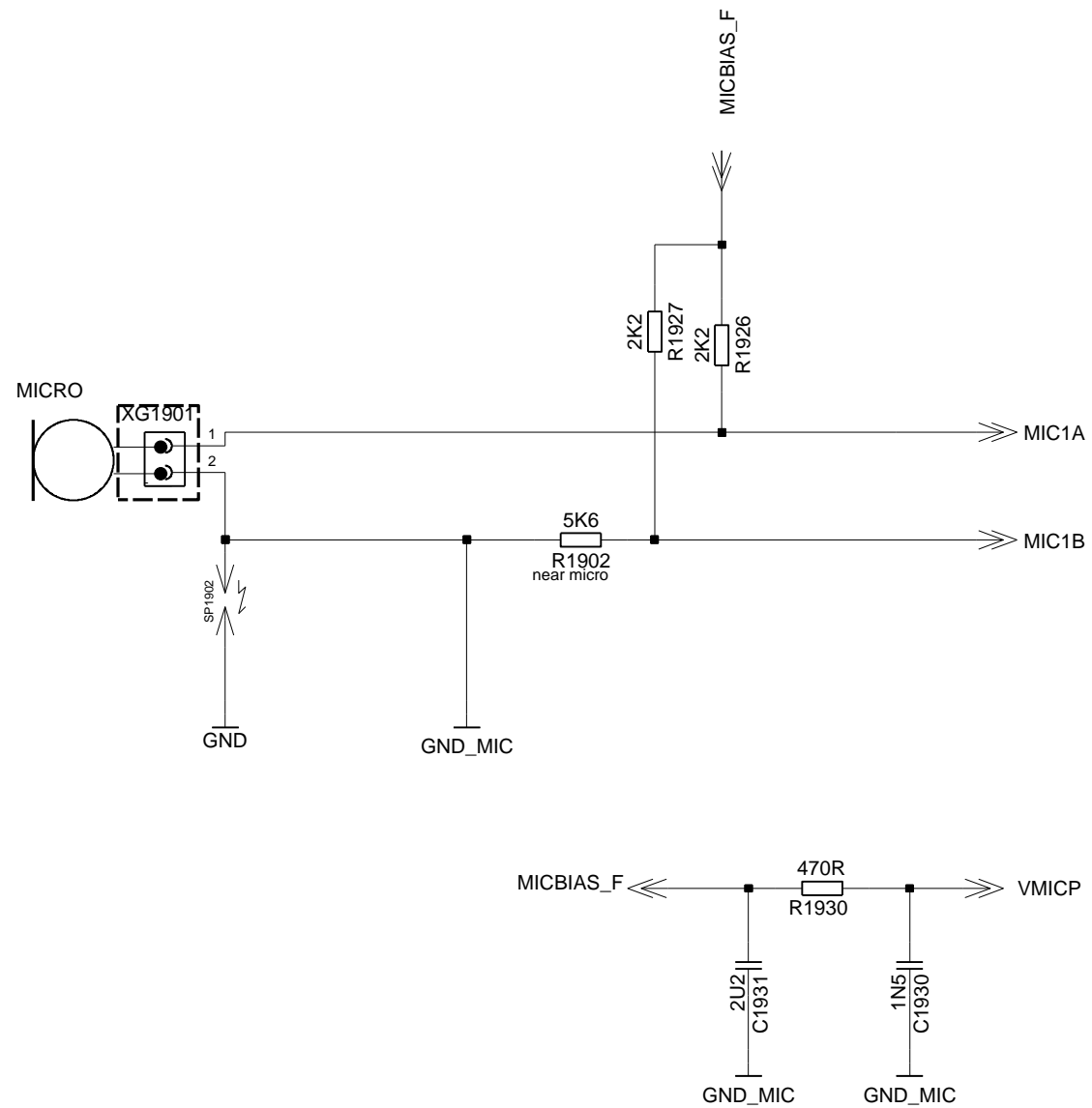
DATE	15.03.2005	Swift Mainboard B2+ build		1:1	
USER	Bartenschl.	Q2620-A5			
APPR'D		TOP HIERARCHY LEVEL			
		HW4 MCH1		sheet16	
		BENQ mobile			
1	36309	09.02.2006	bar	257674	
VERS.	CHANGE NUMBER	DATE	NAME	( Created by BOM number: A5B00900212037-36309 )	

Proprietary data, company confidential.  
All rights reserved

Als Betriebsgeheimnis anvertraut  
Alle Rechte vorbehalten

# MICROPHONE\_CIRCUIT\_1

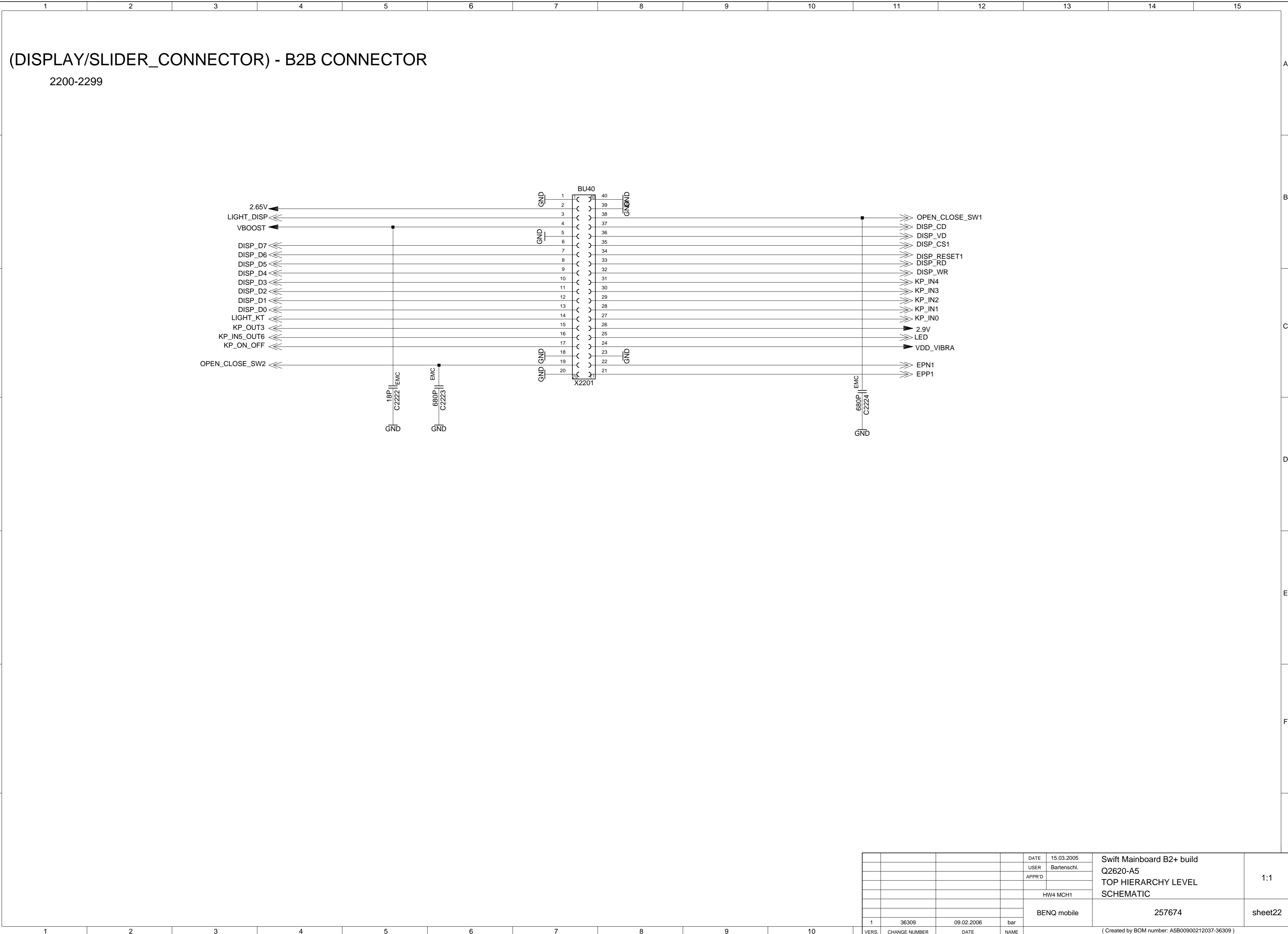
1900-1999



				DATE	15.03.2005	Swift Mainboard B2+ build Q2620-A5 TOP HIERARCHY LEVEL SCHEMATIC	1:1
				USER	Bartenschl.		
				APPR'D			
				HW4 MCH1		257674	sheet19
				BENQ mobile			
1	36309	09.02.2006	bar			( Created by BOM number: A5B00900212037-36309 )	
VERS.	CHANGE NUMBER	DATE	NAME				

Proprietary data, Company confidential.  
all rights reserved

Als Betriebsgeheimnis anvertraut  
alle Rechte vorbehalten



DATE	15.03.2005	Swift Mainboard B2+ build Q2620-A5 TOP HIERARCHY LEVEL SCHEMATIC	1:1
USER	Bartenschl.		
APPR'D			
HW4 MCH1		BENQ mobile	257674
VERS.	1		
		DATE	09.02.2006
		NAME	bar
( Created by BOM number: A5B00900212037-36309 )			

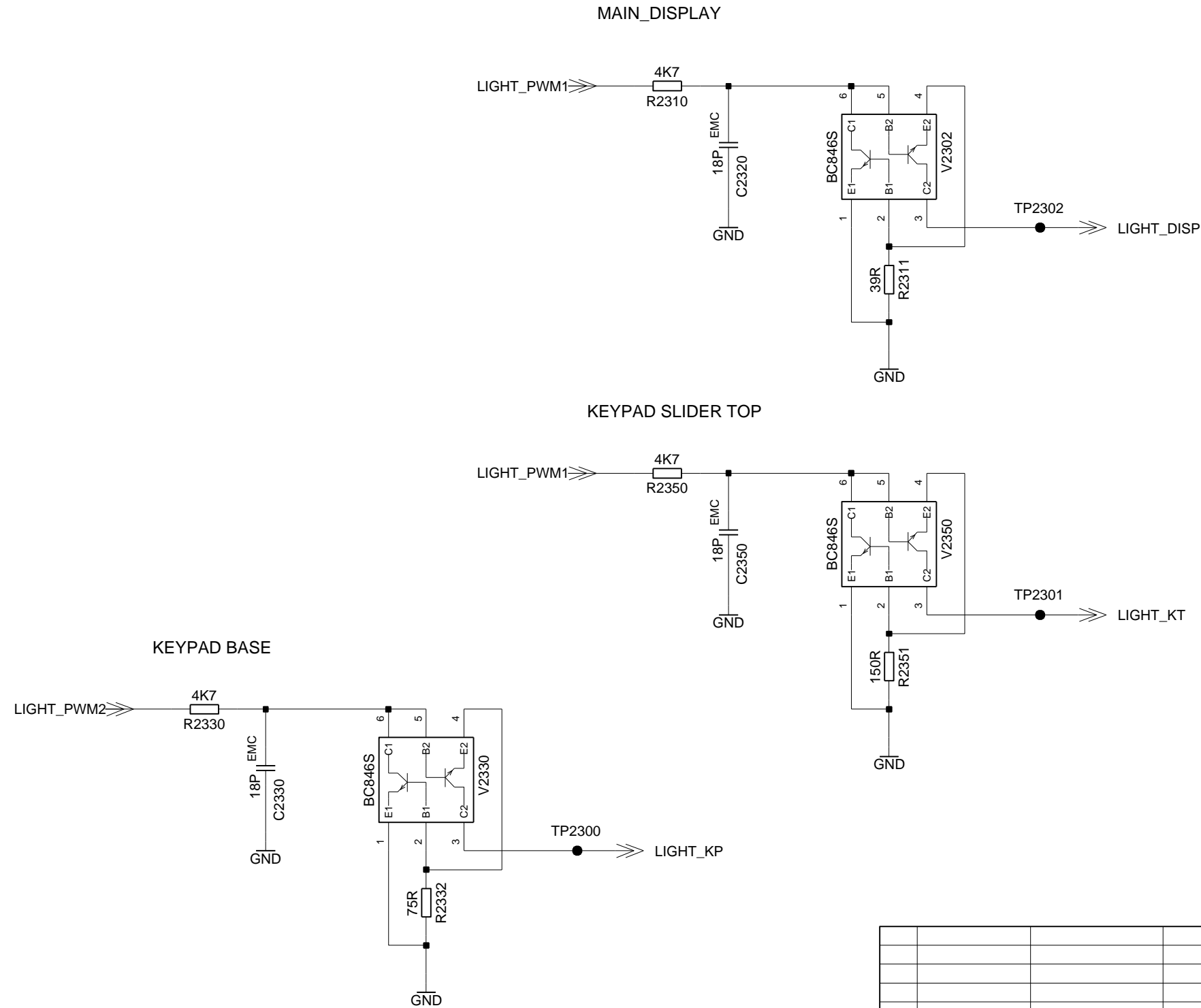
sheet22

Proprietary data, company confidential.  
All rights reserved

Als Betriebsgeheimnis anvertraut  
Alle Rechte vorbehalten

# DISPLAY/ KEYPAD BACKLIGHT CONTROL

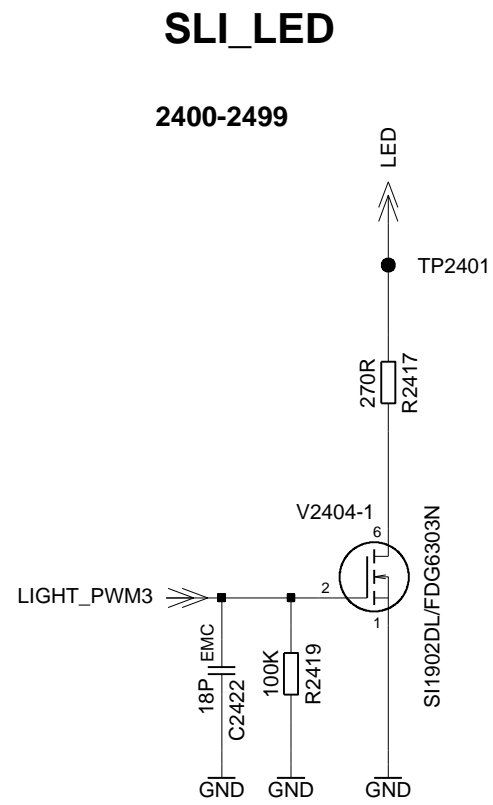
2300-2399



DATE	15.03.2005	Swift Mainboard B2+ build		1:1
USER	Bartenschl.	Q2620-A5		
APPR'D		TOP HIERARCHY LEVEL		
HW4 MCH1		SCHEMATIC		
BENQ mobile		257674		sheet23
1	36309	09.02.2006	bar	( Created by BOM number: A5B00900212037-36309 )
VERS.	CHANGE NUMBER	DATE	NAME	

Proprietary data, company confidential.  
All rights reserved

Als Betriebsgeheimnis anvertraut  
Alle Rechte vorbehalten



### SLI\_LED

2400-2499

				DATE	15.03.2005	Swift Mainboard B2+ build Q2620-A5 TOP HIERARCHY LEVEL SCHEMATIC	1:1
				USER	Bartenschl.		
				APPR'D			
					HW4 MCH1		
					BENQ mobile	257674	sheet24
1	36309	09.02.2006	bar				
VERS.	CHANGE NUMBER	DATE	NAME	( Created by BOM number: A5B00900212037-36309 )			

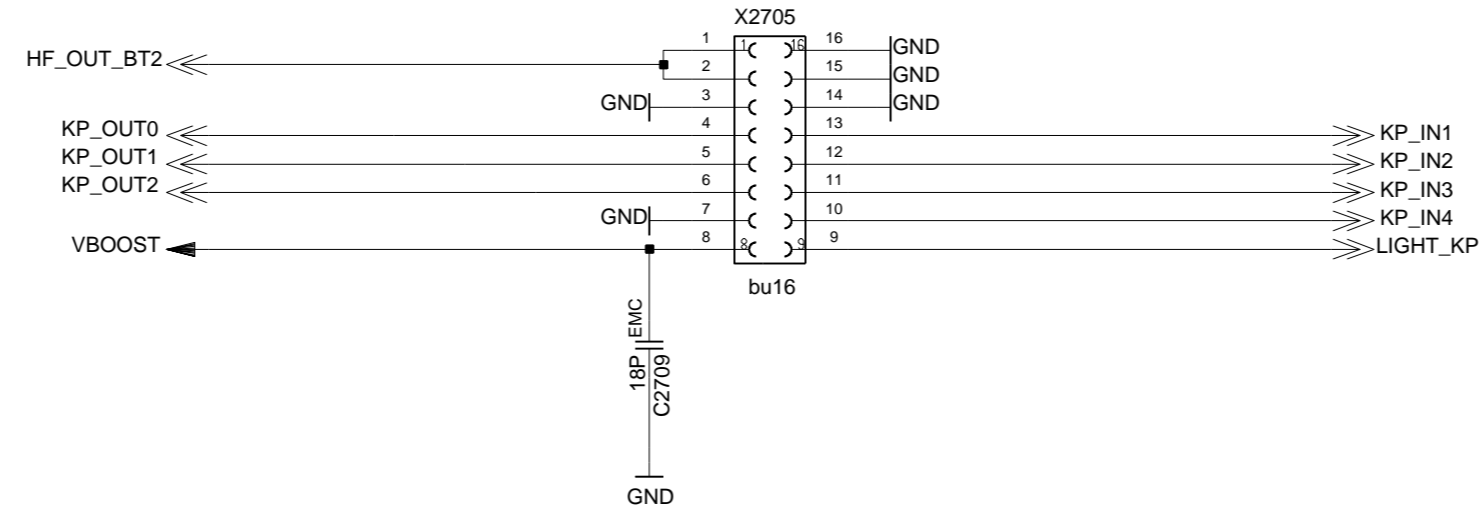


Proprietary data, Company confidential.  
all rights reserved

Als Betriebsgeheimnis anvertraut  
alle Rechte vorbehalten

### Keypad Interface

2700-2749



DATE	15.03.2005	Swift Mainboard B2+ build Q2620-A5 TOP HIERARCHY LEVEL SCHEMATIC	1:1
USER	Bartenschl.		
APPR'D			
HW4 MCH1		BENQ mobile	257674
VERS.	1		
		DATE	09.02.2006
		NAME	bar
( Created by BOM number: A5B00900212037-36309 )			

sheet27

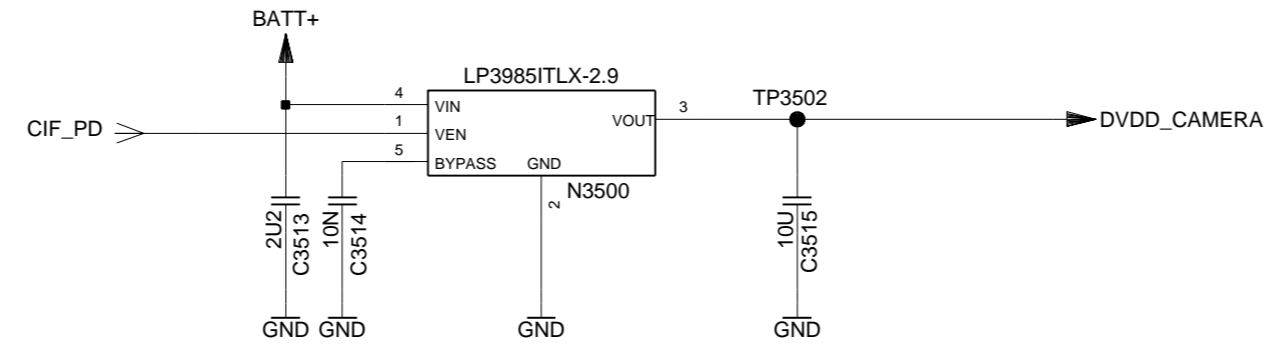
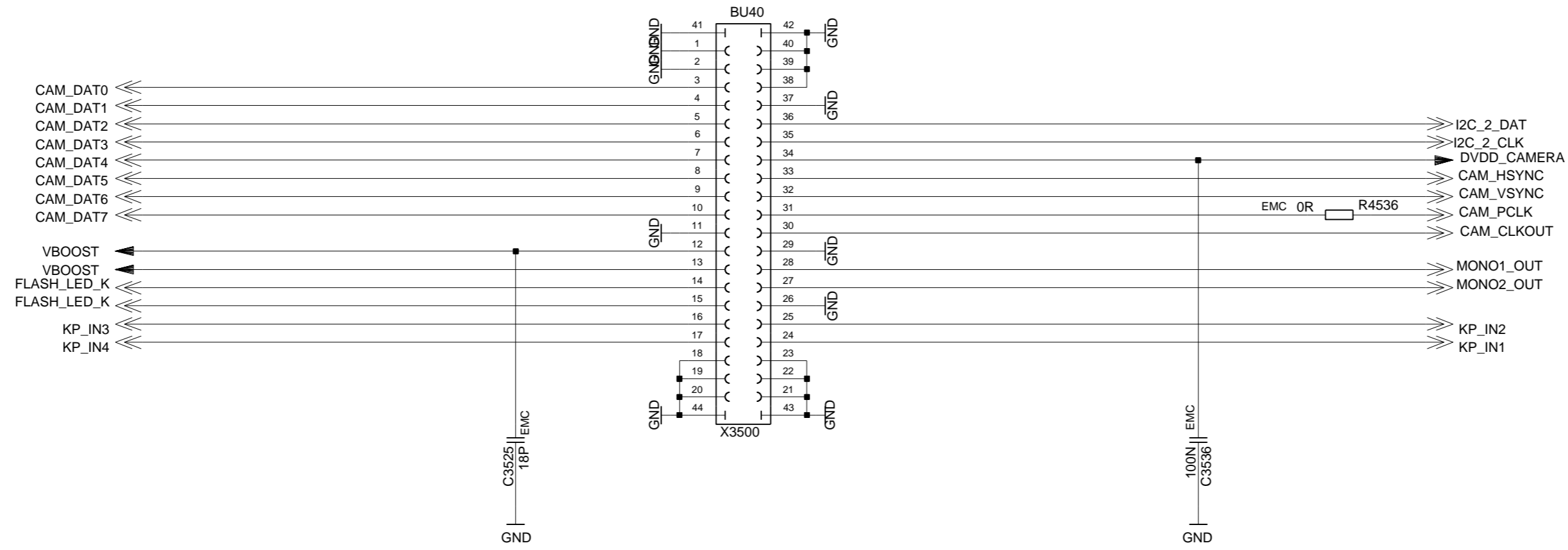
Proprietary data, Company confidential.  
all rights reserved

Als Betriebsgeheimnis anvertraut  
alle Rechte vorbehalten

# Camera Interface

3500-3579

## DUMMY CAMERA CONNECTOR



DATE	15.03.2005	Swift Mainboard B2+ build Q2620-A5 TOP HIERARCHY LEVEL SCHEMATIC	1:1
USER	Bartenschl.		
APPR'D			
HW4 MCH1		BENQ mobile	257674
VERS.	36309		
CHANGE NUMBER		DATE	
NAME		NAME	
( Created by BOM number: A5B00900212037-36309 )			

sheet35

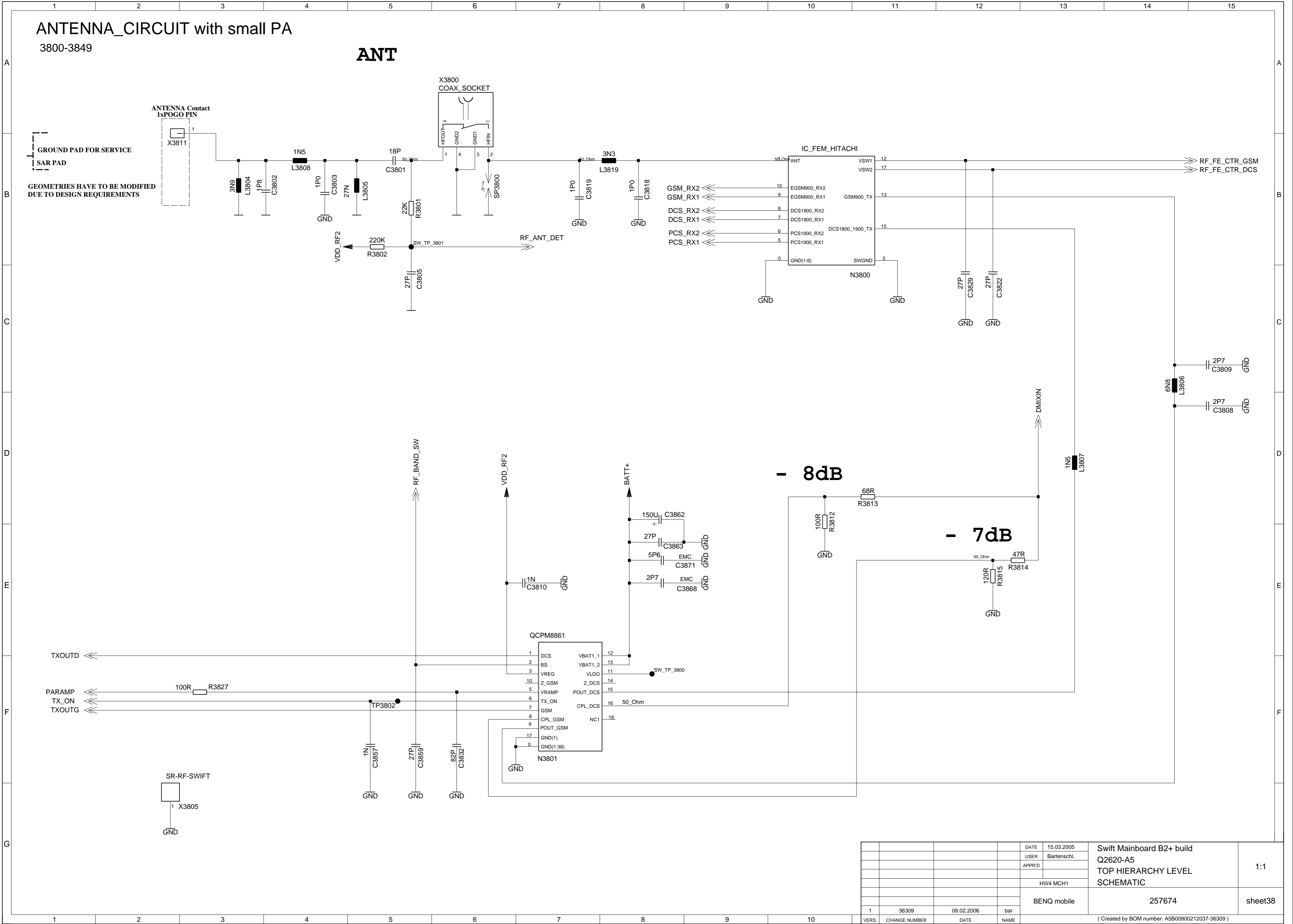
Proprietary data, Company confidential.  
all rights reserved

Als Betriebsgeheimnis anvertraut  
alle Rechte vorbehalten

# ANTENNA\_CIRCUIT with small PA

3800-3849

## ANT



DATE	15.03.2005	Swift Mainboard B2+ build	
USER	Bartenschl.	Q2620-A5	
APPR'D		TOP HIERARCHY LEVEL	1:1
		SCHEMATIC	
		HW4 MCH1	
		BENQ mobile	257674
			sheet38
1	36309	09.02.2006	bar
VERS.	CHANGE NUMBER	DATE	NAME

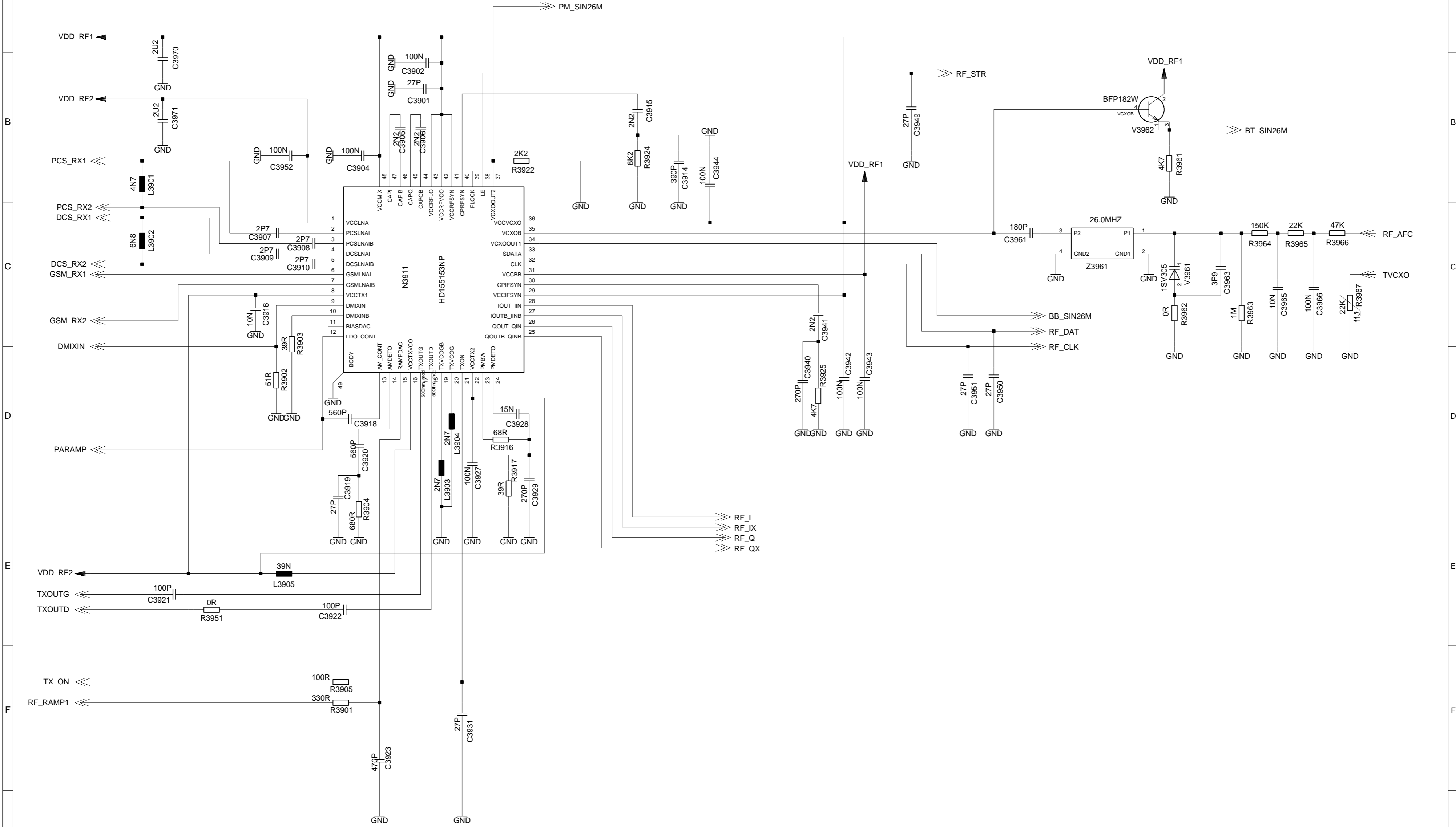
( Created by BOM number: A5B00900212037-36309 )

Proprietary data, Company confidential.  
all rights reserved

Als Betriebsgeheimnis anvertraut  
alle Rechte vorbehalten

# RF\_HITACHI\_BRIGHT

3900-3999

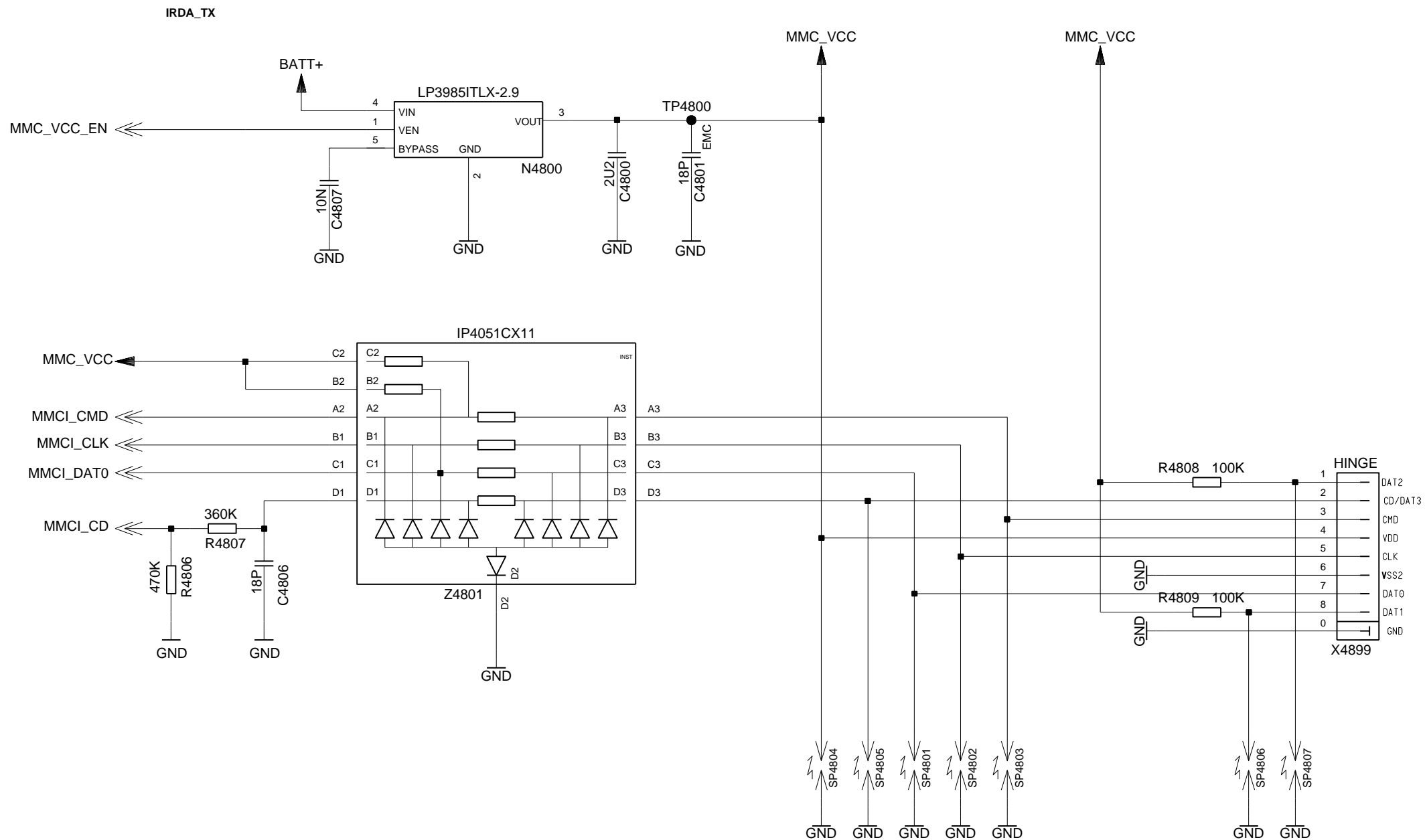


DATE	15.03.2005	Swift Mainboard B2+ build	
USER	Bartenschl.	Q2620-A5	
APPR'D		TOP HIERARCHY LEVEL	1:1
		SCHEMATIC	
		HW4 MCH1	
		BENQ mobile	257674
			sheet39
1	36309	09.02.2006	bar
VERS.	CHANGE NUMBER	DATE	NAME

( Created by BOM number: A5B00900212037-36309 )

# MMC READER

4800-4899



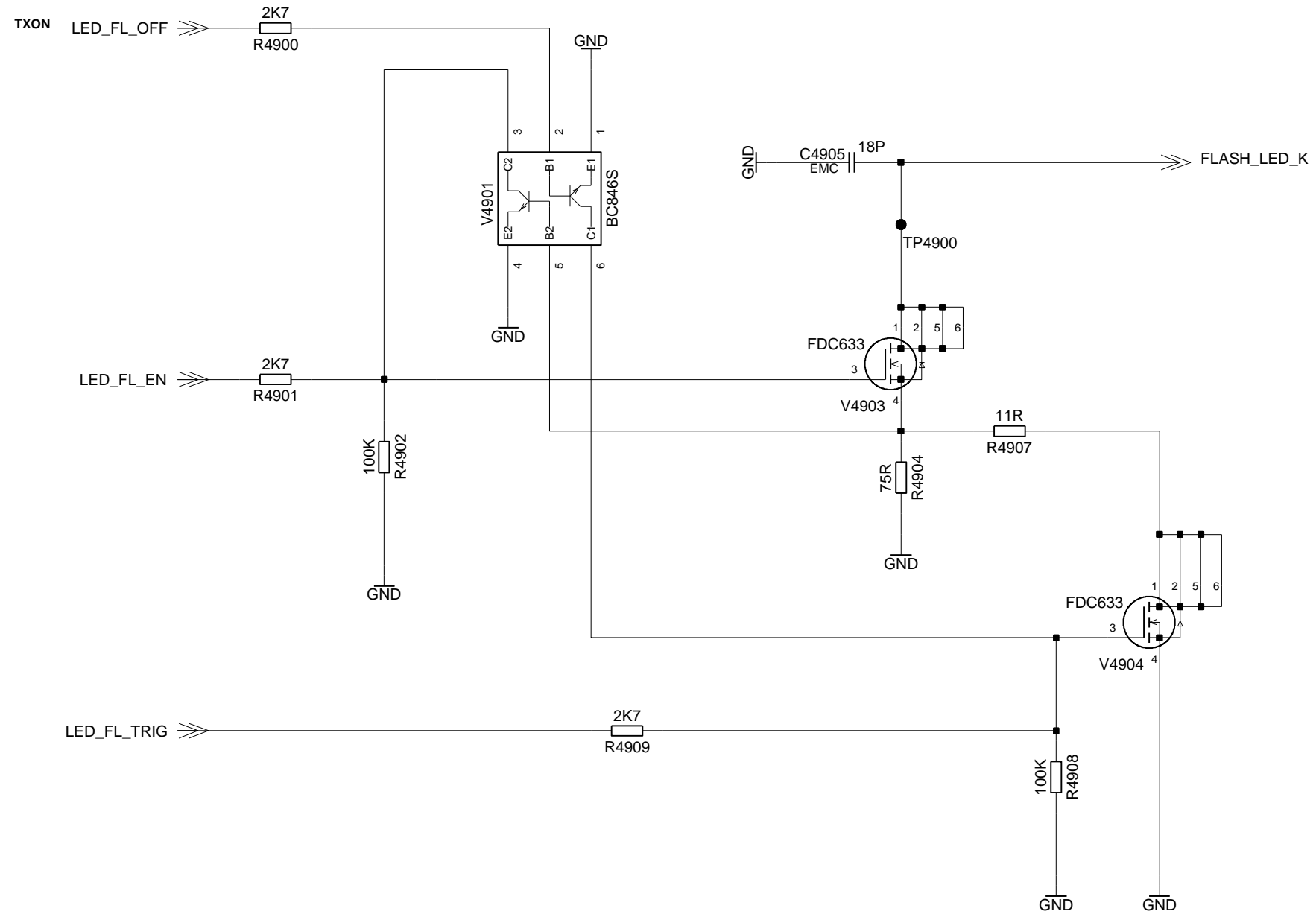
Proprietary data, company confidential.  
All rights reserved

Als Betriebsgeheimnis anvertraut  
Alle Rechte vorbehalten

DATE	15.03.2005	Swift Mainboard B2+ build		1:1	
USER	Bartenschl.	Q2620-A5			
APPR'D		TOP HIERARCHY LEVEL			
		SCHEMATIC			
HW4 MCH1				257674	sheet48
BENQ mobile					
1	36309	09.02.2006	bar	( Created by BOM number: A5B00900212037-36309 )	
VERS.	CHANGE NUMBER	DATE	NAME		

# LED FLASHLIGHT

4900-4999



Proprietary data, company confidential.  
All rights reserved

Als Betriebsgeheimnis anvertraut  
Alle Rechte vorbehalten

LED FLASHLIGHT	Page 49	R4903	Partnumber
Vboost	20,7	10 Ohm (0805)	A5B00026462423
Vboost	19,7	remove or 0 Ohm	

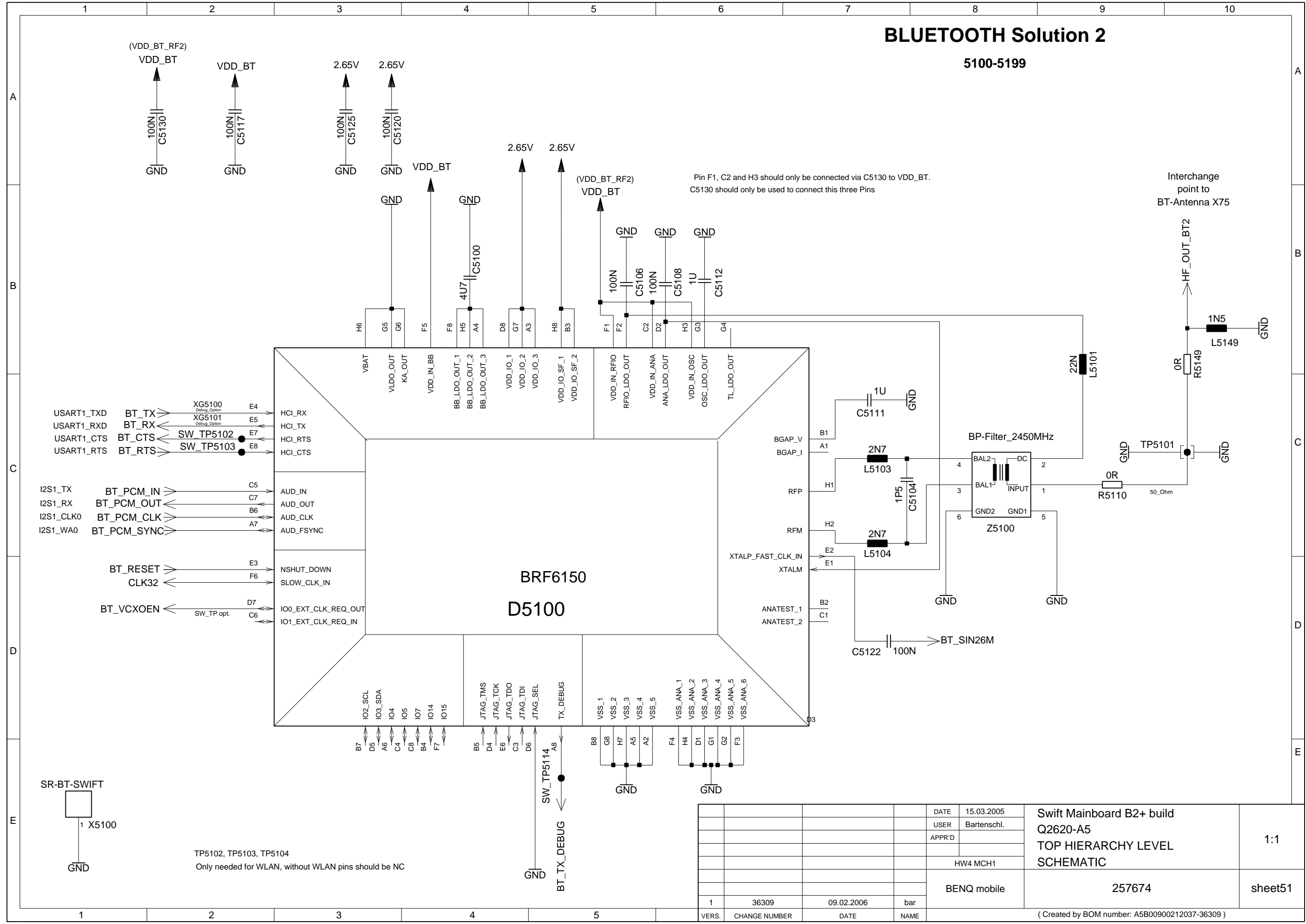
DATE	15.03.2005	Swift Mainboard B2+ build		1:1
USER	Bartenschl.	Q2620-A5		
APPR'D		TOP HIERARCHY LEVEL		
		HW4 MCH1		sheet49
		BENQ mobile		
1	36309	09.02.2006	bar	257674
VERS.	CHANGE NUMBER	DATE	NAME	( Created by BOM number: A5B00900212037-36309 )

Proprietary data, company confidential.  
All rights reserved

Als Betriebsgeheimnis anvertraut  
Alle Rechte vorbehalten

# BLUETOOTH Solution 2

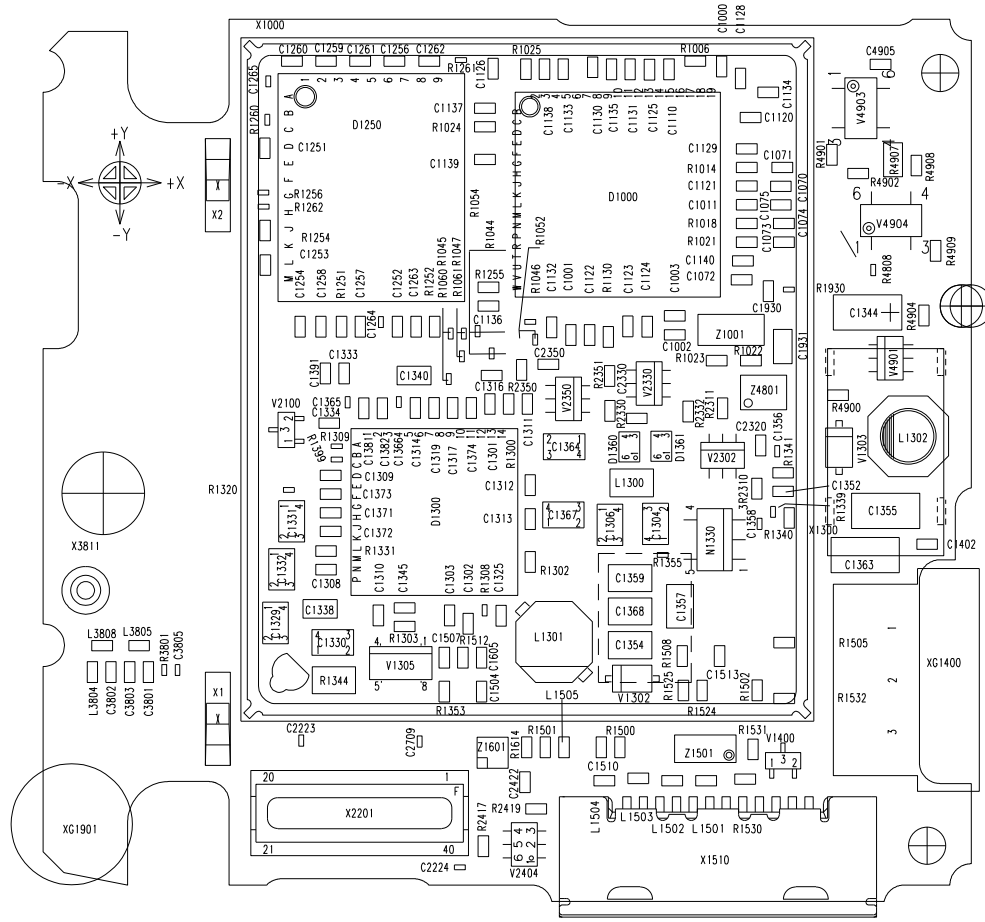
5100-5199



TP5102, TP5103, TP5104  
Only needed for WLAN, without WLAN pins should be NC

DATE	15.03.2005	Swift Mainboard B2+ build Q2620-A5 TOP HIERARCHY LEVEL SCHEMATIC	1:1
USER	Bartenschl.		
APPR'D			
HW4 MCH1		257674	sheet51
BENQ mobile			
1	36309	09.02.2006	bar
VERS.	CHANGE NUMBER	DATE	NAME

( Created by BOM number: A5B00900212037-36309 )

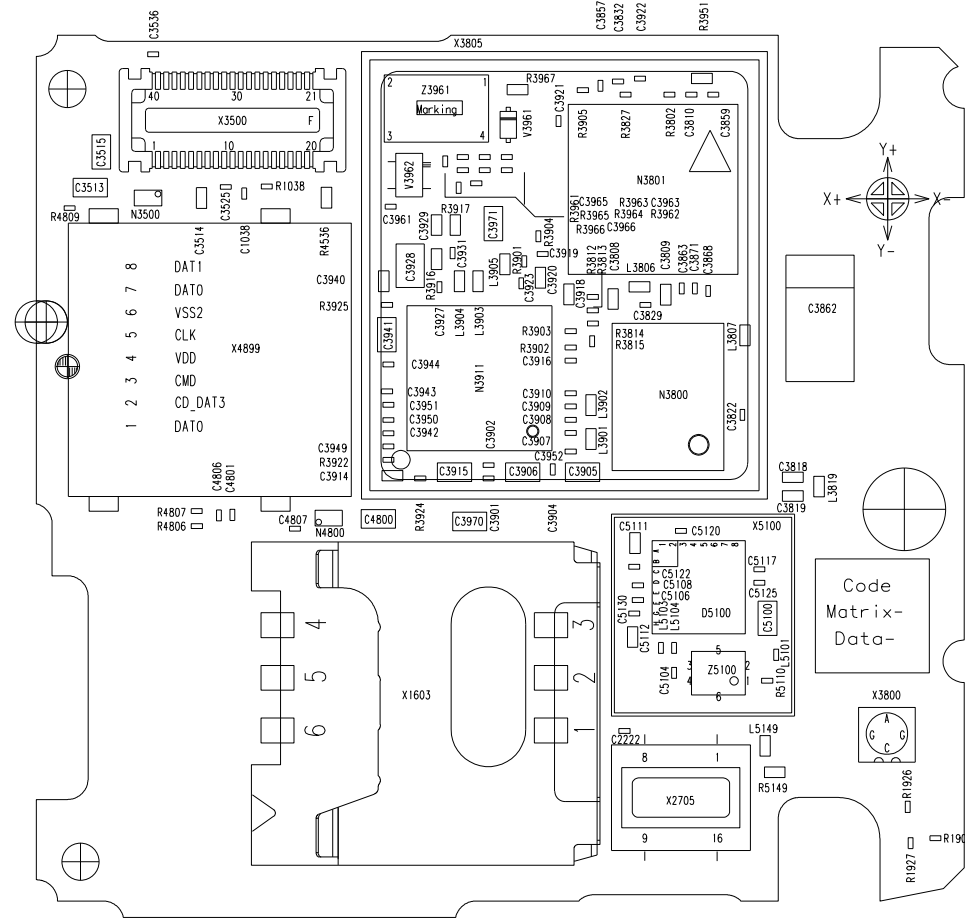


C1000	7A	C1258	5B	C1357	6C	D1300	5B	R1261	6A	R4808	7B
C1001	6B	C1259	5A	C1358	7B	D1360	6B	R1262	5B	R4900	7B
C1002	6B	C1260	5A	C1359	6B	D1361	6B	R1300	6B	R4901	7A
C1003	6B	C1261	5A	C1363	7B	L1300	6B	R1302	6B	R4902	7A
C1011	7B	C1262	5A	C1364	6B	L1301	6C	R1303	5C	R4904	7B
C1070	7A	C1263	5B	C1365	5B	L1302	7B	R1308	6C	R4907	7A
C1071	7A	C1264	5B	C1366	5B	L1501	6C	R1309	5B	R4908	7A
C1072	7B	C1265	5A	C1367	6B	L1502	6C	R1320	5B	R4909	7B
C1073	7B	C1301	6B	C1368	6C	L1503	6C	R1331	5B	V1302	6C
C1074	7B	C1302	6C	C1371	5B	L1504	6C	R1339	7B	V1303	7B
C1075	7B	C1303	5C	C1372	5B	L1505	6C	R1340	7B	V1305	5C
C1110	6A	C1304	6B	C1373	5B	L3804	4C	R1341	7B	V1400	7C
C1120	7A	C1306	6B	C1374	6B	L3805	4C	R1344	5C	V2100	5B
C1121	7A	C1308	5B	C1381	5B	L3808	4C	R1353	5C	V2302	7B
C1122	6B	C1309	5B	C1382	5B	N1330	7B	R1355	6B	V2330	6B
C1123	6B	C1310	5C	C1391	5B	R1006	6A	R1399	5B	V2350	6B
C1124	6B	C1311	6B	C1402	7B	R1014	7A	R1500	6C	V2404	6C
C1125	6A	C1312	6B	C1504	6C	R1018	7B	R1501	6C	V4901	7B
C1126	6A	C1313	6B	C1507	5C	R1021	7B	R1502	7C	V4903	7A
C1128	7A	C1314	5B	C1510	6C	R1022	7B	R1505	7C	V4904	7B
C1129	7A	C1316	6B	C1513	7C	R1023	6B	R1508	6C	X1	5C
C1130	6A	C1317	6B	C1605	6C	R1024	6A	R1512	6C	X2	5A
C1131	6A	C1319	5B	C1930	7B	R1025	6A	R1524	6C	X1000	7C
C1132	6B	C1325	6C	C1931	7B	R1044	6B	R1525	6C	X1300	7B
C1133	6A	C1329	5C	C2223	5C	R1045	6B	R1530	7C	X1510	7C
C1134	7A	C1330	5C	C2224	6C	R1046	6B	R1531	7C	X2201	5C
C1135	6A	C1331	5B	C2320	7B	R1047	6B	R1532	7C	X3811	4C
C1136	6B	C1332	5B	C2330	6B	R1052	6B	R1614	6C	Z1001	6B
C1137	6A	C1333	5B	C2350	6B	R1054	6B	R1930	7B	Z1501	7C
C1138	6A	C1334	5B	C2422	6C	R1060	5B	R2310	7B	Z1601	6C
C1139	6A	C1338	5C	C2709	5C	R1061	6B	R2311	7B	Z4801	7B
C1140	7B	C1340	5B	C3801	4C	R1130	6B	R2330	6B		
C1251	5A	C1344	7B	C3802	4C	R1251	5B	R2332	6B		
C1252	5B	C1345	5C	C3803	4C	R1252	5B	R2350	6B		
C1253	5B	C1352	7B	C3805	4C	R1254	5B	R2351	6B		
C1254	5B	C1354	6C	C4905	7A	R1255	6B	R2417	6C		
C1256	5A	C1355	7B	D1000	6A	R1256	5A	R2419	6C		
C1257	5B	C1356	7B	D1250	5A	R1260	5A	R3801	4C		

Achtung : Hoehenprofil C24 --- -- -- -42 (gilt nur fuer Entwicklung)  
Liefervarianten siehe : V24851-Z2000-A1-\*-35

DATE	15.03.2005	Swift Mainboard B2+ build		3:1
NAME	Bartenschl.	Q2620-A5		
APPR'D		WIRING DIAGRAMM (SOLDER SIDE 1)		
STD				SHEET 1+
HW4 MCH1				
BENQ mobile				257675
VERS. 1 CHANGE NUMBER 36309 DATE 09.02.2006 NAME bar				
( Created by BOM number: A5B00900212037-36309 )				





C1038	4A	C3923	5B	L3819	6B	R3963	5A
C2222	5C	C3927	5B	L3901	5B	R3964	5A
C3513	3A	C3928	4B	L3902	5B	R3965	5A
C3514	4A	C3929	5A	L3903	5B	R3966	5A
C3515	3A	C3931	5B	L3904	5B	R3967	5A
C3525	4A	C3940	4B	L3905	5B	R4536	4A
C3536	4A	C3941	4B	L5101	6C	R4806	4B
C3808	5B	C3942	4B	L5103	5C	R4807	4B
C3809	5B	C3943	4B	L5104	5C	R4809	3A
C3810	6A	C3944	4B	L5149	6C	R5110	6C
C3818	6B	C3949	4B	N3500	4A	R5149	6C
C3819	6B	C3950	4B	N3800	6B	V3961	5A
C3822	6B	C3951	4B	N3801	6A	V3962	5A
C3829	5B	C3952	5B	N3911	5B	X1603	5C
C3832	5A	C3961	4A	N4800	4B	X2705	6C
C3857	5A	C3963	5A	R1038	4A	X3500	4A
C3859	6A	C3965	5A	R1902	6C	X3800	6C
C3862	6B	C3966	5A	R1926	6C	X3805	6B
C3863	5B	C3970	5B	R1927	6C	X4899	4B
C3868	6B	C3971	5B	R3802	5A	X5100	5B
C3871	6B	C4800	4B	R3812	5B	Z3961	5A
C3901	5B	C4801	4B	R3813	5B	Z5100	6C
C3902	5B	C4806	4B	R3814	5B		
C3904	5B	C4807	4B	R3815	5B		
C3905	5B	C5100	6C	R3827	5A		
C3906	5B	C5104	5C	R3901	5B		
C3907	5B	C5106	5C	R3902	5B		
C3908	5B	C5108	5B	R3903	5B		
C3909	5B	C5111	5B	R3904	5B		
C3910	5B	C5112	5C	R3905	5A		
C3914	4B	C5117	6B	R3916	5B		
C3915	5B	C5120	6B	R3917	5A		
C3916	5B	C5122	5B	R3922	4B		
C3918	5B	C5125	6B	R3924	4B		
C3919	5B	C5130	5C	R3925	4B		
C3920	5B	D5100	5B	R3951	6A		
C3921	5A	L3806	5B	R3961	5A		
C3922	5A	L3807	6B	R3962	5A		

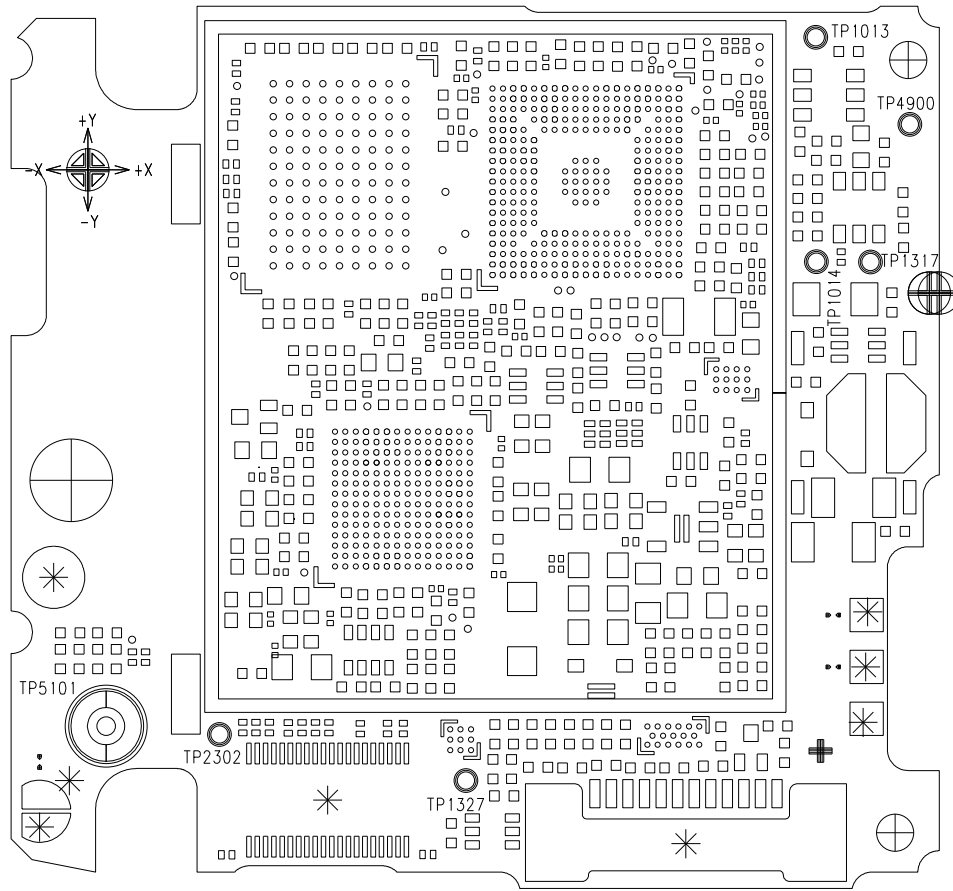
Achtung : Hoehenprofil C24\_---\_---\_---42 (gilt nur fuer Entwicklung)  
Liefervarianten siehe : V24851-Z2000-A1-\*-35

DATE	15.03.2005	Swift Mainboard B2+ build		3:1
NAME	Bartenschl.	Q2620-A5		
APPR'D		WIRING DIAGRAMM (SOLDER SIDE 2)		
STD				SHEET 2+
HW4 MCH1				
BENQ mobile				257675
1	36309	09.02.2006	bar	
VERS.	CHANGE NUMBER	DATE	NAME	( Created by BOM number: A5B00900212037-36309 )

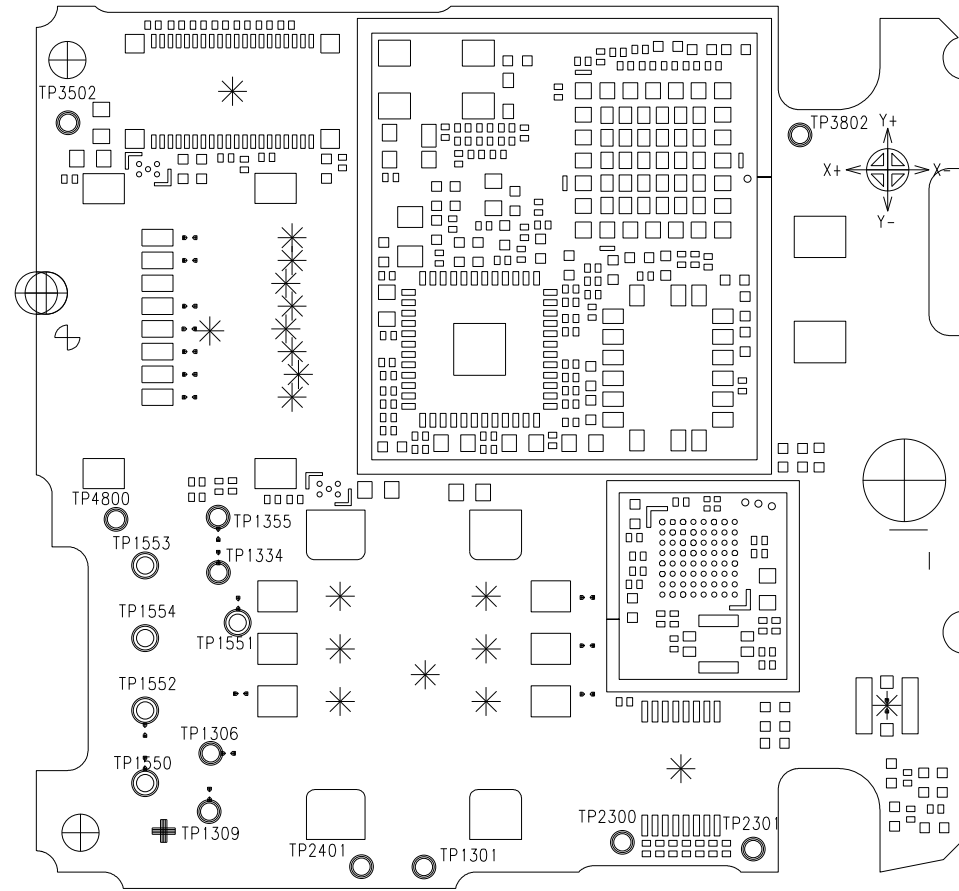
PROPRIETARY DATA, COMPANY CONFIDENTIAL  
ALL RIGHTS RESERVED

ALS BETRIEBSGEHEIMNIS ANVERTRAUT  
ALLE RECHTE VORBEHALTEN

TP1013	7A	/TVCX0
TP1014	7B	/BREF
TP1317	7B	VDD_RTC
TP1327	6C	/N34475
TP2302	5C	/LIGHT_DISP
TP4900	7A	/FLASH_LED_K
TP5101	4C	/N43882



				DATE	15.03.2005	Swift Mainboard B2+ build Q2620-A5 TESTPOINT DIAGRAMM (SIDE 1)	3:1
				NAME	Bartenschl.		
				APPR'D			
				STD			
				HW4 MCH1			
				BENQ mobile		257676	SHEET 1+
1	36309	09.02.2006	bar	( Created by BOM number: A5B00900212037-36309 )			
VERS.	CHANGE NUMBER	DATE	NAME				

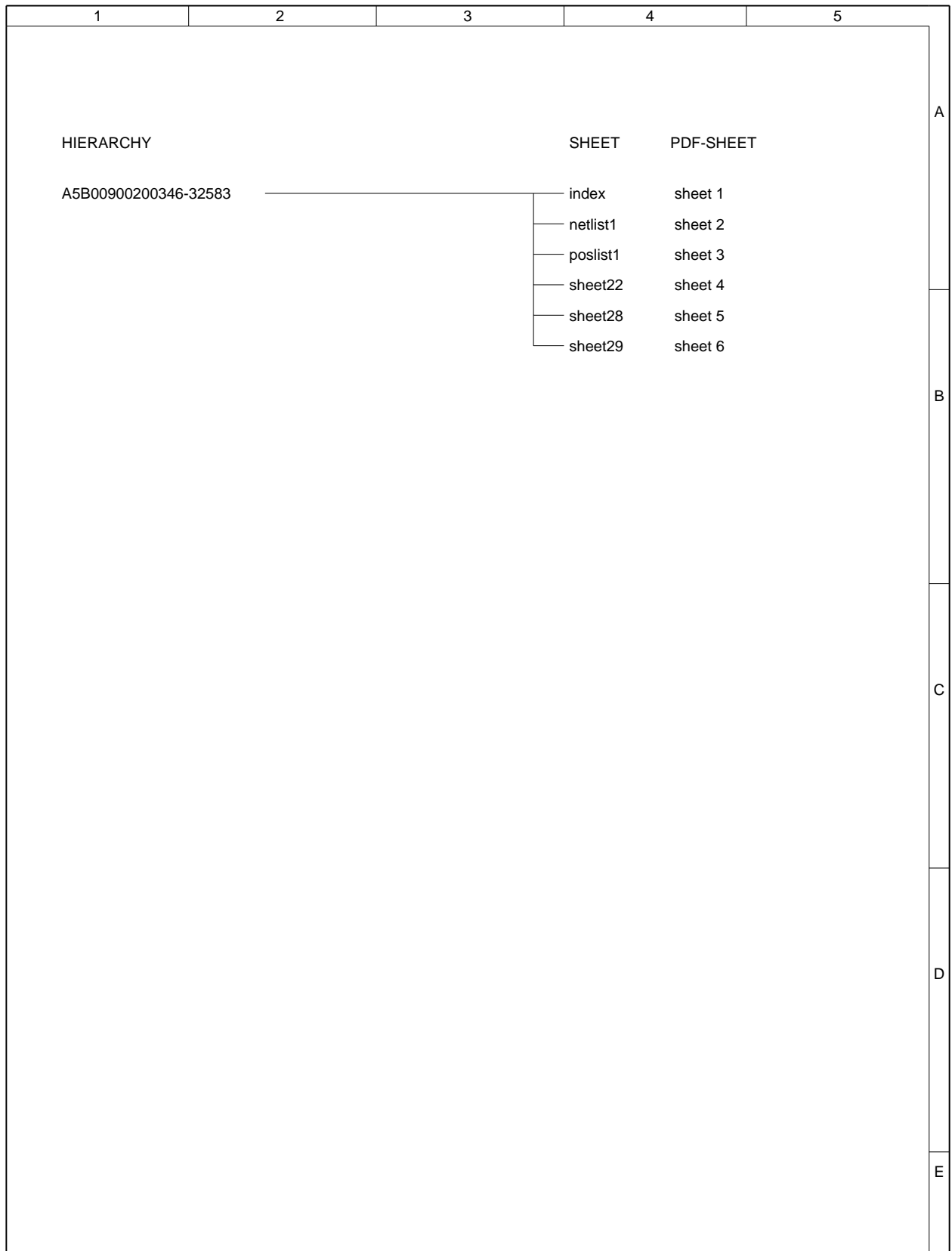


TP1301	5C	/KP_ON_OFF
TP1306	4C	2.9V
TP1309	4C	2.65V
TP1334	4C	/PM_RESET_N
TP1355	4B	VBOOST
TP1550	3C	/TX
TP1551	4C	/RX
TP1552	3C	/POWER
TP1553	3B	BATT+
TP1554	3C	GND
TP2300	5C	/LIGHT_KP
TP2301	6C	/LIGHT_KT
TP2401	4C	/LED
TP3502	3A	DVDD_CAMERA
TP3802	6A	/TX_ON
TP4800	3B	MMC_VCC

				DATE	15.03.2005	Swift Mainboard B2+ build Q2620-A5 TESTPOINT DIAGRAMM (SIDE 2)	3:1
				NAME	Bartenschl.		
				APPR'D			
				STD			
				HW4 MCH1			
				BENQ mobile			257676
1	36309	09.02.2006	bar				SHEET 2-
VERS.	CHANGE NUMBER	DATE	NAME	( Created by BOM number: A5B00900212037-36309 )			

Proprietary data, company confidential.  
All rights reserved

Als Betriebsgeheimnis anvertraut  
Alle Rechte vorbehalten



				DATE	14.02.2005	SLIDER MMI SWIFT B2 Q2620-D4 TOP HIERARCHY LEVEL SCHEMATIC	1:1
				USER	Bartenschl.		
				APPR'D			
				HW4 MCH1			
				BENQ mobile		227636	index
1	32583	18.11.2005	bar				
VERS.	CHANGE NUMBER	DATE	NAME	( Created by BOM number: A5B00900200347-32583 )			

Proprietary data, company confidential.  
All rights reserved

Als Betriebsgeheimnis anvertraut  
Alle Rechte vorbehalten

1	2	3	4	5
2.65V	/sheet22 5 B			A
/sheet22 12 D	/sheet29 5 B			
/sheet22 5 B				B
/sheet28 5 D	KP_IN3			
2.9V	/sheet22 5 A			C
/sheet22 12 D	/sheet29 5 C			
/sheet22 11 B	KP_IN4			D
DISP_CD	/sheet22 5 A			
/sheet22 12 D	/sheet29 5 C			E
/sheet22 11 B	KP_IN5_OUT6			
DISP_CS1	/sheet22 11 B			A
/sheet22 12 D	/sheet29 9 D			
/sheet22 11 B	KP_ON_OFF			B
DISP_D0	/sheet22 11 A			
/sheet22 12 D	/sheet29 2 B			C
/sheet22 5 C	KP_OUT3			
DISP_D1	/sheet22 11 B			D
/sheet22 12 D	/sheet29 8 D			
/sheet22 5 C	LIGHT_DISP			E
DISP_D2	/sheet22 12 E			
/sheet22 12 E	/sheet22 5 B			A
/sheet22 5 C	LIGHT_KT			
DISP_D3	/sheet22 11 B			B
/sheet22 12 E	/sheet28 9 B			
/sheet22 5 B	OPEN_CLOSE_SW1			C
DISP_D4	/sheet22 11 C			
/sheet22 12 E	/sheet28 4 E			D
/sheet22 5 B	VBOOST			
DISP_D5	/sheet22 5 B			E
/sheet22 12 E	/sheet22 12 E			
/sheet22 5 B	/sheet28 9 A			A
DISP_D6				
/sheet22 12 E				B
/sheet22 5 B				
DISP_D7				C
/sheet22 12 E				
/sheet22 5 B				D
DISP_RD				
/sheet22 12 E				E
/sheet22 11 B				
DISP_RESET1				A
/sheet22 12 D				
/sheet22 11 B				B
DISP_VD				
/sheet22 12 E				C
/sheet22 11 B				
DISP_WR				D
/sheet22 12 E				
/sheet22 11 B				E
KP_IN0				
/sheet22 5 B				A
/sheet29 5 A				
KP_IN1				B
/sheet22 5 B				
/sheet29 5 B				C
KP_IN2				

			DATE	14.02.2005	SLIDER MMI SWIFT B2 Q2620-D4 TOP HIERARCHY LEVEL SCHEMATIC	1:1
			USER	Bartenschl.		
			APPR'D			
			HW4 MCH1			
			BENQ mobile		227636	netlist1
1	32583	18.11.2005	bar	( Created by BOM number: A5B00900200347-32583 )		
VERS.	CHANGE NUMBER	DATE	NAME			

Proprietary data, company confidential.  
All rights reserved

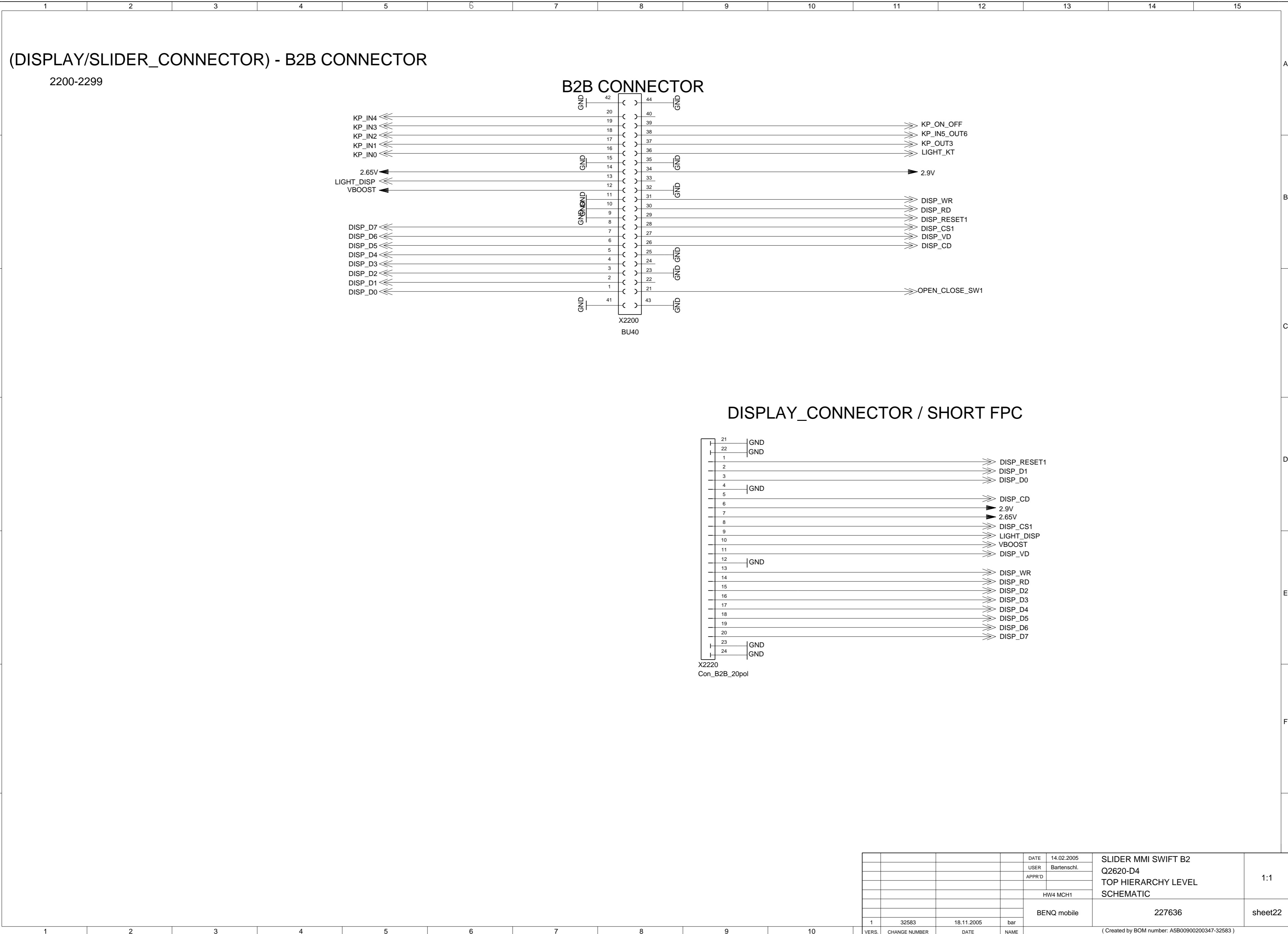
Als Betriebsgeheimnis anvertraut  
Alle Rechte vorbehalten

1	2	3	4	5
C3251 /sheet28 6 D				A
C3256 /sheet28 5 E				
R2800 /sheet28 9 A				
R3252 /sheet28 5 D				
R3253 /sheet28 5 D				
R3254 /sheet28 5 E				
S3251 /sheet28 5 E				
TP2802 /sheet28 9 B				
TP2801 /sheet28 9 A				
TP3201 /sheet28 5 D				
TP3202 /sheet28 4 E				
TP3203 /sheet28 6 D				
TP2906 /sheet29 8 D				
TP2907 /sheet29 9 D				
TP2901 /sheet29 7 A				
TP2902 /sheet29 7 B				
TP2903 /sheet29 7 B				
TP2904 /sheet29 7 C				
TP2905 /sheet29 7 C				
TP2900 /sheet29 2 B				
V2820 /sheet28 10 A				B
V2821 /sheet28 10 B				
V2822 /sheet28 10 B				
V2823 /sheet28 10 B				
X2200 /sheet22 8 C				
X2220 /sheet22 9 E				C
				D
				E

				DATE	14.02.2005	SLIDER MMI SWIFT B2 Q2620-D4 TOP HIERARCHY LEVEL SCHEMATIC	1:1
				USER	Bartenschl.		
				APPR'D			
				HW4 MCH1			
				BENQ mobile		227636	poslist1
1	32583	18.11.2005	bar				
VERS.	CHANGE NUMBER	DATE	NAME	( Created by BOM number: A5B00900200347-32583 )			

Proprietary data, Company confidential.  
all rights reserved

Als Betriebsgeheimnis anvertraut  
alle Rechte vorbehalten



(DISPLAY/SLIDER\_CONNECTOR) - B2B CONNECTOR

2200-2299

B2B CONNECTOR

X2200  
BU40

DISPLAY\_CONNECTOR / SHORT FPC

X2220  
Con\_B2B\_20pol

DATE	14.02.2005	SLIDER MMI SWIFT B2 Q2620-D4 TOP HIERARCHY LEVEL SCHEMATIC	1:1
USER	Bartenschl.		
APPR'D			
HW4 MCH1		BENQ mobile	227636
VERS.	1		
DATE	18.11.2005	NAME	bar
( Created by BOM number: A5B00900200347-32583 )			

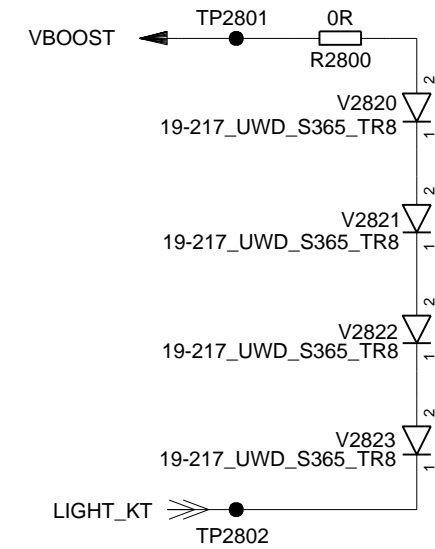
Proprietary data, company confidential.  
All rights reserved

Als Betriebsgeheimnis anvertraut  
Alle Rechte vorbehalten

# KEYPAD\_BACKLIGHT

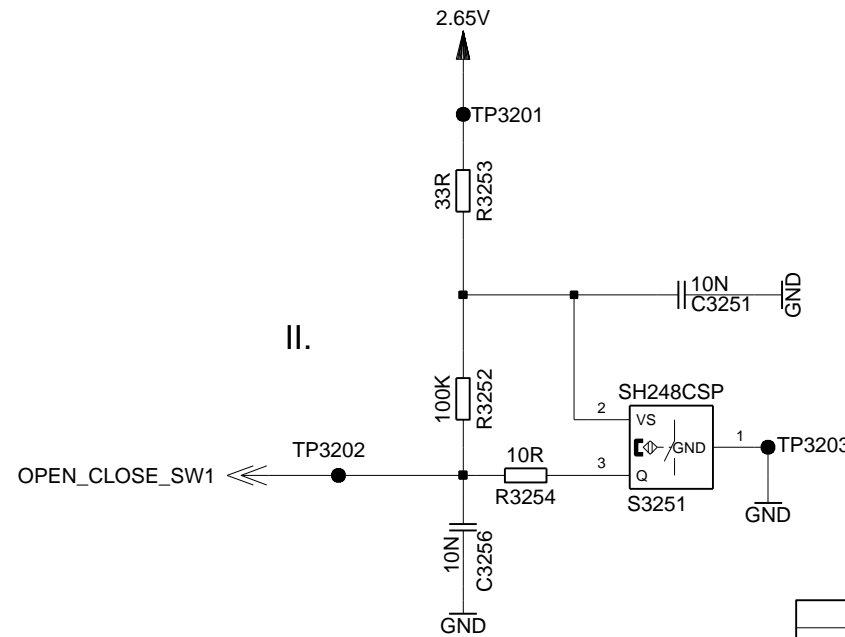
2800-2899

## Keypad Slider Top



# OPEN\_CLOSE\_DETECTION

3200-3299



DATE	14.02.2005	SLIDER MMI SWIFT B2		1:1
USER	Bartenschl.	Q2620-D4		
APPR'D		TOP HIERARCHY LEVEL		
HW4 MCH1		SCHEMATIC		
BENQ mobile		227636		sheet28
1	32583	18.11.2005	bar	( Created by BOM number: A5B00900200347-32583 )
VERS.	CHANGE NUMBER	DATE	NAME	

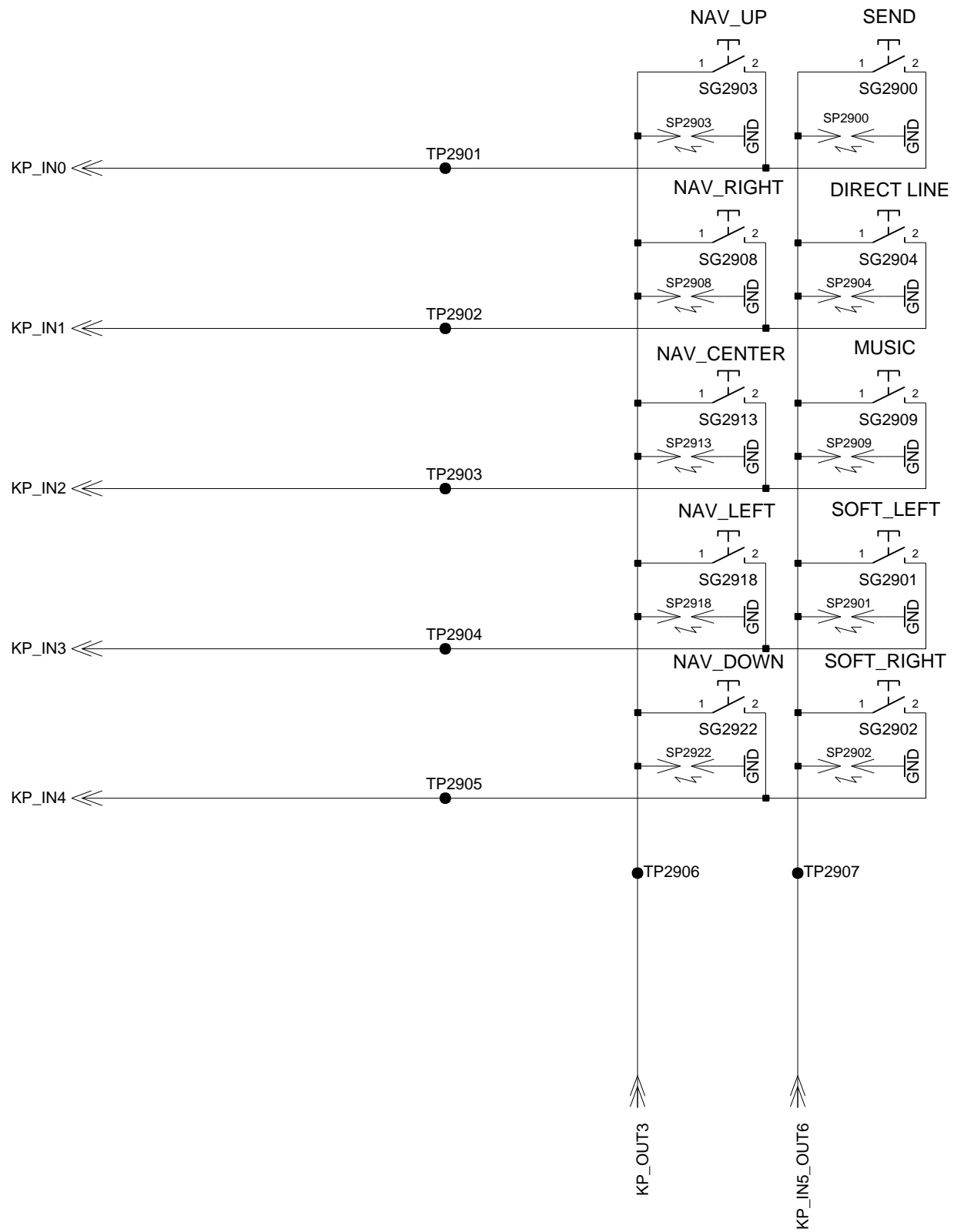
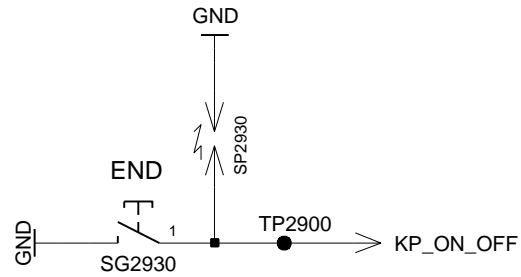


Proprietary data, company confidential.  
All rights reserved

Als Betriebsgeheimnis anvertraut  
Alle Rechte vorbehalten

# KEYPAD\_SGOLD2

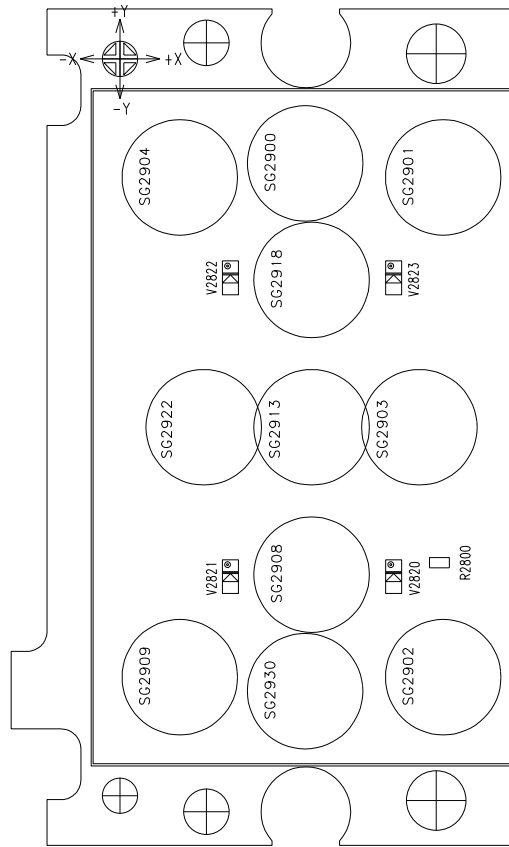
2900-2949



DATE	14.02.2005	SLIDER MMI SWIFT B2		1:1	
USER	Bartenschl.	Q2620-D4			
APPR'D		TOP HIERARCHY LEVEL			
		HW4 MCH1		sheet29	
		BENQ mobile			
1	32583	18.11.2005	bar	227636	
VERS.	CHANGE NUMBER	DATE	NAME	( Created by BOM number: A5B00900200347-32583 )	

PROPRIETARY DATA, COMPANY CONFIDENTIAL  
ALL RIGHTS RESERVED

ALS BETRIEBSGEHEIMNIS ANVERTRAUT  
ALLE RECHTE VORBEHALTEN



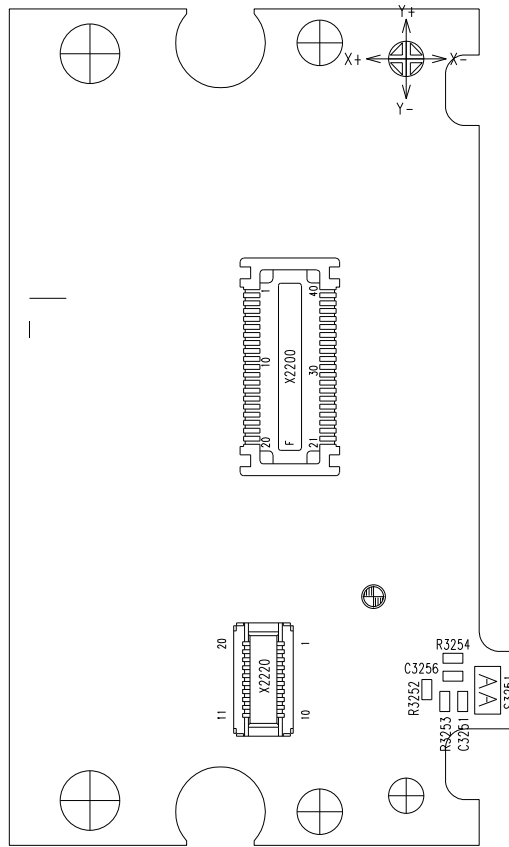
R2800	3B
V2820	3B
V2821	2B
V2822	2B
V2823	3B

Achtung : Hoehenprofil C24 \_ \_ \_ \_ \_ -42 (gilt nur fuer Entwicklung)  
Liefervarianten siehe : V24851-Z2000-A1-\* -35

				DATE	14.02.2005	SLIDER MMI SWIFT B2 Q2620-D4 WIRING DIAGRAM (SOLDER SIDE 1)	3 : 1
				NAME	Bartenschl.		
				APPR'D			
				STD			
				HW4 MCH1		227637	SHEET 1+
				BENQ mobile			
1	32583	18.11.2005	bar				
VERS.	CHANGE NUMBER	DATE	NAME	( Created by BOM number: A5B00900200347-32583 )			

PROPRIETARY DATA, COMPANY CONFIDENTIAL  
ALL RIGHTS RESERVED

ALS BETRIEBSGEHEIMNIS ANVERTRAUT  
ALLE RECHTE VORBEHALTEN



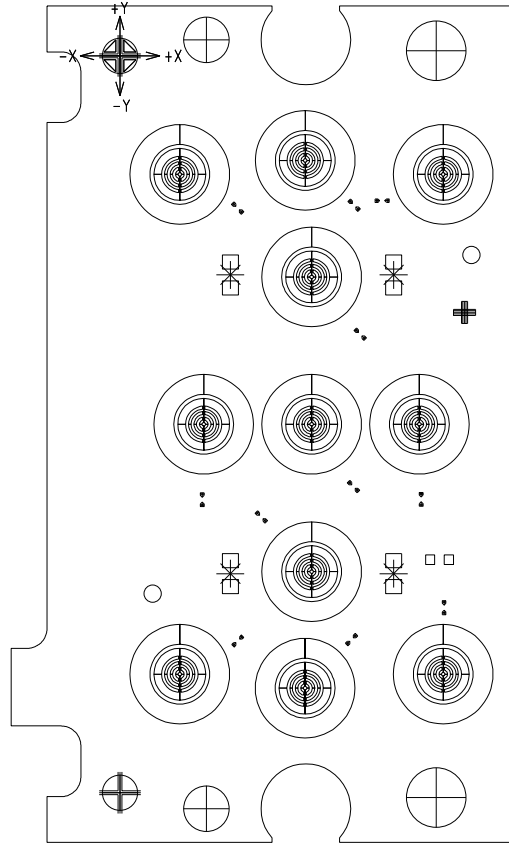
C3251	4C
C3256	4C
R3252	4C
R3253	4C
R3254	4C
S3251	4C
X2200	3B
X2220	3C

Achtung : Hoehenprofil C24\_\_\_-\_\_\_-\_\_\_-42 (gilt nur fuer Entwicklung)  
Liefervarianten siehe : V24851-Z2000-A1-\*35

				DATE	14.02.2005	SLIDER MMI SWIFT B2 Q2620-D4 WIRING DIAGRAM (SOLDER SIDE 2)	3:1
				NAME	Bartenschl.		
				APPR'D			
				STD			
				HW4 MCH1			
				BENQ mobile			SHEET 2+
1	32583	18.11.2005	bar			227637	
VERS.	CHANGE NUMBER	DATE	NAME	( Created by BOM number: A5B00900200347-32583 )			

PROPRIETARY DATA, COMPANY CONFIDENTIAL  
ALL RIGHTS RESERVED

ALS BETRIEBSGEHEIMNIS ANVERTRAUT  
ALLE RECHTE VORBEHALTEN

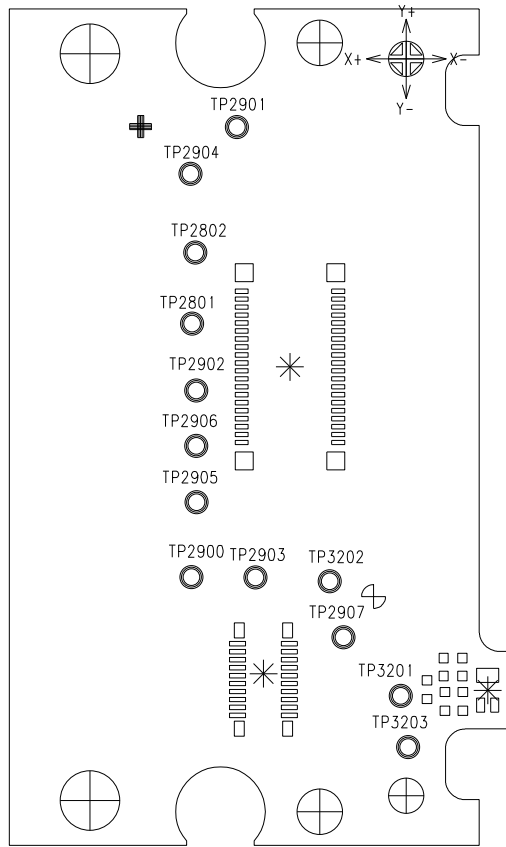


				DATE	14.02.2005	SLIDER MMI SWIFT B2 Q2620-D4 TESTPOINT DIAGRAM (SIDE 1)	3:1
				NAME	Bartenschl.		
				APPR'D			
				STD			
				HW4 MCH1			
				BENQ mobile		227638	SHEET 1+
1	32583	18.11.2005	bar				
VERS.	CHANGE NUMBER	DATE	NAME	(< Created by BOM number: A5B00900200347-32583 >)			

A  
B  
B  
D  
E

PROPRIETARY DATA, COMPANY CONFIDENTIAL  
ALL RIGHTS RESERVED

ALS BETRIEBSGEHEIMNIS ANVERTRAUT  
ALLE RECHTE VORBEHALTEN



TP2801	3B	VB00ST
TP2802	3B	/LIGHT_KT
TP2900	3B	/KP_ON_OFF
TP2901	3A	/KP_IN0
TP2902	3B	/KP_IN1
TP2903	3B	/KP_IN2
TP2904	3A	/KP_IN3
TP2905	3B	/KP_IN4
TP2906	3B	/KP_OUT3
TP2907	3C	/KP_IN5_OUT6
TP3201	4C	2.65V
TP3202	3B	/OPEN_CLOSE_SW1
TP3203	4C	GND

				DATE	14.02.2005	SLIDER MMI SWIFT B2 Q2620-D4 TESTPOINT DIAGRAM (SIDE 2)	3:1
				NAME	Bartenschl.		
				APPR'D			
				STD			
				HW4 MCH1			
				BENQ mobile			SHEET
1	32583	18.11.2005	bar	227638			2-
VERS.	CHANGE NUMBER	DATE	NAME	( Created by BOM number: A5B00900200347-32583 )			