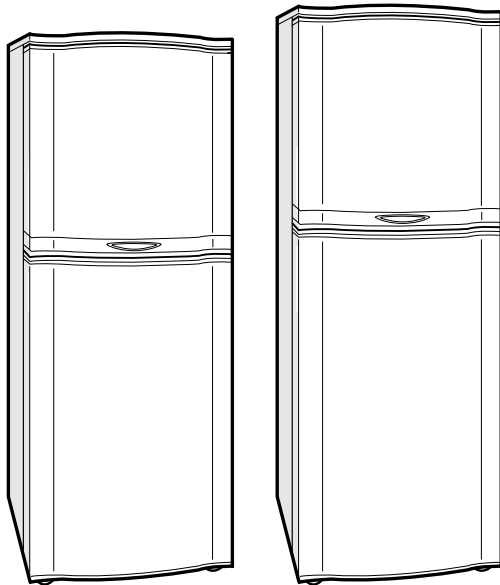


# SHARP SERVICE MANUAL

S9120SE25CPSF



**SJ-21P**

**SJ-D25P**

## REFRIGERATOR-FREEZER

### MODELS

**SJ-21P-GY**

**SJ-D25P-GY**

In the interests of user-safety (Required by safety regulations in some countries) the set should be restored to its original condition and only parts identical to those specified should be used.

**Refrigerant; HFC-134a**

Refer to "HFC-134a COOLING UNIT" Service Manual for handling this refrigerant.

DESTINATION ..... F

### TABLE OF CONTENTS

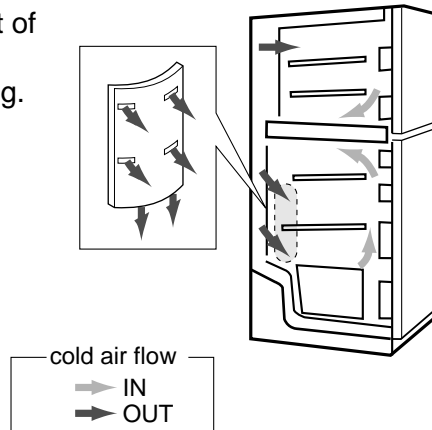
	page
CAUTIONS AND INFORMATIONS .....	2
SPECIFICATIONS .....	3
DESIGNATION OF VARIOUS PARTS .....	4
DIMENSIONS .....	6
LIST OF ELECTRICAL PARTS .....	8
WIRING DIAGRAM .....	8
FUNCTIONS .....	10
ASSEMBLING PROCEDURES OF MAIN PARTS AND CAUTIONS .....	14
COOLING UNIT .....	22
REPLACEMENT PARTS LIST .....	24

## CAUTIONS AND INFORMATIONS

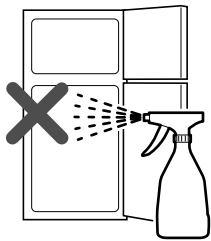
In case of following troubles, the cause is not related with the failure of refrigerator.  
Please mention the correct way to the customer for the use of refrigerator when the repairing.

### 1. Some foods froze in the refrigerator compartment.

Do not place food directly in front of cold air outlet.  
This may lead to the food freezing.



### 2. Some plastic parts were cracked or splitted.

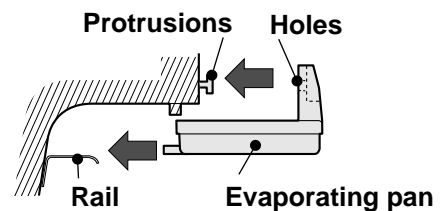


Some household cleaning chemicals may affect the internal food liner and plastic parts resulting in splitting or cracks occurring.

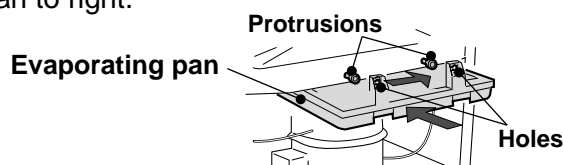
When cleaning all plastic parts inside this refrigerator, only use diluted dishwashing liquid(soapy water). Make sure that all plastic parts are thoroughly rinsed with water after cleaning.

### 3. Water leaked on the floor.

Make sure the back end of Evaporating pan rests securely on the rail.



Set Evaporating pan so that the two protrusions on the machine come through its corresponding holes, and move the pan to right.



## SPECIFICATIONS

Items		SJ-21P	SJ-D25P
Type		2-Door	
Outer dimensions (Including spacer)	Height	1350mm	1510mm
	Width	545mm	545mm
	Depth	585mm	585mm
Rated storage volume		190 liter F: 60 liter R: 130 liter	225 liter F: 60 liter R: 165 liter
Rated gross volume		210 liter F: 73 liter R: 137 liter	245 liter F: 73 liter R: 172 liter
Defrosting	System	Heater system	
	Start	Automatic	
	Finish	Automatic	
Temperature control		Automatic (Adjustable)	
No-frost freezer		Yes	
Deodorizing system		No	Yes
Interior lamp		1	
Evaporating pan		1	
Refrigerator Compartment	R tray S	1	
	R tray L	-	1
	Free set shelf	1	
	V tray	1	
	Vegetable case	1	
	Egg tray	1	
	Bottle pocket	2	
	R door pocket	1	2
Freezer Compartment	F-partition tray	1	
	F tray	1	
	F door pocket	2	
	Ice cube maker	Twin ice cube maker	

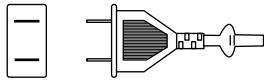
### COLOR

Items	SJ-21P-GY,SJ-D25P-GY
Outside color	Gray
Inside color	White

### RATING

Models		SJ-21P	SJ-D25P
Rated voltage	(V~)	110	
Rated frequency	(Hz)	60	
Climate class		ST	
Rated input	(W)	100	
Rated input of heating elements	(W)	158	
Defrosting input	(W)	158	
Refrigerant (Charging quantity)		HFC-134a(85g)	
Net weight	(kg)	43	46

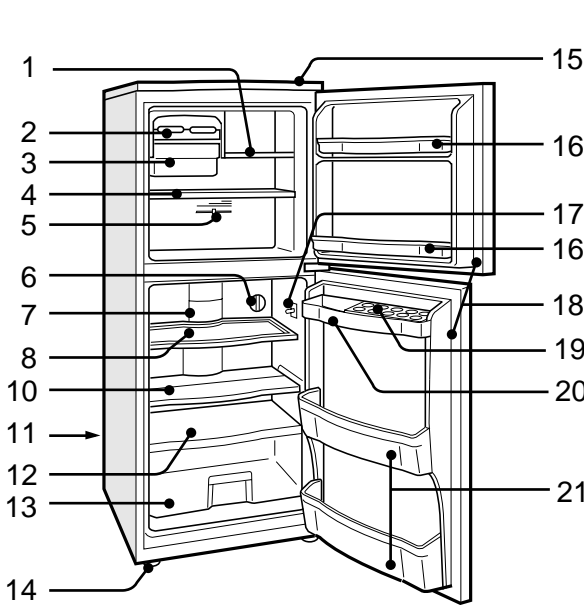
### PLUG TYPE

Plug cord	2 pin
Plug type	A-1 
Destination mark	F

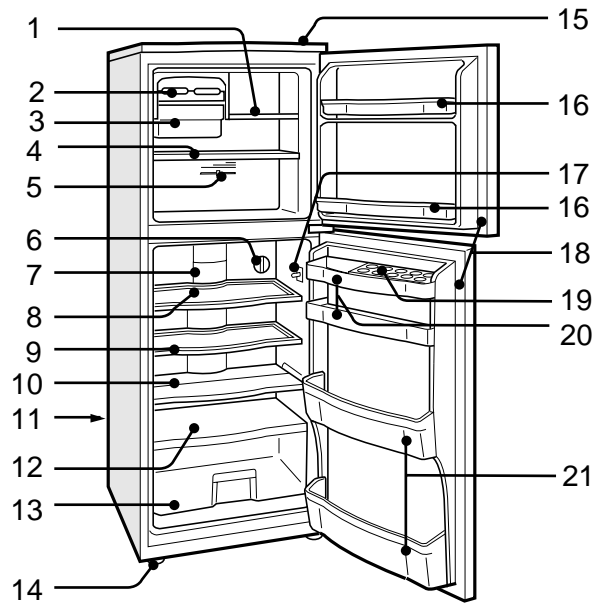
## DESIGNATION OF VARIOUS PARTS

### EXTERNAL DESCRIPTION

By Operation manual



**SJ-21P**



**SJ-D25P**

Fig. D-1

※ The names in parenthesis" [ ]" are the denominations used in the REPLACEMENT PARTS LIST.

1. Freezer shelf (Small) [F-partition tray]
2. Ice cube maker
3. Ice cube box [Ice storage box]
4. Freezer shelf (Large) [F tray]
5. Freezer temp. control knob
6. Refrigerator temp. control knob
7. Light [Lamp]

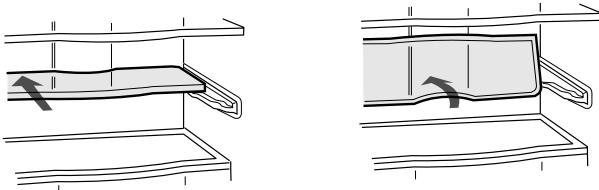
#### Replacing the lamp bulb

Replace lamp bulb with same type.

Base E12, MAX 10W

Make sure that the rated voltage and wattage of the lamp bulb are correct when replacing (check the label near the bulb).

8. Refrigerator shelf (Small) [R tray S]
9. Refrigerator shelf (Large) [R tray L]
10. Three position adjustable shelf [Free set shelf]  
This shelf has three positions, it can be partly or fully extended or be fully folded away simply by pushing the shelf back then lifting it up.



11. Evaporating pan
12. Shelf [V tray]
13. Fruit and vegetable crisper [Vegetable case]
14. Adjustable foot [Adjustable leg]

15. Table top [Top table]

Do not place hot objects on the table top. The table top may melt and deform. The table can resist temperatures up to 100°C.

16. Freezer pocket [F door pocket]
17. Light switch
18. Magnetic door seal [Door packing]
19. Egg holder [Egg tray]
20. Free pocket [R door pocket]
21. Bottle pocket

#### Deodorizing unit (Only for SJ-D25P)

A built-in unit which requires no manual operation because it automatically starts operating when the refrigerator is powered on.

CONSTRUCTIONS

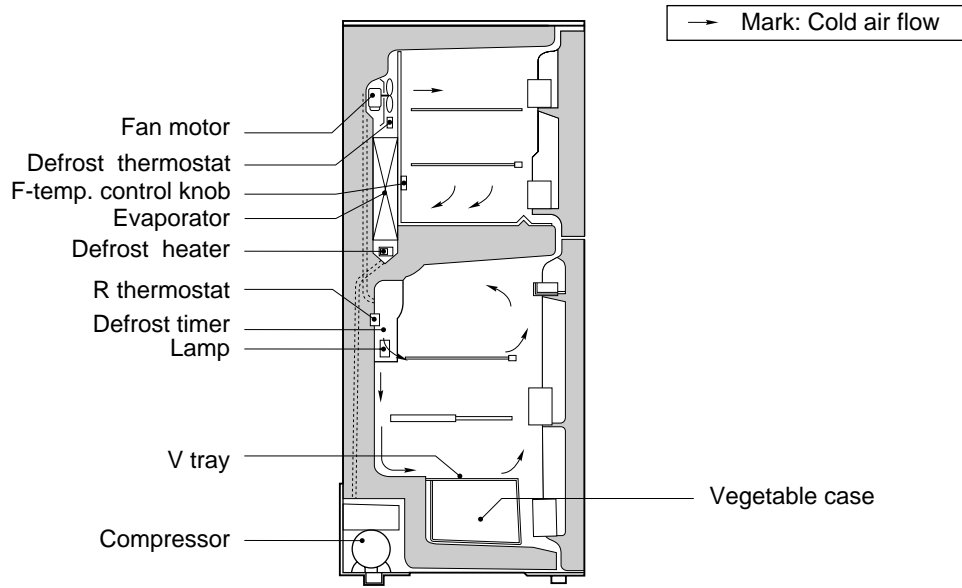


Fig. D-2 (SJ-21P)

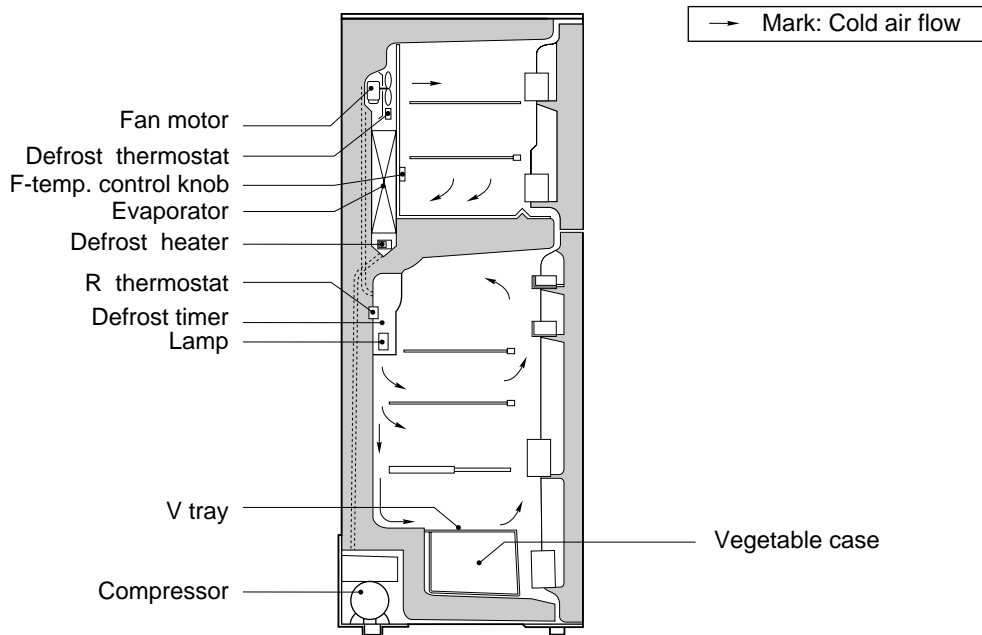
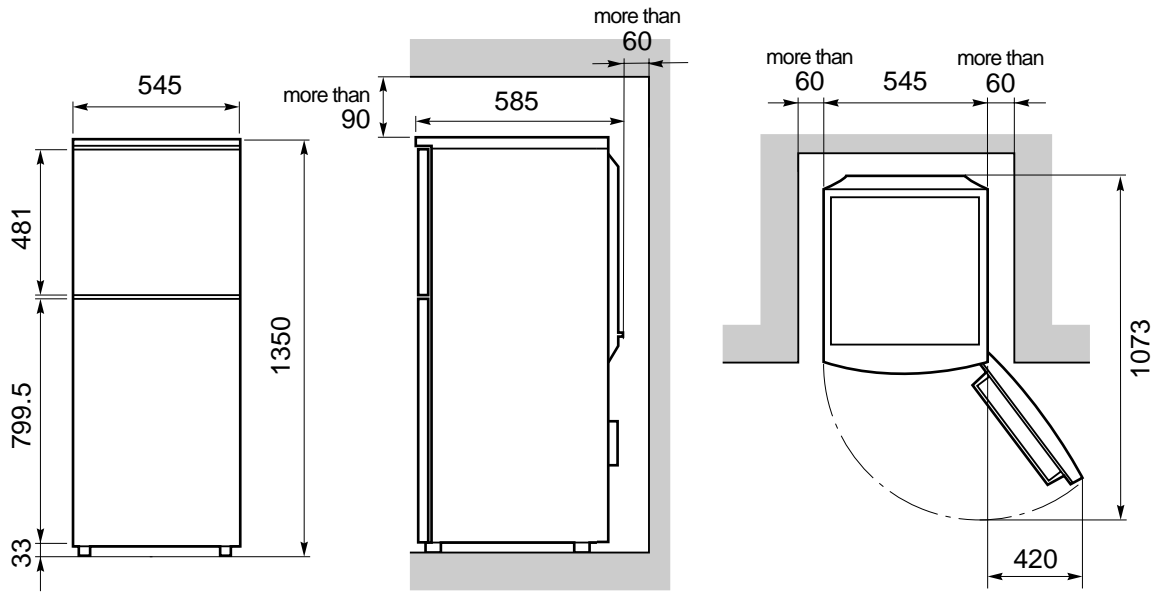


Fig. D-3 (SJ-D25P)

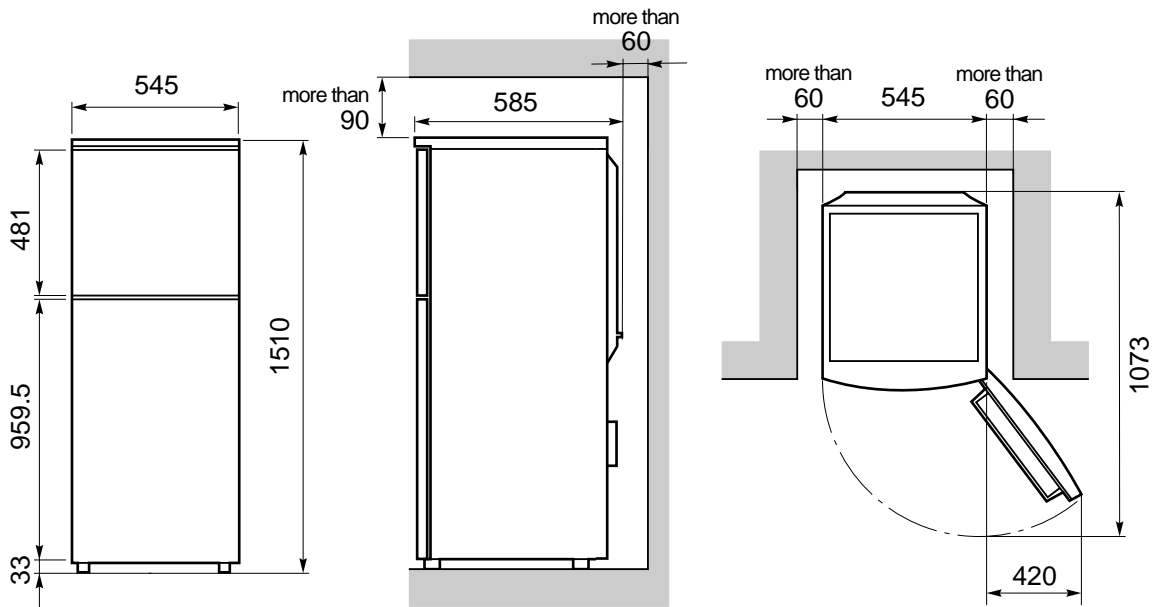
# DIMENSIONS

## OUTER DIMENSIONS AND CLEARANCE



( Unit : mm )

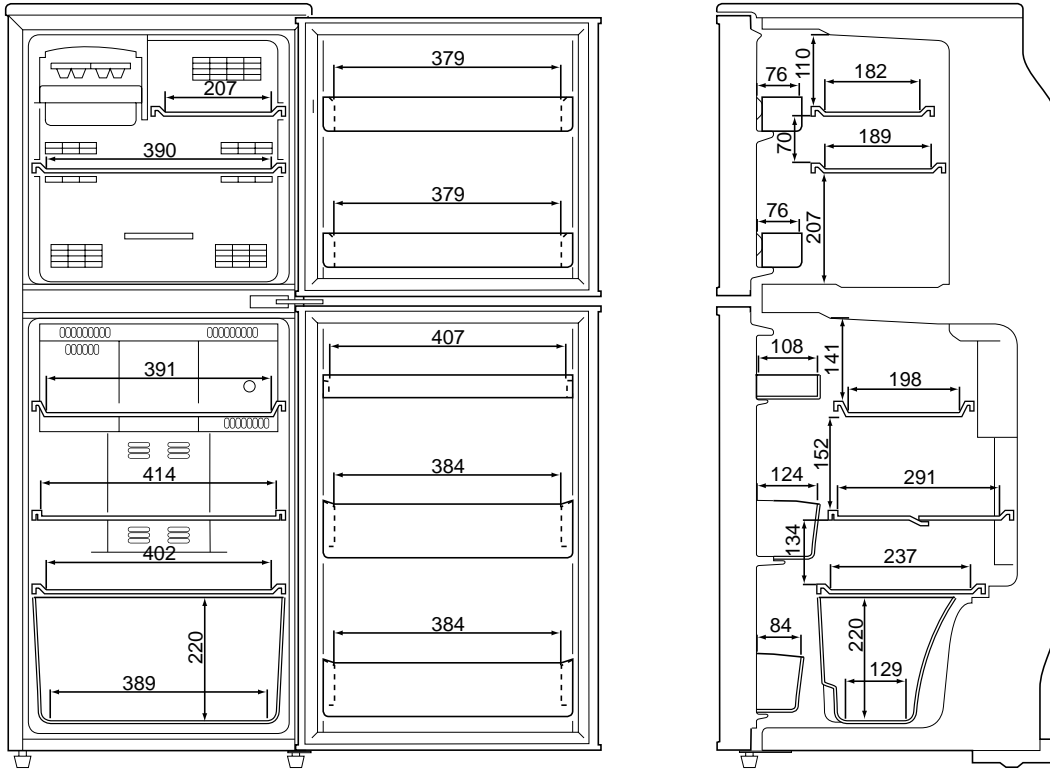
Fig. E-1(SJ-21P)



( Unit : mm )

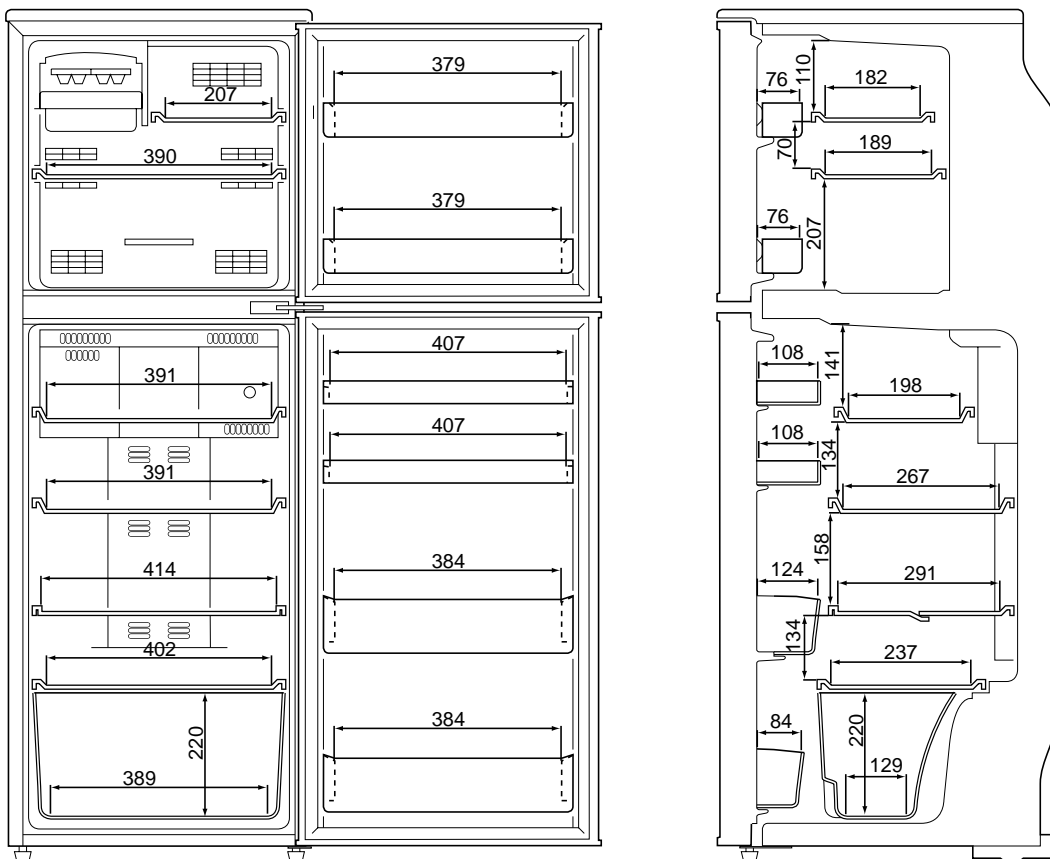
Fig. E-2(SJ-D25P)

**INNER DIMENSIONS**



**Fig. E-3(SJ-21P)**

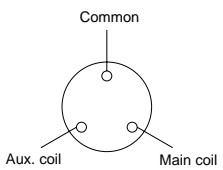
(Unit : mm)



**Fig. E-4(SJ-D25P)**

(Unit : mm)

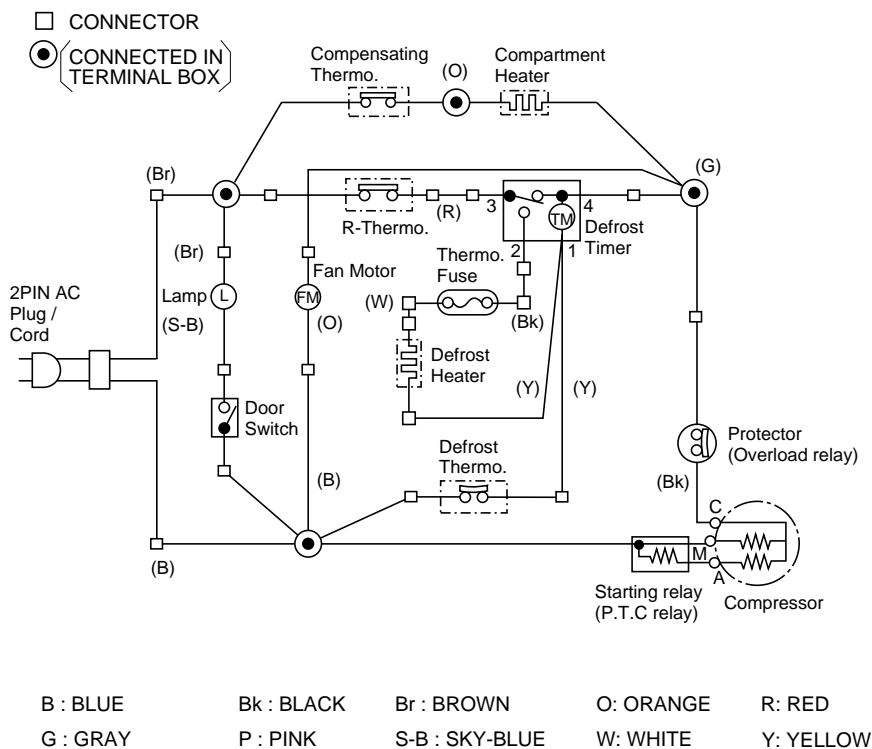
## LIST OF ELECTRICAL PARTS

ITEMS	TYPE NAME	RATING	SPECIFICATIONS
Defrost thermostat	S101	125V,15A	Open : 10°C , Close : 1°C
Timer	TMDFX04FB2	100-127V 50/ 60Hz	Integration type Cycle time : 10h (60Hz) Delay time : 4m (60Hz)
Thermo. fuse (defrost)	SF70E	250V,10A	Cut off temperature : 70°C
Door switch	100424NC	250V,0.25A	2 terminals type push-button
Fan motor	3R00057B	110V,60Hz	—
Lamp	—	110V,10W	E-12
Lamp socket	—	250V,1A	E-12 (Hard plastic body type)
R-thermostat	MM1-8071F	—	ON : 3.5°C , OFF : 0.5°C
Defrost heater	—	100-110V	78.8Ω without deodorizer (SJ-21P) 78.8Ω with deodorizer (SJ-D25P)
Compressor	EMI50HNP	115V 60Hz	Main : 3.85Ω Aux : 7.70Ω Cooling capacity 151W Terminal shape <div style="text-align: center;">  </div>
Starting relay	P600E	—	—
Protector	4TM319RFBYY	—	—
Compensating thermostat	S101	125V,15A	Open : 25°C , Close : 17°C
Compartment heater	—	110V, 4.8W	2500Ω

The black dot (●) indicates non-replacement parts or part which is not replaceable itself.

## WIRING DIAGRAM

Be sure to replace the electrical parts with specified ones for maintaining the safety and performance of the set.



**Figure W-1. Wiring Diagram**



- G : GRAY
- Br : BROWN
- O : ORANGE
- R : RED
- P : PINK
- B : BLUE
- Bk : BLACK
- S-B : SKY-BLUE
- W : WHITE
- Y : YELLOW

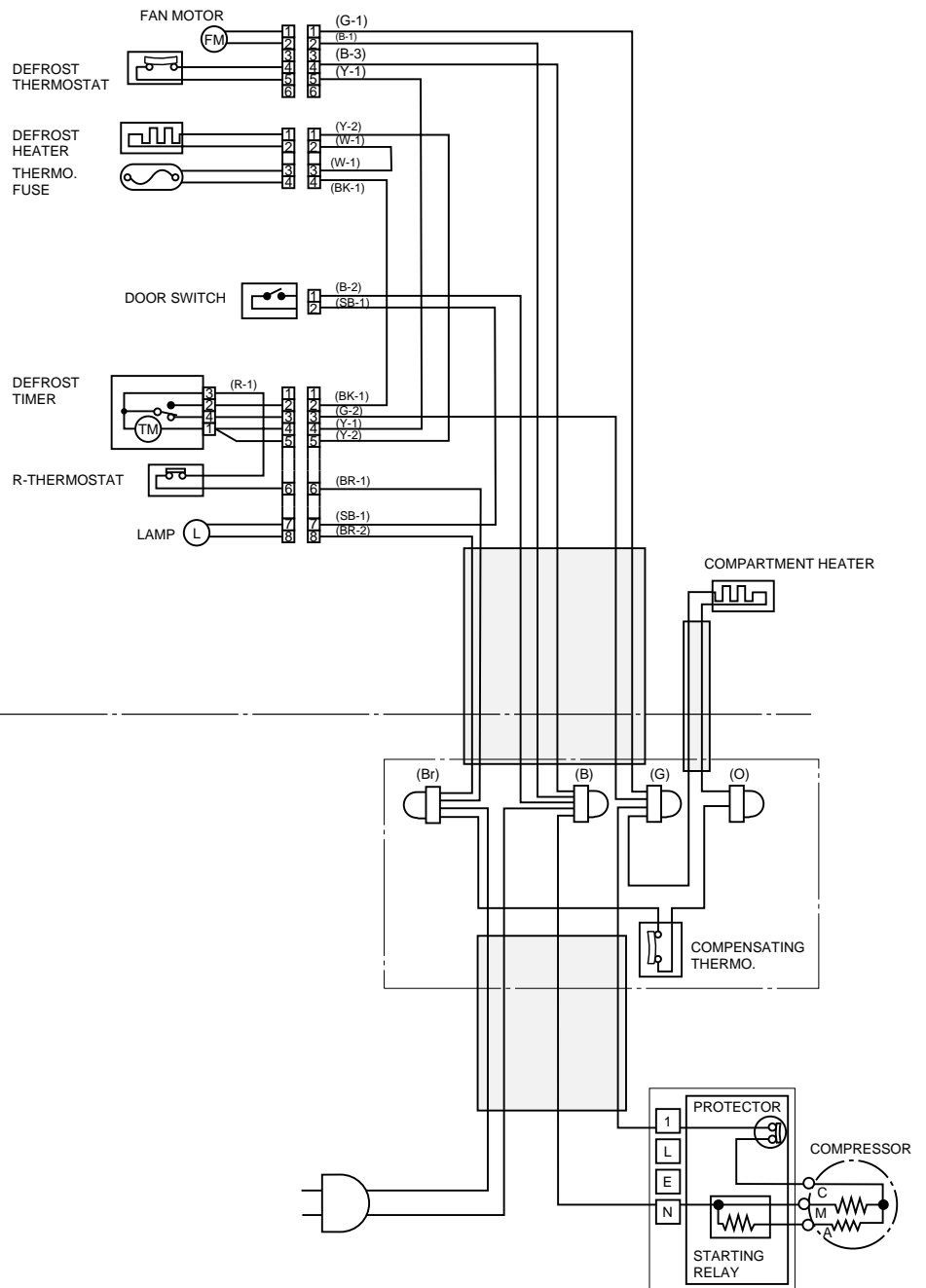


Fig. W-2. Electric Accessories Layout

## FUNCTIONS

### 1. ADJUSTABLE TEMPERATURE CONTROL

#### (1) Temperature control

##### FREEZER COMPARTMENT

冷凍室溫度調節 regulates the quantity of cold air to the freezer.

"強"(7) setting directs more cold air to the freezer compartment. (making the freezer compartment colder)

"弱"(1) setting directs less cold air to the freezer compartment. (making the freezer compartment less colder)

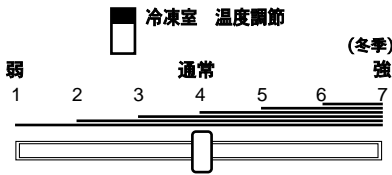


Fig. F-1.

KNOB SETTING	PURPOSE
強	• For making ice rapidly of fast freezing. And winter season.
↑	• When restocking with fresh food.
通常	• For normal freezing.
↓	• For storing frozen food for a short period (up to one month).
弱	• When frozen food or ice cream is not stored.

##### REFRIGERATOR COMPARTMENT

冷藏室溫度調節 controls the compressor running time of the refrigeration system.

"強"(5) setting will result in colder temperature in the both (refrigerator and freezer) compartments.

"弱"(1) control setting will result in warmer temperature in the both (refrigerator and freezer) compartment.

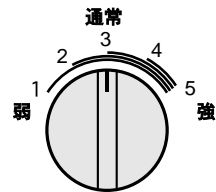


Fig.F-2.

KNOB SETTING	PURPOSE
強	• For keeping freshness of food longer.
↑	• When the refrigerator does not provide sufficient cooling.
通常	• For normal operation.
↓	• When the refrigerator provides excessive cooling.
弱	

- When refrigerator temperature control sets to the "強", some foods stored may become frozen. In this case adjust control set back to the "通常" position.

#### NOTE:

- For hot summer conditions (about over 35°C ambient temperature), set your Freezer temp. control knob to less colder than "通常" (towards "弱"). This is because "強" setting may result in too little air flow to the refrigerator compartment, causing too warm temperature in the refrigerator compartment. And set your Refrigerator temp. control knob to colder than "通常".
- In a cold kitchen (about under 10°C ambient temperature), set your Freezer temp. control knob to "強" to avoid too warm temperature in the freezer compartment. This is because the compressor operation is too short in winter, and not enough cold air is provided to the freezer compartment. And if the foods in the refrigerator compartment freeze, you must set the Refrigerator temp. control knob to less colder setting. (toward "弱").
- With the Freezer temp. control knob set to "強", there will be less cold air directed to the refrigerator compartment, and the refrigerator compartment may not become cold enough.

#### (2) Reference value of temperature

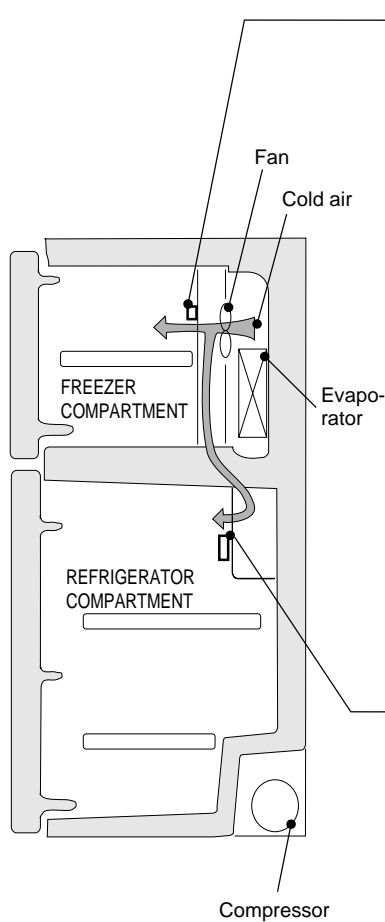
SETTING OF FREEZER TEMP. CONTROL KNOB	強	通常	弱
Freezer temperature	Approx. -21°C	Approx. -18°C	Approx. -15°C

SETTING OF REFRIGERATOR TEMP. CONTROL KNOB	強	通常	弱
Refrigerator temperature	Approx. 0°C	Approx. 3°C	Approx. 6°C

The values shown above refer to the case where the freezer temp. control knob is set at "通常".

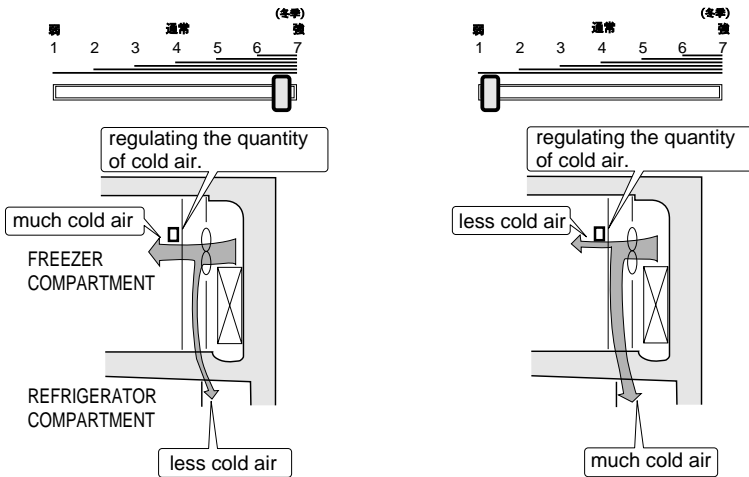
The values tables above refer to the measurement carried out center area and 1/3 of overall height from the bottom at each of the refrigerator and the freezer after the machine has been operated at an ambient temperature of 32°C with no food stored and the door closed until the temperature is stabilized. The values vary depending upon frequency of opening and closing, the doors ambient temperature, amount of stored foods and manner of storing foods.

### (3) Temp. control system



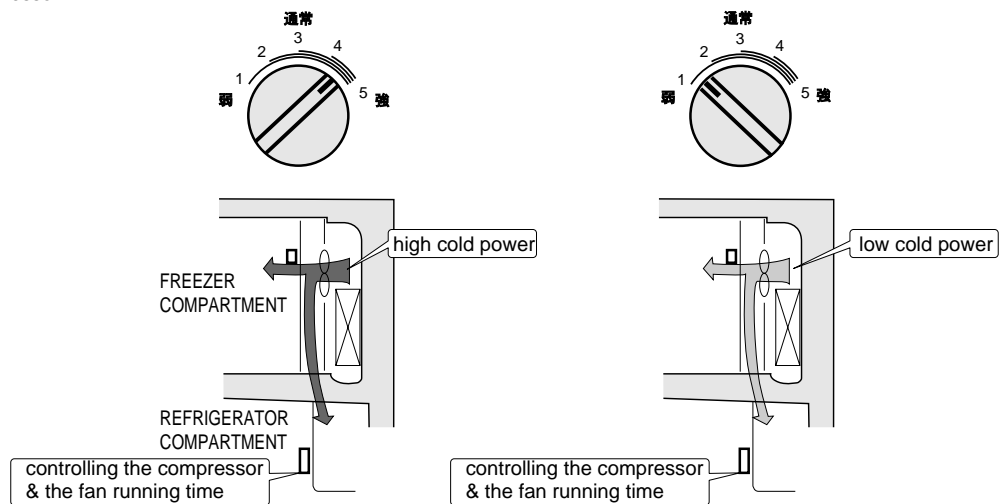
#### Freezer Temp. Control Knob

The Freezer temp. control knob regulates the quantity of cold air to the freezer.  
 " 強 " (7) setting directs more cold air to the freezer compartment.  
 (making the freezer compartment colder)  
 " 弱 " (1) setting directs less cold air to the freezer compartment.  
 (making the freezer compartment less colder)

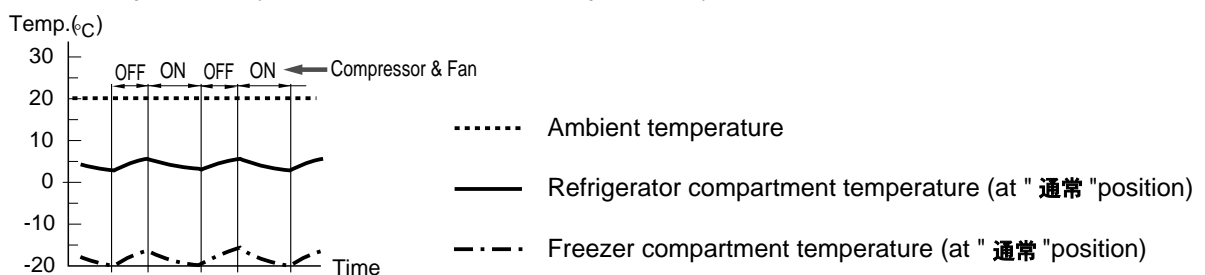


#### Refrigerator Temp. Control Knob

The Refrigerator temp. control knob controls the compressor & the fan running time of the refrigerator system.  
 " 強 " setting will result in colder temperature in the both (refrigerator and freezer) compartments.  
 " 弱 " control setting will result in warmer temperature in the both (refrigerator and freezer) compartments.



#### Normal operation (ex. at 20 °C ambient temperature)



**2. DEFROSTING**

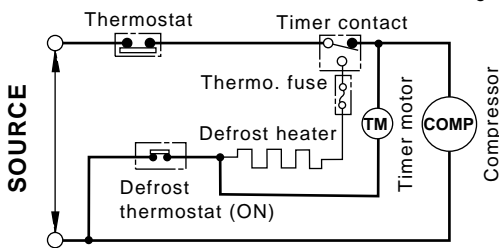
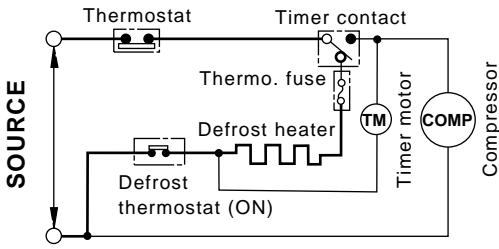
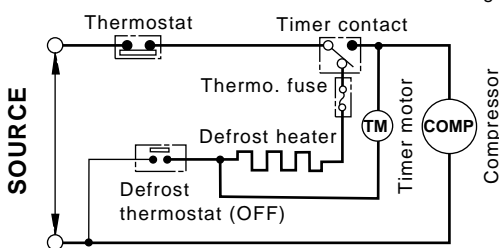
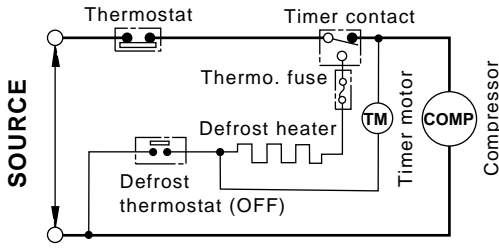
**(1) No defrosting operation is necessary.**

No defrosting operation is necessary. As this machine is so designed that a built-in evaporator cools air and a fan circulates cooled air, neither the freezer nor the refrigerator is frosted, though Evaporator is frosted. The frosted Evaporator is defrosted automatically due to the function of defrosting timer and heater, requiring no defrosting operation.

**(2) Where is melted frost brought.**

1. Melted frost is brought into Evaporating pan at the back of the set and is evaporated here by the heat of compressor.
2. Be sure to use Evaporating pan as inserted so as to be level with the outer case.

**(3) The following circuit diagrams in the table show automatic defrosting function of the refrigerator with timer and defrosting thermostat.**

Operation	Electric diagram	Description
<p>1. Cooling (Normal)</p>	<p>●Defrost thermostat ON ●Compressor running ●Timer motor running</p>  <p style="text-align: center;"><b>Fig. F-3</b></p>	<p>The integration timer integrates running time of the compressor. When it reaches cycle time of defrost timer, the timer contact is changed to start defrosting.</p>
<p>2. Defrosting (Time 20 to 30 min.)</p>	<p>●Defrost thermostat ON ●Compressor stops ●Timer motor stops</p>  <p style="text-align: center;"><b>Fig. F-4</b></p>	<ul style="list-style-type: none"> <li>● The timer contact is changed to start defrosting, the timer motor stops and power is supplied to the defrost heater.</li> <li>● It takes about 20 to 30 min. to defrost. When little frosted, the defrosting take little time. When much frosted, the defrosting takes much time.</li> </ul>
<p>3. Drain (Time approx. 5 min.)</p>	<p>●Defrost thermostat OFF ●Compressor stops ●Timer motor running</p>  <p style="text-align: center;"><b>Fig. F-5</b></p>	<p>When the defrost thermostat becomes OFF, the timer motor at rest starts running. During the operation time (delay time of defrost timer) defrosted water drained outside the refrigerator.</p>
<p>4. Cooling (Re-start)</p>	<p>●Defrost thermostat OFF ●Compressor running ●Timer motor stops</p>  <p style="text-align: center;"><b>Fig. F-6</b></p>	<ul style="list-style-type: none"> <li>● Timer contact is changed to cooling operation and the compressor starts running and the timer motor stops.</li> <li>● Defrost thermostat contact becomes ON when it's cooled. And the timer motor starts running(Fig. F-3)</li> </ul>

**(4) As a reference to determine the causes of trouble, malfunction and phenomena are described below. Refer to the following when repairing.**

1. Disconnection of Defrost heater  
As off-cycle defrosting is performed, the defrosting time is extremely prolonged.  
Each time defrosting is started, the freezer temperature rises and a portion of ice and stored foods are melted.
2. Melted Thermo. fuse or opened-circuit due to the defect of Defrost thermostat.  
When the above mentioned trouble occurs in cooling operation, the timer motor does not run, defrosting will not take place, and consequently freezing is caused.  
In the above mentioned condition, when the timer shaft is turned by hand to defrost, the timer motor runs during the operation time. However, the motor stops from the time when the contact is changed, and freezing causes.

**NOTE:**

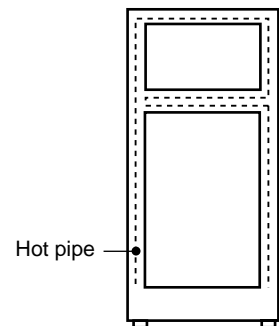
- As Thermo. fuse assembly is intended to prevent dangers, do not use it under shorted condition even for a short period.
3. When Defrost thermostat failure causes the circuit to remain closed.  
The thermostat assembly connected with Thermo. fuse in the same way.  
A portion of ice or stored foods are melted when Thermo. fuse is worked.

**3. DEW PREVENTION**

The hot pipe, namely D.P.-condenser, is arranged around the flange part of cabinet and the C-partition plate, preventing dew from being generated on the cabinet.

**NOTE:**

- D.P.-condenser pipe may be felt hot if touched by hand while the compressor is in operation.
- If you are asked about this, please explain that the hot pipe serves to prevent the dew generation.



**Fig. F-7**

**4. INSPECTION OF INITIAL STARTING**

**(1) Inspection of cooling unit**

1. Set the temperature control knob to "MAX" and check that the compressor starts to operate.
2. Depress the door switch to run the fan and check that cool air is blown out of the cold air outer of the freezer and the refrigerator.
3. When the compressor does not work, check that the timer is not set to "defrost" position.
4. It takes about an hour and a half or 2 hours to put food in the refrigerator after starting operation.

**NOTE:**

- After return the temperature control knob to "MED" position.
- When the refrigerator is operated initially after installed, the compressor may vibrate excessively for 1 to 2 min. However, vibration becomes normal if it is continuously operated.

**(2) Inspection of defrost device**

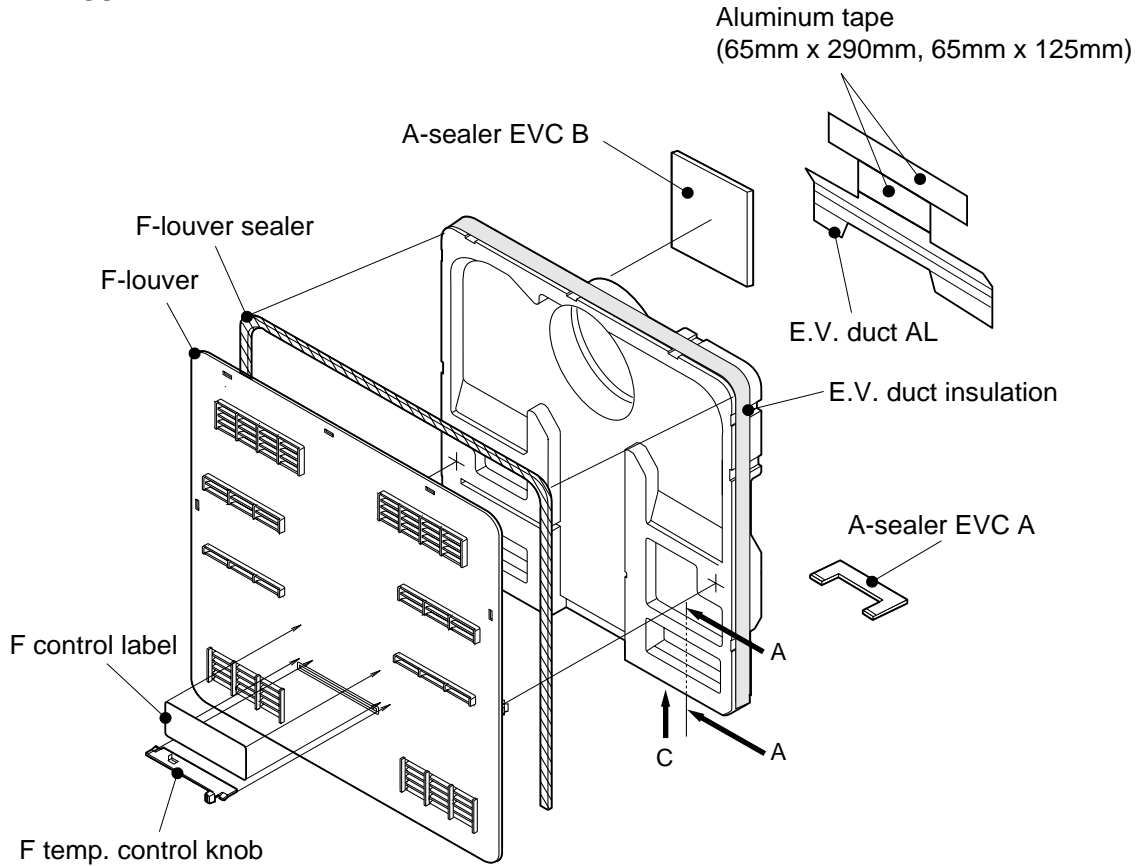
Operate the refrigerator for 20 to 30 min. and then check the defrost device in the following procedures :  
Allow 5 min. to restart the compressor since immediate starting after stopping will cause unsmooth operation.

1. Turn the timer shaft clockwise with a screw driver.  
At this time, make certain the timer clicks and the compressor stops.
2. After more than 5 min., turn the shaft further to operate.  
Make certain cooling operation is started again.

# ASSEMBLING PROCEDURES OF MAIN PARTS AND CAUTIONS

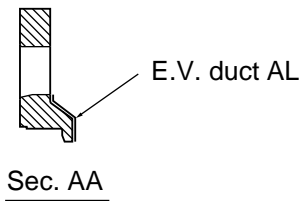
**CAUTION: DISCONNECT THE UNIT FROM THE POWER SUPPLY BEFORE ANY REPAIRING.**

## 1. F-LOUVER ASSEMBLY



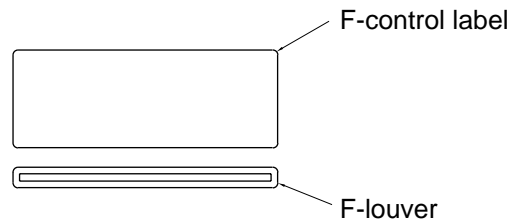
**Fig. A-1**

1. Stick E.V. duct AL to E.V. duct insulation.



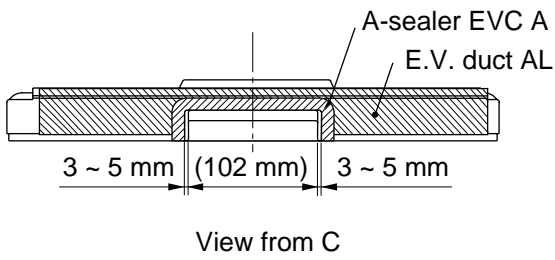
**Fig. A-2**

3. Stick F control label to F-louver.



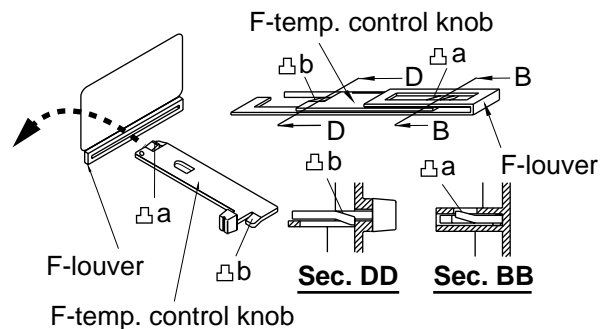
**Fig. A-4**

2. Stick A-sealer EVC A & A-sealer EVC B to E.V. duct insulation.



**Fig. A-3**

(Note) Do not fix F-control label upside down.  
4. Insert F-temp. control knob to F-louver.



**Fig. A-5**

5. Set E.V. duct ass'y to F-louver.
6. Stick F-louver sealer to F-louver.

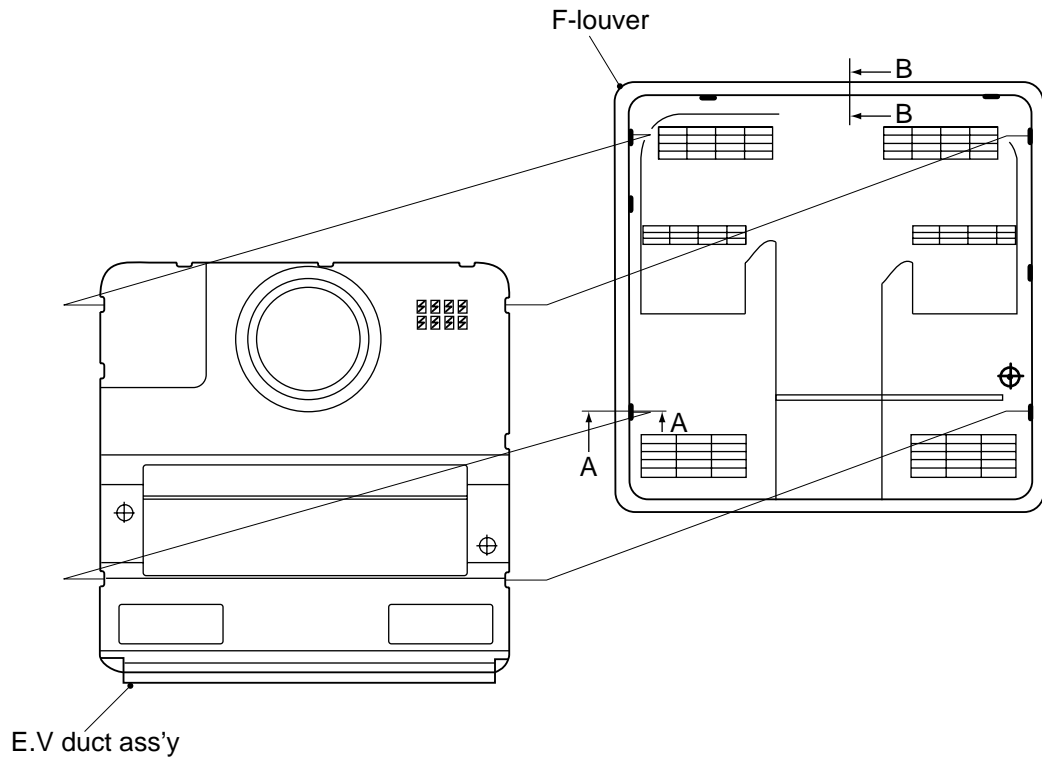


Fig. A-6

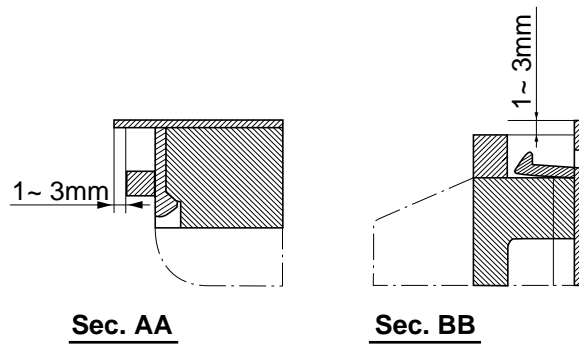


Fig. A-7

## 2. FM COVER ASSEMBLY AND THERMAL FUSE D ASSEMBLY

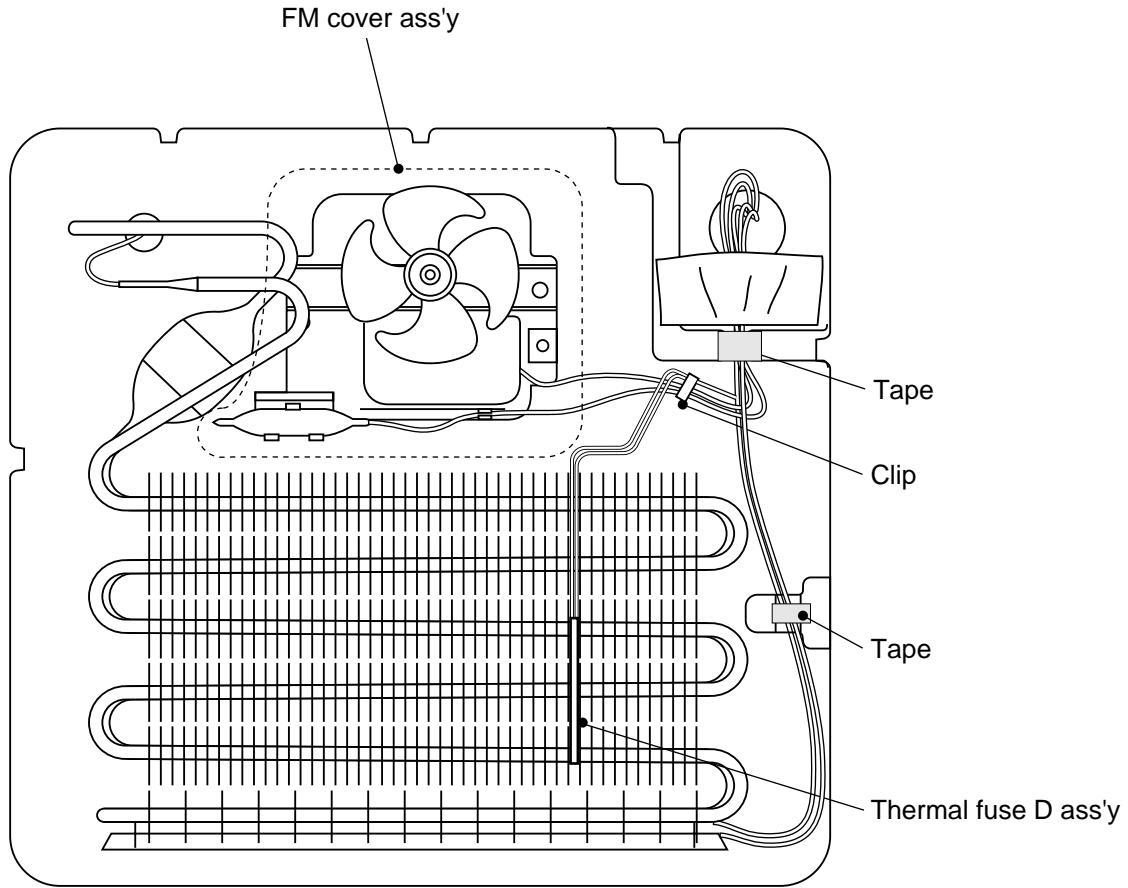


Fig. A-8

### FM COVER ASSEMBLY

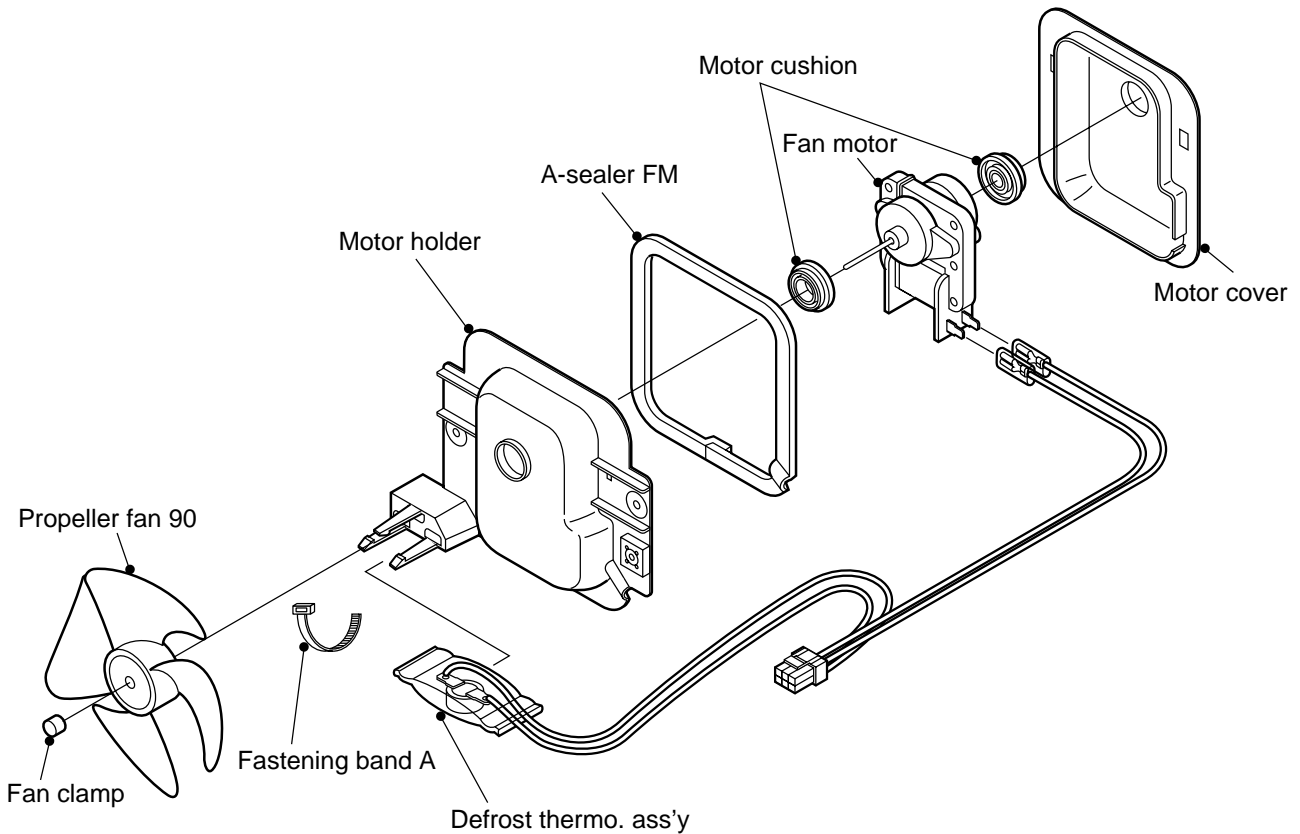
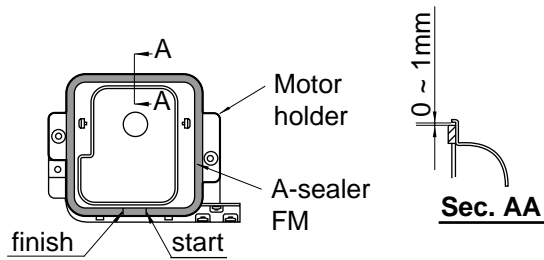


Fig. A-9



1. Stick A-sealer FM to Motor holder.

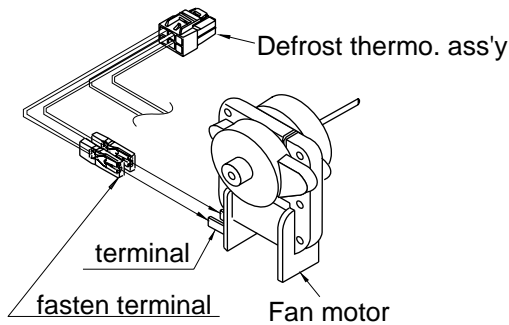


**Fig. A-10**

2. Insert the fasten terminal of Defrost thermo. ass'y into the terminal of Fan motor. (2 pcs.)  
Defrost thermo. ass'y has positive lock. (No. pole, so changeable)
  - Check locking by pulling them with more than 10N(1kgf), all wires after assemble them.

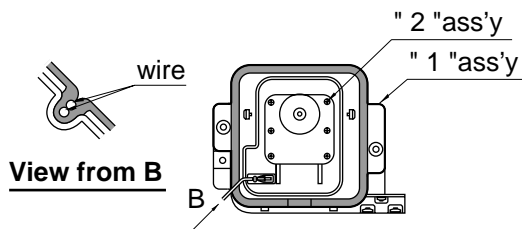
**NOTE**

- (1) Assemble so that terminal of Fan motor does not deform.
- (2) Take care not to stress to terminal of Fan motor after wiring.



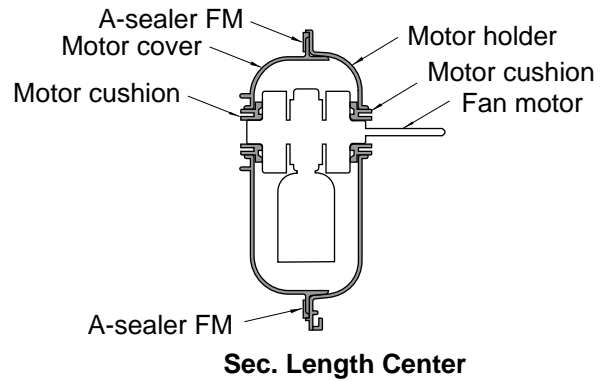
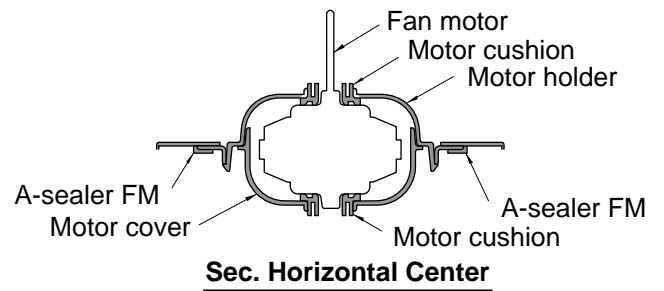
**Fig. A-11**

3. Set Motor cushion and " 2 " ass'y to " 1 " ass'y.



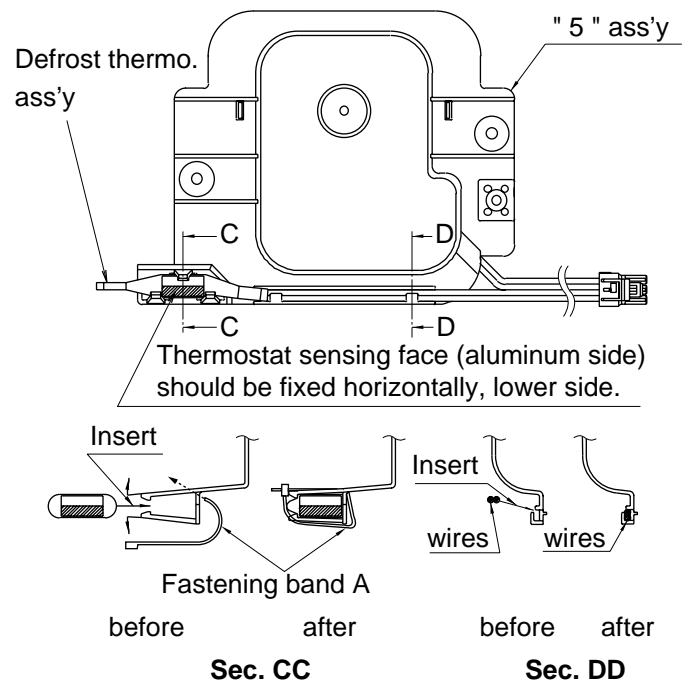
**Fig. A-12**

4. Insert the wire of Defrost thermo. ass'y to the place of " 3 " ass'y as shown in Fig. A-12.
5. Set Motor cushion and Motor cover to " 4 " ass'y as shown Fig. A-13.



**Fig. A-13**

6. Set Defrost thermo. ass'y to " 5 " ass'y as shown in Fig. A-14.



**Fig. A-14**

7. Set Propeller fan 90 and Fan clamp to " 6 " ass'y as shown in Fig. A-15.

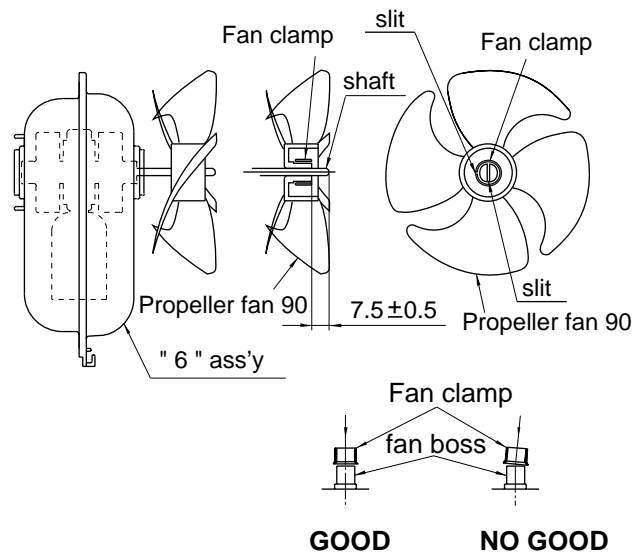


Fig. A-15

NOTE

- (1) Slit of each Fan clamp and Propeller fan 90 should not be at same position.
- (2) Fan clamp should be inserted virtically to the end of boss.
- (3) Propeller fan 90 should not be taken out from shaft when pulled by 2kgf.

**THERMAL FUSE D ASSEMBLY**

1. Set Fuse ass'y to Thermo. fuse holder.
2. Wind the aluminum tape to the Thermo. fuse holder.

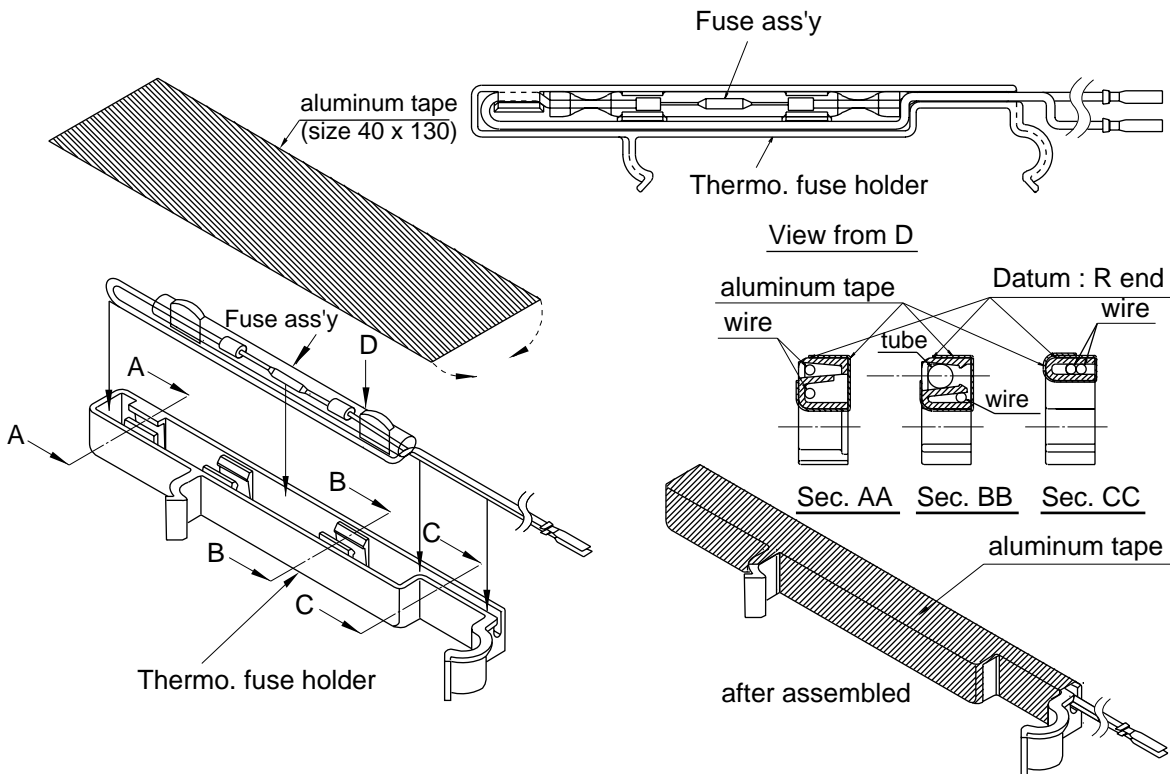
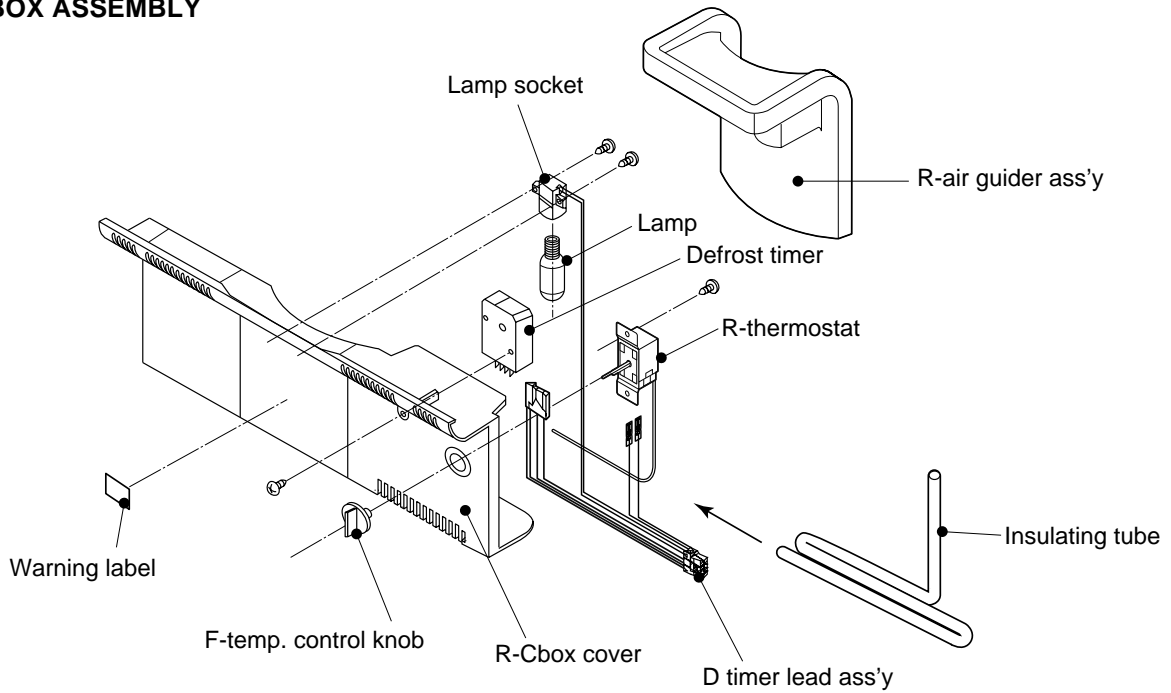


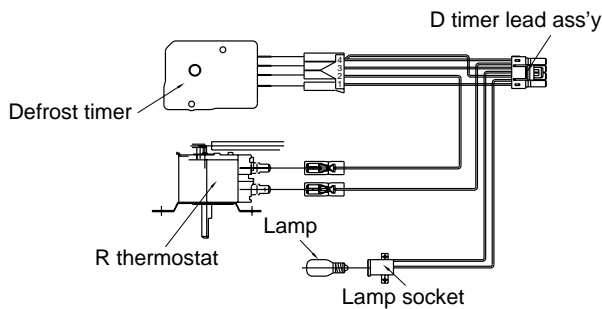
Fig. A-16

### 3. R-CBOX ASSEMBLY



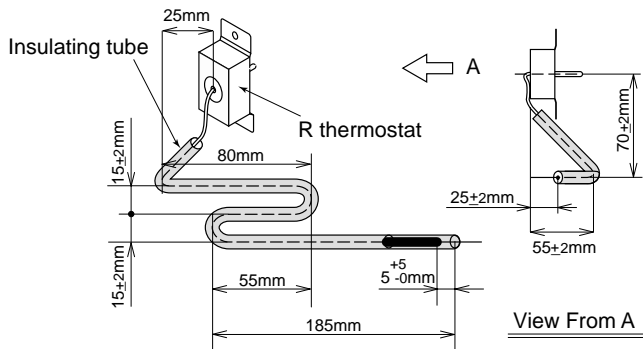
**Fig. A-17**

1. Connect D timer lead ass'y to Defrost timer, R thermostat.
2. Screw Lamp to Lamp socket. (Fig. A-18)



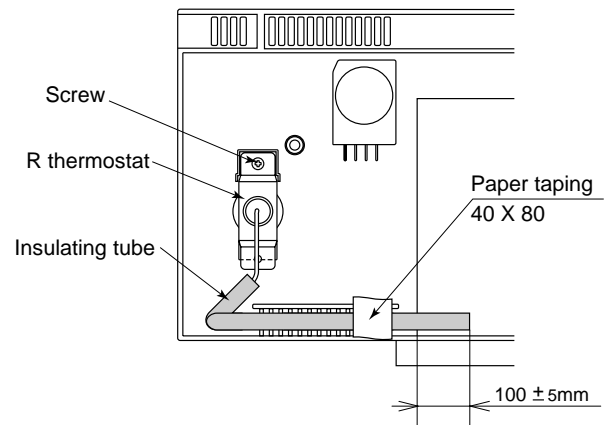
**Fig. A-18**

3. Fix Lamp socket with screw, and Defrost timer with screw.
4. Cover the capillary tube of R thermostat by Insulating tube and bend them as shown in FigA-19.



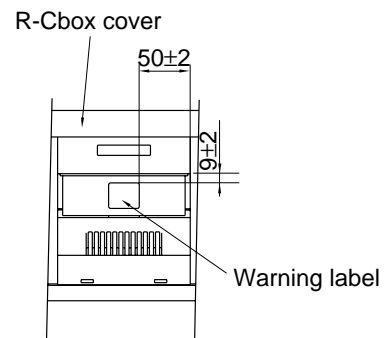
**Fig. A-19**

5. Fix R thermostat with screw and make up the tube of R thermostat as shown Fig. A-20.



**Fig. A-20**

6. Insert F-temp. control knob to R thermostat.
7. Stick warning label on R-cbox cover as shown Fig. A-21.



**Fig. A-21**

**NOTE**

- Minimum bending radius is R5.
- There should be no gas leakage by reforming of Capillary tube.

8. Set R-air guider ass'y on R-cbox cover.

#### 4. DEFROST HEATER

##### (1) Taking-out Evaporator

1. Take out F-louver ass'y (Fig. A-22).

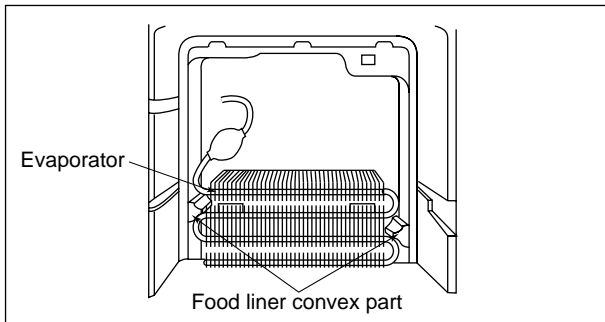


Fig. A-22

2. As shown in Fig. A-23, pull the upper part of Evaporator toward you, pull it diagonally so that the pipe of Evaporator does not contact the convex part of food liner.

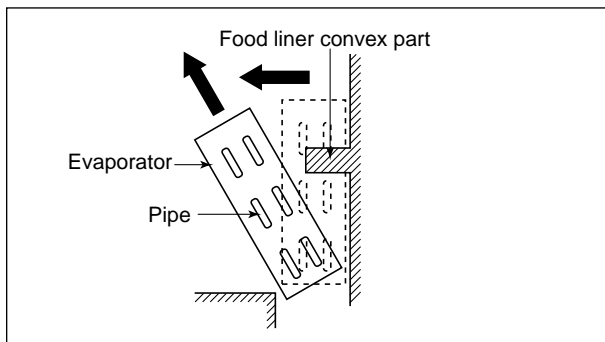


Fig. A-23

3. As shown in Fig. A-24, bend the removed Evaporator horizontally so that Defrost heater can be replaced easily.

NOTE: When pulling Evaporator and bending the pipes, pay attention so as not to break and deform the pipes. Still, take care not to hurt yourself by fin of Evaporator.

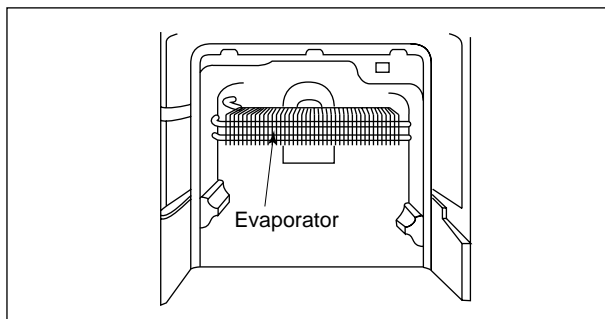


Fig. A-24

##### (2) Replacement of Def. heater ass'y.

1. Disconnect the lead wires inserted in the rib of center partition (Fig. A-25 : 8 pcs.).

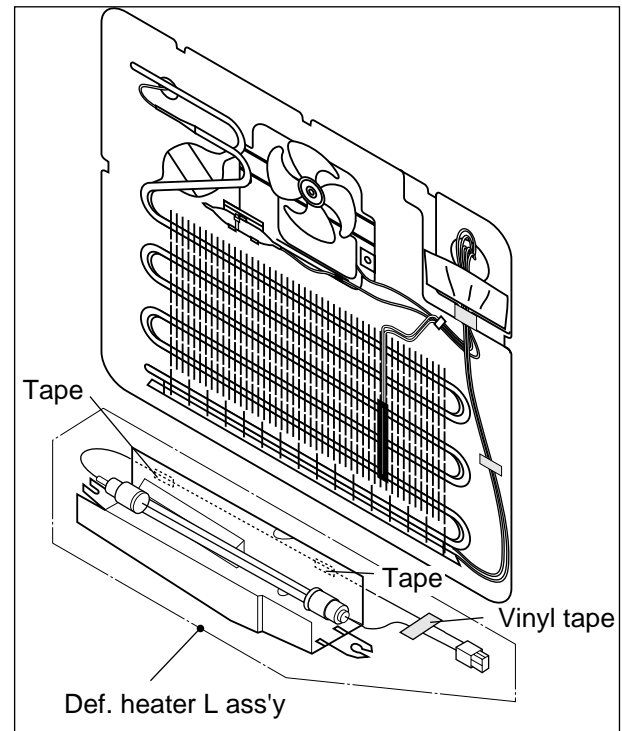


Fig. A-25

2. Raise the protrusion part of Drain support AL (Fig. A-26). Then remove Heater cover.

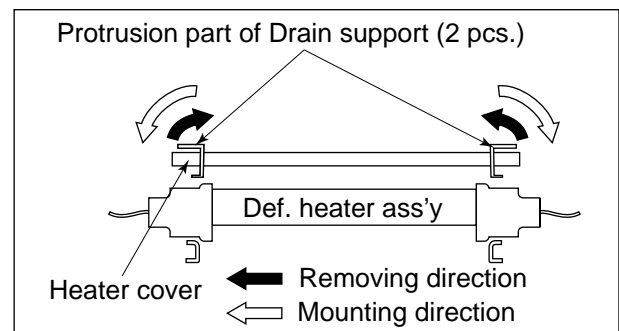


Fig. A-26

3. Open Def. heater fixed part of Drain support (Fig. A-27) to the right and left, then remove Def. heater ass'y.

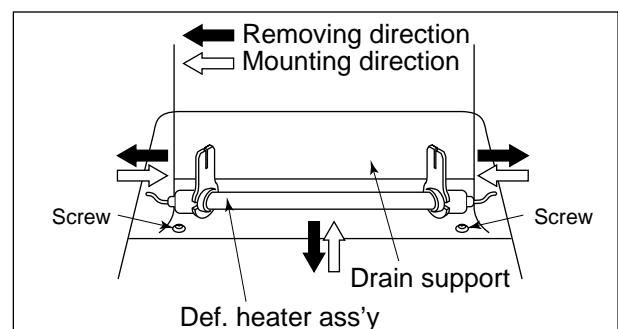


Fig. A-27

4. Replace Defrost heater with new one.

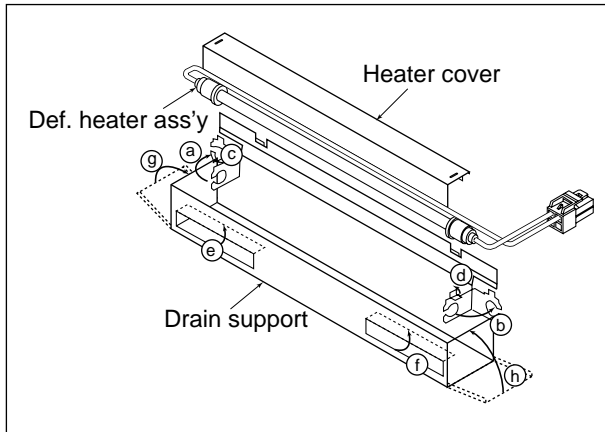


Fig. A-28

5. Wind the Glass cloth tape (3M: No. 27) to lead wire of Def. heater ass'y. (2 places)

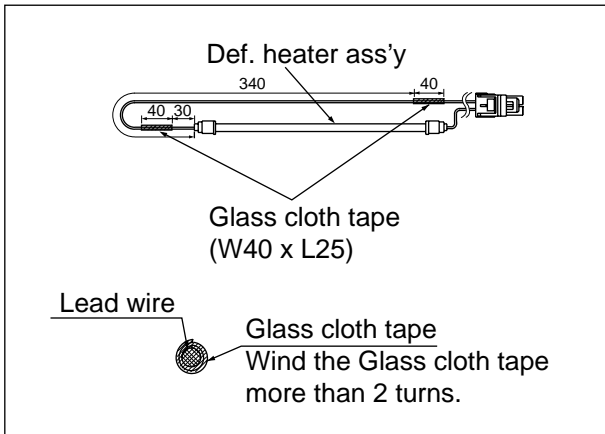


Fig. A-29

6. Band (a) and (b) of Drain support to right angle (90°) set Def. heater ass'y. (Fig. A-30)

NOTE

Don't touch on glass tube with bare hand.

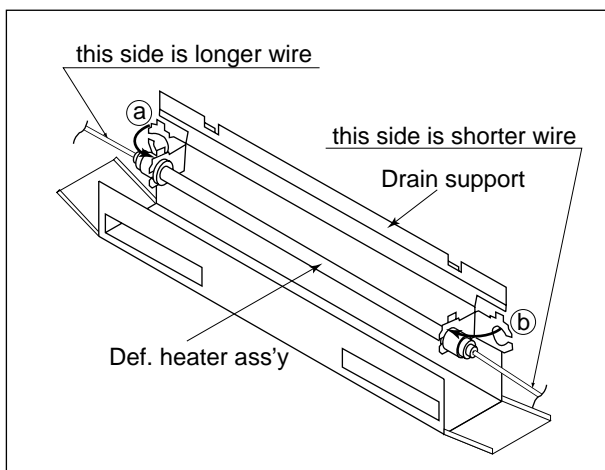


Fig. A-30

7. Stick the longer wire to the Drain support by aluminum tape (2 pieces), and wind vinyl tape (2 pieces) to lead wires of Def. heater ass'y by aluminum tape as shown in Fig. A-31.  
Glass cloth tape part shall be both side of Drain support.

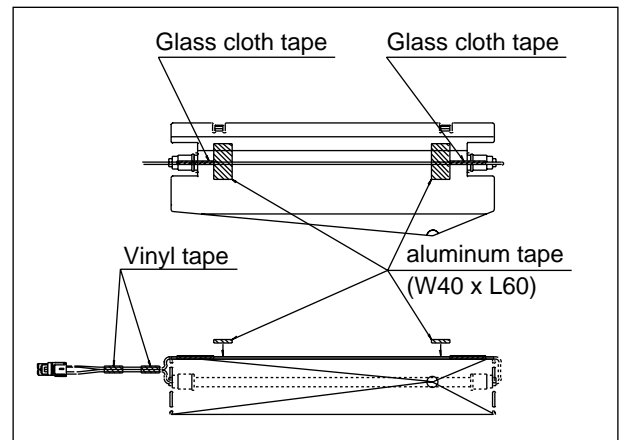


Fig. A-31

8. Set Heater cover on Drain support, and bend top edge (c) and (d) to outside as shown in Fig. A-32.

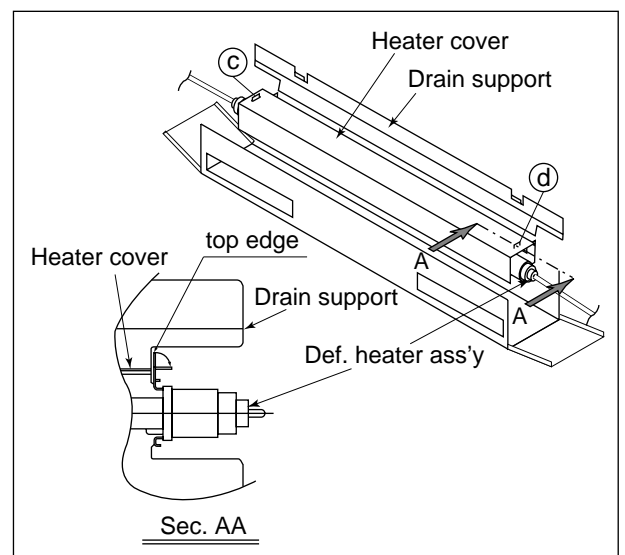


Fig. A-32

9. Bend (e), (f), (g) and (h) Drain support 2 as shown in Fig. A-33.

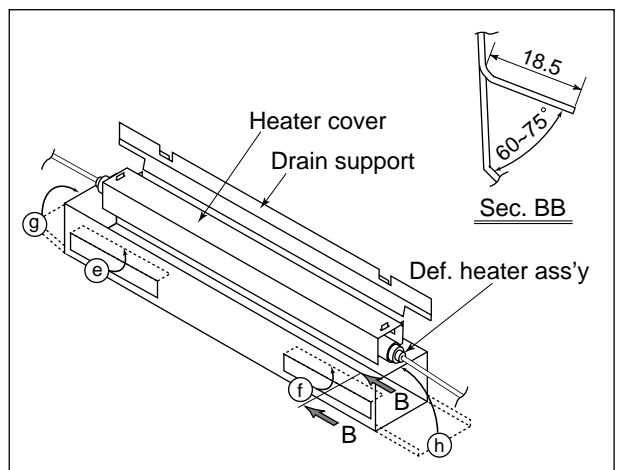


Fig. A-33

### (3) Installing of Evaporator

1. Install Evaporator as shown in Fig. A-22 in the reverse order of Fig. A-23.
2. Correct the deformed fin.

#### NOTE

1. When installing Evaporator, take care not to deform significantly and break the pipes.
2. Take care not to damage the lead wires and hurt yourself by the fin of Evaporator.

## COOLING UNIT

### Cooling unit

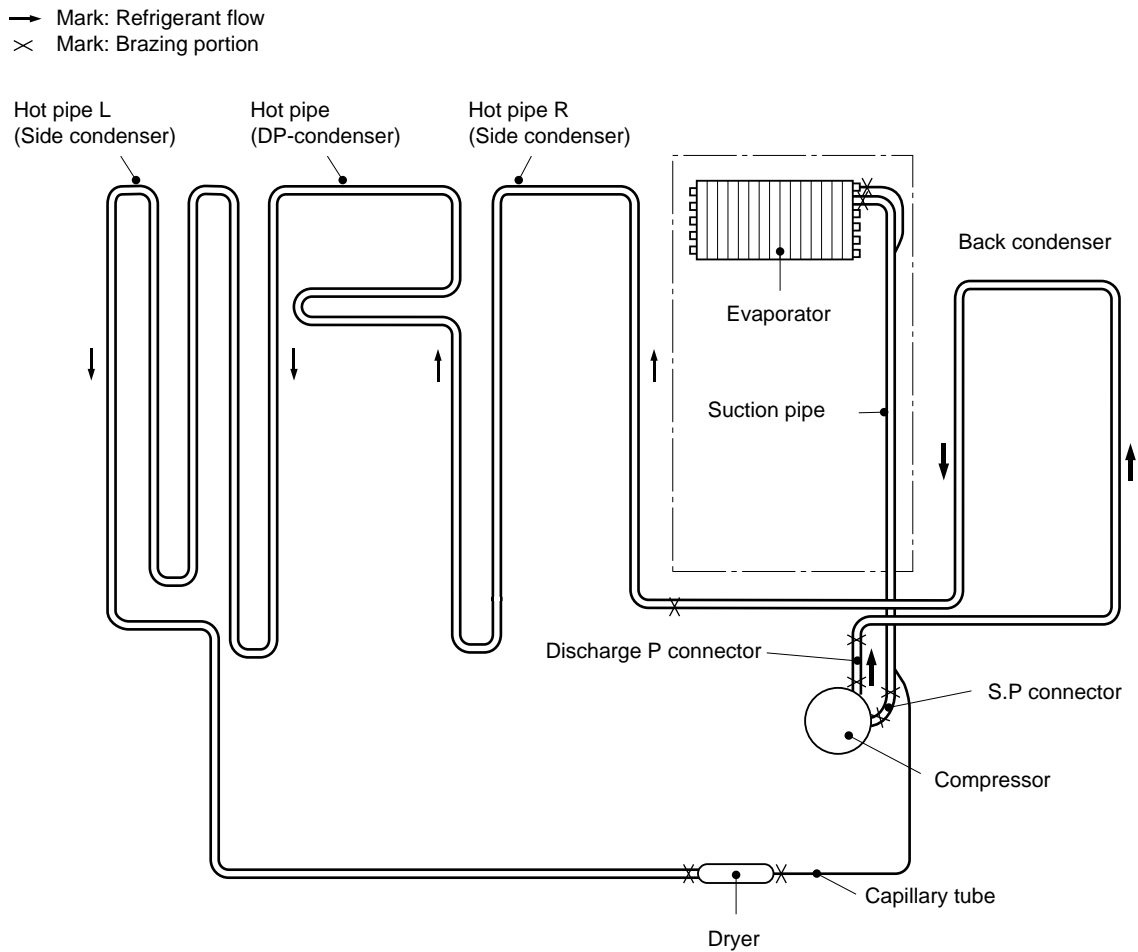


Fig. C-1

Location

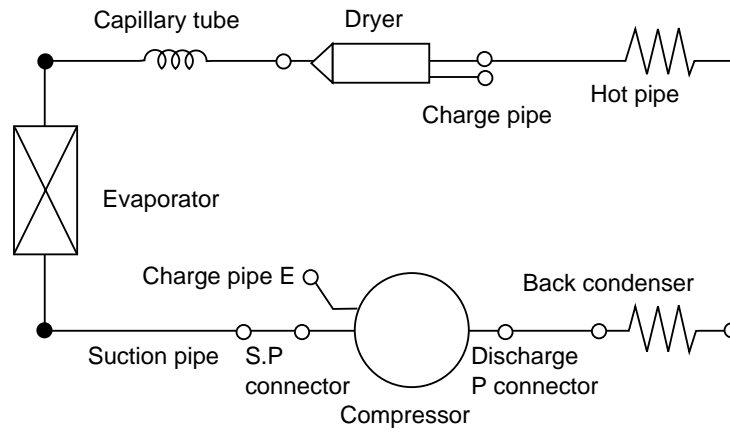


Fig. C-2

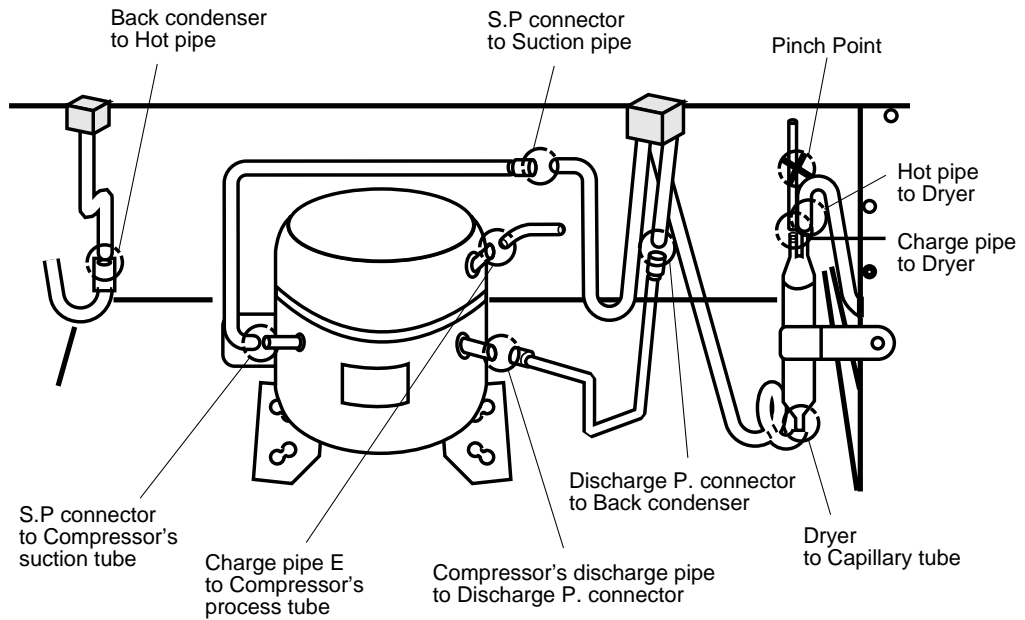


Fig. C-3

## REPLACEMENT PARTS LIST ( SJ-21P/D25P)

REF. NO.	PART NO.	DESCRIPTION	Q'TY		CODE
			SJ-21P -GY	SJ-D25P -GY	

### ELECTRIC PARTS

1-2	FFS-TA044CBK0	Fuse ass'y	1	1	AP
1-5	QACC-A133CBE0	Source cord	1	1	AN
1-6	QSWTDA025CBE0	Defrost timer	1	1	AW
1-7	RMOTRA044CBE0	Fan motor	1	1	BA
1-8	RTHM-A085CBE0	R thermostat	1	1	AY
1-9	FTHM-A034CBKZ	Defrost thermo.ass'y	1	1	AQ
1-11	RLMP-A002CBE0	Lamp	1	1	AE
1-12	QSW-PA076CBEA	Door switch	1	1	AK
1-13	RSTT-A135CBE0	Starting relay	1	1	AX
1-15	FHETBA129CBE0	Def.heater ass'y	-	1	BG
1-15	FHETBA130CBE0	Def.heater ass'y	1	-	AZ
1-16	RHOG-A122CBE0	Protector	1	1	AY
1-22	FCNW-A569CBK0	Relay wire ass'y	1	1	AH
1-23	FW-VZA129CBE0	D timer lead ass'y	1	1	AU
1-27	FTHM-A036CBKZ	C. thermo. ass'y	1	1	AN

### MECHANICAL PARTS

2-2	LFRM-A145CBFB	Ice maker	1	1	AL
2-3	DHNG-A304CBK0	Bottom hinge s-ass'y	1	1	AN
2-4	LHLD-A438CBF0	E.v.holder	1	1	AE
2-6	FAJS-A006CBFA	Adjustable leg ass'y	1	1	AF
2-9	DHNG-A396CBMZ	Center hinge r ass'y	1	1	AH
2-10	DHNG-A301CBM0	Upper hinge ass'y	1	1	AF
2-12	FGID-A063CBY0	R-air guider ass'y	1	1	AF
2-13	LBND-A018CBE0	Fastening band a	2	2	AP
2-15	JKNB-A043CBFB	F-temp. control knob	1	1	AC
2-16	JKNB-A036CBFB	F-temp. control knob	1	1	AD
2-18	LPLTMA399CBP0	Dryer support	1	1	AD
2-20	PCOV-A205CBFA	Lamp cover	1	1	AK
2-21	LHLD-A440CBF0	Term.fuse holder	1	1	AE
2-22	LPLTMA490CBP0	Drain support	1	1	AP
2-23	PSHEMA154CBP0	Heater cover	1	1	AF
2-24	PSHEMA160CBE0	E.v.duct al	1	1	AP
2-25	PSEL-B464CBE0	A-sealer evc a	1	1	AB
2-26	PSEL-B465CBE0	A-sealer evc b	1	1	AC
2-28	PDUC-A066CBF0	E.v.duct insulation	1	1	AH
2-29	LHLD-A473CBE0	Clip	1	1	AF
2-30	LCRA-A010CBE0	Fan clamp	1	1	AD
2-31	PSEL-B472CBE0	A-sealer fm	1	1	AB
2-32	LHLD-A389CBF0	Motor cushion	2	2	AF
2-33	NFANPA012CBF0	Propeller fan 90	1	1	AD
2-34	LHLD-A444CBF0	Motor holder	1	1	AH
2-35	LHLD-A445CBF0	Motor cover	1	1	AH
2-37	PTUBBA065CBE0	Insulating tube	1	1	AE
2-38	GCOVPA093CBRB	R-cbox cover	1	1	AM
2-39	HGRL-A161CBFB	Multi louver	-	1	AK
2-39	HGRL-A162CBFB	Multi louver	1	-	AG
2-40	PFPPFB053CBF0	R-louver insu.	-	1	AF
2-40	PFPPFB060CBF0	R-louver insu.	1	-	AE
2-41	PSEL-B469CBE0	A-sealer ml	-	2	AC
2-41	PSEL-B483CBE0	A-sealer ml	2	-	AD
2-42	HGRL-A163CBFB	F-louver	1	1	AP
2-43	PSEL-B468CBE0	F-louver sealer	1	1	AE
2-44	TLAB-A721CBR0	F control label	1	1	AD
2-45	LHLD-A124CBFE	K-frame holder	8	8	AB
2-46	LPLTMA553CBP0	Ev.pan support	2	2	AM
2-47	PTUBBA067CBE0	Insulating tube	1	1	AD
2-50	GTOP-A023CBFA	Top table	1	1	AY
2-52	PBOX-A083CBFA	Terminal box	1	1	AG
2-53	PCOVPA183CBFA	Terminal cover	1	1	AF
2-55	LHLD-A359CBFA	T-box holder	1	1	AE

### DOOR PARTS

3-1	FDORFB444CBKZ	F-door ass'y	1	1	BR
3-1-1	NBRGPA013CBFB	Nylon bearing 2	2	2	AH
3-1-2	LSTPPA097CBFA	Door stopper	2	2	AF
3-2	FPACGA256CBK0	F-door packing	1	1	AU
3-12	FDORRB272CBKZ	R-door ass'y	-	1	BS
3-12	FDORRB277CBKZ	R-door ass'y	1	-	BQ
3-13	FPACGA257CBK0	R-door packing	-	1	AW
3-13	FPACGA259CBK0	R-door packing	1	-	AV
3-25	HBDGDA909CBEA	Door trim	1	1	AQ



REF. NO.	PART NO.	DESCRIPTION	Q'TY		CODE
			SJ-21P -GY	SJ-D25P -GY	

**OTHER PARTS**

4-1	LX-BZ0202JBEO	Special screw	1	1	AA
4-3	QTAN-A012CBEO	Solderless term. b	1	1	AH
4-4	QTAN-A013CBEO	Solderless term. a	3	3	AH

**ATTACHMENT PARTS**

5-1	FSRA-A199CBYZ	Ice cube maker	1	1	AR
5-2	USRA-A214CBFB	R tray l	-	1	AS
5-3	USRA-A215CBFB	R tray s	1	1	AQ
5-4	USRA-A212CBFB	F tray	1	1	AS
5-5	UTNA-A260CBFB	Free set shelf b	1	1	AN
5-6	UTNA-A261CBFB	Free set shelf f	1	1	AQ
5-9	USRA-A227CBFB	F-partition tray	1	1	AL
5-10	USRA-A266CBFA	Evaporating pan	1	1	AQ
5-11	USRA-A216CBFB	V tray	1	1	AS
5-12	UYOK-A148CBFB	Ice storage box	1	1	AM
5-14	UYOK-A241CBFB	Vegetable case	1	1	AR
5-15	UPOK-A161CBFB	F door pocket	2	2	AM
5-16	UTNA-A167CBFC	Egg tray	1	1	AG
5-17	UPOK-A139CBFB	Bottle pocket	2	2	AN
5-19	UPOK-A140CBFB	R door pocket	1	2	AP

**CYCLE PARTS**

6-1	PCMPLA164CBEO	Compressor	1	1	BR
6-2	PSPAGA041CBEO	Rubber grommet	4	4	AF
6-3	LFRRMA013CBPO	Base frame	1	1	AS
6-4	LX-WZA003CBEO	Washer	4	4	AA
6-5	PPIPICA252CBEO	Charge pipe	1	1	AD
6-6	PPIPICA309CBEO	S.p connector	1	1	AG
6-8	PSPAFA033CBEO	Sleeve	4	4	AD
6-9	FDRY-A008CBK0	Dryer	1	1	AU
6-10	PKYU-A034CBEO	Sp-butyl f	1	1	AG
6-11	PKYU-A035CBEO	Sp-butyl h	1	1	AG
6-18	PCOVPA209CBEO	Terminal cover	1	1	AT
6-21	PPIPICA322CBEO	Charge pipe e	1	1	AE
6-23	PPIPICA315CBEO	Discharge p.conecter	1	1	AG

**MISCELLANEOUS**

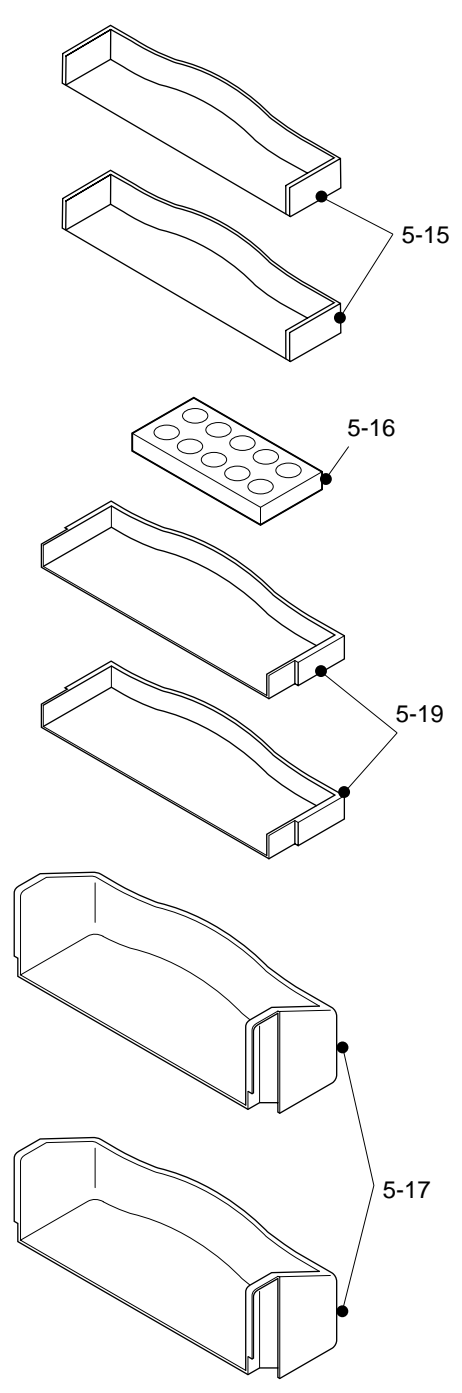
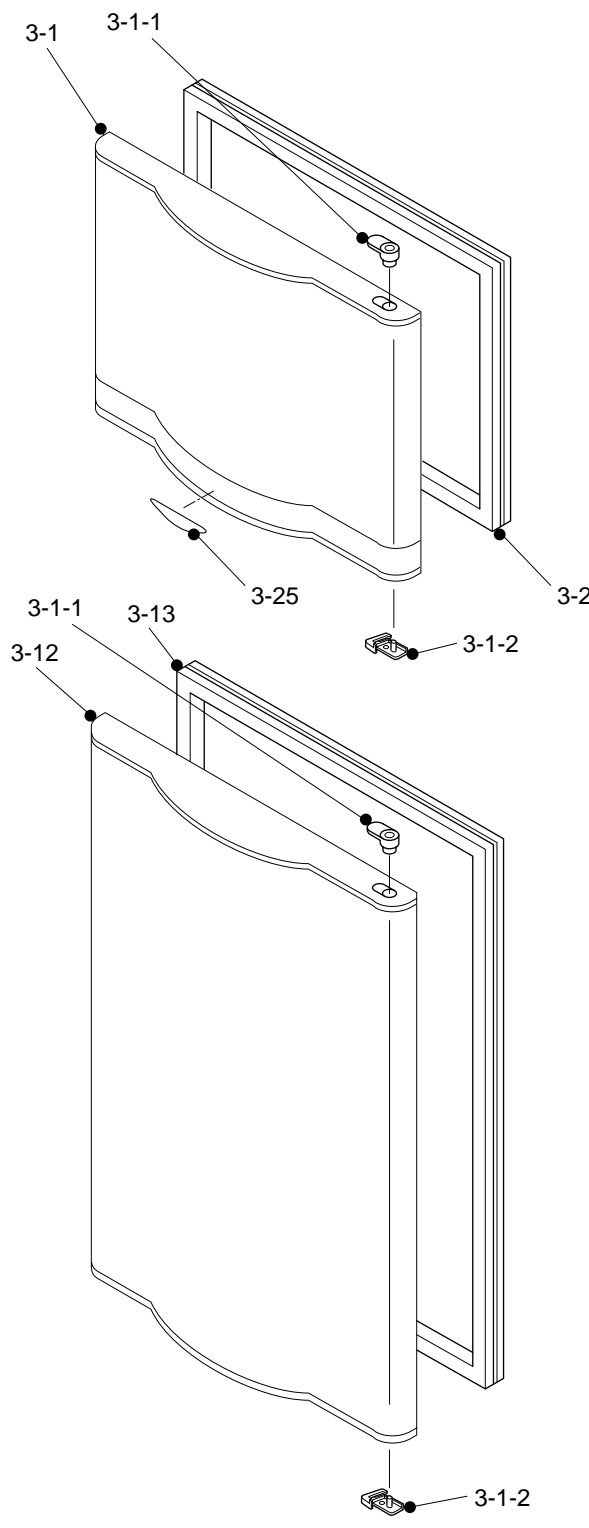
90-1	CPADBA663YDK0	Bottom pad ass'y	1	1	AV
90-2	CPADBA661YDK0	Top pad ass'y	1	1	AK
90-3	SPAKCJ097YDEZ	Packing case d25p-f	-	1	BB
90-3	SPAKCJ105YDEZ	Packing case 21p-f	1	-	BB
90-4	TINS-A521CBRZ	Operation manual	1	1	AG
90-5	TLAB-A473CBR0	Lamp label	1	1	AB
90-7	TLAB-A614CBEO	Case label gy	4	4	AD
90-8	SPADBB974YDE0	Corner post r	1	1	AL
90-9	SPADBB975YDE0	Corner post l	1	1	AL
90-10	SPADBB976YDE0	Corner post bl	1	1	AH
90-11	SPADBB977YDE0	Corner post br	1	1	AH
90-13	TINS-A366CBR0	Srv.station list	1	1	AC
90-21	TLAB-B009CBRZ	Caution label rof	1	1	AE

**HOW TO ORDER REPLACEMENT PARTS**

To have your order filled promptly and correctly, please furnish the following information.

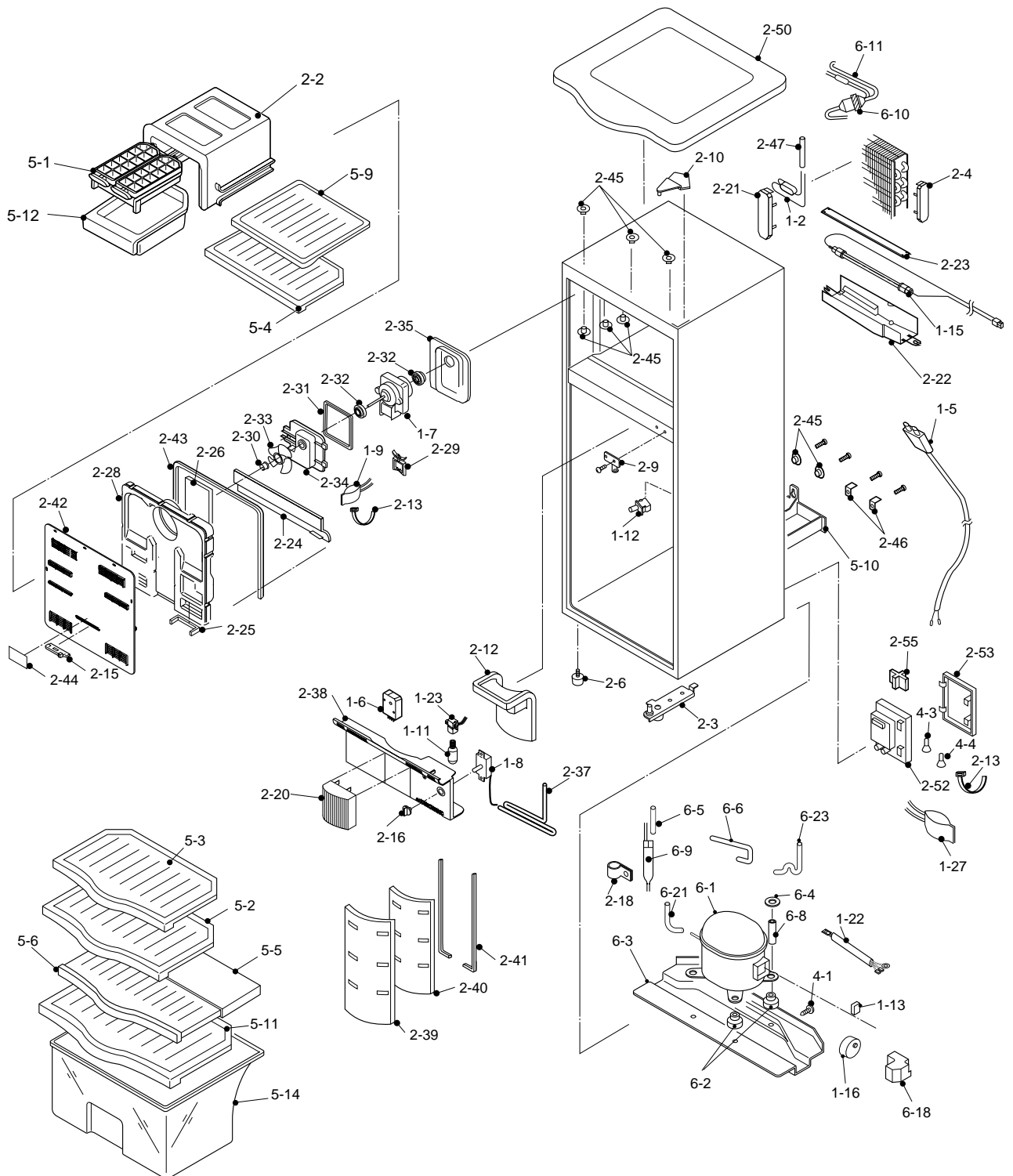
1. MODEL NUMBER
2. REF. NO.
3. PART NO.
4. DESCRIPTION

DOOR PARTS



SJ-21P  
SJ-D25P

# CABINET PARTS



SJ-21P  
SJ-D25P

# SHARP

COPYRIGHT © 2001 BY SHARP CORPORATION

ALL RIGHTS RESERVED.

No part of this publication may be reproduced, stored in retrieval systems, or transmitted in any form or by any means, electronic, mechanical, photocopying, recording, or otherwise, without prior written permission of the publisher.