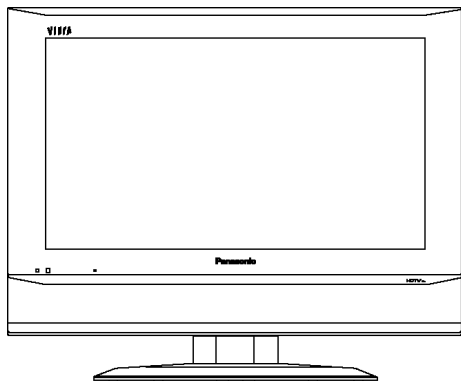


# Service Manual

## LCD Television



**TC-19LX50**  
**TC-23LX50**  
**TC-19LE50**  
**TC-23LE50**  
LH44 Chassis

### Specifications

|                              |  |
|------------------------------|--|
| <b>Power Source</b>          | AC 120 V, 60 Hz  |
| <b>Power Consumption</b>     | Average use : 66 W (TC-19LX50, TC-19LE50)<br>Average use : 83 W (TC-23LX50, TC-23LE50)<br>Stand-by condition : 0.11 W<br>Power off : 0.1 W |
| <b>LCD</b>                   | 1280 × 768 pixels widescreen LCD panel (TC-19LX50, TC-19LE50)<br>1366 × 768 pixels widescreen LCD panel (TC-23LX50, TC-23LE50)             |
| <b>Screen Size</b>           | 16.3 " × 9.8 " × 18.9 " (413 mm × 248 mm × 481 mm) (TC-19LX50, TC-19LE50)  |
| <b>(W × H × diagonal)</b>    | 20.0 " × 11.3 " × 23.0 " (508 mm × 286 mm × 583 mm) (TC-23LX50, TC-23LE50)   |
| <b>Channel Capability</b>    | VHF-12 : UHF-56 : Cable-125  |
| <b>Sound</b>                 |  |
| <b>Speakers</b>              | Ø5 cm × 2 pcs, 8 Ω (TC-19LX50, TC-19LE50)<br>Ø6 cm × 2 pcs, 8 Ω (TC-23LX50, TC-23LE50)   |
| <b>Audio Output</b>          | 8 W [4 W + 4 W] (10%THD)   |
| <b>Headphones</b>            | M3 (3.5 mm) Jack × 1   |
| <b>FEATURES</b>              | 3D Y/C Digital Comb Filter, CLOSED CAPTION, V-Chip   |
| <b>Operating Conditions</b>  | Temperature : 41 °F - 95 °F (5 °C - 35 °C)<br>Humidity : 5 % - 90 % RH (non-condensing)  |
| <b>Connection Terminals</b>  |  |
| <b>INPUT</b>                 | VIDEO (RCA PIN Type ×1) ×2 1.0 Vp-p (75 Ω)<br>S-VIDEO (MINI DIN 4pin ×1) ×2 Y : 1.0 Vp-p (75 Ω),<br>C : 0.286 Vp-p (75 Ω)                  |
| <b>COMPONENT VIDEO INPUT</b> | AUDIO L-R (RCA PIN Type ×2) ×2 0.5 Vrms<br>Y ×1 1.0 Vp-p<br>(including synchronization)  |
| <b>OUTPUT</b>                | P <sub>B</sub> / P <sub>R</sub> ×1 ±0.35 Vp-p<br>AUDIO L-R (RCA PIN Type ×2) ×1 0.5 Vrms<br>AUDIO L-R (RCA PIN Type ×2) ×1 0.5 Vrms        |

**Dimensions ( W × H × D )**

**Including TV Stand**

20.2 " × 18.1 " × 10.2 " (514 mm × 459 mm × 259 mm) (TC-19LX50, TC-19LE50)

24.1 " × 19.9 " × 10.2 " (612 mm × 505 mm × 259 mm) (TC-23LX50, TC-23LE50)

**TV Set Only**

20.2 " × 15.6 " × 4.9 " (514 mm × 395 mm × 125 mm) (TC-19LX50, TC-19LE50)

24.1 " × 17.4 " × 4.9 " (612 mm × 441 mm × 125 mm) (TC-23LX50, TC-23LE50)

**Mass (Weight)**

8.5 kg (18.7 lb.) NET (TC-19LX50, TC-19LE50)

9.5 kg (20.9 lb.) NET (TC-23LX50, TC-23LE50)

**Note:**

Design and Specifications are subject to change without notice. Weight and Dimensions shown are approximate.

**⚠ WARNING**

This service information is designed for experienced repair technicians only and is not designed for use by the general public. It does not contain warnings or cautions to advise non-technical individuals of potential dangers in attempting to service a product. Products powered by electricity should be serviced or repaired only by experienced professional technicians. Any attempt to service or repair the product or products dealt with in this service information by anyone else could result in serious injury or death.

**CONTENTS**

|  | <b>Page</b> |  | <b>Page</b> |
|--|-------------|--|-------------|
| <b>1 Safety Precautions</b> .....  | <b>3</b>    | <b>7 Measurements and Adjustments</b> .....              | <b>13</b>   |
| 1.1. General Guidelines .....  | 3           | 7.1. Video Signal Level Adjustment (RF) .....            | 13          |
| <b>2 Warning</b> .....   | <b>3</b>    | <b>8 Block Diagram</b> .....                             | <b>15</b>   |
| 2.1. Prevention of Electro Static Discharge (ESD) to<br>Electrostatically Sensitive (ES) Devices ..... | 3           | 8.1. Block Diagram (1 of 3) .....                        | 15          |
| 2.2. About lead free solder (PbF) .....  | 4           | 8.2. Block Diagram (2 of 3) .....                        | 16          |
| <b>3 Location of Controls and Components</b> .....   | <b>5</b>    | 8.3. Block Diagram (3 of 3) .....                        | 17          |
| <b>4 Service Mode</b> .....  | <b>6</b>    | <b>9 Wiring Connection Diagram</b> .....                 | <b>19</b>   |
| 4.1. How to enter into adjustment mode .....   | 6           | <b>10 Schematic Diagrams</b> .....                       | <b>21</b>   |
| 4.2. Cancellation .....  | 6           | 10.1. Schematic Diagram Notes .....                      | 21          |
| 4.3. Contents of adjustment mode .....   | 6           | 10.2. A-Board (1 of 6) Schematic Diagram .....           | 22          |
| <b>5 Troubleshooting Guide</b> .....   | <b>7</b>    | 10.3. A-Board (2 of 6) Schematic Diagram .....           | 23          |
| 5.1. Self-check function .....   | 7           | 10.4. A-Board (3 of 6) Schematic Diagram .....           | 24          |
| <b>6 Disassembly and Assembly Instructions</b> .....   | <b>8</b>    | 10.5. A-Board (4 of 6) Schematic Diagram .....           | 25          |
| 6.1. Removing the hinge cover .....  | 8           | 10.6. A-Board (5 of 6) Schematic Diagram .....           | 26          |
| 6.2. Removing the pedestal .....   | 8           | 10.7. A-Board (6 of 6) Schematic Diagram .....           | 27          |
| 6.3. Removing the back cover (TC-23LX50/LE50) .....  | 8           | 10.8. AP-Board Schematic Diagram .....                   | 28          |
| 6.4. Removing the back cover (TC-19LX50/LE50) .....  | 8           | 10.9. K-Board and V-Board Schematic Diagram .....        | 29          |
| 6.5. Removing the tuner cover .....  | 8           | <b>11 Printed Circuit Views</b> .....                    | <b>31</b>   |
| 6.6. Removing the shield cover .....   | 9           | 11.1. A-Board .....                                      | 31          |
| 6.7. Removing the button panel and K-board .....   | 9           | 11.2. AP-Board .....                                     | 34          |
| 6.8. Removing the chassis .....  | 9           | 11.3. K-Board and V-Board .....                          | 35          |
| 6.9. Removing the A-Board, AP-Board and Power Unit .....   | 9           | <b>12 Exploded View and Replacement Parts List</b> ..... | <b>37</b>   |
| 6.10. Removing the speaker, and V-Board .....  | 10          | 12.1. Parts Layout .....                                 | 37          |
| 6.11. Removing the LCD mount metal .....   | 10          | 12.2. Packing Exploded Views .....                       | 38          |
| 6.12. Removing the LCD panel (TC-23LX50/LE50) .....  | 10          | 12.3. Mechanical Replacement Parts List .....            | 39          |
| 6.13. Removing the LCD panel (TC-19LX50/LE50) .....  | 11          | <b>13 Electrical Parts List</b> .....                    | <b>40</b>   |
| 6.14. Removing the LCD fixing metal .....  | 11          | 13.1. Electrical Parts List Notes .....                  | 40          |
| 6.15. Location of Lead Wiring .....  | 12          | 13.2. Electrical Replacement Parts List .....            | 41          |

**Caution**

Be sure no power is applied to the chassis or circuit, and observe all other safety precautions.

- Minimize bodily motions when handling unpackaged replacement ES devices. (Otherwise harmless motion such as the brushing together of your clothes fabric or the lifting of your foot from a carpeted floor can generate static electricity (ESD) sufficient to damage an ES device).

**IMPORTANT SAFETY NOTICE**

There are special components used in this equipment which are important for safety. These parts are marked by  $\Delta$  in the schematic diagrams, Exploded Views and replacement parts list. It is essential that these critical parts should be replaced with manufacturer's specified parts to prevent shock, fire, or other hazards. Do not modify the original design without permission of manufacturer.

**2.2. About lead free solder (PbF)**

**Note:** Lead is listed as (Pb) in the periodic table of elements.

In the information below, Pb will refer to Lead solder, and PbF will refer to Lead Free Solder.

The Lead Free Solder used in our manufacturing process and discussed below is (Sn+Ag+Cu).

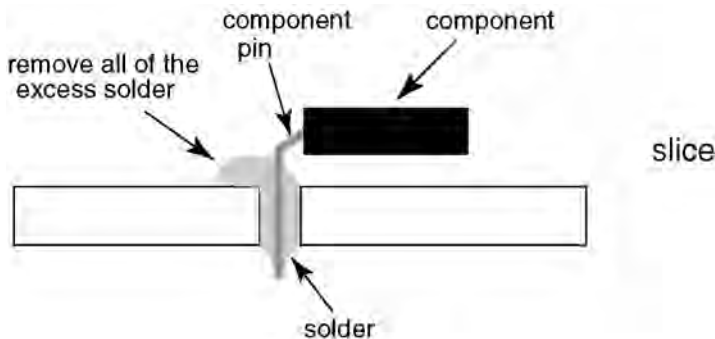
That is Tin (Sn), Silver (Ag) and Copper (Cu) although other types are available.

This model uses Pb Free solder in its manufacture due to environmental conservation issues. For service and repair work, we'd suggest the use of Pb free solder as well, although Pb solder may be used.

PCBs manufactured using lead free solder will have the PbF within a leaf Symbol  $\text{PbF}$  stamped on the back of PCB.

**Caution**

- Pb free solder has a higher melting point than standard solder. Typically the melting point is 50 ~ 70 °F (30~40°C) higher. Please use a high temperature soldering iron and set it to 700 ± 20 °F (370 ± 10 °C).
  - Pb free solder will tend to splash when heated too high (about 1100 °F or 600 °C).
- If you must use Pb solder, please completely remove all of the Pb free solder on the pins or solder area before applying Pb solder. If this is not practical, be sure to heat the Pb free solder until it melts, before applying Pb solder.
- After applying PbF solder to double layered boards, please check the component side for excess solder which may flow onto the opposite side. (see figure below)

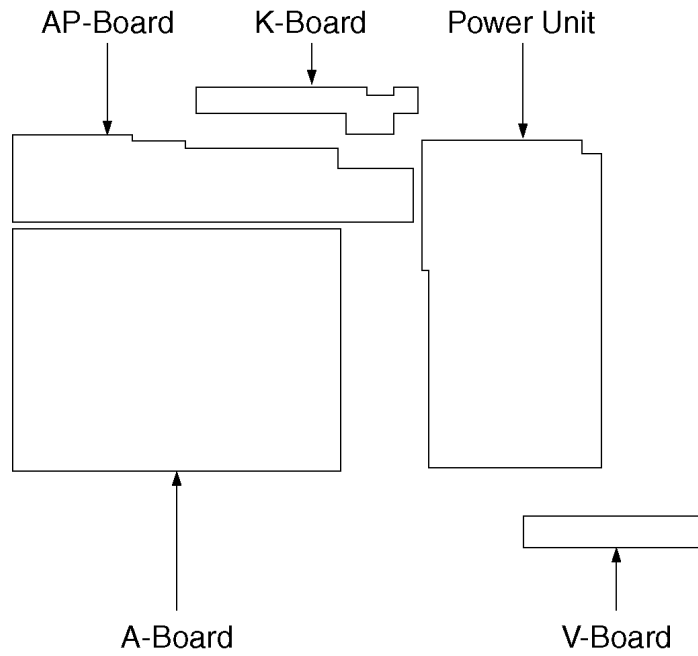


**Suggested Pb free solder**

There are several kinds of Pb free solder available for purchase. This product uses Sn+Ag+Cu (tin, silver, copper) solder. However, Sn+Cu (tin, copper), Sn+Zn+Bi (tin, zinc, bismuth) solder can also be used.

| 0.3mm X 100g | 0.6mm X 100g | 1.0mm X 100g |
|--------------|--------------|--------------|
|              |              |              |

### 3 Location of Controls and Components



| Board Name | Function  |
|------------|---|
| A-Board    | Main (AV Switch, Audio, MCU, Grobal Core, AV connector )                          |
| V-Board    | Remote Reciever   |
| K-Board    | Power switch, Control swtich  |
| AP-Board   | DC-DC   |
| Power Unit | Power (AC/DC),<br>None serviceable.<br>Power Unit should be exchange for service. |

## 4 Service Mode

### 4.1. How to enter into adjustment mode

While pressing [VOLUME-◀] button of the main unit, press [RECALL] button of the remote control three times in a row (within 2 seconds).

#### 4.1.1. Adjustment method....Use the remote control.

“1” button...Main items Selection in forward direction

“2” button...Main items Selection in reverse direction

“3” button...Sub items Selection in forward direction

“4” button...Sub items Selection in reverse direction

“VOL” button...Value of sub items change in forward direction (▶), in reverse direction (◀)

|                    |
|--------------------|
| ADJUST ITEM        |
| MAIN               |
| SUB                |
| GAMMA              |
| OPT                |
| RM                 |
| MTS                |
| Adjust with 12345  |
| and VOLUME button. |

### 4.2. Cancellation

Switch off the power with the [POWER] button on the main unit or the [POWER] button on the remote control.

### 4.3. Contents of adjustment mode

- Value is shown as a hexadecimal number.
- Preset value differs depending on models.
- After entering the adjustment mode, take note of the value in each item before starting adjustment.

| Main item | Sub item | Remarks                               |
|-----------|----------|---------------------------------------|
| MAIN      | YGAIN    | Video Level (RF, VIDEO, S, COMPONENT) |
|           | B-Y      | Video Level (RF, VIDEO, S, COMPONENT) |
|           | R-Y      | Video Level (RF, VIDEO, S, COMPONENT) |
|           | PILEN    | PILEN Current                         |
| SUB       | COLOR    | Sub color                             |
|           | TINT     | Sub tint                              |
|           | BACK-L   | Sub back light                        |
|           | BRIGHT   | Sub bright                            |
|           | B-Y-G    | B-Y Gain                              |
|           | R-Y-A    | R-Y demodulation axis                 |
|           | TEMP     | Temp data                             |
| GAMMA     | WHITE    | Test pattern (100% White)             |
|           | RED      | Test pattern (100% Red)               |
|           | GREEN    | Test pattern (100% Green)             |
|           | BLUE     | Test pattern (100% Blue)              |
|           | GRAY     | Test pattern (50% White)              |
|           | R-GAIN   | Test pattern (100% White) R-GAIN      |
|           | G-GAIN   | Test pattern (100% White) G-GAIN      |
|           | B-GAIN   | Test pattern (100% White) B-GAIN      |
|           | R-CENT   | Test pattern (50% White) R-CENT       |
|           | G-CENT   | Test pattern (50% White) G-CENT       |
|           | B-CENT   | Test pattern (50% White) B-CENT       |
| OPT       | OPT00    | (TV)                                  |
| RM        | CODE     | Remote control code A or B            |
| MTS       | MTSIN    | RF Audio input                        |
|           | SEPAH    | Stereo separation Hi                  |
|           | SEPAL    | Stereo separation Low                 |

## 5 Troubleshooting Guide

### 5.1. Self-check function

When phenomena like "the power fails from time to time" or "the video/audio fails from time to time" can not be confirmed at the time of servicing, the self-check function can be used to confirm the occurrence and to limit the scope for the defective circuits. Also, when "the power fails from time to time", display on the screen can be used to confirm the occurrence and to limit the scope for the defective circuits.

Any programmed channels, channels caption data and some other user defined settings will be erased and return to factory setting.

#### 5.1.1. How to access

##### 5.1.1.1. Access

Produce TV reception screen and, while pressing [VOLUME-] button on the main unit, press [SLEEP] button on the remote controller unit simultaneously.

##### 5.1.1.2. Exit

When one of the buttons for channel selection etc. is pressed, the display returns to the normal screen.

#### 5.1.2. Screen display

```

SELF CHECK TY * . * * * * * - * * * * *
UV      OK SND  OK AVSW OK
GC3FM  OK GC4U OK MEM  OK

Copyright 2005 Matsushita
Electric Industrial Co., Ltd

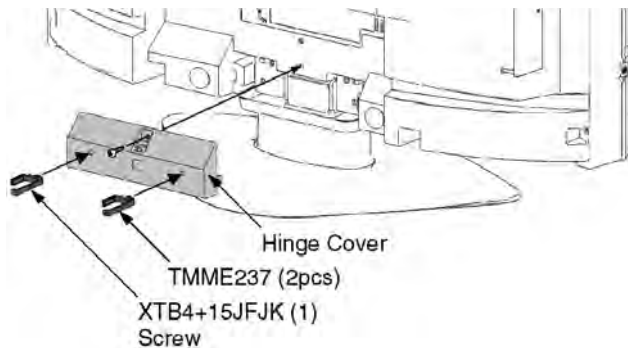
```

| Display | Ref No. | Description      | P.C.B   |
|---------|---------|------------------|---------|
| UV      | TU001A  | Tuner            | A-Board |
| SND     | IC2301  | Sound Control    | A-Board |
| AVSW    | IC3007  | AV Switch        | A-Board |
| GC3FM   | IC4023  | Global Core Main | A-Board |
| GC4U    | IC4016  | Global Core      | A-Board |
| MEM     | IC1104  | EEPROM           | A-Board |

## 6 Disassembly and Assembly Instructions

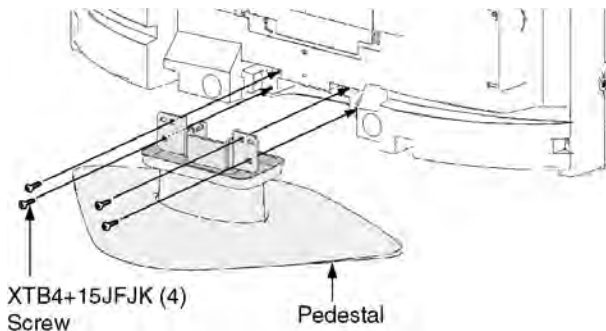
### 6.1. Removing the hinge cover

1. Lay down the unit so that the rear cover faces upward.
2. Remove the screw.
3. Remove the hinge cover.



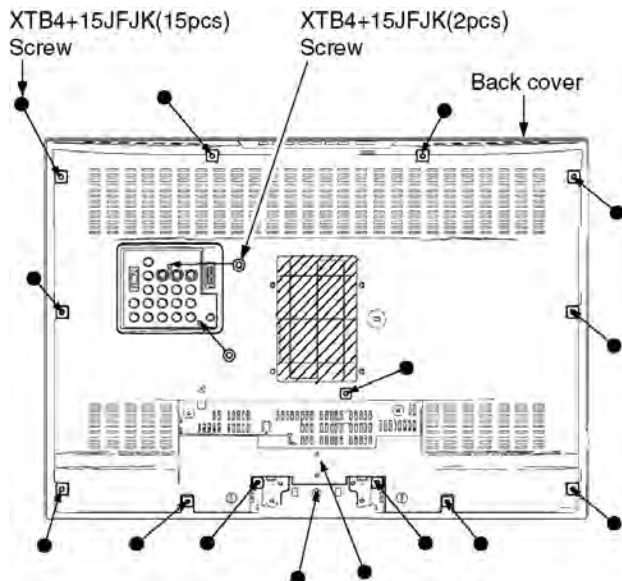
### 6.2. Removing the pedestal

1. Remove the 4 screws.
2. Remove the pedestal.



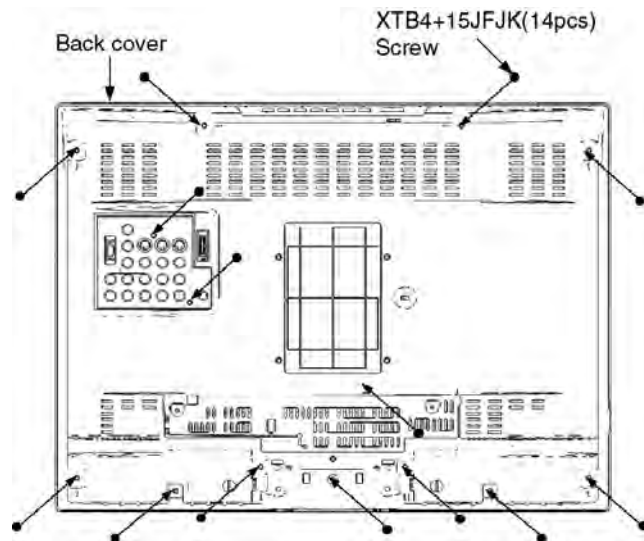
### 6.3. Removing the back cover (TC-23LX50/LE50)

1. Remove the 15 screws.
2. Remove the 2 screws.
3. Remove the back cover.



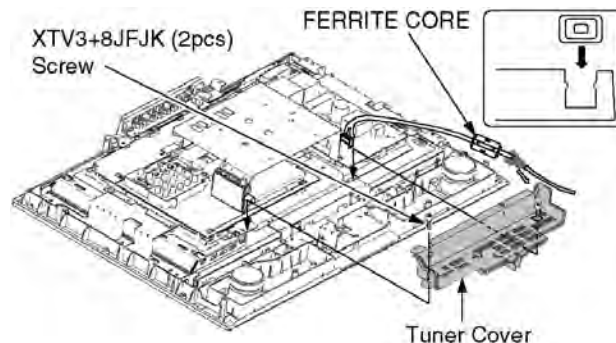
### 6.4. Removing the back cover (TC-19LX50/LE50)

1. Remove the 14 screws.
2. Remove the back cover.



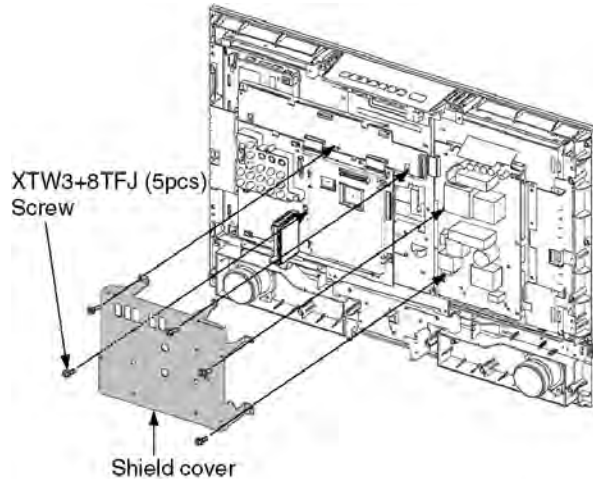
### 6.5. Removing the tuner cover

1. Remove the 2 screws.
2. Remove the tuner cover.



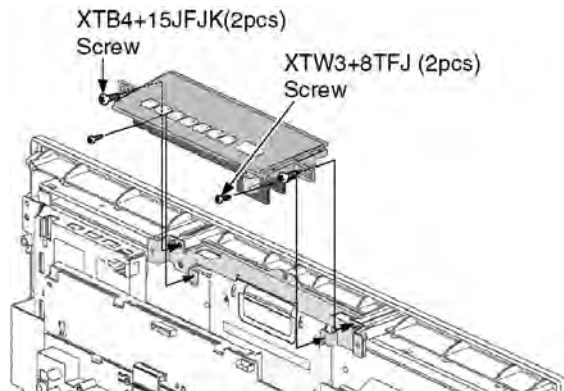
## 6.6. Removing the shield cover

1. Remove the 5 screws.
2. Remove the shield cover.

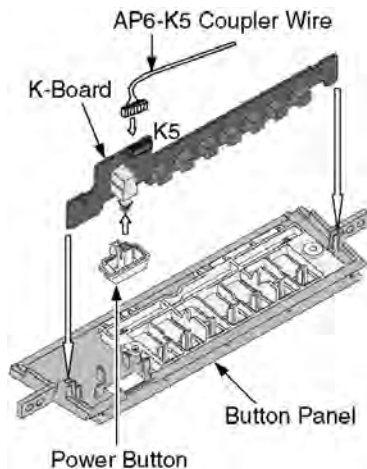


## 6.7. Removing the button panel and K-board

1. Remove the 2 screws.
2. Remove the 2 screws.
3. Remove the button panel.

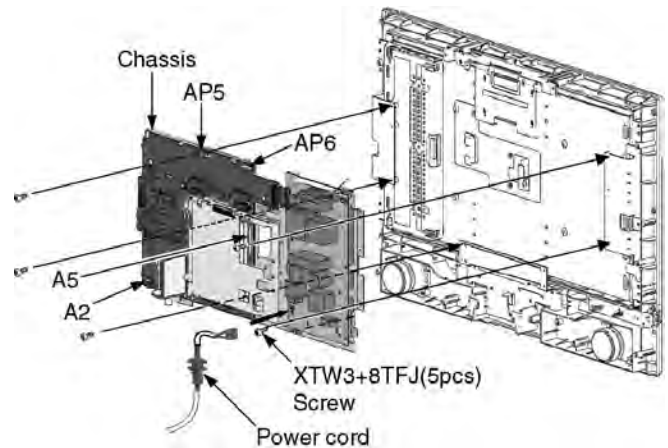


4. Disconnect the coupler (K5).
5. Remove the K-Board.



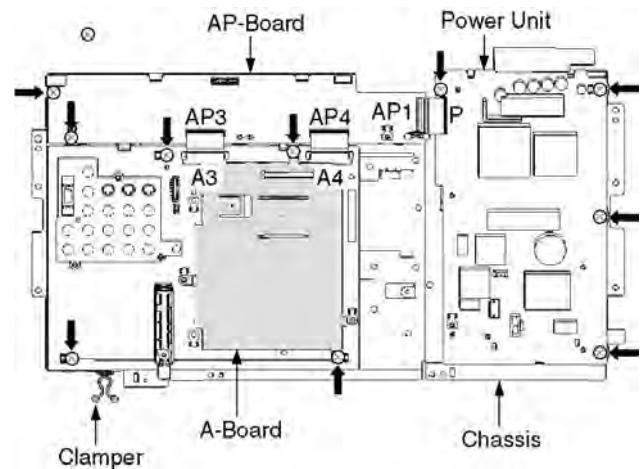
## 6.8. Removing the chassis

1. Remove the 5 screws.
2. Disconnect the coupler (A2, A5, AP5 and AP6).
3. Remove the chassis.



## 6.9. Removing the A-Board, AP-Board and Power Unit

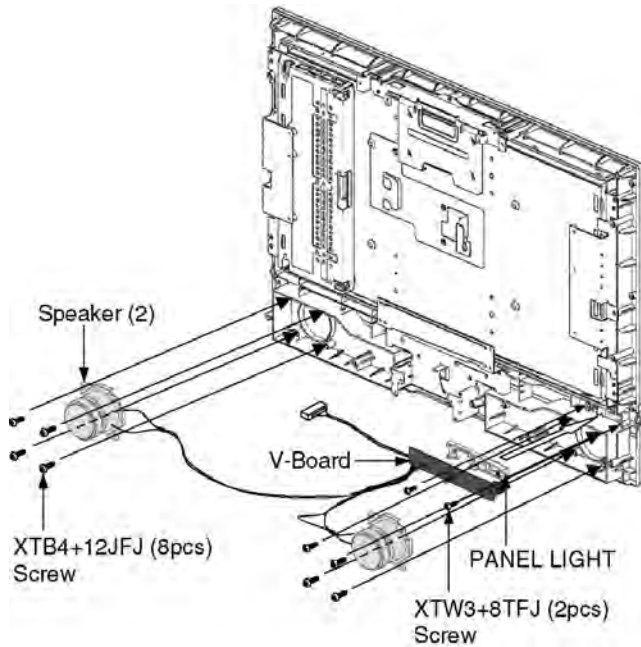
1. Remove the 10 screws.
2. Disconnect the coupler (A3-AP3, A4-AP4 and AP1-CN1).
3. Remove A-Board, AP-Board and Power Unit.



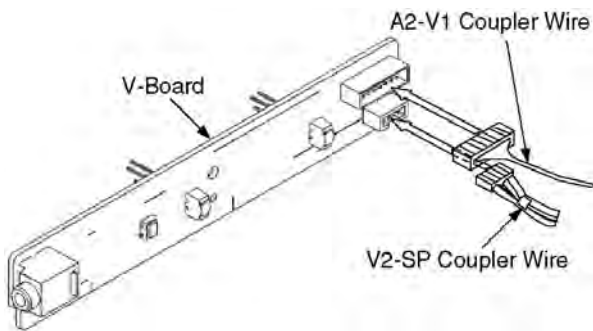


### 6.10. Removing the speaker, and V-Board

1. Remove the 8 screws.
2. Remove the speaker.
3. Remove the 2screw.

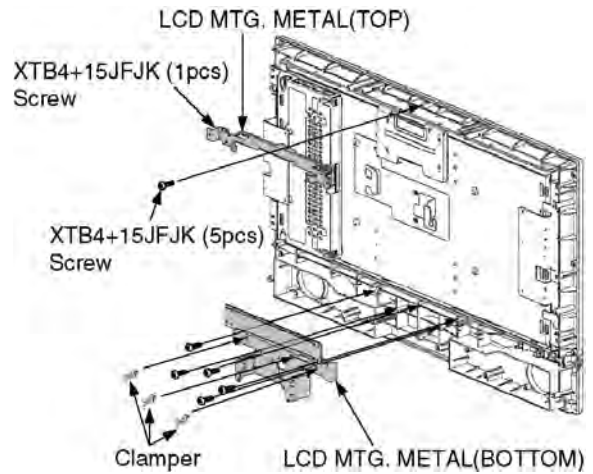


4. Disconnect the coupler (V1 and V2).
5. Remove the V-Board.



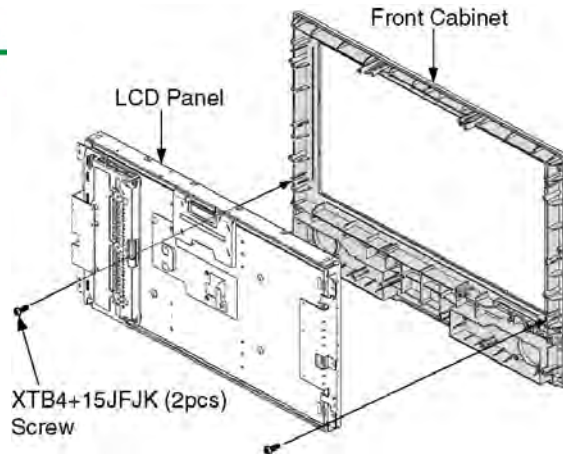
### 6.11. Removing the LCD mount metal

1. Remove the 5 screws.
2. Remove the LCD mount metal (bottom).
3. Remove the screw.
4. Remove the LCD mount metal (top).



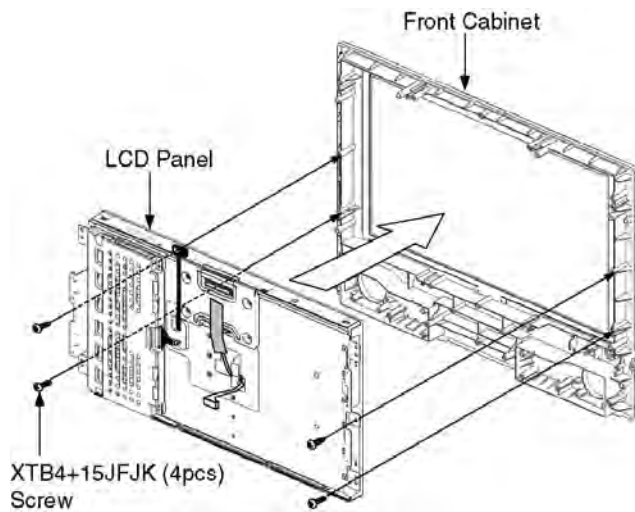
### 6.12. Removing the LCD panel (TC-23LX50/LE50)

1. Remove the 2 screws.
2. Remove the LCD panel.



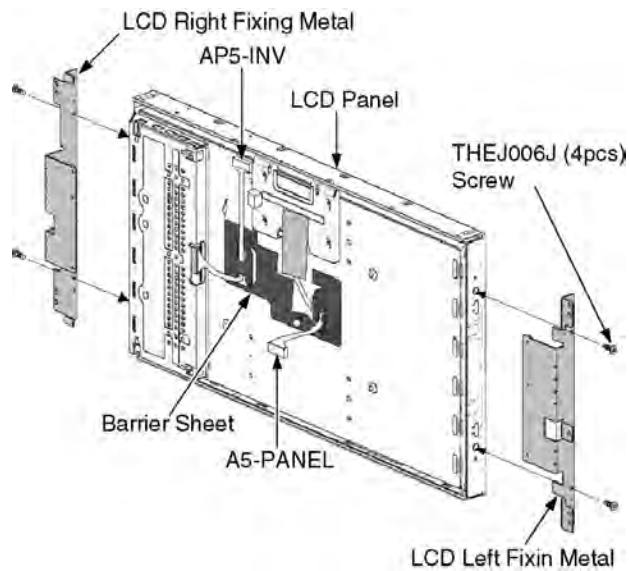
## 6.13. Removing the LCD panel (TC-19LX50/LE50)

1. Remove the 14 screws.
2. Remove the LCD panel.

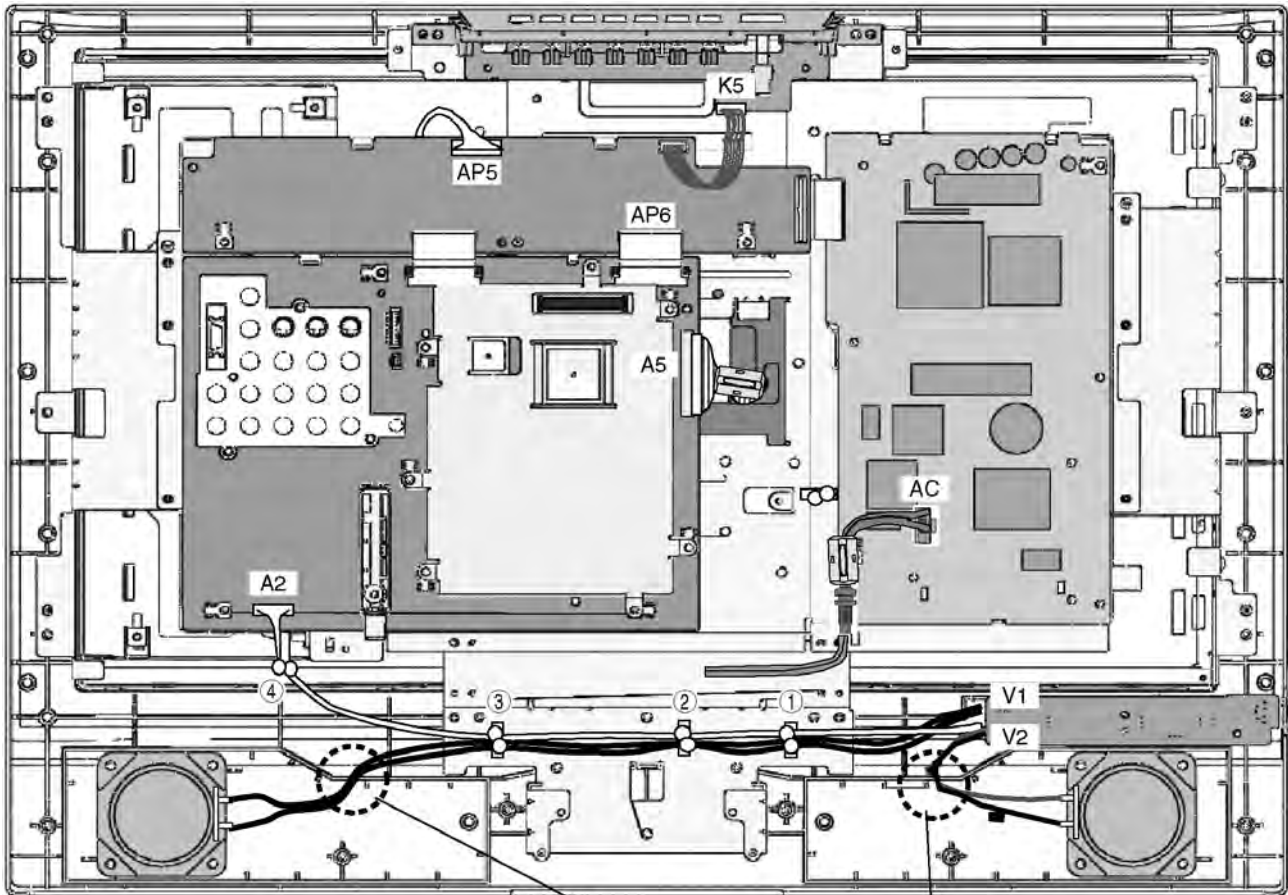


## 6.14. Removing the LCD fixing metal

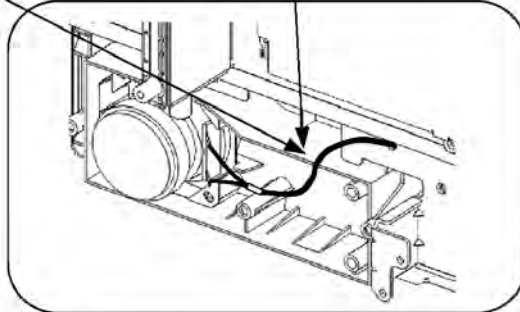
1. Remove the 4 screws.
2. Remove the LCD fixing metal (L/R)



## 6.15. Location of Lead Wiring



| Clamper    | ① | ② | ③ | ④ |
|------------|---|---|---|---|
| Lead       |   |   |   |   |
| (INV)~AP   |   |   |   |   |
| AP6~K5     |   |   |   |   |
| (Panel)~A5 |   |   |   |   |
| V1~A2      | ● | ● | ● | ● |
| SP(L)~V2   | ● |   |   |   |
| SP(R)~V2   | ● | ● | ● |   |
| AC cord    |   |   |   |   |



# 7 Measurements and Adjustments

## 7.1. Video Signal Level Adjustment (RF)

| Instrument Name                               | Connect to | Remarks |
|---|------------|---------|
| 1. Remote controller<br>2. RF signal<br>3. SG | RF in      |         |

1. Receive studio color bar by RF signal input.

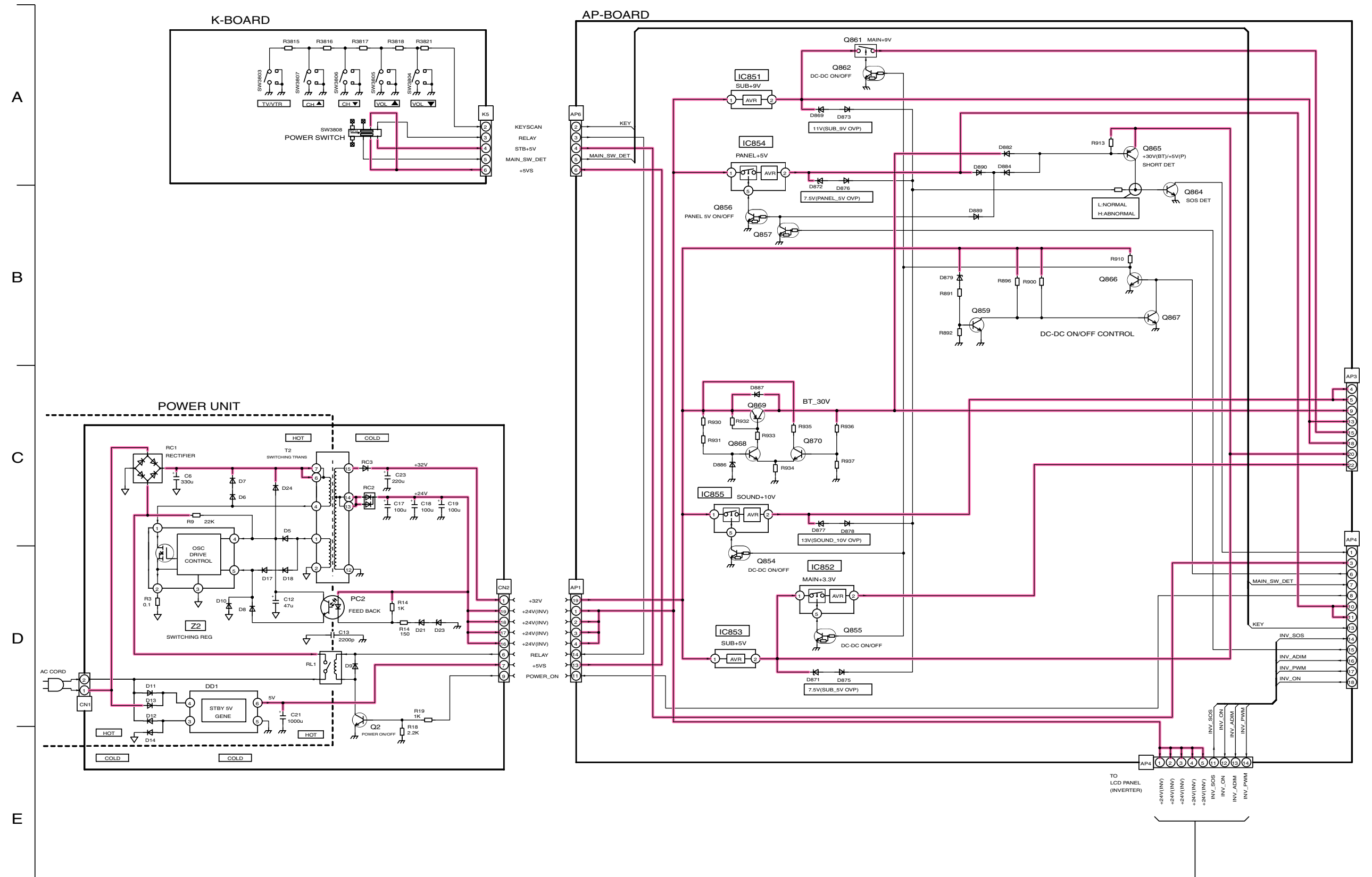
(Viewing mode: standard, LCD AI: OFF, Back Light: +30 )

2. In service mode choose adjust item then press remote button 1 into main mode then press remote 3 into Y Gain and press remote button "8" to do auto adjustment.

3. Press remote button "2" go back main menu.

# 8 Block Diagram

## 8.1. Block Diagram (1 of 3)

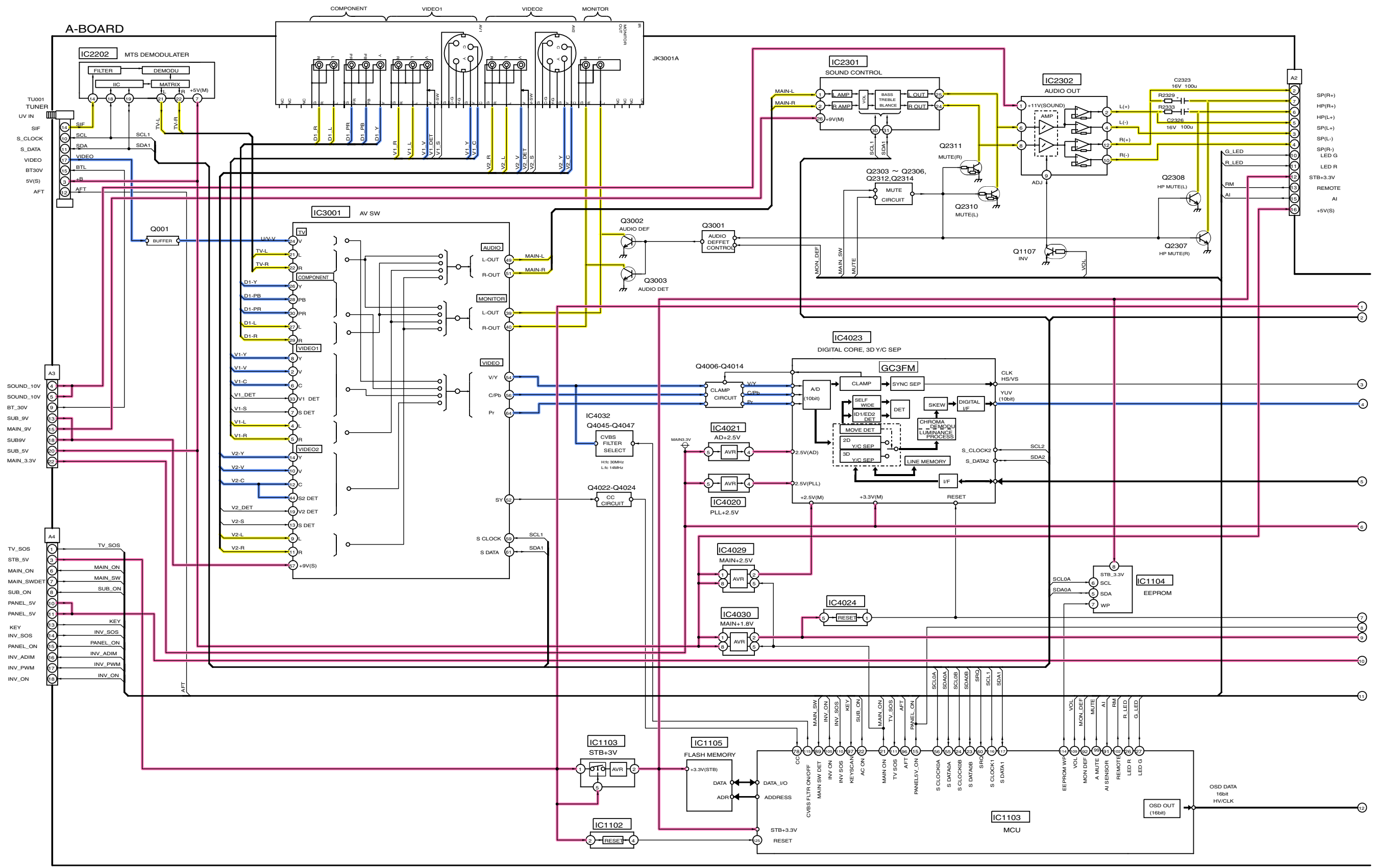


TC-19/23LX50, TC-19/23LE50  
Block Diagram (1/3)

TC-19/23LX50, TC-19/23LE50 Block Diagram (1/3)

1 2 3 4 5 6 7 8

### 8.2. Block Diagram (2 of 3)

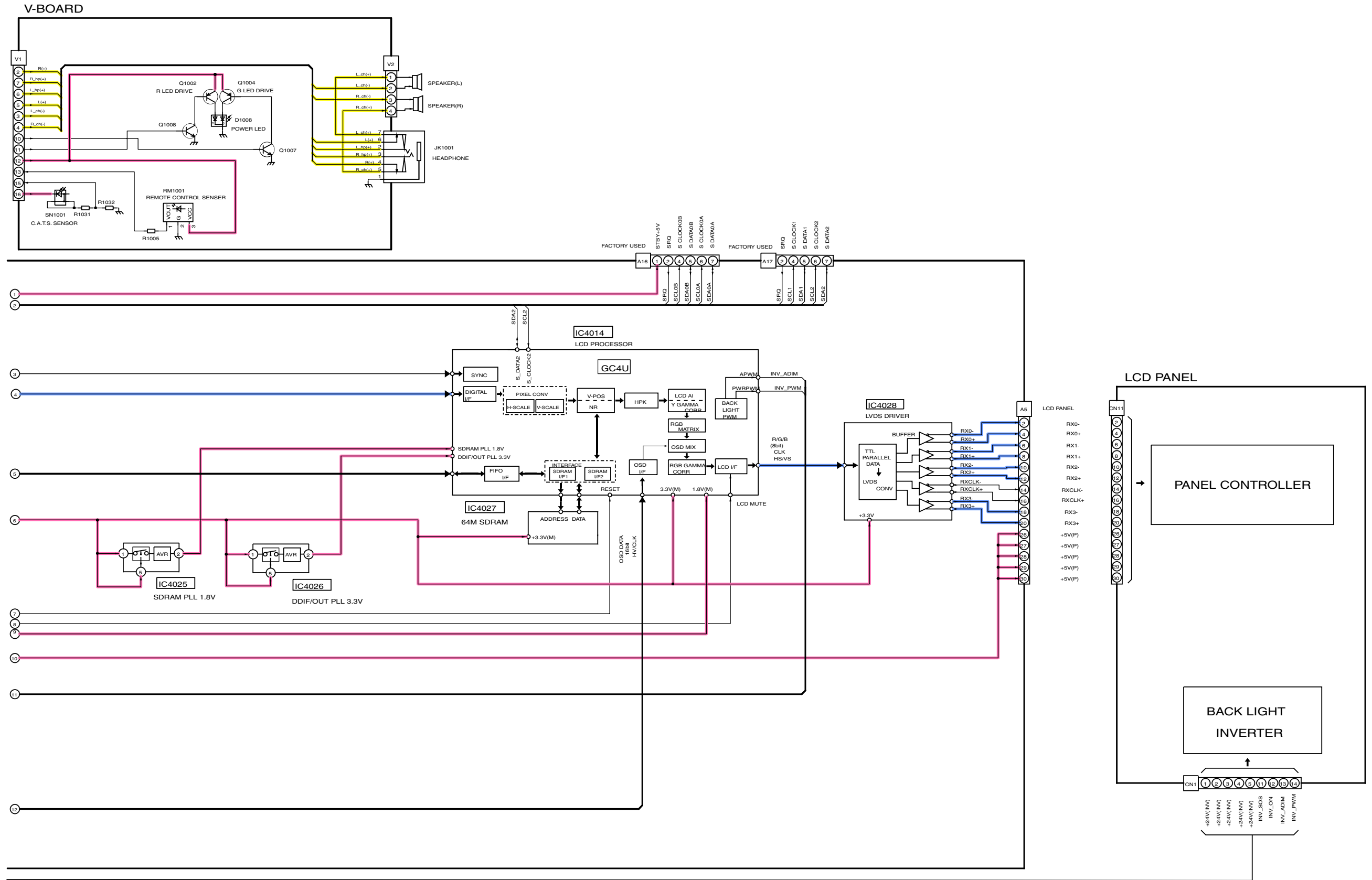


TC-19/23LX50, TC-19/23LE50 Block Diagram (2/3)

TC-19/23LX50, TC-19/23LE50 Block Diagram (2/3)

8 9 10 11 12 13 14 15

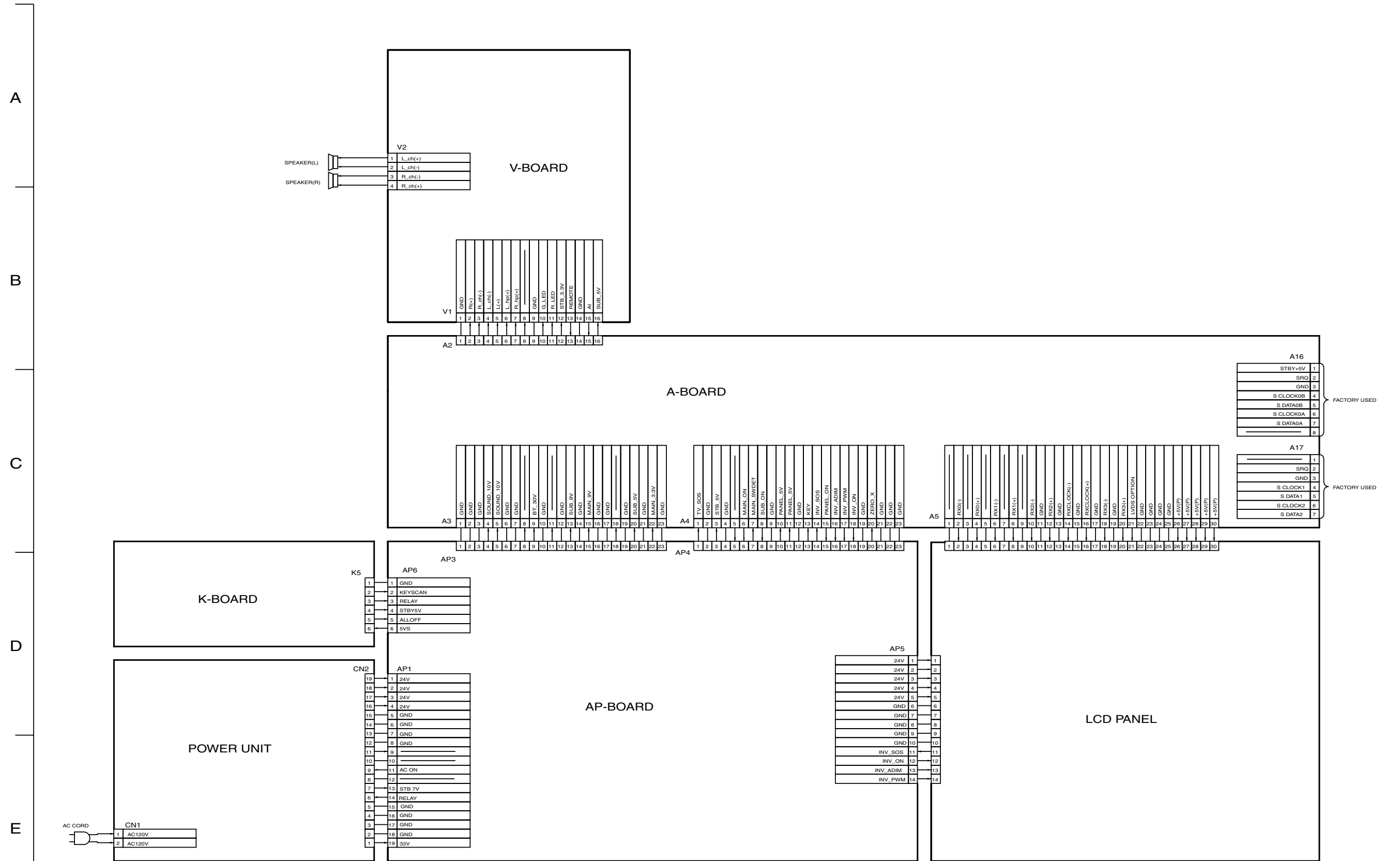
### 8.3. Block Diagram (3 of 3)



TC-19/23LX50, TC-19/23LE50 Block Diagram (3/3)

TC-19/23LX50, TC-19/23LE50 Block Diagram (3/3)

# 9 Wiring Connection Diagram



TC-19/23LX50, TC-19/23LE50  
Wiring Connection Diagram

TC-19/23LX50, TC-19/23LE50  
Wiring Connection Diagram




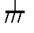
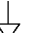
# 10 Schematic Diagrams




## 10.1. Schematic Diagram Notes

### Important Safety Notice

Components identified by  $\triangle$  mark have special characteristics important for safety.  
When replacing any of these components, use only manufacture's specified parts.

#### Notes:

1. **Resistor**  
Unit of resistance is OHM [ $\Omega$ ] (K=1,000, M=1,000,000).
2. **Capacitor**  
Unit of capacitance is  $\mu$ F, unless otherwise noted.
3. **Coil**  
Unit of inductance is  $\mu$ F, unless otherwise noted.
4. **Test Point**  
 : Test Point position
5. **Earth Symbol**  
 : Chassis Earth (Cold)       : Line Earth (Hot)
6. **Voltage Measurement**  
Voltage is measured by a DC voltmeter.  
Conditions of the measurement are the following:
 

|                               |                        |
|-------------------------------|------------------------|
| Power Source .....            | AC 120, 60Hz           |
| Receiving Signal .....        | Colour Bar signal (RF) |
| All customer's controls ..... | Maximum positions      |
7. Number in red circle indicates waveform number.  
(See waveform pattern table.)
8. When arrow mark () is found, connection is easily found from the direction of arrow
9. Indicates the major signal flow.      : Video       Audio 
10. This schematic diagram is the latest at the time of printing and subject to change without notice.

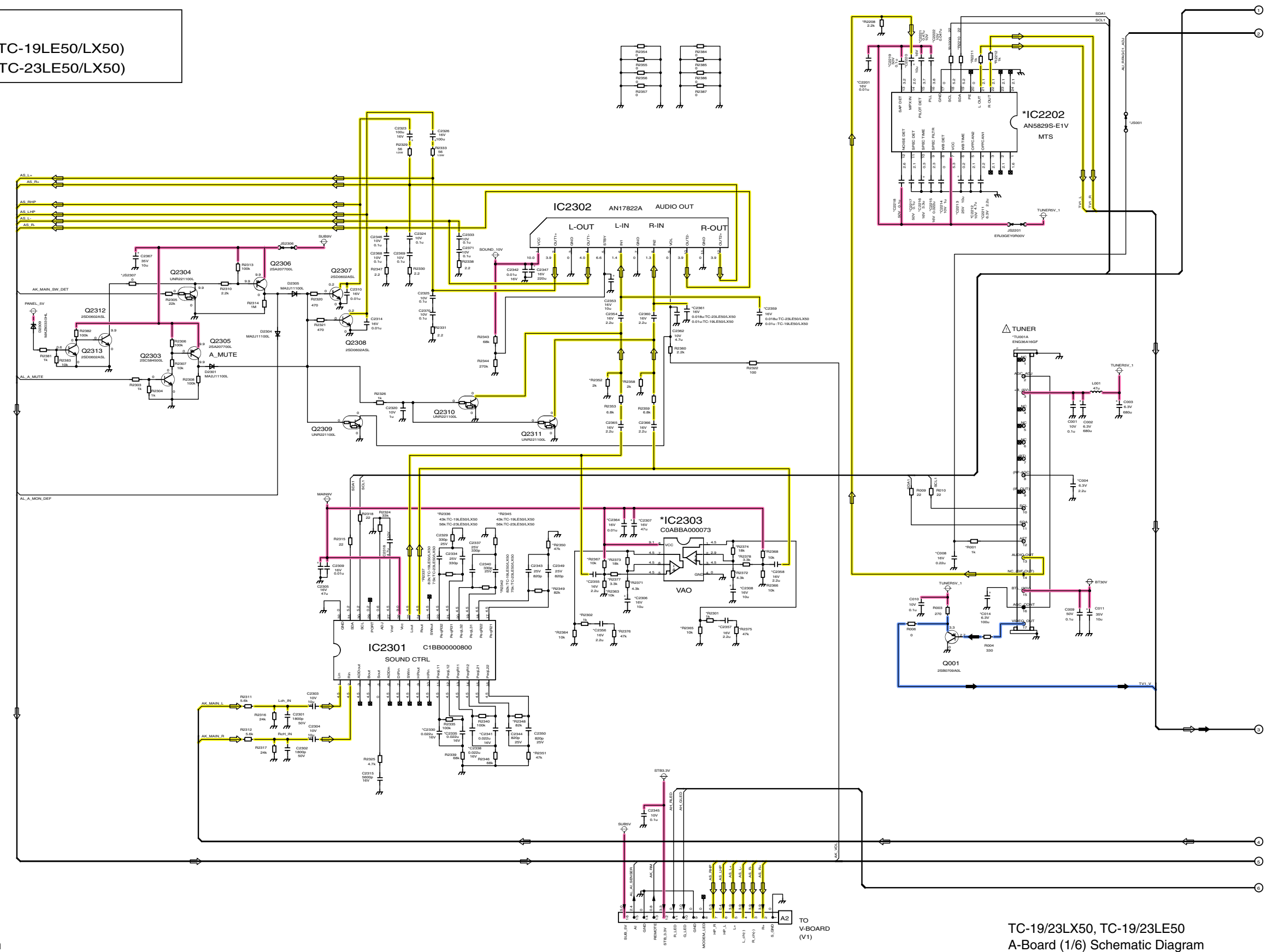
#### Remarks:

1. The Power Circuit contains a circuit area which uses a separate power supply to isolate the earth connection.  
The circuit is defined by HOT and COLD indications in the schematic diagram. Take the following precautions.  
All circuits, except the Power Circuit, are cold.  
Precautions
  - a. Do not touch the hot part or the hot and cold parts at the same time or you may be shocked.
  - b. Do not short-circuit the hot and cold circuits or a fuse may blow and parts may break.
  - c. Do not connect an instrument, such as an oscilloscope, to the hot and cold circuits simultaneously or a fuse may blow.  
Connect the earth of instruments to the earth connection of the circuit being measured.
  - d. Make sure to disconnect the power plug before removing the chassis.

### 10.2. A-Board (1 of 6) Schematic Diagram

⚠ A-BOARD (1/6)  
 TXN/A10LFM (TC-19LE50/LX50)  
 TXN/A10LEM (TC-23LE50/LX50)

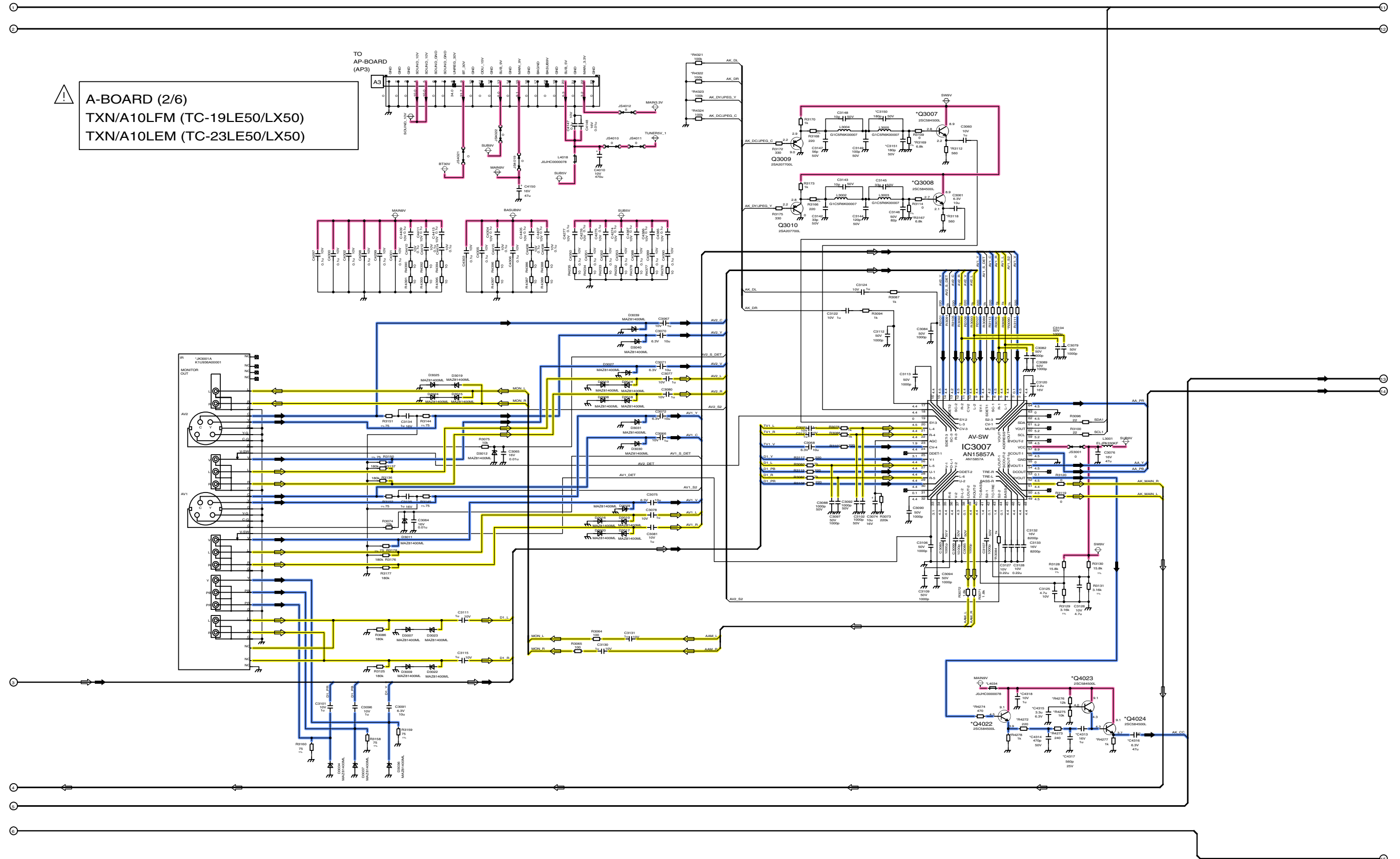
A  
B  
C  
D  
E  
F



TC-19/23LX50, TC-19/23LE50  
A-Board (1/6) Schematic Diagram

TC-19/23LX50, TC-19/23LE50  
A-Board (1/6) Schematic Diagram

### 10.3. A-Board (2 of 6) Schematic Diagram

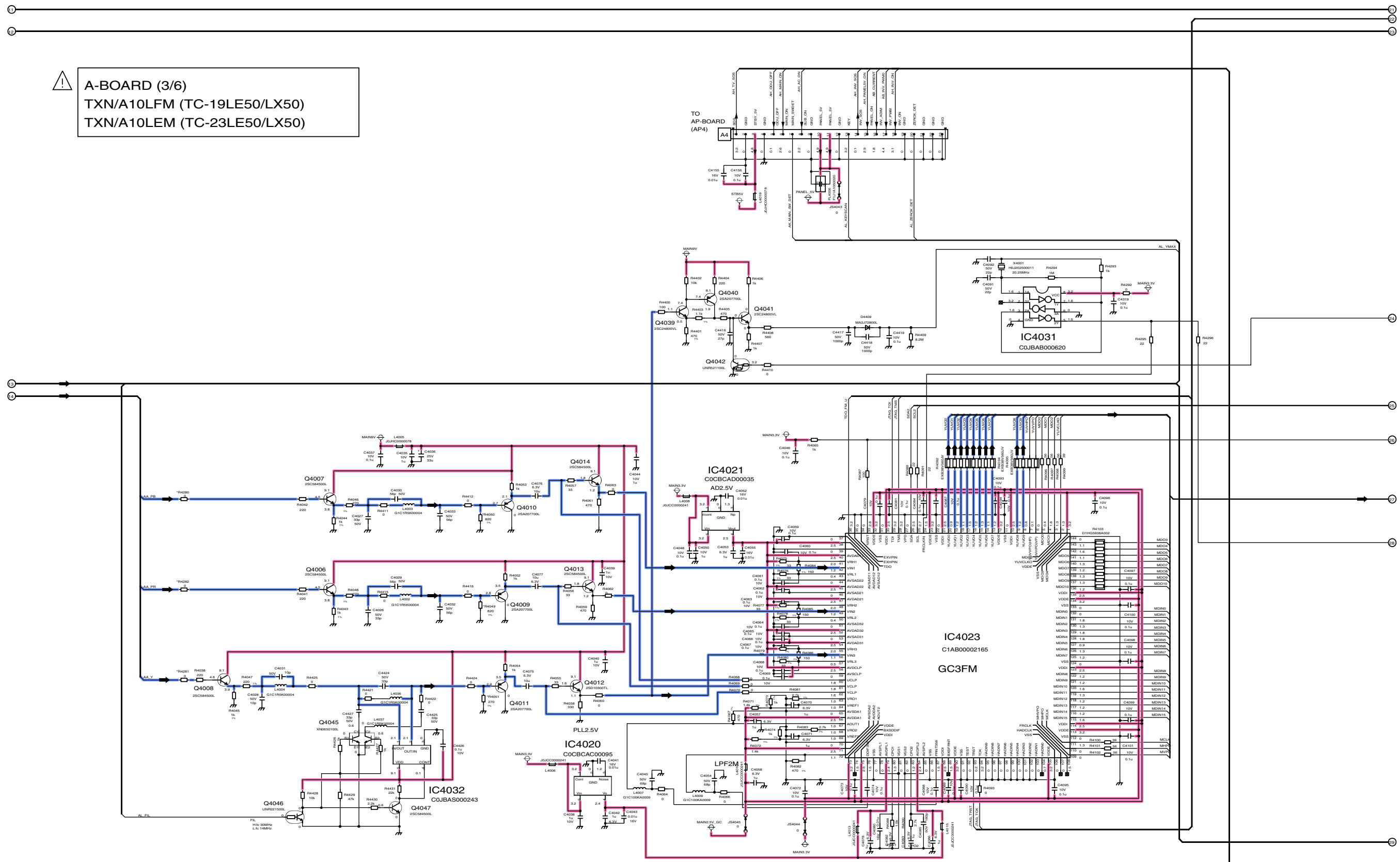


TC-19/23LX50, TC-19/23LE50  
 A-Board (2/6) Schematic Diagram

TC-19/23LX50, TC-19/23LE50  
 A-Board (2/6) Schematic Diagram

# 10.4. A-Board (3 of 6) Schematic Diagram

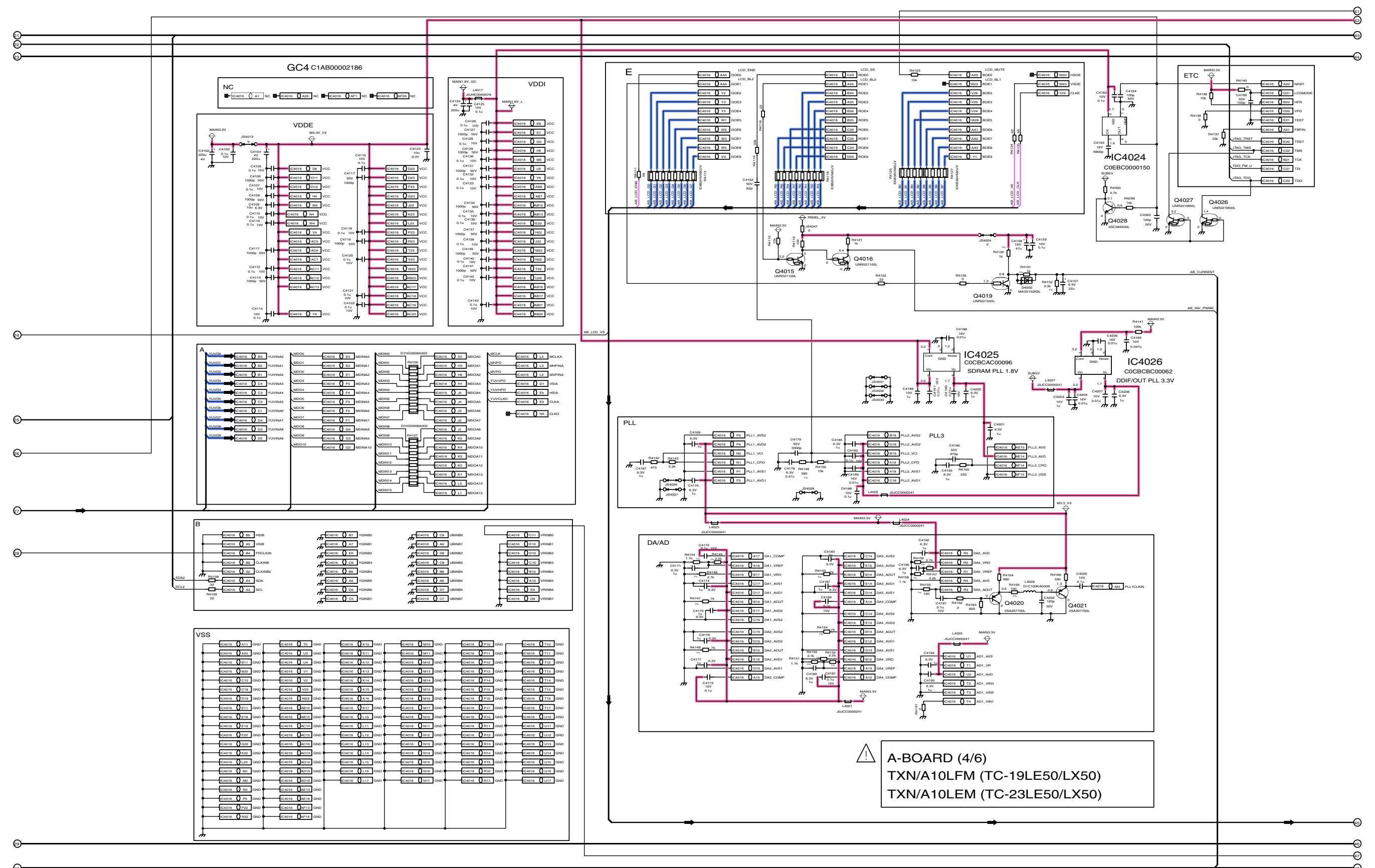
⚠ A-BOARD (3/6)  
 TXN/A10LFM (TC-19LE50/LX50)  
 TXN/A10LEM (TC-23LE50/LX50)



TC-19/23LX50, TC-19/23LE50  
 A-Board (3/6) Schematic Diagram

TC-19/23LX50, TC-19/23LE50  
 A-Board (3/6) Schematic Diagram

### 10.5. A-Board (4 of 6) Schematic Diagram

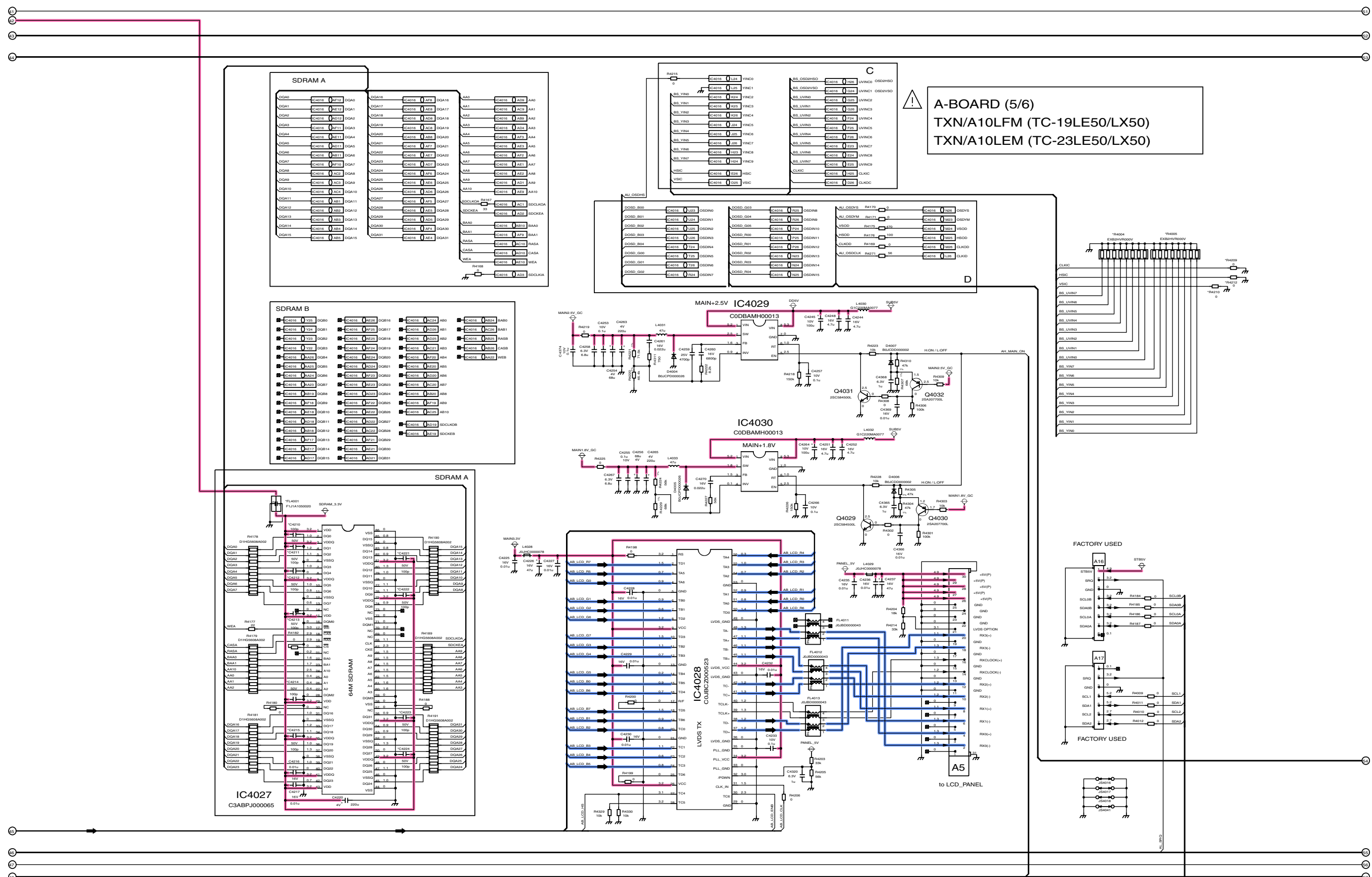


⚠ A-BOARD (4/6)  
 TXN/A10LFM (TC-19LE50/LX50)  
 TXN/A10LEM (TC-23LE50/LX50)

TC-19/23LX50, TC-19/23LE50  
A-Board (4/6) Schematic Diagram

TC-19/23LX50, TC-19/23LE50  
A-Board (4/6) Schematic Diagram

# 10.6. A-Board (5 of 6) Schematic Diagram

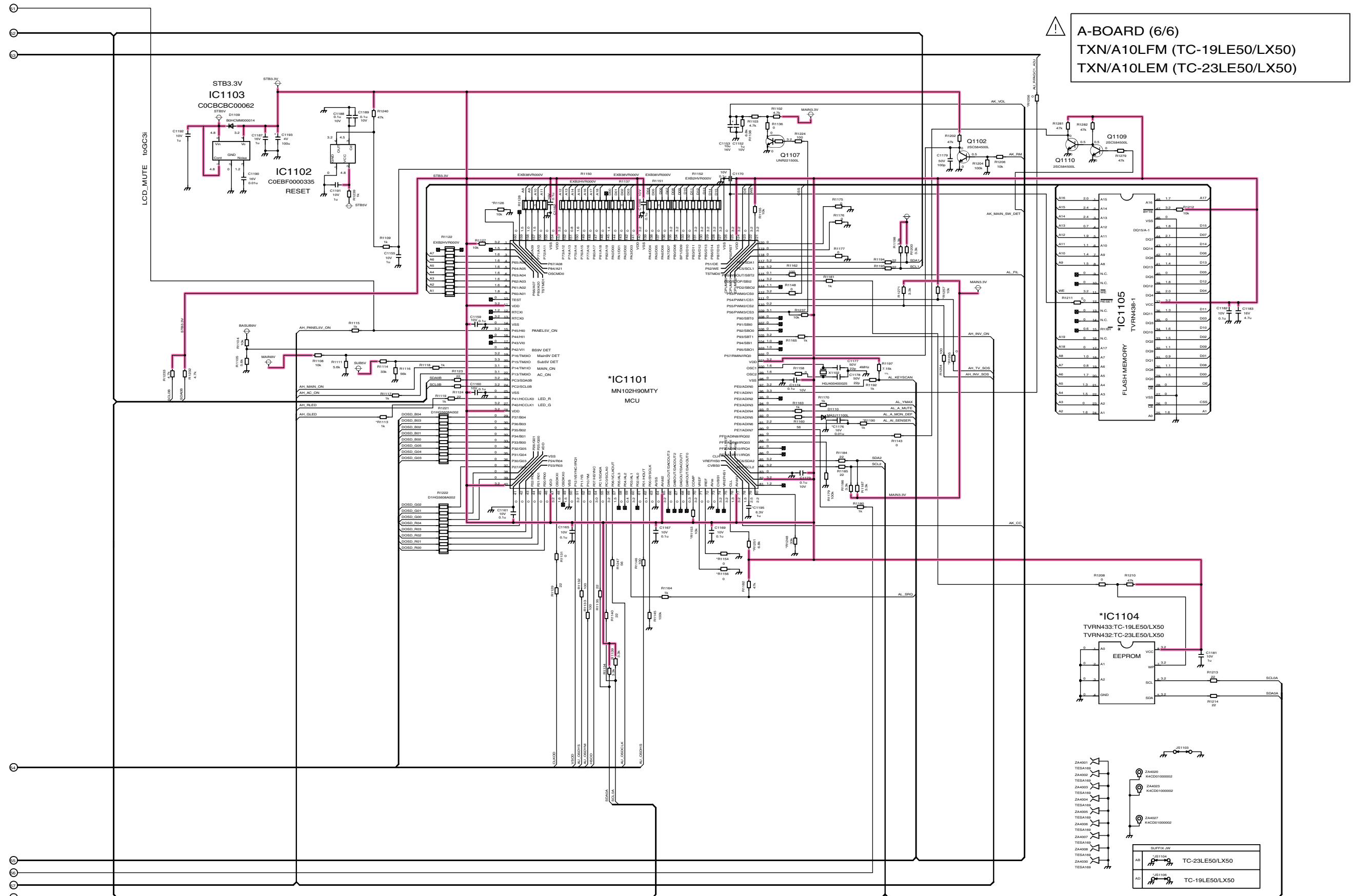


A-BOARD (5/6)  
 TXN/A10LFM (TC-19LE50/LX50)  
 TXN/A10LEM (TC-23LE50/LX50)

TC-19/23LX50, TC-19/23LE50  
 A-Board (5/6) Schematic Diagram

TC-19/23LX50, TC-19/23LE50 A-Board (5/6) Schematic Diagram

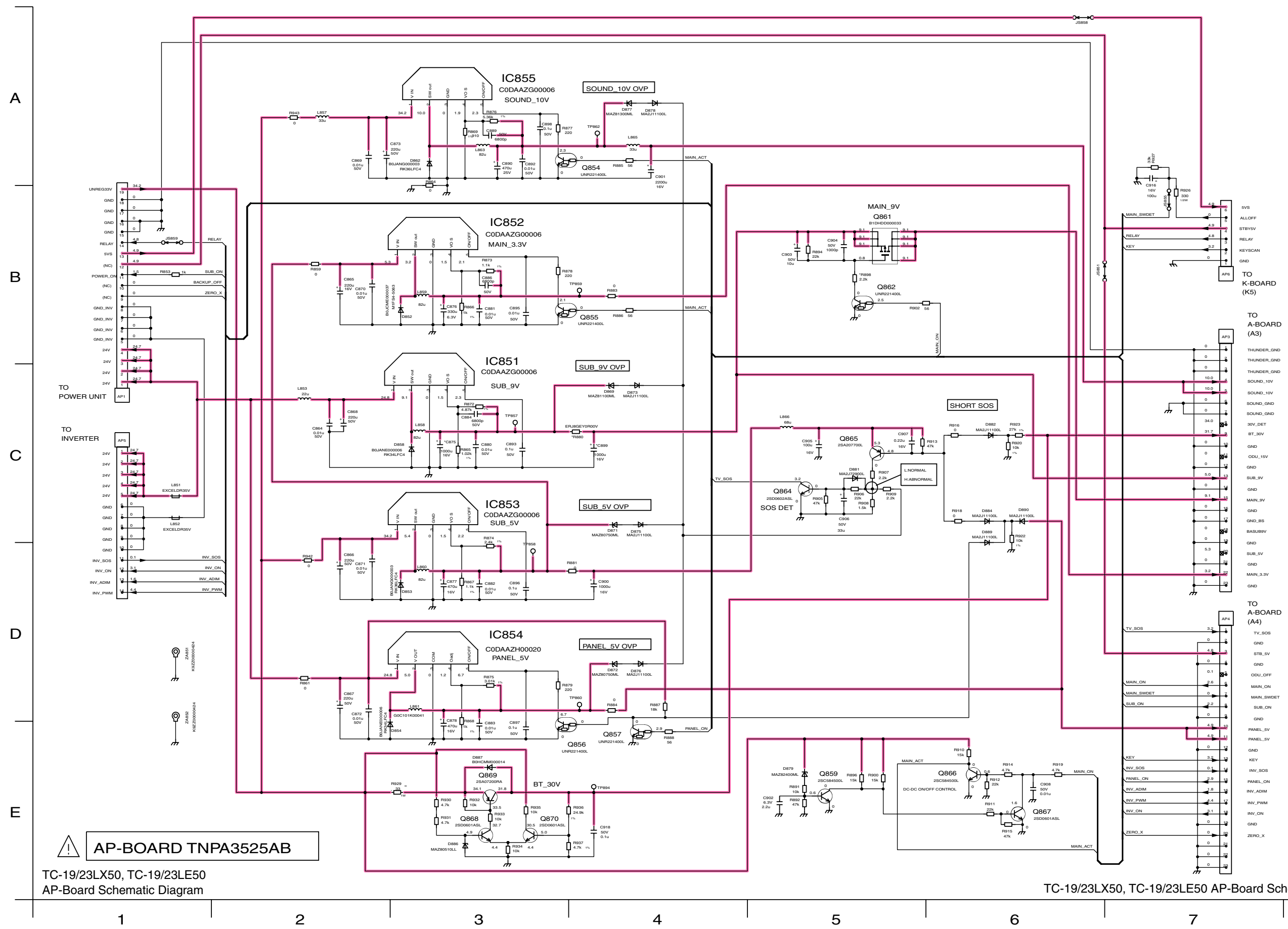
### 10.7. A-Board (6 of 6) Schematic Diagram



TC-19/23LX50, TC-19/23LE50 A-Board (6/6) Schematic Diagram

TC-19/23LX50, TC-19/23LE50 A-Board (6/6) Schematic Diagram

# 10.8. AP-Board Schematic Diagram



AP-BOARD TNP3525AB

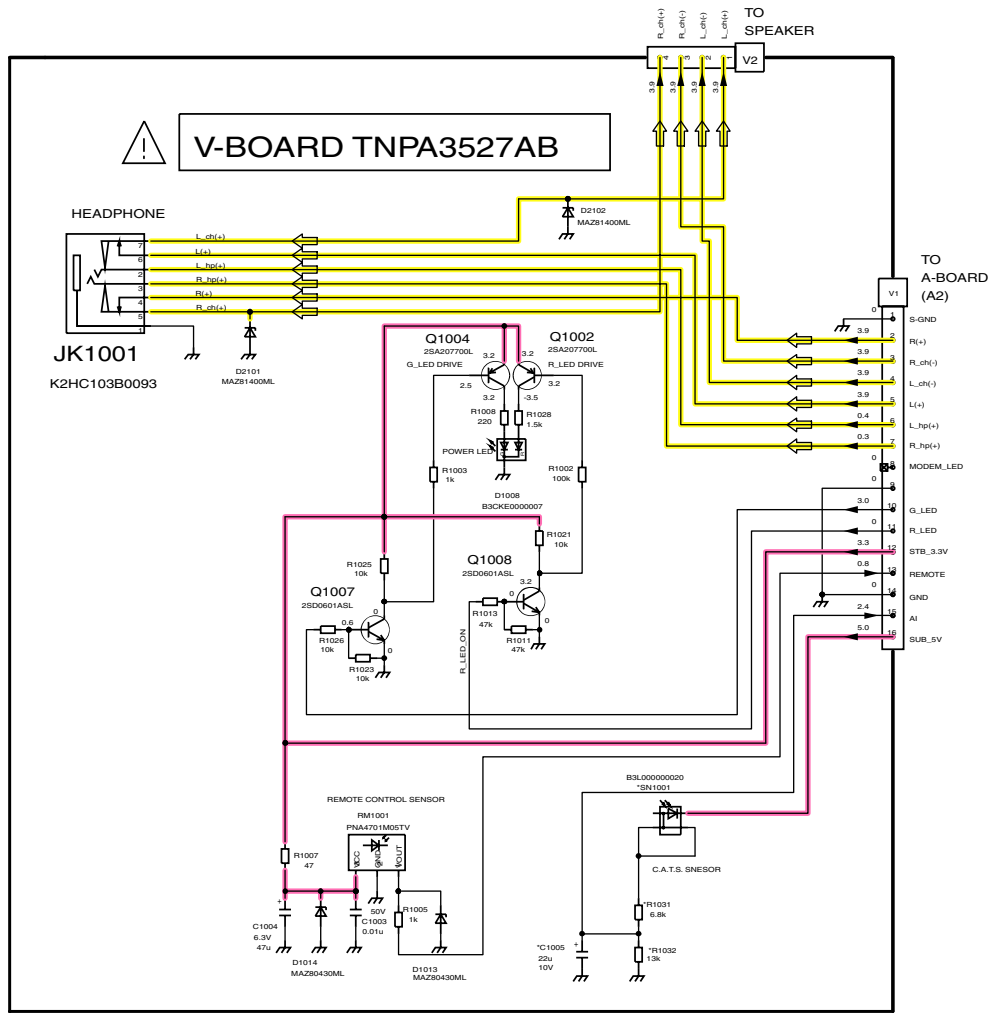
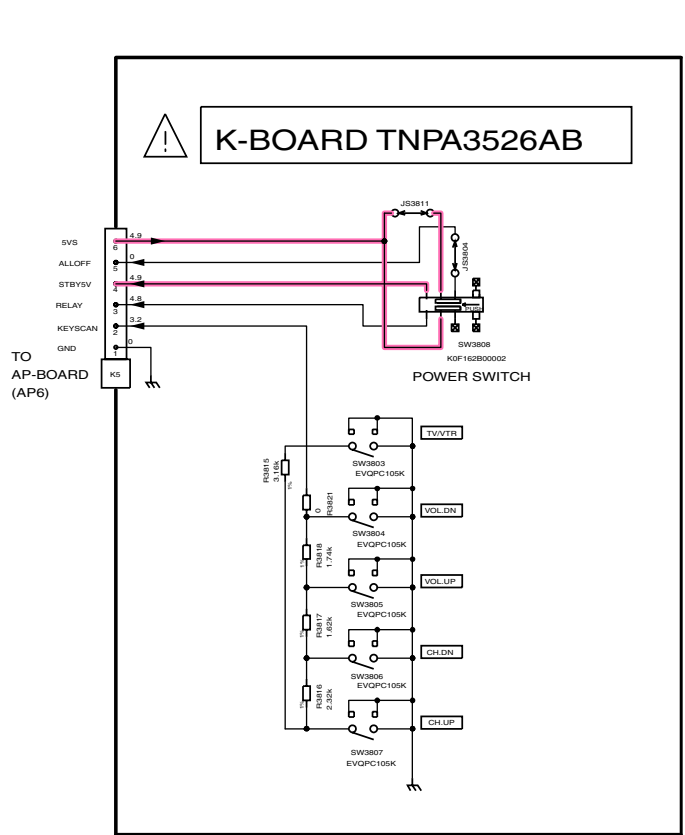
TC-19/23LX50, TC-19/23LE50  
AP-Board Schematic Diagram

TC-19/23LX50, TC-19/23LE50 AP-Board Schematic Diagram



### 10.9. K-Board and V-Board Schematic Diagram

A  
B  
C  
D  
E



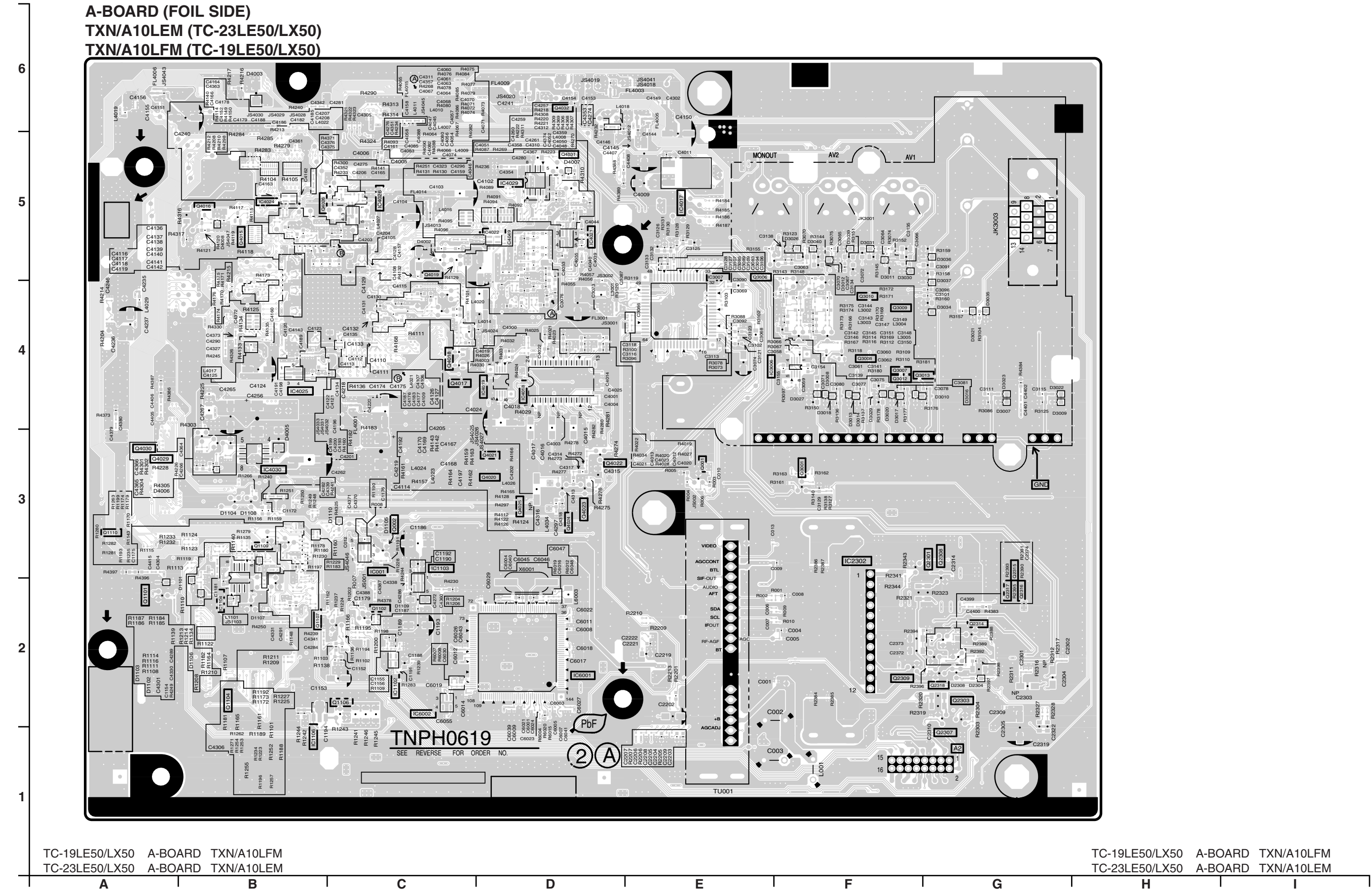
TC-19/23LX50, TC-19/23LE50  
K-Board and V-Board Schematic Diagram

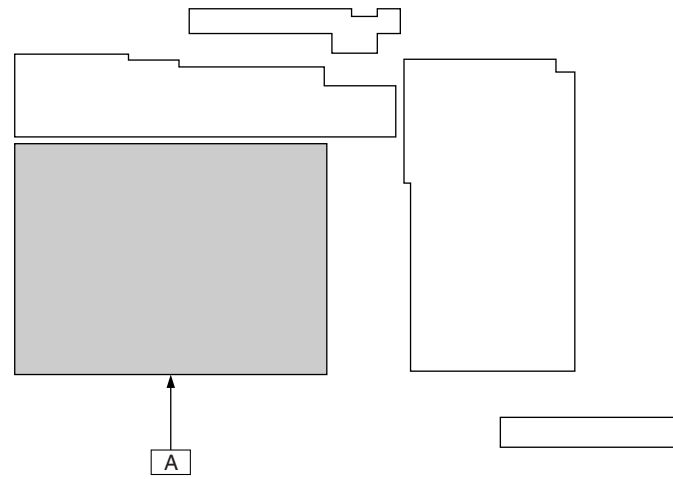
TC-19/23LX50, TC-19/23LE50  
K-Board and V-Board Schematic Diagram

1 2 3 4 5 6 7 8

# 11 Printed Circuit Views

## 11.1. A-Board





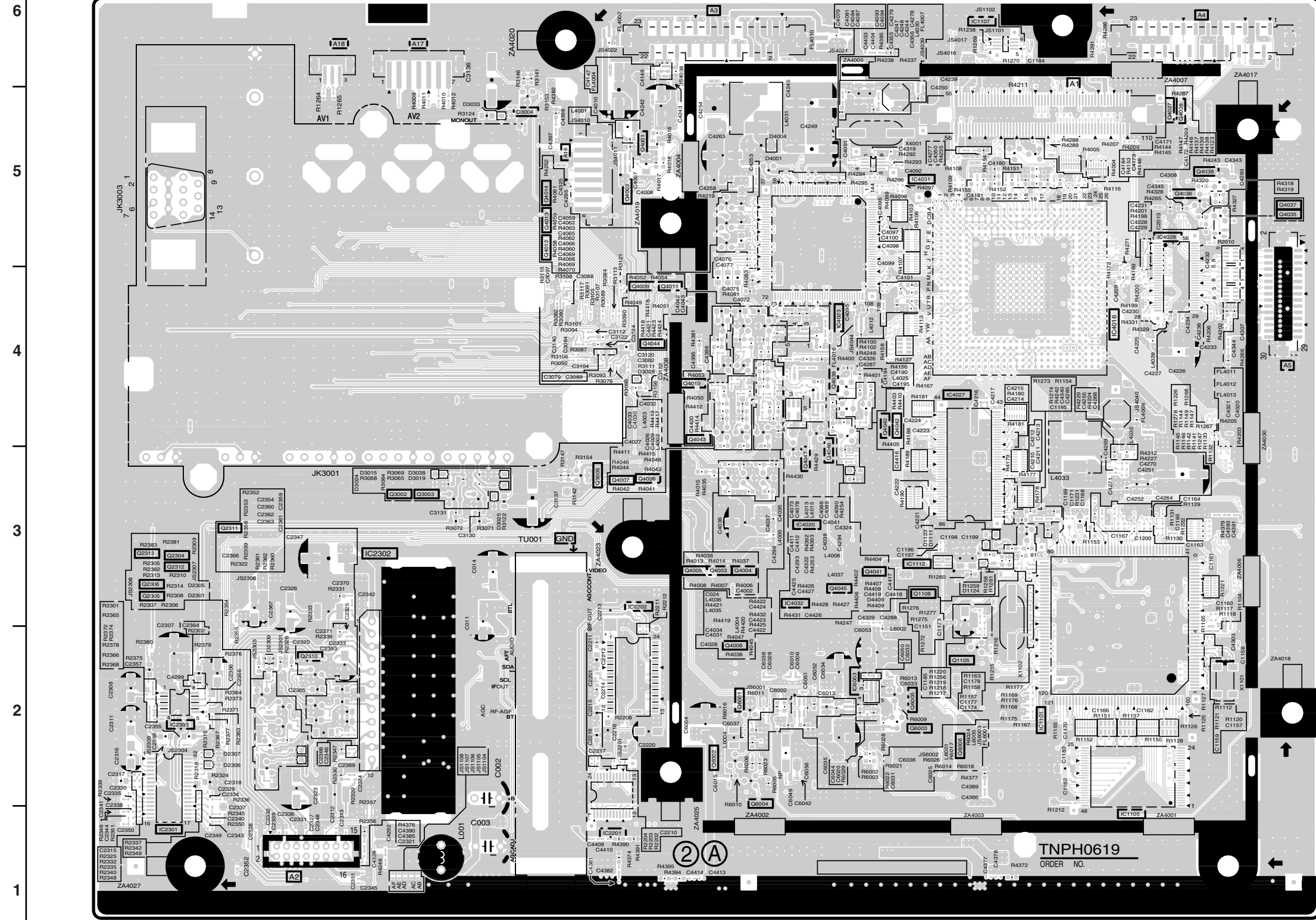
**Parts Location**

| A-BOARD (FOIL SIDE) |            |       |     |       |     |
|---------------------|------------|-------|-----|-------|-----|
| IC                  | TRANSISTOR |       |     |       |     |
| IC001               | C-3        | Q001  | E-3 | Q3007 | F-4 |
| IC1102              | C-2        | Q002  | C-3 | Q3008 | F-4 |
| IC1103              | C-3        | Q1101 | A-2 | Q3009 | F-4 |
| IC1104              | B-2        | Q1102 | C-2 | Q3010 | F-4 |
| IC1106              | B-1        | Q1104 | B-2 | Q3012 | F-4 |
| IC2302              | F-2        | Q1106 | C-2 | Q3013 | F-4 |
| IC3006              | F-4        | Q1107 | B-2 | Q4015 | B-5 |
| IC3007              | E-5        | Q1109 | B-3 | Q4016 | B-5 |
| IC4017              | E-5        | Q1110 | A-3 | Q4017 | C-4 |
| IC4018              | D-4        | Q2301 | G-3 | Q4018 | C-4 |
| IC4019              | D-4        | Q2303 | G-2 | Q4019 | C-5 |
| IC4021              | D-5        | Q2307 | G-1 | Q4020 | D-3 |
| IC4022              | D-5        | Q2308 | G-3 | Q4021 | D-3 |
| IC4024              | B-5        | Q2309 | F-2 | Q4022 | D-3 |
| IC4025              | B-4        | Q2314 | G-2 | Q4023 | D-3 |
| IC4026              | C-5        | Q2315 | G-3 | Q4024 | D-3 |
| IC4029              | D-5        | Q2316 | G-2 | Q4025 | D-3 |
| IC4030              | B-3        | Q2317 | G-2 | Q4026 | B-5 |
| IC6001              | D-2        | Q2318 | G-2 | Q4029 | A-3 |
| IC6002              | C-2        | Q3001 | F-3 | Q4030 | A-3 |
|                     |            | Q3006 | E-5 | Q4031 | D-5 |
|                     |            |       |     | Q4032 | D-6 |

**Parts Location**

| A-BOARD (COMPONENT SIDE) |            |       |     |       |     |
|--------------------------|------------|-------|-----|-------|-----|
| IC                       | TRANSISTOR |       |     |       |     |
| IC1101                   | F-2        | Q1105 | F-2 | Q4011 | D-4 |
| IC1105                   | G-5        | Q1108 | E-3 | Q4012 | C-5 |
| IC1107                   | F-6        | Q2304 | A-3 | Q4013 | C-5 |
| IC1112                   | E-3        | Q2305 | A-3 | Q4014 | C-5 |
| IC2201                   | D-1        | Q2306 | A-3 | Q4027 | G-5 |
| IC2202                   | D-3        | Q2310 | B-2 | Q4028 | G-5 |
| IC2301                   | A-1        | Q2311 | B-3 | Q4035 | H-5 |
| IC2302                   | B-3        | Q2312 | A-3 | Q4036 | G-5 |
| IC2303                   | A-2        | Q2313 | A-3 | Q4037 | H-5 |
| IC4016                   | G-4        | Q3002 | C-3 | Q4038 | G-5 |
| IC4020                   | E-3        | Q3003 | C-3 | Q4039 | E-4 |
| IC4023                   | E-4        | Q3004 | C-5 | Q4040 | E-4 |
| IC4027                   | F-4        | Q3005 | D-3 | Q4041 | E-3 |
| IC4028                   | G-5        | Q4001 | D-5 | Q4042 | E-4 |
| IC4031                   | E-5        | Q4002 | D-5 | Q4043 | D-4 |
| IC4032                   | E-3        | Q4003 | D-3 | Q4044 | D-4 |
| IC6003                   | E-2        | Q4004 | D-3 | Q4045 | E-3 |
|                          |            | Q4005 | D-3 | Q4046 | E-3 |
|                          |            | Q4006 | D-3 | Q4047 | E-3 |
|                          |            | Q4007 | D-3 | Q6001 | D-2 |
|                          |            | Q4008 | D-2 | Q6002 | D-2 |
|                          |            | Q4009 | D-4 | Q6003 | E-2 |
|                          |            | Q4010 | D-4 | Q6004 | E-2 |
|                          |            |       |     | Q6005 | E-2 |
|                          |            |       |     | Q6006 | F-2 |

A-BOARD (COMPONENT SIDE)  
TXN/A10LEM (TC-23LE50/LX50)  
TXN/A10LFM (TC-19LE50/LX50)



TC-19LE50/LX50 A-BOARD TXN/A10LFM  
TC-23LE50/LX50 A-BOARD TXN/A10LEM

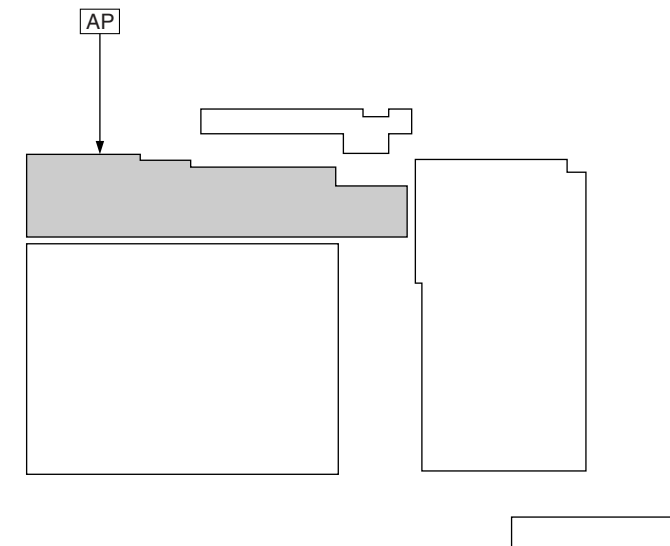
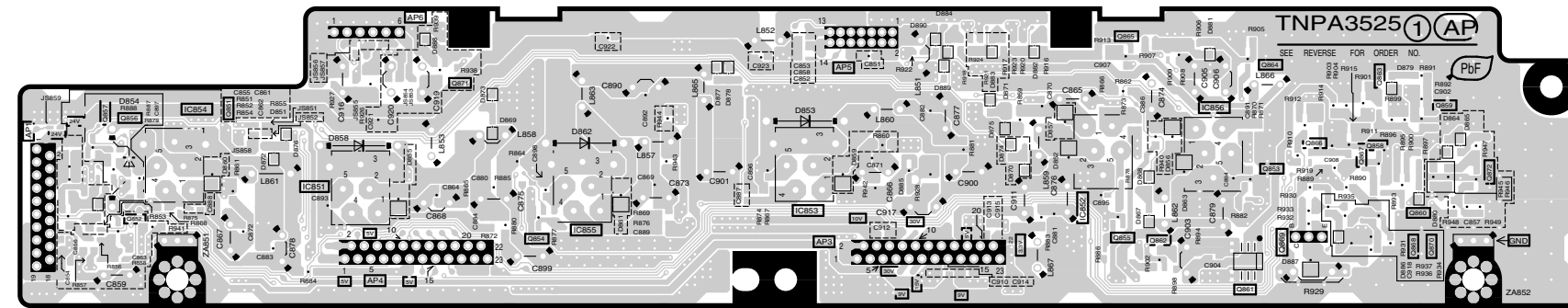
TC-19LE50/LX50 A-BOARD TXN/A10LFM  
TC-23LE50/LX50 A-BOARD TXN/A10LEM

A B C D E F G H I

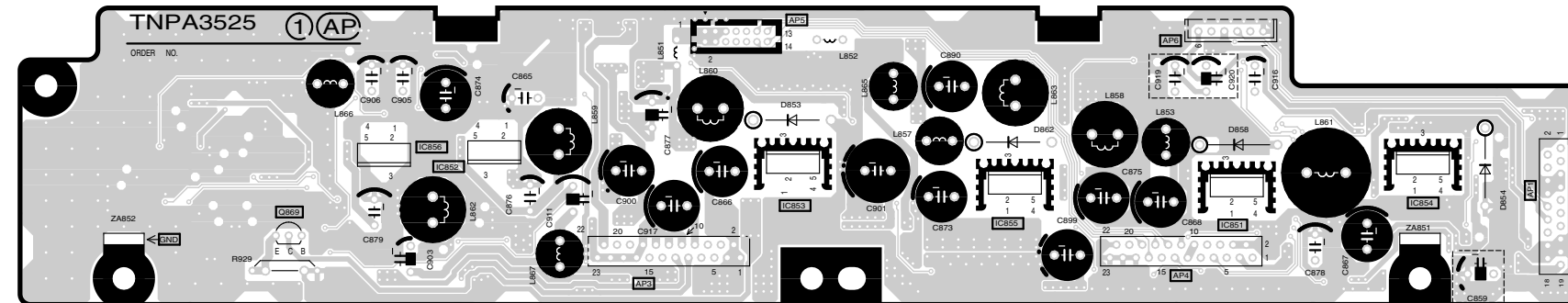
# 11.2. AP-Board

6  
5  
4  
3  
2  
1

**AP-BOARD (FOIL SIDE)  
TNPA3525AB**



**AP-BOARD (COMPONENT SIDE)  
TNPA3525AB**

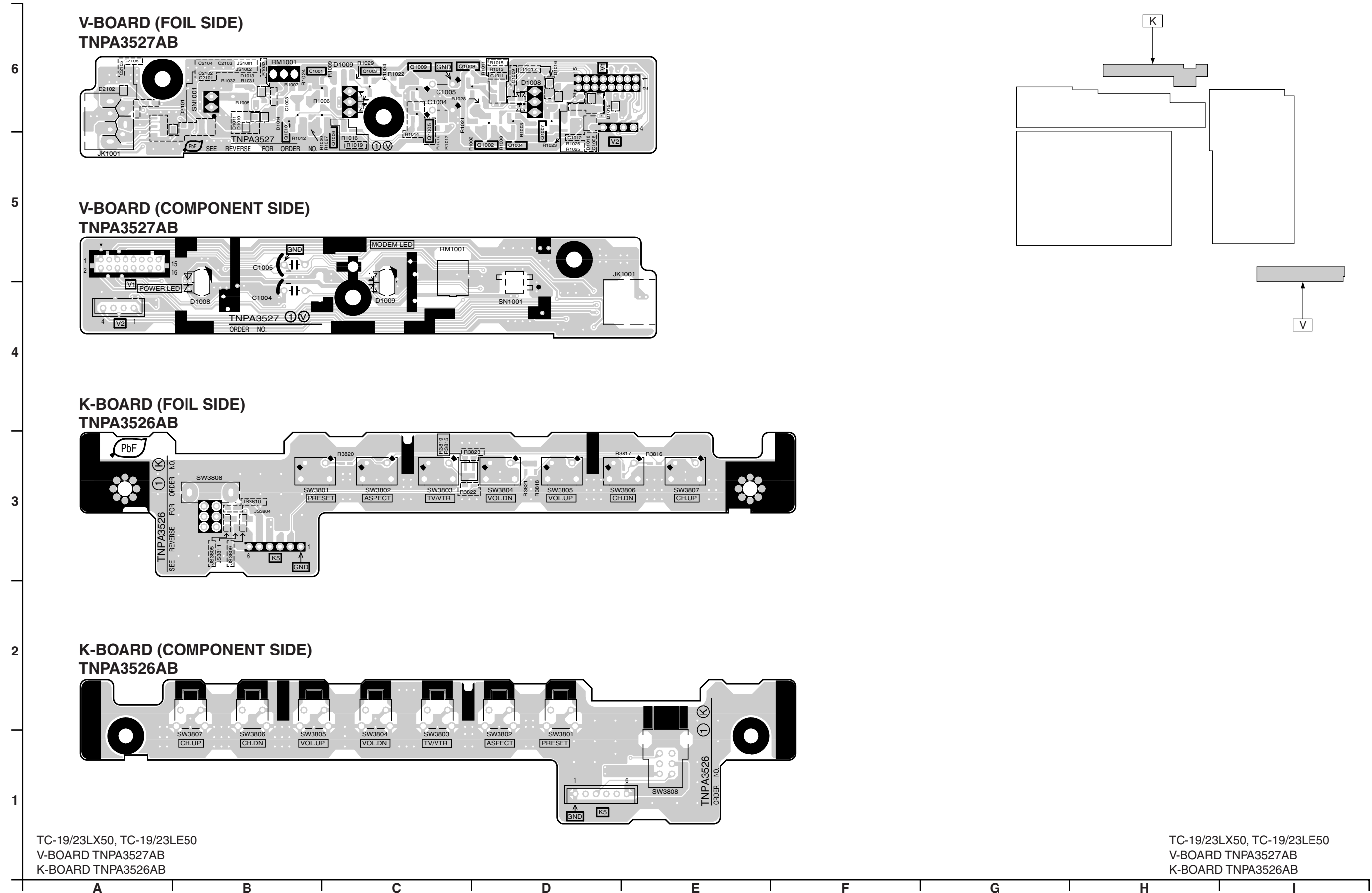


**Parts Location**

| AP-BOARD |     |            |     |
|----------|-----|------------|-----|
| IC       |     | TRANSISTOR |     |
| IC851    | B-5 | Q851       | B-5 |
| IC852    | E-5 | Q852       | A-5 |
| IC853    | D-5 | Q853       | D-5 |
| IC854    | A-5 | Q854       | C-5 |
| IC855    | C-5 | Q855       | D-5 |
| IC856    | D-5 | Q856       | A-5 |
|          |     | Q857       | A-5 |
|          |     | Q858       | F-5 |
|          |     | Q859       | F-5 |
|          |     | Q860       | F-5 |
|          |     | Q861       | D-5 |
|          |     | Q862       | D-5 |
|          |     | Q863       | F-5 |
|          |     | Q864       | D-5 |
|          |     | Q865       | D-5 |
|          |     | Q866       | F-5 |
|          |     | Q867       | F-5 |
|          |     | Q868       | F-5 |
|          |     | Q869       | D-5 |
|          |     | Q870       | F-5 |
|          |     | Q871       | B-5 |
|          |     | Q872       | F-5 |

A B C D E F G H I

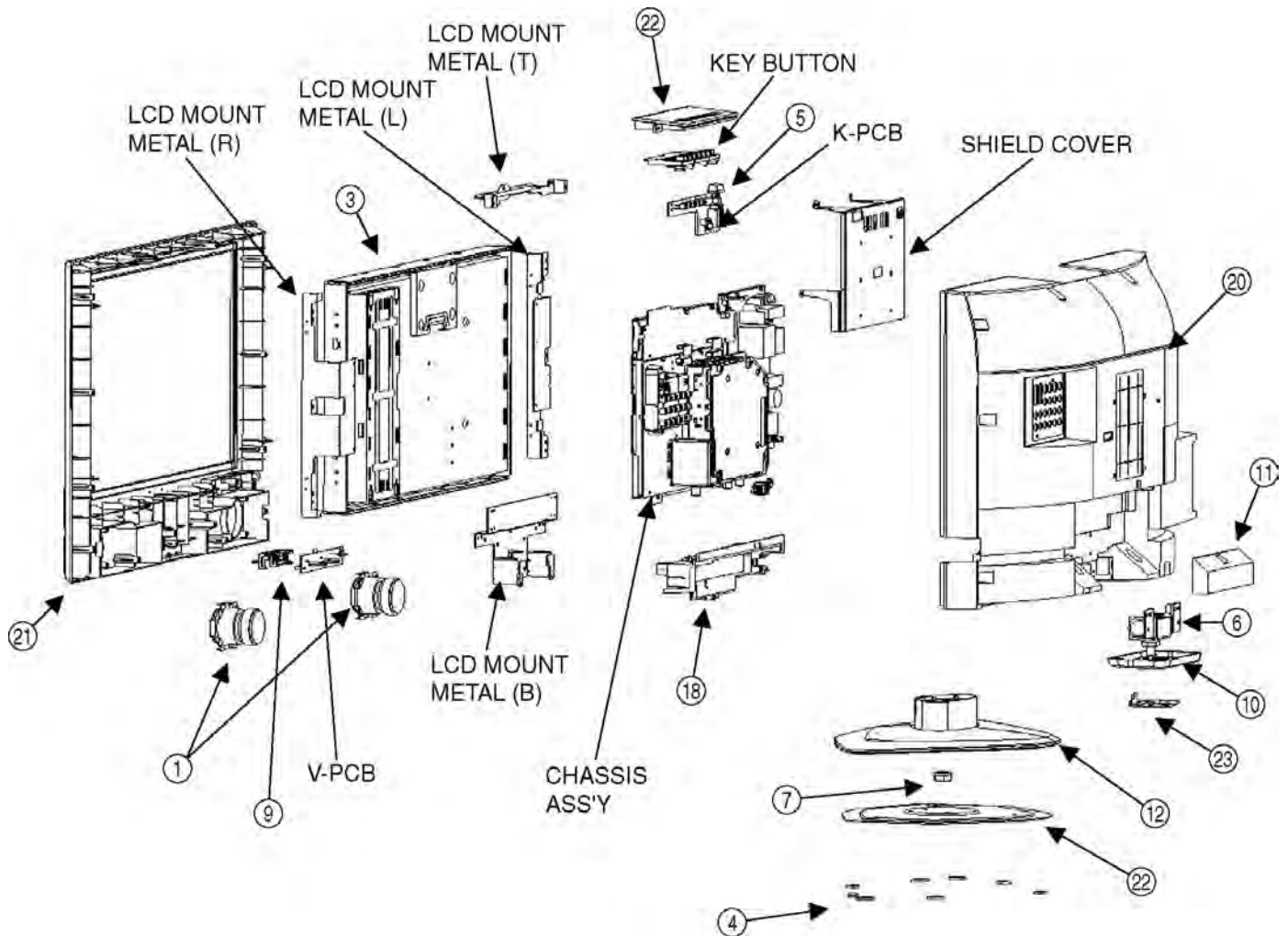
### 11.3. K-Board and V-Board





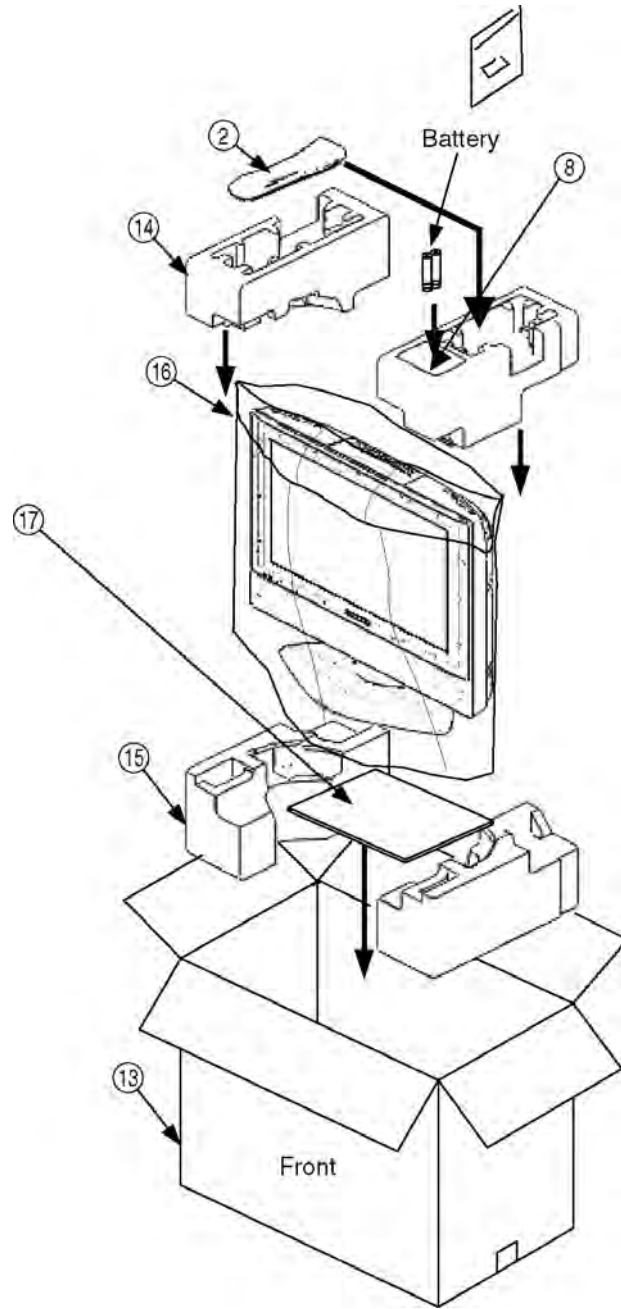
# 12 Exploded View and Replacement Parts List

## 12.1. Parts Layout





## 12.2. Packing Exploded Views



## 12.3. Mechanical Replacement Parts List

| Ref. No. | Part No.     | Part Name & Description    | Pcs | Remarks             |
|----------|--------------|----------------------------|-----|---------------------|
| 1        | EAS5P136A    | SPEAKER UNIT               | 2   | TC-19LE50/LX50      |
| 1        | EAS6P125A    | SPEAKER UNIT               | 2   | TC-23LE50/LX50      |
| 2        | EUR7613Z90R  | TRANSMITTER                | 1   |                     |
|          | J0KF00000018 | FILTER                     | 1   |                     |
|          | J0KG00000100 | FILTER                     | 1   |                     |
|          | K2CB2DZ00015 | AC CORD                    | 1   | △                   |
| 3        | L5EDD4Q00001 | LCD PANEL                  | 1   | TC-19LE50/LX50<br>△ |
| 3        | L5EDD5Q00003 | LCD PANEL                  | 1   | TC-23LE50/LX50<br>△ |
| 4        | TBLG3037     | SET LUG                    | 8   |                     |
|          | TBMA148      | PANASONIC BADGE            | 1   |                     |
| 5        | TBXA46001    | POWER BUTON                | 1   |                     |
| 6        | TEJA083      | TILT/REVOLVING HINGE       | 1   |                     |
|          | THEJ006J     | SCREW                      | 4   |                     |
| 7        | THNA014U     | NUT                        | 1   |                     |
| 8        | TJSD00901    | F TERMINAL (4C TYPE)       | 1   |                     |
| 9        | TKKC5209     | PANEL LIGHT                | 1   | TC-19/23LX50        |
| 9        | TKKC5209-1   | PANEL LIGHT                | 1   | TC-19/23LE50        |
|          | TKKL5290     | CONNECTOR COVER            | 1   |                     |
| 10       | TKXA17501    | BLIND COVER                | 1   |                     |
| 11       | TKXA18101    | HINGE COVER                | 1   |                     |
| 12       | TKXA18201    | PEDESTAL BASE              | 1   |                     |
|          | TMM16452     | CLAMPER                    | 1   | TC-23LE50/LX50      |
|          | TMME047      | CLAMPER                    | 3   |                     |
|          | TMME047      | CLAMPER                    | 2   | TC-19LE50/LX50      |
|          | TMME237      | CABLE CLAMPER              | 2   |                     |
| 13       | TPCB79601    | PACKING CASE               | 1   | TC-23LX50           |
| 13       | TPCB79602    | PACKING CASE               | 1   | TC-23LE50           |
| 13       | TPCB79701    | PACKING CASE               | 1   | TC-19LX50           |
| 13       | TPCB79702    | PACKING CASE               | 1   | TC-19LE50           |
| 14       | TPD2AA02601  | CUSHION (TOP)              | 1   | TC-19LE50/LX50      |
| 15       | TPD2AA02701  | CUSHION (BOTTOM)           | 1   | TC-19LE50/LX50      |
| 14       | TPD2AA02801  | CUSHION (TOP)              | 1   | TC-23LE50/LX50      |
| 15       | TPD2AA02901  | CUSHION (BOTTOM)           | 1   | TC-23LE50/LX50      |
| 16       | TPEH211      | PROTECT COVER              | 1   |                     |
| 17       | TQBC0994     | INSTRUCTION BOOK (ENGLISH) | 1   | △                   |
| 17       | TQBC0995     | INSTRUCTION BOOK (FRENCH)  | 1   | TC-19/23LX50<br>△   |
| 18       | TTP2AA007    | TUNER COVER (ASSY)         | 1   |                     |
| 19       | TTPA0404-1   | BUTTON PANEL (ASSY)        | 1   |                     |
| 20       | TTUA1140     | REAR COVER                 | 1   | TC-23LX50 △         |
| 20       | TTUA1141     | REAR COVER                 | 1   | TC-23LE50 △         |
| 20       | TTUA1142     | REAR COVER                 | 1   | TC-19LX50 △         |
| 20       | TTUA1143     | REAR COVER                 | 1   | TC-19LE50 △         |
| 21       | TTYA0696     | CABINET (ASSY)             | 1   | TC-23LX50 △         |
| 21       | TTYA0699     | CABINET (ASSY)             | 1   | TC-19LX50 △         |
| 21       | TTYA0702     | CABINET (ASSY)             | 1   | TC-23LE50 △         |
| 21       | TTYA0703     | CABINET (ASSY)             | 1   | TC-19LE50 △         |
| 22       | TUXA209      | PEDESTAL BASE MTG          | 1   |                     |
| 23       | TUXJ162      | AXIS MOUNT MTG             | 1   |                     |
|          | TXFKZ020Q51  | PEDESTAL ASSY              | 1   |                     |
|          | TXJ/V20LEM-1 | SPEAKER LEAD V2-SP         | 1   | TC-23LE50/LX50      |
|          | TXJ/V20LFM-1 | SPEAKER LEAD V2-SP         | 1   | TC-19LE50/LX50      |
|          | XTB4+12JFJ   | SCREW                      | 6   |                     |
|          | XTB4+12JFJ   | SCREW (SP)                 | 8   | TC-23LE50/LX50      |
|          | XTB4+15JFJ   | SCREW                      | 5   |                     |

| Ref. No. | Part No.    | Part Name & Description | Pcs | Remarks        |
|----------|-------------|-------------------------|-----|----------------|
|          | XTB4+15JFJK | SCREW                   | 19  | TC-19LE50/LX50 |
|          | XTB4+15JFJK | SCREW                   | 12  | TC-19LE50/LX50 |
|          | XTB4+15JFJK | SCREW                   | 22  | TC-23LE50/LX50 |
|          | XTB4+15JFJK | SCREW                   | 10  | TC-23LE50/LX50 |
|          | XTV3+10JFJ  | SCREW                   | 2   |                |
|          | XTV3+12JFJ  | SCREW (SP)              | 8   | TC-19LE50/LX50 |
|          | XTV3+8JFJ   | SCREW                   | 2   |                |
|          | XTV3+8JFJK  | SCREW (TUNER COVER)     | 2   |                |
|          | XTW3+8TFJ   | SCREW                   | 24  |                |
|          | KYN3+J8FJ   | SCREW                   | 6   |                |
|          | XZBT6506    | POLY BAG                | 1   |                |

# 13 Electrical Parts List

## 13.1. Electrical Parts List Notes

### Important Safety Notice

*Components identified by  $\triangle$  mark have special characteristics important for safety. When replacing any of these components, use only manufacturer's specified parts.*

#### RTL (Retention Time Limited)

**Note:** The marking (RTL) indicates that the Retention Time is Limited for this item.

After the discontinuation of this assembly in production, the item will continue to be available for a specific period of time. The retention period of availability is dependant on the type of assembly, and in accordance with the laws governing part and product retention. After the end of this period, the assembly will no longer be available.

Abbreviation of part name and description

#### 1. Resistor

Example:

ERD25TJ104    C 100KOHM, J, 1/4W  
                   Type            Allowance

#### 2. Capacitor

Example:

ECKF1H103ZF    C 0.01UF, Z, 50V  
                                   Type            Allowance

| Type                          | Allowance      |
|-------------------------------|----------------|
| C : Carbon                    | F : $\pm 1\%$  |
| F : Fuse                      | G : $\pm 2\%$  |
| M : Metal Oxide<br>Metal Film | J : $\pm 5\%$  |
| S : Solid                     | K : $\pm 10\%$ |
| W : Wire Wound                | M : $\pm 20\%$ |

| Type             | Allowance               |
|------------------|-------------------------|
| C : Ceramic      | C : $\pm 0.25\text{pF}$ |
| E : Electrolytic | D : $\pm 0.5\text{pF}$  |
| P : Polyester    | F : $\pm 1\text{pF}$    |
| Polyprop         | G : $\pm 3\text{pF}$    |
| lene             | J : $\pm 5\text{pF}$    |
| T : Tantalum     | K : $\pm 10\text{pF}$   |
|                  | L : $\pm 15\text{pF}$   |
|                  | M : $\pm 20\text{pF}$   |
|                  | P : +100%, -0%          |
|                  | Z : +80%, -20%          |

## 13.2. Electrical Replacement Parts List

| Ref. No. | Part No.     | Part Name & Description | Pcs | Remarks |
|----------|--------------|-------------------------|-----|---------|
| A2       | TJS6A9380    | 16P CONNECTOR           | 1   |         |
| A3,A4    | K1KB23A00003 | 23P CONNECTOR           | 2   |         |
| A5       | K1KA30AA0250 | 30P CONNECTOR           | 1   |         |
| A16      | K1KA08A00293 | 8P CONNECTOR            | 1   |         |
| A17      | K1KA07A00189 | 7P CONNECTOR            | 1   |         |
| AP1      | K1KA19A00007 | 19P CONNECTOR           | 1   |         |
| AP3,P4   | K1KA23A00003 | 23P CONNECTOR           | 2   |         |
| AP5      | K1KA14A00093 | 14P CONNECTOR           | 1   |         |
| AP6      | K1KA06A00180 | 6P CONNECTOR            | 1   |         |
| C001     | ECJ0EB1A104K | C 0.1UF, K, 10V         | 1   |         |
| C002,03  | F2A0J681A272 | E 680UF, 6.3V           | 2   |         |
| C004     | ECJ1VB0J225K | C 2.2UF, K, 6.3V        | 1   |         |
| C008     | ECJ1VB1C224K | C 0.22UF, K, 16V        | 1   |         |
| C009     | ECJ1VF1H104Z | C 0.1UF, Z, 50V         | 1   |         |
| C010     | ECJ0EB1A104K | C 0.1UF, K, 10V         | 1   |         |
| C011     | EEH1V100R    | E 10UF, 35V             | 1   |         |
| C014     | EEVHB0J101P  | E 100UF, 6.3V           | 1   |         |
| C864     | ECJ2XB1H103K | C 0.01UF, K, 50V        | 1   |         |
| C865     | ECA1CM221    | E 220UF, 16V            | 1   |         |
| C866-68  | F2A1H221A115 | E 220UF, 50V            | 3   |         |
| C869-72  | ECJ2XB1H103K | C 0.01UF, K, 50V        | 4   |         |
| C873     | F2A1H221A115 | E 220UF, 50V            | 1   |         |
| C875     | ECA1CM102    | E 1000UF, 16V           | 1   |         |
| C876     | EEUFC0J331   | E 330UF, 6.3V           | 1   |         |
| C877,78  | ECA1CM471    | E 470UF, 16V            | 2   |         |
| C880-83  | ECJ2XB1H103K | C 0.01UF, K, 50V        | 4   |         |
| C884     | ECJ1VB1H682K | C 6800PF, K, 50V        | 1   |         |
| C886     | ECJ1VB1H682K | C 6800PF, K, 50V        | 1   |         |
| C889     | ECJ1VB1H682K | C 6800PF, K, 50V        | 1   |         |
| C890     | EEUFC1E471   | E 470UF, 25V            | 1   |         |
| C892     | ECJ2XB1H103K | C 0.01UF, K, 50V        | 1   |         |
| C893     | ECJ2FB1H104K | C 0.1UF, K, 50V         | 1   |         |
| C895     | ECJ2XB1H103K | C 0.01UF, K, 50V        | 1   |         |
| C896-98  | ECJ2FB1H104K | C 0.1UF, K, 50V         | 3   |         |
| C899     | ECA1CM102    | E 1000UF, 16V           | 1   |         |
| C900     | EEUFC1C102   | E 1000UF, 16V           | 1   |         |
| C901     | ECA1CMH101   | E 100UF, 16V            | 1   |         |
| C902     | ECJ2YB0J225K | C 2.2UF, K, 6.3V        | 1   |         |
| C903     | ECA1HM100    | E 10UF, 50V             | 1   |         |
| C904     | ECJ1XB1H102K | C 1000UF, Z, 50V        | 1   |         |
| C905     | F2A1C101A121 | E 100UF, 16V            | 1   |         |
| C906     | ECA1HM330    | E 33UF, 50V             | 1   |         |
| C907     | ECJ1VB1C224K | C 0.22UF, K, 16V        | 1   |         |
| C908     | ECJ2XB1H103K | C 0.01UF, K, 50V        | 1   |         |
| C916     | F2A1C101A121 | E 100UF, 16V            | 1   |         |
| C918     | ECJ2FB1H104K | C 0.1UF, K, 50V         | 1   |         |
| C1003    | ECJ1VB1H103K | C 0.001UF, K, 50V       | 1   |         |
| C1004    | ECEA0JKA470  | E 47UF, 6.3V            | 1   |         |
| C1005    | ECEA1AKA220B | E 22UF, 10V             | 1   |         |
| C1152    | ECJ1VF1A105Z | C 1UF, Z, 10V           | 1   |         |
| C1153    | EEH1V100R    | C 10PF, J, 16V          | 1   |         |
| C1155    | ECJ1VF1A105Z | C 1UF, Z, 10V           | 1   |         |
| C1159-62 | ECJ0EB1A104K | C 0.1UF, K, 10V         | 4   |         |
| C1165-67 | ECJ0EB1A104K | C 0.1UF, K, 10V         | 3   |         |
| C1169,70 | ECJ0EB1A104K | C 0.1UF, K, 10V         | 2   |         |
| C1173,74 | ECJ0EB1A104K | C 0.1UF, K, 10V         | 2   |         |
| C1176    | ECJ0EB1C103K | C0.010UF, K, 16V        | 1   |         |
| C1177,78 | ECJ0EC1H220J | C 220PF, K, 50V         | 2   |         |
| C1179    | ECJ0EC1H101J | C 100PF, K, 50V         | 1   |         |
| C1181    | ECJ1VF1A105Z | C 1UF, Z, 10V           | 1   |         |
| C1182    | ECJ0EB1A104K | C 0.1UF, K, 10V         | 1   |         |
| C1183    | ECJ3XF1C475Z | C 4.7UF, Z, 16V         | 1   |         |
| C1187    | ECJ1VB1C105K | C 0.01UF, K, 16V        | 1   |         |

| Ref. No. | Part No.     | Part Name & Description | Pcs | Remarks        |
|----------|--------------|-------------------------|-----|----------------|
| C1188,89 | ECJ0EB1A104K | C 0.1UF, K, 10V         | 2   |                |
| C1190    | ECJ0EB1C103K | C0.010UF, K, 16V        | 1   |                |
| C1191,92 | ECJ2XB1A105K | C 1UF, K, 10V           | 2   |                |
| C1193    | EEH1V100R    | C 100PF, J, 4V          | 1   |                |
| C1195    | ECJ1XB0J105K | C 1UF, K, 16V           | 1   |                |
| C2201    | ECJ0EB1C103K | C0.010UF, K, 16V        | 1   |                |
| C2211    | ECJ1VB0J225K | C 2.2UF, K, 6.3V        | 1   |                |
| C2212    | ECJ2FF1A475Z | C 4.7UF, Z, 10V         | 1   |                |
| C2213    | ECST1EC106R  | T 10UF, 25V             | 1   |                |
| C2214    | ECJ1VB1A105K | C 0.01UF, Z, 50V        | 1   |                |
| C2215    | ECJ0EB1C223K | C 0.022UF, K, 16V       | 1   |                |
| C2216    | ECST1CY335R  | C 3.3UF 16V             | 1   |                |
| C2217-19 | ECJ2XB1H104K | C 0.1UF, K, 50V         | 3   |                |
| C2220    | EEVHB1C100R  | E 10UF, 16V             | 1   |                |
| C2221    | ECJ1VB1A474K | C 0.47UF, Z, 50V        | 1   |                |
| C2222    | ECJ0EB1A473K | C 0.047UF, K, 10V       | 1   |                |
| C2301,02 | ECJ0EB1H182K | C 1800UF, Z, 50V        | 2   |                |
| C2303,04 | EEH1P1A100R  | E 10UF, 10V             | 2   |                |
| C2305    | EEVHB1C470P  | E 47UF, 16V             | 1   |                |
| C2306    | EEVHB1C100R  | E 10UF, 16V             | 1   |                |
| C2307    | EEVHB1C470P  | E 47UF, 16V             | 1   |                |
| C2308    | EEVHB1C100R  | E 10UF, 16V             | 1   |                |
| C2309,10 | ECJ0EB1C103K | C0.010UF, K, 16V        | 2   |                |
| C2314    | ECJ0EB1C103K | C0.010UF, K, 16V        | 1   |                |
| C2315    | ECJ0EB1C562K | C 5600UF, K, 16V        | 1   |                |
| C2318    | ECJ2FF1A475Z | C 4.7UF, Z, 10V         | 1   |                |
| C2320    | ECJ1VF1A105Z | C 1UF, Z, 10V           | 1   |                |
| C2323    | EEH1B1C101UP | C 100PF, J, 16V         | 1   |                |
| C2324,25 | ECJ0EB1A104K | C 0.1UF, K, 10V         | 2   |                |
| C2326    | EEH1B1C101UP | C 100PF, J, 16V         | 1   |                |
| C2329    | ECJ0EB1E331K | C 330PF, K, 25V         | 1   |                |
| C2330    | ECJ0EB1C223K | C 0.022UF, K, 16V       | 1   |                |
| C2333    | ECJ0EB1A104K | C 0.1UF, K, 10V         | 1   |                |
| C2334    | ECJ0EB1E331K | C 330PF, K, 25V         | 1   |                |
| C2335    | ECJ0EB1C223K | C 0.022UF, K, 16V       | 1   |                |
| C2337    | ECJ0EB1E331K | C 330PF, K, 25V         | 1   |                |
| C2338    | ECJ0EB1C223K | C 0.022UF, K, 16V       | 1   |                |
| C2340    | ECJ0EB1E331K | C 330PF, K, 25V         | 1   |                |
| C2341    | ECJ0EB1C223K | C 0.022UF, K, 16V       | 1   |                |
| C2342    | ECJ0EB1C103K | C0.010UF, K, 16V        | 1   |                |
| C2343,4  | ECJ0EB1E821K | C 820PF, K, 25V         | 2   |                |
| C2345,46 | ECJ0EB1A104K | C 0.1UF, K, 10V         | 2   |                |
| C2347    | EEH1B1C221UP | C 220PF, J, 16V         | 1   |                |
| C2349,50 | ECJ0EB1E821K | C 820PF, K, 25V         | 2   |                |
| C2353    | EEH1B1C100R  | C 10PF, J, 16V          | 1   |                |
| C2354-58 | ECJ2YF1C225Z | C 22PF, Z, 16V          | 5   |                |
| C2359    | ECJ0EB1C103K | C0.010UF, K, 16V        | 1   | TC-19LE50/LX50 |
| C2359    | ECJ0EB1C183K | C 0.018UF, K, 16V       | 1   | TC-23LE50/LX50 |
| C2360    | ECJ2YF1C225Z | C 22PF, Z, 16V          | 1   |                |
| C2361    | ECJ0EB1C103K | C0.010UF, K, 16V        | 1   | TC-19LE50/LX50 |
| C2361    | ECJ0EB1C183K | C 0.018UF, K, 16V       | 1   | TC-23LE50/LX50 |
| C2362    | ECJ2FF1A475Z | C 4.7UF, Z, 10V         | 1   |                |
| C2364    | ECJ0EB1C103K | C0.010UF, K, 16V        | 1   |                |
| C2365,66 | ECJ2YF1C225Z | C 22PF, Z, 16V          | 2   |                |
| C2367    | EEH1B1V100R  | E 10UF, 35V             | 1   |                |
| C2368-71 | ECJ0EB1A104K | C 0.1UF, K, 10V         | 4   |                |
| C3060    | ECJ1VF1A105Z | C 1UF, Z, 10V           | 1   |                |

| Ref. No. | Part No.     | Part Name & Description | Pcs | Remarks |
|----------|--------------|-------------------------|-----|---------|
| C3061    | ECJ2FB0J106M | C 10UF, Z, 6.3V         | 1   |         |
| C3064,65 | ECJ0EB1C103K | C0.010UF, K, 16V        | 2   |         |
| C3066,67 | ECJ1VF1A105Z | C 1UF, Z, 10V           | 2   |         |
| C3068    | ECJ2FB0J106M | C 10UF, Z, 6.3V         | 1   |         |
| C3070-72 | ECJ2FB0J106M | C 10UF, Z, 6.3V         | 3   |         |
| C3074    | EEH1B1C100R  | C 10PF, J, 16V          | 1   |         |
| C3075    | ECJ2FB0J106M | C 10UF, Z, 6.3V         | 1   |         |
| C3076    | EEVH1C470P   | E 47UF, 16V             | 1   |         |
| C3077,78 | ECJ1VF1A105Z | C 1UF, Z, 10V           | 2   |         |
| C3079    | ECJ0EB1H102K | C 1000PF, K, 50V        | 1   |         |
| C3080,81 | ECJ1VF1A105Z | C 1UF, Z, 10V           | 2   |         |
| C3082-85 | ECJ0EB1H102K | C 1000PF, K, 50V        | 4   |         |
| C3088-90 | ECJ0EB1H102K | C 1000PF, K, 50V        | 3   |         |
| C3091    | ECJ2FB0J106M | C 10UF, Z, 6.3V         | 1   |         |
| C3092    | ECJ0EB1H102K | C 1000PF, K, 50V        | 1   |         |
| C3094    | ECJ0EB1H102K | C 1000PF, K, 50V        | 1   |         |
| C3096    | ECJ1VF1A105Z | C 1UF, Z, 10V           | 1   |         |
| C3097    | ECJ0EB1H102K | C 1000PF, K, 50V        | 1   |         |
| C3099    | ECJ0EB1H102K | C 1000PF, K, 50V        | 1   |         |
| C3101    | ECJ1VF1A105Z | C 1UF, Z, 10V           | 1   |         |
| C3102    | ECJ0EB1H102K | C 1000PF, K, 50V        | 1   |         |
| C3104    | ECJ0EB1H102K | C 1000PF, K, 50V        | 1   |         |
| C3106,07 | ECJ0EB1H102K | C 1000PF, K, 50V        | 2   |         |
| C3109    | ECJ0EB1H102K | C 1000PF, K, 50V        | 1   |         |
| C3111    | ECJ1VF1A105Z | C 1UF, Z, 10V           | 1   |         |
| C3112,13 | ECJ0EB1H102K | C 1000PF, K, 50V        | 2   |         |
| C3115    | ECJ1VF1A105Z | C 1UF, Z, 10V           | 1   |         |
| C3120    | ECJ2YF1C225Z | C 22PF, Z, 16V          | 1   |         |
| C3121-24 | ECJ1VF1A105Z | C 1UF, Z, 10V           | 4   |         |
| C3125,26 | ECJ2FF1A475Z | C 4.7UF, Z, 10V         | 2   |         |
| C3127,28 | ECJ1VB1A224K | C 0.22UF, Z, 50V        | 2   |         |
| C3129-31 | ECJ1VF1A105Z | C 1UF, Z, 10V           | 3   |         |
| C3132,33 | ECJ0EB1C822K | C 8200UF, K, 16V        | 2   |         |
| C3134,35 | ECJ2VF1C105Z | C 1UF, Z, 16V           | 2   |         |
| C3142    | ECJ0EC1H330J | C 330PF, K, 50V         | 1   |         |
| C3143    | ECJ0EC1H100D | C 10PF, K, 50V          | 1   |         |
| C3144    | ECJ0EC1H121J | C 120PF, K, 50V         | 1   |         |
| C3145    | ECJ0EC1H330J | C 330PF, K, 50V         | 1   |         |
| C3146    | ECJ0EC1H820J | C 820PF, K, 50V         | 1   |         |
| C3147    | ECJ0EC1H560J | C 560PF, K, 50V         | 1   |         |
| C3148    | ECJ0EC1H100D | C 10PF, K, 50V          | 1   |         |
| C3149    | ECJ0EC1H101J | C 100PF, K, 50V         | 1   |         |
| C3150,51 | ECJ0EC1H181J | C 180PF, K, 50V         | 2   |         |
| C4010    | EEH1B1A471UP | C 470PF, J, 10V         | 1   |         |
| C4026,27 | ECJ0EC1H330J | C 330PF, K, 50V         | 2   |         |
| C4028    | ECJ0EC1H100D | C 10PF, K, 50V          | 1   |         |
| C4029,30 | ECJ0EC1H560J | C 560PF, K, 50V         | 2   |         |
| C4031    | ECJ0EC1H100D | C 10PF, K, 50V          | 1   |         |
| C4032,33 | ECJ0EC1H560J | C 560PF, K, 50V         | 2   |         |
| C4035    | ECJ1VF1A105Z | C 1UF, Z, 10V           | 1   |         |
| C4036    | EEVH1E330    | E 33UF, 25V             | 1   |         |
| C4037    | ECJ0EB1A104K | C 0.1UF, K, 10V         | 1   |         |
| C4038-40 | ECJ1VF1A105Z | C 1UF, Z, 10V           | 3   |         |
| C4041    | ECJ0EB1C103K | C0.010UF, K, 16V        | 1   |         |
| C4042    | ECJ1XB0J105K | C 1UF, K, 16V           | 1   |         |
| C4043    | ECJ0EB1C103K | C0.010UF, K, 16V        | 1   |         |
| C4044    | ECJ1VF1A105Z | C 1UF, Z, 10V           | 1   |         |

| Ref. No. | Part No.     | Part Name & Description | Pcs | Remarks |
|----------|--------------|-------------------------|-----|---------|
| C4045    | ECJ0EC1H680J | C 680PF, K, 50V         | 1   |         |
| C4046    | ECJ0EB1A104K | C 0.1UF, K, 10V         | 1   |         |
| C4048    | ECJ0EB1A104K | C 0.1UF, K, 10V         | 1   |         |
| C4050    | ECJ1VF1A105Z | C 1UF, Z, 10V           | 1   |         |
| C4052    | ECJ0EB1C103K | C0.010UF, K, 16V        | 1   |         |
| C4053    | ECJ1XB0J105K | C 1UF, K, 16V           | 1   |         |
| C4054    | ECJ0EC1H680J | C 680PF, K, 50V         | 1   |         |
| C4055    | ECJ0EB1C103K | C0.010UF, K, 16V        | 1   |         |
| C4057,58 | ECJ1XB0J105K | C 1UF, K, 16V           | 2   |         |
| C4059-69 | ECJ0EB1A104K | C 0.1UF, K, 10V         | 11  |         |
| C4070,71 | ECJ1XB0J105K | C 1UF, K, 16V           | 2   |         |
| C4072-74 | ECJ0EB1A104K | C 0.1UF, K, 10V         | 3   |         |
| C4075-77 | ECJ2FB0J106M | C 10UF, Z, 6.3V         | 3   |         |
| C4078    | ECJ1XB0J105K | C 1UF, K, 16V           | 1   |         |
| C4079    | ECJ0EB1A104K | C 0.1UF, K, 10V         | 1   |         |
| C4080    | ECJ0EB1C103K | C0.010UF, K, 16V        | 1   |         |
| C4081    | ECJ0EB1A104K | C 0.1UF, K, 10V         | 1   |         |
| C4082,83 | ECJ1XB0J105K | C 1UF, K, 16V           | 2   |         |
| C4084    | ECJ0EB1A104K | C 0.1UF, K, 10V         | 1   |         |
| C4085    | ECJ0EC1H181J | C 180PF, K, 50V         | 1   |         |
| C4086    | ECJ1XB0J105K | C 1UF, K, 16V           | 1   |         |
| C4087-90 | ECJ0EB1A104K | C 0.1UF, K, 10V         | 4   |         |
| C4091,92 | ECJ0EC1H220J | C 220PF, K, 50V         | 2   |         |
| C4093-01 | ECJ0EB1A104K | C 0.1UF, K, 10V         | 9   |         |
| C4102    | EEVH0G221P   | E 220UF, 4V             | 1   |         |
| C4103    | ECJ0EB1A104K | C 0.1UF, K, 10V         | 1   |         |
| C4104    | EEVH0G221P   | E 220UF, 4V             | 1   |         |
| C4105    | ECJ0EB1A104K | C 0.1UF, K, 10V         | 1   |         |
| C4106    | ECJ0EB1H102K | C 1000PF, K, 50V        | 1   |         |
| C4107    | ECJ0EB1A104K | C 0.1UF, K, 10V         | 1   |         |
| C4108    | ECJ0EB1H102K | C 1000PF, K, 50V        | 1   |         |
| C4109    | ECJ3XB0J106M | C 10UF, M, 6.3V         | 1   |         |
| C4110    | ECJ0EB1A104K | C 0.1UF, K, 10V         | 1   |         |
| C4111    | ECJ0EB1H102K | C 1000PF, K, 50V        | 1   |         |
| C4112    | ECJ0EB1A104K | C 0.1UF, K, 10V         | 1   |         |
| C4113    | ECJ0EB1H102K | C 1000PF, K, 50V        | 1   |         |
| C4114-16 | ECJ0EB1A104K | C 0.1UF, K, 10V         | 3   |         |
| C4117    | ECJ0EB1H102K | C 1000PF, K, 50V        | 1   |         |
| C4118    | ECJ0EB1A104K | C 0.1UF, K, 10V         | 1   |         |
| C4119    | ECJ0EB1H102K | C 1000PF, K, 50V        | 1   |         |
| C4120-22 | ECJ0EB1A104K | C 0.1UF, K, 10V         | 3   |         |
| C4123    | ECJ3XB0J106M | C 10UF, M, 6.3V         | 1   |         |
| C4124    | EEVH0G221P   | E 220UF, 4V             | 1   |         |
| C4125,26 | ECJ0EB1A104K | C 0.1UF, K, 10V         | 2   |         |
| C4127    | ECJ0EB1H102K | C 1000PF, K, 50V        | 1   |         |
| C4128    | ECJ0EB1A104K | C 0.1UF, K, 10V         | 1   |         |
| C4129    | ECJ0EB1H102K | C 1000PF, K, 50V        | 1   |         |
| C4130    | ECJ0EB1A104K | C 0.1UF, K, 10V         | 1   |         |
| C4131    | ECJ0EB1H102K | C 1000PF, K, 50V        | 1   |         |
| C4132,33 | ECJ0EB1A104K | C 0.1UF, K, 10V         | 2   |         |
| C4134    | ECJ0EB1H102K | C 1000PF, K, 50V        | 1   |         |
| C4135,36 | ECJ0EB1A104K | C 0.1UF, K, 10V         | 2   |         |
| C4137    | ECJ0EB1H102K | C 1000PF, K, 50V        | 1   |         |
| C4138    | ECJ0EB1A104K | C 0.1UF, K, 10V         | 1   |         |
| C4139    | ECJ0EB1H102K | C 1000PF, K, 50V        | 1   |         |
| C4140    | ECJ0EB1A104K | C 0.1UF, K, 10V         | 1   |         |
| C4141    | ECJ0EB1H102K | C 1000PF, K, 50V        | 1   |         |
| C4142,43 | ECJ0EB1A104K | C 0.1UF, K, 10V         | 2   |         |
| C4147    | ECJ0EB1A104K | C 0.1UF, K, 10V         | 1   |         |
| C4148    | ECJ0EB1C103K | C0.010UF, K, 16V        | 1   |         |
| C4150    | EEH1B1C470P  | C 47PF, J, 16V          | 1   |         |

| Ref. No. | Part No.     | Part Name & Description | Pcs | Remarks |
|----------|--------------|-------------------------|-----|---------|
| C4152    | ECJ0ECLH820J | C 820PF, K, 50V         | 1   |         |
| C4155    | ECJ0EB1C103K | C0.010UF, K, 16V        | 1   |         |
| C4156    | ECJ0EB1A104K | C 0.1UF, K, 10V         | 1   |         |
| C4157    | EEVHB0J220   | E 22UF 6.3V             | 1   |         |
| C4158    | EEHBC470P    | C 47PF, J, 16V          | 1   |         |
| C4159    | ECJ0EB1A104K | C 0.1UF, K, 10V         | 1   |         |
| C4162    | ECJ0EB1A104K | C 0.1UF, K, 10V         | 1   |         |
| C4163    | ECJ0EB1C682K | C 6800UF, K, 16V        | 1   |         |
| C4164    | ECJ0ECLH101J | C 100PF, K, 50V         | 1   |         |
| C4165    | ECJ0EB1A473K | C 0.047UF, K, 10V       | 1   |         |
| C4166    | ECJ0ECLH101J | C 100PF, K, 50V         | 1   |         |
| C4167    | ECJ1XB0J105K | C 1UF, K, 16V           | 1   |         |
| C4169-71 | ECJ1XB0J105K | C 1UF, K, 16V           | 3   |         |
| C4172,73 | ECJ0EB1A104K | C 0.1UF, K, 10V         | 2   |         |
| C4174-77 | ECJ1XB0J105K | C 1UF, K, 16V           | 4   |         |
| C4178    | ECJ1VB0J474K | C 0.47UF, K, 6.3V       | 1   |         |
| C4179    | ECJ0EB1H332K | C 3300UF, Z, 50V        | 1   |         |
| C4180    | ECJ1XB0J105K | C 1UF, K, 16V           | 1   |         |
| C4181,82 | ECJ0EB1A104K | C 0.1UF, K, 10V         | 2   |         |
| C4183    | ECJ1XB0J105K | C 1UF, K, 16V           | 1   |         |
| C4184    | ECJ0EB1A104K | C 0.1UF, K, 10V         | 1   |         |
| C4185    | ECJ1XB0J105K | C 1UF, K, 16V           | 1   |         |
| C4186    | ECJ0EB1C103K | C0.010UF, K, 16V        | 1   |         |
| C4187    | ECJ1XB0J105K | C 1UF, K, 16V           | 1   |         |
| C4188    | ECJ0EB1A104K | C 0.1UF, K, 10V         | 1   |         |
| C4189    | ECJ1VF1A105Z | C 1UF, Z, 10V           | 1   |         |
| C4190    | ECJ1XB0J105K | C 1UF, K, 16V           | 1   |         |
| C4191    | ECJ0EB1C103K | C0.010UF, K, 16V        | 1   |         |
| C4192-95 | ECJ1XB0J105K | C 1UF, K, 16V           | 4   |         |
| C4196    | ECJ0EB1H471K | C 470PF, K, 50V         | 1   |         |
| C4197    | ECJ0EB1A104K | C 0.1UF, K, 10V         | 1   |         |
| C4198,99 | ECJ0EB1C103K | C0.010UF, K, 16V        | 2   |         |
| C4200,01 | ECJ1XB0J105K | C 1UF, K, 16V           | 2   |         |
| C4202    | ECJ0ECLH121J | C 120PF, K, 50V         | 1   |         |
| C4203    | ECJ1VF1A105Z | C 1UF, Z, 10V           | 1   |         |
| C4204    | ECJ0EB1C103K | C0.010UF, K, 16V        | 1   |         |
| C4205    | ECJ0EB1A104K | C 0.1UF, K, 10V         | 1   |         |
| C4206,07 | ECJ0EB1C103K | C0.010UF, K, 16V        | 2   |         |
| C4208    | ECJ1XB0J105K | C 1UF, K, 16V           | 1   |         |
| C4210-15 | ECJ0ECLH101J | C 100PF, K, 50V         | 6   |         |
| C4216,17 | ECJ0EB1C103K | C0.010UF, K, 16V        | 2   |         |
| C4220    | EEVHB0G221P  | E 220UF, 4V             | 1   |         |
| C4221-24 | ECJ0ECLH101J | C 100PF, K, 50V         | 4   |         |
| C4225    | ECJ0EB1C103K | C0.010UF, K, 16V        | 1   |         |
| C4226    | EEHBC470P    | C 47PF, J, 16V          | 1   |         |
| C4227-30 | ECJ0EB1C103K | C0.010UF, K, 16V        | 4   |         |
| C4232    | ECJ0EB1C103K | C0.010UF, K, 16V        | 1   |         |
| C4233    | ECJ0EB1A104K | C 0.1UF, K, 10V         | 1   |         |
| C4235,36 | ECJ0EB1C103K | C0.010UF, K, 16V        | 2   |         |
| C4237    | EEHBC470P    | C 47PF, J, 16V          | 1   |         |
| C4243    | ECJ0EB1H102K | C 1000PF, K, 50V        | 1   |         |
| C4244    | ECJ3YB1C475K | C 0.047UF, K, 16V       | 1   |         |
| C4245    | EEHBC1A101P  | C 100PF, J, 10V         | 1   |         |
| C4248    | ECJ3YB1C475K | C 0.047UF, K, 16V       | 1   |         |
| C4251,52 | ECJ3YB1C475K | C 0.047UF, K, 16V       | 2   |         |
| C4253    | ECJ0EB1A104K | C 0.1UF, K, 10V         | 1   |         |
| C4254    | EEFCD0G560R  | 56UF,                   | 1   |         |
| C4255    | ECJ0EB1A104K | C 0.1UF, K, 10V         | 1   |         |
| C4256    | EEFCD0G560R  | 56UF,                   | 1   |         |
| C4257    | ECJ0EB1A104K | C 0.1UF, K, 10V         | 1   |         |
| C4258    | TCUY0J685MBM | C 6.8UF, 6.3V           | 1   |         |
| C4259    | ECJ0EB1E472K | C 4700PF, K, 25V        | 1   |         |

| Ref. No. | Part No.     | Part Name & Description | Pcs | Remarks |
|----------|--------------|-------------------------|-----|---------|
| C4260    | ECJ0EB1C682K | C 6800UF, K, 16V        | 1   |         |
| C4261    | ECJ0EB1C223K | C 0.022UF, K, 16V       | 1   |         |
| C4263    | EEHBOG221P   | C 220PF, J, 4V          | 1   |         |
| C4264    | EEHBC1A101P  | C 100PF, J, 10V         | 1   |         |
| C4265    | EEHBOG221P   | C 220PF, J, 4V          | 1   |         |
| C4266    | ECJ0EB1A104K | C 0.1UF, K, 10V         | 1   |         |
| C4267    | TCUY0J685MBM | C 6.8UF, 6.3V           | 1   |         |
| C4270    | ECJ0EB1C223K | C 0.022UF, K, 16V       | 1   |         |
| C4274-77 | ECJ0EB1A104K | C 0.1UF, K, 10V         | 4   |         |
| C4297-06 | ECJ0EB1A104K | C 0.1UF, K, 10V         | 10  |         |
| C4313    | ECJ1VB1C105K | C 0.01UF, K, 16V        | 1   |         |
| C4314    | ECJ0EB1H471K | C 470PF, K, 50V         | 1   |         |
| C4315    | ECJ3YB0J335K | C 33UF, J, 25V          | 1   |         |
| C4316    | EEHPOJ470P   | C 47PF, J, 6.3V         | 1   |         |
| C4317    | ECJ0EB1E561K | C 560PF, K, 25V         | 1   |         |
| C4318    | ECJ1VF1A105Z | C 1UF, Z, 10V           | 1   |         |
| C4319    | ECJ0EB1A104K | C 0.1UF, K, 10V         | 1   |         |
| C4320    | ECJ1XB0J105K | C 1UF, K, 16V           | 1   |         |
| C4350-53 | ECJ0EB1A104K | C 0.1UF, K, 10V         | 4   |         |
| C4363    | ECJ0ECLH101J | C 100PF, K, 50V         | 1   |         |
| C4365    | ECJ1XB0J105K | C 1UF, K, 16V           | 1   |         |
| C4366    | ECJ0EB1C103K | C0.010UF, K, 16V        | 1   |         |
| C4368    | ECJ1XB0J105K | C 1UF, K, 16V           | 1   |         |
| C4369    | ECJ0EB1C103K | C0.010UF, K, 16V        | 1   |         |
| C4374    | ECJ0EB1A104K | C 0.1UF, K, 10V         | 1   |         |
| C4385-90 | ECJ0EB1A104K | C 0.1UF, K, 10V         | 6   |         |
| C4405-15 | ECJ0EB1A104K | C 0.1UF, K, 10V         | 11  |         |
| C4416    | ECJ0ECLH270J | C 270PF, K, 50V         | 1   |         |
| C4417,18 | ECJ0EB1H102K | C 1000PF, K, 50V        | 2   |         |
| C4419    | ECJ0EB1A104K | C 0.1UF, K, 10V         | 1   |         |
| C4424,25 | ECJ0ECLH330J | C 330PF, K, 50V         | 2   |         |
| C4426    | ECJ0EB1A104K | C 0.1UF, K, 10V         | 1   |         |
| C4427    | ECJ0ECLH330J | C 330PF, K, 50V         | 1   |         |
| D852     | B0JCME000037 | DIODE                   | 1   |         |
| D853     | B0JANG000003 | DIODE                   | 1   |         |
| D854     | RK34         | DIODE                   | 1   |         |
| D858     | RK34         | DIODE                   | 1   |         |
| D862     | B0JANG000003 | DIODE                   | 1   |         |
| D869     | MA8110M      | ZENER DIODE             | 1   |         |
| D871,72  | MA8075M      | ZENER DIODE             | 2   |         |
| D873     | MA111        | DIODE                   | 1   |         |
| D875,76  | MA111        | DIODE                   | 2   |         |
| D877     | MA8130M      | ZENER DIODE             | 1   |         |
| D878     | MA111        | DIODE                   | 1   |         |
| D879     | MA8240M      | ZENER DIODE             | 1   |         |
| D881     | MA729        | DIODE                   | 1   |         |
| D882     | MA111        | DIODE                   | 1   |         |
| D884     | MA111        | DIODE                   | 1   |         |
| D886     | MA8051L      | ZENER DIODE             | 1   |         |
| D887     | B0HCMM000014 | DIODE                   | 1   |         |
| D889,90  | MA111        | DIODE                   | 2   |         |
| D1008    | B3CKE000007  | DIODE                   | 1   |         |
| D1013,14 | MAZ8043M     | ZENER DIODE             | 2   |         |
| D1106    | MA111        | DIODE                   | 1   |         |
| D1109    | B0HCMM000014 | DIODE                   | 1   |         |
| D1110    | MA111        | DIODE                   | 1   |         |
| D2101,02 | MA8140M      | ZENER DIODE             | 2   |         |
| D2301    | MA111        | DIODE                   | 1   |         |
| D2304,05 | MA111        | DIODE                   | 2   |         |
| D2309    | MA8033H      | ZENER DIODE             | 1   |         |
| D3007-20 | MA8140M      | ZENER DIODE             | 14  |         |
| D3022-31 | MA8140M      | ZENER DIODE             | 10  |         |

| Ref. No.  | Part No.     | Part Name & Description | Pcs | Remarks        |
|-----------|--------------|-------------------------|-----|----------------|
| D3033,34  | MA8140M      | ZENER DIODE             | 2   |                |
| D3036-40  | MA8140M      | ZENER DIODE             | 5   |                |
| D4002     | MA152K       | DIODE                   | 1   |                |
| D4004,05  | B0JCPD000026 | DIODE                   | 2   |                |
| D4006,07  | B0JCDD000002 | DIODE                   | 2   |                |
| D4409     | MA728        | DIODE                   | 1   |                |
| FL4001    | F1J1A1050020 | C 1UF, Z, 50V           | 1   |                |
| FL4006    | F1J1A1050020 | C 1UF, Z, 50V           | 1   |                |
| FL4011-13 | J0JBD0000043 | CHIP INDUCTOR           | 3   |                |
| IC851-53  | C0DAAZG00006 | IC                      | 3   |                |
| IC854     | C0DAAZH00020 | IC                      | 1   |                |
| IC855     | C0DAAZG00006 | IC                      | 1   |                |
| IC1101    | MN102H90MTY  | IC                      | 1   |                |
| IC1102    | C0EBF0000335 | IC                      | 1   |                |
| IC1103    | C0CBCBD00008 | IC                      | 1   |                |
| IC1104    | TVRN433      | IC                      | 1   | TC-19LE50/LX50 |
| IC1104    | TVRN432      | IC                      | 1   | TC-23LE50/LX50 |
| IC1105    | TVRN438-1    | IC                      | 1   |                |
| IC2202    | AN5829SV     | IC                      | 1   |                |
| IC2301    | C1BB00000800 | IC                      | 1   |                |
| IC2302    | AN17822A     | IC                      | 1   |                |
| IC2303    | NJM2904M     | LINEAR IC               | 1   |                |
| IC3007    | AN15857A     | IC                      | 1   |                |
| IC4016    | C1AB00002186 | IC                      | 1   |                |
| IC4020    | C0CBCAC00095 | IC                      | 1   |                |
| IC4021    | C0CBCAD00035 | IC                      | 1   |                |
| IC4023    | C1AB00002165 | IC                      | 1   |                |
| IC4024    | C0EBC0000150 | IC                      | 1   |                |
| IC4025    | C0CBCAC00096 | IC                      | 1   |                |
| IC4026    | C0CBCBD00008 | IC                      | 1   |                |
| IC4027    | C3ABPJ000065 | IC                      | 1   |                |
| IC4028    | C0JBCZ000523 | IC                      | 1   |                |
| IC4029,30 | C0DBAMH00013 | IC                      | 2   |                |
| IC4031    | TC7WU04FU    | IC                      | 1   |                |
| IC4032    | C0JBAS000061 | IC                      | 1   |                |
| JK1001    | TJS1A7250    | HEDPHONE JACK           | 1   |                |
| JK3001A   | K1U936A00001 | CONNECTOR               | 1   |                |
| JS001     | ERJ2GE0R00   | M 0.0 OHM, J,0.063W     | 1   |                |
| JS851     | ERJ3GEY0R00  | M 0 OHM, 1/16W          | 1   |                |
| JS855     | ERJ3GEY0R00  | M 0 OHM, 1/16W          | 1   |                |
| JS858,59  | ERJ3GEY0R00  | M 0 OHM, 1/16W          | 2   |                |
| JS1103    | ERJ2GE0R00   | M 0.0 OHM, J,0.063W     | 1   |                |
| JS1104    | ERJ2GE0R00   | M 0.0 OHM, J,0.063W     | 1   | TC-23LE50/LX50 |
| JS1106    | ERJ2GE0R00   | M 0.0 OHM, J,0.063W     | 1   | TC-19LE50/LX50 |
| JS2201    | ERJ3GEY0R00  | M 0 OHM, 1/16W          | 1   |                |
| JS2306,07 | ERJ2GE0R00   | M 0.0 OHM, J,0.063W     | 2   |                |
| JS3001    | ERJ2GE0R00   | M 0.0 OHM, J,0.063W     | 1   |                |
| JS3804    | ERJ3GEY0R00  | M 0 OHM, 1/16W          | 1   |                |
| JS3811    | ERJ3GEY0R00  | M 0 OHM, 1/16W          | 1   |                |
| JS4010-13 | ERJ3GEY0R00  | M 0 OHM, 1/16W          | 4   |                |
| JS4016-18 | ERJ2GE0R00   | M 0.0 OHM, J,0.063W     | 3   |                |
| JS4019    | ERJ3GEY0R00  | M 0 OHM, 1/16W          | 1   |                |
| JS4021,22 | ERJ3GEY0R00  | M 0 OHM, 1/16W          | 2   |                |
| JS4024    | ERJ3GEY0R00  | M 0 OHM, 1/16W          | 1   |                |

| Ref. No.  | Part No.     | Part Name & Description | Pcs | Remarks |
|-----------|--------------|-------------------------|-----|---------|
| JS4026-28 | ERJ2GE0R00   | M 0.0 OHM, J,0.063W     | 3   |         |
| JS4031-33 | ERJ2GE0R00   | M 0.0 OHM, J,0.063W     | 3   |         |
| JS4041    | ERJ2GE0R00   | M 0.0 OHM, J,0.063W     | 1   |         |
| JS4043-45 | ERJ3GEY0R00  | M 0 OHM, 1/16W          | 3   |         |
| JS4047    | ERJ3GEY0R00  | M 0 OHM, 1/16W          | 1   |         |
| K5        | K1KA06A00180 | 6P CONNECTOR            | 1   |         |
| L001      | TALLO8N470KA | INDUCTION COIL          | 1   |         |
| L851,52   | EXCELDR35C   | BEAD CHOKE              | 2   |         |
| L853      | GOA220GA0002 | CHOKE COIL              | 1   |         |
| L857      | TALLO8N330KA | INDUCTION COIL          | 1   |         |
| L858-60   | TLUADTB820K  | PEAKING COIL            | 3   |         |
| L861      | VLQSH02R101K | PEAKING COIL            | 1   |         |
| L863      | TLUADTB820K  | PEAKING COIL            | 1   |         |
| L865      | TALLO8N330KA | INDUCTION COIL          | 1   |         |
| L866      | GOA680GA0002 | INDUCTION COIL          | 1   |         |
| L3001     | ELJPA330KF   | CHIP INDUCTOR           | 1   |         |
| L3002-05  | TALC168T5R6K | CHIP INDUCTOR COIL      | 4   |         |
| L4002-04  | TALC168T1R5K | CHIP INDUCTOR COIL      | 3   |         |
| L4005     | J0JHC0000078 | CHIP INDUCTOR           | 1   |         |
| L4006     | J0JCC0000241 | CHIP INDUCTOR           | 1   |         |
| L4007     | TALC168T100K | CHIP INDUCTOR COIL      | 1   |         |
| L4008     | J0JCC0000241 | CHIP INDUCTOR           | 1   |         |
| L4009     | TALC168T100K | CHIP INDUCTOR COIL      | 1   |         |
| L4010     | J0JCC0000241 | CHIP INDUCTOR           | 1   |         |
| L4013     | J0JCC0000241 | CHIP INDUCTOR           | 1   |         |
| L4015     | J0JCC0000241 | CHIP INDUCTOR           | 1   |         |
| L4017-19  | J0JHC0000078 | CHIP INDUCTOR           | 3   |         |
| L4021-25  | J0JCC0000241 | CHIP INDUCTOR           | 5   |         |
| L4026     | TALC168T100K | CHIP INDUCTOR COIL      | 1   |         |
| L4027     | J0JCC0000241 | CHIP INDUCTOR           | 1   |         |
| L4028,29  | J0JHC0000078 | CHIP INDUCTOR           | 2   |         |
| L4030     | G1C220MA0077 | INDUCTOR COIL           | 1   |         |
| L4031     | G1A470ZA0007 | CHOKE COIL              | 1   |         |
| L4032     | G1C220MA0077 | INDUCTOR COIL           | 1   |         |
| L4033     | G1A470ZA0007 | CHOKE COIL              | 1   |         |
| L4034     | J0JHC0000078 | CHIP INDUCTOR           | 1   |         |
| L4036,37  | TALC168T1R5K | CHIP INDUCTOR COIL      | 2   |         |
| Q001      | 2SB709A      | TRANSISTOR              | 1   |         |
| Q854-57   | UN2214       | TRANSISTOR              | 4   |         |
| Q859      | 2SC584500L   | TRANSISTOR              | 1   |         |
| Q861      | B1DHDD000033 | TRANSISTOR              | 1   |         |
| Q862      | UN2214       | TRANSISTOR              | 1   |         |
| Q864      | 2SD602       | TRANSISTOR              | 1   |         |
| Q865      | 2SA207700L   | TRANSISTOR              | 1   |         |
| Q866      | 2SC584500L   | TRANSISTOR              | 1   |         |
| Q867,68   | 2SD601A      | TRANSISTOR              | 2   |         |
| Q869      | 2SA720R      | TRANSISTOR              | 1   |         |
| Q870      | 2SD601A      | TRANSISTOR              | 1   |         |
| Q1002     | 2SA207700L   | TRANSISTOR              | 1   |         |
| Q1004     | 2SA207700L   | TRANSISTOR              | 1   |         |
| Q1007,08  | 2SD601A      | TRANSISTOR              | 2   |         |
| Q1102     | 2SC584500L   | TRANSISTOR              | 1   |         |
| Q1107     | UN2215       | TRANSISTOR              | 1   |         |
| Q1109,10  | 2SC584500L   | TRANSISTOR              | 2   |         |
| Q2303     | 2SC584500L   | TRANSISTOR              | 1   |         |
| Q2304     | UN2211       | TRANSISTOR              | 1   |         |
| Q2305,06  | 2SA207700L   | TRANSISTOR              | 2   |         |
| Q2307,08  | 2SD602       | TRANSISTOR              | 2   |         |

| Ref. No. | Part No.    | Part Name & Description | Pcs | Remarks |
|----------|-------------|-------------------------|-----|---------|
| Q2309-11 | UN2211      | TRANSISTOR              | 3   |         |
| Q2312,13 | 2SD602      | TRANSISTOR              | 2   |         |
| Q3001    | 2SA207700L  | TRANSISTOR              | 1   |         |
| Q3002,03 | 2SC584500L  | TRANSISTOR              | 2   |         |
| Q3007,08 | 2SC584500L  | TRANSISTOR              | 2   |         |
| Q3009,10 | 2SA207700L  | TRANSISTOR              | 2   |         |
| Q4006-08 | 2SC584500L  | TRANSISTOR              | 3   |         |
| Q4009-11 | 2SA207700L  | TRANSISTOR              | 3   |         |
| Q4012    | 2SD1030     | TRANSISTOR              | 1   |         |
| Q4013,14 | 2SC584500L  | TRANSISTOR              | 2   |         |
| Q4015,16 | UN5211      | TRANSISTOR              | 2   |         |
| Q4019    | UN2215      | TRANSISTOR              | 1   |         |
| Q4020,21 | 2SA207700L  | TRANSISTOR              | 2   |         |
| Q4022-24 | 2SC584500L  | TRANSISTOR              | 3   |         |
| Q4026,27 | UN2212      | TRANSISTOR              | 2   |         |
| Q4028,29 | 2SC584500L  | TRANSISTOR              | 2   |         |
| Q4030    | 2SA207700L  | TRANSISTOR              | 1   |         |
| Q4031    | 2SC584500L  | TRANSISTOR              | 1   |         |
| Q4032    | 2SA207700L  | TRANSISTOR              | 1   |         |
| Q4039    | 2SC2480     | TRANSISTOR              | 1   |         |
| Q4040    | 2SA207700L  | TRANSISTOR              | 1   |         |
| Q4041    | 2SC2480     | TRANSISTOR              | 1   |         |
| Q4042    | UN5211      | TRANSISTOR              | 1   |         |
| Q4045    | XN6501      | TRANSISTOR              | 1   |         |
| Q4046    | UN2215      | TRANSISTOR              | 1   |         |
| Q4047    | 2SC584500L  | TRANSISTOR              | 1   |         |
| R001     | ERJ2GEJ102  | M 1KOHM, J, 0.063W      | 1   |         |
| R003     | ERJ3GEYJ271 | M 270 OHM, J, 1/16W     | 1   |         |
| R004     | ERJ3GEYJ331 | M 330 OHM, J, 1/16W     | 1   |         |
| R006     | ERJ2GEOR00  | M 0.0 OHM, J, 0.063W    | 1   |         |
| R009,10  | ERJ2GEJ220  | M 22 OHM, J, 0.063W     | 2   |         |
| R853     | ERJ3GEYJ102 | M 1KOHM, J, 1/16W       | 1   |         |
| R859     | ERJ8GEYOR00 | M 0 OHM, 1/8W           | 1   |         |
| R861     | ERJ8GEYOR00 | M 0 OHM, 1/8W           | 1   |         |
| R864     | ERJ6GEYOR00 | M 0 OHM, 1/10W          | 1   |         |
| R865     | ERJ3EKF1021 | M10.2KOHM, 1/16W        | 1   |         |
| R866     | ERJ3EKF1001 | M 1KOHM, 1/16W          | 1   |         |
| R867     | ERJ3EKF1101 | M 1.1KOHM, 1/16W        | 1   |         |
| R868     | ERJ3EKF1001 | M 1KOHM, 1/16W          | 1   |         |
| R869     | ERJ3EKF9100 | M 910 OHM, 1/16W        | 1   |         |
| R872     | ERJ3EKF4871 | M 4.87KOHM, 1/16W       | 1   |         |
| R873     | ERJ3EKF1101 | M 1.1KOHM, 1/16W        | 1   |         |
| R874     | ERJ3EKF2401 | M 2.4KOHM, 1/16W        | 1   |         |
| R875     | ERJ3EKF3011 | M 3.01KOHM, 1/16W       | 1   |         |
| R876     | ERJ3EKF5361 | M 5.36KOHM, 1/16W       | 1   |         |
| R877-79  | ERJ3GEYJ221 | M 220 OHM, J, 1/16W     | 3   |         |
| R880,81  | ERJ8GEYOR00 | M 0 OHM, 1/8W           | 2   |         |
| R883,84  | ERJ8GEYOR00 | M 0 OHM, 1/8W           | 2   |         |
| R885,86  | ERJ3GEYJ560 | M 56 OHM, J, 1/16W      | 2   |         |
| R887     | ERJ3GEYJ183 | M 18KOHM, J, 1/16W      | 1   |         |
| R888     | ERJ3GEYJ560 | M 56 OHM, J, 1/16W      | 1   |         |
| R891     | ERJ6GEYJ103 | M 10KOHM, J, 1/10W      | 1   |         |
| R892     | ERJ3GEYJ473 | M 47KOHM, J, 1/16W      | 1   |         |
| R894     | ERJ3GEYJ223 | M 22KOHM, J, 1/16W      | 1   |         |
| R896     | ERJ6GEYJ153 | M 15KOHM, J, 1/10W      | 1   |         |
| R898     | ERJ3GEYJ222 | M 2.2KOHM, J, 1/16W     | 1   |         |
| R900     | ERJ6GEYJ153 | M 15KOHM, J, 1/10W      | 1   |         |
| R902     | ERJ3GEYJ560 | M 56 OHM, J, 1/16W      | 1   |         |
| R905     | ERJ3GEYJ473 | M 47KOHM, J, 1/16W      | 1   |         |
| R906     | ERJ3GEYJ223 | M 22KOHM, J, 1/16W      | 1   |         |
| R907     | ERJ3GEYJ222 | M 2.2KOHM, J, 1/16W     | 1   |         |

| Ref. No. | Part No.     | Part Name & Description | Pcs | Remarks |
|----------|--------------|-------------------------|-----|---------|
| R908     | ERJ6GEYJ152  | M 1.5KOHM, J, 1/10W     | 1   |         |
| R909     | ERJ3GEYJ222  | M 2.2KOHM, J, 1/16W     | 1   |         |
| R910     | ERJ6GEYJ153  | M 15KOHM, J, 1/10W      | 1   |         |
| R911,12  | ERJ3GEYJ223  | M 22KOHM, J, 1/16W      | 2   |         |
| R913     | ERJ3GEYJ473  | M 47KOHM, J, 1/16W      | 1   |         |
| R914     | ERJ3GEYJ472  | M 4.7KOHM, J, 1/16W     | 1   |         |
| R915     | ERJ3GEYJ473  | M 47KOHM, J, 1/16W      | 1   |         |
| R916     | ERJ3GEYOR00  | M 0 OHM, 1/16W          | 1   |         |
| R918     | ERJ3GEYOR00  | M 0 OHM, 1/16W          | 1   |         |
| R919     | ERJ3GEYJ472  | M 4.7KOHM, J, 1/16W     | 1   |         |
| R920     | ERJ3EKF1002  | M 10KOHM, 1/16W         | 1   |         |
| R922     | ERJ3EKF1002  | M 10KOHM, 1/16W         | 1   |         |
| R923     | ERJ3EKF2702V | M27.0KOHM, 1/16W        | 1   |         |
| R926     | ERJ12YJ331   | M 330 OHM, J, 1/2W      | 1   |         |
| R927     | ERJ3GEYJ333  | M 33KOHM, J, 1/16W      | 1   |         |
| R929     | ERJ1FJS330D  | M 33 OHM, J, 1W         | 1   |         |
| R930,31  | ERJ6GEYJ472  | M 4.7KOHM, J, 1/10W     | 2   |         |
| R932-35  | ERJ6GEYJ103  | M 10KOHM, J, 1/10W      | 4   |         |
| R936     | ERJ6ENF2492  | M24.9KOHM, 1/10W        | 1   |         |
| R937     | ERJ6ENF4701  | M 4.7KOHM, 1/10W        | 1   |         |
| R942     | ERJ8GEYOR00  | M 0 OHM, 1/8W           | 1   |         |
| R943     | ERJ6GEYOR00  | M 0 OHM, 1/10W          | 1   |         |
| R1002    | ERJ3GEYJ104  | M 100KOHM, J, 1/16W     | 1   |         |
| R1003    | ERJ3GEYJ102  | M 1KOHM, J, 1/16W       | 1   |         |
| R1005,06 | ERJ3GEYJ102  | M 1KOHM, J, 1/16W       | 2   |         |
| R1007    | ERJ3GEYJ470  | M 47 OHM, J, 1/16W      | 1   |         |
| R1008    | ERJ3GEYJ221  | M 220 OHM, J, 1/16W     | 1   |         |
| R1011    | ERJ3GEYJ473  | M 47KOHM, J, 1/16W      | 1   |         |
| R1013    | ERJ3GEYJ473  | M 47KOHM, J, 1/16W      | 1   |         |
| R1021    | ERJ3GEYJ103  | M 10KOHM, J, 1/16W      | 1   |         |
| R1023    | ERJ3GEYJ103  | M 10KOHM, J, 1/16W      | 1   |         |
| R1025,26 | ERJ3GEYJ103  | M 10KOHM, J, 1/16W      | 2   |         |
| R1028    | ERJ3GEYJ152  | M 1.5KOHM, J, 1/16W     | 1   |         |
| R1031    | ERJ3GEYJ682  | M 6.8KOHM, J, 1/16W     | 1   |         |
| R1032    | ERJ3GEYJ133  | M 13KOHM, J, 1/16W      | 1   |         |
| R1102,03 | ERJ3GEYJ472  | M 4.7KOHM, J, 1/16W     | 2   |         |
| R1104    | ERJ2GEJ103   | M 10KOHM, J, 0.063W     | 1   |         |
| R1105    | ERJ2GEJ562   | M 5.6KOHM, J, 0.063W    | 1   |         |
| R1108    | ERJ2GEJ103   | M 10KOHM, J, 0.063W     | 1   |         |
| R1109    | ERJ2GEJ102   | M 1KOHM, J, 0.063W      | 1   |         |
| R1111    | ERJ2GEJ562   | M 5.6KOHM, J, 0.063W    | 1   |         |
| R1113    | ERJ2GEJ102   | M 1KOHM, J, 0.063W      | 1   |         |
| R1114    | ERJ2GEJ333   | M 33KOHM, J, 0.063W     | 1   |         |
| R1115    | ERJ2GEJ102   | M 1KOHM, J, 0.063W      | 1   |         |
| R1116    | ERJ2GEJ563   | M 56KOHM, J, 0.063W     | 1   |         |
| R1117-19 | ERJ2GEJ102   | M 1KOHM, J, 0.063W      | 3   |         |
| R1122    | EXB2HVR000   | RESISTOR ARRAY          | 1   |         |
| R1123,24 | ERJ2GEJ220   | M 22 OHM, J, 0.063W     | 2   |         |
| R1126,27 | ERJ2GEJ103   | M 10KOHM, J, 0.063W     | 2   |         |
| R1128    | EXB38VR000   | RESISTOR ARRAY          | 1   |         |
| R1129    | ERJ2GEJ220   | M 22 OHM, J, 0.063W     | 1   |         |
| R1131    | ERJ2GEOR00   | M 0.0 OHM, J, 0.063W    | 1   |         |
| R1132,33 | ERJ2GEJ101   | M 100 OHM, J, 0.063W    | 2   |         |
| R1134    | ERJ2GEJ332   | M 3.3KOHM, J, 0.063W    | 1   |         |
| R1135    | ERJ2GEJ220   | M 22 OHM, J, 0.063W     | 1   |         |
| R1136    | ERJ2GEOR00   | M 0.0 OHM, J, 0.063W    | 1   |         |
| R1137    | EXB38VR000   | RESISTOR ARRAY          | 1   |         |
| R1138    | ERJ3GEYJ682  | M 6.8KOHM, J, 1/16W     | 1   |         |
| R1139    | ERJ2GEJ332   | M 3.3KOHM, J, 0.063W    | 1   |         |
| R1140    | ERJ2GEJ220   | M 22 OHM, J, 0.063W     | 1   |         |
| R1143    | ERJ2GEOR00   | M 0.0 OHM, J, 0.063W    | 1   |         |
| R1145    | ERJ2GEJ104   | M 100KOHM, J, 0.063W    | 1   |         |



| Ref. No. | Part No.     | Part Name & Description | Pcs | Remarks |
|----------|--------------|-------------------------|-----|---------|
| R1146    | ERJ2GEJ101   | M 100 OHM, J,0.063W     | 1   |         |
| R1147    | ERJ2GEJ104   | M 100KOHM, J,0.063W     | 1   |         |
| R1148    | ERJ2GEOR00   | M 0.0 OHM, J,0.063W     | 1   |         |
| R1150    | EXB2HVR000   | RESISTOR ARRAY          | 1   |         |
| R1151    | EXB38VR000   | RESISTOR ARRAY          | 1   |         |
| R1152    | EXB2HVR000   | RESISTOR ARRAY          | 1   |         |
| R1153    | ERJ2GEJ103   | M 10KOHM, J,0.063W      | 1   |         |
| R1154    | ERJ3GEY0R00  | M 0 OHM, 1/16W          | 1   |         |
| R1155    | ERJ2GEJ103   | M 10KOHM, J,0.063W      | 1   |         |
| R1156    | ERJ3GEY0R00  | M 0 OHM, 1/16W          | 1   |         |
| R1158    | ERJ2GEOR00   | M 0.0 OHM, J,0.063W     | 1   |         |
| R1160    | ERJ2GEJ560   | M 56 OHM, J,0.063W      | 1   |         |
| R1162    | ERJ2GEJ101   | M 100 OHM, J,0.063W     | 1   |         |
| R1163-65 | ERJ2GEJ102   | M 1KOHM, J,0.063W       | 3   |         |
| R1170    | ERJ2GEJ102   | M 1KOHM, J,0.063W       | 1   |         |
| R1175-77 | ERJ2GEOR00   | M 0.0 OHM, J,0.063W     | 3   |         |
| R1179    | ERJ2GEJ104   | M 100KOHM, J,0.063W     | 1   |         |
| R1180,81 | ERJ2GEJ102   | M 1KOHM, J,0.063W       | 2   |         |
| R1182    | ERJ2GEJ473   | M 47KOHM, J,0.063W      | 1   |         |
| R1184,85 | ERJ2GEJ220   | M 22 OHM, J,0.063W      | 2   |         |
| R1186,87 | ERJ2GEJ332   | M 3.3KOHM, J,0.063W     | 2   |         |
| R1190    | ERJ2GEJ102   | M 1KOHM, J,0.063W       | 1   |         |
| R1192    | ERJ2GEJ102   | M 1KOHM, J,0.063W       | 1   |         |
| R1194,95 | ERJ2GEJ220   | M 22 OHM, J,0.063W      | 2   |         |
| R1197    | ERJ3EKF7151  | M7.15KOHM, 1/16W        | 1   |         |
| R1198    | ERJ2GEJ332   | M 3.3KOHM, J,0.063W     | 1   |         |
| R1200    | ERJ2GEJ332   | M 3.3KOHM, J,0.063W     | 1   |         |
| R1202    | ERJ2GEJ473   | M 47KOHM, J,0.063W      | 1   |         |
| R1204    | ERJ2GEJ104   | M 100KOHM, J,0.063W     | 1   |         |
| R1206    | ERJ2GEJ103   | M 10KOHM, J,0.063W      | 1   |         |
| R1208    | ERJ2GEOR00   | M 0.0 OHM, J,0.063W     | 1   |         |
| R1210    | ERJ2GEJ473   | M 47KOHM, J,0.063W      | 1   |         |
| R1211    | ERJ2GEOR00   | M 0.0 OHM, J,0.063W     | 1   |         |
| R1212    | ERJ2GEJ103   | M 10KOHM, J,0.063W      | 1   |         |
| R1213,14 | ERJ2GEJ220   | M 22 OHM, J,0.063W      | 2   |         |
| R1221,22 | D1HG5608A002 | NETWORK RESISTER        | 2   |         |
| R1224    | ERJ2GEJ101   | M 100 OHM, J,0.063W     | 1   |         |
| R1232,33 | ERJ2GEJ472   | M 4.7KOHM, J,0.063W     | 2   |         |
| R1237    | ERJ2GEJ103   | M 10KOHM, J,0.063W      | 1   |         |
| R1239    | ERJ2GEJ102   | M 1KOHM, J,0.063W       | 1   |         |
| R1240    | ERJ2GEJ473   | M 47KOHM, J,0.063W      | 1   |         |
| R1247    | ERJ2GEJ560   | M 56 OHM, J,0.063W      | 1   |         |
| R1248    | ERJ2GEJ333   | M 33KOHM, J,0.063W      | 1   |         |
| R1251    | ERJ2GEJ682   | M 6.8KOHM, J,0.063W     | 1   |         |
| R1254    | ERJ2GEJ101   | M 100 OHM, J,0.063W     | 1   |         |
| R1255,56 | ERJ2GEOR00   | M 0.0 OHM, J,0.063W     | 2   |         |
| R1257    | ERJ2GEJ103   | M 10KOHM, J,0.063W      | 1   |         |
| R1262-66 | ERJ2GEJ104   | M 100KOHM, J,0.063W     | 5   |         |
| R1268    | ERJ2GEJ104   | M 100KOHM, J,0.063W     | 1   |         |
| R1271    | ERJ2GEJ332   | M 3.3KOHM, J,0.063W     | 1   |         |
| R1279    | ERJ2GEJ473   | M 47KOHM, J,0.063W      | 1   |         |

| Ref. No. | Part No.    | Part Name & Description | Pcs | Remarks        |
|----------|-------------|-------------------------|-----|----------------|
| R1281,82 | ERJ2GEJ473  | M 47KOHM, J,0.063W      | 2   |                |
| R2010    | ERJ2GEJ104  | M 100KOHM, J,0.063W     | 1   |                |
| R2208    | ERJ2GEJ222  | M 2.2KOHM, J,0.063W     | 1   |                |
| R2209,10 | ERJ2GEJ220  | M 22 OHM, J,0.063W      | 2   |                |
| R2211,12 | ERJ2GEJ102  | M 1KOHM, J,0.063W       | 2   |                |
| R2301-04 | ERJ2GEJ102  | M 1KOHM, J,0.063W       | 4   |                |
| R2305    | ERJ2GEJ223  | M 22KOHM, J,0.063W      | 1   |                |
| R2306    | ERJ2GEJ104  | M 100KOHM, J,0.063W     | 1   |                |
| R2307    | ERJ2GEJ103  | M 10KOHM, J,0.063W      | 1   |                |
| R2308    | ERJ2GEJ104  | M 100KOHM, J,0.063W     | 1   |                |
| R2310    | ERJ3GEYJ222 | M 2.2KOHM, J,1/16W      | 1   |                |
| R2311,12 | ERJ2GEJ562  | M 5.6KOHM, J,0.063W     | 2   |                |
| R2313    | ERJ2GEJ104  | M 100KOHM, J,0.063W     | 1   |                |
| R2314    | ERJ2GEJ105  | M 1MOHM, J,0.063W       | 1   |                |
| R2315    | ERJ2GEJ220  | M 22 OHM, J,0.063W      | 1   |                |
| R2316,17 | ERJ2GEJ243X | M 24KOHM, J,0.063W      | 2   |                |
| R2318    | ERJ2GEJ220  | M 22 OHM, J,0.063W      | 1   |                |
| R2320,21 | ERJ8GEYJ471 | M 470 OHM, J,1/8W       | 2   |                |
| R2322    | ERJ8GEYJ101 | M 100 OHM, J,1/8W       | 1   |                |
| R2324    | ERJ2GEJ333  | M 33KOHM, J,0.063W      | 1   |                |
| R2325    | ERJ2GEJ472  | M 4.7KOHM, J,0.063W     | 1   |                |
| R2326    | ERJ3GEYJ102 | M 1KOHM, J,1/16W        | 1   |                |
| R2329    | ERJ12YJ560  | M 56 OHM, J, 1/2W       | 1   |                |
| R2330,31 | ERJ3GEYJ2R2 | M 2.2 OHM, J,1/16W      | 2   |                |
| R2333    | ERJ12YJ560  | M 56 OHM, J, 1/2W       | 1   |                |
| R2335    | ERJ2GEJ104  | M 100KOHM, J,0.063W     | 1   |                |
| R2336    | ERJ2GEJ563  | M 56KOHM, J,0.063W      | 1   | TC-19LE50/LX50 |
| R2336    | ERJ2GEJ823  | M 82KOHM, J,0.063W      | 1   | TC-23LE50/LX50 |
| R2337    | ERJ2GEJ823  | M 82KOHM, J,0.063W      | 1   | TC-19LE50/LX50 |
| R2337    | ERJ2GEJ104  | M 100KOHM, J,0.063W     | 1   | TC-23LE50/LX50 |
| R2338    | ERJ3GEYJ2R2 | M 2.2 OHM, J,1/16W      | 1   |                |
| R2339    | ERJ2GEJ683  | M 68KOHM, J,0.063W      | 1   |                |
| R2340    | ERJ2GEJ104  | M 100KOHM, J,0.063W     | 1   |                |
| R2342    | ERJ2GEJ823  | M 82KOHM, J,0.063W      | 1   | TC-19LE50/LX50 |
| R2342    | ERJ2GEJ104  | M 100KOHM, J,0.063W     | 1   | TC-23LE50/LX50 |
| R2343    | ERJ2GEJ683  | M 68KOHM, J,0.063W      | 1   |                |
| R2344    | ERJ2GEJ274  | M 270KOHM, J,0.063W     | 1   |                |
| R2345    | ERJ2GEJ563  | M 56KOHM, J,0.063W      | 1   | TC-19LE50/LX50 |
| R2345    | ERJ2GEJ823  | M 82KOHM, J,0.063W      | 1   | TC-23LE50/LX50 |
| R2346    | ERJ2GEJ683  | M 68KOHM, J,0.063W      | 1   |                |
| R2347    | ERJ3GEYJ2R2 | M 2.2 OHM, J,1/16W      | 1   |                |
| R2348,49 | ERJ2GEJ823  | M 82KOHM, J,0.063W      | 2   |                |
| R2350,51 | ERJ2GEJ473  | M 47KOHM, J,0.063W      | 2   |                |
| R2352    | ERJ2GEJ202  | M 2KOHM, J,0.063W       | 1   |                |
| R2353    | ERJ2GEJ682  | M 6.8KOHM, J,0.063W     | 1   |                |
| R2354-57 | ERJ2GEOR00  | M 0.0 OHM, J,0.063W     | 4   |                |
| R2358    | ERJ2GEJ202  | M 2KOHM, J,0.063W       | 1   |                |
| R2359    | ERJ2GEJ682  | M 6.8KOHM, J,0.063W     | 1   |                |

| Ref. No. | Part No.    | Part Name & Description | Pcs | Remarks |
|----------|-------------|-------------------------|-----|---------|
| R2360    | ERJ2GEJ222  | M 2.2KOHM, J,0.063W     | 1   |         |
| R2363-68 | ERJ2GEJ103  | M 10KOHM, J,0.063W      | 6   |         |
| R2371,72 | ERJ2GEJ432X | M 4.3KOHM, J,0.063W     | 2   |         |
| R2373,74 | ERJ2GEJ183  | M 18KOHM, J,0.063W      | 2   |         |
| R2375,76 | ERJ2GEJ473  | M 47KOHM, J,0.063W      | 2   |         |
| R2377,78 | ERJ2GEJ332  | M 3.3KOHM, J,0.063W     | 2   |         |
| R2381    | ERJ2GEJ102  | M 1KOHM, J,0.063W       | 1   |         |
| R2382    | ERJ2GEJ104  | M 100KOHM, J,0.063W     | 1   |         |
| R2383    | ERJ2GEJ103  | M 10KOHM, J,0.063W      | 1   |         |
| R2384-87 | ERJ2GEOR00  | M 0.0 OHM, J,0.063W     | 4   |         |
| R3064,65 | ERJ3GEYJ101 | M 100 OHM, J,1/16W      | 2   |         |
| R3068,69 | ERJ3GEYJ184 | M 180KOHM, J,1/16W      | 2   |         |
| R3070    | ERJ2GEJ103  | M 10KOHM, J,0.063W      | 1   |         |
| R3071,72 | ERJ6GEYJ182 | M 1.8KOHM, J,1/10W      | 2   |         |
| R3073    | ERJ2GEJ224X | M 220KOHM, J,0.063W     | 1   |         |
| R3074,75 | ERJ3GEYJ103 | M 10KOHM, J,1/16W       | 2   |         |
| R3076    | ERJ2GEJ102  | M 1KOHM, J,0.063W       | 1   |         |
| R3078    | ERJ2GEJ102  | M 1KOHM, J,0.063W       | 1   |         |
| R3080    | ERJ2GEJ102  | M 1KOHM, J,0.063W       | 1   |         |
| R3082    | ERJ2GEJ102  | M 1KOHM, J,0.063W       | 1   |         |
| R3084    | ERJ2GEJ102  | M 1KOHM, J,0.063W       | 1   |         |
| R3086    | ERJ3GEYJ184 | M 180KOHM, J,1/16W      | 1   |         |
| R3087-95 | ERJ2GEJ102  | M 1KOHM, J,0.063W       | 9   |         |
| R3096    | ERJ2GEJ220  | M 22 OHM, J,0.063W      | 1   |         |
| R3100    | ERJ2GEJ220  | M 22 OHM, J,0.063W      | 1   |         |
| R3101,02 | ERJ2GEJ221  | M 220 OHM, J,0.063W     | 2   |         |
| R3105-08 | ERJ2GEJ221  | M 220 OHM, J,0.063W     | 4   |         |
| R3109    | ERJ2GEOR00  | M 0.0 OHM, J,0.063W     | 1   |         |
| R3111    | ERJ2GEJ221  | M 220 OHM, J,0.063W     | 1   |         |
| R3112    | ERJ3GEYJ561 | M 560 OHM, J,1/16W      | 1   |         |
| R3113    | ERJ2GEJ221  | M 220 OHM, J,0.063W     | 1   |         |
| R3114    | ERJ2GEOR00  | M 0.0 OHM, J,0.063W     | 1   |         |
| R3115    | ERJ2GEJ221  | M 220 OHM, J,0.063W     | 1   |         |
| R3117    | ERJ2GEJ221  | M 220 OHM, J,0.063W     | 1   |         |
| R3118    | ERJ3GEYJ561 | M 560 OHM, J,1/16W      | 1   |         |
| R3119-21 | ERJ2GEOR00  | M 0.0 OHM, J,0.063W     | 3   |         |
| R3125    | ERJ3GEYJ184 | M 180KOHM, J,1/16W      | 1   |         |
| R3127    | ERJ2GEJ102  | M 1KOHM, J,0.063W       | 1   |         |
| R3128    | ERJ3EKF1582 | M15.8KOHM, 1/16W        | 1   |         |
| R3129    | ERJ3EKF3161 | M3.16KOHM, 1/16W        | 1   |         |
| R3130    | ERJ3EKF1582 | M15.8KOHM, 1/16W        | 1   |         |
| R3131    | ERJ3EKF3161 | M3.16KOHM, 1/16W        | 1   |         |
| R3136,37 | ERJ3GEYJ184 | M 180KOHM, J,1/16W      | 2   |         |
| R3138    | ERJ2GEJ473  | M 47KOHM, J,0.063W      | 1   |         |
| R3140    | ERJ2GEJ105  | M 1MOHM, J,0.063W       | 1   |         |
| R3144,45 | ERJ6ENF75R0 | M 75 OHM, 1/10W         | 2   |         |
| R3150-52 | ERJ6ENF75R0 | M 75 OHM, 1/10W         | 3   |         |
| R3158-60 | ERJ6ENF75R0 | M 75 OHM, 1/10W         | 3   |         |
| R3161    | ERJ2GEJ274  | M 270KOHM, J,0.063W     | 1   |         |
| R3162,63 | ERJ2GEJ101  | M 100 OHM, J,0.063W     | 2   |         |

| Ref. No. | Part No.    | Part Name & Description | Pcs | Remarks |
|----------|-------------|-------------------------|-----|---------|
| R3166    | ERJ3EKF2200 | M 220 OHM, 1/16W        | 1   |         |
| R3167    | ERJ3EKF6801 | M 6.8KOHM, 1/16W        | 1   |         |
| R3168    | ERJ3EKF2200 | M 220 OHM, 1/16W        | 1   |         |
| R3169    | ERJ3EKF6801 | M 6.8KOHM, 1/16W        | 1   |         |
| R3170    | ERJ3GEYJ102 | M 1KOHM, J,1/16W        | 1   |         |
| R3172    | ERJ3GEYJ331 | M 330 OHM, J,1/16W      | 1   |         |
| R3173    | ERJ3GEYJ102 | M 1KOHM, J,1/16W        | 1   |         |
| R3175    | ERJ3GEYJ331 | M 330 OHM, J,1/16W      | 1   |         |
| R3176,77 | ERJ3GEYJ184 | M 180KOHM, J,1/16W      | 2   |         |
| R3178    | ERJ6ENF75R0 | M 75 OHM, 1/10W         | 1   |         |
| R3815    | ERJ3EKF3161 | M3.16KOHM, 1/16W        | 1   |         |
| R3816    | ERJ3EKF2321 | M2.32KOHM, 1/16W        | 1   |         |
| R3817    | ERJ3EKF1621 | M1.62KOHM, 1/16W        | 1   |         |
| R3818    | ERJ3EKF1741 | M 17.4 OHM, 1/16W       | 1   |         |
| R3821    | ERJ3GEYOR00 | M 0 OHM, 1/16W          | 1   |         |
| R4004,05 | EXB2HVR000  | RESISTOR ARRAY          | 2   |         |
| R4009-12 | ERJ2GEOR00  | M 0.0 OHM, J,0.063W     | 4   |         |
| R4038    | ERJ3GEYJ221 | M 220 OHM, J,1/16W      | 1   |         |
| R4041,42 | ERJ3GEYJ221 | M 220 OHM, J,1/16W      | 2   |         |
| R4043-45 | ERJ3EKF1001 | M 1KOHM, 1/16W          | 3   |         |
| R4046    | ERJ3EKF2700 | M 270 OHM, 1/16W        | 1   |         |
| R4047    | ERJ3EKF2200 | M 220 OHM, 1/16W        | 1   |         |
| R4048    | ERJ3EKF2700 | M 270 OHM, 1/16W        | 1   |         |
| R4049,50 | ERJ3EKF8200 | M 820 OHM, 1/16W        | 2   |         |
| R4051    | ERJ3EKF2700 | M 270 OHM, 1/16W        | 1   |         |
| R4052-54 | ERJ6GEYJ102 | M 1KOHM, J,1/10W        | 3   |         |
| R4055-57 | ERJ2GEJ330  | M 33 OHM, J,0.063W      | 3   |         |
| R4058    | ERJ6GEYJ331 | M 330 OHM, J,1/10W      | 1   |         |
| R4059    | ERJ6GEYJ471 | M 470 OHM, J,1/10W      | 1   |         |
| R4060    | ERJ2GEOR00  | M 0.0 OHM, J,0.063W     | 1   |         |
| R4061    | ERJ6GEYJ471 | M 470 OHM, J,1/10W      | 1   |         |
| R4062-64 | ERJ2GEOR00  | M 0.0 OHM, J,0.063W     | 3   |         |
| R4065    | ERJ2GEJ102  | M 1KOHM, J,0.063W       | 1   |         |
| R4066    | ERJ2GEOR00  | M 0.0 OHM, J,0.063W     | 1   |         |
| R4067    | ERJ3EKF4700 | M 470 OHM, 1/16W        | 1   |         |
| R4068-70 | ERJ2GEOR00  | M 0.0 OHM, J,0.063W     | 3   |         |
| R4071,72 | ERJ3EKF1401 | M 1.4KOHM, 1/16W        | 2   |         |
| R4073,74 | ERJ3EKF1001 | M 1KOHM, 1/16W          | 2   |         |
| R4075-80 | ERJ3EKF33R0 | M 33 OHM, 1/16W         | 6   |         |
| R4081    | ERJ3EKF2701 | M 2.7KOHM, 1/16W        | 1   |         |
| R4082    | ERJ3EKF4700 | M 470 OHM, 1/16W        | 1   |         |
| R4083    | ERJ3EKF2701 | M 2.7KOHM, 1/16W        | 1   |         |
| R4084-86 | ERJ3EKF1500 | M 150 OHM, 1/16W        | 3   |         |
| R4087    | ERJ2GEJ101  | M 100 OHM, J,0.063W     | 1   |         |
| R4088    | ERJ2GEJ152  | M 1.5KOHM, J,0.063W     | 1   |         |
| R4089    | ERJ2GEJ220  | M 22 OHM, J,0.063W      | 1   |         |
| R4090    | ERJ2GEJ272  | M 2.7KOHM, J,0.063W     | 1   |         |
| R4091    | ERJ2GEJ220  | M 22 OHM, J,0.063W      | 1   |         |
| R4092    | EXB38V560J  | RESISTOR ARRAY          | 1   |         |
| R4093    | ERJ2GEOR00  | M 0.0 OHM, J,0.063W     | 1   |         |
| R4094,95 | EXB38V560J  | RESISTOR ARRAY          | 2   |         |
| R4096-98 | ERJ2GEJ560  | M 56 OHM, J,0.063W      | 3   |         |
| R4099,00 | ERJ2GEJ390  | M 39 OHM, J,0.063W      | 2   |         |
| R4101,02 | ERJ2GEJ560  | M 56 OHM, J,0.063W      | 2   |         |

| Ref. No. | Part No.     | Part Name & Description | Pcs | Remarks |
|----------|--------------|-------------------------|-----|---------|
| R4103    | D1HG5608A002 | NETWORK RESISTER        | 1   |         |
| R4106,07 | D1HG5608A002 | NETWORK RESISTER        | 2   |         |
| R4108,09 | ERJ2GEJ220   | M 22 OHM, J,0.063W      | 2   |         |
| R4111    | ERJ2GEJ560   | M 56 OHM, J,0.063W      | 1   |         |
| R4113    | EXB2HV680J   | RESISTOR ARRAY          | 1   |         |
| R4114    | ERJ2GEJ333   | M 33KOHM, J,0.063W      | 1   |         |
| R4115    | ERJ2GEJ103   | M 10KOHM, J,0.063W      | 1   |         |
| R4116    | ERJ2GEJ220   | M 22 OHM, J,0.063W      | 1   |         |
| R4118    | EXB2HV680J   | RESISTOR ARRAY          | 1   |         |
| R4119    | ERJ2GEJ103   | M 10KOHM, J,0.063W      | 1   |         |
| R4121    | ERJ3GEYJ102  | M 1KOHM, J,1/16W        | 1   |         |
| R4122    | ERJ2GEJ220   | M 22 OHM, J,0.063W      | 1   |         |
| R4123    | ERJ2GEJ103   | M 10KOHM, J,0.063W      | 1   |         |
| R4125    | EXB38V680J   | RESISTOR ARRAY          | 1   |         |
| R4126    | ERJ2GE0R00   | M 0.0 OHM, J,0.063W     | 1   |         |
| R4127    | EXB38V680J   | RESISTOR ARRAY          | 1   |         |
| R4130,31 | ERJ3EKF1001  | M 1KOHM, 1/16W          | 2   |         |
| R4132    | ERJ3EKF3301  | M 3.3KOHM, 1/16W        | 1   |         |
| R4134    | ERJ2GEJ220   | M 22 OHM, J,0.063W      | 1   |         |
| R4135    | ERJ2GEJ560   | M 56 OHM, J,0.063W      | 1   |         |
| R4136    | ERJ2GE0R00   | M 0.0 OHM, J,0.063W     | 1   |         |
| R4137    | ERJ2GEJ333   | M 33KOHM, J,0.063W      | 1   |         |
| R4138    | ERJ2GEJ103   | M 10KOHM, J,0.063W      | 1   |         |
| R4140    | ERJ2GE0R00   | M 0.0 OHM, J,0.063W     | 1   |         |
| R4141    | ERJ2GEJ104   | M 100KOHM, J,0.063W     | 1   |         |
| R4142    | ERJ2GEJ471   | M 470 OHM, J,0.063W     | 1   |         |
| R4143    | ERJ2GEJ222   | M 2.2KOHM, J,0.063W     | 1   |         |
| R4144    | ERJ3EKF1101  | M 1.1KOHM, 1/16W        | 1   |         |
| R4145    | ERJ3EKF2201  | M 2.2KOHM, 1/16W        | 1   |         |
| R4146    | ERJ3EKF2701  | M 2.7KOHM, 1/16W        | 1   |         |
| R4147,48 | ERJ3EKF75R0  | M 0.75HM, 1/16W         | 2   |         |
| R4149    | ERJ3EKF3900  | M 390 OHM, 1/16W        | 1   |         |
| R4150    | ERJ3EKF1502  | M 15KOHM, 1/16W         | 1   |         |
| R4151    | ERJ3EKF1101  | M 1.1KOHM, 1/16W        | 1   |         |
| R4152    | ERJ3EKF2201  | M 2.2KOHM, 1/16W        | 1   |         |
| R4153,54 | ERJ3EKF75R0  | M 0.75HM, 1/16W         | 2   |         |
| R4155,56 | ERJ3EKF2701  | M 2.7KOHM, 1/16W        | 2   |         |
| R4157    | ERJ3EKF2201  | M 2.2KOHM, 1/16W        | 1   |         |
| R4158    | ERJ3EKF1101  | M 1.1KOHM, 1/16W        | 1   |         |
| R4159    | ERJ3EKF1500  | M 150 OHM, 1/16W        | 1   |         |
| R4160    | ERJ2GEJ331   | M 330 OHM, J,0.063W     | 1   |         |
| R4161,62 | ERJ2GE0R00   | M 0.0 OHM, J,0.063W     | 2   |         |
| R4163    | ERJ2GEJ821   | M 820 OHM, J,0.063W     | 1   |         |
| R4164    | ERJ2GEJ681   | M 680 OHM, J,0.063W     | 1   |         |
| R4165    | ERJ3EKF1000  | M 100 OHM, 1/16W        | 1   |         |
| R4166    | ERJ2GEJ331   | M 330 OHM, J,0.063W     | 1   |         |
| R4167    | ERJ2GEJ330   | M 33 OHM, J,0.063W      | 1   |         |
| R4168    | ERJ2GE0R00   | M 0.0 OHM, J,0.063W     | 1   |         |
| R4169    | ERJ3GEY0R00  | M 0 OHM, 1/16W          | 1   |         |
| R4170,71 | ERJ2GE0R00   | M 0.0 OHM, J,0.063W     | 2   |         |
| R4175    | ERJ2GEJ471   | M 470 OHM, J,0.063W     | 1   |         |
| R4176    | ERJ2GEJ101   | M 100 OHM, J,0.063W     | 1   |         |
| R4177    | ERJ2GEJ220   | M 22 OHM, J,0.063W      | 1   |         |
| R4178,79 | D1HG5608A002 | NETWORK RESISTER        | 2   |         |

| Ref. No. | Part No.     | Part Name & Description | Pcs | Remarks |
|----------|--------------|-------------------------|-----|---------|
| R4180    | ERJ2GE0R00   | M 0.0 OHM, J,0.063W     | 1   |         |
| R4181    | D1HG5608A002 | NETWORK RESISTER        | 1   |         |
| R4182    | ERJ2GE0R00   | M 0.0 OHM, J,0.063W     | 1   |         |
| R4184-88 | ERJ2GE0R00   | M 0.0 OHM, J,0.063W     | 5   |         |
| R4189-91 | D1HG5608A002 | NETWORK RESISTER        | 3   |         |
| R4198-00 | ERJ2GE0R00   | M 0.0 OHM, J,0.063W     | 3   |         |
| R4203    | ERJ2GEJ333   | M 33KOHM, J,0.063W      | 1   |         |
| R4204    | ERJ2GEJ183   | M 18KOHM, J,0.063W      | 1   |         |
| R4205    | ERJ2GEJ563   | M 56KOHM, J,0.063W      | 1   |         |
| R4206    | ERJ2GE0R00   | M 0.0 OHM, J,0.063W     | 1   |         |
| R4209,10 | ERJ2GE0R00   | M 0.0 OHM, J,0.063W     | 2   |         |
| R4211    | ERJ2GEJ102   | M 1KOHM, J,0.063W       | 1   |         |
| R4212    | ERJ2GE0R00   | M 0.0 OHM, J,0.063W     | 1   |         |
| R4214    | ERJ2GEJ333   | M 33KOHM, J,0.063W      | 1   |         |
| R4215    | ERJ2GE0R00   | M 0.0 OHM, J,0.063W     | 1   |         |
| R4218    | ERJ2GEJ154   | M 150KOHM, J,0.063W     | 1   |         |
| R4219    | ERJ3GEY0R00  | M 0 OHM, 1/16W          | 1   |         |
| R4220    | ERJ3EKF4642  | M46.4KOHM, 1/16W        | 1   |         |
| R4221    | ERJ3EKF7152  | M71.5KOHM, 1/16W        | 1   |         |
| R4222    | ERJ2GEJ822   | M 8.2KOHM, J,0.063W     | 1   |         |
| R4223    | ERJ2GEJ103   | M 10KOHM, J,0.063W      | 1   |         |
| R4224    | ERJ3EKF5602  | M 56KOHM, 1/16W         | 1   |         |
| R4225    | ERJ3GEY0R00  | M 0 OHM, 1/16W          | 1   |         |
| R4226    | ERJ2GEJ154   | M 150KOHM, J,0.063W     | 1   |         |
| R4227    | ERJ2GEJ563   | M 56KOHM, J,0.063W      | 1   |         |
| R4228    | ERJ2GEJ103   | M 10KOHM, J,0.063W      | 1   |         |
| R4229    | ERJ3EKF6802  | M 68KOHM, 1/16W         | 1   |         |
| R4232,33 | ERJ3GEYJ100  | M 10 OHM, J,1/16W       | 2   |         |
| R4234    | ERJ2GEJ100   | M 10 OHM, J,0.063W      | 1   |         |
| R4235    | ERJ3GEYJ100  | M 10 OHM, J,1/16W       | 1   |         |
| R4271    | ERJ2GEJ560   | M 56 OHM, J,0.063W      | 1   |         |
| R4272    | ERJ2GEJ221   | M 220 OHM, J,0.063W     | 1   |         |
| R4273    | ERJ3GEYJ241  | M 240 OHM, J,1/16W      | 1   |         |
| R4274    | ERJ2GEJ471   | M 470 OHM, J,0.063W     | 1   |         |
| R4275    | ERJ2GEJ103   | M 10KOHM, J,0.063W      | 1   |         |
| R4276    | ERJ2GEJ123X  | M 12KOHM, J,0.063W      | 1   |         |
| R4277,78 | ERJ2GEJ102   | M 1KOHM, J,0.063W       | 2   |         |
| R4280-82 | ERJ2GE0R00   | M 0.0 OHM, J,0.063W     | 3   |         |
| R4292    | ERJ3GEY0R00  | M 0 OHM, 1/16W          | 1   |         |
| R4293    | ERJ2GEJ102   | M 1KOHM, J,0.063W       | 1   |         |
| R4294    | ERJ2GEJ105   | M 1MOHM, J,0.063W       | 1   |         |
| R4295,96 | ERJ2GEJ220   | M 22 OHM, J,0.063W      | 2   |         |
| R4299    | ERJ2GEJ103   | M 10KOHM, J,0.063W      | 1   |         |
| R4300    | ERJ2GEJ472   | M 4.7KOHM, J,0.063W     | 1   |         |
| R4301    | ERJ2GEJ104   | M 100KOHM, J,0.063W     | 1   |         |
| R4302    | ERJ2GE0R00   | M 0.0 OHM, J,0.063W     | 1   |         |
| R4303    | ERJ2GEJ103   | M 10KOHM, J,0.063W      | 1   |         |
| R4304,05 | ERJ3EKF4702  | M 47KOHM, 1/16W         | 2   |         |
| R4306    | ERJ2GEJ104   | M 100KOHM, J,0.063W     | 1   |         |
| R4307    | ERJ3EKF6802  | M 68KOHM, 1/16W         | 1   |         |
| R4308    | ERJ2GE0R00   | M 0.0 OHM, J,0.063W     | 1   |         |
| R4309    | ERJ2GEJ103   | M 10KOHM, J,0.063W      | 1   |         |
| R4310    | ERJ3EKF4702  | M 47KOHM, 1/16W         | 1   |         |

| Ref. No.  | Part No.     | Part Name & Description | Pcs | Remarks             |
|-----------|--------------|-------------------------|-----|---------------------|
| R4311     | ERJ2GEJ751   | M 750 OHM, J,0.063W     | 1   |                     |
| R4313,14  | ERJ2GEJ104   | M 100KOHM, J,0.063W     | 2   |                     |
| R4321-24  | ERJ2GEJ104   | M 100KOHM, J,0.063W     | 4   |                     |
| R4329,30  | ERJ2GEJ103   | M 10KOHM, J,0.063W      | 2   |                     |
| R4376,77  | ERJ3GEYJ100  | M 10 OHM, J,1/16W       | 2   |                     |
| R4378     | ERJ2GEJ100   | M 10 OHM, J,0.063W      | 1   |                     |
| R4386-97  | ERJ3GEYJ100  | M 10 OHM, J,1/16W       | 12  |                     |
| R4400     | ERJ3GEYJ101  | M 100 OHM, J,1/16W      | 1   |                     |
| R4401     | ERJ3EKF4700  | M 470 OHM, 1/16W        | 1   |                     |
| R4402     | ERJ3GEYJ103  | M 10KOHM, J,1/16W       | 1   |                     |
| R4403     | ERJ3EKF1101  | M 1.1KOHM, 1/16W        | 1   |                     |
| R4404     | ERJ3GEYJ221  | M 220 OHM, J,1/16W      | 1   |                     |
| R4405     | ERJ2GEJ471   | M 470 OHM, J,0.063W     | 1   |                     |
| R4406,07  | ERJ3GEYJ102  | M 1KOHM, J,1/16W        | 2   |                     |
| R4408     | ERJ2GEJ561   | M 60 OHM, J,0.063W      | 1   |                     |
| R4409     | ERJ3GEYJ825  | M 8.2MOHM, J,1/16W      | 1   |                     |
| R4410-12  | ERJ3GEY0R00  | M 0 OHM, 1/16W          | 3   |                     |
| R4415,16  | ERJ3GEY0R00  | M 0 OHM, 1/16W          | 2   |                     |
| R4421     | ERJ3GEY0R00  | M 0 OHM, 1/16W          | 1   |                     |
| R4422     | ERJ2GE0R00   | M 0.0 OHM, J,0.063W     | 1   |                     |
| R4424     | ERJ3GEY0R00  | M 0 OHM, 1/16W          | 1   |                     |
| R4425     | ERJ2GE0R00   | M 0.0 OHM, J,0.063W     | 1   |                     |
| R4426,27  | ERJ2GEJ102   | M 1KOHM, J,0.063W       | 2   |                     |
| R4428     | ERJ2GEJ103   | M 10KOHM, J,0.063W      | 1   |                     |
| R4429     | ERJ2GEJ473   | M 47KOHM, J,0.063W      | 1   |                     |
| R4430     | ERJ2GEJ222   | M 2.2KOHM, J,0.063W     | 1   |                     |
| R4431     | ERJ2GEJ223   | M 22KOHM, J,0.063W      | 1   |                     |
|           |              |                         |     |                     |
| RM1001    | PNA4701M05TV | REMOCO RECEIVER         | 1   |                     |
|           |              |                         |     |                     |
| RTL       | N0AB3GH00001 | POWER UNIT              | 1   | △                   |
| RTL       | TXN/A10LFM   | CIRCUIT BOARD A         | 1   | TC-19LE50/LX50<br>△ |
| RTL       | TXN/A10LEM   | CIRCUIT BOARD A         | 1   | TC-23LE50/LX50<br>△ |
| RTL       | TNPA3525AB   | CIRCUIT BOARD AP        | 1   | △                   |
| RTL       | TNPA3526AB   | CIRCUIT BOARD K         | 1   | △                   |
| RTL       | TNPA3527AB   | CIRCUIT BOARD V         | 1   | △                   |
|           |              |                         |     |                     |
| SN1001    | B3L000000020 | IC                      | 1   |                     |
|           |              |                         |     |                     |
| SW3803-07 | EVQPC105K    | SWITCH                  | 5   |                     |
| SW3808    | K0F162B00002 | SWITCH                  | 1   |                     |
|           |              |                         |     |                     |
| TU001A    | ENG36A16GF   | TUNER                   | 1   | △                   |
|           |              |                         |     |                     |
| V1        | TJS6A9380    | 16P CONNECTOR           | 1   |                     |
| V2        | K1KA04A00195 | 4P CONNECTOR            | 1   |                     |
|           |              |                         |     |                     |
| X1102     | H0J400400017 | CRYSTAL                 | 1   |                     |
| X4001     | H0J202500011 | CRYSTAL                 | 1   |                     |
|           |              |                         |     |                     |
| ZA851,52  | K9ZZ00000424 | CONNECTOR               | 2   |                     |
| ZA4001-08 | TESA169      | SHIELD CLIP             | 8   |                     |
| ZA4020    | K4CD01000002 | TERMINAL                | 1   |                     |
| ZA4023    | K4CD01000002 | TERMINAL                | 1   |                     |
| ZA4027    | K4CD01000002 | TERMINAL                | 1   |                     |
| ZA4030    | TESA169      | SHIELD CLIP             | 1   |                     |

| Ref. No. | Part No. | Part Name & Description | Pcs | Remarks |
|----------|----------|-------------------------|-----|---------|
|          |          |                         |     |         |