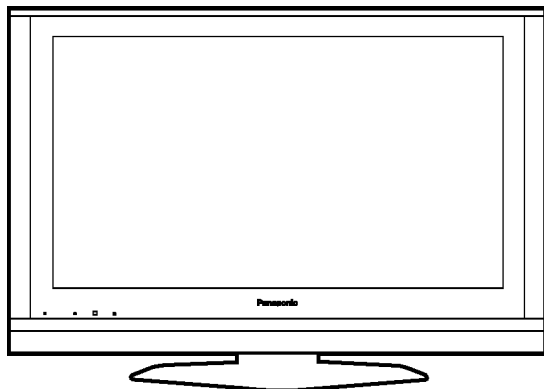


Service Manual

32" DIAGONAL LCD TV



TC-32LX700

LH65 Chassis

Specifications

Power Source	AC 110-127 V, 60 Hz	
Power Consumption		
Average use	138 W	
Maximum Current	1.5 A	
Standby condition	0.1W	
Aspect Ratio	16 : 9	
Visible screen size	31.5" DIAGONAL (80.0 cm DIAGONAL)	
(W × H × Diagonal)	27.5" × 15.4" × 31.5" (698 mm × 392 mm × 800 mm)	
(No. of pixels)	1,049,088 (1,366 (W) × 768(H)) [4,098 × 768 dots]	
Sound		
Speaker	2 way 4 speakers	
Audio Output	20 W [(7.5 W + 2.5 W) × 2] (10 % THD)	
Headphones	M3 (3.5mm) Jack × 1	
Channel Capability -	VHF/UHF: 2 - 69, CATV: 1 - 135	
ATSC/NTSC(Digital/Analog)		
Operating Conditions	Temperature: 32 °F - 95 °F (0 °C - 35 °C)	
	Humidity : 20 % - 80 % RH (non-condensing)	
Connection Terminals		
INPUT 1-2	VIDEO:	RCA PIN Type × 1 1.0 V [p-p] (75 ohm)
	S-VIDEO:	Mini DIN 4-pin Y: 1.0 V [p-p] (75 ohm) C: 0.286 V [p-p] (75 ohm)
	AUDIO L-R:	RCA PIN Type × 2 0.5 V [rms]
INPUT 3	VIDEO:	RCA PIN Type × 1 1.0 V [p-p] (75 ohm)
	AUDIO L-R:	RCA PIN Type × 2 0.5 V [rms]
COMPONENT VIDEO	Y:	1.0 V [p-p] (including synchronization)
INPUT	P _B , P _R :	± 0.35 V [p-p]
	AUDIO L-R:	RCA PIN Type × 2 0.5 V [rms]
HDMI 1-2 AUDIO IN	TYPE A Connector × 2	
	AUDIO L-R:	RCA PIN Type × 2 0.5 V [rms]

Card slot	SD CARD slot × 1
OUTPUT	VIDEO: RCA PIN Type × 1 1.0 V [p-p] (75 ohm) AUDIO L-R: RCA PIN Type × 2 0.5 V [rms]
DIGITAL AUDIO OUT	PCM/Dolby Digital, Fiber Optic
FEATURES	3D Y/C Digital Comb Filter, CLOSED CAPTION, V-Chip HDMI (HDAVI Control 2) Vesa compatible Photo Viewer
Dimensions (W × H × D)	
Including TV stand	32.9 " × 23.3 " × 9.8 " (836 mm × 592 mm × 248 mm)
TV Set only	32.9 " × 21.3 " × 4.2 " (836 mm × 540 mm × 106.8 mm)
Weight	40.0 lb. (18.0kg) NET

Note:

Design and Specifications are subject change without notice. Weight and Dimensions shown are approximate.

WARNING

This service information is designed for experienced repair technicians only and is not designed for use by the general public. It does not contain warnings or cautions to advise non-technical individuals of potential dangers in attempting to service a product. Products powered by electricity should be serviced or repaired only by experienced professional technicians. Any attempt to service or repair the product or products dealt with in this service information by anyone else could result in serious injury or death.

CONTENTS

	Page		Page
1 Applicable signals	4	9 EMI Processing	18
2 Safety Precautions	5	9.1. EMI (1)	18
2.1. General Guidelines	5	9.2. EMI (2)	19
3 Prevention of Electro Static Discharge (ESD) to Electrostatically Sensitive (ES) Devices	6	10 Self-check Function	20
4 About lead free solder (PbF)	7	10.1. Check of the IIC bus lines	20
5 Chassis Board Layout	8	10.2. Power LED Blinking timing chart	21
6 Disassembly for Service	9	10.3. No Power	22
6.1. Pedestal assy	9	11 Service Mode	23
6.2. Rear cover	9	11.1. How to enter into Service Mode	23
6.3. VESA metal	9	11.2. SRV-TOOL	24
6.4. AC cord	9	12 Adjustment	25
6.5. Tuner cover	10	12.1. Voltage chart of AP-board	25
6.6. Power button bracket	10	12.2. Voltage chart of P-board	25
6.7. Control panel assy	10	12.3. Voltage chart of A-board	25
6.8. G-Board and GS-Board	10	12.4. Picture level adjustment (RF)	25
6.9. Side AV bracket	11	13 Hotel mode	26
6.10. AP-Board	11	14 Conductor Views	27
6.11. P-Board	11	14.1. P-Board	27
6.12. DT-Board	11	14.2. AP-Board	28
6.13. A-Board and DT-Board metal	12	14.3. A-Board	30
6.14. Chassis	12	14.4. DT-Board	33
6.15. LCD MTG (bottom)	12	14.5. G, GS and V-Board	34
6.16. Speaker assy	13	15 Schematic and Block Diagram	35
6.17. Squawker speaker	13	15.1. Schematic Diagram Notes	35
6.18. V-Board	13	15.2. Block Diagram (1 of 2)	36
6.19. LCD panel	14	15.3. Block Diagram (2 of 2)	37
7 Caution statement	15	15.4. Interconnection Schematic Diagram	38
7.1. Caution statement.	15	15.5. G, GS, P and V-Board Schematic Diagram	39
8 Location of Lead Wiring	16	15.6. AP-Board (1 of 2) Schematic Diagram	40
8.1. Lead of Wiring (1)	16	15.7. AP-Board (2 of 2) Schematic Diagram	41
8.2. Lead of Wiring (2)	17	15.8. A-Board (1 of 13) Schematic Diagram	42
		15.9. A-Board (2 of 13) Schematic Diagram	43

15.10. A-Board (3 of 13) Schematic Diagram	44	15.19. A-Board (12 of 13) Schematic Diagram	53
15.11. A-Board (4 of 13) Schematic Diagram	45	15.20. A-Board (13 of 13) Schematic Diagram	54
15.12. A-Board (5 of 13) Schematic Diagram	46	15.21. DT-Board Schematic Diagram	55
15.13. A-Board (6 of 13) Schematic Diagram	47	16 Exploded View and Replacement Parts List	57
15.14. A-Board (7 of 13) Schematic Diagram	48	16.1. Exploded View	57
15.15. A-Board (8 of 13) Schematic Diagram	49	16.2. Replacement Parts List Notes	58
15.16. A-Board (9 of 13) Schematic Diagram	50	16.3. Mechanical Replacement Parts List	59
15.17. A-Board (10 of 13) Schematic Diagram	51	16.4. Electrical Replacement Parts List	60
15.18. A-Board (11 of 13) Schematic Diagram	52		

1 Applicable signals

* Mark: Applicable input signal for Component (Y, P_B, P_R) and HDMI

	horizontal frequency (kHz)	vertical frequency (kHz)	COMPONENT	HDMI
525 (480) / 60i	15.73	59.94	*	*
525 (480) /60p	31.47	59.94	*	*
750 (720) /60p	45.00	59.94	*	*
1,125 (1,080) /60i	33.75	59.94	*	*
1,125 (1,080)/60p	67.43	59.94		*
1,125 (1,080)/60p	67.50	60.00		*

Note:

- Signals other than those shown above may not be displayed properly.
- The above signals are reformatted for optimal viewing on your display.

2 Safety Precautions

2.1. General Guidelines

1. When servicing, observe the original lead dress. If a short circuit is found, replace all parts which have been overheated or damaged by the short circuit.
2. After servicing, see to it that all the protective devices such as insulation barriers, insulation papers shields are properly installed.
3. After servicing, make the following leakage current checks to prevent the customer from being exposed to shock hazards.

2.1.1. Leakage Current Cold Check

1. Unplug the AC cord and connect a jumper between the two prongs on the plug.
2. Measure the resistance value, with an ohmmeter, between the jumpered AC plug and each exposed metallic cabinet part on the equipment such as screwheads, connectors, control shafts, etc. When the exposed metallic part has a return path to the chassis, the reading should be between 7.3 Mohm and 9.0 Mohm.

When the exposed metal does not have a return path to the chassis, the reading must be ∞ .

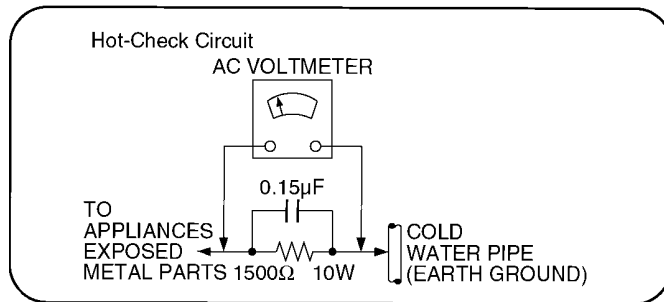


Figure 1

2.1.2. Leakage Current Hot Check (See Figure 1.)

1. Plug the AC cord directly into the AC outlet. Do not use an isolation transformer for this check.
2. Connect a 1.5kohm, 10 watts resistor, in parallel with a 0.15µF capacitors, between each exposed metallic part on the set and a good earth ground such as a water pipe, as shown in Figure 1.
3. Use an AC voltmeter, with 1000 ohms/volt or more sensitivity, to measure the potential across the resistor.
4. Check each exposed metallic part, and measure the voltage at each point.
5. Reverse the AC plug in the AC outlet and repeat each of the above measurements.
6. The potential at any point should not exceed 0.75 volts RMS. A leakage current tester (Simpson Model 229 or equivalent) may be used to make the hot checks, leakage current must not exceed 1/2 milliamp. In case a measurement is outside of the limits specified, there is a possibility of a shock hazard, and the equipment should be repaired and rechecked before it is returned to the customer.

3 Prevention of Electro Static Discharge (ESD) to Electrostatically Sensitive (ES) Devices

Some semiconductor (solid state) devices can be damaged easily by static electricity. Such components commonly are called Electrostatically Sensitive (ES) Devices. Examples of typical ES devices are integrated circuits and some field-effect transistors and semiconductor "chip" components. The following techniques should be used to help reduce the incidence of component damage caused by electro static discharge (ESD).

1. Immediately before handling any semiconductor component or semiconductor-equipped assembly, drain off any ESD on your body by touching a known earth ground. Alternatively, obtain and wear a commercially available discharging ESD wrist strap, which should be removed for potential shock reasons prior to applying power to the unit under test.
2. After removing an electrical assembly equipped with ES devices, place the assembly on a conductive surface such as aluminum foil, to prevent electrostatic charge buildup or exposure of the assembly.
3. Use only a grounded-tip soldering iron to solder or unsolder ES devices.
4. Use only an anti-static solder removal device. Some solder removal devices not classified as "anti-static (ESD protected)" can generate electrical charge sufficient to damage ES devices.
5. Do not use freon-propelled chemicals. These can generate electrical charges sufficient to damage ES devices.
6. Do not remove a replacement ES device from its protective package until immediately before you are ready to install it. (Most replacement ES devices are packaged with leads electrically shorted together by conductive foam, aluminum foil or comparable conductive material).
7. Immediately before removing the protective material from the leads of a replacement ES device, touch the protective material to the chassis or circuit assembly into which the device will be installed.

Caution

Be sure no power is applied to the chassis or circuit, and observe all other safety precautions.

8. Minimize bodily motions when handling unpackaged replacement ES devices. (Otherwise harmless motion such as the brushing together of your clothes fabric or the lifting of your foot from a carpeted floor can generate static electricity (ESD) sufficient to damage an ES device).

IMPORTANT SAFETY NOTICE

There are special components used in this equipment which are important for safety. These parts are marked by Δ in the schematic diagrams, Exploded Views and replacement parts list. It is essential that these critical parts should be replaced with manufacturer's specified parts to prevent shock, fire, or other hazards. Do not modify the original design without permission of manufacturer.

4 About lead free solder (PbF)

Note: Lead is listed as (Pb) in the periodic table of elements.

In the information below, Pb will refer to Lead solder, and PbF will refer to Lead Free Solder.

The Lead Free Solder used in our manufacturing process and discussed below is (Sn+Ag+Cu).

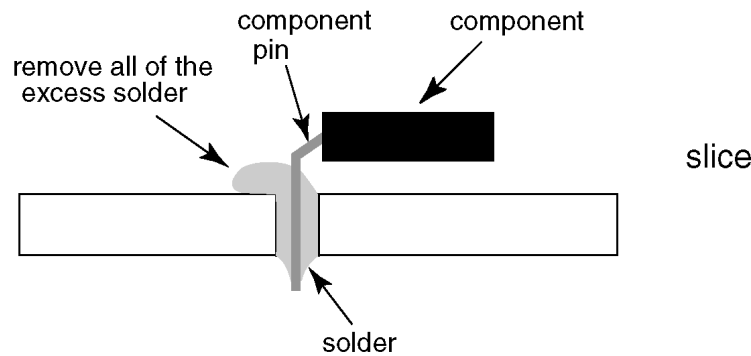
That is Tin (Sn), Silver (Ag) and Copper (Cu) although other types are available.

This model uses Pb Free solder in it's manufacture due to environmental conservation issues. For service and repair work, we'd suggest the use of Pb free solder as well, although Pb solder may be used.

PCBs manufactured using lead free solder will have the PbF within a leaf Symbol **PbF** stamped on the back of PCB.

Caution

- Pb free solder has a higher melting point than standard solder. Typically the melting point is 50 ~ 70 °F (30~40 °C) higher. Please use a high temperature soldering iron and set it to 700 ± 20 °F (370 ± 10 °C).
- Pb free solder will tend to splash when heated too high (about 1100 °F or 600 °C).
If you must use Pb solder, please completely remove all of the Pb free solder on the pins or solder area before applying Pb solder. If this is not practical, be sure to heat the Pb free solder until it melts, before applying Pb solder.
- After applying PbF solder to double layered boards, please check the component side for excess solder which may flow onto the opposite side. (see figure below)

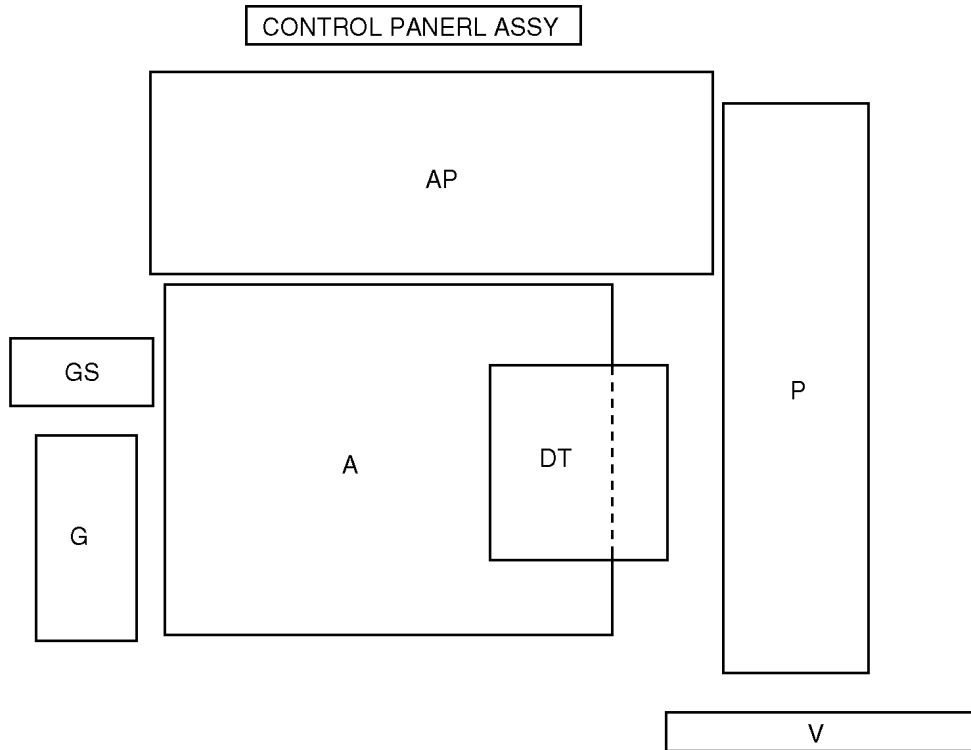


Suggested Pb free solder

There are several kinds of Pb free solder available for purchase. This product uses Sn+Ag+Cu (tin, silver, copper) solder. However, Sn+Cu (tin, copper), Sn+Zn+Bi (tin, zinc, bismuth) solder can also be used.

0.3mm X 100g	0.6mm X 100g	1.0mm X 100g

5 Chassis Board Layout

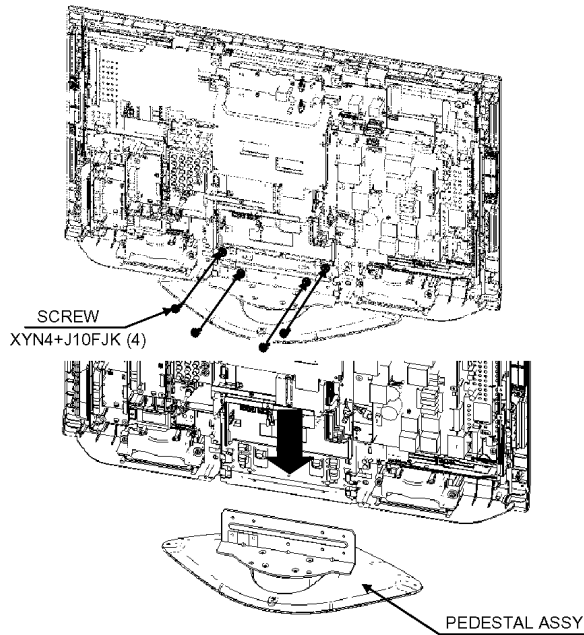


Board Name	Function
A-Board	Main(Rear Terminal, AV Swich, MCU, Audio & Video Processor, LVDS)
AP-Board	DC-DC, Power switch
DT-Board	Digital Tuner
G-Board	Video3, Headphone jack
GS-Board	SD-Card slot
V-Board	Remote Receiver, LED
P-Board	Power (AC/DC)
Control Panel Assy	Control Button None serviceable Control Panel Assy should be exchanged for service.

6 Disassembly for Service

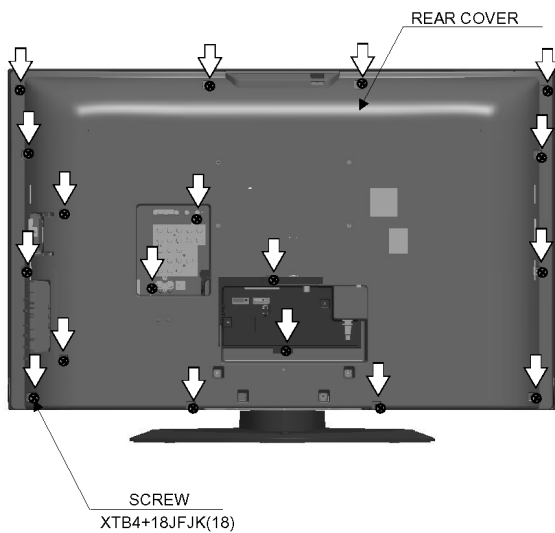
6.1. Pedestal assy

1. Lay down the unit so that the rear cover faces upward.
2. Remove the 4 screws.
3. Remove the pedestal assy.



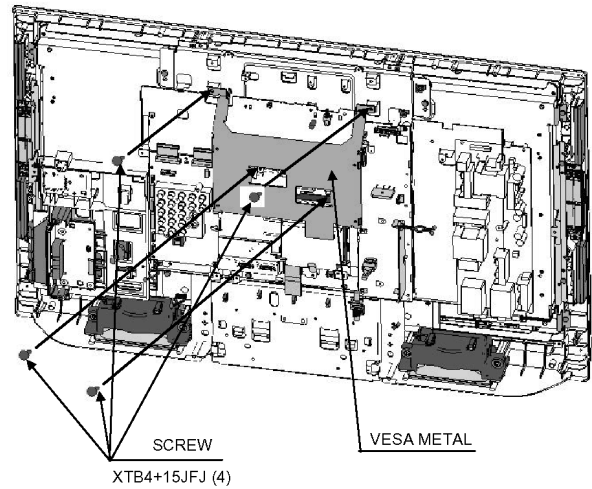
6.2. Rear cover

1. Remove the 18 screws.
2. Remove the rear cover.



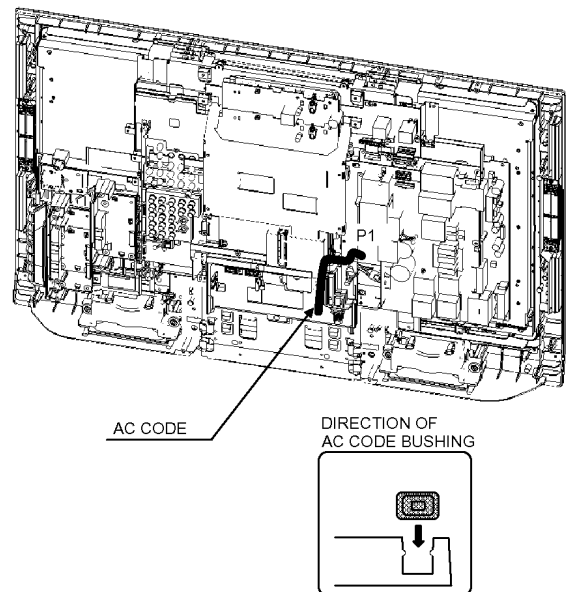
6.3. VESA metal

1. Remove the 4 screws.
2. Remove the VESA metal.



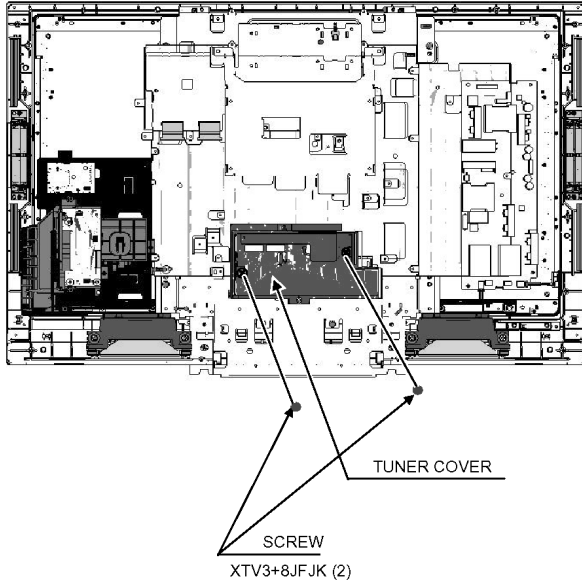
6.4. AC cord

1. Take out the groove of the AC cord from the slot of the tuner cover.
2. Disconnect the connector (P1) of AC cord.



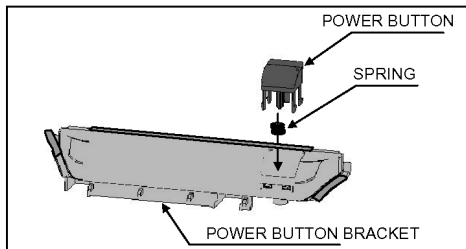
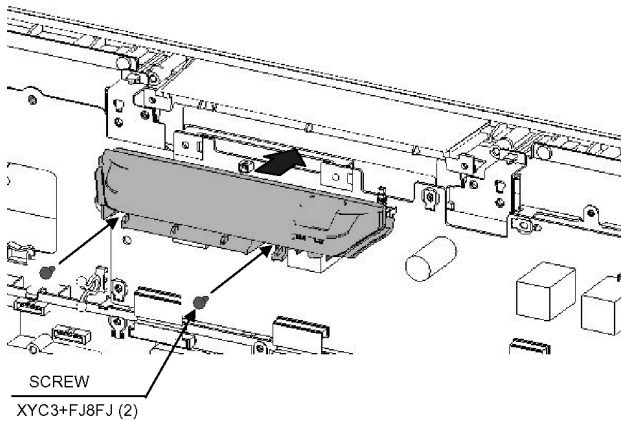
6.5. Tuner cover

1. Remove the 2 screws.
2. Remove the tuner cover.



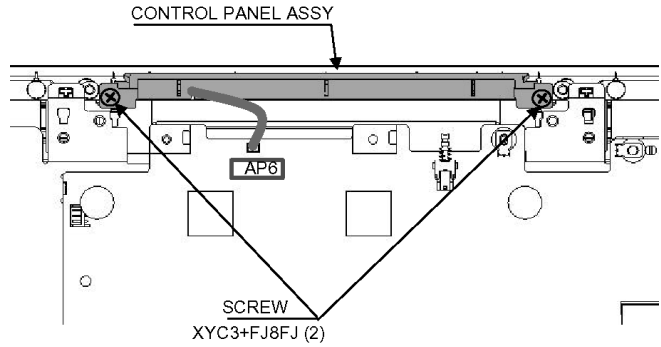
6.6. Power button bracket

1. Remove the 2 screws.
2. Remove the power button bracket.



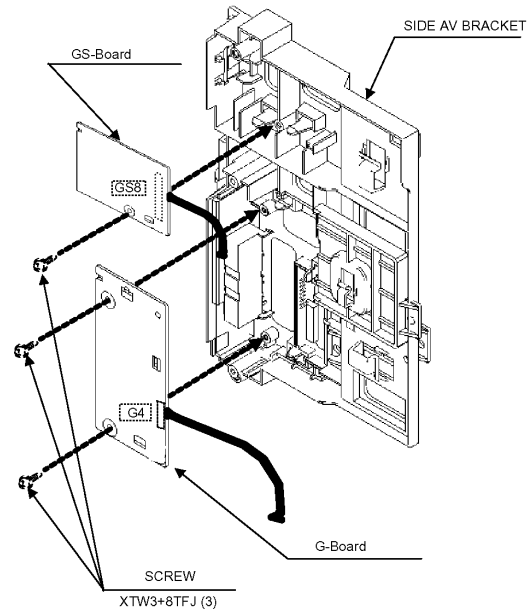
6.7. Control panel assy

1. Disconnect the connector (AP6).
2. Remove the 2 screws.
3. Remove the control panel assy.



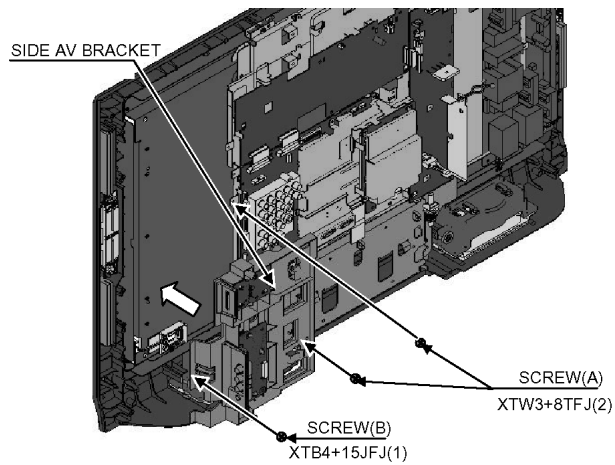
6.8. G-Board and GS-Board

1. Remove the screw.
2. Disconnect the connector (GS8)
3. Remove the GS-Board
4. Remove the 2 screws.
5. Disconnect the connector (G4).
6. Remove the G-Board.



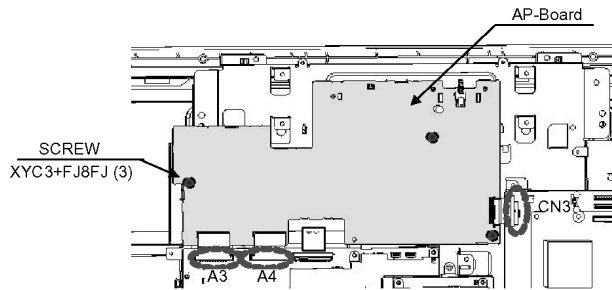
6.9. Side AV bracket

1. Remove the 2 screws (A).
2. Remove the screw (B).
3. Remove the side AV bracket.



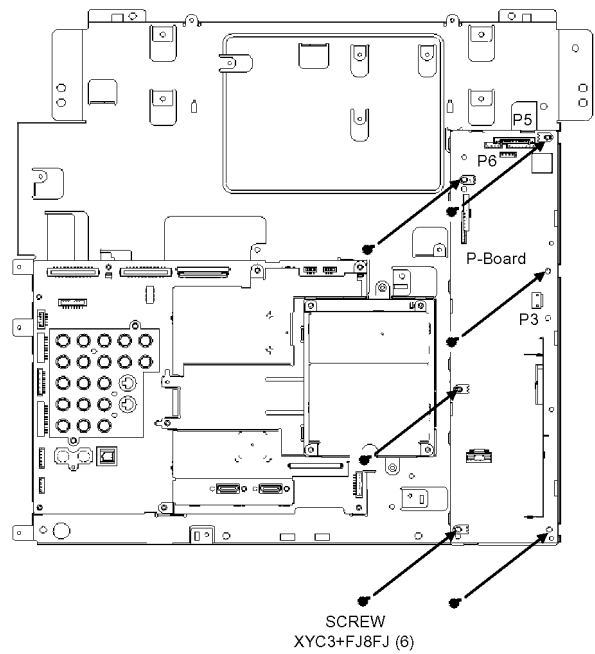
6.10. AP-Board

1. Remove the 3 screws.
2. Disconnect the connectors (A3/A4/CN3).
3. Remove the AP-Board.



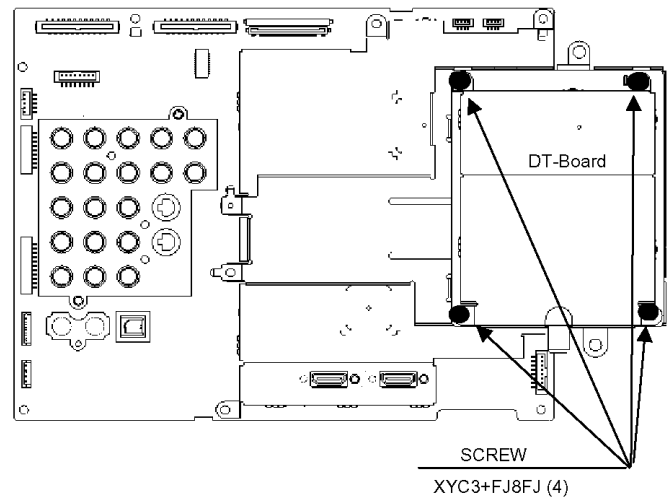
6.11. P-Board

1. Remove the 6 screws.
2. Disconnect the connectors (P3/P5/P6).
3. Remove the P-Board.



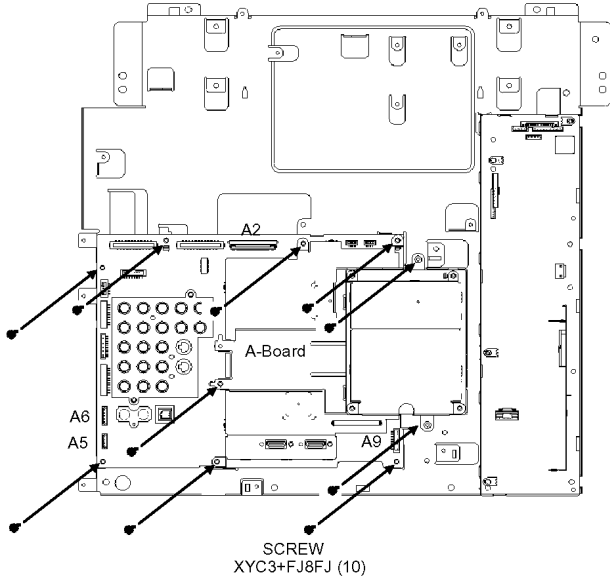
6.12. DT-Board

1. Remove the 4 screws.
2. Remove the DT-Board.



6.13. A-Board and DT-Board metal

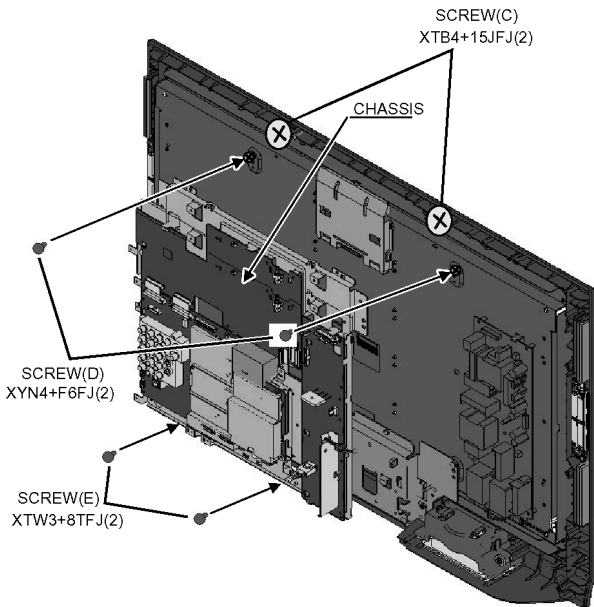
1. Remove the 10 screws.
2. Disconnect the connector (A2/A5/A6/A9).



3. Remove the 2 screws.
4. Remove the A-Board and DT-Board metal.

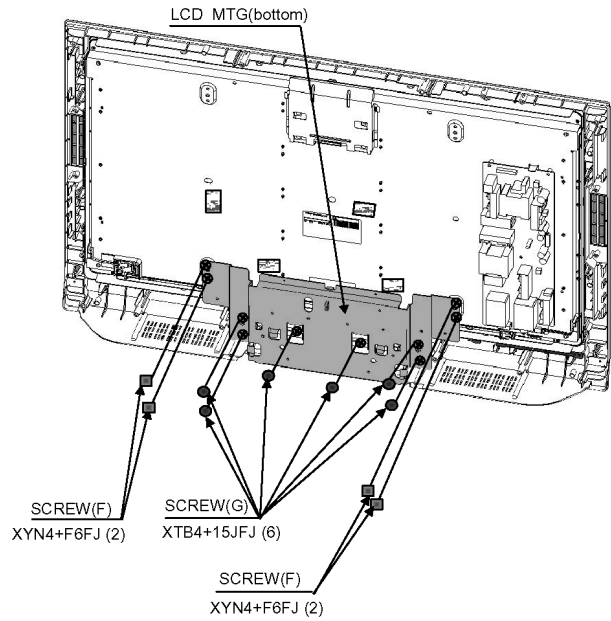
6.14. Chassis

1. Remove the 2 screws (C).
2. Remove the 2 screws (D).
3. Remove the 2 screws (E).
4. Remove the chassis.



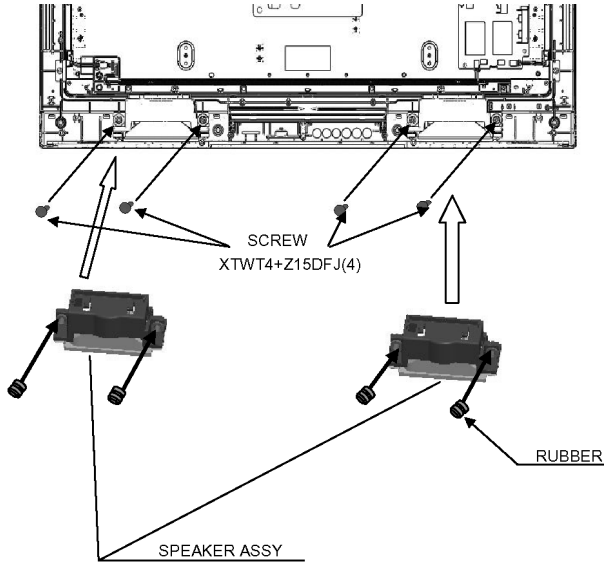
6.15. LCD MTG (bottom)

1. Remove the 4 screws (F).
2. Remove the 6 screws (G).
3. Remove the LCD MTG (bottom).

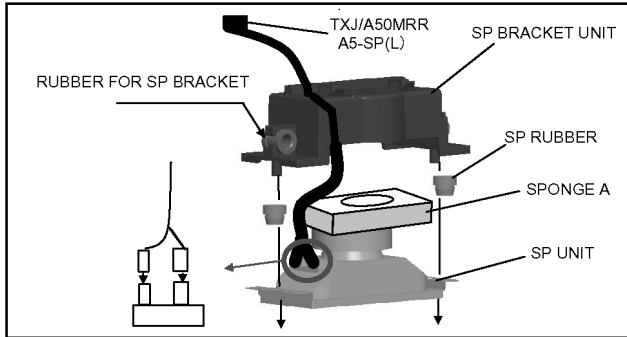


6.16. Speaker assy

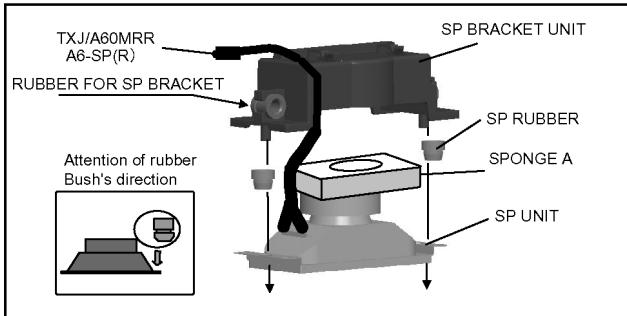
1. Remove the 4 screws.
2. Remove the speaker assy.



Speaker (left)

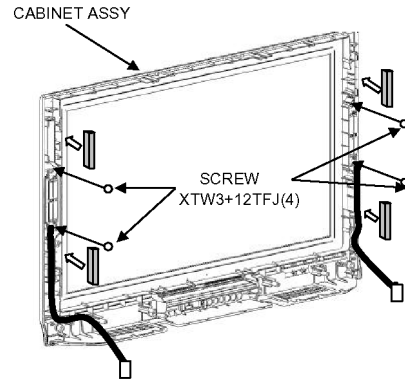


Speaker (right)



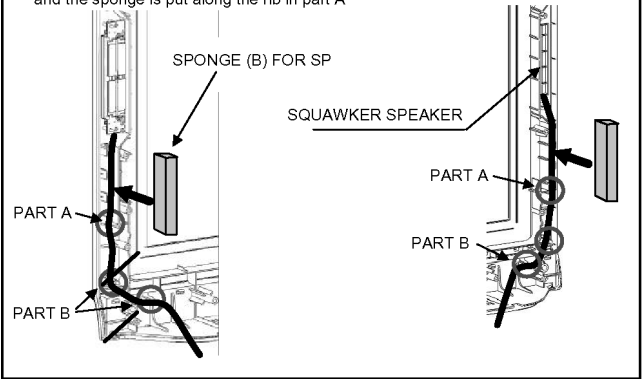
6.17. Squawker speaker

1. Remove the 4 screws.
2. Remove the squawker speaker.



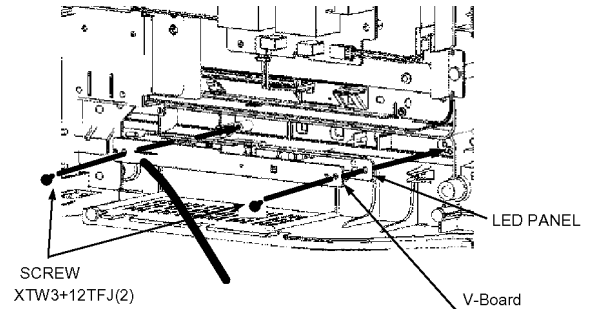
Installation

The SP lead is placed between gap (part A) hook of the cabinet (two places in part B), and the sponge is put along the rib in part A



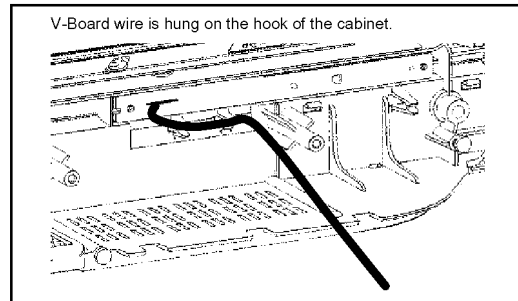
6.18. V-Board

1. Remove the 2 screws.
2. Remove the V-Board.



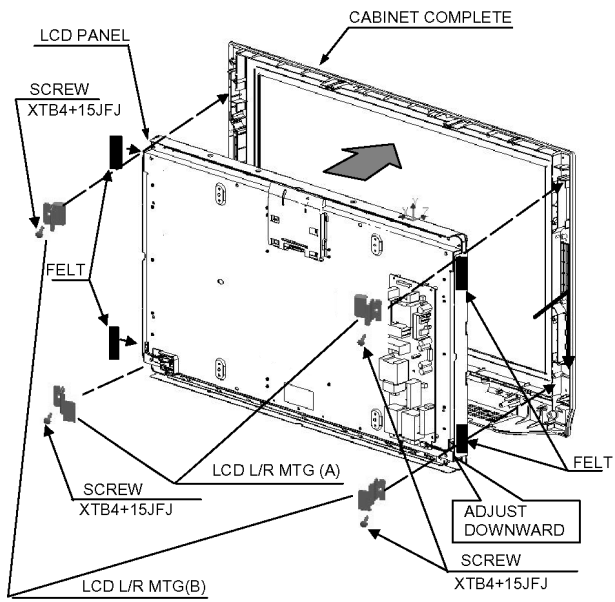
Installation

V-Board wire is hung on the hook of the cabinet.

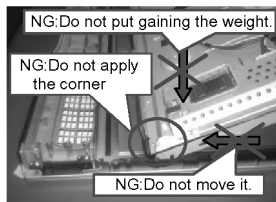


6.19. LCD panel

1. Remove the 2 screws.
2. Remove the LCD L/R MTG (A).
3. Remove the 2 screws.
4. Remove the LCD L/R MTG (B).
5. Remove the LCD panel.



Installation



7 Caution statement

7.1. Caution statement.

Caution:

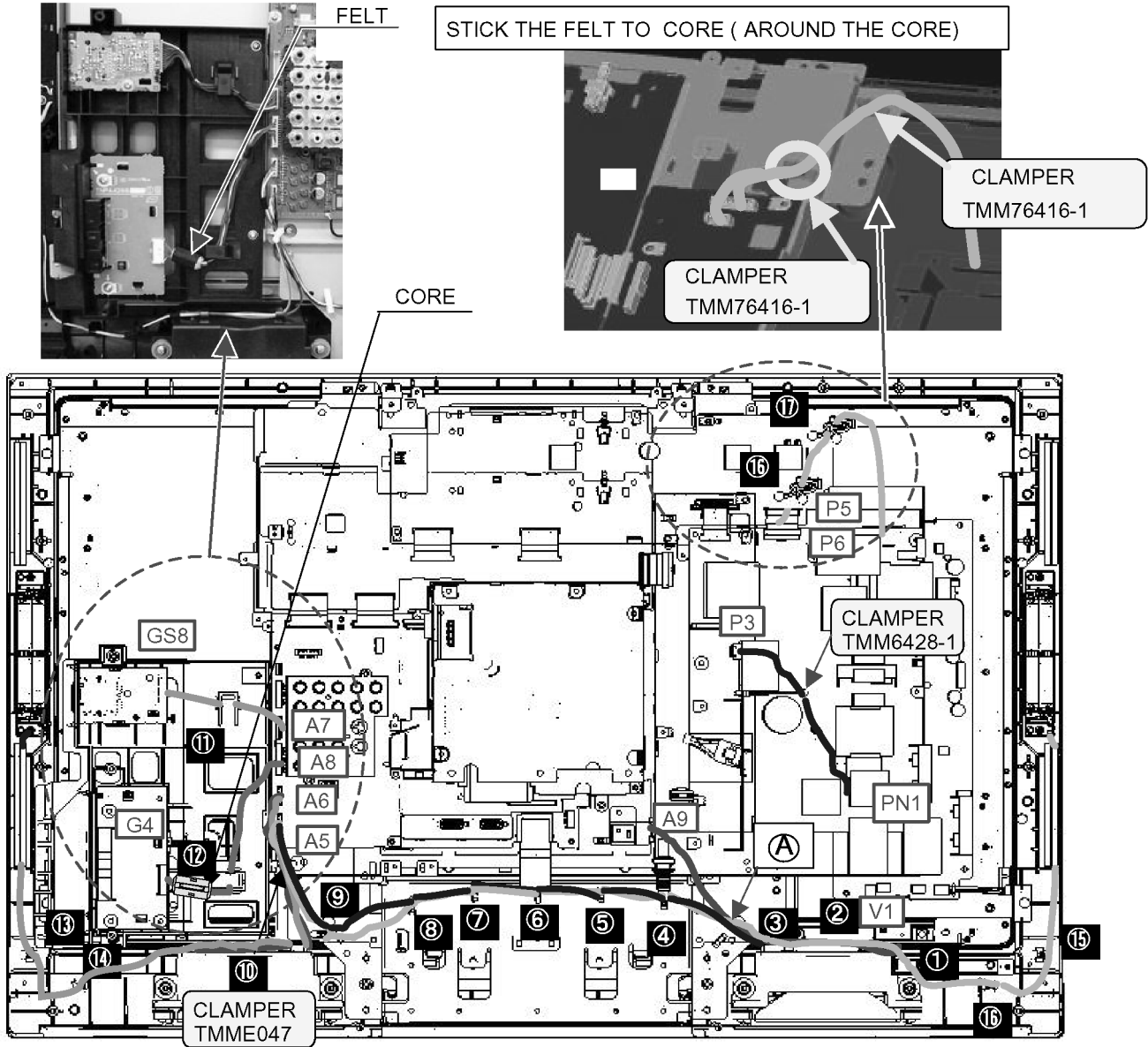
Please confirm that all flexible cables are assembled correctly.

Also make sure that they are locked in the connectors.

Verify by giving the flexible cables a very slight pull.

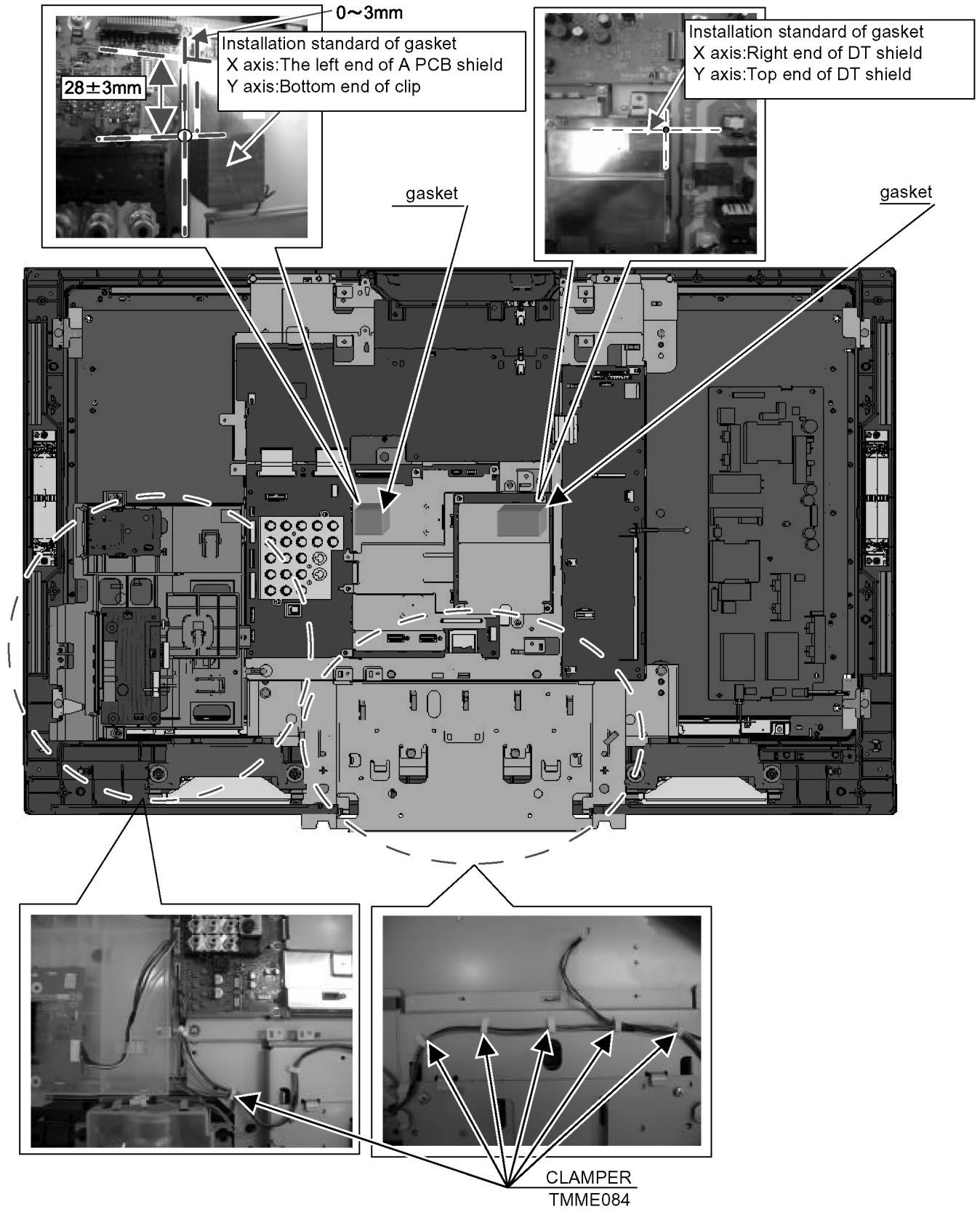
8 Location of Lead Wiring

8.1. Lead of Wiring (1)



	(A)	(1)	(2)	(3)	(4)	(5)	(6)	(7)	(8)	(9)	(10)	(11)	(12)	(13)	(14)	(15)	(16)	(17)
A9-V1	●	●	●	●														
A8-G4													●					
A7-GS8												●						
CN501-P5,P6																	●	●
P3-CN1																		
A5-SQL,SPL	●	●	●	●	●	●	●	●	●	●	●					●	●	
A6-SQR,SPR											●			●	●			
SPR-GIGU													●					
SPL-GIGU					●	●	●	●	●	●	●							

8.2. Lead of Wiring (2)

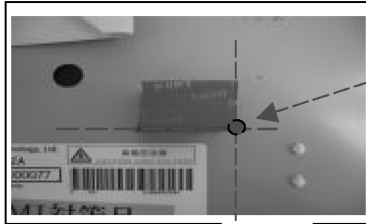
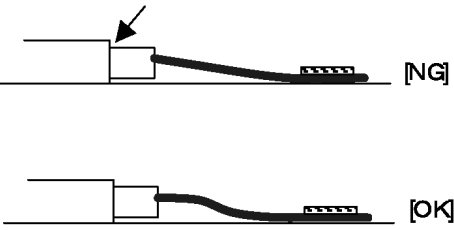


9 EMI Processing

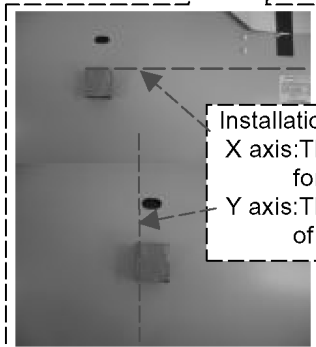
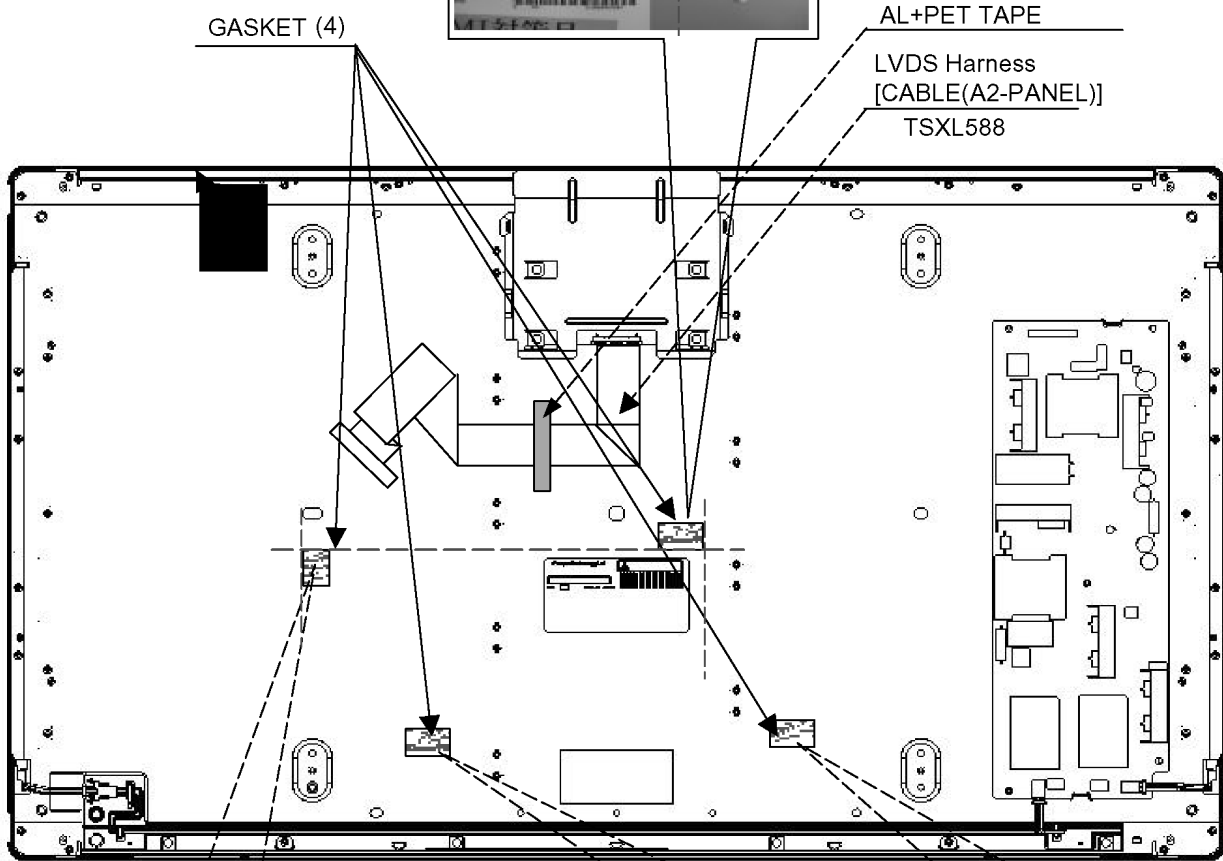
9.1. EMI (1)

LVDS Harness [CABLE(A2-PANEL)]

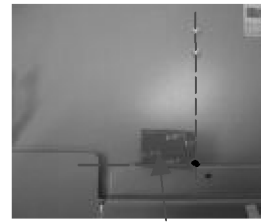
[ATTENTION CONNECTING]
ATTENTION COME OFF CONNECTOR



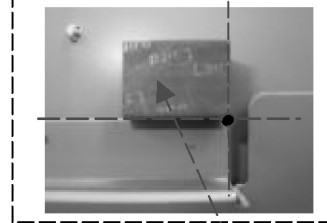
Installation standard of gasket
X axis: The edge of scratch line for panel level
Y axis: The edge of scratch line for panel level



Installation standard of gasket
X axis: The edge of scratch line for panel level
Y axis: The left edge of left center part hole

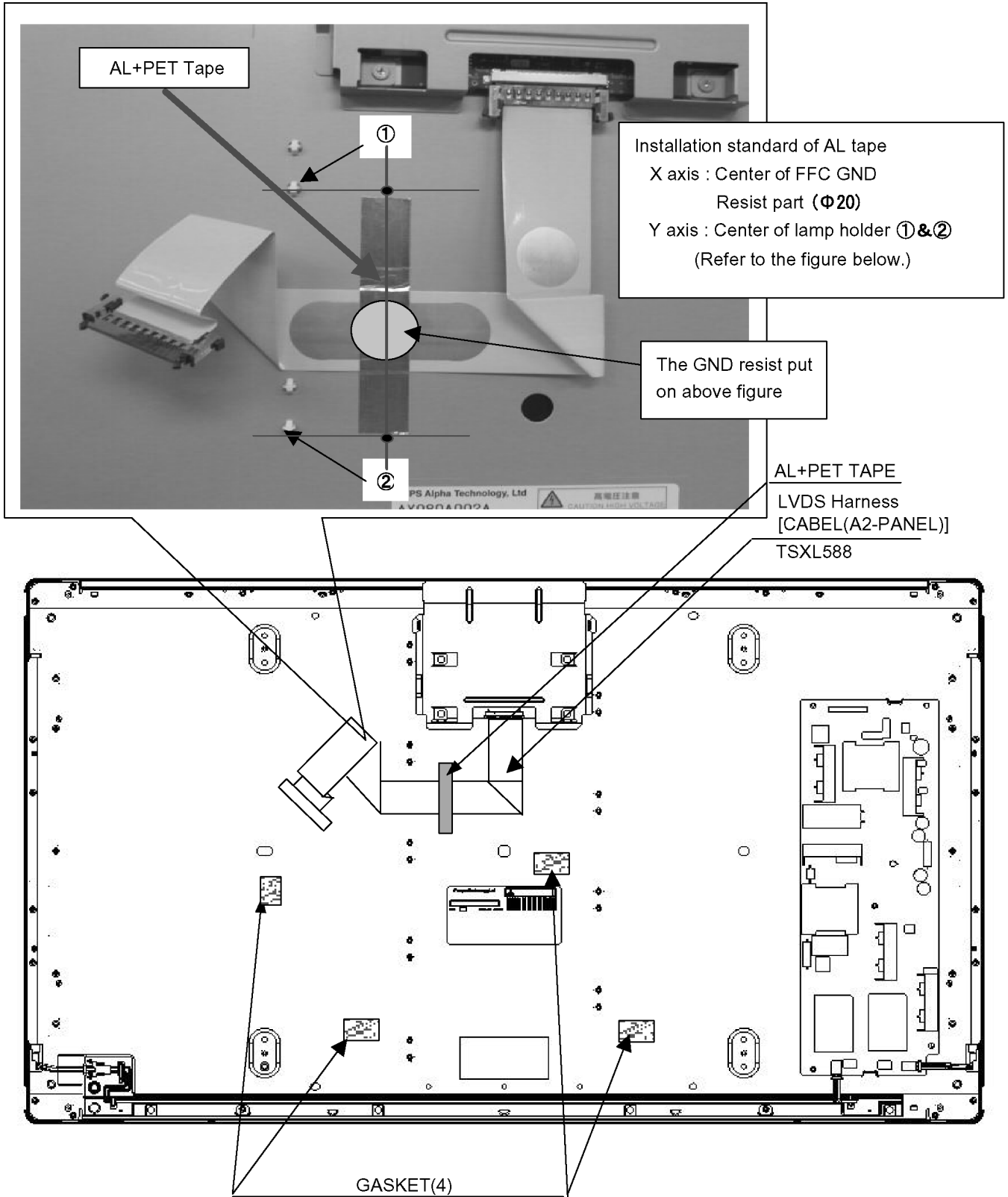


Installation standard of gasket
X axis: On extension line of lamp holder
Y axis: Top edge of LCD MTG(bottom)



Installation standard of gasket
X axis: Right edges of LCD MTG(bottom)
Y axis: Top edge of LCD MTG(bottom)

9.2. EMI (2)



10 Self-check Function

Use the self-check function to test the unit.

1. Checking the IIC bus lines
2. Power LED Blinking timing

10.1. Check of the IIC bus lines

10.1.1. How to access

Self-check indication only:

Produce TV reception screen, and while pressing [VOLUME (-)] button on the main unit, press [OK] button on the remote control for more than 3 seconds.

Self-check indication and forced to factory shipment setting:

Produce TV reception screen, and while pressing [VOLUME (-)] button on the main unit, press [MENU] button on the remote control for more than 3 seconds.

10.1.2. Exit

Disconnect the AC cord from wall outlet.

10.1.3. Screen display

SELF CHECK		---- .XXXXXX - XXXXXX	
DT	OK	MEM1	OK
HQ1L	OK	MEM2	OK
ADV	OK		
VSW	OK		
ADAV	OK		
ASW	OK		
TUN1	OK		
TUN2	OK		
FE	OK		
GenX4	OK		

Copyright 2007 Matsushita Electric Industrial Co., Ltd.

10.1.4. Check Point

Confirm the following parts if NG was displayed.

DISPLAY	Ref. No.	Description	P.C.B.
DT	IC8001	Peaks 2	A-Board
HQ1L	IC4200	HQ1L	A-Board
ADV	IC4510	A/D CONV. , HDMI RX	A-Board
VSW	IC3001	VIDEO SWTICH	A-Board
ADAV	IC2106	AUDIO DSP	A-Board
ASW	IC3101	AUDIO SW	DT-Board
TUN1	TU8300	TUNER (PLL block)	DT-Board
TUN2	TU8300	TUNER (MTS block)	DT-Board
FE	IC8302	FRONTEND (Digital demodulator)	DT-Board
GenX4	IC1100	GenX4 (STB MCU)	A-Board
MEM1	IC1101	EEPROM (GenX4)	A-Board
MEM2	IC8503	EEPROM (Peaks)	A-Board

10.2. Power LED Blinking timing chart

1. Subject

Information of LED Flashing timing chart.

2. Contents

When an abnormality has occurred the unit, the protection circuit operates and reset to the stand by mode. At this time, the defective block can be identified by the number of blinks of the Power LED on the front panel of the unit.

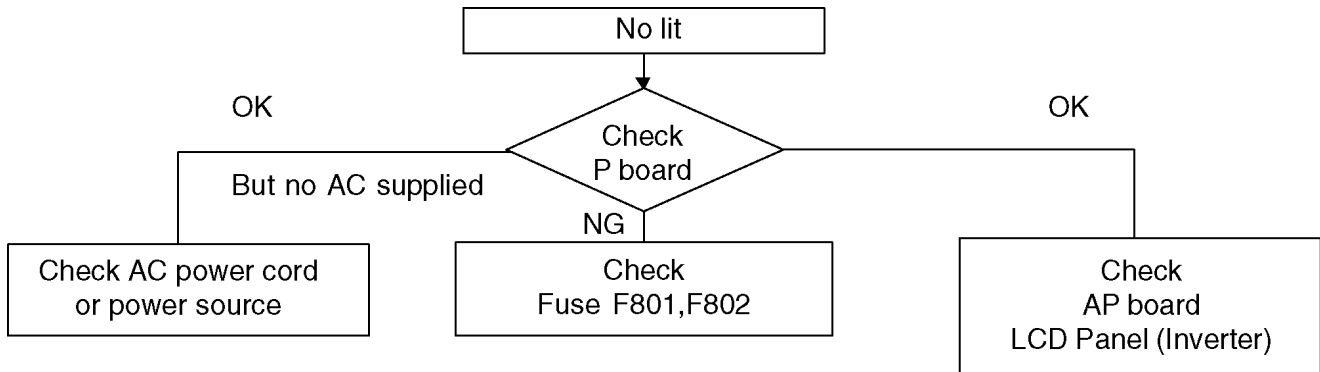
Blinking Times	Blinking timing	Contents	Check point
1		INVERTER SOS	LCD PANEL
3		BT 30V SOUND 15V PANEL 12V	AP-Board
4		DTV 9V	AP-Board
5		MAIN 9V	A-Board
6		SUB 5V	AP-Board
7		MAIN 5V	A-Board
8		MAIN 3.3V	A-Board
9		SOUND SOS	A-Board AP-Board
10		HQ1L SOS	A-Board

10.3. No Power

First check point

There are following 2 states of No Power indication by power LED.

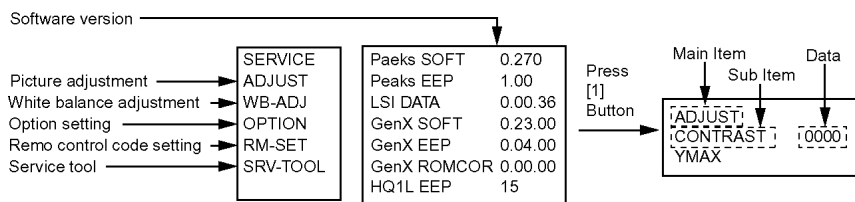
1. No lit
2. Red is lit then turns red blinking a few seconds later. (See 10.2.)



11 Service Mode

11.1. How to enter into Service Mode

While pressing [VOLUME (-)] button of the main unit, press [RECALL] button of the remote control three times within 3 seconds.



11.1.1. Key command

“1” button...Main items Selection in forward direction

“2” button...Main items Selection in reverse direction

“3” button...Sub items Selection in forward direction

“4” button...Sub items Selection in reverse direction

“VOL” button...Value of sub items change in forward direction (+), in reverse direction (-)

11.1.2. Contents of adjustment mode

- Value is shown as a hexadecimal number.
- Preset value differs depending on models.
- After entering the adjustment mode, take note of the value in each item before starting adjustment.

Main item	Sub item	Sample Data	Remark
ADJUST	CONTRAST	000	
	COLOR	49	
	TINT	FE	
	SUB-BRT	808	
	BACKLGT	276	
	B-Y-G	34	
WB-ADJ	R-Y-A	00	
	R-GAIN	FF	
	G-GAIN	FF	
	B-GAIN	FF	
	R-CENT	AD	
	G-CENT	80	
OPTION	B-CENT	BA	
	BOOT	ROM	Factory Preset.
	STBY-SET	00	
	Emergency	ON	
	CLK MODE	00	
CLOCK	000		
RM-SET	CODE	A	Fixed.
SRV-TOOL		00	See next.

11.1.3. How to exit

Switch off the power with the [POWER] button on the main unit or the [POWER] button on the remote control.

11.2. SRV-TOOL

11.2.1. How to access

1. Select "SRV-TOOL" in Service man Mode.
2. Press [OK] button on the remote control.

	SRV-TOOL		
Display of TD2Microcode version →	TD2Microcode:81c0000e		
Display of Flash ROM maker code →	Flash ROM : 1 - 227E		
Display of SOS History →	PTCT : 00 .00 .00 .00 .00	Time 000040:40	Count 0000049 ←
			POWER ON TIME/COUNT Press [MUTE] buton (3sec)

11.2.2. Display of SOS History

SOS History (Number of LED blinking) indicatrion.

From left side; Last SOS, before Last, three occurrence before, 2nd occurrence after shipment, 1st occurrence after shipment.
This indication will be cleared by "Self-check indication and forced to factory shipment setting".

11.2.3. POWER ON TIME/COUNT

Time : Cumulative power on time, indicated hour : minute by decimal

Count : Number of On times by decimal

Note : This indication will not cleared by self-check or any command.

11.2.4. Exit

1. Disconnect the AC cord from wall outlet.

12 Adjustment

12.1. Voltage chart of AP-board

VOLTAGE	TEST POINT	SPECIFICATION
24V	TP7904	24.0±1.2V
SUB_5V	TP7211	5.12±0.25V
SUB_9V	TP7213	9.27±0.45V
BT_30V	TP7601	31.5±2.5V
HQ_3.3V	TP745	3.38±0.17
SOUND_15V	TP7209	15.2V±0.75V
PANEL_12V	TP7702	12.14±0.6V
STB_5V	TP7151	5.0±0.5V

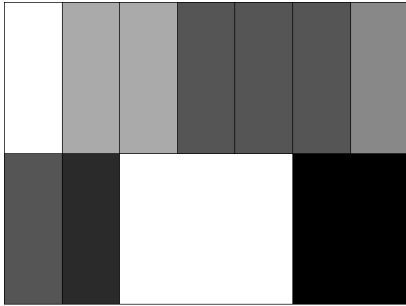
12.2. Voltage chart of P-board

VOLTAGE	TEST POINT	SPECIFICATION
STB_5V	TP823	5.0±0.5V

12.3. Voltage chart of A-board

VOLTAGE	TEST POINT	SPECIFICATION
STB3.3V	TP7006	3.3±0.16V
SUB1.2V	TP5601	1.26±0.06V
SUB1.8V	TP5602	1.83±0.09V
SUB3.3V	TP5600	3.3±0.16V
MHQ1.2V	TP4209	1.22±0.06V
MHQDDR2.5V	TP4210	2.5±0.12V

12.4. Picture level adjustment (RF)

Instrument Name	Remarks
1. REMOTE TRANSMITTER 2. Ex. Signal (Sprit color bar)	
Adjustment or Inspection Procedure	Remarks
<p><procedure></p> <p>1. Receive the sprit color bar. (Screen mode: ZOOM or FULL Picture mode: DYNAMIC AI: OFF AI Picture: OFF) *BACK LIGHT +30</p> <p><Inspection></p> <p>1. Enter Service mode, and select MAIN_ADJ PICTURE. Volume UP/DOWN key makes GAIN displayed under PICTURE to set. Pushing the remote controller "OK" key for about 3 seconds, GAIN is suited to the adjustment value automatically.</p> <div style="text-align: center;">  <p>(The Splite Color Bar Pattern)</p> </div>	

13 Hotel mode

1. Purpose

Restrict a function for hotels.

2. Access command to the Hotel mode setup menu

In order to display the Hotel mode setup menu, please enter the following command (**within 2 second**).

[TV] : Vol. "Down" + [REMOTE] : TV/VIDEO (3 times)

Then, the Hotel mode setup menu is displayed.

Hotel Mode

Mode	Off
Input	-
Channel	-
Volume	+ 16
Vol. Max	+ 63
OSD Ctrl	Off
FP Ctrl	Off
Pow Ctrl	Off



3. To exit the Hotel mode setup menu

Disconnect AC power code from wall outlet.

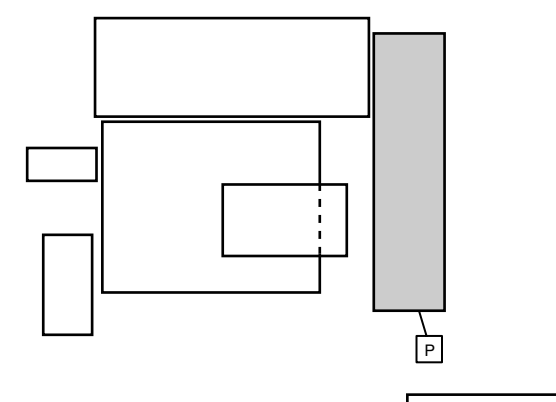
4. Explain the Hotel mode setup menu

item	Function
Mode	Select hotel mode ON/OFF
Input	Select input signal modes. Set the input, when each time power is switched on. Selection: -/RF/COMP/HDMI1/HDMI2/VIDEO1/VIDEO2/VIDEO3 • Off: give priority to a last memory.
Channel	Select channel when input signal is RF. Set the channel, each time power is switched on. Selection: Any channel number or "-". "-" means the channel when turns off.
Volume	Adjust the volume when each time power is switched on. Range: 0 to 63
Vol. Max	Adjust maximum volume. Range: 0 to 63
OSD Ctrl	Restrict the OSD. Selection: OFF/PATTERN1 • OFF: No restriction • PATTERN1: restriction
FP Ctrl	Select front key conditions. Selection: Off/Pattern1/All Off: altogether valid. Pattern: only input key is valid. All: altogether invalid.
Pow Ctrl	Select POWER-ON/OFF condition when AC power cord is disconnected and then connected. OFF: The same condition when AC power cord is disconnected. ON: Forced power ON condition.

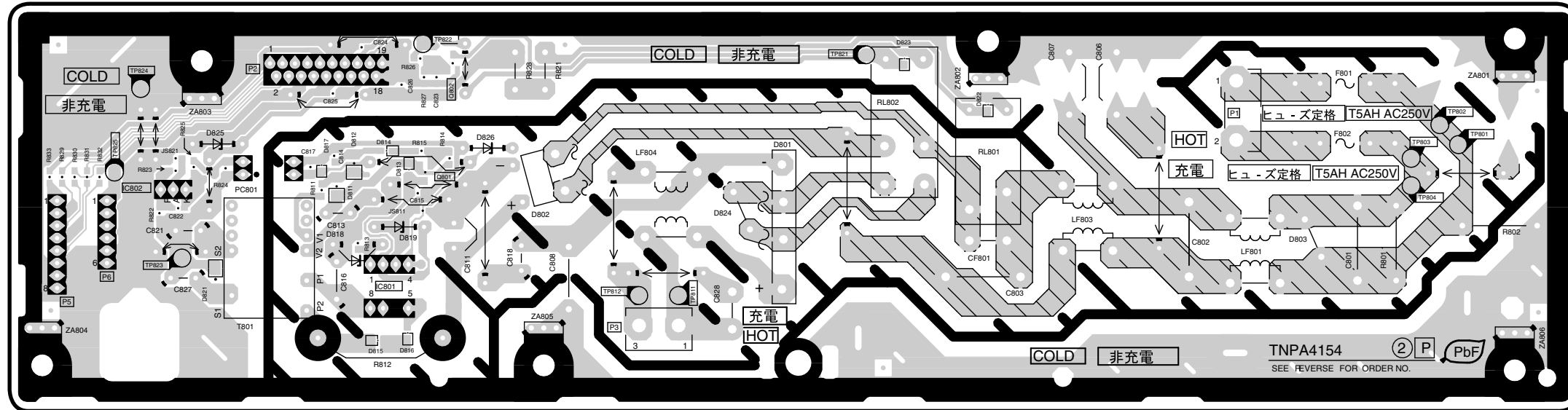
14 Conductor Views

14.1. P-Board

6
5
4
3
2
1



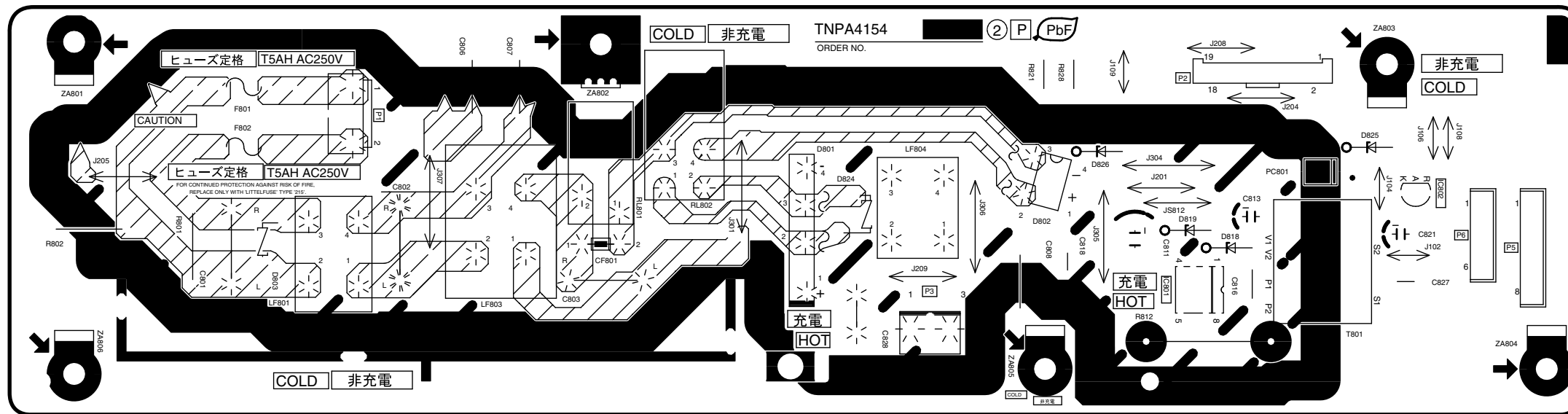
P-BOARD (FOIL SIDE)
TZRXXN010MRR



Parts Location

P-BOARD (FOIL SIDE)	
IC	
IC801	C-4
IC802	A-4
TRANSISTOR	
Q801	C-4
Q802	C-5
TP	
TP801	G-4
TP802	G-4
TP803	G-4
TP804	G-4
TP811	D-4
TP812	D-4
TP821	E-5
TP822	C-5
TP823	A-4
TP824	A-5
TP825	A-4

P-BOARD (COMPONENT SIDE)
TZRXXN010MRR



Parts Location

P-BOARD (COMPONENT SIDE)	
IC	
IC801	F-1
IC802	G-2

TC-32LX700
P-BOARD TZRXXN010MRR

TC-32LX700
P-BOARD TZRXXN010MRR

A B C D E F G H I

14.2. AP-Board

6

5

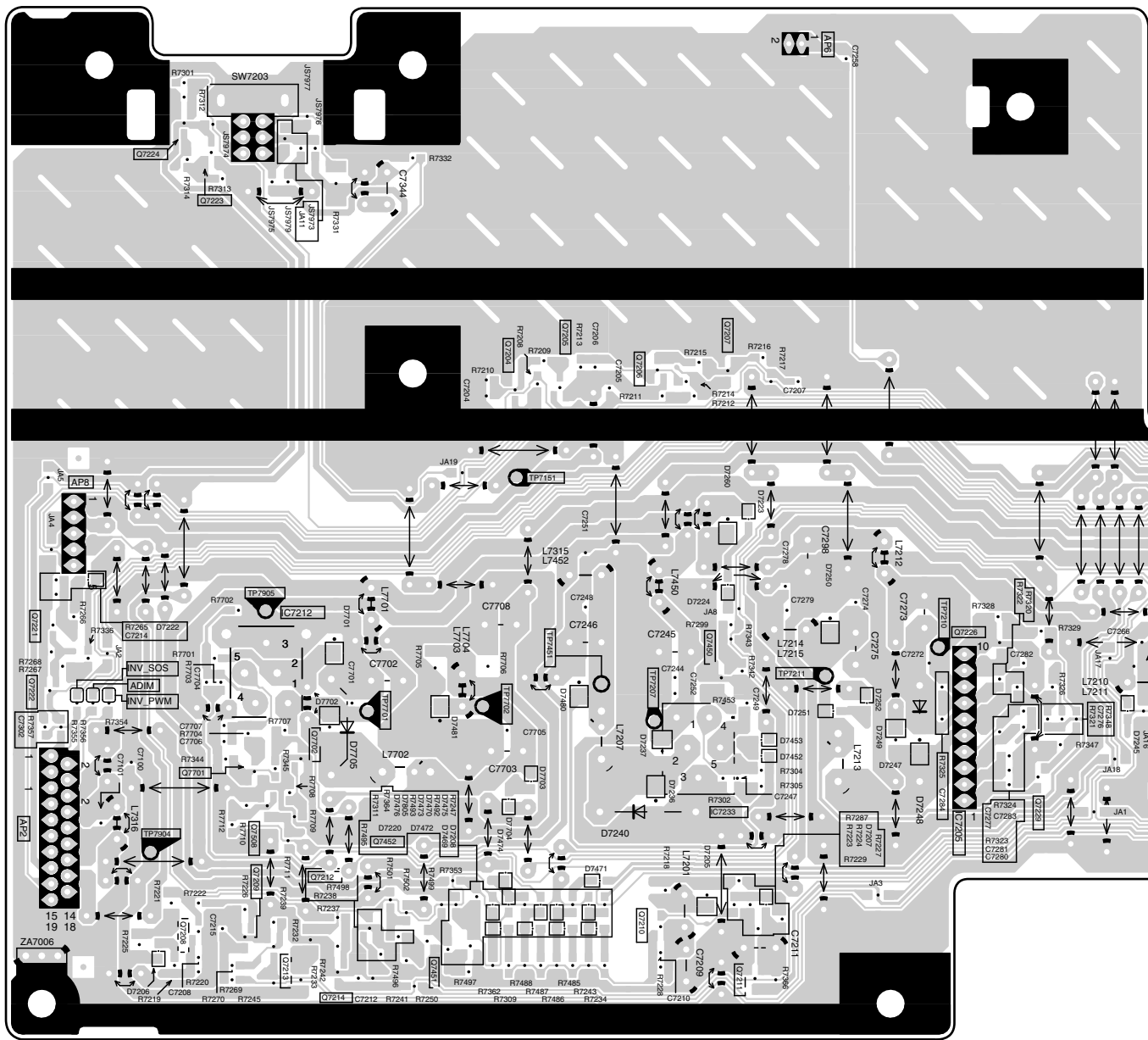
4

3

2

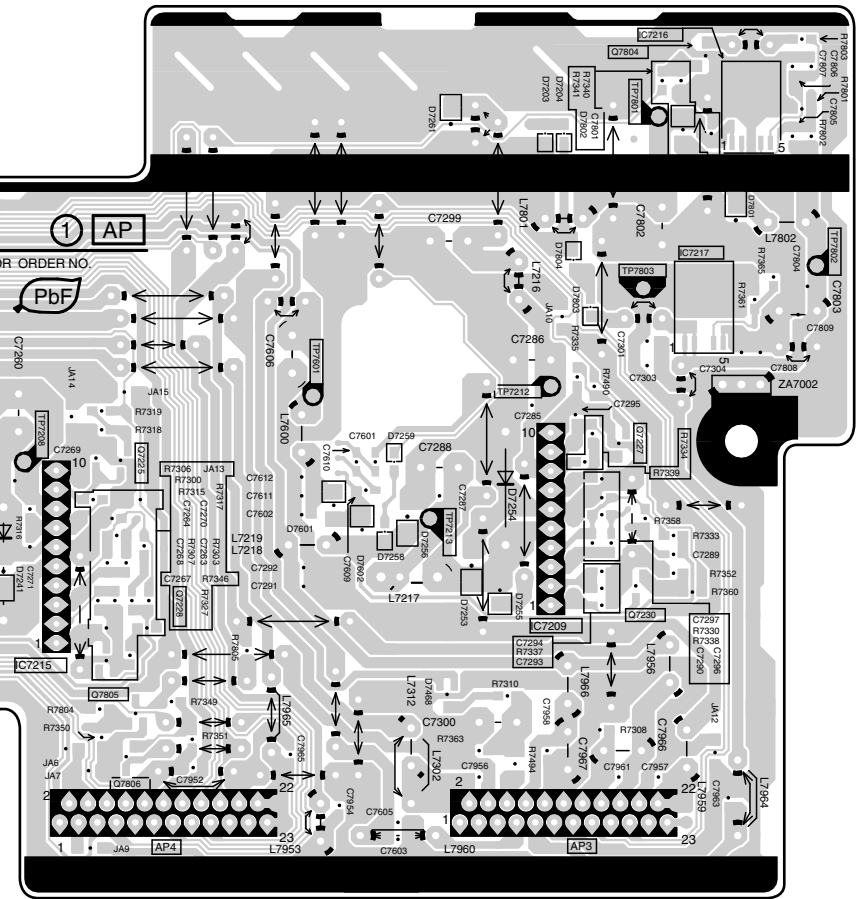
1

**AP-BOARD (FOIL SIDE)
TNPA4155ABS**



Parts Location

AP-BOARD (FOIL SIDE)			
IC		TRANSISTOR	
IC7205	E-2	Q7204	C-3
IC7209	H-2	Q7205	C-4
IC7212	B-3	Q7206	C-3
IC7215	F-2	Q7207	D-4
IC7216	H-4	Q7208	B-1
IC7217	H-3	Q7209	B-1
IC7233	D-2	Q7210	C-1
TP		Q7211	D-1
TP7151	C-3	Q7212	B-1
TP7207	C-2	Q7213	B-1
TP7208	F-2	Q7214	B-1
TP7209	E-2	Q7221	A-2
TP7210	E-2	Q7222	A-2
TP7211	D-2	Q7223	B-4
TP7212	H-3	Q7224	A-4
TP7213	G-2	Q7225	F-2
TP7451	C-2	Q7226	E-2
TP7601	G-3	Q7227	H-2
TP7701	B-2	Q7228	F-2
TP7702	C-2	Q7229	E-2
TP7801	H-3	Q7230	H-2
TP7802	I-3	Q7450	D-2
TP7803	H-3	Q7451	C-1
TP7904	A-2	Q7452	B-2
TP7905	B-3	Q7508	B-2
		Q7701	B-2
		Q7702	B-2
		Q7804	H-4
		Q7805	F-2
		Q7806	F-1



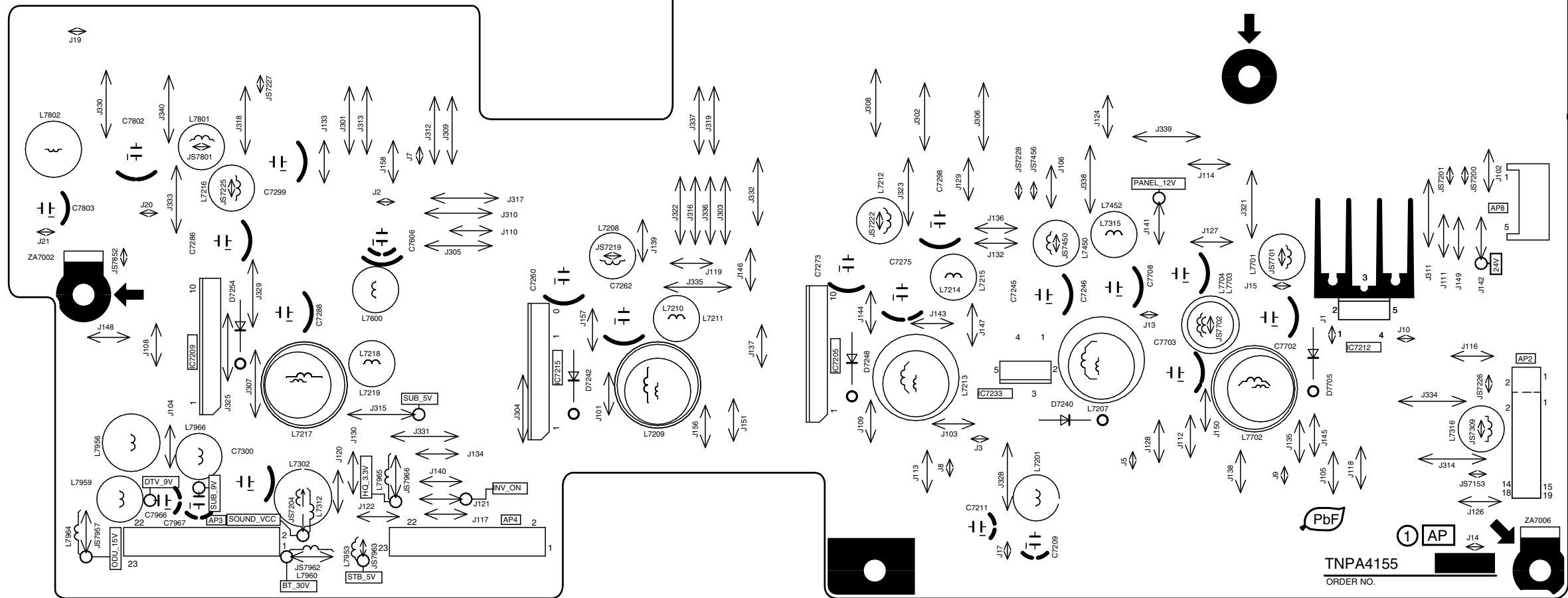
TC-32LX700
AP-BOARD TNPA4155ABS

TC-32LX700
AP-BOARD TNPA4155ABS

A B C D E F G H I

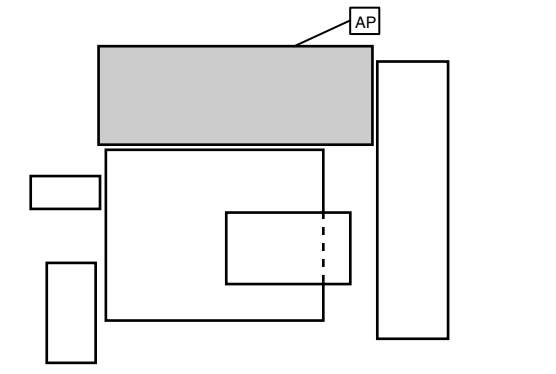
6
5
4
3
2
1

**AP-BOARD (COMPONENT SIDE)
TNPA4155ABS**



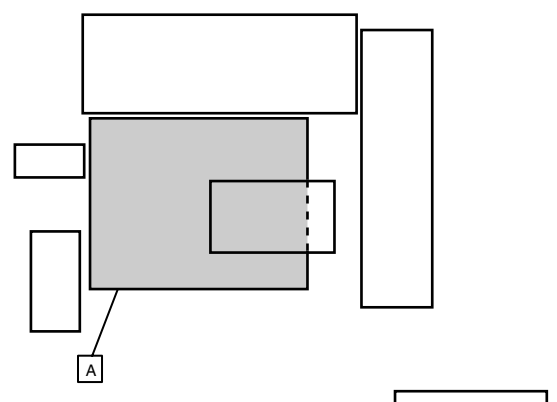
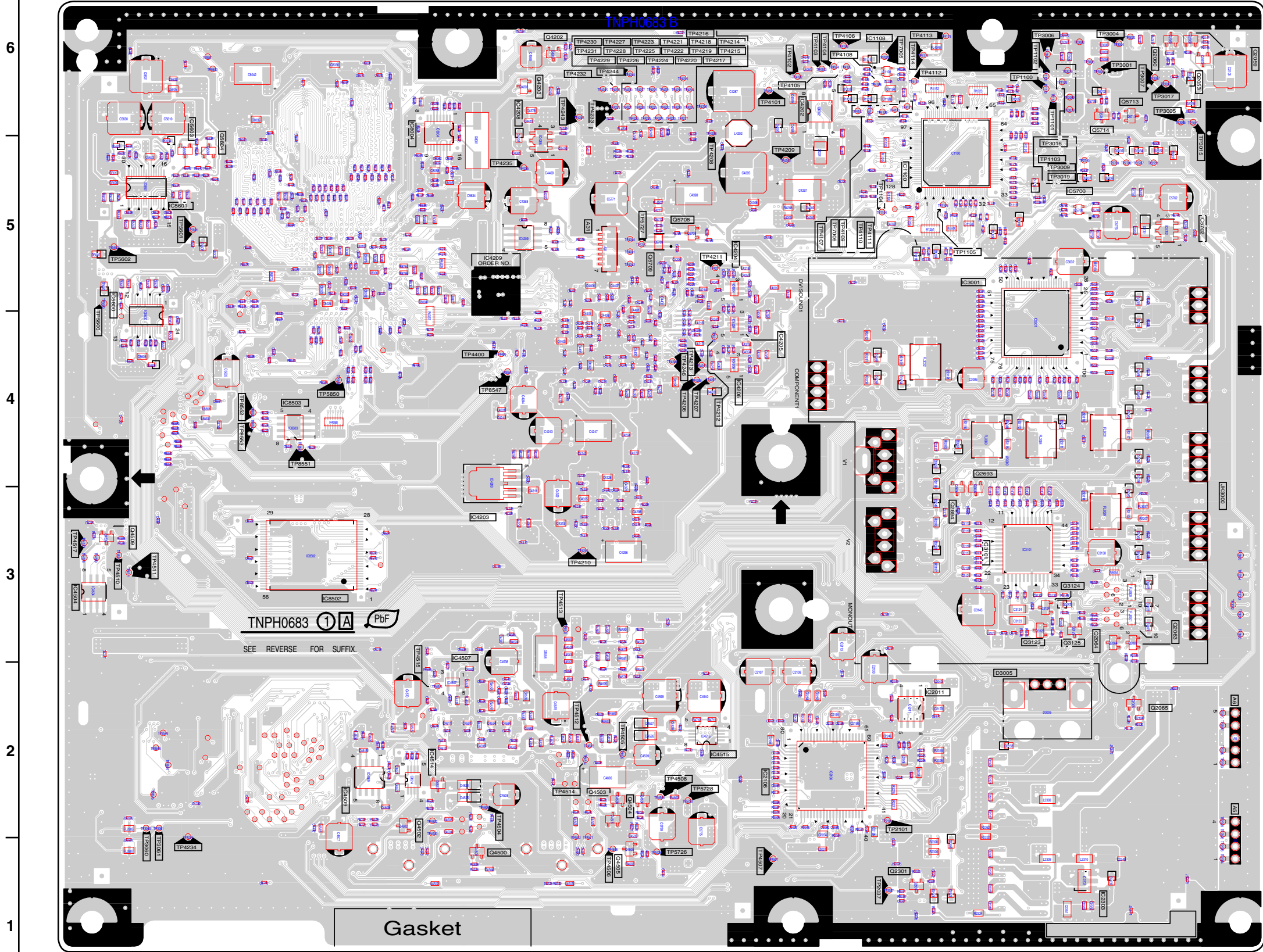
Parts Location

AP-BOARD (COMPONENT SIDE)	
IC	
IC7205	E-2
IC7209	B-2
IC7212	H-2
IC7215	D-2
IC7233	F-2



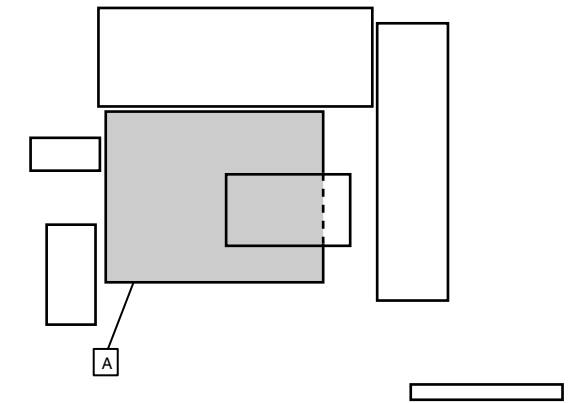
14.3. A-Board

A-BOARD (FOIL SIDE) TNPH0683S



TC-32LX700
A-BOARD TNPH0683S

TC-32LX700
A-BOARD TNPH0683S



Parts Location

A-BOARD (FOIL SIDE)									
IC		TRANSISTOR		TP					
IC1100	F-5	Q2053	G-6	TP1100	F-6	TP4211	D-5	TP4512	D-2
IC1108	E-6	Q2059	G-6	TP1101	F-6	TP4212	E-4	TP4513	D-3
IC2011	F-2	Q2060	G-6	TP1102	F-6	TP4213	D-4	TP4514	D-2
IC2106	E-2	Q2063	G-3	TP1103	F-5	TP4214	E-6	TP4515	C-2
IC2303	G-1	Q2064	G-3	TP1105	F-5	TP4215	E-6	TP4517	A-3
IC3001	F-5	Q2065	G-2	TP2037	E-1	TP4216	D-6	TP5600	A-4
IC3101	F-3	Q2301	F-1	TP2101	E-2	TP4217	D-6	TP5601	A-5
IC4202	E-6	Q2693	F-4	TP3001	G-6	TP4218	D-6	TP5602	A-5
IC4203	C-3	Q2694	F-3	TP3004	G-6	TP4219	D-6	TP5650	B-4
IC4204	E-5	Q3123	F-3	TP3005	G-6	TP4220	D-6	TP5726	D-1
IC4205	E-4	Q3124	F-3	TP3006	F-6	TP4221	D-6	TP5727	D-5
IC4206	E-4	Q3125	F-3	TP3009	F-5	TP4222	D-6	TP5728	D-2
IC4208	C-6	Q4202	D-6	TP3015	G-5	TP4223	D-6	TP7005	E-6
IC4209	C-5	Q4203	C-6	TP3016	F-5	TP4224	D-6	TP7006	E-5
IC4504	A-3	Q4500	C-1	TP3017	G-6	TP4225	D-6	TP8547	C-4
IC4507	C-3	Q4502	C-2	TP3019	F-5	TP4226	D-6	TP8551	B-4
IC4509	B-2	Q4503	D-2	TP3060	A-1	TP4227	D-6	TP8552	B-4
IC4514	C-2	Q4504	D-2	TP3061	A-1	TP4228	D-6	TP8553	B-4
IC4515	D-2	Q4505	D-1	TP4101	E-6	TP4229	D-6		
IC5600	A-5	Q4509	A-3	TP4102	E-6	TP4230	D-6		
IC5601	A-5	Q5603	A-6	TP4103	E-6	TP4231	D-6		
IC5700	F-5	Q5604	B-5	TP4104	E-6	TP4232	D-6		
IC5702	G-5	Q5708	D-5	TP4105	E-6	TP4233	D-6		
IC8004	C-6	Q5709	D-5	TP4107	E-5	TP4234	A-1		
IC8502	B-3	Q5713	G-6	TP4109	E-5	TP4235	C-5		
IC8503	B-4	Q5714	G-6	TP4110	E-5	TP4243	D-6		
				TP4111	E-5	TP4244	D-6		
				TP4112	F-6	TP4246	D-4		
				TP4113	F-6	TP4400	C-4		
				TP4114	F-6	TP4504	C-2		
				TP4206	D-4	TP4505	D-2		
				TP4207	D-4	TP4506	D-1		
				TP4208	D-5	TP4507	E-1		
				TP4209	E-5	TP4508	D-2		
				TP4210	D-3	TP4510	A-3		
						TP4511	A-3		

TC-32LX700
A-BOARD PARTS LOCATION

Parts Location

A-BOARD (COMPONENT SIDE)					
IC		TRANSISTOR		TP	
IC1101	B-6	Q1107	B-5	TP1110	C-5
IC2008	C-2	Q1108	B-5	TP8002	E-4
IC2013	C-3	Q1109	B-5	TP8003	E-5
IC2107	D-1	Q1110	B-5		
IC2301	B-2	Q2018	C-2		
IC2302	B-1	Q2033	C-5		
IC3017	E-5	Q2035	C-5		
IC4200	E-5	Q2036	C-5		
IC4201	E-3	Q2040	C-5		
IC4207	D-5	Q2041	C-2		
IC4500	E-2	Q2042	C-2		
IC4501	E-2	Q2056	A-6		
IC4506	D-2	Q2057	A-6		
IC4508	D-2	Q2066	C-3		
IC4510	E-2	Q2302	B-2		
IC4513	E-2	Q2303	C-2		
IC5701	A-5	Q4200	C-6		
IC8001	F-5	Q4201	D-6		
IC8002	F-5	Q4204	E-5		
IC8003	F-5	Q4205	E-5		
		Q4206	E-5		
		Q4207	E-5		
		Q4501	D-2		
		Q4511	D-3		
		Q4512	D-3		
		Q4513	D-2		
		Q4514	D-3		
		Q4515	D-3		
		Q4516	D-2		
		Q4517	E-2		
		Q5600	G-4		
		Q5601	G-5		
		Q5602	G-5		
		Q5703	A-5		
		Q5706	D-2		
		Q5707	D-2		
		Q5710	D-2		
		Q5711	D-1		
		Q5712	B-5		

TC-32LX700
A-BOARD PARTS LOCATION

A-BOARD (COMPONENT SIDE) TNPH0683S

6

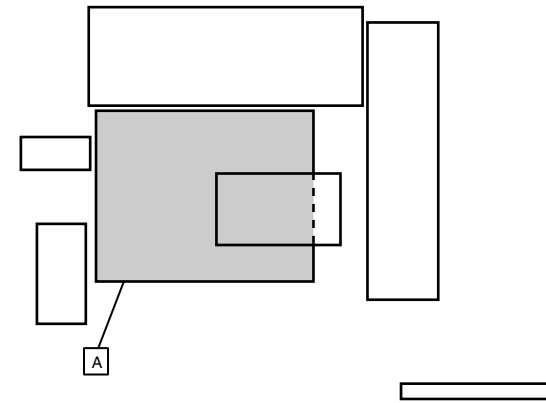
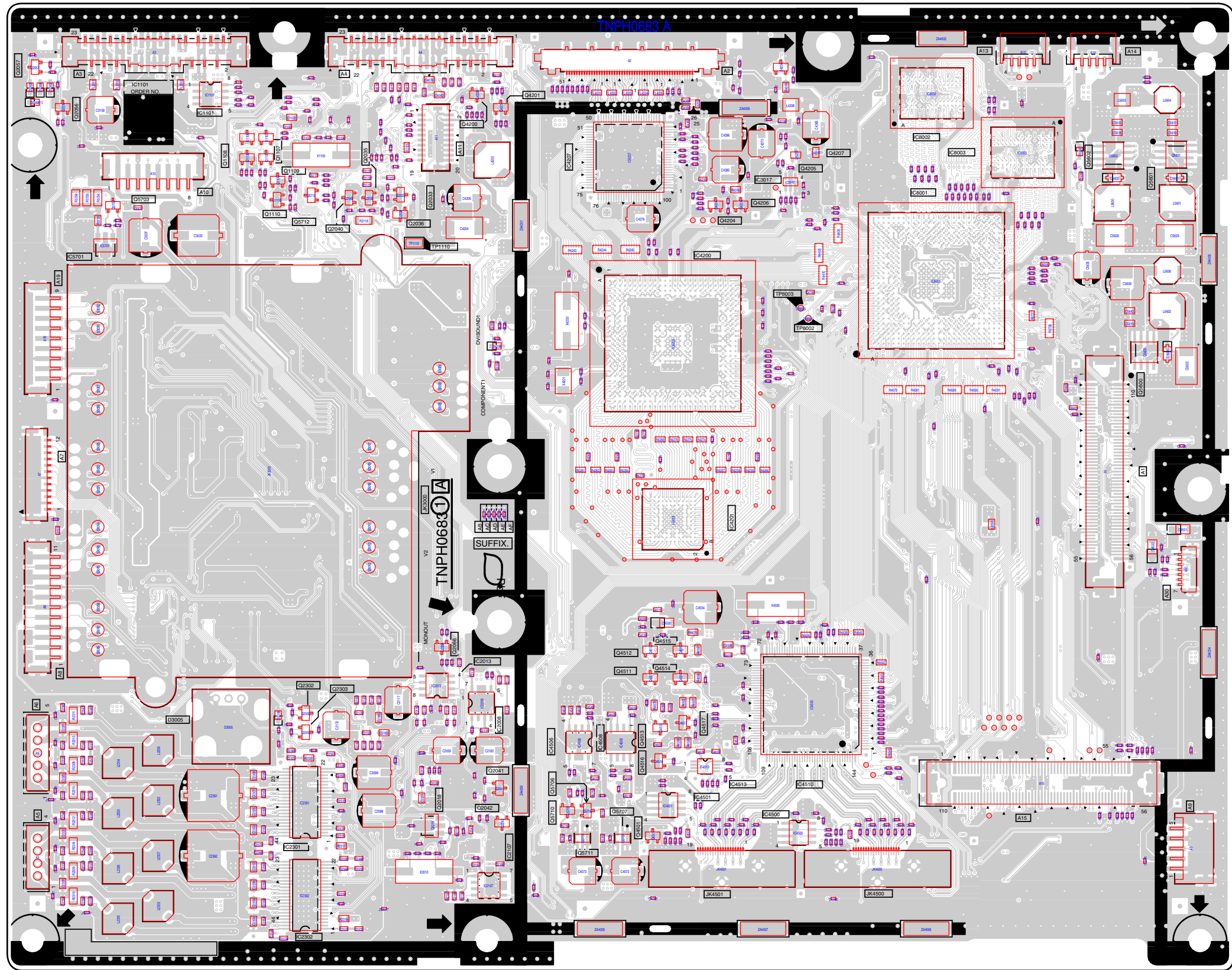
5

4

3

2

1

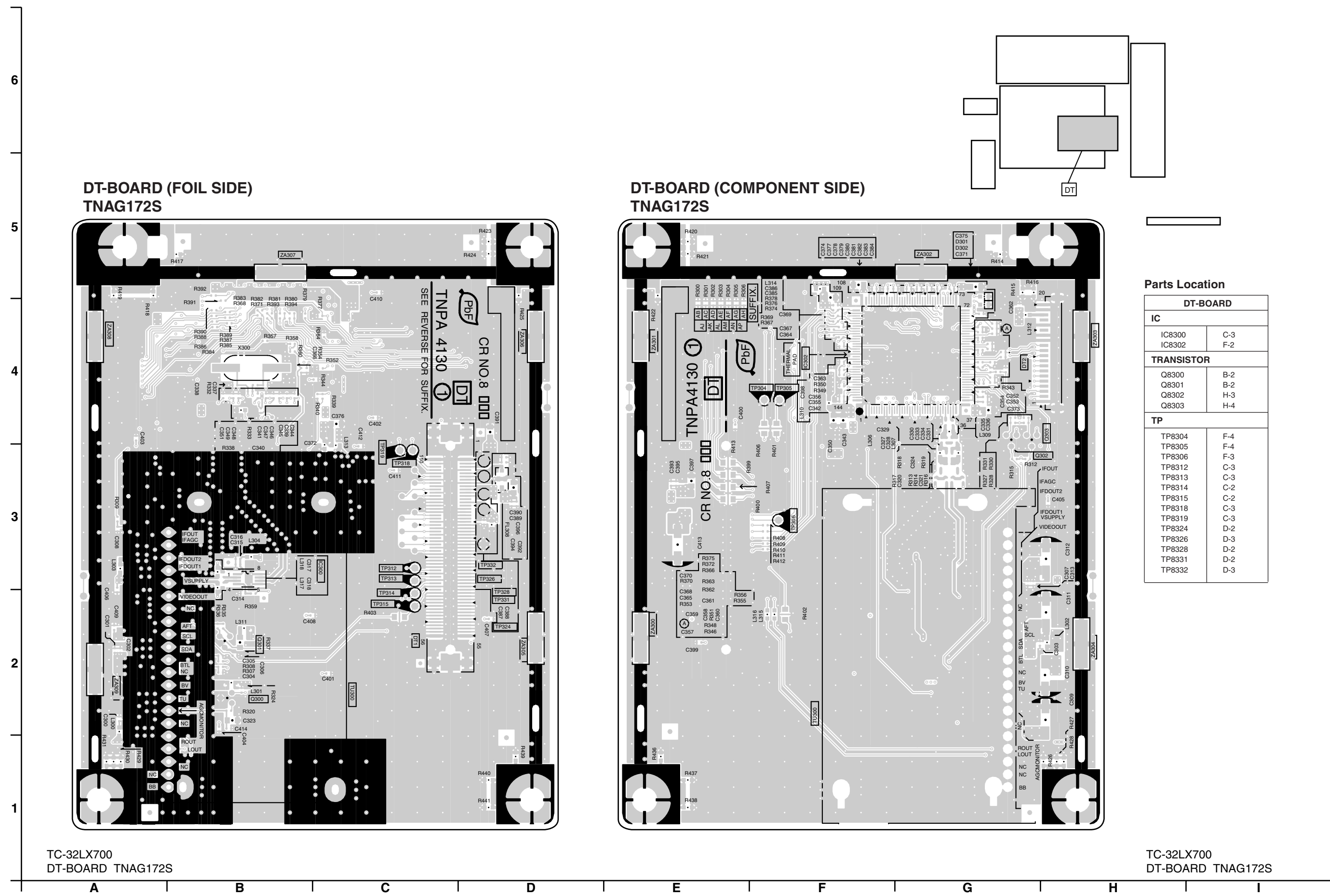


TC-32LX700
A-BOARD TNPH0683S

TC-32LX700
A-BOARD TNPH0683S

A | B | C | D | E | F | G | H | I

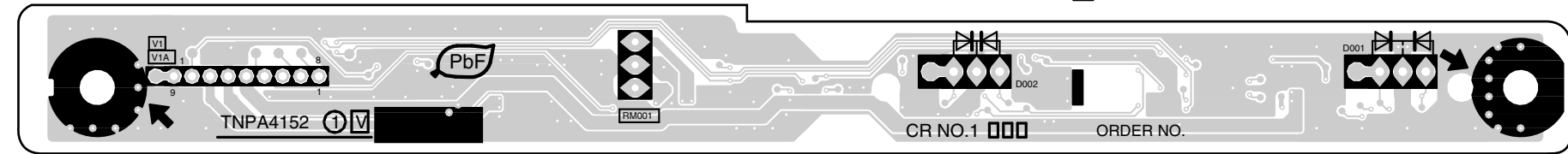
14.4. DT-Board



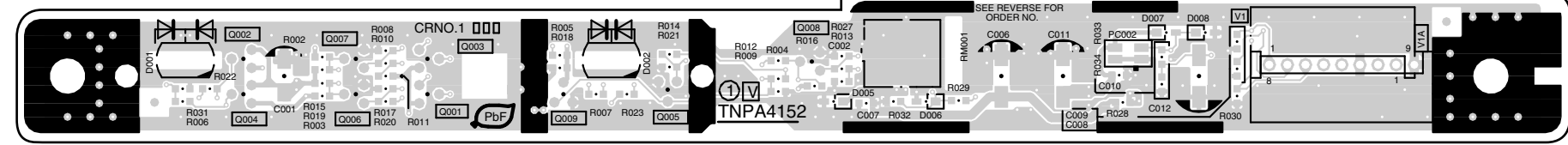
14.5. G, GS and V-Board

6
5
4
3
2
1

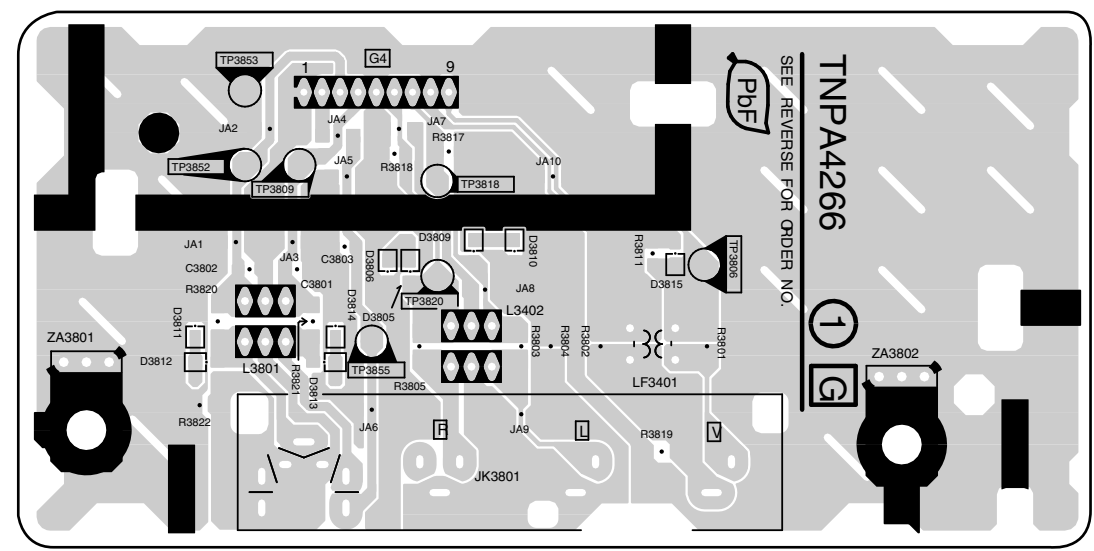
V-BOARD (FOIL SIDE)
TNPA4152ADS



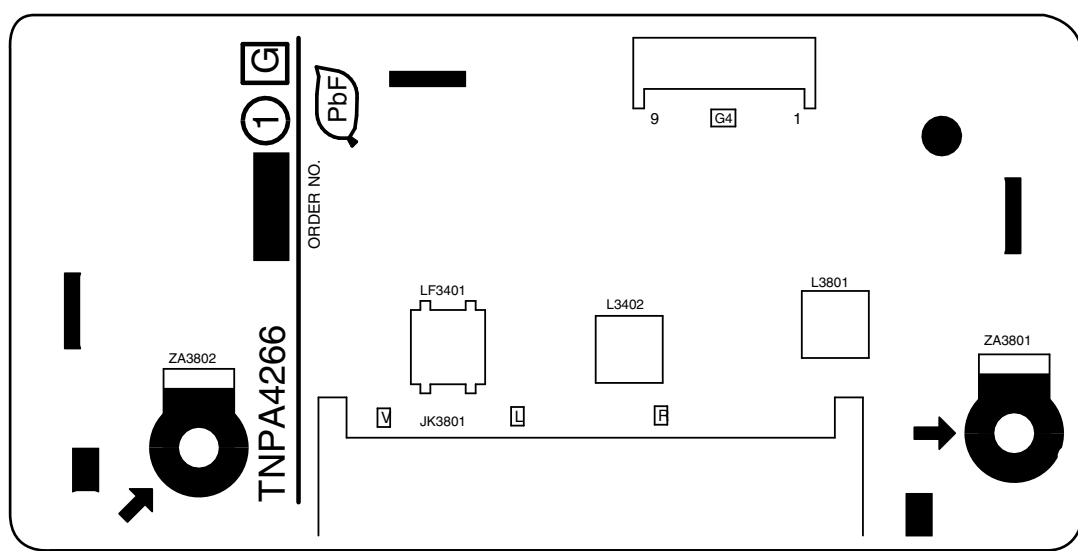
V-BOARD (COMPONENT SIDE)
TNPA4152ADS



G-BOARD (FOIL SIDE)
TNPA4266S



G-BOARD (COMPONENT SIDE)
TNPA4266S



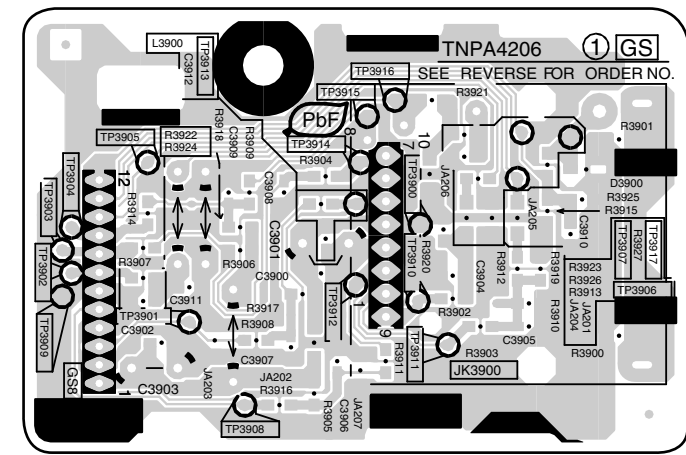
Parts Location

V-BOARD	
TRANSISTOR	
Q1001	B-3
Q1002	B-4
Q1003	B-3
Q1004	B-3
Q1005	C-3
Q1006	B-3
Q1007	B-4
Q1008	D-4
Q1009	C-3

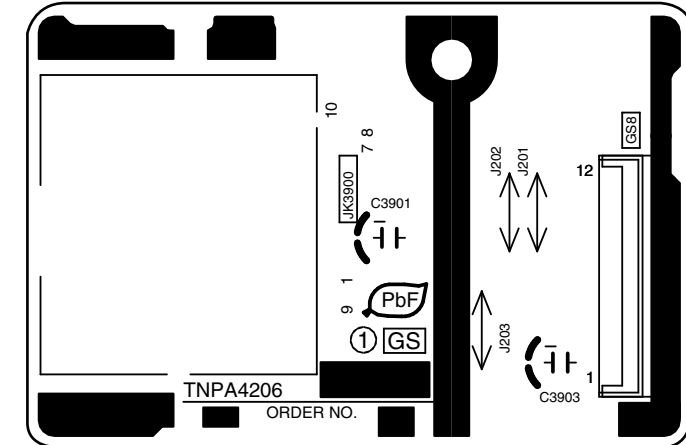
Parts Location

GS-BOARD	
TP	
TP3900	I-5
TP3901	H-5
TP3902	G-5
TP3903	G-5
TP3904	G-5
TP3905	H-6
TP3906	I-5
TP3907	I-5
TP3908	H-5
TP3909	G-5
TP3910	I-5
TP3911	I-5
TP3912	H-5
TP3913	H-6
TP3914	H-6
TP3915	H-6
TP3916	H-6
TP3917	I-5

GS-BOARD (FOIL SIDE)
TNPA4206S



GS-BOARD (COMPONENT SIDE)
TNPA4206S



Parts Location

G-BOARD	
TP	
TP3806	C-2
TP3809	B-2
TP3818	B-2
TP3820	B-2
TP3852	A-2
TP3853	A-2
TP3855	B-1

TC-32LX700
V-BOARD TNPA4152ADS
G-BOARD TNPA4266S
GS-BOARD TNPA4206S

TC-32LX700
V-BOARD TNPA4152ADS
G-BOARD TNPA4266S
GS-BOARD TNPA4206S

A B C D E F G H I







15 Schematic and Block Diagram

15.1. Schematic Diagram Notes

Important Safety Notice

Components identified by \triangle mark have special characteristics important for safety. When replacing any of these components, use only manufacture's specified parts.

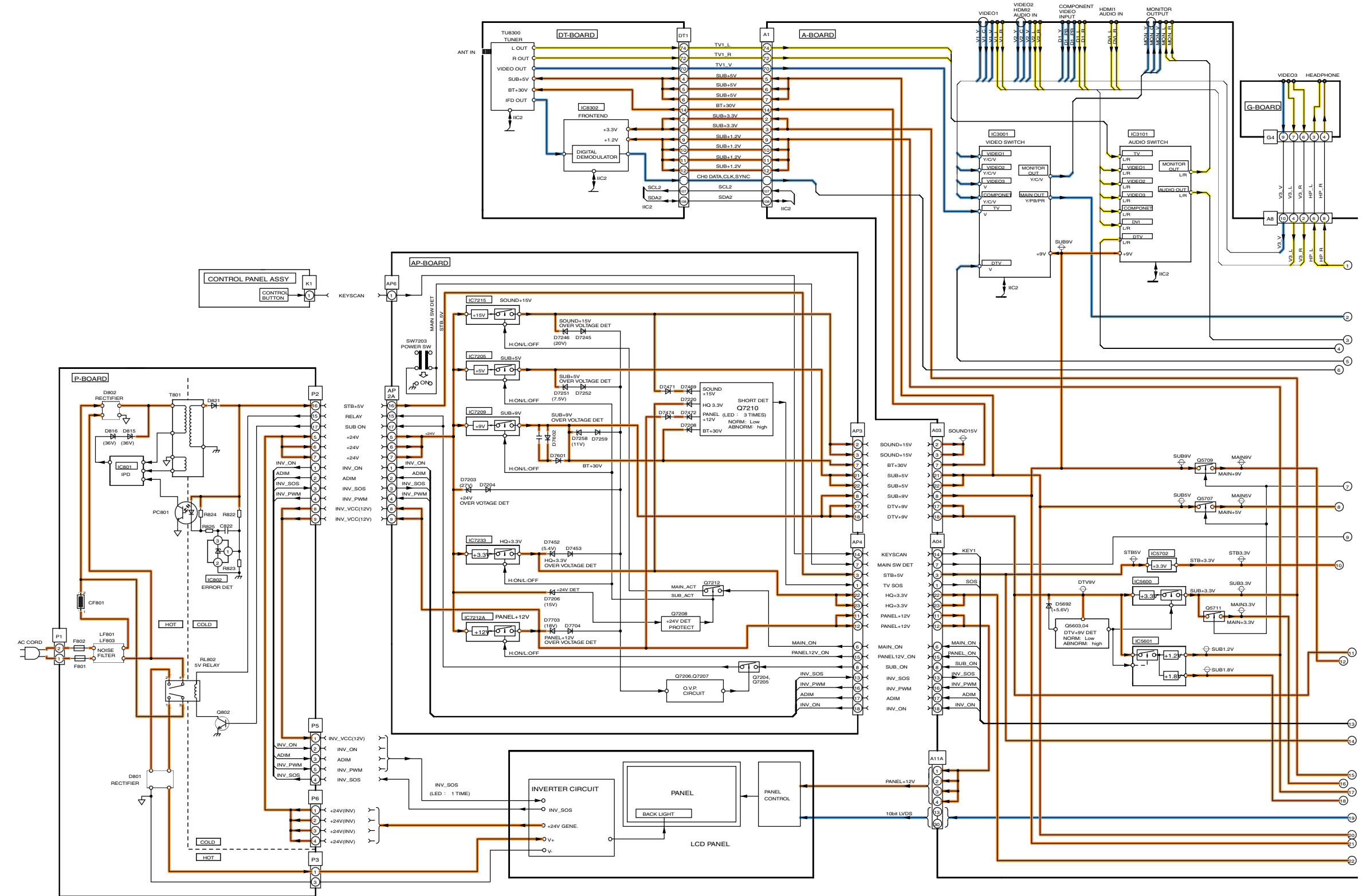
Notes:

1. **Resistor**
Unit of resistance is OHM [Ω] (K=1,000, M=1,000,000).
2. **Capacitor**
Unit of capacitance is μ F, unless otherwise noted.
3. **Coil**
Unit of inductance is H, unless otherwise noted.
4. **Test Point**
 : Test Point position
5. **Earth Symbol**
 : Chassis Earth (Cold)  : Line Earth (Hot)
6. **Voltage Measurement**
Voltage is measured by a DC voltmeter.
Conditions of the measurement are the following:
Power Source AC110-127V, 60Hz
Receiving Signal Colour Bar signal (RF)
All customer's controls Maximum positions
7. When arrow mark () is found, connection is easily found from the direction of arrow.
8. Indicates the major signal flow. : Video  Audio 
9. This schematic diagram is the latest at the time of printing and subject to change without notice.

Remarks:

1. The Power Circuit contains a circuit area which uses a separate power supply to isolate the earth connection.
The circuit is defined by HOT and COLD indications in the schematic diagram. Take the following precautions.
All circuits, except the Power Circuit, are cold.
Precautions
 - a. Do not touch the hot part or the hot and cold parts at the same time or you may be shocked.
 - b. Do not short- circuit the hot and cold circuits or a fuse may blow and parts may break.
 - c. Do not connect an instrument, such as an oscilloscope, to the hot and cold circuits simultaneously or a fuse may blow.
Connect the earth of instruments to the earth connection of the circuit being measured.
 - d. Make sure to disconnect the power plug before removing the chassis.

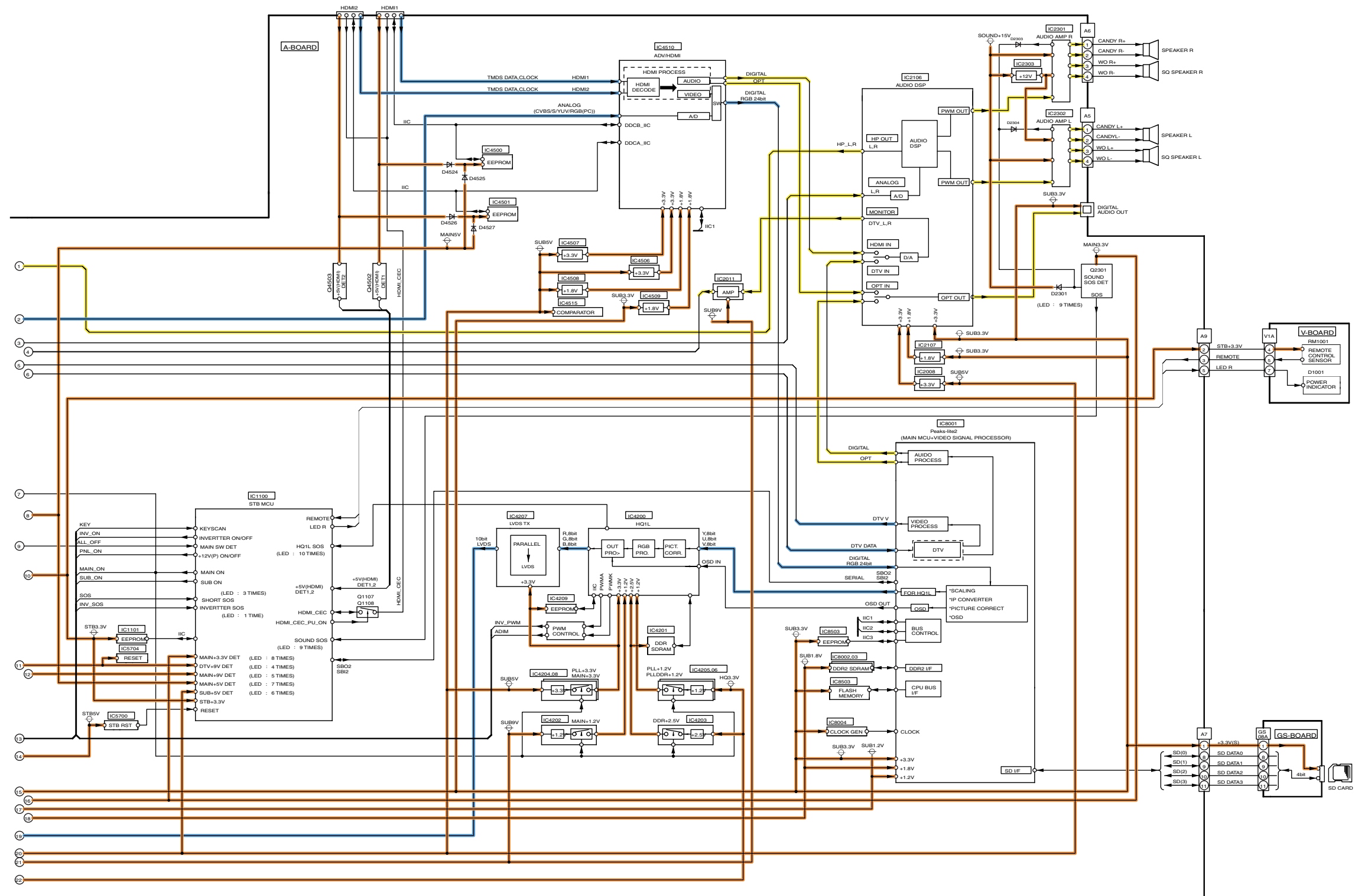
15.2. Block Diagram (1 of 2)



TC-32LX700
Block Diagram (1 of 2)

TC-32LX700
Block Diagram (1 of 2)

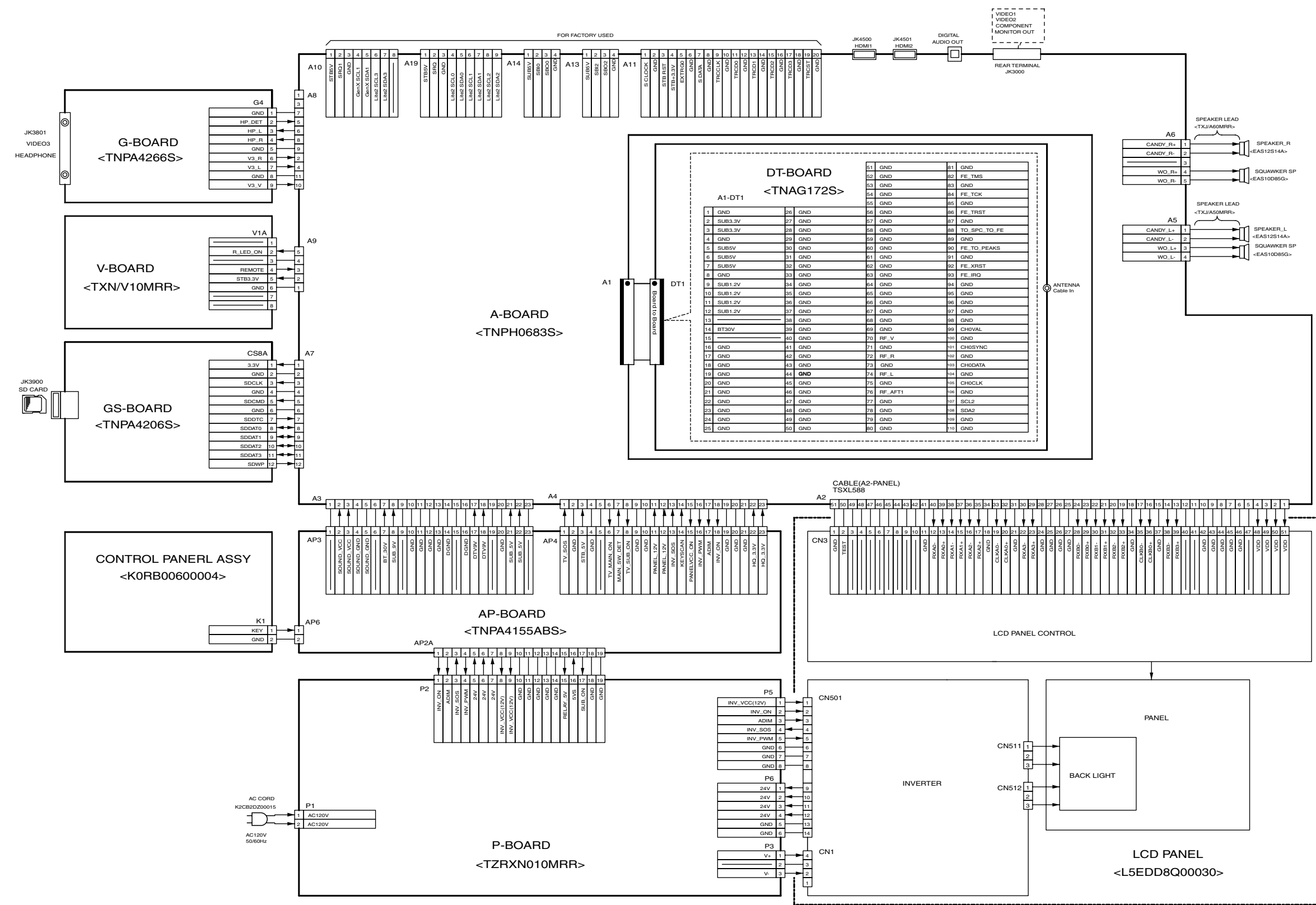
15.3. Block Diagram (2 of 2)



TC-32LX700
Block Diagram (2 of 2)

TC-32LX700
Block Diagram (2 of 2)

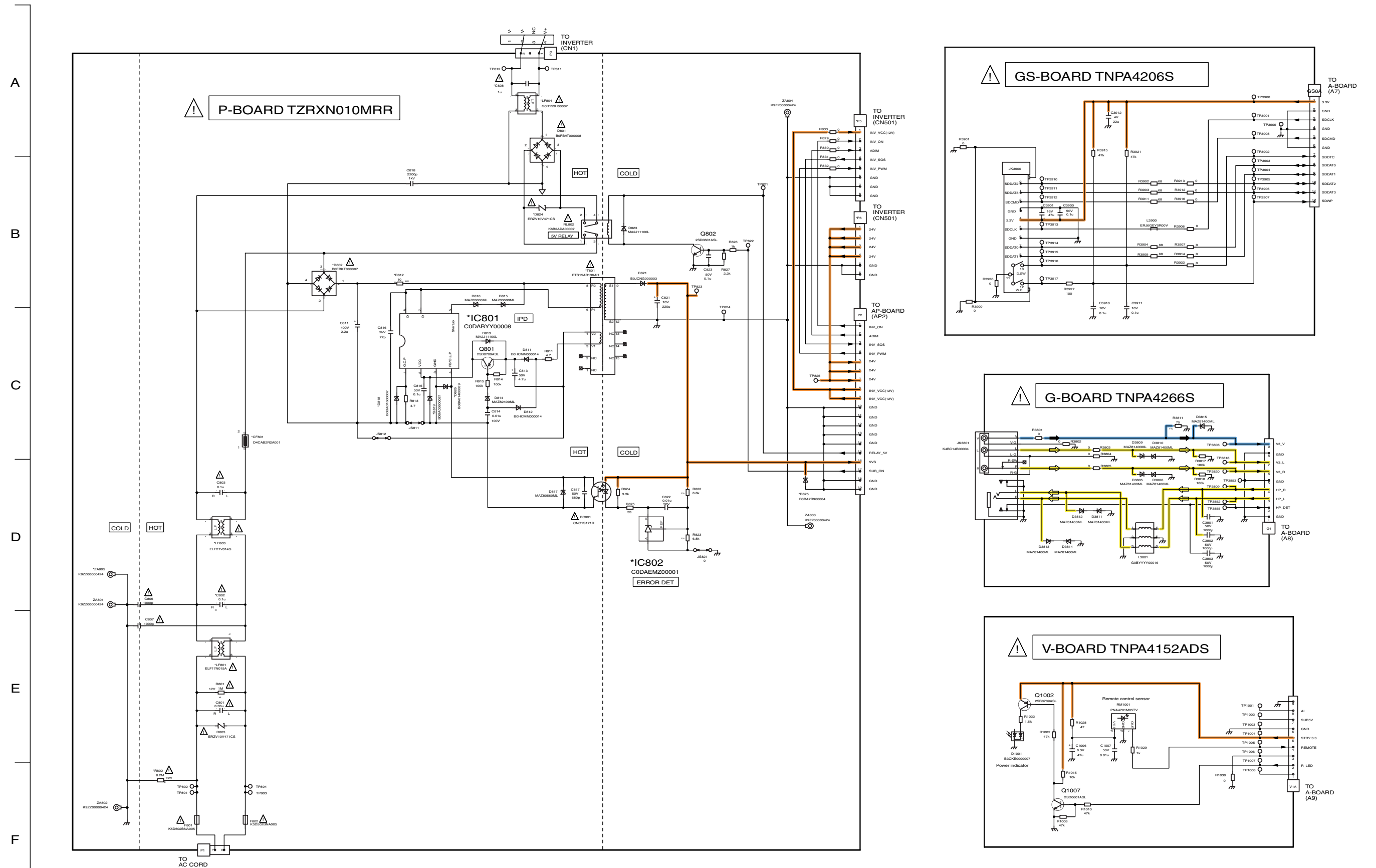
15.4. Interconnection Schematic Diagram



TC-32LX700 Interconnection Schematic Diagram

TC-32LX700 Interconnection Schematic Diagram

15.5. G, GS, P and V-Board Schematic Diagram

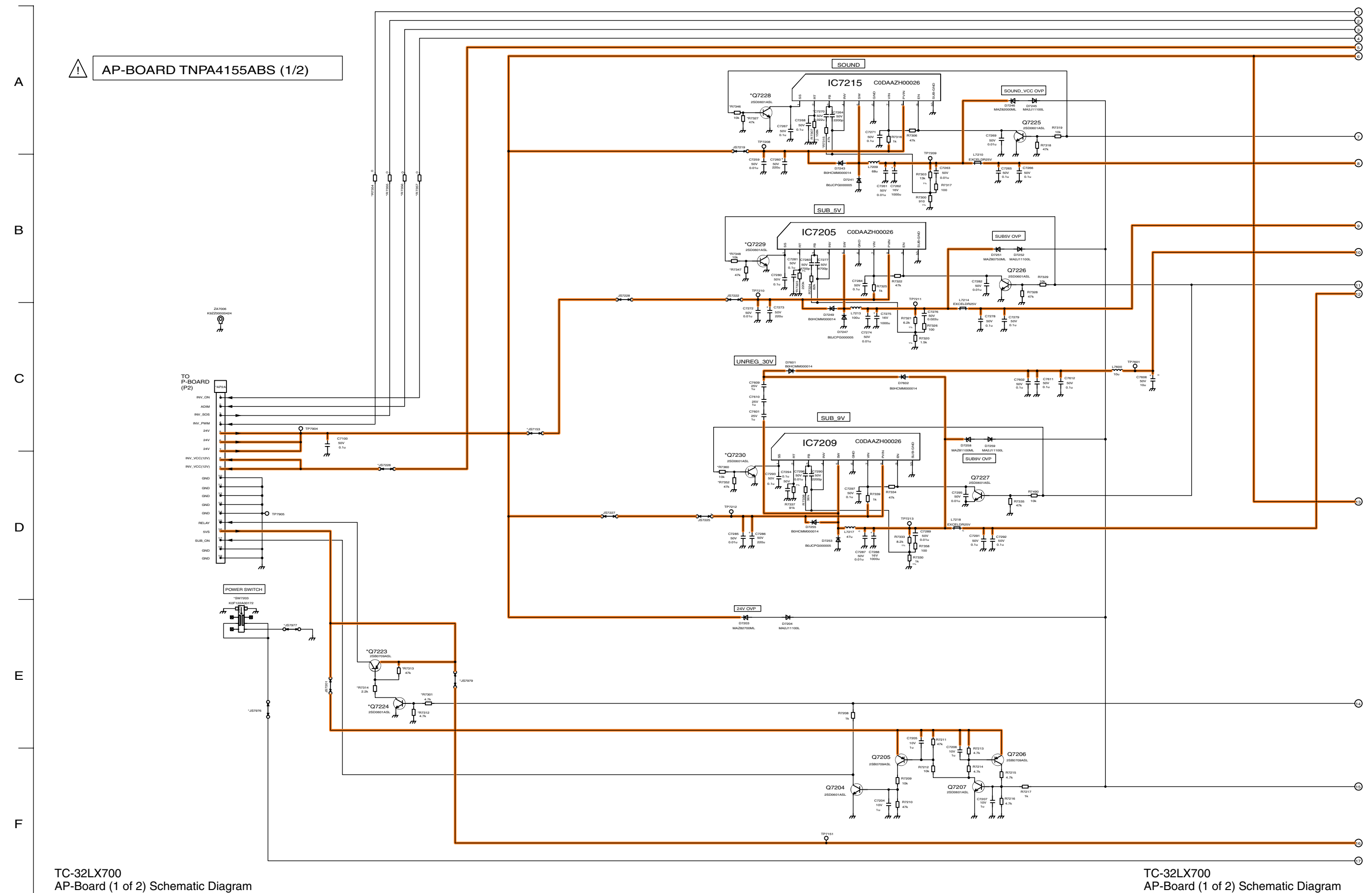


TC-32LX700
G, GS, P, and V-Board Schematic Diagram

TC-32LX700
G, GS, P, and V-Board Schematic Diagram

1 2 3 4 5 6 7 8 9

15.6. AP-Board (1 of 2) Schematic Diagram

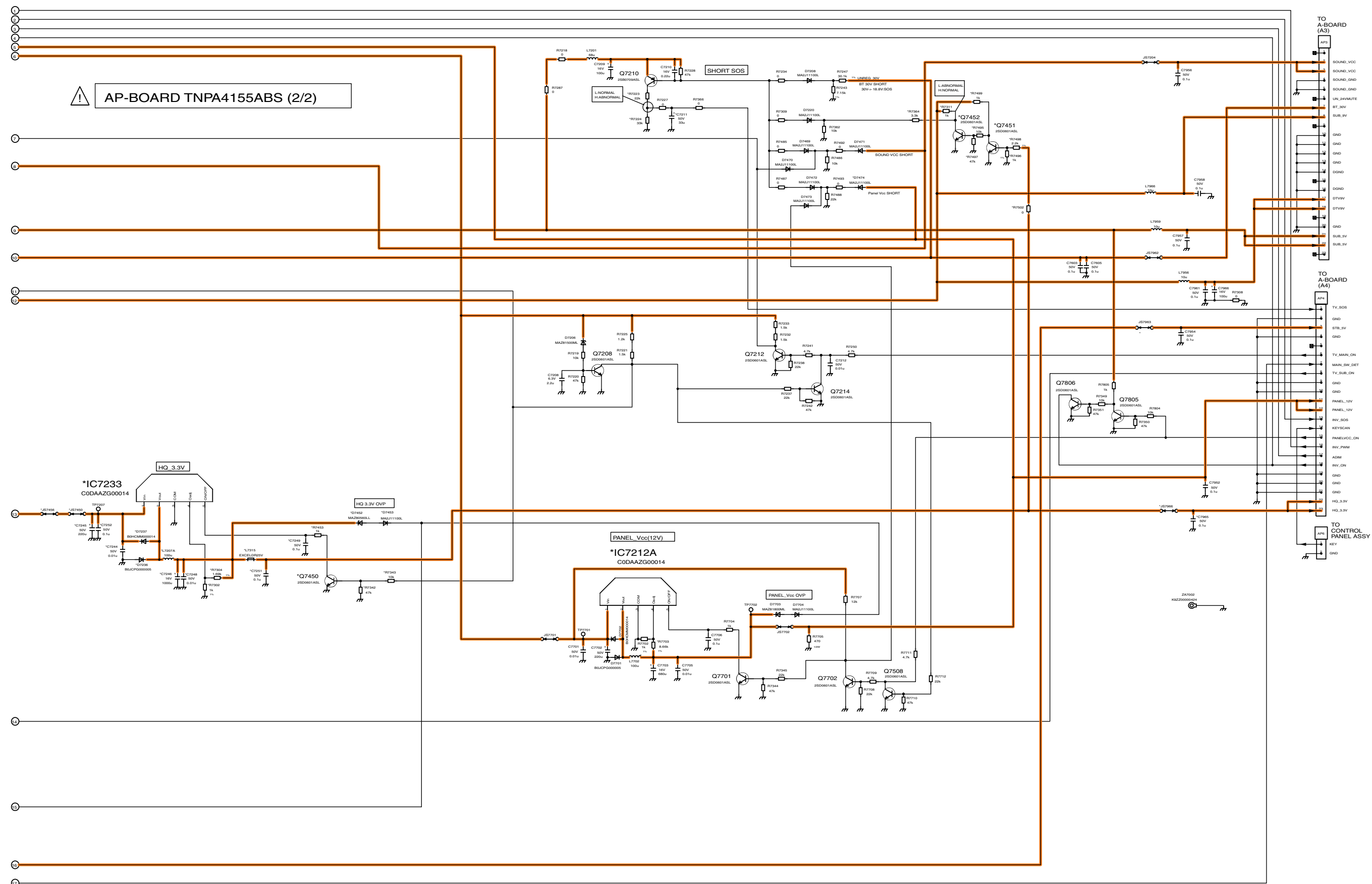


TC-32LX700 AP-Board (1 of 2) Schematic Diagram

TC-32LX700 AP-Board (1 of 2) Schematic Diagram

1 2 3 4 5 6 7 8 9

15.7. AP-Board (2 of 2) Schematic Diagram



15.8. A-Board (1 of 13) Schematic Diagram

A-BOARD TNP0683S (1/13)

Peaks-Lite2,DDR

A

B

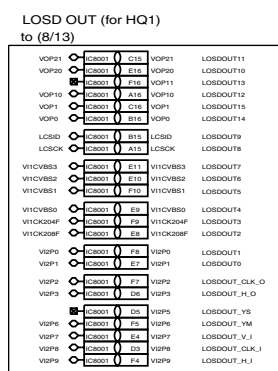
C

D

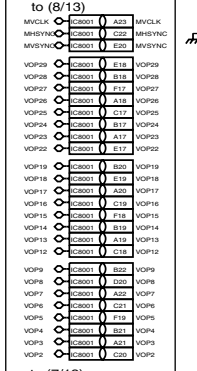
E

F

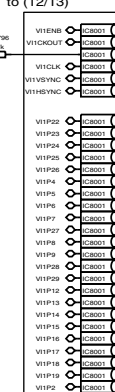
IC8001
Peaks Lite II



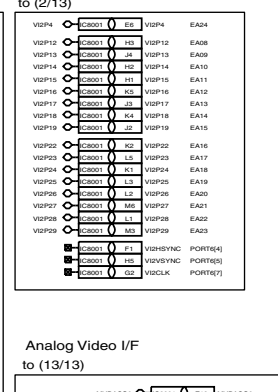
FOR HQ1L VIDEO



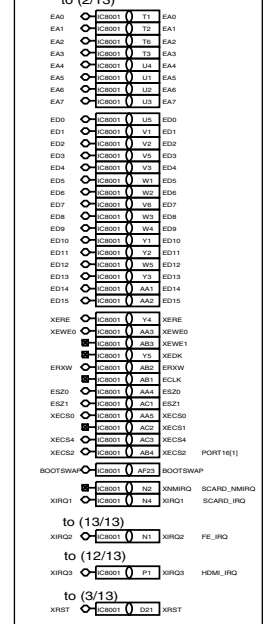
FOR AD7V493



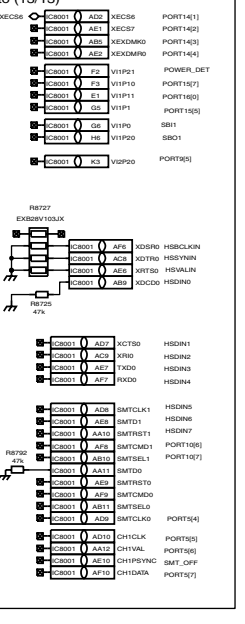
B PORT (Sub Video Input or Address)



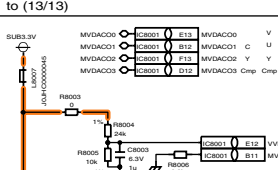
CPU BUS I/F



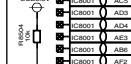
POD,CI I/F



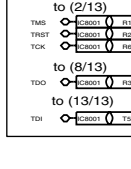
Analog Video I/F



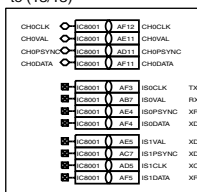
IIC I/F



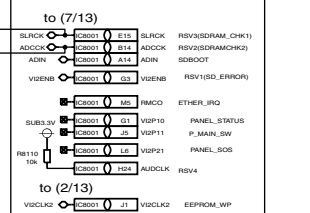
SD CARD I/F



CH,IS I/F



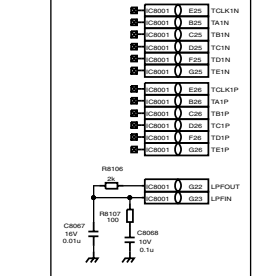
COMMON PORT .etc



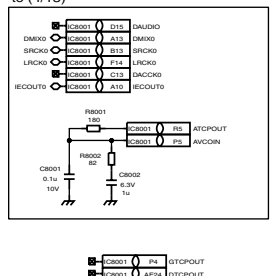
CLOCK GEN



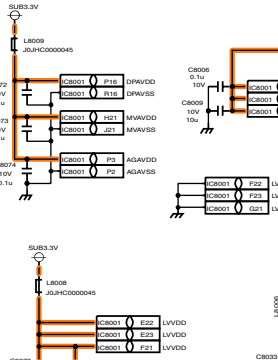
LVDS I/F



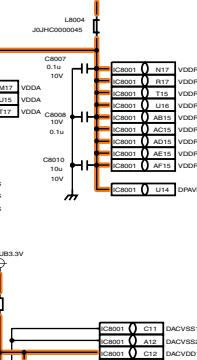
AUDIO I/F



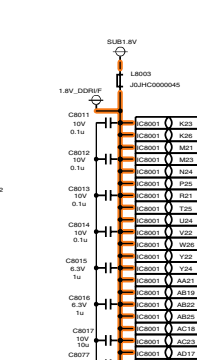
to (4/13)



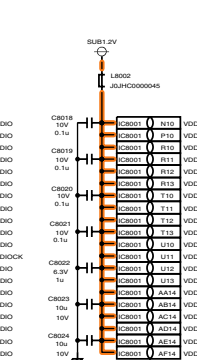
to (13/13)



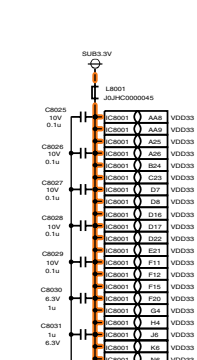
to (12/13)



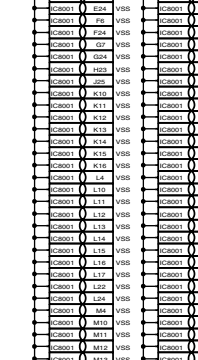
to (2/13)



to (8/13)



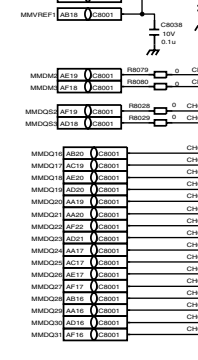
to (13/13)



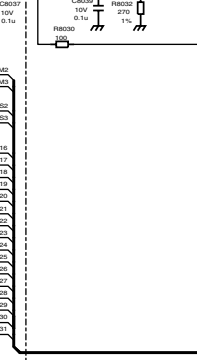
to (2/13)



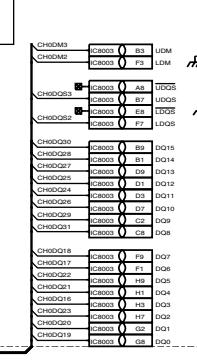
to (13/13)



to (12/13)



to (3/13)



to (8/13)



to (13/13)



to (12/13)



to (2/13)



to (8/13)



to (13/13)



to (2/13)



to (13/13)



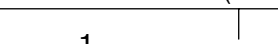
to (12/13)



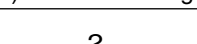
to (3/13)



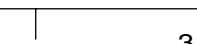
to (8/13)



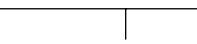
to (13/13)



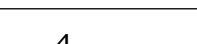
to (12/13)



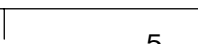
to (2/13)



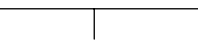
to (8/13)



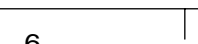
to (13/13)



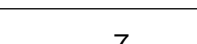
to (2/13)



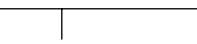
to (13/13)



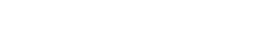
to (12/13)



to (3/13)



to (8/13)



to (13/13)



to (12/13)



to (2/13)



to (8/13)



to (13/13)



to (2/13)



to (13/13)



to (12/13)



to (3/13)



to (8/13)

to (13/13)

to (12/13)

to (2/13)

to (8/13)

to (13/13)

to (2/13)

to (13/13)

to (12/13)

to (3/13)

to (8/13)

to (13/13)

to (12/13)

to (2/13)

to (8/13)

to (13/13)

to (2/13)

to (13/13)

to (12/13)

to (3/13)

to (8/13)

to (13/13)

to (12/13)

to (2/13)

to (8/13)

to (13/13)

to (2/13)

to (13/13)

to (12/13)

to (3/13)

to (8/13)

to (13/13)

to (12/13)

to (2/13)

to (8/13)

to (13/13)

to (2/13)

to (13/13)

to (12/13)

to (3/13)

to (8/13)

to (13/13)

to (12/13)

to (2/13)

to (8/13)

to (13/13)

to (2/13)

to (13/13)

to (12/13)

to (3/13)

to (8/13)

to (13/13)

to (12/13)

to (2/13)

to (8/13)

to (13/13)

to (2/13)

to (13/13)

to (12/13)

to (3/13)

to (8/13)

to (13/13)

to (12/13)

to (2/13)

to (8/13)

to (13/13)

to (2/13)

to (13/13)

to (12/13)

to (3/13)

to (8/13)

to (13/13)

to (12/13)

to (2/13)

to (8/13)

to (13/13)

to (2/13)

to (13/13)

to (12/13)

to (3/13)

to (8/13)

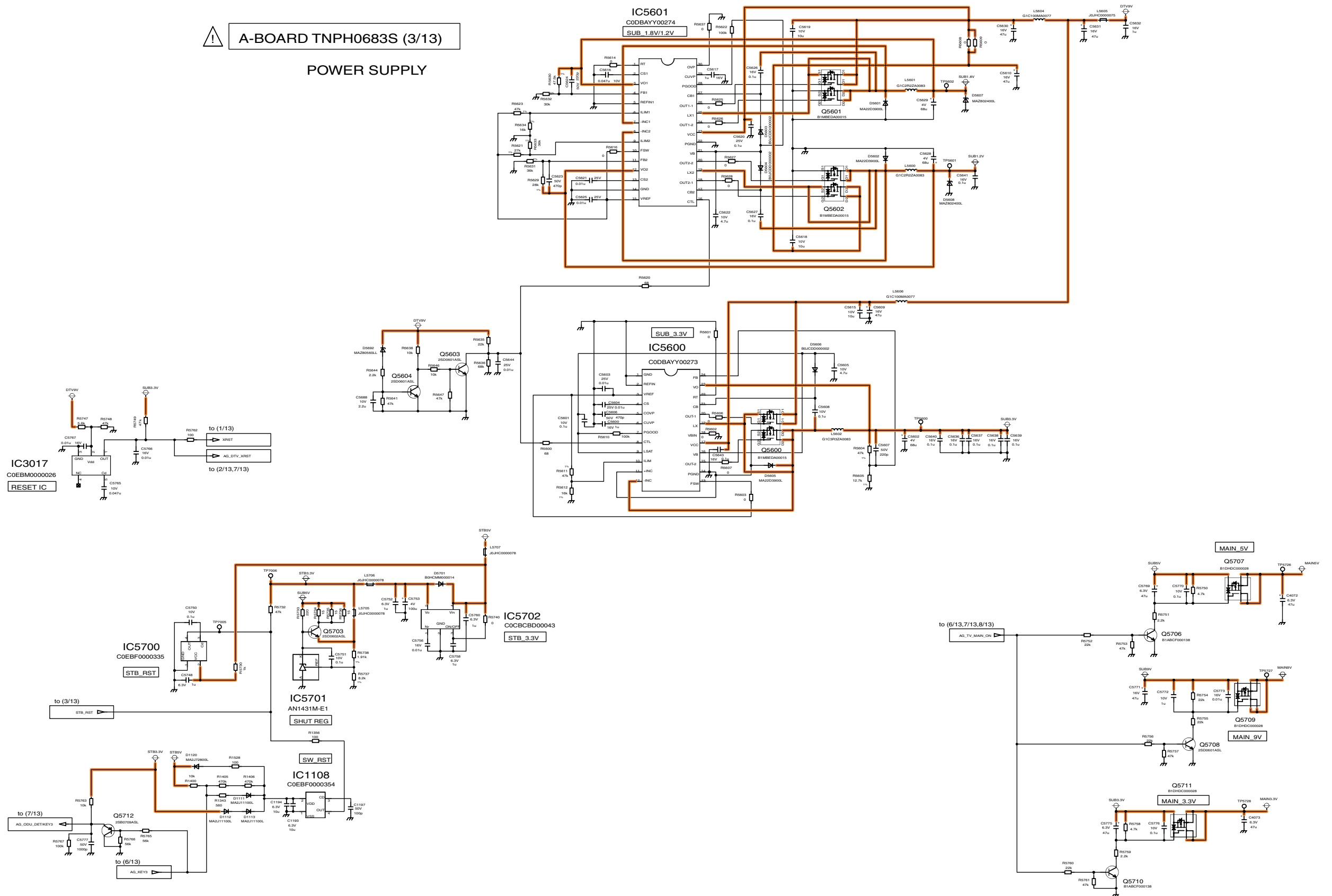
to (13/13)

to (12/13)

15.10. A-Board (3 of 13) Schematic Diagram

! A-BOARD TNPH0683S (3/13)

POWER SUPPLY



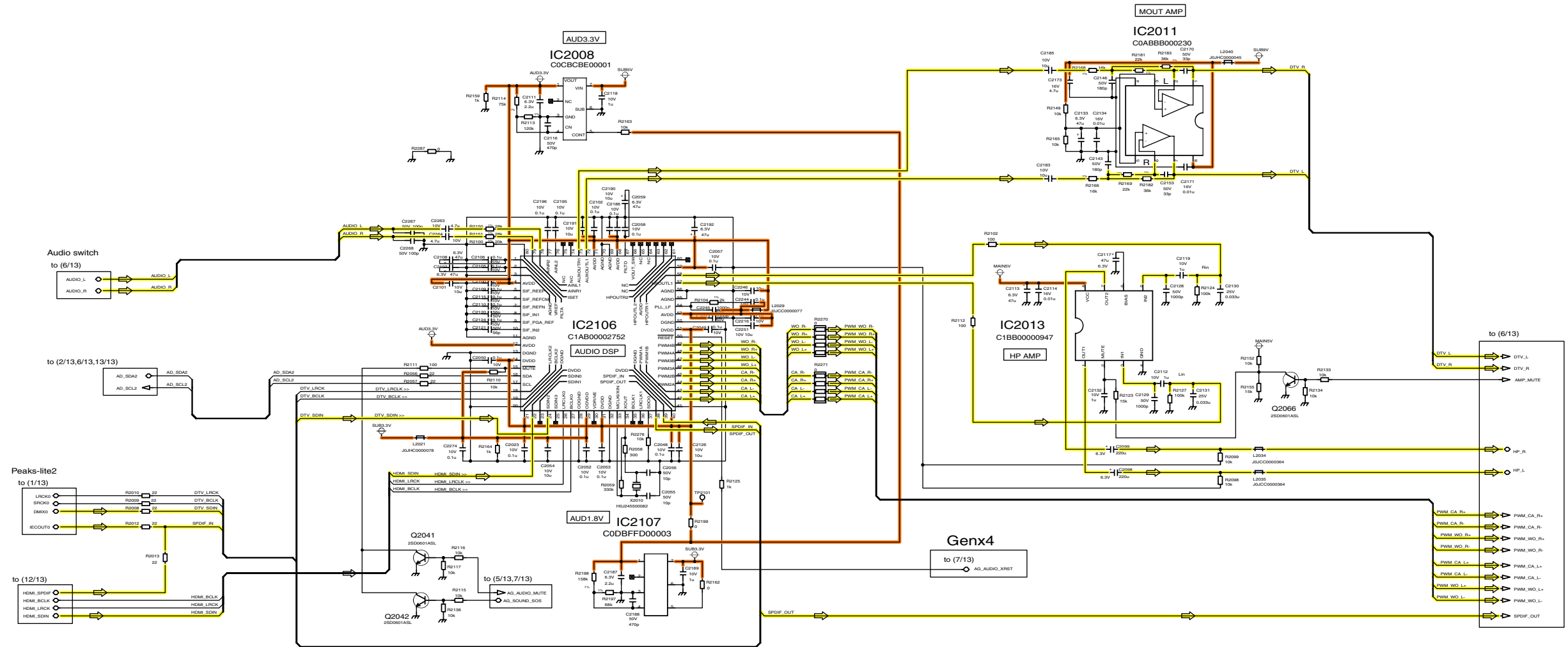
TC-32LX700
A-Board (3 of 13) Schematic Diagram

TC-32LX700
A-Board (3 of 13) Schematic Diagram

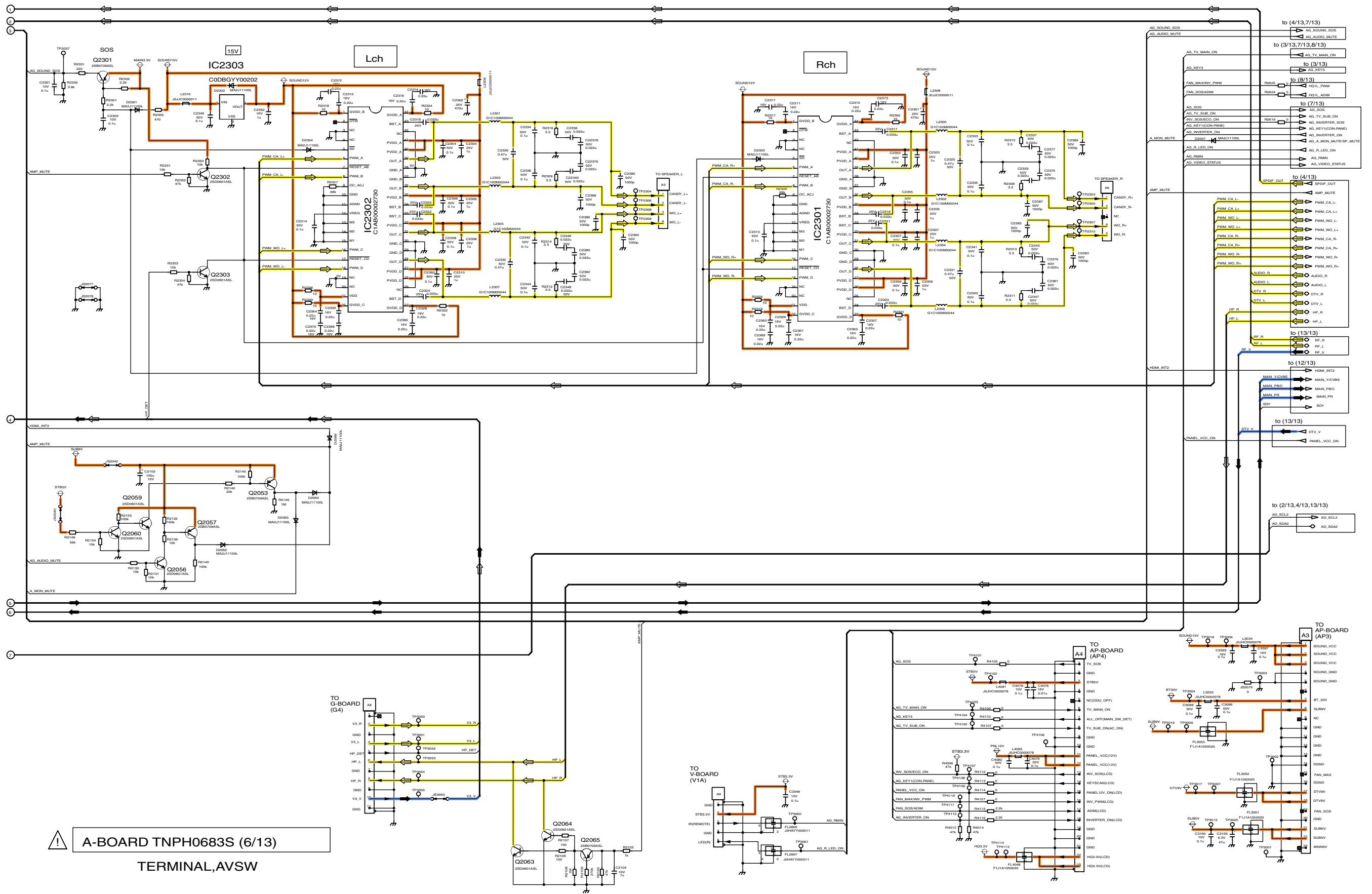
15.11. A-Board (4 of 13) Schematic Diagram

! A-BOARD TNPH0683S (4/13)

AUDIO DSP
CRNo.2000-2299



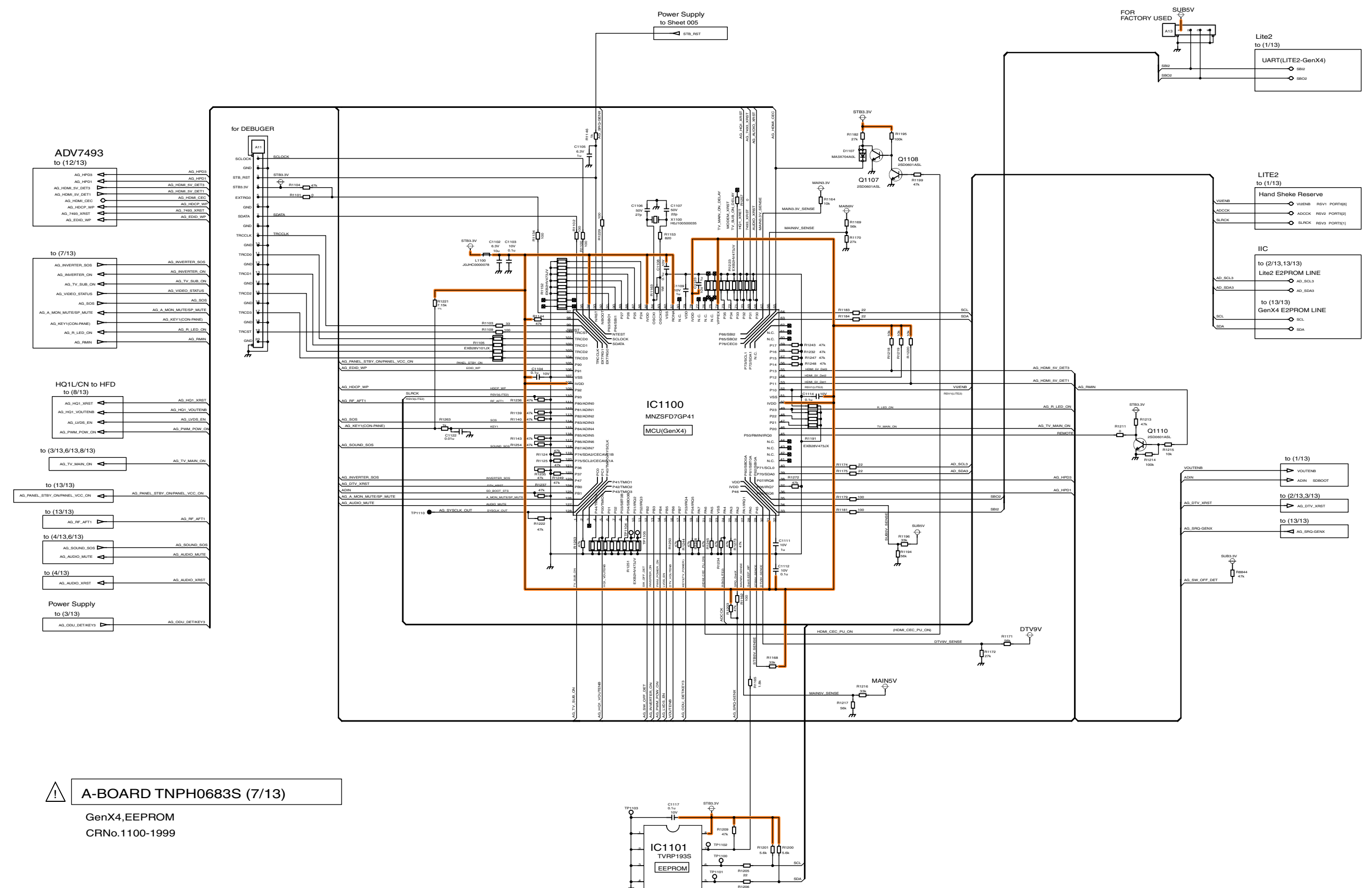
15.13. A-Board (6 of 13) Schematic Diagram



TC-32LX700
A-Board (6 of 13) Schematic Diagram

TC-32LX700
A-Board (6 of 13) Schematic Diagram

15.14. A-Board (7 of 13) Schematic Diagram



! A-BOARD TNP0683S (7/13)
 GenX4,EEPROM
 CRNo.1100-1999

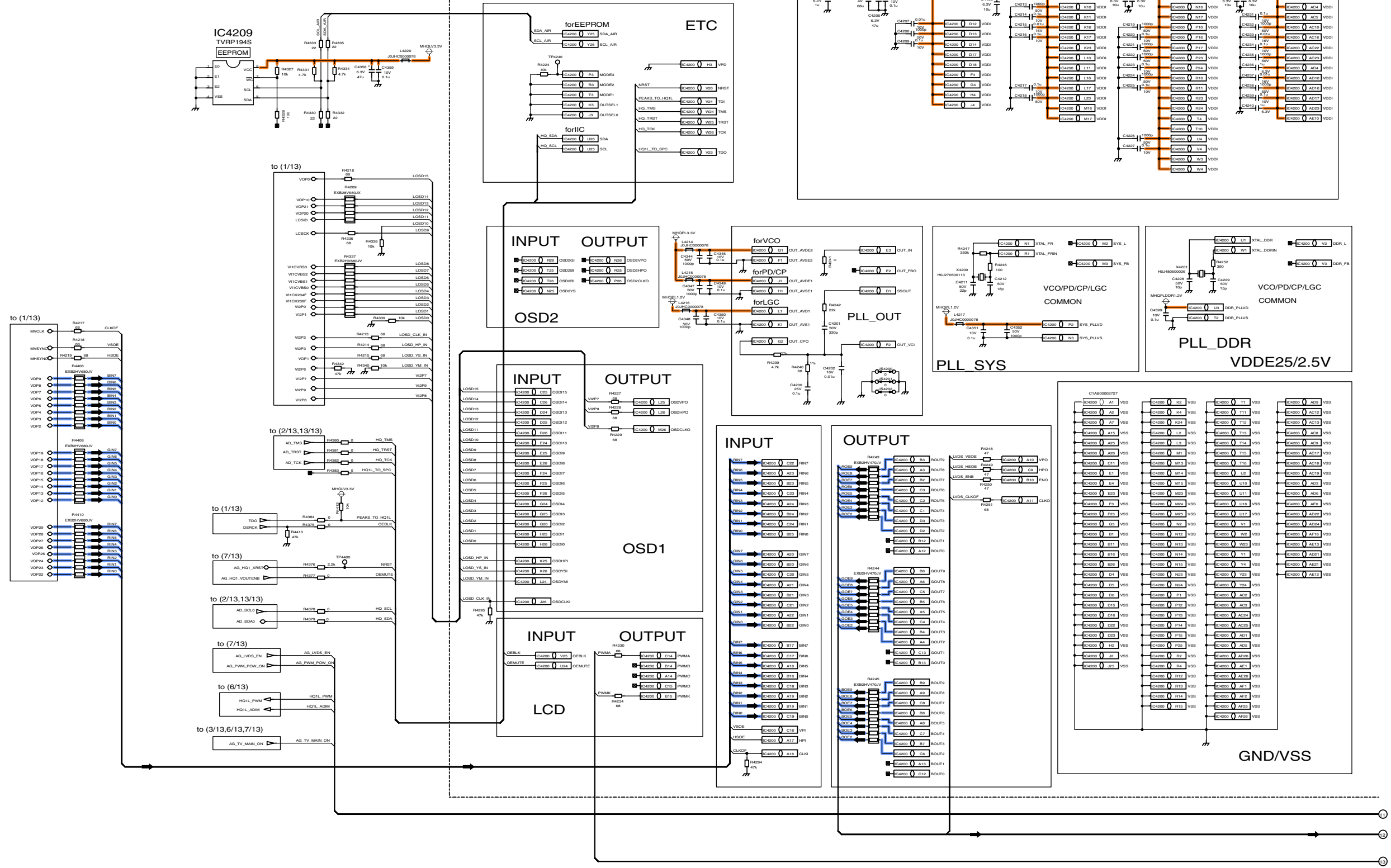
15.15. A-Board (8 of 13) Schematic Diagram

A-BOARD TNP0683S (8/13)

HQ1L, INV PWM
CRNo.4200-4499

IC4200
MB87Q1430YNK
[HQ1L]

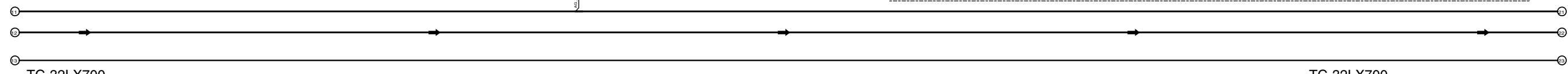
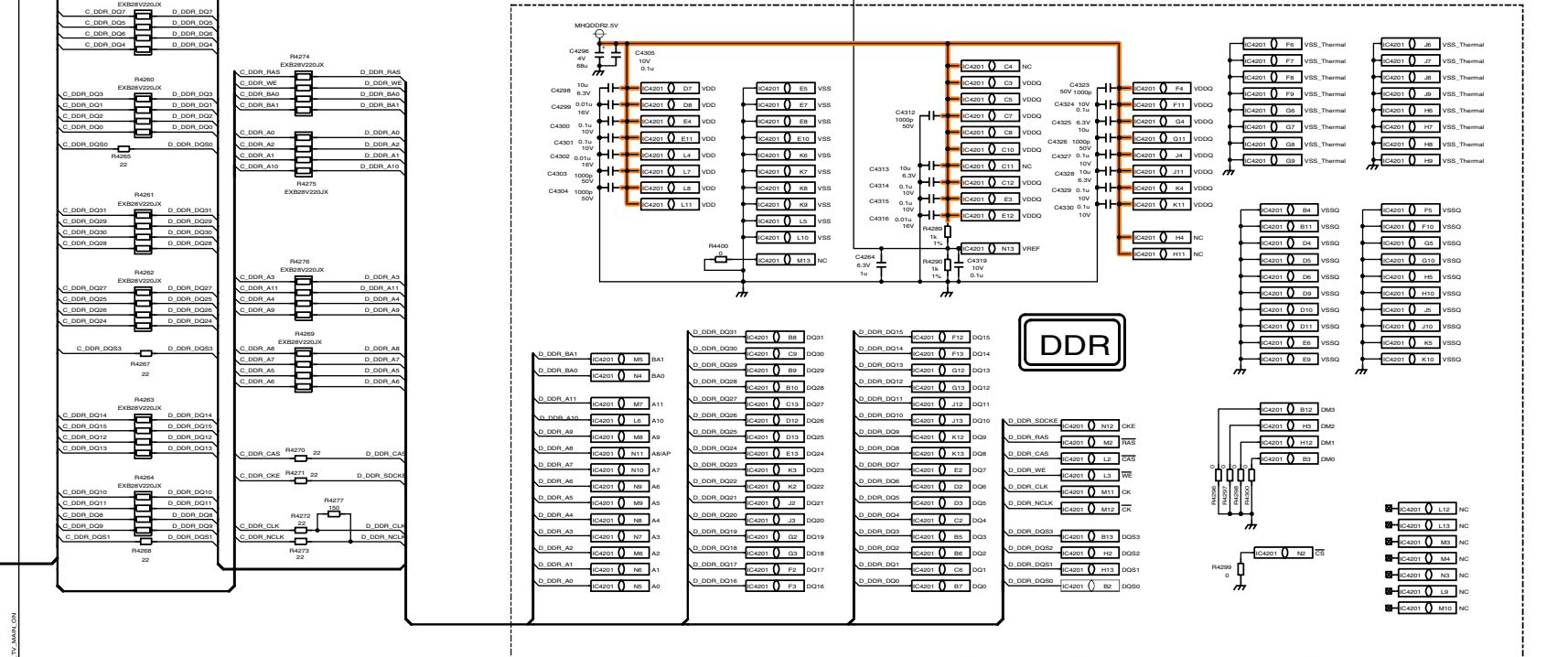
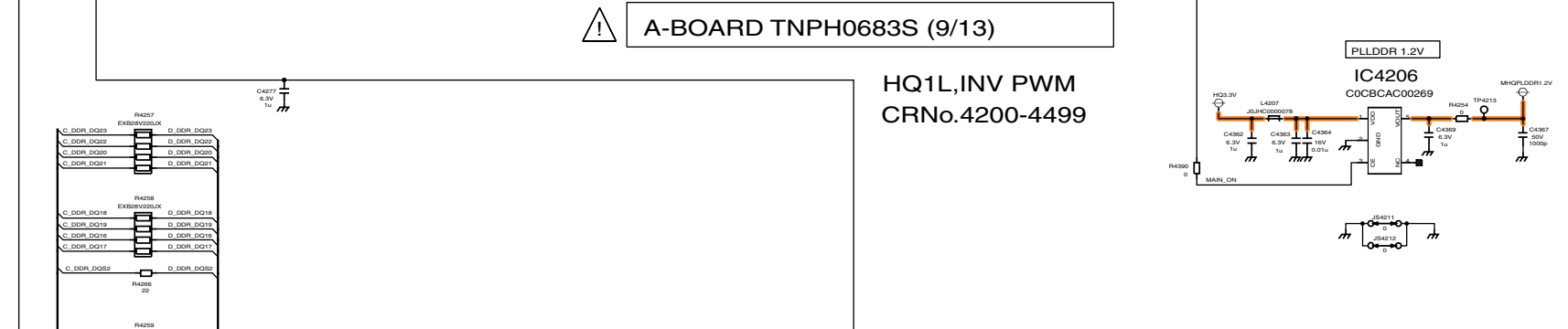
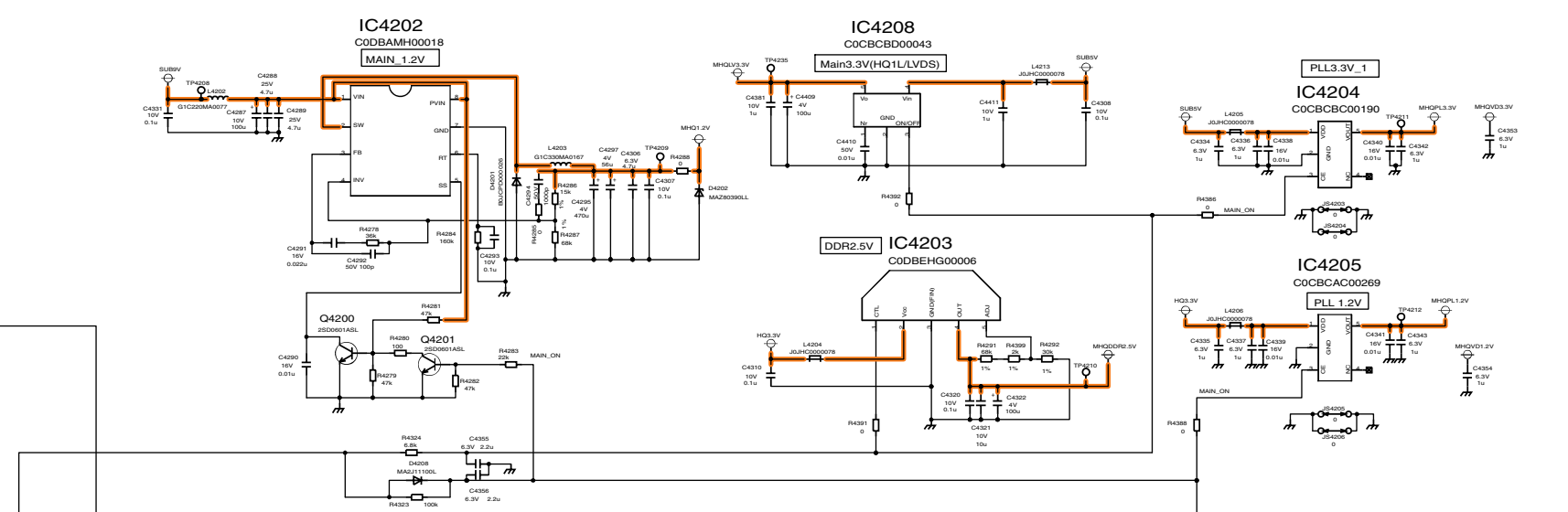
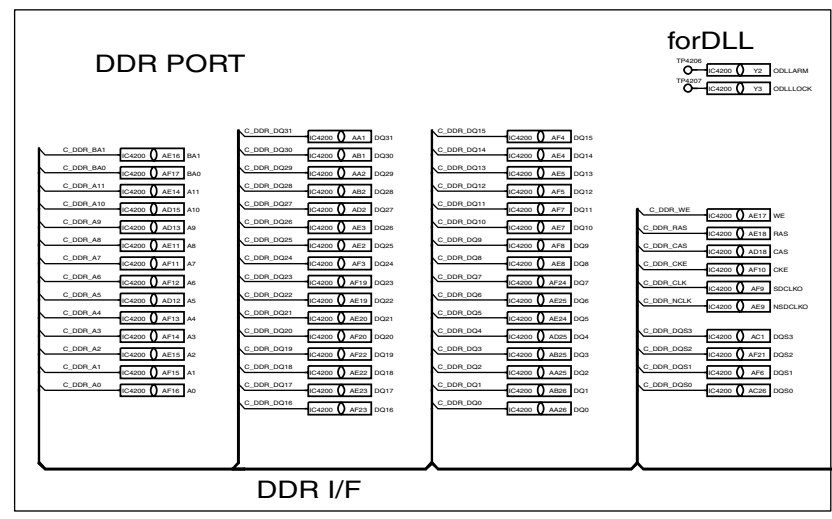
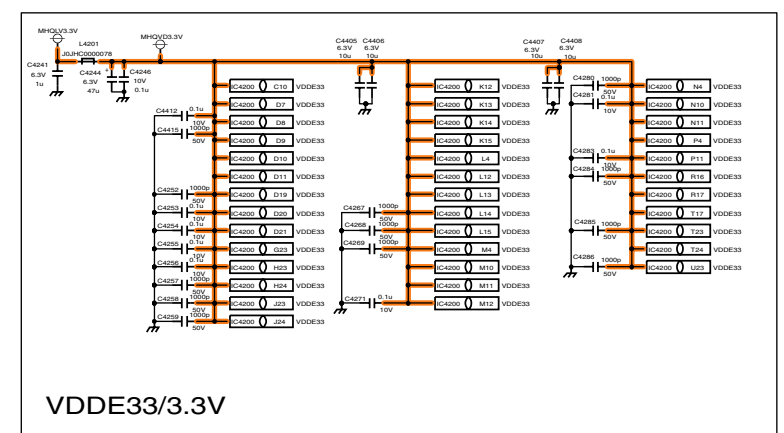
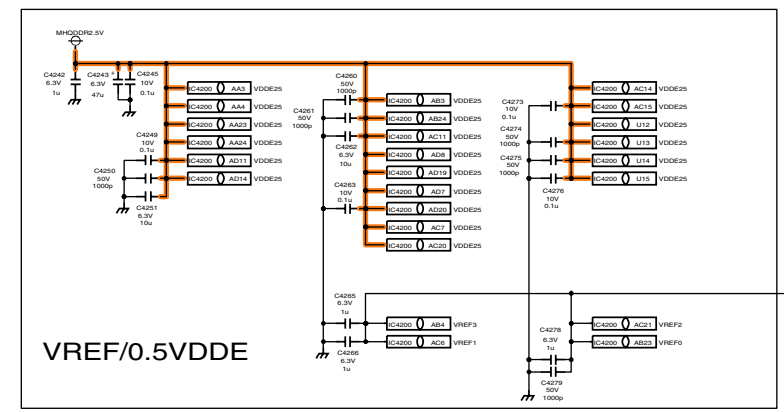
VDDI/1.2V



TC-32LX700
A-Board (8 of 13) Schematic Diagram

TC-32LX700
A-Board (8 of 13) Schematic Diagram

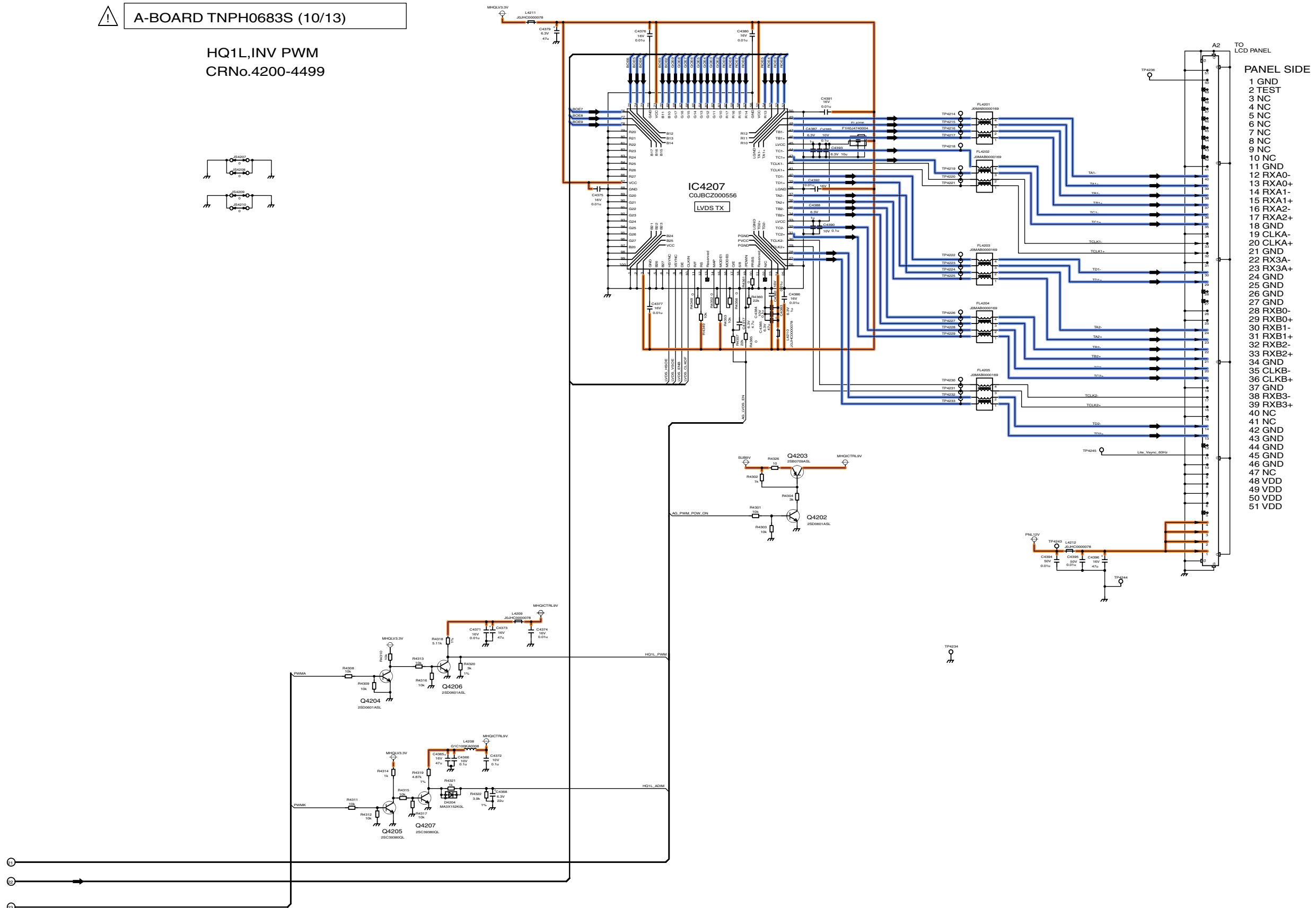
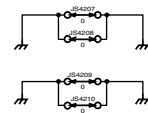
15.16. A-Board (9 of 13) Schematic Diagram



15.17. A-Board (10 of 13) Schematic Diagram

⚠ A-BOARD TNP0683S (10/13)

HQ1L, INV PWM
CRNo.4200-4499



- TO LCD PANEL
- PANEL SIDE
- 1 GND
 - 2 TEST
 - 3 NC
 - 4 NC
 - 5 NC
 - 6 NC
 - 7 NC
 - 8 NC
 - 9 NC
 - 10 NC
 - 11 GND
 - 12 RXA0-
 - 13 RXA0+
 - 14 RXA1-
 - 15 RXA1+
 - 16 RXA2-
 - 17 RXA2+
 - 18 GND
 - 19 CLKA-
 - 20 CLKA+
 - 21 GND
 - 22 RX3A-
 - 23 RX3A+
 - 24 GND
 - 25 GND
 - 26 GND
 - 27 GND
 - 28 RXB0-
 - 29 RXB0+
 - 30 RXB1-
 - 31 RXB1+
 - 32 RXB2-
 - 33 RXB2+
 - 34 GND
 - 35 CLKB-
 - 36 CLKB+
 - 37 GND
 - 38 RXB3-
 - 39 RXB3+
 - 40 NC
 - 41 NC
 - 42 GND
 - 43 GND
 - 44 GND
 - 45 GND
 - 46 GND
 - 47 NC
 - 48 VDD
 - 49 VDD
 - 50 VDD
 - 51 VDD

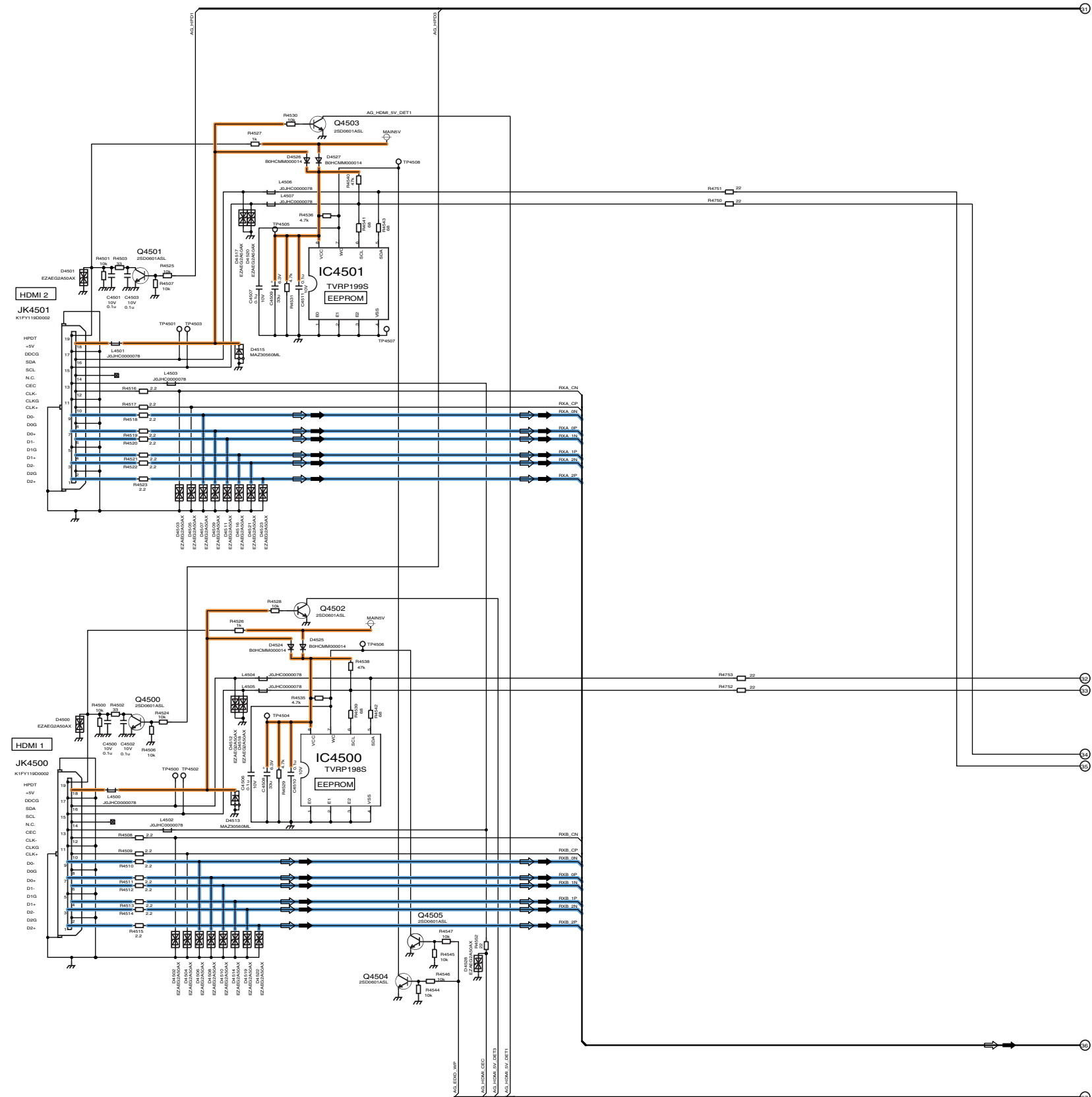
TC-32LX700
A-Board (10 of 13) Schematic Diagram

TC-32LX700
A-Board (10 of 13) Schematic Diagram

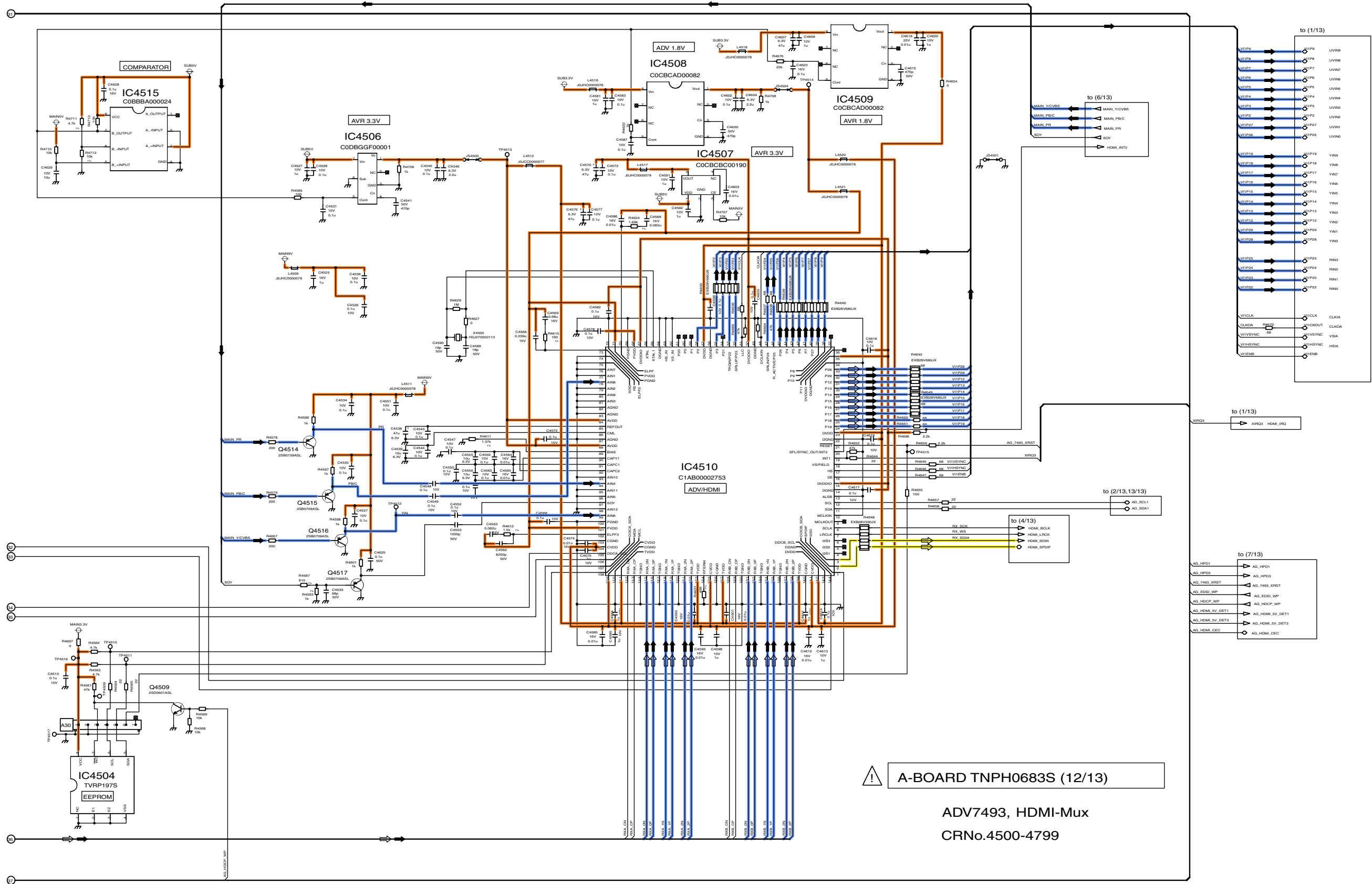
15.18. A-Board (11 of 13) Schematic Diagram

⚠ A-BOARD TNP0683S (11/13)

ADV7493, HDMI-Mux
CRNo.4500-4799



15.19. A-Board (12 of 13) Schematic Diagram



TC-32LX700
A-Board (12 of 13) Schematic Diagram

TC-32LX700
A-Board (12 of 13) Schematic Diagram

100

101

102

103

104

105

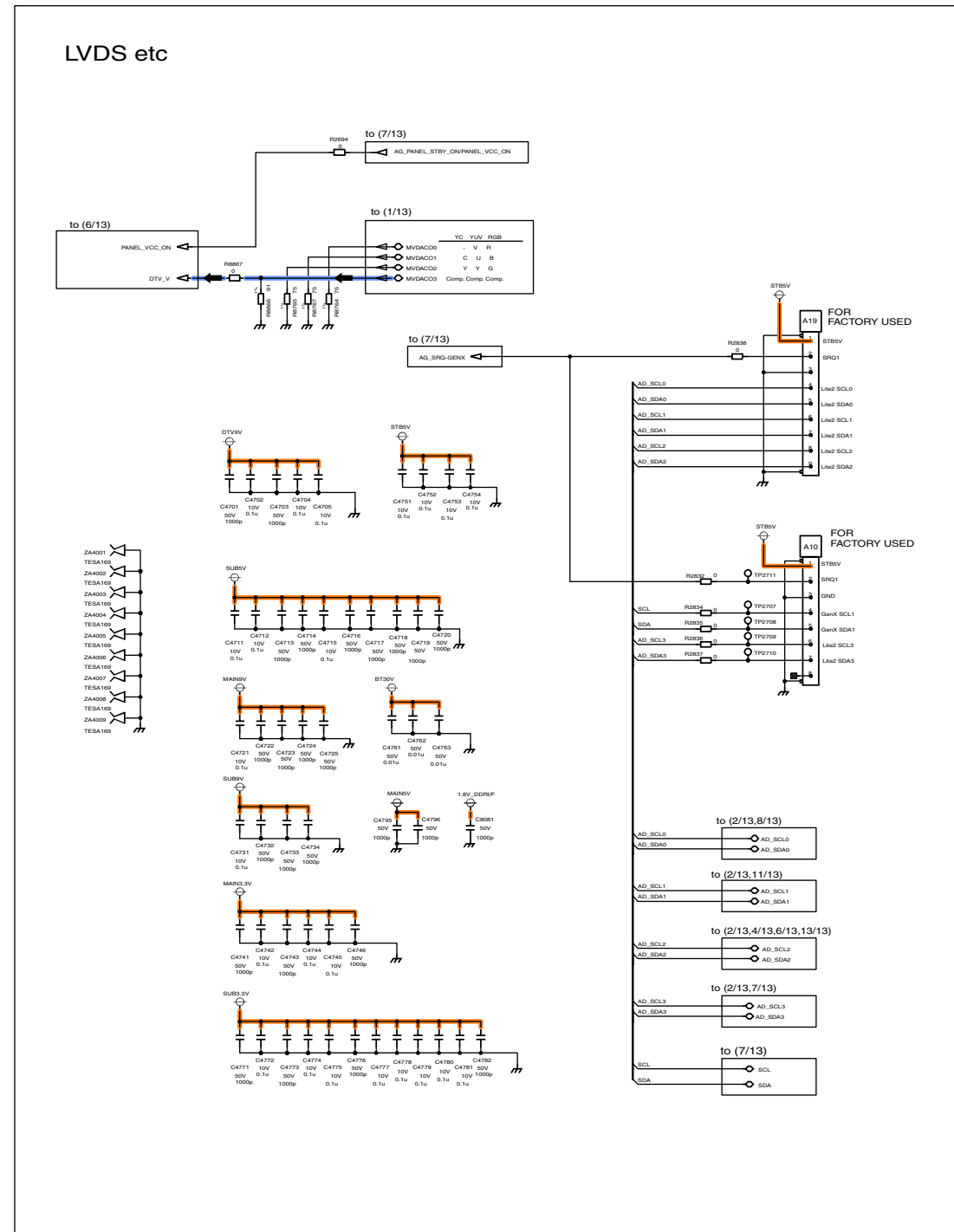
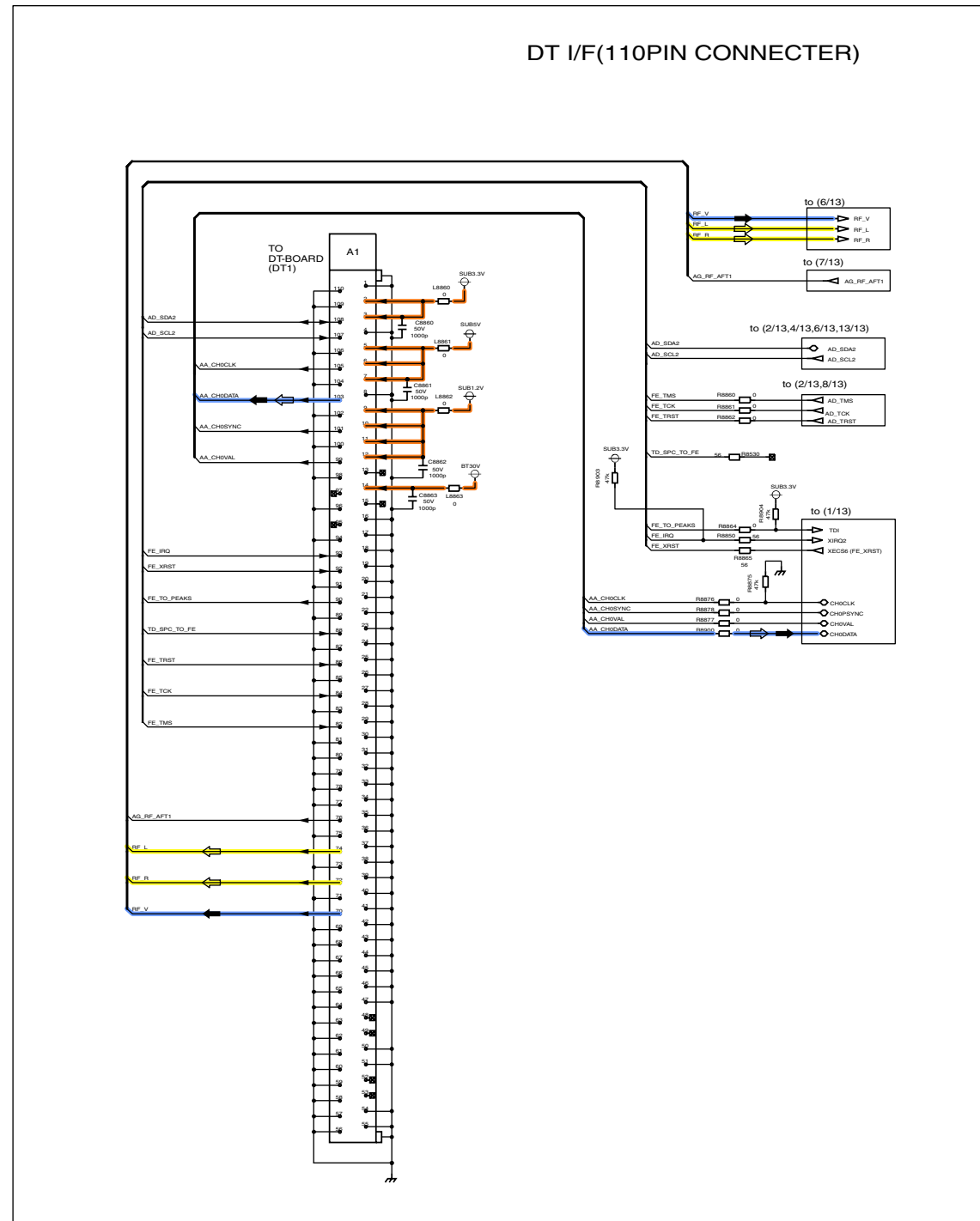
106

107

108

15.20. A-Board (13 of 13) Schematic Diagram

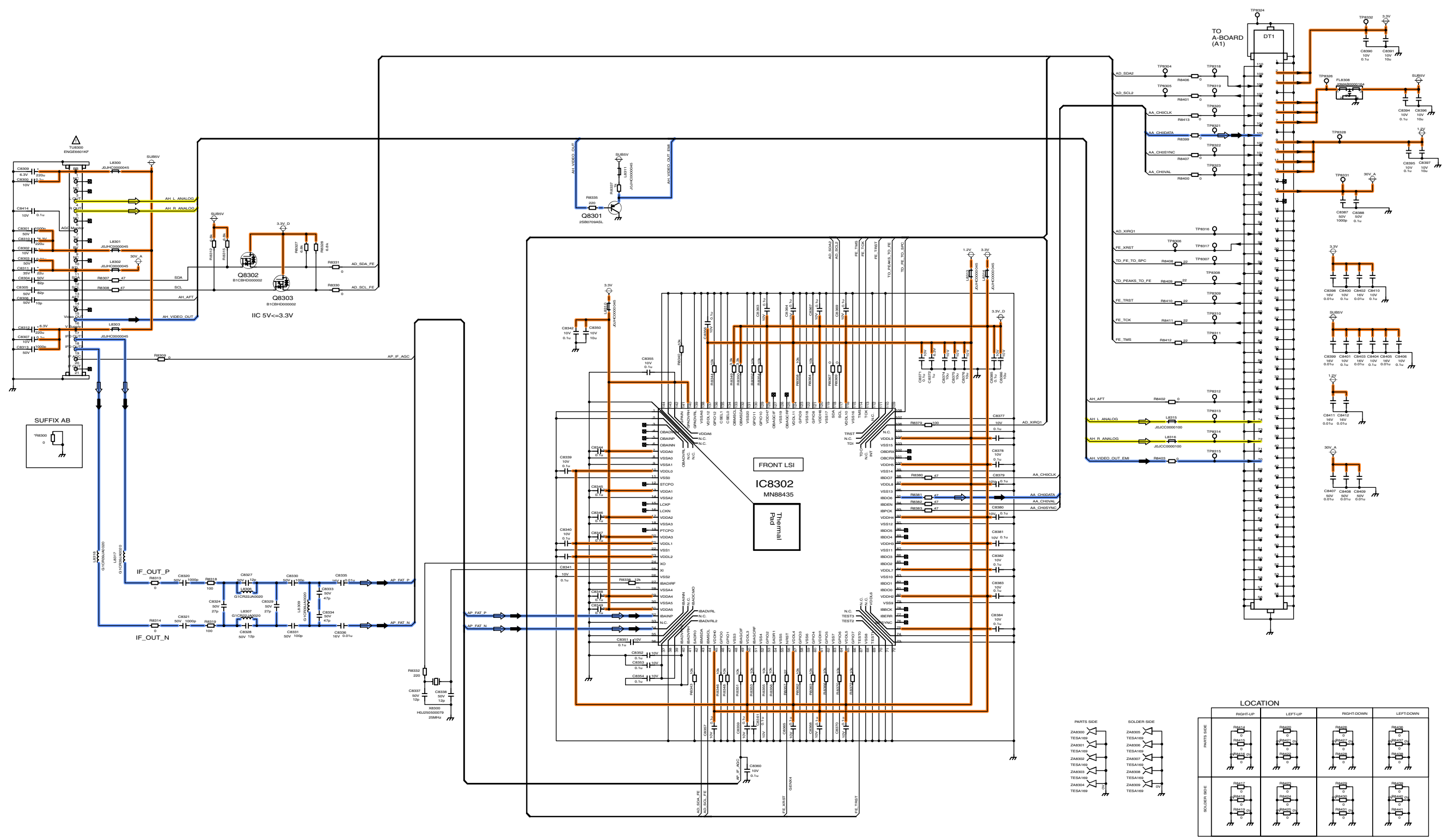
A-BOARD TNP0683S (13/13)



15.21. DT-Board Schematic Diagram

A
B
C
D
E
F

DT-BOARD TNAG172S



TC-32LX700 DT-Board Schematic Diagram

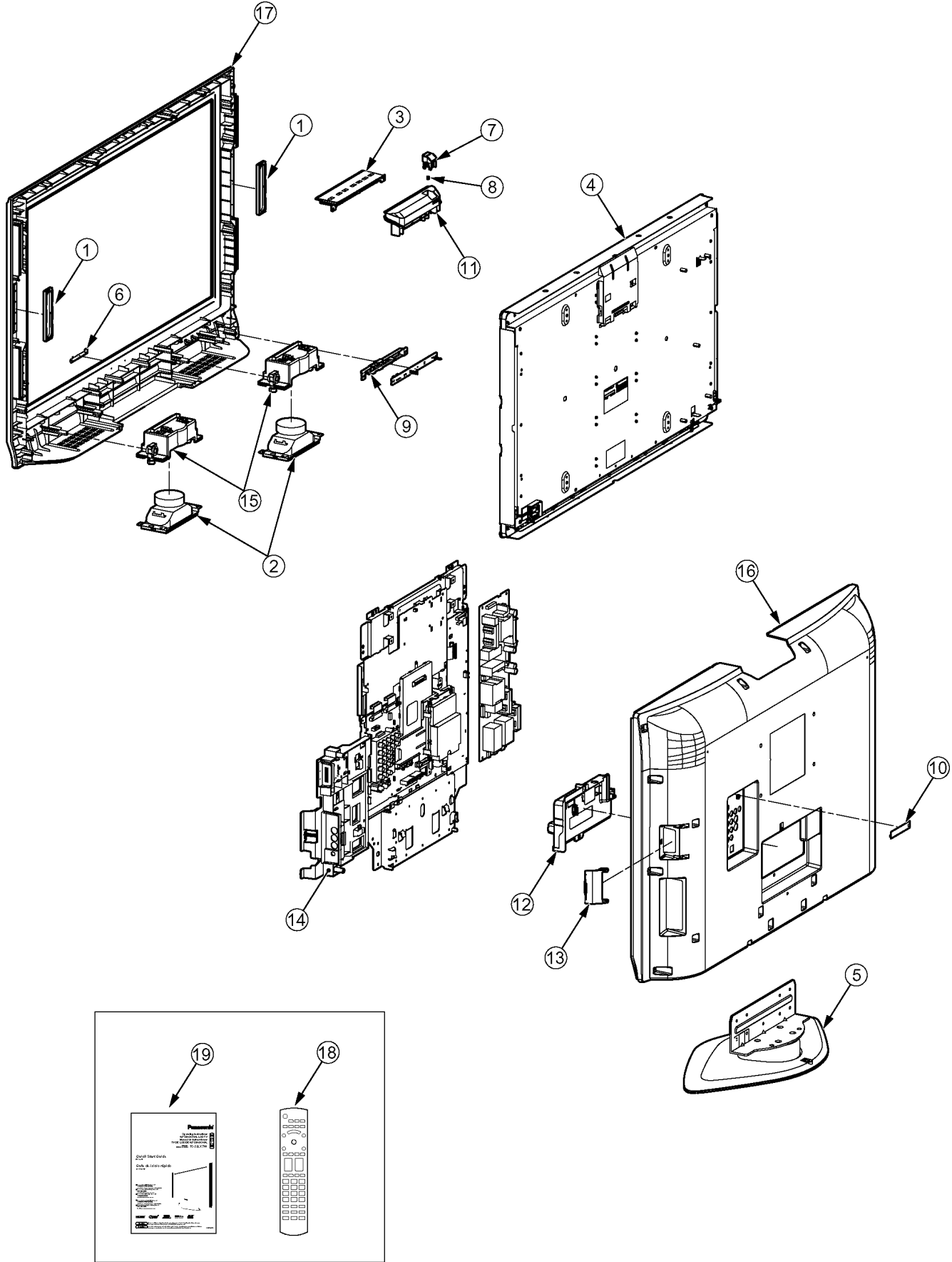
TC-32LX700 DT-Board Schematic Diagram

1 2 3 4 5 6 7 8 9

NOTE

16 Exploded View and Replacement Parts List

16.1. Exploded View



16.2. Replacement Parts List Notes

Important Safety Notice

Components identified by Δ mark have special characteristics important for safety. When replacing any of these components, use only manufacturer's specified parts.

RTL (Retention Time Limited)

Note: The marking (RTL) indicates that the Retention Time is Limited for this item. After the discontinuation of this assembly in production, the item will continue to be available for a specific period of time. The retention period of availability is dependant on the type of assembly, and in accordance with the laws governing part and product retention. After the end of this period, the assembly will no longer be available.

Abbreviation of part name and description

1. Resistor

Example:

ERD25TJ104 C 100KOHM, J, 1/4W
 Type Allowance

2. Capacitor

Example:

ECKF1H103ZF C 0.01UF, Z, 50V
 Type Allowance

Type	Allowance
C : Carbon	F : $\pm 1\%$
F : Fuse	G : $\pm 2\%$
M : Metal Oxide Metal Film	J : $\pm 5\%$
S : Solid	K : $\pm 10\%$
W : Wire Wound	M : $\pm 20\%$

Type	Allowance
C : Ceramic	C : $\pm 0.25\text{pF}$
E : Electrolytic	D : $\pm 0.5\text{pF}$
P : Polyester	F : $\pm 1\text{pF}$
Polypropylene	G : $\pm 3\text{pF}$
J : $\pm 5\text{pF}$	J : $\pm 5\text{pF}$
T : Tantalum	K : $\pm 10\text{pF}$
	L : $\pm 15\text{pF}$
	M : $\pm 20\text{pF}$
	P : +100%, -0%
	Z : +80%, -20%

16.3. Mechanical Replacement Parts List

Note:

All parts except parts mentioned [PAVCA] in the Remarks column are supplied by PAVC-CSG.

Parts mentioned [PAVCA] are supplied by PAVCA.

Ref. No.	Part No.	Part Name & Description	Pcs	Remarks
1	EAS10D85G	SQUAKER SP	2	PAVCA
2	EAS12S14A	SP UNIT	2	PAVCA
3	KORB00600004	CONTROL PANEL ASSY	1	CIRCUIT BOARD & PANEL PAVCA △
	K2CB2DZ00015	AC CORD	1	△
4	L5EDD8Q00030	LCD PANEL	1	△
18	N2QAYB000100	REMOTE CONTROL	1	PAVCA
5	TBLA0280	PEDESTAL ASSY	1	PAVCA
6	TBMA217	PANASONIC BADGE	1	PAVCA
7	TBX2AA3801	POWER BUTTON	1	PAVCA
8	TES4G204	SPRING	1	
	THEL047J	SCREW (HDMI:2)	2	
9	TKK2AA7301	LED PANEL	1	PAVCA
10	TKK2AA7901	COVER (ADJ. WINDOW)	1	PAVCA
11	TKP2AA2021	POWER BUTTON BRACKET	1	PAVCA △
12	TKP2AA2031	TUNER COVER	1	PAVCA △
13	TKR2AA00151	SD DOOR	1	PAVCA
	TMKG760	CLAMPER	7	
	TMM15481	CLAMPER	1	
	TMM6428-1	CLAMPER	1	
	TMM76416-1	CLAMPER	2	
	TMME047	CLAMPER	1	
14	TMW2AX0281	SIDE AV BRACKET	1	PAVCA △
19	TQB2AA0781	INSTRUCTION BOOK (ENG/SPA/FRENCH)	1	PAVCA △
	TSXL588	CABLE (A2-PANEL)	1	PAVCA
15	TXFKP01RSER	SP BRACKET UNIT	2	PAVCA
16	TXFKU01RSER	REAR COVER	1	PAVCA △
17	TXFKY01RSER	CABINET COMPLETE	1	PAVCA △
	TXJ/A50MRR	SPEAKER LEAD (A5-SP_L)	1	PAVCA
	TXJ/A60MRR	SPEAKER LEAD (A6-SP_R)	1	PAVCA
	VLF1319	CORE	1	
	XTB4+15JFJ	SCREW	17	
	XTB4+18JFJK	SCREW (BCX11)	18	
	XTV3+8JFJK	SCREW (TUNER COVER)	2	
	XTW3+12TFJ	SCREW	6	
	XTW3+8TFJ	SCREW	3	
	XTW3+8TFJ	SCREW	4	
	XTWT4+Z15DFJ	SCREW (SP BOX)	4	
	XYC3+FJ8FJ	SCREW	6	
	XYC3+FJ8FJ	SCREW	16	
	XYC3+FJ8FJ	SCREW (AP BRA-7)	7	
	XYN4+F6FJ	SCREW (LCD BTM MTG)	6	
	XYN4+J10FJK	SCREW (PEDESTAL)	4	

16.4. Electrical Replacement Parts List

Note:

All parts except parts mentioned [PAVCA] in the Remarks column are supplied by PAVC-CSG.

Parts mentioned [PAVCA] are supplied by PAVCA.

Ref. No.	Part No.	Part Name & Description	Pcs	Remarks
A1	K1KBB0A00006	CONNECTOR	1	
A2	K1KB51B00001	51P CONNECTOR	1	PAVCA
A3,A4	K1KB23A00003	23P CONNECTOR	2	
A5	K1KA04AA0190	4P CONNECTOR	1	
A6	K1KA05AA0190	5P CONNECTOR	1	
A7	K1KA12A00317	12P CONNECTOR	1	
A8	K1KA11AA0153	11P CONNECTOR	1	
A9	K1KA05BA00050	5P CONNECTOR	1	
A10	K1KA08AA0150	8P CONNECTOR	1	
A13,14	K1KA04BA00047	4P CONNECTOR	2	
AP2A	K1KA19A00007	19P CONNECTOR	1	
AP3,P4	K1KA23A00003	23P CONNECTOR	2	
AP6	K1KA02AA0193	2P CONNECTOR	1	
C801,02	ECQU2A334BN9	P 0.33UF, M,250V	2	△
C803	ECQU2A104BN9	P 0.1UF, 250V	1	△
C806,07	ECKDNA102MB	C 1000PF, Z,	2	△
C811	F2A2G2R2A002	E 2.2UF, 400V	1	PAVCA
C813	ECA1HM4R7	E 4.7UF, 50V	1	
C814	ECJ2VB2A103K	C 0.01UF, K,100V	1	
C815	FLJ1H104A717	C 0.10UF, 50V	1	
C816	ECCD3D220KGE	C 22PF, K, 2KV	1	
C817	ECJ2XB1H681K	C 680PF, K, 50V	1	
C818	ECKD3A222KBP	C 2200PF, K, 1KV	1	
C821	F2A1A2210067	E 220UF, 10V	1	
C822	FLJ1H1030007	C 0.01UF, K, 50V	1	
C823	FLJ1H104A717	C 0.10UF, 50V	1	
C828	ECQE2W105L32	C 1UF, 450V	1	PAVCA △
C1006	F2G0J470A019	E 47UF 6.3V	1	
C1007	ECJ1VB1H103K	C 0.001UF, K, 50V	1	
C1102	FLJ0J1060004	C 0.010UF, K, 16V	1	
C1103,04	FLG1A104A012	C 0.1UF, K, 10V	2	
C1105	FLH0J1050012	C 1UF, K, 16V	1	
C1106	FLH1H2700008	E 27UF, 50V	1	
C1107	FLH1H2200008	E 22UF, 50V	1	
C1108	FLG1A104A012	C 0.1UF, K, 10V	1	
C1109	ECJ1VB1A105K	C 0.01UF, Z, 50V	1	
C1111	ECJ1VB1A105K	C 0.01UF, Z, 50V	1	
C1112	FLG1A104A012	C 0.1UF, K, 10V	1	
C1114	FLG1A104A012	C 0.1UF, K, 10V	1	
C1117	FLG1A104A012	C 0.1UF, K, 10V	1	
C1122	ECJ0EB1C103K	C 0.010UF, K, 16V	1	
C1123	ECJ1VB1A105K	C 0.01UF, Z, 50V	1	
C1193,94	FLJ0J1060004	C 0.010UF, K, 16V	2	
C1197	FLG1H101A565	C 100PF, K, 50V	1	
C2023	FLG1A104A012	C 0.1UF, K, 10V	1	
C2048-50	FLG1A104A012	C 0.1UF, K, 10V	3	
C2052,53	FLG1A104A012	C 0.1UF, K, 10V	2	
C2054	FLJ1A106A043	C 0.010UF, K, 16V	1	
C2055,56	FLG1H100A565	C 100PF, K, 50V	2	
C2057,58	FLG1A104A012	C 0.1UF, K, 10V	2	
C2059	F2G0J470A019	E 47UF 6.3V	1	
C2098,99	EEEB0J221UP	C 220PF, J, 6.3V	2	
C2100	FLG1A104A012	C 0.1UF, K, 10V	1	
C2101	FLJ1A106A043	C 0.010UF, K, 16V	1	
C2102	FLG1A104A012	C 0.1UF, K, 10V	1	
C2103	EEEB1C101UP	C 100PF, J, 16V	1	
C2105,06	FLG1A104A012	C 0.1UF, K, 10V	2	

Ref. No.	Part No.	Part Name & Description	Pcs	Remarks
C2107,08	F2G0J470A019	E 47UF 6.3V	2	
C2109,10	FLG1A104A012	C 0.1UF, K, 10V	2	
C2111	FLH0J2250008	C 2.2UF, K, 16V	1	
C2112	ECJ1VB1A105K	C 0.01UF, Z, 50V	1	
C2113	F2G0J470A019	E 47UF 6.3V	1	
C2114	ECJ0EB1C103K	C 0.010UF, K, 16V	1	
C2115	FLG1A104A012	C 0.1UF, K, 10V	1	
C2116	FLH1H471A792	E 470UF, 50V	1	
C2117	F2G0J470A019	E 47UF 6.3V	1	
C2118,19	ECJ1VB1A105K	C 0.01UF, Z, 50V	2	
C2120,21	FLG1H560A565	E 56UF, 50V	2	PAVCA
C2122,23	ECJ1VB1C105K	C 0.01UF, K, 16V	2	
C2124	FLG1A104A012	C 0.1UF, K, 10V	1	
C2126	FLJ1A106A043	C 0.010UF, K, 16V	1	
C2128,29	FLG1H1020008	E 1000UF, 50V	2	
C2130,31	ECJ1VB1C333K	C 0.033UF, K, 16V	2	
C2132	ECJ1VB1A105K	C 0.01UF, Z, 50V	1	
C2133	F2G0J470A019	E 47UF 6.3V	1	
C2134	ECJ0EB1C103K	C 0.010UF, K, 16V	1	
C2143	FLH1H181A792	E 180UF, 50V	1	
C2146	FLH1H181A792	E 180UF, 50V	1	
C2153	ECJ1VC1H330J	C 33PF, J, 50V	1	
C2170	ECJ1VC1H330J	C 33PF, J, 50V	1	
C2171	ECJ0EB1C103K	C 0.010UF, K, 16V	1	
C2173	ECJ2FF1C475Z	C 0.047UF, Z, 16V	1	
C2183	FLJ1A106A043	C 0.010UF, K, 16V	1	
C2185	FLJ1A106A043	C 0.010UF, K, 16V	1	
C2186	FLG1A104A012	C 0.1UF, K, 10V	1	
C2187	FLH0J2250008	C 2.2UF, K, 16V	1	
C2188	FLH1H471A792	E 470UF, 50V	1	
C2189	ECJ1VB1A105K	C 0.01UF, Z, 50V	1	
C2190,91	FLJ1A106A043	C 0.010UF, K, 16V	2	
C2192	F2G0J470A019	E 47UF 6.3V	1	
C2195,96	FLG1A104A012	C 0.1UF, K, 10V	2	
C2213	FLG1H1020008	E 1000UF, 50V	1	
C2216	FLG1A104A012	C 0.1UF, K, 10V	1	
C2244	FLG1A104A012	C 0.1UF, K, 10V	1	
C2245	FLG1H1020008	E 1000UF, 50V	1	
C2246	FLJ1A106A043	C 0.010UF, K, 16V	1	
C2251	FLJ1A106A043	C 0.010UF, K, 16V	1	
C2263,64	ECJ2FB1A475K	C 4.7UF, K, 10V	2	
C2267,68	FLG1H101A565	C 100PF, K, 50V	2	
C2274	FLG1A104A012	C 0.1UF, K, 10V	1	
C2301,02	FLG1A104A012	C 0.1UF, K, 10V	2	
C2303-10	FLJ1E105A171	E 1 UF 25V	8	
C2311,12	ECJ1VB1C224K	C 0.22UF, K, 16V	2	
C2313,14	ECJ1XB1H104K	C 10PF, J, 50V	2	
C2315,16	ECJ1VB1C224K	C 0.22UF, K, 16V	2	
C2317-24	ECJ1VB1C333K	C 0.033UF, K, 16V	8	
C2325,26	FLJ1H474A757	C 0.47UF, 50V	2	
C2327-30	ECJ1VB1C224K	C 0.22UF, K, 16V	4	
C2331,32	FLJ1H474A757	C 0.47UF, 50V	2	
C2333-36	ECJ1XB1H104K	C 10PF, J, 50V	4	
C2337-39	FLH1H223A219	E 0.022UF, 50V	3	
C2341-44	ECJ1XB1H104K	C 10PF, J, 50V	4	
C2345-48	FLH1H223A219	E 0.022UF, 50V	4	
C2349	ECJ1XB1H104K	C 10PF, J, 50V	1	
C2352	ECJ1VB1C105K	C 0.01UF, K, 16V	1	
C2353-60	ECJ1XB1H104K	C 10PF, J, 50V	8	
C2361,62	EEFGL1E471P	E 470UF, 25V	2	
C2363-74	ECJ1VB1C224K	C 0.22UF, K, 16V	12	

Ref. No.	Part No.	Part Name & Description	Pcs	Remarks
C2375	F1H1H223A219	E 0.022UF, 50V	1	
C2377	F1H1H223A219	E 0.022UF, 50V	1	
C2379-82	F1H1H223A219	E 0.022UF, 50V	4	
C2383-90	F1G1H1020008	E 1000UF, 50V	8	
C3001	ECJ1VB1A105K	C 0.01UF, Z, 50V	1	
C3003	ECJ1VB1A105K	C 0.01UF, Z, 50V	1	
C3005	ECJ0EB1C103K	C 0.010UF, K, 16V	1	
C3006	F1G1A104A012	C 0.1UF, K, 10V	1	
C3014	ECJ1VB1A105K	C 0.01UF, Z, 50V	1	
C3020	ECJ1VB1A105K	C 0.01UF, Z, 50V	1	
C3025	F1G1A104A012	C 0.1UF, K, 10V	1	
C3032	EEH1B1C220R	C 22PF, J, 16V	1	
C3033	EEH1B1A221P	C 220PF, J, 10V	1	
C3045	F1G1A104A012	C 0.1UF, K, 10V	1	
C3069	F1G1A104A012	C 0.1UF, K, 10V	1	
C3077	ECJ1VB1A105K	C 0.01UF, Z, 50V	1	
C3079	ECJ1VB1A105K	C 0.01UF, Z, 50V	1	
C3081	ECJ1VB1A105K	C 0.01UF, Z, 50V	1	
C3086	EEH1B1C100R	C 10PF, J, 16V	1	
C3087	ECJ1VB1A105K	C 0.01UF, Z, 50V	1	
C3095	ECJ1VB1A105K	C 0.01UF, Z, 50V	1	
C3096	ECJ1XB1H104K	C 10PF, J, 50V	1	
C3097	ECJ1VB1A105K	C 0.01UF, Z, 50V	1	
C3098	ECJ1XB1H104K	C 10PF, J, 50V	1	
C3099	ECJ0EB1C103K	C 0.010UF, K, 16V	1	
C3103,04	ECJ1VB1A105K	C 0.01UF, Z, 50V	2	
C3105	F1G1A104A012	C 0.1UF, K, 10V	1	
C3106-13	ECJ1VB1A105K	C 0.01UF, Z, 50V	8	
C3116,17	ECJ1VB1A105K	C 0.01UF, Z, 50V	2	
C3120,21	ECJ1VB1A105K	C 0.01UF, Z, 50V	2	
C3123,24	F1K1A106A021	C 0.010UF, K, 6.3V	2	PAVCA
C3132,33	F1H0J2250008	C 2.2UF, K, 16V	2	
C3138	EEH1B1C220R	C 22PF, J, 16V	1	
C3145	F2G1A101A019	E 100UF, 10V	1	
C3146	F1G1A104A012	C 0.1UF, K, 10V	1	
C3153	ECJ1VB1A105K	C 0.01UF, Z, 50V	1	
C3157	F1G1A104A012	C 0.1UF, K, 10V	1	
C3159	F2G0J470A019	E 47UF 6.3V	1	
C3160	F1G1A104A012	C 0.1UF, K, 10V	1	
C3176,77	ECJ1VB1A105K	C 0.01UF, Z, 50V	2	
C3348	F1G1A104A012	C 0.1UF, K, 10V	1	
C3397	ECJ1XB1C104K	C 0.1UF, Z, 16V	1	
C3399	ECJ1XB1C104K	C 0.1UF, Z, 16V	1	
C3801-03	ECJ2XC1H102J	C 1000PF, J, 50V	3	
C3900	ECJ2VF1C104Z	C 0.1UF, Z, 16V	1	
C3901	ECEA1CKA470	E 47UF, 16V	1	
C3910,11	ECJ2VF1C104Z	C 0.1UF, Z, 16V	2	
C3912	F1J0G2260001	C 0.001UF, 6.3V	1	PAVCA
C4072,73	F2G0J470A019	E 47UF 6.3V	2	
C4076	ECJ0EB1C103K	C 0.010UF, K, 16V	1	
C4078	F1G1A104A012	C 0.1UF, K, 10V	1	
C4079	F1J1H104A717	C 0.10UF, 50V	1	
C4082	F1J1H104A717	C 0.10UF, 50V	1	
C4200	ECJ1VB1E104K	C 0.10UF, K, 25V	1	
C4201	F1G1H3310003	E 330UF, 50V	1	PAVCA
C4202	ECJ0EB1C103K	C 0.010UF, K, 16V	1	
C4203	F1H0J1050012	C 1UF, K, 16V	1	
C4204	ECGRLOG680ER	C 68PF, J, 4V	1	
C4205	F2G0J470A019	E 47UF 6.3V	1	
C4206	F1G1A104A012	C 0.1UF, K, 10V	1	
C4207	ECJ0EB1C103K	C 0.010UF, K, 16V	1	
C4208	F1G1H1020008	E 1000UF, 50V	1	
C4209	F1G1A104A012	C 0.1UF, K, 10V	1	
C4211	F1G1H220A565	E 22UF, 50V	1	PAVCA
C4212	F1G1H180A565	E 18UF, 50V	1	
C4213	F1G1H1020008	E 1000UF, 50V	1	
C4214	F1G1A104A012	C 0.1UF, K, 10V	1	

Ref. No.	Part No.	Part Name & Description	Pcs	Remarks
C4215	ECJ0EB1C103K	C 0.010UF, K, 16V	1	
C4216,17	F1G1A104A012	C 0.1UF, K, 10V	2	
C4218,19	F1G1H1020008	E 1000UF, 50V	2	
C4220	F1G1A104A012	C 0.1UF, K, 10V	1	
C4221,22	F1G1H1020008	E 1000UF, 50V	2	
C4223	F1G1A104A012	C 0.1UF, K, 10V	1	
C4224	F1G1H1020008	E 1000UF, 50V	1	
C4225	F1G1A104A012	C 0.1UF, K, 10V	1	
C4226	F1G1H1020008	E 1000UF, 50V	1	
C4227	F1G1A104A012	C 0.1UF, K, 10V	1	
C4228	F1G1H100A565	C 100PF, K, 50V	1	
C4229	F1G1H150A565	E 15UF, 50V	1	
C4231	F1G1A104A012	C 0.1UF, K, 10V	1	
C4232	F1G1H1020008	E 1000UF, 50V	1	
C4233	ECJ0EB1C103K	C 0.010UF, K, 16V	1	
C4234	F1G1A104A012	C 0.1UF, K, 10V	1	
C4235	F1G1H1020008	E 1000UF, 50V	1	
C4236	F1H0J1050012	C 1UF, K, 16V	1	
C4237	ECJ0EB1C103K	C 0.010UF, K, 16V	1	
C4238	F1G1H1020008	E 1000UF, 50V	1	
C4239	F1G1A104A012	C 0.1UF, K, 10V	1	
C4240-42	F1H0J1050012	C 1UF, K, 16V	3	
C4243,44	F2G0J470A019	E 47UF 6.3V	2	
C4245,46	F1G1A104A012	C 0.1UF, K, 10V	2	
C4249	F1G1A104A012	C 0.1UF, K, 10V	1	
C4250	F1G1H1020008	E 1000UF, 50V	1	
C4251	F1J0J1060004	C 0.010UF, K, 16V	1	
C4252	F1G1H1020008	E 1000UF, 50V	1	
C4253-56	F1G1A104A012	C 0.1UF, K, 10V	4	
C4257-61	F1G1H1020008	E 1000UF, 50V	5	
C4262	F1J0J1060004	C 0.010UF, K, 16V	1	
C4263	F1G1A104A012	C 0.1UF, K, 10V	1	
C4264-66	F1H0J1050012	C 1UF, K, 16V	3	
C4267-69	F1G1H1020008	E 1000UF, 50V	3	
C4271	F1G1A104A012	C 0.1UF, K, 10V	1	
C4273	F1G1A104A012	C 0.1UF, K, 10V	1	
C4274,75	F1G1H1020008	E 1000UF, 50V	2	
C4276	F1G1A104A012	C 0.1UF, K, 10V	1	
C4277,78	F1H0J1050012	C 1UF, K, 16V	2	
C4279,80	F1G1H1020008	E 1000UF, 50V	2	
C4281	F1G1A104A012	C 0.1UF, K, 10V	1	
C4283	F1G1A104A012	C 0.1UF, K, 10V	1	
C4284-86	F1G1H1020008	E 1000UF, 50V	3	
C4287	EEH1B1A101P	C 100PF, J, 10V	1	
C4288,89	ECJ2FB1E475M	C 4.7UF, K, 25V	2	
C4290	ECJ0EB1C103K	C 0.010UF, K, 16V	1	
C4291	F1G1C223A081	C 0.022UF, 16V	1	
C4292	F1G1H101A565	C 100PF, K, 50V	1	
C4293	F1G1A104A012	C 0.1UF, K, 10V	1	
C4294	F1G1H1020008	E 1000UF, 50V	1	
C4295	EEH1B0G471P	C 470PF, J, 4V	1	
C4296	ECGRLOG680ER	C 68PF, J, 4V	1	
C4297	EEFCD0G560ER	56UF,	1	
C4298	F1J0J1060004	C 0.010UF, K, 16V	1	
C4299	ECJ0EB1C103K	C 0.010UF, K, 16V	1	
C4300,01	F1G1A104A012	C 0.1UF, K, 10V	2	
C4302	ECJ0EB1C103K	C 0.010UF, K, 16V	1	
C4303,04	F1G1H1020008	E 1000UF, 50V	2	
C4305	F1G1A104A012	C 0.1UF, K, 10V	1	
C4306	F1J0J475A035	C 4.7UF, K, 16V	1	
C4307,08	F1G1A104A012	C 0.1UF, K, 10V	2	
C4310	F1G1A104A012	C 0.1UF, K, 10V	1	
C4311	F1J1A106A043	C 0.010UF, K, 16V	1	
C4312	F1G1H1020008	E 1000UF, 50V	1	

Ref. No.	Part No.	Part Name & Description	Pcs	Remarks
C4313	F1J0J1060004	C 0.010UF, K, 16V	1	
C4314,15	F1G1A104A012	C 0.1UF, K, 10V	2	
C4316	ECJ0EB1C103K	C 0.010UF, K, 16V	1	
C4317	F1H0J4750004	C 4.7UF, K, 16V	1	
C4319,20	F1G1A104A012	C 0.1UF, K, 10V	2	
C4321	F1J1A106A043	C 0.010UF, K, 16V	1	
C4322	EEEB0G101R	C 100PF, J, 4V	1	
C4323	F1G1H1020008	E 1000UF, 50V	1	
C4324	F1G1A104A012	C 0.1UF, K, 10V	1	
C4325	F1J0J1060004	C 0.010UF, K, 16V	1	
C4326	F1G1H1020008	E 1000UF, 50V	1	
C4327	F1G1A104A012	C 0.1UF, K, 10V	1	
C4328	F1J0J1060004	C 0.010UF, K, 16V	1	
C4329-31	F1G1A104A012	C 0.1UF, K, 10V	3	
C4334-37	F1H0J1050012	C 1UF, K, 16V	4	
C4338-41	ECJ0EB1C103K	C 0.010UF, K, 16V	4	
C4342,43	F1H0J1050012	C 1UF, K, 16V	2	
C4344	F1G1H1020008	E 1000UF, 50V	1	
C4345	F1G1A104A012	C 0.1UF, K, 10V	1	
C4347,48	F1G1H1020008	E 1000UF, 50V	2	
C4349-51	F1G1A104A012	C 0.1UF, K, 10V	3	
C4352	F1G1H1020008	E 1000UF, 50V	1	
C4353,54	F1H0J1050012	C 1UF, K, 16V	2	
C4355,56	F1H0J2250008	C 2.2UF, K, 16V	2	
C4358	F2G0J470A019	E 47UF 6.3V	1	
C4359	F1G1A104A012	C 0.1UF, K, 10V	1	
C4362,63	F1H0J1050012	C 1UF, K, 16V	2	
C4364	ECJ0EB1C103K	C 0.010UF, K, 16V	1	
C4365	EEEB1C470P	C 47PF, J, 16V	1	
C4366	F1G1A104A012	C 0.1UF, K, 10V	1	
C4367	F1G1H1020008	E 1000UF, 50V	1	
C4368	EEEB0J220R	C 22PF, J, 6.3V	1	
C4369	F1H0J1050012	C 1UF, K, 16V	1	
C4371	ECJ0EB1C103K	C 0.010UF, K, 16V	1	
C4372	F1G1A104A012	C 0.1UF, K, 10V	1	
C4373	EEEB1C470P	C 47PF, J, 16V	1	
C4374-77	ECJ0EB1C103K	C 0.010UF, K, 16V	4	
C4379	F2G0J470A019	E 47UF 6.3V	1	
C4380	ECJ0EB1C103K	C 0.010UF, K, 16V	1	
C4381	ECJ1VB1A105K	C 0.01UF, Z, 50V	1	
C4382	ECJ0EB1C103K	C 0.010UF, K, 16V	1	
C4383	F1H0J1050012	C 1UF, K, 16V	1	
C4384	F1G1A104A012	C 0.1UF, K, 10V	1	
C4385	F2G0J470A019	E 47UF 6.3V	1	
C4386	ECJ0EB1C103K	C 0.010UF, K, 16V	1	
C4387,88	F1H0J1050012	C 1UF, K, 16V	2	
C4389,90	F1G1A104A012	C 0.1UF, K, 10V	2	
C4391,92	ECJ0EB1C103K	C 0.010UF, K, 16V	2	
C4393	F1J0J1060004	C 0.010UF, K, 16V	1	
C4394,95	ECJ1VB1H103K	C 0.001UF, K, 50V	2	
C4396	EEEB1C470P	C 47PF, J, 16V	1	
C4399	F1G1A104A012	C 0.1UF, K, 10V	1	
C4400-08	F1J0J1060004	C 0.010UF, K, 16V	9	
C4409	EEEB0G101R	C 100PF, J, 4V	1	
C4410	ECJ1VB1H103K	C 0.001UF, K, 50V	1	
C4411	ECJ1VB1A105K	C 0.01UF, Z, 50V	1	
C4412	F1G1A104A012	C 0.1UF, K, 10V	1	
C4415	F1G1H1020008	E 1000UF, 50V	1	
C4500-03	F1G1A104A012	C 0.1UF, K, 10V	4	

Ref. No.	Part No.	Part Name & Description	Pcs	Remarks
C4506,07	F1G1A104A012	C 0.1UF, K, 10V	2	
C4508,09	EEEB0J330R	C 33PF, J, 6.3V	2	
C4510,11	F1G1A104A012	C 0.1UF, K, 10V	2	
C4515	F1G1A104A012	C 0.1UF, K, 10V	1	
C4525	ECJ1VB1C105K	C 0.01UF, K, 16V	1	
C4526	F1G1A104A012	C 0.1UF, K, 10V	1	
C4527	ECJ1VB1A105K	C 0.01UF, Z, 50V	1	
C4528	F1G1A104A012	C 0.1UF, K, 10V	1	
C4531	F1G1A104A012	C 0.1UF, K, 10V	1	
C4533	F1G1H680A565	E 68UF, 50V	1	
C4534-37	F1G1A104A012	C 0.1UF, K, 10V	4	
C4538	F2G0J470A019	E 47UF 6.3V	1	
C4539	F1J0J106A020	C 0.010UF, K, 16V	1	
C4541	F1H1H471A792	E 470UF, 50V	1	
C4543-45	F1G1A104A012	C 0.1UF, K, 10V	3	
C4546	F1H0J2250008	C 2.2UF, K, 16V	1	
C4547-52	F1G1A104A012	C 0.1UF, K, 10V	6	
C4553	F1G1H1020008	E 1000UF, 50V	1	
C4555,56	F1J0J106A020	C 0.010UF, K, 16V	2	
C4557	F1G1A104A012	C 0.1UF, K, 10V	1	
C4559,60	F1G1A104A012	C 0.1UF, K, 10V	2	
C4562	F1H1H822A219	E 8200UF, 50V	1	
C4563	ECJ1VB1C823K	C 0.082UF, K, 16V	1	
C4564,65	ECJ0EB1C103K	C 0.010UF, K, 16V	2	
C4566	ECJ1XB1C393K	C 0.039UF, K, 16V	1	
C4568	F1G1A104A012	C 0.1UF, K, 10V	1	
C4569	F1J1C684A097	C 0.68UF, Z, 16V	1	
C4570	F2G0J470A019	E 47UF 6.3V	1	
C4572,73	F1G1A104A012	C 0.1UF, K, 10V	2	
C4574	ECJ0EB1C103K	C 0.010UF, K, 16V	1	
C4575	ECJ1VB1A105K	C 0.01UF, Z, 50V	1	
C4576	F2G0J470A019	E 47UF 6.3V	1	
C4577,78	F1G1A104A012	C 0.1UF, K, 10V	2	
C4580	ECJ0EB1C103K	C 0.010UF, K, 16V	1	
C4581	ECJ1VB1A105K	C 0.01UF, Z, 50V	1	
C4582,83	F1G1A104A012	C 0.1UF, K, 10V	2	
C4584,85	ECJ1VB1A105K	C 0.01UF, Z, 50V	2	
C4586	ECJ0EB1C103K	C 0.010UF, K, 16V	1	
C4587	F1G1A104A012	C 0.1UF, K, 10V	1	
C4588	ECJ1VB1C823K	C 0.082UF, K, 16V	1	
C4589,90	ECJ0EC1H180J	C 180PF, K, 50V	2	
C4591,92	ECJ1VB1A105K	C 0.01UF, Z, 50V	2	
C4593	ECJ0EB1C103K	C 0.010UF, K, 16V	1	
C4595	ECJ0EB1C103K	C 0.010UF, K, 16V	1	
C4596	F1G1A104A012	C 0.1UF, K, 10V	1	
C4598	ECJ1VB1A105K	C 0.01UF, Z, 50V	1	
C4600	F1H1H471A792	E 470UF, 50V	1	
C4601	ECJ0EB1C103K	C 0.010UF, K, 16V	1	
C4602	F1G1A104A012	C 0.1UF, K, 10V	1	
C4603	ECJ0EB1C103K	C 0.010UF, K, 16V	1	
C4604	F1H0J2250008	C 2.2UF, K, 16V	1	
C4605	F1G1A104A012	C 0.1UF, K, 10V	1	
C4607	F2G0J470A019	E 47UF 6.3V	1	
C4609	ECJ1VB1A105K	C 0.01UF, Z, 50V	1	
C4611	ECJ1VB1A105K	C 0.01UF, Z, 50V	1	
C4612	ECJ0EB1C103K	C 0.010UF, K, 16V	1	
C4613	ECJ1VB1A105K	C 0.01UF, Z, 50V	1	
C4614	F1G1A104A012	C 0.1UF, K, 10V	1	
C4615	F1H1H471A792	E 470UF, 50V	1	
C4616,17	F1G1A104A012	C 0.1UF, K, 10V	2	
C4618	F1G1E1030005	C 0.01UF, Z, 25V	1	
C4619	F1G1A104A012	C 0.1UF, K, 10V	1	

Ref. No.	Part No.	Part Name & Description	Pcs	Remarks
C4620	ECJ1VB1A105K	C 0.01UF, Z, 50V	1	
C4623	FLG1C104A081	C 0.10UF, K, 16V	1	
C4625	ECJ1XB1H104K	C 10PF, J, 50V	1	
C4628	FLG1C104A081	C 0.10UF, K, 16V	1	
C4629	FLJ1A106A043	C 0.010UF, K, 16V	1	
C4701	FLG1H1020008	E 1000UF, 50V	1	
C4702	FLG1A104A012	C 0.1UF, K, 10V	1	
C4703	FLG1H1020008	E 1000UF, 50V	1	
C4704,05	FLG1A104A012	C 0.1UF, K, 10V	2	
C4711,12	FLG1A104A012	C 0.1UF, K, 10V	2	
C4713,14	FLG1H1020008	E 1000UF, 50V	2	
C4715	FLG1A104A012	C 0.1UF, K, 10V	1	
C4716-20	FLG1H1020008	E 1000UF, 50V	5	
C4721	FLG1A104A012	C 0.1UF, K, 10V	1	
C4722-25	FLG1H1020008	E 1000UF, 50V	4	
C4731	FLG1A104A012	C 0.1UF, K, 10V	1	
C4732-34	FLG1H1020008	E 1000UF, 50V	3	
C4741	FLG1H1020008	E 1000UF, 50V	1	
C4742	FLG1A104A012	C 0.1UF, K, 10V	1	
C4743	FLG1H1020008	E 1000UF, 50V	1	
C4744,45	FLG1A104A012	C 0.1UF, K, 10V	2	
C4746	FLG1H1020008	E 1000UF, 50V	1	
C4751-54	FLG1A104A012	C 0.1UF, K, 10V	4	
C4761-63	ECJ1VB1H103K	C 0.001UF, K, 50V	3	
C4771	FLG1H1020008	E 1000UF, 50V	1	
C4772	FLG1A104A012	C 0.1UF, K, 10V	1	
C4773	FLG1H1020008	E 1000UF, 50V	1	
C4774,75	FLG1A104A012	C 0.1UF, K, 10V	2	
C4776	FLG1H1020008	E 1000UF, 50V	1	
C4777-81	FLG1A104A012	C 0.1UF, K, 10V	5	
C4782	FLG1H1020008	E 1000UF, 50V	1	
C4795,96	FLG1H1020008	E 1000UF, 50V	2	
C5600	ECJ1VB1C105K	C 0.01UF, K, 16V	1	
C5601	FLG1A104A012	C 0.1UF, K, 10V	1	
C5602	ECGRL0G680ER	C 68PF, J, 4V	1	
C5603,04	FLG1E1030005	C 0.01UF, Z, 25V	2	
C5605	FLJ1A475A039	C 4.7UF, K, 10V	1	
C5606	FLH1H471A219	E 470UF, 50V	1	
C5607	FLG1H221A459	E 220UF, 50V	1	PAVCA
C5608	FLG1A104A012	C 0.1UF, K, 10V	1	
C5609,10	EEEBB1C470P	C 47PF, J, 16V	2	
C5615	FLJ1A106A043	C 0.010UF, K, 16V	1	
C5616	ECJ0EB1A473K	C 0.047UF, K, 10V	1	
C5617	ECJ1VB1C105K	C 0.01UF, K, 16V	1	
C5618,19	FLJ1A106A043	C 0.010UF, K, 16V	2	
C5620	ECJ1VB1E104K	C 0.10UF, K, 25V	1	
C5621	FLG1E1030005	C 0.01UF, Z, 25V	1	
C5622	FLJ1A475A039	C 4.7UF, K, 10V	1	
C5623	ECJ0EB1H471K	C 470PF, K, 50V	1	
C5624	FLG1H221A459	E 220UF, 50V	1	PAVCA
C5625	FLG1E1030005	C 0.01UF, Z, 25V	1	
C5626,27	FLG1C104A081	C 0.10UF, K, 16V	2	
C5628,29	ECGRL0G680ER	C 68PF, J, 4V	2	
C5630,31	EEEBB1C470P	C 47PF, J, 16V	2	
C5632	ECJ1VB1C105K	C 0.01UF, K, 16V	1	
C5636-41	FLG1C104A081	C 0.10UF, K, 16V	6	
C5643	FLG1C104A081	C 0.10UF, K, 16V	1	
C5644	FLG1E1030005	C 0.01UF, Z, 25V	1	
C5688	FLH1A225A051	E 22UF, 50V	1	
C5748	FLH0J1050012	C 1UF, K, 16V	1	
C5750,51	FLG1A104A012	C 0.1UF, K, 10V	2	
C5752	FLH0J1050012	C 1UF, K, 16V	1	
C5753	EEEBB0G101R	C 100PF, J, 4V	1	
C5756	ECJ0EB1C103K	C 0.010UF, K, 16V	1	
C5758	FLH0J1050012	C 1UF, K, 16V	1	
C5760	FLH0J1050012	C 1UF, K, 16V	1	
C5765	ECJ0EB1A473K	C 0.047UF, K, 10V	1	

Ref. No.	Part No.	Part Name & Description	Pcs	Remarks
C5766,67	ECJ0EB1C103K	C 0.010UF, K, 16V	2	
C5769	F2G0J470A019	E 47UF 6.3V	1	
C5770	FLG1A104A012	C 0.1UF, K, 10V	1	
C5771	EEEBB1C470P	C 47PF, J, 16V	1	
C5772	ECJ1VB1A105K	C 0.01UF, Z, 50V	1	
C5773	ECJ0EB1C103K	C 0.010UF, K, 16V	1	
C5775	F2G0J470A019	E 47UF 6.3V	1	
C5776	FLG1A104A012	C 0.1UF, K, 10V	1	
C5777	ECJ1XC1H102J	C 1000PF, J, 50V	1	
C7100	FLJ1H104A717	C 0.10UF, 50V	1	
C7204-07	FLJ1A1050016	C 1UF, Z, 50V	4	PAVCA
C7208	FLJ0J2250003	C 2.2UF, K, 16V	1	
C7209	F2A1C101A121	E 100UF, 16V	1	
C7210	ECJ2VB1C224K	C 0.22UF, K, 16V	1	
C7211	ECA1HM330	E 33UF, 50V	1	
C7212	FLJ1H1030007	C 0.01UF, K, 50V	1	
C7244	FLJ1H1030007	C 0.01UF, K, 50V	1	
C7245	ECA1HM221	E 220UF, 50V	1	
C7246	ECA1CML02	E 1000UF, 16V	1	
C7248	FLJ1H1030007	C 0.01UF, K, 50V	1	
C7249	FLJ1H104A717	C 0.10UF, 50V	1	
C7251,52	FLJ1H104A717	C 0.10UF, 50V	2	
C7259	FLJ1H1030007	C 0.01UF, K, 50V	1	
C7260	ECA1HM221	E 220UF, 50V	1	
C7261	FLJ1H1030007	C 0.01UF, K, 50V	1	
C7262	ECA1CML02	E 1000UF, 16V	1	
C7263	FLJ1H1030007	C 0.01UF, K, 50V	1	
C7264	ECJ2VB1H222K	C 2200PF, K, 50V	1	
C7265-68	FLJ1H104A717	C 0.10UF, 50V	4	
C7269	FLJ1H1030007	C 0.01UF, K, 50V	1	
C7270	FLJ1H223A457	C 0.022UF, 50V	1	PAVCA
C7271	FLJ1H104A717	C 0.10UF, 50V	1	
C7272	FLJ1H1030007	C 0.01UF, K, 50V	1	
C7273	ECA1HM221	E 220UF, 50V	1	
C7274	FLJ1H1030007	C 0.01UF, K, 50V	1	
C7275	ECA1CML02	E 1000UF, 16V	1	
C7276	FLJ1H223A457	C 0.022UF, 50V	1	PAVCA
C7277	ECJ2VB1H472K	C 4700PF, K, 50V	1	
C7278-81	FLJ1H104A717	C 0.10UF, 50V	4	
C7282	FLJ1H1030007	C 0.01UF, K, 50V	1	
C7283	ECJ2VB1H472K	C 4700PF, K, 50V	1	
C7284	FLJ1H104A717	C 0.10UF, 50V	1	
C7285	FLJ1H1030007	C 0.01UF, K, 50V	1	
C7286	ECA1HM221	E 220UF, 50V	1	
C7287	FLJ1H1030007	C 0.01UF, K, 50V	1	
C7288	ECA1CML02	E 1000UF, 16V	1	
C7289	FLJ1H1030007	C 0.01UF, K, 50V	1	
C7290	ECJ2VB1H222K	C 2200PF, K, 50V	1	
C7291-94	FLJ1H104A717	C 0.10UF, 50V	4	
C7295,96	FLJ1H1030007	C 0.01UF, K, 50V	2	
C7297	FLJ1H104A717	C 0.10UF, 50V	1	
C7300	F2A1C681A127	E 680UF, 16V	1	PAVCA
C7601	FLJ1E105A171	E 1 UF 25V	1	
C7602,03	FLJ1H104A717	C 0.10UF, 50V	2	
C7605	FLJ1H104A717	C 0.10UF, 50V	1	
C7606	ECA1HM100	E 10UF, 50V	1	
C7609,10	FLJ1E105A171	E 1 UF 25V	2	
C7611,12	FLJ1H104A717	C 0.10UF, 50V	2	
C7701	FLJ1H1030007	C 0.01UF, K, 50V	1	
C7702	ECA1HM221	E 220UF, 50V	1	
C7703	F2A1C681A127	E 680UF, 16V	1	PAVCA
C7705	FLJ1H1030007	C 0.01UF, K, 50V	1	
C7706	FLJ1H104A717	C 0.10UF, 50V	1	
C7952	FLJ1H104A717	C 0.10UF, 50V	1	
C7954	FLJ1H104A717	C 0.10UF, 50V	1	
C7956-58	FLJ1H104A717	C 0.10UF, 50V	3	
C7961	FLJ1H104A717	C 0.10UF, 50V	1	
C7965	FLJ1H104A717	C 0.10UF, 50V	1	
C7966	F2A1C101A121	E 100UF, 16V	1	
C8001	FLG1A104A012	C 0.1UF, K, 10V	1	
C8002-05	ECJ1VB0J105K	C 1UF, K, 16V	4	

Ref. No.	Part No.	Part Name & Description	Pcs	Remarks
C8006-08	F1G1A104A012	C 0.1UF, K, 10V	3	
C8009,10	F1J1A106A043	C 0.010UF, K, 16V	2	
C8011-14	F1G1A104A012	C 0.1UF, K, 10V	4	
C8015,16	ECJ1VBOJ105K	C 1UF, K, 16V	2	
C8017	F1J1A106A043	C 0.010UF, K, 16V	1	
C8018-21	F1G1A104A012	C 0.1UF, K, 10V	4	
C8022	ECJ1VBOJ105K	C 1UF, K, 16V	1	
C8023,24	F1J1A106A043	C 0.010UF, K, 16V	2	
C8025-29	F1G1A104A012	C 0.1UF, K, 10V	5	
C8030,31	ECJ1VBOJ105K	C 1UF, K, 16V	2	
C8032	F1J1A106A043	C 0.010UF, K, 16V	1	
C8033,34	F1G1A104A012	C 0.1UF, K, 10V	2	
C8035,36	F1J1A106A043	C 0.010UF, K, 16V	2	
C8037-41	F1G1A104A012	C 0.1UF, K, 10V	5	
C8042	ECGRLOG680ER	C 68PF, J, 4V	1	
C8043-51	F1G1A104A012	C 0.1UF, K, 10V	9	
C8052	ECJ1VBOJ105K	C 1UF, K, 16V	1	
C8053	ECJ0EB1C103K	C 0.010UF, K, 16V	1	
C8056,57	F1G1A104A012	C 0.1UF, K, 10V	2	
C8058	F1J1A106A043	C 0.010UF, K, 16V	1	
C8067	ECJ0EB1C103K	C 0.010UF, K, 16V	1	
C8068	F1G1A104A012	C 0.1UF, K, 10V	1	
C8070-74	F1G1A104A012	C 0.1UF, K, 10V	5	
C8075	F1J0G2260001	C 0.001UF, 6.3V	1	PAVCA
C8076-80	F1G1A104A012	C 0.1UF, K, 10V	5	
C8081	F1G1H1020008	E 1000UF, 50V	1	
C8300	F1G1A104A012	C 0.1UF, K, 10V	1	
C8301	F1G1H1020008	E 1000UF, 50V	1	
C8302	F1G1A104A012	C 0.1UF, K, 10V	1	
C8303	F1G1H103A573	E 0.01UF, 50V	1	PAVCA
C8304,05	F1G1H820A565	E 82UF, 50V	2	
C8306	F1G1H100A565	C 100PF, K, 50V	1	
C8307	F1G1A104A012	C 0.1UF, K, 10V	1	
C8309,10	EEEB0J221UP	C 220PF, J, 6.3V	2	
C8311	F2G1V220A020	E 22UF, 35V	1	
C8312	EEEB0J221UP	C 220PF, J, 6.3V	1	
C8313	F1G1H1020008	E 1000UF, 50V	1	
C8320,21	F1G1H1020008	E 1000UF, 50V	2	
C8324	F1G1H270A565	E 27UF, 50V	1	PAVCA
C8327,28	F1G1H120A565	E 12UF, 50V	2	
C8329	F1G1H270A565	E 27UF, 50V	1	PAVCA
C8330,31	F1G1H101A565	C 100PF, K, 50V	2	
C8333,34	F1G1H470A565	E 47UF, 50V	2	PAVCA
C8335,36	ECJ0EB1C103K	C 0.010UF, K, 16V	2	
C8337,38	F1G1H120A565	E 12UF, 50V	2	
C8339-42	F1G1A104A012	C 0.1UF, K, 10V	4	
C8344-49	F1G1A104A012	C 0.1UF, K, 10V	6	
C8350	F1J1A106A043	C 0.010UF, K, 16V	1	
C8351-57	F1G1A104A012	C 0.1UF, K, 10V	7	
C8359-61	F1G1A104A012	C 0.1UF, K, 10V	3	
C8363-65	F1G1A104A012	C 0.1UF, K, 10V	3	
C8367-71	F1G1A104A012	C 0.1UF, K, 10V	5	
C8372	ECJ1VBOJ105K	C 1UF, K, 16V	1	
C8374-76	F1J1A106A043	C 0.010UF, K, 16V	3	
C8377-85	F1G1A104A012	C 0.1UF, K, 10V	9	
C8386	F1J1A106A043	C 0.010UF, K, 16V	1	
C8387	F1G1H1020008	E 1000UF, 50V	1	
C8388	ECJ1VFIH104Z	C 0.1UF, Z, 50V	1	
C8390	F1G1A104A012	C 0.1UF, K, 10V	1	
C8391	F1J1A106A043	C 0.010UF, K, 16V	1	
C8394,95	F1G1A104A012	C 0.1UF, K, 10V	2	
C8396,97	F1J1A106A043	C 0.010UF, K, 16V	2	

Ref. No.	Part No.	Part Name & Description	Pcs	Remarks
C8398,99	ECJ0EB1C103K	C 0.010UF, K, 16V	2	
C8400,01	F1G1A104A012	C 0.1UF, K, 10V	2	
C8402,03	ECJ0EB1C103K	C 0.010UF, K, 16V	2	
C8404	F1G1A104A012	C 0.1UF, K, 10V	1	
C8405	ECJ0EB1C103K	C 0.010UF, K, 16V	1	
C8406	F1G1A104A012	C 0.1UF, K, 10V	1	
C8407-09	F1G1H103A573	E 0.01UF, 50V	3	PAVCA
C8410	F1G1A104A012	C 0.1UF, K, 10V	1	
C8411,12	ECJ0EB1C103K	C 0.010UF, K, 16V	2	
C8414	F1G1A104A012	C 0.1UF, K, 10V	1	
C8500-04	F1G1A104A012	C 0.1UF, K, 10V	5	
C8506	F1G1A104A012	C 0.1UF, K, 10V	1	
C8860-63	F1G1H1020008	E 1000UF, 50V	4	
C22340	F1H1H223A219	E 0.022UF, 50V	1	
C22376	F1H1H223A219	E 0.022UF, 50V	1	
CF801	D4CAB2R2A001	THERMISTOR	1	PAVCA
D801	BOFBAT000008	DIODE	1	△
D802	BOEBKT000007	DIODE	1	△
D803	ERZV10V471CS	VARISTOR	1	PAVCA △
D811,12	BOHCMM000014	DIODE	2	
D813	MA2J11100L	DIODE	1	
D814	MA8240MTX	ZENER DIODE	1	
D815,16	MA83600ML	ZENER DIODE	2	PAVCA
D817	MAZ80560ML	ZENER DIODE	1	
D818	MAZ41600MF	DIODE	1	
D819	BOBA03600021	ZENER DIODE	1	
D821	BOJCN000003	DIODE	1	
D823	MA2J11100L	DIODE	1	
D824	ERZV10V471CS	VARISTOR	1	PAVCA △
D825	BOBA7R900004	ZENER DIODE	1	
D826	MTZJ15B	ZENER DIODE	1	
D1001	B3CKE0000007	DIODE	1	
D1107	MA704A	DIODE	1	
D1111-13	MA2J11100L	DIODE	3	
D1120	MA2J72800L	DIODE	1	
D2016,17	EZAEG2A50AX	DIODE	2	
D2057	MA2J11100L	DIODE	1	
D2062-64	MA2J11100L	DIODE	3	
D2066	MA2J11100L	DIODE	1	
D2301-04	MA2J11100L	DIODE	4	
D3005	K7AAAY000003	PHOTO LINK	1	
D3047-52	MA8140M	ZENER DIODE	6	
D3060-68	MA8140M	ZENER DIODE	9	
D3072,73	MA8140M	ZENER DIODE	2	
D3076-80	MA8140M	ZENER DIODE	5	
D3151,52	MAZ80390LL	ZENER DIODE	2	
D3805,06	MA8140M	ZENER DIODE	2	
D3809,10,15	MA8140M	ZENER DIODE	7	
D4201	BOJCPD000026	DIODE	1	
D4202	MA8039L	ZENER DIODE	1	
D4204	MA152K	DIODE	1	
D4208	MA2J11100L	DIODE	1	
D4500-12	EZAEG2A50AX	DIODE	13	
D4513	MA3056MTX	ZENER DIODE	1	
D4514	EZAEG2A50AX	DIODE	1	
D4515	MA3056MTX	ZENER DIODE	1	
D4516-23	EZAEG2A50AX	DIODE	8	
D4524-27	BOHCMM000014	DIODE	4	
D4528	EZAEG2A50AX	DIODE	1	
D5601,02	MA22D3900L	DIODE	2	
D5603,04	BOJCPD000002	DIODE	2	
D5605	MA22D3900L	DIODE	1	
D5606	BOJCPD000002	DIODE	1	
D5607,08	MA8024LTX	ZENER DIODE	2	
D5692	MA8056LTX	ZENER DIODE	1	
D5701	BOHCMM000014	DIODE	1	

Ref. No.	Part No.	Part Name & Description	Pcs	Remarks
D7203	MAZ82700ML	ZENER DIODE	1	
D7204	MA2J11100L	DIODE	1	
D7206	MAZ81500ML	ZENER DIODE	1	
D7208	MA2J11100L	DIODE	1	
D7220	MA2J11100L	DIODE	1	
D7236	B0JCPG000005	DIODE	1	
D7237	B0HCMM000014	DIODE	1	
D7241	B0JCPG000005	DIODE	1	
D7243	B0HCMM000014	DIODE	1	
D7245	MA2J11100L	DIODE	1	
D7246	MA8200M	ZENER DIODE	1	
D7247	B0JCPG000005	DIODE	1	
D7249	B0HCMM000014	DIODE	1	
D7251	MA8075M	ZENER DIODE	1	
D7252	MA2J11100L	DIODE	1	
D7253	B0JCPG000005	DIODE	1	
D7255	B0HCMM000014	DIODE	1	
D7258	MAZ81100ML	ZENER DIODE	1	
D7259	MA2J11100L	DIODE	1	
D7452	MA8056LTX	ZENER DIODE	1	
D7453	MA2J11100L	DIODE	1	
D7468	MA152K	DIODE	1	
D7469-74	MA2J11100L	DIODE	6	
D7601,02	B0HCMM000014	DIODE	2	
D7701	B0JCPG000005	DIODE	1	
D7702	B0HCMM000014	DIODE	1	
D7703	MA8180-M	ZENER DIODE	1	
D7704	MA2J11100L	DIODE	1	
DT1	K1KAB0A00011	CONNECTOR	1	
F801,02	K5D502BNA005	FUSE	2	△
F801-1,-2	K3GE1ZA00010	FUSE HOLDER	2	
F802-1,-2	K3GE1ZA00010	FUSE HOLDER	2	
FL2805	J0HAYY000011	LC FILTER	1	PAVCA
FL2807	J0HAYY000011	LC FILTER	1	PAVCA
FL3051-53	ECJ2YB1A105K	C 1UF, K, 10V	3	
FL4048	ECJ2YB1A105K	C 1UF, K, 10V	1	
FL4201-05	J0MAB0000169	LC FILTER	5	
FL4206	ECJ1VB0J474K	C 0.47UF, K, 6.3V	1	
FL8308	J0MAB0000164	LC FILTER	1	
FL8500,01	J0HAAA000013	LC FILTER	2	
G4	K1KA09BA0061	9P CONNECTOR	1	
GS8A	K1KA12BA0062	12P CONNECTOR	1	
IC801	C0DABYY00008	IC	1	PAVCA
IC802	C0DAEMZ00001	IC	1	
IC1100	MNZSFD7GP42	IC	1	
IC1101	TVRP193S	IC	1	PAVCA
IC1108	C0EBF0000354	IC	1	
IC2008	C0CBCBE00001	IC	1	
IC2011	C0ABBB000230	IC	1	
IC2013	C1BB00000947	IC	1	
IC2106	C1AB00002752	IC	1	PAVCA
IC2107	C0DBFFD00003	IC	1	
IC2301,02	C1AB00002730	IC	2	
IC2303	C0DBGY00202	IC	1	
IC3001	AN15876A-VT	IC	1	
IC3017	C0EBM0000026	IC	1	
IC3101	AN15862A-VT	IC	1	
IC4200	C1AB00002727	IC	1	PAVCA
IC4201	C3ABQJ000051	IC	1	
IC4202	C0DBAMH00018	IC	1	
IC4203	C0DBEHG00006	IC	1	
IC4204	C0CBCBC00190	IC	1	
IC4205,06	C0CBCAC00269	IC	2	
IC4207	C0JBCZ000556	IC	1	PAVCA
IC4208	C0CBCBD00043	IC	1	
IC4209	TVRP194S	IC	1	PAVCA

Ref. No.	Part No.	Part Name & Description	Pcs	Remarks
IC4500	TVRP198S	IC	1	PAVCA
IC4501	TVRP199S	IC	1	PAVCA
IC4504	TVRP197S	IC	1	PAVCA
IC4506	C0DBGGF00001	IC	1	
IC4507	C0CBCBC00190	IC	1	
IC4508,09	C0CBCAD00082	IC	2	
IC4510	C1AB00002753	IC	1	
IC4515	NJM2903V	IC	1	
IC5600	C0DBAYY00273	IC	1	
IC5601	C0DBAYY00274	IC	1	
IC5700	C0EBF0000335	IC	1	
IC5701	C0DBEMB00005	LINEAR IC	1	
IC5702	C0CBCBD00043	IC	1	
IC7205	C0DAAZH00026	IC	1	PAVCA
IC7209	C0DAAZH00026	IC	1	PAVCA
IC7212A	C0DAAZG00014	IC	1	
IC7215	C0DAAZH00026	IC	1	PAVCA
IC7233	C0DAAZG00014	IC	1	
IC8001	MN2WS0039A	IC	1	PAVCA
IC8002,03	C3ABS000014	IC	2	
IC8004	C0ZBZ0001030	IC	1	
IC8302	MN88435	IC	1	PAVCA
IC8502	TVRP277S	IC	1	PAVCA
IC8503	TVRP192S	IC	1	PAVCA
JA2	ERJ8GEY0R00	M 0 OHM, 1/8W	1	
JA3	ERJ8GEY0R00	M 0 OHM, 1/8W	1	
JA5	ERJ8GEY0R00	M 0 OHM, 1/8W	1	
JA6	ERJ8GEY0R00	M 0 OHM, 1/8W	1	
JA7	ERJ8GEY0R00	M 0 OHM, 1/8W	1	
JA9	ERJ8GEY0R00	M 0 OHM, 1/8W	1	
JA10	ERJ8GEY0R00	M 0 OHM, 1/8W	1	
JA12	ERJ8GEY0R00	M 0 OHM, 1/8W	1	
JA15-19	ERJ8GEY0R00	M 0 OHM, 1/8W	5	
JA201-07	ERJ8GEY0R00	M 0 OHM, 1/8W	7	
JK3000	K1U935A00003	CONNECTOR UNIT	1	PAVCA
JK3801	K4BC14B00004	AV TERMINAL	1	PAVCA
JK3900	K1NA12B00004	CONNECTOR	1	PAVCA
JK4500,01	K1FY119D00002	CONNECTOR	2	
JS811	ERJ6GEY0R00V	M 0 OHM, 1/10W	1	
JS821	ERJ6GEY0R00V	M 0 OHM, 1/10W	1	
JS2040	D0YAR0000007	M 0.0 OHM, J,0.063W	1	
JS2042	D0YAR0000007	M 0.0 OHM, J,0.063W	1	
JS2076-78	D0YAR0000007	M 0.0 OHM, J,0.063W	3	
JS3053	D0YAR0000007	M 0.0 OHM, J,0.063W	1	
JS3111-18	ERJ6GEY0R00V	M 0 OHM, 1/10W	8	
JS3121,22	ERJ6GEY0R00V	M 0 OHM, 1/10W	2	
JS4200-12	D0YAR0000007	M 0.0 OHM, J,0.063W	13	
JS4500	J0JCC0000100	CHIP INDUCTOR	1	
JS4501	D0YAR0000007	M 0.0 OHM, J,0.063W	1	
JS4504	J0JCC0000100	CHIP INDUCTOR	1	
JS7976,77	ERJ6GEY0R00V	M 0 OHM, 1/10W	2	
JS7979	ERJ6GEY0R00V	M 0 OHM, 1/10W	1	
L1100	J0JHC0000078	CHIP INDUCTOR	1	
L2021	J0JHC0000078	CHIP INDUCTOR	1	
L2029	J0JCC0000077	CHIP INDUCTOR	1	
L2034,35	J0JCC0000364	CHIP INDUCTOR	2	
L2040	J0JHC0000045	CHIP INDUCTOR	1	
L2300-07	G1C100M00044	INDUCTION COIL	8	
L2308-10	J0JJC0000011	CHIP INDUCTOR	3	
L3001	J0JHC0000078	CHIP INDUCTOR	1	
L3033,34	J0JHC0000078	CHIP INDUCTOR	2	
L3101	J0JHC0000078	CHIP INDUCTOR	1	
L3801	G0BYYYY00016	CHOKE COIL	1	
L3900	ERJ6GEY0R00V	M 0 OHM, 1/10W	1	

Ref. No.	Part No.	Part Name & Description	Pcs	Remarks
L4091	J0JHC0000078	CHIP INDUCTOR	1	
L4093	J0JHC0000078	CHIP INDUCTOR	1	
L4200,01	J0JHC0000078	CHIP INDUCTOR	2	
L4202	G1C220MA0077	INDUCTOR COIL	1	
L4203	G1C330MA0167	INDUCTOR COIL	1	
L4204-07	J0JHC0000078	CHIP INDUCTOR	4	
L4208	G1C100KA0008	INDUCTION COIL	1	
L4209-17	J0JHC0000078	CHIP INDUCTOR	9	
L4220	J0JHC0000078	CHIP INDUCTOR	1	
L4500-07	J0JHC0000078	CHIP INDUCTOR	8	
L4509	J0JHC0000078	CHIP INDUCTOR	1	
L4511	J0JHC0000078	CHIP INDUCTOR	1	
L4512	J0JCC0000077	CHIP INDUCTOR	1	
L4516-18	J0JHC0000078	CHIP INDUCTOR	3	
L4520,21	J0JHC0000078	CHIP INDUCTOR	2	
L5600,01	G1C2R2ZA0083	INDUCTION COIL	2	
L5602	G1C3R3ZA0083	INDUCTION COIL	1	
L5604	G1C100MA0077	INDUCTION COIL	1	
L5605	J0JCC0000241	CHIP INDUCTOR	1	
L5606	G1C100MA0077	INDUCTION COIL	1	
L5705-07	J0JHC0000078	CHIP INDUCTOR	3	
L7201	G0A680GA0002	INDUCTION COIL	1	
L7207A	G0A101ZA0038	CHOKE COIL	1	
L7209	G0A680ZA0037	CHOKE COIL	1	
L7210	EXCELDR25C	BEAD CHOKE	1	
L7213	G0A101ZA0038	CHOKE COIL	1	
L7214	EXCELDR25C	BEAD CHOKE	1	
L7217	G0A470ZA0037	CHOKE COIL	1	PAVCA
L7218	EXCELDR25C	BEAD CHOKE	1	
L7315	EXCELDR25C	BEAD CHOKE	1	
L7600	G0A100GA0013	CHOKE COIL	1	
L7702	G0A101ZA0038	CHOKE COIL	1	
L7956	TLUADTB100K	INDUCTION COIL	1	
L7959	G0A100GA0013	CHOKE COIL	1	
L7966	G0A100GA0013	CHOKE COIL	1	
L8001-05	J0JHC0000045	CHIP INDUCTOR	5	
L8006	J0JCC0000100	CHIP INDUCTOR	1	
L8007-10	J0JHC0000045	CHIP INDUCTOR	4	
L8300-03	J0JHC0000045	CHIP INDUCTOR	4	
L8306,07	G1CR22JA0020	INDUCTION COIL	2	PAVCA
L8309	G1CR39JA0020	INDUCTION COIL	1	PAVCA
L8310,11	J0JHC0000045	CHIP INDUCTOR	2	
L8313,14	J0JHC0000045	CHIP INDUCTOR	2	
L8315,16	J0JCC0000100	BEAD CHOKE	2	
L8317,18	G1CR39JA0020	INDUCTION COIL	2	PAVCA
L8500	J0JCC0000241	CHIP INDUCTOR	1	
L8501	J0JHC0000045	CHIP INDUCTOR	1	
L8505	J0JAC0000006	CHIP INDUCTOR	1	
L8860-63	J0JCC0000100	CHIP INDUCTOR	4	
LF801	ELF17N015A	LINE FILTER	1	PAVCA ▲
LF803	ELF21V014S	LINE FILTER	1	PAVCA ▲
LF804	G0B153H00007	CHOKE COIL	1	PAVCA ▲
P1	K1KA02A00613	2P CONNECTOR	1	
P2	K1KB19AA0032	19P CONNECTOR	1	
P3	K1KA02A00626	2P CONNECTOR	1	
P5	K1KA08AA0192	8P CONNECTOR	1	
P6	K1KA06AA0192	6P CONNECTOR	1	
PC801	CNC1S171R	IC	1	▲
Q801	2SB0709ARL	TRANSISTOR	1	
Q802	2SD0601ARL	TRANSISTOR	1	
Q1002	2SB0709ARL	TRANSISTOR	1	
Q1007	2SD0601ARL	TRANSISTOR	1	
Q1107,08	2SD0601ARL	TRANSISTOR	2	
Q1110	2SD0601ARL	TRANSISTOR	1	
Q2033	2SD0601ARL	TRANSISTOR	1	
Q2035,36	2SD0601ARL	TRANSISTOR	2	
Q2040-42	2SD0601ARL	TRANSISTOR	3	
Q2053	2SB0709ARL	TRANSISTOR	1	
Q2056	2SD0601ARL	TRANSISTOR	1	

Ref. No.	Part No.	Part Name & Description	Pcs	Remarks
Q2057	2SB0709ARL	TRANSISTOR	1	
Q2059,60	2SD0601ARL	TRANSISTOR	2	
Q2066	2SD0601ARL	TRANSISTOR	1	
Q2301	2SB0709ARL	TRANSISTOR	1	
Q2302,03	2SD0601ARL	TRANSISTOR	2	
Q2693,94	B1CBHD000002	FET	2	
Q3123,24	2SD0601ARL	TRANSISTOR	2	
Q3125	2SB0709ARL	TRANSISTOR	1	
Q4200-02	2SD0601ARL	TRANSISTOR	3	
Q4203	2SB0709ARL	TRANSISTOR	1	
Q4204	2SD0601ARL	TRANSISTOR	1	
Q4205	2SC3938-TTX	TRANSISTOR	1	
Q4206	2SD0601ARL	TRANSISTOR	1	
Q4207	2SC3938-TTX	TRANSISTOR	1	
Q4500-05	2SD0601ARL	TRANSISTOR	6	
Q4509	2SD0601ARL	TRANSISTOR	1	
Q4514-17	2SB0709ARL	TRANSISTOR	4	
Q5600-02	B1MBEDA00015	TRANSISTOR	3	
Q5603,04	2SD0601ARL	TRANSISTOR	2	
Q5703	2SD0602A-R	TRANSISTOR	1	
Q5706	2SD0601ARL	TRANSISTOR	1	
Q5707	B1DHDC000028	TRANSISTOR	1	
Q5708	2SD0601ARL	TRANSISTOR	1	
Q5709	B1DHDC000028	TRANSISTOR	1	
Q5710	2SD0601ARL	TRANSISTOR	1	
Q5711	B1DHDC000028	TRANSISTOR	1	
Q5712	2SB0709ARL	TRANSISTOR	1	
Q7204	2SD0601ARL	TRANSISTOR	1	
Q7205,06	2SB0709ARL	TRANSISTOR	2	
Q7207,08	2SD0601ARL	TRANSISTOR	2	
Q7210	2SB0709ARL	TRANSISTOR	1	
Q7212	2SD0601ARL	TRANSISTOR	1	
Q7214	2SD0601ARL	TRANSISTOR	1	
Q7223	2SB0709ARL	TRANSISTOR	1	
Q7224-30	2SD0601ARL	TRANSISTOR	7	
Q7450-52	2SD0601ARL	TRANSISTOR	3	
Q7508	2SD0601ARL	TRANSISTOR	1	
Q7701,02	2SD0601ARL	TRANSISTOR	2	
Q7805,06	2SD0601ARL	TRANSISTOR	2	
Q8301	2SB0709ARL	TRANSISTOR	1	
Q8302,03	B1CBHD000002	FET	2	
R801	ERC12ZGK105	S 1MOHM, K, 1/2W	1	▲
R802	DOXB825JA014	RESISTOR ARRAY	1	PAVCA ▲
R811	ERJ6GEYJ4R7	M 4.7 OHM, J, 1/10W	1	
R812	ERF2AJ100	W 10 OHM, J, 2W	1	
R813	ERJ6GEYJ4R7	M 4.7 OHM, J, 1/10W	1	
R814,15	ERJ6GEYJ104	M 100KOHM, J, 1/10W	2	
R822,23	ERJ6ENF6801	M 6.8KOHM, 1/10W	2	
R824	ERJ6GEYJ332	M 3.3KOHM, J, 1/10W	1	
R825	ERJ6GEYJ330	M 33 OHM, J, 1/10W	1	
R826	ERJ6GEYJ102	M 1KOHM, J, 1/10W	1	
R827	ERJ6GEYJ222	M 2.2KOHM, J, 1/10W	1	
R829-33	ERJ6GEY0R00V	M 0 OHM, 1/10W	5	
R1002	D0GB473JA057	M 47KOHM, J, 1/16W	1	
R1008	D0GB473JA057	M 47KOHM, J, 1/16W	1	
R1010	D0GB473JA057	M 47KOHM, J, 1/16W	1	
R1015	D0GB103JA057	M 10KOHM, J, 1/16W	1	
R1022	D0GB152JA057	M 1.5KOHM, J, 1/16W	1	
R1028	ERJ3GEYJ470	M 47 OHM, J, 1/16W	1	
R1029	D0GB102JA057	M 1KOHM, J, 1/16W	1	
R1030	J0JCC0000100	CHIP INDUCTOR	1	
R1104	ERJ2GEJ473	M 47KOHM, J, 0.063W	1	
R1124,25	ERJ2GEJ473	M 47KOHM, J, 0.063W	2	
R1134	ERJ2GEJ101	M 100 OHM, J, 0.063W	1	

Ref. No.	Part No.	Part Name & Description	Pcs	Remarks
R1139, 40	ERJ2GEJ473	M 47KOHM, J, 0.063W	2	
R1143, 44	ERJ2GEJ473	M 47KOHM, J, 0.063W	2	
R1146	ERJ2GEJ102X	M 1KOHM, J, 0.063W	1	
R1152	EXB2HV473JV	RESISTOR ARRAY	1	
R1153	ERJ2GEJ821	M 820 OHM, J, 0.063W	1	
R1162	ERJ2GEJ101	M 100 OHM, J, 0.063W	1	
R1163	ERJ2GEJ105	M 1MOHM, J, 0.063W	1	
R1164	ERJ2GEJ103	M 10KOHM, J, 0.063W	1	
R1165	ERJ2GEJ182	M 1.8KOHM, J, 0.063W	1	
R1168	ERJ2GEJ333	M 33KOHM, J, 0.063W	1	
R1169	ERJ2GED563X	M 56KOHM, J, 0.063W	1	
R1170	ERJ2GEJ273	M 27KOHM, J, 0.063W	1	
R1171	ERJ2GED563X	M 56KOHM, J, 0.063W	1	
R1172	ERJ2GEJ273	M 27KOHM, J, 0.063W	1	
R1174, 75	ERJ2GEJ220	M 22 OHM, J, 0.063W	2	
R1179	ERJ2GEJ101	M 100 OHM, J, 0.063W	1	
R1181	ERJ2GEJ101	M 100 OHM, J, 0.063W	1	
R1182	ERJ2GEJ273	M 27KOHM, J, 0.063W	1	
R1183, 84	ERJ2GEJ220	M 22 OHM, J, 0.063W	2	
R1191	EXB28V473JX	RESISTOR ARRAY	1	
R1194	ERJ2GED563X	M 56KOHM, J, 0.063W	1	
R1195	ERJ2GEJ104	M 100KOHM, J, 0.063W	1	
R1196	ERJ2GEJ333	M 33KOHM, J, 0.063W	1	
R1199	ERJ2GEJ473	M 47KOHM, J, 0.063W	1	
R1200, 01	ERJ2GEJ562	M 5.6KOHM, J, 0.063W	2	
R1203	ERJ2GEJ473	M 47KOHM, J, 0.063W	1	
R1205, 06	ERJ2GEJ220	M 22 OHM, J, 0.063W	2	
R1209	ERJ2GEJ473	M 47KOHM, J, 0.063W	1	
R1211	DOYAR0000007	M 0.0 OHM, J, 0.063W	1	
R1213	ERJ2GEJ473	M 47KOHM, J, 0.063W	1	
R1214	ERJ2GEJ104	M 100KOHM, J, 0.063W	1	
R1215	ERJ2GEJ103	M 10KOHM, J, 0.063W	1	
R1216	ERJ2GEJ333	M 33KOHM, J, 0.063W	1	
R1217	ERJ2GED563X	M 56KOHM, J, 0.063W	1	
R1218-20	ERJ2GEJ103	M 10KOHM, J, 0.063W	3	
R1221	ERJ3EKF7151	M 7.15KOHM, 1/16W	1	
R1222	ERJ2GEJ473	M 47KOHM, J, 0.063W	1	
R1223	EXB2HV473JV	RESISTOR ARRAY	1	
R1229	ERJ2GEJ101	M 100 OHM, J, 0.063W	1	
R1232	ERJ2GEJ473	M 47KOHM, J, 0.063W	1	
R1234-37	ERJ2GEJ473	M 47KOHM, J, 0.063W	4	

Ref. No.	Part No.	Part Name & Description	Pcs	Remarks
R1243-50	ERJ2GEJ473	M 47KOHM, J, 0.063W	8	
R1251	EXB2HV473JV	RESISTOR ARRAY	1	
R1253, 54	ERJ2GEJ473	M 47KOHM, J, 0.063W	2	
R1257	DOYAR0000007	M 0.0 OHM, J, 0.063W	1	
R1263	ERJ2GEJ102X	M 1KOHM, J, 0.063W	1	
R1272, 73	ERJ2GEJ473	M 47KOHM, J, 0.063W	2	
R1343	ERJ2GEJ561	M 60 OHM, J, 0.063W	1	
R1356	ERJ2GEJ101	M 100 OHM, J, 0.063W	1	
R1400	ERJ2GEJ103	M 10KOHM, J, 0.063W	1	
R1405, 06	ERJ2GEJ474	M 470KOHM, J, 0.063W	2	
R1528	ERJ2GEJ101	M 100 OHM, J, 0.063W	1	
R2008-10	ERJ2GEJ331	M 330 OHM, J, 0.063W	3	
R2012, 13	ERJ2GEJ220	M 22 OHM, J, 0.063W	2	
R2056, 57	ERJ2GEJ220	M 22 OHM, J, 0.063W	2	
R2058	ERJ2GEJ301	M 300 OHM, J, 0.063W	1	
R2059	ERJ2GEJ334	M 330KOHM, J, 1/16W	1	
R2098, 99	ERJ2GEJ103	M 10KOHM, J, 0.063W	2	
R2100	ERJ3EKF2002	M 20KOHM, 1/16W	1	
R2102	ERJ2GEJ101	M 100 OHM, J, 0.063W	1	
R2104	ERJ3EKF2001	M 2KOHM, 1/16W	1	
R2110	ERJ2GEJ103	M 10KOHM, J, 0.063W	1	
R2111, 12	ERJ2GEJ101	M 100 OHM, J, 0.063W	2	
R2113	ERJ3EKF1203	M 120KOHM, 1/16W	1	
R2114	ERJ3EKF7502	M 75KOHM, 1/16W	1	
R2115-17	ERJ2GEJ103	M 10KOHM, J, 0.063W	3	
R2118	ERJ8GEYJ472	M 4.7KOHM, J, 1/8W	1	
R2119	ERJ2GEJ184	M 180KOHM, J, 0.063W	1	
R2121	ERJ2GEJ473	M 47KOHM, J, 0.063W	1	
R2123	ERJ2GEJ153	M 15KOHM, J, 0.063W	1	
R2124	ERJ2GEJ104	M 100KOHM, J, 0.063W	1	
R2125	ERJ2GEJ222	M 2.2KOHM, J, 0.063W	1	
R2127	ERJ2GEJ104	M 100KOHM, J, 0.063W	1	
R2130, 31	ERJ2GEJ103	M 10KOHM, J, 0.063W	2	
R2132	ERJ2GEJ104	M 100KOHM, J, 0.063W	1	
R2133, 34	ERJ2GEJ103	M 10KOHM, J, 0.063W	2	
R2135	ERJ2GEJ562	M 5.6KOHM, J, 0.063W	1	
R2136	ERJ2GEJ104	M 100KOHM, J, 0.063W	1	
R2137	ERJ2GEJ223	M 22KOHM, J, 0.063W	1	
R2138, 39	ERJ2GEJ103	M 10KOHM, J, 0.063W	2	
R2140	ERJ2GEJ104	M 100KOHM, J, 0.063W	1	
R2142	ERJ2GEJ223	M 22KOHM, J, 0.063W	1	
R2143, 44	ERJ2GEJ473	M 47KOHM, J, 0.063W	2	

Ref. No.	Part No.	Part Name & Description	Pcs	Remarks
R2145	ERJ2GEJ104	M 100KOHM, J,0.063W	1	
R2146	ERJ2GEJ105	M 1MOHM, J,0.063W	1	
R2147	ERJ2GEJ473	M 47KOHM, J,0.063W	1	
R2148	ERJ2GED563X	M 56KOHM, J,0.063W	1	
R2149	ERJ2GEJ103	M 10KOHM, J,0.063W	1	
R2150, 51	ERJ3EKF2802	M 28KOHM, 1/16W	2	
R2152	ERJ2GEJ103	M 10KOHM, J,0.063W	1	
R2153	ERJ2GEJ104	M 100KOHM, J,0.063W	1	
R2154	ERJ2GEJ103	M 10KOHM, J,0.063W	1	
R2155	ERJ2GEJ153	M 15KOHM, J,0.063W	1	
R2159	ERJ2GEJ102X	M 1KOHM, J,0.063W	1	
R2162	D0YAR0000007	M 0.0 OHM, J,0.063W	1	
R2163	ERJ2GEJ103	M 10KOHM, J,0.063W	1	
R2164	ERJ2GEJ102X	M 1KOHM, J,0.063W	1	
R2165	ERJ2GEJ103	M 10KOHM, J,0.063W	1	
R2166	ERJ3EKF1602	M16.0KOHM, 1/16W	1	
R2168	ERJ3EKF1602	M16.0KOHM, 1/16W	1	
R2169	ERJ3EKF2202	M 22KOHM, 1/16W	1	
R2181	ERJ3EKF2202	M 22KOHM, 1/16W	1	
R2182, 83	ERJ3EKF3602	M 36KOHM, 1/16W	2	
R2197	ERJ3EKF6802	M 68KOHM, 1/16W	1	
R2198	ERJ3EKF1583V	M 158KOHM, 1/16W	1	PAVCA
R2199	D0YAR0000007	M 0.0 OHM, J,0.063W	1	
R2270, 71	EXB28VR000X	RESISTOR ARRAY	2	
R2276	ERJ2GEJ103	M 10KOHM, J,0.063W	1	
R2287	D0YAR0000007	M 0.0 OHM, J,0.063W	1	
R2301, 02	ERJ2GEJ222	M 2.2KOHM, J,0.063W	2	
R2305	ERJ2GEJ471	M 470 OHM, J,0.063W	1	
R2306, 07	ERJ2GEJ683	M 68KOHM, J,0.063W	2	
R2308, 09	ERJ8GEYJ3R3V	M 3.3 OHM, J,1/8W	2	
R2311-16	ERJ8GEYJ3R3V	M 3.3 OHM, J,1/8W	6	
R2317-22	ERJ6GEYJ100V	M 10 OHM, J,1/10W	6	
R2324-26	ERJ6GEYJ100V	M 10 OHM, J,1/10W	3	
R2330	ERJ2GEJ392	M 3.9KOHM, J,0.063W	1	
R2331	ERJ2GEJ221	M 220 OHM, J,0.063W	1	
R2350, 51	ERJ2GEJ103	M 10KOHM, J,0.063W	2	
R2352	ERJ2GEJ473	M 47KOHM, J,0.063W	1	
R2353	ERJ2GEJ103	M 10KOHM, J,0.063W	1	
R2354	ERJ2GEJ473	M 47KOHM, J,0.063W	1	
R2362	ERJ6GEYJ100V	M 10 OHM, J,1/10W	1	
R2619	D0YAR0000007	M 0.0 OHM, J,0.063W	1	
R2622, 23	ERJ2GEJ472	M 4.7KOHM, J,0.063W	2	
R2624, 25	D0YAR0000007	M 0.0 OHM, J,0.063W	2	
R2694	D0YAR0000007	M 0.0 OHM, J,0.063W	1	
R2832	D0YAR0000007	M 0.0 OHM, J,0.063W	1	

Ref. No.	Part No.	Part Name & Description	Pcs	Remarks
R2834-37	D0YAR0000007	M 0.0 OHM, J,0.063W	5	
R3001	ERJ2GEJ221	M 220 OHM, J,0.063W	1	
R3002	ERJ2GEJ102X	M 1KOHM, J,0.063W	1	
R3003	ERJ2GEJ221	M 220 OHM, J,0.063W	1	
R3005	ERJ2GEJ221	M 220 OHM, J,0.063W	1	
R3014	ERJ2GEJ221	M 220 OHM, J,0.063W	1	
R3020	ERJ2GEJ221	M 220 OHM, J,0.063W	1	
R3026	ERJ2GEJ683	M 68KOHM, J,0.063W	1	
R3032	ERJ2GEJ221	M 220 OHM, J,0.063W	1	
R3033	ERJ6ENF69R8V	M 69.8OHM, 1/10W	1	PAVCA
R3064	D0YAR0000007	M 0.0 OHM, J,0.063W	1	
R3077	ERJ2GEJ680	M 68 OHM, J,0.063W	1	
R3079	ERJ2GEJ680	M 68 OHM, J,0.063W	1	
R3081	ERJ2GEJ680	M 68 OHM, J,0.063W	1	
R3083	ERJ2GEJ221	M 220 OHM, J,0.063W	1	
R3084	ERJ2GEJ220	M 22 OHM, J,0.063W	1	
R3087	ERJ2GEJ221	M 220 OHM, J,0.063W	1	
R3095	ERJ2GEJ221	M 220 OHM, J,0.063W	1	
R3096	ERJ2GEJ102X	M 1KOHM, J,0.063W	1	
R3097	ERJ2GEJ221	M 220 OHM, J,0.063W	1	
R3099	ERJ2GEJ221	M 220 OHM, J,0.063W	1	
R3103, 04	ERJ2GEJ221	M 220 OHM, J,0.063W	2	
R3106-13	ERJ2GEJ221	M 220 OHM, J,0.063W	8	
R3116, 17	ERJ2GEJ221	M 220 OHM, J,0.063W	2	
R3120, 21	ERJ2GEJ221	M 220 OHM, J,0.063W	2	
R3122	ERJ2GEJ104	M 100KOHM, J,0.063W	1	
R3123, 24	ERJ2GEJ182	M 1.8KOHM, J,0.063W	2	
R3125, 26	ERJ2GEJ221	M 220 OHM, J,0.063W	2	
R3134	ERJ2GEJ104	M 100KOHM, J,0.063W	1	
R3135, 36	ERJ2GEJ220	M 22 OHM, J,0.063W	2	
R3137	ERJ2GEJ104	M 100KOHM, J,0.063W	1	
R3145	ERJ2GEJ101	M 100 OHM, J,0.063W	1	
R3146	ERJ2GEJ184	M 180KOHM, J,0.063W	1	
R3147	ERJ2GEJ101	M 100 OHM, J,0.063W	1	
R3148	ERJ2GEJ184	M 180KOHM, J,0.063W	1	
R3149, 50	ERJ2GEJ101	M 100 OHM, J,0.063W	2	
R3151	ERJ2GEJ105	M 1MOHM, J,0.063W	1	
R3152	ERJ2GEJ473	M 47KOHM, J,0.063W	1	
R3153	ERJ2GEJ102X	M 1KOHM, J,0.063W	1	
R3154	ERJ2GEJ274	M 270KOHM, J,0.063W	1	
R3155	ERJ2GEJ560	M 56 OHM, J,0.063W	1	

Ref. No.	Part No.	Part Name & Description	Pcs	Remarks
R3174	ERJ2GEJ103	M 10KOHM, J, 0.063W	1	
R3190-93	ERJ2GEJ184	M 180KOHM, J, 0.063W	4	
R3196	ERJ2GEJ184	M 180KOHM, J, 0.063W	1	
R3197	ERJ6RED750	M 75 OHM, 1/10W	1	
R3199	ERJ6RED750	M 75 OHM, 1/10W	1	
R3201, 02	ERJ2GEJ184	M 180KOHM, J, 0.063W	2	
R3203	ERJ6RED750	M 75 OHM, 1/10W	1	
R3204	ERJ2GEJ184	M 180KOHM, J, 0.063W	1	
R3205	ERJ6RED750	M 75 OHM, 1/10W	1	
R3207-09	ERJ6RED750	M 75 OHM, 1/10W	3	
R3211, 12	ERJ6RED750	M 75 OHM, 1/10W	2	
R3801-05	ERJ8GEY0R00	M 0 OHM, 1/8W	5	
R3811	ERJ6RED750	M 75 OHM, 1/10W	1	
R3817, 18	ERJ6GEYJ184	M 180KOHM, J, 1/10W	2	
R3900, 01	ERJ6GEY0R00V	M 0 OHM, 1/10W	2	
R3902-04	ERJ6GEYG680	M 68 OHM, J, 1/10W	3	
R3907, 08	ERJ6GEY0R00V	M 0 OHM, 1/10W	2	
R3909	ERJ6GEYG680	M 68 OHM, J, 1/10W	1	
R3911	ERJ6GEYG680	M 68 OHM, J, 1/10W	1	
R3912-14	ERJ6GEY0R00V	M 0 OHM, 1/10W	3	
R3915	ERJ6GEYF473	M 47KOHM, J, 1/10W	1	
R3916	ERJ6GEY0R00V	M 0 OHM, 1/10W	1	
R3921	ERJ6GEYF473	M 47KOHM, J, 1/10W	1	
R3922	ERJ6GEY0R00V	M 0 OHM, 1/10W	1	
R3926	ERJ6GEY0R00V	M 0 OHM, 1/10W	1	
R3927	ERJ6GEYJ101V	M 100 OHM, J, 1/10W	1	
R4006	ERJ2GEJ473	M 47KOHM, J, 0.063W	1	
R4013, 14	ERJ2GEJ473	M 47KOHM, J, 0.063W	2	
R4079	D1HG5608A002	NETWORK RESISTER	1	
R4081	D1HG5608A002	NETWORK RESISTER	1	
R4088	EXB2HV473JV	RESISTOR ARRAY	1	
R4089-91	D1HG5608A002	NETWORK RESISTER	3	
R4105	J0JCC0000100	CHIP INDUCTOR	1	
R4107	J0JCC0000100	CHIP INDUCTOR	1	
R4109, 10	J0JCC0000100	CHIP INDUCTOR	2	
R4112-14	J0JCC0000100	CHIP INDUCTOR	3	
R4115, 16	ERJ3GEYJ222	M 2.2KOHM, J, 1/16W	2	
R4157	J0JCC0000100	CHIP INDUCTOR	1	
R4209	EXB28V680JX	RESISTOR ARRAY	1	
R4213-19	ERJ2GEJ680	M 68 OHM, J, 0.063W	7	
R4224	ERJ2GEJ103	M 10KOHM, J, 0.063W	1	
R4227-30	ERJ2GEJ680	M 68 OHM, J, 0.063W	4	
R4234	ERJ2GEJ680	M 68 OHM, J, 0.063W	1	
R4239	D1BA4701A026	M 4.7KOHM, 1/10W	1	
R4240	D1BA68R0A026	M 0.68KOHM, 1/10W	1	PAVCA
R4241	DOYAR0000007	M 0.0 OHM, J, 0.063W	1	
R4242	D1BA2202A026	M 22KOHM, 1/10W	1	
R4243-45	EXB2HV470JV	RESISTOR ARRAY	3	
R4246	ERJ2GEJ101	M 100 OHM, J, 0.063W	1	
R4247	ERJ2GEJ334	M 330KOHM, J, 1/16W	1	
R4248-50	ERJ2GEJ470	M 47 OHM, J, 0.063W	3	
R4251	ERJ2GEJ680	M 68 OHM, J, 0.063W	1	
R4252	ERJ2GEJ391	M 390 OHM, J, 0.063W	1	
R4254	J0JCC0000100	CHIP INDUCTOR	1	
R4257-64	EXB28V220J	RESISTOR ARRAY	8	
R4265-68	ERJ3GEYJ220	M 22 OHM, J, 1/16W	4	
R4269	EXB28V220J	RESISTOR ARRAY	1	

Ref. No.	Part No.	Part Name & Description	Pcs	Remarks
R4270, 71	ERJ2GEJ220	M 22 OHM, J, 0.063W	2	
R4272, 73	ERJ3GEYJ220	M 22 OHM, J, 1/16W	2	
R4274-76	EXB28V220J	RESISTOR ARRAY	3	
R4277	DOGB151JA057	M 150 OHM, J, 1/16W	1	
R4278	ERJ2GEJ363	M 36KOHM, J, 0.063W	1	
R4279	ERJ2GEJ473	M 47KOHM, J, 0.063W	1	
R4280	ERJ2GEJ101	M 100 OHM, J, 0.063W	1	
R4281, 82	ERJ2GEJ473	M 47KOHM, J, 0.063W	2	
R4283	ERJ2GEJ223	M 22KOHM, J, 0.063W	1	
R4284	ERJ2GEJ164	M 160KOHM, J, 0.063W	1	
R4285	DOYAR0000007	M 0.0 OHM, J, 0.063W	1	
R4286	ERJ3EKF1502	M 15KOHM, 1/16W	1	
R4287	ERJ3EKF6802	M 68KOHM, 1/16W	1	
R4288	ERJ6GEY0R00V	M 0 OHM, 1/10W	1	
R4289, 90	D1BA1001A026	M 1KOHM, 1/10W	2	
R4291	ERJ3EKF6802	M 68KOHM, 1/16W	1	
R4292	ERJ3EKF3002	M 30KOHM, 1/16W	1	
R4294, 95	ERJ2GEJ473	M 47KOHM, J, 0.063W	2	
R4296-00	DOYAR0000007	M 0.0 OHM, J, 0.063W	5	
R4301	ERJ2GEJ103	M 10KOHM, J, 0.063W	1	
R4302	ERJ2GEJ102X	M 1KOHM, J, 0.063W	1	
R4303	ERJ2GEJ103	M 10KOHM, J, 0.063W	1	
R4304	ERJ2GEJ302	M 3KOHM, J, 0.063W	1	
R4308-13	ERJ2GEJ103	M 10KOHM, J, 0.063W	6	
R4314	ERJ2GEJ102X	M 1KOHM, J, 0.063W	1	
R4315-17	ERJ2GEJ103	M 10KOHM, J, 0.063W	3	
R4318	ERJ6ENF5111	M 5.11KOHM, 1/10W	1	
R4319	ERJ6ENF4871	M 4.87KOHM, 1/10W	1	
R4320	D1BA3001A026	M 3KOHM, 1/10W	1	
R4321	ERJ2GEJ102X	M 1KOHM, J, 0.063W	1	
R4322	D1BA3901A026	M 3.9KOHM, 1/10W	1	
R4323	ERJ2GEJ104	M 100KOHM, J, 0.063W	1	
R4324	ERJ2RHD682X	M 22KOHM, J, 2W	1	
R4326	ERJ2GEJ100	M 10 OHM, J, 0.063W	1	
R4327	ERJ2GEJ103	M 10KOHM, J, 0.063W	1	
R4328	ERJ2GEJ101	M 100 OHM, J, 0.063W	1	
R4330	ERJ2GEJ220	M 22 OHM, J, 0.063W	1	
R4331	ERJ2GEJ472	M 4.7KOHM, J, 0.063W	1	
R4332, 33	ERJ2GEJ220	M 22 OHM, J, 0.063W	2	
R4334	ERJ2GEJ472	M 4.7KOHM, J, 0.063W	1	
R4335	ERJ2GEJ220	M 22 OHM, J, 0.063W	1	
R4336	ERJ2GEJ680	M 68 OHM, J, 0.063W	1	
R4337	EXB2HV680J	RESISTOR ARRAY	1	
R4338-40	ERJ2GEJ103	M 10KOHM, J, 0.063W	3	
R4342	ERJ2GEJ473	M 47KOHM, J, 0.063W	1	
R4348	DOYAR0000007	M 0.0 OHM, J, 0.063W	1	

Ref. No.	Part No.	Part Name & Description	Pcs	Remarks
R4349	ERJ2GEJ103	M 10KOHM, J,0.063W	1	
R4352	DOYAR0000007	M 0.0 OHM, J,0.063W	1	
R4353	ERJ2GEJ103	M 10KOHM, J,0.063W	1	
R4356	DOYAR0000007	M 0.0 OHM, J,0.063W	1	
R4357	ERJ2GEJ223	M 22KOHM, J,0.063W	1	
R4360	ERJ2GEJ223	M 22KOHM, J,0.063W	1	
R4361	DOYAR0000007	M 0.0 OHM, J,0.063W	1	
R4375	DOYAR0000007	M 0.0 OHM, J,0.063W	1	
R4376	ERJ2GEJ222	M 2.2KOHM, J,0.063W	1	
R4377-86	DOYAR0000007	M 0.0 OHM, J,0.063W	10	
R4388	DOYAR0000007	M 0.0 OHM, J,0.063W	1	
R4390-92	DOYAR0000007	M 0.0 OHM, J,0.063W	3	
R4399	ERJ3EKF2001	M 2KOHM, 1/16W	1	
R4400	DOYAR0000007	M 0.0 OHM, J,0.063W	1	
R4406	EXB2HV680J	RESISTOR ARRAY	1	
R4408	EXB2HV680J	RESISTOR ARRAY	1	
R4410	EXB2HV680J	RESISTOR ARRAY	1	
R4412	ERJ2GEJ103	M 10KOHM, J,0.063W	1	
R4413	ERJ2GEJ473	M 47KOHM, J,0.063W	1	
R4500,01	ERJ2GEJ103	M 10KOHM, J,0.063W	2	
R4502,03	ERJ2RKD330	M 33 OHM, J,0.063W	2	
R4506,07	ERJ2GEJ103	M 10KOHM, J,0.063W	2	
R4508-23	ERJ2GEJ2R2X	M 2.2OHM, J,0.063W	16	
R4524,25	ERJ2GEJ103	M 10KOHM, J,0.063W	2	
R4526,27	ERJ2GEJ102X	M 1KOHM, J,0.063W	2	
R4528	ERJ2GEJ103	M 10KOHM, J,0.063W	1	
R4529	ERJ2GEJ472	M 4.7KOHM, J,0.063W	1	
R4530	ERJ2GEJ103	M 10KOHM, J,0.063W	1	
R4531	ERJ2GEJ472	M 4.7KOHM, J,0.063W	1	
R4535,36	ERJ2GEJ472	M 4.7KOHM, J,0.063W	2	
R4538	ERJ2GEJ473	M 47KOHM, J,0.063W	1	
R4539	ERJ2GEJ680	M 68 OHM, J,0.063W	1	
R4540	ERJ2GEJ473	M 47KOHM, J,0.063W	1	
R4541-43	ERJ2GEJ680	M 68 OHM, J,0.063W	3	
R4544-47	ERJ2GEJ103	M 10KOHM, J,0.063W	4	
R4552	ERJ2GEJ220	M 22 OHM, J,0.063W	1	
R4561	ERJ2GEJ473	M 47KOHM, J,0.063W	1	
R4562,63	ERJ2GEJ472	M 4.7KOHM, J,0.063W	2	
R4564,65	ERJ2GEJ220	M 22 OHM, J,0.063W	2	
R4568,69	ERJ2GEJ103	M 10KOHM, J,0.063W	2	
R4578,79	ERJ2GEJ201	M 200 OHM, J,0.063W	2	
R4585	ERJ2GEJ101	M 100 OHM, J,0.063W	1	

Ref. No.	Part No.	Part Name & Description	Pcs	Remarks
R4587	ERJ3EKF9100	M 910 OHM, 1/16W	1	
R4593	ERJ3EKF1001	M 1KOHM, 1/16W	1	
R4596-98	ERJ6GEYG102	M 1KOHM, J,1/10W	3	
R4601	ERJ6GEYG102	M 1KOHM, J,1/10W	1	
R4604	ERJ3EKF7501	M 7.5KOHM, 1/16W	1	
R4606	ERJ3EKF4701	M 4.7KOHM, 1/16W	1	
R4611	ERJ3EKF1371	M 13.7 OHM, 1/16W	1	
R4612	ERJ3EKF1501	M 1.5KOHM, 1/16W	1	
R4615	ERJ3EKF1600	M 160 OHM, 1/16W	1	
R4622	ERJ2GEJ102X	M 1KOHM, J,0.063W	1	
R4624	ERJ3EKF1691	M 1.69KOHM, 1/16W	1	
R4626	ERJ2GEJ105	M 1MOHM, J,0.063W	1	
R4627	DOYAR0000007	M 0.0 OHM, J,0.063W	1	
R4631	ERJ3EKF4990	M 499 OHM, 1/16W	1	
R4635	EXB28V680JX	RESISTOR ARRAY	1	
R4636-38	ERJ2GEJ680	M 68 OHM, J,0.063W	3	
R4639,40	EXB28V680JX	RESISTOR ARRAY	2	
R4642	EXB28V680JX	RESISTOR ARRAY	1	
R4644	ERJ2GEJ220	M 22 OHM, J,0.063W	1	
R4645-47	ERJ2GEJ680	M 68 OHM, J,0.063W	3	
R4648	EXB28V330J	RESISTOR ARRAY	1	
R4649	EXB28V680JX	RESISTOR ARRAY	1	
R4650,51	ERJ2GEJ680	M 68 OHM, J,0.063W	2	
R4652	ERJ2GEJ473	M 47KOHM, J,0.063W	1	
R4653	ERJ2GEJ103	M 10KOHM, J,0.063W	1	
R4654	DOYAR0000007	M 0.0 OHM, J,0.063W	1	
R4656	ERJ2GEJ222	M 2.2KOHM, J,0.063W	1	
R4657,58	ERJ2GEJ220	M 22 OHM, J,0.063W	2	
R4659	ERJ2GEJ103	M 10KOHM, J,0.063W	1	
R4664	ERJ2GEJ473	M 47KOHM, J,0.063W	1	
R4666	ERJ2GEJ473	M 47KOHM, J,0.063W	1	
R4667	ERJ2GEJ201	M 200 OHM, J,0.063W	1	
R4670	ERJ2GEJ680	M 68 OHM, J,0.063W	1	
R4676	ERJ2GEJ223	M 22KOHM, J,0.063W	1	
R4696	ERJ2GEJ222	M 2.2KOHM, J,0.063W	1	
R4697	DOYAR0000007	M 0.0 OHM, J,0.063W	1	
R4706	ERJ2GEJ102X	M 1KOHM, J,0.063W	1	
R4707	ERJ2GEJ103	M 10KOHM, J,0.063W	1	
R4708	ERJ2GEJ102X	M 1KOHM, J,0.063W	1	
R4710	ERJ2GEJ103	M 10KOHM, J,0.063W	1	
R4711	ERJ3EKF4701	M 4.7KOHM, 1/16W	1	
R4712	ERJ3EKF1002	M 10KOHM, 1/16W	1	
R4713	ERJ2GEJ103	M 10KOHM, J,0.063W	1	
R4750-53	ERJ2GEJ220	M 22 OHM, J,0.063W	4	
R5058	ERJ2GEJ102X	M 1KOHM, J,0.063W	1	
R5069	ERJ2GEJ103	M 10KOHM, J,0.063W	1	
R5137	ERJ2GEJ102X	M 1KOHM, J,0.063W	1	
R5600	ERJ2GEJ680	M 68 OHM, J,0.063W	1	

Ref. No.	Part No.	Part Name & Description	Pcs	Remarks
R5601	J0JCC0000100	CHIP INDUCTOR	1	
R5602,03	D0YAR0000007	M 0.0 OHM, J,0.063W	2	
R5604	ERJ3GEYF473	M 47KOHM, 1/16W	1	
R5605	ERJ3EKF1272	M12.7KOHM, 1/16W	1	
R5606-09	D0YAR0000007	M 0.0 OHM, J,0.063W	4	
R5610	ERJ2GEJ104	M 100KOHM, J,0.063W	1	
R5611	ERJ3GEYF473	M 47KOHM, 1/16W	1	
R5612	ERJ3EKF1602	M16.0KOHM, 1/16W	1	
R5614	J0JCC0000100	CHIP INDUCTOR	1	
R5616	D0YAR0000007	M 0.0 OHM, J,0.063W	1	
R5620	ERJ2GEJ680	M 68 OHM, J,0.063W	1	
R5621	ERJ3EKF2702V	M27.0KOHM, 1/16W	1	
R5622	ERJ2GEJ104	M 100KOHM, J,0.063W	1	
R5623	ERJ3GEYF473	M 47KOHM, 1/16W	1	
R5625-28	D0YAR0000007	M 0.0 OHM, J,0.063W	4	
R5629	ERJ3EKF2802	M 28KOHM, 1/16W	1	
R5630	ERJ3EKF4752	M47.5KOHM, 1/16W	1	
R5631	ERJ3EKF3602	M 36KOHM, 1/16W	1	
R5632	ERJ3EKF3002	M 30KOHM, 1/16W	1	
R5633	ERJ3EKF3602	M 36KOHM, 1/16W	1	
R5634	ERJ3EKF1602	M16.0KOHM, 1/16W	1	
R5635	ERJ2GEJ223	M 22KOHM, J,0.063W	1	
R5636	ERJ2GEJ683	M 68KOHM, J,0.063W	1	
R5637	D0YAR0000007	M 0.0 OHM, J,0.063W	1	
R5638	ERJ2GEJ103	M 10KOHM, J,0.063W	1	
R5641	ERJ2GEJ473	M 47KOHM,J,0.063W	1	
R5644	ERJ2GEJ222	M 2.2KOHM, J,0.063W	1	
R5646	ERJ2GEJ103	M 10KOHM, J,0.063W	1	
R5647	ERJ2GEJ473	M 47KOHM,J,0.063W	1	
R5730	ERJ2GEJ102X	M 1KOHM, J,0.063W	1	
R5732	ERJ2GEJ473	M 47KOHM,J,0.063W	1	
R5733	ERJ6GEYG221	M 220 OHM, J,1/10W	1	
R5734-36	ERJ8GEYJ150V	M 15 OHM, J,1/8W	3	
R5737	D1BA8201A026	M 8.2KOHM, 1/10W	1	
R5738	D1BA1911A026	M 1.19KOHM, 1/10W	1	
R5740	D0YAR0000007	M 0.0 OHM, J,0.063W	1	
R5747	ERJ2GEJ562	M 5.6KOHM, J,0.063W	1	
R5748,49	ERJ2GEJ473	M 47KOHM, J,0.063W	2	
R5750	ERJ3GEYJ472	M 4.7KOHM, J,1/16W	1	
R5751	ERJ3GEYJ222	M 2.2KOHM, J,1/16W	1	
R5752	ERJ2GEJ223	M 22KOHM, J,0.063W	1	
R5753	D0GB473JA057	M 47KOHM, J,1/16W	1	
R5754-56	ERJ2GEJ223	M 22KOHM, J,0.063W	3	
R5757	ERJ2GEJ473	M 47KOHM, J,0.063W	1	
R5758	ERJ3GEYJ472	M 4.7KOHM, J,1/16W	1	
R5759	ERJ3GEYJ222	M 2.2KOHM, J,1/16W	1	
R5760	ERJ2GEJ223	M 22KOHM, J,0.063W	1	
R5761	D0GB473JA057	M 47KOHM, J,1/16W	1	

Ref. No.	Part No.	Part Name & Description	Pcs	Remarks
R5762	ERJ2GEJ101	M 100 OHM, J,0.063W	1	
R5763	ERJ2GEJ103	M 10KOHM, J,0.063W	1	
R5765,66	ERJ2GED563X	M 56KOHM ,J,0.063W	2	
R5767	ERJ2GEJ104	M 100KOHM, J,0.063W	1	
R7208	ERJ6GEYG102	M 1KOHM, J,1/10W	1	
R7209	ERJ6GEYG103	M 10KOHM, J,1/10W	1	
R7210,11	ERJ6GEYF473	M 47KOHM, J,1/10W	2	
R7212	ERJ6GEYG103	M 10KOHM, J,1/10W	1	
R7213-16	ERJ6GEYF472	M 4.7KOHM, J,1/10W	4	
R7217	ERJ6GEYG102	M 1KOHM, J,1/10W	1	
R7218	ERJ6GEY0R00V	M 0 OHM, 1/10W	1	
R7219	ERJ6GEYG103	M 10KOHM, J,1/10W	1	
R7220	ERJ6GEYF473	M 47KOHM, J,1/10W	1	
R7221	ERJ14YJ152U	M 15KOHM, J,1/4W	1	
R7223	ERJ6GEYJ223	M 22KOHM, J,1/10W	1	
R7224	ERJ6GEYF333	M 33KOHM, J,1/10W	1	
R7225	ERJ14YJ122U	M 12KOHM, J,1/4W	1	PAVCA
R7227	ERJ6GEY0R00V	M 0 OHM, 1/10W	1	
R7228	ERJ6GEYF473	M 47KOHM, J,1/10W	1	
R7232,33	ERJ14YJ152U	M 15KOHM, J,1/4W	2	
R7234	ERJ6GEY0R00V	M 0 OHM, 1/10W	1	
R7237,38	ERJ6GEYJ223	M 22KOHM, J,1/10W	2	
R7241	ERJ6GEYF472	M 4.7KOHM, J,1/10W	1	
R7242	ERJ6GEYF473	M 47KOHM, J,1/10W	1	
R7243	ERJ6ENF7151	M7.15KOHM, 1/10W	1	
R7247	ERJ6ENF3012	M30.1KOHM, 1/10W	1	
R7250	ERJ6GEYF472	M 4.7KOHM, J,1/10W	1	
R7287	ERJ6GEY0R00V	M 0 OHM, 1/10W	1	
R7300	ERJ6ENF9100	M 910 OHM, 1/10W	1	
R7301	ERJ6GEYF472	M 4.7KOHM, J,1/10W	1	
R7302	ERJ6ENF1001	M 1KOHM, 1/10W	1	
R7303	ERJ6ENF1302	M 13KOHM, 1/10W	1	
R7304	ERJ6ENF1691	M1.69KOHM, 1/10W	1	
R7306	ERJ6GEYF473	M 47KOHM, J,1/10W	1	
R7307	ERJ6ENF1583V	M 158KOHM, 1/10W	1	PAVCA
R7308,09	ERJ6GEY0R00V	M 0 OHM, 1/10W	2	
R7310	ERJ6GEYF473	M 47KOHM, J,1/10W	1	
R7311	ERJ6GEYG102	M 1KOHM, J,1/10W	1	
R7312	ERJ6GEYF472	M 4.7KOHM, J,1/10W	1	
R7313	ERJ6GEYF473	M 47KOHM, J,1/10W	1	
R7314	ERJ6GEYG222	M 2.2KOHM, J,1/10W	1	
R7315	ERJ6GEYF473	M 47KOHM, J,1/10W	1	
R7316	ERJ6GEYG102	M 1KOHM, J,1/10W	1	
R7317	ERJ6GEYJ101V	M 100 OHM, J,1/10W	1	
R7318	ERJ6GEYF473	M 47KOHM, J,1/10W	1	
R7319	ERJ6GEYG103	M 10KOHM, J,1/10W	1	
R7320	ERJ6ENF1501	M 1.5KOHM, 1/10W	1	
R7321	ERJ6ENF6201	M 6.2KOHM, 1/10W	1	
R7322	ERJ6GEYF473	M 47KOHM, J,1/10W	1	
R7323	ERJ6ENF2203	M 220KOHM, 1/10W	1	
R7324	ERJ6GEYG823	M 82KOHM, J,1/10W	1	
R7325	ERJ6GEYG102	M 1KOHM, J,1/10W	1	
R7326	ERJ6GEYJ101V	M 100 OHM, J,1/10W	1	
R7327,28	ERJ6GEYF473	M 47KOHM, J,1/10W	2	
R7329	ERJ6GEYG103	M 10KOHM, J,1/10W	1	
R7330	ERJ6ENF1001	M 1KOHM, 1/10W	1	
R7333	ERJ6ENF8201	M 8.2KOHM, 1/10W	1	
R7334,35	ERJ6GEYF473	M 47KOHM, J,1/10W	2	
R7337	ERJ6ENF9102	M91.0KOHM, 1/10W	1	
R7338	ERJ6GEYJ363	M 36KOHM, J,1/10W	1	
R7339	ERJ6GEYG102	M 1KOHM, J,1/10W	1	
R7342	ERJ6GEYF473	M 47KOHM, J,1/10W	1	
R7343	ERJ6GEYG103	M 10KOHM, J,1/10W	1	

Ref. No.	Part No.	Part Name & Description	Pcs	Remarks
R7344	ERJ6GEYF473	M 47KOHM, J, 1/10W	1	
R7345	ERJ6GEYJ223	M 22KOHM, J, 1/10W	1	
R7346	ERJ6GEYG103	M 10KOHM, J, 1/10W	1	
R7347	ERJ6GEYF473	M 47KOHM, J, 1/10W	1	
R7348, 49	ERJ6GEYG103	M 10KOHM, J, 1/10W	2	
R7350-52	ERJ6GEYF473	M 47KOHM, J, 1/10W	3	
R7354-57	ERJ6GEY0R00V	M 0 OHM, 1/10W	4	
R7358	ERJ6GEYJ101V	M 100 OHM, J, 1/10W	1	
R7360	ERJ6GEYG103	M 10KOHM, J, 1/10W	1	
R7362	ERJ6GEYG103	M 10KOHM, J, 1/10W	1	
R7363	ERJ6GEYF473	M 47KOHM, J, 1/10W	1	
R7364	ERJ6GEYG332	M 3.3KOHM, J, 1/10W	1	
R7366	ERJ6GEY0R00V	M 0 OHM, 1/10W	1	
R7453	ERJ6GEYG102	M 1KOHM, J, 1/10W	1	
R7485	ERJ6GEY0R00V	M 0 OHM, 1/10W	1	
R7486	ERJ6GEYG103	M 10KOHM, J, 1/10W	1	
R7487	ERJ6GEY0R00V	M 0 OHM, 1/10W	1	
R7488	ERJ6GEYJ223	M 22KOHM, J, 1/10W	1	
R7490	ERJ6GEYG103	M 10KOHM, J, 1/10W	1	
R7492, 93	ERJ6GEY0R00V	M 0 OHM, 1/10W	2	
R7494	ERJ14YJ222	M 22KOHM, J, 1/4W	1	
R7495	ERJ6GEYG103	M 10KOHM, J, 1/10W	1	
R7496	ERJ6ENF1001	M 1KOHM, 1/10W	1	
R7497	ERJ6GEYF473	M 47KOHM, J, 1/10W	1	
R7498	ERJ6ENF2201	M 2.2KOHM, 1/10W	1	
R7499	ERJ6GEYG102	M 1KOHM, J, 1/10W	1	
R7502	ERJ6GEY0R00V	M 0 OHM, 1/10W	1	
R7702	ERJ6ENF1001	M 1KOHM, 1/10W	1	
R7703	ERJ6ENF8661	M 8.66KOHM, 1/10W	1	
R7704	ERJ6GEYG102	M 1KOHM, J, 1/10W	1	
R7705	ERJ12YJ471	M 470OHM, J, 1/2W	1	
R7707	ERJ6GEYF123	M 12KOHM, J, 1/10W	1	
R7708	ERJ6GEYJ223	M 22KOHM, J, 1/10W	1	
R7709	ERJ6GEYF472	M 4.7KOHM, J, 1/10W	1	
R7710	ERJ6GEYF473	M 47KOHM, J, 1/10W	1	
R7711	ERJ6GEYF472	M 4.7KOHM, J, 1/10W	1	
R7712	ERJ6GEYJ223	M 22KOHM, J, 1/10W	1	
R7804	ERJ6GEYG103	M 10KOHM, J, 1/10W	1	
R7805	ERJ6GEYG102	M 1KOHM, J, 1/10W	1	
R8001	ERJ2GEJ181	M 180 OHM, J, 0.063W	1	
R8002	ERJ2GEJ820	M 82 OHM, J, 0.063W	1	
R8003	J0JCC0000100	CHIP INDUCTOR	1	
R8004	ERJ3EKF2402	M 24KOHM, 1/16W	1	
R8005	ERJ3EKF1002	M 10KOHM, 1/16W	1	
R8006	ERJ3EKF6801	M 6.8KOHM, 1/16W	1	
R8023-29	DOYAR0000007	M 0.0 OHM, J, 0.063W	7	
R8030	ERJ2GEJ101	M 100 OHM, J, 0.063W	1	
R8031, 32	ERJ3EKF2700	M 270 OHM, 1/16W	2	
R8035	DOYAR0000007	M 0.0 OHM, J, 0.063W	1	
R8039	DOYAR0000007	M 0.0 OHM, J, 0.063W	1	
R8056-73	ERJ2GEJ470	M 47 OHM, J, 0.063W	18	
R8074	ERJ2GEJ221	M 220 OHM, J, 0.063W	1	
R8075-78	ERJ2GEJ470	M 47 OHM, J, 0.063W	4	
R8079, 80	DOYAR0000007	M 0.0 OHM, J, 0.063W	2	
R8081	ERJ2GEJ103	M 10KOHM, J, 0.063W	1	
R8082	D1BA75R0A026	MO.75KOHM, 1/10W	1	
R8083	ERJ2GEJ301	M 300 OHM, J, 0.063W	1	
R8086	ERJ2GEJ104	M 100KOHM, J, 0.063W	1	

Ref. No.	Part No.	Part Name & Description	Pcs	Remarks
R8087	ERJ2GEJ103	M 10KOHM, J, 0.063W	1	
R8090	ERJ2GEJ103	M 10KOHM, J, 0.063W	1	
R8091	ERJ2GEJ470	M 47 OHM, J, 0.063W	1	
R8093	ERJ2GEJ470	M 47 OHM, J, 0.063W	1	
R8094	ERJ2GEJ103	M 10KOHM, J, 0.063W	1	
R8097	ERJ2GEJ221	M 220 OHM, J, 0.063W	1	
R8098, 99	ERJ2GEJ103	M 10KOHM, J, 0.063W	2	
R8100	ERJ2GEJ470	M 47 OHM, J, 0.063W	1	
R8101	ERJ2GEJ103	M 10KOHM, J, 0.063W	1	
R8106	ERJ2GEJ202	M 2KOHM, J, 0.063W	1	
R8107	ERJ2GEJ101	M 100 OHM, J, 0.063W	1	
R8110	ERJ2GEJ103	M 10KOHM, J, 0.063W	1	
R8300	DOYAR0000007	M 0.0 OHM, J, 0.063W	1	
R8307, 08	ERJ2GEJ470	M 47 OHM, J, 0.063W	2	
R8309	DOYAR0000007	M 0.0 OHM, J, 0.063W	1	
R8312	ERJ2RHD682X	M 22KOHM, J, 2W	1	
R8313, 14	DOYAR0000007	M 0.0 OHM, J, 0.063W	2	
R8315	ERJ2RHD682X	M 22KOHM, J, 2W	1	
R8318, 19	ERJ2GEJ101	M 100 OHM, J, 0.063W	2	
R8327, 28	ERJ2RHD682X	M 22KOHM, J, 2W	2	
R8330, 31	DOYAR0000007	M 0.0 OHM, J, 0.063W	2	
R8332	ERJ2GEJ221	M 220 OHM, J, 0.063W	1	
R8335	ERJ2GEJ221	M 220 OHM, J, 0.063W	1	
R8337	ERJ6GEYG102	M 1KOHM, J, 1/10W	1	
R8338	ERJ3EKF1202	M 12KOHM, 1/16W	1	
R8340	ERJ2GEJ103	M 10KOHM, J, 0.063W	1	
R8343, 44	ERJ2GEJ103	M 10KOHM, J, 0.063W	2	
R8346	ERJ2GEJ103	M 10KOHM, J, 0.063W	1	
R8348	ERJ2GEJ103	M 10KOHM, J, 0.063W	1	
R8349, 50	ERJ2GEJ332	M 3.3KOHM, J, 0.063W	2	
R8351-56	ERJ2GEJ103	M 10KOHM, J, 0.063W	6	
R8357	ERJ2GEJ220	M 22 OHM, J, 0.063W	1	
R8358	ERJ2GEJ103	M 10KOHM, J, 0.063W	1	
R8362-64	ERJ2GEJ103	M 10KOHM, J, 0.063W	3	
R8366	ERJ2GEJ103	M 10KOHM, J, 0.063W	1	
R8367	DOYAR0000007	M 0.0 OHM, J, 0.063W	1	
R8369	DOYAR0000007	M 0.0 OHM, J, 0.063W	1	
R8370	ERJ2GEJ103	M 10KOHM, J, 0.063W	1	
R8372	ERJ2GEJ103	M 10KOHM, J, 0.063W	1	
R8379	ERJ2GEJ101	M 100 OHM, J, 0.063W	1	
R8380-83	ERJ2GEJ470	M 47 OHM, J, 0.063W	4	
R8399-03	ERJ6GEY0R00V	M 0 OHM, 1/10W	5	
R8406, 07	ERJ6GEY0R00V	M 0 OHM, 1/10W	2	

Ref. No.	Part No.	Part Name & Description	Pcs	Remarks
R8408-12	ERJ2GEJ220	M 22 OHM, J,0.063W	5	
R8413	ERJ6GEY0R00V	M 0 OHM, 1/10W	1	
R8414-31	J0JCC0000100	CHIP INDUCTOR	18	
R8436-41	J0JCC0000100	CHIP INDUCTOR	6	
R8504	ERJ2GEJ103	M 10KOHM, J,0.063W	1	
R8512	ERJ2GEJ103	M 10KOHM, J,0.063W	1	
R8514	D0YAR0000007	M 0.0 OHM, J,0.063W	1	
R8516-20	ERJ2RKD330	M 33 OHM, J,0.063W	5	
R8522	ERJ2GEJ101	M 100 OHM, J,0.063W	1	
R8528-30	ERJ2GEJ560	M 56 OHM, J,0.063W	3	
R8532	ERJ2GEJ560	M 56 OHM, J,0.063W	1	
R8538-45	ERJ2GEJ220	M 22 OHM, J,0.063W	8	
R8546-48	ERJ2GEJ332	M 3.3KOHM, J,0.063W	3	
R8550	ERJ2GEJ332	M 3.3KOHM, J,0.063W	1	
R8552,53	ERJ2GEJ332	M 3.3KOHM, J,0.063W	2	
R8554,55	ERJ2GEJ220	M 22 OHM, J,0.063W	2	
R8556	ERJ2GEJ103	M 10KOHM, J,0.063W	1	
R8557,58	ERJ2GEJ332	M 3.3KOHM, J,0.063W	2	
R8559	ERJ2GEJ560	M 56 OHM, J,0.063W	1	
R8562-65	ERJ2GEJ103	M 10KOHM, J,0.063W	4	
R8566	EXB28V103JX	RESISTOR ARRAY	1	
R8573	EXB28V680JX	RESISTOR ARRAY	1	
R8574	ERJ2GEJ680	M 68 OHM, J,0.063W	1	
R8575	ERJ2GEJ820	M 82 OHM, J,0.063W	1	
R8586,87	ERJ2GEJ560	M 56 OHM, J,0.063W	2	
R8604	ERJ2GEJ103	M 10KOHM, J,0.063W	1	
R8661	ERJ2GEJ103	M 10KOHM, J,0.063W	1	
R8663	ERJ2GEJ103	M 10KOHM, J,0.063W	1	
R8721,22	ERJ2GEJ680	M 68 OHM, J,0.063W	2	
R8725	ERJ2GEJ473	M 47KOHM, J,0.063W	1	
R8727	EXB28V103JX	RESISTOR ARRAY	1	
R8764,65	ERJ3EKF75R0	M 0.75HM, 1/16W	2	
R8767	ERJ3EKF75R0	M 0.75HM, 1/16W	1	
R8769	ERJ2RKD330	M 33 OHM, J,0.063W	1	
R8770	ERJ2GEJ103	M 10KOHM, J,0.063W	1	
R8772	ERJ2GEJ103	M 10KOHM, J,0.063W	1	
R8792	ERJ2GEJ473	M 47KOHM, J,0.063W	1	
R8796	ERJ2GEJ473	M 47KOHM, J,0.063W	1	
R8844	ERJ2GEJ473	M 47KOHM, J,0.063W	1	
R8850	ERJ2GEJ560	M 56 OHM, J,0.063W	1	
R8860-62	D0YAR0000007	M 0.0 OHM, J,0.063W	3	
R8864	D0YAR0000007	M 0.0 OHM, J,0.063W	1	
R8865	ERJ2GEJ560	M 56 OHM, J,0.063W	1	
R8866	ERJ3EKF91R0	M 91 OHM, 1/16W	1	

Ref. No.	Part No.	Part Name & Description	Pcs	Remarks
R8867	D0YAR0000007	M 0.0 OHM, J,0.063W	1	
R8875	ERJ2GEJ473	M 47KOHM, J,0.063W	1	
R8876-78	D0YAR0000007	M 0.0 OHM, J,0.063W	3	
R8900	D0YAR0000007	M 0.0 OHM, J,0.063W	1	
R8903,04	ERJ2GEJ473	M 47KOHM, J,0.063W	2	
RL802	K6B2ADA00007	REALY	1	△
RM1001	PNA4701M05TV	REMOCON RECEIVER	1	
RTL	TNPA4266S	CIRCUIT BOARD G	1	PAVCA △
RTL	TNPA4206S	CIRCUIT BOARD GS	1	PAVCA △
RTL	TNAG172S	CIRCUIT BOARD DT	1	PAVCA △
RTL	TNPH0683S	CIRCUIT BOARD A	1	PAVCA △
RTL	TNPA4155ABS	CIRCUIT BOARD AP	1	PAVCA △
RTL	TZRKN010MRR	CIRCUIT BOARD P	1	PAVCA △
RTL	TNPA4152ADS	CIRCUIT BOARD V	1	PAVCA △
SW7203	K0F122A00172	SWITCH REMOTE CONTROL	1	
T801	ETS15AB136AH	SWITCHING TRANSFORMER	1	PAVCA △
TU8300	ENGE6601KF	TUNER	1	PAVCA △
V1A	K1KA09BA0061	9P CONNECTOR	1	
X1100	H0J100500035	CRYSTAL	1	
X2010	H0J245500082	CRYSTAL	1	
X4200	H0J270500113	CRYSTAL	1	
X4201	H0J480500026	CRYSTAL	1	
X4500	H0J270500113	CRYSTAL	1	
X8001	H0J270500114	CRYSTAL	1	
X8300	H0J250500079	CRYSTAL	1	PAVCA
ZA801-05	K9ZZ00001279	CONNECTOR	5	
ZA4001-09	TESA169	SHIELD CLIP	9	
ZA7002	K9ZZ00001279	CONNECTOR	1	
ZA7006	K9ZZ00001279	CONNECTOR	1	
ZA8300-09	TESA169	SHIELD CLIP	10	