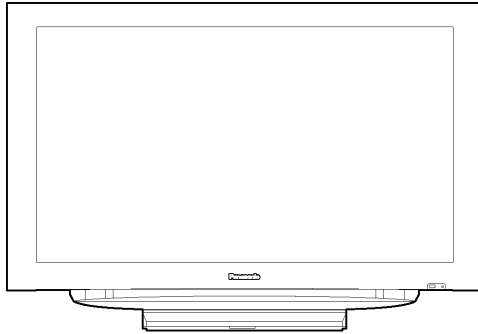


# Service Manual

37 inch Class LCD HDTV

Model No. **TC-37LZ85**

LH71 Chassis



**⚠ WARNING**

This service information is designed for experienced repair technicians only and is not designed for use by the general public. It does not contain warnings or cautions to advise non-technical individuals of potential dangers in attempting to service a product. Products powered by electricity should be serviced or repaired only by experienced professional technicians. Any attempt to service or repair the product or products dealt with in this service information by anyone else could result in serious injury or death.

# 1 Safety Precautions

## 1.1. General Guidelines

1. When servicing, observe the original lead dress. If a short circuit is found, replace all parts which have been overheated or damaged by the short circuit.
2. After servicing, see to it that all the protective devices such as insulation barriers, insulation papers shields are properly installed.
3. After servicing, make the following leakage current checks to prevent the customer from being exposed to shock hazards.
4. When servicing, observe the original lead dress. If a short circuit is found, replace all parts which have been overheated or damaged by the short circuit.
5. After servicing, see to it that all the protective devices such as insulation barriers, insulation papers shields are properly installed.
6. After servicing, make the following leakage current checks to prevent the customer from being exposed to shock hazards.

### 1.1.1. Leakage Current Cold Check

1. Unplug the AC cord and connect a jumper between the two prongs on the plug.
2. Measure the resistance value, with an ohmmeter, between the jumpered AC plug and each exposed metallic cabinet part on the equipment such as screwheads, connectors, control shafts, etc. When the exposed metallic part has a return path to the chassis, the reading should be 100 Mohm and over.  
When the exposed metal does not have a return path to the chassis, the reading must be  $\infty$ .

### 1.1.2. Leakage Current Hot Check (See Figure 1.)

1. Plug the AC cord directly into the AC outlet. Do not use an isolation transformer for this check.
2. Connect a 1.5kohm, 10 watts resistor, in parallel with a 0.15 $\mu$ F capacitors, between each exposed metallic part on the set and a good earth ground such as a water pipe, as shown in Figure 1.
3. Use an AC voltmeter, with 1000 ohms/volt or more sensitivity, to measure the potential across the resistor.
4. Check each exposed metallic part, and measure the voltage at each point.
5. Reverse the AC plug in the AC outlet and repeat each of the above measurements.
6. The potential at any point should not exceed 0.75 volts RMS. A leakage current tester (Simpson Model 229 or equivalent) may be used to make the hot checks, leakage current must not exceed 1/2 milliamp. In case a measurement is outside of the limits specified, there is a possibility of a shock hazard, and the equipment should be repaired and rechecked before it is returned to the customer.

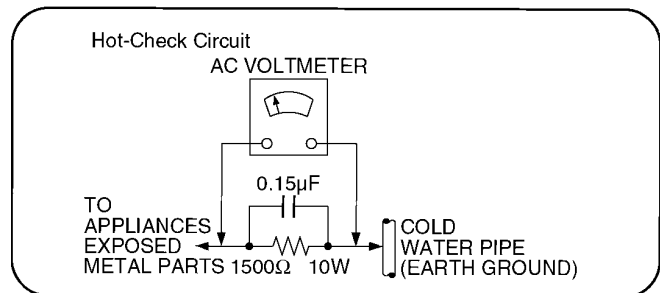


Figure 1

## 2 Warning

### 2.1. Prevention of Electrostatic Discharge (ESD) to Electrostatically Sensitive (ES) Devices

Some semiconductor (solid state) devices can be damaged easily by static electricity. Such components commonly are called Electrostatically Sensitive (ES) Devices. Examples of typical ES devices are integrated circuits and some field-effect transistors and semiconductor [chip] components. The following techniques should be used to help reduce the incidence of component damage caused by electrostatic discharge (ESD).

1. Immediately before handling any semiconductor component or semiconductor-equipped assembly, drain off any ESD on your body by touching a known earth ground. Alternatively, obtain and wear a commercially available discharging ESD wrist strap, which should be removed for potential shock reasons prior to applying power to the unit under test.
2. After removing an electrical assembly equipped with ES devices, place the assembly on a conductive surface such as aluminum foil, to prevent electrostatic charge buildup or exposure of the assembly.
3. Use only a grounded-tip soldering iron to solder or unsolder ES devices.
4. Use only an anti-static solder removal device. Some solder removal devices not classified as [anti-static (ESD protected)] can generate electrical charge sufficient to damage ES devices.
5. Do not use freon-propelled chemicals. These can generate electrical charges sufficient to damage ES devices.
6. Do not remove a replacement ES device from its protective package until immediately before you are ready to install it. (Most replacement ES devices are packaged with leads electrically shorted together by conductive foam, aluminum foil or comparable conductive material).
7. Immediately before removing the protective material from the leads of a replacement ES device, touch the protective material to the chassis or circuit assembly into which the device will be installed.

#### Caution

Be sure no power is applied to the chassis or circuit, and observe all other safety precautions.

8. Minimize bodily motions when handling unpackaged replacement ES devices. (Otherwise ham less motion such as the brushing together of your clothes fabric or the lifting of your foot from a carpeted floor can generate static electricity (ESD) sufficient to damage an ES device).

#### IMPORTANT SAFETY NOTICE

There are special components used in this equipment which are important for safety. These parts are marked by  $\Delta$  in the schematic diagrams, Exploded Views and replacement parts list. It is essential that these critical parts should be replaced with manufacturer's specified parts to prevent shock, fire, or other hazards. Do not modify the original design without permission of manufacturer.

## 2.2. About lead free solder (PbF)

Note: Lead is listed as (Pb) in the periodic table of elements.

In the information below, Pb will refer to Lead solder, and PbF will refer to Lead Free Solder.

The Lead Free Solder used in our manufacturing process and discussed below is (Sn+Ag+Cu).

That is Tin (Sn), Silver (Ag) and Copper (Cu) although other types are available.

This model uses Pb Free solder in it's manufacture due to environmental conservation issues. For service and repair work, we'd suggest the use of Pb free solder as well, although Pb solder may be used.

PCBs manufactured using lead free solder will have the PbF within a leaf Symbol **PbF** stamped on the back of PCB.

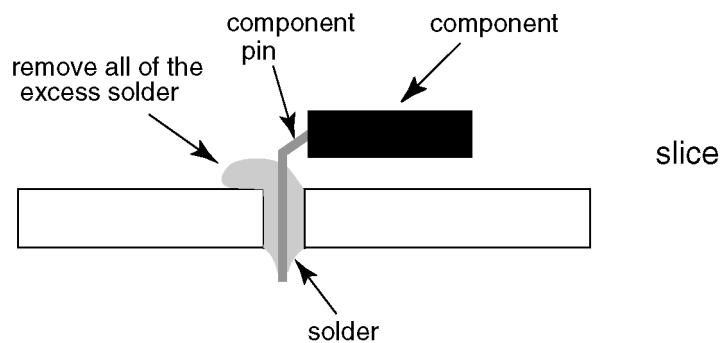
### Caution

- Pb free solder has a higher melting point than standard solder. Typically the melting point is 50 ~ 70 °F (30~40 °C) higher. Please use a high temperature soldering iron and set it to 700 ± 20 °F (370 ± 10 °C).

- Pb free solder will tend to splash when heated too high (about 1100 °F or 600 °C).

If you must use Pb solder, please completely remove all of the Pb free solder on the pins or solder area before applying Pb solder. If this is not practical, be sure to heat the Pb free solder until it melts, before applying Pb solder.

- After applying PbF solder to double layered boards, please check the component side for excess solder which may flow onto the opposite side. (see figure below)



### Suggested Pb free solder

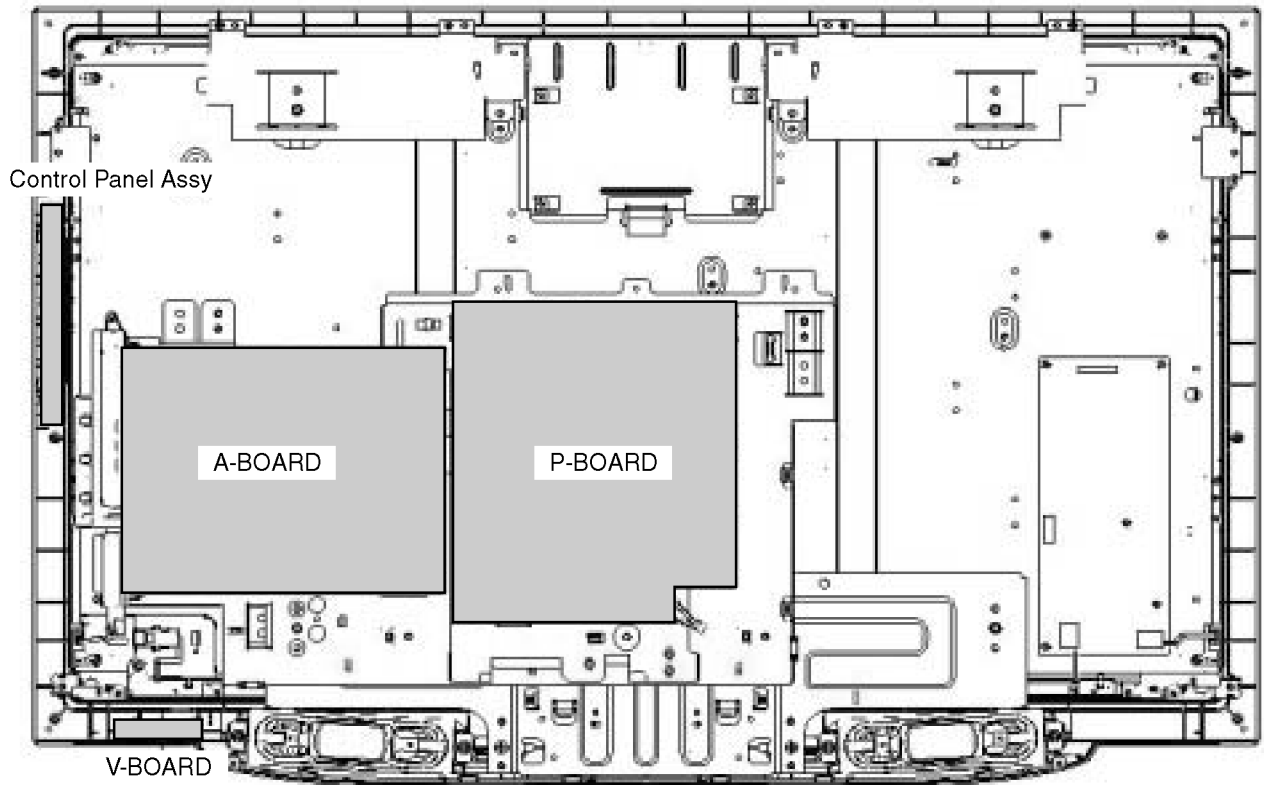
There are several kinds of Pb free solder available for purchase. This product uses Sn+Ag+Cu (tin, silver, copper) solder. However, Sn+Cu (tin, copper), Sn+Zn+Bi (tin, zinc, bismuth) solder can also be used.

0.3mm X 100g	0.6mm X 100g	1.0mm X 100g



# 3 Service Navigation

## 3.1. Service Hint



Board Name	Function
A-Board	Rear Terminal, AV Swich, MCU, Audio & Video Processor, LVDS, Tuner
V-Board	Remote Receiver, LED
P-Board	Power (AC/DC), DC-DC
Control Panel Assy	Control Button, Power switch None serviceable Control Panel Assy should be exchanged for service.

## 3.2. Applicable signals

\* Mark: Applicable input signal for Component (Y, P<sub>B</sub>, P<sub>R</sub>) and HDMI

	horizontal frequency (kHz)	vertical frequency (kHz)	COMPONENT	HDMI
525 (480) / 60i	15.73	59.94	*	*
525 (480) /60p	31.47	59.94	*	*
750 (720) /60p	45.00	59.94	*	*
1,125 (1,080) /60i	33.75	59.94	*	*
1,125 (1,080) /60p	67.43	59.94		*
1,125 (1,080) /60p	67.50	60.0		*
1,125 (1,080) /24p	26.97	23.98		*
1,125 (1,080) /24p	27.00	24.00		*

**Note:**

- Signals other than those shown above may not be displayed properly.
- The above signals are reformatted for optimal viewing on your display.

## 4 Specifications

<b>Power Source</b>	AC 120 V, 60 Hz	
<b>Power Consumption</b>		
<b>Average use</b>	222 W	
<b>Standby condition</b>	0.2 W	
<b>Display panel</b>		
<b>Aspect Ratio</b>	16:9	
<b>Visible screen size</b>	37 inch class (37.0 inches measured diagonally)	
<b>(W × H × Diagonal)</b>	32.2 inch × 18.1 inch × 37.0 inch (819 mm × 460 mm × 940 mm)	
<b>(No. of pixels)</b>	2,073,600 (1,920 (W) × 1,080(H)) [5,760 × 1,080 dots]	
<b>Sound</b>		
<b>Speaker</b>	1 way 2 speakers slim under SP System	
<b>Audio Output</b>	20 W [10 W + 10 W] ( 10 % THD )	
<b>Headphones</b>	M3 (3.5 mm) Jack × 1	
<b>Channel Capability-ATSC/NTSC</b>	VHF/ UHF: 2 - 69, CATV: 1 - 135	
<b>(Digital/Analog)</b>		
<b>Operating Conditions</b>	Temperature:	32 °F - 95 °F (0 °C - 35°C)
	Humidity:	20 % - 80 % RH (non-condensing)
<b>Connection Terminals</b>		
<b>VIDEO IN 1</b>	VIDEO:	RCA PIN Type × 1 1.0 V[p-p] (75 Ω)
	S VIDEO:	Mini DIN 4-pin Y: 1.0 V[p-p] (75 Ω) C: 0.286 V [p-p] (75 Ω)
	AUDIO L - R:	RCA PIN Type × 2 0.5 V [rms]
<b>VIDEO IN 2</b>	VIDEO:	RCA PIN Type × 1 1.0 V [p-p] (75 Ω)
	AUDIO L - R:	RCA PIN Type × 2 0.5 V [rms]
<b>COMPONENT IN 1</b>	Y:	1.0 V [p-p] (including synchronization)
	PB, PR:	±0.35 V [p-p]
	AUDIO L-R:	RCA PIN Type × 2 0.5 V [rms]
<b>HDMI 1-3</b>	TYPE A Connector × 3 .	
	● This TV supports [HDAVI Control 3] function.	
<b>Card slot</b>	SD CARD slot × 1	
<b>PROG OUT</b>	AUDIO L - R:	RCA PIN Type × 2 0.5 V [rms]
<b>DIGITAL AUDIO OUT</b>	PCM / Dolby Digital, Fiber Optic	
<b>FEATURES</b>	3D Y/C Digital Comb Filter	
	CLOSED CAPTION, V-Chip	
	HDMI (HDAVI Control 3)	
	Vesa compatible, Photo viewer	
<b>Dimensions (W × H × D)</b>		
<b>Including TV stand</b>	36.7 inch × 25.4 inch × 11.7 inch (931 mm × 644 mm × 295 mm)	
<b>TV Set only</b>	36.7 inch × 23.8 inch × 4.3 inch (931 mm × 602 mm × 108 mm)	
<b>Mass</b>	48.6 lb. (22 kg ) NET	

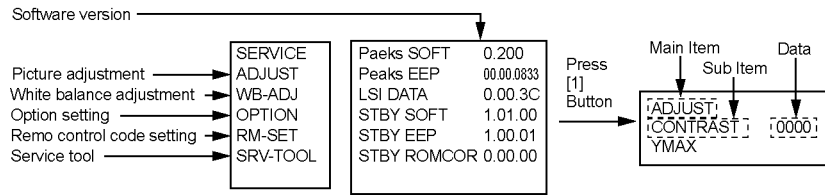
**Note:**

Design and Specifications are subject to change without notice. Mass and Dimensions shown are approximate.

# 5 Service Mode

## 5.1. How to enter into Service Mode

While pressing [VOLUME (-)] button of the main unit, press [INFO] button of the remote control three times within 2 seconds.



### 5.1.1. Key command

- [1] button...Main items Selection in forward direction
- [2] button...Main items Selection in reverse direction
- [3] button...Sub items Selection in forward direction
- [4] button...Sub items Selection in reverse direction
- [VOL] button...Value of sub items change in forward direction (+), in reverse direction (-)

### 5.1.2. Contents of adjustment mode

- Value is shown as a hexadecimal number.
- Preset value differs depending on models.
- After entering the adjustment mode, take note of the value in each item before starting adjustment.

Main item	Sub item	Sample Data	Remark
ADJUST	CONTRAST	23D	
	COLOR	37	
	TINT	00	
	SUB-BRT	808	
	BACKLGT	2BB	
	B-Y-G	36	
	R-Y-A	00	
WB-ADJ	R-GAIN	FF	
	G-GAIN	EB	
	B-GAIN	D7	
	R-CENT	87	
	G-CENT	80	
	B-CENT	86	
OPTION	Boot	ROM	Factory Preset.
	STBY-SET	00	
	EMERGENCY	ON	
	CLK MODE	00	
	CLOCK	FE0	
RM-SET	CODE	A	Fixed.
SRV-TOOL		00	See next.

### 5.1.3. How to exit

Switch off the power with the [POWER] button on the main unit or the [POWER] button on the remote control.

## 5.2. SRV-TOOL

### 5.2.1. How to access

1. Select [SRV-TOOL] in Service Mode.
2. Press [OK] button on the remote control.

	SRV-TOOL		
Display of TD2Microcode version →	TD2Microcode:81c00011		
Display of Flash ROM maker code →	Flash ROM : 1 - 227E		
Display of SOS History →	PTCT : 00 . 00 . 00 . 00 . 00	Time 000040:40	Count 0000049 ← POWER ON TIME/COUNT Press [MUTE] button (3sec)

### 5.2.2. Display of SOS History

SOS History (Number of LED blinking ) indication.

From left side; Last SOS, before Last, three occurrence before, 2nd occurrence after shipment, 1st occurrence after shipment.

This indication except 2nd and 1st occurrence after shipment will be cleared by [Self-check indication and forced to factory shipment setting].

### 5.2.3. POWER ON TIME/COUNT

Note : To display TIME/COUNT menu, highlight position, then press MUTE for (3sec).

Time : Cumulative power on time, indicated hour : minute by decimal

Count : Number of ON times by decimal

Note : This indication will not be cleared by either of the self-checks or any other command.

### 5.2.4. Exit

1. Disconnect the AC cord from wall outlet.

### 5.3. Hotel mode

1. Purpose

Restrict a function for hotels.

2. Access command to the Hotel mode setup menu

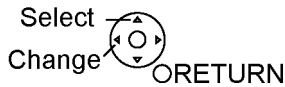
In order to display the Hotel mode setup menu, please enter the following command **(within 2 second)**.

[TV] : Vol. [Down] + [REMOTE] : TV/VIDEO (3 times)

Then, the Hotel mode setup menu is displayed.

#### Hotel Mode

Mode	Off
Input	---
Channel	---
Volume	+ 15
Vol. Max	+ 100
OSD Ctrl	Off
FP Ctrl	Off
Pow Ctrl	Off



3. To exit the Hotel mode setup menu

Disconnect AC power cord from wall outlet.

4. Explain the Hotel mode setup menu

item	Function
Mode	Select hotel mode off/on
Input	Select input signal modes. Set the input, when each time power is switched on. Selection: -/RF/Component1/Component2/HDMI1/HDMI2/HDMI3/Video1/Video2 • Off: give priority to a last memory.
Channel	Select channel when input signal is RF. Set the channel, each time power is switched on. Selection: Any channel number or [-]. [-] means the channel when turns off.
Volume	Adjust the volume when each time power is switched on. Range: 0 to 100
Vol. Max	Adjust maximum volume. Range: 0 to 100
OSD Ctrl	Restrict the OSD. Selection: Off/Pattern1 • OFF: No restriction • Pattern1: restriction
FP Ctrl	Select front key conditions. Selection: Off/Pattern1/All • Off: altogether valid. • Pattern1: only input key is valid. • All: altogether invalid.
Pow Ctrl	Select POWER-ON/OFF condition when AC power cord is disconnected and then connected. OFF: The same condition when AC power cord is disconnected. ON: Forced power ON condition.

## 6 Troubleshooting Guide

Use the self-check function to test the unit.

1. Checking the IIC bus lines
2. Power LED Blinking timing

### 6.1. Check of the IIC bus lines

#### 6.1.1. How to access

Self-check indication only:

Produce TV reception screen, and while pressing [VOLUME ( - )] button on the main unit, press [OK] button on the remote control for more than 3 seconds.

Self-check indication and forced to factory shipment setting:

Produce TV reception screen, and while pressing [VOLUME ( - )] button on the main unit, press [MENU] button on the remote control for more than 3 seconds.

#### 6.1.2. Exit

Disconnect the AC cord from wall outlet.

#### 6.1.3. Screen display

SELF CHECK		---- . XXXXXX - XXXXXX
PEAKS	OK	
TUN1	OK	
TUN2	OK	
FE	OK	
AVSW	OK	
ADV	OK	
ADAV	OK	
GenX	OK	
MEM1	OK	
MEM2	OK	
Copyright 2008 Matsushita Electric Industrial Co., Ltd.		

#### 6.1.4. Check Point

Confirm the following parts if NG was displayed.

DISPLAY	Ref. No.	Description	P.C.B.
PEAKS	IC8001	PEAKS	A-Board
TUN1	TU8300	TUNER (PLL block)	A-Board
TUN2	TU8300	TUNER (MTS block)	A-Board
FE	IC8300	FRONTEND (Digital demodulator)	A-Board
AVSW	IC3001	AUDIO/VIDEO SW	A-Board
ADV	IC4510	A/D CONV., HDMI RX	A-Board
ADAV	IC2106	AUDIO DSP	A-Board
GenX	IC1100	GenX5 (STB MCU)	A-Board
MEM1	IC1101	EEPROM (GenX5)	A-Board
MEM2	IC8503	EEPROM (Peaks)	A-Board

## 6.2. Power LED Blinking timing chart

### 1. Subject

Information of LED Flashing timing chart.

### 2. Contents

When an abnormality has occurred the unit, the protection circuit operates and reset to the stand by mode. At this time, the defective block can be identified by the number of blinks of the Power LED on the front panel of the unit.

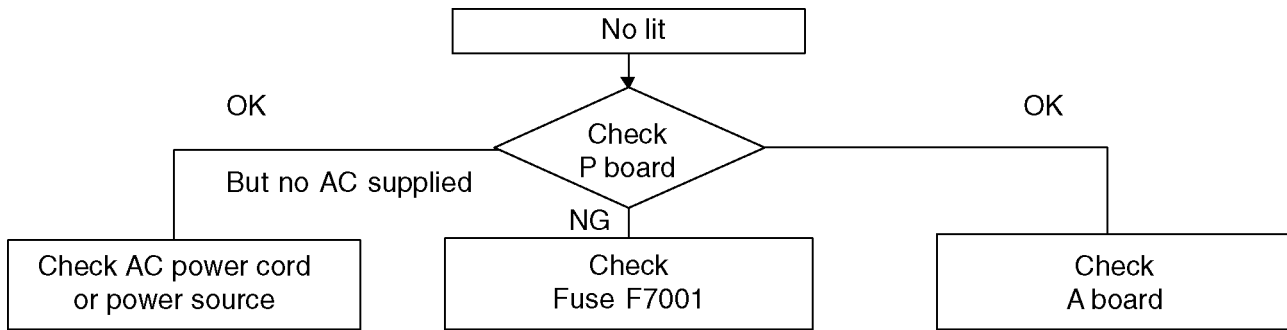
Blinking Times	Blinking timing	Contents	Check point
1		INVERTER SOS	LCD PANEL
3		SOS (BT 30V / SOUND 17V SUB 9V)	P-Board
4		DTV 12V	P-Board
5		MAIN 9V	P-Board
6		SUB 5V	A-Board
7		SUB 3.3V	A-Board
8		MAIN 3.3V	A-Board
9		SOUND SOS	A-Board P-Board
13		EMERGENCY SOS (Communication Error between IC8001 and IC1100)	A-Board

### 6.3. No Power

First check point

There are following 2 states of No Power indication by power LED.

1. No lit
2. Red is lit then turns red blinking a few seconds later. (See 6.2.)

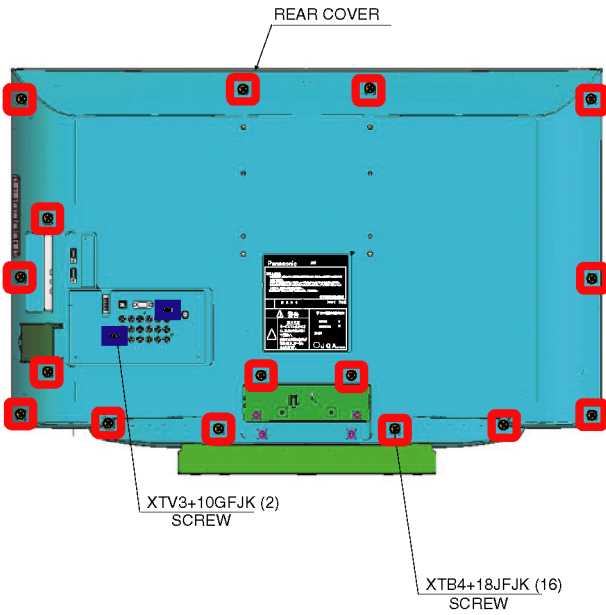




# 7 Disassembly and Assembly Instructions

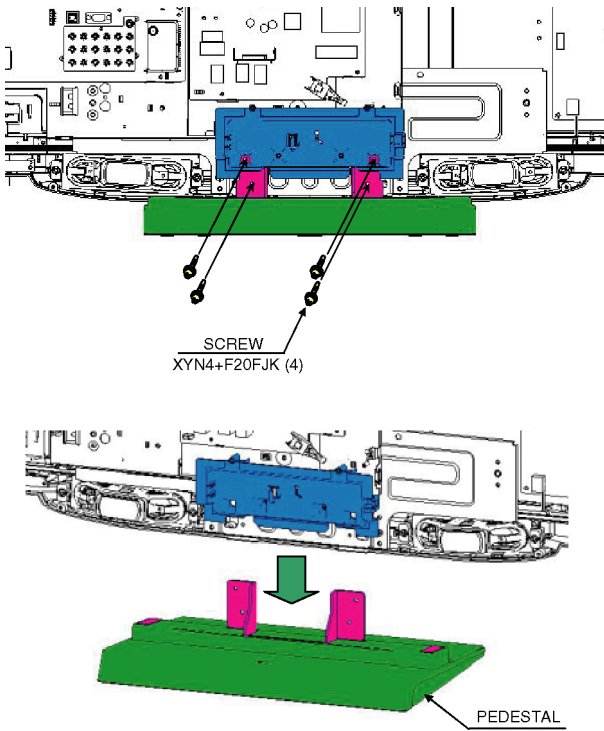
## 7.1. Rear cover

1. Remove the 16 screws (A).
2. Remove the 2 screws (B),
3. Remove the rear cover.



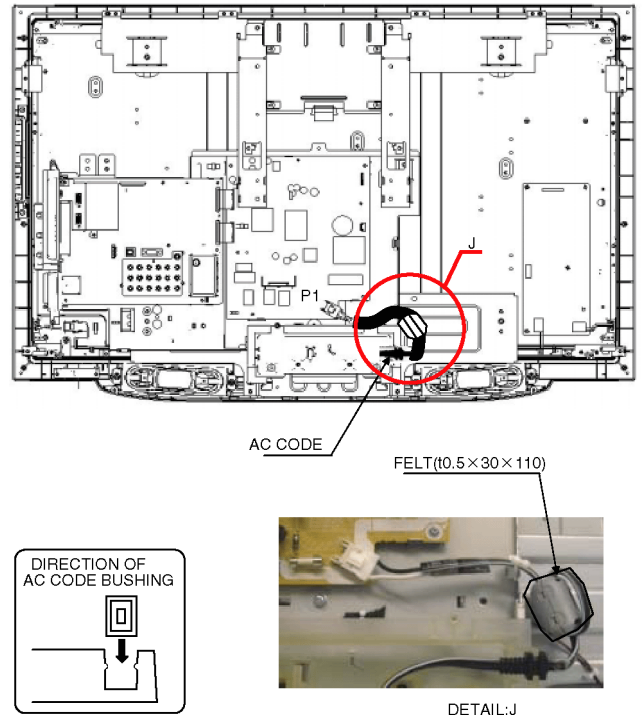
## 7.2. Pedestal assy

1. Lay down the unit so that the rear cover faces upward.
2. Remove the 4 screws.
3. Remove the pedestal assy.



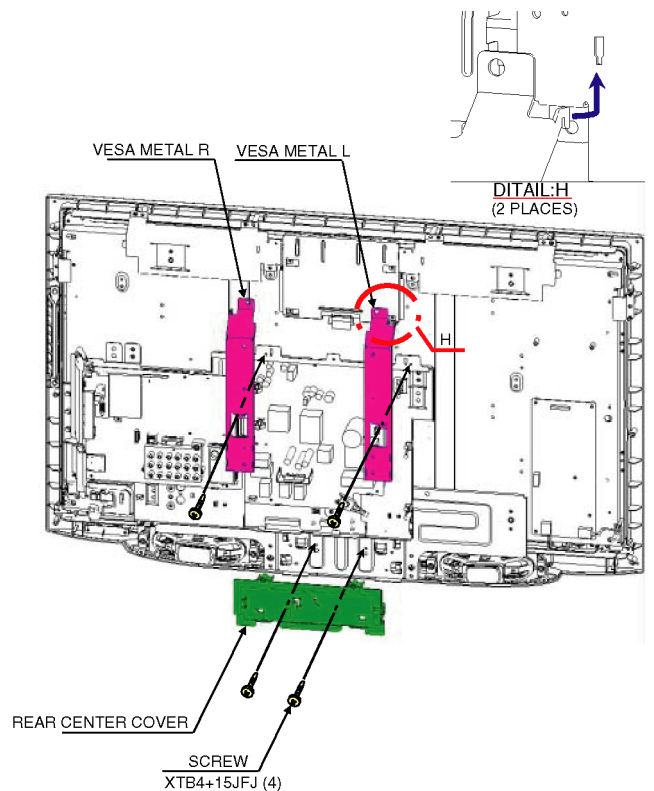
## 7.3. AC cord

1. Remove the bushing of the AC cord from the tuner cover.
2. Disconnect the connector (P1) of AC cord.



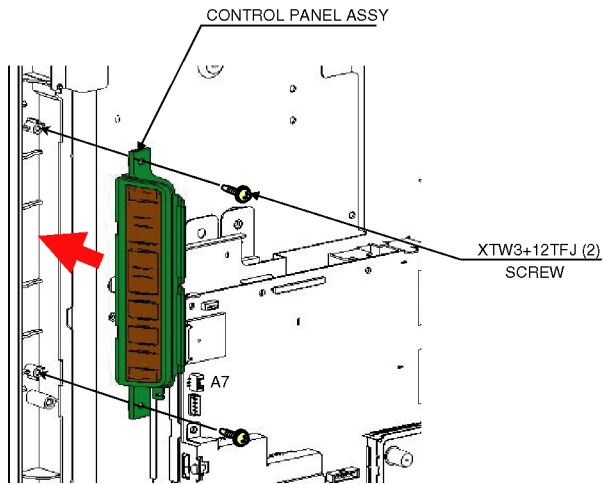
## 7.4. VESA metal and Rear center cover

1. Remove the 4 screws.
2. Remove the VESA metal and Rear center cover.



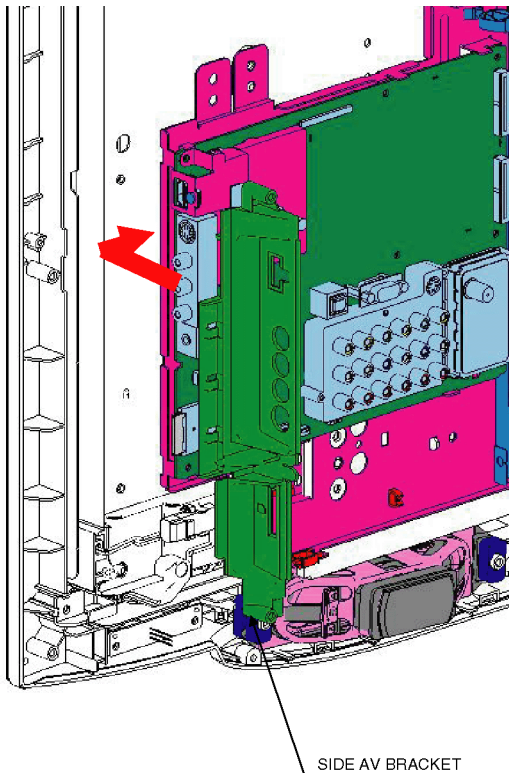
## 7.5. Control panel assy

1. Disconnect the connector (A7).
2. Remove the 2 screws.
3. Remove the control panel assy.



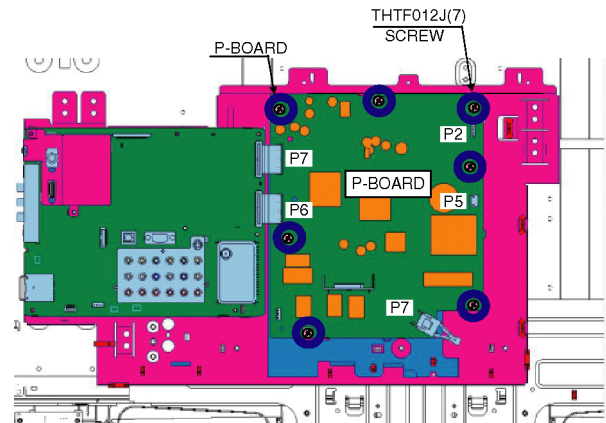
## 7.6. Side AV bracket

1. Remove the side AV bracket.



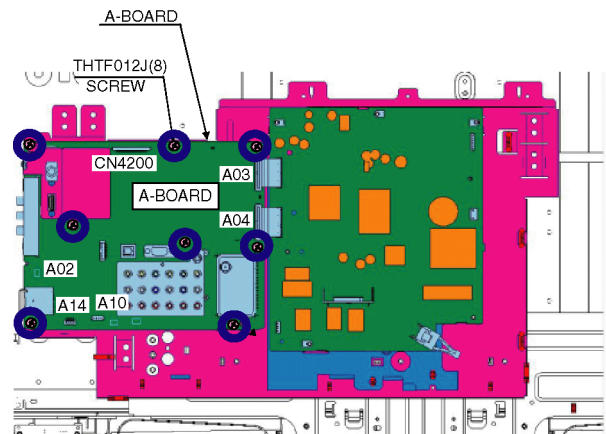
## 7.7. P-Board

1. Remove the 7 screws.
2. Disconnect the connectors (P1/P2/P5/P6/P7).
3. Remove the P-Board.



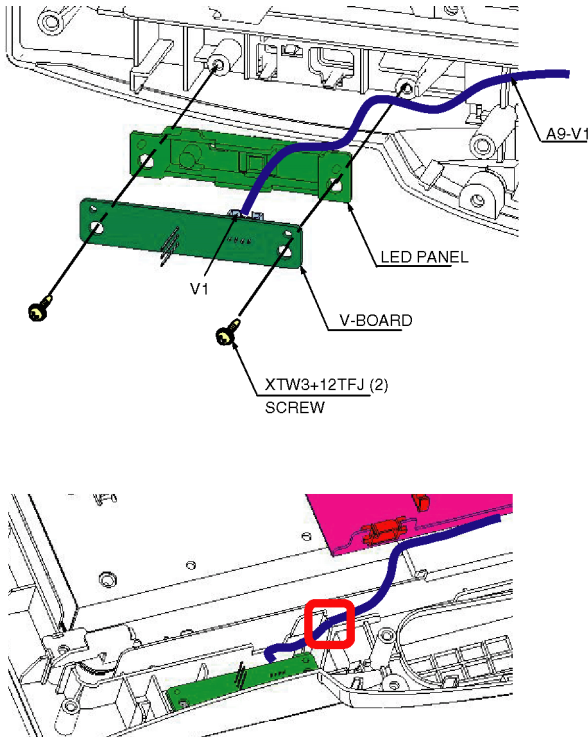
## 7.8. A-Board

1. Remove the 8 screws.
2. Disconnect the connector (A02/A03/A04/A10/A14/ CN4200).
3. Remove the A-Board.



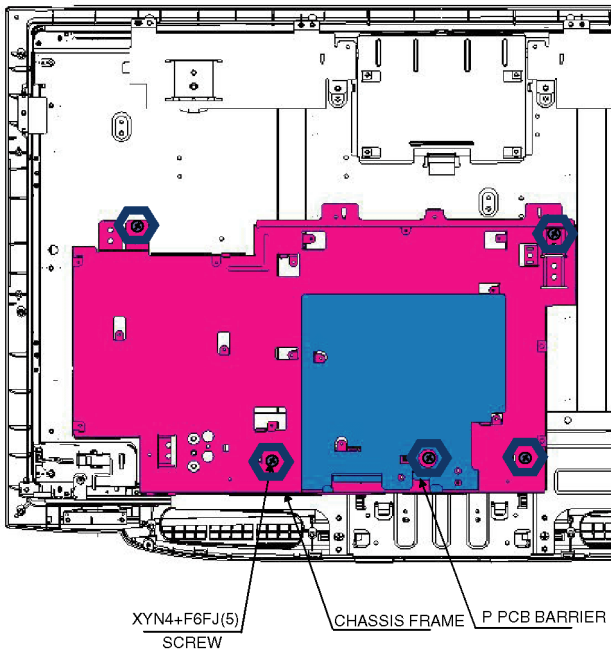
## 7.9. V-Board

1. Remove the 2 screws.
2. Disconnect the connector (V1).
3. Remove the V-Board.



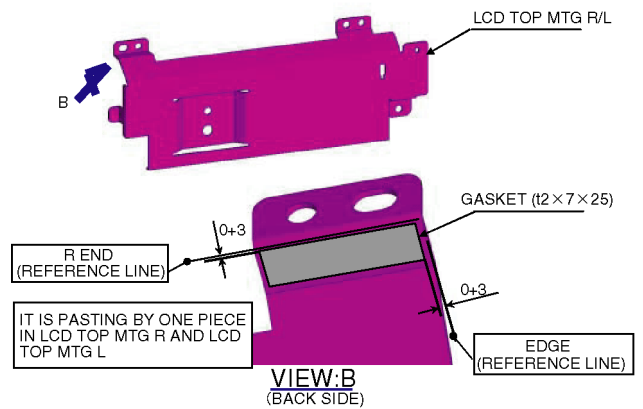
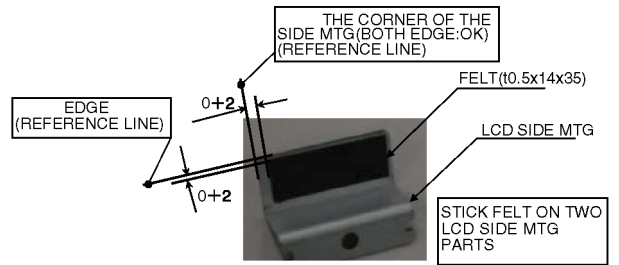
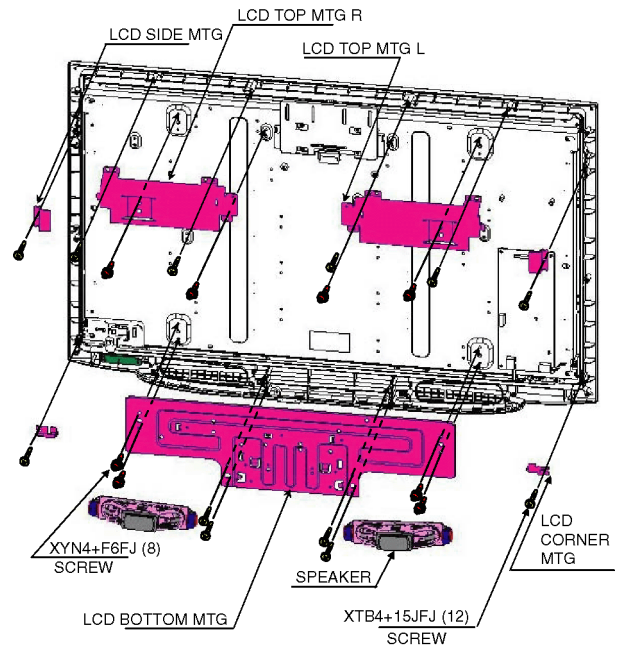
## 7.10. Chassis frame

1. Remove the 5 screws.
2. Remove the chassis frame.

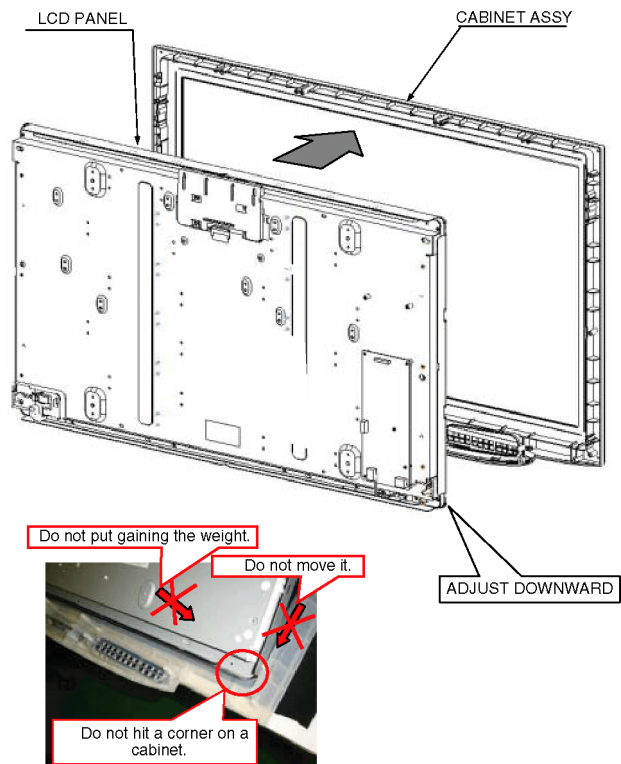


## 7.11. LCD MTG and Speaker

1. Remove the 12 screws (C).
2. Remove the 8 screws (D).
3. Remove the LCD MTG and Speaker.

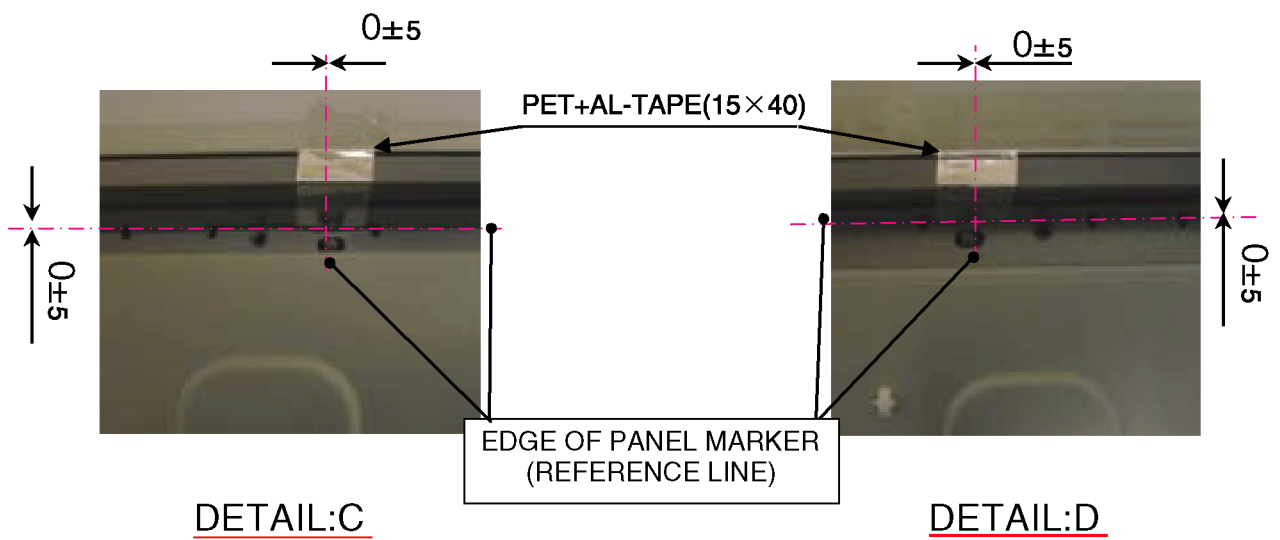
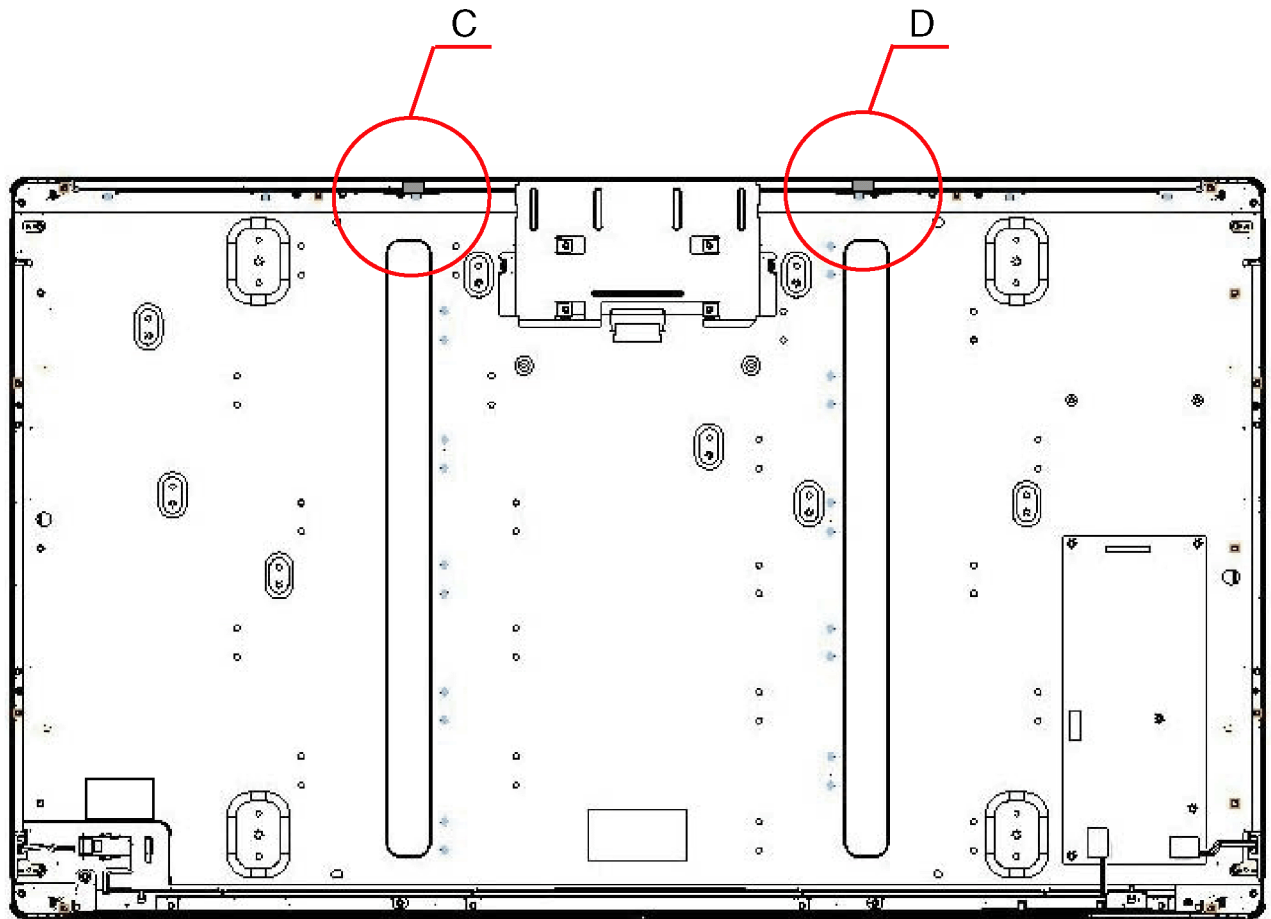


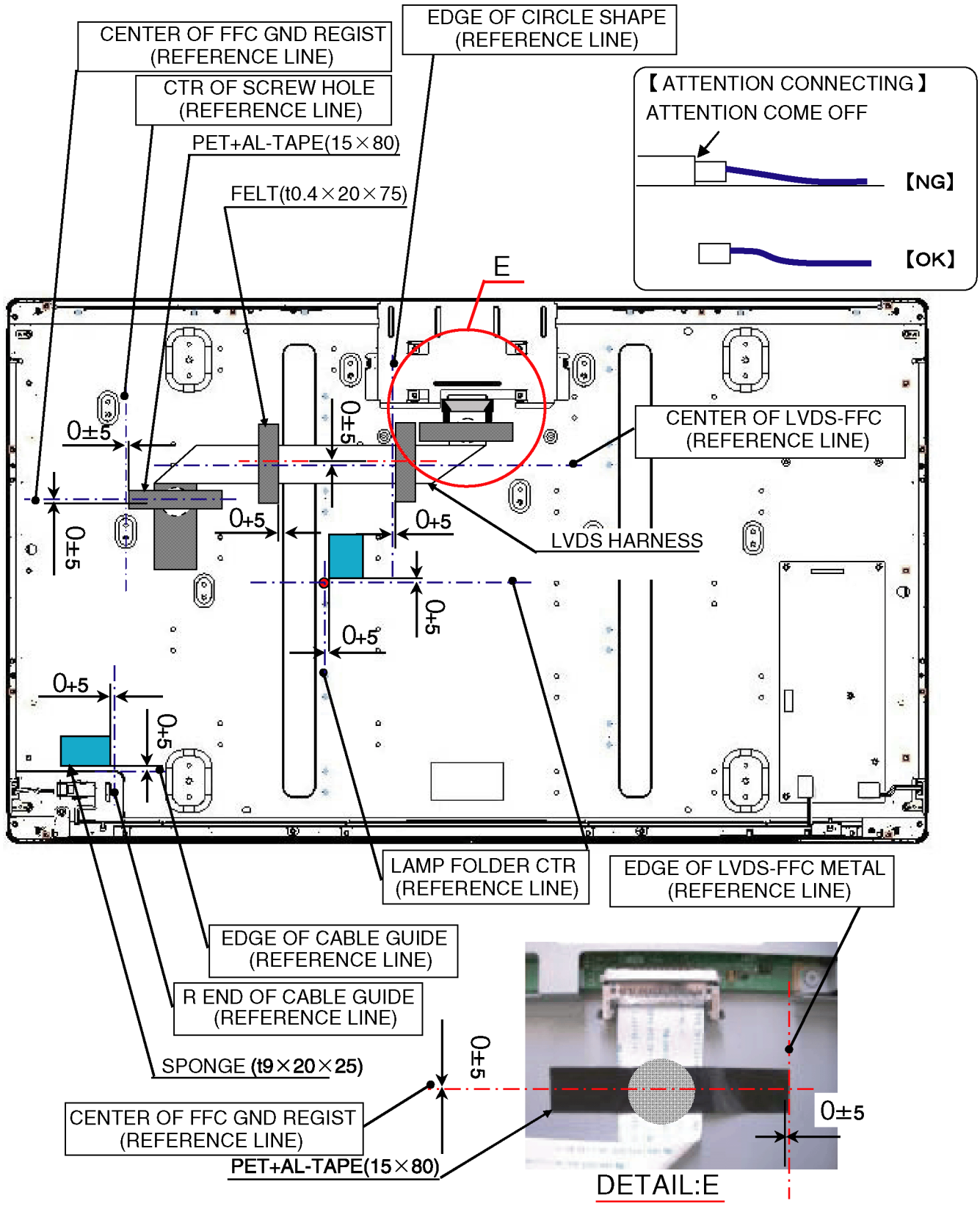
4. Remove the LCD panel.





## 7.12. EMI processing





## 8 Measurements and Adjustments

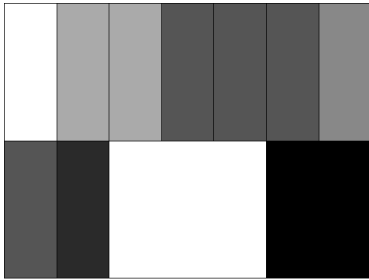
### 8.1. Voltage chart of P-board

VOLTAGE	TEST POINT	SPECIFICATION
SOUND_VCC	TP7050	17.0 - 19.0V
BT_30V	TP7060	30.0 - 32.0V
5V	TP7059	4.9 - 5.3V
SUB_9V	TP7055	8.8 - 9.4V
DTV_12V	TP7057	11.6 - 12.4V
PANEL_12V	TP7058	11.6 - 12.4V
5VS	TP7061	4.8 - 5.2V
STB_5V	TP7062	4.8 - 5.2V
SUB_6V	TP7064	5.7 - 6.5V
V+_V-	TP7025-TP7026	370 - 395V
12V	TP7070	11.6 - 12.4V

### 8.2. Voltage chart of A-board

VOLTAGE	TEST POINT	SPECIFICATION
STB3.3V	TP2003	3.3±0.16V
SUB1.2V	TP5601	1.26±0.06V
SUB1.8V	TP5602	1.83±0.09V
SUB3.3V	TP5600	3.3±0.16V

### 8.3. Picture level adjustment (RF)

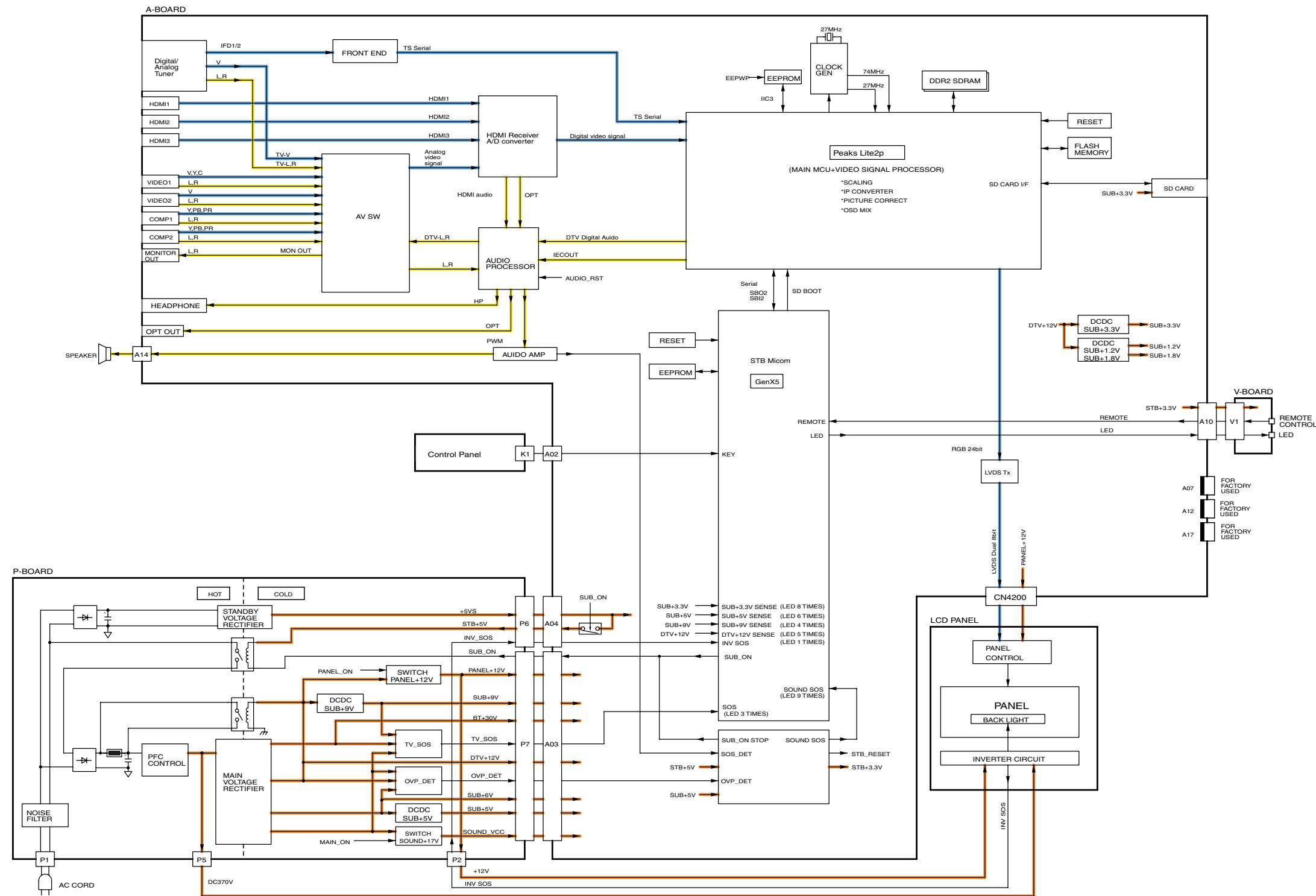
Instrument Name	Remarks
1. REMOTE TRANSMITTER 2. Ex. Signal (Split color bar)	
Adjustment or Inspection Procedure	Remarks
<p><b>&lt;procedure&gt;</b></p> <ol style="list-style-type: none"> <li>Receive the split color bar.                (Screen mode: ZOOM or FULL Picture mode: DYNAMIC AI: OFF AI Picture: OFF)                *BACK LIGHT +30</li> </ol> <p><b>&lt;Inspection&gt;</b></p> <ol style="list-style-type: none"> <li>Enter Service mode, and select MAIN_ADJ PICTURE.                Volume UP/DOWN key makes GAIN displayed under PICTURE to set.                Pushing the remote controller [OK] key for about 3 seconds, GAIN is suited to the adjustment value automatically.</li> </ol> <div style="text-align: center;">  <p>(The Split Color Bar Pattern)</p> </div>	





# 9 Block Diagram

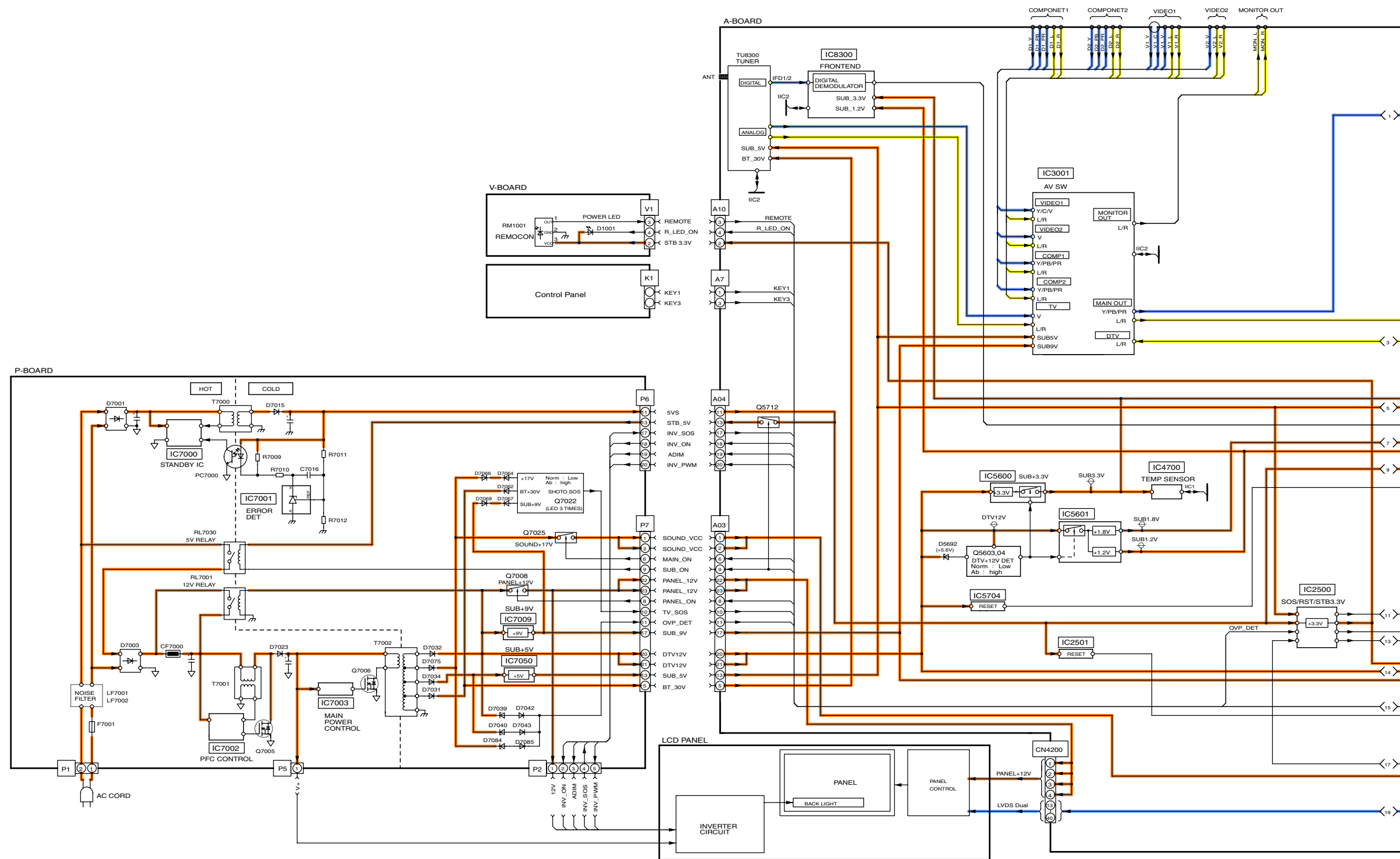
## 9.1. Block Diagram (1 of 3)



TC-37LZ85  
Block Diagram (1/3)

TC-37LZ85  
Block Diagram (1/3)

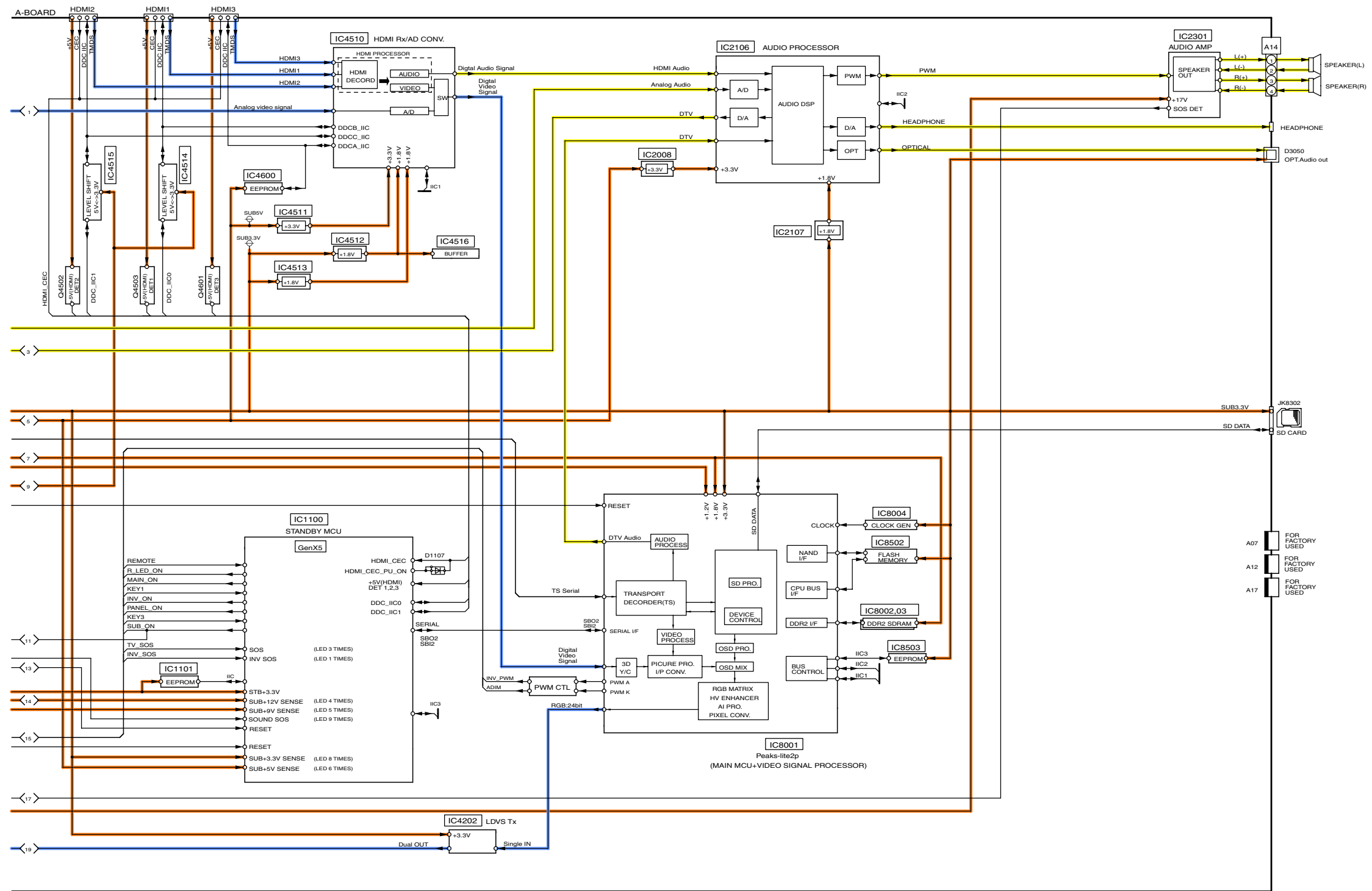
## 9.2. Block Diagram (2 of 3)



TC-37LZ85  
Block Diagram (2/3)

TC-37LZ85  
Block Diagram (2/3)

### 9.3. Block Diagram (3 of 3)



TC-37LZ85  
Block Diagram (3/3)

TC-37LZ85  
Block Diagram (3/3)



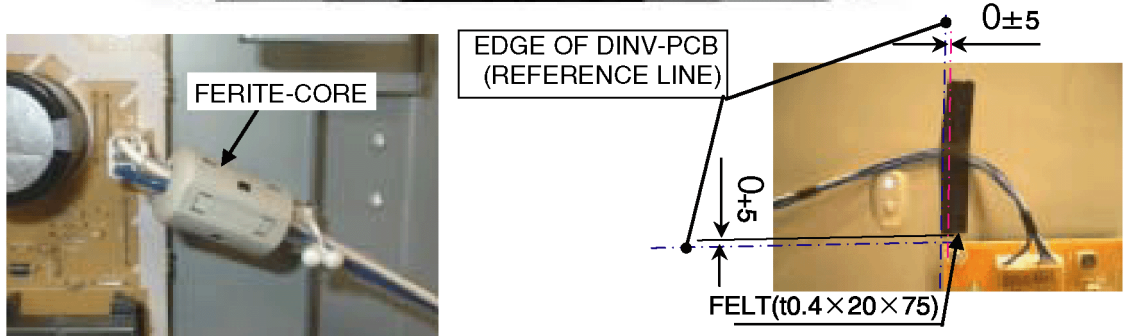
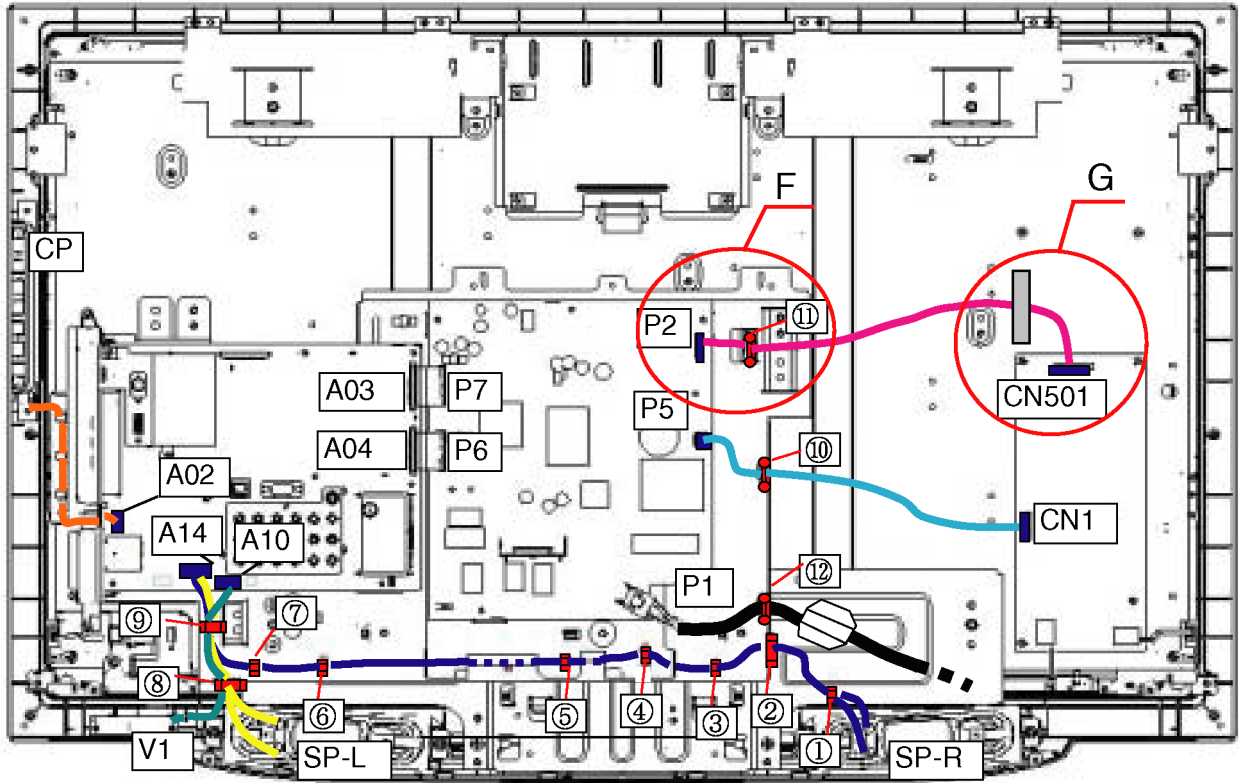
# 10 Wiring Connection Diagram

## 10.1. Caution statement.

**Caution:**

Please confirm that all flexible cables are assembled correctly.  
 Also make sure that they are locked in the connectors.  
 Verify by giving the flexible cables a very slight pull.

## 10.2. Wiring



DETAIL:F

DETAIL:G

	①	②	③	④	⑤	⑥	⑦	⑧	⑨	⑩	⑪	⑫	⑬	⑭
A10-V1								●	●					
A14-SPR	●	●	●	●	●	●	●		●					
A5-SPL								●	●					
P2-CN501											●			
P5-CN1										●				
P1(AC CODE)												●		




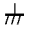




# 11 Schematic Diagram

## 11.1. Schematic Diagram Notes

### Important Safety Notice

Components identified by  $\triangle$  mark have special characteristics important for safety. When replacing any of these components, use only manufacturer's specified parts.

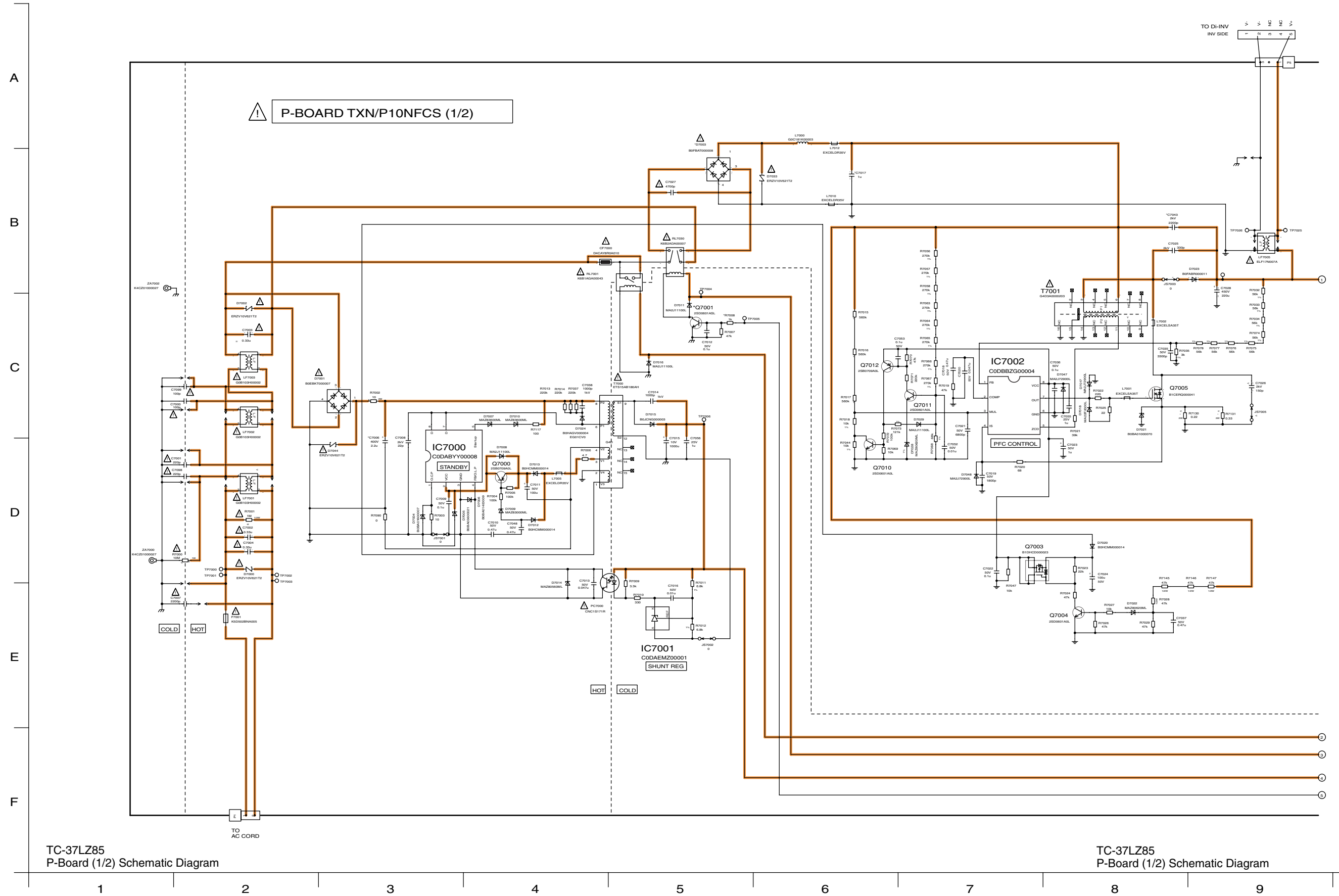
#### Notes:

- Resistor**  
Unit of resistance is OHM [ $\Omega$ ] (K=1,000, M=1,000,000).
- Capacitor**  
Unit of capacitance is  $\mu$ F, unless otherwise noted.
- Coil**  
Unit of inductance is H, unless otherwise noted.
- Test Point**  
 : Test Point position
- Earth Symbol**  
 : Chassis Earth (Cold)       : Line Earth (Hot)
- Voltage Measurement**  
Voltage is measured by a DC voltmeter.  
Conditions of the measurement are the following:  
Power Source ..... AC120V, 50/60Hz  
Receiving Signal ..... Colour Bar signal (RF)  
All customer's controls ..... Maximum positions
- When arrow mark () is found, connection is easily found from the direction of arrow.
- Indicates the major signal flow.      : Video       Audio 
- This schematic diagram is the latest at the time of printing and subject to change without notice.

#### Remarks:

- The Power Circuit contains a circuit area which uses a separate power supply to isolate the earth connection.  
The circuit is defined by HOT and COLD indications in the schematic diagram. Take the following precautions.  
All circuits, except the Power Circuit, are cold.  
Precautions
  - Do not touch the hot part or the hot and cold parts at the same time or you may be shocked.
  - Do not short-circuit the hot and cold circuits or a fuse may blow and parts may break.
  - Do not connect an instrument, such as an oscilloscope, to the hot and cold circuits simultaneously or a fuse may blow.  
Connect the earth of instruments to the earth connection of the circuit being measured.
  - Make sure to disconnect the power plug before removing the chassis.

# 11.2. P-Board (1 of 2) Schematic Diagram



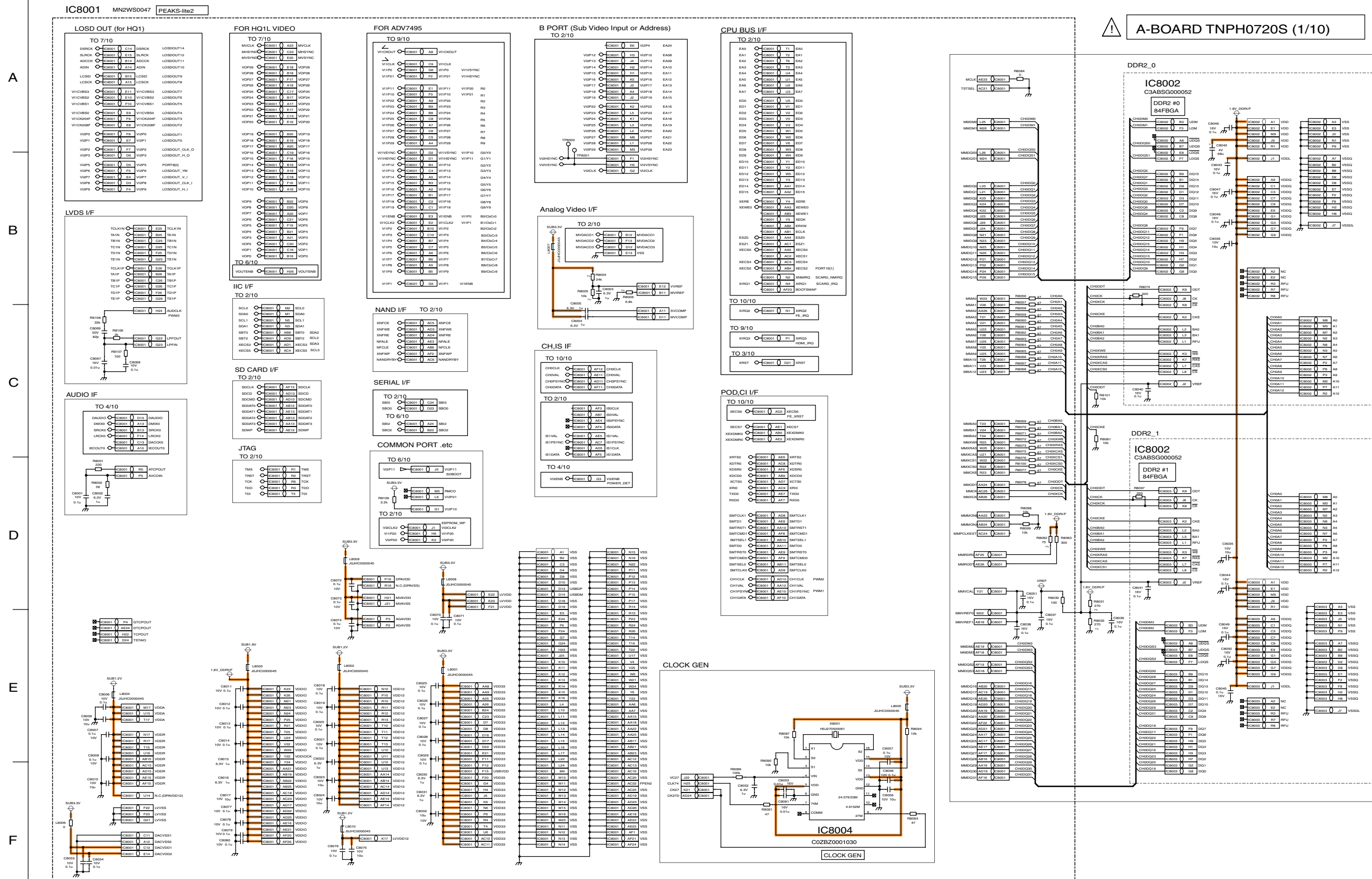
TC-37LZ85  
P-Board (1/2) Schematic Diagram

TC-37LZ85  
P-Board (1/2) Schematic Diagram





# 11.4. A-Board (1 of 10) Schematic Diagram



TC-37LZ85  
A-Board (1/10) Schematic Diagram

TC-37LZ85  
A-Board (1/10) Schematic Diagram

1

2

3

4

5

6

7

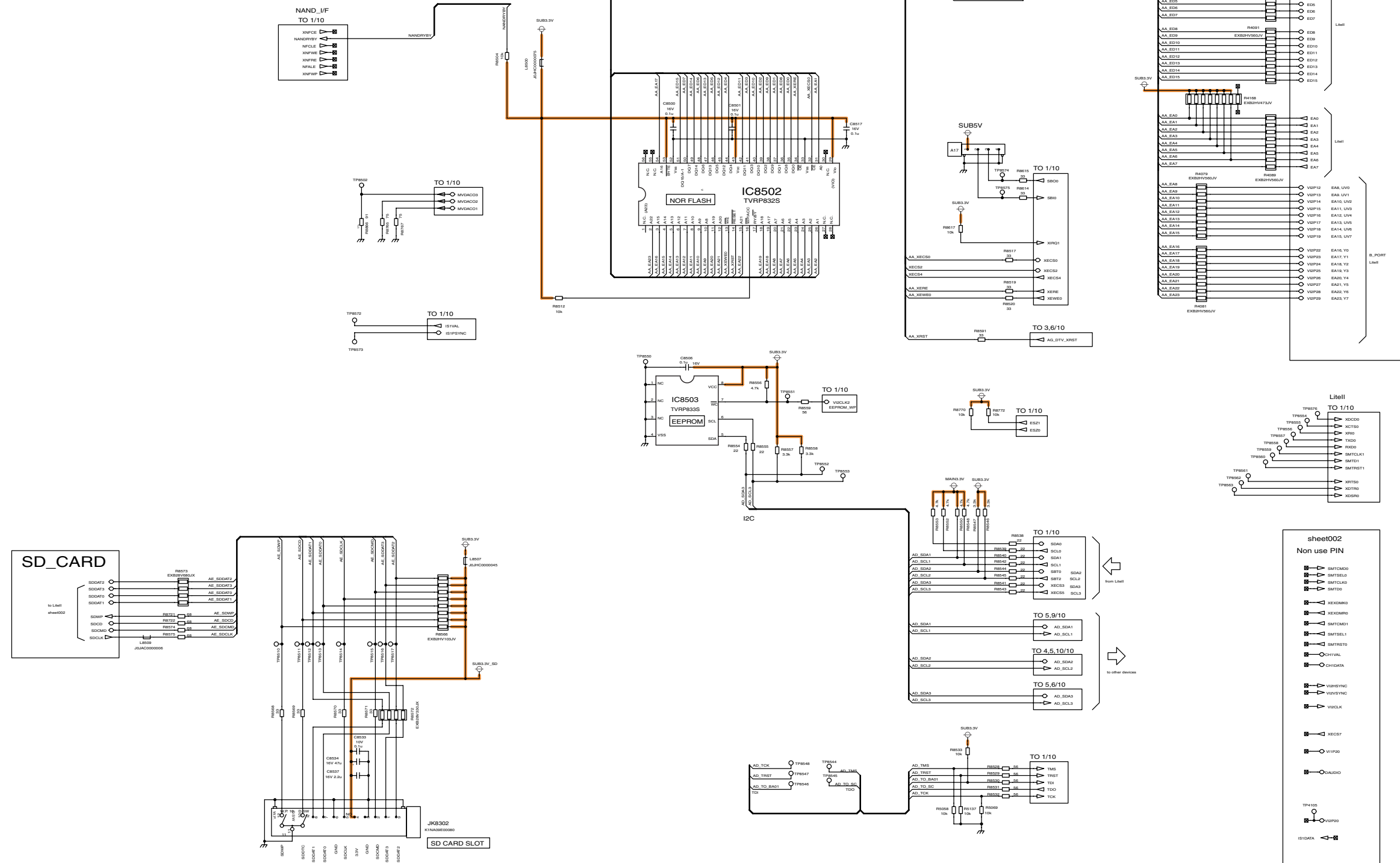
8

9

# 11.5. A-Board (2 of 10) Schematic Diagram

**A-BOARD TNPH0720S (2/10)**

Around Peaks  
DIGITAL(NOR FLASH,ETC)



TC-37LZ85  
A-Board (2/10) Schematic Diagram

TC-37LZ85  
A-Board (2/10) Schematic Diagram

10

11

12

13

14

15

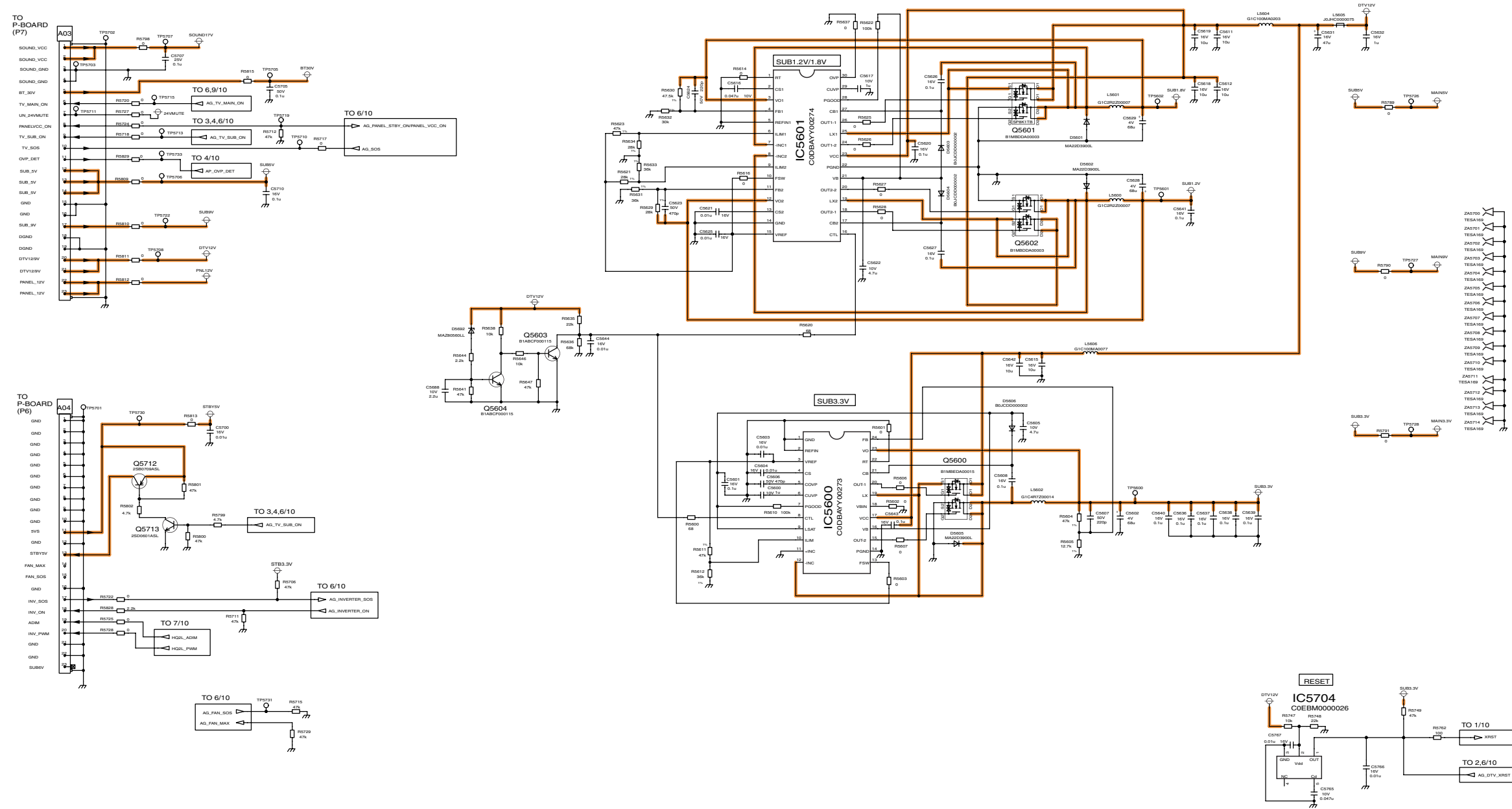
16

17

18

# 11.6. A-Board (3 of 10) Schematic Diagram

⚠ A-BOARD TNPH0720S (3/10)



TC-37LZ85  
A-Board (3/10) Schematic Diagram

TC-37LZ85  
A-Board (3/10) Schematic Diagram

19

20

21

22

23

24

25

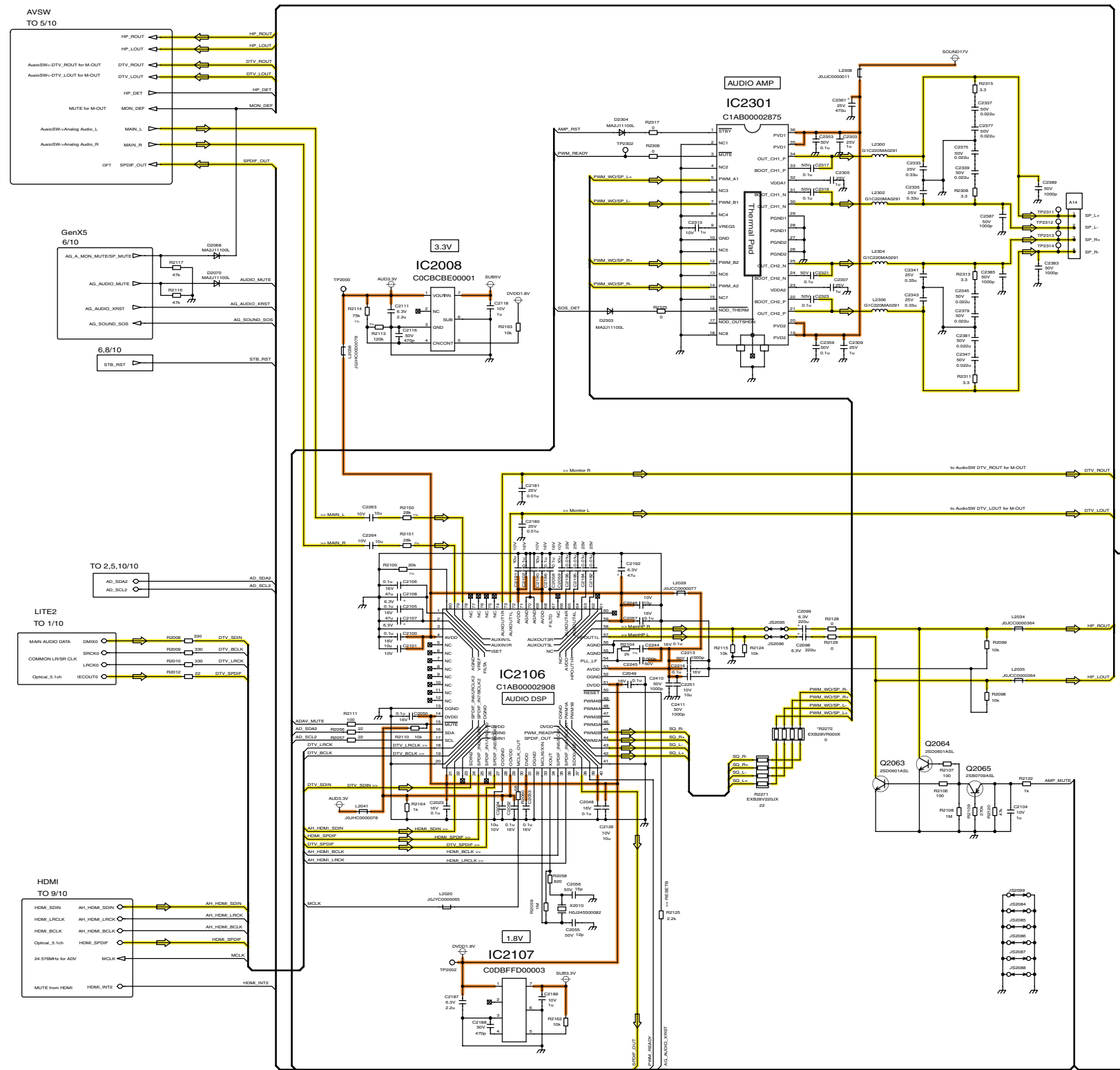
26

27

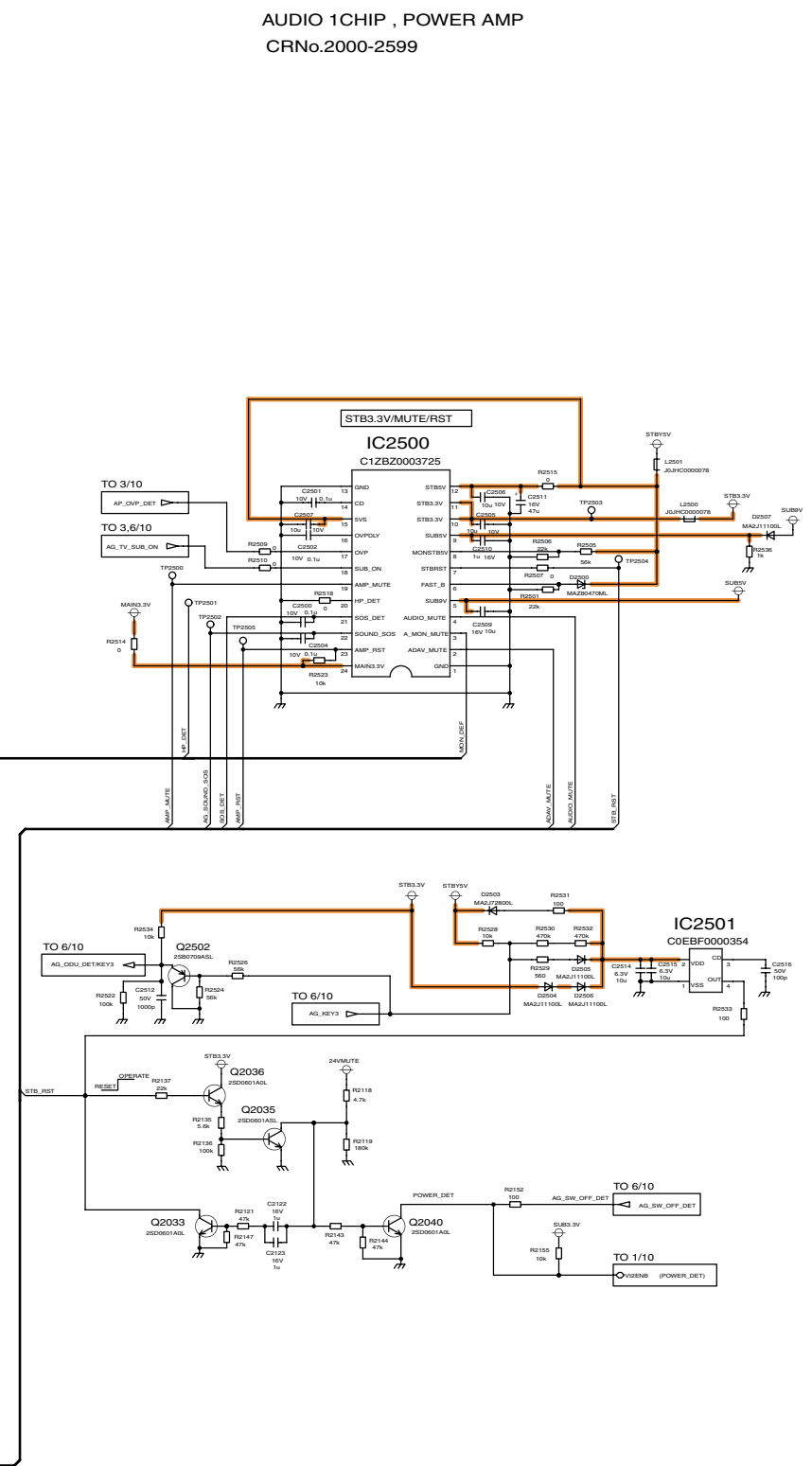
# 11.7. A-Board (4 of 10) Schematic Diagram

**A-BOARD TNPH0720S (4/10)**

AUDIO 1CHIP , POWER AMP  
CRNo.2000-2599



TC-37LZ85  
A-Board (4/10) Schematic Diagram



TC-37LZ85  
A-Board (4/10) Schematic Diagram

28

29

30

31

32

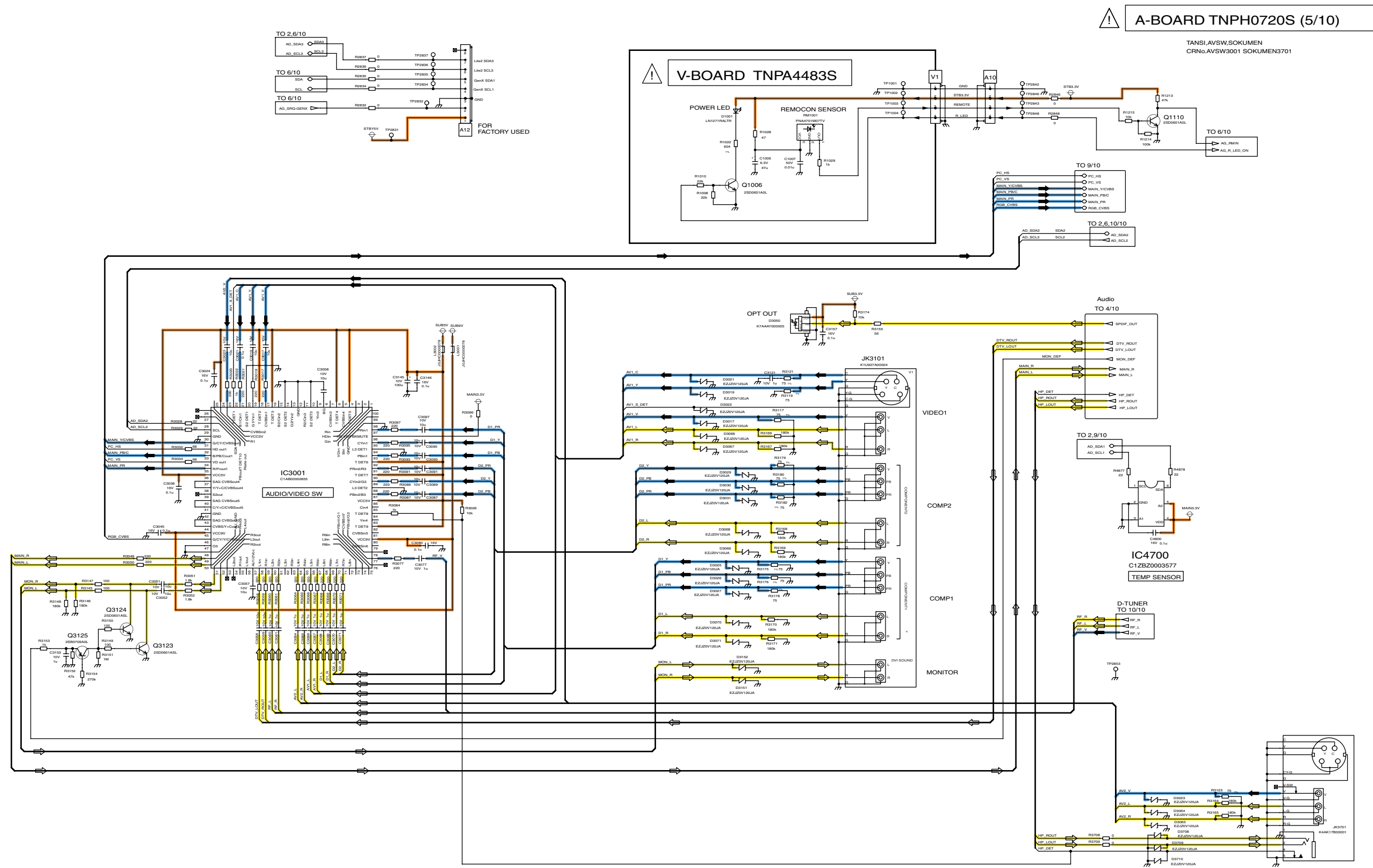
33

34

35

36

# 11.8. A-Board (5 of 10) and V-Board Schematic Diagram



TC-37LZ85  
 A-Board (5/10) and V-Board Schematic Diagram

TC-37LZ85  
 A-Board (5/10) and V-Board Schematic Diagram

37

38

39

40

41

42

43

44

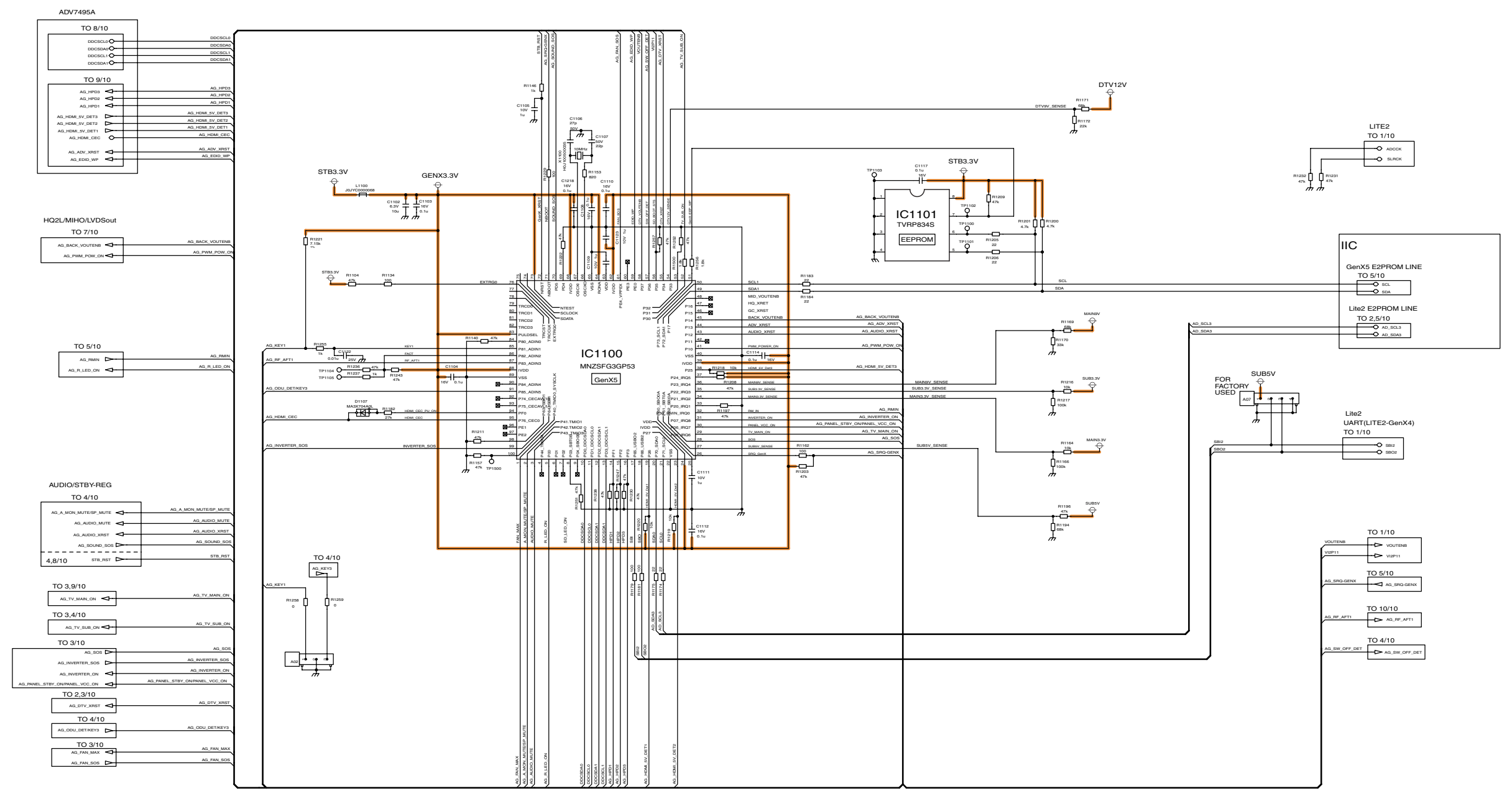
45



# 11.9. A-Board (6 of 10) Schematic Diagram

**A-BOARD TNPH0720S (6/10)**

GenX5,EEPROM  
CRNo.1100-1999



TC-37LZ85  
A-Board (6/10) Schematic Diagram

TC-37LZ85  
A-Board (6/10) Schematic Diagram

46

47

48

49

50

51

52

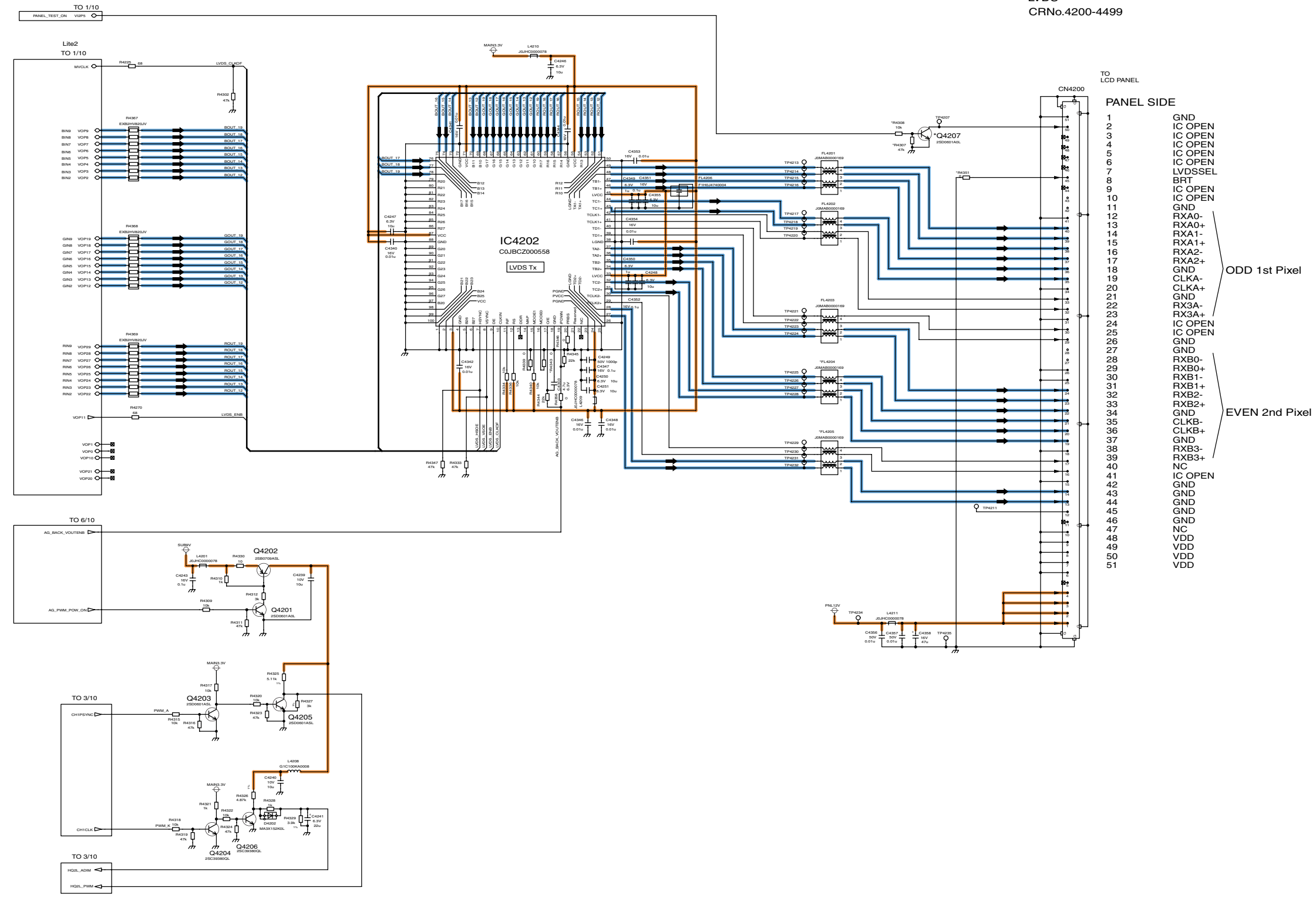
53

54

# 11.10. A-Board (7 of 10) Schematic Diagram

## A-BOARD TNPH0720S (7/10)

LVDS  
CRNo.4200-4499



TC-37LZ85  
A-Board (7/10) Schematic Diagram

TC-37LZ85  
A-Board (7/10) Schematic Diagram

55

56

57

58

59

60

61

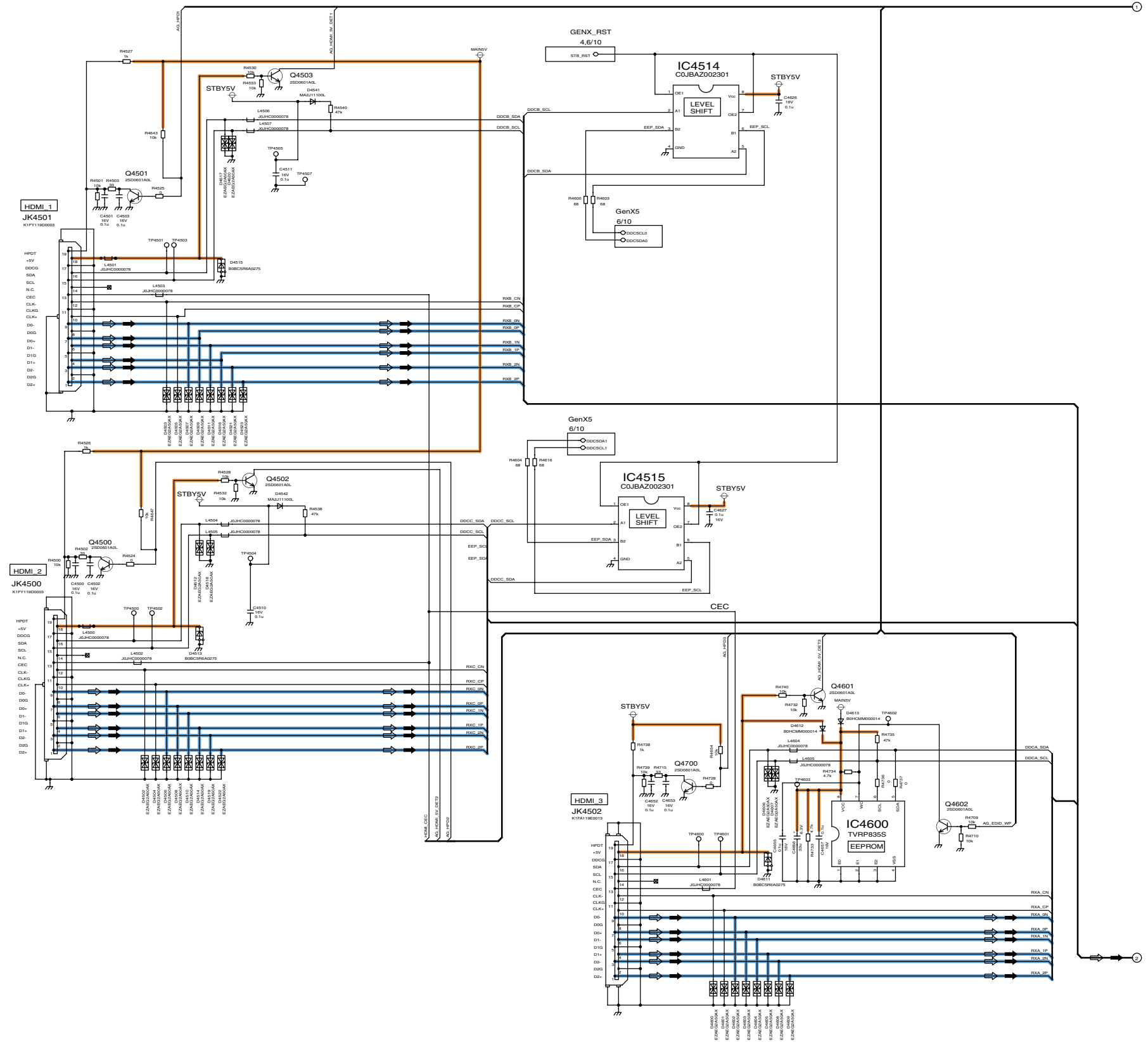
62

63



# 11.11. A-Board (8 of 10) Schematic Diagram

**A-BOARD TNP0720S (8/10)**  
 ADV7495A,HDMI-Mux  
 CRNo.4500-4799



TC-37LZ85  
 A-Board (8/10) Schematic Diagram

TC-37LZ85  
 A-Board (8/10) Schematic Diagram

64

65

66

67

68

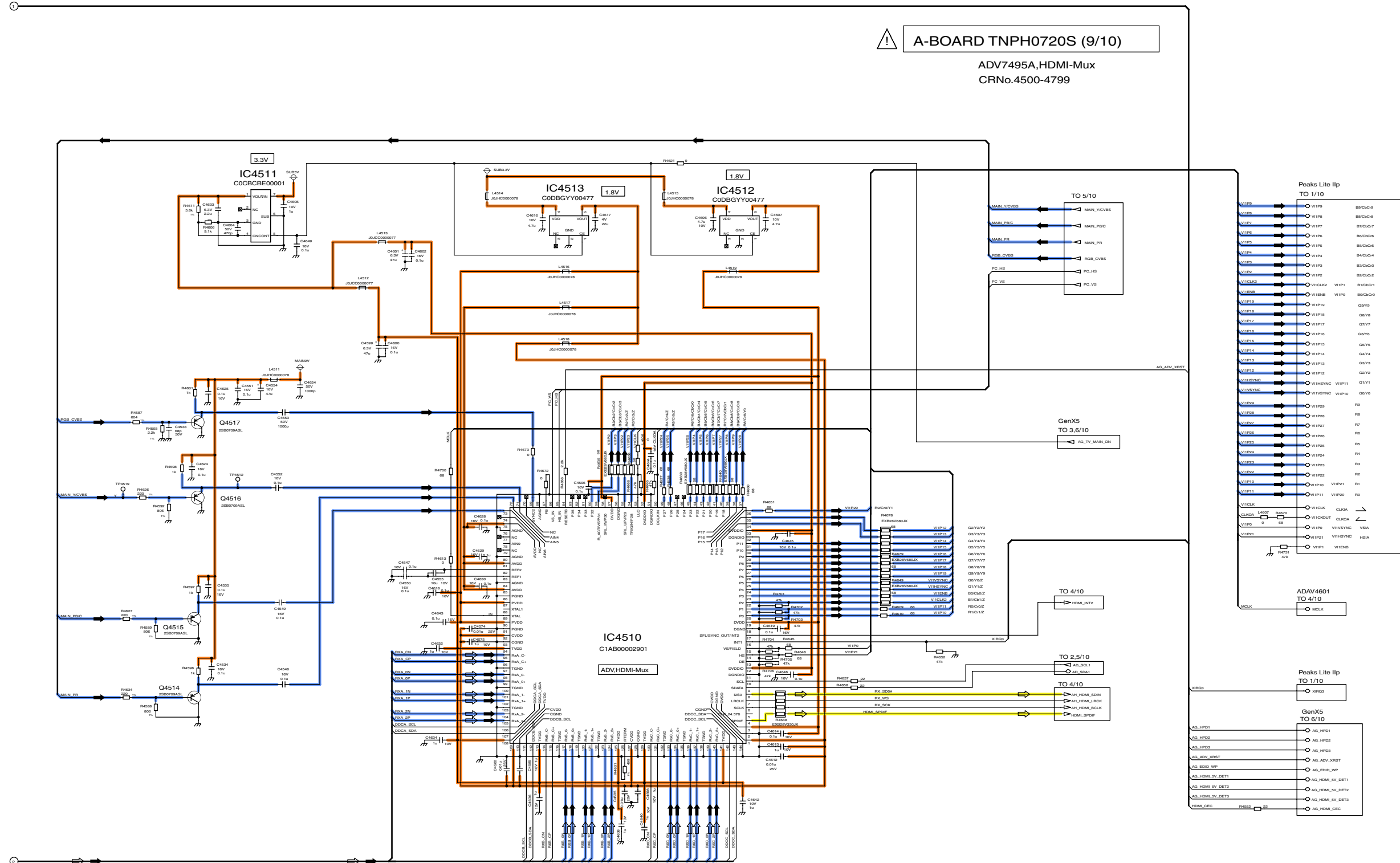
69

70

71

72

# 11.12. A-Board (9 of 10) Schematic Diagram

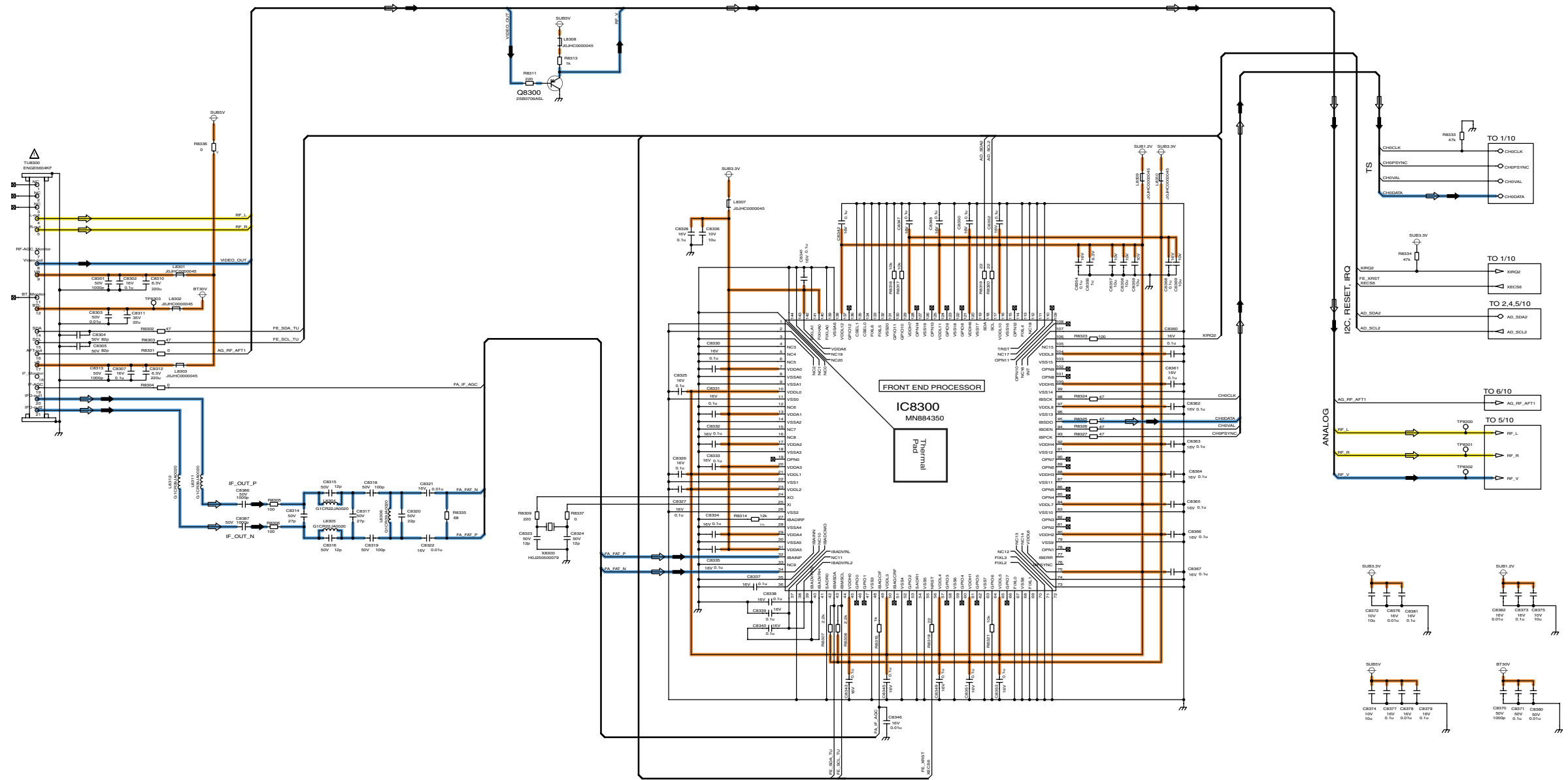


TC-37LZ85  
A-Board (9/10) Schematic Diagram

TC-37LZ85  
A-Board (9/10) Schematic Diagram

# 11.13. A-Board (10 of 10) Schematic Diagram

! A-BOARD TNPH0720S (10/10)  
FrontEnd



TC-37LZ85  
A-Board (10/10) Schematic Diagram

TC-37LZ85  
A-Board (10/10) Schematic Diagram

82

83

84

85

86

87

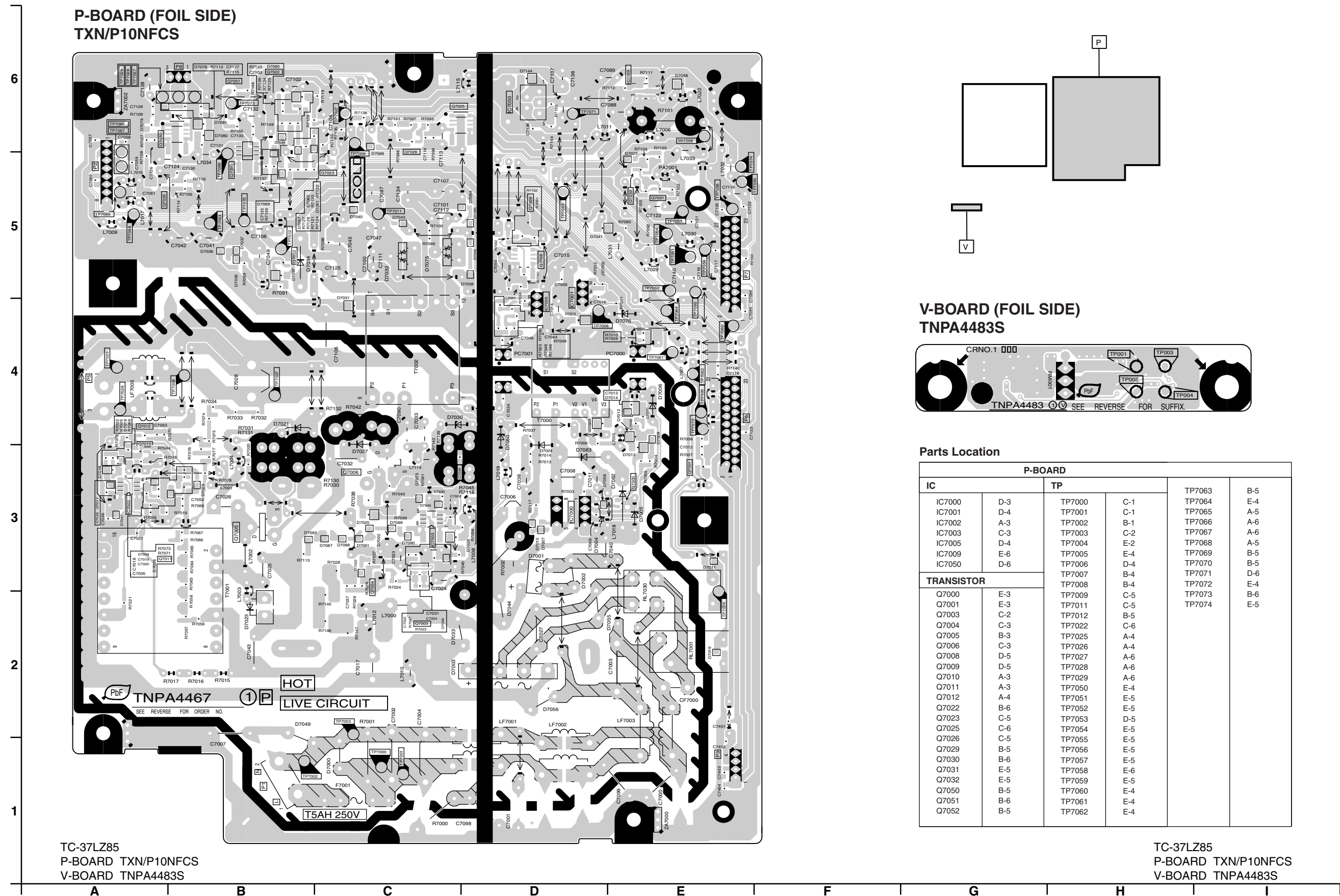
88

89

90

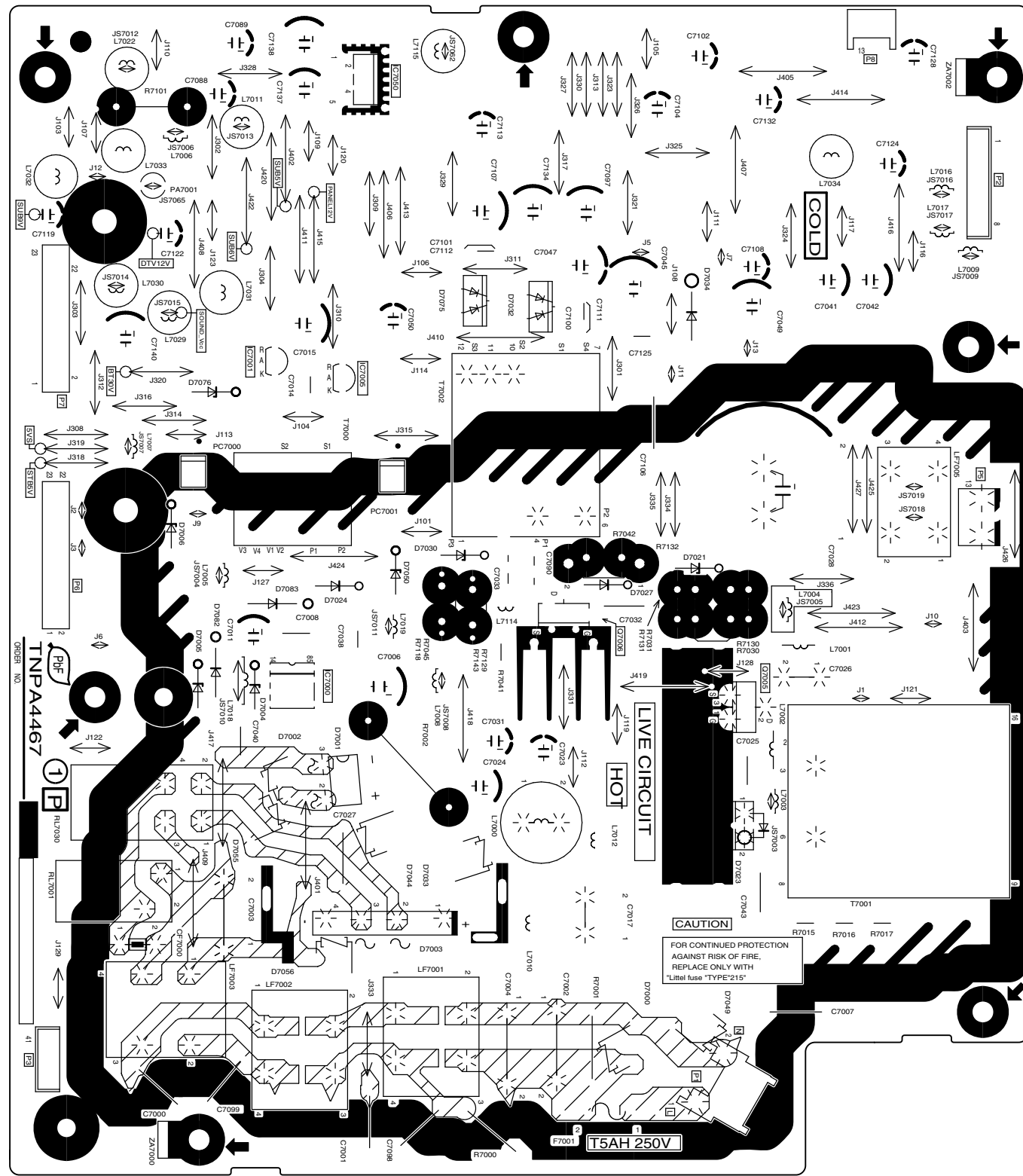
# 12 Printed Circuit Board

## 12.1. P-Board and V-Board



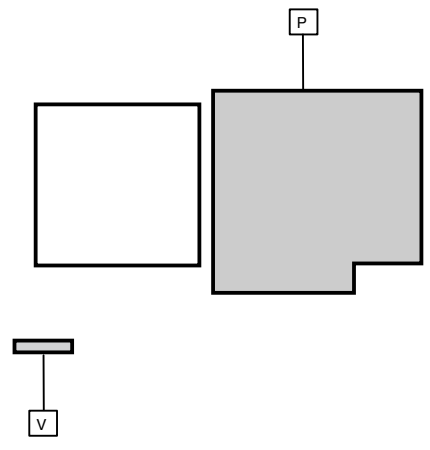
**P-BOARD (COMPONENT SIDE)  
TXN/P10NFCS**

6  
5  
4  
3  
2  
1

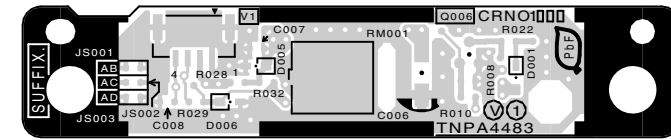


TC-37LZ85  
P-BOARD TXN/P10NFCS V-BOARD TNPA4483S

A B C D E F G H I



**V-BOARD (COMPONENT SIDE)  
TNPA4483S**



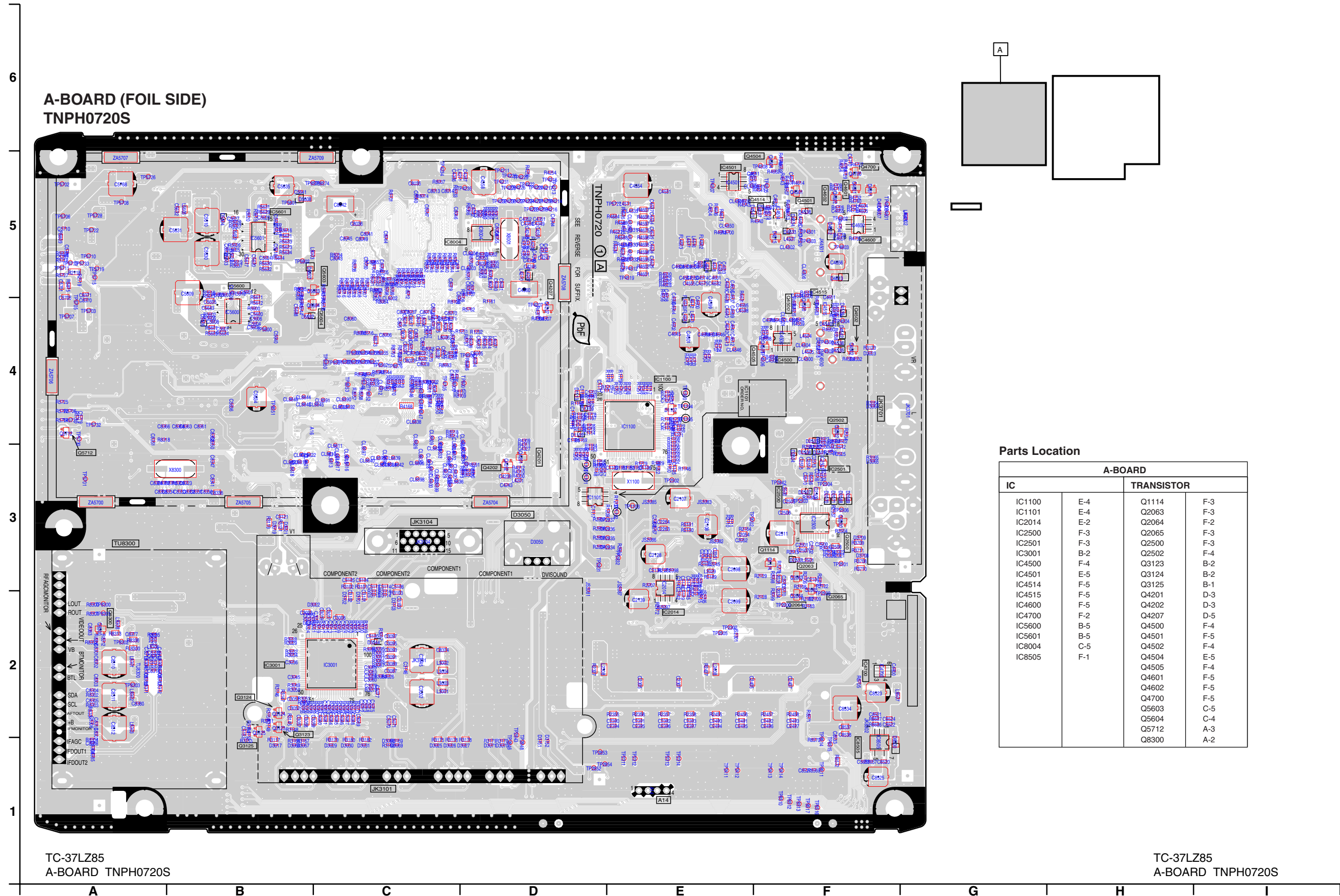
**Parts Location**

P-BOARD	
<b>IC</b>	
IC7000	B-3
IC7001	B-5
IC7050	C-6
<b>TRANSISTOR</b>	
Q7005	D-3
Q7006	D-3

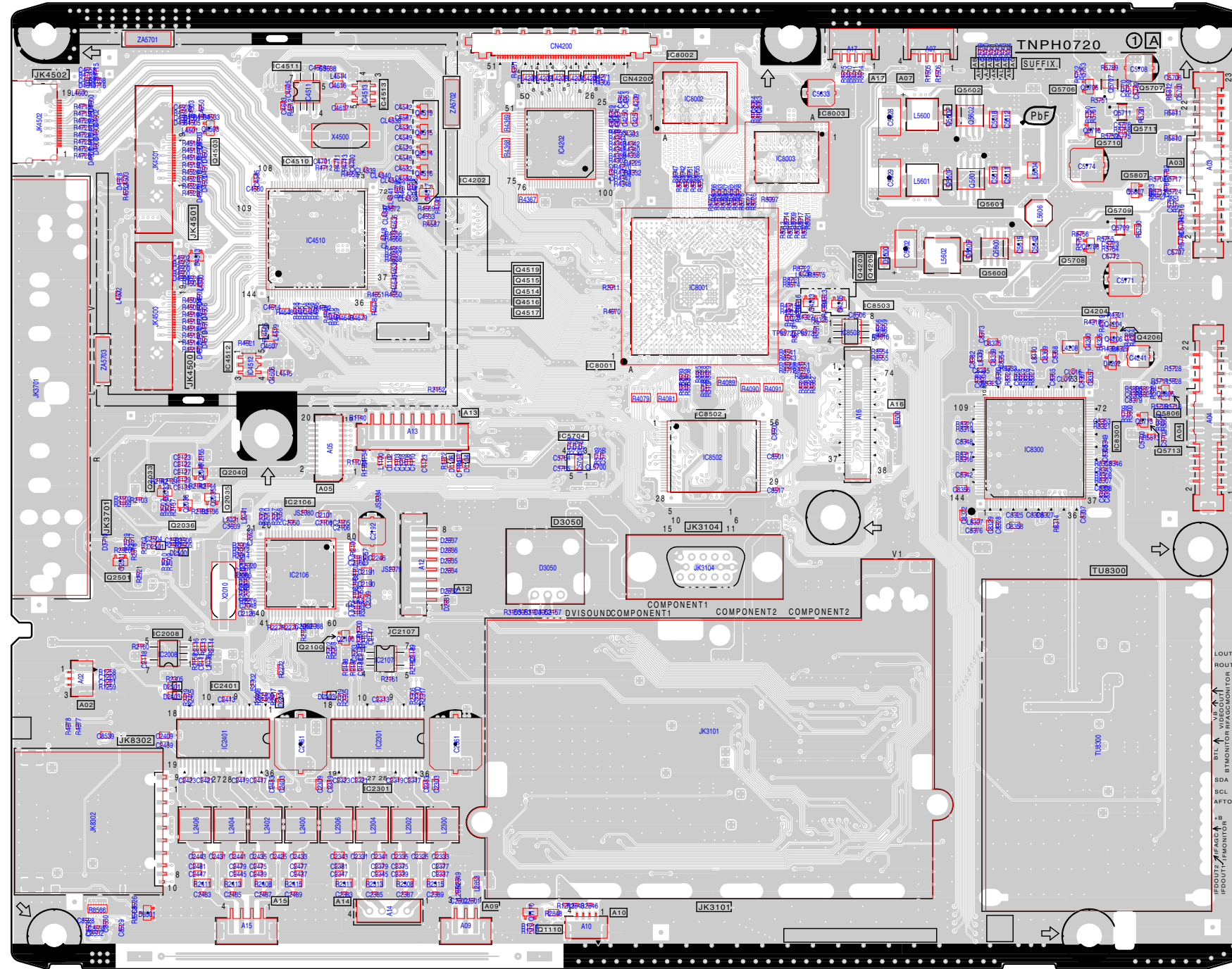
TC-37LZ85  
P-BOARD TXN/P10NFCS  
V-BOARD TNPA4483S



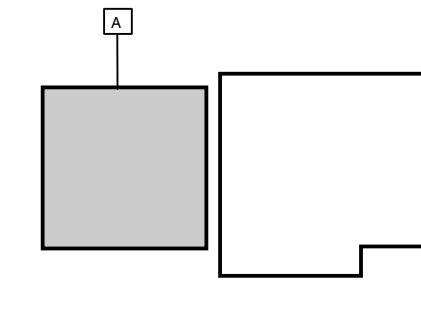
# 12.2. A-Board



**A-BOARD (COMPONENT SIDE)  
TNPH0720S**



TC-37LZ85  
A-BOARD TNPH0720S



**Parts Location**

A-BOARD			
IC	TRANSISTOR		
IC2008	A-2	Q1110	C-1
IC2106	B-3	Q2033	A-3
IC2107	B-3	Q2035	B-3
IC2301	B-2	Q2036	A-3
IC2401	B-2	Q2040	B-3
IC4202	C-5	Q2100	B-2
IC4510	B-5	Q2501	A-3
IC4511	B-5	Q4203	E-4
IC4512	B-4	Q4204	F-4
IC4513	B-5	Q4205	E-4
IC5704	C-3	Q4206	F-4
IC8001	D-4	Q4503	B-5
IC8002	D-5	Q4514	C-4
IC8003	E-5	Q4515	C-4
IC8300	F-3	Q4516	C-4
IC8502	D-4	Q4517	C-4
IC8503	E-4	Q4519	C-4
		Q5600	E-4
		Q5601	E-5
		Q5602	E-5
		Q5706	F-5
		Q5707	F-5
		Q5708	F-4
		Q5709	F-5
		Q5710	F-5
		Q5711	F-5
		Q5713	F-3
		Q5806	F-4
		Q5807	F-5

TC-37LZ85  
A-BOARD TNPH0720S

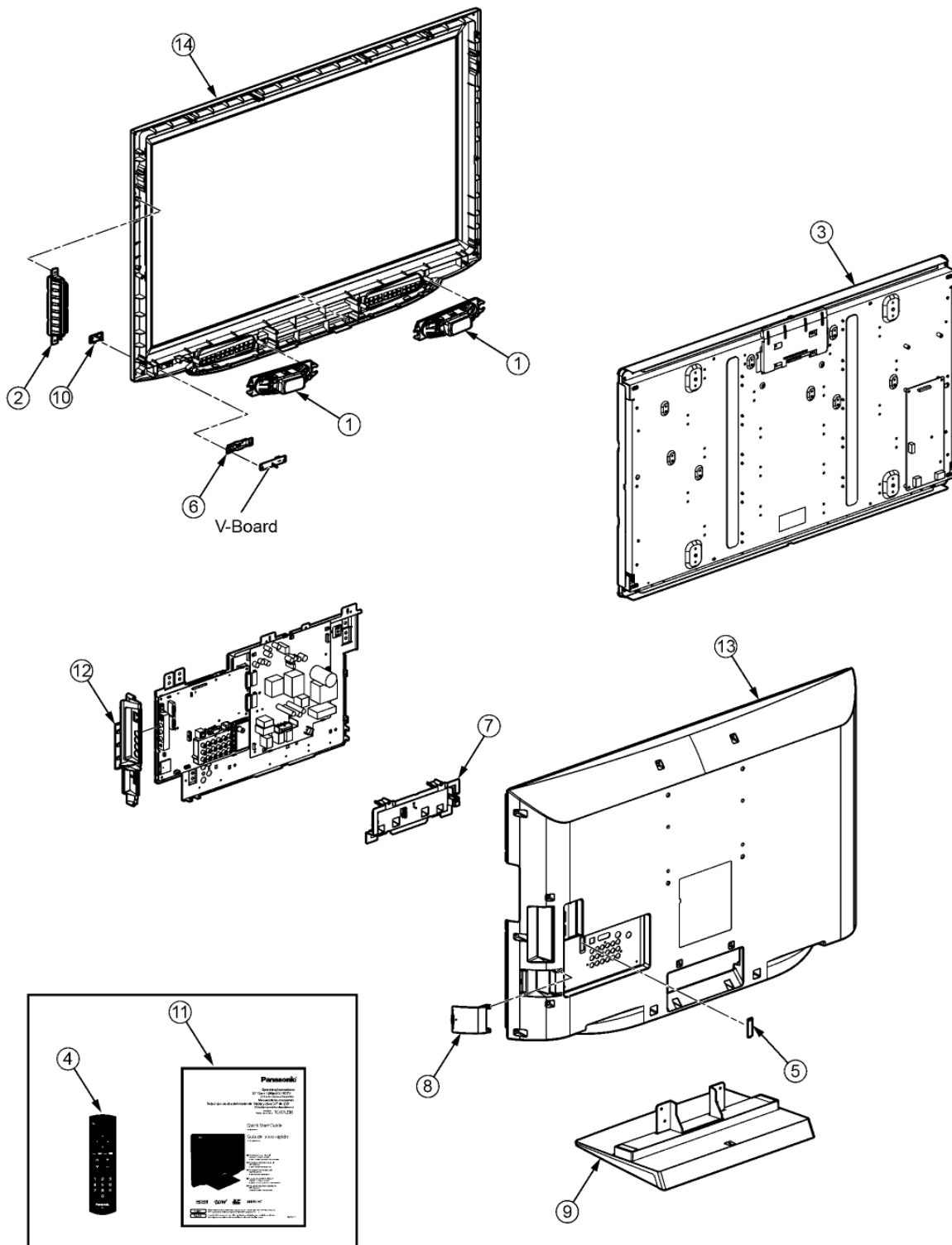




# 13 Exploded View and Replacement Parts List


## 13.1. Exploded View and Mechanical Replacement Parts List

### 13.1.1. Exploded View









### 13.1.2. Mechanical Replacement Parts List

**Note: Important Safety Notice**

Components identified by  mark have special characteristics important for safety.  
When replacing any of these components, use only manufacturer's specified parts.

**Note:** All parts except parts mentioned [PAVCA] in the Remarks column are supplied by PAVC-CSG.  
Parts mentioned [PAVCA] are supplied by PAVCA.

Safety	Ref. No.	Part No.	Part Name & Description	Q'ty	Remarks
		10030-0042000	BATTERY DOOR	1	PAVCA
	1	EAS16S07A	SPEAKER W/BUSH	2	
		J0KF00000018	FILTER	1	
	2	K0RB00700010	CONTROLE PANEL ASSY	1	CIRCUIT BOARD&PANEL PAVCA
		K1PY51Y00003	LVDS LEAD	1	PAVCA
		K2CB2YY00004	AC CORD	1	PAVCA
	3	L5EDD9T00003	LCD PANEL	1	PAVCA
	4	N2QAYB000221	REMOTE CONTROL	1	PAVCA
		THEL047J	SCREW (HDMI : 2)	3	
		THTF012J	SCREW (A8 P7)	15	
	5	TKK2AA7901	COVER (ADJ. WINDOW)	1	PAVCA
	6	TKK2AA8201	LED PANEL	1	PAVCA
	7	TKP2AA5601	REAR CENTER COVER	1	PAVCA
	8	TKR2AA00221	SD DOOR	1	PAVCA
	9	TKX2AA0321	PEDESTAL COVER	1	PAVCA
		TMM25401	CLAMPER	6	
		TMME047	CLAMPER	3	
		TMME084	CLAMPER	1	
		TMME287	CLAMPER	2	
	10	TMW2AX0301	LED BRACKET	1	PAVCA
	11	TQB2AA0775	INSTRUCTION BOOK (ENG/SPA/FRENCH)	1	PAVCA
	12	TXFKP02TSER	SIDE AV BRACKET	1	PAVCA
	13	TXFKU06TSER	REAR COVER	1	PAVCA
	14	TXFKY04TSER	CABINET ASSY	1	PAVCA
		TXJA140NFC	SPEAKER LEAD (A14-SP)	1	PAVCA
		XTB4+15JFJ	SCREW	12	
		XTB4+18JFJK	SCREW	4	
		XTB4+18JFJK	SCREW (BCX11)	16	
		XTV3+10GFJK	SCREW (REAR BRKT2)	2	
		XTV3+10JFJ	SCREW	4	
		XTW3+12TFJ	SCREW	4	
		XYN3+J8FJ	SCREW	5	
		XYN4+F10FJK	SCREW	4	
		XYN4+F6FJ	SCREW (LCD BTM MTG)	13	

## 13.2. Electrical Replacement Parts List

### 13.2.1. Replacement Parts List Notes

#### Important Safety Notice

*Components identified by  $\Delta$  mark have special characteristics important for safety. When replacing any of these components, use only manufacturer's specified parts.*

#### RTL (Retention Time Limited)

**Note:** The marking (RTL) indicates that the Retention Time is Limited for this item.

After the discontinuation of this assembly in production, the item will continue to be available for a specific period of time. The retention period of availability is dependant on the type of assembly, and in accordance with the laws governing part and product retention. After the end of this period, the assembly will no longer be available.

Abbreviation of part name and description

#### 1. Resistor

Example:

ERD25TJ104 C 100KOHM, J, 1/4W  
                   Type                    Allowance

#### 2. Capacitor

Example:

ECKF1H103ZF C 0.01UF, Z, 50V  
                   Type                    Allowance

Type	Allowance
C : Carbon	F : $\pm 1\%$
F : Fuse	G : $\pm 2\%$
M : Metal Oxide Metal Film	J : $\pm 5\%$
S : Solid	K : $\pm 10\%$
W : Wire Wound	M : $\pm 20\%$

Type	Allowance
C : Ceramic	C : $\pm 0.25\text{pF}$
E : Electrolytic	D : $\pm 0.5\text{pF}$
P : Polyester	F : $\pm 1\text{pF}$
Polyprop	G : $\pm 3\text{pF}$
lene	J : $\pm 5\text{pF}$
T : Tantalum	K : $\pm 10\text{pF}$
	L : $\pm 15\text{pF}$
	M : $\pm 20\text{pF}$
	P : +100%, -0%
	Z : +80%, -20%

### 13.2.2. Electrical Replacement Parts List

**Note:** All parts except parts mentioned [PAVCA] in the Remarks column are supplied by PAVC-CSG.  
Parts mentioned [PAVCA] are supplied by PAVCA.

Safety	Ref. No.	Part No.	Part Name & Description	Pcs	Remarks
⚠	TU8300	ENGE6604KF	TUNER	1	PAVCA
	X1100	H0J100500035	CRYSTAL	1	
	X2010	H0J245500082	CRYSTAL	1	
	X8001	H0J270500061	CRYSTAL	1	
	X8300	H0J250500079	CRYSTAL	1	PAVCA
	ZA5700	TESA169	SHIELD CLIP	1	
	ZA5701	TESA169	SHIELD CLIP	1	
	ZA5703	TESA169	SHIELD CLIP	1	
	ZA5704	TESA169	SHIELD CLIP	1	
	ZA5705	TESA169	SHIELD CLIP	1	
	ZA5706	TESA169	SHIELD CLIP	1	
	ZA5707	TESA169	SHIELD CLIP	1	
	ZA5708	TESA169	SHIELD CLIP	1	
	ZA5709	TESA169	SHIELD CLIP	1	
	ZA5710-14	TESA169	SHIELD CLIP	5	
	ZA7000	K4CZ01000027	COMPATIBLE WITH JALCO K9	1	
	ZA7002	K4CZ01000027	COMPATIBLE WITH JALCO K9	1	
	V1	K1KA04B00273	4P CONNECTOR	1	PAVCA
	A02	K1KA03A00632	3P CONNECTOR	1	
	A03	K1KY23AA0607	23P CONNECTOR	1	
	A04	K1KY23AA0607	23P CONNECTOR	1	
	A07	K1KA04BA0047	4P CONNECTOR	1	
	A10	K1KA04A00667	4P CONNECTOR	1	PAVCA
	A12	K1KA08AA0728	8P CONNECTOR	1	
	A14	K1KA04AA0190	4P CONNECTOR	1	
	A17	K1KA04BA0047	4P CONNECTOR	1	
	C1006	F2G0J470A019	E 47UF 6.3V	1	
	C1007	F1H1H103A970	C 0.001UF, K, 50V	1	
	C1102	F1J0J106A021	C 0.010UF, K, 16V	1	
	C1103	F1G1C104A116	C 0.10UF, K, 16V	1	
	C1104	F1G1C104A116	C 0.10UF, K, 16V	1	
	C1105	F1H1A1050032	E 10UF, 50V	1	
	C1106	F1H1H270A971	E 27UF, 50V	1	
	C1107	F1G1H220A731	E 22UF, 50V	1	
	C1108	F1G1C104A116	C 0.10UF, K, 16V	1	
	C1109	F1H1A1050032	E 10UF, 50V	1	
	C1110	F1G1C104A116	C 0.10UF, K, 16V	1	
	C1111	F1H1A1050032	E 10UF, 50V	1	
	C1112	F1G1C104A116	C 0.10UF, K, 16V	1	
	C1114	F1G1C104A116	C 0.10UF, K, 16V	1	
	C1117	F1G1C104A116	C 0.10UF, K, 16V	1	
	C1122	F1G1E103A123	C 0.010UF, K, 16V	1	
	C1123	F1H1A1050032	E 10UF, 50V	1	
	C1218	F1G1C104A116	C 0.10UF, K, 16V	1	
	C2023	F1G1C104A116	C 0.10UF, K, 16V	1	
	C2048	F1G1C104A116	C 0.10UF, K, 16V	1	
	C2049	F1G1C104A116	C 0.10UF, K, 16V	1	
	C2050	F1G1C104A116	C 0.10UF, K, 16V	1	
	C2052	F1G1C104A116	C 0.10UF, K, 16V	1	
	C2053	F1G1C104A116	C 0.10UF, K, 16V	1	
	C2054	F1J1A106A043	C 0.010UF, K, 10V	1	
	C2055	F1G1H120A731	E 12UF, 50V	1	
	C2056	F1G1H150A731	E 15UF, 50V	1	
	C2057	F1G1C104A116	C 0.10UF, K, 16V	1	
	C2058	F1G1C104A116	C 0.10UF, K, 16V	1	
	C2059	F1J1A106A043	C 0.010UF, K, 10V	1	
	C2098	F2G0J2210013	E 220UF 6.3V	1	PAVCA
	C2099	F2G0J2210013	E 220UF 6.3V	1	PAVCA
	C2100	F1G1C104A116	C 0.10UF, K, 16V	1	
	C2101	F1J1A106A043	C 0.010UF, K, 10V	1	
	C2102	F1G1C104A116	C 0.10UF, K, 16V	1	
	C2104	F1H1A1050032	E 10UF, 50V	1	
	C2105	F1G1C104A116	C 0.10UF, K, 16V	1	
	C2106	F1G1C104A116	C 0.10UF, K, 16V	1	
	C2107	F2G0J470A019	E 47UF 6.3V	1	
	C2108	F2G0J470A019	E 47UF 6.3V	1	
	C2111	F1H0J2250008	C 2.2UF, K, 16V	1	
	C2116	F1H1H471A971	F1H1H471A792	1	
	C2118	F1H1A1050032	E 10UF, 50V	1	
	C2122	ECJ1VB1C105K	C 0.01UF, K, 16V	1	
	C2123	ECJ1VB1C105K	C 0.01UF, K, 16V	1	
	C2126	F1J1A106A043	C 0.010UF, K, 10V	1	
	C2180	F1G1E103A123	C 0.010UF, K, 16V	1	
	C2181	F1G1E103A123	C 0.010UF, K, 16V	1	
	C2182	F1G1E103A123	C 0.010UF, K, 16V	1	
	C2184	F1G1E103A123	C 0.010UF, K, 16V	1	
	C2186	F1G1C104A116	C 0.10UF, K, 16V	1	
	C2187	F1H0J2250008	C 2.2UF, K, 16V	1	
	C2188	F1H1H471A971	F1H1H471A792	1	
	C2189	F1H1A1050032	E 10UF, 50V	1	
	C2190	F1J1A106A043	C 0.010UF, K, 10V	1	
	C2191	F1J1A106A043	C 0.010UF, K, 10V	1	
	C2192	F2G0J470A019	E 47UF 6.3V	1	
	C2195	F1G1E103A123	C 0.010UF, K, 16V	1	
	C2196	F1G1E103A123	C 0.010UF, K, 16V	1	
	C2213	F1G1H102A730	E 1000UF, 50V	1	
	C2216	F1G1C104A116	C 0.10UF, K, 16V	1	
	C2244	F1G1C104A116	C 0.10UF, K, 16V	1	
	C2245	F1G1H102A730	E 1000UF, 50V	1	
	C2246	F1J1A106A043	C 0.010UF, K, 10V	1	
	C2251	F1J1A106A043	C 0.010UF, K, 10V	1	
	C2263	F1J1A106A043	C 0.010UF, K, 10V	1	
	C2264	F1J1A106A043	C 0.010UF, K, 10V	1	
	C2303	F1J1E105A171	C 1 UF 25V	1	
	C2305	F1J1E105A171	C 1 UF 25V	1	
	C2307	F1J1E105A171	C 1 UF 25V	1	
	C2309	F1J1E105A171	C 1 UF 25V	1	
	C2313	F1H1A1050032	E 10UF, 50V	1	
	C2317	ECJ1XB1H104K	C 10PF, J, 50V	1	
	C2319	ECJ1XB1H104K	C 10PF, J, 50V	1	
	C2321	ECJ1XB1H104K	C 10PF, J, 50V	1	
	C2323	ECJ1XB1H104K	C 10PF, J, 50V	1	
	C2333	F1J1E3340003	C 0.33UF, Z, 25V	1	
	C2335	F1J1E3340003	C 0.33UF, Z, 25V	1	
	C2337	F1H1H223A970	C 0.22UF, K, 50V	1	

Safety	Ref. No.	Part No.	Part Name & Description	Pcs	Remarks
	C2339	F1H1H223A970	C 0.22UF, K, 50V	1	
	C2341	F1J1E3340003	C 0.33UF, Z, 25V	1	
	C2343	F1J1E3340003	C 0.33UF, Z, 25V	1	
	C2345	F1H1H223A970	C 0.22UF, K, 50V	1	
	C2347	F1H1H223A970	C 0.22UF, K, 50V	1	
	C2353	ECJ1XB1H104K	C 10PF, J, 50V	1	
	C2359	ECJ1XB1H104K	C 10PF, J, 50V	1	
	C2361	F2G1E4710007	E 470UF, 25V	1	
	C2375	F1H1H223A970	C 0.22UF, K, 50V	1	
	C2377	F1H1H223A970	C 0.22UF, K, 50V	1	
	C2379	F1H1H223A970	C 0.22UF, K, 50V	1	
	C2381	F1H1H223A970	C 0.22UF, K, 50V	1	
	C2383	F1G1H102A730	E 1000UF, 50V	1	
	C2385	F1G1H102A730	E 1000UF, 50V	1	
	C2387	F1G1H102A730	E 1000UF, 50V	1	
	C2389	F1G1H102A730	E 1000UF, 50V	1	
	C2410,11	F1G1H102A730	E 1000UF, 50V	2	
	C2500	F1G1A104A053	C 0.01UF, K, 10V	1	PAVCA
	C2501	F1G1A104A053	C 0.01UF, K, 10V	1	PAVCA
	C2502	F1G1A104A053	C 0.01UF, K, 10V	1	PAVCA
	C2504	F1G1A104A053	C 0.01UF, K, 10V	1	PAVCA
	C2505	F1J1A106A043	C 0.010UF, K, 10V	1	
	C2506	F1J1A106A043	C 0.010UF, K, 10V	1	
	C2507	F1J1A106A043	C 0.010UF, K, 10V	1	
	C2509	F1K1C1060004	C 0.010UF, 16V	1	
	C2510	ECJ1VB1C105K	C 0.01UF, K, 16V	1	
	C2511	EEEB1C470P	C 47PF, J, 16V	1	
	C2512	F1H1H102A971	C 1000PF, K, 50V	1	
	C2514	F1J0J106A020	C 0.010UF, K, 16V	1	
	C2515	F1J0J106A020	C 0.010UF, K, 16V	1	
	C2516	F1G1H101A731	C 100PF, K, 50V	1	
	C3008	F1J1A106A043	C 0.010UF, K, 10V	1	
	C3017	F1J1A106A043	C 0.010UF, K, 10V	1	
	C3019	F1J1A106A043	C 0.010UF, K, 10V	1	
	C3021	F1G1C104A116	C 0.10UF, K, 16V	1	
	C3023	F1J1A106A043	C 0.010UF, K, 10V	1	
	C3024	F1G1C104A116	C 0.10UF, K, 16V	1	
	C3036	F1G1C104A116	C 0.10UF, K, 16V	1	
	C3045	F1G1C104A116	C 0.10UF, K, 16V	1	
	C3051	F1J1A106A043	C 0.010UF, K, 10V	1	
	C3052	F1J1A106A043	C 0.010UF, K, 10V	1	
	C3057	F1J1A106A043	C 0.010UF, K, 10V	1	
	C3058	F1J1A106A043	C 0.010UF, K, 10V	1	
	C3059	F1J1A106A043	C 0.010UF, K, 10V	1	
	C3060	F1H1A1050032	E 10UF, 50V	1	
	C3061	F1H1A1050032	E 10UF, 50V	1	
	C3064	F1H1A1050032	E 10UF, 50V	1	
	C3065	F1H1A1050032	E 10UF, 50V	1	
	C3066	F1H1A1050032	E 10UF, 50V	1	
	C3067	F1H1A1050032	E 10UF, 50V	1	
	C3068	F1H1A1050032	E 10UF, 50V	1	
	C3069	F1H1A1050032	E 10UF, 50V	1	
	C3070	F1H1A1050032	E 10UF, 50V	1	
	C3071	F1H1A1050032	E 10UF, 50V	1	
	C3077	F1H1A1050032	E 10UF, 50V	1	
	C3080	F1G1C104A116	C 0.10UF, K, 16V	1	
	C3087	F1J1A106A043	C 0.010UF, K, 10V	1	
	C3089	F1J1A106A043	C 0.010UF, K, 10V	1	
	C3091	F1J1A106A043	C 0.010UF, K, 10V	1	

Safety	Ref. No.	Part No.	Part Name & Description	Pcs	Remarks
	C3093	F1J1A106A043	C 0.010UF, K, 10V	1	
	C3095	F1J1A106A043	C 0.010UF, K, 10V	1	
	C3097	F1J1A106A043	C 0.010UF, K, 10V	1	
	C3121	F1H1A1050032	E 10UF, 50V	1	
	C3145	F2G1A101A019	E 100UF, 10V	1	
	C3146	F1G1C104A116	C 0.10UF, K, 16V	1	
	C3153	F1H1A1050032	E 10UF, 50V	1	
	C3157	F1G1C104A116	C 0.10UF, K, 16V	1	
	C4239	F1J1A106A043	C 0.010UF, K, 10V	1	
	C4240	F1J1A106A043	C 0.010UF, K, 10V	1	
	C4241	EEEB0J220R	C 22PF, J, 6.3V	1	
	C4243	F1G1C104A116	C 0.10UF, K, 16V	1	
	C4246	F1J0J106A020	C 0.010UF, K, 16V	1	
	C4247	F1J0J106A020	C 0.010UF, K, 16V	1	
	C4248	F1J0J106A020	C 0.010UF, K, 16V	1	
	C4249	F1G1H102A730	E 1000UF, 50V	1	
	C4250	F1J0J106A020	C 0.010UF, K, 16V	1	
	C4251	F1J0J106A020	C 0.010UF, K, 16V	1	
	C4303	ECJ1VB0J475K	C 4.7UF, K, 6.3V	1	
	C4340	ECJ0EB1C103K	C 0.010UF, K, 16V	1	
	C4341	ECJ0EB1C103K	C 0.010UF, K, 16V	1	
	C4342	ECJ0EB1C103K	C 0.010UF, K, 16V	1	
	C4344	ECJ0EB1C103K	C 0.010UF, K, 16V	1	
	C4346	ECJ0EB1C103K	C 0.010UF, K, 16V	1	
	C4347	F1G1C104A116	C 0.10UF, K, 16V	1	
	C4348	ECJ0EB1C103K	C 0.010UF, K, 16V	1	
	C4349	F1H0J1050012	C 1UF, K, 16V	1	
	C4350	F1H0J1050012	C 1UF, K, 16V	1	
	C4351	F1G1C104A116	C 0.10UF, K, 16V	1	
	C4352	F1G1C104A116	C 0.10UF, K, 16V	1	
	C4353	ECJ0EB1C103K	C 0.010UF, K, 16V	1	
	C4354	ECJ0EB1C103K	C 0.010UF, K, 16V	1	
	C4355	F1J0J106A020	C 0.010UF, K, 16V	1	
	C4356	F1H1H103A970	C 0.001UF, K, 50V	1	
	C4357	F1H1H103A970	C 0.001UF, K, 50V	1	
	C4358	EEEB1C470P	C 47PF, J, 16V	1	
	C4500	F1G1C104A116	C 0.10UF, K, 16V	1	
	C4501	F1G1C104A116	C 0.10UF, K, 16V	1	
	C4502	F1G1C104A116	C 0.10UF, K, 16V	1	
	C4503	F1G1C104A116	C 0.10UF, K, 16V	1	
	C4510	F1G1C104A116	C 0.10UF, K, 16V	1	
	C4511	F1G1C104A116	C 0.10UF, K, 16V	1	
	C4533	F1G1H680A731	E 68UF, 50V	1	
	C4534	F1H1C104A143	C 0.1UF, K, 16V	1	
	C4535	F1H1C104A143	C 0.1UF, K, 16V	1	
	C4547	F1G1C104A116	C 0.10UF, K, 16V	1	
	C4548	F1H1C104A143	C 0.1UF, K, 16V	1	
	C4549	F1H1C104A143	C 0.1UF, K, 16V	1	
	C4550	F1G1C104A116	C 0.10UF, K, 16V	1	
	C4551	F1H1C104A143	C 0.1UF, K, 16V	1	
	C4552	F1H1C104A143	C 0.1UF, K, 16V	1	
	C4553	F1G1H102A730	E 1000UF, 50V	1	
	C4554	EEEB1C470P	C 47PF, J, 16V	1	
	C4555	F1J1A106A043	C 0.010UF, K, 10V	1	

Safety	Ref. No.	Part No.	Part Name & Description	Pcs	Remarks
	C4574	F1G1E103A123	C 0.010UF, K, 16V	1	
	C4575	F1H1A1050032	E 10UF, 50V	1	
	C4580	F1G1E103A123	C 0.010UF, K, 16V	1	
	C4585	F1H1A1050032	E 10UF, 50V	1	
	C4595	F1G1E103A123	C 0.010UF, K, 16V	1	
	C4596	F1G1C104A116	C 0.10UF, K, 16V	1	
	C4598	F1H1A1050032	E 10UF, 50V	1	
	C4599	F2G0J470A019	E 47UF 6.3V	1	
	C4600	F1G1C104A116	C 0.10UF, K, 16V	1	
	C4601	F2G0J470A019	E 47UF 6.3V	1	
	C4602	F1G1C104A116	C 0.10UF, K, 16V	1	
	C4603	F1H0J2250008	C 2.2UF, K, 16V	1	
	C4604	ECJ0EB1H471K	C 470PF, K, 50V	1	
	C4605	F1H1A1050032	E 10UF, 50V	1	
	C4606	F1J1A475A039	C 4.7UF, K, 10V	1	
	C4607	F1J1A475A039	C 4.7UF, K, 10V	1	
	C4612	F1G1E103A123	C 0.010UF, K, 16V	1	
	C4613	F1H1A1050032	E 10UF, 50V	1	
	C4614	F1G1C104A116	C 0.10UF, K, 16V	1	
	C4616	F1J1A475A039	C 4.7UF, K, 10V	1	
	C4617	F1J0G2260001	C 0.001UF, 6.3V	1	
	C4618	F1G1C104A116	C 0.10UF, K, 16V	1	
	C4619	F1G1C104A116	C 0.10UF, K, 16V	1	
	C4624	F1H1C104A143	C 0.1UF, K, 16V	1	
	C4625	F1H1C104A143	C 0.1UF, K, 16V	1	
	C4626	F1G1C104A116	C 0.10UF, K, 16V	1	
	C4627	F1G1C104A116	C 0.10UF, K, 16V	1	
	C4628	F1G1C104A116	C 0.10UF, K, 16V	1	
	C4629	F1G1C104A116	C 0.10UF, K, 16V	1	
	C4630	F1G1C104A116	C 0.10UF, K, 16V	1	
	C4632	F1H1A1050032	E 10UF, 50V	1	
	C4634	F1H1A1050032	E 10UF, 50V	1	
	C4636	F1H1A1050032	E 10UF, 50V	1	
	C4638	F1H1A1050032	E 10UF, 50V	1	
	C4640	F1H1A1050032	E 10UF, 50V	1	
	C4642	F1H1A1050032	E 10UF, 50V	1	
	C4643	F1G1C104A116	C 0.10UF, K, 16V	1	
	C4644	F1G1C104A116	C 0.10UF, K, 16V	1	
	C4645	F1G1C104A116	C 0.10UF, K, 16V	1	
	C4646	F1G1C104A116	C 0.10UF, K, 16V	1	
	C4649	F1G1C104A116	C 0.10UF, K, 16V	1	
	C4652	F1G1C104A116	C 0.10UF, K, 16V	1	
	C4653	F1G1C104A116	C 0.10UF, K, 16V	1	
	C4654	F1G1H102A730	E 1000UF, 50V	2	
	C4655	F1G1C104A116	C 0.10UF, K, 16V	1	
	C4656	EEEB0J330R	C 33PF, J, 6.3V	1	
	C4657	F1G1C104A116	C 0.10UF, K, 16V	1	
	C4800	F1G1C104A081	C 0.10UF, K, 16V	1	
	C5600	F1H1A1050032	E 10UF, 50V	1	
	C5601	F1G1C104A116	C 0.10UF, K, 16V	1	
	C5602	ECGRL0G680ER	C 68PF, J, 4V	1	
	C5603	ECJ0EB1C103K	C 0.010UF, K, 16V	1	
	C5604	ECJ0EB1C103K	C 0.010UF, K, 16V	1	
	C5605	F1J1A475A039	C 4.7UF, K, 10V	1	
	C5606	ECJ0EB1H471K	C 470PF, K, 50V	1	
	C5607	F1G1H221A459	E 220UF, 50V	1	
	C5608	F1G1C104A116	C 0.10UF, K, 16V	1	
	C5611	F1K1C1060004	C 0.010UF, 16V	1	
	C5612	F1K1C1060004	C 0.010UF, 16V	1	
	C5615	F1K1C1060004	C 0.010UF, 16V	1	
	C5616	F1G1A473A053	E 0.47UF, 10V	1	
	C5617	F1H1A1050032	E 10UF, 50V	1	
	C5618	F1K1C1060004	C 0.010UF, 16V	1	
	C5619	F1K1C1060004	C 0.010UF, 16V	1	
	C5620	F1H1C104A143	C 0.1UF, K, 16V	1	
	C5621	ECJ0EB1C103K	C 0.010UF, K, 16V	1	
	C5622	F1J1A475A039	C 4.7UF, K, 10V	1	

Safety	Ref. No.	Part No.	Part Name & Description	Pcs	Remarks
	C5623	ECJ0EB1H471K	C 470PF, K, 50V	1	
	C5624	F1G1H221A459	E 220UF, 50V	1	
	C5625	ECJ0EB1C103K	C 0.010UF, K, 16V	1	
	C5626	F1G1C104A116	C 0.10UF, K, 16V	1	
	C5627	F1G1C104A116	C 0.10UF, K, 16V	1	
	C5628	ECGRL0G680ER	C 68PF, J, 4V	1	
	C5629	ECGRL0G680ER	C 68PF, J, 4V	1	
	C5631	EEEB1C470P	C 47PF, J, 16V	1	
	C5632	ECJ1VB1C105K	C 0.01UF, K, 16V	1	
	C5636	F1G1C104A116	C 0.10UF, K, 16V	1	
	C5637	F1G1C104A116	C 0.10UF, K, 16V	1	
	C5638	F1G1C104A116	C 0.10UF, K, 16V	1	
	C5639	F1G1C104A116	C 0.10UF, K, 16V	1	
	C5640	F1G1C104A116	C 0.10UF, K, 16V	1	
	C5641	F1G1C104A116	C 0.10UF, K, 16V	1	
	C5642	F1K1C1060004	C 0.010UF, 16V	1	
	C5643	F1H1C104A143	C 0.1UF, K, 16V	1	
	C5644	ECJ0EB1C103K	C 0.010UF, K, 16V	1	
	C5688	F1H1A225A051	E 22UF, 50V	1	
	C5700	ECJ0EB1C103K	C 0.010UF, K, 16V	1	
	C5705	F1J1H104A835	C 0.10UF, 50V	1	
	C5707	F1H1E104A129	E 0.1UF, 25V	1	
	C5710	F1G1C104A116	C 0.10UF, K, 16V	1	
	C5765	F1G1A473A053	E 0.47UF, 10V	1	
	C5766	ECJ0EB1C103K	C 0.010UF, K, 16V	1	
	C5767	ECJ0EB1C103K	C 0.010UF, K, 16V	1	
△	C7000	ECKDNA101MB	C 100PF	1	
△	C7001	ECKDNA221MB	C 220PF	1	
△	C7002	ECQU2A334BN9	P 0.33UF, M, 250V	1	
△	C7003	ECQU2A334BN9	P 0.33UF, M, 250V	1	
△	C7004	ECQU2A334BN9	P 0.33UF, M, 250V	1	
	C7006	F2A2G2R2A002	E 2.2UF, 400V	1	PAVCA
△	C7007	ECKDNA222ME	C 2200PF,	1	
	C7008	ECCD3D220KGE	C 22PF, K, 2KV	1	
	C7009	F1J1H104A835	C 0.10UF, 50V	1	
	C7010	F1J1H474A757	C 0.47UF, 50V	1	
	C7011	F2A1H1010047	E 100UF, 50V	1	
	C7012	F1J1H104A835	C 0.10UF, 50V	1	
	C7013	F1J1H473A835	C 0.047UF, 50V	1	PAVCA
	C7014	ECKD3A102KBP	C 1000PF, K, 1KV	1	
	C7015	F2A1A102A214	E 1000UF, 10V	1	
	C7016	F1J1H103A834	C 0.01UF, K, 50V	1	
△	C7017	ECQE2W105L28	C 1UF, 450V	1	
	C7018	F1J1H474A757	C 0.47UF, 50V	1	
	C7019	ECJ2XB1H332K	C 3300PF, K, 50V	1	
	C7020	F1J1H473A835	C 0.047UF, 50V	1	PAVCA
	C7021	F1J1H682A834	C 6800UF, 50V	1	PAVCA
	C7022	F1J1H104A835	C 0.10UF, 50V	1	
	C7023	F2A1H1R0A165	E 1UF, 50V	1	PAVCA
	C7024	F2A1H1010047	E 100UF, 50V	1	
	C7025	ECKD3D331KBP	C 330PF, K, 2KV	1	
	C7026	ECKD3D151KBP	C 150PF, K, 2KV	1	
△	C7027	ECKCNA472ME7	C 4700PF, Z,	1	PAVCA
	C7028	F2A2W2210001	E 220UF 450V	1	PAVCA
	C7029	F1J1H680A836	C 68PF, K, 50V	1	
	C7030	F1J1H471A836	C 470UF, 50V	1	PAVCA
	C7031	ECA1HM330	E 33UF, 50V	1	
	C7032	ECQE6103KF	P 0.01UF, J, 630V	1	
	C7033	ECKD3D221KBP	C 220PF, K, 2KV	1	
	C7034	F1J1H102A836	C 1000UF, 50V	1	
	C7035	F1J1H332A834	C 3300UF, 50V	1	PAVCA
	C7036	F1J1H104A835	C 0.10UF, 50V	1	
	C7037	F1J1H474A757	C 0.47UF, 50V	1	
	C7038	ECKD3A102KBP	C 1000PF, K, 1KV	1	
	C7043	ECKD3D222JBP	C 2200PF, K, 2KV	1	
	C7044	F1J1E105A171	C 1 UF 25V	1	
	C7045	F2A1C1020027	E 1000UF, 16V	1	
	C7046	F1J1H104A835	C 0.10UF, 50V	1	

Safety	Ref. No.	Part No.	Part Name & Description	Pcs	Remarks
	C7047	F2A1E471A102	E 470UF, 25V	1	
	C7048	ERJ6GGEYJ222V	M 2.2K OHM J 1/10W	1	
	C7049	F2A1H221A253	E 220UF, 50V	1	
	C7051	FLJ1E105A171	C 1 UF 25V	1	
	C7052	FLJ1H103A834	C 0.01UF, K, 50V	1	
	C7053	FLJ1H104A835	C 0.10UF, 50V	1	
	C7054	FLJ1E105A171	C 1 UF 25V	1	
	C7055	FLJ1E105A171	C 1 UF 25V	1	
	C7056	FLJ1E105A171	C 1 UF 25V	1	
	C7057	FLJ1E105A171	C 1 UF 25V	1	
	C7058	FLJ1H103A834	C 0.01UF, K, 50V	1	
	C7059	FLJ1H103A834	C 0.01UF, K, 50V	1	
	C7088	F2A1E470A454	E 47UF, 25V	1	
	C7089	ECA1HM100	E 10UF, 50V	1	
	C7090	ECKD3D221KBP	C 220PF, K, 2KV	1	
	C7095	FLJ1H104A835	C 0.10UF, 50V	1	
	C7096	FLJ1H104A835	C 0.10UF, 50V	1	
	C7097	F2A1E471A102	E 470UF, 25V	1	
△	C7098	ECKDNA221MB	C 220PF	1	
△	C7099	ECKDNA101MB	C 100PF	1	
	C7102	F2A1C101A121	E 100UF, 16V	1	
	C7103	FLJ1C224A194	C 0.22UF, Z, 16V	1	PAVCA
	C7104	ECA1HM330	E 33UF, 50V	1	
	C7105	FLJ1H104A835	C 0.10UF, 50V	1	
△	C7106	ECKDNA471MB	C 470PF, Z,	1	
	C7107	F2A1E471A102	E 470UF, 25V	1	
	C7108	ECA1HM100	E 10UF, 50V	1	
	C7111	ECKD3A221KBP	C 220PF, K, 1KV	1	
	C7112	ECKD3A221KBP	C 220PF, K, 1KV	1	
	C7114	FLJ1E105A171	C 1 UF 25V	1	
	C7116	FLJ1H104A835	C 0.10UF, 50V	1	
	C7120	FLJ1H104A835	C 0.10UF, 50V	1	
	C7121	FLJ1H104A835	C 0.10UF, 50V	1	
	C7122	ECA1CMH101	E 100UF, 16V	1	
	C7123	FLJ1H104A835	C 0.10UF, 50V	1	
	C7125	ECKD3A221KBP	C 220PF, K, 1KV	1	
	C7134	F2A1E471A102	E 470UF, 25V	1	
	C7135	FLJ1H103A834	C 0.01UF, K, 50V	1	
	C7136	FLJ1H103A834	C 0.01UF, K, 50V	1	
	C7137	F2A1E221A487	E 220UF, 25V	1	
	C7138	EEUFCL1E471	E 470UF, 25V	1	
	C7140	EEUFCL1E471	E 470UF, 25V	1	
	C8001	FIG1A104A012	C 0.01UF, K, 10V	1	
	C8002	FIH0J1050012	C 1UF, K, 16V	1	
	C8003	FIH0J1050012	C 1UF, K, 16V	1	
	C8004	FIH0J1050012	C 1UF, K, 16V	1	
	C8005	FIH0J1050012	C 1UF, K, 16V	1	
	C8006	FIG1A104A012	C 0.01UF, K, 10V	1	
	C8007	FIG1A104A012	C 0.01UF, K, 10V	1	
	C8008	FIG1A104A012	C 0.01UF, K, 10V	1	
	C8009	FLJ1A106A043	C 0.010UF, K, 10V	1	
	C8010	FLJ1A106A043	C 0.010UF, K, 10V	1	
	C8011	FIG1A104A012	C 0.01UF, K, 10V	1	
	C8012	FIG1A104A012	C 0.01UF, K, 10V	1	
	C8013	FIG1A104A012	C 0.01UF, K, 10V	1	
	C8014	FIG1A104A012	C 0.01UF, K, 10V	1	
	C8015	FIH0J1050012	C 1UF, K, 16V	1	
	C8016	FIH0J1050012	C 1UF, K, 16V	1	
	C8017	FLJ1A106A043	C 0.010UF, K, 10V	1	
	C8018	FIG1A104A012	C 0.01UF, K, 10V	1	
	C8019	FIG1A104A012	C 0.01UF, K, 10V	1	
	C8020	FIG1A104A012	C 0.01UF, K, 10V	1	
	C8021	FIG1A104A012	C 0.01UF, K, 10V	1	
	C8022	FIH0J1050012	C 1UF, K, 16V	1	
	C8023	FLJ1A106A043	C 0.010UF, K, 10V	1	
	C8024	FLJ1A106A043	C 0.010UF, K, 10V	1	
	C8025	FIG1A104A012	C 0.01UF, K, 10V	1	
	C8026	FIG1A104A012	C 0.01UF, K, 10V	1	

Safety	Ref. No.	Part No.	Part Name & Description	Pcs	Remarks
	C8027	FIG1A104A012	C 0.01UF, K, 10V	1	
	C8028	FIG1A104A012	C 0.01UF, K, 10V	1	
	C8029	FIG1A104A012	C 0.01UF, K, 10V	1	
	C8030	FIH0J1050012	C 1UF, K, 16V	1	
	C8031	FIH0J1050012	C 1UF, K, 16V	1	
	C8032	FLJ1A106A043	C 0.010UF, K, 10V	1	
	C8033	FIG1A104A012	C 0.01UF, K, 10V	1	
	C8034	FIG1A104A012	C 0.01UF, K, 10V	1	
	C8035	FLJ1A106A043	C 0.010UF, K, 10V	1	
	C8036	FLJ1A106A043	C 0.010UF, K, 10V	1	
	C8037	FIG1C104A081	C 0.10UF, K, 16V	1	
	C8038	FIG1C104A081	C 0.10UF, K, 16V	1	
	C8039	FIG1C104A081	C 0.10UF, K, 16V	1	
	C8040	FIG1C104A081	C 0.10UF, K, 16V	1	
	C8041	FIG1C104A081	C 0.10UF, K, 16V	1	
	C8042	ECGRLO680ER	C 68PF, J, 4V	1	
	C8043	FIG1C104A081	C 0.10UF, K, 16V	1	
	C8044	FIG1C104A081	C 0.10UF, K, 16V	1	
	C8045	FIG1C104A081	C 0.10UF, K, 16V	1	
	C8046	FIG1C104A081	C 0.10UF, K, 16V	1	
	C8047	FIG1C104A081	C 0.10UF, K, 16V	1	
	C8048	FIG1C104A081	C 0.10UF, K, 16V	1	
	C8049	FIG1C104A081	C 0.10UF, K, 16V	1	
	C8050	FIG1C104A081	C 0.10UF, K, 16V	1	
	C8051	FIG1C104A081	C 0.10UF, K, 16V	1	
	C8052	FIH0J1050012	C 1UF, K, 16V	1	
	C8053	ECJOEB1C103K	C 0.010UF, K, 16V	1	
	C8056	FIG1A104A012	C 0.01UF, K, 10V	1	
	C8057	FIG1A104A012	C 0.01UF, K, 10V	1	
	C8058	FLJ1A106A043	C 0.010UF, K, 10V	1	
	C8067	ECJOEB1C103K	C 0.010UF, K, 16V	1	
	C8068	FIG1A104A012	C 0.01UF, K, 10V	1	
	C8069	FIG1H820A731	E 82UF, 50V	1	
	C8070	FIG1A104A012	C 0.01UF, K, 10V	1	
	C8071	FIG1A104A012	C 0.01UF, K, 10V	1	
	C8072	FIG1A104A012	C 0.01UF, K, 10V	1	
	C8073	FIG1A104A012	C 0.01UF, K, 10V	1	
	C8074	FIG1A104A012	C 0.01UF, K, 10V	1	
	C8075	FLJ1A106A043	C 0.010UF, K, 10V	1	
	C8076	FIG1A104A012	C 0.01UF, K, 10V	1	
	C8077	FIG1A104A012	C 0.01UF, K, 10V	1	
	C8078	FIG1A104A012	C 0.01UF, K, 10V	1	
	C8079	FIG1A104A012	C 0.01UF, K, 10V	1	
	C8080	FIG1A104A012	C 0.01UF, K, 10V	1	
	C8081	FIG1C1030008	C 0.01UF, K, 16V	1	
	C8301	FIG1H102A730	E 1000UF, 50V	1	
	C8302	FIG1C104A116	C 0.10UF, K, 16V	1	
	C8303	FIG1H103A735	E 0.01UF, 50V	1	PAVCA
	C8304	FIG1H221A731	E 220UF, 50V	1	PAVCA
	C8305	FIG1H221A731	E 220UF, 50V	1	PAVCA
	C8307	FIG1C104A116	C 0.10UF, K, 16V	1	
	C8310	F2G0J2210013	E 220UF 6.3V	1	PAVCA
	C8311	F2G1V220A020	E 22UF, 35V	1	
	C8312	F2G0J2210013	E 220UF 6.3V	1	PAVCA
	C8313	FIG1H102A730	E 1000UF, 50V	1	
	C8314	FIG1H270A731	E 27UF, 50V	1	
	C8315	FIG1H120A731	E 12UF, 50V	1	
	C8316	FIG1H120A731	E 12UF, 50V	1	
	C8317	FIG1H270A731	E 27UF, 50V	1	
	C8318	FIG1H101A731	C 100PF, K, 50V	1	
	C8319	FIG1H101A731	C 100PF, K, 50V	1	
	C8320	FIG1H220A731	E 22UF, 50V	1	
	C8321	ECJOEB1C103K	C 0.010UF, K, 16V	1	
	C8322	ECJOEB1C103K	C 0.010UF, K, 16V	1	
	C8323	FIG1H120A731	E 12UF, 50V	1	
	C8324	FIG1H120A731	E 12UF, 50V	1	



Safety	Ref. No.	Part No.	Part Name & Description	Pcs	Remarks
	C8325	F1G1C104A116	C 0.10UF, K, 16V	1	
	C8326	F1G1C104A116	C 0.10UF, K, 16V	1	
	C8327	F1G1C104A116	C 0.10UF, K, 16V	1	
	C8328	F1G1C104A116	C 0.10UF, K, 16V	1	
	C8330	F1G1C104A116	C 0.10UF, K, 16V	1	
	C8331	F1G1C104A116	C 0.10UF, K, 16V	1	
	C8332	F1G1C104A116	C 0.10UF, K, 16V	1	
	C8333	F1G1C104A116	C 0.10UF, K, 16V	1	
	C8334	F1G1C104A116	C 0.10UF, K, 16V	1	
	C8335	F1G1C104A116	C 0.10UF, K, 16V	1	
	C8336	F1J1A106A043	C 0.010UF, K, 10V	1	
	C8337	F1G1C104A116	C 0.10UF, K, 16V	1	
	C8338	F1G1C104A116	C 0.10UF, K, 16V	1	
	C8339	F1G1C104A116	C 0.10UF, K, 16V	1	
	C8340	F1G1C104A116	C 0.10UF, K, 16V	1	
	C8341	F1G1C104A116	C 0.10UF, K, 16V	1	
	C8342	F1G1C104A116	C 0.10UF, K, 16V	1	
	C8343	F1G1C104A116	C 0.10UF, K, 16V	1	
	C8345	F1G1C104A116	C 0.10UF, K, 16V	1	
	C8346	ECJ0EB1C103K	C 0.010UF, K, 16V	1	
	C8347	F1G1C104A116	C 0.10UF, K, 16V	1	
	C8348	F1G1C104A116	C 0.10UF, K, 16V	1	
	C8349	F1G1C104A116	C 0.10UF, K, 16V	1	
	C8350	F1G1C104A116	C 0.10UF, K, 16V	1	
	C8351	F1G1C104A116	C 0.10UF, K, 16V	1	
	C8352	F1G1C104A116	C 0.10UF, K, 16V	1	
	C8353	F1G1C104A116	C 0.10UF, K, 16V	1	
	C8354	F1G1C104A116	C 0.10UF, K, 16V	1	
	C8355	F1H0J1050012	C 1UF, K, 16V	1	
	C8357	F1J1A106A043	C 0.010UF, K, 10V	1	
	C8358	F1J1A106A043	C 0.010UF, K, 10V	1	
	C8359	F1J1A106A043	C 0.010UF, K, 10V	1	
	C8360	F1G1C104A116	C 0.10UF, K, 16V	1	
	C8361	F1G1C104A116	C 0.10UF, K, 16V	1	
	C8362	F1G1C104A116	C 0.10UF, K, 16V	1	
	C8363	F1G1C104A116	C 0.10UF, K, 16V	1	
	C8364	F1G1C104A116	C 0.10UF, K, 16V	1	
	C8365	F1G1C104A116	C 0.10UF, K, 16V	1	
	C8366	F1G1C104A116	C 0.10UF, K, 16V	1	
	C8367	F1G1C104A116	C 0.10UF, K, 16V	1	
	C8368	F1G1C104A116	C 0.10UF, K, 16V	1	
	C8369	F1J1A106A043	C 0.010UF, K, 10V	1	
	C8370	F1G1H102A730	E 1000UF, 50V	1	
	C8371	ECJ1V1F1H104Z	C 0.1UF, Z, 50V	1	
	C8372	F1J1A106A043	C 0.010UF, K, 10V	1	
	C8373	F1G1C104A116	C 0.10UF, K, 16V	1	
	C8374	F1J1A106A043	C 0.010UF, K, 10V	1	
	C8375	F1J1A106A043	C 0.010UF, K, 10V	1	
	C8376	ECJ0EB1C103K	C 0.010UF, K, 16V	1	
	C8377	F1G1C104A116	C 0.10UF, K, 16V	1	
	C8378	ECJ0EB1C103K	C 0.010UF, K, 16V	1	
	C8379	F1G1C104A116	C 0.10UF, K, 16V	1	
	C8380	F1G1H103A735	E 0.01UF, 50V	1	PAVCA
	C8381	F1G1C104A116	C 0.10UF, K, 16V	1	
	C8382	ECJ0EB1C103K	C 0.010UF, K, 16V	1	
	C8386	F1G1H102A730	E 1000UF, 50V	1	
	C8387	F1G1H102A730	E 1000UF, 50V	1	
	C8500	F1G1C104A116	C 0.10UF, K, 16V	1	
	C8501	F1G1C104A116	C 0.10UF, K, 16V	1	
	C8506	F1G1C104A116	C 0.10UF, K, 16V	1	
	C8517	F1G1C104A116	C 0.10UF, K, 16V	1	
	C8533	F1G1A104A012	C 0.01UF, K, 10V	1	
	C8534	EEH1C470P	C 47PF, J, 16V	1	

Safety	Ref. No.	Part No.	Part Name & Description	Pcs	Remarks
	C8537	TCUY1C225ZFN	C 2.2UF, 16V	1	
	CF7000	D4CAY8R0A010	THERMISTOR	1	PAVCA
	CN4200	K1KB51B00001	51P CONNECTOR	1	
	D1001	LN1271RAL-TR	LED	1	
	D1107	MA704A	DIODE	1	
	D2068	MA2J11100L	DIODE	1	
	D2070	MA2J11100L	DIODE	1	
	D2303	MA2J11100L	DIODE	1	
	D2304	MA2J11100L	DIODE	1	
	D2500	MAZ80470ML	ZENER DIODE	1	
	D2503	MA2J72800L	DIODE	1	
	D2504	MA2J11100L	DIODE	1	
	D2505	MA2J11100L	DIODE	1	
	D2506	MA2J11100L	DIODE	1	
	D2507	MA2J11100L	DIODE	1	
	D3017	EZJZ0V120JA	VARIATOR	1	PAVCA
	D3019	EZJZ0V120JA	VARIATOR	1	PAVCA
	D3021	EZJZ0V120JA	VARIATOR	1	PAVCA
	D3022	EZJZ0V120JA	VARIATOR	1	PAVCA
	D3023	EZJZ0V120JA	VARIATOR	1	PAVCA
	D3025	EZJZ0V120JA	VARIATOR	1	PAVCA
	D3026	EZJZ0V120JA	VARIATOR	1	PAVCA
	D3027	EZJZ0V120JA	VARIATOR	1	PAVCA
	D3029	EZJZ0V120JA	VARIATOR	1	PAVCA
	D3030	EZJZ0V120JA	VARIATOR	1	PAVCA
	D3031	EZJZ0V120JA	VARIATOR	1	PAVCA
	D3050	K7AAAY000005	PHOTO LINK	1	
	D3064	EZJZ0V120JA	VARIATOR	1	PAVCA
	D3065	EZJZ0V120JA	VARIATOR	1	PAVCA
	D3066	EZJZ0V120JA	VARIATOR	1	PAVCA
	D3067	EZJZ0V120JA	VARIATOR	1	PAVCA
	D3068	EZJZ0V120JA	VARIATOR	1	PAVCA
	D3069	EZJZ0V120JA	VARIATOR	1	PAVCA
	D3070	EZJZ0V120JA	VARIATOR	1	PAVCA
	D3071	EZJZ0V120JA	VARIATOR	1	PAVCA
	D3151	EZJZ0V120JA	VARIATOR	1	PAVCA
	D3152	EZJZ0V120JA	VARIATOR	1	PAVCA
	D3708	EZJZ0V120JA	VARIATOR	1	PAVCA
	D3709	EZJZ0V120JA	VARIATOR	1	PAVCA
	D3710	EZJZ0V120JA	VARIATOR	1	PAVCA
	D4202	MA152K	DIODE	1	
	D4502	EZAEG2A50AX	DIODE	1	
	D4503	EZAEG2A50AX	DIODE	1	
	D4504	EZAEG2A50AX	DIODE	1	
	D4505	EZAEG2A50AX	DIODE	1	
	D4506	EZAEG2A50AX	DIODE	1	
	D4507	EZAEG2A50AX	DIODE	1	
	D4508	EZAEG2A50AX	DIODE	1	
	D4509	EZAEG2A50AX	DIODE	1	
	D4510	EZAEG2A50AX	DIODE	1	
	D4511	EZAEG2A50AX	DIODE	1	
	D4512	EZAEG2A50AX	DIODE	1	
	D4513	B0BC5R6A0275	DIODE	1	
	D4514	EZAEG2A50AX	DIODE	1	
	D4515	B0BC5R6A0275	DIODE	1	
	D4516	EZAEG2A50AX	DIODE	1	
	D4517	EZAEG2A50AX	DIODE	1	
	D4518	EZAEG2A50AX	DIODE	1	
	D4519	EZAEG2A50AX	DIODE	1	
	D4520	EZAEG2A50AX	DIODE	1	
	D4521	EZAEG2A50AX	DIODE	1	
	D4522	EZAEG2A50AX	DIODE	1	
	D4523	EZAEG2A50AX	DIODE	1	
	D4541	MA2J11100L	DIODE	1	
	D4542	MA2J11100L	DIODE	1	
	D4600	EZAEG2A50AX	DIODE	1	
	D4601	EZAEG2A50AX	DIODE	1	
	D4602	EZAEG2A50AX	DIODE	1	
	D4603	EZAEG2A50AX	DIODE	1	
	D4604	EZAEG2A50AX	DIODE	1	

Safety	Ref. No.	Part No.	Part Name & Description	Pcs	Remarks
	D4605	EZAEG2A50AX	DIODE	1	
	D4606	EZAEG2A50AX	DIODE	1	
	D4607	EZAEG2A50AX	DIODE	1	
	D4608	EZAEG2A50AX	DIODE	1	
	D4609	EZAEG2A50AX	DIODE	1	
	D4611	B0BC5R6A0275	DIODE	1	
	D4612	B0HCMM000014	DIODE	1	
	D4613	B0HCMM000014	DIODE	1	
	D5601	MA22D3900L	DIODE	1	
	D5602	MA22D3900L	DIODE	1	
	D5603	B0JCDD000002	DIODE	1	
	D5604	B0JCDD000002	DIODE	1	
	D5605	MA22D3900L	DIODE	1	
	D5606	B0JCDD000002	DIODE	1	
	D5692	MA8056LTX	ZENER DIODE	1	
△	D7000	ERZV10V621T2	VARISTOR	1	
△	D7001	B0EBKT000007	DIODE	1	
△	D7002	ERZV10V621T2	VARISTOR	1	
△	D7003	B0FBAT000008	DIODE	1	
	D7004	B0BA01600007	ZENER DIODE	1	PAVCA
	D7005	B0BA03600021	ZENER DIODE	1	
	D7006	B0BA01400009	ZENER DIODE	1	PAVCA
	D7007	MAZ83600ML	ZENER DIODE	1	
	D7008	MA2J11100L	DIODE	1	
	D7009	MAZ83000ML	ZENER DIODE	1	
	D7010	MAZ83600ML	ZENER DIODE	1	
	D7011	MA2J11100L	DIODE	1	
	D7012	B0HCMM000014	DIODE	1	
	D7013	B0HCMM000014	DIODE	1	
	D7014	MAZ80560ML	ZENER DIODE	1	
	D7015	B0JCNG000003	DIODE	1	
	D7016	MA2J11100L	DIODE	1	
	D7017	MA2J72900L	DIODE	1	
	D7018	MA22F2000L	DIODE	1	PAVCA
	D7020	B0HCMM000014	DIODE	1	
	D7021	B0BA01000070	ZENER DIODE	1	
	D7022	MAZ80620ML	ZENER DIODE	1	
	D7023	B0FABR000011	DIODE	1	PAVCA
	D7024	EG01C	DIODE	1	
	D7025	B0HCMM000014	DIODE	1	
	D7026	B0HCMM000014	DIODE	1	
	D7027	EG01C	DIODE	1	
	D7028	MAZ80620ML	ZENER DIODE	1	
	D7029	MA2J11100L	DIODE	1	
	D7030	B0BA01000070	ZENER DIODE	1	
	D7031	B0HCMM000014	DIODE	1	
	D7032	B0JBSL000023	DIODE	1	PAVCA
△	D7033	ERZV10V621T2	VARISTOR	1	
	D7034	B0JAPK000011	DIODE	1	
	D7035	MA8100M	ZENER DIODE	1	
	D7036	MA8100M	ZENER DIODE	1	
	D7037	MA8100M	ZENER DIODE	1	
	D7039	MA8180-M	ZENER DIODE	1	
	D7040	MAZ81100ML	ZENER DIODE	1	
	D7042	MA2J11100L	DIODE	1	
	D7043	MA2J11100L	DIODE	1	
△	D7044	ERZV10V621T2	VARISTOR	1	
	D7045	MA2J72900L	DIODE	1	
	D7046	MA2J72900L	DIODE	1	
	D7047	MA2J72900L	DIODE	1	
	D7048	MA2J72900L	DIODE	1	
	D7050	B0BA03600021	ZENER DIODE	1	
△	D7056	ERZV10V621T2	VARISTOR	1	
	D7058	B0HCMM000014	DIODE	1	
	D7060	B0HCMM000014	DIODE	1	
	D7062	MA2J11100L	DIODE	1	
	D7064	MA2J11100L	DIODE	1	
	D7066	MA2J11100L	DIODE	1	
	D7067	MA2J11100L	DIODE	1	
	D7069	MA2J11100L	DIODE	1	
	D7073	MA2J72900L	DIODE	1	
	D7075	B0JBSL000023	DIODE	1	PAVCA

Safety	Ref. No.	Part No.	Part Name & Description	Pcs	Remarks
	D7076	B0BA7R900004	ZENER DIODE	1	
	D7084	MA8240MTX	ZENER DIODE	1	
	D7085	MA2J11100L	DIODE	1	
	D7087	MAZ83600ML	ZENER DIODE	1	
	D7088	MAZ83600ML	ZENER DIODE	1	
	D7089	MAZ83600ML	ZENER DIODE	1	
	D7090	MAZ83600ML	ZENER DIODE	1	
	D7091	MAZ83600ML	ZENER DIODE	1	
	D7092	MAZ83600ML	ZENER DIODE	1	
	D7093	MAZ83600ML	ZENER DIODE	1	
	D7144	B0HCMM000014	DIODE	1	
	F7001-1	K3GE1ZA00010	FUSE HOLDER	1	
	F7001-2	K3GE1ZA00010	FUSE HOLDER	1	
△	F7001	K5D502BNA005	TIME LAG FUSE HIGH	1	
	FL4201	JOMAB0000169	LC FILTER	1	
	FL4202	JOMAB0000169	LC FILTER	1	
	FL4203	JOMAB0000169	LC FILTER	1	
	FL4204	JOMAB0000169	LC FILTER	1	
	FL4205	JOMAB0000169	LC FILTER	1	
	FL4206	ECJ1VB0J474K	C 0.47UF, K, 6.3V	1	
	IC1100	MNZSFG3GP53	IC	1	
	IC1101	TVRP834S	IC	1	PAVCA
	IC2008	C0CBCBE00001	IC	1	
	IC2106	C1AB00002908	IC	1	
	IC2107	C0DBFFD00003	IC	1	
	IC2301	C1AB00002875	IC	1	
	IC2500	C1ZBZ0003725	IC	1	
	IC2501	C0EBF0000354	IC	1	
	IC3001	C1AB00002855	IC	1	
	IC4202	C0JBCZ000558	IC	1	PAVCA
	IC4510	C1AB00002901	IC	1	
	IC4511	C0CBCBE00001	IC	1	
	IC4512	C0DBGY000477	IC	1	
	IC4513	C0DBGY000477	IC	1	
	IC4514	C0JBAZ002301	IC	1	
	IC4515	C0JBAZ002301	IC	1	
	IC4600	TVRP835S	IC	1	PAVCA
	IC4700	C1ZBZ0003577	IC	1	
	IC5600	C0DBAY000273	IC	1	
	IC5601	C0DBAY000274	IC	1	
	IC5704	C0EBM0000026	IC	1	
	IC7000	C0DABYY00008	IC	1	
	IC7001	C0DAEMZ00001	IC	1	
	IC7002	C0DBBZG00004	IC	1	PAVCA
	IC7003	C0DBBYG00001	IC	1	PAVCA
	IC7005	C0DAEMZ00001	IC	1	
	IC7009	C0DBEHE00005	IC	1	PAVCA
	IC7050	C0DAEYH00002	IC	1	
	IC8001	MN2WS0047	IC	1	PAVCA
	IC8002	C3ABSG000052	IC	1	
	IC8003	C3ABSG000052	IC	1	
	IC8004	C0ZBZ0001030	IC	1	
	IC8300	MN884350	IC	1	PAVCA
	IC8502	TVRP832S	IC	1	PAVCA
	IC8503	TVRP833S	IC	1	PAVCA
	JK3101	K1U927A00004	CONNECTOR UNIT	1	PAVCA
	JK3701	K4AK17B00001	TERMINAL BOARD	1	
	JK4500	K1FY119D0003	CONNECTOR	1	PAVCA
	JK4501	K1FY119D0003	CONNECTOR	1	PAVCA
	JK4502	K1FA119E0013	CONNECTOR	1	
	JK8302	K1NA09E00080	9P CONNECTOR	1	
	JS2084	DOYAR0000007	M 0.0 OHM, J, 0.063W	1	
	JS2085	DOYAR0000007	M 0.0 OHM, J, 0.063W	1	
	JS2086	DOYAR0000007	M 0.0 OHM, J, 0.063W	1	

Safety	Ref. No.	Part No.	Part Name & Description	Pcs	Remarks
	JS2087	DOYAR0000007	M 0.0 OHM, J,0.063W	1	
	JS2088	DOYAR0000007	M 0.0 OHM, J,0.063W	1	
	JS2095	DOYAR0000007	M 0.0 OHM, J,0.063W	1	
	JS2096	DOYAR0000007	M 0.0 OHM, J,0.063W	1	
	JS7002	DOGDR00Z0002	M 0 OHM, 1/10W	1	
	L1100	J0JYC0000068	CHIP INDUCTOR	1	
	L2020	J0JYC0000065	CHIP INDUCTOR	1	
	L2029	J0JCC0000077	CHIP INDUCTOR	1	
	L2034	J0JCC0000364	CHIP INDUCTOR	1	
	L2035	J0JCC0000364	CHIP INDUCTOR	1	
	L2038	J0JHC0000078	CHIP INDUCTOR	1	
	L2041	J0JHC0000078	CHIP INDUCTOR	1	
	L2300	G1C220MA0291	INDUCTION COIL	1	
	L2302	G1C220MA0291	INDUCTION COIL	1	
	L2304	G1C220MA0291	INDUCTION COIL	1	
	L2306	G1C220MA0291	INDUCTION COIL	1	
	L2308	J0JJC0000011	CHIP INDUCTOR	1	
	L2500	J0JHC0000078	CHIP INDUCTOR	1	
	L2501	J0JHC0000078	CHIP INDUCTOR	1	
	L3001	J0JHC0000078	CHIP INDUCTOR	1	
	L3002	J0JHC0000078	CHIP INDUCTOR	1	
	L4201	J0JHC0000078	CHIP INDUCTOR	1	
	L4208	G1C100KA0008	INDUCTION COIL	1	
	L4209	J0JHC0000078	CHIP INDUCTOR	1	
	L4210	J0JHC0000078	CHIP INDUCTOR	1	
	L4211	J0JHC0000078	CHIP INDUCTOR	1	
	L4500	J0JHC0000078	CHIP INDUCTOR	1	
	L4501	J0JHC0000078	CHIP INDUCTOR	1	
	L4502	J0JHC0000078	CHIP INDUCTOR	1	
	L4503	J0JHC0000078	CHIP INDUCTOR	1	
	L4504	J0JHC0000078	CHIP INDUCTOR	1	
	L4505	J0JHC0000078	CHIP INDUCTOR	1	
	L4506	J0JHC0000078	CHIP INDUCTOR	1	
	L4507	J0JHC0000078	CHIP INDUCTOR	1	
	L4511	J0JHC0000078	CHIP INDUCTOR	1	
	L4512	J0JCC0000077	CHIP INDUCTOR	1	
	L4513	J0JCC0000077	CHIP INDUCTOR	1	
	L4514	J0JHC0000078	CHIP INDUCTOR	1	
	L4515	J0JHC0000078	CHIP INDUCTOR	1	
	L4516	J0JHC0000078	CHIP INDUCTOR	1	
	L4517	J0JHC0000078	CHIP INDUCTOR	1	
	L4518	J0JHC0000078	CHIP INDUCTOR	1	
	L4519	J0JHC0000078	CHIP INDUCTOR	1	
	L4601	J0JHC0000078	CHIP INDUCTOR	1	
	L4604	J0JHC0000078	CHIP INDUCTOR	1	
	L4605	J0JHC0000078	CHIP INDUCTOR	1	
	L4606, 07	DOYAR0000007	M 0 OHM 1/4W	2	
	L5600	G1C2R2Z00007	INDUCTION COIL	1	
	L5601	G1C2R2Z00007	INDUCTION COIL	1	
	L5602	G1C4R7Z00014	INDUCTION COIL	1	
	L5604	G1C100MA0203	INDUCTION COIL	1	
	L5605	J0JCC0000241	CHIP INDUCTOR	1	
	L5606	J0JHC0000075	INDUCTION COIL	1	
△	L7000	G0C181K00003	PEAKING COIL	1	
	L7001	EXCELSA35	BEAD CHOKE	1	
	L7002	EXCELSA35	BEAD CHOKE	1	
	L7005	EXCELD35C	BEAD CHOKE	1	
	L7007	EXCELD35C	BEAD CHOKE	1	
	L7008	EXCELD35C	BEAD CHOKE	1	
	L7010	EXCELD35C	BEAD CHOKE	1	
	L7012	EXCELD35C	BEAD CHOKE	1	
	L7019	EXCELD35C	BEAD CHOKE	1	
	L7032	G0A100GA0013	CHOKE COIL	1	
	L7033	G0A100GA0013	CHOKE COIL	1	
	L7114	EXCELD35C	BEAD CHOKE	1	
	L8001	J0JHC0000045	CHIP INDUCTOR	1	
	L8002	J0JHC0000045	CHIP INDUCTOR	1	
	L8003	J0JHC0000045	CHIP INDUCTOR	1	
	L8004	J0JHC0000045	CHIP INDUCTOR	1	

Safety	Ref. No.	Part No.	Part Name & Description	Pcs	Remarks
	L8005	J0JHC0000045	CHIP INDUCTOR	1	
	L8006	ERJ3GEY0R00	M 0 OHM, 1/16W	1	
	L8007	J0JHC0000045	CHIP INDUCTOR	1	
	L8008	J0JHC0000045	CHIP INDUCTOR	1	
	L8009	J0JHC0000045	CHIP INDUCTOR	1	
	L8010	J0JHC0000045	CHIP INDUCTOR	1	
	L8301	J0JHC0000045	CHIP INDUCTOR	1	
	L8302	J0JHC0000045	CHIP INDUCTOR	1	
	L8303	J0JHC0000045	CHIP INDUCTOR	1	
	L8304	G1CR22JA0020	INDUCTION COIL	1	
	L8305	G1CR22JA0020	INDUCTION COIL	1	
	L8306	G1CR39JA0020	INDUCTION COIL	1	PAVCA
	L8307	J0JHC0000045	CHIP INDUCTOR	1	
	L8308	J0JHC0000045	CHIP INDUCTOR	1	
	L8309	J0JHC0000045	CHIP INDUCTOR	1	
	L8310	J0JHC0000045	CHIP INDUCTOR	1	
	L8311	G1CR39JA0020	INDUCTION COIL	1	PAVCA
	L8312	G1CR39JA0020	INDUCTION COIL	1	PAVCA
	L8500	J0JCC0000241	CHIP INDUCTOR	1	
	L8507	J0JHC0000045	CHIP INDUCTOR	1	
	L8509	J0JAC0000006	CHIP INDUCTOR	1	
△	LF7001	G0B103H00002	CHOKE COIL	1	
△	LF7002	G0B103H00002	CHOKE COIL	1	
△	LF7003	G0B103H00002	CHOKE COIL	1	
△	LF7005	ELF17N007A	LINE FILTER	1	PAVCA
	P1	K1KA02B00295	2P CONNECTOR	1	PAVCA
	P2	K1KA08AA0192	8P CONNECTOR	1	
	P5	K1KA02A00676	2P CONNECTOR	1	
	P6	K1KY23AA0606	23P CONNECTOR	1	
	P7	K1KY23AA0606	23P CONNECTOR	1	
	PA7001	B1ZAZ0000016	TRANSISTOR	1	
△	PC7000	CNC1S171R	IC	1	
△	PC7001	CNC1S171R	IC	1	
	Q1006	2SD0601ARL	TRANSISTOR	1	
	Q1110	2SD0601ARL	TRANSISTOR	1	
	Q2033	2SD0601ARL	TRANSISTOR	1	
	Q2035	2SD0601ARL	TRANSISTOR	1	
	Q2036	2SD0601ARL	TRANSISTOR	1	
	Q2040	2SD0601ARL	TRANSISTOR	1	
	Q2063	2SD0601ARL	TRANSISTOR	1	
	Q2064	2SD0601ARL	TRANSISTOR	1	
	Q2065	2SB0709ARL	TRANSISTOR	1	
	Q2502	2SB0709ARL	TRANSISTOR	1	
	Q3123	2SD0601ARL	TRANSISTOR	1	
	Q3124	2SD0601ARL	TRANSISTOR	1	
	Q3125	2SB0709ARL	TRANSISTOR	1	
	Q4201	2SD0601ARL	TRANSISTOR	1	
	Q4202	2SB0709ARL	TRANSISTOR	1	
	Q4203	2SD0601ARL	TRANSISTOR	1	
	Q4204	2SC39380QL	TRANSISTOR	1	
	Q4205	2SD0601ARL	TRANSISTOR	1	
	Q4206	2SC39380QL	TRANSISTOR	1	
	Q4207	2SD0601ARL	TRANSISTOR	1	
	Q4500	2SD0601ARL	TRANSISTOR	1	
	Q4501	2SD0601ARL	TRANSISTOR	1	
	Q4502	2SD0601ARL	TRANSISTOR	1	
	Q4503	2SD0601ARL	TRANSISTOR	1	
	Q4514	2SB0709ARL	TRANSISTOR	1	
	Q4515	2SB0709ARL	TRANSISTOR	1	
	Q4516	2SB0709ARL	TRANSISTOR	1	
	Q4517	2SB0709ARL	TRANSISTOR	1	
	Q4601	2SD0601ARL	TRANSISTOR	1	
	Q4602	2SD0601ARL	TRANSISTOR	1	
	Q4700	2SD0601ARL	TRANSISTOR	1	
	Q5600	B1MBEDA00015	FET	1	
	Q5601	B1MBDDA00003	FET	1	
	Q5602	B1MBDDA00003	FET	1	
	Q5603	B1ABCF000231	TRANSISTOR	1	

Safety	Ref. No.	Part No.	Part Name & Description	Pcs	Remarks
	Q5604	B1ABCF000231	TRANSISTOR	1	
	Q5712	2SB0709ARL	TRANSISTOR	1	
	Q5713	2SD0601ARL	TRANSISTOR	1	
	Q7000	2SB0709ARL	TRANSISTOR	1	
	Q7001	2SD0601ARL	TRANSISTOR	1	
	Q7003	B1DHCD000023	FET	1	
	Q7004	2SD0601ARL	TRANSISTOR	1	
	Q7005	B1CERQ000041	FET	1	PAVCA
	Q7006	B1CEPU000003	FET	1	PAVCA
	Q7008	B1DHDD000028	FET	1	PAVCA
	Q7009	2SD0601ARL	TRANSISTOR	1	
	Q7010	2SD0601ARL	TRANSISTOR	1	
	Q7011	2SD0601ARL	TRANSISTOR	1	
	Q7012	2SB0709ARL	TRANSISTOR	1	
	Q7022	2SB0709ARL	TRANSISTOR	1	
	Q7025	B1DHDD000028	FET	1	PAVCA
	Q7026	2SD0601ARL	TRANSISTOR	1	
	Q7052	2SD0602ASL	TRANSISTOR	1	
	Q8300	2SB0709ARL	TRANSISTOR	1	
	R1008	ERJ3GEYJ223	M 22KOHM, J, 1/16W	1	
	R1010	ERJ3GEYJ223	M 22KOHM, J, 1/16W	1	
	R1022	D1BB60400001	M 604 OHM, 1/10W	1	
	R1028	ERJ3GEYJ470	M 47 OHM, J, 1/16W	1	
	R1029	DOGB102JA041	M 1KOHM, J, 1/16W	1	
	R1104	ERJ2GEJ473	M 47KOHM, J, 0.063W	1	
	R1134	ERJ2GEJ101	M 100 OHM, J, 0.063W	1	
	R1140	ERJ2GEJ473	M 47KOHM, J, 0.063W	1	
	R1146	ERJ2GEJ102X	M 1KOHM, J, 0.063W	1	
	R1153	ERJ2GEJ821	M 820 OHM, J, 0.063W	1	
	R1157	ERJ2GEJ473	M 47KOHM, J, 0.063W	1	
	R1162	ERJ2GEJ101	M 100 OHM, J, 0.063W	1	
	R1164	ERJ2GEJ103	M 10KOHM, J, 0.063W	1	
	R1166	ERJ2GEJ104	M 100KOHM, J, 0.063W	1	
	R1169	ERJ2GEJ683	M 68KOHM, J, 0.063W	1	
	R1170	ERJ2GEJ333	M 33KOHM, J, 0.063W	1	
	R1171	ERJ2GEJ683	M 68KOHM, J, 0.063W	1	
	R1172	ERJ2GEJ223	M 22KOHM, J, 0.063W	1	
	R1174	ERJ2GEJ220	M 22 OHM, J, 0.063W	1	
	R1175	ERJ2GEJ220	M 22 OHM, J, 0.063W	1	
	R1179	ERJ2GEJ101	M 100 OHM, J, 0.063W	1	
	R1181	ERJ2GEJ101	M 100 OHM, J, 0.063W	1	
	R1182	ERJ2GEJ273	M 27KOHM, J, 0.063W	1	
	R1183	ERJ2GEJ220	M 22 OHM, J, 0.063W	1	
	R1184	ERJ2GEJ220	M 22 OHM, J, 0.063W	1	
	R1194	ERJ2GEJ683	M 68KOHM, J, 0.063W	1	
	R1196	ERJ2GEJ473	M 47KOHM, J, 0.063W	1	
	R1197	ERJ2GEJ473	M 47KOHM, J, 0.063W	1	
	R1200	ERJ2GEJ472	M 4.7KOHM, J, 0.063W	1	
	R1201	ERJ2GEJ472	M 4.7KOHM, J, 0.063W	1	
	R1203	ERJ2GEJ473	M 47KOHM, J, 0.063W	1	

Safety	Ref. No.	Part No.	Part Name & Description	Pcs	Remarks
	R1205	ERJ2GEJ220	M 22 OHM, J, 0.063W	1	
	R1206	ERJ2GEJ220	M 22 OHM, J, 0.063W	1	
	R1208	ERJ2GEJ473	M 47KOHM, J, 0.063W	1	
	R1209	ERJ2GEJ473	M 47KOHM, J, 0.063W	1	
	R1211	ERJ2GEJ473	M 47KOHM, J, 0.063W	1	
	R1213	ERJ2GEJ473	M 47KOHM, J, 0.063W	1	
	R1214	ERJ2GEJ104	M 100KOHM, J, 0.063W	1	
	R1215	ERJ2GEJ103	M 10KOHM, J, 0.063W	1	
	R1216	ERJ2GEJ103	M 10KOHM, J, 0.063W	1	
	R1217	ERJ2GEJ104	M 100KOHM, J, 0.063W	1	
	R1218	ERJ2GEJ103	M 10KOHM, J, 0.063W	1	
	R1219	ERJ2GEJ103	M 10KOHM, J, 0.063W	1	
	R1220	ERJ2GEJ103	M 10KOHM, J, 0.063W	1	
	R1221	D1BB7151A055	M7.15KOHM, 1/10W	1	
	R1222	ERJ2GEJ473	M 47KOHM, J, 0.063W	1	
	R1229	ERJ2GEJ101	M 100 OHM, J, 0.063W	1	
	R1230	ERJ2GEJ473	M 47KOHM, J, 0.063W	1	
	R1231	ERJ2GEJ473	M 47KOHM, J, 0.063W	1	
	R1232	ERJ2GEJ473	M 47KOHM, J, 0.063W	1	
	R1236	ERJ2GEJ473	M 47KOHM, J, 0.063W	1	
	R1237	ERJ2GEJ102X	M 1KOHM, J, 0.063W	1	
	R1238	ERJ2GEJ473	M 47KOHM, J, 0.063W	1	
	R1243	ERJ2GEJ473	M 47KOHM, J, 0.063W	1	
	R1247	ERJ2GEJ473	M 47KOHM, J, 0.063W	1	
	R1251	ERJ2GEJ473	M 47KOHM, J, 0.063W	1	
	R1252	ERJ2GEJ473	M 47KOHM, J, 0.063W	1	
	R1255	ERJ2GEJ102X	M 1KOHM, J, 0.063W	1	
	R1256	ERJ2GEJ182	M 1.8KOHM, J, 0.063W	1	
	R1257	ERJ2GEJ473	M 47KOHM, J, 0.063W	1	
	R1258	DOYAR0000007	M 0.0 OHM, J, 0.063W	1	
	R1259	DOYAR0000007	M 0.0 OHM, J, 0.063W	1	
	R1500	ERJ2GEJ182	M 1.8KOHM, J, 0.063W	1	
	R2008	ERJ2GEJ331	M 330 OHM, J, 0.063W	1	
	R2009	ERJ2GEJ331	M 330 OHM, J, 0.063W	1	
	R2010	ERJ2GEJ331	M 330 OHM, J, 0.063W	1	
	R2012	ERJ2GEJ220	M 22 OHM, J, 0.063W	1	
	R2056	ERJ2GEJ220	M 22 OHM, J, 0.063W	1	
	R2057	ERJ2GEJ220	M 22 OHM, J, 0.063W	1	
	R2058	ERJ2GEJ821	M 820 OHM, J, 0.063W	1	
	R2059	ERJ2GEJ105	M 1MOHM, J, 0.063W	1	
	R2060	ERJ2GEJ680	M 68 OHM, J, 0.063W	1	

Safety	Ref. No.	Part No.	Part Name & Description	Pcs	Remarks
	R2098	ERJ2GEJ103	M 10KOHM, J,0.063W	1	
	R2099	ERJ2GEJ103	M 10KOHM, J,0.063W	1	
	R2100	D1BB2002A055	M 20KOHM, 1/10W	1	
	R2104	D1BB2001A055	M 2KOHM, 1/10W	1	
	R2106	ERJ2GEJ101	M 100 OHM, J,0.063W	1	
	R2107	ERJ2GEJ101	M 100 OHM, J,0.063W	1	
	R2108	ERJ2GEJ105	M 1MOHM, J,0.063W	1	
	R2109	ERJ2GEJ274	M 270KOHM, J,0.063W	1	
	R2110	ERJ2GEJ103	M 10KOHM, J,0.063W	1	
	R2111	ERJ2GEJ101	M 100 OHM, J,0.063W	1	
	R2113	D1BB1203A055	M 120KOHM, 1/10W	1	
	R2114	D1BB7502A055	M 75KOHM, 1/10W	1	
	R2115	ERJ2GEJ103	M 10KOHM, J,0.063W	1	
	R2116	ERJ2GEJ473	M 47KOHM, J,0.063W	1	
	R2117	ERJ2GEJ473	M 47KOHM, J,0.063W	1	
	R2118	ERJ8GEYJ472	M 4.7KOHM, J,1/8W	1	
	R2119	ERJ2GEJ184	M 180KOHM, J,0.063W	1	
	R2120	ERJ2GEJ473	M 47KOHM, J,0.063W	1	
	R2121	ERJ2GEJ473	M 47KOHM, J,0.063W	1	
	R2122	ERJ2GEJ102X	M 1KOHM, J,0.063W	1	
	R2124	ERJ2GEJ103	M 10KOHM, J,0.063W	1	
	R2125	ERJ2GEJ222	M 2.2KOHM, J,0.063W	1	
	R2128	DOYAR0000007	M 0.0 OHM, J,0.063W	1	
	R2129	DOYAR0000007	M 0.0 OHM, J,0.063W	1	
	R2135	ERJ2GEJ562	M 5.6KOHM, J,0.063W	1	
	R2136	ERJ2GEJ104	M 100KOHM, J,0.063W	1	
	R2137	ERJ2GEJ223	M 22KOHM, J,0.063W	1	
	R2143	ERJ2GEJ473	M 47KOHM, J,0.063W	1	
	R2144	ERJ2GEJ473	M 47KOHM, J,0.063W	1	
	R2147	ERJ2GEJ473	M 47KOHM, J,0.063W	1	
	R2150	D1BB2802A055	M 28KOHM, 1/10W	1	
	R2151	D1BB2802A055	M 28KOHM, 1/10W	1	
	R2152	ERJ2GEJ101	M 100 OHM, J,0.063W	1	
	R2155	ERJ2GEJ103	M 10KOHM, J,0.063W	1	
	R2162	ERJ2GEJ103	M 10KOHM, J,0.063W	1	
	R2163	ERJ2GEJ103	M 10KOHM, J,0.063W	1	
	R2164	ERJ2GEJ102X	M 1KOHM, J,0.063W	1	
	R2271	EXB28V220J	RESISTOR ARRAY	1	
	R2272	EXB28VR000X	RESISTOR ARRAY	1	
	R2306	DOYAR0000007	M 0.0 OHM, J,0.063W	1	
	R2308	ERJ8GEYJ3R3V	M 3.3 OHM, J,1/8W	1	
	R2311	ERJ8GEYJ3R3V	M 3.3 OHM, J,1/8W	1	
	R2313	ERJ8GEYJ3R3V	M 3.3 OHM, J,1/8W	1	
	R2315	ERJ8GEYJ3R3V	M 3.3 OHM, J,1/8W	1	

Safety	Ref. No.	Part No.	Part Name & Description	Pcs	Remarks
	R2317	DOYAR0000007	M 0.0 OHM, J,0.063W	1	
	R2325	DOYAR0000007	M 0.0 OHM, J,0.063W	1	
	R2501	ERJ2GEJ223	M 22KOHM, J,0.063W	1	
	R2505	ERJ2GED563X	M 56KOHM, J,0.063W	1	
	R2506	ERJ2GEJ223	M 22KOHM, J,0.063W	1	
	R2507	DOYAR0000007	M 0.0 OHM, J,0.063W	1	
	R2509	DOYAR0000007	M 0.0 OHM, J,0.063W	1	
	R2510	DOYAR0000007	M 0.0 OHM, J,0.063W	1	
	R2514	DOYAR0000007	M 0.0 OHM, J,0.063W	1	
	R2515	DOYAR0000007	M 0.0 OHM, J,0.063W	1	
	R2518	DOYAR0000007	M 0.0 OHM, J,0.063W	1	
	R2522	ERJ2GEJ104	M 100KOHM, J,0.063W	1	
	R2523	ERJ2GEJ103	M 10KOHM, J,0.063W	1	
	R2524	ERJ2GED563X	M 56KOHM, J,0.063W	1	
	R2526	ERJ2GED563X	M 56KOHM, J,0.063W	1	
	R2528	ERJ2GEJ103	M 10KOHM, J,0.063W	1	
	R2529	ERJ2GEJ561	M 60 OHM, J,0.063W	1	
	R2530	ERJ2GEJ474	M 470KOHM, J,0.063W	1	
	R2531	ERJ2GEJ101	M 100 OHM, J,0.063W	1	
	R2532	ERJ2GEJ474	M 470KOHM, J,0.063W	1	
	R2533	ERJ2GEJ101	M 100 OHM, J,0.063W	1	
	R2534	ERJ2GEJ103	M 10KOHM, J,0.063W	1	
	R2536	D0GB102JA057	M 1KOHM, J,1/16W	1	
	R2832	DOYAR0000007	M 0.0 OHM, J,0.063W	1	
	R2834	DOYAR0000007	M 0.0 OHM, J,0.063W	1	
	R2835	DOYAR0000007	M 0.0 OHM, J,0.063W	1	
	R2836	DOYAR0000007	M 0.0 OHM, J,0.063W	1	
	R2837	DOYAR0000007	M 0.0 OHM, J,0.063W	1	
	R2846	DOYAR0000007	M 0.0 OHM, J,0.063W	1	
	R2848	D0GDR00Z0002	M 0 OHM, 1/10W	1	
	R3017	ERJ2GEJ221	M 220 OHM, J,0.063W	1	
	R3019	ERJ2GEJ221	M 220 OHM, J,0.063W	1	
	R3021	ERJ2GEJ221	M 220 OHM, J,0.063W	1	
	R3022	ERJ2GEJ102X	M 1KOHM, J,0.063W	1	
	R3023	ERJ2GEJ221	M 220 OHM, J,0.063W	1	
	R3026	ERJ2GEJ103	M 10KOHM, J,0.063W	1	
	R3028	ERJ2GEJ220	M 22 OHM, J,0.063W	1	
	R3029	ERJ2GEJ220	M 22 OHM, J,0.063W	1	
	R3032	ERJ2GEJ680	M 68 OHM, J,0.063W	1	
	R3034	ERJ2GEJ680	M 68 OHM, J,0.063W	1	
	R3049	ERJ2GEJ221	M 220 OHM, J,0.063W	1	

Safety	Ref. No.	Part No.	Part Name & Description	Pcs	Remarks
	R3050	ERJ2GEJ221	M 220 OHM, J, 0.063W	1	
	R3051	ERJ2GEJ182	M 1.8KOHM, J, 0.063W	1	
	R3052	ERJ2GEJ182	M 1.8KOHM, J, 0.063W	1	
	R3058	ERJ2GEJ221	M 220 OHM, J, 0.063W	1	
	R3059	ERJ2GEJ221	M 220 OHM, J, 0.063W	1	
	R3060	ERJ2GEJ221	M 220 OHM, J, 0.063W	1	
	R3061	ERJ2GEJ221	M 220 OHM, J, 0.063W	1	
	R3064	ERJ2GEJ221	M 220 OHM, J, 0.063W	1	
	R3065	ERJ2GEJ221	M 220 OHM, J, 0.063W	1	
	R3066	ERJ2GEJ221	M 220 OHM, J, 0.063W	1	
	R3067	ERJ2GEJ221	M 220 OHM, J, 0.063W	1	
	R3068	ERJ2GEJ221	M 220 OHM, J, 0.063W	1	
	R3069	ERJ2GEJ221	M 220 OHM, J, 0.063W	1	
	R3070	ERJ2GEJ221	M 220 OHM, J, 0.063W	1	
	R3071	ERJ2GEJ221	M 220 OHM, J, 0.063W	1	
	R3077	ERJ2GEJ221	M 220 OHM, J, 0.063W	1	
	R3084	ERJ2GEJ102X	M 1KOHM, J, 0.063W	1	
	R3087	ERJ2GEJ221	M 220 OHM, J, 0.063W	1	
	R3089	ERJ2GEJ221	M 220 OHM, J, 0.063W	1	
	R3091	ERJ2GEJ221	M 220 OHM, J, 0.063W	1	
	R3093	ERJ2GEJ221	M 220 OHM, J, 0.063W	1	
	R3095	ERJ2GEJ221	M 220 OHM, J, 0.063W	1	
	R3096	DOYAR0000007	M 0.0 OHM, J, 0.063W	1	
	R3097	ERJ2GEJ221	M 220 OHM, J, 0.063W	1	
	R3117	ERJ6RED750	M 75 OHM, 1/10W	1	
	R3119	ERJ6RED750	M 75 OHM, 1/10W	1	
	R3121	ERJ6RED750	M 75 OHM, 1/10W	1	
	R3123	ERJ6RED750	M 75 OHM, 1/10W	1	
	R3145	DOGD101JA036	M 100 OHM, J, 0.25W	1	
	R3146	ERJ2GEJ184	M 180KOHM, J, 0.063W	1	
	R3147	DOGD101JA036	M 100 OHM, J, 0.25W	1	
	R3148	ERJ2GEJ184	M 180KOHM, J, 0.063W	1	
	R3149	ERJ2GEJ101	M 100 OHM, J, 0.063W	1	
	R3150	ERJ2GEJ101	M 100 OHM, J, 0.063W	1	
	R3151	ERJ2GEJ105	M 1MOHM, J, 0.063W	1	
	R3152	ERJ2GEJ473	M 47KOHM, J, 0.063W	1	
	R3153	ERJ2GEJ102X	M 1KOHM, J, 0.063W	1	
	R3154	ERJ2GEJ274	M 270KOHM, J, 0.063W	1	
	R3155	ERJ2GEJ560	M 56 OHM, J, 0.063W	1	
	R3164	ERJ2GEJ184	M 180KOHM, J, 0.063W	1	
	R3165	ERJ2GEJ184	M 180KOHM, J, 0.063W	1	
	R3166	ERJ2GEJ184	M 180KOHM, J, 0.063W	1	

Safety	Ref. No.	Part No.	Part Name & Description	Pcs	Remarks
	R3167	ERJ2GEJ184	M 180KOHM, J, 0.063W	1	
	R3168	ERJ2GEJ184	M 180KOHM, J, 0.063W	1	
	R3169	ERJ2GEJ184	M 180KOHM, J, 0.063W	1	
	R3170	ERJ2GEJ184	M 180KOHM, J, 0.063W	1	
	R3171	ERJ2GEJ184	M 180KOHM, J, 0.063W	1	
	R3174	ERJ2GEJ103	M 10KOHM, J, 0.063W	1	
	R3175	ERJ6RED750	M 75 OHM, 1/10W	1	
	R3176	ERJ6RED750	M 75 OHM, 1/10W	1	
	R3178	ERJ6RED750	M 75 OHM, 1/10W	1	
	R3179	ERJ6RED750	M 75 OHM, 1/10W	1	
	R3180	ERJ6RED750	M 75 OHM, 1/10W	1	
	R3182	ERJ6RED750	M 75 OHM, 1/10W	1	
	R3708	DOGDR00Z0002	M 0 OHM, 1/10W	1	
	R3709	DOGDR00Z0002	M 0 OHM, 1/10W	1	
	R4079	D1HG5608A002	NETWORK RESISTER	1	
	R4081	D1HG5608A002	NETWORK RESISTER	1	
	R4089	D1HG5608A002	NETWORK RESISTER	1	
	R4090	D1HG5608A002	NETWORK RESISTER	1	
	R4091	D1HG5608A002	NETWORK RESISTER	1	
	R4168	EXB2HV473JV	RESISTOR ARRAY	1	
	R4225	ERJ2GEJ680	M 68 OHM, J, 0.063W	1	
	R4270	ERJ2GEJ680	M 68 OHM, J, 0.063W	1	
	R4302	ERJ2GEJ473	M 47KOHM, J, 0.063W	1	
	R4307	ERJ2GEJ473	M 47KOHM, J, 0.063W	1	
	R4308	ERJ2GEJ103	M 10KOHM, J, 0.063W	1	
	R4309	ERJ2GEJ103	M 10KOHM, J, 0.063W	1	
	R4310	ERJ2GEJ102X	M 1KOHM, J, 0.063W	1	
	R4311	ERJ2GEJ473	M 47KOHM, J, 0.063W	1	
	R4312	ERJ2GEJ302	M 3KOHM, J, 0.063W	1	
	R4315	ERJ2GEJ102X	M 1KOHM, J, 0.063W	1	
	R4316	ERJ2GEJ102X	M 1KOHM, J, 0.063W	1	
	R4317	ERJ2GEJ103	M 10KOHM, J, 0.063W	1	
	R4318	ERJ2GEJ103	M 10KOHM, J, 0.063W	1	
	R4319	ERJ2GEJ473	M 47KOHM, J, 0.063W	1	
	R4320	ERJ2GEJ103	M 10KOHM, J, 0.063W	1	
	R4321	ERJ2GEJ102X	M 1KOHM, J, 0.063W	1	
	R4322	ERJ2GEJ103	M 10KOHM, J, 0.063W	1	
	R4323	ERJ2GEJ473	M 47KOHM, J, 0.063W	1	
	R4324	ERJ2GEJ473	M 47KOHM, J, 0.063W	1	
	R4325	ERJ6ENF5111	M5.11KOHM, 1/10W	1	
	R4326	ERJ6ENF4871	M4.87KOHM, 1/10W	1	
	R4327	ERJ2RKF3001	M 3KOHM, 0.063W	1	
	R4328	ERJ2GEJ102X	M 1KOHM, J, 0.063W	1	
	R4329	ERJ2RKF3901	M 3.9KOHM, 0.063W	1	
	R4330	ERJ2GEJ100	M 10 OHM, J, 0.063W	1	
	R4333	ERJ2GEJ473	M 47KOHM, J, 0.063W	1	
	R4334	ERJ2GEJ103	M 10KOHM, J, 0.063W	1	
	R4336	ERJ2GEJ103	M 10KOHM, J, 0.063W	1	

Safety	Ref. No.	Part No.	Part Name & Description	Pcs	Remarks
	R4339	DOYAR0000007	M 0.0 OHM, J,0.063W	1	
	R4340	ERJ2GEJ103	M 10KOHM, J,0.063W	1	
	R4343	DOYAR0000007	M 0.0 OHM, J,0.063W	1	
	R4344	ERJ2GEJ223	M 22KOHM, J,0.063W	1	
	R4345	ERJ2GEJ223	M 22KOHM, J,0.063W	1	
	R4346	DOYAR0000007	M 0.0 OHM, J,0.063W	1	
	R4347	ERJ2GEJ473	M 47KOHM, J,0.063W	1	
	R4351	DOYAR0000007	M 0.0 OHM, J,0.063W	1	
	R4358	DOYAR0000007	M 0.0 OHM, J,0.063W	1	
	R4367	D1HG8208A002	NETWORK RESISTER	1	
	R4368	D1HG8208A002	NETWORK RESISTER	1	
	R4369	D1HG8208A002	NETWORK RESISTER	1	
	R4500	ERJ2GEJ103	M 10KOHM, J,0.063W	1	
	R4501	ERJ2GEJ103	M 10KOHM, J,0.063W	1	
	R4502	ERJ2RKD330	M 33 OHM, J,0.063W	1	
	R4503	ERJ2RKD330	M 33 OHM, J,0.063W	1	
	R4524	DOYAR0000007	M 0.0 OHM, J,0.063W	1	
	R4525	DOYAR0000007	M 0.0 OHM, J,0.063W	1	
	R4526	ERJ2GEJ102X	M 1KOHM, J,0.063W	1	
	R4527	ERJ2GEJ102X	M 1KOHM, J,0.063W	1	
	R4528	ERJ2GEJ103	M 10KOHM, J,0.063W	1	
	R4530	ERJ2GEJ103	M 10KOHM, J,0.063W	1	
	R4532	ERJ2GEJ103	M 10KOHM, J,0.063W	1	
	R4533	ERJ2GEJ103	M 10KOHM, J,0.063W	1	
	R4538	ERJ2GEJ473	M 47KOHM, J,0.063W	1	
	R4540	ERJ2GEJ473	M 47KOHM, J,0.063W	1	
	R4552	ERJ2GEJ220	M 22 OHM, J,0.063W	1	
	R4587	D1BB60400001	M 604 OHM, 1/10W	1	
	R4588	ERJ3EKF8060	M 806 OHM, 1/16W	1	
	R4589	ERJ3EKF8060	M 806 OHM, 1/16W	1	
	R4592	ERJ3EKF8060	M 806 OHM, 1/16W	1	
	R4593	D1BB2201A055	M 2.2KOHM, 1/10W	1	
	R4596	ERJ6GEYG102	M 1KOHM, J,1/10W	1	
	R4597	ERJ6GEYG102	M 1KOHM, J,1/10W	1	
	R4598	ERJ6GEYG102	M 1KOHM, J,1/10W	1	
	R4600	ERJ2GEJ680	M 68 OHM, J,0.063W	1	
	R4601	ERJ6GEYG102	M 1KOHM, J,1/10W	1	
	R4603	ERJ2GEJ680	M 68 OHM, J,0.063W	1	
	R4604	ERJ2GEJ680	M 68 OHM, J,0.063W	1	
	R4606	D1BB9101A055	M 9.1KOHM, 1/10W	1	
	R4609	ERJ2GEJ680	M 68 OHM, J,0.063W	1	
	R4610	ERJ2GEJ680	M 68 OHM, J,0.063W	1	
	R4611	D1BB5601A055	M 5.6KOHM, 1/10W	1	
	R4613	DOYAR0000007	M 0.0 OHM, J,0.063W	1	
	R4616	ERJ2GEJ680	M 68 OHM, J,0.063W	1	
	R4621	DOYAR0000007	M 0.0 OHM, J,0.063W	1	
	R4626	D1BB2200A055	M 220 OHM, 1/10W	1	

Safety	Ref. No.	Part No.	Part Name & Description	Pcs	Remarks
	R4627	D1BB2200A055	M 220 OHM, 1/10W	1	
	R4631	D1BB4990A055	M 499 OHM, 1/10W	1	
	R4634	D1BB2200A055	M 220 OHM, 1/10W	1	
	R4635	EXB28V680JX	RESISTOR ARRAY	1	
	R4636	ERJ2GEJ680	M 68 OHM, J,0.063W	1	
	R4637	ERJ2GEJ680	M 68 OHM, J,0.063W	1	
	R4638	ERJ2GEJ680	M 68 OHM, J,0.063W	1	
	R4639	EXB28V680JX	RESISTOR ARRAY	1	
	R4640	EXB28V680JX	RESISTOR ARRAY	1	
	R4643	ERJ2GEJ103	M 10KOHM, J,0.063W	1	
	R4645	ERJ2GEJ680	M 68 OHM, J,0.063W	1	
	R4646	ERJ2GEJ680	M 68 OHM, J,0.063W	1	
	R4647	ERJ2GEJ103	M 10KOHM, J,0.063W	1	
	R4648	EXB28V330J	RESISTOR ARRAY	1	
	R4649	EXB28V680JX	RESISTOR ARRAY	1	
	R4650	ERJ2GEJ680	M 68 OHM, J,0.063W	1	
	R4651	ERJ2GEJ680	M 68 OHM, J,0.063W	1	
	R4652	ERJ2GEJ473	M 47KOHM, J,0.063W	1	
	R4654	ERJ2GEJ103	M 10KOHM, J,0.063W	1	
	R4656	ERJ2GEJ222	M 2.2KOHM, J,0.063W	1	
	R4657	ERJ2GEJ220	M 22 OHM, J,0.063W	1	
	R4658	ERJ2GEJ220	M 22 OHM, J,0.063W	1	
	R4665	ERJ2GEJ473	M 47KOHM, J,0.063W	1	
	R4666	ERJ2GEJ473	M 47KOHM, J,0.063W	1	
	R4670	ERJ2GEJ680	M 68 OHM, J,0.063W	1	
	R4672	DOYAR0000007	M 0.0 OHM, J,0.063W	1	
	R4673	DOYAR0000007	M 0.0 OHM, J,0.063W	1	
	R4678	EXB28V680JX	RESISTOR ARRAY	1	
	R4679	EXB28V680JX	RESISTOR ARRAY	1	
	R4700	ERJ2GEJ680	M 68 OHM, J,0.063W	1	
	R4701	ERJ2GEJ473	M 47KOHM, J,0.063W	1	
	R4702	ERJ2GEJ473	M 47KOHM, J,0.063W	1	
	R4703	ERJ2GEJ473	M 47KOHM, J,0.063W	1	
	R4704	ERJ2GEJ473	M 47KOHM, J,0.063W	1	
	R4705	ERJ2GEJ473	M 47KOHM, J,0.063W	1	
	R4706	ERJ2GEJ473	M 47KOHM, J,0.063W	1	
	R4709	ERJ2GEJ103	M 10KOHM, J,0.063W	1	
	R4710	ERJ2GEJ103	M 10KOHM, J,0.063W	1	
	R4715	ERJ2RKD330	M 33 OHM, J,0.063W	1	
	R4728	DOYAR0000007	M 0.0 OHM, J,0.063W	1	
	R4731	ERJ2GEJ473	M 47KOHM, J,0.063W	1	
	R4732	ERJ2GEJ103	M 10KOHM, J,0.063W	1	
	R4733	ERJ2GEJ472	M 4.7KOHM, J,0.063W	1	
	R4734	ERJ2GEJ472	M 4.7KOHM, J,0.063W	1	
	R4735	ERJ2GEJ473	M 47KOHM, J,0.063W	1	

Safety	Ref. No.	Part No.	Part Name & Description	Pcs	Remarks
	R4736	DOYAR0000007	M 0.0 OHM, J, 0.063W	1	
	R4737	DOYAR0000007	M 0.0 OHM, J, 0.063W	1	
	R4738	ERJ2GEJ102X	M 1KOHM, J, 0.063W	1	
	R4739	ERJ2GEJ103	M 10KOHM, J, 0.063W	1	
	R4740	ERJ2GEJ103	M 10KOHM, J, 0.063W	1	
	R4877	ERJ2GEJ220	M 22 OHM, J, 0.063W	1	
	R4878	ERJ2GEJ220	M 22 OHM, J, 0.063W	1	
	R5058	ERJ2GEJ103	M 10KOHM, J, 0.063W	1	
	R5069	ERJ2GEJ103	M 10KOHM, J, 0.063W	1	
	R5137	ERJ2GEJ103	M 10KOHM, J, 0.063W	1	
	R5600	ERJ2GEJ680	M 68 OHM, J, 0.063W	1	
	R5601	ERJ3GEY0R00	M 0 OHM, 1/16W	1	
	R5602	DOYAR0000007	M 0.0 OHM, J, 0.063W	1	
	R5603	DOYAR0000007	M 0.0 OHM, J, 0.063W	1	
	R5604	D1BB4702A055	M 47KOHM, 1/10W	1	
	R5605	D1BB1272A055	M 12.7KOHM, 1/10W	1	
	R5606	DOYAR0000007	M 0.0 OHM, J, 0.063W	1	
	R5607	DOYAR0000007	M 0.0 OHM, J, 0.063W	1	
	R5610	ERJ2GEJ104	M 100KOHM, J, 0.063W	1	
	R5611	D1BB4702A055	M 47KOHM, 1/10W	1	
	R5612	D1BB3602A055	M 36KOHM, 1/10W	1	
	R5614	ERJ3GEY0R00	M 0 OHM, 1/16W	1	
	R5616	DOYAR0000007	M 0.0 OHM, J, 0.063W	1	
	R5620	ERJ2GEJ680	M 68 OHM, J, 0.063W	1	
	R5621	D1BB2802A055	M 28KOHM, 1/10W	1	
	R5622	ERJ2GEJ104	M 100KOHM, J, 0.063W	1	
	R5623	D1BB4702A055	M 47KOHM, 1/10W	1	
	R5625	DOYAR0000007	M 0.0 OHM, J, 0.063W	1	
	R5626	DOYAR0000007	M 0.0 OHM, J, 0.063W	1	
	R5627	DOYAR0000007	M 0.0 OHM, J, 0.063W	1	
	R5628	DOYAR0000007	M 0.0 OHM, J, 0.063W	1	
	R5629	D1BB2802A055	M 28KOHM, 1/10W	1	
	R5630	D1BB4752A055	M 47.5KOHM, 1/10W	1	
	R5631	D1BB3602A055	M 36KOHM, 1/10W	1	
	R5632	D1BB3002A055	M 30KOHM, 1/10W	1	
	R5633	D1BB3602A055	M 36KOHM, 1/10W	1	
	R5634	D1BB2802A055	M 28KOHM, 1/10W	1	
	R5635	ERJ2GEJ223	M 22KOHM, J, 0.063W	1	
	R5636	ERJ2GEJ683	M 68KOHM, J, 0.063W	1	
	R5637	DOYAR0000007	M 0.0 OHM, J, 0.063W	1	
	R5638	ERJ2GEJ103	M 10KOHM, J, 0.063W	1	
	R5641	ERJ2GEJ473	M 47KOHM, J, 0.063W	1	
	R5644	ERJ2GEJ222	M 2.2KOHM, J, 0.063W	1	
	R5646	ERJ2GEJ103	M 10KOHM, J, 0.063W	1	
	R5647	ERJ2GEJ473	M 47KOHM, J, 0.063W	1	
	R5706	ERJ2GEJ473	M 47KOHM, J, 0.063W	1	

Safety	Ref. No.	Part No.	Part Name & Description	Pcs	Remarks
	R5711	ERJ2GEJ473	M 47KOHM, J, 0.063W	1	
	R5712	ERJ2GEJ473	M 47KOHM, J, 0.063W	1	
	R5715	ERJ2GEJ473	M 47KOHM, J, 0.063W	1	
	R5717	DOYAR0000007	M 0.0 OHM, J, 0.063W	1	
	R5718	DOYAR0000007	M 0.0 OHM, J, 0.063W	1	
	R5720	DOYAR0000007	M 0.0 OHM, J, 0.063W	1	
	R5722	DOYAR0000007	M 0.0 OHM, J, 0.063W	1	
	R5724	DOYAR0000007	M 0.0 OHM, J, 0.063W	1	
	R5725	DOYAR0000007	M 0.0 OHM, J, 0.063W	1	
	R5727	DOYAR0000007	M 0.0 OHM, J, 0.063W	1	
	R5728	DOYAR0000007	M 0.0 OHM, J, 0.063W	1	
	R5729	ERJ2GEJ473	M 47KOHM, J, 0.063W	1	
	R5747	ERJ2GEJ103	M 10KOHM, J, 0.063W	1	
	R5748	ERJ2GEJ223	M 22KOHM, J, 0.063W	1	
	R5749	ERJ2GEJ473	M 47KOHM, J, 0.063W	1	
	R5755	ERJ2GEJ223	M 22KOHM, J, 0.063W	1	
	R5762	ERJ2GEJ101	M 100 OHM, J, 0.063W	1	
	R5789	DOGDR00Z0002	M 0 OHM, 1/10W	1	
	R5790	DOGDR00Z0002	M 0 OHM, 1/10W	1	
	R5791	DOGDR00Z0002	M 0 OHM, 1/10W	1	
	R5798	ERJ3GEY0R00	M 0 OHM, 1/16W	1	
	R5799	ERJ2GEJ472	M 4.7KOHM, J, 0.063W	1	
	R5800	ERJ2GEJ473	M 47KOHM, J, 0.063W	1	
	R5801	ERJ2GEJ473	M 47KOHM, J, 0.063W	1	
	R5802	ERJ2GEJ472	M 4.7KOHM, J, 0.063W	1	
	R5809	ERJ3GEY0R00	M 0 OHM, 1/16W	1	
	R5810	ERJ3GEY0R00	M 0 OHM, 1/16W	1	
	R5811	ERJ3GEY0R00	M 0 OHM, 1/16W	1	
	R5812	ERJ3GEY0R00	M 0 OHM, 1/16W	1	
	R5813	ERJ3GEY0R00	M 0 OHM, 1/16W	1	
	R5815	ERJ3GEY0R00	M 0 OHM, 1/16W	1	
	R5828	ERJ2GEJ222	M 2.2KOHM, J, 0.063W	1	
	R5829	DOYAR0000007	M 0.0 OHM, J, 0.063W	1	
△	R7000	DOXB106J0003	RESISTOR ARRAY	1	
△	R7001	ERC12ZGK105	S 1MOHM, K, 1/2W	1	
	R7002	ERF2AJ100P	W 10 OHM, J, 2W	1	
	R7003	ERJ6GEYJ100V	M 10 OHM, J, 1/10W	1	
	R7004	ERJ6GEYG104	M 100KOHM, J, 1/10W	1	
	R7005	ERJ6GEYG104	M 100KOHM, J, 1/10W	1	
	R7006	DOGDR4R7JA059	M 4.7 OHM, J, 0.25W	1	PAVCA
	R7007	ERJ6GEYF473	M 47KOHM, J, 1/10W	1	
	R7008	ERJ6GEYG102	M 1KOHM, J, 1/10W	1	
	R7009	ERJ6GEYG332	M 3.3KOHM, J, 1/10W	1	
	R7010	ERJ6GEYG331	M 330 OHM, J, 1/10W	1	
	R7011	ERJ6ENF6801	M 6.8KOHM, 1/10W	1	
	R7012	ERJ6ENF6801	M 6.8KOHM, 1/10W	1	
	R7013	ERJ6GEYJ224	M 220KOHM, J, 1/10W	1	
	R7014	ERJ6GEYJ224	M 220KOHM, J, 1/10W	1	



Safety	Ref. No.	Part No.	Part Name & Description	Pcs	Remarks
	R7015	ER0S2THF5603	M 560KOHM, F,1/4W	1	PAVCA
	R7016	ER0S2THF5603	M 560KOHM, F,1/4W	1	PAVCA
	R7017	ER0S2THF5603	M 560KOHM, F,1/4W	1	PAVCA
	R7018	D1BD1002A044	M10.0KOHM, 1/10W	1	PAVCA
	R7019	ERJ6GEYF473	M 47KOHM,J,1/10W	1	
	R7020	ERJ6GEYF473	M 68 OHM,J,1/10W	1	
	R7021	ERJ6ENF3902	M 39KOHM,J,1/10W	1	
	R7022	ERJ6GEYJ221	M 220 OHM,J,1/10W	1	
	R7023	ERJ6GEYJ223	M 22KOHM,J,1/10W	1	
	R7024	ERJ6GEYF473	M 47KOHM,J,1/10W	1	
	R7025	ERJ6GEYJ220	M 22 OHM,J,1/10W	1	
	R7026	ERJ6GEYF473	M 47KOHM,J,1/10W	1	
	R7027	D0GD103JA036	M 10KOHM,J,0.25W	1	
	R7028	ERJ12YJ473U	M 47KOHM,J, 1/2W	1	PAVCA
	R7029	ERJ6GEYF473	M 47KOHM,J,1/10W	1	
	R7032	ERJ6ENF5602	M 56KOHM, 1/10W	1	
	R7033	ERJ6ENF5602	M 56KOHM, 1/10W	1	
	R7034	ERJ6ENF5602	M 56KOHM, 1/10W	1	
	R7035	ERJ6ENF3001	M 3KOHM, 1/10W	1	
	R7036	ERJ6GEYJ104	M 100KOHM,J,1/10W	1	
	R7037	ERJ6GEYJ224	M 220KOHM,J,1/10W	1	
	R7038	ERJ12YJ470	M 47 OHM, J,1/2W	1	
	R7039	ERJ12YJ221U	M 220 OHM,J, 1/2W	1	
	R7040	D0GD4R7JA059	M 4.7 OHM,J,0.25W	1	PAVCA
	R7041	ERDS2FJ470	C 47 OHM, J,1/4W	1	
	R7043	ERJ6GEYJ153	M 15KOHM,J,1/10W	1	
	R7044	D1BD1002A044	M10.0KOHM, 1/10W	1	PAVCA
	R7046	D0GDR00Z0002	M 0 OHM, 1/10W	1	
	R7047	D0GD103JA036	M 10KOHM,J,0.25W	1	
	R7048	ERJ6GEYJ104	M 1KOHM,J,1/10W	1	
	R7049	ERJ6GEYJ471	M 470 OHM,J,1/10W	1	
	R7050	ERJ6GEYJ100V	M 10 OHM,J,1/10W	1	
	R7053	ERJ6ENF8451	M8.45KOHM, 1/10W	1	
	R7054	ERJ6ENF2201	M 2.2KOHM, 1/10W	1	
	R7056	ERJ6ENF2703	M 270KOHM, 1/10W	1	
	R7057	ERJ6ENF2703	M 270KOHM, 1/10W	1	
	R7058	ERJ6ENF2703	M 270KOHM, 1/10W	1	
	R7059	D0GD103JA036	M 10KOHM,J,0.25W	1	
	R7060	ERJ6GEYJ183	M 18KOHM,J,1/10W	1	
	R7061	ERJ6GEYF473	M 47KOHM,J,1/10W	1	
	R7062	D0GD103JA036	M 10KOHM,J,0.25W	1	
	R7063	ERJ6ENF2703	M 270KOHM, 1/10W	1	
	R7064	ERJ6ENF2703	M 270KOHM, 1/10W	1	
	R7065	ERJ6ENF2703	M 270KOHM, 1/10W	1	
	R7066	ERJ6ENF2703	M 270KOHM, 1/10W	1	
	R7067	ERJ6ENF2703	M 270KOHM, 1/10W	1	
	R7068	ERJ6ENF6802	M 68KOHM, 1/10W	1	
	R7069	D1BD1002A044	M10.0KOHM, 1/10W	1	PAVCA
	R7070	ERJ6GEYF473	M 47KOHM,J,1/10W	1	
	R7071	ERJ6GEYJ224	M 220KOHM,J,1/10W	1	
	R7072	ERJ6GEYJ104	M 100KOHM,J,1/10W	1	
	R7073	ERJ6ENF1213	M 121KOHM, 1/10W	1	
	R7074	ERJ6ENF5602	M 56KOHM, 1/10W	1	
	R7075	ERJ6ENF5602	M 56KOHM, 1/10W	1	
	R7076	ERJ6ENF5602	M 56KOHM, 1/10W	1	
	R7077	ERJ6ENF5602	M 56KOHM, 1/10W	1	
	R7078	ERJ6ENF5602	M 56KOHM, 1/10W	1	
	R7089	ERJ6GEYJ222	M 2.2KOHM,J,1/10W	1	
	R7091	D0GF470JA002	M 47 OHM,J,0.33W	1	
	R7092	ERJ6GEYJ562	M 5.6KOHM,J,1/10W	1	
	R7094	ERJ6GEYJ562	M 5.6KOHM,J,1/10W	1	

Safety	Ref. No.	Part No.	Part Name & Description	Pcs	Remarks
	R7095	ERJ6GEYJ153	M 15KOHM,J,1/10W	1	
	R7096	ERJ6GEYF473	M 47KOHM,J,1/10W	1	
	R7097	D0GD103JA036	M 10KOHM,J,0.25W	1	
	R7098	ERJ6GEYJ102	M 1KOHM,J,1/10W	1	
	R7099	ERJ6GEYJ562	M 5.6KOHM,J,1/10W	1	
	R7100	ERJ6GEYJ562	M 5.6KOHM,J,1/10W	1	
	R7110	D1BD1002A044	M10.0KOHM, 1/10W	1	PAVCA
	R7111	ERJ6ENF6342	M6.34KOHM, 1/10W	1	
	R7113	ERJ6GEYF473	M 47KOHM,J,1/10W	1	
	R7117	ERJ6GEYJ101V	M 100 OHM,J,1/10W	1	
	R7118	ERX1SJR8P	M 1.8 OHM, J, 1W	1	
	R7120	ERJ6GEYJ223	M 22KOHM,J,1/10W	1	
	R7121	ERJ6GEYF333	M 33KOHM,J,1/10W	1	
	R7122	D0GDR00Z0002	M 0 OHM, 1/10W	1	
	R7123	ERJ6GEYF473	M 47KOHM,J,1/10W	1	
	R7125	D0GDR00Z0002	M 0 OHM, 1/10W	1	
	R7126	ERJ6ENF7151	M7.15KOHM, 1/10W	1	
	R7127	ERJ6ENF3012	M30.1KOHM, 1/10W	1	
	R7128	D0GDR00Z0002	M 0 OHM, 1/10W	1	
	R7129	ERX1SJR5P	M 1.5 OHM, J, 1W	1	
	R7130	ERX2SJR22P	M0.22 OHM, J, 2W	1	
	R7131	ERX2SJR33P	M0.33 OHM, J, 2W	1	
	R7132	ERG2SJ104H	M 100KOHM, J, 2W	1	
	R7133	D0GDR00Z0002	M 0 OHM, 1/10W	1	
	R7134	D0GDR00Z0002	M 0 OHM, 1/10W	1	
	R7135	D0GD103JA036	M 10KOHM,J,0.25W	1	
	R7136	D0GDR00Z0002	M 0 OHM, 1/10W	1	
	R7137	ERJ6GEYJ223	M 22KOHM,J,1/10W	1	
	R7138	ERJ6GEYJ153	M 15KOHM,J,1/10W	1	
	R7139	D0GDR00Z0002	M 0 OHM, 1/10W	1	
	R7145	ERJ12YJ473U	M 47KOHM,J, 1/2W	1	PAVCA
	R7146	ERJ12YJ473U	M 47KOHM,J, 1/2W	1	PAVCA
	R7147	ERJ12YJ473U	M 47KOHM,J, 1/2W	1	PAVCA
	R7152	ERJ12YJ471	M 470OHM,J, 1/2W	1	
	R7153	ERJ6GEYJ680	M 68 OHM,J,1/10W	1	
	R7154	ERJ6ENF3742	M37.4KOHM, 1/10W	1	
	R7155	D1BD1002A044	M10.0KOHM, 1/10W	1	PAVCA
	R8001	ERJ2GEJ221	M 220 OHM, J,0.063W	1	
	R8002	ERJ2GEJ560	M 56 OHM, J,0.063W	1	
	R8004	D1BB2402A055	M 24KOHM, 1/10W	1	
	R8005	D1BB1002A055	M 10KOHM, 1/10W	1	
	R8006	D1BB6801A055	M 6.8KOHM, 1/10W	1	
	R8030	ERJ2GEJ101	M 100 OHM, J,0.063W	1	
	R8031	D1BB2700A055	M 270 OHM, 1/10W	1	
	R8032	D1BB2700A055	M 270 OHM, 1/10W	1	
	R8056	ERJ2GEJ470	M 47 OHM, J,0.063W	1	
	R8057	ERJ2GEJ470	M 47 OHM, J,0.063W	1	
	R8058	ERJ2GEJ470	M 47 OHM, J,0.063W	1	
	R8059	ERJ2GEJ470	M 47 OHM, J,0.063W	1	
	R8060	ERJ2GEJ470	M 47 OHM, J,0.063W	1	
	R8061	ERJ2GEJ470	M 47 OHM, J,0.063W	1	
	R8062	ERJ2GEJ470	M 47 OHM, J,0.063W	1	
	R8063	ERJ2GEJ470	M 47 OHM, J,0.063W	1	
	R8064	ERJ2GEJ470	M 47 OHM, J,0.063W	1	
	R8065	ERJ2GEJ470	M 47 OHM, J,0.063W	1	
	R8066	ERJ2GEJ470	M 47 OHM, J,0.063W	1	
	R8067	ERJ2GEJ470	M 47 OHM, J,0.063W	1	
	R8068	ERJ2GEJ470	M 47 OHM, J,0.063W	1	

Safety	Ref. No.	Part No.	Part Name & Description	Pcs	Remarks
	R8069	ERJ2GEJ470	M 47 OHM, J,0.063W	1	
	R8070	ERJ2GEJ470	M 47 OHM, J,0.063W	1	
	R8071	ERJ2GEJ470	M 47 OHM, J,0.063W	1	
	R8072	ERJ2GEJ470	M 47 OHM, J,0.063W	1	
	R8073	ERJ2GEJ470	M 47 OHM, J,0.063W	1	
	R8074	ERJ2GEJ221	M 220 OHM, J,0.063W	1	
	R8075	ERJ2GEJ470	M 47 OHM, J,0.063W	1	
	R8076	ERJ2GEJ470	M 47 OHM, J,0.063W	1	
	R8077	ERJ2GEJ470	M 47 OHM, J,0.063W	1	
	R8078	ERJ2GEJ470	M 47 OHM, J,0.063W	1	
	R8081	ERJ2GEJ103	M 10KOHM, J,0.063W	1	
	R8082	D1BA75R0A014	M0.75KOHM, 1/10W	1	
	R8083	ERJ2GEJ301	M 300 OHM, J,0.063W	1	
	R8084	DOYAR0000007	M 0.0 OHM, J,0.063W	1	
	R8086	ERJ2GEJ104	M 100KOHM, J,0.063W	1	
	R8087	ERJ2GEJ103	M 10KOHM, J,0.063W	1	
	R8090	ERJ2GEJ103	M 10KOHM, J,0.063W	1	
	R8091	ERJ2GEJ470	M 47 OHM, J,0.063W	1	
	R8093	ERJ2GEJ470	M 47 OHM, J,0.063W	1	
	R8094	ERJ2GEJ103	M 10KOHM, J,0.063W	1	
	R8097	ERJ2GEJ221	M 220 OHM, J,0.063W	1	
	R8098	ERJ2GEJ103	M 10KOHM, J,0.063W	1	
	R8099	ERJ2GEJ103	M 10KOHM, J,0.063W	1	
	R8100	ERJ2GEJ470	M 47 OHM, J,0.063W	1	
	R8101	ERJ2GEJ103	M 10KOHM, J,0.063W	1	
	R8106	ERJ2GEJ202	M 2KOHM, J,0.063W	1	
	R8107	ERJ2GEJ101	M 100 OHM, J,0.063W	1	
	R8108	ERJ2GEJ333	M 33KOHM, J,0.063W	1	
	R8109	ERJ2GEJ222	M 2.2KOHM, J,0.063W	1	
	R8302	ERJ2GEJ470	M 47 OHM, J,0.063W	1	
	R8303	ERJ2GEJ470	M 47 OHM, J,0.063W	1	
	R8304	DOYAR0000007	M 0.0 OHM, J,0.063W	1	
	R8305	ERJ2GEJ101	M 100 OHM, J,0.063W	1	
	R8306	ERJ2GEJ101	M 100 OHM, J,0.063W	1	
	R8307	ERJ2GEJ562	M 5.6KOHM, J,0.063W	1	
	R8308	ERJ2GEJ562	M 5.6KOHM, J,0.063W	1	
	R8309	ERJ2GEJ221	M 220 OHM, J,0.063W	1	
	R8311	ERJ2GEJ221	M 220 OHM, J,0.063W	1	
	R8313	ERJ6GEYG102	M 1KOHM,J,1/10W	1	
	R8314	D1BB1202A055	M 12KOHM, 1/10W	1	PAVCA
	R8315	ERJ2GEJ102X	M 1KOHM, J,0.063W	1	

Safety	Ref. No.	Part No.	Part Name & Description	Pcs	Remarks
	R8316	ERJ2GEJ103	M 10KOHM, J,0.063W	1	
	R8317	ERJ2GEJ103	M 10KOHM, J,0.063W	1	
	R8318	ERJ2GEJ220	M 22 OHM, J,0.063W	1	
	R8319	ERJ2GEJ220	M 22 OHM, J,0.063W	1	
	R8320	ERJ2GEJ220	M 22 OHM, J,0.063W	1	
	R8321	ERJ2GEJ103	M 10KOHM, J,0.063W	1	
	R8323	ERJ2GEJ101	M 100 OHM, J,0.063W	1	
	R8324	ERJ2GEJ470	M 47 OHM, J,0.063W	1	
	R8325	ERJ2GEJ470	M 47 OHM, J,0.063W	1	
	R8326	ERJ2GEJ470	M 47 OHM, J,0.063W	1	
	R8327	ERJ2GEJ470	M 47 OHM, J,0.063W	1	
	R8331	ERJ3GEY0R00	M 0 OHM, 1/16W	1	
	R8333	ERJ2GEJ473	M 47KOHM, J,0.063W	1	
	R8334	ERJ2GEJ473	M 47KOHM, J,0.063W	1	
	R8335	ERJ2GEJ680	M 68 OHM, J,0.063W	1	
	R8336	DOGDR00Z0002	M 0 OHM, 1/10W	1	
	R8337	DOYAR0000007	M 0.0 OHM, J,0.063W	1	
	R8504	ERJ2GEJ103	M 10KOHM, J,0.063W	1	
	R8512	ERJ2GEJ103	M 10KOHM, J,0.063W	1	
	R8517	ERJ2RKD330	M 33 OHM, J,0.063W	1	
	R8519	ERJ2RKD330	M 33 OHM, J,0.063W	1	
	R8520	ERJ2RKD330	M 33 OHM, J,0.063W	1	
	R8528	ERJ2GEJ560	M 56 OHM, J,0.063W	1	
	R8529	ERJ2GEJ560	M 56 OHM, J,0.063W	1	
	R8530	ERJ2GEJ560	M 56 OHM, J,0.063W	1	
	R8531	ERJ2GEJ560	M 56 OHM, J,0.063W	1	
	R8532	ERJ2GEJ560	M 56 OHM, J,0.063W	1	
	R8533	ERJ2GEJ103	M 10KOHM, J,0.063W	1	
	R8538	ERJ2GEJ220	M 22 OHM, J,0.063W	1	
	R8539	ERJ2GEJ220	M 22 OHM, J,0.063W	1	
	R8540	ERJ2GEJ220	M 22 OHM, J,0.063W	1	
	R8541	ERJ2GEJ220	M 22 OHM, J,0.063W	1	
	R8542	ERJ2GEJ220	M 22 OHM, J,0.063W	1	
	R8543	ERJ2GEJ220	M 22 OHM, J,0.063W	1	
	R8544	ERJ2GEJ220	M 22 OHM, J,0.063W	1	
	R8545	ERJ2GEJ220	M 22 OHM, J,0.063W	1	
	R8546	ERJ2GEJ332	M 3.3KOHM, J,0.063W	1	
	R8547	ERJ2GEJ332	M 3.3KOHM, J,0.063W	1	
	R8548	ERJ2GEJ472	M 4.7KOHM, J,0.063W	1	
	R8550	ERJ2GEJ472	M 4.7KOHM, J,0.063W	1	
	R8552	ERJ2GEJ472	M 4.7KOHM, J,0.063W	1	

Safety	Ref. No.	Part No.	Part Name & Description	Pcs	Remarks
	R8553	ERJ2GEJ472	M 4.7KOHM, J,0.063W	1	
	R8554	ERJ2GEJ220	M 22 OHM, J,0.063W	1	
	R8555	ERJ2GEJ220	M 22 OHM, J,0.063W	1	
	R8556	ERJ2GEJ472	M 4.7KOHM, J,0.063W	1	
	R8557	ERJ2GEJ332	M 3.3KOHM, J,0.063W	1	
	R8558	ERJ2GEJ332	M 3.3KOHM, J,0.063W	1	
	R8559	ERJ2GEJ560	M 56 OHM, J,0.063W	1	
	R8566	D1HG1038A002	NETWORK RESISTER	1	
	R8568	ERJ2RKD330	M 33 OHM, J,0.063W	1	
	R8569	ERJ2RKD330	M 33 OHM, J,0.063W	1	
	R8570	ERJ2RKD330	M 33 OHM, J,0.063W	1	
	R8571	ERJ2RKD330	M 33 OHM, J,0.063W	1	
	R8572	EXB28V330J	RESISTOR ARRAY	1	
	R8573	EXB28V680JX	RESISTOR ARRAY	1	
	R8574	ERJ2GEJ680	M 68 OHM, J,0.063W	1	
	R8575	ERJ2GEJ680	M 68 OHM, J,0.063W	1	
	R8591	ERJ2RKD330	M 33 OHM, J,0.063W	1	
	R8614	ERJ2RKD330	M 33 OHM, J,0.063W	1	
	R8615	ERJ2RKD330	M 33 OHM, J,0.063W	1	
	R8617	ERJ2GEJ103	M 10KOHM, J,0.063W	1	
	R8661	ERJ2GEJ103	M 10KOHM, J,0.063W	1	
	R8663	ERJ2GEJ103	M 10KOHM, J,0.063W	1	
	R8721	ERJ2GEJ680	M 68 OHM, J,0.063W	1	
	R8722	ERJ2GEJ680	M 68 OHM, J,0.063W	1	
	R8765	ERJ2GEJ750	M 75 OHM, J,0.063W	1	
	R8767	ERJ2GEJ750	M 75 OHM, J,0.063W	1	
	R8770	ERJ2GEJ103	M 10KOHM, J,0.063W	1	
	R8772	ERJ2GEJ103	M 10KOHM, J,0.063W	1	
	R8866	D1BB91R0A055	M 91 OHM, 1/10W	1	PAVCA
△	RL7001	TSEH8011	RELAY	1	
△	RL7030	K6B2ADA00007	REALY	1	
	RM1001	PNA4701M07TV	REMOCON RECEIVER	1	
		TNPH0720S	CIRCUIT BOARD A	1	PAVCA
		TXN/P10NFCS	CIRCUIT BOARD P	1	PAVCA
		TNPA4483S	CIRCUIT BOARD V	1	PAVCA
△	T7000	ETS15AB186AH	SWITCHING TRANS-FORMER	1	PAVCA
△	T7001	G4D3A0000203	SWITCHING TRANS-FORMER	1	PAVCA
△	T7002	G4D4A0000125	SWITCHING TRANS-FORMER	1	PAVCA