

Service Manual



Colour LCD Television

TX-32LM70FA
TX-32LM70LA
TX-32LM70PA
TX-26LM70FA
TX-26LM70LA
TX-26LM70PA
TX-R32LM70A
TX-R26LM70A

GLP21MA Chassis

Specifications

(Information in brackets [] refers to model 26'')

Power Source:	220-240V AC, 50Hz			
Power Consumption:	121 [92W]			
Stand-by Power Consumption:	1W			
Aerial Impedance:	75Ω unbalanced, Coaxial Type			
Receiving System:	PAL-B/G/I, D/K, SECAM B/G, D/K, L/L' PAL-525/60 (AV only) M.NTSC (AV only) NTSC (AV only)			
Receiving Channels:	VHF E2-E12 VHF A-H (ITALY) VHF R3-R5 UHF E21-E69 CATV S1-S10 (M1-M10) CATV S21-S41 (Hyperband)	VHF H1-H2 (ITALY) VHF R1-R2 VHF R6-R12 CATV (S01-S05) CATV S11-S20 (U1-U10)		
Operating Conditions:	Temperature: 5°C ÷ 35°C Humidity: 5% ÷ 90% RH (non-condensing)			
Intermediate Frequency:				
Video/Audio				
Video	38,9MHz, 33,9MHz			
Audio	33,4MHz (B/G), 33,16MHz (A2) 33,05MHz (NICAM B/G, D/K, L) 32,4MHz (D/K), 32,66MHz (CZ STEREO) 40,4MHz (L'), 39,75MHz (L'NICAM), 32,35MHz, 32,9MHz (NICAM)			
Colour	34,47MHz (PAL) 34,5MHz, 34,65MHz (SECAM) 38,3MHz, 38,15MHz (SECAM L')			
Terminals:				
AV1 IN	Video (21 pin) Audio (21 pin) RGB (21 pin)	1V p-p 75Ω 500mV rms 10kΩ 0,7V p-p 75Ω		
AV1 OUT	Video (21 pin) Audio (21 pin)	1V p-p 75Ω 500mV rms 1kΩ		
			AV2 IN	Video (21 pin) Audio (21 pin) RGB (21 pin) S-video IN (21-pin)
			AV2 OUT	Video (21 pin) Audio (21 pin)
			AV3 IN	S-Video IN (4-pin) Audio (RCAx2) Video (RCAx1)
			HDMI1, HDMI2	Type A Connector
			COMPONENT YUV	Video (RCAx3) Y: 1V p-p 75Ω Pr: ±0,35V[p-p] 75Ω Pb: ±0,35V[p-p] 75Ω
			AUDIO IN	Audio (RCAx2) (for YUV, HDMI1)
			AUDIO OUT	Audio (RCAx2)
			LCD screen:	L5EDD8Q00036 [L5EDD6Q00027] 1366 x 768 XGA, 16:9 Visible Diagonal 800mm [660mm]
			Audio Output:	2x10W RMS 8Ω impedance
			Headphones:	3,5mm, 8Ω Impedance
			Accessories supplied :	Remote Control 2 x R6 (UM3) Batteries
			Dimensions:	
			Including TV stand	Height: 615mm [525mm] Width: 791mm [657mm] Depth: 248mm [216mm]
			TV set only	563mm [473mm] 791mm [657mm] 107mm [107mm]
			Net weight:	16kg [12,5kg]

Specifications are subject to change without notice.
Weights and dimensions shown are approximate.

Contents

SAFETY PRECAUTIONS	3	BLOCK DIAGRAMS	12
GENERAL GUIDE LINES.....	3	PARTS LOCATION.....	15
TOUCH – CURRENT CHECK.....	3	REPLACEMENT PARTS LIST.....	16
PREVENTION OF ELECTROSTATIC DISCHARGE (ESD) TO ELECTROSTATICALLY SENSITIVE (ES) DEVICES	4	SCHEMATIC DIAGRAMS.....	28
ABOUT LEAD FREE SOLDER (PBF).....	5	A-BOARD (1 OF 5) SCHEMATIC DIAGRAM	29
SUGGESTED PB FREE SOLDER.....	5	A-BOARD (2 OF 5) SCHEMATIC DIAGRAM	30
SERVICE HINTS	6	A-BOARD (3 OF 5) SCHEMATIC DIAGRAM	31
CHASSIS BOARD LAYOUT	7	A-BOARD (4 OF 5) SCHEMATIC DIAGRAM	32
LOCATION OF LEAD WIRING	7	A-BOARD (5 OF 5) SCHEMATIC DIAGRAM	33
SETTING INSPECTION.....	8	B-BOARD SCHEMATIC DIAGRAM	34
SELF-CHECK	9	H-BOARD SCHEMATIC DIAGRAM	35
ADJUSTMENT METHOD	10	K-BOARD SCHEMATIC DIAGRAM	36
WIRING DIAGRAM.....	11	P-BOARD SCHEMATIC DIAGRAM	37
		V-BOARD SCHEMATIC DIAGRAM	38
		CONDUCTOR VIEWS	39

Prevention of Electrostatic Discharge (ESD) to Electrostatically Sensitive (ES) Devices

Some semiconductor (solid state) devices can be damaged easily by static electricity. Such components commonly are called Electrostatically Sensitive (ES) Devices. Examples of typical ES devices are integrated circuits and some field-effect transistors and semiconductor "chip" components. The following techniques should be used to help reduce the incidence of component damage caused by electrostatic discharge (ESD).


1. Immediately before handling any semiconductor component or semiconductor-equipped assembly, drain off any ESD on your body by touching a known earth ground. Alternatively, obtain and wear a commercially available discharging ESD wrist strap, which should be removed for potential shock reasons prior to applying power to the unit under test.
2. After removing an electrical assembly equipped with ES devices, place the assembly on a conductive surface such as aluminum foil, to prevent electrostatic charge build up or exposure of the assembly.
3. Use only a grounded-tip soldering iron to solder or unsolder ES devices.
4. Use only an anti-static solder removal device. Some solder removal devices not classified as "anti-static (ESD protected)" can generate electrical charge sufficient to damage ES devices.
5. Do not use freon-propelled chemicals. These can generate electrical charges sufficient to damage ES devices.
6. Do not remove a replacement ES device from its protective package until immediately before you are ready to install it. (Most replacement ES devices are packaged with leads electrically shorted together by conductive foam, aluminum foil or comparable conductive material).
7. Immediately before removing the protective material from the leads of a replacement ES device, touch the protective material to the chassis or circuit assembly into which the device will be installed.

Caution

Be sure no power is applied to the chassis or circuit, and observe all other safety precautions.

8. Minimize bodily motions when handling unpackaged replacement ES devices. (Otherwise harmless motion such as the brushing together of your clothes fabric or the lifting of your foot from a carpeted floor can generate static electricity (ESD) sufficient to damage an ES device).

IMPORTANT SAFETY NOTICE

There are special components used in this equipment which are important for safety. These parts are marked by  in schematic diagrams, exploded views and replacement parts list. It is essential that these critical parts should be replaced with manufacturer's specified parts to prevent shock, fire, or other hazards. Do not modify the original design without permission of manufacturer.

About lead free solder (PbF)

Note: Lead is listed as (Pb) in the periodic table of elements.


In the information below, Pb will refer to Lead solder, and PbF will refer to Lead Free Solder.

The Lead Free Solder used in our manufacturing process and discussed below is (Sn+Ag+Cu).

That is Tin (Sn), Silver (Ag) and Copper (Cu) although other types are available.

This model uses Pb Free solder in it's manufacture due to environmental conservation issues. For service and repair work, we'd suggest the use of Pb free solder as well, although Pb solder may be used.

PCBs manufactured using lead free solder will have the PbF within a leaf Symbol

 stamped on the back of PCB.

Caution

- Pb free solder has a higher melting point than standard solder. Typically the melting point is 50 ~ 70 °F (30~40°C) higher. Please use a high temperature soldering iron and set it to 700 ± 20 °F (370 ± 10 °C).
- Pb free solder will tend to splash when heated too high (about 1100 °F or 600 °C).
If you must use Pb solder, please completely remove all of the Pb free solder on the pins or solder area before applying Pb solder. If this is not practical, be sure to heat the Pb free solder until it melts, before applying Pb solder.
- After applying PbF solder to double layered boards, please check the component side for excess solder which may flow onto the opposite side. (see Fig.3)

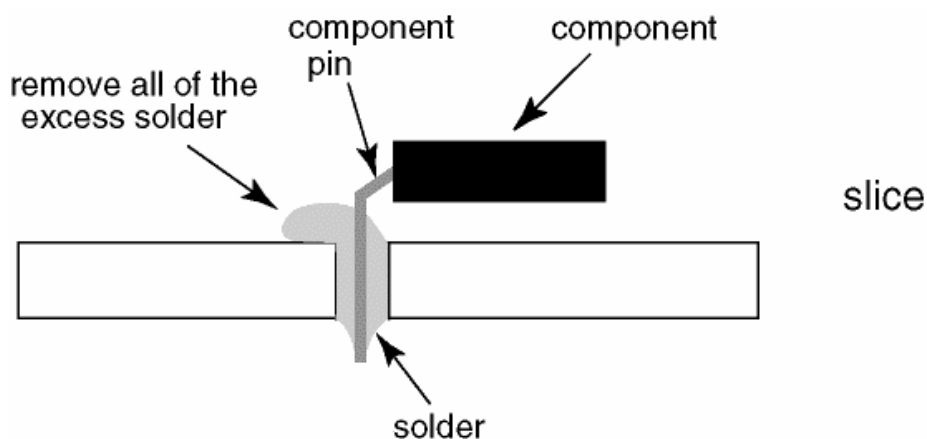


Fig.3

Suggested Pb free solder

There are several kinds of Pb free solder available for purchase. This product uses Sn+Ag+Cu (tin, silver, copper) solder. However, Sn+Cu (tin, copper), Sn+Zn+Bi (tin, zinc, bismuth) solder can also be used. (see Fig.4)

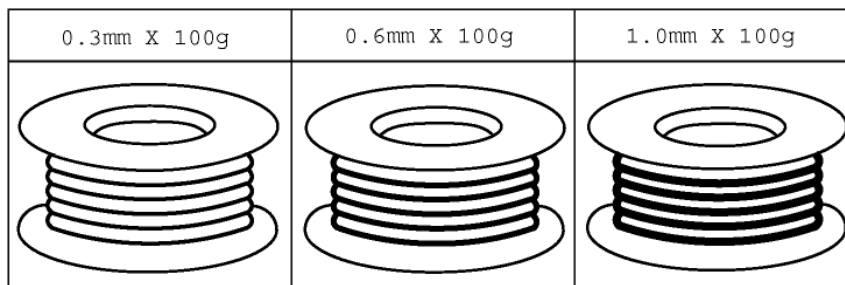


Fig.4

Service Hints

How to remove the Pedestal assembly

Lay the main unit face down. (see Fig.5)



Fig.5

Remove the 4 fixing screws and the pedestal assembly. (see Fig.6)

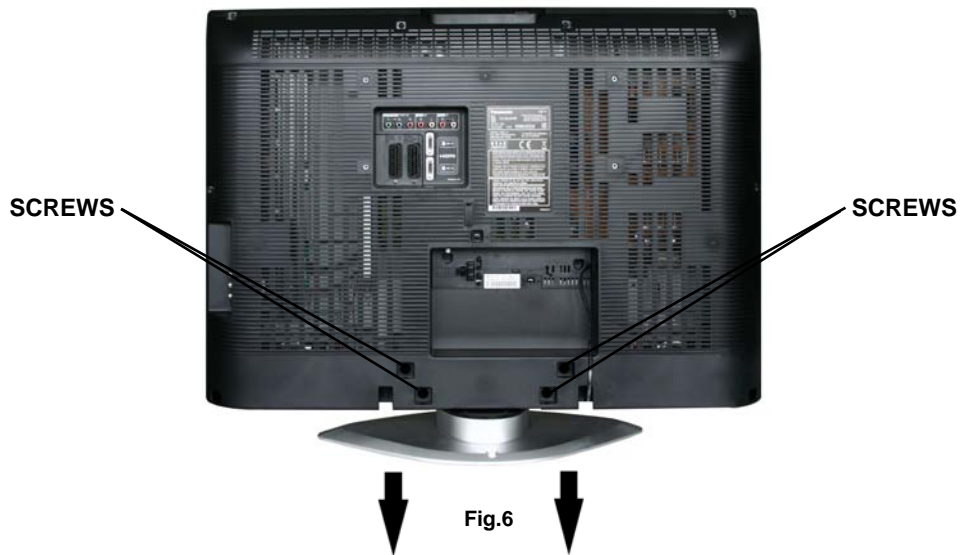


Fig.6

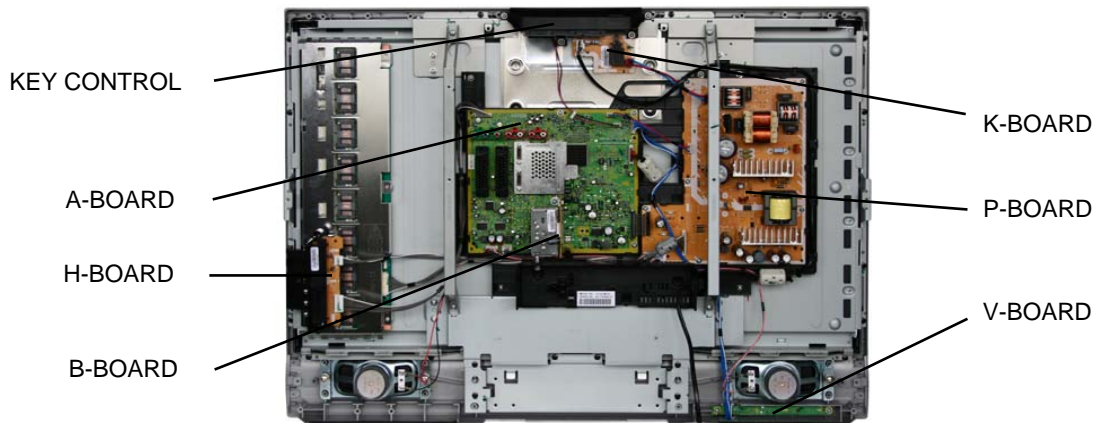
How to remove the backcover

Remove the 16[14] fixing screws. (see Fig.7)



Fig.7

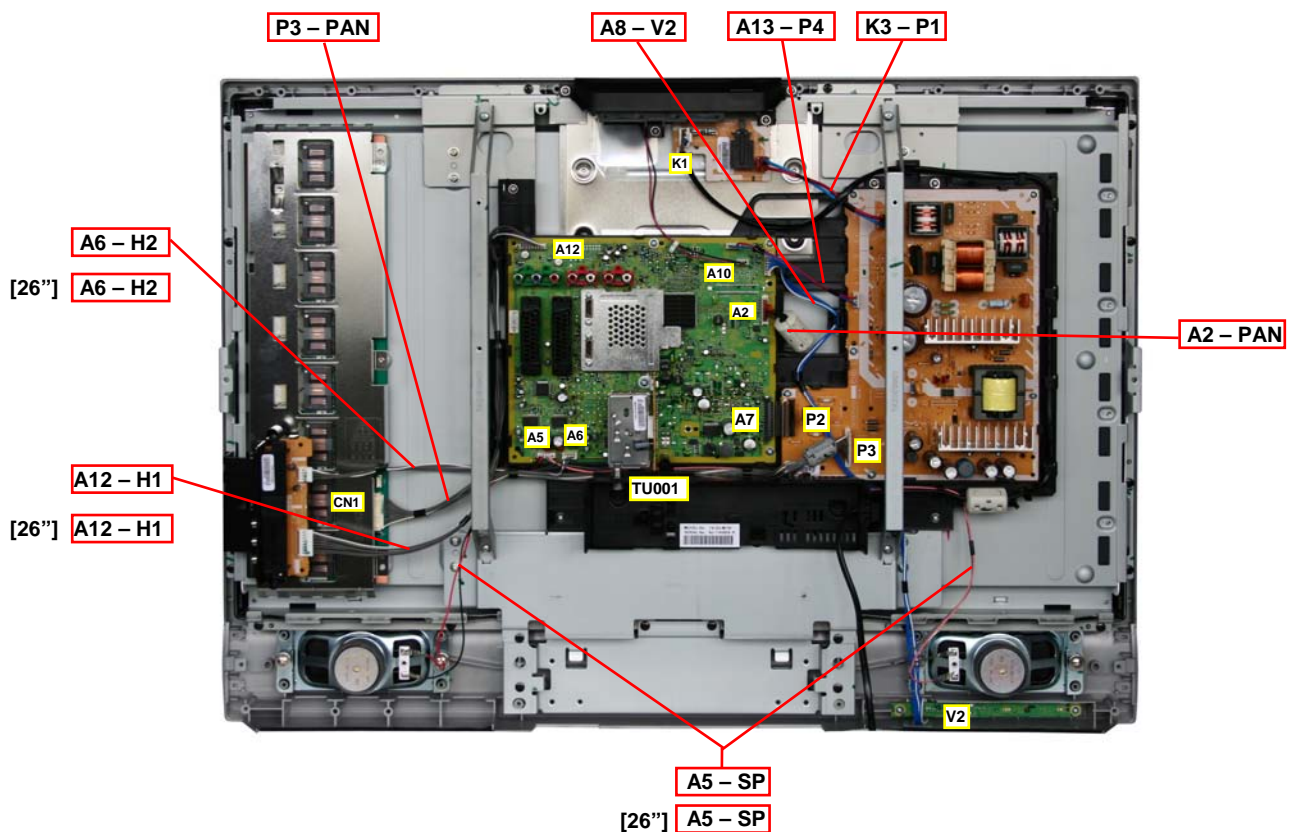
Chassis Board Layout



Board Name	Function
A-Board	Main Board
B-Board	Tuner
H-Board	AV3 Terminal
Key Control	Key Control
K-Board	Mains Input, Power Switch
P-Board	Power Supply
V-Board	Remote Receiver, LED IR, Bats

Location of Lead Wiring

To find the Part Number of required wire in Replacement Parts List click on the wire name in red box.

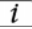


Setting Inspection

Voltage Confirmation

Confirm the following voltages:			
A board			
Test point	Position	Normal mode Voltage	Description
TP3800	Connector A7, pin 20	13,8V ± 0,7V	STBY12V
TP3806	Connector A7, pin 8	23,9V±0,5V	SIGNAL24V
TP3810	Connector A7, pin 12	23,9V ± 0,5V	AUD24V
TP3811	Q3800, +pin	3,3V ± 0,3V	3.3V_HDMI
TP3802		5,05V ± 0,25V	5V
TP3812	D3802, -pin	8,2± 0,5V	8V
TP3801	IC3801, pin1	9V ± 0,9V	9V
TP3805		13,8V ± 0,7V	12V
TP3815	D3819, -pin	30V ± 2V	30V
		Standby mode	
TP3813	C3801, pin	5V ± 0,5V	STBY5V
TP3804	C3808, +pin	3,3V ± 0,2V	STBY3.3V
TP3803	C3818, +pin	1,8± 0,1V	STBY1.8V
P board			
		Normal mode	
TP833	Connector P2, pin 8	23,9V ± 0,5V	SIGNAL24V
TP830	Connector P2, pin 9	24,2V ± 0,5V	AUD24V
TP832	Connector P2, pin 20	13,8V ± 0,7V	STBY12V
TP830	Connector P2, pin 12	23,9V ± 0,5V	AUD24V
		Standby mode	
TP833	Connector P2, pin 8	24,2V± 0,5V	SIGNAL24V
TP830	Connector P2, pin 9	<10V	AUD24V

Self Check

Self-check is used to automatically check the bus lines and hexadecimal code of the TV set. To enter Self-Check mode, keep pressing the **STATUS**  button on the remote control and press the down (**-V**) button on the TV set. To exit Self Check, switch off the TV set at the power button.

Panasonic 2007LCD Self Check Complete		SW V1.12 E2 V02
E2 O.K.	E2CRC	33
VCTP O.K.	OPTION 1	0F
AVSW O.K.	OPTION 2	00
TUN O.K.	OPTION 3	B9
HDMI O.K.	OPTION 4	11
	OPTION 5	00
	OPTION 6	45
	OPTION 7	FD
Chassis 21	OPTION 8	D8
Model 01	OPTION 9	00
Size 32	OPTION 10	00
VCTP B3	OPTION 11	13
	OPTION 12	20
	OPTION 13	1C
	CHECK	42

Panasonic 2007LCD Self Check Complete		SW V1.12 E2 V02
E2 O.K.	E2CRC	A3
VCTP O.K.	OPTION 1	0D
AVSW O.K.	OPTION 2	00
TUN O.K.	OPTION 3	39
HDMI O.K.	OPTION 4	10
	OPTION 5	00
	OPTION 6	45
	OPTION 7	3C
Chassis 21	OPTION 8	58
Model 04	OPTION 9	00
Size 32	OPTION 10	40
VCTP B3	OPTION 11	13
	OPTION 12	28
	OPTION 13	0C
	CHECK	B6

Panasonic 2007LCD Self Check Complete		TV V1.12 E2 V02
E2 O.K.	E2CRC	61
VCTP O.K.	OPTION 1	0F
AVSW O.K.	OPTION 2	00
TUN O.K.	OPTION 3	B9
HDMI O.K.	OPTION 4	11
	OPTION 5	00
	OPTION 6	45
	OPTION 7	FD
Chassis 21	OPTION 8	58
Model 02	OPTION 9	00
Size 32	OPTION 10	00
VCTP B3	OPTION 11	13
	OPTION 12	20
	OPTION 13	1C
	CHECK	C2

Panasonic 2007LCD Self Check Complete		TV V1.12 E2 V02
E2 O.K.	E2CRC	C3
VCTP O.K.	OPTION 1	0F
AVSW O.K.	OPTION 2	00
TUN O.K.	OPTION 3	B9
HDMI O.K.	OPTION 4	11
	OPTION 5	00
	OPTION 6	45
	OPTION 7	FD
Chassis 21	OPTION 8	D8
Model 05	OPTION 9	00
Size 26	OPTION 10	00
VCTP B3	OPTION 11	13
	OPTION 12	40
	OPTION 13	1C
	CHECK	62

Panasonic 2007LCD Self Check Complete		TV V1.12 E2 V02
E2 O.K.	E2CRC	F1
VCTP O.K.	OPTION 1	0D
AVSW O.K.	OPTION 2	00
TUN O.K.	OPTION 3	39
HDMI O.K.	OPTION 4	10
	OPTION 5	00
	OPTION 6	45
	OPTION 7	3C
Chassis 21	OPTION 8	58
Model 08	OPTION 9	00
Size 26	OPTION 10	40
VCTP B3	OPTION 11	13
	OPTION 12	48
	OPTION 13	0C
	CHECK	D6

Panasonic 2007LCD Self Check Complete		TV V1.12 E2 V02
E2 O.K.	E2CRC	00
VCTP O.K.	OPTION 1	0F
AVSW O.K.	OPTION 2	00
TUN O.K.	OPTION 3	B9
HDMI O.K.	OPTION 4	11
	OPTION 5	00
	OPTION 6	45
	OPTION 7	FD
Chassis 21	OPTION 8	58
Model 06	OPTION 9	00
Size 26	OPTION 10	00
VCTP B3	OPTION 11	13
	OPTION 12	40
	OPTION 13	1C
	CHECK	E2

Panasonic 2007LCD Self Check Complete		TV V1.12 E2 V02
E2 O.K.	E2CRC	A1
VCTP O.K.	OPTION 1	0F
AVSW O.K.	OPTION 2	00
TUN O.K.	OPTION 3	B9
HDMI O.K.	OPTION 4	11
	OPTION 5	00
	OPTION 6	45
	OPTION 7	FD
Chassis 21	OPTION 8	58
Model 17	OPTION 9	00
Size 32	OPTION 10	00
VCTP B3	OPTION 11	13
	OPTION 12	20
	OPTION 13	1C
	CHECK	C2

Panasonic 2007LCD Self Check Complete		TV V1.12 E2 V02
E2 O.K.	E2CRC	94
VCTP O.K.	OPTION 1	0F
AVSW O.K.	OPTION 2	00
TUN O.K.	OPTION 3	B9
HDMI O.K.	OPTION 4	11
	OPTION 5	00
	OPTION 6	45
	OPTION 7	FD
Chassis 21	OPTION 8	58
Model 06	OPTION 9	00
Size 26	OPTION 10	00
VCTP B3	OPTION 11	13
	OPTION 12	40
	OPTION 13	1C
	CHECK	E2

Display	Ref. No.	Description	P.C.B.
E2	IC1120	EAROM	A-Board
VCTP	IC1501	AUDIO VIDEO TEXT PROCESSOR	A-Board
AVSW	IC1501	AV SWITCH	A-Board
TUN	TU001	TUNER	B-Board
HDMI	IC1503	HDMI	A-Board

If the CCU ports have been checked and found to be incorrect or not located then " - - " will appear in place of "O.K."

Adjustment Method

How to enter Service 1

- Set the Bass to maximum position, set the Treble to minimum position then keep pressing the **INDEX** button on the remote control and press the down button (-/v) on the TV set, this will place the TV set into the Service Mode 1.

Key Command

- Press the **RED / GREEN** buttons to step up / down through the functions.
- Press the **YELLOW / BLUE** buttons to alter the function values, to alter White Rasters use +/- buttons
- Press the **OK** button after each adjustment has been made to store the required values.
- To exit the Service Mode, press the "N" button.

Keep adjusting sequence: **DVCO, Sub-Contrast, other items.**

Item	Setting indication <i>Note: All setting values are approximate</i>	Settings / Special features										
Sub-Contrast	Sub-Contrast 32	Receive a 80% white level Philips Pattern with correct sound system (B/G, D/K) via aerial input. For Sub-Contrast alignment press " Blue " button, wait until the figure colour is changed from red to black colour. Press the OK .										
DVCO	DVCO 63	Receive a 80% white level Philips Pattern via aerial input. For DVCO alignment press " Blue " button, wait until the figure colour is changed from red to black colour. Press the OK .										
Highlight Lowlight	<table border="1"> <tr> <td>High</td> <td>12</td> <td>0410</td> <td>0410</td> <td>0410</td> </tr> <tr> <td>Low</td> <td>4</td> <td>0064</td> <td>0064</td> <td>0064</td> </tr> </table>	High	12	0410	0410	0410	Low	4	0064	0064	0064	For correct setting see White Balance Adjustment
High	12	0410	0410	0410								
Low	4	0064	0064	0064								
Sub-Brightness	Sub-Brightness 0	Optimum setting.										

White Balance Adjustment

Instrument

- Remote Control
- LCD WB meter (Minolta CA-210 or equivalent)

Condition

- Switch on the TV Set. Enter Service1. Step down to Highlight line and keep the aging time more than 20 minutes.

Procedure

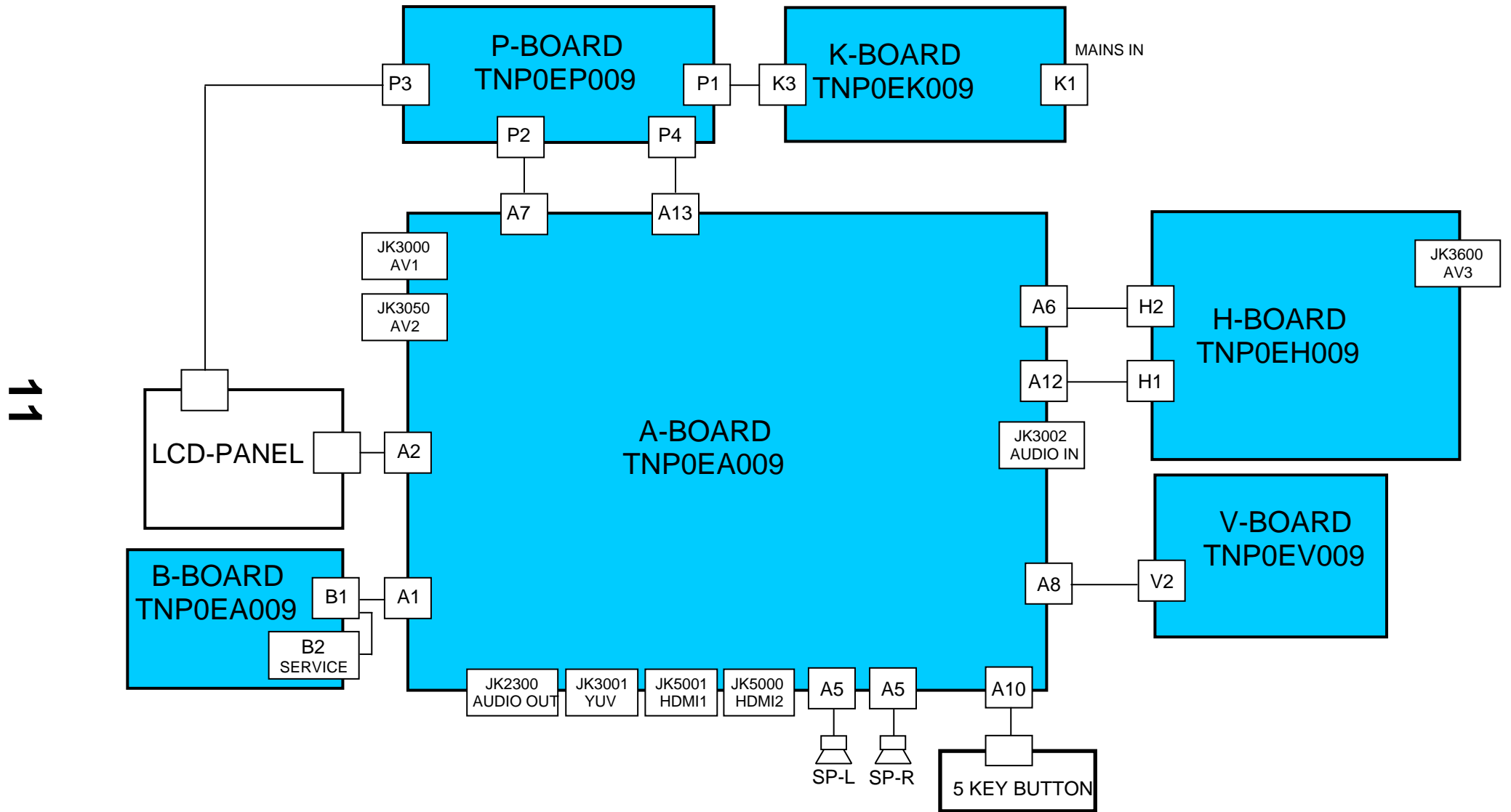
- After aging time above set White Raster No.12 for Highlight and No.4 for Lowlight

High	12
Low	4

 Press the **OK** button to store.
- Put Minolta Sensor to the center of the LCD Panel with 25mm gap between Minolta Sensor and LCD Panel. Adjust "x" and "y" values by changing Red and Blue values.
- Press **OK** button to store setting.

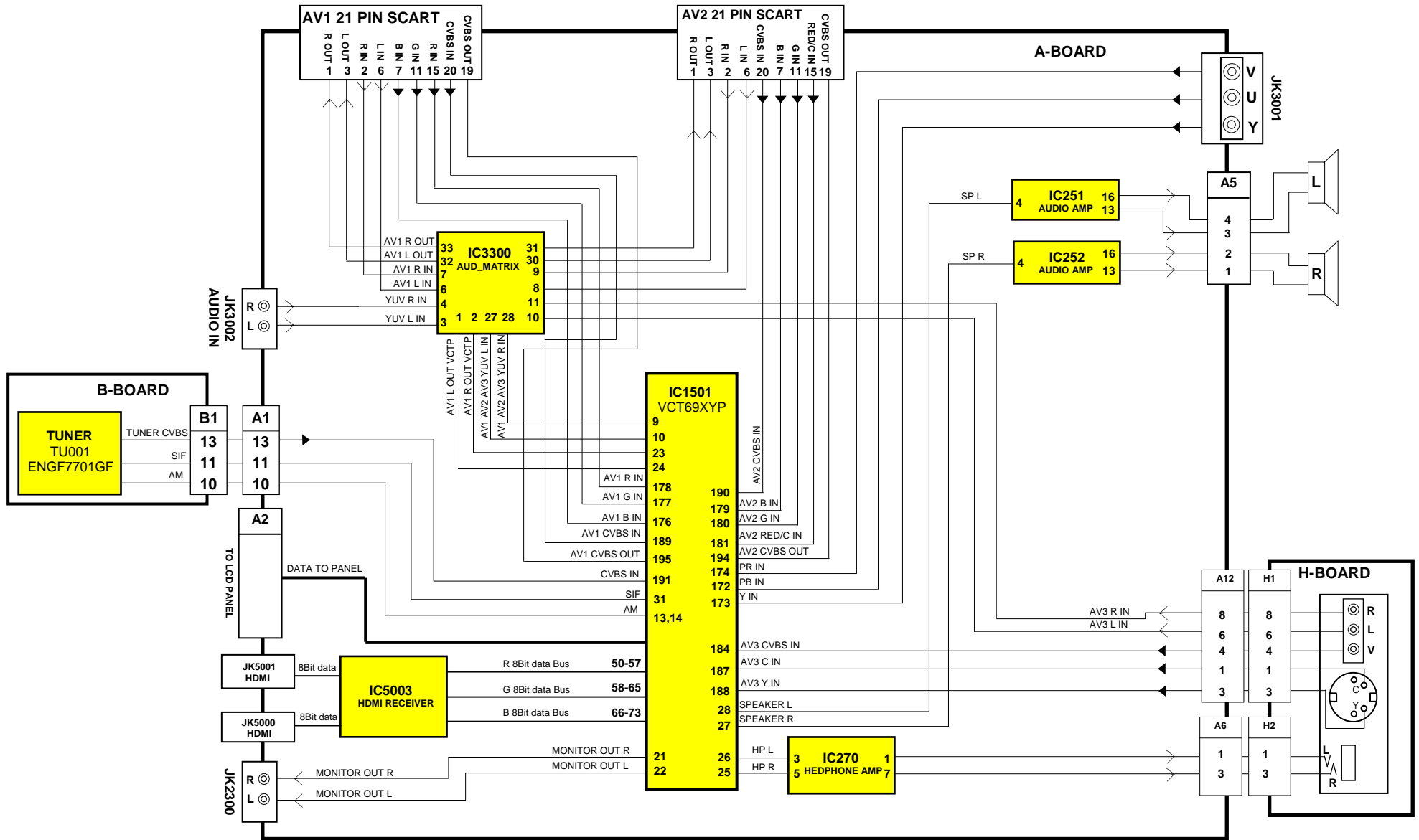
Item		Value
Highlight	x	2850±150
	y	2940±150
Lowlight	x	2860±150
	y	2900±150

Wiring diagram

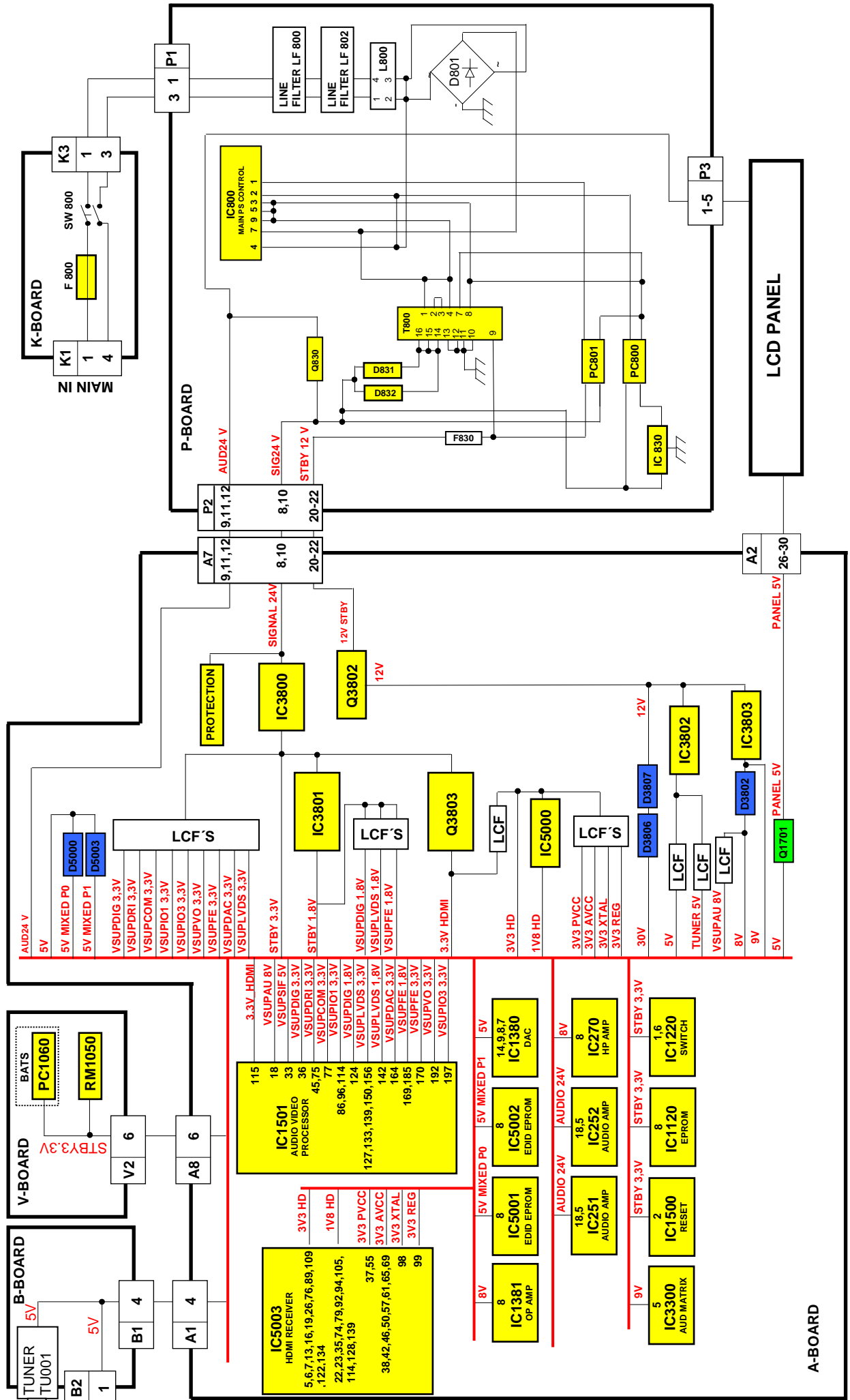


Video & Stereo Audio Block Diagram

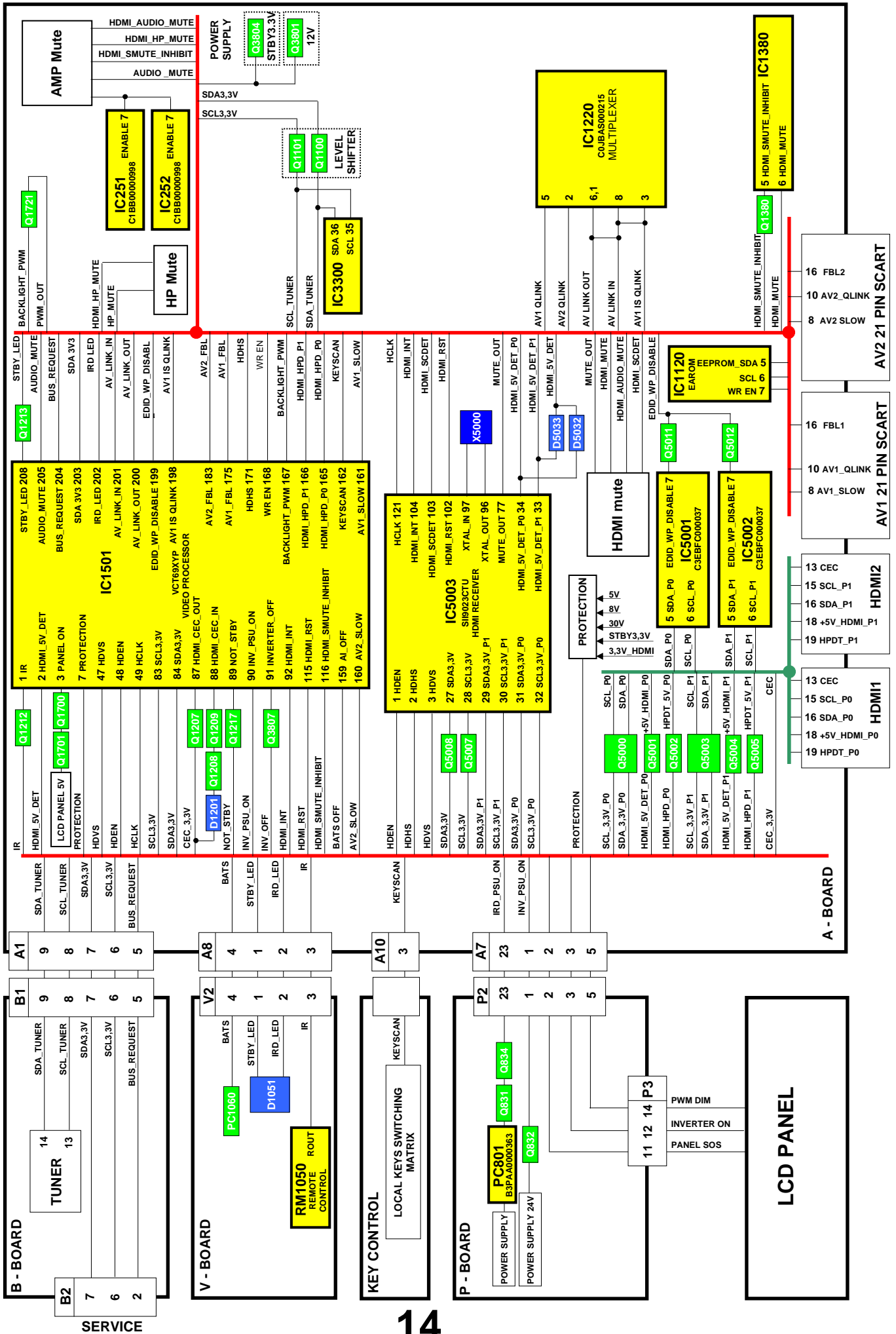
12



Power Supply Block Diagram

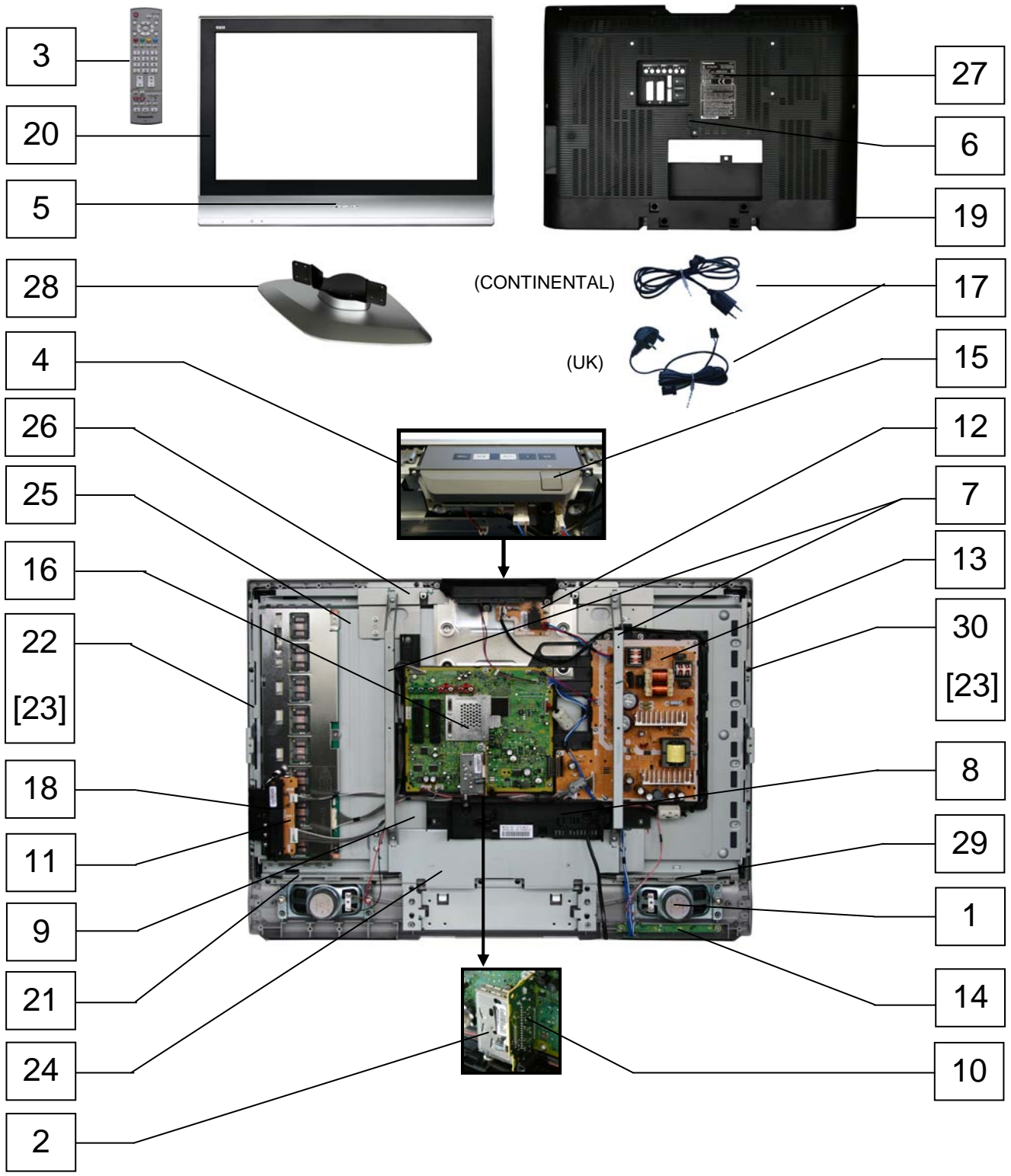


Control Block Diagram




Parts Location

NOTE:
The numbers on the exploded view below refer to the exploded view section of the Replacement Parts List.



Replacement Parts List






Important Safety Notice






Components Identified by  mark have special characteristics important for safety.
 * When replacing any of these components, use only manufacturers specified parts.
 In case of ordering these spare parts, please always add the complete Model-Type number to your order.

RTL (Retention Time Limited)

Note: The marking (RTL) indicates that the Retention Time is Limited for this item. After the discontinuation of this assembly in production, the item will continue to be available for a specific period of time. The retention period of availability is dependent on the type of assembly, and in accordance with the laws governing part and product retention. After the end of this period, the assembly will no longer be available.

X The marking (X) indicates that board should be exchanged for service.

Cct Ref	Parts Number	Description	
COMMON PARTS			
EXPLODED VIEW			
1	EAS12S11F	SPEAKER	
2	ENGF7701GF	TUNER	
3	EUR7651030A	REMOTE CONTROL	
4	K0RB00500013	KEY BUTTON MODULE	
5	TBMA216-1	PANASONIC BADGE	
6	TKP0E16001	CONNECTOR COVER	
7	TKZ0E9901	WALL MOUNT METAL	
8	TMW0E107-2	TUNER COVER	
9	TMX0E410-2	CHASSIS FRAME	
10	TNP0EB009AA	B P.C.B.	RTL 
11	TNP0EH009AA	H P.C.B.	RTL 
12	TNP0EK009AA	K P.C.B.	RTL 
13	TNP0EP009AC	P P.C.B.	RTL 
14	TNP0EV009AA	V P.C.B.	RTL 
15	TTP0E0020	POWER BUTTON ASSY	
MISCELLANEOUS COMPONENTS			
.	J0KF00000018	FERRITE CORE	
.	J0KG000000100	FERRITE CORE	
.	R6RC/2P	BATTERY	
.	TBM0E0703	AV3 LABEL	
.	TBM0E0885-1	REAR AV LABEL	
.	TKP0E17904	IR WINDOW	
.	TMK0E938-1	WALL MOUNT BARRIER	
.	TMM8E18048	TAB-RELEASE CABLE	
.	XTB4+15JFJK	SCREW	
.	XTV3+8JFJK	SCREW	
.	XTW3+12TFJ	SCREW	
.	XYN3+J8FJ	SCREW	
.	XYN4+F10FJ	SCREW	
I.C.s			
IC251	C1BB00000998	AUDIO AMPLIFIER	
IC252	C1BB00000998	AUDIO AMPLIFIER	
IC270	C0AAZB000001	HEADPHONE AMPLIFIER	
IC800	C0DACLH00001	MAIN PS CONTROL	
IC830	C0DBEMC00044	REGULATOR	
IC863	C0EBH0000298	VOLTAGE DETECTING IC	
IC1220	C0JBAS000215	LOGIC IC	
IC1380	C0FBBK000047	D/A CONVERTER	
IC1381	BA15218FDXE2	OP-AMPLIFIER	
IC1500	C0EBE0000120	I.C. RESET	
IC1501	VCT6973B3A00	VCT IC	

Cct Ref	Parts Number	Description	
IC3300	AN15862A-VT	AUDIO SWITCH	
IC3800	C0DBAMH00018	REGULATOR	
IC3801	XC6365D105MR	1.8V REGULATOR	
IC3802	C0DBAJH00016	5V REGULATOR	
IC3803	C0DBAHC00034	REGULATOR	
IC5000	C0DBFFD00003	1.8V REGULATOR	
IC5001	C3EBDC000067	2KBIT EEPROM	
IC5002	C3EBDC000067	2KBIT EEPROM	
IC5003	C1AB00002848	HDMI RECEIVER	
PC800	B3PAA0000363	PHOTO COUPLER	
PC801	B3PAA0000363	PHOTO COUPLER	
PC1060	B3JB00000026	PHOTO COUPLER	
RM1050	PNA4701M05TV	LED RECEIVER	
FUSES			
F100	ERBSE2R00U	MICRO CHIP FUSE	
F800	K5D502BNA007	AC FUSE	
F830	K5G2523A0003	FS LINK	
F831	K5G2523A0003	FS LINK	
DIODES			
D270	MA22D3900L	DIODE	
D271	MA22D3900L	DIODE	
D272	1N4148WS	DIODE	
D273	MA22D3900L	DIODE	
D274	MA22D3900L	DIODE	
D275	1N4148WS	DIODE	
D301	1N4148WS	DIODE	
D800	B0HAGV000004	DIODE	
D803	B0HAGV000004	DIODE	
D804	B0HAMM000146	DIODE	
D805	B0EBNT000016	DIODE	
D808	05NU42TPA2Q	DIODE	
D809	B0HAGV000004	DIODE	
D810	B0BA01000069	DIODE	
D811	B0EAKT000019	DIODE	
D828	MA2160LFS	DIODE	
D830	B0HAKM000011	DIODE	
D831	YG868C10RF91	DIODE	
D832	YG868C10RF91	DIODE	
D833	B0ACCK000005	DIODE	
D835	B0ACCK000005	DIODE	
D836	B0ACCK000005	DIODE	
D837	B0ACCK000005	DIODE	
D838	B0BA02600018	ZENER DIODE	
D839	MA2160LFS	DIODE	
D840	B0JCPE000028	DIODE	
D841	B0JCPE000028	DIODE	
D1051	B3CKE0000007	DIODE	
D1062	UDZSTE178.2B	DIODE	

Cct Ref	Parts Number	Description
D1101	MA24D5000B	DIODE
D1102	MA24D5000B	DIODE
D1201	MA2J72800L	DIODE
D1700	B0ACCK000005	DIODE
D3800	USF5G49TE16Q	DIODE
D3801	UDZSTE176.2B	DIODE
D3802	1N4148WS	DIODE
D3803	MA24D5000B	DIODE
D3804	MAZ81500ML	DIODE
D3805	MAZ81500ML	DIODE
D3806	B0HCMM000014	DIODE
D3807	B0HCMM000014	DIODE
D3808	MA24D5000B	DIODE
D3809	B0HCMM000014	DIODE
D3810	MA24D5000B	DIODE
D3811	MA22D3900L	DIODE
D3812	B0ACCK000005	DIODE
D3813	MAZ80510ML	ZENER DIODE
D3816	UDZSTE176.2B	DIODE
D3817	B0BC9R1A0006	DIODE
D3818	B0ACCK000005	DIODE
D3819	B0ACCK000005	DIODE
D3820	B0ACCK000005	DIODE
D3822	B0ACCK000005	DIODE
D5000	MA22D3900L	DIODE
D5001	B0ACCK000005	DIODE
D5003	MA22D3900L	DIODE
D5004	B0ACCK000005	DIODE
D5006	MAZ30560ML	DIODE
D5007	MAZ30560ML	DIODE
D5010	EZJZ0V80008B	VARISTOR
D5011	EZJZ0V80008B	VARISTOR
D5012	EZJZ0V80008B	VARISTOR
D5013	EZJZ0V80008B	VARISTOR
D5016	EZJZ0V80008B	VARISTOR
D5017	EZJZ0V80008B	VARISTOR
D5018	EZJZ0V80008B	VARISTOR
D5019	EZJZ0V80008B	VARISTOR
D5020	EZJZ0V80008B	VARISTOR
D5021	EZJZ0V80008B	VARISTOR
D5022	EZJZ0V80008B	VARISTOR
D5023	EZJZ0V80008B	VARISTOR
D5024	EZJZ0V80008B	VARISTOR
D5025	EZJZ0V80008B	VARISTOR
D5026	EZJZ0V80008B	VARISTOR
D5027	EZJZ0V80008B	VARISTOR
D5028	EZJZ0V80008B	VARISTOR
D5029	EZJZ0V80008B	VARISTOR
D5030	EZJZ0V80008B	VARISTOR
D5031	EZJZ0V80008B	VARISTOR
D5032	B0ACCK000005	DIODE
D5033	B0ACCK000005	DIODE
D5034	B0ACCK000005	DIODE
D5035	B0ACCK000005	DIODE
D5036	B0ACCK000005	DIODE
D5037	B0ACCK000005	DIODE
D5038	B0ACCK000005	DIODE
TRANSISTORS		
Q122	BC847B	TRANSISTOR
Q123	BC847B	TRANSISTOR
Q250	BC847B	TRANSISTOR
Q254	BC847B	TRANSISTOR
Q270	BC857B	TRANSISTOR
Q271	BC857B	TRANSISTOR
Q272	BC857B	TRANSISTOR
Q273	BC847B	TRANSISTOR
Q274	BC847B	TRANSISTOR

Cct Ref	Parts Number	Description
Q275	BC847B	TRANSISTOR
Q276	BC847B	TRANSISTOR
Q277	BC847B	TRANSISTOR
Q801	BC847B	TRANSISTOR
Q802	BC847B	TRANSISTOR
Q830	B1CGRD000002	TRANSISTOR
Q831	BC847B	TRANSISTOR
Q832	BC847B	TRANSISTOR
Q833	BC847B	TRANSISTOR
Q834	BC847B	TRANSISTOR
Q1100	2N7002T	TRANSISTOR
Q1101	2N7002T	TRANSISTOR
Q1207	2SC584500L	TRANSISTOR
Q1208	2SC584500L	TRANSISTOR
Q1209	2SC584500L	TRANSISTOR
Q1212	BC847B	TRANSISTOR
Q1213	BC857B	TRANSISTOR
Q1214	BC857B	TRANSISTOR
Q1217	BC847B	TRANSISTOR
Q1221	BC847B	TRANSISTOR
Q1222	BC847B	TRANSISTOR
Q1229	BC847B	TRANSISTOR
Q1230	BC847B	TRANSISTOR
Q1231	BC847B	TRANSISTOR
Q1232	BC847B	TRANSISTOR
Q1380	BC847B	TRANSISTOR
Q1700	BC847B	TRANSISTOR
Q1701	B1DHED000013	TRANSISTOR
Q1721	2N7002T	TRANSISTOR
Q2301	BC857B	TRANSISTOR
Q2302	BC857B	TRANSISTOR
Q2303	BC857B	TRANSISTOR
Q2304	BC847B	TRANSISTOR
Q2305	BC847B	TRANSISTOR
Q3201	BC857B	TRANSISTOR
Q3202	BC857B	TRANSISTOR
Q3204	BC847B	TRANSISTOR
Q3205	BC847B	TRANSISTOR
Q3800	2SD10300SL	TRANSISTOR
Q3801	BC847B	TRANSISTOR
Q3802	B1DHED000013	TRANSISTOR
Q3803	B1DHDC000028	TRANSISTOR
Q3804	BC847B	TRANSISTOR
Q3805	B1DHCC000024	TRANSISTOR
Q3806	2SD10300SL	TRANSISTOR
Q3807	BC847B	TRANSISTOR
Q3808	BC847B	TRANSISTOR
Q3809	BC847B	TRANSISTOR
Q3810	BC847B	TRANSISTOR
Q3811	BC857B	TRANSISTOR
Q3812	BC847B	TRANSISTOR
Q5000	B1MBACA00008	TRANSISTOR
Q5001	2SK122800L	TRANSISTOR
Q5002	2N7002T	TRANSISTOR
Q5003	B1MBACA00008	TRANSISTOR
Q5004	2SK122800L	TRANSISTOR
Q5005	2N7002T	TRANSISTOR
Q5007	2N7002T	TRANSISTOR
Q5008	2N7002T	TRANSISTOR
Q5009	2SC584500L	TRANSISTOR
Q5010	2SC584500L	TRANSISTOR
Q5011	2SC584500L	TRANSISTOR
Q5012	2SC584500L	TRANSISTOR
TRANSFORMERS		
T800	ETS42BJ1L6AD	TRANSFORMER
COILS		
L100	EXCELSA35T	COIL

Cct Ref	Parts Number	Description
L101	ELJFC2R2KFB	COIL
L102	ELJFC2R2KFB	COIL
L103	G0A100GA0013	COIL TALL08T100KA
L121	G0C6R8JA0021	COIL TALV35VB6R8J
L122	TALV35VB100K	COIL
L201	G1C470MA0188	COIL
L202	G1C470MA0188	COIL
L250	J0JHC0000034	COIL
L251	J0JHC0000034	COIL
L252	J0JHC0000034	COIL
L253	J0JHC0000034	COIL
L800	G0A553G00001	PFC COIL
L801	EXCELSA39V	COIL
L802	EXCELSA39V	COIL
L830	ELC10D100E	CHOKE COIL
L831	G0C6R8MA0058	COIL
L832	EXCELSA39V	COIL
L833	EXCELSA39V	COIL
L1100	ELJFC2R2KFB	COIL
L1101	ELJFC2R2KFB	COIL
L1380	J0JHC0000045	COIL BLM18PG121SN1D
L1381	ELJPA1R0MF	COIL
L1500	TALV35VB100K	COIL
L1501	G0A100GA0013	COIL TALL08T100KA
L1502	TALV35VB100K	COIL
L1503	TALV35VB100K	COIL
L1504	TALV35VB100K	COIL
L1505	G0A100GA0013	COIL TALL08T100KA
L1506	TALV35VB100K	COIL
L1507	TALV35VB100K	COIL
L1509	TALV35VB100K	COIL
L1514	G0A100GA0013	COIL TALL08T100KA
L1515	G0A100GA0013	COIL TALL08T100KA
L1518	J0JHC0000078	COIL
L1519	J0JHC0000078	COIL
L1520	J0JHC0000078	COIL
L3021	ELJFCR68KFB	COIL
L3022	ELJFCR68KFB	COIL
L3023	ELJFCR68KFB	COIL
L3024	ELJFCR68KFB	COIL
L3025	ELJFCR68KFB	COIL
L3026	ELJFCR68KFB	COIL
L3028	J0JCC0000241	INDUCTOR
L3600	ELJFA6R8KFB	COIL
L3601	ELJFA6R8KFB	COIL
L3800	G0A220ZA0041	COIL
L3801	ELL6SH100ME	COIL
L3802	ELLATV6R8N	COIL
L3803	J0JJC0000015	COIL
L3804	J0JJC0000015	COIL
L5000	J0JHC0000045	COIL BLM18PG121SN1D
L5001	J0JHC0000045	COIL BLM18PG121SN1D
L5002	J0JHC0000045	COIL BLM18PG121SN1D
L5003	J0JHC0000034	COIL
L5004	J0JHC0000034	COIL
L5005	J0JHC0000034	COIL
L5006	J0JHC0000034	COIL
L5007	J0JHC0000045	COIL BLM18PG121SN1D
L5008	J0JHC0000045	COIL BLM18PG121SN1D
L5010	J0JHC0000045	COIL BLM18PG121SN1D
L5012	J0JHC0000045	COIL BLM18PG121SN1D
L5013	J0JCC0000166	COIL
FILTERS		
LF800	G0B253G00007	LINE FILTER
LF802	G0B253G00007	LINE FILTER
CRYSTALS		
X1500	AI202504E	CRYSTAL

Cct Ref	Parts Number	Description
X5000	H0J283500018	CRYSTAL
RESISTORS		
JA10	ERJ12Y0R00	SMD - - 0 Ω
JA90	ERJ6GEY0R00	S.M.CARB 0.1W - 0 Ω
JSA276	ERJ3GEY0R00	SMD 0.1W - 0 Ω
JSA330	ERJ3GEY0R00	SMD 0.1W - 0 Ω
R104	ERJ6GEYJ101	S.M.CARB 0.1W 5% 100 Ω
R105	ERJ6GEYJ101	S.M.CARB 0.1W 5% 100 Ω
R106	ERJ6GEYJ101	S.M.CARB 0.1W 5% 100 Ω
R121	ERJ3GEY0R00	SMD 0.1W - 0 Ω
R123	ERJ3GEY0R00	SMD 0.1W - 0 Ω
R124	ERJ6GEYJ223	S.M.CARB 0.1W 5% 22K Ω
R125	ERJ3GEYJ103	SMD 0.1W 5% 10K Ω
R126	ERJ3GEYJ272	SMD 0.1W 5% 2K7 Ω
R129	ERJ3GEY0R00	SMD 0.1W - 0 Ω
R130	ERJ3GEYJ332	SMD 0.1W 5% 3K3 Ω
R131	ERJ3GEYJ681V	SMD 0.1W 5% 680 Ω
R132	ERJ3GEYJ101	SMD 0.1W 5% 100 Ω
R133	ERJ3GEYJ102	SMD 0.1W 5% 1K Ω
R134	ERJ6GEY0R00	S.M.CARB 0.1W - 0 Ω
R135	ERJ3GEYJ471	SMD 0.1W 5% 470 Ω
R201	ERJ3GEYJ222	SMD 0.1W 5% 2K2 Ω
R202	ERJ3GEYJ473V	S.M.CARB 0.1W 5% 47K Ω
R203	ERJ3GEYJ105	SMD 0.1W 5% 1M Ω
R204	ERJ3GEYJ102	SMD 0.1W 5% 1K Ω
R205	ERJ3GEYJ392V	S.M.CARB 0.1W 5% 3K9 Ω
R206	ERJ6GEY0R00	S.M.CARB 0.1W - 0 Ω
R207	ERJ3GEYJ102	SMD 0.1W 5% 1K Ω
R208	ERJ3GEYJ101	SMD 0.1W 5% 100 Ω
R209	ERJ3GEYJ222	SMD 0.1W 5% 2K2 Ω
R210	ERJ6GEYJ100	S.M.CARB 0.1W 5% 10 Ω
R211	ERJ8GEYJ153	SMD 0.25W 5% 15K Ω
R213	ERJ6GEYJ223	S.M.CARB 0.1W 5% 22K Ω
R214	ERJ6GEYJ103	S.M.CARB 0.1W 5% 10K Ω
R215	ERJ3GEYJ222	SMD 0.1W 5% 2K2 Ω
R216	ERJ3GEYJ473V	S.M.CARB 0.1W 5% 47K Ω
R217	ERJ3GEYJ105	SMD 0.1W 5% 1M Ω
R218	ERJ3GEYJ102	SMD 0.1W 5% 1K Ω
R219	ERJ3GEYJ392V	S.M.CARB 0.1W 5% 3K9 Ω
R220	ERJ6GEY0R00	S.M.CARB 0.1W - 0 Ω
R221	ERJ3GEYJ102	SMD 0.1W 5% 1K Ω
R222	ERJ3GEYJ101	SMD 0.1W 5% 100 Ω
R223	ERJ3GEYJ222	SMD 0.1W 5% 2K2 Ω
R224	ERJ6GEYJ100	S.M.CARB 0.1W 5% 10 Ω
R225	ERJ8GEYJ153	SMD 0.25W 5% 15K Ω
R228	ERJ6GEYJ473	S.M.CARB 0.1W 5% 47K Ω
R229	ERJ6GEYJ473	S.M.CARB 0.1W 5% 47K Ω
R241	ERJ6GEY0R00	S.M.CARB 0.1W - 0 Ω
R242	ERJ6GEY0R00	S.M.CARB 0.1W - 0 Ω
R243	ERJ6GEY0R00	S.M.CARB 0.1W - 0 Ω
R244	ERJ6GEY0R00	S.M.CARB 0.1W - 0 Ω
R246	ERJ3GEY0R00	SMD 0.1W - 0 Ω
R250	ERJ3GEYJ103	SMD 0.1W 5% 10K Ω
R251	ERJ3GEYJ103	SMD 0.1W 5% 10K Ω
R252	ERJ3GEYJ103	SMD 0.1W 5% 10K Ω
R254	ERJ3GEYJ473V	S.M.CARB 0.1W 5% 47K Ω
R258	ERJ3GEY0R00	SMD 0.1W - 0 Ω
R265	ERJ3GEYJ471	SMD 0.1W 5% 470 Ω
R266	ERJ3GEYJ471	SMD 0.1W 5% 470 Ω
R267	ERJ3GEYJ104V	S.M.CARB 0.1W 5% 100K Ω
R268	ERJ3GEYJ104V	S.M.CARB 0.1W 5% 100K Ω
R272	ERJ3GEYJ102	SMD 0.1W 5% 1K Ω
R273	ERJ3GEYJ102	SMD 0.1W 5% 1K Ω
R274	ERJ3GEYJ562	SMD 0.1W 5% 5K6 Ω
R275	ERJ6GEYJ681	S.M.CARB 0.1W 5% 680 Ω
R276	ERJ6GEYJ681	S.M.CARB 0.1W 5% 680 Ω
R277	ERJ3GEYJ102	SMD 0.1W 5% 1K Ω

Cct Ref	Parts Number	Description				
R278	ERJ3GEYJ332	SMD	0.1W	5%	3K3 Ω	
R279	ERJ3GEYJ332	SMD	0.1W	5%	3K3 Ω	
R280	ERJ3GEYJ104V	S.M.CARB	0.1W	5%	100K Ω	
R281	ERJ3GEYJ104V	S.M.CARB	0.1W	5%	100K Ω	
R282	ERJ6RBD103V	SMD	0.1W	0.5	10K Ω	
R283	ERJ6RBD103V	SMD	0.1W	0.5	10K Ω	
R284	ERJ6GEYJ473	S.M.CARB	0.1W	5%	47K Ω	
R285	ERJ6RBD103V	SMD	0.1W	0.5	10K Ω	
R286	ERJ6GEYJ473	S.M.CARB	0.1W	5%	47K Ω	
R287	ERJ6GEYJ473	S.M.CARB	0.1W	5%	47K Ω	
R288	ERJ6RBD103V	SMD	0.1W	0.5	10K Ω	
R289	ERJ6GEYJ473	S.M.CARB	0.1W	5%	47K Ω	
R290	ERJ6GEYJ472	S.M.CARB	0.1W	5%	4K7 Ω	
R291	ERJ3GEYJ103	SMD	0.1W	5%	10K Ω	
R292	ERJ3GEYJ332	SMD	0.1W	5%	3K3 Ω	
R295	ERJ3GEYJ222	SMD	0.1W	5%	2K2 Ω	
R299	ERJ3GEYJ104V	S.M.CARB	0.1W	5%	100K Ω	
R303	ERJ3GEY0R00	SMD	0.1W	-	0 Ω	
R800	ERC12ZGK105V	CARBON	0.5W	10%	1M Ω	△
R801	ERDS1FJ224T	CARBON	0.5W	5%	220K Ω	
R803	ERDS1FJ224T	CARBON	0.5W	5%	220K Ω	
R804	ERJ6GEYJ222	S.M.CARB	0.1W	5%	2K2 Ω	
R808	ERJ6GEYJ563	S.M.CARB	0.1W	5%	56K Ω	
R809	ERJ6GEYJ103	S.M.CARB	0.1W	5%	10K Ω	
R810	ERJ6GEYJ102	S.M.CARB	0.1W	5%	1K Ω	
R813	ERJ6ENF1002	SMD	0.125	1%	10K Ω	
R814	ERJ6ENF1002	SMD	0.125	1%	10K Ω	
R815	ERDS1TJ100	CARBON	0.5W	5%	10 Ω	
R816	ERG1D.J244E	ANTI-PUL	1W	5%	240K Ω	
R817	ERG3FJ470	METAL	3W	5%	47 Ω	
R820	D0XB106J0003	RESISTOR	1W	5%	10M Ω	△
R821	ERJ6GEYJ273	S.M.CARB	0.1W	5%	27K Ω	
R833	ERJ6GEYJ103	S.M.CARB	0.1W	5%	10K Ω	
R834	ERJ6GEYJ103	S.M.CARB	0.1W	5%	10K Ω	
R837	ERJ6GEYJ102	S.M.CARB	0.1W	5%	1K Ω	
R838	ERJ6GEYJ104	S.M.CARB	0.1W	5%	100K Ω	
R839	ERJ6GEYJ104	S.M.CARB	0.1W	5%	100K Ω	
R840	ERJ6GEYJ274	S.M.CARB	0.1W	5%	270K Ω	
R841	ERJ6GEYJ274	S.M.CARB	0.1W	5%	270K Ω	
R842	ERJ6GEYJ682	S.M.CARB	0.1W	5%	6K8 Ω	
R843	ERJ6GEYJ472	S.M.CARB	0.1W	5%	4K7 Ω	
R844	ERJ6RBD822	SMD	0.1W	0.5	8K2 Ω	
R845	ERJ6RBD303	SMD	0.1W	0.5	30K Ω	
R846	ERJ6RBD432	SMD	0.1W	0.5	4K3 Ω	
R847	ERJ6GEYJ273	S.M.CARB	0.1W	5%	27K Ω	
R848	ERJ6GEYJ103	S.M.CARB	0.1W	5%	10K Ω	
R849	ERJ6GEYJ102	S.M.CARB	0.1W	5%	1K Ω	
R850	ERJ6GEYJ104	S.M.CARB	0.1W	5%	100K Ω	
R851	ERJ6GEYJ222	S.M.CARB	0.1W	5%	2K2 Ω	
R852	ERJ6GEYJ683	S.M.CARB	0.1W	5%	68K Ω	
R853	ERJ6GEYJ101	S.M.CARB	0.1W	5%	100 Ω	
R854	ERJ6GEYJ101	S.M.CARB	0.1W	5%	100 Ω	
R856	ERJ6GEYJ101	S.M.CARB	0.1W	5%	100 Ω	
R857	ERJ6GEYJ103	S.M.CARB	0.1W	5%	10K Ω	
R880	ERJ3GEYJ101	SMD	0.1W	5%	100 Ω	
R881	ERJ3GEY0R00	SMD	0.1W	-	0 Ω	
R886	ERJ6GEYJ471	S.M.CARB	0.1W	5%	470 Ω	
R888	ERJ3GEYJ472	SMD	0.1W	5%	4K7 Ω	
R890	ERJ3GEY0R00	SMD	0.1W	-	0 Ω	
R894	ERJ3GEY0R00	SMD	0.1W	-	0 Ω	
R1055	ERJ6GEYJ103	S.M.CARB	0.1W	5%	10K Ω	
R1056	ERJ6GEYJ470	S.M.CARB	0.1W	5%	47 Ω	
R1061	ERJ3GEYJ101	SMD	0.1W	5%	100 Ω	
R1062	ERJ3GEYJ271V	S.M.CARB	0.1W	5%	270 Ω	
R1063	ERJ3GEYJ271V	S.M.CARB	0.1W	5%	270 Ω	
R1102	ERJ3GEYJ101	SMD	0.1W	5%	100 Ω	
R1103	ERJ3GEYJ472	SMD	0.1W	5%	4K7 Ω	
R1104	ERJ3GEYJ101	SMD	0.1W	5%	100 Ω	

Cct Ref	Parts Number	Description				
R1105	ERJ3GEYJ472	SMD	0.1W	5%	4K7 Ω	
R1106	ERJ3GEYJ822	SMD	0.1W	5%	8K2 Ω	
R1107	ERJ3GEYJ822	SMD	0.1W	5%	8K2 Ω	
R1110	ERJ3GEY0R00	SMD	0.1W	-	0 Ω	
R1111	ERJ3GEY0R00	SMD	0.1W	-	0 Ω	
R1113	ERJ3GEY0R00	SMD	0.1W	-	0 Ω	
R1120	ERJ3GEYJ101	SMD	0.1W	5%	100 Ω	
R1121	ERJ3GEYJ101	SMD	0.1W	5%	100 Ω	
R1122	ERJ3GEY0R00	SMD	0.1W	-	0 Ω	
R1123	ERJ3GEYJ104V	S.M.CARB	0.1W	5%	100K Ω	
R1124	ERJ3GEYJ104V	S.M.CARB	0.1W	5%	100K Ω	
R1125	ERJ3GEY0R00	SMD	0.1W	-	0 Ω	
R1126	ERJ3GEY0R00	SMD	0.1W	-	0 Ω	
R1142	ERJ3GEYJ472	SMD	0.1W	5%	4K7 Ω	
R1143	ERJ3GEYJ101	SMD	0.1W	5%	100 Ω	
R1216	ERJ3GEYJ474	SMD	0.1W	5%	470K Ω	
R1220	ERJ3GEYJ103	SMD	0.1W	5%	10K Ω	
R1223	ERJ3GEYJ472	SMD	0.1W	5%	4K7 Ω	
R1224	ERJ3GEYJ472	SMD	0.1W	5%	4K7 Ω	
R1225	ERJ3GEYJ472	SMD	0.1W	5%	4K7 Ω	
R1233	ERJ3GEYJ473V	S.M.CARB	0.1W	5%	47K Ω	
R1234	ERJ3GEYJ472	SMD	0.1W	5%	4K7 Ω	
R1235	ERJ3GEYJ273	SMD	0.1W	5%	27K Ω	
R1236	ERJ6GEYJ472	S.M.CARB	0.1W	5%	4K7 Ω	
R1237	ERJ6GEYJ472	S.M.CARB	0.1W	5%	4K7 Ω	
R1238	ERJ3GEYJ224V	S.M.CARB	0.1W	5%	220K Ω	
R1239	ERJ3GEYJ104V	S.M.CARB	0.1W	5%	100K Ω	
R1249	ERJ3GEYJ225	SMD	0.1W	5%	2M2 Ω	
R1250	ERJ3GEYJ333V	SMD	0.1W	5%	33K Ω	
R1251	ERJ3GEYJ104V	S.M.CARB	0.1W	5%	100K Ω	
R1252	ERJ3GEYJ683	SMD	0.1W	5%	68K Ω	
R1256	ERJ3GEYJ104V	S.M.CARB	0.1W	5%	100K Ω	
R1257	ERJ3GEYJ223V	S.M.CARB	0.1W	5%	22K Ω	
R1263	ERJ3GEYJ472	SMD	0.1W	5%	4K7 Ω	
R1264	ERJ3GEYJ473V	S.M.CARB	0.1W	5%	47K Ω	
R1265	ERJ3GEYJ225	SMD	0.1W	5%	2M2 Ω	
R1266	ERJ3GEYJ104V	S.M.CARB	0.1W	5%	100K Ω	
R1267	ERJ3GEYJ224V	S.M.CARB	0.1W	5%	220K Ω	
R1268	ERJ3EKF2702V	SMD	0.1W	1%	27K Ω	
R1269	ERJ3GEYJ104V	S.M.CARB	0.1W	5%	100K Ω	
R1270	ERJ3GEYJ221	SMD	0.1W	5%	220 Ω	
R1271	ERJ3GEYJ223V	S.M.CARB	0.1W	5%	22K Ω	
R1272	ERJ3GEY0R00	SMD	0.1W	-	0 Ω	
R1295	ERJ3GEYJ104V	S.M.CARB	0.1W	5%	100K Ω	
R1296	ERJ3GEYJ104V	S.M.CARB	0.1W	5%	100K Ω	
R1297	ERJ3GEYJ334	SMD	0.1W	5%	330K Ω	
R1298	ERJ3GEYJ103	SMD	0.1W	5%	10K Ω	
R1299	ERJ3GEYJ563V	S.M.CARB	0.1W	5%	56K Ω	
R1301	ERJ3GEYJ563V	S.M.CARB	0.1W	5%	56K Ω	
R1302	ERJ3GEYJ561	SMD	0.1W	5%	560 Ω	
R1303	ERJ3GEYJ331	SMD	0.1W	5%	330 Ω	
R1304	ERJ3GEYJ472	SMD	0.1W	5%	4K7 Ω	
R1305	ERJ3GEYJ472	SMD	0.1W	5%	4K7 Ω	
R1377	ERJ2GEJ330X	SMD	.063W	5%	33 Ω	
R1378	ERJ2GEJ330X	SMD	.063W	5%	33 Ω	
R1379	ERJ2GEJ330X	SMD	.063W	5%	33 Ω	
R1380	ERJ6GEYJ102	S.M.CARB	0.1W	5%	1K Ω	
R1381	ERJ6GEYJ103	S.M.CARB	0.1W	5%	10K Ω	
R1382	ERJ2GE0R00X	SMD	.063W	-	0 Ω	
R1383	ERJ2GEJ473X	SMD	.063W	5%	47K Ω	
R1384	ERJ2GEJ473X	SMD	.063W	5%	47K Ω	
R1385	ERJ2GEJ103X	SMD	.063W	5%	10K Ω	
R1386	ERJ2GEJ103X	SMD	.063W	5%	10K Ω	
R1387	ERJ3GEYJ203V	SMD	0.1W	5%	20K Ω	
R1388	ERJ3GEYJ333V	SMD	0.1W	5%	33K Ω	
R1389	ERJ3GEYJ203V	SMD	0.1W	5%	20K Ω	
R1390	ERJ3GEYJ223V	S.M.CARB	0.1W	5%	22K Ω	
R1391	ERJ3GEYJ333V	SMD	0.1W	5%	33K Ω	

Cct Ref	Parts Number	Description			
R1392	ERJ3GEYJ223V	S.M.CARB	0.1W	5%	22K Ω
R1393	ERJ2GEJ102X	SMD	.063W	5%	1K Ω
R1395	ERJ2GEJ102X	SMD	.063W	5%	1K Ω
R1397	ERJ2GEJ101X	SMD	.063W	5%	100 Ω
R1398	ERJ2GEJ101X	SMD	.063W	5%	100 Ω
R1500	ERJ3GEYJ101	SMD	0.1W	5%	100 Ω
R1501	ERJ8GEYJ750	SMD	0.25W	5%	75 Ω
R1502	ERJ6GEYJ750	S.M.CARB	0.1W	5%	75 Ω
R1503	ERJ3GEYJ101	SMD	0.1W	5%	100 Ω
R1504	ERJ3GEYJ101	SMD	0.1W	5%	100 Ω
R1505	ERJ3GEYJ123	SMD	0.1W	5%	12K Ω
R1506	ERJ3GEYJ123	SMD	0.1W	5%	12K Ω
R1507	ERJ8GEYJ750	SMD	0.25W	5%	75 Ω
R1509	ERJ3GEYJ750	SMD	0.1W	5%	75 Ω
R1510	ERJ3GEYJ750	SMD	0.1W	5%	75 Ω
R1512	ERJ6GEYJ750	S.M.CARB	0.1W	5%	75 Ω
R1513	ERJ3GEYJ302V	SMD	0.1W	5%	3K Ω
R1514	ERJ6GEYJ750	S.M.CARB	0.1W	5%	75 Ω
R1515	ERJ3GEYJ302V	SMD	0.1W	5%	3K Ω
R1516	ERJ3GEYJ101	SMD	0.1W	5%	100 Ω
R1517	ERJ3GEYJ101	SMD	0.1W	5%	100 Ω
R1518	ERJ6GEYJ750	S.M.CARB	0.1W	5%	75 Ω
R1521	EXB2HV101JV	SMD	.063W	5%	100 Ω
R1526	ERJ3GEYJ750	SMD	0.1W	5%	75 Ω
R1527	ERJ3GEYJ750	SMD	0.1W	5%	75 Ω
R1528	ERJ6GEYJ750	S.M.CARB	0.1W	5%	75 Ω
R1529	ERJ3GEYJ101	SMD	0.1W	5%	100 Ω
R1530	ERJ3GEYJ273	SMD	0.1W	5%	27K Ω
R1531	ERJ6GEYJ750	S.M.CARB	0.1W	5%	75 Ω
R1532	ERJ6GEYJ750	S.M.CARB	0.1W	5%	75 Ω
R1533	ERJ3GEYJ101	SMD	0.1W	5%	100 Ω
R1536	ERJ3GEY0R00	SMD	0.1W	-	0 Ω
R1537	ERJ3GEYJ101	SMD	0.1W	5%	100 Ω
R1540	EXB38V101JV	CHIP RES	.063W	5%	100 Ω
R1541	EXB2HV101JV	SMD	.063W	5%	100 Ω
R1542	ERJ3GEYJ472	SMD	0.1W	5%	4K7 Ω
R1544	ERJ3GEYJ472	SMD	0.1W	5%	4K7 Ω
R1545	ERJ3GEYJ101	SMD	0.1W	5%	100 Ω
R1546	ERJ3GEYJ101	SMD	0.1W	5%	100 Ω
R1548	ERJ2GEJ101X	SMD	.063W	5%	100 Ω
R1549	ERJ6GEYJ622	S.M.CARB	0.1W	5%	6K2 Ω
R1550	EXB2HV101JV	SMD	.063W	5%	100 Ω
R1556	EXB2HV101JV	SMD	.063W	5%	100 Ω
R1568	ERJ3GEYJ101	SMD	0.1W	5%	100 Ω
R1569	ERJ3GEYJ101	SMD	0.1W	5%	100 Ω
R1579	ERJ3GEYJ103	SMD	0.1W	5%	10K Ω
R1580	ERJ3GEYJ103	SMD	0.1W	5%	10K Ω
R1585	ERJ3GEY0R00	SMD	0.1W	-	0 Ω
R1587	ERJ3GEYJ101	SMD	0.1W	5%	100 Ω
R1591	ERJ3GEYJ330	SMD	0.1W	5%	33 Ω
R1592	ERJ3GEYJ330	SMD	0.1W	5%	33 Ω
R1593	ERJ3GEYJ330	SMD	0.1W	5%	33 Ω
R1595	ERJ6GEYJ472	S.M.CARB	0.1W	5%	4K7 Ω
R1597	ERJ3GEYJ750	SMD	0.1W	5%	75 Ω
R1598	ERJ3GEYJ750	SMD	0.1W	5%	75 Ω
R1599	ERJ3GEYJ750	SMD	0.1W	5%	75 Ω
R1600	ERJ6GEYJ472	S.M.CARB	0.1W	5%	4K7 Ω
R1701	ERJ3GEY0R00	SMD	0.1W	-	0 Ω
R1702	ERJ3GEYJ102	SMD	0.1W	5%	1K Ω
R1703	ERJ3GEYJ153V	S.M.CARB	0.1W	5%	15K Ω
R1714	ERJ3GEY0R00	SMD	0.1W	-	0 Ω
R1715	ERJ3GEYJ274V	SMD	0.1W	5%	270K Ω
R1722	ERJ3GEY0R00	SMD	0.1W	-	0 Ω
R1724	ERJ3GEYJ222	SMD	0.1W	5%	2K2 Ω
R1729	ERJ3GEYJ472	SMD	0.1W	5%	4K7 Ω
R1765	EXB24VR000X	SMD	0W	-	0 Ω
R1766	EXB24VR000X	SMD	0W	-	0 Ω
R1767	EXB24VR000X	SMD	0W	-	0 Ω

Cct Ref	Parts Number	Description			
R1768	EXB24VR000X	SMD	0W	-	0 Ω
R1769	EXB24VR000X	SMD	0W	-	0 Ω
R1770	ERJ3GEYJ104V	S.M.CARB	0.1W	5%	100K Ω
R1771	ERJ3GEYJ103	SMD	0.1W	5%	10K Ω
R2305	ERJ3GEYJ102	SMD	0.1W	5%	1K Ω
R2306	ERJ3GEYJ102	SMD	0.1W	5%	1K Ω
R2307	ERJ3GEYJ272	SMD	0.1W	5%	2K7 Ω
R2308	ERJ3GEYJ331	SMD	0.1W	5%	330 Ω
R2309	ERJ3GEYJ331	SMD	0.1W	5%	330 Ω
R2310	ERJ3GEYJ103	SMD	0.1W	5%	10K Ω
R2311	ERJ3GEYJ103	SMD	0.1W	5%	10K Ω
R2312	ERJ3GEYJ103	SMD	0.1W	5%	10K Ω
R2313	ERJ3GEYJ103	SMD	0.1W	5%	10K Ω
R2321	ERJ3GEYJ101	SMD	0.1W	5%	100 Ω
R2322	ERJ3GEYJ101	SMD	0.1W	5%	100 Ω
R2323	ERJ3GEYJ104V	S.M.CARB	0.1W	5%	100K Ω
R2324	ERJ3GEYJ104V	S.M.CARB	0.1W	5%	100K Ω
R2325	ERJ3GEYJ104V	S.M.CARB	0.1W	5%	100K Ω
R2326	ERJ3GEYJ104V	S.M.CARB	0.1W	5%	100K Ω
R2327	ERJ3GEYJ333V	SMD	0.1W	5%	33K Ω
R3000	ERJ3GEYJ101	SMD	0.1W	5%	100 Ω
R3001	ERJ6GEYJ750	S.M.CARB	0.1W	5%	75 Ω
R3007	ERJ3GEYJ563V	S.M.CARB	0.1W	5%	56K Ω
R3008	ERJ3GEYJ563V	S.M.CARB	0.1W	5%	56K Ω
R3009	ERJ3GEYJ104V	S.M.CARB	0.1W	5%	100K Ω
R3010	ERJ3GEYJ104V	S.M.CARB	0.1W	5%	100K Ω
R3011	ERJ3GEYJ101	SMD	0.1W	5%	100 Ω
R3012	ERJ3GEYJ101	SMD	0.1W	5%	100 Ω
R3021	ERJ3GEYJ563V	S.M.CARB	0.1W	5%	56K Ω
R3022	ERJ3GEYJ101	SMD	0.1W	5%	100 Ω
R3023	ERJ3GEYJ563V	S.M.CARB	0.1W	5%	56K Ω
R3024	ERJ3GEYJ101	SMD	0.1W	5%	100 Ω
R3050	ERJ6GEYJ750	S.M.CARB	0.1W	5%	75 Ω
R3053	ERJ3GEYJ563V	S.M.CARB	0.1W	5%	56K Ω
R3055	ERJ3GEYJ563V	S.M.CARB	0.1W	5%	56K Ω
R3057	ERJ3GEYJ101	SMD	0.1W	5%	100 Ω
R3058	ERJ3GEYJ104V	S.M.CARB	0.1W	5%	100K Ω
R3059	ERJ3GEYJ101	SMD	0.1W	5%	100 Ω
R3060	ERJ3GEYJ104V	S.M.CARB	0.1W	5%	100K Ω
R3201	ERJ3GEY0R00	SMD	0.1W	-	0 Ω
R3202	ERJ3GEY0R00	SMD	0.1W	-	0 Ω
R3204	ERJ3GEYJ221	SMD	0.1W	5%	220 Ω
R3205	ERJ3GEYJ221	SMD	0.1W	5%	220 Ω
R3208	ERJ3GEYJ152	SMD	0.1W	5%	1K5 Ω
R3209	ERJ3GEYJ221	SMD	0.1W	5%	220 Ω
R3210	ERJ3GEYJ152	SMD	0.1W	5%	1K5 Ω
R3211	ERJ3GEYJ221	SMD	0.1W	5%	220 Ω
R3214	ERJ3GEYJ123	SMD	0.1W	5%	12K Ω
R3215	ERJ3GEYJ682	SMD	0.1W	5%	6K8 Ω
R3216	ERJ3GEYJ123	SMD	0.1W	5%	12K Ω
R3217	ERJ3GEYJ682	SMD	0.1W	5%	6K8 Ω
R3223	ERJ3GEY0R00	SMD	0.1W	-	0 Ω
R3224	ERJ3GEY0R00	SMD	0.1W	-	0 Ω
R3225	ERJ3GEY0R00	SMD	0.1W	-	0 Ω
R3228	ERJ3GEY0R00	SMD	0.1W	-	0 Ω
R3301	ERJ6GEYJ101	S.M.CARB	0.1W	5%	100 Ω
R3302	ERJ6GEYJ101	S.M.CARB	0.1W	5%	100 Ω
R3330	ERJ6GEYJ331	S.M.CARB	0.1W	5%	330 Ω
R3331	ERJ6GEYJ331	S.M.CARB	0.1W	5%	330 Ω
R3332	ERJ6GEYJ331	S.M.CARB	0.1W	5%	330 Ω
R3333	ERJ6GEYJ331	S.M.CARB	0.1W	5%	330 Ω
R3400	ERJ3GEY0R00	SMD	0.1W	-	0 Ω
R3403	ERJ3GEY0R00	SMD	0.1W	-	0 Ω
R3405	ERJ3GEY0R00	SMD	0.1W	-	0 Ω
R3507	ERJ3GEYJ101	SMD	0.1W	5%	100 Ω
R3600	ERJ3GEYJ563V	S.M.CARB	0.1W	5%	56K Ω
R3601	ERJ3GEYJ101	SMD	0.1W	5%	100 Ω
R3602	ERJ3GEYJ563V	S.M.CARB	0.1W	5%	56K Ω

Cct Ref	Parts Number	Description				
R3603	ERJ3GEYJ101	SMD	0.1W	5%	100 Ω	
R3605	ERJ6GEYJ103	S.M.CARB	0.1W	5%	10K Ω	
R3606	ERJ12YJ151U	SMD	0.5W	5%	150 Ω	
R3608	ERJ6GEYJ103	S.M.CARB	0.1W	5%	10K Ω	
R3609	ERJ12YJ151U	SMD	0.5W	5%	150 Ω	
R3801	ERJ6GEYJ220	S.M.CARB	0.1W	5%	22 Ω	
R3802	ERJ6GEYJ331	S.M.CARB	0.1W	5%	330 Ω	
R3803	ERJ6RBD103V	SMD	0.1W	0.5	10K Ω	
R3804	ERJ6ENF2202	SMD	.125W	1%	22K Ω	
R3805	ERJ6GEYJ124	S.M.CARB	0.1W	5%	120K Ω	
R3806	ERJ6ENF2372V	SMD	.125W	1%	23K7 Ω	
R3807	ERJ6GEYJ334	S.M.CARB	0.1W	5%	330K Ω	
R3808	ERJ6RED244V	SMD	0.1W	0.5	240K Ω	
R3809	ERJ6RED274	SMD	0.1W	0.5	270K Ω	
R3811	ERJ12RSJR10U	SMD	0.5W	5%	R1 Ω	
R3812	ERJ6GEYJ104	S.M.CARB	0.1W	5%	100K Ω	
R3813	ERJ12RSJR10U	SMD	0.5W	5%	R1 Ω	
R3814	ERJ6GEYJ103	S.M.CARB	0.1W	5%	10K Ω	
R3815	ERJ6ENF5600	SMD	.125W	1%	560 Ω	
R3816	ERJ6ENF1801	SMD	.125W	1%	1K8 Ω	
R3817	ERJ6ENF2201	S.M.CARB	0.1W	1%	2K2 Ω	
R3818	ERJ6GEYJ105	S.M.CARB	0.1W	5%	1M Ω	
R3819	ERJ6GEYJ122	S.M.CARB	0.1W	5%	1K2 Ω	
R3820	ERJ6GEYJ273	S.M.CARB	0.1W	5%	27K Ω	
R3821	ERJ6ENF5102V	SMD	.125W	1%	51K Ω	
R3822	ERJ6GEYJ430	SMD	.125W	5%	43 Ω	
R3823	ERJ6GEYJ103	S.M.CARB	0.1W	5%	10K Ω	
R3824	ERJ6GEYJ273	S.M.CARB	0.1W	5%	27K Ω	
R3825	ERJ6GEYJ103	S.M.CARB	0.1W	5%	10K Ω	
R3826	ERJ6ENF6202V	SMD	.125W	1%	62K Ω	
R3827	ERJ6GEYJ242	S.M.CARB	0.1W	5%	2K4 Ω	
R3828	ERJ3GEYJ122V	S.M.CARB	0.1W	5%	1K2 Ω	
R3829	ERJ6GEYJ753	S.M.CARB	0.1W	5%	75K Ω	
R3830	ERJ6GEYJ103	S.M.CARB	0.1W	5%	10K Ω	
R3831	ERJ3GEYJ154V	SMD	0.1W	5%	150K Ω	
R3833	ERJ6GEYJ103	S.M.CARB	0.1W	5%	10K Ω	
R3834	ERJ3GEYJ473V	S.M.CARB	0.1W	5%	47K Ω	
R3835	ERJ3GEYJ101	SMD	0.1W	5%	100 Ω	
R3836	ERJ3GEYJ103	SMD	0.1W	5%	10K Ω	
R3837	ERJ3GEYJ103	SMD	0.1W	5%	10K Ω	
R3838	ERJ3GEYJ103	SMD	0.1W	5%	10K Ω	
R3839	ERJ3GEYJ333V	SMD	0.1W	5%	33K Ω	
R3840	ERJ3GEYJ153V	S.M.CARB	0.1W	5%	15K Ω	
R3841	ERJ3GEYJ153V	S.M.CARB	0.1W	5%	15K Ω	
R3842	ERJ3GEYJ103	SMD	0.1W	5%	10K Ω	
R3843	ERJ3GEY0R00	SMD	0.1W	-	0 Ω	
R3844	ERJ3GEY0R00	SMD	0.1W	-	0 Ω	
R3845	ERJ3GEY0R00	SMD	0.1W	-	0 Ω	
R3846	ERJ3GEYJ473V	S.M.CARB	0.1W	5%	47K Ω	
R3847	ERJ3GEY0R00	SMD	0.1W	-	0 Ω	
R3853	ERJ3GEYJ153V	S.M.CARB	0.1W	5%	15K Ω	
R3858	ERJ3GEYJ122V	S.M.CARB	0.1W	5%	1K2 Ω	
R3859	ERJ3GEYJ104V	S.M.CARB	0.1W	5%	100K Ω	
R3860	ERJ3GEYJ821	SMD	0.1W	5%	820 Ω	
R3861	ERJ3GEYJ272	SMD	0.1W	5%	2K7 Ω	
R3862	ERJ6GEYJ681	S.M.CARB	0.1W	5%	680 Ω	
R3863	ERJ6GEYJ681	S.M.CARB	0.1W	5%	680 Ω	
R3864	ERJ3GEYJ103	SMD	0.1W	5%	10K Ω	
R3865	ERJ3GEYJ273	SMD	0.1W	5%	27K Ω	
R3866	ERJ3GEYJ822	SMD	0.1W	5%	8K2 Ω	
R3867	ERJ3GEYJ333V	SMD	0.1W	5%	33K Ω	
R5001	ERJ3GEYJ473V	S.M.CARB	0.1W	5%	47K Ω	
R5002	ERJ3GEYJ220	SMD	0.1W	5%	22 Ω	
R5003	ERJ3GEYJ220	SMD	0.1W	5%	22 Ω	
R5004	ERJ3GEYJ472	SMD	0.1W	5%	4K7 Ω	
R5005	ERJ3GEYJ472	SMD	0.1W	5%	4K7 Ω	
R5006	ERJ3GEYJ472	SMD	0.1W	5%	4K7 Ω	
R5008	ERJ3GEYJ220	SMD	0.1W	5%	22 Ω	

Cct Ref	Parts Number	Description				
R5009	ERJ3GEYJ102	SMD	0.1W	5%	1K Ω	
R5010	ERJ3GEYJ203V	SMD	0.1W	5%	20K Ω	
R5013	ERJ3GEYJ472	SMD	0.1W	5%	4K7 Ω	
R5015	ERJ3GEYJ473V	S.M.CARB	0.1W	5%	47K Ω	
R5016	ERJ3GEYJ220	SMD	0.1W	5%	22 Ω	
R5017	ERJ3GEYJ220	SMD	0.1W	5%	22 Ω	
R5018	ERJ3GEYJ472	SMD	0.1W	5%	4K7 Ω	
R5019	ERJ3GEYJ472	SMD	0.1W	5%	4K7 Ω	
R5020	ERJ3GEYJ472	SMD	0.1W	5%	4K7 Ω	
R5022	ERJ3GEYJ220	SMD	0.1W	5%	22 Ω	
R5023	ERJ3GEYJ102	SMD	0.1W	5%	1K Ω	
R5024	ERJ3GEYJ203V	SMD	0.1W	5%	20K Ω	
R5027	ERJ3GEYJ472	SMD	0.1W	5%	4K7 Ω	
R5028	ERJ3GEYJ220	SMD	0.1W	5%	22 Ω	
R5030	ERJ3GEYJ220	SMD	0.1W	5%	22 Ω	
R5031	ERJ3GEY0R00	SMD	0.1W	-	0 Ω	
R5032	ERJ3GEY0R00	SMD	0.1W	-	0 Ω	
R5033	ERJ2GEJ2R7X	SMD	.063W	5%	2R7 Ω	
R5034	ERJ2GEJ2R7X	SMD	.063W	5%	2R7 Ω	
R5035	ERJ2GEJ2R7X	SMD	.063W	5%	2R7 Ω	
R5036	ERJ2GEJ2R7X	SMD	.063W	5%	2R7 Ω	
R5037	ERJ2GEJ2R7X	SMD	.063W	5%	2R7 Ω	
R5038	ERJ2GEJ2R7X	SMD	.063W	5%	2R7 Ω	
R5039	ERJ2GEJ2R7X	SMD	.063W	5%	2R7 Ω	
R5040	ERJ2GEJ2R7X	SMD	.063W	5%	2R7 Ω	
R5041	ERJ2GEJ2R7X	SMD	.063W	5%	2R7 Ω	
R5042	ERJ2GEJ2R7X	SMD	.063W	5%	2R7 Ω	
R5043	ERJ2GEJ2R7X	SMD	.063W	5%	2R7 Ω	
R5044	ERJ2GEJ2R7X	SMD	.063W	5%	2R7 Ω	
R5045	ERJ2GEJ2R7X	SMD	.063W	5%	2R7 Ω	
R5046	ERJ2GEJ2R7X	SMD	.063W	5%	2R7 Ω	
R5047	ERJ2GEJ2R7X	SMD	.063W	5%	2R7 Ω	
R5048	ERJ2GEJ2R7X	SMD	.063W	5%	2R7 Ω	
R5049	ERJ3GEYJ101	SMD	0.1W	5%	100 Ω	
R5050	ERJ3GEYJ220	SMD	0.1W	5%	22 Ω	
R5051	ERJ3GEYJ472	SMD	0.1W	5%	4K7 Ω	
R5052	ERJ3GEYJ220	SMD	0.1W	5%	22 Ω	
R5054	ERJ3GEYJ472	SMD	0.1W	5%	4K7 Ω	
R5056	ERJ3GEYJ103	SMD	0.1W	5%	10K Ω	
R5058	ERJ3GEYJ101	SMD	0.1W	5%	100 Ω	
R5059	ERJ3GEYJ472	SMD	0.1W	5%	4K7 Ω	
R5060	ERJ3GEYJ220	SMD	0.1W	5%	22 Ω	
R5061	ERJ3GEYJ220	SMD	0.1W	5%	22 Ω	
R5066	ERJ3GEYJ272	SMD	0.1W	5%	2K7 Ω	
R5067	ERJ3GEYJ272	SMD	0.1W	5%	2K7 Ω	
R5068	ERJ3GEYJ103	SMD	0.1W	5%	10K Ω	
R5069	ERJ3GEYJ103	SMD	0.1W	5%	10K Ω	
R5070	ERJ3GEYJ103	SMD	0.1W	5%	10K Ω	
R5071	ERJ3GEYJ103	SMD	0.1W	5%	10K Ω	
R5072	ERJ3GEYJ220	SMD	0.1W	5%	22 Ω	
R5073	ERJ3GEYJ220	SMD	0.1W	5%	22 Ω	
R5074	ERJ3GEYJ220	SMD	0.1W	5%	22 Ω	
R5075	ERJ3GEYJ220	SMD	0.1W	5%	22 Ω	
R5076	ERJ3GEYJ220	SMD	0.1W	5%	22 Ω	
R5077	ERJ3GEYJ220	SMD	0.1W	5%	22 Ω	
R5080	EXB38V330JV	CHIP RES	.063W	5%	33 Ω	
R5081	ERJ3GEYJ682	SMD	0.1W	5%	6K8 Ω	
R5084	ERJ2GEJ330X	SMD	.063W	5%	33 Ω	
R5085	ERJ3GEYJ105	SMD	0.1W	5%	1M Ω	
R5086	ERJ3GEYJ821	SMD	0.1W	5%	820 Ω	
R5088	ERJ3GEYJ472	SMD	0.1W	5%	4K7 Ω	
R5089	ERJ3GEYJ103	SMD	0.1W	5%	10K Ω	
R5090	ERJ3GEYJ102	SMD	0.1W	5%	1K Ω	
R5091	ERJ3GEYJ682	SMD	0.1W	5%	6K8 Ω	
R5092	ERJ3GEYJ560	SMD	0.1W	5%	56 Ω	
R5093	ERJ3GEYJ472	SMD	0.1W	5%	4K7 Ω	
R5095	ERJ3GEYJ472	SMD	0.1W	5%	4K7 Ω	
R5096	ERJ3GEYJ330	SMD	0.1W	5%	33 Ω	

Cct Ref	Parts Number	Description			
R5097	EXB2HV330JV	CHIP RES	.063W	5%	33 Ω
R5098	EXB2HV330JV	CHIP RES	.063W	5%	33 Ω
R5099	EXB2HV330JV	CHIP RES	.063W	5%	33 Ω
R5100	ERJ3GEY0R00	SMD	0.1W	-	0 Ω
R5109	ERJ3GEY0R00	SMD	0.1W	-	0 Ω
R5110	ERJ3GEYJ472	SMD	0.1W	5%	4K7 Ω
R5112	ERJ3GEY0R00	SMD	0.1W	-	0 Ω
R5113	ERJ3GEYJ472	SMD	0.1W	5%	4K7 Ω
R5114	ERJ3GEYJ682	SMD	0.1W	5%	6K8 Ω
R5116	ERJ3GEYJ683	SMD	0.1W	5%	68K Ω
R5117	ERJ3GEYJ472	SMD	0.1W	5%	4K7 Ω
R5118	ERJ3GEYJ472	SMD	0.1W	5%	4K7 Ω
R5119	ERJ3GEYJ472	SMD	0.1W	5%	4K7 Ω
R5120	ERJ3GEYJ472	SMD	0.1W	5%	4K7 Ω
R5121	ERJ3GEYJ683	SMD	0.1W	5%	68K Ω
R5122	ERJ3GEYJ683	SMD	0.1W	5%	68K Ω
R5130	ERJ3GEYJ220	SMD	0.1W	5%	22 Ω

CAPACITORS

C100	F2A0J1020040	ELECT	6.3V		1000µF
C101	ECJ1VB1H102	S.M.CAP	50V		1nF
C102	ECJ1VB1H103	S.M.CAP	50V		10nF
C106	ECJ1VB1H103	S.M.CAP	50V		10nF
C107	ECJ1VB1H103	S.M.CAP	50V		10nF
C109	ECJ1VB1H103	S.M.CAP	50V		10nF
C110	ECJ1VB1H103	S.M.CAP	50V		10nF
C121	ECA1HHGR33B	ELECT	50V		0.33µF
C123	ECJ1VB1H102	S.M.CAP	50V		1nF
C127	ECJ1VB1H104	S.M.CAP	50V		100nF
C128	ECA1CHG221B	ELECT	16V		220µF
C129	ECJ1VC1H220J	S.M.CAP	50V		22pF
C130	ECJ1VC1H560J	S.M.CAP	50V		56pF
C131	ECJ1VB1H104	S.M.CAP	50V		100nF
C202	ECJ1VB1H102	S.M.CAP	50V		1nF
C203	ECJ2FB1E224K	S.M.CAP	25V		220nF
C204	ECJ1VB1H222K	S.M.CAP	50V		2.2nF
C205	ECJ1VB1H222K	S.M.CAP	50V		2.2nF
C206	ECJ2VB1H153K	S.M.CAP	50V		15nF
C207	ECJ1VB1H222K	S.M.CAP	50V		2.2nF
C208	F2A1E470A211	ELECT	25V		47µF
C209	ECJ1VB1H221K	S.M.CAP	50V		220pF
C210	ECJ2FB1H104	S.M.CAP	50V		100nF
C211	ECJ1VB1H221K	S.M.CAP	50V		220pF
C212	ECA1HHG2R2B	ELECT	50V		2.2µF
C215	ECJ2FB1E224K	S.M.CAP	25V		220nF
C216	EEUFC1C102SB	ELECT	16V		1000µF
C217	ECJ2FB1H104	S.M.CAP	50V		100nF
C218	ECJ2FB1H104	S.M.CAP	50V		100nF
C219	ECJ1VB1H102	S.M.CAP	50V		1nF
C220	ECJ2FB1E224K	S.M.CAP	25V		220nF
C221	ECJ1VB1H222K	S.M.CAP	50V		2.2nF
C222	ECJ1VB1H222K	S.M.CAP	50V		2.2nF
C223	ECJ2VB1H153K	S.M.CAP	50V		15nF
C224	ECJ1VB1H222K	S.M.CAP	50V		2.2nF
C225	F2A1E470A211	ELECT	25V		47µF
C226	ECJ1VB1H221K	S.M.CAP	50V		220pF
C227	ECJ2FB1H104	S.M.CAP	50V		100nF
C228	ECJ1VB1H221K	S.M.CAP	50V		220pF
C229	ECA1HHG2R2B	ELECT	50V		2.2µF
C232	ECJ2FB1E224K	S.M.CAP	25V		220nF
C233	EEUFC1C102SB	ELECT	16V		1000µF
C234	ECJ2FB1H104	S.M.CAP	50V		100nF
C235	ECJ1VB1H153K	S.M.CAP	50V		15nF
C236	ECJ1VB1H153K	S.M.CAP	50V		15nF
C237	F2A1V4710040	ELECT	35V		470µF
C238	ECJ2FB1H104	S.M.CAP	50V		100nF
C239	ECQV1H334JL3	FILM	50V		330nF
C240	ECQV1H334JL3	FILM	50V		330nF

Cct Ref	Parts Number	Description			
C253	EEAGA1H4R7B	ELECT	50V		4.7µF
C254	EEAGA1H4R7B	ELECT	50V		4.7µF
C256	ECA1HM4R7GB	ELECT	50V		4.7µF
C270	ECJ2VB1H102K	S.M.CAP	50V		1nF
C271	ECJ2VB1H102K	S.M.CAP	50V		1nF
C273	ECA1HHG010B	ELECT	50V		1µF
C274	ECA1HHG010B	ELECT	50V		1µF
C275	ECA1VHG331B	ELECT	35V		330µF
C276	ECA1HHG470B	ELECT	50V		47µF
C277	ECA1HHG010B	ELECT	50V		1µF
C278	ECA1HHG010B	ELECT	50V		1µF
C279	ECJ1VC1H101J	S.M.CAP	50V		100pF
C280	ECJ1VC1H101J	S.M.CAP	50V		100pF
C281	ECA1HHG100B	ELECT	50V		10µF
C282	ECA1CHG101	ELECT	16V		100µF
C803	ECQU2A104BN9	FILM	275V		100nF
C805	ECEA1CKA100	ELECT	16V		10µF
C806	ECQU2A224MLA	FILM	275V		220nF
C808	ECJ2VF1H224Z	S.M.CAP	50V		220nF
C809	ECQU2A224MLA	FILM	275V		220nF
C810	ECQU2A224MLA	FILM	275V		220nF
C813	ECKWBE472ZER	CERAMIC	250V		4.7nF
C814	ECKWBE472ZER	CERAMIC	250V		4.7nF
C815	ECQB1H391KF3	FILM	50V		390pF
C816	ECQB1H102J	FILM	50V		1nF
C817	ECKWBE472ZER	CERAMIC	250V		4.7nF
C818	F1J1H105A830	S.M.CAP	50V		1000nF
C819	ECKWBE472ZER	CERAMIC	250V		4.7nF
C820	EEUFC1V101B	ELECT	35V		100µF
C821	ECKW3D471JBN	CERAMIC	2kV		470pF
C823	F2BAH271A002	ELECT	450V		270µF
C824	ECQM4103KZ	FILM	400V		10nF
C828	ECKCNA332ME7	CERAMIC	400V		3.3nF
C836	EEUFM1V102B	ELECT	35V		1000µF
C837	EEUFM1V102B	ELECT	35V		1000µF
C839	ECJ2VF1H683Z	S.M.CAP	50V		68nF
C840	KZH1VV182MT5	ELECT	35V		1800µF
C841	ECJ1VB1C105K	SMD	16V		1000nF
C842	KZH1VV182MT5	ELECT	35V		1800µF
C843	ECJ1VB1C105K	SMD	16V		1000nF
C844	ECJ2VF1H683Z	S.M.CAP	50V		68nF
C845	EEUFM1V102B	ELECT	35V		1000µF
C846	ECJ2VB1H221K	S.M.CAP	50V		220pF
C849	EEUFM1V102B	ELECT	35V		1000µF
C850	ECA1HM4R7GB	ELECT	50V		4.7µF
C877	ECJ2FB1C474K	S.M.CAP	16V		470nF
C1052	ECJ2FB0J106M	S.M.CAP	6.3V		10µF
C1054	ECJ2VC1H270J	S.M.CAP	50V		27pF
C1207	ECJ2FB0J106M	S.M.CAP	6.3V		10µF
C1211	ECJ1VC1H221	S.M.CAP	50V		220pF
C1212	F1G1A1040006	CERAMIC	10V		100nF
C1223	ECJ1VB1C105K	SMD	16V		1000nF
C1224	ECJ1VC1H221	S.M.CAP	50V		220pF
C1225	ECJ1VC1H221	S.M.CAP	50V		220pF
C1259	F1G1A1040006	CERAMIC	10V		100nF
C1380	ECJ2FF1A475Z	S.M.CAP	10V		4.7µF
C1381	F1H1C104A041	CERAMIC	16V		100nF
C1382	ECJ2FF1A475Z	S.M.CAP	10V		4.7µF
C1383	ECJ2FF1A475Z	S.M.CAP	10V		4.7µF
C1384	F1H1C104A041	CERAMIC	16V		100nF
C1385	F1H1C104A041	CERAMIC	16V		100nF
C1386	ECJ2FF1A475Z	S.M.CAP	10V		4.7µF
C1387	ECJ2FF1A475Z	S.M.CAP	10V		4.7µF
C1388	F2G1C470A022	ELECT	16V		47µF
C1389	F1H1H103A219	CERAMIC	50V		10nF
C1390	F2G0J470A019	ELECT	6.3V		47µF
C1391	F1H1H103A219	CERAMIC	50V		10nF
C1392	ECJ0EC1H181J	S.M.CAP	50V		180pF

Cct Ref	Parts Number	Description		
C1393	ECJ0EC1H181J	S.M.CAP	50V	180pF
C1394	ECJ0EC1H330J	S.M.CAP	50V	33pF
C1395	ECJ0EC1H330J	S.M.CAP	50V	33pF
C1500	EEAGA1C100B	ELECT	16V	10µF
C1501	ECJ3YB1A106M	S.M.CAP	10V	10µF
C1502	ECJ2FB0J106M	S.M.CAP	6.3V	10µF
C1503	ECJ2FB0J106M	S.M.CAP	6.3V	10µF
C1504	ECJ2FB0J106M	S.M.CAP	6.3V	10µF
C1505	ECJ2FB0J106M	S.M.CAP	6.3V	10µF
C1506	ECJ2FB0J106M	S.M.CAP	6.3V	10µF
C1507	ECJ2FB0J106M	S.M.CAP	6.3V	10µF
C1508	ECJ1VF1E104	S.M.CAP	25V	100nF
C1509	ECJ1VF1E104	S.M.CAP	25V	100nF
C1510	ECJ1VF1E104	S.M.CAP	25V	100nF
C1511	ECJ1VF1E104	S.M.CAP	25V	100nF
C1512	ECJ1VF1E104	S.M.CAP	25V	100nF
C1513	ECJ1VF1E104	S.M.CAP	25V	100nF
C1514	ECJ1VF1E104	S.M.CAP	25V	100nF
C1515	ECJ1VF1E104	S.M.CAP	25V	100nF
C1516	ECJ1VF1E104	S.M.CAP	25V	100nF
C1517	ECJ1VC1H102J	S.M.CAP	50V	1nF
C1518	ECJ1VF1E104	S.M.CAP	25V	100nF
C1519	ECJ1VF1E104	S.M.CAP	25V	100nF
C1520	ECJ1VC1H102J	S.M.CAP	50V	1nF
C1521	ECJ1VF1E104	S.M.CAP	25V	100nF
C1522	ECJ1VF1E104	S.M.CAP	25V	100nF
C1523	ECJ1VF1A105	S.M.CAP	10V	1µF
C1524	ECJ1VF1E104	S.M.CAP	25V	100nF
C1525	ECJ1VF1E104	S.M.CAP	25V	100nF
C1526	ECJ1VF1E104	S.M.CAP	25V	100nF
C1527	ECJ1VF1E104	S.M.CAP	25V	100nF
C1529	ECJ1VF1A105	S.M.CAP	10V	1µF
C1530	ECJ1VF1E104	S.M.CAP	25V	100nF
C1532	ECJ2VB1C104K	S.M.CAP	16V	100nF
C1533	ECJ1VB1C103K	S.M.CAP	16V	10nF
C1534	ECJ2FB0J106M	S.M.CAP	6.3V	10µF
C1535	ECJ1VB1C563K	S.M.CAP	16V	56nF
C1539	ECJ3YB1A106M	S.M.CAP	10V	10µF
C1540	ECJ2FB0J106M	S.M.CAP	6.3V	10µF
C1541	F2G1C100A022	ELECT	16V	10µF
C1546	ECJ2FB1C474K	S.M.CAP	16V	470nF
C1547	ECJ2FB1C474K	S.M.CAP	16V	470nF
C1548	ECJ2FB1C474K	S.M.CAP	16V	470nF
C1549	ECJ2FB1C474K	S.M.CAP	16V	470nF
C1550	ECJ2FB1C474K	S.M.CAP	16V	470nF
C1551	ECJ2FB1C474K	S.M.CAP	16V	470nF
C1554	EEH1H3R3R	ELECT	50V	3.3µF
C1559	ECJ1VB1C104K	S.M.CAP	16V	100nF
C1560	ECJ1VF1E104	S.M.CAP	25V	100nF
C1561	ECJ1VC1H560J	S.M.CAP	50V	56pF
C1562	ECJ1VC1H560J	S.M.CAP	50V	56pF
C1563	ECJ1VB1H102	S.M.CAP	50V	1nF
C1564	ECJ1VB1H102	S.M.CAP	50V	1nF
C1565	ECJ1VC1H220J	S.M.CAP	50V	22pF
C1566	ECJ1VC1H220J	S.M.CAP	50V	22pF
C1569	ECJ2FB0J106M	S.M.CAP	6.3V	10µF
C1570	ECJ1VB1H102	S.M.CAP	50V	1nF
C1571	ECJ1VB1H102	S.M.CAP	50V	1nF
C1572	ECJ1VB1C104K	S.M.CAP	16V	100nF
C1573	ECJ1VB1C104K	S.M.CAP	16V	100nF
C1574	ECJ1VB1C104K	S.M.CAP	16V	100nF
C1575	ECJ1VB1C104K	S.M.CAP	16V	100nF
C1576	ECJ1VB1C104K	S.M.CAP	16V	100nF
C1577	ECJ1VB1C104K	S.M.CAP	16V	100nF
C1578	ECJ1VB1C104K	S.M.CAP	16V	100nF
C1579	ECJ1VB1C104K	S.M.CAP	16V	100nF
C1580	ECJ1VB1C104K	S.M.CAP	16V	100nF
C1581	ECJ1VB1C104K	S.M.CAP	16V	100nF

Cct Ref	Parts Number	Description		
C1582	ECJ1VB1C104K	S.M.CAP	16V	100nF
C1583	ECJ1VB1C104K	S.M.CAP	16V	100nF
C1584	ECJ1VB1C104K	S.M.CAP	16V	100nF
C1585	ECJ1VB1C104K	S.M.CAP	16V	100nF
C1586	ECJ1VB1C104K	S.M.CAP	16V	100nF
C1587	ECJ1VB1C104K	S.M.CAP	16V	100nF
C1590	EEUEB1H4R7SB	ELECT	50V	4.7µF
C1591	ECJ2FB0J106M	S.M.CAP	6.3V	10µF
C1593	ECJ2FB0J106M	S.M.CAP	6.3V	10µF
C1596	ECJ2FB0J106M	S.M.CAP	6.3V	10µF
C1700	EEUEB1H2R2SB	ELECT	50V	2.2µF
C1702	ECJ1VC1H050C	S.M.CAP	50V	5pF
C1710	ECJ2FB1A105K	S.M.CAP	10V	1000nF
C2301	ECEA1CKA470	ELECT	16V	47µF
C2302	ECEA1CKA470	ELECT	16V	47µF
C2303	ECEA1CKA470	ELECT	16V	47µF
C2304	ECEA1CKA470	ELECT	16V	47µF
C2323	ECJ1VB1H102	S.M.CAP	50V	1nF
C2324	ECJ1VB1H102	S.M.CAP	50V	1nF
C3002	ECJ1VB1H102	S.M.CAP	50V	1nF
C3003	ECJ1VB1H102	S.M.CAP	50V	1nF
C3004	ECJ1VC1H331	S.M.CAP	50V	330pF
C3005	ECJ1VC1H331	S.M.CAP	50V	330pF
C3021	ECJ1VC1H331	S.M.CAP	50V	330pF
C3022	ECJ1VC1H331	S.M.CAP	50V	330pF
C3023	ECJ1VC1H560J	S.M.CAP	50V	56pF
C3024	ECJ1VC1H121	S.M.CAP	50V	120pF
C3025	ECJ1VC1H560J	S.M.CAP	50V	56pF
C3026	ECJ1VC1H121	S.M.CAP	50V	120pF
C3027	ECJ1VC1H560J	S.M.CAP	50V	56pF
C3028	ECJ1VC1H121	S.M.CAP	50V	120pF
C3031	ECJ1VC1H560J	S.M.CAP	50V	56pF
C3032	ECJ1VC1H560J	S.M.CAP	50V	56pF
C3033	ECJ1VC1H560J	S.M.CAP	50V	56pF
C3052	ECJ1VC1H331	S.M.CAP	50V	330pF
C3053	ECJ1VB1H102	S.M.CAP	50V	1nF
C3054	ECJ1VB1H102	S.M.CAP	50V	1nF
C3055	ECJ1VC1H331	S.M.CAP	50V	330pF
C3201	ECJ1VB1C104K	S.M.CAP	16V	100nF
C3202	ECJ1VB1C104K	S.M.CAP	16V	100nF
C3204	EEHPOJ470P	ELECT	6.3V	47µF
C3205	EEHPOJ470P	ELECT	6.3V	47µF
C3300	ECA1CM470GB	ELECT	16V	47µF
C3301	ECJ2FB1A105K	S.M.CAP	10V	1000nF
C3302	ECJ2FB1A105K	S.M.CAP	10V	1000nF
C3303	ECJ2FB1A105K	S.M.CAP	10V	1000nF
C3304	ECJ2FB1A105K	S.M.CAP	10V	1000nF
C3305	ECJ1VB1H104	S.M.CAP	50V	100nF
C3306	ECJ2FB1A105K	S.M.CAP	10V	1000nF
C3307	ECJ2FB1A105K	S.M.CAP	10V	1000nF
C3308	ECJ2FB1A105K	S.M.CAP	10V	1000nF
C3309	ECJ2FB1A105K	S.M.CAP	10V	1000nF
C3310	ECJ2FB1A105K	S.M.CAP	10V	1000nF
C3311	ECJ2FB1A105K	S.M.CAP	10V	1000nF
C3312	ECJ1VB1C103K	S.M.CAP	16V	10nF
C3313	ECJ1VB1C103K	S.M.CAP	16V	10nF
C3314	ECJ1VB1C103K	S.M.CAP	16V	10nF
C3315	ECJ1VB1C103K	S.M.CAP	16V	10nF
C3316	ECJ1VB1C103K	S.M.CAP	16V	10nF
C3317	ECJ1VB1C103K	S.M.CAP	16V	10nF
C3318	ECJ1VB1C103K	S.M.CAP	16V	10nF
C3319	ECJ1VB1C103K	S.M.CAP	16V	10nF
C3320	ECJ1VB1C103K	S.M.CAP	16V	10nF
C3321	ECJ1VB1C103K	S.M.CAP	16V	10nF
C3330	ECEA1CKA220B	ELECT	16V	22µF
C3331	ECEA1CKA220B	ELECT	16V	22µF
C3332	ECEA1CKA220B	ELECT	16V	22µF
C3333	ECEA1CKA220B	ELECT	16V	22µF

Cct Ref	Parts Number	Description		
C3338	ECA1HHG4R7B	ELECT	50V	4.7µF
C3339	ECJ1VB1C103K	S.M.CAP	16V	10nF
C3340	ECJ1VB1C103K	S.M.CAP	16V	10nF
C3341	ECJ1VB1C103K	S.M.CAP	16V	10nF
C3342	ECJ1VB1C103K	S.M.CAP	16V	10nF
C3343	ECJ1VB1C103K	S.M.CAP	16V	10nF
C3344	ECJ1VB1C103K	S.M.CAP	16V	10nF
C3600	ECJ1VC1H331	S.M.CAP	50V	330pF
C3601	ECJ1VC1H331	S.M.CAP	50V	330pF
C3602	ECJ2VB1H561K	S.M.CAP	50V	560pF
C3603	ECJ2VB1H103K	S.M.CAP	50V	10nF
C3604	ECEA1HKA4R7	ELECT	50V	4.7µF
C3605	ECJ2VB1H561K	S.M.CAP	50V	560pF
C3606	ECJ2VB1H103K	S.M.CAP	50V	10nF
C3607	ECEA1HKA4R7	ELECT	50V	4.7µF
C3800	ECJ2FB1H473K	S.M.CAP	50V	47nF
C3801	ECJ1VB1C105K	SMD	16V	100nF
C3802	ECJ2FB1E224K	S.M.CAP	25V	220nF
C3803	EEEFK1V331P	ELECT	35V	330µF
C3804	ECJ2FB1E105K	S.M.CAP	25V	1µF
C3805	EEFCDOJ470ER	ELECT	6.3V	47µF
C3806	ECJ1VB1H562K	S.M.CAP	50V	5.6nF
C3807	ECJ1VB1H104	S.M.CAP	50V	100nF
C3808	EEFCDOJ470ER	ELECT	6.3V	47µF
C3809	EEEFK1V331P	ELECT	35V	330µF
C3810	ECJ1VC1H102J	S.M.CAP	50V	1nF
C3811	ECJ1VB1H102	S.M.CAP	50V	1nF
C3812	ECJ1VB1H104	S.M.CAP	50V	100nF
C3813	ECJ1VB1H222K	S.M.CAP	50V	2.2nF
C3814	ECJ1VB1H103	S.M.CAP	50V	10nF
C3815	EEUEB1H100SB	ELECT	50V	10µF
C3816	ECJ2FB1E224K	S.M.CAP	25V	220nF
C3817	ECJ2VB1H103K	S.M.CAP	50V	10nF
C3818	EEUFC1A102B	ELECT	10V	1000µF
C3819	ECJ2VC1H470J	S.M.CAP	50V	47pF
C3820	ECJ1VB1E473K	S.M.CAP	25V	47nF
C3821	ECJ1VB1H102	S.M.CAP	50V	1nF
C3822	EEUFC1E102	ELECT	25V	1000µF
C3823	ECJ2VB1E104K	S.M.CAP	25V	100nF
C3824	ECJ2FB1E105K	S.M.CAP	25V	1µF
C3825	ECJ1VB1H471K	S.M.CAP	50V	470pF
C3828	ECJ1VB1C105K	SMD	16V	1000nF
C3829	ECJ1VF1C105Z	S.M.CAP	16V	1000nF
C3830	ECJ1VF1C105Z	S.M.CAP	16V	1000nF
C3831	EEUEB1H100SB	ELECT	50V	10µF
C3841	ECJ3YB1E106M	S.M.CAP	25V	10µF
C5000	ECJ2FF1C475Z	S.M.CAP	16V	4.7µF
C5001	ECJ1VB1C104K	S.M.CAP	16V	100nF
C5002	ECJ1VC1H101J	S.M.CAP	50V	100pF
C5003	ECJ1VF1A225Z	S.M.CAP	10V	2.2µF
C5004	F1H1A1050002	CERAMIC	10V	1µF
C5005	ECJ1VB1C104K	S.M.CAP	16V	100nF
C5006	ECJ1VC1H471J	S.M.CAP	50V	470pF
C5007	F1H1A1050002	CERAMIC	10V	1µF
C5008	ECJ1VB1C104K	S.M.CAP	16V	100nF
C5009	ECJ2FF1A106Z	S.M.CAP	10V	10µF
C5010	ECJ1VB1C104K	S.M.CAP	16V	100nF
C5011	ECJ1VB1C104K	S.M.CAP	16V	100nF
C5012	ECJ1VB1C104K	S.M.CAP	16V	100nF
C5013	ECJ1VB1C104K	S.M.CAP	16V	100nF
C5014	ECJ1VB1C104K	S.M.CAP	16V	100nF
C5015	ECJ1VB1C104K	S.M.CAP	16V	100nF
C5016	ECJ1VB1C104K	S.M.CAP	16V	100nF
C5017	ECJ1VB1C104K	S.M.CAP	16V	100nF
C5018	F1H1H102A219	CERAMIC	50V	1nF
C5019	ECJ1VB1C104K	S.M.CAP	16V	100nF
C5020	F1H1H102A219	CERAMIC	50V	1nF
C5021	ECJ2FF1A106Z	S.M.CAP	10V	10µF

Cct Ref	Parts Number	Description		
C5022	F1H1H102A219	CERAMIC	50V	1nF
C5023	F1H1H102A219	CERAMIC	50V	1nF
C5024	ECJ1VB1C104K	S.M.CAP	16V	100nF
C5025	F1H1H102A219	CERAMIC	50V	1nF
C5026	ECJ1VB1C104K	S.M.CAP	16V	100nF
C5027	F1H1H102A219	CERAMIC	50V	1nF
C5028	F1H1H102A219	CERAMIC	50V	1nF
C5029	F1H1H102A219	CERAMIC	50V	1nF
C5030	F1H1H102A219	CERAMIC	50V	1nF
C5031	F1H1H102A219	CERAMIC	50V	1nF
C5032	ECJ2FF1A106Z	S.M.CAP	10V	10µF
C5033	ECJ2FF1A106Z	S.M.CAP	10V	10µF
C5034	ECJ2FF1A106Z	S.M.CAP	10V	10µF
C5035	ECJ2FF1A106Z	S.M.CAP	10V	10µF
C5036	ECJ1VB1C104K	S.M.CAP	16V	100nF
C5037	ECJ1VB1C104K	S.M.CAP	16V	100nF
C5038	ECJ1VB1C104K	S.M.CAP	16V	100nF
C5039	ECJ1VB1C104K	S.M.CAP	16V	100nF
C5040	ECJ1VB1C104K	S.M.CAP	16V	100nF
C5041	ECJ1VB1C104K	S.M.CAP	16V	100nF
C5042	ECJ1VB1C104K	S.M.CAP	16V	100nF
C5043	ECJ1VB1C104K	S.M.CAP	16V	100nF
C5044	ECJ1VB1C104K	S.M.CAP	16V	100nF
C5045	ECJ1VB1C104K	S.M.CAP	16V	100nF
C5046	ECJ1VB1C104K	S.M.CAP	16V	100nF
C5047	ECJ1VB1C104K	S.M.CAP	16V	100nF
C5048	ECJ1VB1C104K	S.M.CAP	16V	100nF
C5049	ECJ1VB1C104K	S.M.CAP	16V	100nF
C5050	ECJ1VB1C104K	S.M.CAP	16V	100nF
C5051	ECJ1VB1C104K	S.M.CAP	16V	100nF
C5052	F1H1H102A219	CERAMIC	50V	1nF
C5053	F1H1H102A219	CERAMIC	50V	1nF
C5054	F1H1H102A219	CERAMIC	50V	1nF
C5055	F1H1H102A219	CERAMIC	50V	1nF
C5056	F1H1H102A219	CERAMIC	50V	1nF
C5057	F1H1H102A219	CERAMIC	50V	1nF
C5058	F1H1H102A219	CERAMIC	50V	1nF
C5059	F1H1H102A219	CERAMIC	50V	1nF
C5060	F1H1H102A219	CERAMIC	50V	1nF
C5061	F1H1H102A219	CERAMIC	50V	1nF
C5062	F1H1H102A219	CERAMIC	50V	1nF
C5063	F1H1H102A219	CERAMIC	50V	1nF
C5064	F1H1H102A219	CERAMIC	50V	1nF
C5065	F1H1H102A219	CERAMIC	50V	1nF
C5066	F1H1H102A219	CERAMIC	50V	1nF
C5067	F1H1H102A219	CERAMIC	50V	1nF
C5068	ECJ1VB1C104K	S.M.CAP	16V	100nF
C5069	F1H1A1050002	CERAMIC	10V	1µF
C5070	ECJ1VB1C104K	S.M.CAP	16V	100nF
C5071	ECJ1VB1C104K	S.M.CAP	16V	100nF
C5072	F1H1H102A219	CERAMIC	50V	1nF
C5073	ECJ1VB1C103K	S.M.CAP	16V	10nF
C5074	F1H1H102A219	CERAMIC	50V	1nF
C5075	F1H1A1050002	CERAMIC	10V	1µF
C5076	ECJ1VB1C104K	S.M.CAP	16V	100nF
C5077	ECJ1VB1C103K	S.M.CAP	16V	10nF
C5078	ECJ1VB1C104K	S.M.CAP	16V	100nF
C5081	ECJ1VB1C104K	S.M.CAP	16V	100nF
C5084	ECJ1VB1C104K	S.M.CAP	16V	100nF
C5085	ECJ1VB1C104K	S.M.CAP	16V	100nF
C5087	ECJ1VC1H150	S.M.CAP	50V	15pF
C5088	ECJ1VC1H150	S.M.CAP	50V	15pF
TERMINALS AND LINKS				
A1	K1KA15AA0288	15P CONNECTOR		
A2	K1KA30AA0250	30P CONNECTOR		
A2-PAN	TXJTA2AENE2	A2-PANEL WIRE		
A5	K1KA05AA0192	5P CONNECTOR		

Cct Ref	Parts Number	Description
A6	K1KA04AA0192	4P CONNECTOR
A7	K1KB23A00003	23P CONNECTOR
A8	K1KA06AA0192	6P CONNECTOR
A8-V2	TXAJTA8AEME	A8 - V2
A10	K1KA03AA0192	3P CONNECTOR
A12	K1KA08A00467	8P CONNECTOR
A13	K1KA04AA0192	4P CONNECTOR
A13-P4	TXJ/P4AEOE	A13 - P4WIRE
B1	K1KB15B00013	15P CONNECTOR
B2	K1KA08BA0061	8P CONNECTOR
H1	K1KA08BA0055	8P CONNECTOR
H2	K1KA04BA0055	4P CONNECTOR
JK2300	K2HA204A0047	AUDIO TERMINAL
JK3000	K1FB121A0012	SCART SOCKET
JK3001	K2HA306A0029	YUV TERMINAL
JK3002	K2HA204A0047	AUDIO TERMINAL
JK3050	K1FB121A0012	SCART SOCKET
JK3600	K4BK23B00004	AV TERMINAL
JK5000	K1FA119D0001	HDMI CONNECTOR
JK5001	K1FA119D0001	HDMI CONNECTOR
K1	K1KA03A00608	3P CONNECTOR
K3	K1KA02A00676	2P CONNECTOR
K3-P1	TXAJTP1AENE1	K3-P1 WIRE
P1	K1KA02A00676	2P CONNECTOR
P2	K1KA23A00003	23P CONNECTOR
P3	K1KA15AA0194	15P CONNECTOR
P3-PAN	TXJ/P3AGLE	P3-PANEL WIRE
P4	K1KA04AA0192	4P CONNECTOR
V2	K1KA06BA0055	6P CONNECTOR
SWITCHES		
SW800	ESB92DA1B	SWITCH
DIFFERENCES FOR MODEL TX--26LM70FA		
EXPLODED VIEW		
16	A-26LM70FA	A P.C.B.
17	TXASX02AERE	AC CORD ASSY
18	TKP0E16901	AV3 BRACKET
19	TKU0E0177	BACK COVER
20	TTY0E0135	CABINET
21	TKZ0E9377	L LCD BOTTOM MTG
23	TKZ0E9376	L/R LCD MTG
24	TKZ0E9411	LCD BOTTOM MTG
25	L5EDD6Q00027	LCD PANEL
26	TKZ0E9356	LCD TOP MTG
27	TBM0E1047	MODEL LABEL
28	TBLA0242	PEDESTAL ASSY
29	TKZ0E9378	R LCD BOTTOM MTG
MISCELLANEOUS COMPONENTS		
.	TMK0E118	FELT
.	TPC0E71801	CARTON
.	TPD0E0140	TOP CUSHION
.	TPD0E0141-1	BOTTOM CUSHION
.	TPD0E9096	BOTTOM PAD
INSTRUCTION BOOKS		
.	TQB0E0506A	GERMAN
.	TQB0E0506B	DUTCH
.	TQB0E0506C	ITALIAN
.	TQB0E0506D	FRENCH
.	TQB0E0506E	SPANISH
.	TQB0E0506F	SWEDISH
.	TQB0E0506K	DANISH
.	TQB0E0506U	ENGLISH
I.C.s		
IC1120	X24C26LM70FA	EEPROM

Cct Ref	Parts Number	Description
TERMINALS AND LINKS		
A5-SPK	TXAJTA5AENE1	A5 - SP
A6-H2	TXJ/A6AGNE	A6-H2 WIRE
A12-H1	TXJ/A12AGNE	A12-H1 WIRE
DIFFERENCES FOR MODEL TX--26LM70LA		
EXPLODED VIEW		
16	A-26LM70LA	A P.C.B.
17	TXASX02AENE	AC CORD ASSY
18	TKP0E16901	AV3 BRACKET
19	TKU0E0177	BACK COVER
20	TTY0E0135	CABINET
21	TKZ0E9377	L LCD BOTTOM MTG
23	TKZ0E9376	L/R LCD MTG
24	TKZ0E9411	LCD BOTTOM MTG
25	L5EDD6Q00027	LCD PANEL
26	TKZ0E9356	LCD TOP MTG
27	TBM0E1106	MODEL LABEL
28	TBLA0242	PEDESTAL ASSY
29	TKZ0E9378	R LCD BOTTOM MTG
MISCELLANEOUS COMPONENTS		
.	TMK0E118	FELT
.	TPC0E71801	CARTON
.	TPD0E0140	TOP CUSHION
.	TPD0E0141-1	BOTTOM CUSHION
.	TPD0E9096	BOTTOM PAD
INSTRUCTION BOOKS		
.	TQB0E0516U	ENGLISH
I.C.s		
IC1120	X24C26LM70LA	EEPROM
TERMINALS AND LINKS		
A5-SPK	TXAJTA5AENE1	A5 - SP
A6-H2	TXJ/A6AGNE	A6-H2 WIRE
A12-H1	TXJ/A12AGNE	A12-H1 WIRE
DIFFERENCES FOR MODEL TX--26LM70PA		
EXPLODED VIEW		
16	A-26LM70PA	A P.C.B.
17	TXASX02AERE	AC CORD ASSY
18	TKP0E16901	AV3 BRACKET
19	TKU0E0177	BACK COVER
20	TTY0E0135	CABINET
21	TKZ0E9377	L LCD BOTTOM MTG
23	TKZ0E9376	L/R LCD MTG
24	TKZ0E9411	LCD BOTTOM MTG
25	L5EDD6Q00027	LCD PANEL
26	TKZ0E9356	LCD TOP MTG
27	TBM0E1095	MODEL LABEL
28	TBLA0242	PEDESTAL ASSY
29	TKZ0E9378	R LCD BOTTOM MTG
MISCELLANEOUS COMPONENTS		
.	TMK0E118	FELT
.	TPC0E71801	CARTON
.	TPD0E0140	TOP CUSHION
.	TPD0E0141-1	BOTTOM CUSHION
.	TPD0E9096	BOTTOM PAD
INSTRUCTION BOOKS		
.	TQB0E0511M	BULGARIAN
.	TQB0E0511N	ROMANIAN
.	TQB0E0511P	POLISH
.	TQB0E0511Q	HUNGARIAN
.	TQB0E0511R	CZECH
.	TQB0E0511U	ENGLISH

Cct Ref	Parts Number	Description	
I.C.s			
IC1120	X24C26LM70PA	EEPROM	
TERMINALS AND LINKS			
A5-SPK	TXAJTA5AENE1	A5 - SP	
A6-H2	TXJ/A6AGNE	A6-H2 WIRE	
A12-H1	TXJ/A12AGNE	A12-H1 WIRE	
DIFFERENCES FOR MODEL TX--32LM70FA			
EXPLODED VIEW			
16	A-32LM70FA	A P.C.B.	RTL ▲
17	TXASX02AERE	AC CORD ASSY	▲
18	TKP0E17001	AV3 BRACKET	
19	TKU0E0180	BACK COVER	▲
20	TTY0E0139-2	CABINET	
21	TKZ0E9382	L LCD BOTTOM MTG	
22	TKZ0E9380	L LCD MTG	
24	TKZ0E9412	LCD BOTTOM MTG	
25	L5EDD8Q00036	LCD PANEL	▲
26	TKZ0E9365-1	LCD TOP MTG	
27	TBM0E1046	MODEL LABEL	
28	TBLA0241	PEDESTAL ASSY	
29	TKZ0E9383	R LCD BOTTOM MTG	
30	TKZ0E9381	R LCD MTG	
MISCELLANEOUS COMPONENTS			
.	TMK0E090	FELT	
.	TMK0E119	FELT	
.	TPC0E72201	CARTON	
.	TPD0E0148	TOP CUSHION	
.	TPD0E0149-1	BOTTOM CUSHION	
.	TPD0E9095	BOTTOM PAD	
INSTRUCTION BOOKS			
.	TQB0E0506A	GERMAN	
.	TQB0E0506B	DUTCH	
.	TQB0E0506C	ITALIAN	
.	TQB0E0506D	FRENCH	
.	TQB0E0506E	SPANISH	
.	TQB0E0506F	SWEDISH	
.	TQB0E0506K	DANISH	
.	TQB0E0506U	ENGLISH	
I.C.s			
IC1120	X24C32LM70FA	EEPROM	
TERMINALS AND LINKS			
A5-SPK	TXAJTA5AEOE1	A5 - SP	
A6-H2	TXJ/A6AGLE	A6-H2 WIRE	
A12-H1	TXJ/A12AGLE	A12-H1 WIRE	
DIFFERENCES FOR MODEL TX--32LM70LA			
EXPLODED VIEW			
16	A-32LM70LA	A P.C.B.	RTL ▲
17	TXASX02AENE	AC CORD ASSY	▲
18	TKP0E17001	AV3 BRACKET	
19	TKU0E0180	BACK COVER	▲
20	TTY0E0139-2	CABINET	
21	TKZ0E9382	L LCD BOTTOM MTG	
22	TKZ0E9380	L LCD MTG	
24	TKZ0E9412	LCD BOTTOM MTG	
25	L5EDD8Q00036	LCD PANEL	▲
26	TKZ0E9365-1	LCD TOP MTG	
27	TBM0E1105	MODEL LABEL	
28	TBLA0241	PEDESTAL ASSY	
29	TKZ0E9383	R LCD BOTTOM MTG	
30	TKZ0E9381	R LCD MTG	


Cct Ref	Parts Number	Description	
MISCELLANEOUS COMPONENTS			
.	TMK0E090	FELT	
.	TMK0E119	FELT	
.	TPC0E72201	CARTON	
.	TPD0E0148	TOP CUSHION	
.	TPD0E0149-1	BOTTOM CUSHION	
.	TPD0E9095	BOTTOM PAD	
INSTRUCTION BOOKS			
.	TQB0E0516U	ENGLISH	
I.C.s			
IC1120	X24C32LM70LA	EEPROM	
TERMINALS AND LINKS			
A5-SPK	TXAJTA5AEOE1	A5 - SP	
A6-H2	TXJ/A6AGLE	A6-H2 WIRE	
A12-H1	TXJ/A12AGLE	A12-H1 WIRE	
DIFFERENCES FOR MODEL TX--32LM70PA			
EXPLODED VIEW			
16	A-32LM70PA	A P.C.B.	RTL ▲
17	TXASX02AERE	AC CORD ASSY	▲
18	TKP0E17001	AV3 BRACKET	
19	TKU0E0180	BACK COVER	▲
20	TTY0E0139-2	CABINET	
21	TKZ0E9382	L LCD BOTTOM MTG	
22	TKZ0E9380	L LCD MTG	
24	TKZ0E9412	LCD BOTTOM MTG	
25	L5EDD8Q00036	LCD PANEL	▲
26	TKZ0E9365-1	LCD TOP MTG	
27	TBM0E1094	MODEL LABEL	
28	TBLA0241	PEDESTAL ASSY	
29	TKZ0E9383	R LCD BOTTOM MTG	
30	TKZ0E9381	R LCD MTG	
MISCELLANEOUS COMPONENTS			
.	TMK0E090	FELT	
.	TMK0E119	FELT	
.	TPC0E72201	CARTON	
.	TPD0E0148	TOP CUSHION	
.	TPD0E0149-1	BOTTOM CUSHION	
.	TPD0E9095	BOTTOM PAD	
INSTRUCTION BOOKS			
.	TQB0E0511M	BULGARIAN	
.	TQB0E0511N	ROMANIAN	
.	TQB0E0511P	POLISH	
.	TQB0E0511Q	HUNGARIAN	
.	TQB0E0511R	CZECH	
.	TQB0E0511U	ENGLISH	
I.C.s			
IC1120	X24C32LM70PA	EEPROM	
TERMINALS AND LINKS			
A5-SPK	TXAJTA5AEOE1	A5 - SP	
A6-H2	TXJ/A6AGLE	A6-H2 WIRE	
A12-H1	TXJ/A12AGLE	A12-H1 WIRE	
DIFFERENCES FOR MODEL TX--R26LM70A			
EXPLODED VIEW			
16	A-R26LM70A	A P.C.B.	RTL ▲
17	TXASX02AERE	AC CORD ASSY	▲
18	TKP0E16901	AV3 BRACKET	
19	TKU0E0177	BACK COVER	▲
20	TTY0E0135	CABINET	
21	TKZ0E9377	L LCD BOTTOM MTG	
23	TKZ0E9376	L/R LCD MTG	
24	TKZ0E9411	LCD BOTTOM MTG	

Cct Ref	Parts Number	Description	
25	L5EDD6Q00027	LCD PANEL	△
26	TKZ0E9356	LCD TOP MTG	
27	TBM0E1098	MODEL LABEL	
28	TBLA0242	PEDESTAL ASSY	
29	TKZ0E9378	R LCD BOTTOM MTG	
MISCELLANEOUS COMPONENTS			
.	TMK0E118	FELT	
.	TPC0E71801	CARTON	
.	TPD0E0140	TOP CUSHION	
.	TPD0E0141-1	BOTTOM CUSHION	
.	TPD0E9096	BOTTOM PAD	
INSTRUCTION BOOKS			
.	TQB0E0512L	RUSSIAN	
.	TQB0E0512Y	UKRAINIAN	
I.C.s			
IC1120	X24CR26LM70A	EEPROM	
TERMINALS AND LINKS			
A5-SPK	TXAJTA5AENE1	A5 - SP	
A6-H2	TXJ/A6AGNE	A6-H2 WIRE	
A12-H1	TXJ/A12AGNE	A12-H1 WIRE	
DIFFERENCES FOR MODEL TX--R32LM70A			
EXPLODED VIEW			
16	A-R32LM70A	A P.C.B.	RTL △
17	TXASX02AERE	AC CORD ASSY	△
18	TKP0E17001	AV3 BRACKET	
19	TKU0E0180	BACK COVER	△
20	TTY0E0139-2	CABINET	
21	TKZ0E9382	L LCD BOTTOM MTG	
22	TKZ0E9380	L LCD MTG	
24	TKZ0E9412	LCD BOTTOM MTG	
25	L5EDD8Q00036	LCD PANEL	△
26	TKZ0E9365-1	LCD TOP MTG	
27	TBM0E1097	MODEL LABEL	
28	TBLA0241	PEDESTAL ASSY	
29	TKZ0E9383	R LCD BOTTOM MTG	
30	TKZ0E9381	R LCD MTG	
MISCELLANEOUS COMPONENTS			
.	TMK0E090	FELT	
.	TMK0E119	FELT	
.	TPC0E72201	CARTON	
.	TPD0E0148	TOP CUSHION	
.	TPD0E0149-1	BOTTOM CUSHION	
.	TPD0E9095	BOTTOM PAD	
INSTRUCTION BOOKS			
.	TQB0E0512L	RUSSIAN	
.	TQB0E0512Y	UKRAINIAN	
I.C.s			
IC1120	X24CR32LM70A	EEPROM	
TERMINALS AND LINKS			
A5-SPK	TXAJTA5AEOE1	A5 - SP	
A6-H2	TXJ/A6AGLE	A6-H2 WIRE	
A12-H1	TXJ/A12AGLE	A12-H1 WIRE	

Cct Ref	Parts Number	Description
---------	--------------	-------------


Schematic Diagrams

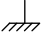

IMPORTANT SAFETY NOTICE

Components identified by  mark have special characteristics important for safety. When replacing any of these components, use only manufacturers' specified parts.


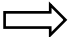
NOTE

1. RESISTOR
All resistors are carbon ¼W resistor, unless marked otherwise.
Unit of resistance is OHM (Ω) (k=1,000, M=1,000,000)
2. CAPACITORS
All capacitors are ceramic 50V unless marked otherwise.
Unit of capacitance is μ F unless otherwise stated.
3. COIL
Unit of inductance is μ H, unless otherwise stated.

4. TEST POINT
 Test Point Position

5. EARTH SYMBOL
 Chassis Earth (Cold)
 Line Earth (Hot)

6. VOLTAGE MEASUREMENT
Voltage is measured by a D.C. voltmeter.
Measurement conditions are as follows:
Power source a.c. 220V-240V, 50Hz
Receiving Signal Colour Bar signal (RF)
All customer controls Maximum position

7.
 Indicates the Video signal path
 Indicates the Audio signal path

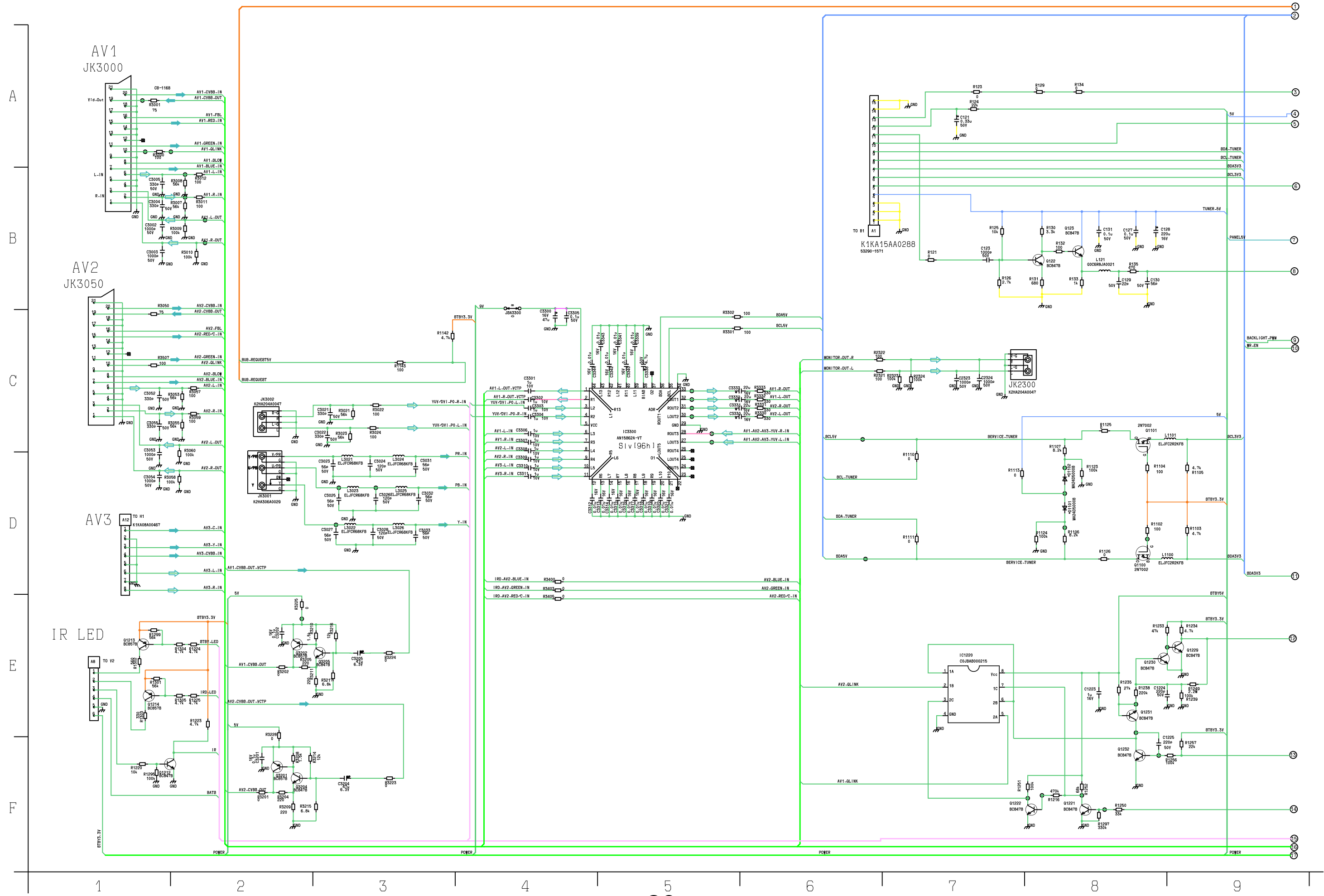
These schematic diagrams are the latest at time of printing and are subject to change without notice.

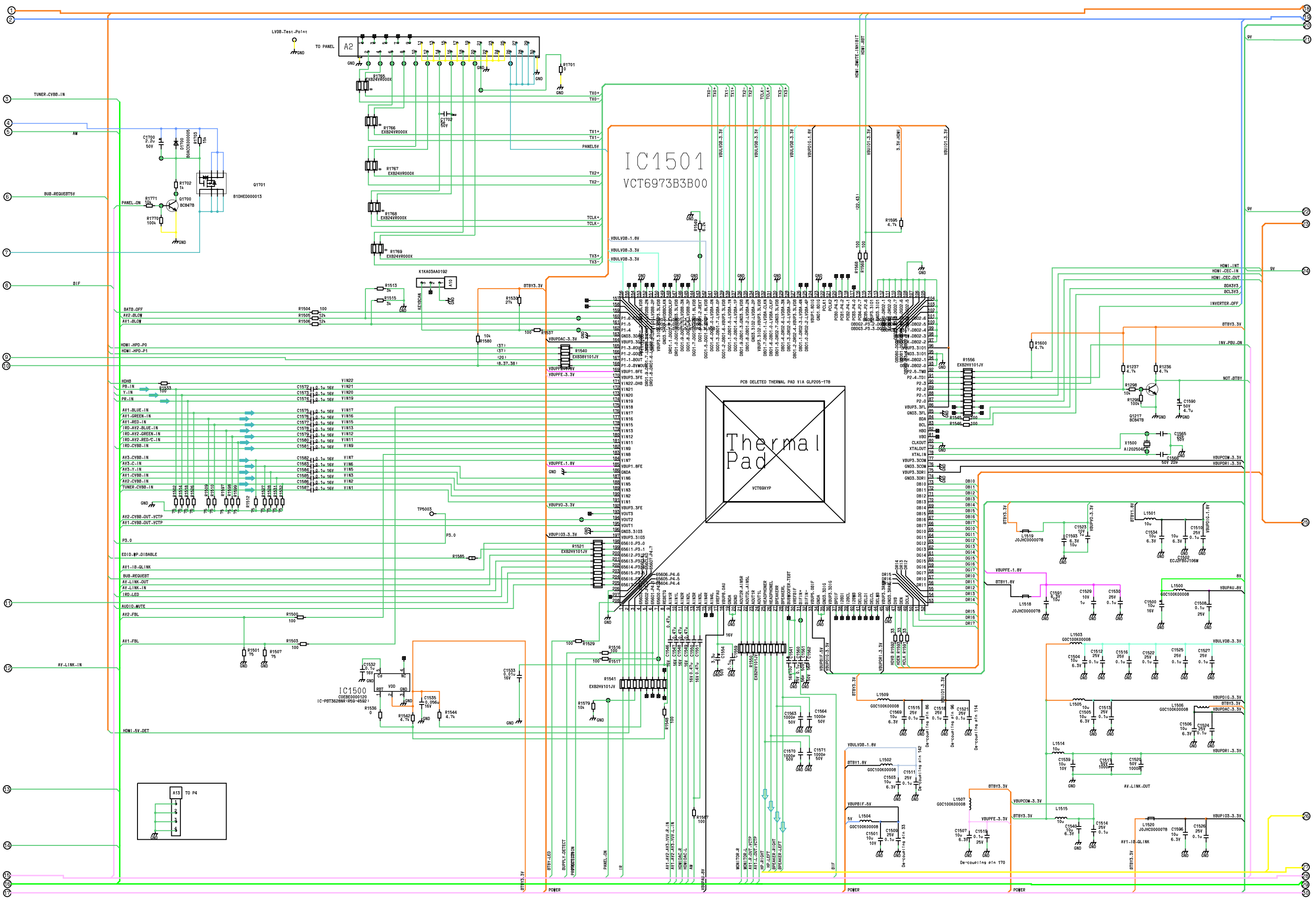
REMARKS

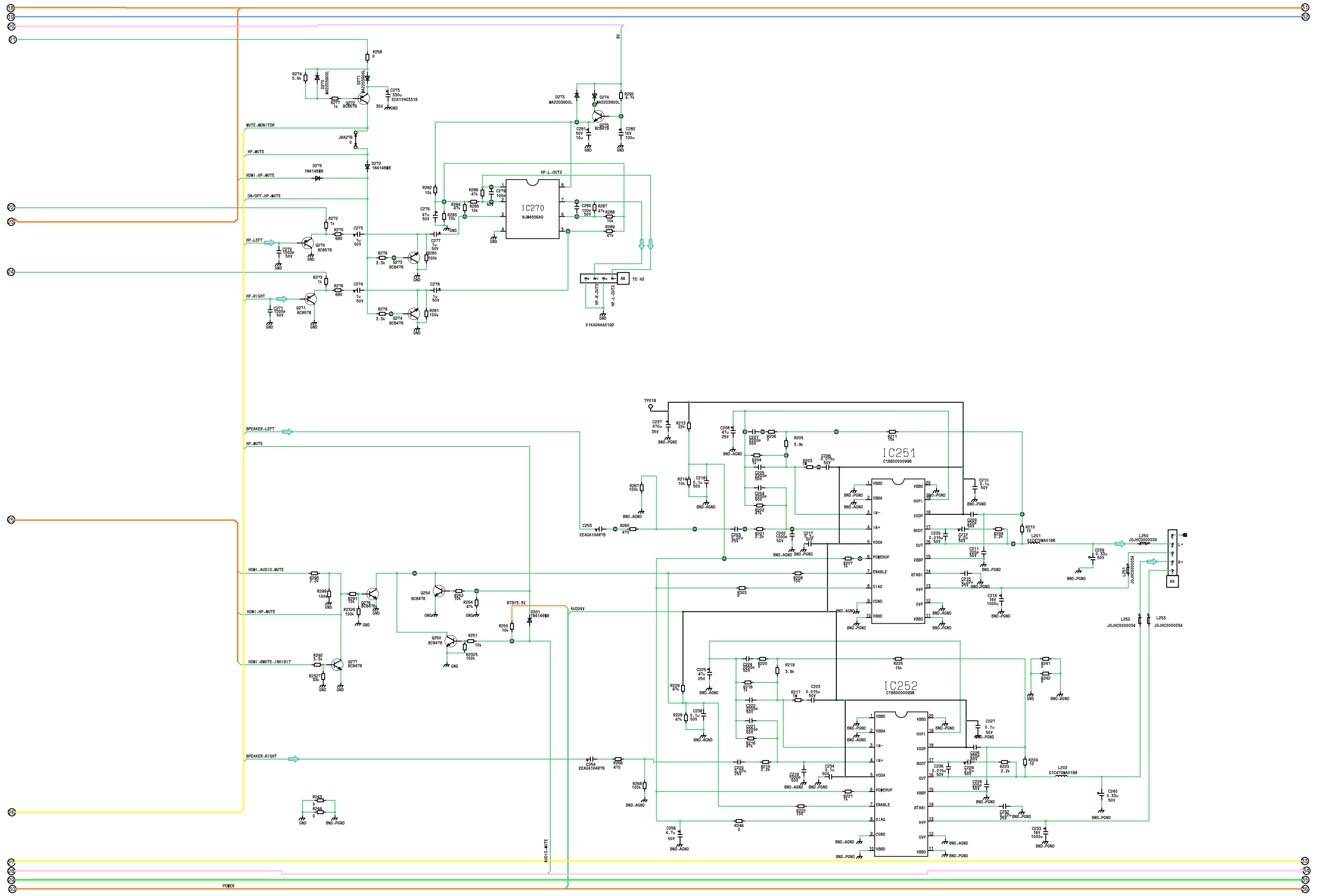
- a. Do not touch the hot part, or the hot and cold parts at the same time, as you are liable to a shock hazard.
- b. Do not short circuit the hot and cold circuits as electrical components may be damaged.
- c. Do not connect an instrument, such as an oscilloscope, to the hot and cold circuits simultaneously as this may cause fuse failure. Connect the earth of the instruments to the earth connection of the circuit being measured.
- d. Make sure to disconnect the power plug before removing the chassis.

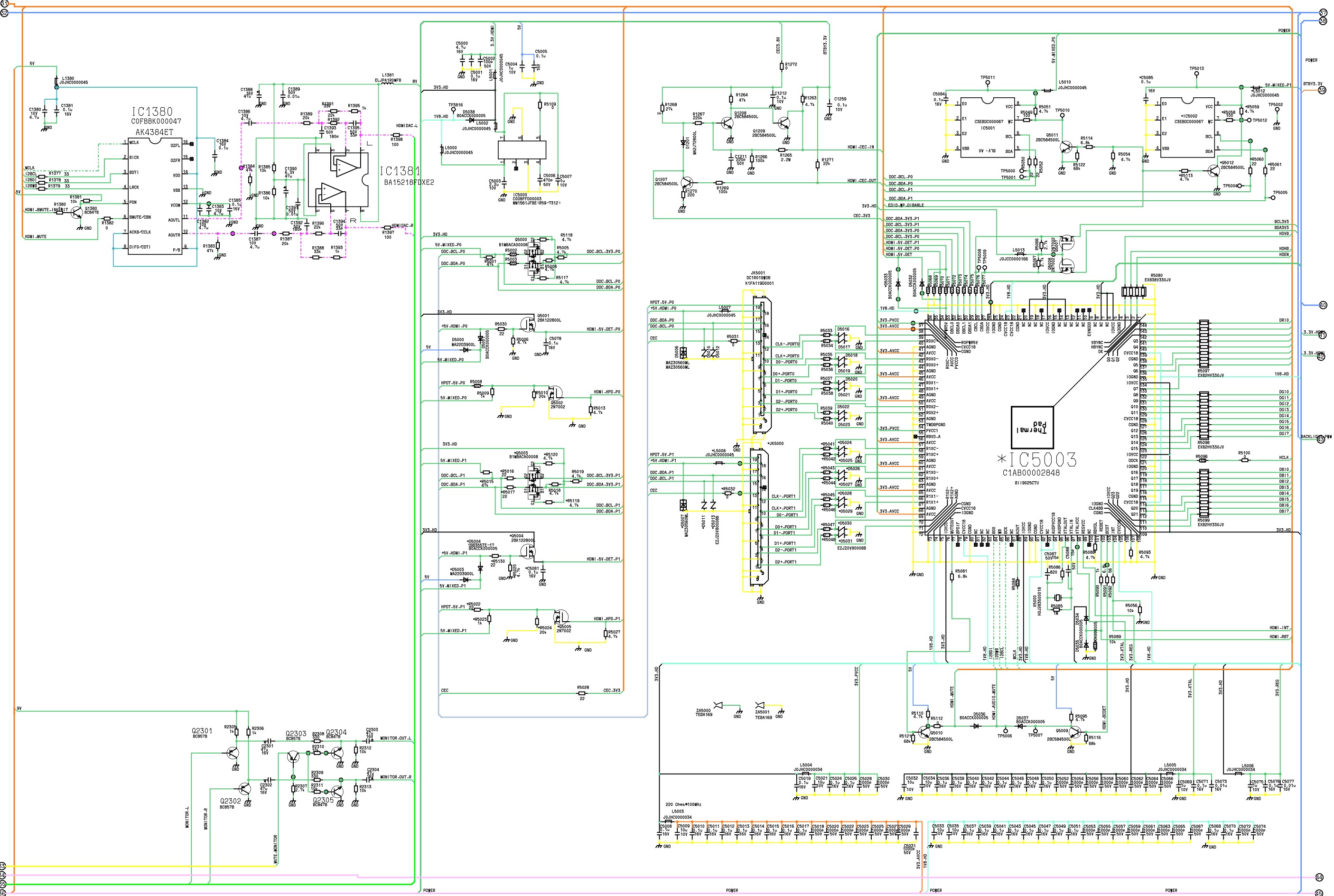
NOTE

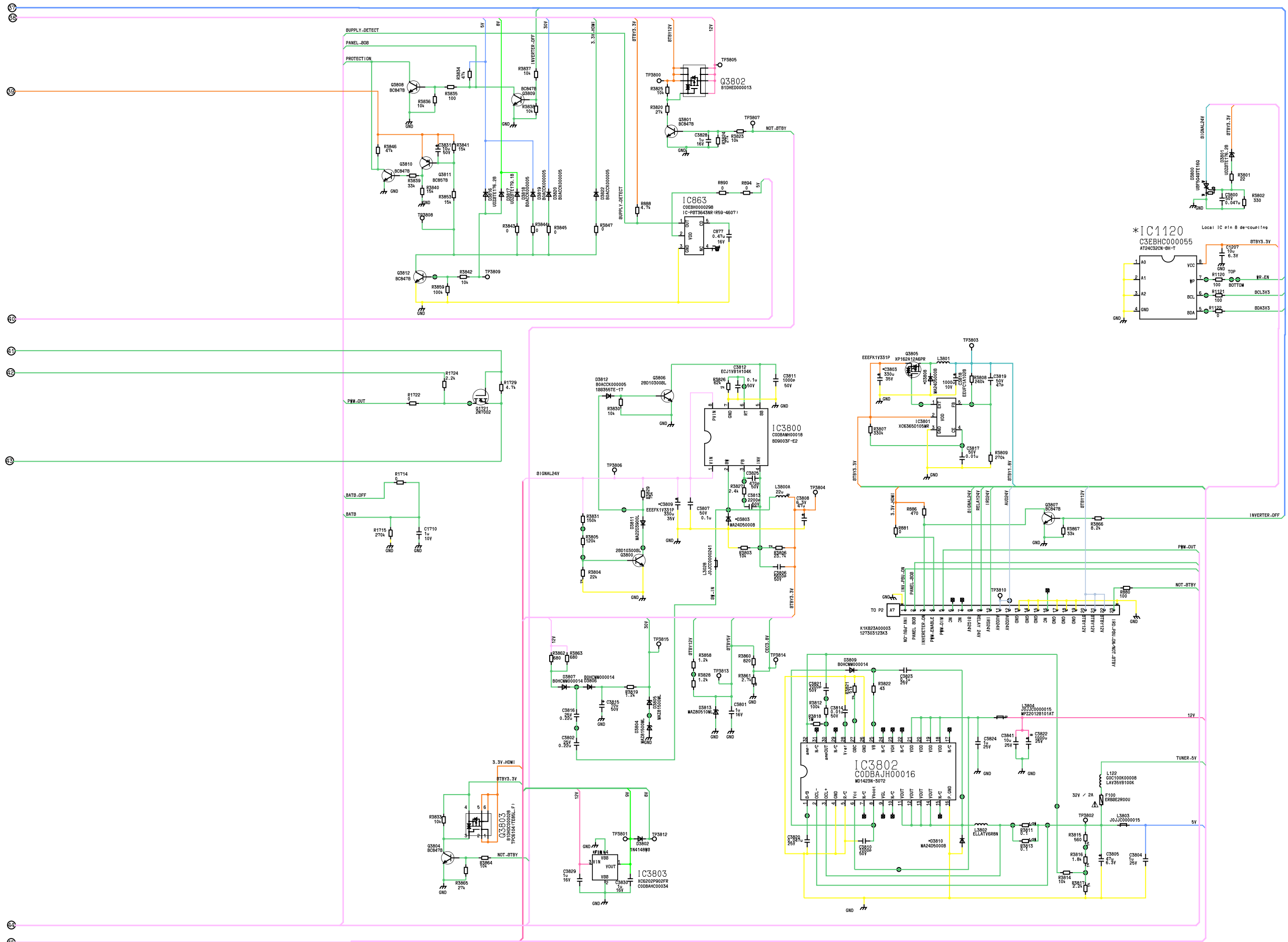
1. The Power Supply Circuit contains a circuit area, which uses a separate power supply to isolate the earth connection. The circuit is defined by HOT and COLD indications in the schematic diagram. All circuits, except the Power Circuit, are COLD.







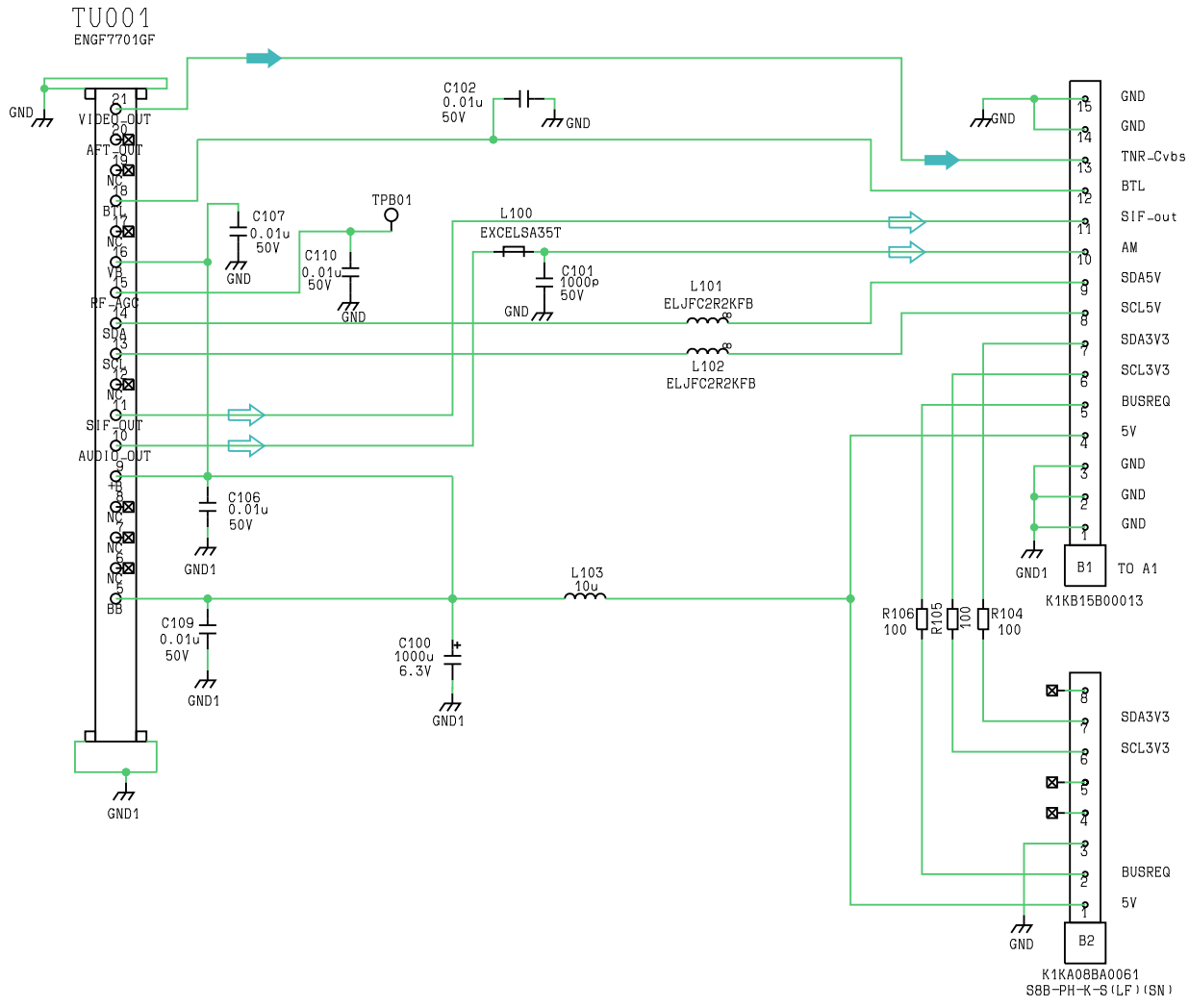






B-BOARD TNPOEB009

1
2
3
4
5



A B C D E

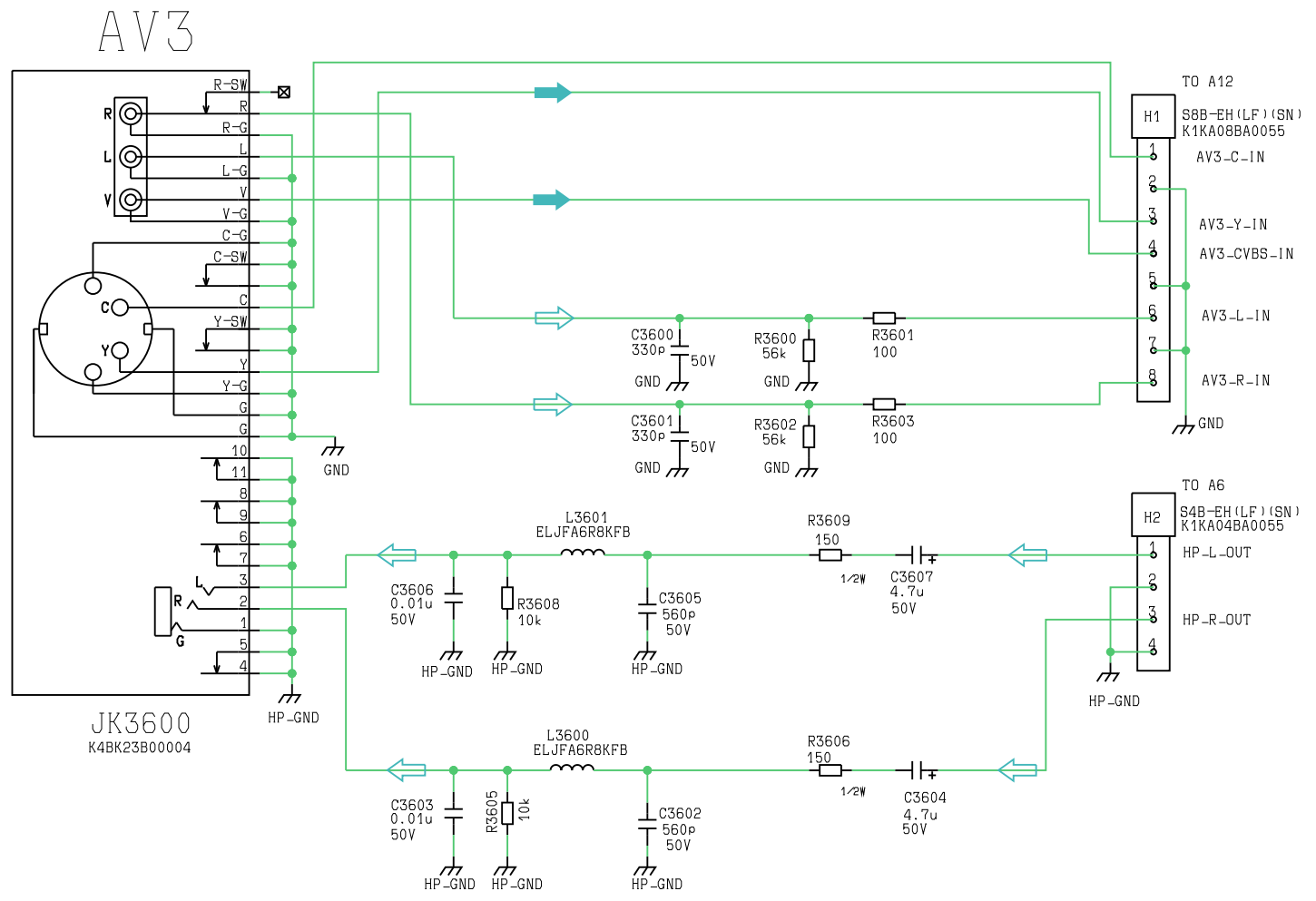
H-BOARD TNPOEH009

1

2

3

4



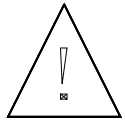
A

B

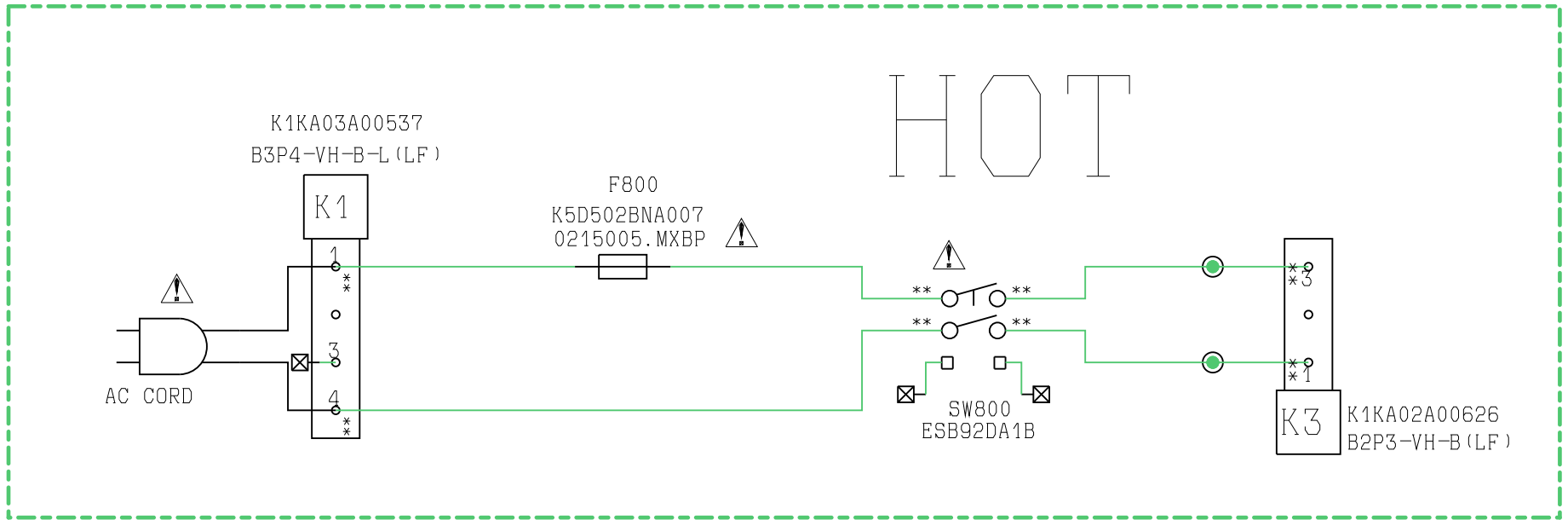
C

D

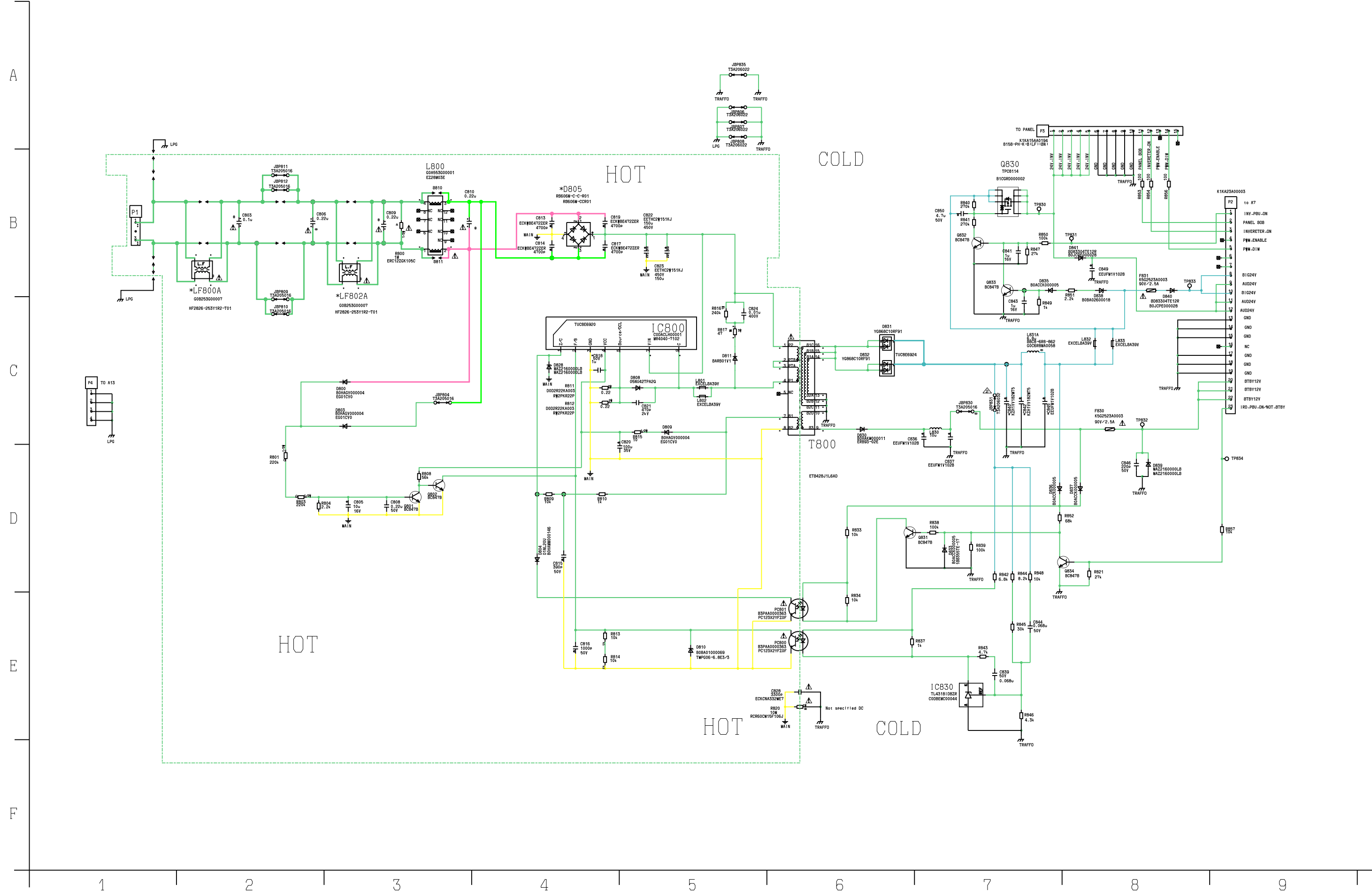
E



K-BOARD TNPOEK009



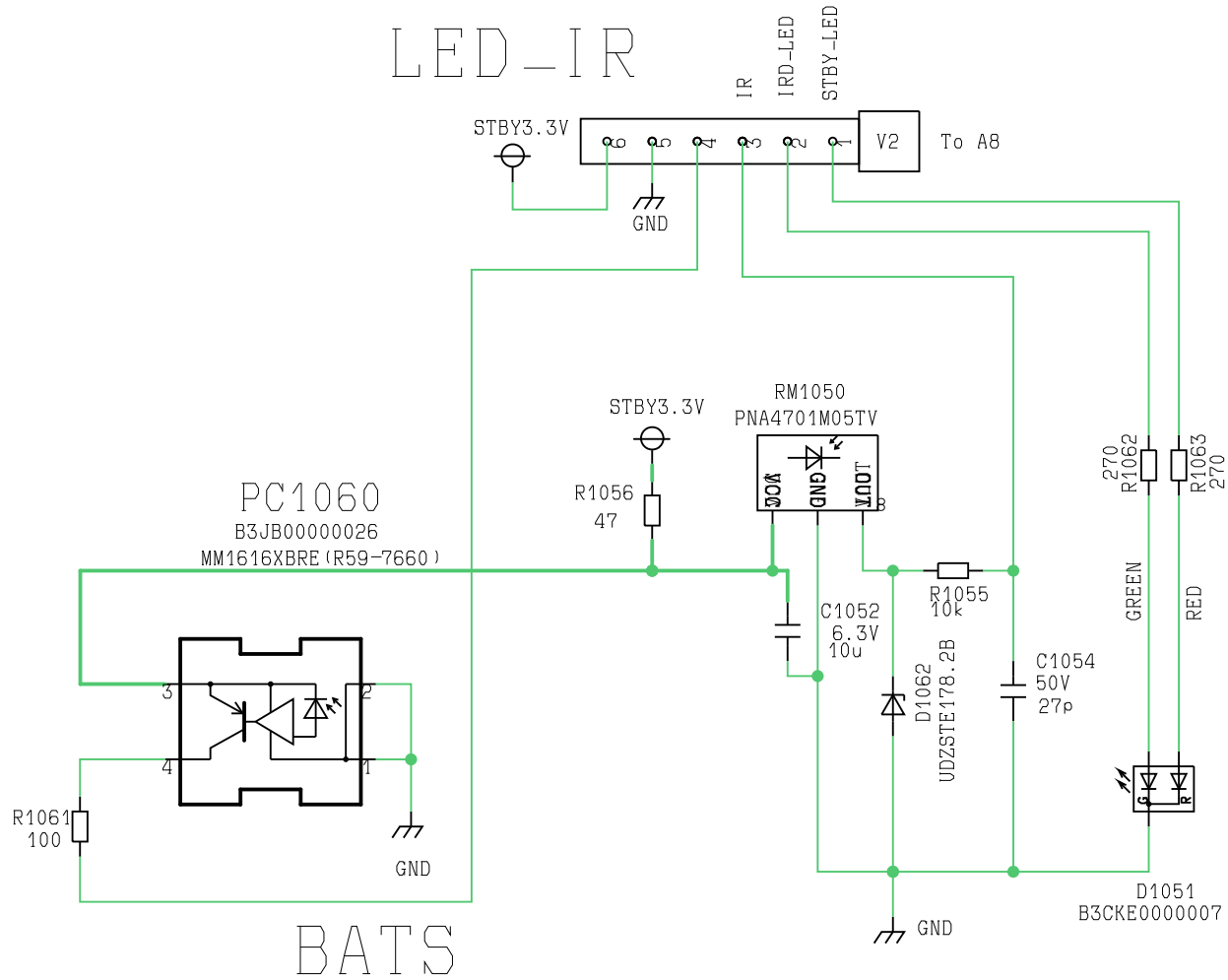
⚠ P-BOARD TNPOEP009





V-BOARD TNPOEV009

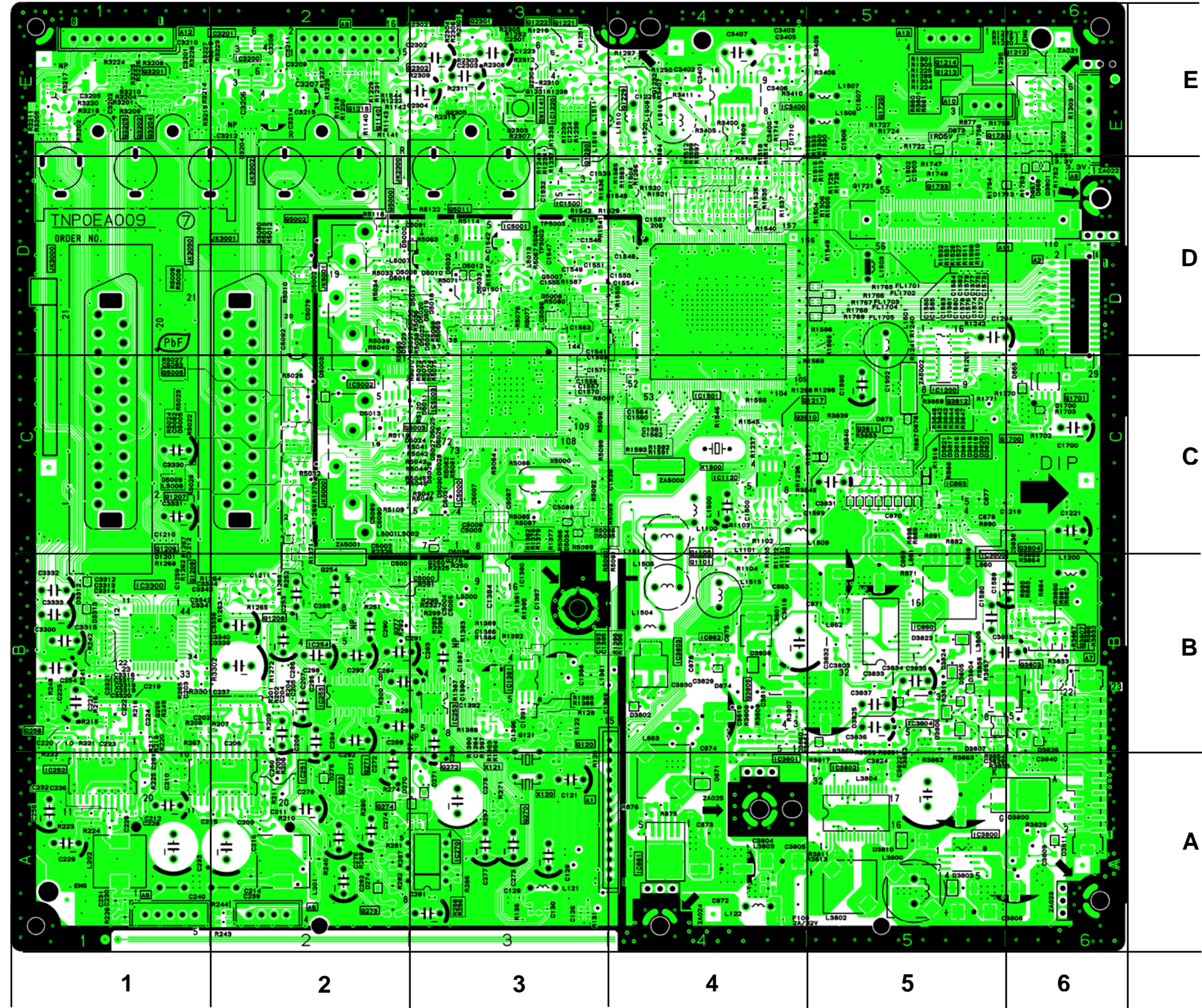
LED-IR



Conductor Views

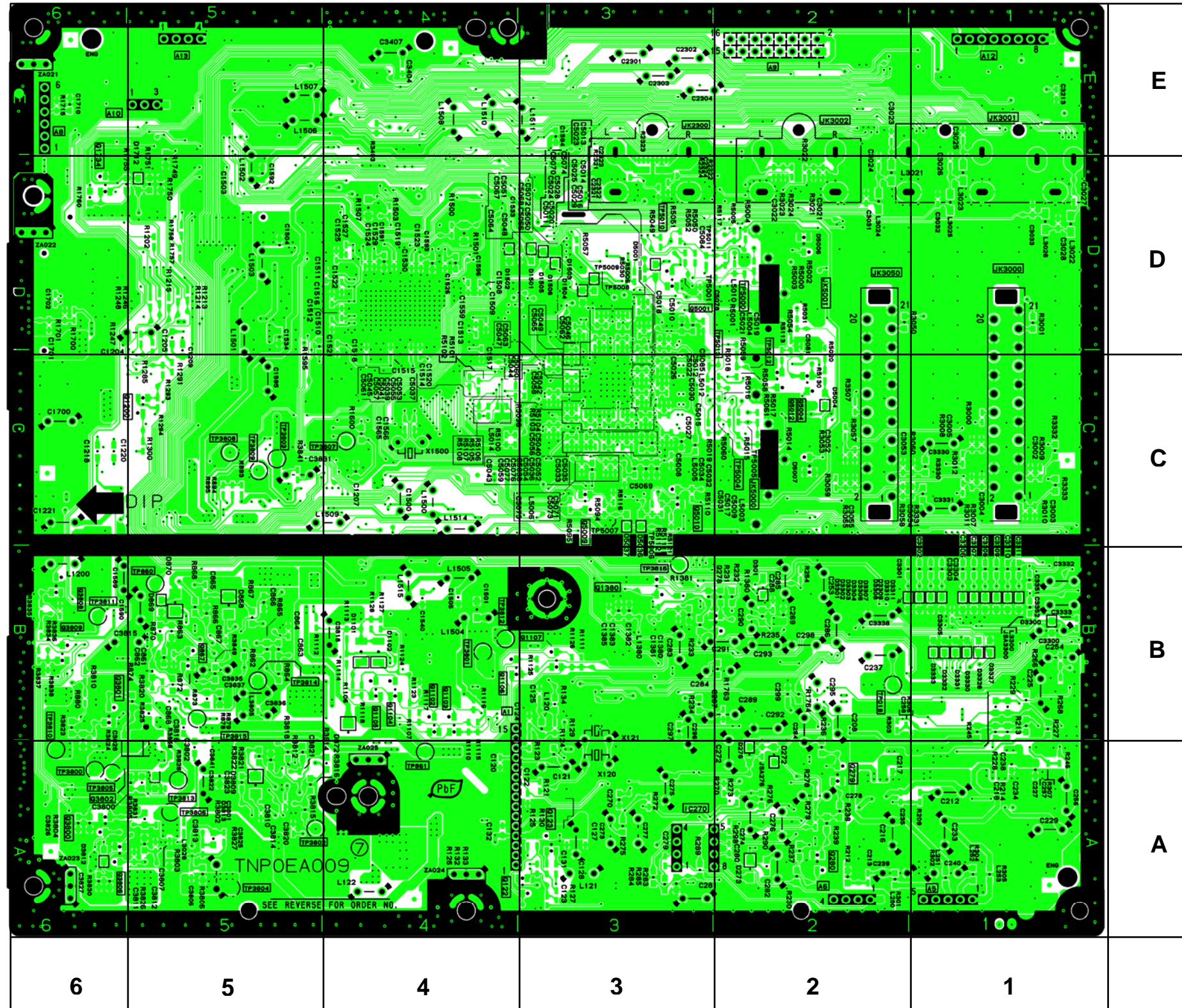
A-BOARD TNP0EA009 - top

TRAN'S	Q5000	D2	D5023	D2	
Q250	B2	Q5002	D2	D5024	C2
Q254	B2	Q5003	C2	D5025	C2
Q270	A3	Q5005	C2	D5026	C2
Q271	A2	Q5007	D3	D5027	C2
Q272	A3	Q5008	D3	D5028	C2
Q273	A2	Q5011	D3	D5029	C2
Q274	A2			D5030	C2
Q275	A2	DIODE'S		D5031	C2
Q276	B2	D270	A3	D5032	D3
Q277	B2	D271	A3	D5033	D3
Q1100	C4	D274	A2	D5034	C3
Q1101	B4	D275	A2	D5035	C3
Q1207	C2	D1201	C2	D5038	C3
Q1208	B2	D1700	C6		
Q1209	B2	D3800	A6	IC'S	
Q1212	E6	D3801	D6	IC251	A2
Q1213	E6	D3802	B4	IC252	A1
Q1214	E6	D3803	A5	IC863	C5
Q1217	C4	D3804	B5	IC1120	C4
Q1221	E3	D3805	B5	IC1220	E3
Q1222	E3	D3806	B5	IC1380	B3
Q1229	E4	D3807	B5	IC1381	B3
Q1230	E3	D3808	B4	IC1500	D3
Q1231	E3	D3810	A5	IC1501	D4
Q1232	E4	D3811	A6	IC3300	B1
Q1700	C6	D3816	C5	IC3800	A5
Q1701	C6	D3817	C5	IC3801	B4
Q1721	D5	D3818	C5	IC3802	A5
Q2301	E3	D3819	C5	IC3803	B4
Q2302	E2	D3820	C5	IC5000	C3
Q2303	E3	D3822	C5	IC5001	D3
Q2304	E3	D5000	D3	IC5002	C2
Q2305	E3	D5003	C2	IC5003	C3
Q3201	E1	D5010	D3		
Q3202	E1	D5011	C3	TP'S	
Q3204	E1	D5012	D3	TP5002	D3
Q3205	E1	D5013	C2	TP5003	D3
Q3803	B6	D5016	D3		
Q3804	B6	D5017	D2		
Q3805	B4	D5018	D2		
Q3807	B6	D5019	D2		
Q3810	C5	D5020	D2		
Q3811	C5	D5021	D2		
Q3812	C5	D5022	D2		



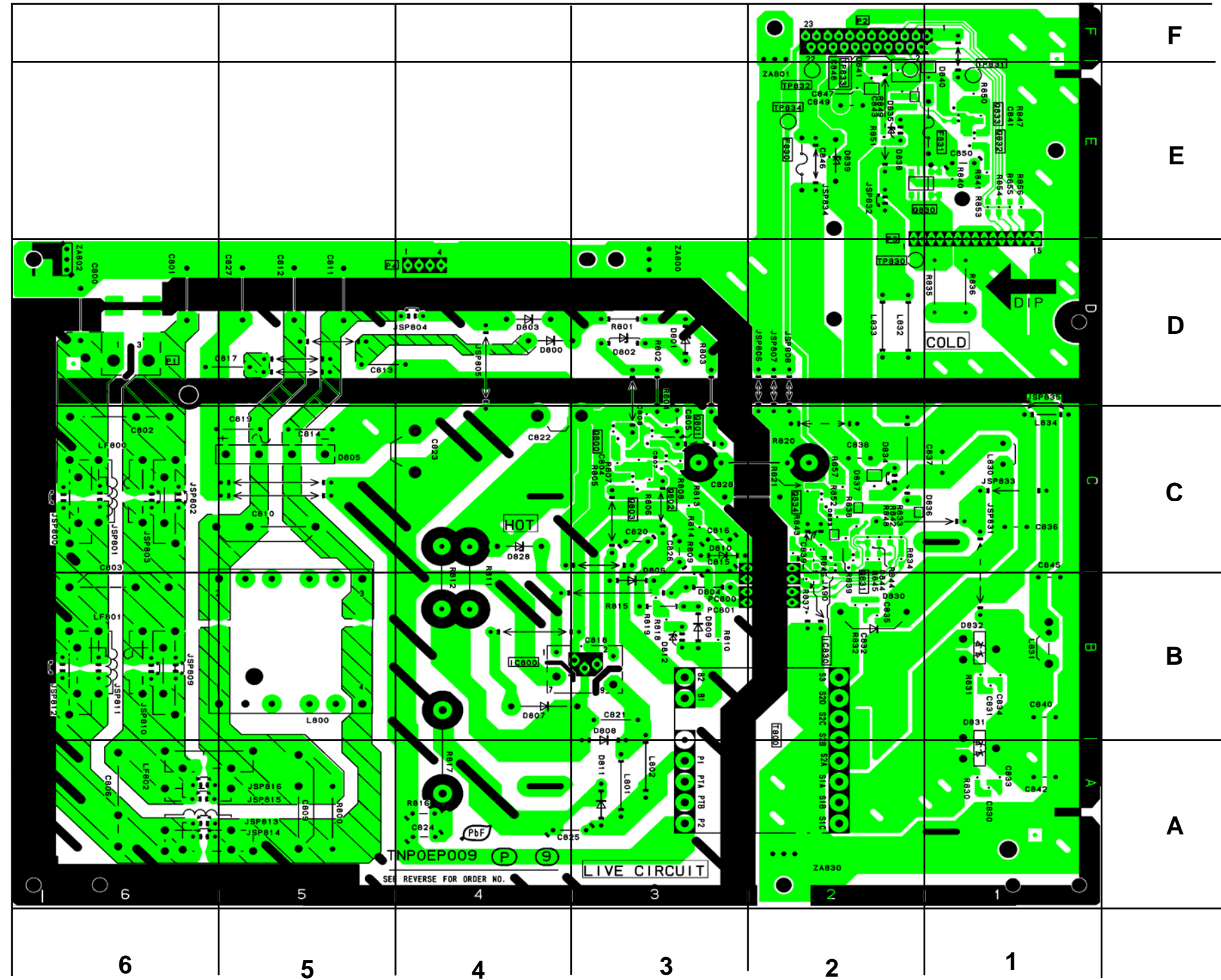
A-BOARD TNP0EA009 - bottom

IC'S		TP'S	
IC270	A3	TP018	B2
		TP860	B5
TRAN'S		TP861	A4
Q122	A3	TP3800	A6
Q123	A3	TP3801	B4
Q1380	B3	TP3802	A5
Q3800	A6	TP3803	C5
Q3801	B6	TP3804	A5
Q3802	A5	TP3805	A6
Q3806	A6	TP3806	A5
Q3808	B6	TP3807	C4
Q3809	B6	TP3808	C5
Q5001	D3	TP3809	C5
Q5004	C2	TP3810	A6
Q5009	C3	TP3811	B6
Q5010	C3	TP3812	B4
Q5012	C2	TP3813	A5
		TP3814	B5
DIODE'S		TP3815	B5
D272	A2	TP3816	B3
D273	A2	TP5000	D2
D301	B2	TP5001	D3
D1101	B4	TP5004	C2
D1102	B4	TP5005	C2
D3809	A5	TP5006	C3
D3812	A6	TP5007	C3
D3813	A5	TP5008	D3
D5001	D3	TP5009	D3
D5004	C2	TP5010	D3
D5006	D2	TP5011	D3
D5007	C2	TP5012	C2
D5036	C3	TP5013	D2
D5037	C3		



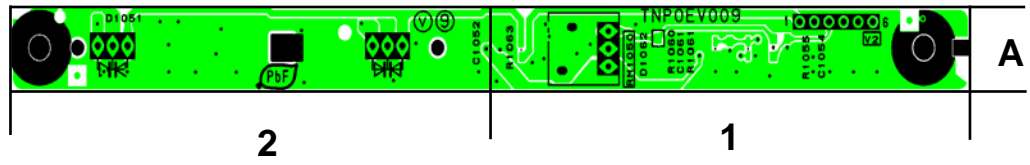
P-BOARD TNP0EP009

TRAN'S		D811	A3
Q801	C3	D828	C4
Q802	C3	D830	B2
Q830	E2	D831	A1
Q831	C2	D832	B1
Q832	E1	D833	C2
Q833	E1	D835	E2
Q834	C2	D836	C2
		D837	C2
IC'S		D838	E2
IC800	B3	D839	E2
IC830	C2	D840	E1
		D841	E2
DIODE'S			
D800	D4	TP'S	
D803	D4	TP830	D2
D804	B3	TP831	E1
D805	C5	TP832	E2
D808	A3	TP833	E2
D809	B3	TP834	E2
D810	C3		



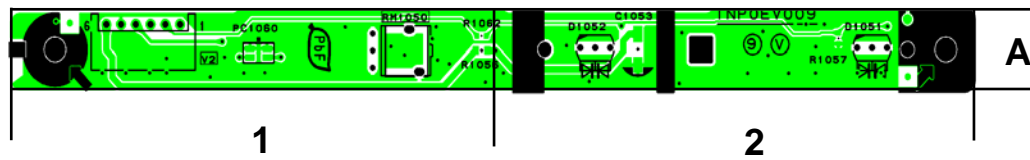
V-BOARD TNP0EV009 - bottom

DIODE'S	
D1062	A1



V-BOARD TNP0EV009 - top

DIODE'S	
D1051	A2
IC'S	
PC1060	A1
RM1050	A1



B-BOARD TNP0EB009

TP'S	
TP801	A1

