

Service Manual

LCD TV



TX-32LX60A
TX-26LX60A

-
-
-
-

LH59 Chassis

Specifications

	TX-26LX60M/X/A	TX-32LX60M/X/A
Power Source	AC 110-240 V, 50 / 60 Hz	AC 110-240 V, 50 / 60 Hz
Power Consumption	Average use : 109W Standby condition: 0.9W	Average use : 168W Standby condition: 0.9W
LCD	66.1cmV Wide XGA (1366 × 768 pixels) 16:9 aspect ratio LCD panel.	80.0cmV
Screen Size	576mm(W) × 324mm(H)	698mm(W) × 392mm(H)
Sound		
Speaker	12cm × 6cm × 2 pcs, 4Ω	12cm × 6cm × 2 pcs, 4Ω
Audio Output	20 W (10W + 10W) , 10%THD	20 W (10W + 10W), 10%THD
Headphones	M3 (3.5 mm) Jack × 1	M3 (3.5 mm) Jack × 1
Receiving System/Band name		

17 Systems		Function
1	PAL B, G, H	Reception of broadcast transmissions and Playback from Video Cassette Tape Recorders
2	PAL I	
3	PAL D, K	
4	SECAM B, G	
5	SECAM D, K	
6	SECAM K1	
7	NTSC M (NTSC 3.58/ 4.5 MHz)	
8	NTSC 4.43/ 5.5 MHz	Playback from Special VCR's
9	NTSC 4.43/ 6.0 MHz	
10	NTSC 4.43/ 6.5 MHz	
11	NTSC 3.58/ 5.5 MHz	
12	NTSC 3.58/ 6.0 MHz	
13	NTSC 3.58/ 6.5 MHz	
14	SECAM I	
15	PAL 60 Hz/ 5.5 MHz	Playback from Special Disc Players and Special VCR's
16	PAL 60 Hz/ 6.0 MHz	
17	PAL 60 Hz/ 6.5 MHz	

Receiving Channels

Regular TV

VHF BAND

2-12 (PAL /SECAM B, K1)

0-12 (PAL B AUST.)

1-9 (PAL B N.Z)

1-12 (PAL/SECAM D)

1-12 (NTSC M Japan)

2-13 (NTSC M U.S.A)

UHF BAND

21-69 (PAL G, H, I/SECAM G, K, K1)

28-69 (PAL AUST.)

13-57 (PAL D, K)

13-62 (NTSC M Japan)

14-69 (NTSC M U.S.A)

CATV

S1-S20 (OSCAR)

1-125 (U.S.A CATV)

C13-C49 (JAPAN)

S21-S41 (HYPER)

Z1-Z37 (CHINA)

5A, 9A (AUST.)

Aerial-Rear

UHF/ VHF

Operating Conditions

Temperature : 5°C - 40°C

Humidity : 5 % - 90 % RH (non-condensing)

Connection Terminals**AV1**

VIDEO (RCA Pin Type)

1.0 Vp-p (75 Ω)

S-VIDEO (MINI DIN 4-pin)

Y: 1.0 Vp-p (75 Ω), C: 0.286 Vp-p (75 Ω)

AUDIO L-R (RCA Pin Type × 2)

0.5 Vrms

AV2

VIDEO (RCA Pin Type)

1.0 Vp-p (75 Ω)

AUDIO L-R (RCA Pin Type × 2)

0.5 Vrms

Y

1.0 Vp-p (including synchronization)

P_BC_B/P_RC_R

±0.35 Vp-p

AV3

VIDEO (RCA Pin Type)

1.0 Vp-p (75 Ω)

S-VIDEO (MINI DIN 4-pin)

Y: 1.0 Vp-p (75 Ω), C: 0.286 Vp-p (75 Ω)

AUDIO L-R (RCA Pin Type × 2)

0.5 Vrms

HDMI 1/2

TYPE A Connectors

Audio Input for HDMI1

RCA PIN Type × 2

0.5 Vrms

MONITOR OUT

VIDEO (RCA Pin Type)

1.0 Vp-p (75 Ω)

AUDIO L-R (RCA Pin Type × 2)

0.5 Vrms

Dimensions (W x H x D)**Including TV Stand**

657mm × 525mm × 300mm

791mm × 615mm × 300mm

TV Set Only

657mm × 473mm × 128mm

791mm × 563mm × 128mm

Weight

15.0 kg Net

19.0 kg Net

Note:

Design and specifications are subject to change without notice. Weight and Dimensions shown are approximate.

⚠ WARNING

This service information is designed for experienced repair technicians only and is not designed for use by the general public. It does not contain warnings or cautions to advise non-technical individuals of potential dangers in attempting to service a product. Products powered by electricity should be serviced or repaired only by experienced professional technicians. Any attempt to service or repair the product or products dealt with in this service information by anyone else could result in serious injury or death.

CONTENTS

	Page		Page
1 Safety Precautions	4	10.4. Option Code Setting	24
1.1. General Guidelines	4	11 Adjustment	25
2 Prevention of Electro Static Discharge (ESD) to Electrostatically Sensitive (ES) Devices	4	11.1. Voltage chart of A board	25
3 About lead free solder (PbF)	5	11.2. Voltage chart of AP board	25
4 Input signal that can be displayed	6	11.3. DVCO adjustment	25
5 Self-check function	7	12 Conuctor Views	27
5.1. How to access	7	12.1. A-Board	27
5.2. Screen display	7	12.2. AP-Board	33
6 Chassis Board Layout	8	12.3. G-Board	35
7 Disassembly for Service	9	12.4. V-Board	37
7.1. Pedestal ass 馳	9	13 Block and Schematic Diagram	39
7.2. Rear cover	9	13.1. Schematic Diagram Notes	39
7.3. Rear Support MTG (Left and right)	10	13.2. Main Block Diagram	40
7.4. AC cord	11	13.3. P.B.C. Block Diagram	41
7.5. Tuner Cover Ass 馳	11	13.4. Signal Schematic Diagram	42
7.6. Power Button Bracket Ass 馳	12	13.5. A-Board (1 of 5) Schematic Diagram	43
7.7. Control Panel Ass 馳	12	13.6. A-Board (2 of 5) Schematic Diagram	46
7.8. Power Supply unit	12	13.7. A-Board (3 of 5) Schematic Diagram	47
7.9. A-Board	13	13.8. A-Board (4 of 5) Schematic Diagram	48
7.10. AP-Board	13	13.9. A-Board (5 of 5) Schematic Diagram	49
7.11. G-Board	13	13.10. AP-Board (1 of 2) Schematic Diagram	50
7.12. V-Board and Led Panel	15	13.11. AP-Board (2 of 2) Schematic Diagram	51
7.13. Speaker	15	13.12. G and V-Board Schematic Diagram	52
7.14. Main chassia Ass 馳	15	14 Parts Location & Mechanical Replacement Parts List	53
7.15. LCD Panel	16	14.1. Parts Location	53
8 Location of Lead Wiring	17	15 Packing Exploded View	55
9 EMI Processing	19	16 Mechanical Replacement Parts List	57
10 Service Mode Function	21	17 Electrical Replacement Parts List	60
10.1. How to enter SERVICE 1	21	17.1. Replacement Parts List Notes	60
10.2. How to enter SERVICE 2	21	17.2. Electrical Replacement Parts List	61
10.3. Option Description	23	18 Blank Page	70

1 Safety Precautions

1.1. General Guidelines

1. When servicing, observe the original lead dress. If a short circuit is found, replace all parts which have been overheated or damaged by the short circuit.
2. After servicing, see to it that all the protective devices such as insulation barriers, insulation papers shields are properly installed.
3. After servicing, make the following leakage current checks to prevent the customer from being exposed to shock hazards.

1.1.1. Leakage Current Cold Check

1. Unplug the AC cord and connect a jumper between the two prongs on the plug.
2. Measure the resistance value, with an ohmmeter, between the jumpered AC plug and each exposed metallic cabinet part on the equipment such as screwheads, connectors, control shafts, etc. When the exposed metallic part has a return path to the chassis, the reading should be between $1M\Omega$ and $5.2M\Omega$.

When the exposed metal does not have a return path to the chassis, the reading must be ∞ .

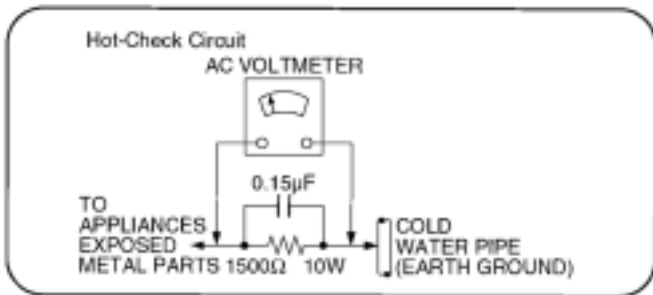


Figure 1

1.1.2. LEAKAGE CURRENT HOT CHECK (See Figure 1.)

1. Plug the AC cord directly into the AC outlet. Do not use an isolation transformer for this check.
2. Connect a $1.5k\Omega$, 10 watts resistor, in parallel with a $0.15\mu F$ capacitors, between each exposed metallic part on the set and a good earth ground such as a water pipe, as shown in Figure 1.
3. Use an AC voltmeter, with 1000 ohms/volt or more sensitivity, to measure the potential across the resistor.
4. Check each exposed metallic part, and measure the voltage at each point.
5. Reverse the AC plug in the AC outlet and repeat each of the above measurements.
6. The potential at any point should not exceed 0.75 volts RMS. A leakage current tester (Simpson Model 229 or equivalent) may be used to make the hot checks, leakage current must not exceed 1/2 milliamp. In case a measurement is outside of the limits specified, there is a possibility of a shock hazard, and the equipment should be repaired and rechecked before it is returned to the customer.

2 Prevention of Electro Static Discharge (ESD) to Electrostatically Sensitive (ES) Devices

Some semiconductor (solid state) devices can be damaged easily by static electricity. Such components commonly are called Electrostatically Sensitive (ES) Devices. Examples of typical ES devices are integrated circuits and some field-effect transistors and semiconductor "chip" components. The following techniques should be used to help reduce the incidence of component damage caused by electro static discharge (ESD).

1. Immediately before handling any semiconductor component or semiconductor-equipped assembly, drain off any ESD on your body by touching a known earth ground. Alternatively, obtain and wear a commercially available discharging ESD wrist strap, which should be removed for potential shock reasons prior to applying power to the unit under test.
2. After removing an electrical assembly equipped with ES devices, place the assembly on a conductive surface such as aluminum foil, to prevent electrostatic charge buildup or exposure of the assembly.
3. Use only a grounded-tip soldering iron to solder or unsolder ES devices.
4. Use only an anti-static solder removal device. Some solder removal devices not classified as "anti-static (ESD protected)" can generate electrical charge sufficient to damage ES devices.
5. Do not use freon-propelled chemicals. These can generate electrical charges sufficient to damage ES devices.
6. Do not remove a replacement ES device from its protective package until immediately before you are ready to install it. (Most replacement ES devices are packaged with leads electrically shorted together by conductive foam, aluminum foil or comparable conductive material).
7. Immediately before removing the protective material from the leads of a replacement ES device, touch the protective material to the chassis or circuit assembly into which the device will be installed.

Caution

Be sure no power is applied to the chassis or circuit, and observe all other safety precautions.

8. Minimize bodily motions when handling unpackaged replacement ES devices. (Otherwise harmless motion such as the brushing together of your clothes fabric or the lifting of your foot from a carpeted floor can generate static electricity (ESD) sufficient to damage an ES device).

IMPORTANT SAFETY NOTICE

There are special components used in this equipment which are important for safety. These parts are marked by \triangle in the schematic diagrams, Exploded Views and replacement parts list. It is essential that these critical parts should be replaced with manufacturer's specified parts to prevent shock, fire, or other hazards. Do not modify the original design without permission of manufacturer.

3 About lead free solder (PbF)

Note: Lead is listed as (Pb) in the periodic table of elements. In the information below, Pb will refer to Lead solder, and PbF will refer to Lead Free Solder. The Lead Free Solder used in our manufacturing process and discussed below is (Sn+Ag+Cu). That is Tin (Sn), Silver (Ag) and Copper (Cu) although other types are available.

This model uses Pb Free solder in its manufacture due to environmental conservation issues. For service and repair work, we suggest the use of Pb free solder as well, although Pb solder may be used.

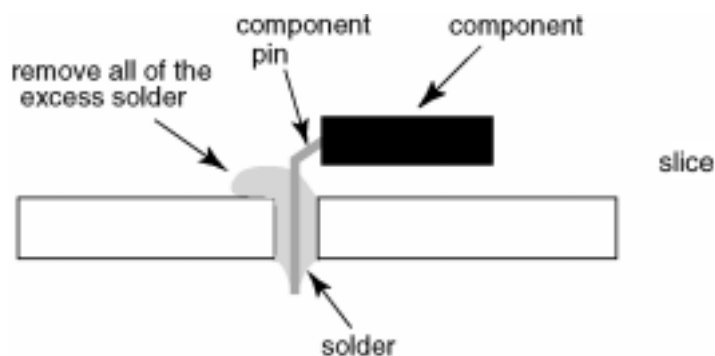
PCBs manufactured using lead free solder will have the PbF within a leaf Symbol \triangleleft stamped on the back of PCB.

Caution

- Pb free solder has a higher melting point than standard solder. Typically the melting point is 50 ~ 70°F (30~40°C) higher. Please use a high temperature soldering iron and set it to 700 ± 20°F (370 ± 10°C).
- Free solder will tend to splash when heated too high (about 1100°F or 600°C).

If you must use Pb solder, please completely remove all of the Pb free solder on the pins or solder area before applying Pb solder. If this is not practical, be sure to heat the Pb free solder until it melts, before applying Pb solder.

- After applying PbF solder to double layered boards, please check the component side for excess solder which may flow onto the opposite side. (see figure below)



Suggested Pb free solder

There are several kinds of Pb free solder available for purchase. This product uses Sn+Ag+Cu (tin, silver, copper) solder. However, Sn+Cu (tin, copper), Sn+Zn+Bi (tin, zinc, bismuth) solder can also be used.

0.3mm X 100g	0.6mm X 100g	1.0mm X 100g

4 Input signal that can be displayed

*Mark:Applicable input signal for Component(Y,P_B/C_B,P_R/C_R)and HDMI

Signal name	Horizontal frequency(kHz)	Vertical frequency(Hz)	Component	HDMI
480i(525)/60Hz	15.73	59.94	*	*
480p(525)/60Hz	31.47	59.94	*	*
576i(625)/50Hz	15.63	50.00	*	*
576p(625)/50Hz	31.25	50.00	*	*
720p(750)/60Hz	45.00	60.00	*	*
720p(750)/50Hz	37.50	50.00	*	*
1080i(1125)/60Hz	33.75	60.00	*	*
1080i(1125)/50Hz	28.13	50.00	*	*

Note

- Signals other than above may not be displayed properly.
- The above signals are reformatted for optimal viewing on your display.

5 Self-check function

When phenomena like "the power fails from time to time" or "the video/audio fails from time to time" can not be confirmed at the time of servicing, the self-check function can be used to confirm the occurrence and to limit the scope for the defective circuits. Also, when "the power fails from time to time", display on the screen can be used to confirm the occurrence and to limit the scope for the defective circuits.

Any programmed channels, channels caption data and some other user defined settings will be erased and return to factory setting.

5.1. How to access

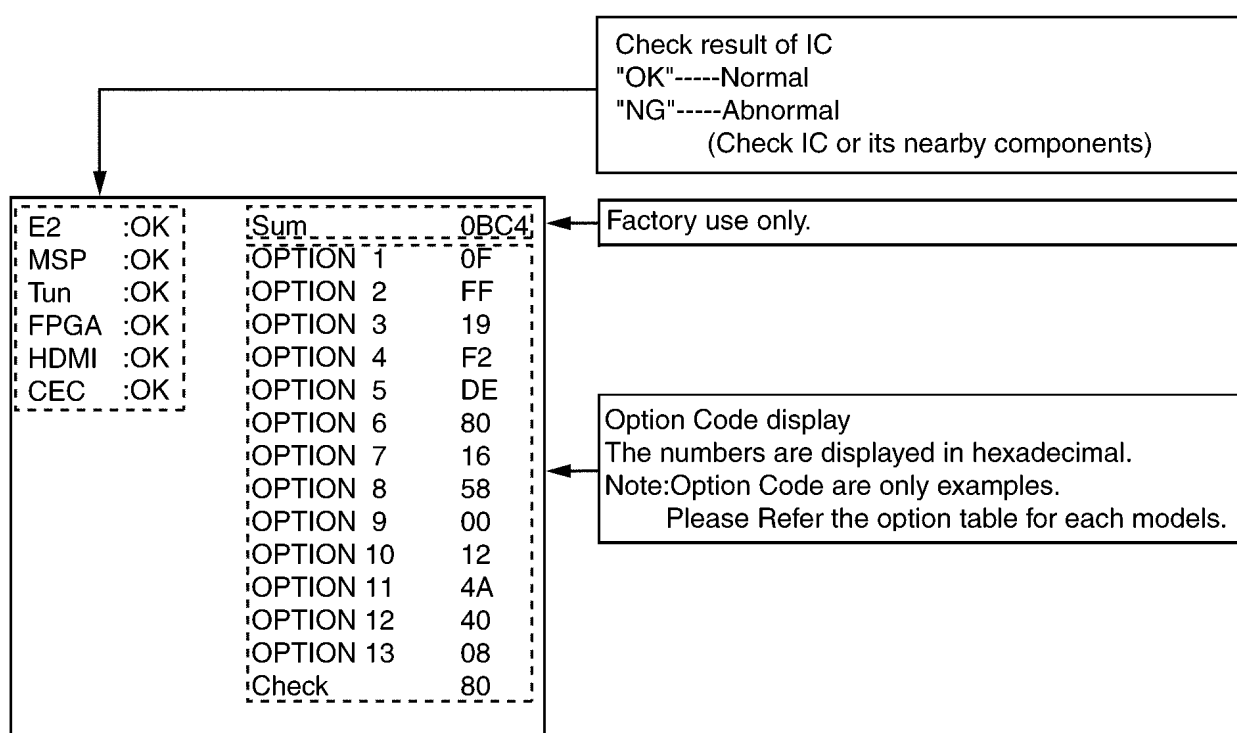
5.1.1. Access

Produce TV reception screen and, while pressing [VOLUME-] button on the main unit, press [OFF TIMER] button on the remote controller unit simultaneously.

5.1.2. Exit

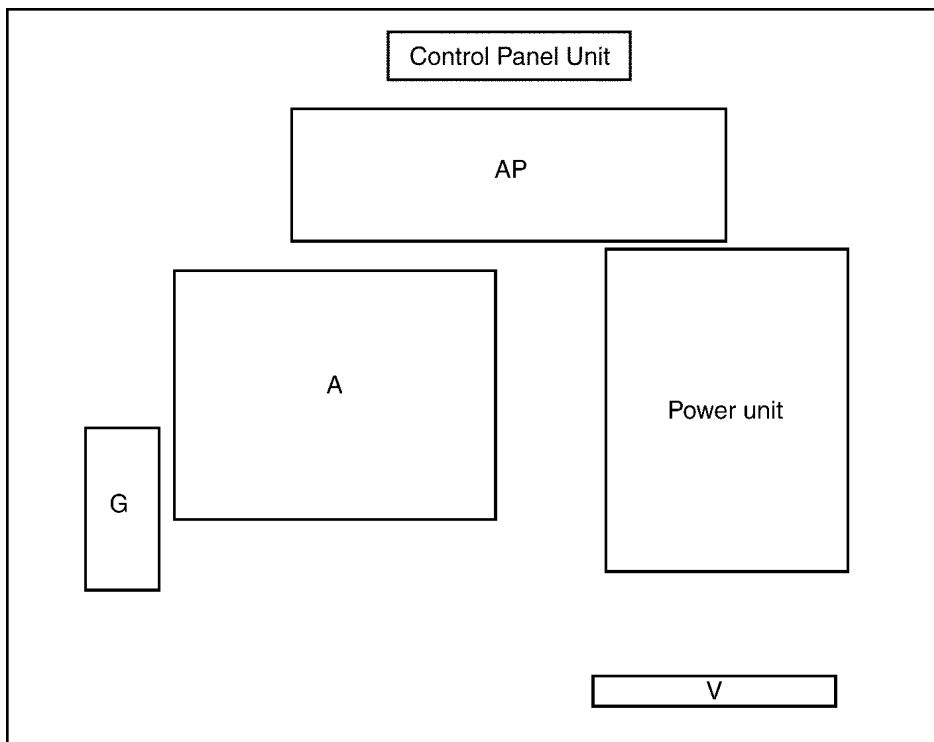
To exit, turn off the TV.

5.2. Screen display



Display	Ref No.	Description	P.C.B.
E2	IC1102	EEPROM	A-Board
MSP	IC2001	TV Sound Power Amplifier	A-Board
Tun	TU101	Tuner	A-Board
FPGA	IC4004	LCD Driver and Display Control	A-Board
HDMI	IC5004	HDMI Processor	A-Board
CEC	IC5001/IC5002	CEC Control	A-Board

6 Chassis Board Layout

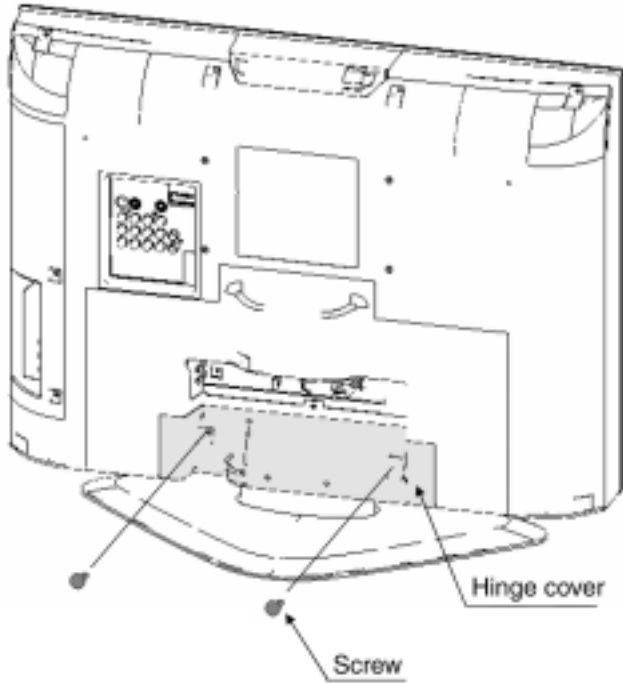


Board Name	Function
A-Board	Main (AV connector, AV Switch, Tuner, Audio & Video Processor, MCU, LCD Driver, LVDS)
V-Board	Remote Receiver, LED, B.A.T.S.
G-Board	AV3,Headphone jack
AP-Board	Power Supply, Power Regulator
Power Unit	Power (AC/DC) None serviceable. Power Unit should be exchanged for service.
Control Panel Unit	None serviceable. Control Panel Unit should be exchanged for service.

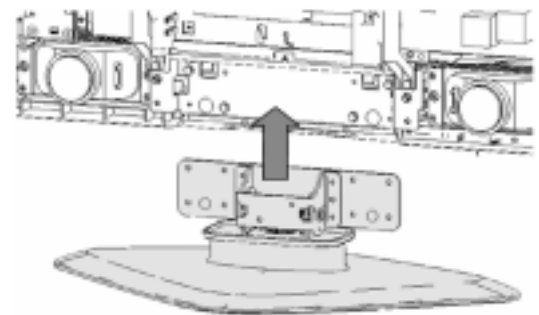
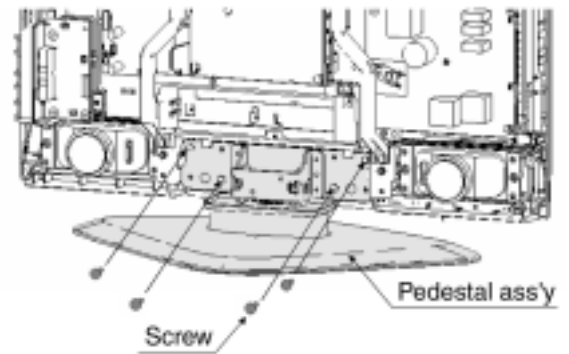
7 Disassembly for Service

7.1. Pedestal ass'y

1. Lay down the main unit so that the rear cover faces upward.
2. Remove the fixing screw (2 pcs).
3. Remove the hinge cover.



4. Remove the fixing screws (4 pcs).
5. Remove the pedestal ass'y.

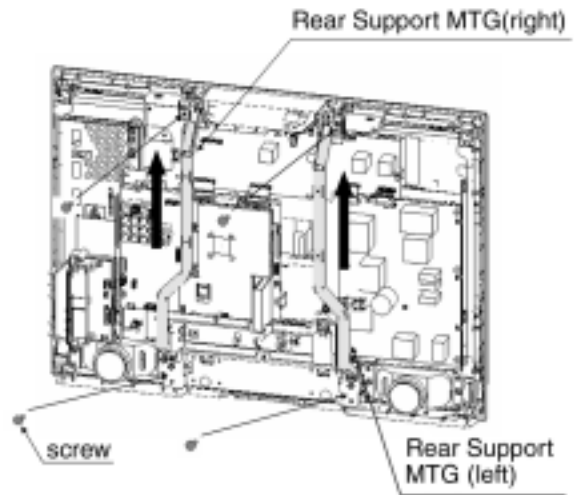
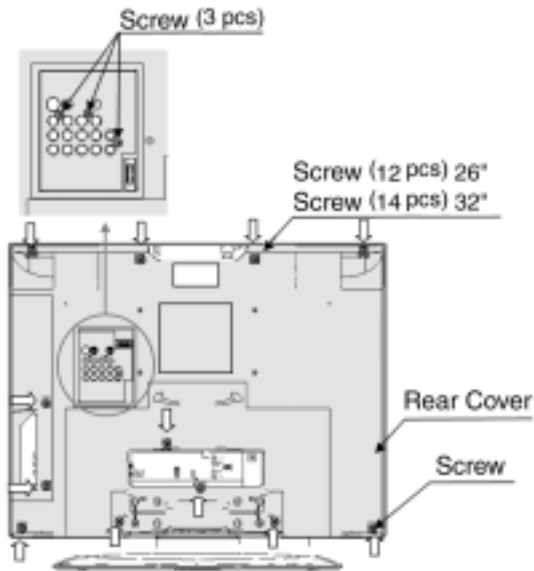


Note: Push the Pedestal ass'y into the slot of the MTG with an angle, avoid the Pedestal ass'y knock and break the cabinet.



7.2. Rear cover

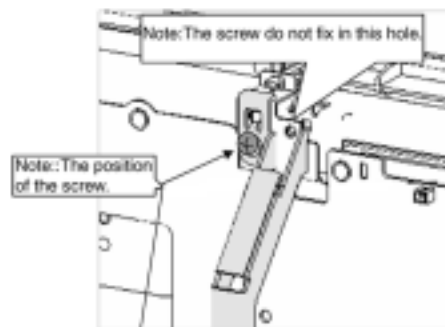
1. Remove the fixing screws (12 pcs for 26" or 14 pcs for 32" and 3 pcs).
2. Remove the rear cover.



Note for re-installing:

7.3. Rear Support MTG (Left and right)

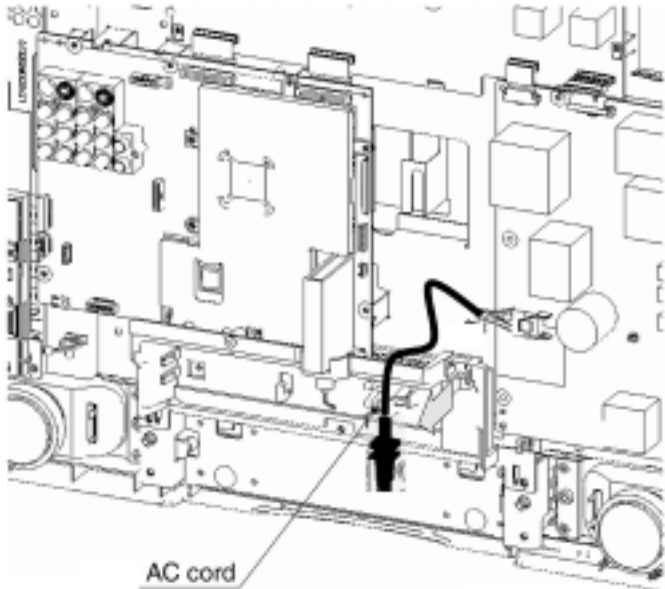
1. Remove the rear cover. (See 7.2)
2. Remove the fixing screws (4 pcs).
3. Put Rear Support MTG lightly, while moving upper.



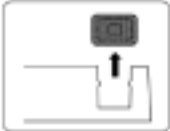
7.4. AC cord

AC cord (26")

1. Remove the rear cover (See 7.2) and the rear support MTG. (See 7.3)
2. Take out the groove of the AC cord from the slot of the Tuner cover.
3. Disconnect the couplers of AC cord.

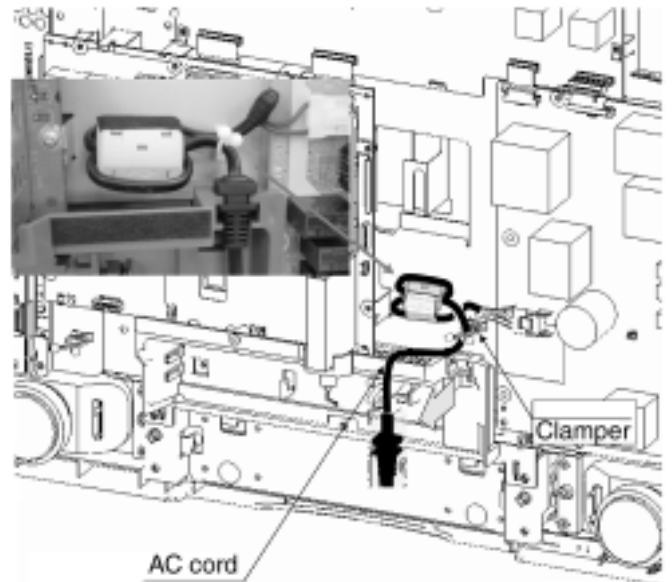


The direction of taking out

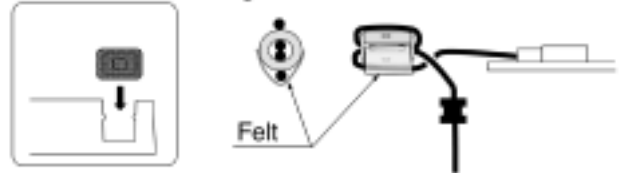


AC cord (32")

1. Remove the rear cover (See 7.2) and the rear support MTG. (See 7.3)
2. Take out the groove of the AC cord from the slot of the Tuner cover.
3. Unlock the cable clamber.
4. Disconnect the couplers of AC cord.

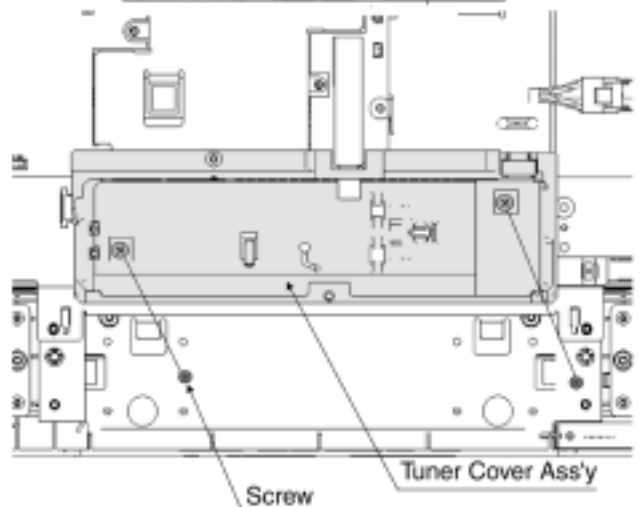


The direction of taking out



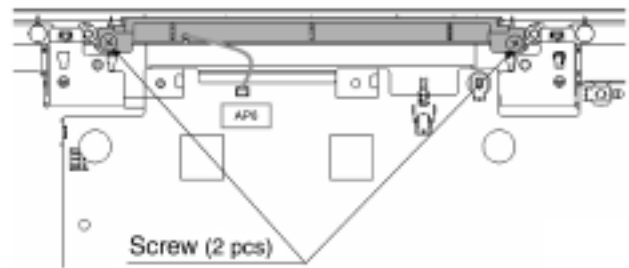
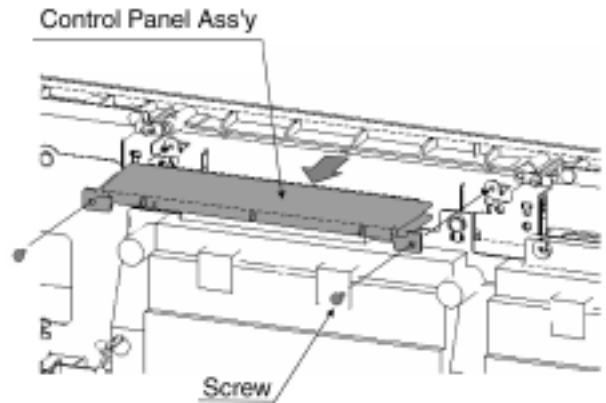
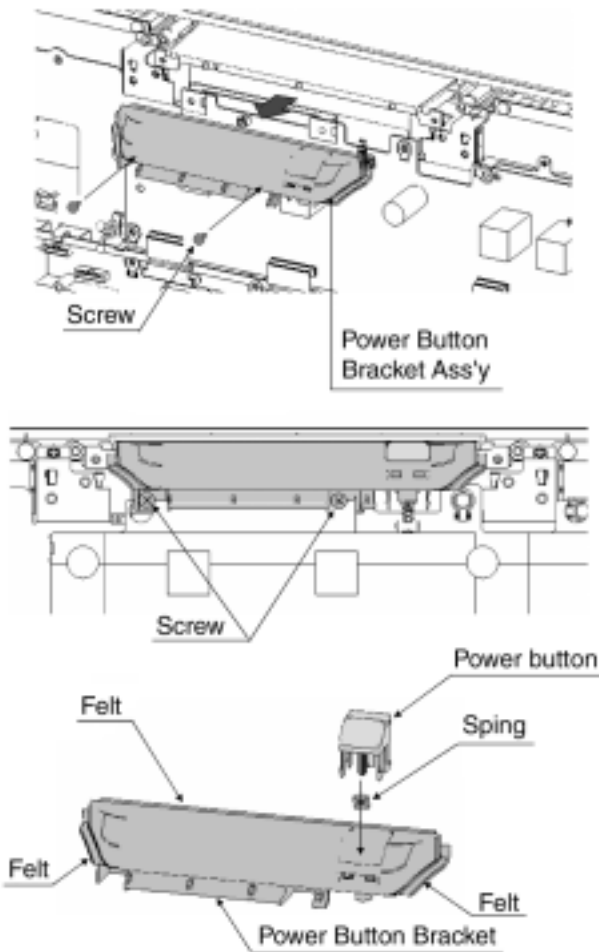
7.5. Tuner Cover Ass'y

1. Remove the rear cover (See 7.2) and the rear support MTG. (See 7.3)
2. Remove the fixing screws (2 pcs).
3. Remove the Tuner Cover Ass'y.



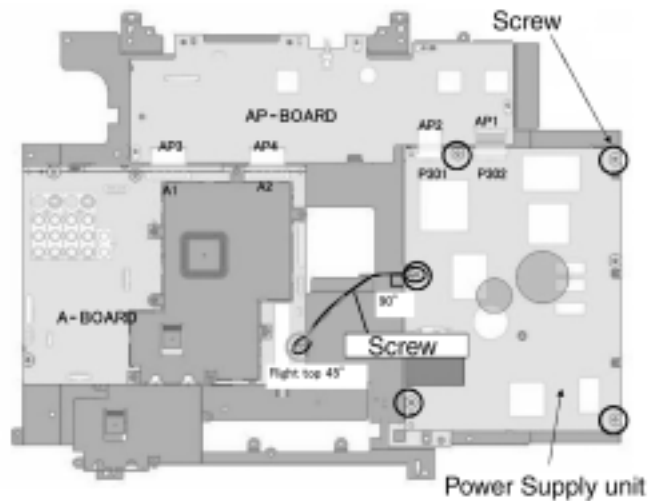
7.6. Power Button Bracket Ass'y

1. Remove the rear cover (See 7.2) and the rear support MTG. (See 7.3)
2. Remove the fixing screws (2 pcs).
3. Remove the Power Button Bracket Ass'y.



7.8. Power Supply unit

1. Disconnect the couplers (P301~AP2 and P302~AP1).
2. Remove the fixing screws (5 pcs).
3. Remove the Power Supply unit.

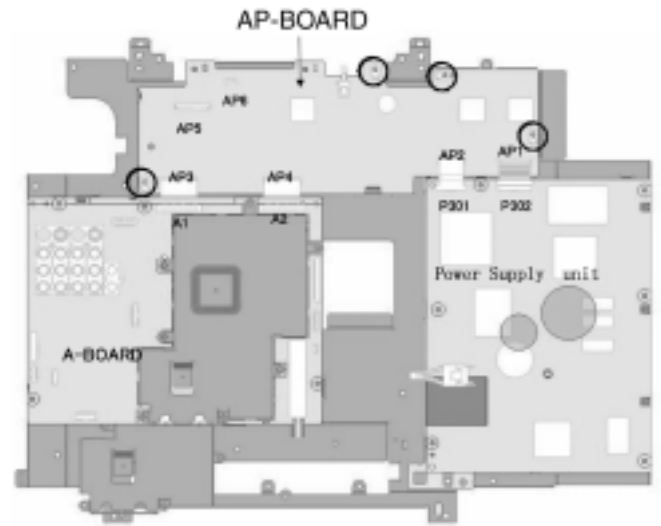
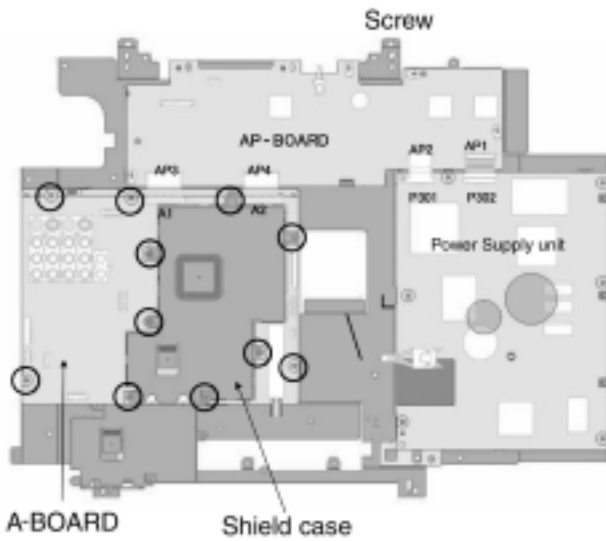


7.7. Control Panel Ass'y

1. Remove the Power Button Bracket Ass'y. (See 7.5)
2. Remove the fixing screws (2 pcs).
3. Disconnect the coupler (AP6).
4. Remove the Control Panel Ass'y.

7.9. A-Board

1. Remove the Tuner Cover Ass'y. (See 7.5)
2. Remove the fixing screws (11 pcs).
3. Disconnect the couplers (AP1, AP2.....AP7).
4. Remove the A-Board.



7.11. G-Board

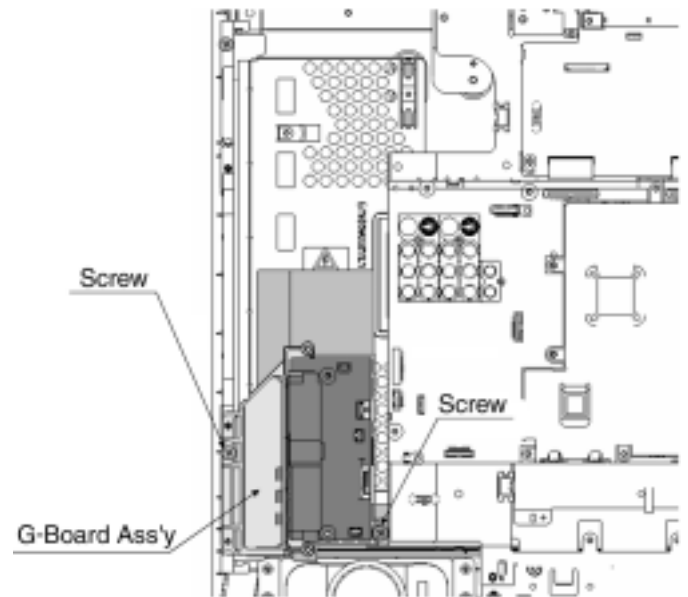
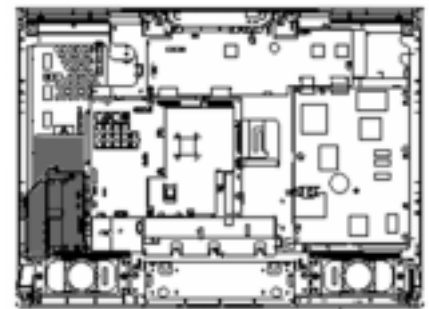
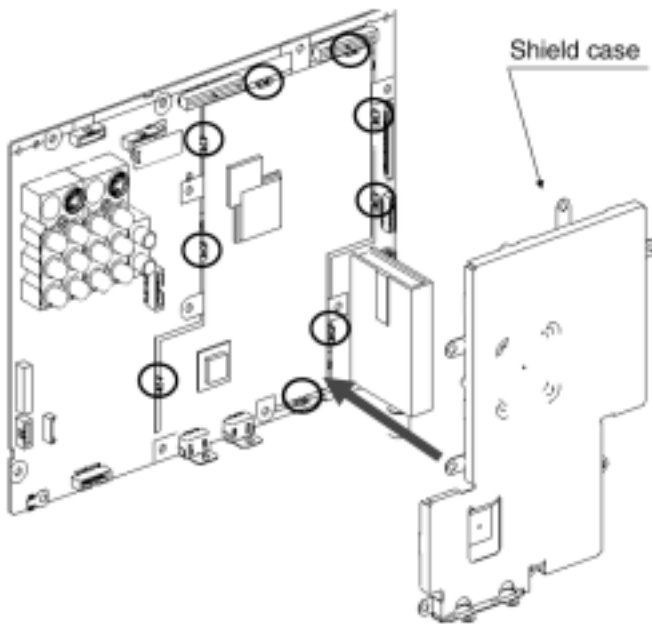
G-Board (26")

1. Remove the Rear Cover. (See 7.2)
2. Disconnect the couplers (G1 and G2).
3. Remove the fixing screws (2 pcs).
4. Remove the G-Board Ass'y.

Fix the A shield case to A-Board as follow:

Caution

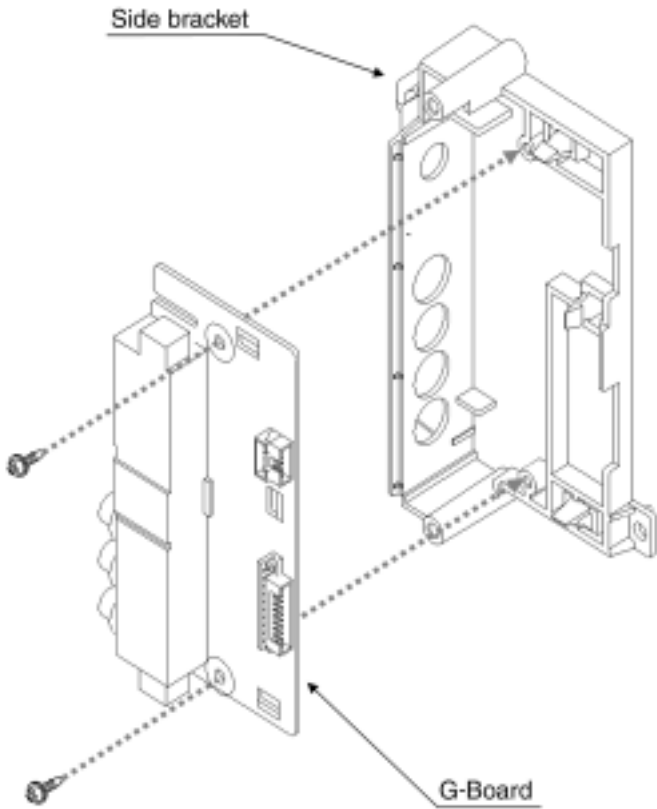
Fix carefully shield case to shield clip (ZA4001-ZA4008, and ZA4030).



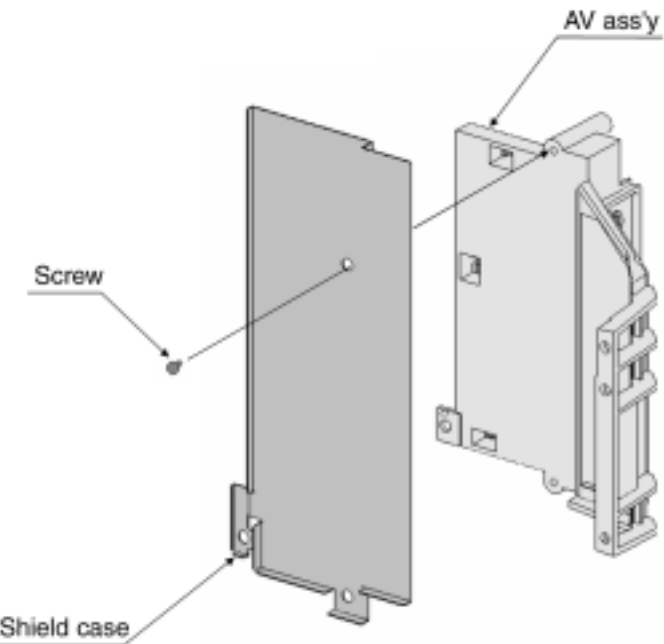
7.10. AP-Board

1. Disconnect the couplers (AP1-AP6).
2. Remove the fixing screws (4 pcs).
3. Remove the AP-Board.

5. Remove the fixing screws (2 pcs).
6. Remove the G-Board.

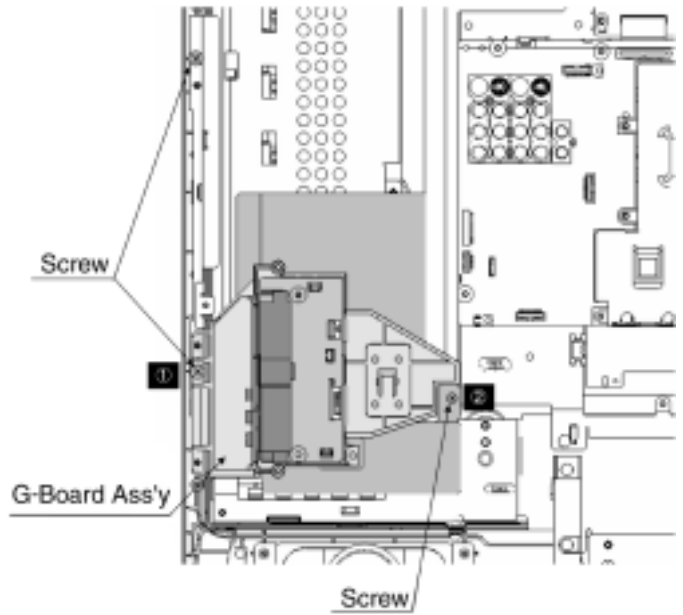
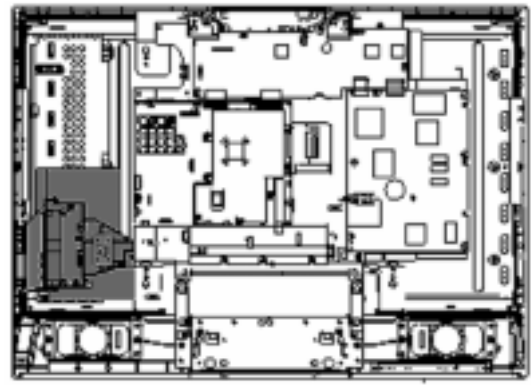


7. Remove the fixing screws (2 pcs).
8. Remove the Shield case.

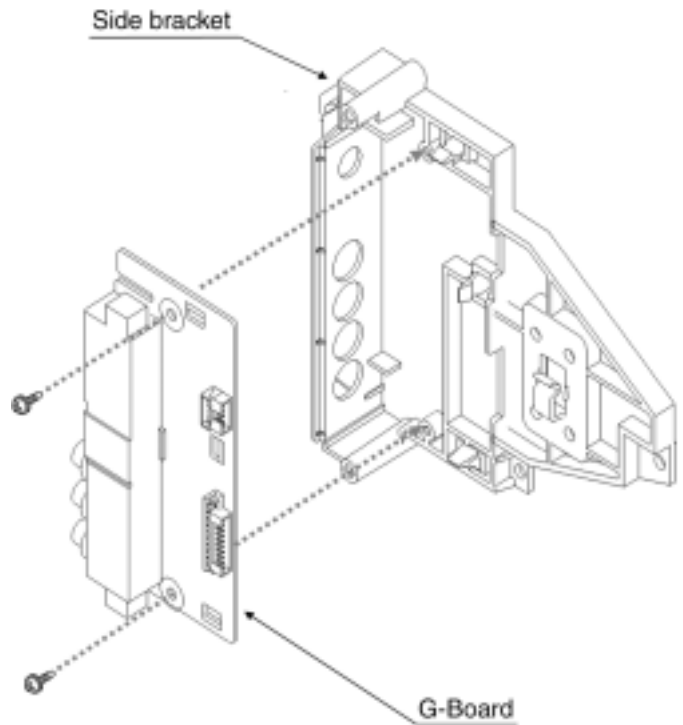


G-Board (32")

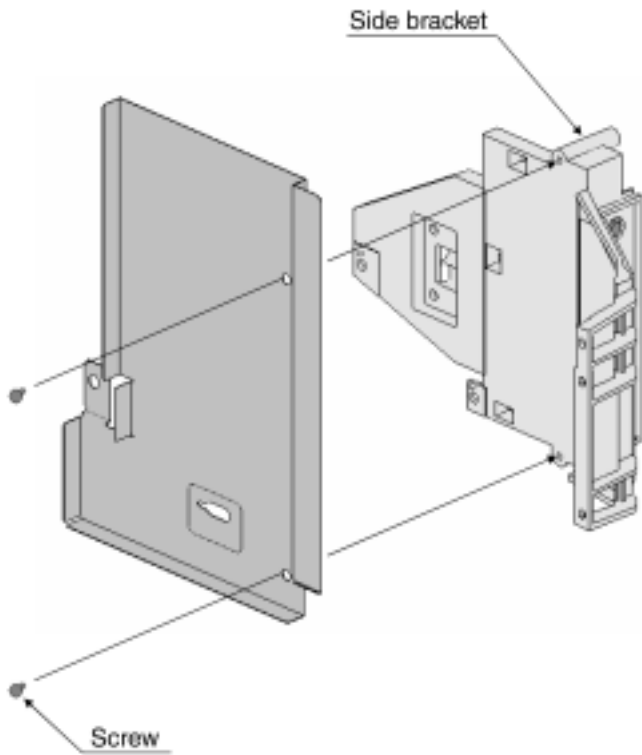
1. Remove the Rear Cover. (See 7.2)
2. Disconnect the couplers (G1 and G2).
3. Remove the fixing screws (2 pcs).
4. Remove the G-Board Ass'y.



5. Remove the fixing screws (2 pcs).
6. Remove the G-Board.

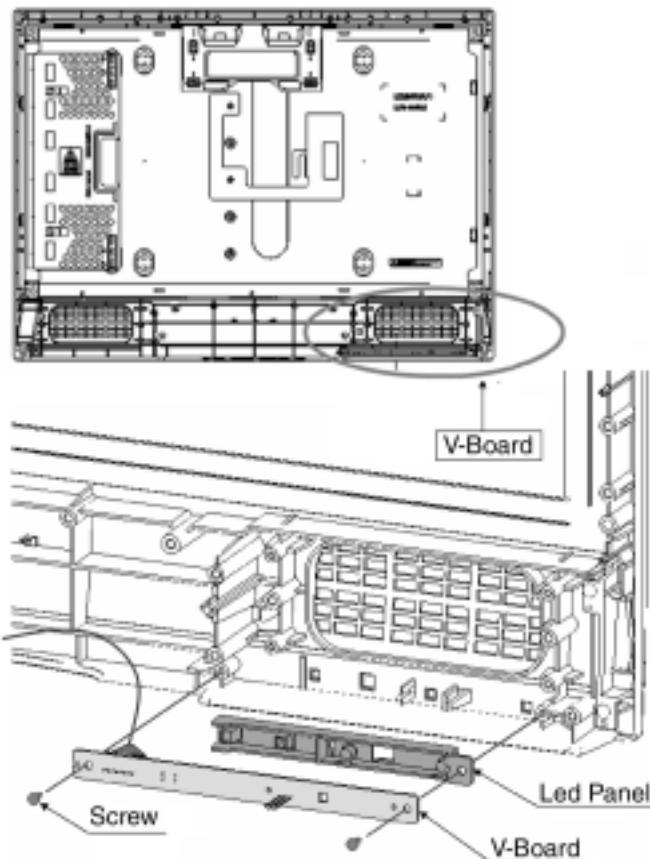


7. Remove the fixing screws (2 pcs).
8. Remove the Shield case.



7.12. V-Board and Led Panel

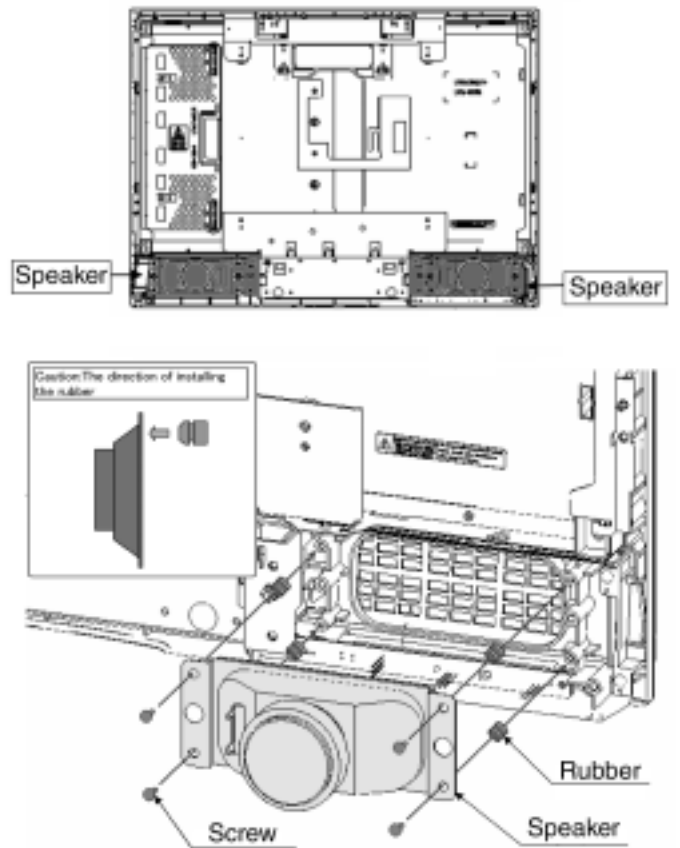
1. Remove the fixing screws (2 pcs).
2. Disconnect the couplers (V1).
3. Remove the V-Board.



7.13. Speaker

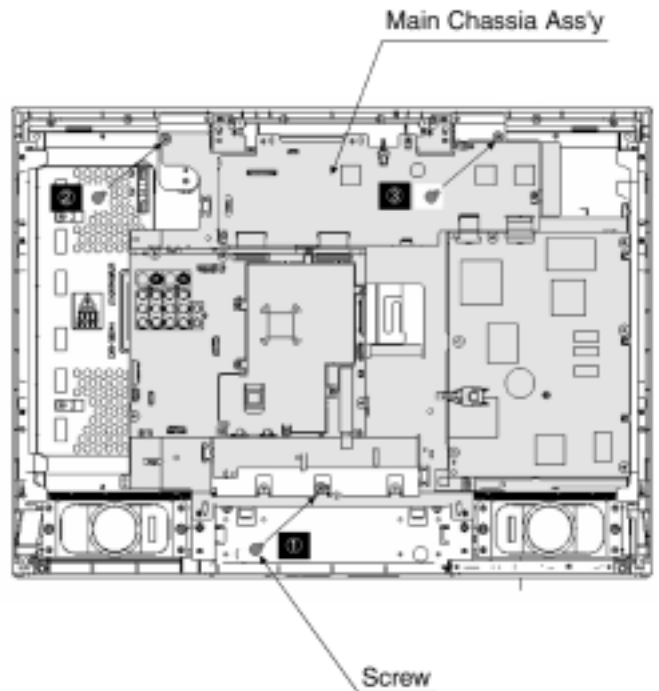
1. Remove the fixing screws (8 pcs).

2. Remove the Speakers (left and right).



7.14. Main chassis Ass'y

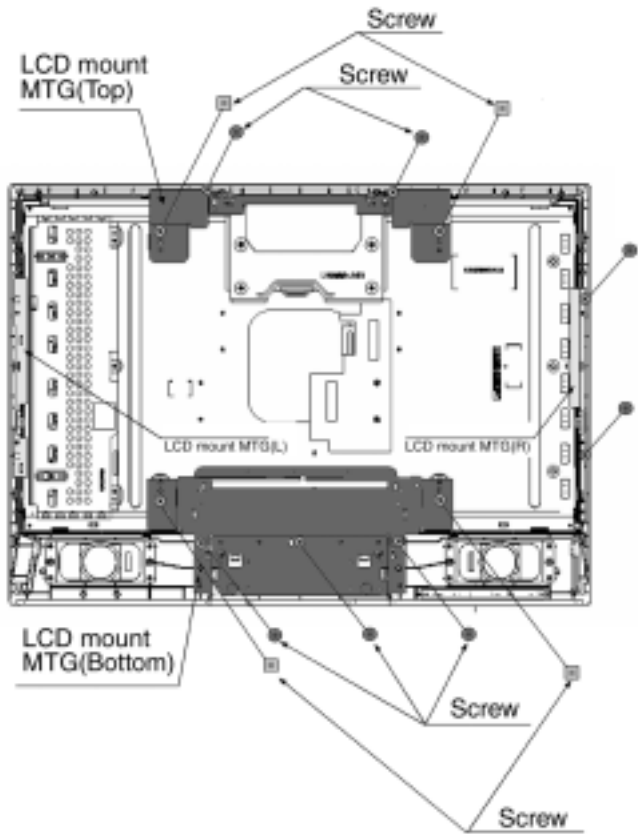
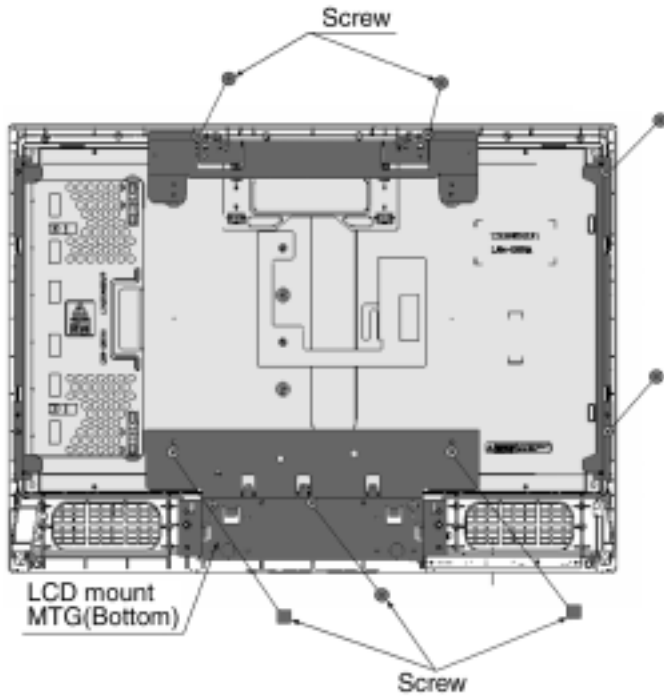
1. Remove the fixing screws (3 pcs).
2. Disconnect the couplers.
3. Remove the Main Chassis Ass'y.



7.15. LCD Panel

LCD Panel (26")

1. Remove the Main Chassis Ass'y. (See 7.13)
2. Remove the fixing screws (7 pcs).
3. Remove the LCD mount MTG (top, bottom, left, right).
4. Disconnect the couplers.
5. Remove the LCD Panel.



2. Remove the fixing screws (11 pcs).
3. Remove the LCD mount MTG (top, bottom, left, right).
4. Disconnect the couplers.
5. Remove the LCD Panel.

LCD Panel (32")

1. Remove the Main Chassis Ass'y. (See 7.13)

8 Location of Lead Wiring

Location of Lead Wiring (26")

Do not give the wire too much play to prevent it touch the heat sink and the rear fixing MTG

Rear fixing MTG(R)

Heat sink

A3-SPLead

Ferrite core

V1-A7 Lead

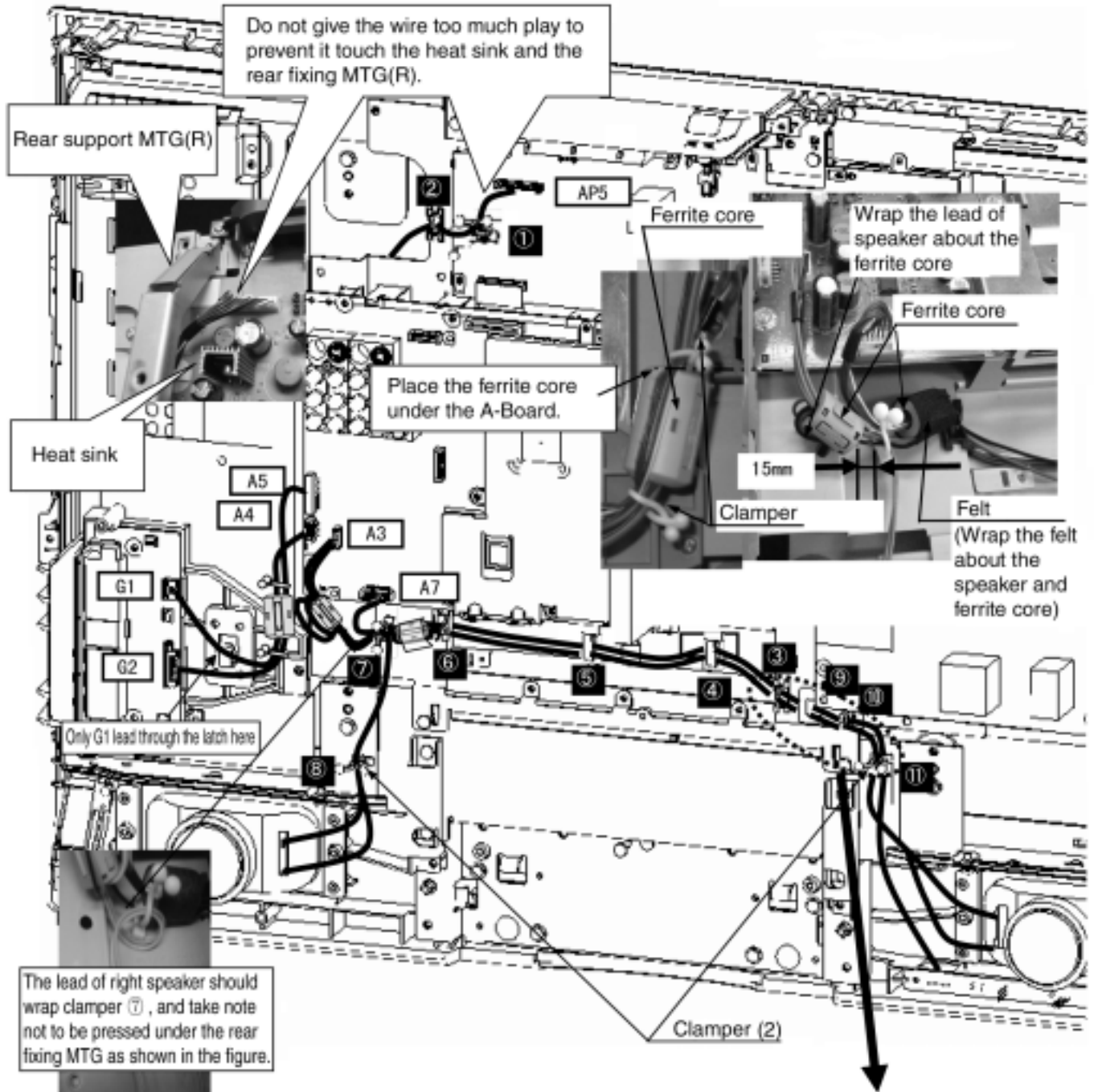
Felt

The lead of right speaker should wrap clamber ①, and that of left speaker should wrap the clamber twice, and take note not to be pressed under the rear fixing MTG.

Only wrap the Ferrite core about the lead of speaker, then wrap the Felt about the ferrite core and V1 Lead.

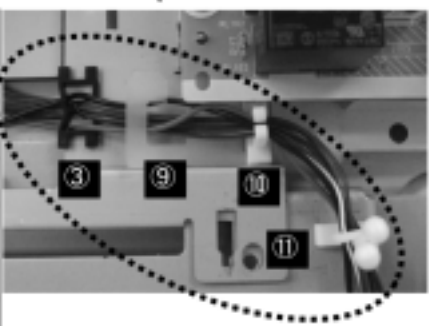
	①	②	③	④	⑤	⑥	⑦
TNV-AP5	●	●					
V1-A7			●	●	●	●	●
SP (R) -A3							●
SP (L) -A3			●	●	●	●	⊙
G1-A4							
G1-A5							

Location of Lead Wiring (32")



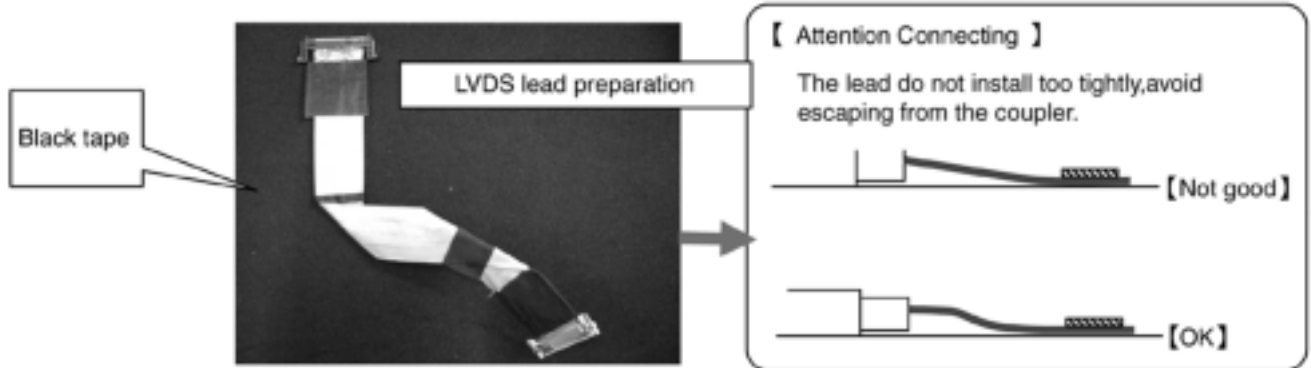
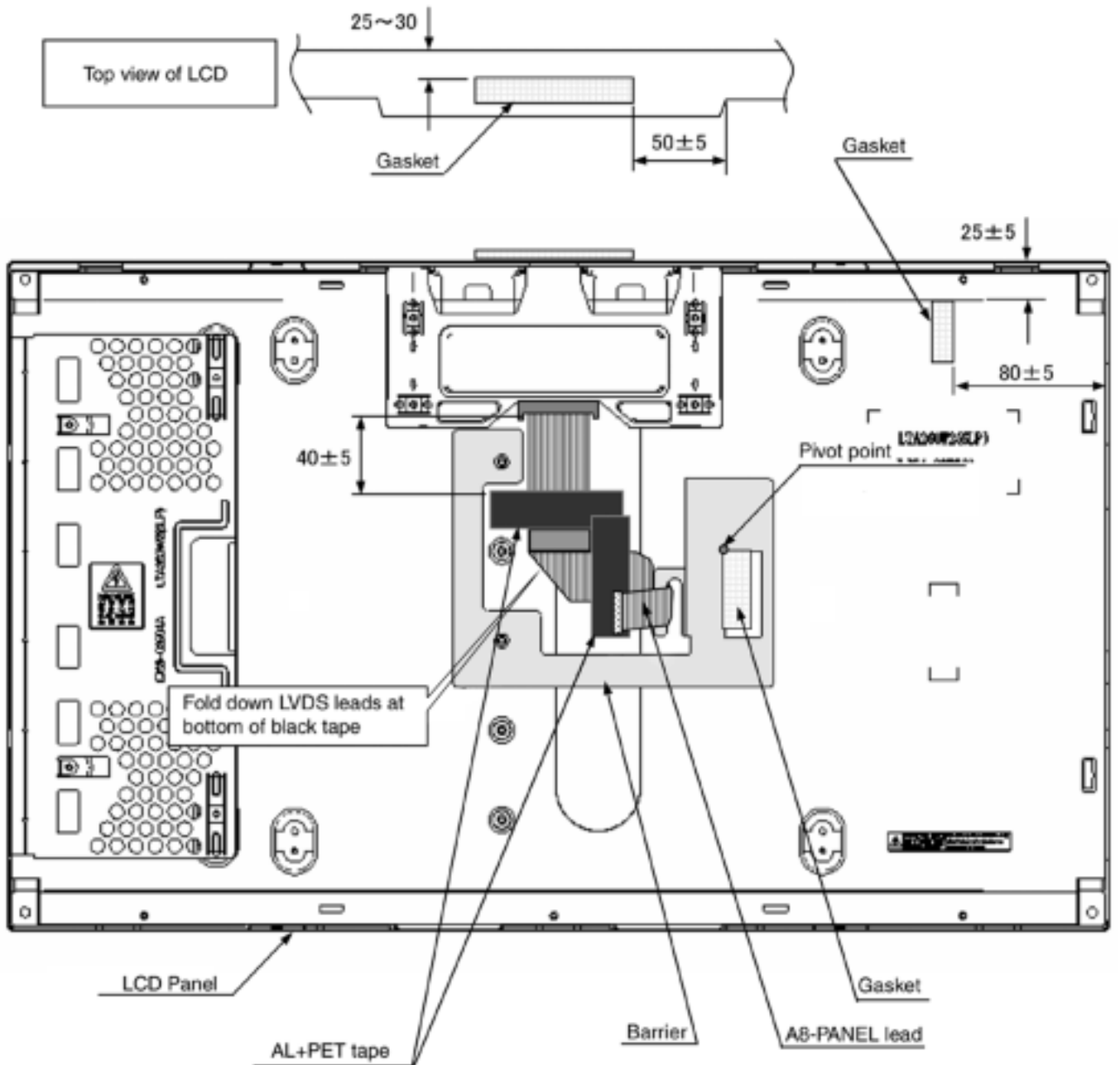
The lead of right speaker should wrap clammer ⑦, and take note not to be pressed under the rear fixing MTG as shown in the figure.

	①	②	③	④	⑤	⑥	⑦	⑧	⑨	⑩	⑪
INV-AP5	●	●									
V1-A7			●	●	●	●	●		●	●	●
SP (R) -A3							●	●			
SP (L) -A3			●	●	●	●	●		●	●	●
G1-A4											
G2-A5											

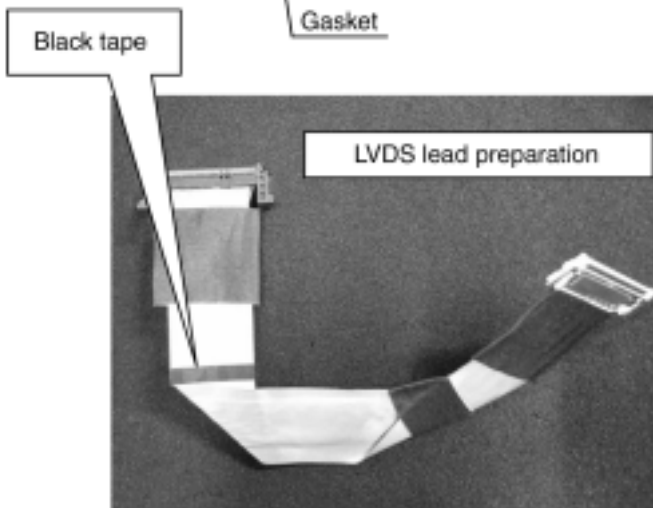
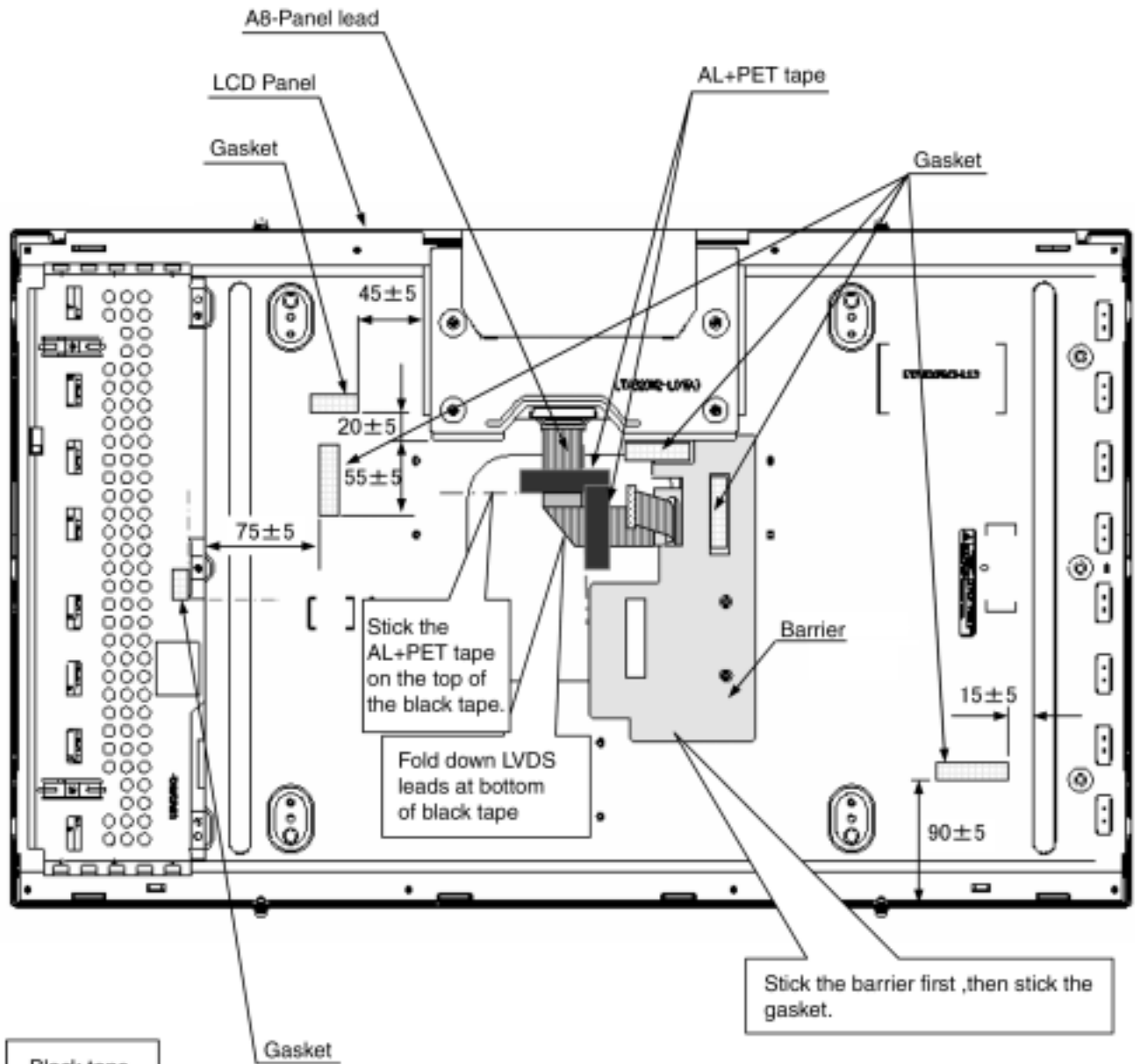


9 EMI Processing

EMI Processing (26")



EMI Processing (32")



【 Attention Connecting 】

The lead do not install too tightly, avoid escaping from the coupler.

[Not good]

[OK]

10 Service Mode Function

MPU controls the functions switching for each IC through IIC bus in this chassis. The following setting and adjustment can be adjusted by remote control in Service Mode.

10.1. How to enter SERVICE 1

1. Set OFF TIMER to 15,30.....
2. Set VOLUME to MINIMUM. Press the F button on the TV set to select VOLUME, simultaneously press RECALL button on remote control and DOWN button [v] on the TV set.

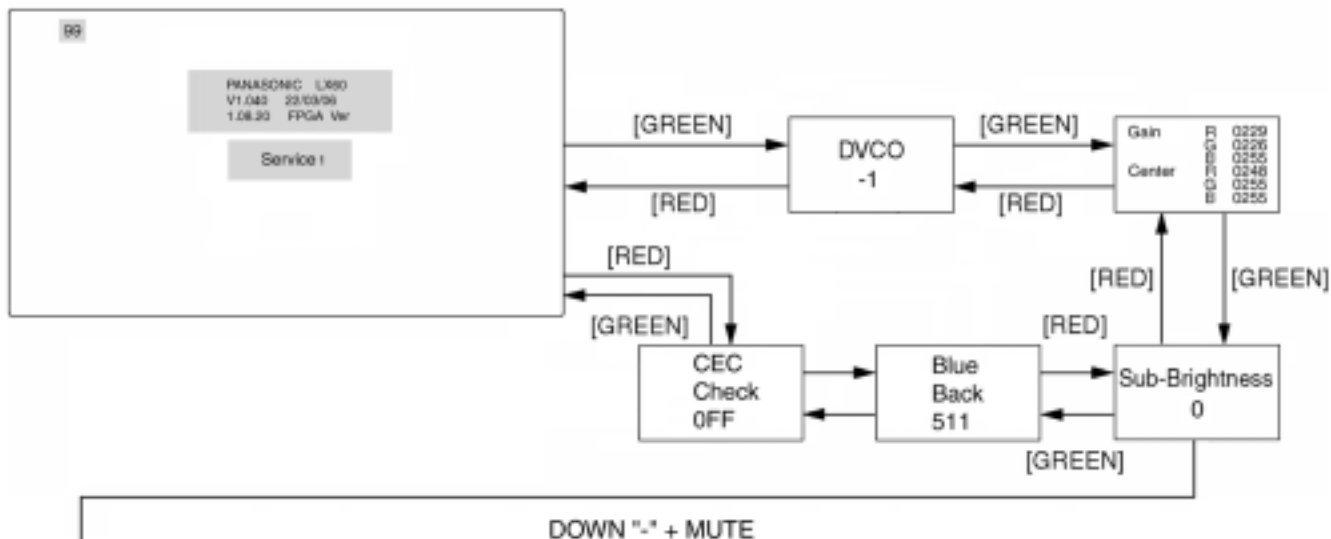
10.2. How to enter SERVICE 2

1. Select the "Sub-Brightness" under Service 1.
2. Simultaneously press MUTE button on remote control and DOWN button on the TV set.

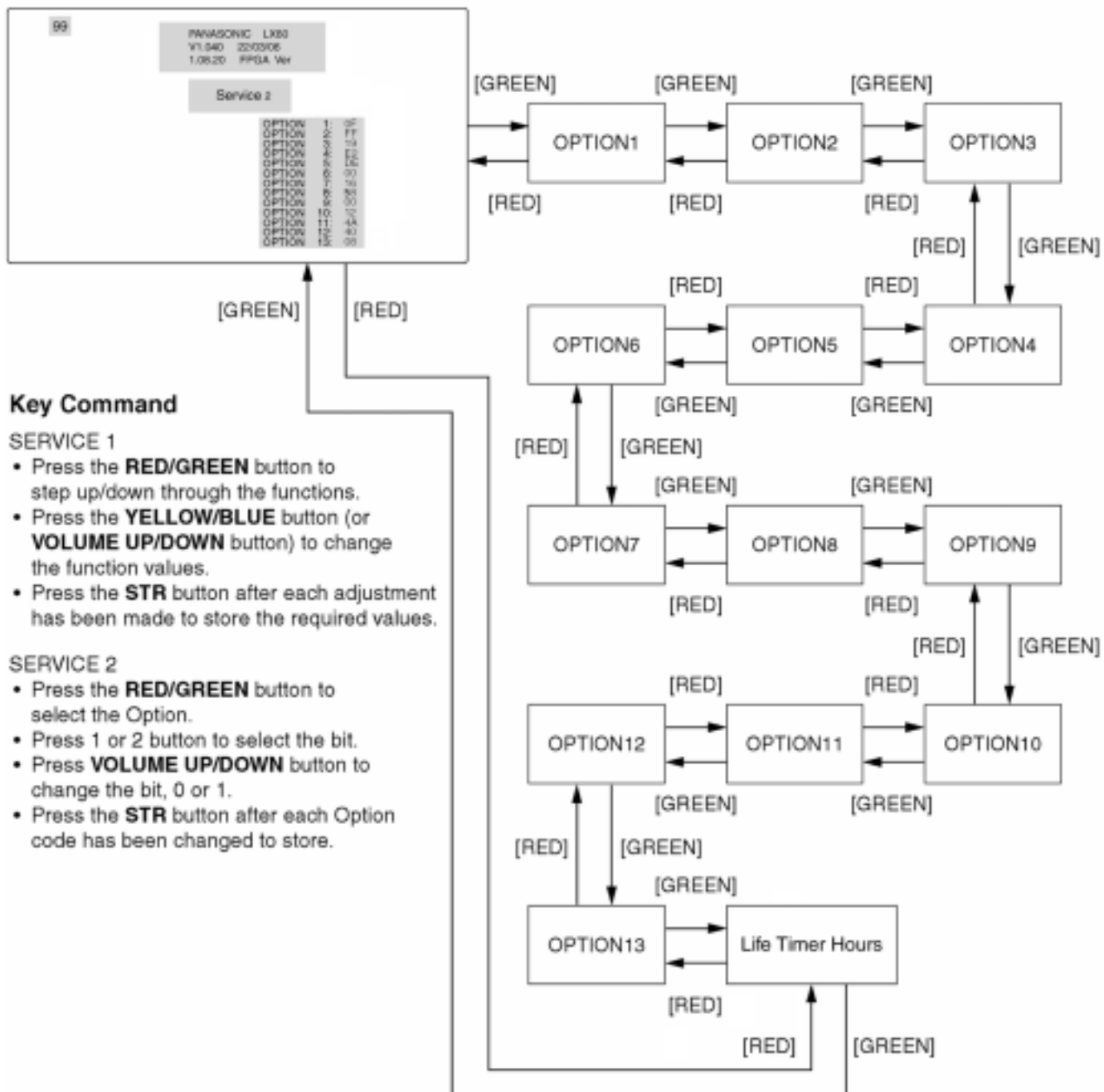
Note:

To exit to Service mode, press N button or POWER button on remote control.

SERVICE 1



SERVICE 2



Key Command

SERVICE 1

- Press the **RED/GREEN** button to step up/down through the functions.
- Press the **YELLOW/BLUE** button (or **VOLUME UP/DOWN** button) to change the function values.
- Press the **STR** button after each adjustment has been made to store the required values.

SERVICE 2

- Press the **RED/GREEN** button to select the Option.
- Press 1 or 2 button to select the bit.
- Press **VOLUME UP/DOWN** button to change the bit, 0 or 1.
- Press the **STR** button after each Option code has been changed to store.

10.3. Option Description

option1		
b0	Colour system	Auto(1)
b1		SECAM(1)
b2		NTSC(1)
b3		M.NTSC(1)
b4	free	
b5	free	
b6	free	
b7	free	
option2		
b0	CH Plan	ASIA / M.E. / HK/UK / CHINA(1)
b1		NZ/INDNES(1)
b2		AUSTRALIA(1)
b3		E EUROPE(1)
b4		SPECIAL(1)
b5		AMERICA(1)
b6		CATV(1)
b7		JAPAN(1)
option3		
b0	sub picture	not use
b1	2 tuner	not use
b2	VGA	not use
b3	YUV	not use
b4	Wide (16:9)	not use
b5	HYPER	UHF only (0), UHF/VHF (1)
b6	SIF	4.5 / 5.5 / 6.0 / 6.5 (0), 5.5 / 6.0 / 6.5 (1)
b7		5.5 / 6.5 (2), 6.0 / 6.5 (3)
option4		
b0	A2 enable	4.5(1)
b1		5.5(1)
b2		6.0(1)
b3		6.5(1)
b4	NICAM enable	4.5(1)
b5		5.5(1)
b6		6.0(1)
b7		6.5(1)
option5		
b0	A2 select 6.5MHz	5.742MHz(0) 6.742MHz(1)
b1	NICAM priority	ASIA/M.E.(1)
b2		HK/UK(1)
b3		CHINA(1)
b4		NZ/INDN(1)
b5		AUSTRA(1)
b6		E EURO(1)
b7		SPECIAL(1)
option6		
b0	IF 38.5MHz	
b1	SASO enable	SASO enable(1)
b2	IF I2C	I2C controlled Tuner IF module (1)
b3	Monitor out AV1 mute	Monitor out AV1 mute(1)
b4	Tuner Slave	C2(1), C0(0)
b5	Tuner	ALPS(1), ECOM (0)
b6	free	
b7	Noise mute	Noise mute enable(0)
option7		
b0	Power up EC-Mode	Power on EC enable (1)
b1	CH Blanking	Blanking enable (1)
b2	AV Blanking	Blanking enable (1)
b3	Auto WIDE	WSS enable only in aspect Auto (0), WSS always enable (1)
b4	Volume correction	TV Volume coorrection enable (1)
b5	AVLink	Q-Link off selectable in menu (1)
b6	MPX/NICAM display	Display NiCAM (0), Display MPX (1)
b7	free	

option8		
b0	ACI auto MP	not use
b1	free	
b2	Geomagnetic Sensor	Geomagnetic polarity +(0), -(1)
b3	free	
b4	Fine tuning	Enable(1)
b5	Search speed	Slow(1) Fast(0)
b6	TEXT FLOF	FLOF enable (1)
b7	TEXT TOP	TOP enable (1)
option9		
b0	free	
b1	free	
b2	free	
b3	free	
b4	free	
b5	free	
b6	free	
b7	free	
option10		
b0	OSD language	English/Chinese(0)/English/Russian(1)
b1		English/Chinese/Arabic(2) English/Persian/French/Arabic(3)
b2	free	
b3	User aspect	JUST enable (1)
b4	Blue Back	BLUE BACK on/off selection in menu(0)
b5	Auto Aspect	AspectAuto disable(1)
b6	User aspect	ZOOM3 enable (2)
b7	free	
option11		
b0	Shop mode	enable(1)
b1	shipping Sound menu	MUSIC(0) / CINEMA(1)
b2	Sub HP	enable(1)
b3	Scan blank	enable(1)
b4	User aspect 14:9	enable(1)
b5	NICAM C4 bit	enable(1)
b6	free	enable(1)
b7	free	enable(1)
option12		
b0	free	
b1	Australia	Australia(1)
b2	Ireland/India	not use
b3	UK/Korea	not use
b4	MELCOA	MELCOA(1)
b5	free	
b6	free	
b7	free	
option13		
Temporary		
b0	ACI all country	not use
b1	ACI offset	not use
b2	free	
b3	Text	enable(1)
b4	free	
b5	free	
b6	free	
b7	Viewing Mode/Main Menu	not use

10.4. Option Code Setting

If the memory IC (IC1102) or A Board is replaced, option code should be re-memorized.

Spare part of IC1102 is already memorized all Data.

If you use for other model, you should re-memorized the different option code in SERVICE 2 mode.

Option No.	TX-32LX60M	TX-32LX60A	TX-32LX60X	TX-26LX60M	TX-26LX60A	TX+26LX60X
OPTION 1	0F	0F	0F	0F	0F	0F
OPTION 2	FF	FF	FF	FF	FF	FF
OPTION 3	19	19	19	19	19	19
OPTION 4	E2	E2	E2	E2	E2	E2
OPTION 5	DE	DE	DE	DE	DE	DE
OPTION 6	80	80	C0	00	00	40
OPTION 7	16	16	16	16	16	16
OPTION 8	58	98	58	58	98	58
OPTION 9	00	00	00	00	00	00
OPTION 10	12	11	13	12	11	13
OPTION 11	4A	4A	4A	4A	4A	4A
OPTION 12	40	42	40	40	42	40
OPTION 13	08	08	08	08	08	08

11 Adjustment

11.1. Voltage chart of A board

Power Name	Test point	Specification	
		ON	STANDBY
MAIN_5V	TP1823	5.10±0.25V	–
PANEL_5V	TP1815	5.10±0.25V	–
BT_30V	TP1820	30.0V±1.5V	–
24V	TP1818	24.0±1.2V	–
SUB_8V	TP1821	8.1V±0.4V	–
STB_7V	TP1805	6.6±0.30V	6.6±0.30V
STB_3.3V	TP1835	3.30±0.17V	3.30±0.17V
STB_1.8V	TP1837	1.89±0.09V	1.89±0.09V
SOUND_18.5V	TP1816	13.7±0.69V	–

11.2. Voltage chart of AP board

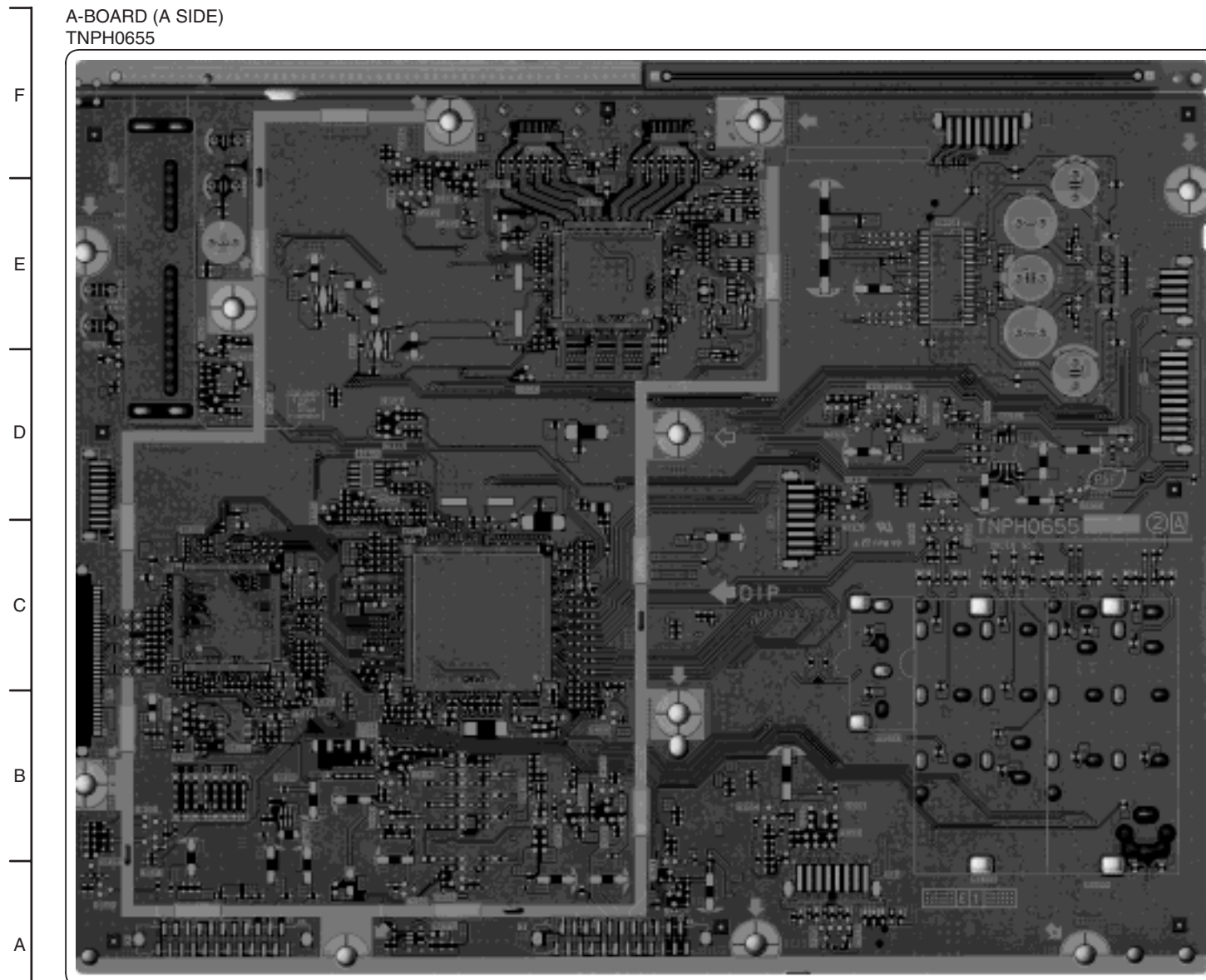
Power Name	Test point	Specification	
		ON	STANDBY
MAIN_5V	TP921	5.10±0.25V	–
PANEL_5V	TP981	5.10±0.25V	–
BT_30V	TP915	30.0V±1.5V	–
24V	TP916	24.0±1.2V	–
SUB_8V	TP920	8.1V±0.4V	–
STB_7V	TP914	6.6V±0.30V	6.6V±0.30V
STB_3.3V	TP922	3.30±0.17V	3.30±0.17V
STB_1.8V	TP923	1.89±0.09V	1.89±0.09V
SOUND_13.5V	TP918	13.7±0.69V	–

11.3. DVCO adjustment

Instrument Name	Connection	Remarks
Remote controller		
Internal signal (studio color bar)	RF input	
Procedure		
DVCO Adjustment 1. Receive the color bar pattern at AV1 composite video. Signal generator : PAL/ fp =4.43361875MHz (ref.) 2. Go to "DVCO" under Service 1. 3. Make automatic adjustment of DVCO by the blue key. (About 3sec.) The display color of DVCO serves as black (START) - red (under adjustment) - black (completion).		

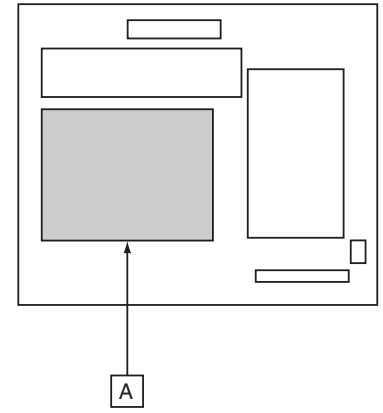
12 Conuctor Views

12.1. A-Board



A-BOARD (A SIDE)
TNPH0655

TX-26/32LX60A/M/X
A-BOARD TNPH0655

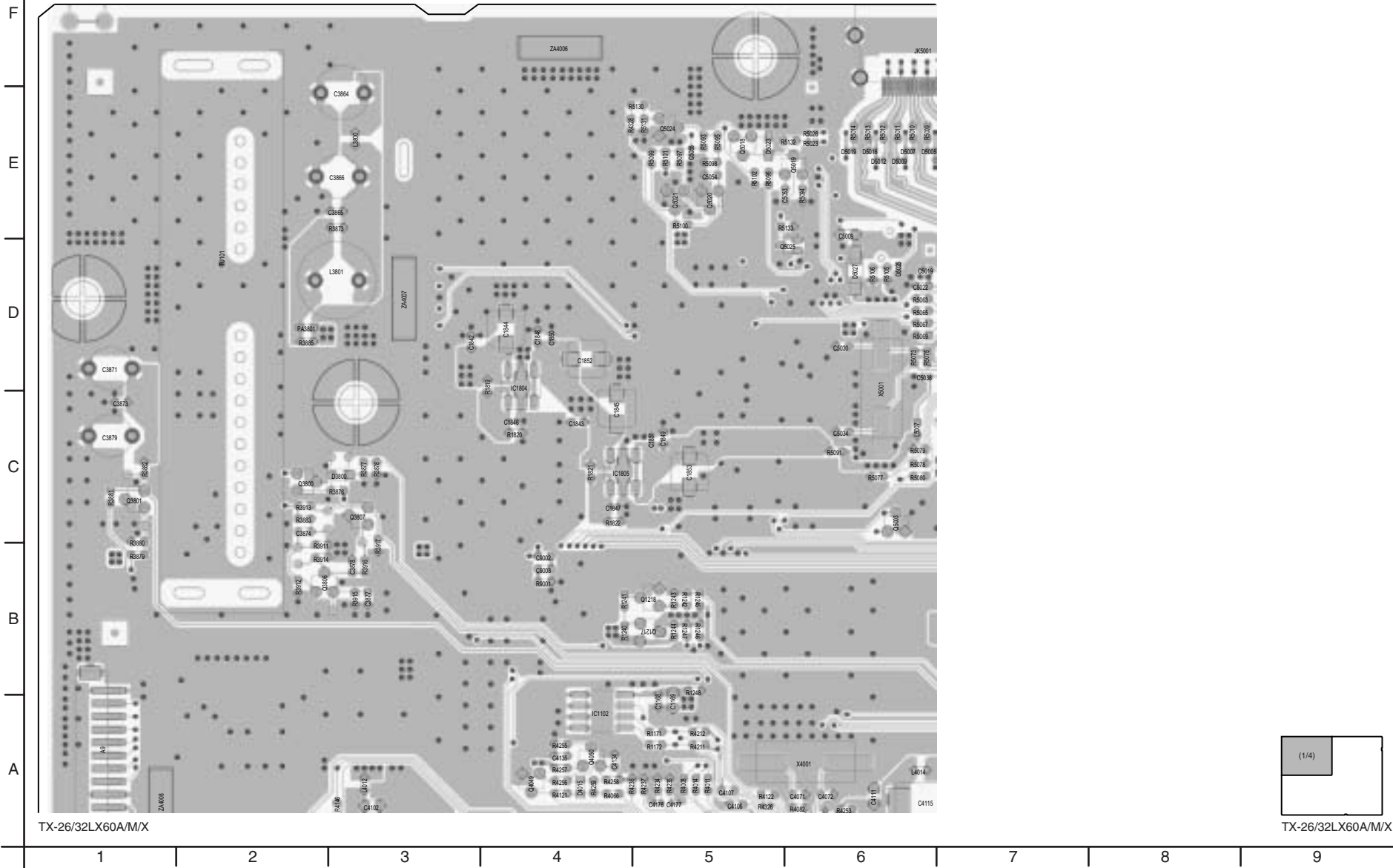


Parts Location

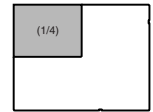
A-BOARD (A SIDE)			
IC			
IC1102	D-2	Q3003	B-5
IC1803	B-3	Q3004	B-4
IC1804	E-2	Q3005	C-5
IC1805	D-2	Q3006	C-5
IC2001	E-5	Q3007	C-5
IC2005	D-6	Q3200	B-2
IC4001	C-3	Q3201	B-2
IC4004	C-2	Q3202	B-3
IC4005	B-2	Q3203	A-3
IC5004	E-4	Q3204	B-2
IC5005	E-5	Q3205	A-3
		Q3600	B-4
		Q3601	B-4
TRANSISTOR		Q3602	B-3
		Q3603	B-3
Q1215	C-5	Q3800	D-1
Q1216	D-5	Q3801	E-1
Q1217	D-2	Q3806	D-1
Q1218	D-2	Q3807	D-2
Q1801	B-2	Q4001	B-4
Q1802	B-2	Q4002	B-1
Q1803	A-1	Q4003	B-1
Q1804	B-1	Q4048	C-2
Q1805	B-1	Q4050	D-2
Q1806	B-1	Q4120	C-2
Q2019	D-5	Q4121	B-2
Q2020	D-6	Q4501	B-4
Q2031	A-5	Q4502	A-4
Q2032	A-5	Q5001	E-3
Q2303	D-5	Q5002	E-4
Q2305	D-5	Q5003	D-3
Q2306	D-5	Q5006	E-4
Q2307	D-6	Q5009	E-4
Q2308	D-6	Q5019	E-3
Q2312	D-5	Q5020	E-3
Q2313	D-5	Q5021	E-2
Q3001	B-5	Q5023	E-4
Q3002	B-5	Q5024	E-2
		Q5025	E-3

TX-26/32LX60A/M/X
A-BOARD TNPH0655

The picture is used as reference for ref. no. of A-Board (A Side (1/4))

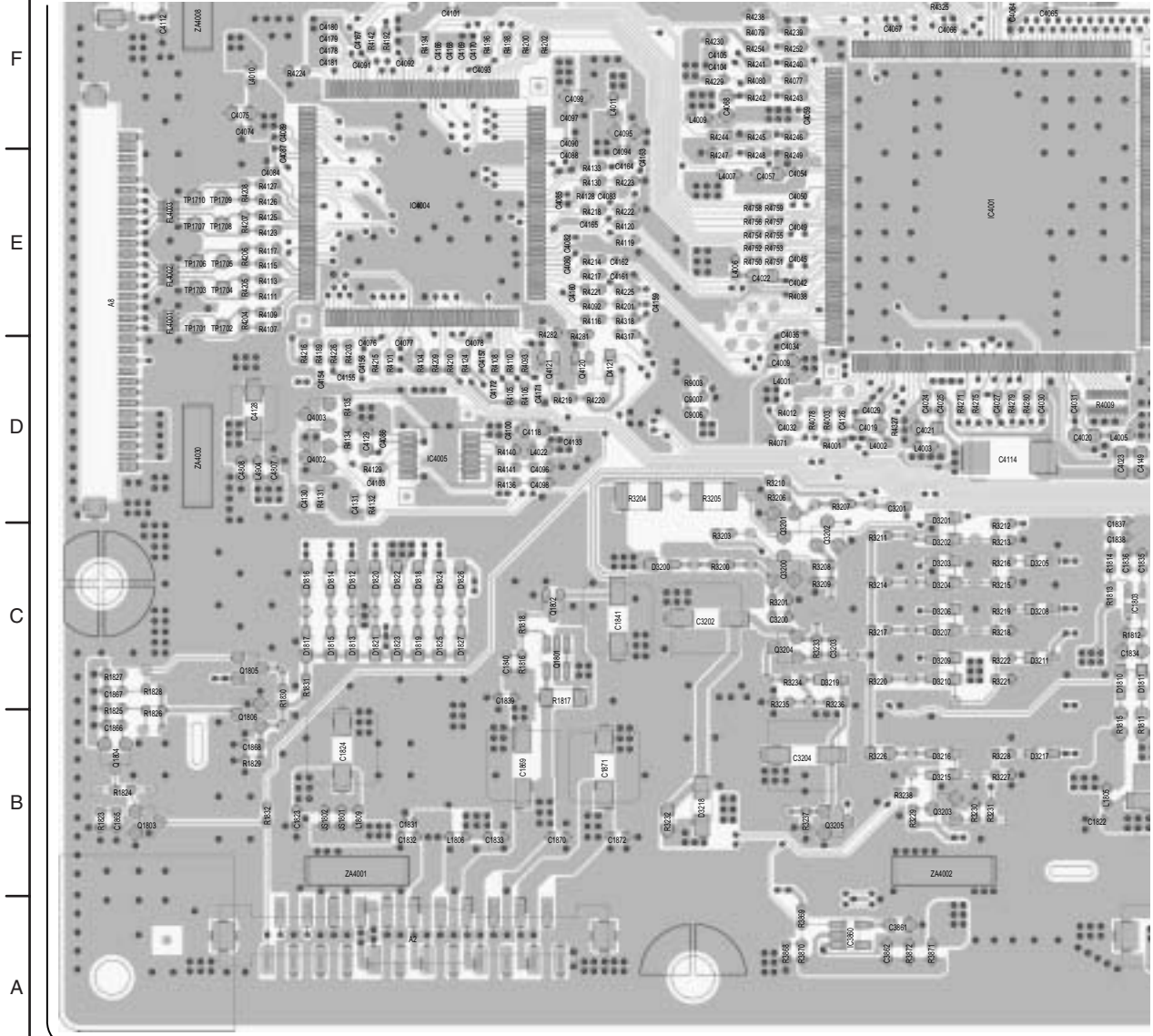


TX-26/32LX60A/M/X

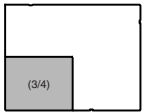


TX-26/32LX60A/M/X

The picture is used as reference for ref. no. of A-Board (A Side (3/4))

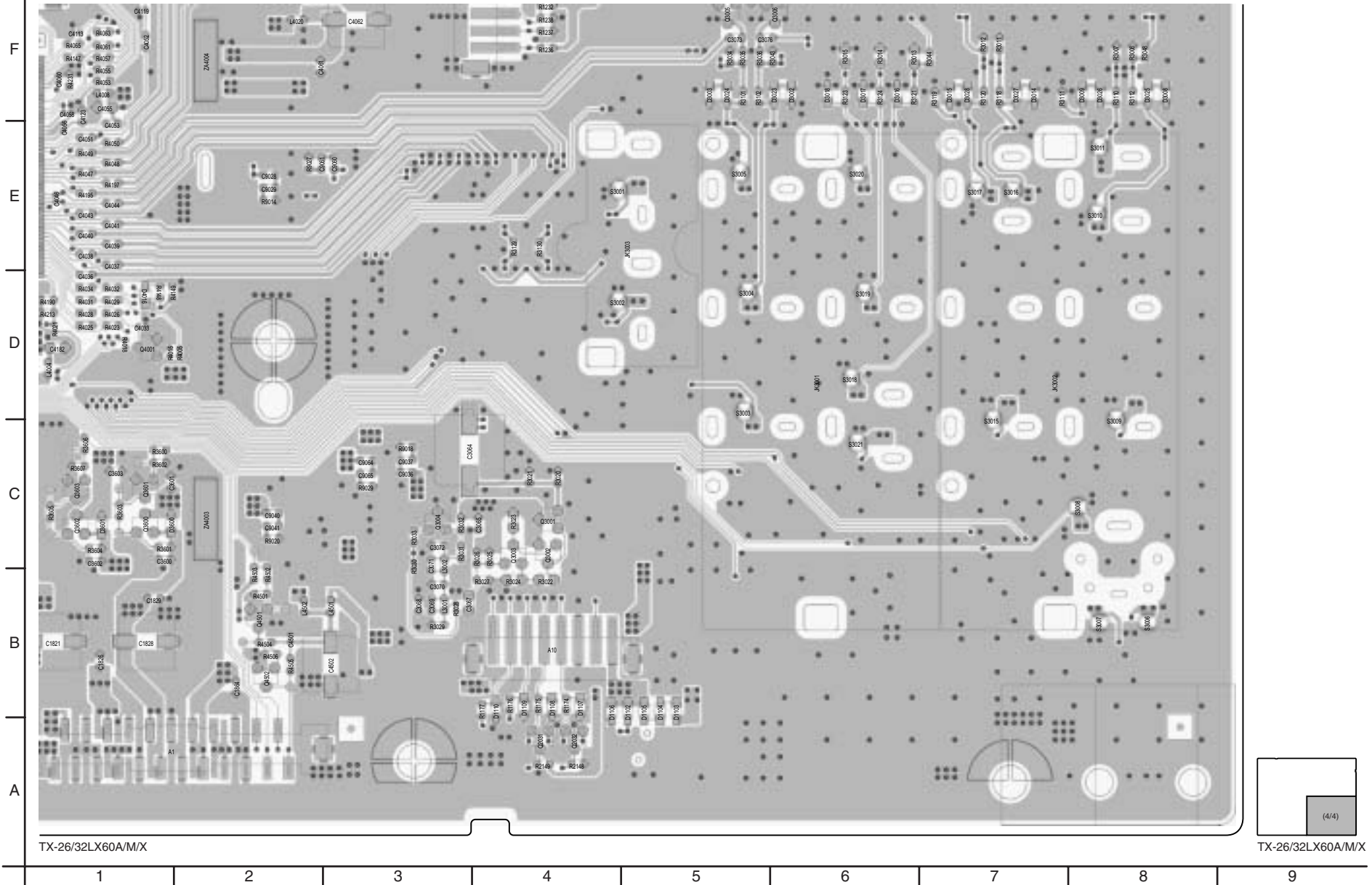


TX-26/32LX60A/M/X



TX-26/32LX60A/M/X

The picture is used as reference for ref. no. of A-Board (A Side (4/4))

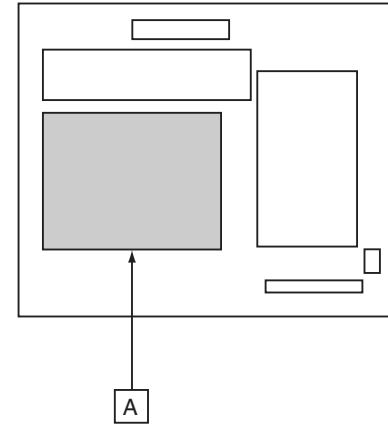
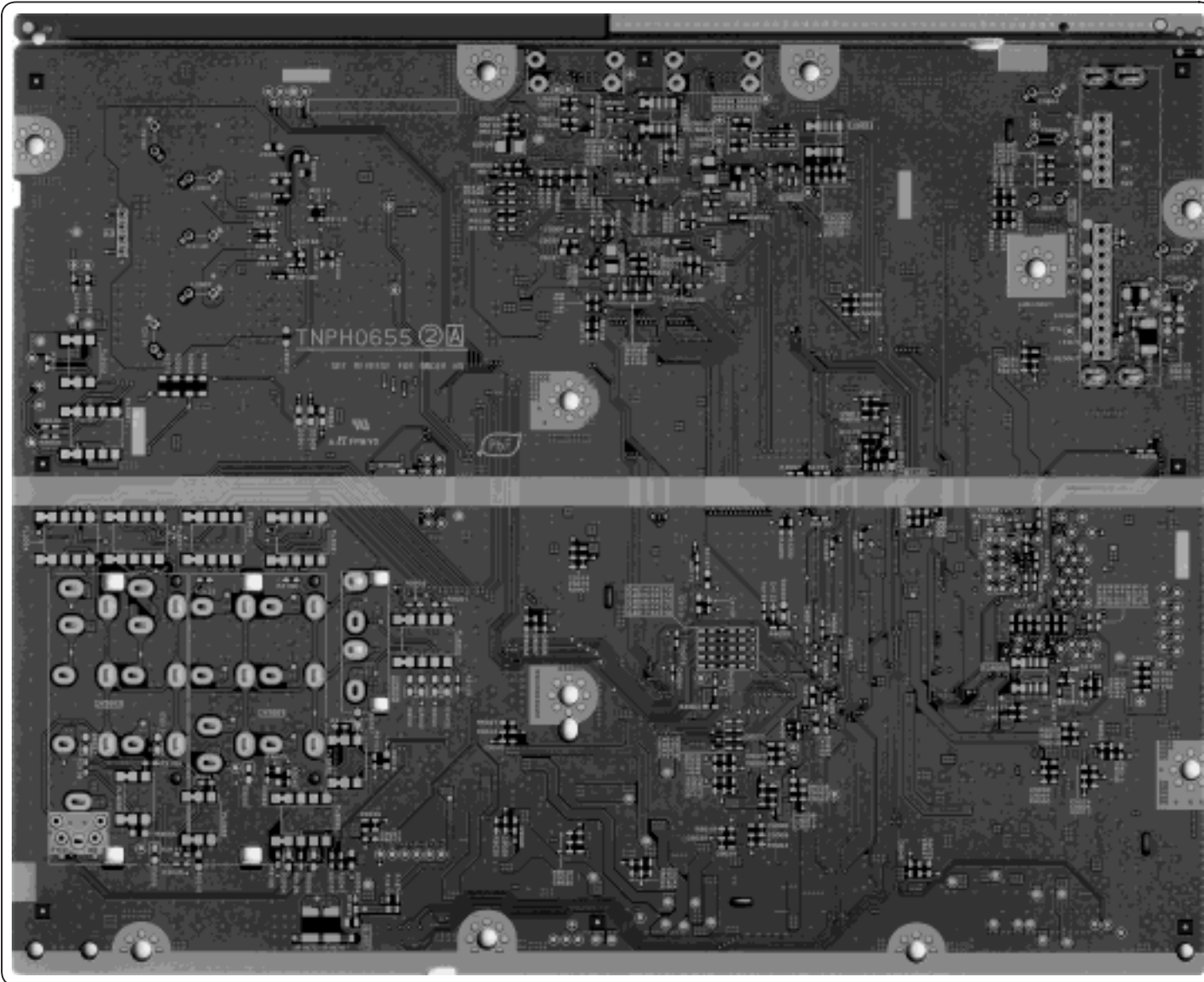


TX-26/32LX60A/M/X

TX-26/32LX60A/M/X

A-BOARD (B SIDE)
TNPH0655

F
E
D
C
B
A



Parts Location

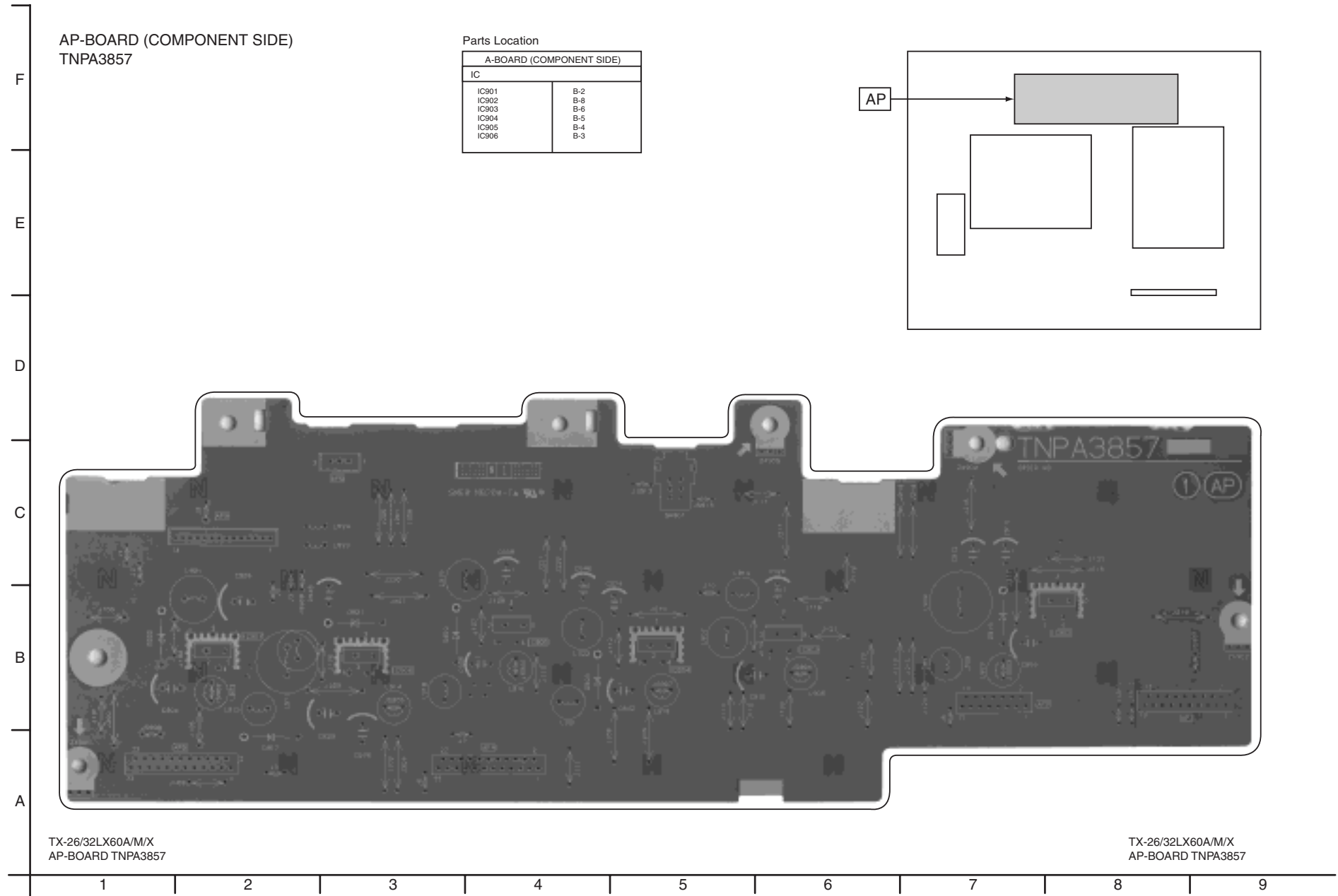
A-BOARD (B SIDE)			
IC	TRANSISTOR		
IC4003	C-6	Q1807	A-3
IC5001	E-5	Q5004	E-4
IC5002	E-4	Q5022	E-5

TX-26/32LX60A/M/X
A-BOARD TNPH0655

TX-26/32LX60A/M/X
A-BOARD TNPH0655

1 | 2 | 3 | 4 | 5 | 6 | 7 | 8 | 9

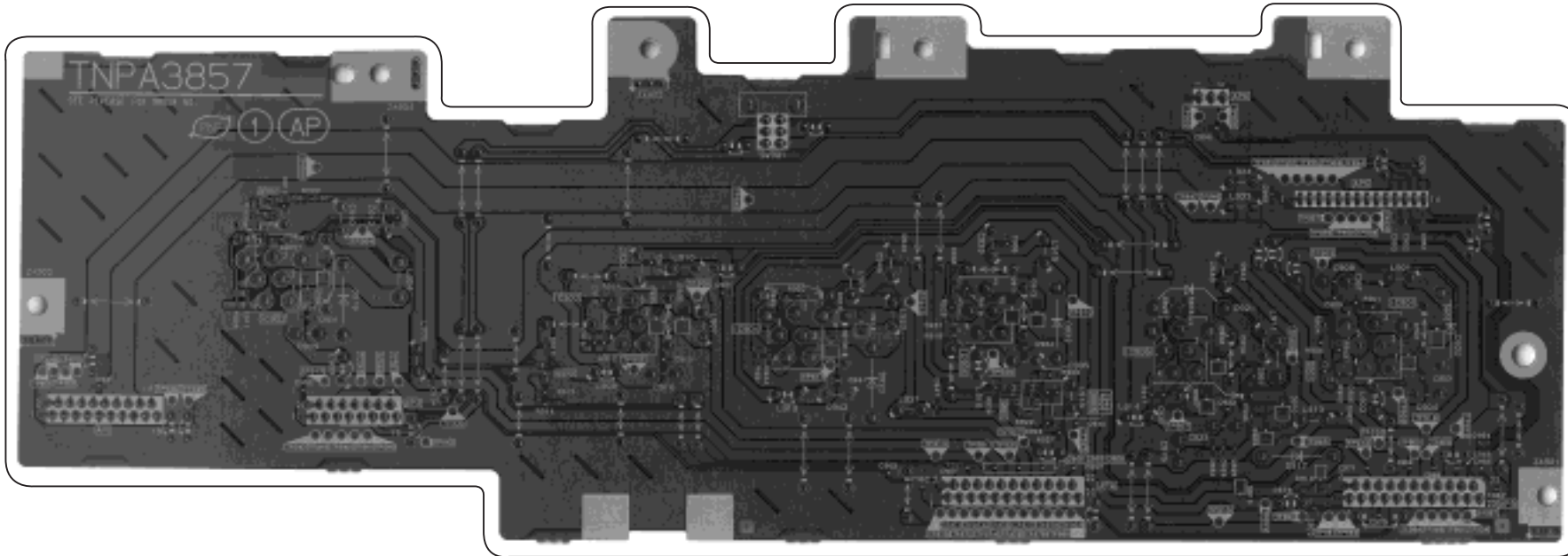
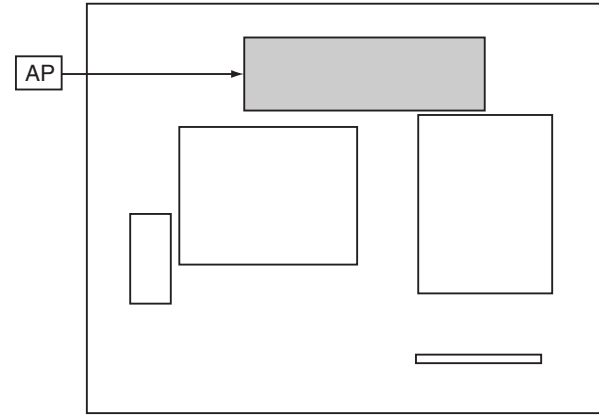
12.2. AP-Board



AP-BOARD (FOIL SIDE)
TNPA3857

Parts Location

		A-BOARD (FOIL SIDE)			
IC		TP914	A-7	TP951	B-1
IC901	B-8	TP915	A-7	TP952	B-1
IC902	B-2	TP916	B-8	TP953	B-1
IC903	B-4	TP917	B-2	TP954	C-8
IC904	B-5	TP918	B-8	TP955	C-8
IC905	B-6	TP919	B-8	TP956	C-8
IC906	B-7	TP920	B-8	TP957	C-8
		TP921	B-6	TP958	C-8
TRANSISTOR		TP922	B-6	TP959	C-8
		TP923	B-6	TP960	A-7
Q901	B-8	TP924	B-3	TP961	A-8
Q902	C-2	TP925	B-2	TP962	A-8
Q903	B-4	TP926	B-2	TP963	B-8
Q904	B-6	TP931	C-7	TP964	A-8
Q905	B-6	TP932	C-7	TP965	A-8
		TP933	A-6	TP966	A-8
TP		TP934	A-8	TP967	A-9
TP901	B-3	TP935	B-3	TP968	B-8
TP902	B-8	TP936	C-7	TP969	B-8
TP903	C-8	TP937	C-7	TP970	A-6
TP904	C-3	TP938	C-8	TP971	A-6
TP905	B-4	TP939	C-8	TP972	A-6
TP906	B-4	TP940	B-3	TP973	A-6
TP907	B-7	TP941	B-3	TP974	A-6
TP908	B-7	TP942	B-3	TP975	A-6
TP909	B-6	TP943	B-2	TP976	A-6
TP910	B-6	TP944	C-2	TP977	A-6
TP911	B-5	TP945	C-5	TP978	A-6
TP912	B-6	TP946	C-7	TP979	A-6
TP913	B-6	TP947	C-7	TP980	A-6
		TP948	B-2	TP981	B-6
		TP949	B-2	TP982	B-3
		TP950	B-1		

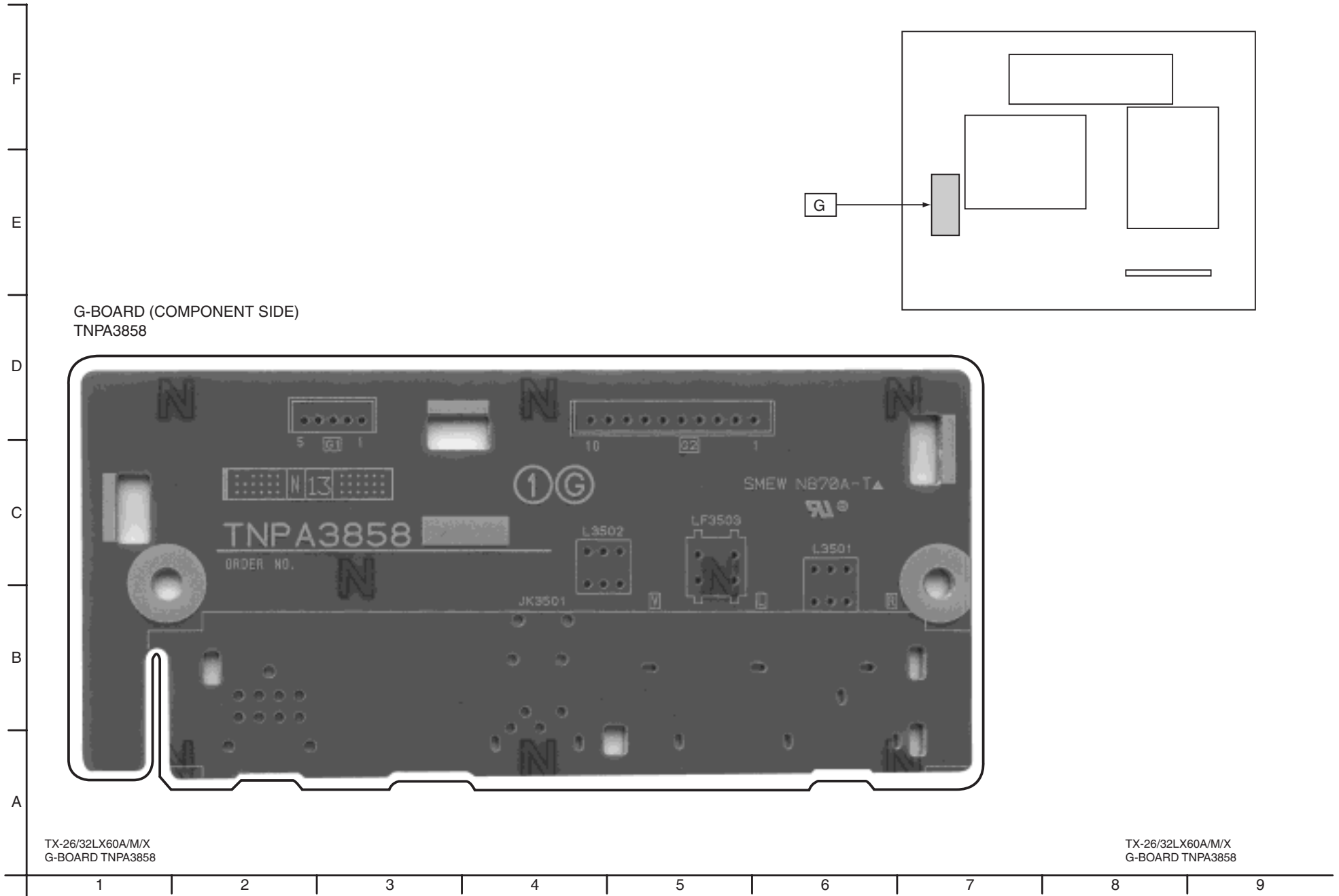


TX-26/32LX60A/M/X
AP-BOARD TNPA3857

TX-26/32LX60A/M/X
AP-BOARD TNPA3857

1 2 3 4 5 6 7 8 9

12.3. G-Board

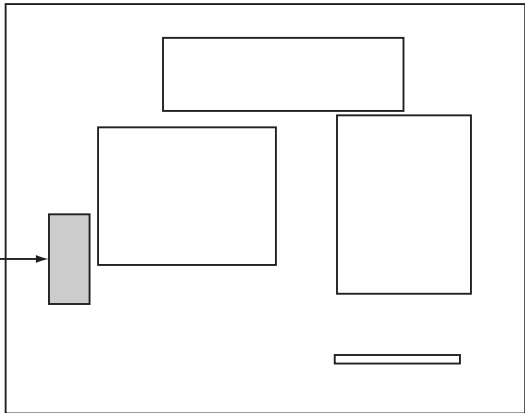


F
E
D
C
B
A

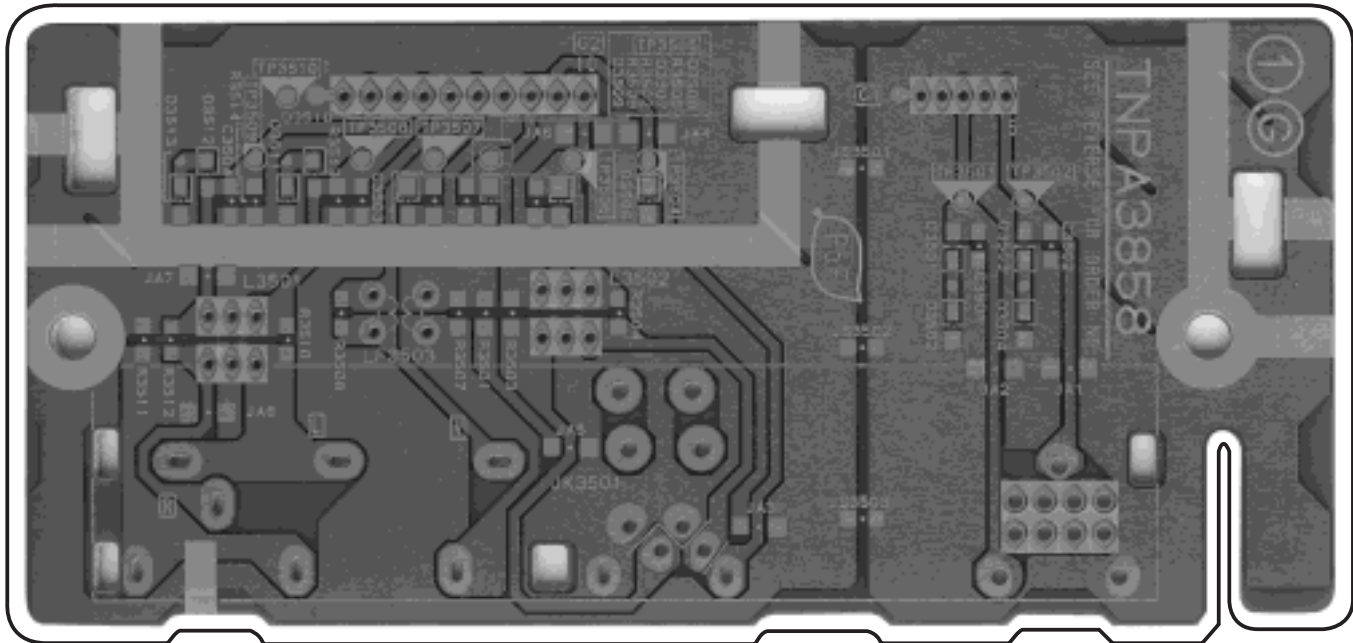
Parts Location

G-BOARD	
TP	
TP3501	C5
TP3502	C6
TP3504	C4
TP3505	C3
TP3506	C3
TP3507	C3
TP3508	C2
TP3509	C2
TP3510	C2

G



G-BOARD (FOIL SIDE)
TNPA3858



TX-26/32LX60A/M/X
G-BOARD TNPA3858

TX-26/32LX60A/M/X
G-BOARD TNPA3858

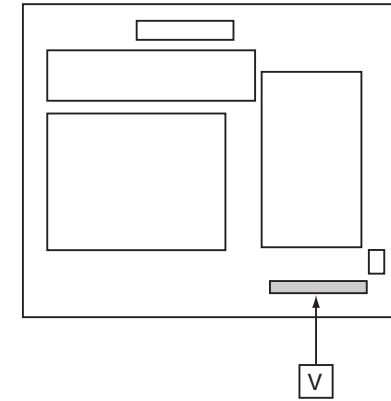
1 2 3 4 5 6 7 8 9

12.4. V-Board

F
E
D
C
B
A

Parts Location

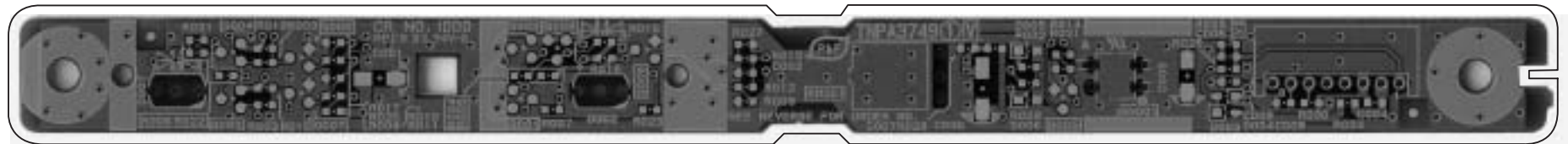
V-BOARD			
TRANSISTOR		TP	
Q001	B-4	TP001	D-2
Q002	B-2	TP002	D-2
Q003	B-4	TP003	D-2
Q004	B-2	TP004	C-2
Q005	B-7	TP005	D-2
Q006	B-2	TP006	D-2
Q007	B-2	TP007	D-2
Q008	B-4	TP008	D-2
Q009	B-4		



V-BOARD (A SIDE)
TNPA3749



V-BOARD (B SIDE)
TNPA3749



TX-26/32LX60A/M/X
V-BOARD TNPA3749

TX-26/32LX60A/M/X
V-BOARD TNPA3749

1 2 3 4 5 6 7 8 9

13 Block and Schematic Diagram

13.1. Schematic Diagram Notes

Important Safety Notice

Components identified by Δ mark have special characteristics important for safety.
When replacing any of these components, use only manufacture's specified parts.

Notes:

1. Resistor

All resistors are carbon 1/4W resistor, unless marked as follows:
Unit of resistance is OHM [Ω] (K=1,000, M=1,000,000).

\bigcirc	: Nonflammable	\boxtimes	: Metal Oxide
Δ	: Solid	\odot	: Metal Film
\boxplus	: Wire Wound	\otimes	: Fuse:

2. Capacitor

All capacitors are ceramic 50V capacitor, unless marked as follows:
Unit of capacitance is μ F, unless otherwise noted.

\otimes	: Temperature Compensation	$\text{+} \text{---} \text{---} \text{---} \text{---} \text{---} \text{---}$: Electrolytic
M	: Polyester	$\text{NF} \text{---} \text{---} \text{---} \text{---} \text{---} \text{---}$: Bipolar
m	: Metalized Polyester	T	: Dipped Tantalum
\boxtimes	: Polypropylene	Z	: Z-Type

3. Coil

Unit of inductance is μ F, unless otherwise noted.

4. Test Point

\bigcirc : Test Point position

5. Earth Symbol

: Chassis Earth (Cold) \downarrow : Line Earth (Hot)

6. Voltage Measurement

Voltage is measured by a DC voltmeter.

Conditions of the measurement are the following:

Power Source	AC 220V-240V, 50/60Hz
Receiving Signal	Colour Bar signal (RF)
All customer's controls	Maximum positions

7. Number in red circle indicates waveform number.

(See waveform pattern table.)

8. When arrow mark (\nearrow) is found, connection is easily found from the direction of arrow

9. Indicates the major signal flow. : Video \rightarrow Audio \Leftrightarrow

10. This schematic diagram is the latest at the time of printing and subject to change without notice.

Remarks:

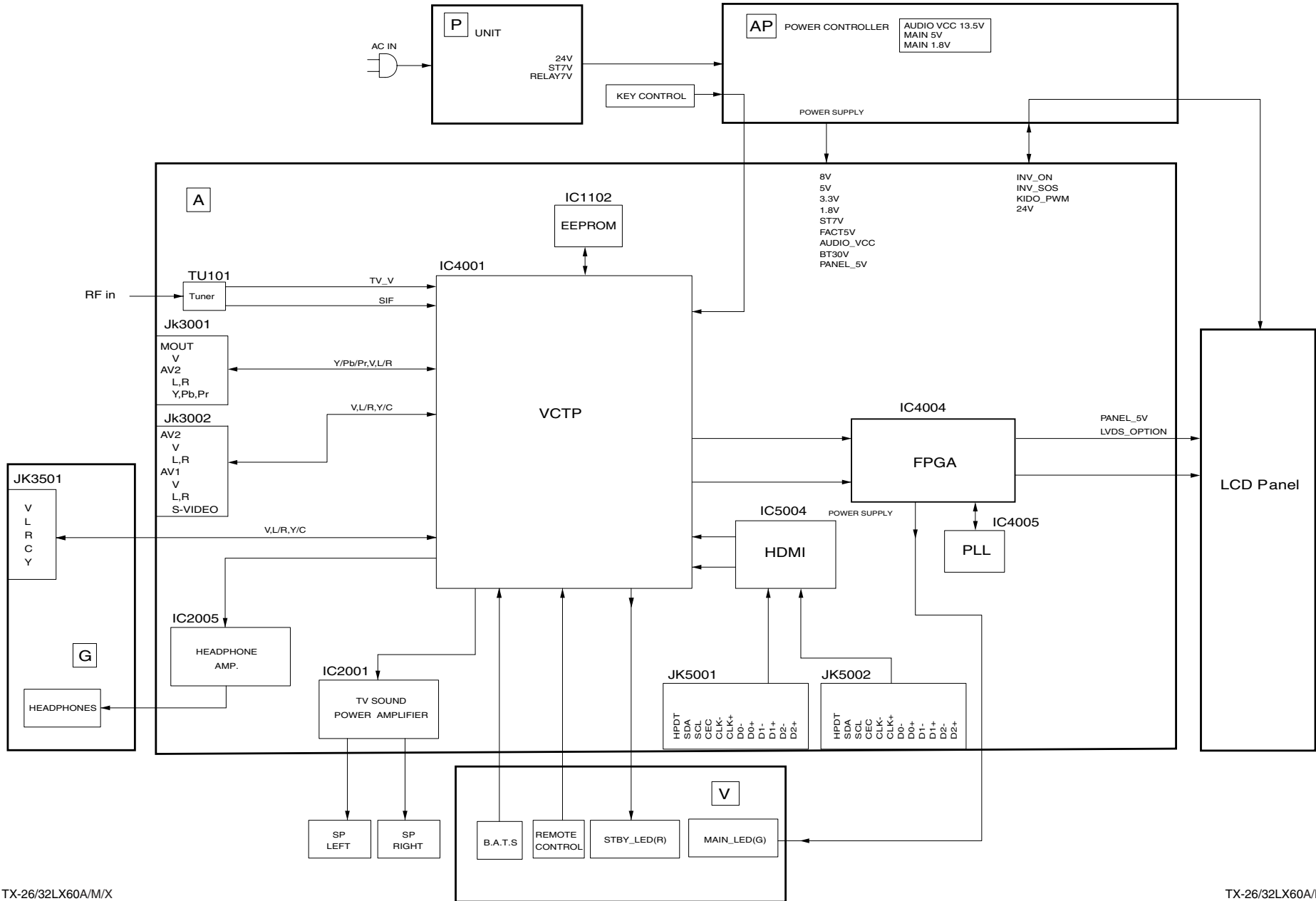
- The Power Circuit contains a circuit area which uses a separate power supply to isolate the earth connection.
The circuit is defined by HOT and COLD indications in the schematic diagram. Take the following precautions.

All circuits, except the Power Circuit, are cold.

Precautions

- Do not touch the hot part or the hot and cold parts at the same time or you may be shocked.
 - Do not short-circuit the hot and cold circuits or a fuse may blow and parts may break.
 - Do not connect an instrument, such as an oscilloscope, to the hot and cold circuits simultaneously or a fuse may blow.
Connect the earth of instruments to the earth connection of the circuit being measured.
 - Make sure to disconnect the power plug before removing the chassis.
- Following diodes are interchangeable.
MA150- MA162 (Replacement part)

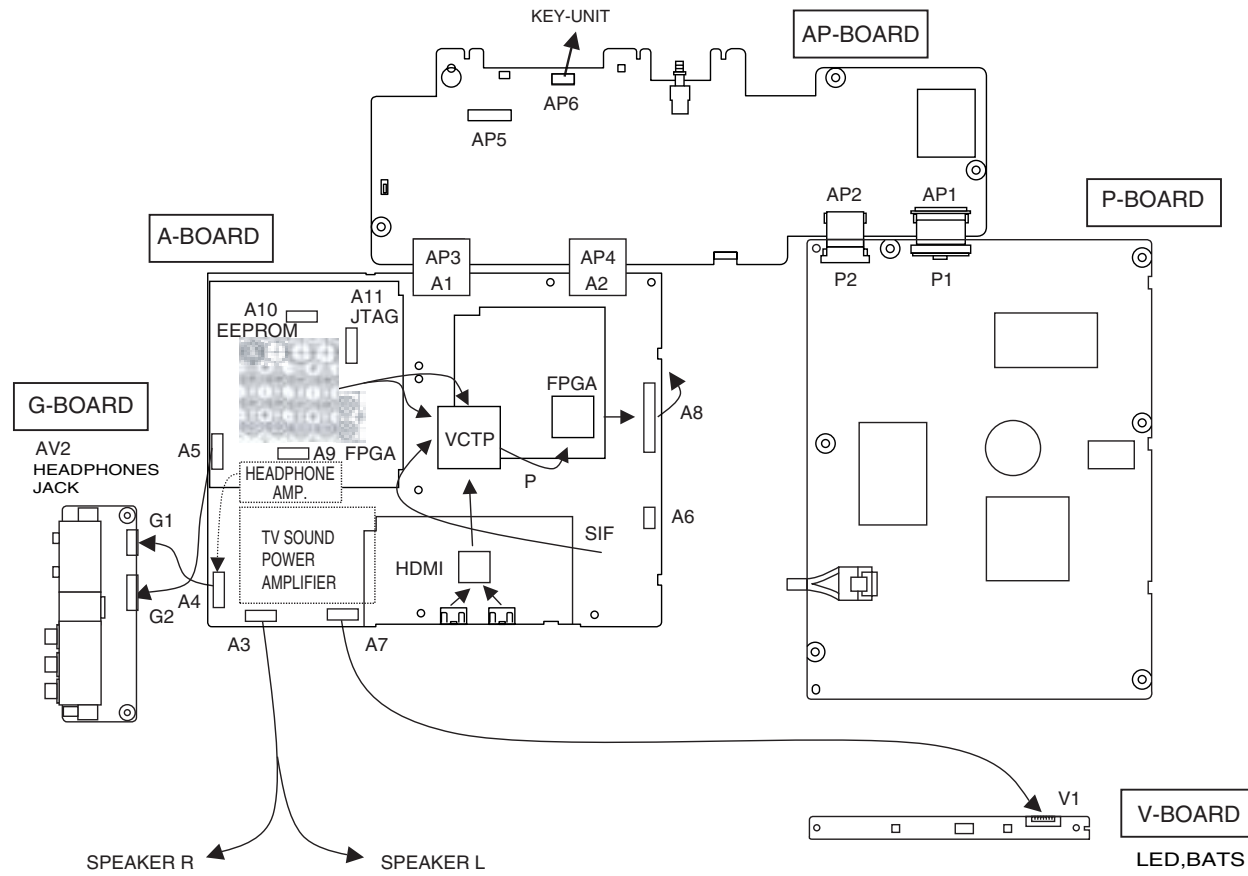
13.2. Main Block Diagram



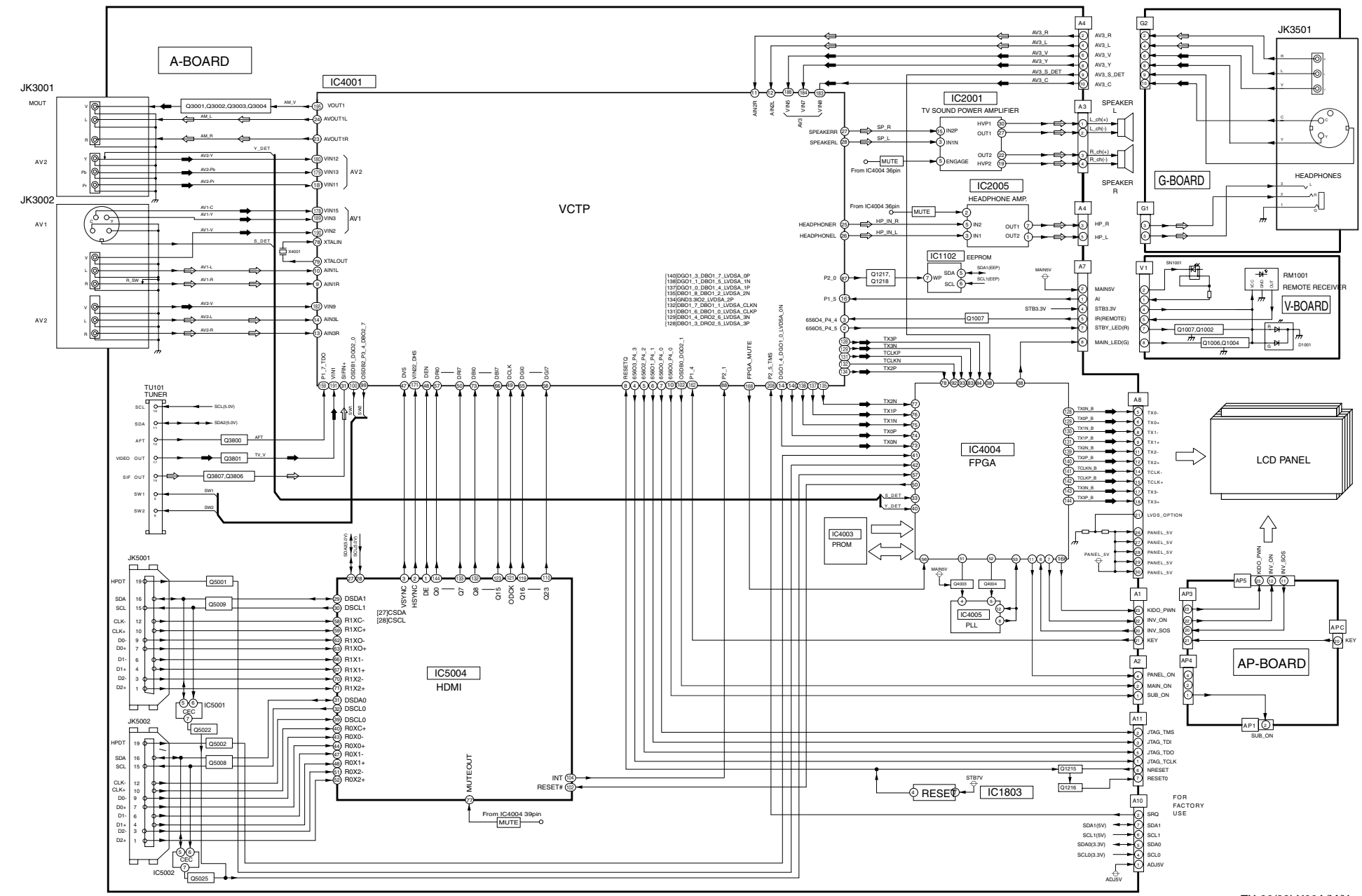
TX-26/32LX60A/M/X
Main Block Diagram

TX-26/32LX60A/M/X
Main Block Diagram

13.3. P.B.C. Block Diagram



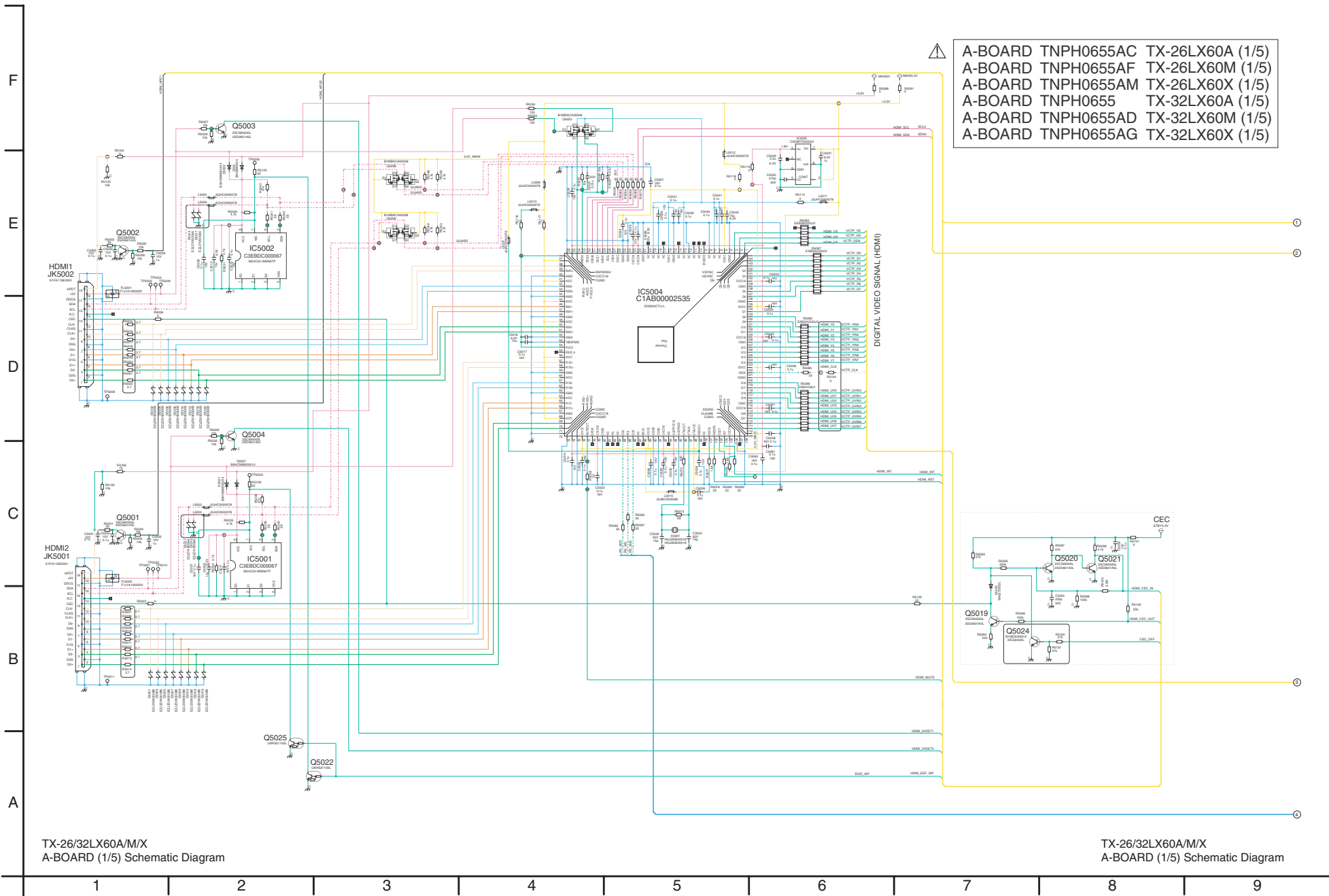
13.4. Signal Schematic Diagram



TX-26/32LX60A/M/X
Signal Block Diagram

TX-26/32LX60A/M/X
Signal Block Diagram

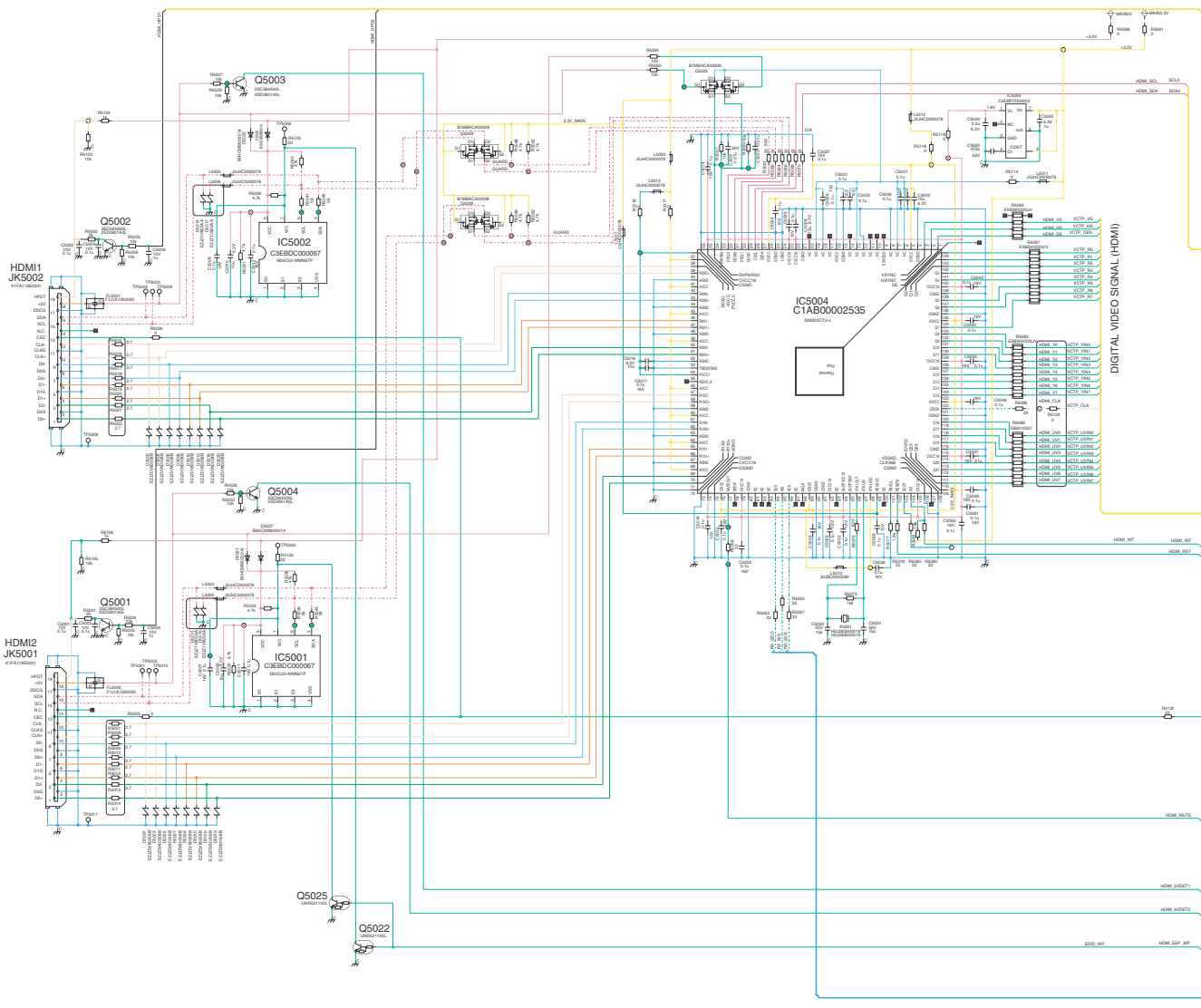
13.5. A-Board (1 of 5) Schematic Diagram



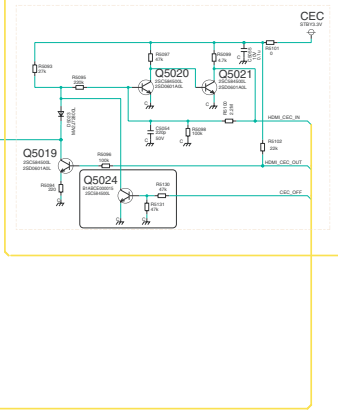
TX-26/32LX60A/M/X
A-BOARD (1/5) Schematic Diagram

TX-26/32LX60A/M/X
A-BOARD (1/5) Schematic Diagram

F
E
D
C
B
A



- ⚠ A-BOARD TNPH0655AC TX-26LX60A (1/5)
 A-BOARD TNPH0655AF TX-26LX60M (1/5)
 A-BOARD TNPH0655AM TX-26LX60X (1/5)
 A-BOARD TNPH0655 TX-32LX60A (1/5)
 A-BOARD TNPH0655AD TX-32LX60M (1/5)
 A-BOARD TNPH0655AG TX-32LX60X (1/5)

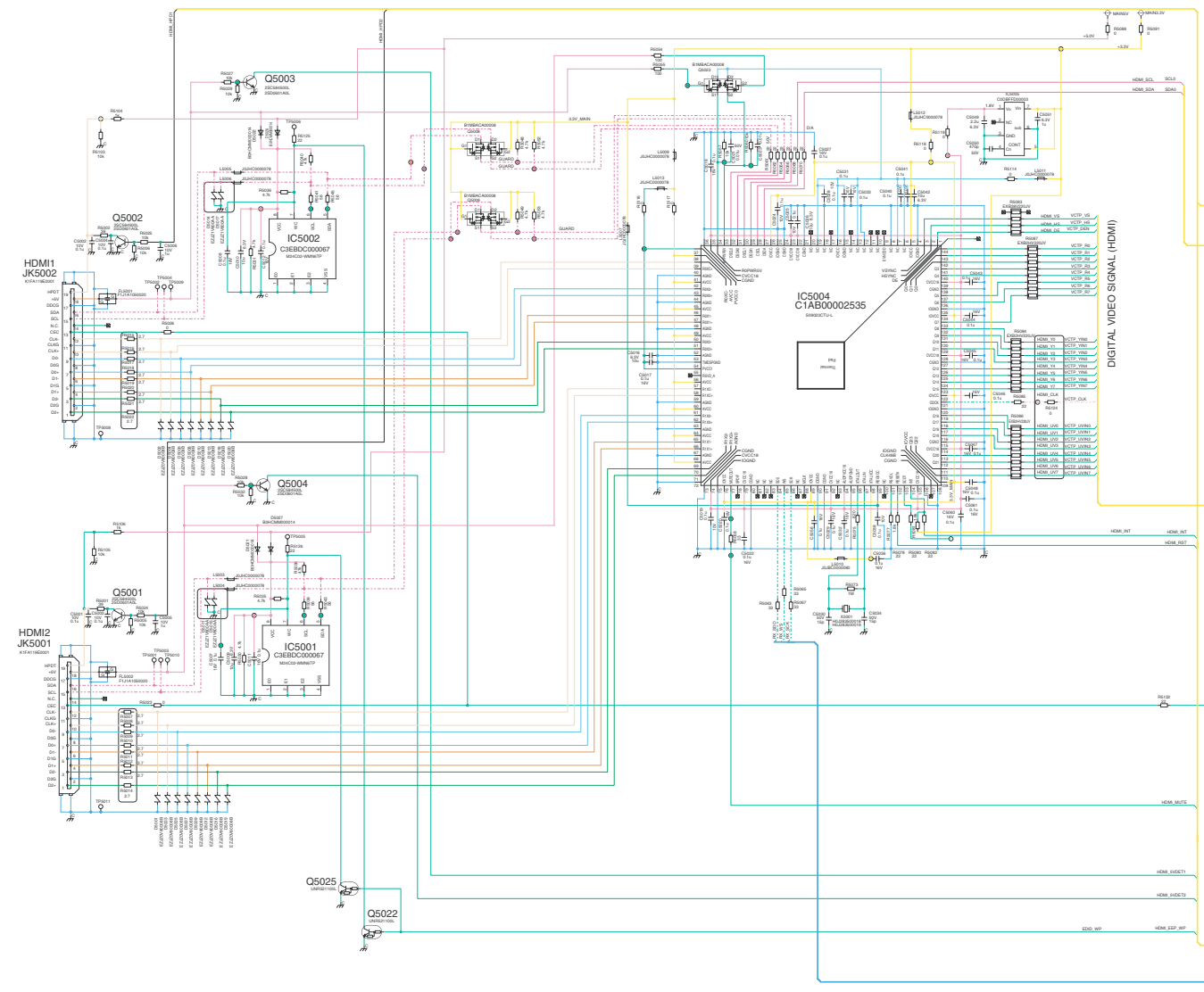


TX-26/32LX60A/M/X
A-BOARD (1/5) Schematic Diagram

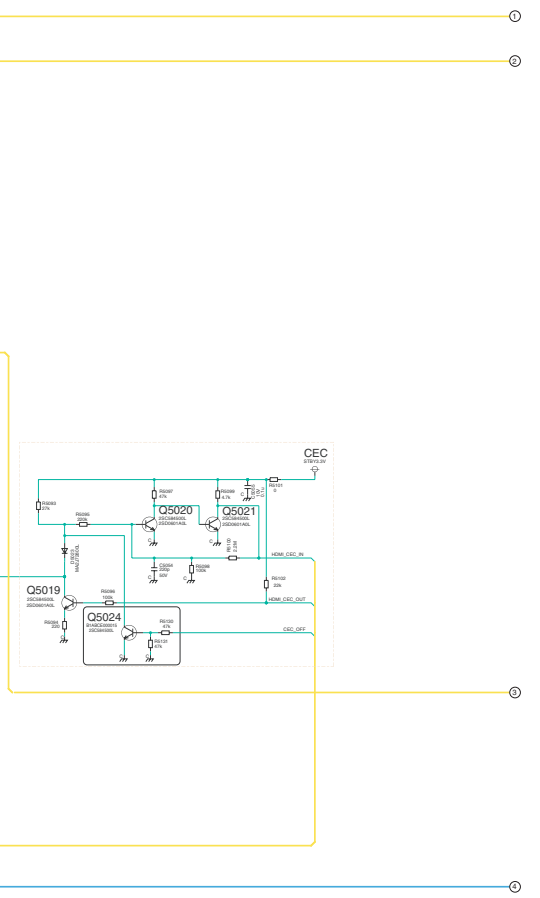
TX-26/32LX60A/M/X
A-BOARD (1/5) Schematic Diagram

1 2 3 4 5 6 7 8 9

F
E
D
C
B
A



- △ A-BOARD TNPH0655AC TX-26LX60A (1/5)
- A-BOARD TNPH0655AF TX-26LX60M (1/5)
- A-BOARD TNPH0655AM TX-26LX60X (1/5)
- A-BOARD TNPH0655A TX-32LX60 (1/5)
- A-BOARD TNPH0655AD TX-32LX60M (1/5)
- A-BOARD TNPH0655AG TX-32LX60X (1/5)

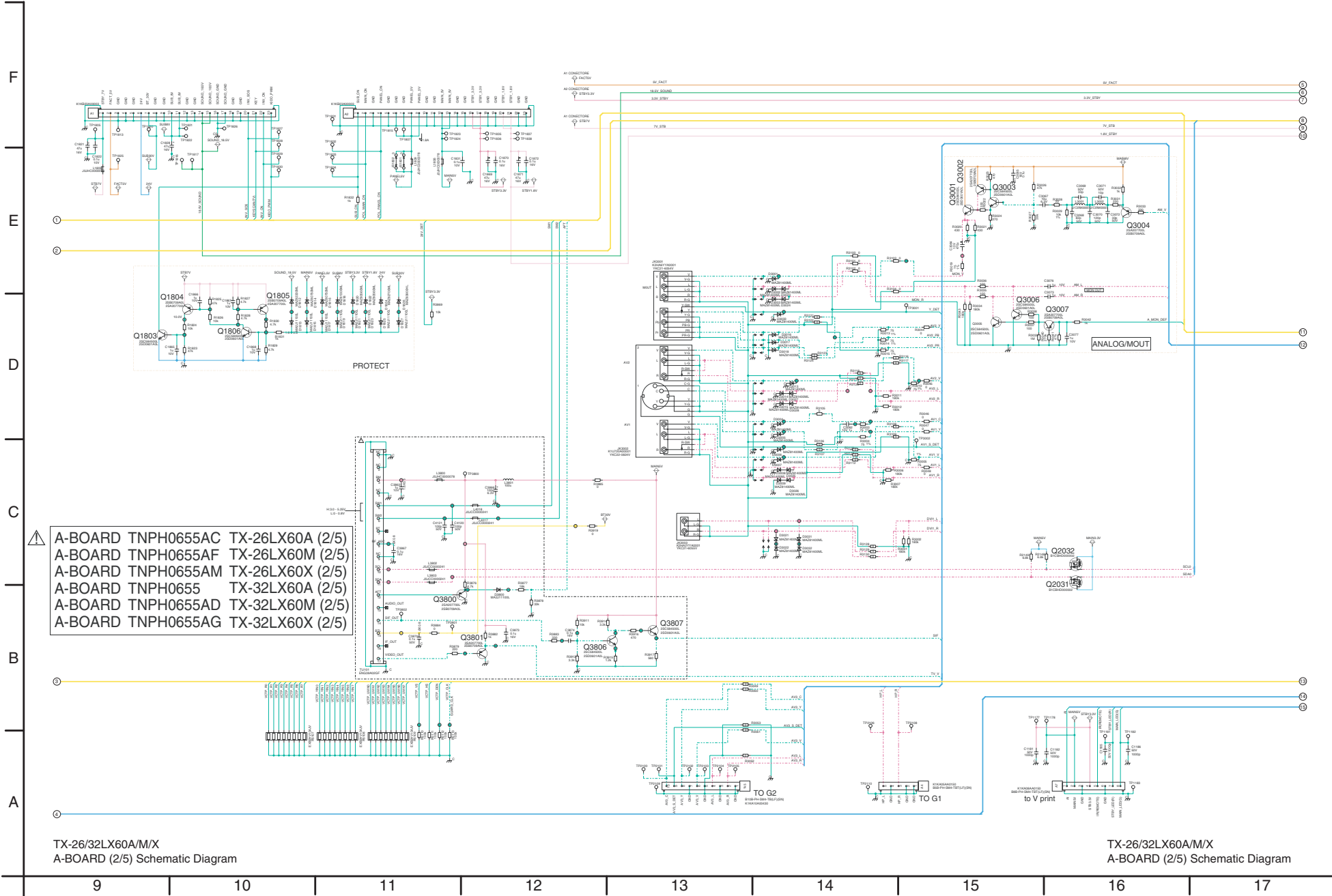


TX-26/32LX60A/M/X
A-BOARD (1/5) Schematic Diagram

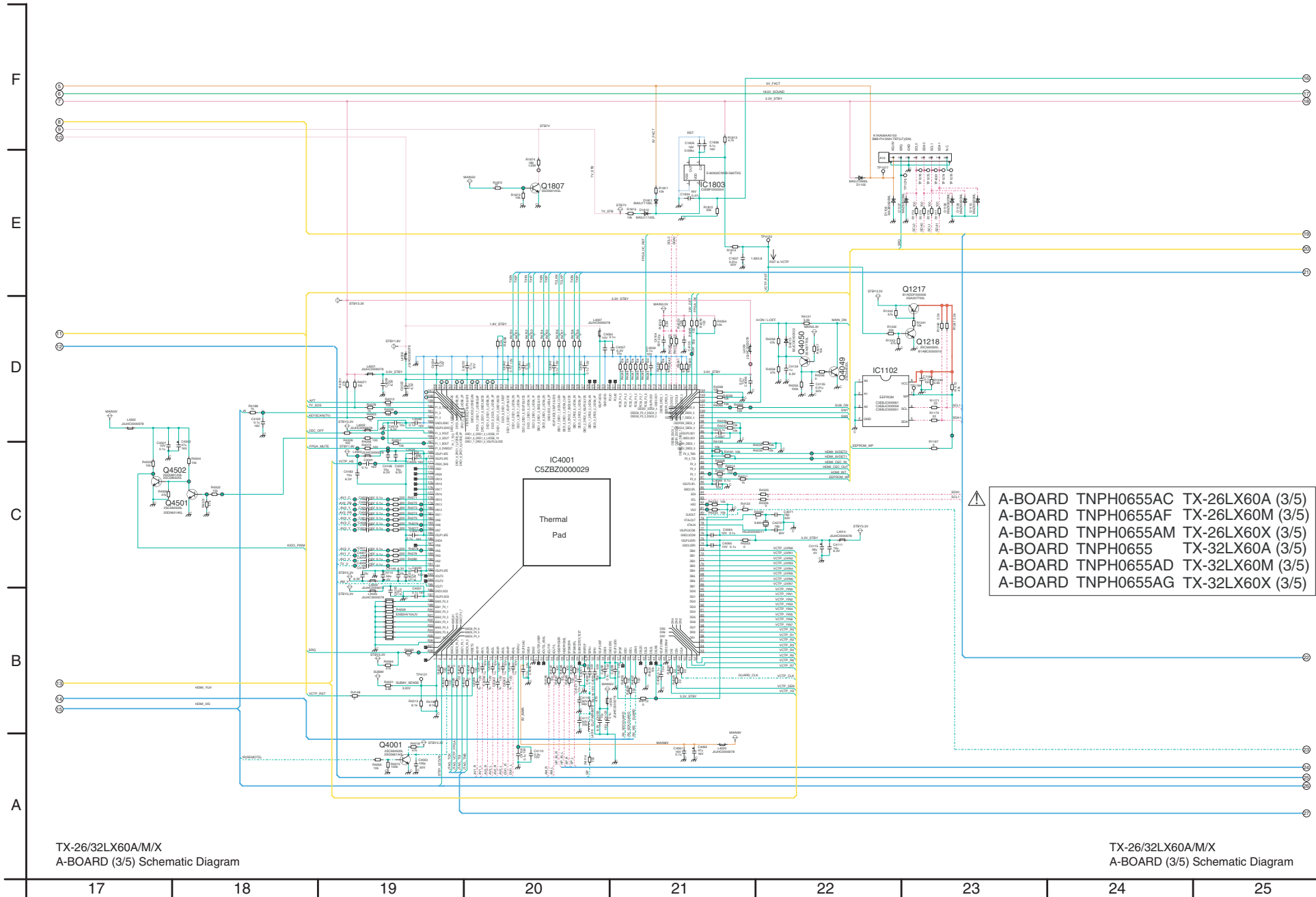
TX-26/32LX60A/M/X
A-BOARD (1/5) Schematic Diagram

1 2 3 4 5 6 7 8 9

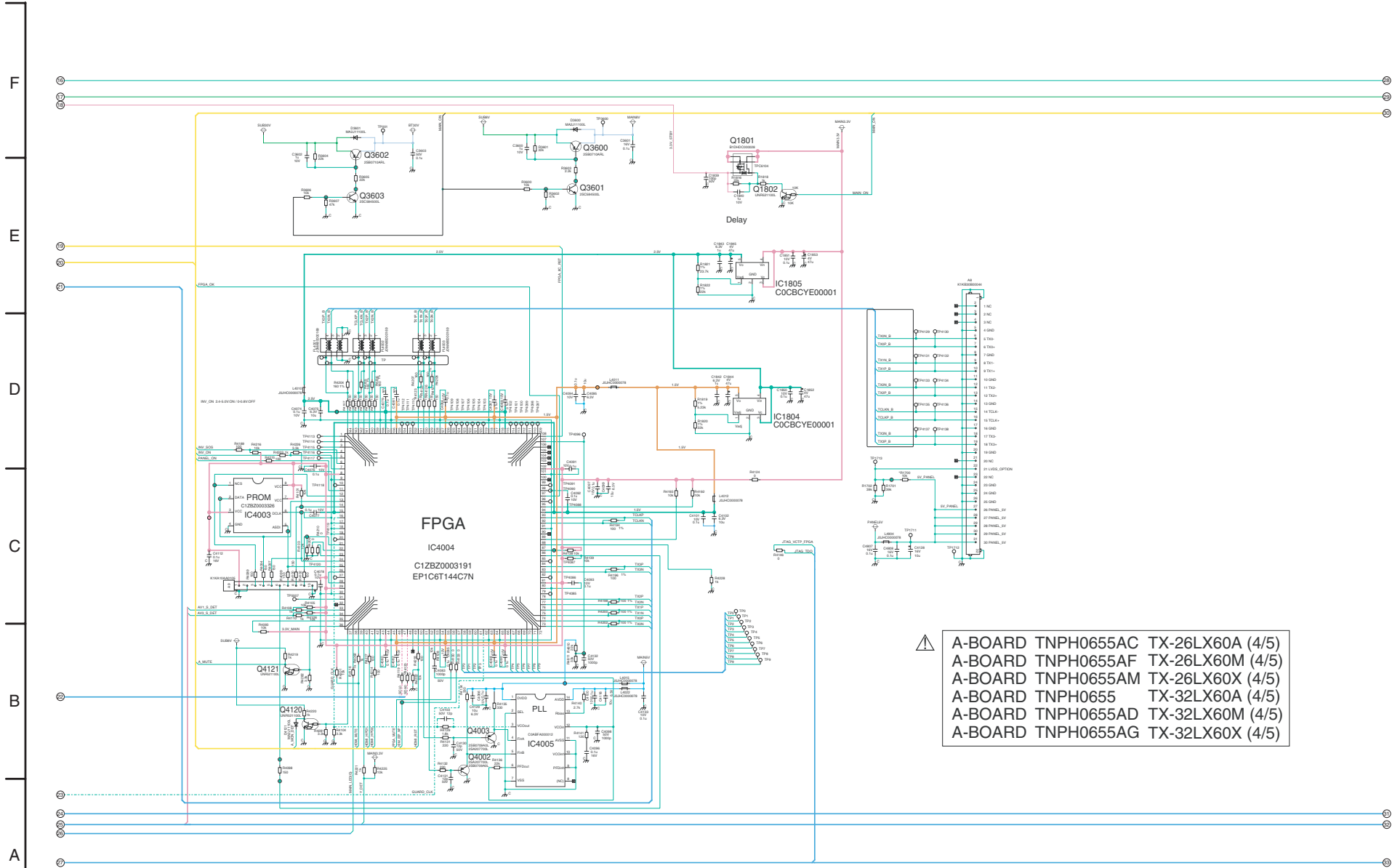
13.6. A-Board (2 of 5) Schematic Diagram



13.7. A-Board (3 of 5) Schematic Diagram



13.8. A-Board (4 of 5) Schematic Diagram

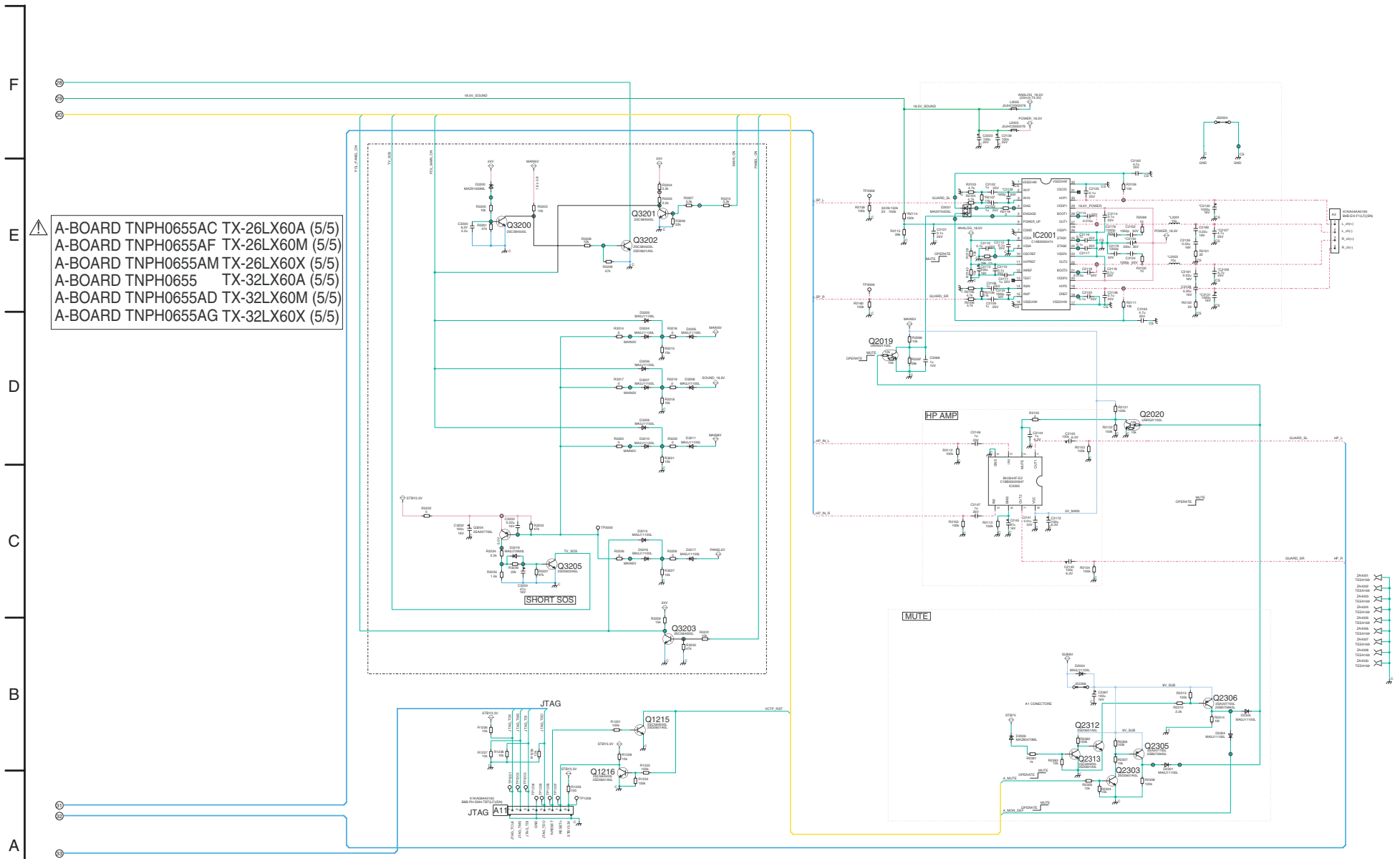


- ⚠ A-BOARD TNPH0655AC TX-26LX60A (4/5)
- ⚠ A-BOARD TNPH0655AF TX-26LX60M (4/5)
- ⚠ A-BOARD TNPH0655AM TX-26LX60X (4/5)
- ⚠ A-BOARD TNPH0655 TX-32LX60A (4/5)
- ⚠ A-BOARD TNPH0655AD TX-32LX60M (4/5)
- ⚠ A-BOARD TNPH0655AG TX-32LX60X (4/5)

TX-26/32LX60A/M/X
A-BOARD (4/5) Schematic Diagram

TX-26/32LX60A/M/X
A-BOARD (4/5) Schematic Diagram

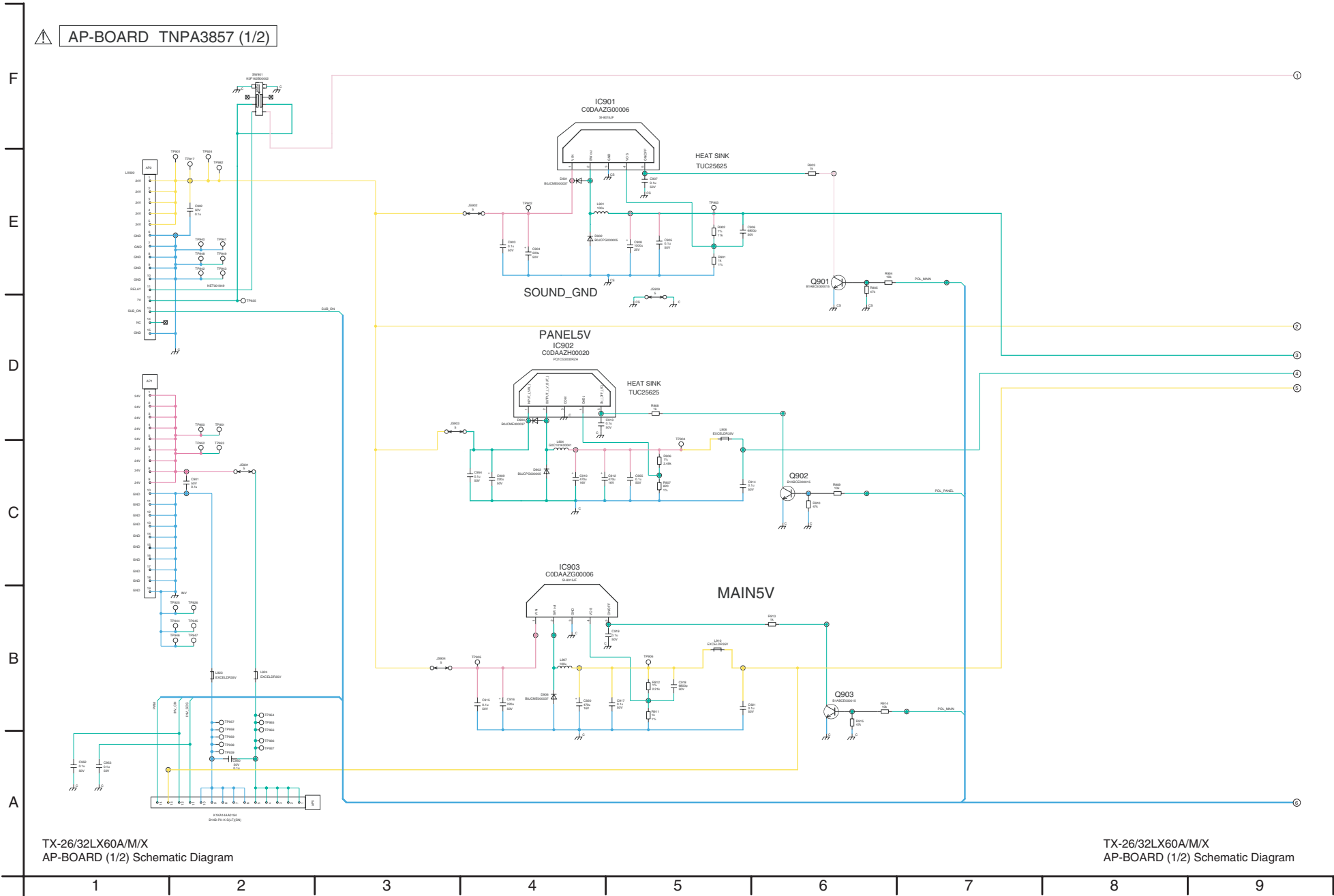
13.9. A-Board (5 of 5) Schematic Diagram



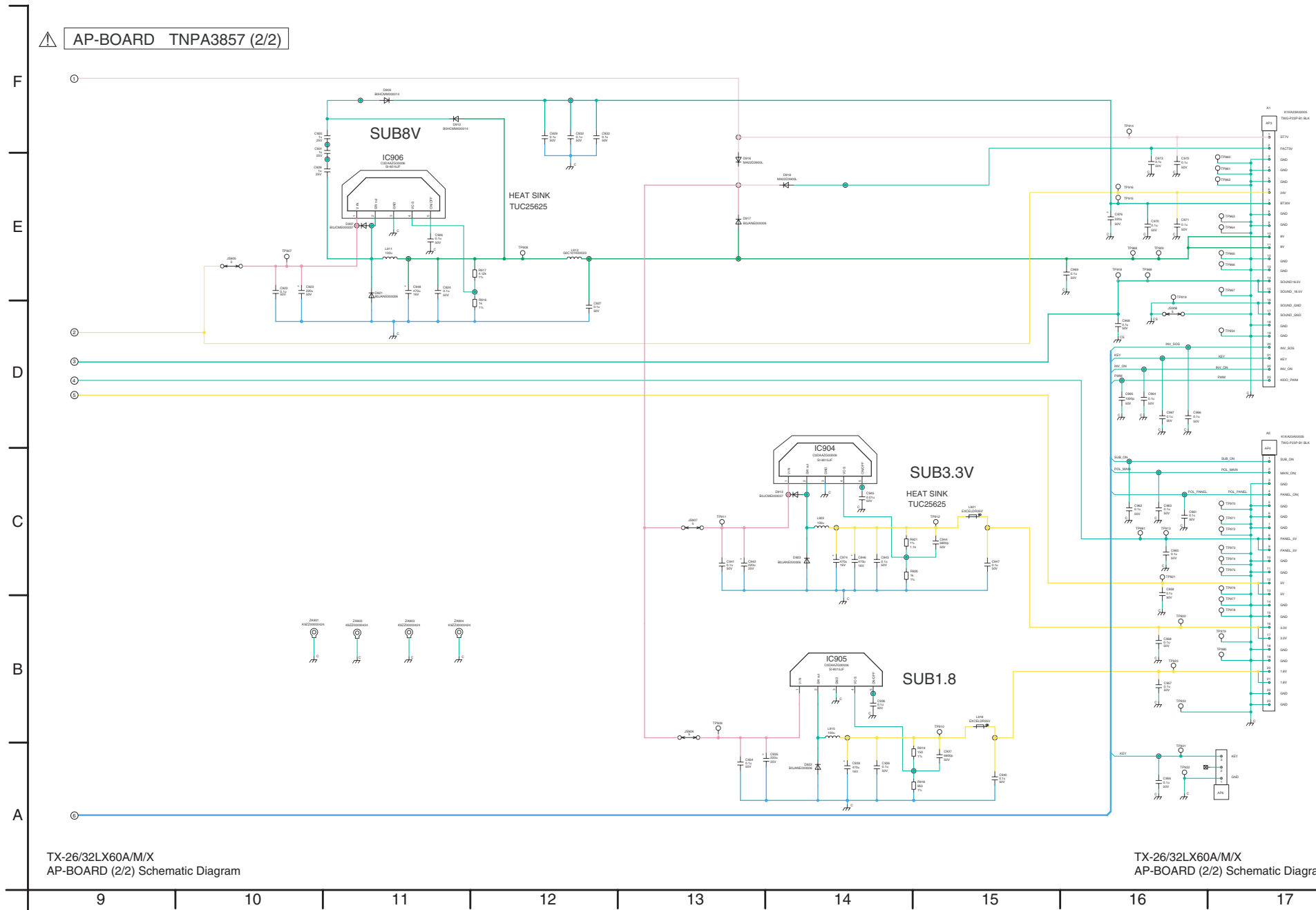
TX-26/32LX60A/M/X
A-BOARD (5/5) Schematic Diagram

TX-26/32LX60A/M/X
A-BOARD (5/5) Schematic Diagram

13.10. AP-Board (1 of 2) Schematic Diagram



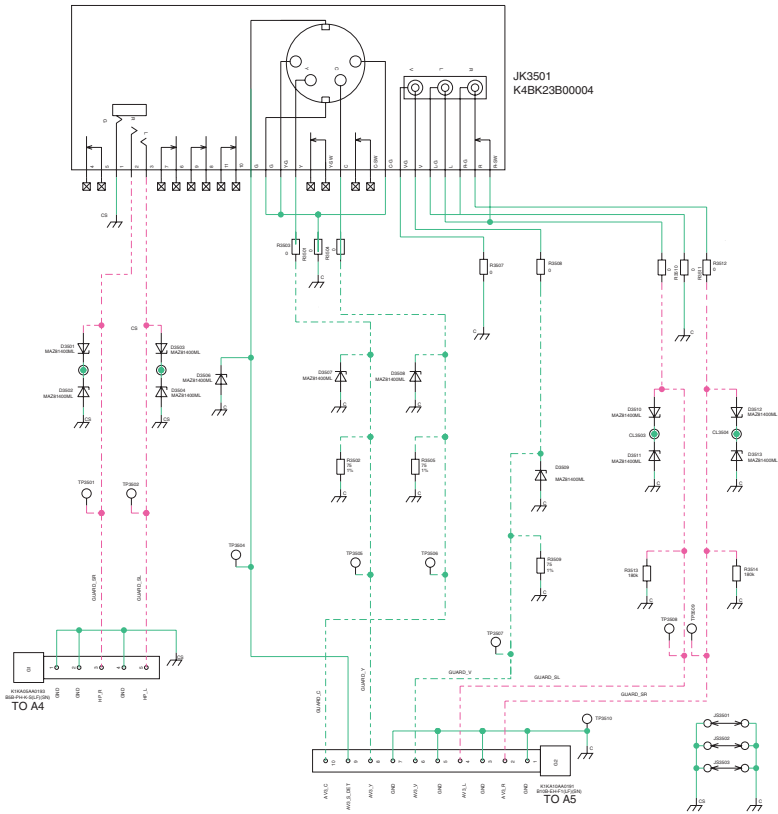
13.11. AP-Board (2 of 2) Schematic Diagram



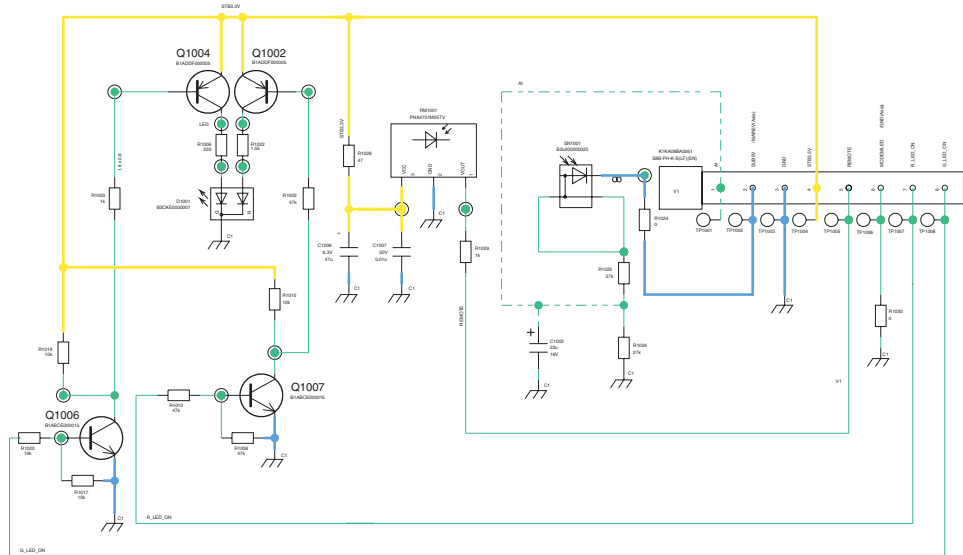
13.12. G and V-Board Schematic Diagram

F
E
D
C
B
A

⚠ G-BOARD TNPA3858



⚠ V-BOARD TNPA3749AB



TX-26/32LX60A/M/X
G and V-Board Schematic Diagram

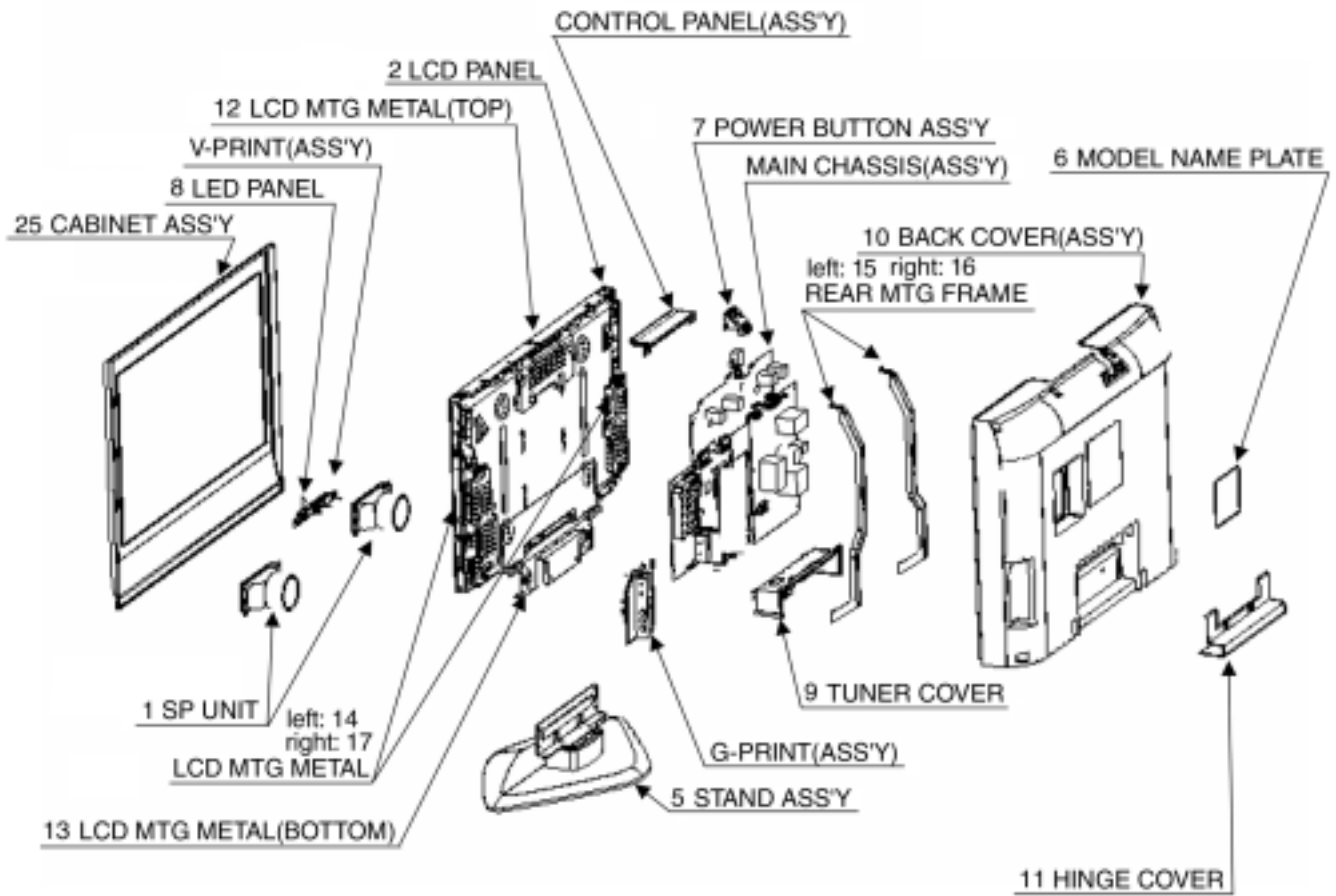
TX-26/32LX60A/M/X
G and V-Board Schematic Diagram

1 2 3 4 5 6 7 8 9

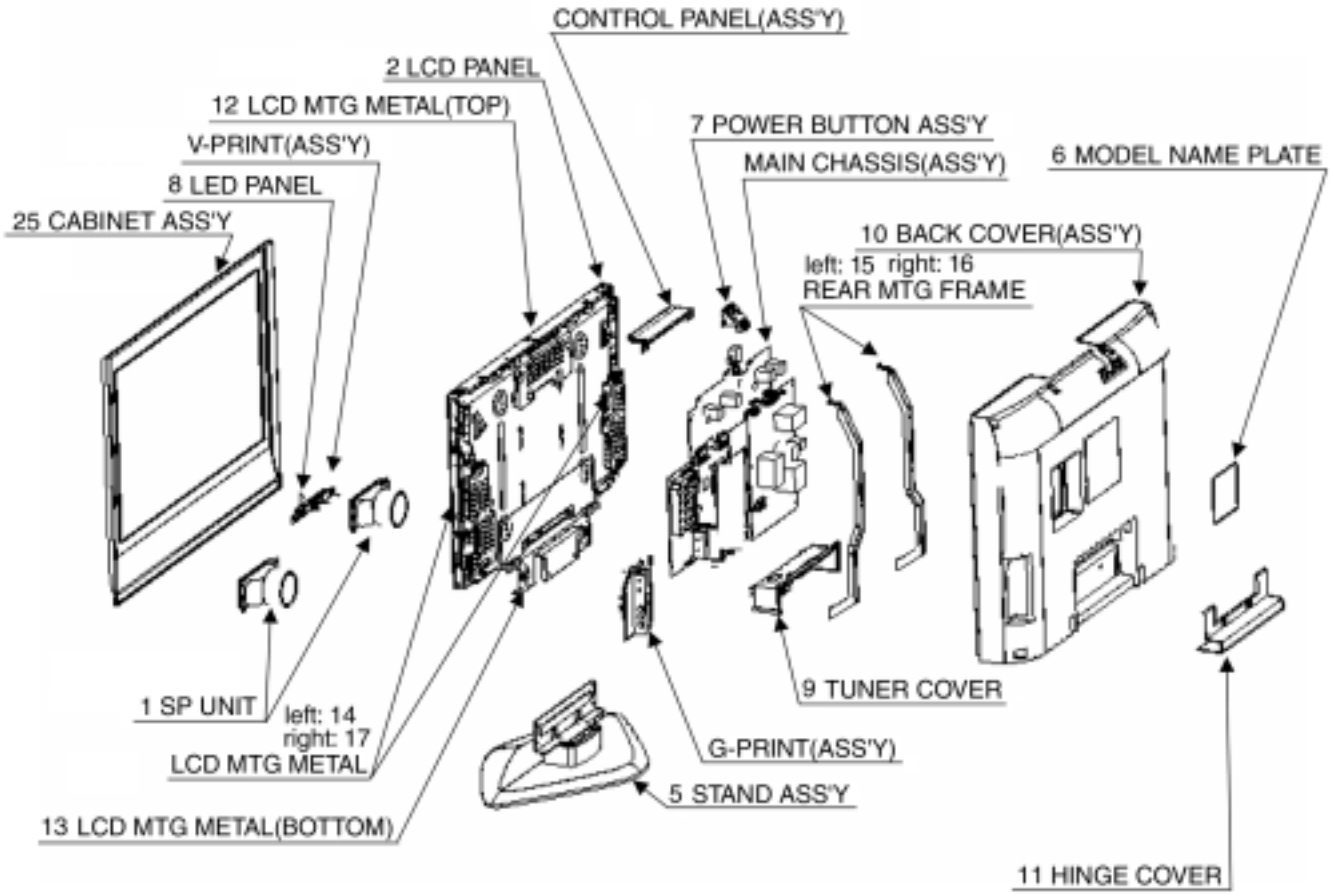
14 Parts Location & Mechanical Replacement Parts List

14.1. Parts Location

26"

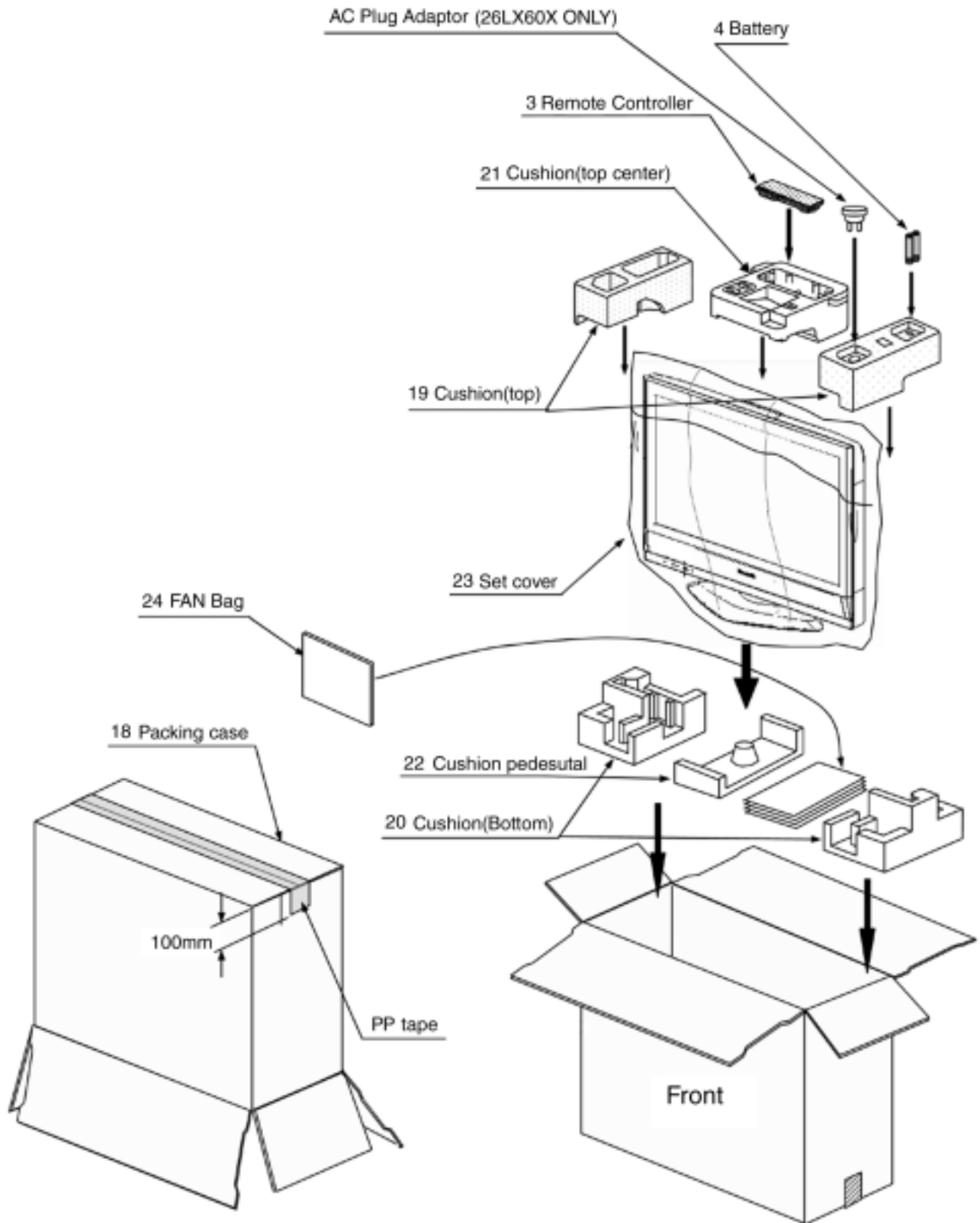


32"

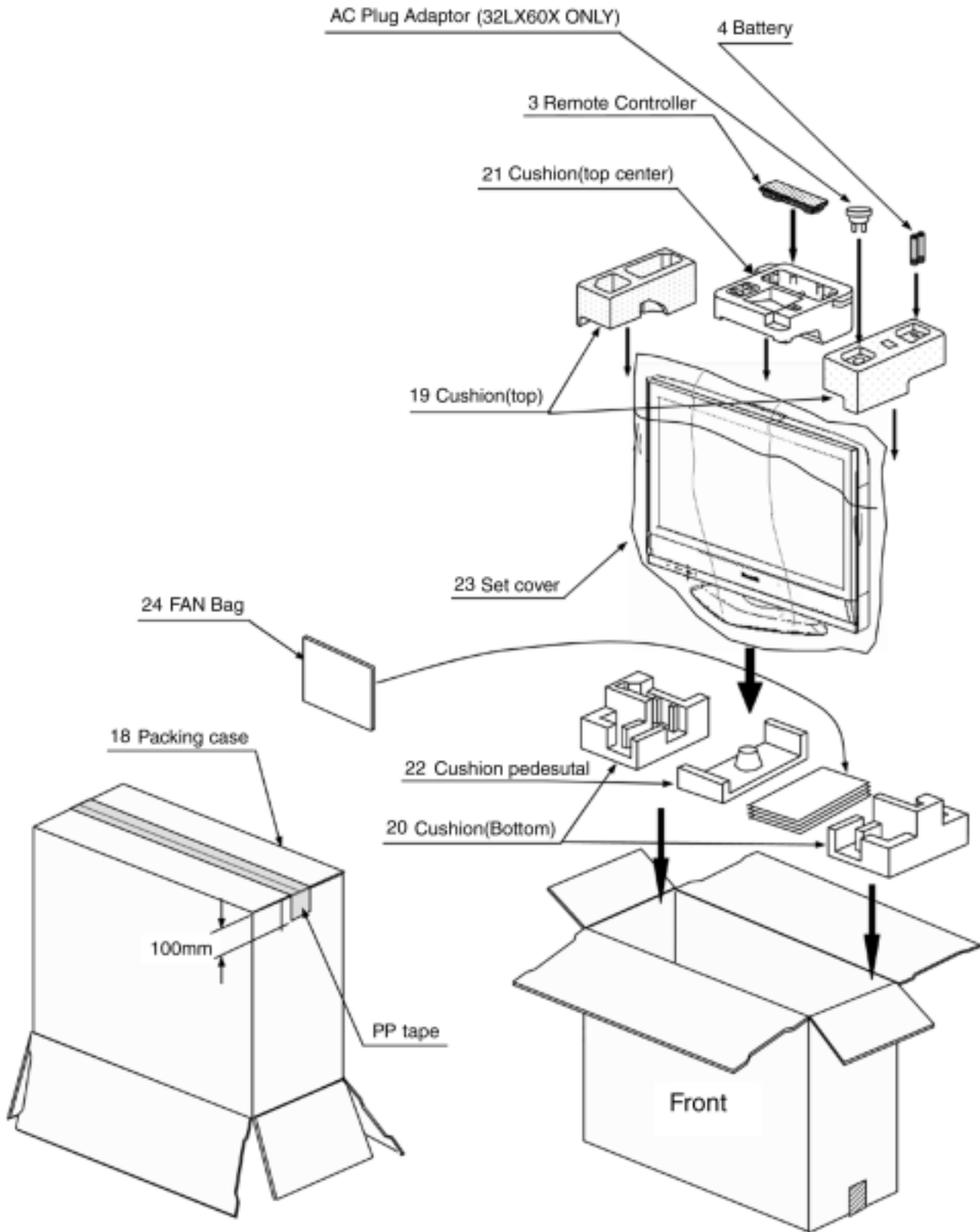


15 Packing Exploded View

26"



32"



TX-26LX60A

TX-32LX60A

Ref.No.	Part No.	Part Name & Description	Pcs	Remarks
1	EAS12S12A	SPEAKER UNIT	2	
	JOKG00000011	FERRITE CORE	1	
	KORB00500003	CONTROL PANEL SUB-ASSY	1	
	K2CJ2YY00002	AC POWER CORD	1	△
2	L5EDD6Q00013	LCD PANEL	1	△
3	N2QAJB000121	REMOTE CONTROL TRANSMITT	1	
5	TBLA0194	STAND ASS'Y	1	
	TBMOA0289	SIDE AV SHEET	1	
7	TBXOA84201	POWER BUTTON	1	
	TESOA204	SPRING for POWER BUTTON	1	
	TKKOA8533	CONNECTOR COVER	1	
8	TKKOA8536	LED PANEL	1	
	TKPOAB5101	POWER BUTTON BRACKET	1	
9	TKPOAB5201	TUNER COVER	1	△
10	TTUOA0092	REAR COVER	1	△
11	TKXOA3101	HINGE COVER	1	
	TMMOA519	RUBBER FOR SPEAKER	8	
18	TPCOA50501	PACKING CASE	1	
19	TPDOA1072	CUSHION (TOP)	1	
20	TPDOA2067	CUSHION (BOTTOM)	1	
21	TPDOA5031	CUSHION (TOP CENTER)	1	
22	TPDOA5033	CUSHION	1	
23	TPEOA4045	BAG	1	
	TQBOA0154-1	INSTRUCTION BOOK	1	△
25	TTYOA0111	CABINET	1	△
	XTB4+15JFJ	SCREW	18	
	XTB4+18JFJK	SCREW	14	
	TXJ/A30MYJ	CABLE (A3-SPEAKER)	1	
	TXJ/A80MYJ	CABLE (A8-PANEL)	1	
	TKPOAB5401	G-PCB BRACKET	1	

Ref.No.	Part No.	Part Name & Description	Pcs	Remarks
1	EAS12S12A	SPEAKER UNIT	2	
	JOKF00000018	FERRITE CORE	1	
	JOKG00000011	FERRITE CORE	1	
	KORB00500003	CONTROL PANEL SUB-ASSY	1	
	K2CJ2YY00003	AC POWER CORD	1	△
2	L5EDD8Q00019	LCD PANEL	1	△
3	N2QAJB000121	REMOTE CONTROL TRANSMITT	1	
5	TBLA0194	STAND ASS'Y	1	
	TBMOA0289	SIDE AV SHEET	1	
7	TBXOA84201	POWER BUTTON	1	
	TESOA204	SPRING FOR POWER BUTTON	1	
	TKKOA8533	CONNECTOR COVER	1	
8	TKKOA8536	LED PANEL	1	
	TKPOAB5101	POWER BUTTON BRACKET	1	
9	TKPOAB5201	TUNER COVER	1	△
10	TTUOA0090	REAR COVER	1	△
11	TKXOA3101	HINGE COVER	1	
	TMMOA519	RUBBER FOR SPEAKER	8	
18	TPCOA50401	PACKING CASE	1	
19	TPDOA1072	CUSHION (TOP)	1	
20	TPDOA2067	CUSHION (BOTTOM)	1	
21	TPDOA5031	CUSHION (TOP CENTER)	1	
22	TPDOA5033	CUSHION	1	
23	TPEOA4045	BAG	1	
	TQBOA0154-1	INSTRUCTION BOOK	1	△
25	TTYOA0109	CABINET	1	△
	XTB4+15JFJ	SCREW	13	
	XTB4+18JFJK	SCREW	16	
	TXJ/A30MXJ	CABLE (A3-SPEAKER)	1	
	TXJ/A80MXJ	CABLE (A8-PANEL)	1	
	TKPOAB5301	G-PCB BRACKET	1	

17 Electrical Replacement Parts List

17.1. Replacement Parts List Notes

Important Safety Notice

Components identified by Δ mark have special characteristics important for safety. When replacing any of these components, use only manufacturer's specified parts.

RTL (Retention Time Limited)

Note: The marking (RTL) indicates that the Retention Time is Limited for this item.

After the discontinuation of this assembly in production, the item will continue to be available for a specific period of time. The retention period of availability is dependant on the type of assembly, and in accordance with the laws governing part and product retention. After the end of this period, the assembly will no longer be available.

Abbreviation of part name and description

1. Resistor

Example:

ERD25TJ104 C 100KOHM, J 1/4W
 Type Allowance

2. Capacitor

Example:

ECKF1H103ZF C 0.01UF, Z 50V
 Type Allowance

Type	Allowance
C : Carbon	F : $\pm 1\%$
F : Fuse	G : $\pm 2\%$
M : Metal Oxide Metal Film	J : $\pm 5\%$
S : Solid	K : $\pm 10\%$
W : Wire Wound	M : $\pm 20\%$

Type	Allowance
C : Ceramic	C : $\pm 0.25\text{pF}$
E : Electrolytic	D : $\pm 0.5\text{pF}$
P : Polyester	F : $\pm 1\text{pF}$
Polyprop	G : $\pm 3\text{pF}$
lene	J : $\pm 5\text{pF}$
T : Tantalum	K : $\pm 10\text{pF}$
	L : $\pm 15\text{pF}$
	M : $\pm 20\text{pF}$
	P : +100%, -0%
	Z : +80%, -20%

TX-26LX60A, TX-32LX60A

Ref.No.	Part No.	Part Name & Description	Pcs	Remarks	Ref.No.	Part No.	Part Name & Description	Pcs	Remarks
C901	ECJ2FB1H104K	C 0.1UF, K, 50V	1		C1181	ECJ0EB1H102K	C 1000PF, K, 50V	1	
C902	ECJ2FB1H104K	C 0.1UF, K, 50V	1		C1182	ECJ0EB1H102K	C 1000PF, K, 50V	1	
C903	ECJ2FB1H104K	C 0.1UF, K, 50V	1		C1185	ECJ0EB1H102K	C 1000PF, K, 50V	1	
C904	ECA1HM221	E 220UF, 50V	1		C1186	ECJ0EB1H102K	C 1000PF, K, 50V	1	
C905	ECJ2FB1H104K	C 0.1UF, K, 50V	1		C1822	ECJ0EB1A104K	C 0.1UF, K, 10V	1	
C906	MCJ2VB1H682K	C 6800F K 50V	1		C1828	EEVHB1C470P	E 47UF, 16V	1	
C907	ECJ2FB1H104K	C 0.1UF, K, 50V	1		C1831	ECJ0EB1A104K	C 0.1UF, K, 10V	1	
C908	ECA1EM102	E 1000UF, 25V	1		C1834	ECJ2FB1C474K	C 0.47UF, Z, 16V	1	
C909	ECA1HM221	E 220UF, 50V	1		C1835	ECJ1VB1C563K	C 0.056UF, K, 16V	1	
C910	ECA1CM471	E 470UF, 16V	1		C1836	ECJ1XB1C104K	C 0.1UF, Z, 16V	1	
C912	ECA1CM471	E 470UF, 16V	1		C1837	ECJ1VB1H103K	C 0.001UF, K, 50V	1	
C913	ECJ2FB1H104K	C 0.1UF, K, 50V	1		C1839	ECJ1XC1H101J	C 100PF, J, 50V	1	
C914	ECJ2FB1H104K	C 0.1UF, K, 50V	1		C1840	ECJ1VF1A105Z	C 1UF, Z, 10V	1	
C915	ECJ2FB1H104K	C 0.1UF, K, 50V	1		C1842	ECJ1VB0J105K	C 1UF, K, 6.3V	1	
C916	ECA1HM221	E 220UF, 50V	1		C1843	ECJ1VB0J105K	C 1UF, K, 6.3V	1	
C917	ECJ2FB1H104K	C 0.1UF, K, 50V	1		C1844	EEHBOG470R	C 47PF, J, 4V	1	
C918	MCJ2VB1H682K	C 6800F K 50V	1		C1845	EEHBOG470R	C 47PF, J, 4V	1	
C919	ECJ2FB1H104K	C 0.1UF, K, 50V	1		C1850	ECJ0EB1A104K	C 0.1UF, K, 10V	1	
C920	ECA1CM471	E 470UF, 16V	1		C1851	ECJ0EB1A104K	C 0.1UF, K, 10V	1	
C921	ECJ2FB1H104K	C 0.1UF, K, 50V	1		C1852	EEHBOG470R	C 47PF, J, 4V	1	
C922	ECJ2FB1H104K	C 0.1UF, K, 50V	1		C1853	EEHBOG470R	C 47PF, J, 4V	1	
C923	ECA1HM221	E 220UF, 50V	1		C1865	ECJ1VF1A105Z	C 1UF, Z, 10V	1	
C924	ECJ2FB1H104K	C 0.1UF, K, 50V	1		C1866	ECJ1VF1A105Z	C 1UF, Z, 10V	1	
C926	ECJ2FB1H104K	C 0.1UF, K, 50V	1		C1867	ECJ1VF1A105Z	C 1UF, Z, 10V	1	
C927	ECJ2FB1H104K	C 0.1UF, K, 50V	1		C1868	ECJ1VF1A105Z	C 1UF, Z, 10V	1	
C928	ECJ2FB1E105K	C 1UF, K, 25V	1		C1869	EEVHB1C470P	E 47UF, 16V	1	
C929	ECJ2FB1H104K	C 0.1UF, K, 50V	1		C1870	ECJ1XB1C104K	C 0.1UF, Z, 16V	1	
C930	ECJ2FB1E105K	C 1UF, K, 25V	1		C1871	EEVHB1C470P	E 47UF, 16V	1	
C931	ECJ2FB1E105K	C 1UF, K, 25V	1		C1872	ECJ1XB1C104K	C 0.1UF, Z, 16V	1	
C932	ECJ2FB1H104K	C 0.1UF, K, 50V	1		C2068	ECJ1VB1A105K	C 0.01UF, Z, 50V	1	
C933	ECJ2FB1H104K	C 0.1UF, K, 50V	1		C2101	ECJ1VB1E104K	C 0.10UF, K, 25V	1	
C934	ECJ2FB1H104K	C 0.1UF, K, 50V	1		C2102	ECJ2FB1E105K	C 1UF, K, 25V	1	
C935	EEUFC1E221	E 220UF, 25V	1		C2103	ECJ2FB1E105K	C 1UF, K, 25V	1	
C936	ECJ2FB1H104K	C 0.1UF, K, 50V	1		C2106	ECJ2FB1E105K	C 1UF, K, 25V	1	
C937	MCJ2VB1H682K	C 6800F K 50V	1		C2109	ECJ2FB1E105K	C 1UF, K, 25V	1	
C938	ECJ2XB1H103K	C 0.01UF, K, 50V	1		C2110	ECJ1VB1E104K	C 0.10UF, K, 25V	1	
C939	ECA1CM471	E 470UF, 16V	1		C2111	ECJ2FB1E105K	C 1UF, K, 25V	1	
C940	ECJ2FB1H104K	C 0.1UF, K, 50V	1		C2112	ECJ1VB1E104K	C 0.10UF, K, 25V	1	
C941	ECJ2FB1H104K	C 0.1UF, K, 50V	1		C2113	ECJ1VB1E104K	C 0.10UF, K, 25V	1	
C942	EEUFC1E221	E 220UF, 25V	1		C2114	ECJ1VB1E104K	C 0.10UF, K, 25V	1	
C943	ECJ2FB1H104K	C 0.1UF, K, 50V	1		C2115	ECJ1VB1H153K	C 0.015UF, K, 50V	1	
C944	MCJ2VB1H682K	C 6800F K 50V	1		C2116	ECJ1VB1E104K	C 0.10UF, K, 25V	1	
C945	ECJ2XB1H103K	C 0.01UF, K, 50V	1		C2117	ECJ1VB1E104K	C 0.10UF, K, 25V	1	
C946	ECA1CM471	E 470UF, 16V	1		C2118	ECJ1VB1H153K	C 0.015UF, K, 50V	1	
C947	ECJ2FB1H104K	C 0.1UF, K, 50V	1		C2119	ECJ1VB1E104K	C 0.10UF, K, 25V	1	
C948	ECA1CM471	E 470UF, 16V	1		C2120	ECJ1VB1E104K	C 0.10UF, K, 25V	1	
C950	ECJ2FB1H104K	C 0.1UF, K, 50V	1		C2122	ECJ0EB1H102K	C 1000PF, K, 50V	1	
C952	ECJ2FB1H104K	C 0.1UF, K, 50V	1		C2124	ECJ0EB1H102K	C 1000PF, K, 50V	1	
C953	ECJ2FB1H104K	C 0.1UF, K, 50V	1		C2125	ECJ1VB1E104K	C 0.10UF, K, 25V	1	
C954	ECJ2FB1H104K	C 0.1UF, K, 50V	1		C2126	ECJ1VB1C224K	C 0.22UF, K, 16V	1	
C955	ECJ2FB1H104K	C 0.1UF, K, 50V	1		C2127	ECJ2FB1E475M	C 4.7UF, K, 25V	1	
C956	ECJ2FB1H104K	C 0.1UF, K, 50V	1		C2128	ECJ1VB1C224K	C 0.22UF, K, 16V	1	
C957	ECJ2FB1H104K	C 0.1UF, K, 50V	1		C2129	ECJ2FB1E475M	C 4.7UF, K, 25V	1	
C958	ECJ2FB1H104K	C 0.1UF, K, 50V	1		C2130	ECA1CM102	E 1000UF, 16V	1	
C959	ECJ2FB1H104K	C 0.1UF, K, 50V	1		C2131	ECA1CM102	E 1000UF, 16V	1	
C960	ECJ2FB1H104K	C 0.1UF, K, 50V	1		C2132	ECJ1XB1H102K	C 1000UF, Z, 50V	1	
C961	ECJ2FB1H104K	C 0.1UF, K, 50V	1		C2133	ECJ1XB1H102K	C 1000UF, Z, 50V	1	
C962	ECJ2FB1H104K	C 0.1UF, K, 50V	1		C2138	ECJ1VB1E104K	C 0.10UF, K, 25V	1	
C963	ECJ2FB1H104K	C 0.1UF, K, 50V	1		C2139	EEHBI1E101P	C 100PF, J, 25V	1	
C964	ECJ2FB1H104K	C 0.1UF, K, 50V	1		C2140	EEUFC1V221E	E 220UF, 35V	1	
C965	ECJ2XB1H102K	C 1000PF, K, 50V	1		C2141	ECJ1VB1H103K	C 0.001UF, K, 50V	1	
C966	ECJ2FB1H104K	C 0.1UF, K, 50V	1		C2142	EEVHOJ101P	E 100UF, 6.3V	1	
C967	ECJ2FB1H104K	C 0.1UF, K, 50V	1		C2143	EEVHOJ101P	E 100UF, 6.3V	1	
C968	ECJ2FB1H104K	C 0.1UF, K, 50V	1		C2144	ECJ1VB0J105K	C 1UF, K, 6.3V	1	
C969	ECJ2FB1H104K	C 0.1UF, K, 50V	1		C2145	EEVHB1C470P	E 47UF, 16V	1	
C970	ECJ2FB1H104K	C 0.1UF, K, 50V	1		C2146	ECJ2FB1E105K	C 1UF, K, 25V	1	
C971	ECJ2FB1H104K	C 0.1UF, K, 50V	1		C2147	ECJ2FB1E105K	C 1UF, K, 25V	1	
C972	ECJ2FB1H104K	C 0.1UF, K, 50V	1		C2162	ECJ2FB1E475M	C 4.7UF, K, 25V	1	
C973	ECJ2FB1H104K	C 0.1UF, K, 50V	1		C2163	ECJ2FB1E475M	C 4.7UF, K, 25V	1	
C974	ECA1CM471	E 470UF, 16V	1		C2172	EEVHOJ101P	E 100UF, 6.3V	1	
C976	ECA1HM221	E 220UF, 50V	1		C2173	EEHBI1C101UP	C 100PF, J, 16V	1	
C1003	EEHBI1C220UR	C 22PF, J, 16V	1		C2178	ECJ0EB1H102K	C 1000PF, K, 50V	1	
C1006	F260J470A019	E 47UF, 6.3V	1		C2179	ECJ0EB1H102K	C 1000PF, K, 50V	1	
C1007	ECJ1VB1H103K	C 0.001UF, K, 50V	1		C2180	ECJ1VB1C224K	C 0.22UF, K, 16V	1	
C1168	ECJ1XB1C104K	C 0.1UF, Z, 16V	1		C2181	ECJ1VB1C224K	C 0.22UF, K, 16V	1	

TX-26LX60A, TX-32LX60A

Ref.No.	Part No.	Part Name & Description	Pcs	Remarks	Ref.No.	Part No.	Part Name & Description	Pcs	Remarks
C2223	EEHBI101P	C 100PF, J, 25V	1		C4058	ECJOEB1A104K	C 0.1UF, K, 10V	1	
C2367	EEHBI101UP	C 100PF, J, 16V	1		C4059	ECJOEB1A104K	C 0.1UF, K, 10V	1	
C3062	ECJ1VF1A105Z	C 1UF, Z, 10V	1		C4060	ECJOEB1A104K	C 0.1UF, K, 10V	1	
C3064	EEHBI1A471UP	C 470PF, J, 10V	1		C4061	ECJ1XB1C104K	C 0.1UF, Z, 16V	1	
C3065	ECJ1XB1C104K	C 0.1UF, Z, 16V	1		C4062	EEVHC1C470P	E 47UF, 16V	1	
C3067	F1J0J1060004	C 0.010UF, K, 16V	1		C4064	ECJOEB1A104K	C 0.1UF, K, 10V	1	
C3068	ECJ1XC1H820J	C 82PF, J, 50V	1		C4065	ECJOEB1H102K	C 1000PF, K, 50V	1	
C3069	ECJ1XC1H330J	C 33PF, J, 50V	1		C4066	ECJOEB1A104K	C 0.1UF, K, 10V	1	
C3070	ECJ1XC1H121J	C 120PF, J, 50V	1		C4067	ECJOEB1A104K	C 0.1UF, K, 10V	1	
C3071	ECJ1VC1H100C	C 10PF, C, 50V	1		C4068	F1J0J1060004	C 0.010UF, K, 16V	1	
C3072	ECJ1XC1H330J	C 33PF, J, 50V	1		C4071	ECJ1XC1H180J	C 18PF, J, 50V	1	
C3073	ECJ1VB1A105K	C 0.01UF, Z, 50V	1		C4072	ECJ1XC1H180J	C 18PF, J, 50V	1	
C3076	ECJ1VB1A105K	C 0.01UF, Z, 50V	1		C4074	ECJOEB1A104K	C 0.1UF, K, 10V	1	
C3077	ECJ1VB1A105K	C 0.01UF, Z, 50V	1		C4075	F1J0J1060004	C 0.010UF, K, 16V	1	
C3200	ECJ1VBOJ225K	C 2.2UF, K, 6.3V	1		C4076	ECJOEB1A104K	C 0.1UF, K, 10V	1	
C3202	EEHBI101UP	C 100PF, J, 16V	1		C4077	ECJOEB1A104K	C 0.1UF, K, 10V	1	
C3203	ECJ1VB1C224K	C 0.22UF, K, 16V	1		C4078	ECJOEB1A104K	C 0.1UF, K, 10V	1	
C3204	EEVHC1C470P	E 47UF, 16V	1		C4079	ECJ1XB1C104K	C 0.1UF, Z, 16V	1	
C3600	ECJ1VF1A105Z	C 1UF, Z, 10V	1		C4080	ECJOEB1A104K	C 0.1UF, K, 10V	1	
C3601	ECJ1XB1C104K	C 0.1UF, Z, 16V	1		C4081	ECJ1XB1C104K	C 0.1UF, Z, 16V	1	
C3602	ECJ1VF1A105Z	C 1UF, Z, 10V	1		C4082	ECJOEB1A104K	C 0.1UF, K, 10V	1	
C3603	ECJ1VF1H104Z	C 0.1UF, Z, 50V	1		C4083	ECJOEB1H102K	C 1000PF, K, 50V	1	
C3863	ECJ1VF1A105Z	C 1UF, Z, 10V	1		C4084	ECJOEB1A104K	C 0.1UF, K, 10V	1	
C3866	F2A0J101A240	E 100UF 6.3V	1		C4085	ECJOEB1A104K	C 0.1UF, K, 10V	1	
C3867	ECJ1XB1C104K	C 0.1UF, Z, 16V	1		C4086	ECJOEB1A104K	C 0.1UF, K, 10V	1	
C3870	ECJ1VF1H104Z	C 0.1UF, Z, 50V	1		C4087	ECJOEB1A104K	C 0.1UF, K, 10V	1	
C3873	ECJ1XB1C104K	C 0.1UF, Z, 16V	1		C4088	ECJOEB1A104K	C 0.1UF, K, 10V	1	
C3874	ECJ1XB1C104K	C 0.1UF, Z, 16V	1		C4089	ECJOEB1A104K	C 0.1UF, K, 10V	1	
C4001	ECJ1XB1C104K	C 0.1UF, Z, 16V	1		C4090	ECJOEB1A104K	C 0.1UF, K, 10V	1	
C4004	ECJ1XB1C104K	C 0.1UF, Z, 16V	1		C4091	ECJOEB1A104K	C 0.1UF, K, 10V	1	
C4005	ECJ1XB1C104K	C 0.1UF, Z, 16V	1		C4092	ECJOEB1A104K	C 0.1UF, K, 10V	1	
C4006	ECJ1XB1C104K	C 0.1UF, Z, 16V	1		C4093	ECJOEB1A104K	C 0.1UF, K, 10V	1	
C4007	ECJ1XB1C104K	C 0.1UF, Z, 16V	1		C4094	ECJOEB1A104K	C 0.1UF, K, 10V	1	
C4008	ECJ1XB1C104K	C 0.1UF, Z, 16V	1		C4095	F1J0J1060004	C 0.010UF, K, 16V	1	
C4009	F1J0J1060004	C 0.010UF, K, 16V	1		C4096	ECJ1XB1C104K	C 0.1UF, Z, 16V	1	
C4013	ECJ1XB1C104K	C 0.1UF, Z, 16V	1		C4097	ECJOEB1A104K	C 0.1UF, K, 10V	1	
C4014	ECJ1XB1C104K	C 0.1UF, Z, 16V	1		C4098	ECJ1XB1H102K	C 1000UF, Z, 50V	1	
C4015	ECJ1XB1C104K	C 0.1UF, Z, 16V	1		C4099	F1J0J1060004	C 0.010UF, K, 16V	1	
C4016	ECJ1XB1C104K	C 0.1UF, Z, 16V	1		C4100	ECJOEB1A104K	C 0.1UF, K, 10V	1	
C4017	ECJ1XB1C104K	C 0.1UF, Z, 16V	1		C4101	ECJOEB1A104K	C 0.1UF, K, 10V	1	
C4018	ECJ1XB1C104K	C 0.1UF, Z, 16V	1		C4102	F1J0J1060004	C 0.010UF, K, 16V	1	
C4019	F1J0J1060004	C 0.010UF, K, 16V	1		C4103	ECJOEC1H120J	C 120PF, K, 50V	1	
C4020	F1J0J1060004	C 0.010UF, K, 16V	1		C4104	ECJOEC1H220J	C 220PF, K, 50V	1	
C4021	F1J0J1060004	C 0.010UF, K, 16V	1		C4105	ECJOEC1H220J	C 220PF, K, 50V	1	
C4022	F1J0J1060004	C 0.010UF, K, 16V	1		C4109	ECJ1XB1C104K	C 0.1UF, Z, 16V	1	
C4023	F1J0J1060004	C 0.010UF, K, 16V	1		C4110	ECJ2FF1A335Z	C 3.3UF, Z, 10V	1	
C4024	ECJ1VF1A105Z	C 1UF, Z, 10V	1		C4111	F1J0J1060004	C 0.010UF, K, 16V	1	
C4025	ECJ1XB1C104K	C 0.1UF, Z, 16V	1		C4112	ECJ1XB1C104K	C 0.1UF, Z, 16V	1	
C4027	ECJ1XB1C104K	C 0.1UF, Z, 16V	1		C4114	EEFCDOG560ER	56UF,	1	
C4029	ECJ1XB1C104K	C 0.1UF, Z, 16V	1		C4115	EEFCDOG560ER	56UF,	1	
C4030	ECJ1VF1A105Z	C 1UF, Z, 10V	1		C4117	ECJ1XC1H220J	C 22PF, J, 50V	1	
C4031	ECJ1XB1C104K	C 0.1UF, Z, 16V	1		C4118	F1J0J1060004	C 0.010UF, K, 16V	1	
C4033	ECJOEC1H101J	C 100PF, K, 50V	1		C4119	ECJOEC1H560J	C 560PF, K, 50V	1	
C4034	ECJOEB1A104K	C 0.1UF, K, 10V	1		C4120	ECJ1XC1H101J	C 100PF, J, 50V	1	
C4035	ECJOEB1A104K	C 0.1UF, K, 10V	1		C4121	ECJ1XC1H101J	C 100PF, J, 50V	1	
C4036	ECJ1VB1A105K	C 0.01UF, Z, 50V	1		C4122	ECJ1XF1C104Z	C 0.1UF, Z, 16V	1	
C4037	ECJ1VB1A105K	C 0.01UF, Z, 50V	1		C4123	ECJ1XB1C104K	C 0.1UF, Z, 16V	1	
C4038	ECJ1VB1A105K	C 0.01UF, Z, 50V	1		C4125	EEFCDOG560R	56UF,	1	
C4039	ECJ1VB1A105K	C 0.01UF, Z, 50V	1		C4127	F1J0J1060004	C 0.010UF, K, 16V	1	
C4040	ECJ1VB1A105K	C 0.01UF, Z, 50V	1		C4128	EEHBI1C100R	C 10PF, J, 16V	1	
C4041	ECJ1VB1A105K	C 0.01UF, Z, 50V	1		C4129	F1J0J1060004	C 0.010UF, K, 16V	1	
C4042	ECJOEB1A104K	C 0.1UF, K, 10V	1		C4130	ECJ1VC1H120J	C 12PF, J, 50V	1	
C4043	ECJ1VB1A105K	C 0.01UF, Z, 50V	1		C4131	ECJ1VC1H120J	C 12PF, J, 50V	1	
C4044	ECJ1VB1A105K	C 0.01UF, Z, 50V	1		C4132	ECJ1XB1H102K	C 1000UF, Z, 50V	1	
C4045	ECJOEB1A104K	C 0.1UF, K, 10V	1		C4133	ECJOEB1A104K	C 0.1UF, K, 10V	1	
C4046	ECJOEB1A104K	C 0.1UF, K, 10V	1		C4134	ECJ1XBOJ105K	C 1UF, K, 16V	1	
C4049	ECJOEB1A104K	C 0.1UF, K, 10V	1		C4135	ECJ1VB1H103K	C 0.001UF, K, 50V	1	
C4050	ECJOEB1A104K	C 0.1UF, K, 10V	1		C4148	ECJ2FBOJ106M	C 10UF, Z, 6.3V	1	
C4051	ECJ1XB1C104K	C 0.1UF, Z, 16V	1		C4149	ECJ2FBOJ106M	C 10UF, Z, 6.3V	1	
C4052	ECJ1VC1H560J	C 56PF, J, 50V	1		C4182	ECJ2FBOJ106M	C 10UF, Z, 6.3V	1	
C4053	ECJ1VC1H560J	C 56PF, J, 50V	1		C4183	ECJ2FBOJ106M	C 10UF, Z, 6.3V	1	
C4054	ECJOEB1A104K	C 0.1UF, K, 10V	1		C4501	ECJOEB1A104K	C 0.1UF, K, 10V	1	
C4055	F1J0J1060004	C 0.010UF, K, 16V	1		C4502	EEVHC1C470P	E 47UF, 16V	1	
C4056	ECJOEB1A104K	C 0.1UF, K, 10V	1		C4807	ECJ1XB1C104K	C 0.1UF, Z, 16V	1	
C4057	F1J0J1060004	C 0.010UF, K, 16V	1		C4808	ECJ1XB1C104K	C 0.1UF, Z, 16V	1	

TX-26LX60A, TX-32LX60A

Ref.No.	Part No.	Part Name & Description	Pcs	Remarks	Ref.No.	Part No.	Part Name & Description	Pcs	Remarks
C5001	ECJOEB1A104K	C 0.1UF, K, 10V	1		D1812	MA8220-M	ZENER DIODE	1	
C5002	ECJOEB1A104K	C 0.1UF, K, 10V	1		D1813	MA111	DIODE	1	
C5003	ECJOEB1A104K	C 0.1UF, K, 10V	1		D1814	MA8075M	ZENER DIODE	1	
C5004	ECJOEB1A104K	C 0.1UF, K, 10V	1		D1815	MA111	DIODE	1	
C5005	ECJ1VF1A105Z	C 0.1UF, Z, 10V	1		D1816	MA8075M	ZENER DIODE	1	
C5006	ECJ1VF1A105Z	C 0.1UF, Z, 10V	1		D1817	MA111	DIODE	1	
C5007	ECJ1XF1C104Z	C 0.1UF, Z, 16V	1		D1818	MA8130M	ZENER DIODE	1	
C5008	ECJ1XB1C104K	C 0.1UF, Z, 16V	1		D1819	MA111	DIODE	1	
C5009	F1J0J1060004	C 0.010UF, K, 16V	1		D1820	MA8056-M	ZENER DIODE	1	
C5010	F1J0J1060004	C 0.010UF, K, 16V	1		D1821	MA111	DIODE	1	
C5011	ECJ1XB1C104K	C 0.1UF, Z, 16V	1		D1822	MA8056-M	ZENER DIODE	1	
C5012	ECJ1XB1C104K	C 0.1UF, Z, 16V	1		D1823	MA111	DIODE	1	
C5016	F1J0J1060004	C 0.010UF, K, 16V	1		D1824	MAZ82700ML	ZENER DIODE	1	
C5017	ECJ1XB1C104K	C 0.1UF, Z, 16V	1		D1825	MA111	DIODE	1	
C5018	ECJ1XF1C104Z	C 0.1UF, Z, 16V	1		D1826	MAZ83900HL	DIODE	1	
C5019	ECJOEB1A104K	C 0.1UF, K, 10V	1		D1827	MA111	DIODE	1	
C5020	ECJ1XF1C104Z	C 0.1UF, Z, 16V	1		D2001	MA3X704DOL	DIODE	1	
C5021	ECJ1VF1H103Z	C 0.010UF, Z, 50V	1		D2004	MA111	DIODE	1	
C5022	ECJ1XF1C104Z	C 0.1UF, Z, 16V	1		D2006	MAZ80470ML	DIODE	1	
C5023	ECJ1VF1H103Z	C 0.010UF, Z, 50V	1		D2301	MA111	DIODE	1	
C5024	ECJOEB1A104K	C 0.1UF, K, 10V	1		D2304	MA111	DIODE	1	
C5025	ECJOEB1A104K	C 0.1UF, K, 10V	1		D2305	MA111	DIODE	1	
C5026	F1J0J1060004	C 0.010UF, K, 16V	1		D3001	MA8140M	ZENER DIODE	1	
C5027	ECJ1XF1C104Z	C 0.1UF, Z, 16V	1		D3002	MA8140M	ZENER DIODE	1	
C5028	ECJOEB1A104K	C 0.1UF, K, 10V	1		D3003	MA8140M	ZENER DIODE	1	
C5029	ECJ1XB1C104K	C 0.1UF, Z, 16V	1		D3004	MA8140M	ZENER DIODE	1	
C5030	ECJ1XC1H150J	C 15PF, J, 50V	1		D3005	MA8140M	ZENER DIODE	1	
C5031	ECJOEB1A104K	C 0.1UF, K, 10V	1		D3006	MA8140M	ZENER DIODE	1	
C5032	ECJ1XB1C104K	C 0.1UF, Z, 16V	1		D3007	MA8140M	ZENER DIODE	1	
C5033	ECJOEB1A104K	C 0.1UF, K, 10V	1		D3008	MA8140M	ZENER DIODE	1	
C5034	ECJ1XC1H150J	C 15PF, J, 50V	1		D3009	MA8140M	ZENER DIODE	1	
C5036	ECJ1XF1C104Z	C 0.1UF, Z, 16V	1		D3013	MA8140M	ZENER DIODE	1	
C5038	ECJOEB1A104K	C 0.1UF, K, 10V	1		D3014	MA8140M	ZENER DIODE	1	
C5040	ECJOEB1A104K	C 0.1UF, K, 10V	1		D3015	MA8140M	ZENER DIODE	1	
C5041	ECJOEB1A104K	C 0.1UF, K, 10V	1		D3016	MA8140M	ZENER DIODE	1	
C5042	F1J0J1060004	C 0.010UF, K, 16V	1		D3017	MA8140M	ZENER DIODE	1	
C5043	ECJ1XB1C104K	C 0.1UF, Z, 16V	1		D3018	MA8140M	ZENER DIODE	1	
C5044	ECJ1XB1C104K	C 0.1UF, Z, 16V	1		D3021	MA8140M	ZENER DIODE	1	
C5045	ECJ1XB1C104K	C 0.1UF, Z, 16V	1		D3022	MA8140M	ZENER DIODE	1	
C5046	ECJ1XB1C104K	C 0.1UF, Z, 16V	1		D3023	MA8140M	ZENER DIODE	1	
C5047	ECJ1XB1C104K	C 0.1UF, Z, 16V	1		D3024	MA8140M	ZENER DIODE	1	
C5048	ECJ1XB1C104K	C 0.1UF, Z, 16V	1		D3025	MA8140M	ZENER DIODE	1	
C5049	ECJ2FB0J225K	C 2.2UF, Z, 16V	1		D3026	MA8140M	ZENER DIODE	1	
C5050	ECJ1XC1H471J	C 470PF, J, 50V	1		D3027	MA8140M	ZENER DIODE	1	
C5051	ECJ1VB0J105K	C 1UF, K, 6.3V	1		D3028	MA8140M	ZENER DIODE	1	
C5054	ECJ1XC1H101J	C 100PF, J, 50V	1		D3031	MA8140M	ZENER DIODE	1	
C5055	ECJOEB1A104K	C 0.1UF, K, 10V	1		D3032	MA8140M	ZENER DIODE	1	
C5056	ECJ1XF1C104Z	C 0.1UF, Z, 16V	1		D3033	MA8140M	ZENER DIODE	1	
C5060	ECJ1XB1C104K	C 0.1UF, Z, 16V	1		D3200	MAZ81500ML	ZENER DIODE	1	
C5061	ECJ1XB1C104K	C 0.1UF, Z, 16V	1		D3203	MA111	DIODE	1	
D901	BOJCMEO00037	DIODE	1		D3204	MA111	DIODE	1	
D902	BOJCPG000005	DIODE	1		D3205	MA111	DIODE	1	
D903	BOJCPG000005	DIODE	1		D3206	MA111	DIODE	1	
D904	BOJCMEO00037	DIODE	1		D3207	MA111	DIODE	1	
D906	BOJCMEO00037	DIODE	1		D3208	MA111	DIODE	1	
D907	BOJCMEO00037	DIODE	1		D3209	MA111	DIODE	1	
D909	BOHCMO00014	DIODE	1		D3210	MA111	DIODE	1	
D910	BOHCMO00014	DIODE	1		D3211	MA111	DIODE	1	
D913	BOJCMEO00037	DIODE	1		D3215	MA111	DIODE	1	
D916	MA22D3900L	DIODE	1		D3216	MA111	DIODE	1	
D917	RK34	DIODE	1		D3217	MA111	DIODE	1	
D918	MA22D3900L	DIODE	1		D3219	MA729	DIODE	1	
D921	RK34	DIODE	1		D3501	MA8140M	ZENER DIODE	1	
D922	RK34	DIODE	1		D3502	MA8140M	ZENER DIODE	1	
D923	RK34	DIODE	1		D3503	MA8140M	ZENER DIODE	1	
D1001	B3CKE0000007	DIODE	1		D3504	MA8140M	ZENER DIODE	1	
D1102	MA729	DIODE	1		D3506	MA8140M	ZENER DIODE	1	
D1106	MAZ80620ML	DIODE	1		D3507	MA8140M	ZENER DIODE	1	
D1107	MAZ80620ML	DIODE	1		D3508	MA8140M	ZENER DIODE	1	
D1108	MAZ80620ML	DIODE	1		D3509	MA8140M	ZENER DIODE	1	
D1109	MAZ80620ML	DIODE	1		D3510	MA8140M	ZENER DIODE	1	
D1110	MAZ80620ML	DIODE	1		D3511	MA8140M	ZENER DIODE	1	
D1810	MA111	DIODE	1		D3512	MA8140M	ZENER DIODE	1	
D1811	MA111	DIODE	1		D3513	MA8140M	ZENER DIODE	1	
					D3600	MA111	DIODE	1	

TX-26LX60A, TX-32LX60A

Ref.No.	Part No.	Part Name & Description	Pcs	Remarks
D3601	MA111	D1ODE	1	
D3800	MA111	D1ODE	1	
D4015	BOJCD000002	D1ODE	1	
D4121	MA111	D1ODE	1	
D5001	EZJZ0V80008B	VARI STOR	1	
D5002	EZJZ0V80008B	VARI STOR	1	
D5003	EZJZ0V80008B	VARI STOR	1	
D5004	EZJZ0V80008B	VARI STOR	1	
D5005	EZJZ0V80008B	VARI STOR	1	
D5006	EZJZ0V80008B	VARI STOR	1	
D5007	EZJZ0V80008B	VARI STOR	1	
D5008	EZJZ0V80008B	VARI STOR	1	
D5009	EZJZ0V80008B	VARI STOR	1	
D5010	EZJZ0V80008B	VARI STOR	1	
D5011	EZJZ1V800AA	VARI STOR	1	
D5012	EZJZ0V80008B	VARI STOR	1	
D5013	EZJZ1V800AA	VARI STOR	1	
D5014	EZJZ1V800AA	VARI STOR	1	
D5015	EZJZ1V800AA	VARI STOR	1	
D5016	EZJZ0V80008B	VARI STOR	1	
D5017	EZJZ1V800AA	VARI STOR	1	
D5018	EZJZ0V80008B	VARI STOR	1	
D5019	EZJZ0V80008B	VARI STOR	1	
D5020	EZJZ0V80008B	VARI STOR	1	
D5021	BOHCM000014	D1ODE	1	
D5022	BOHCM000014	D1ODE	1	
D5023	MA728	D1ODE	1	
D5026	BOHCM000014	D1ODE	1	
D5027	BOHCM000014	D1ODE	1	
FL4001	JOMAB0000169	LC FILTER	1	
FL4002	JOMAB0000169	LC FILTER	1	
FL4003	JOMAB0000169	LC FILTER	1	
FL5001	F1J1A1050020	C 1UF, Z, 50V	1	
FL5002	F1J1A1050020	C 1UF, Z, 50V	1	
G1	K1KA05AA0193	5P CONNECTOR	1	
G2	K1KA10AA0191	10P CONNECTOR	1	
IC901	CODAAZG00006	IC	1	
IC902	CODAAZH00020	IC	1	
IC903	CODAAZG00006	IC	1	
IC904	CODAAZG00006	IC	1	
IC905	CODAAZG00006	IC	1	
IC906	CODAAZG00006	IC	1	
IC1102	TVROA065	IC (26LX60A)	1	(TX-26LX60A)
IC1102	TVROA061	IC (32LX60A)	1	(TX-32LX60A)
IC1803	COEBF000354	IC	1	
IC1804	COBCYE00001	IC	1	
IC1805	COBCYE00001	IC	1	
IC2001	C1AB00002474	IC	1	
IC2005	C1BB00000947	IC	1	
IC4001	TVRN915-2	IC (LX60 SERIES)	1	
IC4003	C1ZBZ0003426	IC	1	
IC4004	C1ZBZ0003191	IC	1	
IC4005	TLC29331PWL	INTEGRATED CIRCUIT	1	
IC5001	C3EBDC000067	IC	1	
IC5002	C3EBDC000067	IC	1	
IC5004	C1AB00002535	IC	1	
IC5005	C0DBFFD00003	IC	1	
JA1	ERJ8GEYOR00	M 0 OHM, 1/8W	1	
JA2	ERJ8GEYOR00	M 0 OHM, 1/8W	1	
JA3	ERJ8GEYOR00	M 0 OHM, 1/8W	1	
JA4	ERJ8GEYOR00	M 0 OHM, 1/8W	1	
JA5	ERJ8GEYOR00	M 0 OHM, 1/8W	1	
JA6	ERJ8GEYOR00	M 0 OHM, 1/8W	1	
JA7	ERJ8GEYOR00	M 0 OHM, 1/8W	1	
JA8	ERJ8GEYOR00	M 0 OHM, 1/8W	1	
JK3001	K2HA6YYA0001	AV TERMINAL 1	1	
JK3002	K1U720A00001	AV TERMINAL 2	1	
JK3003	K2HA2YYA0001	HDMI AUDIO INPUT TERMINAL	1	
JK3501	K4BK23B00004	AV TERMINAL	1	
JK5001	K1FA119E0001	CONNECTOR	1	

Ref.No.	Part No.	Part Name & Description	Pcs	Remarks
JK5002	K1FA119E0001	CONNECTOR	1	
JS1801	ERJ3GEYOR00	M 0 OHM, 1/16W	1	
JS1802	ERJ3GEYOR00	M 0 OHM, 1/16W	1	
JS2004	ERJ6GEYOR00	M 0 OHM, 1/10W	1	
JS2306	ERJ2GEOR00	M 0.0 OHM, J.O. 063W	1	
JS3501	ERJ6GEYOR00	M 0 OHM, 1/10W	1	
JS3502	ERJ6GEYOR00	M 0 OHM, 1/10W	1	
JS3503	ERJ6GEYOR00	M 0 OHM, 1/10W	1	
L901	GOA101ZA0038	CHOKE COIL	1	
L904	VLQSH02R101K	PEAKING COIL	1	
L906	EXCELD35C	BEAD CHOKE	1	
L907	TALLO8N101KA	INDUCTION COIL	1	
L910	EXCELD35C	BEAD CHOKE	1	
L911	TALLO8N101KA	INDUCTION COIL	1	
L913	GOC101K00023	PEAKING COIL	1	
L915	TALLO8N101KA	INDUCTION COIL	1	
L918	EXCELD35C	BEAD CHOKE	1	
L921	EXCELD35C	BEAD CHOKE	1	
L922	TALLO8N101KA	INDUCTION COIL	1	
L923	EXCELD35C	BEAD CHOKE	1	
L924	EXCELD35C	BEAD CHOKE	1	
L1805	JOJHC0000078	CHIP INDUCTOR	1	
L1806	JOJHC0000078	CHIP INDUCTOR	1	
L1809	JOJHC0000078	CHIP INDUCTOR	1	
L2001	GOA100ZA0033	CHOKE COIL	1	
L2002	GOA100ZA0033	CHOKE COIL	1	
L2003	JOJHC0000078	CHIP INDUCTOR	1	
L2005	JOJHC0000078	CHIP INDUCTOR	1	
L3001	G1C5R6K00007	COIL	1	
L3002	G1C5R6K00007	COIL	1	
L3800	JOJHC0000078	CHIP INDUCTOR	1	
L3801	GOA101EA0008	COIL	1	
L3802	JOJCC0000241	CHIP INDUCTOR	1	
L3803	JOJCC0000241	CHIP INDUCTOR	1	
L4001	JOJHC0000078	CHIP INDUCTOR	1	
L4002	JOJHC0000078	CHIP INDUCTOR	1	
L4003	JOJHC0000078	CHIP INDUCTOR	1	
L4004	JOJHC0000078	CHIP INDUCTOR	1	
L4005	JOJHC0000078	CHIP INDUCTOR	1	
L4006	JOJHC0000078	CHIP INDUCTOR	1	
L4007	JOJHC0000078	CHIP INDUCTOR	1	
L4008	JOJHC0000078	CHIP INDUCTOR	1	
L4009	JOJHC0000078	CHIP INDUCTOR	1	
L4010	JOJHC0000078	CHIP INDUCTOR	1	
L4011	JOJHC0000078	CHIP INDUCTOR	1	
L4012	JOJHC0000078	CHIP INDUCTOR	1	
L4014	JOJHC0000078	CHIP INDUCTOR	1	
L4015	JOJHC0000078	CHIP INDUCTOR	1	
L4016	ELJFA6R8KFB	CHIP INDUCTOR	1	
L4017	JOJCC0000241	CHIP INDUCTOR	1	
L4018	JOJCC0000241	CHIP INDUCTOR	1	
L4020	JOJHC0000078	CHIP INDUCTOR	1	
L4022	JOJHC0000078	CHIP INDUCTOR	1	
L4502	JOJHC0000078	CHIP INDUCTOR	1	
L4904	JOJHC0000078	CHIP INDUCTOR	1	
L5003	JOJHC0000078	CHIP INDUCTOR	1	
L5004	JOJHC0000078	CHIP INDUCTOR	1	
L5005	JOJHC0000078	CHIP INDUCTOR	1	
L5006	JOJHC0000078	CHIP INDUCTOR	1	
L5007	JOJHC0000078	CHIP INDUCTOR	1	
L5009	JOJHC0000078	CHIP INDUCTOR	1	
L5010	JOJBC0000080	CHIP INDUCTOR	1	
L5011	JOJHC0000078	CHIP INDUCTOR	1	
L5012	JOJHC0000078	CHIP INDUCTOR	1	
L5013	JOJHC0000078	CHIP INDUCTOR	1	
Q901	B1ABCE000015	TRANSISTOR	1	
Q902	B1ABCE000015	TRANSISTOR	1	
Q903	B1ABCE000015	TRANSISTOR	1	
Q1002	B1ADDF000005	TRANSISTOR	1	
Q1004	B1ADDF000005	TRANSISTOR	1	
Q1006	B1ABCE000015	TRANSISTOR	1	
Q1007	B1ABCE000015	TRANSISTOR	1	

TX-26LX60A, TX-32LX60A

Ref.No.	Part No.	Part Name & Description	Pcs	Remarks	Ref.No.	Part No.	Part Name & Description	Pcs	Remarks
Q1215	2SC584500L	TRANSISTOR	1		R912	ERJ6ENF2211	M 2.21KOHM, 1/10W	1	
Q1216	2SC584500L	TRANSISTOR	1		R913	ERJ6GEYJ102	M 1KOHM, J, 1/10W	1	
Q1217	B1ADDF000005	TRANSISTOR	1		R914	ERJ6GEYJ103	M 10KOHM, J, 1/10W	1	
Q1218	B1ABCE000015	TRANSISTOR	1		R915	ERJ6GEYJ473	M 47KOHM, J, 1/10W	1	
Q1801	B1DHD0000028	TRANSISTOR	1		R916	ERJ6ENF1001	M 1KOHM, 1/10W	1	
Q1802	UN5211	TRANSISTOR	1		R917	ERJ6ENF4121	M4. 12KOHM, 1/10W	1	
Q1803	2SC584500L	TRANSISTOR	1		R918	ERJ6ENF1001	M 1KOHM, 1/10W	1	
Q1804	2SA207700L	TRANSISTOR	1		R919	ERJ6ENF1910	M 191 OHM, 1/10W	1	
Q1805	2SA207700L	TRANSISTOR	1		R920	ERJ6ENF1001	M 1KOHM, 1/10W	1	
Q1806	2SC584500L	TRANSISTOR	1		R921	ERJ6ENF1101	M 1. 1KOHM, 1/10W	1	
Q1807	2SD601A	TRANSISTOR	1		R1002	DOGB473JA041	M 47K OHM J 1/16W	1	
Q2019	UN5211	TRANSISTOR	1		R1003	DOGB102JA041	M 1K OHM J 1/16W	1	
Q2020	UN5211	TRANSISTOR	1		R1006	DOGB221JA041	M 220 OHM J 1/16W	1	
Q2031	B1CBHD000002	FET	1		R1008	DOGB473JA041	M 47K OHM J 1/16W	1	
Q2032	B1CBHD000002	FET	1		R1010	DOGB473JA041	M 47K OHM J 1/16W	1	
Q2303	2SD601A	TRANSISTOR	1		R1015	ERJ3GEYJ103	M 10KOHM, J, 1/16W	1	
Q2305	2SA207700L	TRANSISTOR	1		R1017	ERJ3GEYJ103	M 10KOHM, J, 1/16W	1	
Q2306	2SA207700L	TRANSISTOR	1		R1019	ERJ3GEYJ103	M 10KOHM, J, 1/16W	1	
Q2312	2SD601A	TRANSISTOR	1		R1020	ERJ3GEYJ103	M 10KOHM, J, 1/16W	1	
Q2313	2SC584500L	TRANSISTOR	1		R1022	DOGB152JA041	M 1.5K OHM J 1/16W	1	
Q3001	2SC584500L	TRANSISTOR	1		R1024	ERJ3GEYOR00	M 0 OHM, 1/16W	1	
Q3002	2SA207700L	TRANSISTOR	1		R1025	ERJ3GEYJ273	M 27KOHM, J, 1/16W	1	
Q3003	2SC584500L	TRANSISTOR	1		R1026	ERJ3GEYJ273	M 27KOHM, J, 1/16W	1	
Q3004	2SA207700L	TRANSISTOR	1		R1028	DOGB470JA041	M 47 OHM J 1/16W	1	
Q3005	2SC584500L	TRANSISTOR	1		R1029	DOGB102JA041	M 1K OHM J 1/16W	1	
Q3006	2SC584500L	TRANSISTOR	1		R1030	ERJ3GEYOR00	M 0 OHM, 1/16W	1	
Q3007	2SA207700L	TRANSISTOR	1		R1167	ERJ3GEYOR00	M 0 OHM, 1/16W	1	
Q3200	2SC584500L	TRANSISTOR	1		R1171	DOGB220JA041	M 22 OHM J 1/16W	1	
Q3201	2SC584500L	TRANSISTOR	1		R1172	DOGB220JA041	M 22 OHM J 1/16W	1	
Q3202	2SC584500L	TRANSISTOR	1		R1173	DOGB473JA041	M 47K OHM J 1/16W	1	
Q3203	2SC584500L	TRANSISTOR	1		R1174	DOGB101JA041	M 100 OHM J 1/16W	1	
Q3204	2SA207700L	TRANSISTOR	1		R1175	DOGB101JA041	M 100 OHM J 1/16W	1	
Q3205	2SD0602A	TRANSISTOR	1		R1176	DOGB101JA041	M 100 OHM J 1/16W	1	
Q3600	2SB0710A	TRANSISTOR	1		R1177	DOGB101JA041	M 100 OHM J 1/16W	1	
Q3601	2SC584500L	TRANSISTOR	1		R1228	ERJ3GEYJ103	M 10KOHM, J, 1/16W	1	
Q3602	2SB0710A	TRANSISTOR	1		R1229	DOGB101JA041	M 100 OHM J 1/16W	1	
Q3603	2SC584500L	TRANSISTOR	1		R1231	ERJ3GEYJ104	M 100KOHM, J, 1/16W	1	
Q3800	2SA207700L	TRANSISTOR	1		R1233	ERJ3GEYJ104	M 100KOHM, J, 1/16W	1	
Q3801	2SA207700L	TRANSISTOR	1		R1234	ERJ3GEYJ104	M 100KOHM, J, 1/16W	1	
Q3806	2SC584500L	TRANSISTOR	1		R1236	ERJ3GEYJ103	M 10KOHM, J, 1/16W	1	
Q3807	2SC584500L	TRANSISTOR	1		R1237	ERJ3GEYJ103	M 10KOHM, J, 1/16W	1	
Q4001	2SC584500L	TRANSISTOR	1		R1238	ERJ3GEYJ103	M 10KOHM, J, 1/16W	1	
Q4002	2SA207700L	TRANSISTOR	1		R1239	ERJ3GEYJ103	M 10KOHM, J, 1/16W	1	
Q4003	2SA207700L	TRANSISTOR	1		R1240	DOGB473JA041	M 47K OHM J 1/16W	1	
Q4049	2SC584500L	TRANSISTOR	1		R1241	ERJ3GEYJ103	M 10KOHM, J, 1/16W	1	
Q4050	2SA207700L	TRANSISTOR	1		R1242	DOGB223JA041	M 22K OHM J 1/16W	1	
Q4120	UN5211	TRANSISTOR	1		R1243	DOGB473JA041	M 47K OHM J 1/16W	1	
Q4121	UN5211	TRANSISTOR	1		R1246	DOGB332JA041	M 3.3K OHM J 1/16W	1	
Q4501	2SC584500L	TRANSISTOR	1		R1247	DOGB332JA041	M 3.3K OHM J 1/16W	1	
Q4502	2SC584500L	TRANSISTOR	1		R1248	ERJ6GEYJ562	M 5.6KOHM, J, 1/10W	1	
Q5001	2SC584500L	TRANSISTOR	1		R1700	ERJ3GEYJ103	M 10KOHM, J, 1/16W	1	
Q5002	2SC584500L	TRANSISTOR	1		R1701	DOGB393JA041	M 39K OHM J 1/16W	1	
Q5003	2SC584500L	TRANSISTOR	1		R1702	DOGB393JA041	M 39K OHM J 1/16W	1	
Q5004	2SC584500L	TRANSISTOR	1		R1811	ERJ6GEYJ103	M 10KOHM, J, 1/10W	1	
Q5008	B1MBACA00008	TRANSISTOR	1		R1812	ERJ3GEYJ333	M 33KOHM, J, 1/16W	1	
Q5009	B1MBACA00008	TRANSISTOR	1		R1813	DOGB472JA041	M 4.7K OHM J 1/16W	1	
Q5019	2SC584500L	TRANSISTOR	1		R1814	ERJ3GEYOR00	M 0 OHM, 1/16W	1	
Q5020	2SC584500L	TRANSISTOR	1		R1815	ERJ6GEYJ103	M 10KOHM, J, 1/10W	1	
Q5021	2SC584500L	TRANSISTOR	1		R1816	DOGB223JA041	M 22K OHM J 1/16W	1	
Q5022	UN5211	TRANSISTOR	1		R1818	DOGB102JA041	M 1K OHM J 1/16W	1	
Q5023	B1MBACA00008	TRANSISTOR	1		R1819	ERJ3EKF5231	M52.3KOHM, 1/16W	1	
Q5024	B1ABCE000015	TRANSISTOR	1		R1820	ERJ3EKF2202	M 22KOHM, 1/16W	1	
Q5025	UN5211	TRANSISTOR	1		R1821	ERJ3EKF2372	M23.7KOHM, 1/16W	1	
					R1822	ERJ3EKF2202	M 22KOHM, 1/16W	1	
R901	ERJ6ENF1001	M 1KOHM, 1/10W	1		R1823	DOGB473JA041	M 47K OHM J 1/16W	1	
R902	ERJ6ENF1102	M 11KOHM, 1/10W	1		R1824	ERJ3GEYJ103	M 10KOHM, J, 1/16W	1	
R903	ERJ6GEYJ102	M 1KOHM, J, 1/10W	1		R1825	DOGB473JA041	M 47K OHM J 1/16W	1	
R904	ERJ6GEYJ103	M 10KOHM, J, 1/10W	1		R1826	ERJ3GEYJ103	M 10KOHM, J, 1/16W	1	
R905	ERJ6GEYJ473	M 47KOHM, J, 1/10W	1		R1827	DOGB472JA041	M 4.7K OHM J 1/16W	1	
R906	ERJ6ENF2491	M2. 49KOHM, 1/10W	1		R1828	DOGB472JA041	M 4.7K OHM J 1/16W	1	
R907	ERJ6ENF8200	M 820 OHM, 1/10W	1		R1829	DOGB472JA041	M 4.7K OHM J 1/16W	1	
R908	ERJ6GEYJ102	M 1KOHM, J, 1/10W	1		R1830	DOGB472JA041	M 4.7K OHM J 1/16W	1	
R909	ERJ6GEYJ103	M 10KOHM, J, 1/10W	1		R1831	DOGB102JA041	M 1K OHM J 1/16W	1	
R910	ERJ6GEYJ473	M 47KOHM, J, 1/10W	1		R1832	DOGB102JA041	M 1K OHM J 1/16W	1	
R911	ERJ6ENF1001	M 1KOHM, 1/10W	1		R1872	DOGB102JA041	M 1K OHM J 1/16W	1	

TX-26LX60A, TX-32LX60A

Ref.No.	Part No.	Part Name & Description	Pcs	Remarks	Ref.No.	Part No.	Part Name & Description	Pcs	Remarks
R1873	ERJ3GEYJ103	M 10KOHM, J, 1/16W	1		R3038	DOGB101JA041	M 100 OHM J 1/16W	1	
R1874	ERJ12YJ181U	M 180OHM, J, 1/2W	1		R3039	DOGB105JA041	M 1M OHM F 1/16W	1	
R2096	ERJ2GEJ103	M 10KOHM, J, 0.063W	1		R3040	DOGB274JA041	M 270K OHM J 1/16W	1	
R2097	ERJ2GEJ393	M 39KOHM, J, 0.063W	1		R3041	DOGB473JA041	M 47K OHM J 1/16W	1	
R2098	ERJ3EKF3902	M 39KOHM, 1/16W	1		R3042	DOGB102JA041	M 1K OHM J 1/16W	1	
R2099	DOGB100JA041	M 10 OHM J 1/16W	1		R3043	ERJ3GEYJ184	M 180KOHM, J, 1/16W	1	
R2100	DOGB100JA041	M 10 OHM J 1/16W	1		R3044	ERJ3GEYOR00	M 0 OHM, 1/16W	1	
R2101	DOGB220JA041	M 22 OHM J 1/16W	1		R3045	ERJ3GEYOR00	M 0 OHM, 1/16W	1	
R2102	DOGB220JA041	M 22 OHM J 1/16W	1		R3046	ERJ3GEYOR00	M 0 OHM, 1/16W	1	
R2103	DOGB472JA041	M 4.7K OHM J 1/16W	1		R3047	ERJ3GEYOR00	M 0 OHM, 1/16W	1	
R2104	DOGB472JA041	M 4.7K OHM J 1/16W	1		R3048	ERJ3GEYOR00	M 0 OHM, 1/16W	1	
R2105	DOGB472JA041	M 4.7K OHM J 1/16W	1		R3049	ERJ3GEYOR00	M 0 OHM, 1/16W	1	
R2106	DOGB472JA041	M 4.7K OHM J 1/16W	1		R3050	ERJ3GEYOR00	M 0 OHM, 1/16W	1	
R2107	DOGB113JA041	M 11K OHM J 1/16W	1		R3051	ERJ3GEYOR00	M 0 OHM, 1/16W	1	
R2108	DOGB113JA041	M 11K OHM J 1/16W	1		R3052	ERJ3GEYOR00	M 0 OHM, 1/16W	1	
R2109	ERJ3GEYJ103	M 10KOHM, J, 1/16W	1		R3053	ERJ3GEYOR00	M 0 OHM, 1/16W	1	
R2111	ERJ3GEYJ103	M 10KOHM, J, 1/16W	1		R3100	ERJ3GEYOR00	M 0 OHM, 1/16W	1	
R2112	ERJ2GEJ104	M 100KOHM, J, 0.063W	1		R3101	ERJ3GEYOR00	M 0 OHM, 1/16W	1	
R2113	ERJ2GEJ104	M 100KOHM, J, 0.063W	1		R3102	ERJ3GEYOR00	M 0 OHM, 1/16W	1	
R2114	ERJ2GEJ154	M 150KOHM, J, 0.063W	1		R3103	ERJ3GEYOR00	M 0 OHM, 1/16W	1	
R2115	ERJ2GEJ393	M 39KOHM, J, 0.063W	1		R3104	ERJ3GEYOR00	M 0 OHM, 1/16W	1	
R2118	ERJ3GEYOR00	M 0 OHM, 1/16W	1		R3105	ERJ3GEYOR00	M 0 OHM, 1/16W	1	
R2120	ERJ2GEOR00	M 0.0 OHM, J, 0.063W	1		R3106	ERJ3GEYOR00	M 0 OHM, 1/16W	1	
R2121	ERJ2GEJ104	M 100KOHM, J, 0.063W	1		R3107	ERJ3GEYOR00	M 0 OHM, 1/16W	1	
R2122	ERJ2GEJ154	M 150KOHM, J, 0.063W	1		R3108	ERJ3GEYOR00	M 0 OHM, 1/16W	1	
R2139	ERJ2GEJ103	M 10KOHM, J, 0.063W	1		R3109	ERJ3GEYOR00	M 0 OHM, 1/16W	1	
R2140	ERJ2GEJ103	M 10KOHM, J, 0.063W	1		R3110	DOGB102JA041	M 1K OHM J 1/16W	1	
R2148	DOGB682JA041	M 6.8K OHM J 1/16W	1		R3111	ERJ3GEYOR00	M 0 OHM, 1/16W	1	
R2149	DOGB682JA041	M 6.8K OHM J 1/16W	1		R3112	DOGB102JA041	M 1K OHM J 1/16W	1	
R2152	ERJ2GEJ104	M 100KOHM, J, 0.063W	1		R3116	ERJ3GEYOR00	M 0 OHM, 1/16W	1	
R2153	ERJ2GEJ104	M 100KOHM, J, 0.063W	1		R3117	ERJ3GEYOR00	M 0 OHM, 1/16W	1	
R2154	ERJ2GEJ104	M 100KOHM, J, 0.063W	1		R3118	DOGB102JA041	M 1K OHM J 1/16W	1	
R2159	ERJ2GEJ104	M 100KOHM, J, 0.063W	1		R3119	ERJ3GEYOR00	M 0 OHM, 1/16W	1	
R2160	ERJ2GEJ104	M 100KOHM, J, 0.063W	1		R3120	DOGB102JA041	M 1K OHM J 1/16W	1	
R2303	ERJ2GEJ103	M 10KOHM, J, 0.063W	1		R3121	ERJ3GEYOR00	M 0 OHM, 1/16W	1	
R2304	ERJ2GEJ103	M 10KOHM, J, 0.063W	1		R3122	ERJ3GEYOR00	M 0 OHM, 1/16W	1	
R2306	ERJ2GEJ104	M 100KOHM, J, 0.063W	1		R3123	ERJ3GEYOR00	M 0 OHM, 1/16W	1	
R2307	ERJ2GEJ103	M 10KOHM, J, 0.063W	1		R3124	ERJ3GEYOR00	M 0 OHM, 1/16W	1	
R2308	ERJ3GEYJ104	M 100KOHM, J, 1/16W	1		R3128	ERJ3GEYOR00	M 0 OHM, 1/16W	1	
R2310	DOGB222JA041	M 2.2K OHM J 1/16W	1		R3129	DOGB102JA041	M 1K OHM J 1/16W	1	
R2313	ERJ2GEJ104	M 100KOHM, J, 0.063W	1		R3130	DOGB102JA041	M 1K OHM J 1/16W	1	
R2314	ERJ2GEJ105	M 1MOHM, J, 0.063W	1		R3200	ERJ3GEYJ103	M 10KOHM, J, 1/16W	1	
R2381	ERJ2GEJ102	M 1KOHM, J, 0.063W	1		R3201	DOGB473JA041	M 47K OHM J 1/16W	1	
R2382	ERJ2GEJ104	M 100KOHM, J, 0.063W	1		R3203	ERJ3GEYJ103	M 10KOHM, J, 1/16W	1	
R2383	ERJ2GEJ103	M 10KOHM, J, 0.063W	1		R3204	ERJ14YJ222	M 22KOHM, J, 1/4W	1	
R3001	ERJ3GEYJ184	M 180KOHM, J, 1/16W	1		R3205	ERJ14YJ222	M 22KOHM, J, 1/4W	1	
R3002	ERJ3GEYJ184	M 180KOHM, J, 1/16W	1		R3206	DOGB223JA041	M 22K OHM J 1/16W	1	
R3003	ERJ6ENF75R0	M 75 OHM, 1/10W	1		R3207	DOGB332JA041	M 3.3K OHM J 1/16W	1	
R3004	ERJ6ENF75R0	M 75 OHM, 1/10W	1		R3208	ERJ3GEYJ103	M 10KOHM, J, 1/16W	1	
R3005	ERJ6ENF75R0	M 75 OHM, 1/10W	1		R3209	DOGB473JA041	M 47K OHM J 1/16W	1	
R3006	ERJ3GEYJ184	M 180KOHM, J, 1/16W	1		R3210	DOGB332JA041	M 3.3K OHM J 1/16W	1	
R3007	ERJ3GEYJ184	M 180KOHM, J, 1/16W	1		R3214	ERJ3GEYOR00	M 0 OHM, 1/16W	1	
R3010	ERJ6ENF75R0	M 75 OHM, 1/10W	1		R3215	ERJ3GEYJ103	M 10KOHM, J, 1/16W	1	
R3011	ERJ3GEYJ184	M 180KOHM, J, 1/16W	1		R3216	ERJ3GEYOR00	M 0 OHM, 1/16W	1	
R3012	ERJ3GEYJ184	M 180KOHM, J, 1/16W	1		R3217	ERJ3GEYOR00	M 0 OHM, 1/16W	1	
R3013	ERJ6ENF75R0	M 75 OHM, 1/10W	1		R3218	ERJ3GEYJ103	M 10KOHM, J, 1/16W	1	
R3014	ERJ6ENF75R0	M 75 OHM, 1/10W	1		R3219	ERJ3GEYOR00	M 0 OHM, 1/16W	1	
R3015	ERJ6ENF75R0	M 75 OHM, 1/10W	1		R3220	ERJ3GEYOR00	M 0 OHM, 1/16W	1	
R3019	ERJ6ENF75R0	M 75 OHM, 1/10W	1		R3221	ERJ3GEYJ103	M 10KOHM, J, 1/16W	1	
R3020	DOGB431JA041	M 430 OHM J 1/16W	1		R3222	ERJ3GEYOR00	M 0 OHM, 1/16W	1	
R3021	DOGB431JA041	M 430 OHM J 1/16W	1		R3226	ERJ6GEYOR00	M 0 OHM, 1/10W	1	
R3022	ERJ6GEYJ331	M 330 OHM, J, 1/10W	1		R3227	ERJ3GEYJ103	M 10KOHM, J, 1/16W	1	
R3023	ERJ6GEYJ471	M 470 OHM, J, 1/10W	1		R3228	ERJ3GEYOR00	M 0 OHM, 1/16W	1	
R3024	ERJ6GEYJ271	M 270 OHM, J, 1/10W	1		R3229	ERJ3GEYJ153	M 15KOHM, J, 1/16W	1	
R3026	DOGB473JA041	M 47K OHM J 1/16W	1		R3230	DOGB473JA041	M 47K OHM J 1/16W	1	
R3027	DOGB393JA041	M 39K OHM J 1/16W	1		R3231	ERJ3GEYJ103	M 10KOHM, J, 1/16W	1	
R3028	ERJ2GEJ220	M 22 OHM, J, 0.063W	1		R3232	ERJ6GEYOR00	M 0 OHM, 1/10W	1	
R3029	ERJ3EKF1002	M 10KOHM, 1/16W	1		R3233	DOGB473JA041	M 47K OHM J 1/16W	1	
R3031	ERJ3EKF2200	M 220 OHM, 1/16W	1		R3234	DOGB222JA041	M 2.2K OHM J 1/16W	1	
R3032	DOGB102JA041	M 1K OHM J 1/16W	1		R3235	DOGB152JA041	M 1.5K OHM J 1/16W	1	
R3033	DOGB331JA041	M 330 OHM J 1/16W	1		R3236	DOGB223JA041	M 22K OHM J 1/16W	1	
R3034	ERJ3GEYJ184	M 180KOHM, J, 1/16W	1		R3237	DOGB473JA041	M 47K OHM J 1/16W	1	
R3035	DOGB101JA041	M 100 OHM J 1/16W	1		R3501	ERJ6GEYOR00	M 0 OHM, 1/10W	1	
R3036	DOGB101JA041	M 100 OHM J 1/16W	1		R3502	ERJ6ENF75R0	M 75 OHM, 1/10W	1	
R3037	DOGB101JA041	M 100 OHM J 1/16W	1		R3503	ERJ6GEYOR00	M 0 OHM, 1/10W	1	

TX-26LX60A, TX-32LX60A

Ref.No.	Part No.	Part Name & Description	Pcs	Remarks
R3504	ERJ6GEYOR00	M 0 OHM, 1/10W	1	
R3505	ERJ6ENF75R0	M 75 OHM, 1/10W	1	
R3507	ERJ6GEYOR00	M 0 OHM, 1/10W	1	
R3508	ERJ6GEYOR00	M 0 OHM, 1/10W	1	
R3509	ERJ6ENF75R0	M 75 OHM, 1/10W	1	
R3510	ERJ6GEYJ102	M 1KOHM, J, 1/10W	1	
R3511	ERJ6GEYOR00	M 0 OHM, 1/10W	1	
R3512	ERJ6GEYJ102	M 1KOHM, J, 1/10W	1	
R3513	ERJ6GEYJ184	M 180KOHM, J, 1/10W	1	
R3514	ERJ6GEYJ184	M 180KOHM, J, 1/10W	1	
R3600	ERJ3GEYJ103	M 10KOHM, J, 1/16W	1	
R3601	DOGB223JA041	M 22K OHM J 1/16W	1	
R3602	DOGB473JA041	M 47K OHM J 1/16W	1	
R3603	DOGB222JA041	M 2.2K OHM J 1/16W	1	
R3604	DOGB223JA041	M 22K OHM J 1/16W	1	
R3605	DOGB223JA041	M 22K OHM J 1/16W	1	
R3606	ERJ3GEYJ103	M 10KOHM, J, 1/16W	1	
R3607	DOGB473JA041	M 47K OHM J 1/16W	1	
R3869	ERJ3GEYJ103	M 10KOHM, J, 1/16W	1	
R3876	DOGB472JA041	M 4.7K OHM J 1/16W	1	
R3877	DOGB183JA041	M 18K OHM J 1/16W	1	
R3878	ERJ3GEYJ333	M 33KOHM, J, 1/16W	1	
R3879	DOGB221JA041	M 220 OHM J 1/16W	1	
R3882	DOGB102JA041	M 1K OHM J 1/16W	1	
R3883	DOGB331JA041	M 330 OHM J 1/16W	1	
R3884	ERJ3GEYOR00	M 0 OHM, 1/16W	1	
R3885	ERJ3GEYOR00	M 0 OHM, 1/16W	1	
R3911	ERJ3GEYJ103	M 10KOHM, J, 1/16W	1	
R3912	DOGB332JA041	M 3.3K OHM J 1/16W	1	
R3914	DOGB332JA041	M 3.3K OHM J 1/16W	1	
R3915	DOGB122JA041	M 1.2K OHM J 1/16W	1	
R3916	DOGB471JA041	M 470 OHM J 1/16W	1	
R3917	DOGB561JA041	M 560 OHM J 1/16W	1	
R3919	ERJ12YOR00	M 0 OHM, J, 1/2W	1	
R4001	ERJ3GEYJ273	M 27KOHM, J, 1/16W	1	
R4003	DOGB102JA041	M 1K OHM J 1/16W	1	
R4005	ERJ2GEJ103	M 10KOHM, J, 0.063W	1	
R4007	DOGB101JA041	M 100 OHM J 1/16W	1	
R4008	DOGB101JA041	M 100 OHM J 1/16W	1	
R4009	EXB2HV104JV	RESISTOR ARRAY	1	
R4011	DOGB102JA041	M 1K OHM J 1/16W	1	
R4012	DOGB101JA041	M 100 OHM J 1/16W	1	
R4014	DOGB101JA041	M 100 OHM J 1/16W	1	
R4015	ERJ2GEJ104	M 100KOHM, J, 0.063W	1	
R4018	ERJ2GEJ473	M 47KOHM, J, 0.063W	1	
R4021	ERJ2GEJ682	M 6.8KOHM, J, 0.063W	1	
R4023	DOGB101JA041	M 100 OHM J 1/16W	1	
R4025	DOGB101JA041	M 100 OHM J 1/16W	1	
R4026	ERJ3GEYOR00	M 0 OHM, 1/16W	1	
R4028	DOGB220JA041	M 22 OHM J 1/16W	1	
R4031	ERJ3GEYOR00	M 0 OHM, 1/16W	1	
R4032	ERJ3GEYOR00	M 0 OHM, 1/16W	1	
R4034	DOGB101JA041	M 100 OHM J 1/16W	1	
R4038	ERJ2GEJ822	M 8.2KOHM, J, 0.063W	1	
R4047	DOGB101JA041	M 100 OHM J 1/16W	1	
R4048	DOGB101JA041	M 100 OHM J 1/16W	1	
R4049	DOGB101JA041	M 100 OHM J 1/16W	1	
R4050	DOGB101JA041	M 100 OHM J 1/16W	1	
R4053	DOGB101JA041	M 100 OHM J 1/16W	1	
R4055	DOGB101JA041	M 100 OHM J 1/16W	1	
R4057	DOGB101JA041	M 100 OHM J 1/16W	1	
R4058	DOGB101JA041	M 100 OHM J 1/16W	1	
R4059	DOGB101JA041	M 100 OHM J 1/16W	1	
R4061	DOGB220JA041	M 22 OHM J 1/16W	1	
R4062	DOGB102JA041	M 1K OHM J 1/16W	1	
R4063	DOGB220JA041	M 22 OHM J 1/16W	1	
R4064	DOGB473JA041	M 47K OHM J 1/16W	1	
R4065	DOGB220JA041	M 22 OHM J 1/16W	1	
R4066	DOGB101JA041	M 100 OHM J 1/16W	1	
R4069	DOGB101JA041	M 100 OHM J 1/16W	1	
R4071	ERJ3GEYJ103	M 10KOHM, J, 1/16W	1	
R4072	DOGB101JA041	M 100 OHM J 1/16W	1	
R4077	DOGB220JA041	M 22 OHM J 1/16W	1	
R4078	DOGB102JA041	M 1K OHM J 1/16W	1	
R4079	DOGB101JA041	M 100 OHM J 1/16W	1	

Ref.No.	Part No.	Part Name & Description	Pcs	Remarks
R4080	DOGB220JA041	M 22 OHM J 1/16W	1	
R4081	DOGB101JA041	M 100 OHM J 1/16W	1	
R4082	ERJ3GEYOR00	M 0 OHM, 1/16W	1	
R4089	DOGB151JA041	M 150 OHM J 1/16W	1	
R4092	DOGB102JA041	M 1K OHM J 1/16W	1	
R4093	ERJ3GEYJ103	M 10KOHM, J, 1/16W	1	
R4094	DOGB151JA041	M 150 OHM J 1/16W	1	
R4097	DOGB151JA041	M 150 OHM J 1/16W	1	
R4098	DOGB151JA041	M 150 OHM J 1/16W	1	
R4099	DOGB151JA041	M 150 OHM J 1/16W	1	
R4100	DOGB151JA041	M 150 OHM J 1/16W	1	
R4101	ERJ3GEYJ103	M 10KOHM, J, 1/16W	1	
R4102	DOGB151JA041	M 150 OHM J 1/16W	1	
R4103	ERJ3GEYJ103	M 10KOHM, J, 1/16W	1	
R4104	DOGB332JA041	M 3.3K OHM J 1/16W	1	
R4105	ERJ3GEYJ103	M 10KOHM, J, 1/16W	1	
R4106	ERJ3GEYJ103	M 10KOHM, J, 1/16W	1	
R4107	DOGB151JA041	M 150 OHM J 1/16W	1	
R4108	DOGB102JA041	M 1K OHM J 1/16W	1	
R4109	DOGB151JA041	M 150 OHM J 1/16W	1	
R4110	DOGB102JA041	M 1K OHM J 1/16W	1	
R4111	DOGB151JA041	M 150 OHM J 1/16W	1	
R4112	ERJ3GEYOR00	M 0 OHM, 1/16W	1	
R4113	DOGB151JA041	M 150 OHM J 1/16W	1	
R4114	DOGB101JA041	M 100 OHM J 1/16W	1	
R4115	DOGB151JA041	M 150 OHM J 1/16W	1	
R4116	DOGB102JA041	M 1K OHM J 1/16W	1	
R4117	DOGB151JA041	M 150 OHM J 1/16W	1	
R4118	DOGB471JA041	M 470 OHM J 1/16W	1	
R4119	ERJ3GEYOR00	M 0 OHM, 1/16W	1	
R4120	ERJ3GEYOR00	M 0 OHM, 1/16W	1	
R4121	ERJ6GEYJ562	M 5.6KOHM, J, 1/10W	1	
R4122	ERJ3GEYOR00	M 0 OHM, 1/16W	1	
R4123	DOGB151JA041	M 150 OHM J 1/16W	1	
R4124	ERJ3GEYOR00	M 0 OHM, 1/16W	1	
R4125	DOGB151JA041	M 150 OHM J 1/16W	1	
R4126	DOGB151JA041	M 150 OHM J 1/16W	1	
R4127	DOGB151JA041	M 150 OHM J 1/16W	1	
R4128	ERJ2GEJ103	M 10KOHM, J, 0.063W	1	
R4129	DOGB182JA041	M 1.8K OHM J 1/16W	1	
R4130	ERJ3GEYOR00	M 0 OHM, 1/16W	1	
R4131	DOGB221JA041	M 220 OHM J 1/16W	1	
R4132	DOGB221JA041	M 220 OHM J 1/16W	1	
R4133	ERJ3GEYOR00	M 0 OHM, 1/16W	1	
R4134	DOGB331JA041	M 330 OHM J 1/16W	1	
R4135	DOGB331JA041	M 330 OHM J 1/16W	1	
R4136	DOGB223JA041	M 22K OHM J 1/16W	1	
R4138	ERJ3GEYJ103	M 10KOHM, J, 1/16W	1	
R4139	ERJ3GEYJ103	M 10KOHM, J, 1/16W	1	
R4140	DOGB272JA041	M 2.7K OHM J 1/16W	1	
R4141	DOGB121JA041	M 120 OHM J 1/16W	1	
R4146	ERJ3GEYOR00	M 0 OHM, 1/16W	1	
R4148	ERJ3GEYOR00	M 0 OHM, 1/16W	1	
R4188	DOGB102JA041	M 1K OHM J 1/16W	1	
R4189	DOGB101JA041	M 100 OHM J 1/16W	1	
R4190	ERJ3GEYJ912	M9.31KOHM, J, 1/16W	1	
R4191	ERJ3GEYJ103	M 10KOHM, J, 1/16W	1	
R4192	ERJ3GEYJ103	M 10KOHM, J, 1/16W	1	
R4193	ERJ3GEYJ103	M 10KOHM, J, 1/16W	1	
R4194	ERJ3EKF1000	M 100 OHM, 1/16W	1	
R4195	DOGB101JA041	M 100 OHM J 1/16W	1	
R4196	ERJ3EKF1000	M 100 OHM, 1/16W	1	
R4197	DOGB101JA041	M 100 OHM J 1/16W	1	
R4198	ERJ3EKF1000	M 100 OHM, 1/16W	1	
R4199	ERJ3GEYJ103	M 10KOHM, J, 1/16W	1	
R4200	ERJ3EKF1000	M 100 OHM, 1/16W	1	
R4201	ERJ3GEYJ103	M 10KOHM, J, 1/16W	1	
R4202	ERJ3EKF1000	M 100 OHM, 1/16W	1	
R4203	DOGB102JA041	M 1K OHM J 1/16W	1	
R4204	ERJ3EKF1600	M 160 OHM, 1/16W	1	
R4205	ERJ3EKF1600	M 160 OHM, 1/16W	1	
R4206	ERJ3EKF1600	M 160 OHM, 1/16W	1	
R4207	ERJ3EKF1600	M 160 OHM, 1/16W	1	
R4208	ERJ3EKF1600	M 160 OHM, 1/16W	1	
R4209	ERJ3GEYOR00	M 0 OHM, 1/16W	1	

TX-26LX60A, TX-32LX60A

Ref.No.	Part No.	Part Name & Description	Pcs	Remarks	Ref.No.	Part No.	Part Name & Description	Pcs	Remarks
R4210	ERJ3GEYOR00	M 0 OHM, 1/16W	1		R5001	DOGB390JA041	M 39 OHM J 1/16W	1	
R4213	ERJ3GEYJ912	M 9.31KOHM, J, 1/16W	1		R5002	DOGB390JA041	M 39 OHM J 1/16W	1	
R4214	DOGB101JA041	M 100 OHM J 1/16W	1		R5005	ERJ3GEYJ103	M 10KOHM, J, 1/16W	1	
R4215	DOGB101JA041	M 100 OHM J 1/16W	1		R5006	ERJ3GEYJ103	M 10KOHM, J, 1/16W	1	
R4216	ERJ3GEYJ103	M 10KOHM, J, 1/16W	1		R5007	DOGB2R7JA040	M 2.7 OHM J 1/16W	1	
R4217	DOGB101JA041	M 100 OHM J 1/16W	1		R5008	DOGB2R7JA040	M 2.7 OHM J 1/16W	1	
R4218	DOGB101JA041	M 100 OHM J 1/16W	1		R5009	DOGB2R7JA040	M 2.7 OHM J 1/16W	1	
R4219	DOGB102JA041	M 1K OHM J 1/16W	1		R5010	DOGB2R7JA040	M 2.7 OHM J 1/16W	1	
R4220	DOGB102JA041	M 1K OHM J 1/16W	1		R5011	DOGB2R7JA040	M 2.7 OHM J 1/16W	1	
R4221	DOGB102JA041	M 1K OHM J 1/16W	1		R5012	DOGB2R7JA040	M 2.7 OHM J 1/16W	1	
R4222	ERJ3GEYJ103	M 10KOHM, J, 1/16W	1		R5013	DOGB2R7JA040	M 2.7 OHM J 1/16W	1	
R4225	ERJ3GEYJ103	M 10KOHM, J, 1/16W	1		R5014	DOGB2R7JA040	M 2.7 OHM J 1/16W	1	
R4226	DOGB332JA041	M 3.3K OHM J 1/16W	1		R5015	DOGB2R7JA040	M 2.7 OHM J 1/16W	1	
R4228	DOGB102JA041	M 1K OHM J 1/16W	1		R5016	DOGB2R7JA040	M 2.7 OHM J 1/16W	1	
R4229	DOGB392JA041	M 3.9K OHM J 1/16W	1		R5017	DOGB2R7JA040	M 2.7 OHM J 1/16W	1	
R4230	DOGB392JA041	M 3.9K OHM J 1/16W	1		R5018	DOGB2R7JA040	M 2.7 OHM J 1/16W	1	
R4231	ERJ3GEYJ103	M 10KOHM, J, 1/16W	1		R5019	DOGB2R7JA040	M 2.7 OHM J 1/16W	1	
R4232	ERJ3GEYJ103	M 10KOHM, J, 1/16W	1		R5020	DOGB2R7JA040	M 2.7 OHM J 1/16W	1	
R4233	ERJ3GEYJ103	M 10KOHM, J, 1/16W	1		R5021	DOGB2R7JA040	M 2.7 OHM J 1/16W	1	
R4234	ERJ3GEYJ103	M 10KOHM, J, 1/16W	1		R5022	DOGB2R7JA040	M 2.7 OHM J 1/16W	1	
R4235	ERJ3GEYJ103	M 10KOHM, J, 1/16W	1		R5023	ERJ2GEOR00	M 0.0 OHM, J, 0.063W	1	
R4236	ERJ3GEYJ103	M 10KOHM, J, 1/16W	1		R5024	ERJ3GEYJ103	M 10KOHM, J, 1/16W	1	
R4237	ERJ3GEYJ103	M 10KOHM, J, 1/16W	1		R5025	ERJ3GEYJ103	M 10KOHM, J, 1/16W	1	
R4238	ERJ3GEYJ103	M 10KOHM, J, 1/16W	1		R5026	ERJ2GEOR00	M 0.0 OHM, J, 0.063W	1	
R4239	ERJ3GEYJ103	M 10KOHM, J, 1/16W	1		R5027	ERJ3GEYJ103	M 10KOHM, J, 1/16W	1	
R4240	ERJ3GEYJ103	M 10KOHM, J, 1/16W	1		R5028	ERJ3GEYJ103	M 10KOHM, J, 1/16W	1	
R4241	ERJ3GEYJ103	M 10KOHM, J, 1/16W	1		R5029	ERJ3GEYJ103	M 10KOHM, J, 1/16W	1	
R4242	ERJ3GEYJ103	M 10KOHM, J, 1/16W	1		R5030	DOGB472JA041	M 4.7K OHM J 1/16W	1	
R4243	ERJ3GEYJ103	M 10KOHM, J, 1/16W	1		R5031	DOGB472JA041	M 4.7K OHM J 1/16W	1	
R4244	DOGB101JA041	M 100 OHM J 1/16W	1		R5032	ERJ3GEYJ103	M 10KOHM, J, 1/16W	1	
R4245	ERJ3GEYJ103	M 10KOHM, J, 1/16W	1		R5035	DOGB472JA041	M 4.7K OHM J 1/16W	1	
R4246	ERJ3GEYJ103	M 10KOHM, J, 1/16W	1		R5036	DOGB472JA041	M 4.7K OHM J 1/16W	1	
R4247	ERJ3GEYJ103	M 10KOHM, J, 1/16W	1		R5038	DOGB473JA041	M 47K OHM J 1/16W	1	
R4248	ERJ3GEYJ103	M 10KOHM, J, 1/16W	1		R5039	DOGB560JA041	M 56 OHM J 1/16W	1	
R4249	ERJ3GEYJ103	M 10KOHM, J, 1/16W	1		R5040	DOGB473JA041	M 47K OHM J 1/16W	1	
R4251	ERJ3GEYJ103	M 10KOHM, J, 1/16W	1		R5041	DOGB560JA041	M 56 OHM J 1/16W	1	
R4253	DOGB1R8JA040	M 1.8 OHM J 1/16W	1		R5043	DOGB560JA041	M 56 OHM J 1/16W	1	
R4254	ERJ3GEYJ103	M 10KOHM, J, 1/16W	1		R5045	DOGB560JA041	M 56 OHM J 1/16W	1	
R4255	ERJ3GEYJ104	M 100KOHM, J, 1/16W	1		R5048	DOGB472JA041	M 4.7K OHM J 1/16W	1	
R4256	ERJ3GEYOR00	M 0 OHM, 1/16W	1		R5049	DOGB472JA041	M 4.7K OHM J 1/16W	1	
R4257	ERJ3GEYJ103	M 10KOHM, J, 1/16W	1		R5052	DOGB472JA041	M 4.7K OHM J 1/16W	1	
R4258	DOGB473JA041	M 47K OHM J 1/16W	1		R5053	DOGB472JA041	M 4.7K OHM J 1/16W	1	
R4259	DOGB473JA041	M 47K OHM J 1/16W	1		R5054	DOGB101JA041	M 100 OHM J 1/16W	1	
R4271	DOGB221JA041	M 220 OHM J 1/16W	1		R5055	DOGB101JA041	M 100 OHM J 1/16W	1	
R4272	DOGB221JA041	M 220 OHM J 1/16W	1		R5057	ERJ3GEYJ103	M 10KOHM, J, 1/16W	1	
R4273	DOGB221JA041	M 220 OHM J 1/16W	1		R5058	DOGB330JA041	M 33 OHM J 1/16W	1	
R4274	DOGB221JA041	M 220 OHM J 1/16W	1		R5060	ERJ3GEYJ103	M 10KOHM, J, 1/16W	1	
R4275	DOGB221JA041	M 220 OHM J 1/16W	1		R5061	DOGB220JA041	M 22 OHM J 1/16W	1	
R4276	DOGB221JA041	M 220 OHM J 1/16W	1		R5062	DOGB220JA041	M 22 OHM J 1/16W	1	
R4277	DOGB221JA041	M 220 OHM J 1/16W	1		R5063	DOGB330JA041	M 33 OHM J 1/16W	1	
R4278	DOGB221JA041	M 220 OHM J 1/16W	1		R5064	DOGB220JA041	M 22 OHM J 1/16W	1	
R4279	DOGB221JA041	M 220 OHM J 1/16W	1		R5065	DOGB330JA041	M 33 OHM J 1/16W	1	
R4280	DOGB221JA041	M 220 OHM J 1/16W	1		R5066	DOGB220JA041	M 22 OHM J 1/16W	1	
R4281	DOGB332JA041	M 3.3K OHM J 1/16W	1		R5067	DOGB330JA041	M 33 OHM J 1/16W	1	
R4282	DOGB332JA041	M 3.3K OHM J 1/16W	1		R5068	DOGB220JA041	M 22 OHM J 1/16W	1	
R4325	ERJ2GEOR00	M 0.0 OHM, J, 0.063W	1		R5070	DOGB220JA041	M 22 OHM J 1/16W	1	
R4326	ERJ2GEOR00	M 0.0 OHM, J, 0.063W	1		R5073	DOGB105JA041	M 1M OHM F 1/16W	1	
R4328	DOGB101JA041	M 100 OHM J 1/16W	1		R5075	DOGB821JA041	M 820 OHM J 1/16W	1	
R4501	DOGB473JA041	M 47K OHM J 1/16W	1		R5077	DOGB182JA041	M 1.8K OHM J 1/16W	1	
R4502	ERJ3GEYJ103	M 10KOHM, J, 1/16W	1		R5078	DOGB220JA041	M 22 OHM J 1/16W	1	
R4504	ERJ3GEYJ103	M 10KOHM, J, 1/16W	1		R5080	DOGB220JA041	M 22 OHM J 1/16W	1	
R4505	ERJ3GEYJ103	M 10KOHM, J, 1/16W	1		R5081	DOGB182JA041	M 1.8K OHM J 1/16W	1	
R4506	DOGB473JA041	M 47K OHM J 1/16W	1		R5082	DOGB220JA041	M 22 OHM J 1/16W	1	
R4750	ERJ2GEOR00	M 0.0 OHM, J, 0.063W	1		R5083	EXB38V220J	RESISTOR ARRAY	1	
R4751	ERJ2GEOR00	M 0.0 OHM, J, 0.063W	1		R5084	EXB2HV220JV	RESISTOR ARRAY	1	
R4752	ERJ2GEOR00	M 0.0 OHM, J, 0.063W	1		R5085	ERJ2GEJ220	M 22 OHM, J, 0.063W	1	
R4753	ERJ2GEOR00	M 0.0 OHM, J, 0.063W	1		R5086	EXB2HV220JV	RESISTOR ARRAY	1	
R4754	ERJ2GEOR00	M 0.0 OHM, J, 0.063W	1		R5087	EXB2HV220JV	RESISTOR ARRAY	1	
R4755	ERJ2GEOR00	M 0.0 OHM, J, 0.063W	1		R5088	ERJ3GEYOR00	M 0 OHM, 1/16W	1	
R4756	ERJ2GEOR00	M 0.0 OHM, J, 0.063W	1		R5091	ERJ3GEYOR00	M 0 OHM, 1/16W	1	
R4757	ERJ2GEOR00	M 0.0 OHM, J, 0.063W	1		R5093	ERJ3EKF2612	M 26.1K OHM F 1/16W	1	
R4758	ERJ2GEOR00	M 0.0 OHM, J, 0.063W	1		R5094	DOGB221JA041	M 220 OHM J 1/16W	1	
R4759	ERJ2GEOR00	M 0.0 OHM, J, 0.063W	1		R5095	ERJ3EKF4703V	M 470K OHM F 1/16W	1	
R4810	DOGB223JA041	M 22K OHM J 1/16W	1		R5096	ERJ3GEYJ104	M 100KOHM, J, 1/16W	1	
R4811	ERJ3GEYJ333	M 33KOHM, J, 1/16W	1		R5097	DOGB473JA041	M 47K OHM J 1/16W	1	

TX-26LX60A, TX-32LX60A

Ref.No.	Part No.	Part Name & Description	Pcs	Remarks	Ref.No.	Part No.	Part Name & Description	Pcs	Remarks
R5098	ERJ3EKF2203V	M 220K OHM F 1/16W	1						
R5099	DOGB472JA041	M 4.7K OHM J 1/16W	1						
R5100	ERJ3GEYJ475	M 4700K OHM J 1/16W	1						
R5101	ERJ3GEYOR00	M 0 OHM, 1/16W	1						
R5102	DOGB223JA041	M 22K OHM J 1/16W	1						
R5103	ERJ3GEYJ103	M 10KOHM, J, 1/16W	1						
R5104	DOGB102JA041	M 1K OHM J 1/16W	1						
R5105	ERJ3GEYJ103	M 10KOHM, J, 1/16W	1						
R5106	DOGB102JA041	M 1K OHM J 1/16W	1						
R5107	EXB2HV104JV	RESISTOR ARRAY	1						
R5108	EXB2HV104JV	RESISTOR ARRAY	1						
R5109	EXB2HV104JV	RESISTOR ARRAY	1						
R5110	ERJ3GEYJ104	M 100KOHM, J, 1/16W	1						
R5111	ERJ3GEYJ104	M 100KOHM, J, 1/16W	1						
R5112	ERJ3GEYJ104	M 100KOHM, J, 1/16W	1						
R5113	ERJ3GEYJ104	M 100KOHM, J, 1/16W	1						
R5114	ERJ3GEYOR00	M 0 OHM, 1/16W	1						
R5116	ERJ3GEYOR00	M 0 OHM, 1/16W	1						
R5117	ERJ3GEYOR00	M 0 OHM, 1/16W	1						
R5118	ERJ3GEYOR00	M 0 OHM, 1/16W	1						
R5119	ERJ3GEYOR00	M 0 OHM, 1/16W	1						
R5124	ERJ3GEYOR00	M 0 OHM, 1/16W	1						
R5125	DOGB220JA041	M 22 OHM J 1/16W	1						
R5126	DOGB220JA041	M 22 OHM J 1/16W	1						
R5130	DOGB473JA041	M 47K OHM J 1/16W	1						
R5131	DOGB473JA041	M 47K OHM J 1/16W	1						
R5132	DOGB220JA041	M 22 OHM J 1/16W	1						
RM1001	PNA4701M05TV	REMOCO RECEIVER	1						
SN1001	B3L00000020	IC	1						
SW901	KOF162B00002	SWITCH	1						
TU101	ENG39A02GF	TUNER	1	△					
X4001	HOJ202500011	CRYSTAL	1						
X5001	HOJ283500018	CRYSTAL	1						
A1	K1KB23A00003	23P CONNECTOR	1						
A2	K1KB23A00003	23P CONNECTOR	1						
A3	K1KA04AA0190	4P CONNECTOR	1						
A4	K1KA05AA0150	5P CONNECTOR	1						
A5	K1KA10AA00430	CONNECTOR	1						
A7	K1KA08AA0150	8P CONNECTOR	1						
A8	K1KB30B000044	30P CONNECTOR	1						
A9	K1KA10AA0105	10P CONNECTOR	1						
A10	K1KA08AA0150	8P CONNECTOR	1						
AP1	K1KA19A00007	19P CONNECTOR	1						
AP2	K1KA15A00118	15P CONNECTOR	1						
AP3	K1KA23A00005	23P CONNECTOR	1						
AP4	K1KA23A00005	23P CONNECTOR	1						
AP5	K1KA14AA0194	CONNECTOR	1						
AP6	K1KA03AA0190	3P CONNECTOR	1						
V1	K1KA08BA0061	8P CONNECTOR	1						
RTL	TNPA3749AB	CIRCUIT BOARD V	1	△					
RTL	TNPA3857	CIRCUIT BOARD AP	1	△					
RTL	TNPA3858	CIRCUIT BOARD G	1	△					
RTL	TXN/A10MYJ	CIRCUIT BOARD A	1	△ (TX-26LX60A)					
RTL	TXN/A10MXJ	CIRCUIT BOARD A	1	△ (TX-32LX60A)					
	LSEP1221A1HB	P MODULE	1	△					