

Service Manual



Colour LCD Television

TX-32LX70F

TX-32LX70L

TX-32LX70P

TX-26LX70F

TX-26LX70L

TX-26LX70P

LH64 Chassis

Specifications

(Informations in brackets [] refers to model 26")

Power Source:	220-240V AC, 50/60Hz		
Power Consumption	134W [100W]		
Stand-by Power Consumption:	0.4W		
Aerial Impedance:	75Ω unbalanced, Coaxial Type		
Receiving System:	LX70L PAL-I, PAL-525/60 (AV only) M.NTSC (AV only) NTSC (AV only)	LX70F, LX70P PAL-I/H, B/G, D/K, SECAM B/G, D/K, L/L' PAL-525/60 (AV only) M.NTSC (AV only) NTSC (AV only)	
Receiving Channels:	LX70L UHF E21-E68	LX70F, LX70P VHF E2-E12 VHF A-H (ITALY) VHF R3-R5 UHF E21-E69 CATV S1-S10 (M1-M10) CATV S21-S41 (Hyperband)	VHF H1-H2 (ITALY) VHF R1-R2 VHF R6-R12 CATV (S01-S05) CATV S11-S20 (U1-U10)
Operating Conditions:	Temperature: 0°C ÷ 35°C Humidity: 20% ÷ 80% RH (non condensing)		
Scanning format:	480i(60Hz), 480p(60Hz), 576i(50Hz), 576p(50Hz), 720p(60Hz), 720p(50Hz), 1.080i(60Hz), 1.080i(50Hz), 1.080p(60Hz), 1.080p(50Hz)		
PC signals:	VGA, SVGA, XGA, SXGA(compressed) Horizontal scanning frequency 31 – 69 kHz Vertical scanning frequency 59 – 86 Hz		

Intermediate Frequency:

Video/Audio	LX70L	LX70F, LX70P
Video	38,9MHz	38,9MHz, 33,9MHz
Audio	32.90MHz 32.35MHz(NICAM)	33,4MHz (B/G), 33,16MHz (A2) 33,05MHz (NICAM B/G, D/K, L) 32,4MHz (D/K), 32,66MHz (CZ STEREO) 40,4MHz (L'), 39,75MHz (L'NICAM)
Colour	34,47MHz	34,47MHz (PAL) 34,5MHz, 34,65MHz (SECAM) 38,3MHz, 38,15MHz (SECAM L')

Terminals:

AV1 IN	Video (21 pin) 1V p-p 75Ω Audio (21 pin) 500mV rms 10kΩ RGB (21 pin) 0,7V p-p 75Ω
AV1 OUT	Video (21 pin) 1V p-p 75Ω Audio (21 pin) 500mV rms 1kΩ
AV2 IN	Video (21 pin) 1V p-p 75Ω Audio (21 pin) 500mV rms 10kΩ RGB (21 pin) 0,7V p-p 75Ω S-video IN (21-pin)Y: 1V p-p 75Ω C:0,3V p-p 75Ω
AV2 OUT	Video (21 pin) 1V p-p 75Ω Audio (21 pin) 500mV rms 1kΩ
AV3 IN	S-Video IN (4-pin)Y: 1V p-p 75Ω C:0,3V p-p 75Ω Audio (RCAX2) 500mV rms 10kΩ Video (RCAX1) 1V p-p 75Ω
HDMI1, HDMI2 COMPONENT	Type A Connector Video (RCAX3) Y:1V p-p 75Ω (including synchronization) Pb, Pr: ±0,35V p-p 75Ω
AUDIO IN	Audio (RCAX2) 500mV rms 10kΩ (for YUV, HDMI1)
AUDIO OUT	Audio (RCAX2) 500mV rms 1kΩ (high impedance)
PC	HIGH-DENSITY D_SUB 15PIN R,G,B: 700mV p-p 75Ω HD,VD/TTL Level 2-5V p-p (high impedance)

LCD screen:	L5EDD8Q00030	[L5EDD6Q00024]
	1366 x 768 XGA, 16:9	
	Visible Diagonal 800mm	[660mm]

Audio Output: 20W (2x10W)**Headphones:** 3,5mm, 8Ω Impedance**Accessories supplied :** Remote Control 2 x R6 (UM3) Batteries**Dimensions:**

	Height:	Width:	Depth:
Including TV stand	615mm [525mm]	791mm [657mm]	248mm [216mm]
TV set only	563mm [473mm]	791mm [657mm]	117mm [117mm]

Net weight: 17,5kg [14kg]

Specifications are subject to change without notice.
Weights and dimensions shown are approximate.

 Warning

This service information is designed for experienced repair technicians only and is not designed for use by the general public. It does not contain warnings or cautions to advise non-technical individuals of potential dangers in attempting to service a product. Products powered by electricity should be serviced or repaired only by experienced professional technicians. Any attempt to service or repair the product or products deal within this service information by anyone else could result in serious injury or death.

CONTENTS

SAFETY PRECAUTIONS	4	G-BOARD SCHEMATIC DIAGRAM	46
GENERAL GUIDE LINES.....	4	K-BOARD SCHEMATIC DIAGRAM	47
TOUCH – CURRENT CHECK.....	4	H-BOARD (1 OF 4) SCHEMATIC DIAGRAM	48
PREVENTION OF ELECTROSTATIC DISCHARGE (ESD) TO ELECTROSTATICALLY SENSITIVE (ES) DEVICES	5	H-BOARD (2 OF 4) SCHEMATIC DIAGRAM	49
ABOUT LEAD FREE SOLDER (PBF).....	6	H-BOARD (3 OF 4) SCHEMATIC DIAGRAM	50
SUGGESTED PB FREE SOLDER	6	H-BOARD (4 OF 4) SCHEMATIC DIAGRAM	51
APPLICABLE SIGNALS.....	7	P-BOARD SCHEMATIC DIAGRAM	52
SERVICE HINTS	8	V-BOARD SCHEMATIC DIAGRAM	53
CHASSIS BOARD LAYOUT	9	DG-BOARD (1 OF 14) SCHEM. DIAGRAM	54
SETTING INSPECTION.....	9	DG-BOARD (2 OF 14) SCHEM. DIAGRAM	55
SELF-CHECK	10	DG-BOARD (3 OF 14) SCHEM. DIAGRAM	56
POWER LED BLINKING TIMING CHART	12	DG-BOARD (4 OF 14) SCHEM. DIAGRAM	57
SERVICE MODE FUNCTION.....	13	DG-BOARD (5 OF 14) SCHEM. DIAGRAM	58
SERVICE	14	DG-BOARD (6 OF 14) SCHEM. DIAGRAM	59
OPTION BYTES DESCRIPTION	15	DG-BOARD (7 OF 14) SCHEM. DIAGRAM	60
ADJUSTMENT METHOD	16	DG-BOARD (8 OF 14) SCHEM. DIAGRAM	61
WIRING DIAGRAM	17	DG-BOARD (9 OF 14) SCHEM. DIAGRAM	62
BLOCK DIAGRAMS.....	18	DG-BOARD (10 OF 14) SCHEM. DIAGRAM	63
PARTS LOCATION.....	21	DG-BOARD (11 OF 14) SCHEM. DIAGRAM	64
REPLACEMENT PARTS LIST.....	22	DG-BOARD (12 OF 14) SCHEM. DIAGRAM	65
SCHEMATIC DIAGRAMS.....	43	DG-BOARD (13 OF 14) SCHEM. DIAGRAM	66
AP-BOARD (1 OF 2) SCHEMATIC DIAGRAM....	44	DG-BOARD (14 OF 14) SCHEM. DIAGRAM	67
AP-BOARD (2 OF 2) SCHEMATIC DIAGRAM....	45	CONDUCTOR VIEWS	68

Safety Precautions

General Guide Lines

1. When servicing, observe the original lead dress. If a short circuit is found, replace all parts which have been overheated or damaged by the short circuit.
2. After servicing, see to it that all the protective devices such as insulation barriers, insulation papers shields are properly installed.
3. After servicing, make the following touch current checks to prevent the customer from being exposed to shock hazards.
4. Always ensure panel TKP0E16001 is correctly replaced before returning to customer (see Fig.1).

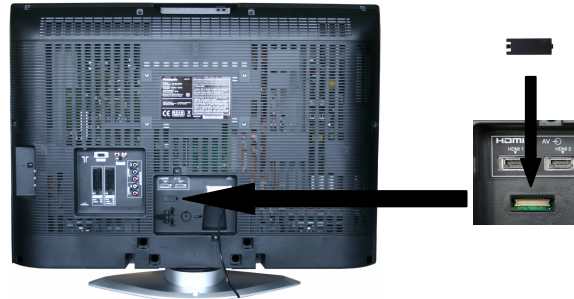


Fig. 1

Touch-Current Check

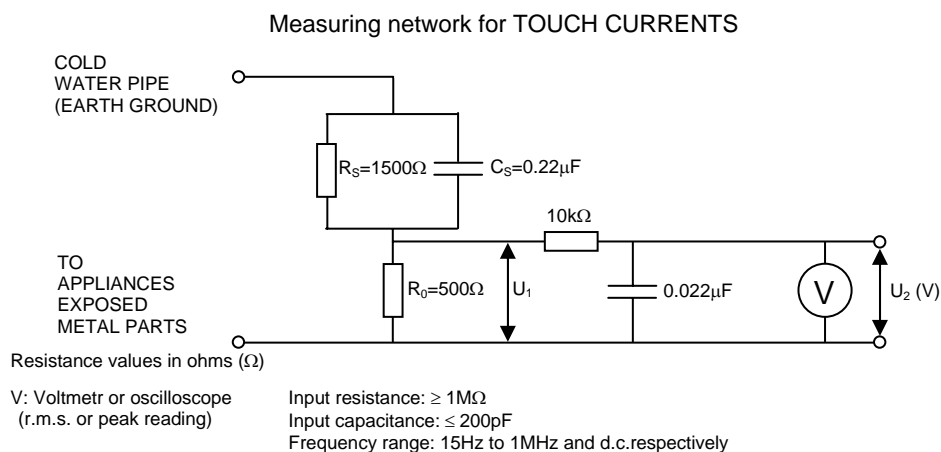
1. Plug the AC cord directly into the AC outlet. Do not use an isolation transformer for this check.
2. Connect a measuring network for touch currents between each exposed metallic part on the set and a good earth ground such as a water pipe, as shown in Fig. 2.
3. Use Leakage Current Tester (Simpson 228 or equivalent) to measure the potential across the measuring network.
4. Check each exposed metallic part, and measure the voltage at each point.
5. Reserve the AC plug in the AC outlet and repeat each of the above measure.
6. The potential at any point (TOUCH CURRENT) expressed as voltage U_1 and U_2 , does not exceed the following values:
For a. c.: $U_1 = 35 \text{ V}$ (peak) and $U_2 = 0.35 \text{ V}$ (peak);
For d. c.: $U_1 = 1.0 \text{ V}$,

Note:

The limit value of $U_2 = 0.35 \text{ V}$ (peak) for a. c. and $U_1 = 1.0 \text{ V}$ for d. c. correspond to the values 0.7 mA (peak) a. c. and 2.0 mA d. c.

The limit value $U_1 = 35 \text{ V}$ (peak) for a. c. correspond to the value 70 mA (peak) a. c. for frequencies greater than 100 kHz .

7. In case a measurement is out of the limits specified, there is a possibility of a shock hazard, and the equipment should be repaired and rechecked before it is returned to the customer.



NOTE – Appropriate measures should be taken to obtain the correct value in case of non-sinusoidal waveforms

Fig. 2

Prevention of Electrostatic Discharge (ESD) to Electrostatically Sensitive (ES) Devices

Some semiconductor (solid state) devices can be damaged easily by static electricity. Such components commonly are called Electrostatically Sensitive (ES) Devices. Examples of typical ES devices are integrated circuits and some field-effect transistors and semiconductor "chip" components. The following techniques should be used to help reduce the incidence of component damage caused by electrostatic discharge (ESD).


1. Immediately before handling any semiconductor component or semiconductor-equipped assembly, drain off any ESD on your body by touching a known earth ground. Alternatively, obtain and wear a commercially available discharging ESD wrist strap, which should be removed for potential shock reasons prior to applying power to the unit under test.
2. After removing an electrical assembly equipped with ES devices, place the assembly on a conductive surface such as aluminum foil, to prevent electrostatic charge build up or exposure of the assembly.
3. Use only a grounded-tip soldering iron to solder or unsolder ES devices.
4. Use only an anti-static solder removal device. Some solder removal devices not classified as "anti-static (ESD protected)" can generate electrical charge sufficient to damage ES devices.
5. Do not use freon-propelled chemicals. These can generate electrical charges sufficient to damage ES devices.
6. Do not remove a replacement ES device from its protective package until immediately before you are ready to install it. (Most replacement ES devices are packaged with leads electrically shorted together by conductive foam, aluminum foil or comparable conductive material).
7. Immediately before removing the protective material from the leads of a replacement ES device, touch the protective material to the chassis or circuit assembly into which the device will be installed.

Caution

Be sure no power is applied to the chassis or circuit, and observe all other safety precautions.

8. Minimize bodily motions when handling unpackaged replacement ES devices. (Otherwise harmless motion such as the brushing together of your clothes fabric or the lifting of your foot from a carpeted floor can generate static electricity (ESD) sufficient to damage an ES device).

IMPORTANT SAFETY NOTICE

There are special components used in this equipment which are important for safety. These parts are marked by  in schematic diagrams, exploded views and replacement parts list. It is essential that these critical parts should be replaced with manufacturer's specified parts to prevent shock, fire, or other hazards. Do not modify the original design without permission of manufacturer.

About lead free solder (PbF)

Note: Lead is listed as (Pb) in the periodic table of elements.


In the information below, Pb will refer to Lead solder, and PbF will refer to Lead Free Solder.

The Lead Free Solder used in our manufacturing process and discussed below is (Sn+Ag+Cu).

That is Tin (Sn), Silver (Ag) and Copper (Cu) although other types are available.

This model uses Pb Free solder in it's manufacture due to environmental conservation issues. For service and repair work, we'd suggest the use of Pb free solder as well, although Pb solder may be used.

PCBs manufactured using lead free solder will have the PbF within a leaf Symbol

 stamped on the back of PCB.

Caution

- Pb free solder has a higher melting point than standard solder. Typically the melting point is 50 ~ 70 °F (30~40°C) higher. Please use a high temperature soldering iron and set it to 700 ± 20 °F (370 ± 10 °C).
- Pb free solder will tend to splash when heated too high (about 1100 °F or 600 °C).
If you must use Pb solder, please completely remove all of the Pb free solder on the pins or solder area before applying Pb solder. If this is not practical, be sure to heat the Pb free solder until it melts, before applying Pb solder.
- After applying PbF solder to double layered boards, please check the component side for excess solder which may flow onto the opposite side. (see Fig.3)

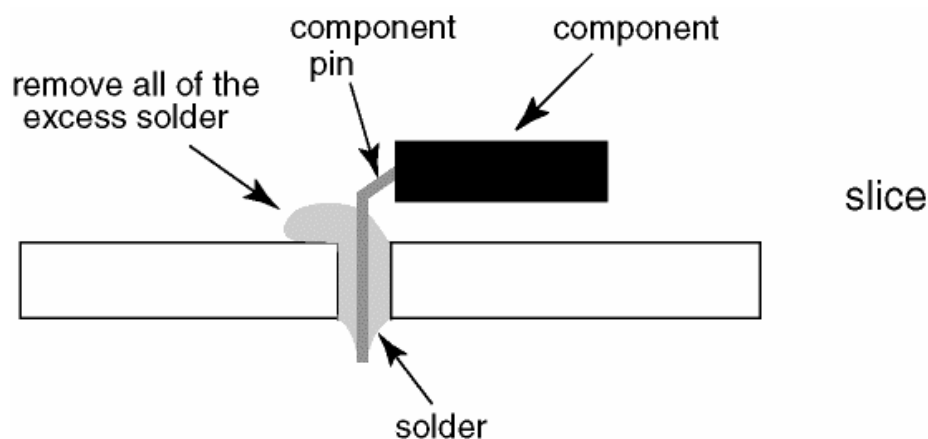


Fig.3

Suggested Pb free solder

There are several kinds of Pb free solder available for purchase. This product uses Sn+Ag+Cu (tin, silver, copper) solder. However, Sn+Cu (tin, copper), Sn+Zn+Bi (tin, zinc, bismuth) solder can also be used. (see Fig.4)

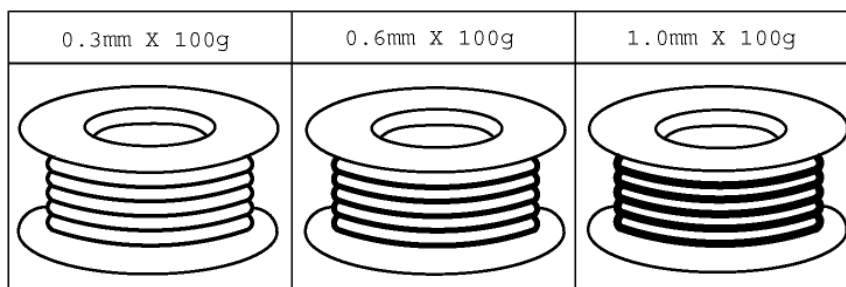


Fig.4

Applicable signals

Component (Y, Pb, Pr), HDMI

Signal name	COMPONENT	HDMI
525 (480) / 60i	*	*
525 (480) / 60p	*	*
625 (576) / 50i	*	*
625 (576) / 50p	*	*
750 (720) / 60p	*	*
750 (720) / 50p	*	*
1,125 (1,080) / 60i	*	*
1,125 (1,080) / 50i	*	*
1,125 (1,080) / 60p	*	*
1,125 (1,080) / 50p	*	*

PC (D-sub 15P)

Signal name	Horizontal frequency (kHz)	Vertical frequency (Hz)
640 × 400 @70 Hz	31.47	70.07
640 × 480 @60 Hz	31.47	59.94
640 × 480 @75 Hz	37.50	75.00
800 × 600 @60 Hz	37.88	60.32
800 × 600 @75 Hz	46.88	75.00
800 × 600 @85 Hz	53.67	85.06
852 × 480 @60Hz	31.44	59.89
1,024 × 768 @60Hz	48.36	60.00
1,024 × 768 @70Hz	56.48	70.07
1,024 × 768 @75Hz	60.02	75.03
1,024 × 768 @85Hz	68.68	85.00
1,280 × 1,024 @60Hz	63.98	60.02
1,366 × 768 @60Hz	48.39	60.04
Macintosh 13" (640 × 480)	35.00	66.67
Macintosh 16" (832 × 624)	49.73	74.55
Macintosh 21" (1,152 × 870)	68.68	75.06

Note:

- Signals other than above may not be displayed properly.
- The above signals are reformatted for optimal viewing on your display.
- Applicable input signal for PC is basically compatible to VESA standard timing.
- PC signal is magnified or compressed for display, so that it may not be possible to show fine detail with sufficient clarity.

Service Hints

How to remove the backcover

Remove the 18 [16] fixing screws. (see Fig.5)

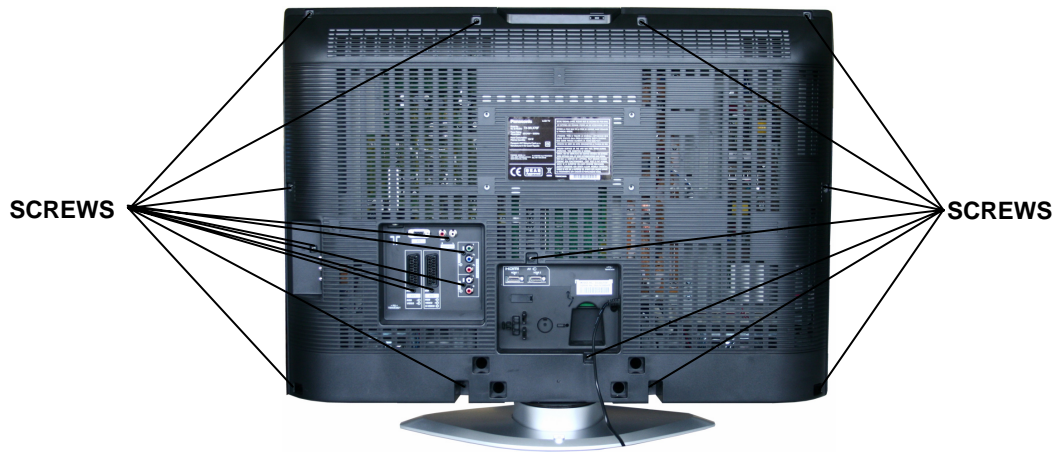


Fig.5

How to remove the Pedestal assembly

Lay the main unit face down. (see Fig.6)



Fig.6

Remove the 4 fixing screws and the pedestal assembly. (see Fig.7)

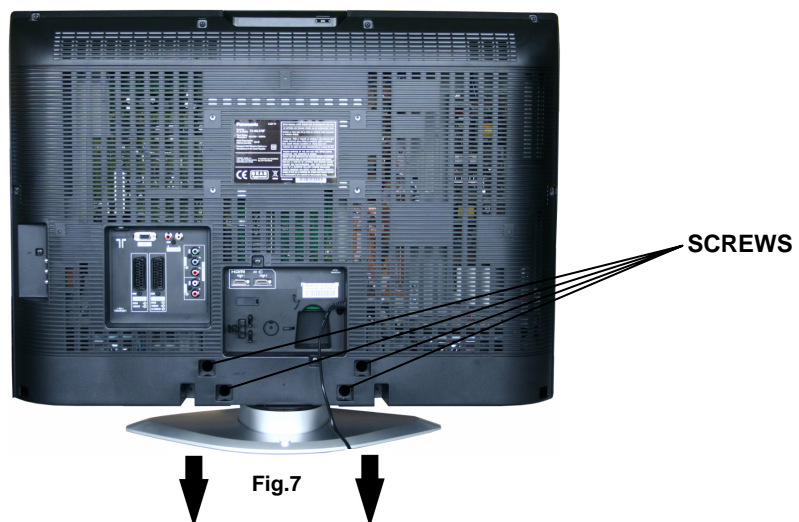
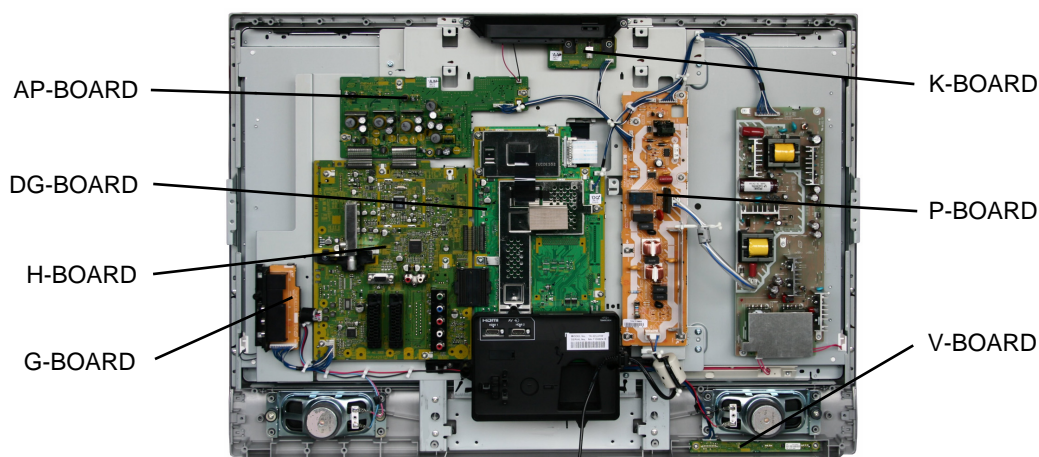


Fig.7

Chassis Board Layout



Board Name	Function
AP-Board	Power Supply Regulator
DG-Board	Global Core, HDMI, IDTV Processor, D/A Converter
G-Board	Side AV Connector
H-Board	AV Connector, TV tuner, AV Switch
K-Board	Main Switch
P-Board	Main Input, Power Supply
V-Board	Remote Receiver, LED IR, Cats

Setting Inspection Voltage Confirmation

Confirm the following voltages:				
AP board				
Description	Test point	Position	Normal mode	Stand by mode
Sound_Vcc	TP7302	AP3, pin 2,3	15V +/- 0,8V	Max 5V
DTV_9V	TP7502	AP3, pin 17,18	9,1V +/- 0,45V	Max 3V
Sub_5V	TP7402	AP3, pin 21,22	5,1V +/- 0,25V	Max 2V
Main_9V		AP3, pin 23	9,1V +/- 0,45V	Max 3V
LCD_3.3V	TP7602	AP4, pin 16,17	3,3V +/- 0,16V	Max 2V
STB_5V	TP7103	AP4, pin 3	5,1V +/- 0,25V	5,1V +/- 0,25V
Panel 12V	TP7702	AP4, pin 11,12	12,2V +/- 0,6V	Max 4V
P board				
5Vs	TP823	P8, pin 1	5,1V +/- 0,25V	5,1V +/- 0,25V
24V	TP825	P5, pin 1-3	24V +/- 2V	Max 4V
DG board				
Sub1,2V	TP5601		1,17V - 1,32V	
Sub1,8V	TP5602		1,7V - 1,9V	
Sub3,3V	TP5600		3,14V - 3,46V	
MHQ1,2V	TP4209		1,1V - 1,3V	

Self Check

Self-check is used to automatically check the bus lines and hexadecimal code of the TV set. To enter Self-Check mode, keep pressing the down (-V) button on the TV set and press the **STATUS**  button on the remote control. To exit Self Check, switch off the TV set at the power button.

TX-26LX70F

26		Panasonic 2007LCD Self Check Complete		26lxd70.dat:00004f	
ADV O.K.	PEAKS-SOFT 2.020	SUM	186d		
VSW O.K.	PEAKS-EEP 02.00.0010	OPTION 1	0c		
ADAV O.K.	GenX-SOFT 1.00.00	OPTION 2	ea		
ASW O.K.	GenX-EEP 1.02.00	OPTION 3	7f		
GENX O.K.	GenX-ROMCORR 1.01.00	CHECK	75		
MEM1 O.K.	HQ1L-EEP 20	MODEL ID	04		
MEM2 O.K.			030e0000		
TUN1 O.K.			00000002		
HQ1L O.K.					

TX-26LX70L

26		Panasonic 2007LCD Self Check Complete		26lxd70.dat:00004f	
ADV O.K.	PEAKS-SOFT 2.020	SUM	1891		
VSW O.K.	PEAKS-EEP 02.00.0017	OPTION 1	2c		
ADAV O.K.	GenX-SOFT 1.00.00	OPTION 2	ea		
ASW O.K.	GenX-EEP 1.02.00	OPTION 3	7f		
GENX O.K.	GenX-ROMCORR 1.01.00	CHECK	95		
MEM1 O.K.	HQ1L-EEP 20	MODEL ID	04		
MEM2 O.K.			030e0000		
TUN1 O.K.			00000002		
HQ1L O.K.					

TX-26LX70P

26		Panasonic 2007LCD Self Check Complete		26lxd70.dat:00004f	
ADV O.K.	PEAKS-SOFT 2.020	SUM	188e		
VSW O.K.	PEAKS-EEP 02.00.0011	OPTION 1	2c		
ADAV O.K.	GenX-SOFT 1.00.00	OPTION 2	ea		
ASW O.K.	GenX-EEP 1.02.00	OPTION 3	7f		
GENX O.K.	GenX-ROMCORR 1.01.00	CHECK	95		
MEM1 O.K.	HQ1L-EEP 20	MODEL ID	04		
MEM2 O.K.			030e0000		
TUN1 O.K.			00000002		
HQ1L O.K.					

TX-32LX70F

32		Panasonic 2007LCD Self Check Complete		32lxd70.dat:000054	
ADV O.K.	PEAKS-SOFT 2.020	SUM	1863		
VSW O.K.	PEAKS-EEP 02.00.0006	OPTION 1	0c		
ADAV O.K.	GenX-SOFT 1.00.00	OPTION 2	ea		
ASW O.K.	GenX-EEP 1.02.00	OPTION 3	7f		
GENX O.K.	GenX-ROMCORR 1.01.00	CHECK	75		
MEM1 O.K.	HQ1L-EEP 20	MODEL ID	04		
MEM2 O.K.			030e0000		
TUN1 O.K.			00000004		
HQ1L O.K.					

TX-32LX70L

32		Panasonic 2007LCD Self Check Complete		32lxd70.dat:000054	
ADV O.K.	PEAKS-SOFT 2.020	SUM	1891		
VSW O.K.	PEAKS-EEP 02.00.0016	OPTION 1	2c		
ADAV O.K.	GenX-SOFT 1.00.00	OPTION 2	ea		
ASW O.K.	GenX-EEP 1.02.00	OPTION 3	7f		
GENX O.K.	GenX-ROMCORR 1.01.00	CHECK	95		
MEM1 O.K.	HQ1L-EEP 20	MODEL ID	04		
MEM2 O.K.			030e0000		
TUN1 O.K.			00000004		
HQ1L O.K.					

TX-32LX70P

32		Panasonic 2007LCD Self Check Complete		32lxd70.dat:000054	
ADV	O.K.	PEAKS-SOFT	2.020	SUM	1884
VSW	O.K.	PEAKS-EEP	02.00.0007	OPTION 1	2c
ADAV	O.K.	GenX-SOFT	1.00.00	OPTION 2	ea
ASW	O.K.	GenX-EEP	1.02.00	OPTION 3	7f
GENX	O.K.	GenX-ROMCORR	1.01.00	CHECK	75
MEM1	O.K.	HQ1L-EEP	20	MODEL ID	04
MEM2	O.K.				030e0000
TUN1	O.K.				00000004
HQ1L	O.K.				

Display	Ref. No.	Description	P.C.B.
ADV	IC4510	A/D CONVERTER	DG-Board
VSW	IC3001	VIDEO SWITCH	H-Board
ADAV	IC2106	AUDIO PROCESSOR	H-Board
ASW	IC3101	AUDIO SWITCH	H-Board
GENX	IC1100	MICROPROCESSOR	DG-Board
MEM1	IC1101	EEPROM	DG-Board
MEM2	IC8601	EEPROM	DG-Board
TUN1	TU3200	ANALOG TUNER	H-Board
HQ1L	IC4200	HQ1L	DG-Board

If the CCU ports have been checked and found to be incorrect or not located then " - - " will appear in place of "O.K.".

Power LED blinking timing chart

1. Subject
Information of LED Flashing timing chart.
2. Contents
When abnormality has occurred the unit, the protection circuit operates and reset to the stand by mode. At this time, the defective block can be identified by number of blinking of the Power LED on the front panel of the unit.

Blinking times	Blinking timing	Contents	Check point
1		INVERTER_SOS	DG BOARD LCD PANEL
2		FAN_SOS	H BOARD DG BOARD
3		BT_30V, SOUND 15V PANEL 12V, HQ_ 3.3V	H BOARD AP BOARD, DG BOARD
4		DTV_9V	AP BOARD H BOARD, DG BOARD
5		MAIN_9V	AP BOARD H BOARD, DG BOARD
6		SUB_5V	AP BOARD H BOARD, DG BOARD
7		MAIN_5V	DG BOARD
8		MAIN_3.3V	DG BOARD
9		SOUND_SOS	H BOARD DG BOARD
10		HQ1L_SOS	DG BOARD

Service Mode Function

MPU controls the functions switching for each IICs through IIC bus in this chassis. The following setting and adjustment can be adjusted by remote control in Service Menu

How to enter SERVICE

While pressing (-/V) button on the TV unit, press **0** on the remote control for 3 times within 2 seconds.

Note:

To exit from Service mode, press the exit button on remote control.

SERVICE

SERVICE	Peaks SOFT	2.020	OPTION 1	0c
ADJUST	Peaks EEP	02.00.0006	OPTION 2	ea
WB-ADJ	LSI DATA	0.00.54	OPTION 3	7f
OPTION	GenX SOFT	1.00.00	Model ID	04
SRV-TOOL	GenX SOFT	1.02.00		030e0000
	GenX ROMCOR	0.01.00		00000004
	HQ1L EEP	20	Time	00016:00
			Count	0000045

Key Command

- Press the **3/4** button to change the adjustment values or function.
- Press the **1/2** button to step up/down through the functions and adjustments
- Press the numerical button **VOLUME (+/-)** to change of each option item.
- Press the **OK** button after each adjustment has been made to store the required values.



Option Bytes Description

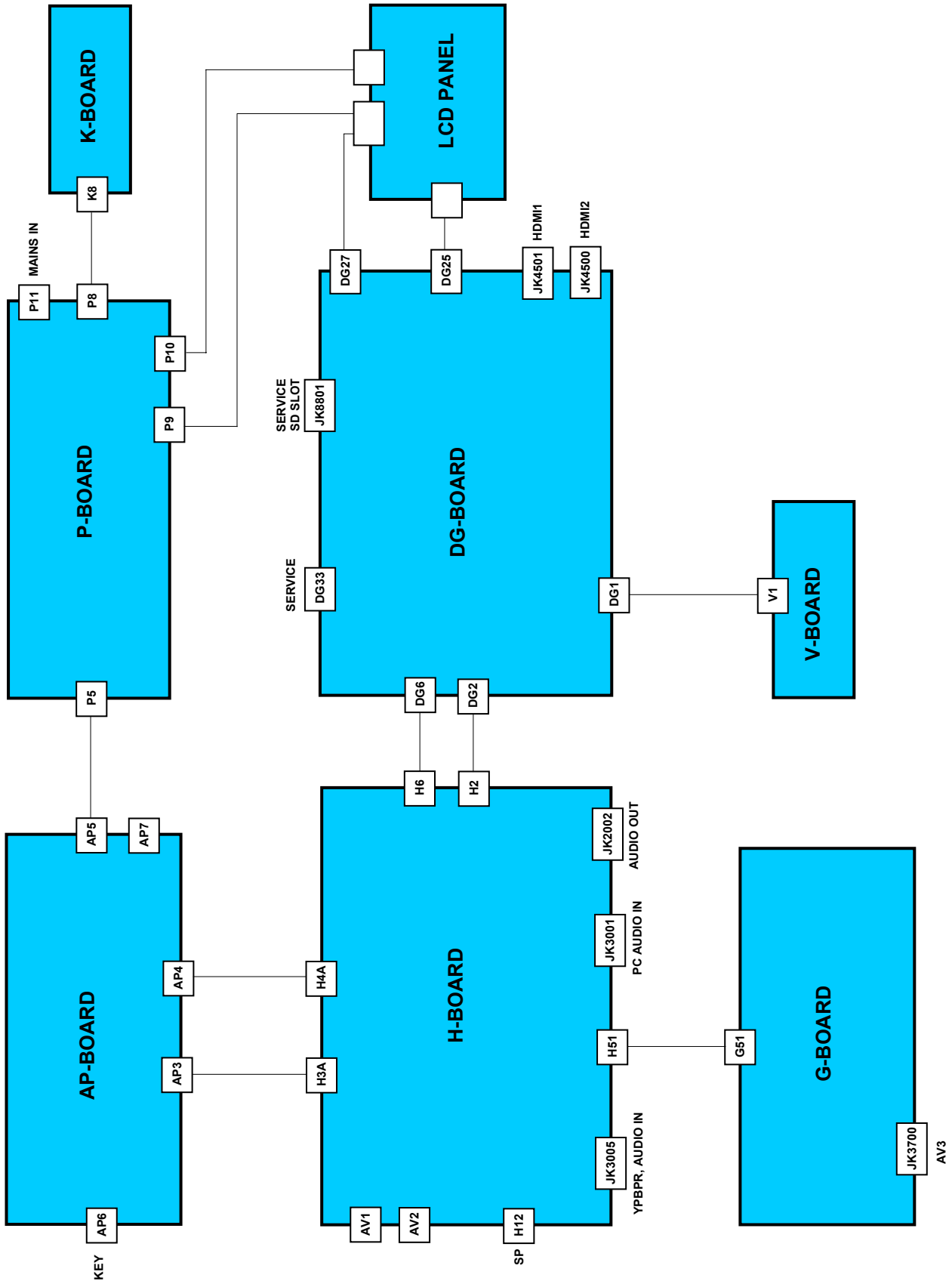
OPTION1		
0	Speed ATP	Slow (1) / Fast (0)
1	TXT Ch	ON (1) / OFF (0)
2	ID-1	ON (1) / OFF (0)
3	Macrovision Auto evaluate	ON (1) / OFF (0)
4	SRS Surround	ON (1) / OFF (0)
5	Teletext Top	OFF (1) / ON (0)
6	Not use	
7	Not use	
OPTION2		
0	Not use	
1	A2 Stereo (5,5MHz)	ON (1) / OFF (0)
2	A2 Stereo (6,0MHz)	ON (1) / OFF (0)
3	A2 Stereo (6,5MHz)	ON (1) / OFF (0)
4	Not use	
5	NICAM (5,5MHz)	ON (1) / OFF (0)
6	NICAM (6,0MHz)	ON (1) / OFF (0)
7	NICAM (6,5MHz)	ON (1) / OFF (0)
OPTION3		
0	NICAM priority (ASIA/M.E)	ON (1) / OFF (0)
1	NICAM priority (K/UK)	ON (1) / OFF (0)
2	NICAM priority (China)	ON (1) / OFF (0)
3	NICAM priority (NZ/INDN)	ON (1) / OFF (0)
4	NICAM priority (AUS)	ON (1) / OFF (0)
5	NICAM priority (E.Evropa)	ON (1) / OFF (0)
6	NICAM priority (Special)	ON (1) / OFF (0)
7	Not use	

Adjustment Method

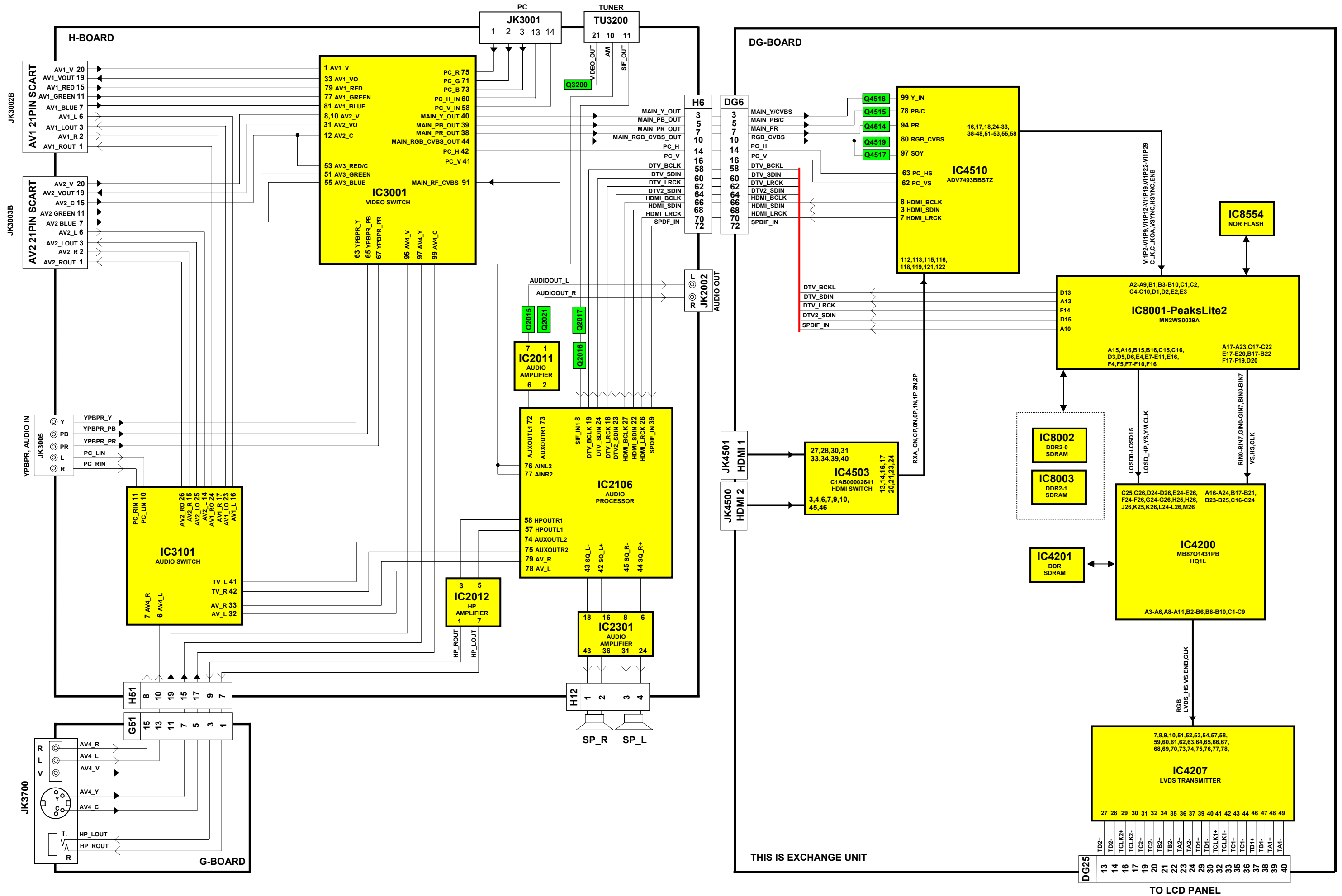
Sub-Contrast/White Balance Adjustment

Instrument Name	Connect to	Remarks												
1. Remote controller 2. LCD WB meter (Minolta CA-210 or equivalent) 3. Communication jig 4. Computer for external control		Correlation can be also taken by CS-1000A or equivalent												
Procedure		Remarks												
<p>Subcontrast adjustment</p> <ol style="list-style-type: none"> 1. Receive PAL colour bar (100% white) RF signal. 2. Enter "Contrast" adj. In SERVICE mode. 3. Start adjusting by using Yellow Key. 4. If the adjustment finished normally, the letter of Contrast will change from red to black. <p>White Balance adjustment</p> <ol style="list-style-type: none"> 1. Procedure basically performs checking using the production software and make automatic adjustment using external computer. 2. It adjusts in the mode of: Colour balance Normal Viewing Mode Dynamic <table border="0" data-bbox="191 1041 957 1310"> <thead> <tr> <th colspan="2" data-bbox="191 1041 606 1075">LX70L</th> <th colspan="2" data-bbox="606 1041 957 1075">LX70F, LX70P</th> </tr> </thead> <tbody> <tr> <td data-bbox="191 1097 287 1131">WHITE</td> <td data-bbox="287 1097 606 1198">Normal x: 0,2850 ± 0,010 y: 0,3020 ± 0,010</td> <td data-bbox="606 1097 702 1131">WHITE</td> <td data-bbox="702 1097 957 1198">Normal x: 0,2850 ± 0,010 y: 0,2930 ± 0,010</td> </tr> <tr> <td data-bbox="191 1220 287 1254">GRAY</td> <td data-bbox="287 1220 606 1310">Normal x: 0,2890 ± 0,010 y: 0,3150 ± 0,010</td> <td data-bbox="606 1220 702 1254">GRAY</td> <td data-bbox="702 1220 957 1310">Normal x: 0,2850 ± 0,010 y: 0,2930 ± 0,010</td> </tr> </tbody> </table>		LX70L		LX70F, LX70P		WHITE	Normal x: 0,2850 ± 0,010 y: 0,3020 ± 0,010	WHITE	Normal x: 0,2850 ± 0,010 y: 0,2930 ± 0,010	GRAY	Normal x: 0,2890 ± 0,010 y: 0,3150 ± 0,010	GRAY	Normal x: 0,2850 ± 0,010 y: 0,2930 ± 0,010	<p>Let the panel stand for more than 3 hours at more than 20 °C. Basically perform adjustment in the ambient environment of room temperature more than 20 °C. The aging time is more than 20 min at above room temperature.</p> <p>Applied signal</p> <p>100% full colour bar 0,7V p-p white peak 87.5% modulation</p> <p>100% WHITE</p> <p>50% GRAY</p>
LX70L		LX70F, LX70P												
WHITE	Normal x: 0,2850 ± 0,010 y: 0,3020 ± 0,010	WHITE	Normal x: 0,2850 ± 0,010 y: 0,2930 ± 0,010											
GRAY	Normal x: 0,2890 ± 0,010 y: 0,3150 ± 0,010	GRAY	Normal x: 0,2850 ± 0,010 y: 0,2930 ± 0,010											

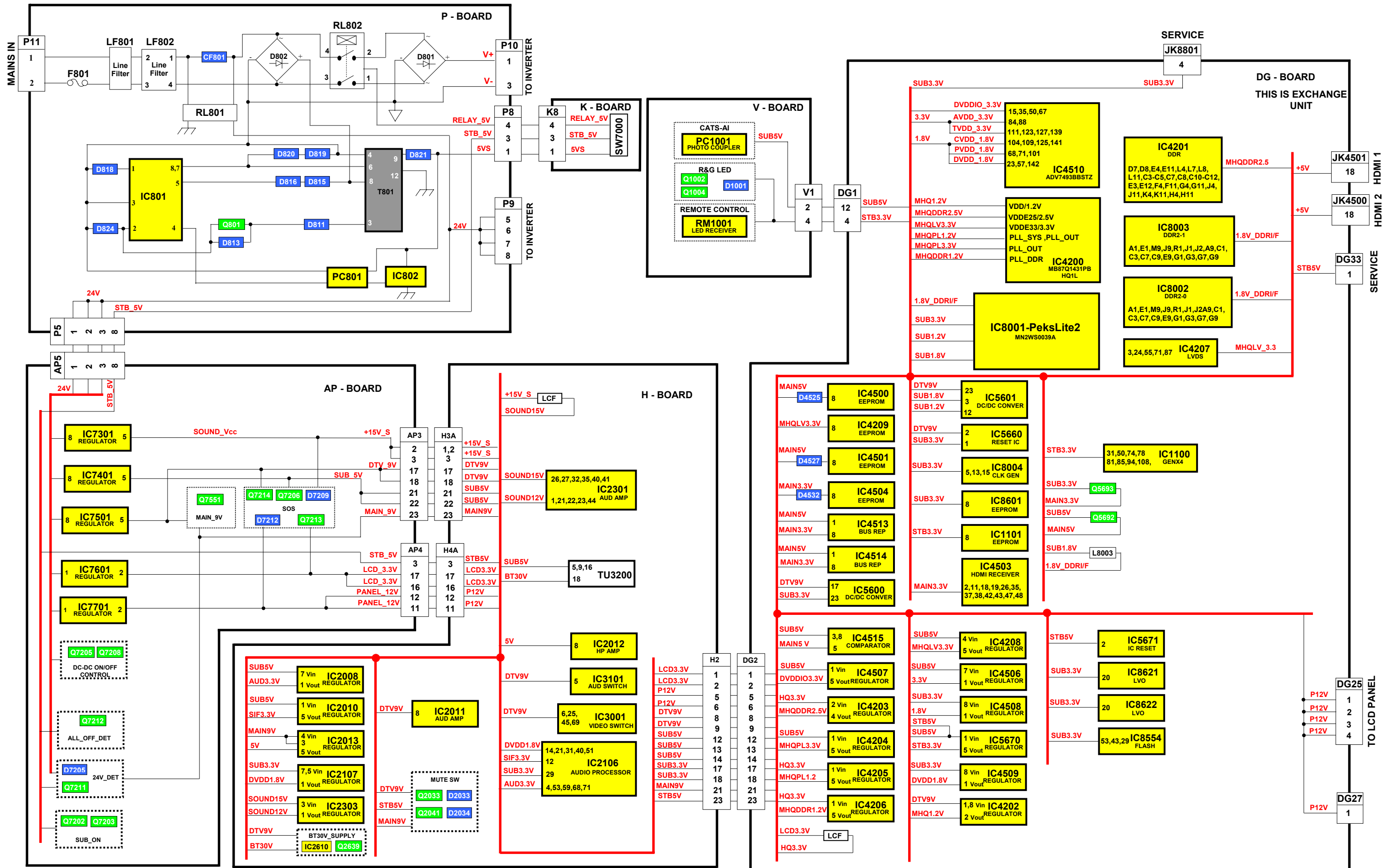
Wiring diagram



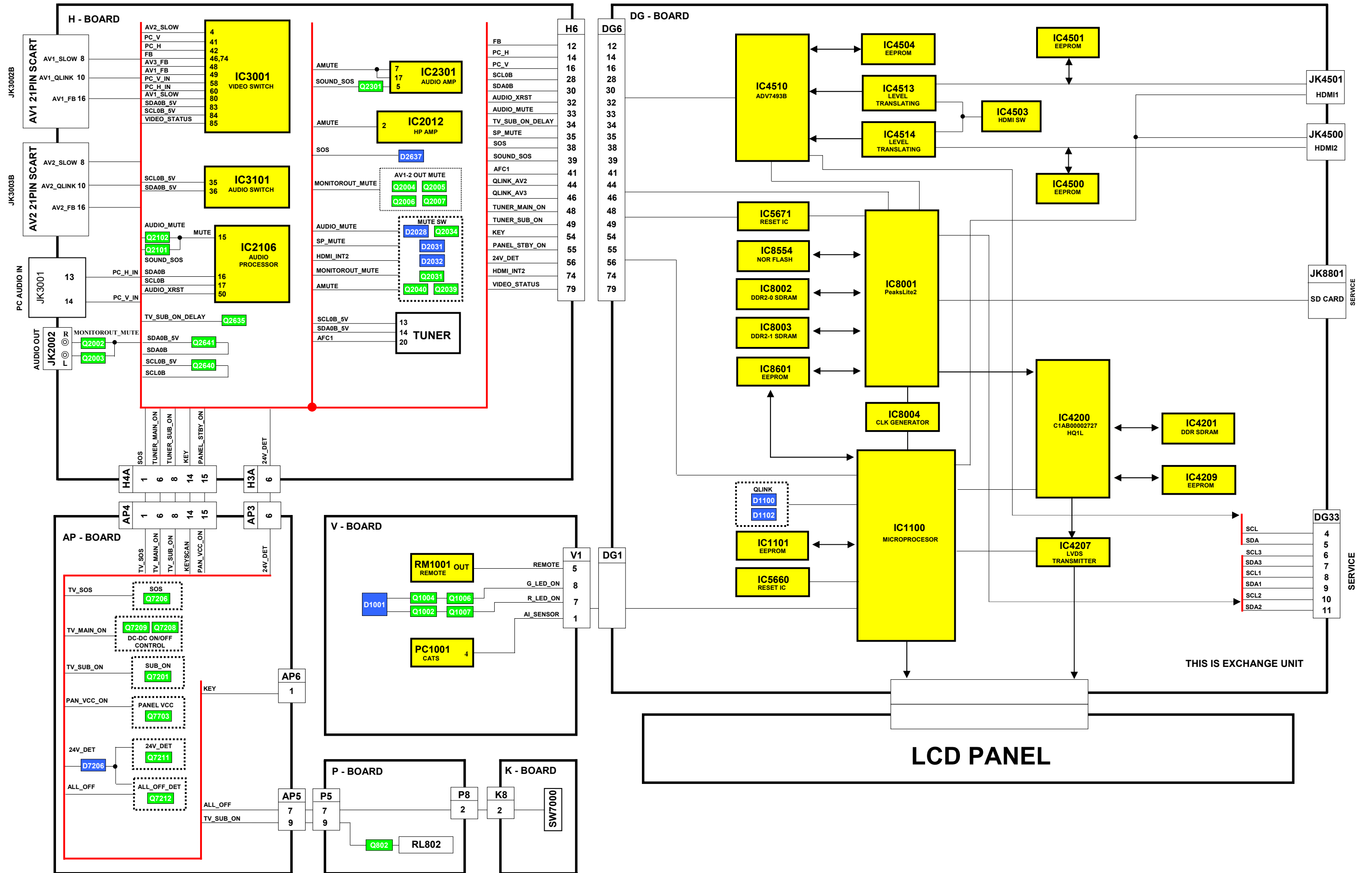
Video & Stereo Audio Block Diagram



Power Supply Block Diagram

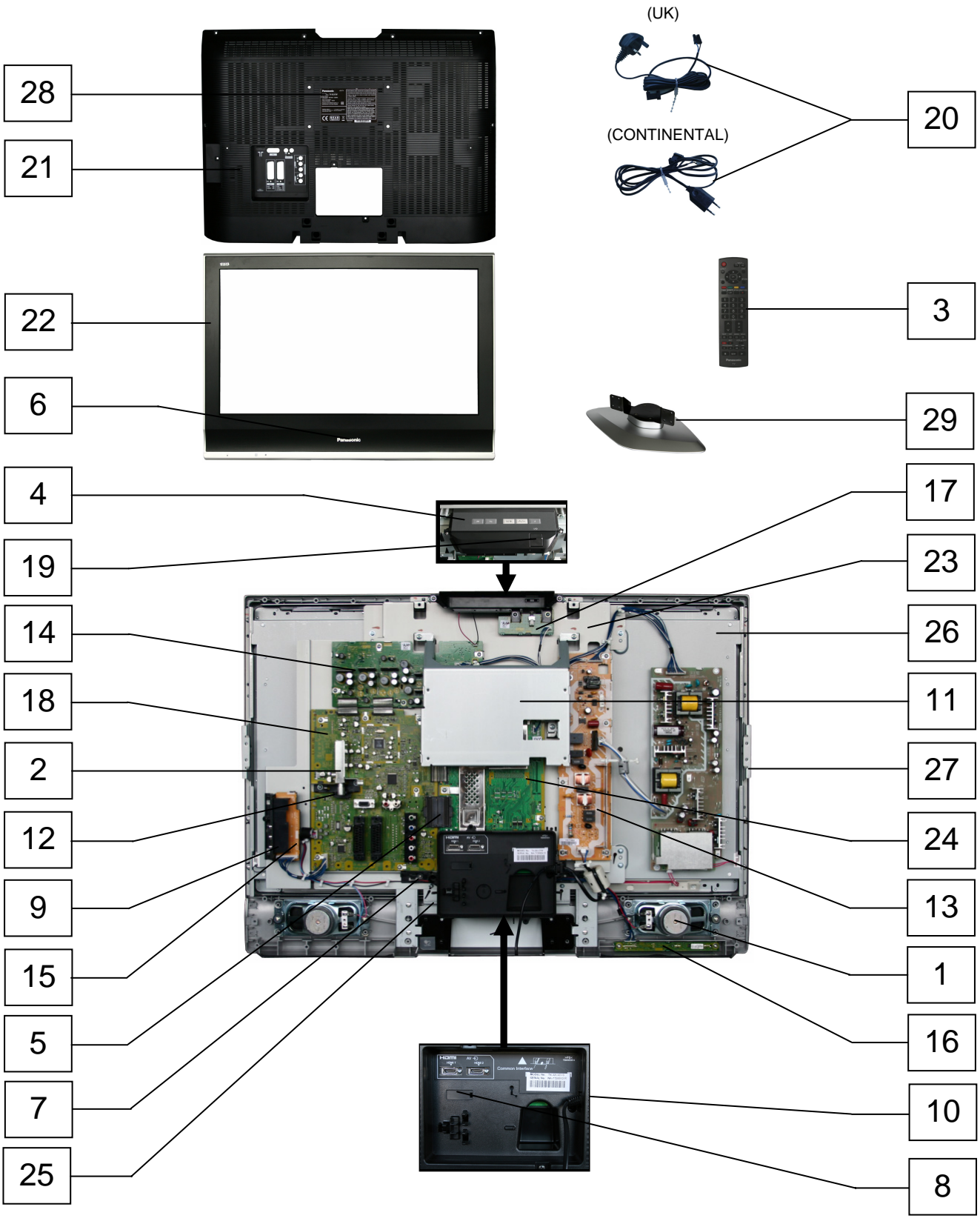


Control Block Diagram




Parts Location

NOTE:
The numbers on the exploded view below refer to the exploded view section of the Replacement Parts List.



Replacement Parts List







Important Safety Notice

Components Identified by  mark have special characteristics important for safety.
 * When replacing any of these components, use only manufacturers specified parts.
 In case of ordering these spare parts, please always add the complete Model-Type number to your order.

RTL (Retention Time Limited)

Note: The marking (RTL) indicates that the Retention Time is Limited for this item. After the discontinuation of this assembly in production, the item will continue to be available for a specific period of time. The retention period of availability is dependent on the type of assembly, and in accordance with the laws governing part and product retention. After the end of this period, the assembly will no longer be available.

X The marking (X) indicates that board should be exchanged for service.

Cct Ref	Parts Number	Description	
COMMON PARTS			
EXPLODED VIEW			
1	EAS12S11F	SPEAKER	
2	ENGF7701GF	TUNER	
3	EUR7651120	REMOTE CONTROL	
4	K0RB00500006	CONTROL PANEL ASSY	
5	K1ZZ00001424	80P CONNECTOR COVER	
6	TBMA216	PANASONIC BADGE	
7	TKK0E9522	CLAMPER BRACKET	
8	TKP0E16001	CONNECTOR COVER	
9	TKP0E17101	AV3 BRACKET	
10	TKP0E21601	HDMI COVER	
11	TKZ0E9420	VESA METAL	
12	TMW0E109	TUNER BRACKET	
13	TNPA4116AA	P P.C.B.	RTL 
14	TNPA4117AA	AP P.C.B.	RTL 
15	TNPA4118AA	G P.C.B.	RTL 
16	TNPA4127AD	V P.C.B.	RTL 
17	TNPA4128AA	K P.C.B.	RTL 
18	TNPA4291DD	H P.C.B.	RTL 
19	TTP0E0015	POWER BUTTON ASSY	
MISCELLANEOUS COMPONENTS			
.	R6RC/2P	BATTERY	
.	TBM0E0771	AV3 LABEL	
.	TBM0E0821	REAR AV LABEL	
.	TBM0E0834	REAR AV LABEL/HDMI	
.	TKP0E17904	IR WINDOW	
.	TMK0E940	HDMI COVER BARRIER	
.	XSN3+6FJ	SCREW	
.	XTB4+18JFK	SCREW	
.	XTV3+10JFK	SCREW	
.	XTV3+12JFK	SCREW	
.	XTW3+12TFJ	SCREW	
.	XTWT4+Z15DFJ	SCREW	
.	XYN4+F6FJ	SCREW	
.	XYN4+J10FJK	SCREW PEDESTAL	
FC01	J0KG00000011	FERRITE CORE	
I.C.s			
IC801	C0DABYY00008	MAIN PS CONTROL	
IC802	C0DAAMA00003	REGULATOR	
IC1100	MNZSFD7GP42	MICRO_GENX4	
IC1101	C3EBFC000042	EEPROM BR24L08F-WE2	
IC2008	C0CBCBE00001	REGULATOR	

Cct Ref	Parts Number	Description
IC2010	C0CBCBC00190	REGULATOR
IC2011	C0ABBB000230	OPERATIONAL AMPLIFIER
IC2012	C1BB00000947	AUDIO AMPLIFIER
IC2013	C0DBGYY00281	REGULATOR
IC2106	C1AB00002746	AUDIO PROCESSOR
IC2107	C0DBFFD00003	1.8V REGULATOR
IC2301	C1AB00002730	AUDIO AMPLIFIER
IC2303	C0DBGYY00202	REGULATOR
IC2610	C0DBAJB00004	REGULATOR
IC3001	AN15876A-VT	VIDEO SWITCH
IC3101	AN15862A-VT	AUDIO SWITCH
IC4200	C1AB00002727	HQ1L_IC
IC4201	C3ABQJ000055	DDR SDRAM
IC4202	C0DBAMH00018	REGULATOR
IC4203	C0DBEHG00006	2.5V REGULATOR
IC4204	C0CBCBC00190	REGULATOR
IC4205	C0CBCAC00269	REGULATOR
IC4206	C0CBCAC00269	REGULATOR
IC4207	C0JBCZ000556	DUAL LVDS DRIVER
IC4208	C0CBCBD00043	REGULATOR
IC4209	C3EBJC000055	EEPROM M24C64-WMN6TP
IC4500	C3EBDC000067	2KBIT EEPROM
IC4501	C3EBDC000067	2KBIT EEPROM
IC4503	C1AB00002641	HDMI SWITCH
IC4504	C3EBEY000009	EEPROM M24C04-RMN6TP
IC4506	C0DBGGF00001	REGULATOR
IC4507	C0CBCBC00190	REGULATOR
IC4508	C0CBCAD00082	REGULATOR
IC4509	C0CBCAD00082	REGULATOR
IC4510	C1AB00002753	VIDEO DECODER
IC4513	C0JBAU000034	LEVEL SHIFTER
IC4514	C0JBAU000034	LEVEL SHIFTER
IC4515	C0BBBA000024	COMPARATOR
IC5600	C0DBAYY00273	DC/DC CONVERTER
IC5601	C0DBAYY00274	DC/DC CONVERTER
IC5660	C0EBM0000026	RESET IC
IC5670	C0CBCBC00190	REGULATOR
IC5671	C0EBF0000376	RESET IC
IC7301	C0DAAZH00025	REGULATOR
IC7401	C0DAAZH00026	REGULATOR
IC7501	C0DAAZH00026	REGULATOR
IC7601	C0DAAZG00014	REGULATOR
IC7701	C0DAAZG00014	REGULATOR
IC8001	MN2WS0039A	PEAKS LITE 2
IC8002	C3ABRG000080	DDR SDRAM
IC8003	C3ABRG000080	DDR SDRAM
IC8004	C0ZBZ0001030	CLK GEN
IC8554	TVRP526-1	16MB FLASH
IC8621	C0JBAZ002845	LOGIC IC

Cct Ref	Parts Number	Description
IC8622	C0JBAZ002845	LOGIC IC
PC801	CNC1S171R	PHOTO COUPLER
PC1001	B3JB00000026	PHOTO COUPLER
RM1001	PNA4701M05TV	LED RECEIVER
FUSES		
F801-1	K3GE1ZA00010	FUSE HOLDER
F801-2	K3GE1ZA00010	FUSE HOLDER
F801	K5D502BNA007	AC FUSE
R2856	K5H1622A0023	FUSE
DIODES		
D801	B0FBAT000008	BRIDGE DIODE
D802	B0EBKT000007	BRIDGE DIODE
D803	ERZV10V621T2	VARISTOR
D804	ERZV10V621T2	VARISTOR
D811	B0HCMM000014	DIODE
D812	B0HCMM000014	DIODE
D813	MA2J11100L	DIODE
D814	MAZ82400ML	ZENER DIODE
D815	MAZ83600ML	ZENER DIODE
D816	MAZ83600ML	ZENER DIODE
D817	MAZ80560ML	DIODE
D818	MAZ41000MF	ZENER DIODE
D819	B0BA42500001	ZENER DIODE
D820	B0ZAZ0000045	DIODE
D821	B0JCNG000003	DIODE
D822	MA2J11100L	DIODE
D823	MA2J11100L	DIODE
D824	B0BA03600021	DIODE
D825	B0BA03600021	DIODE
D1001	B3CKE0000007	DIODE
D1100	MA3X704A0L	DIODE MA704ATX
D1102	MA3X704A0L	DIODE MA704ATX
D1107	MA3X704A0L	DIODE MA704ATX
D1112	MA2J72800L	DIODE
D1113	MA2J72800L	DIODE
D2026	MA2J11100L	DIODE
D2028	MA2J11100L	DIODE
D2029	MA2J11100L	DIODE
D2031	MA2J11100L	DIODE
D2032	MA2J11100L	DIODE
D2033	MA2J11100L	DIODE
D2034	MA2J11100L	DIODE
D2119	B0BC01100001	ZENER DIODE
D2189	MA2J11100L	DIODE
D2301	MA2J11100L	DIODE
D2302	MA2J11100L	DIODE
D2303	MAZ30560HL	ZENER DIODE
D2304	MA2J11100L	DIODE
D2632	MA2J11100L	DIODE
D2633	MA2J11100L	DIODE
D2634	MA3X78900L	DIODE
D2635	MA2J11100L	DIODE
D2636	MAZ30470HL	DIODE
D2637	MA2J11100L	DIODE
D2638	B0BC03900015	ZENER DIODE
D3003	MAZ81400ML	DIODE
D3004	MAZ81400ML	DIODE
D3005	MAZ81400ML	DIODE
D3007	MAZ81400ML	DIODE
D3008	MAZ81400ML	DIODE
D3009	MAZ81400ML	DIODE
D3010	MAZ81400ML	DIODE
D3011	MAZ81400ML	DIODE
D3012	MAZ81400ML	DIODE
D3025	MAZ81400ML	DIODE
D3027	MAZ81400ML	DIODE
D3028	MAZ81400ML	DIODE

Cct Ref	Parts Number	Description
D3030	MAZ81400ML	DIODE
D3031	MAZ81400ML	DIODE
D3032	MAZ81400ML	DIODE
D3038	MAZ81400ML	DIODE
D3039	MAZ81400ML	DIODE
D3041	MAZ81400ML	DIODE
D3042	MAZ81400ML	DIODE
D3043	MAZ81400ML	DIODE
D3044	B0BC01100001	ZENER DIODE
D3100	MAZ81400ML	DIODE
D3102	MA2J11100L	DIODE
D3334	MA2J11100L	DIODE
D3335	MA2J11100L	DIODE
D3336	MA2J11100L	DIODE
D3337	MA2J11100L	DIODE
D3338	MA2J11100L	DIODE
D4201	B0JCPD000026	DIODE
D4202	MAZ80390LL	DIODE
D4204	MA3X152K0L	DIODE
D4208	MA2J11100L	DIODE
D4450	MAZ30560ML	DIODE
D4500	EZAEG2A50AX	ESD SUPPRESSOR
D4501	EZAEG2A50AX	ESD SUPPRESSOR
D4502	EZAEG2A50AX	ESD SUPPRESSOR
D4503	EZAEG2A50AX	ESD SUPPRESSOR
D4504	EZAEG2A50AX	ESD SUPPRESSOR
D4505	EZAEG2A50AX	ESD SUPPRESSOR
D4506	EZAEG2A50AX	ESD SUPPRESSOR
D4507	EZAEG2A50AX	ESD SUPPRESSOR
D4508	EZAEG2A50AX	ESD SUPPRESSOR
D4509	EZAEG2A50AX	ESD SUPPRESSOR
D4510	EZAEG2A50AX	ESD SUPPRESSOR
D4511	EZAEG2A50AX	ESD SUPPRESSOR
D4512	EZAEG2A50AX	ESD SUPPRESSOR
D4513	MAZ30560ML	DIODE
D4514	EZAEG2A50AX	ESD SUPPRESSOR
D4515	MAZ30560ML	DIODE
D4516	EZAEG2A50AX	ESD SUPPRESSOR
D4517	EZAEG2A50AX	ESD SUPPRESSOR
D4518	EZAEG2A50AX	ESD SUPPRESSOR
D4519	EZAEG2A50AX	ESD SUPPRESSOR
D4520	EZAEG2A50AX	ESD SUPPRESSOR
D4521	EZAEG2A50AX	ESD SUPPRESSOR
D4522	EZAEG2A50AX	ESD SUPPRESSOR
D4523	EZAEG2A50AX	ESD SUPPRESSOR
D4524	B0HCMM000014	DIODE
D4525	B0HCMM000014	DIODE
D4526	B0HCMM000014	DIODE
D4527	B0HCMM000014	DIODE
D4528	EZAEG2A50AX	ESD SUPPRESSOR
D4532	B0HCMM000014	DIODE
D5601	MA22D3900L	DIODE
D5602	MA22D3900L	DIODE
D5603	B0JCDD000002	DIODE
D5604	B0JCDD000002	DIODE
D5605	MA22D3900L	DIODE
D5606	B0JCDD000002	DIODE
D5607	MAZ802400L	DIODE
D5608	MAZ802400L	DIODE
D5609	MAZ80560LL	ZENER DIODE
D5670	MA2J11100L	DIODE
D5671	B0HCMM000014	DIODE
D5673	B0HCMM000014	DIODE
D5690	B0BC6R600005	ZENER DIODE
D5691	B0BC6R600005	ZENER DIODE
D5692	MAZ80390HL	ZENER DIODE
D7101	MAZ82700ML	DIODE
D7102	MA2J11100L	DIODE

Cct Ref	Parts Number	Description
D7202	MAZ81500ML	DIODE
D7204	MA2J11100L	DIODE
D7205	MAZ81800ML	DIODE
D7207	MA2J11100L	DIODE
D7208	MA2J11100L	DIODE
D7209	MA2J11100L	DIODE
D7210	MA2J11100L	DIODE
D7211	MA2J11100L	DIODE
D7212	MA2J11100L	DIODE
D7301	B0JCPG000005	DIODE
D7303	B0HCMM000014	DIODE
D7305	MA2J11100L	DIODE
D7306	MAZ82000ML	ZENER DIODE
D7401	B0JCPG000005	DIODE
D7403	B0HCMM000014	DIODE
D7405	MAZ80750ML	DIODE
D7406	MA2J11100L	DIODE
D7501	B0JCPG000005	DIODE
D7503	B0HCMM000014	DIODE
D7505	MAZ81100ML	ZENER DIODE
D7506	MA2J11100L	DIODE
D7601	B0JCPG000005	DIODE
D7602	B0HCMM000014	DIODE
D7604	MAZ80560LL	ZENER DIODE
D7605	MA2J11100L	DIODE
D7702	B0JCPG000005	DIODE
D7703	B0HCMM000014	DIODE
D7704	MAZ81800ML	DIODE
D7705	MA2J11100L	DIODE
TRANSISTORS		
Q801	2SB0709ASL	TRANSISTOR
Q802	2SD0601ASL	TRANSISTOR
Q1002	2SB0709ASL	TRANSISTOR
Q1004	2SB0709ASL	TRANSISTOR
Q1006	2SD0601ASL	TRANSISTOR
Q1007	2SD0601ASL	TRANSISTOR
Q1010	2SD0601ASL	TRANSISTOR
Q1107	2SD0601ASL	TRANSISTOR
Q1108	2SD0601ASL	TRANSISTOR
Q2002	2SC584500L	TRANSISTOR
Q2003	2SC584500L	TRANSISTOR
Q2004	2SC584500L	TRANSISTOR
Q2005	2SC584500L	TRANSISTOR
Q2006	2SC584500L	TRANSISTOR
Q2007	2SC584500L	TRANSISTOR
Q2015	2SA207700L	TRANSISTOR
Q2016	2SC584500L	TRANSISTOR
Q2017	2SC584500L	TRANSISTOR
Q2021	2SA207700L	TRANSISTOR
Q2031	2SA207700L	TRANSISTOR
Q2033	2SA207700L	TRANSISTOR
Q2034	2SC584500L	TRANSISTOR
Q2035	2SC584500L	TRANSISTOR
Q2039	2SC584500L	TRANSISTOR
Q2040	2SC584500L	TRANSISTOR
Q2041	2SC584500L	TRANSISTOR
Q2101	2SC584500L	TRANSISTOR
Q2102	2SC584500L	TRANSISTOR
Q2301	2SA207700L	TRANSISTOR
Q2635	2SC584500L	TRANSISTOR
Q2636	2SA207700L	TRANSISTOR
Q2637	2SA207700L	TRANSISTOR
Q2638	2SC584500L	TRANSISTOR
Q2639	B1CFNG000001	TRANSISTOR
Q2640	B1CBHD000002	TRANSISTOR
Q2641	B1CBHD000002	TRANSISTOR
Q3027	2SA207700L	TRANSISTOR

Cct Ref	Parts Number	Description
Q3028	2SA207700L	TRANSISTOR
Q3200	2SA207700L	TRANSISTOR
Q4200	2SD0601ASL	TRANSISTOR
Q4201	2SD0601ASL	TRANSISTOR
Q4202	2SD0601ASL	TRANSISTOR
Q4203	2SB0709ASL	TRANSISTOR
Q4204	2SD0601ASL	TRANSISTOR
Q4205	2SC39380QL	TRANSISTOR
Q4206	2SD0601ASL	TRANSISTOR
Q4207	2SC39380QL	TRANSISTOR
Q4500	2SD0601ASL	TRANSISTOR
Q4501	2SD0601ASL	TRANSISTOR
Q4502	2SD0601ASL	TRANSISTOR
Q4503	2SD0601ASL	TRANSISTOR
Q4504	2SD0601ASL	TRANSISTOR
Q4505	2SD0601ASL	TRANSISTOR
Q4514	2SB0709ASL	TRANSISTOR
Q4515	2SB0709ASL	TRANSISTOR
Q4516	2SB0709ASL	TRANSISTOR
Q4517	2SB0709ASL	TRANSISTOR
Q4519	2SB0709ASL	TRANSISTOR
Q4520	2SD0601ASL	TRANSISTOR
Q5600	B1MBEDA00015	TRANSISTOR
Q5601	B1MBEDA00015	TRANSISTOR
Q5602	B1MBEDA00015	TRANSISTOR
Q5603	2SD0601ASL	TRANSISTOR
Q5604	2SD0601ASL	TRANSISTOR
Q5690	B1ABCF000138	TRANSISTOR
Q5691	B1ABCF000138	TRANSISTOR
Q5692	B1DHDC000028	TRANSISTOR
Q5693	B1DHDC000028	TRANSISTOR
Q7201	2SD0601ASL	TRANSISTOR
Q7202	2SB0709ASL	TRANSISTOR
Q7203	2SB0709ASL	TRANSISTOR
Q7204	2SD0601ASL	TRANSISTOR
Q7205	2SD0601ASL	TRANSISTOR
Q7206	2SB0709ASL	TRANSISTOR
Q7208	2SD0601ASL	TRANSISTOR
Q7209	2SD0601ASL	TRANSISTOR
Q7210	2SD0601ASL	TRANSISTOR
Q7211	2SD0601ASL	TRANSISTOR
Q7212	2SD0601ASL	TRANSISTOR
Q7213	2SD0601ASL	TRANSISTOR
Q7214	2SD0601ASL	TRANSISTOR
Q7301	2SD601ATX	TRANSISTOR
Q7302	2SD601ATX	TRANSISTOR
Q7401	2SD601ATX	TRANSISTOR
Q7402	2SD601ATX	TRANSISTOR
Q7501	2SD601ATX	TRANSISTOR
Q7502	2SD601ATX	TRANSISTOR
Q7551	B1DHDD000033	TRANSISTOR FSS140-TL-E
Q7552	2SC584500L	TRANSISTOR
Q7553	2SC584500L	TRANSISTOR
Q7601	2SD0601ASL	TRANSISTOR
Q7701	2SD0601ASL	TRANSISTOR
Q7702	2SD0601ASL	TRANSISTOR
Q7703	2SD0601ASL	TRANSISTOR
Q8851	2SD0601ASL	TRANSISTOR
Q8852	2SD0601ASL	TRANSISTOR
Q8853	2SD0601ASL	TRANSISTOR
TRANSFORMERS		
T801	ETS15AB136AH	TRANSFORMER
COILS		
L1100	J0JHC0000078	COIL
L2001	J0JCC0000364	INDUCTOR
L2002	J0JCC0000364	INDUCTOR
L2003	J0JCC0000100	INDUCTOR

Cct Ref	Parts Number	Description
L2004	J0JCC0000100	INDUCTOR
L2005	J0JCC0000100	INDUCTOR
L2006	J0JCC0000100	INDUCTOR
L2007	J0JCC0000100	INDUCTOR
L2008	J0JCC0000100	INDUCTOR
L2009	J0JCC0000100	INDUCTOR
L2010	J0JCC0000100	INDUCTOR
L2015	J0JCC0000100	INDUCTOR
L2016	J0JCC0000100	INDUCTOR
L2021	J0JHC0000078	COIL
L2026	G1C6R8MA0061	COIL
L2027	J0JHC0000045	COIL BLM18PG121SN1D
L2029	J0JCC0000077	COIL
L2034	J0JCC0000364	INDUCTOR
L2035	J0JCC0000364	INDUCTOR
L2039	J0JHC0000045	COIL BLM18PG121SN1D
L2040	J0JHC0000045	COIL BLM18PG121SN1D
L2300	G1C100MA0291	COIL
L2302	G1C100MA0291	COIL
L2304	G1C100MA0291	COIL
L2306	G1C100MA0291	COIL
L2308	J0JCC0000011	INDUCTOR
L2310	J0JCC0000011	INDUCTOR
L2648	G1C470MA0077	COIL
L2649	G1C100MA0072	COIL
L2650	G1C3R3ZA0083	COIL
L3001	J0JCC0000100	INDUCTOR
L3002	J0JCC0000100	INDUCTOR
L3003	J0JCC0000100	INDUCTOR
L3004	G1C101M00018	COIL
L3206	J0JCC0000241	INDUCTOR
L3207	J0JCC0000241	INDUCTOR
L3209	J0JGC0000021	COIL
L3210	J0JCC0000241	INDUCTOR
L3211	J0JGC0000021	COIL
L3700	J0JCC0000100	INDUCTOR
L3701	J0JCC0000100	INDUCTOR
L3702	J0JCC0000364	INDUCTOR
L3703	J0JCC0000364	INDUCTOR
L4201	J0JHC0000078	COIL
L4202	G1C220MA0077	COIL
L4203	G1C330MA0167	COIL
L4204	J0JHC0000078	COIL
L4205	J0JHC0000078	COIL
L4206	J0JHC0000078	COIL
L4207	J0JHC0000078	COIL
L4208	TLTAZ100K	COIL
L4209	J0JHC0000078	COIL
L4210	J0JHC0000078	COIL
L4211	J0JHC0000078	COIL
L4212	J0JHC0000078	COIL
L4213	J0JHC0000078	COIL
L4214	J0JHC0000078	COIL
L4215	J0JHC0000078	COIL
L4216	J0JHC0000078	COIL
L4217	J0JHC0000078	COIL
L4220	J0JHC0000078	COIL
L4450	J0JHC0000078	COIL
L4451	J0JHC0000078	COIL
L4452	J0JHC0000078	COIL
L4453	J0JHC0000078	COIL
L4500	J0JHC0000078	COIL
L4501	J0JHC0000078	COIL
L4502	J0JHC0000078	COIL
L4503	J0JHC0000078	COIL
L4504	J0JHC0000078	COIL
L4505	J0JHC0000078	COIL
L4506	J0JHC0000078	COIL

Cct Ref	Parts Number	Description
L4507	J0JHC0000078	COIL
L4508	J0JHC0000078	COIL
L4511	J0JHC0000078	COIL
L4512	J0JCC0000077	COIL
L4516	J0JHC0000078	COIL
L4517	J0JHC0000078	COIL
L4518	J0JHC0000078	COIL
L4520	J0JHC0000078	COIL
L4521	J0JHC0000078	COIL
L4524	J0JHC0000078	COIL
L5600	G1C2R2ZA0083	COIL
L5601	G1C2R2ZA0083	COIL
L5602	G1C3R3ZA0083	COIL
L5604	G1C100MA0077	COIL
L5605	J0JHC0000075	COIL BLM21PG600SN1D
L5606	G1C100MA0077	COIL
L5610	J0JHC0000035	COIL BLM21PG331SN1D
L5611	J0JHC0000035	COIL BLM21PG331SN1D
L5670	J0JHC0000078	COIL
L5690	J0JHC0000078	COIL
L5691	J0JHC0000078	COIL
L5692	J0JHC0000075	COIL BLM21PG600SN1D
L5731	J0JHC0000078	COIL
L5733	J0JHC0000078	COIL
L5734	J0JHC0000078	COIL
L5735	J0JHC0000078	COIL
L7201	G0A680GA0002	COIL
L7302	G0A680ZA0037	COIL
L7304	EXCELD25V	COIL
L7402	G0A101ZA0038	COIL
L7403	EXCELD25V	COIL
L7502	G0A470ZA0037	COIL
L7504	EXCELD25V	COIL
L7551	G0A100GA0013	COIL TALL08T100KA
L7602	G0A101ZA0038	COIL
L7603	EXCELD25V	COIL
L7702	G0A101ZA0038	COIL
L7903	G0A100GA0013	COIL TALL08T100KA
L7904	G0A100GA0013	COIL TALL08T100KA
L7905	G0A100GA0013	COIL TALL08T100KA
L8001	J0JHC0000045	COIL BLM18PG121SN1D
L8002	J0JHC0000045	COIL BLM18PG121SN1D
L8003	J0JHC0000045	COIL BLM18PG121SN1D
L8004	J0JHC0000045	COIL BLM18PG121SN1D
L8005	J0JHC0000045	COIL BLM18PG121SN1D
L8007	J0JHC0000045	COIL BLM18PG121SN1D
L8008	J0JHC0000045	COIL BLM18PG121SN1D
L8009	J0JHC0000045	COIL BLM18PG121SN1D
L8010	J0JHC0000045	COIL BLM18PG121SN1D
L8551	J0JHC0000075	COIL BLM21PG600SN1D
L8621	J0JHC0000075	COIL BLM21PG600SN1D
FILTERS		
FL2001	J0HABB000004	FILTER
FL2002	J0HABB000004	FILTER
FL3001	J0HABB000003	FILTER
FL3002	J0HABB000003	FILTER
FL3003	J0HABB000004	FILTER
FL3004	J0HABB000004	FILTER
FL3005	J0HABB000004	FILTER
FL4201	J0MAB0000169	FILTER
FL4202	J0MAB0000169	FILTER
FL4203	J0MAB0000169	FILTER
FL4204	J0MAB0000169	FILTER
FL4205	J0MAB0000169	FILTER
LF801	G0B103H00002	LINE FILTER
LF802	G0B103H00002	LINE FILTER



Cct Ref	Parts Number	Description
CRYSTALS		
X1100	H0J100500035	CRYSTAL
X2010	H0J245500082	CRYSTAL
X4200	H0J270500113	CRYSTAL
X4201	H0J480500026	CRYSTAL
X4500	H0J270500113	CRYSTAL
X8001	H0J270500061	CRYSTAL
RESISTORS		
CF801	D4CAY8R0A019	THERMIST - - 8 Ω
D5672	ERJ3GEY0R00	SMD 0.1W - 0 Ω
FL3006A	EXB28VR000X	SMD 0W - 0 Ω
FL3007A	EXB28VR000X	SMD 0W - 0 Ω
JS811	ERJ6GEY0R00	S.M.CARB 0.1W - 0 Ω
JS821	ERJ6GEY0R00	S.M.CARB 0.1W - 0 Ω
JS1004	ERJ3GEY0R00	SMD 0.1W - 0 Ω
JS1103	ERJ2GE0R00X	SMD .063W - 0 Ω
JS2031	ERJ3GEY0R00	SMD 0.1W - 0 Ω
JS2032	ERJ3GEY0R00	SMD 0.1W - 0 Ω
JS2046	ERJ3GEY0R00	SMD 0.1W - 0 Ω
JS2048	ERJ3GEY0R00	SMD 0.1W - 0 Ω
JS2049	ERJ3GEY0R00	SMD 0.1W - 0 Ω
JS2051	ERJ3GEY0R00	SMD 0.1W - 0 Ω
JS2059	ERJ3GEY0R00	SMD 0.1W - 0 Ω
JS2060	ERJ3GEY0R00	SMD 0.1W - 0 Ω
JS2061	ERJ3GEY0R00	SMD 0.1W - 0 Ω
JS2062	ERJ3GEY0R00	SMD 0.1W - 0 Ω
JS2064	ERJ3GEY0R00	SMD 0.1W - 0 Ω
JS2096	ERJ3GEY0R00	SMD 0.1W - 0 Ω
JS2101	ERJ3GEY0R00	SMD 0.1W - 0 Ω
JS3005	ERJ6GEY0R00	S.M.CARB 0.1W - 0 Ω
JS3007	ERJ6GEY0R00	S.M.CARB 0.1W - 0 Ω
JS3008	ERJ6GEY0R00	S.M.CARB 0.1W - 0 Ω
JS3009	ERJ6GEY0R00	S.M.CARB 0.1W - 0 Ω
JS3010	ERJ6GEY0R00	S.M.CARB 0.1W - 0 Ω
JS3011	ERJ6GEY0R00	S.M.CARB 0.1W - 0 Ω
JS3012	ERJ6GEY0R00	S.M.CARB 0.1W - 0 Ω
JS3013	ERJ6GEY0R00	S.M.CARB 0.1W - 0 Ω
JS3014	ERJ6GEY0R00	S.M.CARB 0.1W - 0 Ω
JS3015	ERJ6GEY0R00	S.M.CARB 0.1W - 0 Ω
JS3016	ERJ6GEY0R00	S.M.CARB 0.1W - 0 Ω
JS3018	ERJ6GEY0R00	S.M.CARB 0.1W - 0 Ω
JS3019	ERJ6GEY0R00	S.M.CARB 0.1W - 0 Ω
JS3020	ERJ6GEY0R00	S.M.CARB 0.1W - 0 Ω
JS3023	ERJ3GEY0R00	SMD 0.1W - 0 Ω
JS3032	ERJ3GEY0R00	SMD 0.1W - 0 Ω
JS3040	ERJ6GEY0R00	S.M.CARB 0.1W - 0 Ω
JS3041	ERJ6GEY0R00	S.M.CARB 0.1W - 0 Ω
JS3042	ERJ6GEY0R00	S.M.CARB 0.1W - 0 Ω
JS3043	ERJ6GEY0R00	S.M.CARB 0.1W - 0 Ω
JS3047	ERJ3GEY0R00	SMD 0.1W - 0 Ω
JS3206	ERJ3GEY0R00	SMD 0.1W - 0 Ω
JS3208	ERJ3GEY0R00	SMD 0.1W - 0 Ω
JS3213	ERJ6GEY0R00	S.M.CARB 0.1W - 0 Ω
JS4002	ERJ2GE0R00X	SMD .063W - 0 Ω
JS4200	ERJ2GE0R00X	SMD .063W - 0 Ω
JS4201	ERJ2GE0R00X	SMD .063W - 0 Ω
JS4202	ERJ2GE0R00X	SMD .063W - 0 Ω
JS4203	ERJ2GE0R00X	SMD .063W - 0 Ω
JS4204	ERJ2GE0R00X	SMD .063W - 0 Ω
JS4205	ERJ2GE0R00X	SMD .063W - 0 Ω
JS4206	ERJ2GE0R00X	SMD .063W - 0 Ω
JS4207	ERJ2GE0R00X	SMD .063W - 0 Ω
JS4208	ERJ2GE0R00X	SMD .063W - 0 Ω
JS4209	ERJ2GE0R00X	SMD .063W - 0 Ω
JS4210	ERJ2GE0R00X	SMD .063W - 0 Ω
JS4211	ERJ2GE0R00X	SMD .063W - 0 Ω
JS4212	ERJ2GE0R00X	SMD .063W - 0 Ω

Cct Ref	Parts Number	Description
JS4501	ERJ2GE0R00X	SMD .063W - 0 Ω
L2022	ERJ3GEY0R00	SMD 0.1W - 0 Ω
L4200	ERJ3GEY0R00	SMD 0.1W - 0 Ω
L8006	ERJ3GEY0R00	SMD 0.1W - 0 Ω
R801	ERC12ZGK105V	CARBON 0.5W 10% 1M Ω △
R802	D0XB106J0003	RESISTOR 1W 5% 10M Ω △
R811	ERJ6GEYJ4R7V	S.M.CARB .125W 5% 4.7 Ω
R812	ERF2AJ100P	FIXED 2W 5% 10 Ω
R813	ERJ6GEYJ4R7V	S.M.CARB .125W 5% 4.7 Ω
R814	ERJ6GEYJ104	S.M.CARB 0.1W 5% 100K Ω
R815	ERJ6GEYJ104	S.M.CARB 0.1W 5% 100K Ω
R816	ERJ6GEYJ101	S.M.CARB 0.1W 5% 100 Ω
R817	ERJ6GEYJ102	S.M.CARB 0.1W 5% 1K Ω
R818	ERJ6GEYJ102	S.M.CARB 0.1W 5% 1K Ω
R819	ERJ6GEYJ102	S.M.CARB 0.1W 5% 1K Ω
R820	ERJ6GEYJ102	S.M.CARB 0.1W 5% 1K Ω
R821	ERG1SJ271	METAL 1W 5% 270 Ω
R822	ERJ6ENF6801	S.M.CARB 0.1W 1% 6K8 Ω
R823	ERJ6ENF6801	S.M.CARB 0.1W 1% 6K8 Ω
R824	ERJ6GEYJ332	S.M.CARB 0.1W 5% 3K3 Ω
R825	ERJ6GEYJ330	S.M.CARB 0.1W 5% 33 Ω
R826	ERJ6GEYJ102	S.M.CARB 0.1W 5% 1K Ω
R827	ERJ6GEYJ222	S.M.CARB 0.1W 5% 2K2 Ω
R828	ERG1SJ271	METAL 1W 5% 270 Ω
R1002	ERJ3GEYJ473V	S.M.CARB 0.1W 5% 47K Ω
R1003	ERJ3GEYJ102	SMD 0.1W 5% 1K Ω
R1006	ERJ3GEYJ681V	SMD 0.1W 5% 680 Ω
R1008	ERJ3GEYJ473V	S.M.CARB 0.1W 5% 47K Ω
R1010	ERJ3GEYJ473V	S.M.CARB 0.1W 5% 47K Ω
R1015	ERJ3GEYJ103	SMD 0.1W 5% 10K Ω
R1017	ERJ3GEYJ103	SMD 0.1W 5% 10K Ω
R1019	ERJ3GEYJ103	SMD 0.1W 5% 10K Ω
R1020	ERJ3GEYJ103	SMD 0.1W 5% 10K Ω
R1022	ERJ3GEYJ152	SMD 0.1W 5% 1K5 Ω
R1028	ERJ3GEYJ470	SMD 0.1W 5% 47 Ω
R1033	ERJ3EKF2402V	SMD 0.1W 1% 24K Ω
R1034	ERJ3EKF5102V	SMD 0.1W 1% 51K Ω
R1046	ERJ3GEYJ223V	S.M.CARB 0.1W 5% 22K Ω
R1048	ERJ3GEYJ224V	S.M.CARB 0.1W 5% 220K Ω
R1049	ERJ3GEYJ473V	S.M.CARB 0.1W 5% 47K Ω
R1100	ERJ2GEJ101X	SMD .063W 5% 100 Ω
R1101	ERJ2GE0R00X	SMD .063W - 0 Ω
R1102	ERJ2GEJ101X	SMD .063W 5% 100 Ω
R1103	ERJ2GEJ330X	SMD .063W 5% 33 Ω
R1104	ERJ2GEJ473X	SMD .063W 5% 47K Ω
R1105	ERJ2GEJ101X	SMD .063W 5% 100 Ω
R1106	ERJ2GEJ101X	SMD .063W 5% 100 Ω
R1107	ERJ2GEJ101X	SMD .063W 5% 100 Ω
R1108	ERJ2GEJ101X	SMD .063W 5% 100 Ω
R1109	ERJ2GEJ101X	SMD .063W 5% 100 Ω
R1110	ERJ2GEJ273X	SMD .063W 5% 27K Ω
R1122	ERJ2GEJ473X	SMD .063W 5% 47K Ω
R1124	ERJ2GEJ220X	SMD .063W 5% 22 Ω
R1125	ERJ2GEJ220X	SMD .063W 5% 22 Ω
R1126	ERJ2GEJ273X	SMD .063W 5% 27K Ω
R1134	ERJ2GEJ101X	SMD .063W 5% 100 Ω
R1144	ERJ2GEJ473X	SMD .063W 5% 47K Ω
R1146	ERJ2GEJ102X	SMD .063W 5% 1K Ω
R1147	ERJ2GEJ473X	SMD .063W 5% 47K Ω
R1153	ERJ2GEJ821X	SMD .063W 5% 820 Ω
R1162	ERJ2GEJ101X	SMD .063W 5% 100 Ω
R1163	ERJ2GEJ105X	SMD .063W 5% 1M Ω
R1164	ERJ2GEJ103X	SMD .063W 5% 10K Ω
R1165	ERJ2GEJ182X	SMD .063W 5% 1K8 Ω
R1166	ERJ2GEJ104X	SMD .063W 5% 100K Ω
R1169	ERJ2GEJ563X	SMD .063W 5% 56K Ω
R1170	ERJ2GEJ273X	SMD .063W 5% 27K Ω
R1171	ERJ2GEJ563X	SMD .063W 5% 56K Ω

Cct Ref	Parts Number	Description			
R2167	ERJ3GEYJ221	SMD	0.1W	5%	220 Ω
R2168	ERJ3EKF1602V	SMD	0.1W	1%	16K Ω
R2169	ERJ3EKF2202V	SMD	0.1W	1%	22K Ω
R2170	ERJ3GEYJ221	SMD	0.1W	5%	220 Ω
R2171	ERJ3GEYJ221	SMD	0.1W	5%	220 Ω
R2172	ERJ3GEYJ221	SMD	0.1W	5%	220 Ω
R2173	ERJ3GEYJ221	SMD	0.1W	5%	220 Ω
R2178	ERJ3GEYJ102	SMD	0.1W	5%	1K Ω
R2179	ERJ3GEYJ103	SMD	0.1W	5%	10K Ω
R2180	ERJ3GEYJ102	SMD	0.1W	5%	1K Ω
R2181	ERJ3EKF2202V	SMD	0.1W	1%	22K Ω
R2182	ERJ3EKF3602V	SMD	0.1W	1%	36K Ω
R2183	ERJ3EKF3602V	SMD	0.1W	1%	36K Ω
R2184	ERJ6GEYJ101	S.M.CARB	0.1W	5%	100 Ω
R2185	ERJ6GEYJ101	S.M.CARB	0.1W	5%	100 Ω
R2186	ERJ3GEYJ823	SMD	0.1W	5%	82K Ω
R2187	ERJ6GEY0R00	S.M.CARB	0.1W	-	0 Ω
R2189	ERJ3GEYJ103	SMD	0.1W	5%	10K Ω
R2192	ERJ3GEYJ104V	S.M.CARB	0.1W	5%	100K Ω
R2193	ERJ3GEYJ104V	S.M.CARB	0.1W	5%	100K Ω
R2194	ERJ3GEYJ102	SMD	0.1W	5%	1K Ω
R2195	ERJ3GEYJ104V	S.M.CARB	0.1W	5%	100K Ω
R2196	ERJ3GEYJ104V	S.M.CARB	0.1W	5%	100K Ω
R2197	ERJ3EKF6802V	SMD	0.1W	1%	68K Ω
R2198	ERJ3EKF1583V	SMD	0.1W	1%	158K Ω
R2204	ERJ3GEYJ333V	SMD	0.1W	5%	33K Ω
R2205	ERJ3GEYJ203V	SMD	0.1W	5%	20K Ω
R2206	ERJ3GEYJ103	SMD	0.1W	5%	10K Ω
R2208	ERJ3GEYJ103	SMD	0.1W	5%	10K Ω
R2209	ERJ3GEYJ103	SMD	0.1W	5%	10K Ω
R2210	ERJ3GEYJ103	SMD	0.1W	5%	10K Ω
R2216	ERJ3GEYJ103	SMD	0.1W	5%	10K Ω
R2217	ERJ3GEYJ473V	S.M.CARB	0.1W	5%	47K Ω
R2223	ERJ3GEY0R00	SMD	0.1W	-	0 Ω
R2224	ERJ3GEY0R00	SMD	0.1W	-	0 Ω
R2225	ERJ3GEY0R00	SMD	0.1W	-	0 Ω
R2227	ERJ3GEY0R00	SMD	0.1W	-	0 Ω
R2228	ERJ3GEY0R00	SMD	0.1W	-	0 Ω
R2229	ERJ3GEY0R00	SMD	0.1W	-	0 Ω
R2230	ERJ3GEY0R00	SMD	0.1W	-	0 Ω
R2231	ERJ3GEY0R00	SMD	0.1W	-	0 Ω
R2232	ERJ3GEY0R00	SMD	0.1W	-	0 Ω
R2233	ERJ3GEYJ103	SMD	0.1W	5%	10K Ω
R2235	ERJ3GEYJ473V	S.M.CARB	0.1W	5%	47K Ω
R2236	ERJ3GEYJ153V	S.M.CARB	0.1W	5%	15K Ω
R2237	ERJ3GEYJ153V	S.M.CARB	0.1W	5%	15K Ω
R2238	ERJ3GEYJ473V	S.M.CARB	0.1W	5%	47K Ω
R2244	ERJ3GEYJ102	SMD	0.1W	5%	1K Ω
R2257	ERJ3GEY0R00	SMD	0.1W	-	0 Ω
R2263	ERJ3GEY0R00	SMD	0.1W	-	0 Ω
R2265	ERJ3GEYJ472	SMD	0.1W	5%	4K7 Ω
R2266	ERJ3GEYJ561	SMD	0.1W	5%	560 Ω
R2271	EXB28V220JX	SMD	.031W	5%	22 Ω
R2276	ERJ3GEYJ103	SMD	0.1W	5%	10K Ω
R2290	ERJ3GEY0R00	SMD	0.1W	-	0 Ω
R2291	ERJ3GEY0R00	SMD	0.1W	-	0 Ω
R2294	ERJ3GEY0R00	SMD	0.1W	-	0 Ω
R2295	ERJ3GEY0R00	SMD	0.1W	-	0 Ω
R2296	ERJ3GEY0R00	SMD	0.1W	-	0 Ω
R2297	ERJ3GEY0R00	SMD	0.1W	-	0 Ω
R2300	ERJ3GEY0R00	SMD	0.1W	-	0 Ω
R2301	ERJ3GEYJ222	SMD	0.1W	5%	2K2 Ω
R2302	ERJ3GEYJ222	SMD	0.1W	5%	2K2 Ω
R2303	ERJ3GEY0R00	SMD	0.1W	-	0 Ω
R2304	ERJ3GEY0R00	SMD	0.1W	-	0 Ω
R2305	ERJ3GEYJ471	SMD	0.1W	5%	470 Ω
R2306	ERJ3GEYJ683	SMD	0.1W	5%	68K Ω
R2308	ERJ8GEYJ3R3V	SMD	0.25W	5%	3R3 Ω

Cct Ref	Parts Number	Description			
R2311	ERJ8GEYJ3R3V	SMD	0.25W	5%	3R3 Ω
R2313	ERJ8GEYJ3R3V	SMD	0.25W	5%	3R3 Ω
R2315	ERJ8GEYJ3R3V	SMD	0.25W	5%	3R3 Ω
R2317	ERJ6GEYJ100	S.M.CARB	0.1W	5%	10 Ω
R2319	ERJ6GEYJ100	S.M.CARB	0.1W	5%	10 Ω
R2321	ERJ6GEYJ100	S.M.CARB	0.1W	5%	10 Ω
R2323	ERJ6GEYJ100	S.M.CARB	0.1W	5%	10 Ω
R2325	ERJ6GEYJ100	S.M.CARB	0.1W	5%	10 Ω
R2330	ERJ3GEYJ102	SMD	0.1W	5%	1K Ω
R2331	ERJ3GEYJ222	SMD	0.1W	5%	2K2 Ω
R2624	ERJ3GEYJ220	SMD	0.1W	5%	22 Ω
R2625	ERJ3GEYJ220	SMD	0.1W	5%	22 Ω
R2628	ERJ3GEYJ512V	SMD	0.1W	5%	5K1 Ω
R2629	ERJ3GEYJ512V	SMD	0.1W	5%	5K1 Ω
R2853	ERJ3GEYJ103	SMD	0.1W	5%	10K Ω
R2854	ERJ3GEYJ222	SMD	0.1W	5%	2K2 Ω
R2855	ERJ3GEYJ473V	S.M.CARB	0.1W	5%	47K Ω
R2857	ERJ3GEYJ472	SMD	0.1W	5%	4K7 Ω
R2858	ERJ3GEYJ222	SMD	0.1W	5%	2K2 Ω
R2859	ERJ3GEYJ472	SMD	0.1W	5%	4K7 Ω
R2860	ERJ3GEYJ103	SMD	0.1W	5%	10K Ω
R2861	ERJ3GEYJ102	SMD	0.1W	5%	1K Ω
R2863	ERJ3GEYJ102	SMD	0.1W	5%	1K Ω
R2864	ERJ3GEYJ682	SMD	0.1W	5%	6K8 Ω
R2865	ERJ3GEYJ103	SMD	0.1W	5%	10K Ω
R2866	ERJ3GEYJ222	SMD	0.1W	5%	2K2 Ω
R2867	ERJ6ENF8202V	SMD	.125W	1%	82K Ω
R2868	ERJ6ENF1602V	SMD	.125W	1%	16K Ω
R2869	ERJ3GEYJ472	SMD	0.1W	5%	4K7 Ω
R2890	ERJ3GEYJ104V	S.M.CARB	0.1W	5%	100K Ω
R2891	ERJ6GEY0R00	S.M.CARB	0.1W	-	0 Ω
R3001	ERJ6ENF1500	SMD	.125W	1%	150 Ω
R3002	ERJ6ENF1500	SMD	.125W	1%	150 Ω
R3003	ERJ6ENF1500	SMD	.125W	1%	150 Ω
R3004	ERJ6ENF1500	SMD	.125W	1%	150 Ω
R3005	ERJ6ENF1500	SMD	.125W	1%	150 Ω
R3006	ERJ6ENF1500	SMD	.125W	1%	150 Ω
R3008	ERJ6ENF1500	SMD	.125W	1%	150 Ω
R3009	ERJ6ENF1500	SMD	.125W	1%	150 Ω
R3010	ERJ6ENF1500	SMD	.125W	1%	150 Ω
R3011	ERJ6ENF1500	SMD	.125W	1%	150 Ω
R3013	ERJ6ENF75R0	SMD	.125W	1%	75 Ω
R3014	ERJ6ENF75R0	SMD	.125W	1%	75 Ω
R3015	ERJ6ENF75R0	SMD	.125W	1%	75 Ω
R3018	ERJ6GEYJ680	S.M.CARB	0.1W	5%	68 Ω
R3020	ERJ6ENF2152V	SMD	.125W	1%	21K5 Ω
R3021	ERJ6ENF2152V	SMD	.125W	1%	21K5 Ω
R3023	ERJ6ENF1302	S.M.CARB	0.1W	1%	13K Ω
R3027	ERJ6ENF1500	SMD	.125W	1%	150 Ω
R3028	ERJ6ENF1500	SMD	.125W	1%	150 Ω
R3031	ERJ3GEY0R00	SMD	0.1W	-	0 Ω
R3032	ERJ3GEY0R00	SMD	0.1W	-	0 Ω
R3033	ERJ6ENF1500	SMD	.125W	1%	150 Ω
R3036	ERJ6ENF1500	SMD	.125W	1%	150 Ω
R3037	ERJ3GEY0R00	SMD	0.1W	-	0 Ω
R3038	ERJ3GEY0R00	SMD	0.1W	-	0 Ω
R3039	ERJ3GEY0R00	SMD	0.1W	-	0 Ω
R3040	ERJ3GEY0R00	SMD	0.1W	-	0 Ω
R3041	ERJ3GEY0R00	SMD	0.1W	-	0 Ω
R3044	ERJ3GEY0R00	SMD	0.1W	-	0 Ω
R3045	ERJ3GEY0R00	SMD	0.1W	-	0 Ω
R3059	ERJ3GEYJ221	SMD	0.1W	5%	220 Ω
R3060	ERJ3GEYJ221	SMD	0.1W	5%	220 Ω
R3061	ERJ3GEYJ221	SMD	0.1W	5%	220 Ω
R3062	ERJ3GEYJ221	SMD	0.1W	5%	220 Ω
R3063	ERJ3GEYJ221	SMD	0.1W	5%	220 Ω
R3064	ERJ3GEYJ221	SMD	0.1W	5%	220 Ω
R3068	ERJ6ENF75R0	SMD	.125W	1%	75 Ω

Cct Ref	Parts Number	Description			
R3072	ERJ3GEYJ221	SMD	0.1W	5%	220 Ω
R3073	ERJ3GEYJ221	SMD	0.1W	5%	220 Ω
R3087	ERJ3GEYJ221	SMD	0.1W	5%	220 Ω
R3089	ERJ3GEYJ331	SMD	0.1W	5%	330 Ω
R3090	ERJ3GEYJ220	SMD	0.1W	5%	22 Ω
R3092	ERJ3GEYJ680	SMD	0.1W	5%	68 Ω
R3094	ERJ3GEYJ680	SMD	0.1W	5%	68 Ω
R3095	ERJ3GEYJ680	SMD	0.1W	5%	68 Ω
R3096	ERJ3GEYJ221	SMD	0.1W	5%	220 Ω
R3097	ERJ3GEYJ221	SMD	0.1W	5%	220 Ω
R3098	ERJ3GEYJ221	SMD	0.1W	5%	220 Ω
R3099	ERJ3GEYJ221	SMD	0.1W	5%	220 Ω
R3100	ERJ3GEYJ221	SMD	0.1W	5%	220 Ω
R3101	ERJ3GEYJ221	SMD	0.1W	5%	220 Ω
R3103	ERJ3GEY0R00	SMD	0.1W	-	0 Ω
R3106	ERJ3GEYJ274V	SMD	0.1W	5%	270K Ω
R3109	ERJ3GEY0R00	SMD	0.1W	-	0 Ω
R3110	ERJ3GEY0R00	SMD	0.1W	-	0 Ω
R3111	ERJ3GEY0R00	SMD	0.1W	-	0 Ω
R3112	ERJ3GEY0R00	SMD	0.1W	-	0 Ω
R3113	ERJ3GEY0R00	SMD	0.1W	-	0 Ω
R3114	ERJ6GEYJ680	S.M.CARB	0.1W	5%	68 Ω
R3121	ERJ3GEYJ470	SMD	0.1W	5%	47 Ω
R3123	ERJ3GEYJ470	SMD	0.1W	5%	47 Ω
R3130	ERJ3GEYJ221	SMD	0.1W	5%	220 Ω
R3131	ERJ3GEYJ221	SMD	0.1W	5%	220 Ω
R3133	ERJ3GEY0R00	SMD	0.1W	-	0 Ω
R3134	ERJ3GEYJ274V	SMD	0.1W	5%	270K Ω
R3137	ERJ3EKF1000V	SMD	0.1W	1%	100 Ω
R3140	ERJ3GEYJ470	SMD	0.1W	5%	47 Ω
R3143	ERJ6ENF68R0V	SMD	.125W	1%	68 Ω
R3144	ERJ3GEYJ221	SMD	0.1W	5%	220 Ω
R3145	ERJ3GEYJ104V	S.M.CARB	0.1W	5%	100K Ω
R3146	ERJ3GEYJ361V	SMD	0.1W	5%	360 Ω
R3149	ERJ3GEYJ361V	SMD	0.1W	5%	360 Ω
R3150	ERJ6ENF68R0V	SMD	.125W	1%	68 Ω
R3151	ERJ3GEYJ221	SMD	0.1W	5%	220 Ω
R3152	ERJ3GEYJ104V	S.M.CARB	0.1W	5%	100K Ω
R3153	ERJ3GEYJ361V	SMD	0.1W	5%	360 Ω
R3154	ERJ3GEYJ361V	SMD	0.1W	5%	360 Ω
R3163	ERJ6ENF1302	S.M.CARB	0.1W	1%	13K Ω
R3171	ERJ6ENF1500	SMD	.125W	1%	150 Ω
R3172	ERJ6ENF1500	SMD	.125W	1%	150 Ω
R3173	ERJ6ENF1500	SMD	.125W	1%	150 Ω
R3174	ERJ3GEYJ680	SMD	0.1W	5%	68 Ω
R3175	ERJ3GEYJ680	SMD	0.1W	5%	68 Ω
R3176	ERJ3GEYJ680	SMD	0.1W	5%	68 Ω
R3178	ERJ6ENF1500	SMD	.125W	1%	150 Ω
R3186	ERJ3GEY0R00	SMD	0.1W	-	0 Ω
R3187	ERJ6ENF1500	SMD	.125W	1%	150 Ω
R3191	ERJ3GEYJ220	SMD	0.1W	5%	22 Ω
R3192	ERJ6ENF1500	SMD	.125W	1%	150 Ω
R3193	ERJ6ENF1500	SMD	.125W	1%	150 Ω
R3194	ERJ6ENF1500	SMD	.125W	1%	150 Ω
R3202	ERJ3GEY0R00	SMD	0.1W	-	0 Ω
R3205	ERJ3GEY0R00	SMD	0.1W	-	0 Ω
R3213	ERJ3GEY0R00	SMD	0.1W	-	0 Ω
R3214	ERJ3GEY0R00	SMD	0.1W	-	0 Ω
R3222	ERJ3GEY0R00	SMD	0.1W	-	0 Ω
R3227	ERJ3GEY0R00	SMD	0.1W	-	0 Ω
R3228	ERJ3GEY0R00	SMD	0.1W	-	0 Ω
R3229	ERJ3GEY0R00	SMD	0.1W	-	0 Ω
R3233	ERJ6ENF1500	SMD	.125W	1%	150 Ω
R3234	ERJ6ENF1500	SMD	.125W	1%	150 Ω
R3239	ERJ3GEYJ221	SMD	0.1W	5%	220 Ω
R3240	ERJ3EKF5600V	SMD	0.1W	1%	560 Ω
R3243	ERJ6GEYJ271	S.M.CARB	0.1W	5%	270 Ω
R3244	ERJ3GEYJ220	SMD	0.1W	5%	22 Ω

Cct Ref	Parts Number	Description			
R3246	ERJ3GEYJ220	SMD	0.1W	5%	22 Ω
R3247	ERJ3GEYJ221	SMD	0.1W	5%	220 Ω
R3271	ERJ3GEY0R00	SMD	0.1W	-	0 Ω
R3273	ERJ3GEY0R00	SMD	0.1W	-	0 Ω
R3274	ERJ3GEY0R00	SMD	0.1W	-	0 Ω
R3275	ERJ3GEYJ104V	S.M.CARB	0.1W	5%	100K Ω
R3302	ERJ6GEYJ101	S.M.CARB	0.1W	5%	100 Ω
R3305	ERJ6GEYJ101	S.M.CARB	0.1W	5%	100 Ω
R3306	ERJ6GEYJ472	S.M.CARB	0.1W	5%	4K7 Ω
R3307	ERJ6GEYJ472	S.M.CARB	0.1W	5%	4K7 Ω
R3308	ERJ6GEY0R00	S.M.CARB	0.1W	-	0 Ω
R3309	ERJ6GEY0R00	S.M.CARB	0.1W	-	0 Ω
R3310	ERJ6ENF75R0	SMD	.125W	1%	75 Ω
R3312	ERJ3GEYJ473V	S.M.CARB	0.1W	5%	47K Ω
R3313	ERJ6ENF75R0	SMD	.125W	1%	75 Ω
R3318	ERJ6ENF75R0	SMD	.125W	1%	75 Ω
R3348	ERJ3GEYJ680	SMD	0.1W	5%	68 Ω
R3349	ERJ3GEYJ680	SMD	0.1W	5%	68 Ω
R3350	ERJ3GEYJ101	SMD	0.1W	5%	100 Ω
R3700	ERJ6GEYJ393	S.M.CARB	0.1W	5%	39K Ω
R3701	ERJ6GEYJ393	S.M.CARB	0.1W	5%	39K Ω
R3702	ERJ6GEYJ184	S.M.CARB	0.1W	5%	180K Ω
R3703	ERJ6GEYJ184	S.M.CARB	0.1W	5%	180K Ω
R4001	ERJ2GEJ103X	SMD	.063W	5%	10K Ω
R4026	ERJ3GEY0R00	SMD	0.1W	-	0 Ω
R4209	EXB28V680JX	SMD	.031W	5%	68 Ω
R4213	ERJ2GEJ680X	SMD	.063W	5%	68 Ω
R4214	ERJ2GEJ680X	SMD	.063W	5%	68 Ω
R4215	ERJ2GEJ680X	SMD	.063W	5%	68 Ω
R4216	ERJ2GEJ680X	SMD	.063W	5%	68 Ω
R4217	ERJ2GEJ680X	SMD	.063W	5%	68 Ω
R4218	ERJ2GEJ680X	SMD	.063W	5%	68 Ω
R4219	ERJ2GEJ680X	SMD	.063W	5%	68 Ω
R4221	ERJ2GE0R00X	SMD	.063W	-	0 Ω
R4223	ERJ2GE0R00X	SMD	.063W	-	0 Ω
R4224	ERJ2GEJ103X	SMD	.063W	5%	10K Ω
R4225	ERJ2GE0R00X	SMD	.063W	-	0 Ω
R4226	ERJ2GE0R00X	SMD	.063W	-	0 Ω
R4227	ERJ2GEJ680X	SMD	.063W	5%	68 Ω
R4228	ERJ2GEJ680X	SMD	.063W	5%	68 Ω
R4229	ERJ2GEJ680X	SMD	.063W	5%	68 Ω
R4230	ERJ2GEJ680X	SMD	.063W	5%	68 Ω
R4234	ERJ2GEJ680X	SMD	.063W	5%	68 Ω
R4238	ERJ2GE0R00X	SMD	.063W	-	0 Ω
R4239	D1BA4701A026	SMD	.063W	1%	4K7 Ω
R4240	D1BA68R0A026	SMD	.068W	1%	68 Ω
R4241	ERJ2GE0R00X	SMD	.063W	-	0 Ω
R4242	D1BA2202A026	SMD	.063W	1%	22K Ω
R4243	EXB2HV470JV	SMD	.063W	5%	47 Ω
R4244	EXB2HV470JV	SMD	.063W	5%	47 Ω
R4245	EXB2HV470JV	SMD	.063W	5%	47 Ω
R4246	ERJ2GEJ101X	SMD	.063W	5%	100 Ω
R4247	ERJ2GEJ334X	SMD	.063W	5%	330K Ω
R4248	ERJ2GEJ470X	SMD	.063W	5%	47 Ω
R4249	ERJ2GEJ470X	SMD	.063W	5%	47 Ω
R4250	ERJ2GEJ470X	SMD	.063W	5%	47 Ω
R4251	ERJ2GEJ680X	SMD	.063W	5%	68 Ω
R4252	ERJ2GEJ391X	SMD	.063W	5%	390 Ω
R4254	ERJ3GEY0R00	SMD	0.1W	-	0 Ω
R4257	EXB28V220JX	SMD	.031W	5%	22 Ω
R4258	EXB28V220JX	SMD	.031W	5%	22 Ω
R4259	EXB28V220JX	SMD	.031W	5%	22 Ω
R4260	EXB28V220JX	SMD	.031W	5%	22 Ω
R4261	EXB28V220JX	SMD	.031W	5%	22 Ω
R4262	EXB28V220JX	SMD	.031W	5%	22 Ω
R4263	EXB28V220JX	SMD	.031W	5%	22 Ω
R4264	EXB28V220JX	SMD	.031W	5%	22 Ω
R4265	ERJ3GEYJ220	SMD	0.1W	5%	22 Ω

Cct Ref	Parts Number	Description			
R4266	ERJ3GEYJ220	SMD	0.1W	5%	22 Ω
R4267	ERJ3GEYJ220	SMD	0.1W	5%	22 Ω
R4268	ERJ3GEYJ220	SMD	0.1W	5%	22 Ω
R4269	EXB28V220JX	SMD	.031W	5%	22 Ω
R4270	ERJ2GEJ220X	SMD	.063W	5%	22 Ω
R4271	ERJ2GEJ220X	SMD	.063W	5%	22 Ω
R4272	ERJ3GEYJ220	SMD	0.1W	5%	22 Ω
R4273	ERJ3GEYJ220	SMD	0.1W	5%	22 Ω
R4274	EXB28V220JX	SMD	.031W	5%	22 Ω
R4275	EXB28V220JX	SMD	.031W	5%	22 Ω
R4276	EXB28V220JX	SMD	.031W	5%	22 Ω
R4277	ERJ3GEYJ151	SMD	0.1W	5%	150 Ω
R4278	ERJ2GEJ363X	SMD	.063W	5%	36K Ω
R4279	ERJ2GEJ473X	SMD	.063W	5%	47K Ω
R4280	ERJ2GEJ101X	SMD	.063W	5%	100 Ω
R4281	ERJ2GEJ473X	SMD	.063W	5%	47K Ω
R4282	ERJ2GEJ473X	SMD	.063W	5%	47K Ω
R4283	ERJ2GEJ223X	SMD	.063W	5%	22K Ω
R4284	ERJ2GEJ164X	SMD	.063W	5%	160K Ω
R4285	ERJ2GE0R00X	SMD	.063W	-	0 Ω
R4286	ERJ3EKF1502V	SMD	0.1W	1%	15K Ω
R4287	ERJ3EKF5762V	SMD	0.1W	1%	57K6 Ω
R4288	ERJ6GEY0R00	S.M.CARB	0.1W	-	0 Ω
R4289	D1BA1001A026	SMD	.063W	1%	1K Ω
R4290	D1BA1001A026	SMD	.063W	1%	1K Ω
R4291	ERJ3EKF6802V	SMD	0.1W	1%	68K Ω
R4292	ERJ3EKF3002V	SMD	0.1W	1%	30K Ω
R4294	ERJ2GEJ473X	SMD	.063W	5%	47K Ω
R4295	ERJ2GEJ473X	SMD	.063W	5%	47K Ω
R4296	ERJ2GE0R00X	SMD	.063W	-	0 Ω
R4297	ERJ2GE0R00X	SMD	.063W	-	0 Ω
R4298	ERJ2GE0R00X	SMD	.063W	-	0 Ω
R4299	ERJ2GE0R00X	SMD	.063W	-	0 Ω
R4300	ERJ2GE0R00X	SMD	.063W	-	0 Ω
R4301	ERJ2GEJ103X	SMD	.063W	5%	10K Ω
R4302	ERJ2GEJ102X	SMD	.063W	5%	1K Ω
R4303	ERJ2GEJ103X	SMD	.063W	5%	10K Ω
R4304	ERJ2GEJ302X	SMD	.063W	5%	3K Ω
R4308	ERJ2GEJ103X	SMD	.063W	5%	10K Ω
R4309	ERJ2GEJ103X	SMD	.063W	5%	10K Ω
R4310	ERJ2GEJ103X	SMD	.063W	5%	10K Ω
R4311	ERJ2GEJ103X	SMD	.063W	5%	10K Ω
R4312	ERJ2GEJ103X	SMD	.063W	5%	10K Ω
R4313	ERJ2GEJ103X	SMD	.063W	5%	10K Ω
R4314	ERJ2GEJ102X	SMD	.063W	5%	1K Ω
R4315	ERJ2GEJ103X	SMD	.063W	5%	10K Ω
R4316	ERJ2GEJ103X	SMD	.063W	5%	10K Ω
R4317	ERJ2GEJ103X	SMD	.063W	5%	10K Ω
R4318	ERJ6ENF5111V	SMD	.125W	1%	5K11 Ω
R4319	ERJ6ENF4871V	SMD	.125W	1%	4K87 Ω
R4320	D1BA3001A026	SMD	.063W	1%	3K Ω
R4321	ERJ2GEJ102X	SMD	.063W	5%	1K Ω
R4322	D1BA3901A026	SMD	.063W	1%	3K9 Ω
R4323	ERJ2GEJ104X	SMD	.063W	5%	100K Ω
R4324	ERJ2GEJ682X	SMD	.063W	5%	6K8 Ω
R4326	ERJ2GEJ100X	SMD	.063W	5%	10 Ω
R4327	ERJ2GEJ103X	SMD	.063W	5%	10K Ω
R4328	ERJ2GEJ101X	SMD	.063W	5%	100 Ω
R4330	ERJ2GEJ220X	SMD	.063W	5%	22 Ω
R4331	ERJ2GEJ472X	SMD	.063W	5%	4K7 Ω
R4332	ERJ2GEJ220X	SMD	.063W	5%	22 Ω
R4333	ERJ2GEJ220X	SMD	.063W	5%	22 Ω
R4334	ERJ2GEJ472X	SMD	.063W	5%	4K7 Ω
R4335	ERJ2GEJ220X	SMD	.063W	5%	22 Ω
R4336	ERJ2GEJ680X	SMD	.063W	5%	68 Ω
R4337	EXB2HV680JV	SMD	.063W	5%	68 Ω
R4338	ERJ2GEJ103X	SMD	.063W	5%	10K Ω
R4339	ERJ2GEJ103X	SMD	.063W	5%	10K Ω

Cct Ref	Parts Number	Description			
R4340	ERJ2GEJ103X	SMD	.063W	5%	10K Ω
R4341	ERJ2GEJ473X	SMD	.063W	5%	47K Ω
R4342	ERJ2GEJ473X	SMD	.063W	5%	47K Ω
R4343	ERJ2GEJ473X	SMD	.063W	5%	47K Ω
R4348	ERJ2GE0R00X	SMD	.063W	-	0 Ω
R4349	ERJ2GEJ103X	SMD	.063W	5%	10K Ω
R4352	ERJ2GE0R00X	SMD	.063W	-	0 Ω
R4353	ERJ2GEJ103X	SMD	.063W	5%	10K Ω
R4356	ERJ2GE0R00X	SMD	.063W	-	0 Ω
R4357	ERJ2GEJ223X	SMD	.063W	5%	22K Ω
R4360	ERJ2GEJ223X	SMD	.063W	5%	22K Ω
R4361	ERJ2GE0R00X	SMD	.063W	-	0 Ω
R4375	ERJ2GE0R00X	SMD	.063W	-	0 Ω
R4376	ERJ2GEJ222X	SMD	.063W	5%	2K2 Ω
R4385	ERJ2GE0R00X	SMD	.063W	-	0 Ω
R4399	ERJ3EKF2001V	SMD	0.1W	1%	2K Ω
R4400	ERJ2GE0R00X	SMD	.063W	-	0 Ω
R4405	ERJ2GEJ473X	SMD	.063W	5%	47K Ω
R4406	EXB2HV680JV	SMD	.063W	5%	68 Ω
R4408	EXB2HV680JV	SMD	.063W	5%	68 Ω
R4410	EXB2HV680JV	SMD	.063W	5%	68 Ω
R4412	ERJ2GEJ103X	SMD	.063W	5%	10K Ω
R4413	ERJ2GEJ473X	SMD	.063W	5%	47K Ω
R4456	ERJ2GEJ473X	SMD	.063W	5%	47K Ω
R4457	ERJ2GEJ473X	SMD	.063W	5%	47K Ω
R4458	ERJ2GEJ473X	SMD	.063W	5%	47K Ω
R4500	ERJ2GEJ103X	SMD	.063W	5%	10K Ω
R4501	ERJ2GEJ103X	SMD	.063W	5%	10K Ω
R4502	ERJ2GEJ330X	SMD	.063W	5%	33 Ω
R4503	ERJ2GEJ330X	SMD	.063W	5%	33 Ω
R4506	ERJ2GEJ103X	SMD	.063W	5%	10K Ω
R4507	ERJ2GEJ103X	SMD	.063W	5%	10K Ω
R4508	ERJ2GEJ2R2X	SMD	.063W	5%	2.2 Ω
R4509	ERJ2GEJ2R2X	SMD	.063W	5%	2.2 Ω
R4510	ERJ2GEJ2R2X	SMD	.063W	5%	2.2 Ω
R4511	ERJ2GEJ2R2X	SMD	.063W	5%	2.2 Ω
R4512	ERJ2GEJ2R2X	SMD	.063W	5%	2.2 Ω
R4513	ERJ2GEJ2R2X	SMD	.063W	5%	2.2 Ω
R4514	ERJ2GEJ2R2X	SMD	.063W	5%	2.2 Ω
R4515	ERJ2GEJ2R2X	SMD	.063W	5%	2.2 Ω
R4516	ERJ2GEJ2R2X	SMD	.063W	5%	2.2 Ω
R4517	ERJ2GEJ2R2X	SMD	.063W	5%	2.2 Ω
R4518	ERJ2GEJ2R2X	SMD	.063W	5%	2.2 Ω
R4519	ERJ2GEJ2R2X	SMD	.063W	5%	2.2 Ω
R4520	ERJ2GEJ2R2X	SMD	.063W	5%	2.2 Ω
R4521	ERJ2GEJ2R2X	SMD	.063W	5%	2.2 Ω
R4522	ERJ2GEJ2R2X	SMD	.063W	5%	2.2 Ω
R4523	ERJ2GEJ2R2X	SMD	.063W	5%	2.2 Ω
R4524	ERJ2GEJ103X	SMD	.063W	5%	10K Ω
R4525	ERJ2GEJ103X	SMD	.063W	5%	10K Ω
R4526	ERJ2GEJ102X	SMD	.063W	5%	1K Ω
R4527	ERJ2GEJ102X	SMD	.063W	5%	1K Ω
R4528	ERJ2GEJ103X	SMD	.063W	5%	10K Ω
R4529	ERJ2GEJ472X	SMD	.063W	5%	4K7 Ω
R4530	ERJ2GEJ103X	SMD	.063W	5%	10K Ω
R4531	ERJ2GEJ472X	SMD	.063W	5%	4K7 Ω
R4532	ERJ2GEJ103X	SMD	.063W	5%	10K Ω
R4533	ERJ2GEJ103X	SMD	.063W	5%	10K Ω
R4535	ERJ2GEJ472X	SMD	.063W	5%	4K7 Ω
R4536	ERJ2GEJ472X	SMD	.063W	5%	4K7 Ω
R4538	ERJ2GEJ473X	SMD	.063W	5%	47K Ω
R4539	ERJ2GEJ680X	SMD	.063W	5%	68 Ω
R4540	ERJ2GEJ473X	SMD	.063W	5%	47K Ω
R4541	ERJ2GEJ680X	SMD	.063W	5%	68 Ω
R4542	ERJ2GEJ680X	SMD	.063W	5%	68 Ω
R4543	ERJ2GEJ680X	SMD	.063W	5%	68 Ω
R4544	ERJ2GEJ103X	SMD	.063W	5%	10K Ω
R4545	ERJ2GEJ103X	SMD	.063W	5%	10K Ω

Cct Ref	Parts Number	Description			
R4546	ERJ2GEJ103X	SMD	.063W	5%	10K Ω
R4547	ERJ2GEJ103X	SMD	.063W	5%	10K Ω
R4552	ERJ2GEJ220X	SMD	.063W	5%	22 Ω
R4561	ERJ2GEJ473X	SMD	.063W	5%	47K Ω
R4562	ERJ2GEJ472X	SMD	.063W	5%	4K7 Ω
R4563	ERJ2GEJ472X	SMD	.063W	5%	4K7 Ω
R4564	ERJ2GEJ220X	SMD	.063W	5%	22 Ω
R4565	ERJ2GEJ220X	SMD	.063W	5%	22 Ω
R4567	ERJ3EKF4701V	SMD	0.1W	1%	4K7 Ω
R4578	ERJ2GEJ151X	SMD	.063W	5%	150 Ω
R4579	ERJ2GEJ151X	SMD	.063W	5%	150 Ω
R4585	ERJ2GEJ101X	SMD	.063W	5%	100 Ω
R4587	ERJ3EKF8200V	SMD	0.1W	1%	820 Ω
R4593	ERJ3EKF1101V	SMD	0.1W	1%	1K1 Ω
R4596	ERJ6GEYJ102	S.M.CARB	0.1W	5%	1K Ω
R4597	ERJ6GEYJ102	S.M.CARB	0.1W	5%	1K Ω
R4598	ERJ6GEYJ102	S.M.CARB	0.1W	5%	1K Ω
R4601	ERJ6GEYJ102	S.M.CARB	0.1W	5%	1K Ω
R4604	ERJ3EKF7501V	SMD	0.1W	1%	7K5 Ω
R4605	ERJ3EKF1201V	SMD	0.1W	1%	1K2 Ω
R4606	ERJ3EKF4701V	SMD	0.1W	1%	4K7 Ω
R4608	ERJ6GEYJ102	S.M.CARB	0.1W	5%	1K Ω
R4609	ERJ2GEJ103X	SMD	.063W	5%	10K Ω
R4610	ERJ2GE0R00X	SMD	.063W	-	0 Ω
R4611	ERJ3EKF1371V	SMD	0.1W	1%	1K37 Ω
R4612	ERJ3EKF1501V	SMD	0.1W	1%	1K5 Ω
R4613	ERJ2GEJ220X	SMD	.063W	5%	22 Ω
R4614	ERJ2GEJ220X	SMD	.063W	5%	22 Ω
R4615	ERJ3EKF1600V	SMD	0.1W	1%	160 Ω
R4622	ERJ2GEJ101X	SMD	.063W	5%	100 Ω
R4624	ERJ3EKF1691V	SMD	0.1W	1%	1K69 Ω
R4626	ERJ2GEJ105X	SMD	.063W	5%	1M Ω
R4627	ERJ2GE0R00X	SMD	.063W	-	0 Ω
R4628	ERJ2GEJ101X	SMD	.063W	5%	100 Ω
R4629	ERJ2GEJ101X	SMD	.063W	5%	100 Ω
R4631	ERJ3EKF4990V	SMD	0.1W	1%	499 Ω
R4634	ERJ2GEJ473X	SMD	.063W	5%	47K Ω
R4635	EXB28V680JX	SMD	.031W	5%	68 Ω
R4636	ERJ2GEJ680X	SMD	.063W	5%	68 Ω
R4637	ERJ2GEJ680X	SMD	.063W	5%	68 Ω
R4638	ERJ2GEJ680X	SMD	.063W	5%	68 Ω
R4639	EXB28V680JX	SMD	.031W	5%	68 Ω
R4640	EXB28V680JX	SMD	.031W	5%	68 Ω
R4642	EXB28V680JX	SMD	.031W	5%	68 Ω
R4644	ERJ2GEJ220X	SMD	.063W	5%	22 Ω
R4645	ERJ2GEJ680X	SMD	.063W	5%	68 Ω
R4646	ERJ2GEJ680X	SMD	.063W	5%	68 Ω
R4647	ERJ2GEJ680X	SMD	.063W	5%	68 Ω
R4648	EXB28V330JX	SMD	.031W	5%	33 Ω
R4649	EXB28V680JX	SMD	.031W	5%	68 Ω
R4650	ERJ2GEJ680X	SMD	.063W	5%	68 Ω
R4651	ERJ2GEJ680X	SMD	.063W	5%	68 Ω
R4652	ERJ2GEJ473X	SMD	.063W	5%	47K Ω
R4653	ERJ2GEJ103X	SMD	.063W	5%	10K Ω
R4654	ERJ3EKF4701V	SMD	0.1W	1%	4K7 Ω
R4655	ERJ2GEJ101X	SMD	.063W	5%	100 Ω
R4656	ERJ2GEJ222X	SMD	.063W	5%	2K2 Ω
R4657	ERJ2GEJ220X	SMD	.063W	5%	22 Ω
R4658	ERJ2GEJ220X	SMD	.063W	5%	22 Ω
R4661	ERJ2GEJ101X	SMD	.063W	5%	100 Ω
R4663	ERJ2GEJ472X	SMD	.063W	5%	4K7 Ω
R4664	ERJ3EKF6980V	SMD	0.1W	1%	698 Ω
R4665	ERJ2GEJ473X	SMD	.063W	5%	47K Ω
R4666	ERJ2GEJ473X	SMD	.063W	5%	47K Ω
R4667	ERJ2GEJ151X	SMD	.063W	5%	150 Ω
R4670	ERJ2GEJ680X	SMD	.063W	5%	68 Ω
R4676	ERJ2GEJ220X	SMD	.063W	5%	22 Ω
R4677	ERJ2GEJ220X	SMD	.063W	5%	22 Ω

Cct Ref	Parts Number	Description			
R4678	ERJ2GEJ220X	SMD	.063W	5%	22 Ω
R4679	ERJ2GEJ220X	SMD	.063W	5%	22 Ω
R4680	ERJ2GEJ220X	SMD	.063W	5%	22 Ω
R4681	ERJ2GEJ220X	SMD	.063W	5%	22 Ω
R4682	ERJ3EKF1002V	SMD	0.1W	1%	10K Ω
R4683	ERJ2GEJ103X	SMD	.063W	5%	10K Ω
R4686	ERJ2GEJ473X	SMD	.063W	5%	47K Ω
R4687	ERJ2GEJ472X	SMD	.063W	5%	4K7 Ω
R4688	ERJ2GEJ472X	SMD	.063W	5%	4K7 Ω
R4689	ERJ2GEJ220X	SMD	.063W	5%	22 Ω
R4690	ERJ2GEJ220X	SMD	.063W	5%	22 Ω
R4691	ERJ2GEJ220X	SMD	.063W	5%	22 Ω
R4692	ERJ2GEJ220X	SMD	.063W	5%	22 Ω
R4698	ERJ2GE0R00X	SMD	.063W	-	0 Ω
R4699	ERJ2GE0R00X	SMD	.063W	-	0 Ω
R4702	ERJ2GE0R00X	SMD	.063W	-	0 Ω
R4703	ERJ2GE0R00X	SMD	.063W	-	0 Ω
R4706	ERJ2GEJ102X	SMD	.063W	5%	1K Ω
R4707	ERJ2GEJ103X	SMD	.063W	5%	10K Ω
R4708	ERJ2GEJ102X	SMD	.063W	5%	1K Ω
R4710	ERJ2GEJ472X	SMD	.063W	5%	4K7 Ω
R4711	ERJ2GEJ472X	SMD	.063W	5%	4K7 Ω
R4800	ERJ3GEY0R00	SMD	0.1W	-	0 Ω
R4838	ERJ2GE0R00X	SMD	.063W	-	0 Ω
R5600	ERJ2GEJ680X	SMD	.063W	5%	68 Ω
R5604	ERJ3EKF4702V	SMD	0.1W	1%	47K Ω
R5605	ERJ3EKF1272V	SMD	0.1W	1%	12K7 Ω
R5606	ERJ2GE0R00X	SMD	.063W	-	0 Ω
R5607	ERJ2GE0R00X	SMD	.063W	-	0 Ω
R5608	ERJ2GE0R00X	SMD	.063W	-	0 Ω
R5609	ERJ2GE0R00X	SMD	.063W	-	0 Ω
R5610	ERJ2GEJ104X	SMD	.063W	5%	100K Ω
R5611	ERJ3EKF3602V	SMD	0.1W	1%	36K Ω
R5612	ERJ3EKF2322V	SMD	0.1W	1%	23K2 Ω
R5620	ERJ2GEJ680X	SMD	.063W	5%	68 Ω
R5621	ERJ3EKF4702V	SMD	0.1W	1%	47K Ω
R5622	ERJ2GEJ104X	SMD	.063W	5%	100K Ω
R5623	ERJ3EKF4702V	SMD	0.1W	1%	47K Ω
R5625	ERJ2GE0R00X	SMD	.063W	-	0 Ω
R5626	ERJ2GE0R00X	SMD	.063W	-	0 Ω
R5627	ERJ2GE0R00X	SMD	.063W	-	0 Ω
R5628	ERJ2GE0R00X	SMD	.063W	-	0 Ω
R5629	ERJ3EKF3012V	SMD	0.1W	1%	30K1 Ω
R5630	ERJ3EKF4752V	SMD	0.1W	1%	47K5 Ω
R5631	ERJ3EKF3602V	SMD	0.1W	1%	36K Ω
R5632	ERJ3EKF3002V	SMD	0.1W	1%	30K Ω
R5633	ERJ3EKF1602V	SMD	0.1W	1%	16K Ω
R5634	ERJ3EKF1602V	SMD	0.1W	1%	16K Ω
R5635	ERJ2GEJ223X	SMD	.063W	5%	22K Ω
R5636	ERJ2GEJ683X	SMD	.063W	5%	68K Ω
R5637	ERJ2GE0R00X	SMD	.063W	-	0 Ω
R5638	ERJ2GEJ103X	SMD	.063W	5%	10K Ω
R5641	ERJ2GEJ473X	SMD	.063W	5%	47K Ω
R5644	ERJ2GEJ222X	SMD	.063W	5%	2K2 Ω
R5646	ERJ2GEJ103X	SMD	.063W	5%	10K Ω
R5647	ERJ2GEJ473X	SMD	.063W	5%	47K Ω
R5660	ERJ2GEJ562X	SMD	.063W	5%	5K6 Ω
R5661	ERJ2GEJ473X	SMD	.063W	5%	47K Ω
R5662	ERJ2GEJ103X	SMD	.063W	5%	10K Ω
R5670	ERJ2GE0R00X	SMD	.063W	-	0 Ω
R5671	ERJ2GEJ183X	SMD	.063W	5%	18K Ω
R5672	ERJ2GE0R00X	SMD	.063W	-	0 Ω
R5674	ERJ2GEJ122X	SMD	.063W	5%	1K2 Ω
R5690	ERJ3GEYJ103	SMD	0.1W	5%	10K Ω
R5691	ERJ3GEYJ103	SMD	0.1W	5%	10K Ω
R5692	ERJ3GEYJ473V	S.M.CARB	0.1W	5%	47K Ω
R5693	ERJ3GEYJ473V	S.M.CARB	0.1W	5%	47K Ω
R5694	ERJ3GEYJ102	SMD	0.1W	5%	1K Ω

Cct Ref	Parts Number	Description			
R8058	ERJ2GEJ470X	SMD	.063W	5%	47 Ω
R8059	ERJ2GEJ470X	SMD	.063W	5%	47 Ω
R8060	ERJ2GEJ470X	SMD	.063W	5%	47 Ω
R8061	ERJ2GEJ470X	SMD	.063W	5%	47 Ω
R8062	ERJ2GEJ470X	SMD	.063W	5%	47 Ω
R8063	ERJ2GEJ470X	SMD	.063W	5%	47 Ω
R8064	ERJ2GEJ470X	SMD	.063W	5%	47 Ω
R8065	ERJ2GEJ470X	SMD	.063W	5%	47 Ω
R8066	ERJ2GEJ470X	SMD	.063W	5%	47 Ω
R8067	ERJ2GEJ470X	SMD	.063W	5%	47 Ω
R8068	ERJ2GEJ470X	SMD	.063W	5%	47 Ω
R8069	ERJ2GEJ470X	SMD	.063W	5%	47 Ω
R8070	ERJ2GEJ470X	SMD	.063W	5%	47 Ω
R8071	ERJ2GEJ470X	SMD	.063W	5%	47 Ω
R8072	ERJ2GEJ470X	SMD	.063W	5%	47 Ω
R8073	ERJ2GEJ470X	SMD	.063W	5%	47 Ω
R8074	ERJ2GEJ221X	SMD	.063W	5%	220 Ω
R8075	ERJ2GEJ470X	SMD	.063W	5%	47 Ω
R8076	ERJ2GEJ470X	SMD	.063W	5%	47 Ω
R8077	ERJ2GEJ470X	SMD	.063W	5%	47 Ω
R8078	ERJ2GEJ470X	SMD	.063W	5%	47 Ω
R8079	ERJ2GE0R00X	SMD	.063W	-	0 Ω
R8080	ERJ2GE0R00X	SMD	.063W	-	0 Ω
R8081	ERJ2GEJ103X	SMD	.063W	5%	10K Ω
R8082	D1BA75R0A026	SMD	.063W	1%	75 Ω
R8083	ERJ2GEJ301X	SMD	.063W	5%	300 Ω
R8084	ERJ2GE0R00X	SMD	.063W	-	0 Ω
R8086	ERJ2GEJ104X	SMD	.063W	5%	100K Ω
R8087	ERJ2GEJ103X	SMD	.063W	5%	10K Ω
R8090	ERJ2GEJ103X	SMD	.063W	5%	10K Ω
R8091	ERJ2GEJ101X	SMD	.063W	5%	100 Ω
R8093	ERJ2GEJ470X	SMD	.063W	5%	47 Ω
R8095	ERJ2GEJ103X	SMD	.063W	5%	10K Ω
R8097	ERJ2GEJ221X	SMD	.063W	5%	220 Ω
R8098	ERJ2GEJ103X	SMD	.063W	5%	10K Ω
R8099	ERJ2GEJ103X	SMD	.063W	5%	10K Ω
R8100	ERJ2GEJ470X	SMD	.063W	5%	47 Ω
R8101	ERJ2GEJ103X	SMD	.063W	5%	10K Ω
R8106	ERJ2GEJ202X	SMD	.063W	5%	2K Ω
R8107	ERJ2GEJ101X	SMD	.063W	5%	100 Ω
R8111	ERJ2GEJ103X	SMD	.063W	5%	10K Ω
R8328	ERJ2GEJ103X	SMD	.063W	5%	10K Ω
R8471	ERJ2GEJ103X	SMD	.063W	5%	10K Ω
R8472	EXB2HV103JV	SMD	.063W	5%	10K Ω
R8474	EXB28V103JX	SMD	.031W	5%	10K Ω
R8475	EXB28V103JX	SMD	.031W	5%	10K Ω
R8502	ERJ2GEJ331X	SMD	.063W	5%	330 Ω
R8503	ERJ2GEJ331X	SMD	.063W	5%	330 Ω
R8504	ERJ2GEJ331X	SMD	.063W	5%	330 Ω
R8506	ERJ2GEJ331X	SMD	.063W	5%	330 Ω
R8507	ERJ3EKF91R0V	SMD	0.1W	1%	91 Ω
R8508	ERJ3EKF91R0V	SMD	0.1W	1%	91 Ω
R8509	ERJ3EKF91R0V	SMD	0.1W	1%	91 Ω
R8510	ERJ3EKF91R0V	SMD	0.1W	1%	91 Ω
R8512	ERJ3EKF1800V	SMD	0.1W	1%	180 Ω
R8513	ERJ2GE0R00X	SMD	.063W	-	0 Ω
R8517	ERJ2GE0R00X	SMD	.063W	-	0 Ω
R8518	ERJ2GE0R00X	SMD	.063W	-	0 Ω
R8519	ERJ2GE0R00X	SMD	.063W	-	0 Ω
R8551	ERJ2GEJ103X	SMD	.063W	5%	10K Ω
R8555	ERJ2GEJ680X	SMD	.063W	5%	68 Ω
R8556	ERJ2GEJ680X	SMD	.063W	5%	68 Ω
R8557	ERJ2GEJ680X	SMD	.063W	5%	68 Ω
R8558	ERJ2GEJ680X	SMD	.063W	5%	68 Ω
R8559	ERJ2GEJ680X	SMD	.063W	5%	68 Ω
R8560	ERJ2GEJ680X	SMD	.063W	5%	68 Ω
R8561	ERJ2GEJ680X	SMD	.063W	5%	68 Ω
R8564	ERJ2GEJ103X	SMD	.063W	5%	10K Ω

Cct Ref	Parts Number	Description			
R8601	ERJ2GEJ220X	SMD	.063W	5%	22 Ω
R8602	ERJ2GEJ220X	SMD	.063W	5%	22 Ω
R8603	ERJ2GEJ473X	SMD	.063W	5%	47K Ω
R8604	ERJ6GEY0R00	S.M.CARB	0.1W	-	0 Ω
R8605	ERJ2GEJ680X	SMD	.063W	5%	68 Ω
R8621	ERJ2GEJ680X	SMD	.063W	5%	68 Ω
R8622	ERJ2GEJ680X	SMD	.063W	5%	68 Ω
R8623	ERJ2GEJ680X	SMD	.063W	5%	68 Ω
R8624	ERJ2GEJ680X	SMD	.063W	5%	68 Ω
R8625	ERJ2GEJ680X	SMD	.063W	5%	68 Ω
R8626	ERJ2GEJ680X	SMD	.063W	5%	68 Ω
R8627	ERJ2GEJ680X	SMD	.063W	5%	68 Ω
R8628	ERJ2GEJ680X	SMD	.063W	5%	68 Ω
R8629	ERJ2GEJ680X	SMD	.063W	5%	68 Ω
R8630	ERJ2GEJ680X	SMD	.063W	5%	68 Ω
R8631	ERJ2GEJ680X	SMD	.063W	5%	68 Ω
R8632	ERJ2GEJ680X	SMD	.063W	5%	68 Ω
R8633	ERJ2GEJ680X	SMD	.063W	5%	68 Ω
R8634	ERJ2GEJ680X	SMD	.063W	5%	68 Ω
R8635	ERJ2GEJ680X	SMD	.063W	5%	68 Ω
R8636	ERJ2GEJ680X	SMD	.063W	5%	68 Ω
R8653	ERJ2GEJ103X	SMD	.063W	5%	10K Ω
R8655	ERJ2GEJ103X	SMD	.063W	5%	10K Ω
R8702	ERJ2GE0R00X	SMD	.063W	-	0 Ω
R8703	ERJ2GEJ680X	SMD	.063W	5%	68 Ω
R8707	ERJ2GE0R00X	SMD	.063W	-	0 Ω
R8708	ERJ2GE0R00X	SMD	.063W	-	0 Ω
R8709	ERJ2GE0R00X	SMD	.063W	-	0 Ω
R8710	ERJ2GEJ680X	SMD	.063W	5%	68 Ω
R8711	ERJ2GEJ103X	SMD	.063W	5%	10K Ω
R8712	ERJ2GEJ103X	SMD	.063W	5%	10K Ω
R8732	ERJ2GEJ101X	SMD	.063W	5%	100 Ω
R8735	ERJ2GEJ680X	SMD	.063W	5%	68 Ω
R8736	ERJ2GEJ680X	SMD	.063W	5%	68 Ω
R8737	ERJ2GEJ680X	SMD	.063W	5%	68 Ω
R8738	ERJ2GEJ680X	SMD	.063W	5%	68 Ω
R8739	ERJ2GEJ680X	SMD	.063W	5%	68 Ω
R8742	ERJ2GEJ103X	SMD	.063W	5%	10K Ω
R8745	ERJ2GEJ103X	SMD	.063W	5%	10K Ω
R8746	ERJ2GEJ103X	SMD	.063W	5%	10K Ω
R8749	ERJ2GEJ103X	SMD	.063W	5%	10K Ω
R8802	ERJ2GEJ103X	SMD	.063W	5%	10K Ω
R8803	ERJ2GEJ103X	SMD	.063W	5%	10K Ω
R8804	ERJ2GEJ103X	SMD	.063W	5%	10K Ω
R8805	ERJ2GEJ103X	SMD	.063W	5%	10K Ω
R8806	ERJ2GEJ103X	SMD	.063W	5%	10K Ω
R8807	ERJ2GEJ103X	SMD	.063W	5%	10K Ω
R8808	ERJ2GEJ103X	SMD	.063W	5%	10K Ω
R8809	ERJ2GEJ103X	SMD	.063W	5%	10K Ω
R8812	ERJ2GE0R00X	SMD	.063W	-	0 Ω
R8813	EXB28V680JX	SMD	.031W	5%	68 Ω
R8814	ERJ2GEJ680X	SMD	.063W	5%	68 Ω
R8815	ERJ2GEJ680X	SMD	.063W	5%	68 Ω
R8816	ERJ2GEJ680X	SMD	.063W	5%	68 Ω
R8817	ERJ2GEJ680X	SMD	.063W	5%	68 Ω
R8818	ERJ2GE0R00X	SMD	.063W	-	0 Ω
R8823	ERJ2GEJ473X	SMD	.063W	5%	47K Ω
R8825	ERJ6GEY0R00	S.M.CARB	0.1W	-	0 Ω
R8826	ERJ2GEJ680X	SMD	.063W	5%	68 Ω
R8828	ERJ2GEJ103X	SMD	.063W	5%	10K Ω
R8832	ERJ2GEJ103X	SMD	.063W	5%	10K Ω
R8833	ERJ3GEY0R00	SMD	0.1W	-	0 Ω
R8851	ERJ2GE0R00X	SMD	.063W	-	0 Ω
R8852	ERJ2GE0R00X	SMD	.063W	-	0 Ω
R8853	ERJ2GE0R00X	SMD	.063W	-	0 Ω
R8854	ERJ2GE0R00X	SMD	.063W	-	0 Ω
R8855	ERJ2GEJ680X	SMD	.063W	5%	68 Ω
R8856	ERJ2GEJ680X	SMD	.063W	5%	68 Ω

Cct Ref	Parts Number	Description			
R8857	ERJ2GEJ680X	SMD	.063W	5%	68 Ω
R8858	ERJ2GEJ680X	SMD	.063W	5%	68 Ω
R8859	ERJ2GEJ680X	SMD	.063W	5%	68 Ω
R8860	ERJ2GEJ680X	SMD	.063W	5%	68 Ω
R8862	ERJ2GEJ680X	SMD	.063W	5%	68 Ω
R8863	ERJ2GEJ680X	SMD	.063W	5%	68 Ω
R8864	ERJ2GEJ680X	SMD	.063W	5%	68 Ω
R8865	EXB2HV680JV	SMD	.063W	5%	68 Ω
R8866	EXB2HV680JV	SMD	.063W	5%	68 Ω
R8867	EXB2HV680JV	SMD	.063W	5%	68 Ω
R8868	ERJ2GEJ680X	SMD	.063W	5%	68 Ω
R8869	ERJ2GEJ103X	SMD	.063W	5%	10K Ω
R8870	ERJ2GE0R00X	SMD	.063W	-	0 Ω
R8871	ERJ2GEJ103X	SMD	.063W	5%	10K Ω
R8874	ERJ2GEJ103X	SMD	.063W	5%	10K Ω
R8875	ERJ2GEJ103X	SMD	.063W	5%	10K Ω
R8876	ERJ2GEJ103X	SMD	.063W	5%	10K Ω
R8877	ERJ2GEJ680X	SMD	.063W	5%	68 Ω
R8878	ERJ2GEJ680X	SMD	.063W	5%	68 Ω
R8879	ERJ2GEJ680X	SMD	.063W	5%	68 Ω
R8880	ERJ2GEJ680X	SMD	.063W	5%	68 Ω
R8881	ERJ2GEJ680X	SMD	.063W	5%	68 Ω
R8882	ERJ2GEJ680X	SMD	.063W	5%	68 Ω
R8883	ERJ2GEJ680X	SMD	.063W	5%	68 Ω
R8884	ERJ2GEJ680X	SMD	.063W	5%	68 Ω
R8885	ERJ2GEJ680X	SMD	.063W	5%	68 Ω
R8886	ERJ2GEJ680X	SMD	.063W	5%	68 Ω
R8887	ERJ2GEJ680X	SMD	.063W	5%	68 Ω
R8888	ERJ2GEJ680X	SMD	.063W	5%	68 Ω
R8889	ERJ2GEJ680X	SMD	.063W	5%	68 Ω
R8891	ERJ2GEJ680X	SMD	.063W	5%	68 Ω
R8892	ERJ2GEJ680X	SMD	.063W	5%	68 Ω
R8893	ERJ2GE0R00X	SMD	.063W	-	0 Ω
R8894	ERJ2GEJ680X	SMD	.063W	5%	68 Ω
R8895	ERJ2GE0R00X	SMD	.063W	-	0 Ω
R8896	ERJ2GE0R00X	SMD	.063W	-	0 Ω
R8897	ERJ2GE0R00X	SMD	.063W	-	0 Ω
R8898	ERJ2GEJ103X	SMD	.063W	5%	10K Ω
R8899	ERJ2GEJ103X	SMD	.063W	5%	10K Ω
R8900	ERJ2GEJ680X	SMD	.063W	5%	68 Ω
R8901	ERJ2GEJ680X	SMD	.063W	5%	68 Ω
R8904	ERJ2GEJ103X	SMD	.063W	5%	10K Ω
R8905	ERJ2GEJ103X	SMD	.063W	5%	10K Ω
R8906	ERJ2GEJ103X	SMD	.063W	5%	10K Ω
R8907	ERJ2GEJ103X	SMD	.063W	5%	10K Ω
R8908	ERJ2GEJ103X	SMD	.063W	5%	10K Ω
R8909	ERJ2GEJ103X	SMD	.063W	5%	10K Ω
R8910	ERJ2GEJ103X	SMD	.063W	5%	10K Ω
R8911	ERJ2GEJ680X	SMD	.063W	5%	68 Ω
R8912	ERJ2GEJ680X	SMD	.063W	5%	68 Ω
R8913	ERJ2GEJ680X	SMD	.063W	5%	68 Ω
R8914	ERJ2GEJ680X	SMD	.063W	5%	68 Ω
R8915	ERJ2GEJ680X	SMD	.063W	5%	68 Ω
R8916	ERJ2GEJ680X	SMD	.063W	5%	68 Ω
R8917	ERJ2GEJ680X	SMD	.063W	5%	68 Ω
R8918	ERJ2GEJ680X	SMD	.063W	5%	68 Ω
R8919	ERJ2GEJ472X	SMD	.063W	5%	4K7 Ω
R8920	ERJ2GEJ472X	SMD	.063W	5%	4K7 Ω
R8921	ERJ2GEJ472X	SMD	.063W	5%	4K7 Ω
R8922	ERJ2GEJ472X	SMD	.063W	5%	4K7 Ω
R8923	ERJ2GEJ103X	SMD	.063W	5%	10K Ω
R8924	ERJ2GEJ103X	SMD	.063W	5%	10K Ω
R8925	ERJ2GEJ472X	SMD	.063W	5%	4K7 Ω
R8926	ERJ2GEJ472X	SMD	.063W	5%	4K7 Ω
R8927	ERJ2GE0R00X	SMD	.063W	-	0 Ω
R8929	EXB2HVR000V	SMD	0W	-	0 Ω
R8935	ERJ2GEJ103X	SMD	.063W	5%	10K Ω
R8938	ERJ8GEJ472V	SMD	0.25W	5%	4K7 Ω

Cct Ref	Parts Number	Description			
R8939	ERJ2GEJ184X	SMD	.063W	5%	180K Ω
R8940	ERJ2GEJ473X	SMD	.063W	5%	47K Ω
R8941	ERJ2GEJ473X	SMD	.063W	5%	47K Ω
R8942	ERJ2GEJ562X	SMD	.063W	5%	5K6 Ω
R8943	ERJ2GEJ104X	SMD	.063W	5%	100K Ω
R8944	ERJ2GEJ223X	SMD	.063W	5%	22K Ω
R8946	ERJ2GE0R00X	SMD	.063W	-	0 Ω
R8947	ERJ2GEJ680X	SMD	.063W	5%	68 Ω
R8948	ERJ2GEJ103X	SMD	.063W	5%	10K Ω
R8950	ERJ2GE0R00X	SMD	.063W	-	0 Ω
R8952	ERJ2GEJ680X	SMD	.063W	5%	68 Ω
R8963	ERJ2GEJ103X	SMD	.063W	5%	10K Ω
CAPACITORS					
C801	ECQU2A224BN9	FILM	250V	220nF	△
C802	ECQU2A224BN9	FILM	250V	220nF	△
C803	ECQU2A224BN9	FILM	250V	220nF	△
C806	ECKCNA331MB7	CERAMIC	250V	330pF	△
C807	ECKCNA331MB7	CERAMIC	250V	330pF	△
C809	ECQU2A224BN9	FILM	250V	220nF	△
C811	F2A2W2R2A002	ELECT	450V	2.2μF	
C813	F2A1H4R7A118	ELECT	50V	4.7μF	
C814	ECJ2VB2A103K	SMD	100V	10nF	
C815	ECJ2FB1H104	S.M.CAP	50V	100nF	
C816	ECCW3D470KGE	CERAMIC	2KV	47pF	
C817	ECUV1H681JCX	S.M. CAP	50V	680pF	
C818	ECKC3A222J	SMD	1KV	2.2nF	
C819	ECQE2W105L28	FILM	450V	1μF	
C821	F2A1A221A106	ELECT	10V	220μF	
C822	ECJ2FB1H104	S.M.CAP	50V	100nF	
C823	ECJ2FB1H104	S.M.CAP	50V	100nF	
C1006	F2G0J470A019	ELECT	6.3V	47μF	
C1007	ECJ1VB1H103	S.M.CAP	50V	10nF	
C1008	ECJ1VF1C104Z	S.M.CAP	16V	100nF	
C1010	F2G0J220A019	ELECT	6.3V	22μF	
C1102	F1J1A106A043	CERAMIC	10V	10μF	
C1103	F1G1C104A081	S.M.CAP	16V	100nF	
C1104	F1G1C104A081	S.M.CAP	16V	100nF	
C1106	F1H1H2700008	S.M.CAP	50V	27pF	
C1107	F1H1H2200008	S.M.CAP	50V	22pF	
C1108	F1G1C104A081	S.M.CAP	16V	100nF	
C1109	F1H1A1050028	CERAMIC	10V	1μF	
C1111	F1H1A1050028	CERAMIC	10V	1μF	
C1112	F1G1C104A081	S.M.CAP	16V	100nF	
C1114	F1G1C104A081	S.M.CAP	16V	100nF	
C1117	F1G1C104A081	S.M.CAP	16V	100nF	
C1122	F1G1E103A059	S.M.CAP	25V	10nF	
C1123	F1H1A1050028	CERAMIC	10V	1μF	
C2005	F1H1H5610007	S.M.CAP	50V	560pF	
C2006	F1H1H5610007	S.M.CAP	50V	560pF	
C2007	F1H1H5610007	S.M.CAP	50V	560pF	
C2008	F1H1H5610007	S.M.CAP	50V	560pF	
C2010	F1H1H5610007	S.M.CAP	50V	560pF	
C2011	F1H1H5610007	S.M.CAP	50V	560pF	
C2012	F1H1H5610007	S.M.CAP	50V	560pF	
C2013	F1H1H5610007	S.M.CAP	50V	560pF	
C2014	F1H1H5610007	S.M.CAP	50V	560pF	
C2015	F1H1H5610007	S.M.CAP	50V	560pF	
C2021	F1H1H5610007	S.M.CAP	50V	560pF	
C2022	F1H1H5610007	S.M.CAP	50V	560pF	
C2023	ECJ1VB1H104	S.M.CAP	50V	100nF	
C2048	ECJ1VB1H104	S.M.CAP	50V	100nF	
C2049	ECJ1VB1H104	S.M.CAP	50V	100nF	
C2050	ECJ1VB1H104	S.M.CAP	50V	100nF	
C2052	ECJ1VB1H104	S.M.CAP	50V	100nF	
C2053	ECJ1VB1H104	S.M.CAP	50V	100nF	
C2054	F1J1A106A043	CERAMIC	10V	10μF	
C2055	F1H1H1200004	S.M.CAP	50V	12pF	

Cct Ref	Parts Number	Description		
C2056	F1H1H1200004	S.M.CAP	50V	12pF
C2057	ECJ1VB1H104	S.M.CAP	50V	100nF
C2058	ECJ1VB1H104	S.M.CAP	50V	100nF
C2059	F2G0J470A019	ELECT	6.3V	47µF
C2088	ECJ2FB1A475K	SMD	10V	4.7µF
C2089	F1H1H5610007	S.M.CAP	50V	560pF
C2091	ECJ1VC1H100D	S.M.CAP	50V	10pF
C2092	F1H1H2200008	S.M.CAP	50V	22pF
C2096	ECJ1VB1H104	S.M.CAP	50V	100nF
C2097	ECJ1VB1H104	S.M.CAP	50V	100nF
C2098	EEEHB0J221UP	ELECT	6.3V	220µF
C2099	EEEHB0J221UP	ELECT	6.3V	220µF
C2100	ECJ1VB1H104	S.M.CAP	50V	100nF
C2101	F1J1A106A043	CERAMIC	10V	10µF
C2102	ECJ1VB1H104	S.M.CAP	50V	100nF
C2103	F1J1A106A043	CERAMIC	10V	10µF
C2104	F1J1A106A043	CERAMIC	10V	10µF
C2105	ECJ1VB1H104	S.M.CAP	50V	100nF
C2106	ECJ1VB1H104	S.M.CAP	50V	100nF
C2107	F2G0J470A019	ELECT	6.3V	47µF
C2108	F2G0J470A019	ELECT	6.3V	47µF
C2109	ECJ1VB1H104	S.M.CAP	50V	100nF
C2110	ECJ1VB1H104	S.M.CAP	50V	100nF
C2111	F1H0J2250008	CERAMIC	6.3V	2200nF
C2112	F2G0J470A019	ELECT	6.3V	47µF
C2113	F2G0J470A019	ELECT	6.3V	47µF
C2114	ECJ1VB1H104	S.M.CAP	50V	100nF
C2115	ECJ1VB1H104	S.M.CAP	50V	100nF
C2116	F1H1H471A792	S.M.CAP	50V	470pF
C2117	ECJ1VB1H104	S.M.CAP	50V	100nF
C2118	F1H1A1050028	CERAMIC	10V	1µF
C2119	EEEHB1A221P	ELECT	10V	220µF
C2120	F1H1H5600007	S.M.CAP	50V	56pF
C2121	F1H1H5600007	S.M.CAP	50V	56pF
C2122	F1J1A106A043	CERAMIC	10V	10µF
C2123	F1J1A106A043	CERAMIC	10V	10µF
C2124	ECJ1VB1H104	S.M.CAP	50V	100nF
C2125	ECJ1VB1A105K	S.M.CAP	10V	1000nF
C2126	F1J1A106A043	CERAMIC	10V	10µF
C2130	F1J0J106A021	S.M.CAP	6.3V	10µF
C2131	ECJ1VB1H104	S.M.CAP	50V	100nF
C2133	F2G1H4R7A031	ELECT	50V	4.7µF
C2134	F1H1H103A219	CERAMIC	50V	10nF
C2135	ECJ1VB1C105K	SMD	16V	1000nF
C2136	ECJ1VB1C105K	SMD	16V	1000nF
C2137	F2G0J470A019	ELECT	6.3V	47µF
C2138	ECJ1VB1H104	S.M.CAP	50V	100nF
C2139	F1J1A106A043	CERAMIC	10V	10µF
C2140	F1J1A106A043	CERAMIC	10V	10µF
C2141	F1J1A106A043	CERAMIC	10V	10µF
C2142	F1J1A106A043	CERAMIC	10V	10µF
C2143	F1H1H181A792	S.M.CAP	50V	180pF
C2146	F1H1H181A792	S.M.CAP	50V	180pF
C2147	F2G1C220A022	ELECT	16V	22µF
C2151	F2G0J470A019	ELECT	6.3V	47µF
C2153	F1H1H3300005	S.M.CAP	50V	33pF
C2154	ECJ1VB1H104	S.M.CAP	50V	100nF
C2155	ECJ1VB1C105K	SMD	16V	1000nF
C2157	ECJ1VB1C105K	SMD	16V	1000nF
C2159	ECJ1VB1C105K	SMD	16V	1000nF
C2160	ECJ1VB1C105K	SMD	16V	1000nF
C2161	EEEHB1C101UP	ELECT	16V	100µF
C2162	ECJ1VB1C105K	SMD	16V	1000nF
C2163	ECJ1VB1C105K	SMD	16V	1000nF
C2164	ECJ1VB1C105K	SMD	16V	1000nF
C2165	ECJ1VB1C105K	SMD	16V	1000nF
C2170	F1H1H3300005	S.M.CAP	50V	33pF
C2171	F1H1H103A219	CERAMIC	50V	10nF

Cct Ref	Parts Number	Description		
C2173	ECJ2FF1C475Z	S.M.CAP	16V	4.7µF
C2174	F1H1A1050028	CERAMIC	10V	1µF
C2175	F2G1C470A022	ELECT	16V	47µF
C2176	F1H1H103A219	CERAMIC	50V	10nF
C2179	F2G1C470A022	ELECT	16V	47µF
C2180	F1H1A1050028	CERAMIC	10V	1µF
C2183	F1J1A106A043	CERAMIC	10V	10µF
C2184	F1H1H102A219	CERAMIC	50V	1nF
C2185	F1J1A106A043	CERAMIC	10V	10µF
C2186	ECJ1VB1H104	S.M.CAP	50V	100nF
C2187	F1H0J2250008	CERAMIC	6.3V	2200nF
C2188	F1H1H471A792	S.M.CAP	50V	470pF
C2189	F1H1A1050028	CERAMIC	10V	1µF
C2190	F1J1A106A043	CERAMIC	10V	10µF
C2191	F1J1A106A043	CERAMIC	10V	10µF
C2192	F2G0J470A019	ELECT	6.3V	47µF
C2195	F1H1H102A219	CERAMIC	50V	1nF
C2197	F1H1E333A029	S.M.CAP	25V	33nF
C2198	F1H1E333A029	S.M.CAP	25V	33nF
C2202	F1H0J2250008	CERAMIC	6.3V	2200nF
C2203	F1H1A1050028	CERAMIC	10V	1µF
C2204	ECJ1VB1C105K	SMD	16V	1000nF
C2213	F1H1H102A219	CERAMIC	50V	1nF
C2216	ECJ1VB1H104	S.M.CAP	50V	100nF
C2244	ECJ1VB1H104	S.M.CAP	50V	100nF
C2245	F1H1H102A219	CERAMIC	50V	1nF
C2246	F1J1A106A043	CERAMIC	10V	10µF
C2251	F1J1A106A043	CERAMIC	10V	10µF
C2261	F1J1A106A043	CERAMIC	10V	10µF
C2262	F1J1A106A043	CERAMIC	10V	10µF
C2263	F1J1A106A043	CERAMIC	10V	10µF
C2264	F1J1A106A043	CERAMIC	10V	10µF
C2265	F1H1H1010005	S.M.CAP	50V	100pF
C2266	F1H1H1010005	S.M.CAP	50V	100pF
C2267	F1H1H1010005	S.M.CAP	50V	100pF
C2268	F1H1H1010005	S.M.CAP	50V	100pF
C2270	F1H1H471A792	S.M.CAP	50V	470pF
C2271	F1H1H471A792	S.M.CAP	50V	470pF
C2272	ECJ2FF1C475Z	S.M.CAP	16V	4.7µF
C2280	ECJ2FB1A475K	SMD	10V	4.7µF
C2281	F1H1H5610007	S.M.CAP	50V	560pF
C2288	F1J1A106A043	CERAMIC	10V	10µF
C2289	F1J1A106A043	CERAMIC	10V	10µF
C2301	F1H1C104A041	CERAMIC	16V	100nF
C2302	F1H1C104A041	CERAMIC	16V	100nF
C2303	F1J1E105A171	S.M.CAP	25V	1µF
C2305	F1J1E105A171	S.M.CAP	25V	1µF
C2307	F1J1E105A171	S.M.CAP	25V	1µF
C2309	F1J1E105A171	S.M.CAP	25V	1µF
C2311	ECJ1VB1C104K	S.M.CAP	16V	100nF
C2313	ECJ1VB1H104	S.M.CAP	50V	100nF
C2315	ECJ1VB1C104K	S.M.CAP	16V	100nF
C2317	F1H1E333A029	S.M.CAP	25V	33nF
C2319	F1H1E333A029	S.M.CAP	25V	33nF
C2321	F1H1E333A029	S.M.CAP	25V	33nF
C2323	F1H1E333A029	S.M.CAP	25V	33nF
C2325	F1J1H474A757	S.M.CAP	50V	470nF
C2327	ECJ1VB1C104K	S.M.CAP	16V	100nF
C2329	ECJ1VB1C104K	S.M.CAP	16V	100nF
C2331	F1J1H474A757	S.M.CAP	50V	470nF
C2333	ECJ1VB1H104	S.M.CAP	50V	100nF
C2335	ECJ1VB1H104	S.M.CAP	50V	100nF
C2337	F1H1H223A219	S.M.CAP	50V	22nF
C2339	F1H1H223A219	S.M.CAP	50V	22nF
C2341	ECJ1VB1H104	S.M.CAP	50V	100nF
C2343	ECJ1VB1H104	S.M.CAP	50V	100nF
C2345	F1H1H223A219	S.M.CAP	50V	22nF
C2347	F1H1H223A219	S.M.CAP	50V	22nF

Cct Ref	Parts Number	Description		
C2349	ECJ1VB1H104	S.M.CAP	50V	100nF
C2352	ECJ1VB1C105K	SMD	16V	1000nF
C2353	ECJ1VB1H104	S.M.CAP	50V	100nF
C2355	ECJ1VB1H104	S.M.CAP	50V	100nF
C2357	ECJ1VB1H104	S.M.CAP	50V	100nF
C2359	ECJ1VB1H104	S.M.CAP	50V	100nF
C2361	EEFFG1E471P	ELECT	25V	470µF
C2363	ECJ1VB1C104K	S.M.CAP	16V	100nF
C2375	F1H1H223A219	S.M.CAP	50V	22nF
C2377	F1H1H223A219	S.M.CAP	50V	22nF
C2379	F1H1H223A219	S.M.CAP	50V	22nF
C2381	F1H1H223A219	S.M.CAP	50V	22nF
C2383	F1H1H102A219	CERAMIC	50V	1nF
C2385	F1H1H102A219	CERAMIC	50V	1nF
C2387	F1H1H102A219	CERAMIC	50V	1nF
C2389	F1H1H102A219	CERAMIC	50V	1nF
C2812	F2G1C100A022	ELECT	16V	10µF
C2813	ECJ1VB1H104	S.M.CAP	50V	100nF
C2815	ECJ1VB1H104	S.M.CAP	50V	100nF
C2816	F2G1H100A031	ELEC	50V	10µF
C2817	F1H1H102A219	CERAMIC	50V	1nF
C2819	EEH1E470P	ELECT	25V	47µF
C3001	F1H1H102A219	CERAMIC	50V	1nF
C3002	F1H1H102A219	CERAMIC	50V	1nF
C3021	F1H1A1050028	CERAMIC	10V	1µF
C3024	F1H1A1050028	CERAMIC	10V	1µF
C3025	F1H1A1050028	CERAMIC	10V	1µF
C3026	ECJ1VB1H104	S.M.CAP	50V	100nF
C3027	F1H1A1050028	CERAMIC	10V	1µF
C3028	F1H1A1050028	CERAMIC	10V	1µF
C3029	ECJ1VB1C105K	SMD	16V	1000nF
C3031	ECJ1VB1H104	S.M.CAP	50V	100nF
C3040	ECJ1VB1H104	S.M.CAP	50V	100nF
C3043	F1H1A1050028	CERAMIC	10V	1µF
C3047	F1H1A1050028	CERAMIC	10V	1µF
C3049	F1H1A1050028	CERAMIC	10V	1µF
C3050	F1H1A1050028	CERAMIC	10V	1µF
C3051	F1H1A1050028	CERAMIC	10V	1µF
C3052	F1H1A1050028	CERAMIC	10V	1µF
C3053	F1H1A1050028	CERAMIC	10V	1µF
C3054	F1H1A1050028	CERAMIC	10V	1µF
C3055	F1H1A1050028	CERAMIC	10V	1µF
C3056	F1H1A1050028	CERAMIC	10V	1µF
C3068	ECJ1VB1H104	S.M.CAP	50V	100nF
C3070	EEH1C471UP	ELECT	16V	470µF
C3071	ECJ1VB1H104	S.M.CAP	50V	100nF
C3072	EEH1C471UP	ELECT	16V	470µF
C3075	EEH1C221UP	ELECT	16V	220µF
C3076	EEH1C221UP	ELECT	16V	220µF
C3081	F2H0J1010009	ELECT	6.3V	100µF
C3100	F1H1A1050028	CERAMIC	10V	1µF
C3101	F1H1A1050028	CERAMIC	10V	1µF
C3102	F1H1A1050028	CERAMIC	10V	1µF
C3103	F2G1C100A022	ELECT	16V	10µF
C3115	ECJ1VB1H104	S.M.CAP	50V	100nF
C3116	ECJ1VB1H104	S.M.CAP	50V	100nF
C3117	ECJ1VB1H104	S.M.CAP	50V	100nF
C3118	F2G1C470A022	ELECT	16V	47µF
C3119	F2G1C100A022	ELECT	16V	10µF
C3120	ECJ1VB1H104	S.M.CAP	50V	100nF
C3201	ECJ1VB1H104	S.M.CAP	50V	100nF
C3214	ECJ1VB1H104	S.M.CAP	50V	100nF
C3216	ECJ1VB1H104	S.M.CAP	50V	100nF
C3226	ECJ1VB1H104	S.M.CAP	50V	100nF
C3227	ECJ1VB1H104	S.M.CAP	50V	100nF
C3228	ECJ1VB1H104	S.M.CAP	50V	100nF
C3230	ECJ1VB1H104	S.M.CAP	50V	100nF
C3263	ECJ1VB1H104	S.M.CAP	50V	100nF

Cct Ref	Parts Number	Description		
C3265	ECJ1VB1H104	S.M.CAP	50V	100nF
C3266	ECJ1VB1H104	S.M.CAP	50V	100nF
C3267	ECJ1VB1H104	S.M.CAP	50V	100nF
C3268	ECJ1VB1H104	S.M.CAP	50V	100nF
C3270	EEH0J102UP	ELECT	6.3V	1000µF
C3271	F2G1C100A022	ELECT	16V	10µF
C3272	ECJ1VB1H104	S.M.CAP	50V	100nF
C3273	F2G1H100A031	ELEC	50V	10µF
C3275	F1H1C104A041	CERAMIC	16V	100nF
C3276	F1H1C104A041	CERAMIC	16V	100nF
C3277	F1H1H3300005	S.M.CAP	50V	33pF
C3278	F1H1H3300005	S.M.CAP	50V	33pF
C3279	F1H1H103A219	CERAMIC	50V	10nF
C3280	F1H1H1010005	S.M.CAP	50V	100pF
C3281	F1H1C104A041	CERAMIC	16V	100nF
C3282	EEH0J102UP	ELECT	6.3V	1000µF
C3700	ECUV1H561KBX	S.M. CAP	50V	560pF
C3702	ECUV1H561KBX	S.M. CAP	50V	560pF
C3705	ECJ1VF1H104Z	S.M.CAP	50V	100nF
C3707	ECJ1VF1H104Z	S.M.CAP	50V	100nF
C4200	ECJ1VB1C104K	S.M.CAP	16V	100nF
C4201	F1G1H3310003	S.M.CAP	50V	330pF
C4202	F1G1E103A059	S.M.CAP	25V	10nF
C4203	F1H0J1050012	S.M.CAP	6.3V	1000nF
C4205	F2G0J470A019	ELECT	6.3V	47µF
C4206	F1G1C104A081	S.M.CAP	16V	100nF
C4207	F1G1C104A081	S.M.CAP	16V	100nF
C4209	F1G1H1020008	S.M.CAP	50V	1nF
C4211	F1G1H220A565	S.M.CAP	50V	22pF
C4212	F1G1H180A565	S.M.CAP	50V	18pF
C4213	F1G1C104A081	S.M.CAP	16V	100nF
C4214	F1G1H1020008	S.M.CAP	50V	1nF
C4215	F1G1H1020008	S.M.CAP	50V	1nF
C4216	F1G1C104A081	S.M.CAP	16V	100nF
C4218	F1G1C104A081	S.M.CAP	16V	100nF
C4219	F1G1H1020008	S.M.CAP	50V	1nF
C4220	F1G1C104A081	S.M.CAP	16V	100nF
C4222	F1G1H1020008	S.M.CAP	50V	1nF
C4223	F1G1C104A081	S.M.CAP	16V	100nF
C4224	F1G1H1020008	S.M.CAP	50V	1nF
C4225	F1G1C104A081	S.M.CAP	16V	100nF
C4227	F1G1H1020008	S.M.CAP	50V	1nF
C4228	F1G1H100A565	S.M.CAP	50V	10pF
C4229	F1G1H150A565	S.M.CAP	50V	15pF
C4232	F1G1H1020008	S.M.CAP	50V	1nF
C4233	F1G1C104A081	S.M.CAP	16V	100nF
C4235	F1G1H1020008	S.M.CAP	50V	1nF
C4236	F1H0J1050013	CERAMIC	6.3V	1µF
C4238	F1G1H1020008	S.M.CAP	50V	1nF
C4239	F1G1C104A081	S.M.CAP	16V	100nF
C4240	F1H0J1050013	CERAMIC	6.3V	1µF
C4241	F1H0J1050012	S.M.CAP	6.3V	1000nF
C4242	F1H0J1050012	S.M.CAP	6.3V	1000nF
C4243	F2G0J470A019	ELECT	6.3V	47µF
C4244	F2G0J470A019	ELECT	6.3V	47µF
C4245	F1G1C104A081	S.M.CAP	16V	100nF
C4246	F1G1C104A081	S.M.CAP	16V	100nF
C4249	F1G1C104A081	S.M.CAP	16V	100nF
C4250	F1G1H1020008	S.M.CAP	50V	1nF
C4251	F1J0J1060004	CERAMIC	6.3V	10µF
C4252	F1G1H1020008	S.M.CAP	50V	1nF
C4253	F1G1H1020008	S.M.CAP	50V	1nF
C4254	F1G1C104A081	S.M.CAP	16V	100nF
C4255	F1G1C104A081	S.M.CAP	16V	100nF
C4256	F1G1C104A081	S.M.CAP	16V	100nF
C4257	F1G1H1020008	S.M.CAP	50V	1nF
C4260	F1G1H1020008	S.M.CAP	50V	1nF
C4261	F1G1H1020008	S.M.CAP	50V	1nF

Cct Ref	Parts Number	Description		
C4262	F1J0J1060004	CERAMIC	6.3V	10µF
C4263	F1G1C104A081	S.M.CAP	16V	100nF
C4264	F1H0J1050012	S.M.CAP	6.3V	1000nF
C4265	F1H0J1050012	S.M.CAP	6.3V	1000nF
C4266	F1H0J1050012	S.M.CAP	6.3V	1000nF
C4267	F1G1H1020008	S.M.CAP	50V	1nF
C4269	F1G1C104A081	S.M.CAP	16V	100nF
C4273	F1G1C104A081	S.M.CAP	16V	100nF
C4274	F1G1H1020008	S.M.CAP	50V	1nF
C4275	F1G1H1020008	S.M.CAP	50V	1nF
C4276	F1G1C104A081	S.M.CAP	16V	100nF
C4277	F1H0J1050012	S.M.CAP	6.3V	1000nF
C4278	F1H0J1050012	S.M.CAP	6.3V	1000nF
C4279	F1G1H1020008	S.M.CAP	50V	1nF
C4280	F1G1H1020008	S.M.CAP	50V	1nF
C4283	F1G1C104A081	S.M.CAP	16V	100nF
C4284	F1G1C104A081	S.M.CAP	16V	100nF
C4285	F1G1C104A081	S.M.CAP	16V	100nF
C4286	F1G1H1020008	S.M.CAP	50V	1nF
C4287	EEH1B1A101P	ELECT	10V	100µF
C4288	ECJ2FB1E475M	S.M.CAP	25V	4700nF
C4289	ECJ2FB1E475M	S.M.CAP	25V	4700nF
C4290	F1G1E103A059	S.M.CAP	25V	10nF
C4291	F1G1C223A081	S.M.CAP	16V	22nF
C4292	F1G1H101A565	S.M.CAP	50V	100pF
C4293	F1G1C104A081	S.M.CAP	16V	100nF
C4294	F1G1H1020008	S.M.CAP	50V	1nF
C4295	EEH1B0G471P	ELECT	4V	470µF
C4296	ECGRL0G680ER	ELECT	4V	68µF
C4297	ECGRL0G680ER	ELECT	4V	68µF
C4298	F1J0J1060004	CERAMIC	6.3V	10µF
C4299	F1G1E103A059	S.M.CAP	25V	10nF
C4300	F1G1H1020008	S.M.CAP	50V	1nF
C4301	F1G1C104A081	S.M.CAP	16V	100nF
C4302	F1G1E103A059	S.M.CAP	25V	10nF
C4303	F1G1E103A059	S.M.CAP	25V	10nF
C4304	F1G1H1020008	S.M.CAP	50V	1nF
C4305	F1G1E103A059	S.M.CAP	25V	10nF
C4306	F1J0J475A035	CERAMIC	6.3V	4.7µF
C4307	F1G1C104A081	S.M.CAP	16V	100nF
C4308	F1G1C104A081	S.M.CAP	16V	100nF
C4310	F1G1C104A081	S.M.CAP	16V	100nF
C4311	F1J1A106A043	CERAMIC	10V	10µF
C4312	F1G1C104A081	S.M.CAP	16V	100nF
C4313	F1J0J1060004	CERAMIC	6.3V	10µF
C4314	F1G1C104A081	S.M.CAP	16V	100nF
C4315	F1G1C104A081	S.M.CAP	16V	100nF
C4316	F1G1E103A059	S.M.CAP	25V	10nF
C4317	F1H0J4750004	S.M.CAP	6.3V	4700nF
C4319	F1G1C104A081	S.M.CAP	16V	100nF
C4320	F1G1C104A081	S.M.CAP	16V	100nF
C4321	F1J1A106A043	CERAMIC	10V	10µF
C4322	F2G0G101A007	ELECT	4V	100µF
C4323	F1G1C104A081	S.M.CAP	16V	100nF
C4324	F1G1E103A059	S.M.CAP	25V	10nF
C4325	F1J0J1060004	CERAMIC	6.3V	10µF
C4326	F1G1E103A059	S.M.CAP	25V	10nF
C4327	F1G1C104A081	S.M.CAP	16V	100nF
C4328	F1J0J1060004	CERAMIC	6.3V	10µF
C4329	F1G1H1020008	S.M.CAP	50V	1nF
C4330	F1G1E103A059	S.M.CAP	25V	10nF
C4331	F1G1C104A081	S.M.CAP	16V	100nF
C4334	F1H0J1050013	CERAMIC	6.3V	1µF
C4335	F1H0J1050013	CERAMIC	6.3V	1µF
C4336	F1H0J1050013	CERAMIC	6.3V	1µF
C4337	F1H0J1050013	CERAMIC	6.3V	1µF
C4338	F1G1E103A059	S.M.CAP	25V	10nF
C4339	F1G1E103A059	S.M.CAP	25V	10nF

Cct Ref	Parts Number	Description		
C4340	F1G1E103A059	S.M.CAP	25V	10nF
C4341	F1G1E103A059	S.M.CAP	25V	10nF
C4342	F1H0J1050013	CERAMIC	6.3V	1µF
C4343	F1H0J1050013	CERAMIC	6.3V	1µF
C4344	F1G1H1020008	S.M.CAP	50V	1nF
C4345	F1G1C104A081	S.M.CAP	16V	100nF
C4347	F1G1H1020008	S.M.CAP	50V	1nF
C4348	F1G1H1020008	S.M.CAP	50V	1nF
C4349	F1G1C104A081	S.M.CAP	16V	100nF
C4350	F1G1C104A081	S.M.CAP	16V	100nF
C4351	F1G1C104A081	S.M.CAP	16V	100nF
C4352	F1G1H1020008	S.M.CAP	50V	1nF
C4353	F1H0J1050013	CERAMIC	6.3V	1µF
C4354	F1H0J1050013	CERAMIC	6.3V	1µF
C4355	F1H0J2250008	CERAMIC	6.3V	2200nF
C4356	F1H0J2250008	CERAMIC	6.3V	2200nF
C4358	F2G0J470A019	ELECT	6.3V	47µF
C4359	F1G1C104A081	S.M.CAP	16V	100nF
C4362	F1H0J1050013	CERAMIC	6.3V	1µF
C4363	F1H0J1050013	CERAMIC	6.3V	1µF
C4364	F1G1E103A059	S.M.CAP	25V	10nF
C4365	F2G1C470A022	ELECT	16V	47µF
C4366	F1G1C104A081	S.M.CAP	16V	100nF
C4367	F1G1H1020008	S.M.CAP	50V	1nF
C4368	F2G0J220A019	ELECT	6.3V	22µF
C4369	F1H0J1050013	CERAMIC	6.3V	1µF
C4371	F1G1E103A059	S.M.CAP	25V	10nF
C4372	F1G1C104A081	S.M.CAP	16V	100nF
C4373	F2G1C470A022	ELECT	16V	47µF
C4374	F1G1E103A059	S.M.CAP	25V	10nF
C4375	F1G1E103A059	S.M.CAP	25V	10nF
C4376	F1G1E103A059	S.M.CAP	25V	10nF
C4377	F1G1E103A059	S.M.CAP	25V	10nF
C4379	F2G0J470A019	ELECT	6.3V	47µF
C4380	F1G1E103A059	S.M.CAP	25V	10nF
C4381	ECJ1VB1A105K	S.M.CAP	10V	1000nF
C4382	F1G1E103A059	S.M.CAP	25V	10nF
C4383	F1H0J1050013	CERAMIC	6.3V	1µF
C4384	F1G1C104A081	S.M.CAP	16V	100nF
C4385	F2G0J470A019	ELECT	6.3V	47µF
C4386	F1G1E103A059	S.M.CAP	25V	10nF
C4387	F1H0J1050012	S.M.CAP	6.3V	1000nF
C4388	F1H0J1050012	S.M.CAP	6.3V	1000nF
C4389	F1G1C104A081	S.M.CAP	16V	100nF
C4390	F1G1C104A081	S.M.CAP	16V	100nF
C4391	F1G1E103A059	S.M.CAP	25V	10nF
C4392	F1G1E103A059	S.M.CAP	25V	10nF
C4393	F1J0J1060004	CERAMIC	6.3V	10µF
C4394	ECJ1VB1H103	S.M.CAP	50V	10nF
C4395	ECJ1VB1H103	S.M.CAP	50V	10nF
C4396	F2G1C470A022	ELECT	16V	47µF
C4399	F1G1C104A081	S.M.CAP	16V	100nF
C4400	F1J0J1060004	CERAMIC	6.3V	10µF
C4401	F1J0J1060004	CERAMIC	6.3V	10µF
C4402	F1J0J1060004	CERAMIC	6.3V	10µF
C4403	F1J0J1060004	CERAMIC	6.3V	10µF
C4404	F1J0J1060004	CERAMIC	6.3V	10µF
C4405	F1J0J1060004	CERAMIC	6.3V	10µF
C4406	F1J0J1060004	CERAMIC	6.3V	10µF
C4407	F1J0J1060004	CERAMIC	6.3V	10µF
C4408	F1J0J1060004	CERAMIC	6.3V	10µF
C4409	F2G0G101A007	ELECT	4V	100µF
C4410	ECJ1VB1H103	S.M.CAP	50V	10nF
C4411	ECJ1VB1A105K	S.M.CAP	10V	1000nF
C4412	F1G1H1020008	S.M.CAP	50V	1nF
C4415	F1G1C104A081	S.M.CAP	16V	100nF
C4451	F1G1E103A059	S.M.CAP	25V	10nF
C4500	F1G1C104A081	S.M.CAP	16V	100nF

Cct Ref	Parts Number	Description		
C4501	F1G1C104A081	S.M.CAP	16V	100nF
C4502	F1G1C104A081	S.M.CAP	16V	100nF
C4503	F1G1C104A081	S.M.CAP	16V	100nF
C4506	F1G1C104A081	S.M.CAP	16V	100nF
C4507	F1G1C104A081	S.M.CAP	16V	100nF
C4508	F2G0J330A019	ELECT	6.3V	33µF
C4509	F2G0J330A019	ELECT	6.3V	33µF
C4510	F1G1C104A081	S.M.CAP	16V	100nF
C4511	F1G1C104A081	S.M.CAP	16V	100nF
C4513	F1G1C104A081	S.M.CAP	16V	100nF
C4514	F1G1C104A081	S.M.CAP	16V	100nF
C4515	F1G1C104A081	S.M.CAP	16V	100nF
C4517	F1G1C104A081	S.M.CAP	16V	100nF
C4520	F1J1A106A043	CERAMIC	10V	10µF
C4521	F1G1C104A081	S.M.CAP	16V	100nF
C4527	F1H1A1050028	CERAMIC	10V	1µF
C4528	F1G1C104A081	S.M.CAP	16V	100nF
C4531	F1G1C104A081	S.M.CAP	16V	100nF
C4533	F1G1H680A565	S.M.CAP	50V	68pF
C4534	ECJ1VB1H104	S.M.CAP	50V	100nF
C4535	ECJ1VB1H104	S.M.CAP	50V	100nF
C4537	ECJ1VB1H104	S.M.CAP	50V	100nF
C4538	F2G0J470A019	ELECT	6.3V	47µF
C4539	F1J1A106A043	CERAMIC	10V	10µF
C4541	F1H1H471A219	S.M.CAP	50V	470pF
C4543	F1G1C104A081	S.M.CAP	16V	100nF
C4544	F1G1C104A081	S.M.CAP	16V	100nF
C4545	F1G1C104A081	S.M.CAP	16V	100nF
C4546	F1H0J2250008	CERAMIC	6.3V	2200nF
C4547	F1G1C104A081	S.M.CAP	16V	100nF
C4548	ECJ1VB1H104	S.M.CAP	50V	100nF
C4549	ECJ1VB1H104	S.M.CAP	50V	100nF
C4550	F1G1C104A081	S.M.CAP	16V	100nF
C4551	ECJ1VB1H104	S.M.CAP	50V	100nF
C4552	ECJ1VB1H104	S.M.CAP	50V	100nF
C4553	F1G1H1020008	S.M.CAP	50V	1nF
C4555	F1J1A106A043	CERAMIC	10V	10µF
C4556	F1J1A106A043	CERAMIC	10V	10µF
C4557	F1G1C104A081	S.M.CAP	16V	100nF
C4559	F1G1C104A081	S.M.CAP	16V	100nF
C4560	F1G1C104A081	S.M.CAP	16V	100nF
C4562	F1H1H822A219	S.M.CAP	50V	8.2nF
C4563	ECJ1VB1C823K	S.M.CAP	16V	82nF
C4564	F1G1E1030005	S.M.CAP	25V	10nF
C4565	F1G1E1030005	S.M.CAP	25V	10nF
C4566	ECJ1VB1C393K	S.M.CAP	16V	39nF
C4567	ECJ1VB1H104	S.M.CAP	50V	100nF
C4568	F1G1C104A081	S.M.CAP	16V	100nF
C4569	F1J1C684A097	S.M.CAP	16V	680nF
C4570	F2G0J470A019	ELECT	6.3V	47µF
C4572	F1G1C104A081	S.M.CAP	16V	100nF
C4573	F1G1C104A081	S.M.CAP	16V	100nF
C4574	F1G1E1030005	S.M.CAP	25V	10nF
C4575	F1H1A1050028	CERAMIC	10V	1µF
C4576	F2G0J470A019	ELECT	6.3V	47µF
C4577	F1G1C104A081	S.M.CAP	16V	100nF
C4578	F1G1C104A081	S.M.CAP	16V	100nF
C4580	F1G1E1030005	S.M.CAP	25V	10nF
C4581	F1H1A1050028	CERAMIC	10V	1µF
C4582	F1G1C104A081	S.M.CAP	16V	100nF
C4583	F1G1C104A081	S.M.CAP	16V	100nF
C4584	F1H1A1050028	CERAMIC	10V	1µF
C4585	F1H1A1050028	CERAMIC	10V	1µF
C4586	F1G1E1030005	S.M.CAP	25V	10nF
C4587	F1G1C104A081	S.M.CAP	16V	100nF
C4588	ECJ1VB1C823K	S.M.CAP	16V	82nF
C4589	F1G1H150A565	S.M.CAP	50V	15pF
C4590	ECJ0EC1H180J	S.M.CAP	50V	18pF

Cct Ref	Parts Number	Description		
C4591	ECJ1VB1A105K	S.M.CAP	10V	1000nF
C4592	ECJ1VB1A105K	S.M.CAP	10V	1000nF
C4593	F1G1E1030005	S.M.CAP	25V	10nF
C4595	F1G1E1030005	S.M.CAP	25V	10nF
C4596	F1G1C104A081	S.M.CAP	16V	100nF
C4598	F1H1A1050028	CERAMIC	10V	1µF
C4600	F1G1E1030005	S.M.CAP	25V	10nF
C4601	F1G1E1030005	S.M.CAP	25V	10nF
C4602	F1G1C104A081	S.M.CAP	16V	100nF
C4604	F1H0J2250008	CERAMIC	6.3V	2200nF
C4605	F1G1C104A081	S.M.CAP	16V	100nF
C4607	F2G0J470A019	ELECT	6.3V	47µF
C4609	F1H1A1050028	CERAMIC	10V	1µF
C4611	F1H1A1050028	CERAMIC	10V	1µF
C4612	F1G1E1030005	S.M.CAP	25V	10nF
C4613	F1H1A1050028	CERAMIC	10V	1µF
C4614	F1G1C104A081	S.M.CAP	16V	100nF
C4615	F1G1E1030005	S.M.CAP	25V	10nF
C4616	F1G1C104A081	S.M.CAP	16V	100nF
C4617	F1G1C104A081	S.M.CAP	16V	100nF
C4618	F1G1E1030005	S.M.CAP	25V	10nF
C4619	F1G1C104A081	S.M.CAP	16V	100nF
C4620	F1H1A1050028	CERAMIC	10V	1µF
C4621	F1G1C104A081	S.M.CAP	16V	100nF
C4622	F1G1C104A081	S.M.CAP	16V	100nF
C4623	F1G1C104A081	S.M.CAP	16V	100nF
C4624	ECJ1VB1H104	S.M.CAP	50V	100nF
C4625	ECJ1VB1H104	S.M.CAP	50V	100nF
C4626	F1G1C104A081	S.M.CAP	16V	100nF
C4627	F1G1C104A081	S.M.CAP	16V	100nF
C4628	F1G1A1040006	CERAMIC	10V	100nF
C4629	F1J1A106A043	CERAMIC	10V	10µF
C5600	ECJ1VB1C105K	SMD	16V	1000nF
C5601	F1G1C104A081	S.M.CAP	16V	100nF
C5602	ECGRL0G680ER	ELECT	4V	68µF
C5603	F1G1E103A059	S.M.CAP	25V	10nF
C5604	F1G1E103A059	S.M.CAP	25V	10nF
C5605	F1J1A475A039	S.M.CAP	10V	4.7µF
C5606	F1H1H471A219	S.M.CAP	50V	470pF
C5607	F1G1H221A459	S.M.CAP	50V	220pF
C5608	F1G1C104A081	S.M.CAP	16V	100nF
C5609	F2G1C470A022	ELECT	16V	47µF
C5610	F2G1C470A022	ELECT	16V	47µF
C5615	F1J1A106A043	CERAMIC	10V	10µF
C5616	ECJ0EB1A473K	S.M.CAP	10V	47nF
C5617	ECJ1VB1C105K	SMD	16V	1000nF
C5618	F1J1A106A043	CERAMIC	10V	10µF
C5619	F1J1A106A043	CERAMIC	10V	10µF
C5620	ECJ1VB1C104K	S.M.CAP	16V	100nF
C5621	F1G1E103A059	S.M.CAP	25V	10nF
C5622	F1J1A475A039	S.M.CAP	10V	4.7µF
C5623	F1G1H471A459	S.M.CAP	50V	470pF
C5624	F1G1H221A459	S.M.CAP	50V	220pF
C5625	F1G1E103A059	S.M.CAP	25V	10nF
C5626	F1G1C104A081	S.M.CAP	16V	100nF
C5627	F1G1C104A081	S.M.CAP	16V	100nF
C5628	ECGRL0G680ER	ELECT	4V	68µF
C5629	ECGRL0G680ER	ELECT	4V	68µF
C5630	F2G1C470A022	ELECT	16V	47µF
C5631	F2G1C470A022	ELECT	16V	47µF
C5632	ECJ1VB1C105K	SMD	16V	1000nF
C5636	F1G1A1040006	CERAMIC	10V	100nF
C5637	F1G1A1040006	CERAMIC	10V	100nF
C5638	F1G1A1040006	CERAMIC	10V	100nF
C5639	F1G1A1040006	CERAMIC	10V	100nF
C5640	F1G1A1040006	CERAMIC	10V	100nF
C5641	F1G1A1040006	CERAMIC	10V	100nF
C5643	ECJ1VB1C104K	S.M.CAP	16V	100nF

Cct Ref	Parts Number	Description		
C5644	F1G1E103A059	S.M.CAP	25V	10nF
C5645	F1H1A225A051	S.M.CAP	10V	2200nF
C5661	F1G1E103A059	S.M.CAP	25V	10nF
C5662	ECJ0EB1A473K	S.M.CAP	10V	47nF
C5663	F1G1E103A059	S.M.CAP	25V	10nF
C5670	F1H1A1050028	CERAMIC	10V	1µF
C5673	ECJ1VB1C105K	SMD	16V	1000nF
C5674	F1H1A1050028	CERAMIC	10V	1µF
C5676	F1G1C104A081	S.M.CAP	16V	100nF
C5690	F2G0J470A019	ELECT	6.3V	47µF
C5691	F2G0J470A019	ELECT	6.3V	47µF
C5692	ECJ1VB1H104	S.M.CAP	50V	100nF
C5693	ECJ1VB1H104	S.M.CAP	50V	100nF
C5694	F2G0J470A019	ELECT	6.3V	47µF
C5695	F2G0J470A019	ELECT	6.3V	47µF
C5710	F1J1H104A578	S.M.CAP	50V	100nF
C5711	F1J1H104A578	S.M.CAP	50V	100nF
C5712	F1J1H104A578	S.M.CAP	50V	100nF
C5713	F1J1H104A578	S.M.CAP	50V	100nF
C5714	F1J1H104A578	S.M.CAP	50V	100nF
C5715	F1J1H104A578	S.M.CAP	50V	100nF
C5716	F1J1H104A578	S.M.CAP	50V	100nF
C5730	F1G1E103A059	S.M.CAP	25V	10nF
C5733	F1G1A1040006	CERAMIC	10V	100nF
C7101	F1J1H104A717	S.M.CAP	50V	100nF
C7102	F1J1H104A717	S.M.CAP	50V	100nF
C7201	F1J1A1050016	S.M.CAP	10V	1µF
C7202	F1J1A1050016	S.M.CAP	10V	1µF
C7203	F1J1A1050016	S.M.CAP	10V	1µF
C7204	F1J1A1050016	S.M.CAP	10V	1µF
C7205	F1J0J2250003	CERAMIC	6.3V	2.2µF
C7206	F2A1C101A121	ELECT	16V	100µF
C7207	ECUV1C224KBX	S.M. CAP	16V	220nF
C7209	F1J1H1030007	S.M.CAP	50V	10nF
C7210	F1J1H104A717	S.M.CAP	50V	100nF
C7211	F1J1H104A717	S.M.CAP	50V	100nF
C7301	F1J1H1030007	S.M.CAP	50V	10nF
C7302	F2A1H221A253	ELECT	50V	220µF
C7303	F1J1H1030007	S.M.CAP	50V	10nF
C7304	F2A1C102A530	ELECT	16V	1000µF
C7305	F1J1H1030007	S.M.CAP	50V	10nF
C7306	ECJ2VB1H223K	S.M.CAP	50V	22nF
C7307	F1J1H104A717	S.M.CAP	50V	100nF
C7308	F1J1H104A717	S.M.CAP	50V	100nF
C7309	F1J1H104A717	S.M.CAP	50V	100nF
C7310	F1J1H104A717	S.M.CAP	50V	100nF
C7311	F1J1H1030007	S.M.CAP	50V	10nF
C7312	F1J1H1030007	S.M.CAP	50V	10nF
C7313	F1J1H104A717	S.M.CAP	50V	100nF
C7401	F1J1H1030007	S.M.CAP	50V	10nF
C7402	F2A1H221A253	ELECT	50V	220µF
C7403	F1J1H1030007	S.M.CAP	50V	10nF
C7404	F2A1C102A530	ELECT	16V	1000µF
C7405	F1J1H223A457	S.M.CAP	50V	22nF
C7406	ECJ2VB1H102K	S.M.CAP	50V	1nF
C7407	F1J1H104A717	S.M.CAP	50V	100nF
C7408	F1J1H104A717	S.M.CAP	50V	100nF
C7409	F1J1H104A717	S.M.CAP	50V	100nF
C7410	F1J1H104A717	S.M.CAP	50V	100nF
C7411	F1J1H1030007	S.M.CAP	50V	10nF
C7412	ECUV1H472KBX	S.M. CAP	50V	4.7nF
C7413	F1J1H104A717	S.M.CAP	50V	100nF
C7501	F1J1H1030007	S.M.CAP	50V	10nF
C7502	F2A1H221A253	ELECT	50V	220µF
C7503	F1J1H1030007	S.M.CAP	50V	10nF
C7504	F2A1C102A530	ELECT	16V	1000µF
C7505	F1J1H223A457	S.M.CAP	50V	22nF
C7506	ECJ2VB1H223K	S.M.CAP	50V	22nF

Cct Ref	Parts Number	Description		
C7507	F1J1H104A717	S.M.CAP	50V	100nF
C7508	F1J1H104A717	S.M.CAP	50V	100nF
C7509	F1J1H104A717	S.M.CAP	50V	100nF
C7510	F1J1H104A717	S.M.CAP	50V	100nF
C7511	F1J1H1030007	S.M.CAP	50V	10nF
C7512	F1J1H1030007	S.M.CAP	50V	10nF
C7513	F1J1H104A717	S.M.CAP	50V	100nF
C7551	F2A1H100A165	ELECT	50V	10µF
C7552	F1J1H1030007	S.M.CAP	50V	10nF
C7601	F1J1H1030007	S.M.CAP	50V	10nF
C7602	F2A1H221A253	ELECT	50V	220µF
C7603	F2A1C102A530	ELECT	16V	1000µF
C7605	F1J1H1030007	S.M.CAP	50V	10nF
C7606	F1J1H104A717	S.M.CAP	50V	100nF
C7607	F1J1H104A717	S.M.CAP	50V	100nF
C7608	F1J1H104A717	S.M.CAP	50V	100nF
C7701	F1J1H1030007	S.M.CAP	50V	10nF
C7702	F2A1H221A253	ELECT	50V	220µF
C7703	F2A1C681A127	ELECT	16V	680µF
C7705	F1J1H1030007	S.M.CAP	50V	10nF
C7706	F1J1H104A717	S.M.CAP	50V	100nF
C7901	F1J1H102A721	S.M.CAP	50V	1nF
C7902	F1J1H104A717	S.M.CAP	50V	100nF
C7903	F1J1H104A717	S.M.CAP	50V	100nF
C7904	F1J1H104A717	S.M.CAP	50V	100nF
C7905	F1J1H104A717	S.M.CAP	50V	100nF
C7906	F1J1H104A717	S.M.CAP	50V	100nF
C7907	F1J1H104A717	S.M.CAP	50V	100nF
C7908	F2A1C101A121	ELECT	16V	100µF
C7910	F2A1A221A106	ELECT	10V	220µF
C8001	F1G1C104A081	S.M.CAP	16V	100nF
C8002	F1H0J1050013	CERAMIC	6.3V	1µF
C8003	F1H0J1050013	CERAMIC	6.3V	1µF
C8004	F1H0J1050013	CERAMIC	6.3V	1µF
C8005	F1H0J1050013	CERAMIC	6.3V	1µF
C8006	F1G1C104A081	S.M.CAP	16V	100nF
C8007	F1G1C104A081	S.M.CAP	16V	100nF
C8008	F1G1C104A081	S.M.CAP	16V	100nF
C8009	F1J1A106A043	CERAMIC	10V	10µF
C8010	F1J1A106A043	CERAMIC	10V	10µF
C8011	F1G1C104A081	S.M.CAP	16V	100nF
C8012	F1G1C104A081	S.M.CAP	16V	100nF
C8013	F1G1C104A081	S.M.CAP	16V	100nF
C8014	F1G1C104A081	S.M.CAP	16V	100nF
C8015	F1H0J1050013	CERAMIC	6.3V	1µF
C8016	F1H0J1050013	CERAMIC	6.3V	1µF
C8017	F1J1A106A043	CERAMIC	10V	10µF
C8018	F1G1C104A081	S.M.CAP	16V	100nF
C8019	F1G1C104A081	S.M.CAP	16V	100nF
C8020	F1G1C104A081	S.M.CAP	16V	100nF
C8021	F1G1C104A081	S.M.CAP	16V	100nF
C8022	F1H0J1050013	CERAMIC	6.3V	1µF
C8023	F1J1A106A043	CERAMIC	10V	10µF
C8024	F1J1A106A043	CERAMIC	10V	10µF
C8025	F1G1C104A081	S.M.CAP	16V	100nF
C8026	F1G1C104A081	S.M.CAP	16V	100nF
C8027	F1G1C104A081	S.M.CAP	16V	100nF
C8028	F1G1C104A081	S.M.CAP	16V	100nF
C8029	F1G1C104A081	S.M.CAP	16V	100nF
C8030	F1H0J1050013	CERAMIC	6.3V	1µF
C8031	F1H0J1050013	CERAMIC	6.3V	1µF
C8032	F1J1A106A043	CERAMIC	10V	10µF
C8033	F1G1C104A081	S.M.CAP	16V	100nF
C8034	F1G1C104A081	S.M.CAP	16V	100nF
C8035	F1J1A106A043	CERAMIC	10V	10µF
C8036	F1J1A106A043	CERAMIC	10V	10µF
C8037	F1G1C104A081	S.M.CAP	16V	100nF
C8038	F1G1C104A081	S.M.CAP	16V	100nF

Cct Ref	Parts Number	Description		
C8039	F1G1C104A081	S.M.CAP	16V	100nF
C8040	F1G1C104A081	S.M.CAP	16V	100nF
C8041	F1G1C104A081	S.M.CAP	16V	100nF
C8042	ECGRLOG680ER	ELECT	4V	68µF
C8043	F1G1C104A081	S.M.CAP	16V	100nF
C8044	F1G1C104A081	S.M.CAP	16V	100nF
C8045	F1G1C104A081	S.M.CAP	16V	100nF
C8046	F1G1C104A081	S.M.CAP	16V	100nF
C8047	F1G1C104A081	S.M.CAP	16V	100nF
C8048	F1G1C104A081	S.M.CAP	16V	100nF
C8049	F1G1C104A081	S.M.CAP	16V	100nF
C8050	F1G1C104A081	S.M.CAP	16V	100nF
C8051	F1G1C104A081	S.M.CAP	16V	100nF
C8052	F1H0J1050013	CERAMIC	6.3V	1µF
C8053	F1G1E1030005	S.M.CAP	25V	10nF
C8056	F1G1C104A081	S.M.CAP	16V	100nF
C8057	F1G1C104A081	S.M.CAP	16V	100nF
C8058	F1J1A106A043	CERAMIC	10V	10µF
C8067	F1G1E1030005	S.M.CAP	25V	10nF
C8068	F1G1C104A081	S.M.CAP	16V	100nF
C8069	F1G1H820A565	S.M.CAP	50V	82pF
C8070	F1G1C104A081	S.M.CAP	16V	100nF
C8071	F1G1C104A081	S.M.CAP	16V	100nF
C8072	F1G1C104A081	S.M.CAP	16V	100nF
C8073	F1G1C104A081	S.M.CAP	16V	100nF
C8074	F1G1C104A081	S.M.CAP	16V	100nF
C8075	F1J0G2260001	S.M.CAP	4V	22µF
C8076	F1G1C104A081	S.M.CAP	16V	100nF
C8077	F1G1C104A081	S.M.CAP	16V	100nF
C8078	F1G1C104A081	S.M.CAP	16V	100nF
C8079	F1G1C104A081	S.M.CAP	16V	100nF
C8080	F1G1C104A081	S.M.CAP	16V	100nF
C8551	F1G1C104A081	S.M.CAP	16V	100nF
C8552	F1G1C104A081	S.M.CAP	16V	100nF
C8555	F1G1C104A081	S.M.CAP	16V	100nF
C8601	F1G1C104A081	S.M.CAP	16V	100nF
C8621	F1G1C104A081	S.M.CAP	16V	100nF
C8622	F1G1C104A081	S.M.CAP	16V	100nF
C8731	F1G1E1030005	S.M.CAP	25V	10nF
C8852	F1H0J2250008	CERAMIC	6.3V	2200nF
C8853	F1H0J2250008	CERAMIC	6.3V	2200nF
C8854	F1H0J2250008	CERAMIC	6.3V	2200nF
FL4206	F1H0J4740004	CHIP CAP	6.3V	470nF
TERMINALS AND LINKS				
.	K4AZ01D00004	EARTH LUG		
.	K4CD08000002	EARTH LUG		
.	K9ZZ00000424	EARTH LUG		
AP3	K1KA23A00003	23P CONNECTOR		
AP4	K1KA23A00003	23P CONNECTOR		
AP5	K1KA09AA0190	9P CONNECTOR		
AP5-P5	TXJAP50MDQ	AP5-P5 WIRE		
AP6	K1KA02AA0193	2P CONNECTOR		
AP7	K1KA03AA0193	3P CONNECTOR		
DG1	K1KA12A00317	12P CONNECTOR		
DG2	K1KB23A00003	23P CONNECTOR		
DG6	K1KB80AA0218	80P CONNECTOR		
DG25	K1KB51B00001	51P CONNECTOR		
DG27	K1KA06AA0104	6P CONNECTOR		
DG33	K1KA11AA0153	11P CONNECTOR		
G51	K1KA15AA0194	15P CONNECTOR		
H2	K1KA23A00003	23P CONNECTOR		
H3A	K1KB23A00004	23P CONNECTOR		
H4A	K1KB23A00004	23P CONNECTOR		
H6	K1KB80AA0218	80P CONNECTOR		
H12	K1KA04AA0190	4P CONNECTOR		
H51	K1KA20AA0178	20P CONNECTOR		
JK2002	K2HA204A0041	AUDIO TERMINAL		

Cct Ref	Parts Number	Description		
JK3001	K1FB315A0006	PC TERMINAL		
JK3002B	K1FB121A0012	SCART SOCKET		
JK3003B	K1FB121A0012	SCART SOCKET		
JK3005	K2HA511A0001	YUV TERMINAL		
JK3700	K4AK18B00004	AV3 TERMINAL		
JK4500	K1FY119D0002	HDMI TERMINAL		
JK4501	K1FY119D0002	HDMI TERMINAL		
JK8801	K1NA09D00004	SD SLOT		
K8	K1KA04AA0193	4P CONNECTOR		
P5	K1KA09AA0190	9P CONNECTOR		
P8	K1KA04AA0192	4P CONNECTOR		
P9	K1KA08AA0192	8P CONNECTOR		
P10	K1KA02A00626	2P CONNECTOR		
P11	K1KA02A00613	2P CONNECTOR		
V1	K1KA08BA0061	8P CONNECTOR		
SWITCHES				
SW7000	K0F162B00002	SWITCH		
RELAYS				
RL801	K6B1AGA00043	RELAY		▲
RL802	K6B2ADA00007	RELAY		▲
DIFFERENCES FOR MODEL TX--26LX70F				
EXPLODED VIEW				
20	K2CQ2YY00007	AC CORD		▲
21	TKU0E0178	BACK COVER		▲
22	TTY0E0165	CABINET		
23	TUA0E1100	CHASSIS FRAME		
24	DG-26LX70F	DG P.C.B.	X	RTL ▲
25	TKZ0E9415	LCD BOTTOM MTG		
26	L5EDD6Q00024	LCD PANEL		▲
27	TKZ0E9416	LCD SIDE MTG		
28	TBM0E0803	MODEL LABEL		
29	TBLA0242	PEDESTAL ASSY		
MISCELLANEOUS COMPONENTS				
.	TPC0E71801	CARTON		
.	TPD0E0142	TOP CUSHION		
.	TPD0E0143	BOTTOM CUSHION		
INSTRUCTION BOOKS				
.	TQB0E0401A	GERMAN		
.	TQB0E0401B	DUTCH		
.	TQB0E0401C	ITALIAN		
.	TQB0E0401D	FRENCH		
.	TQB0E0401E	SPANISH		
.	TQB0E0401F	SWEDISH		
.	TQB0E0401K	DANISH		
.	TQB0E0401U	ENGLISH		
I.C.s				
IC8601	X24C26LX70F	EEPROM		
RESISTORS				
JS1124	ERJ2GE0R00X	SMD	.063W	- 0 Ω
TERMINALS AND LINKS				
INV-P10	TXJP100MFQ	INV-P10 WIRE		▲
DG1-V1	TXJV10MFQ	DG1-V1 WIRE		
H12-SP	TXJH120MFQ	H12-SP WIRE		
H51-G51	TXJH510MFQ	H51-G51 WIRE		
INV-DG25	TSXL611	INV-DG25 WIRE		
INV-P/DG	TXJP90MFQ	P9/DG27-INV WIRE		
K8-P8	TXJK80MFQ	K8-P8 WIRE		
DIFFERENCES FOR MODEL TX--26LX70L				
EXPLODED VIEW				
20	K2CT2YY00006	AC CORD		▲
21	TKU0E0178	BACK COVER		▲

Cct Ref	Parts Number	Description			
22	TTY0E0165	CABINET			
23	TUA0E1100	CHASSIS FRAME			
24	DG-26LX70L	DG P.C.B.	X	RTL	△
25	TKZ0E9415	LCD BOTTOM MTG			
26	L5EDD6Q00024	LCD PANEL			△
27	TKZ0E9416	LCD SIDE MTG			
28	TBM0E0863	MODEL LABEL			
29	TBLA0242	PEDESTAL ASSY			
MISCELLANEOUS COMPONENTS					
.	TPC0E71801	CARTON			
.	TPD0E0142	TOP CUSHION			
.	TPD0E0143	BOTTOM CUSHION			
INSTRUCTION BOOKS					
.	TQB0E0437	ENGLISH			
I.C.s					
IC8601	X24C26LX70L	EEPROM			
RESISTORS					
JS1127	ERJ2GE0R00X	SMD	.063W	-	0 Ω
TERMINALS AND LINKS					
INV-P10	TXJP100MFQ	INV-P10 WIRE			△
DG1-V1	TXJ/V10MFQ	DG1-V1 WIRE			
H12-SP	TXJH120MFQ	H12-SP WIRE			
H51-G51	TXJH510MFQ	H51-G51 WIRE			
INV-DG25	TSXL611	INV-DG25 WIRE			
INV-P/DG	TXJ/P90MFQ	P9/DG27-INV WIRE			
K8-P8	TXJ/K80MFQ	K8-P8 WIRE			
DIFFERENCES FOR MODEL TX--26LX70P					
EXPLODED VIEW					
20	K2CQ2YY00007	AC CORD			△
21	TKU0E0178	BACK COVER			△
22	TTY0E0165	CABINET			
23	TUA0E1100	CHASSIS FRAME			
24	DG-26LX70P	DG P.C.B.	X	RTL	△
25	TKZ0E9415	LCD BOTTOM MTG			
26	L5EDD6Q00024	LCD PANEL			△
27	TKZ0E9416	LCD SIDE MTG			
28	TBM0E0831	MODEL LABEL			
29	TBLA0242	PEDESTAL ASSY			
MISCELLANEOUS COMPONENTS					
.	TPC0E71801	CARTON			
.	TPD0E0142	TOP CUSHION			
.	TPD0E0143	BOTTOM CUSHION			
INSTRUCTION BOOKS					
.	TQB0E0402M	BULGARIAN			
.	TQB0E0402N	ROMANIAN			
.	TQB0E0402P	POLISH			
.	TQB0E0402Q	HUNGARIAN			
.	TQB0E0402R	CZECH			
.	TQB0E0402U	ENGLISH			
I.C.s					
IC8601	X24C26LX70P	EEPROM			
RESISTORS					
JS1125	ERJ2GE0R00X	SMD	.063W	-	0 Ω
TERMINALS AND LINKS					
INV-P10	TXJP100MFQ	INV-P10 WIRE			△
DG1-V1	TXJ/V10MFQ	DG1-V1 WIRE			
H12-SP	TXJH120MFQ	H12-SP WIRE			
H51-G51	TXJH510MFQ	H51-G51 WIRE			
INV-DG25	TSXL611	INV-DG25 WIRE			
INV-P/DG	TXJ/P90MFQ	P9/DG27-INV WIRE			
K8-P8	TXJ/K80MFQ	K8-P8 WIRE			


Cct Ref	Parts Number	Description			
DIFFERENCES FOR MODEL TX--32LX70F					
EXPLODED VIEW					
20	K2CQ2YY00007	AC CORD			△
21	TKU0E0181-1	BACK COVER			△
22	TTY0E0168	CABINET			
23	TUA0E1200	CHASSIS FRAME			
24	DG-32LX70F	DG P.C.B.	X	RTL	△
25	TKZ0E9417	LCD BOTTOM MTG			
26	L5EDD8Q00030	LCD PANEL			△
27	TKZ0E9418	LCD SIDE MTG			
28	TBM0E0806	MODEL LABEL			
29	TBLA0241	PEDESTAL ASSY			
MISCELLANEOUS COMPONENTS					
.	TPC0E72201	CARTON			
.	TPD0E0150	TOP CUSHION			
.	TPD0E0151	BOTTOM CUSHION			
INSTRUCTION BOOKS					
.	TQB0E0401A	GERMAN			
.	TQB0E0401B	DUTCH			
.	TQB0E0401C	ITALIAN			
.	TQB0E0401D	FRENCH			
.	TQB0E0401E	SPANISH			
.	TQB0E0401F	SWEDISH			
.	TQB0E0401K	DANISH			
.	TQB0E0401U	ENGLISH			
I.C.s					
IC8601	X24C32LX70F	EEPROM			
RESISTORS					
JS1119	ERJ2GE0R00X	SMD	.063W	-	0 Ω
TERMINALS AND LINKS					
INV-P10	TXJP100MDQ	INV-P10 WIRE			△
DG1-V1	TXJ/V10MEQ	DG1-V1 WIRE			
H12-SP	TXJH120MEQ	H12-SP WIRE			
H51-G51	TXJH510MDQ	H51-G51 WIRE			
INV-DG25	TSXL610	INV-DG25 WIRE			
INV-P/DG	TXJ/P90MDQ	P9/DG27-INV WIRE			
K8-P8	TXJ/K80MDQ	K8-P8 WIRE			
DIFFERENCES FOR MODEL TX--32LX70L					
EXPLODED VIEW					
20	K2CT2YY00006	AC CORD			△
21	TKU0E0181-1	BACK COVER			△
22	TTY0E0168	CABINET			
23	TUA0E1200	CHASSIS FRAME			
24	DG-32LX70L	DG P.C.B.	X	RTL	△
25	TKZ0E9417	LCD BOTTOM MTG			
26	L5EDD8Q00030	LCD PANEL			△
27	TKZ0E9418	LCD SIDE MTG			
28	TBM0E0862	MODEL LABEL			
29	TBLA0241	PEDESTAL ASSY			
MISCELLANEOUS COMPONENTS					
.	TPC0E72201	CARTON			
.	TPD0E0150	TOP CUSHION			
.	TPD0E0151	BOTTOM CUSHION			
INSTRUCTION BOOKS					
.	TQB0E0437	ENGLISH			
I.C.s					
IC8601	X24C32LX70L	EEPROM			
RESISTORS					
JS1126	ERJ2GE0R00X	SMD	.063W	-	0 Ω

Cct Ref	Parts Number	Description
TERMINALS AND LINKS		
INV-P10	TXJP100MDQ	INV-P10 WIRE △
DG1-V1	TXJ/V10MEQ	DG1-V1 WIRE
H12-SP	TXJH120MEQ	H12-SP WIRE
H51-G51	TXJH510MDQ	H51-G51 WIRE
INV-DG25	TSXL610	INV-DG25 WIRE
INV-P/DG	TXJ/P90MDQ	P9/DG27-INV WIRE
K8-P8	TXJ/K80MDQ	K8-P8 WIRE
DIFFERENCES FOR MODEL TX--32LX70P		
EXPLODED VIEW		
20	K2CQ2YY00007	AC CORD △
21	TKU0E0181-1	BACK COVER △
22	TTY0E0168	CABINET
23	TUA0E1200	CHASSIS FRAME
24	DG-32LX70P	DG P.C.B. X RTL △
25	TKZ0E9417	LCD BOTTOM MTG
26	L5EDD8Q00030	LCD PANEL △
27	TKZ0E9418	LCD SIDE MTG
28	TBM0E0832	MODEL LABEL
29	TBLA0241	PEDESTAL ASSY
MISCELLANEOUS COMPONENTS		
.	TPC0E72201	CARTON
.	TPD0E0150	TOP CUSHION
.	TPD0E0151	BOTTOM CUSHION
INSTRUCTION BOOKS		
.	TQB0E0402M	BULGARIAN
.	TQB0E0402N	ROMANIAN
.	TQB0E0402P	POLISH
.	TQB0E0402Q	HUNGARIAN
.	TQB0E0402R	CZECH
.	TQB0E0402U	ENGLISH
I.C.s		
IC8601	X24C32LX70P	EEPROM
RESISTORS		
JS1120	ERJ2GE0R00X	SMD .063W - 0 Ω
TERMINALS AND LINKS		
INV-P10	TXJP100MDQ	INV-P10 WIRE △
DG1-V1	TXJ/V10MEQ	DG1-V1 WIRE
H12-SP	TXJH120MEQ	H12-SP WIRE
H51-G51	TXJH510MDQ	H51-G51 WIRE
INV-DG25	TSXL610	INV-DG25 WIRE
INV-P/DG	TXJ/P90MDQ	P9/DG27-INV WIRE
K8-P8	TXJ/K80MDQ	K8-P8 WIRE

Cct Ref	Parts Number	Description

Schematic Diagrams

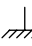
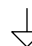
IMPORTANT SAFETY NOTICE

Components identified by  mark have special characteristics important for safety. When replacing any of these components, use only manufacturers' specified parts.


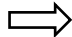
NOTE

1. RESISTOR
All resistors are carbon ¼W resistor, unless marked otherwise.
Unit of resistance is OHM (Ω) (k=1,000, M=1,000,000)
2. CAPACITORS
All capacitors are ceramic 50V unless marked otherwise.
Unit of capacitance is μ F unless otherwise stated.
3. COIL
Unit of inductance is μ H, unless otherwise stated.

4. TEST POINT
 Test Point Position

5. EARTH SYMBOL
 Chassis Earth (Cold)
 Line Earth (Hot)

6. VOLTAGE MEASUREMENT
Voltage is measured by a D.C. voltmeter.
Measurement conditions are as follows:
Power source 220V-240V AC, 50/60Hz
Receiving Signal Colour Bar signal (RF)
All customer controls Maximum position

7.
 Indicates the Video signal path
 Indicates the Audio signal path

These schematic diagrams are the latest at time of printing and are subject to change without notice.

REMARKS

- a. Do not touch the hot part, or the hot and cold parts at the same time, as you are liable to a shock hazard.
- b. Do not short circuit the hot and cold circuits as electrical components may be damaged.
- c. Do not connect an instrument, such as an oscilloscope, to the hot and cold circuits simultaneously as this may cause fuse failure. Connect the earth of the instruments to the earth connection of the circuit being measured.
- d. Make sure to disconnect the power plug before removing the chassis.

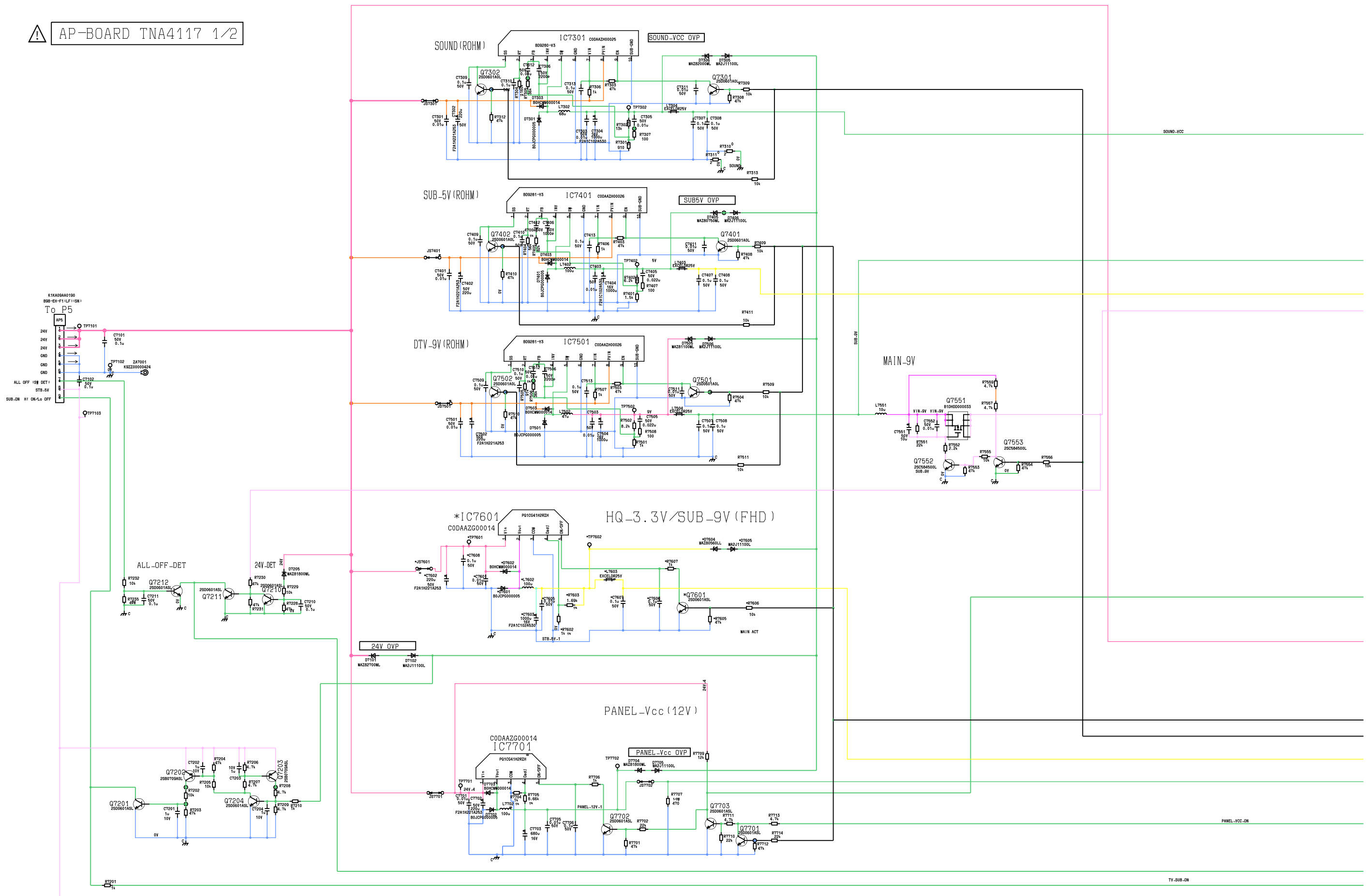
NOTE

1. The Power Supply Circuit contains a circuit area, which uses a separate power supply to isolate the earth connection. The circuit is defined by HOT and COLD indications in the schematic diagram. All circuits, except the Power Circuit, are COLD.

A B C D E F G H I J K L M N O P Q R S T

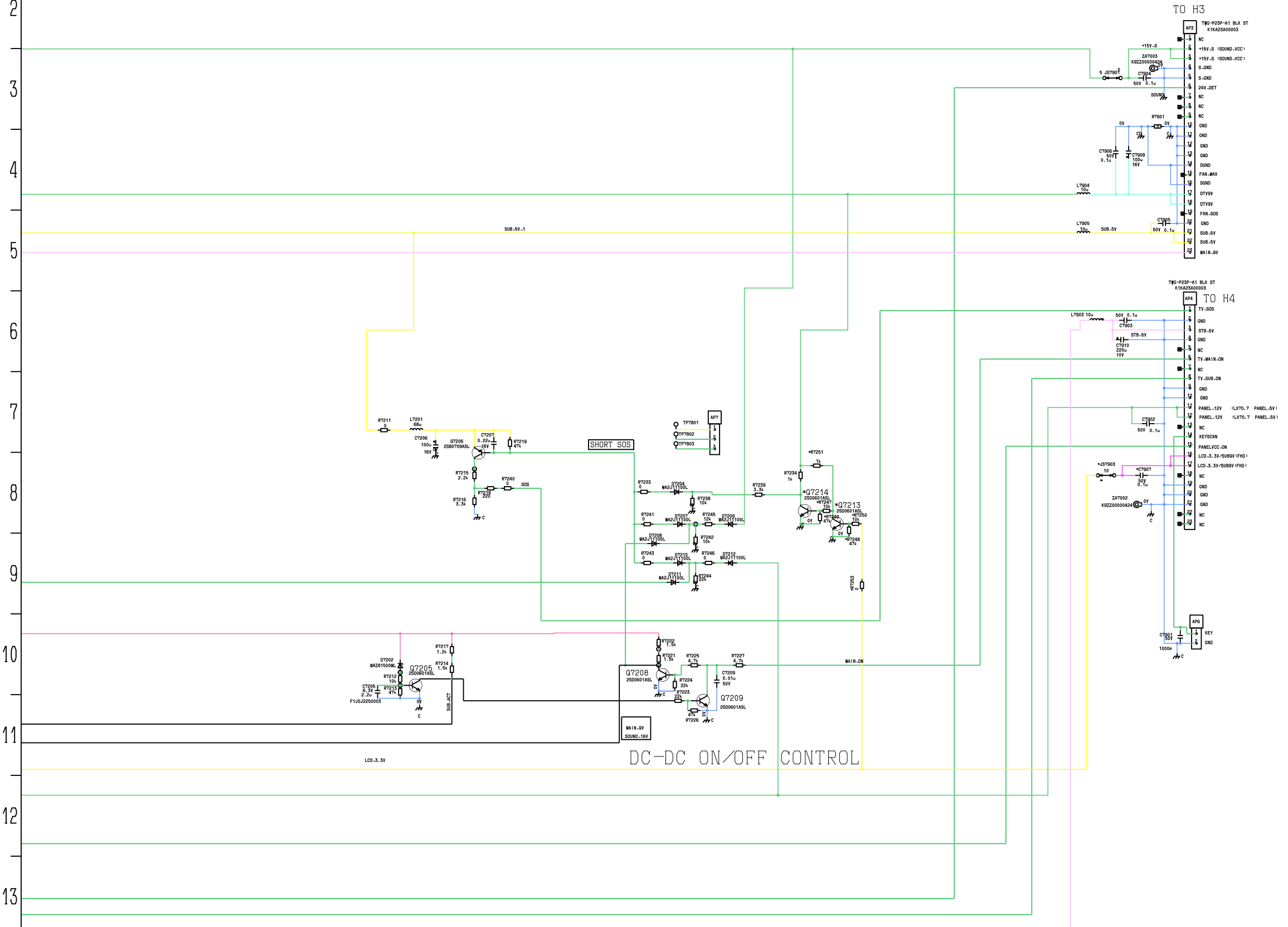
1
2
3
4
5
6
7
8
9
10
11
12
13

⚠ AP-BOARD TNA4117 1/2



U V W X Y Z AA AB AC AD AE AF AG AH AI

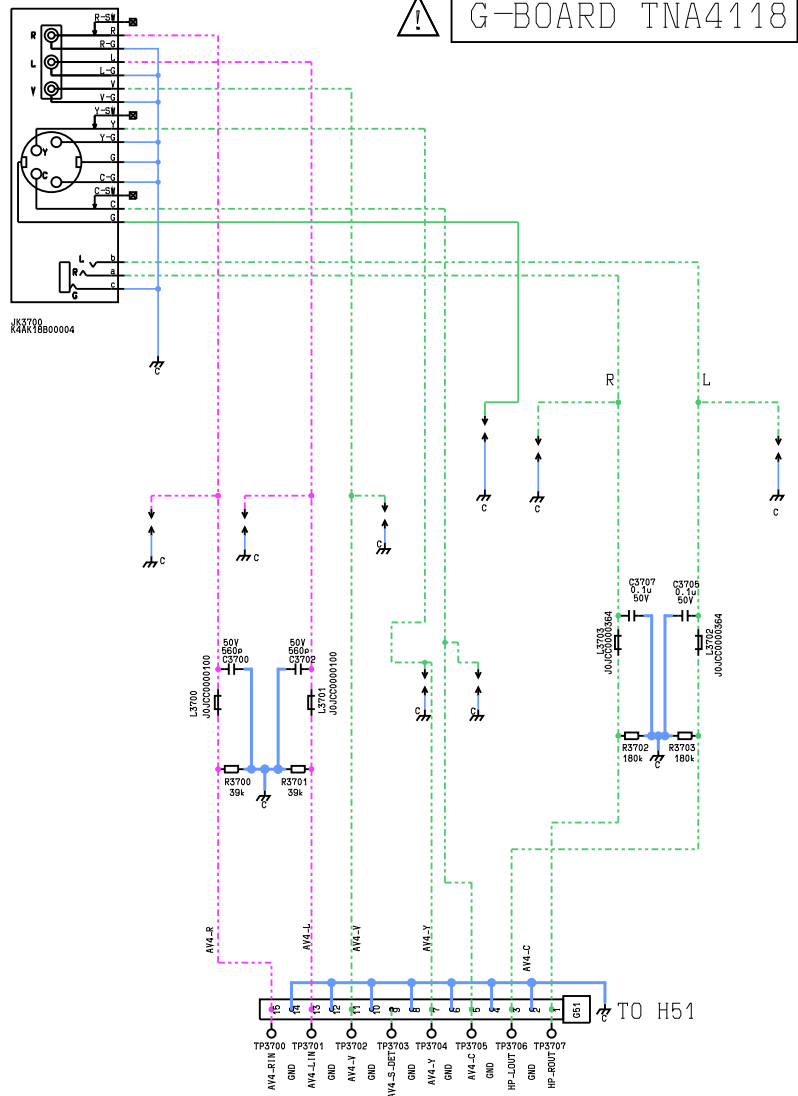
1 ! AP-BOARD TNA4117 2/2



A | B | C | D | E | F

1
2
3
4
5
6
7

⚠ G-BOARD TNA4118



A

B

C

D

E

F

1

2

3

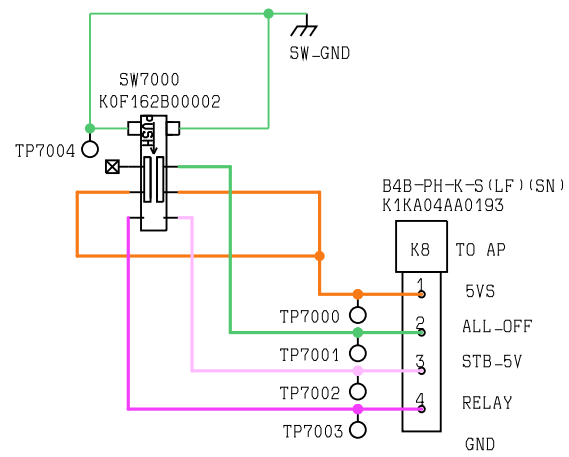
4

5

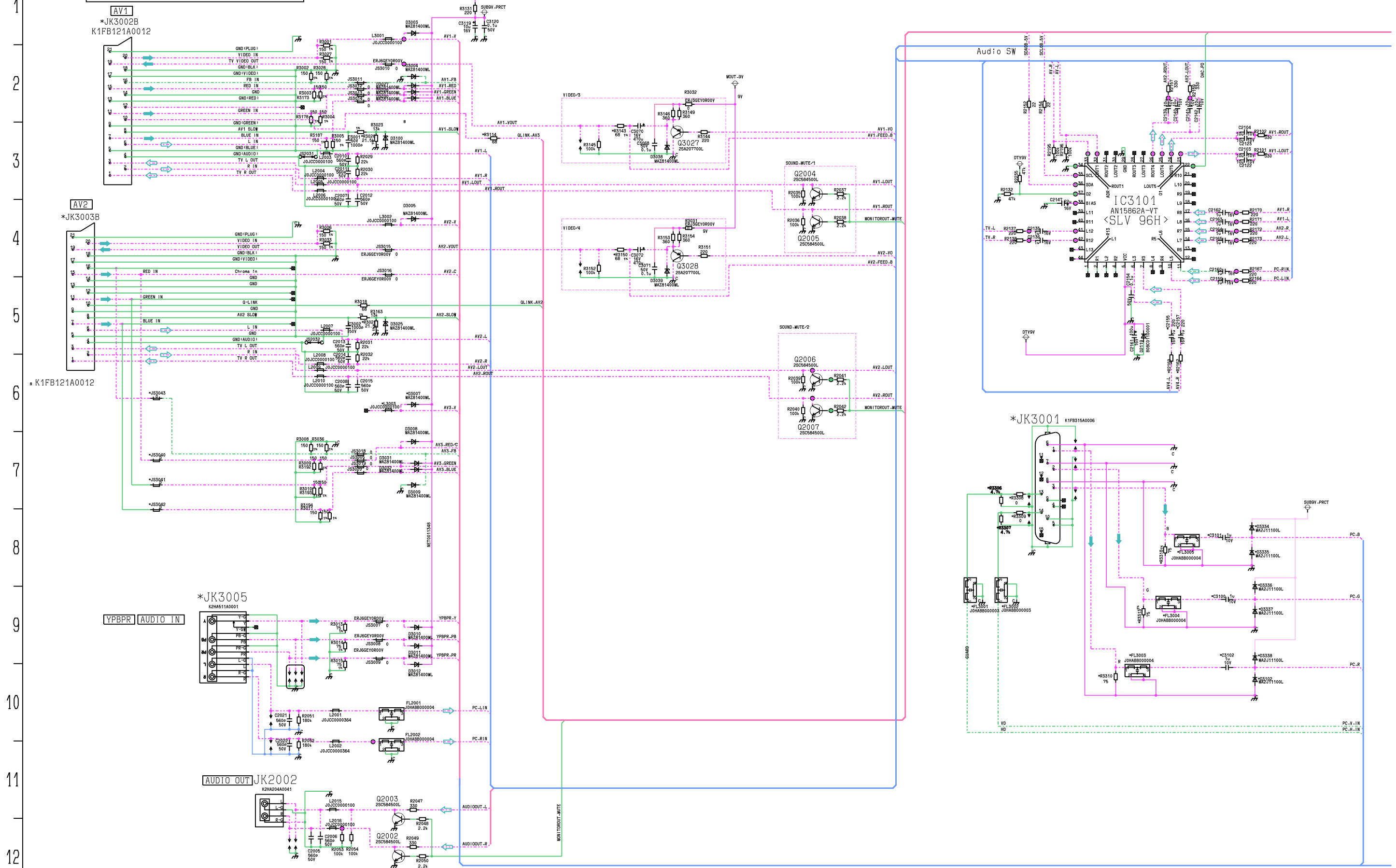
6



K-BOARD TNA4128

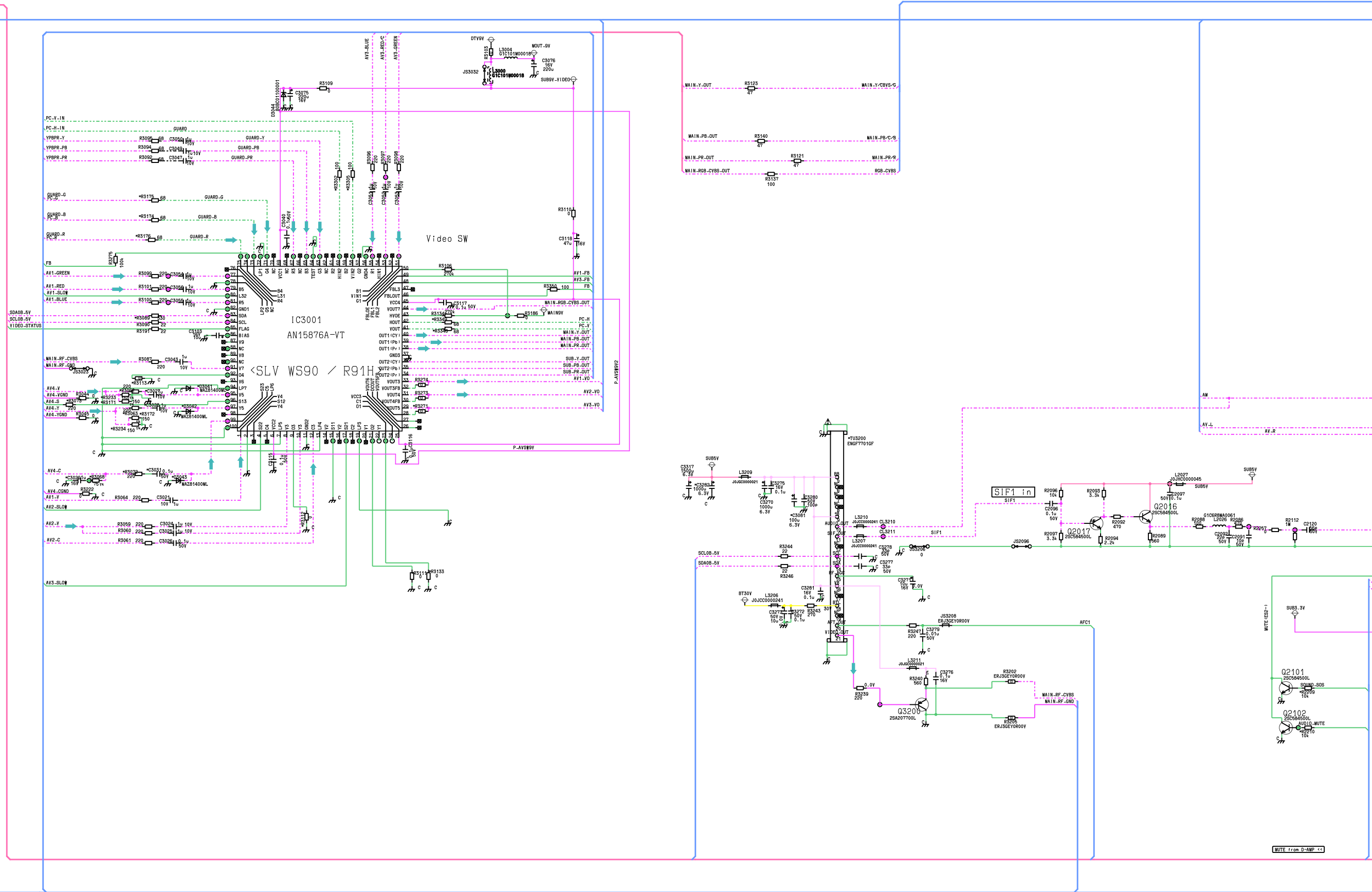


H-BOARD TNA4291 (1/4)

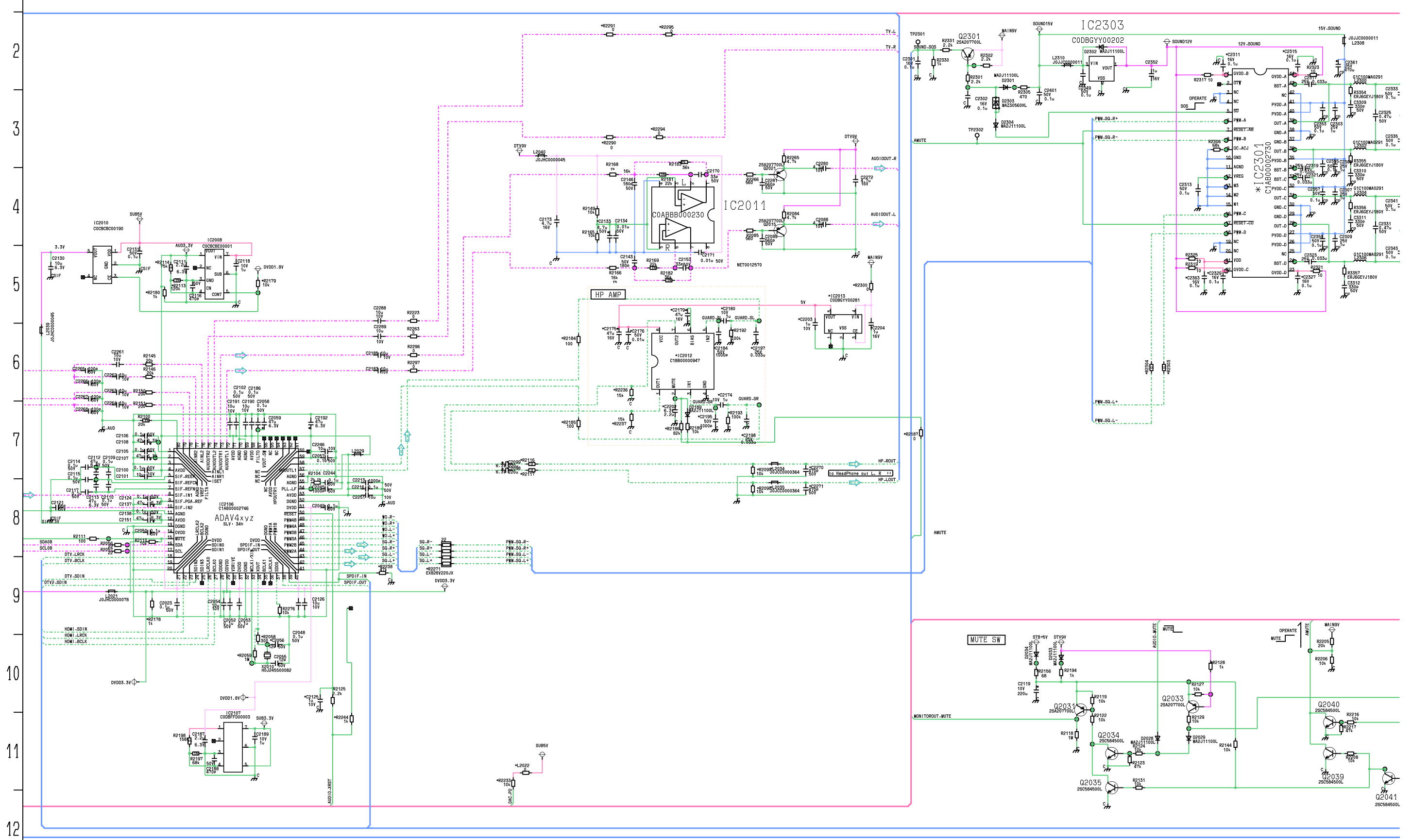


H-BOARD TNA4291 (2/4)

1
2
3
4
5
6
7
8
9
10
11
12

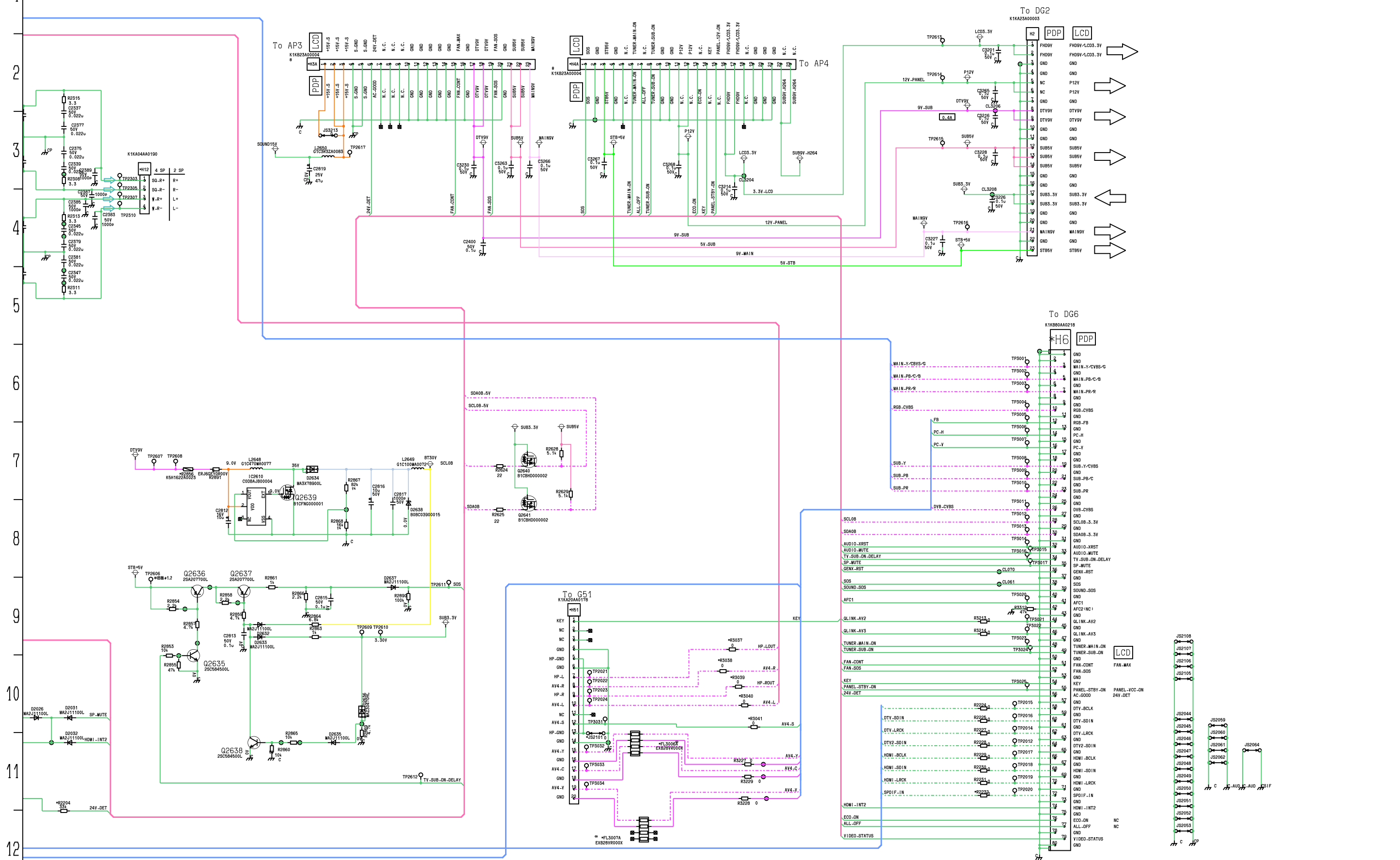


H-BOARD TNA4291 (3/4)



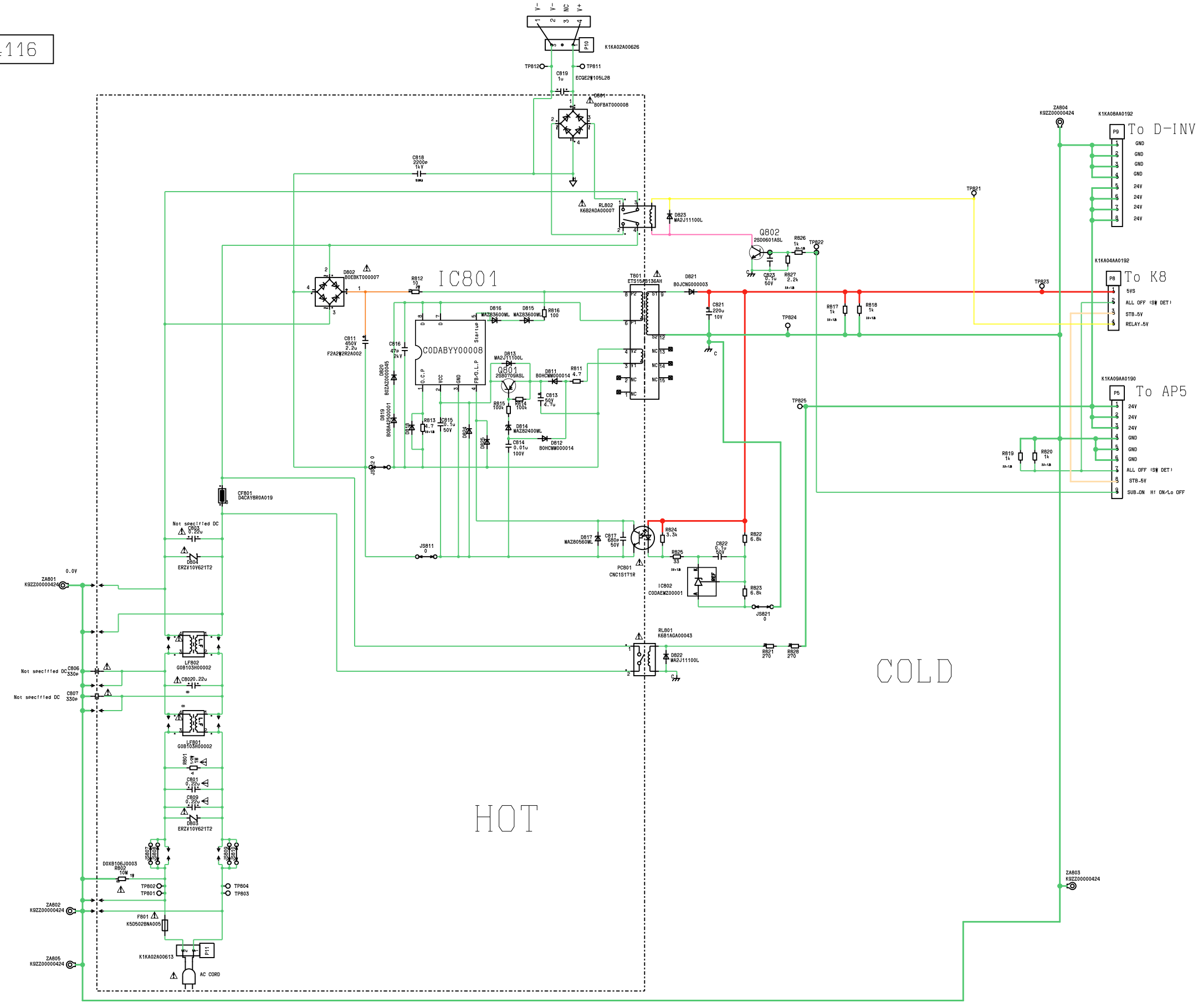
BB BC BD BE BF BG BH BI BJ BK BL BM BN BO BP BQ

H-BOARD TNA4291 (4/4)



A B C D E F G H I J K L M N O P

! P-BOARD TNA4116



HOT

COLD

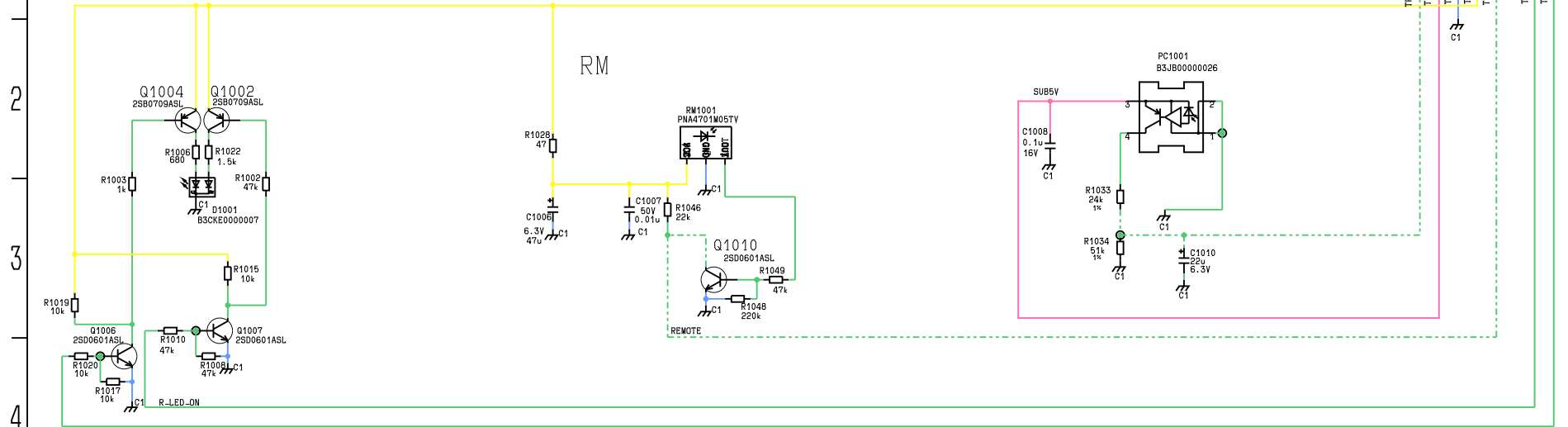
A B C D E F G H I J



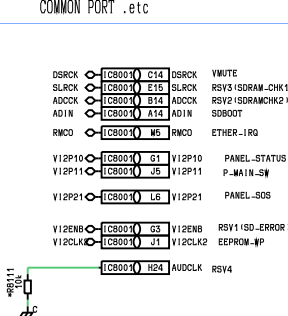
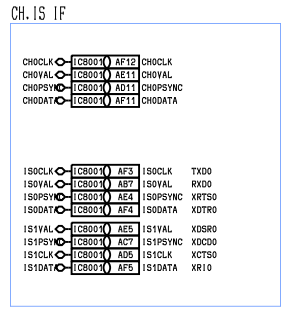
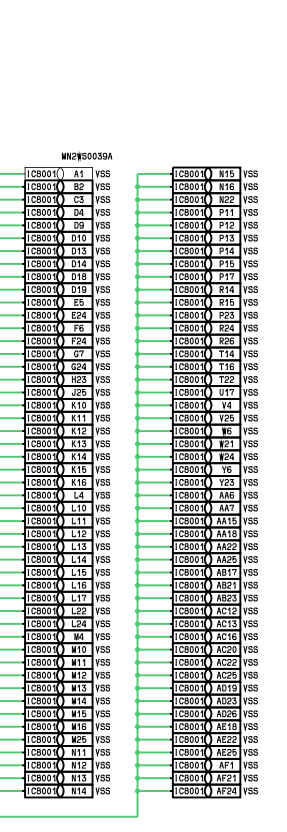
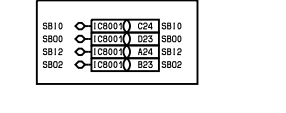
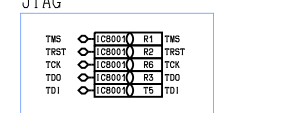
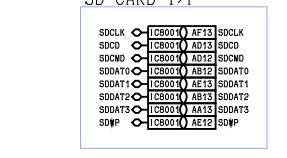
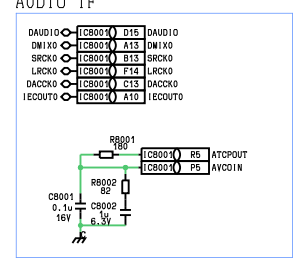
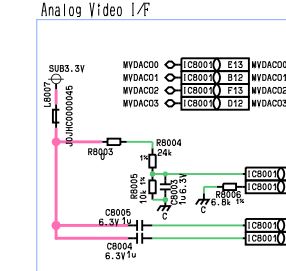
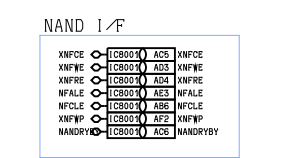
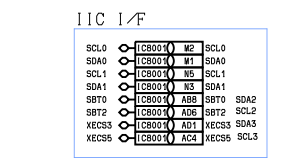
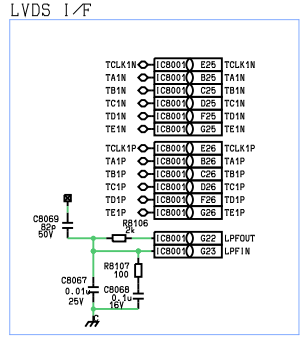
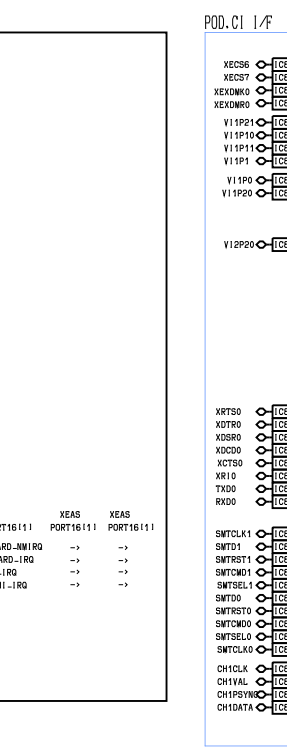
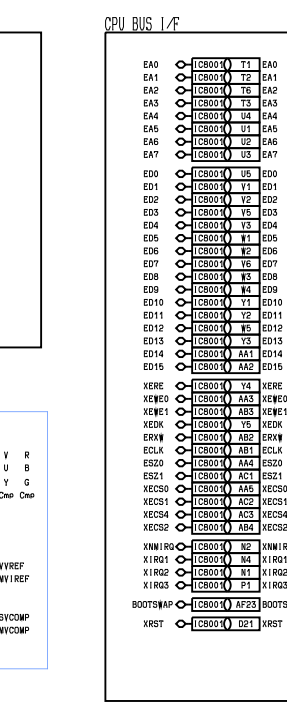
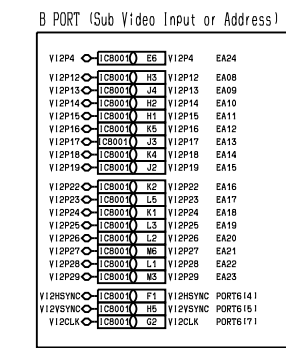
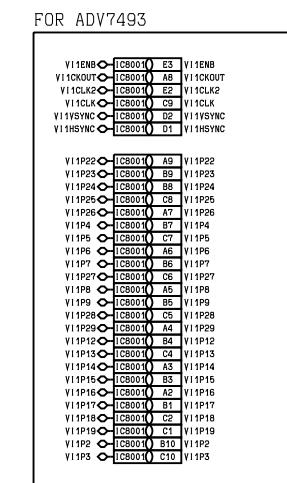
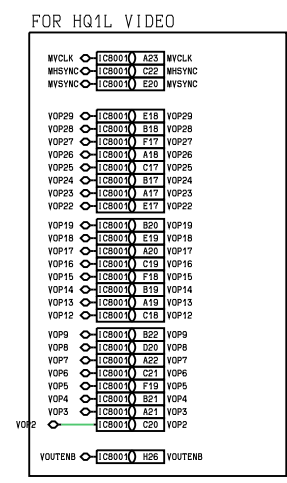
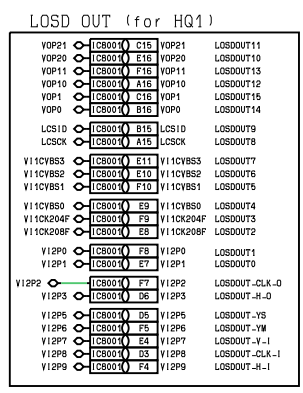
V-BOARD TNPA4127

TO DG1

S8B-PH-K-S (LF) (SN)
K1KA08BA0061

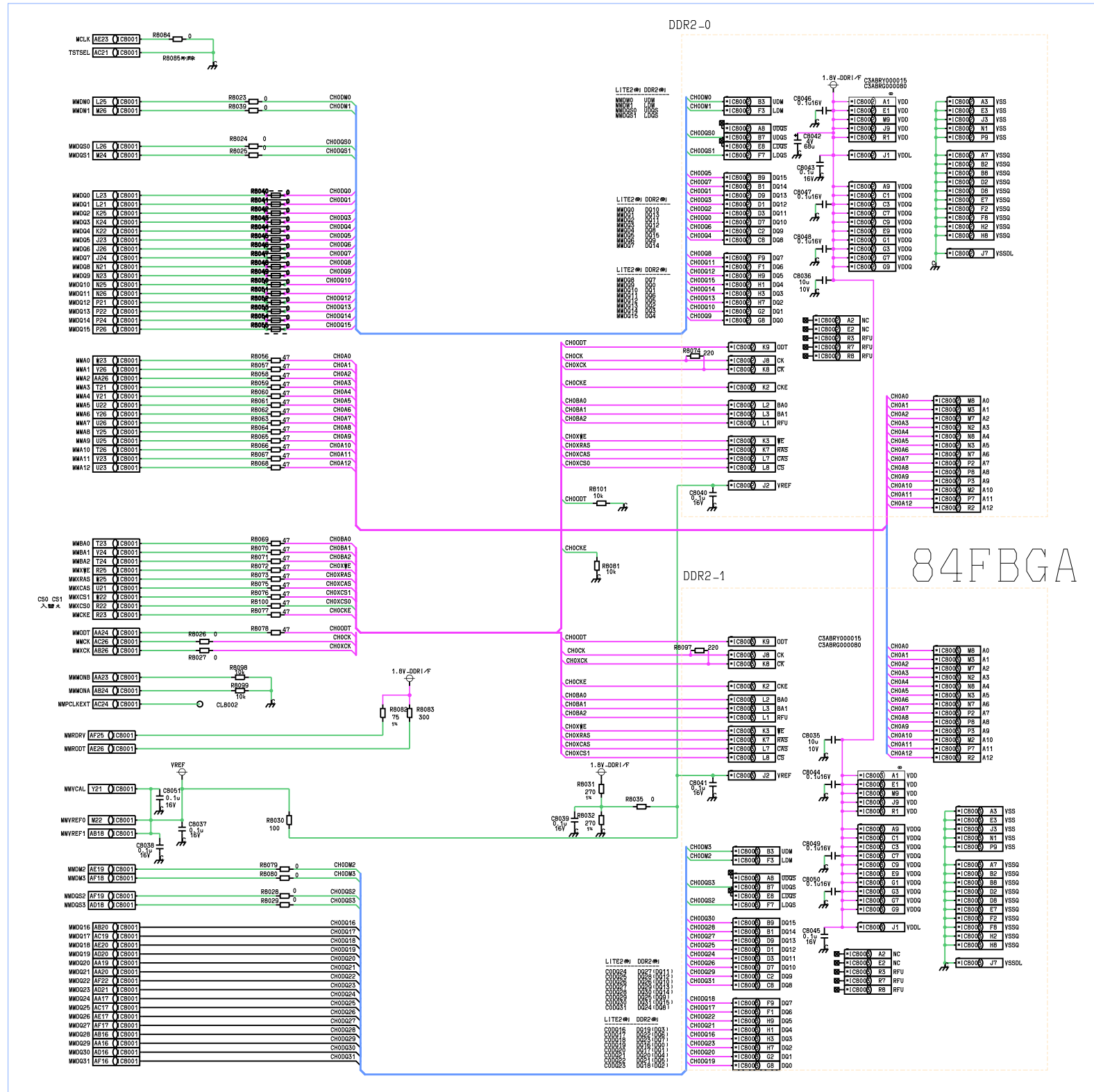


! DG-BOARD TNA4114 (1/14)



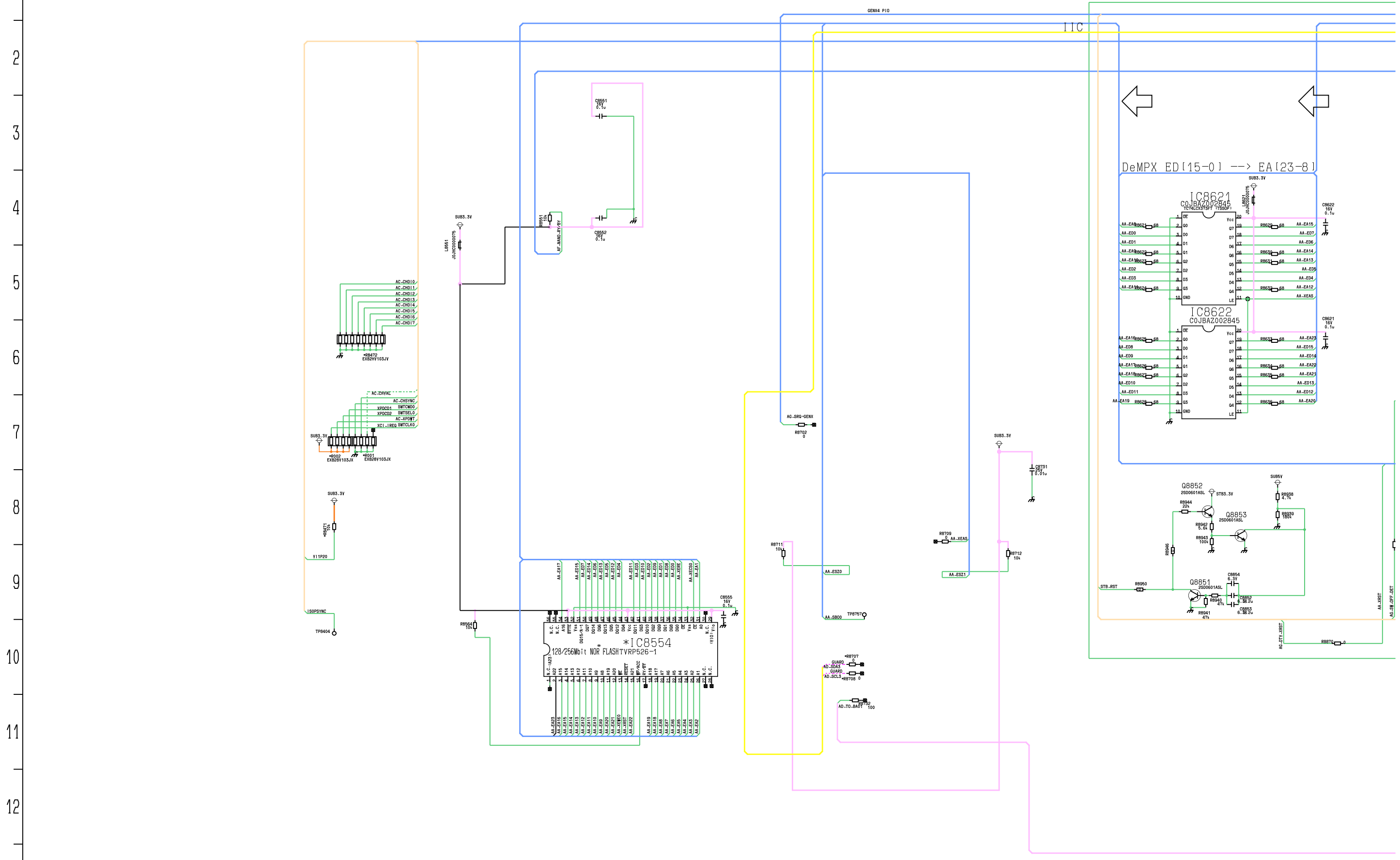
DG-BOARD TNA4114 (2/14)

84FBGA

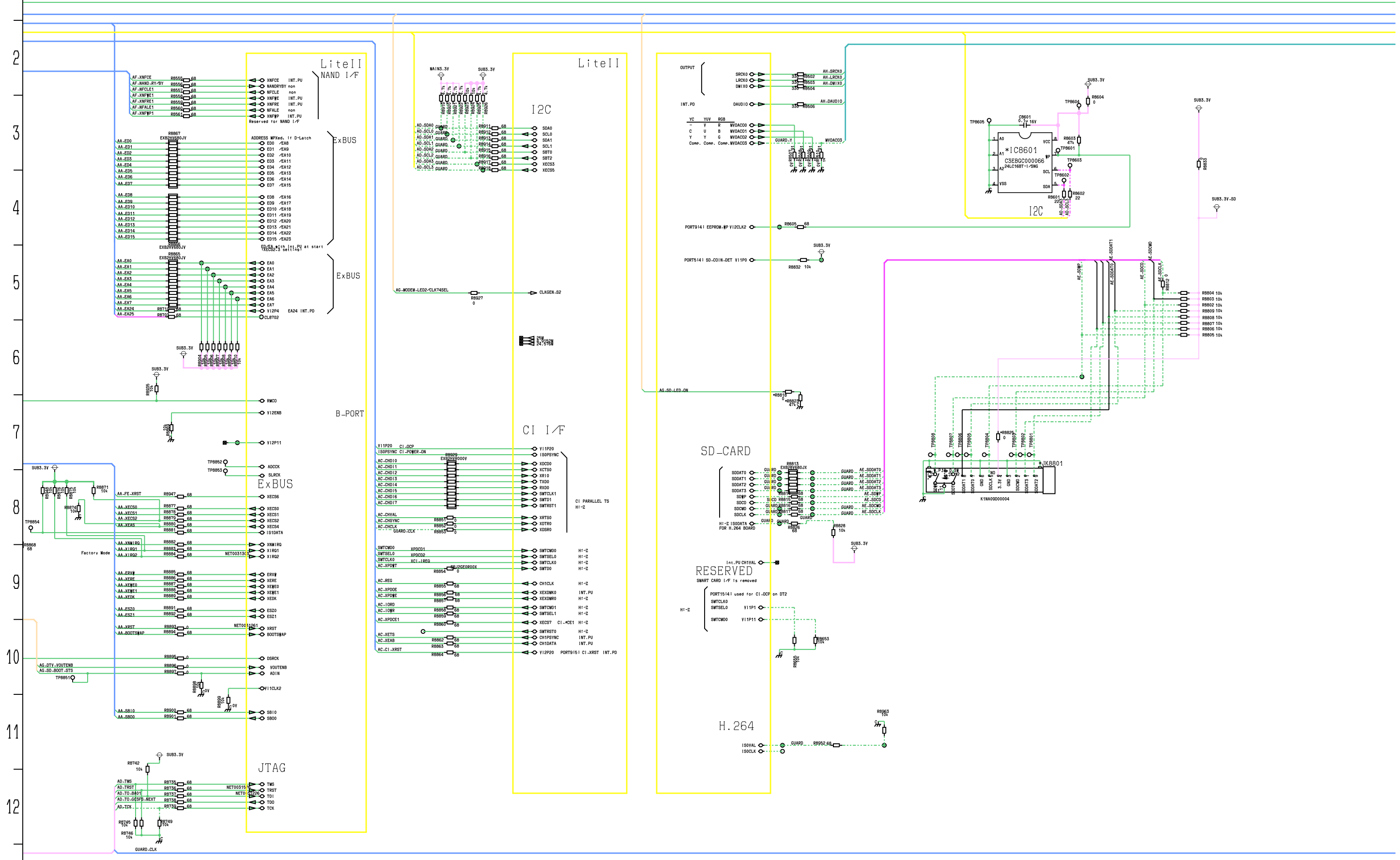


A B C D E F G H I J K L M N O P Q R

⚠ DG-BOARD TNA4114 (3/14)

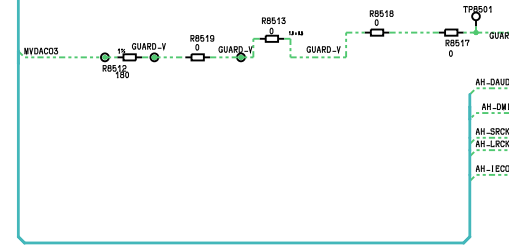
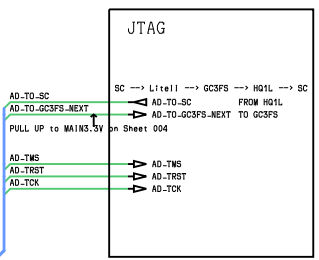
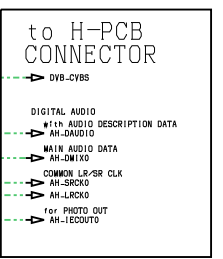
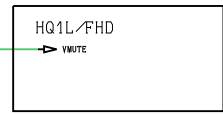
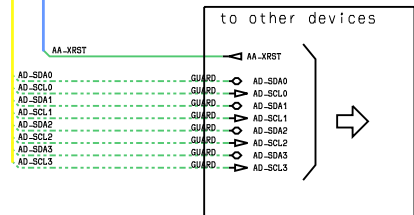
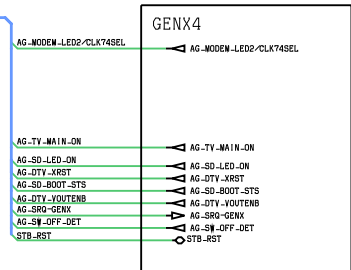


⚠ DG-BOARD TNA4114 (4/14)

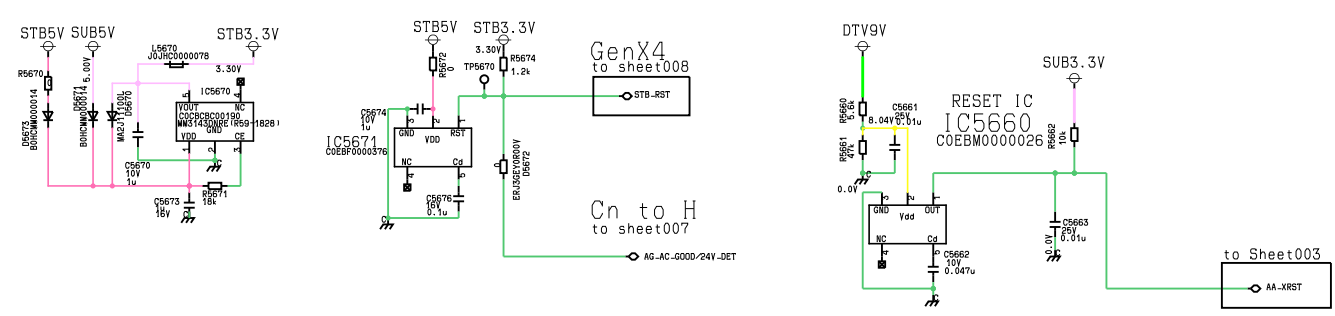


⚠ DG-BOARD TNA4114 (5/14)

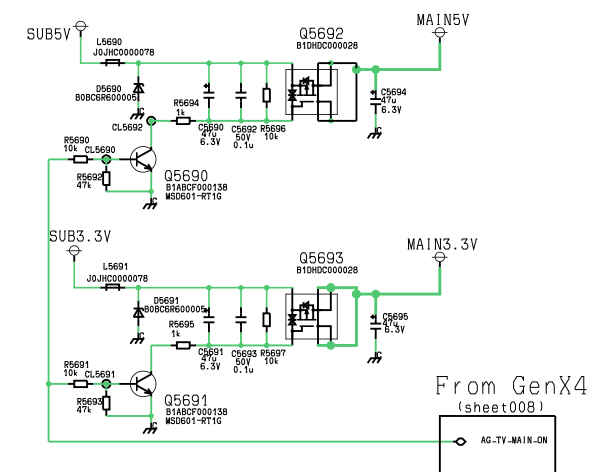
1
2
3
4
5
6
7
8
9
10
11
12



⚠ DG-BOARD TNA4114 (6/14)

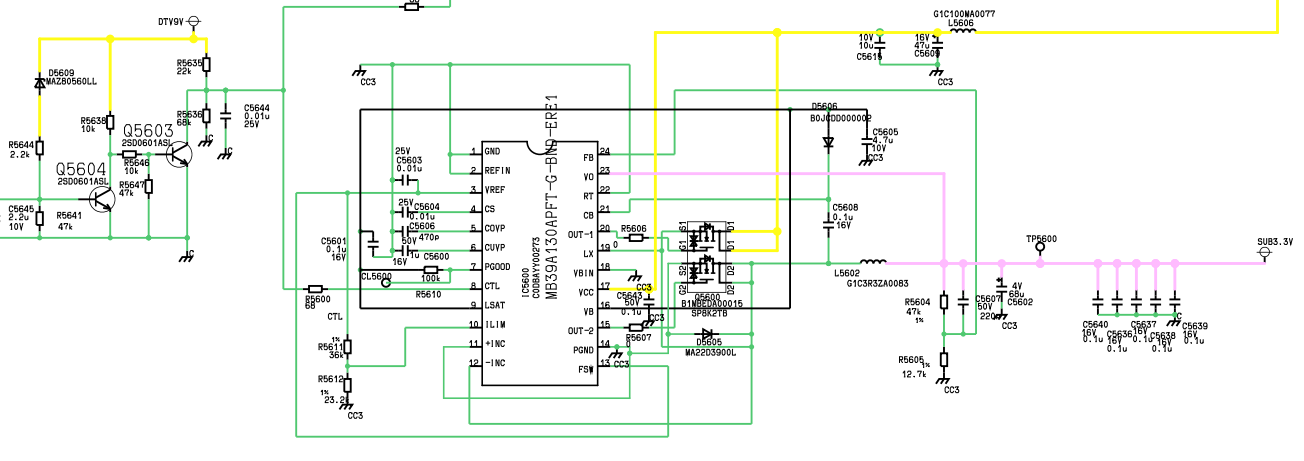
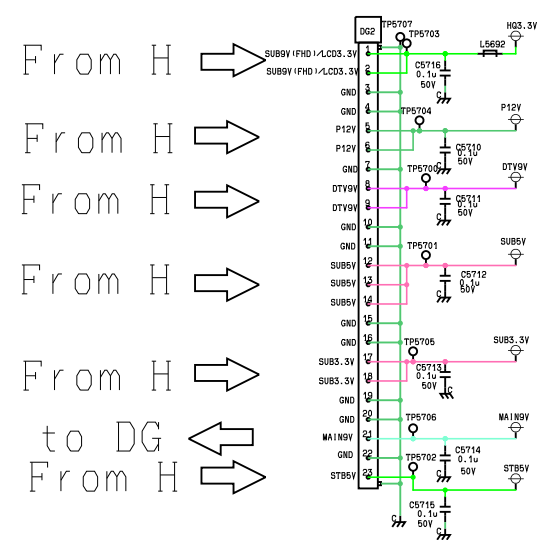
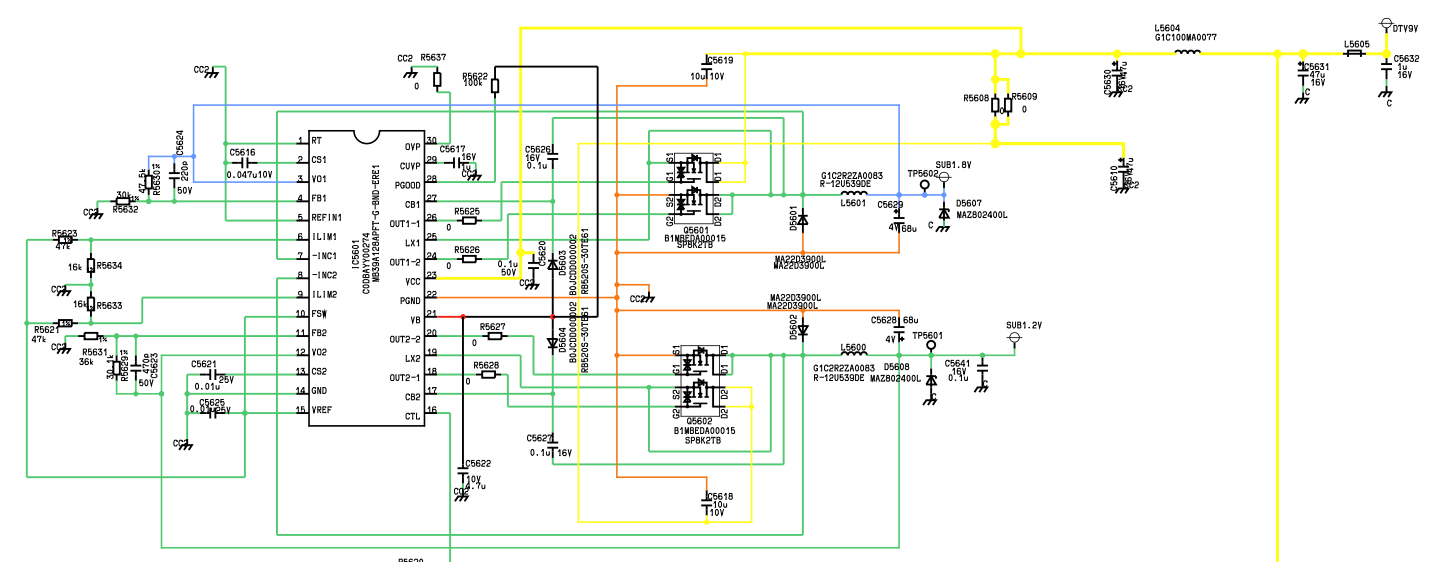


MAIN5V/MAIN3.3V

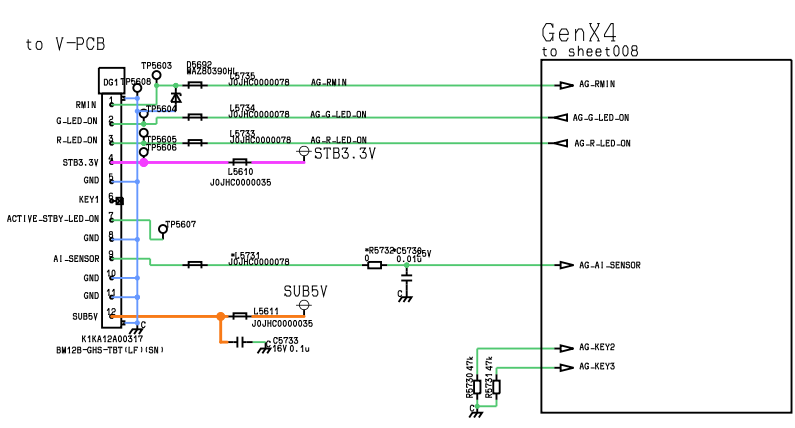


Peaks-LITE2 POWER

DG-H Connector



DG-K Connector



⚠ DG-BOARD TNA4114 (7/14)

GC3FS next to Sheet 004

AH-FS-Y	GUARD-Y	AH-FS-Y
AH-FS-U	GUARD-PB	AH-FS-U
AH-FS-V	GUARD-PR	AH-FS-V

ADV7493 to Sheet 010

HDMI-LRCK	GUARD	HDMI-LRCK
HDMI-SCLK	GUARD-CLK	HDMI-SCLK
HDMI-SDIN	GUARD	HDMI-SDIN
MAIN-Y-CVBS	GUARD-Y	MAIN-Y-CVBS
MAIN-PB-C	GUARD-PB	MAIN-PB-C
MAIN-PR	GUARD-PR	MAIN-PR
RGB-CVBS	GUARD-Y	RGB-CVBS
RGB-FB	GUARD	RGB-FB
PC-HS	GUARD	PC-HS
PC-VS	GUARD	PC-VS
HDMI-INT2	GUARD	HDMI-INT2

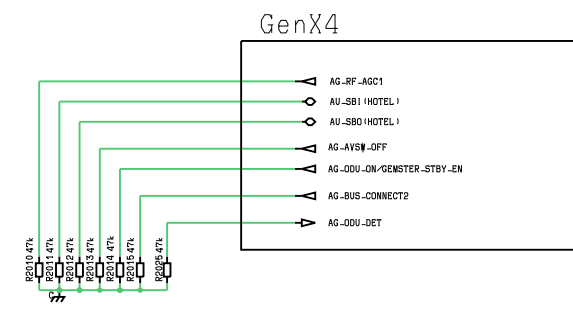
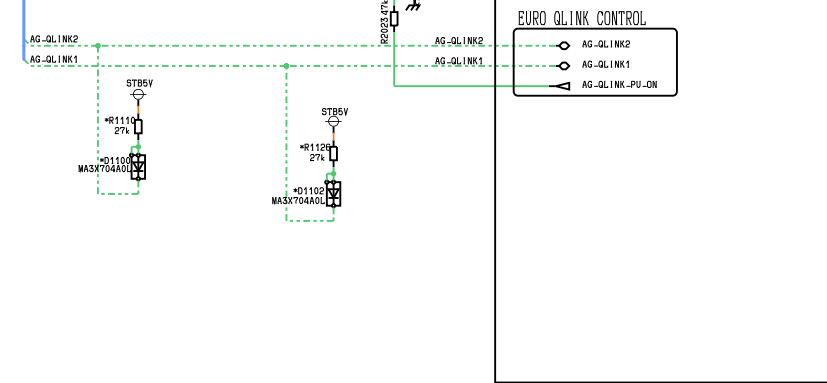
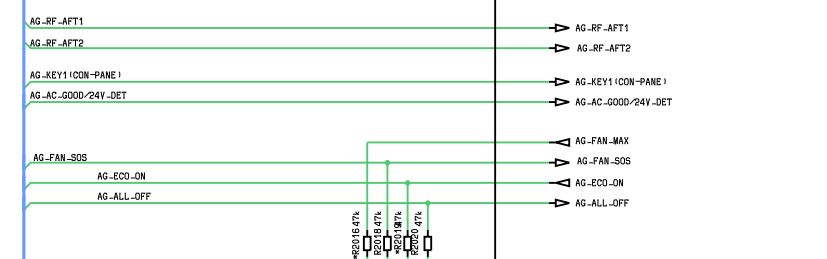
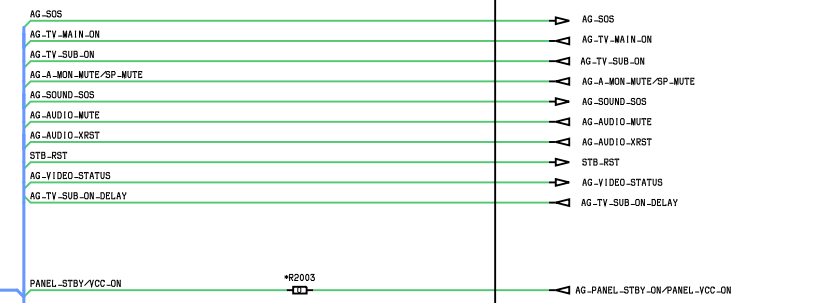
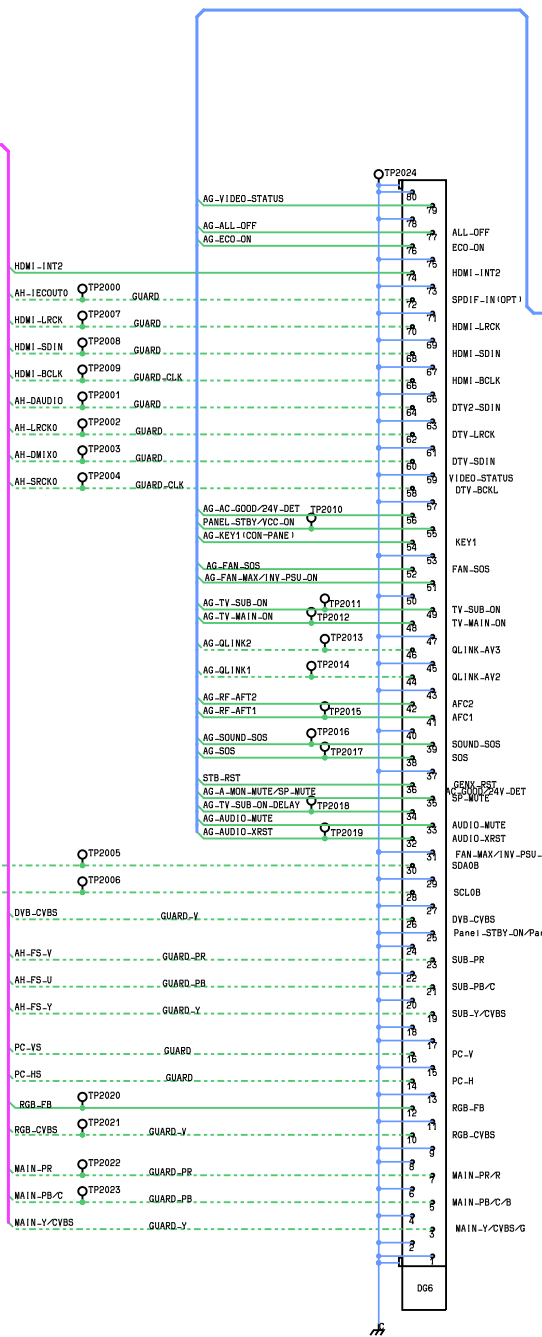
IRD to Sheet 003

AH-IECOUT0	GUARD	DVB-CVBS
DVB-CVBS	GUARD-Y	AH-SRCK0
AH-SRCK0	GUARD-CLK	AH-DWIX0
AH-DWIX0	GUARD	AH-DAUID0
AH-DAUID0	GUARD	AH-LRCK0
AH-LRCK0	GUARD	

IIC2 to Sheet 003

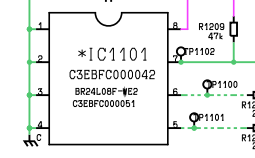
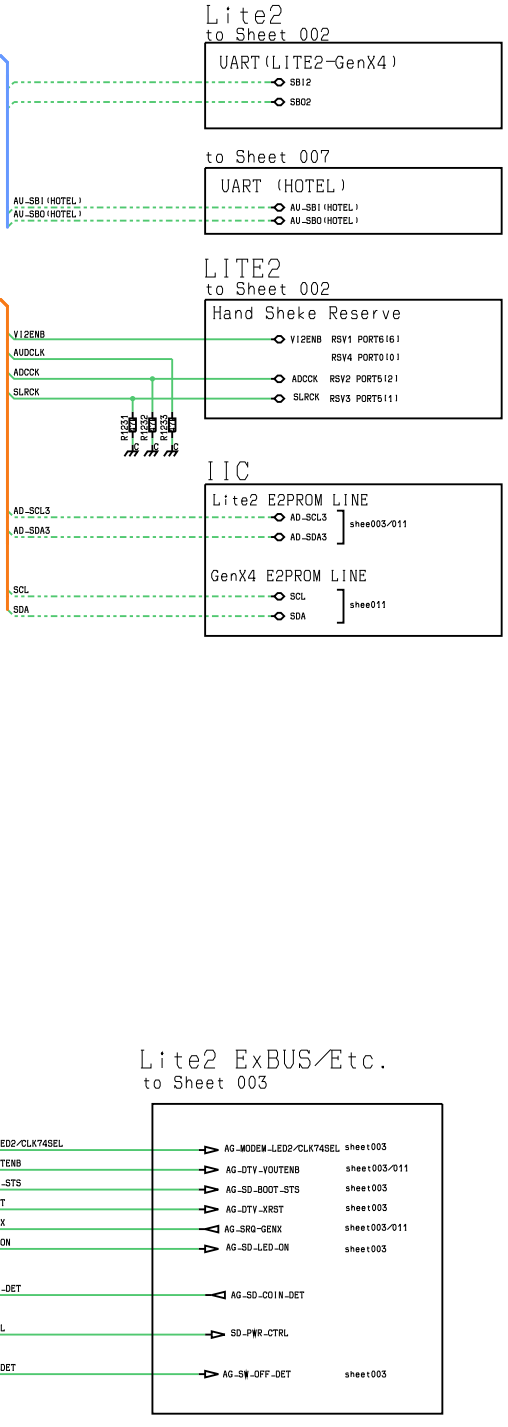
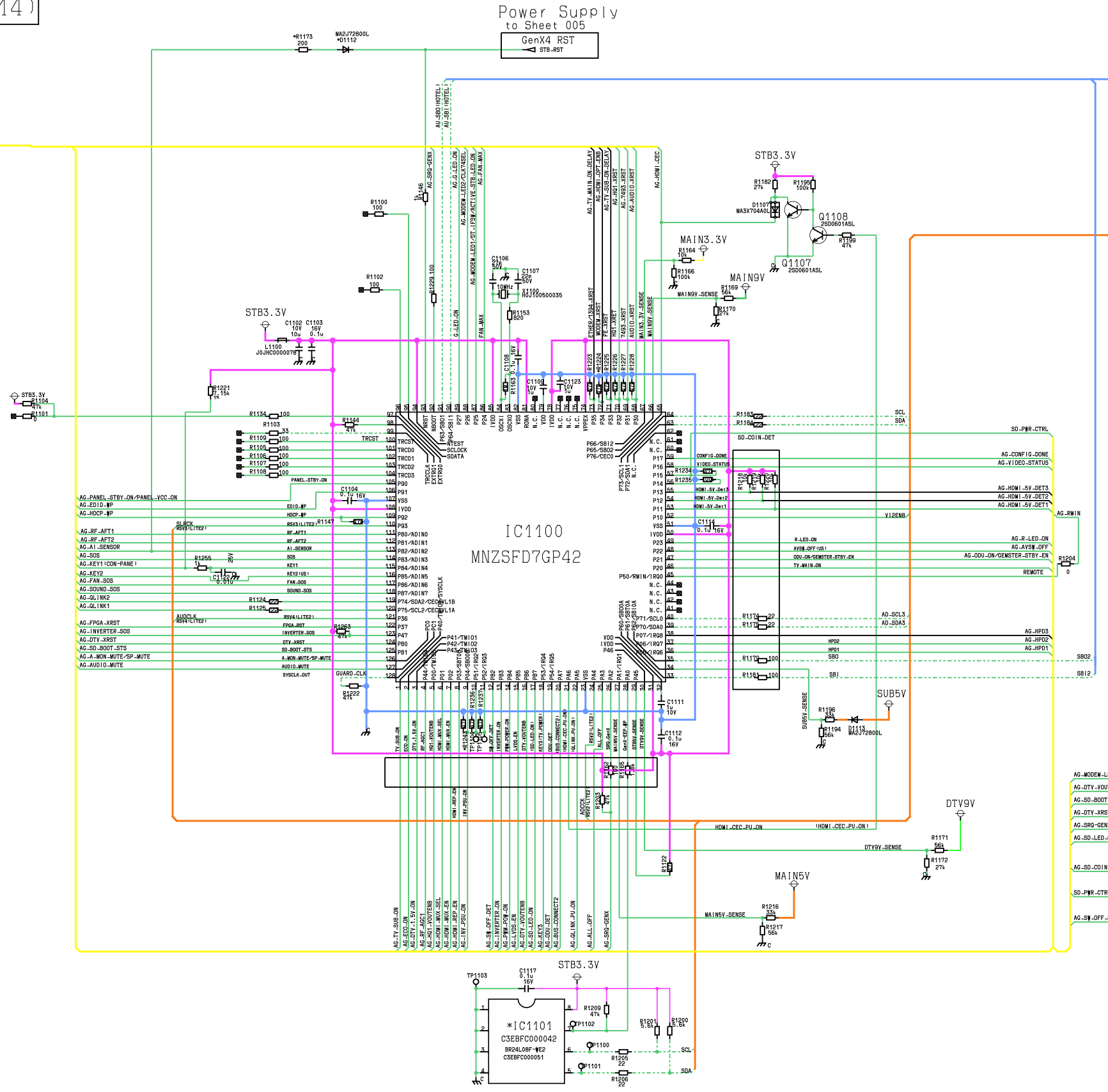
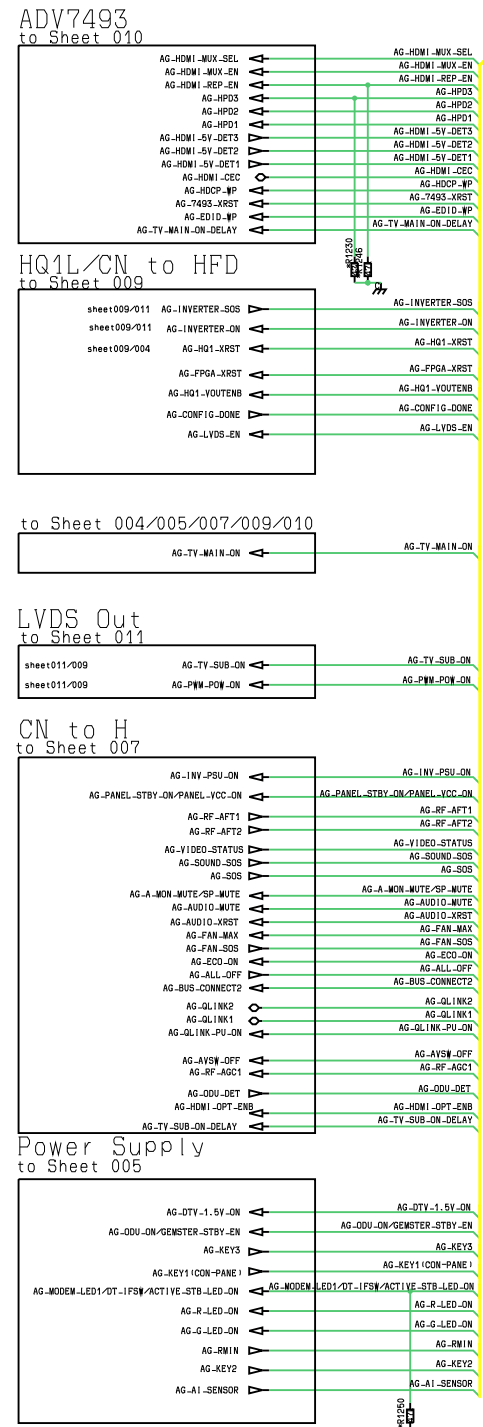
AD-SCL2	AD-SCL2
AD-SDA2	AD-SDA2

« Connection Device »
3.3V-V-AVSW/AD4422/FE/DVB-TNR
5V-A-AVSW-A-TNR

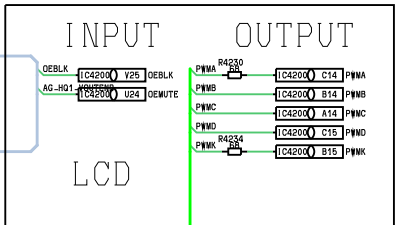
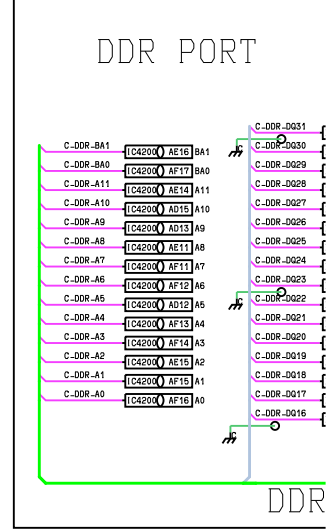
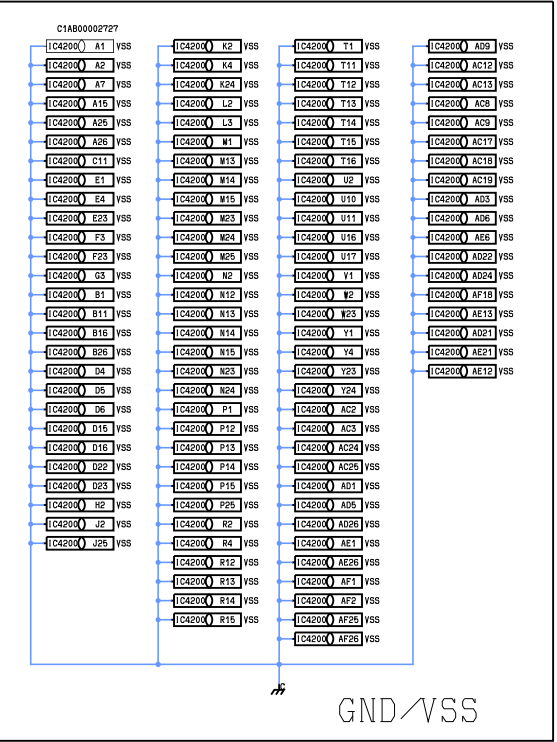
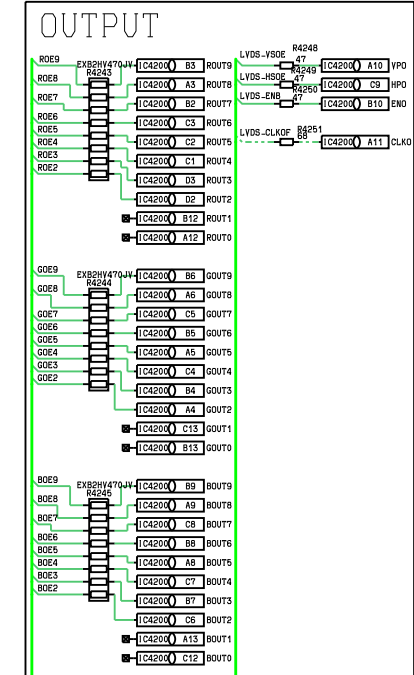
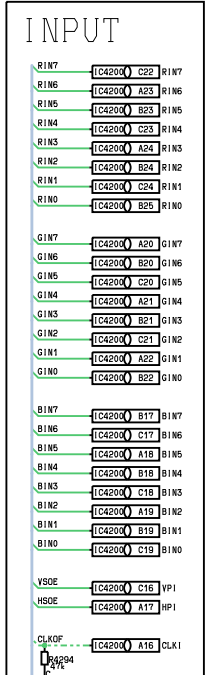
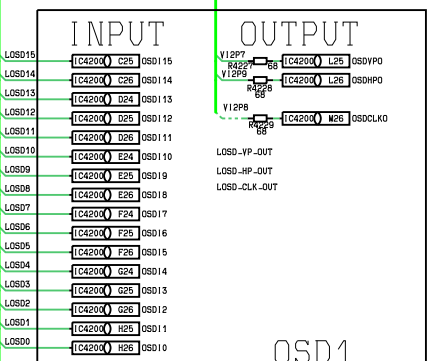
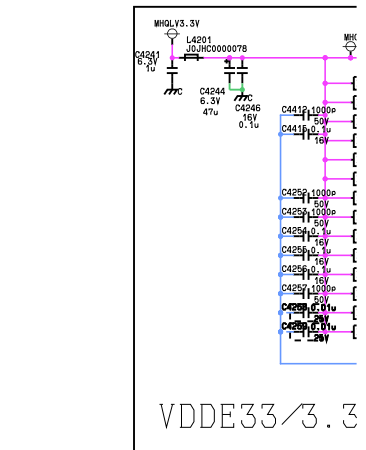
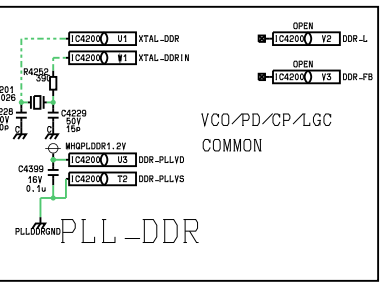
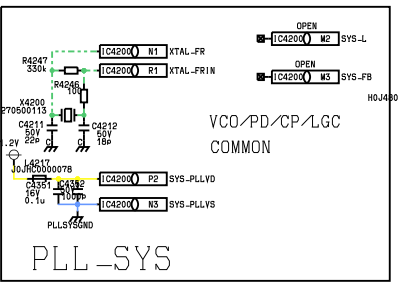
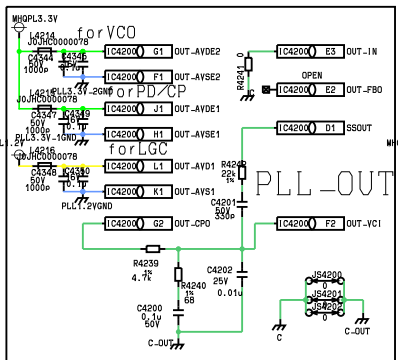
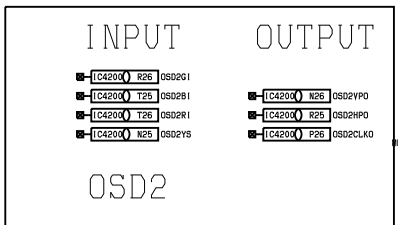
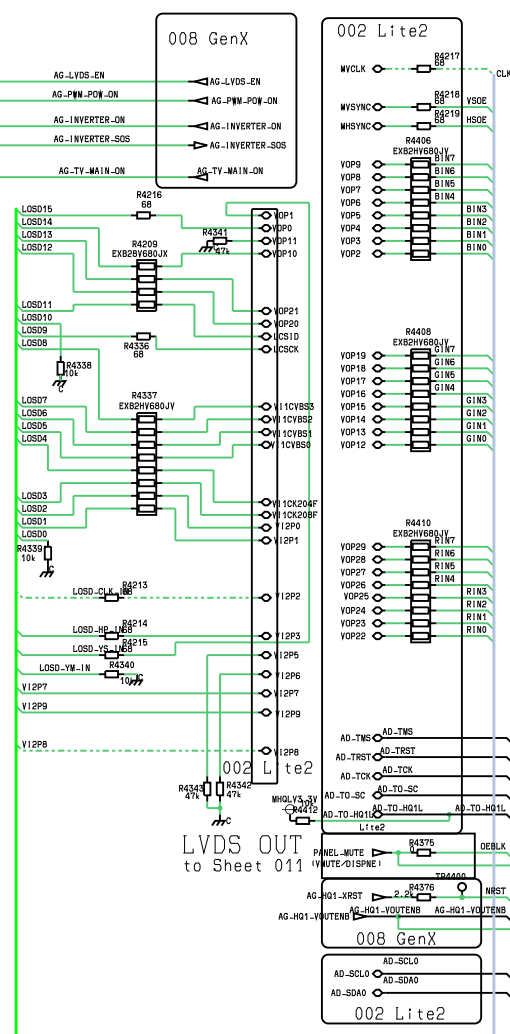
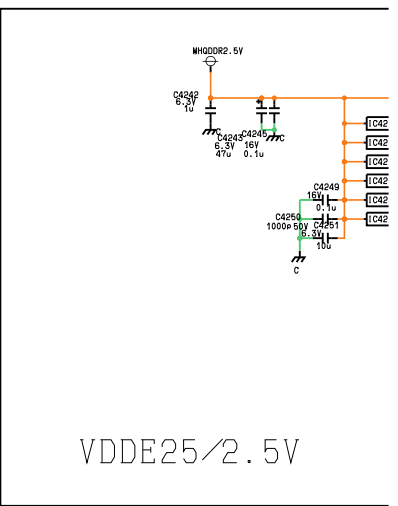
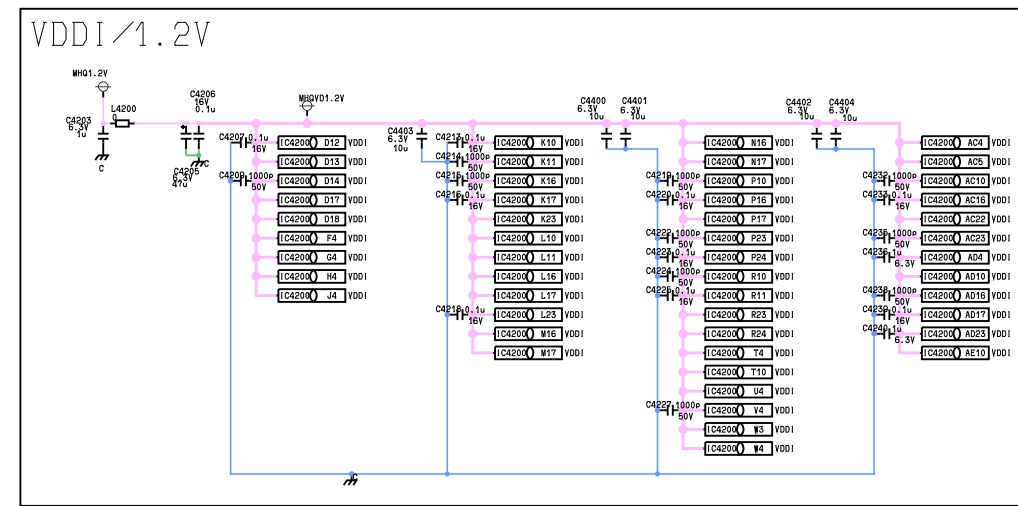
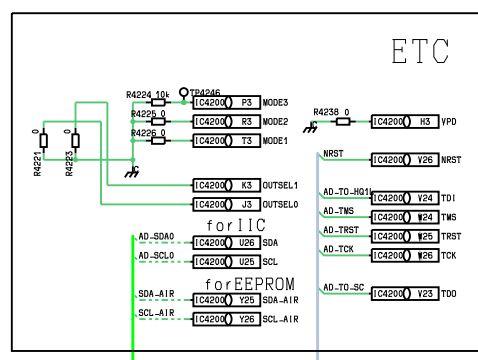
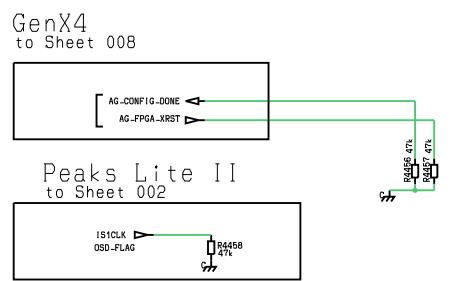


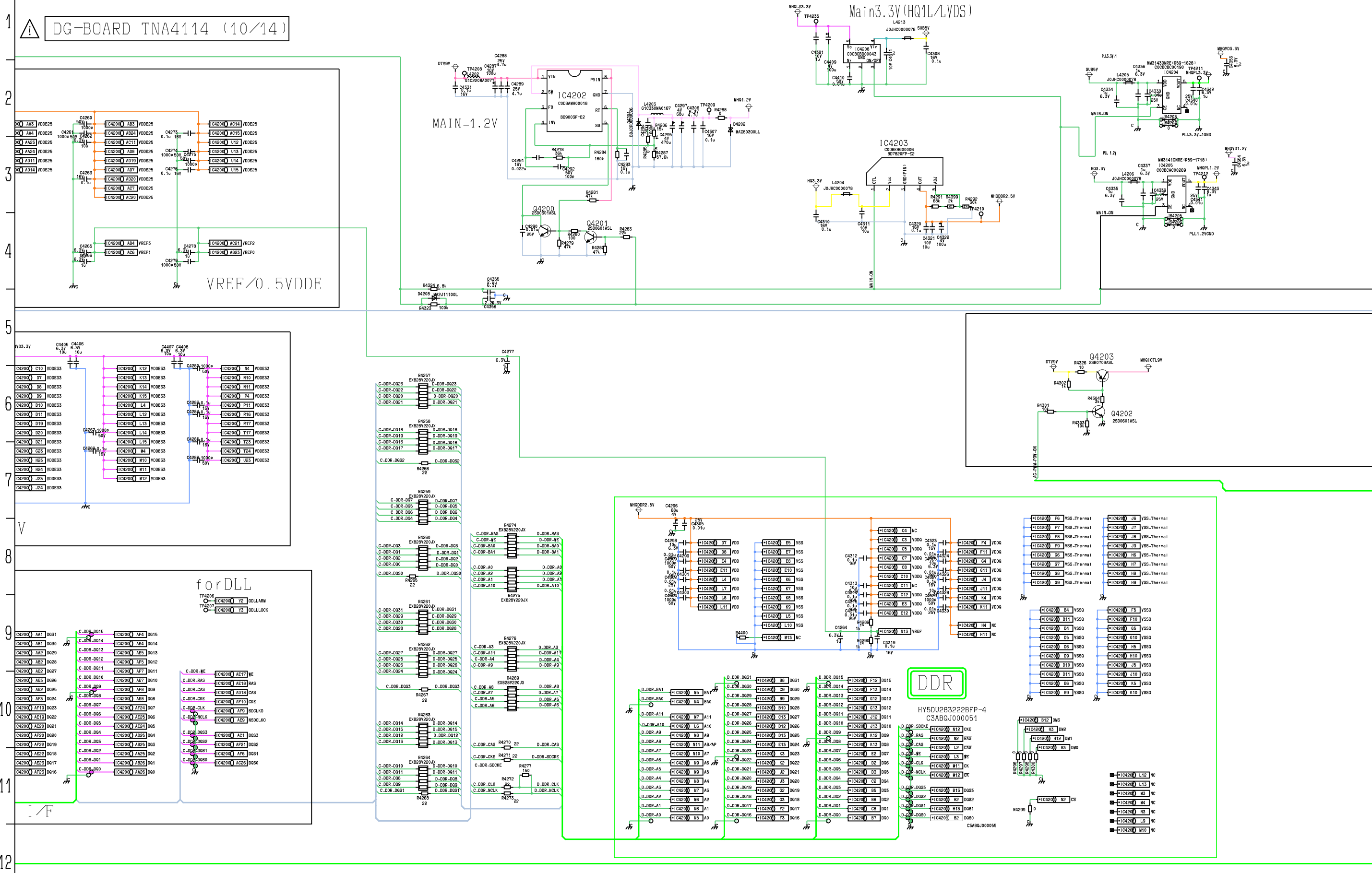
! DG-BOARD TNA4114 (8/14)

Power Supply to Sheet 005
GenX4 RST
STB-RST

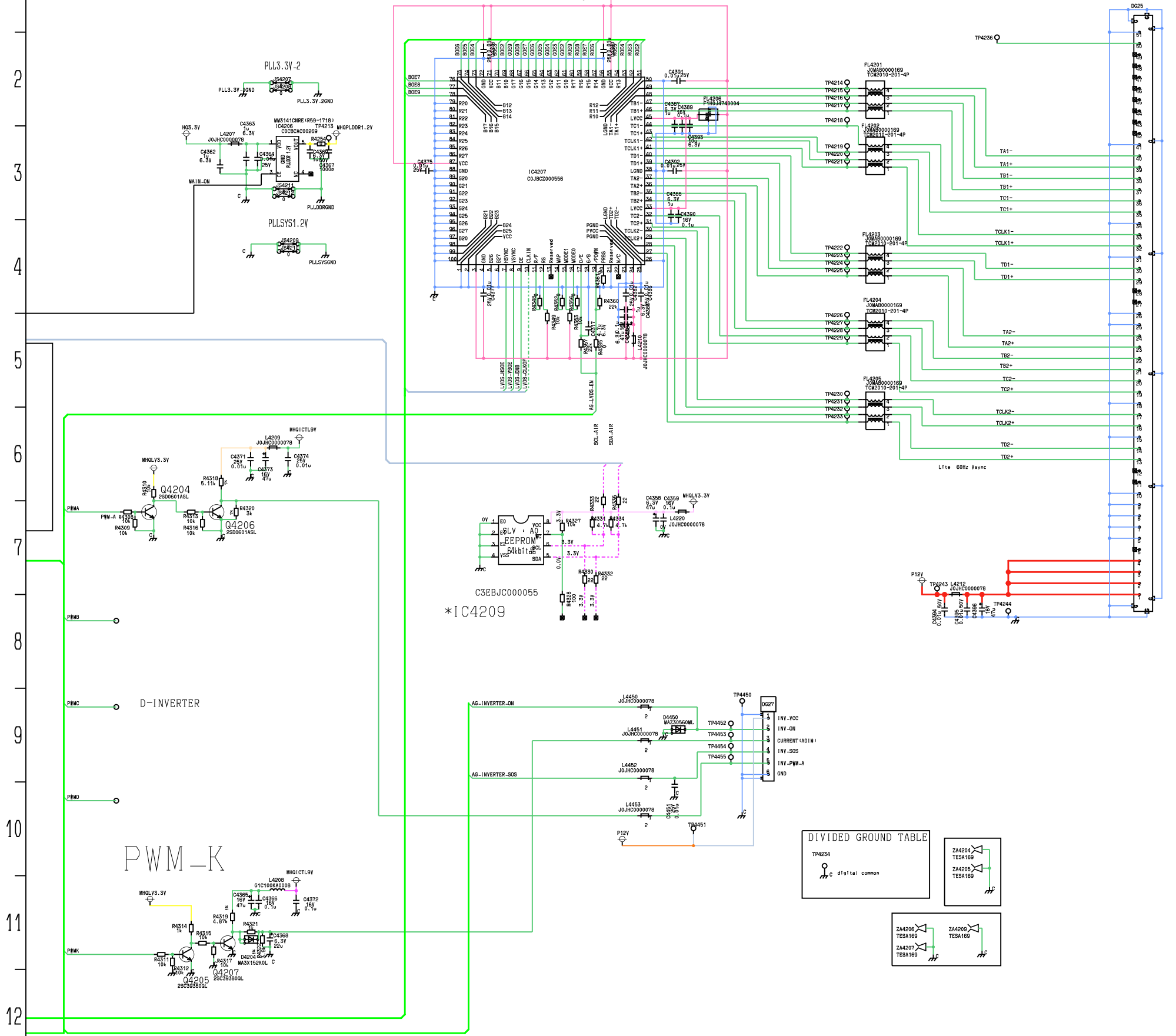


⚠ DG-BOARD TNA4114 (9/14)



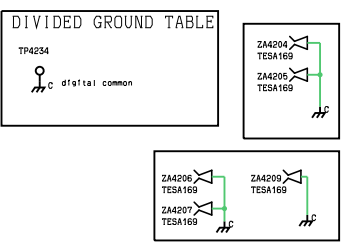


⚠ DG-BOARD TNA4114 (11/14)



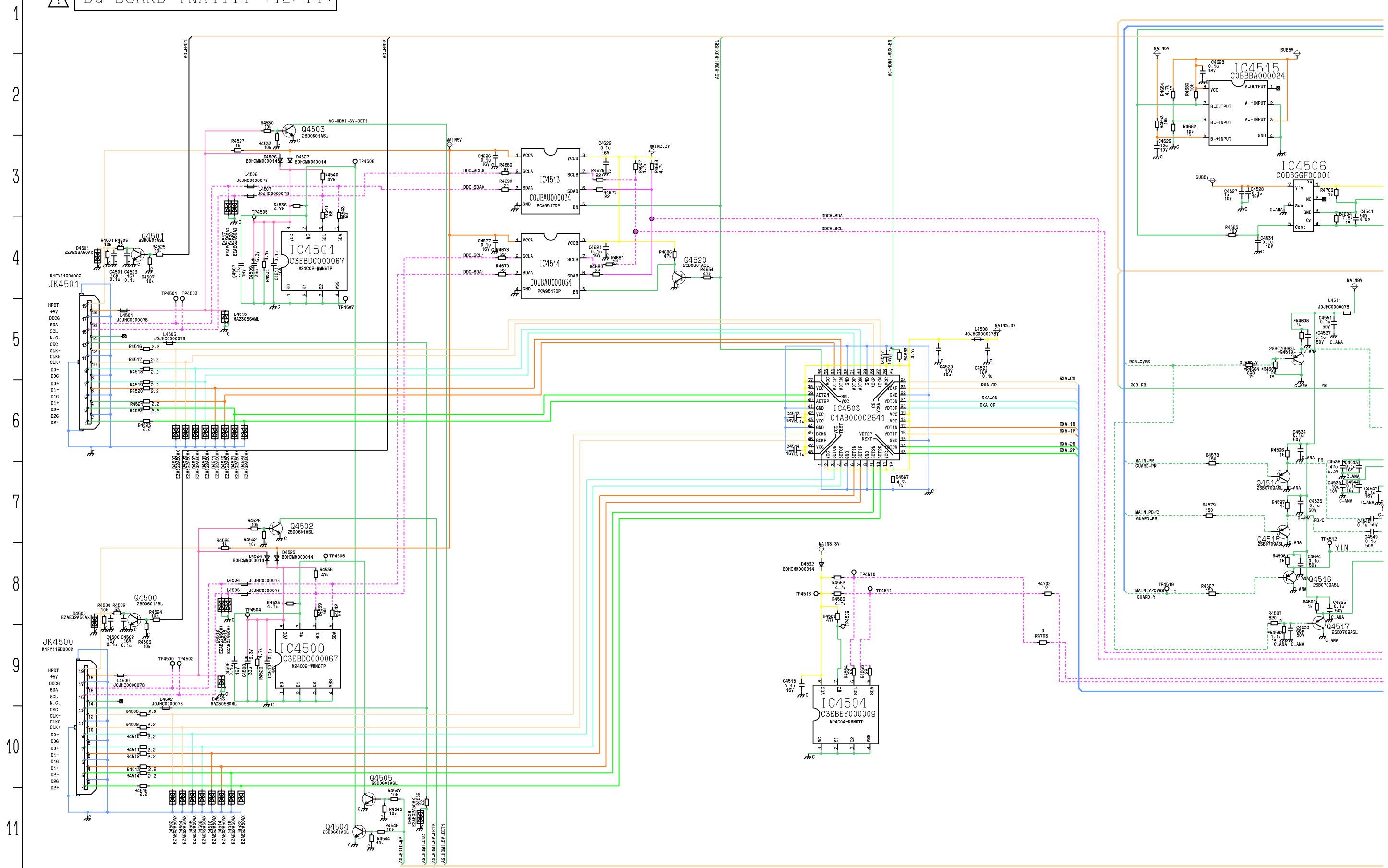
PANEL

1	GND
2	TEST L:TEST OPEN:Normal
3	NC
4	NC
5	NC
6	NC
7	NC
8	NC
9	VDSSEL H:OPEN NewVESA H:0:VESA(Hitachi)
10	NC
11	NC
12	NC
13	NC
14	NC
15	NC
16	NC
17	NC
18	NC
19	NC
20	NC
21	NC
22	NC
23	NC
24	NC
25	NC
26	NC
27	NC
28	NC
29	NC
30	NC
31	NC
32	NC
33	NC
34	NC
35	NC
36	NC
37	NC
38	NC
39	NC
40	NC
41	NC
42	NC
43	NC
44	NC
45	NC
46	NC
47	NC
48	VDD
49	VDD
50	VDD
51	VDD

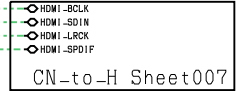
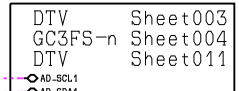
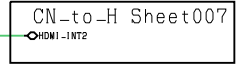
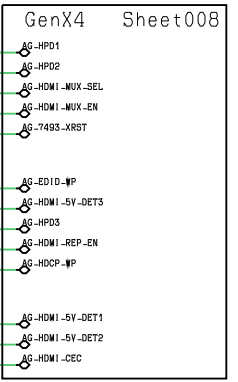
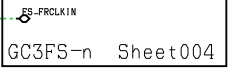
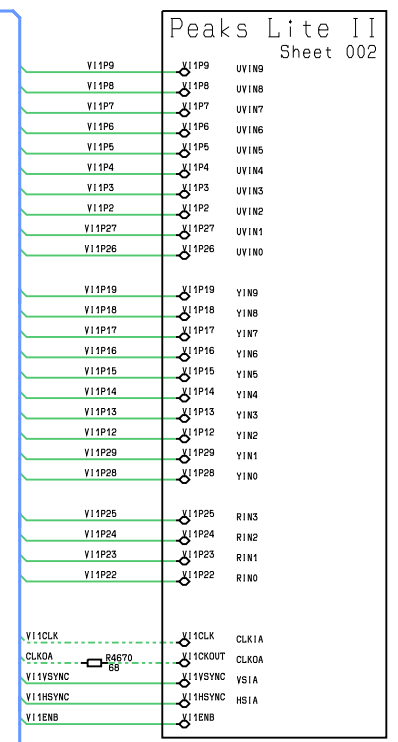
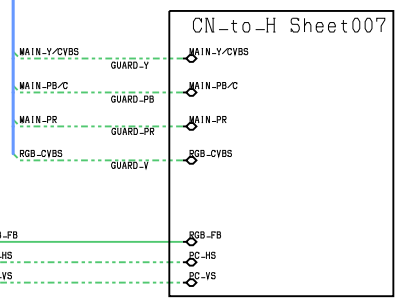
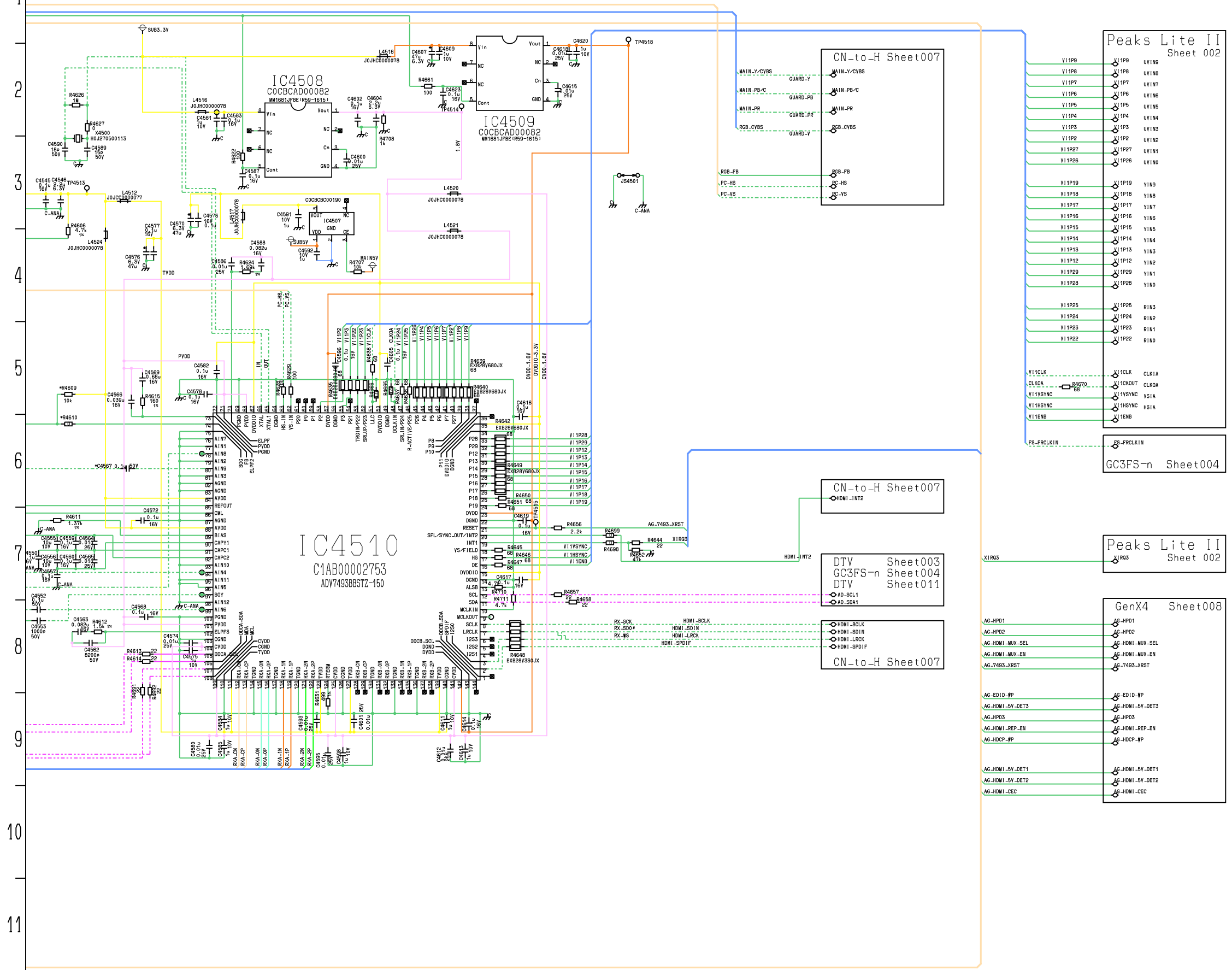


A B C D E F G H I J K L M N O P Q

! DG-BOARD TNA4114 (12/14)

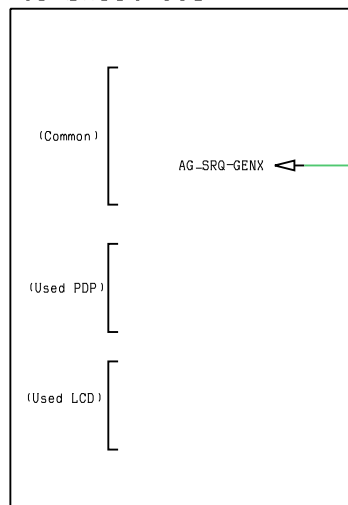


⚠ DG-BOARD TNA4114 (13/14)

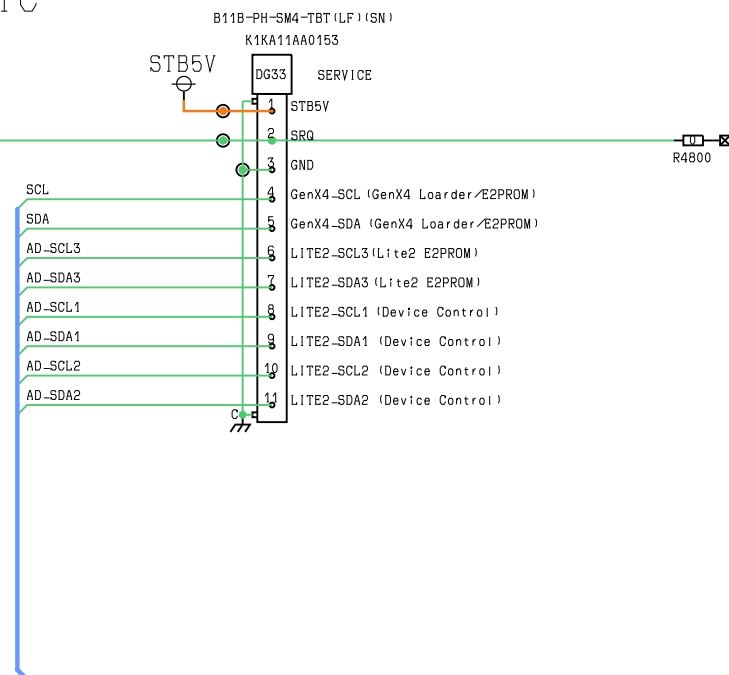


⚠ DG-BOARD TNA4114 (14/14)

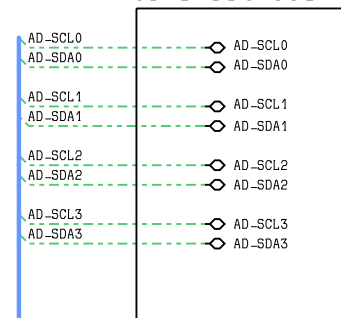
GenX4
to Sheet 008



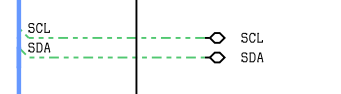
Ex IIC



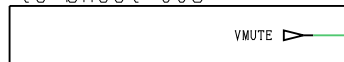
IIC
to Sheet 003



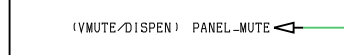
GenX4
to Sheet 008



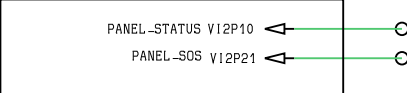
LITE2 ExBUS/Etc.
to Sheet 003



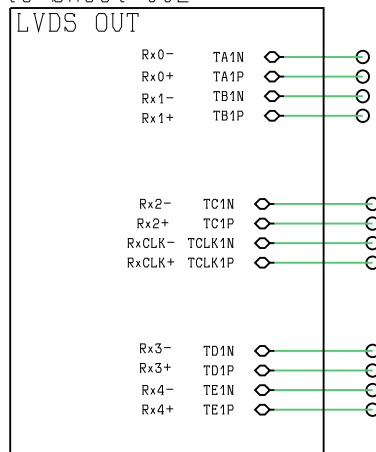
HQ1L/FHD
to Sheet 009



Lite2
to Sheet 002



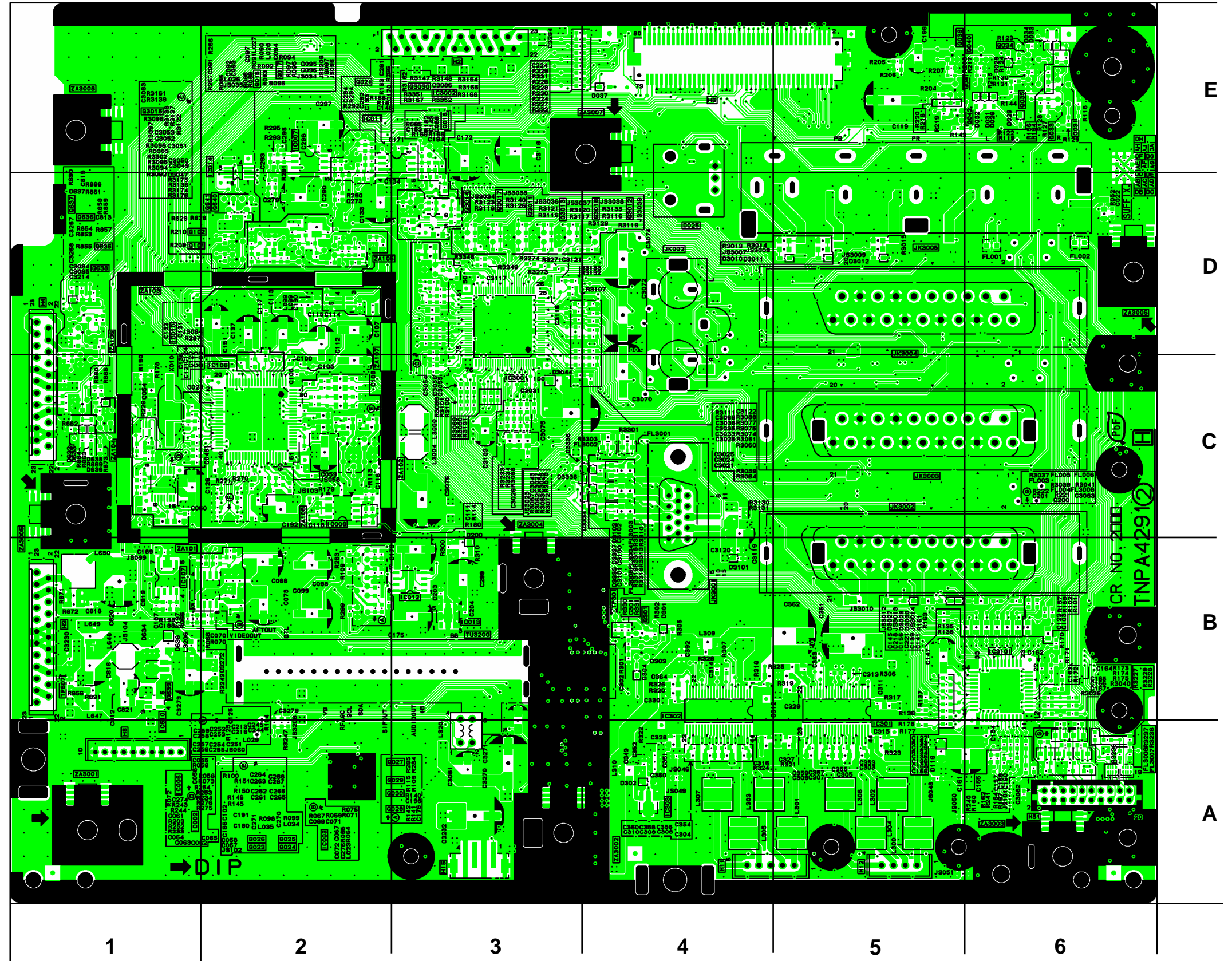
Lite2
to Sheet 002



Conductor Views

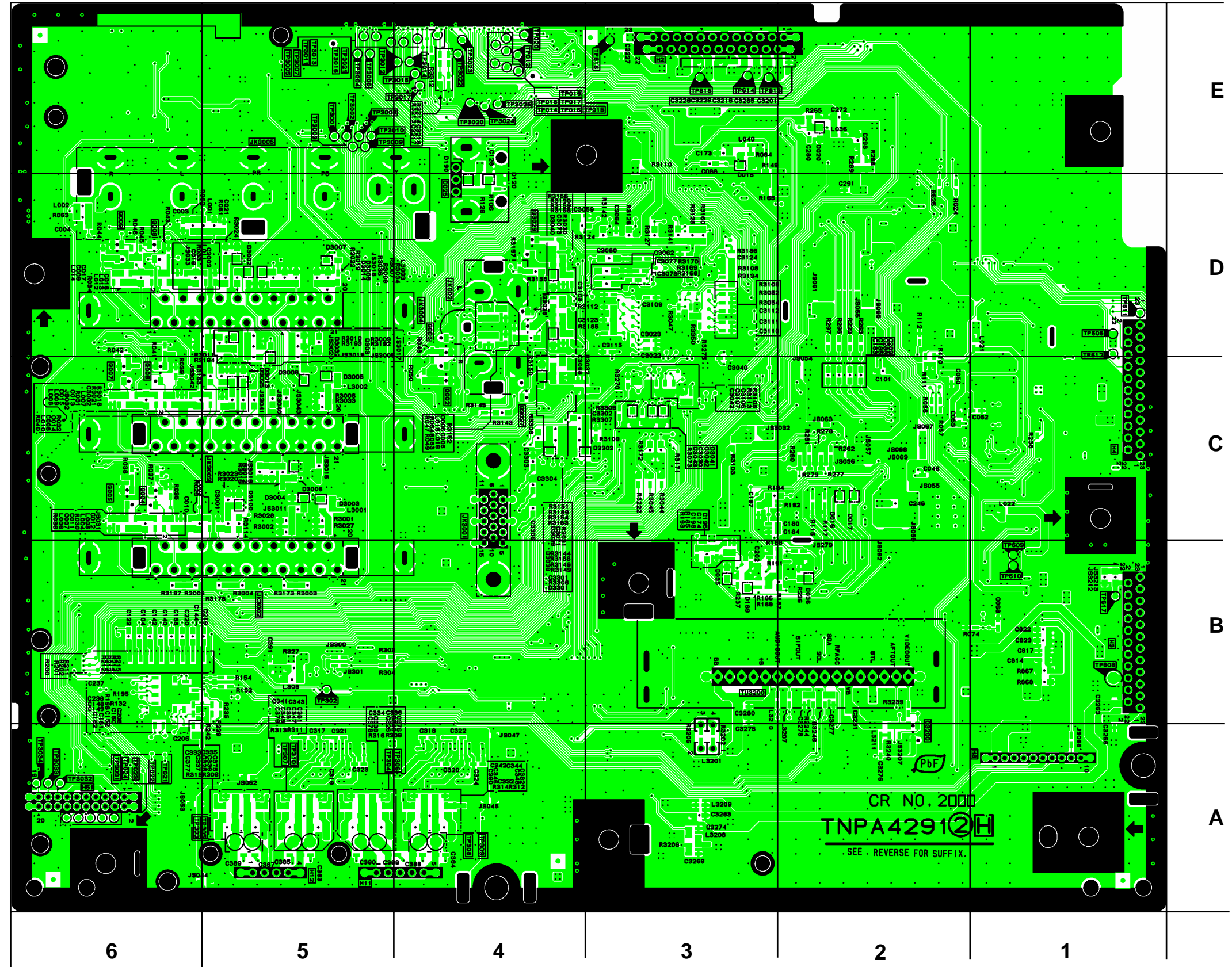
H-BOARD TNPA4291 - top

TRAN'S	D2029	E6	D3335	C4
Q2015	D3	D2031	E6	D3336
Q2016	D2	D2032	E6	D3337
Q2017	D2	D2033	E6	D3338
Q2021	E2	D2034	E6	
Q2031	E6	D2119	A5	IC'S
Q2033	E6	D2301	B4	IC2008
Q2034	E6	D2302	A4	IC2010
Q2035	E6	D2303	B4	IC2011
Q2039	E5	D2304	B4	IC2012
Q2040	E6	D2632	C1	IC2013
Q2041	E6	D2633	C1	IC2106
Q2101	D2	D2634	B1	IC2107
Q2102	D2	D2635	C1	IC2301
Q2301	B4	D2636	C1	IC2303
Q2635	C1	D2637	D1	IC2610
Q2636	D1	D2638	B1	IC3001
Q2637	D1	D3010	D5	IC3101
Q2638	C1	D3011	D5	
Q2639	B1	D3012	D5	TP'S
Q2640	D2	D3027	B5	TP301
Q2641	D2	D3028	B5	TP607
		D3030	B6	
DIODE'S	D3044	C3		
D2026	E6	D3102	C4	
D2028	E6	D3334	C4	



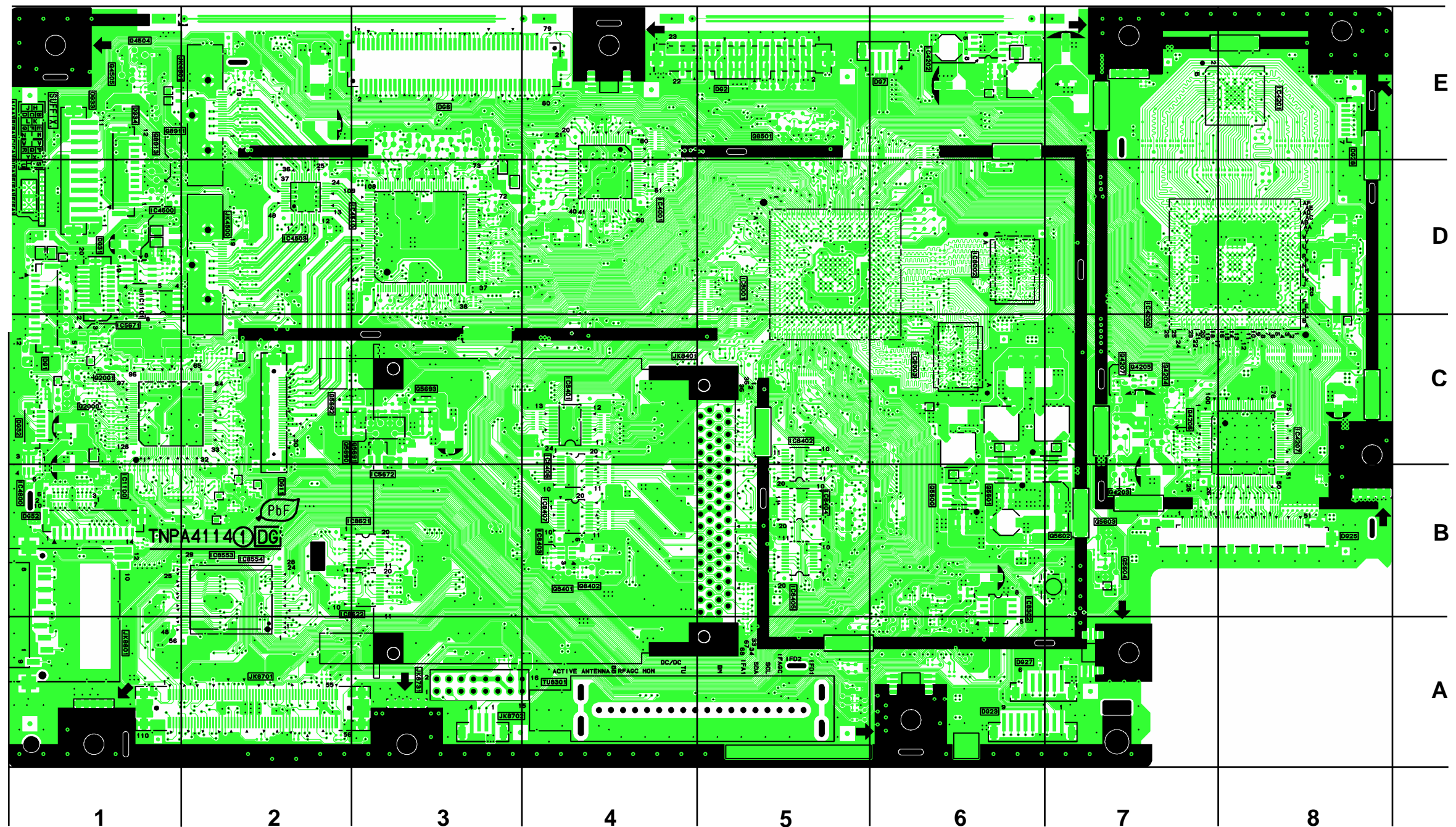
H-BOARD TNPA4291 - bottom

TRAN'S	TP'S	TP615	E3
Q2002	C4	TP012	E4
Q2003	D4	TP014	E4
Q2004	C6	TP015	E4
Q2005	C6	TP016	E4
Q2006	C6	TP017	E4
Q2007	C6	TP018	E4
Q3027	C4	TP019	E4
Q3028	D4	TP020	E4
Q3200	A2	TP021	A6
		TP022	A6
DIODE'S	TP'S	TP3009	E5
D2189	B3	TP024	A6
D3003	C5	TP302	B5
D3004	C5	TP303	A5
D3005	C5	TP304	A5
D3007	D5	TP305	A5
D3008	C5	TP306	A4
D3009	D5	TP307	A5
D3025	C5	TP308	A4
D3031	D5	TP309	A4
D3032	D5	TP310	A5
D3038	C4	TP606	D1
D3039	D4	TP608	B1
D3041	C3	TP609	B1
D3042	C3	TP610	B1
D3043	C3	TP611	D1
D3100	C5	TP612	D1
		TP613	E3
		TP614	E3
		TP3034	A6



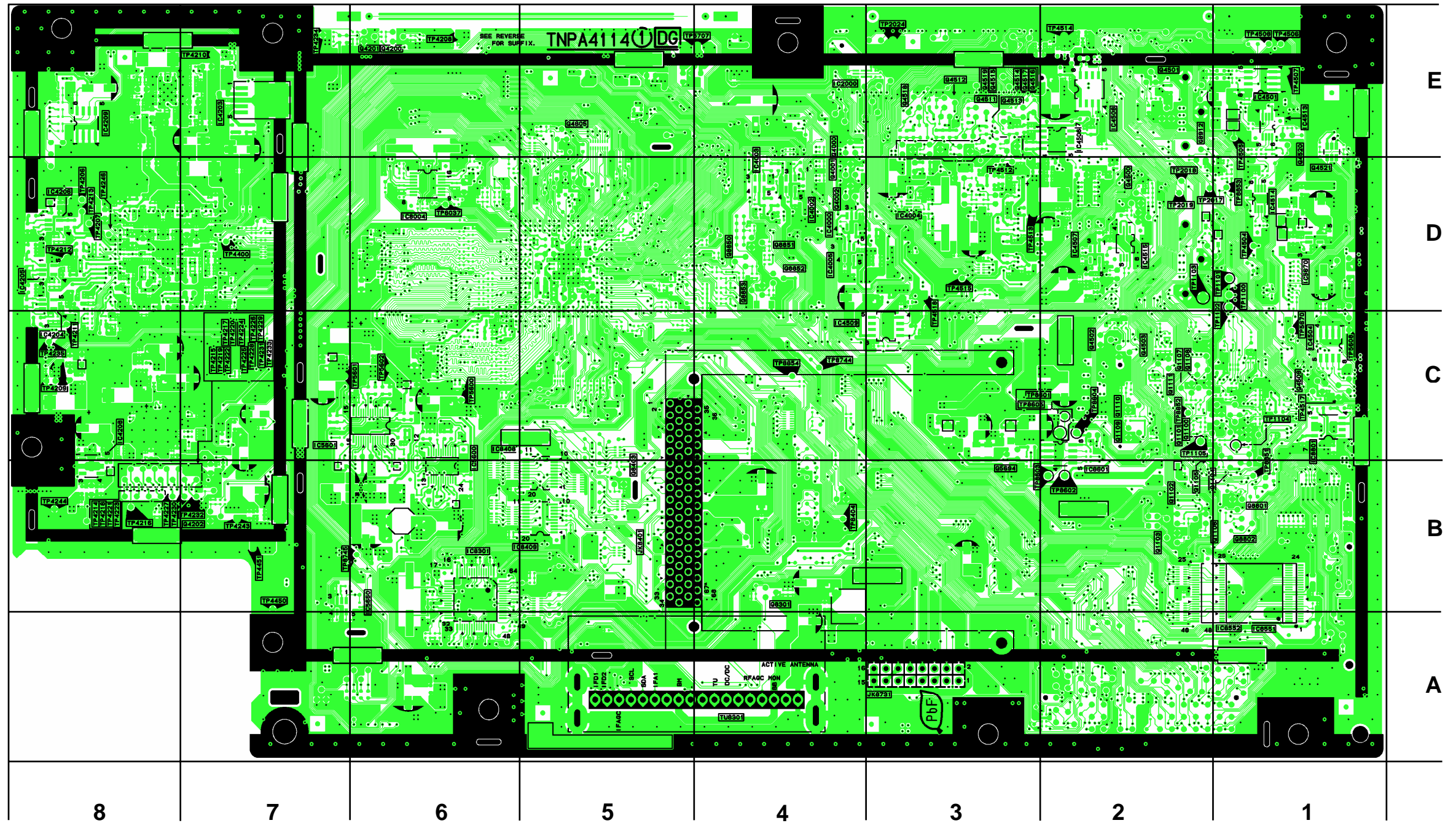
DG-BOARD TNPA4114 - top

TRAN'S		IC'S	
Q4203	B7	IC1100	C1
Q4204	C7	IC1101	D1
Q4205	C7	IC4200	D8
Q4206	C7	IC4201	E8
Q4207	C8	IC4202	E6
Q4504	E1	IC4207	C8
Q4505	E1	IC4500	D1
Q5600	B6	IC4503	D2
Q5601	B6	IC4510	D3
Q5602	B7	IC5671	C1
Q5603	B7	IC8001	D5
Q5604	B7	IC8002	D6
Q5690	C3	IC8003	C6
Q5691	C3	IC8554	B2
Q5692	B3	IC8621	B3
Q5693	C3	IC8622	B3



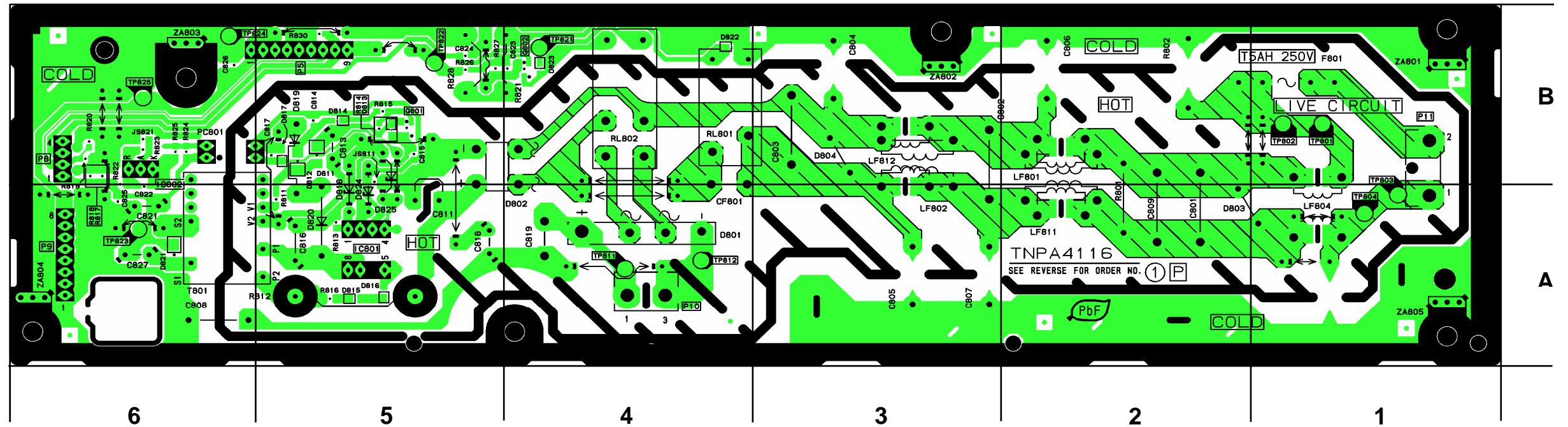
DG-BOARD TNPA4114 - bottom

TRAN'S	IC4204	C8
Q1107	C2	IC4205 D8
Q1108	C2	IC4206 D8
Q4200	E6	IC4208 C8
Q4201	E6	IC4209 E8
Q4202	B7	IC4501 E1
Q4500	D2	IC4504 C1
Q4501	E2	IC4506 E2
Q4502	C2	IC4507 D2
Q4503	C2	IC4508 E2
Q4514	E3	IC4509 C4
Q4515	E3	IC4513 E1
Q4516	E3	IC4514 D1
Q4517	E3	IC4515 D2
Q4519	E3	IC5600 B6
Q4520	E1	IC5601 B6
Q8851	D4	IC5660 B6
Q8852	D4	IC5670 D1
Q8853	D4	IC8004 D6
		IC8601 B2
IC'S		
IC4203	E7	



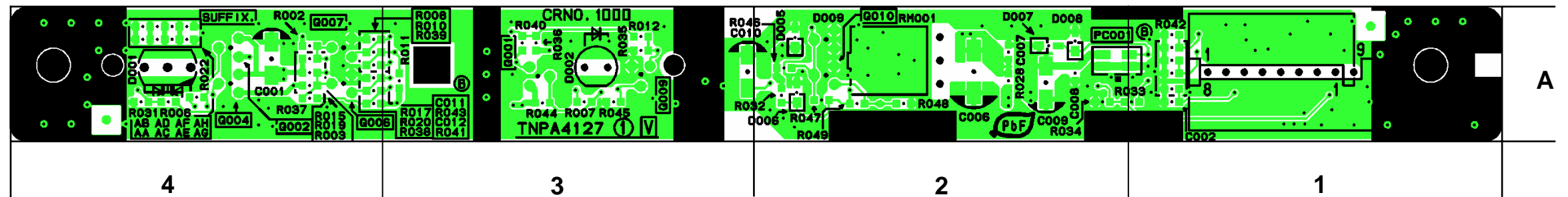
P-BOARD TNPA4116

TRAN'S		IC'S	
Q801	B5	IC801	A5
Q802	B4	IC802	B6
DIODE'S		TP'S	
D801	A4	TP801	B1
D802	B5	TP802	B1
D803	A2	TP803	A1
D804	B3	TP804	A1
D811	B5	TP811	A4
D812	B5	TP812	A4
D813	B5	TP821	B4
D814	B5	TP822	B5
D815	A5	TP823	A6
D816	A5	TP824	B6
D817	B5	TP825	B6
D818	A5		
D819	B5		
D820	A5		
D821	A6		
D822	B4		
D823	B4		
D824	A5		
D825	B5		



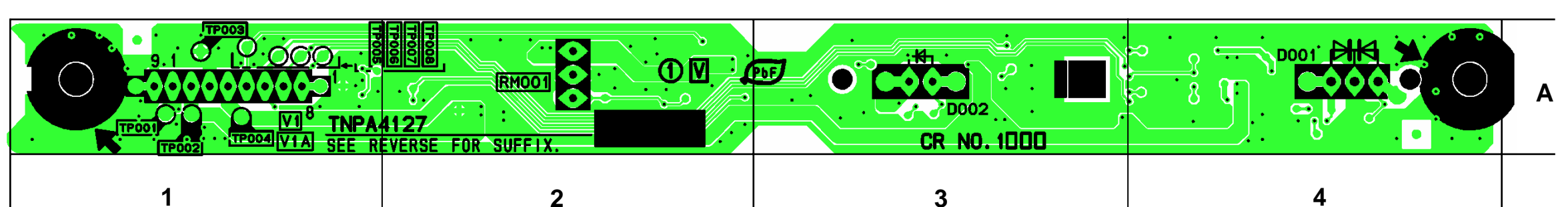
V-BOARD TNPA4127-top

TRAN'S		DIODE'S	
Q1002	A4	D1001	A4
Q1004	A4		
Q1006	A4	IC'S	
Q1007	A4	RM1001	A2
Q1010	A2	PC1001	A2

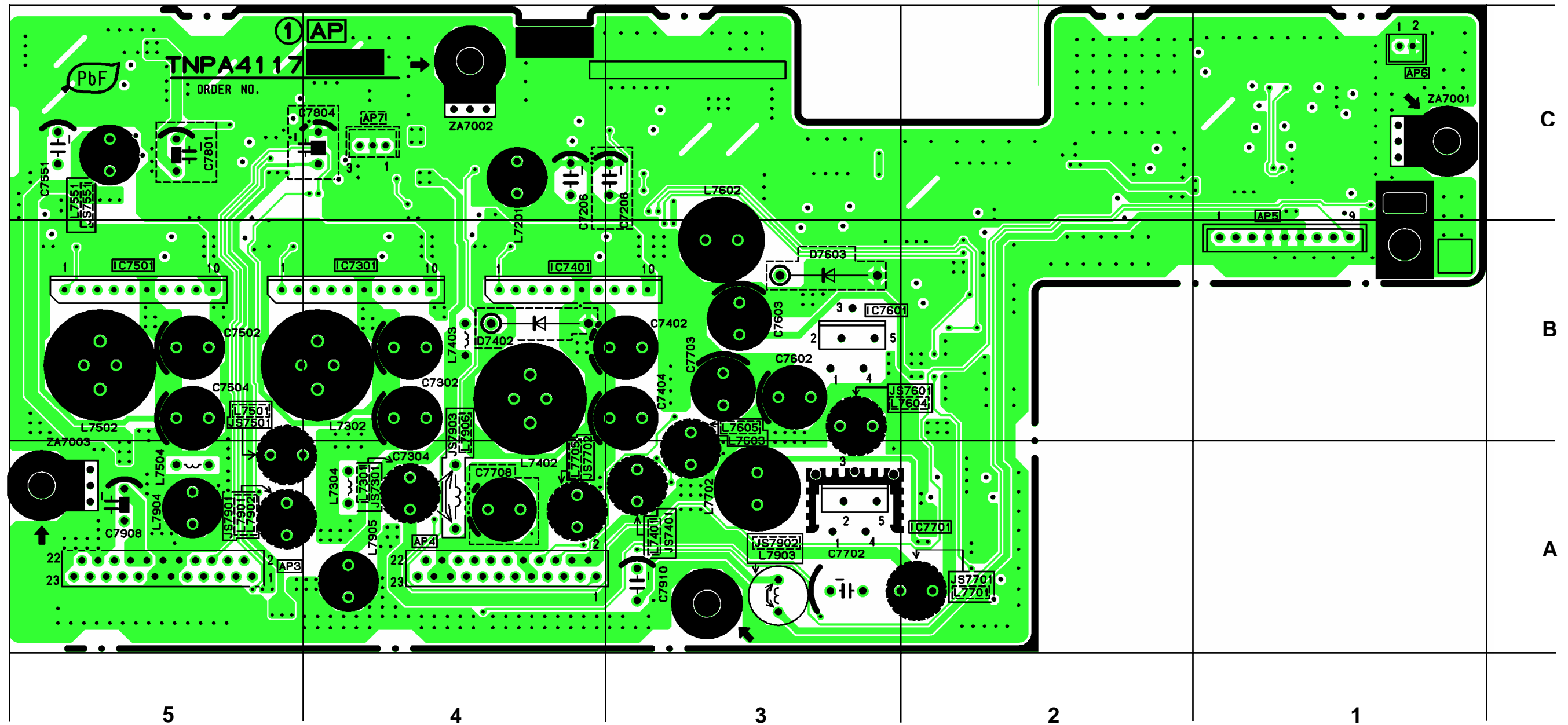


V-BOARD TNPA4127-bottom

TP'S		
TP006	A2	
TP001	A1	TP007 A2
TP002	A1	TP008 A2
TP003	A1	
TP004	A1	
TP005	A1	

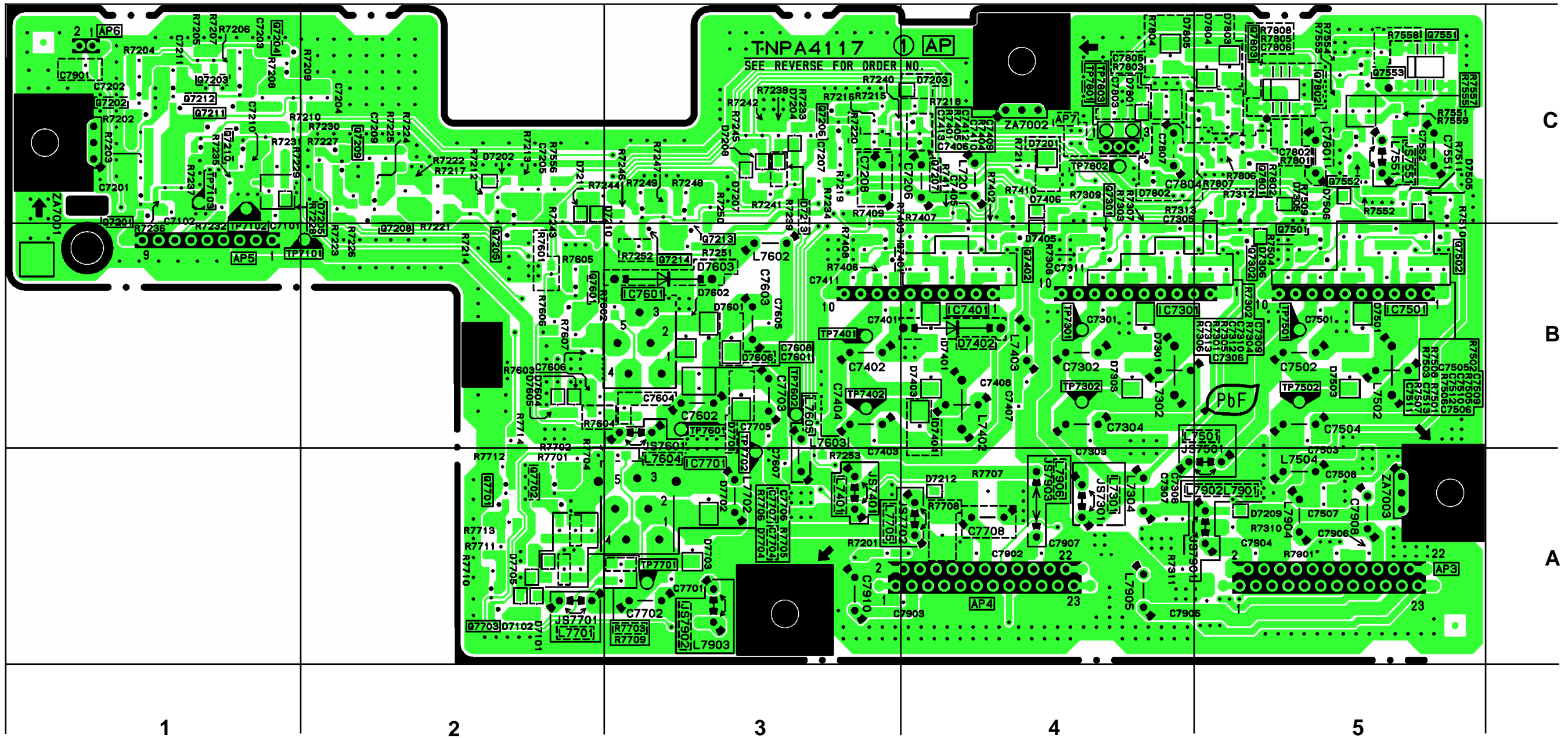


AP-BOARD TNPA4117 - top



IC'S	
IC7301	B4
IC7401	B4
IC7501	B5
IC7601	B3
IC7701	A3

AP-BOARD TNPA4117 - bottom



TRAN'S	Q7402	B4	D7207	C3	D7506	C5	TP7402	B3	
Q7201	C1	Q7501	B5	D7208	C3	D7601	B3	TP7501	B5
Q7202	C1	Q7502	B5	D7209	A5	D7602	B3	TP7502	B5
Q7203	C1	Q7551	C5	D7210	C2	D7604	B2	TP7601	B3
Q7204	C1	Q7552	C5	D7211	C2	D7605	B2	TP7602	B3
Q7205	B2	Q7553	C5	D7212	A4	D7702	A3	TP7701	A3
Q7206	C3	Q7601	B2	D7301	B4	D7703	A3	TP7702	A3
Q7208	C2	Q7701	A2	D7303	B4	D7704	A2	TP7801	C4
Q7209	C2	Q7702	A2	D7305	C5	D7705	A2	TP7802	C4
Q7210	C1	Q7703	A2	D7306	B5			TP7803	C4
Q7211	C1			D7401	B4	TP'S			
Q7212	C1	DIODE'S		D7403	B4	TP7101	B2		
Q7213	B3	D7101	A2	D7405	B4	TP7102	C1		
Q7214	B3	D7102	A2	D7406	C4	TP7103	B1		
Q7301	C4	D7202	C2	D7501	B5	TP7301	B4		
Q7302	B5	D7204	C3	D7503	B5	TP7302	B4		
Q7401	B3	D7205	C1	D7505	C5	TP7401	B3		