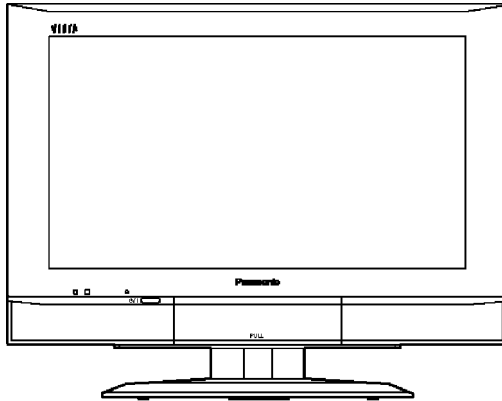


Service Manual

Wide LCD TV



TX-32LXD50
TX-26LXD50
TX-32LX50F
TX-32LX50P
TX-26LX50F
TX-26LX50P

LH41 Chassis

Specifications

Power Source	AC 220 - 240 V, 50 / 60 Hz
Power Consumption	Average use : 133 W (0.78 A) (TX-26LXD50) Average use : 169 W (0.96 A) (TX-32LXD50) Standby condition : 0.1 W (Without DVB Timer programmes) 11W (With DVB Timer programmes) Average use : 126 W (TX-26LX50F/P) Average use : 161 W (TX-32LX50F/P) Standby condition : 0.4 W
LCD	Wide XGA (1,366 × 768 pixels) 16 : 9 aspect ratio LCD panel
Screen Size	575.8 mm (W) × 323.7 mm (H) (TX-26LXD50, TX-26LX50F/P) 697.7 mm (W) × 392.3 mm (H) (TX-32LXD50, TX-32LX50F/P)
Sound	
Speaker	Woofer Ø8 cm × 2 pcs, Full range Ø5 cm × 2pcs
Audio Output	20 W (5.4 W + 5.4 W, 4.6 W + 4.6 W)
Headphones	M3 (3.5 mm) Jack × 1
Scanning format	480i(60Hz), 480p(60Hz), 576i(50Hz), 576p(50Hz), 720p(50Hz), 1080i(50Hz)
Receiving Systems /	PAL I (TX-26LXD50/32LXD50) UHF E21-68.
Band name	DVB (TX-26LXD50/32LXD50) Digital terrestrial services via UHF aerial input. PAL B, G, H, SECAM B, G SECAM L / L' (TX-26LX50F/P, TX-32LX50F/P) VHF E2 - E12 VHF H1 - H2 (ITALY) VHF A - H (ITALY) UHF E21 - E69 CATV (S01 - S05) CATV S1 - S10 (M1 - M10)

Panasonic®

© 2005 Matsushita Electric Industrial Co., Ltd. All rights reserved. Unauthorized copying and distribution is a violation of law.

	CATV S11 - S20 (U1 - U10)	CATV S21 - S41 (Hyperband)
	PAL D, K, SECAM D, K (TX-26LX50F/P, TX-32LX50F/P)	
	VHF R1 - R2	VHF R3 - R5
	VHF R6 - R12	UHF E21 - E69
	PAL 525/60	Playback of NTSC tape from some PAL Video recorders (VCR)
	M.NTSC	Playback from M. NTSC Video recorders (VCR)
	NTSC (AV input only)	Playback from NTSC Video recorders (VCR)
Aerial - Rear	UHF (TX-26/32LXD50) UHF/VHF (TX-26/32LX50F/P)	
Operating Conditions	Temperature : 5 °C - 35 °C	
	Humidity : 5 % - 90 % RH (non-condensing)	
Connection Terminals		
AV1 (Scart connector)	21 Pin terminal (Audio/Video in, Audio/Video out, RGB in)	
AV2 (Scart connector)	21 Pin terminal (Audio/Video in, Audio/Video out, S-Video in, Q-Link)	
AV3		
VIDEO	RCA PIN Type × 1	
S-VIDEO	Mini DIN 4-pin	
AUDIO L - R	RCA PIN Type × 2	
AV4 (Scart connector)	21 Pin terminal (Audio/Video in, Audio/Video out, RGB in, S-Video in, Q-Link)	
COMPONENT		
VIDEO	Y, P B, PR	
AUDIO L - R	RCA PIN Type × 2	
Output		
AUDIO L - R	RCA PIN Type × 2	
Dimensions (W × H × D)		
Including TV Stand	663 mm × 556 mm × 299.5 mm (TX-26LXD50, TX-26LX50F/P)	
	795 mm × 634.7 mm × 299.5 mm (TX-32LXD50, TX-32LX50F/P)	
TV Set Only	663 mm × 494.3 mm × 140.7 mm (TX-26LXD50, TX-26LX50F/P)	
	795 mm × 573 mm × 140.7 mm (TX-32LXD50, TX-32LX50F/P)	
Mass (Weight)	18 kg Net (TX-26LXD50, TX-26LX50F/P)	
	21 kg Net (TX-32LXD50, TX-32LX50F/P)	

⚠ WARNING

This service information is designed for experienced repair technicians only and is not designed for use by the general public. It does not contain warnings or cautions to advise non-technical individuals of potential dangers in attempting to service a product. Products powered by electricity should be serviced or repaired only by experienced professional technicians. Any attempt to service or repair the product or products dealt with in this service information by anyone else could result in serious injury or death.

CONTENTS

	Page	Page	
1 Safety Precautions	4	6.4. Wire dressing 2	12
1.1. General Guidelines	4	7 Servicing method	13
1.2. Touch-Current Check	4	7.1. Removing the stand assembly	13
2 Prevention of Electro Static Discharge (ESD) to		7.2. Removing the rear cover	13
Electrostatically Sensitive (ES) Devices	5	7.3. Removing the speaker box L and R	13
3 Applicable signals	5	7.4. Removing the rear AV bracket	14
4 Self Check Function	6	7.5. Removing the rear metal frame	14
4.1. Self Check	6	7.6. Removing the P-Board	14
4.2. Power LED Blinking timing chart	7	7.7. Removing the XV-Board (For LX50 model only)	14
5 Chassis Board Layout	8	7.8. Removing the DG-Board	15
6 Before servicing	9	7.9. Removing the AP-Board	15
6.1. Kind and location of the flexible cable and bridge cable	9	7.10. Removing the H-Board	15
6.2. How to remove the connector	10	7.11. Removing G-Board bracket	15
6.3. Wire dressing 1	11	7.12. Removing the G-Board	16

7.13. Removing the K-Board	16	11.9. H-Board (1/3) Schematic Diagram	39
7.14. Removing the V-Board	16	11.10. H-Board (2/3) Schematic Diagram	40
7.15. Removing the main chassis	16	11.11. H-Board (3/3) Schematic Diagram	41
7.16. Removing the LCD panel	17	11.12. DG-Board (1/6) Schematic Diagram	42
8 Service Mode Function	18	11.13. DG-Board (2/6) Schematic Diagram	43
8.1. How to enter SERVICE 1	18	11.14. DG-Board (3/6) Schematic Diagram	44
8.2. How to enter SERVICE 2	18	11.15. DG-Board (4/6) Schematic Diagram	45
8.3. Option Description	21	11.16. DG-Board (5/6) Schematic Diagram	46
8.4. Option Code Setting	23	11.17. DG-Board (6/6) Schematic Diagram	47
9 Adjustment method	24	11.18. G-Board and V-Board Schematic Diagram	48
9.1. White Balance Adjustment	24	12 Printed Circuit Board	49
10 Block Diagram	25	12.1. AP-Board	49
10.1. Signal (1/3) Block Diagram	25	12.2. XV-Board (TX-26/32LXD50 only)	51
10.2. Signal (2/3) Block Diagram	26	12.3. H-Board	53
10.3. Signal (3/3) Block Diagram	27	12.4. DG-Board	56
10.4. Power (1/3) Block Diagram	28	12.5. G-Board	59
10.5. Power (2/3) Block Diagram	29	12.6. K-Board and V-Board	60
10.6. Power (3/3) Block Diagram	30	13 Exploded View and Replacement Parts List	61
11 Schematic Diagram	31	13.1. Set Layout	61
11.1. Schematic Diagram Notes	31	13.2. Front Chassis Layout	62
11.2. AP-Board (1/2) and K-Board Schematic Diagram	32	13.3. Packing Exploded View	63
11.3. AP-Board (2/2) Schematic Diagram	33	13.4. Mechanical Replacement Parts List	64
11.4. XV-Board (1/5) Schematic Diagram	34	14 Electrical Replacement Parts List	66
11.5. XV-Board (2/5) Schematic Diagram	35	14.1. Electrical Replacement Parts List Notes	66
11.6. XV-Board (3/5) Schematic Diagram	36	14.2. Electrical Replacement Parts List (TX-32/26LXD50)	67
11.7. XV-Board (4/5) Schematic Diagram	37	14.3. Electrical Replacement Parts List (TX-32/26LX50F/P)	85
11.8. XV-Board (5/5) Schematic Diagram	38		

1 Safety Precautions

1.1. General Guidelines

1. When servicing, observe the original lead dress. If a short circuit is found, replace all parts which have been overheated or damaged by the short circuit.
2. After servicing, see to it that all the protective devices such as insulation barriers, insulation papers shields are properly installed.
3. After servicing, make the following leakage current checks to prevent the customer from being exposed to shock hazards.

1.2. Touch-Current Check

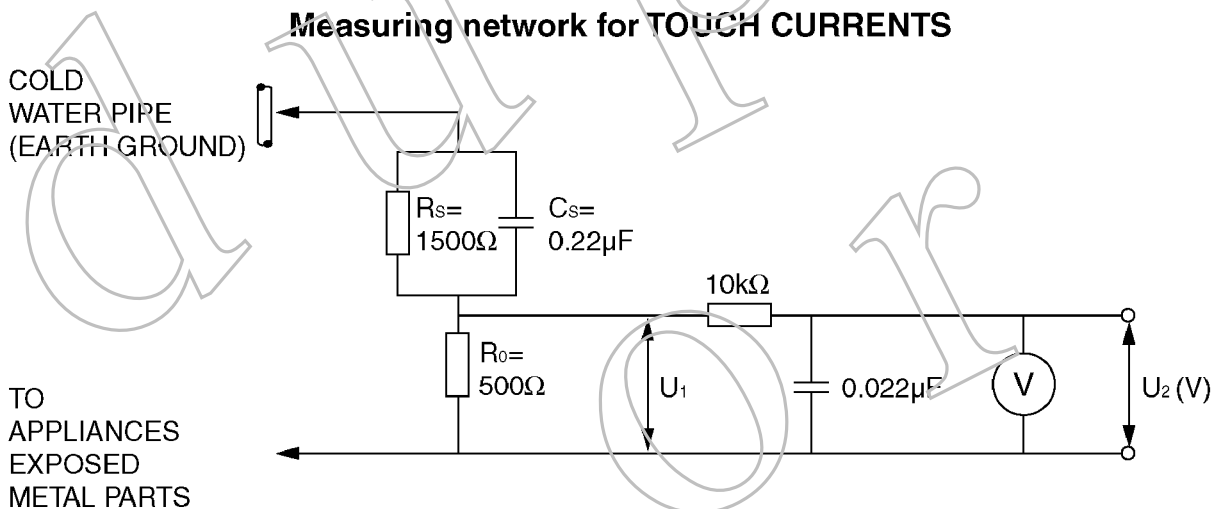
1. Plug the AC cord directly into the AC outlet. Do not use an isolation transformer for this check.
2. Connect a measuring network for touch currents between each exposed metallic part on the set and a good earth ground such as a water pipe, as shown in Figure 1.
3. Use Leakage Current Tester (Simpson 228 or equivalent) to measure the potential across the measuring network.
4. Check each exposed metallic part, and measure the voltage at each point.
5. Reserve the AC plug in the AC outlet and repeat each of the above measure.
6. The potential at any point (TOUCH CURRENT) expressed as voltage U_1 and U_2 , does not exceed the following values:
For a. c.: $U_1 = 35$ V (peak) and $U_2 = 0.35$ V (peak);
For d. c.: $U_1 = 1.0$ V,

Note:

The limit value of $U_2 = 0.35$ V (peak) for a. c. and $U_1 = 1.0$ V for d. c. correspond to the values 0.7 mA (peak) a. c. and 2.0 mA d. c.

The limit value $U_1 = 35$ V (peak) for a. c. correspond to the value 70 mA (peak) a. c. for frequencies greater than 100 kHz.

7. In case a measurement is out of the limits specified, there is a possibility of a shock hazard, and the equipment should be repaired and rechecked before it is returned to the customer.



Resistance values in ohms (Ω)

V: Voltmeter or oscilloscope
(r.m.s. or peak reading)

Input resistance: ≥ 1 M Ω

Input capacitance: ≤ 200 pF

Frequency range: 15 Hz to 1 MHz and d.c. respectively

NOTE - Appropriate measures should be taken to obtain the correct value in case of non-sinusoidal waveforms.

Figure 1

2 Prevention of Electro Static Discharge (ESD) to Electrostatically Sensitive (ES) Devices

Some semiconductor (solid state) devices can be damaged easily by static electricity. Such components commonly are called Electrostatically Sensitive (ES) Devices. Examples of typical ES devices are integrated circuits and some field-effect transistors and semiconductor "chip" components. The following techniques should be used to help reduce the incidence of component damage caused by electro static discharge (ESD).


1. Immediately before handling any semiconductor component or semiconductor-equipped assembly, drain off any ESD on your body by touching a known earth ground. Alternatively, obtain and wear a commercially available discharging ESD wrist strap, which should be removed for potential shock reasons prior to applying power to the unit under test.
2. After removing an electrical assembly equipped with ES devices, place the assembly on a conductive surface such as aluminum foil, to prevent electrostatic charge buildup or exposure of the assembly.
3. Use only a grounded-tip soldering iron to solder or unsolder ES devices.
4. Use only an anti-static solder removal device. Some solder removal devices not classified as "anti-static (ESD protected)" can generate electrical charge sufficient to damage ES devices.
5. Do not use freon-propelled chemicals. These can generate electrical charges sufficient to damage ES devices.
6. Do not remove a replacement ES device from its protective package until immediately before you are ready to install it. (Most replacement ES devices are packaged with leads electrically shorted together by conductive foam, aluminum foil or comparable conductive material).
7. Immediately before removing the protective material from the leads of a replacement ES device, touch the protective material to the chassis or circuit assembly into which the device will be installed.

Caution

Be sure no power is applied to the chassis or circuit, and observe all other safety precautions.

8. Minimize bodily motions when handling unpackaged replacement ES devices. (Otherwise harmless motion such as the brushing together of your clothes fabric or the lifting of your foot from a carpeted floor can generate static electricity (ESD) sufficient to damage an ES device).

IMPORTANT SAFETY NOTICE

There are special components used in this equipment which are important for safety. These parts are marked by  in the schematic diagrams, Exploded Views and replacement parts list. It is essential that these critical parts should be replaced with manufacturer's specified parts to prevent shock, fire, or other hazards. Do not modify the original design without permission of manufacturer.

3 Applicable signals

Applicable input signal for Component (Y, P_B, P_R)

Signal name	Horizontal frequency (kHz)	Vertical frequency (Hz)
480i(60Hz)	15.73	59.94
480p(60Hz)	31.47	59.94
576i(50Hz)	15.63	50.00
576p(50Hz)	31.25	50.00
720p(50Hz)	37.50	50.00
1080i(50Hz)	28.13	50.00

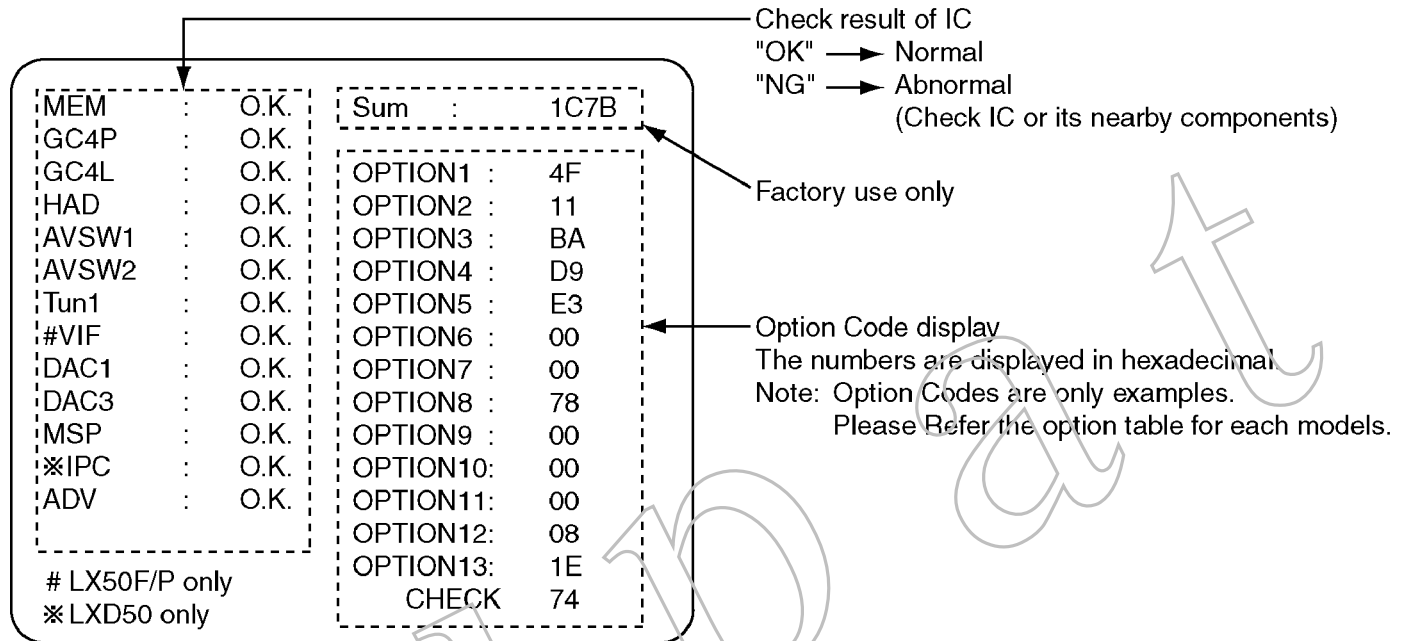
Note:

Signals without above specification may not be displayed properly.

4 Self Check Function

4.1. Self Check

1. Self-Check is used to automatically check the bus lines and hexadecimal code of the TV set.
2. To get into the Self -Check mode press the **Down** (↓) button on the customer controls at the front of the set, at the same time pressing the **Status/Information** (i) button on the remote control, and the screen will show :
3. Turn off the TV to reset JPEG Viewer circuit after SELF-CHECK.



If the CCU ports have been checked and found to be incorrect or not located then "--" will appear in place of "O.K."

Display	Ref. No.	Description	P.C.B.
MEM	IC1107	Memory	DG-Board
GC4P	IC4054	Global Core	DG-Board
GC4L	IC4057	Global Core	DG-Board
HAD	IC4012	OSD RGB A/D Converter	DG-Board
AVSW1	IC3005	AV Switch VIDEO	H-Board
AVSW2	IC2105	AV Switch AUDIO	H-Board
Tun1	TU3201	Tuner	H-Board
DAC1	IC1106	DAC control 1	DG-Board
DAC3	IC3006	DAC control 3	H-Board
MSP	IC2106	Stereo Decoder	H-Board
IPC	IC8013	HDSI, PEAKS Lite	XV-Board
ADV	IC4005	A/D Converter	DG-Board

4.2. Power LED Blinking timing chart

1. Subject

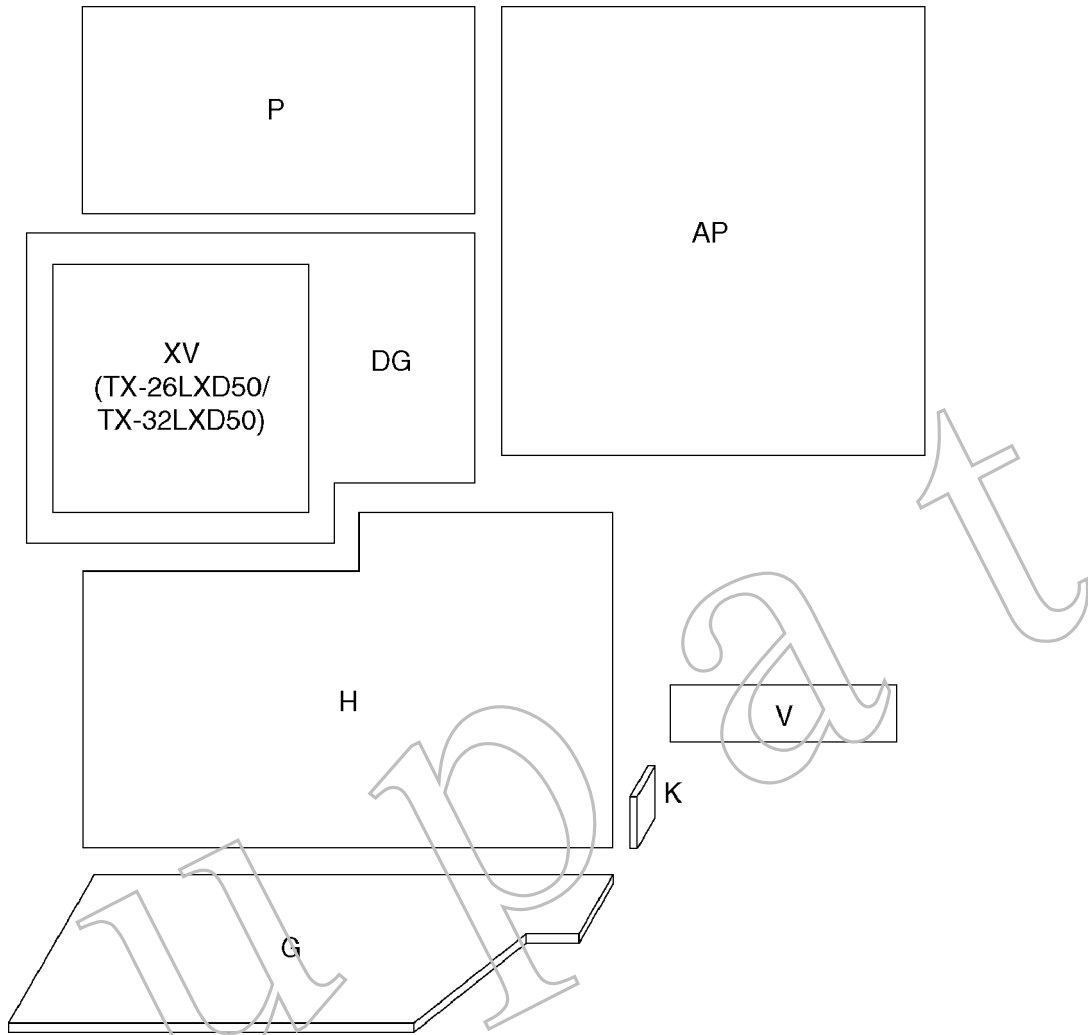
Information of LED Flashing timing chart.

2. Contents

When an abnormality has occurred the unit, the protection circuit operates and reset to the stand by mode. At this time, the defective block can be identified by the number of blinking of the Power LED on the front panel of the unit.

Blinking times	Blinking timing	Contents & Check point
1		Inverter SOS
3		SOS1 (BT30V/PC5V) SCS2 (MSP8V/MSP5V/ SUB9V/SUB5V)
5		Main 9V
8		Sub 5V

5 Chassis Board Layout

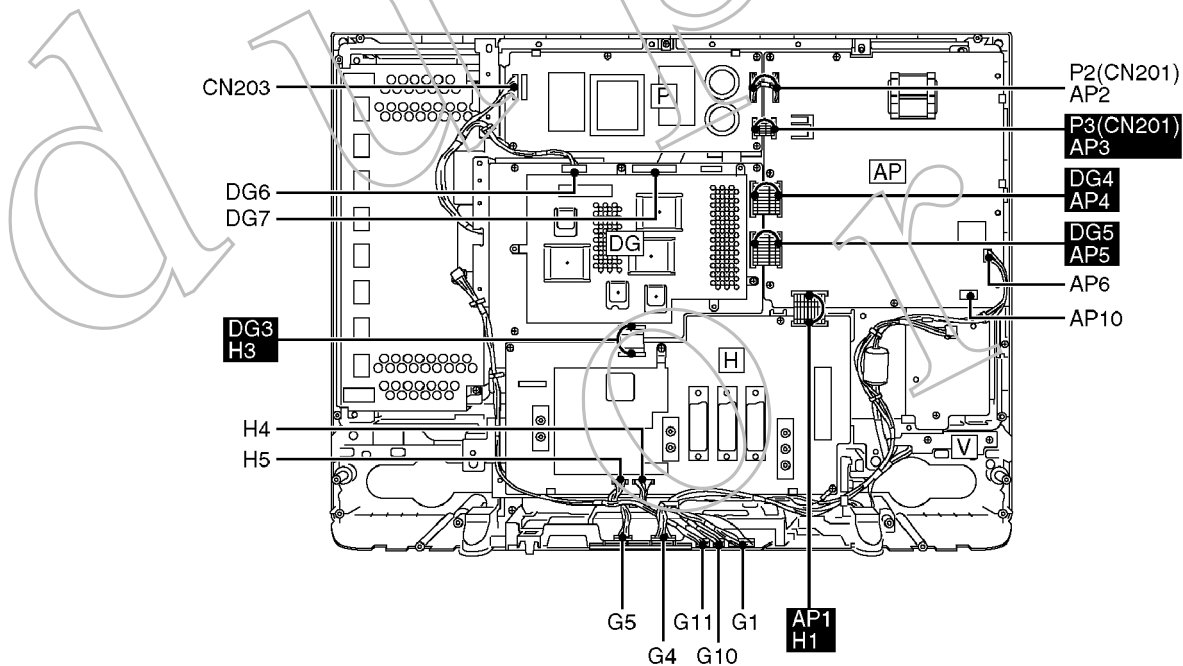


Board Name	Function
AP-Board	Regulator
DG-Board	Global Core, A/D Converter, MCU
H-Board	AV connector, TV Tuner, AV Switch
K-Board	Power Switch
G-Board	Front AV & HP connector, Key Switch
P-Board	DC Power Supply
V-Board	Remote Receiver, LED
XV-Board	DVB Tuner

6 Before servicing

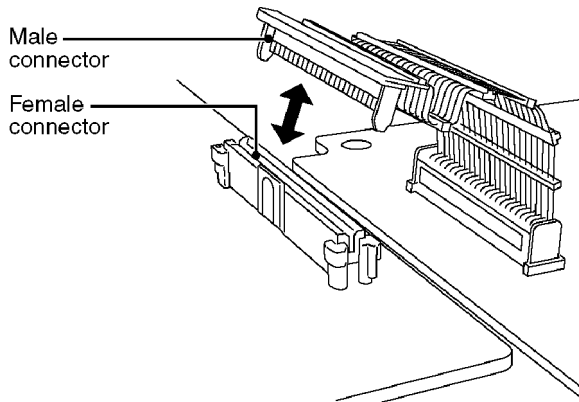
6.1. Kind and location of the flexible cable and bridge cable

Ref No.	Connector type	Pins	Location	Opposite Ref No.
G1	-	10pin	G-Board	V1
G4	-	30pin	G-Board	H4
G5	-	20pin	G-Board	H5
G10	-	4pin	G-Board	speaker box L
G11	-	5pin	G-Board	speaker box R
AP1	Bridge Type	23pin	AP-Board	H1
AP2	-	7pin	AP-Board	P5 (CN101)
AP3	Bridge Type	11pin	AP-Board	P3
AP4	Bridge Type	22pin	AP-Board	DG4
AP5	Bridge Type	22pin	AP-Board	DG5
AP6	-	3pin	AP-Board	K6
DG3	Flexible type	40pin	DG-Board	H3
DG4	Bridge type	23pin	DG-Board	AP4
DG5	Bridge type	23pin	DG-Board	AP5
DG6	-	8pin	DG-Board	LCD Panel
DG7	-	32pin	DG-Board	LCD Panel
H1	Bridge type	23pin	H-Board	AP1
H4	-	30pin	H-Board	G4
H5	-	20pin	H-Board	G5
H3	Flexible type	40pin	H-Board	DG3
AP10	-	2pin	AP-Board	AC cord
K6	-	3pin	K-Board	AP6
P1 (CN203)	-	8pin	P-Board	CN1 (Inverter)
P2 (CN101)	-	7pin	P-Board	AP2
P3 (CN201)	Bridge Type	11pin	P-Board	AP3
V1	-	10pin	V-Board	G1

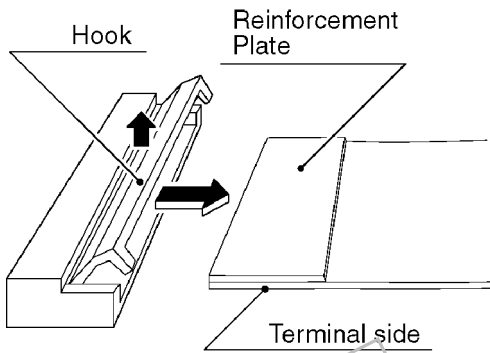


6.2. How to remove the connector

Bridge cable connector

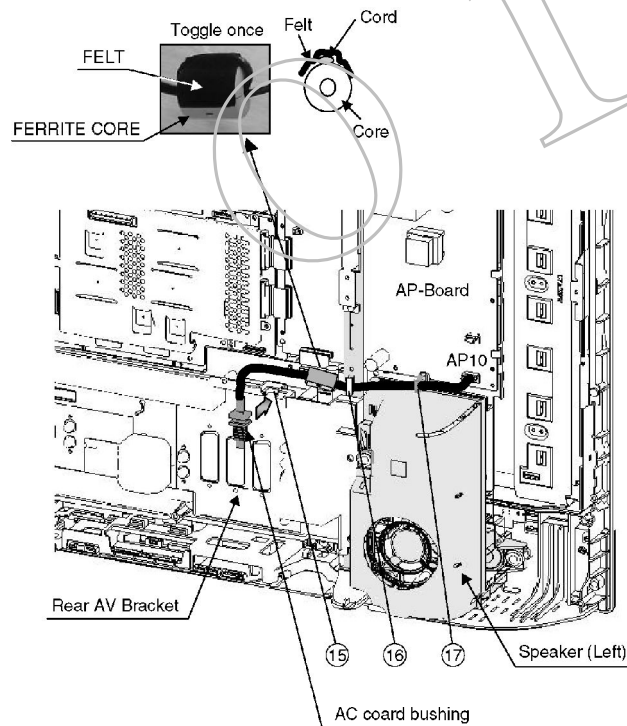
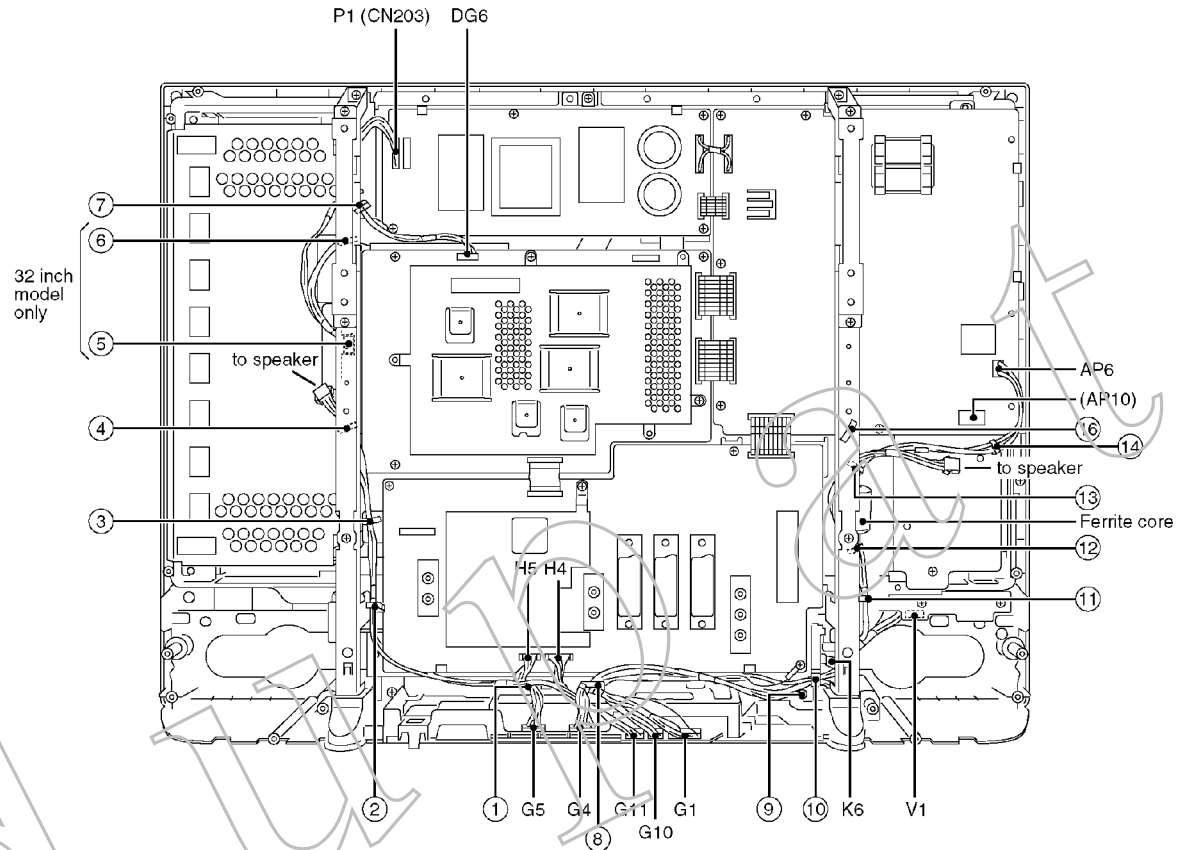


Flexible cable connector



6.3. Wire dressing 1

1. Put a ferrite core (JOKF0000018) to the AP6-K6 (Power Switch) connecting wire as illustrated below.
2. Put a ferrite core (JOKG0000054) to the power cord as illustrated below.
3. Make the wire dressing as illustrated below.



6.4. Wire dressing 2

<Clamping>

Wire \ Clamper	①	②	③	④	⑤	⑥	⑦	⑧	⑨	⑩	⑪	⑫	⑬	⑭	⑮	⑯	⑰	
Right speaker - G11 connecting wire	●	●	●	●	⊙	⊙												
Left speaker - G10 connecting wire								●	●	●	●	●	●					
Inverter - P1 - DG6 connecting wire					⊙	⊙	●											
					⊙	⊙	●											
K6 - AP6 connecting wire												●	●	●				
G5 - H5 connecting wire	●																	
G4 - H4 connecting wire								●										
G1 - V1 connecting wire								●	●	●								
Power cord (AP10)																●	●	●

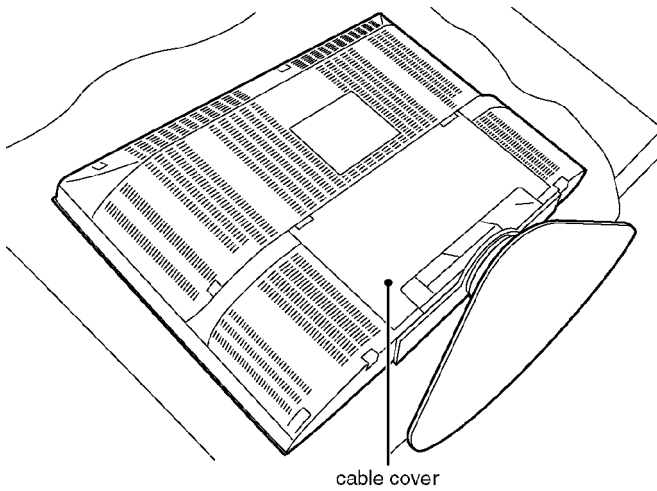
Notes :

1. Connect every connector surely.
2. Manage wires not to touch any sharp edge of the metal parts.
3. Manage wires not to have too much tension.
4. ⊙:for 32 inch model only.

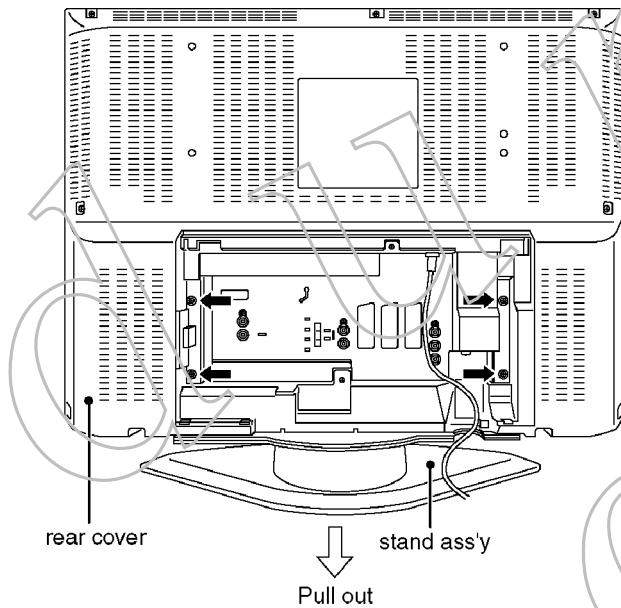
7 Servicing method

7.1. Removing the stand ass'y

1. Lay down the main unit so that the rear cover faces upward.
2. Remove the cable cover.

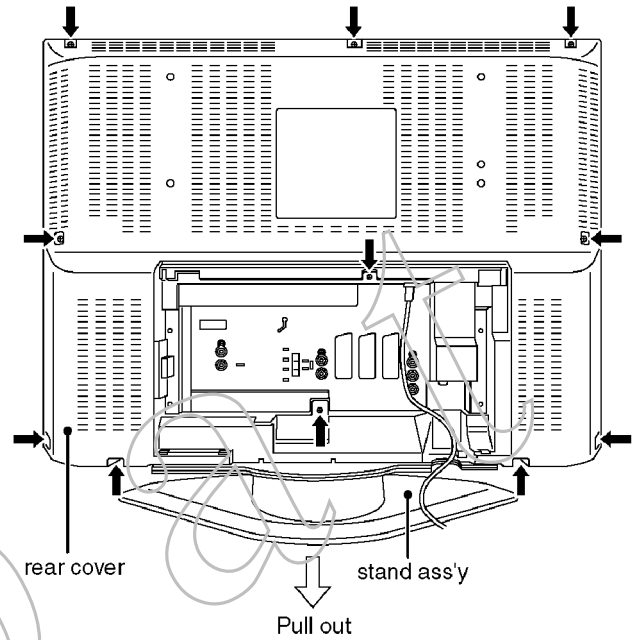


3. Remove the fixing screws (4pcs).
4. Remove the stand ass'y.



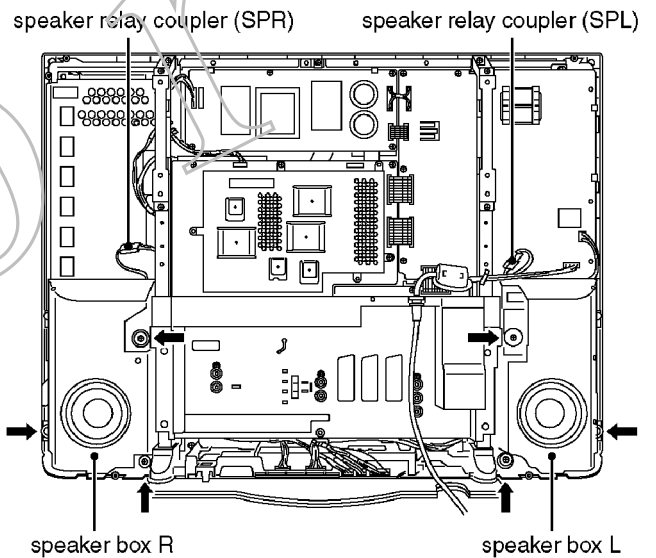
7.2. Removing the rear cover

1. Remove the stand ass'y. (See 7.1.)
2. Remove the fixing screws (11pcs).
3. Remove the rear cover.



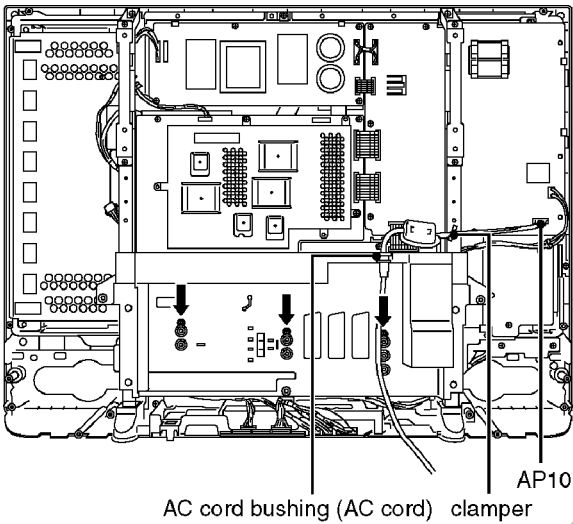
7.3. Removing the speaker box L and R

1. Remove the rear cover. (See 7.2.)
2. Disconnect the speaker relay couplers (SPL and SPR).
3. Remove the fixing screws (6pcs).
4. Remove the speaker box L and R.



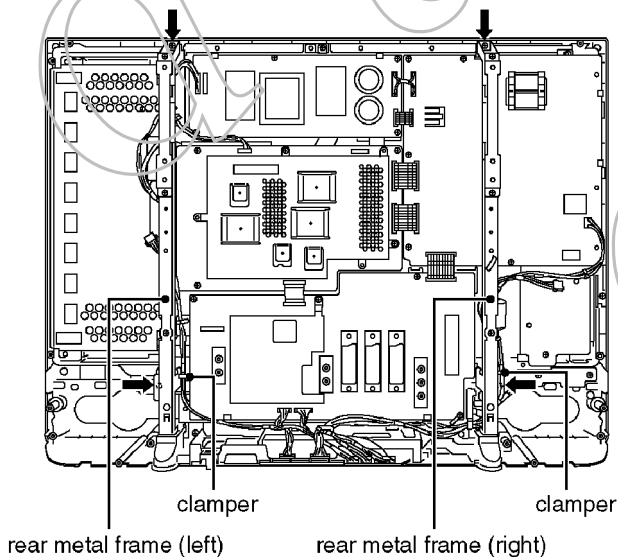
7.4. Removing the rear AV bracket

1. Remove the rear cover (See 7.2.) and the speaker box L and R. (See 7.3.)
2. Release the AC cord from the rear AV bracket and clamber on the rear metal frame, and remove the AC cord. (the coupler AP10)
3. Remove the fixing screws (3pcs).
4. Remove the rear AV bracket ass'y.



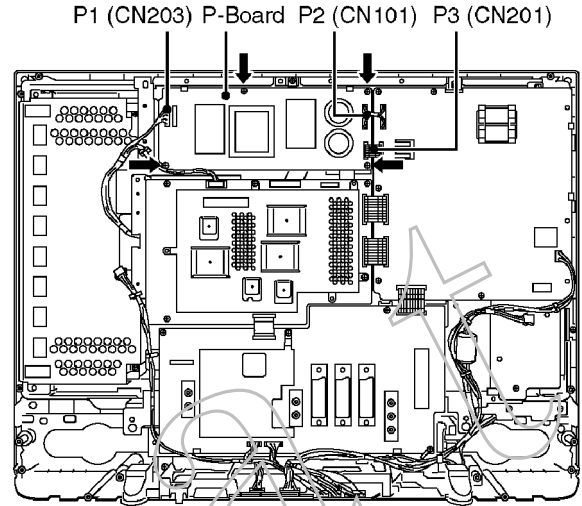
7.5. Removing the rear metal frame

1. Remove the rear AV bracket. (See 7.4.)
2. Release the cables from the clammers on the rear metal frames.
3. Remove the fixing screws (4pcs).
4. Remove the rear metal frames (right and left).



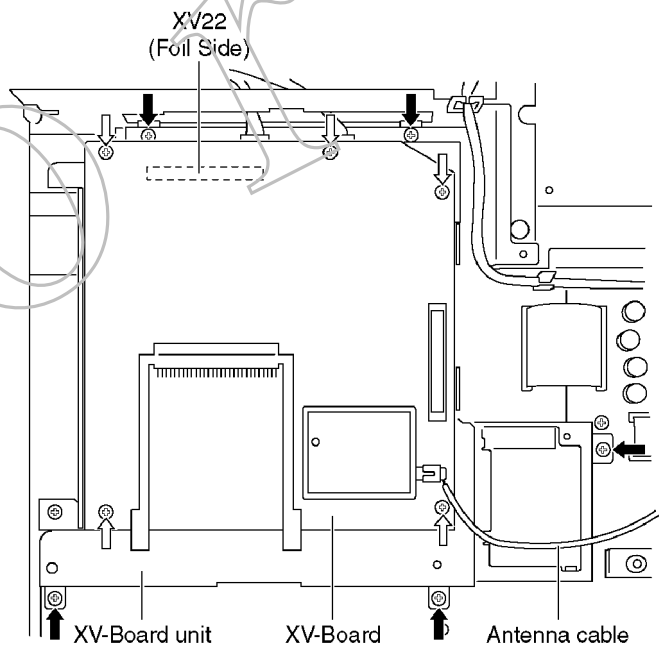
7.6. Removing the P-Board

1. Remove the rear cover. (See 7.2.)
2. Disconnect the couplers P2 (CN101), P3 (CN201) and P1 (CN203).
3. Remove the fixing screw (4pcs).
4. Remove the P-Board.



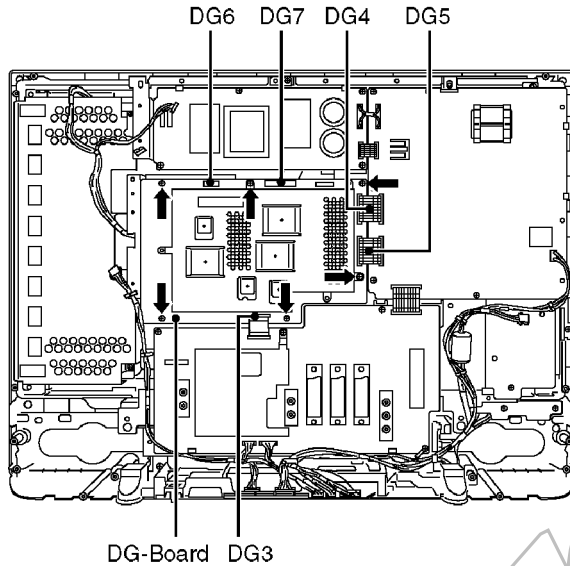
7.7. Removing the XV-Board (For LXD50 model only)

1. Remove the rear AV bracket (See 7.4.) and the rear metal frame. (See 7.5.)
2. Disconnect the couplers carefully (XV22 and DG22).
3. Remove the fixing screws (5pcs).
4. Remove the XV-Board unit.
5. Remove the screws (x5 ⇨)
6. Remove the XV-Board.



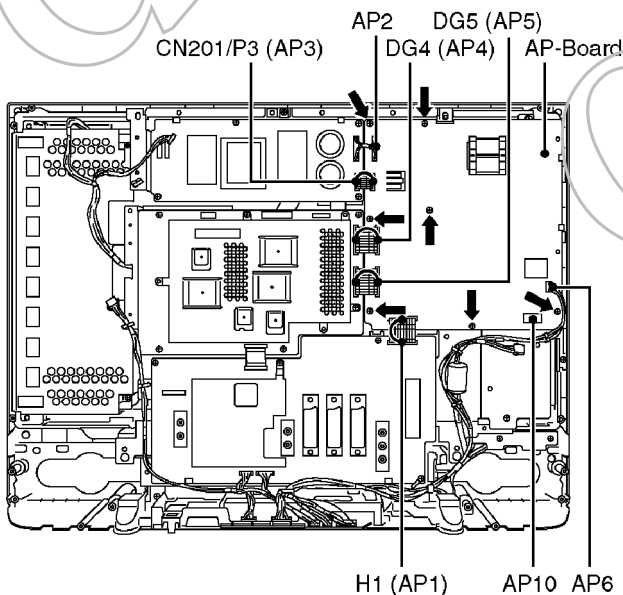
7.8. Removing the DG-Board

1. Remove the rear AV bracket (See 7.4.) and the rear metal frame. (See 7.5.)
2. Disconnect the couplers (DG6 and DG7), the flexible cable (DG3) and the bridge cables (DG4 and DG5).
3. Remove the fixing screws (6pcs).
4. Remove the DG-Board.



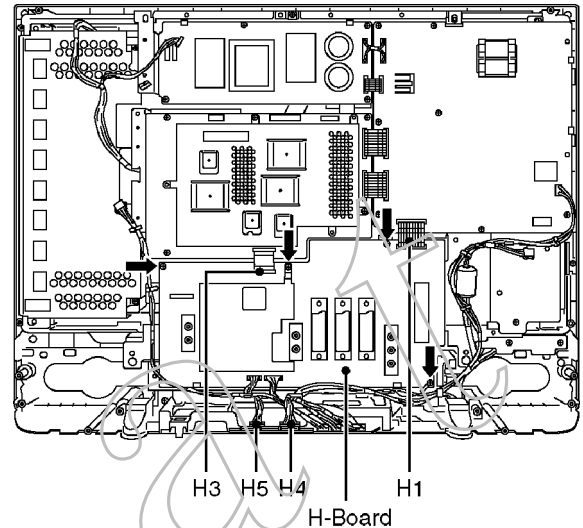
7.9. Removing the AP-Board

1. Remove the rear AV bracket ass'y (See 6.4.) and the rear metal frame. (See 6.5.)
2. Disconnect the couplers (AP2, AP6 and AP10 (AC Cord)) and the bridge cables (H1 (AP1) on the H-Board, P3/CN201 (AP3) on the P-Board and DG4 (AP4) and DG5 (AP5) on the DG-Board.
3. Remove the fixing screws (7pcs).
4. Remove the AP-Board.



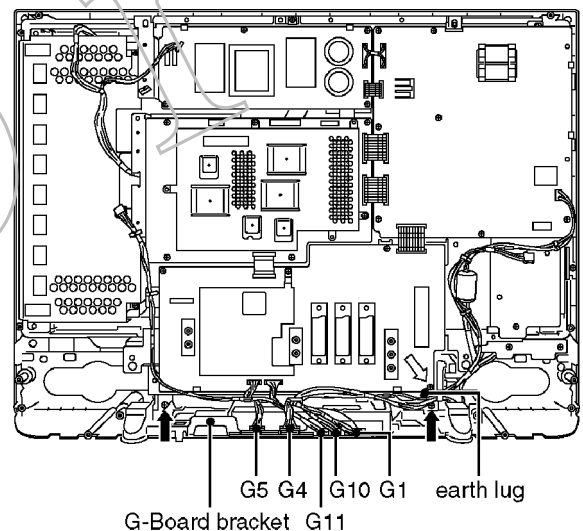
7.10. Removing the H-Board

1. Remove the rear AV bracket (See 7.4.) (and the rear metal frame). (See 7.5.)
2. Disconnect the flexible cable (H3), the bridge cable (H1) and the couplers (H4 and H5).
3. Remove the fixing screws (4pcs).
4. Remove the H-Board.



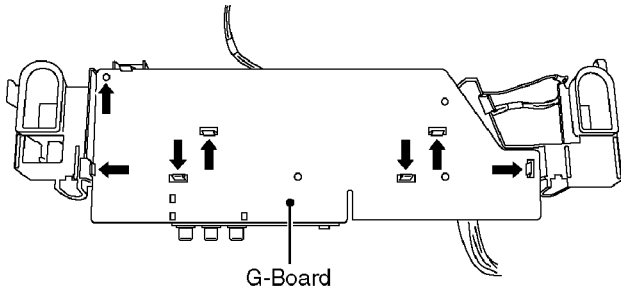
7.11. Removing G-Board bracket

1. Remove the rear AV bracket (See 7.4.).
2. Disconnect the couplers (G1, G4, G5, G10 and G11).
3. Remove a screw on the DG-Board and release the earth lug from the G-Board.
4. Release the cables from the cable holders of the G-Board bracket.
5. Remove the fixing screws (2pcs).
6. Remove the G-Board bracket (with the G-Board).



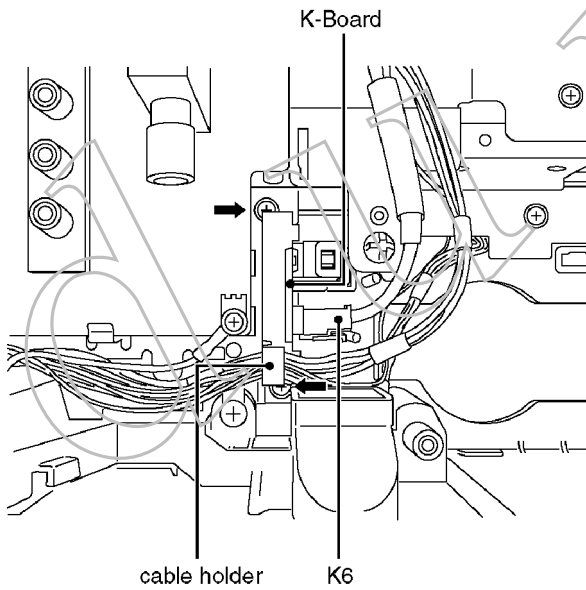
7.12. Removing the G-Board

1. Remove the G-Board bracket. (See 7.10.)
2. Push the hooks (7 points) to release the G-Board from the G-Board brackets.
3. Remove the G-Board.

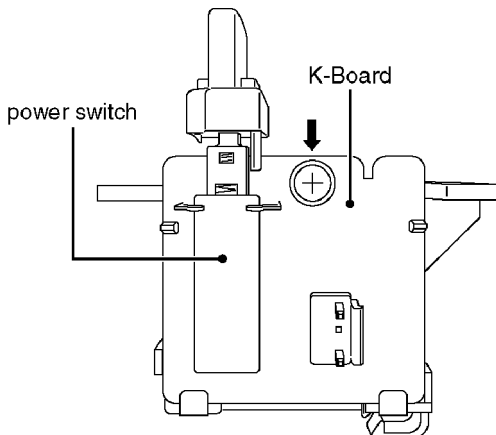


7.13. Removing the K-Board

1. Remove the rear AV bracket (See 7.4.) and the rear metal frame (right). (See 7.5.)
2. Remove a coupler (K6) and release the cables from holder on the K-Board bracket.
3. Remove the screws (2pcs).
4. Remove the K-Board bracket with the K-board.

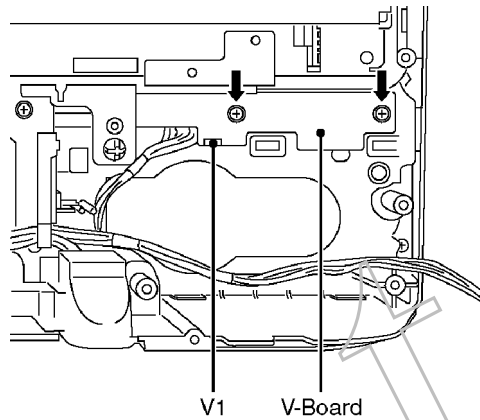


5. Remove a screw.
6. Remove the K-Board.



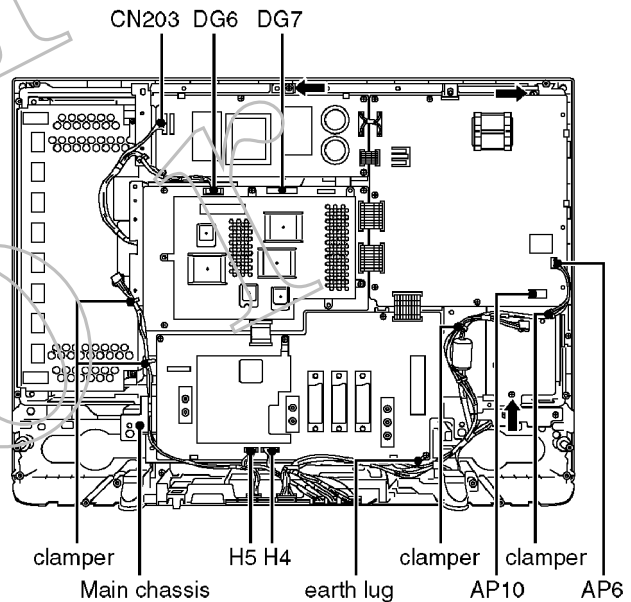
7.14. Removing the V-Board

1. Remove the rear cover. (See 7.2.)
2. Remove the screws (2pcs).
3. Remove the V-Board.
4. Disconnect the coupler (V1).



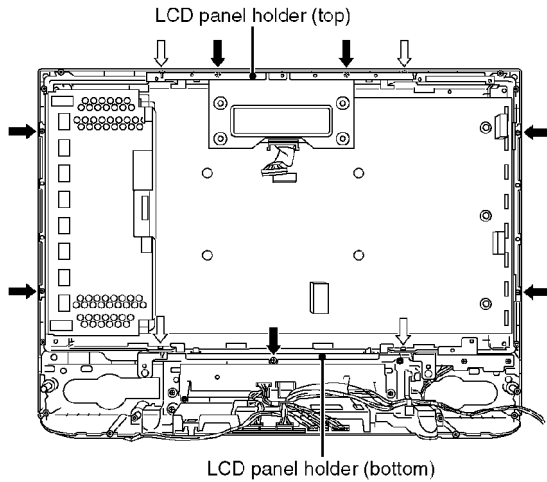
7.15. Removing the main chassis

1. Remove the rear AV bracket (See 7.4.) and the rear metal frame. (See 7.5.)
2. Disconnect the couplers (CN203, DG6, DG7, H4, H5, AP6, AP10) and the earth lug (on the H-Board) from G-Board.
3. Release the cables from the clampers on the main chassis.
4. Remove the fixing screws (3pcs).
5. Remove the main chassis with the P-Board, the AP-Board, the DG-Board and the H-Board.



7.16. Removing the LCD panel

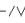
1. Remove the main chassis. (See 7.15.)
2. Remove the fixing screws (7pcs →).
3. Remove the LCD panel and LCD panel holders (right and left).
4. Remove the screw (4pcs ⇔).
5. Remove the LCD panel holders (top and bottom).



8 Service Mode Function

MPU controls the functions switching for each IICs through IIC bus in this chassis. The following setting and adjustment can be adjusted by remote control in Service Mode.

8.1. How to enter SERVICE 1

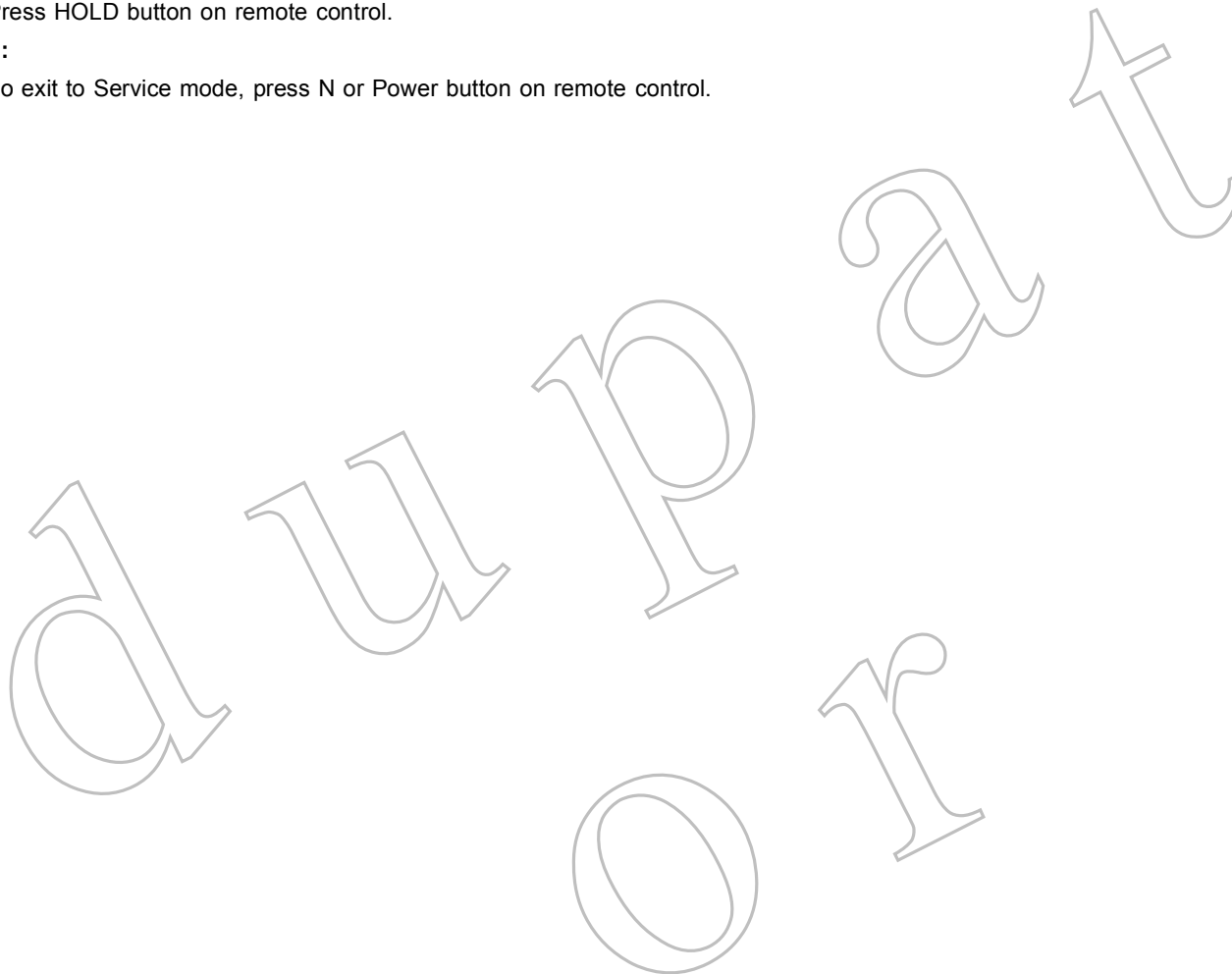
1. In main menu, move to choose sound menu, set BASS to MAXIMUM, and set TREBLE to MINIMUM.
2. Simultaneously press **INDEX** button on remote control and **DOWN** button [

8.2. How to enter SERVICE 2

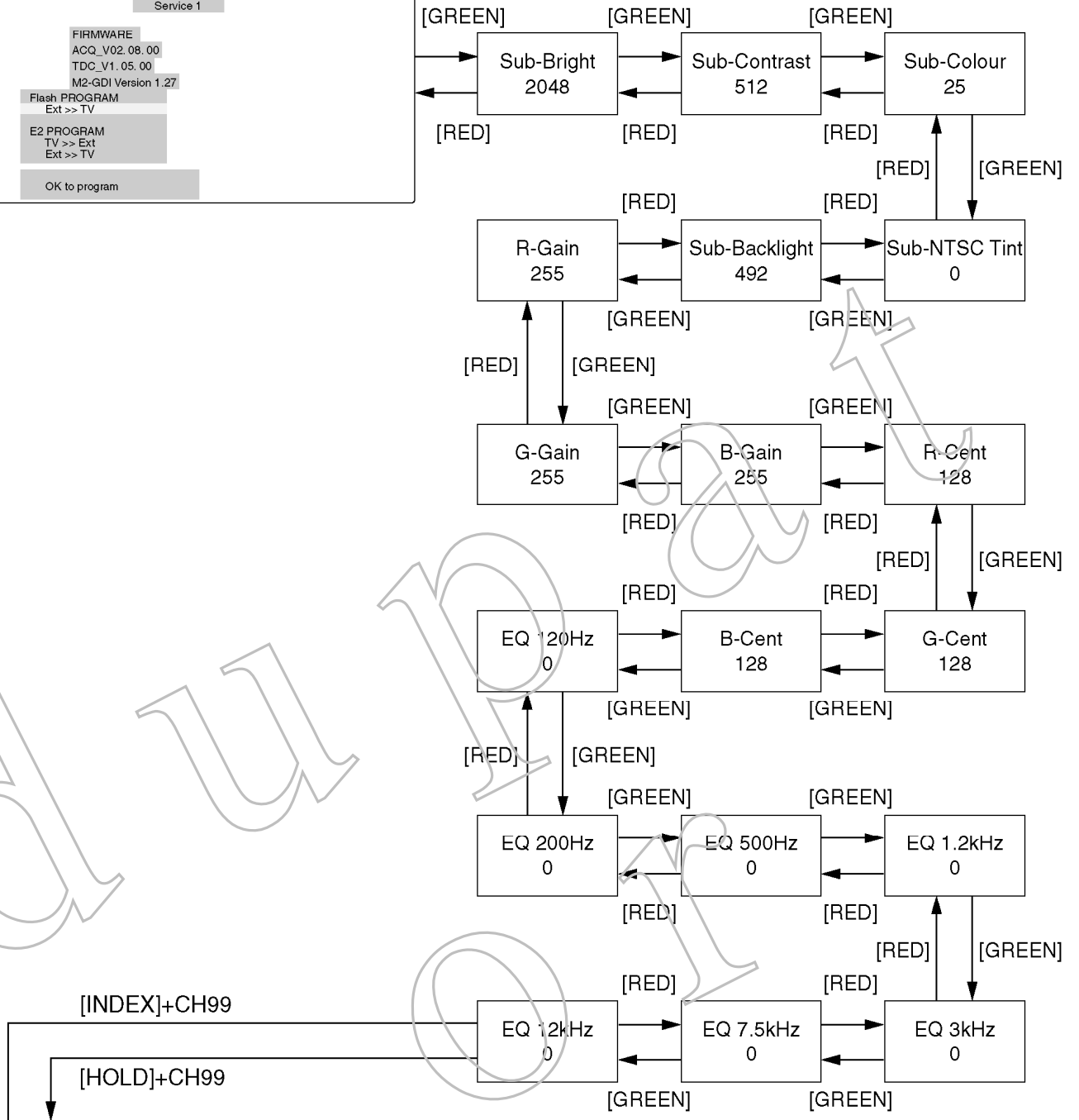
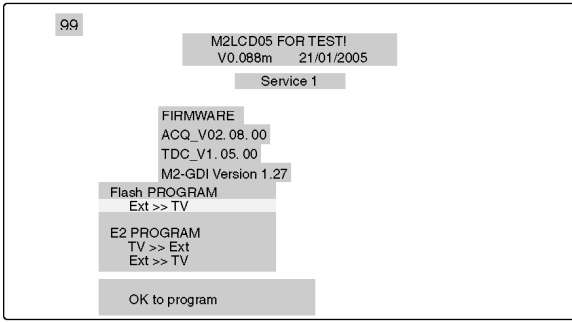
1. Enter the SERVICE 1 mode.
2. Set the channel to CH99.
3. Press HOLD button on remote control.

Note:

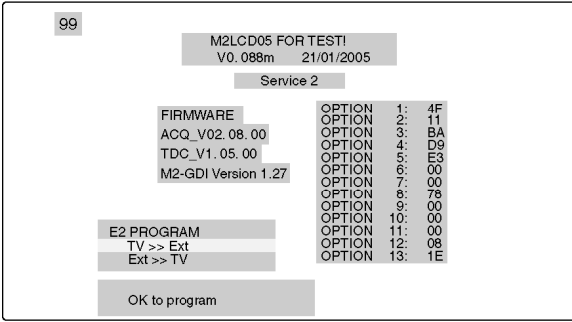
To exit to Service mode, press N or Power button on remote control.



SERVICE 1

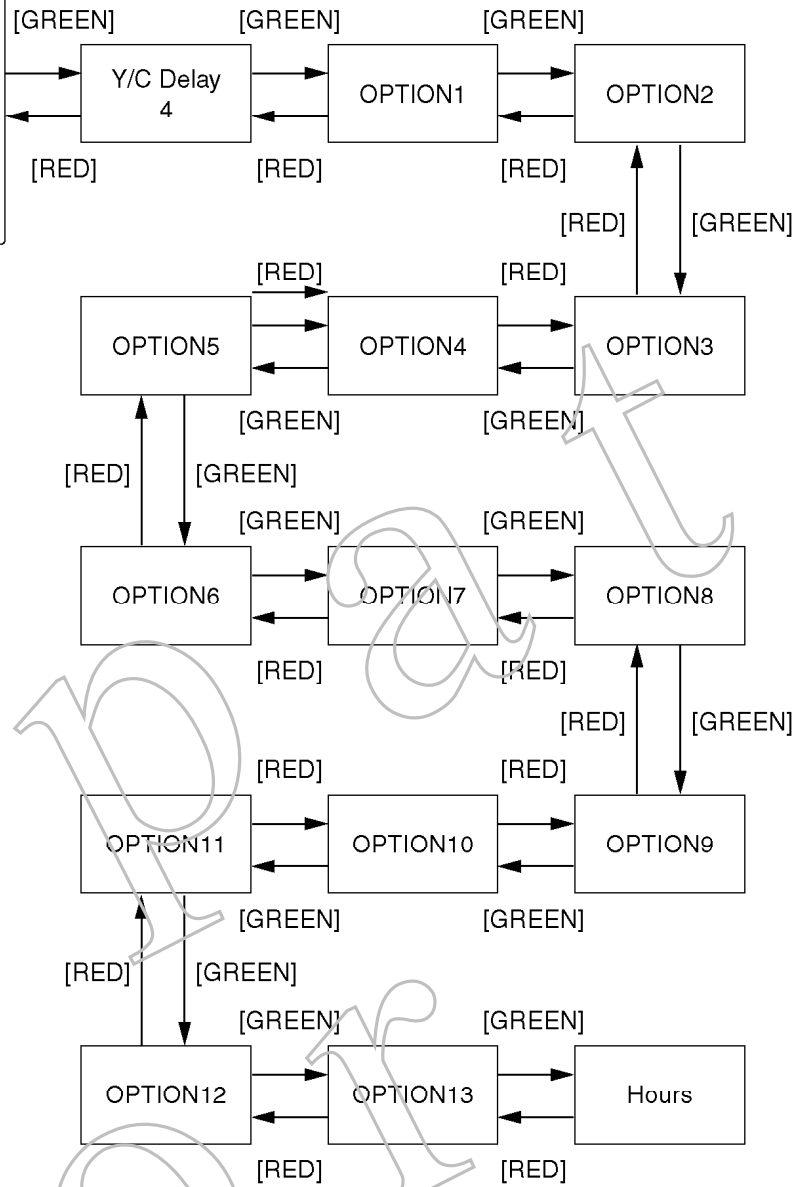


SERVICE 2



Key Command

- Press the **RED/GREEN** button to step up/down through the functions and adjustments.
- Press the **YELLOW/BLUE** button to change the adjustment values or function.
- Press the numerical button 1-7 to change 0/1 of each option item.
- Press the **OK** button after each adjustment has been made to store the required values.



8.3. Option Description

option1		
b0	Colour system	Auto(1)
b1		SECAM(1)
b2		NTSC(1)
b3		M.NTSC(1)
b4	A2 select 6.5MHz	5.742MHz(0) 6.742MHz(1)
b5	SIF	I only(0), BG only(1)
b6		I/BG/DK/L(2), BG/DK(3)
b7	free	
option2		
b0	A2 enable	enable(1)
b1		not use
b2		not use
b3		not use
b4	NICAM enable	enable(1)
b5		not use
b6		not use
b7		not use
option3		
b0	SASO enable	SASO enable(1)
b1	Fine tuning	Enable(1)
b2	Search speed	Slow(1) Fast(0)
b3	Tuner	MACO tuner (1), Others (0)
b4	HYPHER	UHF only (0), UHF/VHF (1)
b5	IF I2C	I2C controlled Tuner IF module (1)
b6	NICAM C4 bit	enable(1)
b7	Blue Back	BLUE BACK on/off selection in menu(0)
option4		
b0	Aspect AUTO	enable(1)
b1	S1/S2 enable	enable(1)
b2	ID-1	enable(1)
b3	User aspect Just	enable(1)
b4	User aspect 14:9	enable(1)
b5	ALBD 14:9	14:9 enable, Zoom3 disable at self wide(1)/ Zoom1, Zoom3 enable at self wide (0)
b6	TEXT	enable(1)
b7	TEXT TOP	TOP enable (1)
option5		
b0	CH Blanking	Blanking enable (1)
b1	AV Blanking	Blanking enable (1)
b2	Noise mute	Noise mute enable(0)
b3	sub picture	without sub-picture(0), with sub-picture(1)
b4	2tuner	2tuner(1), 1tuner(0)
b5	AV Input	3rotation(1) / 2rotation without front RCA (0)
b6	Panel (LCD)	Samsung Panel(1)/SHARP Panel(0)
b7	Large size (LCD)	32(1)/26(0) for LCD
option6		
b0	SD module	with SD module (1)
b1	SD module Ext.Rec(PAL)	enable(1)
b2	SD module Ext.Rec(NTSC)	enable(1)
b3	SD module Ext.Rec(SECAM)	enable(1)
b4	IDTV	enable(1)
b5	HDMI	enable(1)
b6	Ext. HV input	without HV input(0) / with HV input(1)
b7	PC	enable(1)
option7 Area option		
b0	Asia	Asia(1), europe(0)
b1	Australia	not use
b2	Ireland/India	Ireland(1)
b3	UK/Korea	UK(1)
b4	Lang1	not use
b5	Lang2	not use
b6	Lower POS	not use
b7	Owner ID	not use

option8	Euro option	
b0	ACI all country	ACI enable(1), only Netherlands(0)
b1	ACI auto MP	ACI auto multi package enable (1)
b2	ACI offset	ACI offset for VCR prog. enable(1)
b3	Power up EC-Mode	Power on EC enable (1)
b4	AVLink	Q-Link off selectable in menu (1)
b5	Volume correction	TV Volume coorrection enable (1)
b6	MPX/NICAM display	Display NICAM (0), Display MPX (1)
b7	Albd Reset Off	enable(1)
option9	Asia option1	
b0	CH Plan	ASIA / M.E. / HK/UK / CHINA(1)
b1		NZ/INDNES(1)
b2		AUSTRALIA(1)
b3		E.EUROPE(1)
b4		SPECIAL(1)
b5		AMERICA(1)
b6		CATV(1)
b7		JAPAN(1)
option10	Asia option2	
b0	NICAM priority	ASIA/M.E.(1)
b1		HK/UK(1)
b2		CHINA(1)
b3		NZ/INDN(1)
b4		AUSTRALIA(1)
b5		E.EUROPE(1)
b6		SPECIAL(1)
b7	free	
option11	Additional	
b0	Remocon Type	Delux(1) / Leader(0)
b1	Environment AI (PDP)	enable, with viewing mode auto (1) / disable, without viewing mode auto(0)
b2	WSS14:9 off	WSS 14:9 off (1)
b3	IRD Reset Check	ON(1) / OFF(0)
b4	IRD Polling Check	ON(1) / OFF(0)
b5	Contrast AI	enable(1) *LCD Only
b6	Exdac4 Slave address	0x9e(1) / 0x98(0) *PDP Only
b7	PanelMCUNew	NewMCU(1)/OldMCU(0) : temp *PDP Only

8.4. Option Code Setting

If the memory IC (IC1107) or DG Board is replaced, option code should be re-memorized.

If you use for other model, you should re-memorized the different option code in SERVICE 2 mode.

OPTION	TX-26LX D50	TX-32LX D50	TX-26LX 50F	TX-32LX 50F	TX-26LX 50P	TX-32LX 50P
OPTION 1	01	01	4F	4F	4F	4F
OPTION 2	10	10	11	11	11	11
OPTION 3	A8	A8	BA	BA	BA	BA
OPTION 4	71	71	D9	D9	59	59
OPTION 5	72	F2	63	E3	63	E3
OPTION 6	10	10	00	00	00	00
OPTION 7	08	08	00	00	00	00
OPTION 8	80	80	78	78	78	78
OPTION 9	00	00	00	00	00	00
OPTION 10	00	00	00	00	00	00
OPTION 11	30	30	20	20	20	20

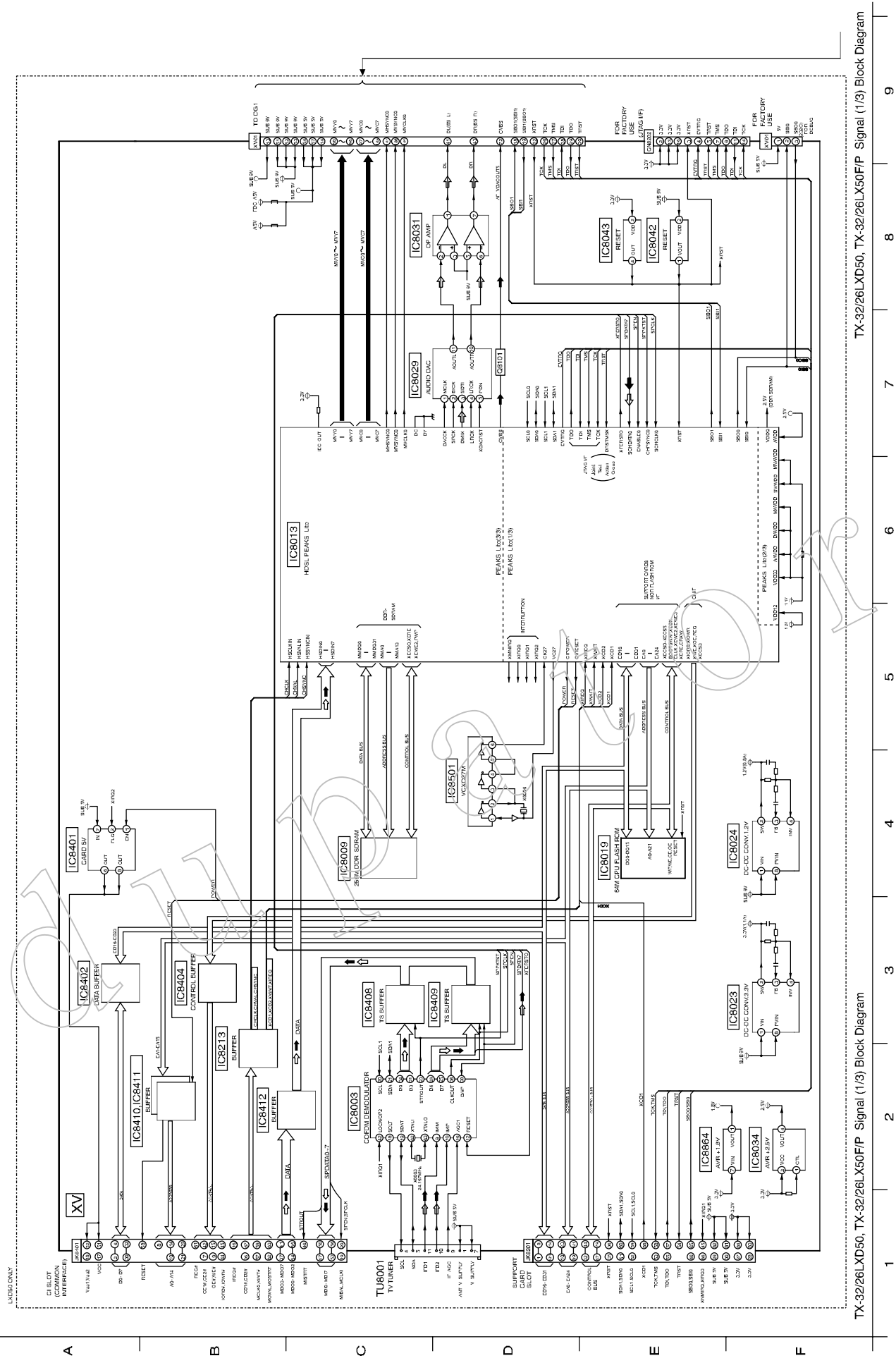
9 Adjustment method

9.1. White Balance Adjustment

Instrument Name	Connect to	Remarks																											
1. Remote controller 2. LCD WB meter (Minolta CS-1000A equivalent) 3. Communication jig 4. Computer for external control		Correlation can be also taken by CA-210 or equivalent																											
Procedure		Remarks																											
1. Procedure Basically perform checking using the production software and make automatic adjustment using external computer. 2. It adjusts in the mode of Colour balance Normal/ Warm/ Cool as follows. (UK/Euro model)		Let the panel stand for more than 3 hours at more than 20 °C. Basically perform assemble to completion in the ambient environment of room temperature more than 20 °C. The aging time is more than 20 min at above room temperature																											
<table> <thead> <tr> <th>*TOP</th> <th>Normal</th> <th>Warm</th> <th>Cool</th> </tr> </thead> <tbody> <tr> <td>x :</td> <td>0.291 ± 0.003</td> <td>0.311 ± 0.003</td> <td>0.270 ± 0.003</td> </tr> <tr> <td>y :</td> <td>0.291 ± 0.003</td> <td>0.307 ± 0.003</td> <td>0.267 ± 0.003</td> </tr> <tr> <td>Y :</td> <td>$> 350.\text{cd/m}^2$</td> <td>$> 300.\text{cd/m}^2$</td> <td>$> 350.\text{cd/m}^2$</td> </tr> <tr> <th>*GRAY</th> <th>Standard</th> <th>Warm</th> <th>Cool</th> </tr> <tr> <td>x :</td> <td>0.291 ± 0.003</td> <td>0.311 ± 0.003</td> <td>0.270 ± 0.003</td> </tr> <tr> <td>y :</td> <td>0.291 ± 0.003</td> <td>0.307 ± 0.003</td> <td>0.267 ± 0.003</td> </tr> </tbody> </table>			*TOP	Normal	Warm	Cool	x :	0.291 ± 0.003	0.311 ± 0.003	0.270 ± 0.003	y :	0.291 ± 0.003	0.307 ± 0.003	0.267 ± 0.003	Y :	$> 350.\text{cd/m}^2$	$> 300.\text{cd/m}^2$	$> 350.\text{cd/m}^2$	*GRAY	Standard	Warm	Cool	x :	0.291 ± 0.003	0.311 ± 0.003	0.270 ± 0.003	y :	0.291 ± 0.003	0.307 ± 0.003
*TOP	Normal	Warm	Cool																										
x :	0.291 ± 0.003	0.311 ± 0.003	0.270 ± 0.003																										
y :	0.291 ± 0.003	0.307 ± 0.003	0.267 ± 0.003																										
Y :	$> 350.\text{cd/m}^2$	$> 300.\text{cd/m}^2$	$> 350.\text{cd/m}^2$																										
*GRAY	Standard	Warm	Cool																										
x :	0.291 ± 0.003	0.311 ± 0.003	0.270 ± 0.003																										
y :	0.291 ± 0.003	0.307 ± 0.003	0.267 ± 0.003																										
* The address of EEPROM to write is as follows. Add. C80-C91																													

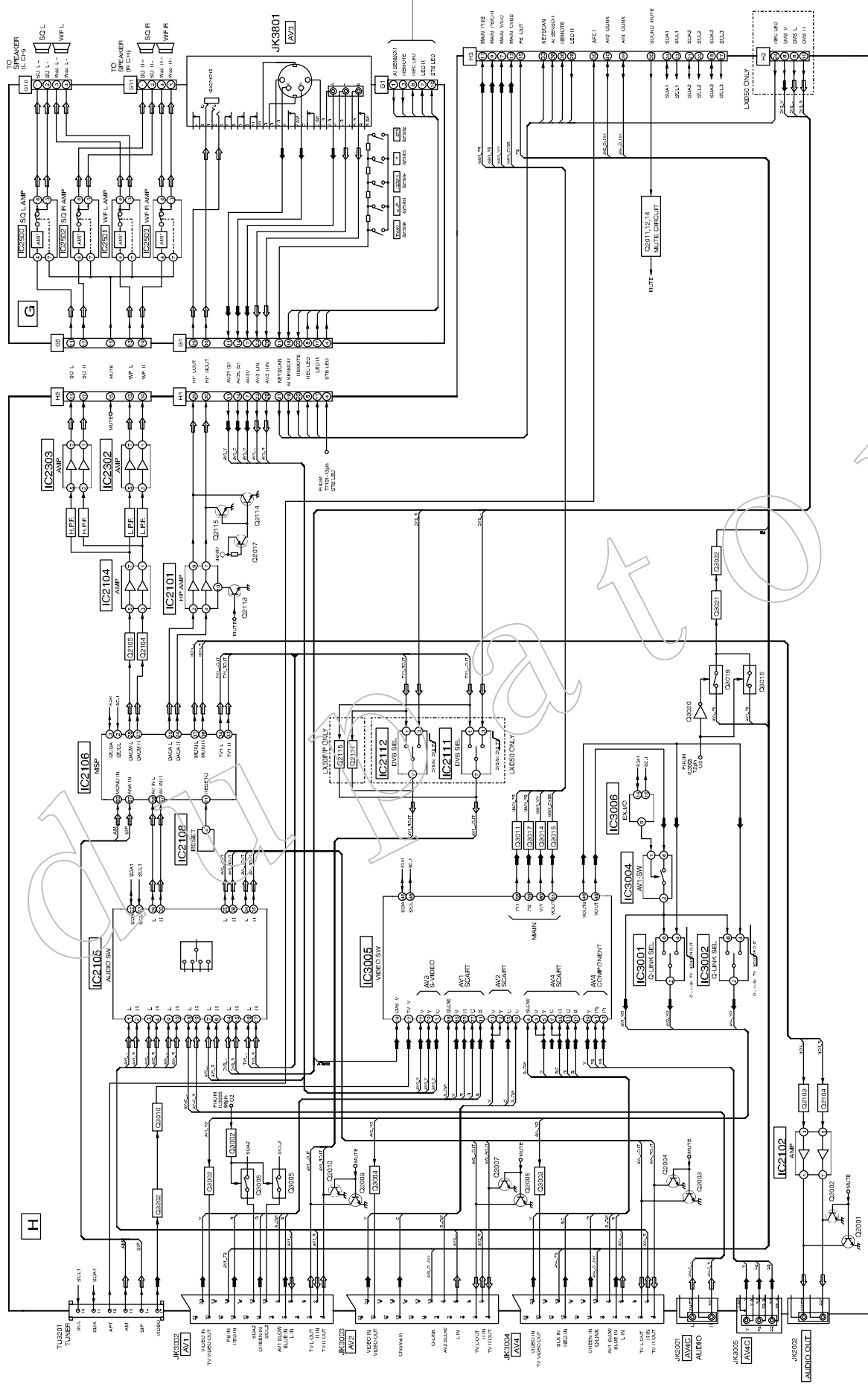
10 Block Diagram

10.1. Signal (1/3) Block Diagram



TX-32/26LXD50, TX-32/26LX50FP, TX-32/26LX60FP Signal (1/3) Block Diagram

10.2. Signal (2/3) Block Diagram



TX-32/26LXD50, TX-32/26LX50FP Signal (2/3) Block Diagram

TX-32/26LXD50, TX-32/26LX50FP Signal (2/3) Block Diagram

10

11

12

13

14

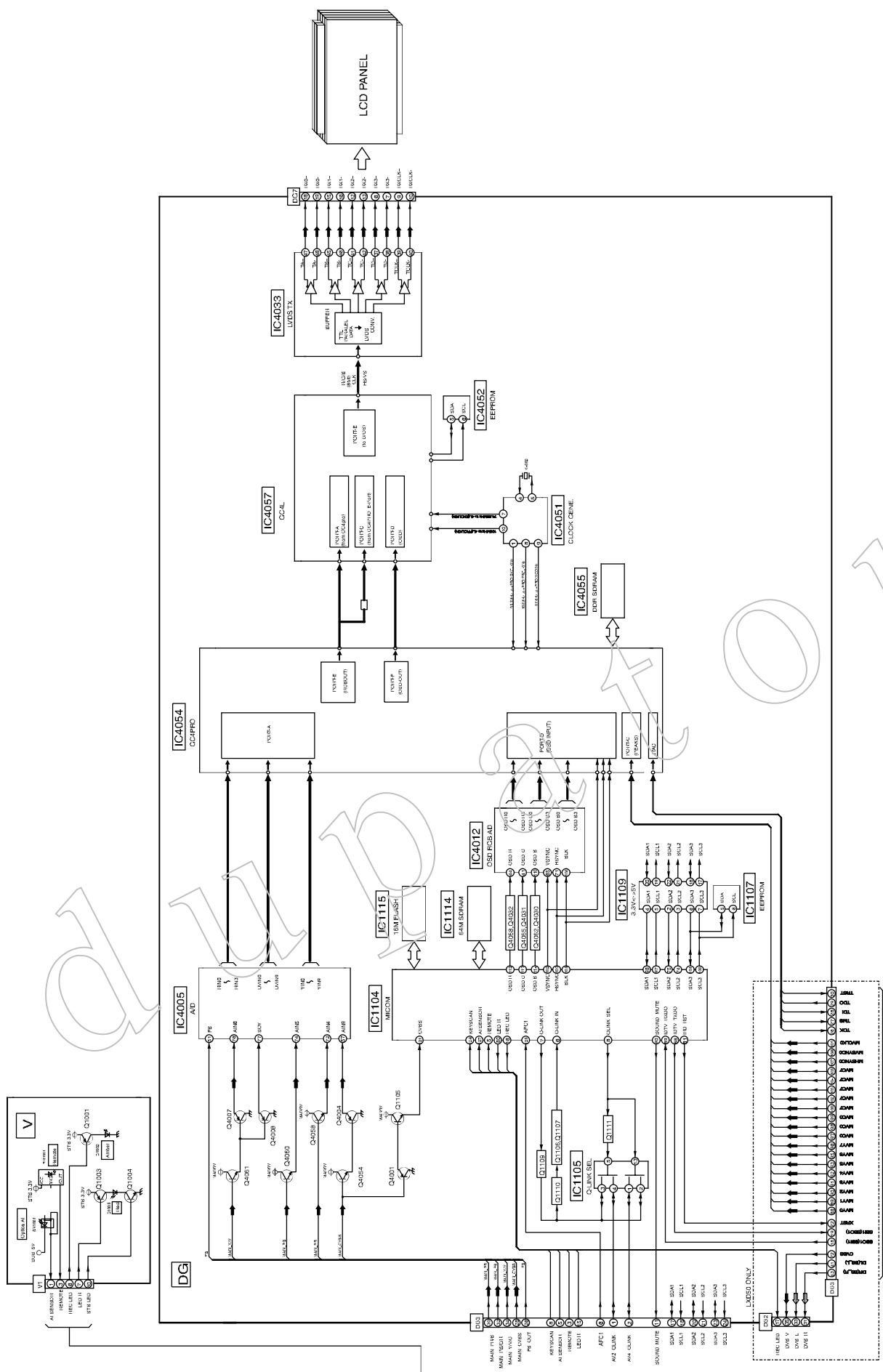
15

16

17

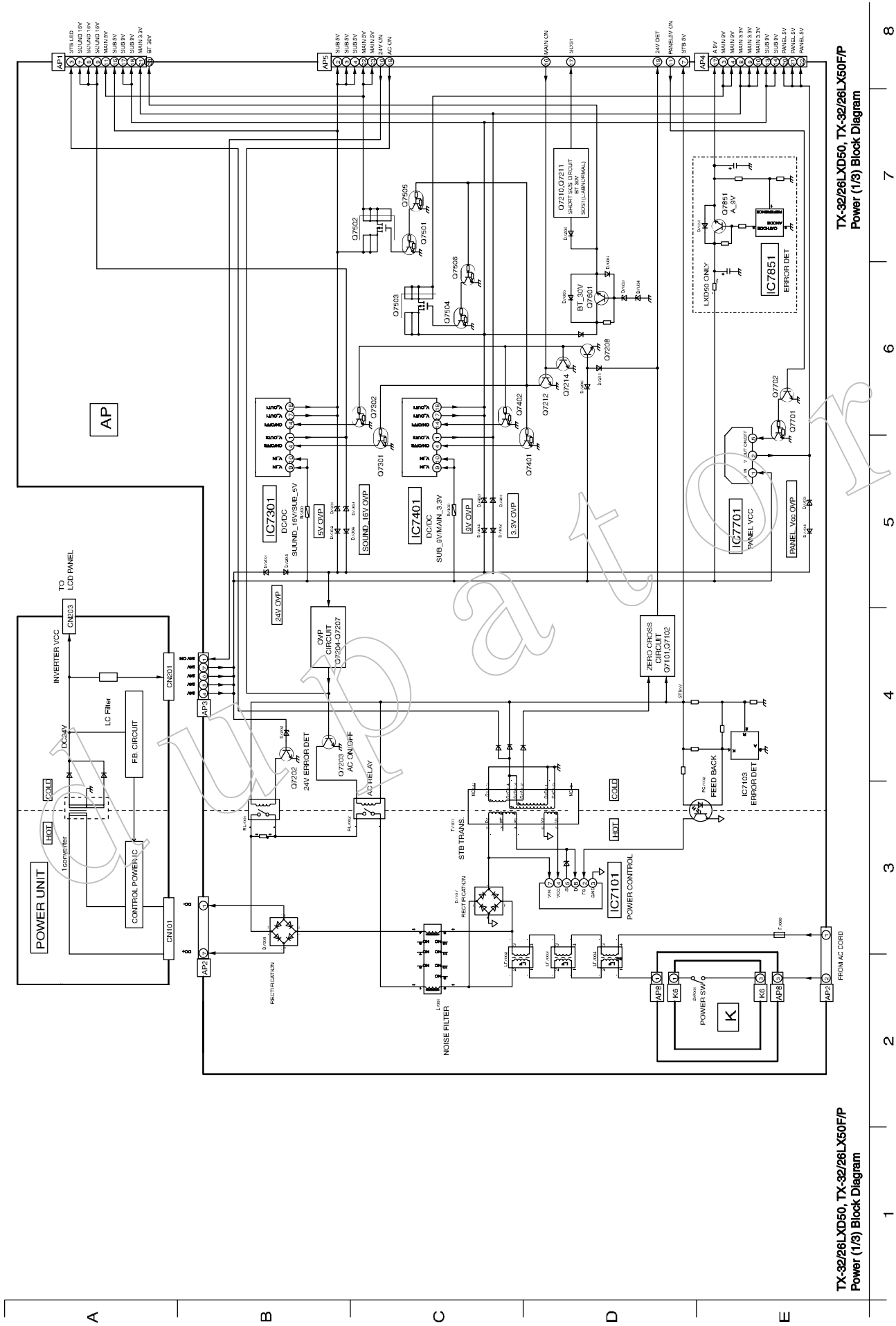
18

10.3. Signal (3/3) Block Diagram



TX-32/26LXD50, TX-32/26LX50FP Signal (3/3) Block Diagram

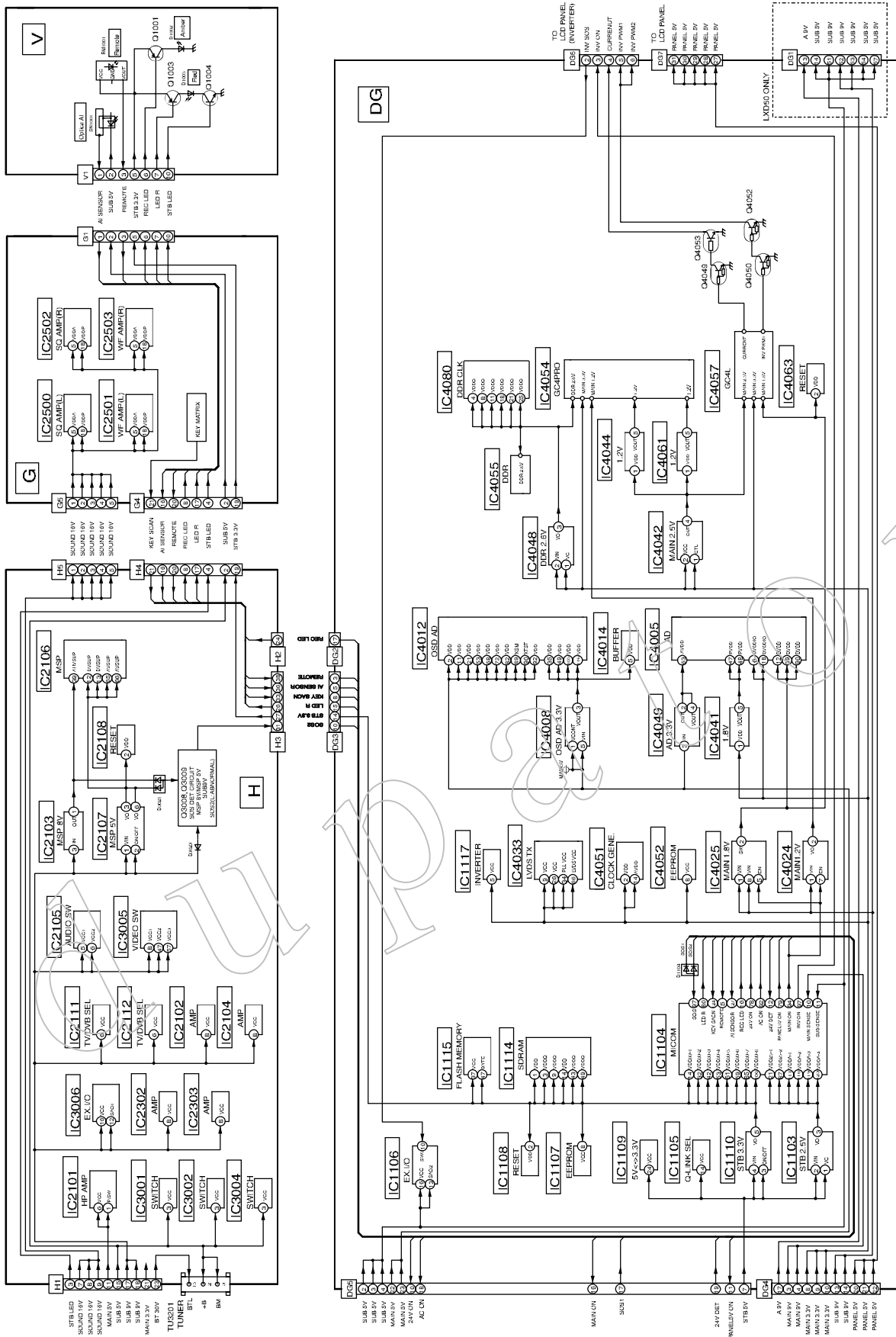
10.4. Power (1/3) Block Diagram



TX-32/26LXD50, TX-32/26LX50F/P
Power (1/3) Block Diagram

TX-32/26LXD50, TX-32/26LX50F/P
Power (1/3) Block Diagram

10.5. Power (2/3) Block Diagram



TX-32/26LXD50, TX-32/26LX60F/P Power (2/3) Block Diagram

11 Schematic Diagram

11.1. Schematic Diagram Notes

Important Safety Notice

Components identified by Δ mark have special characteristics important for safety. When replacing any of these components, use only manufacturer's specified parts.

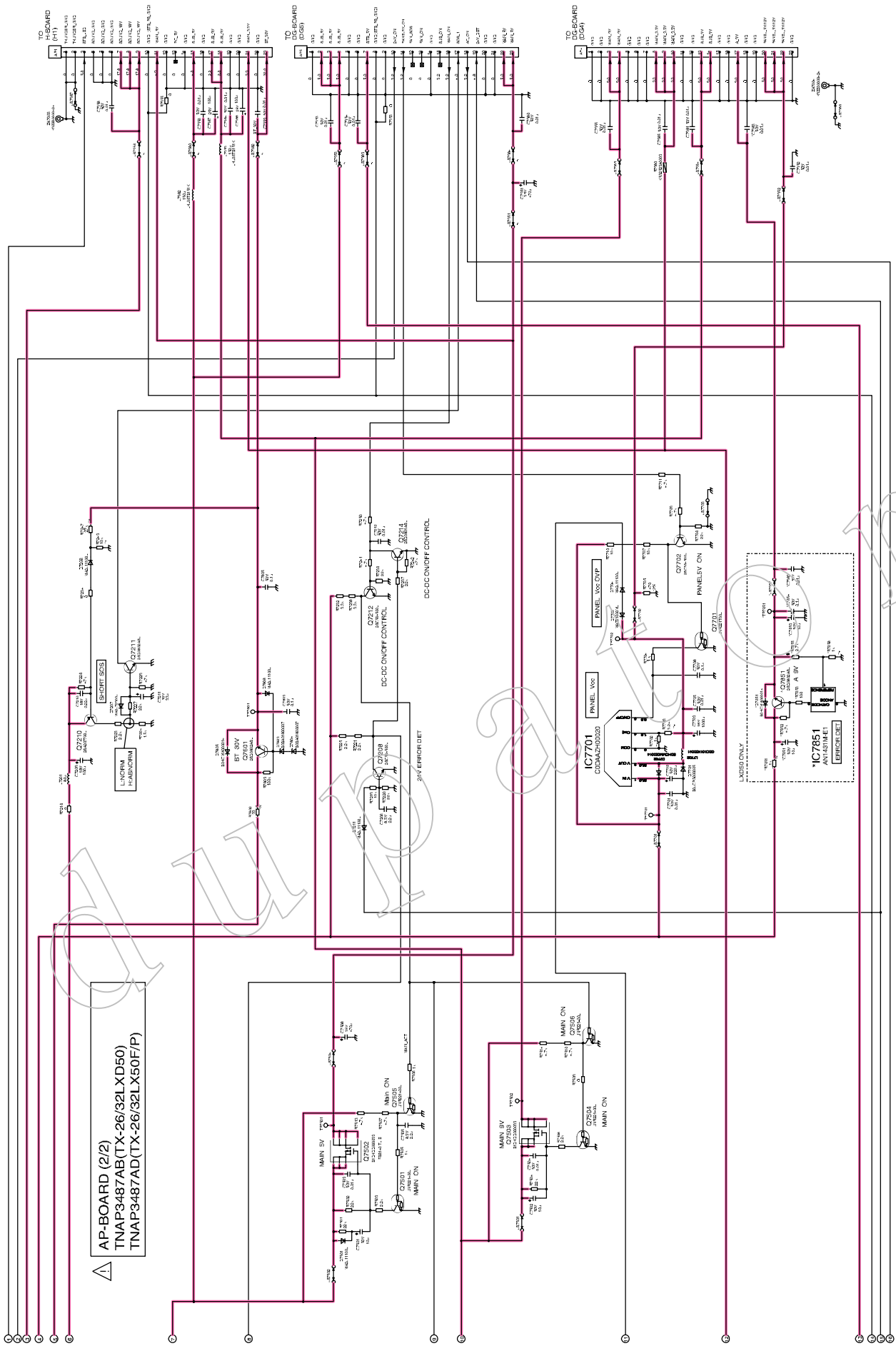
Notes:

1. **Resistor**
Unit of resistance is OHM [Ω] (K=1,000, M=1,000,000).
2. **Capacitor**
Unit of capacitance is μ F, unless otherwise noted.
3. **Coil**
Unit of inductance is μ F, unless otherwise noted.
4. **Test Point**
 \bigcirc : Test Point position
5. **Earth Symbol**
 $\#$: Chassis Earth (Cold)
 ∇ : Line Earth (Hot)
6. **Voltage Measurement**
Voltage is measured by a DC voltmeter.
Conditions of the measurement are the following:
Power Source AC 220-240V, 50/60Hz
Receiving Signal Colour Bar signal (RF)
All customer's controls Maximum positions
7. **Number in red circle indicates waveform number.**
(See waveform pattern table.)
8. **When arrow mark (\nearrow) is found, connection is easily found from the direction of arrow**
9. **Indicates the major signal flow.** : Video \rightarrow Audio \leftrightarrow
10. **This schematic diagram is the latest at the time of printing and subject to change without notice.**

Remarks:

1. The Power Circuit contains a circuit area which uses a separate power supply to isolate the earth connection.
The circuit is defined by HOT and COLD indications in the schematic diagram. Take the following precautions.
All circuits, except the Power Circuit, are cold.
Precautions
 - a. Do not touch the hot part or the hot and cold parts at the same time or you may be shocked.
 - b. Do not short- circuit the hot and cold circuits or a fuse may blow and parts may break.
 - c. Do not connect an instrument, such as an oscilloscope, to the hot and cold circuits simultaneously or a fuse may blow.
Connect the earth of instruments to the earth connection of the circuit being measured.
 - d. Make sure to disconnect the power plug before removing the chassis.

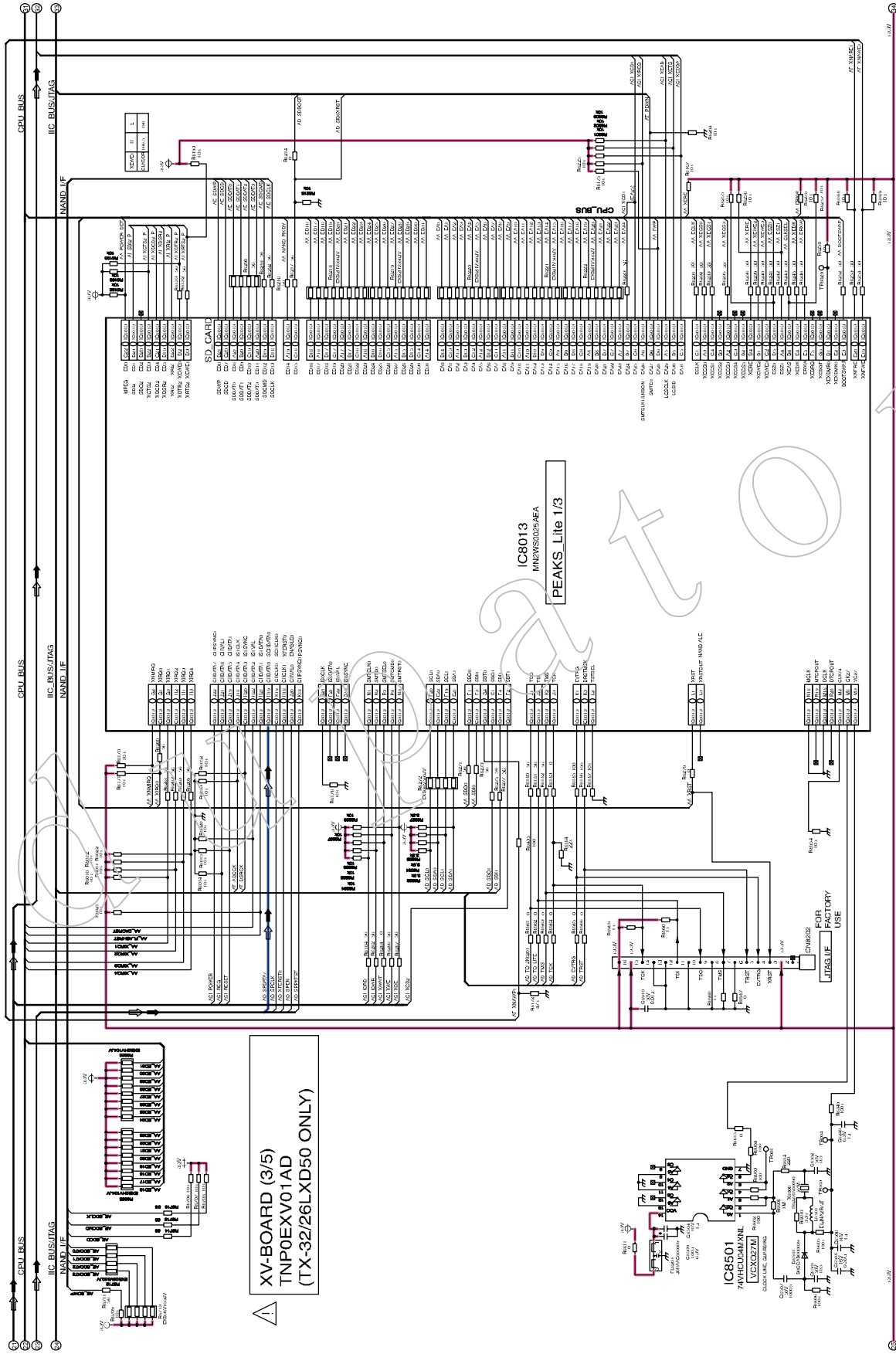
11.3. AP-Board (2/2) Schematic Diagram



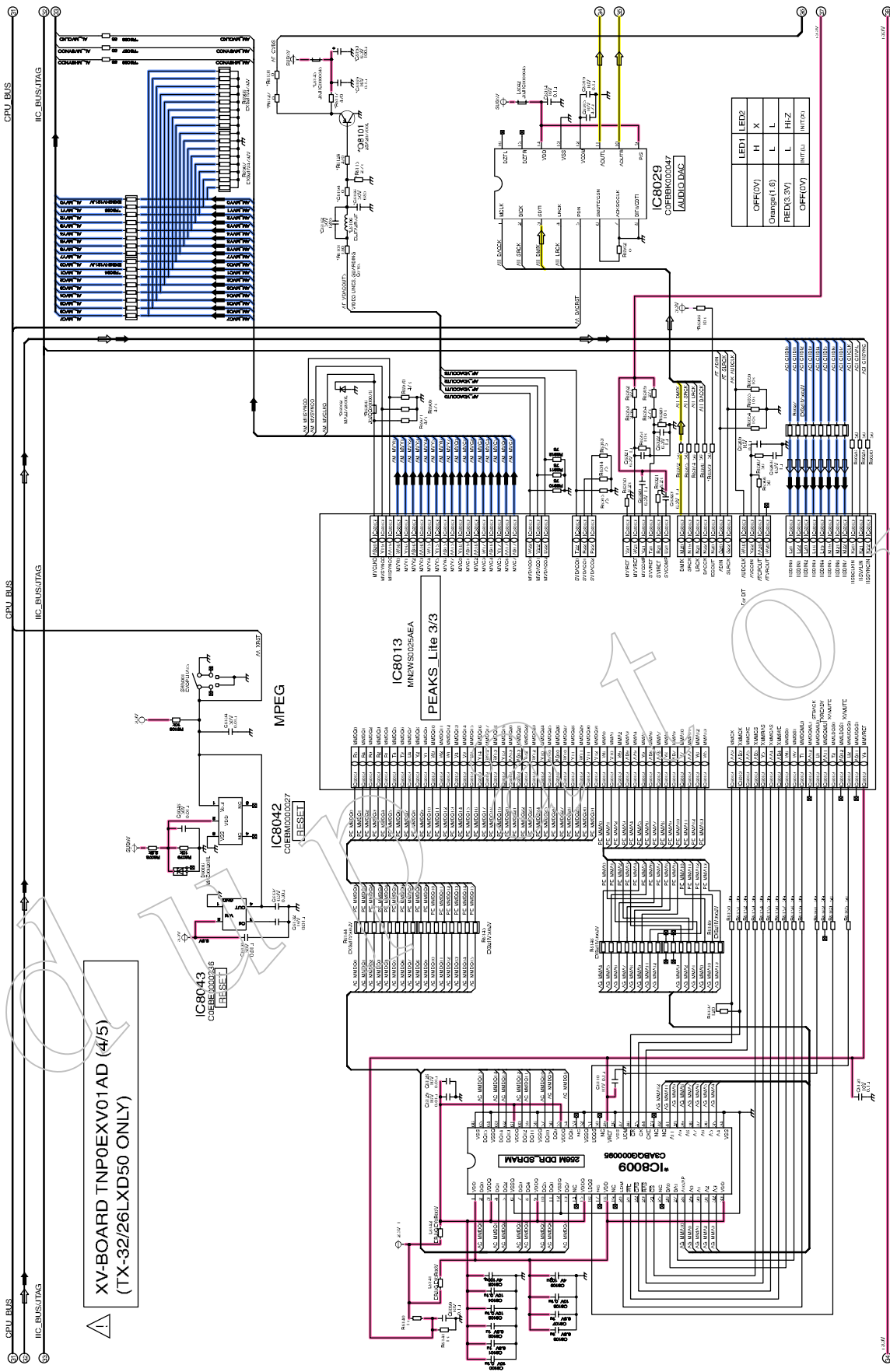
TX-32/26LXD50, TX-32/26LX50F/P AP-Board (2/2) Schematic Diagram

10 11 12 13 14 15 16 17 18

11.6. XV-Board (3/5) Schematic Diagram



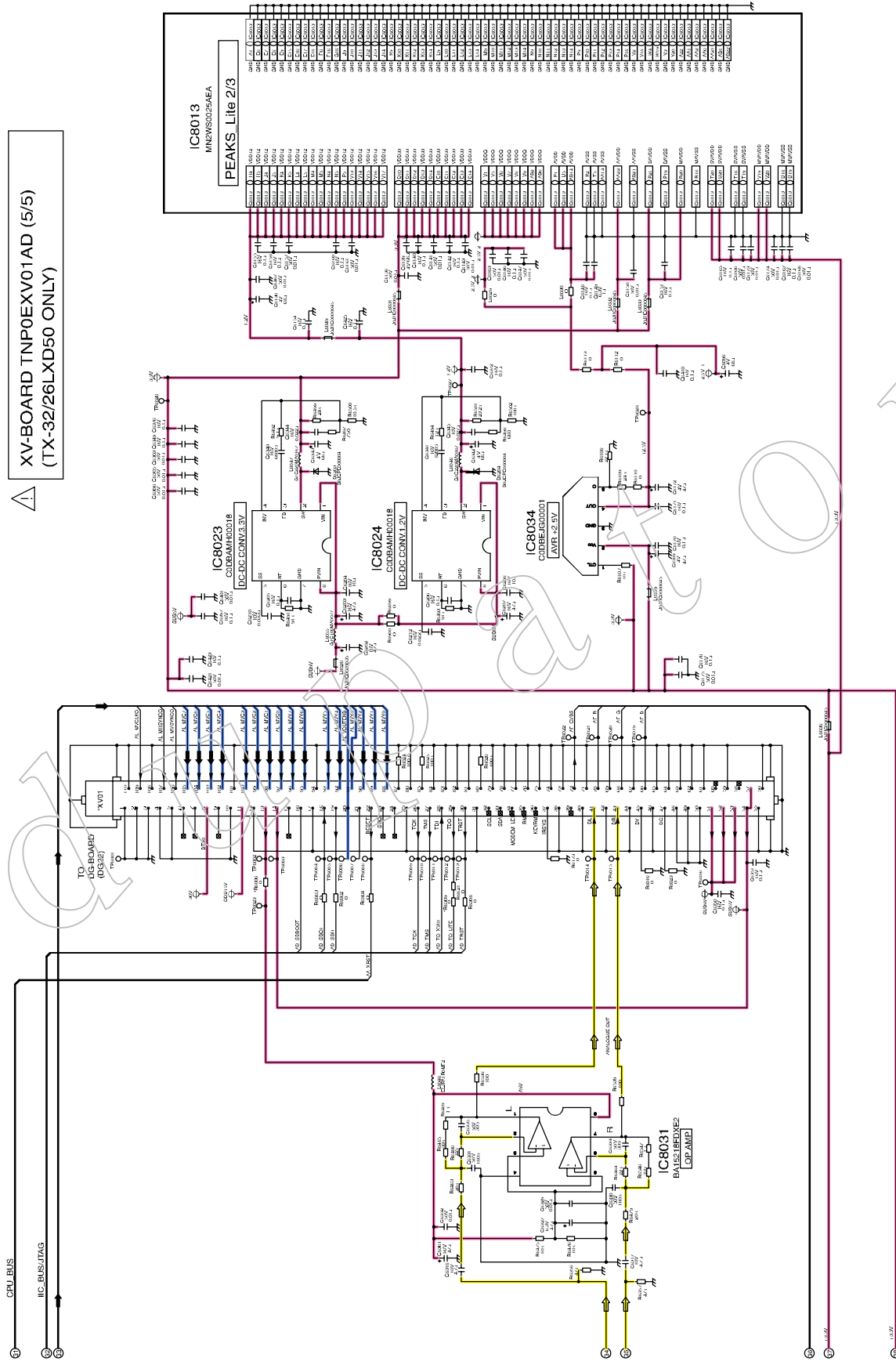
11.7. XV-Board (4/5) Schematic Diagram



XV-BOARD TNP0EXV01AD (4/5)
(TX-32/26LXD50 ONLY)

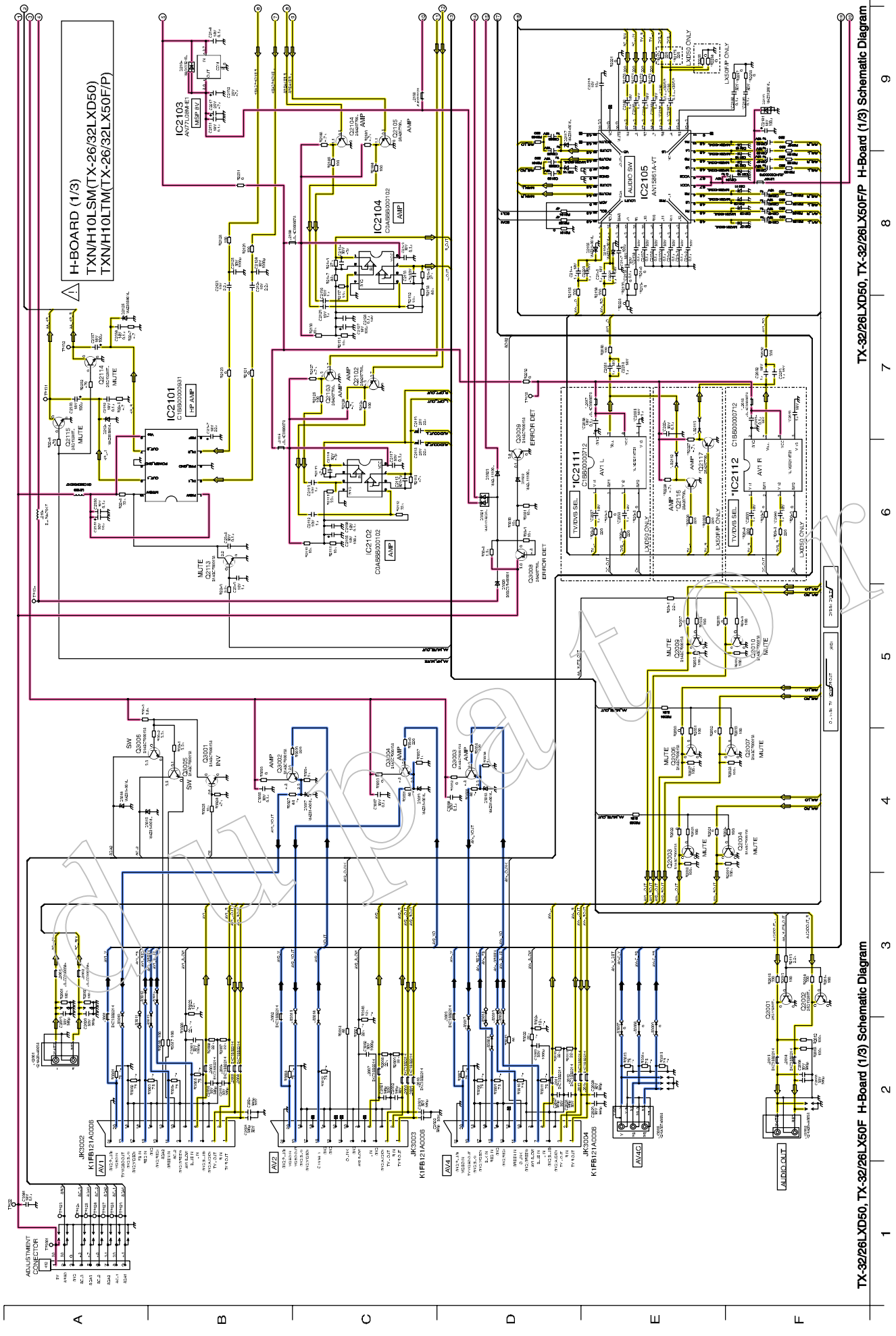
TX-32/26LXD50 XV-Board (4/5) Schematic Diagram

11.8. XV-Board (5/5) Schematic Diagram



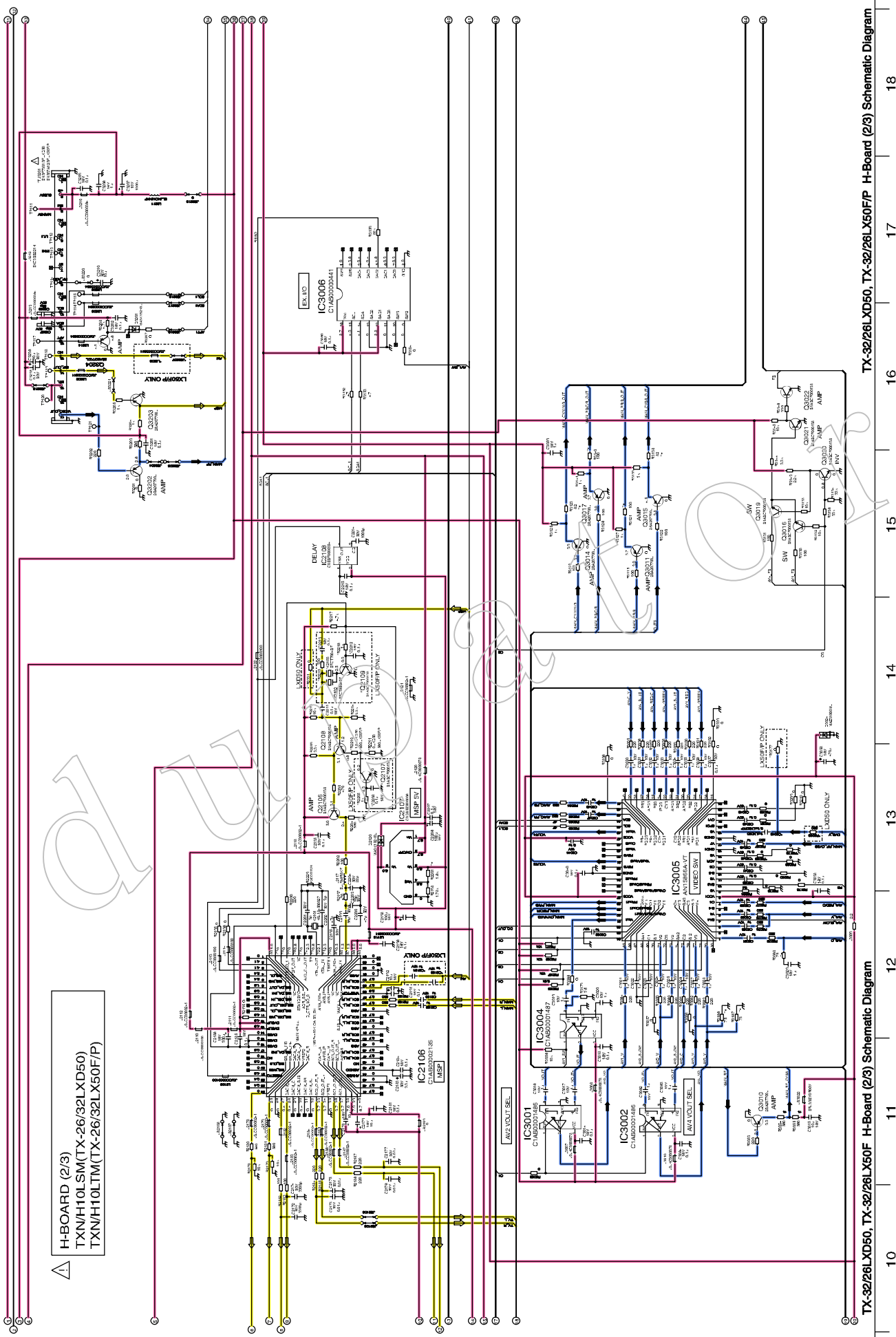
XV-BOARD TNP0EXV01AD (5/5)
(TX-32/26LXD50 ONLY)

11.9. H-Board (1/3) Schematic Diagram



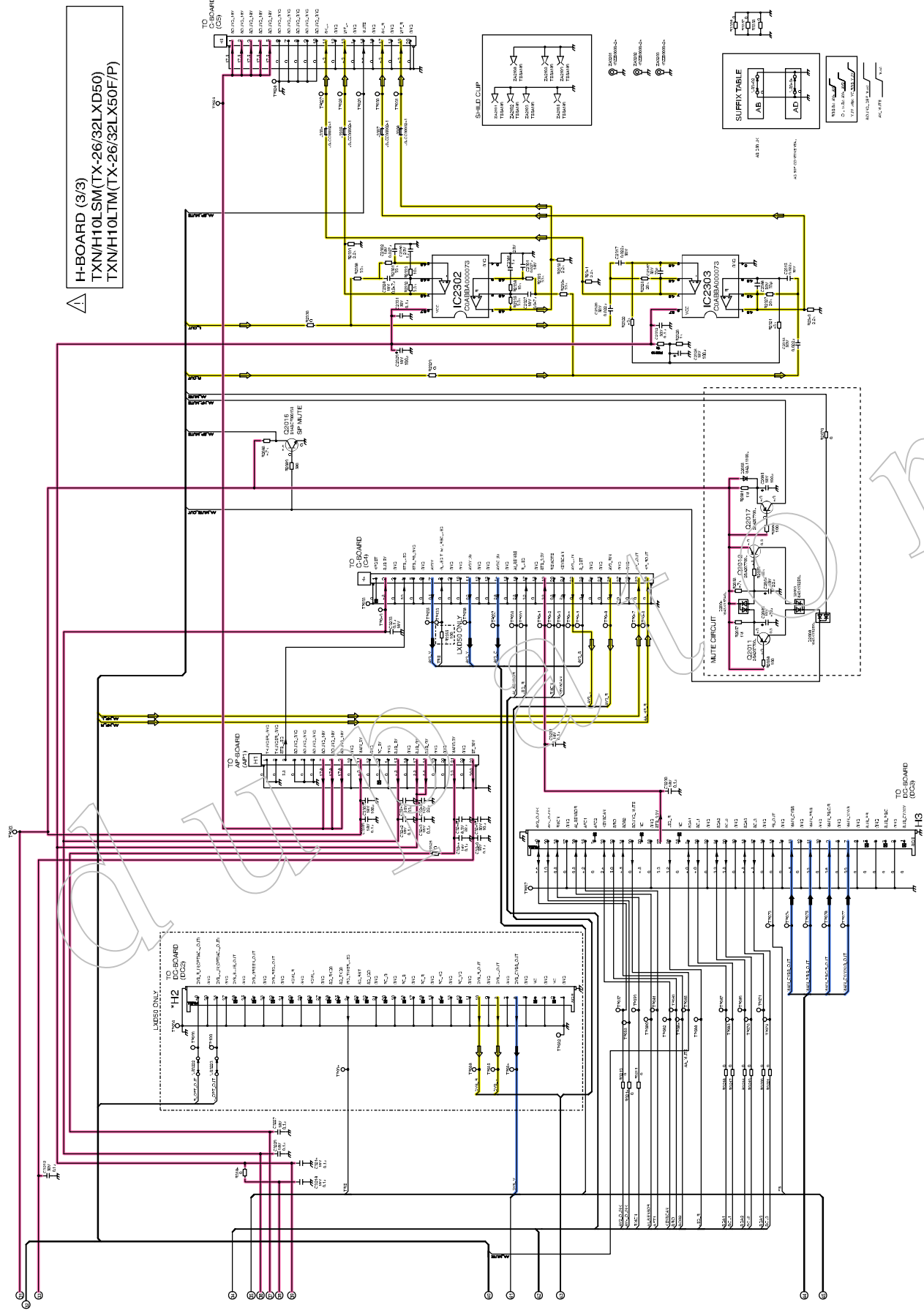
TX-32/26LXD50, TX-32/26LX50F, TX-32/26LX60F, TX-26LX50F/P H-Board (1/3) Schematic Diagram

11.10. H-Board (2/3) Schematic Diagram



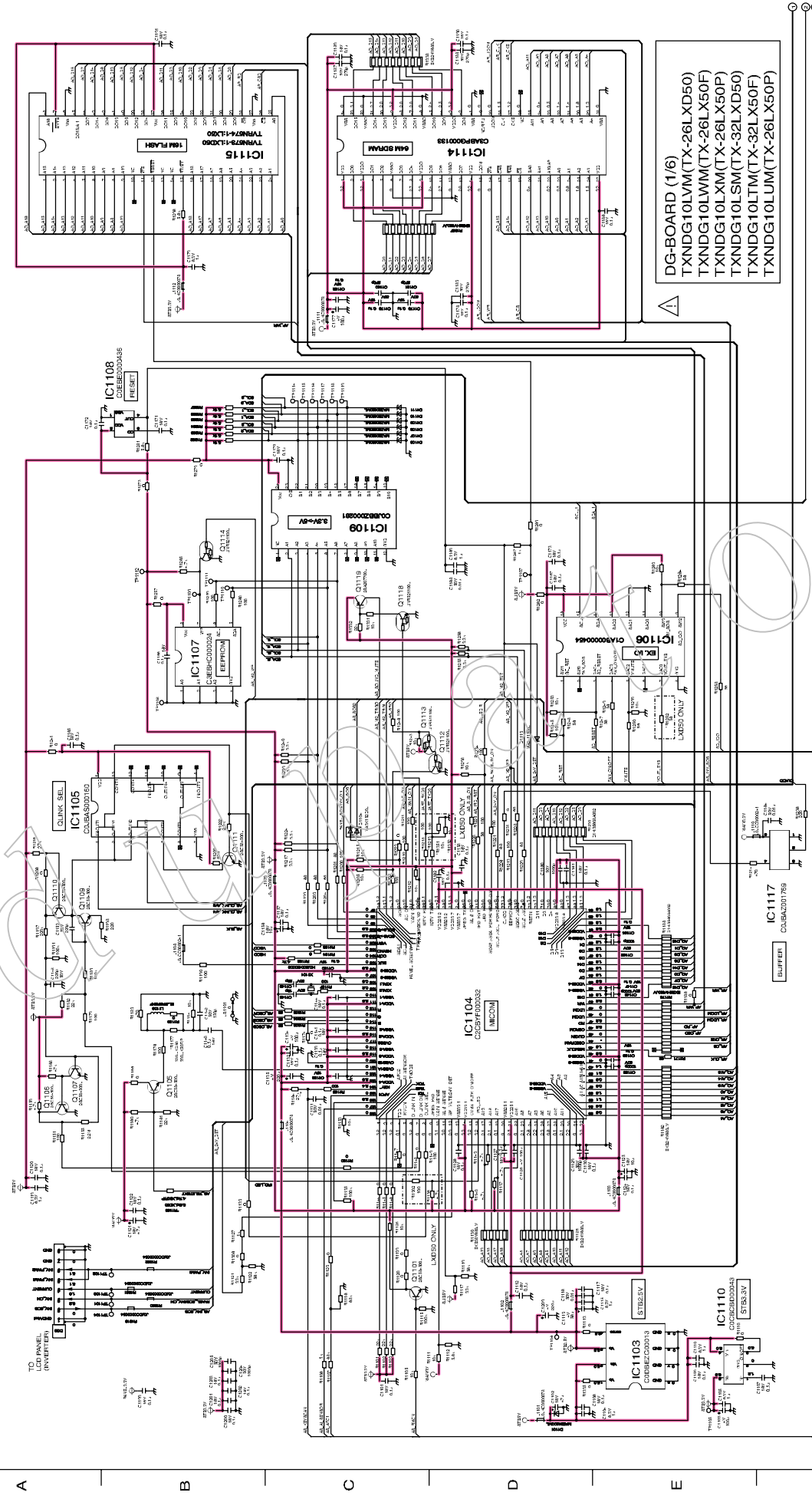
TX-32/26LXD50, TX-32/26LX50F H-Board (2/3) Schematic Diagram

11.11. H-Board (3/3) Schematic Diagram



H-BOARD (3/3)
 TXN/H10LSM(TX-26/32LXD50)
 TXN/H10LTM(TX-26/32LX50F/P)

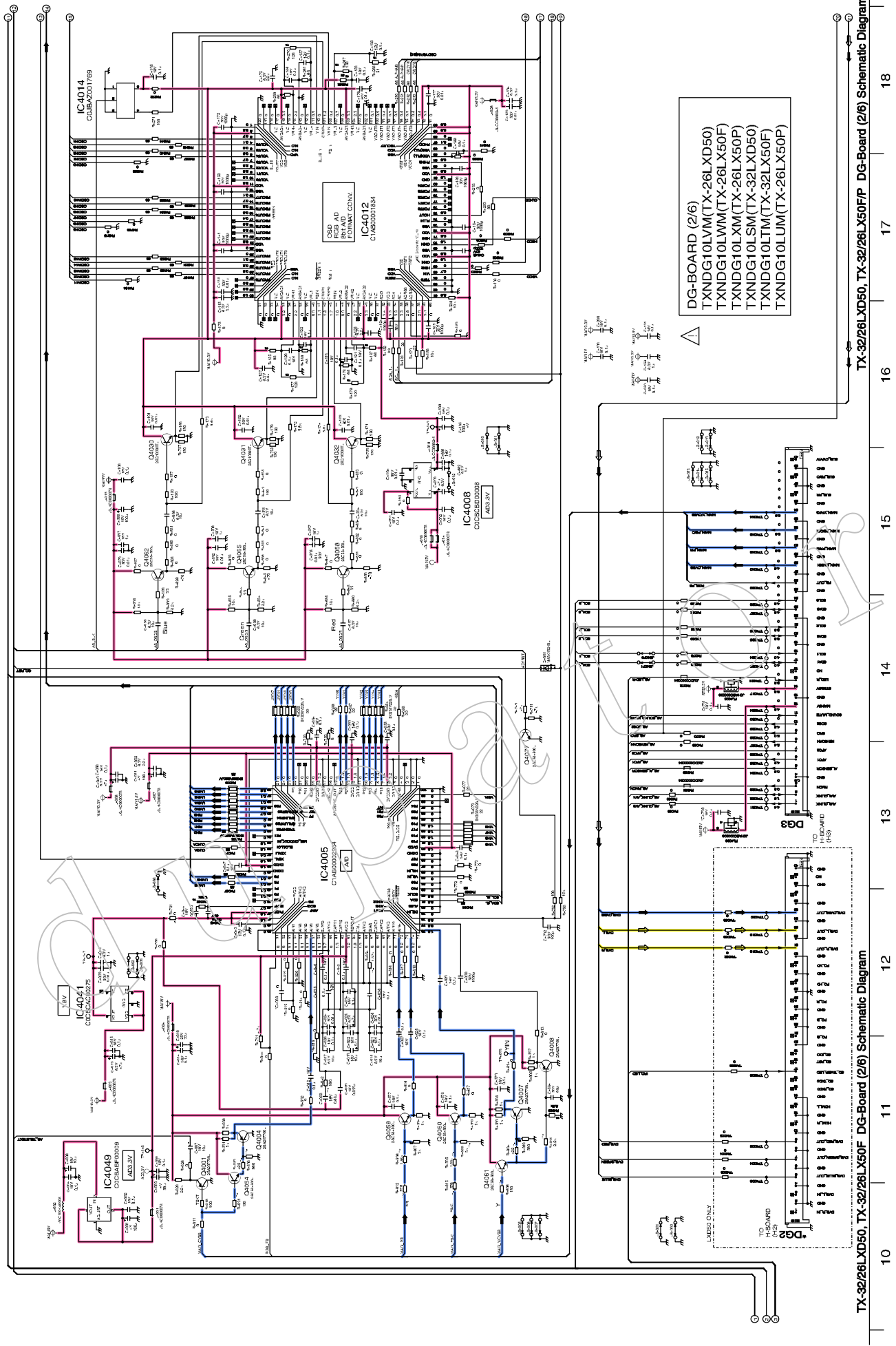
11.12. DG-Board (1/6) Schematic Diagram



TX-32/26LXD50, TX-32/26LX50F
DG-Board (1/6) Schematic Diagram

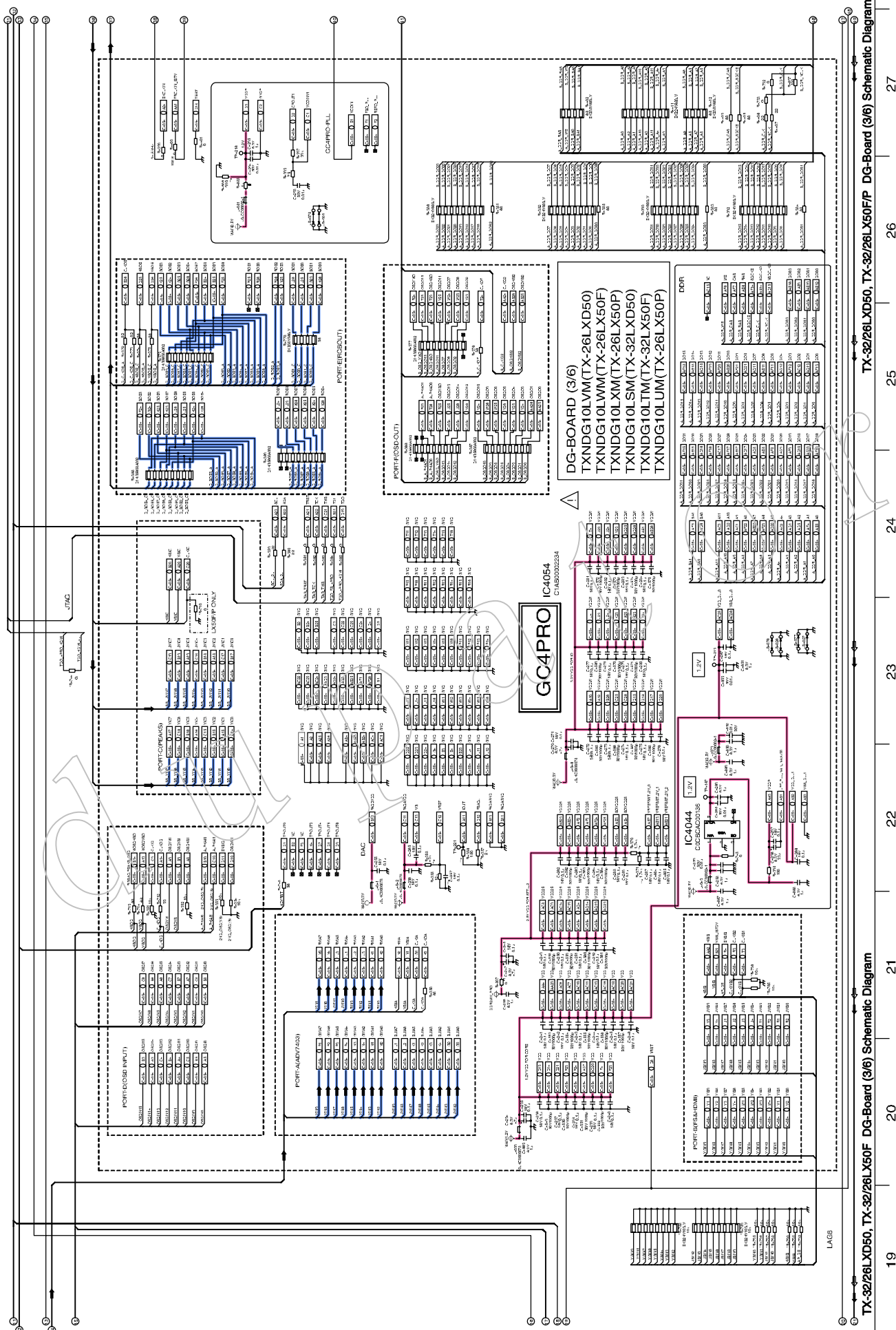
TX-32/26LXD50, TX-32/26LX50F
DG-Board (1/6) Schematic Diagram

11.13. DG-Board (2/6) Schematic Diagram



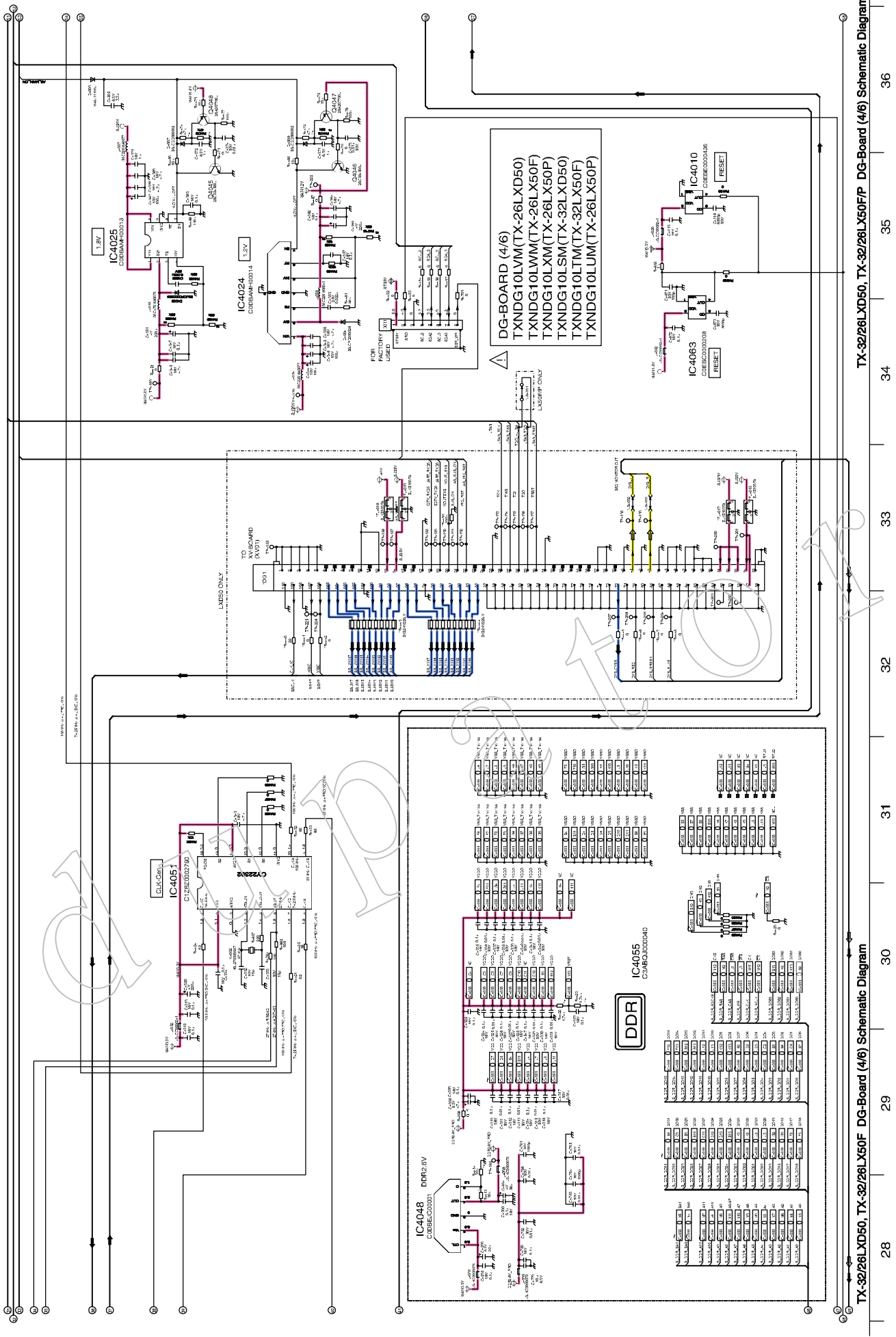
DG-BOARD (2/6)
 TXNDG10LVM(TX-26LXD50)
 TXNDG10LWM(TX-26LX50F)
 TXNDG10LXM(TX-26LX50P)
 TXNDG10LSM(TX-32LXD50)
 TXNDG10LTM(TX-32LX50F)
 TXNDG10LUM(TX-26LX50P)

11.14. DG-Board (3/6) Schematic Diagram

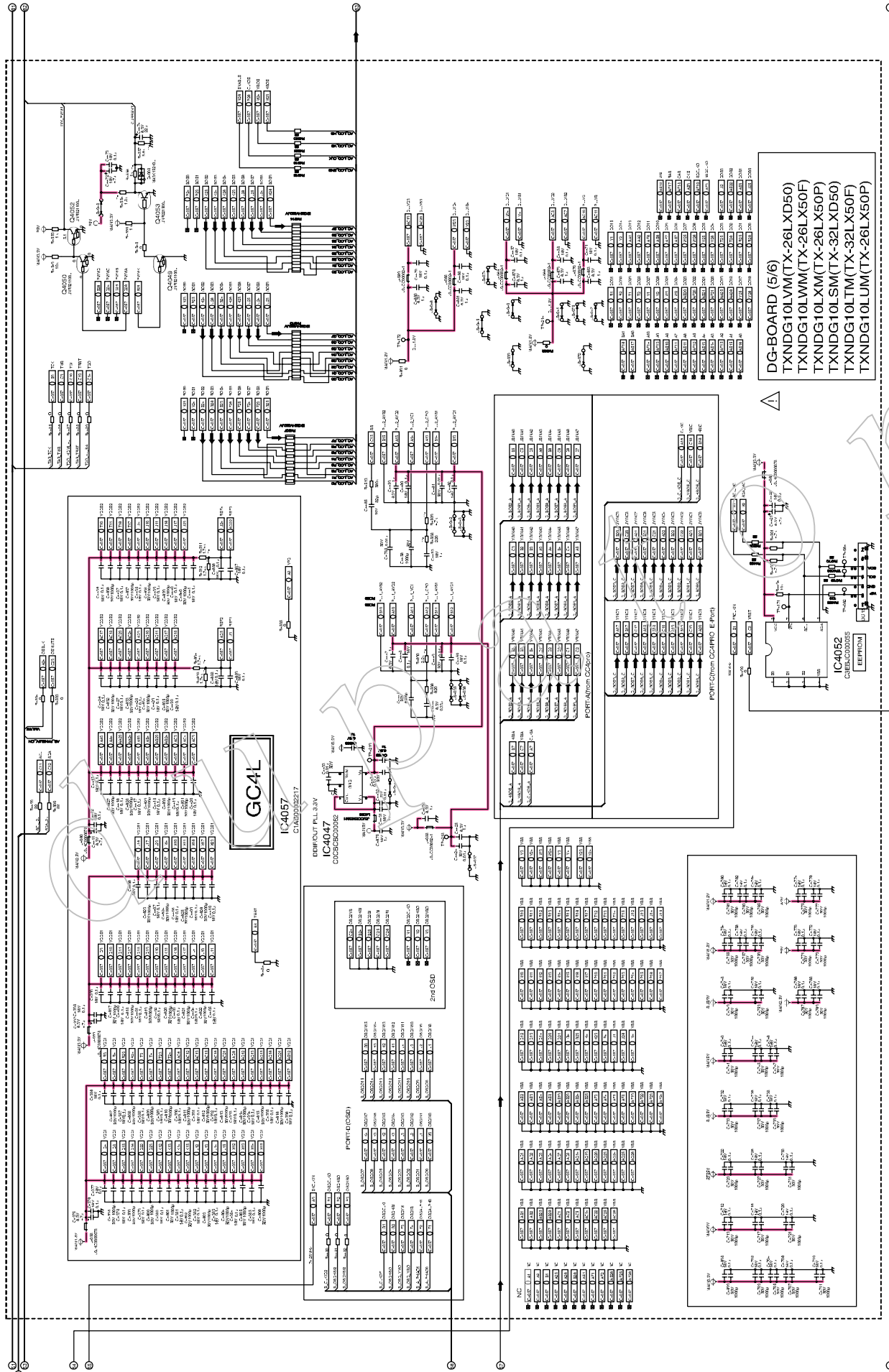


TX-32/26LXD50, TX-32/26LX50F DG-Board (3/6) Schematic Diagram

11.15. DG-Board (4/6) Schematic Diagram

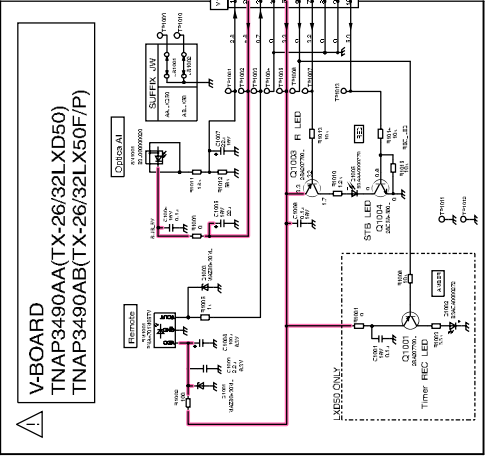


11.16. DG-Board (5/6) Schematic Diagram

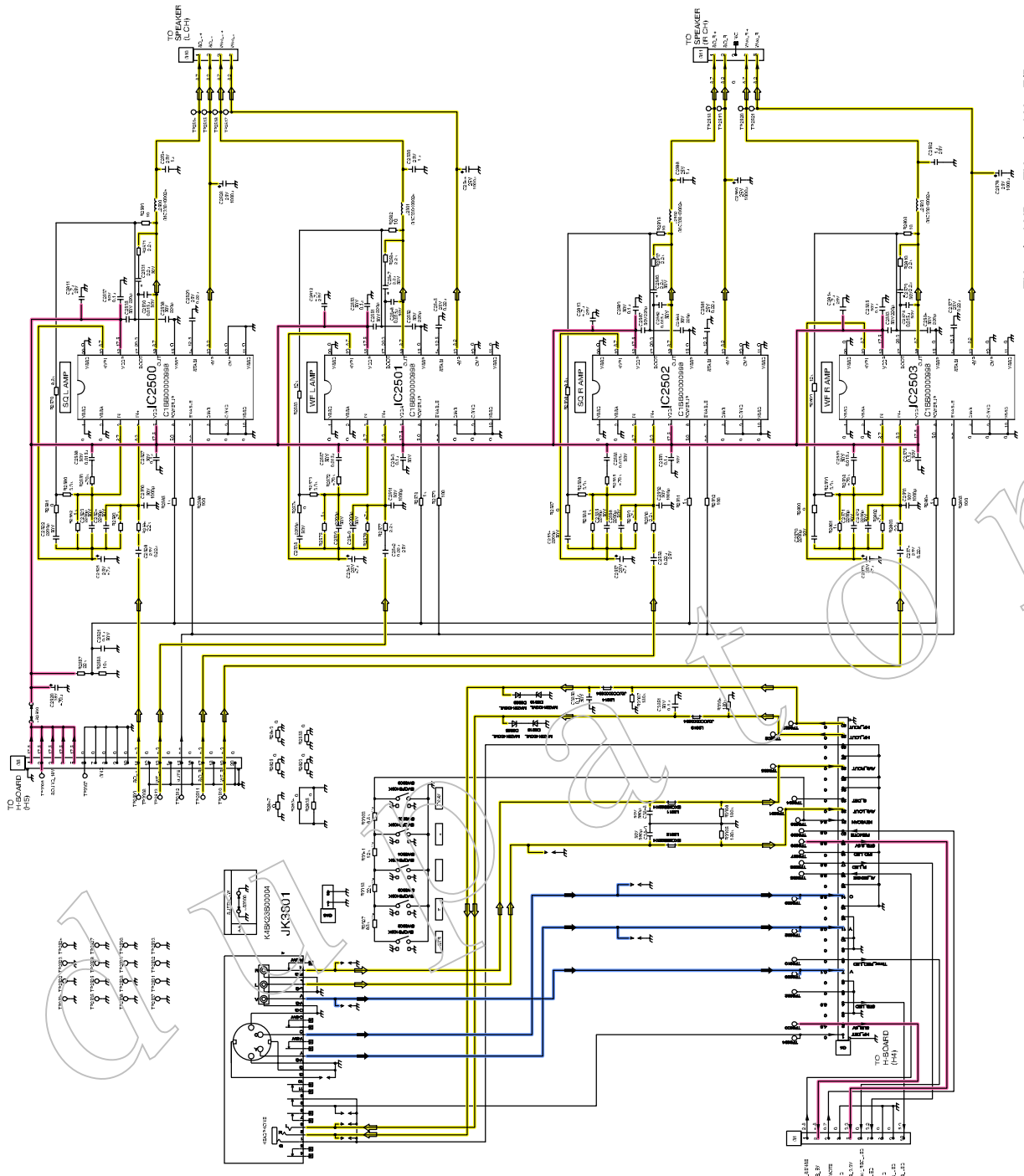


11.18. G-Board and V-Board Schematic Diagram

G-BOARD TNPA3489AA



V-BOARD TNPA3490AA(TX-26/32LXD50)
TNPA3490AB(TX-26/32LX50F/P)



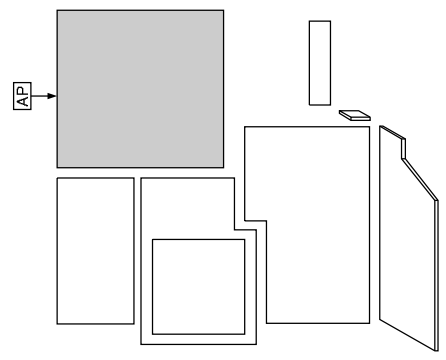
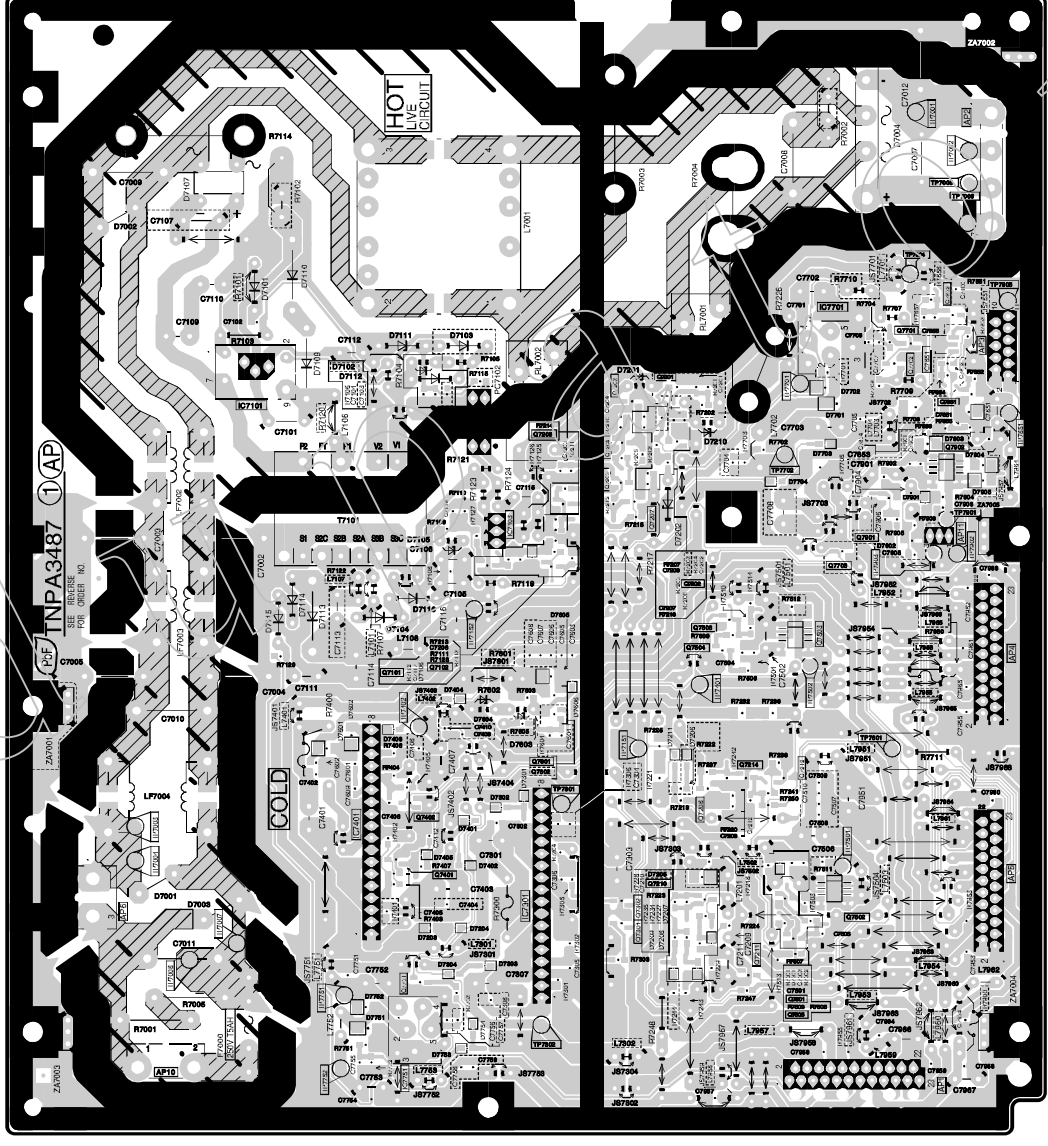
G-BOARD TNPA3489AA

1 2 3 4 5 6 7 8 9

12 Printed Circuit Board

12.1. AP-Board

AP-BOARD (FOIL SIDE)
 TNPA3487AB (TX-26/32LXD50)
 TNPA3487AD (TX-26/32LX50F/P)



Parts Location

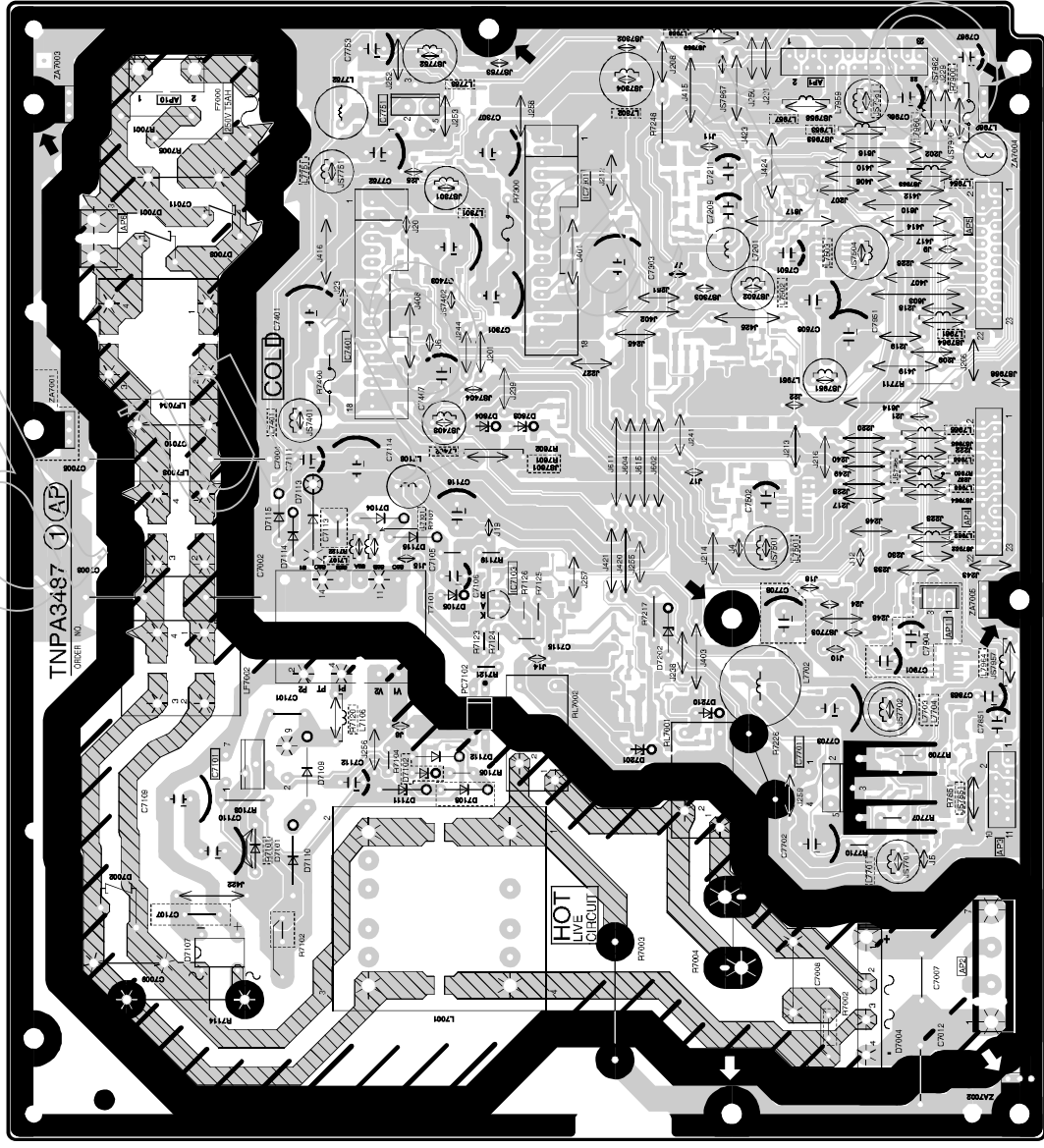
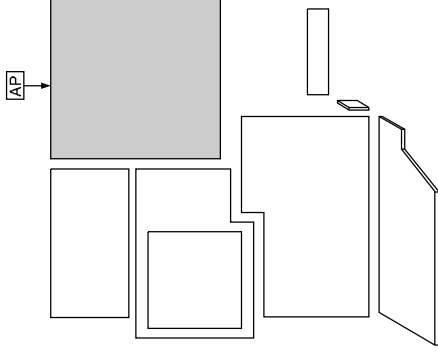
IC	AP-BOARD (FOIL SIDE)		TRANSISTOR
	D-5	C-4	
IC7101	D-4	C-4	Q7952
IC7103	D-4	C-4	Q7901
IC7501	B-3	D-3	Q7902
IC7701	E-2	D-3	TP7001
IC7751	A-4	D-3	TP7002
IC7851	E-2	D-3	TP7003
		D-3	TP7004
		D-3	TP7005
		D-3	TP7006
		B-3	TP7007
		B-3	TP7008
		C-3	TP7009
		C-2	TP7010
		C-2	TP7011
		B-3	TP7012
		B-3	TP7013
		B-3	TP7014
		B-3	TP7015
		B-4	TP7016
		B-4	TP7017
		B-2	TP7018
		B-2	TP7019
		C-2	TP7020
		C-2	TP7021
		C-2	TP7022
		C-2	TP7023
		C-2	TP7024
		C-2	TP7025
		C-2	TP7026
		C-2	TP7027
		C-2	TP7028
		C-2	TP7029
		C-2	TP7030
		C-3	TP7401
		C-3	TP7402
		B-4	TP7501
		B-4	TP7502
		A-2	TP7801
		A-2	TP7802
		C-2	TP7701
		C-2	TP7702
		A-2	TP7751
		C-3	TP7752
		C-3	TP7801
		C-3	TP7802
		E-2	TP7803
		E-2	TP7804
		D-2	TP7805
		B-4	TP7806
		D-1	TP7807

TX-26/32LXD50 AP-BOARD TNPA3487AB
 TX-26/32LX50F/P AP-BOARD TNPA3487AD

TX-26/32LXD50 AP-BOARD TNPA3487AB
 TX-26/32LX50F/P AP-BOARD TNPA3487AD



AP-BOARD (COMPONENT SIDE)
TNPA3487AB (TX-26/32LXD50)
TNPA3487AD (TX-26/32LX50F/P)



Parts Location

AP-BOARD (COMPONENT SIDE)	
IC	C-5 C-4 E-3 E-4 C-2 F-4
	C7101 C7103 C7301 C7401 C7701 C7751

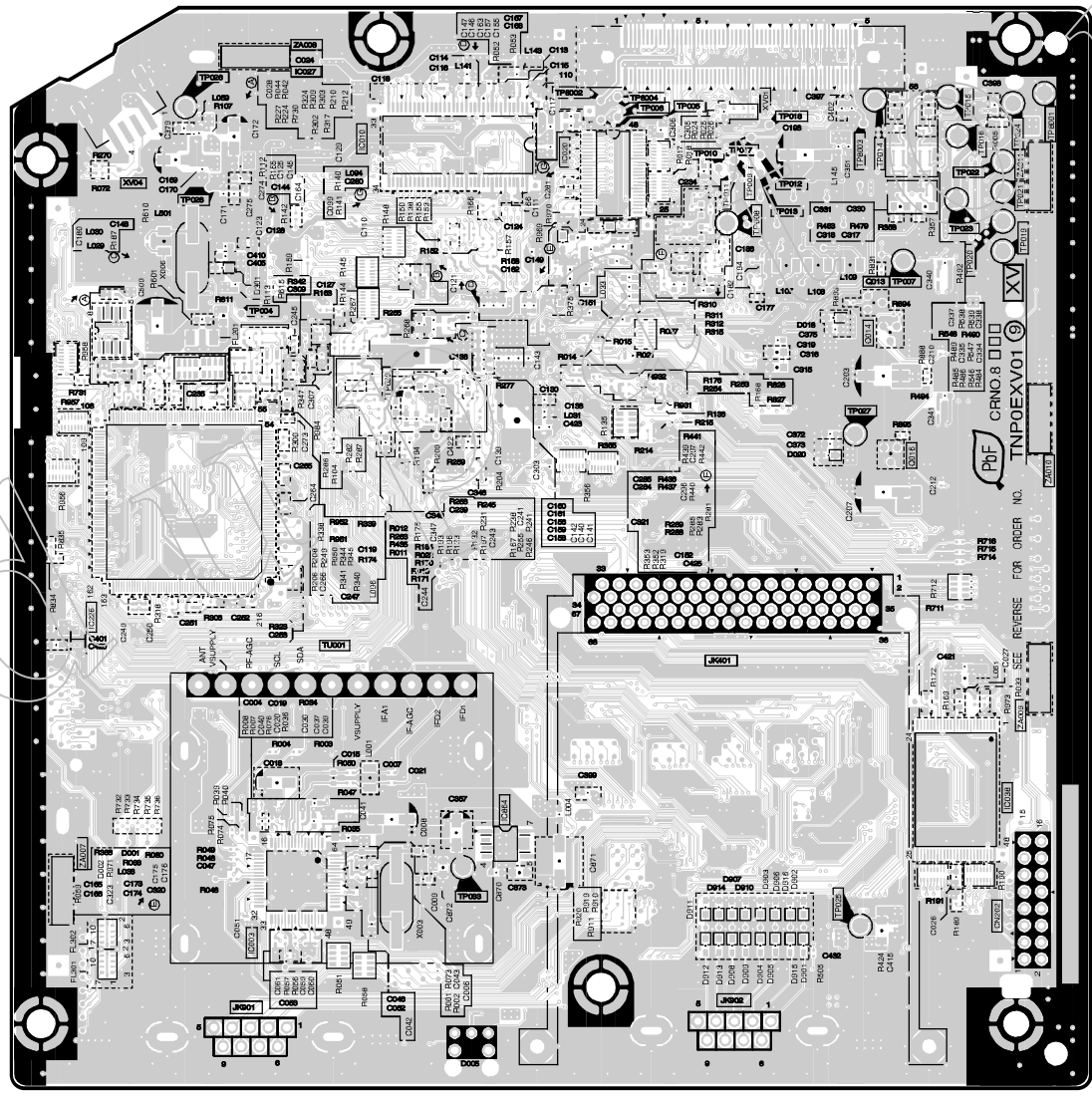
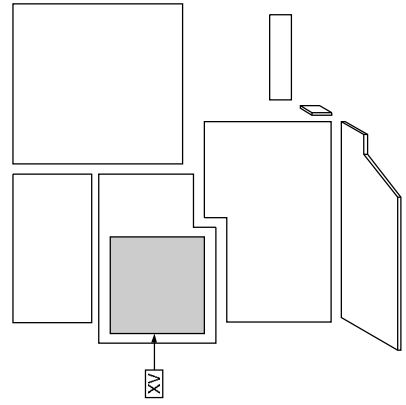
TX-26/32LXD50 AP-BOARD TNPA3487AB
 TX-26/32LX50F/P AP-BOARD TNPA3487AD

TX-26/32LXD50 AP-BOARD TNPA3487AB
 TX-26/32LX50F/P AP-BOARD TNPA3487AD

A B C D E F G H

12.2. XV-Board (TX-26/32LXD50 only)

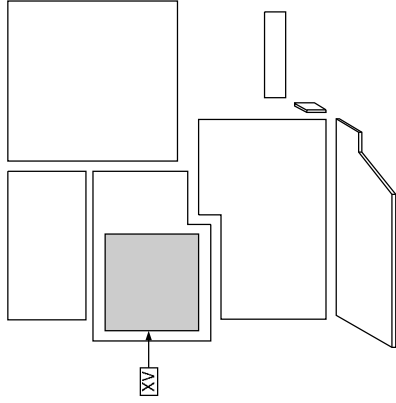
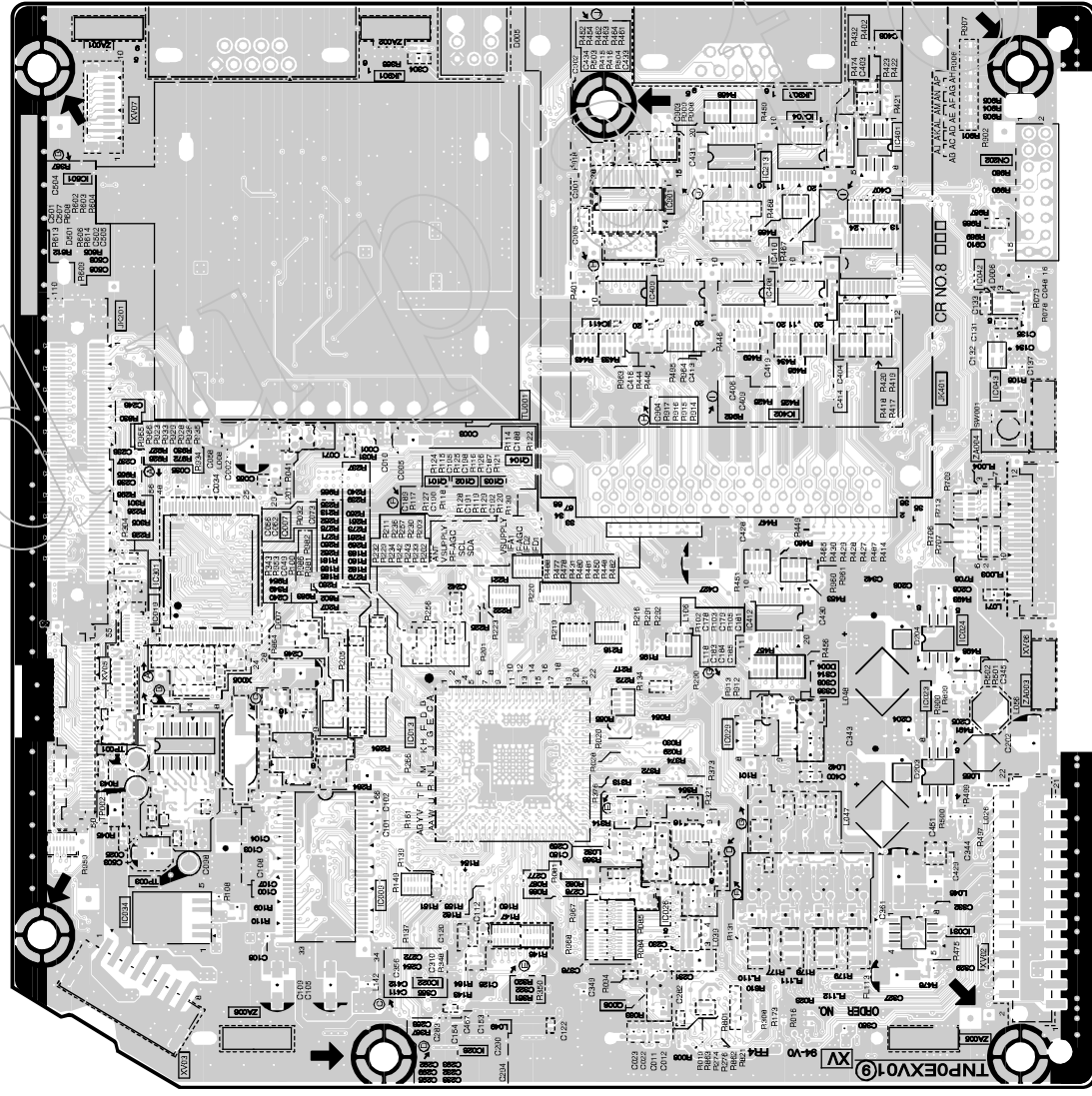
XV-BOARD (FOIL SIDE)
TNPOEXV01AD



Parts Location

IC	XV-BOARD (FOIL SIDE)		TRANSISTOR
	TRANSISTOR	TRANSISTOR	
CR003	B-5	CR013	TP018
CR010	E-4	CR014	TP019
CR020	E-3	CR016	TP020
CR027	F-5		TP021
CR038	B-1	TP004	TP022
CR028	C-6	TP005	TP023
CR064	B-4	TP006	TP024
		TP007	TP025
		TP008	TP026
		TP009	TP027
		TP010	TP028
		TP011	TP029
		TP012	TP030
		TP014	TP001
		TP015	TP002
		TP016	TP003
		TP017	TP004

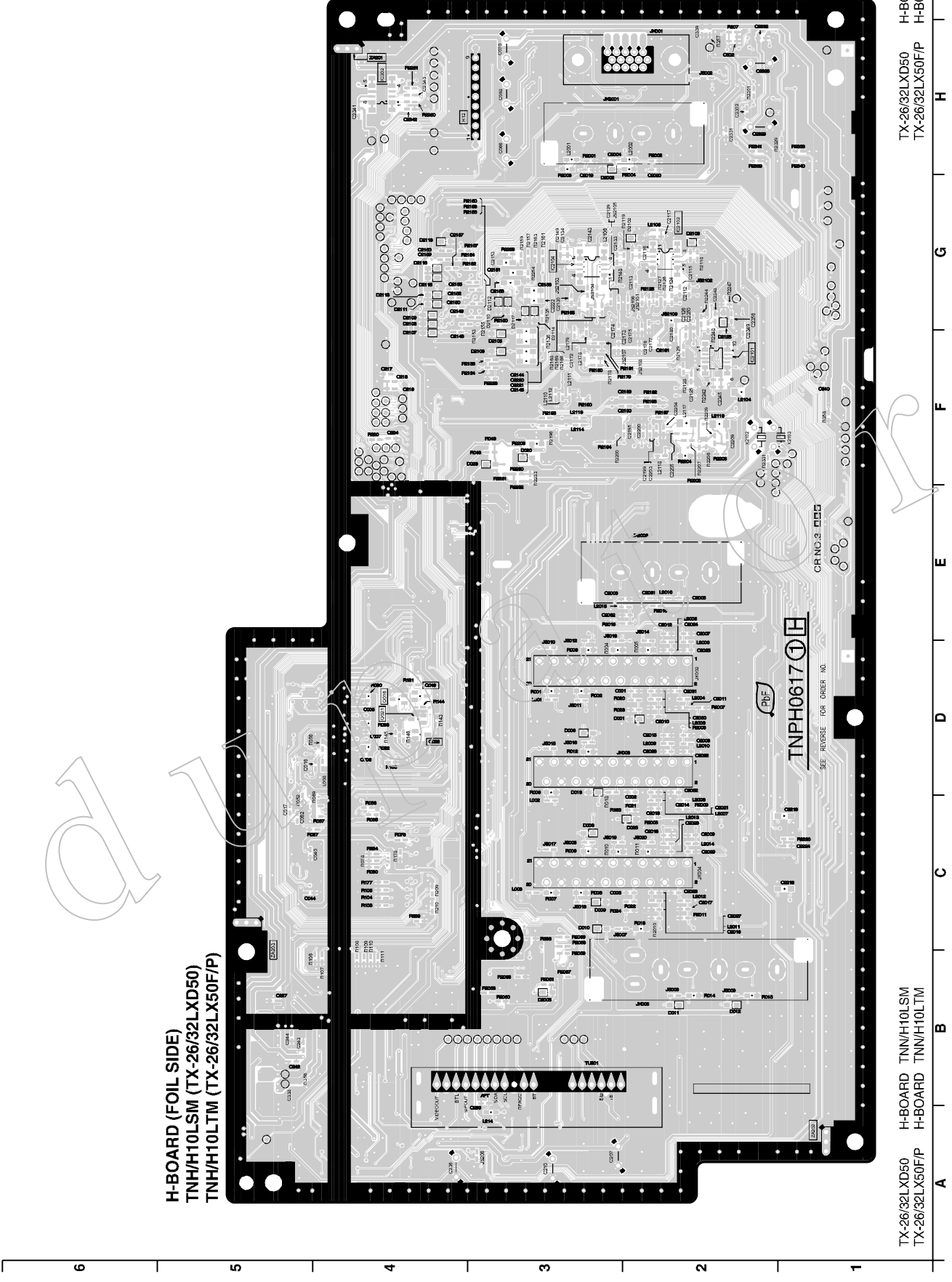
**XV-BOARD (COMPONENT SIDE)
TNPOEXV01AD**



Parts Location

XV-BOARD (COMPONENT SIDE)																																															
IC	<table border="1"> <tr> <td>C8009</td> <td>B-4</td> </tr> <tr> <td>C8013</td> <td>C-4</td> </tr> <tr> <td>C8019</td> <td>C-5</td> </tr> <tr> <td>C8022</td> <td>A-4</td> </tr> <tr> <td>C8023</td> <td>C-2</td> </tr> <tr> <td>C8026</td> <td>B-2</td> </tr> <tr> <td>C8028</td> <td>A-4</td> </tr> <tr> <td>C8029</td> <td>C-3</td> </tr> <tr> <td>C8031</td> <td>B-2</td> </tr> <tr> <td>C8034</td> <td>B-4</td> </tr> <tr> <td>C8042</td> <td>E-1</td> </tr> <tr> <td>C8043</td> <td>D-1</td> </tr> <tr> <td>C8213</td> <td>E-2</td> </tr> <tr> <td>C8401</td> <td>E-2</td> </tr> <tr> <td>C8402</td> <td>D-2</td> </tr> <tr> <td>C8404</td> <td>E-2</td> </tr> <tr> <td>C8408</td> <td>E-2</td> </tr> <tr> <td>C8409</td> <td>E-3</td> </tr> <tr> <td>C8410</td> <td>E-2</td> </tr> <tr> <td>C8411</td> <td>D-3</td> </tr> <tr> <td>C8472</td> <td>C-3</td> </tr> <tr> <td>C8501</td> <td>E-6</td> </tr> <tr> <td>C8501</td> <td>E-3</td> </tr> </table>	C8009	B-4	C8013	C-4	C8019	C-5	C8022	A-4	C8023	C-2	C8026	B-2	C8028	A-4	C8029	C-3	C8031	B-2	C8034	B-4	C8042	E-1	C8043	D-1	C8213	E-2	C8401	E-2	C8402	D-2	C8404	E-2	C8408	E-2	C8409	E-3	C8410	E-2	C8411	D-3	C8472	C-3	C8501	E-6	C8501	E-3
C8009	B-4																																														
C8013	C-4																																														
C8019	C-5																																														
C8022	A-4																																														
C8023	C-2																																														
C8026	B-2																																														
C8028	A-4																																														
C8029	C-3																																														
C8031	B-2																																														
C8034	B-4																																														
C8042	E-1																																														
C8043	D-1																																														
C8213	E-2																																														
C8401	E-2																																														
C8402	D-2																																														
C8404	E-2																																														
C8408	E-2																																														
C8409	E-3																																														
C8410	E-2																																														
C8411	D-3																																														
C8472	C-3																																														
C8501	E-6																																														
C8501	E-3																																														
TRANSISTOR	<table border="1"> <tr> <td>CR007</td> <td>C-5</td> </tr> <tr> <td>CR008</td> <td>A-3</td> </tr> <tr> <td>CR101</td> <td>D-4</td> </tr> <tr> <td>CR102</td> <td>D-4</td> </tr> <tr> <td>CR103</td> <td>D-4</td> </tr> <tr> <td>CR104</td> <td>D-4</td> </tr> <tr> <td>TP001</td> <td>B-6</td> </tr> <tr> <td>TP002</td> <td>B-6</td> </tr> <tr> <td>TP003</td> <td>B-5</td> </tr> </table>	CR007	C-5	CR008	A-3	CR101	D-4	CR102	D-4	CR103	D-4	CR104	D-4	TP001	B-6	TP002	B-6	TP003	B-5																												
CR007	C-5																																														
CR008	A-3																																														
CR101	D-4																																														
CR102	D-4																																														
CR103	D-4																																														
CR104	D-4																																														
TP001	B-6																																														
TP002	B-6																																														
TP003	B-5																																														

12.3. H-Board

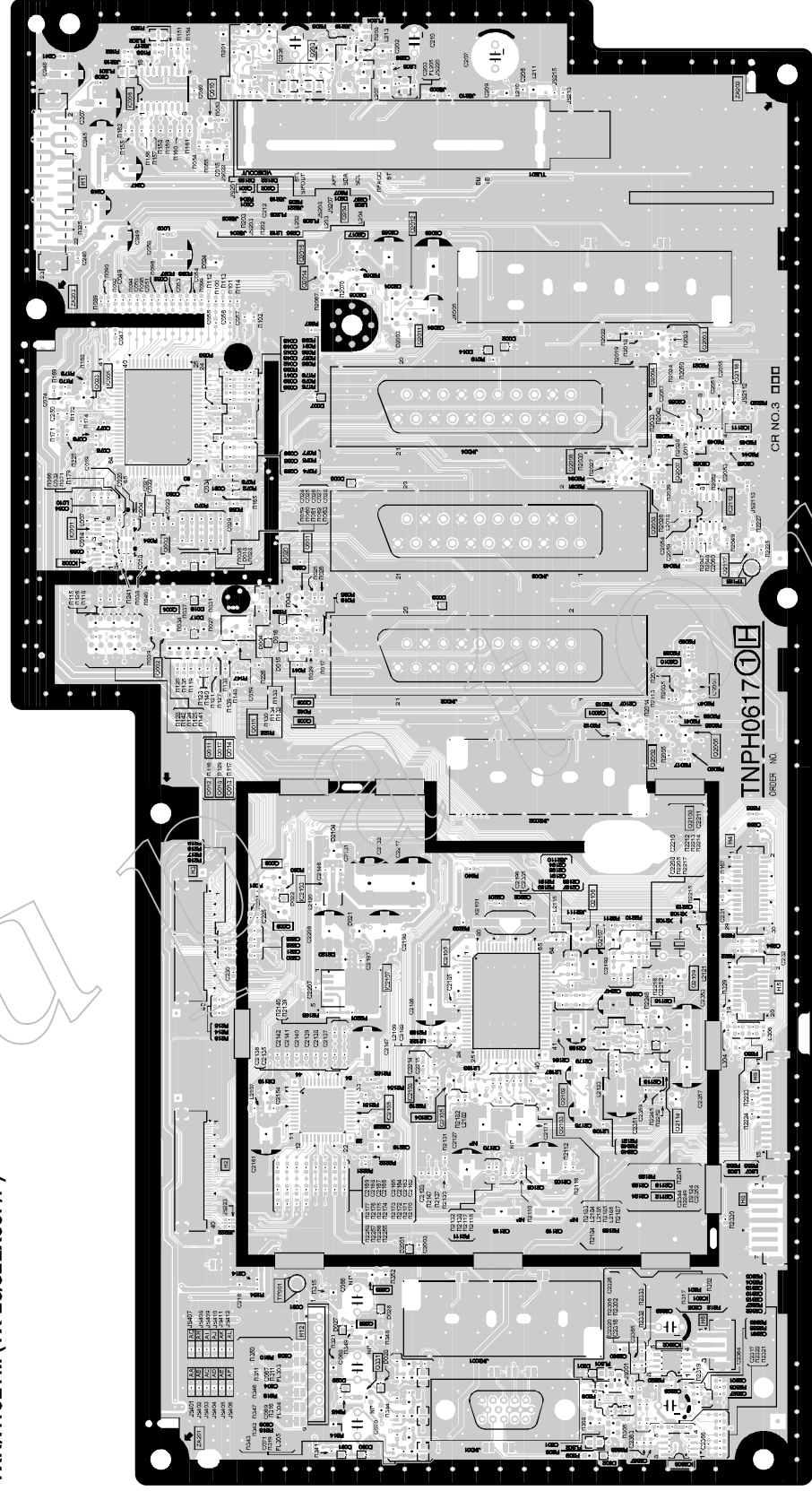


H-BOARD (FOIL SIDE)
 TNH/H10LSM (TX-26/32LXD50)
 TNH/H10LTM (TX-26/32LX50F/P)

TX-26/32LXD50 H-BOARD TNH/H10LSM
 TX-26/32LX50F/P H-BOARD TNH/H10LTM



**H-BOARD (COMPONENT SIDE)
TXN/H10LSM (TX-26/32LXD50)
TXN/H10LTM (TX-26/32LX50F/P)**



6
5
4
3
2
1

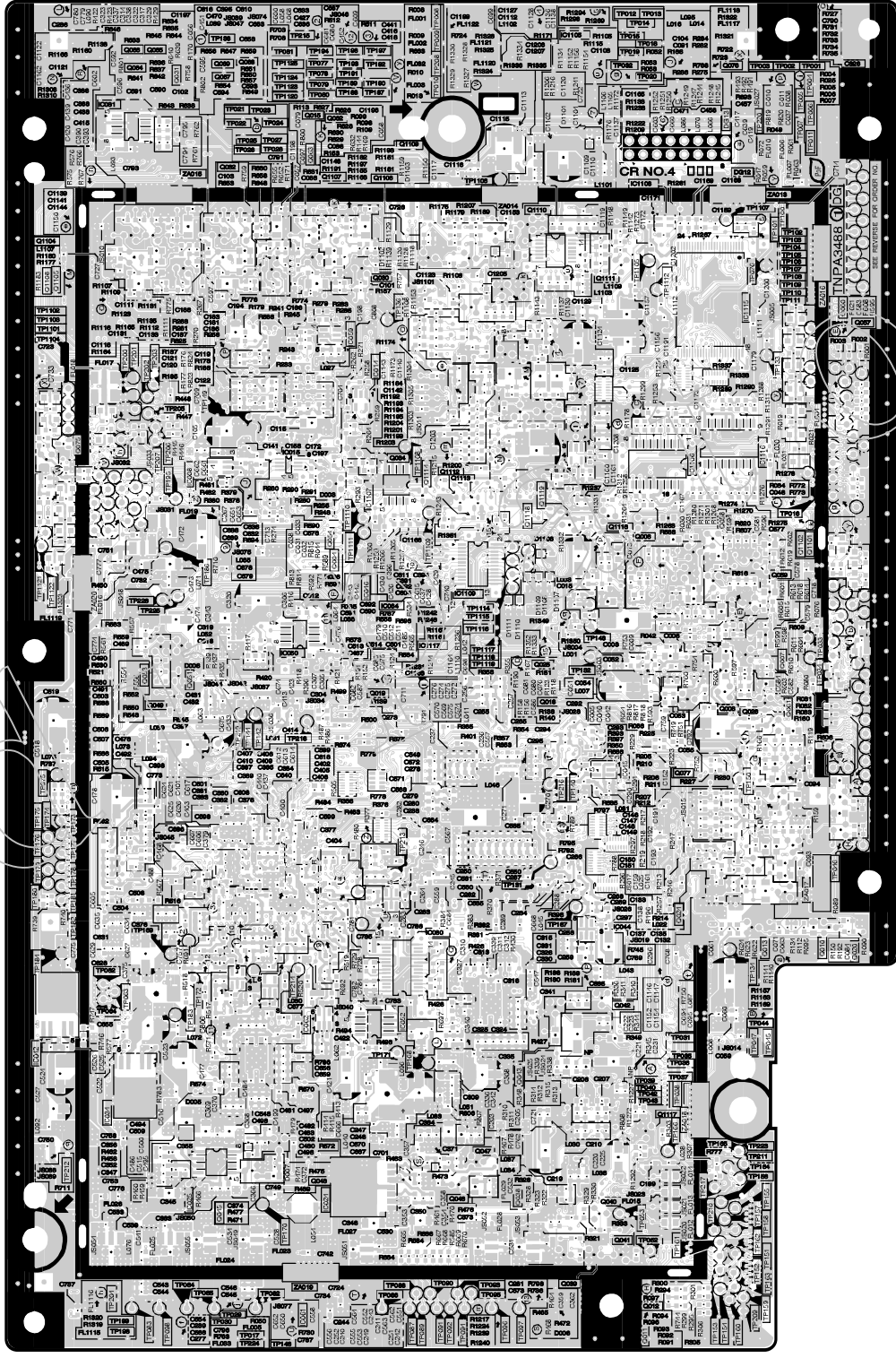
TX-26/32LXD50 H-BOARD TXN/H10LSM
TX-26/32LX50F/P H-BOARD TXN/H10LTM

TX-26/32LXD50 H-BOARD TXN/H10LSM
TX-26/32LX50F/P H-BOARD TXN/H10LTM

A | B | C | D | E | F | G | H | I

12.4. DG-Board

- DG-BOARD (FOIL SIDE)
- TXNDG10LVM (TX-26LX50F) TXNDG10LWM (TX-26LX50P)
- TXNDG10LVM (TX-32LXD50) TXNDG10LWM (TX-32LXD50P)
- TXNDG10LSM (TX-32LXD50) TXNDG10LTM (TX-32LX50F)

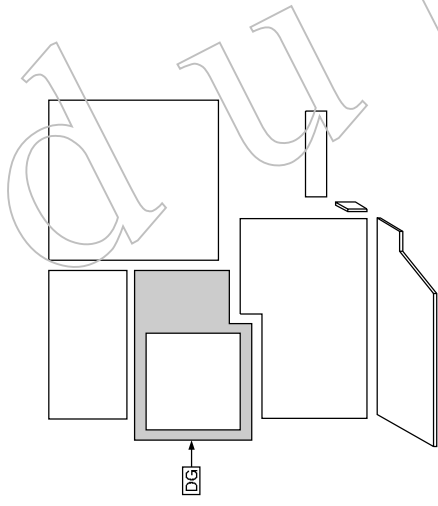


- TX-26LXD50
- TX-26LX50F
- TX-26LX50P
- TX-32LXD50
- TX-32LX50F
- TX-32LX50P

- DG-BOARD
- DG-BOARD
- DG-BOARD
- DG-BOARD
- DG-BOARD
- DG-BOARD

- TXNDG10LVM
- TXNDG10LWM
- TXNDG10LVM
- TXNDG10LSM
- TXNDG10LTM
- TXNDG10LVM

A B C D E F G H



Parts Location

Parts Location		DG-BOARD (COMPONENT SIDE)											
IC	TRANSISTOR	TRANSISTOR	TP	TP	TP	TP	TP	TP	TP	TP	TP		
H-3	IC1105	Q4040	B-3	TP001	H-2	TP040	B-3	TP104	G-2	TP142	D-5	TP186	E-5
E-2	IC1102	Q4041	A-3	TP002	H-2	TP042	B-3	TP105	G-2	TP144	D-5	TP187	G-4
E-4	IC1104	Q4042	C-2	TP003	H-2	TP043	B-3	TP106	G-2	TP146	A-5	TP188	C-2
G-3	IC1108	Q4043	B-3	TP004	G-2	TP044	B-2	TP107	G-2	TP148	E-3	TP189	B-6
E-4	IC1105	Q4045	B-5	TP005	G-2	TP045	C-2	TP108	F-2	TP150	D-2	TP190	G-4
F-2	IC1107	Q4046	B-4	TP006	G-2	TP046	C-2	TP109	F-2	TP151	A-2	TP191	H-4
F-2	IC1116	Q4047	B-3	TP007	G-2	TP047	B-2	TP110	F-2	TP152	A-2	TP192	H-4
E-4	IC1109	Q4048	B-4	TP008	H-4	TP048	B-3	TP1102	F-6	TP153	A-2	TP193	H-4
E-5	IC1117	Q4049	D-5	TP009	H-4	TP049	B-3	TP1103	F-6	TP154	A-2	TP194	H-4
F-4	IC1110	Q4051	D-5	TP010	G-4	TP050	C-3	TP1104	F-6	TP155	A-2	TP195	H-4
F-5	IC1112	Q4053	D-5	TP011	H-4	TP051	C-3	TP1105	F-3	TP156	B-2	TP196	E-5
B-4	IC1113	Q4054	E-4	TP012	G-2	TP052	C-6	TP1106	G-3	TP157	B-2	TP197	H-4
B-5	IC1114	Q4055	E-4	TP013	H-3	TP053	C-6	TP1107	G-3	TP158	B-2	TP198	A-5
B-5	IC1116	Q4056	E-2	TP014	H-3	TP054	C-2	TP1108	G-2	TP159	B-2	TP199	A-2
B-6	IC1117	Q4057	E-2	TP015	H-3	TP055	C-2	TP1109	E-4	TP160	A-2	TP200	F-5
E-3	IC1118	Q4058	F-2	TP016	H-3	TP056	H-4	TP1108	F-4	TP161	A-2	TP201	F-5
D-2	IC1119	Q4061	D-2	TP017	E-2	TP057	G-4	TP1111	F-2	TP162	A-2	TP202	F-5
E-4	IC1004	Q4062	G-4	TP018	A-5	TP058	H-5	TP1110	E-4	TP163	A-2	TP203	F-5
E-3	IC1050	Q4063	G-4	TP019	H-3	TP059	H-5	TP1111	E-4	TP164	A-2	TP204	F-5
C-4	IC1052	Q4064	H-5	TP020	H-3	TP060	A-5	TP1112	F-3	TP165	B-2	TP206	F-5
F-4	IC1059	Q4065	H-5	TP021	G-5	TP061	A-5	TP1114	F-3	TP166	B-3	TP208	F-4
A-4	IC1061	Q4066	H-5	TP022	G-5	TP062	A-5	TP1115	E-4	TP167	B-3	TP209	F-4
C-4	IC1062	Q4067	H-5	TP023	G-5	TP063	A-4	TP1116	E-4	TP168	B-4	TP210	A-2
E-4	IC1064	Q4068	H-5	TP024	G-5	TP064	A-4	TP1117	E-4	TP169	B-4	TP211	B-2
C-4	IC1013	Q4069	H-5	TP025	G-5	TP065	A-4	TP1118	D-3	TP170	B-5	TP212	B-6
G-5	IC1015	Q4075	F-6	TP026	G-5	TP066	A-4	TP1119	D-3	TP172	C-5	TP213	C-4
H-2	IC1018	Q4076	H-2	TP027	G-5	TP067	A-4	TP1120	G-5	TP173	D-6	TP214	C-5
D-4	IC1019	Q4077	D-2	TP028	G-5	TP068	A-4	TP1121	E-6	TP174	D-6	TP215	H-4
C-2	IC1020	Q4077	C-2	TP029	G-5	TP069	A-4	TP1122	E-6	TP175	D-6	TP216	H-4
D-3	IC1028	Q4082	D-3	TP030	A-5	TP070	A-3	TP1123	G-5	TP176	C-6	TP217	D-3
F-2	IC1034	Q4084	F-2	TP031	H-3	TP071	A-4	TP1124	H-5	TP177	C-6	TP218	D-2
F-4	IC1037	Q4085	F-4	TP032	H-3	TP072	A-3	TP1125	H-5	TP178	C-6	TP219	D-2
H-5	IC1032	Q4086	H-5	TP033	D-2	TP073	A-3	TP1126	C-3	TP179	C-6	TP220	D-5
G-5	IC1033	Q4087	G-5	TP034	E-2	TP074	A-3	TP1127	C-3	TP180	C-6	TP221	D-2
F-4	IC1034	Q4088	F-4	TP035	B-2	TP075	A-3	TP1128	F-2	TP181	C-6	TP222	B-2
B-3	IC1038	Q4089	B-3	TP036	B-2	TP076	A-3	TP1129	C-2	TP182	C-6	TP223	A-5
A-3	IC1039	Q4090	A-3	TP037	B-2	TP077	G-2	TP1130	F-4	TP183	C-6	TP224	E-5
B-3	IC1040	Q4091	B-3	TP038	B-2	TP078	G-2	TP1131	H-5	TP184	C-6	TP225	E-5
A-3	IC1041	Q4091	A-3	TP039	B-3	TP079	G-2	TP1132	D-3	TP185	C-6	TP226	E-5

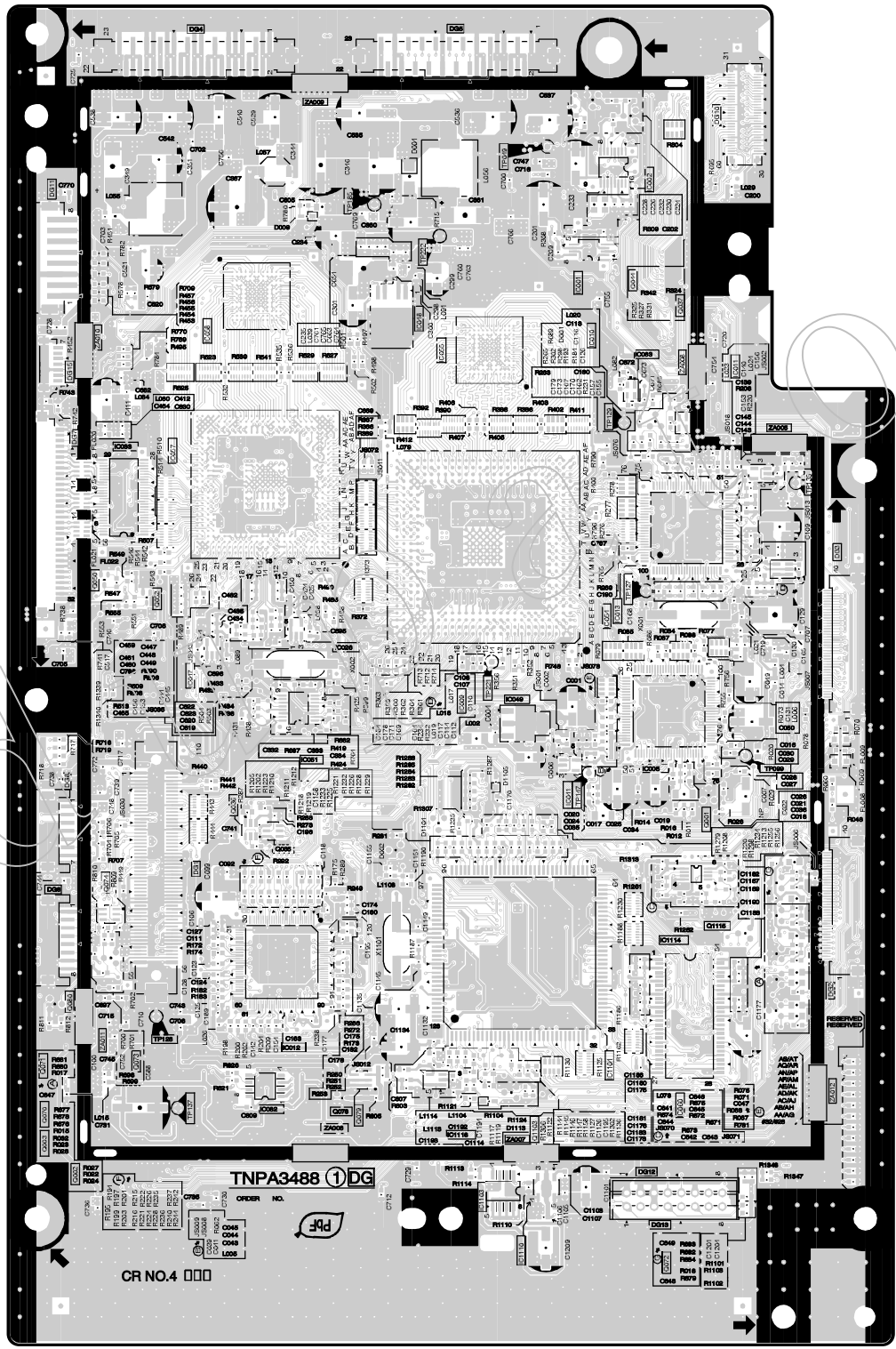
Parts Location

Parts Location		DG-BOARD (COMPONENT SIDE)	
IC	TRANSISTOR	IC	TRANSISTOR
B-3	Q1103	IC1103	Q1103
B-3	Q1115	IC1104	Q1115
C-2	Q4001	IC1110	Q4001
B-6	Q4002	IC1114	Q4002
B-6	Q4003	IC1118	Q4003
C-5	Q4035	IC4001	Q4035
D-5	Q4036	IC4002	Q4036
F-2	Q4037	IC4005	Q4037
F-3	Q4044	IC4008	Q4044
E-6	Q4050	IC4009	Q4050
E-6	Q4070	IC4011	Q4070
B-6	Q4071	IC4012	Q4071
A-2	Q4072	IC4013	Q4072
B-5	Q4074	IC4031	Q4074
C-5	Q4075	IC4033	Q4075
B-4	Q4078	IC4047	Q4078
B-4	Q4078	IC4048	Q4078
C-6	Q4080	IC4049	Q4080
		IC4051	
		IC4054	
		IC4055	
		IC4057	
		IC4058	
		IC4060	
		IC4063	
		IC4082	
		TP	
		TP009	D-2
		TP049	G-3
		TP127	E-3
		TP128	C-5
		TP129	F-3
		TP135	E-2
		TP137	B-5
		TP147	D-3
		TP185	G-5
		TP191	B-3
		TP222	G-4

TX-26/32LXD50
TX-26/32LX50F/P DG-BOARD PARTS LOCATION

TX-26/32LXD50
TX-26/32LX50F/P DG-BOARD PARTS LOCATION

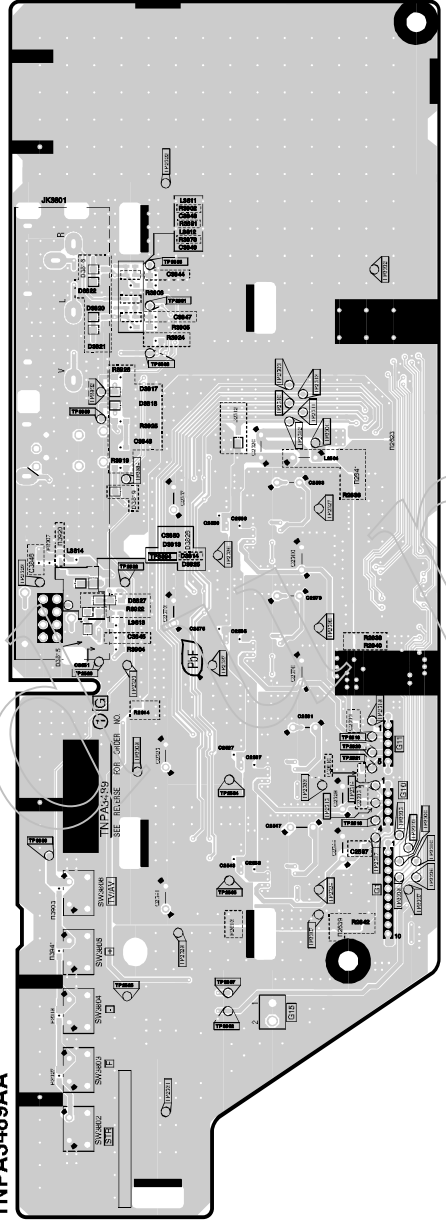
DG-BOARD (COMPONENT SIDE)
 TXNDG10LVM (TX-26LXD50) TXNDG10LWM (TX-26LX50F) TXNDG10LXM (TX-26LX50P)
 TXNDG10LSM (TX-32LXD50) TXNDG10LTM (TX-32LXD50F) TXNDG10LUM (TX-32LX50P)



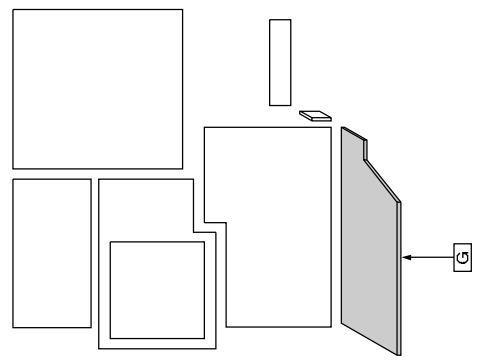
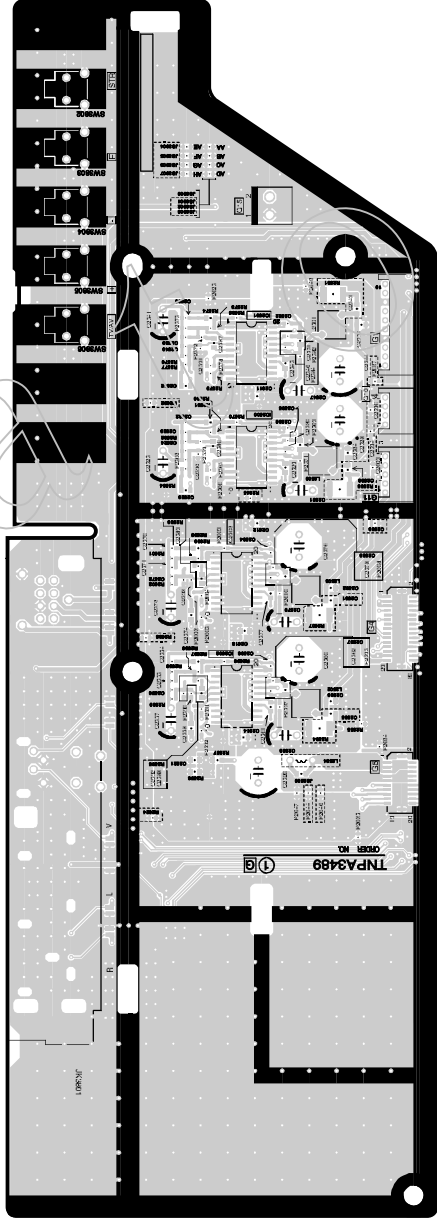
TX-26LXD50	DG-BOARD	TXNDG10LVM
TX-26LX50F	DG-BOARD	TXNDG10LWM
TX-26LXD50	DG-BOARD	TXNDG10LXM
TX-32LXD50	DG-BOARD	TXNDG10LSM
TX-32LX50F	DG-BOARD	TXNDG10LTM
TX-32LXD50P	DG-BOARD	TXNDG10LUM

12.5. G-Board

G-BOARD (FOIL SIDE)
TNP3489AA



G-BOARD (COMPONENT SIDE)
TNP3489AA



Parts Location

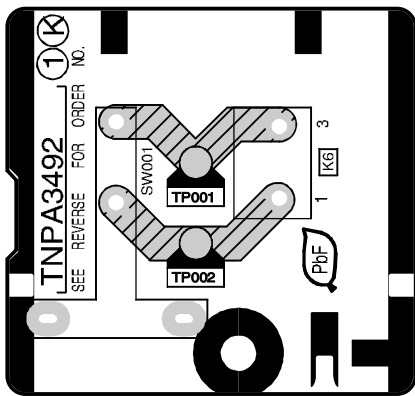
IC		G-BOARD		TP	
IC2500	E-2	TP2509	E-5	TP2534	C-5
IC2501	E-2	TP2510	E-5	TP2535	B-5
IC2502	C-2	TP2511	E-5	TP2536	D-5
IC2503	D-2	TP2512	E-5	TP2537	C-3
		TP2513	E-5	TP3884	D-6
		TP2514	E-5	TP3885	E-6
		TP2515	C-4	TP3886	C-4
		TP2516	C-4	TP3887	B-5
		TP2517	C-4	TP3888	E-5
		TP2518	C-4	TP3889	E-6
		TP2519	C-4	TP3891	E-5
		TP2520	C-4	TP3892	E-6
		TP2521	C-4	TP3894	D-5
		TP2522	F-5	TP3900	C-4
		TP2523	D-6	TP3902	B-5
		TP2524	B-5	TP3906	E-5
		TP2525	B-6	TP3907	B-5
		TP2526	C-6	TP3908	C-6
		TP2527	D-5	TP3910	C-4
		TP2528	B-5	TP3992	E-4
		TP2529	C-6	TP3995	C-4
		TP2530	D-5	TP3996	B-4
		TP2531	A-5	TP3997	B-4
		TP2532	D-6	TP3998	B-4
		TP2533	C-5	TP3999	C-4

TX-26/32LXD50
TX-26/32LX50F/P
G-BOARD TNP3489AA

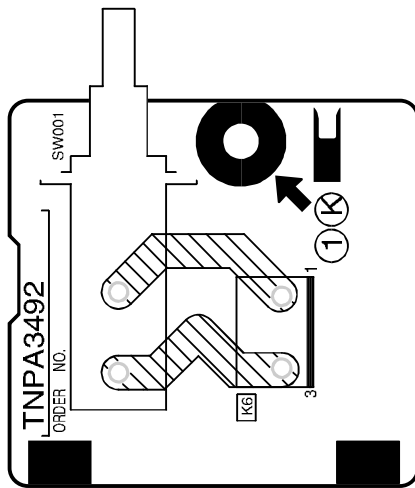
TX-26/32LXD50
TX-26/32LX50F/P
G-BOARD TNP3489AA

12.6. K-Board and V-Board

K-BOARD (FOIL SIDE)
TNPA3492AA



K-BOARD (COMPONENT SIDE)
TNPA3492AA

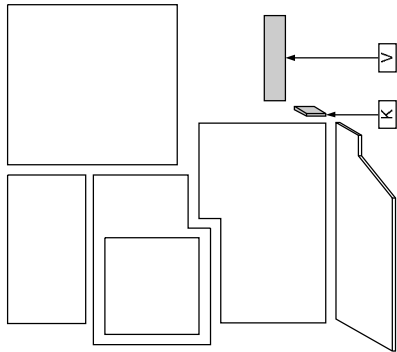


Parts Location

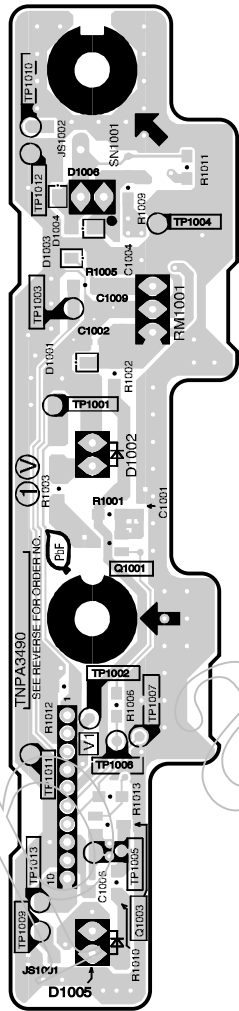
TP	K-BOARD
TP001	B-5
TP002	A-4

Parts Location

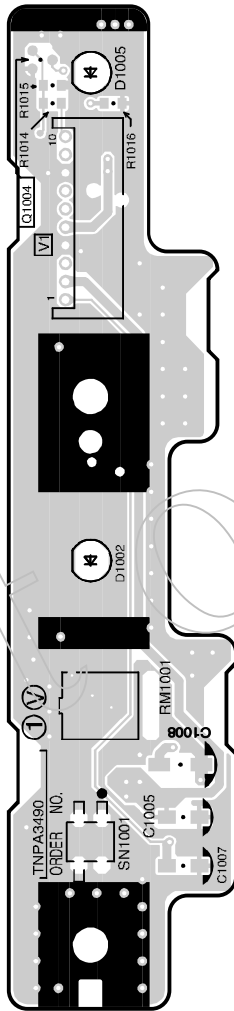
TRANSISTOR	V-BOARD	TP
Q1001	F-4	TP1001
Q1003	D-4	TP1002
		TP1003
		TP1004
		TP1005
		TP1006
		TP1007
		TP1008
		TP1010
		TP1011
		TP1012
		TP1013
		D-4



V-BOARD (FOIL SIDE)
TNPA3490AA (TX-26/32LX50)
TNPA3490AB (TX-26/32LX50F/P)



V-BOARD (COMPONENT SIDE)
TNPA3490AA (TX-26/32LX50)
TNPA3490AB (TX-26/32LX50F/P)



- TX-26/32LX50
- TX-26/32LX50FP
- TX-26/32LX50
- TX-26/32LX50F/P

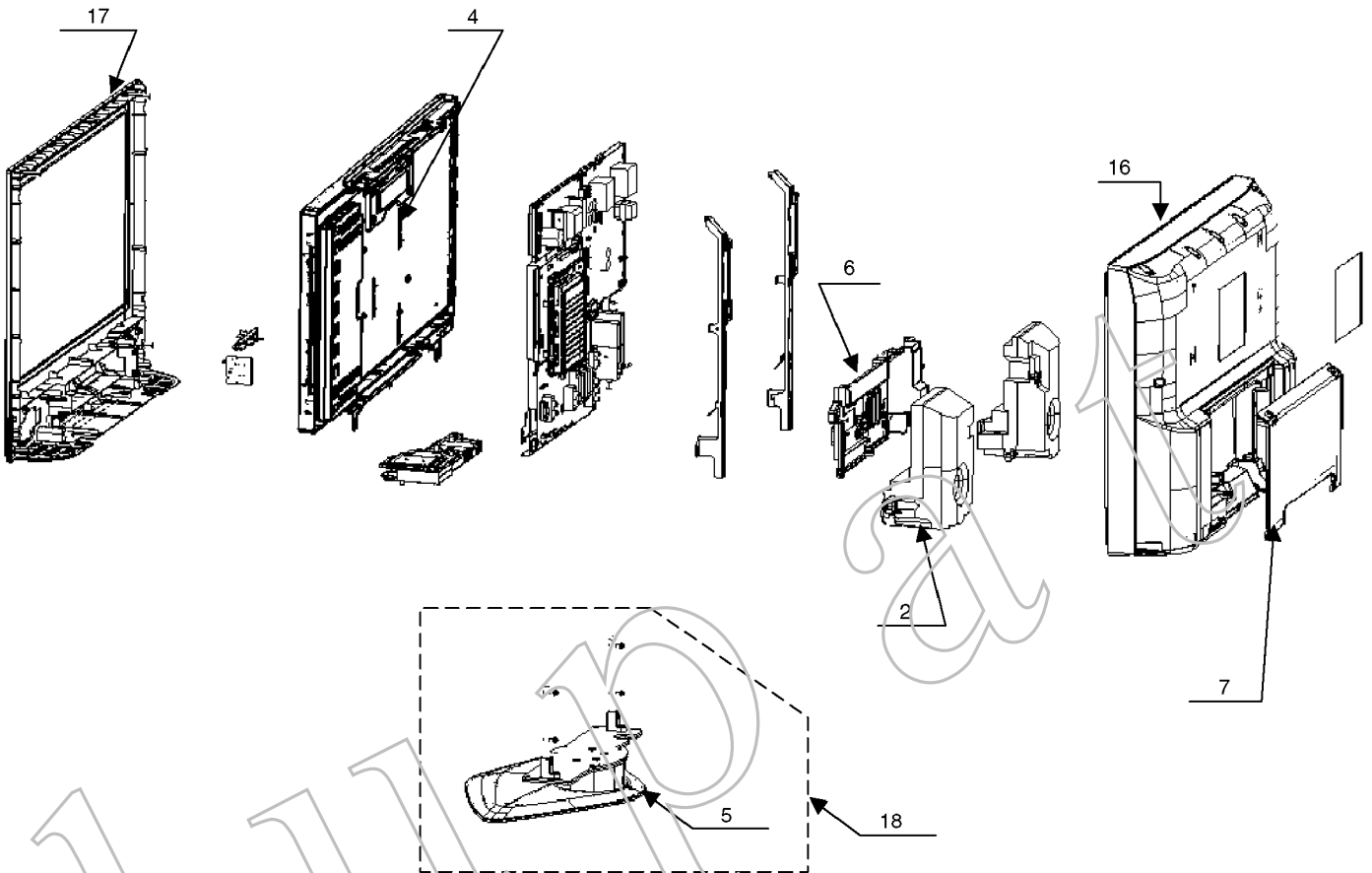
- K-BOARD TNPA3492AA
- V-BOARD TNPA3490AA
- V-BOARD TNPA3490AB

- TX-26/32LX50
- TX-26/32LX50F/P
- TX-26/32LX50
- TX-26/32LX50F/P

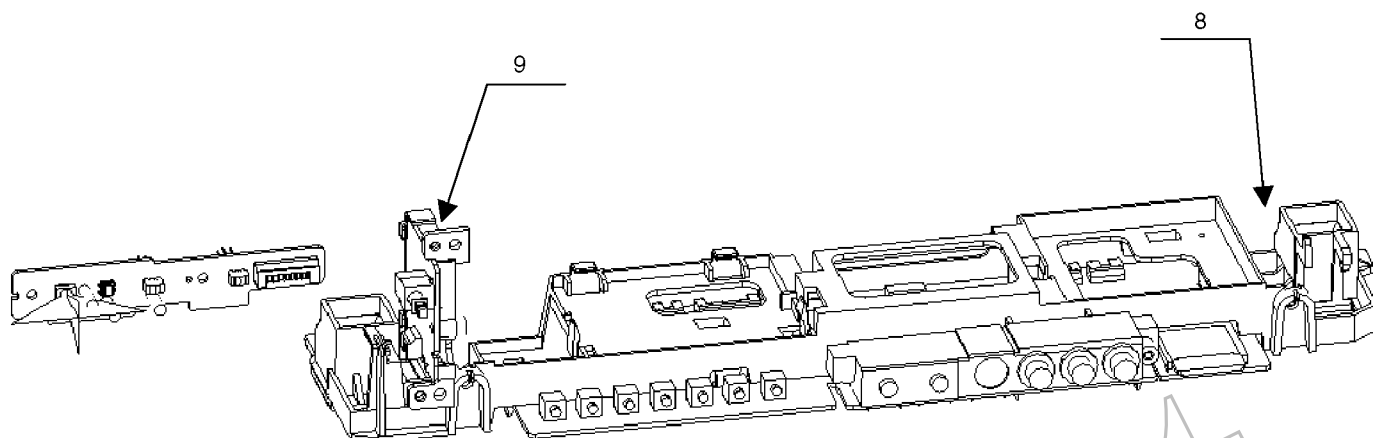
- K-BOARD TNPA3492AA
- V-BOARD TNPA3490AA
- V-BOARD TNPA3490AB

13 Exploded View and Replacement Parts List.

13.1. Set Layout

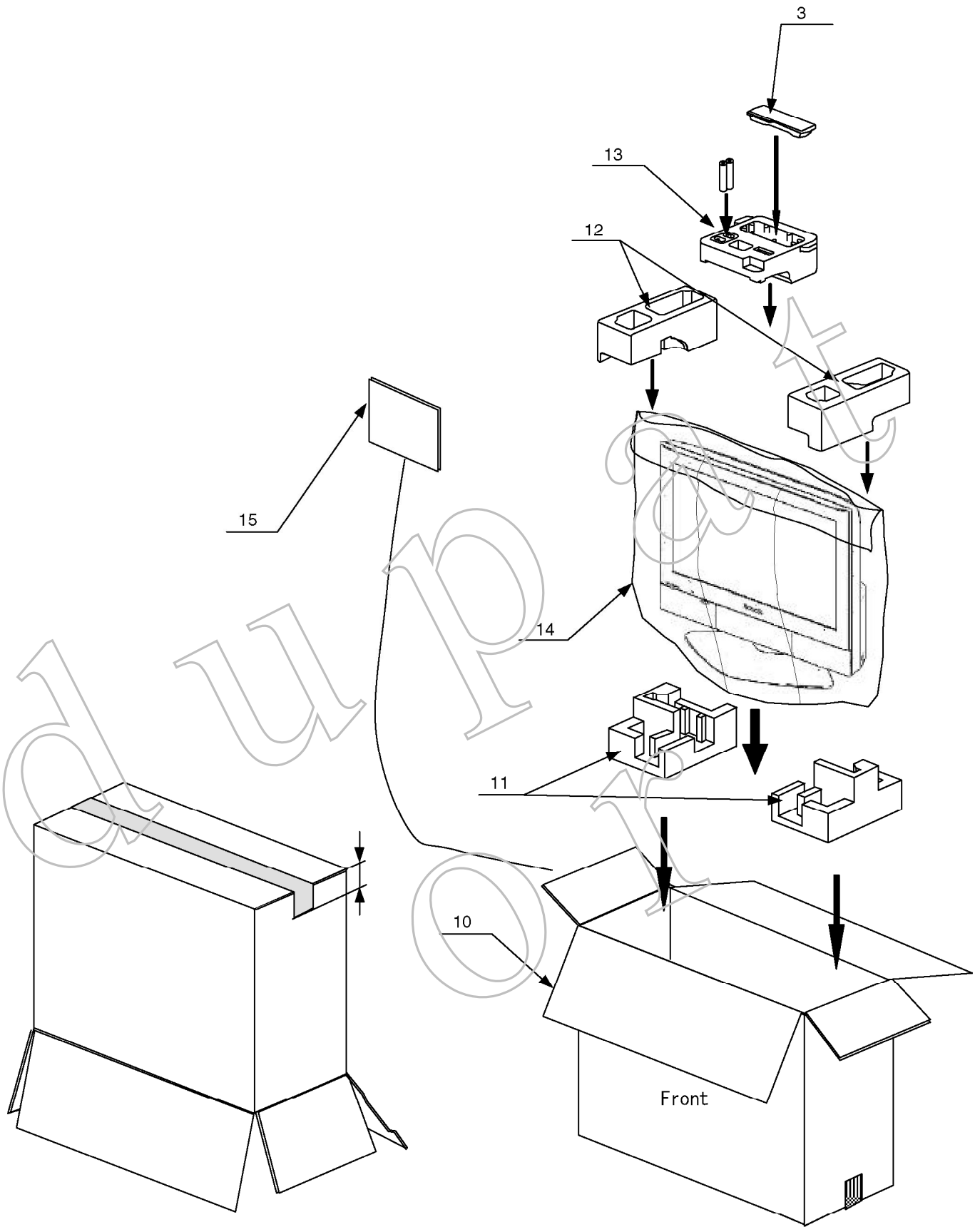


13.2. Front Chassis Layout



duport

13.3. Packing Exploded View



13.4. Mechanical Replacement Parts List

Ref. No.	Part No.	Part Name & Description	Pcs	Remarks
1	EAB834AL	SPEAKER BOX (L)	1	PAVCCZ
2	EAB834AR	SPEAKER BOX (R)	1	PAVCCZ
3	EUR7651060	REMOTE CONTROL	1	TX-32/26LX50F/P PAVCCZ
3	EUR7651070	REMOTE CONTROL TRANSMITT	1	TX-32/26LXD50 PAVCCZ
	J0KF00000018	FILTER	1	
	K2CQ2DZ00005	AC CORD	1	TX-32/26LX50F/P PAVCCZ △
	K2CT2DZ00008	AC CORD	1	TX-32/26LXD50 PAVCCZ △
	K5D502BNA001	AC FUSE	1	△
4	L5EDD6Q00004	LCD PANEL	1	26 INCH △
4	L5EDD8Q00006	LCD PANEL	1	32 INCH △
5	TBLA0145	STAND ASSY	1	
	TBLA0146	SUPPORTING FRAME ASSY	1	
	TBMA163	PANASONIC BADGE	1	
	TBXA45901	POWER BUTTON	1	
	TESA254	SPRING FOR DOOR	1	
	TKKC5203	PANEL LIGHT	1	TX-32/26LXD50
	TKKC5211	PANEL LIGHT (LED)	1	TX-32/26LX50F/P
	TKKL5290	CONNECTOR COVER	1	
6	TKP0E13501	REAR AV BRACKET	1	TX-32/26LXD50 PAVCCZ △
6	TKP0E13601	REAR AV BRACKET	1	TX-32/26LX50F/P PAVCCZ △
	TKPA93102	DOOR	1	32 INCH
	TKPA93202	SPEAKER PANEL (LEFT)	1	TX-32LXD50 PAVCCZ
	TKPA93203	SPEAKER PANEL (LEFT)	1	TX-32LX50F/P PAVCCZ
	TKPA93302	SPEAKER PANEL (RIGHT)	1	TX-32LXD50 PAVCCZ
	TKPA93303	SPEAKER PANEL (RIGHT)	1	TX-32LX50F/P PAVCCZ
	TKPA93402	SPEAKER PANEL (L)	1	TX-26LXD50 PAVCCZ
	TKPA93403	SPEAKER PANEL (LEFT)	1	TX-26LX50F/P PAVCCZ
	TKPA93502	SPEAKER PANEL (R)	1	TX-26LXD50 PAVCCZ
	TKPA93503	SPEAKER PANEL (RIGHT)	1	TX-26LX50F/P PAVCCZ
	TKPA93902	DOOR	1	26 INCH
7	TRXA18301-1	CABLE COVER	1	
	TMKG555	SPONGE (SP)	2	
	TMML5481	CLAMPER	7	32 INCH PAVCCZ
	TMML5481	CLAMPER	6	26 INCH PAVCCZ
	TMML5481	CLAMPER	2	
	TMME061	CLAMPER	1	
	TMME075	EADG SADOLE	1	32 INCH PAVCCZ
	TMME110	CLAMPER	1	
	TMME187	CLAMPER	1	
	TMMJ044	RUBBER BUSH	6	
8	TMW0E103	FRONT BRACKET	1	PAVCCZ
9	TMWA044-1	K PRINT BRACKET	1	PAVCCZ
10	TPC0E61701	PACKING CASE	1	32 INCH PAVCCZ
10	TPC0E61901	PACKING CASE	1	26 INCH PAVCCZ
11	TPD0E0074	CUSHION (BOTTOM)	1	26 INCH PAVCCZ
12	TPD0E0075	CUSHION (TOP)	1	26 INCH PAVCCZ
11	TPD0E0076	CUSHION (BOTTOM)	1	32 INCH PAVCCZ

Ref. No.	Part No.	Part Name & Description	Pcs	Remarks
12	TPD0E0077	CUSHION (TOP)	1	32 INCH PAVCCZ
13	TPD0E1014	CUSHION (REAR)	1	26 INCH PAVCCZ
13	TPD0E1015	CUSHION (REAR)	1	32 INCH PAVCCZ
14	TPE0E4006	SET COVER	1	32 INCH PAVCCZ
14	TPE0E4008	SET COVER	1	26 INCH PAVCCZ
15	TQB0E0119	INSTRUCTION BOOK (ENGLISH)	1	TX-32/26LXD50 PAVCCZ
15	TQB0E0120A	INSTRUCTION BOOK (GERMAN)	1	TX-32/26LX50F PAVCCZ
15	TQB0E0120B	INSTRUCTION BOOK (DUTCH)	1	TX-32/26LX50F PAVCCZ
15	TQB0E0120C	INSTRUCTION BOOK (ITALIAN)	1	TX-32/26LX50F PAVCCZ
15	TQB0E0120D	INSTRUCTION BOOK (FRENCH)	1	TX-32/26LX50F PAVCCZ
15	TQB0E0120E	INSTRUCTION BOOK (SPANISH)	1	TX-32/26LX50F PAVCCZ
15	TQB0E0120F	INSTRUCTION BOOK (SWEDISH)	1	TX-32/26LX50F PAVCCZ
15	TQB0E0120K	INSTRUCTION BOOK (DANISH)	1	TX-32/26LX50F PAVCCZ
15	TQB0E0120U	INSTRUCTION BOOK (ENGLISH)	1	TX-32/26LX50F PAVCCZ
15	TQB0E0121M	INSTRUCTION BOOK (BULGARI)	1	TX-32/26LX50F PAVCCZ
15	TQB0E0121N	INSTRUCTION BOOK (ROMANIA)	1	TX-32/26LX50F PAVCCZ
15	TQB0E0121P	INSTRUCTION BOOK (POLISH)	1	TX-32/26LX50F PAVCCZ
15	TQB0E0121Q	INSTRUCTION BOOK (HUNGARI)	1	TX-32/26LX50F PAVCCZ
15	TQB0E0121R	INSTRUCTION BOOK (CZECH)	1	TX-32/26LX50F PAVCCZ
15	TQB0E0121U	INSTRUCTION BOOK (ENGLISH)	1	TX-32/26LX50F PAVCCZ
	TSXL431	CABLE (E2-DG2 E3-DG3)	2	
16	TTUA1106	REAR COVER	1	32 INCH PAVCCZ △
16	TTUA1107	REAR COVER	1	26 INCH PAVCCZ △
17	TTYA0704	CABINET ASSY	1	TX-32LXD50 PAVCCZ △
17	TTYA0705	CABINET ASSY	1	TX-26LXD50 PAVCCZ △
17	TTYA0706	CABINET ASSY	1	TX-32LX50F/P PAVCCZ △
17	TTYA0707	CABINET ASSY	1	TX-26LX50F/P PAVCCZ △
18	TXFBL010Q49	PEDESTAL ASSY	1	
	TXJ/G10LSM	SPEAKER LEAD G10-SF (LEFT)	1	PAVCCZ
	TXJ/G11LSM	SPEAKER LEAD G11-SF (RIGHT)	1	PAVCCZ
	TXJTNR0LSM	RF CABLE	1	PAVCCZ
	XSS4+14FJK	SCREW (POLE SUPPORT METAL)	4	
	XSS4+6FJK	SCREW (SUPPORT METAL)	5	
	XSS6+16FJK	SCREW (STAND SUPPORT METAL)	4	
	XTB4+12JFJ	SCREW	2	
	XTB4+15JFJ	SCREW	13	
	XTB4+18JFJK	SCREW (BACK COVERX11)	11	32 INCH PAVCCZ
	XTB4+18JFJK	SCREW (BACK COVER)	9	26 INCH PAVCCZ
	XTS4+12JFJ	SCREW	6	
	XTV3+10JFJK	SCREW	3	
	XTV3+12GFJ	SCREW	5	
	XTV3+8JFJ	SCREW	4	
	XTW3+12TFJ	SCREW	4	

Ref. No.	Part No.	Part Name & Description	Pcs	Remarks
	XTW3+8TFJ	SCREW	35	
	XTWT4+Z15DFJ	SCREW (SP BOX)	6	
	XYM5+E35FJ	SCREW	3	
	XYN3+J8FJ	SCREW ROHS	1	
	XYN4+C12FJ	SCREW	2	
	XYN4+E12FJ	SCREW	8	
	XYN4+F10FJ	SCREW (LCD FIXED METAL)	4	
	XYN4+F20FJK	SCREW (SET)	4	
	XZBT6530	POLY BAG	1	

duport

14 Electrical Replacement Parts List

14.1. Electrical Replacement Parts List Notes

Important Safety Notice

Components identified by Δ mark have special characteristics important for safety. When replacing any of these components, use only manufacturer's specified parts.

RTL (Retention Time Limited)

Note: The marking (RTL) indicates that the Retention Time is Limited for this item.

After the discontinuation of this assembly in production, the item will continue to be available for a specific period of time. The retention period of availability is dependant on the type of assembly, and in accordance with the laws governing part and product retention. After the end of this period, the assembly will no longer be available.

Abbreviation of part name and description

1. Resistor

Example:

ERD25TJ104 C 100KOHM, J, 1/4W
 Type Allowance

2. Capacitor

Example:

ECKF1H103ZF C 0.01UF, Z, 50V
 Type Allowance

Type	Allowance
C : Carbon	F : $\pm 1\%$
F : Fuse	G : $\pm 2\%$
M : Metal Oxide Metal Film	J : $\pm 5\%$
S : Solid	K : $\pm 10\%$
W : Wire Wound	M : $\pm 20\%$

Type	Allowance
C : Ceramic	C : $\pm 0.25\text{pF}$
E : Electrolytic	D : $\pm 0.5\text{pF}$
P : Polyester	F : $\pm 1\text{pF}$
Polypropylene	G : $\pm 3\text{pF}$
J : $\pm 5\text{pF}$	
T : Tantalum	K : $\pm 10\text{pF}$
	L : $\pm 15\text{pF}$
	M : $\pm 20\text{pF}$
	P : +100%, -0%
	Z : +80%, -20%

14.2. Electrical Replacement Parts List (TX-32/26LXD50)

Ref. No.	Part No.	Part Name & Description	Pcs	Remarks
AP1	K1KA23A00005	23P CONNECTOR	1	
AP2	K1KA04A00576	4P CONNECTOR	1	
AP3	K1KA11A00124	11P CONNECTOR	1	
AP4,P5	K1KA23A00003	23P CONNECTOR	2	
AP6	K1KA02A00626	2P CONNECTOR	1	
AP10	K1KA02A00613	2P CONNECTOR	1	
C1001	ECJ1XF1C104Z	C 0.1UF, Z, 16V	1	
C1004	ECJ1XF1C104Z	C 0.1UF, Z, 16V	1	
C1005	EEEB1C220UR	C 22PF, J, 16V	1	
C1006	ECJ1XF1C104Z	C 0.1UF, Z, 16V	1	
C1007	EEEB1C220UR	C 22PF, J, 16V	1	
C1008	EEEB0J101P	C 100PF, J, 6.3V	1	
C1009	ECJ1VBOJ225K	C 2.2UF, K, 6.3V	1	
C1101	ECJ1XB1C104K	C 0.1UF, Z, 16V	1	
C1102	EEEB1C470P	C 47PF, J, 16V	1	
C1103	EEEB0G101R	C 100PF, J, 4V	1	
C1104,05	ECJ1XBOJ105K	C 1UF, K, 16V	2	
C1106,07	ECJ1XB1C104K	C 0.1UF, Z, 16V	2	
C1109	ECJ1XB1C104K	C 0.1UF, Z, 16V	1	
C1110	ECJ1XBOJ105K	C 1UF, K, 16V	1	
C1112	ECJ1XB1C104K	C 0.1UF, Z, 16V	1	
C1113	EEFCDOG560R	56UF,	1	
C1115	ECJ1XBOJ105K	C 1UF, K, 16V	1	
C1116	ECJ1VB1H103K	C 0.001UF, K, 50V	1	
C1117	ECJ1XB1C104K	C 0.1UF, Z, 16V	1	
C1119	ECJ1XBOJ105K	C 1UF, K, 16V	1	
C1120	ECJ1XB1C104K	C 0.1UF, Z, 16V	1	
C1121	EEEB1C470P	C 47PF, J, 16V	1	
C1122	ECJ1XB1C104K	C 0.1UF, Z, 16V	1	
C1124	ECJ1XB1C104K	C 0.1UF, Z, 16V	1	
C1125	EEVB1C100R	E 10UF, 16V	1	
C1126,27	ECJ1XB1C104K	C 0.1UF, Z, 16V	2	
C1128	EEVB0G101R	E 100UF 4V	1	
C1129	ECJ1XC1H102J	C 1000PF, J, 50V	1	
C1130	ECJ1XB1C104K	C 0.1UF, Z, 16V	1	
C1131	ECJ1VB1H103K	C 0.001UF, K, 50V	1	
C1132,33	ECJ1XB1C104K	C 0.1UF, Z, 16V	2	
C1134	EEVB0G101R	E 100UF 4V	1	
C1135	EEEB0G221P	C 220PF, J, 4V	1	
C1136	ECJ1XC1H102J	C 1000PF, J, 50V	1	
C1138-41	ECJ1XB1C104K	C 0.1UF, Z, 16V	4	
C1142	ECJ1XC1H151J	C 150PF, J, 50V	1	
C1144	ECJ1XB1C104K	C 0.1UF, Z, 16V	1	
C1145	ECJ1XC1H180J	C 18PF, J, 50V	1	
C1146	ECJ1XC1H102J	C 1000PF, J, 50V	1	
C1147	ECJ1XB1C104K	C 0.1UF, Z, 16V	1	
C1148	ECJ1VB1H221K	C 220UF, K, 50V	1	
C1149	ECJ1XC1H220J	C 22PF, J, 50V	1	
C1150	ECJ1XB1C104K	C 0.1UF, Z, 16V	1	
C1152	ECJ1XC1H102J	C 1000PF, J, 50V	1	
C1153	ECJ1VB1H221K	C 220UF, K, 50V	1	
C1154	ECJ1XB1C104K	C 0.1UF, Z, 16V	1	
C1156	EEVB1C100R	E 10UF, 16V	1	
C1157,58	ECJ1XB1C104K	C 0.1UF, Z, 16V	2	
C1160	ECJ1XC1H102J	C 1000PF, J, 50V	1	
C1161,62	ECJ1XB1C104K	C 0.1UF, Z, 16V	2	
C1164	ECJ1VB1H103K	C 0.001UF, K, 50V	1	
C1165-67	ECJ1XB1C104K	C 0.1UF, Z, 16V	3	
C1168	ECJ1VB1H103K	C 0.001UF, K, 50V	1	
C1169	ECJ1XBOJ105K	C 1UF, K, 16V	1	
C1170-73	ECJ1XB1C104K	C 0.1UF, Z, 16V	4	

Ref. No.	Part No.	Part Name & Description	Pcs	Remarks
C1175,76	ECJ1XB1C104K	C 0.1UF, Z, 16V	2	
C1177	EEVB0G101R	E 100UF 4V	1	
C1178	ECJ1XB1C104K	C 0.1UF, Z, 16V	1	
C1179	ECJ1XBOJ105K	C 1UF, K, 16V	1	
C1180,81	ECJ1XC1H271J	C 270PF, J, 50V	2	
C1182	ECJ1XB1C104K	C 0.1UF, Z, 16V	1	
C1183	ECJ1XC1H271J	C 270PF, J, 50V	1	
C1186	ECJ1XB1C104K	C 0.1UF, Z, 16V	1	
C1187,88	ECJ1XC1H271J	C 270PF, J, 50V	2	
C1189-91	ECJ1XB1C104K	C 0.1UF, Z, 16V	3	
C1199-03	ECJ1XB1C104K	C 0.1UF, Z, 16V	5	
C1204,05	ECJ1XC1H102J	C 1000PF, J, 50V	2	
C1209	EEEB0G221P	C 220PF, J, 4V	1	
C2005,06	ECJ1XC1H561J	C 560PF, J, 50V	2	
C2019-32	ECJ1XC1H561J	C 560PF, J, 50V	14	
C2051,52	ECJ3XB1C105K	C 1UF, K, 16V	2	
C2053	ECJ1VF1C105Z	C 1UF, Z, 16V	1	
C2054	ECJ1XF1C104Z	C 0.1UF, Z, 16V	1	
C2055	ECJ1VF1C105Z	C 1UF, Z, 16V	1	
C2056	ECJ1XF1C104Z	C 0.1UF, Z, 16V	1	
C2057-60	ECJ1VF1C105Z	C 1UF, Z, 16V	4	
C2063	EEEB1A471UP	C 470PF, J, 10V	1	
C2064	EEEB1C220UR	C 22PF, J, 16V	1	
C2065	EEEB1C101UP	C 100PF, J, 16V	1	
C2105	EEEB1C101UP	C 100PF, J, 16V	1	
C2106	ECJ1XF1C104Z	C 0.1UF, Z, 16V	1	
C2112,13	ECJ1VB1A105K	C 0.01UF, Z, 50V	2	
C2115,16	ECJ1XC1H470J	C 47PF, J, 50V	2	
C2117	ECJ1VF1H104Z	C 0.1UF, Z, 50V	1	
C2118,19	EEEB1E220P	C 22PF	2	
C2123,24	ECJ2FB1A225K	C 2.2UF, K, 10V	2	
C2125,26	ECJ1XB1H103K	C 1000UF, Z, 50V	2	
C2127	EEEB1C101UP	C 100PF, J, 16V	1	
C2128	ECJ1XF1C104Z	C 0.1UF, Z, 16V	1	
C2129,30	ECJ1VB1A105K	C 0.01UF, Z, 50V	2	
C2131	ECJ1XF1C104Z	C 0.1UF, Z, 16V	1	
C2132	EEEB1E470P	C 47PF, J, 25V	1	
C2133,34	ECJ1XC1H470J	C 47PF, J, 50V	2	
C2135-43	ECJ1VF1H104Z	C 0.1UF, Z, 50V	9	
C2144,45	ECJ3XB1C105K	C 1UF, K, 16V	2	
C2146	ECJ1XF1C104Z	C 0.1UF, Z, 16V	1	
C2147	EEEB1C101UP	C 100PF, J, 16V	1	
C2148-50	ECJ1VB1C105K	C 0.01UF, K, 16V	3	
C2152	ECJ1VB1C105K	C 0.01UF, K, 16V	1	
C2154	ECJ1XF1C104Z	C 0.1UF, Z, 16V	1	
C2155	ECJ1VB1C105K	C 0.01UF, K, 16V	1	
C2156	ECJ3XB1C105K	C 1UF, K, 16V	1	
C2157	ECJ1VB1C105K	C 0.01UF, K, 16V	1	
C2158	ECJ3XB1C105K	C 1UF, K, 16V	1	
C2159,60	ECJ1VB1C105K	C 0.01UF, K, 16V	2	
C2161	EEEB1C101UP	C 100PF, J, 16V	1	
C2162-67	ECJ1VB1C105K	C 0.01UF, K, 16V	6	

Ref. No.	Part No.	Part Name & Description	Pcs	Remarks
C2168,69	ECJ1VF1H104Z	C 0.1UF, Z, 50V	2	
C2172	ECJ1VB1H332K	C 3300PF, K, 50V	1	
C2173	ECJ1VB1H103K	C 0.001UF, K, 50V	1	
C2174	ECJ1VB1H332K	C 3300PF, K, 50V	1	
C2175-77	ECJ1VB1H103K	C 0.001UF, K, 50V	3	
C2178,79	EEEB1C100R	C 10PF, J, 16V	2	
C2181	ECJ1XF1C104Z	C 0.1UF, Z, 16V	1	
C2183	EEEB1H3R3R	C 3.3PF, J, 50V	1	
C2184,85	ECJ1XF1C104Z	C 0.1UF, Z, 16V	2	
C2186	EEEB1C101UP	C 100PF, J, 16V	1	
C2189,90	ECJ1VF1C105Z	C 1UF, Z, 16V	2	
C2191	ECJ1XF1C104Z	C 0.1UF, Z, 16V	1	
C2192	EEEB1C100R	C 10PF, J, 16V	1	
C2195	ECJ1XC1H470J	C 47PF, J, 50V	1	
C2196	ECJ1XF1C104Z	C 0.1UF, Z, 16V	1	
C2198	EEEB1C101UP	C 100PF, J, 16V	1	
C2199	ECJ1VC1H560J	C 56PF, J, 50V	1	
C2200	ECJ1XC1H470J	C 47PF, J, 50V	1	
C2201,02	ECJ1XC1H030C	C 3PF, C, 50V	2	
C2203	ECJ1VC1H100C	C 10PF, C, 50V	1	
C2204	ECJ1XC1H220J	C 22PF, J, 50V	1	
C2206	EEEB1C101UP	C 100PF, J, 16V	1	
C2207	ECJ1XF1C104Z	C 0.1UF, Z, 16V	1	
C2211	ECJ1XB1C104K	C 0.1UF, Z, 16V	1	
C2214	ECJ1XB1H102K	C 1000UF, Z, 50V	1	
C2215	ECJ1XF1C104Z	C 0.1UF, Z, 16V	1	
C2216	ECJ3YB1A106M	C 10UF, M, 6.3V	1	
C2217	EEEB1H470P	C 47PF, J, 25V	1	
C2218-23	ECJ3XB1C105K	C 1UF, K, 16V	6	
C2301,02	ECJ1VB1C273K	C 0.027UF, K, 16V	2	
C2315	ECJ1VB1H223K	C 0.22UF, K, 50V	1	
C2317,18	ECJ1VB1H223K	C 0.22UF, K, 50V	2	
C2320	ECJ1VB1H223K	C 0.22UF, K, 50V	1	
C2326,27	ECJ1VB1C473K	C 0.047UF, K, 16V	2	
C2328,29	F2A1C101A121	E 100UF, 16V	2	
C2331,32	ECJ1VF1H104Z	C 0.1UF, Z, 50V	2	
C2335	ECJ1VF1H104Z	C 0.1UF, Z, 50V	1	
C2347	EEEB1C220UR	C 22PF, J, 16V	1	
C2348	ECJ1VF1H104Z	C 0.1UF, Z, 50V	1	
C2349	ECJ1VB1A105K	C 0.01UF, Z, 50V	1	
C2350	ECJ1VF1H104Z	C 0.1UF, Z, 50V	1	
C2351	EEEB1H100P	C 10PF, J, 50V	1	
C2352	ECJ1XB1C104K	C 0.1UF, Z, 16V	1	
C2353	EEEB1C101UP	C 100PF, J, 16V	1	
C2356	ECJ1XB1C104K	C 0.1UF, Z, 16V	1	
C2357	EEEB1C101UP	C 100PF, J, 16V	1	
C2360,61	ECJ2FB1E105K	C 1UF, K, 25V	2	
C2366,67	ECJ1XC1H330J	C 33PF, J, 50V	2	
C2520	ECA1VM471	E 470UF, 35V	1	
C2521	ECJ2FB1H104K	C 0.1UF, K, 50V	1	
C2522-24	ECJ1VB1H222K	C 2200PF, K, 50V	3	
C2525	ECA1EHG470	E 47UF, 25V	1	
C2526	ECJ2FB1E224K	C 22UF, K, 25V	1	
C2527	ECJ2FB1H104K	C 0.1UF, K, 50V	1	
C2528	ECA1EHG102	E 1000UF, 25V	1	
C2529	ECJ2FB1E224K	C 22UF, K, 25V	1	
C2530	ECJ1VB1H153K	C 0.015UF, K, 50V	1	
C2531	ECA1HM2R2	E 2.2UF, 50V	1	
C2534	ECJ2FB1E105K	C 1UF, K, 25V	1	
C2535,36	ECJ1VB1H221K	C 220UF, K, 50V	2	

Ref. No.	Part No.	Part Name & Description	Pcs	Remarks
C2537	ECJ2FB1H104K	C 0.1UF, K, 50V	1	
C2538-40	ECJ1VB1H222K	C 2200PF, K, 50V	3	
C2541	ECA1EHG470	E 47UF, 25V	1	
C2542	ECJ2FB1E224K	C 22UF, K, 25V	1	
C2543	ECJ2FB1H104K	C 0.1UF, K, 50V	1	
C2544	ECA1EHG102	E 1000UF, 25V	1	
C2545	ECJ2FB1E224K	C 22UF, K, 25V	1	
C2546	ECJ1VB1H153K	C 0.015UF, K, 50V	1	
C2547	ECA1HM2R2	E 2.2UF, 50V	1	
C2550	ECJ2FB1E105K	C 1UF, K, 25V	1	
C2551,52	ECJ1VB1H221K	C 220UF, K, 50V	2	
C2553	ECJ2FB1H104K	C 0.1UF, K, 50V	1	
C2554-56	ECJ1VB1H222K	C 2200PF, K, 50V	3	
C2557	ECA1EHG470	E 47UF, 25V	1	
C2558	ECJ2FB1E224K	C 22UF, K, 25V	1	
C2559	ECJ2FB1H104K	C 0.1UF, K, 50V	1	
C2560	ECA1EHG102	E 1000UF, 25V	1	
C2561	ECJ2FB1E224K	C 22UF, K, 25V	1	
C2562	ECJ1VB1H153K	C 0.015UF, K, 50V	1	
C2563	ECA1HM2R2	E 2.2UF, 50V	1	
C2566	ECJ2FB1E105K	C 1UF, K, 25V	1	
C2567,68	ECJ1VB1H221K	C 220UF, K, 50V	2	
C2569	ECJ2FB1H104K	C 0.1UF, K, 50V	1	
C2570-72	ECJ1VB1H222K	C 2200PF, K, 50V	3	
C2573	ECA1EHG470	E 47UF, 25V	1	
C2574	ECJ2FB1E224K	C 22UF, K, 25V	1	
C2575	ECJ2FB1H104K	C 0.1UF, K, 50V	1	
C2576	ECA1EHG102	E 1000UF, 25V	1	
C2577	ECJ2FB1E224K	C 22UF, K, 25V	1	
C2578	ECJ1VB1H153K	C 0.015UF, K, 50V	1	
C2579	ECA1HM2R2	E 2.2UF, 50V	1	
C2582	ECJ2FB1E105K	C 1UF, K, 25V	1	
C2583,84	ECJ1VB1H221K	C 220UF, K, 50V	2	
C2585	ECJ2FB1H104K	C 0.1UF, K, 50V	1	
C2586-89	ECJ2XB1H153K	C 0.015UF, K, 50V	4	
C2590-93	ECJ1XB1H102K	C 1000UF, Z, 50V	4	
C2611-14	ECJ2FB1E475M	C 4.7UF, K, 25V	4	
C3001-03	ECJ1XB1H102K	C 1000UF, Z, 50V	3	
C3005-07	ECJ1VF1H104Z	C 0.1UF, Z, 50V	3	
C3014	ECJ1XF1C104Z	C 0.1UF, Z, 16V	1	
C3015	ECJ3XB1C106M	C 1.0UF, K, 16V	1	
C3016,17	ECJ1VB1A105K	C 0.01UF, Z, 50V	2	
C3018	ECJ1XF1C104Z	C 0.1UF, Z, 16V	1	
C3019-28	ECJ1VB1A105K	C 0.01UF, Z, 50V	10	
C3029	ECJ2VF1C105Z	C 1UF, Z, 16V	1	
C3031-33	ECJ1VB1A105K	C 0.01UF, Z, 50V	3	
C3035,36	ECJ1VB1A105K	C 0.01UF, Z, 50V	2	
C3038	ECJ1XF1C104Z	C 0.1UF, Z, 16V	1	
C3039	ECJ1VF1H104Z	C 0.1UF, Z, 50V	1	
C3040	ECJ1XF1C104Z	C 0.1UF, Z, 16V	1	
C3041,42	ECJ1VF1H104Z	C 0.1UF, Z, 50V	2	
C3043	ECJ1VB1A105K	C 0.01UF, Z, 50V	1	
C3044	ECJ1XF1C104Z	C 0.1UF, Z, 16V	1	
C3045	ECJ1VB1A105K	C 0.01UF, Z, 50V	1	
C3046	ECJ1VF1H104Z	C 0.1UF, Z, 50V	1	
C3047	ECJ1VB1A105K	C 0.01UF, Z, 50V	1	
C3048	ECJ1VF1H104Z	C 0.1UF, Z, 50V	1	
C3049-56	ECJ1VB1A105K	C 0.01UF, Z, 50V	8	
C3057	ECJ1VF1H104Z	C 0.1UF, Z, 50V	1	

Ref. No.	Part No.	Part Name & Description	Pcs	Remarks
C3058	EEHBC1471UP	C 470PF, J, 16V	1	PAVCCZ
C3059	ECJ1VF1C105Z	C 1UF, Z, 16V	1	
C3060,6 1	ECJ1XF1C104Z	C 0.1UF, Z, 16V	2	
C3062,6 3	ECJ1VB1A105K	C 0.01UF, Z, 50V	2	
C3064	ECJ1XF1C104Z	C 0.1UF, Z, 16V	1	
C3201,0 2	ECJ1XF1C104Z	C 0.1UF, Z, 16V	2	
C3206	ECJ1VF1C105Z	C 1UF, Z, 16V	1	
C3207	ECALAHG102	E 1000UF, 10V	1	
C3209	ECJ1XF1C104Z	C 0.1UF, Z, 16V	1	
C3210	F2A1H100A120	E 10UF, 50V	1	
C3212	ECJ1VF1H104Z	C 0.1UF, Z, 50V	1	
C3214	ECJ1XF1C104Z	C 0.1UF, Z, 16V	1	
C3216	ECJ1XF1C104Z	C 0.1UF, Z, 16V	1	
C3227	ECJ1XF1C104Z	C 0.1UF, Z, 16V	1	
C3229- 31	ECJ1XF1C104Z	C 0.1UF, Z, 16V	3	
C3233	ECJ1XF1C104Z	C 0.1UF, Z, 16V	1	
C3235	ECJ1VF1H104Z	C 0.1UF, Z, 50V	1	
C3236	F2A1H100A120	E 10UF, 50V	1	
C3237,3 8	ECJ1XC1H330J	C 33PF, J, 50V	2	
C3240	ECJ1VF1H104Z	C 0.1UF, Z, 50V	1	
C3242- 44	ECJ1XF1C104Z	C 0.1UF, Z, 16V	3	
C3245	EEHBC1C220R	C 22PF, J, 16V	1	
C3247	EEHBC1A330R	C 33PF, J, 10V	1	
C3248	EEHBC0J220R	C 22PF, J, 6.3V	1	
C3249	EEHBC1H100P	C 10PF, J, 50V	1	
C3307	EEHBC1C101UP	C 100PF, J, 16V	1	
C3309	ECJ1XF1C104Z	C 0.1UF, Z, 16V	1	
C3848,4 9	ECJ2XC1H561J	C 560PF, J, 50V	2	
C3850,5 1	ECJ1VF1H104Z	C 0.1UF, Z, 50V	2	
C4001	EEVHB0G101R	E 100UF 4V	1	
C4002	ECJ1XB1C104K	C 0.1UF, Z, 16V	1	
C4003	EEFCD0G560R	56UF,	1	
C4004,0 5	ECJ1XB1C104K	C 0.1UF, Z, 16V	2	
C4006	EEHBC1C100R	C 10PF, J, 16V	1	
C4007	EEVAP1C100R	E 10UF, 16V	1	
C4008	ECJ2VB1C684K	C 68UF, Z, 16V	1	
C4009	ECJ1XC1C393K	C 0.039UF, K, 16V	1	
C4012	ECJ1VB1C104K	C 0.1UF, Z, 16V	1	
C4013	EEVHB0J470R	E 47UF, 6.3V	1	
C4014,1 5	ECJ1XB1C104K	C 0.1UF, Z, 16V	2	
C4016	EEVHB1E330	E 33UF, 25V	1	
C4017,1 8	ECJ3XB0J106M	C 10UF, M,6.3V	2	
C4019	EEVHB1C100R	E 10UF, 16V	1	
C4020- 22	ECJ1XB1C104K	C 0.1UF, Z, 16V	3	
C4024	ECJ1VB1H103K	C 0.001UF, K, 50V	1	
C4025	EEVHB0J470R	E 47UF, 6.3V	1	
C4026	ECJ1VB1H103K	C 0.001UF, K, 50V	1	
C4027- 29	ECJ1XB1C104K	C 0.1UF, Z, 16V	3	
C4030	ECJ1XC1H102J	C 1000PF, J, 50V	1	
C4034- 36	ECJ1XB1C104K	C 0.1UF, Z, 16V	3	
C4038	ERJ3GEY0R00	M 0 OHM, 1/16W	1	
C4039	ECJ1VB1H103K	C 0.001UF, K, 50V	1	
C4040	ECJ1XB1C104K	C 0.1UF, Z, 16V	1	
C4041	ECJ1XB0J105K	C 1UF, K, 16V	1	
C4042,4 3	ECJ1XB1C104K	C 0.1UF, Z, 16V	2	
C4044	ECJ1VB1C823K	C 0.082UF, K, 16V	1	
C4045	ECJ1VB1H103K	C 0.001UF, K, 50V	1	
C4047,4 8	ECJ1XB1C104K	C 0.1UF, Z, 16V	2	
C4049	EEVHB0J470R	E 47UF, 6.3V	1	
C4050	ECJ1XB1C104K	C 0.1UF, Z, 16V	1	

Ref. No.	Part No.	Part Name & Description	Pcs	Remarks
C4051	EEVHB0G101R	E 100UF 4V	1	
C4052	ECJ1VB0J225K	C 2.2UF, K, 6.3V	1	
C4053- 55	ECJ1XB1C104K	C 0.1UF, Z, 16V	3	
C4056- 58	ECJ3XB0J106M	C 10UF, M,6.3V	3	
C4059	ECJ1XB1C104K	C 0.1UF, Z, 16V	1	
C4079	ECJ1VB1H103K	C 0.001UF, K, 50V	1	
C4086	ECJ3XB0J106M	C 10UF, M,6.3V	1	
C4091,9 2	ECJ1XB1C104K	C 0.1UF, Z, 16V	2	
C4097	ECJ1VB1C105K	C 0.01UF, K, 16V	1	
C4099	EEVHB0J470R	E 47UF, 6.3V	1	
C4100	ECJ1XB1C104K	C 0.1UF, Z, 16V	1	
C4101- 04	ECJ1VB1H103K	C 0.001UF, K, 50V	4	
C4105	EEVHB0G101R	E 100UF 4V	1	
C4106	ECJ1XB1C104K	C 0.1UF, Z, 16V	1	
C4113	ECJ1XB1C104K	C 0.1UF, Z, 16V	1	
C4115	ECJ3YB0J335K	C 33UF, J, 25V	1	
C4116	ECJ1VB1H682K	C 6800PF, K, 50V	1	
C4118	ECJ1VB1H103K	C 0.001UF, K, 50V	1	
C4119- 22	ECJ1XB1C104K	C 0.1UF, Z, 16V	4	
C4124,2 5	ECJ1XC1H102J	C 1000PF, J, 50V	2	
C4127,2 8	ECJ1VB0J225K	C 2.2UF, K, 6.3V	2	
C4131	ECJ1XB1C104K	C 0.1UF, Z, 16V	1	
C4141,4 2	ECJ1XC1H102J	C 1000PF, J, 50V	2	
C4154	ECJ1XC1H102J	C 1000PF, J, 50V	1	
C4156	ECJ1XB0J105K	C 1UF, K, 16V	1	
C4158	ECJ1XC1H102J	C 1000PF, J, 50V	1	
C4163	ECJ1XC1H102J	C 1000PF, J, 50V	1	
C4166	ECJ1XB1C104K	C 0.1UF, Z, 16V	1	
C4172	ECJ1XC1H102J	C 1000PF, J, 50V	1	
C4175	ECJ1VB0J225K	C 2.2UF, K, 6.3V	1	
C4176,7 7	ECJ1VB1H103K	C 0.001UF, K, 50V	2	
C4183	ECJ1XB1C104K	C 0.1UF, Z, 16V	1	
C4186- 88	ECJ1XB1C104K	C 0.1UF, Z, 16V	3	
C4189	ECJ1VB1H103K	C 0.001UF, K, 50V	1	
C4194	ECJ3YB0J335K	C 33UF, J, 25V	1	
C4195	ECJ1XB1C104K	C 0.1UF, Z, 16V	1	
C4198	ECJ1VB1H103K	C 0.001UF, K, 50V	1	
C4199,0 0	ECJ1XB1C104K	C 0.1UF, Z, 16V	2	
C4234	EEVHB0J470R	E 47UF, 6.3V	1	
C4235- 46	ECJ1XB1C104K	C 0.1UF, Z, 16V	12	
C4247	EEVHB0J470R	E 47UF, 6.3V	1	
C4248- 52	ECJ1XB1C104K	C 0.1UF, Z, 16V	5	
C4255- 57	ECJ1XB1C104K	C 0.1UF, Z, 16V	3	
C4258	ECJ1XB0J105K	C 1UF, K, 16V	1	
C4259	ECJ1VB1H103K	C 0.001UF, K, 50V	1	
C4262- 67	ECJ1XB1C104K	C 0.1UF, Z, 16V	6	
C4268	ECJ1VB1H103K	C 0.001UF, K, 50V	1	
C4269	ECJ1XB0J105K	C 1UF, K, 16V	1	
C4270	EEVHB0J470R	E 47UF, 6.3V	1	
C4271- 84	ECJ1XB1C104K	C 0.1UF, Z, 16V	14	
C4286	ECJ1XB0J105K	C 1UF, K, 16V	1	
C4287- 89	ECJ1XB1C104K	C 0.1UF, Z, 16V	3	
C4293,9 4	ECJ1VB1H103K	C 0.001UF, K, 50V	2	
C4295	ECJ1XB0J105K	C 1UF, K, 16V	1	
C4296	EEHBC0J330R	C 33PF, J, 6.3V	1	
C4297,9 8	ECJ1XB1C104K	C 0.1UF, Z, 16V	2	
C4299	EEHBC0J220R	C 22PF, J, 6.3V	1	
C4300	ECJ1XB1C104K	C 0.1UF, Z, 16V	1	

Ref. No.	Part No.	Part Name & Description	Pcs	Remarks
C4308	EEVHB0J470R	E 47UF, 6.3V	1	
C4309,10	ECJ1XB1C104K	C 0.1UF, Z, 16V	2	
C4311	ECJ1VB1H103K	C 0.001UF, K, 50V	1	
C4312	ECJ1XB1C104K	C 0.1UF, Z, 16V	1	
C4313	ECJ1VB1H103K	C 0.001UF, K, 50V	1	
C4314	ECJ1XB1C104K	C 0.1UF, Z, 16V	1	
C4315	ECJ1VB1H103K	C 0.001UF, K, 50V	1	
C4316	ECJ1XB1C104K	C 0.1UF, Z, 16V	1	
C4317	ECJ1VB1H103K	C 0.001UF, K, 50V	1	
C4318,19	ECJ1XB1C104K	C 0.1UF, Z, 16V	2	
C4320	EEVHB0G221P	E 220UF, 4V	1	
C4322-24	ECJ1XB1C104K	C 0.1UF, Z, 16V	3	
C4325	ECJ1VB1H103K	C 0.001UF, K, 50V	1	
C4326	ECJ1XB1C104K	C 0.1UF, Z, 16V	1	
C4327	ECJ1VB1H103K	C 0.001UF, K, 50V	1	
C4328	ECJ1XB1C104K	C 0.1UF, Z, 16V	1	
C4329	ECJ1VB1H103K	C 0.001UF, K, 50V	1	
C4330	ECJ1XB1C104K	C 0.1UF, Z, 16V	1	
C4331	ECJ1VB1H103K	C 0.001UF, K, 50V	1	
C4332,33	ECJ1XC1H150J	C 15PF, J, 50V	2	
C4334,35	ECJ1XB1C104K	C 0.1UF, Z, 16V	2	
C4336	ECJ1VB1H103K	C 0.001UF, K, 50V	1	
C4337	ECJ1XB1C104K	C 0.1UF, Z, 16V	1	
C4338	ECJ1VB1H103K	C 0.001UF, K, 50V	1	
C4339	ECJ1XB1C104K	C 0.1UF, Z, 16V	1	
C4340	ECJ1VB1H103K	C 0.001UF, K, 50V	1	
C4341	ECJ1XB1C104K	C 0.1UF, Z, 16V	1	
C4342	ECJ1VB1H103K	C 0.001UF, K, 50V	1	
C4343	ECJ3YB1C475K	C 0.047UF, K, 16V	1	
C4344	EEEB1A101P	C 100PF, J, 10V	1	
C4345	ECJ3YB1C475K	C 0.047UF, K, 16V	1	
C4346	EEEB1A101P	C 100PF, J, 10V	1	
C4347	ECJ1XB1C104K	C 0.1UF, Z, 16V	1	
C4348	ECJ3YB1C475K	C 0.047UF, K, 16V	1	
C4350	ECJ3YB1C475K	C 0.047UF, K, 16V	1	
C4351	EEEB0G221P	C 220PF, J, 4V	1	
C4353	ECJ1VB1E223K	C 0.023UF, K, 25V	1	
C4356	ECJ1VB1E223K	C 0.023UF, K, 25V	1	
C4357	ECJ1XB1C104K	C 0.1UF, Z, 16V	1	
C4360	EEEB0G221P	C 220PF, J, 4V	1	
C4362,63	ECJ1XB1C104K	C 0.1UF, Z, 16V	2	
C4364	ECJ3YB1C475K	C 0.047UF, K, 16V	1	
C4367	EEEB1A101P	C 100PF, J, 10V	1	
C4368,69	ECJ3YB1C475K	C 0.047UF, K, 16V	2	
C4370	ECJ1VB1C105K	C 0.01UF, K, 16V	1	
C4371,72	ECJ1XB0J105K	C 1UF, K, 16V	2	
C4373,74	ECJ1VB1H103K	C 0.001UF, K, 50V	2	
C4375	EEVHB0J470R	E 47UF, 6.3V	1	
C4376-96	ECJ1XB1C104K	C 0.1UF, Z, 16V	21	
C4397	EEVHB0J470R	E 47UF, 6.3V	1	
C4398-10	ECJ1XB1C104K	C 0.1UF, Z, 16V	13	
C4411	EEVHB0J470R	E 47UF, 6.3V	1	
C4412	ECJ1XB1C104K	C 0.1UF, Z, 16V	1	
C4415-20	ECJ1XB1C104K	C 0.1UF, Z, 16V	6	
C4421	EEVHB0J470R	E 47UF, 6.3V	1	
C4422	ECJ1XB1C104K	C 0.1UF, Z, 16V	1	
C4424	ECJ1VB1H103K	C 0.001UF, K, 50V	1	
C4425	ECJ1XB0J105K	C 1UF, K, 16V	1	
C4426-30	ECJ1XB1C104K	C 0.1UF, Z, 16V	5	
C4431	ECJ1VB1C105K	C 0.01UF, K, 16V	1	
C4432-34	ECJ1VB1H103K	C 0.001UF, K, 50V	3	
C4435	ECJ1XB0J105K	C 1UF, K, 16V	1	

Ref. No.	Part No.	Part Name & Description	Pcs	Remarks
C4436-41	ECJ1XB1C104K	C 0.1UF, Z, 16V	6	
C4444	ECJ1VB0J334K	C 0.33UF, K, 6.3V	1	
C4445	ECJ1VB1H682K	C 6800PF, K, 50V	1	
C4447	ECJ1XB0J105K	C 1UF, K, 16V	1	
C4448	ECJ1XB1C104K	C 0.1UF, Z, 16V	1	
C4449	ECJ1VB1H103K	C 0.001UF, K, 50V	1	
C4450	ECJ1XB1C104K	C 0.1UF, Z, 16V	1	
C4453	ECJ1VB1C105K	C 0.01UF, K, 16V	1	
C4456	ECJ1XC1H102J	C 1000PF, J, 50V	1	
C4457,58	ECJ1XB1C104K	C 0.1UF, Z, 16V	2	
C4459	ECJ1XB0J105K	C 1UF, K, 16V	1	
C4460	ECJ1XB1C104K	C 0.1UF, Z, 16V	1	
C4461	ECJ1VB1H103K	C 0.001UF, K, 50V	1	
C4462	ECJ1XB1C104K	C 0.1UF, Z, 16V	1	
C4465	ECJ1XC1H820J	C 82PF, J, 50V	1	
C4468	ECJ1XB1C104K	C 0.1UF, Z, 16V	1	
C4470,71	ECJ1XB1C104K	C 0.1UF, Z, 16V	2	
C4472	EEEB1C470P	C 47PF, J, 16V	1	
C4473	ECJ1XB1C104K	C 0.1UF, Z, 16V	1	
C4474	EEVHB0J220	E 22UF 6.3V	1	
C4476	ECJ1VB1H103K	C 0.001UF, K, 50V	1	
C4478	EEEB1C470P	C 47PF, J, 16V	1	
C4488-91	ECJ1VB1H103K	C 0.001UF, K, 50V	4	
C4503	ECJ1VB1H103K	C 0.001UF, K, 50V	1	
C4504	ECJ1XB1C104K	C 0.1UF, Z, 16V	1	
C4506	ECJ1VB0J474K	C 0.47UF, K, 6.3V	1	
C4507	ECJ1XB0J105K	C 1UF, K, 16V	1	
C4517-18	ECJ1VB1H103K	C 0.001UF, K, 50V	2	
C4519	EEEB1C470P	C 47PF, J, 16V	1	
C4524	EEVHB0J470R	E 47UF, 6.3V	1	
C4525,26	ECJ1XB1C104K	C 0.1UF, Z, 16V	2	
C4527	EEEB1C100R	C 10PF, J, 16V	1	
C4529	EEEB1C470P	C 47PF, J, 16V	1	
C4536	EEEB0J101P	C 100PF, J, 6.3V	1	
C4540	EEEB0G221P	C 220PF, J, 4V	1	
C4543	ECJ1XB1C104K	C 0.1UF, Z, 16V	1	
C4544	ECJ1VB1H103K	C 0.001UF, K, 50V	1	
C4547	ECJ1XB1C104K	C 0.1UF, Z, 16V	1	
C4549-75	ECJ1XC1H102J	C 1000PF, J, 50V	27	
C4577-78	ECJ1XB1C104K	C 0.1UF, Z, 16V	3	
C4584	ECJ1XC1H680J	C 68PF, J, 50V	1	
C4588	EEEB1A101P	C 100PF, J, 10V	1	
C4591	ECJ3XB0J106M	C 10UF, M, 6.3V	1	
C4592	ECJ1VB1H103K	C 0.001UF, K, 50V	1	
C4594	ECJ3XB0J106M	C 10UF, M, 6.3V	1	
C4595	ECJ1VB1H103K	C 0.001UF, K, 50V	1	
C4596,97	ECJ1VB1C105K	C 0.01UF, K, 16V	2	
C4598-40	ECJ1XC1H102J	C 1000PF, J, 50V	43	
C4650,51	ECJ1XB0J105K	C 1UF, K, 16V	2	
C4652,53	ECJ1VB1H103K	C 0.001UF, K, 50V	2	
C4654	EEFCD0G560R	56UF,	1	
C4661	ECJ1XB1C104K	C 0.1UF, Z, 16V	1	
C4662,63	ECJ1XB0J105K	C 1UF, K, 16V	2	
C4667-69	ECJ1XB0J105K	C 1UF, K, 16V	3	
C4671	ECJ1XC1H101J	C 100PF, J, 50V	1	
C4672	ECJ1XF1C104Z	C 0.1UF, Z, 16V	1	
C4673	ECJ1VB1H682K	C 6800PF, K, 50V	1	
C4675	ECJ1VB1C105K	C 0.01UF, K, 16V	1	
C4678-81	ECJ1XB0J105K	C 1UF, K, 16V	4	
C4683	ECJ1XB0J105K	C 1UF, K, 16V	1	

Ref. No.	Part No.	Part Name & Description	Pcs	Remarks
C4684-89	ECJ1XB1C104K	C 0.1UF, Z, 16V	6	
C4695,96	ECJ1XB0J105K	C 1UF, K, 16V	2	
C4697	ECJ1XC1H101J	C 100PF, J, 50V	1	
C4698	ECJ1XB1C104K	C 0.1UF, Z, 16V	1	
C4699	ECJ1XC1H102J	C 1000PF, J, 50V	1	
C4702	ECJ1XB1C104K	C 0.1UF, Z, 16V	1	
C4703	ECJ1XC1H102J	C 1000PF, J, 50V	1	
C4704	ECJ1XB1C104K	C 0.1UF, Z, 16V	1	
C4705	ECJ1XC1H102J	C 1000PF, J, 50V	1	
C4706	ECJ1XB1C104K	C 0.1UF, Z, 16V	1	
C4707	ECJ1XC1H102J	C 1000PF, J, 50V	1	
C4710	ECJ1XB1C104K	C 0.1UF, Z, 16V	1	
C4711	ECJ1XC1H102J	C 1000PF, J, 50V	1	
C4712	ECJ1XB1C104K	C 0.1UF, Z, 16V	1	
C4713	ECJ1XC1H102J	C 1000PF, J, 50V	1	
C4716	ECJ1XB1C104K	C 0.1UF, Z, 16V	1	
C4717	ECJ1XC1H102J	C 1000PF, J, 50V	1	
C4720	ECJ1XB1C104K	C 0.1UF, Z, 16V	1	
C4721	ECJ1XC1H102J	C 1000PF, J, 50V	1	
C4722	ECJ1XB1C104K	C 0.1UF, Z, 16V	1	
C4723	ECJ1XC1H102J	C 1000PF, J, 50V	1	
C4726	ECJ1XB1C104K	C 0.1UF, Z, 16V	1	
C4727	ECJ1XC1H102J	C 1000PF, J, 50V	1	
C4730	ECJ1XB1C104K	C 0.1UF, Z, 16V	1	
C4731	ECJ1XC1H102J	C 1000PF, J, 50V	1	
C4732	ECJ1XB1C104K	C 0.1UF, Z, 16V	1	
C4733	ECJ1XC1H102J	C 1000PF, J, 50V	1	
C4736	ECJ1XB1C104K	C 0.1UF, Z, 16V	1	
C4737	ECJ1XC1H102J	C 1000PF, J, 50V	1	
C4738	ECJ1XB1C104K	C 0.1UF, Z, 16V	1	
C4739	ECJ1XC1H102J	C 1000PF, J, 50V	1	
C4740	ECJ1XB1C104K	C 0.1UF, Z, 16V	1	
C4741	ECJ1XC1H102J	C 1000PF, J, 50V	1	
C4744	ECJ1XB1C104K	C 0.1UF, Z, 16V	1	
C4745	ECJ1XC1H102J	C 1000PF, J, 50V	1	
C4746	ECJ1XB1C104K	C 0.1UF, Z, 16V	1	
C4747	ECJ1XC1H102J	C 1000PF, J, 50V	1	
C4748	ECJ1XB1C104K	C 0.1UF, Z, 16V	1	
C4749	ECJ1XC1H102J	C 1000PF, J, 50V	1	
C4752	ECJ1XB1C104K	C 0.1UF, Z, 16V	1	
C4753	ECJ1XC1H102J	C 1000PF, J, 50V	1	
C4754	ECJ1XB1C104K	C 0.1UF, Z, 16V	1	
C4755	ECJ1XC1H102J	C 1000PF, J, 50V	1	
C4756	ECJ1XB1C104K	C 0.1UF, Z, 16V	1	
C4757	ECJ1XC1H102J	C 1000PF, J, 50V	1	
C4758	ECJ1XB1C104K	C 0.1UF, Z, 16V	1	
C4759	ECJ1XC1H102J	C 1000PF, J, 50V	1	
C4760	ECJ1XB1C104K	C 0.1UF, Z, 16V	1	
C4761	ECJ1XC1H102J	C 1000PF, J, 50V	1	
C4762	ECJ1XB1C104K	C 0.1UF, Z, 16V	1	
C4763	ECJ1XC1H102J	C 1000PF, J, 50V	1	
C4764	ECJ1XB1C104K	C 0.1UF, Z, 16V	1	
C4765	ECJ1XC1H102J	C 1000PF, J, 50V	1	
C4766	ECJ1XB1C104K	C 0.1UF, Z, 16V	1	
C4767	ECJ1XC1H102J	C 1000PF, J, 50V	1	
C4768	ECJ1XB1C104K	C 0.1UF, Z, 16V	1	
C4769	ECJ1XC1H102J	C 1000PF, J, 50V	1	
C4770	ECJ1XB1C104K	C 0.1UF, Z, 16V	1	
C4771	ECJ1XC1H102J	C 1000PF, J, 50V	1	
C4772	ECJ1XB1C104K	C 0.1UF, Z, 16V	1	
C4773	ECJ1XC1H102J	C 1000PF, J, 50V	1	
C4774	ECJ1XB1C104K	C 0.1UF, Z, 16V	1	
C4775	ECJ1XC1H102J	C 1000PF, J, 50V	1	
C4776	ECJ1XB1C104K	C 0.1UF, Z, 16V	1	
C4777	ECJ1XC1H102J	C 1000PF, J, 50V	1	
C4779	ECJ3XB0J106M	C 10UF, M, 6.3V	1	
C4780	ECJ1XB1C104K	C 0.1UF, Z, 16V	1	
C4781	ECJ1XC1H102J	C 1000PF, J, 50V	1	
C4782,83	ECJ1VB1H103K	C 0.001UF, K, 50V	2	
C4784	ECJ1XC1H102J	C 1000PF, J, 50V	1	

Ref. No.	Part No.	Part Name & Description	Pcs	Remarks
C4785,86	ECJ1VB1H103K	C 0.001UF, K, 50V	2	
C4788	ECJ1VB1H103K	C 0.001UF, K, 50V	1	
C4791	ECJ1XB1C104K	C 0.1UF, Z, 16V	1	
C4792	ECJ1XC1H101J	C 100PF, J, 50V	1	
C4796	ECJ1XB1C104K	C 0.1UF, Z, 16V	1	
C4805	ECJ2FB0J335K	C 3.30UF, K, 16V	1	
C7002,03	ECKDNA331MB7	C 330PF, M,	2	△
C7004,05	ECKDNA101MB	C 100PF	2	△
C7007	ECKD3A472KBP	C 4700PF, K, 1KV	1	
C7008	ECQU2A334BN9	P 0.33UF, M, 250V	1	△
C7009,10	ECQU2A104BN9	P 0.1UF, 250V	2	△
C7011	ECQU2A334BN9	P 0.33UF, M, 250V	1	△
C7012	ECKDNA101MB	C 100PF	1	△
C7100	ECJ2XB1H103K	C 0.01UF, K, 50V	1	
C7101	ECKD3D471KBP	C 470PF, K, 2KV	1	
C7102	ECJ2VC2A101J	E 100UF, 100V	1	PAVCCZ
C7104	ECJ2XB1H102K	C 1000PF, K, 50V	1	
C7105	ECQV1H104JM	P 0.1UF, J, 50V	1	
C7106	ECA1HM010	E 1UF, 50V	1	
C7109,10	ECA2WEG100	E 10UF, 450V	2	
C7111	ECA1HM010	E 1UF, 50V	1	
C7112	EEUC1V680	E 68UF, 35V	1	PAVCCZ
C7114	F2A1C1020027	E 1000UF, 16V	1	
C7115	ECQV1H104JM	P 0.1UF, J, 50V	1	
C7116	ECA1AHG222	E 2200UF, 10V	1	
C7117	F1J1A1050002	C 1UF, Z, 50V	1	
C7118	ECJ2XB1H105K	C 0.01UF, K, 50V	1	
C7202	ECJ2VB1C104K	C 0.1UF, K, 16V	1	
C7203	ECJ2XB1H103K	C 0.01UF, K, 50V	1	
C7204-07	F1J1A1050002	C 1UF, Z, 50V	4	
C7208	ECJ2FB0J225K	C 2.2UF, Z, 16V	1	
C7209	F2A1C101A121	E 100UF, 16V	1	
C7210	ECJ2VB1C224K	C 0.22UF, K, 16V	1	
C7211	ECA1HM330	E 33UF, 50V	1	
C7212	ECJ2XB1H103K	C 0.01UF, K, 50V	1	
C7301	F2A1H471A531	E 470UF, 50V	1	
C7302	ECJ2FB1H104K	C 0.1UF, K, 50V	1	
C7303	F2A1C1020027	E 1000UF, 16V	1	
C7305,06	ECJ2FB1H104K	C 0.1UF, K, 50V	2	
C7307	ECA1VM102	E 1000UF, 35V	1	
C7401	F2A1H471A531	E 470UF, 50V	1	
C7402	ECJ2FB1H104K	C 0.1UF, K, 50V	1	
C7403	F2A1C1020027	E 1000UF, 16V	1	
C7405,06	ECJ2FB1H104K	C 0.1UF, K, 50V	2	
C7407	F2A1C681A117	E 680UF, 16V	1	
C7412	F1J1A1050002	C 1UF, Z, 50V	1	
C7501,02	ECA1HM100	E 10UF, 50V	2	
C7503,04	ECJ2XB1H103K	C 0.01UF, K, 50V	2	
C7505	ECJ2FB0J225K	C 2.2UF, Z, 16V	1	
C7506	ECA1VHG471	E 470UF, 35V	1	
C7601	ECJ2FB1E224K	C 22UF, K, 25V	1	
C7602,03	ECJ2FB1H104K	C 0.1UF, K, 50V	2	
C7605	ECJ2FB1H104K	C 0.1UF, K, 50V	1	
C7609	ECJ2FB1E224K	C 22UF, K, 25V	1	
C7701	ECJ2XB1H103K	C 0.01UF, K, 50V	1	
C7702	ECA1HM221	E 220UF, 50V	1	
C7703	F2A1C1020027	E 1000UF, 16V	1	
C7705	ECJ2XB1H103K	C 0.01UF, K, 50V	1	
C7706	ECJ2FB1H104K	C 0.1UF, K, 50V	1	
C7851	ECA1HM100	E 10UF, 50V	1	
C7853	ECA1HM100	E 10UF, 50V	1	
C7854	ECJ2FB1H104K	C 0.1UF, K, 50V	1	
C7951	ECA1VHG471	E 470UF, 35V	1	

Ref. No.	Part No.	Part Name & Description	Pcs	Remarks
C7952-56	ECJ2XB1H103K	C 0.01UF, K, 50V	5	
C7958-61	ECJ2XB1H103K	C 0.01UF, K, 50V	4	
C7963-65	ECJ2XB1H103K	C 0.01UF, K, 50V	3	
C7966,67	ECA1EM101	E 100UF, 25V	2	
C8001	ECJ0EB1C103K	C0.010UF, K, 16V	1	
C8002	ECJ0EB1A104K	C 0.1UF, K, 10V	1	
C8003	ECJ0EB1C103K	C0.010UF, K, 16V	1	
C8004	ECJ0EB1A104K	C 0.1UF, K, 10V	1	
C8005	EEEB1C100R	C 10PF, J, 16V	1	
C8007	ECJ0EB1H102K	C 1000PF, K, 50V	1	
C8010	ECJ0EC1H050C	C 5PF, D, 50V	1	
C8015	ECJ1VC1H080C	C 8PF, C, 50V	1	
C8019,20	ECJ0EB1C103K	C0.010UF, K, 16V	2	
C8021	ECJ0EB1H102K	C 1000PF, K, 50V	1	
C8030	ECJ0EB1C103K	C0.010UF, K, 16V	1	
C8034,35	ECJ1VB1C104K	C 0.1UF, K, 16V	2	
C8037	ECJ0EB1C103K	C0.010UF, K, 16V	1	
C8039,40	ECJ0EB1C103K	C0.010UF, K, 16V	2	
C8041	EEEB0G101R	C 100PF, J, 4V	1	
C8042,43	ECJ1VC1H070C	C 7PF, C, 50V	2	
C8046,47	ECJ0EB1C103K	C0.010UF, K, 16V	2	
C8048	ECJ1VB1H103K	C 0.001UF, K, 50V	1	
C8051,52	ECJ0EB1C103K	C0.010UF, K, 16V	2	
C8055	EEEB1C470P	C 47PF, J, 16V	1	
C8056	ECJ0EB1C103K	C0.010UF, K, 16V	1	
C8058-61	ECJ0EB1C103K	C0.010UF, K, 16V	4	
C8062	F1G1A1540001	C 0.15UF, K, 10V	1	PAVCCZ
C8071	ECJ0EC1H270J	C 270PF, K, 50V	1	
C8073	ECJ0EC1H270J	C 270PF, K, 50V	1	
C8098	ECGRLOG680R	C 68PF, J, 4V	1	
C8099,00	ECJ0EB1A104K	C 0.1UF, K, 10V	2	
C8101,02	ECJ1VB0J105K	C 1UF, K, 6.3V	2	
C8103,04	ECJ0EB1A104K	C 0.1UF, K, 10V	2	
C8105	EEEB0G101R	C 100PF, J, 4V	1	
C8106,07	ECJ1VB0J105K	C 1UF, K, 6.3V	2	
C8108	ECJ0EB1A104K	C 0.1UF, K, 10V	1	
C8109	EEEB0G101R	C 100PF, J, 4V	1	
C8110	ECJ0EB1A104K	C 0.1UF, K, 10V	1	
C8121	ECJ0EB1A104K	C 0.1UF, K, 10V	1	
C8128,29	ECJ0EB1C103K	C0.010UF, K, 16V	2	
C8131	ECJ1VB1H103K	C 0.001UF, K, 50V	1	
C8132	ECJ0EB1C103K	C0.010UF, K, 16V	1	
C8134	ECJ1VB1H103K	C 0.001UF, K, 50V	1	
C8136	ECGRLOG680R	C 68PF, J, 4V	1	
C8137	ECJ1VB0J334K	C 0.33UF, K, 6.3V	1	
C8138	ECJ1VB1H103K	C 0.001UF, K, 50V	1	
C8139	ECGRLOG680R	C 68PF, J, 4V	1	
C8140	ECJ1VB1C104K	C 0.1UF, K, 16V	1	
C8141	ECJ1VB1H103K	C 0.001UF, K, 50V	1	
C8142	ECJ1VB1C104K	C 0.1UF, K, 16V	1	
C8143	ECJ1VB1H103K	C 0.001UF, K, 50V	1	
C8144	ECJ0EB1A104K	C 0.1UF, K, 10V	1	
C8145	ECJ0EB1C103K	C0.010UF, K, 16V	1	
C8146	ECJ1VB1C104K	C 0.1UF, K, 16V	1	
C8147	ECJ1VB1H103K	C 0.001UF, K, 50V	1	
C8148	ECJ1VB1C104K	C 0.1UF, K, 16V	1	
C8149	ECJ1VB0J105K	C 1UF, K, 6.3V	1	
C8150	ECJ1VB1H103K	C 0.001UF, K, 50V	1	
C8151	ECJ1VB1C104K	C 0.1UF, K, 16V	1	

Ref. No.	Part No.	Part Name & Description	Pcs	Remarks
C8154-56	ECJ1VB1C104K	C 0.1UF, K, 16V	3	
C8157	ECJ1VB1H103K	C 0.001UF, K, 50V	1	
C8160	ECJ1VB1C104K	C 0.1UF, K, 16V	1	
C8161	ECJ1VB1H103K	C 0.001UF, K, 50V	1	
C8162	ECJ0EB1C103K	C0.010UF, K, 16V	1	
C8163	ECJ1VB1H103K	C 0.001UF, K, 50V	1	
C8164	ECJ0EB1C103K	C0.010UF, K, 16V	1	
C8165	ECJ1VB1C104K	C 0.1UF, K, 16V	1	
C8166	ECJ1VB1H103K	C 0.001UF, K, 50V	1	
C8167	ECJ1VB1C104K	C 0.1UF, K, 16V	1	
C8168	ECJ1VB1H103K	C 0.001UF, K, 50V	1	
C8169	EEEB0G470R	C 47PF, J, 4V	1	
C8170,71	ECJ1VB1C104K	C 0.1UF, K, 16V	2	
C8172	EEEB0G470R	C 47PF, J, 4V	1	
C8173-75	ECJ1VB1H103K	C 0.001UF, K, 50V	3	
C8176	ECJ1VB1C104K	C 0.1UF, K, 16V	1	
C8182	ECJ0EC1H121J	C 120PF, K, 50V	1	
C8186	ECJ0EC1H680J	C 680PF, K, 50V	1	
C8189	ECJ0EF1C104Z	C 0.10UF, Z, 16V	1	
C8193	EEEB0J101P	C 100PF, J, 6.3V	1	
C8194	ERJ2GE0R00	M 0.0 OHM, J, 0.063W	1	
C8202,03	EEEB1C470P	C 47PF, J, 16V	2	
C8204	ECJ3XB1C106M	C 1.0UF, K, 16V	1	
C8205,06	ECJ1VB1C104K	C 0.1UF, K, 16V	2	
C8207	EEEB1C470P	C 47PF, J, 16V	1	
C8208	ECJ3XB1C106M	C 1.0UF, K, 16V	1	
C8210	ECJ0EB1A333K	C 0.033UF, K, 10V	1	
C8212	ECJ0EB1C223K	C 0.022UF, K, 16V	1	
C8240	ECJ1VB0J105K	C 1UF, K, 6.3V	1	
C8268	ECJ1VB0J105K	C 1UF, K, 6.3V	1	
C8269	ECJ1VB1C104K	C 0.1UF, K, 16V	1	
C8303	ECJ1VB1H103K	C 0.001UF, K, 50V	1	
C8305,06	ECJ1VB1H103K	C 0.001UF, K, 50V	2	
C8314	ECJ1VB1C104K	C 0.1UF, K, 16V	1	
C8315	ECJ2FF1A475Z	C 4.7UF, Z, 10V	1	
C8317,18	ECJ2FF1A475Z	C 4.7UF, Z, 10V	2	
C8319	ECJ1VB1C104K	C 0.1UF, K, 16V	1	
C8320-23	ECJ1VB0J105K	C 1UF, K, 6.3V	4	
C8327	EEEB1C470P	C 47PF, J, 16V	1	
C8329	ECJ1VB1H103K	C 0.001UF, K, 50V	1	
C8330,31	ECJ0EC1H181J	C 180PF, K, 50V	2	
C8332	ECJ1VB1H103K	C 0.001UF, K, 50V	1	
C8334,35	ECJ0EC1H330J	C 330PF, K, 50V	2	
C8340	ECJ0EB1C682K	C 6800UF, K, 16V	1	
C8341	ECJ0EB1C822K	C 8200UF, K, 16V	1	
C8342,43	ECGRLOG680R	C 68PF, J, 4V	2	
C8344	ECJ0EB1C223K	C 0.022UF, K, 16V	1	
C8345	ECJ0EB1A273K	C 0.027UF, K, 10V	1	PAVCCZ
C8349-51	ECJ1VB1C104K	C 0.1UF, K, 16V	3	
C8361	EEEB1C470P	C 47PF, J, 16V	1	
C8372	ECJ1VB1C104K	C 0.1UF, K, 16V	1	
C8376	ECJ1VB1C104K	C 0.1UF, K, 16V	1	
C8397	ECJ1VB1C104K	C 0.1UF, K, 16V	1	
C8401	ECJ1VB1H103K	C 0.001UF, K, 50V	1	
C8403,04	ECJ0EF1C104Z	C 0.10UF, Z, 16V	2	
C8406,07	ECJ0EF1C104Z	C 0.10UF, Z, 16V	2	
C8409	ECJ0EF1C104Z	C 0.10UF, Z, 16V	1	
C8410	ECJ1VB1C104K	C 0.1UF, K, 16V	1	
C8413-16	ECJ0EF1C104Z	C 0.10UF, Z, 16V	4	
C8419	ECJ0EF1C104Z	C 0.10UF, Z, 16V	1	

Ref. No.	Part No.	Part Name & Description	Pcs	Remarks
C8421	ECJ1VB1H103K	C 0.001UF, K, 50V	1	
C8423	ECJ1VB1C104K	C 0.1UF, K, 16V	1	
C8425	ECJ1VB1C104K	C 0.1UF, K, 16V	1	
C8427	EEEB0J101P	C 100PF, J, 6.3V	1	
C8428	ECJ0EF1C104Z	C 0.10UF, Z, 16V	1	
C8430-32	ECJ0EF1C104Z	C 0.10UF, Z, 16V	3	
C8433,34	ECJ0EB1C103K	C0.010UF, K, 16V	2	
C8467	ECJ1VB1H103K	C 0.001UF, K, 50V	1	
C8501,02	ECJ0ECLH180J	C 180PF, K, 50V	2	
C8504	ECJ1VF1A105Z	C 1UF, Z, 10V	1	
C8506	ECJ2VF1C105Z	C 1UF, Z, 16V	1	
C8507	ECJ1XC1H102J	C 1000PF, J, 50V	1	
C8508	ECJ1XF1C334Z	C 0.33UF, Z, 16V	1	
C8509	EEEB0J101P	C 100PF, J, 6.3V	1	
C8870	ECJ1XC1H471J	C 470PF, J, 50V	1	
C8872	ECJ2FB0J225K	C 2.2UF, Z, 16V	1	
C8910	ECJ0EF1H103Z	C 0.01UF, Z, 50V	1	
D1001	MAZ8043M	ZENER DIODE	1	
D1002	B3ACA0000272	DIODE	1	PAVCCZ
D1003	MAZ8043M	ZENER DIODE	1	
D1005	B3AAA0000770	DIODE	1	
D1101	MA8120M	ZENER DIODE	1	
D1104	MA152	DIODE	1	
D1106-11	MA8062MTX	ZENER DIODE	6	
D1113	MA111	DIODE	1	
D2003	MA152	DIODE	1	
D2004	MA157A	DIODE	1	
D2005	MA111	DIODE	1	
D2006	MA152	DIODE	1	
D2104	MA152K	DIODE	1	
D2105-09	MA8140M	ZENER DIODE	5	
D2111	MA8140M	ZENER DIODE	1	
D2113-18	MA8140M	ZENER DIODE	6	
D2115	MA3120M	ZENER DIODE	1	
D2120	MA152K	DIODE	1	
D2124,25	MA8056-M	DIODE	2	
D3015-19	MA8140M	ZENER DIODE	5	
D3020	B0BC2R400001	DIODE	1	
D3021	MA152	DIODE	1	
D3022,23	MA111	DIODE	2	
D3024	MA3100M	ZENER DIODE	1	
D3201	MA152K	DIODE	1	
D3813	MA8140M	ZENER DIODE	1	
D3815	MA8140M	ZENER DIODE	1	
D3825,26	MA8140M	ZENER DIODE	2	
D4001	MA152K	DIODE	1	
D4004,05	B0JCPD000026	DIODE	2	
D4006,07	B0JCDD000002	DIODE	2	
D4008	MA152K	DIODE	1	
D4009	MA111	DIODE	1	
D7001-03	ERZV10V621T2	VARISTOR	3	△
D7004	B0FBAT000008	DIODE	1	PAVCCZ △
D7101	ERA22-10	DIODE	1	
D7104	B0JAMG000025	DIODE	1	PAVCCZ
D7105	MA4150LTA	ZENER DIODE	1	
D7106	MA111	DIODE	1	
D7107	B0EBKT000007	DIODE	1	△
D7109	TVSSR2KL	DIODE	1	
D7110	RY24	DIODE	1	
D7111	B0BA01000070	DIODE	1	
D7112	ERA22-10	DIODE	1	
D7113	B0JANG000003	DIODE	1	

Ref. No.	Part No.	Part Name & Description	Pcs	Remarks
D7114-16	B0JAMG000025	DIODE	3	PAVCCZ
D7201	MA4075M	ZENER DIODE	1	
D7202	MA4140M	ZENER DIODE	1	
D7203	MA8330M	ZENER DIODE	1	
D7204	MA111	DIODE	1	
D7207	MA729	DIODE	1	
D7208	MA111	DIODE	1	
D7210	MA4075M	ZENER DIODE	1	
D7211	MA111	DIODE	1	
D7301	MA8100MTX	ZENER DIODE	1	
D7302	MA111	DIODE	1	
D7303	MA8220-M	ZENER DIODE	1	
D7304	MA111	DIODE	1	
D7401	MA8056-M	DIODE	1	
D7402	MA111	DIODE	1	
D7403	MA8130M	ZENER DIODE	1	
D7404,05	MA111	DIODE	2	
D7501	MA111	DIODE	1	
D7601,02	B0HCM000014	DIODE	2	
D7603,04	MTZJ16C	DIODE	2	
D7605	B0HCM000014	DIODE	1	
D7606	MA111	DIODE	1	
D7701	B0JCPG000005	DIODE	1	
D7702	B0HCM000014	DIODE	1	
D7703	MA8100MTX	ZENER DIODE	1	
D7704	MA111	DIODE	1	
D7851	B0HCM000014	DIODE	1	
D8002	MA728	DIODE	1	
D8005	MA3082H	ZENER DIODE	1	
D8203,04	B0JCPPE000004	DIODE	2	PAVCCZ
D8501	B0CCAB000039	DIODE	1	
DG1	K1KB0A000006	CONNECTOR	1	
DG2,G3	K1MN40B000044	40P CONNECTOR	2	
DG4,G5	K1KB23A000003	23P CONNECTOR	2	
DG6	K1KA08BA00047	8P CONNECTOR	1	
DG7	K1KB30B000032	30P CONNECTOR	1	
DG11	K1KA02AA0150	8P CONNECTOR	1	
DG15	K1KA07AA0266	7P CONNECTOR	1	
F7000-1,-2	K3GE1ZA00010	FUSE HOLDER	2	
FL4005	J0HABC000008	LC FILTER	1	PAVCCZ
FL4016-19	ELKE103FA	NOISE FILTER	4	
FL4020-22	J0JBD0000043	CHIP INDUCTOR	3	
FL4023-29	ELKE103FA	NOISE FILTER	7	
FL4033	J0HABC000008	LC FILTER	1	PAVCCZ
FL8201	TAX10075	EMI FILTER	1	
G1	K1KA10BA00062	10P CONNECTOR	1	
G4	K1KA30AA00009	30P CONNECTOR	1	
G5	K1KA20AA00009	20P CONNECTOR	1	
G10	K1KA04BA00061	4P CONNECTOR	1	
G11	K1KA05BA00061	5P CONNECTOR	1	
G15	K1KA02A00553	2P CONNECTOR	1	
H1	K1KB23A000003	23P CONNECTOR	1	
H2,H3	K1MN40B000044	40P CONNECTOR	2	
H4	K1KA30AA00009	30P CONNECTOR	1	
H5	K1KA20AA00009	20P CONNECTOR	1	
H12	K1KA09AA0190	9P CONNECTOR	1	
IC1103	C0DBEZG00013	IC	1	
IC1104	C2CBYF000032	IC	1	PAVCCZ
IC1105	TC4066BF	MOS IC	1	
IC1106	CXA1875AM	LINEAR IC	1	

Ref. No.	Part No.	Part Name & Description	Pcs	Remarks
IC1107	C3EBHC000024	IC	1	PAVCCZ
IC1108	C0EBBE0000336	IC	1	
IC1109	C0JBBZ000281	IC	1	
IC1110	C0CBCBD00043	IC	1	
IC1114	C3ABFG000133	IC	1	
IC1115	TVRN573-1	IC	1	PAVCCZ
IC1117	C0JBAZ002186	IC	1	
IC2101	C1BB00000931	IC	1	
IC2102	NJM2115M	IC	1	
IC2103	AN77L08M	IC	1	
IC2104	NJM2115M	IC	1	
IC2105	AN15861A-VT	IC	1	
IC2106	C1AB00002135	IC	1	
IC2107	C0DBEZE00006	IC	1	
IC2108	C0EBF0000354	IC	1	
IC2111, 12	NJM2521M	IC	2	
IC2302, 03	NJM2904M	LINEAR IC	2	
IC2500-03	C1BB00000998	IC	4	
IC3001, 02	C1AB00001486	IC	2	
IC3004	C1AB00001487	IC	1	
IC3005	AN15866A-VT	IC	1	PAVCCZ
IC3006	CXA1315M	LINEAR IC	1	
IC4005	C1AB00002298	IC	1	
IC4008	C0CBCBD00008	IC	1	
IC4010	C0EBBE0000336	IC	1	
IC4012	C1AB00001834	IC	1	
IC4014	C0JBAZ002186	IC	1	
IC4024	C0DBAMH00014	IC	1	
IC4025	C0DBAMH00013	IC	1	
IC4033	C0JBCZ000485	IC	1	
IC4041	C0CBCAC00275	IC	1	
IC4042	C0DBEJG00001	IC	1	
IC4044	C0CBCAC00136	IC	1	
IC4047	C0CBCAD00008	IC	1	
IC4048	C0DBEJG000001	IC	1	
IC4049	C0CBABF00020	IC	1	PAVCCZ
IC4051	C1ZBE0002790	IC	1	
IC4052	C3EBJCC000055	IC	1	
IC4054	C1AB00002234	IC	1	
IC4055	C3ABQJ000040	IC	1	
IC4057	C1AB00002217	IC	1	
IC4063	C0EBC0000208	IC	1	PAVCCZ
IC7101	C5HABZE00165	IC	1	PAVCCZ
IC7103	C0DANNA00003	IC	1	PAVCCZ
IC7301	C5HAAKG00002	IC	1	
IC7401	C5HAAKG00002	IC	1	
IC7701	C0DAAZH00020	IC	1	
IC7851	AN1431M	LINEAR IC	1	
IC8003	STV0360CT	IC	1	PAVCCZ
IC8009	C3ABQG000095	IC	1	PAVCCZ
IC8013	MN2W80025AEA	IC	1	PAVCCZ
IC8019	TVRN488	IC	1	
IC8023, 24	C0DBAMH00018	IC	2	PAVCCZ
IC8029	C0FBBK000038	IC	1	
IC8031	BA15218FDX	IC	1	
IC8034	C0DBEJG00001	IC	1	
IC8042	C0EBM0000027	IC	1	
IC8043	C0EBBE0000336	IC	1	
IC8213	C0JBAZ001539	IC	1	
IC8401	C0ZBZ0001086	IC	1	PAVCCZ
IC8402	74LVC4245AD	IC	1	PAVCCZ
IC8404	C0JBCZ000255	IC	1	
IC8408-11	C0JBCZ000255	IC	4	
IC8412	C0JBAZ001539	IC	1	
IC8501	74VHC04MXNL	IC	1	PAVCCZ
IC8864	C0DBFFD00003	IC	1	

Ref. No.	Part No.	Part Name & Description	Pcs	Remarks
JK2001, 02	K2HA204A0038	JACK	2	
JK3002-04	K1FB121A0006	JACK	3	
JK3005	K2HA307A0008	JACK	1	
JK3801	K4BK23B00004	AV TERMINAL	1	
JK8401	K1NA68B00038	68P CONNECTOR	1	PAVCCZ
JS1001	ERJ3GEY0R00	M 0 OHM, 1/16W	1	
JS1101	ERJ3GEY0R00	M 0 OHM, 1/16W	1	
JS2105-08	ERJ3GEY0R00	M 0 OHM, 1/16W	4	
JS2109	ERJ6GEY0R00	M 0 OHM, 1/10W	1	
JS2500	ERJ6GEY0R00	M 0 OHM, 1/10W	1	
JS3005	ERJ3GEY0R00	M 0 OHM, 1/16W	1	
JS3007-20	ERJ3GEY0R00	M 0 OHM, 1/16W	14	
JS3022	ERJ3GEY0R00	M 0 OHM, 1/16W	1	
JS3204, 05	ERJ3GEY0R00	M 0 OHM, 1/16W	2	
JS3213	ERJ3GEY0R00	M 0 OHM, 1/16W	1	
JS3216-23	ERJ3GEY0R00	M 0 OHM, 1/16W	8	
JS3402	ERJ3GEY0R00	M 0 OHM, 1/16W	1	
JS3900	ERJ3GEY0R00	M 0 OHM, 1/16W	1	
JS4001, 02	ERJ3GEY0R00	M 0 OHM, 1/16W	2	
JS4005-15	ERJ3GEY0R00	M 0 OHM, 1/16W	11	
JS4018, 19	ERJ3GEY0R00	M 0 OHM, 1/16W	2	
JS4026-28	ERJ3GEY0R00	M 0 OHM, 1/16W	3	
JS4032, 33	ERJ3GEY0R00	M 0 OHM, 1/16W	2	
JS4035-37	ERJ3GEY0R00	M 0 OHM, 1/16W	3	
JS4039-46	ERJ3GEY0R00	M 0 OHM, 1/16W	10	
JS4056	ERJ3GEY0R00	M 0 OHM, 1/16W	1	TX-26LXD50
JS4059	ERJ3GEY0R00	M 0 OHM, 1/16W	1	
JS4068	ERJ3GEY0R00	M 0 OHM, 1/16W	1	
JS4070-72	ERJ3GEY0R00	M 0 OHM, 1/16W	3	
JS4074-78	ERJ3GEY0R00	M 0 OHM, 1/16W	5	
K6	K1KA02A00626	2P CONNECTOR	1	
L1101-04	J0JHC0000078	CHIP INDUCTOR	4	
L1106	ELJFA8R2KB	CHIP INDUCTOR	1	
L1108	J0JCC0000241	CHIP INDUCTOR	1	
L1109	J0JHC0000078	CHIP INDUCTOR	1	
L1110	J0JCC0000241	CHIP INDUCTOR	1	
L1111,1 2	J0JHC0000078	CHIP INDUCTOR	2	
L2001,0 2	J0JCC0000364	CHIP INDUCTOR	2	
L2003-16	EXC3BB221H	BEAD CHOKE	14	
L2017,1 8	J0JHC0000078	CHIP INDUCTOR	2	
L2104	ELJFA470KB	CHIP INDUCTOR	1	
L2105-07	J0JHC0000078	CHIP INDUCTOR	3	
L2108	J0JCC0000241	CHIP INDUCTOR	1	
L2109,1 0	TSK1032	BEAD CHOKE	2	
L2111,1 2	J0JCC0000241	CHIP INDUCTOR	2	
L2113,1 4	TSK1032	BEAD CHOKE	2	
L2115	J0JCC0000241	CHIP INDUCTOR	1	
L2117	ELJFA6R8KF	CHIP INDUCTOR	1	
L2118	J0JCC0000241	CHIP INDUCTOR	1	
L2120	J0JHC0000078	CHIP INDUCTOR	1	
L2121	J0JCC0000241	CHIP INDUCTOR	1	

Ref. No.	Part No.	Part Name & Description	Pcs	Remarks
L2122	TSK1032	BEAD CHOKE	1	
L2123	G1C330K00017	INDUCTOR COIL	1	
L2178,79	J0JCC0000241	CHIP INDUCTOR	2	
L2182-87	J0JCC0000241	CHIP INDUCTOR	6	
L2500-03	G1C330K00024	INDUCTION COIL	4	
L3001-03	EXC3BB221H	BEAD CHOKE	3	
L3007,08	J0JHC0000078	CHIP INDUCTOR	2	
L3009	ERJ3GEYJ2R2	M 2.2 OHM,J,1/16W	1	
L3010	J0JHC0000078	CHIP INDUCTOR	1	
L3202	J0JCC0000241	CHIP INDUCTOR	1	
L3205,06	J0JCC0000364	CHIP INDUCTOR	2	
L3210	J0JCC0000364	CHIP INDUCTOR	1	
L3211	ELJNC15MKB	CHIP COIL	1	
L3212	EXC3BB221H	BEAD CHOKE	1	
L3213,14	J0JCC0000364	CHIP INDUCTOR	2	
L3304-07	J0JCC0000241	CHIP INDUCTOR	4	
L3811,12	EXC3BB221H	BEAD CHOKE	2	
L3813,14	J0JCC0000364	CHIP INDUCTOR	2	
L4001	J0JHC0000078	CHIP INDUCTOR	1	
L4002	G1C100KA0008	INDUCTOR COIL	1	
L4003,04	J0JHC0000078	CHIP INDUCTOR	2	
L4006,07	J0JHC0000078	CHIP INDUCTOR	2	
L4014,15	J0JHC0000078	CHIP INDUCTOR	2	
L4016	J0JCC0000241	CHIP INDUCTOR	1	
L4020	J0JCC0000241	CHIP INDUCTOR	1	
L4026	J0JCC0000241	CHIP INDUCTOR	1	
L4039	J0JHC0000078	CHIP INDUCTOR	1	
L4041,42	J0JHC0000078	CHIP INDUCTOR	2	
L4043	J0JCC0000241	CHIP INDUCTOR	1	
L4046	J0JHC0000078	CHIP INDUCTOR	1	
L4052	J0JCC0000241	CHIP INDUCTOR	1	
L4054	G1C220MA0077	INDUCTOR COIL	1	
L4055	G1C470MA0073	INDUCTOR COIL	1	
L4056	G1C220MA0041	INDUCTOR COIL	1	PAVCCZ
L4057	G1C220MA0077	INDUCTOR COIL	1	
L4058-60	J0JHC0000078	CHIP INDUCTOR	3	
L4062	J0JHC0000078	CHIP INDUCTOR	1	
L4063	J0JCC0000241	CHIP INDUCTOR	1	
L4065,66	J0JCC0000241	CHIP INDUCTOR	2	
L4068-70	J0JCC0000241	CHIP INDUCTOR	3	
L4073	J0JHC0000078	CHIP INDUCTOR	1	
L4075,76	J0JHC0000078	CHIP INDUCTOR	2	
L4079	J0JCC0000241	CHIP INDUCTOR	1	
L4081,82	J0JCC0000241	CHIP INDUCTOR	2	
L4088	J0JCC0000241	CHIP INDUCTOR	1	
L4090-92	J0JHC0000078	CHIP INDUCTOR	3	
L4095,96	J0JHC0000078	CHIP INDUCTOR	2	
L7001	G0A553G00001	EMI FILTER	1	△
L7106	EXCELSA35	BEAD CHOKE	1	
L7108	TALL08N221KA	INDUCTION COIL	1	
L7201	G0A680GA0002	INDUCTION COIL	1	
L7702	VLQSE02R101K	PEAKING COIL	1	
L7959	TALL08N151KA	INDUCTOR COIL	1	
L7962	TALL08N151KA	INDUCTOR COIL	1	
L8004	J0JHC0000045	CHIP INDUCTOR	1	
L8008	J0JHC0000045	CHIP INDUCTOR	1	

Ref. No.	Part No.	Part Name & Description	Pcs	Remarks
L8026	J0JHC0000035	CHIP INDUCTOR	1	
L8029,30	ERJ3GEY0R00	M 0 OHM, 1/16W	2	
L8031-33	J0JHC0000045	CHIP INDUCTOR	3	
L8038	J0JHC0000045	CHIP INDUCTOR	1	
L8042	J0JHC0000045	CHIP INDUCTOR	1	
L8046	ELJPA1R0MB	INDUCTION COIL	1	
L8047,48	G1C220MA0167	INDUCTOR COIL	2	PAVCCZ
L8049	J0JHC0000045	CHIP INDUCTOR	1	
L8051	J0JCC0000241	CHIP INDUCTOR	1	
L8055	G1C100MA0077	INDUCTION COIL	1	
L8059	J0JHC0000045	CHIP INDUCTOR	1	
L8106	ELJFA2R7JB	INDUCTION COIL	1	PAVCCZ
L8141,42	ERJ3GEY0R00	M 0 OHM, 1/16W	2	
L8145	J0JHC0000045	CHIP INDUCTOR	1	
L8501	ELJNA2R7JB	INDUCTION COIL	1	
LF7002,03	G0B103H00002	CHOKE COIL	2	△
LF7004	G0B302H00004	CHOKE COIL	1	△
PC7102	CNC1S171R	1C	1	△
Q1001	2SA207700L	TRANSISTOR	1	
Q1003	2SA207700L	TRANSISTOR	1	
Q1004	2SC584500L	TRANSISTOR	1	
Q1101	2SC584500L	TRANSISTOR	1	
Q1105-07	2SC584500L	TRANSISTOR	3	
Q1109-11	2SC584500L	TRANSISTOR	3	
Q1112	UN5211	TRANSISTOR	1	
Q1113	UN5111	TRANSISTOR	1	
Q1114	UN5211	TRANSISTOR	1	
Q1118	UN5211	TRANSISTOR	1	
Q1119	2SA207700L	TRANSISTOR	1	
Q2001,02	2SD13280TL	TRANSISTOR	2	
Q2003,04	2SD601A	TRANSISTOR	2	
Q2006,07	2SD601A	TRANSISTOR	2	
Q2009,10	2SD601A	TRANSISTOR	2	
Q2011,12	2SA207700L	TRANSISTOR	2	
Q2016	2SD601A	TRANSISTOR	1	
Q2017	2SA207700L	TRANSISTOR	1	
Q2103-05	2SA207700L	TRANSISTOR	4	
Q2106	2SD601A	TRANSISTOR	1	
Q2108	2SD601A	TRANSISTOR	1	
Q2113	2SD601A	TRANSISTOR	1	
Q2114,15	2SD13280TL	TRANSISTOR	2	
Q3001-06	2SD601A	TRANSISTOR	6	
Q3008	2SA207700L	TRANSISTOR	1	
Q3009	2SD601A	TRANSISTOR	1	
Q3010,11	2SA207700L	TRANSISTOR	2	
Q3014,15	2SA207700L	TRANSISTOR	2	
Q3016	2SD601A	TRANSISTOR	1	
Q3017	2SA207700L	TRANSISTOR	1	
Q3019-22	2SD601A	TRANSISTOR	4	
Q3202-04	2SA207700L	TRANSISTOR	3	
Q4001	2SA207700L	TRANSISTOR	1	
Q4004	2SA207700L	TRANSISTOR	1	
Q4007,08	2SA207700L	TRANSISTOR	2	

Ref. No.	Part No.	Part Name & Description	Pcs	Remarks
Q4030-32	2SD1030	TRANSISTOR	3	
Q4045,46	28C584500L	TRANSISTOR	2	
Q4047,48	28A207700L	TRANSISTOR	2	
Q4049,50	UN5211	TRANSISTOR	2	
Q4052	UN5211	TRANSISTOR	1	
Q4053	UN2215	TRANSISTOR	1	
Q4054	28C584500L	TRANSISTOR	1	
Q4058	28C584500L	TRANSISTOR	1	
Q4060-62	28C584500L	TRANSISTOR	3	
Q4065	28C584500L	TRANSISTOR	1	
Q4068	28C584500L	TRANSISTOR	1	
Q4073	28C584500L	TRANSISTOR	1	
Q4074	XN6501	TRANSISTOR	1	
Q4075	UN5211	TRANSISTOR	1	
Q4076	28A207700L	TRANSISTOR	1	
Q4077	28C584500L	TRANSISTOR	1	
Q4080	28C584500L	TRANSISTOR	1	
Q7101,02	28D601A	TRANSISTOR	2	
Q7202	28D602	TRANSISTOR	1	
Q7203,04	28D601A	TRANSISTOR	2	
Q7205,06	28B709A	TRANSISTOR	2	
Q7207	28D601A	TRANSISTOR	1	
Q7208	28C584500L	TRANSISTOR	1	
Q7210	28A207700L	TRANSISTOR	1	
Q7211	28D602	TRANSISTOR	1	
Q7212	28C584500L	TRANSISTOR	1	
Q7214	28D601A	TRANSISTOR	1	
Q7301,02	UN2210	TRANSISTOR	2	
Q7401,02	UN2210	TRANSISTOR	2	
Q7501	UN2214	TRANSISTOR	1	
Q7502,03	B1D8DD000033	TRANSISTOR	2	
Q7504-06	UN2214	TRANSISTOR	3	
Q7601	28D602	TRANSISTOR	1	
Q7701	UN2210	TRANSISTOR	1	
Q7702	28C584500L	TRANSISTOR	1	
Q7851	28D602	TRANSISTOR	1	
Q8101	28A207700L	TRANSISTOR	1	
R1001	ERJ6GEY0R00	M 0 OHM, 1/10W	1	
R1002	ERJ6GEYJ101	M 100 OHM, J, 1/10W	1	
R1003	ERJ6GEYJ332	M 3.3KOHM, J, 1/10W	1	
R1005	ERJ6GEYJ102	M 1KOHM, J, 1/10W	1	
R1006	ERJ6GEYJ103	M 10KOHM, J, 1/10W	1	
R1009	ERJ6GEY0R00	M 0 OHM, 1/10W	1	
R1010	ERJ6GEYJ122	M 1.2KOHM, J, 1/10W	1	
R1011	ERJ6GEYJ183	M 18KOHM, J, 1/10W	1	
R1012	ERJ6GEYJ563	M 56KOHM, J, 1/10W	1	
R1013-15	ERJ6GEYJ103	M 10KOHM, J, 1/10W	3	
R1101-03	ERJ3GEYJ223	M 22KOHM, J, 1/16W	3	
R1105	ERJ3GEYJ103	M 10KOHM, J, 1/16W	1	
R1106	ERJ3GEYJ102	M 1KOHM, J, 1/16W	1	
R1107	ERJ3GEYJ683	M 68KOHM, J, 1/16W	1	
R1110	ERJ3GEY0R00	M 0 OHM, 1/16W	1	
R1111	ERJ3GEYJ103	M 10KOHM, J, 1/16W	1	
R1112	ERJ3GEYJ562	M 5.6KOHM, J, 1/16W	1	
R1113	ERJ3GEY0R00	M 0 OHM, 1/16W	1	
R1115	ERJ3GEYJ104	M 100KOHM, J, 1/16W	1	
R1116	ERJ3GEYJ683	M 68KOHM, J, 1/16W	1	
R1117	ERJ3GEYJ333	M 33KOHM, J, 1/16W	1	
R1119	ERJ3GEYJ563	M 56KOHM, J, 1/16W	1	
R1120	ERJ3GEY0R00	M 0 OHM, 1/16W	1	
R1121	ERJ3GEYJ333	M 33KOHM, J, 1/16W	1	

Ref. No.	Part No.	Part Name & Description	Pcs	Remarks
R1122	ERJ3GEYJ563	M 56KOHM, J, 1/16W	1	
R1123	ERJ3GEY0R00	M 0 OHM, 1/16W	1	
R1125	EXB2HV680J	RESISTOR ARRAY	1	
R1127	ERJ3GEYJ102	M 1KOHM, J, 1/16W	1	
R1128	ERJ3GEYJ103	M 10KOHM, J, 1/16W	1	
R1130	EXB38V680J	RESISTOR ARRAY	1	
R1133	ERJ3GEY0R00	M 0 OHM, 1/16W	1	
R1135	ERJ3GEYJ104	M 100KOHM, J, 1/16W	1	
R1136,37	ERJ3GEYJ472	M 4.7KOHM, J, 1/16W	2	
R1138	ERJ3GEYJ392	M 3.9KOHM, J, 1/16W	1	
R1139	ERJ3GEY0R00	M 0 OHM, 1/16W	1	
R1140	ERJ3GEYJ472	M 4.7KOHM, J, 1/16W	1	
R1143	ERJ3GEYJ472	M 4.7KOHM, J, 1/16W	1	
R1144-48	ERJ3GEY0R00	M 0 OHM, 1/16W	5	
R1149	ERJ3GEYJ101	M 100 OHM, J, 1/16W	1	
R1150	ERJ3GEY0R00	M 0 OHM, 1/16W	1	
R1151	ERJ3GEYJ101	M 100 OHM, J, 1/16W	1	
R1153	ERJ3GEYJ103	M 10KOHM, J, 1/16W	1	
R1155	ERJ3GEYJ225	M 2.2KOHM, J, 1/16W	1	
R1159	ERJ3GEYJ472	M 4.7KOHM, J, 1/16W	1	
R1160	ERJ3GEYJ473	M 47KOHM, J, 1/16W	1	
R1161	ERJ3GEYJ223	M 22KOHM, J, 1/16W	1	
R1162	EXB2HV680J	RESISTOR ARRAY	1	
R1164	ERJ3EKF2702V	M 27.0KOHM, 1/16W	1	
R1165	ERJ3GEYJ101	M 100 OHM, J, 1/16W	1	
R1166	ERJ3GEY0R00	M 0 OHM, 1/16W	1	
R1168	ERJ3GEYJ473	M 47KOHM, J, 1/16W	1	
R1171	ERJ3GEYJ820	M 82 OHM, J, 1/16W	1	
R1174	ERJ3GEY0R00	M 0 OHM, 1/16W	1	
R1176	ERJ3GEYJ101	M 100 OHM, J, 1/16W	1	
R1177	ERJ3GEYJ331	M 330 OHM, J, 1/16W	1	
R1178	EXB2HV680J	RESISTOR ARRAY	1	
R1179	ERJ3GEYJ101	M 100 OHM, J, 1/16W	1	
R1180	ERJ3GEY0R00	M 0 OHM, 1/16W	1	
R1182	ERJ3GEYJ223	M 22KOHM, J, 1/16W	1	
R1183	ERJ3GEYJ471	M 470 OHM, J, 1/16W	1	
R1184	ERJ3GEYJ103	M 10KOHM, J, 1/16W	1	
R1186	ERJ3GEY0R00	M 0 OHM, 1/16W	1	
R1187	ERJ3GEYJ101	M 100 OHM, J, 1/16W	1	
R1188	D1HG5608A002	NETWORK RESISTER	1	
R1189	ERJ3GEYJ104	M 100KOHM, J, 1/16W	1	
R1190	ERJ3GEYJ101	M 100 OHM, J, 1/16W	1	
R1191	ERJ3GEYJ104	M 100KOHM, J, 1/16W	1	
R1192	ERJ3GEYJ472	M 4.7KOHM, J, 1/16W	1	
R1194,95	ERJ3GEY0R00	M 0 OHM, 1/16W	2	
R1197	ERJ3GEYJ224	M 220KOHM, J, 1/16W	1	
R1198	ERJ3GEYJ221	M 220 OHM, J, 1/16W	1	
R1199	ERJ3GEYJ680	M 68 OHM, J, 1/16W	1	
R1200	ERJ3GEYJ101	M 100 OHM, J, 1/16W	1	
R1201	ERJ3GEYJ680	M 68 OHM, J, 1/16W	1	
R1202	ERJ3GEYJ101	M 100 OHM, J, 1/16W	1	
R1203,04	ERJ3GEYJ680	M 68 OHM, J, 1/16W	2	
R1205	ERJ3GEYJ103	M 10KOHM, J, 1/16W	1	
R1206	ERJ3GEY0R00	M 0 OHM, 1/16W	1	
R1209	ERJ3GEYJ821	M 820 OHM, J, 1/16W	1	
R1210,11	ERJ3GEYJ101	M 100 OHM, J, 1/16W	2	
R1212	ERJ3GEYJ103	M 10KOHM, J, 1/16W	1	
R1213	ERJ3GEYJ101	M 100 OHM, J, 1/16W	1	
R1214	ERJ3GEYJ471	M 470 OHM, J, 1/16W	1	
R1215	ERJ3GEYJ103	M 10KOHM, J, 1/16W	1	
R1216	ERJ3GEYJ273	M 27KOHM, J, 1/16W	1	
R1217	ERJ3GEYJ332	M 3.3KOHM, J, 1/16W	1	
R1218,19	ERJ3GEYJ101	M 100 OHM, J, 1/16W	2	
R1220	ERJ3GEYJ560	M 56 OHM, J, 1/16W	1	
R1221	ERJ3GEYJ101	M 100 OHM, J, 1/16W	1	
R1222	ERJ3GEYJ222	M 2.2KOHM, J, 1/16W	1	
R1223	ERJ3GEY0R00	M 0 OHM, 1/16W	1	
R1224	ERJ3GEYJ332	M 3.3KOHM, J, 1/16W	1	

Ref. No.	Part No.	Part Name & Description	Pcs	Remarks
R1225	ERJ3GEYJ101	M 100 OHM,J,1/16W	1	
R1226	ERJ3GEYJ680	M 68 OHM,J,1/16W	1	
R1228,29	ERJ3GEYJ680	M 68 OHM,J,1/16W	2	
R1230	D1HG5608A002	NETWORK RESISTER	1	
R1231	ERJ3GEY0R00	M 0 OHM, 1/16W	1	
R1234	ERJ3GEYJ101	M 100 OHM,J,1/16W	1	
R1236	ERJ3GEYJ221	M 220 OHM,J,1/16W	1	
R1239,40	ERJ3GEYJ332	M 3.3KOHM,J,1/16W	2	
R1241	ERJ3GEY0R00	M 0 OHM, 1/16W	1	
R1243	ERJ3GEYJ103	M 10KOHM,J,1/16W	1	
R1245	ERJ3GEYJ103	M 10KOHM,J,1/16W	1	
R1246	ERJ3GEYJ101	M 100 OHM,J,1/16W	1	
R1247-50	ERJ3GEYJ560	M 56 OHM,J,1/16W	4	
R1252	ERJ3GEYJ560	M 56 OHM,J,1/16W	1	
R1253	ERJ3GEYJ103	M 10KOHM,J,1/16W	1	
R1255,56	ERJ3GEYJ332	M 3.3KOHM,J,1/16W	2	
R1257	ERJ3GEY0R00	M 0 OHM, 1/16W	1	
R1258	ERJ3GEYJ560	M 56 OHM,J,1/16W	1	
R1259,60	ERJ3GEYJ101	M 100 OHM,J,1/16W	2	
R1262	ERJ3GEY0R00	M 0 OHM, 1/16W	1	
R1263	ERJ3GEYJ103	M 10KOHM,J,1/16W	1	
R1264	ERJ3GEYJ560	M 56 OHM,J,1/16W	1	
R1265	ERJ3GEYJ472	M 4.7KOHM,J,1/16W	1	
R1267	ERJ3GEYJ102	M 1KOHM,J,1/16W	1	
R1269	ERJ3GEY0R00	M 0 OHM, 1/16W	1	
R1273	ERJ3GEY0R00	M 0 OHM, 1/16W	1	
R1279	ERJ3GEY0R00	M 0 OHM, 1/16W	1	
R1281	ERJ3GEYJ562	M 5.6KOHM,J,1/16W	1	
R1282-87	ERJ3GEYJ512	M 5.1KOHM,J,1/16W	6	
R1296	ERJ3GEYJ562	M 5.6KOHM,J,1/16W	1	
R1298,99	ERJ3GEYJ103	M 10KOHM,J,1/16W	2	
R1302	ERJ3GEYJ101	M 100 OHM,J,1/16W	1	
R1303-05	ERJ3GEYJ220	M 22 OHM,J,1/16W	3	
R1306	ERJ3GEY0R00	M 0 OHM, 1/16W	1	
R1319-22	J0JDC0000054	CHIP INDUCTOR	4	
R1331	ERJ3GEYJ103	M 10KOHM,J,1/16W	1	
R1332	ERJ3GEYJ223	M 22KOHM,J,1/16W	1	
R1335	ERJ3GEY0R00	M 0 OHM, 1/16W	1	
R1337,38	KXB2FV680J	RESISTOR ARRAY	2	
R1351,52	ERJ3GEYJ103	M 10KOHM,J,1/16W	2	
R2001,02	ERJ3GEYJ184	M 180KOHM,J,1/16W	2	
R2005	ERJ3GEYJ104	M 100KOHM,J,1/16W	1	
R2006-11	ERJ3GEYJ223	M 22KOHM,J,1/16W	6	
R2012	ERJ3GEYJ104	M 100KOHM,J,1/16W	1	
R2013,14	ERJ3GEYJ101	M 100 OHM,J,1/16W	2	
R2015,16	ERJ3GEYJ331	M 330 OHM,J,1/16W	2	
R2018,19	ERJ3GEYJ104	M 100KOHM,J,1/16W	2	
R2021,22	ERJ3GEY0R00	M 0 OHM, 1/16W	2	
R2023,24	ERJ3GEYJ101	M 100 OHM,J,1/16W	2	
R2025	ERJ3GEYJ222	M 2.2KOHM,J,1/16W	1	
R2027,28	ERJ3GEYJ104	M 100KOHM,J,1/16W	2	
R2030	ERJ3GEY0R00	M 0 OHM, 1/16W	1	
R2031	ERJ3GEYJ101	M 100 OHM,J,1/16W	1	
R2032	ERJ3GEY0R00	M 0 OHM, 1/16W	1	
R2033	ERJ3GEYJ101	M 100 OHM,J,1/16W	1	
R2034	ERJ3GEYJ222	M 2.2KOHM,J,1/16W	1	
R2035,36	ERJ3GEYJ104	M 100KOHM,J,1/16W	2	

Ref. No.	Part No.	Part Name & Description	Pcs	Remarks
R2037	ERJ3GEY0R00	M 0 OHM, 1/16W	1	
R2038	ERJ3GEYJ101	M 100 OHM,J,1/16W	1	
R2039	ERJ3GEY0R00	M 0 OHM, 1/16W	1	
R2040	ERJ3GEYJ101	M 100 OHM,J,1/16W	1	
R2041	ERJ3GEYJ222	M 2.2KOHM,J,1/16W	1	
R2042	ERJ3GEYJ221	M 220 OHM,J,1/16W	1	
R2043	ERJ3GEY0R00	M 0 OHM, 1/16W	1	
R2044	ERJ3GEYJ221	M 220 OHM,J,1/16W	1	
R2045	ERJ3GEY0R00	M 0 OHM, 1/16W	1	
R2046	ERJ3GEYJ221	M 220 OHM,J,1/16W	1	
R2047	ERJ3GEY0R00	M 0 OHM, 1/16W	1	
R2048	ERJ3GEYJ221	M 220 OHM,J,1/16W	1	
R2049	ERJ3GEY0R00	M 0 OHM, 1/16W	1	
R2050	ERJ3GEYJ331	M 330 OHM,J,1/16W	1	
R2052	ERJ3GEYJ331	M 330 OHM,J,1/16W	1	
R2056	ERJ3GEYJ101	M 100 OHM,J,1/16W	1	
R2057	ERJ3GEYJ105	M 1MOHM,J,1/16W	1	
R2058	ERJ3GEYJ473	M 47KOHM,J,1/16W	1	
R2059	ERJ3GEYJ103	M 10KOHM,J,1/16W	1	
R2060	ERJ3GEYJ101	M 100 OHM,J,1/16W	1	
R2061	ERJ3GEYJ105	M 1MOHM,J,1/16W	1	
R2068	ERJ3GEYJ472	M 4.7KOHM,J,1/16W	1	
R2069	ERJ3GEYJ561	M 560 OHM,J,1/16W	1	
R2070	ERJ3GEY0R00	M 0 OHM, 1/16W	1	
R2110,11	ERJ3GEYJ103	M 10KOHM,J,1/16W	2	
R2112	ERJ3GEYJ333	M 33KOHM,J,1/16W	1	
R2113	ERJ3GEYJ272	M 2.2KOHM,J,1/16W	1	
R2115	ERJ3GEYJ333	M 33KOHM,J,1/16W	1	
R2118,19	ERJ3GEYJ473	M 47KOHM,J,1/16W	2	
R2121	ERJ3GEY0R00	M 0 OHM, 1/16W	1	
R2123	ERJ3GEY0R00	M 0 OHM, 1/16W	1	
R2124,25	ERJ3GEYJ101	M 100 OHM,J,1/16W	2	
R2126,27	ERJ3GEYJ472	M 4.7KOHM,J,1/16W	2	
R2128,29	ERJ3GEYJ101	M 100 OHM,J,1/16W	2	
R2130,31	ERJ3GEYJ103	M 10KOHM,J,1/16W	2	
R2132	ERJ3GEYJ333	M 33KOHM,J,1/16W	1	
R2134	ERJ3GEY0R00	M 0 OHM, 1/16W	1	
R2135,36	ERJ3GEYJ331	M 330 OHM,J,1/16W	2	
R2137	ERJ3GEYJ333	M 33KOHM,J,1/16W	1	
R2138	ERJ3GEYJ683	M 68KOHM,J,1/16W	1	
R2139,40	ERJ3GEY0R00	M 0 OHM, 1/16W	2	
R2147	ERJ3GEYJ683	M 68KOHM,J,1/16W	1	
R2149,49	ERJ3GEYJ273	M 27KOHM,J,1/16W	2	
R2151	ERJ3GEY0R00	M 0 OHM, 1/16W	1	
R2152	ERJ3GEYJ470	M 47 OHM,J,1/16W	1	
R2153	ERJ3GEYJ221	M 220 OHM,J,1/16W	1	
R2154	ERJ3GEYJ470	M 47 OHM,J,1/16W	1	
R2155,56	ERJ3GEYJ221	M 220 OHM,J,1/16W	2	
R2158	ERJ3GEYJ221	M 220 OHM,J,1/16W	1	
R2160	ERJ3GEYJ221	M 220 OHM,J,1/16W	1	
R2161	ERJ3GEYJ331	M 330 OHM,J,1/16W	1	
R2162	ERJ3GEYJ221	M 220 OHM,J,1/16W	1	
R2163	ERJ3GEYJ331	M 330 OHM,J,1/16W	1	
R2164	ERJ3GEYJ221	M 220 OHM,J,1/16W	1	
R2165,66	ERJ3GEYJ101	M 100 OHM,J,1/16W	2	
R2167	ERJ3GEYJ221	M 220 OHM,J,1/16W	1	
R2168,69	ERJ3GEYJ472	M 4.7KOHM,J,1/16W	2	
R2170-75	ERJ3GEYJ221	M 220 OHM,J,1/16W	6	
R2178,79	ERJ3GEYJ103	M 10KOHM,J,1/16W	2	
R2180,81	ERJ3GEYJ561	M 560 OHM,J,1/16W	2	

Ref. No.	Part No.	Part Name & Description	Pcs	Remarks
R2182,83	ERJ3GEYJ101	M 100 OHM,J,1/16W	2	
R2184-87	ERJ3GEYJ221	M 220 OHM,J,1/16W	4	
R2190	ERJ3GEY0R00	M 0 OHM, 1/16W	1	
R2192,93	ERJ3GEYJ221	M 220 OHM,J,1/16W	2	
R2195,96	ERJ3GEY0R00	M 0 OHM, 1/16W	2	
R2197	ERJ3GEYJ471	M 470 OHM,J,1/16W	1	
R2198	ERJ3EKF1781	M1.78KOHM, 1/16W	1	
R2200	ERJ3GEYJ221	M 220 OHM,J,1/16W	1	
R2201	ERJ3EKF1601	M 1.6KOHM, 1/16W	1	
R2202	ERJ3GEYJ101	M 100 OHM,J,1/16W	1	
R2204	ERJ6GEYJ561	M 560 OHM,J,1/10W	1	
R2208	ERJ3GEYJ471	M 470 OHM,J,1/16W	1	
R2209	ERJ3GEYJ332	M 3.3KOHM,J,1/16W	1	
R2210	ERJ3GEYJ122	M 1.2KOHM,J,1/16W	1	
R2211	ERJ3GEY0R00	M 0 OHM, 1/16W	1	
R2213	ERJ3GEYJ103	M 10KOHM,J,1/16W	1	
R2214	ERJ3GEYJ332	M 3.3KOHM,J,1/16W	1	
R2217	ERJ3GEYJ472	M 4.7KOHM,J,1/16W	1	
R2221	ERJ3GEY0R00	M 0 OHM, 1/16W	1	
R2228	ERJ3GEY0R00	M 0 OHM, 1/16W	1	
R2229	J0JCC0000241	CHIP INDUCTOR	1	
R2231,32	ERJ3GEY0R00	M 0 OHM, 1/16W	2	
R2245	ERJ3GEYJ4R7	M 4.7HM,J,1/16W	1	
R2246	ERJ3GEYJ471	M 470 OHM,J,1/16W	1	
R2247	ERJ3GEYJ4R7	M 4.7HM,J,1/16W	1	
R2248	ERJ3GEYJ333	M 33KOHM,J,1/16W	1	
R2249	ERJ3GEYJ222	M 2.2KOHM,J,1/16W	1	
R2252	ERJ3GEYJ471	M 470 OHM,J,1/16W	1	
R2257,58	ERJ3GEY0R00	M 0 OHM, 1/16W	2	
R2301	ERJ3GEYJ333	M 33KOHM,J,1/16W	1	
R2303,04	ERJ3GEYJ333	M 33KOHM,J,1/16W	2	
R2306	ERJ3GEYJ333	M 33KOHM,J,1/16W	1	
R2319,20	ERJ3GEYJ102	M 1KOHM,J,1/16W	2	
R2321,22	ERJ3GEYJ433	M 43KOHM,J,1/16W	2	
R2327,28	ERJ3GEYJ203	M 20KOHM,J,1/16W	2	
R2329-31	ERJ3GEY0R00	M 0 OHM, 1/16W	3	
R2332	ERJ3GEYJ332	M 3.3KOHM,J,1/16W	1	
R2333	ERJ3GEYJ103	M 10KOHM,J,1/16W	1	
R2335	ERJ3GEYJ332	M 3.3KOHM,J,1/16W	1	
R2336	ERJ3GEYJ103	M 10KOHM,J,1/16W	1	
R2338-41	ERJ3GEYJ222	M 2.2KOHM,J,1/16W	4	
R2555	ERJ3GEY0R00	M 0 OHM, 1/16W	1	
R2557	ERJ6GEYJ223	M 22KOHM,J,1/10W	1	
R2558	ERJ6GEYJ103	M 10KOHM,J,1/10W	1	
R2559	ERJ3GEYJ474	M 470KOHM,J,1/16W	1	
R2560	ERJ3GEYJ392	M 3.9KOHM,J,1/16W	1	
R2561	ERJ6GEY0R00	M 0 OHM, 1/10W	1	
R2562	ERJ3GEYJ102	M 1KOHM,J,1/16W	1	
R2563	ERJ3GEYJ473	M 47KOHM,J,1/16W	1	
R2564	ERJ3GEYJ222	M 2.2KOHM,J,1/16W	1	
R2565	ERJ3GEYJ102	M 1KOHM,J,1/16W	1	
R2566	ERJ3GEYJ101	M 100 OHM,J,1/16W	1	
R2569	ERJ6GEYJ100	M 10 OHM,J,1/10W	1	
R2570	ERJ3GEYJ682	M 6.8KOHM,J,1/16W	1	
R2571	ERJ3GEYJ222	M 2.2KOHM,J,1/16W	1	
R2572	ERJ3GEYJ474	M 470KOHM,J,1/16W	1	
R2573	ERJ3GEYJ392	M 3.9KOHM,J,1/16W	1	
R2574	ERJ6GEY0R00	M 0 OHM, 1/10W	1	
R2575	ERJ3GEYJ102	M 1KOHM,J,1/16W	1	
R2576	ERJ3GEYJ473	M 47KOHM,J,1/16W	1	
R2577	ERJ3GEYJ222	M 2.2KOHM,J,1/16W	1	
R2578	ERJ3GEYJ102	M 1KOHM,J,1/16W	1	
R2579	ERJ3GEYJ101	M 100 OHM,J,1/16W	1	

Ref. No.	Part No.	Part Name & Description	Pcs	Remarks
R2582	ERJ6GEYJ100	M 10 OHM,J,1/10W	1	
R2583	ERJ3GEYJ123	M 12KOHM,J,1/16W	1	
R2584	ERJ3GEYJ222	M 2.2KOHM,J,1/16W	1	
R2585	ERJ3GEYJ474	M 470KOHM,J,1/16W	1	
R2586	ERJ3GEYJ392	M 3.9KOHM,J,1/16W	1	
R2587	ERJ6GEY0R00	M 0 OHM, 1/10W	1	
R2588	ERJ3GEYJ102	M 1KOHM,J,1/16W	1	
R2589	ERJ3GEYJ473	M 47KOHM,J,1/16W	1	
R2590	ERJ3GEYJ222	M 2.2KOHM,J,1/16W	1	
R2591	ERJ3GEYJ102	M 1KOHM,J,1/16W	1	
R2592	ERJ3GEYJ101	M 100 OHM,J,1/16W	1	
R2595	ERJ6GEYJ100	M 10 OHM,J,1/10W	1	
R2596	ERJ3GEYJ682	M 6.8KOHM,J,1/16W	1	
R2597	ERJ3GEYJ222	M 2.2KOHM,J,1/16W	1	
R2598	ERJ3GEYJ474	M 470KOHM,J,1/16W	1	
R2599	ERJ3GEYJ392	M 3.9KOHM,J,1/16W	1	
R2600	ERJ6GEY0R00	M 0 OHM, 1/10W	1	
R2601	ERJ3GEYJ102	M 1KOHM,J,1/16W	1	
R2602	ERJ3GEYJ473	M 47KOHM,J,1/16W	1	
R2603	ERJ3GEYJ222	M 2.2KOHM,J,1/16W	1	
R2604	ERJ3GEYJ102	M 1KOHM,J,1/16W	1	
R2605	ERJ3GEYJ101	M 100 OHM,J,1/16W	1	
R2608	ERJ6GEYJ100	M 10 OHM,J,1/10W	1	
R2609	ERJ3GEYJ123	M 12KOHM,J,1/16W	1	
R2610	ERJ3GEYJ222	M 2.2KOHM,J,1/16W	1	
R2623	ERJ3GEY0R00	M 0 OHM, 1/16W	1	
R2625	ERJ3GEY0R00	M 0 OHM, 1/16W	1	
R2634,35	ERJ3GEY0R00	M 0 OHM, 1/16W	2	
R2643	ERJ3GEY0R00	M 0 OHM, 1/16W	1	
R2647	ERJ3GEY0R00	M 0 OHM, 1/16W	1	
R3001-15	ERJ6ENF75R0	M 75 OHM, 1/10W	15	
R3016,17	ERJ3GEYJ101	M 100 OHM,J,1/16W	2	
R3018,19	ERJ3GEYJ680	M 68 OHM,J,1/16W	2	
R3020-22	ERJ3EKF2202	M 22KOHM, 1/16W	3	
R3023,24	ERJ3EKF1202	M 12KOHM, 1/16W	2	
R3025	ERJ3GEYJ103	M 10KOHM,J,1/16W	1	
R3026	ERJ3GEYJ473	M 47KOHM,J,1/16W	1	
R3027,28	ERJ6ENF68R0	M 68 OHM, 1/10W	2	
R3030	ERJ6GEY0R00	M 0 OHM, 1/10W	1	
R3031	ERJ6ENF68R0	M 68 OHM, 1/10W	1	
R3032,33	ERJ6GEY0R00	M 0 OHM, 1/10W	2	
R3034	ERJ3GEYJ102	M 1KOHM,J,1/16W	1	
R3036,37	ERJ3GEYJ102	M 1KOHM,J,1/16W	2	
R3038-40	ERJ3GEYJ221	M 220 OHM,J,1/16W	3	
R3041,42	ERJ3GEYJ332	M 3.3KOHM,J,1/16W	2	
R3043	ERJ3GEYJ562	M 5.6KOHM,J,1/16W	1	
R3048	ERJ3GEYJ152	M 1.5KOHM,J,1/16W	1	
R3049-51	ERJ3GEYJ103	M 10KOHM,J,1/16W	3	
R3052	ERJ3GEY0R00	M 0 OHM, 1/16W	1	
R3053	ERJ3GEYJ221	M 220 OHM,J,1/16W	1	
R3054,55	ERJ3EKF5600	M 560 OHM, 1/16W	2	
R3056	ERJ3GEYJ103	M 10KOHM,J,1/16W	1	
R3057,58	ERJ3GEY0R00	M 0 OHM, 1/16W	2	
R3059-64	ERJ3GEYJ221	M 220 OHM,J,1/16W	6	
R3065	ERJ3GEYJ682	M 6.8KOHM,J,1/16W	1	
R3066	ERJ3GEY0R00	M 0 OHM, 1/16W	1	
R3067	ERJ3GEYJ103	M 10KOHM,J,1/16W	1	
R3068	ERJ3EKF75R0	M 0.75HM, 1/16W	1	
R3069	ERJ3GEYJ103	M 10KOHM,J,1/16W	1	
R3071	ERJ3GEYJ103	M 10KOHM,J,1/16W	1	
R3072	ERJ3GEYJ221	M 220 OHM,J,1/16W	1	

Ref. No.	Part No.	Part Name & Description	Pcs	Remarks
R3074,75	ERJ3GEYJ221	M 220 OHM,J,1/16W	2	
R3077	ERJ3GEYJ221	M 220 OHM,J,1/16W	1	
R3080	ERJ3GEY0R00	M 0 OHM, 1/16W	1	
R3085,86	ERJ3GEY0R00	M 0 OHM, 1/16W	2	
R3087,88	ERJ3GEYJ221	M 220 OHM,J,1/16W	2	
R3089,90	ERJ3GEYJ470	M 47 OHM,J,1/16W	2	
R3091	ERJ3GEY0R00	M 0 OHM, 1/16W	1	
R3092	ERJ3GEYJ221	M 220 OHM,J,1/16W	1	
R3093	ERJ3GEY0R00	M 0 OHM, 1/16W	1	
R3094-01	ERJ3GEYJ221	M 220 OHM,J,1/16W	8	
R3102	ERJ3GEY0R00	M 0 OHM, 1/16W	1	
R3106	ERJ3GEY0R00	M 0 OHM, 1/16W	1	
R3115	ERJ3GEYJ101	M 100 OHM,J,1/16W	1	
R3118	ERJ3GEYJ101	M 100 OHM,J,1/16W	1	
R3121	ERJ3EKF1000	M 100 OHM, 1/16W	1	
R3122	ERJ3GEYJ101	M 100 OHM,J,1/16W	1	
R3123	ERJ3EKF82R0	M 82 OHM, 1/16W	1	
R3125	ERJ6GEYJ102	M 1KOHM, J,1/10W	1	
R3126	ERJ3GEYJ101	M 100 OHM,J,1/16W	1	
R3127	ERJ6GEYJ102	M 1KOHM, J,1/10W	1	
R3130,31	ERJ3GEYJ101	M 100 OHM,J,1/16W	2	
R3132,33	ERJ3GEYJ103	M 10KOHM, J,1/16W	2	
R3134	ERJ3GEYJ333	M 33KOHM, J,1/16W	1	
R3136	ERJ3GEYJ333	M 33KOHM, J,1/16W	1	
R3138	ERJ3EKF82R0	M 82 OHM, 1/16W	1	
R3139	ERJ6GEYJ102	M 1KOHM, J,1/10W	1	
R3140	ERJ3EKF1000	M 100 OHM, 1/16W	1	
R3141	ERJ6GEYJ102	M 1KOHM, J,1/10W	1	
R3143	ERJ3GEYJ222	M 2.2KOHM, J,1/16W	1	
R3144	ERJ3GEYJ332	M 3.3KOHM, J,1/16W	1	
R3145	ERJ3GEYJ103	M 10KOHM, J,1/16W	1	
R3146	ERJ3GEYJ331	M 330 OHM, J,1/16W	1	
R3152,53	ERJ3GEYJ470	M 47 OHM, J,1/16W	2	
R3154	ERJ3GEY0R00	M 0 OHM, 1/16W	1	
R3159	ERJ3GEYJ223	M 22KOHM, J,1/16W	1	
R3163	ERJ3EKF1202	M 12KOHM, 1/16W	1	
R3164	ERJ3GEY0R00	M 0 OHM, 1/16W	1	
R3166,67	ERJ3EKF75R0	M 0.75HM, 1/16W	2	
R3175,76	ERJ3GEY0R00	M 0 OHM, 1/16W	2	
R3178	ERJ3GEY0R00	M 0 OHM, 1/16W	1	
R3179	ERJ3GEYJ105	M 1MOHM, J,1/16W	1	
R3201	ERJ6GEY0R00	M 0 OHM, 1/10W	1	
R3202	ERJ3GEYJ221	M 220 OHM, J,1/16W	1	
R3203	ERJ6GEYJ561	M 560 OHM, J,1/10W	1	
R3204,05	ERJ3GEYJ102	M 1KOHM, J,1/16W	2	
R3207	ERJ3GEY0R00	M 0 OHM, 1/16W	1	
R3208	ERJ3GEYJ472	M 4.7KOHM, J,1/16W	1	
R3209,10	ERJ3GEY0R00	M 0 OHM, 1/16W	2	
R3213-21	ERJ3GEY0R00	M 0 OHM, 1/16W	9	
R3224	ERJ3GEYJ105	M 1MOHM, J,1/16W	1	
R3325	ERJ3GEY0R00	M 0 OHM, 1/16W	1	
R3339	ERJ3GEY0R00	M 0 OHM, 1/16W	1	
R3355	ERJ3GEYJ101	M 100 OHM, J,1/16W	1	
R3356-58	ERJ3GEY0R00	M 0 OHM, 1/16W	3	
R3903	ERJ6ENF6801	M 6.8KOHM, 1/10W	1	
R3904-07	ERJ6GEYJ184	M 180KOHM, J,1/10W	4	
R3918	ERJ6ENF2202	M 2.2KOHM, 1/10W	1	
R3927	ERJ6ENF6802	M 68KOHM, 1/10W	1	
R3941	ERJ6ENF1202	M 12KOHM, 1/10W	1	
R4003-05	ERJ3GEY0R00	M 0 OHM, 1/16W	3	

Ref. No.	Part No.	Part Name & Description	Pcs	Remarks
R4011	ERJ3GEY0R00	M 0 OHM, 1/16W	1	
R4016	ERJ3GEYJ101	M 100 OHM, J,1/16W	1	
R4020	ERJ6GEYJ222	M 2.2KOHM, J,1/10W	1	
R4026	ERJ3GEY0R00	M 0 OHM, 1/16W	1	
R4031	ERJ3EKF1500	M 150 OHM, 1/16W	1	
R4036	ERJ6GEYJ102	M 1KOHM, J,1/10W	1	
R4042	ERJ3EKF1600	M 160 OHM, 1/16W	1	
R4044	ERJ3GEY0R00	M 0 OHM, 1/16W	1	
R4052,53	ERJ3GEY0R00	M 0 OHM, 1/16W	2	
R4054	ERJ3EKF1371	M 13.7 OHM, 1/16W	1	
R4058-60	ERJ3GEY0R00	M 0 OHM, 1/16W	3	
R4061	J0JDC0000054	CHIP INDUCTOR	1	
R4062	ERJ3EKF1691	M1.69KOHM, 1/16W	1	
R4063	J0JDC0000054	CHIP INDUCTOR	1	
R4064	ERJ3GEYJ220	M 22 OHM, J,1/16W	1	
R4066-68	ERJ3GEYJ220	M 22 OHM, J,1/16W	3	
R4069,70	ERJ3GEY0R00	M 0 OHM, 1/16W	2	
R4071	ERJ3GEYJ220	M 22 OHM, J,1/16W	1	
R4072	J0JDC0000054	CHIP INDUCTOR	1	
R4073	EXB38V220J	RESISTOR ARRAY	1	
R4075	EXB38V220J	RESISTOR ARRAY	1	
R4076	ERJ3GEY0R00	M 0 OHM, 1/16W	1	
R4077	ERJ3GEYJ220	M 22 OHM, J,1/16W	1	
R4078	ERJ3GEY0R00	M 0 OHM, 1/16W	1	
R4079	EXB38V220J	RESISTOR ARRAY	1	
R4080-83	ERJ3GEY0R00	M 0 OHM, 1/16W	4	
R4084,85	EXB38V220J	RESISTOR ARRAY	2	
R4085-88	ERJ3GEYJ220	M 22 OHM, J,1/16W	3	
R4098	ERJ3GEYJ183	M 18KOHM, J,1/16W	1	
R4099	ERJ3GEYJ822	M 8.2KOHM, J,1/16W	1	
R4109	ERJ3GEYJ330	M 33 OHM, J,1/16W	1	
R4153	ERJ3GEYJ101	M 100 OHM, J,1/16W	1	
R4157	ERJ3GEY0R00	M 0 OHM, 1/16W	1	
R4168	ERJ3GEY0R00	M 0 OHM, 1/16W	1	
R4169-71	ERJ3GEYJ151	M 150 OHM, J,1/16W	3	
R4172-74	ERJ3GEYJ562	M 5.6KOHM, J,1/16W	3	
R4175	ERJ3GEY0R00	M 0 OHM, 1/16W	1	
R4176,77	ERJ3EKF1200	M 120 OHM, 1/16W	2	
R4178	ERJ3EKF68R0	M 68 OHM, J,1/16W	1	
R4179	ERJ3GEYJ220	M 22 OHM, J,1/16W	1	
R4180	ERJ3GEYJ103	M 10KOHM, J,1/16W	1	
R4182,83	ERJ3GEYJ220	M 22 OHM, J,1/16W	2	
R4185-87	ERJ3EKF68R0	M 68 OHM, J,1/16W	3	
R4189	ERJ3GEY0R00	M 0 OHM, 1/16W	1	
R4193,94	ERJ3GEY0R00	M 0 OHM, 1/16W	2	
R4197	ERJ3GEYJ680	M 68 OHM, J,1/16W	1	
R4198	ERJ3GEY0R00	M 0 OHM, 1/16W	1	
R4199	ERJ3GEYJ680	M 68 OHM, J,1/16W	1	
R4200	ERJ3GEY0R00	M 0 OHM, 1/16W	1	
R4201	ERJ3GEYJ680	M 68 OHM, J,1/16W	1	
R4202	ERJ3GEY0R00	M 0 OHM, 1/16W	1	
R4203	ERJ3GEYJ680	M 68 OHM, J,1/16W	1	
R4204	ERJ3GEY0R00	M 0 OHM, 1/16W	1	
R4209	ERJ3GEY0R00	M 0 OHM, 1/16W	1	
R4215	ERJ3GEY0R00	M 0 OHM, 1/16W	1	
R4222	ERJ3GEYJ680	M 68 OHM, J,1/16W	1	
R4224	ERJ3GEYJ680	M 68 OHM, J,1/16W	1	
R4226	ERJ3GEYJ680	M 68 OHM, J,1/16W	1	
R4228	ERJ3GEYJ680	M 68 OHM, J,1/16W	1	
R4233	ERJ3GEY0R00	M 0 OHM, 1/16W	1	
R4235	ERJ3GEY0R00	M 0 OHM, 1/16W	1	
R4237	ERJ3GEYJ680	M 68 OHM, J,1/16W	1	
R4238	ERJ3GEY0R00	M 0 OHM, 1/16W	1	

Ref. No.	Part No.	Part Name & Description	Pcs	Remarks
R4240	ERJ3GEYJ680	M 68 OHM,J,1/16W	1	
R4241	ERJ3GEY0R00	M 0 OHM, 1/16W	1	
R4242	ERJ3GEYJ680	M 68 OHM,J,1/16W	1	
R4244	ERJ3GEYJ680	M 68 OHM,J,1/16W	1	
R4250-53	ERJ3GEYJ680	M 68 OHM,J,1/16W	4	
R4256	ERJ3EKF68R0	M 68 OHM,J,1/16W	1	
R4261	ERJ3EKF68R0	M 68 OHM,J,1/16W	1	
R4262	ERJ3GEYJ510	M 51 OHM,J,1/16W	1	
R4267	ERJ3EKF1500	M 150 OHM, 1/16W	1	
R4268	ERJ3GEYJ510	M 51 OHM,J,1/16W	1	
R4270	ERJ3EKF1200	M 120 OHM, 1/16W	1	
R4271	ERJ3GEYJ101	M 100 OHM,J,1/16W	1	
R4272	ERJ3GEY0R00	M 0 OHM, 1/16W	1	
R4283	ERJ3GEYJ680	M 68 OHM,J,1/16W	1	
R4350	ERJ3GEYJ680	M 68 OHM,J,1/16W	1	
R4351-54	ERJ3GEYJ103	M 10KOHM,J,1/16W	4	
R4355	ERJ3EKF1202	M 12KOHM, 1/16W	1	
R4356	ERJ3EKF1800	M 180 OHM, 1/16W	1	
R4357	ERJ3EKF2001	M 2KOHM, 1/16W	1	
R4358	ERJ3EKF4302	M 43KOHM, 1/16W	1	
R4359,60	ERJ3GEYJ220	M 22 OHM,J,1/16W	2	
R4361-65	ERJ3GEY0R00	M 0 OHM, 1/16W	5	
R4366-69	D1HG5608A002	NETWORK RESISTER	4	
R4370,71	ERJ3EKF1741	M 17.4 OHM, 1/16W	2	
R4372	ERJ3GEYJ820	M 82 OHM,J,1/16W	1	
R4373	D1HG5608A002	NETWORK RESISTER	1	
R4374-76	ERJ3GEYJ560	M 56 OHM,J,1/16W	3	
R4377	D1HG5608A002	NETWORK RESISTER	1	
R4381-84	ERJ3GEYJ680	M 68 OHM,J,1/16W	4	
R4386	EXB2HV680J	RESISTOR ARRAY	1	
R4388	EXB2HV680J	RESISTOR ARRAY	1	
R4390	EXB2HV680J	RESISTOR ARRAY	1	
R4392	EXB2HV680J	RESISTOR ARRAY	1	
R4393	ERJ3GEYJ750	M 75 OHM,J,1/16W	1	
R4397	ERJ3GEYJ390	M 39KOHM,J,1/16W	1	
R4398	ERJ3GEYJ101	M 100 OHM,J,1/16W	1	
R4399-01	ERJ3GEY0R00	M 0 OHM, 1/16W	3	
R4402	EXB38V680J	RESISTOR ARRAY	1	
R4403	ERJ3GEYJ680	M 68 OHM,J,1/16W	1	
R4405	ERJ3GEYJ680	M 68 OHM,J,1/16W	1	
R4406,07	ERJ3GEYJ220	M 22 OHM,J,1/16W	2	
R4411	EXB2HV680J	RESISTOR ARRAY	1	
R4412	EXB38V680J	RESISTOR ARRAY	1	
R4413,14	ERJ3EKF3002	M 30KOHM, 1/16W	2	
R4421	ERJ3GEYJ820	M 82 OHM,J,1/16W	1	
R4422,23	ERJ3EKF1741	M 17.4 OHM, 1/16W	2	
R4424	ERJ3GEYJ820	M 82 OHM,J,1/16W	1	
R4425	ERJ3GEYJ560	M 56 OHM,J,1/16W	1	
R4426-30	ERJ3GEY0R00	M 0 OHM, 1/16W	5	
R4431	ERJ3GEYJ103	M 10KOHM,J,1/16W	1	
R4432,33	ERJ3GEYJ680	M 68 OHM,J,1/16W	2	
R4435	ERJ3GEY0R00	M 0 OHM, 1/16W	1	
R4437	ERJ3GEY0R00	M 0 OHM, 1/16W	1	
R4439	ERJ3GEY0R00	M 0 OHM, 1/16W	1	
R4440	ERJ3GEYJ220	M 22 OHM,J,1/16W	1	
R4441,42	ERJ3GEY0R00	M 0 OHM, 1/16W	2	
R4443,44	EXB2HV220JV	RESISTOR ARRAY	2	
R4445-48	ERJ3GEY0R00	M 0 OHM, 1/16W	4	
R4450	ERJ3GEYJ104	M 100KOHM,J,1/16W	1	

Ref. No.	Part No.	Part Name & Description	Pcs	Remarks
R4451	ERJ6GEY0R00	M 0 OHM, 1/10W	1	
R4452-57	ERJ3GEY0R00	M 0 OHM, 1/16W	6	
R4458	ERJ3EKF5602	M 56KOHM, 1/16W	1	
R4459	ERJ3EKF6802	M 68KOHM, 1/16W	1	
R4461,62	ERJ3GEYJ563	M 56KOHM,J,1/16W	2	
R4463	ERJ3GEYJ154	M 150KOHM,J,1/16W	1	
R4465	ERJ3EKF1502	M 150KOHM, 1/16W	1	
R4466	ERJ3GEYJ154	M 150KOHM,J,1/16W	1	
R4467	ERJ6GEY0R00	M 0 OHM, 1/10W	1	
R4468,69	ERJ3GEYJ103	M 10KOHM,J,1/16W	2	
R4470,71	ERJ6GEY0R00	M 0 OHM, 1/10W	2	
R4472	ERJ3EKF4702	M 47KOHM, 1/16W	1	
R4473	ERJ3EKF3602	M 36KOHM, 1/16W	1	
R4474,75	ERJ3EKF4702	M 47KOHM, 1/16W	2	
R4476,77	ERJ3GEYJ104	M 100KOHM,J,1/16W	2	
R4478,79	ERJ3GEYJ103	M 10KOHM,J,1/16W	2	
R4480-82	ERJ3GEY0R00	M 0 OHM, 1/16W	3	
R4484-90	ERJ3GEY0R00	M 0 OHM, 1/16W	7	
R4494	ERJ3GEYJ103	M 10KOHM,J,1/16W	1	
R4495	ERJ3GEYJ101	M 100 OHM,J,1/16W	1	
R4497	ERJ3GEYJ472	M 4.7KOHM,J,1/16W	1	
R4498-00	ERJ3GEYJ220	M 22 OHM,J,1/16W	3	
R4501	ERJ3GEYJ472	M 4.7KOHM,J,1/16W	1	
R4502	ERJ3GEYJ220	M 22 OHM,J,1/16W	1	
R4503-05	ERJ3GEY0R00	M 0 OHM, 1/16W	3	
R4506	ERJ3EKF6200	M 620 OHM, 1/16W	1	
R4507	EXB2HV220JV	RESISTOR ARRAY	1	
R4508	ERJ3EKF2200	M 220 OHM, 1/16W	1	
R4509	ERJ3EKF4701	M 4.7KOHM, 1/16W	1	
R4510	EXB2HV220JV	RESISTOR ARRAY	1	
R4511,12	ERJ3EKF1741	M 17.4 OHM, 1/16W	2	
R4513	ERJ3GEYJ564	M 560KOHM,J,1/16W	1	
R4514	EXB2HV220JV	RESISTOR ARRAY	1	
R4515,16	ERJ3GEYJ220	M 22 OHM,J,1/16W	2	
R4521	ERJ3GEYJ220	M 22 OHM,J,1/16W	1	
R4530	ERJ3GEYJ220	M 22 OHM,J,1/16W	1	
R4548	ERJ3GEY0R00	M 0 OHM, 1/16W	1	
R4549	ERJ3GEYJ103	M 10KOHM,J,1/16W	1	
R4550	ERJ3GEYJ102	M 1KOHM,J,1/16W	1	
R4553	ERJ3GEYJ102	M 1KOHM,J,1/16W	1	
R4554	ERJ3EKF1801	M 1.8KOHM, 1/16W	1	
R4556	ERJ3EKF1001	M 1KOHM, 1/16W	1	
R4557	ERJ3EKF5601	M 5.6KOHM, 1/16W	1	
R4559-61	ERJ3GEY0R00	M 0 OHM, 1/16W	3	
R4567	ERJ3GEY0R00	M 0 OHM, 1/16W	1	
R4568	ERJ3GEYJ333	M 33KOHM,J,1/16W	1	
R4569	ERJ3GEYJ563	M 56KOHM,J,1/16W	1	
R4575	ERJ3GEY0R00	M 0 OHM, 1/16W	1	
R4584	JOJDC0000054	CHIP INDUCTOR	1	
R4586	ERJ3GEYJ103	M 10KOHM,J,1/16W	1	
R4589	ERJ3EKF4220	M 422 OHM, 1/10W	1	
R4590	ERJ3EKF5600	M 560 OHM, 1/16W	1	
R4591	ERJ6GEYJ102	M 1KOHM,J,1/10W	1	
R4592	ERJ3GEY0R00	M 0 OHM, 1/16W	1	
R4593,94	ERJ6GEYJ102	M 1KOHM,J,1/10W	2	
R4595,96	ERJ3EKF1581	M1.58KOHM, 1/10W	2	
R4597-00	ERJ6GEYJ102	M 1KOHM,J,1/10W	4	
R4604	ERJ3EKF4220	M 422 OHM, 1/10W	1	
R4606	ERJ3EKF1500	M 150 OHM, 1/16W	1	

Ref. No.	Part No.	Part Name & Description	Pcs	Remarks
R4607,08	ERJ3EKF3001	M 3KOHM, 1/16W	2	
R4609	ERJ3EKF2201	M 2.2KOHM, 1/16W	1	
R4610	ERJ3EKF5600	M 560 OHM, 1/16W	1	
R4611	ERJ3EKF2201	M 2.2KOHM, 1/16W	1	
R4612	ERJ3EKF5760	M 576 OHM, 1/16W	1	
R4613,14	ERJ3GEY0R00	M 0 OHM, 1/16W	2	
R4615	ERJ3EKF5760	M 576 OHM, 1/16W	1	
R4616,17	ERJ3GEY0R00	M 0 OHM, 1/16W	2	
R4626	ERJ3GEYJ471	M 470 OHM, J, 1/16W	1	
R4627	ERJ3GEY0R00	M 0 OHM, 1/16W	1	
R4628	ERJ6GEY0R00	M 0 OHM, 1/10W	1	
R4631	ERJ3GEY0R00	M 0 OHM, 1/16W	1	
R4633	ERJ3GEY0R00	M 0 OHM, 1/16W	1	
R4634	ERJ3GEYJ822	M 8.2KOHM, J, 1/16W	1	
R4635	ERJ3GEYJ183	M 18KOHM, J, 1/16W	1	
R4636	ERJ6GEY0R00	M 0 OHM, 1/10W	1	
R4638	ERJ3GEY0R00	M 0 OHM, 1/16W	1	
R4641	ERJ3GEY0R00	M 0 OHM, 1/16W	1	
R4643	ERJ3GEYJ101	M 100 OHM, J, 1/16W	1	
R4644	ERJ3GEYJ330	M 33 OHM, J, 1/16W	1	
R4645	ERJ3GEYJ471	M 470 OHM, J, 1/16W	1	
R4647	ERJ3GEY0R00	M 0 OHM, 1/16W	1	
R4648	ERJ3GEYJ330	M 33 OHM, J, 1/16W	1	
R4649	ERJ3GEYJ101	M 100 OHM, J, 1/16W	1	
R4651	ERJ6GEY0R00	M 0 OHM, 1/10W	1	
R4653,54	ERJ3GEY0R00	M 0 OHM, 1/16W	2	
R4658	ERJ3GEYJ183	M 18KOHM, J, 1/16W	1	
R4659	ERJ3GEYJ471	M 470 OHM, J, 1/16W	1	
R4660	ERJ3GEYJ822	M 8.2KOHM, J, 1/16W	1	
R4662	ERJ3GEYJ101	M 100 OHM, J, 1/16W	1	
R4663	ERJ3GEY0R00	M 0 OHM, 1/16W	1	
R4664,67	J0JDC0000054	CHIP INDUCTOR	4	
R4669,70	J0JDC0000054	CHIP INDUCTOR	2	
R4685	ERJ3EKF1001	M 1KOHM, 1/16W	1	
R4686	ERJ3EKF9100	M 910 OHM, 1/16W	1	
R4687	ERJ3GEYJ221	M 220 OHM, J, 1/16W	1	
R4688	ERJ3GEYJ102	M 1KOHM, J, 1/16W	1	
R4689	ERJ3GEY0R00	M 0 OHM, 1/16W	1	
R4690	ERJ3EKF2201	M 2.2KOHM, 1/16W	1	
R4691,92	ERJ3GEY0R00	M 0 OHM, 1/16W	2	
R4693,94	ERJ3EKF1741	M 17.4 OHM, 1/16W	2	
R4697	ERJ3GEYJ101	M 100 OHM, J, 1/16W	1	
R4698	ERJ3GEYJ472	M 4.7KOHM, J, 1/16W	1	
R4699	ERJ3GEYJ103	M 10KOHM, J, 1/16W	1	
R4700,01	ERJ3GEYJ222	M 2.2KOHM, J, 1/16W	2	
R4702	ERJ3GEY0R00	M 0 OHM, 1/16W	1	
R4703	ERJ3EKF8200	M 820 OHM, 1/16W	1	
R4704	ERJ3GEYJ223	M 22KOHM, J, 1/16W	1	
R4706	ERJ3GEYJ223	M 22KOHM, J, 1/16W	1	
R4709	ERJ3GEY0R00	M 0 OHM, 1/16W	1	
R4711	ERJ3GEYJ472	M 4.7KOHM, J, 1/16W	1	
R4712	ERJ3GEYJ330	M 33 OHM, J, 1/16W	1	
R4713,14	ERJ3GEYJ680	M 68 OHM, J, 1/16W	2	
R4715	ERJ3EKF6802	M 68KOHM, 1/16W	1	
R4722,23	ERJ3GEYJ102	M 1KOHM, J, 1/16W	2	
R4724	ERJ3GEYJ103	M 10KOHM, J, 1/16W	1	
R4732,33	ERJ3GEY0R00	M 0 OHM, 1/16W	2	
R4736	ERJ3GEYJ103	M 10KOHM, J, 1/16W	1	
R4737	ERJ3GEY0R00	M 0 OHM, 1/16W	1	
R4740	ERJ3GEY0R00	M 0 OHM, 1/16W	1	
R4742-45	ERJ3GEY0R00	M 0 OHM, 1/16W	4	
R4746,47	ERJ3EKF3002	M 30KOHM, 1/16W	2	

Ref. No.	Part No.	Part Name & Description	Pcs	Remarks
R4748	ERJ3GEYJ560	M 56 OHM, J, 1/16W	1	
R4749	ERJ3GEYJ473	M 47KOHM, J, 1/16W	1	
R4750	ERJ3GEYJ103	M 10KOHM, J, 1/16W	1	
R4751	ERJ3GEYJ473	M 47KOHM, J, 1/16W	1	
R4752	ERJ3GEYJ101	M 100 OHM, J, 1/16W	1	
R4753,54	ERJ3GEY0R00	M 0 OHM, 1/16W	2	
R4757-59	ERJ3GEYJ151	M 150 OHM, J, 1/16W	3	
R4760	ERJ3GEY0R00	M 0 OHM, 1/16W	1	
R4764	ERJ3GEYJ101	M 100 OHM, J, 1/16W	1	
R4765	ERJ3GEYJ103	M 10KOHM, J, 1/16W	1	
R4768	ERJ3GEY0R00	M 0 OHM, 1/16W	1	
R4769,70	ERJ3GEYJ220	M 22 OHM, J, 1/16W	2	
R4772,73	ERJ3GEY0R00	M 0 OHM, 1/16W	2	
R4778	EXB38V560J	RESISTOR ARRAY	1	
R4779	ERJ3GEYJ820	M 82 OHM, J, 1/16W	1	
R4781	ERJ3GEY0R00	M 0 OHM, 1/16W	1	
R4788,89	DLHG1038A002	NETWORK RESISTOR	2	
R4790-92	ERJ3GEYJ103	M 10KOHM, J, 1/16W	3	
R4795-98	ERJ3GEYJ103	M 10KOHM, J, 1/16W	4	
R4800-02	ERJ3GEY0R00	M 0 OHM, 1/16W	3	
R4806,07	ERJ3GEY0R00	M 0 OHM, 1/16W	2	
R4809-11	ERJ3GEYJ473	M 47KOHM, J, 1/16W	3	
R4812	ERJ3GEYJ222	M 2.2KOHM, J, 1/16W	1	
R4813-20	ERJ3GEY0R00	M 0 OHM, 1/16W	8	
R7001	ERC12ZGK105	S 1MOHM, K, 1/2W	1	△
R7002	ERG1S470P	M 47 OHM, J, 1W	1	
R7003	ERD75TAJ825	C 8.2MOHM, J, 3/4W	1	△
R7004	ERF5ZK4R7	W 4.7 OHM, K, 5W	1	
R7005	ERC12ZGK105	S 1MOHM, K, 1/2W	1	△
R7102	ERK1SJR27P	M0.27 OHM, J, 1W	1	
R7103	ERDS2TJ103	C 10KOHM, J, 1/4W	1	
R7104	ERDS2TJ822	C 8.2KOHM, J, 1/4W	1	
R7106	ERJ6GEYJ473	M 47KOHM, J, 1/10W	1	
R7108	ERJ6GEYJ473	M 47KOHM, J, 1/10W	1	
R7109	ERJ6GEYJ223	M 22KOHM, J, 1/10W	1	
R7110	ERJ6GEYJ103	M 10KOHM, J, 1/10W	1	
R7111	ERJ6GEYJ473	M 47KOHM, J, 1/10W	1	
R7112	ERJ6GEYJ102	M 1KOHM, J, 1/10W	1	
R7113	ERJ6GEYJ223	M 22KOHM, J, 1/10W	1	
R7114	ERF2AJ100	W 10 OHM, J, 2W	1	
R7115	ERJ6GEYJ100	M 10 OHM, J, 1/10W	1	
R7119	ERDS2TJ563	C 56KOHM, J, 1/4W	1	
R7121	ERDS2TJ431	C 430 OHM, J, 1/4W	1	
R7123	ERDS2TJ222	C 2.2KOHM, J, 1/4W	1	
R7124	ERDS2TJ103	C 10KOHM, J, 1/4W	1	
R7125	ER082CKF1052	M10.5KOHM, F, 1/4W	1	
R7126	ER082CKF1002	M 10KOHM, F, 1/4W	1	
R7127-29	ERJ6GEYJ102	M 1KOHM, J, 1/10W	3	
R7204	ERJ6GEYJ103	M 10KOHM, J, 1/10W	1	
R7205,06	ERJ6GEYJ102	M 1KOHM, J, 1/10W	2	
R7207	ERJ6GEYJ473	M 47KOHM, J, 1/10W	1	
R7208	ERJ6GEYJ472	M 4.7KOHM, J, 1/10W	1	
R7209	ERJ6GEYJ103	M 10KOHM, J, 1/10W	1	
R7210,11	ERJ6GEYJ473	M 47KOHM, J, 1/10W	2	
R7212	ERJ6GEYJ103	M 10KOHM, J, 1/10W	1	
R7213-16	ERJ6GEYJ472	M 4.7KOHM, J, 1/10W	4	
R7217	ERDS2TJ102	C 1KOHM, J, 1/4W	1	
R7218	ERJ6GEY0R00	M 0 OHM, 1/10W	1	
R7219	ERJ6GEYJ103	M 10KOHM, J, 1/10W	1	
R7220	ERJ6GEYJ223	M 22KOHM, J, 1/10W	1	
R7221	ERJ14YJ222	M 22KOHM, J, 1/4W	1	

Ref. No.	Part No.	Part Name & Description	Pcs	Remarks
R7223	ERJ6GEYJ222	M 2.2KOHM, J, 1/10W	1	
R7224	ERJ6GEYJ152	M 1.5KOHM, J, 1/10W	1	
R7225	ERJ14YJ222	M 22KOHM, J, 1/4W	1	
R7226	ERG2FJ560E	M 56 OHM, J, 2W	1	PAVCCZ
R7227	ERJ6GEYJ223	M 22KOHM, J, 1/10W	1	
R7228, 29	ERJ6GEYJ473	M 47KOHM, J, 1/10W	2	
R7232	ERJ14YJ332	M 33KOHM, J, 1/4W	1	
R7234	ERJ6GEY0R00	M 0 OHM, 1/10W	1	
R7236	ERJ14YJ332	M 33KOHM, J, 1/4W	1	
R7237, 38	ERJ6GEYJ223	M 22KOHM, J, 1/10W	2	
R7241	ERJ6GEYJ472	M 4.7KOHM, J, 1/10W	1	
R7242	ERJ6GEYJ473	M 47KOHM, J, 1/10W	1	
R7243	ERJ6ENF1002	M 10KOHM, 1/10W	1	
R7247	ERJ6ENF2702	M 27KOHM, 1/10W	1	
R7250	ERJ6GEYJ472	M 4.7KOHM, J, 1/10W	1	
R7300	K5G4023A0003	FUSE	1	
R7301	ERJ6ENF2051	M2.05KOHM, 1/10W	1	
R7302	ERJ6GEYJ104	M 100KOHM, J, 1/10W	1	
R7303	ERJ6GEYJ102	M 1KOHM, J, 1/10W	1	
R7304	ERJ6GEYJ104	M 100KOHM, J, 1/10W	1	
R7305	ERJ6GEYJ102	M 1KOHM, J, 1/10W	1	
R7400	K5G4023A0003	FUSE	1	
R7402	ERJ6GEYJ104	M 100KOHM, J, 1/10W	1	
R7403	ERJ6GEYJ102	M 1KOHM, J, 1/10W	1	
R7404	ERJ6GEYJ104	M 100KOHM, J, 1/10W	1	
R7405	ERJ6GEYJ102	M 1KOHM, J, 1/10W	1	
R7406	ERJ6ENF3401	M 3.4KOHM, 1/10W	1	
R7407	ERJ6GEYJ473	M 47KOHM, J, 1/10W	1	
R7501, 02	ERJ6GEYJ223	M 22KOHM, J, 1/10W	2	
R7503	ERJ6GEYJ222	M 2.2KOHM, J, 1/10W	1	
R7504	ERJ6GEYJ223	M 22KOHM, J, 1/10W	1	
R7505	ERJ6GEYJ102	M 1KOHM, J, 1/10W	1	
R7506	ERJ6GEYJ222	M 2.2KOHM, J, 1/10W	1	
R7507	ERJ6GEYJ472	M 4.7KOHM, J, 1/10W	1	
R7508	ERJ6GEYJ102	M 1KOHM, J, 1/10W	1	
R7509	ERJ6GEY0R00	M 0 OHM, 1/10W	1	
R7510	ERJ6GEYJ472	M 4.7KOHM, J, 1/10W	1	
R7513, 14	ERJ6GEYJ472	M 4.7KOHM, J, 1/10W	2	
R7602	ERG18J330P	M 33 OHM, J, 1W	1	
R7603	ERJ6GEYJ104	M 100KOHM, J, 1/10W	1	
R7702	ERJ6ENF1001	M 10KOHM, 1/10W	1	
R7703	ERJ6ENF3241	M 3.24KOHM, 1/10W	1	
R7704	ERJ6GEYJ102	M 1KOHM, J, 1/10W	1	
R7705	ERJ12TJ471	M 470OHM, J, 1/2W	1	
R7707	ERDS2TJ103	C 10KOHM, J, 1/4W	1	
R7708	ERJ6GEYJ223	M 22KOHM, J, 1/10W	1	
R7709	ERDS2TJ472	C 4.7KOHM, J, 1/4W	1	
R7710	ERDS2TJ103	C 10KOHM, J, 1/4W	1	
R7711	ERDS2TJ472	C 4.7KOHM, J, 1/4W	1	
R7851	ERG18J102P	M 10OHM, J, 1W	1	
R7852	ERJ6GEYJ472	M 4.7KOHM, J, 1/10W	1	
R7853	ERJ6GEYJ101	M 100 OHM, J, 1/10W	1	
R7855	ERJ6ENF2701	M 2.7KOHM, 1/10W	1	
R7856	ERJ6ENF1001	M 10KOHM, 1/10W	1	
R7953	ERJ6GEY0R00	M 0 OHM, 1/10W	1	
R7955	ERJ6GEY0R00	M 0 OHM, 1/10W	1	
R7960	K5G2523A0003	FUSE	1	
R8003, 04	ERJ2GEJ181	M 180 OHM, J, 0.063W	2	
R8006	ERJ2GE0R00	M 0.0 OHM, J, 0.063W	1	
R8008	ERJ2GEJ102	M 1KOHM, J, 0.063W	1	
R8010-12	ERJ2GEJ103	M 10KOHM, J, 0.063W	3	
R8014, 15	ERJ2GEJ103	M 10KOHM, J, 0.063W	2	
R8016	ERJ2GE0R00	M 0.0 OHM, J, 0.063W	1	
R8020-22	ERJ2GEJ103	M 10KOHM, J, 0.063W	3	

Ref. No.	Part No.	Part Name & Description	Pcs	Remarks
R8023	ERJ2GE0R00	M 0.0 OHM, J, 0.063W	1	
R8024-26	ERJ2GEJ104	M 100KOHM, J, 0.063W	3	
R8027	D1HG5608A002	NETWORK RESISTER	1	
R8028-30	ERJ2GEJ560	M 56 OHM, J, 0.063W	3	
R8033	ERJ2GEJ472	M 4.7KOHM, J, 0.063W	1	
R8034, 35	ERJ3GEY0R00	M 0 OHM, 1/16W	2	
R8036	ERJ3GEYJ163	M 16KOHM, J, 1/16W	1	
R8039, 40	ERJ2GEJ472	M 4.7KOHM, J, 0.063W	2	
R8041	ERJ2GEJ154	M 150KOHM, J, 0.063W	1	
R8046	ERJ2GEJ330	M 33 OHM, J, 0.063W	1	
R8047-50	ERJ2GEJ101	M 100 OHM, J, 0.063W	4	
R8051	EXB38V330J	RESISTOR ARRAY	1	
R8052-55	ERJ2GEJ103	M 10KOHM, J, 0.063W	4	
R8056	ERJ2GEJ330	M 33 OHM, J, 0.063W	1	
R8057	ERJ2GEJ680	M 68 OHM, J, 0.063W	1	
R8058	EXB38V330J	RESISTOR ARRAY	1	
R8059	ERJ2GEJ103	M 10KOHM, J, 0.063W	1	
R8073	ERJ2GEJ105	M 10KOHM, J, 0.063W	1	
R8074, 75	ERJ2GEJ181	M 180 OHM, J, 0.063W	2	
R8076	ERJ2GEJ103	M 10KOHM, J, 0.063W	1	
R8078	ERJ2GEJ222	M 2.2KOHM, J, 0.063W	1	
R8079	ERJ2GEJ103	M 10KOHM, J, 0.063W	1	
R8084, 85	D1HG1218A002	NETWORK RESISTER	2	
R8086-88	ERJ2GEJ560	M 56 OHM, J, 0.063W	3	
R8101	ERJ3GEYF181	M 180 OHM, J, 1/16W	1	PAVCCZ
R8104	ERJ2GEJ560	M 56 OHM, J, 0.063W	1	
R8106, 07	ERJ2GEJ103	M 10KOHM, J, 0.063W	2	
R8108	ERJ3EKF2212	M 22KOHM, 1/16W	1	
R8109	ERJ3EKF2402	M 24KOHM, 1/16W	1	
R8110	ERJ2GE0R00	M 0.0 OHM, J, 0.063W	1	
R8112, 13	ERJ3GEY0R00	M 0 OHM, 1/16W	2	
R8115	ERJ3GEYF272	M 2.7KOHM, 1/16W	1	
R8117	ERJ6GEYJ471	M 470 OHM, J, 1/10W	1	
R8124	ERJ2GEJ471	M 470 OHM, J, 0.063W	1	
R8127	ERJ2GE0R00	M 0.0 OHM, J, 0.063W	1	
R8131	ERJ2GE0R00	M 0.0 OHM, J, 0.063W	1	
R8132	ERJ2GEJ560	M 56 OHM, J, 0.063W	1	
R8133	ERJ3GEYJ560	M 56 OHM, J, 1/16W	1	
R8136	ERJ2GEJ103	M 10KOHM, J, 0.063W	1	
R8137	ERJ2GEJ121	M 120 OHM, J, 0.063W	1	
R8140, 41	ERJ3EKF1001	M 10OHM, 1/16W	2	
R8144, 45	D1HG5608A002	NETWORK RESISTER	2	
R8148, 49	D1HG3908A002	NETWORK RESISTER	2	
R8150-59	ERJ2GEJ390	M 39 OHM, J, 0.063W	10	
R8161, 62	ERJ2GEJ390	M 39 OHM, J, 0.063W	2	
R8163	ERJ2GEJ560	M 56 OHM, J, 0.063W	1	
R8165	ERJ2GEJ560	M 56 OHM, J, 0.063W	1	
R8167-71	ERJ2GEJ103	M 10KOHM, J, 0.063W	5	
R8172	ERJ2GEJ473	M 47KOHM, J, 0.063W	1	
R8173	ERJ2GE0R00	M 0.0 OHM, J, 0.063W	1	
R8175	ERJ3GEYJ103	M 10KOHM, J, 1/16W	1	

Ref. No.	Part No.	Part Name & Description	Pcs	Remarks
R8176	ERJ2GEJ103	M 10KOHM, J,0.063W	1	
R8180-82	ERJ2GEJ560	M 56 OHM, J,0.063W	3	
R8183	ERJ2GE0R00	M 0.0 OHM, J,0.063W	1	
R8184	ERJ2GEJ223	M 22KOHM, J,0.063W	1	
R8185,86	ERJ2GEJ101	M 100 OHM, J,0.063W	2	
R8187	ERJ2GEJ103	M 10KOHM, J,0.063W	1	
R8193	ERJ2GEJ103	M 10KOHM, J,0.063W	1	
R8195	ERJ2GEJ103	M 10KOHM, J,0.063W	1	
R8196	ERJ3GEYJ103	M 10KOHM, J,1/16W	1	
R8201-04	ERJ2GEJ103	M 10KOHM, J,0.063W	4	
R8214	ERJ2GE0R00	M 0.0 OHM, J,0.063W	1	
R8215	ERJ2GEJ103	M 10KOHM, J,0.063W	1	
R8216,17	ERJ2GEJ560	M 56 OHM, J,0.063W	2	
R8218,19	D1HG33080001	NETWORK RESISTER	2	
R8220-22	D1HG5608A002	NETWORK RESISTER	3	
R8223	ERJ2GEJ560	M 56 OHM, J,0.063W	1	
R8225	ERJ2GEJ103	M 10KOHM, J,0.063W	1	
R8232,33	ERJ2GEJ330	M 33 OHM, J,0.063W	2	
R8235	ERJ2GEJ330	M 33 OHM, J,0.063W	1	
R8238-43	ERJ2GEJ330	M 33 OHM, J,0.063W	6	
R8245,46	ERJ2GEJ330	M 33 OHM, J,0.063W	2	
R8250	ERJ2GEJ103	M 10KOHM, J,0.063W	1	
R8252-54	ERJ2GEJ330	M 33 OHM, J,0.063W	3	
R8255-57	ERJ2GEJ103	M 10KOHM, J,0.063W	3	
R8259	ERJ3GEYJ103	M 10KOHM, J,1/16W	1	
R8260-63	ERJ2GEJ560	M 56 OHM, J,0.063W	4	
R8264-68	ERJ2GEJ103	M 10KOHM, J,0.063W	5	
R8269	ERJ2GEJ560	M 56 OHM, J,0.063W	1	
R8271	ERJ2GEJ560	M 56 OHM, J,0.063W	1	
R8272	EXB38V560J	RESISTOR ARRAY	1	
R8273	ERJ2GEJ560	M 56 OHM, J,0.063W	1	
R8275	ERJ2GEJ560	M 56 OHM, J,0.063W	1	
R8277	ERJ2GEJ560	M 56 OHM, J,0.063W	1	
R8279	ERJ2GE0R00	M 0.0 OHM, J,0.063W	1	
R8282	ERJ2GEJ560	M 56 OHM, J,0.063W	1	
R8284	ERJ8GEY0R00	M 0 OHM, 1/8W	1	
R8286,87	ERJ2GEJ560	M 56 OHM, J,0.063W	2	
R8290	EXB38V560J	RESISTOR ARRAY	1	
R8291,92	ERJ2GEJ560	M 56 OHM, J,0.063W	2	
R8308	ERJ2GE0R00	M 0.0 OHM, J,0.063W	1	
R8310-15	ERJ3EKF75R0	M 0.75HM, 1/16W	6	
R8319	ERJ3EKF2702V	M27.0KOHM, 1/16W	1	
R8320	ERJ3EKF1002	M 10KOHM, 1/16W	1	
R8321	ERJ3EKF8201	M 8.2KOHM, 1/16W	1	
R8349	ERJ2GEJ104	M 100KOHM, J,0.063W	1	
R8350	ERJ3EKF8201	M 8.2KOHM, 1/16W	1	
R8351	ERJ3EKF1002	M 10KOHM, 1/16W	1	
R8352	ERJ3EKF2702V	M27.0KOHM, 1/16W	1	
R8353	ERJ2GEJ332	M 3.3KOHM, J,0.063W	1	
R8354	ERJ2GEJ272	M 2.7KOHM, J,0.063W	1	
R8355,56	EXB2HV104JV	RESISTOR ARRAY	2	
R8357,58	ERJ2GEJ473	M 47KOHM, J,0.063W	2	
R8366	ERJ2GEJ103	M 10KOHM, J,0.063W	1	

Ref. No.	Part No.	Part Name & Description	Pcs	Remarks
R8367,68	ERJ2GEJ560	M 56 OHM, J,0.063W	2	
R8372-76	ERJ2GEJ560	M 56 OHM, J,0.063W	5	
R8386	J0JCC0000078	CHIP INDUCTOR	1	
R8401	ERJ8GEY0R00	M 0 OHM, 1/8W	1	
R8402	ERJ6GEY0R00	M 0 OHM, 1/10W	1	
R8414	ERJ2GE0R00	M 0.0 OHM, J,0.063W	1	
R8415,16	ERJ2GEJ223	M 22KOHM, J,0.063W	2	
R8417,18	EXB38V473J	RESISTOR ARRAY	2	
R8419,20	EXB38V101J	RESISTOR ARRAY	2	
R8421	ERJ2GEJ103	M 10KOHM, J,0.063W	1	
R8422	ERJ3GEYF331	M 330 OHM, J,1/16W	1	PAVCCZ
R8424	ERJ8RSJR10	M 1 OHM, 1/8W	1	
R8425,26	EXB38V101J	RESISTOR ARRAY	2	
R8427-31	ERJ2GEJ560	M 56 OHM, J,0.063W	5	
R8433,34	EXB38V560J	RESISTOR ARRAY	2	
R8435	ERJ2GEJ101	M 100 OHM, J,0.063W	1	
R8443	EXB38V560J	RESISTOR ARRAY	1	
R8444	ERJ2GEJ101	M 100 OHM, J,0.063W	1	
R8445,46	ERJ2GEJ560	M 56 OHM, J,0.063W	2	
R8447	ERJ2GEJ223	M 22KOHM, J,0.063W	1	
R8448	ERJ2GEJ473	M 47KOHM, J,0.063W	1	
R8449,50	ERJ2GEJ103	M 10KOHM, J,0.063W	2	
R8451	EXB38V104J	RESISTOR ARRAY	1	
R8452	ERJ2GEJ104	M 100KOHM, J,0.063W	1	
R8453	EXB38V104J	RESISTOR ARRAY	1	
R8454	ERJ2GEJ104	M 100KOHM, J,0.063W	1	
R8456-59	EXB38V560J	RESISTOR ARRAY	4	
R8460	ERJ2GEJ104	M 100KOHM, J,0.063W	1	
R8461	ERJ2GEJ560	M 56 OHM, J,0.063W	1	
R8462,63	ERJ2GE0R00	M 0.0 OHM, J,0.063W	2	
R8464	ERJ2GEJ560	M 56 OHM, J,0.063W	1	
R8465	ERJ2GEJ103	M 10KOHM, J,0.063W	1	
R8466	EXB38V560J	RESISTOR ARRAY	1	
R8467,68	ERJ2GEJ560	M 56 OHM, J,0.063W	2	
R8469	EXB38V560J	RESISTOR ARRAY	1	
R8474	ERJ2GE0R00	M 0.0 OHM, J,0.063W	1	
R8475,76	ERJ2GEJ103	M 10KOHM, J,0.063W	2	
R8477,78	ERJ2GEJ560	M 56 OHM, J,0.063W	2	
R8479	ERJ2GEJ203	M 20KOHM, J,0.063W	1	
R8480-82	ERJ2GEJ560	M 56 OHM, J,0.063W	3	
R8483	ERJ2GEJ203	M 20KOHM, J,0.063W	1	
R8484	ERJ2GEJ223	M 22KOHM, J,0.063W	1	
R8485	ERJ2GEJ333	M 33KOHM, J,0.063W	1	
R8486	ERJ2GEJ223	M 22KOHM, J,0.063W	1	
R8487	ERJ2GEJ560	M 56 OHM, J,0.063W	1	
R8488	ERJ2GE0R00	M 0.0 OHM, J,0.063W	1	
R8489	ERJ2GEJ102	M 1KOHM, J,0.063W	1	
R8491	ERJ3EKF9102	M91.0KOHM, 1/16W	1	
R8492	ERJ3EKF9101	M 9.1KOHM, 1/16W	1	
R8493	ERJ3EKF9102	M91.0KOHM, 1/16W	1	
R8494	ERJ3EKF1202	M 12KOHM, 1/16W	1	
R8495,96	EXB38V560J	RESISTOR ARRAY	2	
R8497	ERJ3EKF7500	M 750 OHM, 1/16W	1	

Ref. No.	Part No.	Part Name & Description	Pcs	Remarks
R8498	ERJ3EKF6800	M 680 OHM, 1/16W	1	
R8499	ERA3YED243	M 24KOHM 1/16W	1	
R8500	ERJ3EKF1052	M10.5KOHM, 1/16W	1	
R8501	ERJ3EKF2322	M23.2KOHM, 1/16W	1	
R8502	ERJ3EKF1003	M 100KOHM, 1/16W	1	
R8503,04	ERJ2GEJ103	M 10KOHM, J,0.063W	2	
R8505	ERJ2GEJ101	M 100 OHM, J,0.063W	1	
R8538,39	ERJ2GEJ101	M 100 OHM, J,0.063W	2	
R8546	ERJ2GEJ333	M 33KOHM, J,0.063W	1	
R8547	ERJ2GEJ102	M 1KOHM, J,0.063W	1	
R8602-04	ERJ2GEJ101	M 100 OHM, J,0.063W	3	
R8605,06	ERJ2GEJ104	M 100KOHM, J,0.063W	2	
R8608	ERJ2GEJ105	M 1MOHM, J,0.063W	1	
R8610	ERJ2GEJ332	M 3.3KOHM, J,0.063W	1	
R8611	ERJ6GEY0R00	M 0 OHM, 1/10W	1	
R8614	ERJ2GEJ221	M 220 OHM, J,0.063W	1	
R8615	ERJ2GE0R00	M 0.0 OHM, J,0.063W	1	
R8706-09	ERJ2GEJ103	M 10KOHM, J,0.063W	4	
R8711	ERJ2GEJ560	M 56 OHM, J,0.063W	1	
R8712	EXB38V560J	RESISTOR ARRAY	1	
R8713	EXB38V103J	RESISTOR ARRAY	1	
R8714-16	ERJ2GEJ560	M 56 OHM, J,0.063W	3	
R8802	ERJ2GE0R00	M 0.0 OHM, J,0.063W	1	
R8821	ERJ2GE0R00	M 0.0 OHM, J,0.063W	1	
R8827,28	ERJ2GEJ392	M 3.9KOHM, J,0.063W	2	
R8830	ERJ2GEJ101	M 100 OHM, J,0.063W	1	
R8862-64	ERJ2GE0R00	M 0.0 OHM, J,0.063W	3	
R8899,00	ERJ2GE0R00	M 0.0 OHM, J,0.063W	2	
R8912	ERJ2GE0R00	M 0.0 OHM, J,0.063W	1	
R8923	ERJ2GE0R00	M 0.0 OHM, J,0.063W	1	
R8926	ERJ2GE0R00	M 0.0 OHM, J,0.063W	1	
R8928	ERJ2GEJ101	M 100 OHM, J,0.063W	1	
R8930	ERJ3GEY0R00	M 0 OHM, 1/16W	1	
R8931,32	ERJ2GEJ392	M 3.9KOHM, J,0.063W	2	
R8933	ERJ2GE0R00	M 0.0 OHM, J,0.063W	1	
R8935	ERJ3GEYJ103	M 10KOHM, J,1/16W	1	
R8954	ERJ2GEJ103	M 10KOHM, J,0.063W	1	
R8960	ERJ2GE0R00	M 0.0 OHM, J,0.063W	1	
R8962-64	ERJ2GEJ101	M 100 OHM, J,0.063W	3	
R8967,68	EXB28V473JV	RESISTOR ARRAY	2	PAVCCZ
R8969-71	ERJ2GEJ473	M 47KOHM, J,0.063W	3	
R8987	ERJ2GE0R00	M 0.0 OHM, J,0.063W	1	
R8990	ERJ2GEJ102	M 1KOHM, J,0.063W	1	
RL7001,02	K6B1ADA00010	RELAY	2	△
RM1001	PNA4701M05TV	REMOCO RECEIVER	1	
RTL	ETXMM565EBB	POWER UNIT	1	PAVCCZ △
RTL	TNP0EKV01AD	CIRCUIT BOARD IV	1	PAVCCZ △

Ref. No.	Part No.	Part Name & Description	Pcs	Remarks
RTL	TNPA3487AB	CIRCUIT BOARD AP	1	PAVCCZ △
RTL	TNPA3489AA	CIRCUIT BOARD G	1	PAVCCZ △
RTL	TNPA3490AA	CIRCUIT BOARD V	1	PAVCCZ △
RTL	TNPA3492AA	CIRCUIT BOARD K	1	PAVCCZ △
RTL	TKN/H10LSM	CIRCUIT BOARD H	1	PAVCCZ △
RTL	TKNDG10LSM	CIRCUIT BOARD DG	1	TX-32LXD50 PAVCCZ △
RTL	TKNDG10LVM	CIRCUIT BOARD DG	1	TX-26LXD50 PAVCCZ △
SN1001	B3L000000020	IC	1	
SW001	ESB92811B	SWITCH	1	△
SW3802-06	EVQPB105K	SWITCH	5	
T7101	ETS25AD1N6AG	SWITCHING TRANS	1	PAVCCZ △
TU3201	ENG7301GF	TUNER	1	PAVCCZ △
TU8001	ENV87H06D8F	TUNER	1	PAVCCZ △
V1	K1KA10BA0062	10P CONNECTOR	1	
X1101	H0J600400006	CRYSTAL	1	
X2101	H0J184500027	CRYSTAL	1	PAVCCZ
X4002	H0J270500087	CRYSTAL	1	
X8003	H0J241500001	CRYSTAL	1	PAVCCZ
X8006	H0J270500090	CRYSTAL	1	PAVCCZ
YV01	K1KAB0A00011	CONNECTOR	1	
ZA2101-03	TESA169	SHIELD CLIP	3	
ZA2105,06	TESA169	SHIELD CLIP	2	
ZA2108,09	TESA169	SHIELD CLIP	2	
ZA3201-03	K9ZZ00000424	CONNECTOR	3	
ZA4005-16	TESA169	SHIELD CLIP	12	
ZA4018-20	TESA169	SHIELD CLIP	3	
ZA7002-05	K9ZZ00000424	CONNECTOR	4	

14.3. Electrical Replacement Parts List (TX-32/26LX50F/P)

Ref. No.	Part No.	Part Name & Description	Pcs	Remarks
AP1	K1KA23A00005	23P CONNECTOR	1	
AP2	K1KA04A00576	4P CONNECTOR	1	
AP3	K1KA11A00124	11P CONNECTOR	1	
AP4,P5	K1KA23A00003	23P CONNECTOR	2	
AP6	K1KA02A00626	2P CONNECTOR	1	
AP10	K1KA02A00613	2P CONNECTOR	1	
C1004	ECJLXF1C104Z	C 0.1UF, Z, 16V	1	
C1005	EEEB1C220UR	C 22PF, J, 16V	1	
C1006	ECJLXF1C104Z	C 0.1UF, Z, 16V	1	
C1007	EEEB1C220UR	C 22PF, J, 16V	1	
C1008	EEEB0J101P	C 100PF, J, 6.3V	1	
C1009	ECJ1VB0J225K	C 2.2UF, K, 6.3V	1	
C1101	ECJ1XB1C104K	C 0.1UF, Z, 16V	1	
C1102	EEEB1C470P	C 47PF, J, 16V	1	
C1103	EEEB0G101R	C 100PF, J, 4V	1	
C1104,05	ECJ1XB0J105K	C 1UF, K, 16V	2	
C1106,07	ECJ1XB1C104K	C 0.1UF, Z, 16V	2	
C1109	ECJ1XB1C104K	C 0.1UF, Z, 16V	1	
C1110	ECJ1XB0J105K	C 1UF, K, 16V	1	
C1112	ECJ1XB1C104K	C 0.1UF, Z, 16V	1	
C1113	EEFCD0G560R	56UF,	1	
C1115	ECJ1XB0J105K	C 1UF, K, 16V	1	
C1116	ECJ1VB1H103K	C 0.001UF, K, 50V	1	
C1117	ECJ1XB1C104K	C 0.1UF, Z, 16V	1	
C1119	ECJ1XB0J105K	C 1UF, K, 16V	1	
C1120	ECJ1XB1C104K	C 0.1UF, Z, 16V	1	
C1121	EEEB1C470P	C 47PF, J, 16V	1	
C1122	ECJ1XB1C104K	C 0.1UF, Z, 16V	1	
C1124	ECJ1XB1C104K	C 0.1UF, Z, 16V	1	
C1125	EEVHB1C100R	E 10UF, 16V	1	
C1126,27	ECJ1XB1C104K	C 0.1UF, Z, 16V	2	
C1128	EEVHB0G101R	E 100UF 4V	1	
C1129	ECJ1XC1H102J	C 1000PF, J, 50V	1	
C1130	ECJ1XB1C104K	C 0.1UF, Z, 16V	1	
C1131	ECJ1VB1H103K	C 0.001UF, K, 50V	1	
C1132,33	ECJ1XB1C104K	C 0.1UF, Z, 16V	2	
C1134	EEVHB0G101R	E 100UF 4V	1	
C1135	EEEB0G221P	C 220PF, J, 4V	1	
C1136	ECJ1XC1H102J	C 1000PF, J, 50V	1	
C1138-41	ECJ1XB1C104K	C 0.1UF, Z, 16V	4	
C1142	ECJ1XC1H151J	C 150PF, J, 50V	1	
C1144	ECJ1XB1C104K	C 0.1UF, Z, 16V	1	
C1145	ECJ1XC1H180J	C 18PF, J, 50V	1	
C1146	ECJ1XC1H102J	C 1000PF, J, 50V	1	
C1147	ECJ1XB1C104K	C 0.1UF, Z, 16V	1	
C1148	ECJ1VB1H221K	C 220UF, K, 50V	1	
C1149	ECJ1XC1H220J	C 22PF, J, 50V	1	
C1150	ECJ1XB1C104K	C 0.1UF, Z, 16V	1	
C1152	ECJ1XC1H102J	C 1000PF, J, 50V	1	
C1153	ECJ1VB1H221K	C 220UF, K, 50V	1	
C1154	ECJ1XB1C104K	C 0.1UF, Z, 16V	1	
C1156	EEVHB1C100R	E 10UF, 16V	1	
C1157,58	ECJ1XB1C104K	C 0.1UF, Z, 16V	2	
C1160	ECJ1XC1H102J	C 1000PF, J, 50V	1	
C1161,62	ECJ1XB1C104K	C 0.1UF, Z, 16V	2	
C1164	ECJ1VB1H103K	C 0.001UF, K, 50V	1	
C1165-67	ECJ1XB1C104K	C 0.1UF, Z, 16V	3	
C1168	ECJ1VB1H103K	C 0.001UF, K, 50V	1	
C1169	ECJ1XB0J105K	C 1UF, K, 16V	1	
C1170-73	ECJ1XB1C104K	C 0.1UF, Z, 16V	4	
C1175,76	ECJ1XB1C104K	C 0.1UF, Z, 16V	2	

Ref. No.	Part No.	Part Name & Description	Pcs	Remarks
C1177	EEVHB0G101R	E 100UF 4V	1	
C1178	ECJ1XB1C104K	C 0.1UF, Z, 16V	1	
C1179	ECJ1XB0J105K	C 1UF, K, 16V	1	
C1180,81	ECJ1XC1H271J	C 270PF, J, 50V	2	
C1182	ECJ1XB1C104K	C 0.1UF, Z, 16V	1	
C1183	ECJ1XC1H271J	C 270PF, J, 50V	1	
C1186	ECJ1XB1C104K	C 0.1UF, Z, 16V	1	
C1187,88	ECJ1XC1H271J	C 270PF, J, 50V	2	
C1189-91	ECJ1XB1C104K	C 0.1UF, Z, 16V	3	
C1199-03	ECJ1XB1C104K	C 0.1UF, Z, 16V	5	
C1204,05	ECJ1XC1H102J	C 1000PF, J, 50V	2	
C1209	EEEB0G221P	C 220PF, J, 4V	1	
C2005,06	ECJ1XC1H561J	C 560PF, J, 50V	2	
C2019-32	ECJ1XC1H561J	C 560PF, J, 50V	14	
C2051,52	ECJ3XB1C105K	C 1UF, K, 16V	2	
C2063	EEEB1A471UF	C 470PF, J, 10V	1	
C2064	EEEB1C220UR	C 22PF, J, 16V	1	
C2065	EEEB1C101UP	C 100PF, J, 16V	1	
C2105	EEEB1C101UP	C 100PF, J, 16V	1	
C2106	ECJ1XF1C104Z	C 0.1UF, Z, 16V	1	
C2112,13	ECJ1VB1A105K	C 0.01UF, Z, 50V	2	
C2115,16	ECJ1XC1H470J	C 47PF, J, 50V	2	
C2117	ECJ1VF1H104Z	C 0.1UF, Z, 50V	1	
C2118,19	EEEB1E220P	C 22PF	2	
C2123,24	ECJ2FB1A225K	C 2.2UF, K, 10V	2	
C2125,26	ECJ1XB1H102K	C 1000UF, Z, 50V	2	
C2127	EEEB1C101UP	C 100PF, J, 16V	1	
C2128	ECJ1XF1C104Z	C 0.1UF, Z, 16V	1	
C2129,30	ECJ1VB1A105K	C 0.01UF, Z, 50V	2	
C2131	ECJ1XF1C104Z	C 0.1UF, Z, 16V	1	
C2132	EEEB1E470P	C 47PF, J, 25V	1	
C2133,34	ECJ1XC1H470J	C 47PF, J, 50V	2	
C2135-43	ECJ1VF1H104Z	C 0.1UF, Z, 50V	9	
C2144,45	ECJ3XB1C105K	C 1UF, K, 16V	2	
C2146	ECJ1XF1C104Z	C 0.1UF, Z, 16V	1	
C2147	EEEB1C101UP	C 100PF, J, 16V	1	
C2148-50	ECJ1VB1C105K	C 0.01UF, K, 16V	3	
C2152	ECJ1VB1C105K	C 0.01UF, K, 16V	1	
C2154	ECJ1XF1C104Z	C 0.1UF, Z, 16V	1	
C2155	ECJ1VB1C105K	C 0.01UF, K, 16V	1	
C2156	ECJ3XB1C105K	C 1UF, K, 16V	1	
C2157	ECJ1VB1C105K	C 0.01UF, K, 16V	1	
C2158	ECJ3XB1C105K	C 1UF, K, 16V	1	
C2159,60	ECJ1VB1C105K	C 0.01UF, K, 16V	2	
C2161	EEEB1C101UP	C 100PF, J, 16V	1	
C2162-65	ECJ1VB1C105K	C 0.01UF, K, 16V	4	
C2166-69	ECJ1VF1H104Z	C 0.1UF, Z, 50V	4	
C2172	ECJ1VB1H332K	C 3300PF, K, 50V	1	
C2173	ECJ1VB1H103K	C 0.001UF, K, 50V	1	
C2174	ECJ1VB1H332K	C 3300PF, K, 50V	1	
C2175-77	ECJ1VB1H103K	C 0.001UF, K, 50V	3	
C2178,79	EEEB1C100R	C 10PF, J, 16V	2	

Ref. No.	Part No.	Part Name & Description	Pcs	Remarks
C2181	ECJ1XF1C104Z	C 0.1UF, Z, 16V	1	
C2183	EEEB1H3R3R	C 3.3PF, J, 50V	1	
C2184,85	ECJ1XF1C104Z	C 0.1UF, Z, 16V	2	
C2186	EEEB1C101UP	C 100PF, J, 16V	1	
C2189,90	ECJ1VF1C105Z	C 1UF, Z, 16V	2	
C2191	ECJ1XF1C104Z	C 0.1UF, Z, 16V	1	
C2192	EEEB1C100R	C 10PF, J, 16V	1	
C2193,94	ECJ1VF1C105Z	C 1UF, Z, 16V	2	
C2195	ECJ1XC1H470J	C 47PF, J, 50V	1	
C2196	ECJ1XF1C104Z	C 0.1UF, Z, 16V	1	
C2198	EEEB1C101UP	C 100PF, J, 16V	1	
C2199	ECJ1VC1H560J	C 56PF, J, 50V	1	
C2200	ECJ1XC1H470J	C 47PF, J, 50V	1	
C2201,02	ECJ1XC1H030C	C 3PF, C, 50V	2	
C2203	ECJ1VC1H100C	C 10PF, C, 50V	1	
C2204	ECJ1XC1H220J	C 22PF, J, 50V	1	
C2206	EEEB1C101UP	C 100PF, J, 16V	1	
C2207,08	ECJ1XF1C104Z	C 0.1UF, Z, 16V	2	
C2211	ECJ1XB1C104K	C 0.1UF, Z, 16V	1	
C2212	ECJ1XF1C104Z	C 0.1UF, Z, 16V	1	
C2213	ECJ1XB1C104K	C 0.1UF, Z, 16V	1	
C2214	ECJ1XB1H102K	C 1000UF, Z, 50V	1	
C2215	ECJ1XF1C104Z	C 0.1UF, Z, 16V	1	
C2216	ECJ3YB1A106M	C 10UF, M, 6.3V	1	
C2217	EEEB1H470P	C 47PF, J, 25V	1	
C2218-23	ECJ3XB1C105K	C 1UF, K, 16V	6	
C2224	ECJ1VF1H104Z	C 0.1UF, Z, 50V	1	
C2301,02	ECJ1VB1C273K	C 0.027UF, K, 16V	2	
C2315	ECJ1VB1H223K	C 0.22UF, K, 50V	1	
C2317,18	ECJ1VB1H223K	C 0.22UF, K, 50V	2	
C2320	ECJ1VB1H223K	C 0.22UF, K, 50V	1	
C2326,27	ECJ1VB1C473K	C 0.047UF, K, 16V	2	
C2328,29	ECJ1C101A121	E 100UF, 16V	2	
C2331,32	ECJ1VF1H104Z	C 0.1UF, Z, 50V	2	
C2335	ECJ1VF1H104Z	C 0.1UF, Z, 50V	1	
C2347	EEEB1C220JR	C 22PF, J, 16V	1	
C2348	ECJ1VF1H104Z	C 0.1UF, Z, 50V	1	
C2349	ECJ1VB1A105K	C 0.01UF, Z, 50V	1	
C2350	ECJ1VF1H104Z	C 0.1UF, Z, 50V	1	
C2351	EEEB1H100P	C 10PF, J, 50V	1	
C2352	ECJ1XB1C104K	C 0.1UF, Z, 16V	1	
C2353	EEEB1C101UP	C 100PF, J, 16V	1	
C2356	ECJ1XB1C104K	C 0.1UF, Z, 16V	1	
C2357	EEEB1C101UP	C 100PF, J, 16V	1	
C2360,61	ECJ2FB1E105K	C 1UF, K, 25V	2	
C2366,67	ECJ1XC1H330J	C 33PF, J, 50V	2	
C2520	ECA1VM471	E 470UF, 35V	1	
C2521	ECJ2FB1H104K	C 0.1UF, K, 50V	1	
C2522-24	ECJ1VB1H222K	C 2200PF, K, 50V	3	
C2525	ECA1ERG470	E 47UF, 25V	1	
C2526	ECJ2FB1E224K	C 22UF, K, 25V	1	
C2527	ECJ2FB1H104K	C 0.1UF, K, 50V	1	
C2528	ECA1ERG102	E 1000UF, 25V	1	
C2529	ECJ2FB1E224K	C 22UF, K, 25V	1	
C2530	ECJ1VB1H153K	C 0.015UF, K, 50V	1	
C2531	ECA1HM2R2	E 2.2UF, 50V	1	
C2534	ECJ2FB1E105K	C 1UF, K, 25V	1	
C2535,36	ECJ1VB1H221K	C 220UF, K, 50V	2	
C2537	ECJ2FB1H104K	C 0.1UF, K, 50V	1	
C2538-40	ECJ1VB1H222K	C 2200PF, K, 50V	3	

Ref. No.	Part No.	Part Name & Description	Pcs	Remarks
C2541	ECA1ERG470	E 47UF, 25V	1	
C2542	ECJ2FB1E224K	C 22UF, K, 25V	1	
C2543	ECJ2FB1H104K	C 0.1UF, K, 50V	1	
C2544	ECA1ERG102	E 1000UF, 25V	1	
C2545	ECJ2FB1E224K	C 22UF, K, 25V	1	
C2546	ECJ1VB1H153K	C 0.015UF, K, 50V	1	
C2547	ECA1HM2R2	E 2.2UF, 50V	1	
C2550	ECJ2FB1E105K	C 1UF, K, 25V	1	
C2551,52	ECJ1VB1H221K	C 220UF, K, 50V	2	
C2553	ECJ2FB1H104K	C 0.1UF, K, 50V	1	
C2554-56	ECJ1VB1H222K	C 2200PF, K, 50V	3	
C2557	ECA1ERG470	E 47UF, 25V	1	
C2558	ECJ2FB1E224K	C 22UF, K, 25V	1	
C2559	ECJ2FB1H104K	C 0.1UF, K, 50V	1	
C2560	ECA1ERG102	E 1000UF, 25V	1	
C2561	ECJ2FB1E224K	C 22UF, K, 25V	1	
C2562	ECJ1VB1H153K	C 0.015UF, K, 50V	1	
C2563	ECA1HM2R2	E 2.2UF, 50V	1	
C2566	ECJ2FB1E105K	C 1UF, K, 25V	1	
C2567,68	ECJ1VB1H221K	C 220UF, K, 50V	2	
C2569	ECJ2FB1H104K	C 0.1UF, K, 50V	1	
C2570-72	ECJ1VB1H222K	C 2200PF, K, 50V	3	
C2573	ECA1ERG470	E 47UF, 25V	1	
C2574	ECJ2FB1E224K	C 22UF, K, 25V	1	
C2575	ECJ2FB1H104K	C 0.1UF, K, 50V	1	
C2576	ECA1ERG102	E 1000UF, 25V	1	
C2577	ECJ2FB1E224K	C 22UF, K, 25V	1	
C2578	ECJ1VB1H153K	C 0.015UF, K, 50V	1	
C2579	ECA1HM2R2	E 2.2UF, 50V	1	
C2582	ECJ2FB1E105K	C 1UF, K, 25V	1	
C2583,84	ECJ1VB1H221K	C 220UF, K, 50V	2	
C2585	ECJ2FB1H104K	C 0.1UF, K, 50V	1	
C2586-89	ECJ2XB1H153K	C 0.015UF, K, 50V	4	
C2590-93	ECJ1XB1H102K	C 1000UF, Z, 50V	4	
C2611-14	ECJ2FB1E475M	C 4.7UF, K, 25V	4	
C3001-03	ECJ1XB1H102K	C 1000UF, Z, 50V	3	
C3005-07	ECJ1VF1H104Z	C 0.1UF, Z, 50V	3	
C3014	ECJ1XF1C104Z	C 0.1UF, Z, 16V	1	
C3015	ECJ3XB1C106M	C 1.0UF, K, 16V	1	
C3016,17	ECJ1VB1A105K	C 0.01UF, Z, 50V	2	
C3018	ECJ1XF1C104Z	C 0.1UF, Z, 16V	1	
C3019-28	ECJ1VB1A105K	C 0.01UF, Z, 50V	10	
C3029	ECJ2VF1C105Z	C 1UF, Z, 16V	1	
C3031-33	ECJ1VB1A105K	C 0.01UF, Z, 50V	3	
C3035,36	ECJ1VB1A105K	C 0.01UF, Z, 50V	2	
C3038	ECJ1XF1C104Z	C 0.1UF, Z, 16V	1	
C3039	ECJ1VF1H104Z	C 0.1UF, Z, 50V	1	
C3040	ECJ1XF1C104Z	C 0.1UF, Z, 16V	1	
C3041,42	ECJ1VF1H104Z	C 0.1UF, Z, 50V	2	
C3043	ECJ1VB1A105K	C 0.01UF, Z, 50V	1	
C3044	ECJ1XF1C104Z	C 0.1UF, Z, 16V	1	
C3045,46	ECJ1VF1H104Z	C 0.1UF, Z, 50V	2	
C3047	ECJ1VB1A105K	C 0.01UF, Z, 50V	1	
C3048	ECJ1VF1H104Z	C 0.1UF, Z, 50V	1	
C3049-56	ECJ1VB1A105K	C 0.01UF, Z, 50V	8	
C3057	ECJ1VF1H104Z	C 0.1UF, Z, 50V	1	
C3058	EEEB1C471UP	C 470PF, J, 16V	1	PAVCCZ
C3059	ECJ1VF1C105Z	C 1UF, Z, 16V	1	

Ref. No.	Part No.	Part Name & Description	Pcs	Remarks
C3060,61	ECJ1XF1C104Z	C 0.1UF, Z, 16V	2	
C3062,63	ECJ1VB1A105K	C 0.01UF, Z, 50V	2	
C3064	ECJ1XF1C104Z	C 0.1UF, Z, 16V	1	
C3201,02	ECJ1XF1C104Z	C 0.1UF, Z, 16V	2	
C3206	ECJ1VF1C105Z	C 1UF, Z, 16V	1	
C3207	ECA1AHG102	E 1000UF, 10V	1	
C3209	ECJ1XF1C104Z	C 0.1UF, Z, 16V	1	
C3210	F2A1H100A120	E 10UF, 50V	1	
C3212	ECJ1VF1H104Z	C 0.1UF, Z, 50V	1	
C3214	ECJ1XF1C104Z	C 0.1UF, Z, 16V	1	
C3216	ECJ1XF1C104Z	C 0.1UF, Z, 16V	1	
C3227	ECJ1XF1C104Z	C 0.1UF, Z, 16V	1	
C3229-31	ECJ1XF1C104Z	C 0.1UF, Z, 16V	3	
C3233	ECJ1XF1C104Z	C 0.1UF, Z, 16V	1	
C3235	ECJ1VF1H104Z	C 0.1UF, Z, 50V	1	
C3236	F2A1H100A120	E 10UF, 50V	1	
C3237,38	ECJ1XC1H330J	C 33PF, J, 50V	2	
C3240	ECJ1VF1H104Z	C 0.1UF, Z, 50V	1	
C3242-44	ECJ1XF1C104Z	C 0.1UF, Z, 16V	3	
C3245	EEEB1C220R	C 22PF, J, 16V	1	
C3247	EEEB1A330R	C 33PF, J, 10V	1	
C3248	EEEB0J220R	C 22PF, J, 6.3V	1	
C3249	EEEB1H100P	C 10PF, J, 50V	1	
C3307	EEEB1C101UP	C 100PF, J, 16V	1	
C3309	ECJ1XF1C104Z	C 0.1UF, Z, 16V	1	
C3848,49	ECJ2XC1H561J	C 560PF, J, 50V	2	
C3850,51	ECJ1VF1H104Z	C 0.1UF, Z, 50V	2	
C4001	EEVHB0G101R	E 100UF 4V	1	
C4002	ECJ1XB1C104K	C 0.1UF, Z, 16V	1	
C4003	EEFCD0G560R	E 56UF,	1	
C4004,05	ECJ1XB1C104K	C 0.1UF, Z, 16V	2	
C4006	EEEB1C100R	C 10PF, J, 16V	1	
C4007	EEVHB1C100R	E 10UF, 16V	1	
C4008	ECJ2FA1C684K	C 68UF, Z, 16V	1	
C4009	ECJ1XB1C393K	C 0.039UF, K, 16V	1	
C4012	ECJ1XB1C104K	C 0.1UF, Z, 16V	1	
C4013	EEVHB0J470R	E 47UF, 6.3V	1	
C4014,15	ECJ1XB1C104K	C 0.1UF, Z, 16V	2	
C4016	EEVHB1E330	E 33UF, 25V	1	
C4017,18	ECJ3XB0J106M	C 10UF, M,6.3V	2	
C4019	EEVHB1C100R	E 10UF, 16V	1	
C4020-22	ECJ1XB1C104K	C 0.1UF, Z, 16V	3	
C4024	ECJ1VB1H103K	C 0.001UF, K, 50V	1	
C4025	EEVHB0J470R	E 47UF, 6.3V	1	
C4026	ECJ1VB1H103K	C 0.001UF, K, 50V	1	
C4027-29	ECJ1XB1C104K	C 0.1UF, Z, 16V	3	
C4030	ECJ1XC1H102J	C 1000PF, J, 50V	1	
C4034-36	ECJ1XB1C104K	C 0.1UF, Z, 16V	3	
C4038	ERJ3GEY0R00	M 0 OHM, 1/16W	1	
C4039	ECJ1VB1H103K	C 0.001UF, K, 50V	1	
C4040	ECJ1XB1C104K	C 0.1UF, Z, 16V	1	
C4041	ECJ1XB0J105K	C 1UF, K, 16V	1	
C4042,43	ECJ1XB1C104K	C 0.1UF, Z, 16V	2	
C4044	ECJ1VB1C823K	C 0.082UF, K, 16V	1	
C4045	ECJ1VB1H103K	C 0.001UF, K, 50V	1	
C4047,48	ECJ1XB1C104K	C 0.1UF, Z, 16V	2	
C4049	EEVHB0J470R	E 47UF, 6.3V	1	
C4050	ECJ1XB1C104K	C 0.1UF, Z, 16V	1	
C4051	EEVHB0G101R	E 100UF 4V	1	
C4052	ECJ1VB0J225K	C 2.2UF, K, 6.3V	1	

Ref. No.	Part No.	Part Name & Description	Pcs	Remarks
C4053-55	ECJ1XB1C104K	C 0.1UF, Z, 16V	3	
C4056-58	ECJ3XB0J106M	C 10UF, M,6.3V	3	
C4059	ECJ1XB1C104K	C 0.1UF, Z, 16V	1	
C4079	ECJ1VB1H103K	C 0.001UF, K, 50V	1	
C4086	ECJ3XB0J106M	C 10UF, M,6.3V	1	
C4091,92	ECJ1XB1C104K	C 0.1UF, Z, 16V	2	
C4097	ECJ1VB1C105K	C 0.01UF, K, 16V	1	
C4099	EEVHB0J470R	E 47UF, 6.3V	1	
C4100	ECJ1XB1C104K	C 0.1UF, Z, 16V	1	
C4101-04	ECJ1VB1H103K	C 0.001UF, K, 50V	4	
C4105	EEVHB0G101R	E 100UF 4V	1	
C4106	ECJ1XB1C104K	C 0.1UF, Z, 16V	1	
C4113	ECJ1XB1C104K	C 0.1UF, Z, 16V	1	
C4115	ECJ3YB0J335K	C 33UF, J, 25V	1	
C4116	ECJ1VB1H682K	C 6800PF, K, 50V	1	
C4118	ECJ1VB1H103K	C 0.001UF, K, 50V	1	
C4119-22	ECJ1XB1C104K	C 0.1UF, Z, 16V	4	
C4124,25	ECJ1XC1H102J	C 1000PF, J, 50V	2	
C4127,28	ECJ1VB0J225K	C 2.2UF, K, 6.3V	2	
C4131	ECJ1XB1C104K	C 0.1UF, Z, 16V	1	
C4141,42	ECJ1XC1H102J	C 1000PF, J, 50V	2	
C4154	ECJ1XC1H102J	C 1000PF, J, 50V	1	
C4156	ECJ1XB0J105K	C 1UF, K, 16V	1	
C4158	ECJ1XC1H102J	C 1000PF, J, 50V	1	
C4163	ECJ1XC1H102J	C 1000PF, J, 50V	1	
C4165	ECJ1XB1C104K	C 0.1UF, Z, 16V	1	
C4172	ECJ1XC1H102J	C 1000PF, J, 50V	1	
C4175	ECJ1VB0J225K	C 2.2UF, K, 6.3V	1	
C4176,77	ECJ1VB1H103K	C 0.001UF, K, 50V	2	
C4183	ECJ1XB1C104K	C 0.1UF, Z, 16V	1	
C4186-88	ECJ1XB1C104K	C 0.1UF, Z, 16V	3	
C4189	ECJ1VB1H103K	C 0.001UF, K, 50V	1	
C4194	ECJ3YB0J335K	C 33UF, J, 25V	1	
C4195	ECJ1XB1C104K	C 0.1UF, Z, 16V	1	
C4198	ECJ1VB1H103K	C 0.001UF, K, 50V	1	
C4199,00	ECJ1XB1C104K	C 0.1UF, Z, 16V	2	
C4234	EEVHB0J470R	E 47UF, 6.3V	1	
C4235-46	ECJ1XB1C104K	C 0.1UF, Z, 16V	12	
C4247	EEVHB0J470R	E 47UF, 6.3V	1	
C4248-52	ECJ1XB1C104K	C 0.1UF, Z, 16V	5	
C4255-57	ECJ1XB1C104K	C 0.1UF, Z, 16V	3	
C4258	ECJ1XB0J105K	C 1UF, K, 16V	1	
C4259	ECJ1VB1H103K	C 0.001UF, K, 50V	1	
C4262-67	ECJ1XB1C104K	C 0.1UF, Z, 16V	6	
C4268	ECJ1VB1H103K	C 0.001UF, K, 50V	1	
C4269	ECJ1XB0J105K	C 1UF, K, 16V	1	
C4270	EEVHB0J470R	E 47UF, 6.3V	1	
C4271-84	ECJ1XB1C104K	C 0.1UF, Z, 16V	14	
C4286	ECJ1XB0J105K	C 1UF, K, 16V	1	
C4287-89	ECJ1XB1C104K	C 0.1UF, Z, 16V	3	
C4293,94	ECJ1VB1H103K	C 0.001UF, K, 50V	2	
C4295	ECJ1XB0J105K	C 1UF, K, 16V	1	
C4296	EEEB0J330R	C 33PF, J, 6.3V	1	
C4297,98	ECJ1XB1C104K	C 0.1UF, Z, 16V	2	
C4299	EEEB0J220R	C 22PF, J, 6.3V	1	
C4300	ECJ1XB1C104K	C 0.1UF, Z, 16V	1	
C4308	EEVHB0J470R	E 47UF, 6.3V	1	

Ref. No.	Part No.	Part Name & Description	Pcs	Remarks
C4309,10	ECJ1XB1C104K	C 0.1UF, Z, 16V	2	
C4311	ECJ1VB1H103K	C 0.001UF, K, 50V	1	
C4312	ECJ1XB1C104K	C 0.1UF, Z, 16V	1	
C4313	ECJ1VB1H103K	C 0.001UF, K, 50V	1	
C4314	ECJ1XB1C104K	C 0.1UF, Z, 16V	1	
C4315	ECJ1VB1H103K	C 0.001UF, K, 50V	1	
C4316	ECJ1XB1C104K	C 0.1UF, Z, 16V	1	
C4317	ECJ1VB1H103K	C 0.001UF, K, 50V	1	
C4318,19	ECJ1XB1C104K	C 0.1UF, Z, 16V	2	
C4320	EEVHB0G221P	E 220UF, 4V	1	
C4322-24	ECJ1XB1C104K	C 0.1UF, Z, 16V	3	
C4325	ECJ1VB1H103K	C 0.001UF, K, 50V	1	
C4326	ECJ1XB1C104K	C 0.1UF, Z, 16V	1	
C4327	ECJ1VB1H103K	C 0.001UF, K, 50V	1	
C4328	ECJ1XB1C104K	C 0.1UF, Z, 16V	1	
C4329	ECJ1VB1H103K	C 0.001UF, K, 50V	1	
C4330	ECJ1XB1C104K	C 0.1UF, Z, 16V	1	
C4331	ECJ1VB1H103K	C 0.001UF, K, 50V	1	
C4332,33	ECJ1XC1H150J	C 15PF, J, 50V	2	
C4334,35	ECJ1XB1C104K	C 0.1UF, Z, 16V	2	
C4336	ECJ1VB1H103K	C 0.001UF, K, 50V	1	
C4337	ECJ1XB1C104K	C 0.1UF, Z, 16V	1	
C4338	ECJ1VB1H103K	C 0.001UF, K, 50V	1	
C4339	ECJ1XB1C104K	C 0.1UF, Z, 16V	1	
C4340	ECJ1VB1H103K	C 0.001UF, K, 50V	1	
C4341	ECJ1XB1C104K	C 0.1UF, Z, 16V	1	
C4342	ECJ1VB1H103K	C 0.001UF, K, 50V	1	
C4343	ECJ3YB1C475K	C 0.047UF, K, 16V	1	
C4344	EEEB1A101P	C 100PF, J, 10V	1	
C4345	ECJ3YB1C475K	C 0.047UF, K, 16V	1	
C4346	EEEB1A101P	C 100PF, J, 10V	1	
C4347	ECJ1XB1C104K	C 0.1UF, Z, 16V	1	
C4348	ECJ3YB1C475K	C 0.047UF, K, 16V	1	
C4350	ECJ3YB1C475K	C 0.047UF, K, 16V	1	
C4351	EEEB0G221P	C 220PF, J, 4V	1	
C4353	ECJ1VB1E223K	C 0.023UF, K, 25V	1	
C4356	ECJ1VB1E223K	C 0.023UF, K, 25V	1	
C4357	ECJ1XB1C104K	C 0.1UF, Z, 16V	1	
C4360	EEEB0G221P	C 220PF, J, 4V	1	
C4362,63	ECJ1XB1C104K	C 0.1UF, Z, 16V	2	
C4364	ECJ3YB1C475K	C 0.047UF, K, 16V	1	
C4367	EEEB1A101P	C 100PF, J, 10V	1	
C4368,69	ECJ3YB1C475K	C 0.047UF, K, 16V	2	
C4370	ECJ1VB1C105K	C 0.01UF, K, 16V	1	
C4371,72	ECJ1XB0J105K	C 1UF, K, 16V	2	
C4373,74	ECJ1VB1H103K	C 0.001UF, K, 50V	2	
C4375	EEVHB0J470R	E 47UF, 6.3V	1	
C4376-96	ECJ1XB1C104K	C 0.1UF, Z, 16V	21	
C4397	EEVHB0J470R	E 47UF, 6.3V	1	
C4398-10	ECJ1XB1C104K	C 0.1UF, Z, 16V	13	
C4411	EEVHB0J470R	E 47UF, 6.3V	1	
C4412	ECJ1XB1C104K	C 0.1UF, Z, 16V	1	
C4415-20	ECJ1XB1C104K	C 0.1UF, Z, 16V	6	
C4421	EEVHB0J470R	E 47UF, 6.3V	1	
C4422	ECJ1XB1C104K	C 0.1UF, Z, 16V	1	
C4424	ECJ1VB1H103K	C 0.001UF, K, 50V	1	
C4425	ECJ1XB0J105K	C 1UF, K, 16V	1	
C4426-30	ECJ1XB1C104K	C 0.1UF, Z, 16V	5	
C4431	ECJ1VB1C105K	C 0.01UF, K, 16V	1	
C4432-34	ECJ1VB1H103K	C 0.001UF, K, 50V	3	
C4435	ECJ1XB0J105K	C 1UF, K, 16V	1	

Ref. No.	Part No.	Part Name & Description	Pcs	Remarks
C4436-41	ECJ1XB1C104K	C 0.1UF, Z, 16V	6	
C4444	ECJ1VB0J334K	C 0.33UF, K, 6.3V	1	
C4445	ECJ1VB1H682K	C 6800PF, K, 50V	1	
C4447	ECJ1XB0J105K	C 1UF, K, 16V	1	
C4448	ECJ1XB1C104K	C 0.1UF, Z, 16V	1	
C4449	ECJ1VB1H103K	C 0.001UF, K, 50V	1	
C4450	ECJ1XB1C104K	C 0.1UF, Z, 16V	1	
C4453	ECJ1VB1C105K	C 0.01UF, K, 16V	1	
C4456	ECJ1XC1H102J	C 1000PF, J, 50V	1	
C4457,58	ECJ1XB1C104K	C 0.1UF, Z, 16V	2	
C4459	ECJ1XB0J105K	C 1UF, K, 16V	1	
C4460	ECJ1XB1C104K	C 0.1UF, Z, 16V	1	
C4461	ECJ1VB1H103K	C 0.001UF, K, 50V	1	
C4462	ECJ1XB1C104K	C 0.1UF, Z, 16V	1	
C4465	ECJ1XC1H820J	C 82PF, J, 50V	1	
C4468	ECJ1XB1C104K	C 0.1UF, Z, 16V	1	
C4470,71	ECJ1XB1C104K	C 0.1UF, Z, 16V	2	
C4472	EEEB1C470P	C 47PF, J, 16V	1	
C4473	ECJ1XB1C104K	C 0.1UF, Z, 16V	1	
C4474	EEVHB0J220	E 22UF 6.3V	1	
C4476	ECJ1VB1H103K	C 0.001UF, K, 50V	1	
C4478	EEEB1C470P	C 47PF, J, 16V	1	
C4488-91	ECJ1VB1H103K	C 0.001UF, K, 50V	4	
C4503	ECJ1VB1H103K	C 0.001UF, K, 50V	1	
C4504	ECJ1XB1C104K	C 0.1UF, Z, 16V	1	
C4506	ECJ1VB0J474K	C 0.47UF, K, 6.3V	1	
C4507	ECJ1XB0J105K	C 1UF, K, 16V	1	
C4517,18	ECJ1VB1H103K	C 0.001UF, K, 50V	2	
C4519	EEEB1C470P	C 47PF, J, 16V	1	
C4524	EEVHB0J470R	E 47UF, 6.3V	1	
C4525,26	ECJ1XB1C104K	C 0.1UF, Z, 16V	2	
C4527	EEEB1C100R	C 10PF, J, 16V	1	
C4529	EEEB1C470P	C 47PF, J, 16V	1	
C4536	EEEB0J101P	C 100PF, J, 6.3V	1	
C4540	EEEB0G221P	C 220PF, J, 4V	1	
C4547	ECJ1XB1C104K	C 0.1UF, Z, 16V	1	
C4549-75	ECJ1XC1H102J	C 1000PF, J, 50V	27	
C4577-79	ECJ1XB1C104K	C 0.1UF, Z, 16V	3	
C4584	ECJ1XC1H680J	C 68PF, J, 50V	1	
C4588	EEEB1A101P	C 100PF, J, 10V	1	
C4591	ECJ3XB0J106M	C 10UF, M, 6.3V	1	
C4592	ECJ1VB1H103K	C 0.001UF, K, 50V	1	
C4594	ECJ3XB0J106M	C 10UF, M, 6.3V	1	
C4595	ECJ1VB1H103K	C 0.001UF, K, 50V	1	
C4596,97	ECJ1VB1C105K	C 0.01UF, K, 16V	2	
C4598-10	ECJ1XC1H102J	C 1000PF, J, 50V	43	
C4650,51	ECJ1XB0J105K	C 1UF, K, 16V	2	
C4652,53	ECJ1VB1H103K	C 0.001UF, K, 50V	2	
C4654	EEFC0G560R	56UF,	1	
C4661	ECJ1XB1C104K	C 0.1UF, Z, 16V	1	
C4662,63	ECJ1XB0J105K	C 1UF, K, 16V	2	
C4667-69	ECJ1XB0J105K	C 1UF, K, 16V	3	
C4671	ECJ1XC1H101J	C 100PF, J, 50V	1	
C4672	ECJ1XF1C104Z	C 0.1UF, Z, 16V	1	
C4673	ECJ1VB1H682K	C 6800PF, K, 50V	1	
C4675	ECJ1VB1C105K	C 0.01UF, K, 16V	1	
C4678-81	ECJ1XB0J105K	C 1UF, K, 16V	4	
C4683	ECJ1XB0J105K	C 1UF, K, 16V	1	
C4684-89	ECJ1XB1C104K	C 0.1UF, Z, 16V	6	

Ref. No.	Part No.	Part Name & Description	Pcs	Remarks
C4695,96	ECJ1XB0J105K	C 1UF, K, 16V	2	
C4697	ECJ1XC1H101J	C 100PF, J, 50V	1	
C4698	ECJ1XB1C104K	C 0.1UF, Z, 16V	1	
C4699	ECJ1XC1H102J	C 1000PF, J, 50V	1	
C4702	ECJ1XB1C104K	C 0.1UF, Z, 16V	1	
C4703	ECJ1XC1H102J	C 1000PF, J, 50V	1	
C4704	ECJ1XB1C104K	C 0.1UF, Z, 16V	1	
C4705	ECJ1XC1H102J	C 1000PF, J, 50V	1	
C4706	ECJ1XB1C104K	C 0.1UF, Z, 16V	1	
C4707	ECJ1XC1H102J	C 1000PF, J, 50V	1	
C4710	ECJ1XB1C104K	C 0.1UF, Z, 16V	1	
C4711	ECJ1XC1H102J	C 1000PF, J, 50V	1	
C4712	ECJ1XB1C104K	C 0.1UF, Z, 16V	1	
C4713	ECJ1XC1H102J	C 1000PF, J, 50V	1	
C4716	ECJ1XB1C104K	C 0.1UF, Z, 16V	1	
C4717	ECJ1XC1H102J	C 1000PF, J, 50V	1	
C4720	ECJ1XB1C104K	C 0.1UF, Z, 16V	1	
C4721	ECJ1XC1H102J	C 1000PF, J, 50V	1	
C4722	ECJ1XB1C104K	C 0.1UF, Z, 16V	1	
C4723	ECJ1XC1H102J	C 1000PF, J, 50V	1	
C4726	ECJ1XB1C104K	C 0.1UF, Z, 16V	1	
C4727	ECJ1XC1H102J	C 1000PF, J, 50V	1	
C4730	ECJ1XB1C104K	C 0.1UF, Z, 16V	1	
C4731	ECJ1XC1H102J	C 1000PF, J, 50V	1	
C4732	ECJ1XB1C104K	C 0.1UF, Z, 16V	1	
C4733	ECJ1XC1H102J	C 1000PF, J, 50V	1	
C4736	ECJ1XB1C104K	C 0.1UF, Z, 16V	1	
C4737	ECJ1XC1H102J	C 1000PF, J, 50V	1	
C4738	ECJ1XB1C104K	C 0.1UF, Z, 16V	1	
C4739	ECJ1XC1H102J	C 1000PF, J, 50V	1	
C4740	ECJ1XB1C104K	C 0.1UF, Z, 16V	1	
C4741	ECJ1XC1H102J	C 1000PF, J, 50V	1	
C4744	ECJ1XB1C104K	C 0.1UF, Z, 16V	1	
C4745	ECJ1XC1H102J	C 1000PF, J, 50V	1	
C4746	ECJ1XB1C104K	C 0.1UF, Z, 16V	1	
C4747	ECJ1XC1H102J	C 1000PF, J, 50V	1	
C4748	ECJ1XB1C104K	C 0.1UF, Z, 16V	1	
C4749	ECJ1XC1H102J	C 1000PF, J, 50V	1	
C4752	ECJ1XB1C104K	C 0.1UF, Z, 16V	1	
C4753	ECJ1XC1H102J	C 1000PF, J, 50V	1	
C4754	ECJ1XB1C104K	C 0.1UF, Z, 16V	1	
C4755	ECJ1XC1H102J	C 1000PF, J, 50V	1	
C4756	ECJ1XB1C104K	C 0.1UF, Z, 16V	1	
C4757	ECJ1XC1H102J	C 1000PF, J, 50V	1	
C4758	ECJ1XB1C104K	C 0.1UF, Z, 16V	1	
C4759	ECJ1XC1H102J	C 1000PF, J, 50V	1	
C4760	ECJ1XB1C104K	C 0.1UF, Z, 16V	1	
C4761	ECJ1XC1H102J	C 1000PF, J, 50V	1	
C4762	ECJ1XB1C104K	C 0.1UF, Z, 16V	1	
C4763	ECJ1XC1H102J	C 1000PF, J, 50V	1	
C4764	ECJ1XB1C104K	C 0.1UF, Z, 16V	1	
C4765	ECJ1XC1H102J	C 1000PF, J, 50V	1	
C4766	ECJ1XB1C104K	C 0.1UF, Z, 16V	1	
C4767	ECJ1XC1H102J	C 1000PF, J, 50V	1	
C4768	ECJ1XB1C104K	C 0.1UF, Z, 16V	1	
C4769	ECJ1XC1H102J	C 1000PF, J, 50V	1	
C4770	ECJ1XB1C104K	C 0.1UF, Z, 16V	1	
C4771	ECJ1XC1H102J	C 1000PF, J, 50V	1	
C4772	ECJ1XB1C104K	C 0.1UF, Z, 16V	1	
C4773	ECJ1XC1H102J	C 1000PF, J, 50V	1	
C4774	ECJ1XB1C104K	C 0.1UF, Z, 16V	1	
C4775	ECJ1XC1H102J	C 1000PF, J, 50V	1	
C4776	ECJ1XB1C104K	C 0.1UF, Z, 16V	1	
C4777	ECJ1XC1H102J	C 1000PF, J, 50V	1	
C4779	ECJ3XB0J106M	C 10UF, M, 6.3V	1	
C4780	ECJ1XB1C104K	C 0.1UF, Z, 16V	1	
C4781	ECJ1XC1H102J	C 1000PF, J, 50V	1	
C4782,83	ECJ1VB1H103K	C 0.001UF, K, 50V	2	
C4784	ECJ1XC1H102J	C 1000PF, J, 50V	1	
C4785,86	ECJ1VB1H103K	C 0.001UF, K, 50V	2	
C4788	ECJ1VB1H103K	C 0.001UF, K, 50V	1	

Ref. No.	Part No.	Part Name & Description	Pcs	Remarks
C4791	ECJ1XB1C104K	C 0.1UF, Z, 16V	1	
C4792	ECJ1XC1H101J	C 100PF, J, 50V	1	
C4796	ECJ1XB1C104K	C 0.1UF, Z, 16V	1	
C4805	ECJ2FB0J335K	C 3.3UF, K, 16V	1	
C7002,03	ECKDNA331MB7	C 330PF, M,	2	△
C7004,05	ECKDNA101MB	C 100PF	2	△
C7007	ECKD3A472KBP	C 4700PF, K, 1KV	1	
C7008	ECQU2A334BN9	P 0.33UF, M, 250V	1	△
C7009,10	ECQU2A104BN9	P 0.1UF, 250V	2	△
C7011	ECQU2A334BN9	P 0.33UF, M, 250V	1	△
C7012	ECKDNA101MB	C 100PF	1	△
C7100	ECJ2XB1H103K	C 0.01UF, K, 50V	1	
C7101	ECKD3D471KBP	C 470PF, K, 2KV	1	
C7102	ECJ2VC2A101J	E 100UF, 100V	1	PAVCCZ
C7104	ECJ2XB1H102K	C 1000PF, K, 50V	1	
C7105	ECQV1H104JM	P 0.1UF, J, 50V	1	
C7106	ECA1HM010	E 1UF, 50V	1	
C7109,10	ECA2WHG100	E 10UF, 450V	2	
C7111	ECA1HM010	E 1UF, 50V	1	
C7112	EEUFC1V630	E 68UF, 35V	1	PAVCCZ
C7114	F2A1C1020027	E 1000UF, 16V	1	
C7115	ECQV1H104JM	P 0.1UF, J, 50V	1	
C7116	ECA1HG222	E 2200UF, 10V	1	
C7117	F1J1A1050002	C 1UF, Z, 50V	1	
C7118	ECJ2XB1H103K	C 0.01UF, K, 50V	1	
C7202	ECJ2VB1C104K	C 0.1UF, K, 16V	1	
C7203	ECJ2XB1H103K	C 0.01UF, K, 50V	1	
C7204-07	F1J1A1050002	C 1UF, Z, 50V	4	
C7208	ECJ2FB0J225K	C 2.2UF, Z, 16V	1	
C7209	F2A1C101A121	E 100UF, 16V	1	
C7210	ECJ2VB1C224K	C 0.22UF, K, 16V	1	
C7211	ECA1HM330	E 33UF, 50V	1	
C7212	ECJ2XB1H103K	C 0.01UF, K, 50V	1	
C7301	F2A1H471A531	E 470UF, 50V	1	
C7302	ECJ2FB1H104K	C 0.1UF, K, 50V	1	
C7303	F2A1C1020027	E 1000UF, 16V	1	
C7305,06	ECJ2FB1H104K	C 0.1UF, K, 50V	2	
C7307	ECA1VM102	E 1000UF, 35V	1	
C7401	F2A1H471A531	E 470UF, 50V	1	
C7402	ECJ2FB1H104K	C 0.1UF, K, 50V	1	
C7403	F2A1C1030027	E 1000UF, 16V	1	
C7405,06	ECJ2FB1H104K	C 0.1UF, K, 50V	2	
C7407	F2A1C681A117	E 680UF, 16V	1	
C7413	F1J1A1050002	C 1UF, Z, 50V	1	
C7501,02	ECA1HM100	E 10UF, 50V	2	
C7503,04	ECJ2XB1H103K	C 0.01UF, K, 50V	2	
C7505	ECJ2FB0J225K	C 2.2UF, Z, 16V	1	
C7506	ECA1VHG471	E 470UF, 35V	1	
C7601	ECJ2FB1E224K	C 22UF, K, 25V	1	
C7602,03	ECJ2FB1H104K	C 0.1UF, K, 50V	2	
C7605	ECJ2FB1H104K	C 0.1UF, K, 50V	1	
C7609	ECJ2FB1E224K	C 22UF, K, 25V	1	
C7701	ECJ2XB1H103K	C 0.01UF, K, 50V	1	
C7702	ECA1HM221	E 220UF, 50V	1	
C7703	F2A1C1020027	E 1000UF, 16V	1	
C7705	ECJ2XB1H103K	C 0.01UF, K, 50V	1	
C7706	ECJ2FB1H104K	C 0.1UF, K, 50V	1	
C7951	ECA1VHG471	E 470UF, 35V	1	
C7952-56	ECJ2XB1H103K	C 0.01UF, K, 50V	5	
C7958-61	ECJ2XB1H103K	C 0.01UF, K, 50V	4	
C7964,65	ECJ2XB1H103K	C 0.01UF, K, 50V	2	
C7966,67	ECA1EM101	E 100UF, 25V	2	

Ref. No.	Part No.	Part Name & Description	Pcs	Remarks
D1001	MAZ8043M	ZENER DIODE	1	
D1002	B3ACA0000272	DIODE	1	PAVCCZ
D1003	MAZ8043M	ZENER DIODE	1	
D1005	B3AAA0000770	DIODE	1	
D1101	MA8120M	ZENER DIODE	1	
D1104	MA152	DIODE	1	
D1106-11	MA8062MTX	ZENER DIODE	6	
D1113	MA111	DIODE	1	
D2003	MA152	DIODE	1	
D2004	MA157A	DIODE	1	
D2005	MA111	DIODE	1	
D2006	MA152	DIODE	1	
D2104	MA152K	DIODE	1	
D2105-09	MA8140M	ZENER DIODE	5	
D2111	MA8140M	ZENER DIODE	1	
D2113-18	MA8140M	ZENER DIODE	6	
D2119	MA3120M	ZENER DIODE	1	
D2120	MA152K	DIODE	1	
D2124,25	MA8056-M	DIODE	2	
D3015-19	MA8140M	ZENER DIODE	5	
D3020	B0BC3R400001	DIODE	1	
D3021	MA152	DIODE	1	
D3022,23	MA111	DIODE	2	
D3024	MA3100M	ZENER DIODE	1	
D3201	MA152K	DIODE	1	
D3813	MA8140M	ZENER DIODE	1	
D3815	MA8140M	ZENER DIODE	1	
D3825,26	MA8140M	ZENER DIODE	2	
D4001	MA152K	DIODE	1	
D4004,05	B0JCPD0000026	DIODE	2	
D4006,07	B0JDD0000002	DIODE	2	
D4008	MA152K	DIODE	1	
D4009	MA111	DIODE	1	
D7001-03	ERZV10V621T2	VARISTOR	3	△
D7004	B0FBAT0000098	DIODE	1	PAVCCZ △
D7101	ERA22-10	DIODE	1	
D7104	B0JAMG0000025	DIODE	1	PAVCCZ
D7105	MA4150LTA	ZENER DIODE	1	
D7106	MA111	DIODE	1	
D7107	B0EBKT0000007	DIODE	1	△
D7109	TVSSR2KL	DIODE	1	
D7110	RY24	DIODE	1	
D7111	B0BA010000070	DIODE	1	
D7112	ERA22-10	DIODE	1	
D7113	B0JAMG0000003	DIODE	1	
D7114-16	B0JAMG0000025	DIODE	3	PAVCCZ
D7201	MA4075M	ZENER DIODE	1	
D7202	MA4140M	ZENER DIODE	1	
D7203	MA8330M	ZENER DIODE	1	
D7204	MA111	DIODE	1	
D7207	MA729	DIODE	1	
D7208	MA111	DIODE	1	
D7210	MA4075M	ZENER DIODE	1	
D7211	MA111	DIODE	1	
D7301	MA8100MTX	ZENER DIODE	1	
D7302	MA111	DIODE	1	
D7303	MA8220-M	ZENER DIODE	1	
D7304	MA111	DIODE	1	
D7401	MA8056-M	DIODE	1	
D7402	MA111	DIODE	1	
D7403	MA8130M	ZENER DIODE	1	
D7404,05	MA111	DIODE	2	

Ref. No.	Part No.	Part Name & Description	Pcs	Remarks
D7501	MA111	DIODE	1	
D7601,02	B0HCMM0000014	DIODE	2	
D7603,04	MTZJ16C	DIODE	2	
D7605	B0HCMM0000014	DIODE	1	
D7606	MA111	DIODE	1	
D7701	B0JCPG0000005	DIODE	1	
D7702	B0HCMM0000014	DIODE	1	
D7703	MA8100MTX	ZENER DIODE	1	
D7704	MA111	DIODE	1	
DG3	K1MN40B000044	40P CONNECTOR	1	
DG4,G5	K1KB23A000003	23P CONNECTOR	2	
DG6	K1KA08BA00047	8P CONNECTOR	1	
DG7	K1KB30B000032	30P CONNECTOR	1	
DG11	K1KA08AA0150	8P CONNECTOR	1	
DG15	K1KA07AA0266	7P CONNECTOR	1	
F7000-1,-2	K3GE1ZA000010	FUSE HOLDER	2	
FL4005	JOHABC0000008	LC FILTER	1	PAVCCZ
FL4020-22	J0JBD00000043	CHIP INDUCTOR	3	
FL4023-29	ELKE103FA	NOISE FILTER	7	
FL4033	JOHABC0000008	LC FILTER	1	PAVCCZ
G1	K1KA10BA00062	10P CONNECTOR	1	
G4	K1KA30AA00009	30P CONNECTOR	1	
G5	K1KA20AA00009	20P CONNECTOR	1	
G10	K1KA04BA00061	4P CONNECTOR	1	
G11	K1KA05BA00061	5P CONNECTOR	1	
G15	K1KA02A00553	2P CONNECTOR	1	
H1	K1KB23A000003	23P CONNECTOR	1	
H3	K1MN40B000044	40P CONNECTOR	1	
H4	K1KA30AA00009	30P CONNECTOR	1	
H5	K1KA20AA00009	20P CONNECTOR	1	
H12	K1KA09AA0190	9P CONNECTOR	1	
IC1103	C0DBEZG000013	IC	1	
IC1104	C2CBYF0000032	IC	1	PAVCCZ
IC1105	TC4066EZ	MOS IC	1	
IC1106	CXA1875AM	LINEAR IC	1	
IC1107	C3EBHC0000024	IC	1	PAVCCZ
IC1108	C0EBE0000336	IC	1	
IC1109	C0JBBZ000281	IC	1	
IC1110	C0CBCBD000043	IC	1	
IC1114	C3ABPG000133	IC	1	
IC1115	TVRN574-1	IC	1	
IC1117	C0JBAZ0002186	IC	1	
IC2101	C1BB00000931	IC	1	
IC2102	NJM2115M	IC	1	
IC2103	AN77L08M	IC	1	
IC2104	NJM2115M	IC	1	
IC2105	AN15861A-VT	IC	1	
IC2106	C1AB00002135	IC	1	
IC2107	C0DBEZE000006	IC	1	
IC2108	C0EBF00000354	IC	1	
IC2302,03	NJM2904M	LINEAR IC	2	
IC2500-03	C1BB00000998	IC	4	
IC3001,02	C1AB00001486	IC	2	
IC3004	C1AB00001487	IC	1	
IC3005	AN15866A-VT	IC	1	PAVCCZ
IC3006	CXA1315M	LINEAR IC	1	
IC4005	C1AB00002204	IC	1	
IC4008	C0CBCBD000008	IC	1	
IC4010	C0EBE0000336	IC	1	
IC4012	C1AB00001834	IC	1	
IC4014	C0JBAZ0002186	IC	1	

Ref. No.	Part No.	Part Name & Description	Pcs	Remarks
IC4024	C0DBAMH00014	IC	1	
IC4025	C0DBAMH00013	IC	1	
IC4033	C0JBCZ000485	IC	1	
IC4041	C0CBCAC00275	IC	1	
IC4042	C0DBEJG00001	IC	1	
IC4044	C0CBCAC00136	IC	1	
IC4047	C0CBCBD00008	IC	1	
IC4048	C0DBEJG00001	IC	1	
IC4049	C0CBABF00020	IC	1	PAVCCZ
IC4051	C1ZBZ0002790	IC	1	
IC4052	C3EBJC000055	IC	1	
IC4054	C1AB00002234	IC	1	
IC4055	C3ABQJ000040	IC	1	
IC4057	C1AB00002217	IC	1	
IC4063	C0EBC0000208	IC	1	PAVCCZ
IC7101	C5HABZ00165	IC	1	PAVCCZ
IC7103	C0DAAMA00003	IC	1	PAVCCZ
IC7301	C5HAAKG00002	IC	1	
IC7401	C5HAAKG00002	IC	1	
IC7701	C0DAAZH00020	IC	1	
JK2001,02	K2HA204A0038	JACK	2	
JK3002-04	K1FB121A0006	JACK	3	
JK3005	K2HA307A0008	JACK	1	
JK3801	K4BK23B00004	AV TERMINAL	1	
JS1002	ERJ3GEY0R00	M 0 OHM, 1/16W	1	
JS1101	ERJ3GEY0R00	M 0 OHM, 1/16W	1	
JS2105-08	ERJ3GEY0R00	M 0 OHM, 1/16W	4	
JS2109	ERJ6GEY0R00	M 0 OHM, 1/10W	1	
JS2112,13	ERJ3GEY0R00	M 0 OHM, 1/16W	2	
JS2500	ERJ6GEY0R00	M 0 OHM, 1/10W	1	
JS3005	ERJ3GEY0R00	M 0 OHM, 1/16W	1	
JS3007-20	ERJ3GEY0R00	M 0 OHM, 1/16W	14	
JS3022	ERJ3GEY0R00	M 0 OHM, 1/16W	1	
JS3204,05	ERJ3GEY0R00	M 0 OHM, 1/16W	2	
JS3207	ERJ3GEY0R00	M 0 OHM, 1/16W	1	
JS3213	ERJ3GEY0R00	M 0 OHM, 1/16W	1	
JS3216-21	ERJ3GEY0R00	M 0 OHM, 1/16W	6	
JS3404	ERJ3GEY0R00	M 0 OHM, 1/16W	1	
JS3900	ERJ3GEY0R00	M 0 OHM, 1/16W	1	
JS4001,02	ERJ3GEY0R00	M 0 OHM, 1/16W	2	
JS4005-15	ERJ3GEY0R00	M 0 OHM, 1/16W	11	
JS4018,19	ERJ3GEY0R00	M 0 OHM, 1/16W	2	
JS4026-28	ERJ3GEY0R00	M 0 OHM, 1/16W	3	
JS4031	ERJ3GEY0R00	M 0 OHM, 1/16W	1	
JS4035-37	ERJ3GEY0R00	M 0 OHM, 1/16W	3	
JS4039-48	ERJ3GEY0R00	M 0 OHM, 1/16W	10	
JS4060	ERJ3GEY0R00	M 0 OHM, 1/16W	1	
JS4068	ERJ3GEY0R00	M 0 OHM, 1/16W	1	
JS4070-72	ERJ3GEY0R00	M 0 OHM, 1/16W	3	
JS4074-78	ERJ3GEY0R00	M 0 OHM, 1/16W	5	
K6	K1KA02A00626	2P CONNECTOR	1	
L1101-04	J0JHC0000078	CHIP INDUCTOR	4	
L1106	ELJFA8R2KB	CHIP INDUCTOR	1	
L1108	J0JCC0000241	CHIP INDUCTOR	1	
L1109	J0JHC0000078	CHIP INDUCTOR	1	
L1110	J0JCC0000241	CHIP INDUCTOR	1	

Ref. No.	Part No.	Part Name & Description	Pcs	Remarks
L1111,12	J0JHC0000078	CHIP INDUCTOR	2	
L2001,02	J0JCC0000364	CHIP INDUCTOR	2	
L2003-16	EXC3BB221H	BEAD CHOKE	14	
L2104	ELJPA470KB	CHIP INDUCTOR	1	
L2105-07	J0JHC0000078	CHIP INDUCTOR	3	
L2108	J0JCC0000241	CHIP INDUCTOR	1	
L2109,10	TSK1032	BEAD CHOKE	2	
L2111,12	J0JCC0000241	CHIP INDUCTOR	2	
L2113,14	TSK1032	BEAD CHOKE	2	
L2115	J0JCC0000241	CHIP INDUCTOR	1	
L2117	ELJFA6R8KF	CHIP INDUCTOR	1	
L2118	J0JCC0000241	CHIP INDUCTOR	1	
L2120	J0JHC0000078	CHIP INDUCTOR	1	
L2121	J0JCC0000241	CHIP INDUCTOR	1	
L2122	TSK1032	BEAD CHOKE	1	
L2123	G1C330K00017	INDUCTOR COIL	1	
L2178,79	J0JCC0000241	CHIP INDUCTOR	2	
L2182-87	J0JCC0000241	CHIP INDUCTOR	6	
L2500-03	G1C330K00017	INDUCTION COIL	4	
L3001-03	EXC3BB221H	BEAD CHOKE	3	
L3007,08	J0JHC0000078	CHIP INDUCTOR	2	
L3009	ERJ3GEYJ2R2	M 2.2 OHM, J, 1/16W	1	
L3010	J0JHC0000078	CHIP INDUCTOR	1	
L3202,03	J0JCC0000241	CHIP INDUCTOR	2	
L3205,06	J0JCC0000364	CHIP INDUCTOR	2	
L3210	J0JCC0000364	CHIP INDUCTOR	1	
L3211	ELJNC15NKB	CHIP COIL	1	
L3212	EXC3BB221H	BEAD CHOKE	1	
L3213,14	J0JCC0000364	CHIP INDUCTOR	2	
L3304-07	J0JCC0000241	CHIP INDUCTOR	4	
L3811,12	EXC3BB221H	BEAD CHOKE	2	
L3813,14	J0JCC0000364	CHIP INDUCTOR	2	
L4001	J0JHC0000078	CHIP INDUCTOR	1	
L4002	G1C100KA0008	INDUCTOR COIL	1	
L4003,04	J0JHC0000078	CHIP INDUCTOR	2	
L4006,07	J0JHC0000078	CHIP INDUCTOR	2	
L4014,15	J0JHC0000078	CHIP INDUCTOR	2	
L4016	J0JCC0000241	CHIP INDUCTOR	1	
L4020	J0JCC0000241	CHIP INDUCTOR	1	
L4026	J0JCC0000241	CHIP INDUCTOR	1	
L4039	J0JHC0000078	CHIP INDUCTOR	1	
L4041,42	J0JHC0000078	CHIP INDUCTOR	2	
L4043	J0JCC0000241	CHIP INDUCTOR	1	
L4046	J0JHC0000078	CHIP INDUCTOR	1	
L4052	J0JCC0000241	CHIP INDUCTOR	1	
L4054	G1C220MA0077	INDUCTOR COIL	1	
L4055	G1C470MA0078	INDUCTOR COIL	1	
L4056	G1C220M00041	INDUCTOR COIL	1	PAVCCZ
L4057	G1C220MA0077	INDUCTOR COIL	1	
L4058-60	J0JHC0000078	CHIP INDUCTOR	3	
L4062	J0JHC0000078	CHIP INDUCTOR	1	
L4063	J0JCC0000241	CHIP INDUCTOR	1	
L4065,66	J0JCC0000241	CHIP INDUCTOR	2	

Ref. No.	Part No.	Part Name & Description	Pcs	Remarks
L4068-70	J0JCC0000241	CHIP INDUCTOR	3	
L4073	J0JHC0000078	CHIP INDUCTOR	1	
L4075	J0JHC0000078	CHIP INDUCTOR	1	
L4079	J0JCC0000241	CHIP INDUCTOR	1	
L4081,82	J0JCC0000241	CHIP INDUCTOR	2	
L4088	J0JCC0000241	CHIP INDUCTOR	1	
L4090-92	J0JHC0000078	CHIP INDUCTOR	3	
L4095,96	J0JHC0000078	CHIP INDUCTOR	2	
L7001	G0A553G00001	EMI FILTER	1	△
L7106	EXCELSA35	BEAD CHOKE	1	
L7108	TALL08N221KA	INDUCTION COIL	1	
L7201	G0A680GA0002	INDUCTION COIL	1	
L7702	VLQSE02R101K	PEAKING COIL	1	
L7959	TALL08N151KA	INDUCTOR COIL	1	
L7962	TALL08N151KA	INDUCTOR COIL	1	
LF7002,03	G0B103H00002	CHOKE COIL	2	△
LF7004	G0B302H00004	CHOKE COIL	1	△
PC7102	CNC1S171R	IC	1	△
Q1003	2SA207700L	TRANSISTOR	1	
Q1004	2SC584500L	TRANSISTOR	1	
Q1101	2SC584500L	TRANSISTOR	1	
Q1105-07	2SC584500L	TRANSISTOR	3	
Q1109-11	2SC584500L	TRANSISTOR	3	
Q1112	UN5211	TRANSISTOR	1	
Q1113	UN5111	TRANSISTOR	1	
Q1114	UN5211	TRANSISTOR	1	
Q1118	UN5211	TRANSISTOR	1	
Q1119	2SA207700L	TRANSISTOR	1	
Q2001,02	2SD13280TL	TRANSISTOR	2	
Q2003,04	2SD601A	TRANSISTOR	2	
Q2006,07	2SD601A	TRANSISTOR	2	
Q2009,10	2SD601A	TRANSISTOR	2	
Q2011,12	2SA207700L	TRANSISTOR	2	
Q2016	2SD601A	TRANSISTOR	1	
Q2017	2SA207700L	TRANSISTOR	1	
Q2102-05	2SA207700L	TRANSISTOR	4	
Q2106-09	2SD601A	TRANSISTOR	4	
Q2113	2SD601A	TRANSISTOR	1	
Q2114,15	2SD13280TL	TRANSISTOR	2	
Q2116,17	2SA207700L	TRANSISTOR	2	
Q3001-06	2SD601A	TRANSISTOR	6	
Q3008	2SA207700L	TRANSISTOR	1	
Q3009	2SD601A	TRANSISTOR	1	
Q3010,11	2SA207700L	TRANSISTOR	2	
Q3014,15	2SA207700L	TRANSISTOR	2	
Q3016	2SD601A	TRANSISTOR	1	
Q3017	2SA207700L	TRANSISTOR	1	
Q3019-22	2SD601A	TRANSISTOR	4	
Q3202-04	2SA207700L	TRANSISTOR	3	
Q4001	2SA207700L	TRANSISTOR	1	
Q4004	2SA207700L	TRANSISTOR	1	
Q4007,08	2SA207700L	TRANSISTOR	2	

Ref. No.	Part No.	Part Name & Description	Pcs	Remarks
Q4030-32	2SD1030	TRANSISTOR	3	
Q4045,46	2SC584500L	TRANSISTOR	2	
Q4047,48	2SA207700L	TRANSISTOR	2	
Q4049,50	UN5211	TRANSISTOR	2	
Q4052	UN5211	TRANSISTOR	1	
Q4053	UN2215	TRANSISTOR	1	
Q4054	2SC584500L	TRANSISTOR	1	
Q4058	2SC584500L	TRANSISTOR	1	
Q4060-62	2SC584500L	TRANSISTOR	3	
Q4065	2SC584500L	TRANSISTOR	1	
Q4068	2SC584500L	TRANSISTOR	1	
Q4073	2SC584500L	TRANSISTOR	1	
Q4074	XN6501	TRANSISTOR	1	
Q4075	UN5211	TRANSISTOR	1	
Q4076	2SA207700L	TRANSISTOR	1	
Q4077	2SC584500L	TRANSISTOR	1	
Q4080	2SC584500L	TRANSISTOR	1	
Q7101,02	2SD601A	TRANSISTOR	2	
Q7202	2SD602	TRANSISTOR	1	
Q7203,04	2SD601A	TRANSISTOR	2	
Q7205,06	2SB709A	TRANSISTOR	2	
Q7207	2SD601A	TRANSISTOR	1	
Q7208	2SC584500L	TRANSISTOR	1	
Q7210	2SA207700L	TRANSISTOR	1	
Q7211	2SD602	TRANSISTOR	1	
Q7212	2SC584500L	TRANSISTOR	1	
Q7214	2SD601A	TRANSISTOR	1	
Q7301,02	UN2210	TRANSISTOR	2	
Q7401,02	UN2210	TRANSISTOR	2	
Q7501	UN2214	TRANSISTOR	1	
Q7502,03	B1DHH000033	TRANSISTOR	2	
Q7504-06	UN2214	TRANSISTOR	3	
Q7601	2SD602	TRANSISTOR	1	
Q7701	UN2210	TRANSISTOR	1	
Q7702	2SC584500L	TRANSISTOR	1	
R1003	ERJ6GEYJ101	M 100 OHM, J, 1/10W	1	
R1005	ERJ6GEYJ102	M 1K OHM, J, 1/10W	1	
R1009	ERJ6GEYR00	M 0 OHM, 1/10W	1	
R1010	ERJ6GEYJ122	M 1.2K OHM, J, 1/10W	1	
R1011	ERJ6GEYJ183	M 18K OHM, J, 1/10W	1	
R1012	ERJ6GEYJ563	M 56K OHM, J, 1/10W	1	
R1013-15	ERJ6GEYJ103	M 10K OHM, J, 1/10W	3	
R1101-03	ERJ3GEYJ223	M 22K OHM, J, 1/16W	3	
R1105	ERJ3GEYJ103	M 10K OHM, J, 1/16W	1	
R1106	ERJ3GEYJ102	M 1K OHM, J, 1/16W	1	
R1107	ERJ3GEYJ683	M 68K OHM, J, 1/16W	1	
R1110	ERJ3GEYR00	M 0 OHM, 1/16W	1	
R1111	ERJ3GEYJ103	M 10K OHM, J, 1/16W	1	
R1112	ERJ3GEYJ562	M 5.6K OHM, J, 1/16W	1	
R1113	ERJ3GEYR00	M 0 OHM, 1/16W	1	
R1115	ERJ3GEYJ104	M 100K OHM, J, 1/16W	1	
R1116	ERJ3GEYJ683	M 68K OHM, J, 1/16W	1	
R1117	ERJ3GEYJ333	M 33K OHM, J, 1/16W	1	
R1119	ERJ3GEYJ563	M 56K OHM, J, 1/16W	1	
R1120	ERJ3GEYR00	M 0 OHM, 1/16W	1	
R1121	ERJ3GEYJ333	M 33K OHM, J, 1/16W	1	
R1122	ERJ3GEYJ563	M 56K OHM, J, 1/16W	1	
R1123	ERJ3GEYR00	M 0 OHM, 1/16W	1	
R1125	EXB2HV680J	RESISTOR ARRAY	1	
R1127	ERJ3GEYJ102	M 1K OHM, J, 1/16W	1	
R1128	ERJ3GEYJ103	M 10K OHM, J, 1/16W	1	

Ref. No.	Part No.	Part Name & Description	Pcs	Remarks
R1130	KXB38V680J	RESISTOR ARRAY	1	
R1133	ERJ3GEY0R00	M 0 OHM, 1/16W	1	
R1135	ERJ3GEYJ104	M 100KOHM, J, 1/16W	1	
R1137, 38	ERJ3GEYJ472	M 4.7KOHM, J, 1/16W	2	
R1139	ERJ3GEY0R00	M 0 OHM, 1/16W	1	
R1140	ERJ3GEYJ472	M 4.7KOHM, J, 1/16W	1	
R1143	ERJ3GEYJ472	M 4.7KOHM, J, 1/16W	1	
R1144-48	ERJ3GEY0R00	M 0 OHM, 1/16W	5	
R1149	ERJ3GEYJ101	M 100 OHM, J, 1/16W	1	
R1150	ERJ3GEY0R00	M 0 OHM, 1/16W	1	
R1151	ERJ3GEYJ101	M 100 OHM, J, 1/16W	1	
R1153	ERJ3GEYJ103	M 10KOHM, J, 1/16W	1	
R1155	ERJ3GEYJ225	M 2.2MOHM, J, 1/16W	1	
R1159	ERJ3GEYJ472	M 4.7KOHM, J, 1/16W	1	
R1160	ERJ3GEYJ473	M 47KOHM, J, 1/16W	1	
R1161	ERJ3GEYJ223	M 22KOHM, J, 1/16W	1	
R1162	KXB2HV680J	RESISTOR ARRAY	1	
R1164	ERJ3KFP2702V	M27.0KOHM, 1/16W	1	
R1165	ERJ3GEYJ101	M 100 OHM, J, 1/16W	1	
R1166	ERJ3GEY0R00	M 0 OHM, 1/16W	1	
R1168	ERJ3GEYJ473	M 47KOHM, J, 1/16W	1	
R1171	ERJ3GEYJ820	M 82 OHM, J, 1/16W	1	
R1174	ERJ3GEY0R00	M 0 OHM, 1/16W	1	
R1176	ERJ3GEYJ101	M 100 OHM, J, 1/16W	1	
R1177	ERJ3GEYJ391	M 390 OHM, J, 1/16W	1	
R1178	KXB2HV680J	RESISTOR ARRAY	1	
R1179	ERJ3GEYJ101	M 100 OHM, J, 1/16W	1	
R1180	ERJ3GEY0R00	M 0 OHM, 1/16W	1	
R1182	ERJ3GEYJ223	M 22KOHM, J, 1/16W	1	
R1183	ERJ3GEYJ471	M 470 OHM, J, 1/16W	1	
R1184	ERJ3GEYJ103	M 10KOHM, J, 1/16W	1	
R1186	ERJ3GEY0R00	M 0 OHM, 1/16W	1	
R1187	ERJ3GEYJ101	M 100 OHM, J, 1/16W	1	
R1188	D1HG5608A002	NETWORK RESISTOR	1	
R1189	ERJ3GEYJ104	M 100KOHM, J, 1/16W	1	
R1190	ERJ3GEYJ101	M 100 OHM, J, 1/16W	1	
R1191	ERJ3GEYJ104	M 100KOHM, J, 1/16W	1	
R1192	ERJ3GEYJ472	M 4.7KOHM, J, 1/16W	1	
R1194, 95	ERJ3GEY0R00	M 0 OHM, 1/16W	2	
R1197	ERJ3GEYJ224	M 220KOHM, J, 1/16W	1	
R1198	ERJ3GEYJ221	M 220 OHM, J, 1/16W	1	
R1199	ERJ3GEYJ680	M 68 OHM, J, 1/16W	1	
R1200	ERJ3GEYJ101	M 100 OHM, J, 1/16W	1	
R1201	ERJ3GEYJ680	M 68 OHM, J, 1/16W	1	
R1202	ERJ3GEYJ101	M 100 OHM, J, 1/16W	1	
R1203, 04	ERJ3GEYJ680	M 68 OHM, J, 1/16W	2	
R1205	ERJ3GEYJ103	M 10KOHM, J, 1/16W	1	
R1206	ERJ3GEY0R00	M 0 OHM, 1/16W	1	
R1209	ERJ3GEYJ821	M 820 OHM, J, 1/16W	1	
R1210, 11	ERJ3GEYJ101	M 100 OHM, J, 1/16W	2	
R1212	ERJ3GEYJ103	M 10KOHM, J, 1/16W	1	
R1213	ERJ3GEYJ101	M 100 OHM, J, 1/16W	1	
R1214	ERJ3GEYJ471	M 470 OHM, J, 1/16W	1	
R1215	ERJ3GEYJ103	M 10KOHM, J, 1/16W	1	
R1216	ERJ3GEYJ273	M 27KOHM, J, 1/16W	1	
R1217	ERJ3GEYJ332	M 3.3KOHM, J, 1/16W	1	
R1221	ERJ3GEYJ101	M 100 OHM, J, 1/16W	1	
R1222	ERJ3GEYJ222	M 2.2KOHM, J, 1/16W	1	
R1223	ERJ3GEY0R00	M 0 OHM, 1/16W	1	
R1224	ERJ3GEYJ332	M 3.3KOHM, J, 1/16W	1	
R1225	ERJ3GEYJ101	M 100 OHM, J, 1/16W	1	
R1226	ERJ3GEYJ680	M 68 OHM, J, 1/16W	1	
R1228, 29	ERJ3GEYJ680	M 68 OHM, J, 1/16W	2	
R1230	D1HG5608A002	NETWORK RESISTOR	1	
R1231	ERJ3GEY0R00	M 0 OHM, 1/16W	1	
R1234	ERJ3GEYJ101	M 100 OHM, J, 1/16W	1	
R1236	ERJ3GEYJ221	M 220 OHM, J, 1/16W	1	

Ref. No.	Part No.	Part Name & Description	Pcs	Remarks
R1239, 40	ERJ3GEYJ332	M 3.3KOHM, J, 1/16W	2	
R1241	ERJ3GEY0R00	M 0 OHM, 1/16W	1	
R1243	ERJ3GEYJ103	M 10KOHM, J, 1/16W	1	
R1245	ERJ3GEYJ103	M 10KOHM, J, 1/16W	1	
R1246	ERJ3GEYJ101	M 100 OHM, J, 1/16W	1	
R1247-50	ERJ3GEYJ560	M 56 OHM, J, 1/16W	4	
R1253	ERJ3GEYJ103	M 10KOHM, J, 1/16W	1	
R1255, 56	ERJ3GEYJ332	M 3.3KOHM, J, 1/16W	2	
R1257	ERJ3GEY0R00	M 0 OHM, 1/16W	1	
R1258	ERJ3GEYJ560	M 56 OHM, J, 1/16W	1	
R1259, 60	ERJ3GEYJ101	M 100 OHM, J, 1/16W	2	
R1262	ERJ3GEY0R00	M 0 OHM, 1/16W	1	
R1263	ERJ3GEYJ103	M 10KOHM, J, 1/16W	1	
R1264	ERJ3GEYJ560	M 56 OHM, J, 1/16W	1	
R1265	ERJ3GEYJ472	M 4.7KOHM, J, 1/16W	1	
R1267	ERJ3GEYJ102	M 1KOHM, J, 1/16W	1	
R1269	ERJ3GEY0R00	M 0 OHM, 1/16W	1	
R1273	ERJ3GEY0R00	M 0 OHM, 1/16W	1	
R1279	ERJ3GEY0R00	M 0 OHM, 1/16W	1	
R1281	ERJ3GEYJ562	M 5.6KOHM, J, 1/16W	1	
R1282-87	ERJ3GEYJ512	M 5.1KOHM, J, 1/16W	6	
R1296	ERJ3GEYJ562	M 5.6KOHM, J, 1/16W	1	
R1298, 99	ERJ3GEYJ103	M 10KOHM, J, 1/16W	2	
R1303-05	ERJ3GEYJ220	M 22 OHM, J, 1/16W	3	
R1306	ERJ3GEY0R00	M 0 OHM, 1/16W	1	
R1319-22	J0JDC0000054	CHIP INDUCTOR	4	
R1331	ERJ3GEYJ103	M 10KOHM, J, 1/16W	1	
R1332	ERJ3GEYJ223	M 22KOHM, J, 1/16W	1	
R1335	ERJ3GEY0R00	M 0 OHM, 1/16W	1	
R1337, 38	KXB2HV680J	RESISTOR ARRAY	2	
R2001, 02	ERJ3GEYJ184	M 180KOHM, J, 1/16W	2	
R2005	ERJ3GEYJ104	M 100KOHM, J, 1/16W	1	
R2006-11	ERJ3GEYJ223	M 22KOHM, J, 1/16W	6	
R2012	ERJ3GEYJ104	M 100KOHM, J, 1/16W	1	
R2013, 14	ERJ3GEYJ101	M 100 OHM, J, 1/16W	2	
R2015, 16	ERJ3GEYJ331	M 330 OHM, J, 1/16W	2	
R2018, 19	ERJ3GEYJ104	M 100KOHM, J, 1/16W	2	
R2021, 22	ERJ3GEY0R00	M 0 OHM, 1/16W	2	
R2023, 24	ERJ3GEYJ101	M 100 OHM, J, 1/16W	2	
R2025	ERJ3GEYJ222	M 2.2KOHM, J, 1/16W	1	
R2027, 28	ERJ3GEYJ104	M 100KOHM, J, 1/16W	2	
R2030	ERJ3GEY0R00	M 0 OHM, 1/16W	1	
R2031	ERJ3GEYJ101	M 100 OHM, J, 1/16W	1	
R2032	ERJ3GEY0R00	M 0 OHM, 1/16W	1	
R2033	ERJ3GEYJ101	M 100 OHM, J, 1/16W	1	
R2034	ERJ3GEYJ222	M 2.2KOHM, J, 1/16W	1	
R2035, 36	ERJ3GEYJ104	M 100KOHM, J, 1/16W	2	
R2037	ERJ3GEY0R00	M 0 OHM, 1/16W	1	
R2038	ERJ3GEYJ101	M 100 OHM, J, 1/16W	1	
R2039	ERJ3GEY0R00	M 0 OHM, 1/16W	1	
R2040	ERJ3GEYJ101	M 100 OHM, J, 1/16W	1	
R2041	ERJ3GEYJ222	M 2.2KOHM, J, 1/16W	1	
R2050	ERJ3GEYJ331	M 330 OHM, J, 1/16W	1	
R2052	ERJ3GEYJ331	M 330 OHM, J, 1/16W	1	
R2056	ERJ3GEYJ101	M 100 OHM, J, 1/16W	1	
R2057	ERJ3GEYJ105	M 1MOHM, J, 1/16W	1	
R2058	ERJ3GEYJ473	M 47KOHM, J, 1/16W	1	
R2059	ERJ3GEYJ103	M 10KOHM, J, 1/16W	1	

Ref. No.	Part No.	Part Name & Description	Pcs	Remarks
R2060	ERJ3GEYJ101	M 100 OHM, J, 1/16W	1	
R2061	ERJ3GEYJ105	M 1MOHM, J, 1/16W	1	
R2068	ERJ3GEYJ472	M 4.7KOHM, J, 1/16W	1	
R2069	ERJ3GEYJ561	M 560 OHM, J, 1/16W	1	
R2070	ERJ3GEY0R00	M 0 OHM, 1/16W	1	
R2110, 1	ERJ3GEYJ103	M 10KOHM, J, 1/16W	2	
R2112	ERJ3GEYJ333	M 33KOHM, J, 1/16W	1	
R2113	ERJ3GEYJ222	M 2.2KOHM, J, 1/16W	1	
R2115	ERJ3GEYJ333	M 33KOHM, J, 1/16W	1	
R2118, 1	ERJ3GEYJ473	M 47KOHM, J, 1/16W	2	
R2121	ERJ3GEY0R00	M 0 OHM, 1/16W	1	
R2123	ERJ3GEY0R00	M 0 OHM, 1/16W	1	
R2124, 2	ERJ3GEYJ101	M 100 OHM, J, 1/16W	2	
R2126, 2	ERJ3GEYJ472	M 4.7KOHM, J, 1/16W	2	
R2128, 2	ERJ3GEYJ101	M 100 OHM, J, 1/16W	2	
R2130, 3	ERJ3GEYJ103	M 10KOHM, J, 1/16W	2	
R2132	ERJ3GEYJ333	M 33KOHM, J, 1/16W	1	
R2134	ERJ3GEY0R00	M 0 OHM, 1/16W	1	
R2135, 3	ERJ3GEYJ331	M 330 OHM, J, 1/16W	2	
R2137	ERJ3GEYJ333	M 33KOHM, J, 1/16W	1	
R2138	ERJ3GEYJ683	M 68KOHM, J, 1/16W	1	
R2139, 4	ERJ3GEY0R00	M 0 OHM, 1/16W	2	
R2147	ERJ3GEYJ683	M 68KOHM, J, 1/16W	1	
R2148, 4	ERJ3GEYJ273	M 27KOHM, J, 1/16W	2	
R2151	ERJ3GEY0R00	M 0 OHM, 1/16W	1	
R2152	ERJ3GEYJ470	M 47 OHM, J, 1/16W	1	
R2153	ERJ3GEYJ221	M 220 OHM, J, 1/16W	1	
R2154	ERJ3GEYJ470	M 47 OHM, J, 1/16W	1	
R2155, 5	ERJ3GEYJ221	M 220 OHM, J, 1/16W	2	
R2158	ERJ3GEYJ221	M 220 OHM, J, 1/16W	1	
R2160	ERJ3GEYJ221	M 220 OHM, J, 1/16W	1	
R2161	ERJ3GEYJ331	M 330 OHM, J, 1/16W	1	
R2162	ERJ3GEYJ221	M 220 OHM, J, 1/16W	1	
R2163	ERJ3GEYJ331	M 330 OHM, J, 1/16W	1	
R2164	ERJ3GEYJ221	M 220 OHM, J, 1/16W	1	
R2165, 6	ERJ3GEYJ101	M 100 OHM, J, 1/16W	2	
R2167	ERJ3GEYJ221	M 220 OHM, J, 1/16W	1	
R2168, 6	ERJ3GEYJ472	M 4.7KOHM, J, 1/16W	2	
R2170-73	ERJ3GEYJ221	M 220 OHM, J, 1/16W	4	
R2178, 7	ERJ3GEYJ103	M 10KOHM, J, 1/16W	2	
R2180, 8	ERJ3GEYJ561	M 560 OHM, J, 1/16W	2	
R2182, 8	ERJ3GEYJ101	M 100 OHM, J, 1/16W	2	
R2184-87	ERJ3GEYJ221	M 220 OHM, J, 1/16W	4	
R2190	ERJ3GEY0R00	M 0 OHM, 1/16W	1	
R2192, 9	ERJ3GEYJ221	M 220 OHM, J, 1/16W	2	
R2195, 9	ERJ3GEY0R00	M 0 OHM, 1/16W	2	
R2197	ERJ3GEYJ471	M 470 OHM, J, 1/16W	1	
R2198	ERJ3EKF1781	M 1.78KOHM, 1/16W	1	
R2200	ERJ3GEYJ221	M 220 OHM, J, 1/16W	1	
R2201	ERJ3EKF1601	M 1.6KOHM, 1/16W	1	
R2202	ERJ3GEYJ101	M 100 OHM, J, 1/16W	1	
R2204	ERJ6GEYJ561	M 560 OHM, J, 1/10W	1	
R2205	ERJ3GEYJ102	M 1KOHM, J, 1/16W	1	
R2208	ERJ3GEYJ471	M 470 OHM, J, 1/16W	1	
R2209	ERJ3GEYJ332	M 3.3KOHM, J, 1/16W	1	
R2210	ERJ3GEYJ681	M 680 OHM, J, 1/16W	1	
R2211	ERJ3GEYJ561	M 560 OHM, J, 1/16W	1	
R2213	ERJ3GEYJ103	M 10KOHM, J, 1/16W	1	

Ref. No.	Part No.	Part Name & Description	Pcs	Remarks
R2214	ERJ3GEYJ332	M 3.3KOHM, J, 1/16W	1	
R2215	ERJ3GEYJ331	M 330 OHM, J, 1/16W	1	
R2216	ERJ3GEYJ102	M 1KOHM, J, 1/16W	1	
R2217	ERJ3GEYJ472	M 4.7KOHM, J, 1/16W	1	
R2220	ERJ3GEYJ221	M 220 OHM, J, 1/16W	1	
R2221	ERJ3GEY0R00	M 0 OHM, 1/16W	1	
R2225	ERJ3GEYJ221	M 220 OHM, J, 1/16W	1	
R2226, 2	ERJ3GEYJ472	M 4.7KOHM, J, 1/16W	2	
R2228	ERJ3GEY0R00	M 0 OHM, 1/16W	1	
R2229	J0JCC0000241	CHIP INDUCTOR	1	
R2231, 3	ERJ3GEY0R00	M 0 OHM, 1/16W	2	
R2245	ERJ3GEYJ4R7	M 4.7HM, J, 1/16W	1	
R2246	ERJ3GEYJ471	M 470 OHM, J, 1/16W	1	
R2247	ERJ3GEYJ4R7	M 4.7HM, J, 1/16W	1	
R2248	ERJ3GEYJ333	M 33KOHM, J, 1/16W	1	
R2249	ERJ3GEYJ222	M 2.2KOHM, J, 1/16W	1	
R2252	ERJ3GEYJ471	M 470 OHM, J, 1/16W	1	
R2255-58	ERJ3GEY0R00	M 0 OHM, 1/16W	4	
R2301	ERJ3GEYJ333	M 33KOHM, J, 1/16W	1	
R2303, 0	ERJ3GEYJ333	M 33KOHM, J, 1/16W	2	
R2306	ERJ3GEYJ333	M 33KOHM, J, 1/16W	1	
R2319, 2	ERJ3GEYJ.02	M 1KOHM, J, 1/16W	2	
R2321, 2	ERJ3GEYJ433	M 43KOHM, J, 1/16W	2	
R2327, 2	ERJ3GEYJ203	M 20KOHM, J, 1/16W	2	
R2329, 3	ERJ3GEY0R00	M 0 OHM, 1/16W	2	
R2332	ERJ3GEYJ332	M 3.3KOHM, J, 1/16W	1	
R2333	ERJ3GEYJ103	M 10KOHM, J, 1/16W	1	
R2335	ERJ3GEYJ332	M 3.3KOHM, J, 1/16W	1	
R2336	ERJ3GEYJ103	M 10KOHM, J, 1/16W	1	
R2338-41	ERJ3GEYJ222	M 2.2KOHM, J, 1/16W	4	
R2555	ERJ3GEY0R00	M 0 OHM, 1/16W	1	
R2557	ERJ6GEYJ223	M 22KOHM, J, 1/10W	1	
R2558	ERJ6GEYJ103	M 10KOHM, J, 1/10W	1	
R2559	ERJ3GEYJ474	M 470KOHM, J, 1/16W	1	
R2560	ERJ3GEYJ392	M 3.9KOHM, J, 1/16W	1	
R2561	ERJ6GEY0R00	M 0 OHM, 1/10W	1	
R2562	ERJ3GEYJ102	M 1KOHM, J, 1/16W	1	
R2563	ERJ3GEYJ473	M 47KOHM, J, 1/16W	1	
R2564	ERJ3GEYJ222	M 2.2KOHM, J, 1/16W	1	
R2565	ERJ3GEYJ102	M 1KOHM, J, 1/16W	1	
R2566	ERJ3GEYJ101	M 100 OHM, J, 1/16W	1	
R2569	ERJ6GEYJ100	M 10 OHM, J, 1/10W	1	
R2570	ERJ3GEYJ682	M 6.8KOHM, J, 1/16W	1	
R2571	ERJ3GEYJ222	M 2.2KOHM, J, 1/16W	1	
R2572	ERJ3GEYJ474	M 470KOHM, J, 1/16W	1	
R2573	ERJ3GEYJ392	M 3.9KOHM, J, 1/16W	1	
R2574	ERJ6GEY0R00	M 0 OHM, 1/10W	1	
R2575	ERJ3GEYJ102	M 1KOHM, J, 1/16W	1	
R2576	ERJ3GEYJ473	M 47KOHM, J, 1/16W	1	
R2577	ERJ3GEYJ222	M 2.2KOHM, J, 1/16W	1	
R2578	ERJ3GEYJ102	M 1KOHM, J, 1/16W	1	
R2579	ERJ3GEYJ101	M 100 OHM, J, 1/16W	1	
R2582	ERJ6GEYJ100	M 10 OHM, J, 1/10W	1	
R2583	ERJ3GEYJ123	M 12KOHM, J, 1/16W	1	
R2584	ERJ3GEYJ222	M 2.2KOHM, J, 1/16W	1	
R2585	ERJ3GEYJ474	M 470KOHM, J, 1/16W	1	
R2586	ERJ3GEYJ392	M 3.9KOHM, J, 1/16W	1	
R2587	ERJ6GEY0R00	M 0 OHM, 1/10W	1	
R2588	ERJ3GEYJ102	M 1KOHM, J, 1/16W	1	
R2589	ERJ3GEYJ473	M 47KOHM, J, 1/16W	1	
R2590	ERJ3GEYJ222	M 2.2KOHM, J, 1/16W	1	
R2591	ERJ3GEYJ102	M 1KOHM, J, 1/16W	1	
R2592	ERJ3GEYJ101	M 100 OHM, J, 1/16W	1	
R2595	ERJ6GEYJ100	M 10 OHM, J, 1/10W	1	
R2596	ERJ3GEYJ682	M 6.8KOHM, J, 1/16W	1	
R2597	ERJ3GEYJ222	M 2.2KOHM, J, 1/16W	1	

Ref. No.	Part No.	Part Name & Description	Pcs	Remarks
R2598	ERJ3GEYJ474	M 470KOHM,J,1/16W	1	
R2599	ERJ3GEYJ392	M 3.9KOHM,J,1/16W	1	
R2600	ERJ6GEY0R00	M 0 OHM, 1/10W	1	
R2601	ERJ3GEYJ102	M 1KOHM,J,1/16W	1	
R2602	ERJ3GEYJ473	M 47KOHM,J,1/16W	1	
R2603	ERJ3GEYJ222	M 2.2KOHM,J,1/16W	1	
R2604	ERJ3GEYJ102	M 1KOHM,J,1/16W	1	
R2605	ERJ3GEYJ101	M 100 OHM,J,1/16W	1	
R2608	ERJ6GEYJ100	M 10 OHM,J,1/10W	1	
R2609	ERJ3GEYJ123	M 12KOHM,J,1/16W	1	
R2610	ERJ3GEYJ222	M 2.2KOHM,J,1/16W	1	
R2623	ERJ3GEY0R00	M 0 OHM, 1/16W	1	
R2625	ERJ3GEY0R00	M 0 OHM, 1/16W	1	
R2634,35	ERJ3GEY0R00	M 0 OHM, 1/16W	2	
R2643	ERJ3GEY0R00	M 0 OHM, 1/16W	1	
R2647	ERJ3GEY0R00	M 0 OHM, 1/16W	1	
R3001-15	ERJ6ENF75R0	M 75 OHM, 1/10W	15	
R3016,17	ERJ3GEYJ101	M 100 OHM,J,1/16W	2	
R3018,19	ERJ3GEYJ680	M 68 OHM,J,1/16W	2	
R3020-22	ERJ3EKF2202	M 22KOHM, 1/16W	3	
R3023,24	ERJ3EKF1202	M 12KOHM, 1/16W	2	
R3025	ERJ3GEYJ103	M 10KOHM,J,1/16W	1	
R3026	ERJ3GEYJ473	M 47KOHM,J,1/16W	1	
R3027,28	ERJ6ENF68R0	M 68 OHM, 1/10W	2	
R3030	ERJ6GEY0R00	M 0 OHM, 1/10W	1	
R3031	ERJ6ENF68R0	M 68 OHM, 1/10W	1	
R3032,33	ERJ6GEY0R00	M 0 OHM, 1/10W	2	
R3034	ERJ3GEYJ102	M 1KOHM,J,1/16W	1	
R3036,37	ERJ3GEYJ102	M 1KOHM,J,1/16W	2	
R3038-40	ERJ3GEYJ221	M 220 OHM,J,1/16W	3	
R3041,42	ERJ3GEYJ332	M 3.3KOHM,J,1/16W	2	
R3043	ERJ3GEYJ562	M 5.6KOHM,J,1/16W	1	
R3048	ERJ3GEYJ152	M 1.5KOHM,J,1/16W	1	
R3049-51	ERJ3GEYJ103	M 10KOHM,J,1/16W	3	
R3052	ERJ3GEY0R00	M 0 OHM, 1/16W	1	
R3053	ERJ3GEYJ221	M 220 OHM,J,1/16W	1	
R3054,55	ERJ3EKF5600	M 560 OHM, 1/16W	2	
R3056	ERJ3GEYJ103	M 10KOHM,J,1/16W	1	
R3057,58	ERJ3GEY0R00	M 0 OHM, 1/16W	2	
R3059-64	ERJ3GEYJ221	M 220 OHM,J,1/16W	6	
R3065	ERJ3GEYJ682	M 6.8KOHM,J,1/16W	1	
R3066	ERJ3GEY0R00	M 0 OHM, 1/16W	1	
R3067	ERJ3GEYJ103	M 10KOHM,J,1/16W	1	
R3068	ERJ3EKF75R0	M 0.75HM, 1/16W	1	
R3069	ERJ3GEYJ103	M 10KOHM,J,1/16W	1	
R3071	ERJ3GEYJ103	M 10KOHM,J,1/16W	1	
R3072	ERJ3GEYJ221	M 220 OHM,J,1/16W	1	
R3074,75	ERJ3GEYJ221	M 220 OHM,J,1/16W	2	
R3077	ERJ3GEYJ221	M 220 OHM,J,1/16W	1	
R3080	ERJ3GEY0R00	M 0 OHM, 1/16W	1	
R3085,86	ERJ3GEY0R00	M 0 OHM, 1/16W	2	
R3087	ERJ3GEYJ221	M 220 OHM,J,1/16W	1	
R3089,90	ERJ3GEYJ470	M 47 OHM,J,1/16W	2	
R3091	ERJ3GEY0R00	M 0 OHM, 1/16W	1	
R3092	ERJ3GEYJ221	M 220 OHM,J,1/16W	1	
R3093	ERJ3GEY0R00	M 0 OHM, 1/16W	1	
R3094-01	ERJ3GEYJ221	M 220 OHM,J,1/16W	8	
R3102	ERJ3GEY0R00	M 0 OHM, 1/16W	1	

Ref. No.	Part No.	Part Name & Description	Pcs	Remarks
R3106	ERJ3GEY0R00	M 0 OHM, 1/16W	1	
R3115	ERJ3GEYJ101	M 100 OHM,J,1/16W	1	
R3118	ERJ3GEYJ101	M 100 OHM,J,1/16W	1	
R3121	ERJ3EKF1000	M 100 OHM, 1/16W	1	
R3122	ERJ3GEYJ101	M 100 OHM,J,1/16W	1	
R3123	ERJ3EKF82R0	M 82 OHM, 1/16W	1	
R3125	ERJ6GEYJ102	M 1KOHM,J,1/10W	1	
R3126	ERJ3GEYJ101	M 100 OHM,J,1/16W	1	
R3127	ERJ6GEYJ102	M 1KOHM,J,1/10W	1	
R3130,31	ERJ3GEYJ101	M 100 OHM,J,1/16W	2	
R3132,33	ERJ3GEYJ103	M 10KOHM,J,1/16W	2	
R3134	ERJ3GEYJ333	M 33KOHM,J,1/16W	1	
R3136	ERJ3GEYJ333	M 33KOHM,J,1/16W	1	
R3138	ERJ3EKF82R0	M 82 OHM, 1/16W	1	
R3139	ERJ6GEYJ102	M 1KOHM,J,1/10W	1	
R3140	ERJ3EKF1000	M 100 OHM, 1/16W	1	
R3141	ERJ6GEYJ102	M 1KOHM,J,1/10W	1	
R3143	ERJ3GEYJ222	M 2.2KOHM,J,1/16W	1	
R3144	ERJ3GEYJ332	M 3.3KOHM,J,1/16W	1	
R3145	ERJ3GEYJ103	M 10KOHM,J,1/16W	1	
R3146	ERJ3GEYJ331	M 330 OHM,J,1/16W	1	
R3152,53	ERJ3GEYJ470	M 47 OHM,J,1/16W	2	
R3154	ERJ3GEY0R00	M 0 OHM, 1/16W	1	
R3159	ERJ3GEYJ223	M 22KOHM,J,1/16W	1	
R3163	ERJ3EKF1202	M 12KOHM, 1/16W	1	
R3164	ERJ3GEY0R00	M 0 OHM, 1/16W	1	
R3166,67	ERJ3EKF75R0	M 0.75HM, 1/16W	2	
R3175-78	ERJ3GEY0R00	M 0 OHM, 1/16W	4	
R3179	ERJ3GEYJ105	M 1MOHM,J,1/16W	1	
R3201	ERJ6GEY0R00	M 0 OHM, 1/10W	1	
R3202	ERJ3GEYJ221	M 220 OHM,J,1/16W	1	
R3203	ERJ6GEYJ561	M 560 OHM,J,1/10W	1	
R3204,05	ERJ3GEYJ102	M 1KOHM,J,1/16W	2	
R3207	ERJ3GEY0R00	M 0 OHM, 1/16W	1	
R3208	ERJ3GEYJ472	M 4.7KOHM,J,1/16W	1	
R3209,10	ERJ3GEY0R00	M 0 OHM, 1/16W	2	
R3213-21	ERJ3GEY0R00	M 0 OHM, 1/16W	9	
R3224	ERJ3GEYJ105	M 1MOHM,J,1/16W	1	
R3325	ERJ3GEY0R00	M 0 OHM, 1/16W	1	
R3339	ERJ3GEY0R00	M 0 OHM, 1/16W	1	
R3356-58	ERJ3GEY0R00	M 0 OHM, 1/16W	3	
R3903	ERJ6ENF6801	M 6.8KOHM, 1/10W	1	
R3904-07	ERJ6GEYJ184	M 180KOHM,J,1/10W	4	
R3918	ERJ6ENF2202	M 2.2KOHM, 1/10W	1	
R3927	ERJ6ENF6802	M 68KOHM, 1/10W	1	
R3941	ERJ6ENF1202	M 12KOHM, 1/10W	1	
R4011	ERJ3GEY0R00	M 0 OHM, 1/16W	1	
R4016	ERJ3GEYJ101	M 100 OHM,J,1/16W	1	
R4020	ERJ6GEYJ222	M 2.2KOHM,J,1/10W	1	
R4026	ERJ3GEY0R00	M 0 OHM, 1/16W	1	
R4031	ERJ3EKF1500	M 150 OHM, 1/16W	1	
R4036	ERJ6GEYJ102	M 1KOHM,J,1/10W	1	
R4042	ERJ3EKF1600	M 160 OHM, 1/16W	1	
R4044	ERJ3GEY0R00	M 0 OHM, 1/16W	1	
R4054	ERJ3EKF1371	M 13.7 OHM, 1/16W	1	
R4059,60	ERJ3GEY0R00	M 0 OHM, 1/16W	2	
R4061	J0JDC0000054	CHIP INDUCTOR	1	
R4062	ERJ3EKF1691	M 1.69KOHM, 1/16W	1	
R4063	J0JDC0000054	CHIP INDUCTOR	1	
R4064	ERJ3GEYJ220	M 22 OHM,J,1/16W	1	
R4066-68	ERJ3GEYJ220	M 22 OHM,J,1/16W	3	
R4069,70	ERJ3GEY0R00	M 0 OHM, 1/16W	2	
R4071	ERJ3GEYJ220	M 22 OHM,J,1/16W	1	

Ref. No.	Part No.	Part Name & Description	Pcs	Remarks
R4072	J0JDC0000054	CHIP INDUCTOR	1	
R4073	EXB38V220J	RESISTOR ARRAY	1	
R4075	EXB38V220J	RESISTOR ARRAY	1	
R4076	ERJ3GEY0R00	M 0 OHM, 1/16W	1	
R4077	ERJ3GEYJ220	M 22 OHM, J, 1/16W	1	
R4078	ERJ3GEY0R00	M 0 OHM, 1/16W	1	
R4079	EXB38V220J	RESISTOR ARRAY	1	
R4080-83	ERJ3GEY0R00	M 0 OHM, 1/16W	4	
R4084, 85	EXB38V220J	RESISTOR ARRAY	2	
R4086-88	ERJ3GEYJ220	M 22 OHM, J, 1/16W	3	
R4098	ERJ3GEYJ183	M 180OHM, J, 1/16W	1	
R4099	ERJ3GEYJ822	M 8.2KOHM, J, 1/16W	1	
R4109	ERJ3GEYJ330	M 33 OHM, J, 1/16W	1	
R4153	ERJ3GEYJ101	M 100 OHM, J, 1/16W	1	
R4157	ERJ3GEY0R00	M 0 OHM, 1/16W	1	
R4168	ERJ3GEY0R00	M 0 OHM, 1/16W	1	
R4169-71	ERJ3GEYJ151	M 150 OHM, J, 1/16W	3	
R4172-74	ERJ3GEYJ562	M 5.6KOHM, J, 1/16W	3	
R4175	ERJ3GEY0R00	M 0 OHM, 1/16W	1	
R4176, 77	ERJ3EKF1200	M 120 OHM, 1/16W	2	
R4178	ERJ3EKF68R0	M 68 OHM, J, 1/16W	1	
R4179	ERJ3GEYJ220	M 22 OHM, J, 1/16W	1	
R4180	ERJ3GEYJ103	M 10KOHM, J, 1/16W	1	
R4182, 83	ERJ3GEYJ220	M 22 OHM, J, 1/16W	2	
R4185-87	ERJ3EKF68R0	M 68 OHM, J, 1/16W	3	
R4189	ERJ3GEY0R00	M 0 OHM, 1/16W	1	
R4193, 94	ERJ3GEY0R00	M 0 OHM, 1/16W	2	
R4197	ERJ3GEYJ680	M 68 OHM, J, 1/16W	1	
R4198	ERJ3GEY0R00	M 0 OHM, 1/16W	1	
R4199	ERJ3GEYJ680	M 68 OHM, J, 1/16W	1	
R4200	ERJ3GEY0R00	M 0 OHM, 1/16W	1	
R4201	ERJ3GEYJ680	M 68 OHM, J, 1/16W	1	
R4202	ERJ3GEY0R00	M 0 OHM, 1/16W	1	
R4203	ERJ3GEYJ680	M 68 OHM, J, 1/16W	1	
R4204	ERJ3GEY0R00	M 0 OHM, 1/16W	1	
R4209	ERJ3GEY0R00	M 0 OHM, 1/16W	1	
R4215	ERJ3GEY0R00	M 0 OHM, 1/16W	1	
R4222	ERJ3GEYJ680	M 68 OHM, J, 1/16W	1	
R4224	ERJ3GEYJ680	M 68 OHM, J, 1/16W	1	
R4226	ERJ3GEYJ680	M 68 OHM, J, 1/16W	1	
R4228	ERJ3GEYJ680	M 68 OHM, J, 1/16W	1	
R4233	ERJ3GEY0R00	M 0 OHM, 1/16W	1	
R4235	ERJ3GEY0R00	M 0 OHM, 1/16W	1	
R4237	ERJ3GEYJ680	M 68 OHM, J, 1/16W	1	
R4238	ERJ3GEY0R00	M 0 OHM, 1/16W	1	
R4240	ERJ3GEYJ680	M 68 OHM, J, 1/16W	1	
R4241	ERJ3GEY0R00	M 0 OHM, 1/16W	1	
R4242	ERJ3GEYJ680	M 68 OHM, J, 1/16W	1	
R4244	ERJ3GEYJ680	M 68 OHM, J, 1/16W	1	
R4250-53	ERJ3GEYJ680	M 68 OHM, J, 1/16W	4	
R4256	ERJ3EKF68R0	M 68 OHM, J, 1/16W	1	
R4261	ERJ3EKF68R0	M 68 OHM, J, 1/16W	1	
R4262	ERJ3GEYJ510	M 51 OHM, J, 1/16W	1	
R4267	ERJ3EKF1500	M 150 OHM, 1/16W	1	
R4268	ERJ3GEYJ510	M 51 OHM, J, 1/16W	1	
R4270	ERJ3EKF1200	M 120 OHM, 1/16W	1	
R4271	ERJ3GEYJ101	M 100 OHM, J, 1/16W	1	
R4272	ERJ3GEY0R00	M 0 OHM, 1/16W	1	
R4283	ERJ3GEYJ680	M 68 OHM, J, 1/16W	1	
R4350	ERJ3GEYJ680	M 68 OHM, J, 1/16W	1	
R4351-54	ERJ3GEYJ103	M 10KOHM, J, 1/16W	4	
R4355	ERJ3EKF1202	M 12KOHM, 1/16W	1	
R4356	ERJ3EKF1800	M 180 OHM, 1/16W	1	
R4357	ERJ3EKF2001	M 2KOHM, 1/16W	1	

Ref. No.	Part No.	Part Name & Description	Pcs	Remarks
R4358	ERJ3EKF4302	M 43KOHM, 1/16W	1	
R4359, 60	ERJ3GEYJ220	M 22 OHM, J, 1/16W	2	
R4361-65	ERJ3GEY0R00	M 0 OHM, 1/16W	5	
R4366-69	D1HG5608A002	NETWORK RESISTER	4	
R4370, 71	ERJ3EKF1741	M 17.4 OHM, 1/16W	2	
R4372	ERJ3GEYJ820	M 82 OHM, J, 1/16W	1	
R4373	D1HG5608A002	NETWORK RESISTER	1	
R4374-76	ERJ3GEYJ560	M 56 OHM, J, 1/16W	3	
R4377	D1HG5608A002	NETWORK RESISTER	1	
R4381-84	ERJ3GEYJ680	M 68 OHM, J, 1/16W	4	
R4386	EXB2HV680J	RESISTOR ARRAY	1	
R4388	EXB2HV680J	RESISTOR ARRAY	1	
R4390	EXB2HV680J	RESISTOR ARRAY	1	
R4392	EXB2HV680J	RESISTOR ARRAY	1	
R4393	ERJ3GEYJ750	M 75 OHM, J, 1/16W	1	
R4397	ERJ3GEYJ393	M 39KOHM, J, 1/16W	1	
R4398	ERJ3GEYJ101	M 100 OHM, J, 1/16W	1	
R4399-01	ERJ3GEY0R00	M 0 OHM, 1/16W	3	
R4402	EXB38V680J	RESISTOR ARRAY	1	
R4403	ERJ3GEYJ680	M 68 OHM, J, 1/16W	1	
R4405	ERJ3GEYJ680	M 68 OHM, J, 1/16W	1	
R4406, 07	ERJ3GEYJ220	M 22 OHM, J, 1/16W	2	
R4411	EXB2HV680J	RESISTOR ARRAY	1	
R4412	EXB38V680J	RESISTOR ARRAY	1	
R4413, 14	ERJ3EKF3002	M 30KOHM, 1/16W	2	
R4421	ERJ3GEYJ820	M 82 OHM, J, 1/16W	1	
R4422, 23	ERJ3EKF1741	M 17.4 OHM, 1/16W	2	
R4424	ERJ3GEYJ820	M 82 OHM, J, 1/16W	1	
R4425	ERJ3GEYJ560	M 56 OHM, J, 1/16W	1	
R4426-30	ERJ3GEY0R00	M 0 OHM, 1/16W	5	
R4431	ERJ3GEYJ103	M 10KOHM, J, 1/16W	1	
R4432, 33	ERJ3GEYJ680	M 68 OHM, J, 1/16W	2	
R4435	ERJ3GEY0R00	M 0 OHM, 1/16W	1	
R4437	ERJ3GEY0R00	M 0 OHM, 1/16W	1	
R4439	ERJ3GEY0R00	M 0 OHM, 1/16W	1	
R4451	ERJ6GEY0R00	M 0 OHM, 1/10W	1	
R4452-57	ERJ3GEY0R00	M 0 OHM, 1/16W	6	
R4458	ERJ3EKF5602	M 56KOHM, 1/16W	1	
R4459	ERJ3EKF6802	M 68KOHM, 1/16W	1	
R4461, 62	ERJ3GEYJ563	M 56KOHM, J, 1/16W	2	
R4463	ERJ3GEYJ154	M 150KOHM, J, 1/16W	1	
R4465	ERJ3EKF1502	M 15KOHM, 1/16W	1	
R4466	ERJ3GEYJ154	M 150KOHM, J, 1/16W	1	
R4467	ERJ6GEY0R00	M 0 OHM, 1/10W	1	
R4468, 69	ERJ3GEYJ103	M 10KOHM, J, 1/16W	2	
R4470, 71	ERJ6GEY0R00	M 0 OHM, 1/10W	2	
R4472	ERJ3EKF4702	M 47KOHM, 1/16W	1	
R4473	ERJ3EKF3602	M 36KOHM, 1/16W	1	
R4474, 75	ERJ3EKF4702	M 47KOHM, 1/16W	2	
R4476, 77	ERJ3GEYJ104	M 100KOHM, J, 1/16W	2	
R4478, 79	ERJ3GEYJ103	M 10KOHM, J, 1/16W	2	
R4480-82	ERJ3GEY0R00	M 0 OHM, 1/16W	3	
R4484-90	ERJ3GEY0R00	M 0 OHM, 1/16W	7	
R4494	ERJ3GEYJ103	M 10KOHM, J, 1/16W	1	
R4495	ERJ3GEYJ101	M 100 OHM, J, 1/16W	1	
R4497	ERJ3GEYJ472	M 4.7KOHM, J, 1/16W	1	

Ref. No.	Part No.	Part Name & Description	Pcs	Remarks
R4498-00	ERJ3GEYJ220	M 22 OHM,J,1/16W	3	
R4501	ERJ3GEYJ472	M 4.7KOHM,J,1/16W	1	
R4502	ERJ3GEYJ220	M 22 OHM,J,1/16W	1	
R4503-05	ERJ3GEY0R00	M 0 OHM, 1/16W	3	
R4506	ERJ3EKF6200	M 620 OHM, 1/16W	1	
R4507	KXB2HV220JV	RESISTOR ARRAY	1	
R4508	ERJ3EKF2200	M 220 OHM, 1/16W	1	
R4509	ERJ3EKF4701	M 4.7KOHM, 1/16W	1	
R4510	KXB2HV220JV	RESISTOR ARRAY	1	
R4511,12	ERJ3EKF1741	M 17.4 OHM, 1/16W	2	
R4513	ERJ3GEYJ564	M 560KOHM,J,1/16W	1	
R4514	KXB2HV220JV	RESISTOR ARRAY	1	
R4515,16	ERJ3GEYJ220	M 22 OHM,J,1/16W	2	
R4521	ERJ3GEYJ220	M 22 OHM,J,1/16W	1	
R4530	ERJ3GEYJ220	M 22 OHM,J,1/16W	1	
R4548	ERJ3GEY0R00	M 0 OHM, 1/16W	1	
R4549	ERJ3GEYJ103	M 10KOHM,J,1/16W	1	
R4550	ERJ3GEYJ102	M 1KOHM,J,1/16W	1	
R4553	ERJ3GEYJ102	M 1KOHM,J,1/16W	1	
R4554	ERJ3EKF1801	M 1.8KOHM, 1/16W	1	
R4556	ERJ3EKF1001	M 1KOHM, 1/16W	1	
R4557	ERJ3EKF5601	M 5.6KOHM, 1/16W	1	
R4559-61	ERJ3GEY0R00	M 0 OHM, 1/16W	3	
R4567	ERJ3GEY0R00	M 0 OHM, 1/16W	1	
R4568	ERJ3GEYJ333	M 33KOHM,J,1/16W	1	
R4569	ERJ3GEYJ563	M 56KOHM,J,1/16W	1	
R4575	ERJ3GEY0R00	M 0 OHM, 1/16W	1	
R4584	J0JDC0000054	CHIP INDUCTOR	1	
R4586	ERJ3GEYJ103	M 10KOHM,J,1/16W	1	
R4589	ERJ3EKF4220	M 422 OHM, 1/10W	1	
R4590	ERJ3EKF5600	M 560 OHM, 1/16W	1	
R4591	ERJ6GEYJ102	M 1KOHM,J,1/10W	1	
R4592	ERJ3GEY0R00	M 0 OHM, 1/16W	1	
R4593,94	ERJ6GEYJ102	M 1KOHM,J,1/10W	2	
R4595,96	ERJ3EKF1581	M 1.58KOHM, 1/10W	2	
R4597-00	ERJ6GEYJ102	M 1KOHM,J,1/10W	4	
R4604	ERJ3EKF4220	M 422 OHM, 1/10W	1	
R4606	ERJ3EKF1500	M 150 OHM, 1/16W	1	
R4607,08	ERJ3EKF3001	M 3KOHM, 1/16W	2	
R4609	ERJ3EKF2201	M 2.2KOHM, 1/16W	1	
R4610	ERJ3EKF5600	M 560 OHM, 1/16W	1	
R4611	ERJ3EKF2201	M 2.2KOHM, 1/16W	1	
R4612	ERJ3EKF5760	M 576 OHM, 1/16W	1	
R4613,14	ERJ3GEY0R00	M 0 OHM, 1/16W	2	
R4615	ERJ3EKF5760	M 576 OHM, 1/16W	1	
R4616,17	ERJ3GEY0R00	M 0 OHM, 1/16W	2	
R4626	ERJ3GEYJ471	M 470 OHM,J,1/16W	1	
R4627	ERJ3GEY0R00	M 0 OHM, 1/16W	1	
R4628	ERJ6GEY0R00	M 0 OHM, 1/10W	1	
R4631	ERJ3GEY0R00	M 0 OHM, 1/16W	1	
R4633	ERJ3GEY0R00	M 0 OHM, 1/16W	1	
R4634	ERJ3GEYJ822	M 8.2KOHM,J,1/16W	1	
R4635	ERJ3GEYJ183	M 18KOHM,J,1/16W	1	
R4636	ERJ6GEY0R00	M 0 OHM, 1/10W	1	
R4638	ERJ3GEY0R00	M 0 OHM, 1/16W	1	
R4641	ERJ3GEY0R00	M 0 OHM, 1/16W	1	
R4643	ERJ3GEYJ101	M 100 OHM,J,1/16W	1	
R4644	ERJ3GEYJ330	M 33 OHM,J,1/16W	1	
R4645	ERJ3GEYJ471	M 470 OHM,J,1/16W	1	
R4647	ERJ3GEY0R00	M 0 OHM, 1/16W	1	
R4648	ERJ3GEYJ330	M 33 OHM,J,1/16W	1	
R4649	ERJ3GEYJ101	M 100 OHM,J,1/16W	1	
R4651	ERJ6GEY0R00	M 0 OHM, 1/10W	1	

Ref. No.	Part No.	Part Name & Description	Pcs	Remarks
R4653,54	ERJ3GEY0R00	M 0 OHM, 1/16W	2	
R4658	ERJ3GEYJ183	M 18KOHM,J,1/16W	1	
R4659	ERJ3GEYJ471	M 470 OHM,J,1/16W	1	
R4660	ERJ3GEYJ822	M 8.2KOHM,J,1/16W	1	
R4662	ERJ3GEYJ101	M 100 OHM,J,1/16W	1	
R4664-67	J0JDC0000054	CHIP INDUCTOR	4	
R4669,70	J0JDC0000054	CHIP INDUCTOR	2	
R4685	ERJ3EKF1001	M 1KOHM, 1/16W	1	
R4686	ERJ3EKF9100	M 910 OHM, 1/16W	1	
R4687	ERJ3GEYJ221	M 220 OHM,J,1/16W	1	
R4688	ERJ3GEYJ102	M 1KOHM,J,1/16W	1	
R4689	ERJ3GEY0R00	M 0 OHM, 1/16W	1	
R4690	ERJ3EKF2201	M 2.2KOHM, 1/16W	1	
R4691,92	ERJ3GEY0R00	M 0 OHM, 1/16W	2	
R4693,94	ERJ3EKF1741	M 17.4 OHM, 1/16W	2	
R4697	ERJ3GEYJ101	M 100 OHM,J,1/16W	1	
R4698	ERJ3GEYJ472	M 4.7KOHM,J,1/16W	1	
R4699	ERJ3GEYJ103	M 10KOHM,J,1/16W	1	
R4700,01	ERJ3GEYJ222	M 2.2KOHM,J,1/16W	3	
R4702	ERJ3GEY0R00	M 0 OHM, 1/16W	1	
R4703	ERJ3EKF8200	M 820 OHM, 1/16W	1	
R4704	ERJ3GEYJ223	M 22KOHM,J,1/16W	1	
R4706	ERJ3GEYJ223	M 22KOHM,J,1/16W	1	
R4709,10	ERJ3GEY0R00	M 0 OHM, 1/16W	2	
R4711	ERJ3GEYJ472	M 4.7KOHM,J,1/16W	1	
R4712	ERJ3GEYJ330	M 33 OHM,J,1/16W	1	
R4713,14	ERJ3GEYJ680	M 68 OHM,J,1/16W	2	
R4715	ERJ3EKF6802	M 68KOHM, 1/16W	1	
R4722,23	ERJ3GEYJ102	M 1KOHM,J,1/16W	2	
R4724	ERJ3GEYJ103	M 10KOHM,J,1/16W	1	
R4732,33	ERJ3GEY0R00	M 0 OHM, 1/16W	2	
R4736	ERJ3GEYJ103	M 10KOHM,J,1/16W	1	
R4737	ERJ3GEY0R00	M 0 OHM, 1/16W	1	
R4740	ERJ3GEY0R00	M 0 OHM, 1/16W	1	
R4742-45	ERJ3GEY0R00	M 0 OHM, 1/16W	4	
R4746,47	ERJ3EKF3002	M 30KOHM, 1/16W	2	
R4748	ERJ3GEYJ560	M 56 OHM,J,1/16W	1	
R4749	ERJ3GEYJ473	M 47KOHM,J,1/16W	1	
R4750	ERJ3GEYJ103	M 10KOHM,J,1/16W	1	
R4751	ERJ3GEYJ473	M 47KOHM,J,1/16W	1	
R4752	ERJ3GEYJ101	M 100 OHM,J,1/16W	1	
R4753,54	ERJ3GEY0R00	M 0 OHM, 1/16W	2	
R4757-59	ERJ3GEYJ151	M 150 OHM,J,1/16W	3	
R4760	ERJ3GEY0R00	M 0 OHM, 1/16W	1	
R4764	ERJ3GEYJ101	M 100 OHM,J,1/16W	1	
R4765	ERJ3GEYJ103	M 10KOHM,J,1/16W	1	
R4768	ERJ3GEY0R00	M 0 OHM, 1/16W	1	
R4769,70	ERJ3GEYJ220	M 22 OHM,J,1/16W	2	
R4772,73	ERJ3GEY0R00	M 0 OHM, 1/16W	2	
R4778	KXB38V560J	RESISTOR ARRAY	1	
R4779	ERJ3GEYJ820	M 82 OHM,J,1/16W	1	
R4781	ERJ3GEY0R00	M 0 OHM, 1/16W	1	
R4788,89	D1HG1038A002	NETWORK RESISTER	2	
R4790-92	ERJ3GEYJ103	M 10KOHM,J,1/16W	3	
R4795-98	ERJ3GEYJ103	M 10KOHM,J,1/16W	4	
R4800-02	ERJ3GEY0R00	M 0 OHM, 1/16W	3	

Ref. No.	Part No.	Part Name & Description	Pcs	Remarks
R4806,07	ERJ3GEY0R00	M 0 OHM, 1/16W	2	
R4809-11	ERJ3GEYJ473	M 47KOHM, J, 1/16W	3	
R4812	ERJ3GEYJ222	M 2.2KOHM, J, 1/16W	1	
R4813-20	ERJ3GEY0R00	M 0 OHM, 1/16W	8	
R7001	ERC12ZGK105	S 1MOHM, K, 1/2W	1	△
R7002	ERG1SJ470P	M 47 OHM, J, 1W	1	
R7003	ERD75TAJ825	C 8.2MOHM, J, 3/4W	1	△
R7004	ERF5ZK4R7	W 4.7 OHM, K, 5W	1	
R7005	ERC12ZGK105	S 1MOHM, K, 1/2W	1	△
R7102	ERX18JR27P	M0.27 OHM, J, 1W	1	
R7103	ERDS2TJ103	C 10KOHM, J, 1/4W	1	
R7104	ERDS2TJ822	C 8.2KOHM, J, 1/4W	1	
R7106	ERJ6GEYJ473	M 47KOHM, J, 1/10W	1	
R7108	ERJ6GEYJ473	M 47KOHM, J, 1/10W	1	
R7109	ERJ6GEYJ223	M 22KOHM, J, 1/10W	1	
R7110	ERJ6GEYJ103	M 10KOHM, J, 1/10W	1	
R7111	ERJ6GEYJ473	M 47KOHM, J, 1/10W	1	
R7112	ERJ6GEYJ102	M 1KOHM, J, 1/10W	1	
R7113	ERJ6GEYJ223	M 22KOHM, J, 1/10W	1	
R7114	ERF2AJ100	W 10 OHM, J, 2W	1	
R7115	ERJ6GEYJ100	M 10 OHM, J, 1/10W	1	
R7119	ERDS2TJ563	C 56KOHM, J, 1/4W	1	
R7121	ERDS2TJ431	C 430 OHM, J, 1/4W	1	
R7123	ERDS2TJ222	C 2.2KOHM, J, 1/4W	1	
R7124	ERDS2TJ103	C 10KOHM, J, 1/4W	1	
R7125	ER0S2CKF1052	M10.5KOHM, F, 1/4W	1	
R7126	ER0S2CKF1002	M 10KOHM, F, 1/4W	1	
R7127-29	ERJ6GEYJ102	M 1KOHM, J, 1/10W	3	
R7204	ERJ6GEYJ103	M 10KOHM, J, 1/10W	1	
R7205,06	ERJ6GEYJ102	M 1KOHM, J, 1/10W	2	
R7207	ERJ6GEYJ473	M 47KOHM, J, 1/10W	1	
R7208	ERJ6GEYJ472	M 4.7KOHM, J, 1/10W	1	
R7209	ERJ6GEYJ103	M 10KOHM, J, 1/10W	1	
R7210,11	ERJ6GEYJ473	M 47KOHM, J, 1/10W	2	
R7212	ERJ6GEYJ103	M 10KOHM, J, 1/10W	1	
R7213-16	ERJ6GEYJ472	M 4.7KOHM, J, 1/10W	4	
R7217	ERDS2TJ102	C 1KOHM, J, 1/4W	1	
R7218	ERJ6GEY0R00	M 0 OHM, 1/10W	1	
R7219	ERJ6GEYJ103	M 10KOHM, J, 1/10W	1	
R7220	ERJ6GEYJ223	M 22KOHM, J, 1/10W	1	
R7221	ERJ14YJ222	M 22KOHM, J, 1/4W	1	
R7223	ERJ6GEYJ222	M 2.2KOHM, J, 1/10W	1	
R7224	ERJ6GEYJ152	M 1.5KOHM, J, 1/10W	1	
R7225	ERJ14YJ222	M 22KOHM, J, 1/4W	1	
R7226	ERG2FJ560H	M 56 OHM, J, 2W	1	PAVCCZ
R7227	ERJ6GEYJ223	M 22KOHM, J, 1/10W	1	
R7228,29	ERJ6GEYJ473	M 47KOHM, J, 1/10W	2	
R7232	ERJ14YJ332	M 33KOHM, J, 1/4W	1	
R7234	ERJ6GEY0R00	M 0 OHM, 1/10W	1	
R7236	ERJ14YJ332	M 33KOHM, J, 1/4W	1	
R7237,38	ERJ6GEYJ223	M 22KOHM, J, 1/10W	2	
R7241	ERJ6GEYJ472	M 4.7KOHM, J, 1/10W	1	
R7242	ERJ6GEYJ473	M 47KOHM, J, 1/10W	1	
R7243	ERJ6ENF1002	M 10KOHM, 1/10W	1	
R7247	ERJ6ENF2702	M 27KOHM, 1/10W	1	
R7250	ERJ6GEYJ472	M 4.7KOHM, J, 1/10W	1	
R7300	K5G4023A0003	FUSE	1	
R7301	ERJ6ENF2051	M2.05KOHM, 1/10W	1	
R7302	ERJ6GEYJ104	M 100KOHM, J, 1/10W	1	
R7303	ERJ6GEYJ102	M 1KOHM, J, 1/10W	1	
R7304	ERJ6GEYJ104	M 100KOHM, J, 1/10W	1	
R7305	ERJ6GEYJ102	M 1KOHM, J, 1/10W	1	
R7400	K5G4023A0003	FUSE	1	
R7402	ERJ6GEYJ104	M 100KOHM, J, 1/10W	1	
R7403	ERJ6GEYJ102	M 1KOHM, J, 1/10W	1	
R7404	ERJ6GEYJ104	M 100KOHM, J, 1/10W	1	

Ref. No.	Part No.	Part Name & Description	Pcs	Remarks
R7405	ERJ6GEYJ102	M 1KOHM, J, 1/10W	1	
R7406	ERJ6ENF3401	M 3.4KOHM, 1/10W	1	
R7407	ERJ6GEYJ473	M 47KOHM, J, 1/10W	1	
R7501,02	ERJ6GEYJ223	M 22KOHM, J, 1/10W	2	
R7503	ERJ6GEYJ222	M 2.2KOHM, J, 1/10W	1	
R7504	ERJ6GEYJ223	M 22KOHM, J, 1/10W	1	
R7505	ERJ6GEYJ102	M 1KOHM, J, 1/10W	1	
R7506	ERJ6GEYJ222	M 2.2KOHM, J, 1/10W	1	
R7507	ERJ6GEYJ472	M 4.7KOHM, J, 1/10W	1	
R7508	ERJ6GEYJ102	M 1KOHM, J, 1/10W	1	
R7509	ERJ6GEY0R00	M 0 OHM, 1/10W	1	
R7510	ERJ6GEYJ472	M 4.7KOHM, J, 1/10W	1	
R7513,14	ERJ6GEYJ472	M 4.7KOHM, J, 1/10W	2	
R7602	ERG18J330P	M 33 OHM, J, 1W	1	
R7603	ERJ6GEYJ104	M 100KOHM, J, 1/10W	1	
R7702	ERJ6ENF1001	M 1KOHM, 1/10W	1	
R7703	ERJ6ENF3241	M3.24KOHM, 1/10W	1	
R7704	ERJ6GEYJ102	M 1KOHM, J, 1/10W	1	
R7705	ERJ12YJ471	M 470OHM, J, 1/2W	1	
R7707	ERDS2TJ103	C 10KOHM, J, 1/4W	1	
R7708	ERJ6GEYJ223	M 22KOHM, J, 1/10W	1	
R7709	ERDS2TJ472	C 4.7KOHM, J, 1/4W	1	
R7710	ERDS2TJ103	C 10KOHM, J, 1/4W	1	
R7711	ERDS2TJ472	C 4.7KOHM, J, 1/4W	1	
R7953	ERJ6GEY0R00	M 0 OHM, 1/10W	1	
R7955	ERJ6GEY0R00	M 0 OHM, 1/10W	1	
R7960	K5G2523A0003	FUSE	1	
RL7001,02	K6B1ADA00010	RELAY	2	△
RML001	PNA4701M05TV	REMOCO RECEIVER	1	
RTL	ETXMM565EBB	POWER UNIT	1	PAVCCZ △
RTL	TNPA3487AD	CIRCUIT BOARD AP	1	PAVCCZ △
RTL	TNPA3489AA	CIRCUIT BOARD G	1	PAVCCZ △
RTL	TNPA3490AB	CIRCUIT BOARD V	1	PAVCCZ △
RTL	TNPA3492AA	CIRCUIT BOARD K	1	PAVCCZ △
RTL	TXN/H10LTM	CIRCUIT BOARD H	1	PAVCCZ △
RTL	TXNDG10LTM	CIRCUIT BOARD DG	1	TX-32LX50F PAVCCZ △
RTL	TXNDG10LJM	CIRCUIT BOARD DG	1	TX-32LX50P PAVCCZ △
RTL	TXNDG10LWM	CIRCUIT BOARD DG	1	TX-26LX50F PAVCCZ △
RTL	TXNDG10LXM	CIRCUIT BOARD DG	1	TX-26LX50P PAVCCZ △
SN1001	B3L000000020	ZC	1	
SW001	H8B92811B	SWITCH	1	△
SW3802-06	EVQPB105K	SWITCH	5	
T7101	ETS25AD1N6AG	SWITCHING TRANS	1	PAVCCZ △
TU3201	ENG37A12GF	TUNER	1	PAVCCZ △
V1	K1KA10BA0062	10P CONNECTOR	1	
X1101	H0J600400006	CRYSTAL	1	
X2101	H0J184500027	CRYSTAL	1	PAVCCZ
X2102	EFCS6504BF	CERAMIC FILTER	1	
X2103	EFCS7004BF	CERAMIC FILTER	1	
X4002	H0J270500087	CRYSTAL	1	
ZA2101-03	TESA169	SHIELD CLIP	3	
ZA2105,06	TESA169	SHIELD CLIP	2	
ZA2108,09	TESA169	SHIELD CLIP	2	

Ref. No.	Part No.	Part Name & Description	Pcs	Remarks
ZA3201-03	K9ZZ00000424	CONNECTOR	3	
ZA4005-16	TESA169	SHIELD CLIP	12	
ZA4018-20	TESA169	SHIELD CLIP	3	
ZA7002-05	K9ZZ00000424	CONNECTOR	4	

duport

