

Service Manual

Colour LCD Television



TX-32LXD80F
TX-32LXD80

GLP23 Chassis

Specifications

Power Source:	220-240V AC, 50Hz		
Power Consumption	130W		
Stand-by Power Consumption:	1W (Without monitor out recording) 17W (With monitor out recording)		
Aerial Impedance:	75Ω unbalanced, Coaxial Type		
Receiving System:	LXD80 PAL-I PAL-525/60 (AV only) DVB (via UHF aerial input) M.NTSC (AV only) NTSC (AV only)	LXD80F PAL-I/H, B/G, D/K SECAM B/G, D/K, L/L' PAL-525/60 (AV only) DVB (via VHF/UHF aerial input) M.NTSC (AV only) NTSC (AV only)	
Receiving Channels:	LXD80 UHF E21-E68	LXD80F VHF E2-E12 VHF A-H (ITALY) VHF R3-R5 UHF E21-E69 CATV S1-S10 (M1-M10) CATV S21-S41 (Hyperband)	VHF H1-H2 (ITALY) VHF R1-R2 VHF R6-R12 CATV (S01-S05) CATV S11-S20 (U1-U10)
Operating Conditions:	Temperature: 0°C ÷ 35°C Humidity: 20% ÷ 80% RH (non condensing)		
Scanning format:	480i(60Hz), 480p(60Hz), 576i(50Hz), 576p(50Hz), 720p(60Hz), 720p(50Hz), 1.080i(60Hz), 1.080i(50Hz), 1.080p(60Hz), 1.080p(50Hz), 1.080p(24Hz)		
PC signals:	VGA, SVGA, XGA, SXGA(compressed) Horizontal scanning frequency 31 – 69 kHz Vertical scanning frequency 59 – 86 Hz		

Intermediate Frequency:		
Video/Audio	LXD80	LXD80
Video	38,9MHz	38,9MHz, 33,9MHz
Audio	32.90MHz 32.35MHz(NICAM)	33,4MHz (B/G), 33,16MHz (A2) 33,05MHz (NICAM B/G, D/K, L') 32,4MHz (D/K), 32,66MHz (CZ STEREO) 40,4MHz (L'), 39,75MHz (L' NICAM)
Colour	34,47MHz	34,47MHz (PAL) 34,5MHz, 34,65MHz (SECAM) 38,3MHz, 38,15MHz (SECAM L')

Terminals:

AV1 IN	Video (21 pin) 1V p-p 75Ω Audio (21 pin) 500mV rms 10kΩ RGB (21 pin) 0,7V p-p 75Ω
AV1 OUT	Video (21 pin) 1V p-p 75Ω Audio (21 pin) 500mV rms 1kΩ
AV2 IN	Video (21 pin) 1V p-p 75Ω Audio (21 pin) 500mV rms 10kΩ RGB (21 pin) 0,7V p-p 75Ω S-video IN (21-pin)Y: 1V p-p 75Ω C:0,3V p-p 75Ω
AV2 OUT	Video (21 pin) 1V p-p 75Ω Audio (21 pin) 500mV rms 1kΩ
AV3 IN	S-Video IN (4-pin)Y: 1V p-p 75Ω C:0,286V p-p 75Ω Audio (RCAX2) 500mV rms 10kΩ Video (RCAX1) 1V p-p 75Ω
HDMI1, HDMI2, HDMI3 COMPONENT	Type A Connector Video (RCAX3) Y:1V p-p 75Ω (including synchronization) Pb, Pr: ±0,35V p-p 75Ω
AUDIO IN	Audio (RCAX2) 500mV rms 10kΩ (for YUV; HDMI1)
AUDIO OUT CARD SLOT PC	Audio (RCAX2) 500mV rms 1kΩ (high Impedance) SD CARD slot ×1 HIGH-DENSITY D_SUB 15PIN R,G,B: 700mV p-p 75Ω HD,VD:TTL Level 2-5V p-p (high impedance)

LCD screen: L5EDD8Q00042
1366 x 768 XGA, 16:9
Visible Diagonal 800mm

Audio Output: 20W (2x10W)

Headphones: 3,5mm (M3), 8Ω Impedance

Accessories supplied : Remote Control 2 x R6 (UM3) Batteries

Dimensions:

	Height:	Width:	Depth:
Including TV stand	573mm	820mm	250mm
TV set only	535mm	820mm	110mm

Net weight:

Including TV stand	17.0kg
TV set only	14.0kg

Specifications are subject to change without notice.
Weights and dimensions shown are approximate.

 **Warning**

This service information is designed for experienced repair technicians only and is not designed for use by the general public. It does not contain warnings or cautions to advise non-technical individuals of potential dangers in attempting to service a product. Products powered by electricity should be serviced or repaired only by experienced professional technicians. Any attempt to service or repair the product or products deal within this service information by anyone else could result in serious injury or death.

CONTENTS

SAFETY PRECAUTIONS	4
GENERAL GUIDE LINES.....	4
TOUCH – CURRENT CHECK.....	4
PREVENTION OF ELECTROSTATIC DISCHARGE (ESD)	
TO ELECTROSTATICALLY SENSITIVE (ES) DEVICES	5
ABOUT LEAD FREE SOLDER (PBF).....	6
SUGGESTED PB FREE SOLDER.....	6
APPLICABLE SIGNALS.....	7
SERVICE HINTS	8
CHASSIS BOARD LAYOUT	9
LOCATION OF LEAD WIRING.....	9
SETTING INSPECTION.....	10
SELF-CHECK	11
POWER LED BLINKING TIMING CHART	12
SERVICE MODE FUNCTION.....	13
SERVICE	14
OPTION DESCRIPTION.....	15
ADJUSTMENT METHOD	16
WIRING DIAGRAM	17
BLOCK DIAGRAMS.....	18
PARTS LOCATION.....	21
REPLACEMENT PARTS LIST.....	23
SCHEMATIC DIAGRAMS.....	38
A-BOARD (1 OF 16) SCHEMATIC DIAGRAM.....	39
G-BOARD SCHEMATIC DIAGRAM	55
K-BOARD SCHEMATIC DIAGRAM	56
V-BOARD SCHEMATIC DIAGRAM	57
CONDUCTOR VIEWS	58

Safety Precautions

General Guide Lines

1. When servicing, observe the original lead dress. If a short circuit is found, replace all parts which have been overheated or damaged by the short circuit.
2. After servicing, see to it that all the protective devices such as insulation barriers, insulation papers shields are properly installed.
3. After servicing, make the following touch current checks to prevent the customer from being exposed to shock hazards.
4. Always ensure panel TKP0E16001 is correctly replaced before returning to customer (see Fig.1).

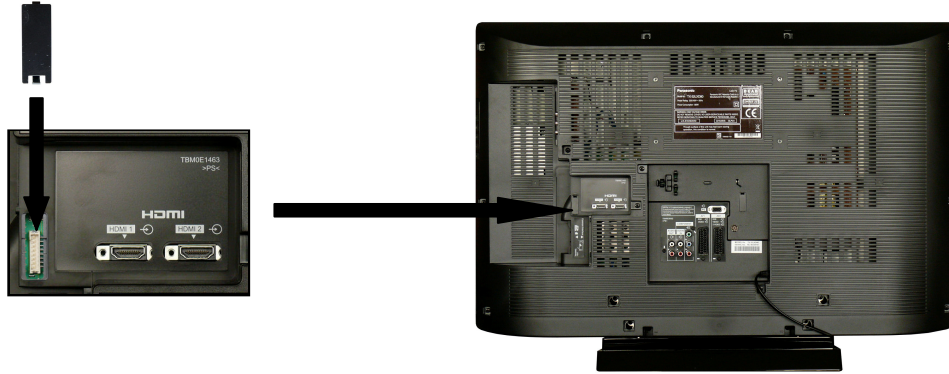
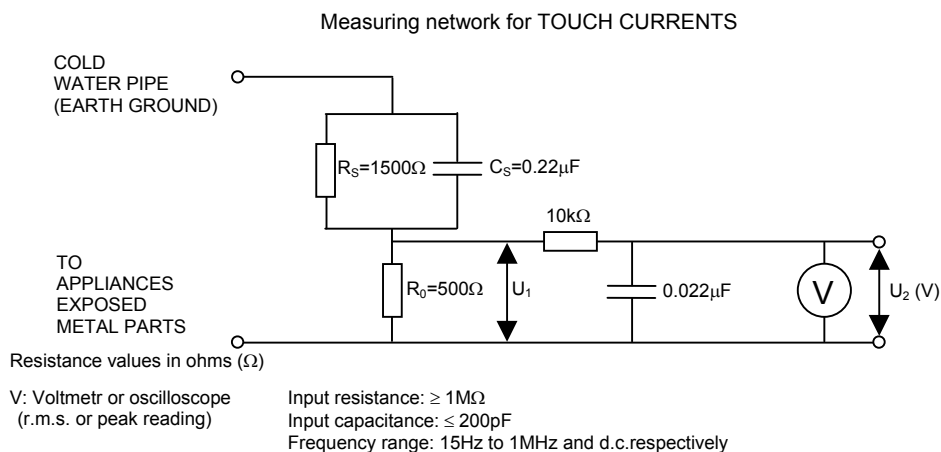


Fig. 1

Touch-Current Check

1. Plug the AC cord directly into the AC outlet. Do not use an isolation transformer for this check.
2. Connect a measuring network for touch currents between each exposed metallic part on the set and a good earth ground such as a water pipe, as shown in Fig. 2.
3. Use Leakage Current Tester (Simpson 228 or equivalent) to measure the potential across the measuring network.
4. Check each exposed metallic part, and measure the voltage at each point.
5. Reserve the AC plug in the AC outlet and repeat each of the above measure.
6. The potential at any point (TOUCH CURRENT) expressed as voltage U_1 and U_2 , does not exceed the following values:
 For a. c.: $U_1 = 35 \text{ V (peak)}$ and $U_2 = 0.35 \text{ V (peak)}$;
 For d. c.: $U_1 = 1.0 \text{ V}$,
 Note:
 The limit value of $U_2 = 0.35 \text{ V (peak)}$ for a. c. and $U_1 = 1.0 \text{ V}$ for d. c. correspond to the values 0.7 mA (peak) a. c. and 2.0 mA d. c.
 The limit value $U_1 = 35 \text{ V (peak)}$ for a. c. correspond to the value 70 mA (peak) a. c. for frequencies greater than 100 kHz .
7. In case a measurement is out of the limits specified, there is a possibility of a shock hazard, and the equipment should be repaired and rechecked before it is returned to the customer.



NOTE – Appropriate measures should be taken to obtain the correct value in case of non-sinusoidal waveforms


Fig. 2

Prevention of Electrostatic Discharge (ESD) to Electrostatically Sensitive (ES) Devices

Some semiconductor (solid state) devices can be damaged easily by static electricity. Such components commonly are called Electrostatically Sensitive (ES) Devices. Examples of typical ES devices are integrated circuits and some field-effect transistors and semiconductor "chip" components. The following techniques should be used to help reduce the incidence of component damage caused by electrostatic discharge (ESD).

1. Immediately before handling any semiconductor component or semiconductor-equipped assembly, drain off any ESD on your body by touching a known earth ground. Alternatively, obtain and wear a commercially available discharging ESD wrist strap, which should be removed for potential shock reasons prior to applying power to the unit under test.
2. After removing an electrical assembly equipped with ES devices, place the assembly on a conductive surface such as aluminum foil, to prevent electrostatic charge build up or exposure of the assembly.
3. Use only a grounded-tip soldering iron to solder or unsolder ES devices.
4. Use only an anti-static solder removal device. Some solder removal devices not classified as "anti-static (ESD protected)" can generate electrical charge sufficient to damage ES devices.
5. Do not use freon-propelled chemicals. These can generate electrical charges sufficient to damage ES devices.
6. Do not remove a replacement ES device from its protective package until immediately before you are ready to install it. (Most replacement ES devices are packaged with leads electrically shorted together by conductive foam, aluminum foil or comparable conductive material).
7. Immediately before removing the protective material from the leads of a replacement ES device, touch the protective material to the chassis or circuit assembly into which the device will be installed.
Caution
Be sure no power is applied to the chassis or circuit, and observe all other safety precautions.
8. Minimize bodily motions when handling unpackaged replacement ES devices. (Otherwise harmless motion such as the brushing together of your clothes fabric or the lifting of your foot from a carpeted floor can generate static electricity (ESD) sufficient to damage an ES device).

IMPORTANT SAFETY NOTICE

There are special components used in this equipment which are important for safety. These parts are marked by  in schematic diagrams, exploded views and replacement parts list. It is essential that these critical parts should be replaced with manufacturer's specified parts to prevent shock, fire, or other hazards. Do not modify the original design without permission of manufacturer.

About lead free solder (PbF)

Note: Lead is listed as (Pb) in the periodic table of elements.


In the information below, Pb will refer to Lead solder, and PbF will refer to Lead Free Solder.

The Lead Free Solder used in our manufacturing process and discussed below is (Sn+Ag+Cu).

That is Tin (Sn), Silver (Ag) and Copper (Cu) although other types are available.

This model uses Pb Free solder in it's manufacture due to environmental conservation issues. For service and repair work, we'd suggest the use of Pb free solder as well, although Pb solder may be used.

PCBs manufactured using lead free solder will have the PbF within a leaf Symbol

 stamped on the back of PCB.

Caution

- Pb free solder has a higher melting point than standard solder. Typically the melting point is 50 ~ 70 °F (30~40°C) higher. Please use a high temperature soldering iron and set it to 700 ± 20 °F (370 ± 10 °C).
- Pb free solder will tend to splash when heated too high (about 1100 °F or 600 °C).
If you must use Pb solder, please completely remove all of the Pb free solder on the pins or solder area before applying Pb solder. If this is not practical, be sure to heat the Pb free solder until it melts, before applying Pb solder.
- After applying PbF solder to double layered boards, please check the component side for excess solder which may flow onto the opposite side. (see Fig.3)

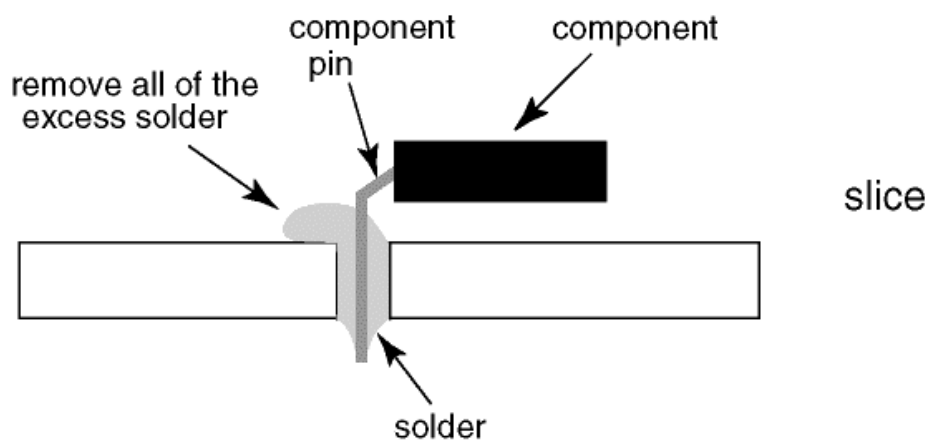


Fig.3

Suggested Pb free solder

There are several kinds of Pb free solder available for purchase. This product uses Sn+Ag+Cu (tin, silver, copper) solder. However, Sn+Cu (tin, copper), Sn+Zn+Bi (tin, zinc, bismuth) solder can also be used. (see Fig.4)

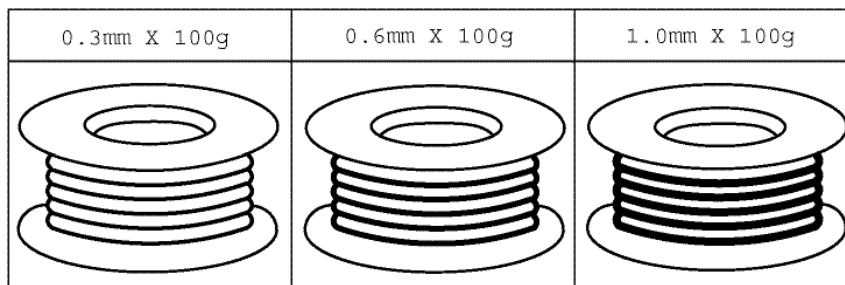


Fig.4

Applicable signals

Component (Y, Pb, Pr), HDMI

Signal name	COMPONENT	HDMI
525 (480) / 60i	*	*
525 (480) / 60p	*	*
625 (576) / 50i	*	*
625 (576) / 50p	*	*
750 (720) / 60p	*	*
750 (720) / 50p	*	*
1,125 (1,080) / 60i	*	*
1,125 (1,080) / 50i	*	*
1,125 (1,080) / 60p		*
1,125 (1,080) / 50p		*
1,125 (1,080) / 24p		*

PC (D-sub 15P)

Signal name	Horizontal frequency (kHz)	Vertical frequency (Hz)
640 × 400 @70 Hz	31.47	70.07
640 × 480 @60 Hz	31.47	59.94
640 × 480 @75 Hz	37.50	75.00
800 × 600 @60 Hz	37.88	60.32
800 × 600 @75 Hz	46.88	75.00
800 × 600 @85 Hz	53.67	85.06
852 × 480 @60Hz	31.44	59.89
1,024 × 768 @60Hz	48.36	60.00
1,024 × 768 @70Hz	56.48	70.07
1,024 × 768 @75Hz	60.02	75.03
1,024 × 768 @85Hz	68.68	85.00
1,280 × 1,024 @60Hz	63.98	60.02
1,366 × 768 @60Hz	48.39	60.04
Macintosh 13" (640 × 480)	35.00	66.67
Macintosh 16" (832 × 624)	49.73	74.55
Macintosh 21" (1,152 × 870)	68.68	75.06

Note:

- Signals other than above may not be displayed properly.
- The above signals are reformatted for optimal viewing on your display.
- Applicable input signal for PC is basically compatible to VESA standard timing.
- PC signal is magnified or compressed for display, so that it may not be possible to show fine detail with sufficient clarity.

Service Hints

How to remove the backcover

Remove the 18 fixing screws. (see Fig.5)

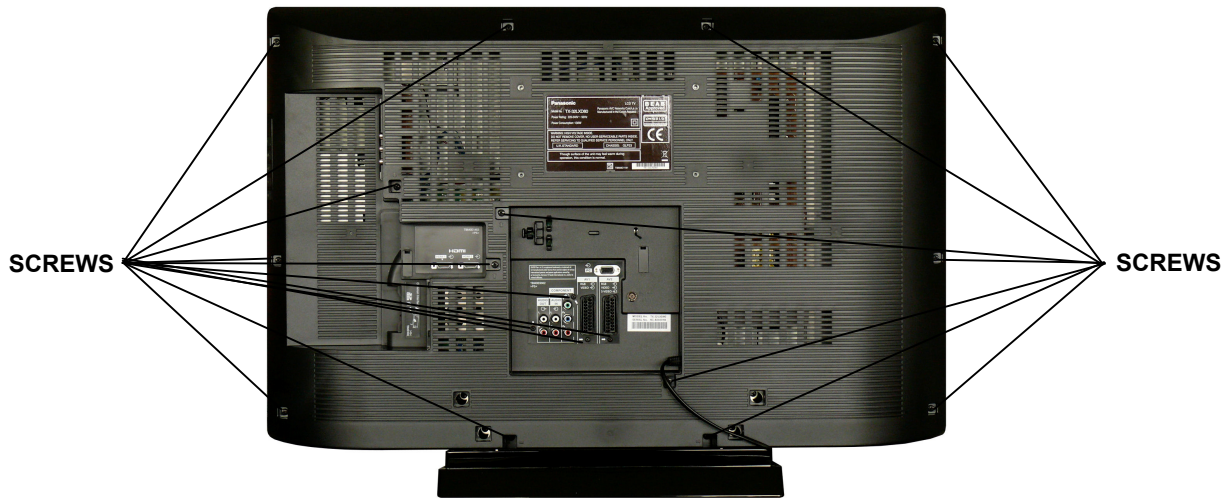


Fig.5

How to remove the Pedestal assembly

Lay the main unit face down. (see Fig.6)



Fig.6

Remove the 4 fixing screws and the pedestal assembly. (see Fig.7)

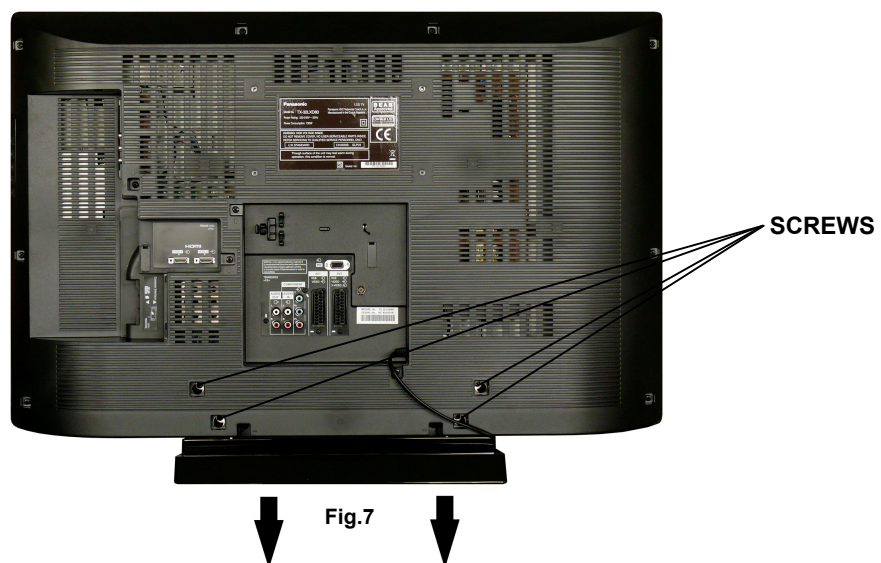
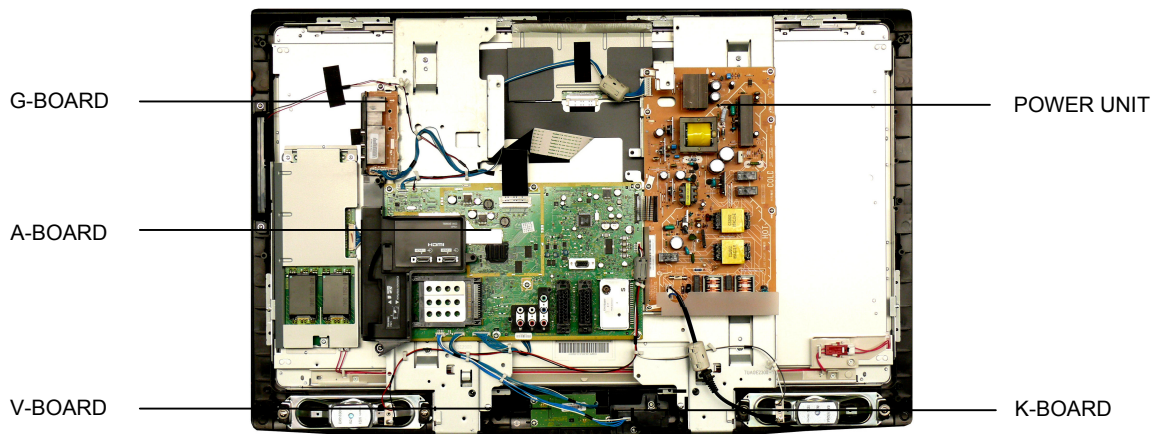


Fig.7

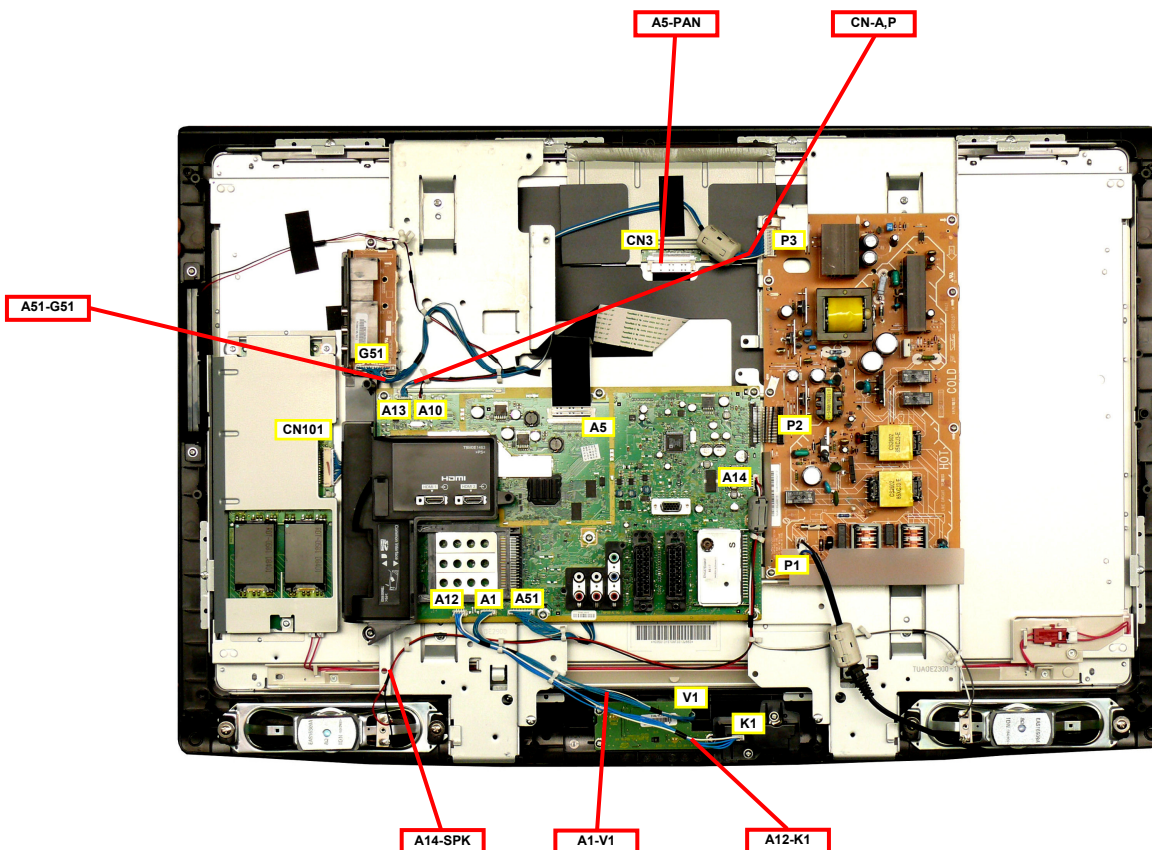
Chassis Board Layout



Board Name	Function
A-Board	Tuner, PC, AVSW, HDMI, CI Slot, Global Core, GENX, AV Terminal, SD Slot, Speaker out, ADV
Power Unit	Power Supply
V-Board	Remote Receiver, Cats, R/G LED, Time Led
G-Board	Side AV Connector
K-Board	Main Switch

Location of Lead Wiring

To find the Part Number of required wire in Replacement Parts List click on the wire name in red box.



Setting Inspection

Voltage Confirmation

Confirm the following voltages:

A board

Description	Test point	Normal mode
SUB 1,8V	TP5602	1,76V – 1,85V
SUB 1,2V	TP5601	1,22V – 1,27V
SUB 3,3V	TP5600	3,19V – 3,39V
SUB5V	TP1011	4,75V – 5,25V
DVDDIO3,3V/ TVDD3,3V	TP4531	3,23V – 3,37V
BT30V	TP2905	29,5V – 31,5V
DVDD1,8V	TP4529	1,77V – 1,83V
AUD3,3V	TP2031	3,23V – 3,37V
DVDD1,8V	TP2032	1,77V – 1,83V
5V	TP2030	4,75V – 5,25V
STB 3,3V	TP7601	3,23V – 3,37V
SUB9V	TP002	8,75V – 9,25V
LVDS12V	TP001	11,65V – 12,35V

Self Check

Self-check is used to automatically check the bus lines and hexadecimal code of the TV set. To enter Self-Check mode, keep pressing the down (-v) button on the TV set and press the **STATUS**  button on the remote control. To exit Self Check, switch off the TV set at the power button.

TX-32LXD80

32HD		Panasonic 2008LCD		Self Check Complete	
ADV	O.K.	PEAKS-SOFT	2.107	SUM	172e
ADAV	O.K.	PEAKS-EEP	01.05.0035	OPTION 1	0c
TUN	O.K.	GenX-SOFT	1.01.00	OPTION 2	00
GENX	O.K.	GenX-EEP	1.07.00	OPTION 3	00
MEM1	O.K.	GenX-ROMCORR	1.04.00	CHECK	0c
MEM2	O.K.			MODEL ID	05
AVSW	O.K.				031e1100
OFDM	O.K.				00000004
TEMP	O.K.			EDID1	fa.f5
VIF	O.K.			EDID2	fa.e5

TX-32LXD80F

32HD		Panasonic 2008LCD		Self Check Complete	
ADV	O.K.	PEAKS-SOFT	2.107	SUM	1710
ADAV	O.K.	PEAKS-EEP	01.05.0018	OPTION 1	0c
TUN	O.K.	GenX-SOFT	1.01.00	OPTION 2	00
GENX	O.K.	GenX-EEP	1.07.00	OPTION 3	00
MEM1	O.K.	GenX-ROMCORR	1.04.00	CHECK	0c
MEM2	O.K.			MODEL ID	05
AVSW	O.K.				031f1100
OFDM	O.K.				00000004
TEMP	O.K.			EDID1	fa.f5
VIF	O.K.			EDID2	fa.e5

Display	Ref. No.	Description	P.C.B.
ADV	IC4510	A/D CONVERTER	A-Board
ADAV	IC2106	AUDIO PROCESSOR	A-Board
TUN	TU2901	TUNER	A-Board
GENX	IC1100	MICROPROCESSOR	A-Board
MEM1	IC1101	EEPROM (GENX)	A-Board
MEM2	IC8601	EEPROM (PEAKS LITE2)	A-Board
AVSW	IC3001	AUDIO VIDEO SWITCH	A-Board
OFDM	IC8301	COFDM DEMODULATOR	A-Board
TEMP	IC1000	TEMP SENSOR	A-Board
VIF	TU2901	TUNER	A-Board

If the CCU ports have been checked and found to be incorrect or not located then " - - " will appear in place of "O.K.".

Power LED blinking timing chart

1. Subject
Information of LED Flashing timing chart.
2. Contents
When abnormality has occurred the unit, the protection circuit operates and reset to the stand by mode. At this time, the defective block can be identified by number of blinking of the Power LED on the front panel of the unit.

Blinking times	Blinking timing	Contents	Check point
1		INVERTER_SOS	LCD PANEL A BOARD
2		FAN_SOS	A BOARD
3		SOS	A BOARD
5		MAIN_9V	A BOARD
6		SUB_5V	A BOARD V BOARD
7		SUB_3.3V	A BOARD
8		MAIN_3.3V	A BOARD
9		SOUND_SOS	A BOARD
13		EMERGENCY SOS	A BOARD

Service Mode Function

MPU controls the functions switching for each IICs through IIC bus in this chassis. The following setting and adjustment can be adjusted by remote control in Service Menu

How to enter SERVICE

While pressing (-/V) button on TV unit, press **0** on the remote control for 3 times within 2 seconds.

Note:

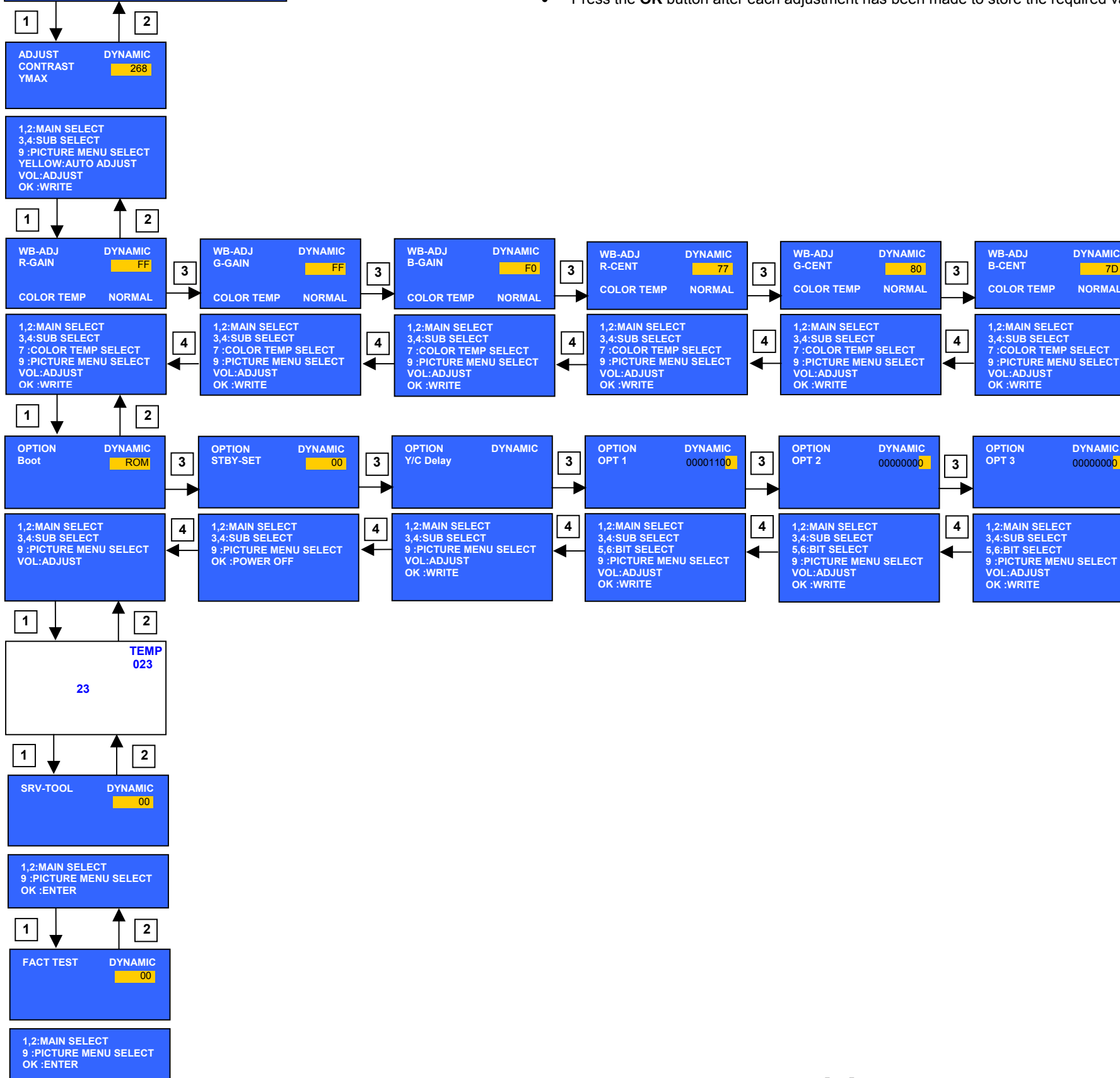
To exit from Service mode, press the exit button on remote control.

SERVICE

SERVICE	Peaks SOFT	2.107	OPTION 1	0c
ADJUST	Peaks EEP	01.05.0035	OPTION 2	00
WB-ADJ	LSI DATA	0.00.04	OPTION 3	00
OPTION	STBY SOFT	1.01.00	Model ID	05
TEMP	STBY EEP	1.03.00		031e1100
SRV-TOOL	STBY ROMCOR	1.01.00		00000004
FACT TEST			RB Cnt	000
			Time	00000:15
				0000009

Key Command

- Press the **3/4** button to change the adjustment values or function.
- Press the **1/2** button to step up/down through the functions and adjustments
- Press the numerical button **VOLUME (+/-)** to change option item.
- Press the **OK** button after each adjustment has been made to store the required values.



Option Bytes Description

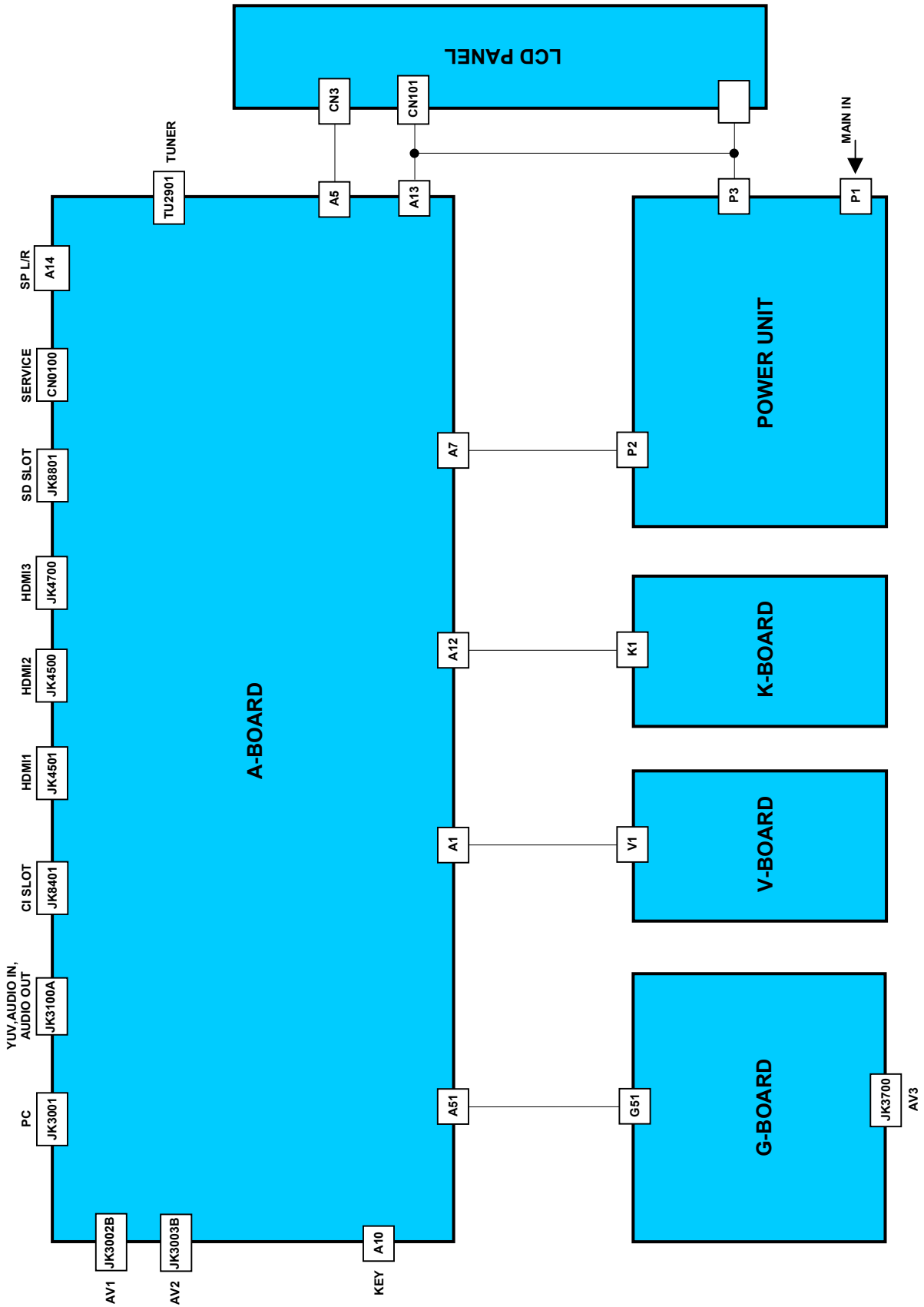
OPTION1			
	0	ATP Speed	Slow (1) / Fast (0)
	1	TXT Ch	On (1) / Off (0)
	2	ID-1	On (1) / Off (0)
	3	Macrovision Auto Evaluation	On (1) / Off (0)
	4	SRS Surround	On (1) / Off (0)
	5	Teletext Top	Off (1) / On (0)
	6	Equalizer	
	7	Not Use	Not Use
OPTION2			
	0	Not Use	Not Use
	1	A2 Stereo (5,5MHz)	On (1) / Off (0)
	2	A2 Stereo (6,0MHz)	On (1) / Off (0)
	3	A2 Stereo (6,5MHz)	On (1) / Off (0)
	4	Not Use	Not Use
	5	NICAM (5,5MHz)	On (1) / Off (0)
	6	NICAM (6,0MHz)	On (1) / Off (0)
	7	NICAM (6,5MHz)	On (1) / Off (0)
OPTION3			
	0	NICAM priority (ASIA/M.E)	On (1) / Off (0)
	1	NICAM priority (K/UK)	On (1) / Off (0)
	2	NICAM priority (China)	On (1) / Off (0)
	3	NICAM priority (NZ/INDN)	On (1) / Off (0)
	4	NICAM priority (AUS)	On (1) / Off (0)
	5	NICAM priority (E.Europe)	On (1) / Off (0)
	6	NICAM priority (Special)	On (1) / Off (0)
	7	Not Use	Not Use

Adjustment Method

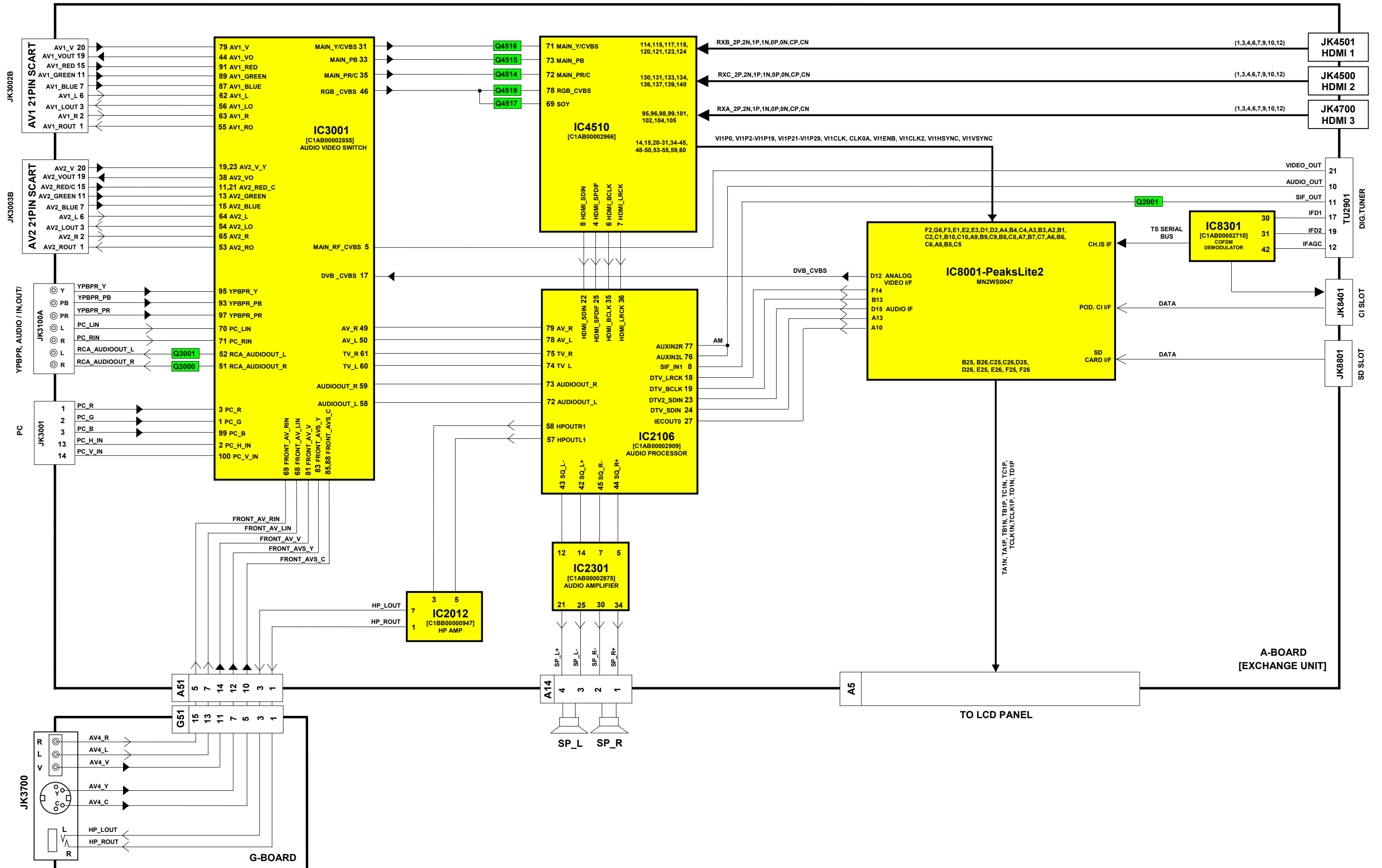
Sub-Contrast/White Balance Adjustment

Instrument Name	Connect to	Remarks															
1. Remote controller 2. LCD WB meter (Minolta CS-1000A equivalent) 3. Communication jig 4. Computer for external control		Correlation can be also taken by CA-210 or equivalent															
Procedure		Remarks															
<p>Subcontrast adjustment</p> <ol style="list-style-type: none"> 1. Receive PAL colour bar (100% white) RF signal. 2. Enter "Contrast" adj. In SERVICE mode. 3. Start adjusting by using Yellow Key. 4. If the adjustment finished normally, the letter of Contrast will change from red to black <p>White Balance adjustment</p> <ol style="list-style-type: none"> 1. Procedure basically performs checking using the production software and make automatic adjustment using external computer. 2. It adjusts in the mode of : Colour balance Normal as follows. Viewing Mode Dynamic <table border="0" data-bbox="197 1263 927 1525"> <tr> <td></td> <td style="text-align: center;">32LXD80</td> <td></td> <td style="text-align: center;">32LXD80F</td> <td></td> </tr> <tr> <td>WHITE</td> <td style="text-align: center;">Normal x: 0,2870 ± 0,010 y: 0,3100 ± 0,010</td> <td>WHITE</td> <td style="text-align: center;">Normal x: 0,2840 ± 0,010 y: 0,2990 ± 0,010</td> <td></td> </tr> <tr> <td>GRAY</td> <td style="text-align: center;">Normal x: 0,2880 ± 0,010 y: 0,3140 ± 0,010</td> <td>GRAY</td> <td style="text-align: center;">Normal x: 0,2860 ± 0,010 y: 0,3070 ± 0,010</td> <td></td> </tr> </table>			32LXD80		32LXD80F		WHITE	Normal x: 0,2870 ± 0,010 y: 0,3100 ± 0,010	WHITE	Normal x: 0,2840 ± 0,010 y: 0,2990 ± 0,010		GRAY	Normal x: 0,2880 ± 0,010 y: 0,3140 ± 0,010	GRAY	Normal x: 0,2860 ± 0,010 y: 0,3070 ± 0,010		<p>Let the panel standfor more than 3 hours at more than 20 °C. Basically perform adjustment in the ambient environment of room temperature more than 20 °C. The aging time is more than20 min at above room temperature.</p> <p>Applied signal</p> <p>100% full colour bar 0,7V p-p white peak 87.5% modulation</p> <p>100% WHITE</p> <p>50% GRAY</p> <p>100% WHITE</p> <p>50% GRAY</p>
	32LXD80		32LXD80F														
WHITE	Normal x: 0,2870 ± 0,010 y: 0,3100 ± 0,010	WHITE	Normal x: 0,2840 ± 0,010 y: 0,2990 ± 0,010														
GRAY	Normal x: 0,2880 ± 0,010 y: 0,3140 ± 0,010	GRAY	Normal x: 0,2860 ± 0,010 y: 0,3070 ± 0,010														

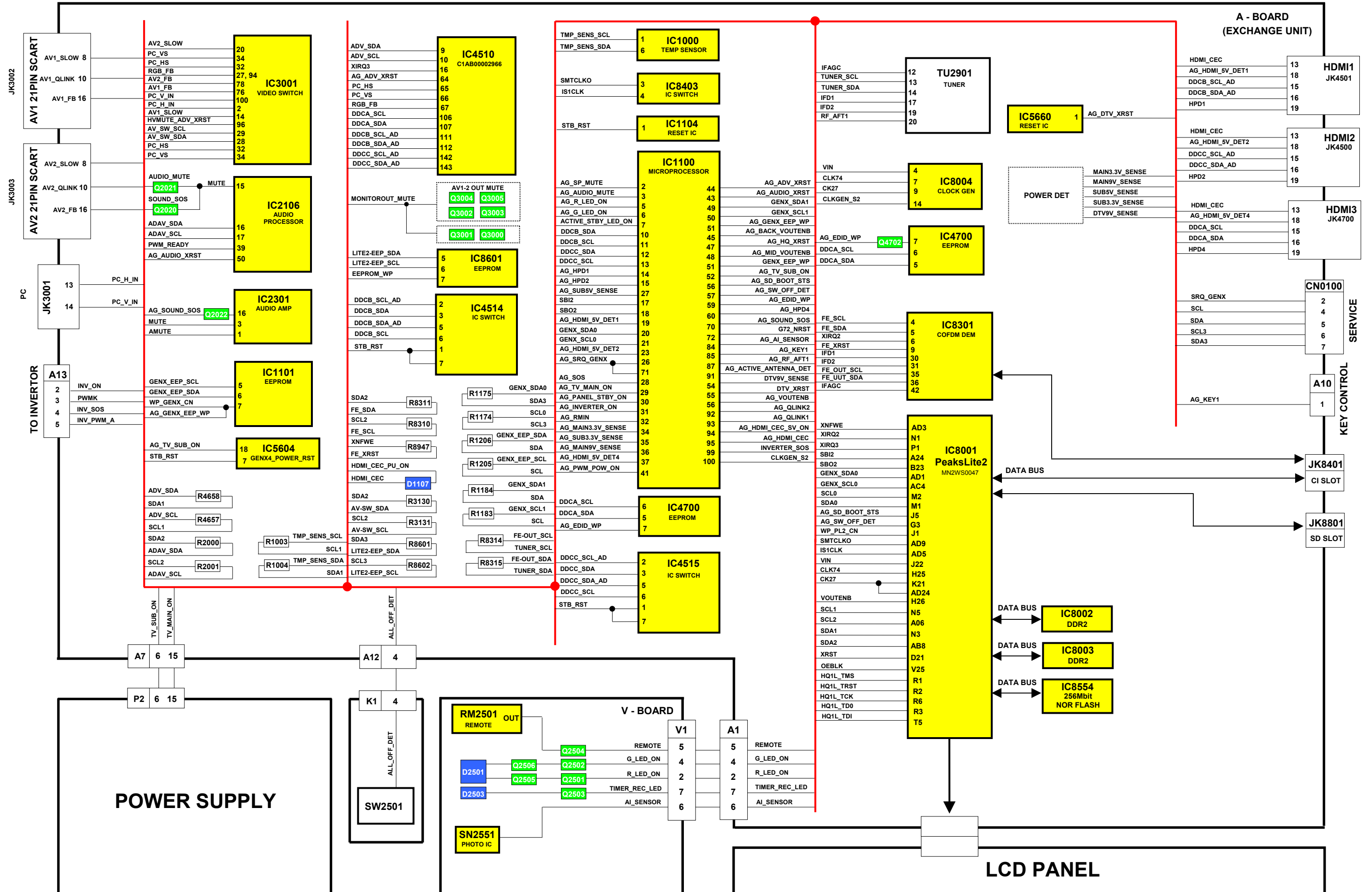
Wiring diagram



Video & Stereo Audio Block Diagram



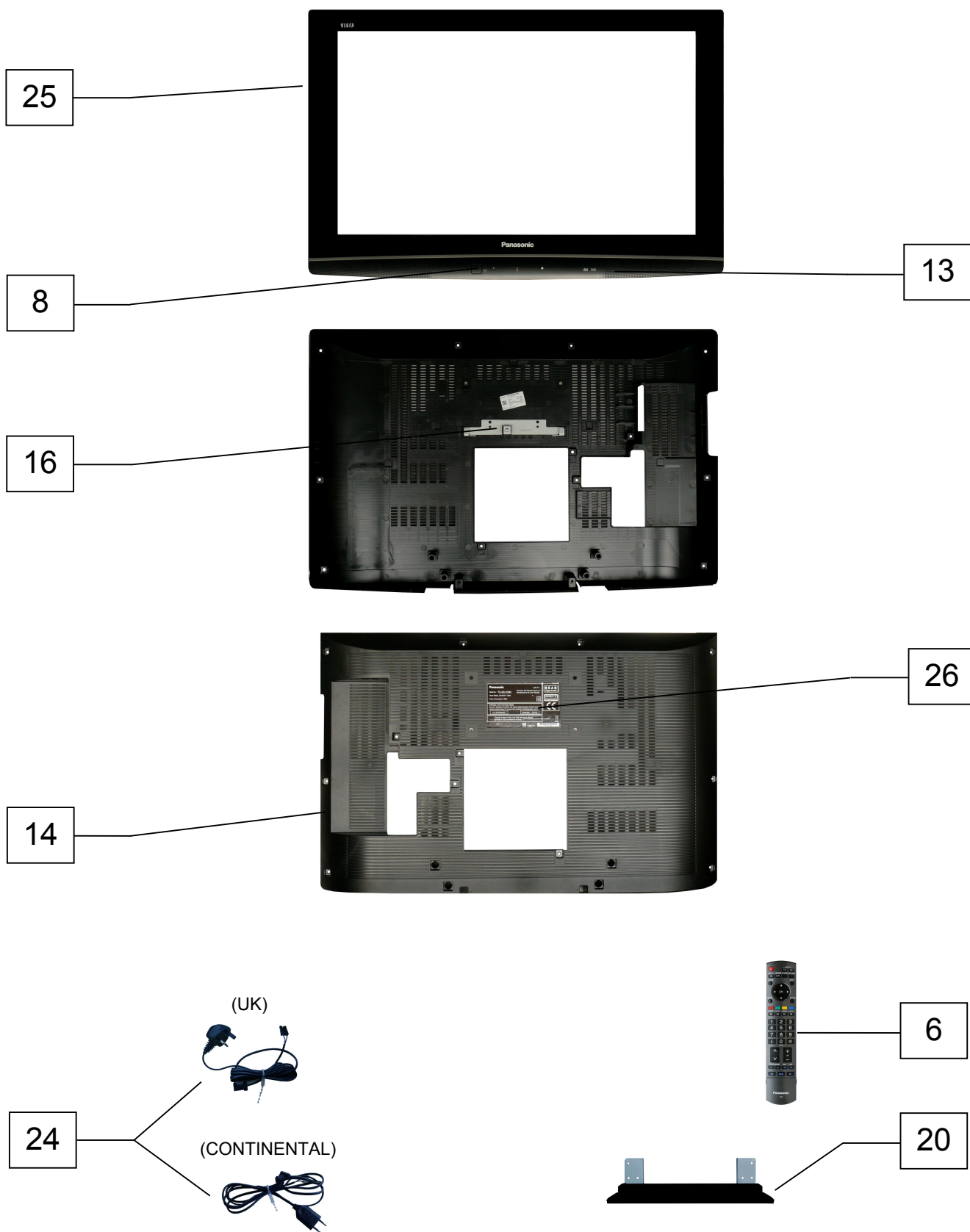
Control Block Diagram



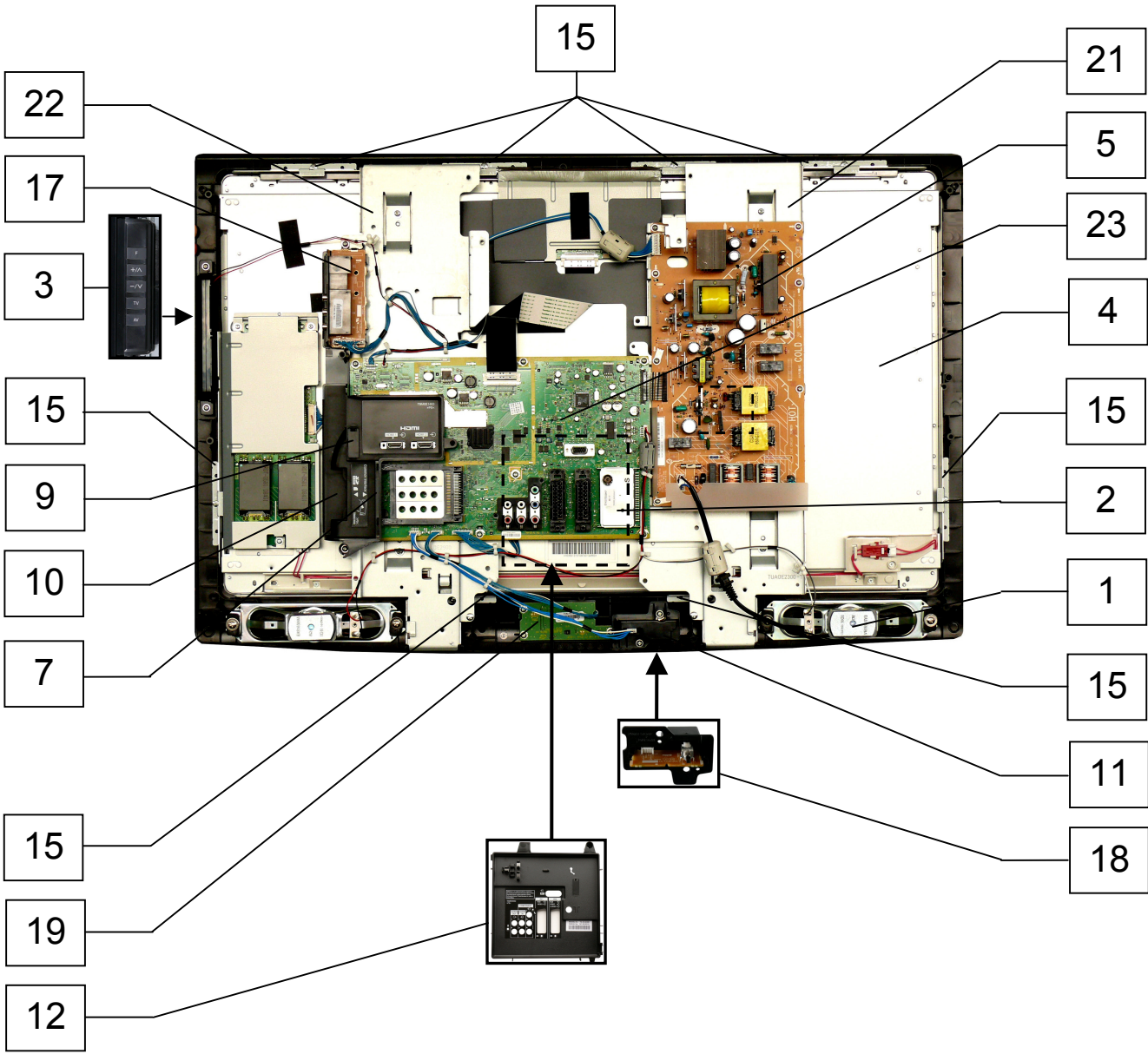
Parts Location

NOTE:

The numbers on the exploded view below refer to the exploded view section of the Replacement Parts List.




NOTE:
The numbers on the exploded view below refer to the exploded view section of the Replacement Parts List.



Replacement Parts List









Important Safety Notice


Components Identified by  mark have special characteristics important for safety.
 * When replacing any of these components, use only manufacturers specified parts.
 In case of ordering these spare parts, please always add the complete Model-Type number to your order.

RTL (Retention Time Limited)

Note: The marking (RTL) indicates that the Retention Time is Limited for this item. After the discontinuation of this assembly in production, the item will continue to be available for a specific period of time. The retention period of availability is dependent on the type of assembly, and in accordance with the laws governing part and product retention. After the end of this period, the assembly will no longer be available.

X The marking (X) indicates that board should be exchanged for service.

Cct Ref	Parts Number	Description
COMMON PARTS		
EXPLODED VIEW		
1	EAS16S09A	SPEAKER
2	ENG37E09KF	TUNER 
3	K0RB00500028	CONTROL PANEL
4	L5EDD8Q00042	LCD PANEL 
5	N0AC3GJ00015	POWER UNIT 
6	N2QAYB000239	REMOTE CONTROL
7	TBM0E1467	CI COVER LABEL
8	TBX0E84500	POWER BUTTON
9	TKP0E16001	CONNECTOR COVER
10	TKP0E30501	HDMI/SD BRACKET
11	TKP0E30701	POWER BUTTON BRACKET
12	TKP0E30801	REAR AV BRACKET 
13	TKP0E90601	TRIM PANEL
14	TKU0E1701	BACK COVER 
15	TKZ0E9164	LCD BRACKET
16	TKZ0E9575	VESA METAL
17	TNP8EGL91AA	G P.C.B. RTL 
18	TNP8EKL92AA	K P.C.B. RTL 
19	TNP8EVL91AA	V P.C.B. RTL 
20	TTX0E0016	PEDESTAL ASSY
21	TUA0E2300-1	L CHASSIS FRAME BRACKE
22	TUA0E4800	R CHASSIS FRAME BRACKE
MISCELLANEOUS COMPONENTS		
.	R6RCOD/2P	BATTERY
.	TBM0E1204	SIDE AV LABEL
.	TBM0E9002	REAR AV LABEL
.	TBM0E9003	CI/SD LABEL
.	TBM0E9005	HDMI/SIDE LABEL
.	THTF012J	SCREW
.	TKP0E30301	IR/LED PANEL
.	TMK0E089	FELT
.	TMK0E090	FELT
.	TMM8E18048	TAB-RELEASE CABLE
.	TPEX020	CLEANING CLOTH
.	TUC0EC5007	SHIELD CASE
.	XTB4+15JFJK	SCREW
.	XTS3+8JFJ	SCREW
.	XTV3+10JFJK	SCREW
.	XTW3+12TFJ	SCREW
.	XYN4+C12FJ	SCREW
.	XYN4+F10FJ	SCREW
BOTCUS	TPD0E2020	BOTTOM CUSHION

Cct Ref	Parts Number	Description
CARTON	TPC0E48800	CARTON 
CK315	TMME075	EDGE SADDLE
CK316	TMME075	EDGE SADDLE
FC03	J0KG00000100	FERRITE CORE
TOPCUS	TPD0E1047	TOP CUSHION
I.C.s		
IC1000	C1ZBZ0003577	IC
IC1100	MN103SG3FPA1	MICRO_GENX5
IC1101	24GLP23GENX	EEPROM GENX
IC1104	C0EBM0000026	RESET IC
IC2008	C0CBCBE00001	REGULATOR
IC2012	C1BB00000947	AUDIO AMPLIFIER
IC2013	C0DBGYY00281	REGULATOR
IC2106	C1AB00002909	AUDIO PROCESSOR
IC2107	C0DBFFD00003	1.8V REGULATOR
IC2301	C1AB00002875	AUDIO AMPLIFIER
IC2902	C0DBGYY00281	REGULATOR
IC3001	C1AB00002855	AUDIO VIDEO SWITCH
IC4510	C1AB00002966	AD VIDEO DECODER
IC4511	C0CBCBE00001	REGULATOR
IC4512	C0DBGYY00477	REGULATOR
IC4513	C0DBGYY00477	REGULATOR
IC4514	C0JBAZ002301	IC SWITCH
IC4515	C0JBAZ002301	IC SWITCH
IC4700	24GLP23EDID3	EEPROM EDID
IC5600	C0DBAYY00273	DC/DC CONVERTER
IC5601	C0DBAYY00274	DC/DC CONVERTER
IC5602	C0DBEYY00083	REGULATOR
IC5603	C0DBAJB00004	REGULATOR
IC5604	C1ZBZ0003725	IC OVP
IC5660	C0EBM0000026	RESET IC
IC5751	C0DBAZH00029	REGULATOR
IC5752	C0DBAZH00029	REGULATOR
IC8001	MN2WS0047	PEAKS LITE 2
IC8002	C3ABRY000015	DDR SDRAM
IC8003	C3ABRY000015	DDR SDRAM
IC8004	C0ZBZ0001567	CLOCK GENERATOR
IC8301	C1AB00002710	COFDM DEMODULATOR
IC8302	C0DBGFD00004	REGULATOR
IC8401	C1AB00002913	LEVEL SHIFTER
IC8403	C0ZBZ0001584	IC SWITCH
IC8404	C0JBAZ002692	BUS BUFFER
IC8405	C0JBAZ002692	BUS BUFFER
IC8408	C0JBAU000025	BUFFER
IC8409	C0JBAU000025	BUFFER
IC8554	TVR0E001-4	FLASH MEMORY
RM2501	PNA4701M05TV	LED RECEIVER
SN2551	B3JB00000046	PHOTO IC DIODE

Cct Ref	Parts Number	Description
DIODES		
D1002	EZJZ0V120JA	VARISTOR
D1003	EZJZ0V120JA	VARISTOR
D1004	EZAEG2A50AX	ESD SUPPRESSOR
D1005	EZAEG2A50AX	ESD SUPPRESSOR
D1006	EZAEG2A50AX	ESD SUPPRESSOR
D1007	EZAEG2A50AX	ESD SUPPRESSOR
D1107	MA3X704A0L	DIODE MA704ATX
D1108	EZJZ0V120JA	VARISTOR
D1112	MA2J72800L	DIODE
D2013	MA2J11100L	DIODE
D2014	MA2J11100L	DIODE
D2024	MA2J11100L	DIODE
D2027	MA2J11100L	DIODE
D2068	MA2J11100L	DIODE
D2069	MA2J11100L	DIODE
D2070	MA2J11100L	DIODE
D2200	MA22D3900L	DIODE
D2201	MA3X704A0L	DIODE MA704ATX
D2501	B3CKE0000007	DIODE
D2503	B3ACA0000272	DIODE
D3003	MAZ81400ML	DIODE
D3004	MAZ81400ML	DIODE
D3005	MAZ81400ML	DIODE
D3006	MAZ81400ML	DIODE
D3009	MAZ81400ML	DIODE
D3010	MAZ81400ML	DIODE
D3011	MAZ81400ML	DIODE
D3012	MAZ81400ML	DIODE
D3013	MAZ81400ML	DIODE
D3014	MAZ81400ML	DIODE
D3025	MAZ81400ML	DIODE
D3027	MAZ81400ML	DIODE
D3028	MAZ81400ML	DIODE
D3030	MAZ81400ML	DIODE
D3031	MAZ81400ML	DIODE
D3032	MAZ81400ML	DIODE
D3052	MA3X704A0L	DIODE MA704ATX
D3054	MA3X704A0L	DIODE MA704ATX
D3100	MAZ81400ML	DIODE
D3334	MAZ81400ML	DIODE
D3336	MAZ81400ML	DIODE
D3338	MAZ81400ML	DIODE
D4204	MA3X152K0L	DIODE
D4450	MAZ30560ML	DIODE
D4500	EZAEG2A50AX	ESD SUPPRESSOR
D4501	EZAEG2A50AX	ESD SUPPRESSOR
D4502	EZAEG2A50AX	ESD SUPPRESSOR
D4503	EZAEG2A50AX	ESD SUPPRESSOR
D4504	EZAEG2A50AX	ESD SUPPRESSOR
D4505	EZAEG2A50AX	ESD SUPPRESSOR
D4506	EZAEG2A50AX	ESD SUPPRESSOR
D4507	EZAEG2A50AX	ESD SUPPRESSOR
D4508	EZAEG2A50AX	ESD SUPPRESSOR
D4509	EZAEG2A50AX	ESD SUPPRESSOR
D4510	EZAEG2A50AX	ESD SUPPRESSOR
D4511	EZAEG2A50AX	ESD SUPPRESSOR
D4512	EZAEG2A50AX	ESD SUPPRESSOR
D4513	MAZ30560ML	DIODE
D4514	EZAEG2A50AX	ESD SUPPRESSOR
D4515	MAZ30560ML	DIODE
D4516	EZAEG2A50AX	ESD SUPPRESSOR
D4517	EZAEG2A50AX	ESD SUPPRESSOR
D4518	EZAEG2A50AX	ESD SUPPRESSOR
D4519	EZAEG2A50AX	ESD SUPPRESSOR
D4520	EZAEG2A50AX	ESD SUPPRESSOR
D4521	EZAEG2A50AX	ESD SUPPRESSOR

Cct Ref	Parts Number	Description
D4522	EZAEG2A50AX	ESD SUPPRESSOR
D4523	EZAEG2A50AX	ESD SUPPRESSOR
D4541	B0HCMM000014	DIODE
D4543	B0HCMM000014	DIODE
D4545	MA2J11100L	DIODE
D4546	MA2J11100L	DIODE
D4547	MA2J11100L	DIODE
D4700	EZAEG2A50AX	ESD SUPPRESSOR
D4701	EZAEG2A50AX	ESD SUPPRESSOR
D4702	EZAEG2A50AX	ESD SUPPRESSOR
D4703	EZAEG2A50AX	ESD SUPPRESSOR
D4704	EZAEG2A50AX	ESD SUPPRESSOR
D4705	EZAEG2A50AX	ESD SUPPRESSOR
D4706	EZAEG2A50AX	ESD SUPPRESSOR
D4707	EZAEG2A50AX	ESD SUPPRESSOR
D4708	EZAEG2A50AX	ESD SUPPRESSOR
D4709	EZAEG2A50AX	ESD SUPPRESSOR
D4710	EZAEG2A50AX	ESD SUPPRESSOR
D4711	MAZ30560ML	DIODE
D4712	B0HCMM000014	DIODE
D4713	B0HCMM000014	DIODE
D5601	MA22D3900L	DIODE
D5602	MA22D3900L	DIODE
D5603	B0JCDD000002	DIODE
D5604	B0JCDD000002	DIODE
D5605	MA22D3900L	DIODE
D5606	B0JCDD000002	DIODE
D5610	B0BC6R600005	ZENER DIODE
D5611	MAZ81100ML	ZENER DIODE
D5612	MAZ80470ML	ZENER DIODE
D5613	MA2J11100L	DIODE
D5614	MAZ81800ML	DIODE
D5615	MA2J11100L	DIODE
D5616	MA2J11100L	DIODE
D5617	MA2J11100L	DIODE
D5618	MAZ80470ML	ZENER DIODE
D5619	MA2J11100L	DIODE
D5620	MA2J11100L	DIODE
D5621	MAZ82400ML	ZENER DIODE
D5622	B0BC03900015	ZENER DIODE
D5623	MAZ81100ML	ZENER DIODE
D5624	MA2J11100L	DIODE
D5625	MA2J11100L	DIODE
D5626	B0BC01900007	ZENER DIODE
D5627	B0BC01900007	ZENER DIODE
D5628	MA2J11100L	DIODE
D5630	MA22F2000L	DIODE
D5631	MAZ81800ML	DIODE
D5632	MA3X78900L	DIODE
D5633	MAZ80620ML	DIODE
D5634	MA2J11100L	DIODE
D5635	B0BC01100001	ZENER DIODE
D5690	B0BC6R600005	ZENER DIODE
D5691	B0BC6R600005	ZENER DIODE
D5692	MAZ80560LL	ZENER DIODE
D5695	MA2J11100L	DIODE
D5696	MA2J11100L	DIODE
D5697	MA2J11100L	DIODE
D5698	MA2J11100L	DIODE
D5751	B0JCPE000028	DIODE
D5752	MA22F2000L	DIODE
D5753	MAZ81800ML	DIODE
D5754	B0JCPE000028	DIODE
D5755	MA22F2000L	DIODE
D5756	MAZ81800ML	DIODE
D7601	MA2J11100L	DIODE
D7602	MA2J11100L	DIODE

Cct Ref	Parts Number	Description
TRANSISTORS		
Q1101	2SD0601ASL	TRANSISTOR
Q1102	2SD0601ASL	TRANSISTOR
Q1103	2SD0601ASL	TRANSISTOR
Q1104	MSB709-T1	TRANSISTOR
Q1105	2SD601ATX	TRANSISTOR
Q1280	2SD0601ASL	TRANSISTOR
Q1281	2SD0601ASL	TRANSISTOR
Q2001	2SD601ATX	TRANSISTOR
Q2020	2SD601ATX	TRANSISTOR
Q2021	2SD601ATX	TRANSISTOR
Q2022	MSB709-T1	TRANSISTOR
Q2061	2SD601ATX	TRANSISTOR
Q2062	MSB709-T1	TRANSISTOR
Q2063	MSB709-T1	TRANSISTOR
Q2064	2SD601ATX	TRANSISTOR
Q2065	2SD601ATX	TRANSISTOR
Q2066	2SD601ATX	TRANSISTOR
Q2067	2SD601ATX	TRANSISTOR
Q2068	MSB709-T1	TRANSISTOR
Q2069	2SD601ATX	TRANSISTOR
Q2070	2SD601ATX	TRANSISTOR
Q2071	2SD601ATX	TRANSISTOR
Q2501	2SD0601ASL	TRANSISTOR
Q2502	2SD0601ASL	TRANSISTOR
Q2503	2SD0601ASL	TRANSISTOR
Q2504	2SD601ATX	TRANSISTOR
Q2505	2SB0709ASL	TRANSISTOR
Q2506	2SB0709ASL	TRANSISTOR
Q3000	2SD601ATX	TRANSISTOR
Q3001	2SD601ATX	TRANSISTOR
Q3002	2SD601ATX	TRANSISTOR
Q3003	2SD601ATX	TRANSISTOR
Q3004	2SD601ATX	TRANSISTOR
Q3005	2SD601ATX	TRANSISTOR
Q4202	B1ABCF000231	TRANSISTOR
Q4203	B1ADCE000022	TRANSISTOR
Q4204	B1ABCF000231	TRANSISTOR
Q4205	2SC39380QL	TRANSISTOR
Q4206	B1ABCF000231	TRANSISTOR
Q4207	2SC39380QL	TRANSISTOR
Q4500	2SD601ATX	TRANSISTOR
Q4501	2SD601ATX	TRANSISTOR
Q4502	2SD601ATX	TRANSISTOR
Q4503	2SD601ATX	TRANSISTOR
Q4514	MSB709-T1	TRANSISTOR
Q4515	MSB709-T1	TRANSISTOR
Q4516	MSB709-T1	TRANSISTOR
Q4517	MSB709-T1	TRANSISTOR
Q4519	MSB709-T1	TRANSISTOR
Q4700	2SD601ATX	TRANSISTOR
Q4701	2SD601ATX	TRANSISTOR
Q4702	2SD601ATX	TRANSISTOR
Q5600	B1MBEDA00015	TRANSISTOR
Q5601	B1MBDDA00003	TRANSISTOR
Q5602	B1MBDDA00003	TRANSISTOR
Q5603	2SD601ATX	TRANSISTOR
Q5604	2SD601ATX	TRANSISTOR
Q5605	2SD601ATX	TRANSISTOR
Q5606	2SD601ATX	TRANSISTOR
Q5607	2SA207700L	TRANSISTOR
Q5608	2SD601ATX	TRANSISTOR
Q5609	2SD601ATX	TRANSISTOR
Q5610	B1DHED000013	TRANSISTOR
Q5611	2SD601ATX	TRANSISTOR
Q5613	B1DHED000013	TRANSISTOR
Q5615	MSB709-T1	TRANSISTOR

Cct Ref	Parts Number	Description
Q5620	B1CFNG000001	TRANSISTOR
Q8401	2SD601ATX	TRANSISTOR
Q8402	2SD601ATX	TRANSISTOR
Q8850	2SD601ATX	TRANSISTOR
Q8852	2SD601ATX	TRANSISTOR
Q8853	2SD601ATX	TRANSISTOR
COILS		
L1000	JOJYC0000065	COIL
L1010	JOJHC0000035	COIL BLM21PG331SN1D
L1011	JOJHC0000035	COIL BLM21PG331SN1D
L1012	JOJYC0000065	COIL
L1013	JOJYC0000065	COIL
L1014	JOJYC0000065	COIL
L1015	JOJYC0000065	COIL
L1016	JOJYC0000065	COIL
L1017	JOJYC0000065	COIL
L1026	JOJYC0000065	COIL
L1029	JOJYC0000065	COIL
L1100	JOJYC0000068	CHIP INDUCTOR
L2001	G1C150KA0038	COIL
L2005	JOJCC0000284	CHIP INDUCTOR
L2006	JOJCC0000284	CHIP INDUCTOR
L2010	G1C220MA0291	COIL
L2012	G1C220MA0291	COIL
L2014	G1C220MA0291	COIL
L2016	G1C220MA0291	COIL
L2018	JOJHC0000042	CHIP INDUCTOR
L2023	G1C3R0ZA0156	COIL
L2031	JOJYC0000068	CHIP INDUCTOR
L2032	JOJYC0000068	CHIP INDUCTOR
L2901	JOJCC0000269	CHIP INDUCTOR
L2902	JOJCC0000269	CHIP INDUCTOR
L2904	JOJCC0000269	CHIP INDUCTOR
L2907	JOJCC0000063	CHIP INDUCTOR
L2908	JOJCC0000063	CHIP INDUCTOR
L3002	JOJCC0000100	INDUCTOR
L3003	JOJCC0000100	INDUCTOR
L3004	JOJCC0000100	INDUCTOR
L3005	JOJCC0000100	INDUCTOR
L3006	JOJCC0000100	INDUCTOR
L3007	JOJCC0000100	INDUCTOR
L3008	JOJCC0000100	INDUCTOR
L3009	JOJCC0000100	INDUCTOR
L3010	JOJCC0000100	INDUCTOR
L3011	JOJCC0000100	INDUCTOR
L3014	JOJCC0000100	INDUCTOR
L3015	JOJCC0000100	INDUCTOR
L3017	JOJCC0000100	INDUCTOR
L3018	JOJCC0000100	INDUCTOR
L3700	JOJCC0000100	INDUCTOR
L3701	JOJCC0000100	INDUCTOR
L3702	JOJCC0000364	INDUCTOR
L3703	JOJCC0000364	INDUCTOR
L4208	TLTAZ100K	COIL
L4209	JOJHC0000078	COIL
L4450	JOJHC0000078	COIL
L4451	JOJHC0000078	COIL
L4452	JOJHC0000078	COIL
L4453	JOJHC0000078	COIL
L4502	JOJYC0000068	CHIP INDUCTOR
L4503	JOJYC0000068	CHIP INDUCTOR
L4504	JOJYC0000068	CHIP INDUCTOR
L4505	JOJYC0000068	CHIP INDUCTOR
L4506	JOJYC0000068	CHIP INDUCTOR
L4507	JOJYC0000068	CHIP INDUCTOR
L4511	JOJYC0000068	CHIP INDUCTOR
L4512	JOJCC0000059	CHIP INDUCTOR

Cct Ref	Parts Number	Description
L4513	J0JCC0000059	CHIP INDUCTOR
L4514	J0JHC0000078	COIL
L4515	J0JYC0000068	CHIP INDUCTOR
L4516	J0JYC0000068	CHIP INDUCTOR
L4517	J0JHC0000078	COIL
L4518	J0JYC0000068	CHIP INDUCTOR
L4519	J0JYC0000068	CHIP INDUCTOR
L4700	J0JYC0000068	CHIP INDUCTOR
L4701	J0JYC0000068	CHIP INDUCTOR
L5600	G1C2R2Z00007	COIL
L5601	G1C2R2Z00007	COIL
L5602	G1C4R7Z00014	COIL
L5604	G1C100MA0203	COIL
L5605	J0JHC0000075	COIL BLM21PG600SN1D
L5606	G1C100MA0077	COIL
L5607	J0JHC0000078	COIL
L5608	G1C100MA0291	COIL
L5609	G1C470MA0291	COIL
L5610	G1C100MA0072	COIL
L5611	J0JHC0000078	COIL
L5613	J0JHC0000078	COIL
L5614	J0JHC0000078	COIL
L5690	J0JYC0000068	CHIP INDUCTOR
L5691	J0JYC0000068	CHIP INDUCTOR
L5692	J0JYC0000068	CHIP INDUCTOR
L5751	G1C680ZA0037	COIL
L5752	G1C470ZA0037	COIL
L8001	J0JHC0000045	COIL BLM18PG121SN1D
L8002	J0JHC0000045	COIL BLM18PG121SN1D
L8003	J0JHC0000045	COIL BLM18PG121SN1D
L8004	J0JHC0000045	COIL BLM18PG121SN1D
L8005	J0JHC0000045	COIL BLM18PG121SN1D
L8007	J0JHC0000045	COIL BLM18PG121SN1D
L8008	J0JHC0000045	COIL BLM18PG121SN1D
L8009	J0JHC0000045	COIL BLM18PG121SN1D
L8010	J0JHC0000045	COIL BLM18PG121SN1D
L8301	J0JHC0000045	COIL BLM18PG121SN1D
L8304	J0JHC0000045	COIL BLM18PG121SN1D
L8551	J0JHC0000075	COIL BLM21PG600SN1D
L8801	J0JHC0000045	COIL BLM18PG121SN1D
FILTERS		
FL8000	J0JAD0000028	FILTER
FL8001	J0JAD0000028	FILTER
FL8002	J0JAD0000028	FILTER
CRYSTALS		
X1100	H0J100500035	CRYSTAL
X2010	H0J245500089	CRYSTAL
X4500	H0J245500089	CRYSTAL
X8001	H0J270500061	CRYSTAL
X8301	H0J204500006	CRYSTAL
RESISTORS		
JS1100	ERJ2GE0R00X	SMD .063W - 0 Ω
JS1106	ERJ2GE0R00X	SMD .063W - 0 Ω
JS2053	D0GBR00Z0002	SMD 0.1W - 0 Ω
JS2059	ERJ2GE0R00X	SMD .063W - 0 Ω
JS2060	ERJ2GE0R00X	SMD .063W - 0 Ω
JS2061	ERJ2GE0R00X	SMD .063W - 0 Ω
JS2062	ERJ2GE0R00X	SMD .063W - 0 Ω
JS2065	ERJ2GE0R00X	SMD .063W - 0 Ω
JS2069	ERJ2GE0R00X	SMD .063W - 0 Ω
JS2070	ERJ2GE0R00X	SMD .063W - 0 Ω
JS2072	ERJ2GE0R00X	SMD .063W - 0 Ω
JS2104	ERJ2GE0R00X	SMD .063W - 0 Ω
JS2105	ERJ2GE0R00X	SMD .063W - 0 Ω
JS2311	ERJ2GE0R00X	SMD .063W - 0 Ω
JS2313	ERJ2GE0R00X	SMD .063W - 0 Ω
JS2316	ERJ2GE0R00X	SMD .063W - 0 Ω

Cct Ref	Parts Number	Description
JS2317	ERJ2GE0R00X	SMD .063W - 0 Ω
JS2318	ERJ2GE0R00X	SMD .063W - 0 Ω
JS2320	ERJ2GE0R00X	SMD .063W - 0 Ω
JS2501	D0GBR00Z0002	SMD 0.1W - 0 Ω
JS2901	D0GBR00Z0002	SMD 0.1W - 0 Ω
JS2905	D0GBR00Z0002	SMD 0.1W - 0 Ω
JS3003	ERJ2GE0R00X	SMD .063W - 0 Ω
JS3007	D0GDR00Z0002	SMD .125W - 0 Ω
JS3008	D0GDR00Z0002	SMD .125W - 0 Ω
JS3009	D0GDR00Z0002	SMD .125W - 0 Ω
JS3010	D0GDR00Z0002	SMD .125W - 0 Ω
JS3011	D0GDR00Z0002	SMD .125W - 0 Ω
JS3012	D0GDR00Z0002	SMD .125W - 0 Ω
JS3013	D0GDR00Z0002	SMD .125W - 0 Ω
JS3014	D0GDR00Z0002	SMD .125W - 0 Ω
JS3015	D0GDR00Z0002	SMD .125W - 0 Ω
JS3016	D0GDR00Z0002	SMD .125W - 0 Ω
JS3018	D0GDR00Z0002	SMD .125W - 0 Ω
JS3019	D0GDR00Z0002	SMD .125W - 0 Ω
JS3020	D0GDR00Z0002	SMD .125W - 0 Ω
JSA0001	ERJ6GEY0R00	S.M.CARB 0.1W - 0 Ω
JSA0002	ERJ6GEY0R00	S.M.CARB 0.1W - 0 Ω
JSA0003	ERJ6GEY0R00	S.M.CARB 0.1W - 0 Ω
JSA0004	ERJ6GEY0R00	S.M.CARB 0.1W - 0 Ω
JSA0005	ERJ6GEY0R00	S.M.CARB 0.1W - 0 Ω
JSA0006	ERJ6GEY0R00	S.M.CARB 0.1W - 0 Ω
JSA0009	ERJ6GEY0R00	S.M.CARB 0.1W - 0 Ω
JSA0010	ERJ6GEY0R00	S.M.CARB 0.1W - 0 Ω
JSA0011	ERJ6GEY0R00	S.M.CARB 0.1W - 0 Ω
JSA0012	ERJ6GEY0R00	S.M.CARB 0.1W - 0 Ω
JSA0015	ERJ6GEY0R00	S.M.CARB 0.1W - 0 Ω
JSA0016	ERJ6GEY0R00	S.M.CARB 0.1W - 0 Ω
JSA0017	ERJ6GEY0R00	S.M.CARB 0.1W - 0 Ω
JSA0018	ERJ6GEY0R00	S.M.CARB 0.1W - 0 Ω
JSA0019	ERJ6GEY0R00	S.M.CARB 0.1W - 0 Ω
JSA0020	ERJ6GEY0R00	S.M.CARB 0.1W - 0 Ω
JSA0021	ERJ6GEY0R00	S.M.CARB 0.1W - 0 Ω
JSA0022	ERJ6GEY0R00	S.M.CARB 0.1W - 0 Ω
JSA0023	ERJ6GEY0R00	S.M.CARB 0.1W - 0 Ω
JSA0024	ERJ6GEY0R00	S.M.CARB 0.1W - 0 Ω
JSA0025	ERJ6GEY0R00	S.M.CARB 0.1W - 0 Ω
JSA0026	ERJ6GEY0R00	S.M.CARB 0.1W - 0 Ω
JSA0027	ERJ6GEY0R00	S.M.CARB 0.1W - 0 Ω
JSA0028	ERJ6GEY0R00	S.M.CARB 0.1W - 0 Ω
JSA0029	ERJ6GEY0R00	S.M.CARB 0.1W - 0 Ω
JSA0030	ERJ6GEY0R00	S.M.CARB 0.1W - 0 Ω
JSA0033	ERJ6GEY0R00	S.M.CARB 0.1W - 0 Ω
JSA0034	ERJ6GEY0R00	S.M.CARB 0.1W - 0 Ω
L1002	D0GDR00Z0002	SMD .125W - 0 Ω
L1004	D0GDR00Z0002	SMD .125W - 0 Ω
L1009	D0GDR00Z0002	SMD .125W - 0 Ω
L1030	D0GDR00Z0002	SMD .125W - 0 Ω
L1031	D0GDR00Z0002	SMD .125W - 0 Ω
L1032	D0GDR00Z0002	SMD .125W - 0 Ω
L4500	D0GBR00Z0002	SMD 0.1W - 0 Ω
L4501	D0GBR00Z0002	SMD 0.1W - 0 Ω
R001	ERJ2GEJ680X	SMD .063W 5% 68 Ω
R002	EXB28V680JX	SMD .031W 5% 68 Ω
R003	ERJ2GEJ103X	SMD .063W 5% 10K Ω
R006	ERJ2GEJ103X	SMD .063W 5% 10K Ω
R007	ERJ2GEJ103X	SMD .063W 5% 10K Ω
R008	ERJ2GEJ103X	SMD .063W 5% 10K Ω
R1002	D0GBR00Z0002	SMD 0.1W - 0 Ω
R1003	ERJ2GEJ220X	SMD .063W 5% 22 Ω
R1004	ERJ2GEJ220X	SMD .063W 5% 22 Ω
R1005	ERJ2GE0R00X	SMD .063W - 0 Ω
R1007	ERJ2GEJ473X	SMD .063W 5% 47K Ω
R1100	ERJ2GE0R00X	SMD .063W - 0 Ω

Cct Ref	Parts Number	Description			
R1101	ERJ2GE0R00X	SMD	.063W	-	0 Ω
R1102	ERJ2GE0R00X	SMD	.063W	-	0 Ω
R1103	ERJ2GE0R00X	SMD	.063W	-	0 Ω
R1104	ERJ2GEJ473X	SMD	.063W	5%	47K Ω
R1105	ERJ2GE0R00X	SMD	.063W	-	0 Ω
R1106	ERJ2GE0R00X	SMD	.063W	-	0 Ω
R1107	ERJ2GE0R00X	SMD	.063W	-	0 Ω
R1108	ERJ2GE0R00X	SMD	.063W	-	0 Ω
R1109	ERJ2GE0R00X	SMD	.063W	-	0 Ω
R1110	ERJ2GEJ473X	SMD	.063W	5%	47K Ω
R1113	ERJ2GE0R00X	SMD	.063W	-	0 Ω
R1115	ERJ2GE0R00X	SMD	.063W	-	0 Ω
R1118	ERJ2GE0R00X	SMD	.063W	-	0 Ω
R1120	ERJ2GEJ473X	SMD	.063W	5%	47K Ω
R1121	ERJ2GE0R00X	SMD	.063W	-	0 Ω
R1124	ERJ2GEJ220X	SMD	.063W	5%	22 Ω
R1125	ERJ2GEJ220X	SMD	.063W	5%	22 Ω
R1127	ERJ2GE0R00X	SMD	.063W	-	0 Ω
R1134	ERJ2GE0R00X	SMD	.063W	-	0 Ω
R1139	ERJ2GEJ473X	SMD	.063W	5%	47K Ω
R1146	ERJ2GE0R00X	SMD	.063W	-	0 Ω
R1152	ERJ2GEJ473X	SMD	.063W	5%	47K Ω
R1153	ERJ2GEJ821X	SMD	.063W	5%	820 Ω
R1162	ERJ2GE0R00X	SMD	.063W	-	0 Ω
R1163	ERJ2GEJ105X	SMD	.063W	5%	1M Ω
R1164	ERJ2GEJ103X	SMD	.063W	5%	10K Ω
R1166	ERJ2GEJ104X	SMD	.063W	5%	100K Ω
R1170	ERJ2GEJ104X	SMD	.063W	5%	100K Ω
R1171	ERJ2GEJ683X	SMD	.063W	5%	68K Ω
R1172	ERJ2GEJ223X	SMD	.063W	5%	22K Ω
R1173	ERJ2GEJ331X	SMD	.063W	5%	330 Ω
R1174	ERJ2GEJ220X	SMD	.063W	5%	22 Ω
R1175	ERJ2GEJ220X	SMD	.063W	5%	22 Ω
R1179	ERJ2GEJ220X	SMD	.063W	5%	22 Ω
R1181	ERJ2GE0R00X	SMD	.063W	-	0 Ω
R1182	ERJ2GEJ273X	SMD	.063W	5%	27K Ω
R1183	ERJ2GE0R00X	SMD	.063W	-	0 Ω
R1184	ERJ2GE0R00X	SMD	.063W	-	0 Ω
R1185	ERJ6GEYJ201	S.M.CARB	0.1W	5%	200 Ω
R1186	ERJ2GEJ222X	SMD	.063W	5%	2K2 Ω
R1187	ERJ2GEJ472X	SMD	.063W	5%	4K7 Ω
R1188	ERJ2GEJ103X	SMD	.063W	5%	10K Ω
R1189	ERJ2GEJ223X	SMD	.063W	5%	22K Ω
R1190	ERJ2GE0R00X	SMD	.063W	-	0 Ω
R1194	ERJ2GEJ683X	SMD	.063W	5%	68K Ω
R1196	ERJ2GEJ473X	SMD	.063W	5%	47K Ω
R1200	ERJ2GEJ472X	SMD	.063W	5%	4K7 Ω
R1201	ERJ2GEJ472X	SMD	.063W	5%	4K7 Ω
R1203	ERJ2GEJ473X	SMD	.063W	5%	47K Ω
R1204	ERJ2GEJ220X	SMD	.063W	5%	22 Ω
R1205	ERJ2GEJ220X	SMD	.063W	5%	22 Ω
R1206	ERJ2GEJ220X	SMD	.063W	5%	22 Ω
R1207	ERJ2GEJ182X	SMD	.063W	5%	1K8 Ω
R1208	ERJ2GEJ103X	SMD	.063W	5%	10K Ω
R1209	ERJ2GEJ473X	SMD	.063W	5%	47K Ω
R1210	ERJ2GEJ473X	SMD	.063W	5%	47K Ω
R1211	ERJ2GEJ473X	SMD	.063W	5%	47K Ω
R1212	ERJ2GEJ473X	SMD	.063W	5%	47K Ω
R1213	ERJ2GEJ473X	SMD	.063W	5%	47K Ω
R1214	ERJ2GEJ473X	SMD	.063W	5%	47K Ω
R1216	ERJ2GEJ103X	SMD	.063W	5%	10K Ω
R1217	ERJ2GEJ104X	SMD	.063W	5%	100K Ω
R1219	ERJ2GEJ103X	SMD	.063W	5%	10K Ω
R1220	ERJ2GEJ103X	SMD	.063W	5%	10K Ω
R1221	D1BB7151A055	SMD	0.1W	1%	7K15 Ω
R1224	ERJ2GEJ473X	SMD	.063W	5%	47K Ω
R1227	ERJ2GEJ103X	SMD	.063W	5%	10K Ω
R1228	ERJ2GEJ103X	SMD	.063W	5%	10K Ω

Cct Ref	Parts Number	Description			
R1229	ERJ2GE0R00X	SMD	.063W	-	0 Ω
R1230	ERJ2GEJ473X	SMD	.063W	5%	47K Ω
R1231	ERJ2GEJ473X	SMD	.063W	5%	47K Ω
R1232	ERJ2GE0R00X	SMD	.063W	-	0 Ω
R1234	ERJ2GEJ103X	SMD	.063W	5%	10K Ω
R1236	ERJ2GEJ473X	SMD	.063W	5%	47K Ω
R1237	ERJ2GEJ102X	SMD	.063W	5%	1K Ω
R1243	ERJ2GEJ473X	SMD	.063W	5%	47K Ω
R1255	ERJ2GEJ102X	SMD	.063W	5%	1K Ω
R1256	ERJ6RBD223V	SMD	0.1W	0.5	22K Ω
R1257	D1BD1002A077	CHIP RES	0.1W	0.5	10K Ω
R1258	ERJ2GEJ472X	SMD	.063W	5%	4K7 Ω
R1259	ERJ2GEJ103X	SMD	.063W	5%	10K Ω
R1260	ERJ2GEJ103X	SMD	.063W	5%	10K Ω
R1261	ERJ2GE0R00X	SMD	.063W	-	0 Ω
R1262	ERJ2GEJ103X	SMD	.063W	5%	10K Ω
R1264	ERJ2GEJ473X	SMD	.063W	5%	47K Ω
R1265	ERJ2GEJ473X	SMD	.063W	5%	47K Ω
R1266	ERJ2GEJ473X	SMD	.063W	5%	47K Ω
R1267	ERJ2GEJ473X	SMD	.063W	5%	47K Ω
R1269	ERJ2GEJ473X	SMD	.063W	5%	47K Ω
R1280	ERJ2GEJ473X	SMD	.063W	5%	47K Ω
R1281	ERJ2GEJ103X	SMD	.063W	5%	10K Ω
R1282	ERJ2GEJ102X	SMD	.063W	5%	1K Ω
R1283	ERJ2GEJ103X	SMD	.063W	5%	10K Ω
R1500	ERJ2GEJ182X	SMD	.063W	5%	1K8 Ω
R2000	ERJ2GEJ220X	SMD	.063W	5%	22 Ω
R2001	ERJ2GEJ220X	SMD	.063W	5%	22 Ω
R2002	ERJ2GEJ102X	SMD	.063W	5%	1K Ω
R2003	ERJ2GEJ105X	SMD	.063W	5%	1M Ω
R2006	ERJ2GEJ471X	SMD	.063W	5%	470 Ω
R2007	ERJ2GEJ221X	SMD	.063W	5%	220 Ω
R2008	ERJ3GEYJ471	SMD	0.1W	5%	470 Ω
R2015	ERJ2GEJ103X	SMD	.063W	5%	10K Ω
R2016	ERJ2GEJ103X	SMD	.063W	5%	10K Ω
R2017	ERJ2GEJ103X	SMD	.063W	5%	10K Ω
R2018	ERJ2GEJ103X	SMD	.063W	5%	10K Ω
R2019	D1BB2002A055	SMD	0.1W	1%	20K Ω
R2020	D1BB2001A055	SMD	0.1W	1%	2K Ω
R2023	ERJ2GEJ103X	SMD	.063W	5%	10K Ω
R2024	ERJ2GEJ101X	SMD	.063W	5%	100 Ω
R2026	D1BB1203A055	SMD	0.1W	1%	120K Ω
R2027	D1BB7502A055	SMD	0.1W	1%	75K Ω
R2029	ERJ2GE0R00X	SMD	.063W	-	0 Ω
R2030	ERJ2GE0R00X	SMD	.063W	-	0 Ω
R2047	D1BB2002A055	SMD	0.1W	1%	20K Ω
R2048	D1BB2002A055	SMD	0.1W	1%	20K Ω
R2050	D1BB2002A055	SMD	0.1W	1%	20K Ω
R2051	D1BB2002A055	SMD	0.1W	1%	20K Ω
R2057	ERJ2GEJ102X	SMD	.063W	5%	1K Ω
R2058	ERJ2GEJ103X	SMD	.063W	5%	10K Ω
R2063	ERJ2GEJ101X	SMD	.063W	5%	100 Ω
R2064	ERJ2GEJ101X	SMD	.063W	5%	100 Ω
R2065	ERJ2GEJ823X	SMD	.063W	5%	82K Ω
R2066	ERJ2GE0R00X	SMD	.063W	-	0 Ω
R2068	ERJ2GE0R00X	SMD	.063W	-	0 Ω
R2071	ERJ2GEJ104X	SMD	.063W	5%	100K Ω
R2072	ERJ2GEJ104X	SMD	.063W	5%	100K Ω
R2081	ERJ2GEJ103X	SMD	.063W	5%	10K Ω
R2082	ERJ2GEJ103X	SMD	.063W	5%	10K Ω
R2089	ERJ2GEJ153X	SMD	.063W	5%	15K Ω
R2090	ERJ2GEJ153X	SMD	.063W	5%	15K Ω
R2092	ERJ2GEJ103X	SMD	.063W	5%	10K Ω
R2093	ERJ2GEJ103X	SMD	.063W	5%	10K Ω
R2111	ERJ2GEJ103X	SMD	.063W	5%	10K Ω
R2114	ERJ2GEJ222X	SMD	.063W	5%	2K2 Ω
R2115	ERJ2GEJ222X	SMD	.063W	5%	2K2 Ω
R2117	DOGBR00Z0002	SMD	0.1W	-	0 Ω

Cct Ref	Parts Number	Description				
R2118	ERJ2GEJ471X	SMD	.063W	5%	470 Ω	
R2119	ERJ2GE0R00X	SMD	.063W	-	0 Ω	
R2120	ERJ2GE0R00X	SMD	.063W	-	0 Ω	
R2121	ERJ8GEYJ3R3V	SMD	0.25W	5%	3R3 Ω	
R2123	ERJ8GEYJ3R3V	SMD	0.25W	5%	3R3 Ω	
R2125	ERJ8GEYJ3R3V	SMD	0.25W	5%	3R3 Ω	
R2126	ERJ2GEJ103X	SMD	.063W	5%	10K Ω	
R2127	ERJ8GEYJ3R3V	SMD	0.25W	5%	3R3 Ω	
R2128	ERJ2GEJ473X	SMD	.063W	5%	47K Ω	
R2129	ERJ6GEYJ100	S.M.CARB	0.1W	5%	10 Ω	
R2130	ERJ2GEJ104X	SMD	.063W	5%	100K Ω	
R2132	ERJ2GEJ471X	SMD	.063W	5%	470 Ω	
R2133	ERJ6GEYJ100	S.M.CARB	0.1W	5%	10 Ω	
R2134	D0GBR00Z0002	SMD	0.1W	-	0 Ω	
R2135	ERJ2GEJ473X	SMD	.063W	5%	47K Ω	
R2137	ERJ6GEYJ100	S.M.CARB	0.1W	5%	10 Ω	
R2138	ERJ2GEJ105X	SMD	.063W	5%	1M Ω	
R2141	ERJ2GEJ473X	SMD	.063W	5%	47K Ω	
R2142	ERJ2GEJ102X	SMD	.063W	5%	1K Ω	
R2150	ERJ3GEYJ223V	S.M.CARB	0.1W	5%	22K Ω	
R2151	ERJ2GEJ104X	SMD	.063W	5%	100K Ω	
R2152	ERJ2GEJ105X	SMD	.063W	5%	1M Ω	
R2153	ERJ2GEJ473X	SMD	.063W	5%	47K Ω	
R2154	ERJ2GEJ103X	SMD	.063W	5%	10K Ω	
R2155	ERJ2GEJ333X	SMD	.063W	5%	33K Ω	
R2156	ERJ2GEJ104X	SMD	.063W	5%	100K Ω	
R2160	ERJ2GEJ473X	SMD	.063W	5%	47K Ω	
R2165	ERJ2GEJ103X	SMD	.063W	5%	10K Ω	
R2166	ERJ2GEJ222X	SMD	.063W	5%	2K2 Ω	
R2169	ERJ2GEJ473X	SMD	.063W	5%	47K Ω	
R2170	ERJ2GEJ222X	SMD	.063W	5%	2K2 Ω	
R2173	ERJ2GEJ100X	SMD	.063W	5%	10 Ω	
R2174	ERJ2GEJ102X	SMD	.063W	5%	1K Ω	
R2175	ERJ2GEJ103X	SMD	.063W	5%	10K Ω	
R2176	ERJ2GEJ102X	SMD	.063W	5%	1K Ω	
R2177	ERJ2GEJ473X	SMD	.063W	5%	47K Ω	
R2178	ERJ2GEJ102X	SMD	.063W	5%	1K Ω	
R2179	ERJ2GEJ104X	SMD	.063W	5%	100K Ω	
R2181	ERJ2GEJ223X	SMD	.063W	5%	22K Ω	
R2182	ERJ2GEJ563X	SMD	.063W	5%	56K Ω	
R2183	D0GBR00Z0002	SMD	0.1W	-	0 Ω	
R2189	D0GBR00Z0002	SMD	0.1W	-	0 Ω	
R2197	ERJ2GEJ102X	SMD	.063W	5%	1K Ω	
R2271	EXB28V220JX	SMD	.031W	5%	22 Ω	
R2272	ERJ2GE0R00X	SMD	.063W	-	0 Ω	
R2273	ERJ2GE0R00X	SMD	.063W	-	0 Ω	
R2310	ERJ8GEYJ470V	SMD	0.25W	5%	47 Ω	
R2501	ERJ6GEYJ473	S.M.CARB	0.1W	5%	47K Ω	
R2502	ERJ6GEYJ473	S.M.CARB	0.1W	5%	47K Ω	
R2503	ERJ6GEYJ152	S.M.CARB	0.1W	5%	1K5 Ω	
R2504	ERJ6GEYJ681	S.M.CARB	0.1W	5%	680 Ω	
R2506	D0GD103JA036	SMD	.125W	5%	10K Ω	
R2507	D0GD103JA036	SMD	.125W	5%	10K Ω	
R2510	ERJ6GEYJ332	S.M.CARB	0.1W	5%	3K3 Ω	
R2511	ERJ6GEYJ473	S.M.CARB	0.1W	5%	47K Ω	
R2512	ERJ6GEYJ273	S.M.CARB	0.1W	5%	27K Ω	
R2513	ERJ8GEYJ470V	SMD	0.25W	5%	47 Ω	
R2514	ERJ6GEYJ223	S.M.CARB	0.1W	5%	22K Ω	
R2515	ERJ6GEYJ224	S.M.CARB	0.1W	5%	220K Ω	
R2516	ERJ6GEYJ473	S.M.CARB	0.1W	5%	47K Ω	
R2517	D0GD103JA036	SMD	.125W	5%	10K Ω	
R2518	D0GD103JA036	SMD	.125W	5%	10K Ω	
R2519	ERJ6GEYJ102	S.M.CARB	0.1W	5%	1K Ω	
R2520	ERJ6GEYJ473	S.M.CARB	0.1W	5%	47K Ω	
R2526	D0GBR00Z0002	SMD	0.1W	-	0 Ω	
R2551	D1BB2702A055	CHIP RES	0.1W	1%	27K Ω	
R2552	D1BB6192A055	CHIP RES	0.1W	1%	61K9 Ω	
R2903	D0GBR00Z0002	SMD	0.1W	-	0 Ω	

Cct Ref	Parts Number	Description				
R2905	ERJ2GE0R00X	SMD	.063W	-	0 Ω	
R2909	ERJ2GEJ220X	SMD	.063W	5%	22 Ω	
R2910	ERJ2GEJ221X	SMD	.063W	5%	220 Ω	
R2912	D0GDR00Z0002	SMD	.125W	-	0 Ω	
R2915	ERJ2GEJ221X	SMD	.063W	5%	220 Ω	
R2916	ERJ2GEJ220X	SMD	.063W	5%	22 Ω	
R2917	ERJ2GEJ220X	SMD	.063W	5%	22 Ω	
R2918	ERJ2GEJ103X	SMD	.063W	5%	10K Ω	
R2927	ERJ2GE0R00X	SMD	.063W	-	0 Ω	
R2931	D0GBR00Z0002	SMD	0.1W	-	0 Ω	
R3000	ERJ6GEYJ473	S.M.CARB	0.1W	5%	47K Ω	
R3001	ERJ6GEYJ473	S.M.CARB	0.1W	5%	47K Ω	
R3002	ERJ6GEYJ473	S.M.CARB	0.1W	5%	47K Ω	
R3003	ERJ6GEYJ473	S.M.CARB	0.1W	5%	47K Ω	
R3004	ERJ6GEYJ473	S.M.CARB	0.1W	5%	47K Ω	
R3005	ERJ6GEYJ473	S.M.CARB	0.1W	5%	47K Ω	
R3006	ERJ2GEJ104X	SMD	.063W	5%	100K Ω	
R3007	ERJ2GEJ104X	SMD	.063W	5%	100K Ω	
R3008	ERJ2GEJ222X	SMD	.063W	5%	2K2 Ω	
R3009	ERJ2GEJ222X	SMD	.063W	5%	2K2 Ω	
R3010	ERJ2GEJ104X	SMD	.063W	5%	100K Ω	
R3011	ERJ2GEJ104X	SMD	.063W	5%	100K Ω	
R3012	ERJ2GEJ222X	SMD	.063W	5%	2K2 Ω	
R3013	ERJ2GEJ222X	SMD	.063W	5%	2K2 Ω	
R3018	ERJ3GEYJ331	SMD	0.1W	5%	330 Ω	
R3019	ERJ2GEJ222X	SMD	.063W	5%	2K2 Ω	
R3020	ERJ3GEYJ331	SMD	0.1W	5%	330 Ω	
R3021	ERJ2GEJ222X	SMD	.063W	5%	2K2 Ω	
R3024	ERJ2GEJ104X	SMD	.063W	5%	100K Ω	
R3025	ERJ2GEJ104X	SMD	.063W	5%	100K Ω	
R3028	ERJ2GEJ331X	SMD	.063W	5%	330 Ω	
R3029	ERJ2GEJ331X	SMD	.063W	5%	330 Ω	
R3030	ERJ2GE0R00X	SMD	.063W	-	0 Ω	
R3033	ERJ2GEJ221X	SMD	.063W	5%	220 Ω	
R3034	ERJ2GEJ221X	SMD	.063W	5%	220 Ω	
R3035	ERJ2GE0R00X	SMD	.063W	-	0 Ω	
R3036	ERJ2GE0R00X	SMD	.063W	-	0 Ω	
R3037	ERJ2GEJ221X	SMD	.063W	5%	220 Ω	
R3038	ERJ2GEJ221X	SMD	.063W	5%	220 Ω	
R3041	ERJ2GEJ331X	SMD	.063W	5%	330 Ω	
R3042	ERJ2GEJ331X	SMD	.063W	5%	330 Ω	
R3043	ERJ2GEJ221X	SMD	.063W	5%	220 Ω	
R3045	ERJ2GEJ221X	SMD	.063W	5%	220 Ω	
R3047	ERJ2GEJ221X	SMD	.063W	5%	220 Ω	
R3048	ERJ2GEJ221X	SMD	.063W	5%	220 Ω	
R3049	ERJ2GEJ221X	SMD	.063W	5%	220 Ω	
R3050	ERJ2GEJ221X	SMD	.063W	5%	220 Ω	
R3051	ERJ2GEJ221X	SMD	.063W	5%	220 Ω	
R3052	ERJ2GEJ221X	SMD	.063W	5%	220 Ω	
R3072	ERJ6ENF1500	SMD	.125W	1%	150 Ω	
R3073	ERJ6ENF1500	SMD	.125W	1%	150 Ω	
R3074	ERJ6ENF1500	SMD	.125W	1%	150 Ω	
R3075	ERJ6ENF1500	SMD	.125W	1%	150 Ω	
R3076	ERJ6ENF1500	SMD	.125W	1%	150 Ω	
R3077	ERJ6ENF1500	SMD	.125W	1%	150 Ω	
R3079	ERJ6ENF1500	SMD	.125W	1%	150 Ω	
R3081	ERJ6ENF1500	SMD	.125W	1%	150 Ω	
R3082	ERJ6ENF1500	SMD	.125W	1%	150 Ω	
R3083	ERJ6ENF1500	SMD	.125W	1%	150 Ω	
R3084	ERJ6ENF75R0	SMD	.125W	1%	75 Ω	
R3085	ERJ6ENF75R0	SMD	.125W	1%	75 Ω	
R3086	ERJ6ENF75R0	SMD	.125W	1%	75 Ω	
R3087	ERJ6ENF1500	SMD	.125W	1%	150 Ω	
R3089	ERJ6GEYJ680	S.M.CARB	0.1W	5%	68 Ω	
R3091	ERJ6ENF2152V	SMD	.125W	1%	21K5 Ω	
R3092	ERJ6ENF2152V	SMD	.125W	1%	21K5 Ω	
R3094	ERJ6ENF1302	S.M.CARB	0.1W	1%	13K Ω	
R3097	ERJ6ENF1500	SMD	.125W	1%	150 Ω	

Cct Ref	Parts Number	Description			
R3098	ERJ6ENF1500	SMD	.125W	1%	150 Ω
R3099	ERJ2GE0R00X	SMD	.063W	-	0 Ω
R3100	ERJ2GEJ104X	SMD	.063W	5%	100K Ω
R3102	ERJ6ENF1500	SMD	.125W	1%	150 Ω
R3104	ERJ6ENF1500	SMD	.125W	1%	150 Ω
R3105	ERJ2GE0R00X	SMD	.063W	-	0 Ω
R3106	ERJ2GE0R00X	SMD	.063W	-	0 Ω
R3107	ERJ2GE0R00X	SMD	.063W	-	0 Ω
R3108	ERJ2GE0R00X	SMD	.063W	-	0 Ω
R3109	ERJ2GE0R00X	SMD	.063W	-	0 Ω
R3112	D0GBR00Z0002	SMD	0.1W	-	0 Ω
R3113	D0GBR00Z0002	SMD	0.1W	-	0 Ω
R3114	ERJ2GE0R00X	SMD	.063W	-	0 Ω
R3115	ERJ2GEJ221X	SMD	.063W	5%	220 Ω
R3116	ERJ2GEJ221X	SMD	.063W	5%	220 Ω
R3117	ERJ2GEJ221X	SMD	.063W	5%	220 Ω
R3118	ERJ2GEJ221X	SMD	.063W	5%	220 Ω
R3119	ERJ2GEJ221X	SMD	.063W	5%	220 Ω
R3120	ERJ2GEJ331X	SMD	.063W	5%	330 Ω
R3121	ERJ6ENF75R0	SMD	.125W	1%	75 Ω
R3122	ERJ2GE0R00X	SMD	.063W	-	0 Ω
R3123	ERJ2GEJ221X	SMD	.063W	5%	220 Ω
R3126	ERJ2GE0R00X	SMD	.063W	-	0 Ω
R3127	ERJ2GE0R00X	SMD	.063W	-	0 Ω
R3128	ERJ2GEJ221X	SMD	.063W	5%	220 Ω
R3129	ERJ2GEJ221X	SMD	.063W	5%	220 Ω
R3130	ERJ2GEJ220X	SMD	.063W	5%	22 Ω
R3131	ERJ2GEJ220X	SMD	.063W	5%	22 Ω
R3132	ERJ2GEJ680X	SMD	.063W	5%	68 Ω
R3133	ERJ2GEJ680X	SMD	.063W	5%	68 Ω
R3134	ERJ2GEJ680X	SMD	.063W	5%	68 Ω
R3135	ERJ2GEJ221X	SMD	.063W	5%	220 Ω
R3136	ERJ2GEJ221X	SMD	.063W	5%	220 Ω
R3137	ERJ2GEJ221X	SMD	.063W	5%	220 Ω
R3138	ERJ2GEJ221X	SMD	.063W	5%	220 Ω
R3139	ERJ2GEJ221X	SMD	.063W	5%	220 Ω
R3140	ERJ2GEJ221X	SMD	.063W	5%	220 Ω
R3141	D0GB102JA041	SMD	0.1W	5%	1K Ω
R3142	ERJ2GE0R00X	SMD	.063W	-	0 Ω
R3143	ERJ2GEJ221X	SMD	.063W	5%	220 Ω
R3144	ERJ2GE0R00X	SMD	.063W	-	0 Ω
R3145	ERJ2GE0R00X	SMD	.063W	-	0 Ω
R3146	ERJ2GEJ331X	SMD	.063W	5%	330 Ω
R3150	ERJ2GEJ221X	SMD	.063W	5%	220 Ω
R3153	ERJ6GEYJ680	S.M.CARB	0.1W	5%	68 Ω
R3158	ERJ3GEYJ221	SMD	0.1W	5%	220 Ω
R3159	ERJ3GEYJ221	SMD	0.1W	5%	220 Ω
R3164	ERJ2GE0R00X	SMD	.063W	-	0 Ω
R3165	ERJ2GEJ680X	SMD	.063W	5%	68 Ω
R3166	ERJ2GE0R00X	SMD	.063W	-	0 Ω
R3167	ERJ6ENF75R0	SMD	.125W	1%	75 Ω
R3169	ERJ2GEJ104X	SMD	.063W	5%	100K Ω
R3172	ERJ6ENF75R0	SMD	.125W	1%	75 Ω
R3174	ERJ2GEJ104X	SMD	.063W	5%	100K Ω
R3177	ERJ2GEJ273X	SMD	.063W	5%	27K Ω
R3182	ERJ6ENF1302	S.M.CARB	0.1W	1%	13K Ω
R3183	ERJ2GEJ273X	SMD	.063W	5%	27K Ω
R3186	ERJ6ENF1500	SMD	.125W	1%	150 Ω
R3187	ERJ6ENF1500	SMD	.125W	1%	150 Ω
R3188	ERJ6ENF1500	SMD	.125W	1%	150 Ω
R3189	ERJ2GEJ680X	SMD	.063W	5%	68 Ω
R3190	ERJ2GEJ680X	SMD	.063W	5%	68 Ω
R3191	ERJ2GEJ680X	SMD	.063W	5%	68 Ω
R3193	ERJ6ENF1500	SMD	.125W	1%	150 Ω
R3198	ERJ6ENF1500	SMD	.125W	1%	150 Ω
R3199	ERJ2GE0R00X	SMD	.063W	-	0 Ω
R3200	ERJ2GE0R00X	SMD	.063W	-	0 Ω
R3204	ERJ6ENF1500	SMD	.125W	1%	150 Ω

Cct Ref	Parts Number	Description			
R3205	ERJ6ENF1500	SMD	.125W	1%	150 Ω
R3206	ERJ2GE0R00X	SMD	.063W	-	0 Ω
R3207	ERJ2GE0R00X	SMD	.063W	-	0 Ω
R3212	ERJ6ENF1500	SMD	.125W	1%	150 Ω
R3213	ERJ6ENF1500	SMD	.125W	1%	150 Ω
R3217	ERJ2GE0R00X	SMD	.063W	-	0 Ω
R3219	ERJ2GE0R00X	SMD	.063W	-	0 Ω
R3222	D0GDR00Z0002	SMD	.125W	-	0 Ω
R3223	ERJ2GEJ101X	SMD	.063W	5%	100 Ω
R3224	D0GDR00Z0002	SMD	.125W	-	0 Ω
R3225	ERJ2GEJ101X	SMD	.063W	5%	100 Ω
R3226	ERJ6GEYJ472	S.M.CARB	0.1W	5%	4K7 Ω
R3227	ERJ6GEYJ472	S.M.CARB	0.1W	5%	4K7 Ω
R3228	D0GDR00Z0002	SMD	.125W	-	0 Ω
R3229	D0GDR00Z0002	SMD	.125W	-	0 Ω
R3230	ERJ6ENF75R0	SMD	.125W	1%	75 Ω
R3231	D0GDR00Z0002	SMD	.125W	-	0 Ω
R3232	ERJ6ENF75R0	SMD	.125W	1%	75 Ω
R3233	D0GDR00Z0002	SMD	.125W	-	0 Ω
R3234	ERJ6ENF75R0	SMD	.125W	1%	75 Ω
R3235	D0GDR00Z0002	SMD	.125W	-	0 Ω
R3236	ERJ2GEJ680X	SMD	.063W	5%	68 Ω
R3237	ERJ2GEJ680X	SMD	.063W	5%	68 Ω
R3238	ERJ2GEJ101X	SMD	.063W	5%	100 Ω
R3240	ERJ2GEJ221X	SMD	.063W	5%	220 Ω
R3700	ERJ6GEYJ393	S.M.CARB	0.1W	5%	39K Ω
R3701	ERJ6GEYJ393	S.M.CARB	0.1W	5%	39K Ω
R3702	ERJ6GEYJ184	S.M.CARB	0.1W	5%	180K Ω
R3703	ERJ6GEYJ184	S.M.CARB	0.1W	5%	180K Ω
R3814	ERJ6GEY0R00	S.M.CARB	0.1W	-	0 Ω
R4301	ERJ2GEJ103X	SMD	.063W	5%	10K Ω
R4302	ERJ2GEJ102X	SMD	.063W	5%	1K Ω
R4303	ERJ2GEJ103X	SMD	.063W	5%	10K Ω
R4304	ERJ2GEJ302X	SMD	.063W	5%	3K Ω
R4308	ERJ2GEJ102X	SMD	.063W	5%	1K Ω
R4309	ERJ2GEJ102X	SMD	.063W	5%	1K Ω
R4310	ERJ2GEJ103X	SMD	.063W	5%	10K Ω
R4311	ERJ2GEJ103X	SMD	.063W	5%	10K Ω
R4312	ERJ2GEJ103X	SMD	.063W	5%	10K Ω
R4313	ERJ2GEJ103X	SMD	.063W	5%	10K Ω
R4314	ERJ2GEJ102X	SMD	.063W	5%	1K Ω
R4315	ERJ2GEJ103X	SMD	.063W	5%	10K Ω
R4316	ERJ2GEJ103X	SMD	.063W	5%	10K Ω
R4317	ERJ2GEJ103X	SMD	.063W	5%	10K Ω
R4318	ERJ6ENF5111V	SMD	.125W	1%	5K11 Ω
R4319	ERJ6ENF4871V	SMD	.125W	1%	4K87 Ω
R4320	ERJ2RKF3001X	SMD	.063W	1%	3K Ω
R4321	ERJ2GEJ102X	SMD	.063W	5%	1K Ω
R4322	ERJ2RKF3901X	SMD	.063W	1%	3K9 Ω
R4326	ERJ2GEJ100X	SMD	.063W	5%	10 Ω
R4359	ERJ2GE0R00X	SMD	.063W	-	0 Ω
R4362	ERJ2GE0R00X	SMD	.063W	-	0 Ω
R4500	ERJ2GEJ103X	SMD	.063W	5%	10K Ω
R4501	ERJ2GEJ103X	SMD	.063W	5%	10K Ω
R4502	ERJ2GEJ330X	SMD	.063W	5%	33 Ω
R4503	ERJ2GEJ330X	SMD	.063W	5%	33 Ω
R4524	ERJ2GE0R00X	SMD	.063W	-	0 Ω
R4525	ERJ2GE0R00X	SMD	.063W	-	0 Ω
R4526	ERJ2GEJ102X	SMD	.063W	5%	1K Ω
R4527	ERJ2GEJ102X	SMD	.063W	5%	1K Ω
R4528	ERJ2GEJ103X	SMD	.063W	5%	10K Ω
R4530	ERJ2GEJ103X	SMD	.063W	5%	10K Ω
R4532	ERJ2GEJ103X	SMD	.063W	5%	10K Ω
R4533	ERJ2GEJ103X	SMD	.063W	5%	10K Ω
R4548	ERJ2GEJ103X	SMD	.063W	5%	10K Ω
R4549	ERJ2GEJ103X	SMD	.063W	5%	10K Ω
R4552	ERJ2GEJ220X	SMD	.063W	5%	22 Ω
R4558	ERJ2GEJ105X	SMD	.063W	5%	1M Ω

Cct Ref	Parts Number	Description			
R4559	ERJ2GEJ105X	SMD	.063W	5%	1M Ω
R4560	ERJ2GEJ471X	SMD	.063W	5%	470 Ω
R4562	ERJ2GEJ473X	SMD	.063W	5%	47K Ω
R4563	ERJ2GEJ473X	SMD	.063W	5%	47K Ω
R4564	ERJ2GEJ473X	SMD	.063W	5%	47K Ω
R4565	ERJ2GEJ473X	SMD	.063W	5%	47K Ω
R4566	ERJ2GEJ473X	SMD	.063W	5%	47K Ω
R4567	ERJ2GEJ473X	SMD	.063W	5%	47K Ω
R4587	D1BB60400001	SMD	0.1W	1%	604 Ω
R4588	D1BB8060A055	SMD	0.1W	1%	806 Ω
R4589	D1BB8060A055	SMD	0.1W	1%	806 Ω
R4592	D1BB8060A055	SMD	0.1W	1%	806 Ω
R4593	D1BB2201A055	SMD	0.1W	1%	2K2 Ω
R4596	ERJ6GEYJ102	S.M.CARB	0.1W	5%	1K Ω
R4597	ERJ6GEYJ102	S.M.CARB	0.1W	5%	1K Ω
R4598	ERJ6GEYJ102	S.M.CARB	0.1W	5%	1K Ω
R4600	ERJ2GEJ473X	SMD	.063W	5%	47K Ω
R4601	ERJ6GEYJ102	S.M.CARB	0.1W	5%	1K Ω
R4603	ERJ2GEJ473X	SMD	.063W	5%	47K Ω
R4604	ERJ2GEJ473X	SMD	.063W	5%	47K Ω
R4605	D1BB2201A055	SMD	0.1W	1%	2K2 Ω
R4606	D1BB9101A055	SMD	0.1W	1%	9K1 Ω
R4608	ERJ6GEYJ102	S.M.CARB	0.1W	5%	1K Ω
R4609	ERJ2GEJ103X	SMD	.063W	5%	10K Ω
R4610	ERJ2GE0R00X	SMD	.063W	-	0 Ω
R4611	D1BB5601A055	SMD	0.1W	1%	5K6 Ω
R4613	ERJ2GEJ473X	SMD	.063W	5%	47K Ω
R4614	ERJ2GEJ473X	SMD	.063W	5%	47K Ω
R4615	ERJ2GEJ473X	SMD	.063W	5%	47K Ω
R4616	ERJ2GEJ473X	SMD	.063W	5%	47K Ω
R4617	ERJ2GEJ473X	SMD	.063W	5%	47K Ω
R4624	ERJ2GEJ102X	SMD	.063W	5%	1K Ω
R4625	ERJ2GEJ102X	SMD	.063W	5%	1K Ω
R4626	D1BB2200A055	SMD	0.1W	1%	220 Ω
R4627	D1BB2200A055	SMD	0.1W	1%	220 Ω
R4628	ERJ2GE0R00X	SMD	.063W	-	0 Ω
R4629	ERJ2GE0R00X	SMD	.063W	-	0 Ω
R4631	D1BB4990A055	SMD	0.1W	1%	499 Ω
R4634	D1BB2200A055	SMD	0.1W	1%	220 Ω
R4635	EXB28V680JX	SMD	.031W	5%	68 Ω
R4636	ERJ2GEJ680X	SMD	.063W	5%	68 Ω
R4637	ERJ2GEJ680X	SMD	.063W	5%	68 Ω
R4638	ERJ2GEJ680X	SMD	.063W	5%	68 Ω
R4639	EXB28V680JX	SMD	.031W	5%	68 Ω
R4640	EXB28V680JX	SMD	.031W	5%	68 Ω
R4644	ERJ2GE0R00X	SMD	.063W	-	0 Ω
R4645	ERJ2GEJ680X	SMD	.063W	5%	68 Ω
R4646	ERJ2GEJ680X	SMD	.063W	5%	68 Ω
R4647	ERJ2GEJ680X	SMD	.063W	5%	68 Ω
R4648	EXB28V330JX	SMD	.031W	5%	33 Ω
R4649	EXB28V680JX	SMD	.031W	5%	68 Ω
R4650	ERJ2GEJ680X	SMD	.063W	5%	68 Ω
R4651	ERJ2GEJ680X	SMD	.063W	5%	68 Ω
R4652	ERJ2GEJ473X	SMD	.063W	5%	47K Ω
R4656	ERJ2GEJ222X	SMD	.063W	5%	2K2 Ω
R4657	ERJ2GE0R00X	SMD	.063W	-	0 Ω
R4658	ERJ2GE0R00X	SMD	.063W	-	0 Ω
R4664	D1BB60400001	SMD	0.1W	1%	604 Ω
R4666	ERJ2GEJ473X	SMD	.063W	5%	47K Ω
R4670	ERJ2GEJ680X	SMD	.063W	5%	68 Ω
R4673	ERJ2GE0R00X	SMD	.063W	-	0 Ω
R4677	ERJ2GE0R00X	SMD	.063W	-	0 Ω
R4678	EXB28V680JX	SMD	.031W	5%	68 Ω
R4679	EXB28V680JX	SMD	.031W	5%	68 Ω
R4680	ERJ2GEJ680X	SMD	.063W	5%	68 Ω
R4700	ERJ2GEJ103X	SMD	.063W	5%	10K Ω
R4701	ERJ2GEJ103X	SMD	.063W	5%	10K Ω
R4702	ERJ2GEJ103X	SMD	.063W	5%	10K Ω

Cct Ref	Parts Number	Description			
R4703	ERJ2GEJ472X	SMD	.063W	5%	4K7 Ω
R4704	ERJ2GEJ472X	SMD	.063W	5%	4K7 Ω
R4705	ERJ2GEJ473X	SMD	.063W	5%	47K Ω
R4706	ERJ2GE0R00X	SMD	.063W	-	0 Ω
R4707	ERJ2GE0R00X	SMD	.063W	-	0 Ω
R4710	ERJ2GEJ103X	SMD	.063W	5%	10K Ω
R4711	ERJ2GEJ103X	SMD	.063W	5%	10K Ω
R4713	ERJ2GEJ103X	SMD	.063W	5%	10K Ω
R4714	ERJ2GE0R00X	SMD	.063W	-	0 Ω
R4715	ERJ2GE0R00X	SMD	.063W	-	0 Ω
R4716	ERJ2GEJ390X	SMD	.063W	5%	39 Ω
R4717	ERJ2GEJ102X	SMD	.063W	5%	1K Ω
R4718	ERJ2GEJ473X	SMD	.063W	5%	47K Ω
R4729	ERJ3GEYJ560	SMD	0.1W	5%	56 Ω
R4730	ERJ3GEYJ560	SMD	0.1W	5%	56 Ω
R4731	ERJ2GE0R00X	SMD	.063W	-	0 Ω
R4732	ERJ2GE0R00X	SMD	.063W	-	0 Ω
R4733	ERJ2GE0R00X	SMD	.063W	-	0 Ω
R4734	ERJ2GE0R00X	SMD	.063W	-	0 Ω
R5600	ERJ2GEJ680X	SMD	.063W	5%	68 Ω
R5601	D0GBR00Z0002	SMD	0.1W	-	0 Ω
R5602	ERJ2GE0R00X	SMD	.063W	-	0 Ω
R5603	ERJ2GE0R00X	SMD	.063W	-	0 Ω
R5604	D1BB4702A055	SMD	0.1W	1%	47K Ω
R5605	D1BB1272A055	SMD	0.1W	1%	12K7 Ω
R5606	ERJ2GE0R00X	SMD	.063W	-	0 Ω
R5607	ERJ2GE0R00X	SMD	.063W	-	0 Ω
R5610	ERJ2GEJ104X	SMD	.063W	5%	100K Ω
R5611	D1BB4702A055	SMD	0.1W	1%	47K Ω
R5612	D1BB3602A055	SMD	0.1W	1%	36K Ω
R5614	D0GBR00Z0002	SMD	0.1W	-	0 Ω
R5616	ERJ2GE0R00X	SMD	.063W	-	0 Ω
R5619	ERJ2GE0R00X	SMD	.063W	-	0 Ω
R5620	ERJ2GEJ680X	SMD	.063W	5%	68 Ω
R5621	D1BB2802A055	SMD	0.1W	1%	28K Ω
R5622	ERJ2GEJ104X	SMD	.063W	5%	100K Ω
R5623	D1BB4702A055	SMD	0.1W	1%	47K Ω
R5625	ERJ2GE0R00X	SMD	.063W	-	0 Ω
R5626	ERJ2GE0R00X	SMD	.063W	-	0 Ω
R5627	ERJ2GE0R00X	SMD	.063W	-	0 Ω
R5628	ERJ2GE0R00X	SMD	.063W	-	0 Ω
R5629	D1BB2802A055	SMD	0.1W	1%	28K Ω
R5630	D1BB4752A055	SMD	0.1W	1%	47K5 Ω
R5631	D1BB3602A055	SMD	0.1W	1%	36K Ω
R5632	D1BB3002A055	SMD	0.1W	1%	30K Ω
R5633	D1BB3602A055	SMD	0.1W	1%	36K Ω
R5634	D1BB2802A055	SMD	0.1W	1%	28K Ω
R5635	ERJ2GEJ223X	SMD	.063W	5%	22K Ω
R5636	ERJ2GEJ683X	SMD	.063W	5%	68K Ω
R5638	ERJ2GEJ103X	SMD	.063W	5%	10K Ω
R5639	ERJ6RBD363V	SMD	0.1W	0.5	36K Ω
R5640	D0GB103JA041	SMD	0.1W	5%	10K Ω
R5641	ERJ2GEJ473X	SMD	.063W	5%	47K Ω
R5642	D1BD1002A077	CHIP RES	0.1W	0.5	10K Ω
R5644	ERJ2GEJ222X	SMD	.063W	5%	2K2 Ω
R5645	D0GDR00Z0002	SMD	.125W	-	0 Ω
R5646	ERJ2GEJ103X	SMD	.063W	5%	10K Ω
R5647	ERJ2GEJ473X	SMD	.063W	5%	47K Ω
R5648	ERJ3GEYJ472	SMD	0.1W	5%	4K7 Ω
R5649	ERJ3GEYJ222	SMD	0.1W	5%	2K2 Ω
R5650	D0GB103JA041	SMD	0.1W	5%	10K Ω
R5651	ERJ6GEYJ473	S.M.CARB	0.1W	5%	47K Ω
R5652	ERJ3GEYJ223V	S.M.CARB	0.1W	5%	22K Ω
R5653	D0GB103JA041	SMD	0.1W	5%	10K Ω
R5654	ERJ6GEYJ473	S.M.CARB	0.1W	5%	47K Ω
R5655	ERJ2GEJ103X	SMD	.063W	5%	10K Ω
R5656	ERJ2GEJ473X	SMD	.063W	5%	47K Ω
R5657	ERJ2GEJ102X	SMD	.063W	5%	1K Ω

Cct Ref	Parts Number	Description				
R5658	ERJ2GEJ103X	SMD	.063W	5%	10K Ω	
R5659	ERJ3GEYJ223V	S.M.CARB	0.1W	5%	22K Ω	
R5660	ERJ2GEJ473X	SMD	.063W	5%	47K Ω	
R5661	ERJ2GEJ682X	SMD	.063W	5%	6K8 Ω	
R5662	ERJ2GEJ223X	SMD	.063W	5%	22K Ω	
R5663	ERJ2GEJ101X	SMD	.063W	5%	100 Ω	
R5664	ERJ2GE0R00X	SMD	.063W	-	0 Ω	
R5665	ERJ6GEY0R00	S.M.CARB	0.1W	-	0 Ω	
R5666	ERJ6GEY0R00	S.M.CARB	0.1W	-	0 Ω	
R5667	ERJ6GEYJ223	S.M.CARB	0.1W	5%	22K Ω	
R5668	ERJ6GEYJ333	S.M.CARB	0.1W	5%	33K Ω	
R5669	ERJ6GEY0R00	S.M.CARB	0.1W	-	0 Ω	
R5670	ERJ6GEYJ473	S.M.CARB	0.1W	5%	47K Ω	
R5671	ERJ6GEY0R00	S.M.CARB	0.1W	-	0 Ω	
R5673	ERJ6GEY0R00	S.M.CARB	0.1W	-	0 Ω	
R5674	ERJ6ENF3012V	SMD	0.1W	1%	30K1 Ω	
R5675	ERJ6ENF7151	SMD	.125W	1%	7K15 Ω	
R5676	ERJ6GEY0R00	S.M.CARB	0.1W	-	0 Ω	
R5677	ERJ6GEY0R00	S.M.CARB	0.1W	-	0 Ω	
R5678	D0GD103JA036	SMD	.125W	5%	10K Ω	
R5679	ERJ6GEY0R00	S.M.CARB	0.1W	-	0 Ω	
R5680	ERJ6GEY0R00	S.M.CARB	0.1W	-	0 Ω	
R5681	ERJ6GEYJ223	S.M.CARB	0.1W	5%	22K Ω	
R5682	ERJ6GEY0R00	S.M.CARB	0.1W	-	0 Ω	
R5683	ERJ6GEY0R00	S.M.CARB	0.1W	-	0 Ω	
R5684	ERJ6GEYJ223	S.M.CARB	0.1W	5%	22K Ω	
R5685	ERJ3GEYJ223V	S.M.CARB	0.1W	5%	22K Ω	
R5688	D0GDR00Z0002	SMD	.125W	-	0 Ω	
R5689	ERJ2GE0R00X	SMD	.063W	-	0 Ω	
R5702	ERJ2GEJ222X	SMD	.063W	5%	2K2 Ω	
R5703	D0GDR00Z0002	SMD	.125W	-	0 Ω	
R5705	D0GDR00Z0002	SMD	.125W	-	0 Ω	
R5706	ERJ2GEJ103X	SMD	.063W	5%	10K Ω	
R5708	ERJ2GEJ473X	SMD	.063W	5%	47K Ω	
R5710	ERJ2GEJ102X	SMD	.063W	5%	1K Ω	
R5712	ERJ2GEJ472X	SMD	.063W	5%	4K7 Ω	
R5714	ERJ2GEJ563X	SMD	.063W	5%	56K Ω	
R5715	ERJ2GEJ223X	SMD	.063W	5%	22K Ω	
R5716	ERJ2GE0R00X	SMD	.063W	-	0 Ω	
R5717	ERJ2GE0R00X	SMD	.063W	-	0 Ω	
R5719	ERJ2GEJ104X	SMD	.063W	5%	100K Ω	
R5720	ERJ6ENF1602V	SMD	.125W	1%	16K Ω	
R5721	ERJ6ENF8202V	SMD	.125W	1%	82K Ω	
R5751	ERJ6RBD152V	SMD	0.1W	0.5	1K5 Ω	
R5752	ERJ6RBD123V	SMD	0.1W	0.5	12K Ω	
R5753	ERJ6RBD122	SMD	0.1W	0.5	1K2 Ω	
R5759	ERJ6RBD152V	SMD	0.1W	0.5	1K5 Ω	
R5760	ERJ6RBD912V	SMD	0.1W	0.5	9K1 Ω	
R5761	ERJ6RBD471V	SMD	0.1W	0.5	470 Ω	
R7609	ERJ2GEJ222X	SMD	.063W	5%	2K2 Ω	
R8001	ERJ2GEJ221X	SMD	.063W	5%	220 Ω	
R8002	ERJ2GEJ560X	SMD	.063W	5%	56 Ω	
R8004	D1BB2402A055	SMD	0.1W	1%	24K Ω	
R8005	D1BB1002A055	SMD	0.1W	1%	10K Ω	
R8006	D1BB6801A055	SMD	0.1W	1%	6K8 Ω	
R8023	ERJ2GE0R00X	SMD	.063W	-	0 Ω	
R8024	ERJ2GE0R00X	SMD	.063W	-	0 Ω	
R8025	ERJ2GE0R00X	SMD	.063W	-	0 Ω	
R8026	ERJ2GE0R00X	SMD	.063W	-	0 Ω	
R8027	ERJ2GE0R00X	SMD	.063W	-	0 Ω	
R8028	ERJ2GE0R00X	SMD	.063W	-	0 Ω	
R8029	ERJ2GE0R00X	SMD	.063W	-	0 Ω	
R8030	ERJ2GEJ101X	SMD	.063W	5%	100 Ω	
R8031	D1BB2700A055	SMD	0.1W	1%	270 Ω	
R8032	D1BB2700A055	SMD	0.1W	1%	270 Ω	
R8035	ERJ2GE0R00X	SMD	.063W	-	0 Ω	
R8039	ERJ2GE0R00X	SMD	.063W	-	0 Ω	
R8056	ERJ2GEJ470X	SMD	.063W	5%	47 Ω	

Cct Ref	Parts Number	Description				
R8057	ERJ2GEJ470X	SMD	.063W	5%	47 Ω	
R8058	ERJ2GEJ470X	SMD	.063W	5%	47 Ω	
R8059	ERJ2GEJ470X	SMD	.063W	5%	47 Ω	
R8060	ERJ2GEJ470X	SMD	.063W	5%	47 Ω	
R8061	ERJ2GEJ470X	SMD	.063W	5%	47 Ω	
R8062	ERJ2GEJ470X	SMD	.063W	5%	47 Ω	
R8063	ERJ2GEJ470X	SMD	.063W	5%	47 Ω	
R8064	ERJ2GEJ470X	SMD	.063W	5%	47 Ω	
R8065	ERJ2GEJ470X	SMD	.063W	5%	47 Ω	
R8066	ERJ2GEJ470X	SMD	.063W	5%	47 Ω	
R8067	ERJ2GEJ470X	SMD	.063W	5%	47 Ω	
R8068	ERJ2GEJ470X	SMD	.063W	5%	47 Ω	
R8069	ERJ2GEJ470X	SMD	.063W	5%	47 Ω	
R8070	ERJ2GEJ470X	SMD	.063W	5%	47 Ω	
R8071	ERJ2GEJ470X	SMD	.063W	5%	47 Ω	
R8072	ERJ2GEJ470X	SMD	.063W	5%	47 Ω	
R8073	ERJ2GEJ470X	SMD	.063W	5%	47 Ω	
R8074	ERJ2GEJ221X	SMD	.063W	5%	220 Ω	
R8075	ERJ2GEJ470X	SMD	.063W	5%	47 Ω	
R8076	ERJ2GEJ470X	SMD	.063W	5%	47 Ω	
R8077	ERJ2GEJ470X	SMD	.063W	5%	47 Ω	
R8078	ERJ2GEJ470X	SMD	.063W	5%	47 Ω	
R8079	ERJ2GE0R00X	SMD	.063W	-	0 Ω	
R8080	ERJ2GE0R00X	SMD	.063W	-	0 Ω	
R8081	ERJ2GEJ103X	SMD	.063W	5%	10K Ω	
R8082	D1BA75R0A014	SMD	.063W	1%	75 Ω	
R8083	ERJ2GEJ301X	SMD	.063W	5%	300 Ω	
R8084	ERJ2GE0R00X	SMD	.063W	-	0 Ω	
R8086	ERJ2GEJ104X	SMD	.063W	5%	100K Ω	
R8087	ERJ2GEJ103X	SMD	.063W	5%	10K Ω	
R8090	ERJ2GEJ103X	SMD	.063W	5%	10K Ω	
R8091	ERJ2GEJ101X	SMD	.063W	5%	100 Ω	
R8093	ERJ2GEJ470X	SMD	.063W	5%	47 Ω	
R8095	ERJ2GEJ103X	SMD	.063W	5%	10K Ω	
R8097	ERJ2GEJ221X	SMD	.063W	5%	220 Ω	
R8098	ERJ2GEJ103X	SMD	.063W	5%	10K Ω	
R8099	ERJ2GEJ103X	SMD	.063W	5%	10K Ω	
R8100	ERJ2GEJ470X	SMD	.063W	5%	47 Ω	
R8101	ERJ2GEJ103X	SMD	.063W	5%	10K Ω	
R8106	ERJ2GEJ202X	SMD	.063W	5%	2K Ω	
R8107	ERJ2GEJ101X	SMD	.063W	5%	100 Ω	
R8108	ERJ2GEJ333X	SMD	.063W	5%	33K Ω	
R8112	ERJ2GEJ473X	SMD	.063W	5%	47K Ω	
R8301	EXB2HV680JV	SMD	.063W	5%	68 Ω	
R8305	ERJ2GEJ223X	SMD	.063W	5%	22K Ω	
R8306	ERJ2GEJ472X	SMD	.063W	5%	4K7 Ω	
R8307	ERJ2GEJ472X	SMD	.063W	5%	4K7 Ω	
R8308	ERJ2GEJ103X	SMD	.063W	5%	10K Ω	
R8310	ERJ2GE0R00X	SMD	.063W	-	0 Ω	
R8311	ERJ2GE0R00X	SMD	.063W	-	0 Ω	
R8314	ERJ2GE0R00X	SMD	.063W	-	0 Ω	
R8315	ERJ2GE0R00X	SMD	.063W	-	0 Ω	
R8318	ERJ2GEJ472X	SMD	.063W	5%	4K7 Ω	
R8321	ERJ2GEJ103X	SMD	.063W	5%	10K Ω	
R8322	ERJ2GEJ102X	SMD	.063W	5%	1K Ω	
R8323	ERJ2GEJ473X	SMD	.063W	5%	47K Ω	
R8324	ERJ2GEJ473X	SMD	.063W	5%	47K Ω	
R8325	ERJ2GEJ101X	SMD	.063W	5%	100 Ω	
R8326	ERJ2GEJ680X	SMD	.063W	5%	68 Ω	
R8327	ERJ2GEJ680X	SMD	.063W	5%	68 Ω	
R8329	ERJ2GEJ473X	SMD	.063W	5%	47K Ω	
R8330	ERJ8GEY0R00	S.M.CARB	.125W	-	0 Ω	
R8332	EXB2HV101JV	SMD	.063W	5%	100 Ω	
R8333	EXB2HV101JV	SMD	.063W	5%	100 Ω	
R8335	EXB2HV680JV	SMD	.063W	5%	68 Ω	
R8336	EXB2HV680JV	SMD	.063W	5%	68 Ω	
R8337	EXB28V680JX	SMD	.031W	5%	68 Ω	
R8338	ERJ2GEJ680X	SMD	.063W	5%	68 Ω	

Cct Ref	Parts Number	Description			
R8339	ERJ2GEJ680X	SMD	.063W	5%	68 Ω
R8340	ERJ2GE0R00X	SMD	.063W	-	0 Ω
R8345	ERJ2GEJ103X	SMD	.063W	5%	10K Ω
R8347	ERJ2GE0R00X	SMD	.063W	-	0 Ω
R8353	ERJ2GEJ101X	SMD	.063W	5%	100 Ω
R8354	ERJ2GEJ101X	SMD	.063W	5%	100 Ω
R8356	ERJ2GE0R00X	SMD	.063W	-	0 Ω
R8359	ERJ2GE0R00X	SMD	.063W	-	0 Ω
R8361	ERJ2GE0R00X	SMD	.063W	-	0 Ω
R8362	ERJ2GE0R00X	SMD	.063W	-	0 Ω
R8401	ERJ8GEY0R00	S.M.CARB	.125W	-	0 Ω
R8402	D0GDR00Z0002	SMD	.125W	-	0 Ω
R8403	ERJ2GE0R00X	SMD	.063W	-	0 Ω
R8404	ERJ2GEJ103X	SMD	.063W	5%	10K Ω
R8405	ERJ2GEJ103X	SMD	.063W	5%	10K Ω
R8406	D0GFR10JA020	SMD	0.25W	5%	R1 Ω
R8407	ERJ2GEJ473X	SMD	.063W	5%	47K Ω
R8410	ERJ2GEJ223X	SMD	.063W	5%	22K Ω
R8411	ERJ2GEJ223X	SMD	.063W	5%	22K Ω
R8416	ERJ2GEJ223X	SMD	.063W	5%	22K Ω
R8417	ERJ2GEJ104X	SMD	.063W	5%	100K Ω
R8418	ERJ2GEJ681X	SMD	.063W	5%	680 Ω
R8421	ERJ2GEJ680X	SMD	.063W	5%	68 Ω
R8422	ERJ2GEJ680X	SMD	.063W	5%	68 Ω
R8423	ERJ2GEJ680X	SMD	.063W	5%	68 Ω
R8424	ERJ2GEJ680X	SMD	.063W	5%	68 Ω
R8425	ERJ2GEJ680X	SMD	.063W	5%	68 Ω
R8430	ERJ2GEJ101X	SMD	.063W	5%	100 Ω
R8431	ERJ2GEJ151X	SMD	.063W	5%	150 Ω
R8432	ERJ2GEJ151X	SMD	.063W	5%	150 Ω
R8433	ERJ2GEJ223X	SMD	.063W	5%	22K Ω
R8434	ERJ2GEJ473X	SMD	.063W	5%	47K Ω
R8435	ERJ2GEJ103X	SMD	.063W	5%	10K Ω
R8436	ERJ2GEJ103X	SMD	.063W	5%	10K Ω
R8437	EXB2HV104JV	CHIP RES	.063W	5%	100K Ω
R8438	ERJ2GEJ104X	SMD	.063W	5%	100K Ω
R8439	ERJ2GEJ680X	SMD	.063W	5%	68 Ω
R8440	ERJ2GEJ104X	SMD	.063W	5%	100K Ω
R8441	EXB2HV680JV	SMD	.063W	5%	68 Ω
R8442	ERJ2GEJ680X	SMD	.063W	5%	68 Ω
R8443	EXB2HV680JV	SMD	.063W	5%	68 Ω
R8445	ERJ2GEJ104X	SMD	.063W	5%	100K Ω
R8446	ERJ2GEJ680X	SMD	.063W	5%	68 Ω
R8449	ERJ2GEJ680X	SMD	.063W	5%	68 Ω
R8450	ERJ2GEJ103X	SMD	.063W	5%	10K Ω
R8454	EXB28V151JX	SMD	.031W	5%	150 Ω
R8456	ERJ2GEJ680X	SMD	.063W	5%	68 Ω
R8457	ERJ2GEJ680X	SMD	.063W	5%	68 Ω
R8458	ERJ2GEJ680X	SMD	.063W	5%	68 Ω
R8459	ERJ2GEJ680X	SMD	.063W	5%	68 Ω
R8460	ERJ2GEJ680X	SMD	.063W	5%	68 Ω
R8461	ERJ2GEJ680X	SMD	.063W	5%	68 Ω
R8463	EXB28V151JX	SMD	.031W	5%	150 Ω
R8465	ERJ2GEJ103X	SMD	.063W	5%	10K Ω
R8466	ERJ2GEJ103X	SMD	.063W	5%	10K Ω
R8468	ERJ2GE0R00X	SMD	.063W	-	0 Ω
R8471	ERJ2GEJ103X	SMD	.063W	5%	10K Ω
R8476	ERJ2GEJ103X	SMD	.063W	5%	10K Ω
R8477	ERJ2GEJ103X	SMD	.063W	5%	10K Ω
R8479	ERJ2GEJ103X	SMD	.063W	5%	10K Ω
R8501	ERJ2GEJ101X	SMD	.063W	5%	100 Ω
R8502	ERJ2GEJ331X	SMD	.063W	5%	330 Ω
R8503	ERJ2GEJ331X	SMD	.063W	5%	330 Ω
R8504	ERJ2GEJ331X	SMD	.063W	5%	330 Ω
R8506	ERJ2GEJ331X	SMD	.063W	5%	330 Ω
R8508	D1BB91R0A055	SMD	0.1W	1%	91 Ω
R8509	D1BB91R0A055	SMD	0.1W	1%	91 Ω
R8510	D1BB91R0A055	SMD	0.1W	1%	91 Ω

Cct Ref	Parts Number	Description			
R8512	ERJ2GEJ103X	SMD	.063W	5%	10K Ω
R8556	ERJ2GEJ103X	SMD	.063W	5%	10K Ω
R8564	ERJ2GEJ103X	SMD	.063W	5%	10K Ω
R8566	ERJ2GE0R00X	SMD	.063W	-	0 Ω
R8567	ERJ2GEJ103X	SMD	.063W	5%	10K Ω
R8601	ERJ2GEJ220X	SMD	.063W	5%	22 Ω
R8602	ERJ2GEJ220X	SMD	.063W	5%	22 Ω
R8603	ERJ2GEJ473X	SMD	.063W	5%	47K Ω
R8604	D0GDR00Z0002	SMD	.125W	-	0 Ω
R8605	ERJ2GEJ680X	SMD	.063W	5%	68 Ω
R8657	ERJ2GEJ103X	SMD	.063W	5%	10K Ω
R8658	ERJ2GEJ220X	SMD	.063W	5%	22 Ω
R8710	ERJ2GEJ680X	SMD	.063W	5%	68 Ω
R8711	ERJ2GEJ103X	SMD	.063W	5%	10K Ω
R8712	ERJ2GEJ103X	SMD	.063W	5%	10K Ω
R8751	ERJ2GEJ103X	SMD	.063W	5%	10K Ω
R8802	ERJ2GEJ103X	SMD	.063W	5%	10K Ω
R8803	ERJ2GEJ103X	SMD	.063W	5%	10K Ω
R8804	ERJ2GEJ103X	SMD	.063W	5%	10K Ω
R8805	ERJ2GEJ103X	SMD	.063W	5%	10K Ω
R8806	ERJ2GEJ103X	SMD	.063W	5%	10K Ω
R8807	ERJ2GEJ103X	SMD	.063W	5%	10K Ω
R8808	ERJ2GEJ103X	SMD	.063W	5%	10K Ω
R8809	ERJ2GEJ103X	SMD	.063W	5%	10K Ω
R8810	EXB28VR000X	SMD	0W	-	0 Ω
R8811	ERJ2GE0R00X	SMD	.063W	-	0 Ω
R8812	ERJ2GE0R00X	SMD	.063W	-	0 Ω
R8813	EXB28V680JX	SMD	.031W	5%	68 Ω
R8814	ERJ2GEJ680X	SMD	.063W	5%	68 Ω
R8815	ERJ2GEJ680X	SMD	.063W	5%	68 Ω
R8816	ERJ2GEJ680X	SMD	.063W	5%	68 Ω
R8817	ERJ2GEJ680X	SMD	.063W	5%	68 Ω
R8833	D0GBR00Z0002	SMD	0.1W	-	0 Ω
R8851	ERJ2GE0R00X	SMD	.063W	-	0 Ω
R8852	ERJ2GE0R00X	SMD	.063W	-	0 Ω
R8853	ERJ2GE0R00X	SMD	.063W	-	0 Ω
R8855	ERJ2GEJ680X	SMD	.063W	5%	68 Ω
R8856	ERJ2GEJ680X	SMD	.063W	5%	68 Ω
R8857	ERJ2GEJ680X	SMD	.063W	5%	68 Ω
R8858	ERJ2GEJ680X	SMD	.063W	5%	68 Ω
R8859	ERJ2GEJ680X	SMD	.063W	5%	68 Ω
R8860	ERJ2GEJ680X	SMD	.063W	5%	68 Ω
R8861	ERJ2GEJ103X	SMD	.063W	5%	10K Ω
R8862	ERJ2GEJ680X	SMD	.063W	5%	68 Ω
R8863	ERJ2GEJ680X	SMD	.063W	5%	68 Ω
R8864	ERJ2GEJ680X	SMD	.063W	5%	68 Ω
R8865	EXB2HV680JV	SMD	.063W	5%	68 Ω
R8866	EXB2HV680JV	SMD	.063W	5%	68 Ω
R8867	EXB2HV680JV	SMD	.063W	5%	68 Ω
R8868	ERJ2GEJ680X	SMD	.063W	5%	68 Ω
R8871	ERJ2GEJ103X	SMD	.063W	5%	10K Ω
R8873	ERJ2GEJ103X	SMD	.063W	5%	10K Ω
R8875	ERJ2GEJ103X	SMD	.063W	5%	10K Ω
R8876	ERJ2GEJ103X	SMD	.063W	5%	10K Ω
R8877	ERJ2GEJ680X	SMD	.063W	5%	68 Ω
R8878	ERJ2GEJ680X	SMD	.063W	5%	68 Ω
R8879	ERJ2GEJ680X	SMD	.063W	5%	68 Ω
R8880	ERJ2GEJ680X	SMD	.063W	5%	68 Ω
R8882	ERJ2GEJ680X	SMD	.063W	5%	68 Ω
R8883	ERJ2GEJ680X	SMD	.063W	5%	68 Ω
R8884	ERJ2GEJ680X	SMD	.063W	5%	68 Ω
R8885	ERJ2GEJ680X	SMD	.063W	5%	68 Ω
R8886	ERJ2GEJ680X	SMD	.063W	5%	68 Ω
R8887	ERJ2GEJ680X	SMD	.063W	5%	68 Ω
R8888	ERJ2GEJ680X	SMD	.063W	5%	68 Ω
R8889	ERJ2GEJ680X	SMD	.063W	5%	68 Ω
R8891	ERJ2GEJ680X	SMD	.063W	5%	68 Ω
R8892	ERJ2GEJ680X	SMD	.063W	5%	68 Ω

Cct Ref	Parts Number	Description			
R8894	ERJ2GEJ680X	SMD	.063W	5%	68 Ω
R8896	ERJ2GE0R00X	SMD	.063W	-	0 Ω
R8897	ERJ2GE0R00X	SMD	.063W	-	0 Ω
R8898	ERJ2GEJ103X	SMD	.063W	5%	10K Ω
R8900	ERJ2GEJ680X	SMD	.063W	5%	68 Ω
R8901	ERJ2GEJ680X	SMD	.063W	5%	68 Ω
R8904	ERJ2GEJ103X	SMD	.063W	5%	10K Ω
R8905	ERJ2GEJ103X	SMD	.063W	5%	10K Ω
R8906	ERJ2GEJ103X	SMD	.063W	5%	10K Ω
R8907	ERJ2GEJ103X	SMD	.063W	5%	10K Ω
R8908	ERJ2GEJ103X	SMD	.063W	5%	10K Ω
R8909	ERJ2GEJ103X	SMD	.063W	5%	10K Ω
R8910	ERJ2GEJ103X	SMD	.063W	5%	10K Ω
R8911	ERJ2GEJ680X	SMD	.063W	5%	68 Ω
R8912	ERJ2GEJ680X	SMD	.063W	5%	68 Ω
R8913	ERJ2GEJ680X	SMD	.063W	5%	68 Ω
R8914	ERJ2GEJ680X	SMD	.063W	5%	68 Ω
R8915	ERJ2GEJ680X	SMD	.063W	5%	68 Ω
R8916	ERJ2GEJ680X	SMD	.063W	5%	68 Ω
R8917	ERJ2GEJ680X	SMD	.063W	5%	68 Ω
R8918	ERJ2GEJ680X	SMD	.063W	5%	68 Ω
R8919	ERJ2GEJ472X	SMD	.063W	5%	4K7 Ω
R8920	ERJ2GEJ472X	SMD	.063W	5%	4K7 Ω
R8921	ERJ2GEJ472X	SMD	.063W	5%	4K7 Ω
R8922	ERJ2GEJ472X	SMD	.063W	5%	4K7 Ω
R8923	ERJ2GEJ472X	SMD	.063W	5%	4K7 Ω
R8924	ERJ2GEJ472X	SMD	.063W	5%	4K7 Ω
R8925	ERJ2GEJ472X	SMD	.063W	5%	4K7 Ω
R8926	ERJ2GEJ472X	SMD	.063W	5%	4K7 Ω
R8927	ERJ2GEJ221X	SMD	.063W	5%	220 Ω
R8929	EXB2HVR000V	SMD	0W	-	0 Ω
R8935	ERJ2GEJ103X	SMD	.063W	5%	10K Ω
R8936	ERJ2GEJ103X	SMD	.063W	5%	10K Ω
R8937	ERJ2GEJ473X	SMD	.063W	5%	47K Ω
R8938	ERJ2GEJ103X	SMD	.063W	5%	10K Ω
R8942	ERJ2GEJ473X	SMD	.063W	5%	47K Ω
R8943	ERJ2GEJ473X	SMD	.063W	5%	47K Ω
R8944	ERJ2GEJ223X	SMD	.063W	5%	22K Ω
R8945	ERJ2GEJ103X	SMD	.063W	5%	10K Ω
R8946	ERJ2GE0R00X	SMD	.063W	-	0 Ω
R8947	ERJ2GEJ680X	SMD	.063W	5%	68 Ω
R8950	ERJ2GE0R00X	SMD	.063W	-	0 Ω
R8952	EXB2HV680JV	SMD	.063W	5%	68 Ω
R8953	EXB2HV680JV	SMD	.063W	5%	68 Ω
R8954	ERJ2GEJ680X	SMD	.063W	5%	68 Ω
R8959	ERJ2GEJ680X	SMD	.063W	5%	68 Ω
R8960	ERJ2GEJ680X	SMD	.063W	5%	68 Ω
R8963	ERJ2GEJ103X	SMD	.063W	5%	10K Ω
R10030	D0GBR00Z0002	SMD	0.1W	-	0 Ω

CAPACITORS

C1001	F1G1C104A116	S.M.CAP	16V	100nF
C1005	ECJ1VB1H104	S.M.CAP	50V	100nF
C1008	ECJ1VB1H104	S.M.CAP	50V	100nF
C1009	F1G1C104A116	S.M.CAP	16V	100nF
C1010	F1G1C104A116	S.M.CAP	16V	100nF
C1012	F1G1C104A116	S.M.CAP	16V	100nF
C1013	F1G1C104A116	S.M.CAP	16V	100nF
C1014	F1G1C104A116	S.M.CAP	16V	100nF
C1020	F1G1C104A116	S.M.CAP	16V	100nF
C1027	F1G1C104A116	S.M.CAP	16V	100nF
C1028	F1G1C104A116	S.M.CAP	16V	100nF
C1029	F1G1C104A116	S.M.CAP	16V	100nF
C1030	F1G1C104A116	S.M.CAP	16V	100nF
C1033	F1G1C104A116	S.M.CAP	16V	100nF
C1034	F1G1C104A116	S.M.CAP	16V	100nF
C1035	F1G1C104A116	S.M.CAP	16V	100nF
C1102	F1J0J106A021	S.M.CAP	6.3V	10μF

Cct Ref	Parts Number	Description			
C1103	F1G1C104A116	S.M.CAP	16V	100nF	
C1104	F1G1C104A116	S.M.CAP	16V	100nF	
C1106	F1G1H270A731	S.M.CAP	50V	27pF	
C1107	F1G1H220A731	S.M.CAP	50V	22pF	
C1108	F1G1C104A116	S.M.CAP	16V	100nF	
C1109	F1H1A1050032	S.M.CAP	10V	1000nF	
C1111	F1H1A1050032	S.M.CAP	10V	1000nF	
C1112	F1G1C104A116	S.M.CAP	16V	100nF	
C1114	F1G1C104A116	S.M.CAP	16V	100nF	
C1117	F1G1C104A116	S.M.CAP	16V	100nF	
C1122	F1G1E103A123	S.M.CAP	25V	10nF	
C1123	F1H1A1050032	S.M.CAP	10V	1000nF	
C1135	F1J1C1050030	S.M.CAP	16V	1000nF	
C1136	F1J1H103A834	S.M.CAP	50V	10nF	
C1137	F1J1H473A835	S.M.CAP	50V	47nF	
C1138	F2G0J101A019	ELECT	6.3V	100μF	
C1139	F2G1A101A019	ELECT	10V	100μF	
C2023	ECJ1VB1H104	S.M.CAP	50V	100nF	
C2048	ECJ1VB1H104	S.M.CAP	50V	100nF	
C2049	ECJ1VB1H104	S.M.CAP	50V	100nF	
C2050	ECJ1VB1H104	S.M.CAP	50V	100nF	
C2052	ECJ1VB1H104	S.M.CAP	50V	100nF	
C2053	ECJ1VB1H104	S.M.CAP	50V	100nF	
C2054	F1J1A106A043	S.M.CAP	10V	10μF	
C2055	F1G1H120A731	S.M.CAP	50V	12pF	
C2056	F1G1H180A731	S.M.CAP	50V	18pF	
C2057	ECJ1VB1H104	S.M.CAP	50V	100nF	
C2058	ECJ1VB1H104	S.M.CAP	50V	100nF	
C2059	F1J1A106A043	S.M.CAP	10V	10μF	
C2091	ECJ1VC1H330J	S.M.CAP	50V	33pF	
C2092	F1H1H220A971	S.M.CAP	50V	22pF	
C2096	F1H1C104A143	S.M.CAP	16V	100nF	
C2098	F2G0J2210013	ELECT	6.3V	220μF	
C2099	F2G0J2210013	ELECT	6.3V	220μF	
C2100	ECJ1VB1H104	S.M.CAP	50V	100nF	
C2101	F1J1A106A043	S.M.CAP	10V	10μF	
C2102	ECJ1VB1H104	S.M.CAP	50V	100nF	
C2103	F2G1C1010034	ELECT	16V	100μF	
C2105	ECJ1VB1H104	S.M.CAP	50V	100nF	
C2106	ECJ1VB1H104	S.M.CAP	50V	100nF	
C2107	F2G0J470A019	ELECT	6.3V	47μF	
C2108	F2G0J470A019	ELECT	6.3V	47μF	
C2109	ECJ1VB1H104	S.M.CAP	50V	100nF	
C2110	ECJ1VB1H104	S.M.CAP	50V	100nF	
C2111	F1H0J2250008	CERAMIC	6.3V	2200nF	
C2112	F1J1A106A043	S.M.CAP	10V	10μF	
C2113	F1J1A106A043	S.M.CAP	10V	10μF	
C2114	ECJ1VB1H104	S.M.CAP	50V	100nF	
C2115	ECJ1VB1H104	S.M.CAP	50V	100nF	
C2116	F1H1H471A971	S.M.CAP	50V	470pF	
C2117	ECJ1VB1H104	S.M.CAP	50V	100nF	
C2118	F1H1A1050032	S.M.CAP	10V	1000nF	
C2120	F1H1H560A971	S.M.CAP	50V	56pF	
C2121	F1H1H560A971	S.M.CAP	50V	56pF	
C2122	F1G1E103A123	S.M.CAP	25V	10nF	
C2123	F1G1E103A123	S.M.CAP	25V	10nF	
C2124	ECJ1VB1H104	S.M.CAP	50V	100nF	
C2125	F1G1E103A123	S.M.CAP	25V	10nF	
C2126	F1J1A106A043	S.M.CAP	10V	10μF	
C2127	F1G1E103A123	S.M.CAP	25V	10nF	
C2128	F1G1E103A123	S.M.CAP	25V	10nF	
C2129	F1G1E103A123	S.M.CAP	25V	10nF	
C2131	ECJ1VB1H104	S.M.CAP	50V	100nF	
C2135	F1G1E103A123	S.M.CAP	25V	10nF	
C2136	F1G1E103A123	S.M.CAP	25V	10nF	
C2137	F1J1A106A043	S.M.CAP	10V	10μF	
C2138	ECJ1VB1H104	S.M.CAP	50V	100nF	
C2151	F1J1A106A043	S.M.CAP	10V	10μF	

Cct Ref	Parts Number	Description		
C2174	F1H1A1050032	S.M.CAP	10V	1000nF
C2175	F2G1C470A022	ELECT	16V	47µF
C2176	F1H1H103A970	S.M.CAP	50V	10nF
C2179	F2G1C470A022	ELECT	16V	47µF
C2180	F1H1A1050032	S.M.CAP	10V	1000nF
C2184	F1H1H102A219	CERAMIC	50V	1nF
C2186	ECJ1VB1H104	S.M.CAP	50V	100nF
C2187	F1H0J2250008	CERAMIC	6.3V	2200nF
C2188	F1H1H471A971	S.M.CAP	50V	470pF
C2189	F1H1A1050032	S.M.CAP	10V	1000nF
C2190	F1J1A106A043	S.M.CAP	10V	10µF
C2191	F1J1A106A043	S.M.CAP	10V	10µF
C2192	F2G0J470A019	ELECT	6.3V	47µF
C2195	F1H1H102A219	CERAMIC	50V	1nF
C2197	F1H1E333A129	S.M.CAP	25V	33nF
C2198	F1H1E333A129	S.M.CAP	25V	33nF
C2202	F1H0J2250008	CERAMIC	6.3V	2200nF
C2203	F1H1A1050032	S.M.CAP	10V	1000nF
C2204	ECJ1VB1C105K	SMD	16V	1000nF
C2207	F2G1C470A022	ELECT	16V	47µF
C2213	F1H1H102A219	CERAMIC	50V	1nF
C2216	ECJ1VB1H104	S.M.CAP	50V	100nF
C2244	ECJ1VB1H104	S.M.CAP	50V	100nF
C2245	F1H1H102A219	CERAMIC	50V	1nF
C2246	F1J1A106A043	S.M.CAP	10V	10µF
C2251	F1J1A106A043	S.M.CAP	10V	10µF
C2261	F1J1A106A043	S.M.CAP	10V	10µF
C2262	F1J1A106A043	S.M.CAP	10V	10µF
C2263	F1J1A106A043	S.M.CAP	10V	10µF
C2264	F1J1A106A043	S.M.CAP	10V	10µF
C2270	F1H1H471A971	S.M.CAP	50V	470pF
C2271	F1H1H471A971	S.M.CAP	50V	470pF
C2282	F1G1A473A053	S.M.CAP	10V	47nF
C2301	F1G1C104A116	S.M.CAP	16V	100nF
C2302	F1G1C104A116	S.M.CAP	16V	100nF
C2303	F1J1E105A171	S.M.CAP	25V	1µF
C2305	F1J1E105A171	S.M.CAP	25V	1µF
C2307	F1J1E105A171	S.M.CAP	25V	1µF
C2309	F1J1E105A171	S.M.CAP	25V	1µF
C2310	F1H1H102A219	CERAMIC	50V	1nF
C2311	F1H1H102A219	CERAMIC	50V	1nF
C2313	F1H1A1050032	S.M.CAP	10V	1000nF
C2317	ECJ1VB1H104	S.M.CAP	50V	100nF
C2319	ECJ1VB1H104	S.M.CAP	50V	100nF
C2321	ECJ1VB1H104	S.M.CAP	50V	100nF
C2323	ECJ1VB1H104	S.M.CAP	50V	100nF
C2333	F1J1E3340003	S.M.CAP	25V	330nF
C2335	F1J1E3340003	S.M.CAP	25V	330nF
C2337	F1H1H223A970	S.M.CAP	50V	22nF
C2339	F1H1H223A970	S.M.CAP	50V	22nF
C2341	F1J1E3340003	S.M.CAP	25V	330nF
C2343	F1J1E3340003	S.M.CAP	25V	330nF
C2345	F1H1H223A970	S.M.CAP	50V	22nF
C2347	F1H1H223A970	S.M.CAP	50V	22nF
C2353	ECJ1VB1H104	S.M.CAP	50V	100nF
C2359	ECJ1VB1H104	S.M.CAP	50V	100nF
C2361	EEFFG1E471P	ELECT	25V	470µF
C2364	EEFFG1E471P	ELECT	25V	470µF
C2365	EEFFG1E471P	ELECT	25V	470µF
C2375	F1H1H223A970	S.M.CAP	50V	22nF
C2377	F1H1H223A970	S.M.CAP	50V	22nF
C2379	F1H1H223A970	S.M.CAP	50V	22nF
C2381	F1H1H223A970	S.M.CAP	50V	22nF
C2383	F1G1H102A730	S.M.CAP	50V	1nF
C2385	F1G1H102A730	S.M.CAP	50V	1nF
C2387	F1G1H102A730	S.M.CAP	50V	1nF
C2389	F1G1H102A730	S.M.CAP	50V	1nF
C2404	F2G1H100A031	ELEC	50V	10µF

Cct Ref	Parts Number	Description		
C2406	F2G1E330A021	ELECT	25V	33µF
C2511	ECJ1VB1H104	S.M.CAP	50V	100nF
C2514	F2G0J470A019	ELECT	6.3V	47µF
C2515	F1J1H103A834	S.M.CAP	50V	10nF
C2551	F1K1C105A023	S.M.CAP	16V	1000nF
C2552	F2G0J220A019	ELECT	6.3V	22µF
C2902	F1H1H222A970	S.M.CAP	50V	2.2nF
C2906	F1H1C104A143	S.M.CAP	16V	100nF
C2907	F1H1C104A143	S.M.CAP	16V	100nF
C2908	F1G1C104A081	S.M.CAP	16V	100nF
C2909	F1H1A1050032	S.M.CAP	10V	1000nF
C2912	F2G0J101A019	ELECT	6.3V	100µF
C2914	ECJ1VB1H104	S.M.CAP	50V	100nF
C2915	F2G1H100A031	ELEC	50V	10µF
C2916	F1H1C104A143	S.M.CAP	16V	100nF
C2920	F1H1H103A970	S.M.CAP	50V	10nF
C2922	F1H1C104A143	S.M.CAP	16V	100nF
C2923	ECJ1VB1H104	S.M.CAP	50V	100nF
C2933	F1G1H102A730	S.M.CAP	50V	1nF
C3002	F1H1H561A971	S.M.CAP	50V	560pF
C3003	F1H1H561A971	S.M.CAP	50V	560pF
C3004	F1H1H561A971	S.M.CAP	50V	560pF
C3005	F1H1H561A971	S.M.CAP	50V	560pF
C3007	F1H1H561A971	S.M.CAP	50V	560pF
C3008	F1H1H561A971	S.M.CAP	50V	560pF
C3009	F1H1H561A971	S.M.CAP	50V	560pF
C3010	F1H1H561A971	S.M.CAP	50V	560pF
C3011	F1H1H561A971	S.M.CAP	50V	560pF
C3012	F1H1H561A971	S.M.CAP	50V	560pF
C3013	F1H1H561A971	S.M.CAP	50V	560pF
C3014	F1H1H561A971	S.M.CAP	50V	560pF
C3018	F1J1A106A043	S.M.CAP	10V	10µF
C3019	F1J1A106A043	S.M.CAP	10V	10µF
C3020	F1J1A106A043	S.M.CAP	10V	10µF
C3021	F1J1A106A043	S.M.CAP	10V	10µF
C3022	F1H1A1050032	S.M.CAP	10V	1000nF
C3024	F1H1A1050032	S.M.CAP	10V	1000nF
C3025	F1H1A1050032	S.M.CAP	10V	1000nF
C3026	F1H1A1050032	S.M.CAP	10V	1000nF
C3027	F1J1A106A043	S.M.CAP	10V	10µF
C3028	F1J1A106A043	S.M.CAP	10V	10µF
C3029	F1J1A106A043	S.M.CAP	10V	10µF
C3030	F1J1A106A043	S.M.CAP	10V	10µF
C3039	F1H1A1050032	S.M.CAP	10V	1000nF
C3041	F1H1A1050032	S.M.CAP	10V	1000nF
C3043	F1H1A1050032	S.M.CAP	10V	1000nF
C3044	F1H1A1050032	S.M.CAP	10V	1000nF
C3046	F1H1A1050032	S.M.CAP	10V	1000nF
C3047	F1H1A1050032	S.M.CAP	10V	1000nF
C3048	F1H1A1050032	S.M.CAP	10V	1000nF
C3049	F1H1A1050032	S.M.CAP	10V	1000nF
C3064	F1H1H102A219	CERAMIC	50V	1nF
C3065	F1H1H102A219	CERAMIC	50V	1nF
C3070	F1H1A1050032	S.M.CAP	10V	1000nF
C3071	F1H1A1050032	S.M.CAP	10V	1000nF
C3072	ECJ1VB1H104	S.M.CAP	50V	100nF
C3073	F1H1A1050032	S.M.CAP	10V	1000nF
C3074	F1H1A1050032	S.M.CAP	10V	1000nF
C3075	F1H1A1050032	S.M.CAP	10V	1000nF
C3077	ECJ1VB1H104	S.M.CAP	50V	100nF
C3083	F1H1A1050032	S.M.CAP	10V	1000nF
C3084	F1H1A1050032	S.M.CAP	10V	1000nF
C3085	F1H1A1050032	S.M.CAP	10V	1000nF
C3086	F1H1A1050032	S.M.CAP	10V	1000nF
C3087	F1H1A1050032	S.M.CAP	10V	1000nF
C3088	F1H1A1050032	S.M.CAP	10V	1000nF
C3089	F1H1A1050032	S.M.CAP	10V	1000nF
C3090	F1H1A1050032	S.M.CAP	10V	1000nF

Cct Ref	Parts Number	Description			
C3091	F1H1A1050032	S.M.CAP	10V	1000nF	
C3092	F1H1A1050032	S.M.CAP	10V	1000nF	
C3093	F1H1A1050032	S.M.CAP	10V	1000nF	
C3095	F2G1C1010034	ELECT	16V	100µF	
C3097	F2G1C1010034	ELECT	16V	100µF	
C3101	ECJ1VB1H104	S.M.CAP	50V	100nF	
C3102	F1K0J226A008	S.M.CAP	6.3V	22µF	
C3103	F1K0J226A008	S.M.CAP	6.3V	22µF	
C3104	F1G1C1030008	S.M.CAP	16V	10nF	
C3107	F1H1A1050032	S.M.CAP	10V	1000nF	
C3108	F1H1A1050032	S.M.CAP	10V	1000nF	
C3109	F1H1A1050032	S.M.CAP	10V	1000nF	
C3112	F1G1C1030008	S.M.CAP	16V	10nF	
C3113	F1G1C1030008	S.M.CAP	16V	10nF	
C3114	F1J1A106A043	S.M.CAP	10V	10µF	
C3115	F1J1A106A043	S.M.CAP	10V	10µF	
C3116	F1J1A106A043	S.M.CAP	10V	10µF	
C3117	F1J1A106A043	S.M.CAP	10V	10µF	
C3123	F2G1C100A022	ELECT	16V	10µF	
C3124	ECJ1VB1H104	S.M.CAP	50V	100nF	
C3139	F1G1C104A116	S.M.CAP	16V	100nF	
C3140	F1G1C104A116	S.M.CAP	16V	100nF	
C3141	F1G1C104A116	S.M.CAP	16V	100nF	
C3143	F1G1C104A116	S.M.CAP	16V	100nF	
C3144	F1H1A1050032	S.M.CAP	10V	1000nF	
C3145	F1G1C104A116	S.M.CAP	16V	100nF	
C3146	F1J1A106A043	S.M.CAP	10V	10µF	
C3147	F1J1A106A043	S.M.CAP	10V	10µF	
C3148	F1G1C1030008	S.M.CAP	16V	10nF	
C3149	F1G1C1030008	S.M.CAP	16V	10nF	
C3150	F1G1C1030008	S.M.CAP	16V	10nF	
C3151	F1G1C1030008	S.M.CAP	16V	10nF	
C3152	F1G1C1030008	S.M.CAP	16V	10nF	
C3153	F1G1C1030008	S.M.CAP	16V	10nF	
C3154	F1G1C1030008	S.M.CAP	16V	10nF	
C3700	F1J1H561A836	S.M.CAP	50V	560pF	
C3702	F1J1H561A836	S.M.CAP	50V	560pF	
C3705	ECJ1VF1H104Z	S.M.CAP	50V	100nF	
C3707	ECJ1VF1H104Z	S.M.CAP	50V	100nF	
C4365	F2G1C470A022	ELECT	16V	47µF	
C4366	F1G1C104A116	S.M.CAP	16V	100nF	
C4368	F2G0J220A019	ELECT	6.3V	22µF	
C4371	F1G1E103A123	S.M.CAP	25V	10nF	
C4372	F1G1C104A116	S.M.CAP	16V	100nF	
C4373	F2G1C470A022	ELECT	16V	47µF	
C4374	F1G1E103A123	S.M.CAP	25V	10nF	
C4418	F1G1E103A123	S.M.CAP	25V	10nF	
C4500	F1G1C104A116	S.M.CAP	16V	100nF	
C4501	F1G1C104A116	S.M.CAP	16V	100nF	
C4502	F1G1C104A116	S.M.CAP	16V	100nF	
C4503	F1G1C104A116	S.M.CAP	16V	100nF	
C4533	F1G1H680A731	S.M.CAP	50V	68pF	
C4534	F1H1C104A143	S.M.CAP	16V	100nF	
C4535	F1H1C104A143	S.M.CAP	16V	100nF	
C4537	F1H1C104A143	S.M.CAP	16V	100nF	
C4547	F1G1C104A116	S.M.CAP	16V	100nF	
C4548	F1H1C104A143	S.M.CAP	16V	100nF	
C4549	F1H1C104A143	S.M.CAP	16V	100nF	
C4550	F1G1C104A116	S.M.CAP	16V	100nF	
C4551	F1H1C104A143	S.M.CAP	16V	100nF	
C4552	F1H1C104A143	S.M.CAP	16V	100nF	
C4553	F1G1H102A730	S.M.CAP	50V	1nF	
C4554	F2G1C470A022	ELECT	16V	47µF	
C4555	F1J1A106A043	S.M.CAP	10V	10µF	
C4567	F1H1C104A143	S.M.CAP	16V	100nF	
C4574	F1G1E103A123	S.M.CAP	25V	10nF	
C4575	F1H1A1050032	S.M.CAP	10V	1000nF	
C4580	F1G1E103A123	S.M.CAP	25V	10nF	

Cct Ref	Parts Number	Description			
C4585	F1H1A1050032	S.M.CAP	10V	1000nF	
C4595	F1G1E103A123	S.M.CAP	25V	10nF	
C4596	F1G1C104A116	S.M.CAP	16V	100nF	
C4598	F1H1A1050032	S.M.CAP	10V	1000nF	
C4599	F2G0J470A019	ELECT	6.3V	47µF	
C4600	F1G1C104A116	S.M.CAP	16V	100nF	
C4601	F2G0J470A019	ELECT	6.3V	47µF	
C4602	F1G1C104A116	S.M.CAP	16V	100nF	
C4603	F1H0J2250008	CERAMIC	6.3V	2200nF	
C4604	F1G1H471A459	S.M.CAP	50V	470pF	
C4605	F1H1A1050032	S.M.CAP	10V	1000nF	
C4606	F1J1A475A039	S.M.CAP	10V	4.7µF	
C4607	F1J1A475A039	S.M.CAP	10V	4.7µF	
C4608	F1G1C104A116	S.M.CAP	16V	100nF	
C4612	F1G1E103A123	S.M.CAP	25V	10nF	
C4613	F1H1A1050032	S.M.CAP	10V	1000nF	
C4614	F1G1C104A116	S.M.CAP	16V	100nF	
C4616	F1J1A475A039	S.M.CAP	10V	4.7µF	
C4617	F1J0G2260001	S.M.CAP	4V	22µF	
C4619	F1G1C104A116	S.M.CAP	16V	100nF	
C4624	F1H1C104A143	S.M.CAP	16V	100nF	
C4625	F1H1C104A143	S.M.CAP	16V	100nF	
C4626	F1G1C104A116	S.M.CAP	16V	100nF	
C4627	F1G1C104A116	S.M.CAP	16V	100nF	
C4628	F1G1C104A116	S.M.CAP	16V	100nF	
C4630	F1G1C104A116	S.M.CAP	16V	100nF	
C4632	F1H1A1050032	S.M.CAP	10V	1000nF	
C4634	F1H1A1050032	S.M.CAP	10V	1000nF	
C4636	F1H1A1050032	S.M.CAP	10V	1000nF	
C4638	F1H1A1050032	S.M.CAP	10V	1000nF	
C4640	F1H1A1050032	S.M.CAP	10V	1000nF	
C4642	F1H1A1050032	S.M.CAP	10V	1000nF	
C4643	F1G1C104A116	S.M.CAP	16V	100nF	
C4644	F1G1C104A116	S.M.CAP	16V	100nF	
C4645	F1G1C104A116	S.M.CAP	16V	100nF	
C4646	F1G1C104A116	S.M.CAP	16V	100nF	
C4690	F1H1C104A143	S.M.CAP	16V	100nF	
C4691	F1H1C104A143	S.M.CAP	16V	100nF	
C4692	F1H1C104A143	S.M.CAP	16V	100nF	
C4693	F1H1C104A143	S.M.CAP	16V	100nF	
C4694	F1H1C104A143	S.M.CAP	16V	100nF	
C4695	F1H1C104A143	S.M.CAP	16V	100nF	
C4700	F1G1A104A012	SMD	10V	100nF	
C4701	F1G1A104A012	SMD	10V	100nF	
C4703	F1G1A104A012	SMD	10V	100nF	
C4704	F2G0J330A019	ELECT	6.3V	33µF	
C4705	F1G1A104A012	SMD	10V	100nF	
C4738	F1G1H150A731	S.M.CAP	50V	15pF	
C4739	F1G1H100A565	S.M.CAP	50V	10pF	
C5600	F1H1A1050032	S.M.CAP	10V	1000nF	
C5601	F1G1C104A116	S.M.CAP	16V	100nF	
C5602	ECGRLOG680ER	ELECT	4V	68µF	
C5603	F1G1E103A123	S.M.CAP	25V	10nF	
C5604	F1G1E103A123	S.M.CAP	25V	10nF	
C5605	F1J1A475A039	S.M.CAP	10V	4.7µF	
C5606	F1G1H471A459	S.M.CAP	50V	470pF	
C5607	F1G1H221A459	S.M.CAP	50V	220pF	
C5608	F1G1C104A116	S.M.CAP	16V	100nF	
C5611	F1K1C1060004	S.M.CAP	16V	10µF	
C5612	F1K1C1060004	S.M.CAP	16V	10µF	
C5613	F1J1H104A838	S.M.CAP	50V	100nF	
C5614	F2G1C100A022	ELECT	16V	10µF	
C5615	F1K1C1060004	S.M.CAP	16V	10µF	
C5616	F1G1A473A053	S.M.CAP	10V	47nF	
C5617	F1H1A1050032	S.M.CAP	10V	1000nF	
C5618	F1K1C1060004	S.M.CAP	16V	10µF	
C5619	F1K1C1060004	S.M.CAP	16V	10µF	
C5620	F1H1C104A143	S.M.CAP	16V	100nF	

Cct Ref	Parts Number	Description		
C5621	F1G1E103A123	S.M.CAP	25V	10nF
C5622	F1J1A475A039	S.M.CAP	10V	4.7µF
C5623	F1G1H471A459	S.M.CAP	50V	470pF
C5624	F1G1H221A459	S.M.CAP	50V	220pF
C5625	F1G1E103A123	S.M.CAP	25V	10nF
C5626	F1G1C104A116	S.M.CAP	16V	100nF
C5627	F1G1C104A116	S.M.CAP	16V	100nF
C5628	ECGRL0G680ER	ELECT	4V	68µF
C5629	ECGRL0G680ER	ELECT	4V	68µF
C5631	F2G1C470A022	ELECT	16V	47µF
C5632	ECJ1VB1C105K	SMD	16V	1000nF
C5636	F1G1C104A116	S.M.CAP	16V	100nF
C5637	F1G1C104A116	S.M.CAP	16V	100nF
C5638	F1G1C104A116	S.M.CAP	16V	100nF
C5639	F1G1C104A116	S.M.CAP	16V	100nF
C5640	F1G1C104A116	S.M.CAP	16V	100nF
C5641	F1G1C104A116	S.M.CAP	16V	100nF
C5642	F1K1C1060004	S.M.CAP	16V	10µF
C5643	F1H1C104A143	S.M.CAP	16V	100nF
C5644	F1G1E103A123	S.M.CAP	25V	10nF
C5652	F1H1C104A143	S.M.CAP	16V	100nF
C5653	F2G0J470A019	ELECT	6.3V	47µF
C5654	F2G1C2210019	ELECT	16V	220µF
C5655	F2G1A471A107	ELECT	10V	470µF
C5656	F1K1C1060004	S.M.CAP	16V	10µF
C5657	F2G1C1010034	ELECT	16V	100µF
C5658	F1J1C224A194	S.M.CAP	16V	220nF
C5659	F2G1E330A021	ELECT	25V	33µF
C5660	F1G1C1030008	S.M.CAP	16V	10nF
C5661	F1G1C1030008	S.M.CAP	16V	10nF
C5663	F1G1A473A053	S.M.CAP	10V	47nF
C5664	F1J1H104A838	S.M.CAP	50V	100nF
C5666	F1H1H472A970	S.M.CAP	50V	4.7nF
C5667	F2G1V220A020	ELECT	35V	22µF
C5668	F1G1H102A730	S.M.CAP	50V	1nF
C5669	F1J1H474A757	S.M.CAP	50V	470nF
C5670	F1J1H474A757	S.M.CAP	50V	470nF
C5671	F2G0J470A019	ELECT	6.3V	47µF
C5672	F1H1C104A143	S.M.CAP	16V	100nF
C5675	F1G1A104A053	S.M.CAP	10V	100nF
C5676	F1J1A106A043	S.M.CAP	10V	10µF
C5677	F1J1A106A043	S.M.CAP	10V	10µF
C5678	F2G1C470A022	ELECT	16V	47µF
C5679	F1J1A106A043	S.M.CAP	10V	10µF
C5680	F1J1A106A043	S.M.CAP	10V	10µF
C5684	F2G1C470A022	ELECT	16V	47µF
C5688	F1H1A225A051	S.M.CAP	10V	2200nF
C5751	F1L1V1060003	SMD	35V	10µF
C5752	F2G1V331A109	ELECT	35V	330µF
C5753	F1J1C474A194	S.M.CAP	16V	470nF
C5754	F1H1H222A970	S.M.CAP	50V	2.2nF
C5755	F2H1C1210001	ELECT	16V	120µF
C5756	F1K1E105A029	S.M.CAP	25V	1000nF
C5757	F1K1E105A029	S.M.CAP	25V	1000nF
C5758	F1K1E105A029	S.M.CAP	25V	1000nF
C5759	F1L1V1060003	SMD	35V	10µF
C5760	F2G1V331A109	ELECT	35V	330µF
C5761	F1J1C474A194	S.M.CAP	16V	470nF
C5763	F1H1H222A970	S.M.CAP	50V	2.2nF
C5764	F2H1C1210001	ELECT	16V	120µF
C5765	F1K1E105A029	S.M.CAP	25V	1000nF
C5766	F1K1E105A029	S.M.CAP	25V	1000nF
C5767	F1K1E105A029	S.M.CAP	25V	1000nF
C8001	F1G1C104A116	S.M.CAP	16V	100nF
C8002	F1H0J1050012	S.M.CAP	6.3V	1000nF
C8003	F1H0J1050012	S.M.CAP	6.3V	1000nF
C8004	F1H0J1050012	S.M.CAP	6.3V	1000nF
C8005	F1H0J1050012	S.M.CAP	6.3V	1000nF

Cct Ref	Parts Number	Description		
C8006	F1G1C104A116	S.M.CAP	16V	100nF
C8007	F1G1C104A116	S.M.CAP	16V	100nF
C8008	F1G1C104A116	S.M.CAP	16V	100nF
C8009	F1J1A106A043	S.M.CAP	10V	10µF
C8010	F1J1A106A043	S.M.CAP	10V	10µF
C8011	F1G1C104A116	S.M.CAP	16V	100nF
C8012	F1G1C104A116	S.M.CAP	16V	100nF
C8013	F1G1C104A116	S.M.CAP	16V	100nF
C8014	F1G1C104A116	S.M.CAP	16V	100nF
C8015	F1H0J1050012	S.M.CAP	6.3V	1000nF
C8016	F1H0J1050012	S.M.CAP	6.3V	1000nF
C8017	F1J1A106A043	S.M.CAP	10V	10µF
C8018	F1G1C104A116	S.M.CAP	16V	100nF
C8019	F1G1C104A116	S.M.CAP	16V	100nF
C8020	F1G1C104A116	S.M.CAP	16V	100nF
C8021	F1G1C104A116	S.M.CAP	16V	100nF
C8022	F1H0J1050012	S.M.CAP	6.3V	1000nF
C8023	F1J1A106A043	S.M.CAP	10V	10µF
C8024	F1J1A106A043	S.M.CAP	10V	10µF
C8025	F1G1C104A116	S.M.CAP	16V	100nF
C8026	F1G1C104A116	S.M.CAP	16V	100nF
C8027	F1G1C104A116	S.M.CAP	16V	100nF
C8028	F1G1C104A116	S.M.CAP	16V	100nF
C8029	F1G1C104A116	S.M.CAP	16V	100nF
C8030	F1H0J1050012	S.M.CAP	6.3V	1000nF
C8031	F1H0J1050012	S.M.CAP	6.3V	1000nF
C8032	F1J1A106A043	S.M.CAP	10V	10µF
C8033	F1G1C104A116	S.M.CAP	16V	100nF
C8034	F1G1C104A116	S.M.CAP	16V	100nF
C8035	F1J1A106A043	S.M.CAP	10V	10µF
C8036	F1J1A106A043	S.M.CAP	10V	10µF
C8037	F1G1C104A116	S.M.CAP	16V	100nF
C8038	F1G1C104A116	S.M.CAP	16V	100nF
C8039	F1G1C104A116	S.M.CAP	16V	100nF
C8040	F1G1C104A116	S.M.CAP	16V	100nF
C8041	F1G1C104A116	S.M.CAP	16V	100nF
C8042	ECGRL0G680ER	ELECT	4V	68µF
C8043	F1G1C104A116	S.M.CAP	16V	100nF
C8044	F1G1C104A116	S.M.CAP	16V	100nF
C8045	F1G1C104A116	S.M.CAP	16V	100nF
C8046	F1G1C104A116	S.M.CAP	16V	100nF
C8047	F1G1C104A116	S.M.CAP	16V	100nF
C8048	F1G1C104A116	S.M.CAP	16V	100nF
C8049	F1G1C104A116	S.M.CAP	16V	100nF
C8050	F1G1C104A116	S.M.CAP	16V	100nF
C8051	F1G1C104A116	S.M.CAP	16V	100nF
C8052	F1H0J1050012	S.M.CAP	6.3V	1000nF
C8053	F1G1E103A123	S.M.CAP	25V	10nF
C8054	F1G1H180A731	S.M.CAP	50V	18pF
C8055	F1G1H7R0A732	S.M.CAP	50V	7pF
C8056	F1G1C104A116	S.M.CAP	16V	100nF
C8057	F1G1C104A116	S.M.CAP	16V	100nF
C8058	F1J1A106A043	S.M.CAP	10V	10µF
C8067	F1G1E103A123	S.M.CAP	25V	10nF
C8068	F1G1C104A116	S.M.CAP	16V	100nF
C8069	F1G1H820A731	S.M.CAP	50V	82pF
C8070	F1G1C104A116	S.M.CAP	16V	100nF
C8071	F1G1C104A116	S.M.CAP	16V	100nF
C8072	F1G1C104A116	S.M.CAP	16V	100nF
C8073	F1G1C104A116	S.M.CAP	16V	100nF
C8074	F1G1C104A116	S.M.CAP	16V	100nF
C8075	F1J0G2260001	S.M.CAP	4V	22µF
C8076	F1G1C104A116	S.M.CAP	16V	100nF
C8077	F1G1C104A116	S.M.CAP	16V	100nF
C8078	F1G1C104A116	S.M.CAP	16V	100nF
C8079	F1G1C104A116	S.M.CAP	16V	100nF
C8080	F1G1C104A116	S.M.CAP	16V	100nF
C8090	F1H1C103A143	S.M.CAP	16V	10nF

Cct Ref	Parts Number	Description		
C8091	F1H1C103A143	S.M.CAP	16V	10nF
C8092	F1H1C103A143	S.M.CAP	16V	10nF
C8093	F1H1C103A143	S.M.CAP	16V	10nF
C8094	F1H1C103A143	S.M.CAP	16V	10nF
C8095	F1H1C103A143	S.M.CAP	16V	10nF
C8306	F1G1H102A730	S.M.CAP	50V	1nF
C8307	F1G1C104A116	S.M.CAP	16V	100nF
C8309	F1G1C104A116	S.M.CAP	16V	100nF
C8310	F2G0G101A007	ELECT	4V	100µF
C8311	F1G1H180A731	S.M.CAP	50V	18pF
C8312	F1G1H120A731	S.M.CAP	50V	12pF
C8313	F1G1E103A123	S.M.CAP	25V	10nF
C8314	F1G1E103A123	S.M.CAP	25V	10nF
C8319	F1G1E103A123	S.M.CAP	25V	10nF
C8320	F1G1E103A123	S.M.CAP	25V	10nF
C8321	F1G1E103A123	S.M.CAP	25V	10nF
C8327	F1H1A1050032	S.M.CAP	10V	1000nF
C8328	F1H1A1050032	S.M.CAP	10V	1000nF
C8329	F1G1E103A123	S.M.CAP	25V	10nF
C8330	F1G1E103A123	S.M.CAP	25V	10nF
C8331	F1G1E103A123	S.M.CAP	25V	10nF
C8332	F1G1E103A123	S.M.CAP	25V	10nF
C8333	F1G1E103A123	S.M.CAP	25V	10nF
C8334	F1G1E103A123	S.M.CAP	25V	10nF
C8335	F1G1E103A123	S.M.CAP	25V	10nF
C8336	F1G1E103A123	S.M.CAP	25V	10nF
C8338	F1G1H220A731	S.M.CAP	50V	22pF
C8339	F1G1H220A731	S.M.CAP	50V	22pF
C8340	F1G1E103A123	S.M.CAP	25V	10nF
C8343	F1G1C104A116	S.M.CAP	16V	100nF
C8344	F1G1C104A116	S.M.CAP	16V	100nF
C8345	F1G1C104A116	S.M.CAP	16V	100nF
C8346	F1G1C104A116	S.M.CAP	16V	100nF
C8405	F1G1C104A116	S.M.CAP	16V	100nF
C8408	F1G1C104A116	S.M.CAP	16V	100nF
C8409	F1G1C104A116	S.M.CAP	16V	100nF
C8410	F1G1C104A116	S.M.CAP	16V	100nF
C8411	F2G1A101A019	ELECT	10V	100µF
C8412	F1G1C104A116	S.M.CAP	16V	100nF
C8413	F1G1C104A116	S.M.CAP	16V	100nF
C8414	F1G1C104A116	S.M.CAP	16V	100nF
C8416	F1G1E103A123	S.M.CAP	25V	10nF
C8417	F1G1E103A123	S.M.CAP	25V	10nF
C8555	F1G1C104A116	S.M.CAP	16V	100nF
C8601	F1G1C104A116	S.M.CAP	16V	100nF
C8812	F1G1A104A012	SMD	10V	100nF
C8813	F2G1C470A022	ELECT	16V	47µF
C8814	F1G1C1030008	S.M.CAP	16V	10nF
C8815	F1J0G2260001	S.M.CAP	4V	22µF

TERMINALS AND LINKS

A1	K1KA08A00506	8P CONNECTOR
A1-V1	TXJA1NXA	A1-V1 WIRE
A5	K1KB30B00044	30P CONNECTOR
A5-PAN	TXJA5NJA	LVDS WIRE
A7	K1KY23AA0607	23P CONNECTOR
A10	K1KA02A00787	2P CONNECTOR
A12	K1KA04AA0714	4P CONNECTOR
A12-K1	TXJA12NXA	A12-K1 WIRE
A13	K1KA06AA0104	6P CONNECTOR
A14	K1KA05AA0714	5P CONNECTOR
A14-SPK	TXJA14NXA-4	A14-SPK WIRE
A51	K1KA15A00148	15P CONNECTOR
A51-G51	TXJA51NUA-2	A51-G51 WIRE
CN0100	K1KA08AA0714	8P CONNECTOR
CN-A,	TXJP5NXA-1	CN101-A13/P3 WIRE
G51	K1KA15AA0194	15P CONNECTOR
JK3001	K1FB315A0006	PC TERMINAL

Cct Ref	Parts Number	Description		
JK3002B	K1FY121A0004	SCART SOCKET		
JK3003B	K1FY121A0004	SCART SOCKET		
JK3100A	K2HA7YYA0001	YUV TERMINAL_ AUD I/O		
JK3700	K4AK30B00001	AV3 TERMINAL		
JK4500	K1FY119D0003	HDMI TERMINAL		
JK4501	K1FY119D0003	HDMI TERMINAL		
JK4700	K1FA119E0013	HDMI TERMINAL		
JK8401	K1NA68B00050	CI SLOT		
JK8801	K1NA09E00080	SD SLOT		
K1	K1KA04BA0061	4P CONNECTOR		
V1	K1KA08B00270	8P CONNECTOR		

SWITCHES

SW2501	K0F162B00002	SWITCH
--------	--------------	--------

DIFFERENCES FOR MODEL TX--32LXD80

EXPLODED VIEW

23	A-32LXD80	A P.C.B.	X	RTL	▲
24	TXASX01NJA-1	AC CORD ASSY			▲
25	TTY0E0258	CABINET ASSY			▲
26	TBM0E1191	MODEL LABEL			▲

MISCELLANEOUS COMPONENTS

.	TBM0E1463	HDMI/REAR LABEL			
---	-----------	-----------------	--	--	--

INSTRUCTION BOOKS

.	TQB0E0553	ENGLISH			▲
---	-----------	---------	--	--	---

I.C.s

IC8601	X24C32LXD80	EEPROM PL2			
--------	-------------	------------	--	--	--

DIFFERENCES FOR MODEL TX--32LXD80F

EXPLODED VIEW

23	A-32LXD80F	A P.C.B.	X	RTL	▲
24	TXASX01NXA-1	AC CORD ASSY			▲
25	TTY0E0285	CABINET ASSY			▲
26	TBM0E1194	MODEL LABEL			▲

MISCELLANEOUS COMPONENTS

.	TBM0E9007	HDMI/REAR LABEL			
---	-----------	-----------------	--	--	--

INSTRUCTION BOOKS


.	TQB0E0556A	GERMAN			▲
.	TQB0E0556B	DUTCH			▲
.	TQB0E0556C	ITALIAN			▲
.	TQB0E0556D	FRENCH			▲
.	TQB0E0556E	SPANISH			▲
.	TQB0E0556F	SWEDISH			▲
.	TQB0E0556G	NORWEGIAN			▲
.	TQB0E0556H	FINNISH			▲
.	TQB0E0556I	LITHUANIAN			▲
.	TQB0E0556J	PORTUGUESE			▲
.	TQB0E0556K	DANISH			▲
.	TQB0E0556M	BULGARIAN			▲
.	TQB0E0556N	ROMANIAN			▲
.	TQB0E0556O	LATVIAN			▲
.	TQB0E0556P	POLISH			▲
.	TQB0E0556Q	HUNGARIAN			▲
.	TQB0E0556R	CZECH			▲
.	TQB0E0556S	GREEK			▲
.	TQB0E0556T	TURKISH			▲
.	TQB0E0556U	ENGLISH			▲
.	TQB0E0556V	CROATIAN			▲
.	TQB0E0556W	SLOVAKIAN			▲
.	TQB0E0556X	CD ROM			▲
.	TQB0E0556Z	ESTONIAN			▲

I.C.s

IC8601	X24C32LXD80F	EEPROM PL2			
--------	--------------	------------	--	--	--

Schematic Diagrams



IMPORTANT SAFETY NOTICE

Components identified by  mark have special characteristics important for safety. When replacing any of these components, use only manufacturers' specified parts.


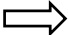
NOTE

1. RESISTOR
All resistors are carbon 1/4W resistor, unless marked otherwise.
Unit of resistance is OHM (Ω) (k=1,000, M=1,000,000)
2. CAPACITORS
All capacitors are ceramic 50V unless marked otherwise.
Unit of capacitance is μ F unless otherwise stated.
3. COIL
Unit of inductance is μ H, unless otherwise stated.

4. TEST POINT
 Test Point Position

5. EARTH SYMBOL
 Chassis Earth (Cold)
 Line Earth (Hot)

6. VOLTAGE MEASUREMENT
Voltage is measured by a D.C. voltmeter.
Measurement conditions are as follows:
Power source 220V-240V AC, 50Hz
Receiving Signal Colour Bar signal (RF)
All customer controls Maximum position

7.
 Indicates the Video signal path
 Indicates the Audio signal path

These schematic diagrams are the latest at time of printing and are subject to change without notice.

REMARKS

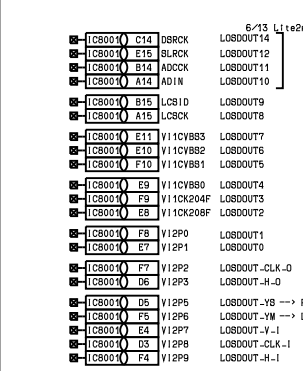
- a. Do not touch the hot part, or the hot and cold parts at the same time, as you are liable to a shock hazard.
- b. Do not short circuit the hot and cold circuits as electrical components may be damaged.
- c. Do not connect an instrument, such as an oscilloscope, to the hot and cold circuits simultaneously as this may cause fuse failure. Connect the earth of the instruments to the earth connection of the circuit being measured.
- d. Make sure to disconnect the power plug before removing the chassis.

NOTE

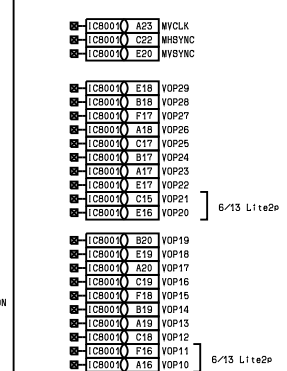
1. The Power Supply Circuit contains a circuit area, which uses a separate power supply to isolate the earth connection. The circuit is defined by HOT and COLD indications in the schematic diagram. All circuits, except the Power Circuit, are COLD.

A-BOARD TNP8EAL96 1/16

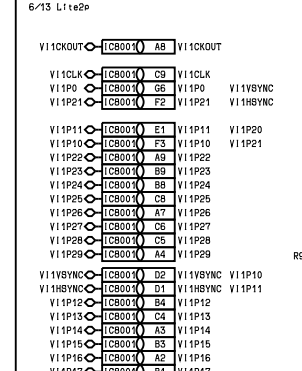
LOAD OUT (for HQ1)



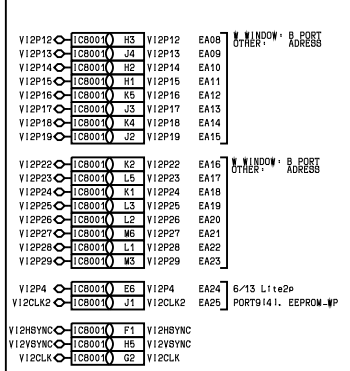
FOR HQ1L VIDEO



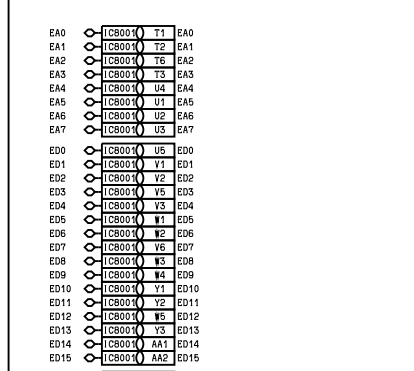
FOR ADV7493



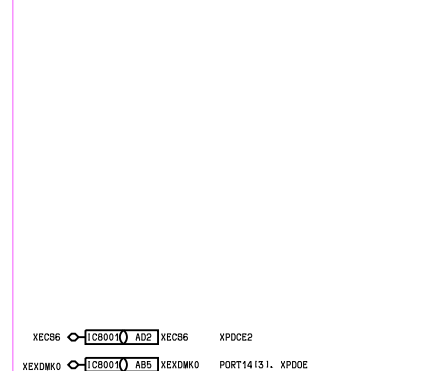
B PORT (Sub Video Input or Address)



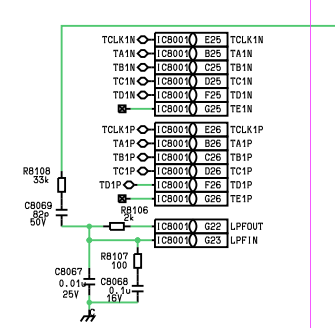
CPU BUS I/F



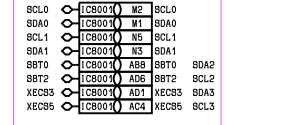
POD.C1 I/F



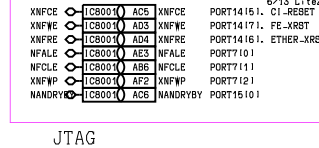
LVDS I/F



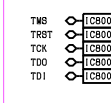
IIC I/F



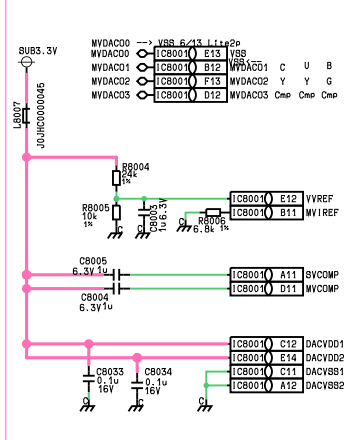
NAND I/F



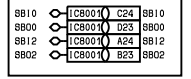
JTAG



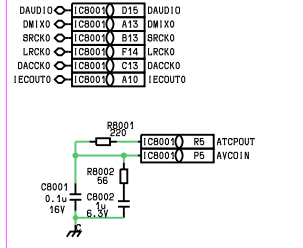
Analog Video I/F



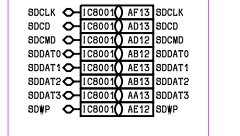
SERIAL I/F



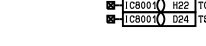
AUDIO I/F



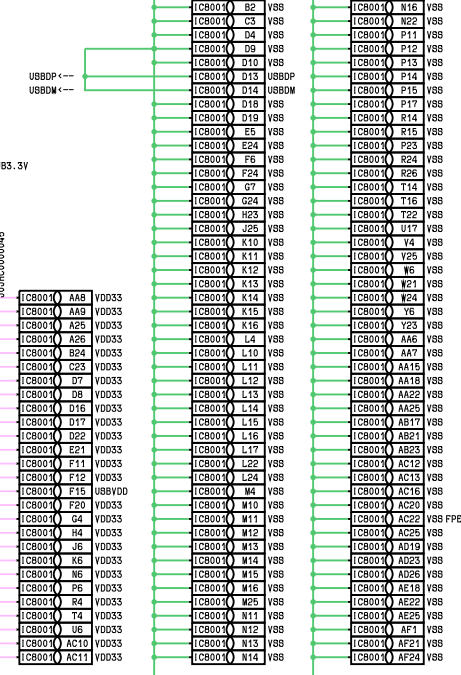
SD CARD I/F



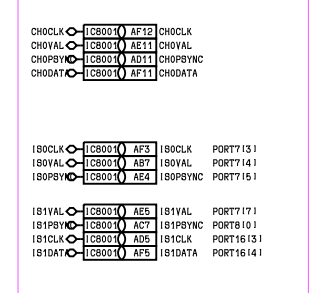
GPIO



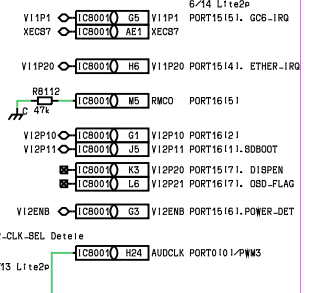
MEMORY



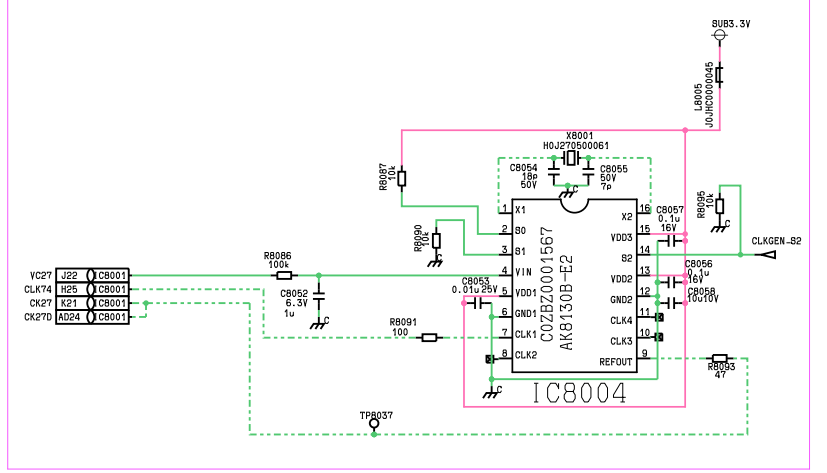
CH. IS I/F



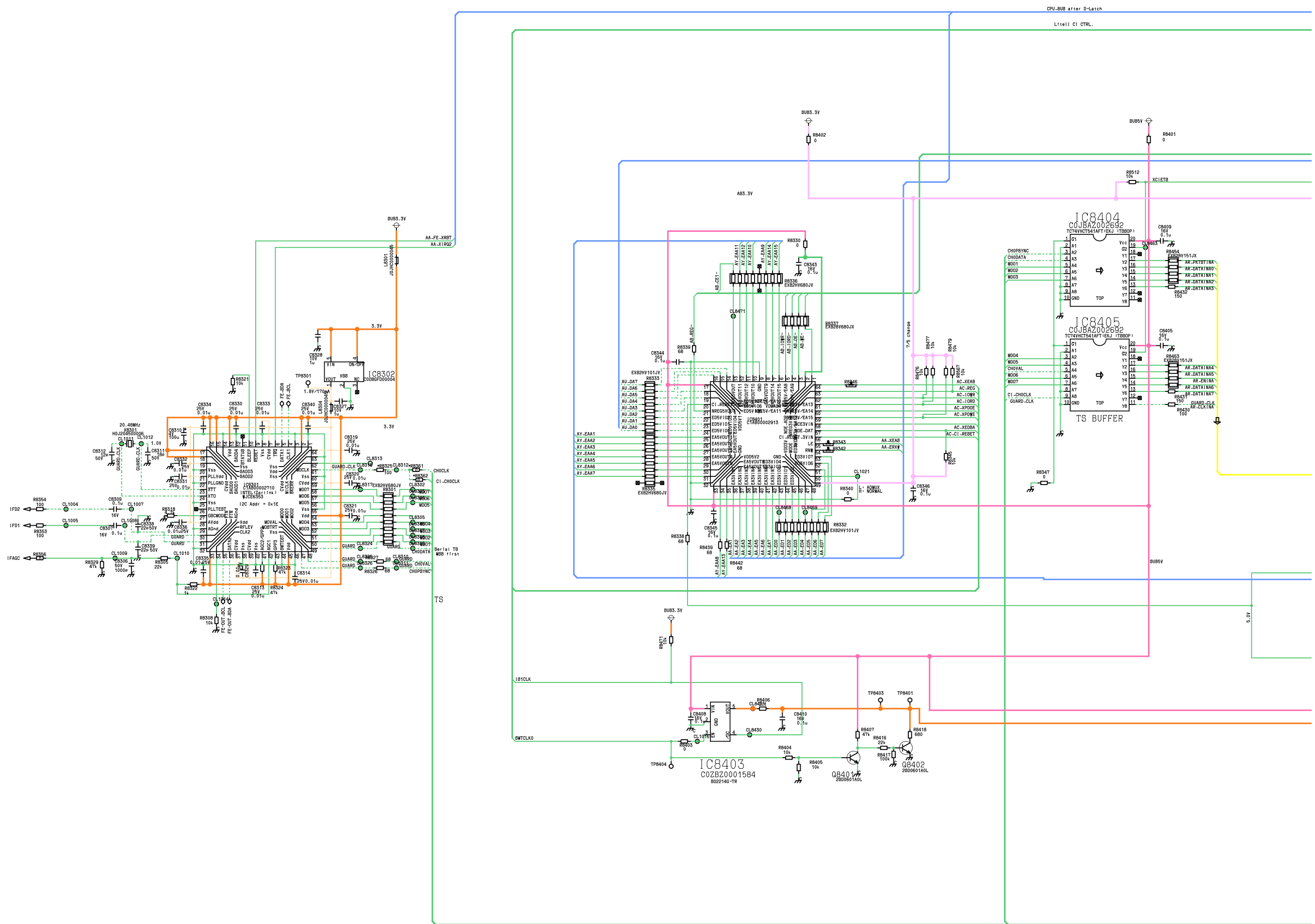
COMMON PORT .etc



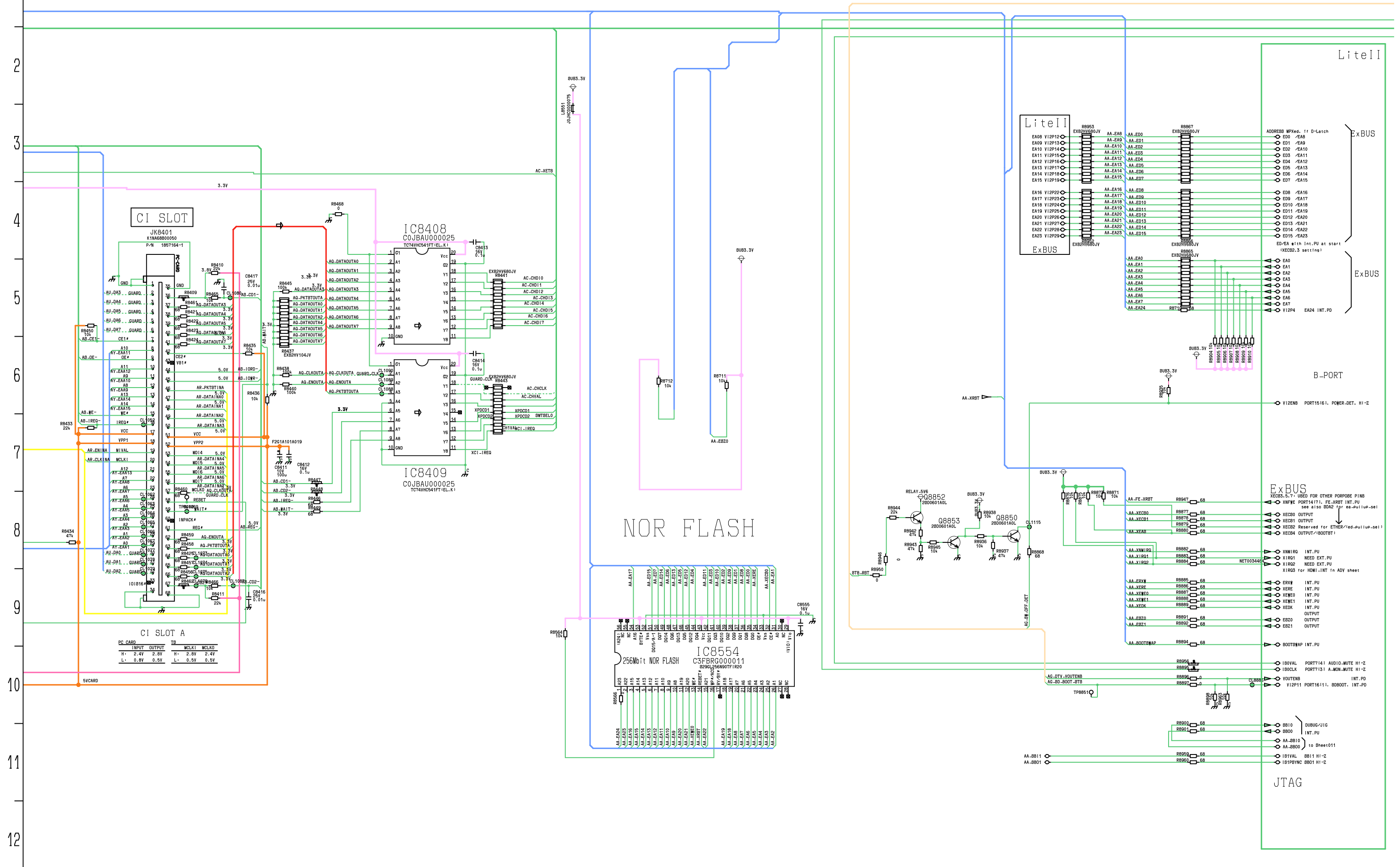
CLOCK GEN



A-BOARD TNP8EAL96 3/16

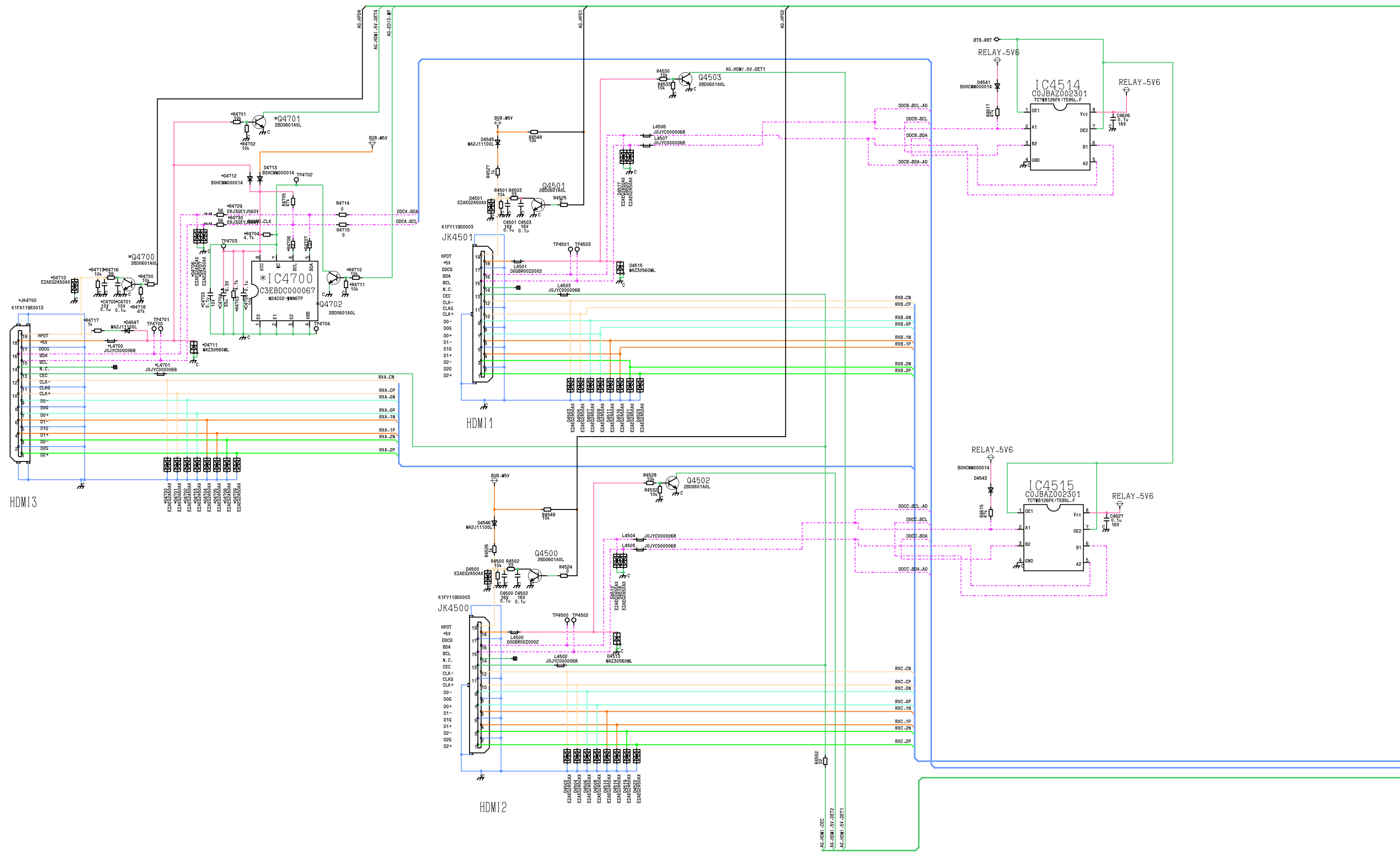


A-BOARD TNP8EAL96 4/16

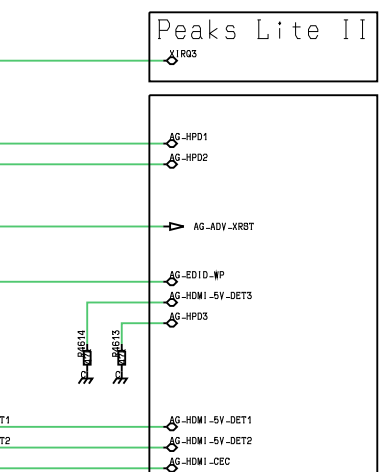
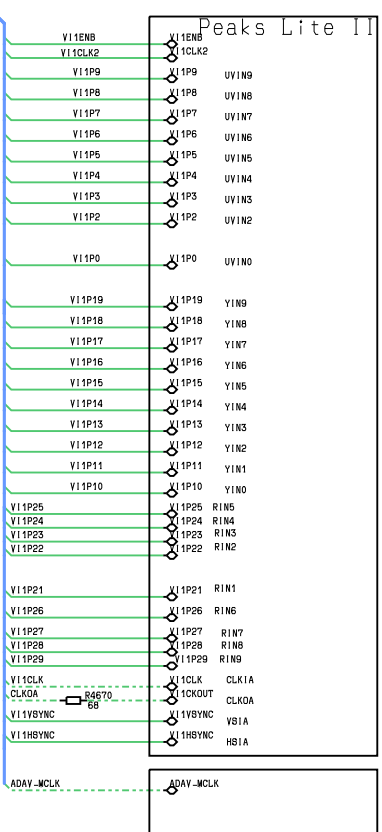
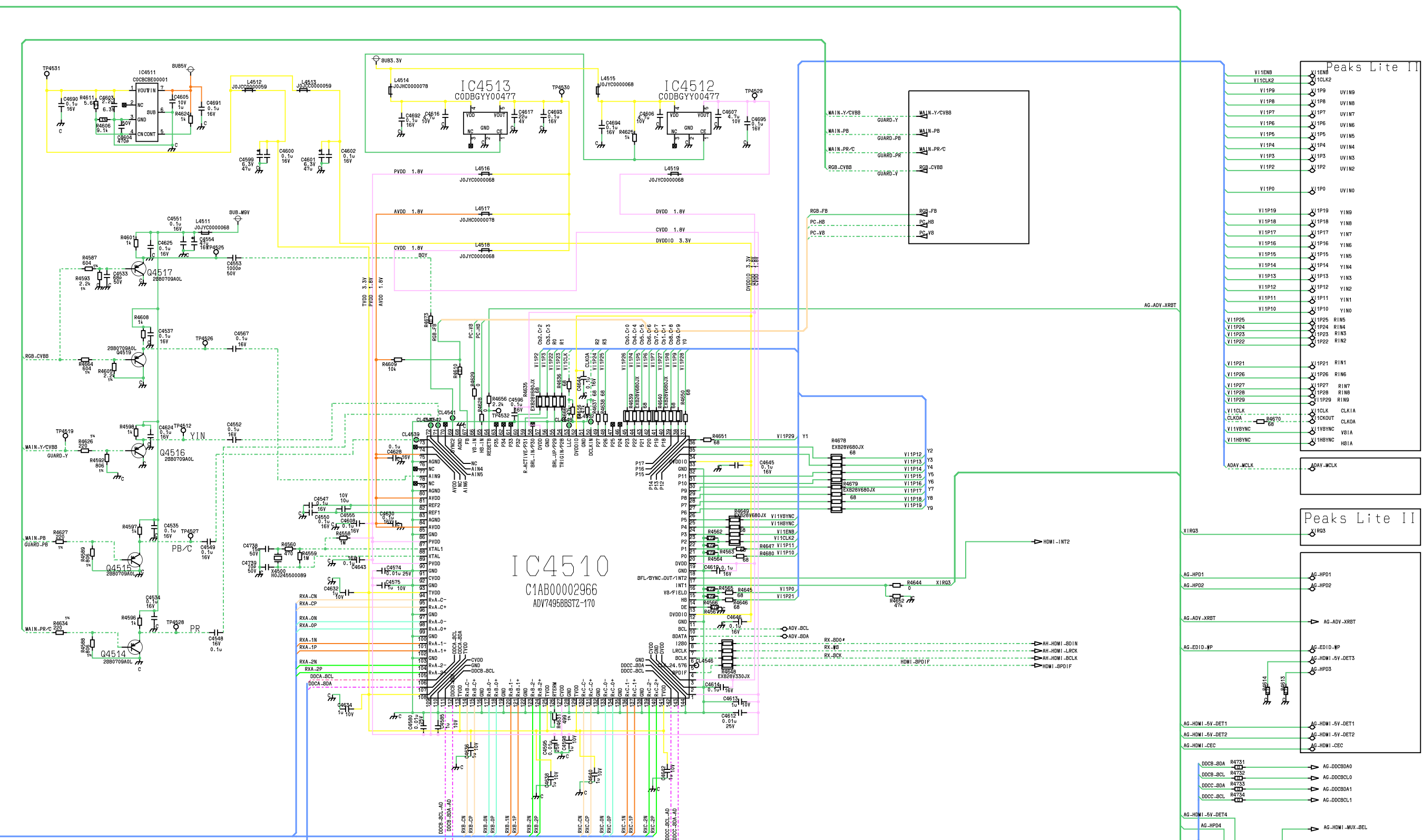


! A-BOARD TNP8EAL96 9/16

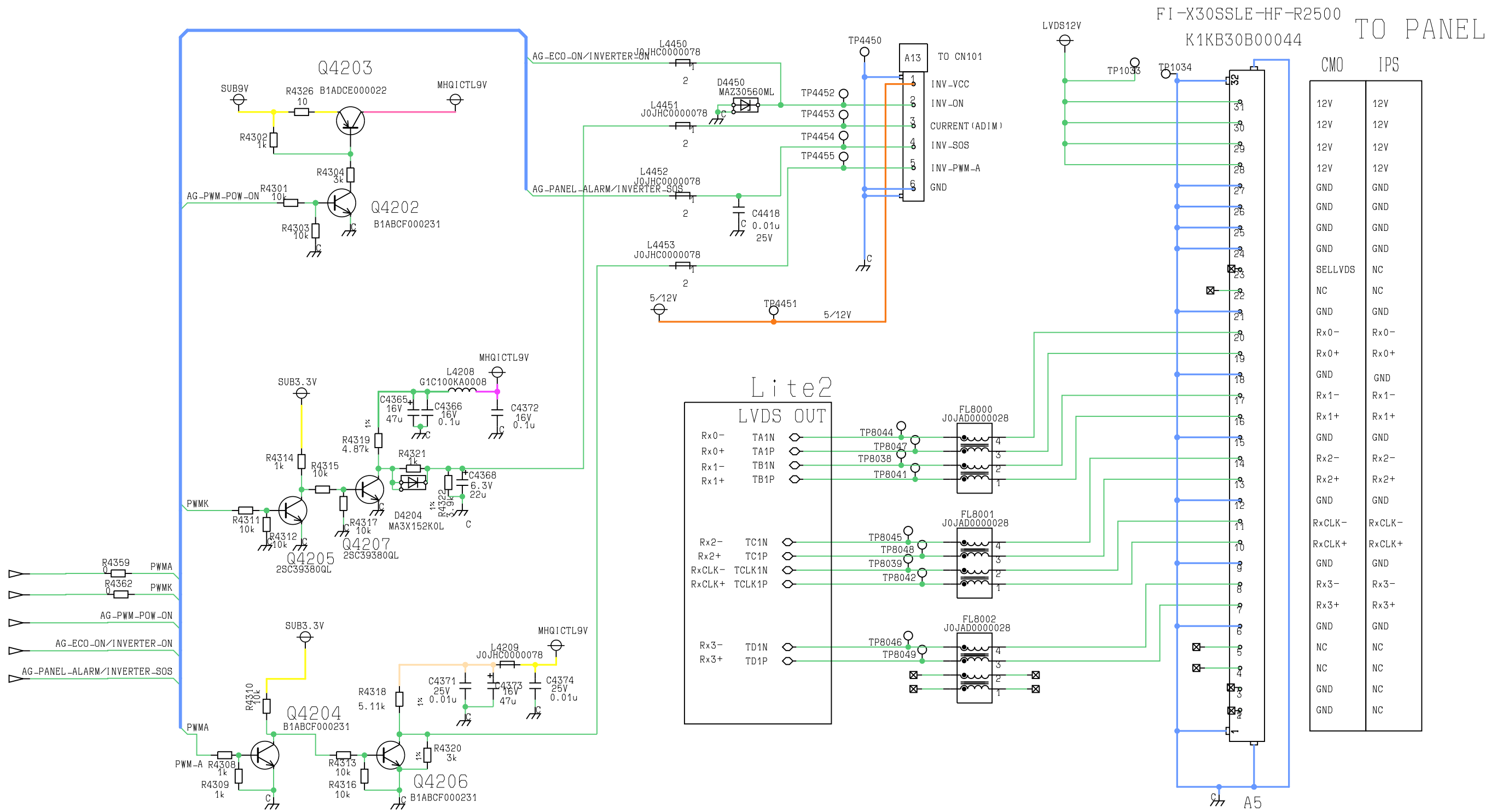
1
2
3
4
5
6
7
8
9
10
11
12



A-BOARD TNP8EAL96 10/16

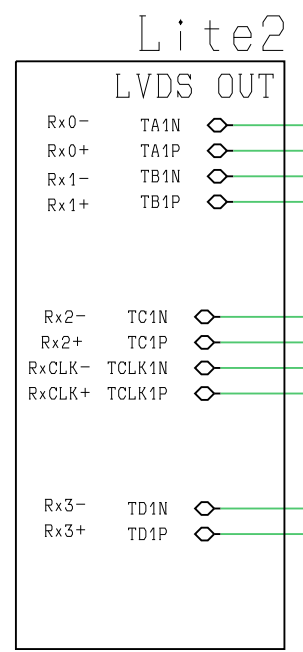


TOP-TYPE



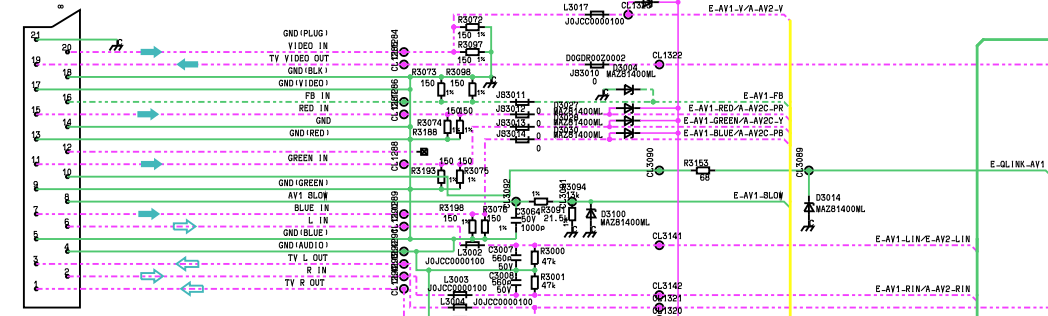
FI-X30SSLE-HF-R2500
K1KB30B00044 TO PANEL

CMO	IPS
12V	12V
12V	12V
12V	12V
12V	12V
GND	GND
GND	GND
GND	GND
GND	GND
SELLVDS	NC
NC	NC
GND	GND
Rx0-	Rx0-
Rx0+	Rx0+
GND	GND
Rx1-	Rx1-
Rx1+	Rx1+
GND	GND
Rx2-	Rx2-
Rx2+	Rx2+
GND	GND
RxCLK-	RxCLK-
RxCLK+	RxCLK+
GND	GND
Rx3-	Rx3-
Rx3+	Rx3+
GND	GND
NC	NC
NC	NC
GND	NC
GND	NC

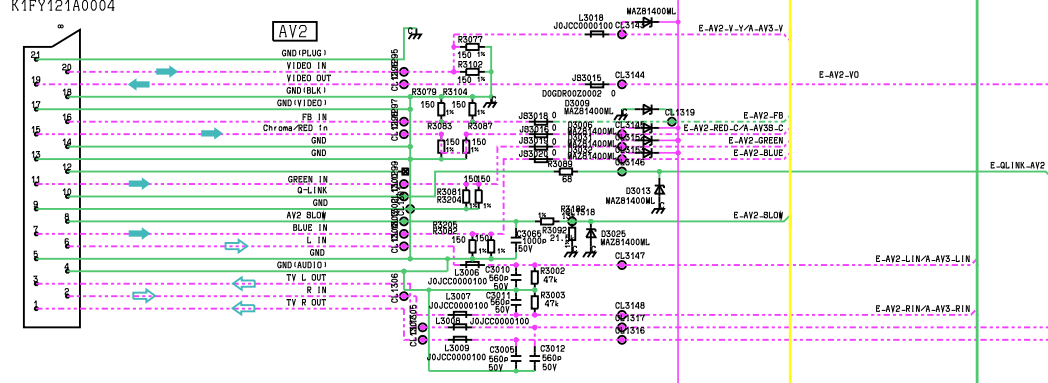


A-BOARD TNP8EAL96 12/16

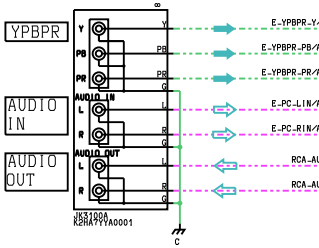
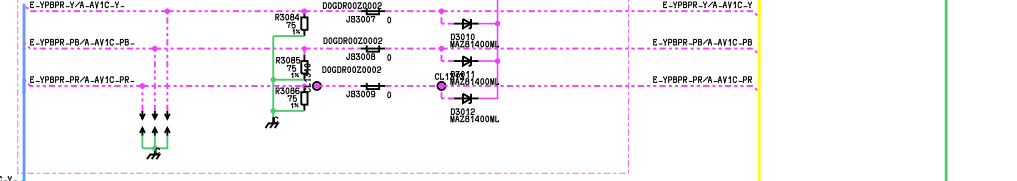
AV1
JK3002B
K1FY121A0004



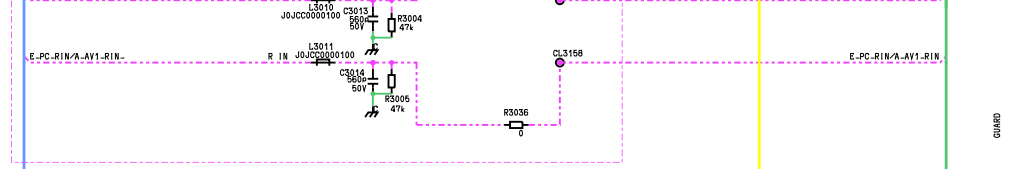
AV2
JK3003B
K1FY121A0004



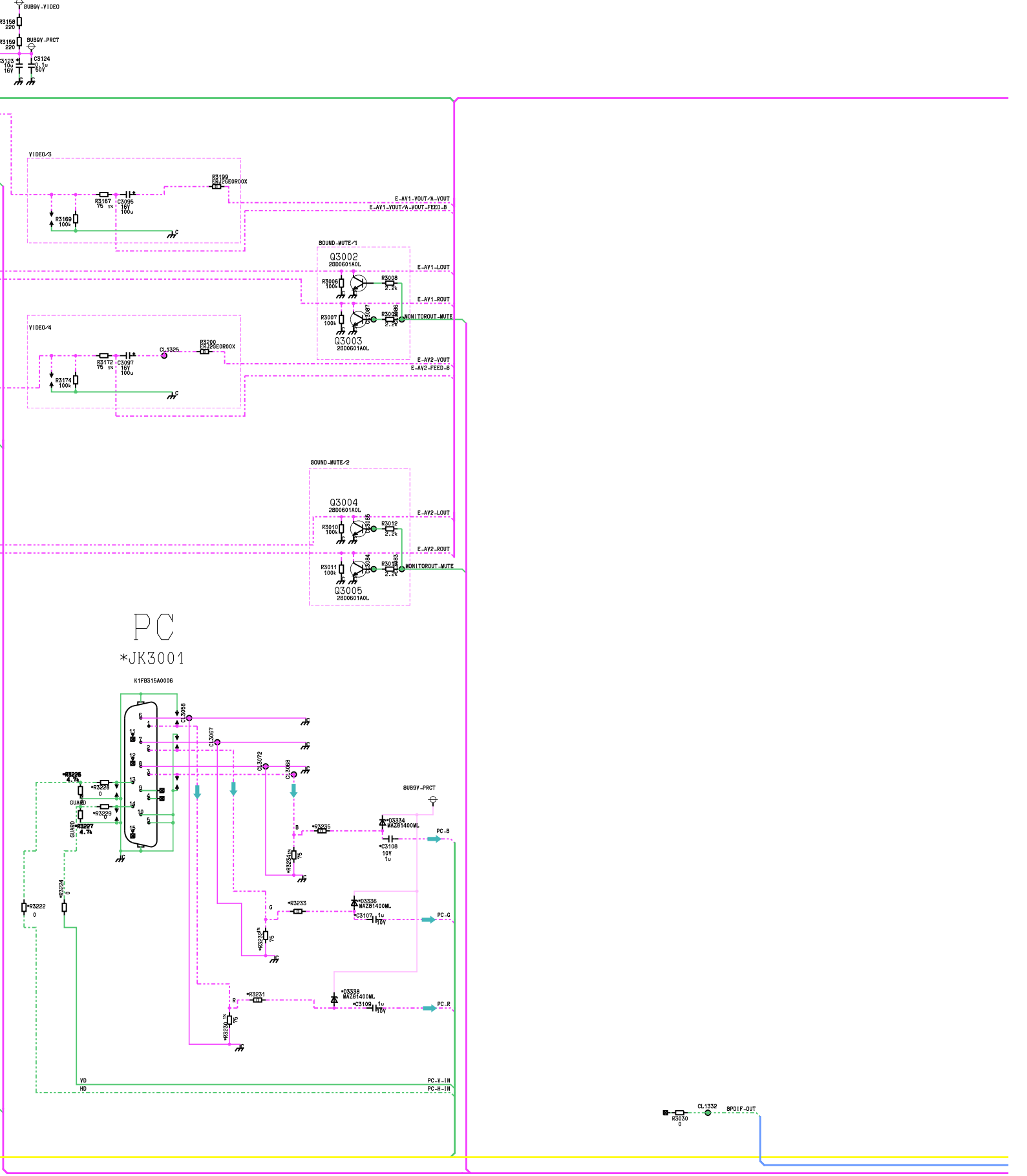
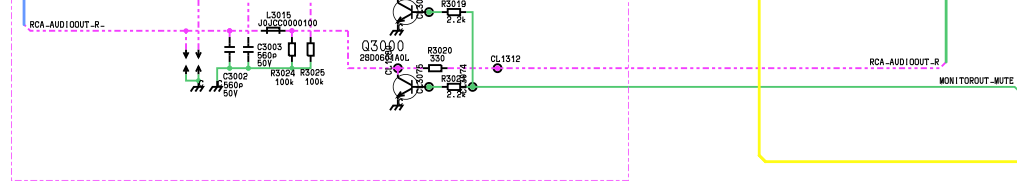
COMPONENT



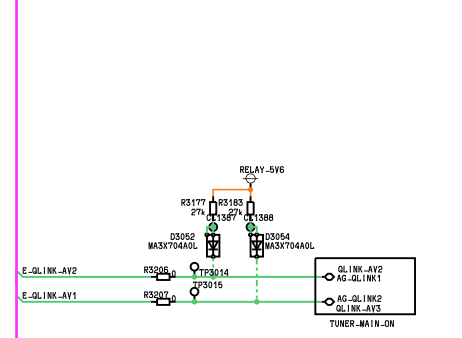
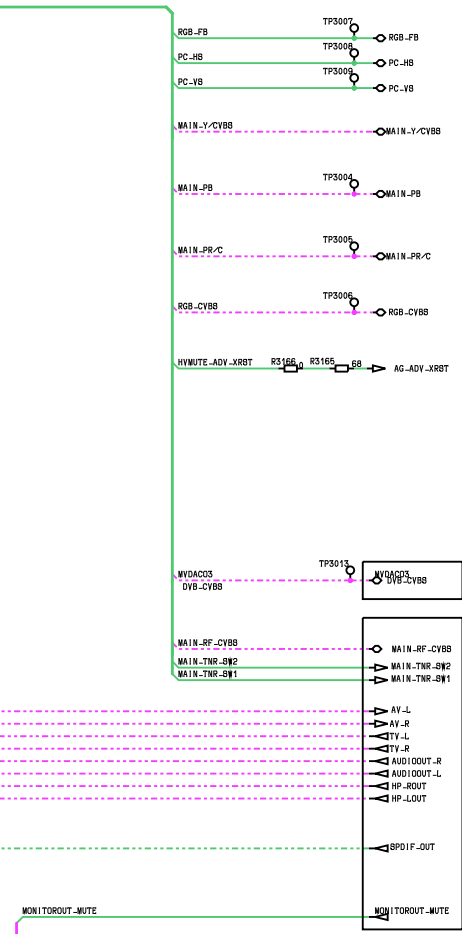
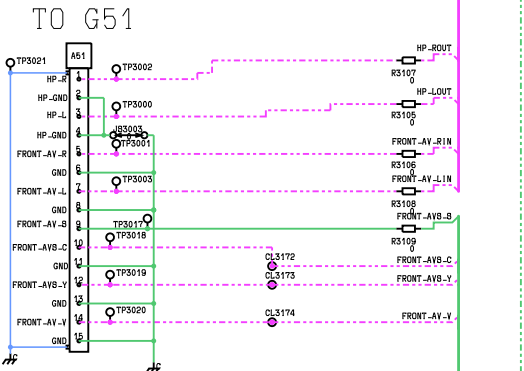
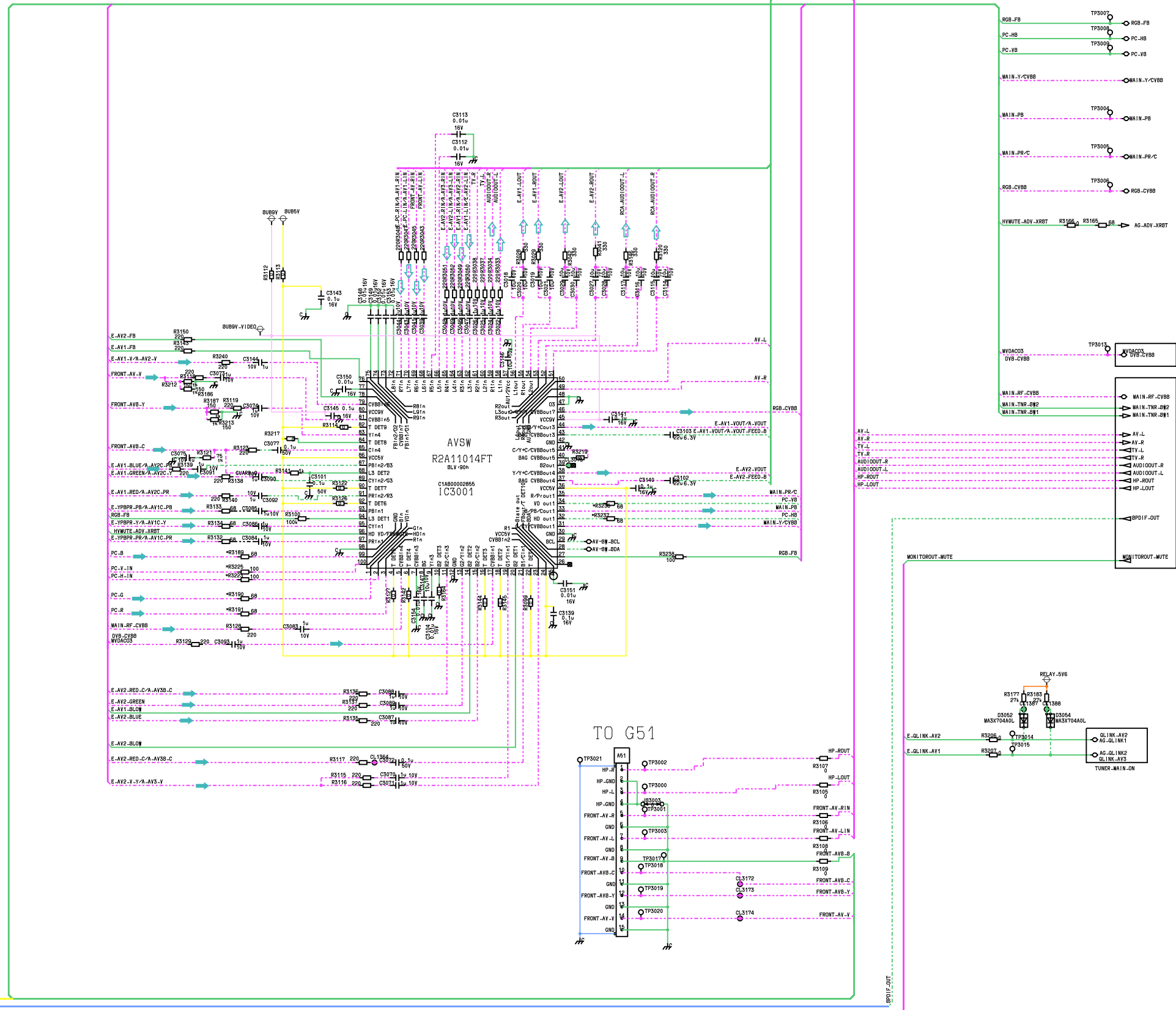
RCA-AUDIO-IN



RCA-AUDIO-OUT



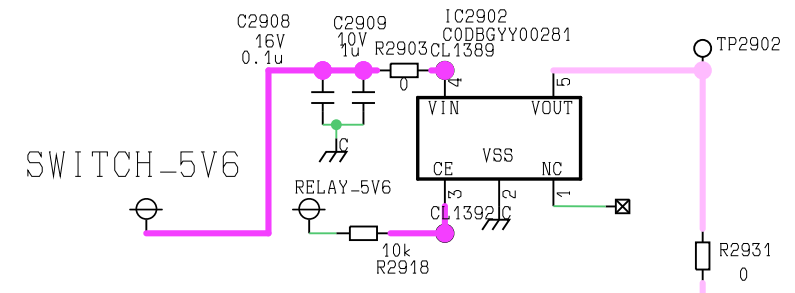
⚠ A-BOARD TNP8EAL96 13/16



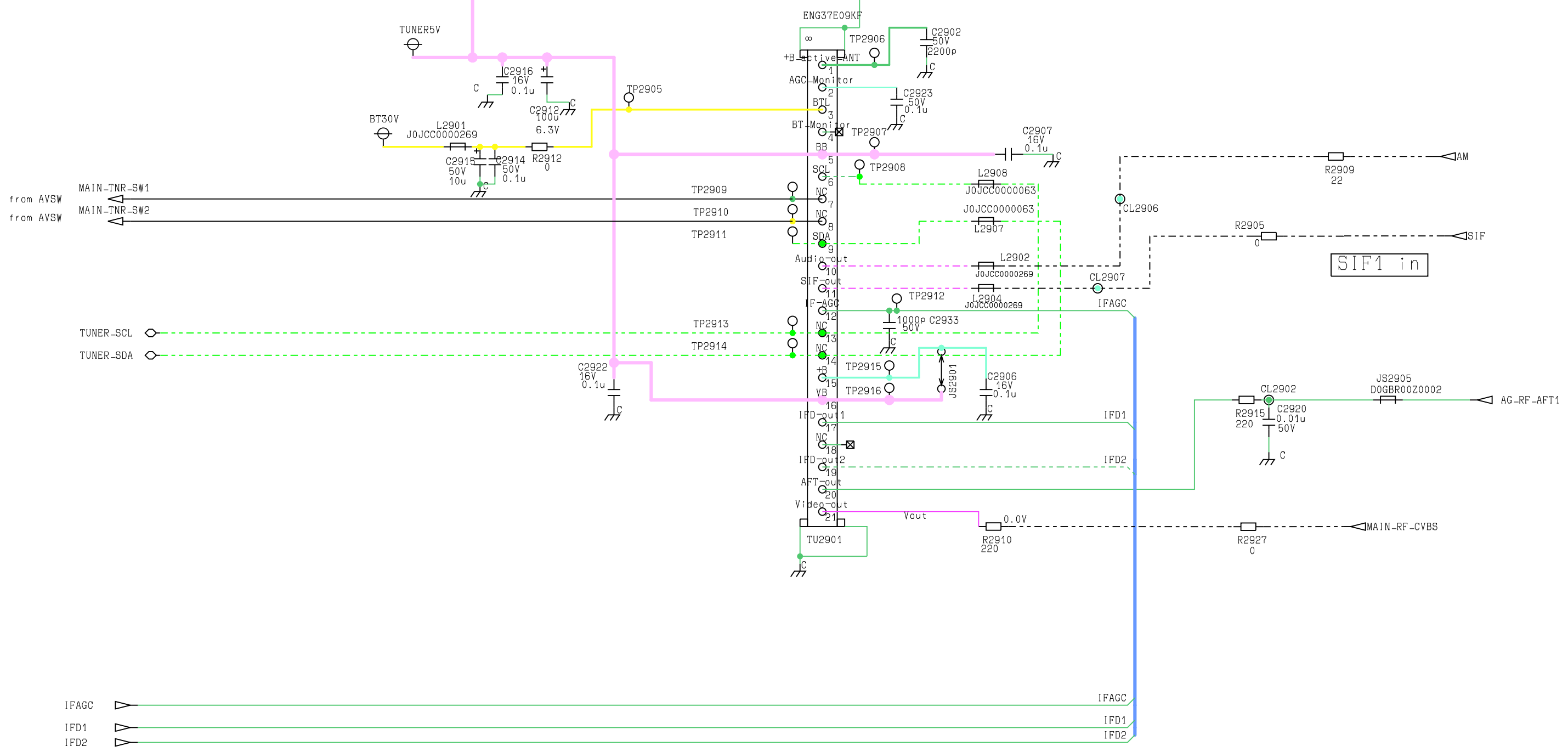
⚠ A-BOARD TNP8EAL96 14/16

1
2
3
4
5
6

A B C D E F G H I



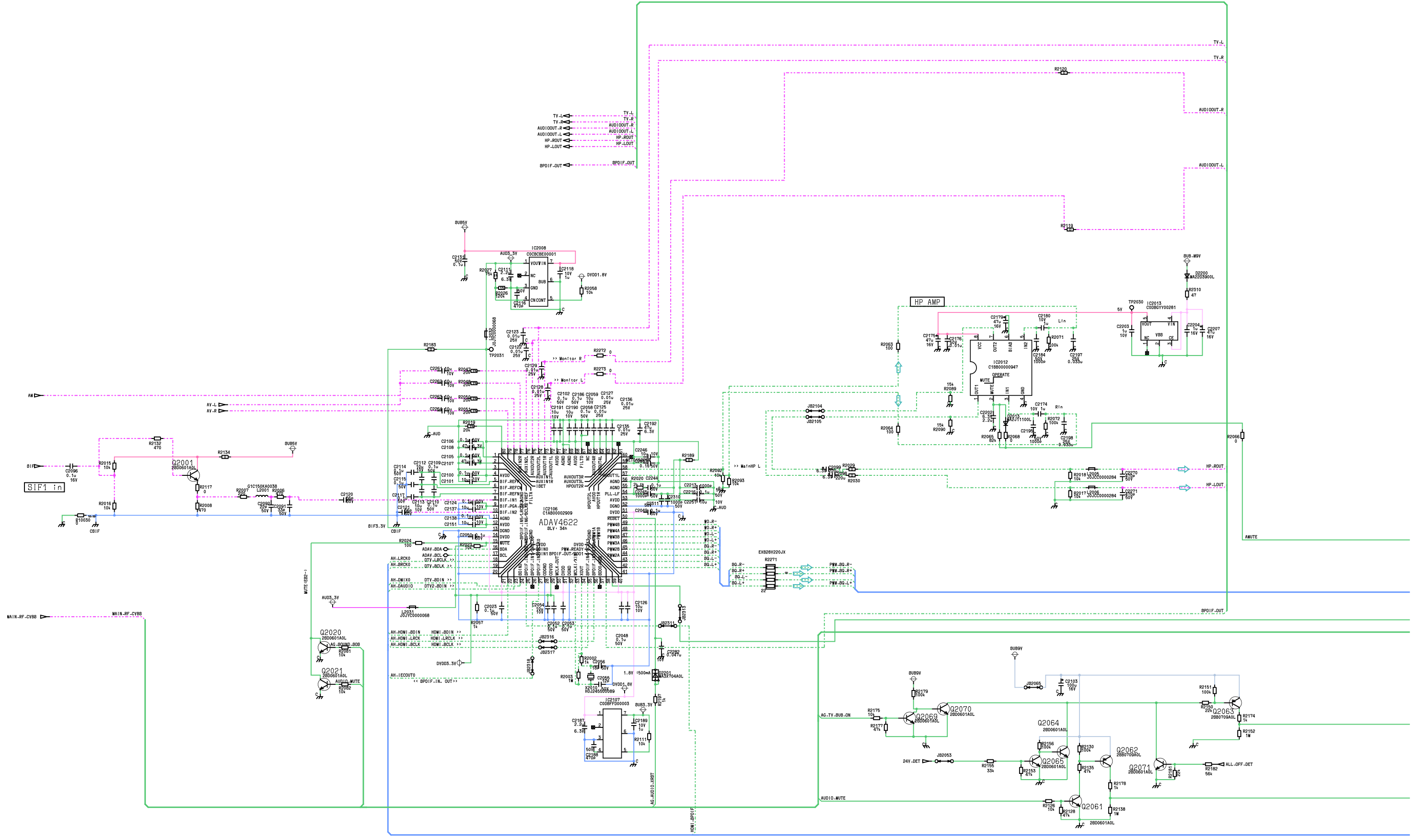
TUNER ⚠



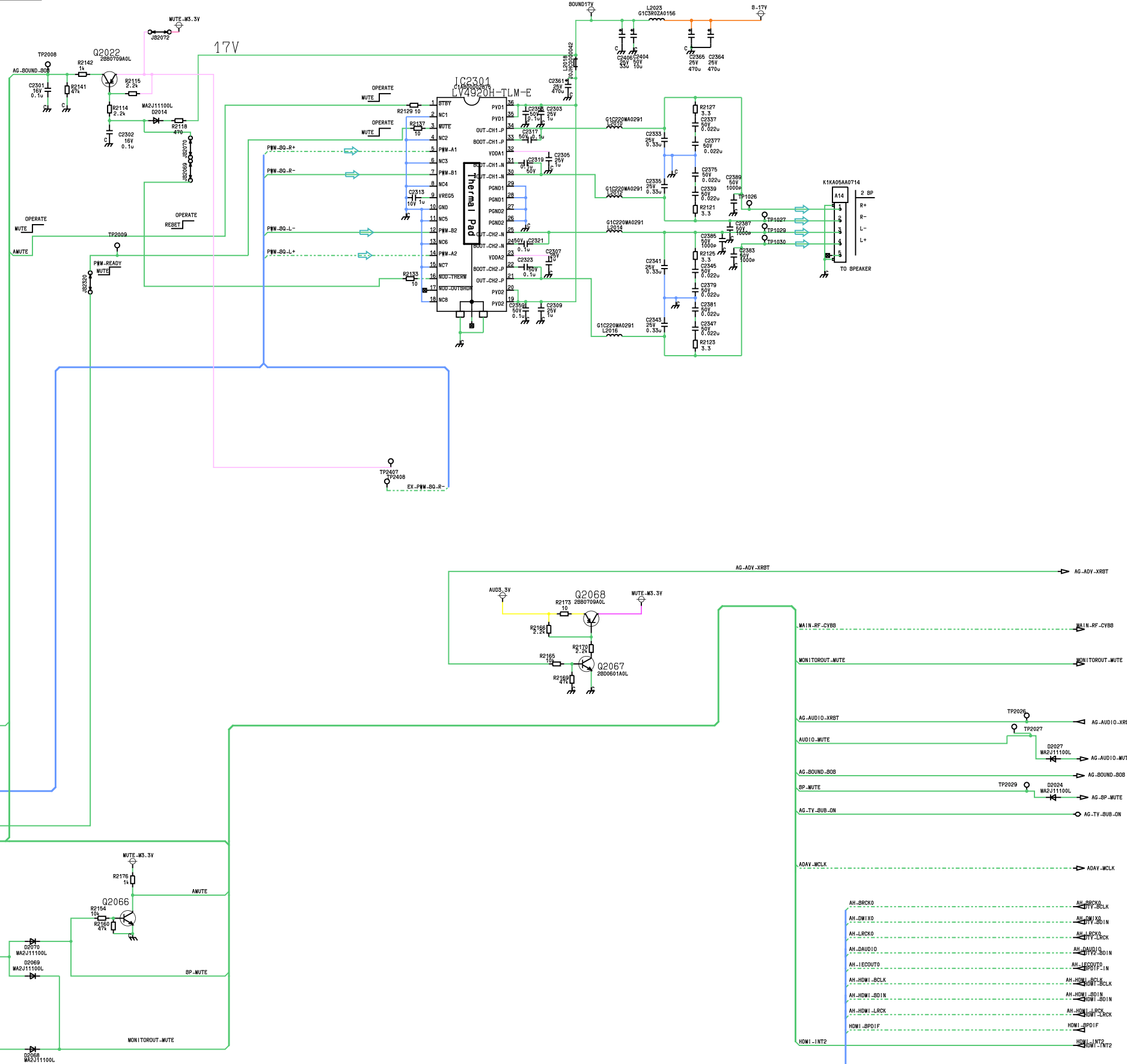
⚠ A-BOARD TNP8EAL96 15/16

1
2
3
4
5
6
7
8
9
10
11
12
13

- TV-L
- TV-R
- AUDIOOUT-R
- AUDIOOUT-L
- HP-ROUT
- HP-LOUT
- SPOIF_OUT



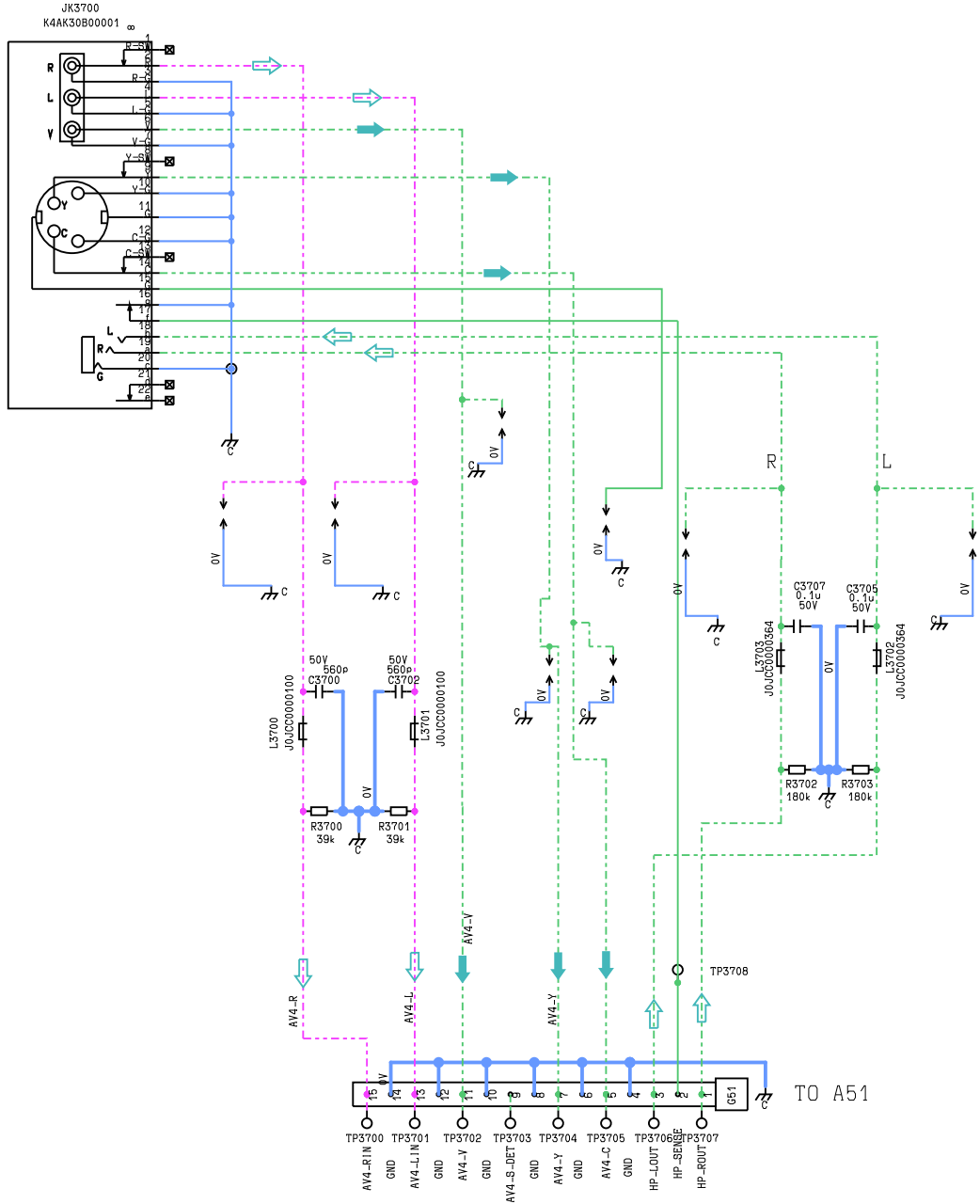
⚠ A-BOARD TNP8EAL96 16/16

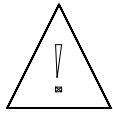




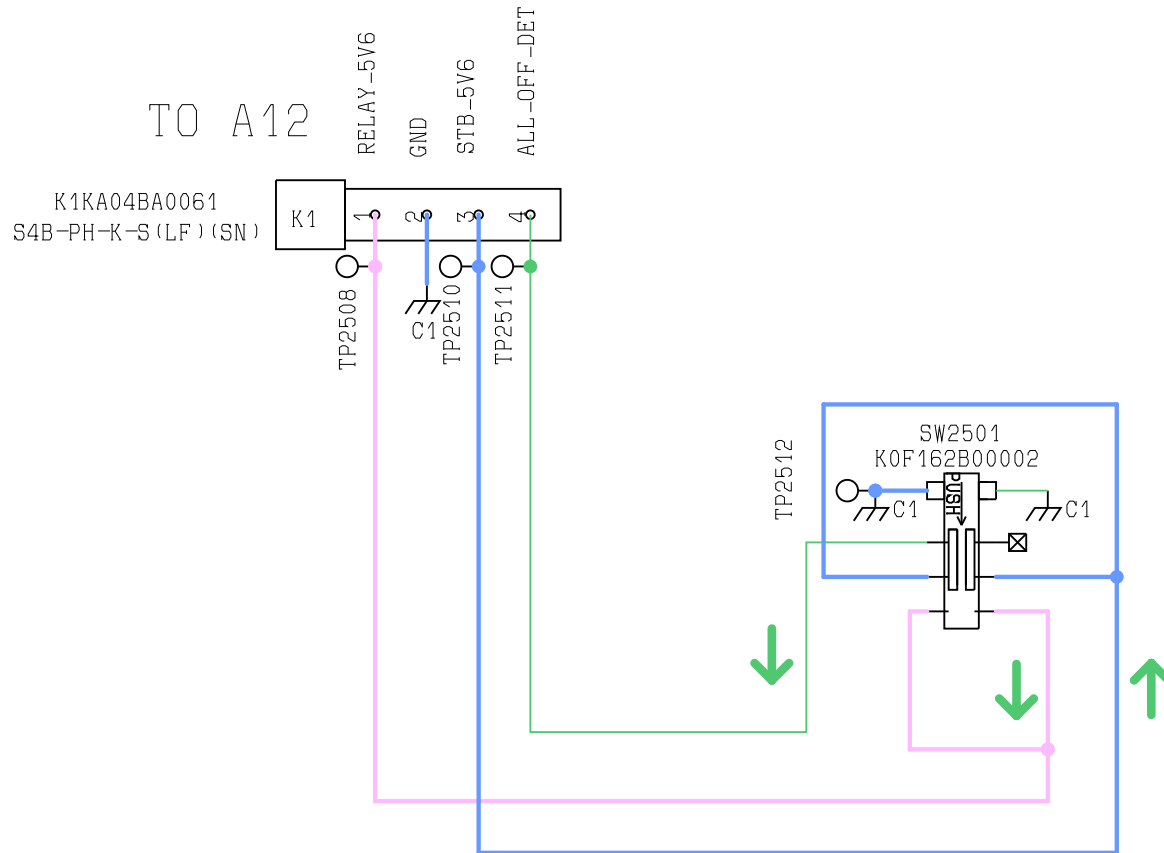
G-BOARD TNP8EGL91

1
2
3
4
5
6
7



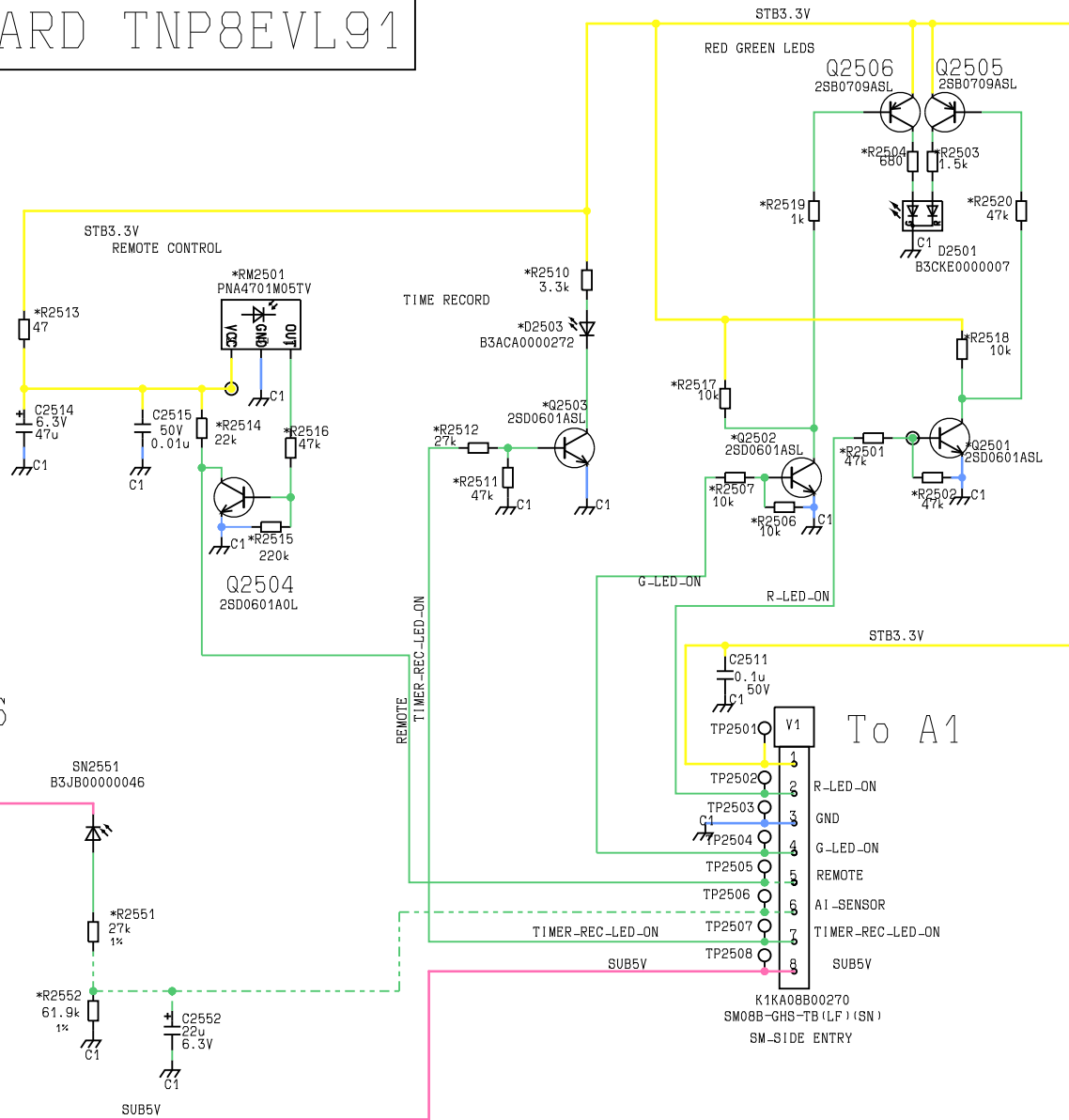


K-BOARD TNP8EKL92





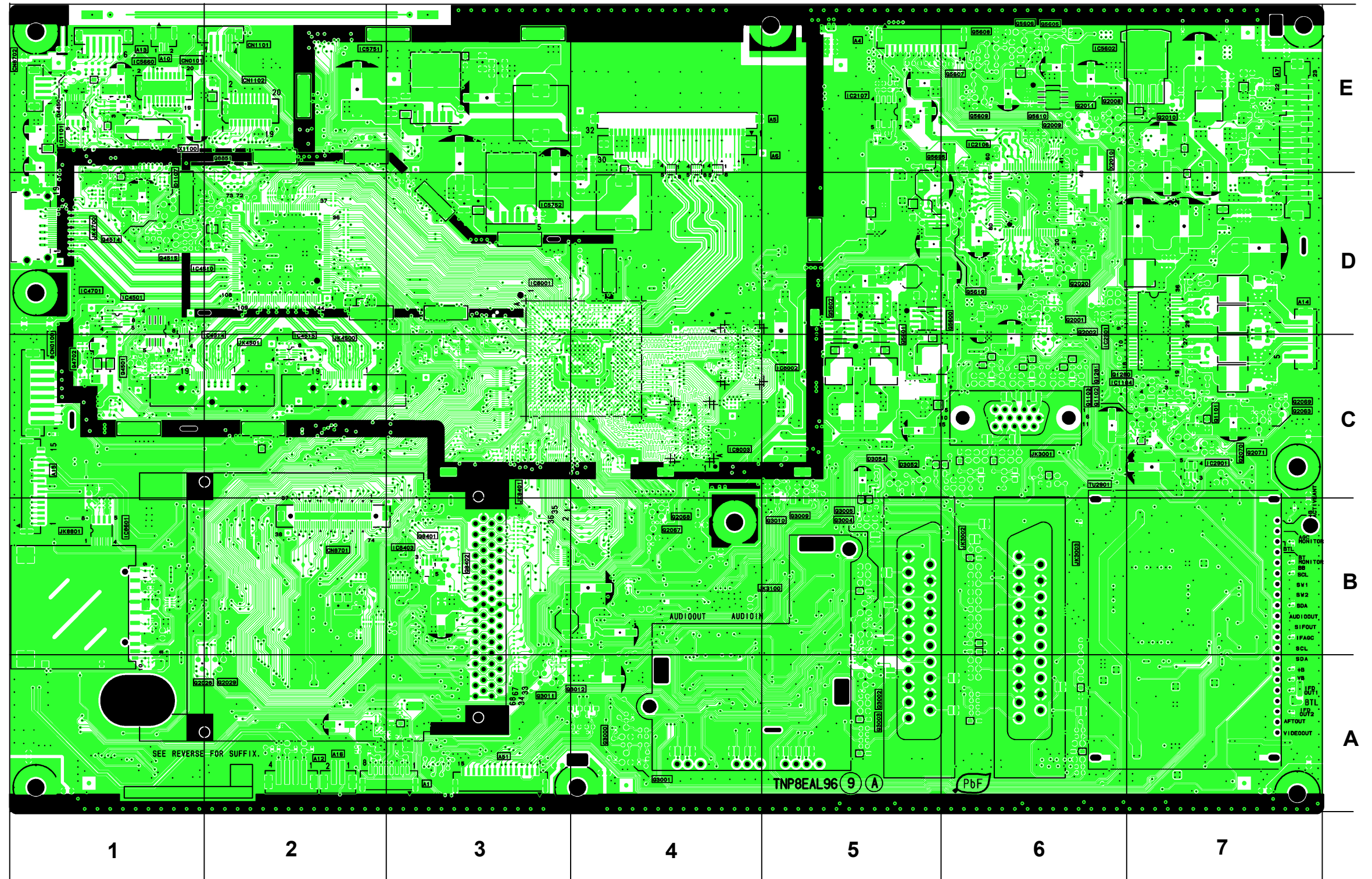
V-BOARD TNP8EVL91



Conductor Views

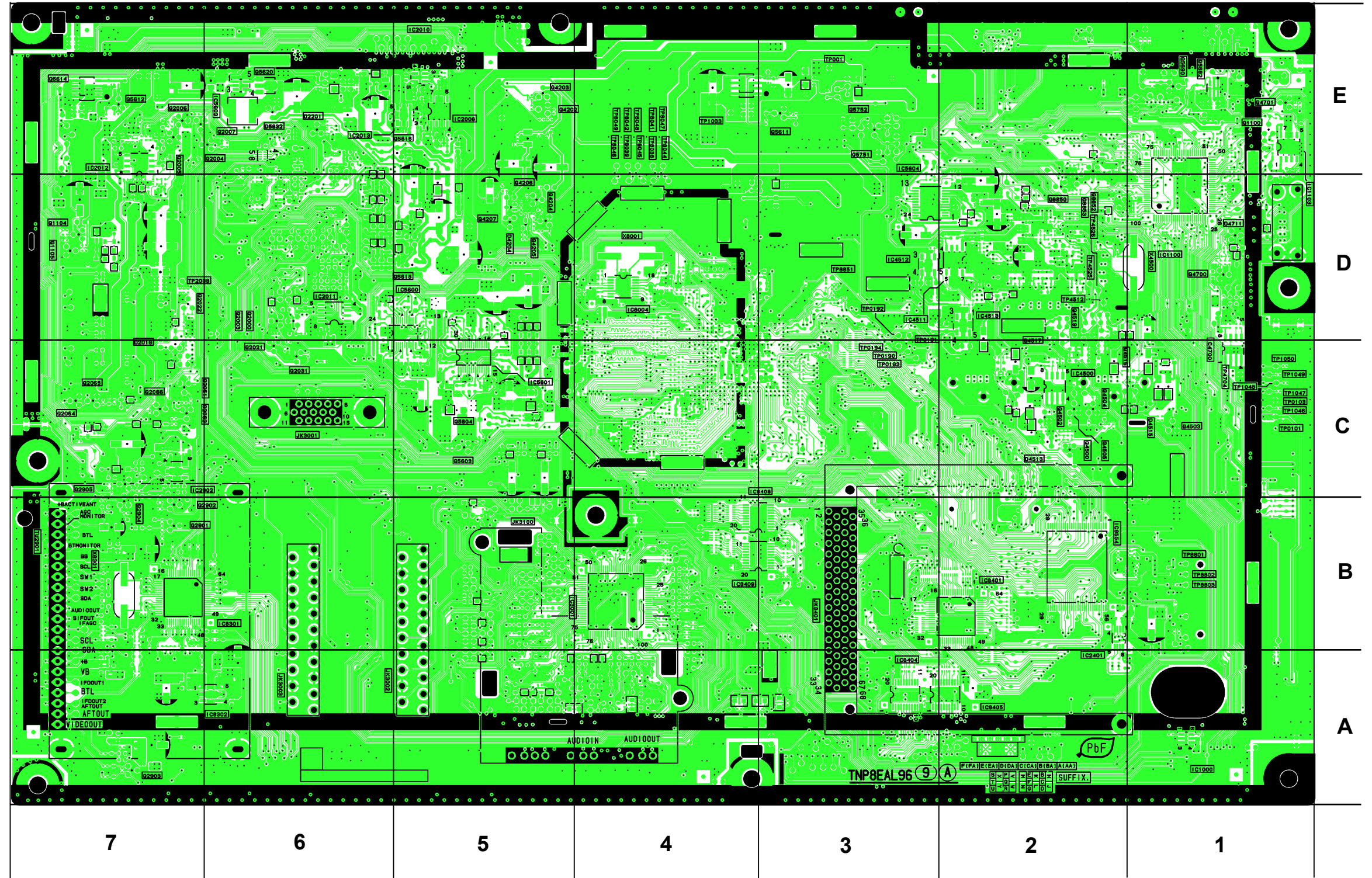
A-BOARD TNP8EAL96 - top

IC'S	Q2069	C7
IC1101	E1	Q2070 C7
IC1104	C7	Q2071 C7
IC2106	E6	Q3000 A4
IC2107	E5	Q3001 A4
IC2301	C7	Q3002 A5
IC4510	D2	Q3003 A5
IC4514	C1	Q3004 B5
IC4515	C2	Q3005 B5
IC5602	E7	Q4501 C1
IC5660	E1	Q4514 D1
IC5751	E3	Q4515 D1
IC5752	D3	Q4702 C1
IC8001	C4	Q5600 D6
IC8002	C5	Q5601 C5
IC8003	C5	Q5602 D5
IC8403	B3	Q5605 E6
IC8601	B1	Q5606 E6
	Q5607	E6
TRAN'S	Q5608	E6
Q1101	C7	Q5609 E6
Q1102	C6	Q5610 E6
Q1103	C6	Q8401 B3
Q1280	C7	Q8402 B3
Q1281	C6	
Q2001	D6	DIODE'S
Q2020	D6	D1107 D1
Q2063	C7	D3052 C5
Q2067	B4	D3054 C5
Q2068	B4	D4450 E1

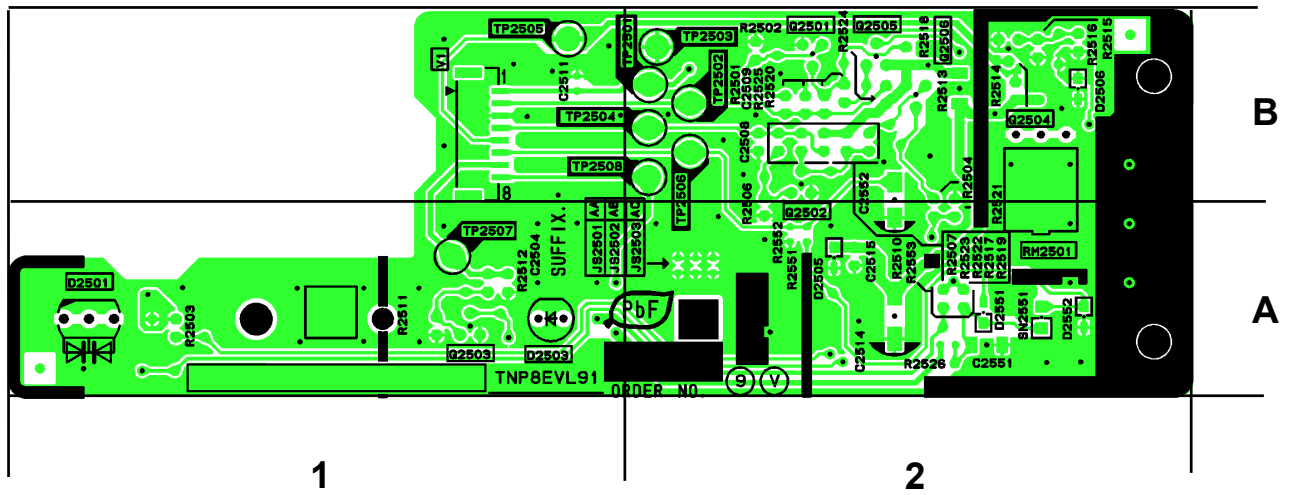


A-BOARD TNP8EAL96 - bottom

IC'S		TRAN'S	
IC1000	A1	Q1104	D7
IC1100	D1	Q1105	D7
IC2008	E5	Q2021	C6
IC2012	E7	Q2022	D7
IC2013	E6	Q2061	C7
IC2902	B7	Q2062	C7
IC3001	B5	Q2064	C7
IC4511	D3	Q2065	C7
IC4512	D3	Q2066	C7
IC4513	D2	Q4202	E5
IC4700	C1	Q4203	E5
IC5600	D5	Q4204	E5
IC5601	C5	Q4205	D5
IC5603	E6	Q4206	D5
IC5604	E3	Q4207	D5
IC8004	D4	Q4500	C2
IC8301	B6	Q4502	C2
IC8302	A6	Q4503	C1
IC8401	B2	Q4516	C2
IC8404	A3	Q4517	C2
IC8405	A2	Q4519	C1
IC8408	C4	Q4700	D1
IC8409	B4	Q4701	E1
IC8554	B2	Q5603	C5
		Q5604	C5
		Q5611	E3
DIODE'S		Q5613	E4
D2201	E6	Q5615	D5
D4204	D5	Q5620	E6
D4513	C2	Q8850	D2
D4515	C1	Q8852	D2
D4711	D1	Q8853	D2



V-BOARD TNP8EVL91 - top



TRAN'S	
Q2501	B2
Q2502	A2
Q2503	B2
Q2504	B2
Q2505	B2
Q2506	B2
DIODE'S	
D2501	A1
D2503	A1
IC'S	
RM2501	A2