

Service Manual



Colour LCD Television

TX-37LZD80
TX-37LZD80F
TX-32LZD80
TX-32LZD80F

LH69 Chassis

Specifications

(Informations in brackets [] refers to model 32")

Power Source:	220-240V AC, 50/60Hz	
Power Consumption	190W [150W]	
Stand-by Power Consumption:	0.3W (Without monitor out recording) 19W (With monitor out recording)	
Aerial Impedance:	75Ω unbalanced, Coaxial Type	
Receiving System:	LZD80 PAL-I, PAL-525/60 (AV only) DVB (via UHF aerial input) M.NTSC (AV only) NTSC (AV only)	LZD80F PAL-I/H, B/G, D/K, SECAM B/G, D/K, L/L' PAL-525/60 (AV only) DVB (via VHF/UHF aerial input) M.NTSC (AV only) NTSC (AV only)
Receiving Channels:	LZD80 UHF E21-E68	LZD80F VHF E2-E12 VHF A-H (ITALY) VHF R3-R5 UHF E21-E69 CATV S1-S10 (M1-M10) CATV S21-S41 (Hyperband)
		VHF H1-H2 (ITALY) VHF R1-R2 VHF R6-R12 CATV (S01-S05) CATV S11-S20 (U1-U10)
Operating Conditions:	Temperature: 0°C ÷ 35°C Humidity: 20% ÷ 80% RH (non condensing)	
Scanning format:	480i(60Hz), 480p(60Hz), 576i(50Hz), 576p(50Hz), 720p(60Hz), 720p(50Hz), 1.080i(60Hz), 1.080i(50Hz), 1.080p(60Hz), 1.080p(50Hz), 1080p(24Hz)	
PC signals:	VGA, SVGA, XGA, SXGA(compressed) Horizontal scanning frequency 31 – 69 kHz Vertical scanning frequency 59 – 86 Hz	

Intermediate Frequency:

Video/Audio	LZD80	LZD80F
Video	38,9MHz	38,9MHz, 33,9MHz
Audio	32.90MHz 32.35MHz(NICAM)	33,4MHz (B/G), 33,16MHz (A2) 33,05MHz (NICAM B/G, D/K, L) 32,4MHz (D/K), 32,66MHz (CZ STEREO) 40,4MHz (L'), 39,75MHz (L'NICAM)
Colour	34,47MHz	34,47MHz (PAL) 34,5MHz, 34,65MHz (SECAM) 38,3MHz, 38,15MHz (SECAM L')

Terminals:

AV1 IN	Video (21 pin) 1V p-p 75Ω Audio (21 pin) 500mV rms 10kΩ RGB (21 pin) 0,7V p-p 75Ω
AV1 OUT	Video (21 pin) 1V p-p 75Ω Audio (21 pin) 500mV rms 1kΩ
AV2 IN	Video (21 pin) 1V p-p 75Ω Audio (21 pin) 500mV rms 10kΩ RGB (21 pin) 0,7V p-p 75Ω S-video IN (21-pin)Y: 1V p-p 75Ω C:0,3V p-p 75Ω
AV2 OUT	Video (21 pin) 1V p-p 75Ω Audio (21 pin) 500mV rms 1kΩ
AV3 IN	S-Video IN (4-pin)Y: 1V p-p 75Ω C:0,3V p-p 75Ω Audio (RCAX2) 500mV rms 10kΩ (used for HDMI3 AUDIO) Video (RCAX1) 1V p-p 75Ω
HDMI1, HDMI2, HDMI3 COMPONENT	Type A Connector Video (RCAX3) Y:1V p-p 75Ω (including synchronization) Pb, Pr: ±0,35V p-p 75Ω
AUDIO IN	Audio (RCAX2) 500mV rms 10kΩ (for HDMI1, COMPONENT-AUDIO)
AUDIO OUT DIGITAL AUDIO OUT CARD SLOT	Audio (RCAX2) 500mV rms 1kΩ (high impedance) PCM, Fiber optic SD CARD slot x1
PC	HIGH-DENSITY D_SUB 15PIN R,G,B: 700mV p-p 75Ω HD,VD/TTL Level 2-5V p-p (high impedance)

LCD screen:	L5EDD9T00003	[L5EDD8T00001]
	1920 x 1080 XGA, 16:9	
	Visible Diagonal 940mm	[800mm]

Audio Output: 20W (2x10W)**Headphones:** 3,5mm, 8Ω Impedance**Accessories supplied :** Remote Control 2 x R6 (UM3) Batteries**Dimensions:**

	Height:	Width:	Depth:
Including TV stand	648mm	943mm	295mm
	[579mm]	[831mm]	[225mm]
TV set only	606mm	943mm	108mm
	[538mm]	[831mm]	[103mm]

Net weight:

Including TV stand	22.5kg	[18.0kg]
TV set only	19.5kg	[15.5kg]

Specifications are subject to change without notice.
Weights and dimensions shown are approximate.

 Warning

This service information is designed for experienced repair technicians only and is not designed for use by the general public. It does not contain warnings or cautions to advise non-technical individuals of potential dangers in attempting to service a product. Products powered by electricity should be serviced or repaired only by experienced professional technicians. Any attempt to service or repair the product or products deal within this service information by anyone else could result in serious injury or death.

CONTENTS

SAFETY PRECAUTIONS	4	SERVICE	15
GENERAL GUIDE LINES.....	4	OPTION BYTES DESCRIPTION	16
TOUCH – CURRENT CHECK.....	4	ADJUSTMENT METHOD.....	17
PREVENTION OF ELECTROSTATIC DISCHARGE (ESD) TO ELECTROSTATICALLY SENSITIVE (ES) DEVICES	5	WIRING DIAGRAM	18
ABOUT LEAD FREE SOLDER (PBF).....	6	BLOCK DIAGRAMS.....	19
SUGGESTED PB FREE SOLDER.....	6	PARTS LOCATION.....	22
APPLICABLE SIGNALS.....	7	REPLACEMENT PARTS LIST.....	24
SERVICE HINTS	8	SCHEMATIC DIAGRAMS.....	42
CHASSIS BOARD LAYOUT	9	A-BOARD (1 OF 16) SCHEMATIC DIAGRAM	43
LOCATION OF LEAD WIRING.....	9	P-BOARD (1 OF 3) SCHEMATIC DIAGRAM	59
SETTING INSPECTION.....	10	M-BOARD SCHEMATIC DIAGRAM	62
SELF-CHECK	11	V-BOARD SCHEMATIC DIAGRAM	63
POWER LED BLINKING TIMING CHART.....	13	G-BOARD SCHEMATIC DIAGRAM.....	64
SERVICE MODE FUNCTION	14	CONDUCTOR VIEWS.....	65

Prevention of Electrostatic Discharge (ESD) to Electrostatically Sensitive (ES) Devices

Some semiconductor (solid state) devices can be damaged easily by static electricity. Such components commonly are called Electrostatically Sensitive (ES) Devices. Examples of typical ES devices are integrated circuits and some field-effect transistors and semiconductor "chip" components. The following techniques should be used to help reduce the incidence of component damage caused by electrostatic discharge (ESD).


1. Immediately before handling any semiconductor component or semiconductor-equipped assembly, drain off any ESD on your body by touching a known earth ground. Alternatively, obtain and wear a commercially available discharging ESD wrist strap, which should be removed for potential shock reasons prior to applying power to the unit under test.
2. After removing an electrical assembly equipped with ES devices, place the assembly on a conductive surface such as aluminum foil, to prevent electrostatic charge build up or exposure of the assembly.
3. Use only a grounded-tip soldering iron to solder or unsolder ES devices.
4. Use only an anti-static solder removal device. Some solder removal devices not classified as "anti-static (ESD protected)" can generate electrical charge sufficient to damage ES devices.
5. Do not use freon-propelled chemicals. These can generate electrical charges sufficient to damage ES devices.
6. Do not remove a replacement ES device from its protective package until immediately before you are ready to install it. (Most replacement ES devices are packaged with leads electrically shorted together by conductive foam, aluminum foil or comparable conductive material).
7. Immediately before removing the protective material from the leads of a replacement ES device, touch the protective material to the chassis or circuit assembly into which the device will be installed.

Caution

Be sure no power is applied to the chassis or circuit, and observe all other safety precautions.

8. Minimize bodily motions when handling unpackaged replacement ES devices. (Otherwise harmless motion such as the brushing together of your clothes fabric or the lifting of your foot from a carpeted floor can generate static electricity (ESD) sufficient to damage an ES device).

IMPORTANT SAFETY NOTICE

There are special components used in this equipment which are important for safety. These parts are marked by  in schematic diagrams, exploded views and replacement parts list. It is essential that these critical parts should be replaced with manufacturer's specified parts to prevent shock, fire, or other hazards. Do not modify the original design without permission of manufacturer.

About lead free solder (PbF)

Note: Lead is listed as (Pb) in the periodic table of elements.


In the information below, Pb will refer to Lead solder, and PbF will refer to Lead Free Solder.

The Lead Free Solder used in our manufacturing process and discussed below is (Sn+Ag+Cu).

That is Tin (Sn), Silver (Ag) and Copper (Cu) although other types are available.

This model uses Pb Free solder in it's manufacture due to environmental conservation issues. For service and repair work, we'd suggest the use of Pb free solder as well, although Pb solder may be used.

PCBs manufactured using lead free solder will have the PbF within a leaf Symbol

 stamped on the back of PCB.

Caution

- Pb free solder has a higher melting point than standard solder. Typically the melting point is 50 ~ 70 °F (30~40°C) higher. Please use a high temperature soldering iron and set it to 700 ± 20 °F (370 ± 10 °C).
- Pb free solder will tend to splash when heated too high (about 1100 °F or 600 °C).
If you must use Pb solder, please completely remove all of the Pb free solder on the pins or solder area before applying Pb solder. If this is not practical, be sure to heat the Pb free solder until it melts, before applying Pb solder.
- After applying PbF solder to double layered boards, please check the component side for excess solder which may flow onto the opposite side. (see Fig.3)

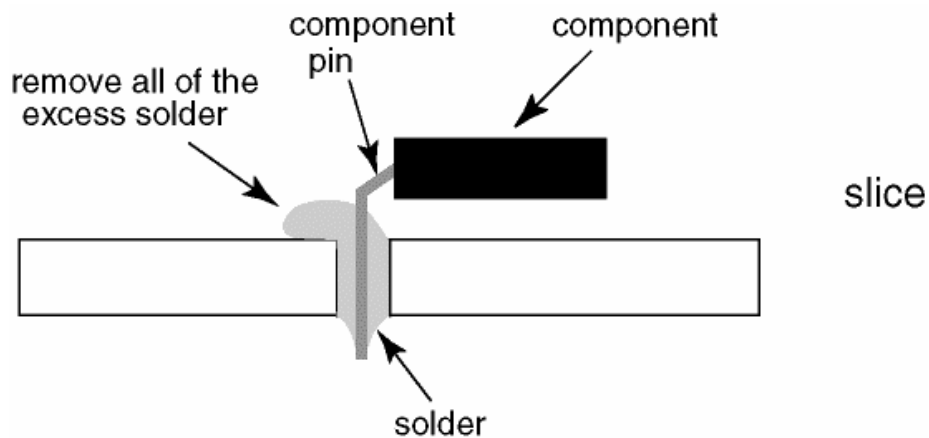


Fig.3

Suggested Pb free solder

There are several kinds of Pb free solder available for purchase. This product uses Sn+Ag+Cu (tin, silver, copper) solder. However, Sn+Cu (tin, copper), Sn+Zn+Bi (tin, zinc, bismuth) solder can also be used. (see Fig.4)

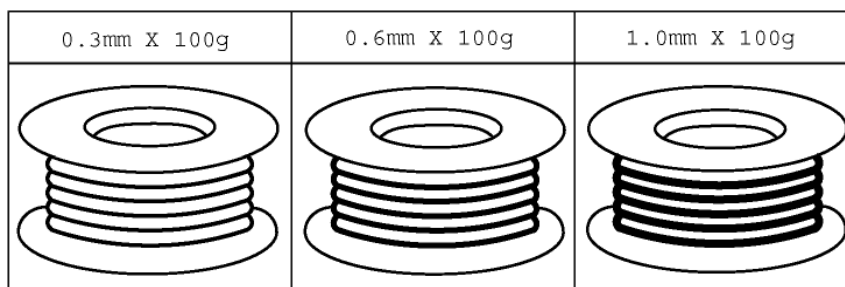


Fig.4

Applicable Signals

Component (Y, Pb, Pr), HDMI

Signal name	COMPONENT	HDMI
525 (480) / 60i	*	*
525 (480) / 60p	*	*
625 (576) / 50i	*	*
625 (576) / 50p	*	*
750 (720) / 60p	*	*
750 (720) / 50p	*	*
1,125 (1,080) / 60i	*	*
1,125 (1,080) / 50i	*	*
1,125 (1,080) / 60p	*	*
1,125 (1,080) / 50p	*	*
1,125 (1,080) / 24p	*	*

PC (D-sub 15P)

Signal name	Horizontal frequency (kHz)	Vertical frequency (Hz)
640 × 400 @70 Hz	31.47	70.07
640 × 480 @60 Hz	31.47	59.94
640 × 480 @75 Hz	37.50	75.00
800 × 600 @60 Hz	37.88	60.32
800 × 600 @75 Hz	46.88	75.00
800 × 600 @85 Hz	53.67	85.06
852 × 480 @60Hz	31.44	59.89
1,024 × 768 @60Hz	48.36	60.00
1,024 × 768 @70Hz	56.48	70.07
1,024 × 768 @75Hz	60.02	75.03
1,024 × 768 @85Hz	68.68	85.00
1,280 × 1,024 @60Hz	63.98	60.02
1,366 × 768 @60Hz	48.39	60.04
Macintosh 13" (640 × 480)	35.00	66.67
Macintosh 16" (832 × 624)	49.73	74.55
Macintosh 21" (1,152 × 870)	68.68	75.06

Note:

- Signals other than above may not be displayed properly.
- The above signals are reformatted for optimal viewing on your display.
- Applicable input signal for PC is basically compatible to VESA standard timing.
- PC signal is magnified or compressed for display, so that it may not be possible to show fine detail with sufficient clarity.

Service Hints

How to remove the backcover

Remove the 20 [21] fixing screws. (see Fig.5)

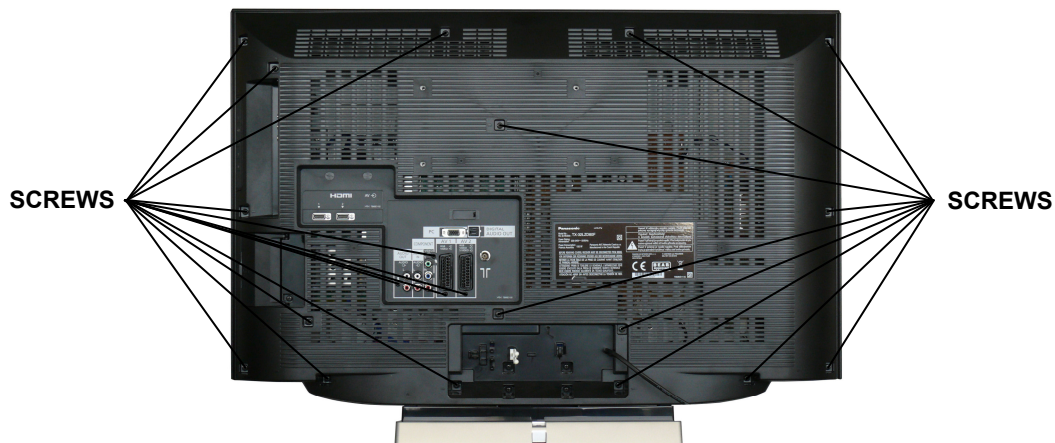


Fig.5

How to remove the Pedestal assembly

Lay the main unit face down. (see Fig.6)

Remove the 4 fixing screws and the pedestal assembly. (see Fig.7)



Fig.6

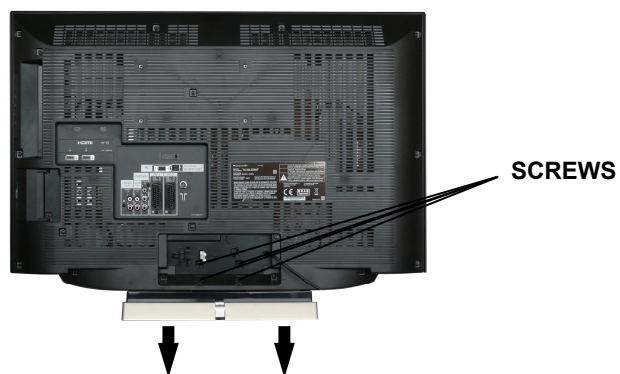


Fig.7

Remotion of a Protection Cover

Remove a protection cover from new LCD Panel when replacing the LCD Panel.(see Fig.8)

This cover is for transportation LCD panel use only.

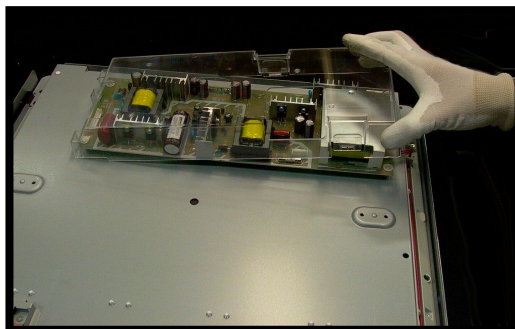
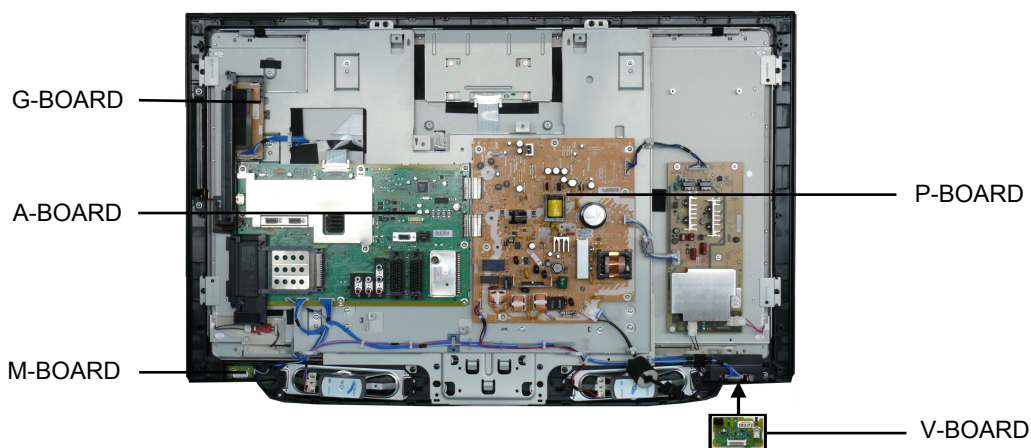


Fig.8

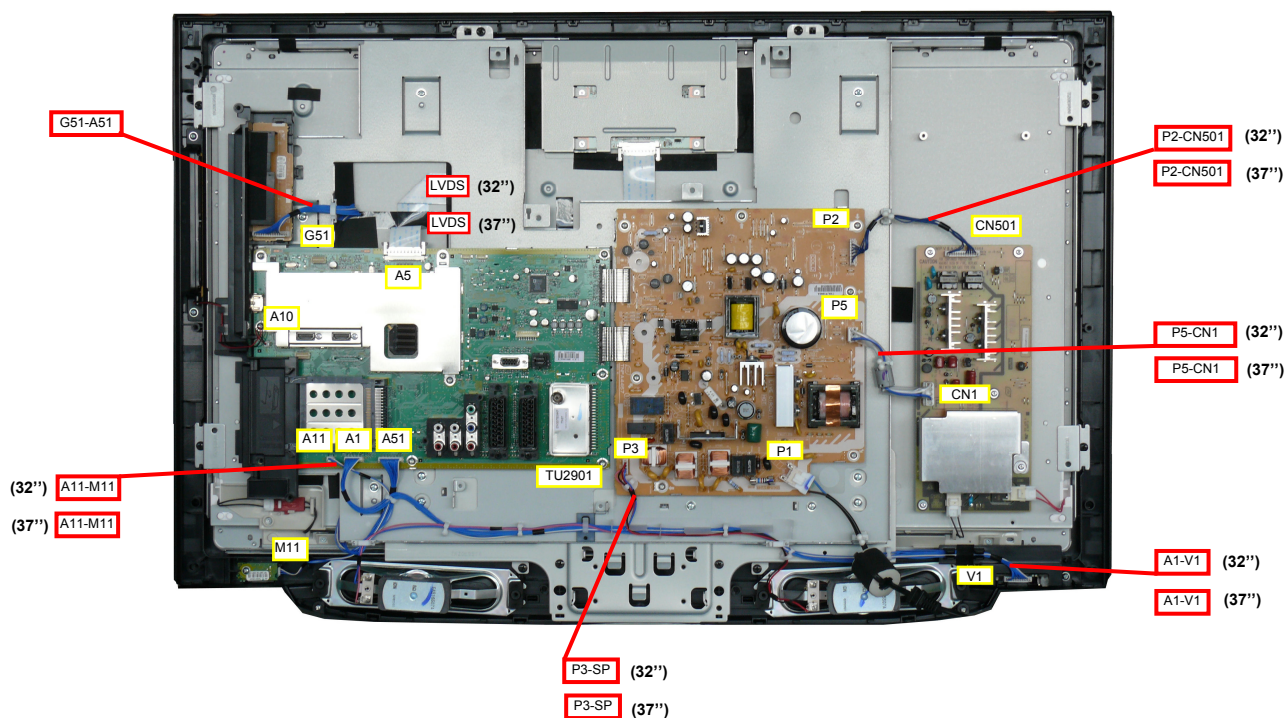
Chassis Board Layout



Board Name	Function
A-Board	AV Terminal, AV Switch, Sound Processor, Speaker out, TV tuner, PC, SD, Global Core, HDMI, IDTV Processor, D/A Converter, Peaks Lite 2
P-Board	Main Input, Power Supply, Power Supply Regulator, Speaker out
G-Board	Side AV Terminal
V-Board	Remote Receiver, R&G LED, Timer Rec LED, Main Switch
M-Board	C.A.T.S.

Location of Lead Wiring

To find the Part Number of required wire in Replacement Parts List click on the wire name in red box.



Setting Inspection

Voltage Confirmation

Confirm the following voltages:

P board

Description	Test point	Position	Normal mode	Stand by mode	Active stand by mode
Sound_Vcc	TP7050	P7, pin 1,2	18V +/- 1V	Max 3V	Max 3V
BT_30V	TP7060	P7, pin 5	31V +/- 1V	Max 3V	31V +/- 1V
SUB_5V	TP7059	P7, pin 12,13,14	5,1V +/- 0,2V	Max 1V	5,1V +/- 0,2V
SUB_9V	TP7055	P7, pin 17	9,1V +/- 0,3V	Max 1V	9,1V +/- 0,3V
DTV_12V	TP7057	P7, pin 20,21	12V +/- 0,4V	Max 1V	12V +/- 0,4V
PANEL_12V	TP7058	P7, pin 22,23	12V +/- 0,4V	Max 2V	Max 2V
5VS	TP7061	P6, pin 11	5V +/- 0,2V	5V +/- 0,2V	5V +/- 0,2V
STB_5V	TP7062	P6, pin 13	5V +/- 0,2V	5V +/- 0,2V	5V +/- 0,2V
SUB_6V	TP7064	P6, pin 23	6,1V +/- 0,4V	Max 1V	6,1V +/- 0,4V
V+ - V-	TP7025-26	P5, pin 1,3	370V - 395V	Max 1V	370V - 395V
12V	TP7070	P2, pin 1	12V +/- 0,4V	Max 3V	12V +/- 0,4V

A board

5VS	TP1037	A1, pin 10	5V +/- 2%
DTV12V	TP1016	A7, pin 20,21	12V +/- 2%
SUB9V	TP1015	A7, pin 17	9V +/- 2%
SUB5V	TP1011	A7, pin 12,13,14	5V +/- 2%
BT30V	TP1010	A7, pin 5	30V +/- 2%
SUB6V	TP1014	A6, pin 23	6V +/- 2%
PNL12V	TP1012	A7, pin 22,23	12V +/- 2%
S_17V	TP1013	A7, pin 1,2	17 +/- 2%

Self Check

Self-check is used to automatically check the bus lines and hexadecimal code of the TV set. To enter Self-Check mode, keep pressing the down (-v) button on the TV set and press the **STATUS**  button on the remote control. To exit Self Check, switch off the TV set at the power button.

TX-37LZD80

37FHD		Panasonic 2008LCD Self Check Complete	
ADV	O.K.	PEAKS-SOFT	1.011
ADAV	O.K.	PEAKS-EEP	01.03.0030
TUN	O.K.	GenX-SOFT	1.01.00
GENX	O.K..	GenX-EEP	1.03.01
MEM1	O.K.	GenX-ROMCORR	1.01.00
MEM2	O.K.		
AVSW	O.K.		
OFDM	O.K.		
TEMP	O.K.		
MIHO	O.K.		
VIF	O.K.		
		SUM	1d34
		OPTION 1	2c
		OPTION 2	00
		OPTION 3	00
		CHECK	2c
		MODEL ID	05
			03101100
			00000010
		EDID1	2d.2b
		EDID2	2d.1b

TX-37LZD80F

37FHD		Panasonic 2008LCD Self Check Complete	
ADV	O.K.	PEAKS-SOFT	1.011
ADAV	O.K.	PEAKS-EEP	01.03.0005
TUN	O.K.	GenX-SOFT	1.01.00
GENX	O.K..	GenX-EEP	1.03.01
MEM1	O.K.	GenX-ROMCORR	1.01.00
MEM2	O.K.		
AVSW	O.K.		
OFDM	O.K.		
TEMP	O.K.		
MIHO	O.K.		
VIF	O.K.		
		SUM	1d08
		OPTION 1	2c
		OPTION 2	00
		OPTION 3	00
		CHECK	2c
		MODEL ID	05
			03111100
			00000010
		EDID1	2d.2b
		EDID2	2d.1b

TX-32LZD80

32FHD		Panasonic 2008LCD Self Check Complete	
ADV	O.K.	PEAKS-SOFT	1.011
ADAV	O.K.	PEAKS-EEP	01.03.0031
TUN	O.K.	GenX-SOFT	1.01.00
GENX	O.K..	GenX-EEP	1.03.01
MEM1	O.K.	GenX-ROMCORR	1.01.00
MEM2	O.K.		
AVSW	O.K.		
OFDM	O.K.		
TEMP	O.K.		
MIHO	O.K.		
VIF	O.K.		
		SUM	1d35
		OPTION 1	2c
		OPTION 2	00
		OPTION 3	00
		CHECK	2c
		MODEL ID	05
			03101100
			00000004
		EDID1	2d.2b
		EDID2	2d.1b

TX-32LZD80F

32FHD		Panasonic 2008LCD Self Check Complete	
ADV	O.K.	PEAKS-SOFT	1.011
ADAV	O.K.	PEAKS-EEP	01.03.0006
TUN	O.K.	GenX-SOFT	1.01.00
GENX	O.K..	GenX-EEP	1.03.01
MEM1	O.K.	GenX-ROMCORR	1.01.00
MEM2	O.K.		
AVSW	O.K.		
OFDM	O.K.		
TEMP	O.K.		
MIHO	O.K.		
VIF	O.K.		
		SUM	1d09
		OPTION 1	2c
		OPTION 2	00
		OPTION 3	00
		CHECK	2c
		MODEL ID	05
			03111100
			00000004
		EDID1	2d.2b
		EDID2	2d.1b

Display	Ref. No.	Description	P.C.B.
ADV	IC4510	A/D CONVERTER	A-Board
ADAV	IC2106	AUDIO PROCESSOR	A-Board
TUN	TU2901	TUNER	A-Board
GENX	IC1100	MICROPROCESSOR	A-Board
MEM1	IC1101	EEPROM /GenX/	A-Board
MEM2	IC8601	EEPROM /PeaksLite/	A-Board
AVSW	IC3001	AUDIO VIDEO SWITCH	A-Board
OFDM	IC8301	COFDM DEMODULATOR	A-Board
TEMP	IC1000	TEMP SENSOR	A-Board
MIHO	IC4200	MIHO	A-Board
VIF	TU2901	TUNER	A-Board

If the CCU ports have been checked and found to be incorrect or not located then " - - " will appear in place of "O.K.".

Power LED blinking timing chart

1. Subject
Information of LED Flashing timing chart.
2. Contents
When abnormality has occurred the unit, the protection circuit operates and reset to the stand by mode. At this time, the defective block can be identified by number of blinking of the Power LED on the front panel of the unit.

Blinking times	Blinking timing	Contents	Check point
1	<p>Once 4 sec</p> <p>Light No Light</p>	INVERTER_SOS	A BOARD, P BOARD LCD PANEL
2		FAN_SOS	A BOARD
3		SOS	A BOARD P BOARD
4		DTV_12V	P BOARD A BOARD
5		MAIN_9V	A BOARD
6		SUB_5V	P BOARD A BOARD, M BOARD
7		SUB_3.3V	A BOARD
8		MAIN_3.3V	A BOARD
9		SOUND_SOS	A BOARD
13		Emergency SOS	A BOARD

Service Mode Function

MPU controls the functions switching for each IICs through IIC bus in this chassis. The following setting and adjustment can be adjusted by remote control in Service Menu

How to enter SERVICE

While pressing (-/v) button on the TV unit, press **0** on the remote control for 3 times within 2 seconds.

Note:

To exit from Service mode, press the exit button on remote control.

SERVICE

SERVICE	Peaks SOFT	1.011	OPTION 1	2c
ADJUST	Peaks EEP	01.03.0006	OPTION 2	00
WB-ADJ	LSI DATA	11.22.33	OPTION 3	00
OPTION	STBY SOFT	1.01.00	Model ID	05
SRV-TOOL	STBY EEP	1.03.01		03111100
	STBY ROMCOR	1.01.00		00000004
			RB Cnt	000
			Time	00010:15
				0004515

Key Command

- Press the **3/4** button to change the adjustment values or function.
- Press the **1/2** button to step up/down through the functions and adjustments
- Press the numerical button **VOLUME (+/-)** to change of each option item.
- Press the **OK** button after each adjustment has been made to store the required values.



Option Bytes Description

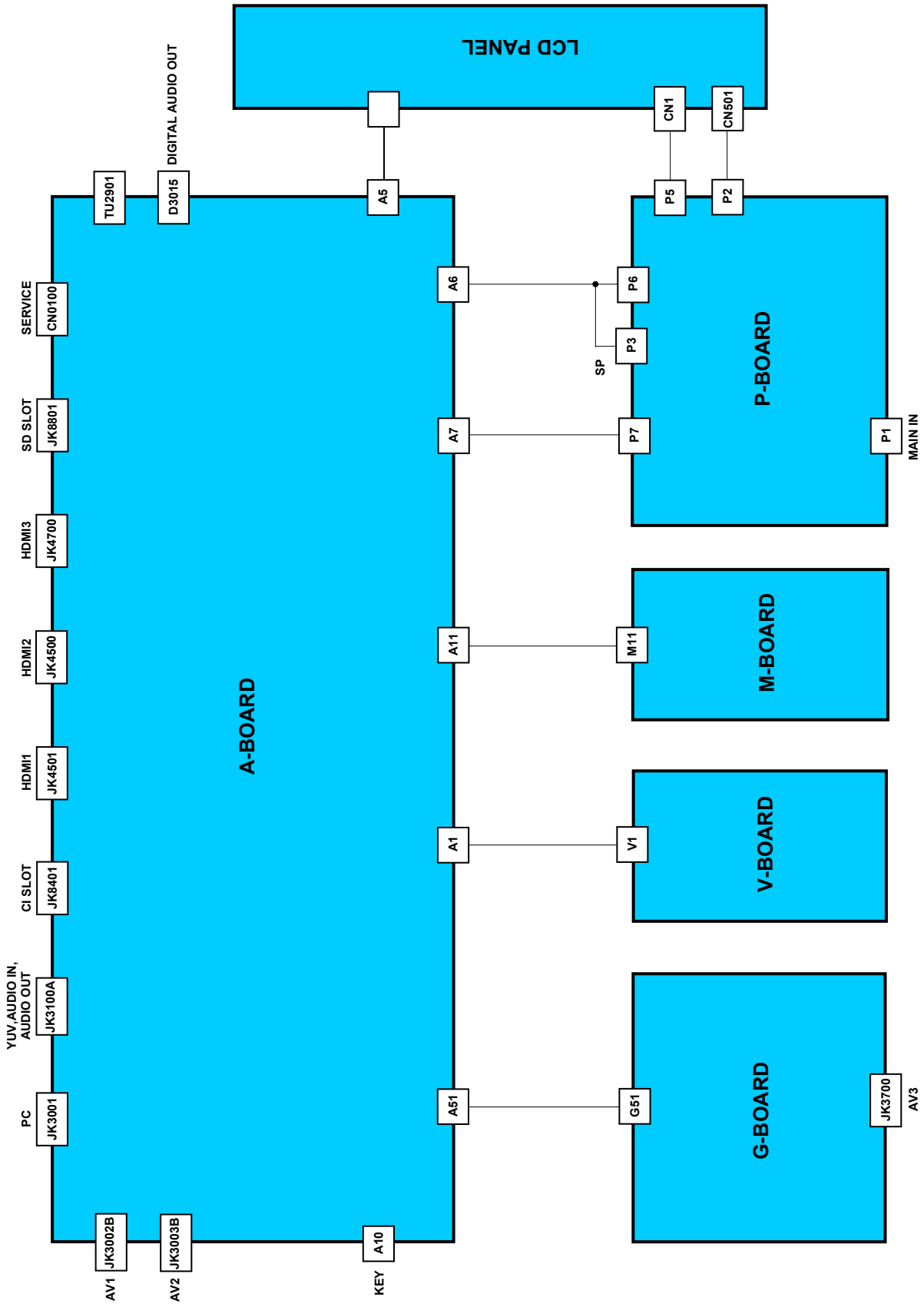
OPTION1		
0	Speed ATP	Slow (1) / Fast (0)
1	TXT Ch	ON (1) / OFF (0)
2	ID-1	ON (1) / OFF (0)
3	Macrovision Auto evaluate	ON (1) / OFF (0)
4	SRS Surround	ON (1) / OFF (0)
5	Teletext Top	OFF (1) / ON (0)
6	Equalizer	
7	Not use	Not use
OPTION2		
0	Not use	Not use
1	A2 Stereo (5,5MHz)	ON (1) / OFF (0)
2	A2 Stereo (6,0MHz)	ON (1) / OFF (0)
3	A2 Stereo (6,5MHz)	ON (1) / OFF (0)
4	Not use	Not use
5	NICAM (5,5MHz)	ON (1) / OFF (0)
6	NICAM (6,0MHz)	ON (1) / OFF (0)
7	NICAM (6,5MHz)	ON (1) / OFF (0)
OPTION3		
0	NICAM priority (ASIA/M.E)	ON (1) / OFF (0)
1	NICAM priority (K/UK)	ON (1) / OFF (0)
2	NICAM priority (China)	ON (1) / OFF (0)
3	NICAM priority (NZ/INDN)	ON (1) / OFF (0)
4	NICAM priority (AUS)	ON (1) / OFF (0)
5	NICAM priority (E.Evropa)	ON (1) / OFF (0)
6	NICAM priority (Special)	ON (1) / OFF (0)
7	Not use	Not use

Adjustment Method

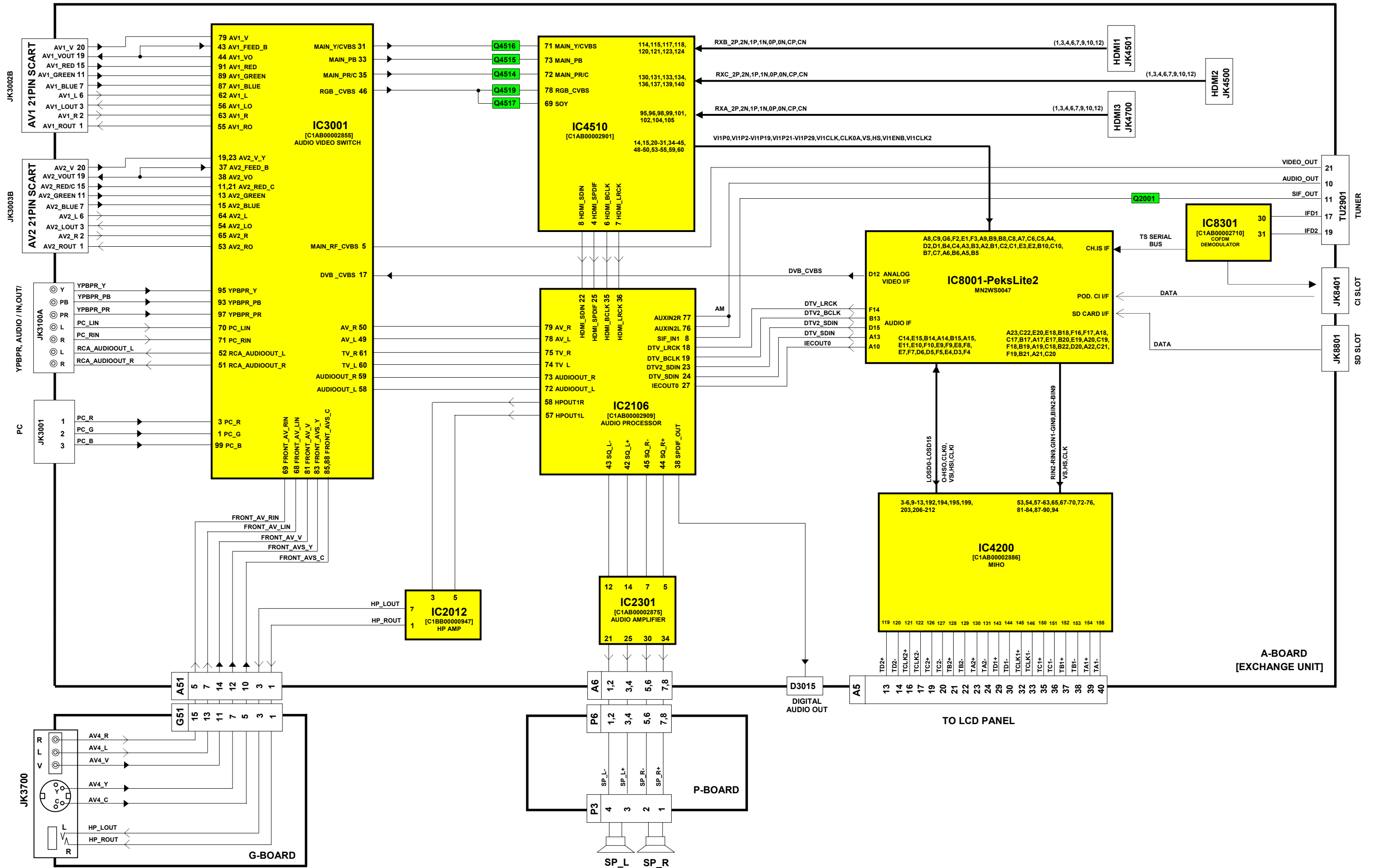
Sub-Contrast/White Balance Adjustment

Instrument Name	Connect to	Remarks												
1. Remote controller 2. LCD WB meter (Minolta CA-210 or equivalent) 3. Communication jig 4. Computer for external control		Correlation can be also taken by CS-1000A or equivalent												
Procedure		Remarks												
<p>Subcontrast adjustment</p> <ol style="list-style-type: none"> 1. Receive PAL colour bar (100% white) RF signal. 2. Enter "Contrast" adj. In SERVICE mode. 3. Start adjusting by using Yellow Key. 4. If the adjustment finished normally, the letter of Contrast will change from red to black. <p>White Balance adjustment</p> <ol style="list-style-type: none"> 1. Procedure basically performs checking using the production software and make automatic adjustment using external computer. 2. It adjusts in the mode of: Colour balance Normal Viewing Mode Dynamic <table border="0" data-bbox="193 1048 919 1305"> <thead> <tr> <th colspan="2" data-bbox="193 1048 635 1077">LZD80</th> <th colspan="2" data-bbox="635 1048 919 1077">LZD80F</th> </tr> </thead> <tbody> <tr> <td data-bbox="193 1106 272 1135">WHITE</td> <td data-bbox="331 1106 480 1193">Normal x: 0,2880 ± 0,010 y: 0,3100 ± 0,010</td> <td data-bbox="635 1106 715 1135">WHITE</td> <td data-bbox="774 1106 919 1193">Normal x: 0,2850 ± 0,010 y: 0,3010 ± 0,010</td> </tr> <tr> <td data-bbox="193 1223 272 1252">GRAY</td> <td data-bbox="331 1223 480 1310">Normal x: 0,2880 ± 0,010 y: 0,3100 ± 0,010</td> <td data-bbox="635 1223 715 1252">GRAY</td> <td data-bbox="774 1223 919 1310">Normal x: 0,2850 ± 0,010 y: 0,3010 ± 0,010</td> </tr> </tbody> </table>		LZD80		LZD80F		WHITE	Normal x: 0,2880 ± 0,010 y: 0,3100 ± 0,010	WHITE	Normal x: 0,2850 ± 0,010 y: 0,3010 ± 0,010	GRAY	Normal x: 0,2880 ± 0,010 y: 0,3100 ± 0,010	GRAY	Normal x: 0,2850 ± 0,010 y: 0,3010 ± 0,010	<p>Let the panel standfor more than 3 hours at more than 20 °C. Basically perform adjustment in the ambient environment of room temperature more than 20 °C. The aging time is more than20 min at above room temperature.</p> <p>Applied signal</p> <p>100% full colour bar 0,7V p-p white peak 85% modulation</p> <p>100% WHITE</p> <p>50% GRAY</p>
LZD80		LZD80F												
WHITE	Normal x: 0,2880 ± 0,010 y: 0,3100 ± 0,010	WHITE	Normal x: 0,2850 ± 0,010 y: 0,3010 ± 0,010											
GRAY	Normal x: 0,2880 ± 0,010 y: 0,3100 ± 0,010	GRAY	Normal x: 0,2850 ± 0,010 y: 0,3010 ± 0,010											

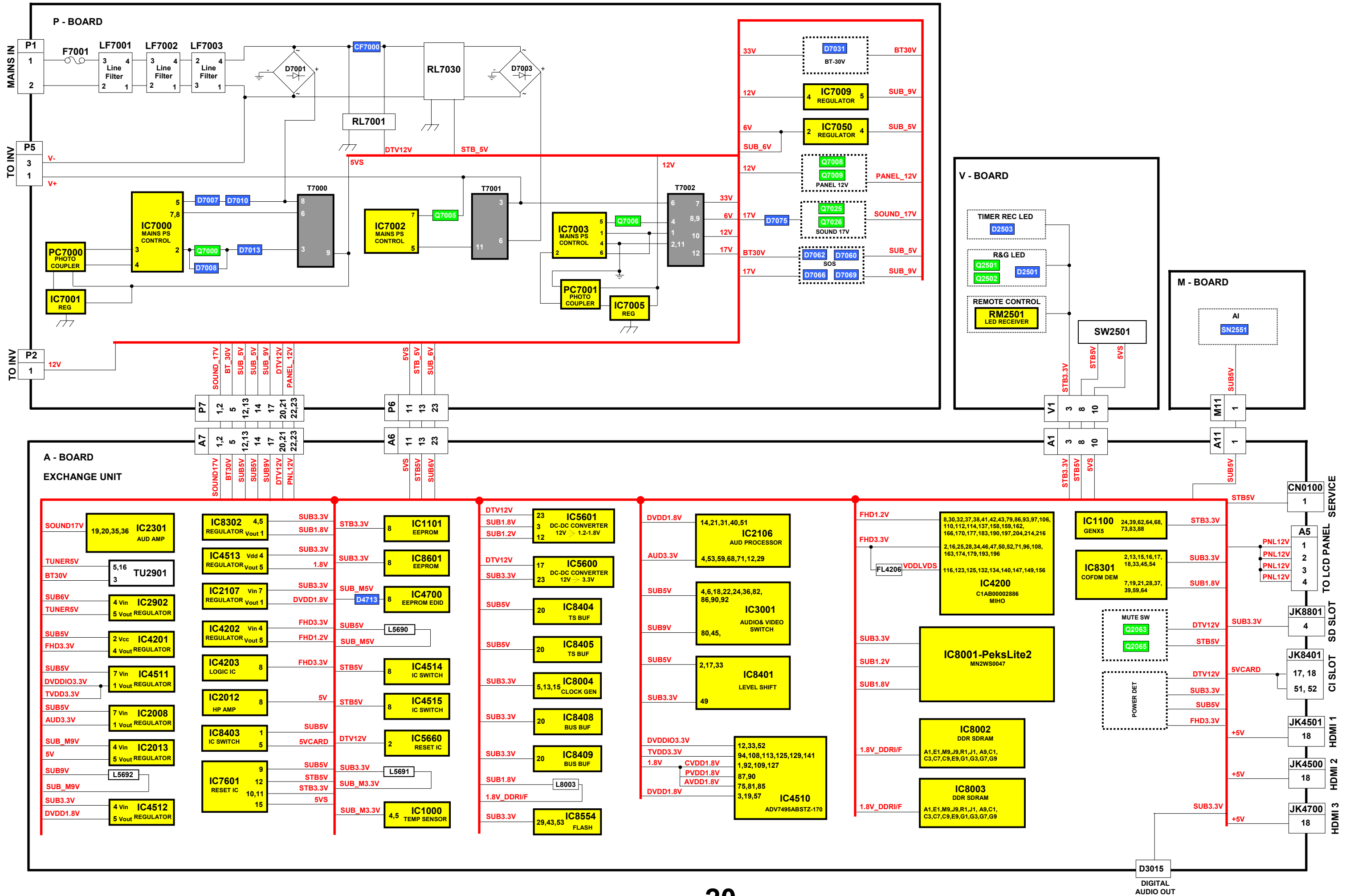
Wiring diagram



Video & Stereo Audio Block Diagram



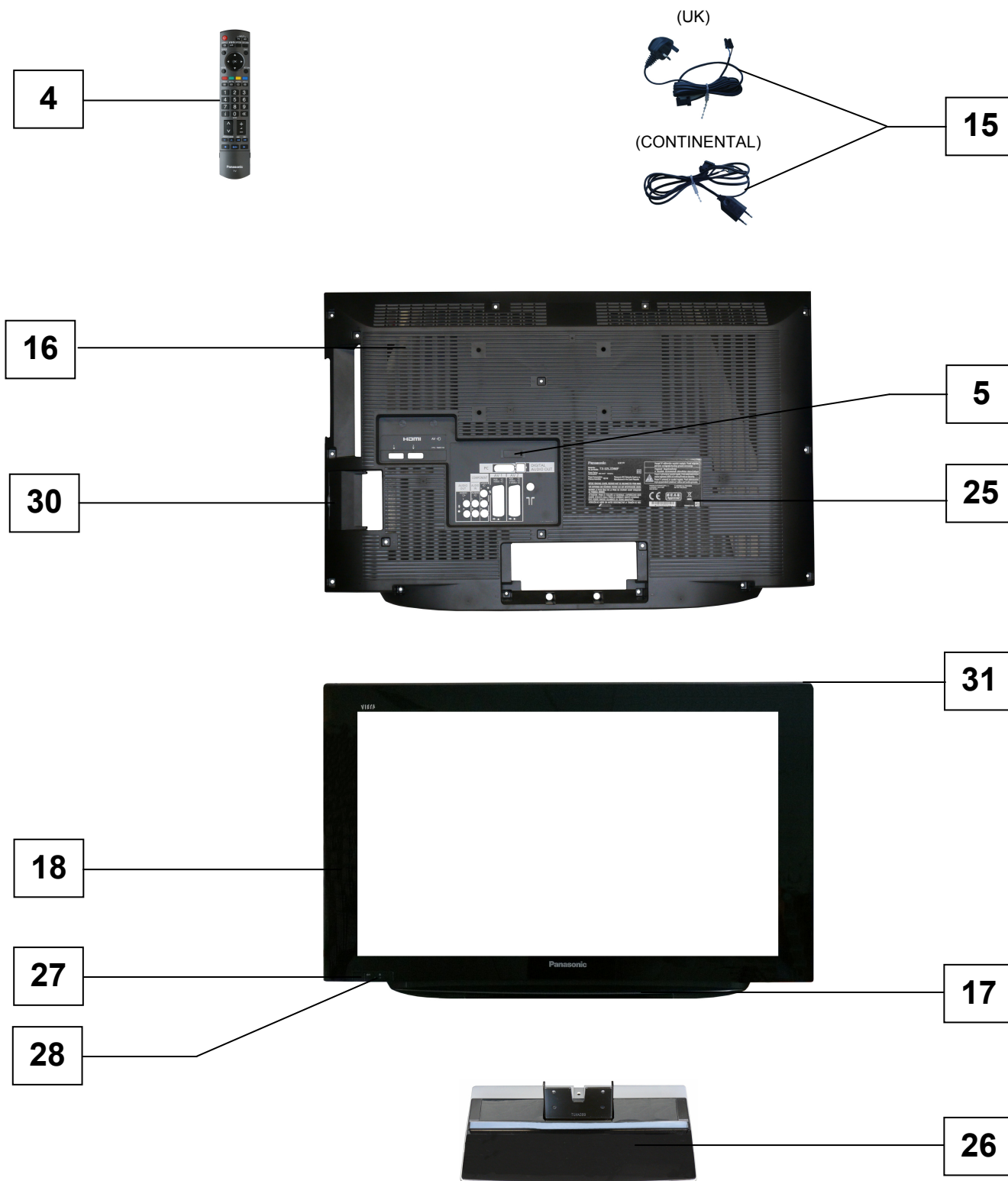
Power Supply Block Diagram



Parts Location

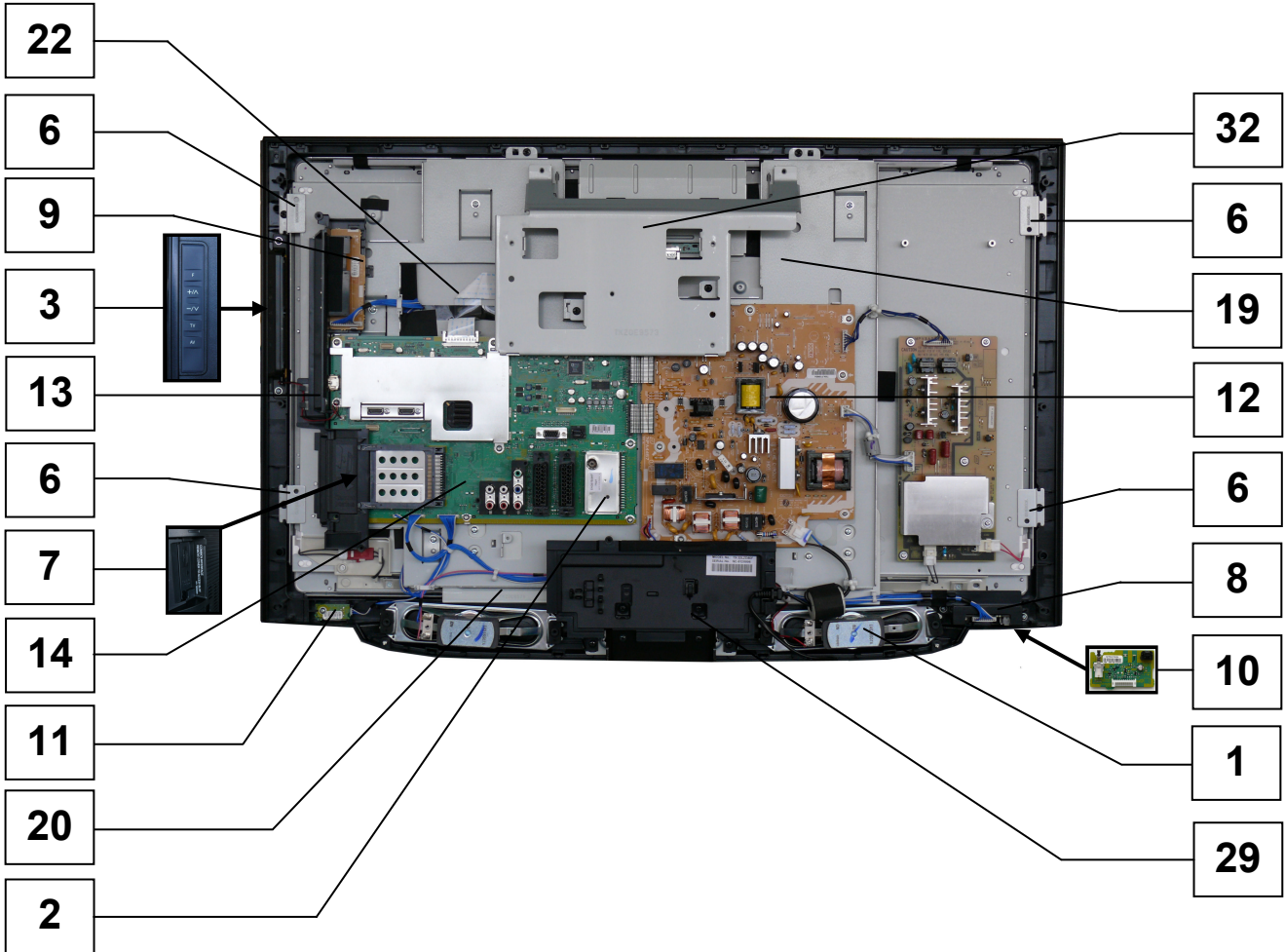
NOTE:

The numbers on the exploded view below refer to the exploded view section of the Replacement Parts List.

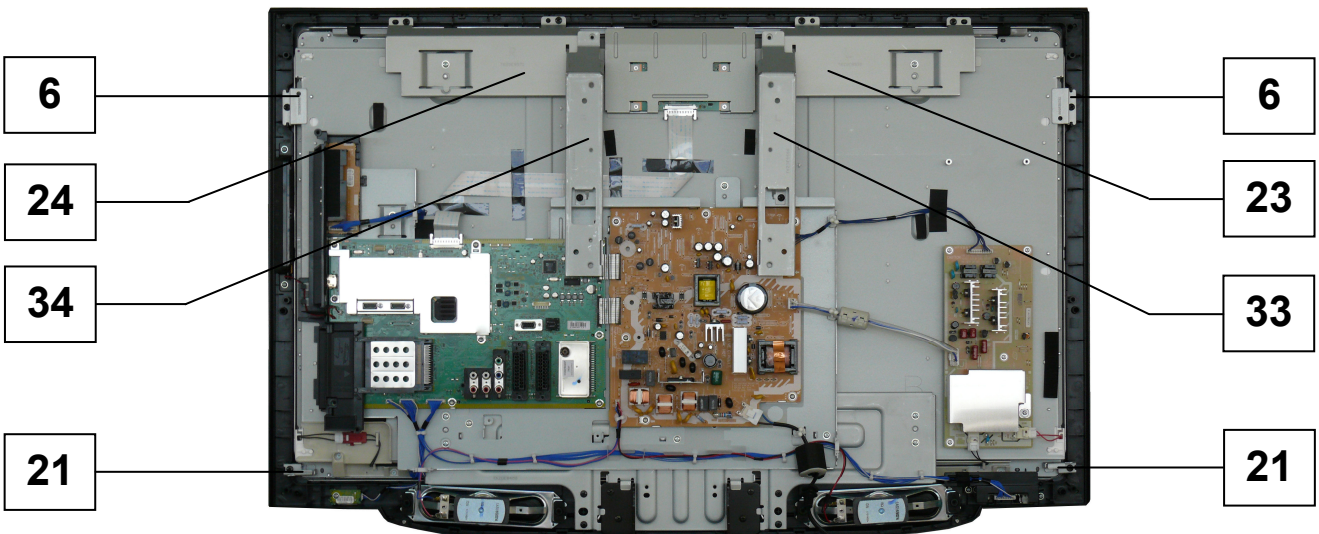


Parts Location

NOTE:
The numbers on the exploded view below refer to the exploded view section of the Replacement Parts List.




Difference for 37"



Replacement Parts List






Important Safety Notice




Components Identified by  mark have special characteristics important for safety.
 * When replacing any of these components, use only manufacturers specified parts.
 In case of ordering these spare parts, please always add the complete Model-Type number to your order.

RTL (Retention Time Limited)

Note: The marking (RTL) indicates that the Retention Time is Limited for this item. After the discontinuation of this assembly in production, the item will continue to be available for a specific period of time. The retention period of availability is dependent on the type of assembly, and in accordance with the laws governing part and product retention. After the end of this period, the assembly will no longer be available.

X The marking (X) indicates that board should be exchanged for service.

Cct Ref	Parts Number	Description
COMMON PARTS		
EXPLODED VIEW		
1	EAS16S07A	SPEAKER
2	ENG37E09KF	TUNER 
3	K0RB00500025	CONTROL PANEL
4	N2QAYB000239	REMOTE CONTROL
5	TKP0E16001	CONNECTOR COVER
6	TKZ0E9569	LCD SIDE MTG
7	TMK0E951	CI SLOT COVER
8	TMW0E705	V PCB HOLDER
9	TNPA4118AC	G P.C.B. RTL 
10	TNPA4459AA	V P.C.B. RTL 
11	TNPA4460AA	M P.C.B. RTL 
12	TNPA4467AA	P P.C.B. RTL 
13	TTP0E0048	SIDE AV BRACKET ASSY
MISCELLANEOUS COMPONENTS		
.	R6RC/2P	BATTERY
.	TBM0E1152	REAR AV LABEL/HDMI
.	TES0E201	BUTTON SPRING
.	THTF012J	SCREW
.	TKK0E9310	LED PANEL
.	TKK0E9312-1	AI PANEL
.	TMK0E952	P PCB BARRIER
.	TMW0E706	IR HOLDER
.	TPEX020	CLEANING CLOTH
.	XTB4+10JFJ	SCREW
.	XTB4+15JFJK	SCREW
.	XTV3+10JFJK	SCREW
.	XTW3+12TFJ	SCREW
.	XYN3+J8FJ	SCREW
.	XYN4+F6FJ	SCREW
CK101	TMM8E18048	TAB-RELEASE CABLE
I.C.s		
IC1000	C1ZBZ0003577	IC
IC1100	MNZSFG3GP53	MICRO_GENX5
IC1101	24LH69GENX	EEPROM GENX
IC2008	C0CBCBE00001	REGULATOR
IC2012	C1BB00000947	AUDIO AMPLIFIER
IC2013	C0DBGYY00281	REGULATOR
IC2106	C1AB00002909	AUDIO PROCESSOR
IC2107	C0DBFFD00003	1.8V REGULATOR
IC2301	C1AB00002875	AUDIO AMPLIFIER
IC2902	C0DBGYY00281	REGULATOR

Cct Ref	Parts Number	Description
IC3001	C1AB00002855	AUDIO VIDEO SWITCH
IC4200	C1AB00002886	MIHO
IC4201	C0DBEHG00006	2.5V REGULATOR
IC4202	C0DBGYY00204	REGULATOR
IC4203	C0JBAB000620	LOGIC IC
IC4510	C1AB00002966	AD VIDEO DECODER
IC4511	C0CBCBE00001	REGULATOR
IC4512	C0DBGYY00477	REGULATOR
IC4513	C0DBGYY00477	REGULATOR
IC4514	C0JBAZ002301	IC SWITCH
IC4515	C0JBAZ002301	IC SWITCH
IC4700	24LH69EDID3	EEPROM EDID
IC5600	C0DBAYY00273	DC/DC CONVERTER
IC5601	C0DBAYY00274	DC/DC CONVERTER
IC5660	C0EBM0000026	RESET IC
IC7000	C0DABYY00008	MAIN PS CONTROL
IC7001	C0DAEMZ00001	REGULATOR
IC7002	C0DBBZG00004	POWER FACTOR CONTROL
IC7003	C0DBBYG00001	PWM CONTROLLER
IC7005	C0DAEMZ00001	REGULATOR
IC7009	C0DBEH000005	REGULATOR
IC7050	C0DAEYH00002	REGULATOR
IC7601	C1ZBZ0003725	RESET IC
IC8001	MN2WS0047	PEAKS LITE 2
IC8002	C3ABSY000010	DDR SDRAM
IC8003	C3ABSY000010	DDR SDRAM
IC8004	C0ZBZ0001567	CLOCK GENERATOR
IC8301	C1AB00002710	COFDM DEMODULATOR
IC8302	C0DBGFD00004	REGULATOR
IC8401	C1AB00002913	LEVEL SHIFTER
IC8403	C0ZBZ0001584	IC SWITCH
IC8404	C0JBAZ002692	BUS BUFFER
IC8405	C0JBAZ002692	BUS BUFFER
IC8408	C0JBAU000025	BUFFER
IC8409	C0JBAU000025	BUFFER
IC8554	TVRP794-3	FLASH MEMORY
PC7000	CNC1S171R	PHOTO COUPLER 
PC7001	CNC1S171R	PHOTO COUPLER 
RM2501	PNA4701M04TV	LED RECEIVER
SN2551	B3JB00000046	PHOTO IC DIODE
FUSES		
F7001-1	K3GE1ZA00010	FUSE HOLDER
F7001-2	K3GE1ZA00010	FUSE HOLDER
F7001	K5D502BNA007	AC FUSE 
DIODES		
D1002	EZJZ0V120JA	VARISTOR
D1003	EZJZ0V120JA	VARISTOR
D1004	EZAEG2A50AX	ESD SUPPRESSOR

Cct Ref	Parts Number	Description
D1005	EZAEG2A50AX	ESD SUPPRESSOR
D1006	EZAEG2A50AX	ESD SUPPRESSOR
D1007	EZAEG2A50AX	ESD SUPPRESSOR
D1107	MA3X704A0L	DIODE MA704ATX
D1108	EZJZ0V120JA	VARISTOR
D1112	MA2J72800L	DIODE
D2013	MA2J11100L	DIODE
D2014	MA2J11100L	DIODE
D2024	MA2J11100L	DIODE
D2027	MA2J11100L	DIODE
D2068	MA2J11100L	DIODE
D2069	MA2J11100L	DIODE
D2070	MA2J11100L	DIODE
D2201	MA3X704A0L	DIODE MA704ATX
D2501	LNJ107W5PRW	LED
D2503	LN1471YTR	LED
D3052	MA3X704A0L	DIODE MA704ATX
D3054	MA3X704A0L	DIODE MA704ATX
D4202	MA3X152K0L	DIODE
D4500	EZAEG2A50AX	ESD SUPPRESSOR
D4501	EZAEG2A50AX	ESD SUPPRESSOR
D4502	EZAEG2A50AX	ESD SUPPRESSOR
D4503	EZAEG2A50AX	ESD SUPPRESSOR
D4504	EZAEG2A50AX	ESD SUPPRESSOR
D4505	EZAEG2A50AX	ESD SUPPRESSOR
D4506	EZAEG2A50AX	ESD SUPPRESSOR
D4507	EZAEG2A50AX	ESD SUPPRESSOR
D4508	EZAEG2A50AX	ESD SUPPRESSOR
D4509	EZAEG2A50AX	ESD SUPPRESSOR
D4510	EZAEG2A50AX	ESD SUPPRESSOR
D4511	EZAEG2A50AX	ESD SUPPRESSOR
D4512	EZAEG2A50AX	ESD SUPPRESSOR
D4513	MAZ30560ML	DIODE
D4514	EZAEG2A50AX	ESD SUPPRESSOR
D4515	MAZ30560ML	DIODE
D4516	EZAEG2A50AX	ESD SUPPRESSOR
D4517	EZAEG2A50AX	ESD SUPPRESSOR
D4518	EZAEG2A50AX	ESD SUPPRESSOR
D4519	EZAEG2A50AX	ESD SUPPRESSOR
D4520	EZAEG2A50AX	ESD SUPPRESSOR
D4521	EZAEG2A50AX	ESD SUPPRESSOR
D4522	EZAEG2A50AX	ESD SUPPRESSOR
D4523	EZAEG2A50AX	ESD SUPPRESSOR
D4541	B0HCMM000014	DIODE
D4543	B0HCMM000014	DIODE
D4545	MA2J11100L	DIODE
D4546	MA2J11100L	DIODE
D4547	MA2J11100L	DIODE
D4700	EZAEG2A50AX	ESD SUPPRESSOR
D4701	EZAEG2A50AX	ESD SUPPRESSOR
D4702	EZAEG2A50AX	ESD SUPPRESSOR
D4703	EZAEG2A50AX	ESD SUPPRESSOR
D4704	EZAEG2A50AX	ESD SUPPRESSOR
D4705	EZAEG2A50AX	ESD SUPPRESSOR
D4706	EZAEG2A50AX	ESD SUPPRESSOR
D4707	EZAEG2A50AX	ESD SUPPRESSOR
D4708	EZAEG2A50AX	ESD SUPPRESSOR
D4709	EZAEG2A50AX	ESD SUPPRESSOR
D4710	EZAEG2A50AX	ESD SUPPRESSOR
D4711	MAZ30560ML	DIODE
D4712	B0HCMM000014	DIODE
D4713	B0HCMM000014	DIODE
D5601	MA22D3900L	DIODE
D5602	MA22D3900L	DIODE
D5603	B0JCDD000002	DIODE
D5604	B0JCDD000002	DIODE
D5605	MA22D3900L	DIODE
D5606	B0JCDD000002	DIODE

Cct Ref	Parts Number	Description
D5612	MAZ80470ML	ZENER DIODE
D5613	MA2J11100L	DIODE
D5618	MAZ80470ML	ZENER DIODE
D5619	MA2J11100L	DIODE
D5633	MAZ80620ML	DIODE
D5634	MA2J11100L	DIODE
D5692	MAZ80560LL	ZENER DIODE
D7000	ERZV10V621T2	VARISTOR
D7001	B0EBKT000007	BRIDGE DIODE
D7002	ERZV10V621T2	VARISTOR
D7003	B0FBAT000008	BRIDGE DIODE
D7004	B0BA01600007	DIODE
D7005	B0BA03600021	DIODE
D7006	B0BA01400009	DIODE
D7007	MAZ83600ML	ZENER DIODE
D7008	MA2J11100L	DIODE
D7009	MAZ83000ML	ZENER DIODE
D7010	MAZ83600ML	ZENER DIODE
D7011	MA2J11100L	DIODE
D7012	B0HCMM000014	DIODE
D7013	B0HCMM000014	DIODE
D7014	MAZ80560ML	DIODE
D7015	B0JCNG000003	DIODE
D7016	MA2J11100L	DIODE
D7017	MA2J72900L	DIODE
D7018	MA22F2000L	DIODE
D7020	B0HCMM000014	DIODE
D7021	B0BA01000070	DIODE
D7022	MAZ80620ML	DIODE
D7023	B0FABR000011	DIODE
D7024	B0HAGV000004	DIODE
D7025	B0HCMM000014	DIODE
D7026	B0HCMM000014	DIODE
D7027	B0HAGV000004	DIODE
D7028	MAZ80620ML	DIODE
D7029	MA2J11100L	DIODE
D7030	B0BA01000070	DIODE
D7031	B0HCMM000014	DIODE
D7032	B0JBSL000023	DIODE
D7033	ERZV10V621T2	VARISTOR
D7034	B0JAPK000011	DIODE
D7035	MAZ81000ML	DIODE
D7036	MAZ81000ML	DIODE
D7037	MAZ81000ML	DIODE
D7039	MAZ81800ML	DIODE
D7040	MAZ81100ML	ZENER DIODE
D7041	B0HCMM000014	DIODE
D7042	MA2J11100L	DIODE
D7043	MA2J11100L	DIODE
D7044	ERZV10V621T2	VARISTOR
D7045	MA2J72900L	DIODE
D7046	MA2J72900L	DIODE
D7047	MA2J72900L	DIODE
D7048	MA2J72900L	DIODE
D7050	B0BA03600021	DIODE
D7056	ERZV10V621T2	VARISTOR
D7058	B0HCMM000014	DIODE
D7060	B0HCMM000014	DIODE
D7062	MA2J11100L	DIODE
D7064	MA2J11100L	DIODE
D7066	MA2J11100L	DIODE
D7067	MA2J11100L	DIODE
D7069	MA2J11100L	DIODE
D7073	MA2J72900L	DIODE
D7075	B0JBSL000023	DIODE
D7076	B0BA7R900004	DIODE
D7082	B0BA42500001	ZENER DIODE
D7083	B0ZAZ0000045	DIODE

Cct Ref	Parts Number	Description
D7084	MAZ82400ML	ZENER DIODE
D7085	MA2J11100L	DIODE
D7087	MAZ83600ML	ZENER DIODE
D7088	MAZ83600ML	ZENER DIODE
D7089	MAZ83600ML	ZENER DIODE
D7090	MAZ83600ML	ZENER DIODE
D7091	MAZ83600ML	ZENER DIODE
D7092	MAZ83600ML	ZENER DIODE
D7093	MAZ83600ML	ZENER DIODE
D7144	B0HCMM000014	DIODE
D7601	MA2J11100L	DIODE
TRANSISTORS		
PA7001	B1ZAZ0000016	TRANSISTOR
Q2001	2SD601ATX	TRANSISTOR
Q2020	2SD601ATX	TRANSISTOR
Q2021	2SD601ATX	TRANSISTOR
Q2022	2SB0709A0L	TRANSISTOR
Q2061	2SD601ATX	TRANSISTOR
Q2062	2SB0709A0L	TRANSISTOR
Q2063	2SB0709A0L	TRANSISTOR
Q2064	2SD601ATX	TRANSISTOR
Q2065	2SD601ATX	TRANSISTOR
Q2066	2SD601ATX	TRANSISTOR
Q2067	2SD601ATX	TRANSISTOR
Q2068	2SB0709A0L	TRANSISTOR
Q2069	2SD601ATX	TRANSISTOR
Q2070	2SD601ATX	TRANSISTOR
Q2501	2SD601ATX	TRANSISTOR
Q2502	2SD601ATX	TRANSISTOR
Q2503	2SD601ATX	TRANSISTOR
Q2504	2SD601ATX	TRANSISTOR
Q3000	2SD601ATX	TRANSISTOR
Q3001	2SD601ATX	TRANSISTOR
Q3002	2SD601ATX	TRANSISTOR
Q3003	2SD601ATX	TRANSISTOR
Q3004	2SD601ATX	TRANSISTOR
Q3005	2SD601ATX	TRANSISTOR
Q4201	2SD601ATX	TRANSISTOR
Q4202	2SB0709A0L	TRANSISTOR
Q4203	2SD601ATX	TRANSISTOR
Q4204	2SC39380QL	TRANSISTOR
Q4205	2SD601ATX	TRANSISTOR
Q4206	2SC39380QL	TRANSISTOR
Q4207	2SD601ATX	TRANSISTOR
Q4500	2SD601ATX	TRANSISTOR
Q4501	2SD601ATX	TRANSISTOR
Q4502	2SD601ATX	TRANSISTOR
Q4503	2SD601ATX	TRANSISTOR
Q4514	2SB0709A0L	TRANSISTOR
Q4515	2SB0709A0L	TRANSISTOR
Q4516	2SB0709A0L	TRANSISTOR
Q4517	2SB0709A0L	TRANSISTOR
Q4519	2SB0709A0L	TRANSISTOR
Q4700	2SD601ATX	TRANSISTOR
Q4701	2SD601ATX	TRANSISTOR
Q4702	2SD601ATX	TRANSISTOR
Q5600	B1MBEDA00015	TRANSISTOR
Q5601	B1MBDDA00003	TRANSISTOR
Q5602	B1MBDDA00003	TRANSISTOR
Q5603	2SD601ATX	TRANSISTOR
Q5604	2SD601ATX	TRANSISTOR
Q7000	2SB0709A0L	TRANSISTOR
Q7001	2SD601ATX	TRANSISTOR
Q7003	B1DHCD000023	TRANSISTOR
Q7004	2SD601ATX	TRANSISTOR
Q7005	B1CERQ000041	TRANSISTOR
Q7006	B1CEPU000003	TRANSISTOR

Cct Ref	Parts Number	Description
Q7008	B1DHDD000028	TRANSISTOR
Q7009	2SD601ATX	TRANSISTOR
Q7010	2SD601ATX	TRANSISTOR
Q7011	2SD601ATX	TRANSISTOR
Q7012	2SB0709A0L	TRANSISTOR
Q7022	2SB0709A0L	TRANSISTOR
Q7025	B1DHDD000028	TRANSISTOR
Q7026	2SD601ATX	TRANSISTOR
Q7052	2SD0602ASL	TRANSISTOR
Q8401	2SD601ATX	TRANSISTOR
Q8402	2SD601ATX	TRANSISTOR
Q8850	2SD601ATX	TRANSISTOR
Q8852	2SD601ATX	TRANSISTOR
Q8853	2SD601ATX	TRANSISTOR
TRANSFORMERS		
T7000	ETS15AB186AH	TRANSFORMER
T7001	G4D3A0000203	TRANSFORMER
T7002	G4D4A0000125	TRANSFORMER
COILS		
L1000	JOJYC0000065	COIL
L1010	JOJHC0000035	COIL BLM21PG331SN1D
L1011	JOJHC0000035	COIL BLM21PG331SN1D
L1012	JOJYC0000065	COIL
L1013	JOJYC0000065	COIL
L1014	JOJYC0000065	COIL
L1015	JOJYC0000065	COIL
L1016	JOJYC0000065	COIL
L1017	JOJYC0000065	COIL
L1018	JOJYC0000065	COIL
L1019	JOJYC0000065	COIL
L1020	JOJYC0000065	COIL
L1021	JOJYC0000065	COIL
L1023	JOJYC0000065	COIL
L1024	JOJYC0000065	COIL
L1028	JOJYC0000065	COIL
L1029	JOJYC0000065	COIL
L1100	JOJYC0000068	CHIP INDUCTOR
L2001	G1C150KA0038	COIL
L2005	JOJCC0000284	CHIP INDUCTOR
L2006	JOJCC0000284	CHIP INDUCTOR
L2010	G1C220MA0291	COIL
L2012	G1C220MA0291	COIL
L2014	G1C220MA0291	COIL
L2016	G1C220MA0291	COIL
L2018	JOJHC0000042	CHIP INDUCTOR
L2023	G1C3R0ZA0156	COIL
L2031	JOJYC0000068	CHIP INDUCTOR
L2032	JOJYC0000068	CHIP INDUCTOR
L2901	JOJCC0000269	CHIP INDUCTOR
L2902	JOJCC0000269	CHIP INDUCTOR
L2904	JOJCC0000269	CHIP INDUCTOR
L2907	JOJCC0000063	CHIP INDUCTOR
L2908	JOJCC0000063	CHIP INDUCTOR
L3002	JOJCC0000100	INDUCTOR
L3003	JOJCC0000100	INDUCTOR
L3004	JOJCC0000100	INDUCTOR
L3005	JOJCC0000100	INDUCTOR
L3006	JOJCC0000063	CHIP INDUCTOR
L3007	JOJCC0000063	CHIP INDUCTOR
L3008	JOJCC0000063	CHIP INDUCTOR
L3009	JOJCC0000063	CHIP INDUCTOR
L3010	JOJCC0000100	INDUCTOR
L3011	JOJCC0000100	INDUCTOR
L3014	JOJCC0000100	INDUCTOR
L3015	JOJCC0000100	INDUCTOR
L3017	JOJCC0000100	INDUCTOR
L3018	JOJCC0000100	INDUCTOR



Cct Ref	Parts Number	Description
L3026	J0JCC0000063	CHIP INDUCTOR
L3027	J0JCC0000063	CHIP INDUCTOR
L3700	J0JCC0000100	INDUCTOR
L3701	J0JCC0000100	INDUCTOR
L3702	J0JCC0000364	INDUCTOR
L3703	J0JCC0000364	INDUCTOR
L4201	J0JYC0000068	CHIP INDUCTOR
L4208	TLTAZ100K	COIL
L4209	J0JYC0000068	CHIP INDUCTOR
L4210	J0JHC0000078	COIL
L4212	J0JYC0000068	CHIP INDUCTOR
L4216	J0JYC0000068	CHIP INDUCTOR
L4217	J0JYC0000068	CHIP INDUCTOR
L4219	J0JYC0000068	CHIP INDUCTOR
L4220	J0JYC0000068	CHIP INDUCTOR
L4221	J0JYC0000068	CHIP INDUCTOR
L4222	J0JYC0000068	CHIP INDUCTOR
L4502	J0JYC0000068	CHIP INDUCTOR
L4503	J0JYC0000068	CHIP INDUCTOR
L4504	J0JYC0000068	CHIP INDUCTOR
L4505	J0JYC0000068	CHIP INDUCTOR
L4506	J0JYC0000068	CHIP INDUCTOR
L4507	J0JYC0000068	CHIP INDUCTOR
L4511	J0JYC0000068	CHIP INDUCTOR
L4512	J0JCC0000059	CHIP INDUCTOR
L4513	J0JCC0000059	CHIP INDUCTOR
L4514	J0JHC0000078	COIL
L4515	J0JYC0000068	CHIP INDUCTOR
L4516	J0JYC0000068	CHIP INDUCTOR
L4517	J0JHC0000078	COIL
L4518	J0JYC0000068	CHIP INDUCTOR
L4519	J0JYC0000068	CHIP INDUCTOR
L4700	J0JYC0000068	CHIP INDUCTOR
L4701	J0JYC0000068	CHIP INDUCTOR
L5600	G1C2R2Z00007	COIL
L5601	G1C2R2Z00007	COIL
L5602	G1C4R7Z00014	COIL
L5604	G1C100MA0203	COIL
L5605	J0JHC0000075	COIL BLM21PG600SN1D
L5606	G1C100MA0077	COIL
L5690	J0JYC0000068	CHIP INDUCTOR
L5691	J0JYC0000068	CHIP INDUCTOR
L5692	J0JYC0000068	CHIP INDUCTOR
L7000	G0C181K00003	COIL
L7001	EXCELSA35T	COIL
L7002	EXCELSA35T	COIL
L7005	EXCELD35V	COIL
L7007	EXCELD35V	COIL
L7008	EXCELD35V	COIL
L7010	EXCELD35V	COIL
L7012	EXCELD35V	COIL
L7019	EXCELD35V	COIL
L7029	G0A100GA0013	COIL TALL08T100KA
L7031	G0A100GA0013	COIL TALL08T100KA
L7032	G0A100GA0013	COIL TALL08T100KA
L7033	G0A100GA0013	COIL TALL08T100KA
L7114	EXCELD35V	COIL
L7601	J0JYC0000068	CHIP INDUCTOR
L7602	J0JYC0000068	CHIP INDUCTOR
L8001	J0JHC0000045	COIL BLM18PG121SN1D
L8002	J0JHC0000045	COIL BLM18PG121SN1D
L8003	J0JHC0000045	COIL BLM18PG121SN1D
L8004	J0JHC0000045	COIL BLM18PG121SN1D
L8005	J0JHC0000045	COIL BLM18PG121SN1D
L8007	J0JHC0000045	COIL BLM18PG121SN1D
L8008	J0JHC0000045	COIL BLM18PG121SN1D
L8009	J0JHC0000045	COIL BLM18PG121SN1D
L8010	J0JHC0000045	COIL BLM18PG121SN1D

Cct Ref	Parts Number	Description
L8301	J0JHC0000045	COIL BLM18PG121SN1D
L8304	J0JHC0000045	COIL BLM18PG121SN1D
L8551	J0JHC0000075	COIL BLM21PG600SN1D
L8801	J0JHC0000045	COIL BLM18PG121SN1D
R4332	J0JYC0000065	COIL
FILTERS		
FL4201	J0JAD0000028	FILTER
FL4202	J0JAD0000028	FILTER
FL4203	J0JAD0000028	FILTER
FL4204	J0JAD0000028	FILTER
FL4205	J0JAD0000028	FILTER
LF7001	G0B103H00002	LINE FILTER
LF7002	G0B103H00002	LINE FILTER
LF7003	G0B103H00002	LINE FILTER
CRYSTALS		
X1100	H0J100500035	CRYSTAL
X2010	H0J245500089	CRYSTAL
X4200	H0J270500113	CRYSTAL
X4500	H0J245500089	CRYSTAL
X8001	H0J270500061	CRYSTAL
X8301	H0J204500006	CRYSTAL
RESISTORS		
C7048	ERJ6GEYJ222	S.M.CARB 0.1W 5% 2K2 Ω
CF7000	D4CAY8R0A010	THERMIST - - 8 Ω
JS1100	ERJ2GE0R00X	SMD .063W - 0 Ω
JS2054	ERJ2GE0R00X	SMD .063W - 0 Ω
JS2059	ERJ2GE0R00X	SMD .063W - 0 Ω
JS2060	ERJ2GE0R00X	SMD .063W - 0 Ω
JS2061	ERJ2GE0R00X	SMD .063W - 0 Ω
JS2062	ERJ2GE0R00X	SMD .063W - 0 Ω
JS2064	D0GBR00Z0002	SMD 0.1W - 0 Ω
JS2065	ERJ2GE0R00X	SMD .063W - 0 Ω
JS2069	ERJ2GE0R00X	SMD .063W - 0 Ω
JS2070	ERJ2GE0R00X	SMD .063W - 0 Ω
JS2072	ERJ2GE0R00X	SMD .063W - 0 Ω
JS2104	ERJ2GE0R00X	SMD .063W - 0 Ω
JS2105	ERJ2GE0R00X	SMD .063W - 0 Ω
JS2311	ERJ2GE0R00X	SMD .063W - 0 Ω
JS2313	ERJ2GE0R00X	SMD .063W - 0 Ω
JS2316	ERJ2GE0R00X	SMD .063W - 0 Ω
JS2317	ERJ2GE0R00X	SMD .063W - 0 Ω
JS2318	ERJ2GE0R00X	SMD .063W - 0 Ω
JS2320	ERJ2GE0R00X	SMD .063W - 0 Ω
JS2501	D0GBR00Z0002	SMD 0.1W - 0 Ω
JS2551	D0GBR00Z0002	SMD 0.1W - 0 Ω
JS2901	D0GBR00Z0002	SMD 0.1W - 0 Ω
JS2905	D0GBR00Z0002	SMD 0.1W - 0 Ω
JS3003	ERJ2GE0R00X	SMD .063W - 0 Ω
JS3007	D0GDR00Z0002	SMD .125W - 0 Ω
JS3008	D0GDR00Z0002	SMD .125W - 0 Ω
JS3009	D0GDR00Z0002	SMD .125W - 0 Ω
JS3010	D0GDR00Z0002	SMD .125W - 0 Ω
JS3011	D0GDR00Z0002	SMD .125W - 0 Ω
JS3012	D0GDR00Z0002	SMD .125W - 0 Ω
JS3013	D0GDR00Z0002	SMD .125W - 0 Ω
JS3014	D0GDR00Z0002	SMD .125W - 0 Ω
JS3015	D0GDR00Z0002	SMD .125W - 0 Ω
JS3016	D0GDR00Z0002	SMD .125W - 0 Ω
JS3018	D0GDR00Z0002	SMD .125W - 0 Ω
JS3019	D0GDR00Z0002	SMD .125W - 0 Ω
JS3020	D0GDR00Z0002	SMD .125W - 0 Ω
JS7002	D0GDR00Z0002	SMD .125W - 0 Ω
L1002	D0GDR00Z0002	SMD .125W - 0 Ω
L1003	D0GDR00Z0002	SMD .125W - 0 Ω
L1004	D0GDR00Z0002	SMD .125W - 0 Ω
L1005	D0GDR00Z0002	SMD .125W - 0 Ω
L1006	D0GDR00Z0002	SMD .125W - 0 Ω

Cct Ref	Parts Number	Description			
L1007	D0GDR00Z0002	SMD	.125W	-	0 Ω
L1008	D0GDR00Z0002	SMD	.125W	-	0 Ω
L1009	D0GDR00Z0002	SMD	.125W	-	0 Ω
L1030	D0GDR00Z0002	SMD	.125W	-	0 Ω
L1031	D0GDR00Z0002	SMD	.125W	-	0 Ω
L1032	D0GDR00Z0002	SMD	.125W	-	0 Ω
L4500	D0GBR00Z0002	SMD	0.1W	-	0 Ω
L4501	D0GBR00Z0002	SMD	0.1W	-	0 Ω
R0001	ERJ2GEJ680X	SMD	.063W	5%	68 Ω
R0002	EXB28V680JX	SMD	.031W	5%	68 Ω
R0003	ERJ2GEJ103X	SMD	.063W	5%	10K Ω
R0004	ERJ2GEJ680X	SMD	.063W	5%	68 Ω
R0005	EXB28V680JX	SMD	.031W	5%	68 Ω
R0006	ERJ2GEJ103X	SMD	.063W	5%	10K Ω
R0007	ERJ2GEJ103X	SMD	.063W	5%	10K Ω
R0008	ERJ2GEJ103X	SMD	.063W	5%	10K Ω
R0009	ERJ2GEJ103X	SMD	.063W	5%	10K Ω
R1002	D0GBR00Z0002	SMD	0.1W	-	0 Ω
R1003	ERJ2GEJ220X	SMD	.063W	5%	22 Ω
R1004	ERJ2GEJ220X	SMD	.063W	5%	22 Ω
R1005	ERJ2GE0R00X	SMD	.063W	-	0 Ω
R1007	ERJ2GEJ473X	SMD	.063W	5%	47K Ω
R1100	ERJ2GE0R00X	SMD	.063W	-	0 Ω
R1101	ERJ2GE0R00X	SMD	.063W	-	0 Ω
R1102	ERJ2GE0R00X	SMD	.063W	-	0 Ω
R1103	ERJ2GE0R00X	SMD	.063W	-	0 Ω
R1104	ERJ2GEJ473X	SMD	.063W	5%	47K Ω
R1105	ERJ2GE0R00X	SMD	.063W	-	0 Ω
R1106	ERJ2GE0R00X	SMD	.063W	-	0 Ω
R1107	ERJ2GE0R00X	SMD	.063W	-	0 Ω
R1108	ERJ2GE0R00X	SMD	.063W	-	0 Ω
R1109	ERJ2GE0R00X	SMD	.063W	-	0 Ω
R1120	ERJ2GEJ473X	SMD	.063W	5%	47K Ω
R1124	ERJ2GEJ220X	SMD	.063W	5%	22 Ω
R1125	ERJ2GEJ220X	SMD	.063W	5%	22 Ω
R1134	ERJ2GE0R00X	SMD	.063W	-	0 Ω
R1139	ERJ2GEJ473X	SMD	.063W	5%	47K Ω
R1146	ERJ2GE0R00X	SMD	.063W	-	0 Ω
R1152	ERJ2GEJ473X	SMD	.063W	5%	47K Ω
R1153	ERJ2GEJ821X	SMD	.063W	5%	820 Ω
R1162	ERJ2GE0R00X	SMD	.063W	-	0 Ω
R1163	ERJ2GEJ105X	SMD	.063W	5%	1M Ω
R1164	ERJ2GEJ103X	SMD	.063W	5%	10K Ω
R1166	ERJ2GEJ104X	SMD	.063W	5%	100K Ω
R1170	ERJ2GEJ104X	SMD	.063W	5%	100K Ω
R1171	ERJ2GEJ683X	SMD	.063W	5%	68K Ω
R1172	ERJ2GEJ223X	SMD	.063W	5%	22K Ω
R1173	ERJ2GEJ331X	SMD	.063W	5%	330 Ω
R1174	ERJ2GEJ220X	SMD	.063W	5%	22 Ω
R1175	ERJ2GEJ220X	SMD	.063W	5%	22 Ω
R1179	ERJ2GEJ220X	SMD	.063W	5%	22 Ω
R1181	ERJ2GE0R00X	SMD	.063W	-	0 Ω
R1182	ERJ2GEJ273X	SMD	.063W	5%	27K Ω
R1183	ERJ2GE0R00X	SMD	.063W	-	0 Ω
R1184	ERJ2GE0R00X	SMD	.063W	-	0 Ω
R1194	ERJ2GEJ683X	SMD	.063W	5%	68K Ω
R1196	ERJ2GEJ473X	SMD	.063W	5%	47K Ω
R1200	ERJ2GEJ472X	SMD	.063W	5%	4K7 Ω
R1201	ERJ2GEJ472X	SMD	.063W	5%	4K7 Ω
R1203	ERJ2GEJ473X	SMD	.063W	5%	47K Ω
R1204	ERJ2GEJ220X	SMD	.063W	5%	22 Ω
R1205	ERJ2GEJ220X	SMD	.063W	5%	22 Ω
R1206	ERJ2GEJ220X	SMD	.063W	5%	22 Ω
R1207	ERJ2GEJ182X	SMD	.063W	5%	1K8 Ω
R1208	ERJ2GEJ103X	SMD	.063W	5%	10K Ω
R1209	ERJ2GEJ473X	SMD	.063W	5%	47K Ω
R1210	ERJ2GEJ473X	SMD	.063W	5%	47K Ω
R1211	ERJ2GEJ473X	SMD	.063W	5%	47K Ω

Cct Ref	Parts Number	Description			
R1212	ERJ2GEJ473X	SMD	.063W	5%	47K Ω
R1213	ERJ2GEJ473X	SMD	.063W	5%	47K Ω
R1214	ERJ2GEJ473X	SMD	.063W	5%	47K Ω
R1216	ERJ2GEJ103X	SMD	.063W	5%	10K Ω
R1217	ERJ2GEJ104X	SMD	.063W	5%	100K Ω
R1219	ERJ2GEJ103X	SMD	.063W	5%	10K Ω
R1220	ERJ2GEJ103X	SMD	.063W	5%	10K Ω
R1221	D1BB7151A055	SMD	0.1W	1%	7K15 Ω
R1224	ERJ2GEJ473X	SMD	.063W	5%	47K Ω
R1227	ERJ2GEJ103X	SMD	.063W	5%	10K Ω
R1228	ERJ2GEJ103X	SMD	.063W	5%	10K Ω
R1229	ERJ2GE0R00X	SMD	.063W	-	0 Ω
R1230	ERJ2GEJ473X	SMD	.063W	5%	47K Ω
R1231	ERJ2GEJ473X	SMD	.063W	5%	47K Ω
R1233	ERJ2GE0R00X	SMD	.063W	-	0 Ω
R1234	ERJ2GEJ103X	SMD	.063W	5%	10K Ω
R1236	ERJ2GEJ473X	SMD	.063W	5%	47K Ω
R1237	ERJ2GEJ102X	SMD	.063W	5%	1K Ω
R1243	ERJ2GEJ473X	SMD	.063W	5%	47K Ω
R1255	ERJ2GEJ102X	SMD	.063W	5%	1K Ω
R1500	ERJ2GEJ182X	SMD	.063W	5%	1K8 Ω
R2000	ERJ2GEJ220X	SMD	.063W	5%	22 Ω
R2001	ERJ2GEJ220X	SMD	.063W	5%	22 Ω
R2002	ERJ2GEJ102X	SMD	.063W	5%	1K Ω
R2003	ERJ2GEJ105X	SMD	.063W	5%	1M Ω
R2006	ERJ2GEJ471X	SMD	.063W	5%	470 Ω
R2007	ERJ2GEJ221X	SMD	.063W	5%	220 Ω
R2008	ERJ3GEYJ471	SMD	0.1W	5%	470 Ω
R2015	ERJ2GEJ103X	SMD	.063W	5%	10K Ω
R2016	ERJ2GEJ103X	SMD	.063W	5%	10K Ω
R2017	ERJ2GEJ103X	SMD	.063W	5%	10K Ω
R2018	ERJ2GEJ103X	SMD	.063W	5%	10K Ω
R2019	D1BB2002A055	SMD	0.1W	1%	20K Ω
R2020	D1BB2001A055	SMD	0.1W	1%	2K Ω
R2023	ERJ2GEJ103X	SMD	.063W	5%	10K Ω
R2024	ERJ2GEJ101X	SMD	.063W	5%	100 Ω
R2026	D1BB1203A055	SMD	0.1W	1%	120K Ω
R2027	D1BB7502A055	SMD	0.1W	1%	75K Ω
R2047	D1BB2002A055	SMD	0.1W	1%	20K Ω
R2048	D1BB2002A055	SMD	0.1W	1%	20K Ω
R2050	D1BB2002A055	SMD	0.1W	1%	20K Ω
R2051	D1BB2002A055	SMD	0.1W	1%	20K Ω
R2057	ERJ2GEJ102X	SMD	.063W	5%	1K Ω
R2058	ERJ2GEJ103X	SMD	.063W	5%	10K Ω
R2063	ERJ2GEJ101X	SMD	.063W	5%	100 Ω
R2064	ERJ2GEJ101X	SMD	.063W	5%	100 Ω
R2065	ERJ2GEJ823X	SMD	.063W	5%	82K Ω
R2066	ERJ2GE0R00X	SMD	.063W	-	0 Ω
R2068	ERJ2GE0R00X	SMD	.063W	-	0 Ω
R2071	ERJ2GEJ104X	SMD	.063W	5%	100K Ω
R2072	ERJ2GEJ104X	SMD	.063W	5%	100K Ω
R2081	ERJ2GEJ103X	SMD	.063W	5%	10K Ω
R2082	ERJ2GEJ103X	SMD	.063W	5%	10K Ω
R2089	ERJ2GEJ153X	SMD	.063W	5%	15K Ω
R2090	ERJ2GEJ153X	SMD	.063W	5%	15K Ω
R2092	ERJ2GEJ103X	SMD	.063W	5%	10K Ω
R2093	ERJ2GEJ103X	SMD	.063W	5%	10K Ω
R2111	ERJ2GEJ103X	SMD	.063W	5%	10K Ω
R2114	ERJ2GEJ222X	SMD	.063W	5%	2K2 Ω
R2115	ERJ2GEJ222X	SMD	.063W	5%	2K2 Ω
R2117	D0GBR00Z0002	SMD	0.1W	-	0 Ω
R2118	ERJ2GEJ471X	SMD	.063W	5%	470 Ω
R2119	ERJ2GE0R00X	SMD	.063W	-	0 Ω
R2120	ERJ2GE0R00X	SMD	.063W	-	0 Ω
R2121	ERJ8GEYJ3R3V	SMD	0.25W	5%	3R3 Ω
R2123	ERJ8GEYJ3R3V	SMD	0.25W	5%	3R3 Ω
R2125	ERJ8GEYJ3R3V	SMD	0.25W	5%	3R3 Ω
R2126	ERJ2GEJ103X	SMD	.063W	5%	10K Ω

Cct Ref	Parts Number	Description				
R2127	ERJ8GEYJ3R3V	SMD	0.25W	5%	3R3 Ω	
R2128	ERJ2GEJ473X	SMD	.063W	5%	47K Ω	
R2129	ERJ6GEYJ100	S.M.CARB	0.1W	5%	10 Ω	
R2130	ERJ2GEJ104X	SMD	.063W	5%	100K Ω	
R2132	ERJ2GEJ471X	SMD	.063W	5%	470 Ω	
R2133	ERJ6GEYJ100	S.M.CARB	0.1W	5%	10 Ω	
R2134	D0GBR00Z0002	SMD	0.1W	-	0 Ω	
R2135	ERJ2GEJ473X	SMD	.063W	5%	47K Ω	
R2137	ERJ6GEYJ100	S.M.CARB	0.1W	5%	10 Ω	
R2138	ERJ2GEJ104X	SMD	.063W	5%	100K Ω	
R2141	ERJ2GEJ473X	SMD	.063W	5%	47K Ω	
R2142	ERJ2GEJ102X	SMD	.063W	5%	1K Ω	
R2150	ERJ3GEYJ223V	S.M.CARB	0.1W	5%	22K Ω	
R2151	ERJ2GEJ104X	SMD	.063W	5%	100K Ω	
R2152	ERJ2GEJ104X	SMD	.063W	5%	100K Ω	
R2153	ERJ2GEJ103X	SMD	.063W	5%	10K Ω	
R2154	ERJ2GEJ103X	SMD	.063W	5%	10K Ω	
R2155	ERJ2GEJ563X	SMD	.063W	5%	56K Ω	
R2156	ERJ2GEJ104X	SMD	.063W	5%	100K Ω	
R2160	ERJ2GEJ473X	SMD	.063W	5%	47K Ω	
R2165	ERJ2GEJ103X	SMD	.063W	5%	10K Ω	
R2166	ERJ2GEJ222X	SMD	.063W	5%	2K2 Ω	
R2169	ERJ2GEJ473X	SMD	.063W	5%	47K Ω	
R2170	ERJ2GEJ222X	SMD	.063W	5%	2K2 Ω	
R2173	ERJ2GEJ100X	SMD	.063W	5%	10 Ω	
R2174	ERJ2GEJ102X	SMD	.063W	5%	1K Ω	
R2175	ERJ2GEJ103X	SMD	.063W	5%	10K Ω	
R2176	ERJ2GEJ102X	SMD	.063W	5%	1K Ω	
R2177	ERJ2GEJ473X	SMD	.063W	5%	47K Ω	
R2178	ERJ2GEJ102X	SMD	.063W	5%	1K Ω	
R2183	D0GBR00Z0002	SMD	0.1W	-	0 Ω	
R2189	D0GBR00Z0002	SMD	0.1W	-	0 Ω	
R2271	EXB28V220JX	SMD	.031W	5%	22 Ω	
R2272	ERJ2GEJ102X	SMD	.063W	5%	1K Ω	
R2273	ERJ2GEJ473X	SMD	.063W	5%	47K Ω	
R2501	ERJ3GEYJ562	SMD	0.1W	5%	5K6 Ω	
R2502	ERJ3GEYJ223V	S.M.CARB	0.1W	5%	22K Ω	
R2503	D1BB5760A055	SMD	0.1W	1%	576 Ω	
R2504	D1BB2700A055	SMD	0.1W	1%	270 Ω	
R2506	ERJ3GEYJ223V	S.M.CARB	0.1W	5%	22K Ω	
R2507	ERJ3GEYJ562	SMD	0.1W	5%	5K6 Ω	
R2510	D1BB2700A055	SMD	0.1W	1%	270 Ω	
R2511	ERJ3GEYJ473V	S.M.CARB	0.1W	5%	47K Ω	
R2512	ERJ3GEYJ223V	S.M.CARB	0.1W	5%	22K Ω	
R2513	ERJ3GEYJ470	SMD	0.1W	5%	47 Ω	
R2514	ERJ3GEYJ223V	S.M.CARB	0.1W	5%	22K Ω	
R2515	ERJ3GEYJ224V	S.M.CARB	0.1W	5%	22K Ω	
R2516	ERJ3GEYJ473V	S.M.CARB	0.1W	5%	47K Ω	
R2551	D1BB1652A055	SMD	0.1W	1%	16K5 Ω	
R2552	D1BB3902A055	SMD	0.1W	1%	39K Ω	
R2903	D0GBR00Z0002	SMD	0.1W	-	0 Ω	
R2905	ERJ2GE0R00X	SMD	.063W	-	0 Ω	
R2909	ERJ2GEJ220X	SMD	.063W	5%	22 Ω	
R2910	ERJ2GEJ221X	SMD	.063W	5%	220 Ω	
R2912	D0GDR00Z0002	SMD	.125W	-	0 Ω	
R2915	ERJ2GEJ221X	SMD	.063W	5%	220 Ω	
R2916	ERJ2GEJ220X	SMD	.063W	5%	22 Ω	
R2917	ERJ2GEJ220X	SMD	.063W	5%	22 Ω	
R2918	ERJ2GEJ103X	SMD	.063W	5%	10K Ω	
R2927	ERJ2GE0R00X	SMD	.063W	-	0 Ω	
R2931	D0GBR00Z0002	SMD	0.1W	-	0 Ω	
R3000	ERJ6GEYJ223	S.M.CARB	0.1W	5%	22K Ω	
R3001	ERJ6GEYJ223	S.M.CARB	0.1W	5%	22K Ω	
R3002	ERJ6GEYJ223	S.M.CARB	0.1W	5%	22K Ω	
R3003	ERJ6GEYJ223	S.M.CARB	0.1W	5%	22K Ω	
R3004	ERJ6GEYJ223	S.M.CARB	0.1W	5%	22K Ω	
R3005	ERJ6GEYJ223	S.M.CARB	0.1W	5%	22K Ω	
R3006	ERJ2GEJ104X	SMD	.063W	5%	100K Ω	

Cct Ref	Parts Number	Description				
R3007	ERJ2GEJ104X	SMD	.063W	5%	100K Ω	
R3008	ERJ2GEJ222X	SMD	.063W	5%	2K2 Ω	
R3009	ERJ2GEJ222X	SMD	.063W	5%	2K2 Ω	
R3010	ERJ2GEJ104X	SMD	.063W	5%	100K Ω	
R3011	ERJ2GEJ104X	SMD	.063W	5%	100K Ω	
R3012	ERJ2GEJ222X	SMD	.063W	5%	2K2 Ω	
R3013	ERJ2GEJ222X	SMD	.063W	5%	2K2 Ω	
R3018	ERJ3GEYJ331	SMD	0.1W	5%	330 Ω	
R3019	ERJ2GEJ222X	SMD	.063W	5%	2K2 Ω	
R3020	ERJ3GEYJ331	SMD	0.1W	5%	330 Ω	
R3021	ERJ2GEJ222X	SMD	.063W	5%	2K2 Ω	
R3024	ERJ2GEJ104X	SMD	.063W	5%	100K Ω	
R3025	ERJ2GEJ104X	SMD	.063W	5%	100K Ω	
R3028	ERJ2GEJ331X	SMD	.063W	5%	330 Ω	
R3029	ERJ2GEJ331X	SMD	.063W	5%	330 Ω	
R3030	ERJ2GE0R00X	SMD	.063W	-	0 Ω	
R3033	ERJ2GEJ221X	SMD	.063W	5%	220 Ω	
R3034	ERJ2GEJ221X	SMD	.063W	5%	220 Ω	
R3037	ERJ2GEJ221X	SMD	.063W	5%	220 Ω	
R3038	ERJ2GEJ221X	SMD	.063W	5%	220 Ω	
R3041	ERJ2GEJ331X	SMD	.063W	5%	330 Ω	
R3042	ERJ2GEJ331X	SMD	.063W	5%	330 Ω	
R3043	ERJ2GEJ221X	SMD	.063W	5%	220 Ω	
R3045	ERJ2GEJ221X	SMD	.063W	5%	220 Ω	
R3047	ERJ2GEJ221X	SMD	.063W	5%	220 Ω	
R3048	ERJ2GEJ221X	SMD	.063W	5%	220 Ω	
R3049	ERJ2GEJ221X	SMD	.063W	5%	220 Ω	
R3050	ERJ2GEJ221X	SMD	.063W	5%	220 Ω	
R3051	ERJ2GEJ221X	SMD	.063W	5%	220 Ω	
R3052	ERJ2GEJ221X	SMD	.063W	5%	220 Ω	
R3072	ERJ6ENF1500	SMD	.125W	1%	150 Ω	
R3073	ERJ6ENF1500	SMD	.125W	1%	150 Ω	
R3074	ERJ6ENF1500	SMD	.125W	1%	150 Ω	
R3075	ERJ6ENF1500	SMD	.125W	1%	150 Ω	
R3076	ERJ6ENF1500	SMD	.125W	1%	150 Ω	
R3077	ERJ6ENF1500	SMD	.125W	1%	150 Ω	
R3079	ERJ6ENF1500	SMD	.125W	1%	150 Ω	
R3081	ERJ6ENF1500	SMD	.125W	1%	150 Ω	
R3082	ERJ6ENF1500	SMD	.125W	1%	150 Ω	
R3083	ERJ6ENF1500	SMD	.125W	1%	150 Ω	
R3084	ERJ6ENF75R0	SMD	.125W	1%	75 Ω	
R3085	ERJ6ENF75R0	SMD	.125W	1%	75 Ω	
R3086	ERJ6ENF75R0	SMD	.125W	1%	75 Ω	
R3087	ERJ6ENF1500	SMD	.125W	1%	150 Ω	
R3089	ERJ6GEYJ680	S.M.CARB	0.1W	5%	68 Ω	
R3091	ERJ6ENF2152V	SMD	.125W	1%	21K5 Ω	
R3092	ERJ6ENF2152V	SMD	.125W	1%	21K5 Ω	
R3094	ERJ6ENF1302	S.M.CARB	0.1W	1%	13K Ω	
R3097	ERJ6ENF1500	SMD	.125W	1%	150 Ω	
R3098	ERJ6ENF1500	SMD	.125W	1%	150 Ω	
R3100	ERJ2GEJ104X	SMD	.063W	5%	100K Ω	
R3102	ERJ6ENF1500	SMD	.125W	1%	150 Ω	
R3104	ERJ6ENF1500	SMD	.125W	1%	150 Ω	
R3105	ERJ2GE0R00X	SMD	.063W	-	0 Ω	
R3106	ERJ2GE0R00X	SMD	.063W	-	0 Ω	
R3107	ERJ2GE0R00X	SMD	.063W	-	0 Ω	
R3108	ERJ2GE0R00X	SMD	.063W	-	0 Ω	
R3109	ERJ2GE0R00X	SMD	.063W	-	0 Ω	
R3112	D0GBR00Z0002	SMD	0.1W	-	0 Ω	
R3113	D0GBR00Z0002	SMD	0.1W	-	0 Ω	
R3115	ERJ2GEJ221X	SMD	.063W	5%	220 Ω	
R3116	ERJ2GEJ221X	SMD	.063W	5%	220 Ω	
R3117	ERJ2GEJ221X	SMD	.063W	5%	220 Ω	
R3118	ERJ2GEJ221X	SMD	.063W	5%	220 Ω	
R3119	ERJ2GEJ221X	SMD	.063W	5%	220 Ω	
R3120	ERJ2GEJ331X	SMD	.063W	5%	330 Ω	
R3121	ERJ6ENF75R0	SMD	.125W	1%	75 Ω	
R3123	ERJ2GEJ221X	SMD	.063W	5%	220 Ω	

Cct Ref	Parts Number	Description			
R3124	ERJ2GEJ221X	SMD	.063W	5%	220 Ω
R3125	ERJ2GEJ221X	SMD	.063W	5%	220 Ω
R3128	ERJ2GEJ221X	SMD	.063W	5%	220 Ω
R3130	ERJ2GEJ220X	SMD	.063W	5%	22 Ω
R3131	ERJ2GEJ220X	SMD	.063W	5%	22 Ω
R3132	ERJ2GEJ680X	SMD	.063W	5%	68 Ω
R3133	ERJ2GEJ680X	SMD	.063W	5%	68 Ω
R3134	ERJ2GEJ680X	SMD	.063W	5%	68 Ω
R3135	ERJ2GEJ221X	SMD	.063W	5%	220 Ω
R3136	ERJ2GEJ221X	SMD	.063W	5%	220 Ω
R3137	ERJ2GEJ221X	SMD	.063W	5%	220 Ω
R3138	ERJ2GEJ221X	SMD	.063W	5%	220 Ω
R3139	ERJ2GEJ221X	SMD	.063W	5%	220 Ω
R3140	ERJ2GEJ221X	SMD	.063W	5%	220 Ω
R3141	D0GB102JA041	SMD	0.1W	5%	1K Ω
R3143	ERJ2GEJ221X	SMD	.063W	5%	220 Ω
R3146	ERJ2GEJ331X	SMD	.063W	5%	330 Ω
R3150	ERJ2GEJ221X	SMD	.063W	5%	220 Ω
R3153	ERJ6GEYJ680	S.M.CARB	0.1W	5%	68 Ω
R3158	ERJ3GEYJ221	SMD	0.1W	5%	220 Ω
R3159	ERJ3GEYJ221	SMD	0.1W	5%	220 Ω
R3164	ERJ2GE0R00X	SMD	.063W	-	0 Ω
R3165	ERJ2GEJ680X	SMD	.063W	5%	68 Ω
R3166	ERJ2GE0R00X	SMD	.063W	-	0 Ω
R3167	ERJ6ENF75R0	SMD	.125W	1%	75 Ω
R3169	ERJ2GEJ104X	SMD	.063W	5%	100K Ω
R3172	ERJ6ENF75R0	SMD	.125W	1%	75 Ω
R3174	ERJ2GEJ104X	SMD	.063W	5%	100K Ω
R3177	ERJ2GEJ273X	SMD	.063W	5%	27K Ω
R3182	ERJ6ENF1302	S.M.CARB	0.1W	1%	13K Ω
R3183	ERJ2GEJ273X	SMD	.063W	5%	27K Ω
R3186	ERJ6ENF1500	SMD	.125W	1%	150 Ω
R3187	ERJ6ENF1500	SMD	.125W	1%	150 Ω
R3188	ERJ6ENF1500	SMD	.125W	1%	150 Ω
R3189	ERJ2GEJ680X	SMD	.063W	5%	68 Ω
R3190	ERJ2GEJ680X	SMD	.063W	5%	68 Ω
R3191	ERJ2GEJ680X	SMD	.063W	5%	68 Ω
R3193	ERJ6ENF1500	SMD	.125W	1%	150 Ω
R3198	ERJ6ENF1500	SMD	.125W	1%	150 Ω
R3199	ERJ2GE0R00X	SMD	.063W	-	0 Ω
R3200	ERJ2GE0R00X	SMD	.063W	-	0 Ω
R3204	ERJ6ENF1500	SMD	.125W	1%	150 Ω
R3205	ERJ6ENF1500	SMD	.125W	1%	150 Ω
R3206	ERJ2GE0R00X	SMD	.063W	-	0 Ω
R3207	ERJ2GE0R00X	SMD	.063W	-	0 Ω
R3212	ERJ6ENF1500	SMD	.125W	1%	150 Ω
R3213	ERJ6ENF1500	SMD	.125W	1%	150 Ω
R3219	ERJ2GE0R00X	SMD	.063W	-	0 Ω
R3222	D0GDR00Z0002	SMD	.125W	-	0 Ω
R3223	ERJ2GEJ101X	SMD	.063W	5%	100 Ω
R3224	D0GDR00Z0002	SMD	.125W	-	0 Ω
R3225	ERJ2GEJ101X	SMD	.063W	5%	100 Ω
R3226	ERJ6GEYJ472	S.M.CARB	0.1W	5%	4K7 Ω
R3227	ERJ6GEYJ472	S.M.CARB	0.1W	5%	4K7 Ω
R3228	D0GDR00Z0002	SMD	.125W	-	0 Ω
R3229	D0GDR00Z0002	SMD	.125W	-	0 Ω
R3230	ERJ6ENF75R0	SMD	.125W	1%	75 Ω
R3231	D0GDR00Z0002	SMD	.125W	-	0 Ω
R3232	ERJ6ENF75R0	SMD	.125W	1%	75 Ω
R3233	D0GDR00Z0002	SMD	.125W	-	0 Ω
R3234	ERJ6ENF75R0	SMD	.125W	1%	75 Ω
R3235	D0GDR00Z0002	SMD	.125W	-	0 Ω
R3236	ERJ2GEJ680X	SMD	.063W	5%	68 Ω
R3237	ERJ2GEJ680X	SMD	.063W	5%	68 Ω
R3238	ERJ2GEJ101X	SMD	.063W	5%	100 Ω
R3240	ERJ2GEJ221X	SMD	.063W	5%	220 Ω
R3241	ERJ2GE0R00X	SMD	.063W	-	0 Ω
R3700	ERJ6GEYJ393	S.M.CARB	0.1W	5%	39K Ω

Cct Ref	Parts Number	Description			
R3701	ERJ6GEYJ393	S.M.CARB	0.1W	5%	39K Ω
R3702	ERJ6GEYJ184	S.M.CARB	0.1W	5%	180K Ω
R3703	ERJ6GEYJ184	S.M.CARB	0.1W	5%	180K Ω
R4213	ERJ2GEJ680X	SMD	.063W	5%	68 Ω
R4214	ERJ2GEJ680X	SMD	.063W	5%	68 Ω
R4216	EXB2HV680JV	SMD	.063W	5%	68 Ω
R4217	EXB2HV680JV	SMD	.063W	5%	68 Ω
R4225	ERJ2GEJ680X	SMD	.063W	5%	68 Ω
R4226	ERJ2GEJ680X	SMD	.063W	5%	68 Ω
R4227	ERJ2GEJ680X	SMD	.063W	5%	68 Ω
R4228	ERJ2GEJ680X	SMD	.063W	5%	68 Ω
R4240	ERJ2GEJ680X	SMD	.063W	5%	68 Ω
R4241	ERJ2GEJ680X	SMD	.063W	5%	68 Ω
R4242	ERJ2GEJ102X	SMD	.063W	5%	1K Ω
R4243	D1BB5602A055	SMD	0.1W	1%	56K Ω
R4244	D1BB4702A055	SMD	0.1W	1%	47K Ω
R4245	D1BB3002A055	SMD	0.1W	1%	30K Ω
R4261	D0GB102JA041	SMD	0.1W	5%	1K Ω
R4262	D0GB102JA041	SMD	0.1W	5%	1K Ω
R4272	ERJ2GEJ680X	SMD	.063W	5%	68 Ω
R4273	ERJ2GEJ680X	SMD	.063W	5%	68 Ω
R4274	ERJ2GEJ680X	SMD	.063W	5%	68 Ω
R4275	ERJ2GEJ473X	SMD	.063W	5%	47K Ω
R4277	ERJ2GEJ680X	SMD	.063W	5%	68 Ω
R4278	ERJ2GEJ680X	SMD	.063W	5%	68 Ω
R4279	ERJ2GEJ680X	SMD	.063W	5%	68 Ω
R4281	ERJ2GEJ680X	SMD	.063W	5%	68 Ω
R4282	ERJ2GEJ680X	SMD	.063W	5%	68 Ω
R4289	ERJ2GEJ473X	SMD	.063W	5%	47K Ω
R4290	ERJ2GEJ473X	SMD	.063W	5%	47K Ω
R4292	ERJ2GEJ680X	SMD	.063W	5%	68 Ω
R4305	ERJ2GEJ473X	SMD	.063W	5%	47K Ω
R4306	ERJ2GEJ473X	SMD	.063W	5%	47K Ω
R4309	ERJ2GEJ103X	SMD	.063W	5%	10K Ω
R4310	ERJ2GEJ102X	SMD	.063W	5%	1K Ω
R4311	ERJ2GEJ473X	SMD	.063W	5%	47K Ω
R4312	ERJ2GEJ302X	SMD	.063W	5%	3K Ω
R4315	ERJ2GEJ102X	SMD	.063W	5%	1K Ω
R4316	ERJ2GEJ102X	SMD	.063W	5%	1K Ω
R4317	ERJ2GEJ103X	SMD	.063W	5%	10K Ω
R4318	ERJ2GEJ103X	SMD	.063W	5%	10K Ω
R4319	ERJ2GEJ473X	SMD	.063W	5%	47K Ω
R4320	ERJ2GEJ103X	SMD	.063W	5%	10K Ω
R4321	ERJ2GEJ102X	SMD	.063W	5%	1K Ω
R4322	ERJ2GEJ103X	SMD	.063W	5%	10K Ω
R4323	ERJ2GEJ473X	SMD	.063W	5%	47K Ω
R4324	ERJ2GEJ473X	SMD	.063W	5%	47K Ω
R4325	ERJ6ENF5111V	SMD	.125W	1%	5K11 Ω
R4326	ERJ6ENF4871V	SMD	.125W	1%	4K87 Ω
R4327	ERJ2RKF3001X	SMD	.063W	1%	3K Ω
R4328	ERJ2GEJ102X	SMD	.063W	5%	1K Ω
R4329	ERJ2RKF3901X	SMD	.063W	1%	3K9 Ω
R4330	ERJ2GEJ100X	SMD	.063W	5%	10 Ω
R4331	ERJ2GEJ680X	SMD	.063W	5%	68 Ω
R4333	ERJ2GE0R00X	SMD	.063W	-	0 Ω
R4334	ERJ2GEJ470X	SMD	.063W	5%	47 Ω
R4335	ERJ2GEJ332X	SMD	.063W	5%	3K3 Ω
R4336	ERJ2GEJ680X	SMD	.063W	5%	68 Ω
R4337	ERJ2GEJ220X	SMD	.063W	5%	22 Ω
R4341	ERJ2GEJ334X	SMD	.063W	5%	330K Ω
R4342	ERJ2GE0R00X	SMD	.063W	-	0 Ω
R4345	ERJ2GE0R00X	SMD	.063W	-	0 Ω
R4352	ERJ2GEJ473X	SMD	.063W	5%	47K Ω
R4357	ERJ2GEJ103X	SMD	.063W	5%	10K Ω
R4367	EXB2HV680JV	SMD	.063W	5%	68 Ω
R4368	EXB2HV680JV	SMD	.063W	5%	68 Ω
R4369	EXB2HV680JV	SMD	.063W	5%	68 Ω
R4500	ERJ2GEJ103X	SMD	.063W	5%	10K Ω

Cct Ref	Parts Number	Description				
R4501	ERJ2GEJ103X	SMD	.063W	5%	10K Ω	
R4502	ERJ2GEJ330X	SMD	.063W	5%	33 Ω	
R4503	ERJ2GEJ330X	SMD	.063W	5%	33 Ω	
R4524	ERJ2GE0R00X	SMD	.063W	-	0 Ω	
R4525	ERJ2GE0R00X	SMD	.063W	-	0 Ω	
R4526	ERJ2GEJ102X	SMD	.063W	5%	1K Ω	
R4527	ERJ2GEJ102X	SMD	.063W	5%	1K Ω	
R4528	ERJ2GEJ103X	SMD	.063W	5%	10K Ω	
R4530	ERJ2GEJ103X	SMD	.063W	5%	10K Ω	
R4532	ERJ2GEJ103X	SMD	.063W	5%	10K Ω	
R4533	ERJ2GEJ103X	SMD	.063W	5%	10K Ω	
R4548	ERJ2GEJ103X	SMD	.063W	5%	10K Ω	
R4549	ERJ2GEJ103X	SMD	.063W	5%	10K Ω	
R4552	ERJ2GEJ220X	SMD	.063W	5%	22 Ω	
R4558	ERJ2GEJ105X	SMD	.063W	5%	1M Ω	
R4559	ERJ2GEJ105X	SMD	.063W	5%	1M Ω	
R4560	ERJ2GEJ471X	SMD	.063W	5%	470 Ω	
R4562	ERJ2GEJ473X	SMD	.063W	5%	47K Ω	
R4563	ERJ2GEJ473X	SMD	.063W	5%	47K Ω	
R4564	ERJ2GEJ473X	SMD	.063W	5%	47K Ω	
R4565	ERJ2GEJ473X	SMD	.063W	5%	47K Ω	
R4566	ERJ2GEJ473X	SMD	.063W	5%	47K Ω	
R4567	ERJ2GEJ473X	SMD	.063W	5%	47K Ω	
R4587	D1BB60400001	SMD	0.1W	1%	604 Ω	
R4588	D1BB8060A055	SMD	0.1W	1%	806 Ω	
R4589	D1BB8060A055	SMD	0.1W	1%	806 Ω	
R4592	D1BB8060A055	SMD	0.1W	1%	806 Ω	
R4593	D1BB2201A055	SMD	0.1W	1%	2K2 Ω	
R4596	ERJ6GEYJ102	S.M.CARB	0.1W	5%	1K Ω	
R4597	ERJ6GEYJ102	S.M.CARB	0.1W	5%	1K Ω	
R4598	ERJ6GEYJ102	S.M.CARB	0.1W	5%	1K Ω	
R4600	ERJ2GEJ473X	SMD	.063W	5%	47K Ω	
R4601	ERJ6GEYJ102	S.M.CARB	0.1W	5%	1K Ω	
R4603	ERJ2GEJ473X	SMD	.063W	5%	47K Ω	
R4604	ERJ2GEJ473X	SMD	.063W	5%	47K Ω	
R4605	D1BB2201A055	SMD	0.1W	1%	2K2 Ω	
R4606	D1BB9101A055	SMD	0.1W	1%	9K1 Ω	
R4608	ERJ6GEYJ102	S.M.CARB	0.1W	5%	1K Ω	
R4609	ERJ2GEJ103X	SMD	.063W	5%	10K Ω	
R4610	ERJ2GE0R00X	SMD	.063W	-	0 Ω	
R4611	D1BB5601A055	SMD	0.1W	1%	5K6 Ω	
R4613	ERJ2GEJ473X	SMD	.063W	5%	47K Ω	
R4614	ERJ2GEJ473X	SMD	.063W	5%	47K Ω	
R4615	ERJ2GEJ473X	SMD	.063W	5%	47K Ω	
R4616	ERJ2GEJ473X	SMD	.063W	5%	47K Ω	
R4617	ERJ2GEJ473X	SMD	.063W	5%	47K Ω	
R4624	ERJ2GEJ102X	SMD	.063W	5%	1K Ω	
R4625	ERJ2GEJ102X	SMD	.063W	5%	1K Ω	
R4626	D1BB2200A055	SMD	0.1W	1%	220 Ω	
R4627	D1BB2200A055	SMD	0.1W	1%	220 Ω	
R4628	ERJ2GE0R00X	SMD	.063W	-	0 Ω	
R4629	ERJ2GE0R00X	SMD	.063W	-	0 Ω	
R4631	D1BB4990A055	SMD	0.1W	1%	499 Ω	
R4634	D1BB2200A055	SMD	0.1W	1%	220 Ω	
R4635	EXB28V680JX	SMD	.031W	5%	68 Ω	
R4636	ERJ2GEJ680X	SMD	.063W	5%	68 Ω	
R4637	ERJ2GEJ680X	SMD	.063W	5%	68 Ω	
R4638	ERJ2GEJ680X	SMD	.063W	5%	68 Ω	
R4639	EXB28V680JX	SMD	.031W	5%	68 Ω	
R4640	EXB28V680JX	SMD	.031W	5%	68 Ω	
R4644	ERJ2GE0R00X	SMD	.063W	-	0 Ω	
R4645	ERJ2GEJ680X	SMD	.063W	5%	68 Ω	
R4646	ERJ2GEJ680X	SMD	.063W	5%	68 Ω	
R4647	ERJ2GEJ680X	SMD	.063W	5%	68 Ω	
R4648	EXB28V330JX	SMD	.031W	5%	33 Ω	
R4649	EXB28V680JX	SMD	.031W	5%	68 Ω	
R4650	ERJ2GEJ680X	SMD	.063W	5%	68 Ω	
R4651	ERJ2GEJ680X	SMD	.063W	5%	68 Ω	

Cct Ref	Parts Number	Description				
R4652	ERJ2GEJ473X	SMD	.063W	5%	47K Ω	
R4656	ERJ2GEJ222X	SMD	.063W	5%	2K2 Ω	
R4657	ERJ2GE0R00X	SMD	.063W	-	0 Ω	
R4658	ERJ2GE0R00X	SMD	.063W	-	0 Ω	
R4664	D1BB60400001	SMD	0.1W	1%	604 Ω	
R4666	ERJ2GEJ473X	SMD	.063W	5%	47K Ω	
R4670	ERJ2GEJ680X	SMD	.063W	5%	68 Ω	
R4673	ERJ2GE0R00X	SMD	.063W	-	0 Ω	
R4677	ERJ2GE0R00X	SMD	.063W	-	0 Ω	
R4678	EXB28V680JX	SMD	.031W	5%	68 Ω	
R4679	EXB28V680JX	SMD	.031W	5%	68 Ω	
R4680	ERJ2GEJ680X	SMD	.063W	5%	68 Ω	
R4700	ERJ2GEJ103X	SMD	.063W	5%	10K Ω	
R4701	ERJ2GEJ103X	SMD	.063W	5%	10K Ω	
R4702	ERJ2GEJ103X	SMD	.063W	5%	10K Ω	
R4703	ERJ2GEJ472X	SMD	.063W	5%	4K7 Ω	
R4704	ERJ2GEJ472X	SMD	.063W	5%	4K7 Ω	
R4705	ERJ2GEJ473X	SMD	.063W	5%	47K Ω	
R4706	ERJ2GE0R00X	SMD	.063W	-	0 Ω	
R4707	ERJ2GE0R00X	SMD	.063W	-	0 Ω	
R4710	ERJ2GEJ103X	SMD	.063W	5%	10K Ω	
R4711	ERJ2GEJ103X	SMD	.063W	5%	10K Ω	
R4713	ERJ2GEJ103X	SMD	.063W	5%	10K Ω	
R4714	ERJ2GE0R00X	SMD	.063W	-	0 Ω	
R4715	ERJ2GE0R00X	SMD	.063W	-	0 Ω	
R4716	ERJ2GEJ390X	SMD	.063W	5%	39 Ω	
R4717	ERJ2GEJ102X	SMD	.063W	5%	1K Ω	
R4718	ERJ2GEJ473X	SMD	.063W	5%	47K Ω	
R4729	ERJ3GEYJ560	SMD	0.1W	5%	56 Ω	
R4730	ERJ3GEYJ560	SMD	0.1W	5%	56 Ω	
R4731	ERJ2GE0R00X	SMD	.063W	-	0 Ω	
R4732	ERJ2GE0R00X	SMD	.063W	-	0 Ω	
R4733	ERJ2GE0R00X	SMD	.063W	-	0 Ω	
R4734	ERJ2GE0R00X	SMD	.063W	-	0 Ω	
R5600	ERJ2GEJ680X	SMD	.063W	5%	68 Ω	
R5601	D0GBR00Z0002	SMD	0.1W	-	0 Ω	
R5602	ERJ2GE0R00X	SMD	.063W	-	0 Ω	
R5603	ERJ2GE0R00X	SMD	.063W	-	0 Ω	
R5604	D1BB4702A055	SMD	0.1W	1%	47K Ω	
R5605	D1BB1272A055	SMD	0.1W	1%	12K7 Ω	
R5606	ERJ2GE0R00X	SMD	.063W	-	0 Ω	
R5607	ERJ2GE0R00X	SMD	.063W	-	0 Ω	
R5610	ERJ2GEJ104X	SMD	.063W	5%	100K Ω	
R5611	D1BB4702A055	SMD	0.1W	1%	47K Ω	
R5612	D1BB3602A055	SMD	0.1W	1%	36K Ω	
R5614	D0GBR00Z0002	SMD	0.1W	-	0 Ω	
R5616	ERJ2GE0R00X	SMD	.063W	-	0 Ω	
R5619	ERJ2GE0R00X	SMD	.063W	-	0 Ω	
R5620	ERJ2GEJ680X	SMD	.063W	5%	68 Ω	
R5621	D1BB2802A055	SMD	0.1W	1%	28K Ω	
R5622	ERJ2GEJ104X	SMD	.063W	5%	100K Ω	
R5623	D1BB4702A055	SMD	0.1W	1%	47K Ω	
R5625	ERJ2GE0R00X	SMD	.063W	-	0 Ω	
R5626	ERJ2GE0R00X	SMD	.063W	-	0 Ω	
R5627	ERJ2GE0R00X	SMD	.063W	-	0 Ω	
R5628	ERJ2GE0R00X	SMD	.063W	-	0 Ω	
R5629	D1BB2802A055	SMD	0.1W	1%	28K Ω	
R5630	D1BB4752A055	SMD	0.1W	1%	47K5 Ω	
R5631	D1BB3602A055	SMD	0.1W	1%	36K Ω	
R5632	D1BB3002A055	SMD	0.1W	1%	30K Ω	
R5633	D1BB3602A055	SMD	0.1W	1%	36K Ω	
R5634	D1BB2802A055	SMD	0.1W	1%	28K Ω	
R5635	ERJ2GEJ223X	SMD	.063W	5%	22K Ω	
R5636	ERJ2GEJ683X	SMD	.063W	5%	68K Ω	
R5638	ERJ2GEJ103X	SMD	.063W	5%	10K Ω	
R5641	ERJ2GEJ473X	SMD	.063W	5%	47K Ω	
R5644	ERJ2GEJ222X	SMD	.063W	5%	2K2 Ω	
R5646	ERJ2GEJ103X	SMD	.063W	5%	10K Ω	

Cct Ref	Parts Number	Description				
R5647	ERJ2GEJ473X	SMD	.063W	5%	47K Ω	
R5660	ERJ2GEJ473X	SMD	.063W	5%	47K Ω	
R5661	ERJ2GEJ103X	SMD	.063W	5%	10K Ω	
R5662	ERJ2GEJ223X	SMD	.063W	5%	22K Ω	
R5663	ERJ2GEJ101X	SMD	.063W	5%	100 Ω	
R5664	ERJ2GE0R00X	SMD	.063W	-	0 Ω	
R5698	ERJ2GE0R00X	SMD	.063W	-	0 Ω	
R5699	ERJ2GEJ473X	SMD	.063W	5%	47K Ω	
R5702	ERJ2GEJ222X	SMD	.063W	5%	2K2 Ω	
R5703	D0GDR00Z0002	SMD	.125W	-	0 Ω	
R5704	D0GDR00Z0002	SMD	.125W	-	0 Ω	
R5705	D0GDR00Z0002	SMD	.125W	-	0 Ω	
R7000	D0XB106J0003	RESISTOR	1W	5%	10M Ω	△
R7001	ERC12ZGK105V	CARBON	0.5W	10%	1M Ω	△
R7002	ERF2AJ100P	FIXED	2W	5%	10 Ω	
R7003	ERJ6GEYJ100	S.M.CARB	0.1W	5%	10 Ω	
R7004	ERJ6GEYJ104	S.M.CARB	0.1W	5%	100K Ω	
R7005	ERJ6GEYJ104	S.M.CARB	0.1W	5%	100K Ω	
R7006	D0GD4R7JA059	SMD	0.25W	5%	4R7 Ω	
R7007	ERJ6GEYJ473	S.M.CARB	0.1W	5%	47K Ω	
R7008	ERJ6GEYJ221	S.M.CARB	0.1W	5%	220 Ω	
R7009	ERJ6GEYJ332	S.M.CARB	0.1W	5%	3K3 Ω	
R7010	ERJ6GEYJ331	S.M.CARB	0.1W	5%	330 Ω	
R7011	ERJ6ENF6801	S.M.CARB	0.1W	1%	6K8 Ω	
R7012	ERJ6ENF6801	S.M.CARB	0.1W	1%	6K8 Ω	
R7013	ERJ6GEYJ224	S.M.CARB	0.1W	5%	220K Ω	
R7014	ERJ6GEYJ224	S.M.CARB	0.1W	5%	220K Ω	
R7015	EROS2THF5603	METAL FI	0.25W	1%	560K Ω	
R7016	EROS2THF5603	METAL FI	0.25W	1%	560K Ω	
R7017	EROS2THF5603	METAL FI	0.25W	1%	560K Ω	
R7018	D1BD1002A044	SMD	.125W	1%	10K Ω	
R7019	ERJ6GEYJ473	S.M.CARB	0.1W	5%	47K Ω	
R7020	ERJ6GEYJ680	S.M.CARB	0.1W	5%	68 Ω	
R7021	ERJ6GEYJ393	S.M.CARB	0.1W	5%	39K Ω	
R7022	ERJ6GEYJ221	S.M.CARB	0.1W	5%	220 Ω	
R7023	ERJ6GEYJ223	S.M.CARB	0.1W	5%	22K Ω	
R7024	ERJ6GEYJ473	S.M.CARB	0.1W	5%	47K Ω	
R7025	ERJ6GEYJ220	S.M.CARB	0.1W	5%	22 Ω	
R7026	ERJ6GEYJ473	S.M.CARB	0.1W	5%	47K Ω	
R7027	D0GD103JA036	SMD	.125W	5%	10K Ω	
R7028	ERJ12YJ473U	SMD	0.5W	5%	47K Ω	
R7029	ERJ6GEYJ473	S.M.CARB	0.1W	5%	47K Ω	
R7032	ERJ6ENF5602	SMD	.125W	1%	56K Ω	
R7033	ERJ6ENF5602	SMD	.125W	1%	56K Ω	
R7034	ERJ6ENF5602	SMD	.125W	1%	56K Ω	
R7035	ERJ6ENF3001	SMD	.125W	1%	3K Ω	
R7036	ERJ6GEYJ104	S.M.CARB	0.1W	5%	100K Ω	
R7037	ERJ6GEYJ224	S.M.CARB	0.1W	5%	220K Ω	
R7038	ERJ12YJ470U	SMD	0.5W	5%	47 Ω	
R7039	ERJ12YJ221U	SMD	0.5W	5%	220 Ω	
R7040	D0GD4R7JA059	SMD	0.25W	5%	4R7 Ω	
R7041	ERD25TJ470	CARBON	0.25W	5%	47 Ω	
R7043	ERJ6GEYJ153	S.M.CARB	0.1W	5%	15K Ω	
R7044	D1BD1002A044	SMD	.125W	1%	10K Ω	
R7046	D0GDR00Z0002	SMD	.125W	-	0 Ω	
R7047	D0GD103JA036	SMD	.125W	5%	10K Ω	
R7048	ERJ6GEYJ102	S.M.CARB	0.1W	5%	1K Ω	
R7049	ERJ6GEYJ471	S.M.CARB	0.1W	5%	470 Ω	
R7050	ERJ6GEYJ100	S.M.CARB	0.1W	5%	10 Ω	
R7053	ERJ6ENF8451V	SMD	0.1W	1%	8K45 Ω	
R7054	ERJ6ENF2201	S.M.CARB	0.1W	1%	2K2 Ω	
R7056	ERJ6ENF2703V	SMD	.125W	1%	270K Ω	
R7057	ERJ6ENF2703V	SMD	.125W	1%	270K Ω	
R7058	ERJ6ENF2703V	SMD	.125W	1%	270K Ω	
R7059	D0GD103JA036	SMD	.125W	5%	10K Ω	
R7060	ERJ6GEYJ183	S.M.CARB	0.1W	5%	18K Ω	
R7061	ERJ6GEYJ473	S.M.CARB	0.1W	5%	47K Ω	
R7062	D0GD103JA036	SMD	.125W	5%	10K Ω	

Cct Ref	Parts Number	Description				
R7063	ERJ6ENF2703V	SMD	.125W	1%	270K Ω	
R7064	ERJ6ENF2703V	SMD	.125W	1%	270K Ω	
R7065	ERJ6ENF2703V	SMD	.125W	1%	270K Ω	
R7066	ERJ6ENF2703V	SMD	.125W	1%	270K Ω	
R7067	ERJ6ENF2703V	SMD	.125W	1%	270K Ω	
R7068	ERJ6ENF6802V	SMD	.125W	1%	68K Ω	
R7069	D1BD1002A044	SMD	.125W	1%	10K Ω	
R7070	ERJ6GEYJ473	S.M.CARB	0.1W	5%	47K Ω	
R7071	ERJ6GEYJ224	S.M.CARB	0.1W	5%	220K Ω	
R7072	ERJ6GEYJ104	S.M.CARB	0.1W	5%	100K Ω	
R7073	ERJ6ENF1213V	SMD	0.1W	1%	121K Ω	
R7074	ERJ6ENF5602	SMD	.125W	1%	56K Ω	
R7075	ERJ6ENF5602	SMD	.125W	1%	56K Ω	
R7076	ERJ6ENF5602	SMD	.125W	1%	56K Ω	
R7077	ERJ6ENF5602	SMD	.125W	1%	56K Ω	
R7078	ERJ6ENF5602	SMD	.125W	1%	56K Ω	
R7089	ERJ6GEYJ222	S.M.CARB	0.1W	5%	2K2 Ω	
R7091	ERJ8GEYJ470V	SMD	0.25W	5%	47 Ω	
R7092	ERJ6GEYJ562	S.M.CARB	0.1W	5%	5K6 Ω	
R7094	ERJ6GEYJ562	S.M.CARB	0.1W	5%	5K6 Ω	
R7095	ERJ6GEYJ153	S.M.CARB	0.1W	5%	15K Ω	
R7096	ERJ6GEYJ473	S.M.CARB	0.1W	5%	47K Ω	
R7097	D0GD103JA036	SMD	.125W	5%	10K Ω	
R7098	ERJ6GEYJ102	S.M.CARB	0.1W	5%	1K Ω	
R7099	ERJ6GEYJ562	S.M.CARB	0.1W	5%	5K6 Ω	
R7100	ERJ6GEYJ562	S.M.CARB	0.1W	5%	5K6 Ω	
R7101	ERX2SJ5R6P	METAL	2W	1%	5R6 Ω	
R7110	D1BD1002A044	SMD	.125W	1%	10K Ω	
R7111	ERJ6ENF6342V	SMD	0.1W	1%	63K4 Ω	
R7113	ERJ6GEYJ473	S.M.CARB	0.1W	5%	47K Ω	
R7117	ERJ6GEYJ101	S.M.CARB	0.1W	5%	100 Ω	
R7118	ERX1SJ1R8P	METAL	1W	5%	1R8 Ω	
R7120	ERJ6GEYJ223	S.M.CARB	0.1W	5%	22K Ω	
R7121	ERJ6GEYJ333	S.M.CARB	0.1W	5%	33K Ω	
R7122	D0GDR00Z0002	SMD	.125W	-	0 Ω	
R7123	ERJ6GEYJ473	S.M.CARB	0.1W	5%	47K Ω	
R7125	D0GDR00Z0002	SMD	.125W	-	0 Ω	
R7126	ERJ6ENF7151	SMD	.125W	1%	7K15 Ω	
R7127	ERJ6ENF3012V	SMD	0.1W	1%	30K1 Ω	
R7128	D0GDR00Z0002	SMD	.125W	-	0 Ω	
R7129	ERX1SJ1R5P	METAL	1W	5%	1R5 Ω	
R7130	ERX2SJR22P	METAL	2W	1%	R22 Ω	
R7131	ERX2SJR33P	METAL	2W	5%	R33 Ω	
R7132	ERG2SJ104P	METAL	2W	5%	100K Ω	
R7133	D0GDR00Z0002	SMD	.125W	-	0 Ω	
R7134	D0GDR00Z0002	SMD	.125W	-	0 Ω	
R7135	D0GD103JA036	SMD	.125W	5%	10K Ω	
R7136	D0GDR00Z0002	SMD	.125W	-	0 Ω	
R7137	ERJ6GEYJ223	S.M.CARB	0.1W	5%	22K Ω	
R7138	ERJ6GEYJ153	S.M.CARB	0.1W	5%	15K Ω	
R7139	D0GDR00Z0002	SMD	.125W	-	0 Ω	
R7145	ERJ12YJ473U	SMD	0.5W	5%	47K Ω	
R7146	ERJ12YJ473U	SMD	0.5W	5%	47K Ω	
R7147	ERJ12YJ473U	SMD	0.5W	5%	47K Ω	
R7152	ERJ12YJ471U	SMD	0.5W	5%	470 Ω	
R7153	ERJ6GEYJ680	S.M.CARB	0.1W	5%	68 Ω	
R7154	ERJ6ENF3742V	SMD	0.1W	1%	37K4 Ω	
R7155	D1BD1002A044	SMD	.125W	1%	10K Ω	
R7601	ERJ2GEJ563X	SMD	.063W	5%	56K Ω	
R7602	ERJ2GEJ223X	SMD	.063W	5%	22K Ω	
R7603	ERJ2GE0R00X	SMD	.063W	-	0 Ω	
R7604	ERJ2GE0R00X	SMD	.063W	-	0 Ω	
R7605	ERJ2GE0R00X	SMD	.063W	-	0 Ω	
R7607	ERJ2GEJ104X	SMD	.063W	5%	100K Ω	
R7609	ERJ2GEJ222X	SMD	.063W	5%	2K2 Ω	
R8001	ERJ2GEJ221X	SMD	.063W	5%	220 Ω	
R8002	ERJ2GEJ560X	SMD	.063W	5%	56 Ω	
R8004	D1BB2402A055	SMD	0.1W	1%	24K Ω	

Cct Ref	Parts Number	Description				
R8005	D1BB1002A055	SMD	0.1W	1%	10K Ω	
R8006	D1BB6801A055	SMD	0.1W	1%	6K8 Ω	
R8023	ERJ2GE0R00X	SMD	.063W	-	0 Ω	
R8024	ERJ2GE0R00X	SMD	.063W	-	0 Ω	
R8025	ERJ2GE0R00X	SMD	.063W	-	0 Ω	
R8026	ERJ2GE0R00X	SMD	.063W	-	0 Ω	
R8027	ERJ2GE0R00X	SMD	.063W	-	0 Ω	
R8028	ERJ2GE0R00X	SMD	.063W	-	0 Ω	
R8029	ERJ2GE0R00X	SMD	.063W	-	0 Ω	
R8030	ERJ2GEJ101X	SMD	.063W	5%	100 Ω	
R8031	D1BB2700A055	SMD	0.1W	1%	270 Ω	
R8032	D1BB2700A055	SMD	0.1W	1%	270 Ω	
R8035	ERJ2GE0R00X	SMD	.063W	-	0 Ω	
R8036	D0GBR00Z0002	SMD	0.1W	-	0 Ω	
R8039	ERJ2GE0R00X	SMD	.063W	-	0 Ω	
R8056	ERJ2GEJ470X	SMD	.063W	5%	47 Ω	
R8057	ERJ2GEJ470X	SMD	.063W	5%	47 Ω	
R8058	ERJ2GEJ470X	SMD	.063W	5%	47 Ω	
R8059	ERJ2GEJ470X	SMD	.063W	5%	47 Ω	
R8060	ERJ2GEJ470X	SMD	.063W	5%	47 Ω	
R8061	ERJ2GEJ470X	SMD	.063W	5%	47 Ω	
R8062	ERJ2GEJ470X	SMD	.063W	5%	47 Ω	
R8063	ERJ2GEJ470X	SMD	.063W	5%	47 Ω	
R8064	ERJ2GEJ470X	SMD	.063W	5%	47 Ω	
R8065	ERJ2GEJ470X	SMD	.063W	5%	47 Ω	
R8066	ERJ2GEJ470X	SMD	.063W	5%	47 Ω	
R8067	ERJ2GEJ470X	SMD	.063W	5%	47 Ω	
R8068	ERJ2GEJ470X	SMD	.063W	5%	47 Ω	
R8069	ERJ2GEJ470X	SMD	.063W	5%	47 Ω	
R8070	ERJ2GEJ470X	SMD	.063W	5%	47 Ω	
R8071	ERJ2GEJ470X	SMD	.063W	5%	47 Ω	
R8072	ERJ2GEJ470X	SMD	.063W	5%	47 Ω	
R8073	ERJ2GEJ470X	SMD	.063W	5%	47 Ω	
R8074	ERJ2GEJ221X	SMD	.063W	5%	220 Ω	
R8075	ERJ2GEJ470X	SMD	.063W	5%	47 Ω	
R8076	ERJ2GEJ470X	SMD	.063W	5%	47 Ω	
R8077	ERJ2GEJ470X	SMD	.063W	5%	47 Ω	
R8078	ERJ2GEJ470X	SMD	.063W	5%	47 Ω	
R8079	ERJ2GE0R00X	SMD	.063W	-	0 Ω	
R8080	ERJ2GE0R00X	SMD	.063W	-	0 Ω	
R8081	ERJ2GEJ103X	SMD	.063W	5%	10K Ω	
R8082	D1BA75R0A014	SMD	.063W	1%	75 Ω	
R8083	ERJ2GEJ301X	SMD	.063W	5%	300 Ω	
R8084	ERJ2GE0R00X	SMD	.063W	-	0 Ω	
R8086	ERJ2GEJ104X	SMD	.063W	5%	100K Ω	
R8087	ERJ2GEJ103X	SMD	.063W	5%	10K Ω	
R8090	ERJ2GEJ103X	SMD	.063W	5%	10K Ω	
R8091	ERJ2GEJ101X	SMD	.063W	5%	100 Ω	
R8093	ERJ2GEJ470X	SMD	.063W	5%	47 Ω	
R8095	ERJ2GEJ103X	SMD	.063W	5%	10K Ω	
R8097	ERJ2GEJ221X	SMD	.063W	5%	220 Ω	
R8098	ERJ2GEJ103X	SMD	.063W	5%	10K Ω	
R8099	ERJ2GEJ103X	SMD	.063W	5%	10K Ω	
R8100	ERJ2GEJ470X	SMD	.063W	5%	47 Ω	
R8101	ERJ2GEJ103X	SMD	.063W	5%	10K Ω	
R8106	ERJ2GEJ202X	SMD	.063W	5%	2K Ω	
R8107	ERJ2GEJ101X	SMD	.063W	5%	100 Ω	
R8108	ERJ2GEJ333X	SMD	.063W	5%	33K Ω	
R8301	EXB2HV680JV	SMD	.063W	5%	68 Ω	
R8305	ERJ2GEJ223X	SMD	.063W	5%	22K Ω	
R8306	ERJ2GEJ472X	SMD	.063W	5%	4K7 Ω	
R8307	ERJ2GEJ472X	SMD	.063W	5%	4K7 Ω	
R8308	ERJ2GEJ103X	SMD	.063W	5%	10K Ω	
R8310	ERJ2GE0R00X	SMD	.063W	-	0 Ω	
R8311	ERJ2GE0R00X	SMD	.063W	-	0 Ω	
R8314	ERJ2GE0R00X	SMD	.063W	-	0 Ω	
R8315	ERJ2GE0R00X	SMD	.063W	-	0 Ω	
R8318	ERJ2GEJ472X	SMD	.063W	5%	4K7 Ω	

Cct Ref	Parts Number	Description				
R8321	ERJ2GEJ103X	SMD	.063W	5%	10K Ω	
R8322	ERJ2GEJ102X	SMD	.063W	5%	1K Ω	
R8323	ERJ2GEJ473X	SMD	.063W	5%	47K Ω	
R8324	ERJ2GEJ473X	SMD	.063W	5%	47K Ω	
R8325	ERJ2GEJ560X	SMD	.063W	5%	56 Ω	
R8326	ERJ2GEJ680X	SMD	.063W	5%	68 Ω	
R8327	ERJ2GEJ680X	SMD	.063W	5%	68 Ω	
R8328	ERJ2GEJ103X	SMD	.063W	5%	10K Ω	
R8329	ERJ2GEJ473X	SMD	.063W	5%	47K Ω	
R8330	ERJ8GEY0R00	S.M.CARB	.125W	-	0 Ω	
R8332	EXB2HV101JV	SMD	.063W	5%	100 Ω	
R8333	EXB2HV101JV	SMD	.063W	5%	100 Ω	
R8335	EXB2HV680JV	SMD	.063W	5%	68 Ω	
R8336	EXB2HV680JV	SMD	.063W	5%	68 Ω	
R8337	EXB28V680JX	SMD	.031W	5%	68 Ω	
R8338	ERJ2GEJ680X	SMD	.063W	5%	68 Ω	
R8339	ERJ2GEJ680X	SMD	.063W	5%	68 Ω	
R8340	ERJ2GE0R00X	SMD	.063W	-	0 Ω	
R8345	ERJ2GEJ103X	SMD	.063W	5%	10K Ω	
R8347	ERJ2GE0R00X	SMD	.063W	-	0 Ω	
R8353	ERJ2GEJ101X	SMD	.063W	5%	100 Ω	
R8354	ERJ2GEJ101X	SMD	.063W	5%	100 Ω	
R8356	ERJ2GE0R00X	SMD	.063W	-	0 Ω	
R8359	ERJ2GE0R00X	SMD	.063W	-	0 Ω	
R8361	ERJ2GEJ330X	SMD	.063W	5%	33 Ω	
R8362	ERJ2GEJ330X	SMD	.063W	5%	33 Ω	
R8401	ERJ8GEY0R00	S.M.CARB	.125W	-	0 Ω	
R8402	D0GDR00Z0002	SMD	.125W	-	0 Ω	
R8403	ERJ2GE0R00X	SMD	.063W	-	0 Ω	
R8404	ERJ2GEJ103X	SMD	.063W	5%	10K Ω	
R8405	ERJ2GEJ103X	SMD	.063W	5%	10K Ω	
R8406	D0GFR10JA020	SMD	0.25W	5%	R1 Ω	
R8407	ERJ2GEJ473X	SMD	.063W	5%	47K Ω	
R8410	ERJ2GEJ223X	SMD	.063W	5%	22K Ω	
R8411	ERJ2GEJ223X	SMD	.063W	5%	22K Ω	
R8416	ERJ2GEJ223X	SMD	.063W	5%	22K Ω	
R8417	ERJ2GEJ104X	SMD	.063W	5%	100K Ω	
R8418	ERJ2GEJ681X	SMD	.063W	5%	680 Ω	
R8421	ERJ2GEJ680X	SMD	.063W	5%	68 Ω	
R8422	ERJ2GEJ680X	SMD	.063W	5%	68 Ω	
R8423	ERJ2GEJ680X	SMD	.063W	5%	68 Ω	
R8424	ERJ2GEJ680X	SMD	.063W	5%	68 Ω	
R8425	ERJ2GEJ680X	SMD	.063W	5%	68 Ω	
R8430	ERJ2GEJ101X	SMD	.063W	5%	100 Ω	
R8431	ERJ2GEJ151X	SMD	.063W	5%	150 Ω	
R8432	ERJ2GEJ151X	SMD	.063W	5%	150 Ω	
R8433	ERJ2GEJ223X	SMD	.063W	5%	22K Ω	
R8434	ERJ2GEJ473X	SMD	.063W	5%	47K Ω	
R8435	ERJ2GEJ103X	SMD	.063W	5%	10K Ω	
R8436	ERJ2GEJ103X	SMD	.063W	5%	10K Ω	
R8437	EXB2HV104JV	CHIP RES	.063W	5%	100K Ω	
R8438	ERJ2GEJ104X	SMD	.063W	5%	100K Ω	
R8439	ERJ2GEJ680X	SMD	.063W	5%	68 Ω	
R8440	ERJ2GEJ104X	SMD	.063W	5%	100K Ω	
R8441	EXB2HV680JV	SMD	.063W	5%	68 Ω	
R8442	ERJ2GEJ680X	SMD	.063W	5%	68 Ω	
R8443	EXB2HV680JV	SMD	.063W	5%	68 Ω	
R8445	ERJ2GEJ104X	SMD	.063W	5%	100K Ω	
R8446	ERJ2GEJ680X	SMD	.063W	5%	68 Ω	
R8449	ERJ2GEJ680X	SMD	.063W	5%	68 Ω	
R8450	ERJ2GEJ103X	SMD	.063W	5%	10K Ω	
R8454	EXB28V151JX	SMD	.031W	5%	150 Ω	
R8456	ERJ2GEJ680X	SMD	.063W	5%	68 Ω	
R8457	ERJ2GEJ680X	SMD	.063W	5%	68 Ω	
R8458	ERJ2GEJ680X	SMD	.063W	5%	68 Ω	
R8459	ERJ2GEJ680X	SMD	.063W	5%	68 Ω	
R8460	ERJ2GEJ680X	SMD	.063W	5%	68 Ω	
R8461	ERJ2GEJ680X	SMD	.063W	5%	68 Ω	

Cct Ref	Parts Number	Description			
R8463	EXB28V151JX	SMD	.031W	5%	150 Ω
R8465	ERJ2GEJ103X	SMD	.063W	5%	10K Ω
R8466	ERJ2GEJ103X	SMD	.063W	5%	10K Ω
R8468	ERJ2GE0R00X	SMD	.063W	-	0 Ω
R8471	ERJ2GEJ103X	SMD	.063W	5%	10K Ω
R8476	ERJ2GEJ103X	SMD	.063W	5%	10K Ω
R8477	ERJ2GEJ103X	SMD	.063W	5%	10K Ω
R8479	ERJ2GEJ103X	SMD	.063W	5%	10K Ω
R8501	ERJ2GEJ101X	SMD	.063W	5%	100 Ω
R8502	ERJ2GEJ331X	SMD	.063W	5%	330 Ω
R8503	ERJ2GEJ331X	SMD	.063W	5%	330 Ω
R8504	ERJ2GEJ331X	SMD	.063W	5%	330 Ω
R8506	ERJ2GEJ331X	SMD	.063W	5%	330 Ω
R8508	D1BB91R0A055	SMD	0.1W	1%	91 Ω
R8509	D1BB91R0A055	SMD	0.1W	1%	91 Ω
R8510	D1BB91R0A055	SMD	0.1W	1%	91 Ω
R8512	ERJ2GEJ103X	SMD	.063W	5%	10K Ω
R8556	ERJ2GEJ103X	SMD	.063W	5%	10K Ω
R8564	ERJ2GEJ103X	SMD	.063W	5%	10K Ω
R8566	ERJ2GE0R00X	SMD	.063W	-	0 Ω
R8567	ERJ2GEJ103X	SMD	.063W	5%	10K Ω
R8601	ERJ2GEJ220X	SMD	.063W	5%	22 Ω
R8602	ERJ2GEJ220X	SMD	.063W	5%	22 Ω
R8603	ERJ2GEJ473X	SMD	.063W	5%	47K Ω
R8604	D0GDR00Z0002	SMD	.125W	-	0 Ω
R8605	ERJ2GEJ680X	SMD	.063W	5%	68 Ω
R8657	ERJ2GEJ103X	SMD	.063W	5%	10K Ω
R8658	ERJ2GEJ220X	SMD	.063W	5%	22 Ω
R8710	ERJ2GEJ680X	SMD	.063W	5%	68 Ω
R8711	ERJ2GEJ103X	SMD	.063W	5%	10K Ω
R8712	ERJ2GEJ103X	SMD	.063W	5%	10K Ω
R8802	ERJ2GEJ103X	SMD	.063W	5%	10K Ω
R8803	ERJ2GEJ103X	SMD	.063W	5%	10K Ω
R8804	ERJ2GEJ103X	SMD	.063W	5%	10K Ω
R8805	ERJ2GEJ103X	SMD	.063W	5%	10K Ω
R8806	ERJ2GEJ103X	SMD	.063W	5%	10K Ω
R8807	ERJ2GEJ103X	SMD	.063W	5%	10K Ω
R8808	ERJ2GEJ103X	SMD	.063W	5%	10K Ω
R8809	ERJ2GEJ103X	SMD	.063W	5%	10K Ω
R8810	EXB28V330JX	SMD	.031W	5%	33 Ω
R8811	ERJ2GEJ330X	SMD	.063W	5%	33 Ω
R8812	ERJ2GE0R00X	SMD	.063W	-	0 Ω
R8813	EXB28V680JX	SMD	.031W	5%	68 Ω
R8814	ERJ2GEJ680X	SMD	.063W	5%	68 Ω
R8815	ERJ2GEJ680X	SMD	.063W	5%	68 Ω
R8816	ERJ2GEJ680X	SMD	.063W	5%	68 Ω
R8817	ERJ2GEJ680X	SMD	.063W	5%	68 Ω
R8833	D0GBR00Z0002	SMD	0.1W	-	0 Ω
R8851	ERJ2GE0R00X	SMD	.063W	-	0 Ω
R8852	ERJ2GE0R00X	SMD	.063W	-	0 Ω
R8853	ERJ2GE0R00X	SMD	.063W	-	0 Ω
R8855	ERJ2GEJ680X	SMD	.063W	5%	68 Ω
R8856	ERJ2GEJ680X	SMD	.063W	5%	68 Ω
R8857	ERJ2GEJ680X	SMD	.063W	5%	68 Ω
R8858	ERJ2GEJ680X	SMD	.063W	5%	68 Ω
R8859	ERJ2GEJ680X	SMD	.063W	5%	68 Ω
R8860	ERJ2GEJ680X	SMD	.063W	5%	68 Ω
R8861	ERJ2GEJ103X	SMD	.063W	5%	10K Ω
R8862	ERJ2GEJ680X	SMD	.063W	5%	68 Ω
R8863	ERJ2GEJ680X	SMD	.063W	5%	68 Ω
R8864	ERJ2GEJ680X	SMD	.063W	5%	68 Ω
R8865	EXB2HV680JV	SMD	.063W	5%	68 Ω
R8866	EXB2HV680JV	SMD	.063W	5%	68 Ω
R8867	EXB2HV680JV	SMD	.063W	5%	68 Ω
R8868	ERJ2GEJ680X	SMD	.063W	5%	68 Ω
R8871	ERJ2GEJ103X	SMD	.063W	5%	10K Ω
R8873	ERJ2GEJ103X	SMD	.063W	5%	10K Ω
R8875	ERJ2GEJ103X	SMD	.063W	5%	10K Ω

Cct Ref	Parts Number	Description			
R8876	ERJ2GEJ103X	SMD	.063W	5%	10K Ω
R8877	ERJ2GEJ680X	SMD	.063W	5%	68 Ω
R8878	ERJ2GEJ680X	SMD	.063W	5%	68 Ω
R8879	ERJ2GEJ680X	SMD	.063W	5%	68 Ω
R8880	ERJ2GEJ680X	SMD	.063W	5%	68 Ω
R8882	ERJ2GEJ680X	SMD	.063W	5%	68 Ω
R8883	ERJ2GEJ680X	SMD	.063W	5%	68 Ω
R8884	ERJ2GEJ680X	SMD	.063W	5%	68 Ω
R8885	ERJ2GEJ680X	SMD	.063W	5%	68 Ω
R8886	ERJ2GEJ680X	SMD	.063W	5%	68 Ω
R8887	ERJ2GEJ680X	SMD	.063W	5%	68 Ω
R8888	ERJ2GEJ680X	SMD	.063W	5%	68 Ω
R8889	ERJ2GEJ680X	SMD	.063W	5%	68 Ω
R8891	ERJ2GEJ680X	SMD	.063W	5%	68 Ω
R8892	ERJ2GEJ680X	SMD	.063W	5%	68 Ω
R8894	ERJ2GEJ680X	SMD	.063W	5%	68 Ω
R8896	ERJ2GE0R00X	SMD	.063W	-	0 Ω
R8897	ERJ2GE0R00X	SMD	.063W	-	0 Ω
R8898	ERJ2GEJ103X	SMD	.063W	5%	10K Ω
R8900	ERJ2GEJ680X	SMD	.063W	5%	68 Ω
R8901	ERJ2GEJ680X	SMD	.063W	5%	68 Ω
R8904	ERJ2GEJ103X	SMD	.063W	5%	10K Ω
R8905	ERJ2GEJ103X	SMD	.063W	5%	10K Ω
R8906	ERJ2GEJ103X	SMD	.063W	5%	10K Ω
R8907	ERJ2GEJ103X	SMD	.063W	5%	10K Ω
R8908	ERJ2GEJ103X	SMD	.063W	5%	10K Ω
R8909	ERJ2GEJ103X	SMD	.063W	5%	10K Ω
R8910	ERJ2GEJ103X	SMD	.063W	5%	10K Ω
R8911	ERJ2GEJ680X	SMD	.063W	5%	68 Ω
R8912	ERJ2GEJ680X	SMD	.063W	5%	68 Ω
R8913	ERJ2GEJ680X	SMD	.063W	5%	68 Ω
R8914	ERJ2GEJ680X	SMD	.063W	5%	68 Ω
R8915	ERJ2GEJ680X	SMD	.063W	5%	68 Ω
R8916	ERJ2GEJ680X	SMD	.063W	5%	68 Ω
R8917	ERJ2GEJ680X	SMD	.063W	5%	68 Ω
R8918	ERJ2GEJ680X	SMD	.063W	5%	68 Ω
R8919	ERJ2GEJ472X	SMD	.063W	5%	4K7 Ω
R8920	ERJ2GEJ472X	SMD	.063W	5%	4K7 Ω
R8921	ERJ2GEJ472X	SMD	.063W	5%	4K7 Ω
R8922	ERJ2GEJ472X	SMD	.063W	5%	4K7 Ω
R8923	ERJ2GEJ472X	SMD	.063W	5%	4K7 Ω
R8924	ERJ2GEJ472X	SMD	.063W	5%	4K7 Ω
R8925	ERJ2GEJ472X	SMD	.063W	5%	4K7 Ω
R8926	ERJ2GEJ472X	SMD	.063W	5%	4K7 Ω
R8927	ERJ2GE0R00X	SMD	.063W	-	0 Ω
R8929	EXB2HVR000V	SMD	0W	-	0 Ω
R8935	ERJ2GEJ103X	SMD	.063W	5%	10K Ω
R8936	ERJ2GEJ103X	SMD	.063W	5%	10K Ω
R8937	ERJ2GEJ473X	SMD	.063W	5%	47K Ω
R8938	ERJ2GEJ103X	SMD	.063W	5%	10K Ω
R8942	ERJ2GEJ473X	SMD	.063W	5%	47K Ω
R8943	ERJ2GEJ473X	SMD	.063W	5%	47K Ω
R8944	ERJ2GEJ223X	SMD	.063W	5%	22K Ω
R8945	ERJ2GEJ103X	SMD	.063W	5%	10K Ω
R8946	ERJ2GE0R00X	SMD	.063W	-	0 Ω
R8947	ERJ2GEJ680X	SMD	.063W	5%	68 Ω
R8950	ERJ2GE0R00X	SMD	.063W	-	0 Ω
R8952	EXB2HV680JV	SMD	.063W	5%	68 Ω
R8953	EXB2HV680JV	SMD	.063W	5%	68 Ω
R8954	ERJ2GEJ680X	SMD	.063W	5%	68 Ω
R8959	ERJ2GEJ680X	SMD	.063W	5%	68 Ω
R8960	ERJ2GEJ680X	SMD	.063W	5%	68 Ω
R8963	ERJ2GEJ103X	SMD	.063W	5%	10K Ω
CAPACITORS					
C1001	F1G1C104A116	S.M.CAP	16V		100nF
C1002	ECJ1VB1H104	S.M.CAP	50V		100nF
C1003	F1G1C104A116	S.M.CAP	16V		100nF

Cct Ref	Parts Number	Description		
C1004	F1G1C104A116	S.M.CAP	16V	100nF
C1005	ECJ1VB1H104	S.M.CAP	50V	100nF
C1006	F1G1C104A116	S.M.CAP	16V	100nF
C1007	F1G1C104A116	S.M.CAP	16V	100nF
C1008	F1G1C104A116	S.M.CAP	16V	100nF
C1009	F1G1C104A116	S.M.CAP	16V	100nF
C1010	F1G1C104A116	S.M.CAP	16V	100nF
C1012	F1G1C104A116	S.M.CAP	16V	100nF
C1013	F1G1C104A116	S.M.CAP	16V	100nF
C1016	F1G1C104A116	S.M.CAP	16V	100nF
C1017	F1G1C104A116	S.M.CAP	16V	100nF
C1033	F1G1C104A116	S.M.CAP	16V	100nF
C1034	F1G1C104A116	S.M.CAP	16V	100nF
C1035	F1G1C104A116	S.M.CAP	16V	100nF
C1102	F1J0J106A021	S.M.CAP	6.3V	10µF
C1103	F1G1C104A116	S.M.CAP	16V	100nF
C1104	F1G1C104A116	S.M.CAP	16V	100nF
C1106	F1G1H270A731	S.M.CAP	50V	27pF
C1107	F1G1H220A731	S.M.CAP	50V	22pF
C1108	F1G1C104A116	S.M.CAP	16V	100nF
C1109	F1H1A1050032	S.M.CAP	10V	1000nF
C1111	F1H1A1050032	S.M.CAP	10V	1000nF
C1112	F1G1C104A116	S.M.CAP	16V	100nF
C1114	F1G1C104A116	S.M.CAP	16V	100nF
C1117	F1G1C104A116	S.M.CAP	16V	100nF
C1122	F1G1E103A123	S.M.CAP	25V	10nF
C1123	F1H1A1050032	S.M.CAP	10V	1000nF
C1135	F1J1C1050030	S.M.CAP	16V	1000nF
C2023	ECJ1VB1H104	S.M.CAP	50V	100nF
C2027	F1G1H102A730	S.M.CAP	50V	1nF
C2048	ECJ1VB1H104	S.M.CAP	50V	100nF
C2049	ECJ1VB1H104	S.M.CAP	50V	100nF
C2050	ECJ1VB1H104	S.M.CAP	50V	100nF
C2052	ECJ1VB1H104	S.M.CAP	50V	100nF
C2053	ECJ1VB1H104	S.M.CAP	50V	100nF
C2054	F1J1A106A043	S.M.CAP	10V	10µF
C2055	F1G1H120A731	S.M.CAP	50V	12pF
C2056	F1G1H180A731	S.M.CAP	50V	18pF
C2057	ECJ1VB1H104	S.M.CAP	50V	100nF
C2058	ECJ1VB1H104	S.M.CAP	50V	100nF
C2059	F1J1A106A043	S.M.CAP	10V	10µF
C2091	ECJ1VC1H330J	S.M.CAP	50V	33pF
C2092	F1H1H220A971	S.M.CAP	50V	22pF
C2096	F1H1C104A143	S.M.CAP	16V	100nF
C2098	F2G0J2210013	ELECT	6.3V	220µF
C2099	F2G0J2210013	ELECT	6.3V	220µF
C2100	ECJ1VB1H104	S.M.CAP	50V	100nF
C2101	F1J1A106A043	S.M.CAP	10V	10µF
C2102	ECJ1VB1H104	S.M.CAP	50V	100nF
C2103	F2G1C1010034	ELECT	16V	100µF
C2105	ECJ1VB1H104	S.M.CAP	50V	100nF
C2106	ECJ1VB1H104	S.M.CAP	50V	100nF
C2107	F2G0J470A019	ELECT	6.3V	47µF
C2108	F2G0J470A019	ELECT	6.3V	47µF
C2109	ECJ1VB1H104	S.M.CAP	50V	100nF
C2110	ECJ1VB1H104	S.M.CAP	50V	100nF
C2111	F1H0J2250008	CERAMIC	6.3V	2200nF
C2112	F1J1A106A043	S.M.CAP	10V	10µF
C2113	F1J1A106A043	S.M.CAP	10V	10µF
C2114	ECJ1VB1H104	S.M.CAP	50V	100nF
C2115	ECJ1VB1H104	S.M.CAP	50V	100nF
C2116	F1H1H471A971	S.M.CAP	50V	470pF
C2117	ECJ1VB1H104	S.M.CAP	50V	100nF
C2118	F1H1A1050032	S.M.CAP	10V	1000nF
C2120	F1H1H560A971	S.M.CAP	50V	56pF
C2121	F1H1H560A971	S.M.CAP	50V	56pF
C2122	F1G1E103A123	S.M.CAP	25V	10nF
C2123	F1G1E103A123	S.M.CAP	25V	10nF

Cct Ref	Parts Number	Description		
C2124	ECJ1VB1H104	S.M.CAP	50V	100nF
C2125	F1G1E103A123	S.M.CAP	25V	10nF
C2126	F1J1A106A043	S.M.CAP	10V	10µF
C2127	F1G1E103A123	S.M.CAP	25V	10nF
C2128	F1G1E103A123	S.M.CAP	25V	10nF
C2129	F1G1E103A123	S.M.CAP	25V	10nF
C2131	ECJ1VB1H104	S.M.CAP	50V	100nF
C2135	F1G1E103A123	S.M.CAP	25V	10nF
C2136	F1G1E103A123	S.M.CAP	25V	10nF
C2137	F1J1A106A043	S.M.CAP	10V	10µF
C2138	ECJ1VB1H104	S.M.CAP	50V	100nF
C2151	F1J1A106A043	S.M.CAP	10V	10µF
C2174	F1H1A1050032	S.M.CAP	10V	1000nF
C2175	F2G1C470A022	ELECT	16V	47µF
C2176	F1H1H103A970	S.M.CAP	50V	10nF
C2179	F2G1C470A022	ELECT	16V	47µF
C2180	F1H1A1050032	S.M.CAP	10V	1000nF
C2183	F1J1A106A043	S.M.CAP	10V	10µF
C2184	F1H1H102A219	CERAMIC	50V	1nF
C2185	F1J1A106A043	S.M.CAP	10V	10µF
C2186	ECJ1VB1H104	S.M.CAP	50V	100nF
C2187	F1H0J2250008	CERAMIC	6.3V	2200nF
C2188	F1H1H471A971	S.M.CAP	50V	470pF
C2189	F1H1A1050032	S.M.CAP	10V	1000nF
C2190	F1J1A106A043	S.M.CAP	10V	10µF
C2191	F1J1A106A043	S.M.CAP	10V	10µF
C2192	F2G0J470A019	ELECT	6.3V	47µF
C2195	F1H1H102A219	CERAMIC	50V	1nF
C2197	F1H1E333A129	S.M.CAP	25V	33nF
C2198	F1H1E333A129	S.M.CAP	25V	33nF
C2202	F1H0J2250008	CERAMIC	6.3V	2200nF
C2203	F1H1A1050032	S.M.CAP	10V	1000nF
C2204	ECJ1VB1C105K	SMD	16V	1000nF
C2213	F1H1H102A219	CERAMIC	50V	1nF
C2216	ECJ1VB1H104	S.M.CAP	50V	100nF
C2244	ECJ1VB1H104	S.M.CAP	50V	100nF
C2245	F1H1H102A219	CERAMIC	50V	1nF
C2246	F1J1A106A043	S.M.CAP	10V	10µF
C2251	F1J1A106A043	S.M.CAP	10V	10µF
C2261	F1J1A106A043	S.M.CAP	10V	10µF
C2262	F1J1A106A043	S.M.CAP	10V	10µF
C2263	F1J1A106A043	S.M.CAP	10V	10µF
C2264	F1J1A106A043	S.M.CAP	10V	10µF
C2270	F1H1H471A971	S.M.CAP	50V	470pF
C2271	F1H1H471A971	S.M.CAP	50V	470pF
C2282	F1G1A473A053	S.M.CAP	10V	47nF
C2301	F1G1C104A116	S.M.CAP	16V	100nF
C2302	F1G1C104A116	S.M.CAP	16V	100nF
C2303	F1J1E105A171	S.M.CAP	25V	1µF
C2305	F1J1E105A171	S.M.CAP	25V	1µF
C2307	F1J1E105A171	S.M.CAP	25V	1µF
C2309	F1J1E105A171	S.M.CAP	25V	1µF
C2310	F1H1H102A219	CERAMIC	50V	1nF
C2311	F1H1H102A219	CERAMIC	50V	1nF
C2313	F1H1A1050032	S.M.CAP	10V	1000nF
C2317	ECJ1VB1H104	S.M.CAP	50V	100nF
C2319	ECJ1VB1H104	S.M.CAP	50V	100nF
C2321	ECJ1VB1H104	S.M.CAP	50V	100nF
C2323	ECJ1VB1H104	S.M.CAP	50V	100nF
C2333	F1J1E3340003	S.M.CAP	25V	330nF
C2335	F1J1E3340003	S.M.CAP	25V	330nF
C2337	F1H1H223A970	S.M.CAP	50V	22nF
C2339	F1H1H223A970	S.M.CAP	50V	22nF
C2341	F1J1E3340003	S.M.CAP	25V	330nF
C2343	F1J1E3340003	S.M.CAP	25V	330nF
C2345	F1H1H223A970	S.M.CAP	50V	22nF
C2347	F1H1H223A970	S.M.CAP	50V	22nF
C2353	ECJ1VB1H104	S.M.CAP	50V	100nF

Cct Ref	Parts Number	Description		
C2359	ECJ1VB1H104	S.M.CAP	50V	100nF
C2361	F2G1E4710007	ELECT	25V	470µF
C2375	F1H1H223A970	S.M.CAP	50V	22nF
C2377	F1H1H223A970	S.M.CAP	50V	22nF
C2379	F1H1H223A970	S.M.CAP	50V	22nF
C2381	F1H1H223A970	S.M.CAP	50V	22nF
C2383	F1G1H102A730	S.M.CAP	50V	1nF
C2385	F1G1H102A730	S.M.CAP	50V	1nF
C2387	F1G1H102A730	S.M.CAP	50V	1nF
C2389	F1G1H102A730	S.M.CAP	50V	1nF
C2393	F1L1E4750004	S.M.CAP	25V	4700nF
C2406	EEEHB1E470P	ELECT	25V	47µF
C2504	F1H1H102A219	CERAMIC	50V	1nF
C2511	ECJ1VB1H104	S.M.CAP	50V	100nF
C2514	F2G0J470A019	ELECT	6.3V	47µF
C2515	F1H1H103A970	S.M.CAP	50V	10nF
C2551	F1K1C105A023	S.M.CAP	16V	1000nF
C2553	F2G0J220A019	ELECT	6.3V	22µF
C2902	F1H1H222A970	S.M.CAP	50V	2.2nF
C2906	F1H1C104A143	S.M.CAP	16V	100nF
C2907	F1H1C104A143	S.M.CAP	16V	100nF
C2908	F1G1C104A116	S.M.CAP	16V	100nF
C2909	F1H1A1050032	S.M.CAP	10V	1000nF
C2912	F2G0J101A019	ELECT	6.3V	100µF
C2914	ECJ1VB1H104	S.M.CAP	50V	100nF
C2915	F2G1H100A031	ELEC	50V	10µF
C2916	F1H1C104A143	S.M.CAP	16V	100nF
C2918	F1G1H100A565	S.M.CAP	50V	10pF
C2919	F1G1H100A565	S.M.CAP	50V	10pF
C2920	F1H1H103A970	S.M.CAP	50V	10nF
C2922	F1H1C104A143	S.M.CAP	16V	100nF
C2923	ECJ1VB1H104	S.M.CAP	50V	100nF
C2929	F1G1H102A730	S.M.CAP	50V	1nF
C2933	F1G1H101A731	S.M.CAP	50V	100pF
C3002	F1H1H561A971	S.M.CAP	50V	560pF
C3003	F1H1H561A971	S.M.CAP	50V	560pF
C3004	F1H1H561A971	S.M.CAP	50V	560pF
C3005	F1H1H561A971	S.M.CAP	50V	560pF
C3007	F1H1H561A971	S.M.CAP	50V	560pF
C3008	F1H1H561A971	S.M.CAP	50V	560pF
C3009	F1H1H561A971	S.M.CAP	50V	560pF
C3010	F1H1H561A971	S.M.CAP	50V	560pF
C3011	F1H1H561A971	S.M.CAP	50V	560pF
C3012	F1H1H561A971	S.M.CAP	50V	560pF
C3013	F1H1H561A971	S.M.CAP	50V	560pF
C3014	F1H1H561A971	S.M.CAP	50V	560pF
C3018	F1J1A106A043	S.M.CAP	10V	10µF
C3019	F1J1A106A043	S.M.CAP	10V	10µF
C3020	F1J1A106A043	S.M.CAP	10V	10µF
C3021	F1J1A106A043	S.M.CAP	10V	10µF
C3022	F1H1A1050032	S.M.CAP	10V	1000nF
C3023	ECJ1VB1H104	S.M.CAP	50V	100nF
C3024	F1H1A1050032	S.M.CAP	10V	1000nF
C3025	F1H1A1050032	S.M.CAP	10V	1000nF
C3026	F1H1A1050032	S.M.CAP	10V	1000nF
C3027	F1J1A106A043	S.M.CAP	10V	10µF
C3028	F1J1A106A043	S.M.CAP	10V	10µF
C3029	F1J1A106A043	S.M.CAP	10V	10µF
C3030	F1J1A106A043	S.M.CAP	10V	10µF
C3039	F1H1A1050032	S.M.CAP	10V	1000nF
C3041	F1H1A1050032	S.M.CAP	10V	1000nF
C3043	F1H1A1050032	S.M.CAP	10V	1000nF
C3044	F1H1A1050032	S.M.CAP	10V	1000nF
C3046	F1H1A1050032	S.M.CAP	10V	1000nF
C3047	F1H1A1050032	S.M.CAP	10V	1000nF
C3048	F1H1A1050032	S.M.CAP	10V	1000nF
C3049	F1H1A1050032	S.M.CAP	10V	1000nF
C3064	F1H1H102A219	CERAMIC	50V	1nF

Cct Ref	Parts Number	Description		
C3065	F1H1H102A219	CERAMIC	50V	1nF
C3070	F1H1A1050032	S.M.CAP	10V	1000nF
C3071	F1H1A1050032	S.M.CAP	10V	1000nF
C3072	ECJ1VB1H104	S.M.CAP	50V	100nF
C3073	F1H1A1050032	S.M.CAP	10V	1000nF
C3074	F1H1A1050032	S.M.CAP	10V	1000nF
C3075	F1H1A1050032	S.M.CAP	10V	1000nF
C3077	ECJ1VB1H104	S.M.CAP	50V	100nF
C3078	F1H1A1050032	S.M.CAP	10V	1000nF
C3083	F1H1A1050032	S.M.CAP	10V	1000nF
C3084	F1H1A1050032	S.M.CAP	10V	1000nF
C3085	F1H1A1050032	S.M.CAP	10V	1000nF
C3086	F1H1A1050032	S.M.CAP	10V	1000nF
C3087	F1H1A1050032	S.M.CAP	10V	1000nF
C3088	F1H1A1050032	S.M.CAP	10V	1000nF
C3089	F1H1A1050032	S.M.CAP	10V	1000nF
C3090	F1H1A1050032	S.M.CAP	10V	1000nF
C3091	F1H1A1050032	S.M.CAP	10V	1000nF
C3092	F1H1A1050032	S.M.CAP	10V	1000nF
C3095	F2G1C1010034	ELECT	16V	100µF
C3097	F2G1C1010034	ELECT	16V	100µF
C3101	ECJ1VB1H104	S.M.CAP	50V	100nF
C3102	F1K0J226A008	S.M.CAP	6.3V	22µF
C3103	F1K0J226A008	S.M.CAP	6.3V	22µF
C3107	F1H1A1050032	S.M.CAP	10V	1000nF
C3108	F1H1A1050032	S.M.CAP	10V	1000nF
C3109	F1H1A1050032	S.M.CAP	10V	1000nF
C3114	F1J1A106A043	S.M.CAP	10V	10µF
C3115	F1J1A106A043	S.M.CAP	10V	10µF
C3116	F1J1A106A043	S.M.CAP	10V	10µF
C3117	F1J1A106A043	S.M.CAP	10V	10µF
C3123	F2G1C100A022	ELECT	16V	100µF
C3124	ECJ1VB1H104	S.M.CAP	50V	100nF
C3139	F1G1C104A116	S.M.CAP	16V	100nF
C3140	F1G1C104A116	S.M.CAP	16V	100nF
C3141	F1G1C104A116	S.M.CAP	16V	100nF
C3143	F1G1C104A116	S.M.CAP	16V	100nF
C3144	F1H1A1050032	S.M.CAP	10V	1000nF
C3145	F1G1C104A116	S.M.CAP	16V	100nF
C3146	F1J1A106A043	S.M.CAP	10V	10µF
C3147	F1J1A106A043	S.M.CAP	10V	10µF
C3700	F1J1H561A836	S.M.CAP	50V	560pF
C3702	F1J1H561A836	S.M.CAP	50V	560pF
C3705	ECJ1VF1H104Z	S.M.CAP	50V	100nF
C3707	ECJ1VF1H104Z	S.M.CAP	50V	100nF
C4239	F1J1A106A043	S.M.CAP	10V	10µF
C4240	F1J1A106A043	S.M.CAP	10V	10µF
C4241	F2G0J220A019	ELECT	6.3V	22µF
C4243	F1G1C104A116	S.M.CAP	16V	100nF
C4244	F1G1C104A116	S.M.CAP	16V	100nF
C4245	F1J1A106A043	S.M.CAP	10V	10µF
C4246	F1J1A106A043	S.M.CAP	10V	10µF
C4247	F1G1C104A116	S.M.CAP	16V	100nF
C4248	F1J1A106A043	S.M.CAP	10V	10µF
C4249	F2G0G101A007	ELECT	4V	100µF
C4250	F1H1H103A970	S.M.CAP	50V	10nF
C4251	F1H1H103A970	S.M.CAP	50V	10nF
C4252	F2G1C470A022	ELECT	16V	47µF
C4255	F1G1C104A116	S.M.CAP	16V	100nF
C4256	F1G1C104A116	S.M.CAP	16V	100nF
C4257	F1G1C104A116	S.M.CAP	16V	100nF
C4258	F1G1C104A116	S.M.CAP	16V	100nF
C4259	F1G1C104A116	S.M.CAP	16V	100nF
C4260	F1G1C104A116	S.M.CAP	16V	100nF
C4261	F1G1C104A116	S.M.CAP	16V	100nF
C4262	F1G1C104A116	S.M.CAP	16V	100nF
C4263	F1G1C104A116	S.M.CAP	16V	100nF
C4264	F1G1C104A116	S.M.CAP	16V	100nF

Cct Ref	Parts Number	Description		
C4265	F1G1C104A116	S.M.CAP	16V	100nF
C4266	F1G1H102A459	S.M.CAP	50V	1nF
C4267	F1G1H102A459	S.M.CAP	50V	1nF
C4268	F1G1H102A459	S.M.CAP	50V	1nF
C4270	F1G1C104A116	S.M.CAP	16V	100nF
C4271	F1G1C104A116	S.M.CAP	16V	100nF
C4272	F1G1C104A116	S.M.CAP	16V	100nF
C4273	F1G1C104A116	S.M.CAP	16V	100nF
C4274	F1G1C104A116	S.M.CAP	16V	100nF
C4275	F1G1C104A116	S.M.CAP	16V	100nF
C4276	F1G1C104A116	S.M.CAP	16V	100nF
C4277	F1G1C104A116	S.M.CAP	16V	100nF
C4278	F1G1C104A116	S.M.CAP	16V	100nF
C4279	F1G1C104A116	S.M.CAP	16V	100nF
C4280	F1G1C104A116	S.M.CAP	16V	100nF
C4281	F1G1C104A116	S.M.CAP	16V	100nF
C4282	F1G1C104A116	S.M.CAP	16V	100nF
C4283	F1G1C104A116	S.M.CAP	16V	100nF
C4284	F1G1C104A116	S.M.CAP	16V	100nF
C4285	F1G1C104A116	S.M.CAP	16V	100nF
C4286	F1G1C104A116	S.M.CAP	16V	100nF
C4287	F1G1C104A116	S.M.CAP	16V	100nF
C4288	F1G1C104A116	S.M.CAP	16V	100nF
C4289	F1G1C104A116	S.M.CAP	16V	100nF
C4290	F1G1H102A459	S.M.CAP	50V	1nF
C4291	F1G1C104A116	S.M.CAP	16V	100nF
C4292	F1G1H102A459	S.M.CAP	50V	1nF
C4293	F1G1C104A116	S.M.CAP	16V	100nF
C4294	F1G1H102A459	S.M.CAP	50V	1nF
C4295	F1G1C104A116	S.M.CAP	16V	100nF
C4296	F1G1H102A459	S.M.CAP	50V	1nF
C4297	F1G1C104A116	S.M.CAP	16V	100nF
C4298	F1G1H102A459	S.M.CAP	50V	1nF
C4299	F1G1C104A116	S.M.CAP	16V	100nF
C4300	F2G0J470A019	ELECT	6.3V	47µF
C4301	F1G1C104A116	S.M.CAP	16V	100nF
C4302	F1J0J106A020	S.M.CAP	6.3V	10µF
C4303	F1J0J106A020	S.M.CAP	6.3V	10µF
C4304	F2G0G101A007	ELECT	4V	100µF
C4305	F1G1H100A565	S.M.CAP	50V	10pF
C4307	F1G1H150A731	S.M.CAP	50V	15pF
C4308	F1J0J106A020	S.M.CAP	6.3V	10µF
C4309	F1G1C104A116	S.M.CAP	16V	100nF
C4313	F1J0J106A020	S.M.CAP	6.3V	10µF
C4314	F1G1C104A116	S.M.CAP	16V	100nF
C4315	F1G1C104A116	S.M.CAP	16V	100nF
C4316	F1G1C104A116	S.M.CAP	16V	100nF
C4317	F1J0J106A020	S.M.CAP	6.3V	10µF
C4318	F1G1C104A116	S.M.CAP	16V	100nF
C4319	F1G1C104A116	S.M.CAP	16V	100nF
C4320	F1G1C104A116	S.M.CAP	16V	100nF
C4321	F1G1C104A116	S.M.CAP	16V	100nF
C4322	F1G1H100A565	S.M.CAP	50V	10pF
C4323	F1G1C104A116	S.M.CAP	16V	100nF
C4324	F1G1C104A116	S.M.CAP	16V	100nF
C4325	F1J0J106A020	S.M.CAP	6.3V	10µF
C4326	F1J0J106A020	S.M.CAP	6.3V	10µF
C4328	F1G1C104A116	S.M.CAP	16V	100nF
C4329	F1G1C104A116	S.M.CAP	16V	100nF
C4500	F1G1C104A116	S.M.CAP	16V	100nF
C4501	F1G1C104A116	S.M.CAP	16V	100nF
C4502	F1G1C104A116	S.M.CAP	16V	100nF
C4503	F1G1C104A116	S.M.CAP	16V	100nF
C4533	F1G1H680A731	S.M.CAP	50V	68pF
C4534	F1H1C104A143	S.M.CAP	16V	100nF
C4535	F1H1C104A143	S.M.CAP	16V	100nF
C4537	F1H1C104A143	S.M.CAP	16V	100nF
C4547	F1G1C104A116	S.M.CAP	16V	100nF

Cct Ref	Parts Number	Description		
C4548	F1H1C104A143	S.M.CAP	16V	100nF
C4549	F1H1C104A143	S.M.CAP	16V	100nF
C4550	F1G1C104A116	S.M.CAP	16V	100nF
C4551	F1H1C104A143	S.M.CAP	16V	100nF
C4552	F1H1C104A143	S.M.CAP	16V	100nF
C4553	F1G1H102A730	S.M.CAP	50V	1nF
C4554	F2G1C470A022	ELECT	16V	47µF
C4555	F1J1A106A043	S.M.CAP	10V	10µF
C4567	F1H1C104A143	S.M.CAP	16V	100nF
C4574	F1G1E103A123	S.M.CAP	25V	10nF
C4575	F1H1A1050032	S.M.CAP	10V	1000nF
C4580	F1G1E103A123	S.M.CAP	25V	10nF
C4585	F1H1A1050032	S.M.CAP	10V	1000nF
C4595	F1G1E103A123	S.M.CAP	25V	10nF
C4596	F1G1C104A116	S.M.CAP	16V	100nF
C4598	F1H1A1050032	S.M.CAP	10V	1000nF
C4599	F2G0J470A019	ELECT	6.3V	47µF
C4600	F1G1C104A116	S.M.CAP	16V	100nF
C4601	F2G0J470A019	ELECT	6.3V	47µF
C4602	F1G1C104A116	S.M.CAP	16V	100nF
C4603	F1H0J2250008	CERAMIC	6.3V	2200nF
C4604	F1G1H471A459	S.M.CAP	50V	470pF
C4605	F1H1A1050032	S.M.CAP	10V	1000nF
C4606	F1J1A475A039	S.M.CAP	10V	4.7µF
C4607	F1J1A475A039	S.M.CAP	10V	4.7µF
C4608	F1G1C104A116	S.M.CAP	16V	100nF
C4612	F1G1E103A123	S.M.CAP	25V	10nF
C4613	F1H1A1050032	S.M.CAP	10V	1000nF
C4614	F1G1C104A116	S.M.CAP	16V	100nF
C4616	F1J1A475A039	S.M.CAP	10V	4.7µF
C4617	F1J0G2260001	S.M.CAP	4V	22µF
C4619	F1G1C104A116	S.M.CAP	16V	100nF
C4624	F1H1C104A143	S.M.CAP	16V	100nF
C4625	F1H1C104A143	S.M.CAP	16V	100nF
C4626	F1G1C104A116	S.M.CAP	16V	100nF
C4627	F1G1C104A116	S.M.CAP	16V	100nF
C4628	F1G1C104A116	S.M.CAP	16V	100nF
C4630	F1G1C104A116	S.M.CAP	16V	100nF
C4632	F1H1A1050032	S.M.CAP	10V	1000nF
C4634	F1H1A1050032	S.M.CAP	10V	1000nF
C4636	F1H1A1050032	S.M.CAP	10V	1000nF
C4638	F1H1A1050032	S.M.CAP	10V	1000nF
C4640	F1H1A1050032	S.M.CAP	10V	1000nF
C4642	F1H1A1050032	S.M.CAP	10V	1000nF
C4643	F1G1C104A116	S.M.CAP	16V	100nF
C4644	F1G1C104A116	S.M.CAP	16V	100nF
C4645	F1G1C104A116	S.M.CAP	16V	100nF
C4646	F1G1C104A116	S.M.CAP	16V	100nF
C4700	F1G1A104A012	SMD	10V	100nF
C4701	F1G1A104A012	SMD	10V	100nF
C4703	F1G1A104A012	SMD	10V	100nF
C4704	F2G0J330A019	ELECT	6.3V	33µF
C4705	F1G1A104A012	SMD	10V	100nF
C4738	F1G1H150A731	S.M.CAP	50V	15pF
C4739	F1G1H100A565	S.M.CAP	50V	10pF
C5600	F1H1A1050032	S.M.CAP	10V	1000nF
C5601	F1G1C104A116	S.M.CAP	16V	100nF
C5602	ECGRL0G680ER	ELECT	4V	68µF
C5603	F1G1E103A123	S.M.CAP	25V	10nF
C5604	F1G1E103A123	S.M.CAP	25V	10nF
C5605	F1J1A475A039	S.M.CAP	10V	4.7µF
C5606	F1G1H471A459	S.M.CAP	50V	470pF
C5607	F1G1H221A459	S.M.CAP	50V	220pF
C5608	F1G1C104A116	S.M.CAP	16V	100nF
C5611	F1K1C1060004	S.M.CAP	16V	10µF
C5612	F1K1C1060004	S.M.CAP	16V	10µF
C5615	F1K1C1060004	S.M.CAP	16V	10µF
C5616	F1G1A473A053	S.M.CAP	10V	47nF

Cct Ref	Parts Number	Description			
C5617	F1H1A1050032	S.M.CAP	10V	1000nF	
C5618	F1K1C1060004	S.M.CAP	16V	10µF	
C5619	F1K1C1060004	S.M.CAP	16V	10µF	
C5620	F1H1C104A143	S.M.CAP	16V	100nF	
C5621	F1G1E103A123	S.M.CAP	25V	10nF	
C5622	F1J1A475A039	S.M.CAP	10V	4.7µF	
C5623	F1G1H471A459	S.M.CAP	50V	470pF	
C5624	F1G1H221A459	S.M.CAP	50V	220pF	
C5625	F1G1E103A123	S.M.CAP	25V	10nF	
C5626	F1G1C104A116	S.M.CAP	16V	100nF	
C5627	F1G1C104A116	S.M.CAP	16V	100nF	
C5628	ECGRLOG680ER	ELECT	4V	68µF	
C5629	ECGRLOG680ER	ELECT	4V	68µF	
C5631	F2G1C470A022	ELECT	16V	47µF	
C5632	ECJ1VB1C105K	SMD	16V	1000nF	
C5636	F1G1C104A116	S.M.CAP	16V	100nF	
C5637	F1G1C104A116	S.M.CAP	16V	100nF	
C5638	F1G1C104A116	S.M.CAP	16V	100nF	
C5639	F1G1C104A116	S.M.CAP	16V	100nF	
C5640	F1G1C104A116	S.M.CAP	16V	100nF	
C5641	F1G1C104A116	S.M.CAP	16V	100nF	
C5642	F1K1C1060004	S.M.CAP	16V	10µF	
C5643	F1H1C104A143	S.M.CAP	16V	100nF	
C5644	F1G1E103A123	S.M.CAP	25V	10nF	
C5660	F1G1C1030008	S.M.CAP	16V	10nF	
C5661	F1G1C1030008	S.M.CAP	16V	10nF	
C5663	F1G1A473A053	S.M.CAP	10V	47nF	
C5688	F1H1A225A051	S.M.CAP	10V	2200nF	
C7000	ECKCNA101MB7	CERAMIC	250V	100pF	△
C7001	ECKCNA221MB7	CERAMIC	250	220pF	△
C7002	ECQU2A334BN9	FILM	275V	330nF	△
C7003	ECQU2A334BN9	FILM	275V	330nF	△
C7004	ECQU2A334BN9	FILM	275V	330nF	△
C7006	F2A2W2R2A002	ELECT	450V	2.2µF	
C7007	ECKCNA222ME7	CERAMIC	250V	2.2nF	△
C7008	ECCN3D220KGE	CERAMIC	2KV	22pF	
C7009	F1J1H104A835	S.M.CAP	50V	100nF	
C7010	F1J1H474A757	S.M.CAP	50V	470nF	
C7011	F2A1H1010047	ELECT	50V	100µF	
C7012	F1J1H104A835	S.M.CAP	50V	100nF	
C7013	F1J1H473A835	S.M.CAP	50V	47nF	
C7014	ECKC3A102J	CERAMIC	1KV	1nF	
C7015	F2A1A102A214	ELECT	10V	1000µF	
C7016	F1J1H103A834	S.M.CAP	50V	10nF	
C7017	F0CZZ105A121	FILM	450V	1000nF	
C7018	F1J1H474A757	S.M.CAP	50V	470nF	
C7019	ECJ2VB1H182K	S.M.CAP	50V	1.8nF	
C7020	F1J1H473A835	S.M.CAP	50V	47nF	
C7021	F1J1H682A834	S.M.CAP	50V	6.8nF	
C7022	F1J1H104A835	S.M.CAP	50V	100nF	
C7023	F2A1H1R0A165	ELECT	50V	1µF	
C7024	F2A1H1010047	ELECT	50V	100µF	
C7025	ECKW3D331KBP	CERAMIC	2KV	330pF	
C7026	ECKW3D151KBP	SMD	2KV	150pF	
C7027	ECKCNA472ME7	CERAMIC	250V	4.7nF	△
C7028	F2A2W2210001	ELECT	450V	220µF	
C7029	F1J1H470A836	S.M.CAP	50V	47pF	
C7030	F1J1H471A836	S.M.CAP	50V	470pF	
C7031	F2A1H330A122	ELECT	50V	33µF	
C7032	ECQE6103KFW	FILM	630V	10nF	
C7033	ECKW3D221KBP	CERAMIC	2KV	220pF	
C7034	F1J1H102A836	S.M.CAP	50V	1nF	
C7035	F1J1H332A834	S.M.CAP	50V	3.3nF	
C7036	F1J1H104A835	S.M.CAP	50V	100nF	
C7037	F1J1H474A757	S.M.CAP	50V	470nF	
C7038	ECKC3A102J	CERAMIC	1KV	1nF	
C7039	F1J1H104A835	S.M.CAP	50V	100nF	
C7043	ECKW3A103MEH	CERAMIC	1KV	10nF	

Cct Ref	Parts Number	Description			
C7044	F1J1E105A171	S.M.CAP	25V	1µF	
C7045	F2A1C1020027	ELECT	16V	1000µF	
C7046	F1J1H104A835	S.M.CAP	50V	100nF	
C7047	F2A1E471A102	ELECT	25V	470µF	
C7049	F2A1H221A253	ELECT	50V	220µF	
C7051	F1J1E105A171	S.M.CAP	25V	1µF	
C7052	F1J1H103A834	S.M.CAP	50V	10nF	
C7053	F1J1H104A835	S.M.CAP	50V	100nF	
C7054	F1J1E105A171	S.M.CAP	25V	1µF	
C7055	F1J1E105A171	S.M.CAP	25V	1µF	
C7056	F1J1E105A171	S.M.CAP	25V	1µF	
C7057	F1J1E105A171	S.M.CAP	25V	1µF	
C7058	F1J1H103A834	S.M.CAP	50V	10nF	
C7059	F1J1H103A834	S.M.CAP	50V	10nF	
C7088	F2A1E470A454	ELECT	25V	47µF	
C7089	F2A1H100A122	ELECT	50V	10µF	
C7090	ECKW3D221KBP	CERAMIC	2KV	220pF	
C7095	F1J1H104A835	S.M.CAP	50V	100nF	
C7096	F1J1H104A835	S.M.CAP	50V	100nF	
C7097	F2A1E471A102	ELECT	25V	470µF	
C7098	ECKCNA221MB7	CERAMIC	250	220pF	△
C7099	ECKCNA101MB7	CERAMIC	250V	100pF	△
C7102	F2A1C101A121	ELECT	16V	100µF	
C7103	F1J1C224A194	S.M.CAP	16V	220nF	
C7104	F2A1H330A118	ELECT	50V	33µF	
C7105	F1J1H104A835	S.M.CAP	50V	100nF	
C7106	ECKCNA471MB7	CERAMIC	250V	470pF	△
C7107	F2A1E471A102	ELECT	25V	470µF	
C7108	F2A1H100A118	ELECT	50V	10µF	
C7111	ECKR3A221KBP	CERAMIC	1KV	220pF	
C7112	ECKR3A221KBP	CERAMIC	1KV	220pF	
C7114	F1J1E105A171	S.M.CAP	25V	1µF	
C7116	F1J1H104A835	S.M.CAP	50V	100nF	
C7120	F1J1H104A835	S.M.CAP	50V	100nF	
C7121	F1J1H104A835	S.M.CAP	50V	100nF	
C7122	F2A1C101A244	ELECT	16V	100µF	
C7123	F1J1H104A835	S.M.CAP	50V	100nF	
C7125	ECKR3A221KBP	CERAMIC	1KV	220pF	
C7134	F2A1E471A102	ELECT	25V	470µF	
C7135	F1J1H103A834	S.M.CAP	50V	10nF	
C7136	F1J1H103A834	S.M.CAP	50V	10nF	
C7137	F2A1E221A487	ELECT	25V	220µF	
C7138	F2A1E471A218	ELECT	25V	470µF	
C7451	F1J1H102A834	S.M.CAP	50V	1nF	
C7452	F1J1H102A834	S.M.CAP	50V	1nF	
C7453	F1J1H102A834	S.M.CAP	50V	1nF	
C7454	F1J1H102A834	S.M.CAP	50V	1nF	
C7601	F1G1A104A053	S.M.CAP	10V	100nF	
C7603	F1J1A106A043	S.M.CAP	10V	10µF	
C7604	F1J1A106A043	S.M.CAP	10V	10µF	
C7605	F1J1A106A043	S.M.CAP	10V	10µF	
C7606	F1J1A106A043	S.M.CAP	10V	10µF	
C7607	F2G1C470A022	ELECT	16V	47µF	
C8001	F1G1C104A116	S.M.CAP	16V	100nF	
C8002	F1H0J1050012	S.M.CAP	6.3V	1000nF	
C8003	F1H0J1050012	S.M.CAP	6.3V	1000nF	
C8004	F1H0J1050012	S.M.CAP	6.3V	1000nF	
C8005	F1H0J1050012	S.M.CAP	6.3V	1000nF	
C8006	F1G1C104A116	S.M.CAP	16V	100nF	
C8007	F1G1C104A116	S.M.CAP	16V	100nF	
C8008	F1G1C104A116	S.M.CAP	16V	100nF	
C8009	F1J1A106A043	S.M.CAP	10V	10µF	
C8010	F1J1A106A043	S.M.CAP	10V	10µF	
C8011	F1G1C104A116	S.M.CAP	16V	100nF	
C8012	F1G1C104A116	S.M.CAP	16V	100nF	
C8013	F1G1C104A116	S.M.CAP	16V	100nF	
C8014	F1G1C104A116	S.M.CAP	16V	100nF	
C8015	F1H0J1050012	S.M.CAP	6.3V	1000nF	

Cct Ref	Parts Number	Description		
C8016	F1H0J1050012	S.M.CAP	6.3V	1000nF
C8017	F1J1A106A043	S.M.CAP	10V	10µF
C8018	F1G1C104A116	S.M.CAP	16V	100nF
C8019	F1G1C104A116	S.M.CAP	16V	100nF
C8020	F1G1C104A116	S.M.CAP	16V	100nF
C8021	F1G1C104A116	S.M.CAP	16V	100nF
C8022	F1H0J1050012	S.M.CAP	6.3V	1000nF
C8023	F1J1A106A043	S.M.CAP	10V	10µF
C8024	F1J1A106A043	S.M.CAP	10V	10µF
C8025	F1G1C104A116	S.M.CAP	16V	100nF
C8026	F1G1C104A116	S.M.CAP	16V	100nF
C8027	F1G1C104A116	S.M.CAP	16V	100nF
C8028	F1G1C104A116	S.M.CAP	16V	100nF
C8029	F1G1C104A116	S.M.CAP	16V	100nF
C8030	F1H0J1050012	S.M.CAP	6.3V	1000nF
C8031	F1H0J1050012	S.M.CAP	6.3V	1000nF
C8032	F1J1A106A043	S.M.CAP	10V	10µF
C8033	F1G1C104A116	S.M.CAP	16V	100nF
C8034	F1G1C104A116	S.M.CAP	16V	100nF
C8035	F1J1A106A043	S.M.CAP	10V	10µF
C8036	F1J1A106A043	S.M.CAP	10V	10µF
C8037	F1G1C104A116	S.M.CAP	16V	100nF
C8038	F1G1C104A116	S.M.CAP	16V	100nF
C8039	F1G1C104A116	S.M.CAP	16V	100nF
C8040	F1G1C104A116	S.M.CAP	16V	100nF
C8041	F1G1C104A116	S.M.CAP	16V	100nF
C8042	ECGRL0G680ER	ELECT	4V	68µF
C8043	F1G1C104A116	S.M.CAP	16V	100nF
C8044	F1G1C104A116	S.M.CAP	16V	100nF
C8045	F1G1C104A116	S.M.CAP	16V	100nF
C8046	F1G1C104A116	S.M.CAP	16V	100nF
C8047	F1G1C104A116	S.M.CAP	16V	100nF
C8048	F1G1C104A116	S.M.CAP	16V	100nF
C8049	F1G1C104A116	S.M.CAP	16V	100nF
C8050	F1G1C104A116	S.M.CAP	16V	100nF
C8051	F1G1C104A116	S.M.CAP	16V	100nF
C8052	F1H0J1050012	S.M.CAP	6.3V	1000nF
C8053	F1G1E103A123	S.M.CAP	25V	10nF
C8054	F1G1H180A731	S.M.CAP	50V	18pF
C8055	F1G1H7R0A732	S.M.CAP	50V	7pF
C8056	F1G1C104A116	S.M.CAP	16V	100nF
C8057	F1G1C104A116	S.M.CAP	16V	100nF
C8058	F1J1A106A043	S.M.CAP	10V	10µF
C8067	F1G1E103A123	S.M.CAP	25V	10nF
C8068	F1G1C104A116	S.M.CAP	16V	100nF
C8069	F1G1H820A731	S.M.CAP	50V	82pF
C8070	F1G1C104A116	S.M.CAP	16V	100nF
C8071	F1G1C104A116	S.M.CAP	16V	100nF
C8072	F1G1C104A116	S.M.CAP	16V	100nF
C8073	F1G1C104A116	S.M.CAP	16V	100nF
C8074	F1G1C104A116	S.M.CAP	16V	100nF
C8075	F1J0G2260001	S.M.CAP	4V	22µF
C8076	F1G1C104A116	S.M.CAP	16V	100nF
C8077	F1G1C104A116	S.M.CAP	16V	100nF
C8078	F1G1C104A116	S.M.CAP	16V	100nF
C8079	F1G1C104A116	S.M.CAP	16V	100nF
C8080	F1G1C104A116	S.M.CAP	16V	100nF
C8306	F1G1H102A730	S.M.CAP	50V	1nF
C8307	F1G1C104A116	S.M.CAP	16V	100nF
C8309	F1G1C104A116	S.M.CAP	16V	100nF
C8310	F2G0G101A007	ELECT	4V	100µF
C8311	F1G1H180A731	S.M.CAP	50V	18pF
C8312	F1G1H120A731	S.M.CAP	50V	12pF
C8313	F1G1E103A123	S.M.CAP	25V	10nF
C8314	F1G1E103A123	S.M.CAP	25V	10nF
C8319	F1G1E103A123	S.M.CAP	25V	10nF
C8320	F1G1E103A123	S.M.CAP	25V	10nF
C8321	F1G1E103A123	S.M.CAP	25V	10nF

Cct Ref	Parts Number	Description		
C8327	F1H1A1050032	S.M.CAP	10V	1000nF
C8328	F1H1A1050032	S.M.CAP	10V	1000nF
C8329	F1G1E103A123	S.M.CAP	25V	10nF
C8330	F1G1E103A123	S.M.CAP	25V	10nF
C8331	F1G1E103A123	S.M.CAP	25V	10nF
C8332	F1G1E103A123	S.M.CAP	25V	10nF
C8333	F1G1E103A123	S.M.CAP	25V	10nF
C8334	F1G1E103A123	S.M.CAP	25V	10nF
C8335	F1G1E103A123	S.M.CAP	25V	10nF
C8336	F1G1E103A123	S.M.CAP	25V	10nF
C8338	F1G1H220A731	S.M.CAP	50V	22pF
C8339	F1G1H220A731	S.M.CAP	50V	22pF
C8340	F1G1E103A123	S.M.CAP	25V	10nF
C8343	F1G1C104A116	S.M.CAP	16V	100nF
C8344	F1G1C104A116	S.M.CAP	16V	100nF
C8345	F1G1C104A116	S.M.CAP	16V	100nF
C8346	F1G1C104A116	S.M.CAP	16V	100nF
C8405	F1G1C104A116	S.M.CAP	16V	100nF
C8408	F1G1C104A116	S.M.CAP	16V	100nF
C8409	F1G1C104A116	S.M.CAP	16V	100nF
C8410	F1G1C104A116	S.M.CAP	16V	100nF
C8411	F2G1A101A019	ELECT	10V	100µF
C8412	F1G1C104A116	S.M.CAP	16V	100nF
C8413	F1G1C104A116	S.M.CAP	16V	100nF
C8414	F1G1C104A116	S.M.CAP	16V	100nF
C8416	F1G1E103A123	S.M.CAP	25V	10nF
C8417	F1G1E103A123	S.M.CAP	25V	10nF
C8555	F1G1C104A116	S.M.CAP	16V	100nF
C8601	F1G1C104A116	S.M.CAP	16V	100nF
C8812	F1G1A104A012	SMD	10V	100nF
C8813	F2G1C470A022	ELECT	16V	47µF
C8814	F1G1C1030008	S.M.CAP	16V	10nF
C8815	F1J0G2260001	S.M.CAP	4V	22µF
FL4206	F1H0J4740004	CHIP CAP	6.3V	470nF

TERMINALS AND LINKS

A1	K1KA11A00178	11P CONNECTOR
A5	K1KB51B00001	51P CONNECTOR
A6	K1KY23AA0607	23P CONNECTOR
A7	K1KY23AA0607	23P CONNECTOR
A10	K1KA02A00787	2P CONNECTOR
A11	K1KA03A00632	3P CONNECTOR
A51	K1KA15A00148	15P CONNECTOR
CN0100	K1KA08AA0714	8P CONNECTOR
D3015	K7AAAY000005	OPT TERMINAL
G51	K1KA15AA0194	15P CONNECTOR
G51-A51	TXJG510NDA	G51-A51 WIRE
JK3001	K1FB315A0006	PC TERMINAL
JK3002B	K1FY121A0004	SCART SOCKET
JK3003B	K1FY121A0004	SCART SOCKET
JK3100A	K2HA7YYA0001	YUV TERMINAL_ AUD I/O
JK3700	K4AK18B00004	AV3 TERMINAL
JK4500	K1FY119D0003	HDMI TERMINAL
JK4501	K1FY119D0003	HDMI TERMINAL
JK4700	K1FA119E0013	HDMI TERMINAL
JK8401	K1NA68B000050	CI SLOT
JK8801	K1NA09E000080	SD SLOT
M11	K1KA03BA00061	3P CONNECTOR
P1	K1KA02B00295	2P CONNECTOR
P2	K1KA08AA0192	8P CONNECTOR
P3	K1KA04AA0192	4P CONNECTOR
P5	K1KA02A00676	2P CONNECTOR
P6	K1KY23AA0606	23P CONNECTOR
P7	K1KY23AA0606	23P CONNECTOR
V1	K1KA11BA00062	11P CONNECTOR

SWITCHES

SW2501	K0F162B00002	SWITCH
--------	--------------	--------

Cct Ref	Parts Number	Description			
RELAYS					
RL7001	K6B1AGA00043	RELAY			△
RL7030	K6B2ADA00007	RELAY			△
DIFFERENCES FOR MODEL TX--32LZD80					
EXPLODED VIEW					
14	A-32LZD80	A P.C.B.	X	RTL	△
15	K2CT2YY00013	AC CORD			△
16	TKU0E0401	BACK COVER			△
17	TKP0E26002	BOTTOM ORNAMENT PANEL			△
18	TTY0E0239	CABINET ASSY			△
19	TUA0E4100	CHASSIS FRAME			△
20	TKZ0E9574	LCD BOTTOM MTG			△
22	L5EDD8T00001	LCD PANEL			△
25	TBM0E1144	MODEL LABEL			△
26	TBLA0334	PEDESTAL ASSY			△
27	TBX0E83801	POWER BUTTON			△
28	TKP0E26503	POWER BUTTON BRACKET			△
29	TTP0E0064	REAR CENTER COVER ASSY			△
30	TKP0E26301	SD DOOR			△
31	TKP0E25902	TOP ORNAMENT PANEL			△
32	TKZ0E9573	VESA METAL			△
MISCELLANEOUS COMPONENTS					
.	J0KG00000011	FERRITE CORE			
.	TBM0E1457	REAR AV LABEL			
.	TPC0E47000	CARTON			△
.	TPD0E1029	TOP CUSHION L/C/R			
.	TPD0E2003	BOTTOM CUSHION L/C/R			
INSTRUCTION BOOKS					
.	TQB0E0570-1	ENGLISH			△
I.C.s					
IC8601	X24C32LZD80	EEPROM PL2			
TERMINALS AND LINKS					
.	K1PY51Y00007	LVDS FFC			
A1-V1	TXJV10NEA	A1-V1 WIRE			
A11-M11	TXJM110NEA	A11-M11 WIRE			
P2-CN501	TXJ/P20NEA	P2-CN501 WIRE			
P3-SP	TXJ/P30NEA	P3-SP WIRE			
P5-CN1	TXJ/P50NEA	P5-CN1 WIRE			
DIFFERENCES FOR MODEL TX--32LZD80F					
EXPLODED VIEW					
14	A-32LZD80F	A P.C.B.	X	RTL	△
15	K2CQ2YY00019	AC CORD			△
16	TKU0E0401	BACK COVER			△
17	TKP0E26003	BOTTOM ORNAMENT PANEL			△
18	TTY0E0240	CABINET ASSY			△
19	TUA0E4100	CHASSIS FRAME			△
20	TKZ0E9574	LCD BOTTOM MTG			△
22	L5EDD8T00001	LCD PANEL			△
25	TBM0E1145	MODEL LABEL			△
26	TBLA0334	PEDESTAL ASSY			△
27	TBX0E83801	POWER BUTTON			△
28	TKP0E26504	POWER BUTTON BRACKET			△
29	TTP0E0064	REAR CENTER COVER ASSY			△
30	TKP0E26301	SD DOOR			△
31	TKP0E25902	TOP ORNAMENT PANEL			△
32	TKZ0E9573	VESA METAL			△
MISCELLANEOUS COMPONENTS					
.	J0KG00000011	FERRITE CORE			
.	TBM0E1153-1	REAR AV LABEL			
.	TPC0E47000	CARTON			△
.	TPD0E1029	TOP CUSHION L/C/R			


Cct Ref	Parts Number	Description			
.	TPD0E2003	BOTTOM CUSHION L/C/R			
INSTRUCTION BOOKS					
.	TQB0E0571A	GERMAN			△
.	TQB0E0571B	DUTCH			△
.	TQB0E0571C	ITALIAN			△
.	TQB0E0571D	FRENCH			△
.	TQB0E0571E	SPANISH			△
.	TQB0E0571F	SWEDISH			△
.	TQB0E0571G	NORWEGIAN			△
.	TQB0E0571H	FINNISH			△
.	TQB0E0571I	LITHUANIAN			△
.	TQB0E0571J	PORTUGUESE			△
.	TQB0E0571K	DANISH			△
.	TQB0E0571M	BULGARIAN			△
.	TQB0E0571N	ROMANIAN			△
.	TQB0E0571O	LATVIAN			△
.	TQB0E0571P	POLISH			△
.	TQB0E0571Q	HUNGARIAN			△
.	TQB0E0571R	CZECH			△
.	TQB0E0571S	GREEK			△
.	TQB0E0571T	TURKISH			△
.	TQB0E0571U	ENGLISH			△
.	TQB0E0571V	CROATIAN			△
.	TQB0E0571W	SLOVAKIAN			△
.	TQB0E0571X	CD-ROM			△
.	TQB0E0571Z	ESTONIAN			△
I.C.s					
IC8601	X24C32LZD80F	EEPROM PL2			
TERMINALS AND LINKS					
.	K1PY51Y00007	LVDS FFC			
A1-V1	TXJV10NEA	A1-V1 WIRE			
A11-M11	TXJM110NEA	A11-M11 WIRE			
P2-CN501	TXJ/P20NEA	P2-CN501 WIRE			
P3-SP	TXJ/P30NEA	P3-SP WIRE			
P5-CN1	TXJ/P50NEA	P5-CN1 WIRE			
DIFFERENCES FOR MODEL TX--37LZD80					
EXPLODED VIEW					
14	A-37LZD80	A P.C.B.	X	RTL	△
15	K2CT2YY00012	AC CORD			△
16	TKU0E0301	BACK COVER			△
17	TKP0E25202	BOTTOM ORNAMENT PANEL			△
18	TTY0E0236	CABINET ASSY			△
19	TUA0E4000	CHASSIS FRAME			△
20	TKZ0E9468	LCD BOTTOM MTG			△
21	TKZ0E9572	LCD CORNER MTG			△
22	L5EDD9T00003	LCD PANEL			△
23	TKZ0E9570	LCD TOP MTG L			△
24	TKZ0E9571	LCD TOP MTG R			△
25	TBM0E1147	MODEL LABEL			△
26	TBLA0333	PEDESTAL ASSY			△
27	TBX0E83701	POWER BUTTON			△
28	TKP0E25503	POWER BUTTON BRACKET			△
29	TTP0E0063	REAR CENTER COVER ASSY			△
30	TKP0E25701	SD DOOR			△
31	TKP0E25102	TOP ORNAMENT PANEL			△
33	TKZ0E9566	VESA METAL L			△
34	TKZ0E9567	VESA METAL R			△
MISCELLANEOUS COMPONENTS					
.	J0KF00000018	FERRITE CORE			
.	TBM0E1457	REAR AV LABEL			
.	TPC0E46900	CARTON			△
.	TPD0E1027	TOP CUSHION L/C/R			
.	TPD0E2001	BOTTOM CUSHION L/C/R			

Cct Ref	Parts Number	Description			
INSTRUCTION BOOKS					
.	TQB0E0570-1	ENGLISH			△
I.C.s					
IC8601	X24C37LZD80	EEPROM PL2			
TERMINALS AND LINKS					
.	K1PY51Y00006	LVDS FFC			
A1-V1	TXJV10NDA	A1-V1 WIRE			
A11-M11	TXJM110NDA	A11-M11 WIRE			
P2-CN501	TXJ/P20NDA	P2-CN501 WIRE			
P3-SP	TXJ/P30NDA	P3-SP WIRE			
P5-CN1	TXJ/P50NDA	P5-CN1 WIRE			
DIFFERENCES FOR MODEL TX--37LZD80F					
EXPLODED VIEW					
14	A-37LZD80F	A P.C.B.	X	RTL	△
15	K2CQ2YY00020	AC CORD			△
16	TKU0E0301	BACK COVER			△
17	TKP0E25203	BOTTOM ORNAMENT PANEL			
18	TTY0E0237	CABINET ASSY			△
19	TUA0E4000	CHASSIS FRAME			
20	TKZ0E9468	LCD BOTTOM MTG			
21	TKZ0E9572	LCD CORNER MTG			
22	L5EDD9T00003	LCD PANEL			△
23	TKZ0E9570	LCD TOP MTG L			
24	TKZ0E9571	LCD TOP MTG R			
25	TBM0E1148	MODEL LABEL			△
26	TBLA0333	PEDESTAL ASSY			
27	TBX0E83701	POWER BUTTON			
28	TKP0E25503	POWER BUTTON BRACKET			
29	TTP0E0063	REAR CENTER COVER ASSY			
30	TKP0E25701	SD DOOR			
31	TKP0E25102	TOP ORNAMENT PANEL			
33	TKZ0E9566	VESA METAL L			
34	TKZ0E9567	VESA METAL R			
MISCELLANEOUS COMPONENTS					
.	J0KF00000018	FERRITE CORE			
.	TBM0E1153-1	REAR AV LABEL			
.	TPC0E46900	CARTON			△
.	TPD0E1027	TOP CUSHION L/C/R			
.	TPD0E2001	BOTTOM CUSHION L/C/R			
INSTRUCTION BOOKS					
.	TQB0E0571A	GERMAN			△
.	TQB0E0571B	DUTCH			△
.	TQB0E0571C	ITALIAN			△
.	TQB0E0571D	FRENCH			△
.	TQB0E0571E	SPANISH			△
.	TQB0E0571F	SWEDISH			△
.	TQB0E0571G	NORWEGIAN			△
.	TQB0E0571H	FINNISH			△
.	TQB0E0571I	LITHUANIAN			△
.	TQB0E0571J	PORTUGUESE			△
.	TQB0E0571K	DANISH			△
.	TQB0E0571M	BULGARIAN			△
.	TQB0E0571N	ROMANIAN			△
.	TQB0E0571O	LATVIAN			△
.	TQB0E0571P	POLISH			△
.	TQB0E0571Q	HUNGARIAN			△
.	TQB0E0571R	CZECH			△
.	TQB0E0571S	GREEK			△
.	TQB0E0571T	TURKISH			△
.	TQB0E0571U	ENGLISH			△
.	TQB0E0571V	CROATIAN			△
.	TQB0E0571W	SLOVAKIAN			△
.	TQB0E0571X	CD-ROM			△
.	TQB0E0571Z	ESTONIAN			△

Cct Ref	Parts Number	Description
I.C.s		
IC8601	X24C37LZD80F	EEPROM PL2
TERMINALS AND LINKS		
.	K1PY51Y00006	LVDS FFC
A1-V1	TXJV10NDA	A1-V1 WIRE
A11-M11	TXJM110NDA	A11-M11 WIRE
P2-CN501	TXJ/P20NDA	P2-CN501 WIRE
P3-SP	TXJ/P30NDA	P3-SP WIRE
P5-CN1	TXJ/P50NDA	P5-CN1 WIRE

Schematic Diagrams

IMPORTANT SAFETY NOTICE

Components identified by  mark have special characteristics important for safety. When replacing any of these components, use only manufacturers' specified parts.

NOTE

1. RESISTOR
All resistors are carbon 1/4W resistor, unless marked otherwise.
Unit of resistance is OHM (Ω) (k=1,000, M=1,000,000)
2. CAPACITORS
All capacitors are ceramic 50V unless marked otherwise.
Unit of capacitance is μ F unless otherwise stated.
3. COIL
Unit of inductance is μ H, unless otherwise stated.

4. TEST POINT



Test Point Position

5. EARTH SYMBOL



Chassis Earth (Cold)



Line Earth (Hot)

6. VOLTAGE MEASUREMENT

Voltage is measured by a D.C. voltmeter.
Measurement conditions are as follows:
Power source 220V-240V AC, 50/60Hz
Receiving Signal Colour Bar signal (RF)
All customer controls Maximum position

7.



Indicates the Video signal path



Indicates the Audio signal path

These schematic diagrams are the latest at time of printing and are subject to change without notice.

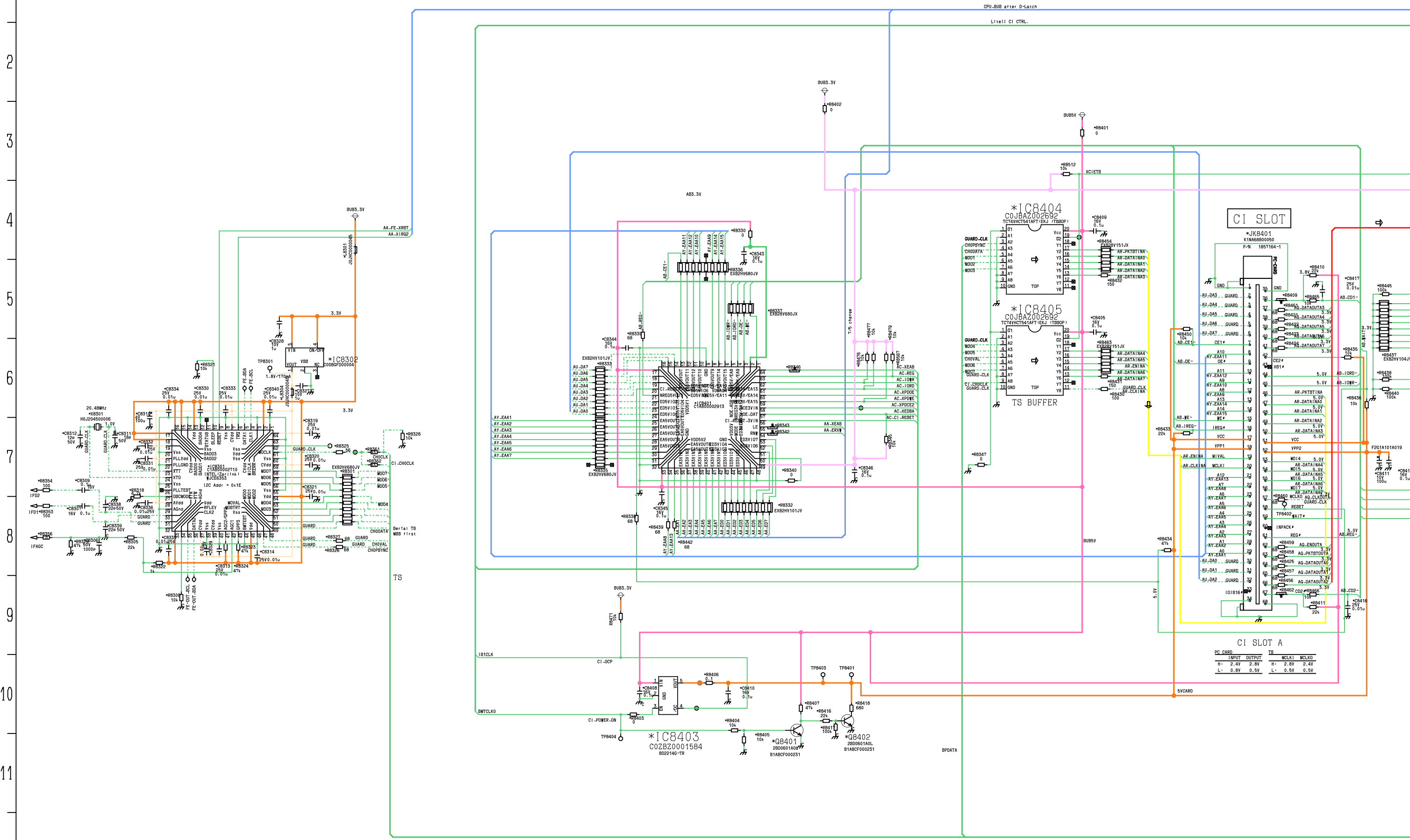
REMARKS

- a. Do not touch the hot part, or the hot and cold parts at the same time, as you are liable to a shock hazard.
- b. Do not short circuit the hot and cold circuits as electrical components may be damaged.
- c. Do not connect an instrument, such as an oscilloscope, to the hot and cold circuits simultaneously as this may cause fuse failure. Connect the earth of the instruments to the earth connection of the circuit being measured.
- d. Make sure to disconnect the power plug before removing the chassis.

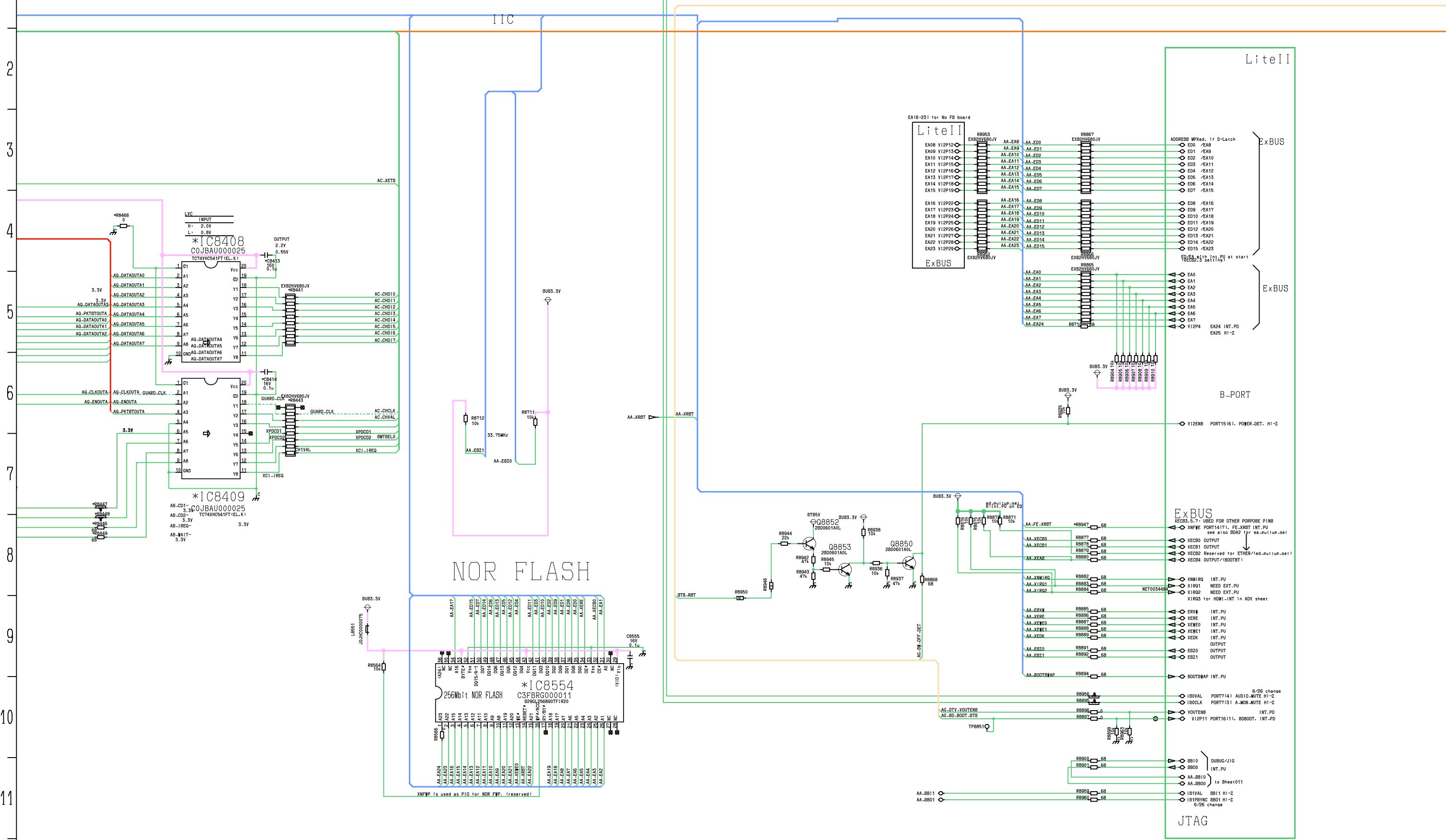
NOTE

1. The Power Supply Circuit contains a circuit area, which uses a separate power supply to isolate the earth connection. The circuit is defined by HOT and COLD indications in the schematic diagram. All circuits, except the Power Circuit, are COLD.

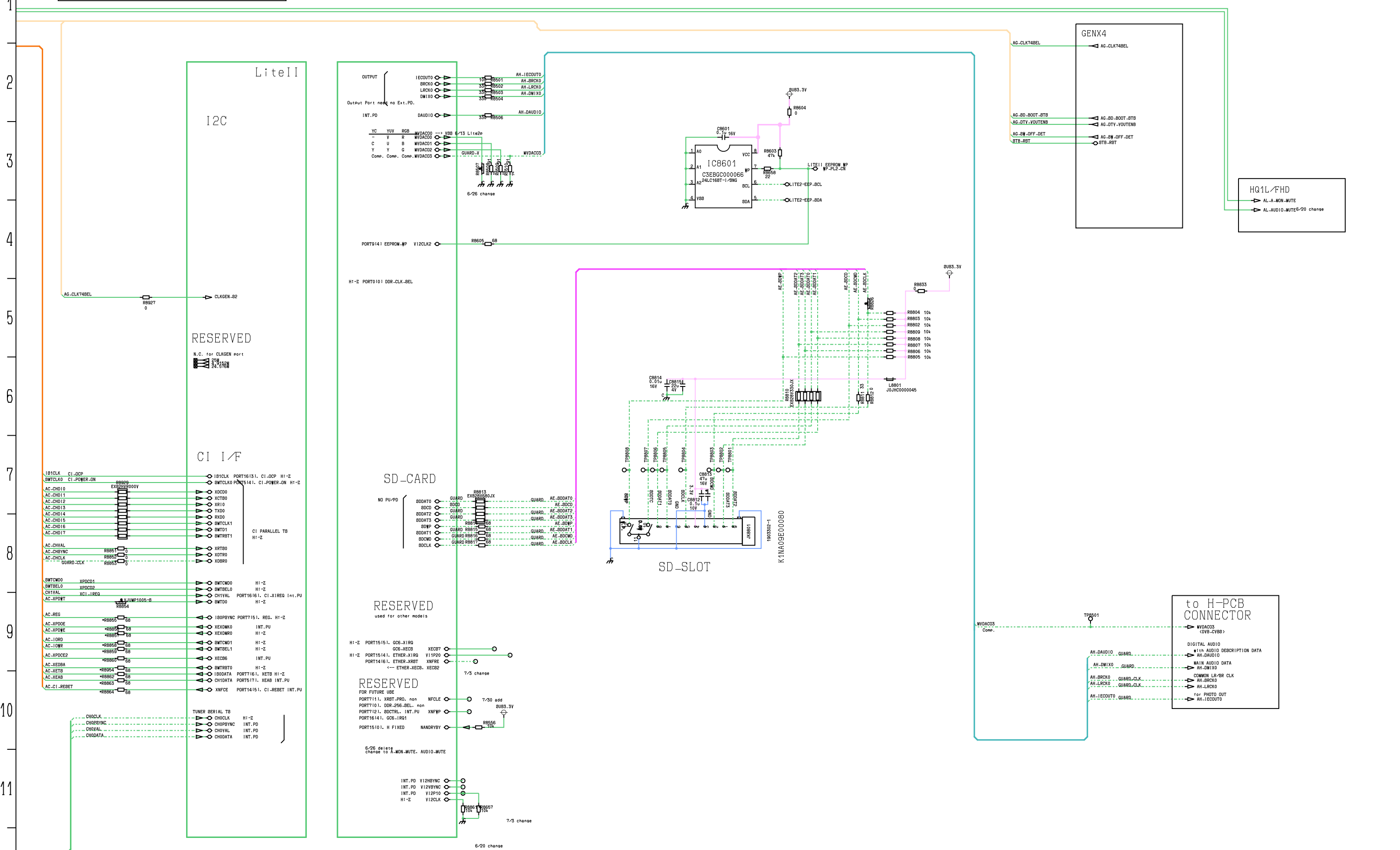
⚠ A-BOARD TNP0722 3/16



⚠ A-BOARD TNPH0722 4/16

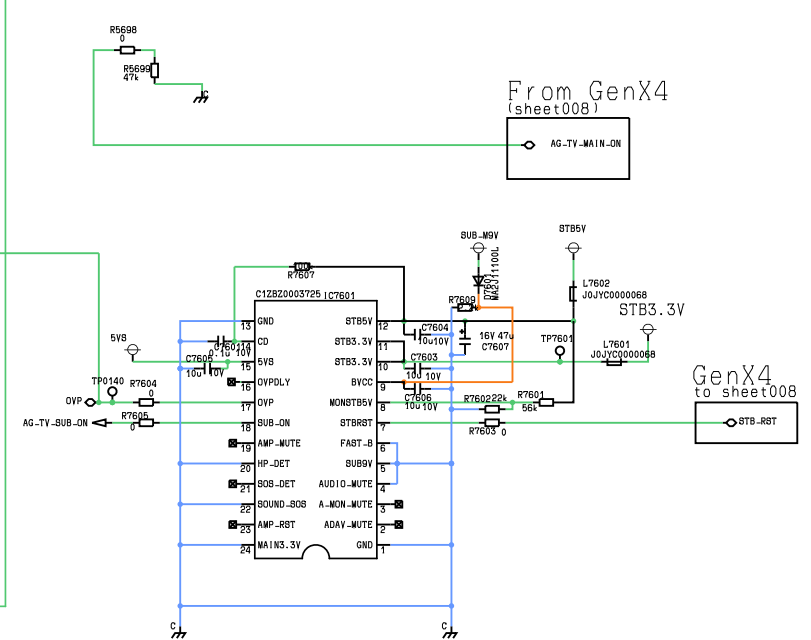
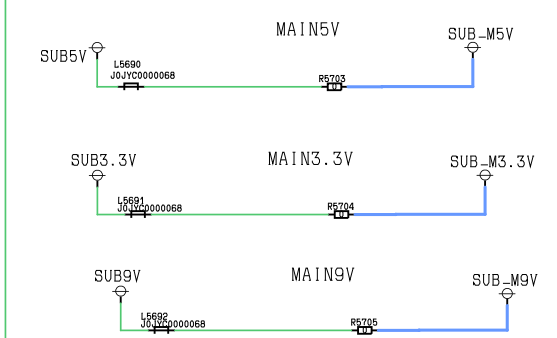
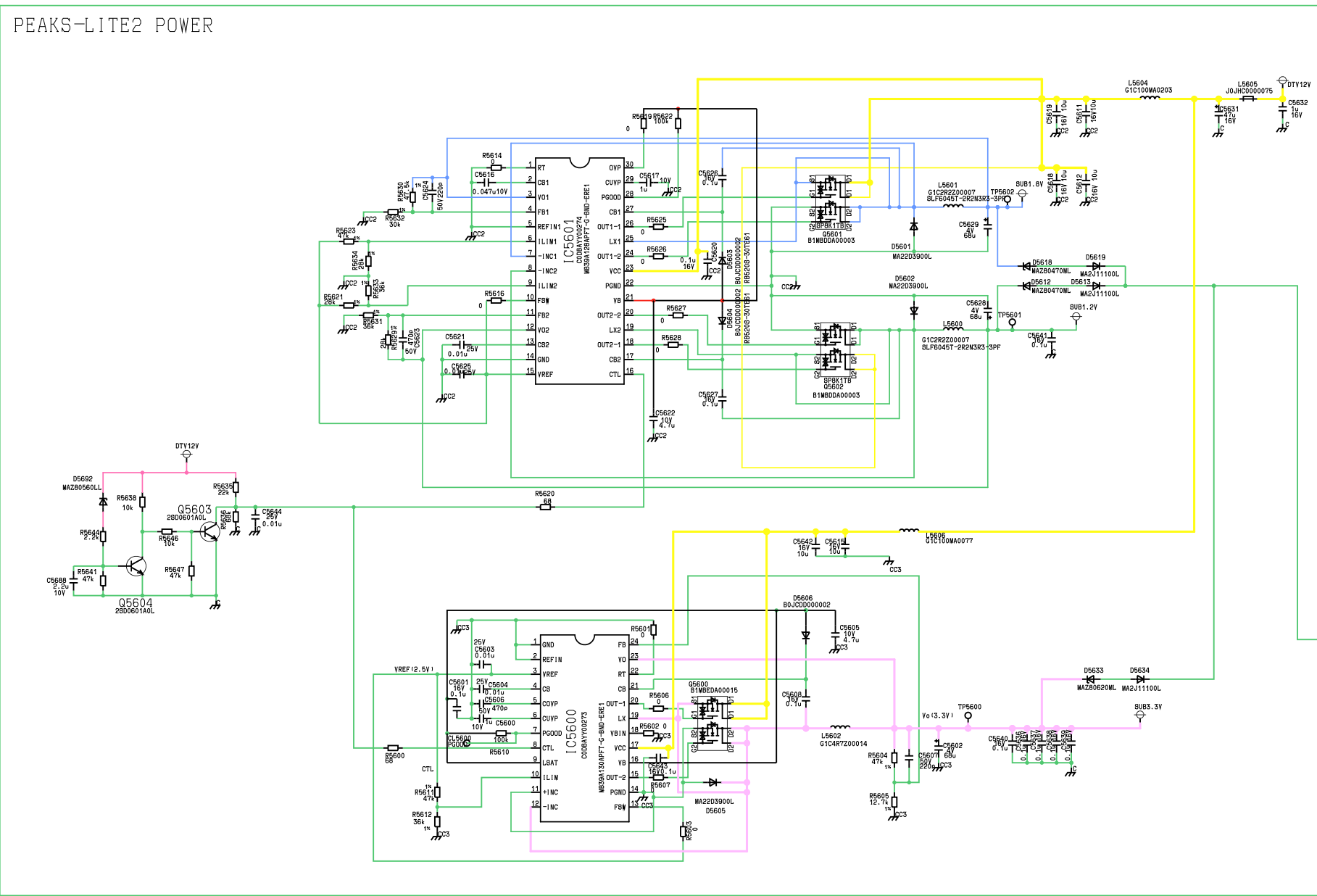


A-BOARD TNP0722 5/16

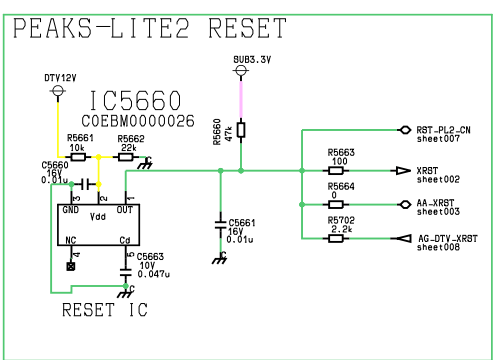


⚠ A-BOARD TNP0722 6/16

PEAKS-LITE2 POWER

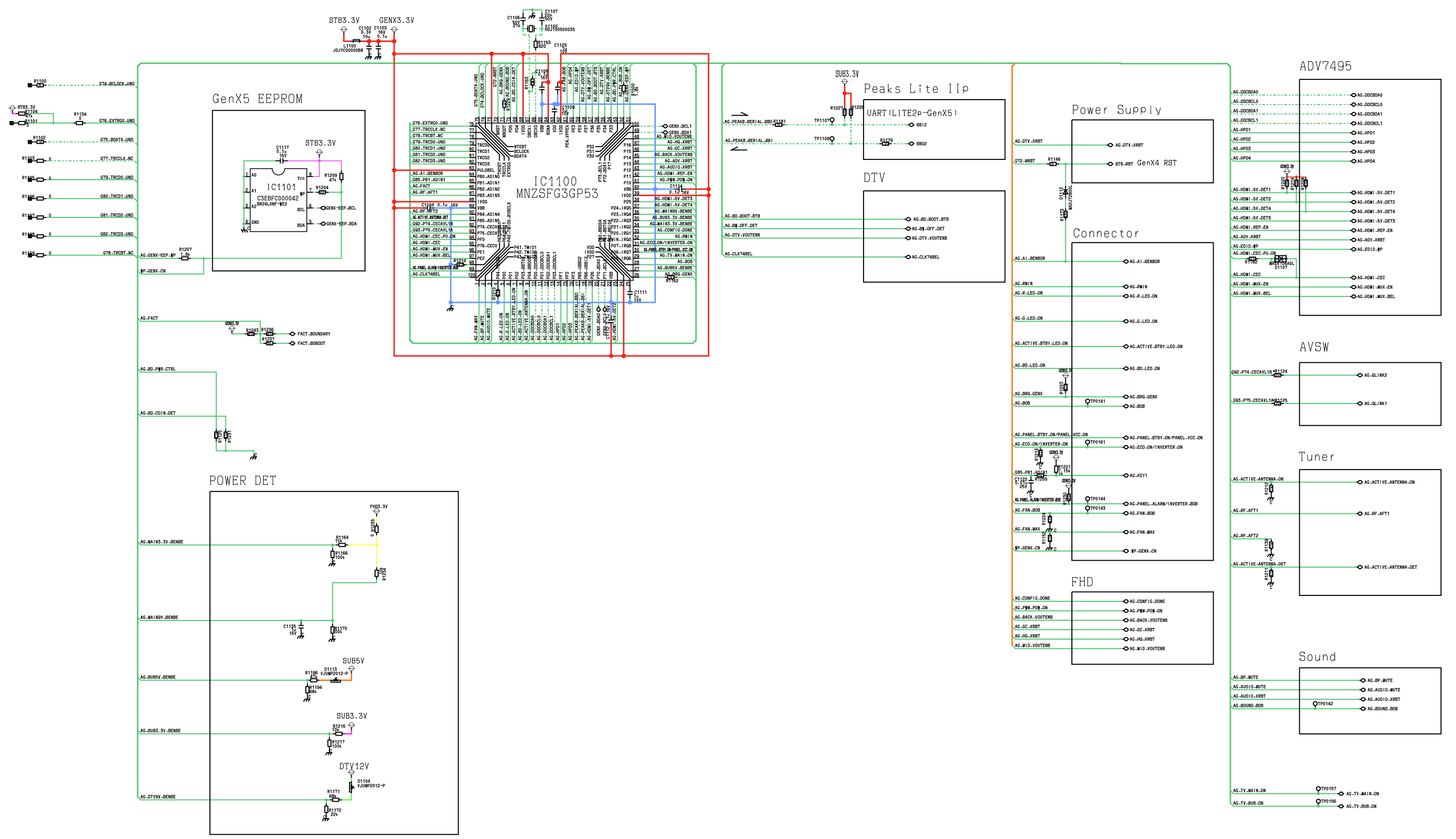


PEAKS-LITE2 RESET



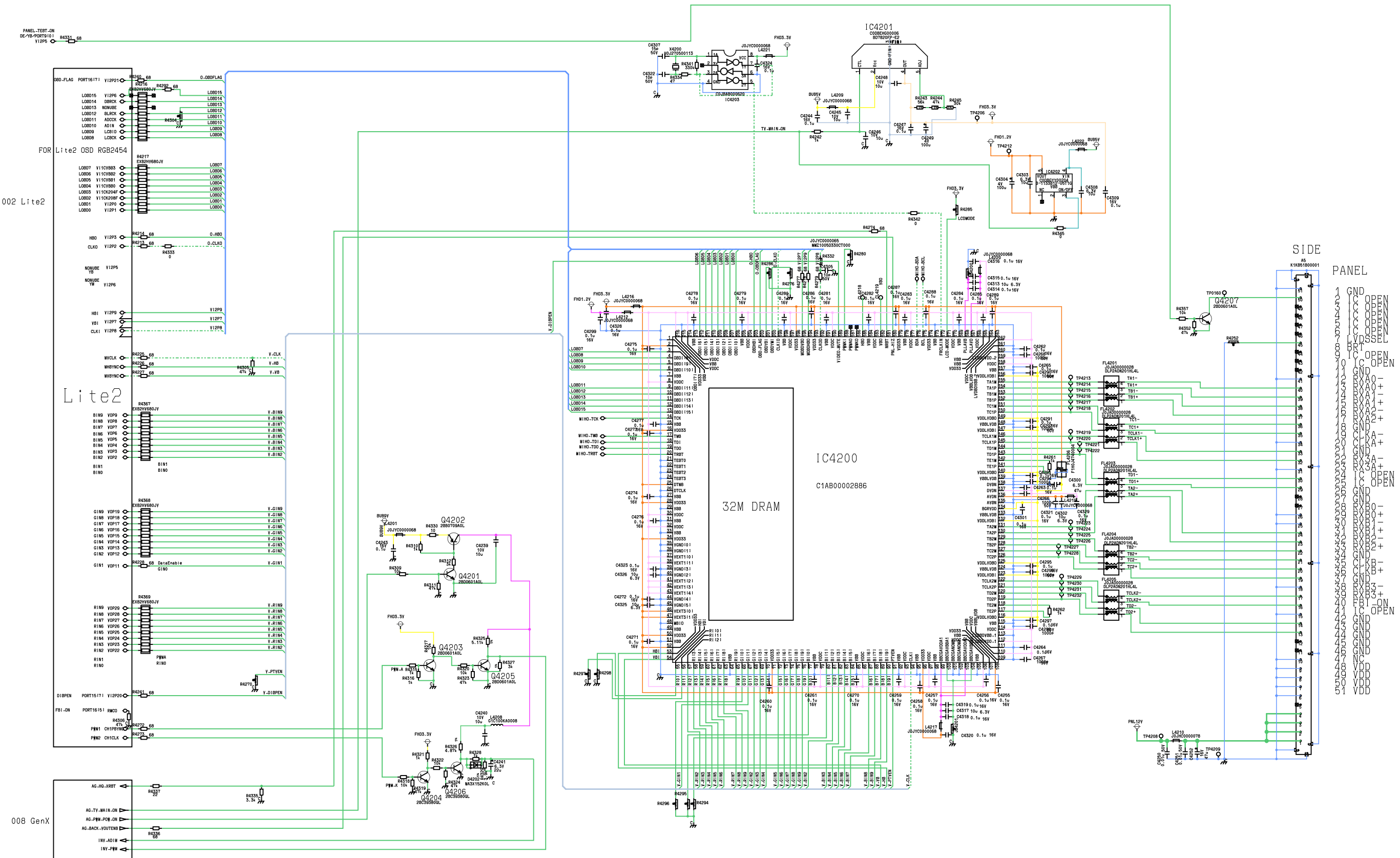
⚠ A-BOARD TNPH0722 8/16

1
2
3
4
5
6
7
8
9
10
11

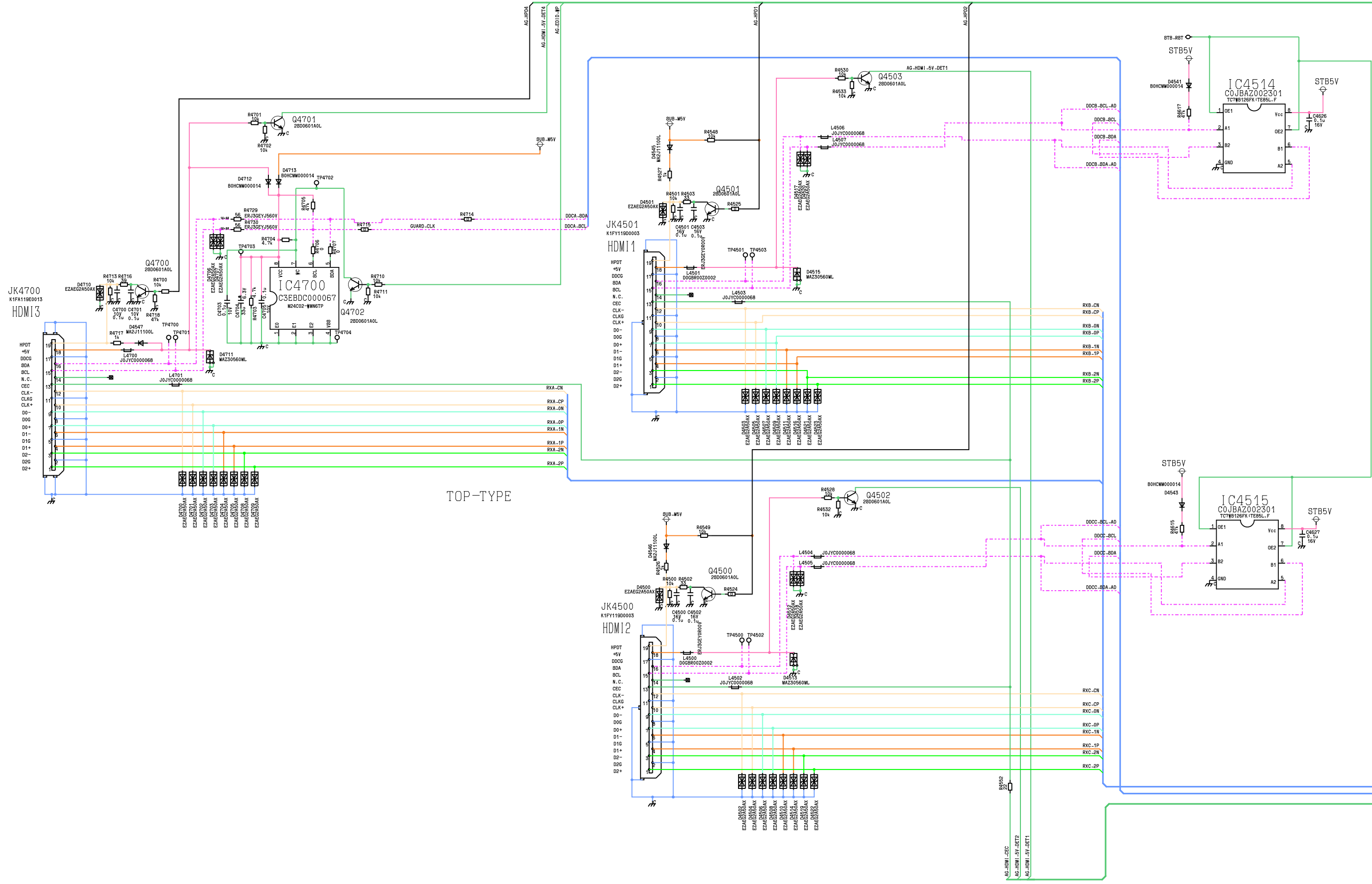


⚠ A-BOARD TNPH0722 9/16

1
2
3
4
5
6
7
8
9
10
11
12



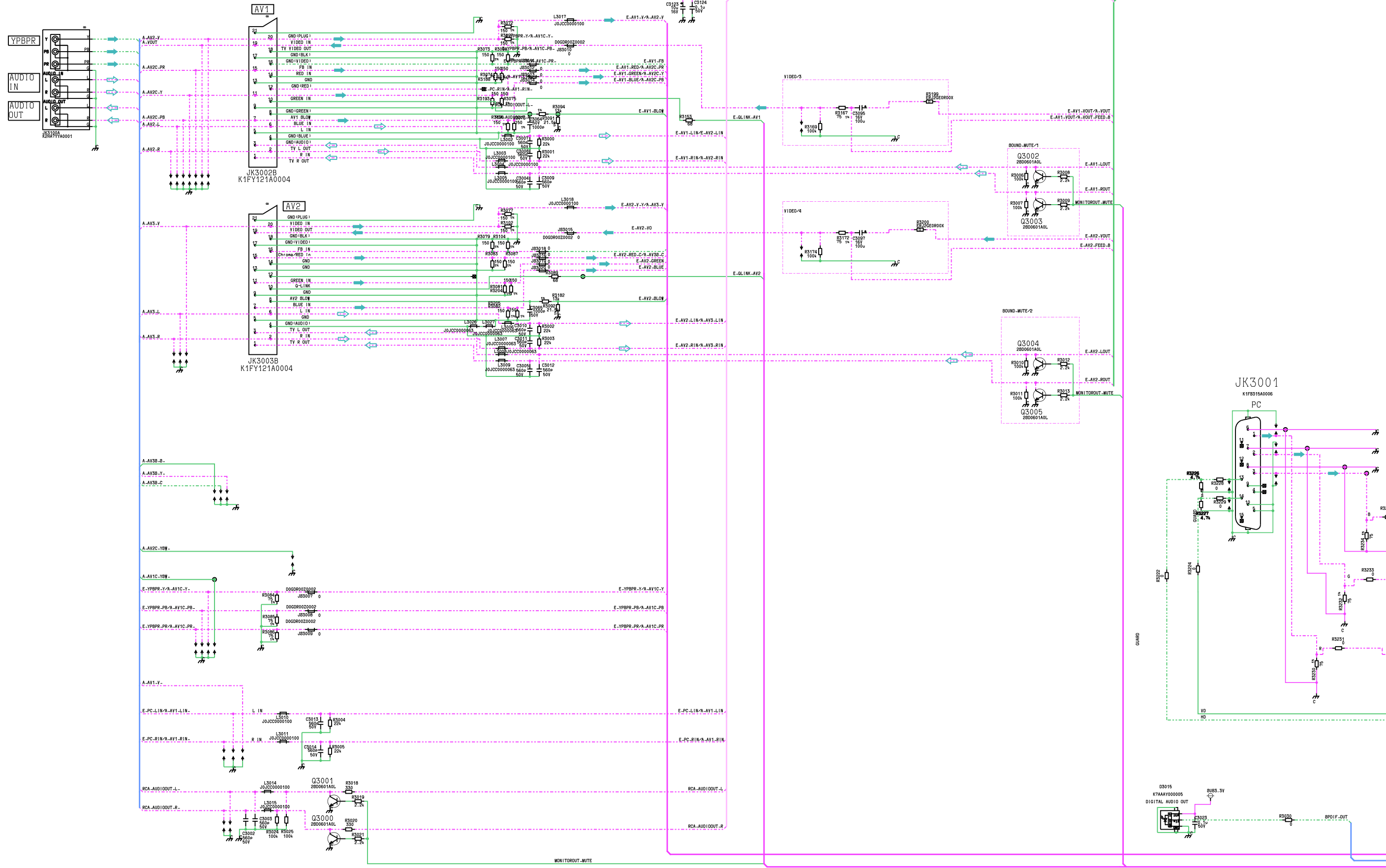
⚠ A-BOARD TNPH0722 10/16



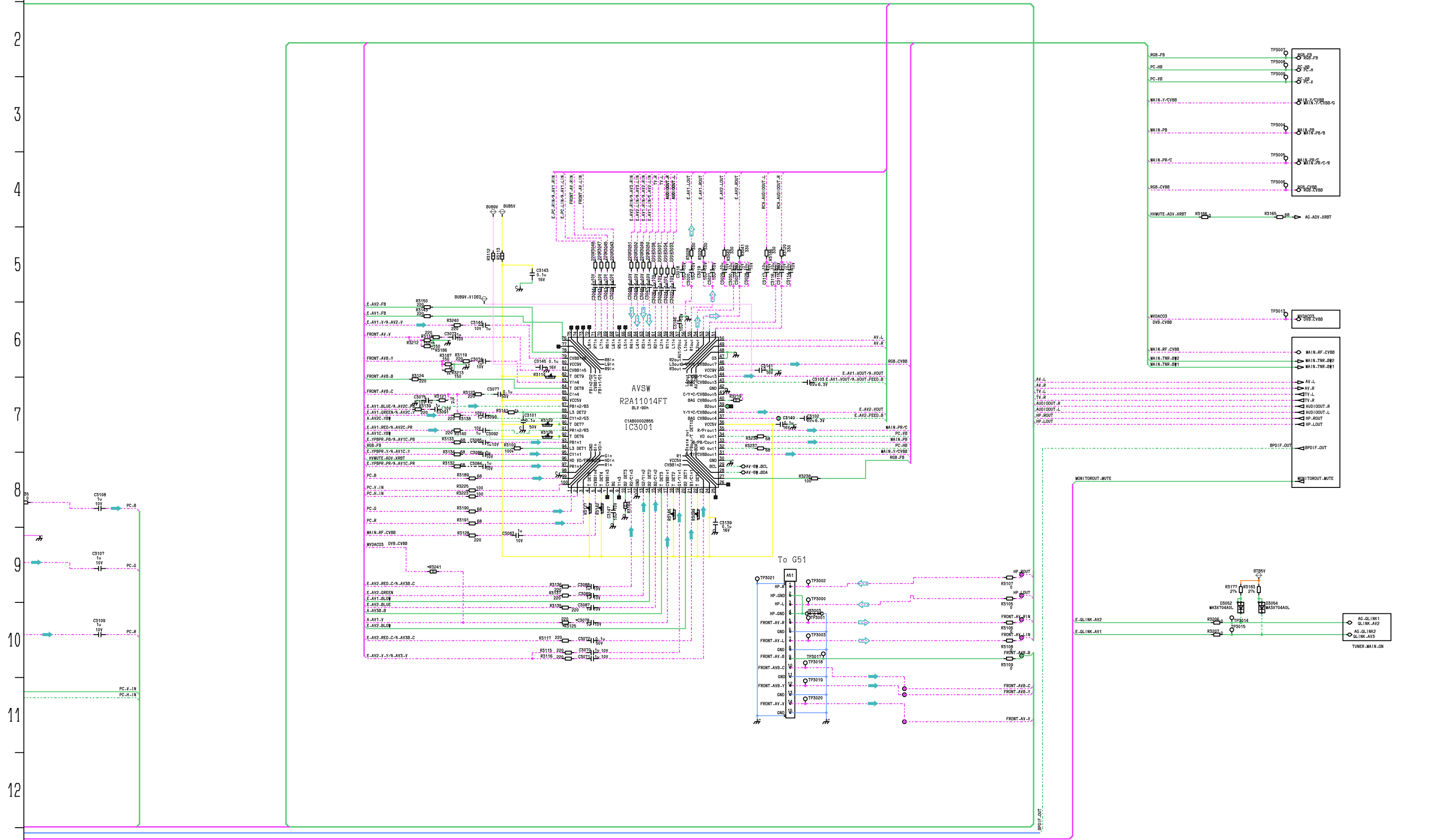
TOP-TYPE

⚠ A-BOARD TNPH0722 12/16

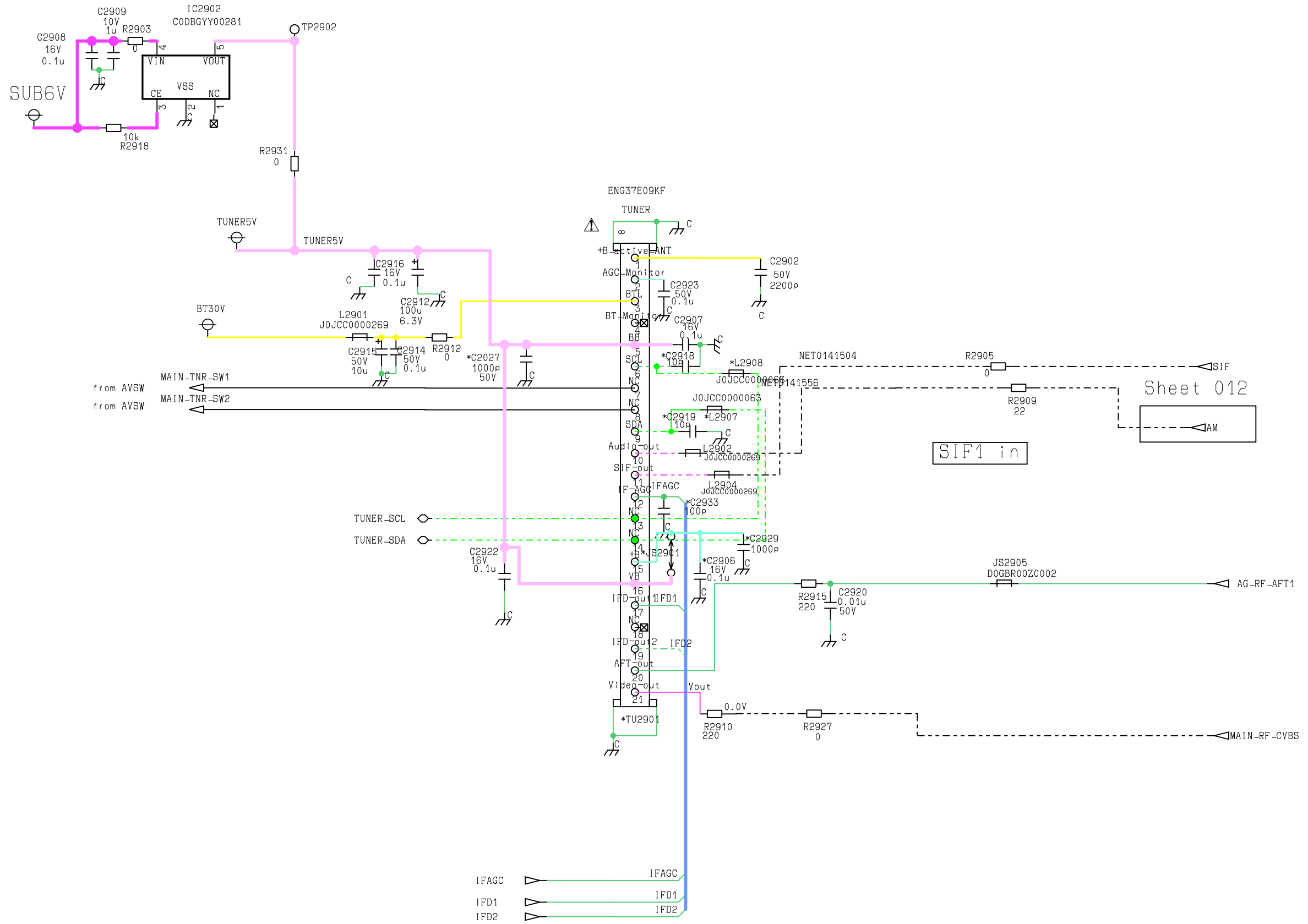
1
2
3
4
5
6
7
8
9
10
11
12
13



⚠ A-BOARD TNPH0722 13/16

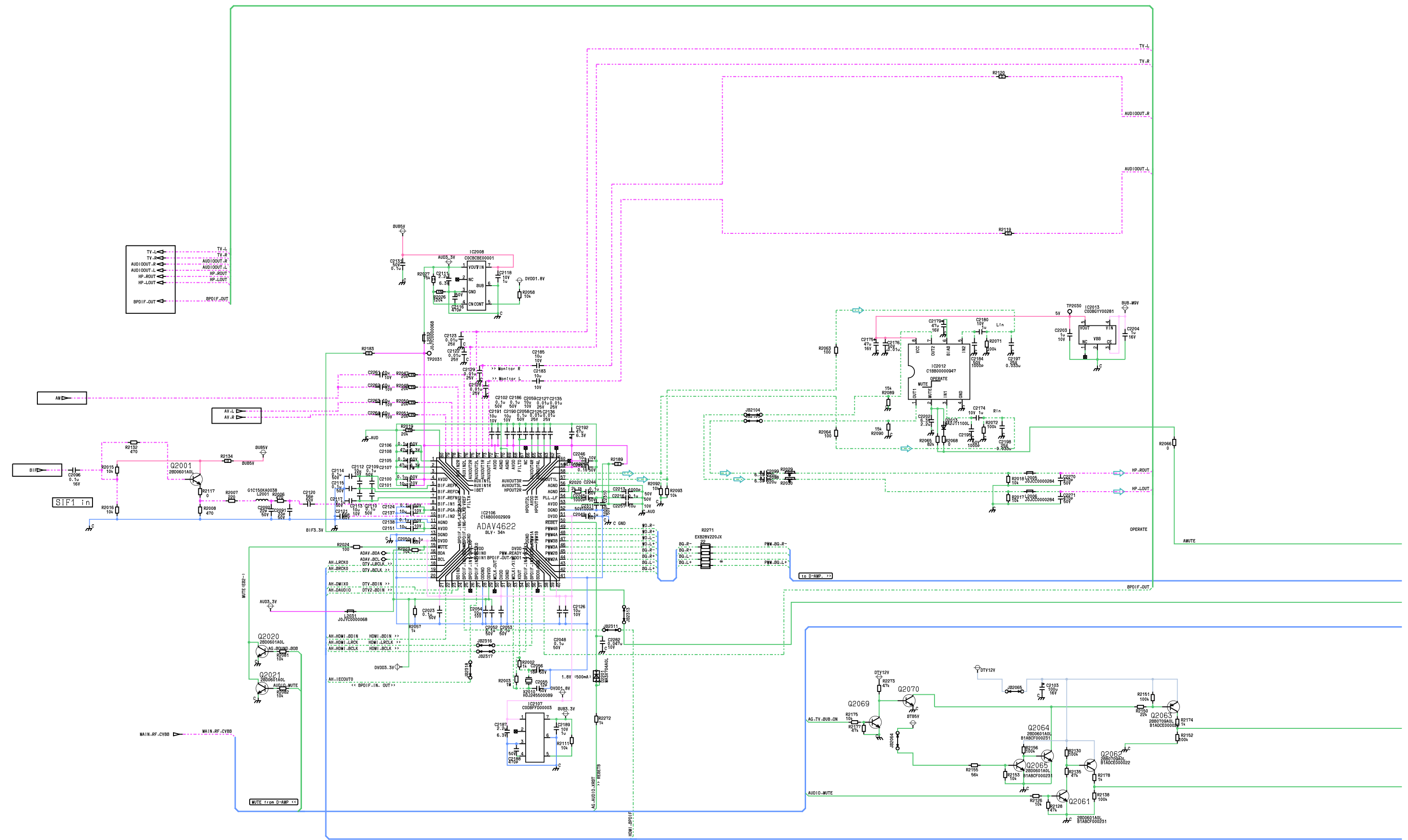


⚠ A-BOARD TNP0722 14/16

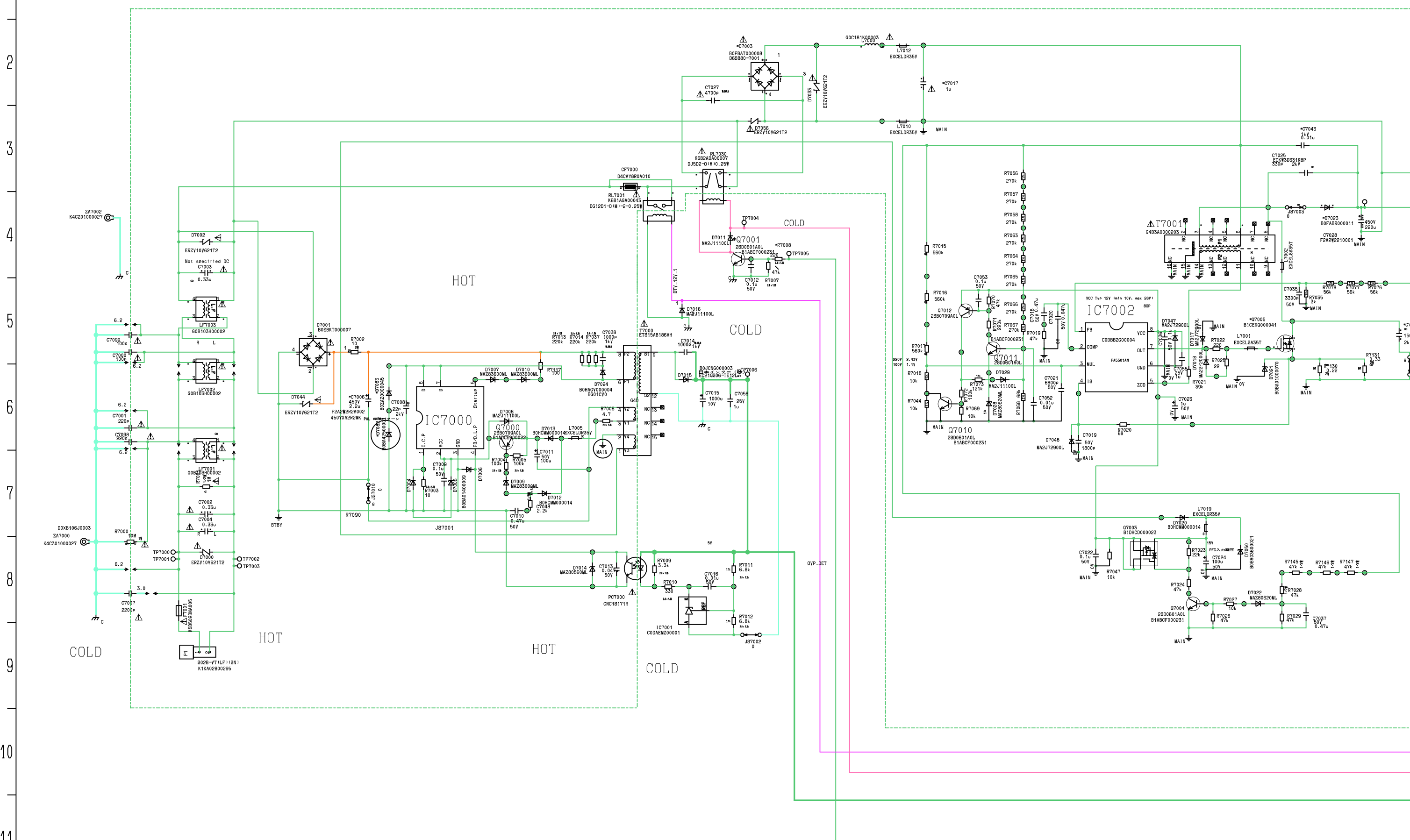


A-BOARD TNP0722 15/16

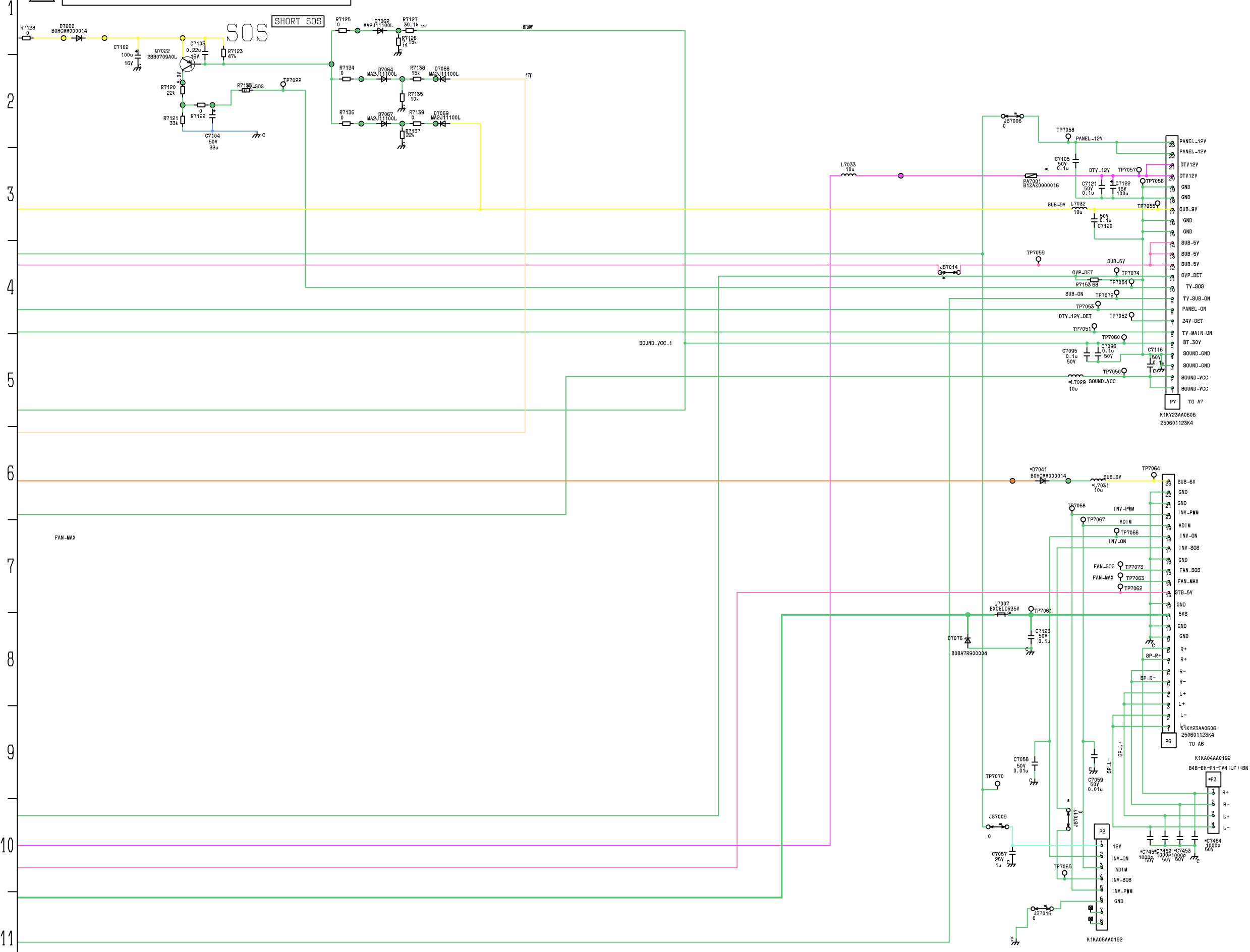
1
2
3
4
5
6
7
8
9
10
11
12
13



⚠ P-BOARD TNPA4467 1/3



! P-BOARD TNPA4467 3/3



A

B

C

D

E



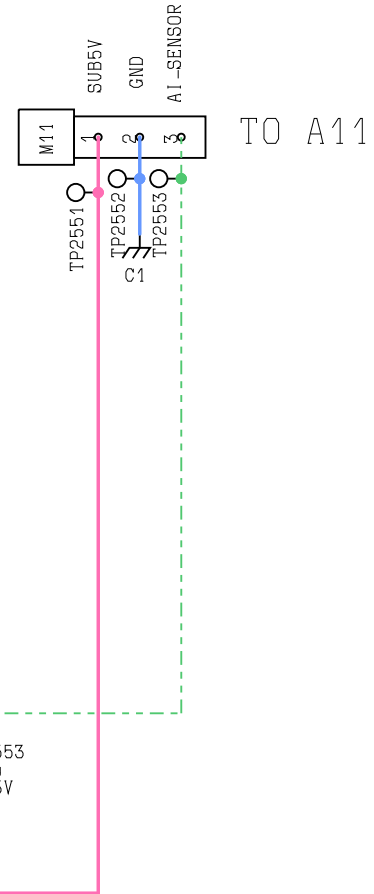
M-BOARD TNPA4460

1

2

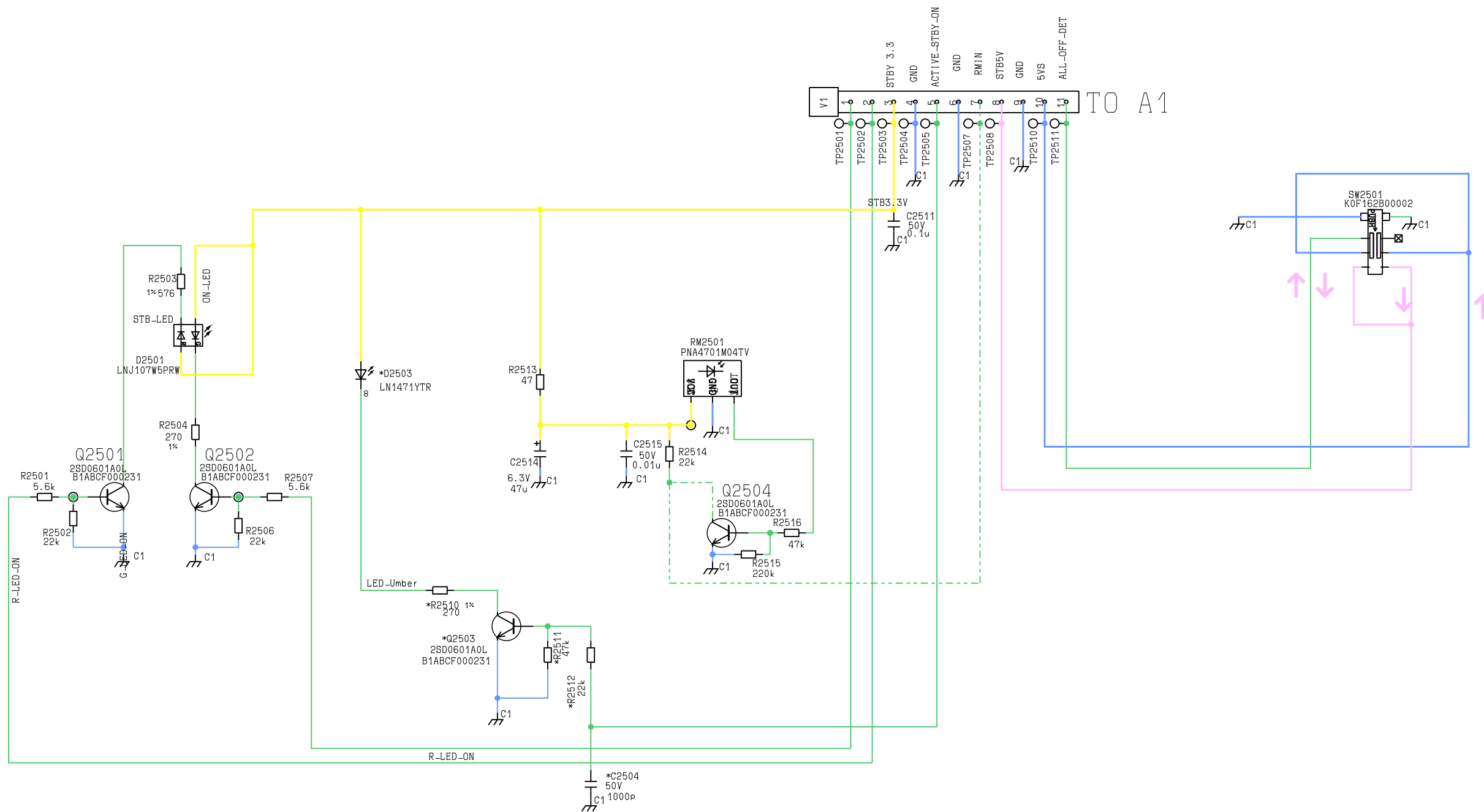
3

4



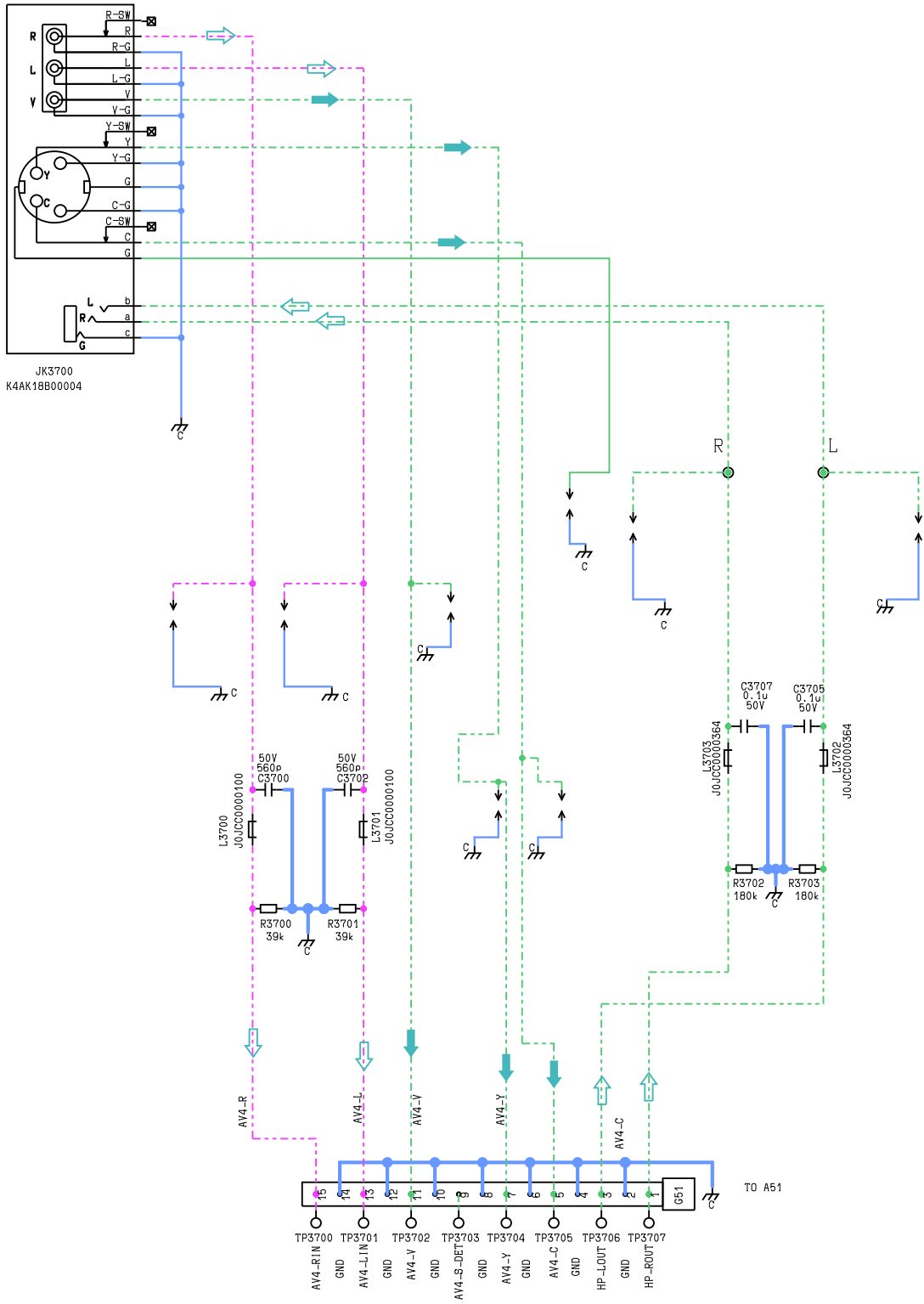


V-BOARD TNPA4459





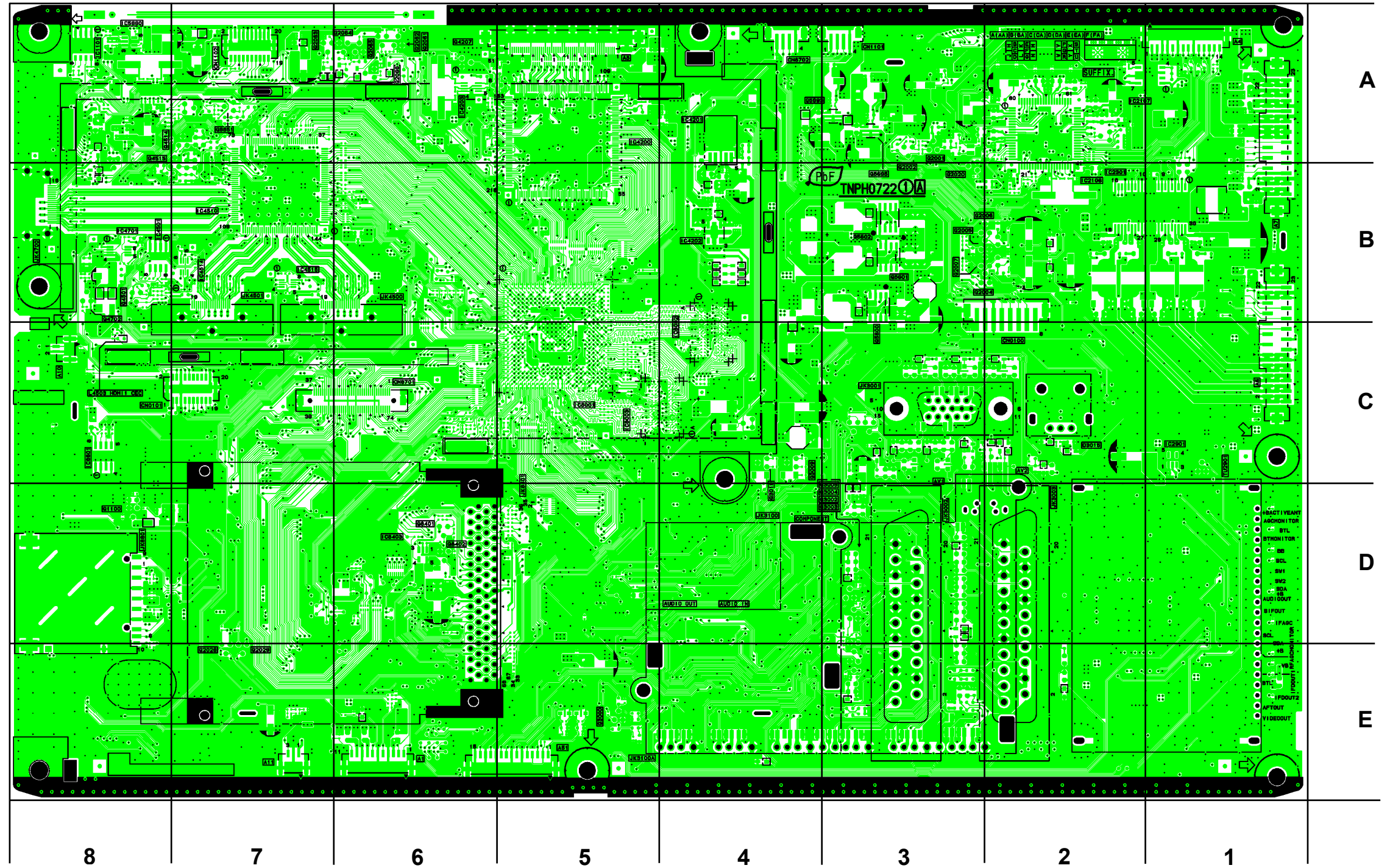
G-BOARD TNPA4118



Conductor Views

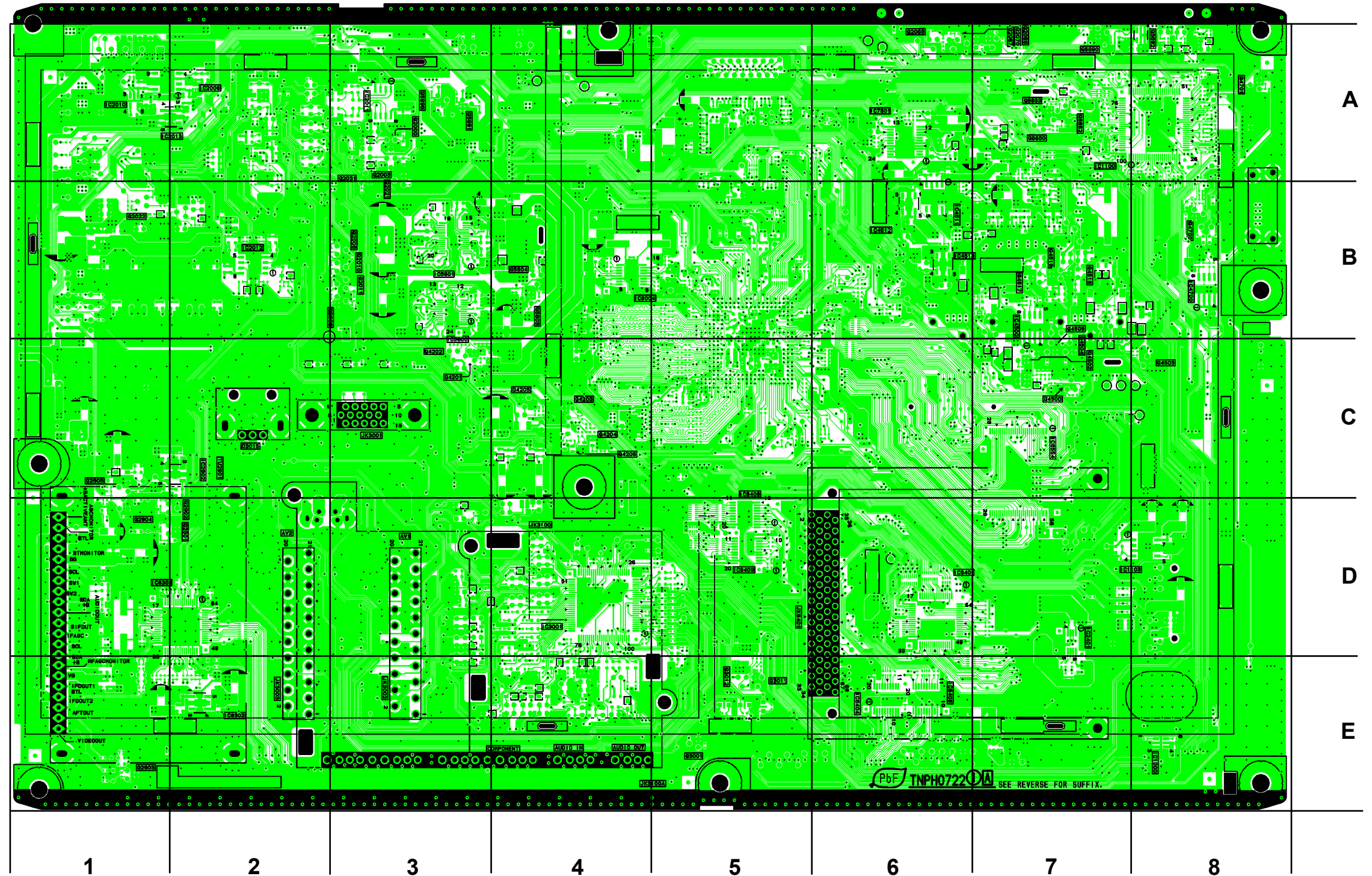
A-BOARD TNPH0722 - top

TRAN'S		IC'S	
Q2001	A3	IC1101	A8
Q2020	B2	IC2106	A2
Q2061	A6	IC2107	A1
Q2062	A6	IC2301	B1
Q2063	A7	IC4200	A5
Q2064	A6	IC4201	A4
Q2065	A6	IC4202	B4
Q2066	A6	IC4203	A5
Q3000	E5	IC4510	B7
Q3002	D3	IC4514	B7
Q3003	D3	IC4515	B7
Q3004	D3	IC5660	A8
Q3005	D3	IC8001	C5
Q4207	A6	IC8002	B4
Q4501	B8	IC8003	C4
Q4514	A8	IC8403	D6
Q4515	A8	IC8601	C8
Q4702	B8		
Q5600	B3	TP'S	
Q5601	B3	TP1010	B1
Q5602	B3	TP1011	A1
Q8401	D6	TP1012	A1
Q8402	D6	TP1013	B1
		TP1014	B1
		TP1015	A1
		TP1016	A1



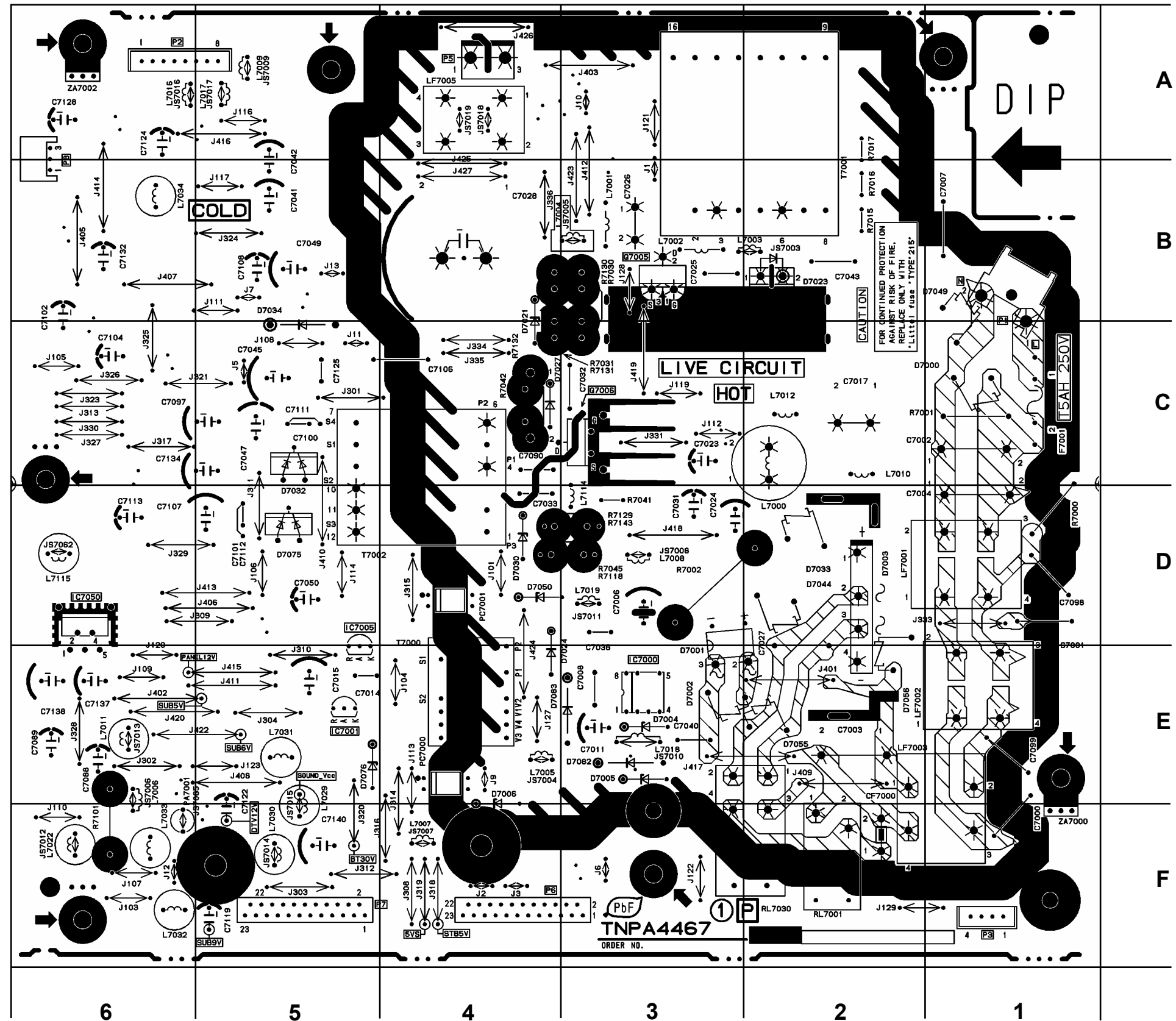
A-BOARD TNP0722 - bottom

TRAN'S	IC'S
Q2021	B3 IC1000 E8
Q2022	B1 IC1100 A7
Q2067	A6 IC2008 A2
Q2068	A6 IC2012 B2
Q2069	A6 IC2013 A1
Q2070	A6 IC2902 C1
Q3001	E5 IC3001 D4
Q4201	C3 IC4511 B6
Q4202	C3 IC4512 B6
Q4203	C4 IC4513 B6
Q4204	C4 IC4700 B8
Q4205	C4 IC5600 B3
Q4206	C4 IC5601 B3
Q4500	C7 IC7601 A6
Q4502	C7 IC8004 B4
Q4503	C8 IC8301 D2
Q4516	B7 IC8302 E2
Q4517	B7 IC8401 D6
Q4519	B7 IC8404 E6
Q4700	B8 IC8405 E6
Q4701	A8 IC8408 D5
Q5603	B4 IC8409 D5
Q5604	B4 IC8554 C7
Q8850	A7
Q8852	A7
Q8853	A7



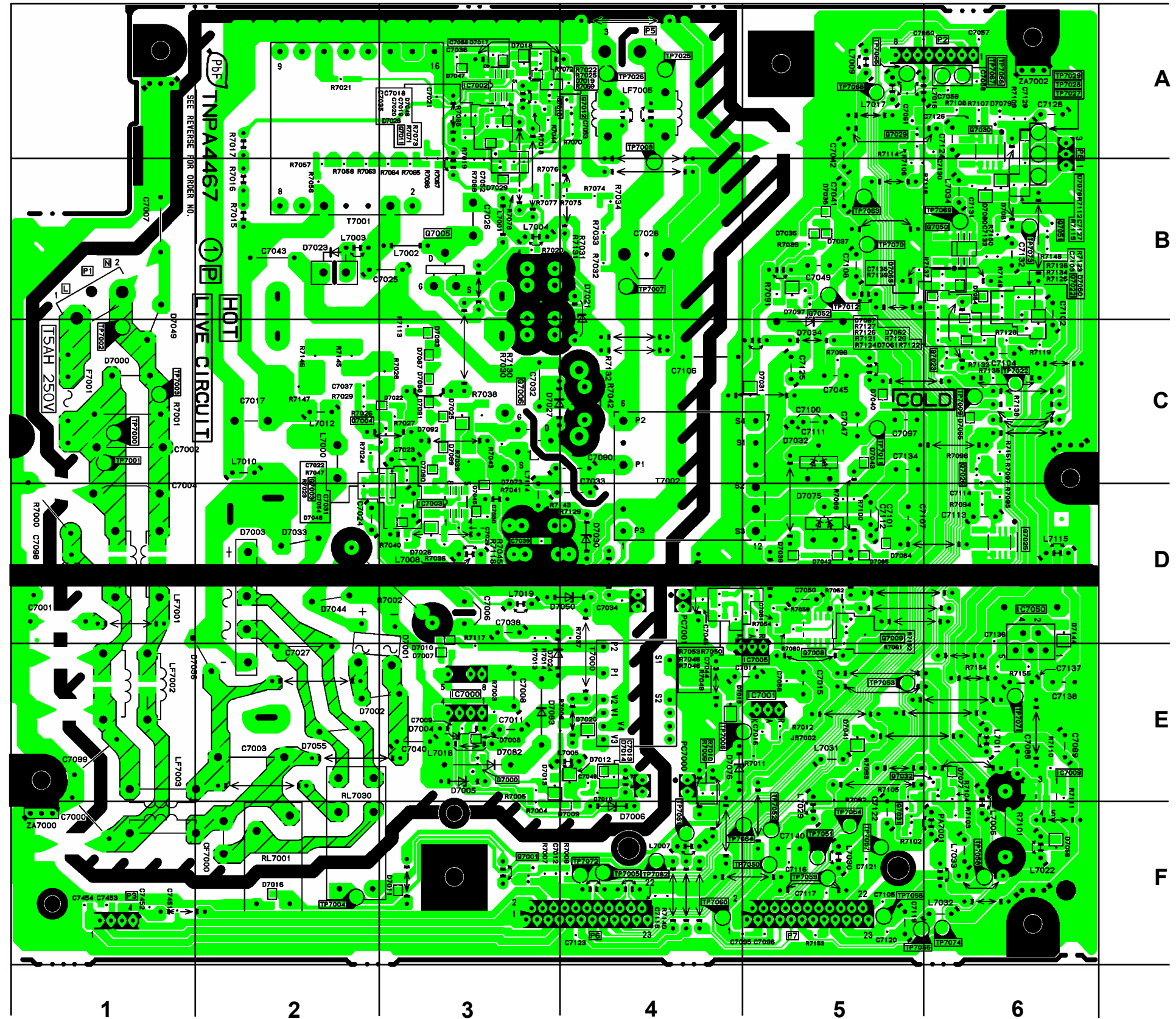
P-BOARD TNPA4467 - top

DIODE'S		D7021	C4
D7000	C1	D7024	E4
D7001	D2	D7027	C4
D7002	E3	D7030	D4
D7032	C5	D7050	D4
D7033	D2	D7076	E5
D7034	C5	D7082	E3
D7044	D2	D7083	E4
D7056	E2		
D7075	D5		
IC'S			
D7023	B2	IC7000	E3
D7003	E2	IC7050	D6
D7004	E3	IC7001	E5
D7005	E3	IC7005	D5
D7006	E4		



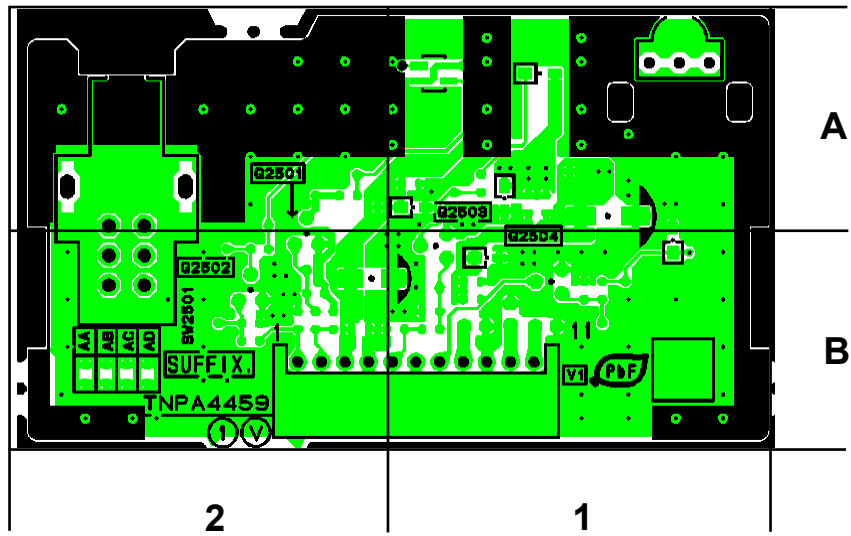
P-BOARD TNPA4467 - bottom

TRAN'S	D7037	B5	TP7004	F2	
Q7000	E3	D7039	D5	TP7005	F4
Q7001	F3	D7040	C5	TP7006	E5
Q7003	D3	D7041	E5	TP7007	B4
Q7004	C3	D7042	D5	TP7008	B4
Q7008	D5	D7043	C5	TP7009	C6
Q7009	D5	D7045	D3	TP7011	C5
Q7010	A4	D7046	D3	TP7012	B5
Q7011	B3	D7047	A3	TP7022	C6
Q7012	A4	D7048	A3	TP7025	A4
Q7022	C6	D7058	F6	TP7026	A4
Q7025	D6	D7060	C6	TP7027	B6
Q7026	D6	D7062	C6	TP7028	A6
Q7052	B5	D7064	B6	TP7029	A6
Q7005	B2	D7066	C6	TP7050	F5
Q7006	C3	D7067	B6	TP7051	F5
	D7069	B6	TP7052	F5	
DIODE'S	D7073	D3	TP7053	E5	
D7007	E3	D7084	D5	TP7054	F5
D7008	E3	D7085	D5	TP7055	F5
D7009	F4	D7087	C3	TP7056	F5
D7010	D3	D7088	C3	TP7057	F5
D7011	F3	D7089	C3	TP7058	F6
D7012	E4	D7090	C3	TP7059	F5
D7013	E4	D7091	C3	TP7060	F4
D7014	E4	D7092	C3	TP7061	F4
D7015	E5	D7093	C3	TP7062	F4
D7016	F2	D7144	D6	TP7063	B5
D7017	A3		TP7064	F4	
D7018	A3	IC'S	TP7065	A5	
D7020	E4	IC7002	A3	TP7066	A6
D7022	C3	IC7003	D3	TP7067	A6
D7025	C3	IC7009	E6	TP7068	A5
D7026	D3		TP7069	B6	
D7028	A3	TP'S	TP7070	B5	
D7029	B3	TP7000	C1	TP7071	E6
D7031	C5	TP7001	C1	TP7072	F4
D7035	B5	TP7002	C1	TP7073	B6
D7036	B5	TP7003	C1	TP7074	E6



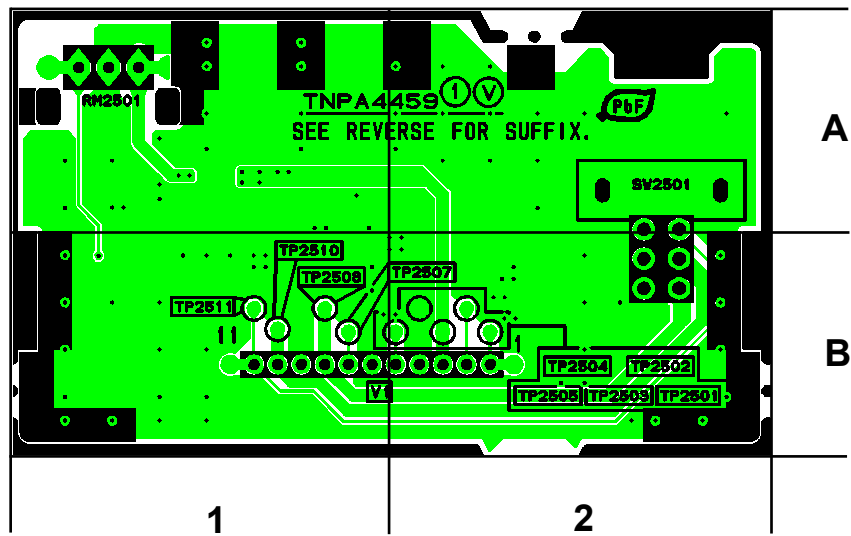
V-BOARD TNPA4459-top

TRAN'S	
Q2501	A2
Q2502	B2
Q2503	A1
Q2504	B1
DIODE'S	
D2501	A1
D2503	A1
IC'S	
RM2501	A1

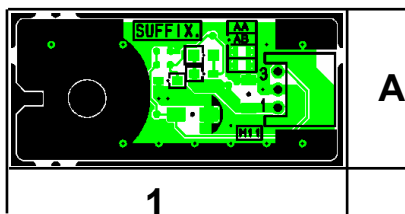


V-BOARD TNPA4459-bottom

TP'S	
TP2501	B2
TP2502	B2
TP2503	B2
TP2504	B2
TP2505	B1
TP2507	B1
TP2508	B1
TP2510	B1
TP2511	B1

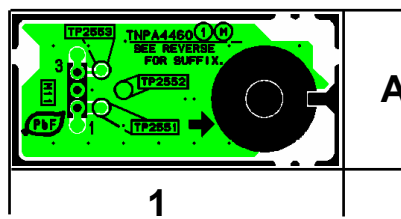


M-BOARD TNPA4460-top



IC'S	
SN2551	A1

M-BOARD TNPA4460-bottom



TP'S	
TP2551	A1
TP2552	A1
TP2553	A1