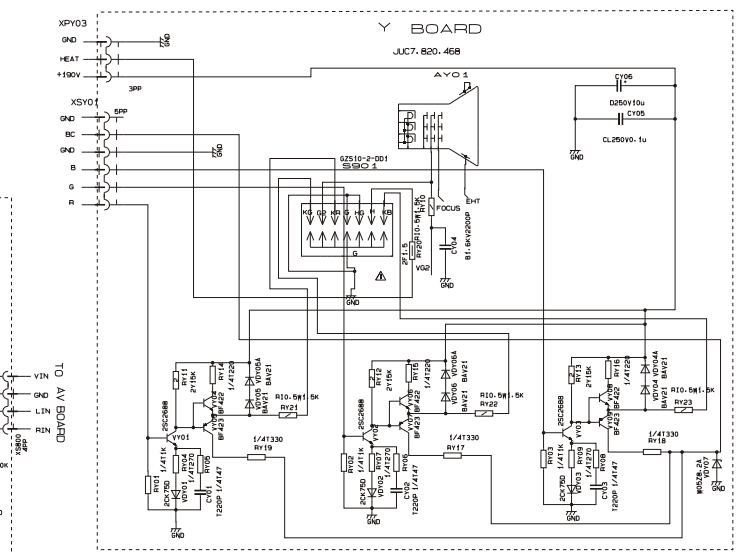
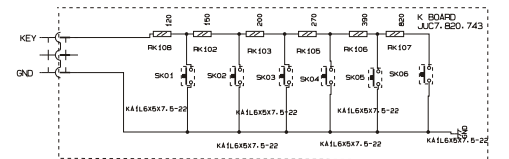
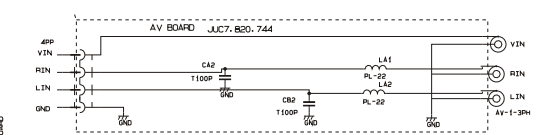
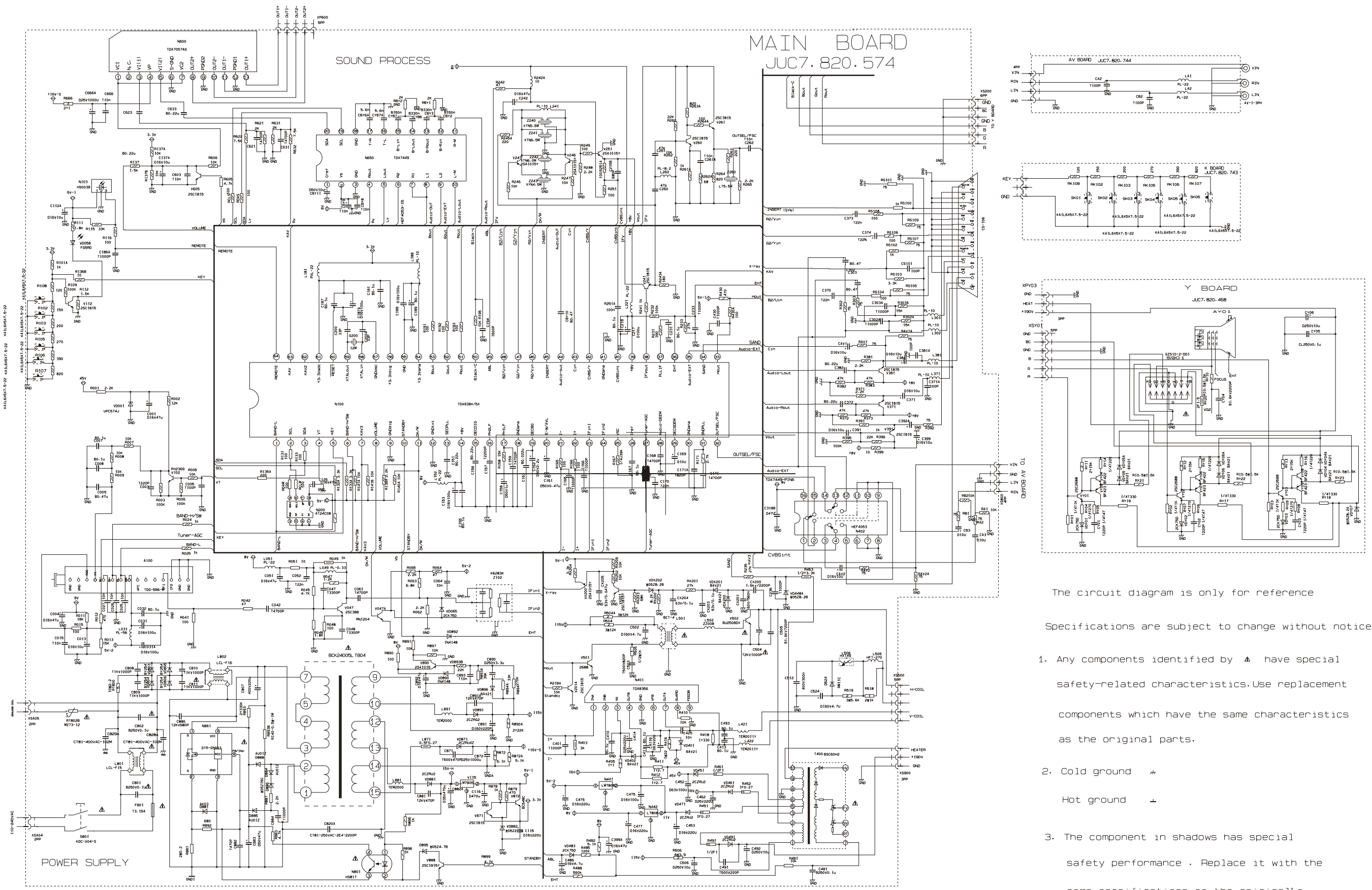


# CIRCUIT DIAGRAM FOR 21C99/PF21C99



The circuit diagram is only for reference  
 Specifications are subject to change without notice

1. Any components identified by  $\blacktriangle$  have special safety-related characteristics. Use replacement components which have the same characteristics as the original parts.
2. Cold ground  $\text{---}$   
 Hot ground  $\text{---}$
3. The component in shadows has special safety performance. Replace it with the same specifications as the original's