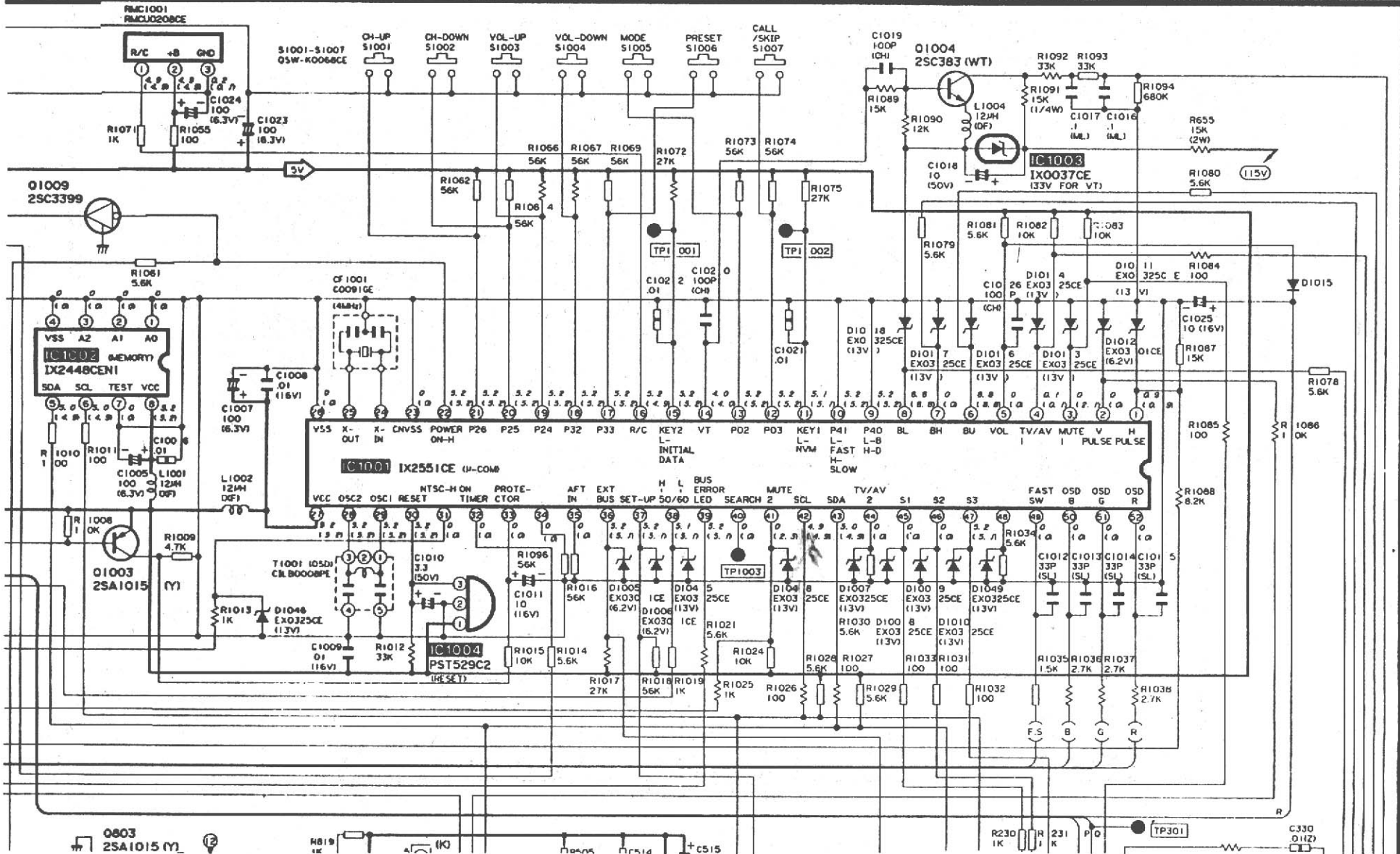


# PWB-A (MAIN UNIT) DUNTK8615WEV0



Q803 2SA1015 M

H819 1K

4K (K)

100K

10K

100K

10K

10K

10K

10K

10K

C515

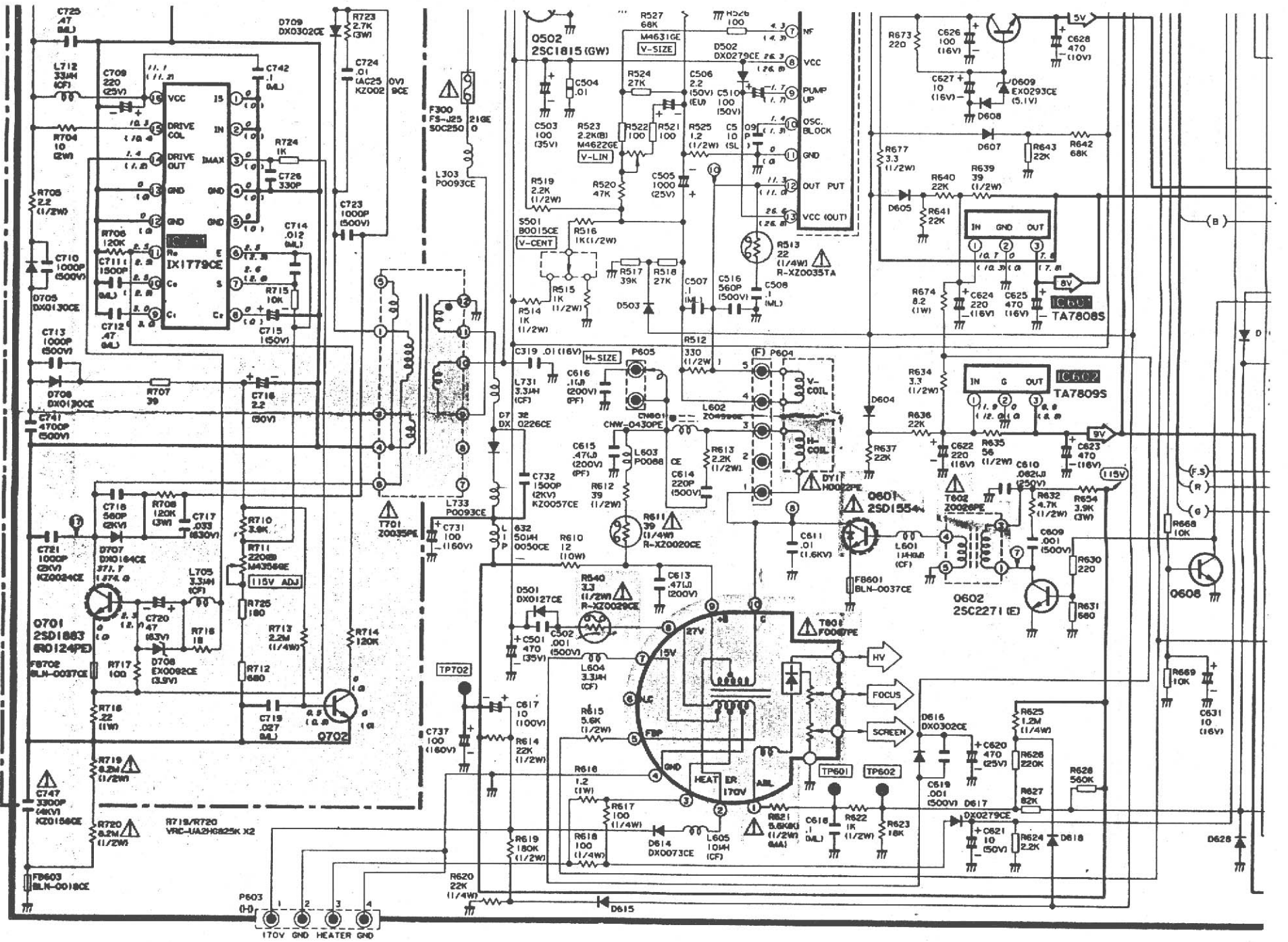
R230 1K

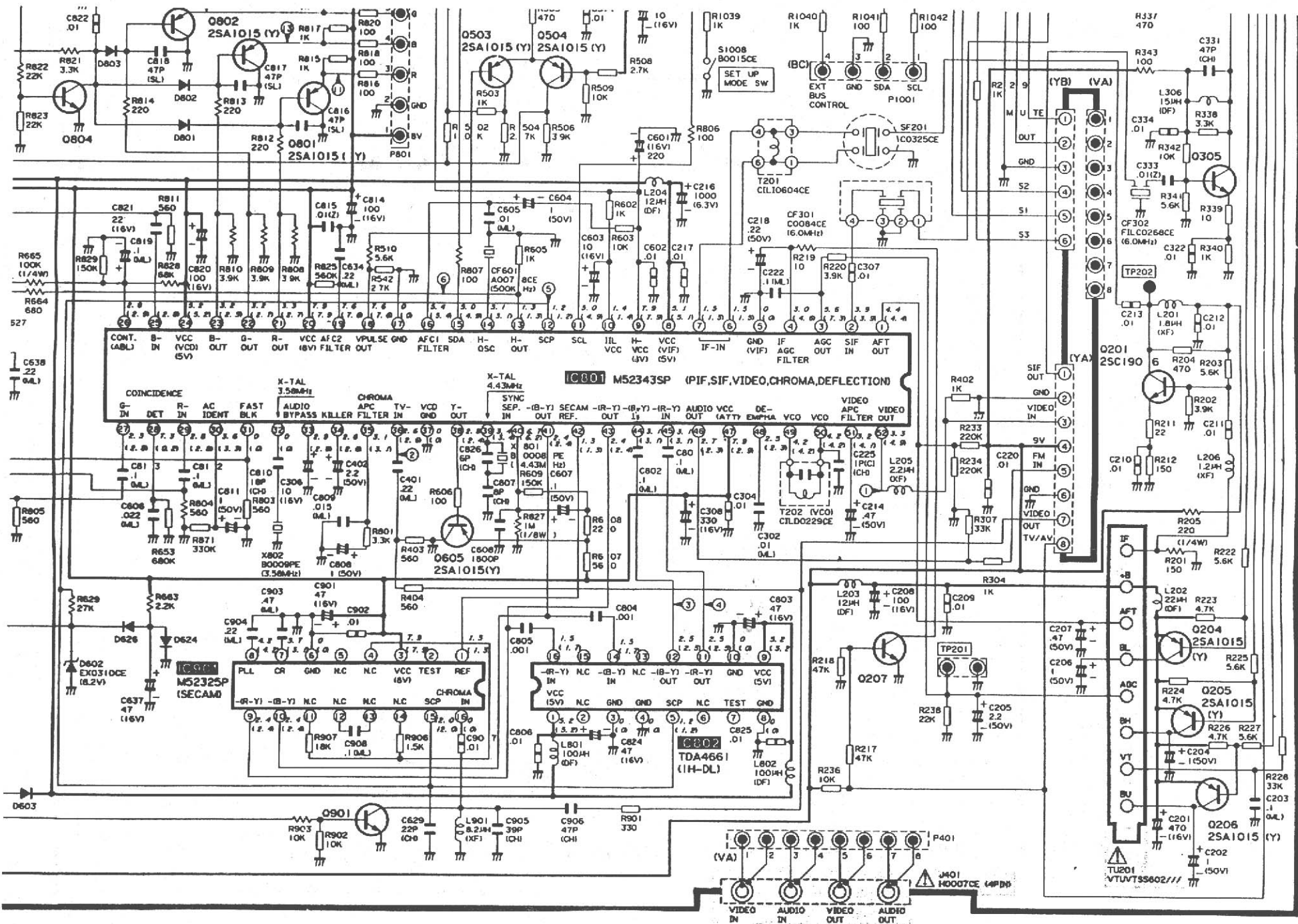
R231 1K

P10

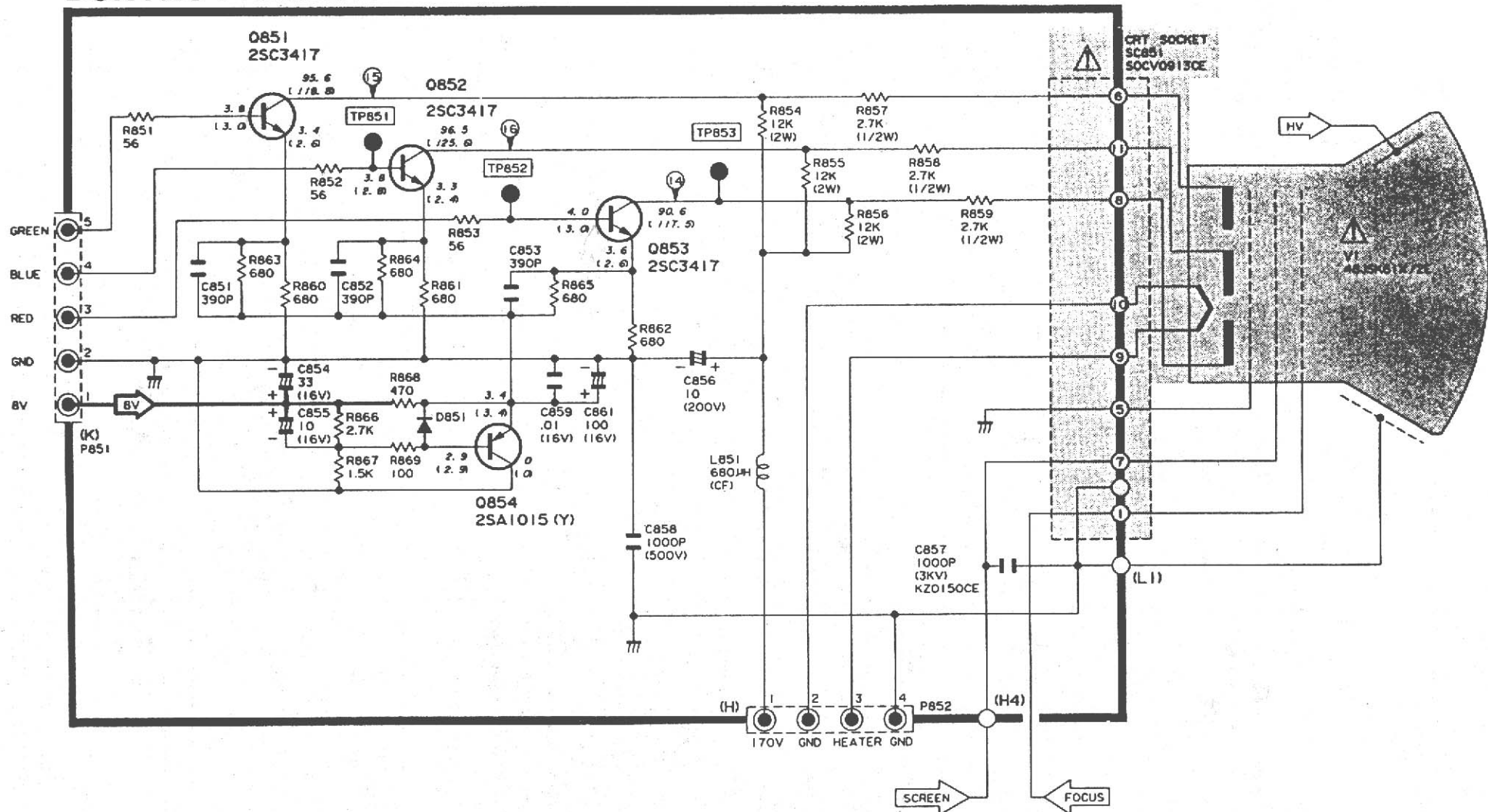
TP301

C330 0.1H2

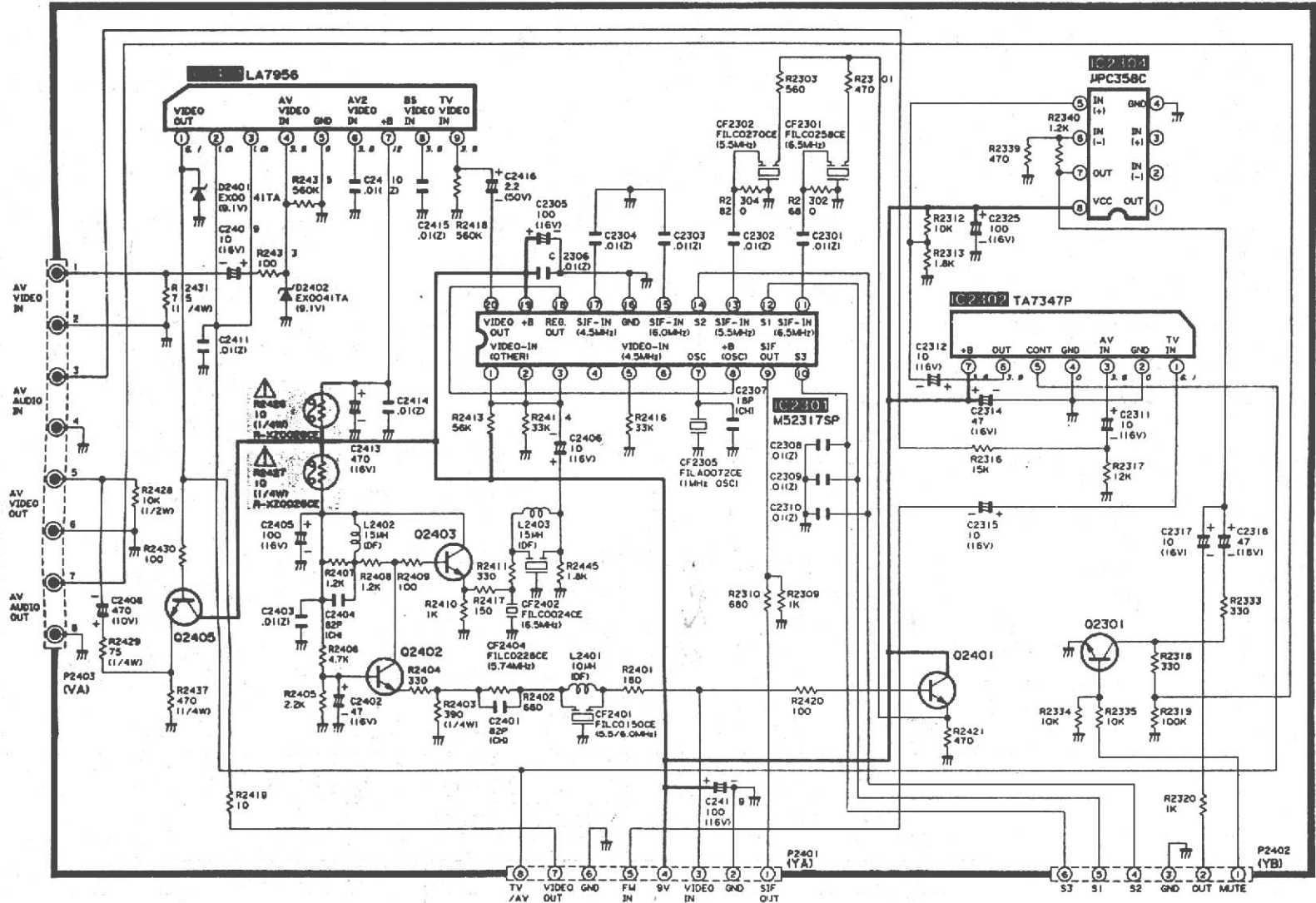




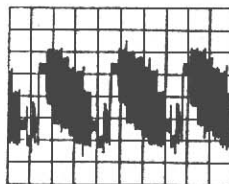
# PWB-C (CRT UNIT) DUNTK8446WEV2



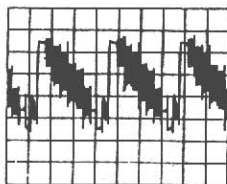
# PWB-D (AV UNIT) DUNTK8599WEV1



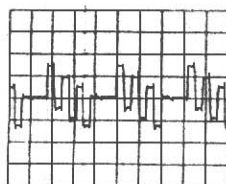
## WAVE FORMS



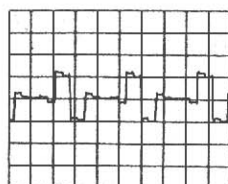
① 2.2 Vp-p (H)



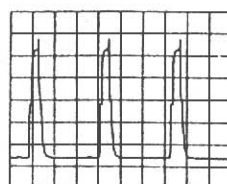
② 1.0 Vp-p (H)



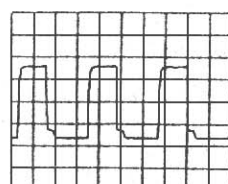
③ 1.3 Vp-p (H)



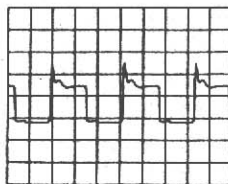
④ 1.0 Vp-p (H)



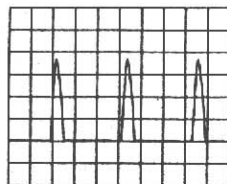
⑤ 5.0 Vp-p (H)



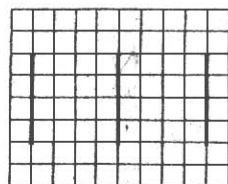
⑥ 3.2 Vp-p (H)



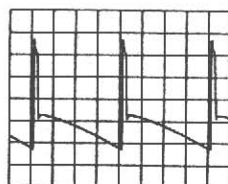
⑦ 140 Vp-p (H)



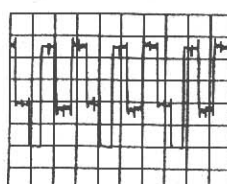
⑧ 925 Vp-p (H)



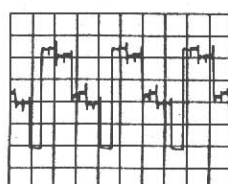
⑨ 4.1 Vp-p (V)



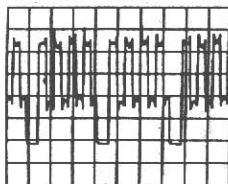
⑩ 50 Vp-p (V)



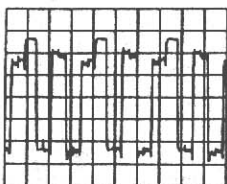
⑪ 4.5 Vp-p (H)



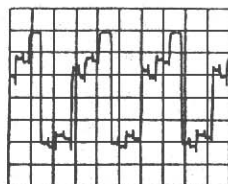
⑫ 4.5 Vp-p (H)



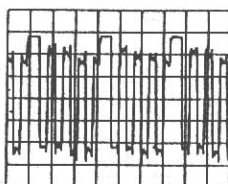
⑬ 4.5 Vp-p (H)



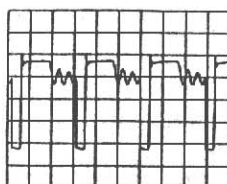
⑭ 100 Vp-p (H)



⑮ 100 Vp-p (H)

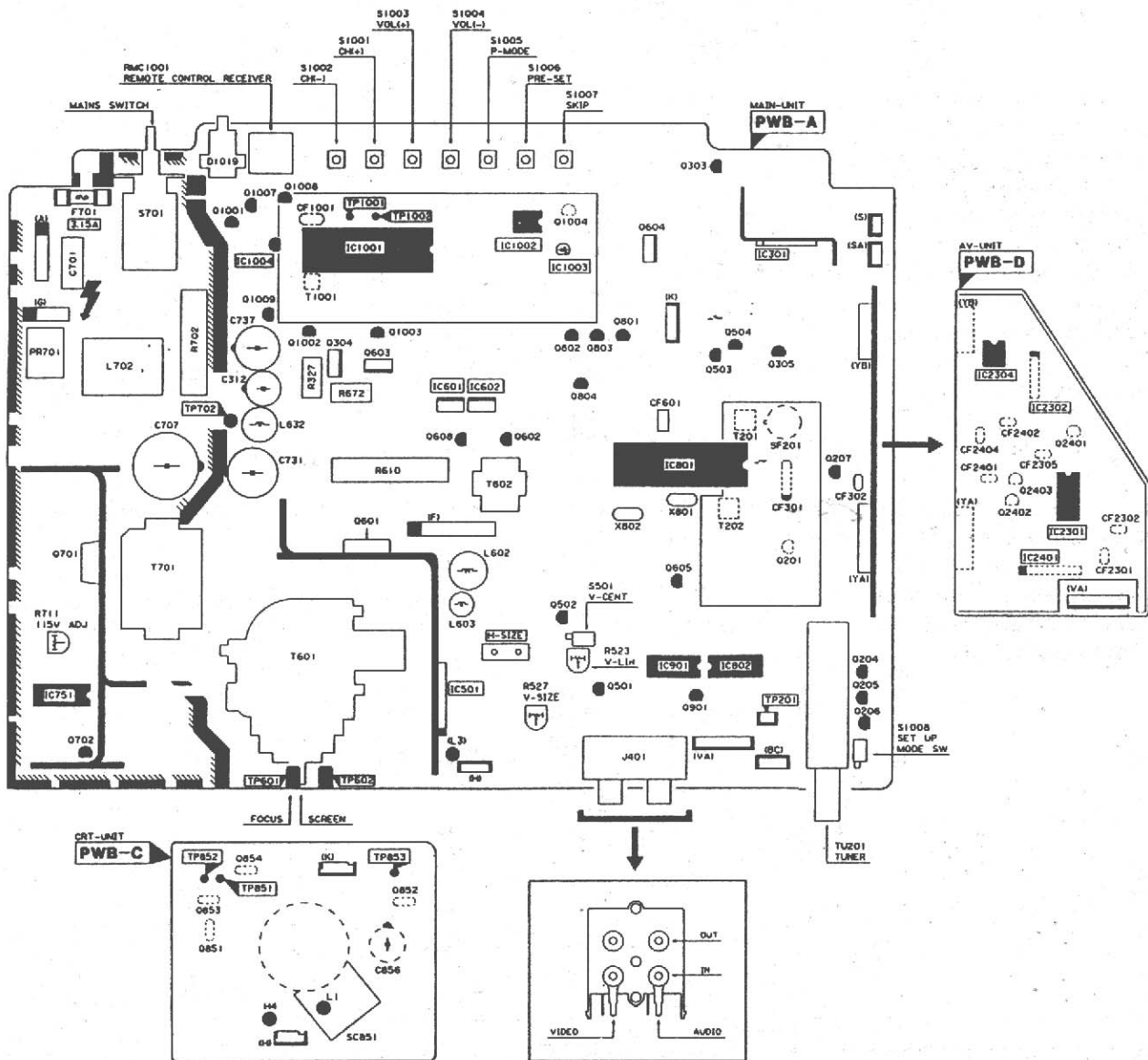


⑯ 100 Vp-p (H)



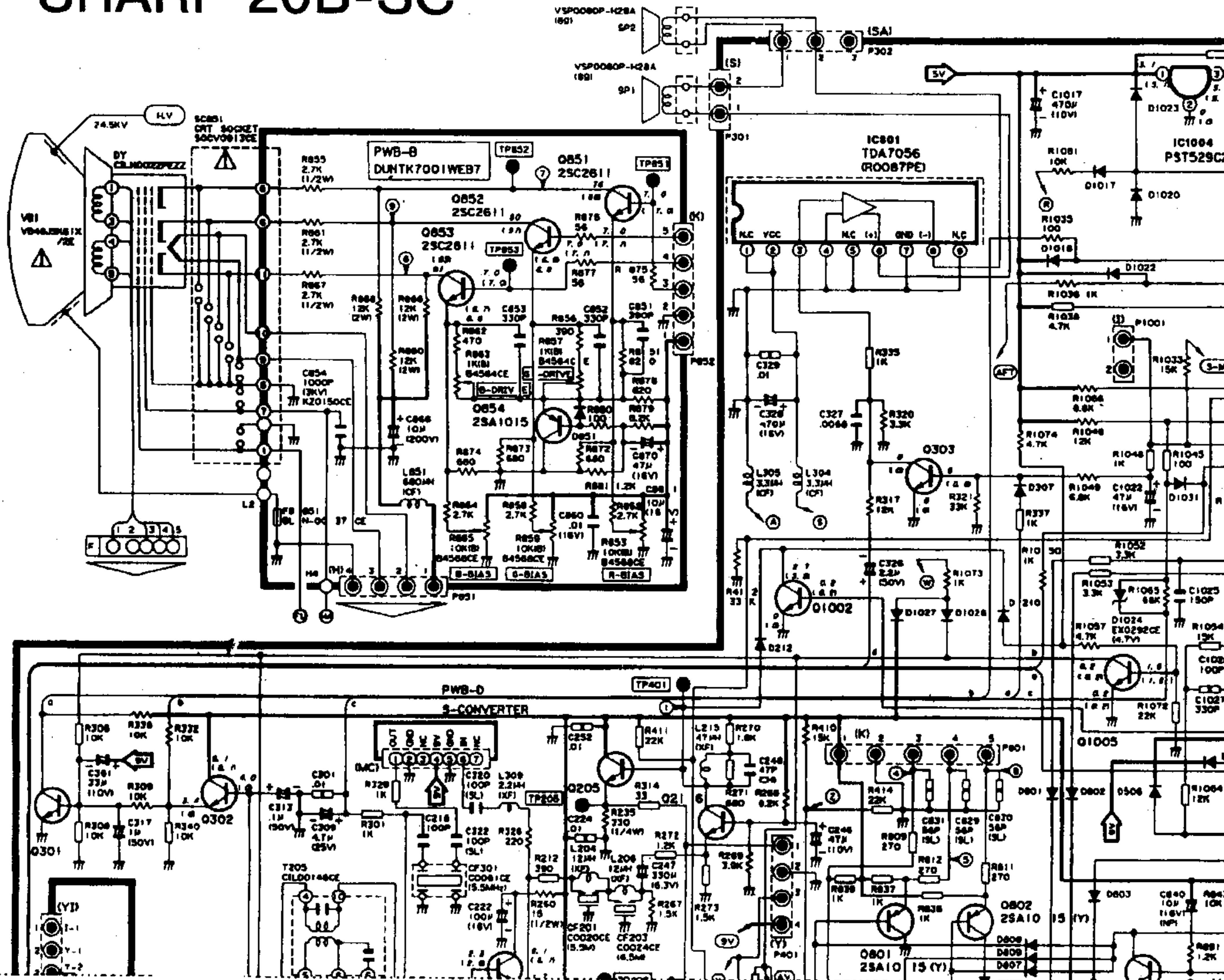
⑰ 440 Vp-p

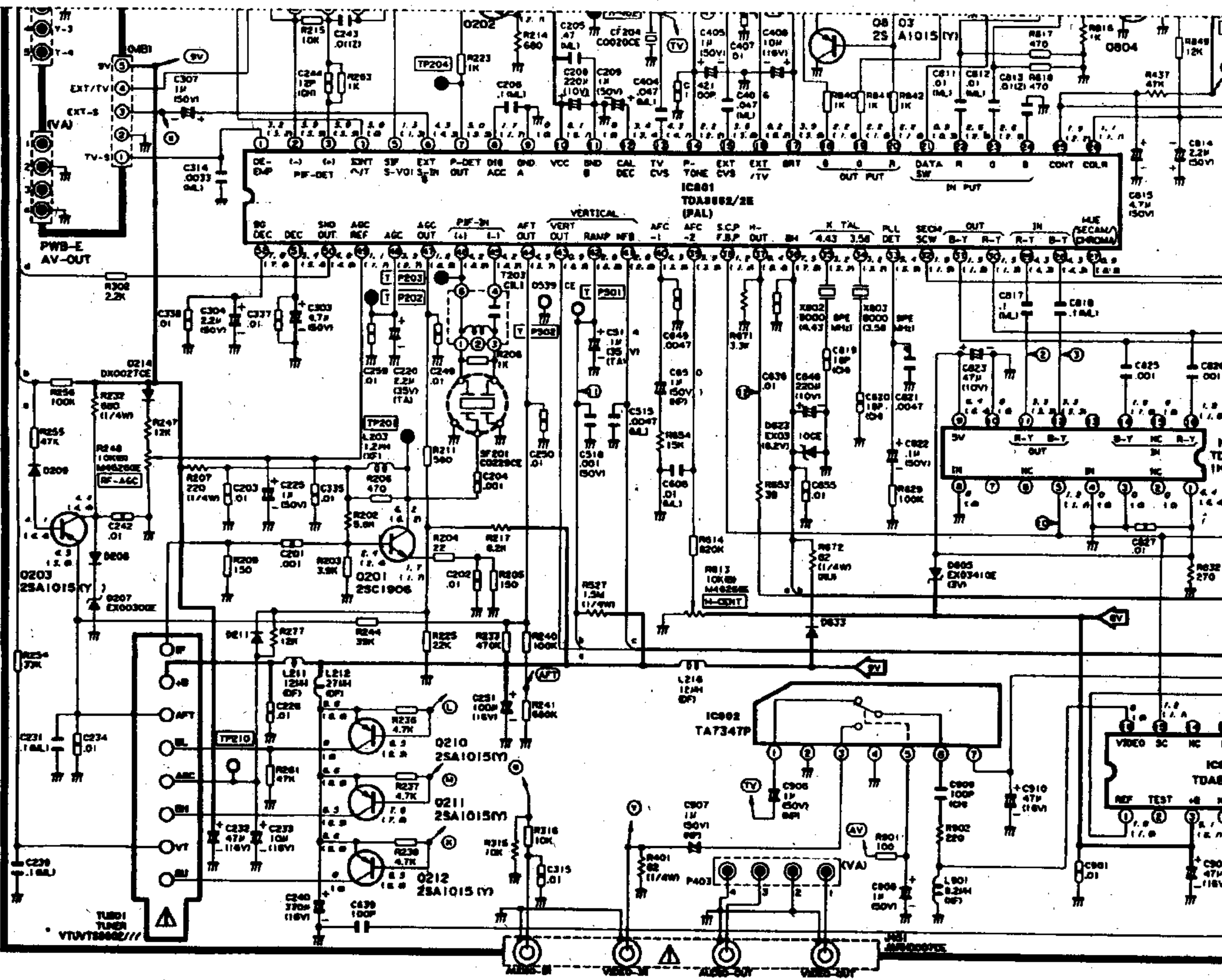
# CHASSIS LAYOUT

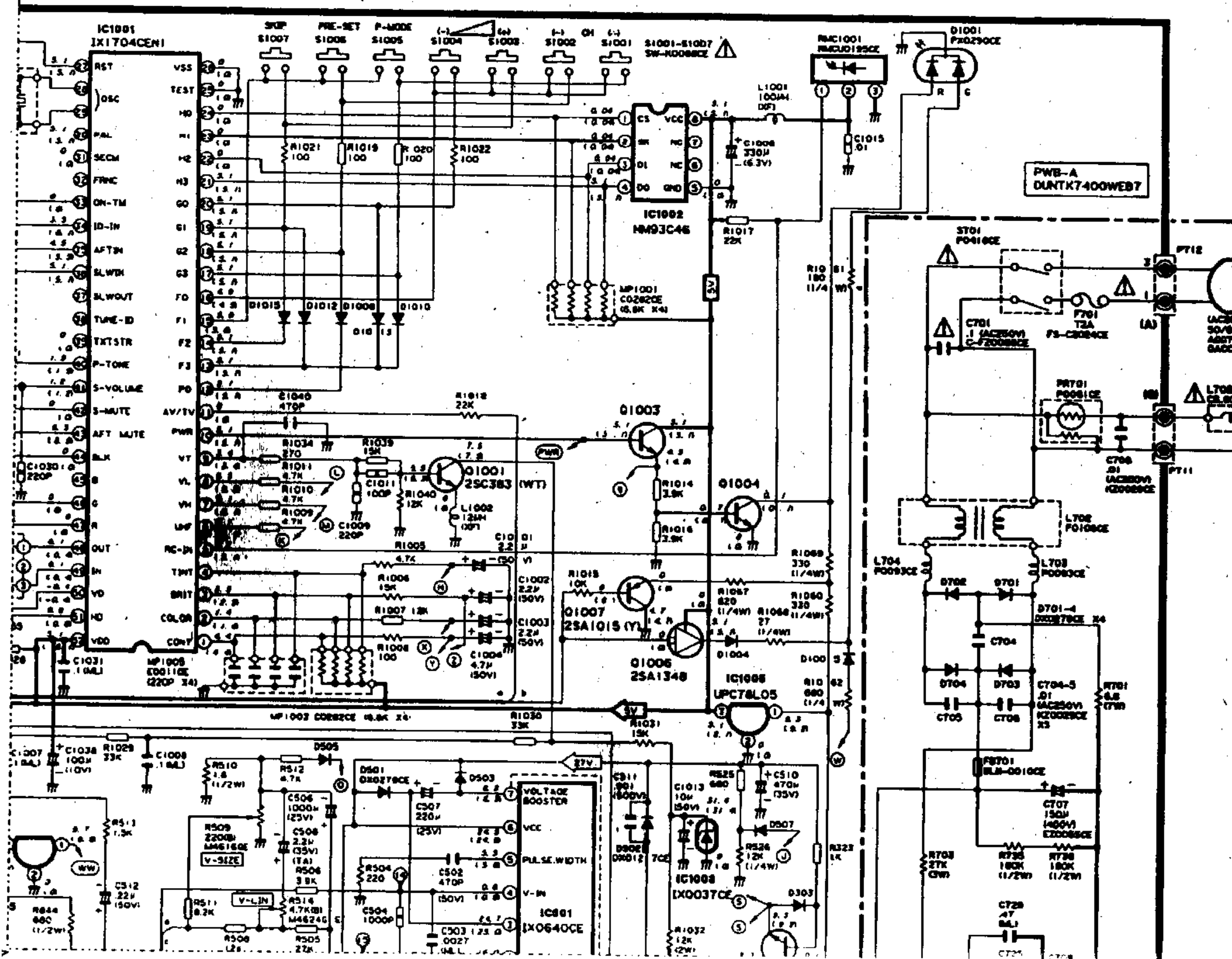




# SHARP 20B-SC







PWB-A  
DUNT K7400WEB7

(WT)

(Y)

(S)

(S)

