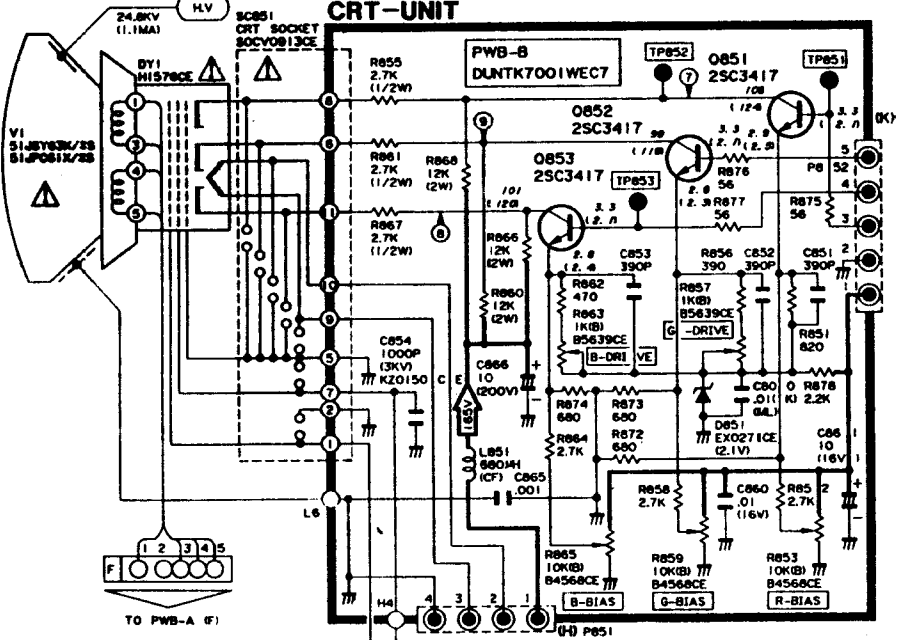
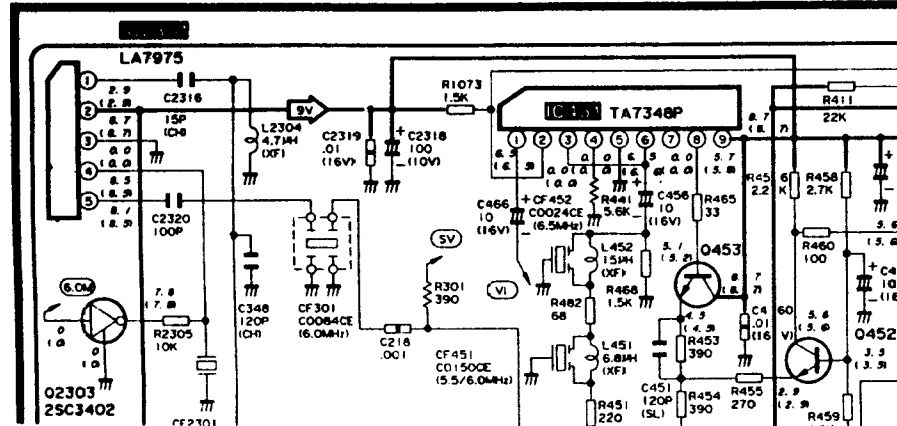
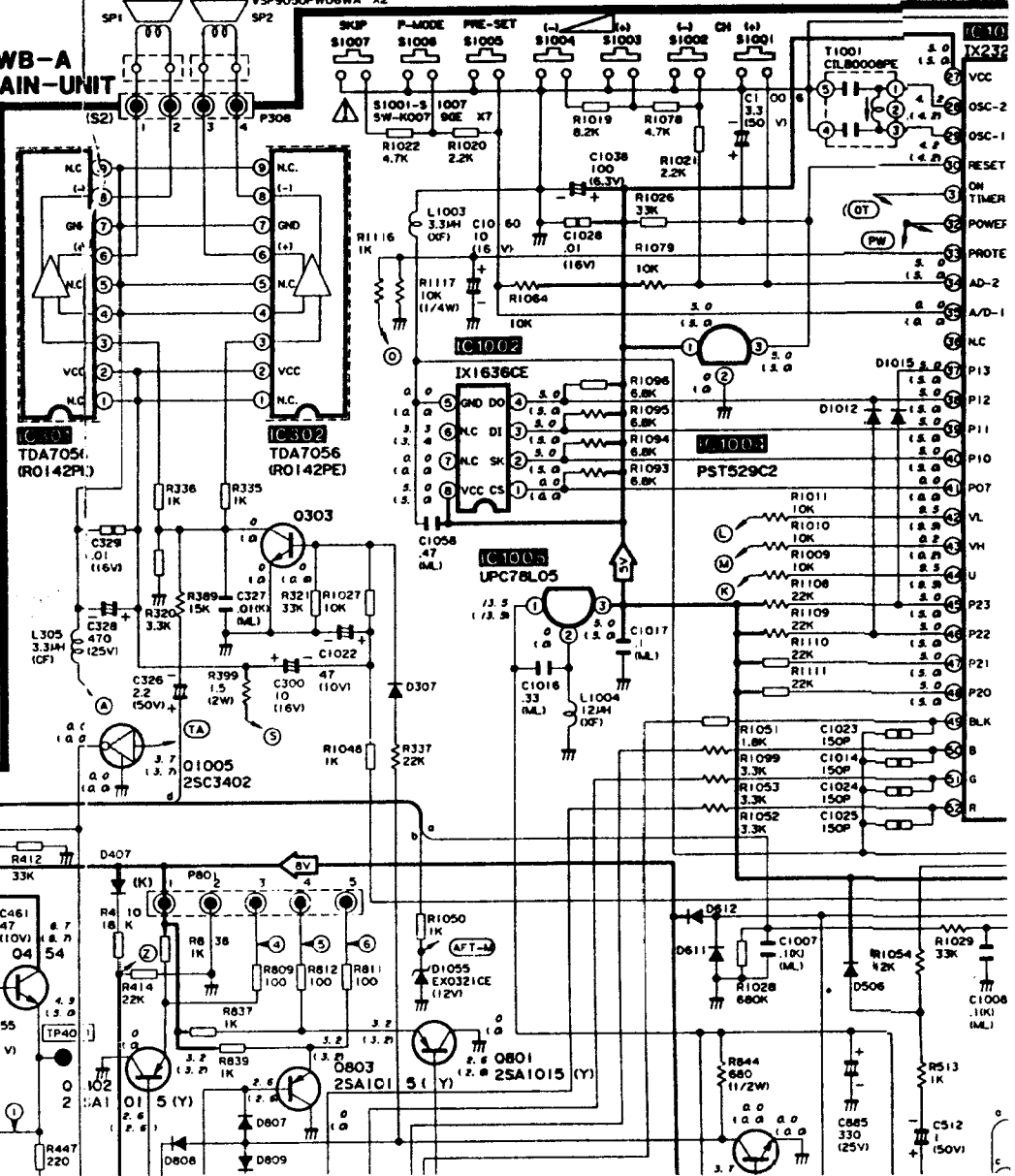


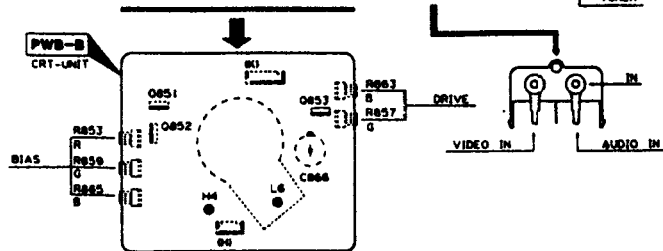
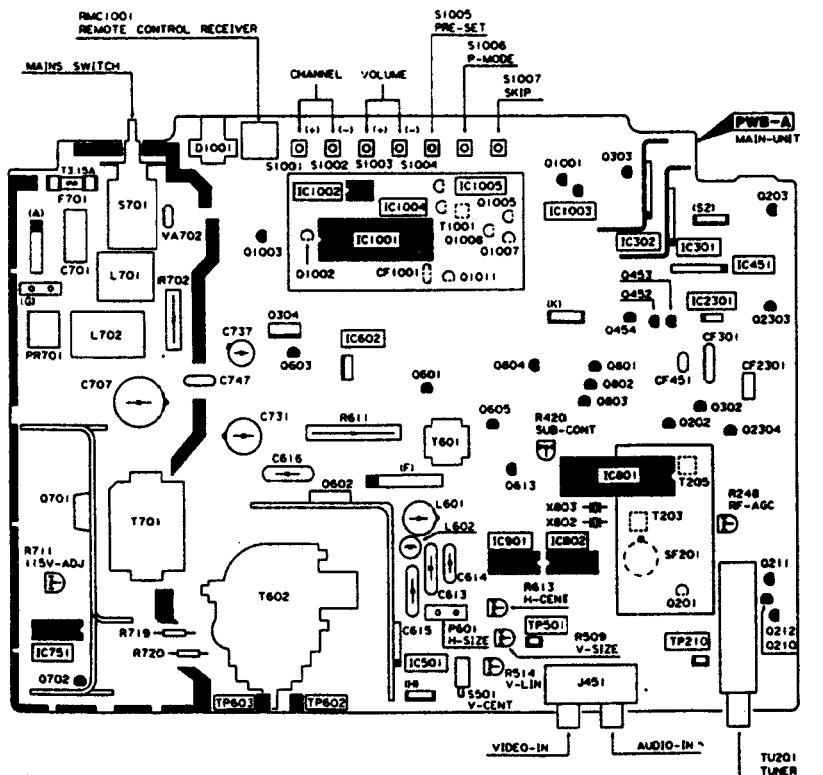
**PWB-B
CRT-UNIT**



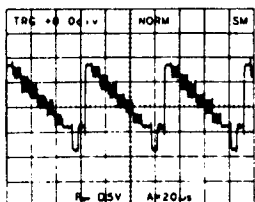
**PWB-A
MAIN-UNIT**



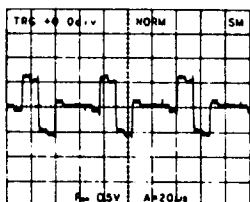
CHASSIS LAYOUT



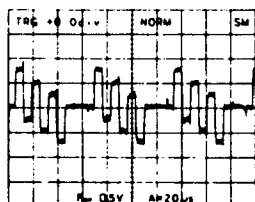
WAVE FORMS



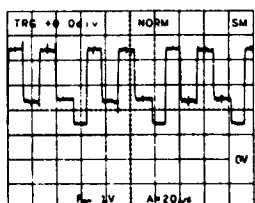
① 1.9 Vp-p (H)



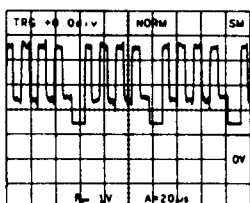
② 1.0 Vp-p (H)



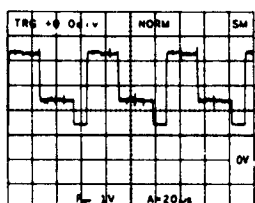
③ 1.5 Vp-p (H)



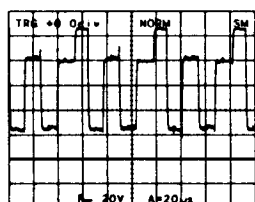
④ 2.8 Vp-p (H)



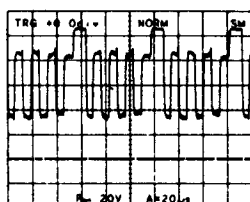
⑤ 3.0 Vp-p (H)



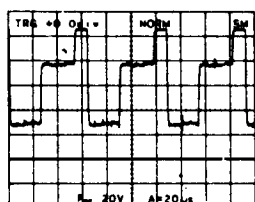
⑥ 2.9 Vp-p (H)



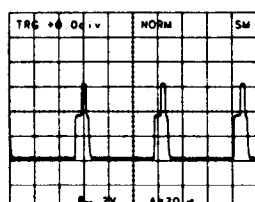
⑦ 90 Vp-p (H)



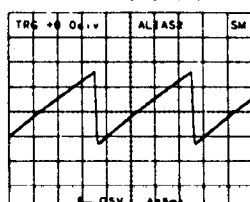
⑧ 78 Vp-p (H)



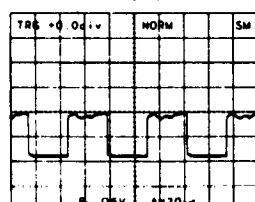
⑨ 86 Vp-p (H)



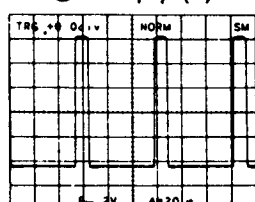
⑩ 6.0 Vp-p (H)



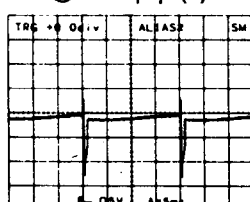
⑪ 1.4 Vp-p (M)



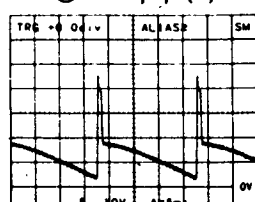
⑫ 0.8 Vp-p (H)



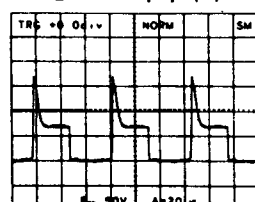
⑬ 10.6 Vp-p (H)



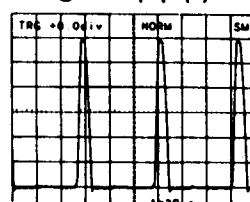
⑭ 1.6 Vp-p (M)



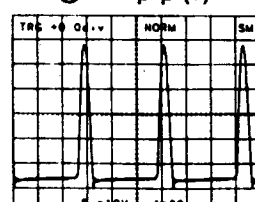
⑮ 42 Vp-p (M)



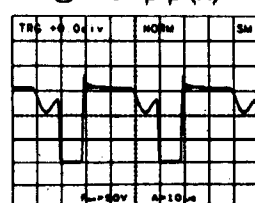
⑯ 145 Vp-p (H)



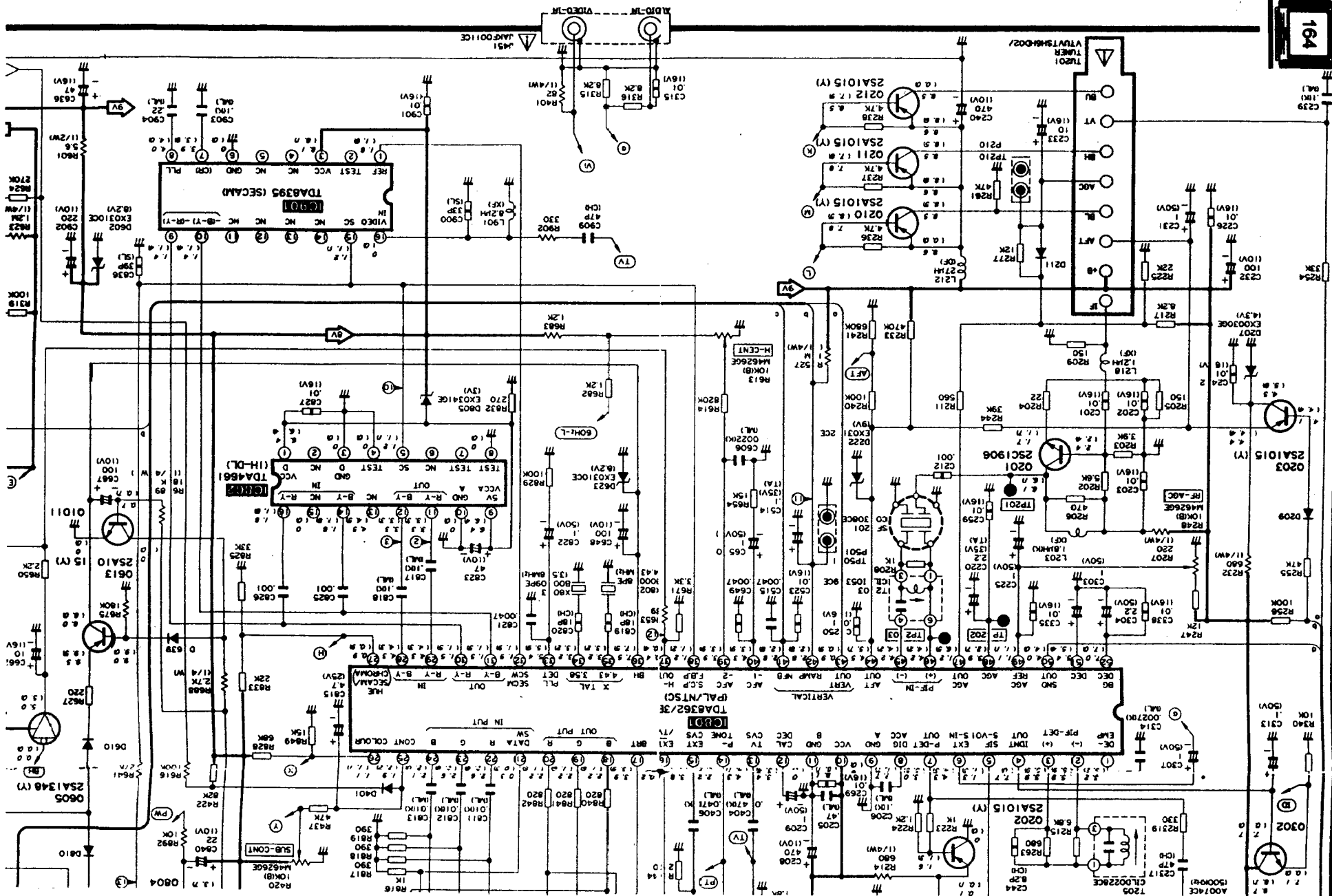
⑰ 960 Vp-p (H)

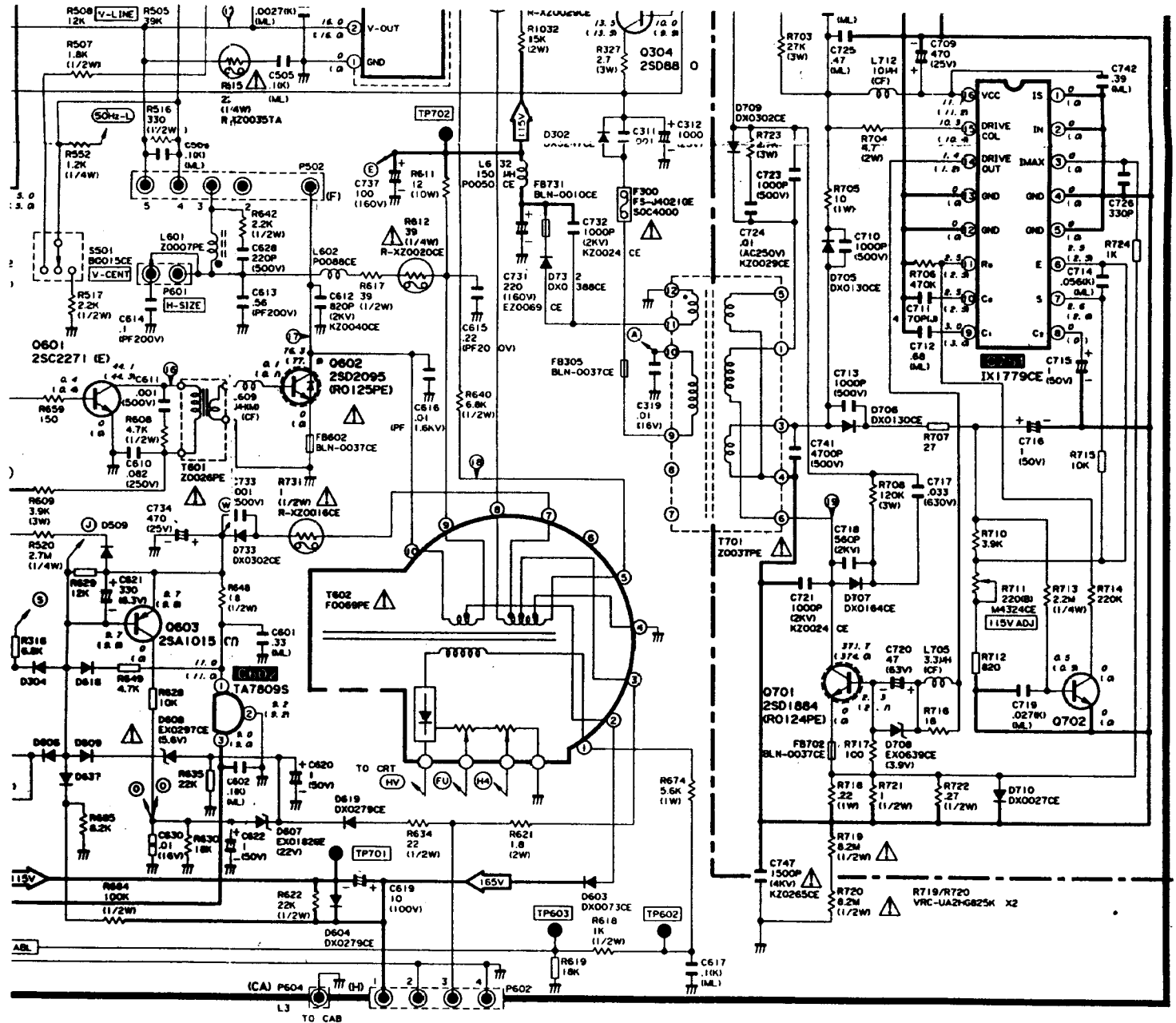


⑱ 150 Vp-p (H)

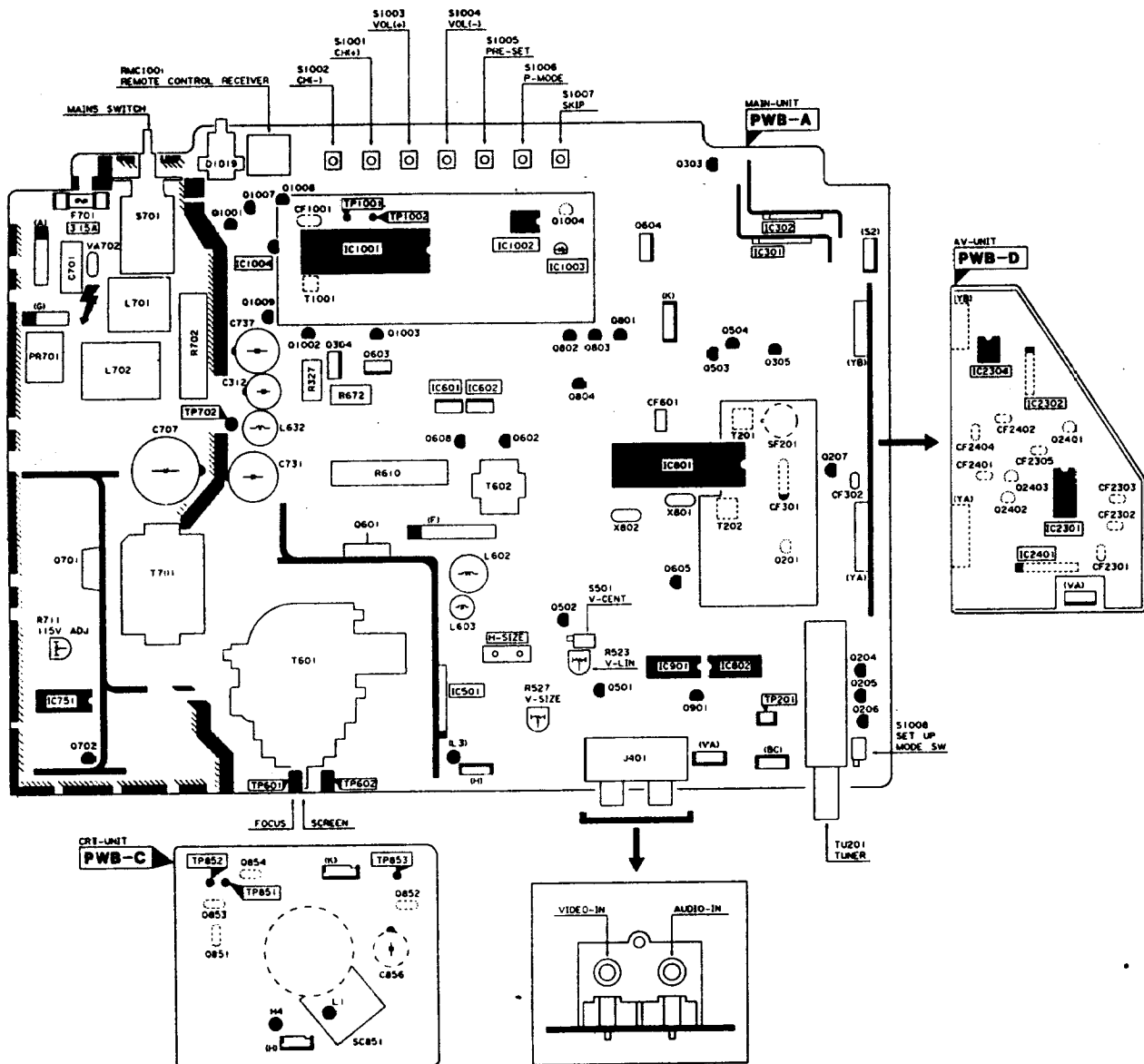


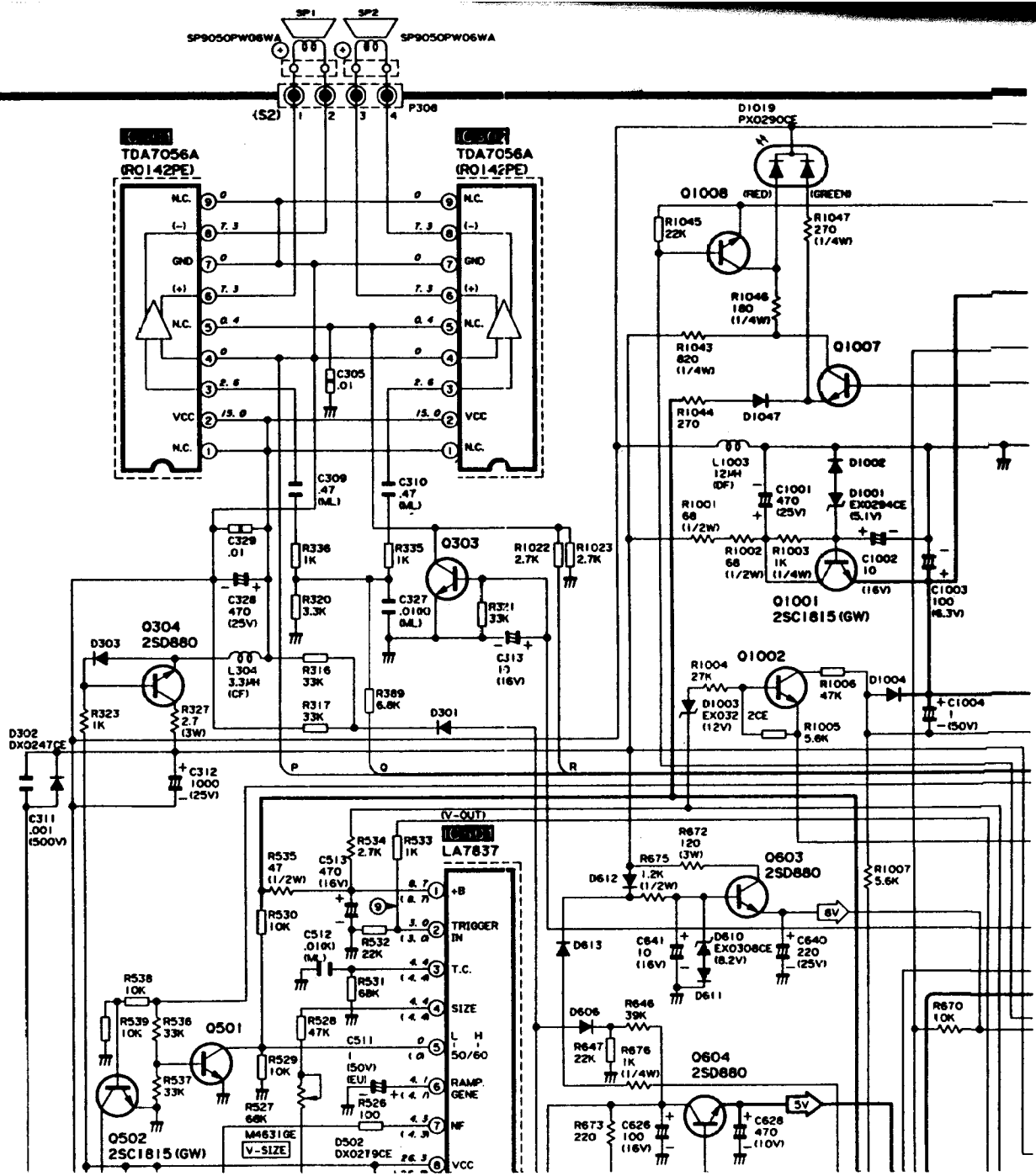
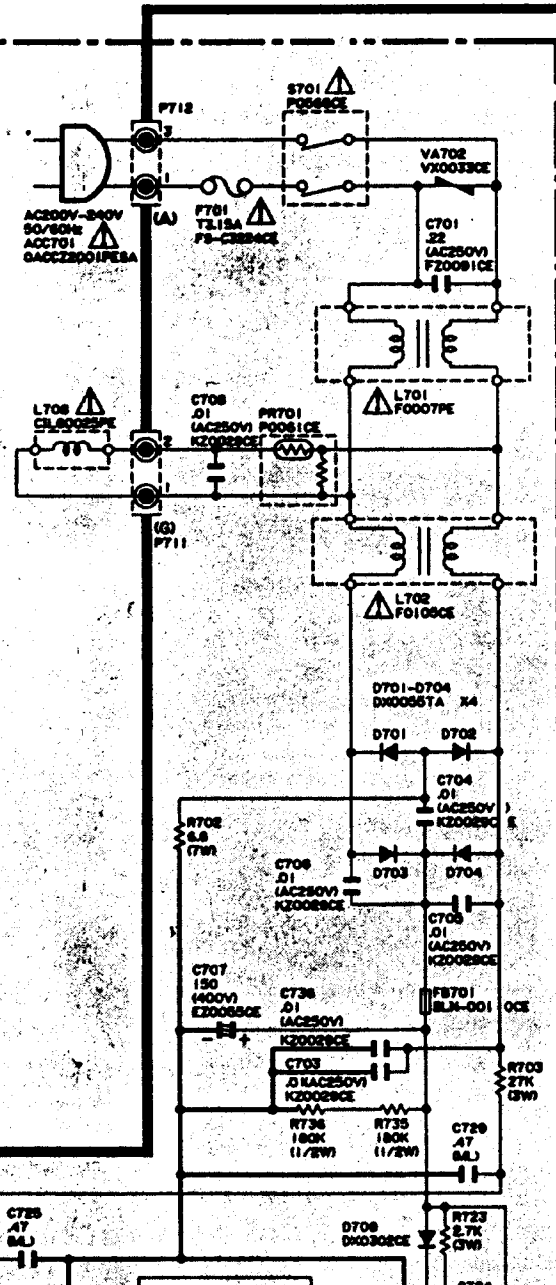
⑲ 550 Vp-p (H)





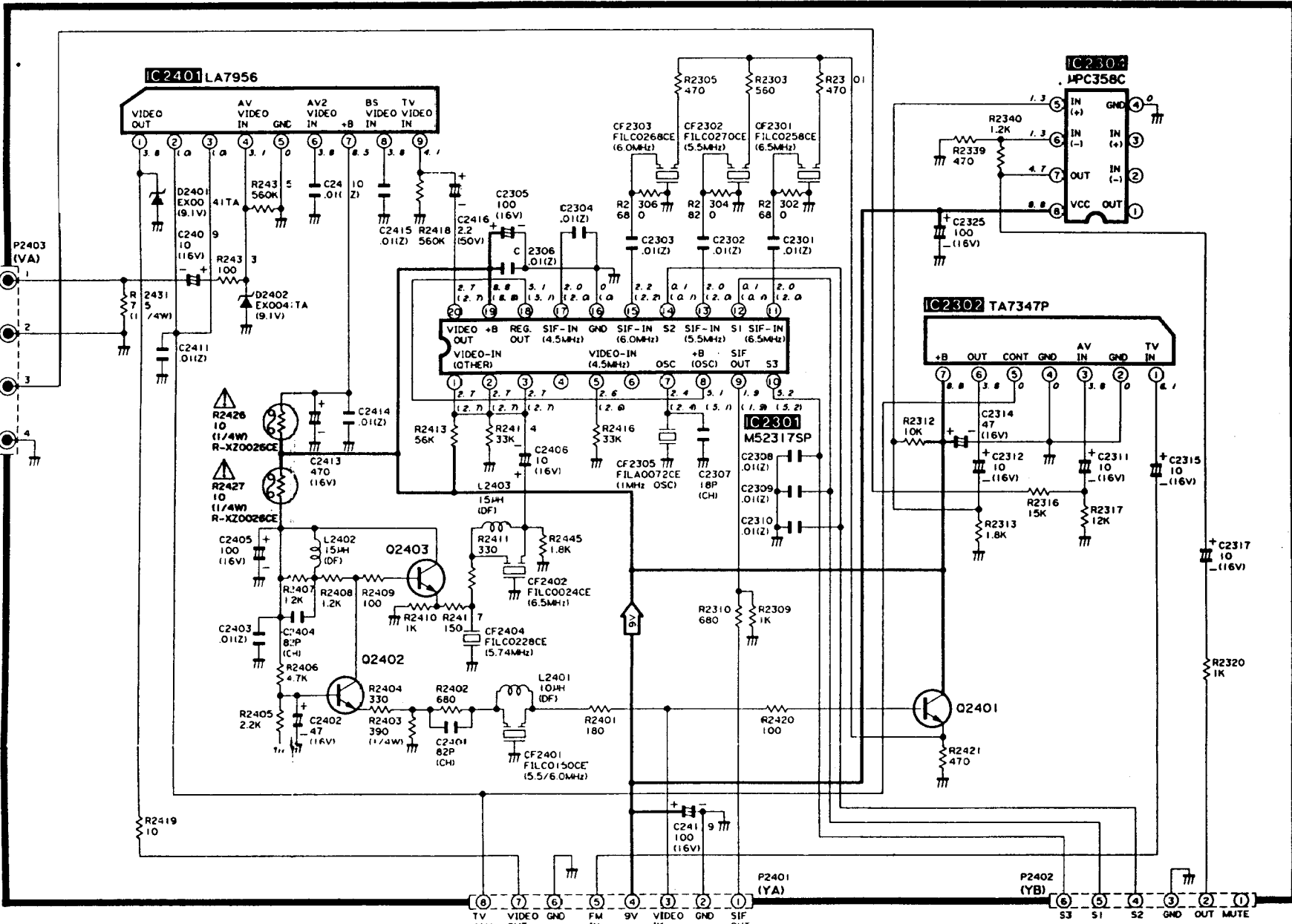
CHASSIS LAYOUT



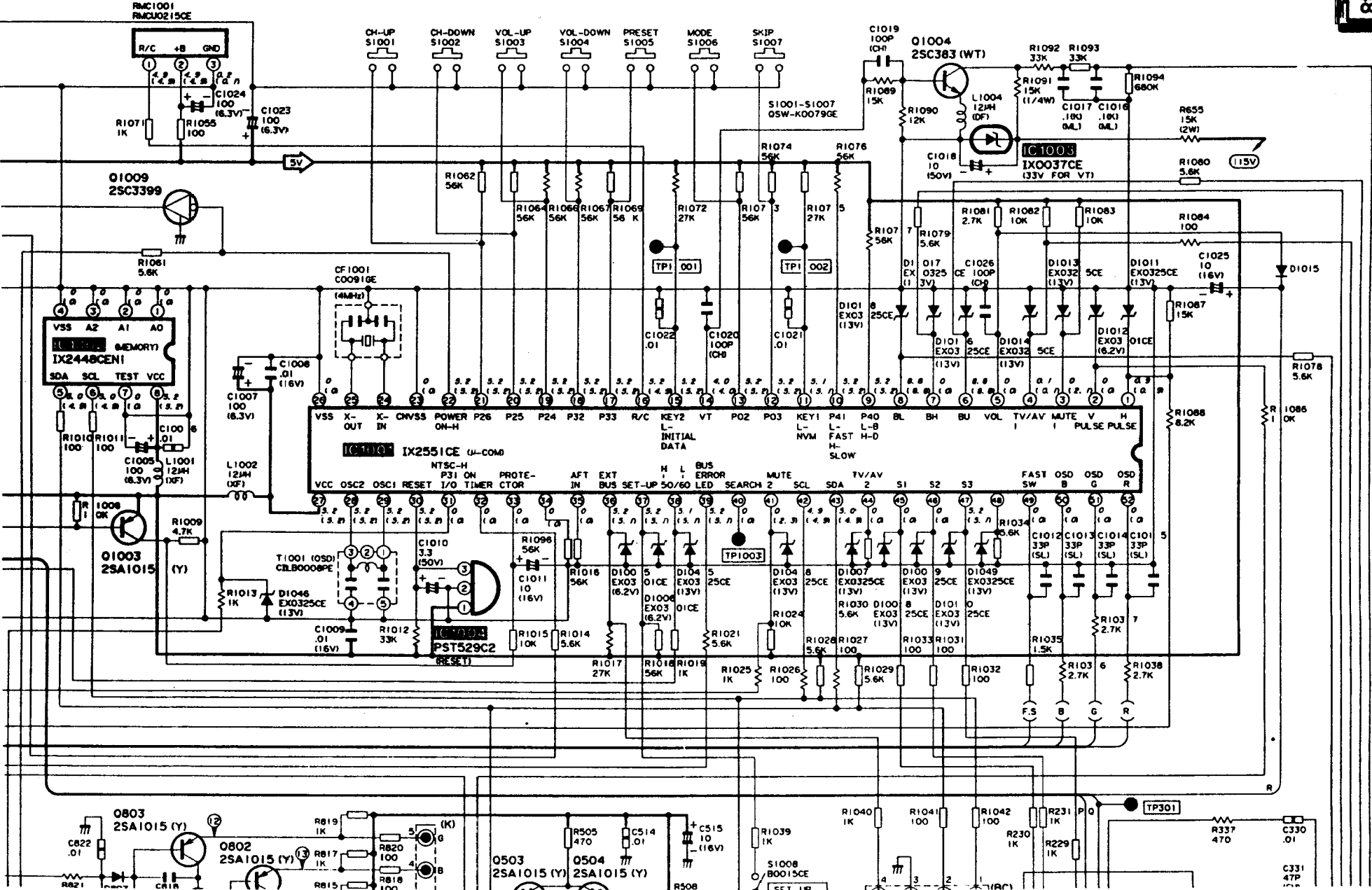


PWB-D (AV UNIT) DUNTK8599WEV0

SIGNAL AND GND



TV /AV (8) VIDEO OUT (7) GND (6) FM IN (5) 9V (4) VIDEO IN (3) GND (2) SIF IN (1) S3 (6) S1 (5) S2 (4) GND (3) OUT (2) MUTE (1)



RMC1001
RMC00215CE

R/C +8 GND

O1009
25C339

IC1001
IX2448CEN1
MEMORY

O1003
2SA1015

IC1000
IX2551CE (U-COM)

O1004
25C383 (WT)

IC1003
IX0037CE
(33V FOR VT)

IC1001
IX2448CEN1

PST529C2
RESET

O803
2SA1015 (Y)

O802
2SA1015 (Y)

O503
2SA1015 (Y)

O504
2SA1015 (Y)

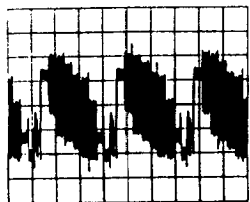
S1008
B0015CE

R337
470

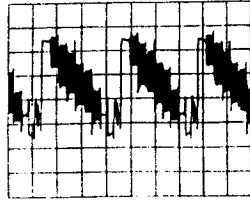
C330
.01

C331
47P

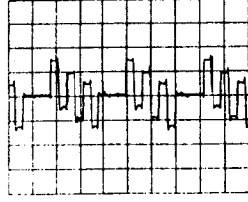
WAVE FORMS



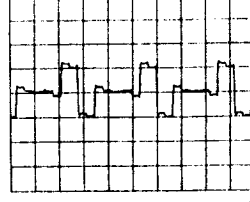
① 2.2 Vp-p (H)



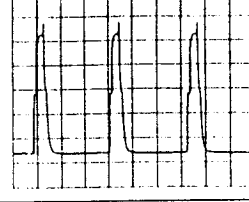
② 1.0 Vp-p (H)



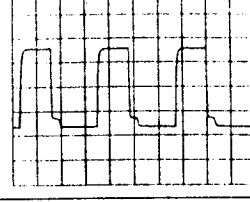
③ 1.3 Vp-p (H)



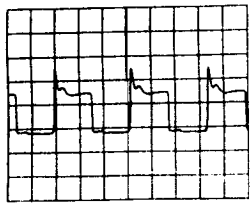
④ 1.0 Vp-p (H)



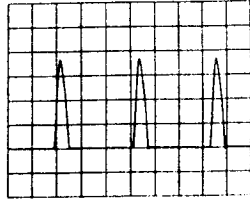
⑤ 5.0 Vp-p (H)



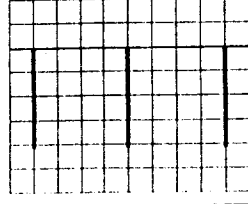
⑥ 3.2 Vp-p (H)



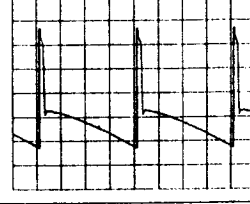
⑦ 140 Vp-p (H)



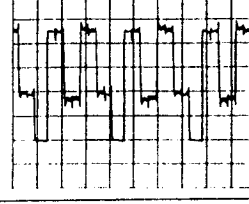
⑧ 925 Vp-p (H)



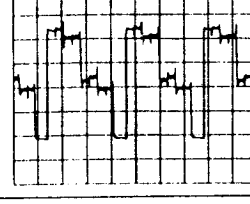
⑨ 4.1 Vp-p (V)



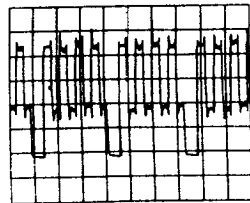
⑩ 50 Vp-p (V)



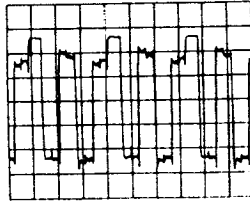
⑪ 4.5 Vp-p (H)



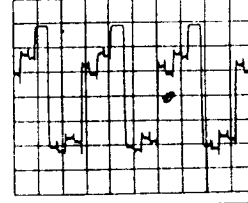
⑫ 4.5 Vp-p (H)



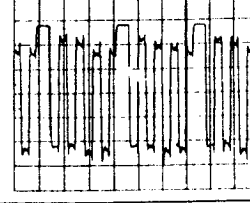
⑬ 4.5 Vp-p (H)



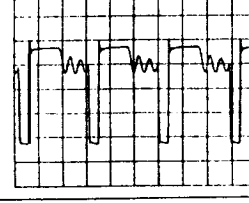
⑭ 100 Vp-p (H)



⑮ 100 Vp-p (H)

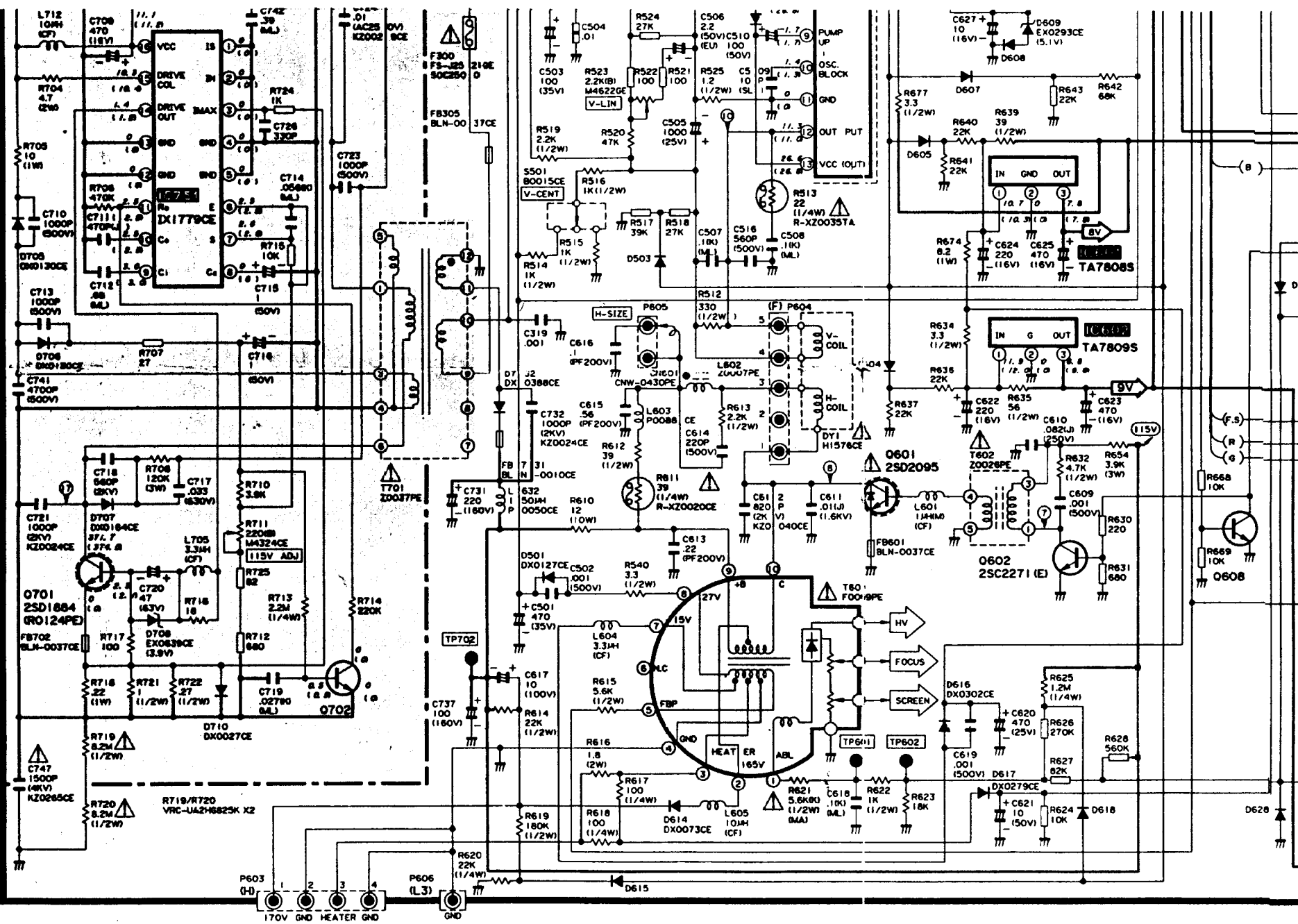


⑯ 100 Vp-p (H)



⑰ 440 Vp-p

START 2100V10



P603 (H) 170V GND HEATER GND
 P606 (L3) GND

D628

PWB-C (CRT UNIT) DUNTK8446WEV1

