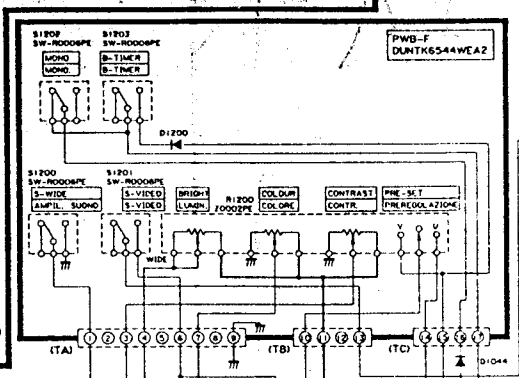
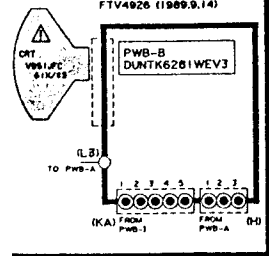
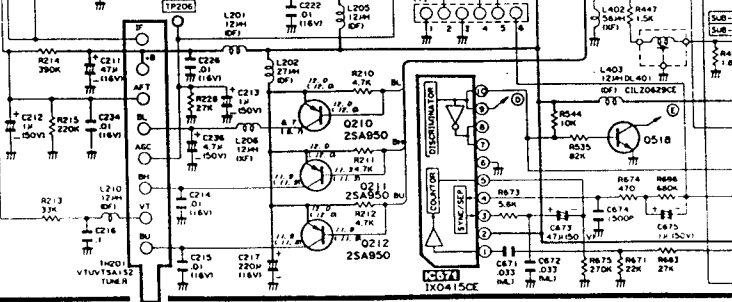
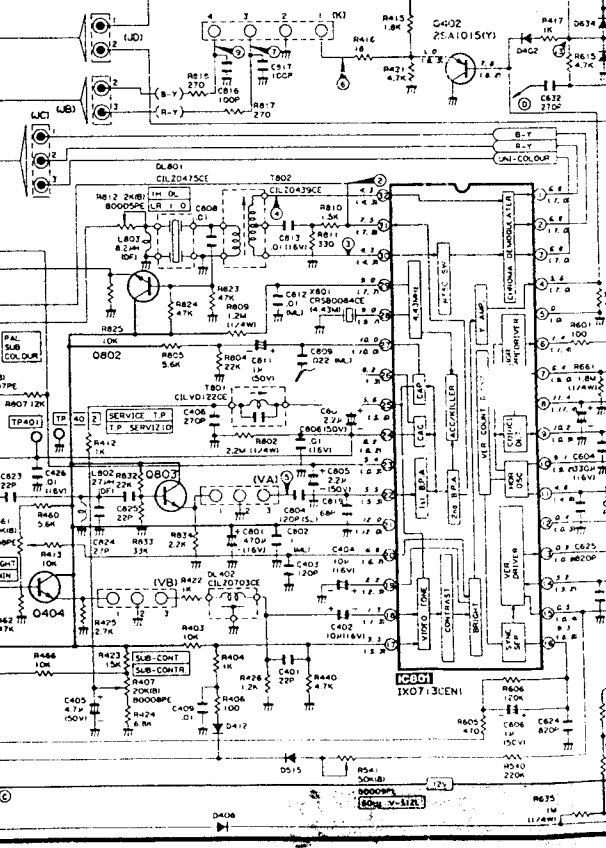
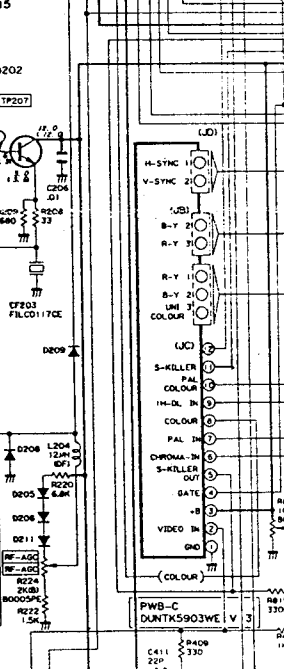
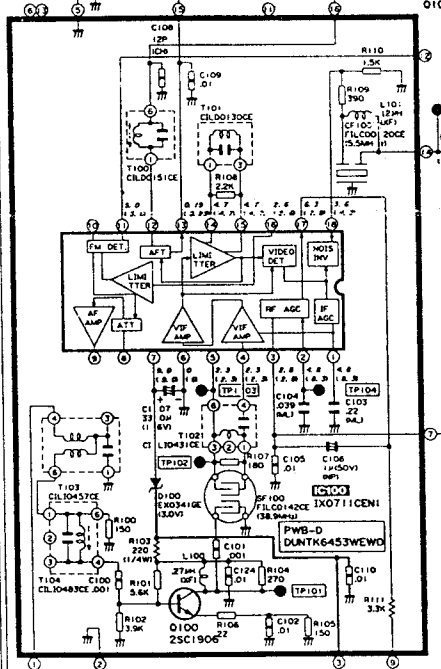
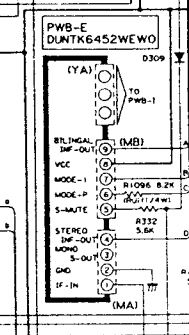
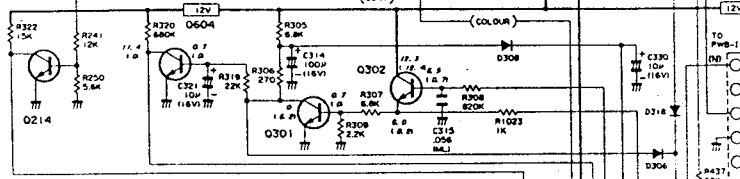
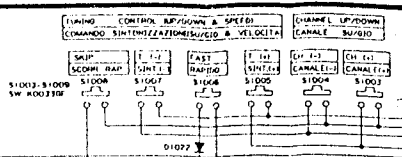


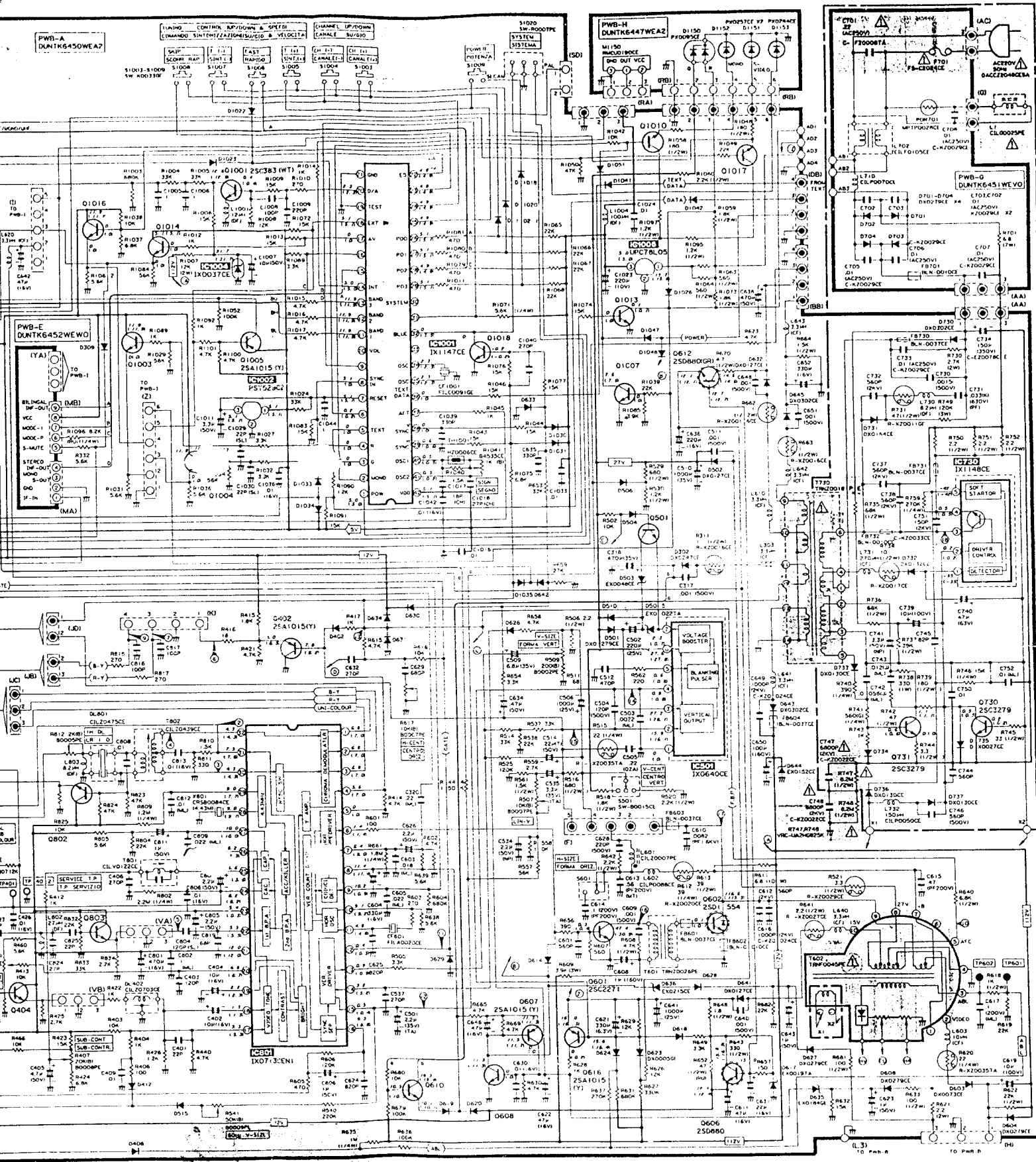
NOTE
ALL TRANSISTORS ARE 2SC1815(W) OR 2SC945 AND ALL DIODES ARE 155116 UNLESS OTHERWISE NOTED.



PWB-A
DUNTK6450WEA2



RTV servis Horvat
Kešinci, 31402 Semelj
Tel : 031-856-63
Tel / fax : 031-856-13
Mob : 098-788-31
rty-servis-horvat@os.te



RTV servis Horvat

Kešinci, 31402 Semeljci

Tel : 031-856-637

Tel / fax : 031-856-139

Mob : 098-788-319

rtv-servis-horvat@os.tel.hr