

SERVICE MANUAL

SE-1 CHASSIS

<i>MODEL</i>	<i>COMMANDER</i>	<i>DEST</i>	<i>MODEL</i>	<i>COMMANDER</i>	<i>DEST</i>
KDL-26P2520	RM-ED007	AEP	KDL-26P2520	RM-ED007	UK
KDL-32P2520	RM-ED007	AEP	KDL-32P2520	RM-ED007	UK
KDL-26P2530	RM-ED007	AEP	KDL-26P2530	RM-ED007	UK
KDL-32P2530	RM-ED007	AEP	KDL-32P2530	RM-ED007	UK
KDL-40P2530	RM-ED007	AEP	KDL-40P2530	RM-ED007	UK



KDL-26P2520 / KDL-32P2520
KDL-26P2530 / KDL-32P2530 / KDL-40P2530



RM-ED007

FLAT PANEL COLOR TV
SONY®

TABLE OF CONTENTS

<i>Section</i>	<i>Title</i>	<i>Page</i>	<i>Section</i>	<i>Title</i>	<i>Page</i>
	Caution	3	4. DIAGRAMS		
	Specifications	4	4-1. Block Diagrams(1)		25
	Connectors	6		Block Diagrams(2)	26
	Self Diagnosis	7		Block Diagrams(3)	27
1. GENERAL		8		Block Diagrams(4)	28
				Block Diagrams(5)	29
2. DISASSEMBLY			4-2. Circuit Board Location		29
2-1. Stand Removal		16	4-3. Schematic Diagrams and Printed Wiring		
2-2. Rear Cover Removal		16	Boards		29
2-3. Speaker Removal		17	A1/A1P Board Schematic Diagram		30
2-4. A1/A1P Board Removal		17	A1/A1P Printed Wiring Board		33
2-5. BDTR-2 Board Removal		18	BDTR-2 Board Schematic Diagram		34
2-6. G1 or G2 Board Removal		18	BDTR-2 Printed Wiring Board		44
2-7. H1/H1P Board Removal		19	G1 Board Schematic Diagram		
2-8. H2/H2P Board Removal		19	(KDL-26/32P2520/30)		46
2-9. H3/H3P Board Removal		20	G1 Printed Wiring Board		
2-10. LCD Panel Removal		20	(KDL-26/32P2520/30)		48
3. CIRCUIT ADJUSTMENTS			G2 Board Schematic Diagram		
3-1. Electrical Adjustments		21	(KDL-40P2530)		50
3-2. Test Mode 2		23	G2 Printed Wiring Board (KDL-40P2530)		52
3-3. TT OSD Labels		24	H1/H1P Board Schematic Diagram		54
			H1/H1P Printed Wiring Board		55
			H2/H2P Board Schematic Diagram		54
			H2/H2P Printed Wiring Board		55
			H3/H3P Board Schematic Diagram		54
			H3/H3P Printed Wiring Board		55
			4-4. Semiconductors		56
			5. EXPLODED VIEWS		
			5-1. Chassis		58
			5-2. Stand, Rear Cover, Power Leads		60
			6. ELECTRICAL PARTS LIST		61

WARNING !!

AN ISOLATION TRANSFORMER SHOULD BE USED DURING ANY SERVICE WORK TO AVOID POSSIBLE SHOCK HAZARD DUE TO LIVE CHASSIS, THE CHASSIS OF THIS RECEIVER IS DIRECTLY CONNECTED TO THE POWER LINE.

SAFETY-RELATED COMPONENT WARNING !!

COMPONENTS IDENTIFIED BY SHADING AND MARKED Δ ON THE SCHEMATIC DIAGRAMS, EXPLODED VIEWS AND IN THE PARTS LIST ARE CRITICAL FOR SAFE OPERATION. REPLACE THESE COMPONENTS WITH SONY PARTS WHOSE PART NUMBERS APPEAR AS SHOWN IN THIS MANUAL OR IN SUPPLEMENTS PUBLISHED BY SONY.

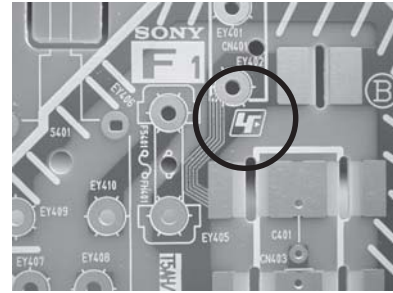
CAUTION

Lead Free Soldered Boards

The circuit boards used in these models have been processed using Lead Free Solder. The boards are identified by the LF logo located close to the board designation e.g. F1, H1 etc [see examples]. The servicing of these boards requires special precautions to be taken as outlined below.



example 1



example 2



It is strongly recommended to use Lead Free Solder material in order to guarantee optimal quality of new solder joints. Lead Free Solder is available under the following part numbers :

Partnumber	Diameter	Remarks
7-640-005-19	0.3mm	0.25Kg
7-640-005-20	0.4mm	0.50Kg
7-640-005-21	0.5mm	0.50Kg
7-640-005-22	0.6mm	0.25Kg
7-640-005-23	0.8mm	1.00Kg
7-640-005-24	1.0mm	1.00Kg
7-640-005-25	1.2mm	1.00Kg
7-640-005-26	1.6mm	1.00Kg

Due to the higher melting point of Lead Free Solder the soldering iron tip temperature needs to be set to 370 degrees centigrade. This requires soldering equipment capable of accurate temperature control coupled with a good heat recovery characteristics.


For more information on the use of Lead Free Solder, please refer to <http://www.sony-training.com>

ITEM MODEL	Television System	Stereo System	Channel Coverage	Color System
E	B/G/H, D/K, I, L, DVB-T	GERMAN/NICAM Stereo	VHF : E02-E12 UHF : E21-E69 CATV : S01-S20 HYPER : S21-S41 D/K : R1-R12, R21-R69 L : F2-F10, B-Q, F21-F69 I : UHF B21-B69	PAL, SECAM NTSC 3.58/4.43 (VIDEO ONLY) MPEG-2 MP@ML
U	I, DVB-T	NICAM Stereo	UHF : B21-B69	PAL, SECAM NTSC 3.58/4.43 (VIDEO ONLY) MPEG-2 MP@ML

Projected Picture Size	LCD (Liquid Crystal Display) Panel KDL-26P2520/P2530 (26inches) KDL-32P2520/P2530 (32inches) KDL-40P2530 (40inches).	Sound Output	
		Right and Left speaker Sub-woofer	2 x 10W (RMS)
Input/Output Terminals [REAR]		General Specifications	
AV1: 21-pin Euro connector (CENELEC standard)	Inputs for Audio and Video signals. Inputs for RGB. Outputs of TV Video and Audio signals.	Power Requirements	220 - 240V
		Power Consumption/ Standby	KDL-26P2520/P2530: Approx. 100W or less/1W or less KDL-32P2520/P2530: Approx. 115W or less/1W or less KDL-40P2530: Approx. 190W or less/0.8W or less
AV2: 21-pin Euro connector (CENELEC standard)	Inputs for Audio and Video signals. Inputs for RGB. Outputs of Video and Audio signals (Selectable). SmartLink interface.	Dimensions	KDL-26P2520/P2530: Approx. 663x503x220mm (With stand) Approx. 663x472x128mm (Without stand) KDL-32P2520/P2530: Approx. 797x580x220mm (With stand) Approx. 797x548x125mm (Without stand) KDL-40P2530: Approx. 988x687x270mm (With stand) Approx. 988x653x128mm (Without stand)
			Weight
AV3: Phono Jacks	Y: 1 Vp-p, 75 ohms, 0.3V negative sync P _B /C _B : 0.7 Vp-p, 75 ohms P _R /C _R : 0.7 Vp-p, 75 ohms Audio Input Jacks: 500mV rms, 47Kohms.	Supplied Accessories	
HDMI Input	HDMI Connectors.	Other Features	IDTV, High Picture Quality WXGA, 3D Comb Filter, BBE-VIVA, Virtual Dolby Surround, 2 HDMI Inputs, PC Input (HD15), Video Label, Channel Return, Sleep Timer, Fanless Design.
PC Input	15 Pin D-Sub Connector. Mini jack.		
CAM	Conditional Access Module slot.		
Input/Output Terminals [SIDE]		Remote control system : Infrared control	
Headphone jack	Stereo mini jack	Power requirements	3V dc 2 batteries IEC designation R06 (size AA)
Audio input	Phono jacks		
Video input	Phono jack		
S Video input	4 pin mini DIN		
Design and specifications are subject to change without notice.			

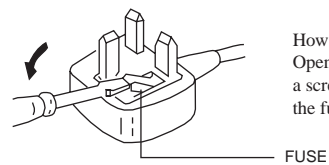
Model Name Item	(AEP)	(UK)
PAP	OFF	OFF
PAT	OFF	OFF
RGB Priority	ON	ON
Sub Woofer	OFF	OFF
Scart 1	ON	ON
Scart 2	ON	ON
Front in (4)	ON	ON
Projector	OFF	OFF
Norm B/G	ON	OFF
Norm I	ON	ON
Norm D/K	ON	OFF
Norm AUS	OFF	OFF
Norm L	ON	OFF
Norm SAT	OFF	OFF
Norm M	OFF	OFF
Teletext	ON	ON
Nicam Stereo	ON	ON

WARNING (UK Models only)

The flexible mains lead is supplied connected to a **B.S. 1363** fused plug having a fuse of **10 AMP** rating. Should the fuse need to be replaced, use a **10AMP FUSE** approved by ASTA to **BS 1362**, ie one that carries the  mark.

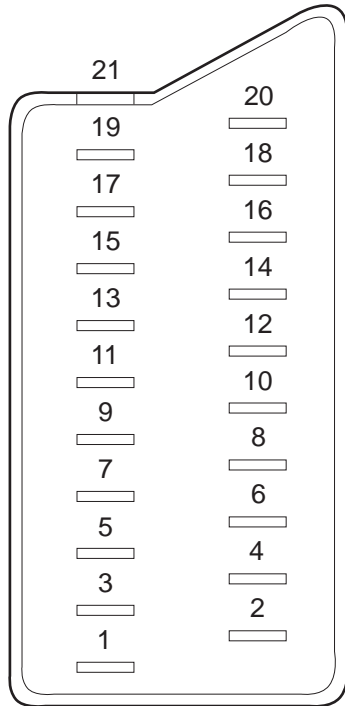
IF THE PLUG SUPPLIED WITH THIS APPLIANCE IS NOT SUITABLE FOR THE OUTLET SOCKETS IN YOUR HOME, IT SHOULD BE CUT OFF AND AN APPROPRIATE PLUG FITTED. THE PLUG SEVERED FROM THE MAINS LEAD MUST BE DESTROYED AS A PLUG WITH BARED WIRES IS DANGEROUS IF ENGAGED IN A LIVE SOCKET.

When an alternative type of plug is used, it should be fitted with a **10 AMP FUSE**, otherwise the circuit should be protected by a **10AMP FUSE** at the distribution board.



How to replace the fuse.
Open the fuse compartment with a screwdriver blade and replace the fuse.

21 pin connector



Pin No	1	2	Signal	Signal level
1	○	○	Audio output B (right)	Standard level : 0.5V rms Output impedance : Less than 1kohm*
2	○	○	Audio input B (right)	Standard level : 0.5V rms Output impedance : More than 10kohm*
3	○	○	Audio output A (left)	Standard level : 0.5V rms Output impedance : Less than 1kohm*
4	○	○	Ground (audio)	
5	○	○	Ground (blue)	
6	○	○	Audio input A (left)	Standard level : 0.5V rms Output impedance : More than 10kohm*
7	○	○	Blue input	0.7 +/- 3dB, 75 ohms positive
8	○	○	Function select (AV control)	High state (9.5-12V) : Part mode Low state (0-2V) : TV mode Input impedance : More than 10K ohms Input capacitance : Less than 2nF
9	○	○	Ground (green)	
10	●	○	AVlink	
11	○	○	Green	Green signal : 0.7 +/- 3dB, 75 ohms, positive
12	●	●	Open	
13	○	○	Ground (red)	
14	○	○	Ground (blanking)	
15	○	○	Red input	0.7 +/- 3dB, 75 ohms, positive
	-	-	(S signal Chroma input)	0.3 +/- 3dB, 75 ohms, positive
16	○	○	Blanking input (Y's signal)	High state (1-3V) Low state (0-0.4V) Input impedance : 75 ohms
17	○	○	Ground (video output)	
18	○	○	Ground (video input)	
19	○	○	Video output	1V +/- 3dB, 75ohms, positive sync 0.3V (-3+10dB)
20	○	○	Video input	1V +/- 3dB, 75ohms, positive sync 0.3V (-3+10dB)
	-	-	Video input Y (S signal)	1V +/- 3dB, 75ohms, positive sync 0.3V (-3+10dB)
21	○	○	Common ground (plug, shield)	

○ Connected ● Not Connected (open) * at 20Hz - 20kHz

Rear Connection Panel



Side Connection Panel



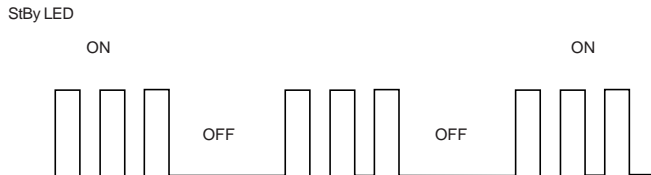
S-Video socket

S Video socket pin configuration		
Pin No	Signal	Signal Level
1	Ground	-
2	Ground	-
3	Y (S signal) input	1V +/- 3dB 75ohm, positive Sync. 0.3V -3 +10dB
4	C (S signal) input	0.3V +/- 3dB 75ohm, positive Sync.

SE-1 SELF DIAGNOSTIC SOFTWARE

The identification of errors within the SE-1 chassis is triggered in one of two ways :- 1: Busy or 2: Device failure to respond to IIC. In the event of one of these situations arising the software will first try to release the bus if busy (Failure to do so will report with a continuous flashing LED) and then communicate with each device in turn to establish if a device is faulty. If a device is found to be faulty the relevant device number will be displayed through the LED (Series of flashes which must be counted).

Flash Timing Example : e.g. error number 3



LED Error Code

Error Message	LED Code	Checked	Action
Power Supply Protection Error	03	In Normal mode.	Goes into standby. LED flashes 3 times.
Panel Error	04	In Normal mode.	Goes into standby. LED flashes 4 times.
NVM Error	05	In Initialisation state.	Adds error to Error Menu. LED flashes 5 times in factory mode.
IIC Error	06	In Initialisation state.	Adds error to Error Menu. LED flashes 6 times in factory mode.
HDMI Error	07	In Initialisation state.	Adds error to Error Menu. LED flashes 7 times in factory mode.
Digital Error	08	In Initialisation state.	Adds error to Error Menu. LED flashes 8 times in factory mode.
Tuner Error	09	In Initialisation state.	Adds error to Error Menu. LED flashes 9 times in factory mode.
Sound Processor Error	10	In Initialisation state.	Adds error to Error Menu. LED flashes 10 times in factory mode.
Video Processor (VCTP) Error	11	In Initialisation state.	Adds error to Error Menu. LED flashes 11 times in factory mode.
Port Expander Error	12	In Initialisation state.	Adds error to Error Menu. LED flashes 12 times in factory mode.
RTC IC Error	13	In Initialisation state.	Adds error to Error Menu. LED flashes 13 times in factory mode.

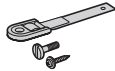
The operating instructions mentioned there are partial abstracts from the Operating Instruction Manual. The page numbers of the Operating Instruction Manual remain as in the manual.

1: Checking the accessories

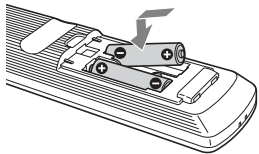
- Remote RM-ED007 (1)
- Size AA batteries (R6 type) (2)
- Cable holder (1) (only for KDL-40U25xx)



- Support belt (1) and screws (2)



To insert batteries into the remote

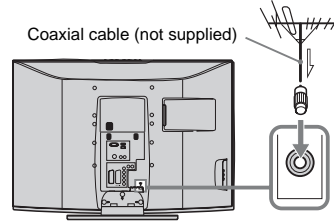


Notes

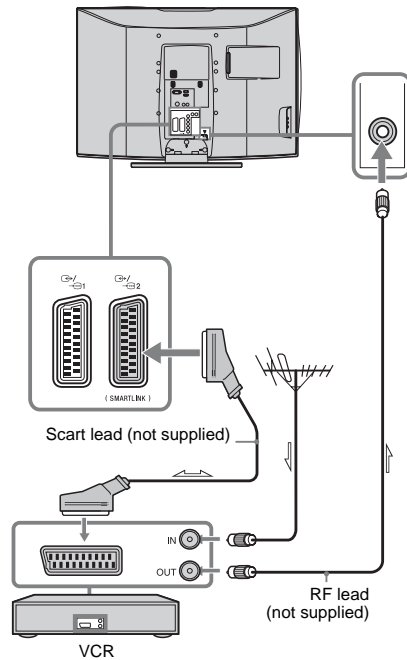
- Observe the correct polarity when inserting batteries.
- Dispose of batteries in an environmentally friendly way. Certain regions may regulate disposal of the battery. Please consult your local authority.
- Do not use different types of batteries together or mix old and new batteries.
- Handle the remote with care. Do not drop or step on it, or spill liquid of any kind onto it.
- Do not place the remote in a location near a heat source, or in a place subject to direct sunlight, or in a damp room.

2: Connecting an aerial/VCR

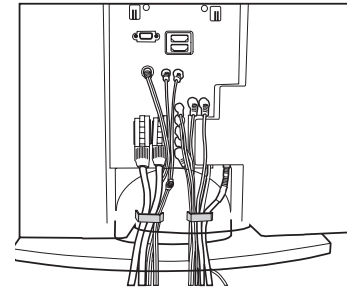
Connecting an aerial only



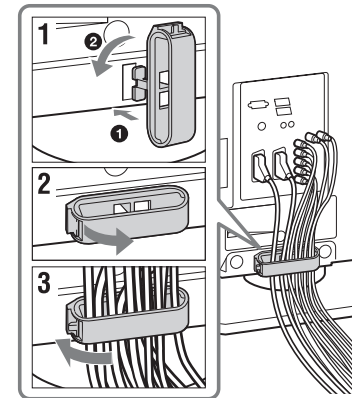
Connecting an aerial and VCR



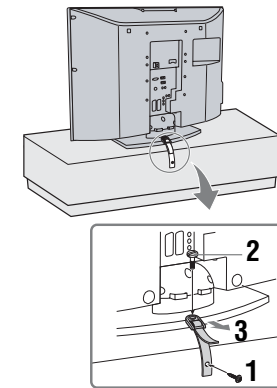
3: Bundling the cables



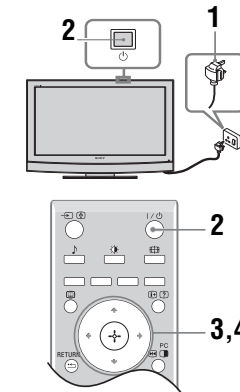
(only for KDL-40U25xx)



4: Preventing the TV from toppling over



5: Selecting the language and country/region



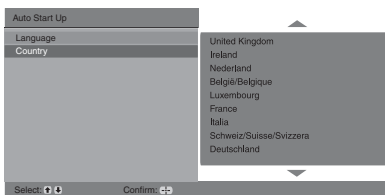
- Connect the TV to your mains socket (220-240V AC, 50Hz).
- Press **⏻** on the TV (top side).
When you switch on the TV for the first time, the Language menu appears on the screen.
When the TV is in standby mode (the **⏻** (standby mode) indicator on the TV (front) is red), press **I/⏻** on the remote to switch on the TV.

Continued

- 3 Press \uparrow/\downarrow to select the language displayed on the menu screens, then press \oplus .



- 4 Press \uparrow/\downarrow to select the country/region in which you will operate the TV, then press \oplus .



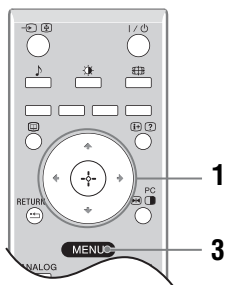
If the country/region in which you want to use the TV does not appear in the list, select “-” instead of a country/region.

The message confirming the TV start auto-tuning appears on the screen, then go to “6: Auto-tuning the TV”.

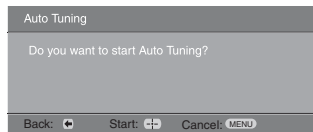
6: Auto-tuning the TV

After selecting the language and country/region, a message confirming the TV start auto-tuning appears on the screen.

The TV will now search for and store all available TV channels.



- 1 Press \oplus .



The TV starts searching for all available digital channels, followed by all available analogue channels. This may take some time, please be patient and do not press any buttons on the TV or remote.

If a message appears for you to confirm the aerial connections

No digital or analogue channels were found. Check all the aerial connections and press \oplus to start auto-tuning again.

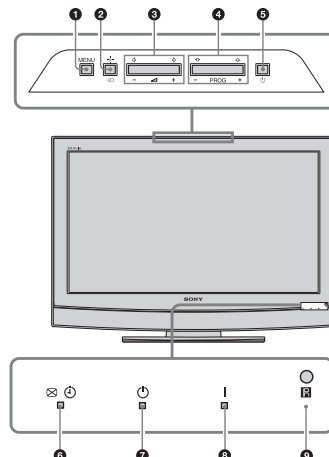
- 2 When the Programme Sorting menu appears on the screen, follow the steps of “Programme Sorting” (page 20).

If you do not wish to change the order in which the analogue channels are stored on the TV, go to step 3.

- 3 Press MENU to exit.

The TV has now tuned in all the available channels.

Overview of the TV buttons and indicators



- 1 **MENU** (page 16)
- 2 \rightarrow/\leftarrow – **Input select/OK**
 - In TV mode (page 23): Selects the input source from equipment connected to the TV sockets.
 - In TV menu: Selects the menu or option, and confirm the setting.
- 3 $\triangleleft/\triangleright$
 - Increases (+) or decreases (-) the volume.
 - In TV menu: Moves through the options left (\triangleleft) or right (\triangleright).
- 4 **PROG** \uparrow/\downarrow
 - In TV mode: Selects the next (+) or previous (-) channel.
 - In TV menu: Moves through the options up (\uparrow) or down (\downarrow).
- 5 ⏻ – **Power**

Switches the TV on or off.

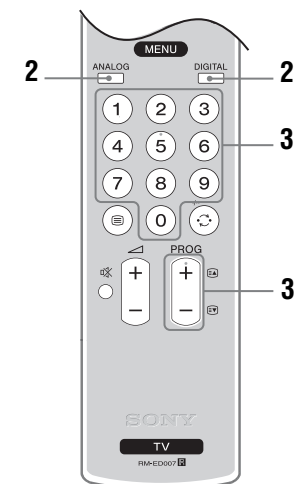
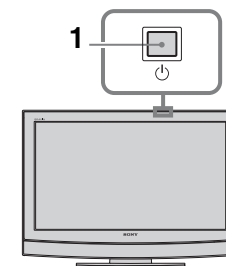
Note:
To disconnect the TV completely, pull the plug from the mains.
- 6 ⏻ ⏻ – **Picture Off/Timer indicator** (page 19).
 - Lights up in green when the picture is switched off (page 19).
 - Lights up in orange when the timer is set (page 20).
 - Lights up in red when digital REC starts in standby mode.
- 7 ⏻ – **Standby indicator**

Lights up in red when the TV is in standby mode.
- 8 **I** – **Power indicator**

Lights up in green when the TV is switched on.
- 9 **Remote control sensor**

Watching TV

Watching TV



- 1 Press ⏻ on the TV (top side) to switch on the TV.

When the TV is in standby mode (the ⏻ (standby) indicator on the TV (front) is red), press $\text{I}/\text{⏻}$ on the remote to switch on the TV.
- 2 Press DIGITAL to switch to digital mode or ANALOG to switch to analogue mode.

The channels available vary depending on the mode.
- 3 Press the number buttons or PROG +/- to select a TV channel.

Checking the Digital Electronic Programme Guide (EPG) DV3



Digital Electronic Programme Guide (EPG)

- 1 In digital mode, press **[MENU]** to display the Digital Electronic Programme Guide (EPG).
- 2 Perform the desired operation, as shown in the following table.

Note
Programme information will only be displayed if the TV station is transmitting it.

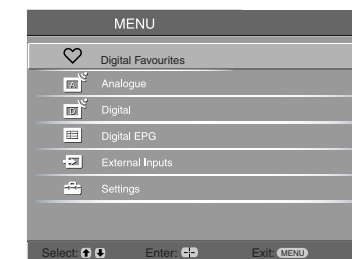
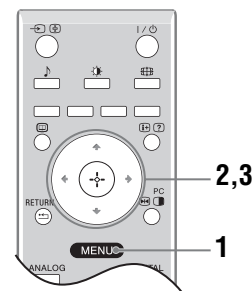
To	Do this
Watch a current programme	Press [+] while the current programme is selected.
Sort the programme information by category – Category list	<ol style="list-style-type: none"> 1 Press the blue button. 2 Press [Up]/[Down]/[Left]/[Right] to select a category. The category name is displayed on the side. 3 Press [+]. The Digital Electronic Programme Guide (EPG) now only displays the current programmes from the category selected.
Set a programme to be recorded – Timer REC	<ol style="list-style-type: none"> 1 Press [Up]/[Down]/[Left]/[Right] to select the future programme you want to record. 2 Press [+]. 3 Press [Up]/[Down] to select "Timer REC". 4 Press [+] to set the TV and your VCR timers. A [TV] symbol appears by that programme's information. The [+] indicator on the TV (front) lights up.
Set a programme to be displayed automatically on the screen when it starts – Reminder	<ol style="list-style-type: none"> 1 Press [Up]/[Down]/[Left]/[Right] to select the future programme you want to display. 2 Press [+]. 3 Press [Up]/[Down] to select "Reminder". 4 Press [+] to automatically display the selected programme when the programme starts. A [+] symbol appears by that programme's information. <p>Note If you switch the TV to standby mode, it will automatically turn itself on when the programme is about to start.</p>
Set the time and date of a programme you want to record – Manual timer REC	<ol style="list-style-type: none"> 1 Press [+]. 2 Press [Up]/[Down] to select "Manual timer REC", then press [+]. 3 Press [Up]/[Down] to select the date, then press [Right]. 4 Set the start and stop time in the same way as in step 3. 5 Press [Up]/[Down] to select the programme, then press [+] to set the TV and your VCR timers. A [TV] symbol appears by that programme's information. The [+] indicator on the TV (front) lights up.

Using MENU Functions

Navigating through menus

"MENU" allows you to enjoy various convenient features of this TV. You can easily select channels or external inputs with the remote. Also, settings for your TV can be changed easily using "MENU".

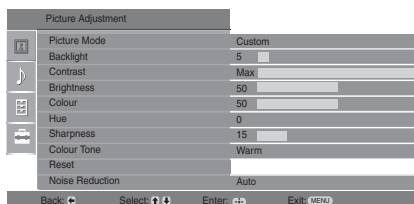
- 1 Press MENU to display the menu.



- 2 Press **[Up]/[Down]** to select an option.
- 3 Press **[+]** to confirm a selected option.
To exit the menu, press MENU.

Menu	Description
Digital Favourites (in digital mode only)	Launches the Favourite list. For details about settings, see page 15.
Programme List (in analogue mode only)	Allows you to select TV programs from a list of channel labels. <ul style="list-style-type: none"> • To watch the desired channel, select the channel, then press [+]. • To assign a label to a program, see page 21.
Analogue (in digital mode only)	Returns to the last viewed analogue channel.
Digital (in digital mode only)	Returns to the last viewed digital channel.
Digital EPG (in digital mode only)	Launches the Digital Electronic Programme Guide (EPG). For details about settings, see page 14.
External Inputs	Selects equipment connected to your TV. <ul style="list-style-type: none"> • To watch the desired external input, select the input source, then press [+]. • To assign a label to an external input, see page 20.
Settings	Opens the Settings menu screen where most of advanced settings and adjustments are performed. Select a menu icon, select an option and make the desired change or adjustment using [Up]/[Down]/[Left]/[Right] . For details about settings, see page 17 to 22.

Picture Adjustment menu



You can select the options listed below on the Picture menu. To select options in “Settings”, see “Navigating through menus” (page 16).

Picture Mode

Selects the picture mode.

- “Vivid”: For enhanced picture contrast and sharpness.
- “Standard”: For standard picture. Recommended for home entertainment.
- “Custom”: Allows you to store your preferred settings.

Backlight

Adjusts the brightness of the backlight.

Contrast

Increases or decreases picture contrast.

Brightness

Brightens or darkens the picture.

Colour

Increases or decreases colour intensity.

Hue

Increases or decreases the green tones.

Tip

“Hue” can only be adjusted for an NTSC colour signal (e.g., U.S.A. video tapes).

Sharpness

Sharpens or softens the picture.

Colour Tone

Adjusts the whiteness of the picture.

- “Cool”: Gives the white colours a blue tint.
- “Neutral”: Gives the white colours a neutral tint.
- “Warm”: Gives the white colours a red tint.

Tip

“Warm” can only be selected when you set “Picture Mode” to “Custom”.

Reset

Resets all picture settings except “Picture Mode” to the factory settings.

Noise Reduction

Reduces the picture noise (snowy picture) in a weak broadcast signal.

- “Auto”: Automatically reduces the picture noise.
- “High/Mid/Low”: Modifies the effect of the noise reduction.

Sound Adjustment menu



You can select the options listed below on the Sound menu. To select options in “Settings”, see “Navigating through menus” (page 16).

Sound Effect

Selects the sound mode.

- “Standard”: Enhances clarity, detail, and sound presence by using “BBE High definition Sound System.”
- “Dynamic”: Intensifies clarity and sound presence for better intelligibility and musical realism by using the “BBE High definition Sound System.”

• “BBE ViVA”: BBE ViVA Sound provides musically accurate natural 3D image with Hi-Fi sound. The clarity of the sound is improved by BBE while the width depth and height of sound image are expanded by BBE’s proprietary 3D sound process. BBE ViVA Sound is compatible with all TV programs including news, music, dramas, movies, sports and electronic games.

Treble

Adjusts higher-pitched sounds.

Bass

Adjusts lower-pitched sounds.

Balance

Emphasizes left or right speaker balance.

Reset

Resets all the sound settings to the factory settings.

Dual Sound

Selects the sound from the speaker for a stereo or bilingual broadcast.

- “Stereo”, “Mono”: For a stereo broadcast.
- “A”/“B”/“Mono”: For a bilingual broadcast, select “A” for sound channel 1, “B” for sound channel 2, or “Mono” for a mono channel, if available.

Tip

If you select other equipment connected to the TV, set “Dual Sound” to “Stereo”, “A” or “B”.

Auto Volume

Keeps a constant volume level even when volume level gaps occur (e.g., adverts tend to be louder than programmes).

TV Speakers

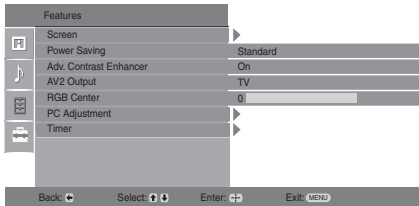
Turns off the TV speakers e.g. to listen to the sound through external audio equipment connected to the TV.

- “On”: the sound is output from the TV speakers.
- “One Time Off”: the TV speakers are temporarily turned off allowing you to listen to the sound from external audio equipment.
- “Permanent Off”: the TV speakers are permanently turned off allowing you to listen to the sound from external audio equipment.

Tips

- To turn on the TV speakers again, change to on.
- The “One Time Off” option automatically returns to “On” when the TV set is switched off.
- “Sound Adjustment” options are not available if “One Time Off” or “Permanent Off” have been selected.

Features menu



You can select the options listed below on the Features menu. To select options in "Settings", see "Navigating through menus" (page 16).

Screen

Changes the screen format.

- "Auto Format": Automatically changes the screen format according to the broadcast signal.
- "Screen Format": For details about the screen format, see page 13
- "Vertical Size": Adjusts the vertical size of the picture when the screen format is set to Smart.

Tips

- Even if you have selected "On" or "Off" in "Auto Format", you can always modify the format of the screen by pressing repeatedly.
- "Auto Format" is available for PAL and SECAM signals only.

Power Saving

Selects the power saving mode to reduce the power consumption of the TV.

- "Standard": Default settings.
- "Reduce": Reduces the power consumption of the TV.
- "Picture Off": Switches off the picture. You can listen to the sound with the picture off.

Automatically adjusts "Backlight" to the most suitable settings judging from the brightness of the picture. It will increase the contrast distinction of the picture.

Adv. Contrast Enhancer

AV2 Output

Sets a signal to be output through the socket labelled 2 on the rear of the TV. If you connect a VCR to the 2 socket, you can then record from the equipment connected to other sockets of the TV.

- "TV": Outputs a broadcast.
- "Auto": Outputs whatever is being viewed on the screen (except signals from the 3, HDMI IN 6, HDMI IN 7 and PC sockets).

RGB Center

Adjusts the horizontal picture position so that the picture is in the middle of the screen.

Tip

This option is only available if an RGB source has been connected to the Scarts connectors 1 or 2 on the rear of the TV.

PC Adjustment

Customizes the TV screen as a PC monitor.

Tip

This option is only available if you are in PC Mode.

- "Phase": Adjust the screen when a part of a displayed text or image is not clear.
- "Pitch": Enlarges or shrinks the screen size horizontally.
- "H Center": Moves the screen to the left or to the right.
- "V Lines": Corrects the picture lines while viewing an RGB input signal from the PC connector.
- "Power saving": Turns to standby mode if no PC signal is received.
- "Reset": Resets to the factory settings.

Timer

Sets the timer to turn on/off the TV.

• Sleep Timer

Sets a period of time after which the TV automatically switches itself into standby mode.

When the Sleep Timer is activated, the (Timer) indicator on the TV (front) lights up in orange.

Tips

- If you switch off the TV and switch it on again, "Sleep Timer" is reset to "Off".
- "Sleep timer will end soon. Power will be turned off" appears on the screen one minute before the TV switches to standby mode.

• Clock Set

Allows you to adjust the clock manually. When the TV is receiving digital channels, the clock cannot be adjusted manually since it is set to the time code of the broadcasted signal.

• Timer

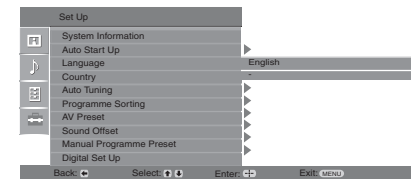
Sets the timer to turn on/off the TV.

"Timer Mode": Selects the desired period.

"On Time": Sets the time to turn on the TV.

"Off Time": Sets the time to turn off the TV.

Set-up menu



You can select the options listed below on the Set-up menu. To select options in "Settings", see "Navigating through menus" (page 16).

System Information

Displays the current software version and the signal level.

Auto Start-up

Starts the "first time operation menu" to select the language and country/region, and tune in all available digital and analogue channels.

Language

Selects the language in which the menus are displayed.

Country

Selects the country/region where you operate the TV.

Tip

The country/region in which you want to use the TV does not appear in the list, select "." instead of a country/region.

Auto Tuning

Tunes in all the available analogue channels.

Programme Sorting

Changes the order in which the analogue channels are stored on the TV.

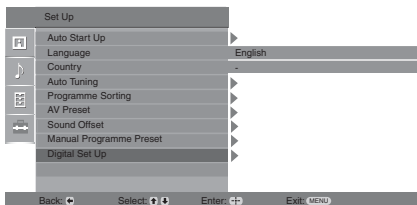
- 1 Press \uparrow/\downarrow to select the channel you want to move to a new position, then press \rightleftarrows .
- 2 Press \uparrow/\downarrow to select the new position for your channel, then press \oplus .

AV Preset

Assigns a name to any equipment connected to the side and rear sockets.

- 1 Press \uparrow/\downarrow to select the desired input source, then press \oplus .
- 2 Press \uparrow/\downarrow to select the desired option below, then press \oplus .
 - "AV1 (or AV2/ AV3/ AV4/ PC/ HDMI 1/HDMI 2), VIDEO, DVD, CABLE, GAME, CAM, SAT": Uses one of the preset labels to assign a name to connected equipment.
 - "Edit": Creates your own label.
 - "Skip": Skips an input source that is not connected to any equipment when you press \uparrow/\downarrow to select the input source.

Digital Set-up menu DV3



You can change/set the digital settings using the Digital Set-up menu. To select options in “Settings”, see “Navigating through menus” (page 16).

Digital Tuning

Displays the “Digital Tuning” menu.

Digital Auto Tuning

Tunes in all the available digital channels..

Programme List Edit

Removes any unwanted digital channels stored on the TV, and changes the order of the digital channels stored on the TV.

Digital Manual Tuning

Tunes the digital channels manually.

Displays the “Digital Set Up” menu.

Subtitle Setting

Displays digital subtitles on the screen.

Subtitle Language

Selects which language subtitles are displayed in.

Audio Language

Selects the language used for a programme.

Audio Type

Increases the sound level when “For Hard Of Hearing” is selected.

Parental Lock

Sets an age restriction for programmes

PIN Code

Sets a PIN code for the first time, or allows you to change your PIN code.

Tip

PIN code 9999 is always accepted.

Technical Set-up

Displays the Technical Set-up menu.

“Auto Service Update”: Enables the TV to detect and store new digital services as they become available.

“Software Download”: Enables the TV to automatically receive software updates, free through your existing aerial (when issued). Sony recommends that this option is set to “On” at all times. If you do not want your software to be updated, set this option to “Off”.

“System Information”: Displays the current software version and the signal level.

“Time Zone”: Allows you to select the correct time zone for your country.

CA Module Set-up

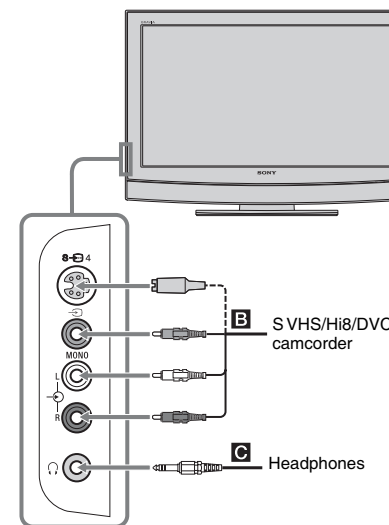
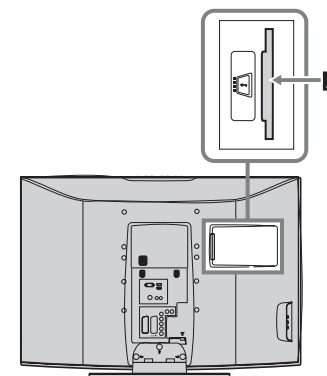
Allows you to access a Pay Per View service once you obtain a Conditional Access Module (CAM) and a view card. See page 23 for the location of the (PCMCIA) socket.

Using Optional Equipment

Connecting optional equipment

You can connect a wide range of optional equipment to your TV. Connecting cables are not supplied.

Connecting to the TV (side)

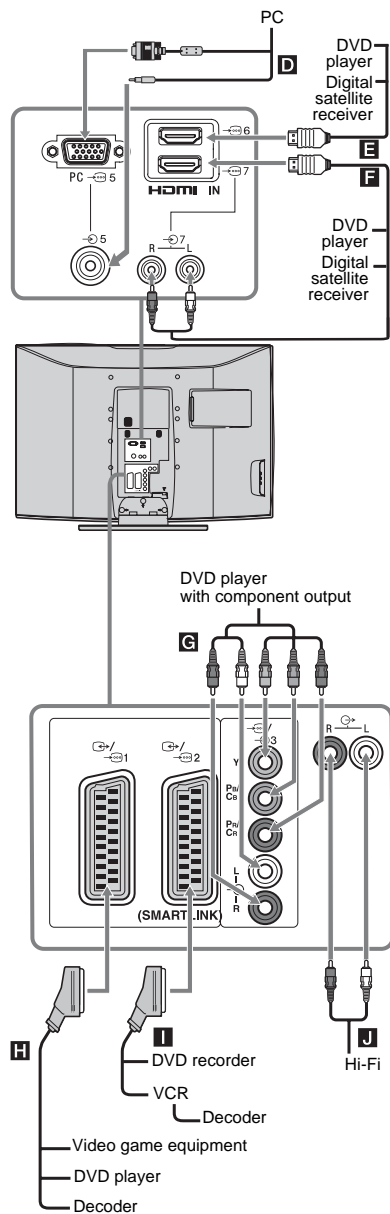


To connect	Do this
Conditional Access Module (CAM) A	To use Pay Per View services. For details, refer to the instruction manual supplied with your CAM. To use the CAM, remove the rubber cover from the CAM slot. Switch off the TV when inserting your CAM into the CAM slot. When you do not use the CAM, we recommend that you replace the cover on the CAM slot.
S VHS/Hi8/DVC camcorder B	Connect to the S video socket 4 or the video socket 4, and the audio sockets 4. To avoid picture noise, do not connect the camcorder to the video socket 4 and the S video socket 4 at the same time. If you connect mono equipment, connect to the L socket 4, and set “Dual Sound” to “A” (page 18).
Headphones C	Connect to the socket to listen to sound from the TV on headphones.

Additional operations

To	Do this
Access the Input signal index table	Press to access the Input signal index table. (Then, only in analogue mode, press .) To select an input source, press , then press .

Connecting to the TV (rear)



To connect	Do this
PC D	Connect to the PC sockets. It is recommended to use a PC cable with ferrites.
Digital satellite receiver or DVD player E, F	Connect to the HDMI IN 6 or 7 socket if the equipment has a HDMI socket. The digital video and audio signals are input from the equipment. If the equipment has a DVI socket, connect the DVI socket to the HDMI IN 7 socket through a DVI - HDMI adaptor interface (not supplied), and connect the equipment's audio out sockets to the audio in HDMI IN 7 sockets.
DVD player with component output G	Connect to the component sockets and the audio sockets 3.
Video game equipment, DVD player or decoder H	Connect to the scart socket 1. When you connect the decoder, the scrambled signal from the TV tuner is output to the decoder, then the unscrambled signal is output from the decoder.
DVD recorder or VCR that supports SmartLink I	Connect to the scart socket 2. SMARTLINK is a direct link between the TV and a VCR/DVD recorder.
Hi-Fi audio equipment J	Connect to the audio output sockets to listen to the sound from the TV on Hi-Fi audio equipment.

Specifications

Display Unit

Power Requirements:

220–240 V AC, 50 Hz

Screen Size:

KDL-40P25xx: 40 inches
KDL-32P25xx: 32 inches
KDL-26P25xx: 26 inches

Display Resolution:

1,366 dots (horizontal) × 768 lines (vertical)

Power Consumption:

KDL-40P25xx: 190 W or less
KDL-32P25xx: 115 W or less
KDL-26P25xx: 100 W or less

Standby Power Consumption*:

KDL-40P25xx: 0.8 W or less
KDL-32P25xx: 1 W or less
KDL-26P25xx: 1 W or less

* Specified standby power is reached after the TV finishes necessary internal processes.

Dimensions (w × h × d):

KDL-40P25xx:
Approx. 988 × 687 × 270 mm (with stand)
Approx. 988 × 653 × 128 mm (without stand)
KDL-32P25xx:
Approx. 797 × 580 × 220 mm (with stand)
Approx. 797 × 548 × 125 mm (without stand)

KDL-26P25xx:

Approx. 663 × 503 × 220 mm (with stand)
Approx. 663 × 472 × 128 mm (without stand)

Mass:

KDL-40P25xx:
Approx. 24 kg (with stand)
Approx. 21 kg (without stand)
KDL-32P25xx:
Approx. 15 kg (with stand)
Approx. 13 kg (without stand)
KDL-26P25xx:
Approx. 12 kg (with stand)
Approx. 10 kg (without stand)

Panel System

LCD (Liquid Crystal Display) Panel

TV System

Analogue: Depending on your country/region selection:
B/G/H, D/K, L, I

Digital: DVB-T

Colour/Video System

Analogue: PAL, SECAM
NTSC 3.58, 4.43 (only Video In)

Digital: MPEG-2 MP@ML

Aerial

75 ohm external terminal for VHF/UHF

Channel Coverage

Analogue: VHF: E2–E12
UHF: E21–E69

CATV: S1–S20

HYPER: S21–S41

D/K: R1–R12, R21–R69

L: F2–F10, B–Q, F21–F69

I: UHF B21–B69

Digital: VHF/UHF

Terminals

1

21-pin Scart connector (CENELEC standard) including audio/video input, RGB input, and TV audio/video output.

2 (SMARTLINK)

21-pin Scart connector (CENELEC standard) including audio/video input, RGB input, selectable audio/video output, and SMARTLINK interface.

3

Supported formats: 1080i, 720p, 576p, 576i, 480p, 480i
Y: 1 Vp-p, 75 ohms, 0.3V negative sync
Pb/Cb: 0.7 Vp-p, 75 ohms
Pr/Cr: 0.7 Vp-p, 75 ohms

3

Audio input (phono jacks)
500 mVrms

Impedance: 47 kilo ohms

4 S Video input (4-pin mini DIN)

4 Video input (phono jack)

4 Audio input (phono jacks)

Audio output (Left/Right) (phono jacks)

PC PC Input (15 Dsub) (see page 24)

G: 0.7 Vp-p, 75 ohms, non Sync on Green

B: 0.7 Vp-p, 75 ohms, non Sync on Green

R: 0.7 Vp-p, 75 ohms, non Sync on Green

HD: 1-5 Vp-p

VD: 1-5 Vp-p

PC audio input (minijack)

HDMI IN 6, 7

Video: 1080i, 720p, 576p, 576i, 480p, 480i

Audio: Two channel linear PCM
32, 44.1 and 48 kHz, 16, 20 and 24 bits

Analogue audio (phono jacks):

500 mVrms, Impedance 47 kilohms
(HDMI IN 7 only)

Headphones jack

CAM (Conditional Access Module) slot

Sound Output

KDL-40P25xx: 10 W + 10 W (RMS)

KDL-32P25xx: 10 W + 10 W (RMS)

KDL-26P25xx: 10 W + 10 W (RMS)

Supplied Accessories

Refer to "1: Checking the accessories" on page 4.

Optional Accessories

- Wall-Mount Bracket
SU-WL51 (for KDL-40P25xx)
SU-WL31 (for KDL-32P25xx / KDL-26P25xx)

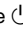
Design and specifications are subject to change without notice.

PC Input Signal Reference Chart

Signals	Horizontal (Pixel)	Vertical (Line)	Horizontal frequency (kHz)	Vertical frequency (Hz)	Standard
VGA	640	480	31.5	60	VGA
SVGA	800	600	37.9	60	VESA Guidelines
XGA	1024	768	48.4	60	VESA Guidelines
WXGA	1280	768	47.4	60	VESA
	1280	768	47.8	60	VESA


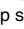
- This TV's PC input does not support Sync on Green or Composite Sync.
- This TV's PC input does not support interlaced signals.
- This TV's PC input supports signals in the above chart with a 60 Hz vertical frequency. For other signals, you will see the message "NO SYNC".

Troubleshooting

Check whether the  (standby) indicator is flashing in red.

When it is flashing

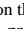
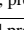
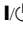


The self-diagnosis function is activated.

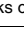
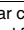
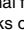
- 1 Measure how long the  (standby) indicator flashes and stops flashing.
For example, the indicator flashes for two seconds, stops flashing for one second, and flashes for two seconds.
- 2 Press  on the TV (top side) to switch it off, disconnect the mains lead, and inform your dealer or Sony service centre of how the indicator flashes (duration and interval).

When it is not flashing

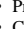
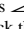
- 1 Check the items in the tables below.
- 2 If the problem still persists, have your TV serviced by qualified service personnel.

Picture

Problem	Cause/Remedy
No picture (screen is dark) and no sound	<ul style="list-style-type: none"> • Check the aerial connection. • Connect the TV to the mains, and press  on the TV (top side). • If the  (standby) indicator lights up in red, press .
No picture or no menu information from equipment connected to the scarts or HDMI IN socket	<ul style="list-style-type: none"> • Check that the optional equipment is on and press / repeatedly until the correct input symbol is displayed on the screen. • Check the connection between the optional equipment and the TV. • When connecting any equipment to the HDMI IN 6, 7 socket or when changing the resolution, some dots can appear blinking on the screen for a few seconds. HDMI signal decoding is in progress and it does not indicate a malfunction.
Double images or ghosting	<ul style="list-style-type: none"> • Check aerial/cable connections. • Check the aerial location and direction.
Only snow and noise appear on the screen	<ul style="list-style-type: none"> • Check if the aerial is broken or bent. • Check if the aerial has reached the end of its serviceable life (three to five years in normal use, one to two years at the seaside).
Distorted picture (dotted lines or stripes)	<ul style="list-style-type: none"> • Keep the TV away from electrical noise sources such as cars, motorcycles, hair-dryers or optical equipment. • When installing optional equipment, leave some space between the optional equipment and the TV. • Make sure that the aerial is connected using the supplied coaxial cable. • Keep the aerial cable away from other connecting cables.

Problem	Cause/Remedy
Picture noise when viewing a TV channel	<ul style="list-style-type: none"> • Select "Manual Programme Preset" in the "Set-Up" menu and adjust "AFT" (Automatic Fine Tuning) to obtain better picture reception (page 21).
Some tiny black points and/or bright points on the screen	<ul style="list-style-type: none"> • The picture of a display unit is composed of pixels. Tiny black points and/or bright points (pixels) on the screen do not indicate a malfunction.
No colour on programmes	<ul style="list-style-type: none"> • Select "Reset" in the "Picture Adjustment" menu to return to the factory settings (page 17).
No colour or irregular colour when viewing a signal from the Y, Pb/Cb, Pr/Cr jacks of  3	<ul style="list-style-type: none"> • Check the connection of the Y, Pb/Cb, Pr/Cr jacks of 3. • Make sure that the Y, Pb/Cb, Pr/Cr jacks of 3 are firmly seated in their respective sockets.
Irregular picture when viewing a signal from PC	<ul style="list-style-type: none"> • Check PC input socket connection. • Connect to PC input socket instead of HDMI IN 6, 7 socket. • If the connection is only available through HDMI socket, change the screen resolution to 720p and adjust horizontal and vertical screen size in the display properties settings of PC.

Sound

Problem	Cause/Remedy
No sound, but good picture	<ul style="list-style-type: none"> • Press  +/- or  (Mute). • Check that "TV Speakers" is set to "On" in the "Sound Adjustment" menu (page 18).
Noisy sound	<ul style="list-style-type: none"> • See the "Picture noise" causes/remedies on page 27.

Channels

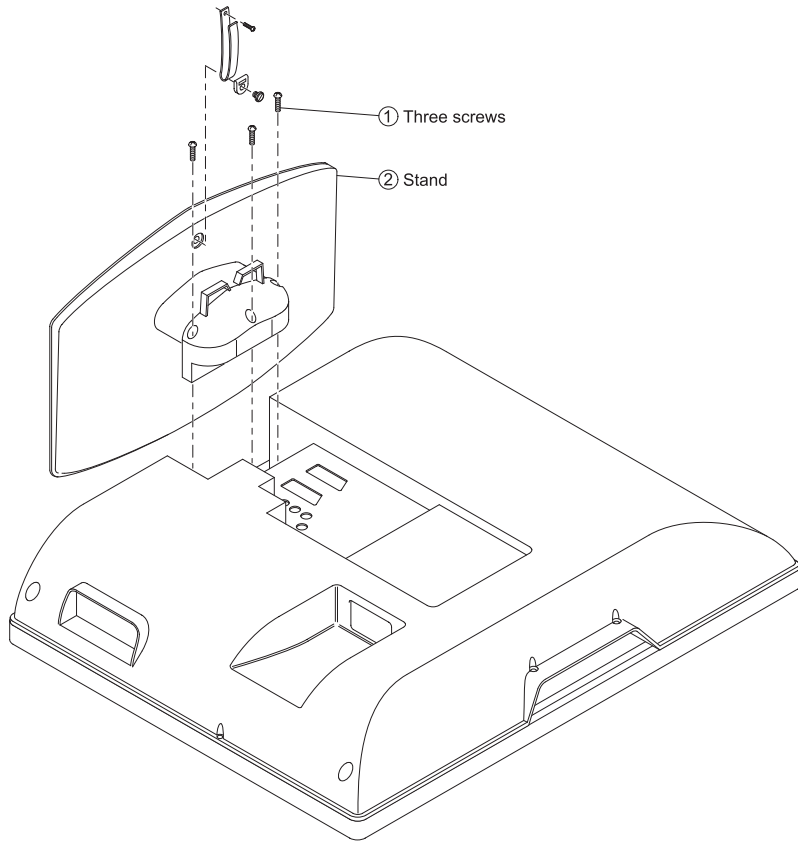
Problem	Cause/Remedy
The desired channel cannot be selected	<ul style="list-style-type: none"> • Switch between digital and analogue mode and select the desired digital/analogue channel.
Some channels are blank	<ul style="list-style-type: none"> • Scrambled/Subscription only channel. Subscribe to the Pay Per View service. • Channel is used only for data (no picture or sound). • Contact the broadcaster for transmission details.
Digital channel is not displayed	<ul style="list-style-type: none"> • Check that the aerial is plugged directly into the TV (not through other equipment). • Contact a local installer to find out if digital transmissions are provided in your area. • Upgrade to a higher gain aerial.

General

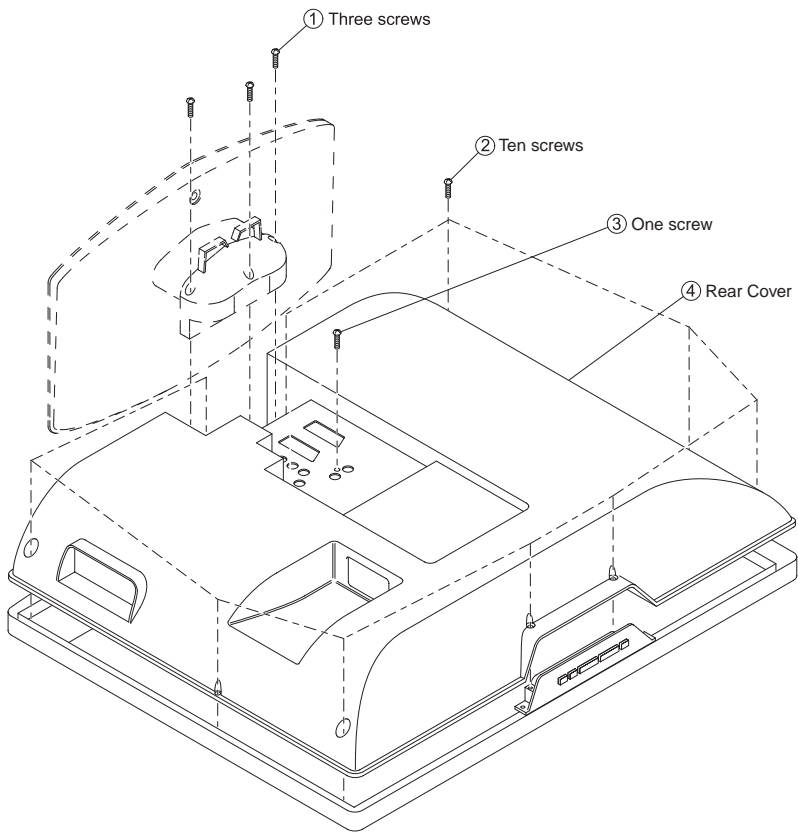
Problem	Cause/Remedy
The TV turns off automatically (the TV enters standby mode)	<ul style="list-style-type: none"> • Check if the "Sleep Timer" is activated, or confirm the setting of "Off Time" (page 20). • If no signal is received and no operation is performed in the TV mode for 10 minutes, the TV automatically switches to standby mode.
The TV turns on automatically	<ul style="list-style-type: none"> • Check if the "On Time" is activated (page 20).
Some input sources cannot be selected	<ul style="list-style-type: none"> • Select "AV Preset" in the "Set-up" menu and cancel "Skip" of the input source (page 20).
The remote does not function	<ul style="list-style-type: none"> • Replace the batteries.

SECTION 2 DISASSEMBLY

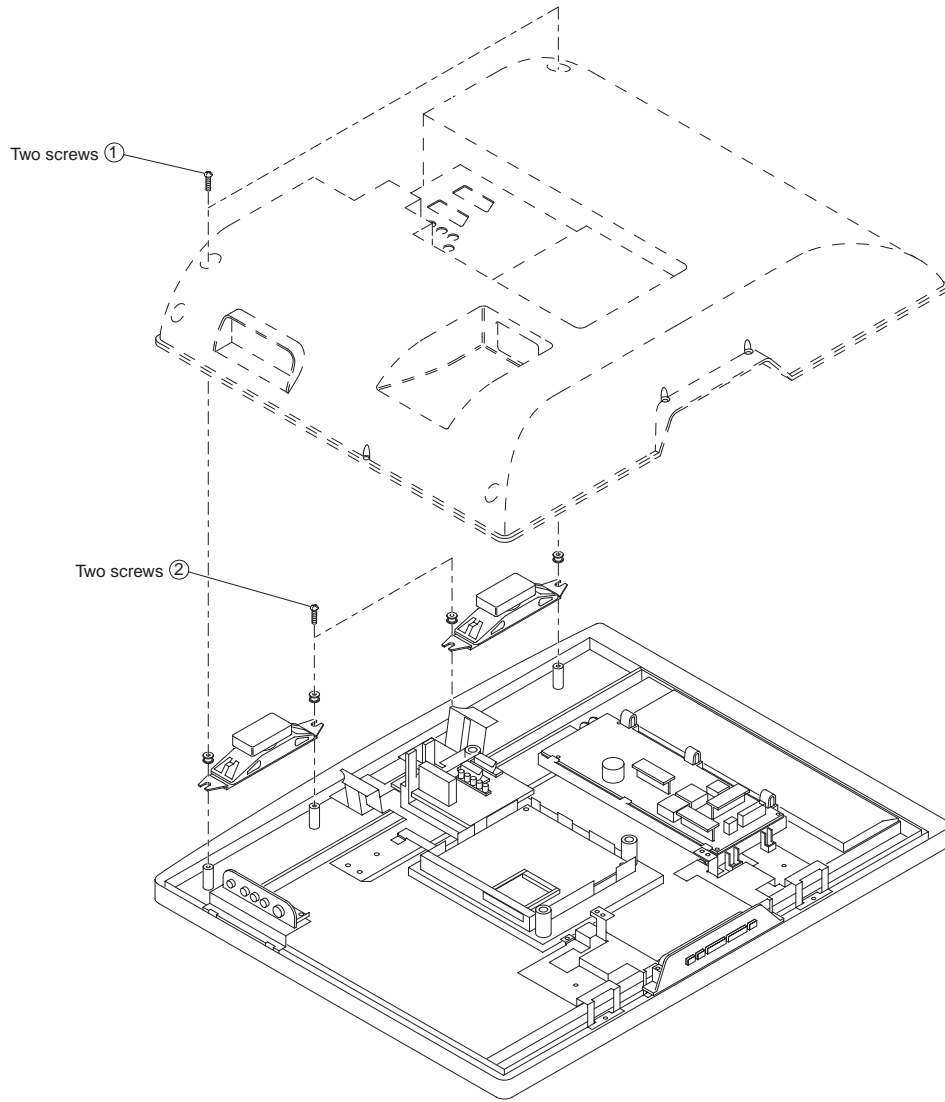
2-1. STAND REMOVAL



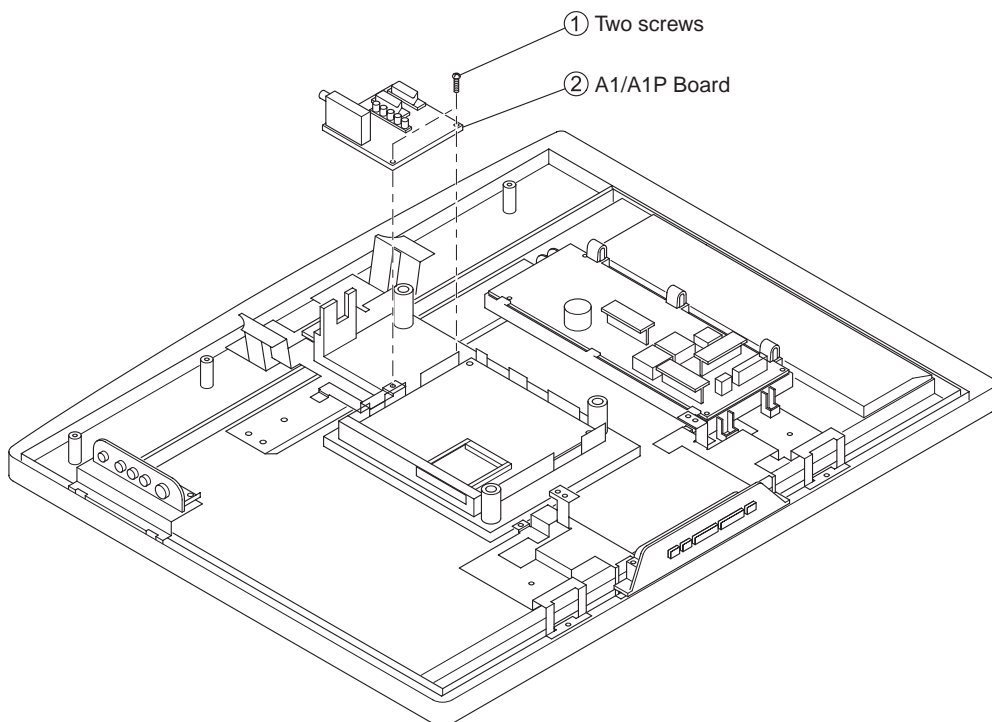
2-2. REAR COVER REMOVAL



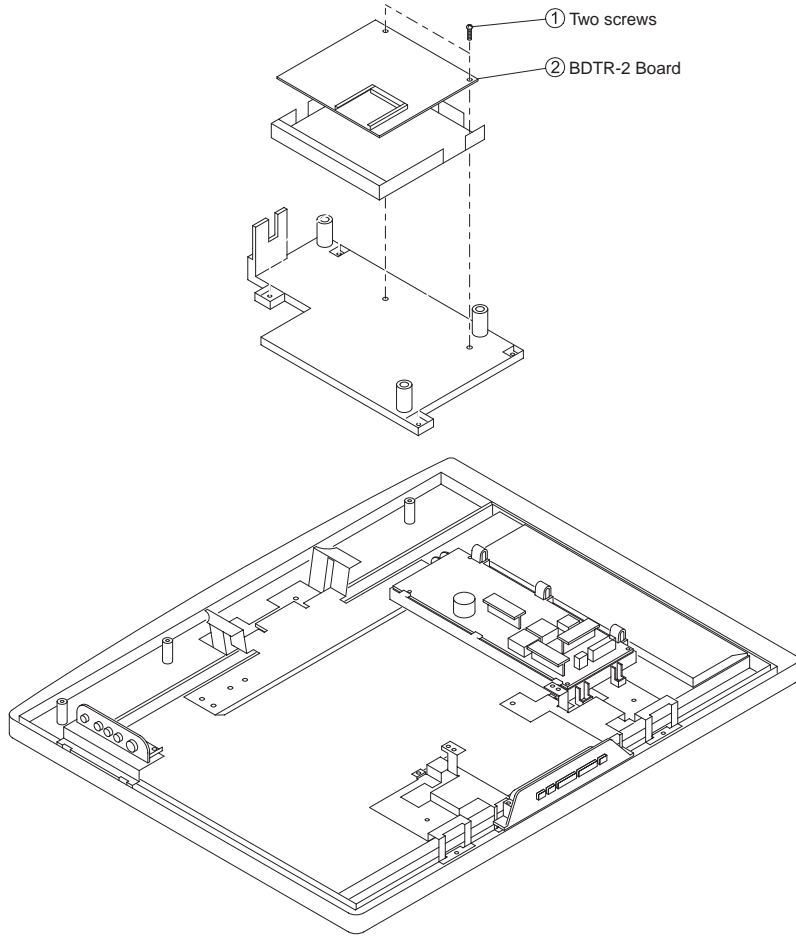
2-3. SPEAKER REMOVAL



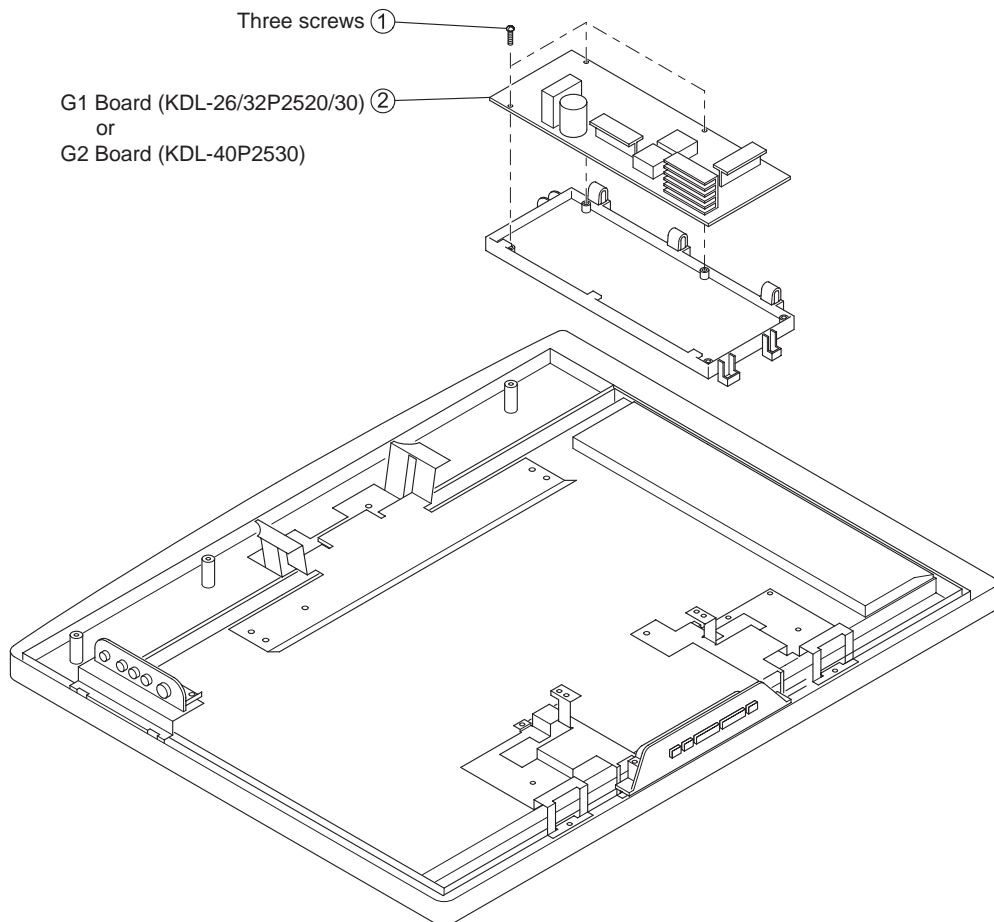
2-4. A1/A1P BOARD REMOVAL



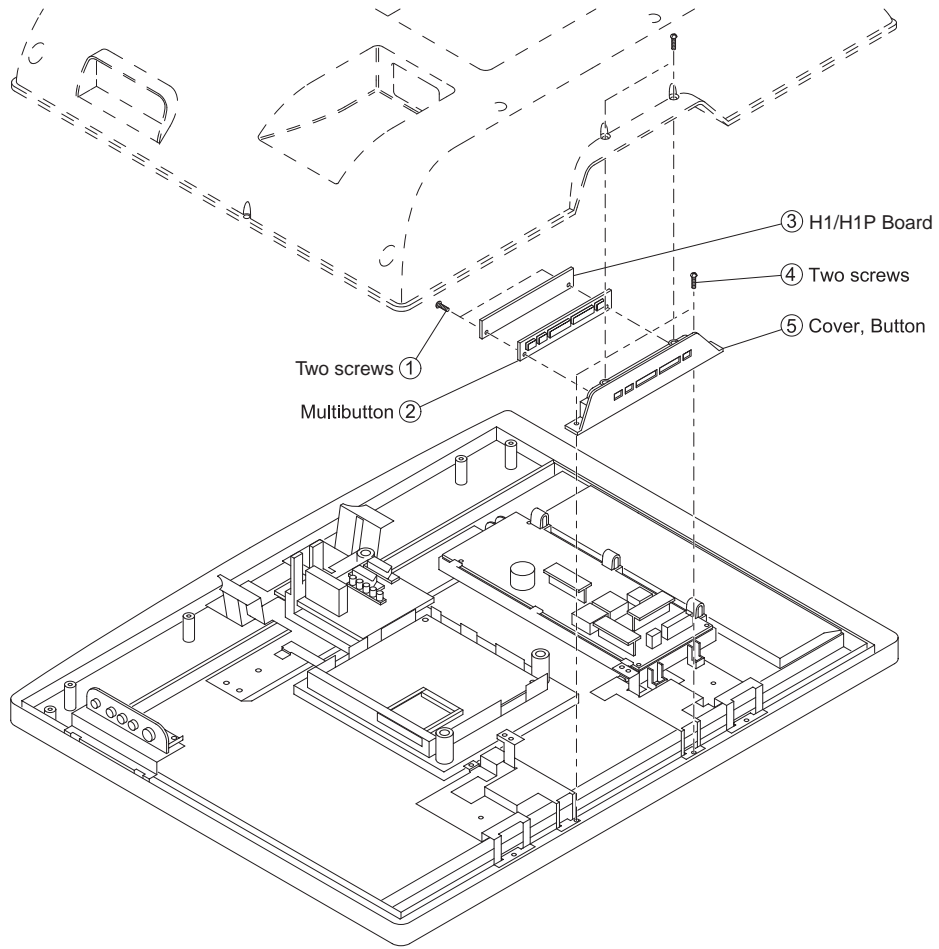
2-5. BDTR-2 BOARD REMOVAL



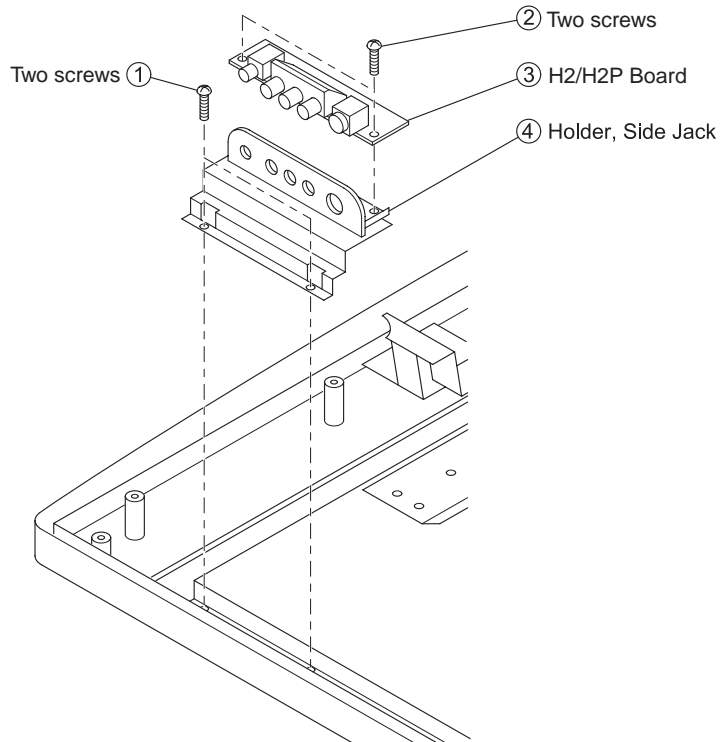
2-6. G1 or G2 BOARD REMOVAL



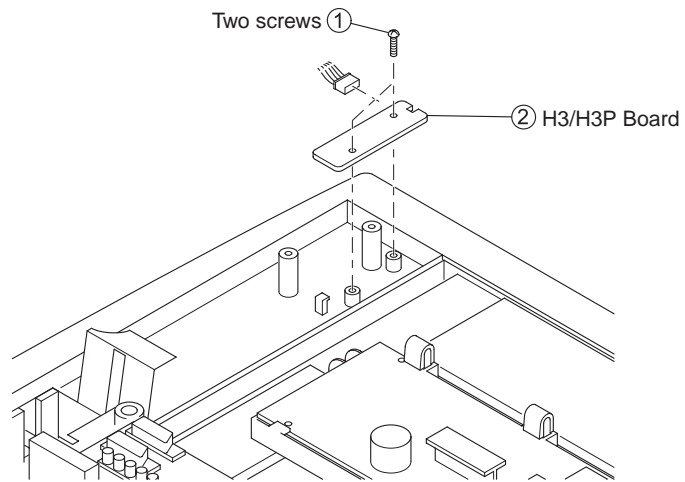
2-7. H1/H1P BOARD REMOVAL



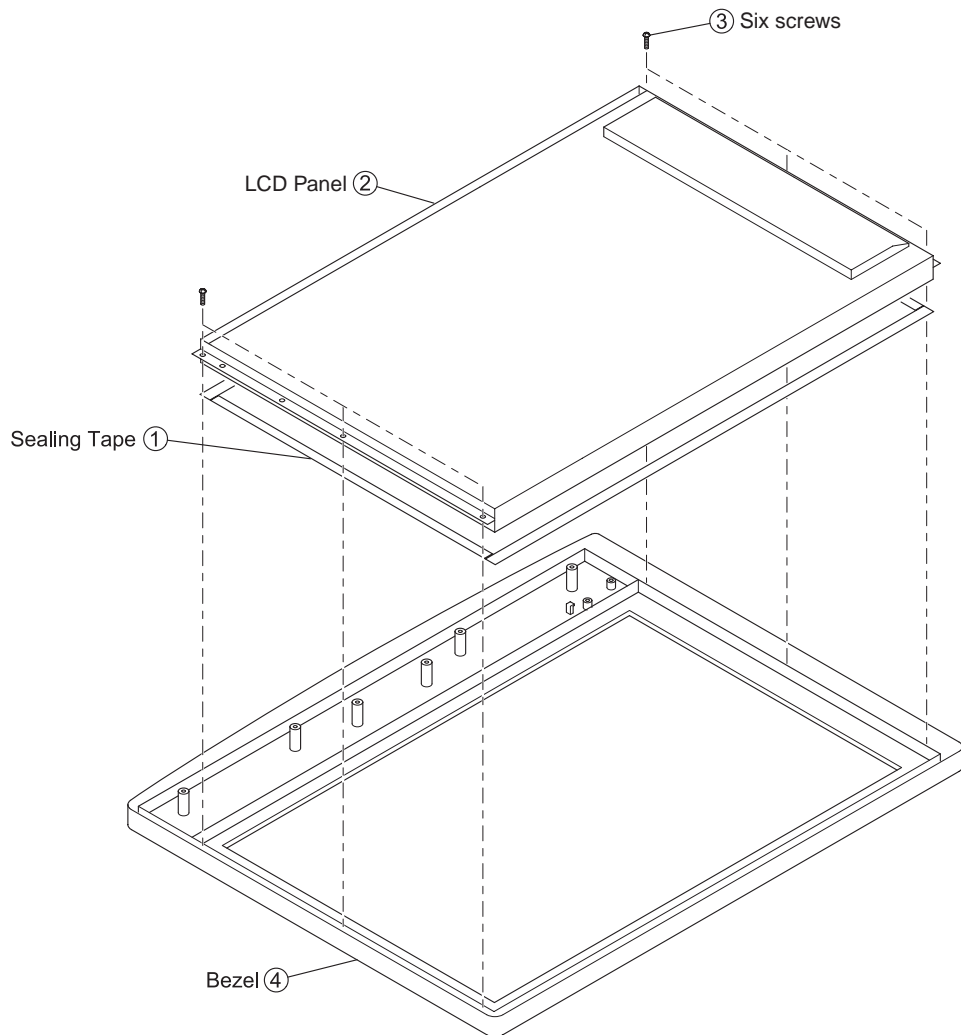
2-8. H2/H2P BOARD REMOVAL



2-9. H3/H3P BOARD REMOVAL



2-10. LCD PANEL REMOVAL



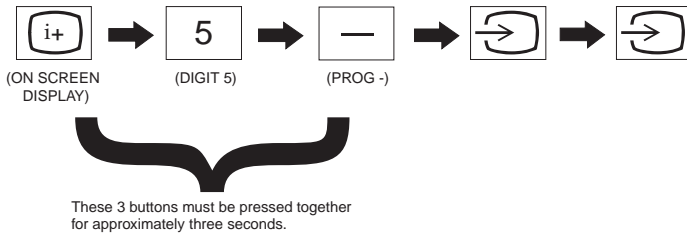
SECTION 3 CIRCUIT ADJUSTMENTS

3-1. Electrical Adjustments

Service adjustments to this model can be performed using the supplied remote Commander RM-ED007.

How to enter into the Service Mode

1. Turn on the main power switch.
2. Press the following sequence of buttons on the Remote Commander.



‘TT—’ will appear in the upper right corner of the screen. Other status information will also be displayed (See 3-3 Page 24).

3. Press ‘MENU’ on the remote commander to obtain the following menu on the screen.

BACKLIGHT
HDMI
SOUND
IF ADJUST
ERROR MENU
SE1T v0.06 Nov06
FACTORY DATA: 11111111
SERIAL NUMBER: 4294967295
WORKING TIME: 0:22

4. Move to the corresponding adjustment item using the up or down arrow buttons on the Remote Commander.
5. Press the right arrow button to enter into the required menu item.
6. Press the ‘Menu’ button on the Remote Commander to quit the Service Mode when all adjustments have been completed.

Note :

- After carrying out the service adjustments, to prevent the customer accessing the ‘Service Menu’ switch the TV set OFF and then ON.

BACKLIGHT		
BACKLIGHT	(0, 255)	235
U BACKLIGHT	(0, 10)	10
BL SETUDEN	(0, 255)	10
BL BOTTOM	(0, 255)	138
ECO MODE	(0, 1)	1
APL MAX	(0, 255)	176
DIMMER MIN	(0, 255)	0
APL FACTOR	(0, 255)	0
DIMMER	(0, 255)	186
APL MIN	(0, 255)	103

HDMI		
VAI2	(0, 255)	0
VAI3	(0, 255)	0
Vper MSB	(0, 255)	0
Vper LSB	(0, 255)	0
Hper MSB	(0, 255)	248
HS Width MSB	(0, 255)	0
STM LSB	(0, 255)	8
Ri (MSB)	(0, 255)	218
Ri (LSB)	(0, 255)	101
Aksv_0	(0, 255)	137
Aksv_1	(0, 255)	55
Aksv_2	(0, 255)	132
Aksv_3	(0, 255)	68
Aksv_4	(0, 255)	25
An_0	(0, 255)	32
An_1	(0, 255)	36
An_2	(0, 255)	240
An_3	(0, 255)	180
An_4	(0, 255)	57
An_5	(0, 255)	19
An_6	(0, 255)	214
An_7	(0, 255)	138
Pj	(0, 255)	207
Ainfo	(0, 255)	2
Flags	(0, 255)	15

SOUND		
M-N	(0, 511)	192
M-D	(-128, -1)	-20
M-S	(+0, +127)	+20
S-M	(+0, +127)	+10
D-M	(-128, -1)	-10
N-M	(0, 1023)	496
Effect Mode	(+0, +2)	+1
BBE Mode	(-0, +127)	+0
BBE Vol main	(+0, +255)	+3
BBE Vol res	(+0, +7)	+0
B1	(-96, +96)	+4
B2	(-96, +96)	+0
B3	(-96, +96)	-12
B4	(-96, +96)	-12
B5	(-96, +96)	+6
Loudness	(+0, +68)	+23
MB_STR	(+0, -127)	+0
MB_LIM	(-32, +0)	+0
MB_HMC	(+0, +127)	+0
MB_LP	(+5, +30)	+5
MB_HP	(+3, +30)	+3
SUBW_FREQ	(+5, +40)	+5
NICAM C AD		00000
NICAM Error	(0, 2047)	2047
Stereo	(-128, +127)	+0
Status		000000110

ERROR MENU		
E02: Reserved	(0, 255)	0
E03: DC Fail	(0, 255)	0
E04: PANEL DET	(0, 255)	0
E05: NVM	(0, 255)	0
E06: IIC	(0, 255)	0
E07: HDMI	(0, 255)	0
E08: DIGITAL	(0, 255)	0
E09: TUNER	(0, 255)	0
E10: SP	(0, 255)	0
E11: VCTP	(0, 255)	0
E12: PEXP	(0, 255)	0
E13: RTC	(0, 255)	0
WORKING TIME		
HOURS	(0, 65535)	0
MINUTES	(0, 59)	38

IF ADJUST		
Automute		0
Audio Gain		0
L Gating		0
Coincidence		0
AFT window		1
AFT Status		0111
AGC TOP	(-16, +15)	-4

3-2. TEST MODE 2

Test Mode 2 is available by setting the TV for operation in Service Mode [As shown on Page 21] , OSD 'TT' appears. The functions described below are available by selecting the two numbers. To release the 'Test mode 2', press 00, 10, 20 ... twice or switch the TV set into Stand-by mode. In 'TT Menu' mode, it is possible to remove the Menu from the screen by pressing the Speaker Off button once. Pressing the Speaker OFF button a second time will cause the Menu to reappear. The function is kept even when the menu is not displayed on screen !!.

00	'TT' mode off
03	Set volume to 35%
04	Set volume to 50%
05	Set volume to 65%
06	Set volume to 80%
07	Ageing mode (TV key swiches off)
08	Shipping Condition
16	Picture level 50%
19	Factory toggle mode ("Fact" or "Norm")
24	UK Destination
25	All Europe Destinations
27	CBA mode toggle (On for factory mode)
31	ECS mode toggle
32	Set BCN channels preset
36	Clock display toggle
37	Hotel mode toggle
38	OTRUM mode
39	Digital test toggle
41	Re-initialise NVM
43	Dual Sound "A"
44	Dual Sound "B"
45	Dual Sound "Mono"
46	Dual Sound "Stereo"
48	Set NVM as non-virgin (CH59 only)
49	Set NVM as virgin (CH59 only)
54	Watchdog toggle
55	Tuner toggle
56	Reset all channels attenuation
58	Chip select toggle

59	Visual I2C toggle
61	Auto AGC
63	AM from baseband toggle
64	Set 40" for A3 or A4 panel
65	DDC toggle
66	HDMI EDID WP toggle
67	MSP Auto Carrier Mute function toggle
68	Set 26" settings AUO panel
69	Set 32" settings AUO panel
71	Set 20" settings Chi-Mei panel
72	Set 26" settings Samsung panel
73	Set 32" settings Samsung panel
74	Set 40" settings Samsung panel
75	Set centred balance
76	Set volume to maximum
77	Set volume to minimum
78	Set balance full left
79	Set balance full right
81	Digital BER display
82	Digital Service menu
83	Digital colour bar output from DENC
84	TS CI path through
85	Digital tuner power down (Only 1 power cycle,default no power down)
86	Switch between two digital SW banks
87	Local keys test
88	Digital shipping conditions (Clear tune database)
89	LED test

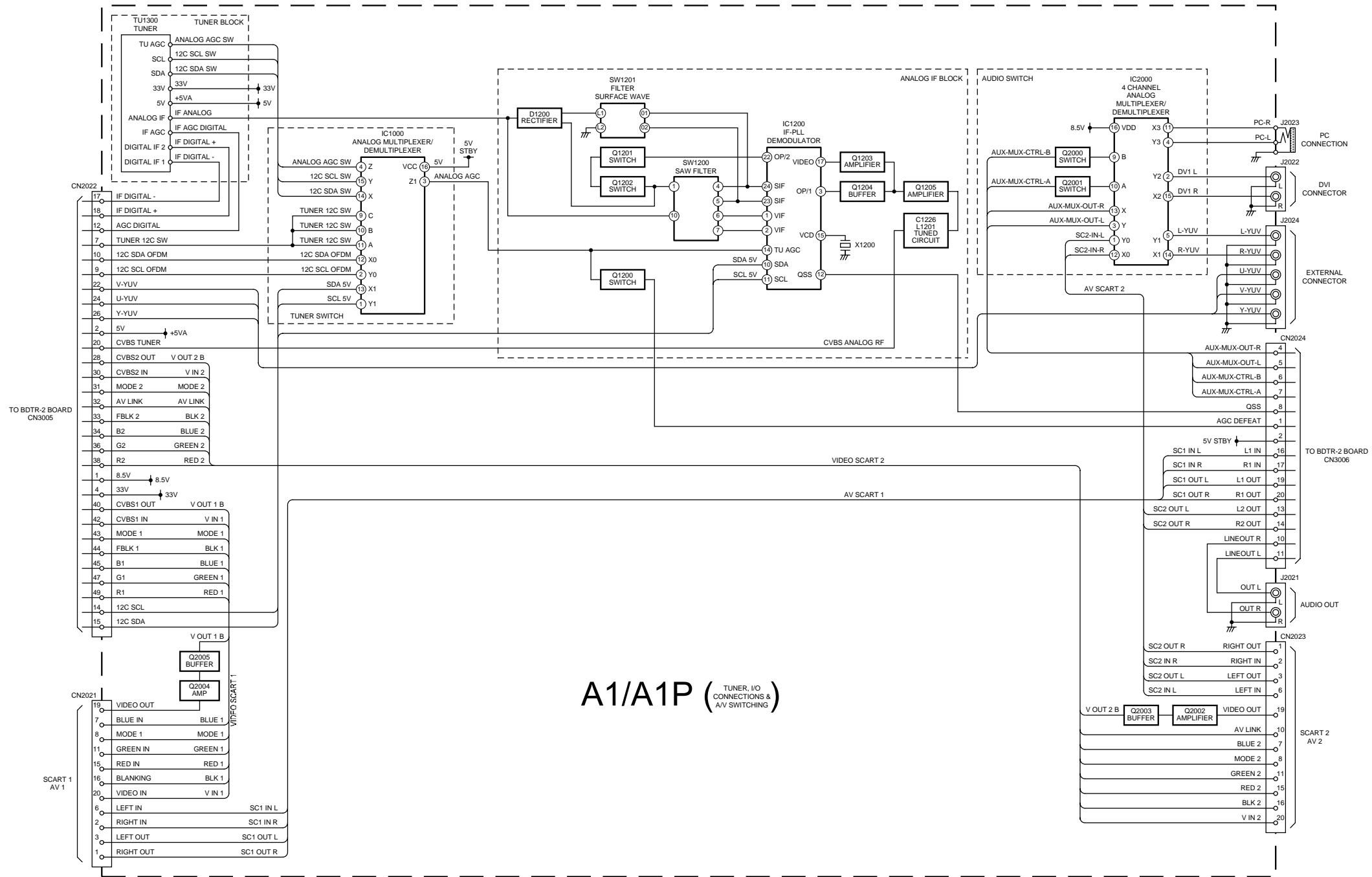
3-3. TT OSD Labels

		(1)	3	2		A	E	P	(2)			(3)	T	T	-	-		
(4)	E	C	S		(5)	C	B	A				(6)	N	o	r	m		
(7)	D	D	C		(8)	E			O	H	D	C	M	S	S			
									(9)	(10)	(11)	(12)	(13)	(14)	(15)			
(16)	C	L	K			T	W			C	V							
					(17)	(18)			(19)	(20)								

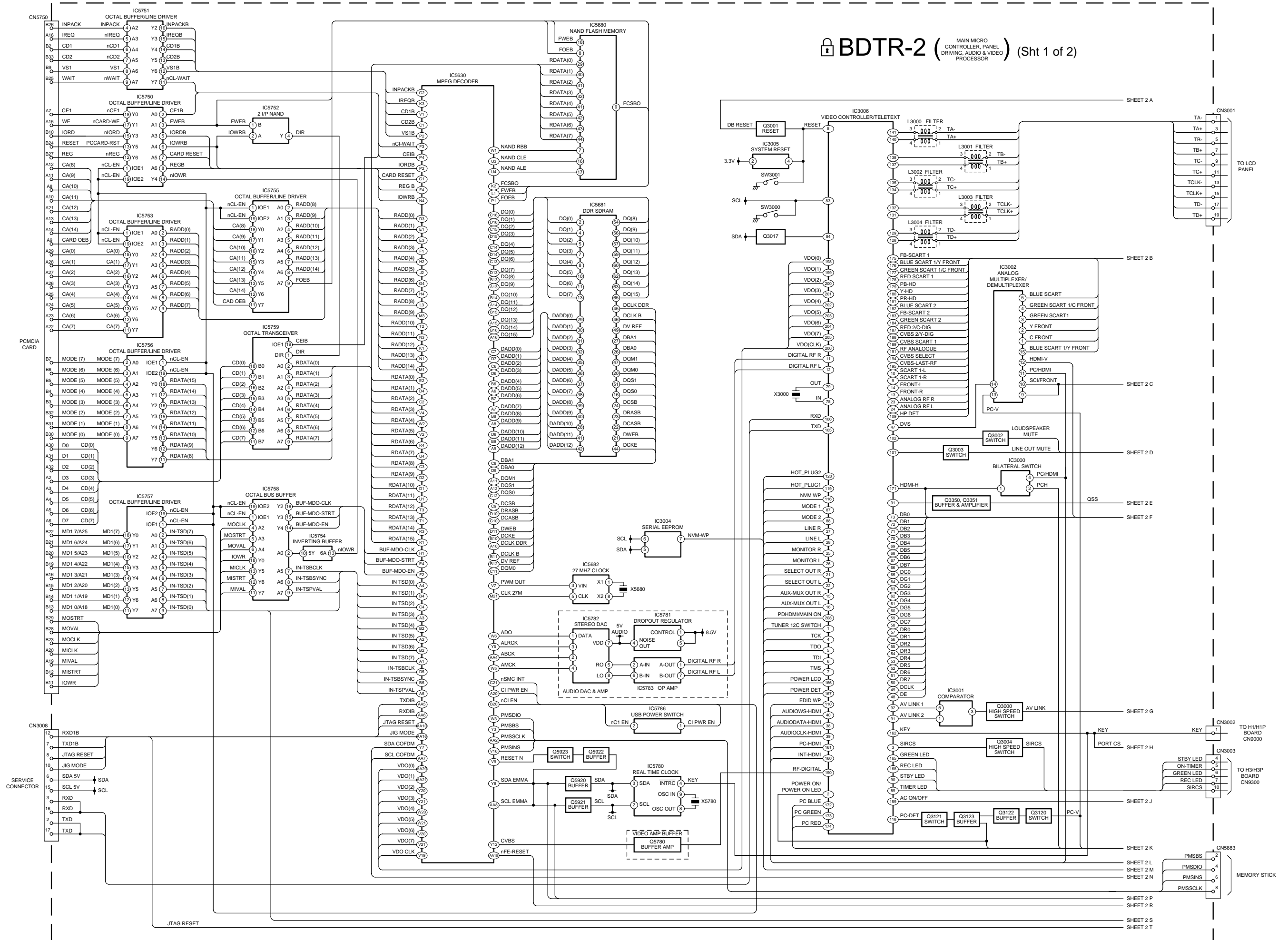
Key:

1. Model configuration.
 - a. To set 26" AUO (TT68).
 - b. To set 26" Samsung (TT72).
 - c. To set 32" AUO (TT69).
 - d. To set 32" Samsung (TT73).
 - e. To set 20" Chi-Mei (TT71).
 - f. To set 40" Samsung (TT74).
2. Model destination.
3. Command prompt.
4. ECS enabled/disabled (TT31).
5. CBA is shown when the TV set is in CBA mode (This mode is available from Factory mode) (TT27).
6. Normal or Factory mode (TT19).
7. DDC enabled/disabled (TT65).
8. E is shown when EDID WP is enabled; - is shown otherwise (TT66).
9. O is shown when OTRUM is enabled; - is shown otherwise (TT38).
10. H is shown when Hotel mode is enabled; - is shown otherwise (TT37).
11. D is shown when Digital mode is enabled; A is shown when Analogue mode is enabled.
12. C (Default value) is shown when MSP Auto Carrier Mute function is enabled; - is shown otherwise (TT67).
13. M (Default value) is shown when AM sound is demodulated in MSP; A is shown when AFRIC demodulator is used (TT63).
14. S is shown when a SONY tuner is selected; P is shown when a PHILIPS tuner is selected (TT55).
15. C is shown when a Chi-Mei 20" panel is used; S is shown when a Samsung panel is used; A is shown when a AUO panel is used (Changed by TT68 and TT69) for 26" and 32" respectively; 3 is shown when a 40" Samsung A3 panel is used; 4 is shown when a 40" Samsung A4 panel is used (Changed by TT64).
16. Clk is shown when display clock is enabled; - is shown otherwise (TT36).
17. T is shown when digital test is enabled; - is shown otherwise (TT39).
18. W is shown when Watchdog is enabled; - is shown otherwise (TT54).
19. C is shown when chip select is enabled; - is shown instead (This mode is available from factory mode) (TT58).
20. V is shown when Visual I2C is enabled; - is shown otherwise (TT59).

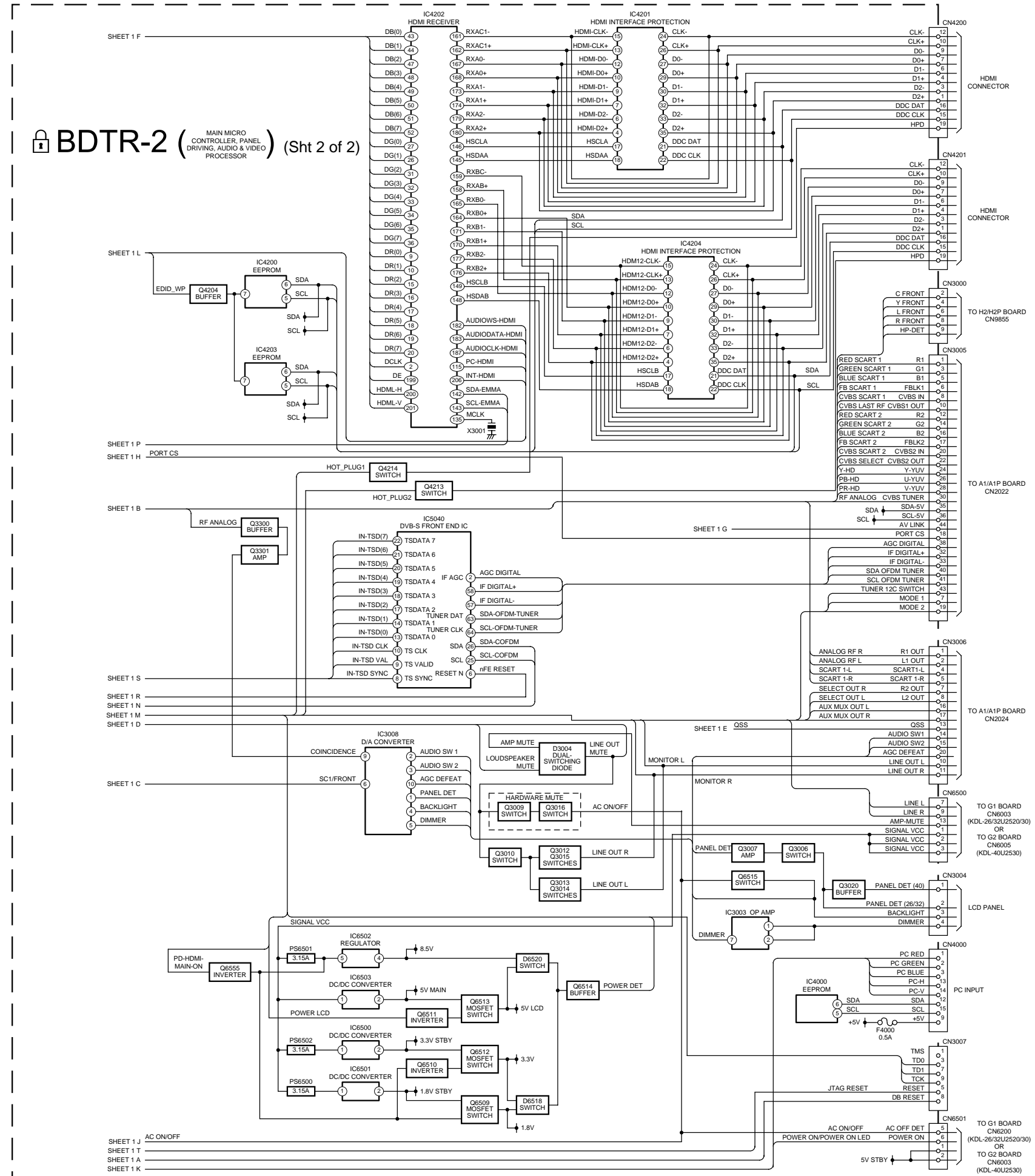
4-1. BLOCK DIAGRAMS (1)



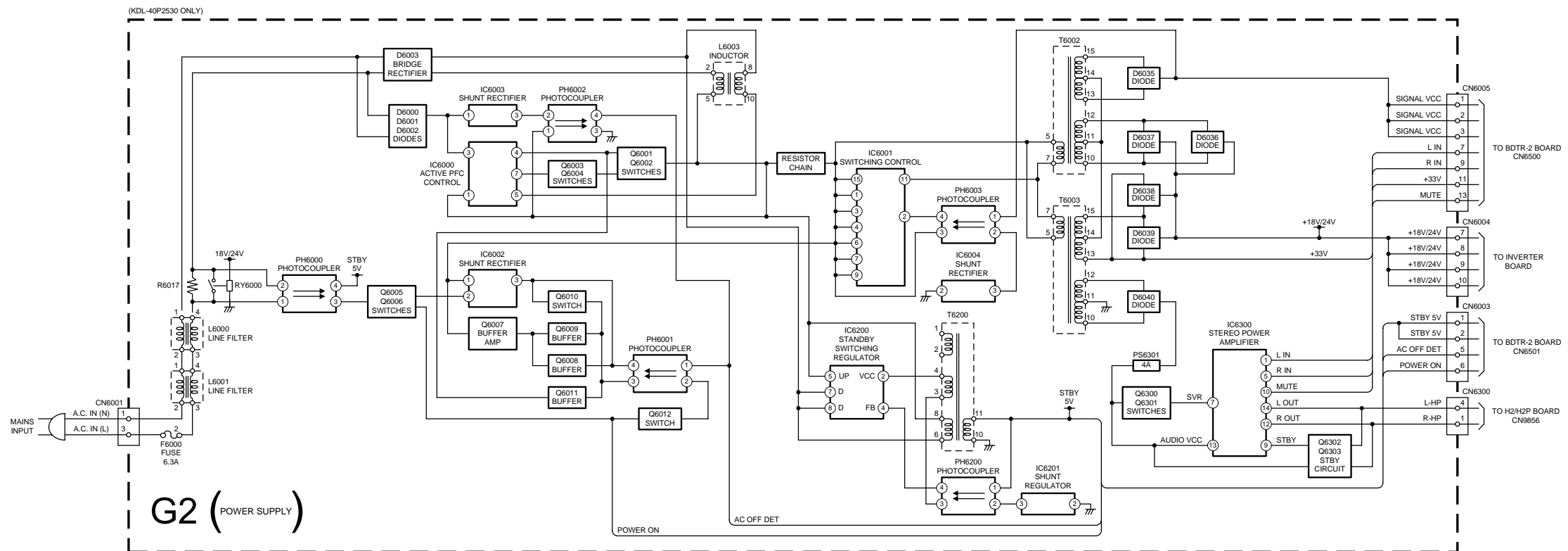
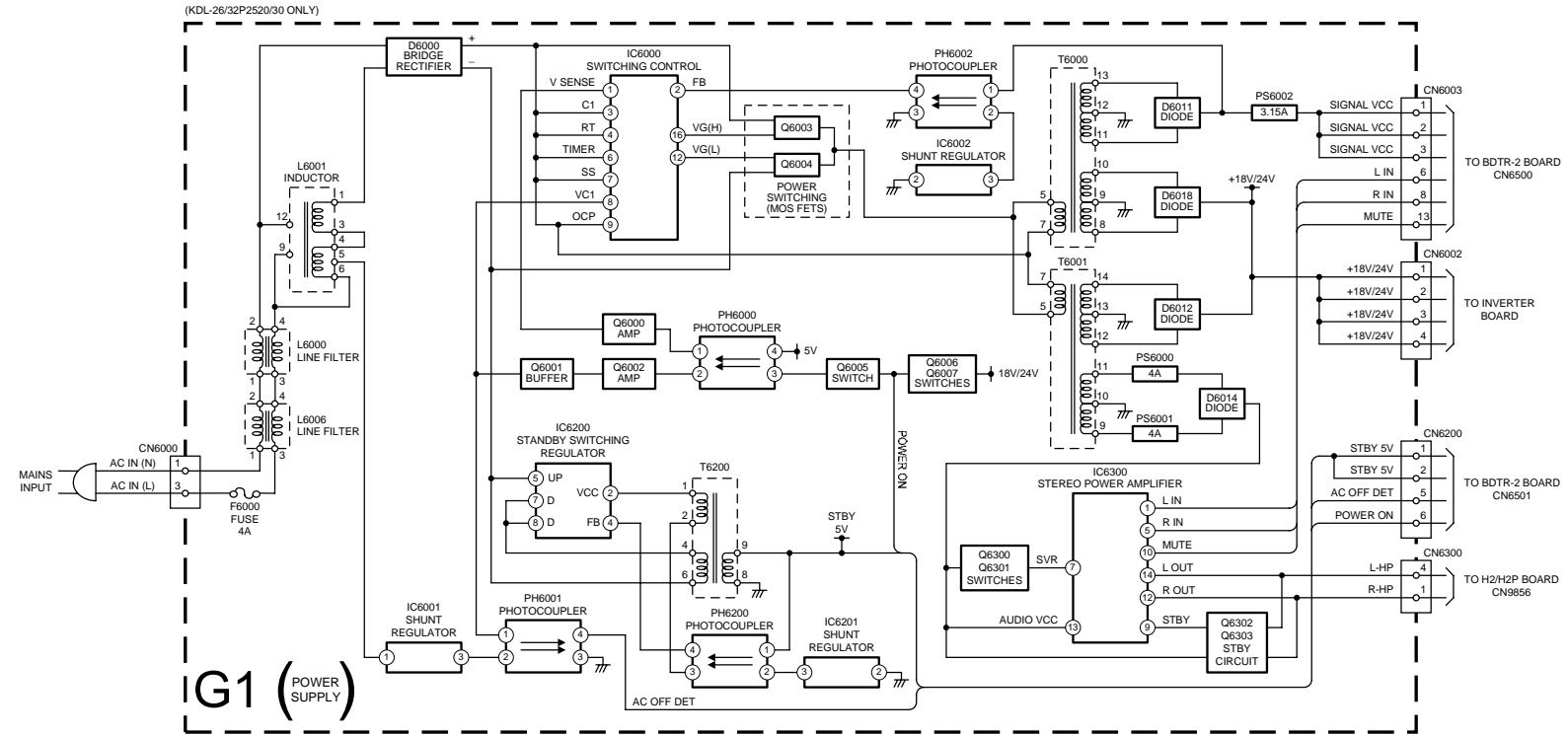
4-1. BLOCK DIAGRAMS (2)



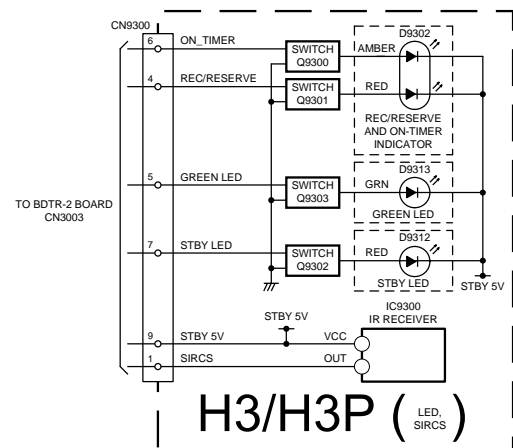
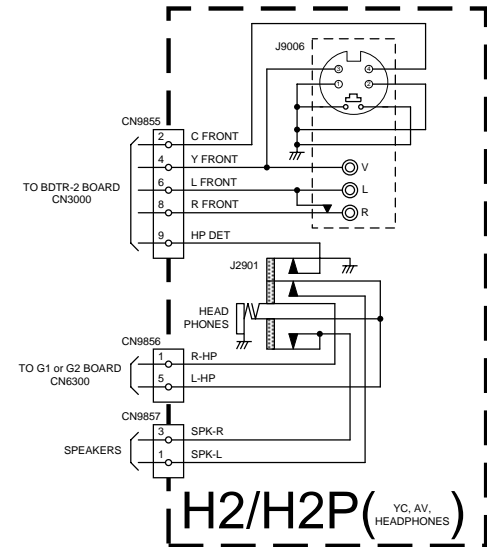
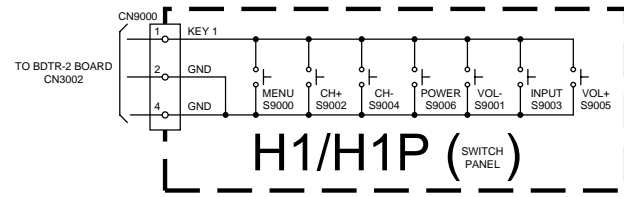
4-1. BLOCK DIAGRAMS (3)



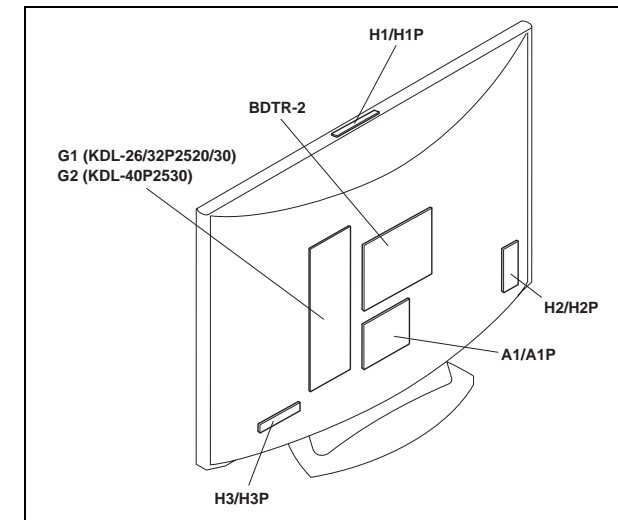
4-1. BLOCK DIAGRAMS (4)



4-1. BLOCK DIAGRAMS (5)



4-2. CIRCUIT BOARD LOCATION



4-3. SCHEMATIC DIAGRAMS AND PRINTED WIRING BOARDS

Note :

- All capacitors are in μF unless otherwise noted.
- pF : $\mu\mu\text{F}$ 50WV or less are not indicated except for electrolytic types.
- Indication of resistance, which does not have one for rating electrical power, is as follows.

Pitch : 5mm
Electrical power rating : 1/4W

- Chip resistors are 1/10W
- All resistors are in ohms.
k = 1000 ohms, M = 1000,000 ohms
- : nonflammable resistor.
- : fusible resistor.
- : internal component.
- : panel designation or adjustment for repair.
- All variable and adjustable resistors have characteristic curve B, unless otherwise noted.
- All voltages are in Volts.
- Readings are taken with a 10Mohm digital mutimeter.
- Readings are taken with a color bar input signal.
- Voltage variations may be noted due to normal production tolerances.
- : B + bus.
- : B - bus.
- : RF signal path.
- : earth - ground.
- : earth - chassis.

Reference Information

RESISTOR	RN	: METAL FILM
	RC	: SOLID
	FPRD	: NON FLAMMABLE CARBON
	FUSE	: NON FLAMMABLE FUSIBLE
	RS	: NON FLAMMABLE METAL OXIDE
	RB	: NON FLAMMABLE CEMENT
	RW	: NON FLAMMABLE WIREWOUND
		: ADJUSTMENT RESISTOR
COIL	LF-8L	: MICRO INDUCTOR
CAPACITOR	TA	: TANTALUM
	PS	: STYROL
	PP	: POLYPROPYLENE
	PT	: MYLAR
	MPS	: METALIZED POLYESTER
	MPP	: METALIZED POLYPROPYLENE
	ALB	: BIPOLAR
	ALT	: HIGH TEMPERATURE
	ALR	: HIGH RIPPLE

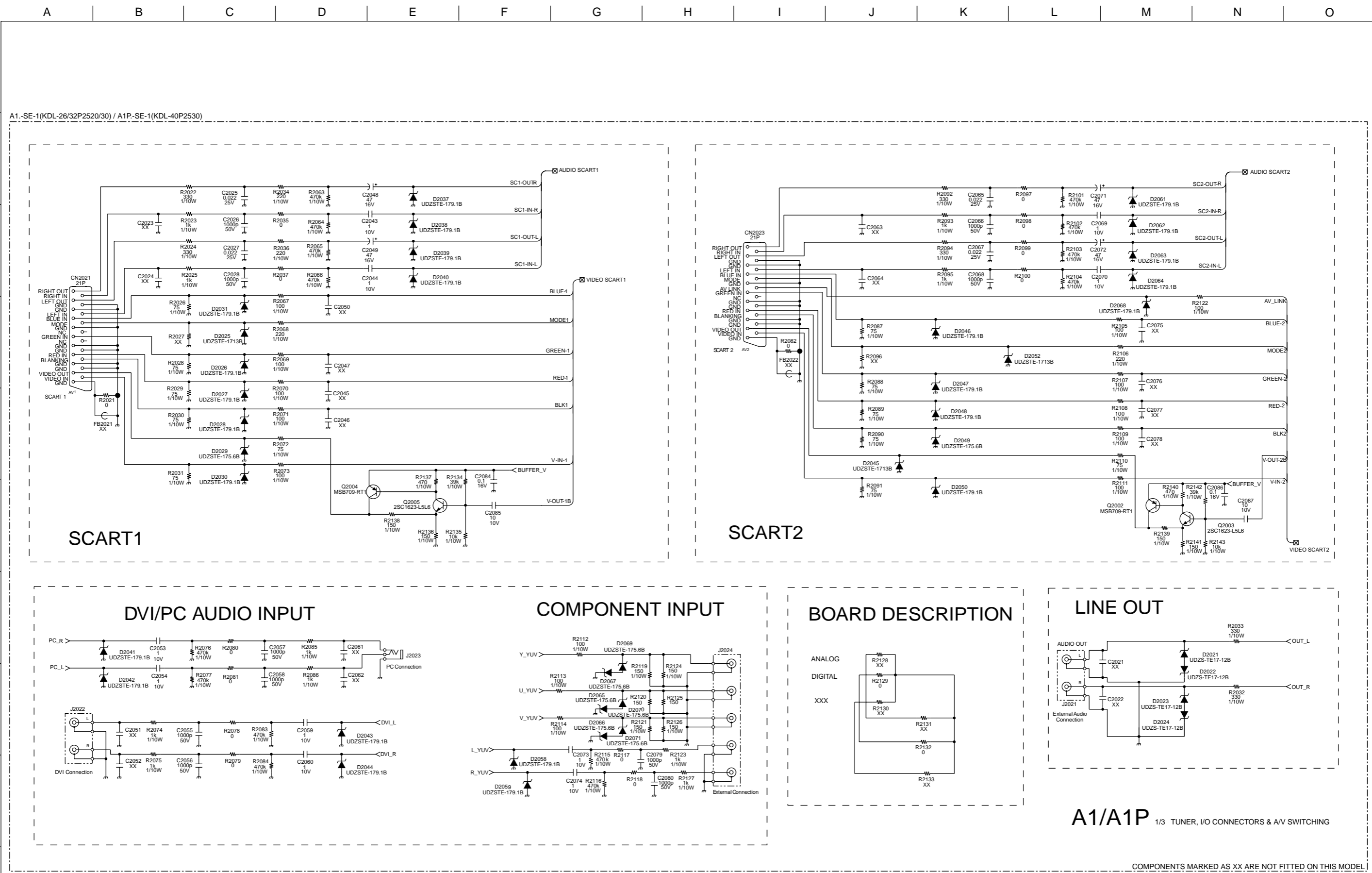
Note : The components identified by shading and marked Δ are critical for safety. Replace only with the part numbers specified in the parts list.

Note : Les composants identifiés par une trame et par une marque Δ sont d'une importance critique pour la sécurité. Ne les remplacer que par des pièces de numéro spécifié.

Note: The components identified by mark Δ contain confidential information. Strictly follow the instructions whenever the components are repaired and/or replaced.

Note :

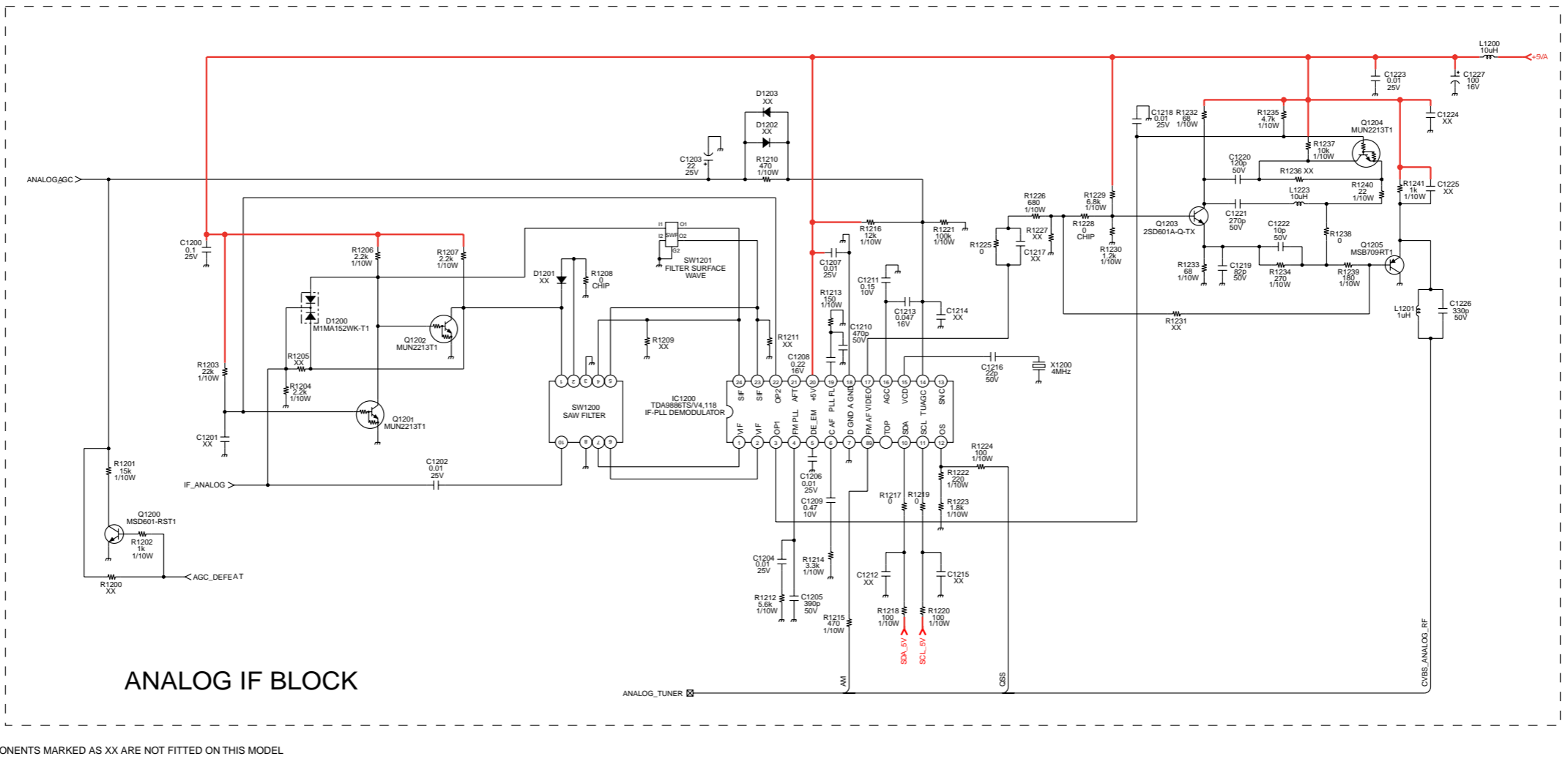
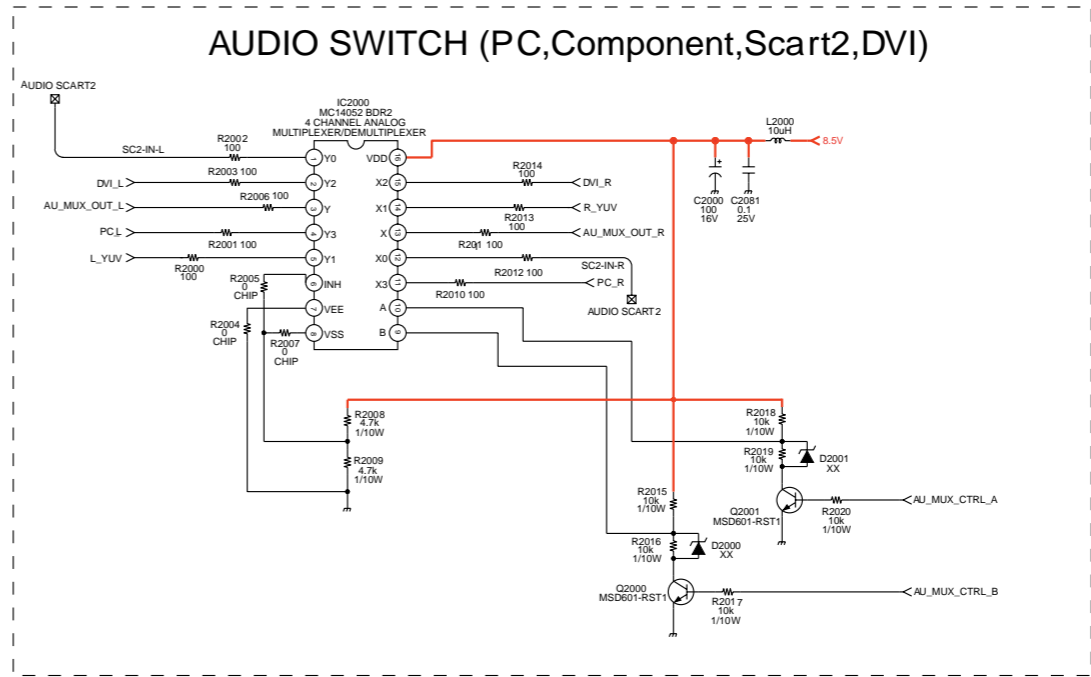
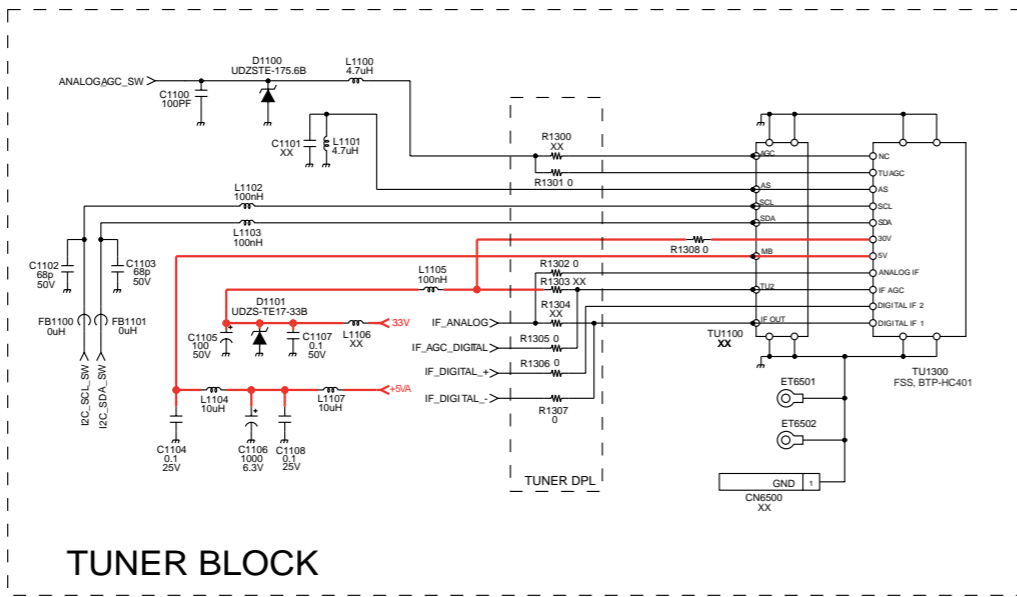
- CVBS and RGB waveforms are measured using a PAL colour bar input to Scart1. Y, U, V waveforms are measured using a PAL colour bar input to component sockets (Y, Pb/Cb, Pr/Cr).



A1/A1P ^{1/3} TUNER, I/O CONNECTORS & AV SWITCHING

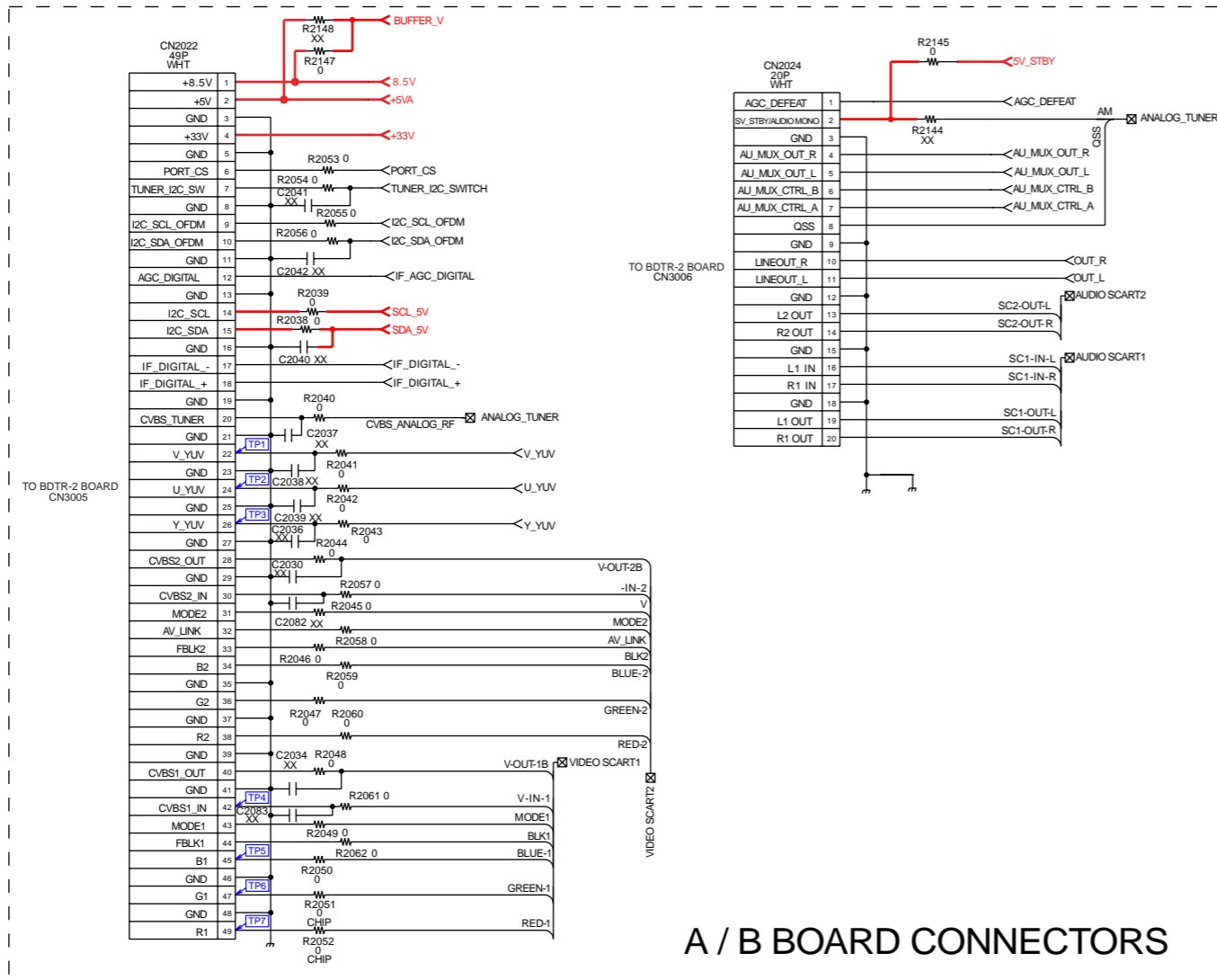
COMPONENTS MARKED AS XX ARE NOT FITTED ON THIS MODEL

A1/A1P 2/3

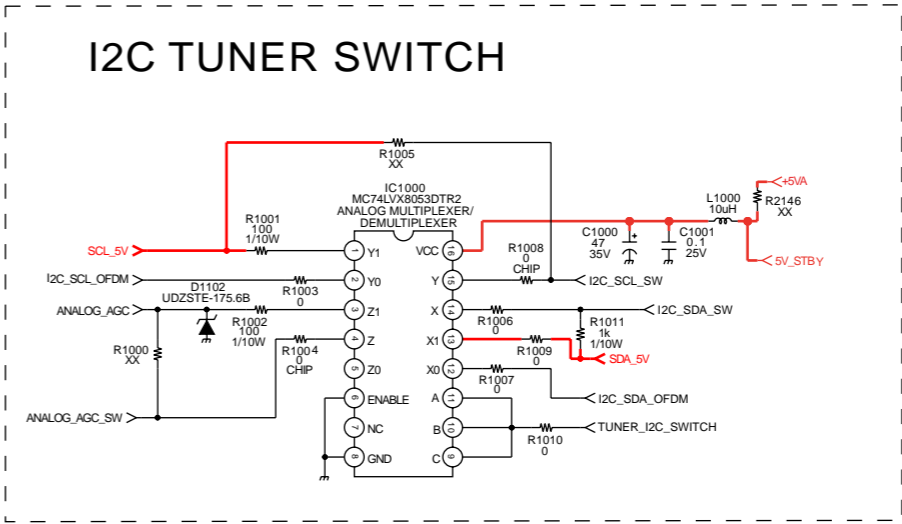


COMPONENTS MARKED AS XX ARE NOT FITTED ON THIS MODEL

A1-SE-1(KDL-26/32P2520/30) / A1P-SE-1(KDL-40P2530)

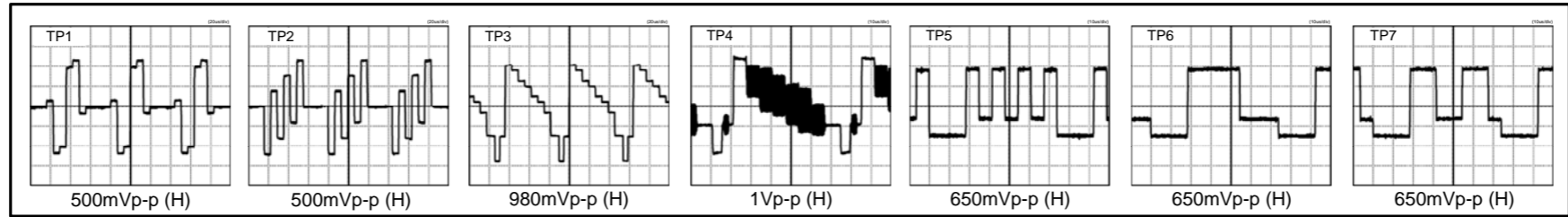


A1/A1P 3/3



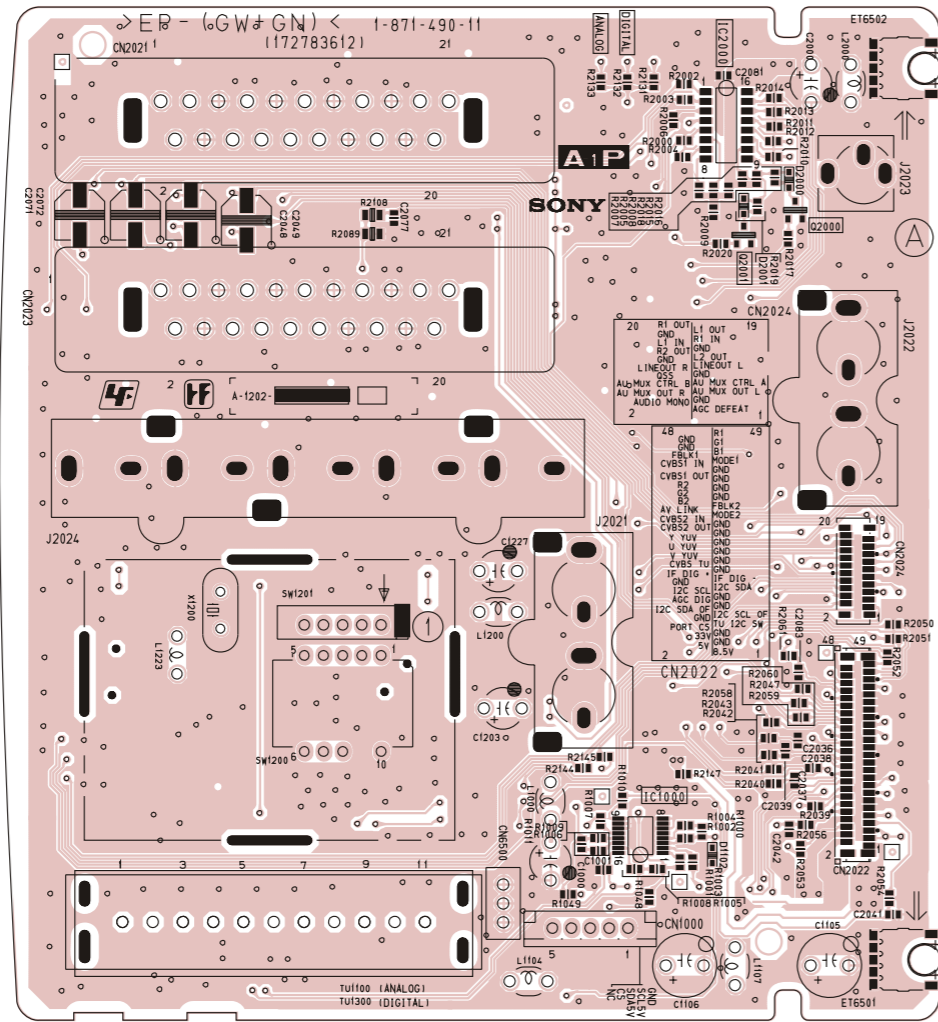
A / B BOARD CONNECTORS

A1/A1P (3/3) Board Waveforms

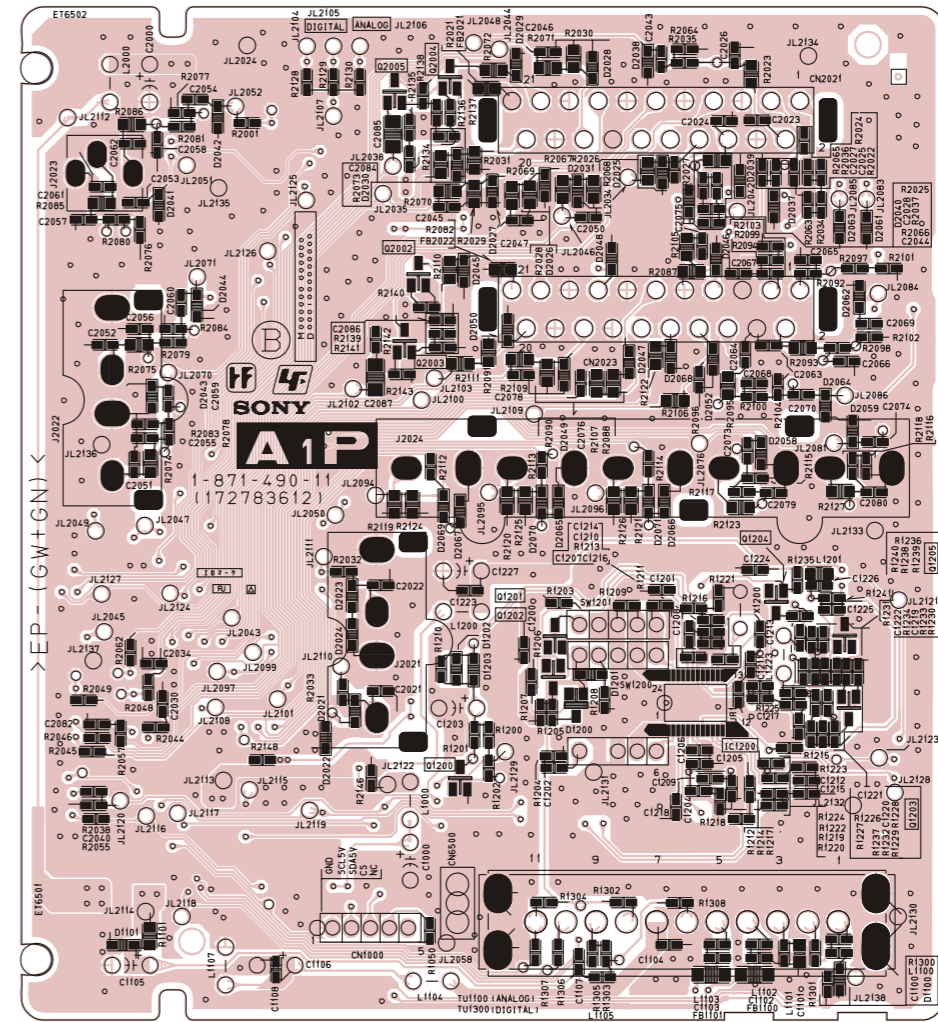


COMPONENTS MARKED AS XX ARE NOT FITTED ON THIS MODEL

~ A1/A1P Printed Wiring Board Conductor Side A ~



~ A1/A1P Printed Wiring Board Conductor Side B ~

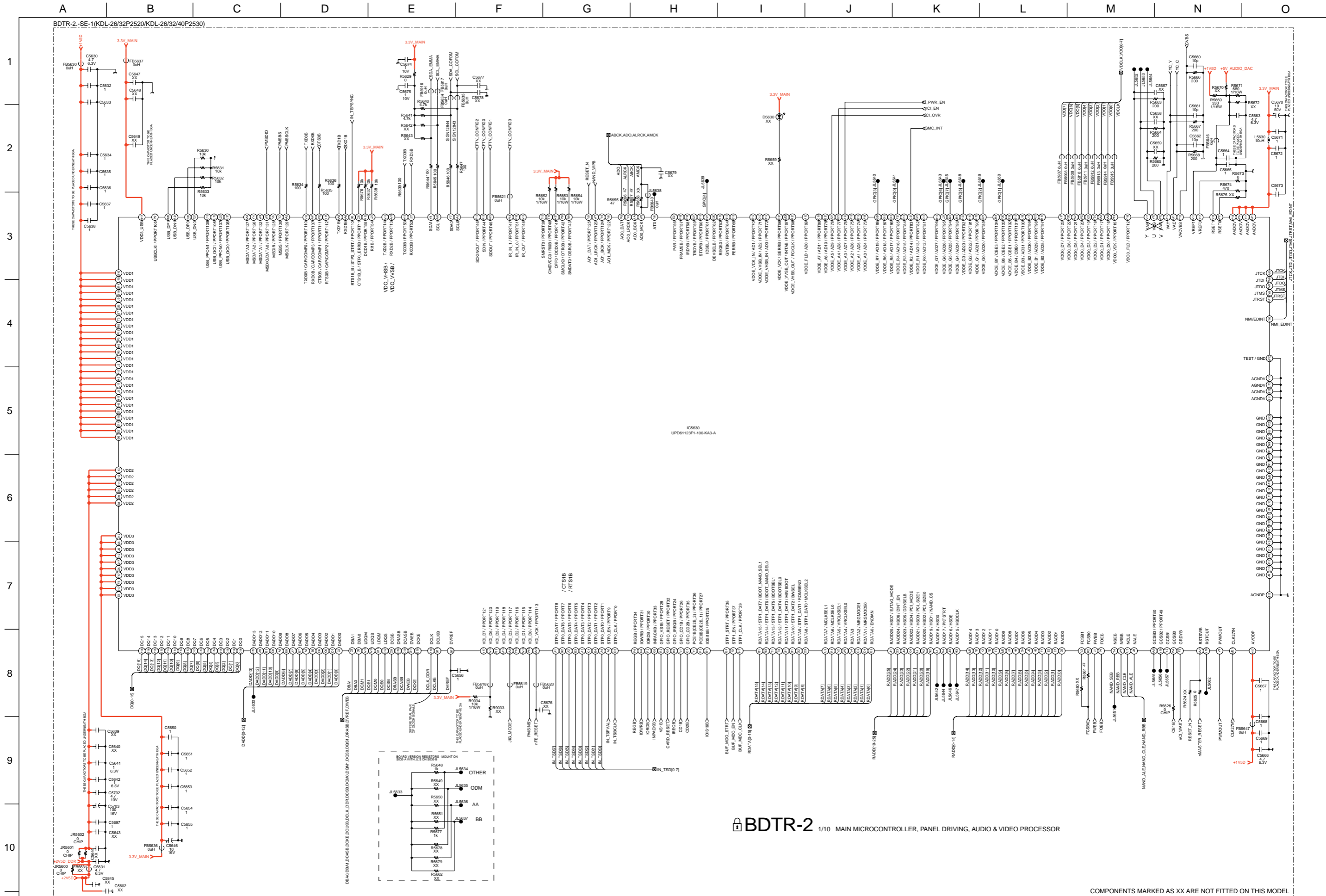


~ A1/A1P Board Semiconductor Voltage Table ~

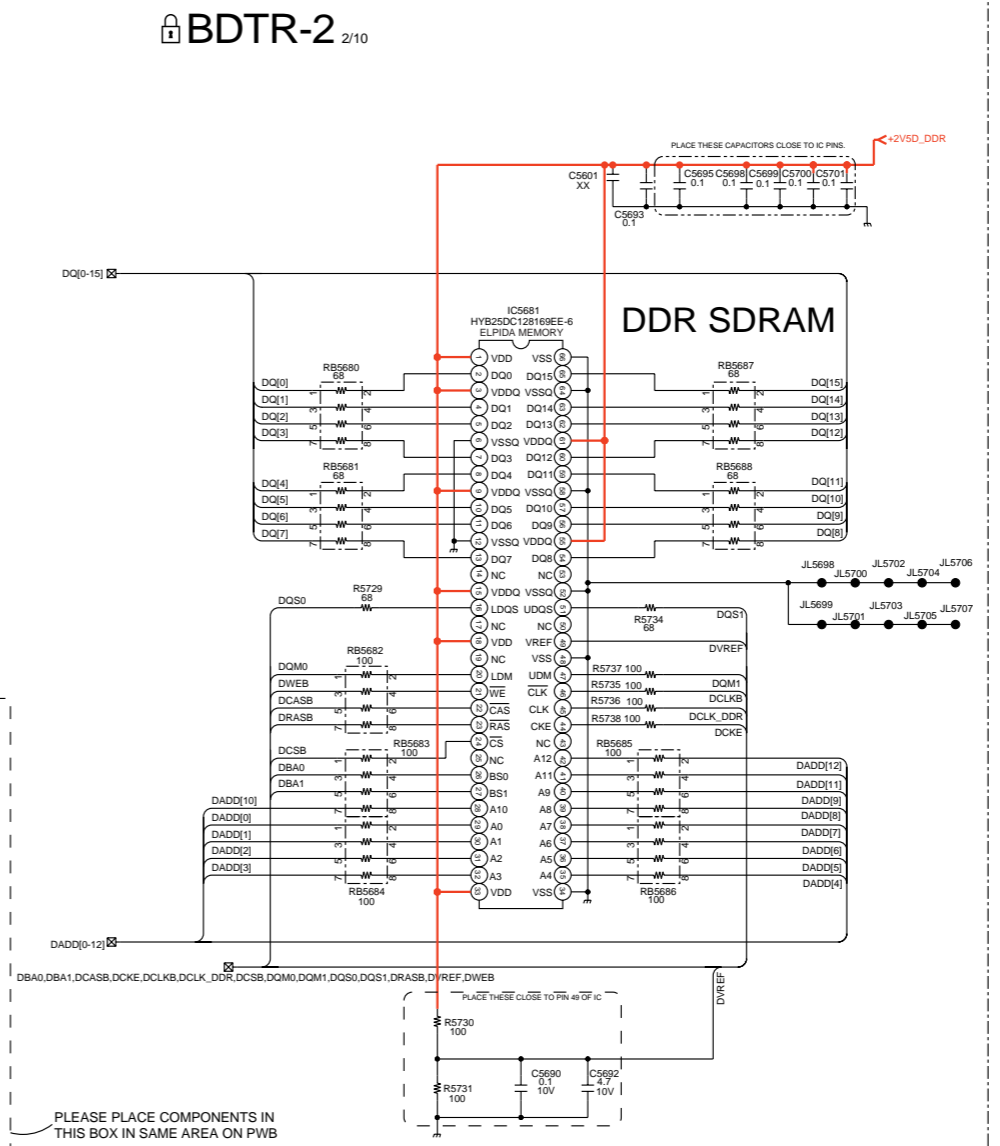
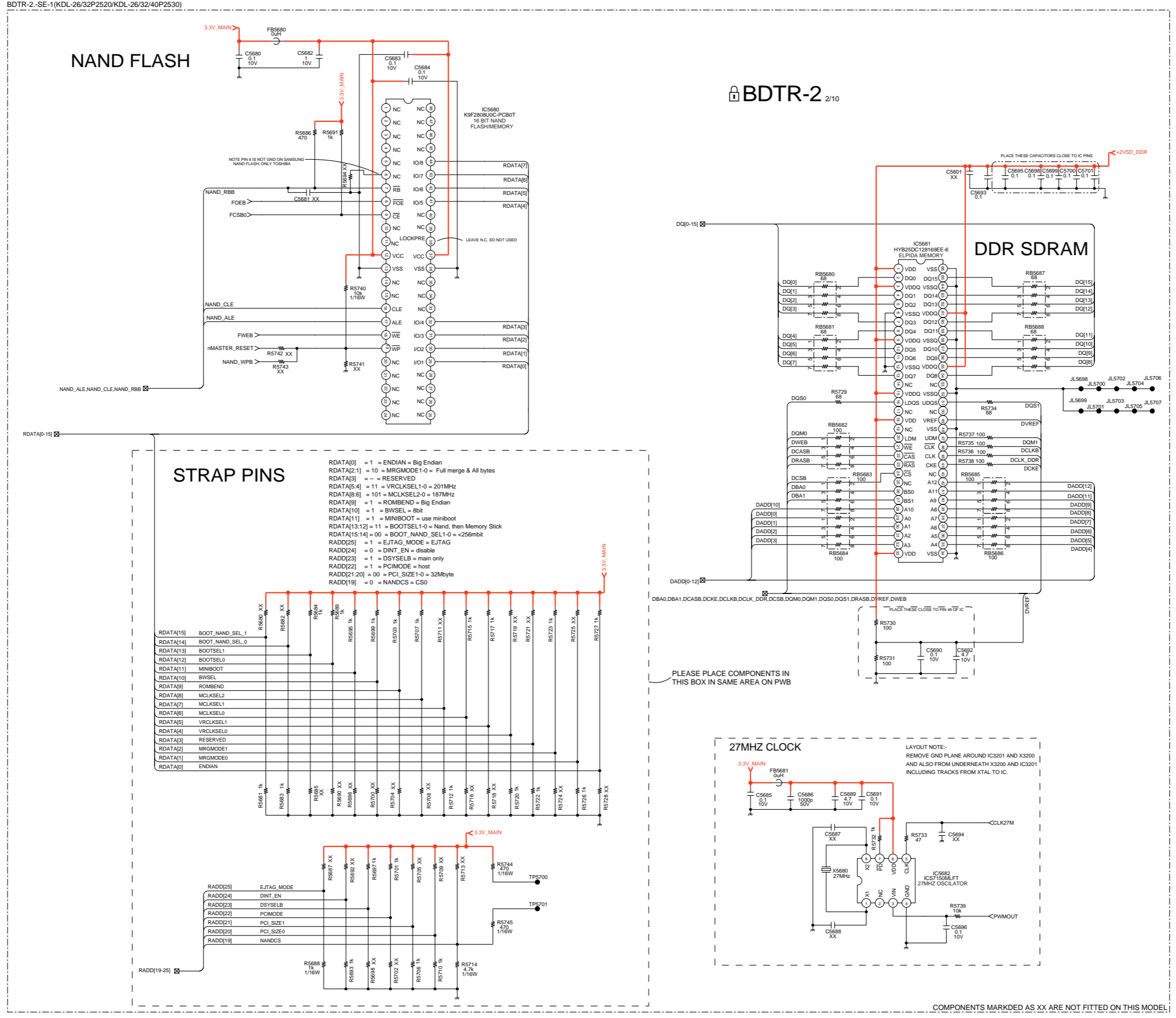
Ref	(e)(s)	(b)(g)	(c)(d)
Q2000	0	0.4	8.4
Q2001	0	0.7	0

~ A1/A1P Board IC Voltage Table ~

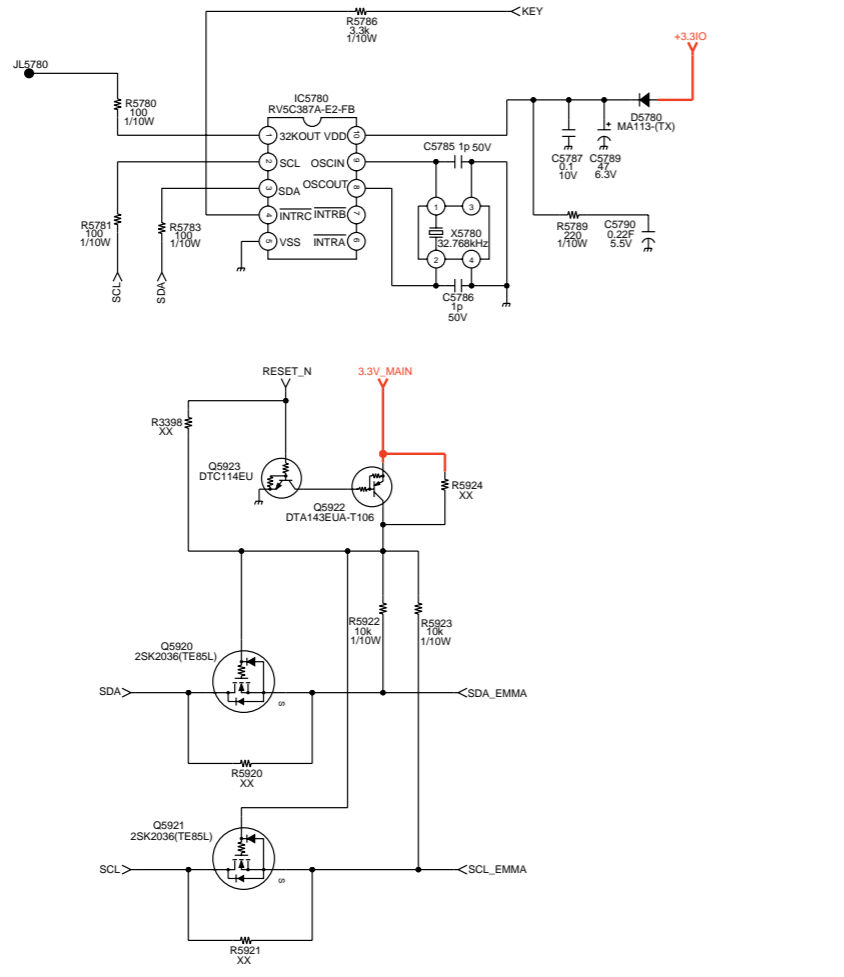
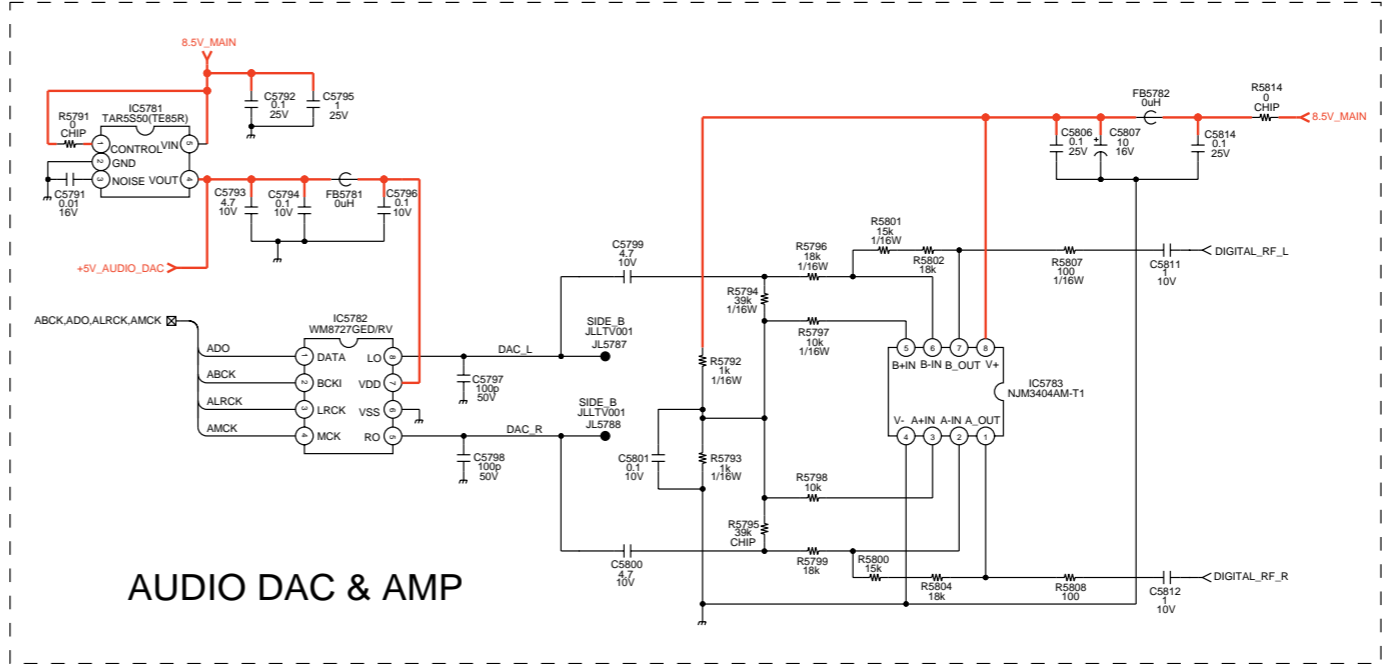
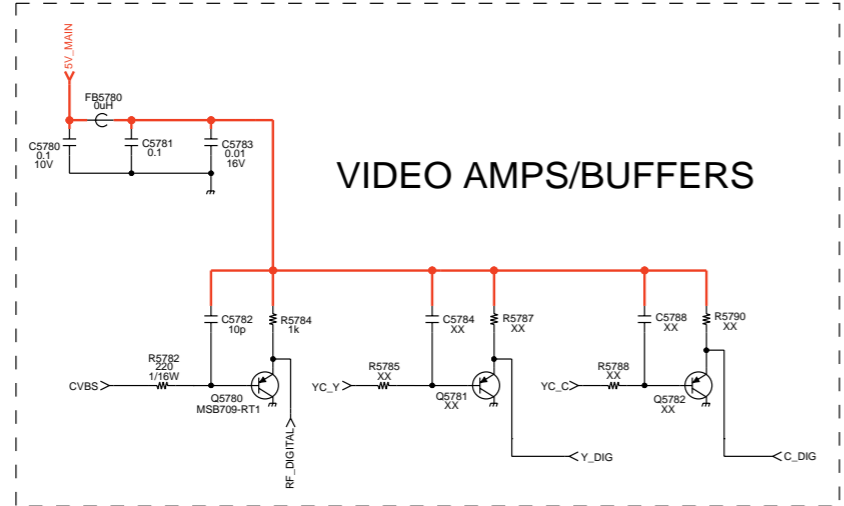
Ref No	Pin No	Volts (V)	Ref No	Pin No	Volts (V)	Ref No	Pin No	Volts (V)
IC1000	1	3.7	IC1000	13-15	3.6	IC2000	8	4.2
	2	3.2		16	5.0		9	8.5
	3-4	2.3	IC2000	1-5	0		10	4.3
	5-8	0		6	4.2		11-15	0
	9-12	3.2		7	0		16	8.5



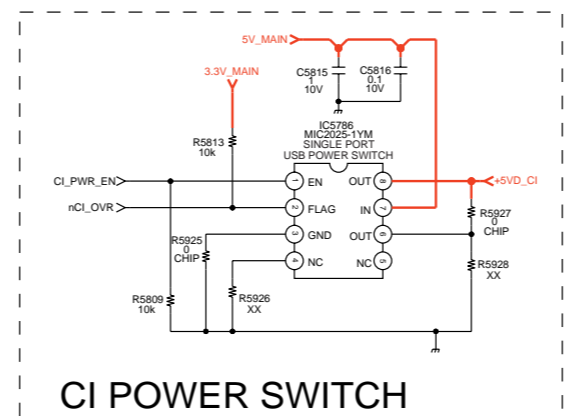
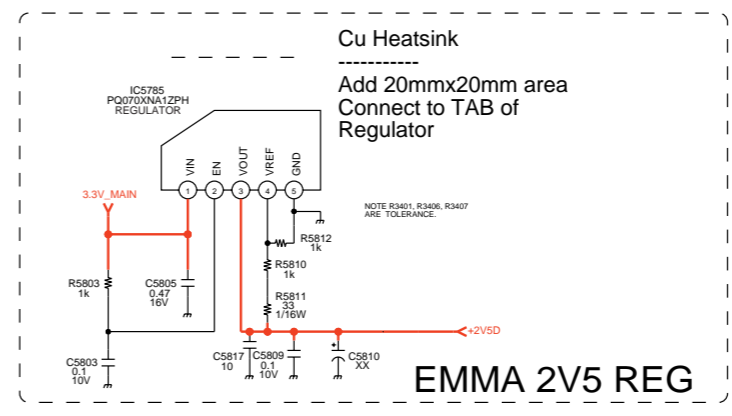
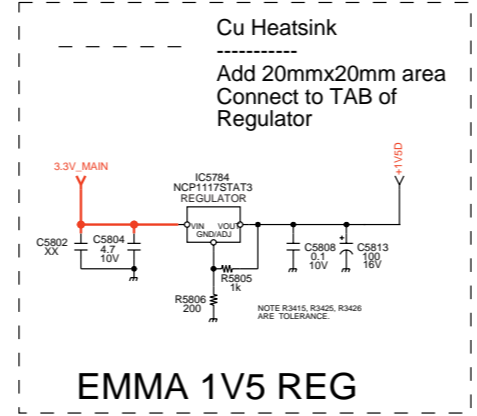
~ BDTR-2 Board Schematic Diagram [Main Microcontroller, Panel Driving, Audio & Video Processor] Page 1/10 ~



BDTR-2-SE-1(KDL-26/32P2520/KDL-26/32/40P2530)



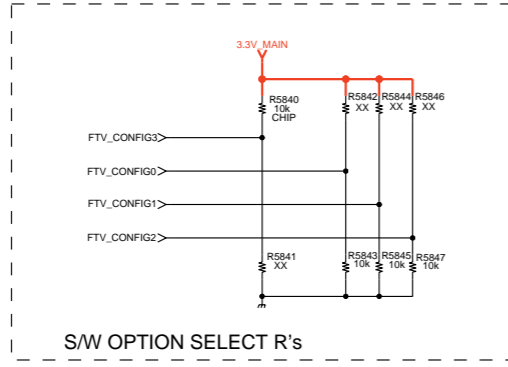
COMPONENTS MARKED AS XX ARE NOT FITTED ON THIS MODEL



BDTR-2 4/10

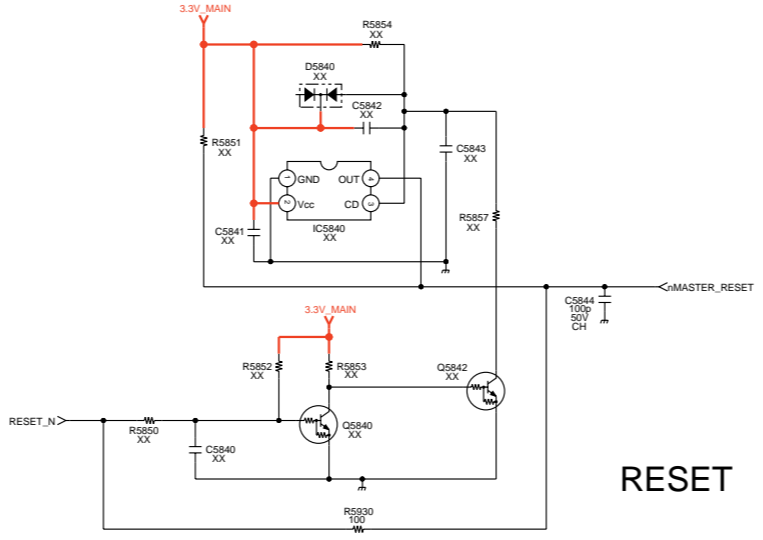
BDTR-2-SE-1(KDL-26/32P2520/KDL-26/32/40P2530)

BDTR-2 5/10

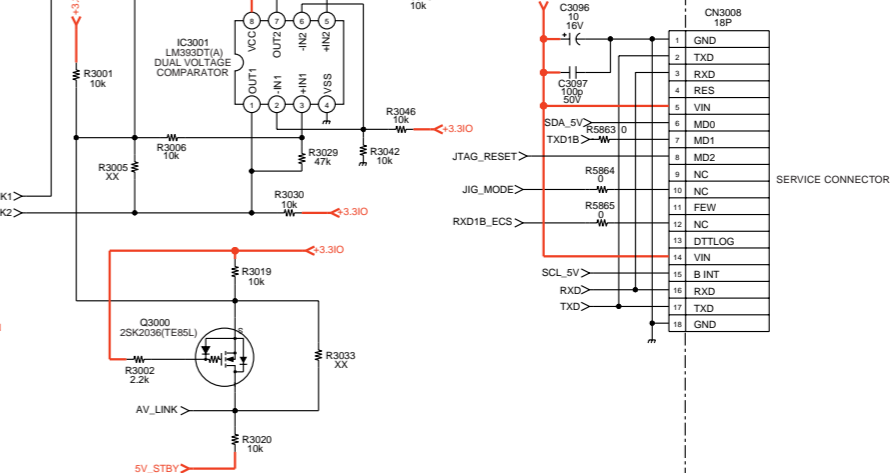
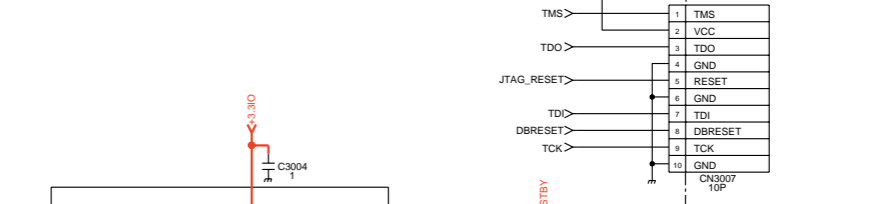
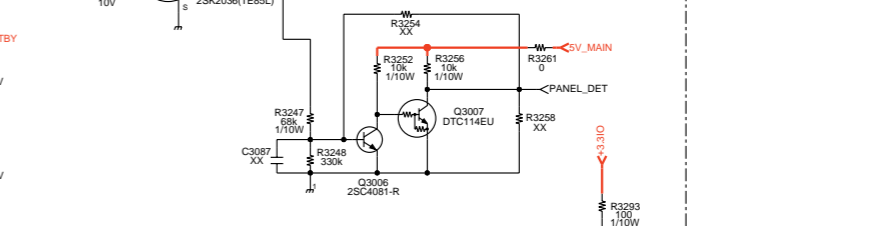
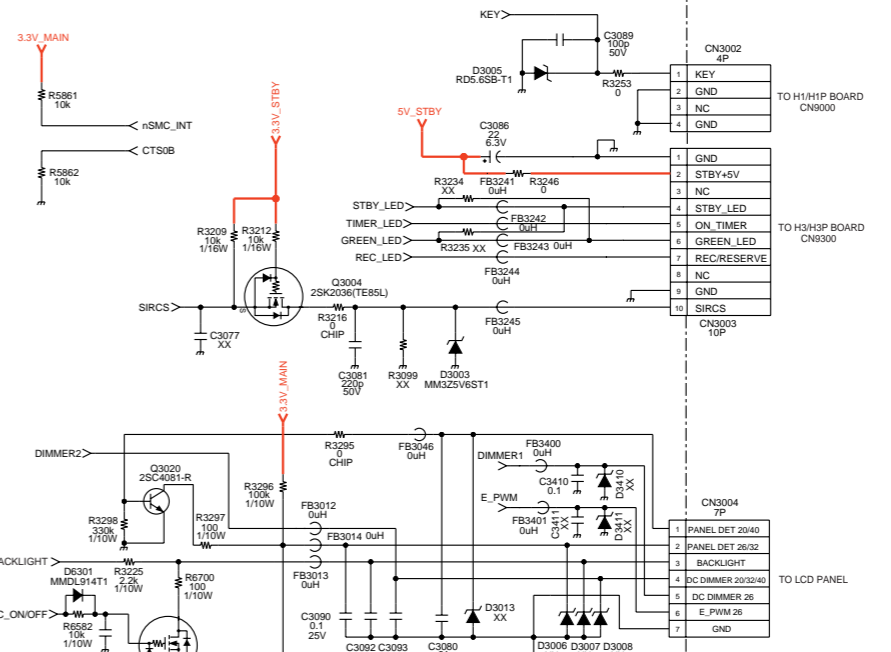
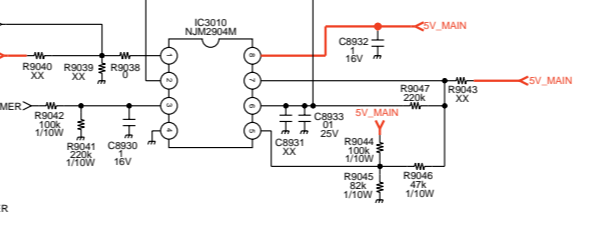
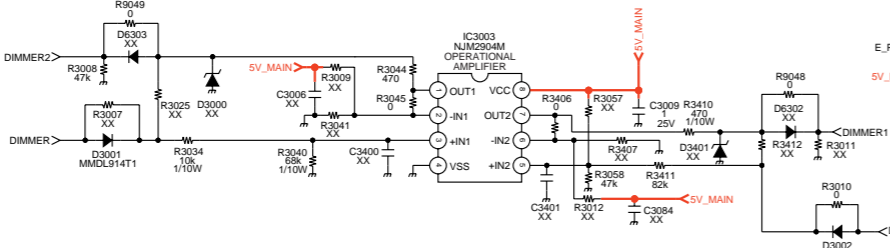
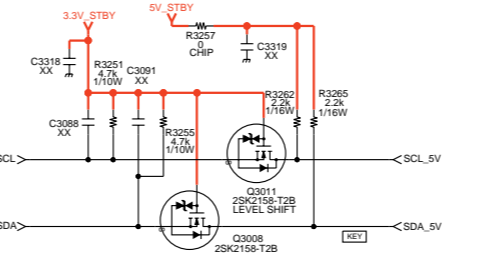
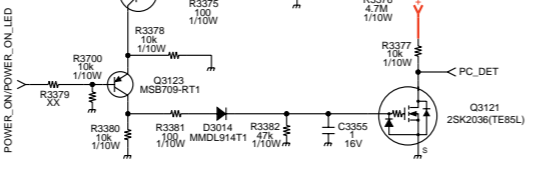
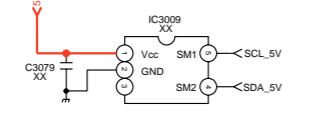
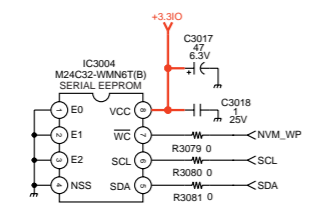
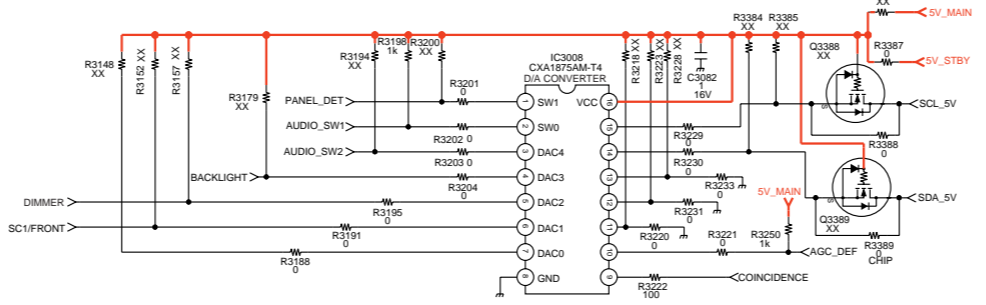


	00 TRIAL	CONF. TRIAL
FTV_CONFIG3	0	0
FTV_CONFIG0	1	0
FTV_CONFIG1	0	0
FTV_CONFIG2	1	0

RESET SIGNAL GENERATION



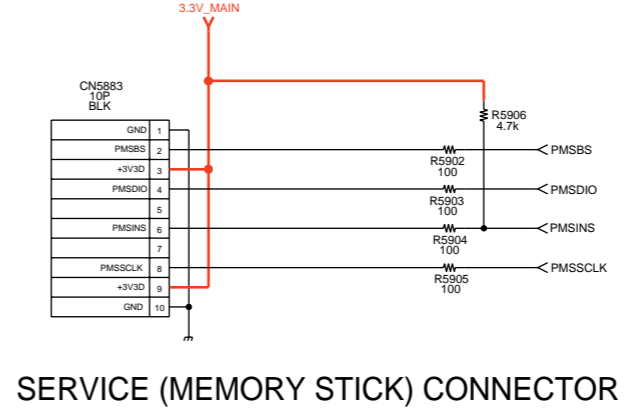
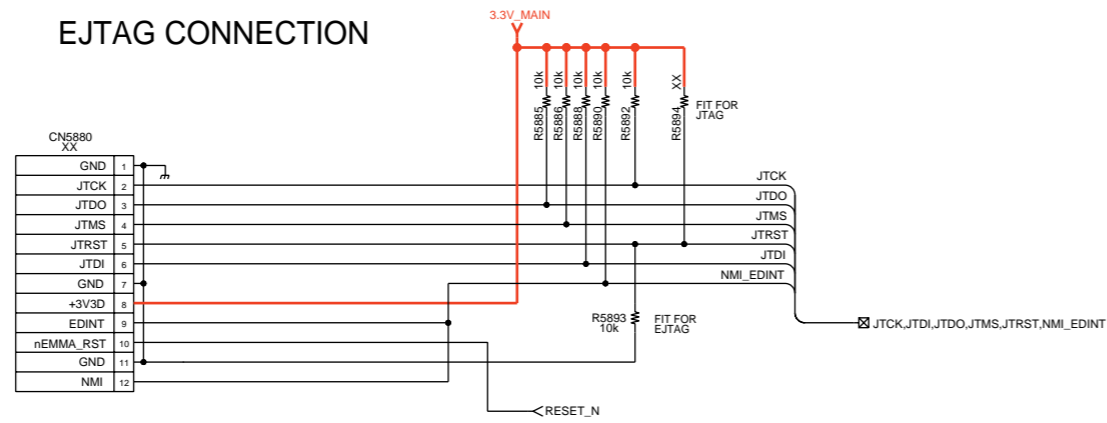
RESET



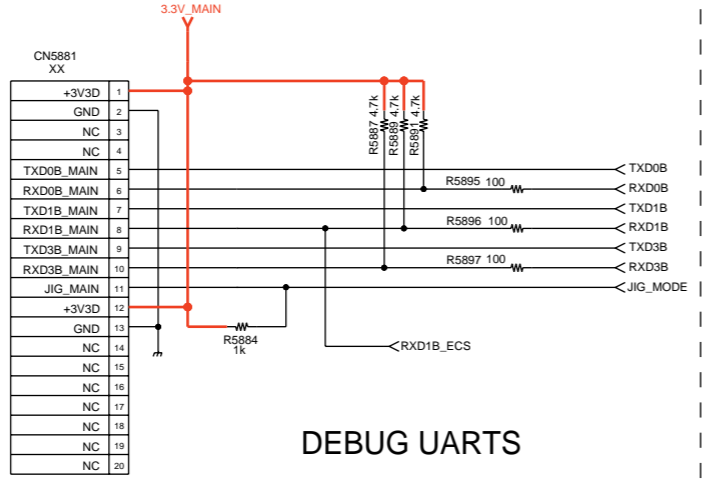
COMPONENTS MARKED AS XX ARE NOT FITTED ON THIS MODEL

BDTR-2.-SE-1(KDL-26/32P2520/KDL-26/32/40P2530)

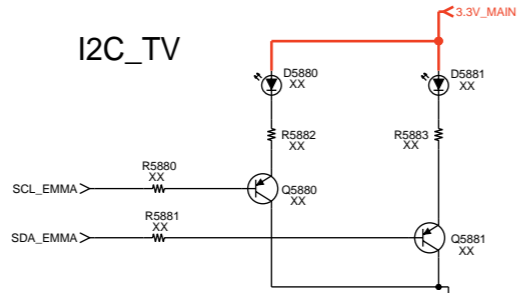
EJTAG CONNECTION



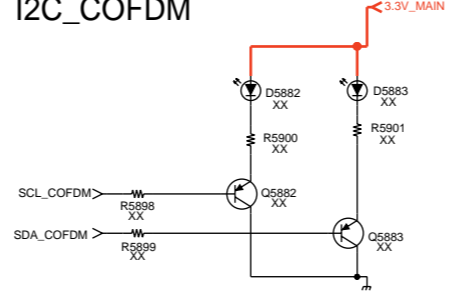
DEBUG UARTS



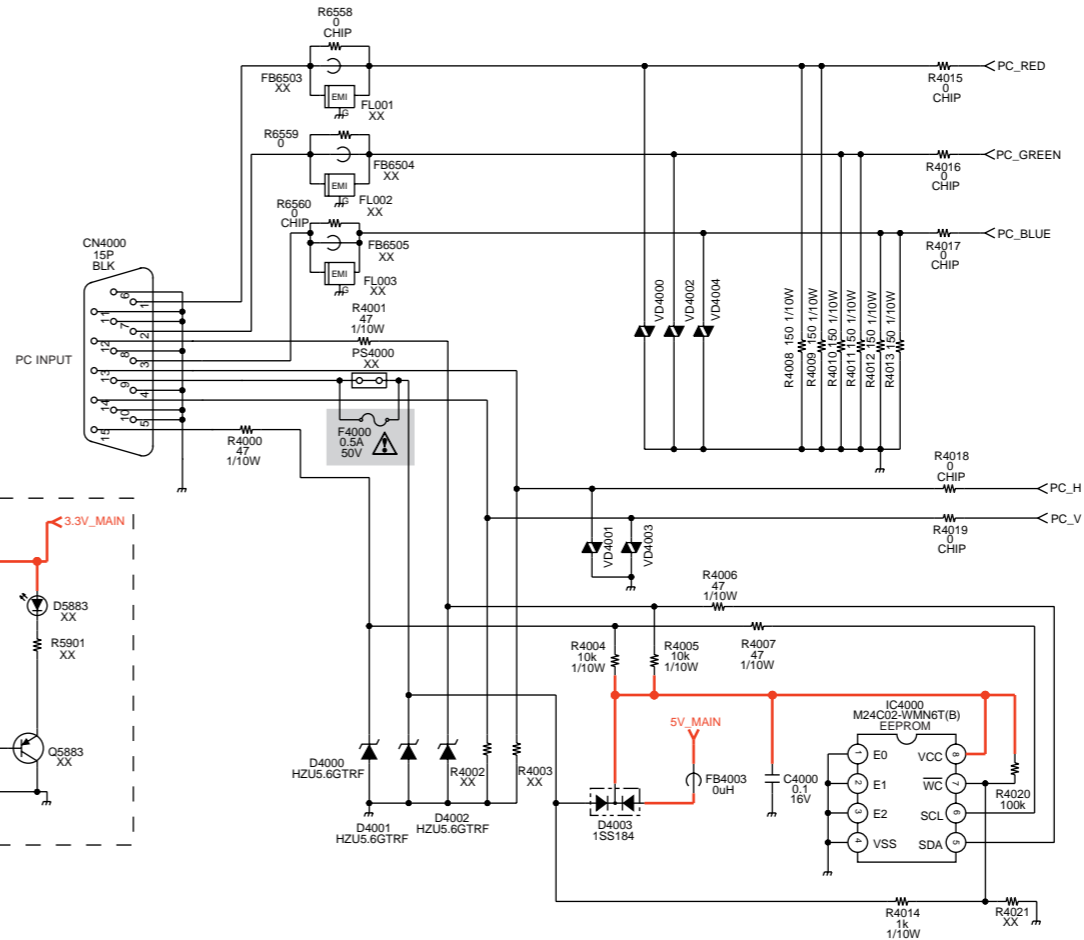
I2C_TV



I2C_COIFDM

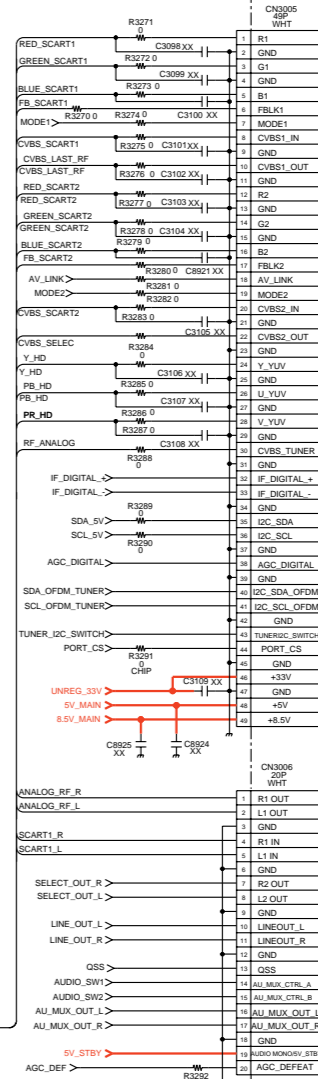
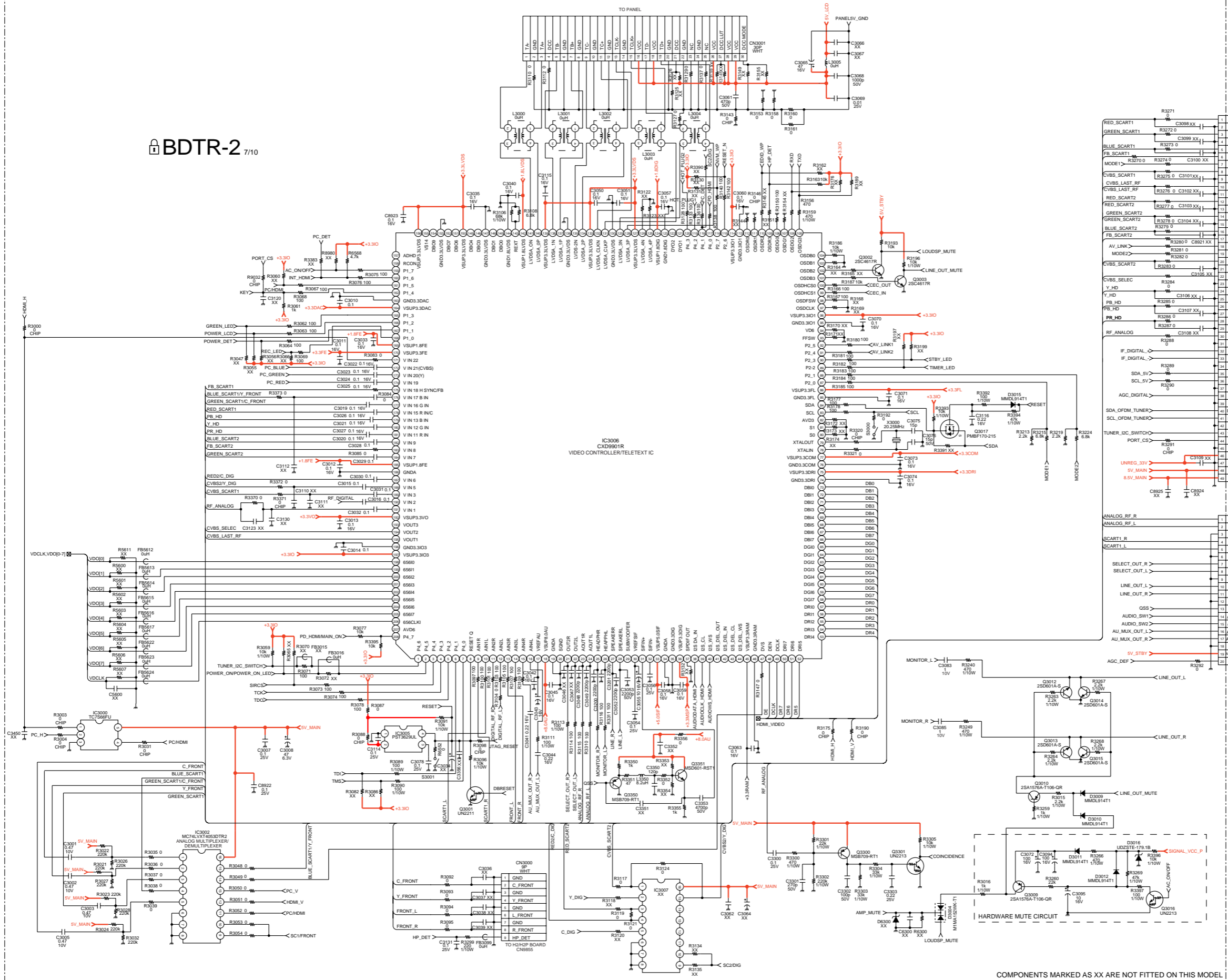


BDTR-2 6/10



COMPONENTS MARKED AS XX ARE NOT FITTED ON THIS MODEL

BDTR-2 7/10

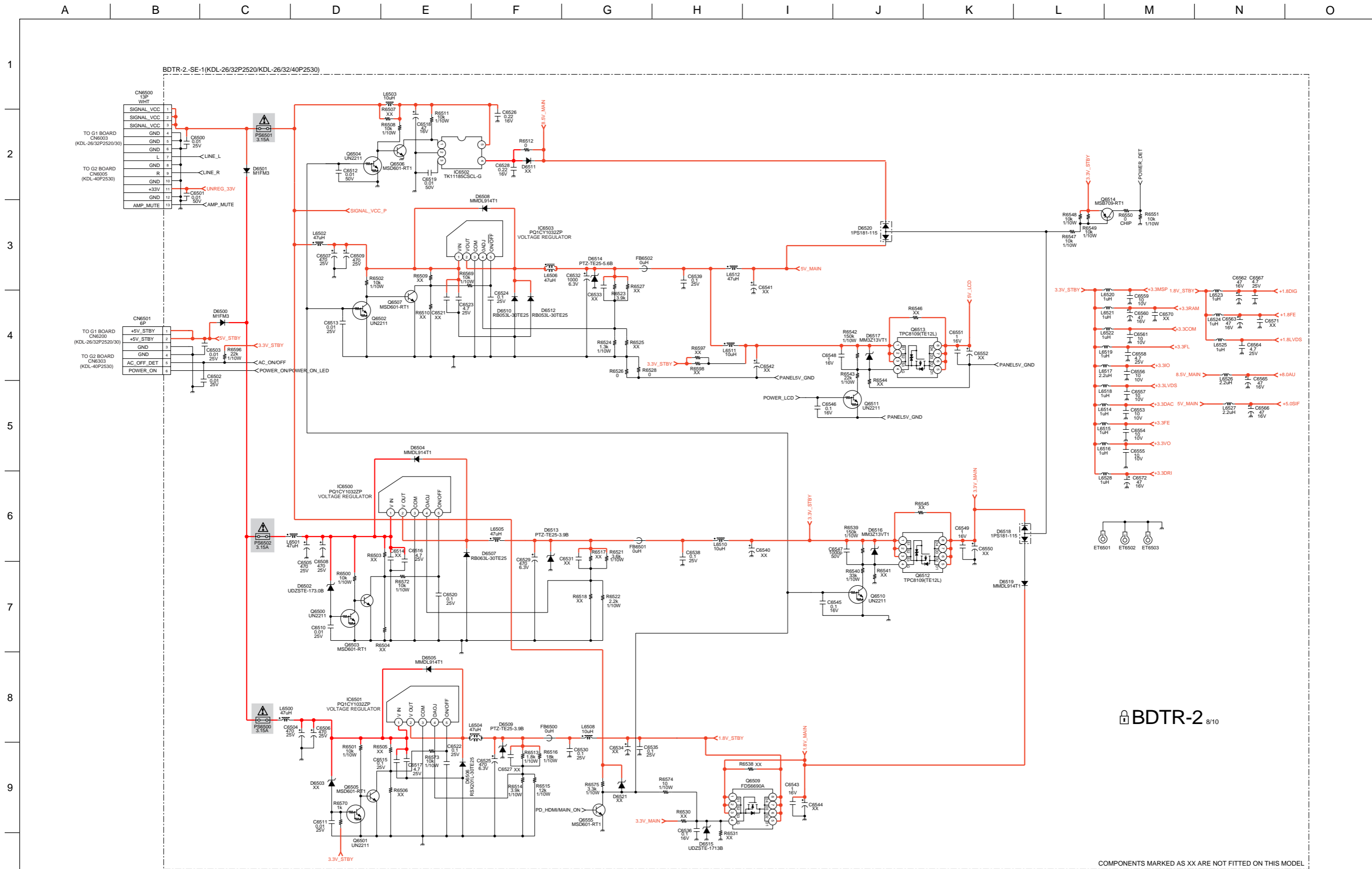


TO A1/A1P BOARD CN2022

TO A1/A1P BOARD CN2024



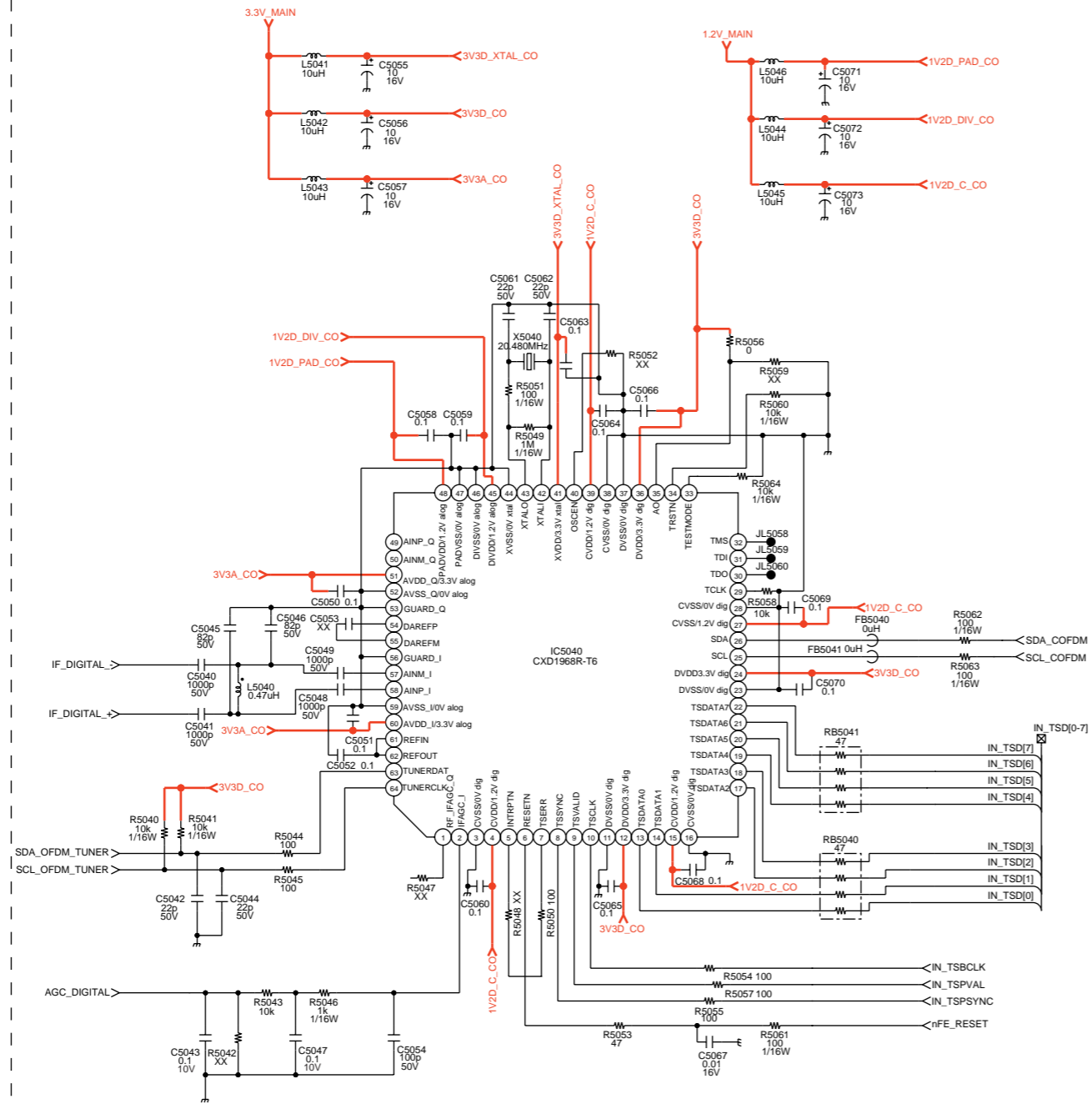
COMPONENTS MARKED AS XX ARE NOT FITTED ON THIS MODEL



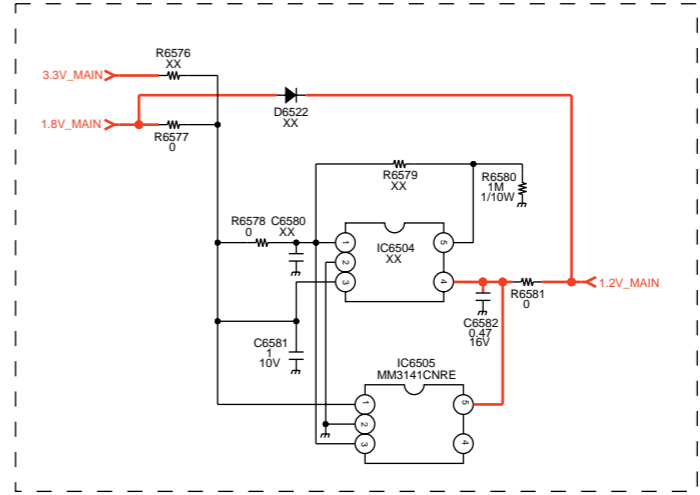
BDTR-2 8/10

BDTR-2-SE-1(KDL-26/32P2520/KDL-26/32/40P2530)

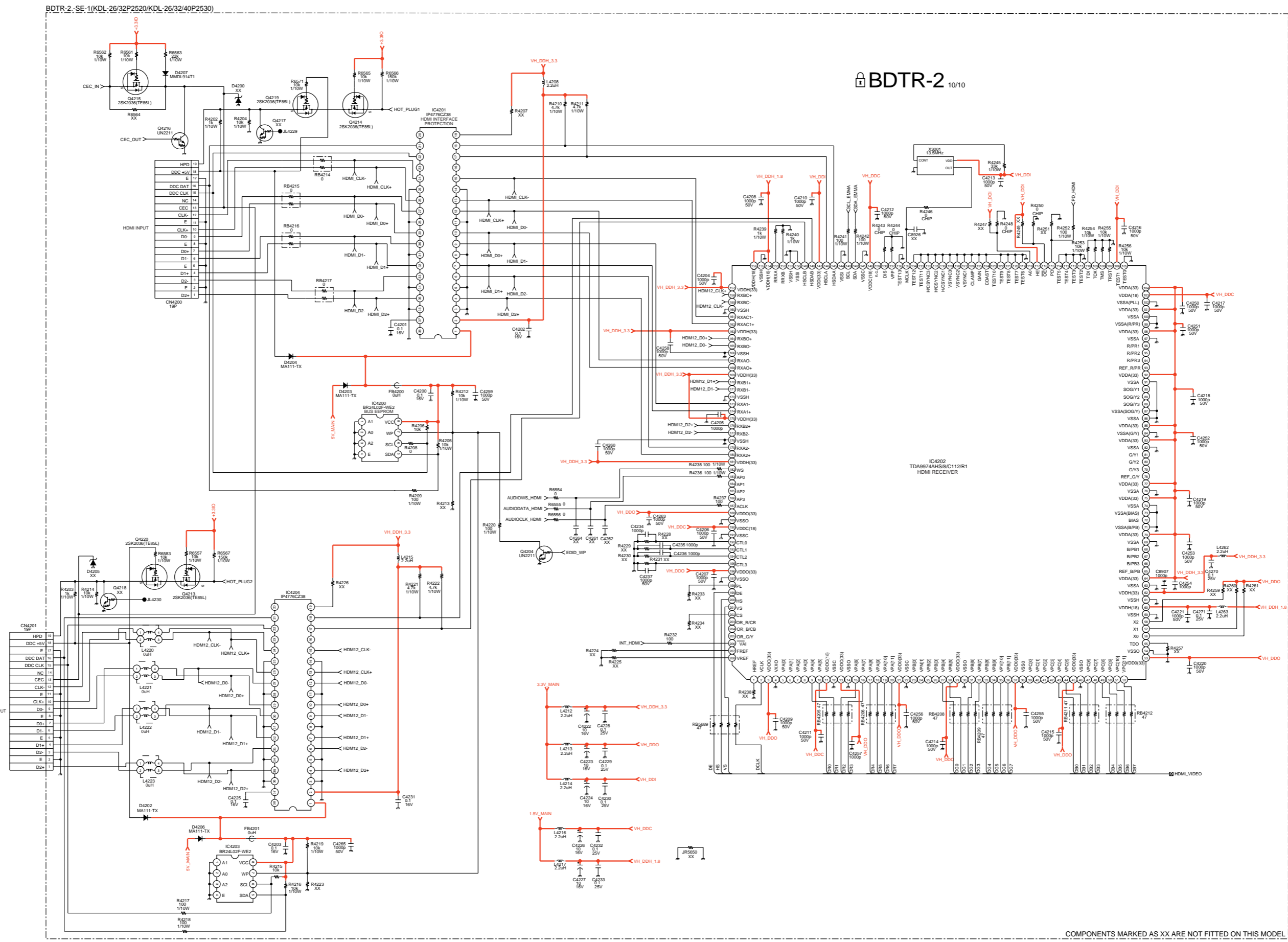
CXD1968R (COFDM DEMODULATOR BLOCK)



COMPONENTS MARKED AS XX ARE NOT FITTED ON THIS MODEL

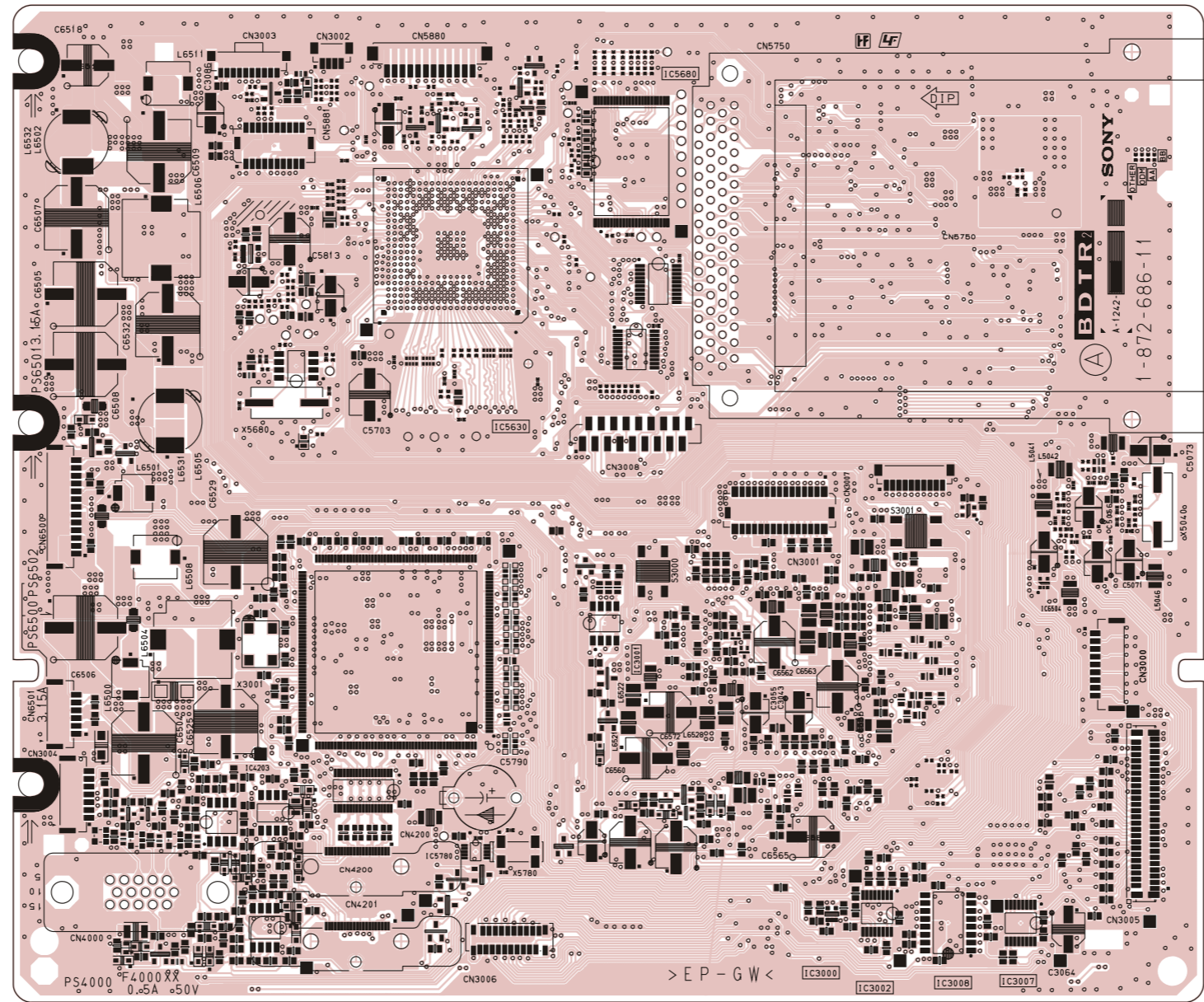


BDTR-2 9/10



~ BDTR-2 Board Schematic Diagram [Main Microcontroller, Panel Driving, Audio & Video Processor] Page 10/10 ~

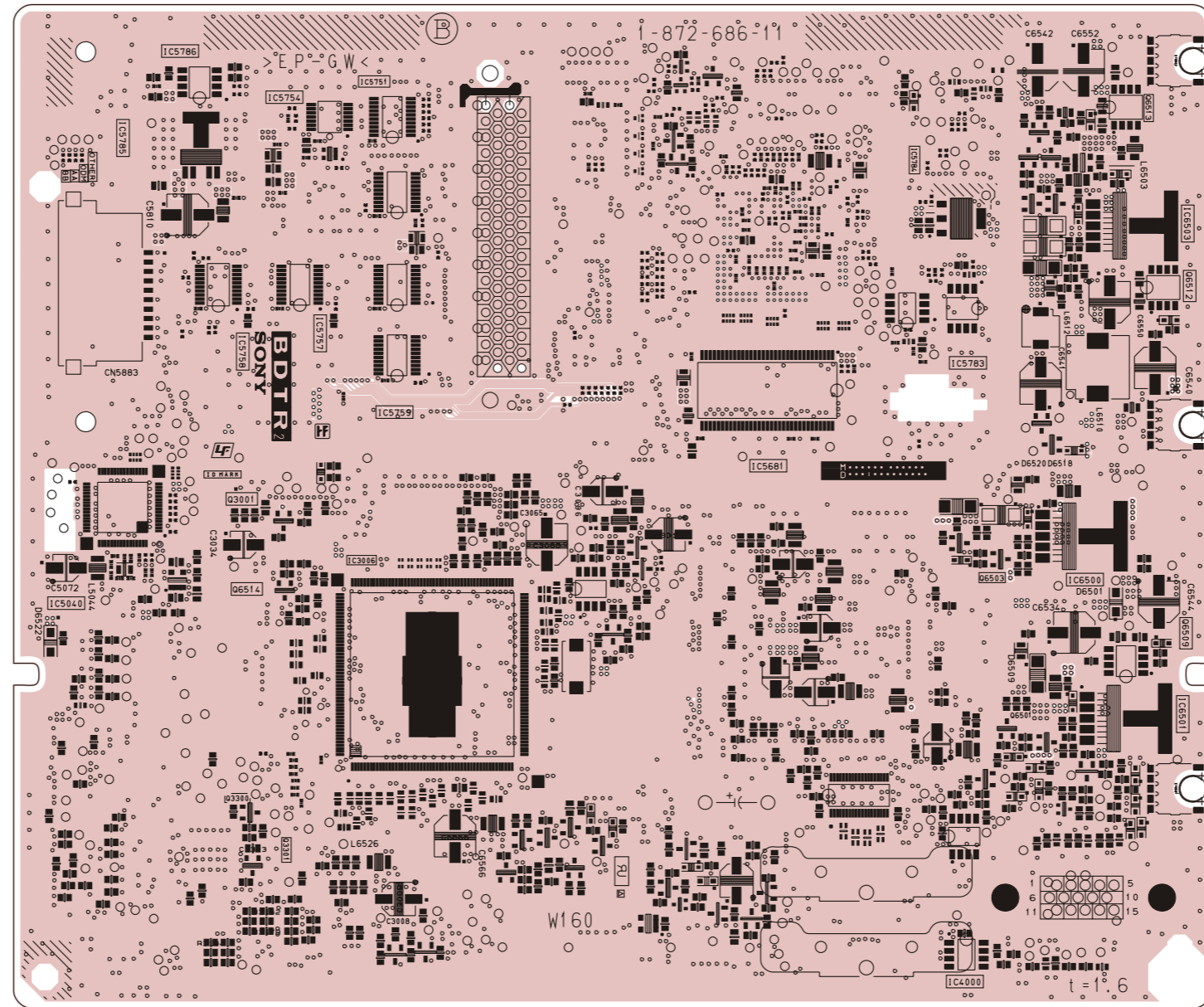
~ BDTR-2 Printed Wiring Board Conductor Side A ~

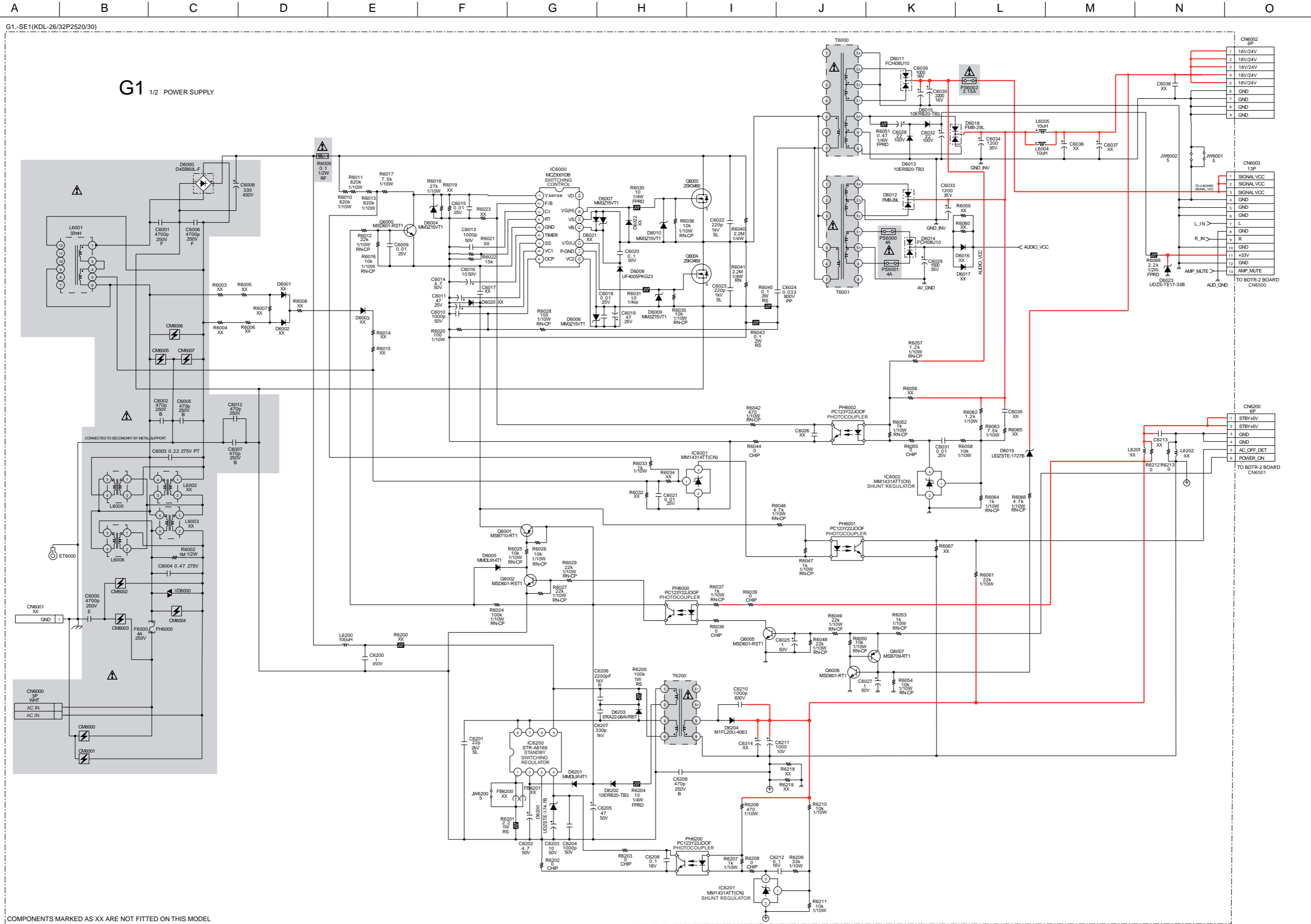


~ BDTR-2 Board IC Voltage Table ~

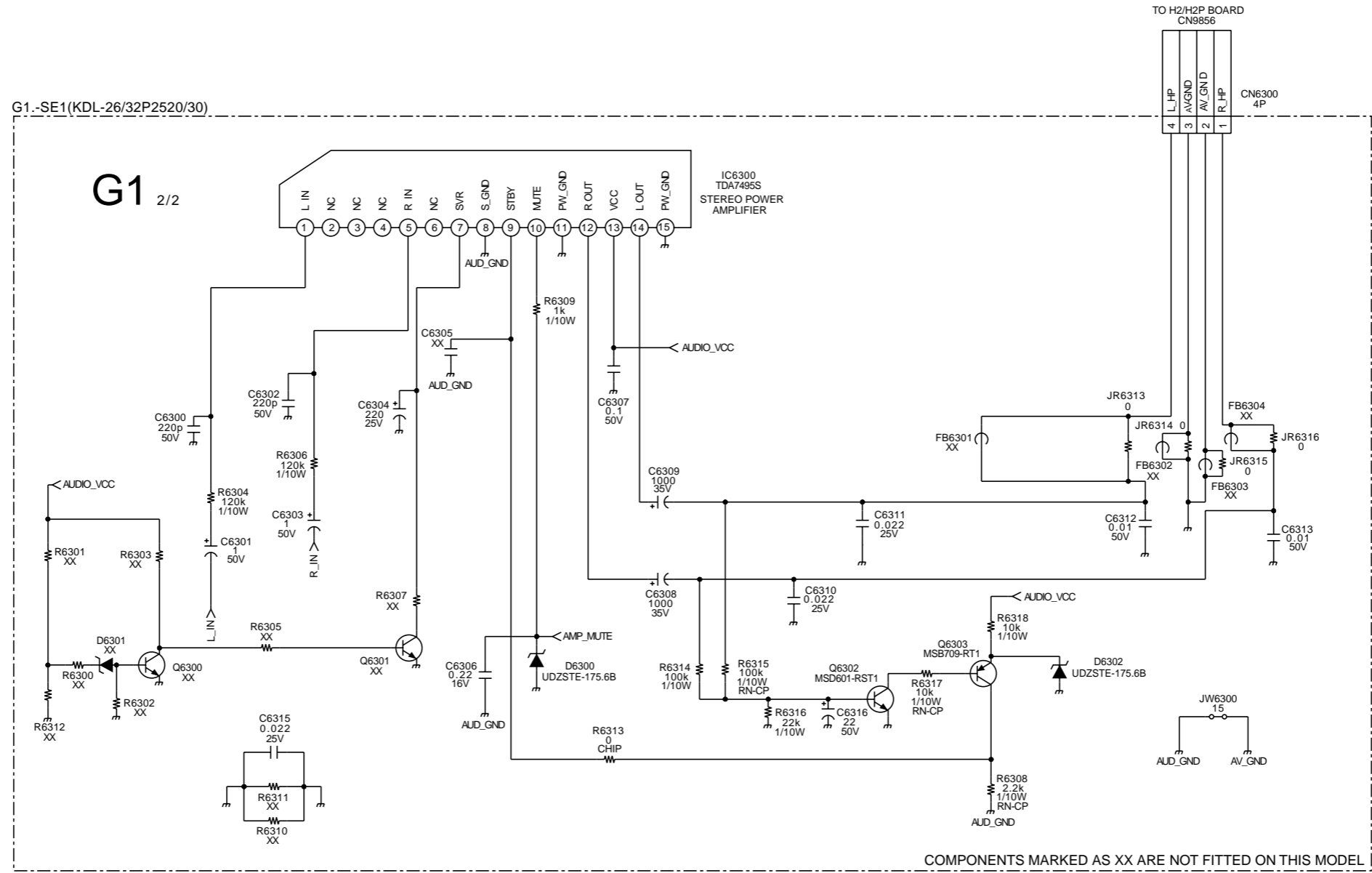
Ref No	Pin No	Volts (V)	Ref No	Pin No	Volts (V)	Ref No	Pin No	Volts (V)	Ref No	Pin No	Volts (V)	Ref No	Pin No	Volts (V)	Ref No	Pin No	Volts (V)	Ref No	Pin No	Volts (V)						
IC3001	1	3.3	IC3001	5	3.3	IC3002	6-8	0	IC3002	13	0.3	IC3008	1	0	IC3008	5	2.8	IC3008	10	2.8	IC3008	16	5.0	IC5682	4	0
	2	1.6		6	1.6		9-10	0.4		14	3.2		2	4.6		6-7	0.4		11-13	0		1	1.4		5	1.7
	3	3.2		7-8	3.3		11	0		15	2.4		3	0.4		8	0		14	3.7		2	0		6-7	3.2
	4	0	IC3002	1-5	2.4		12	3.2		16	4.9		4	4.6		9	4.9		15	3.8		3	1.6		8	1.4

~ BDTR-2 Printed Wiring Board Conductor Side B ~





~ G1 Board Schematic Diagram [Power Supply] Page 1/2 ~

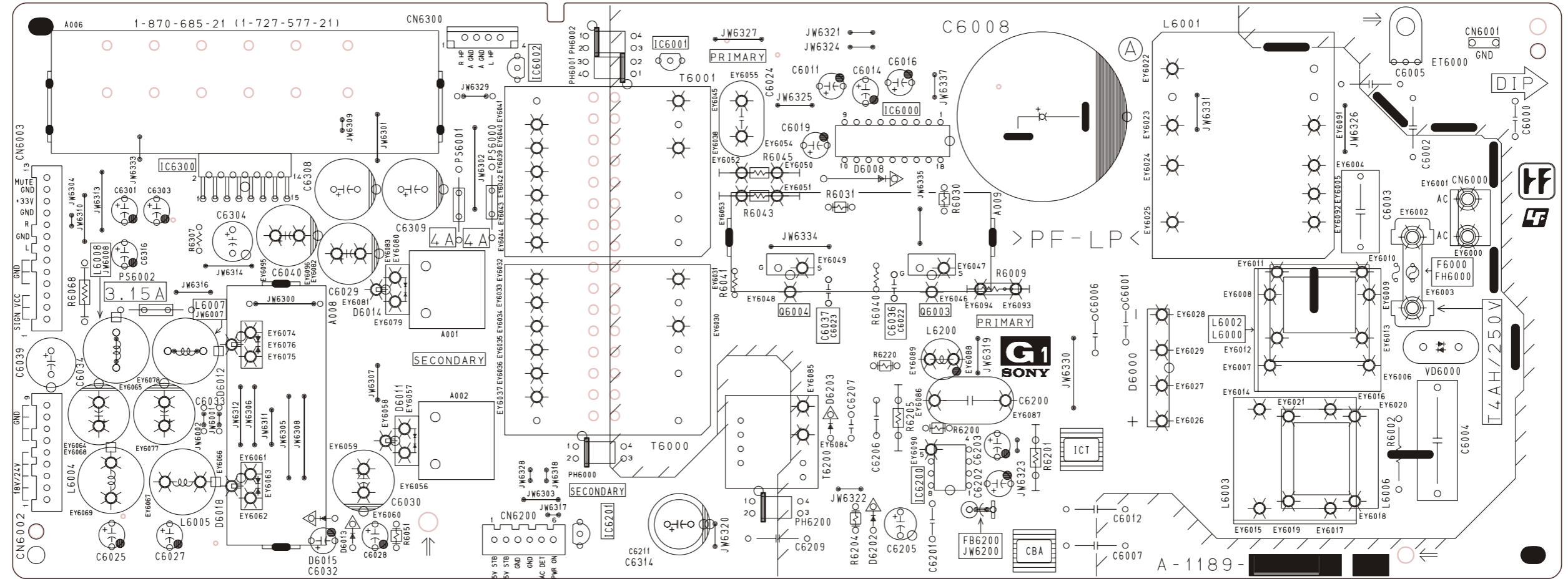


~ G1 Board Schematic Diagram [Power Supply] Page 2/2 ~

A B C D E F G H I J K L M N O

1
2
3
4
5
6
7
8
9
10
11

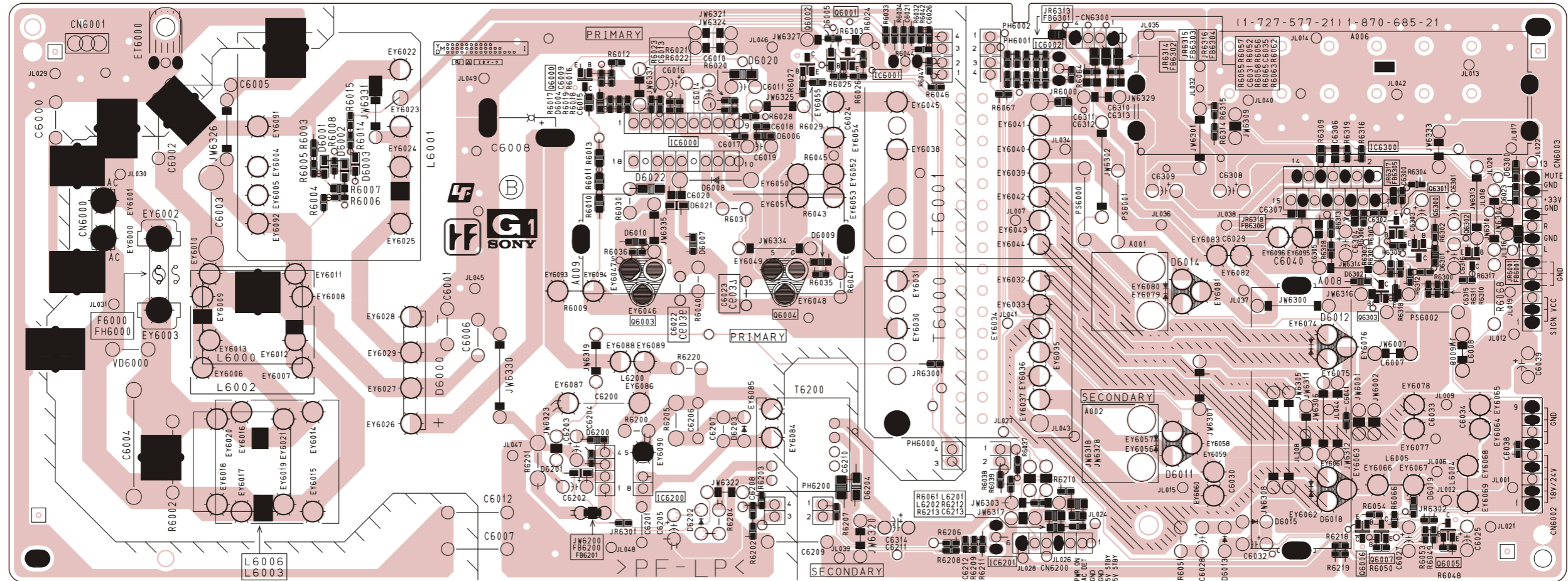
~ G1 Printed Wiring Board Conductor Side A ~



~ G1 Board Semiconductor Location Table Side A ~

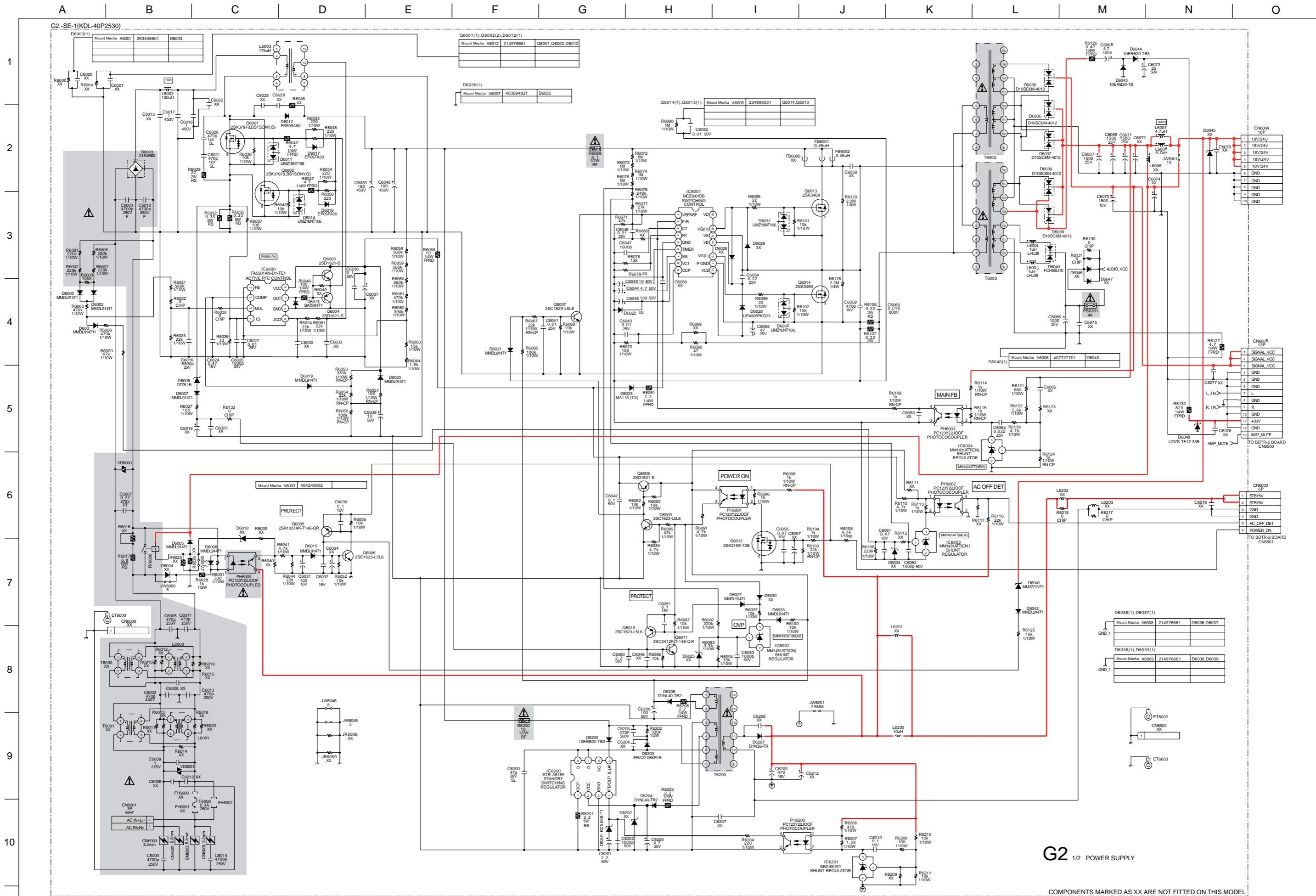
DIODE		IC	
D6000	K - 6	D6014	D - 5
D6008	I - 4	D6015	D - 7
D6011	E - 6	D6018	C - 7
D6013	D - 7	D6202	I - 7
		D6203	H - 6
		TRANSISTOR	
		IC6001	G - 3
		IC6002	F - 3
		IC6200	I - 6
		Q6003	I - 5
		Q6004	H - 5

~ G1 Printed Wiring Board Conductor Side B ~



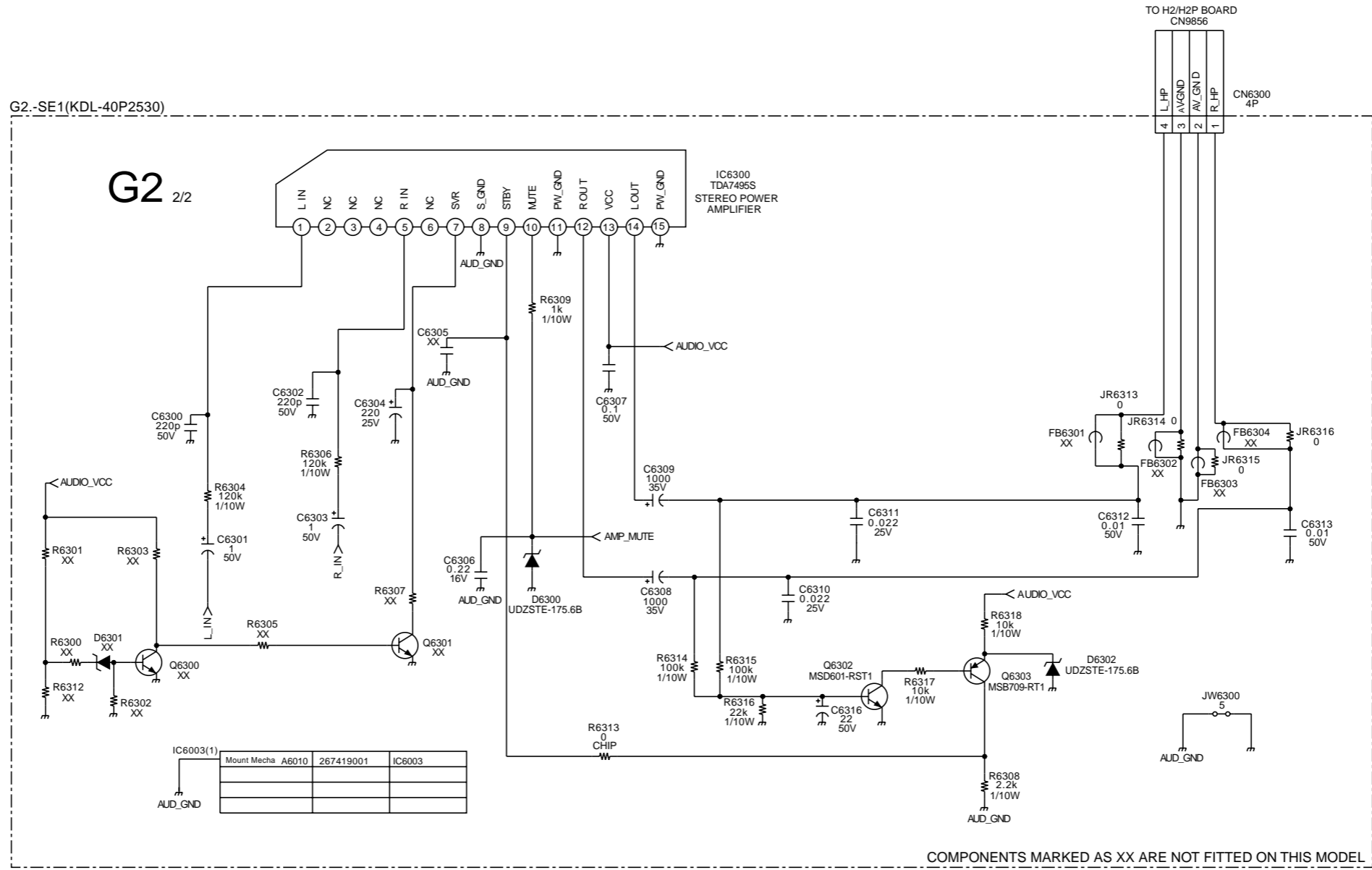
~ G1 Board Semiconductor Location Table Side B ~

DIODE	D6007	G - 4	D6012	L - 5	D6018	M - 7	D6203	H - 6	IC6001	I - 3	TRANSISTOR	Q6005	N - 7		
D6000	E - 6	D6008	G - 4	D6013	L - 7	D6019	M - 6	D6300	N - 4	IC6002	J - 3	Q6006	M - 7		
D6004	F - 3	D6009	H - 5	D6014	K - 5	D6200	F - 6	D6302	M - 5	IC6200	G - 7	Q6007	M - 7		
D6005	H - 3	D6010	G - 4	D6015	L - 7	D6201	F - 6	IC	IC6201	J - 7	Q6002	H - 3	Q6302	N - 4	
D6006	H - 4	D6011	K - 6	D6016	L - 4	D6202	G - 7		IC6000	G - 4	IC6300	M - 4	Q6004	H - 5	Q6303



G2 1/2 POWER SUPPLY

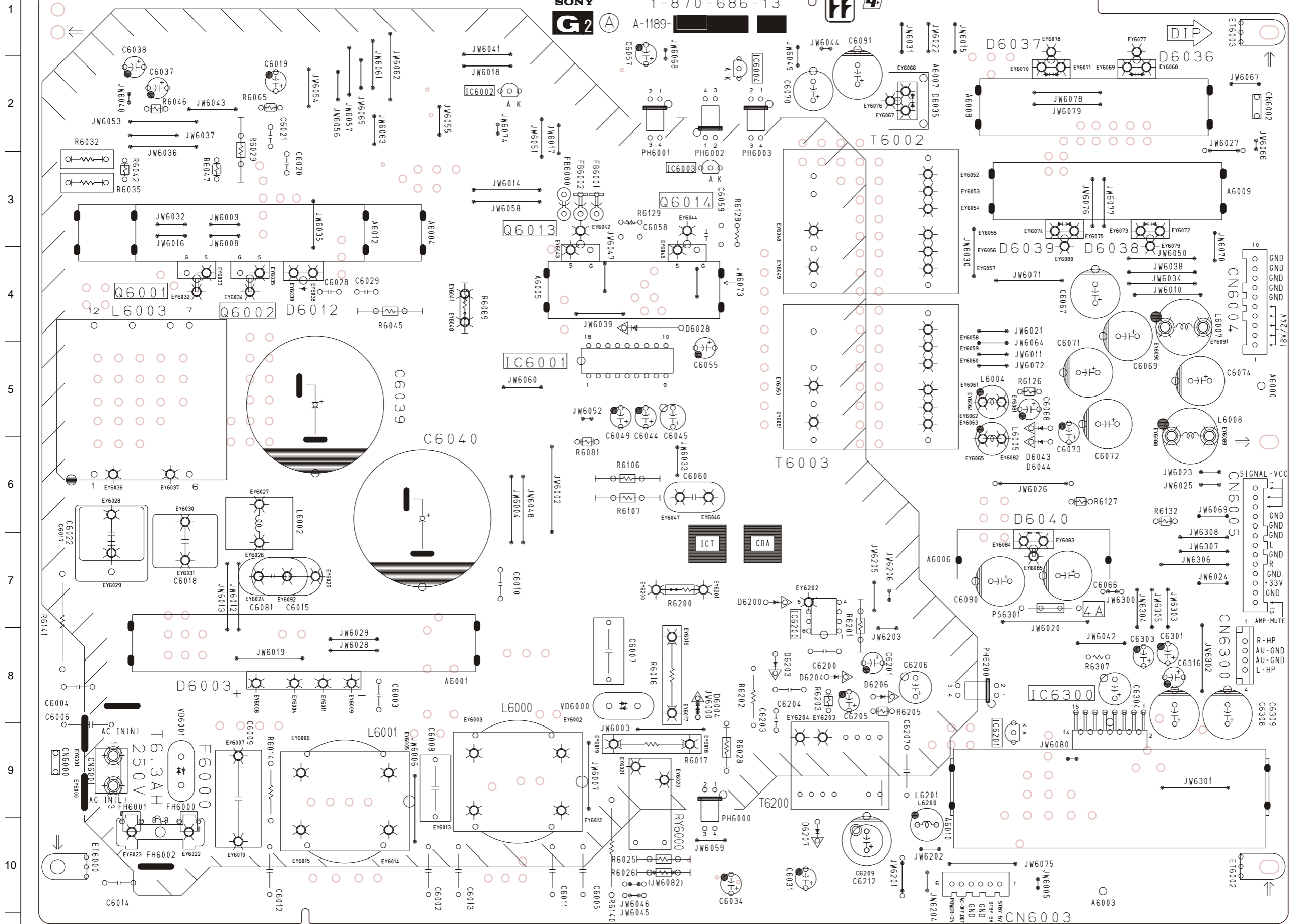
COMPONENTS MARKED AS XX ARE NOT FITTED ON THIS MODEL



~ G2 Board Schematic Diagram [Power Supply] Page 2/2 ~

~ G2 Printed Wiring Board Conductor Side A ~

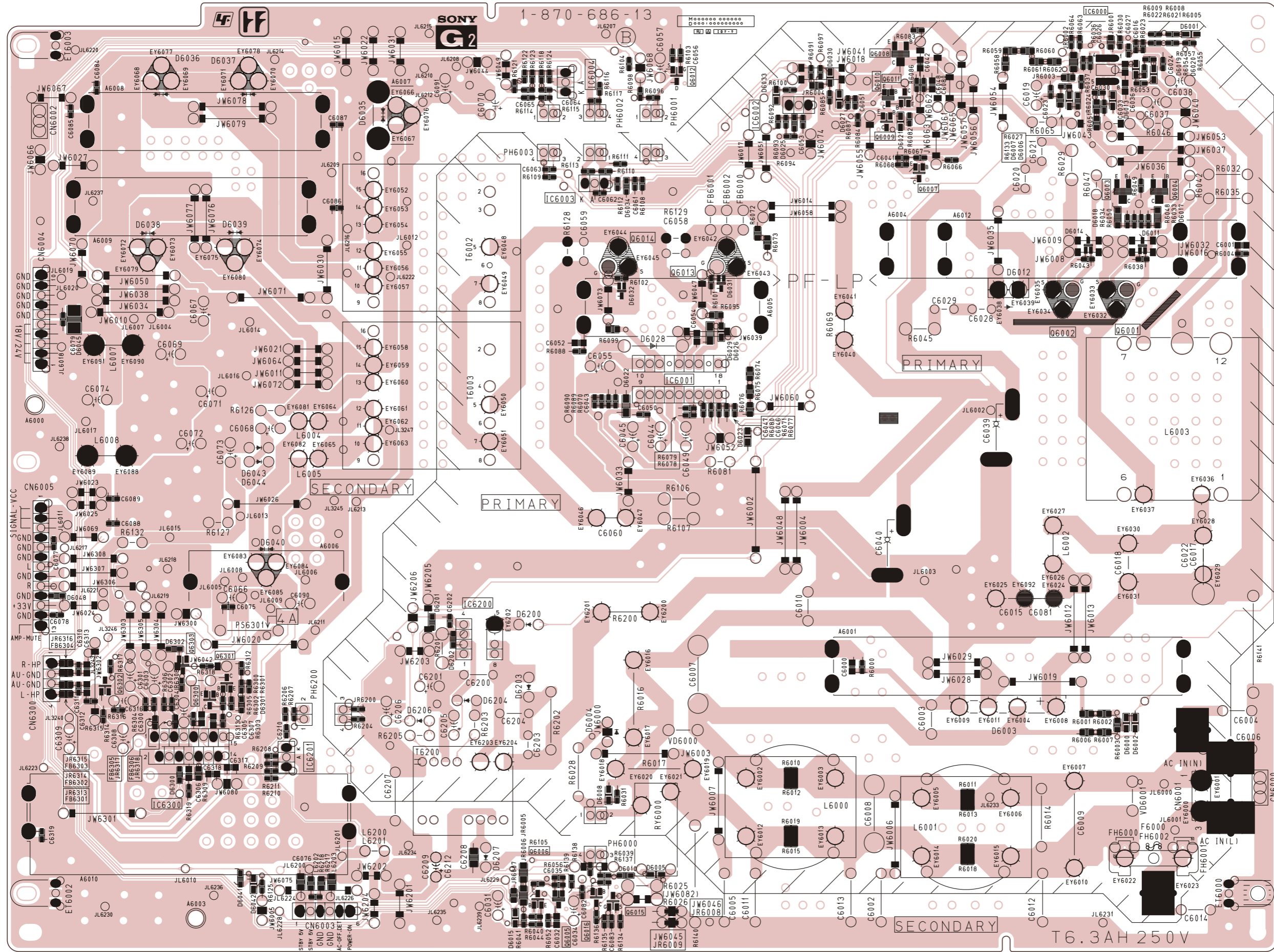
~ G2 Board Semiconductor Location Table Side A ~



DIODE	D6206	I - 8	
D6003	B - 8	D6207	I - 9
D6004	H - 8	IC	
D6012	D - 4	IC6001	F - 5
D6028	H - 4	IC6002	E - 2
D6036	M - 2	IC6003	G - 3
D6037	K - 2	IC6004	H - 2
D6038	L - 3	IC6200	I - 7
D6039	K - 3	IC6201	K - 8
D6040	K - 7	IC6300	K - 8
D6043	K - 6	TRANSISTOR	
D6044	K - 6	Q6001	B - 4
D6200	H - 7	Q6002	C - 4
D6203	H - 8	Q6013	F - 3
D6204	I - 8	Q6014	G - 3

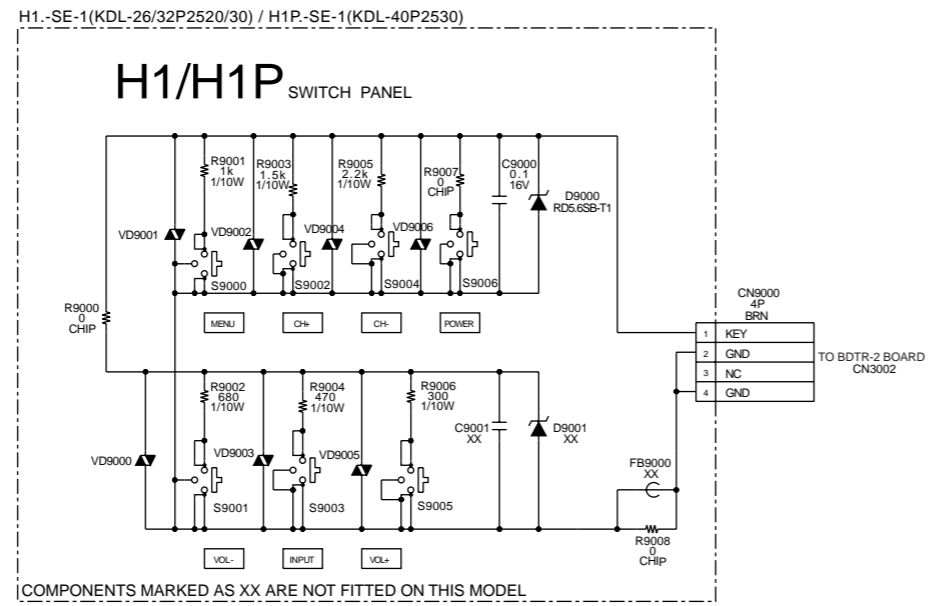
~ G2 Printed Wiring Board Conductor Side B ~

~ G2 Board Semiconductor Location Table Side B ~

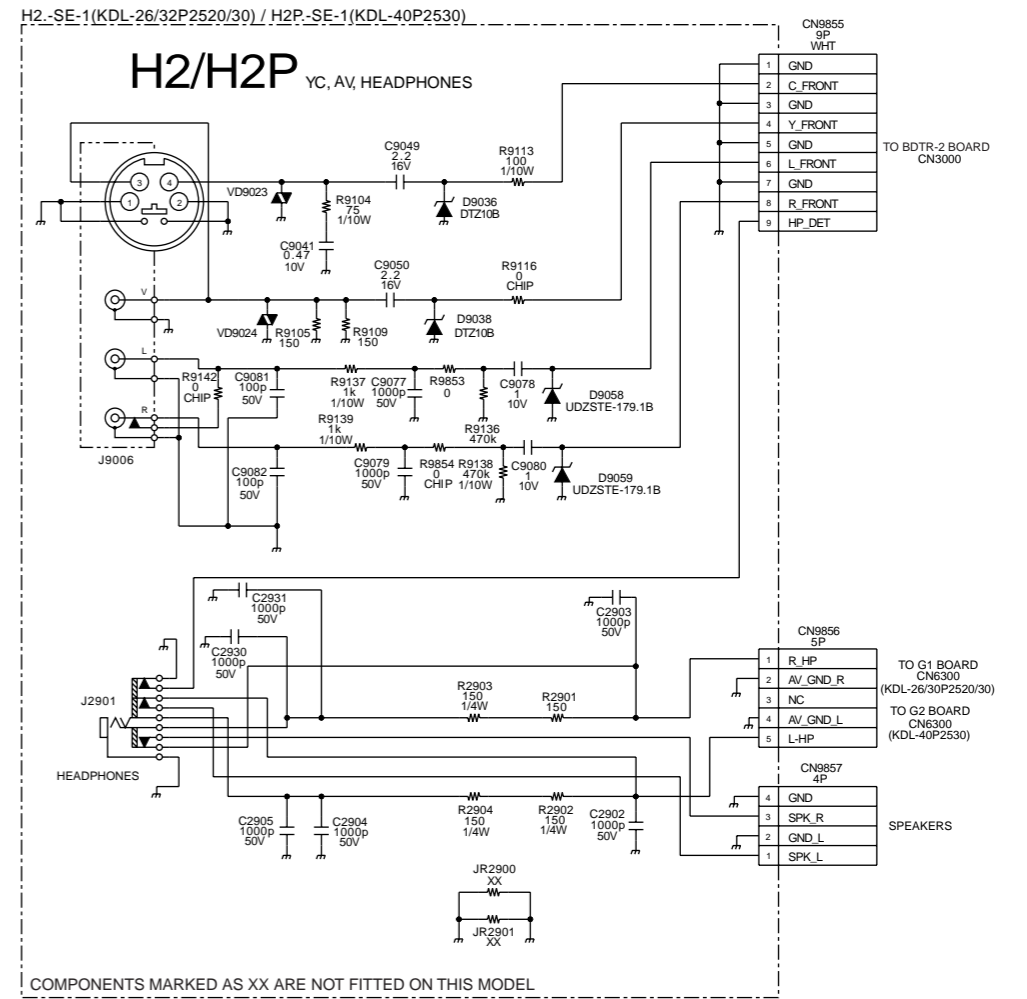


DIODE		IC		TRANSISTOR	
D6000	L - 8	D6200	F - 7	Q6001	L - 4
D6001	M - 1	D6203	F - 8	Q6002	L - 4
D6002	L - 8	D6204	F - 8	Q6003	L - 3
D6005	G - 9	D6206	E - 8	Q6004	M - 3
D6006	K - 2	D6207	F - 10	Q6005	F - 10
D6007	K - 2	D6300	B - 9	Q6006	F - 10
D6008	G - 9	D6302	B - 7	Q6007	J - 3
D6011	M - 3			Q6008	J - 2
D6013	L - 2			Q6009	J - 2
D6014	L - 3			Q6010	J - 2
D6015	F - 10			Q6011	J - 2
D6017	M - 3			Q6012	H - 2
D6018	L - 3			Q6013	H - 4
D6019	M - 1			Q6014	G - 3
D6020	M - 1			Q6302	B - 8
D6021	J - 2			Q6303	C - 7

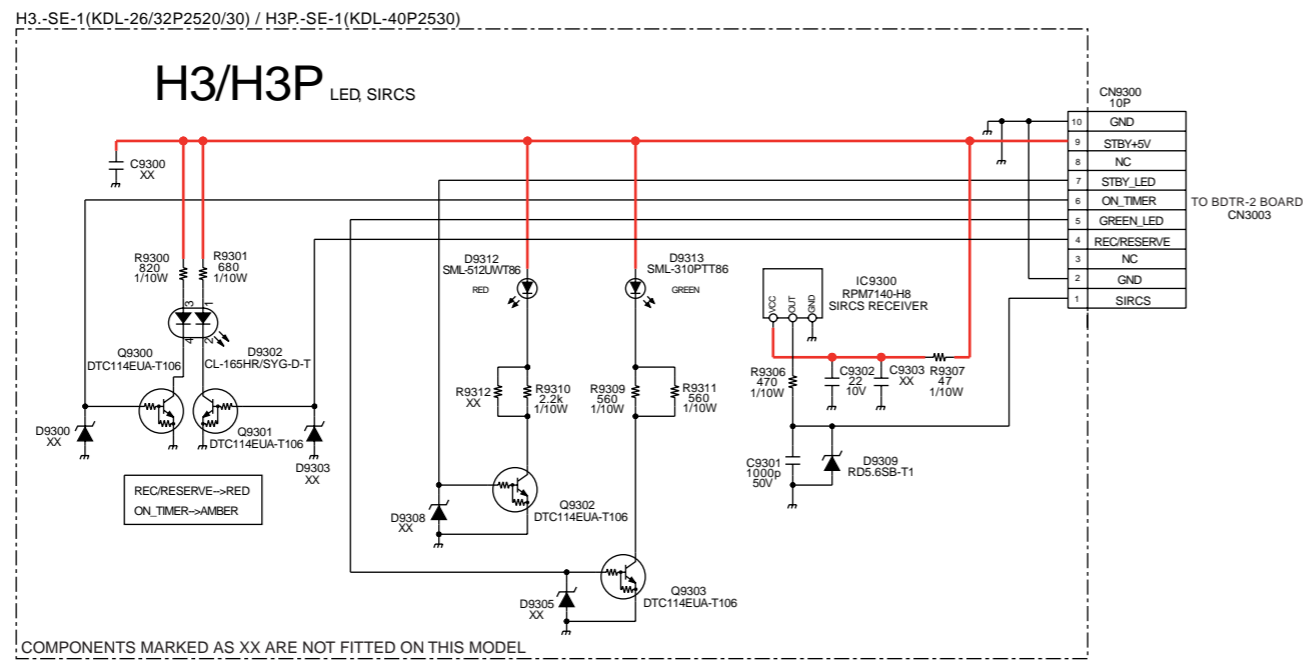
~ H1/H1P Board Schematic Diagram [Switch Panel] ~



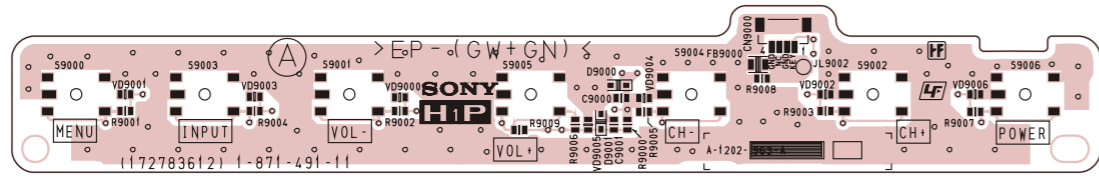
~ H2/H2P Board Schematic Diagram [YC, AV, Headphones] ~



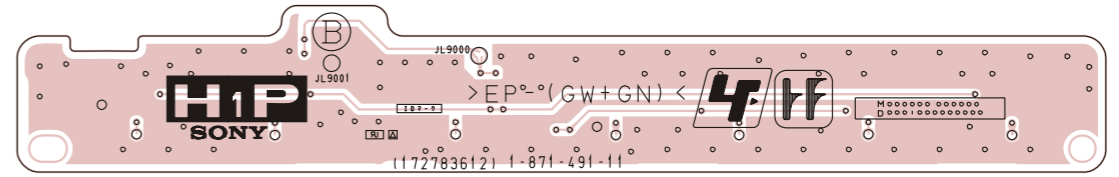
~ H3/H3P Board Schematic Diagram [Led, Sircs] ~



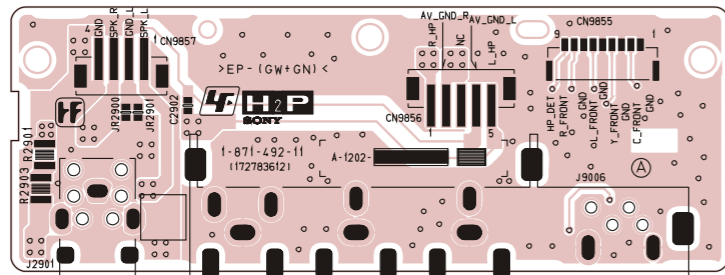
~ H1/H1P Printed Wiring Board Conductor Side A ~



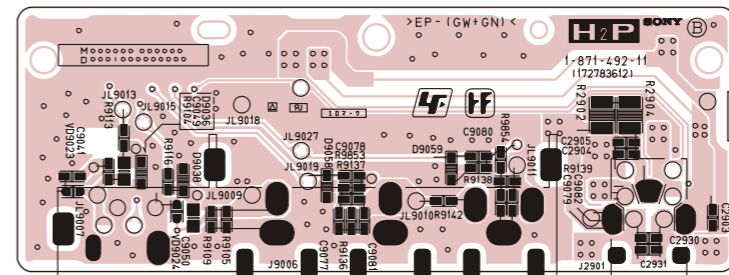
~ H1/H1P Printed Wiring Board Conductor Side B ~



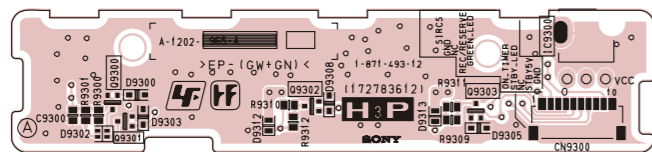
~ H2/H2P Printed Wiring Board Conductor Side A ~



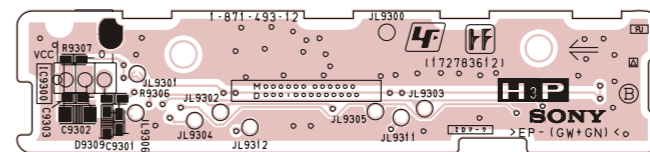
~ H2/H2P Printed Wiring Board Conductor Side B ~



~ H3/H3P Printed Wiring Board Conductor Side A ~

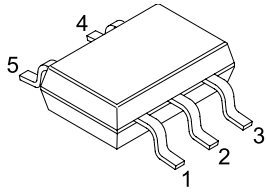


~ H3/H3P Printed Wiring Board Conductor Side B ~

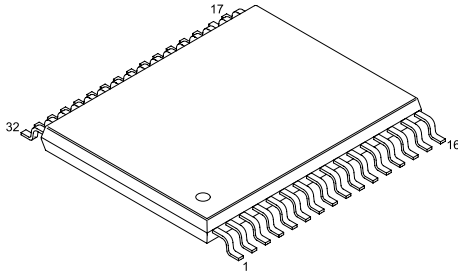


4-4. SEMICONDUCTORS

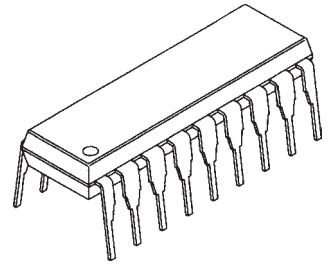
74LVC14APW
74LVC541APW



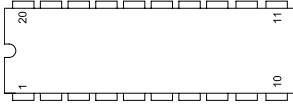
K9F2808U0C-PCB0T



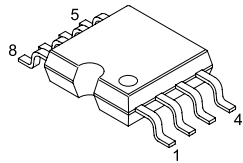
MCZ3001DB



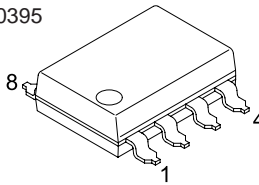
74LVT245PW-T



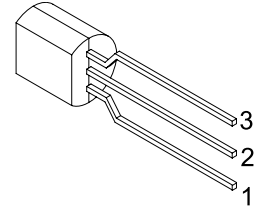
BR24L02F-WE2



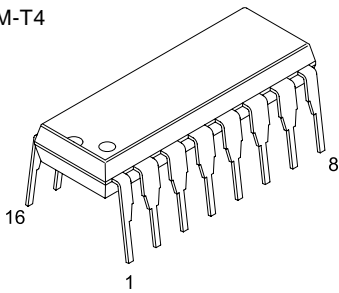
LM3525MX-H/J5000395



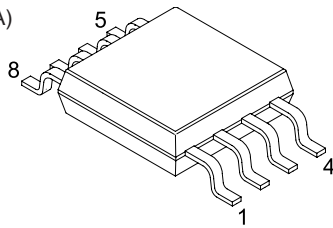
MM1431ATT
MM1431ATT(CN)



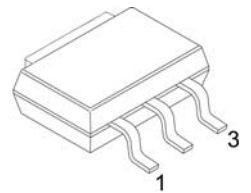
CXA1875AM-T4



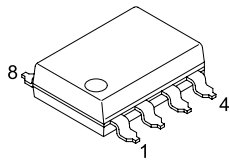
LM393DT (A)



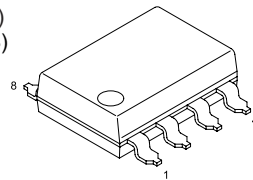
NCP1117STAT3



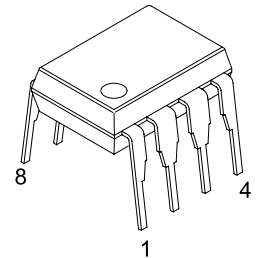
FA5501AN-D1-TE1



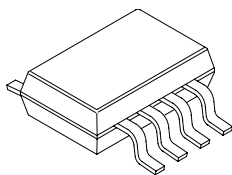
M24C02-WMN6T(B)
M24C32-WMN6T(B)



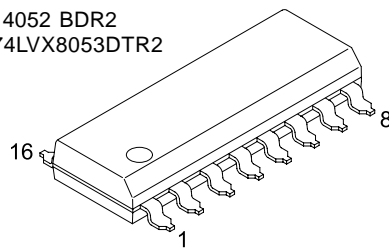
NJM2904M



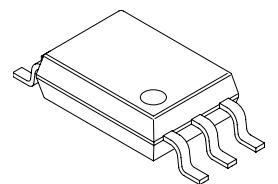
ICS7150MLFT



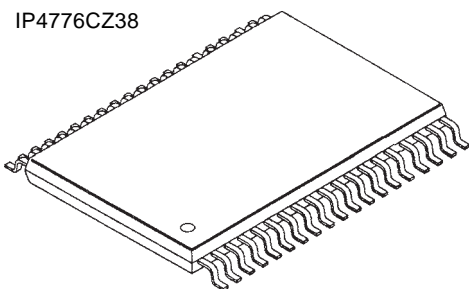
MC14052 BDR2
MC74LVX8053DTR2



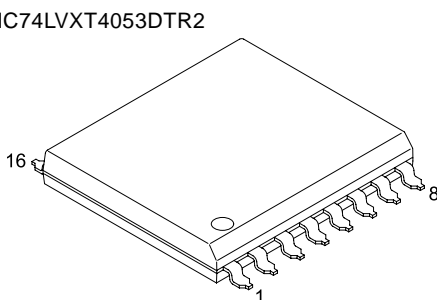
NJM3404AM-T1



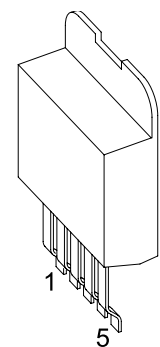
IP4776CZ38



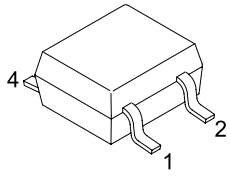
MC74LVXT4053DTR2



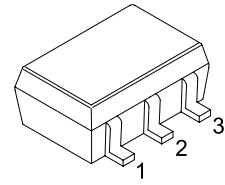
PQ070XNA1ZPH
PQ1CY1032ZP



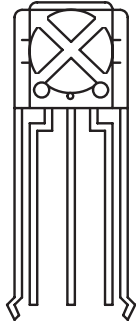
PST3629UL



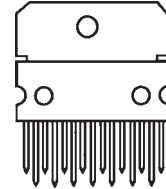
TC7SH00FU (T5RSOYJF)



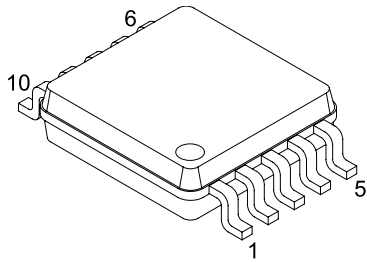
RPM7140-H8



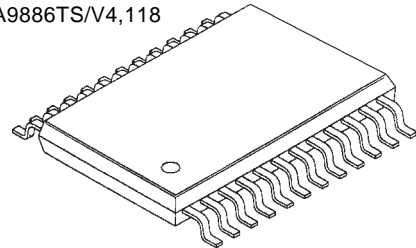
TDA7495S



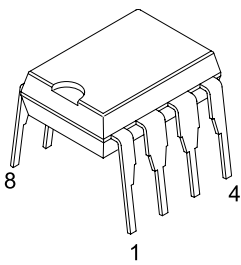
RV5C387A-E2-FB



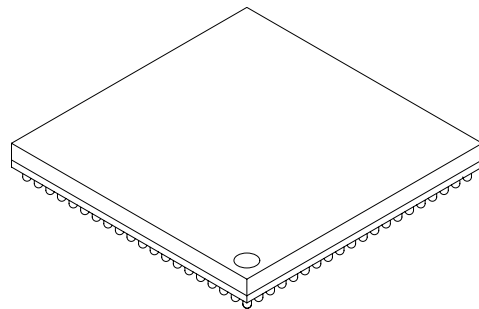
TDA9886TS/V4,118



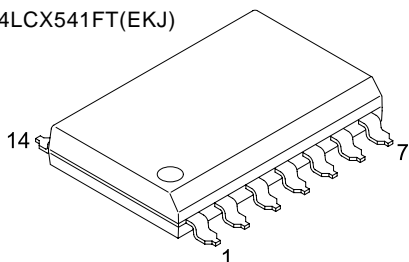
STR-A6169
TL1431CZ-AP



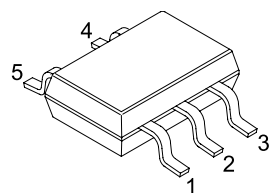
TDA9974AHS/8/C112
UPD61123F1-100-KA3-A



TC74LCX541FT(EKJ)



TAR5S50(TE85R)
TC7S66FU
TK11185CSCL-G



SECTION 5 EXPLODED VIEWS

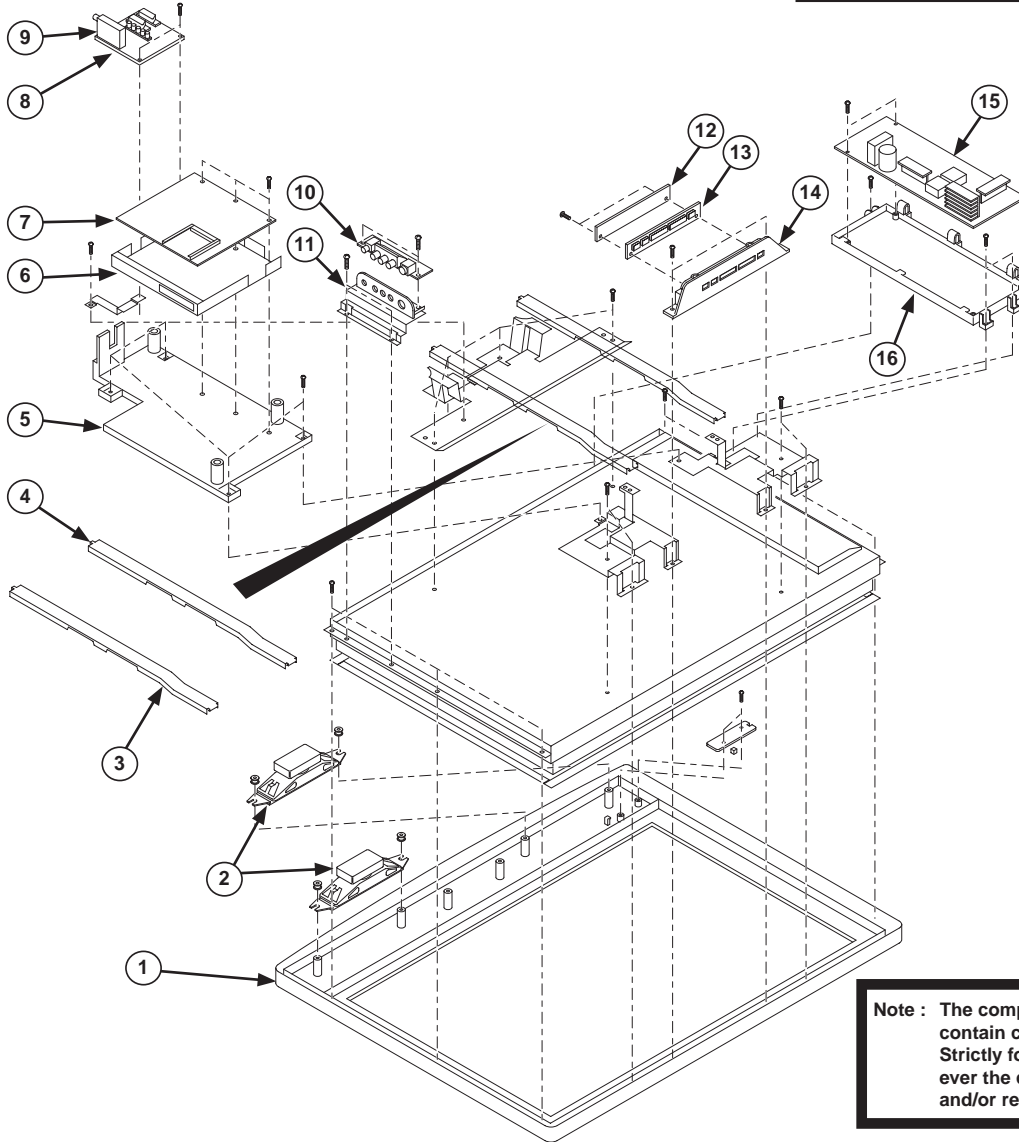
NOTE :

- Items with no part number and no description are not stocked because they are seldom required for routine service.
- The construction parts of an assembled part are indicated with a collation number in the remarks column.
- Items marked “*” are not stocked since they are seldom required for routine service. Some delay should be anticipated when ordering these items.

Note : Les composants identifiés par une trame et par une marque Δ sont d'une importance critique pour la sécurité. Ne les remplacer que par des pièces du numéro spécifié.

Note : The components identified by shading and marked Δ are critical for safety. Replace only with the part numbers specified in the parts list.

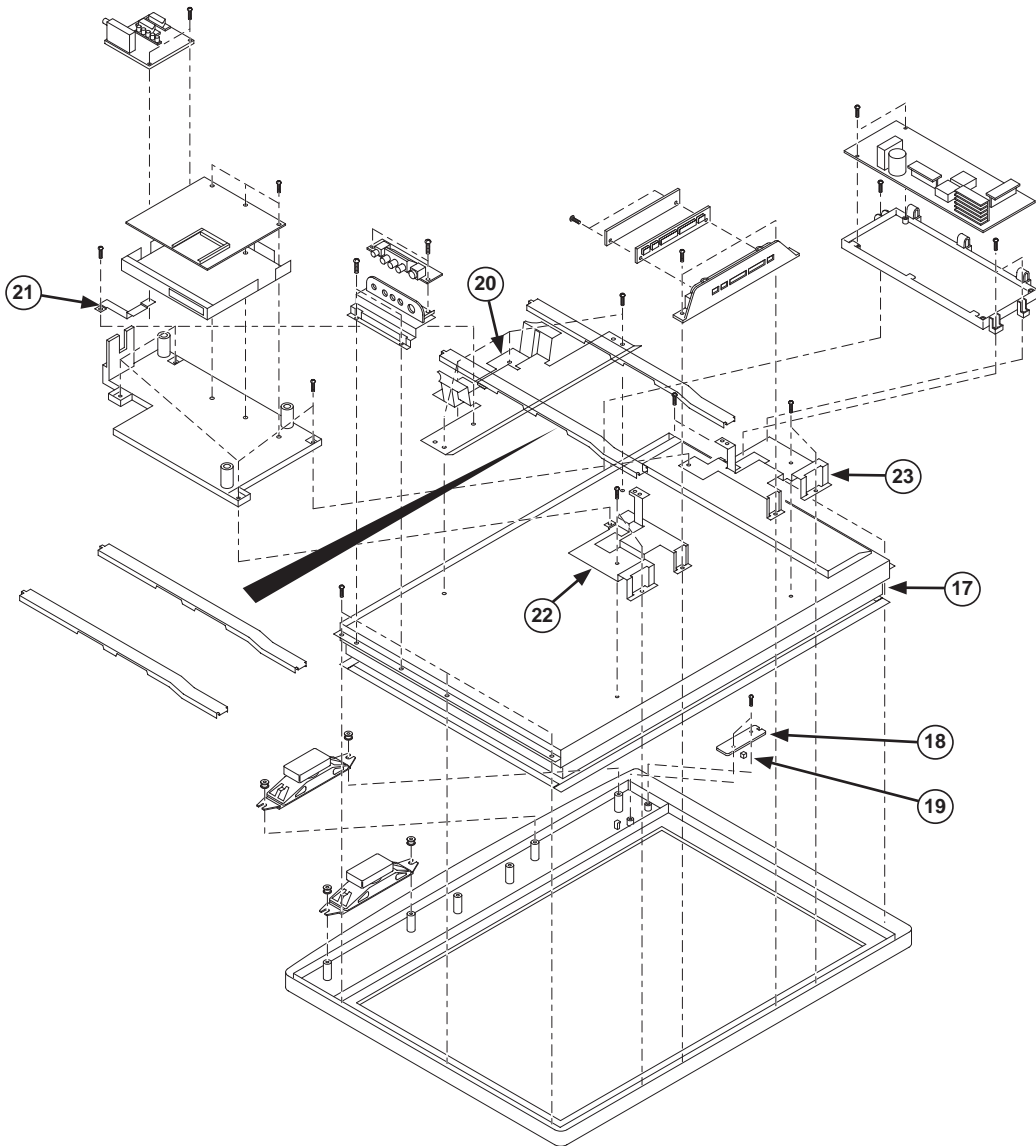
5-1. CHASSIS



Note : The components identified by mark Δ contain confidential information. Strictly follow the instructions whenever the components are repaired and/or replaced.

REF.NO.	PART.NO	DESCRIPTION	REMARK	REF.NO.	PART.NO	DESCRIPTION	REMARK	
1	X-2177-507-1	BEZEL ASSY (26)	(26P2520UK/AEP)	9	8-597-585-10	TUNER, FSS BTP-HC401		
	X-2177-509-1	BEZEL ASSY (32)	(32P2520UK/AEP)	10	*A-1189-409-A	H2 BOARD, COMPLETE (26/32P2520/30UK/AEP)		
	X-2177-005-1	BEZEL ASSY (26)	(26P2530UK/AEP)		*A-1202-964-A	H2P BOARD, COMPLETE (40P2530UK/AEP)		
	X-2176-987-1	BEZEL ASSY (32)	(32P2530UK/AEP)	11	*2-679-988-01	HOLDER, SIDE JACK (26) (26P2520/30UK/AEP)		
	X-2177-008-1	BEZEL ASSY (40)	(40P2530UK/AEP)		*2-674-302-02	HOLDER, SIDE JACK (32) (32P2520/30UK/AEP)		
2	1-826-479-11	LOUDSPEAKER (4.2X15CM)	(26/32P2520/30UK/AEP)		*2-679-989-01	HOLDER, SIDE JACK (40) (40P2530UK/AEP)		
	1-826-478-11	LOUDSPEAKER (4.2X24CM)	(40P2530UK/AEP)	12	*A-1189-408-A	H1 BOARD, COMPLETE (26/32P2520/30UK/AEP)		
3	*X-2109-059-3	VESA BRACKET (40) R ASSY	(40P2530UK/AEP)		*A-1202-963-A	H1P BOARD, COMPLETE (40P2530UK/AEP)		
	*2-674-183-01	VESA BRACKET (26/32P2520/30UK/AEP)		13	2-674-197-01	BUTTON, MULTI		
4	*X-2109-058-3	VESA BRACKET (40) L ASSY	(40P2530UK/AEP)		14	2-674-196-02	COVER, BUTTON	
	*2-674-183-01	VESA BRACKET (26/32P2520/30UK/AEP)		15	*A-1237-756-A	G1 BOARD, COMPLETE (26/32P2520/30UK/AEP)		
5	*2-679-993-05	BRACKET (A) DIG			*A-1212-099-A	G2 BOARD, COMPLETE (40P2530UK/AEP)		
6	*2-674-192-02	BRACKET, TERMINAL SIDE		16	*2-674-181-11	BRACKET G1 (26P2520/30UK/AEP)		
7	Δ *A-1242-773-A	BDTR-2 BOARD, COMPLETE			*2-674-181-01	BRACKET G1 (32P2520/30UK/AEP)		
8	*A-1247-112-A	A1 BOARD, COMPLETE (26/32P2520/30UK/AEP)			*2-674-180-01	BRACKET G2 (40P2530UK/AEP)		
	*A-1247-116-A	A1P BOARD, COMPLETE (40P2530UK/AEP)						

5-1. CHASSIS Cont.

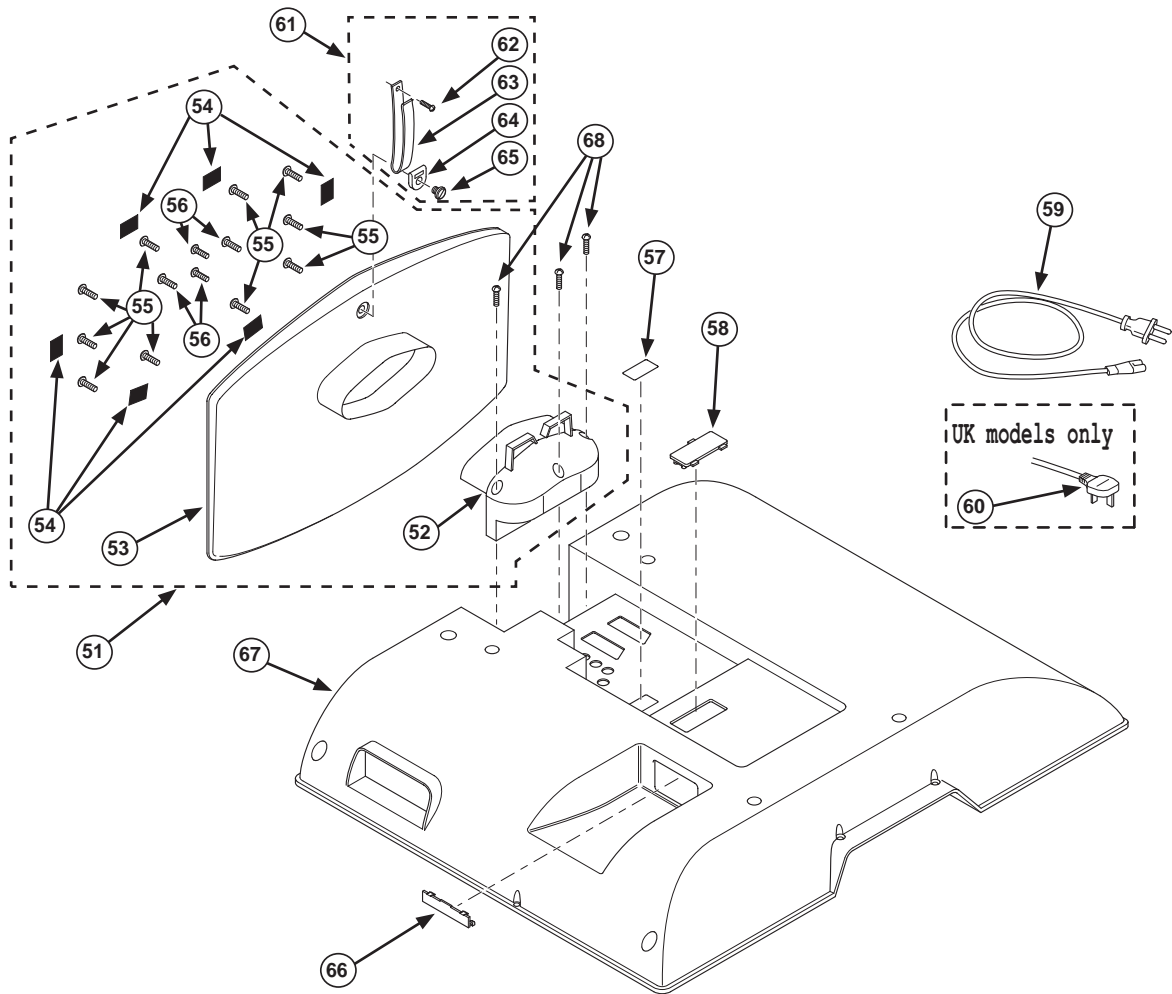


REF.NO.	PART.NO	DESCRIPTION	REMARK	REF.NO.	PART.NO	DESCRIPTION	REMARK
17	1-802-268-11	LCD PANEL (26 WXGA TFT) (26P2520/30UK/AEP)					
	1-802-237-21	LCD PANEL (32 WXGA TFT) (32P2520/30UK/AEP)					
	1-802-386-21	LCD PANEL (40 WXGA TFT) (40P2530UK/AEP)					
18	*A-1247-113-A	H3 BOARD, COMPLETE (26/32P2520/30UK/AEP)					
	*A-1247-117-A	H3P BOARD, COMPLETE (40P2530UK/AEP)					
19	2-674-189-02	GUIDE, LIGHT					
20		NOT SERVICEABLE PART					
21		NOT SERVICEABLE PART					
22		NOT SERVICEABLE PART					
23		NOT SERVICEABLE PART					

Note : Les composants identifiés par une trame et par une marque Δ sont d'une importance critique pour la sécurité. Ne les remplacer que par des pièces du numéro spécifié.

Note : The components identified by shading and marked Δ are critical for safety. Replace only with the part numbers specified in the parts list.

5-2. STAND, REAR COVER, POWER LEADS



REF.NO.	PART.NO	DESCRIPTION	REMARK	REF.NO.	PART.NO	DESCRIPTION	REMARK
51	*X-2148-531-1	STAND (M) ASSY (26P2520UK/AEP)	52-56	58	2-667-973-02	COVER, SERVICE C	
	*X-2148-515-2	STAND (M) ASSY (32P2520UK/AEP)	52-56	59	Δ 1-832-132-11	POWER SUPPLY CORD (26/32P2520/30/40P2530AEP)	
	*X-2177-377-1	STAND (M) ASSY 26 (26P2530UK/AEP)	52-56	60	Δ 1-832-170-11	POWER SUPPLY CORD (UK PLUG) (26/32P2520/30/40P2530UK)	
	*X-2176-991-1	STAND (M) ASSY 32 (32P2530UK/AEP)	52-56	61	*X-2102-511-2	BAG ASSY, RUDDER LOCK	62-65
	*X-2177-007-1	STAND (L) ASSY 40 (40P2530UK/AEP)	52-56	62	*2-580-663-01	SCREW, WOOD 3.8X20	
52	*2-674-301-41	NECK, STAND (26) (26P2520/30UK/AEP)		63	*2-591-689-01	BELT	
	*2-674-301-31	NECK, STAND (32) (32P2520/30UK/AEP)		64	*2-591-688-02	RUDDER LOCK	
	*2-674-301-22	NECK, STAND (40) (40P2530UK/AEP)		65	*2-593-320-02	SCREW, COIN (M6X18)	
53	2-674-194-12	COVER, STAND (M) (26/32P2520UK/AEP)		66	2-667-975-01	COVER, PCMCIA	
	2-674-194-31	COVER, STAND (M) (26/32P2530UK/AEP)		67	2-674-304-21	COVER, REAR (26) (26P2520/30UK/AEP)	
	2-674-314-11	COVER, STAND (L) (40P2530UK/AEP)			2-674-191-41	COVER, REAR (32) (32P2520/30UK/AEP)	
54	4-100-951-02	FOOT, STAND			2-674-312-11	COVER, REAR (40) (40P2530UK/AEP)	
55	2-580-644-01	SCREW, KTP2 3X8 (26/32P2520/30UK/AEP)		68	2-580-608-01	SCREW, +PSW M5X16 (26/30P2520/30UK/AEP)	
	2-580-647-01	SCREW, KTP2 4X12 (40P2530UK/AEP)			2-580-609-01	SCREW, +PSW M5X25 (40P2530UK/AEP)	
56	2-580-640-01	SCREW, +BVT2 4X16					
57	2-021-173-12	COVER, ECS (20)					

SECTION 6 ELECTRICAL PARTS LIST

PARTS LISTING TABLE OF CONTENTS

	<u>Page</u>
A1/A1P BOARD COMPLETE Parts List :	62
H2/H2P BOARD COMPLETE Parts List :	65
H3/H3P BOARD COMPLETE Parts List :	66
G2 BOARD COMPLETE Parts List : KDL-40P2530 only	66
H1/H1P BOARD COMPLETE Parts List :	70
BDTR-2 BOARD COMPLETE Parts List :	70
G1 BOARD COMPLETE Parts List : KDL-26P2520/30 & KDL-32P2520/30 only	81
MISCELLANEOUS :	85
ACCESSORIES AND CONNECTORS :	85
REMOTE COMMANDER :	85

Note: The BDTR-2 Board is regarded as a non service item for exchange only if there is a fault with either IC3006 or IC5630.

Note : Items marked “*” are not stocked since they are seldom required for routine service. Some delay should be anticipated when ordering these items.
Parts indicated (XX) on the Schematic Diagram are not used in this model and therefore do not appear in the Parts List.

REF.NO.	PART.NO	DESCRIPTION	REMARK	REF.NO.	PART.NO	DESCRIPTION	REMARK
*A-1247-112-A A1 Board Complete (KDL-26/32P2520/KDL-26/32P2530)				C2055	1-162-964-11	CERAMIC CHIP 0.001UF	10.00% 50V
*A-1247-116-A A1P Board Complete (KDL-40P2530)				C2056	1-162-964-11	CERAMIC CHIP 0.001UF	10.00% 50V
	*2-586-040-02	SHIELD CASE, IFOB (MAIN)		C2057	1-162-964-11	CERAMIC CHIP 0.001UF	10.00% 50V
	*2-586-041-01	SHIELD CASE, IFOB (TOP)		C2058	1-162-964-11	CERAMIC CHIP 0.001UF	10.00% 50V
	< CAPACITOR >			C2059	1-165-908-11	CERAMIC CHIP 1UF	10% 10V
C1000	1-126-947-11	ELECT 47UF	20.00% 35V	C2060	1-165-908-11	CERAMIC CHIP 1UF	10% 10V
C1001	1-164-156-11	CERAMIC CHIP 0.1UF	25V	C2065	1-164-227-11	CERAMIC CHIP 0.022UF	10.00% 25V
C1100	1-162-927-11	CERAMIC CHIP 100PF	5.00% 50V	C2066	1-162-964-11	CERAMIC CHIP 0.001UF	10.00% 50V
C1102	1-162-925-11	CERAMIC CHIP 68PF	5.00% 50V	C2067	1-164-227-11	CERAMIC CHIP 0.022UF	10.00% 25V
C1103	1-162-925-11	CERAMIC CHIP 68PF	5.00% 50V	C2068	1-162-964-11	CERAMIC CHIP 0.001UF	10.00% 50V
C1104	1-164-156-11	CERAMIC CHIP 0.1UF	25V	C2069	1-165-908-11	CERAMIC CHIP 1UF	10% 10V
C1105	1-126-968-11	ELECT 100UF	20.00% 50V	C2070	1-165-908-11	CERAMIC CHIP 1UF	10% 10V
C1106	1-126-916-11	ELECT 1000UF	20.00% 6.3V	C2071	1-126-396-11	ELECT CHIP 47UF	20.00% 16V
C1107	1-165-621-91	CERAMIC CHIP 0.1UF	50V	C2072	1-126-396-11	ELECT CHIP 47UF	20.00% 16V
C1108	1-164-156-11	CERAMIC CHIP 0.1UF	25V	C2073	1-165-908-11	CERAMIC CHIP 1UF	10% 10V
C1200	1-164-156-11	CERAMIC CHIP 0.1UF	25V	C2074	1-165-908-11	CERAMIC CHIP 1UF	10% 10V
C1202	1-162-970-11	CERAMIC CHIP 0.01UF	10.00% 25V	C2079	1-162-964-11	CERAMIC CHIP 0.001UF	10.00% 50V
C1203	1-104-662-91	ELECT 22UF	20.00% 25V	C2080	1-162-964-11	CERAMIC CHIP 0.001UF	10.00% 50V
C1204	1-162-970-11	CERAMIC CHIP 0.01UF	10.00% 25V	C2081	1-164-156-11	CERAMIC CHIP 0.1UF	25V
C1205	1-164-392-11	CERAMIC CHIP 390PF	5.00% 50V	C2084	1-107-826-11	CERAMIC CHIP 0.1UF	10.00% 16V
C1206	1-162-970-11	CERAMIC CHIP 0.01UF	10.00% 25V	C2085	1-117-370-11	CERAMIC CHIP 10UF	10V
C1207	1-162-970-11	CERAMIC CHIP 0.01UF	10.00% 25V	C2086	1-107-826-11	CERAMIC CHIP 0.1UF	10.00% 16V
C1208	1-127-715-91	CERAMIC CHIP 0.22UF	10% 16V	C2087	1-117-370-11	CERAMIC CHIP 10UF	10V
C1209	1-125-891-11	CERAMIC CHIP 0.47UF	10.00% 10V	< CONNECTOR >			
C1210	1-164-315-11	CERAMIC CHIP 470PF	5.00% 50V	CN2021	*1-417-602-11	SOCKET 21PIN	
C1211	1-131-664-91	CERAMIC CHIP 0.15UF	10% 10V	CN2022	1-819-390-51	FFC/FPC CONNECTOR (ZIF) 49P	
C1213	1-165-176-11	CERAMIC CHIP 0.047UF	10.00% 16V	CN2023	*1-417-602-11	SOCKET 21PIN	
C1216	1-162-919-11	CERAMIC CHIP 22PF	5.00% 50V	CN2024	1-820-255-51	FFC/FPC CONNECTOR (ZIF) 20P	
C1218	1-162-970-11	CERAMIC CHIP 0.01UF	10.00% 25V	< DIODE >			
C1219	1-162-926-11	CERAMIC CHIP 82PF	5.00% 50V	D1100	8-719-069-55	DIODE UDZSTE-175.6B	
C1220	1-162-928-11	CERAMIC CHIP 120PF	5.00% 50V	D1101	8-719-083-87	DIODE UDZS-TE17-33B	
C1221	1-164-388-91	CERAMIC CHIP 270PF	5.00% 50V	D1102	8-719-069-55	DIODE UDZSTE-175.6B	
C1222	1-162-915-11	CERAMIC CHIP 10PF	0.50PF 50V	D1200	8-719-050-38	DIODE M1M152WK-T1	
C1223	1-162-970-11	CERAMIC CHIP 0.01UF	10.00% 25V	D2021	8-719-083-82	DIODE UDZS-TE17-12B	
C1226	1-162-961-11	CERAMIC CHIP 330PF	10.00% 50V	D2022	8-719-083-82	DIODE UDZS-TE17-12B	
C1227	1-126-933-11	ELECT 100UF	20.00% 16V	D2023	8-719-083-82	DIODE UDZS-TE17-12B	
C2000	1-126-933-11	ELECT 100UF	20.00% 16V	D2024	8-719-083-82	DIODE UDZS-TE17-12B	
C2025	1-164-227-11	CERAMIC CHIP 0.022UF	10.00% 25V	D2025	8-719-083-63	DIODE UDZSTE-1713B	
C2026	1-162-964-11	CERAMIC CHIP 0.001UF	10.00% 50V	D2026	8-719-069-60	DIODE UDZSTE-179.1B	
C2027	1-164-227-11	CERAMIC CHIP 0.022UF	10.00% 25V	D2027	8-719-069-60	DIODE UDZSTE-179.1B	
C2028	1-162-964-11	CERAMIC CHIP 0.001UF	10.00% 50V	D2028	8-719-069-60	DIODE UDZSTE-179.1B	
C2043	1-165-908-11	CERAMIC CHIP 1UF	10% 10V	D2029	8-719-069-55	DIODE UDZSTE-175.6B	
C2044	1-165-908-11	CERAMIC CHIP 1UF	10% 10V	D2030	8-719-069-60	DIODE UDZSTE-179.1B	
C2048	1-126-396-11	ELECT CHIP 47UF	20.00% 16V	D2031	8-719-069-60	DIODE UDZSTE-179.1B	
C2049	1-126-396-11	ELECT CHIP 47UF	20.00% 16V	D2037	8-719-069-60	DIODE UDZSTE-179.1B	
C2053	1-165-908-11	CERAMIC CHIP 1UF	10% 10V	D2038	8-719-069-60	DIODE UDZSTE-179.1B	
C2054	1-165-908-11	CERAMIC CHIP 1UF	10% 10V	D2039	8-719-069-60	DIODE UDZSTE-179.1B	
				D2040	8-719-069-60	DIODE UDZSTE-179.1B	

REF.NO.	PART.NO	DESCRIPTION	REMARK	REF.NO.	PART.NO	DESCRIPTION	REMARK
D2041	8-719-069-60	DIODE UDZSTE-179.1B		L1104	1-414-934-21	INDUCTOR	10UH
D2042	8-719-069-60	DIODE UDZSTE-179.1B		L1105	1-414-580-21	INDUCTOR	100NH
D2043	8-719-069-60	DIODE UDZSTE-179.1B		L1107	1-414-934-21	INDUCTOR	10UH
D2044	8-719-069-60	DIODE UDZSTE-179.1B		L1200	1-414-934-21	INDUCTOR	10UH
D2045	8-719-083-63	DIODE UDZSTE-1713B		L1201	1-410-993-42	INDUCTOR	1UH
D2046	8-719-069-60	DIODE UDZSTE-179.1B		L1223	1-410-509-11	INDUCTOR	10UH
D2047	8-719-069-60	DIODE UDZSTE-179.1B		L2000	1-414-934-21	INDUCTOR	10UH
D2048	8-719-069-60	DIODE UDZSTE-179.1B		< TRANSISTOR >			
D2049	8-719-069-55	DIODE UDZSTE-175.6B		Q1200	8-729-010-29	TRANSISTOR MSD601-RST1	
D2050	8-719-069-60	DIODE UDZSTE-179.1B		Q1201	8-729-421-19	TRANSISTOR UN2213	
D2052	8-719-083-63	DIODE UDZSTE-1713B		Q1202	8-729-421-19	TRANSISTOR UN2213	
D2058	8-719-069-60	DIODE UDZSTE-179.1B		Q1203	8-729-422-33	TRANSISTOR 2SD601A-Q-TX	
D2059	8-719-069-60	DIODE UDZSTE-179.1B		Q1204	8-729-421-19	TRANSISTOR UN2213	
D2061	8-719-069-60	DIODE UDZSTE-179.1B		Q1205	8-729-010-05	TRANSISTOR MSB709-RT1	
D2062	8-719-069-60	DIODE UDZSTE-179.1B		Q2000	8-729-010-29	TRANSISTOR MSD601-RST1	
D2063	8-719-069-60	DIODE UDZSTE-179.1B		Q2001	8-729-010-29	TRANSISTOR MSD601-RST1	
D2064	8-719-069-60	DIODE UDZSTE-179.1B		Q2002	8-729-010-05	TRANSISTOR MSB709-RT1	
D2065	8-719-069-55	DIODE UDZSTE-175.6B		Q2003	8-729-120-28	TRANSISTOR 2SC1623-L5L6	
D2066	8-719-069-55	DIODE UDZSTE-175.6B		Q2004	8-729-010-05	TRANSISTOR MSB709-RT1	
D2067	8-719-069-55	DIODE UDZSTE-175.6B		Q2005	8-729-120-28	TRANSISTOR 2SC1623-L5L6	
D2068	8-719-069-60	DIODE UDZSTE-179.1B		< RESISTOR >			
D2069	8-719-069-55	DIODE UDZSTE-175.6B		R1001	1-216-809-11	METAL CHIP	100 5% 1/10W
D2070	8-719-069-55	DIODE UDZSTE-175.6B		R1002	1-216-809-11	METAL CHIP	100 5% 1/10W
D2071	8-719-069-55	DIODE UDZSTE-175.6B		R1003	1-216-864-11	SHORT CHIP	0
< EARTH TERMINAL >				R1004	1-216-864-11	SHORT CHIP	0
ET6501	1-780-336-11	EARTH TERMINAL		R1006	1-216-864-11	SHORT CHIP	0
ET6502	1-780-336-11	EARTH TERMINAL		R1007	1-216-864-11	SHORT CHIP	0
< FERRITE BEAD >				R1008	1-216-864-11	SHORT CHIP	0
FB1100	1-469-185-11	FERRITE	0UH	R1009	1-216-864-11	SHORT CHIP	0
FB1101	1-469-185-11	FERRITE	0UH	R1010	1-216-864-11	SHORT CHIP	0
< IC >				R1101	1-216-049-11	RES-CHIP	1K 5% 1/10W
IC1000	6-704-465-01	IC MC74LVX8053DTR2		R1201	1-216-835-11	METAL CHIP	15K 5% 1/10W
IC1200	6-704-747-01	IC TDA9886TS/V4,118		R1202	1-216-821-11	METAL CHIP	1K 5% 1/10W
IC2000	8-759-385-76	IC MC14052 BDR2		R1203	1-216-837-11	METAL CHIP	22K 5% 1/10W
< SOCKET >				R1204	1-216-825-11	METAL CHIP	2.2K 5% 1/10W
J2021	1-819-327-11	PHONO JACK 2P		R1206	1-216-825-11	METAL CHIP	2.2K 5% 1/10W
J2022	1-819-327-11	PHONO JACK 2P		R1207	1-216-825-11	METAL CHIP	2.2K 5% 1/10W
J2023	1-820-021-11	JACK		R1208	1-216-864-11	SHORT CHIP	0
J2024	1-819-354-11	PHONO JACK 5P		R1210	1-216-817-11	METAL CHIP	470 5% 1/10W
< COIL >				R1212	1-216-830-11	METAL CHIP	5.6K 5% 1/10W
L1000	1-414-934-21	INDUCTOR	10UH	R1213	1-216-811-11	METAL CHIP	150 5% 1/10W
L1100	1-412-987-31	INDUCTOR	4.7UH	R1214	1-216-827-11	METAL CHIP	3.3K 5% 1/10W
L1101	1-412-987-31	INDUCTOR	4.7UH	R1215	1-216-817-11	METAL CHIP	470 5% 1/10W
L1102	1-414-580-21	INDUCTOR	100NH	R1216	1-216-834-11	METAL CHIP	12K 5% 1/10W
L1103	1-414-580-21	INDUCTOR	100NH	R1217	1-216-864-11	SHORT CHIP	0
				R1218	1-216-809-11	METAL CHIP	100 5% 1/10W
				R1219	1-216-864-11	SHORT CHIP	0

REF.NO.	PART.NO	DESCRIPTION	REMARK			REF.NO.	PART.NO	DESCRIPTION	REMARK		
R1220	1-216-809-11	METAL CHIP	100	5%	1/10W	R2025	1-216-049-11	RES-CHIP	1K	5%	1/10W
R1221	1-216-845-11	METAL CHIP	100K	5%	1/10W	R2026	1-216-022-00	RES-CHIP	75	5%	1/10W
R1222	1-216-813-11	METAL CHIP	220	5%	1/10W	R2028	1-216-022-00	RES-CHIP	75	5%	1/10W
R1223	1-216-824-11	METAL CHIP	1.8K	5%	1/10W	R2029	1-216-022-00	RES-CHIP	75	5%	1/10W
R1224	1-216-809-11	METAL CHIP	100	5%	1/10W	R2030	1-216-022-00	RES-CHIP	75	5%	1/10W
R1225	1-216-864-11	SHORT CHIP	0			R2031	1-216-022-00	RES-CHIP	75	5%	1/10W
R1226	1-216-819-11	METAL CHIP	680	5%	1/10W	R2032	1-216-815-11	METAL CHIP	330	5%	1/10W
R1228	1-216-864-11	SHORT CHIP	0			R2033	1-216-815-11	METAL CHIP	330	5%	1/10W
R1229	1-218-867-11	METAL CHIP	6.8K	0.5%	1/10W	R2034	1-216-813-11	METAL CHIP	220	5%	1/10W
R1230	1-216-822-11	METAL CHIP	1.2K	5%	1/10W	R2035	1-216-864-11	SHORT CHIP	0		
R1232	1-216-807-11	METAL CHIP	68	5%	1/10W	R2036	1-216-813-11	METAL CHIP	220	5%	1/10W
R1233	1-216-807-11	METAL CHIP	68	5%	1/10W	R2037	1-216-864-11	SHORT CHIP	0		
R1234	1-216-814-11	METAL CHIP	270	5%	1/10W	R2038	1-216-864-11	SHORT CHIP	0		
R1235	1-216-829-11	METAL CHIP	4.7K	5%	1/10W	R2039	1-216-864-11	SHORT CHIP	0		
R1237	1-216-833-11	METAL CHIP	10K	5%	1/10W	R2040	1-216-864-11	SHORT CHIP	0		
R1238	1-216-864-11	SHORT CHIP	0			R2041	1-216-864-11	SHORT CHIP	0		
R1239	1-216-812-11	METAL CHIP	180	5%	1/10W	R2042	1-216-864-11	SHORT CHIP	0		
R1240	1-216-801-11	METAL CHIP	22	5%	1/10W	R2043	1-216-864-11	SHORT CHIP	0		
R1241	1-216-821-11	METAL CHIP	1K	5%	1/10W	R2044	1-216-864-11	SHORT CHIP	0		
R1301	1-216-864-11	SHORT CHIP	0			R2045	1-216-864-11	SHORT CHIP	0		
R1302	1-216-864-11	SHORT CHIP	0			R2046	1-216-864-11	SHORT CHIP	0		
R1305	1-216-864-11	SHORT CHIP	0			R2047	1-216-864-11	SHORT CHIP	0		
R1306	1-216-864-11	SHORT CHIP	0			R2048	1-216-864-11	SHORT CHIP	0		
R1307	1-216-864-11	SHORT CHIP	0			R2049	1-216-864-11	SHORT CHIP	0		
R1308	1-216-864-11	SHORT CHIP	0			R2050	1-216-864-11	SHORT CHIP	0		
R2000	1-216-809-11	METAL CHIP	100	5%	1/10W	R2051	1-216-864-11	SHORT CHIP	0		
R2001	1-216-809-11	METAL CHIP	100	5%	1/10W	R2052	1-216-864-11	SHORT CHIP	0		
R2002	1-216-809-11	METAL CHIP	100	5%	1/10W	R2053	1-216-864-11	SHORT CHIP	0		
R2003	1-216-809-11	METAL CHIP	100	5%	1/10W	R2054	1-216-864-11	SHORT CHIP	0		
R2004	1-216-864-11	SHORT CHIP	0			R2055	1-216-864-11	SHORT CHIP	0		
R2005	1-216-864-11	SHORT CHIP	0			R2056	1-216-864-11	SHORT CHIP	0		
R2006	1-216-809-11	METAL CHIP	100	5%	1/10W	R2057	1-216-864-11	SHORT CHIP	0		
R2007	1-216-864-11	SHORT CHIP	0			R2058	1-216-864-11	SHORT CHIP	0		
R2008	1-216-829-11	METAL CHIP	4.7K	5%	1/10W	R2059	1-216-864-11	SHORT CHIP	0		
R2009	1-216-829-11	METAL CHIP	4.7K	5%	1/10W	R2060	1-216-864-11	SHORT CHIP	0		
R2010	1-216-809-11	METAL CHIP	100	5%	1/10W	R2061	1-216-864-11	SHORT CHIP	0		
R2011	1-216-809-11	METAL CHIP	100	5%	1/10W	R2062	1-216-864-11	SHORT CHIP	0		
R2012	1-216-809-11	METAL CHIP	100	5%	1/10W	R2063	1-216-853-11	METAL CHIP	470K	5%	1/10W
R2013	1-216-809-11	METAL CHIP	100	5%	1/10W	R2064	1-216-853-11	METAL CHIP	470K	5%	1/10W
R2014	1-216-809-11	METAL CHIP	100	5%	1/10W	R2065	1-216-853-11	METAL CHIP	470K	5%	1/10W
R2015	1-216-833-11	METAL CHIP	10K	5%	1/10W	R2066	1-216-853-11	METAL CHIP	470K	5%	1/10W
R2016	1-216-833-11	METAL CHIP	10K	5%	1/10W	R2067	1-216-025-11	RES-CHIP	100	5%	1/10W
R2017	1-216-833-11	METAL CHIP	10K	5%	1/10W	R2068	1-216-033-00	RES-CHIP	220	5%	1/10W
R2018	1-216-833-11	METAL CHIP	10K	5%	1/10W	R2069	1-216-025-11	RES-CHIP	100	5%	1/10W
R2019	1-216-833-11	METAL CHIP	10K	5%	1/10W	R2070	1-216-025-11	RES-CHIP	100	5%	1/10W
R2020	1-216-833-11	METAL CHIP	10K	5%	1/10W	R2071	1-216-025-11	RES-CHIP	100	5%	1/10W
R2021	1-216-295-91	SHORT CHIP	0			R2072	1-216-022-00	RES-CHIP	75	5%	1/10W
R2022	1-216-815-11	METAL CHIP	330	5%	1/10W	R2073	1-216-025-11	RES-CHIP	100	5%	1/10W
R2023	1-216-049-11	RES-CHIP	1K	5%	1/10W	R2074	1-216-049-11	RES-CHIP	1K	5%	1/10W
R2024	1-216-815-11	METAL CHIP	330	5%	1/10W	R2075	1-216-049-11	RES-CHIP	1K	5%	1/10W

REF.NO.	PART.NO	DESCRIPTION	REMARK	REF.NO.	PART.NO	DESCRIPTION	REMARK
R2076	1-216-853-11	METAL CHIP	470K 5% 1/10W	R2127	1-216-049-11	RES-CHIP	1K 5% 1/10W
R2077	1-216-853-11	METAL CHIP	470K 5% 1/10W	R2129	1-216-864-11	SHORT CHIP	0
R2078	1-216-864-11	SHORT CHIP	0	R2132	1-216-864-11	SHORT CHIP	0
R2079	1-216-864-11	SHORT CHIP	0	R2134	1-216-840-11	METAL CHIP	39K 5% 1/10W
R2080	1-216-864-11	SHORT CHIP	0	R2135	1-216-833-11	METAL CHIP	10K 5% 1/10W
R2081	1-216-864-11	SHORT CHIP	0	R2136	1-216-811-11	METAL CHIP	150 5% 1/10W
R2082	1-216-295-91	SHORT CHIP	0	R2137	1-216-817-11	METAL CHIP	470 5% 1/10W
R2083	1-216-853-11	METAL CHIP	470K 5% 1/10W	R2138	1-216-811-11	METAL CHIP	150 5% 1/10W
R2084	1-216-853-11	METAL CHIP	470K 5% 1/10W	R2139	1-216-811-11	METAL CHIP	150 5% 1/10W
R2085	1-216-049-11	RES-CHIP	1K 5% 1/10W	R2140	1-216-817-11	METAL CHIP	470 5% 1/10W
R2086	1-216-049-11	RES-CHIP	1K 5% 1/10W	R2141	1-216-811-11	METAL CHIP	150 5% 1/10W
R2087	1-216-022-00	RES-CHIP	75 5% 1/10W	R2142	1-216-840-11	METAL CHIP	39K 5% 1/10W
R2088	1-216-022-00	RES-CHIP	75 5% 1/10W	R2143	1-216-833-11	METAL CHIP	10K 5% 1/10W
R2089	1-216-022-00	RES-CHIP	75 5% 1/10W	R2145	1-216-864-11	SHORT CHIP	0
R2090	1-216-022-00	RES-CHIP	75 5% 1/10W	R2147	1-216-864-11	SHORT CHIP	0
R2091	1-216-022-00	RES-CHIP	75 5% 1/10W			< FILTER >	
R2092	1-216-815-11	METAL CHIP	330 5% 1/10W	SW1200	1-795-617-11	SAW FILTER	
R2093	1-216-049-11	RES-CHIP	1K 5% 1/10W	SW1201	1-767-083-11	FILTER, SURFACE WAVE	
R2094	1-216-815-11	METAL CHIP	330 5% 1/10W			< TUNER >	
R2095	1-216-049-11	RES-CHIP	1K 5% 1/10W	TU1300	8-597-585-00	TUNER, FSS BTP-HC401	
R2097	1-216-864-11	SHORT CHIP	0			< CRYSTAL >	
R2098	1-216-864-11	SHORT CHIP	0	X1200	1-767-704-11	VIBRATOR, CRYSTAL	
R2099	1-216-864-11	SHORT CHIP	0			< CAPACITOR >	
R2100	1-216-864-11	SHORT CHIP	0			C2902	1-162-964-11 CERAMIC CHIP 0.001UF 10.00% 50V
R2101	1-216-853-11	METAL CHIP	470K 5% 1/10W			C2903	1-162-964-11 CERAMIC CHIP 0.001UF 10.00% 50V
R2102	1-216-853-11	METAL CHIP	470K 5% 1/10W			C2904	1-162-964-11 CERAMIC CHIP 0.001UF 10.00% 50V
R2103	1-216-853-11	METAL CHIP	470K 5% 1/10W			C2905	1-162-964-11 CERAMIC CHIP 0.001UF 10.00% 50V
R2104	1-216-853-11	METAL CHIP	470K 5% 1/10W			C2930	1-162-964-11 CERAMIC CHIP 0.001UF 10.00% 50V
R2105	1-216-025-11	RES-CHIP	100 5% 1/10W			C2931	1-162-964-11 CERAMIC CHIP 0.001UF 10.00% 50V
R2106	1-216-033-00	RES-CHIP	220 5% 1/10W			C9041	1-125-891-11 CERAMIC CHIP 0.47UF 10.00% 10V
R2107	1-216-025-11	RES-CHIP	100 5% 1/10W			C9049	1-164-505-11 CERAMIC CHIP 2.2UF 16V
R2108	1-216-025-11	RES-CHIP	100 5% 1/10W			C9050	1-164-505-11 CERAMIC CHIP 2.2UF 16V
R2109	1-216-025-11	RES-CHIP	100 5% 1/10W			C9077	1-162-964-11 CERAMIC CHIP 0.001UF 10.00% 50V
R2110	1-216-022-00	RES-CHIP	75 5% 1/10W			C9078	1-165-908-11 CERAMIC CHIP 1UF 10% 10V
R2111	1-216-025-11	RES-CHIP	100 5% 1/10W			C9079	1-162-964-11 CERAMIC CHIP 0.001UF 10.00% 50V
R2112	1-216-809-11	METAL CHIP	100 5% 1/10W			C9080	1-165-908-11 CERAMIC CHIP 1UF 10% 10V
R2113	1-216-809-11	METAL CHIP	100 5% 1/10W			C9081	1-162-927-11 CERAMIC CHIP 100PF 5.00% 50V
R2114	1-216-809-11	METAL CHIP	100 5% 1/10W			C9082	1-162-927-11 CERAMIC CHIP 100PF 5.00% 50V
R2115	1-216-853-11	METAL CHIP	470K 5% 1/10W				< CONNECTOR >
R2116	1-216-853-11	METAL CHIP	470K 5% 1/10W			CN9855	*1-819-335-11 HEADER ASSEMBLY FOR PWB, 9P
R2117	1-216-864-11	SHORT CHIP	0			CN9856	1-779-993-11 PIN, CONNECTOR (PWB) 5P
R2118	1-216-864-11	SHORT CHIP	0				
R2119	1-216-029-00	RES-CHIP	150 5% 1/10W				
R2120	1-216-029-00	RES-CHIP	150 5% 1/10W				
R2121	1-216-029-00	RES-CHIP	150 5% 1/10W				
R2122	1-216-025-11	RES-CHIP	100 5% 1/10W				
R2123	1-216-049-11	RES-CHIP	1K 5% 1/10W				
R2124	1-216-029-00	RES-CHIP	150 5% 1/10W				
R2125	1-216-029-00	RES-CHIP	150 5% 1/10W				
R2126	1-216-029-00	RES-CHIP	150 5% 1/10W				

***A-1189-409-A H2 Board, Complete
(KDL-26/32P2520/KDL-26/32P2530)
*A-1202-964-A H2P Board, Complete (KDL-40P2530)**

Note : The components identified by shading and marked Δ are critical for safety. Replace only with the part numbers specified in the parts list.

H2/H2P

H3/H3P

G2

REF.NO.	PART.NO	DESCRIPTION	REMARK	REF.NO.	PART.NO	DESCRIPTION	REMARK
CN9857	*1-764-250-11	PIN, CONNECTOR (PC BOARD) 4P				< IC >	
		< DIODE >		IC9300	6-600-606-01	IC RPM7540-H8	
D9036	8-719-977-28	DIODE DTZ10B				< TRANSISTOR >	
D9038	8-719-977-28	DIODE DTZ10B		Q9300	8-729-907-00	TRANSISTOR DTC114EU	
D9058	8-719-069-60	DIODE UDZSTE-179.1B		Q9301	8-729-907-00	TRANSISTOR DTC114EU	
D9059	8-719-069-60	DIODE UDZSTE-179.1B		Q9302	8-729-907-00	TRANSISTOR DTC114EU	
		< SOCKET >		Q9303	8-729-907-00	TRANSISTOR DTC114EU	
J2901	1-750-264-31	JACK				< RESISTOR >	
J9006	1-794-442-21	TERMINAL BLOCK (LIGHT ANGLE),S		R9300	1-216-820-11	METAL CHIP 820 5% 1/10W	
		< RESISTOR >		R9301	1-216-819-11	METAL CHIP 680 5% 1/10W	
R2901	1-220-259-11	METAL CHIP 150 5% 1/4W		R9306	1-216-817-11	METAL CHIP 470 5% 1/10W	
R2902	1-220-259-11	METAL CHIP 150 5% 1/4W		R9307	1-216-805-11	METAL CHIP 47 5% 1/10W	
R2903	1-220-259-11	METAL CHIP 150 5% 1/4W		R9309	1-216-818-11	METAL CHIP 560 5% 1/10W	
R2904	1-220-259-11	METAL CHIP 150 5% 1/4W		R9310	1-216-825-11	METAL CHIP 2.2K 5% 1/10W	
R9104	1-218-285-11	METAL CHIP 75 5% 1/10W		R9311	1-216-818-11	METAL CHIP 560 5% 1/10W	
R9105	1-216-811-11	METAL CHIP 150 5% 1/10W		*A-1212-099-A G2 Board Complete (KDL-40P2530 Only)			
R9109	1-216-811-11	METAL CHIP 150 5% 1/10W		4-382-854-11		SCREW (M3X10), P, SW (+)	
R9113	1-216-809-11	METAL CHIP 100 5% 1/10W				< CAPACITOR >	
R9116	1-216-864-11	SHORT CHIP 0		C6002	Δ 1-119-892-51	CERAMIC 470PF 10.00% 250V	
R9136	1-216-853-11	METAL CHIP 470K 5% 1/10W		C6003	Δ 1-161-964-91	CERAMIC 0.0047UF 250V	
R9137	1-216-821-11	METAL CHIP 1K 5% 1/10W		C6004	Δ 1-113-924-11	CERAMIC 0.0047UF 20.00% 250V	
R9138	1-216-853-11	METAL CHIP 470K 5% 1/10W		C6005	Δ 1-119-892-51	CERAMIC 470PF 10.00% 250V	
R9139	1-216-821-11	METAL CHIP 1K 5% 1/10W		C6007	Δ 1-165-529-11	MYLAR 0.22UF 10 275V	
R9142	1-216-864-11	SHORT CHIP 0		C6009	Δ 1-165-531-11	MYLAR 1UF 10 275V	
R9853	1-216-864-11	SHORT CHIP 0		C6010	Δ 1-161-964-91	CERAMIC 0.0047UF 250V	
R9854	1-216-864-11	SHORT CHIP 0		C6011	Δ 1-119-892-51	CERAMIC 470PF 10.00% 250V	
		< VARISTOR >		C6013	Δ 1-119-892-51	CERAMIC 470PF 10.00% 250V	
VD9023	1-803-974-21	VARISTOR, CHIP (1608)		C6014	Δ 1-113-924-11	CERAMIC 0.0047UF 20.00% 250V	
VD9024	1-803-974-21	VARISTOR, CHIP (1608)		C6016	1-162-969-11	CERAMIC CHIP 0.0068UF 10.00% 25V	
*A-1247-113-A H3 Board Complete (KDL-26/32P2520/KDL-26/32P2530)				C6017	1-117-227-11	MYLAR 1UF 10.00% 450V	
*A-1247-117-A H3P Board Complete (KDL-40P2530)				C6018	1-117-227-11	MYLAR 1UF 10.00% 450V	
		< CAPACITOR >		C6020	1-100-613-81	CERAMIC 470PF 5% 1KV	
C9301	1-162-964-11	CERAMIC CHIP 0.001UF 10.00% 50V		C6021	1-100-613-81	CERAMIC 470PF 5% 1KV	
C9302	1-119-667-11	CERAMIC CHIP 22UF 10V		C6024	1-107-823-11	CERAMIC CHIP 0.47UF 10.00% 16V	
		< CONNECTOR >		C6026	1-162-964-11	CERAMIC CHIP 0.001UF 10.00% 50V	
CN9300	1-770-627-21	PIN, CONNECTOR 10P		C6027	1-162-970-11	CERAMIC CHIP 0.01UF 10.00% 25V	
		< DIODE >		C6031	1-107-882-91	ELECT 100UF 20% 16V	
D9302	8-719-085-26	DIODE CL-165HR/SYG-D-T		C6032	1-127-573-11	CERAMIC CHIP 1UF 10% 16V	
D9309	8-719-036-94	DIODE RD5.6SB-T1		C6035	1-107-826-11	CERAMIC CHIP 0.1UF 10.00% 16V	
D9312	6-500-817-01	DIODE (LED) SML-512UWT86		C6036	1-115-339-11	CERAMIC CHIP 0.1UF 10.00% 50V	
D9313	8-719-078-21	DIODE SML-310PTT86		C6038	1-107-906-11	ELECT 10UF 20% 50V	
				C6039	1-135-361-11	ELECT (BLOCK) 180UF 20% 450V	
				C6040	1-135-361-11	ELECT (BLOCK) 180UF 20% 450V	
				C6041	1-162-970-11	CERAMIC CHIP 0.01UF 10.00% 25V	

Note : The components identified by shading and marked Δ are critical for safety. Replace only with the part numbers specified in the parts list.

G2

REF.NO.	PART.NO	DESCRIPTION	REMARK	REF.NO.	PART.NO	DESCRIPTION	REMARK
C6042	1-115-339-11	CERAMIC CHIP 0.1UF	10.00% 50V			< CONNECTOR >	
C6043	1-162-970-11	CERAMIC CHIP 0.01UF	10.00% 25V				
C6044	1-107-905-11	ELECT 4.7UF	20% 50V	CN6001	Δ *1-691-960-11	PIN, CONNECTOR (PC BOARD) 3P	
C6045	1-107-910-11	ELECT 100UF	20% 50V	CN6003	*1-785-703-21	PIN, CONNECTOR (PC BOARD) 6P	
C6046	1-162-970-11	CERAMIC CHIP 0.01UF	10.00% 25V	CN6004	*1-785-706-11	PIN, CONNECTOR (PC BOARD) 10P	
				CN6005	*1-793-235-11	PIN, CONNECTOR (PC BOARD) 13P	
C6047	1-100-831-91	CERAMIC CHIP 0.001UF	2% 50V	CN6300	*1-564-507-11	PLUG, CONNECTOR 4P	
C6049	1-107-906-11	ELECT 10UF	20% 50V			< DIODE >	
C6051	1-107-826-11	CERAMIC CHIP 0.1UF	10.00% 16V				
C6052	1-163-021-91	CERAMIC CHIP 0.01UF	10.00% 50V	D6000	8-719-081-97	DIODE MMDL914T1	
C6053	1-162-964-11	CERAMIC CHIP 0.001UF	10.00% 50V	D6001	8-719-081-97	DIODE MMDL914T1	
				D6002	8-719-081-97	DIODE MMDL914T1	
C6054	1-115-340-11	CERAMIC CHIP 0.22UF	10.00% 25V	D6003	8-719-054-89	DIODE D15XB60	
C6055	1-107-888-11	ELECT 47UF	20% 25V	D6005	8-719-081-97	DIODE MMDL914T1	
C6056	1-125-891-11	CERAMIC CHIP 0.47UF	10.00% 10V				
C6059	1-100-613-81	CERAMIC 470PF	5% 1KV	D6006	8-719-976-99	DIODE DTZ5.1B	
C6060	1-100-310-11	FILM 18000PF	3% 800V	D6007	8-719-081-97	DIODE MMDL914T1	
				D6008	8-719-081-97	DIODE MMDL914T1	
C6061	1-125-891-11	CERAMIC CHIP 0.47UF	10.00% 10V	D6011	6-501-043-01	DIODE UMZ16NT106	
C6062	1-162-964-11	CERAMIC CHIP 0.001UF	10.00% 50V	D6012	8-719-054-59	DIODE FSF05A60	
C6064	1-164-227-11	CERAMIC CHIP 0.022UF	10.00% 25V				
C6066	1-128-959-31	ELECT 1000UF	20% 35V	D6013	6-500-137-01	DIODE BAT54HT1	
C6067	1-112-242-21	ELECT 1500UF	20% 25V	D6014	6-501-043-01	DIODE UMZ16NT106	
				D6015	8-719-081-97	DIODE MMDL914T1	
C6068	1-107-928-11	ELECT 4.7UF	20% 100V	D6017	6-500-108-01	DIODE EP05FA20	
C6069	1-112-242-21	ELECT 1500UF	20% 25V	D6018	6-500-108-01	DIODE EP05FA20	
C6070	1-112-229-21	ELECT 1500UF	20% 16V				
C6071	1-112-242-21	ELECT 1500UF	20% 25V	D6019	8-719-081-97	DIODE MMDL914T1	
C6073	1-107-907-11	ELECT 22UF	20% 50V	D6020	8-719-081-97	DIODE MMDL914T1	
				D6021	8-719-081-97	DIODE MMDL914T1	
C6080	1-125-889-91	CERAMIC CHIP 2.2UF	10% 10V	D6023	8-719-041-97	DIODE MA113-(TX)	
C6200	1-107-974-11	CERAMIC 47PF	5.00% 2KV	D6027	8-719-081-97	DIODE MMDL914T1	
C6201	1-107-903-11	ELECT 2.2UF	20% 50V				
C6202	1-162-964-11	CERAMIC CHIP 0.001UF	10.00% 50V	D6028	8-719-979-64	DIODE UF4005/23	
C6203	1-165-127-11	CERAMIC 470PF	10.00% 500V	D6031	6-501-043-01	DIODE UMZ16NT106	
				D6032	6-501-043-01	DIODE UMZ16NT106	
C6205	1-107-905-11	ELECT 4.7UF	20% 50V	D6033	8-719-081-97	DIODE MMDL914T1	
C6206	1-107-910-11	ELECT 100UF	20% 50V	D6035	8-719-057-96	DIODE D10SC6M-4012	
C6209	1-165-729-31	ELECT 470UF	20% 16V				
C6210	1-107-826-11	CERAMIC CHIP 0.1UF	10.00% 16V	D6036	8-719-057-96	DIODE D10SC6M-4012	
C6300	1-164-230-11	CERAMIC CHIP 220PF	5.00% 50V	D6037	8-719-057-96	DIODE D10SC6M-4012	
				D6038	8-719-057-96	DIODE D10SC6M-4012	
C6301	1-126-960-11	ELECT 1UF	20.00% 50V	D6039	8-719-057-96	DIODE D10SC6M-4012	
C6302	1-164-230-11	CERAMIC CHIP 220PF	5.00% 50V	D6040	6-501-505-01	DIODE FCH08U10	
C6303	1-126-960-11	ELECT 1UF	20.00% 50V				
C6304	1-104-666-11	ELECT 220UF	20.00% 25V	D6041	8-719-082-04	DIODE MM3Z22VT1	
C6306	1-164-489-11	CERAMIC CHIP 0.22UF	10.00% 16V	D6042	8-719-081-97	DIODE MMDL914T1	
				D6043	6-500-567-31	DIODE 10ERB20-TB3	
C6307	1-115-339-11	CERAMIC CHIP 0.1UF	10.00% 50V	D6044	6-500-567-31	DIODE 10ERB20-TB3	
C6308	1-126-952-11	ELECT 1000UF	20.00% 35V	D6048	8-719-083-87	DIODE UDZS-TE17-33B	
C6309	1-126-952-11	ELECT 1000UF	20.00% 35V				
C6310	1-164-227-11	CERAMIC CHIP 0.022UF	10.00% 25V	D6200	6-500-567-31	DIODE 10ERB20-TB3	
C6311	1-164-227-11	CERAMIC CHIP 0.022UF	10.00% 25V	D6201	8-719-036-94	DIODE RD5.6SB-T1	
				D6203	6-500-849-01	DIODE ERA22-08KFLB	
C6312	1-163-021-91	CERAMIC CHIP 0.01UF	10.00% 50V	D6204	8-719-052-90	DIODE D1NL40-TA2	
C6313	1-163-021-91	CERAMIC CHIP 0.01UF	10.00% 50V	D6206	8-719-052-90	DIODE D1NL40-TA2	
C6316	1-107-907-11	ELECT 22UF	20% 50V				
				D6207	8-719-032-12	DIODE D1NS6	

Note : The components identified by shading and marked Δ are critical for safety. Replace only with the part numbers specified in the parts list.

G2

REF.NO.	PART.NO	DESCRIPTION	REMARK	REF.NO.	PART.NO	DESCRIPTION	REMARK
D6300	8-719-069-55	DIODE UDZSTE-175.6B		Q6002	6-551-403-01	TRANSISTOR 2SK3797(LBS1SONY.	
D6302	8-719-069-55	DIODE UDZSTE-175.6B		Q6003	8-729-807-17	TRANSISTOR 2SD1621-S	
< TERMINAL BOARD >				Q6004	8-729-804-41	TRANSISTOR 2SB1122-S	
ET6000	1-537-770-21	TERMINAL BOARD, GROUND		Q6005	8-729-026-49	TRANSISTOR 2SA1037AK-T146-R	
ET6002	1-537-770-21	TERMINAL BOARD, GROUND		Q6006	8-729-120-28	TRANSISTOR 2SC1623-L5L6	
ET6003	1-537-770-21	TERMINAL BOARD, GROUND		Q6007	8-729-120-28	TRANSISTOR 2SC1623-L5L6	
< FUSE >				Q6008	8-729-804-41	TRANSISTOR 2SB1122-S	
F6000	Δ 1-576-233-51	FUSE	6.3A 250V	Q6009	8-729-120-28	TRANSISTOR 2SC1623-L5L6	
FH6002	Δ 1-533-725-11	FUSE HOLDER		Q6010	8-729-026-49	TRANSISTOR 2SA1037AK-T146-R	
< FERRITE BEAD >				Q6011	8-729-120-28	TRANSISTOR 2SC1623-L5L6	
FB6001	1-410-396-41	FERRITE	0.45UH	Q6012	8-729-045-62	TRANSISTOR 2SK2158-T2B	
FB6002	1-410-396-41	FERRITE	0.45UH	Q6013	6-551-545-01	TRANSISTOR 2SK3469-01MR-F111	
< IC >				Q6014	6-551-545-01	TRANSISTOR 2SK3469-01MR-F111	
IC6000	6-709-192-01	IC FA5501AN-D1-TE1		Q6302	8-729-010-29	TRANSISTOR MSD601-RST1	
IC6001	6-705-810-01	IC MCZ3001DB		Q6303	8-729-010-05	TRANSISTOR MSB709-RT1	
IC6002	6-709-368-01	IC MM1431ATT (CN)		< RESISTOR >			
IC6003	6-709-368-01	IC MM1431ATT (CN)		JR6313	1-216-295-91	SHORT CHIP	0
IC6004	6-709-368-01	IC MM1431ATT (CN)		JR6314	1-216-295-91	SHORT CHIP	0
IC6200	6-600-279-01	IC STR-A6169		JR6315	1-216-295-91	SHORT CHIP	0
IC6201	8-759-682-42	IC MM1431ATT		JR6316	1-216-295-91	SHORT CHIP	0
IC6300	8-759-831-57	IC TDA7495S		R6001	Δ 1-218-760-11	METAL CHIP	220K 0.5% 1/10W
< COIL >				R6002	Δ 1-218-760-11	METAL CHIP	220K 0.5% 1/10W
L6000	Δ 1-456-856-21	LINE FILTER COIL		R6003	Δ 1-208-830-11	METAL CHIP	100K 0.5% 1/10W
L6001	Δ 1-456-856-21	LINE FILTER COIL		R6005	1-218-911-11	METAL CHIP	470K 0.5% 1/10W
L6002	1-457-218-11	INDUCTOR	100UH	R6006	Δ 1-218-760-11	METAL CHIP	220K 0.5% 1/10W
L6003	1-457-141-11	INDUCTOR	175UH	R6007	Δ 1-218-760-11	METAL CHIP	220K 0.5% 1/10W
L6004	1-414-487-41	INDUCTOR	1UH	R6008	1-218-911-11	METAL CHIP	470K 0.5% 1/10W
L6005	1-414-487-41	INDUCTOR	1UH	R6009	1-218-887-11	METAL CHIP	47K 0.5% 1/10W
L6007	1-457-239-11	INDUCTOR	4.7UH	R6017	Δ 1-240-251-11	METAL	6.8 5% 10W
L6008	1-457-239-11	INDUCTOR	4.7UH	R6021	1-218-913-91	METAL CHIP	560K 0.5% 1/10W
L6200	1-414-934-21	INDUCTOR	10UH	R6022	1-216-864-11	SHORT CHIP	0
< PHOTOCOUPLER >				R6023	1-218-879-11	METAL CHIP	22K 0.5% 1/10W
PH6000	Δ 6-600-187-01	PHOTO COUPLER	PC123Y22J00F	R6024	1-208-814-91	METAL CHIP	22K 0.5% 1/10W
PH6001	6-600-187-01	PHOTO COUPLER	PC123Y22J00F	R6027	1-218-823-11	METAL CHIP	100 0.5% 1/10W
PH6002	6-600-187-01	PHOTO COUPLER	PC123Y22J00F	R6028	1-247-752-11	CARBON	1K 5% 1/2W
PH6003	6-600-187-01	PHOTO COUPLER	PC123Y22J00F	R6029	1-215-882-21	METAL OXIDE	22 5% 2W
PH6200	6-600-187-01	PHOTO COUPLER	PC123Y22J00F	R6030	1-216-864-11	SHORT CHIP	0
< PROTECTOR MODULE >				R6031	1-218-835-11	METAL CHIP	330 0.5% 1/10W
PS6301	Δ 1-533-596-21	IC LINK	4A 90V	R6032	1-217-157-00	METAL	0.33 10% 5W
< TRANSISTOR >				R6033	1-216-813-11	METAL CHIP	220 5% 1/10W
Q6001	6-551-403-01	TRANSISTOR 2SK3797(LBS1SONY.		R6034	1-216-813-11	METAL CHIP	220 5% 1/10W
				R6035	1-217-157-00	METAL	0.33 10% 5W
				R6036	1-211-981-11	METAL CHIP	33 0.5% 1/10W
				R6037	1-218-823-11	METAL CHIP	100 0.5% 1/10W
				R6038	1-216-833-11	METAL CHIP	10K 5% 1/10W
				R6041	1-216-829-11	METAL CHIP	4.7K 5% 1/10W
				R6042	1-249-389-11	CARBON	4.7 5% 1/4W
				R6043	1-216-833-11	METAL CHIP	10K 5% 1/10W
				R6044	1-216-837-11	METAL CHIP	22K 5% 1/10W

Note : The components identified by shading and marked Δ are critical for safety. Replace only with the part numbers specified in the parts list.

G2

REF.NO.	PART.NO	DESCRIPTION	REMARK	REF.NO.	PART.NO	DESCRIPTION	REMARK
R6046	1-249-405-11	CARBON	100 5% 1/4W	R6100	1-216-833-11	METAL CHIP	10K 5% 1/10W
R6047	1-249-389-11	CARBON	4.7 5% 1/4W	R6101	1-216-833-11	METAL CHIP	10K 5% 1/10W
R6048	1-216-813-11	METAL CHIP	220 5% 1/10W	R6102	1-216-833-11	METAL CHIP	10K 5% 1/10W
R6050	1-216-813-11	METAL CHIP	220 5% 1/10W	R6103	1-218-879-11	METAL CHIP	22K 0.5% 1/10W
R6051	1-208-814-91	METAL CHIP	22K 0.5% 1/10W	R6104	1-218-847-11	METAL CHIP	1K 0.5% 1/10W
R6052	1-216-833-11	METAL CHIP	10K 5% 1/10W	R6105	1-218-863-11	METAL CHIP	4.7K 0.5% 1/10W
R6053	1-218-907-11	METAL CHIP	330K 0.5% 1/10W	R6106	1-216-361-00	METAL OXIDE	0.22 5% 2W
R6054	1-218-879-11	METAL CHIP	22K 0.5% 1/10W	R6107	1-216-361-00	METAL OXIDE	0.22 5% 2W
R6055	1-218-895-11	METAL CHIP	100K 0.5% 1/10W	R6108	1-218-903-11	METAL CHIP	220K 0.5% 1/10W
R6056	1-216-833-11	METAL CHIP	10K 5% 1/10W	R6109	1-218-847-11	METAL CHIP	1K 0.5% 1/10W
R6057	1-216-809-11	METAL CHIP	100 5% 1/10W	R6110	1-216-829-11	METAL CHIP	4.7K 5% 1/10W
R6058	1-208-848-11	METAL CHIP	560K 0.5% 1/10W	R6113	1-216-821-11	METAL CHIP	1K 5% 1/10W
R6059	1-208-848-11	METAL CHIP	560K 0.5% 1/10W	R6114	1-216-821-11	METAL CHIP	1K 5% 1/10W
R6060	1-208-848-11	METAL CHIP	560K 0.5% 1/10W	R6115	1-216-821-11	METAL CHIP	1K 5% 1/10W
R6061	1-208-846-11	METAL CHIP	470K 0.5% 1/10W	R6116	1-216-837-11	METAL CHIP	22K 5% 1/10W
R6062	1-208-844-11	METAL CHIP	390K 0.5% 1/10W	R6118	1-216-829-11	METAL CHIP	4.7K 5% 1/10W
R6063	1-218-875-11	METAL CHIP	15K 0.5% 1/10W	R6121	1-218-843-11	METAL CHIP	680 0.5% 1/10W
R6064	1-218-851-11	METAL CHIP	1.5K 0.5% 1/10W	R6122	1-218-865-11	METAL CHIP	5.6K 0.5% 1/10W
R6065	1-249-393-11	CARBON	10 5% 1/4W	R6124	1-218-847-11	METAL CHIP	1K 0.5% 1/10W
R6066	1-216-845-11	METAL CHIP	100K 5% 1/10W	R6125	1-216-833-11	METAL CHIP	10K 5% 1/10W
R6067	1-216-837-11	METAL CHIP	22K 5% 1/10W	R6126	1-249-377-11	CARBON	0.47 5% 1/4W
R6068	1-216-833-11	METAL CHIP	10K 5% 1/10W	R6127	1-249-389-11	CARBON	4.7 5% 1/4W
R6069 Δ	1-202-933-61	FUSIBLE	0.1 10% 1/2W	R6128	1-245-494-21	METAL	2.2M 2% 1/4W
R6070	1-218-823-11	METAL CHIP	100 0.5% 1/10W	R6129	1-245-494-21	METAL	2.2M 2% 1/4W
R6071	1-218-887-11	METAL CHIP	47K 0.5% 1/10W	R6130	1-216-864-11	SHORT CHIP	0
R6072	1-208-854-11	METAL CHIP	1M 0.5% 1/10W	R6131	1-216-864-11	SHORT CHIP	0
R6073	1-208-854-11	METAL CHIP	1M 0.5% 1/10W	R6132	1-249-416-11	CARBON	820 5% 1/4W
R6074	1-208-854-11	METAL CHIP	1M 0.5% 1/10W	R6133	1-216-295-91	SHORT CHIP	0
R6075	1-208-854-11	METAL CHIP	1M 0.5% 1/10W	R6200 Δ	1-212-958-00	FUSIBLE	10 5% 1/2W
R6076	1-218-761-11	METAL CHIP	240K 0.5% 1/10W	R6201	1-216-353-00	METAL OXIDE	2.2 5% 1W
R6077	1-218-881-11	METAL CHIP	27K 0.5% 1/10W	R6202	1-260-129-11	CARBON	330K 5% 1/2W
R6078	1-218-873-11	METAL CHIP	12K 0.5% 1/10W	R6203	1-249-385-11	CARBON	2.2 5% 1/4W
R6081	1-249-385-11	CARBON	2.2 5% 1/4W	R6204	1-216-813-11	METAL CHIP	220 5% 1/10W
R6082	1-216-833-11	METAL CHIP	10K 5% 1/10W	R6205	1-249-385-11	CARBON	2.2 5% 1/4W
R6083	1-216-833-11	METAL CHIP	10K 5% 1/10W	R6206	1-216-817-11	METAL CHIP	470 5% 1/10W
R6084	1-218-863-11	METAL CHIP	4.7K 0.5% 1/10W	R6207	1-216-823-11	METAL CHIP	1.5K 5% 1/10W
R6085	1-218-887-11	METAL CHIP	47K 0.5% 1/10W	R6208	1-216-809-11	METAL CHIP	100 5% 1/10W
R6086	1-216-833-11	METAL CHIP	10K 5% 1/10W	R6210	1-218-871-11	METAL CHIP	10K 0.5% 1/10W
R6087	1-216-833-11	METAL CHIP	10K 5% 1/10W	R6211	1-218-871-11	METAL CHIP	10K 0.5% 1/10W
R6088	1-216-857-11	METAL CHIP	1M 5% 1/10W	R6217	1-216-295-91	SHORT CHIP	0
R6090	1-211-985-11	METAL CHIP	47 0.5% 1/10W	R6218	1-216-295-91	SHORT CHIP	0
R6091	1-216-829-11	METAL CHIP	4.7K 5% 1/10W	R6304	1-216-864-11	METAL CHIP	120K 5% 1/10W
R6092	1-218-903-11	METAL CHIP	220K 0.5% 1/10W	R6306	1-216-864-11	METAL CHIP	120K 5% 1/10W
R6093	1-218-859-11	METAL CHIP	3.3K 0.5% 1/10W	R6308	1-216-825-11	METAL CHIP	2.2K 5% 1/4W
R6094	1-218-885-11	METAL CHIP	39K 0.5% 1/10W	R6309	1-216-049-11	RES-CHIP	1K 5% 1/10W
R6095	1-216-009-91	RES-CHIP	22 5% 1/10W	R6313	1-216-864-11	SHORT CHIP	0
R6096	1-216-821-11	METAL CHIP	1K 5% 1/10W	R6314	1-216-845-11	METAL CHIP	100K 5% 1/10W
R6097	1-216-833-11	METAL CHIP	10K 5% 1/10W	R6315	1-216-845-11	METAL CHIP	100K 5% 1/10W
R6098	1-216-821-11	METAL CHIP	1K 5% 1/10W	R6316	1-216-837-11	METAL CHIP	22K 5% 1/10W
R6099	1-216-009-91	RES-CHIP	22 5% 1/10W	R6317	1-216-833-11	METAL CHIP	10K 5% 1/10W

Note : The components identified by shading and marked Δ are critical for safety. Replace only with the part numbers specified in the parts list.

Note : The components identified by mark Δ contain confidential information. Strictly follow the instructions when ever the components are repaired and/or replaced

G2

H1/H1P

BDTR-2

REF.NO.	PART.NO	DESCRIPTION	REMARK	REF.NO.	PART.NO	DESCRIPTION	REMARK
R6318	1-216-833-11	METAL CHIP	10K 5% 1/10W			< VARISTOR >	
		< RELAY >		VD9000	1-803-974-21	VARISTOR, CHIP	(1608)
RY6000 Δ	1-755-579-11	RELAY, POWER		VD9001	1-803-974-21	VARISTOR, CHIP	(1608)
		< TRANSFORMER >		VD9002	1-803-974-21	VARISTOR, CHIP	(1608)
T6002 Δ	1-443-983-11	CONVERTER TRANSFORMER (PIT)		VD9003	1-803-974-21	VARISTOR, CHIP	(1608)
T6003 Δ	1-443-986-11	CONVERTER TRANSFORMER (PIT)		VD9004	1-803-974-21	VARISTOR, CHIP	(1608)
T6200 Δ	1-443-313-21	TRANSFORMER, CONVERTER (SBT)		VD9005	1-803-974-21	VARISTOR, CHIP	(1608)
		< VARISTOR >		VD9006	1-803-974-21	VARISTOR, CHIP	(1608)
VD6000 Δ	1-804-995-11	VARISTOR		Δ * A-1242-773-A BDTR-2 COMPLETE			
VD6001 Δ	1-804-995-11	VARISTOR				< CAPACITOR >	
*A-1189-408-A H1 Board Complete (KDL-26/32P2520/KDL-26/32P2530)				C3001	1-125-891-11	CERAMIC CHIP 0.47UF	10.00% 10V
*A-1202-963-A H1P Board Complete (KDL-40P2530)				C3002	1-125-891-11	CERAMIC CHIP 0.47UF	10.00% 10V
		< CAPACITOR >		C3003	1-125-891-11	CERAMIC CHIP 0.47UF	10.00% 10V
C9000	1-107-826-11	CERAMIC CHIP 0.1UF	10.00% 16V	C3004	1-164-156-11	CERAMIC CHIP 0.1UF	25V
		< CONNECTOR >		C3005	1-125-891-11	CERAMIC CHIP 0.47UF	10.00% 10V
CN9000	1-778-507-21	PIN, CONNECTOR (PC BOARD) 4P		C3007	1-164-156-11	CERAMIC CHIP 0.1UF	25V
		< DIODE >		C3008	1-126-205-11	ELECT CHIP 47UF	20.00% 6.3V
D9000	8-719-036-94	DIODE RD5.6SB-T1		C3009	1-164-156-11	CERAMIC CHIP 0.1UF	25V
		< RESISTOR >		C3010	1-107-826-11	CERAMIC CHIP 0.1UF	10.00% 16V
R9000	1-216-864-11	SHORT CHIP	0	C3011	1-107-826-11	CERAMIC CHIP 0.1UF	10.00% 16V
R9001	1-218-847-11	METAL CHIP	1K 0.5% 1/10W	C3012	1-107-826-11	CERAMIC CHIP 0.1UF	10.00% 16V
R9002	1-218-843-11	METAL CHIP	680 0.5% 1/10W	C3013	1-107-826-11	CERAMIC CHIP 0.1UF	10.00% 16V
R9003	1-218-851-11	METAL CHIP	1.5K 0.5% 1/10W	C3014	1-107-826-11	CERAMIC CHIP 0.1UF	10.00% 16V
R9004	1-218-839-11	METAL CHIP	470 0.5% 1/10W	C3015	1-107-826-11	CERAMIC CHIP 0.1UF	10.00% 16V
R9005	1-218-855-11	METAL CHIP	2.2K 0.5% 1/10W	C3016	1-107-826-11	CERAMIC CHIP 0.1UF	10.00% 16V
R9006	1-218-834-11	METAL CHIP	300 0.5% 1/10W	C3017	1-126-205-11	ELECT CHIP 47UF	20.00% 6.3V
R9007	1-216-864-11	SHORT CHIP	0	C3018	1-164-156-11	CERAMIC CHIP 0.1UF	25V
R9008	1-216-864-11	SHORT CHIP	0	C3019	1-107-826-11	CERAMIC CHIP 0.1UF	10.00% 16V
		< SWITCH >		C3020	1-107-826-11	CERAMIC CHIP 0.1UF	10.00% 16V
S9000	1-572-595-31	SWITCH, TACTIL (REFLOW TYPE)		C3021	1-107-826-11	CERAMIC CHIP 0.1UF	10.00% 16V
S9001	1-572-595-31	SWITCH, TACTIL (REFLOW TYPE)		C3022	1-107-826-11	CERAMIC CHIP 0.1UF	10.00% 16V
S9002	1-572-595-31	SWITCH, TACTIL (REFLOW TYPE)		C3023	1-107-826-11	CERAMIC CHIP 0.1UF	10.00% 16V
S9003	1-572-595-31	SWITCH, TACTIL (REFLOW TYPE)		C3024	1-107-826-11	CERAMIC CHIP 0.1UF	10.00% 16V
S9004	1-572-595-31	SWITCH, TACTIL (REFLOW TYPE)		C3025	1-107-826-11	CERAMIC CHIP 0.1UF	10.00% 16V
S9005	1-572-595-31	SWITCH, TACTIL (REFLOW TYPE)		C3026	1-107-826-11	CERAMIC CHIP 0.1UF	10.00% 16V
S9006	1-572-595-31	SWITCH, TACTIL (REFLOW TYPE)		C3027	1-107-826-11	CERAMIC CHIP 0.1UF	10.00% 16V
				C3028	1-107-826-11	CERAMIC CHIP 0.1UF	10.00% 16V
				C3029	1-107-826-11	CERAMIC CHIP 0.1UF	10.00% 16V
				C3030	1-107-826-11	CERAMIC CHIP 0.1UF	10.00% 16V
				C3031	1-107-826-11	CERAMIC CHIP 0.1UF	10.00% 16V
				C3032	1-107-826-11	CERAMIC CHIP 0.1UF	10.00% 16V
				C3033	1-107-826-11	CERAMIC CHIP 0.1UF	10.00% 16V
				C3035	1-107-826-11	CERAMIC CHIP 0.1UF	10.00% 16V
				C3040	1-107-826-11	CERAMIC CHIP 0.1UF	10.00% 16V
				C3041	1-127-715-91	CERAMIC CHIP 0.22UF	10% 16V
				C3042	1-107-826-11	CERAMIC CHIP 0.1UF	10.00% 16V
				C3043	1-126-394-11	ELECT CHIP 10UF	20.00% 16V

REF.NO.	PART.NO	DESCRIPTION	REMARK	REF.NO.	PART.NO	DESCRIPTION	REMARK
C3044	1-127-715-91	CERAMIC CHIP 0.22UF	10% 16V	C3350	1-162-928-11	CERAMIC CHIP 120PF	5.00% 50V
C3045	1-107-826-11	CERAMIC CHIP 0.1UF	10.00% 16V	C3353	1-162-968-11	CERAMIC CHIP 0.0047UF	10.00% 50V
C3048	1-162-966-11	CERAMIC CHIP 0.0022UF	10.00% 50V	C3354	1-163-037-11	CERAMIC CHIP 0.022UF	10.00% 50V
C3049	1-162-966-11	CERAMIC CHIP 0.0022UF	10.00% 50V	C3355	1-127-573-11	CERAMIC CHIP 1UF	10% 16V
C3050	1-107-826-11	CERAMIC CHIP 0.1UF	10.00% 16V	C3410	1-162-970-11	CERAMIC CHIP 0.01UF	10.00% 25V
C3051	1-107-826-11	CERAMIC CHIP 0.1UF	10.00% 16V	C4000	1-107-826-11	CERAMIC CHIP 0.1UF	10.00% 16V
C3052	1-162-966-11	CERAMIC CHIP 0.0022UF	10.00% 50V	C4200	1-107-826-11	CERAMIC CHIP 0.1UF	10.00% 16V
C3053	1-162-966-11	CERAMIC CHIP 0.0022UF	10.00% 50V	C4201	1-107-826-11	CERAMIC CHIP 0.1UF	10.00% 16V
C3054	1-164-004-11	CERAMIC CHIP 0.1UF	10.00% 25V	C4202	1-107-826-11	CERAMIC CHIP 0.1UF	10.00% 16V
C3055	1-124-779-00	ELECT CHIP 10UF	20.00% 16V	C4203	1-107-826-11	CERAMIC CHIP 0.1UF	10.00% 16V
C3056	1-164-004-11	CERAMIC CHIP 0.1UF	10.00% 25V	C4204	1-162-964-11	CERAMIC CHIP 0.001UF	10.00% 50V
C3057	1-107-826-11	CERAMIC CHIP 0.1UF	10.00% 16V	C4205	1-162-964-11	CERAMIC CHIP 0.001UF	10.00% 50V
C3058	1-107-826-11	CERAMIC CHIP 0.1UF	10.00% 16V	C4206	1-162-964-11	CERAMIC CHIP 0.001UF	10.00% 50V
C3059	1-107-826-11	CERAMIC CHIP 0.1UF	10.00% 16V	C4207	1-162-964-11	CERAMIC CHIP 0.001UF	10.00% 50V
C3060	1-107-826-11	CERAMIC CHIP 0.1UF	10.00% 16V	C4208	1-162-964-11	CERAMIC CHIP 0.001UF	10.00% 50V
C3061	1-162-962-11	CERAMIC CHIP 470PF	10.00% 50V	C4209	1-162-964-11	CERAMIC CHIP 0.001UF	10.00% 50V
C3063	1-107-826-11	CERAMIC CHIP 0.1UF	10.00% 16V	C4210	1-162-964-11	CERAMIC CHIP 0.001UF	10.00% 50V
C3065	1-126-396-11	ELECT CHIP 47UF	20.00% 16V	C4211	1-162-964-11	CERAMIC CHIP 0.001UF	10.00% 50V
C3068	1-162-964-11	CERAMIC CHIP 0.001UF	10.00% 50V	C4212	1-162-964-11	CERAMIC CHIP 0.001UF	10.00% 50V
C3069	1-162-970-11	CERAMIC CHIP 0.01UF	10.00% 25V	C4213	1-162-964-11	CERAMIC CHIP 0.001UF	10.00% 50V
C3070	1-107-826-11	CERAMIC CHIP 0.1UF	10.00% 16V	C4214	1-162-964-11	CERAMIC CHIP 0.001UF	10.00% 50V
C3071	1-107-826-11	CERAMIC CHIP 0.1UF	10.00% 16V	C4215	1-162-964-11	CERAMIC CHIP 0.001UF	10.00% 50V
C3072	1-117-681-11	ELECT CHIP 100UF	20.00% 16V	C4216	1-162-964-11	CERAMIC CHIP 0.001UF	10.00% 50V
C3073	1-107-826-11	CERAMIC CHIP 0.1UF	10.00% 16V	C4217	1-162-964-11	CERAMIC CHIP 0.001UF	10.00% 50V
C3074	1-107-826-11	CERAMIC CHIP 0.1UF	10.00% 16V	C4218	1-162-964-11	CERAMIC CHIP 0.001UF	10.00% 50V
C3075	1-162-917-11	CERAMIC CHIP 15PF	5.00% 50V	C4219	1-162-964-11	CERAMIC CHIP 0.001UF	10.00% 50V
C3076	1-162-917-11	CERAMIC CHIP 15PF	5.00% 50V	C4220	1-162-964-11	CERAMIC CHIP 0.001UF	10.00% 50V
C3078	1-100-566-91	CERAMIC CHIP 0.1UF	10.00% 25V	C4221	1-162-964-11	CERAMIC CHIP 0.001UF	10.00% 50V
C3080	1-162-970-11	CERAMIC CHIP 0.01UF	10.00% 25V	C4222	1-124-779-00	ELECT CHIP 10UF	20.00% 16V
C3081	1-164-230-11	CERAMIC CHIP 220PF	5.00% 50V	C4223	1-124-779-00	ELECT CHIP 10UF	20.00% 16V
C3082	1-107-826-11	CERAMIC CHIP 0.1UF	10.00% 16V	C4224	1-124-779-00	ELECT CHIP 10UF	20.00% 16V
C3086	1-126-390-11	ELECT CHIP 22UF	20.00% 6.3V	C4225	1-107-826-11	CERAMIC CHIP 0.1UF	10.00% 16V
C3089	1-162-927-11	CERAMIC CHIP 100PF	5.00% 50V	C4226	1-124-779-00	ELECT CHIP 10UF	20.00% 16V
C3090	1-162-970-11	CERAMIC CHIP 0.01UF	10.00% 25V	C4227	1-124-779-00	ELECT CHIP 10UF	20.00% 16V
C3092	1-127-760-11	CERAMIC CHIP 4.7UF	10% 6.3V	C4228	1-100-566-91	CERAMIC CHIP 0.1UF	10.00% 25V
C3093	1-162-970-11	CERAMIC CHIP 0.01UF	10.00% 25V	C4229	1-100-566-91	CERAMIC CHIP 0.1UF	10.00% 25V
C3094	1-117-681-11	ELECT CHIP 100UF	20.00% 16V	C4230	1-100-566-91	CERAMIC CHIP 0.1UF	10.00% 25V
C3095	1-124-779-00	ELECT CHIP 10UF	20.00% 16V	C4231	1-107-826-11	CERAMIC CHIP 0.1UF	10.00% 16V
C3096	1-124-779-00	ELECT CHIP 10UF	20.00% 16V	C4232	1-100-566-91	CERAMIC CHIP 0.1UF	10.00% 25V
C3097	1-162-927-11	CERAMIC CHIP 100PF	5.00% 50V	C4233	1-100-566-91	CERAMIC CHIP 0.1UF	10.00% 25V
C3114	1-100-566-91	CERAMIC CHIP 0.1UF	10.00% 25V	C4234	1-162-964-11	CERAMIC CHIP 0.001UF	10.00% 50V
C3115	1-107-826-11	CERAMIC CHIP 0.1UF	10.00% 16V	C4235	1-162-964-11	CERAMIC CHIP 0.001UF	10.00% 50V
C3116	1-127-715-91	CERAMIC CHIP 0.22UF	10% 16V	C4236	1-162-964-11	CERAMIC CHIP 0.001UF	10.00% 50V
C3131	1-100-566-91	CERAMIC CHIP 0.1UF	10.00% 25V	C4237	1-162-964-11	CERAMIC CHIP 0.001UF	10.00% 50V
C3200	1-162-966-11	CERAMIC CHIP 0.0022UF	10.00% 50V	C4250	1-162-964-11	CERAMIC CHIP 0.001UF	10.00% 50V
C3201	1-162-966-11	CERAMIC CHIP 0.0022UF	10.00% 50V	C4251	1-162-964-11	CERAMIC CHIP 0.001UF	10.00% 50V
C3300	1-164-004-11	CERAMIC CHIP 0.1UF	10.00% 25V	C4252	1-162-964-11	CERAMIC CHIP 0.001UF	10.00% 50V
C3301	1-164-388-91	CERAMIC CHIP 270PF	5.00% 50V	C4253	1-162-964-11	CERAMIC CHIP 0.001UF	10.00% 50V
C3302	1-162-927-11	CERAMIC CHIP 100PF	5.00% 50V	C4254	1-162-964-11	CERAMIC CHIP 0.001UF	10.00% 50V
C3303	1-115-340-11	CERAMIC CHIP 0.22UF	10.00% 25V	C4255	1-162-964-11	CERAMIC CHIP 0.001UF	10.00% 50V

REF.NO.	PART.NO	DESCRIPTION	REMARK	REF.NO.	PART.NO	DESCRIPTION	REMARK
C4256	1-162-964-11	CERAMIC CHIP 0.001UF	10.00% 50V	C5782	1-164-850-11	CERAMIC CHIP 10PF	0.50PF 50V
C4257	1-162-964-11	CERAMIC CHIP 0.001UF	10.00% 50V	C5783	1-164-943-81	CERAMIC CHIP 0.01UF	10.00% 16V
C4258	1-162-964-11	CERAMIC CHIP 0.001UF	10.00% 50V	C5789	1-126-205-11	ELECT CHIP 47UF	20.00% 6.3V
C4259	1-162-964-11	CERAMIC CHIP 0.001UF	10.00% 50V	C5790	1-104-905-11	DOUBLE LAYER 0.22F	5.5V
C4260	1-162-964-11	CERAMIC CHIP 0.001UF	10.00% 50V	C5791	1-164-943-81	CERAMIC CHIP 0.01UF	10.00% 16V
C4263	1-162-964-11	CERAMIC CHIP 0.001UF	10.00% 50V	C5792	1-100-566-91	CERAMIC CHIP 0.1UF	10.00% 25V
C4265	1-162-964-11	CERAMIC CHIP 0.001UF	10.00% 50V	C5793	1-117-720-11	CERAMIC CHIP 4.7UF	10V
C4270	1-100-566-91	CERAMIC CHIP 0.1UF	10.00% 25V	C5795	1-165-822-91	CERAMIC CHIP 1UF	25V
C4271	1-100-566-91	CERAMIC CHIP 0.1UF	10.00% 25V	C5797	1-164-874-11	CERAMIC CHIP 100PF	5.00% 50V
C5040	1-164-937-11	CERAMIC CHIP 0.001UF	10.00% 50V	C5798	1-164-874-11	CERAMIC CHIP 100PF	5.00% 50V
C5041	1-164-937-11	CERAMIC CHIP 0.001UF	10.00% 50V	C5799	1-117-720-11	CERAMIC CHIP 4.7UF	10V
C5042	1-164-858-11	CERAMIC CHIP 22PF	5.00% 50V	C5800	1-117-720-11	CERAMIC CHIP 4.7UF	10V
C5044	1-164-858-11	CERAMIC CHIP 22PF	5.00% 50V	C5804	1-117-720-11	CERAMIC CHIP 4.7UF	10V
C5045	1-164-872-11	CERAMIC CHIP 82PF	5.00% 50V	C5805	1-107-823-11	CERAMIC CHIP 0.47UF	10.00% 16V
C5046	1-164-872-11	CERAMIC CHIP 82PF	5.00% 50V	C5806	1-100-597-91	CERAMIC CHIP 0.1UF	10% 25V
C5048	1-164-937-11	CERAMIC CHIP 0.001UF	10.00% 50V	C5807	1-126-394-11	ELECT CHIP 10UF	20.00% 16V
C5049	1-164-937-11	CERAMIC CHIP 0.001UF	10.00% 50V	C5813	1-135-366-11	ELECT CHIP 100UF	20% 16V
C5054	1-164-874-11	CERAMIC CHIP 100PF	5.00% 50V	C5814	1-100-597-91	CERAMIC CHIP 0.1UF	10% 25V
C5055	1-124-779-00	ELECT CHIP 10UF	20.00% 16V	C5817	1-112-066-11	CERAMIC CHIP 10UF	10% 10V
C5056	1-124-779-00	ELECT CHIP 10UF	20.00% 16V	C5844	1-164-874-11	CERAMIC CHIP 100PF	5.00% 50V
C5057	1-124-779-00	ELECT CHIP 10UF	20.00% 16V	C6500	1-162-970-11	CERAMIC CHIP 0.01UF	10.00% 25V
C5061	1-164-858-11	CERAMIC CHIP 22PF	5.00% 50V	C6501	1-162-974-11	CERAMIC CHIP 0.01UF	50V
C5062	1-164-858-11	CERAMIC CHIP 22PF	5.00% 50V	C6502	1-162-970-11	CERAMIC CHIP 0.01UF	10.00% 25V
C5067	1-164-943-81	CERAMIC CHIP 0.01UF	10.00% 16V	C6503	1-162-970-11	CERAMIC CHIP 0.01UF	10.00% 25V
C5071	1-124-779-00	ELECT CHIP 10UF	20.00% 16V	C6504	1-137-894-21	ELECT CHIP 470UF	20% 25V
C5072	1-124-779-00	ELECT CHIP 10UF	20.00% 16V	C6505	1-137-894-21	ELECT CHIP 470UF	20% 25V
C5073	1-124-779-00	ELECT CHIP 10UF	20.00% 16V	C6506	1-137-894-21	ELECT CHIP 470UF	20% 25V
C5630	1-127-760-11	CERAMIC CHIP 4.7UF	10% 6.3V	C6507	1-137-894-21	ELECT CHIP 470UF	20% 25V
C5631	1-127-760-11	CERAMIC CHIP 4.7UF	10% 6.3V	C6508	1-137-894-21	ELECT CHIP 470UF	20% 25V
C5641	1-100-506-91	CERAMIC CHIP 1UF	20% 6.3V	C6509	1-137-894-21	ELECT CHIP 470UF	20% 25V
C5642	1-100-506-91	CERAMIC CHIP 1UF	20% 6.3V	C6510	1-162-970-11	CERAMIC CHIP 0.01UF	10.00% 25V
C5646	1-126-394-11	ELECT CHIP 10UF	20.00% 16V	C6511	1-162-970-11	CERAMIC CHIP 0.01UF	10.00% 25V
C5660	1-164-850-11	CERAMIC CHIP 10PF	0.50PF 50V	C6512	1-162-974-11	CERAMIC CHIP 0.01UF	50V
C5661	1-164-850-11	CERAMIC CHIP 10PF	0.50PF 50V	C6513	1-162-970-11	CERAMIC CHIP 0.01UF	10.00% 25V
C5662	1-164-850-11	CERAMIC CHIP 10PF	0.50PF 50V	C6515	1-100-566-91	CERAMIC CHIP 0.1UF	10.00% 25V
C5663	1-127-760-11	CERAMIC CHIP 4.7UF	10% 6.3V	C6516	1-100-911-11	CERAMIC CHIP 4.7UF	10% 25V
C5666	1-127-760-11	CERAMIC CHIP 4.7UF	10% 6.3V	C6517	1-100-911-11	CERAMIC CHIP 4.7UF	10% 25V
C5670	1-126-394-11	ELECT CHIP 10UF	20.00% 16V	C6518	1-126-396-11	ELECT CHIP 47UF	20.00% 16V
C5674	1-100-907-11	CERAMIC CHIP 0.1UF	10% 10V	C6519	1-162-974-11	CERAMIC CHIP 0.01UF	50V
C5675	1-100-907-11	CERAMIC CHIP 0.1UF	10% 10V	C6520	1-100-566-91	CERAMIC CHIP 0.1UF	10.00% 25V
C5686	1-164-937-11	CERAMIC CHIP 0.001UF	10.00% 50V	C6522	1-100-566-91	CERAMIC CHIP 0.1UF	10.00% 25V
C5689	1-117-720-11	CERAMIC CHIP 4.7UF	10V	C6523	1-100-911-11	CERAMIC CHIP 4.7UF	10% 25V
C5692	1-117-720-11	CERAMIC CHIP 4.7UF	10V	C6524	1-100-566-91	CERAMIC CHIP 0.1UF	10.00% 25V
C5702	1-117-720-11	CERAMIC CHIP 4.7UF	10V	C6525	1-165-671-21	ELECT CHIP 470UF	20% 6.3V
C5703	1-117-681-11	ELECT CHIP 100UF	20.00% 16V	C6526	1-127-715-91	CERAMIC CHIP 0.22UF	10% 16V
C5751	1-117-720-11	CERAMIC CHIP 4.7UF	10V	C6528	1-127-715-91	CERAMIC CHIP 0.22UF	10% 16V
C5753	1-117-720-11	CERAMIC CHIP 4.7UF	10V	C6529	1-165-671-21	ELECT CHIP 470UF	20% 6.3V
C5756	1-117-720-11	CERAMIC CHIP 4.7UF	10V	C6530	1-100-566-91	CERAMIC CHIP 0.1UF	10.00% 25V
C5761	1-164-937-11	CERAMIC CHIP 0.001UF	10.00% 50V	C6532	1-110-530-11	ELECT CHIP 1000UF	20% 6.3V
C5767	1-117-720-11	CERAMIC CHIP 4.7UF	10V	C6535	1-100-566-91	CERAMIC CHIP 0.1UF	10.00% 25V

Note : The components identified by shading and marked Δ are critical for safety. Replace only with the part numbers specified in the parts list.

BDTR-2

REF.NO.	PART.NO	DESCRIPTION	REMARK	REF.NO.	PART.NO	DESCRIPTION	REMARK
C6536	1-107-826-11	CERAMIC CHIP 0.1UF	10.00% 16V			< DIODE >	
C6538	1-100-566-91	CERAMIC CHIP 0.1UF	10.00% 25V				
C6539	1-100-566-91	CERAMIC CHIP 0.1UF	10.00% 25V	D3001	8-719-081-97	DIODE MMDL914T1	
C6543	1-127-573-11	CERAMIC CHIP 1UF	10% 16V	D3004	8-719-050-38	DIODE M1MA152WK-T1	
C6545	1-107-826-11	CERAMIC CHIP 0.1UF	10.00% 16V	D3005	8-719-036-94	DIODE RD5.6SB-T1	
C6546	1-107-826-11	CERAMIC CHIP 0.1UF	10.00% 16V	D3009	8-719-081-97	DIODE MMDL914T1	
C6547	1-162-964-11	CERAMIC CHIP 0.001UF	10.00% 50V	D3010	8-719-081-97	DIODE MMDL914T1	
C6548	1-127-573-11	CERAMIC CHIP 1UF	10% 16V	D3011	8-719-081-97	DIODE MMDL914T1	
C6549	1-127-573-11	CERAMIC CHIP 1UF	10% 16V	D3012	8-719-081-97	DIODE MMDL914T1	
C6551	1-127-573-11	CERAMIC CHIP 1UF	10% 16V	D3014	8-719-081-97	DIODE MMDL914T1	
C6553	1-117-370-11	CERAMIC CHIP 10UF	10V	D3015	8-719-081-97	DIODE MMDL914T1	
C6554	1-117-370-11	CERAMIC CHIP 10UF	10V	D3016	8-719-069-60	DIODE UDZSTE-179.1B	
C6555	1-117-370-11	CERAMIC CHIP 10UF	10V	D4000	8-719-073-39	DIODE HZU5.6GTRF	
C6556	1-117-370-11	CERAMIC CHIP 10UF	10V	D4001	8-719-073-39	DIODE HZU5.6GTRF	
C6557	1-117-370-11	CERAMIC CHIP 10UF	10V	D4002	8-719-073-39	DIODE HZU5.6GTRF	
C6558	1-100-911-11	CERAMIC CHIP 4.7UF	10% 25V	D4003	8-719-801-78	DIODE 1SS184	
C6559	1-117-370-11	CERAMIC CHIP 10UF	10V	D4202	8-719-404-50	DIODE MA111-TX	
C6560	1-126-396-11	ELECT CHIP 47UF	20.00% 16V	D4203	8-719-404-50	DIODE MA111-TX	
C6561	1-117-370-11	CERAMIC CHIP 10UF	10V	D4204	8-719-404-50	DIODE MA111-TX	
C6562	1-126-396-11	ELECT CHIP 47UF	20.00% 16V	D4206	8-719-404-50	DIODE MA111-TX	
C6563	1-126-396-11	ELECT CHIP 47UF	20.00% 16V	D4207	8-719-081-97	DIODE MMDL914T1	
C6564	1-100-911-11	CERAMIC CHIP 4.7UF	10% 25V	D5780	8-719-041-97	DIODE MA113-(TX)	
C6565	1-126-396-11	ELECT CHIP 47UF	20.00% 16V	D6301	8-719-081-97	DIODE MMDL914T1	
C6566	1-126-396-11	ELECT CHIP 47UF	20.00% 16V	D6500	8-719-081-67	DIODE M1FM3	
C6567	1-100-911-11	CERAMIC CHIP 4.7UF	10% 25V	D6501	8-719-081-67	DIODE M1FM3	
C6572	1-126-396-11	ELECT CHIP 47UF	20.00% 16V	D6502	6-500-696-01	DIODE UDZSTE-173.0B	
C6581	1-109-982-11	CERAMIC CHIP 1UF	10.00% 10V	D6504	8-719-081-97	DIODE MMDL914T1	
C6582	1-107-823-11	CERAMIC CHIP 0.47UF	10.00% 16V	D6505	8-719-081-97	DIODE MMDL914T1	
C8907	1-162-964-11	CERAMIC CHIP 0.001UF	10.00% 50V	D6506	6-501-336-01	DIODE RSX201L-30TE25	
C8922	1-164-156-11	CERAMIC CHIP 0.1UF	25V	D6507	8-719-080-41	DIODE RB063L-30TE25	
C8923	1-107-826-11	CERAMIC CHIP 0.1UF	10.00% 16V	D6508	8-719-081-97	DIODE MMDL914T1	
C8930	1-107-826-11	CERAMIC CHIP 0.1UF	10.00% 16V	D6509	6-500-294-01	DIODE PTZ-TE25-3.9B	
C8932	1-107-826-11	CERAMIC CHIP 0.1UF	10.00% 16V	D6510	6-500-253-01	DIODE RB053L-30TE25	
C8933	1-162-970-11	CERAMIC CHIP 0.01UF	10.00% 25V	D6512	6-500-253-01	DIODE RB053L-30TE25	
		< CONNECTOR >		D6513	6-500-294-01	DIODE PTZ-TE25-3.9B	
CN3000	*1-819-335-11	HEADER ASSEMBLY FOR PWB	9P	D6514	6-500-295-01	DIODE PTZ-TE25-5.6B	
CN3002	1-779-884-11	CONNECTOR 4P		D6515	8-719-083-63	DIODE UDZSTE-1713B	
CN3003	1-820-187-11	HEADER ASSEMBLY (PRINT PWB)10P		D6516	8-719-081-99	DIODE MM3Z13VT1	
CN3005	1-819-390-51	FPC/FPC CONNECTOR (ZIF) 49P		D6517	8-719-081-99	DIODE MM3Z13VT1	
CN3006	1-820-255-51	FPC/FPC CONNECTOR (ZIF) 20P		D6518	8-719-066-10	DIODE 1PS181-115	
CN3007	1-784-254-11	CONNECTOR 10P		D6519	8-719-081-97	DIODE MMDL914T1	
CN3008	1-779-936-51	CONNECTOR FPC/FPC 18P		D6520	8-719-066-10	DIODE 1PS181-115	
CN4000	*1-817-804-11	CONNECTOR D SUB 15P		ET6501	1-780-336-11	EARTH TERMINAL	
CN4200	*1-821-188-11	HDMI CONNECTOR		ET6502	1-780-336-11	EARTH TERMINAL	
CN4201	*1-821-188-11	HDMI CONNECTOR		ET6503	1-780-336-11	EARTH TERMINAL	
CN5750	*1-793-769-21	CONNECTOR CARD (PCMCIA CARD)				< FUSE >	
CN5883	1-820-209-11	MEMORY STICK CONNECTOR		F4000 Δ	1-576-646-11	FUSE	0.5A 50V
CN6501	*1-819-474-11	HEADER ASSEMBLY FOR PWB 6P					

REF.NO.	PART.NO	DESCRIPTION	REMARK	REF.NO.	PART.NO	DESCRIPTION	REMARK
	< FERRITE BEAD >						
FB3012	1-414-445-11	FERRITE	OUH	FB5909	1-400-834-11	FERRITE	OUH
FB3013	1-414-445-11	FERRITE	OUH	FB5910	1-400-834-11	FERRITE	OUH
FB3014	1-414-445-11	FERRITE	OUH	FB5911	1-400-834-11	FERRITE	OUH
FB3016	1-414-760-21	FERRITE	OUH	FB5912	1-400-834-11	FERRITE	OUH
FB3046	1-414-445-11	FERRITE	OUH	FB5913	1-400-834-11	FERRITE	OUH
FB3099	1-414-760-21	FERRITE	OUH	FB5914	1-400-834-11	FERRITE	OUH
FB3241	1-414-760-21	FERRITE	OUH	FB5915	1-400-834-11	FERRITE	OUH
FB3242	1-414-760-21	FERRITE	OUH	FB5916	1-400-244-11	FERRITE	OUH
FB3243	1-414-760-21	FERRITE	OUH	FB5917	1-400-244-11	FERRITE	OUH
FB3244	1-414-760-21	FERRITE	OUH	FB6500	1-469-324-21	FERRITE	OUH
FB3245	1-414-760-21	FERRITE	OUH	FB6501	1-469-324-21	FERRITE	OUH
FB3400	1-414-445-11	FERRITE	OUH	FB6502	1-469-775-21	FERRITE	OUH
FB3401	1-414-445-11	FERRITE	OUH			< IC >	
FB4003	1-400-141-22	FERRITE	OUH	IC3000	8-759-082-60	IC TC7S66FU	
FB4200	1-414-234-22	FERRITE	OUH	IC3001	6-706-419-01	IC LM393DT (A)	
FB4201	1-414-234-22	FERRITE	OUH	IC3002	6-701-173-01	IC MC74LVXT4053DTR2	
FB5040	1-400-244-11	FERRITE	OUH	IC3003	8-759-701-01	IC NJM2904M	
FB5041	1-400-244-11	FERRITE	OUH	IC3004	6-704-573-01	IC M24C32-WMN6T (B)	
FB5612	1-400-833-21	FERRITE	OUH	IC3005	6-703-175-01	IC PST3629UL	
FB5613	1-400-833-21	FERRITE	OUH	IC3006	6-807-191-01	IC CXD9901R	
FB5614	1-400-833-21	FERRITE	OUH	IC3008	8-752-072-94	IC CXA1875AM-T4	
FB5615	1-400-833-21	FERRITE	OUH	IC3010	8-759-701-01	IC NJM2904M	
FB5616	1-400-833-21	FERRITE	OUH	IC4000	6-704-600-01	IC M24C02-WMN6T (B)	
FB5617	1-400-833-21	FERRITE	OUH	IC4200	6-704-001-01	IC BR24L02F-WE2	
FB5618	1-400-807-21	FERRITE	OUH	IC4201	6-709-806-01	IC IP4776CZ38	
FB5619	1-400-807-21	FERRITE	OUH	IC4202	6-710-500-01	IC TDA9974AHS/8/C112/R1	
FB5620	1-400-807-21	FERRITE	OUH	IC4203	6-704-001-01	IC BR24L02F-WE2	
FB5621	1-400-807-21	FERRITE	OUH	IC4204	6-709-806-01	IC IP4776CZ38	
FB5622	1-400-833-21	FERRITE	OUH	IC5040	8-753-264-52	IC CXD1968R-T6	
FB5623	1-400-833-21	FERRITE	OUH	IC5630	6-709-214-01	IC UPD61123F1-100-KA3-A	
FB5624	1-400-833-21	FERRITE	OUH	IC5680	6-705-336-01	IC K9F2808U0C-PCB0T	
FB5630	1-469-869-21	FERRITE	OUH	IC5681	6-710-592-01	IC HYB25DC128169EE-6	
FB5634	1-400-244-11	FERRITE	OUH	IC5682	6-708-916-01	IC IC57150MLFT	
FB5635	1-400-244-11	FERRITE	OUH	IC5750	8-759-644-48	IC 74LVC541APW	
FB5636	1-469-869-21	FERRITE	OUH	IC5751	8-759-644-48	IC 74LVC541APW	
FB5637	1-469-869-21	FERRITE	OUH	IC5752	6-706-482-01	IC TC7SH00FU(T5RSOYJF)	
FB5640	1-400-834-11	FERRITE	OUH	IC5753	8-759-644-48	IC 74LVC541APW	
FB5646	1-400-834-11	FERRITE	OUH	IC5754	6-708-132-01	IC 74LVC14APW	
FB5647	1-469-869-21	FERRITE	OUH	IC5755	8-759-644-48	IC 74LVC541APW	
FB5680	1-400-244-11	FERRITE	OUH	IC5756	8-759-644-48	IC 74LVC541APW	
FB5681	1-400-244-11	FERRITE	OUH	IC5757	8-759-644-48	IC 74LVC541APW	
FB5750	1-469-869-21	FERRITE	OUH	IC5758	6-707-853-01	IC TC74LCX541FT (EKJ)	
FB5751	1-469-869-21	FERRITE	OUH	IC5759	8-759-298-91	IC 74LVT245PW-T	
FB5780	1-400-244-11	FERRITE	OUH	IC5780	6-700-108-01	IC RV5C387A-E2-FB	
FB5781	1-400-244-11	FERRITE	OUH	IC5781	6-703-271-01	IC TAR5S50 (TE85R)	
FB5782	1-400-244-11	FERRITE	OUH	IC5782	6-707-808-01	IC WM8727GED/RV	
FB5907	1-400-834-11	FERRITE	OUH	IC5783	8-759-701-40	IC NJM3404AM-T1	
FB5908	1-400-834-11	FERRITE	OUH	IC5784	6-706-106-01	IC NCP1117STAT3	

Note : The components identified by shading and marked Δ are critical for safety. Replace only with the part numbers specified in the parts list.

BDTR-2

REF.NO.	PART.NO	DESCRIPTION	REMARK	REF.NO.	PART.NO	DESCRIPTION	REMARK
IC5785	6-708-603-01	IC PQ070XNA1ZPH		L6515	1-412-026-11	INDUCTOR	1UH
IC5786	6-710-593-01	IC MIC2025-1YM		L6516	1-412-026-11	INDUCTOR	1UH
IC6500	6-702-142-01	IC PQ1CY1032ZP		L6517	1-414-394-11	INDUCTOR	2.2UH
IC6501	6-702-142-01	IC PQ1CY1032ZP		L6518	1-412-026-11	INDUCTOR	1UH
IC6502	6-706-046-01	IC TK11185CSCL-G		L6519	1-412-026-11	INDUCTOR	1UH
IC6503	6-702-142-01	IC PQ1CY1032ZP		L6520	1-412-026-11	INDUCTOR	1UH
IC6505	6-709-932-01	IC MM3141CNRE		L6521	1-412-026-11	INDUCTOR	1UH
< COIL >				L6522	1-412-026-11	INDUCTOR	1UH
L3000	1-456-984-11	INDUCTOR	0UH	L6523	1-412-026-11	INDUCTOR	1UH
L3001	1-456-984-11	INDUCTOR	0UH	L6524	1-412-026-11	INDUCTOR	1UH
L3002	1-456-984-11	INDUCTOR	0UH	L6525	1-412-026-11	INDUCTOR	1UH
L3003	1-456-984-11	INDUCTOR	0UH	L6526	1-414-394-11	INDUCTOR	2.2UH
L3004	1-456-984-11	INDUCTOR	0UH	L6527	1-414-394-11	INDUCTOR	2.2UH
L3005	1-400-180-21	FERRITE	0UH	L6528	1-412-026-11	INDUCTOR	1UH
L3350	1-412-990-41	INDUCTOR	8.2UH	< PROTECTOR MODULE >			
L4208	1-414-394-11	INDUCTOR	2.2UH	PS6500 Δ	1-576-736-41	IC LINK	3.15A 24V
L4212	1-414-394-11	INDUCTOR	2.2UH	PS6501 Δ	1-576-736-41	IC LINK	3.15A 24V
L4213	1-414-394-11	INDUCTOR	2.2UH	PS6502 Δ	1-576-736-41	IC LINK	3.15A 24V
L4214	1-414-394-11	INDUCTOR	2.2UH	< TRANSISTOR >			
L4215	1-414-394-11	INDUCTOR	2.2UH	Q3000	8-729-028-28	TRANSISTOR 2SK2036 (TE85L)	
L4216	1-414-394-11	INDUCTOR	2.2UH	Q3001	8-729-421-22	TRANSISTOR UN2211	
L4217	1-414-394-11	INDUCTOR	2.2UH	Q3002	8-729-927-99	TRANSISTOR 2SC4617R	
L4220	*1-813-308-11	INDUCTOR	0UH	Q3003	8-729-927-99	TRANSISTOR 2SC4617R	
L4221	*1-813-308-11	INDUCTOR	0UH	Q3004	8-729-028-28	TRANSISTOR 2SK2036 (TE85L)	
L4222	*1-813-308-11	INDUCTOR	0UH	Q3006	8-729-905-35	TRANSISTOR 2SC4081-R	
L4223	*1-813-308-11	INDUCTOR	0UH	Q3007	8-729-907-00	TRANSISTOR DTC114EU	
L4262	1-414-394-11	INDUCTOR	2.2UH	Q3008	8-729-045-62	TRANSISTOR 2SK2158-T2B	
L4263	1-414-394-11	INDUCTOR	2.2UH	Q3009	8-729-026-53	TRANSISTOR 2SA1576A-T106-QR	
L5040	1-469-842-21	INDUCTOR	0.47UH	Q3010	8-729-026-53	TRANSISTOR 2SA1576A-T106-QR	
L5041	1-412-058-11	INDUCTOR	10UH	Q3011	8-729-045-62	TRANSISTOR 2SK2158-T2B	
L5042	1-412-058-11	INDUCTOR	10UH	Q3012	8-729-422-29	TRANSISTOR 2SD601A-S	
L5043	1-412-058-11	INDUCTOR	10UH	Q3013	8-729-422-29	TRANSISTOR 2SD601A-S	
L5044	1-412-058-11	INDUCTOR	10UH	Q3014	8-729-422-29	TRANSISTOR 2SD601A-S	
L5045	1-412-058-11	INDUCTOR	10UH	Q3015	8-729-422-29	TRANSISTOR 2SD601A-S	
L5046	1-412-058-11	INDUCTOR	10UH	Q3016	8-729-421-19	TRANSISTOR UN2213	
L5630	1-414-398-11	INDUCTOR	10UH	Q3017	8-729-050-10	TRANSISTOR PMBF170-215	
L6500	1-416-511-11	INDUCTOR	47UH	Q3020	8-729-905-35	TRANSISTOR 2SC4081-R	
L6501	1-416-511-11	INDUCTOR	47UH	Q3120	8-729-028-28	TRANSISTOR 2SK2036 (TE85L)	
L6502	1-457-242-11	INDUCTOR	47UH	Q3121	8-729-028-28	TRANSISTOR 2SK2036 (TE85L)	
L6503	1-414-398-11	INDUCTOR	10UH	Q3122	8-729-028-73	TRANSISTOR DTA114EUA-T106	
L6504	1-424-976-21	INDUCTOR	47UH	Q3123	8-729-010-05	TRANSISTOR MSE709-RT1	
L6505	1-457-242-11	INDUCTOR	47UH	Q3300	8-729-010-05	TRANSISTOR MSE709-RT1	
L6506	1-424-976-21	INDUCTOR	47UH	Q3301	8-729-421-19	TRANSISTOR UN2213	
L6508	1-424-922-21	INDUCTOR	10UH	Q3350	8-729-010-05	TRANSISTOR MSE709-RT1	
L6510	1-416-948-21	INDUCTOR	10UH	Q3351	8-729-010-29	TRANSISTOR MSD601-RST1	
L6511	1-424-922-21	INDUCTOR	10UH	Q4204	8-729-421-22	TRANSISTOR UN2211	
L6512	1-416-511-11	INDUCTOR	47UH	Q4213	8-729-028-28	TRANSISTOR 2SK2036 (TE85L)	
L6514	1-412-026-11	INDUCTOR	1UH	Q4214	8-729-028-28	TRANSISTOR 2SK2036 (TE85L)	

REF.NO.	PART.NO	DESCRIPTION	REMARK	REF.NO.	PART.NO	DESCRIPTION	REMARK
Q4215	8-729-028-28	TRANSISTOR 2SK2036 (TE85L)		R3031	1-216-864-11	SHORT CHIP	0
Q4216	8-729-421-22	TRANSISTOR UN2211		R3032	1-216-849-11	METAL CHIP	220K 5% 1/10W
Q4219	8-729-028-28	TRANSISTOR 2SK2036 (TE85L)		R3034	1-218-871-11	METAL CHIP	10K 0.5% 1/10W
Q4220	8-729-028-28	TRANSISTOR 2SK2036 (TE85L)		R3035	1-216-864-11	SHORT CHIP	0
Q5780	8-729-010-05	TRANSISTOR MSB709-RT1		R3036	1-216-864-11	SHORT CHIP	0
Q5920	8-729-028-28	TRANSISTOR 2SK2036 (TE85L)		R3037	1-216-864-11	SHORT CHIP	0
Q5921	8-729-028-28	TRANSISTOR 2SK2036 (TE85L)		R3038	1-216-864-11	SHORT CHIP	0
Q5922	8-729-028-86	TRANSISTOR DTA143EUA-T106		R3039	1-216-864-11	SHORT CHIP	0
Q5923	8-729-907-00	TRANSISTOR DTC114EU		R3040	1-218-891-11	METAL CHIP	68K 0.5% 1/10W
Q6500	8-729-421-22	TRANSISTOR UN2211		R3042	1-216-833-11	METAL CHIP	10K 5% 1/10W
Q6501	8-729-421-22	TRANSISTOR UN2211		R3043	1-216-833-11	METAL CHIP	10K 5% 1/10W
Q6502	8-729-421-22	TRANSISTOR UN2211		R3044	1-218-839-11	METAL CHIP	470 0.5% 1/10W
Q6503	8-729-010-25	TRANSISTOR MSD601-RT1		R3045	1-216-864-11	SHORT CHIP	0
Q6504	8-729-421-22	TRANSISTOR UN2211		R3046	1-216-833-11	METAL CHIP	10K 5% 1/10W
Q6505	8-729-010-25	TRANSISTOR MSD601-RT1		R3048	1-216-864-11	SHORT CHIP	0
Q6506	8-729-010-25	TRANSISTOR MSD601-RT1		R3049	1-216-864-11	SHORT CHIP	0
Q6507	8-729-010-25	TRANSISTOR MSD601-RT1		R3050	1-216-864-11	SHORT CHIP	0
Q6509	8-729-046-04	TRANSISTOR FDS6690A		R3051	1-216-864-11	SHORT CHIP	0
Q6510	8-729-421-22	TRANSISTOR UN2211		R3052	1-216-864-11	SHORT CHIP	0
Q6511	8-729-421-22	TRANSISTOR UN2211		R3053	1-216-864-11	SHORT CHIP	0
Q6512	6-550-369-01	TRANSISTOR TPC8109 (TE12L)		R3054	1-216-864-11	SHORT CHIP	0
Q6513	6-550-369-01	TRANSISTOR TPC8109 (TE12L)		R3058	1-218-887-11	METAL CHIP	47K 0.5% 1/10W
Q6514	8-729-010-05	TRANSISTOR MSB709-RT1		R3059	1-216-833-11	METAL CHIP	10K 5% 1/10W
Q6515	8-729-028-28	TRANSISTOR 2SK2036 (TE85L)		R3061	1-218-847-11	METAL CHIP	1K 0.5% 1/10W
Q6555	8-729-010-25	TRANSISTOR MSD601-RT1		R3062	1-216-809-11	METAL CHIP	100 5% 1/10W
< RESISTOR >				R3063	1-216-809-11	METAL CHIP	100 5% 1/10W
JR5600	1-216-295-91	SHORT CHIP	0	R3064	1-216-809-11	METAL CHIP	100 5% 1/10W
R3000	1-216-864-11	SHORT CHIP	0	R3067	1-216-809-11	METAL CHIP	100 5% 1/10W
R3001	1-216-833-11	METAL CHIP	10K 5% 1/10W	R3068	1-216-809-11	METAL CHIP	100 5% 1/10W
R3002	1-216-825-11	METAL CHIP	2.2K 5% 1/10W	R3069	1-216-809-11	METAL CHIP	100 5% 1/10W
R3003	1-216-864-11	SHORT CHIP	0	R3071	1-216-809-11	METAL CHIP	100 5% 1/10W
R3004	1-216-864-11	SHORT CHIP	0	R3073	1-216-809-11	METAL CHIP	100 5% 1/10W
R3006	1-216-833-11	METAL CHIP	10K 5% 1/10W	R3074	1-216-809-11	METAL CHIP	100 5% 1/10W
R3008	1-218-887-11	METAL CHIP	47K 0.5% 1/10W	R3075	1-216-809-11	METAL CHIP	100 5% 1/10W
R3010	1-216-864-11	SHORT CHIP	0	R3076	1-216-809-11	METAL CHIP	100 5% 1/10W
R3015	1-216-825-11	METAL CHIP	2.2K 5% 1/10W	R3077	1-216-833-11	METAL CHIP	10K 5% 1/10W
R3016	1-216-821-11	METAL CHIP	1K 5% 1/10W	R3078	1-216-809-11	METAL CHIP	100 5% 1/10W
R3019	1-216-833-11	METAL CHIP	10K 5% 1/10W	R3079	1-216-864-11	SHORT CHIP	0
R3020	1-216-833-11	METAL CHIP	10K 5% 1/10W	R3080	1-216-864-11	SHORT CHIP	0
R3021	1-216-849-11	METAL CHIP	220K 5% 1/10W	R3081	1-216-864-11	SHORT CHIP	0
R3022	1-216-849-11	METAL CHIP	220K 5% 1/10W	R3083	1-216-864-11	SHORT CHIP	0
R3023	1-216-849-11	METAL CHIP	220K 5% 1/10W	R3084	1-216-864-11	SHORT CHIP	0
R3024	1-216-849-11	METAL CHIP	220K 5% 1/10W	R3085	1-216-864-11	SHORT CHIP	0
R3026	1-216-849-11	METAL CHIP	220K 5% 1/10W	R3087	1-216-864-11	SHORT CHIP	0
R3027	1-216-849-11	METAL CHIP	220K 5% 1/10W	R3088	1-216-864-11	SHORT CHIP	0
R3028	1-216-849-11	METAL CHIP	220K 5% 1/10W	R3089	1-216-809-11	METAL CHIP	100 5% 1/10W
R3029	1-216-841-11	METAL CHIP	47K 5% 1/10W	R3090	1-216-809-11	METAL CHIP	100 5% 1/10W
R3030	1-216-833-11	METAL CHIP	10K 5% 1/10W	R3091	1-216-833-11	METAL CHIP	10K 5% 1/10W
				R3092	1-216-864-11	SHORT CHIP	0
				R3093	1-216-864-11	SHORT CHIP	0

REF.NO.	PART.NO	DESCRIPTION	REMARK	REF.NO.	PART.NO	DESCRIPTION	REMARK
R3094	1-216-864-11	SHORT CHIP	0	R3180	1-216-809-11	METAL CHIP	100 5% 1/10W
R3095	1-216-864-11	SHORT CHIP	0	R3181	1-216-809-11	METAL CHIP	100 5% 1/10W
R3096	1-216-833-11	METAL CHIP	10K 5% 1/10W	R3182	1-216-809-11	METAL CHIP	100 5% 1/10W
R3097	1-218-823-11	METAL CHIP	100 0.5% 1/10W	R3183	1-216-809-11	METAL CHIP	100 5% 1/10W
R3098	1-216-864-11	SHORT CHIP	0	R3184	1-216-809-11	METAL CHIP	100 5% 1/10W
R3100	1-218-823-11	METAL CHIP	100 0.5% 1/10W	R3185	1-216-809-11	METAL CHIP	100 5% 1/10W
R3101	1-218-823-11	METAL CHIP	100 0.5% 1/10W	R3186	1-216-833-11	METAL CHIP	10K 5% 1/10W
R3103	1-218-823-11	METAL CHIP	100 0.5% 1/10W	R3187	1-216-833-11	METAL CHIP	10K 5% 1/10W
R3104	1-216-864-11	SHORT CHIP	0	R3188	1-216-864-11	SHORT CHIP	0
R3105	1-218-823-11	METAL CHIP	100 0.5% 1/10W	R3190	1-216-864-11	SHORT CHIP	0
R3106	1-218-891-11	METAL CHIP	68K 0.5% 1/10W	R3191	1-216-864-11	SHORT CHIP	0
R3107	1-218-823-11	METAL CHIP	100 0.5% 1/10W	R3192	1-216-864-11	SHORT CHIP	0
R3108	1-218-867-11	METAL CHIP	6.8K 0.5% 1/10W	R3193	1-216-833-11	METAL CHIP	10K 5% 1/10W
R3109	1-218-823-11	METAL CHIP	100 0.5% 1/10W	R3195	1-216-864-11	SHORT CHIP	0
R3110	1-216-864-11	SHORT CHIP	0	R3196	1-216-833-11	METAL CHIP	10K 5% 1/10W
R3111	1-218-823-11	METAL CHIP	100 0.5% 1/10W	R3198	1-218-847-11	METAL CHIP	1K 0.5% 1/10W
R3112	1-216-864-11	SHORT CHIP	0	R3201	1-216-864-11	SHORT CHIP	0
R3113	1-218-823-11	METAL CHIP	100 0.5% 1/10W	R3202	1-216-864-11	SHORT CHIP	0
R3114	1-218-823-11	METAL CHIP	100 0.5% 1/10W	R3203	1-216-864-11	SHORT CHIP	0
R3115	1-218-823-11	METAL CHIP	100 0.5% 1/10W	R3204	1-216-864-11	SHORT CHIP	0
R3116	1-218-823-11	METAL CHIP	100 0.5% 1/10W	R3209	1-218-965-11	RES-CHIP	10K 5% 1/16W
R3117	1-216-864-11	SHORT CHIP	0	R3212	1-218-965-11	RES-CHIP	10K 5% 1/16W
R3119	1-216-864-11	SHORT CHIP	0	R3213	1-216-825-11	METAL CHIP	2.2K 5% 1/10W
R3121	1-216-864-11	SHORT CHIP	0	R3215	1-218-867-11	METAL CHIP	6.8K 0.5% 1/10W
R3124	1-216-864-11	SHORT CHIP	0	R3216	1-216-864-11	SHORT CHIP	0
R3127	1-216-864-11	SHORT CHIP	0	R3219	1-216-825-11	METAL CHIP	2.2K 5% 1/10W
R3128	1-216-809-11	METAL CHIP	100 5% 1/10W	R3220	1-216-864-11	SHORT CHIP	0
R3129	1-216-864-11	SHORT CHIP	0	R3221	1-216-864-11	SHORT CHIP	0
R3133	1-216-809-11	METAL CHIP	100 5% 1/10W	R3222	1-216-809-11	METAL CHIP	100 5% 1/10W
R3136	1-216-809-11	METAL CHIP	100 5% 1/10W	R3224	1-218-867-11	METAL CHIP	6.8K 0.5% 1/10W
R3137	1-216-864-11	SHORT CHIP	0	R3225	1-216-825-11	METAL CHIP	2.2K 5% 1/10W
R3138	1-216-809-11	METAL CHIP	100 5% 1/10W	R3229	1-216-864-11	SHORT CHIP	0
R3140	1-216-809-11	METAL CHIP	100 5% 1/10W	R3230	1-216-864-11	SHORT CHIP	0
R3142	1-216-809-11	METAL CHIP	100 5% 1/10W	R3231	1-216-864-11	SHORT CHIP	0
R3143	1-216-864-11	SHORT CHIP	0	R3233	1-216-864-11	SHORT CHIP	0
R3146	1-216-864-11	SHORT CHIP	0	R3240	1-216-817-11	METAL CHIP	470 5% 1/10W
R3147	1-216-864-11	SHORT CHIP	0	R3246	1-216-864-11	SHORT CHIP	0
R3150	1-216-809-11	METAL CHIP	100 5% 1/10W	R3247	1-216-843-11	METAL CHIP	68K 5% 1/10W
R3153	1-216-864-11	SHORT CHIP	0	R3248	1-216-851-11	METAL CHIP	330K 5% 1/10W
R3156	1-216-817-11	METAL CHIP	470 5% 1/10W	R3249	1-216-817-11	METAL CHIP	470 5% 1/10W
R3158	1-216-864-11	SHORT CHIP	0	R3250	1-216-821-11	METAL CHIP	1K 5% 1/10W
R3159	1-216-817-11	METAL CHIP	470 5% 1/10W	R3251	1-216-829-11	METAL CHIP	4.7K 5% 1/10W
R3160	1-216-864-11	SHORT CHIP	0	R3252	1-216-833-11	METAL CHIP	10K 5% 1/10W
R3161	1-216-864-11	SHORT CHIP	0	R3253	1-216-864-11	SHORT CHIP	0
R3163	1-216-833-11	METAL CHIP	10K 5% 1/10W	R3255	1-216-829-11	METAL CHIP	4.7K 5% 1/10W
R3166	1-216-809-11	METAL CHIP	100 5% 1/10W	R3256	1-216-833-11	METAL CHIP	10K 5% 1/10W
R3167	1-216-809-11	METAL CHIP	100 5% 1/10W	R3259	1-216-821-11	METAL CHIP	1K 5% 1/10W
R3175	1-216-864-11	SHORT CHIP	0	R3260	1-216-837-11	METAL CHIP	22K 5% 1/10W
R3177	1-216-809-11	METAL CHIP	100 5% 1/10W	R3261	1-216-864-11	SHORT CHIP	0
R3178	1-216-809-11	METAL CHIP	100 5% 1/10W	R3262	1-218-957-11	RES-CHIP	2.2K 5% 1/16W

REF.NO.	PART.NO	DESCRIPTION	REMARK			REF.NO.	PART.NO	DESCRIPTION	REMARK		
R3263	1-216-825-11	METAL CHIP	2.2K	5%	1/10W	R3356	1-216-864-11	SHORT CHIP	0		
R3264	1-216-825-11	METAL CHIP	2.2K	5%	1/10W	R3370	1-216-864-11	SHORT CHIP	0		
R3265	1-218-957-11	RES-CHIP	2.2K	5%	1/16W	R3371	1-216-864-11	SHORT CHIP	0		
R3266	1-216-817-11	METAL CHIP	470	5%	1/10W	R3372	1-216-864-11	SHORT CHIP	0		
R3267	1-216-825-11	METAL CHIP	2.2K	5%	1/10W	R3373	1-216-864-11	SHORT CHIP	0		
R3268	1-216-825-11	METAL CHIP	2.2K	5%	1/10W	R3374	1-216-841-11	METAL CHIP	47K	5%	1/10W
R3269	1-216-841-11	METAL CHIP	47K	5%	1/10W	R3375	1-216-809-11	METAL CHIP	100	5%	1/10W
R3270	1-216-864-11	SHORT CHIP	0			R3376	1-220-397-11	METAL CHIP	4.7M	5%	1/10W
R3271	1-216-864-11	SHORT CHIP	0			R3377	1-216-833-11	METAL CHIP	10K	5%	1/10W
R3272	1-216-864-11	SHORT CHIP	0			R3378	1-216-833-11	METAL CHIP	10K	5%	1/10W
R3273	1-216-864-11	SHORT CHIP	0			R3380	1-216-833-11	METAL CHIP	10K	5%	1/10W
R3274	1-216-864-11	SHORT CHIP	0			R3381	1-216-809-11	METAL CHIP	100	5%	1/10W
R3275	1-216-864-11	SHORT CHIP	0			R3382	1-216-841-11	METAL CHIP	47K	5%	1/10W
R3276	1-216-864-11	SHORT CHIP	0			R3387	1-216-864-11	SHORT CHIP	0		
R3277	1-216-864-11	SHORT CHIP	0			R3388	1-216-864-11	SHORT CHIP	0		
R3278	1-216-864-11	SHORT CHIP	0			R3389	1-216-864-11	SHORT CHIP	0		
R3279	1-216-864-11	SHORT CHIP	0			R3392	1-216-809-11	METAL CHIP	100	5%	1/10W
R3280	1-216-864-11	SHORT CHIP	0			R3393	1-216-833-11	METAL CHIP	10K	5%	1/10W
R3281	1-216-864-11	SHORT CHIP	0			R3394	1-216-841-11	METAL CHIP	47K	5%	1/10W
R3282	1-216-864-11	SHORT CHIP	0			R3395	1-216-833-11	METAL CHIP	10K	5%	1/10W
R3283	1-216-864-11	SHORT CHIP	0			R3396	1-216-833-11	METAL CHIP	10K	5%	1/10W
R3284	1-216-864-11	SHORT CHIP	0			R3397	1-216-809-11	METAL CHIP	100	5%	1/10W
R3285	1-216-864-11	SHORT CHIP	0			R3406	1-216-864-11	SHORT CHIP	0		
R3286	1-216-864-11	SHORT CHIP	0			R3410	1-216-817-11	METAL CHIP	470	5%	1/10W
R3287	1-216-864-11	SHORT CHIP	0			R3411	1-218-893-11	METAL CHIP	82K	0.5%	1/10W
R3288	1-216-864-11	SHORT CHIP	0			R3700	1-216-833-11	METAL CHIP	10K	5%	1/10W
R3289	1-216-864-11	SHORT CHIP	0			R4000	1-216-805-11	METAL CHIP	47	5%	1/10W
R3290	1-216-864-11	SHORT CHIP	0			R4001	1-216-805-11	METAL CHIP	47	5%	1/10W
R3291	1-216-864-11	SHORT CHIP	0			R4004	1-216-833-11	METAL CHIP	10K	5%	1/10W
R3292	1-216-864-11	SHORT CHIP	0			R4005	1-216-833-11	METAL CHIP	10K	5%	1/10W
R3293	1-216-809-11	METAL CHIP	100	5%	1/10W	R4006	1-216-805-11	METAL CHIP	47	5%	1/10W
R3295	1-216-864-11	SHORT CHIP	0			R4007	1-216-805-11	METAL CHIP	47	5%	1/10W
R3296	1-216-845-11	METAL CHIP	100K	5%	1/10W	R4008	1-218-827-11	METAL CHIP	150	0.5%	1/10W
R3297	1-216-809-11	METAL CHIP	100	5%	1/10W	R4009	1-218-827-11	METAL CHIP	150	0.5%	1/10W
R3298	1-216-851-11	METAL CHIP	330K	5%	1/10W	R4010	1-218-827-11	METAL CHIP	150	0.5%	1/10W
R3299	1-216-813-11	METAL CHIP	220	5%	1/10W	R4011	1-218-827-11	METAL CHIP	150	0.5%	1/10W
R3300	1-216-817-11	METAL CHIP	470	5%	1/10W	R4012	1-218-827-11	METAL CHIP	150	0.5%	1/10W
R3301	1-216-837-11	METAL CHIP	22K	5%	1/10W	R4013	1-218-827-11	METAL CHIP	150	0.5%	1/10W
R3302	1-216-849-11	METAL CHIP	220K	5%	1/10W	R4014	1-216-821-11	METAL CHIP	1K	5%	1/10W
R3303	1-216-839-11	METAL CHIP	33K	5%	1/10W	R4015	1-216-864-11	SHORT CHIP	0		
R3304	1-216-839-11	METAL CHIP	33K	5%	1/10W	R4016	1-216-864-11	SHORT CHIP	0		
R3305	1-216-833-11	METAL CHIP	10K	5%	1/10W	R4017	1-216-864-11	SHORT CHIP	0		
R3310	1-216-809-11	METAL CHIP	100	5%	1/10W	R4018	1-216-864-11	SHORT CHIP	0		
R3311	1-216-809-11	METAL CHIP	100	5%	1/10W	R4019	1-216-864-11	SHORT CHIP	0		
R3320	1-216-864-11	SHORT CHIP	0			R4020	1-216-845-11	METAL CHIP	100K	5%	1/10W
R3321	1-216-864-11	SHORT CHIP	0			R4202	1-216-821-11	METAL CHIP	1K	5%	1/10W
R3350	1-216-821-11	METAL CHIP	1K	5%	1/10W	R4203	1-216-821-11	METAL CHIP	1K	5%	1/10W
R3351	1-216-805-11	METAL CHIP	47	5%	1/10W	R4204	1-216-833-11	METAL CHIP	10K	5%	1/10W
R3352	1-216-864-11	SHORT CHIP	0			R4205	1-218-871-11	METAL CHIP	10K	0.5%	1/10W
R3355	1-216-821-11	METAL CHIP	1K	5%	1/10W	R4206	1-218-871-11	METAL CHIP	10K	0.5%	1/10W

REF.NO.	PART.NO	DESCRIPTION	REMARK	REF.NO.	PART.NO	DESCRIPTION	REMARK
R4208	1-216-864-11	SHORT CHIP	0	R5063	1-218-941-81	RES-CHIP	100 5% 1/16W
R4209	1-216-809-11	METAL CHIP	100 5% 1/10W	R5064	1-218-965-11	RES-CHIP	10K 5% 1/16W
R4210	1-216-829-11	METAL CHIP	4.7K 5% 1/10W	R5630	1-218-965-11	RES-CHIP	10K 5% 1/16W
R4211	1-216-829-11	METAL CHIP	4.7K 5% 1/10W	R5631	1-218-965-11	RES-CHIP	10K 5% 1/16W
R4212	1-216-833-11	METAL CHIP	10K 5% 1/10W	R5632	1-218-965-11	RES-CHIP	10K 5% 1/16W
R4214	1-216-833-11	METAL CHIP	10K 5% 1/10W	R5633	1-218-965-11	RES-CHIP	10K 5% 1/16W
R4215	1-218-871-11	METAL CHIP	10K 0.5% 1/10W	R5634	1-218-941-81	RES-CHIP	100 5% 1/16W
R4216	1-218-871-11	METAL CHIP	10K 0.5% 1/10W	R5635	1-218-941-81	RES-CHIP	100 5% 1/16W
R4217	1-216-809-11	METAL CHIP	100 5% 1/10W	R5636	1-218-941-81	RES-CHIP	100 5% 1/16W
R4218	1-216-809-11	METAL CHIP	100 5% 1/10W	R5637	1-218-965-11	RES-CHIP	10K 5% 1/16W
R4219	1-216-833-11	METAL CHIP	10K 5% 1/10W	R5638	1-218-965-11	RES-CHIP	10K 5% 1/16W
R4220	1-216-809-11	METAL CHIP	100 5% 1/10W	R5639	1-218-941-81	RES-CHIP	100 5% 1/16W
R4221	1-216-829-11	METAL CHIP	4.7K 5% 1/10W	R5640	1-218-961-11	RES-CHIP	4.7K 5% 1/16W
R4222	1-216-829-11	METAL CHIP	4.7K 5% 1/10W	R5641	1-218-961-11	RES-CHIP	4.7K 5% 1/16W
R4232	1-216-809-11	METAL CHIP	100 5% 1/10W	R5644	1-218-941-81	RES-CHIP	100 5% 1/16W
R4235	1-216-809-11	METAL CHIP	100 5% 1/10W	R5645	1-218-941-81	RES-CHIP	100 5% 1/16W
R4236	1-216-809-11	METAL CHIP	100 5% 1/10W	R5646	1-218-941-81	RES-CHIP	100 5% 1/16W
R4237	1-216-809-11	METAL CHIP	100 5% 1/10W	R5647	1-218-941-81	RES-CHIP	100 5% 1/16W
R4239	1-218-847-11	METAL CHIP	1K 0.5% 1/10W	R5648	1-208-683-11	METAL CHIP	1K 0.5% 1/16W
R4240	1-218-847-11	METAL CHIP	1K 0.5% 1/10W	R5652	1-218-965-11	RES-CHIP	10K 5% 1/16W
R4241	1-216-809-11	METAL CHIP	100 5% 1/10W	R5653	1-218-965-11	RES-CHIP	10K 5% 1/16W
R4242	1-216-809-11	METAL CHIP	100 5% 1/10W	R5654	1-218-965-11	RES-CHIP	10K 5% 1/16W
R4243	1-216-864-11	SHORT CHIP	0	R5655	1-218-937-11	RES-CHIP	47 5% 1/16W
R4244	1-216-864-11	SHORT CHIP	0	R5656	1-218-937-11	RES-CHIP	47 5% 1/16W
R4245	1-216-839-11	METAL CHIP	33K 5% 1/10W	R5657	1-218-937-11	RES-CHIP	47 5% 1/16W
R4246	1-216-864-11	SHORT CHIP	0	R5661	1-218-937-11	RES-CHIP	47 5% 1/16W
R4248	1-216-864-11	SHORT CHIP	0	R5663	1-220-174-11	RES-CHIP	200 5% 1/16W
R4250	1-216-864-11	SHORT CHIP	0	R5664	1-220-174-11	RES-CHIP	200 5% 1/16W
R4252	1-216-809-11	METAL CHIP	100 5% 1/10W	R5665	1-220-174-11	RES-CHIP	200 5% 1/16W
R4253	1-216-833-11	METAL CHIP	10K 5% 1/10W	R5666	1-220-174-11	RES-CHIP	200 5% 1/16W
R4254	1-216-833-11	METAL CHIP	10K 5% 1/10W	R5667	1-220-174-11	RES-CHIP	200 5% 1/16W
R4255	1-216-833-11	METAL CHIP	10K 5% 1/10W	R5668	1-220-174-11	RES-CHIP	200 5% 1/16W
R4256	1-216-833-11	METAL CHIP	10K 5% 1/10W	R5669	1-208-671-11	METAL CHIP	330 0.5% 1/16W
R5040	1-218-965-11	RES-CHIP	10K 5% 1/16W	R5671	1-208-679-11	METAL CHIP	680 0.5% 1/16W
R5041	1-218-965-11	RES-CHIP	10K 5% 1/16W	R5674	1-208-675-11	METAL CHIP	470 0.5% 1/16W
R5043	1-218-965-11	RES-CHIP	10K 5% 1/16W	R5676	1-218-965-11	RES-CHIP	10K 5% 1/16W
R5044	1-218-941-81	RES-CHIP	100 5% 1/16W	R5677	1-208-683-11	METAL CHIP	1K 0.5% 1/16W
R5045	1-218-941-81	RES-CHIP	100 5% 1/16W	R5686	1-218-949-11	RES-CHIP	470 5% 1/16W
R5049	1-218-989-11	RES-CHIP	1M 5% 1/16W	R5714	1-218-961-11	RES-CHIP	4.7K 5% 1/16W
R5050	1-218-941-81	RES-CHIP	100 5% 1/16W	R5729	1-218-939-11	RES-CHIP	68 5% 1/16W
R5051	1-218-941-81	RES-CHIP	100 5% 1/16W	R5730	1-218-941-11	RES-CHIP	100 5% 1/16W
R5053	1-218-937-11	RES-CHIP	47 5% 1/16W	R5731	1-218-941-11	RES-CHIP	100 5% 1/16W
R5054	1-218-941-81	RES-CHIP	100 5% 1/16W	R5733	1-218-937-11	RES-CHIP	47 5% 1/16W
R5055	1-218-941-81	RES-CHIP	100 5% 1/16W	R5734	1-218-939-11	RES-CHIP	68 5% 1/16W
R5056	1-216-864-11	SHORT CHIP	0	R5735	1-218-941-81	RES-CHIP	100 5% 1/16W
R5057	1-218-941-81	RES-CHIP	100 5% 1/16W	R5736	1-218-941-81	RES-CHIP	100 5% 1/16W
R5058	1-218-965-11	RES-CHIP	10K 5% 1/16W	R5737	1-218-941-81	RES-CHIP	100 5% 1/16W
R5060	1-218-965-11	RES-CHIP	10K 5% 1/16W	R5738	1-218-941-81	RES-CHIP	100 5% 1/16W
R5061	1-218-941-81	RES-CHIP	100 5% 1/16W	R5739	1-218-965-11	RES-CHIP	10K 5% 1/16W
R5062	1-218-941-81	RES-CHIP	100 5% 1/16W	R5740	1-218-965-11	RES-CHIP	10K 5% 1/16W

REF.NO.	PART.NO	DESCRIPTION	REMARK	REF.NO.	PART.NO	DESCRIPTION	REMARK
R5744	1-218-949-11	RES-CHIP	470 5% 1/16W	R5887	1-218-961-11	RES-CHIP	4.7K 5% 1/16W
R5745	1-218-949-11	RES-CHIP	470 5% 1/16W	R5888	1-218-965-11	RES-CHIP	10K 5% 1/16W
R5750	1-218-965-11	RES-CHIP	10K 5% 1/16W	R5889	1-218-961-11	RES-CHIP	4.7K 5% 1/16W
R5751	1-218-965-11	RES-CHIP	10K 5% 1/16W	R5890	1-218-965-11	RES-CHIP	10K 5% 1/16W
R5752	1-218-965-11	RES-CHIP	10K 5% 1/16W	R5891	1-218-961-11	RES-CHIP	4.7K 5% 1/16W
R5753	1-218-965-11	RES-CHIP	10K 5% 1/16W	R5892	1-218-965-11	RES-CHIP	10K 5% 1/16W
R5754	1-218-965-11	RES-CHIP	10K 5% 1/16W	R5893	1-218-965-11	RES-CHIP	10K 5% 1/16W
R5755	1-218-965-11	RES-CHIP	10K 5% 1/16W	R5895	1-218-941-81	RES-CHIP	100 5% 1/16W
R5756	1-218-965-11	RES-CHIP	10K 5% 1/16W	R5896	1-218-941-81	RES-CHIP	100 5% 1/16W
R5757	1-218-965-11	RES-CHIP	10K 5% 1/16W	R5897	1-218-941-81	RES-CHIP	100 5% 1/16W
R5758	1-218-961-11	RES-CHIP	4.7K 5% 1/16W	R5902	1-218-941-81	RES-CHIP	100 5% 1/16W
R5760	1-218-941-81	RES-CHIP	100 5% 1/16W	R5903	1-218-941-81	RES-CHIP	100 5% 1/16W
R5761	1-218-965-11	RES-CHIP	10K 5% 1/16W	R5904	1-218-941-81	RES-CHIP	100 5% 1/16W
R5763	1-218-941-81	RES-CHIP	100 5% 1/16W	R5905	1-218-941-81	RES-CHIP	100 5% 1/16W
R5764	1-218-941-81	RES-CHIP	100 5% 1/16W	R5906	1-218-961-11	RES-CHIP	4.7K 5% 1/16W
R5780	1-216-809-11	METAL CHIP	100 5% 1/10W	R5922	1-216-833-11	METAL CHIP	10K 5% 1/10W
R5781	1-216-809-11	METAL CHIP	100 5% 1/10W	R5923	1-216-833-11	METAL CHIP	10K 5% 1/10W
R5782	1-218-945-11	RES-CHIP	220 5% 1/16W	R5925	1-216-864-11	SHORT CHIP	0
R5783	1-216-809-11	METAL CHIP	100 5% 1/10W	R5927	1-216-864-11	SHORT CHIP	0
R5786	1-218-859-11	METAL CHIP	3.3K 0.5% 1/10W	R5930	1-218-941-81	RES-CHIP	100 5% 1/16W
R5789	1-216-813-11	METAL CHIP	220 5% 1/10W	R5954	1-218-939-11	RES-CHIP	68 5% 1/16W
R5792	1-208-683-11	METAL CHIP	1K 0.5% 1/16W	R5955	1-218-939-11	RES-CHIP	68 5% 1/16W
R5793	1-208-683-11	METAL CHIP	1K 0.5% 1/16W	R5956	1-218-939-11	RES-CHIP	68 5% 1/16W
R5794	1-218-972-11	RES-CHIP	39K 5% 1/16W	R5957	1-218-939-11	RES-CHIP	68 5% 1/16W
R5795	1-218-972-11	RES-CHIP	39K 5% 1/16W	R5958	1-218-939-11	RES-CHIP	68 5% 1/16W
R5796	1-218-968-11	RES-CHIP	18K 5% 1/16W	R5959	1-218-939-11	RES-CHIP	68 5% 1/16W
R5797	1-218-965-11	RES-CHIP	10K 5% 1/16W	R6500	1-216-833-11	METAL CHIP	10K 5% 1/10W
R5798	1-218-965-11	RES-CHIP	10K 5% 1/16W	R6501	1-216-833-11	METAL CHIP	10K 5% 1/10W
R5799	1-218-968-11	RES-CHIP	18K 5% 1/16W	R6502	1-216-833-11	METAL CHIP	10K 5% 1/10W
R5800	1-218-967-11	RES-CHIP	15K 5% 1/16W	R6508	1-216-833-11	METAL CHIP	10K 5% 1/10W
R5801	1-218-967-11	RES-CHIP	15K 5% 1/16W	R6511	1-216-833-11	METAL CHIP	10K 5% 1/10W
R5802	1-218-968-11	RES-CHIP	18K 5% 1/16W	R6512	1-216-864-11	SHORT CHIP	0
R5804	1-218-968-11	RES-CHIP	18K 5% 1/16W	R6513	1-218-853-11	METAL CHIP	1.8K 0.5% 1/10W
R5805	1-208-683-11	METAL CHIP	1K 0.5% 1/16W	R6514	1-218-861-11	METAL CHIP	3.9K 0.5% 1/10W
R5806	1-220-174-11	RES-CHIP	200 5% 1/16W	R6515	1-218-873-11	METAL CHIP	12K 0.5% 1/10W
R5807	1-218-941-81	RES-CHIP	100 5% 1/16W	R6516	1-218-877-11	METAL CHIP	18K 0.5% 1/10W
R5808	1-218-941-81	RES-CHIP	100 5% 1/16W	R6521	1-218-860-11	METAL CHIP	3.6K 0.5% 1/10W
R5809	1-218-965-11	RES-CHIP	10K 5% 1/16W	R6522	1-218-855-11	METAL CHIP	2.2K 0.5% 1/10W
R5810	1-208-683-11	METAL CHIP	1K 0.5% 1/16W	R6523	1-218-861-11	METAL CHIP	3.9K 0.5% 1/10W
R5811	1-218-935-11	RES-CHIP	33 5% 1/16W	R6524	1-218-850-11	METAL CHIP	1.3K 0.5% 1/10W
R5812	1-208-683-11	METAL CHIP	1K 0.5% 1/16W	R6526	1-216-864-11	SHORT CHIP	0
R5813	1-218-965-11	RES-CHIP	10K 5% 1/16W	R6528	1-216-864-11	SHORT CHIP	0
R5840	1-218-965-11	RES-CHIP	10K 5% 1/16W	R6539	1-216-847-11	METAL CHIP	150K 5% 1/10W
R5843	1-218-965-11	RES-CHIP	10K 5% 1/16W	R6540	1-216-839-11	METAL CHIP	33K 5% 1/10W
R5845	1-218-965-11	RES-CHIP	10K 5% 1/16W	R6542	1-216-847-11	METAL CHIP	150K 5% 1/10W
R5847	1-218-965-11	RES-CHIP	10K 5% 1/16W	R6543	1-216-837-11	METAL CHIP	22K 5% 1/10W
R5861	1-218-965-11	RES-CHIP	10K 5% 1/16W	R6547	1-216-833-11	METAL CHIP	10K 5% 1/10W
R5862	1-218-965-11	RES-CHIP	10K 5% 1/16W	R6548	1-216-833-11	METAL CHIP	10K 5% 1/10W
R5885	1-218-965-11	RES-CHIP	10K 5% 1/16W	R6549	1-216-833-11	METAL CHIP	10K 5% 1/10W
R5886	1-218-965-11	RES-CHIP	10K 5% 1/16W	R6550	1-216-864-11	SHORT CHIP	0

Note : The components identified by shading and marked Δ are critical for safety. Replace only with the part numbers specified in the parts list.

BDTR-2 G1

REF.NO.	PART.NO	DESCRIPTION	REMARK	REF.NO.	PART.NO	DESCRIPTION	REMARK
R6551	1-216-833-11	METAL CHIP	10K 5% 1/10W	RB4212	1-239-409-11	NETWORK RESISTOR (CHIP) 47	
R6552	1-216-864-11	SHORT CHIP	0	RB4214	1-233-796-11	RES NETWORK	(1608)
R6554	1-216-864-11	SHORT CHIP	0	RB4215	1-233-796-11	RES NETWORK	(1608)
R6555	1-216-864-11	SHORT CHIP	0	RB4216	1-233-796-11	RES NETWORK	(1608)
R6556	1-216-864-11	SHORT CHIP	0	RB4217	1-233-796-11	RES NETWORK	(1608)
R6557	1-216-833-11	METAL CHIP	10K 5% 1/10W	RB5040	1-234-371-21	RES NETWORK 47	(1005X4)
R6558	1-216-864-11	SHORT CHIP	0	RB5041	1-234-371-21	RES NETWORK 47	(1005X4)
R6559	1-216-864-11	SHORT CHIP	0	RB5680	1-234-702-11	RES NETWORK 68	(1005X4)
R6560	1-216-864-11	SHORT CHIP	0	RB5681	1-234-702-11	RES NETWORK 68	(1005X4)
R6561	1-216-833-11	METAL CHIP	10K 5% 1/10W	RB5682	1-234-372-11	RES NETWORK 100	(1005X4)
R6562	1-216-847-11	METAL CHIP	150K 5% 1/10W	RB5683	1-234-372-11	RES NETWORK 100	(1005X4)
R6563	1-216-838-11	METAL CHIP	27K 5% 1/10W	RB5684	1-234-372-11	RES NETWORK 100	(1005X4)
R6565	1-216-833-11	METAL CHIP	10K 5% 1/10W	RB5685	1-234-372-11	RES NETWORK 100	(1005X4)
R6566	1-216-847-11	METAL CHIP	150K 5% 1/10W	RB5686	1-234-372-11	RES NETWORK 100	(1005X4)
R6567	1-216-847-11	METAL CHIP	150K 5% 1/10W	RB5687	1-234-702-11	RES NETWORK 68	(1005X4)
R6568	1-216-829-11	METAL CHIP	4.7K 5% 1/10W	RB5688	1-234-702-11	RES NETWORK 68	(1005X4)
R6569	1-216-833-11	METAL CHIP	10K 5% 1/10W	RB5689	1-239-409-11	NETWORK RESISTOR (CHIP) 47	
R6570	1-216-821-11	METAL CHIP	1K 5% 1/10W			< SWITCH >	
R6571	1-216-833-11	METAL CHIP	10K 5% 1/10W	S3000	1-572-921-11	SWITCH KEY BOARD	
R6572	1-216-833-11	METAL CHIP	10K 5% 1/10W	S3001	1-572-921-11	SWITCH KEY BOARD	
R6573	1-216-833-11	METAL CHIP	10K 5% 1/10W			< VARISTOR >	
R6574	1-216-797-11	METAL CHIP	10 5% 1/10W	VD4000	1-803-974-21	VARISTOR CHIP	(1608)
R6575	1-216-827-11	METAL CHIP	3.3K 5% 1/10W	VD4001	1-803-974-21	VARISTOR CHIP	(1608)
R6577	1-216-864-11	SHORT CHIP	0	VD4002	1-803-974-21	VARISTOR CHIP	(1608)
R6578	1-216-864-11	SHORT CHIP	0	VD4003	1-803-974-21	VARISTOR CHIP	(1608)
R6580	1-216-857-11	METAL CHIP	1M 5% 1/10W	VD4004	1-803-974-21	VARISTOR CHIP	(1608)
R6581	1-216-864-11	SHORT CHIP	0			< CRYSTAL >	
R6582	1-216-833-11	METAL CHIP	10K 5% 1/10W	X3000	1-813-531-11	OSCILLATOR CRYSTAL UNIT	
R6583	1-216-833-11	METAL CHIP	10K 5% 1/10W	X3001	1-813-806-21	OSCILLATOR CRYSTAL	
R6596	1-216-837-11	METAL CHIP	22K 5% 1/10W	X5040	1-813-547-11	QUARTZ CRYSTAL UNIT	
R6700	1-216-809-11	METAL CHIP	100 5% 1/10W	X5680	1-813-055-11	QUARTZ CRYSTAL UNIT	
R9032	1-216-864-11	SHORT CHIP	0	X5780	1-781-696-31	VIBRATOR CRYSTAL	
R9034	1-218-965-11	RES-CHIP	10K 5% 1/16W			*A-1237-756-A G1 Board Complete	
R9038	1-216-864-11	SHORT CHIP	0			(KDL-26/32P2520 & KDL-26/32P2530 only)	
R9041	1-218-903-11	METAL CHIP	220K 0.5% 1/10W			2-409-877-21 WASHER (3X10), RS TITE SPRING	
R9042	1-218-895-11	METAL CHIP	100K 0.5% 1/10W			< CAPACITOR >	
R9044	1-218-895-11	METAL CHIP	100K 0.5% 1/10W	C6000	Δ 1-113-924-11	CERAMIC 0.0047UF	20.00% 250V
R9045	1-218-893-11	METAL CHIP	82K 0.5% 1/10W	C6001	Δ 1-161-964-91	CERAMIC 0.0047UF	250V
R9046	1-218-887-11	METAL CHIP	47K 0.5% 1/10W	C6002	Δ 1-119-892-51	CERAMIC 470PF	10.00% 250V
R9047	1-218-903-11	METAL CHIP	220K 0.5% 1/10W	C6003	Δ 1-165-529-11	MYLAR 0.22UF	10 275V
R9048	1-216-864-11	SHORT CHIP	0	C6004	Δ 1-165-530-11	MYLAR 0.47UF	10 275V
R9049	1-216-864-11	SHORT CHIP	0	C6005	Δ 1-119-892-51	CERAMIC 470PF	10.00% 250V
		< RESISTOR CHIP >		C6006	Δ 1-161-964-91	CERAMIC 0.0047UF	250V
RB4205	1-239-409-11	NETWORK RESISTOR (CHIP) 47		C6007	Δ 1-119-892-51	CERAMIC 470PF	10.00% 250V
RB4206	1-239-409-11	NETWORK RESISTOR (CHIP) 47		C6008	Δ 1-117-752-11	ELECT (BLOCK) 330UF	20% 450V
RB4208	1-239-409-11	NETWORK RESISTOR (CHIP) 47					
RB4209	1-239-409-11	NETWORK RESISTOR (CHIP) 47					
RB4211	1-239-409-11	NETWORK RESISTOR (CHIP) 47					

Note : The components identified by shading and marked Δ are critical for safety. Replace only with the part numbers specified in the parts list.

G1

REF.NO.	PART.NO	DESCRIPTION	REMARK	REF.NO.	PART.NO	DESCRIPTION	REMARK
C6009	1-162-970-11	CERAMIC CHIP 0.01UF	10.00% 25V	C6313	1-163-021-91	CERAMIC CHIP 0.01UF	10.00% 50V
C6010	1-162-964-11	CERAMIC CHIP 0.001UF	10.00% 50V	C6315	1-164-227-11	CERAMIC CHIP 0.022UF	10.00% 25V
C6011	1-107-888-11	ELECT 47UF	20% 25V	C6316	1-107-907-11	ELECT 22UF	20% 50V
C6012	Δ 1-119-892-51	CERAMIC 470PF	10.00% 250V	< CONNECTOR >			
C6013	1-100-831-91	CERAMIC CHIP 0.001UF	2% 50V	CN6000	Δ *1-691-960-11	PIN, CONNECTOR (PC BOARD) 3P	
C6014	1-107-905-11	ELECT 4.7UF	20% 50V	CN6002	*1-785-705-11	PIN, CONNECTOR (PC BOARD) 9P	
C6015	1-162-970-11	CERAMIC CHIP 0.01UF	10.00% 25V	CN6003	*1-793-235-11	PIN, CONNECTOR (PC BOARD) 13P	
C6016	1-107-906-11	ELECT 10UF	20% 50V	CN6200	*1-785-703-21	PIN, CONNECTOR (PC BOARD) 6P	
C6018	1-162-970-11	CERAMIC CHIP 0.01UF	10.00% 25V	CN6300	*1-564-507-11	PLUG, CONNECTOR 4P	
C6019	1-107-888-11	ELECT 47UF	20% 25V	< DIODE >			
C6020	1-115-339-11	CERAMIC CHIP 0.1UF	10.00% 50V	D6000	8-719-510-53	DIODE D4SB60L	
C6021	1-162-970-11	CERAMIC CHIP 0.01UF	10.00% 25V	D6004	8-719-082-03	DIODE MM3Z15VT1	
C6022	1-107-824-11	CERAMIC 220PF	5.00% 1KV	D6005	8-719-081-97	DIODE MMDL914T1	
C6023	1-107-824-11	CERAMIC 220PF	5.00% 1KV	D6006	8-719-082-03	DIODE MM3Z15VT1	
C6024	1-165-610-11	FILM 33000PF	3% 800V	D6007	8-719-082-03	DIODE MM3Z15VT1	
C6025	1-107-902-11	ELECT 1UF	20% 50V	D6008	8-719-979-64	DIODE UF4005/23	
C6027	1-107-902-11	ELECT 1UF	20% 50V	D6009	8-719-082-03	DIODE MM3Z15VT1	
C6028	1-107-930-11	ELECT 22UF	20% 100V	D6010	8-719-082-03	DIODE MM3Z15VT1	
C6029	1-128-960-31	ELECT 1500UF	20% 35V	D6011	6-501-505-01	DIODE FCH08U10	
C6030	1-128-951-21	ELECT 2200UF	20% 16V	D6012	8-719-310-56	DIODE FMB-29L	
C6031	1-162-970-11	CERAMIC CHIP 0.01UF	10.00% 25V	D6013	6-500-567-31	DIODE 10ERB20-TB3	
C6032	1-107-930-11	ELECT 22UF	20% 100V	D6014	6-501-505-01	DIODE FCH08U10	
C6033	1-165-744-11	ELECT 1200UF	20% 35V	D6015	6-500-567-31	DIODE 10ERB20-TB3	
C6034	1-165-744-11	ELECT 1200UF	20% 35V	D6018	8-719-310-56	DIODE FMB-29L	
C6039	1-128-950-21	ELECT 1000UF	20% 16V	D6019	8-719-083-70	DIODE UDZSTE-1727B	
C6200	1-112-744-52	MYLAR 1UF	10% 450V	D6023	8-719-083-87	DIODE UDZS-TE17-33B	
C6201	1-109-879-11	CERAMIC 22PF	5.00% 2KV	D6200	8-719-083-60	DIODE UDZSTE-174.7B	
C6202	1-107-905-11	ELECT 4.7UF	20% 50V	D6201	8-719-081-97	DIODE MMDL914T1	
C6203	1-107-906-11	ELECT 10UF	20% 50V	D6202	6-500-567-31	DIODE 10ERB20-TB3	
C6204	1-162-964-11	CERAMIC CHIP 0.001UF	10.00% 50V	D6203	8-719-948-45	DIODE ERA22-08	
C6205	1-107-909-11	ELECT 47UF	20% 50V	D6204	8-719-080-75	DIODE M1FL20U-4063	
C6206	1-104-331-11	CERAMIC 0.0022UF	10.00% 1KV	D6300	8-719-069-55	DIODE UDZSTE-175.6B	
C6207	1-162-115-00	CERAMIC 330PF	10.00% 1KV	D6302	8-719-069-55	DIODE UDZSTE-175.6B	
C6208	1-107-826-11	CERAMIC CHIP 0.1UF	10.00% 16V	< TERMINAL BOARD >			
C6209	1-119-892-51	CERAMIC 470PF	10.00% 250V	ET6000	1-537-770-21	TERMINAL BOARD, GROUND	
C6210	1-131-872-91	CERAMIC CHIP 1000PF	10% 630V	< FUSE >			
C6211	1-128-945-31	ELECT 1000UF	20% 10V	F6000	Δ 1-576-231-51	FUSE 4A 250V	
C6212	1-107-826-11	CERAMIC CHIP 0.1UF	10.00% 16V	FH6000	Δ 1-533-725-11	FUSE HOLDER	
C6300	1-164-230-11	CERAMIC CHIP 220PF	5.00% 50V	< IC >			
C6301	1-126-960-11	ELECT 1UF	20.00% 50V	IC6000	6-705-810-01	IC MCZ3001DB	
C6302	1-164-230-11	CERAMIC CHIP 220PF	5.00% 50V	IC6001	6-709-368-01	IC MM1431ATT(CN)	
C6303	1-126-960-11	ELECT 1UF	20.00% 50V	IC6002	6-709-368-01	IC MM1431ATT(CN)	
C6304	1-128-952-31	ELECT 220UF	20.00% 25V	IC6200	6-709-368-01	IC MM1431ATT(CN)	
C6306	1-164-489-11	CERAMIC CHIP 0.22UF	10.00% 16V	IC6201	8-759-586-17	IC TL1431CZ-AP	
C6307	1-115-339-11	CERAMIC CHIP 0.1UF	10.00% 50V				
C6308	1-128-959-31	ELECT 1000UF	20.00% 35V				
C6309	1-128-959-31	ELECT 1000UF	20.00% 35V				
C6310	1-164-227-11	CERAMIC CHIP 0.022UF	10.00% 25V				
C6311	1-164-227-11	CERAMIC CHIP 0.022UF	10.00% 25V				
C6312	1-163-021-91	CERAMIC CHIP 0.01UF	10.00% 50V				

Note : The components identified by shading and marked Δ are critical for safety. Replace only with the part numbers specified in the parts list.

G1

REF.NO.	PART.NO	DESCRIPTION	REMARK	REF.NO.	PART.NO	DESCRIPTION	REMARK
IC6300	8-759-831-57	IC TDA7495S		R6024	1-216-845-11	METAL CHIP 100K 5%	1/10W
	< COIL >			R6025	1-216-833-11	METAL CHIP 10K 5%	1/10W
L6000	Δ 1-456-507-12	LINE FILTER COIL		R6026	1-216-833-11	METAL CHIP 10K 5%	1/10W
L6001	Δ 1-457-243-11	INDUCTOR 37MH		R6027	1-216-837-11	METAL CHIP 22K 5%	1/10W
L6004	1-406-971-11	INDUCTOR 10UH		R6028	1-218-823-11	METAL CHIP 100 0.5%	1/10W
L6005	1-406-971-11	INDUCTOR 10UH		R6029	1-216-837-11	METAL CHIP 22K 5%	1/10W
L6006	Δ 1-456-507-12	LINE FILTER COIL		R6030	1-249-393-11	CARBON 10 5%	1/4W
L6200	1-412-537-31	INDUCTOR 100UH		R6031	1-249-393-11	CARBON 10 5%	1/4W
	< PHOTOCOUPLER >			R6033	1-216-821-11	METAL CHIP 1K 5%	1/10W
PH6000	6-600-187-01	PHOTO COUPLER PC123Y22JOOF		R6035	1-216-833-11	METAL CHIP 10K 5%	1/10W
PH6001	6-600-187-01	PHOTO COUPLER PC123Y22JOOF		R6036	1-216-833-11	METAL CHIP 10K 5%	1/10W
PH6002	6-600-187-01	PHOTO COUPLER PC123Y22JOOF		R6037	1-216-821-11	METAL CHIP 1K 5%	1/10W
PH6200	6-600-187-01	PHOTO COUPLER PC123Y22JOOF		R6038	1-216-864-11	SHORT CHIP 0	
	< PROTECTOR MODULE >			R6039	1-216-864-11	SHORT CHIP 0	
PS6000	Δ 1-533-596-21	IC LINK 4A 90V		R6040	1-245-494-21	METAL 2.2M 2%	1/4W
PS6001	Δ 1-533-596-21	IC LINK 4A 90V		R6041	1-245-494-21	METAL 2.2M 2%	1/4W
PS6002	Δ 1-533-595-31	IC LINK 3.15A 90V		R6042	1-216-817-11	METAL CHIP 470 5%	1/10W
	< TRANSISTOR >			R6043	1-245-315-71	METAL OXIDE 0.1 5%	2W
Q6000	8-729-010-29	TRANSISTOR MSD601-RST1		R6044	1-216-864-11	SHORT CHIP 0	
Q6001	8-729-010-08	TRANSISTOR MSB710-R		R6045	1-245-315-71	METAL OXIDE 0.1 5%	2W
Q6002	8-729-010-29	TRANSISTOR MSD601-RST1		R6046	1-216-829-11	METAL CHIP 4.7K 5%	1/10W
Q6003	6-551-545-01	TRANSISTOR 2SK3469-01MR-F111		R6047	1-216-821-11	METAL CHIP 1K 5%	1/10W
Q6004	6-551-545-01	TRANSISTOR 2SK3469-01MR-F111		R6048	1-216-837-11	METAL CHIP 22K 5%	1/10W
Q6005	8-729-010-29	TRANSISTOR MSD601-RST1		R6049	1-216-837-11	METAL CHIP 22K 5%	1/10W
Q6006	8-729-010-25	TRANSISTOR MSD601-RT1		R6050	1-216-833-11	METAL CHIP 10K 5%	1/10W
Q6007	8-729-010-05	TRANSISTOR MSB709-RT1		R6051	1-249-377-11	CARBON 0.47 5%	1/4W
Q6302	8-729-010-29	TRANSISTOR MSD601-RST1		R6052	1-216-821-11	METAL CHIP 1K 5%	1/10W
Q6303	8-729-010-05	TRANSISTOR MSB709-RT1		R6053	1-216-821-11	METAL CHIP 1K 5%	1/10W
	< RESISTOR >			R6054	1-216-833-11	METAL CHIP 10K 5%	1/10W
JR6313	1-216-295-91	SHORT CHIP 0		R6055	1-216-864-11	SHORT CHIP 0	
JR6314	1-216-295-91	SHORT CHIP 0		R6057	1-216-822-11	METAL CHIP 1.2K 5%	1/10W
JR6315	1-216-295-91	SHORT CHIP 0		R6058	1-216-833-11	METAL CHIP 10K 5%	1/10W
JR6316	1-216-295-91	SHORT CHIP 0		R6061	1-216-837-11	METAL CHIP 22K 5%	1/10W
R6002	Δ 1-219-759-11	METAL 1M 5%	1/2W	R6062	1-218-849-11	METAL CHIP 1.2K 0.5%	1/10W
R6009	Δ 1-202-933-61	FUSIBLE 0.1 10%	1/2W	R6063	1-218-868-11	METAL CHIP 7.5K 0.5%	1/10W
R6010	1-208-852-11	METAL CHIP 820K 0.5%	1/10W	R6064	1-218-847-11	METAL CHIP 1K 0.5%	1/10W
R6011	1-208-852-11	METAL CHIP 820K 0.5%	1/10W	R6066	1-216-829-11	METAL CHIP 4.7K 5%	1/10W
R6012	1-216-837-11	METAL CHIP 22K 5%	1/10W	R6068	1-260-332-51	CARBON 2.2K 5%	1/2W
R6013	1-208-852-11	METAL CHIP 820K 0.5%	1/10W	R6201	1-216-353-00	METAL OXIDE 2.2 5%	1W
R6016	1-216-833-11	METAL CHIP 10K 5%	1/10W	R6202	1-216-864-11	SHORT CHIP 0	
R6017	1-208-803-11	METAL CHIP 7.5K 0.5%	1/10W	R6203	1-216-864-11	SHORT CHIP 0	
R6018	1-218-881-11	METAL CHIP 27K 0.5%	1/10W	R6204	1-249-393-11	CARBON 10 5%	1/4W
R6020	1-218-823-11	METAL CHIP 100 0.5%	1/10W	R6205	1-243-725-21	METAL OXIDE 100K 5%	1W
R6022	1-218-875-11	METAL CHIP 15K 0.5%	1/10W	R6206	1-216-817-11	METAL CHIP 470 5%	1/10W
				R6207	1-216-821-11	METAL CHIP 1K 5%	1/10W
				R6208	1-216-864-11	SHORT CHIP 0	
				R6209	1-216-839-11	METAL CHIP 33K 5%	1/10W
				R6210	1-218-871-11	METAL CHIP 10K 0.5%	1/10W
				R6211	1-218-871-11	METAL CHIP 10K 0.5%	1/10W
				R6212	1-216-295-91	SHORT CHIP 0	

Note : The components identified by shading and marked Δ are critical for safety. Replace only with the part numbers specified in the parts list.

G1

REF.NO.	PART.NO	DESCRIPTION	REMARK	REF.NO.	PART.NO	DESCRIPTION	REMARK
R6213	1-216-295-91	SHORT CHIP	0				
R6304	1-216-864-11	METAL CHIP	120K 5% 1/10W				
R6306	1-216-864-11	METAL CHIP	120K 5% 1/10W				
R6308	1-216-825-11	METAL CHIP	2.2K 5% 1/10W				
R6309	1-216-049-11	RES-CHIP	1K 5% 1/10W				
R6313	1-216-864-11	SHORT CHIP	0				
R6314	1-216-845-11	METAL CHIP	100K 5% 1/10W				
R6315	1-216-845-11	METAL CHIP	100K 5% 1/10W				
R6316	1-216-837-11	METAL CHIP	22K 5% 1/10W				
R6317	1-216-833-11	METAL CHIP	10K 5% 1/10W				
R6318	1-216-833-11	METAL CHIP	10K 5% 1/10W				
< TRANSFORMER >							
T6000	Δ 1-445-026-11	CONVERTER TRANSFORMER (PIT)					
T6001	Δ 1-445-027-11	CONVERTER TRANSFORMER (PIT)					
T6200	Δ 1-443-312-11	TRANSFORMER, CONVERTER (SBT)					
< VARISTOR >							
VD6000	Δ 1-804-995-11	VARISTOR					

Note : The components identified by shading and marked Δ are critical for safety. Replace only with the part numbers specified in the parts list.

REF.NO.	PART.NO	DESCRIPTION	REMARK	REF.NO.	PART.NO	DESCRIPTION	REMARK
MISCELLANEOUS							
	1-826-479-11	LOUDSPEAKER (4.2X15CM) (26/32P2520/30UK/AEP)		*1-910-032-61	CONNECTOR ASSY 14P (26P2520/30UK/AEP) INVERTER-CN6002 (G1) , CN3004 (B) (1)		
	1-826-478-11	LOUDSPEAKER (4.2X24CM) (40P2530UK/AEP)		*1-910-032-62	LVDS 30P (26/32P2520/30UK/AEP) CN3001 (B) -PANEL (1)		
	8-597-585-10	TUNER, FSS BTP-HC401		*1-910-033-22	CONNECTOR ASSY 4P (32P2520/30UK/AEP) CN6300 (G) -CN9856 (H2) (1)		
	1-802-268-11	LCD PANEL (26 WXGA TFT) (26P2520/30UK/AEP)					
	1-802-237-21	LCD PANEL (32 WXGA TFT) (32P2520/30UK/AEP)		*1-910-034-72	CONNECTOR ASSY 14P (40P2530UK/AEP) INVERTER-CN6004 (G2) , CN3004 (B) (1)		
	1-802-386-21	LCD PANEL (40 WXGA TFT) (40P2530UK/AEP)		*1-910-034-96	FFC 20P FOLDED - CN3006 (B) -CN2024 (A) (1)		
Δ	1-832-132-11	POWER SUPPLY CORD (26/32P2520/30/40P2530AEP)		*1-910-035-95	LVDS 30P (40P2530UK/AEP) CN3001 (B) -PANEL (1)		
Δ	1-832-170-11	POWER SUPPLY CORD (UK PLUG) (26/32P2520/30/40P2530UK)					
ACCESSORIES AND CONNECTORS							
	*1-910-026-42	CONNECTOR ASSY 4P (26P2520/30UK/AEP) CN6300 (G1) -CN9856 (H2) (1)		1-469-089-11	FILTER, CLAMP (FERRITE CORE) (26/32P2520/30UK/AEP)		
	*1-910-026-43	CONNECTOR ASSY 4P (40P2530UK/AEP) CN6300 (G) -CN9856 (H2) (1)		1-469-778-11	CLAMP, FERRITE (26/30P2520/30UK/AEP)		
	*1-910-026-45	CONNECTOR ASSY 13P (26/32P2520/30UK/AEP) CN6003 (G1) -CN6500 (B) (1)		1-469-778-21	CLAMP, FERRITE (40P2530UK/AEP)		
	*1-910-026-46	CONNECTOR ASSY 14P (40P2530UK/AEP) CN6005 (G2) -CN6500 (B) (1)		*4-101-087-02	BAG. PROTECTION CROSS (26P2520UK/AEP)		
	*1-910-026-52	CONNECTOR ASSY 6P (40P2530UK/AEP) CN6003 (G2) -CN6501 (B) (1)					
	*1-910-026-53	CONNECTOR ASSY 6P (26/32P2520/30UK/AEP) CN6200 (G1) -CN6501 (B) (1)		1-830-570-41	CABLE, ANTENNA (WITH FILTER) (26P2520/30AEP)		
	*1-910-026-57	CONNECTOR ASSY 9P CN3000 (B) -CN9855 (H2) (1)		*3-097-662-11	INSTRUCTION MANUAL (ENGLISH) (26/32P2520/30/40P2530UK)		
	*1-910-026-59	SPEAKER HARNESS 26 (26P2520/30UK/AEP) CN9857 (H2) -SPEAKERS (1)		*3-097-662-21	INSTRUCTION MANUAL (GERMAN/FRENCH/ITALIAN/ DUTCH) (26/32P2520/30/40P2530AEP)		
	*1-910-026-60	SPEAKER HARNESS 32 (32P2520/30UK/AEP) CN9857 (H2) -SPEAKERS (1)		*3-097-662-31	INSTRUCTION MANUAL (SPANISH/PORTUGUESE/ GREEK) (26/32P2520/30/40P2530AEP)		
	*1-910-026-61	SPEAKER HARNESS 40 (40P2530UK/AEP) CN9857 (H2) -SPEAKERS (1)		*3-097-662-41	INSTRUCTION MANUAL (ENGLISH/RUSSIAN/POLISH) (26/32P2520/30/40P2530AEP)		
	*1-910-026-62	CONNECTOR ASSY 4P (32P2520/30UK/AEP) CN3002 (B) -CN9000 (H1) (1)		*3-097-662-51	INSTRUCTION MANUAL (SWEDISH/DANISH/FINNISH/ NORWEGIAN) (26/32P2520/30/40P2530AEP)		
	*1-910-026-63	CONNECTOR ASSY 4P (26P2520/30UK/AEP) CN3002 (B) -CN9000 (H1) (1)					
	*1-910-026-65	CONNECTOR ASSY 10P (26P2520/30UK/AEP) CN3003 (B) -CN9300 (H3) (1)		*3-097-665-11	INSTRUCTION MANUAL (ENGLISH) (26/32P2520/30UK)		
	*1-910-026-66	CONNECTOR ASSY 10P (32P2520/30UK/AEP) CN3003 (B) -CN9300 (H3) (1)		*3-097-665-21	INSTRUCTION MANUAL (GERMAN/FRENCH/ITALIAN/ DUTCH) (26/32P2520/30AEP)		
	*1-910-026-67	FFC 49P FOLDER - CN3005 (B) -CN2022 (A) (1)		*3-097-665-31	INSTRUCTION MANUAL (SPANISH/PORTUGUESE/ GREEK) (26/32P2520/30AEP)		
	*1-910-026-69	LVDS FIR-SHLDS 30P (40P2530UK/AEP) CN3001 (B) -PANEL (1)		*3-097-665-41	INSTRUCTION MANUAL (ENGLISH/RUSSIAN/POLISH) (26/32P2520/30AEP)		
	*1-910-026-71	CONNECTOR ASSY 4P (40P2530UK/AEP) CN3002 (B) -CN9000 (H1) (1)		*3-097-665-51	INSTRUCTION MANUAL (SWEDISH/DANISH/FINNISH/ NORWEGIAN) (26/32P2520/30AEP)		
	*1-910-026-72	CONNECTOR ASSY 10P (40P2530UK/AEP) CN3003 (B) -CN9300 (H3) (1)					
	*1-910-032-60	CONNECTOR ASSY 14P (32P2520/30UK/AEP) INVERTER-CN6002 (G1) , CN3004 (B) (1)		REMOTE COMMANDER			
				1-479-847-11	REMOTE COMMANDER (RM-ED007)		

