

# SERVICE MANUAL

# SE1A CHASSIS

<i>MODEL</i>	<i>COMMANDER</i>	<i>DEST</i>	<i>MODEL</i>	<i>COMMANDER</i>	<i>DEST</i>
<b>KDL-32S3000</b>	RM-ED009	AEP	<b>KDL-32S3000</b>	RM-ED009	UK
<b>KDL-40S3000</b>	RM-ED009	AEP	<b>KDL-40S3000</b>	RM-ED009	UK
<b>KDL-46S3000</b>	RM-ED009	AEP	<b>KDL-46S3000</b>	RM-ED009	UK



KDL-32S3000 / KDL-40S3000 / KDL-46S3000



RM-ED009

FLAT PANEL COLOR TV  
**SONY**®

## TABLE OF CONTENTS

<i>Section</i>	<i>Title</i>	<i>Page</i>	<i>Section</i>	<i>Title</i>	<i>Page</i>
<b>1. GENERAL</b>		3	<b>4. DIAGRAMS</b>		
	Caution	3	4-1.	Block Diagram	21
	Specifications	4	4-2.	Circuit Board Location	22
	Connectors	5	4-3.	Schematic Diagrams and Printed Wiring Boards	22
	Self Diagnosis	7		BC Board Schematic Diagram	23
<b>2. DISASSEMBLY</b>				BC Printed Wiring Board	69
2-1.	Rear Cover Removal	8		U2 Board Schematic Diagram	71
2-2.	Stand Removal	8		U2 Printed Wiring Board	76
2-3.	Cover Under Removal	9		D1 Board Schematic Diagram (KDL-40/46S30XX Only)	77
2-4.	AC Inlet Removal	9		D1 Printed Wiring Board (KDL-40/46S30XX Only)	81
2-5.	Loud Speaker Removal	10		G1 Board Schematic Diagram (KDL-32S30XX Only)	83
2-6.	H1 Board Removal	10		G1 Printed Wiring Board (KDL-32S30XX Only)	87
2-7.	BC Board Removal	11		G3 Board Schematic Diagram (KDL-40/46S30XX Only)	89
2-8.	U2 Board Removal	12		G3 Printed Wiring Board (KDL-40/46S30XX Only)	93
2-9.	H3 Board Removal	12		H1 Board Schematic Diagram	95
2-10.	G1 Board Removal (32 Inch)	13		H1 Printed Wiring Board	96
2-11.	H4 Board Removal	13		H3 Board Schematic Diagram	97
2-12.	D1 and G3 Board Removal	14		H3 Printed Wiring Board	96
2-13.	Vesa Arm and LCD Panel Removal (32 Inch) ...	15		H4 Board Schematic Diagram	95
2-14.	Vesa Arm and LCD Panel Removal (40/46 Inch)	16		H4 Printed Wiring Board	96
<b>3. CIRCUIT ADJUSTMENTS</b>				D2 Board Schematic Diagram (KDL-46S30XX Only)	98
3-1.	Electrical Adjustments	17		D2 Printed Wiring Board (KDL-46S30XX Only)	100
3-2.	TT Mode	19	<b>5. EXPLODED VIEWS</b>		
3-3.	TT OSD Labels	20	5-1.	Chassis	101
			5-2.	Rear Cover, Stand & Bezel	102
			5-3.	Power Supply Cords	103
			<b>6. ELECTRICAL PARTS LIST</b>		104

**WARNING !!**

AN ISOLATION TRANSFORMER SHOULD BE USED DURING ANY SERVICE WORK TO AVOID POSSIBLE SHOCK HAZARD DUE TO LIVE CHASSIS, THE CHASSIS OF THIS RECEIVER IS DIRECTLY CONNECTED TO THE POWER LINE.

*SAFETY-RELATED COMPONENT WARNING !!*

*COMPONENTS IDENTIFIED BY SHADING AND MARKED Δ ON THE SCHEMATIC DIAGRAMS, EXPLODED VIEWS AND IN THE PARTS LIST ARE CRITICAL FOR SAFE OPERATION. REPLACE THESE COMPONENTS WITH SONY PARTS WHOSE PART NUMBERS APPEAR AS SHOWN IN THIS MANUAL OR IN SUPPLEMENTS PUBLISHED BY SONY.*

## SECTION 1 GENERAL

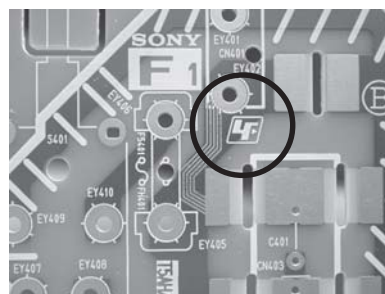
## CAUTION

## Lead Free Soldered Boards

The circuit boards used in these models have been processed using Lead Free Solder. The boards are identified by the LF logo located close to the board designation e.g. F1, H1 etc [ see examples ]. The servicing of these boards requires special precautions to be taken as outlined below.



example 1



example 2



It is strongly recommended to use Lead Free Solder material in order to guarantee optimal quality of new solder joints. Lead Free Solder is available under the following part numbers :

Partnumber	Diameter	Remarks
7-640-005-19	0.3mm	0.25Kg
7-640-005-20	0.4mm	0.50Kg
7-640-005-21	0.5mm	0.50Kg
7-640-005-22	0.6mm	0.25Kg
7-640-005-23	0.8mm	1.00Kg
7-640-005-24	1.0mm	1.00Kg
7-640-005-25	1.2mm	1.00Kg
7-640-005-26	1.6mm	1.00Kg

Due to the higher melting point of Lead Free Solder the soldering iron tip temperature needs to be set to 370 degrees centigrade. This requires soldering equipment capable of accurate temperature control coupled with a good heat recovery characteristics.

For more information on the use of Lead Free Solder, please refer to <http://www.sony-training.com>

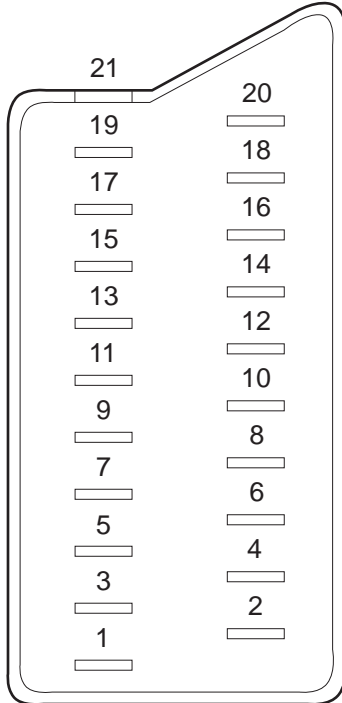
## SPECIFICATIONS

ITEM MODEL	Television System	Stereo System	Channel Coverage	Color System
E	Analogue: B/G/H, D/K, I, L  Digital: DVB-T/DVB-C	GERMAN/NICAM Stereo	Analogue: VHF : E2-E12 UHF : E21-E69 CATV : S1-S20 HYPER : S21-S41 D/K: R1-R12, R21-R69 L: F2-F10, B-Q, F21-F69 I: UHF B21-B69 Digital: VHF/UHF	Analogue: PAL, SECAM NTSC 3.58/4.43 (VIDEO ONLY)  Digital: MPEG-2 MP@ML
U	Analogue: I  Digital: DVB-T/DVB-C	NICAM Stereo	Analogue: I: UHF B21-B69 Digital: VHF/UHF	Analogue: PAL, SECAM NTSC 3.58/4.43 (VIDEO ONLY)  Digital: MPEG-2 MP@ML

Projected Picture Size	LCD(Liquid Crystal Display) Panel Approx 80.0cm (KDL-32S30XX) Approx 101.5cm (KDL-40S30XX) Approx 116.8cm (KDL-46S30XX).	<b>Sound Output</b>	
		Right and Left speaker Sub-woofer	2 x 10W (RMS)
<b>Input/Output Terminals [REAR]</b>		<b>General Specifications</b>	
1: 21-pin Euro connector (CENELEC standard)	Inputs for Audio and Video signals. Inputs for RGB. Outputs of TV Video and Audio signals.	Power Requirements	220 - 240V
		Power Consumption/ Standby	Approx 150W/0.6W or less (KDL-32S30XX) Approx 170W/0.6W or less (KDL-40S30XX) Approx 200W/0.6W or less (KDL-46S30XX)
2: 21-pin Euro connector (CENELEC standard)	Inputs for Audio and Video signals. Inputs for RGB. Outputs of Video and Audio signals (Selectable). SmartLink interface.	Dimensions	Approx 790x581x214mm (KDL-32S30XX with stand) Approx 790x530x100mm (KDL-32S30XX without stand) Approx 981x696x265mm (KDL-40S30XX with stand) Approx 981x643x110mm (KDL-40S30XX without stand) Approx 1114x782x306mm (KDL-46S30XX with stand) Approx 1114x730x115mm (KDL-46S30XX without stand)
		Weight	Approx 16.0kg (KDL-32S30XX with stand) Approx 14.0kg (KDL-32S30XX without stand) Approx 24.0kg (KDL-40S30XX with stand) Approx 20.5kg (KDL-40S30XX without stand) Approx 30.5kg (KDL-46S30XX with stand) Approx 26.5kg (KDL-46S30XX without stand)
Phono Jacks	Output Connectors variable for Audio Signals.	Supplied Accessories	RM-ED009 Remote Commander (1) IEC designated R06 battery (2) Mains lead (Type BF) (1) Coaxial cable (1) Support belt (1) and screws (2)
HDMI Inputs	HDMI Connectors	Other Features	IDTV, High Picture Quality WXGA, BBE-ViVA, HD Ready, High Sound Quality, 3 HDMI inputs, PC Digital Input.
PC Input	15 Pin D Sub Connector		
CAM	Conditional Access Module		
<b>Input/Output Terminals [SIDE]</b>		<b>Remote control system : Infrared control</b>	
Headphone jack	Stereo mini jack	Power requirements	3V dc 2 batteries IEC designation R06 (size AA)
Audio input	Phono jacks		
Video input	Phono jack		
S Video input	4 pin mini DIN		
HDMI Input	HDMI Connector		
<b>Design and specifications are subject to change without notice.</b>			

## CONNECTORS

### 21 Pin Connector (SCART)




Pin No	1	2	Signal	Signal level
1	○	○	Audio output B (right)	Standard level : 0.5V rms Output impedance : Less than 1kohm*
2	○	○	Audio input B (right)	Standard level : 0.5V rms Output impedance : More than 10kohm*
3	○	○	Audio output A (left)	Standard level : 0.5V rms Output impedance : Less than 1kohm*
4	○	○	Ground (audio)	
5	○	○	Ground (blue)	
6	○	○	Audio input A (left)	Standard level : 0.5V rms Output impedance : More than 10kohm*
7	○	○	Blue input	0.7 +/- 3dB, 75 ohms positive
8	○	○	Function select (AV control)	High state (9.5-12V) : Part mode Low state (0-2V) : TV mode Input impedance : More than 10K ohms Input capacitance : Less than 2nF
9	○	○	Ground (green)	
10	●	○	AVlink	
11	○	○	Green	Green signal : 0.7 +/- 3dB, 75 ohms, positive
12	●	●	Open	
13	○	○	Ground (red)	
14	○	○	Ground (blanking)	
15	○	○	Red input	0.7 +/- 3dB, 75 ohms, positive
	-	-	(S signal Chroma input)	0.3 +/- 3dB, 75 ohms, positive
16	○	○	Blanking input (Ys signal)	High state (1-3V) Low state (0-0.4V) Input impedance : 75 ohms
17	○	○	Ground (video output)	
18	○	○	Ground (video input)	
19	○	○	Video output	1V +/- 3dB, 75ohms, positive sync 0.3V (-3+10dB)
20	○	○	Video input	1V +/- 3dB, 75ohms, positive sync 0.3V (-3+10dB)
	-	-	Video input Y (S signal)	1V +/- 3dB, 75ohms, positive sync 0.3V (-3+10dB)
21	○	○	Common ground (plug, shield)	

○ Connected      ● Not Connected (open)      \* at 20Hz - 20kHz

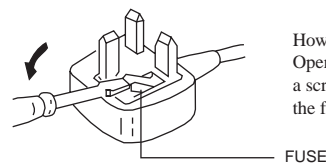
## UK PLUG WARNING

### WARNING (UK Models only)

The flexible mains lead is supplied connected to a **B.S. 1363** fused plug having a fuse of **13 AMP** rating. Should the fuse need to be replaced, use a **13AMP FUSE** approved by ASTA to **BS 1362**, ie one that carries the  mark.

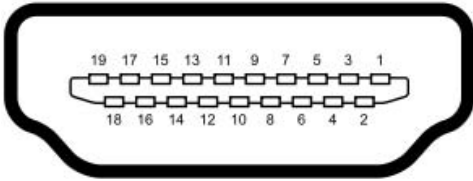
IF THE PLUG SUPPLIED WITH THIS APPLIANCE IS NOT SUITABLE FOR THE OUTLET SOCKETS IN YOUR HOME, IT SHOULD BE CUT OFF AND AN APPROPRIATE PLUG FITTED. THE PLUG SEVERED FROM THE MAINS LEAD MUST BE DESTROYED AS A PLUG WITH BARED WIRES IS DANGEROUS IF ENGAGED IN A LIVE SOCKET.

When an alternative type of plug is used, it should be fitted with a **13 AMP FUSE**, otherwise the circuit should be protected by a **13AMP FUSE** at the distribution board.



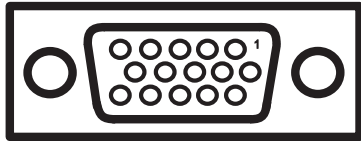
How to replace the fuse.  
Open the fuse compartment with a screwdriver blade and replace the fuse.

HDMI Connector



Pin No	Signal Assignment	Pin No	Signal Assignment
1	TMDS Data2+	11	TMDS Clock Shield
2	TMDS Data2 Shield	12	TMDS Clock-
3	TMDS Data2-	13	CEC
4	TMDS Data1+	14	Reserved (N.C. on device)
5	TMDS Data1 Shield	15	SCL
6	TMDS Data1-	16	SDA
7	TMDS Data0+	17	DDC/CEC Ground
8	TMDS Data0 Shield	18	+5V Power
9	TMDS Data0-	19	Hot Plug Detect
10	TMDS Clock+		

15 Pin D Sub Connector (PC)



Pin No	Signal Assignment	Pin No	Signal Assignment
1	Red Out	9	+5V DC
2	Green Out	10	Sync Return (Ground)
3	Blue Out	11	Monitor ID0 in Display
4	Unused	12	DCC Serial Data
5	Ground	13	Horizontal Sync
6	Red Return	14	Vertical Sync
7	Green Return (Ground)	15	DCC Serial Clock
8	Blue Return (Ground)		

Rear Connection Panel

Side Connection Panel



S-Video socket

S Video socket pin configuration		
Pin No	Signal	Signal Level
1	Ground	-
2	Ground	-
3	Y (S signal) input	1V+/- 3dB 75ohm, positive Sync. 0.3V -3 +10dB
4	C (S signal) input	0.3V+/- 3dB 75ohm, positive Sync.

## SE1A SELF DIAGNOSTIC SOFTWARE

The identification of errors within the SE1A chassis is triggered in one of two ways :- 1: Busy or 2: Device failure to respond to IIC. In the event of one of these situations arising the software will first try to release the bus if busy (Failure to do so will report with a continuous flashing LED) and then communicate with each device in turn to establish if a device is faulty. If a device is found to be faulty the relevant device number will be displayed through the LED (Series of flashes which must be counted).

## LED Error Code

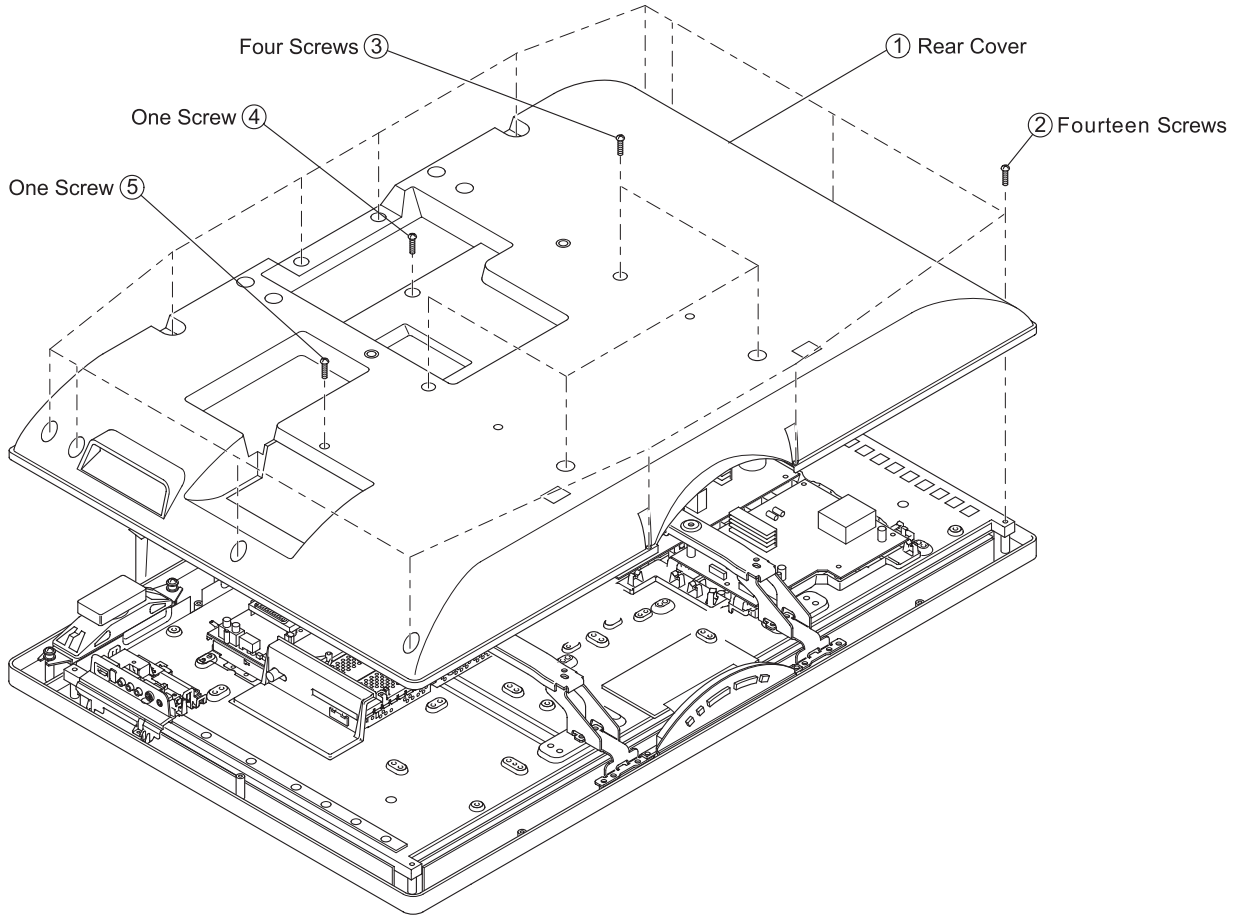
Number of LED Flashes	Error Description	Checked	Action
02	Balancer error.	In normal mode.	Goes into standby.
03	Power supply protection error.	In normal mode.	Goes into standby.
04	Panel error.	In normal mode.	Goes into standby.
05	NVM error.	In initialisation state.	Adds error to error menu.
06	IIC error.	In normal mode.	Adds error to error menu.
07	HDMI error.	In initialisation state.	Adds error to error menu.
08	Digital error.	In normal mode.	Adds error to error menu.
09	Tuner Error	In initialisation state.	Adds error to error menu.
10	Sound processor	In initialisation state.	Adds error to error menu.
11	WCG port error	In initialisation state.	Adds error to error menu.
12	WCG IC error	In initialisation state.	Adds error to error menu.
13	RTC error	In initialisation state.	Adds error to error menu.
14	FRCH error (Only models with FRCH)	In initialisation state.	Adds error to error menu.

## Error Descriptions

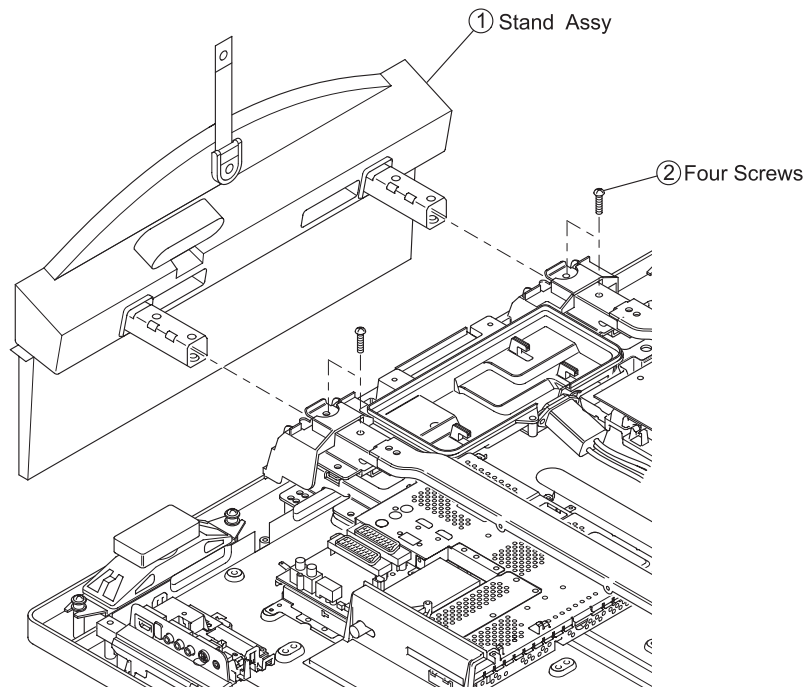
Error Description	Meaning/Related Fault
Balancer error.	Balancer error/PANEL_DET (PMUX6.7) to low level, between 2.48V and 0.83V.
Power supply protection error.	5V, 3.3V or 1.8V failure/POWER_DET (P1_0) to high level.
Panel error.	Inverter failure/PANEL_DET (PMUX6.7) to low level, less than 0.83V.
NVM error.	EEPROM cannot be read or written.
IIC error.	IIC bus cannot be correctly initialised.
HDMI error.	HDCP cannot be set-up correctly.
Digital error.	Digital CPU does not respond by DPI communication (Only for digital models).
Tuner Error	IF circuit or PLL circuit does not respond to IIC commands.
Sound processor	MSP3410G IC does not respond to IIC commands.
WCG port error	FPGA has not been configured properly by HW.
WCG IC error	FPGA Wide Colour Gamut device does not respond to IIC commands.
RTC error	RTC IC does not respond to IIC commands (Only for digital models).
FRCH error	Only in FRCH models, when communication through IIC fails.

# SECTION 2 DISASSEMBLY

## 2-1. REAR COVER REMOVAL

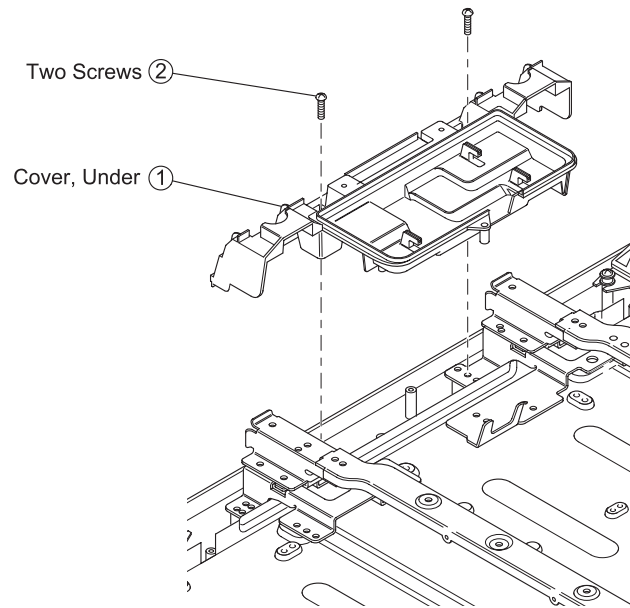


## 2-2. STAND REMOVAL

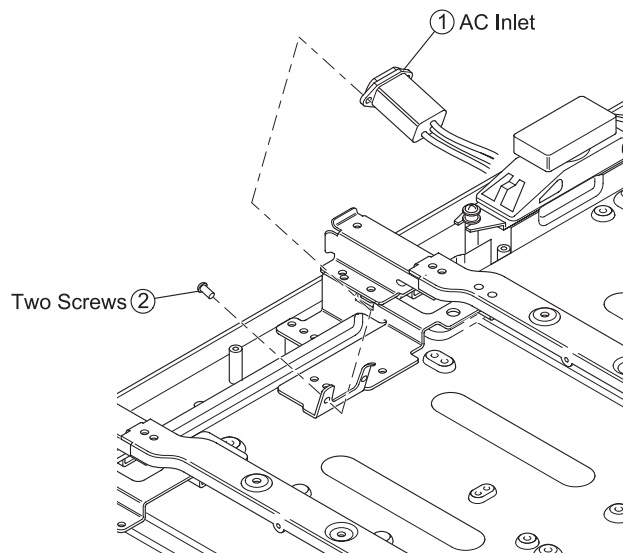




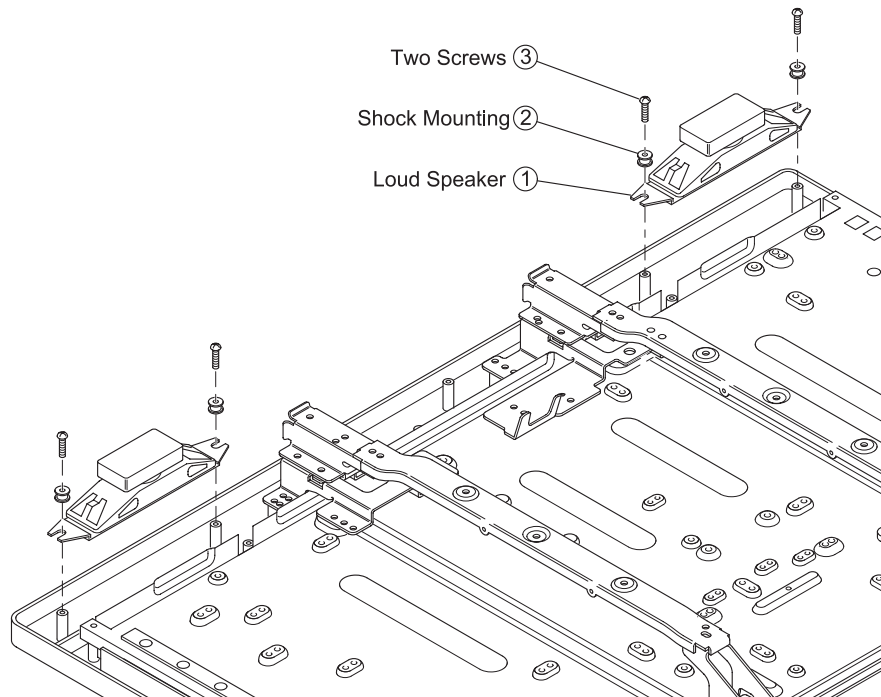
2-3. COVER UNDER REMOVAL



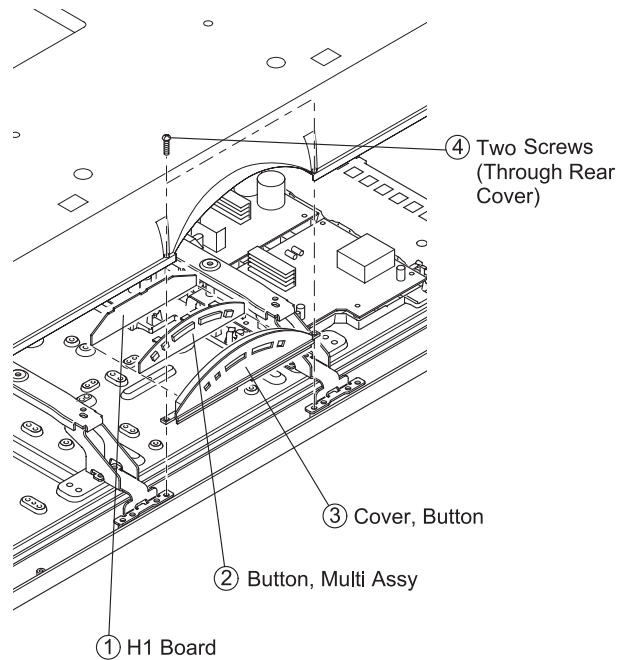
2-4. AC INLET REMOVAL



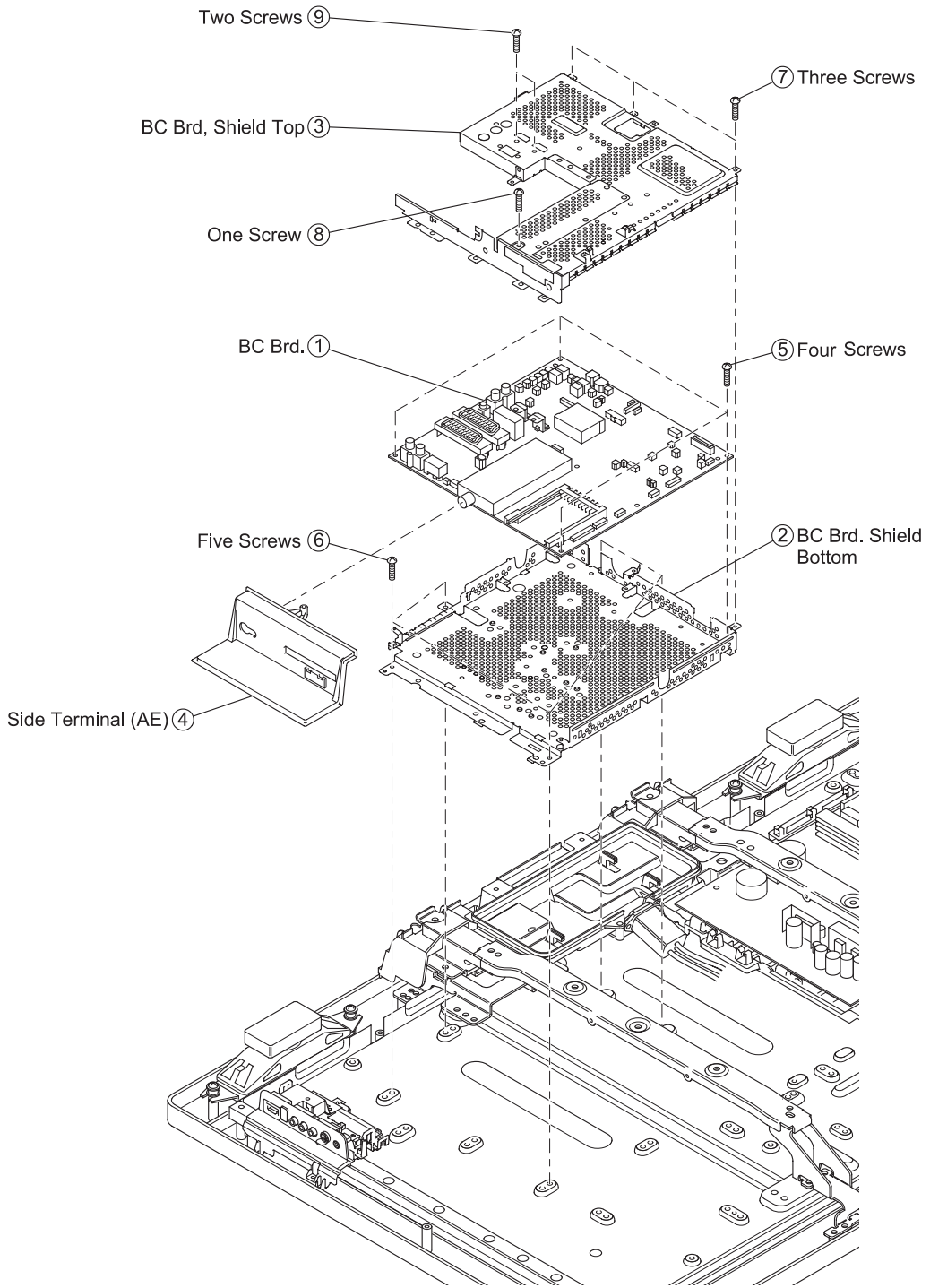
2-5. LOUD SPEAKER REMOVAL



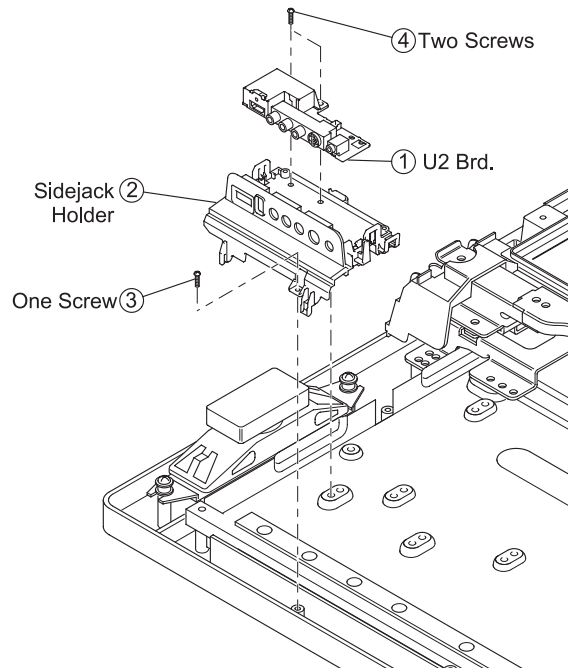
2-6. H1 BOARD REMOVAL



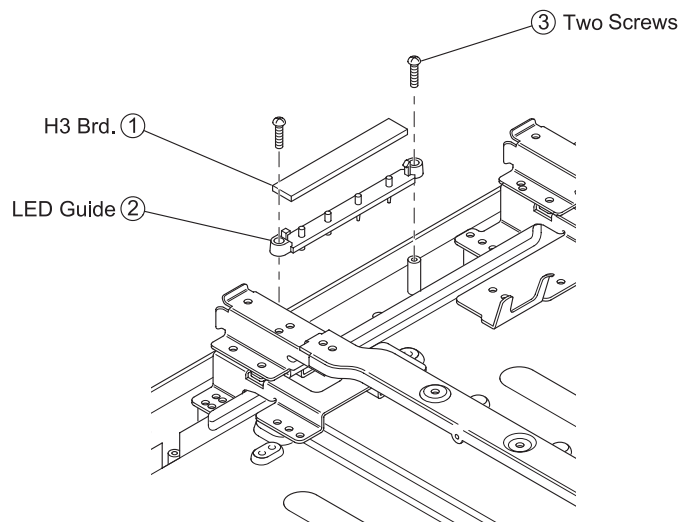
2-7. BC BOARD REMOVAL



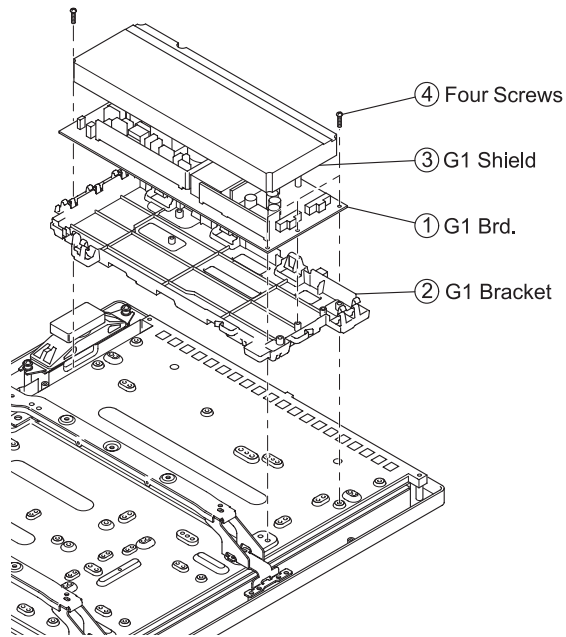
2-8. U2 BOARD REMOVAL



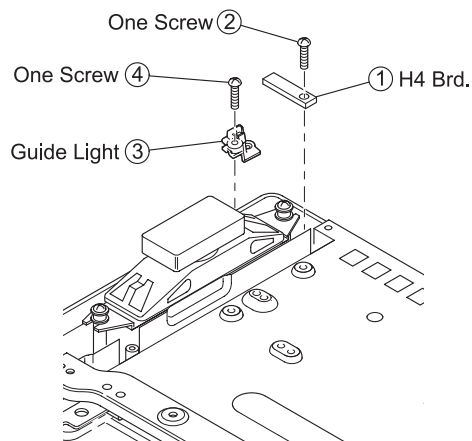
2-9. H3 BOARD REMOVAL



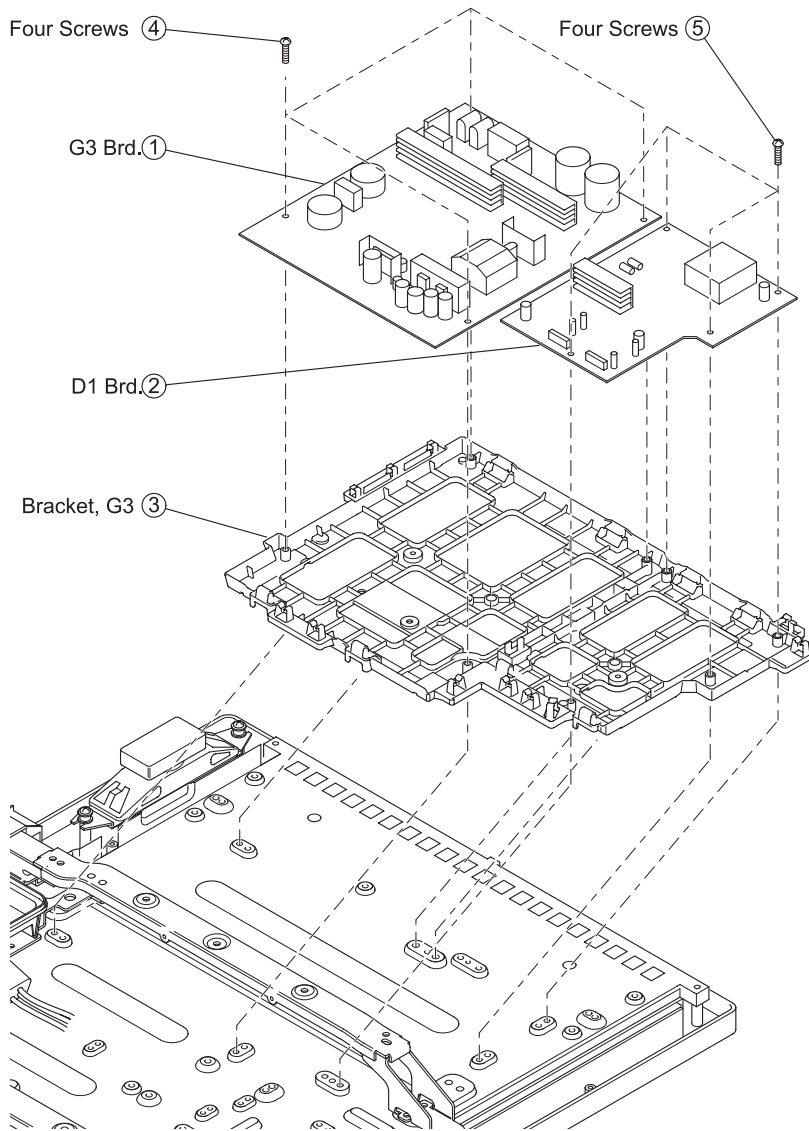
2-10. G1 BOARD REMOVAL (32 INCH)



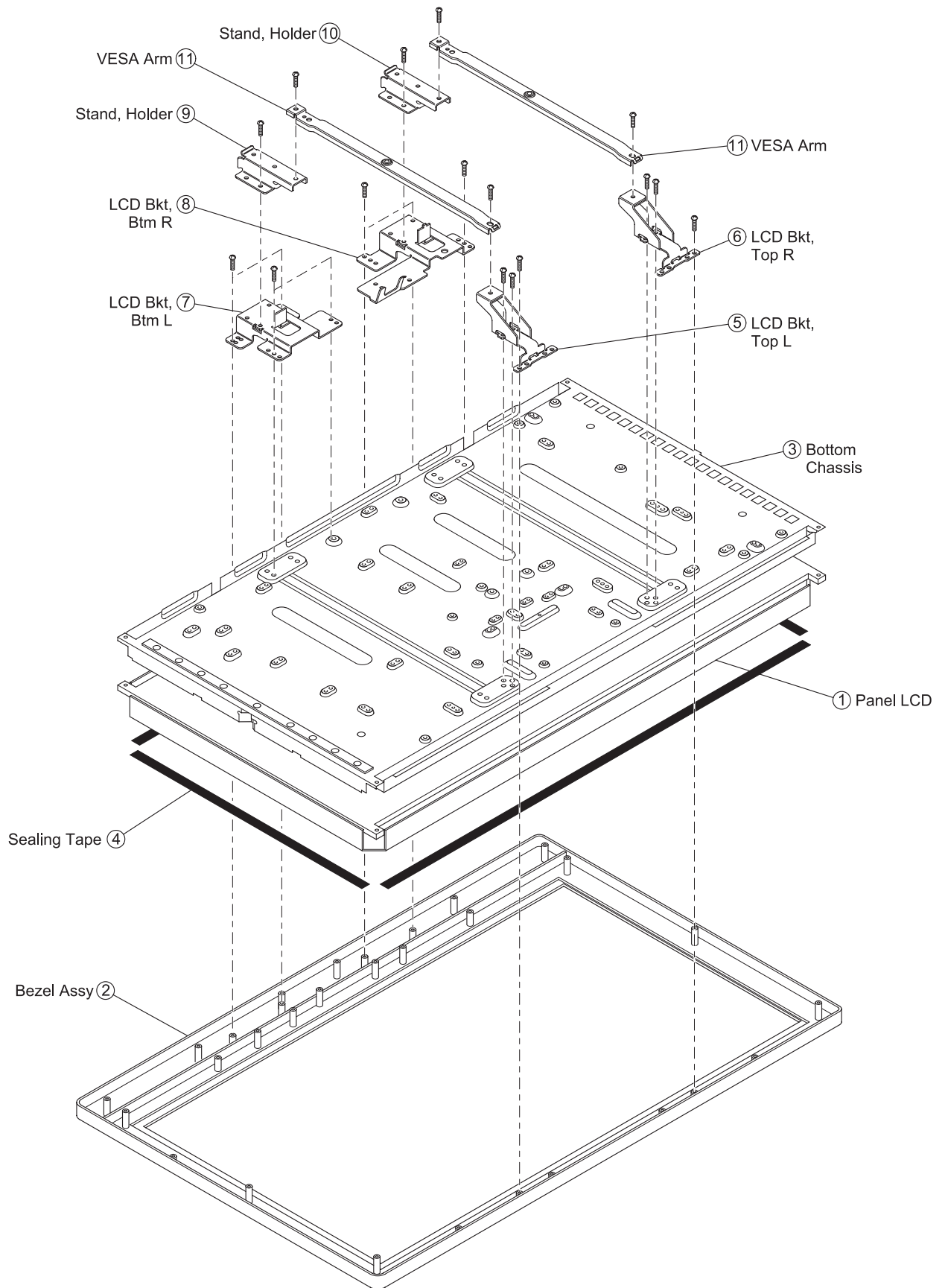
2-11. H4 BOARD REMOVAL



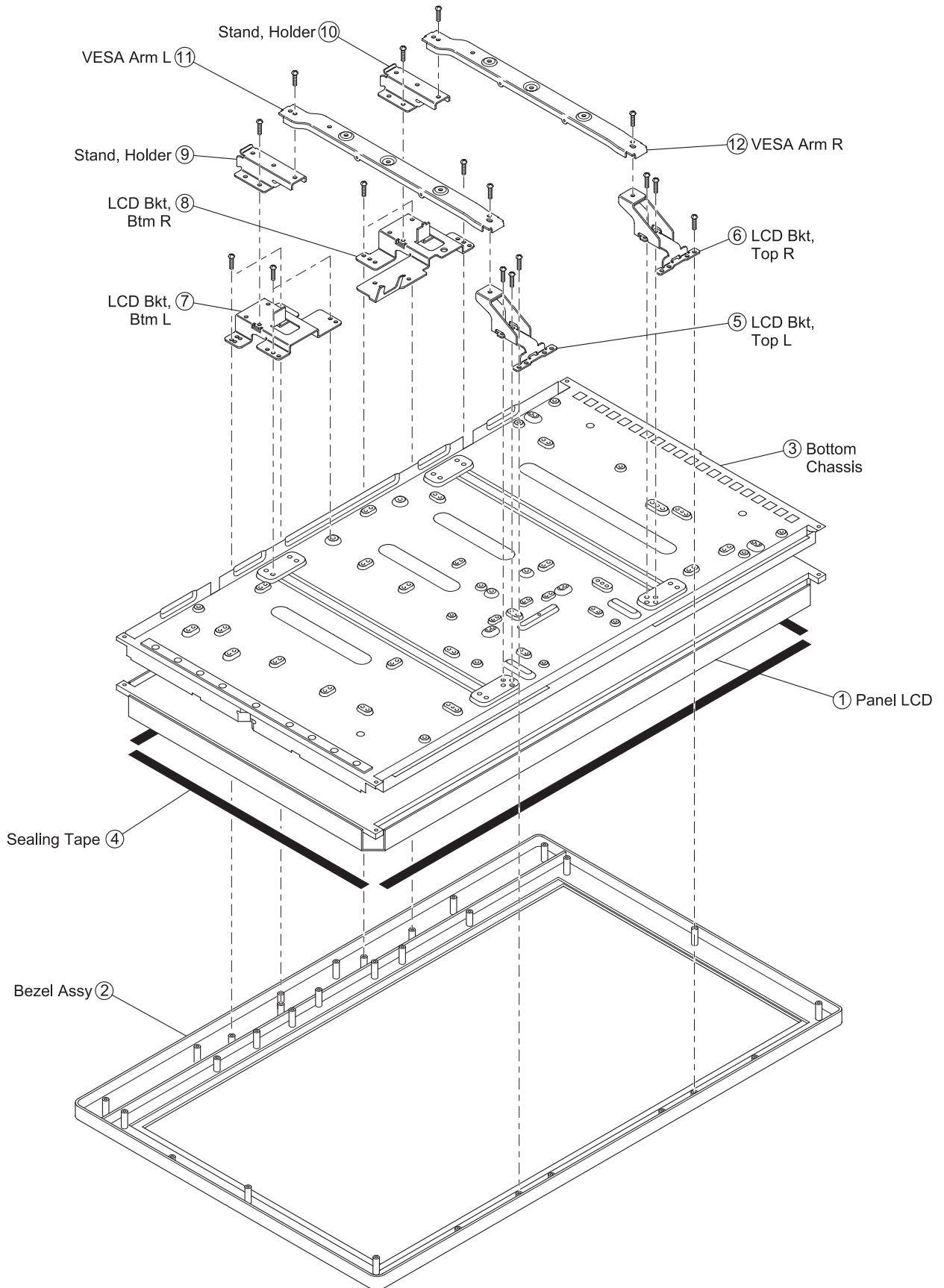
2-12. D1 and G3 BOARD REMOVAL



2-13. VESA ARM and LCD PANEL REMOVAL (32 INCH)



2-14. VESA ARM and LCD PANEL REMOVAL (40/46 INCH)





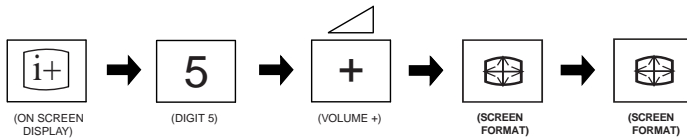
## SECTION 3 CIRCUIT ADJUSTMENTS

### 3-1. Electrical Adjustments

Service adjustments to this model can be performed using the supplied remote Commander RM-ED009.

#### How to enter into the Service Mode

1. Turn on the main power switch.
2. Press the following sequence of buttons on the Remote Commander.



These 3 buttons must be pressed together for approximately three seconds.

'TT—' will appear in the upper right corner of the screen. Other status information will also be displayed (See 3-3 Page 20).

3. Press 'MENU' on the remote commander to obtain the following menu on the screen.

```
BACKLIGHT
HDMI
SOUND
IF ADJUST
ERROR MENU
```

```
SE1A v0.13a Jan07
FACTORY DATA: 11111111
SERIAL NUMBER: 4294967295
WORKING TIME: 0:22
```

4. Move to the corresponding adjustment item using the up or down arrow buttons on the Remote Commander.
5. Press the right arrow button to enter into the required menu item.
6. Press the 'Menu' button on the Remote Commander to quit the Service Mode when all adjustments have been completed.

#### Note :

- After carrying out the service adjustments, to prevent the customer accessing the 'Service Menu' switch the TV set OFF and then ON.

#### BACKLIGHT

BACKLIGHT	(0, 255)	235
U BACKLIGHT	(0, 10)	10
BL SETUDEN	(0, 255)	38
BL BOTTOM	(0, 255)	92
ECO MODE	(0, 1)	1
APL MAX	(0, 255)	140
DIMMER MIN	(-128, +127)	-32
APL FACTOR	(0, 255)	0
OSD CONTR MIN	(0, 255)	40
DIMMER	(0, 255)	186
APL MIN	(0, 255)	103

#### HDMI

VAI2	(0, 255)	0
VAI3	(0, 255)	0
Vper MSB	(0, 255)	3
Vper ISB	(0, 255)	31
Hper MSB	(0, 255)	0
HS Width MSB	(0, 255)	0
STM LSB	(0, 255)	176
Ri (MSB)	(0, 255)	218
Ri (LSB)	(0, 255)	101
Aksv_0	(0, 255)	0
Aksv_1	(0, 255)	0
Aksv_2	(0, 255)	0
Aksv_3	(0, 255)	0
Aksv_4	(0, 255)	0
An_0	(0, 255)	0
An_1	(0, 255)	0
An_2	(0, 255)	0
An_3	(0, 255)	0
An_4	(0, 255)	0
An_5	(0, 255)	0
An_6	(0, 255)	0
An_7	(0, 255)	0
Pj	(0, 255)	202
Ainfo	(0, 255)	0
Flags	(0, 255)	6

SOUND		
M-N	(0, 511)	192
M-D	(-128, -1)	-20
M-S	(+0, +127)	+20
S-M	(+0, +127)	+10
D-M	(-128, -1)	-10
N-M	(0, 1023)	496
Effect Mode	(+0, +2)	+1
BBE Mode	(-0, +127)	+0
BBE Vol main	(+0, +255)	+3
BBE Vol res	(+0, +7)	+0
B1	(-96, +96)	+8
B2	(-96, +96)	+2
B3	(-96, +96)	-12
B4	(-96, +96)	-12
B5	(-96, +96)	+6
Loudness	(+0, +68)	+23
MB_STR	(+0, -127)	+0
MB_LIM	(-32, +0)	+0
MB_HMC	(+0, +127)	+0
MB_LP	(+5, +30)	+5
MB_HP	(+3, +30)	+3
SUBW_FREQ	(+5, +40)	+5
NICAM C AD	00000	
NICAM Error	(0, 2047)	2047
Stereo	(-128, +127)	+0
Status	0000000110	

ERROR MENU		
E02: BALANCER	(0, 255)	0
E03: DC Fail	(0, 255)	0
E04: INVERTER	(0, 255)	0
E05: NVM	(0, 255)	0
E06: IIC	(0, 255)	0
E07: HDMI	(0, 255)	0
E08: DIGITAL	(0, 255)	0
E09: TUNER	(0, 255)	0
E10: SP	(0, 255)	0
E11: WCG PORT	(0, 255)	0
E12: WCG IIC	(0, 255)	0
E13: RTC	(0, 255)	0
WORKING TIME		
HOURS	(0, 65535)	1
MINUTES	(0, 59)	0

IF ADJUST		
Automute		0
Audio Gain		0
L Gating		0
Coincidence		0
AFT window		1
AFT Status	0111	
AGC TOP	(-16, +15)	+0

**3-2. TT MODE**

TT mode is available by setting the TV for operation in Service Mode [ As shown on Page 17 ] , OSD 'TT' appears. The functions described below are available by selecting the two numbers. To release the 'Test mode 2', press 00, 10, 20 ... twice or switch the TV set into Stand-by mode. In 'TT Menu' mode, it is possible to remove the Menu from the screen by pressing the Speaker Off button once. Pressing the Speaker OFF button a second time will cause the Menu to reappear. The function is kept even when the menu is not displayed on screen !!.

00	'TT' mode off
03	Set volume to 35%
04	Set volume to 50%
05	Set volume to 65%
06	Set volume to 80%
07	Ageing mode (TV key switches off)
08	Shipping Condition
16	Picture level 50%
19	Factory toggle mode ("Fact" or "Norm")
24	UK Destination
25	AEP Destinations
27	CBA mode toggle (On for factory mode)
31	ECS mode toggle (ON/OFF)
32	Set BCN channels preset
34	WCG configuration toggle
36	Clock display toggle
37	Hotel mode toggle
38	OTRUM mode
39	Enable Digital Test
41	Re-initialise NVM
43	Select Dual Sound "A"
44	Select Dual Sound "B"
45	Select Dual Sound "Mono"
46	Select Dual Sound "Stereo"
48	Set NVM as non-virgin (CH59 only)
49	Set NVM as virgin (CH59 only)
51	Watchdog toggle
52	WCG restore
53	WCG user functionality
54	Tuner toggle
55	Audio delay toggle
56	Reset all channel attenuation
58	Chip select toggle

59	Visual I2C toggle
61	Auto AGC
63	AM from baseband (AFRIC dem) or from RF (MSP dem)
64	HDMI number of inputs (2 or 3)
65	DDC enable
66	HDMI EDID WP enabled
67	MSP Auto Carrier Mute function enable/disable
68	Set 26" settings AUO panel
69	Set 32" settings AUO panel
71	Set 40" settings Samsung panel
72	Set 46" settings Samsung panel
75	Set centred balance
76	Set volume to maximum
77	Set volume to minimum
78	Set balance full left
79	Set balance full right
81	Digital BER display
82	Digital Service menu
83	Digital colour bar output from DENC
84	TS CI path through
85	Digital tuner power down (Only 1 power cycle,default is no power down)
86	Switch between two digital SW banks
87	Local keys test
88	Digital shipping conditions (Clear tune database)
89	LED test
91	OAD enable/disable toggle
92	TS CI path through with Reed Solomon off
93	LNA toggle
94	Spread spectrum toggle
96	Digital debug output enable/disable
97	Digital 656 output enable/disable
98	Digital auto reset function enable/disable
99	Display error and working time menu

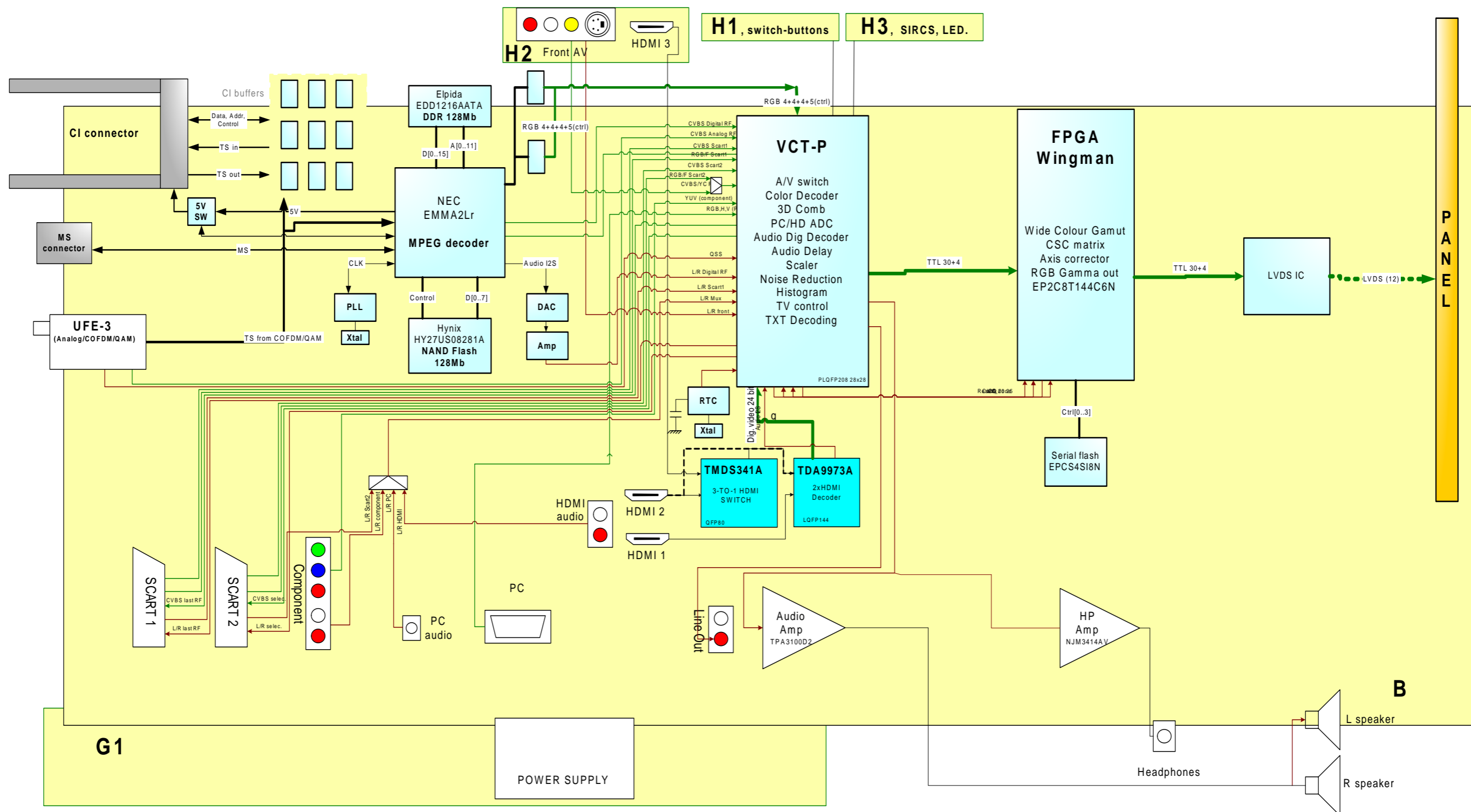
**3-3. TT OSD Labels**

				4	0	*	(1)	A	E	P	(2)					(3)	T	T	-	-
	E	C	S	(4)	C	B	A	(5)								(6)	N	o	r	m
	D	D	C	(7)	3	(8)	E	(9)	O	(10)	H	(11)	D	(12)	C	(13)	M	(14)	S	(15)
	C	I	k	(16)	T	(17)	W	(18)					C	(19)	V	(20)	D	(21)	K	(22)
	W	c	g	(23)	O	f	f	(24)												

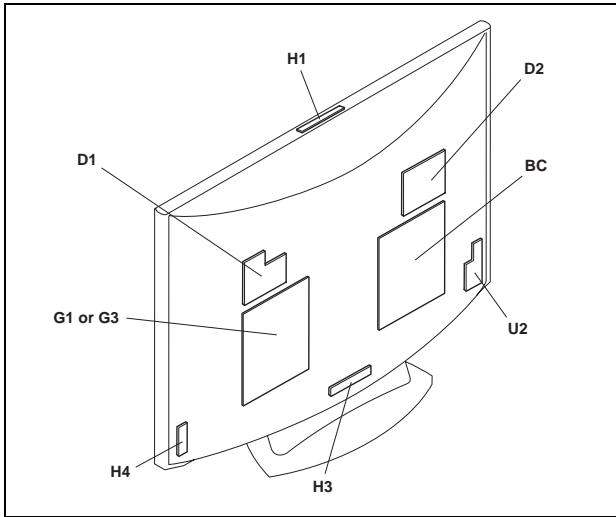
**Key:**

1. Model configuration.
  - a. To set 32" AUO (TT69).
  - b. To set 40" Samsung (TT71).
  - f. To set 46" Samsung (TT72).
2. Destination: in SE1A chassis, pan-european destination (AEP) and UK (U) are available.
3. TT-- command prompt.
4. ECS/---: ECS enabled/disabled (TT31).
5. CBA/--: CBA is shown when the TV set is in CBA mode (This mode is available from Factory mode) (TT27).
6. Norm/Fact: Normal or Factory mode (TT19).
7. DDC/---: DDC enabled/disabled (TT65).
8. 2/3: 2 or 3 HDMI inputs toggle (TT64).
9. E/-: E is shown when EDID WP is enabled; - is shown otherwise (TT66).
10. O/-: O is shown when OTRUM is enabled; - is shown otherwise (TT38).
11. H/-: H is shown when Hotel mode is enabled; - is shown otherwise (TT37).
12. D/-: D is shown when Digital mode is enabled; A is shown when Analogue mode is enabled (Forced to digital).
13. C/-: C (Default value) is shown when MSP Auto Carrier Mute function is enabled; - is shown otherwise (TT67).
14. M/A: M (Default value) is shown when AM sound is demodulated in MSP; A is shown when AFRIC demodulator is used (TT63).
15. S/A: S is shown when a Samsung panel is used; A is shown when a AUP panel is used. This option is linked with the panel size.
16. Clk/-: Clk is shown when display clock is enabled; - is shown otherwise (TT36).
17. T/-: T is shown when digital test is enabled; - is shown otherwise (TT39).
18. W/-: W is shown when watchdog is enabled; - is shown otherwise (TT54).
19. C/-: C is shown when chip select is enabled; - is shown instead (This mode is available from factory mode) (TT58).
20. V/-: V is shown when Visual I2C is enabled; - is shown otherwise (TT59).
21. D/-: D is shown when audio delay is enabled; - is shown otherwise (TT55).
22. K/-: K is shown when spread spectrum is enabled; - is shown otherwise (TT94).
23. Wcg/-: Wcg is shown when wide colour gamut device is enabled; - is shown otherwise (TT34).
24. On/Off: If WCG device is enabled , On is shown when full WCG functionality is allowed to the user; Off is shown otherwise, hiding "Colour Space" option in the menu (TT53).

4-1. BLOCK DIAGRAM



## 4-2. CIRCUIT BOARD LOCATION


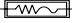









## 4-3. SCHEMATIC DIAGRAMS AND PRINTED WIRING BOARDS


### Note :


- All capacitors are in  $\mu\text{F}$  unless otherwise noted.
- $\text{pF}$  :  $\mu\text{F}$  50WV or less are not indicated except for electrolytic types.
- Indication of resistance, which does not have one for rating electrical power, is as follows.

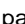
Pitch : 5mm  
Electrical power rating : 1/4W


- Chip resistors are 1/10W
- All resistors are in ohms.  
k = 1000 ohms, M = 1000,000 ohms
-  : nonflammable resistor.
-  : fusible resistor.
-  : internal component.
-  : panel designation or adjustment for repair.
- All variable and adjustable resistors have characteristic curve B, unless otherwise noted.
- All voltages are in Volts.
- Readings are taken with a 10Mohm digital mutimeter.
- Readings are taken with a color bar input signal.
- Voltage variations may be noted due to normal production tolerances.
-  : B + bus.
-  : B - bus.
-  : RF signal path.
-  : earth - ground.
-  : earth - chassis.

## Reference Information

RESISTOR	RN	: METAL FILM
	RC	: SOLID
	FPRD	: NON FLAMMABLE CARBON
	FUSE	: NON FLAMMABLE FUSIBLE
	RS	: NON FLAMMABLE METAL OXIDE
	RB	: NON FLAMMABLE CEMENT
	RW	: NON FLAMMABLE WIREWOUND
		: ADJUSTMENT RESISTOR
COIL	LF-8L	: MICRO INDUCTOR
CAPACITOR	TA	: TANTALUM
	PS	: STYROL
	PP	: POLYPROPYLENE
	PT	: MYLAR
	MPS	: METALIZED POLYESTER
	MPP	: METALIZED POLYPROPYLENE
	ALB	: BIPOLAR
	ALT	: HIGH TEMPERATURE
	ALR	: HIGH RIPPLE

**Note :** The components identified by shading and marked  are critical for safety. Replace only with the part numbers specified in the parts list.

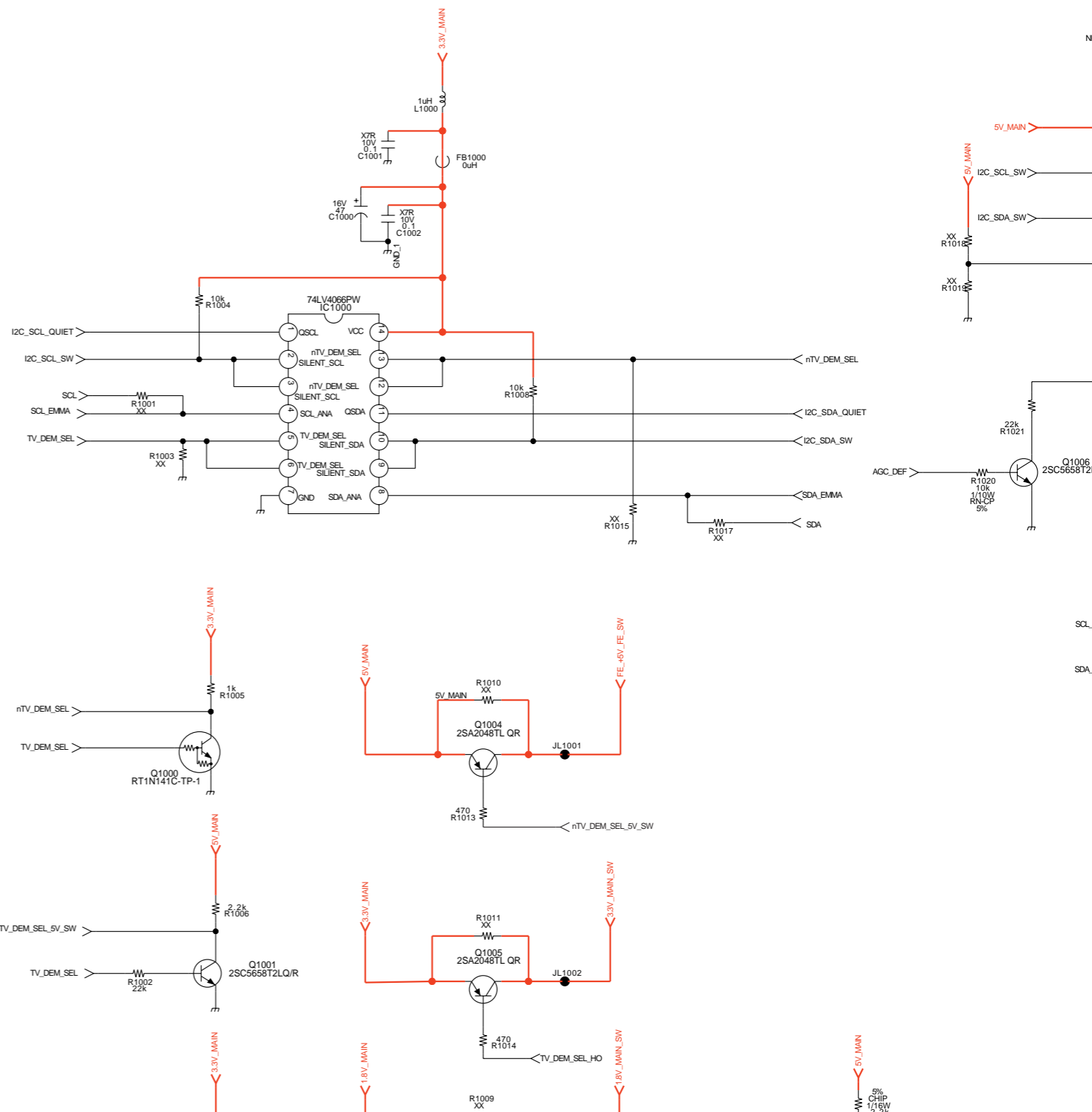
**Note :** Les composants identifiés par une trame et par une marque  sont d'une importance critique pour la sécurité. Ne les remplacer que par des pièces de numéro spécifié.

**Note :** The components identified by mark  contain confidential information. Strictly follow the instructions whenever the components are repaired and/or replaced.

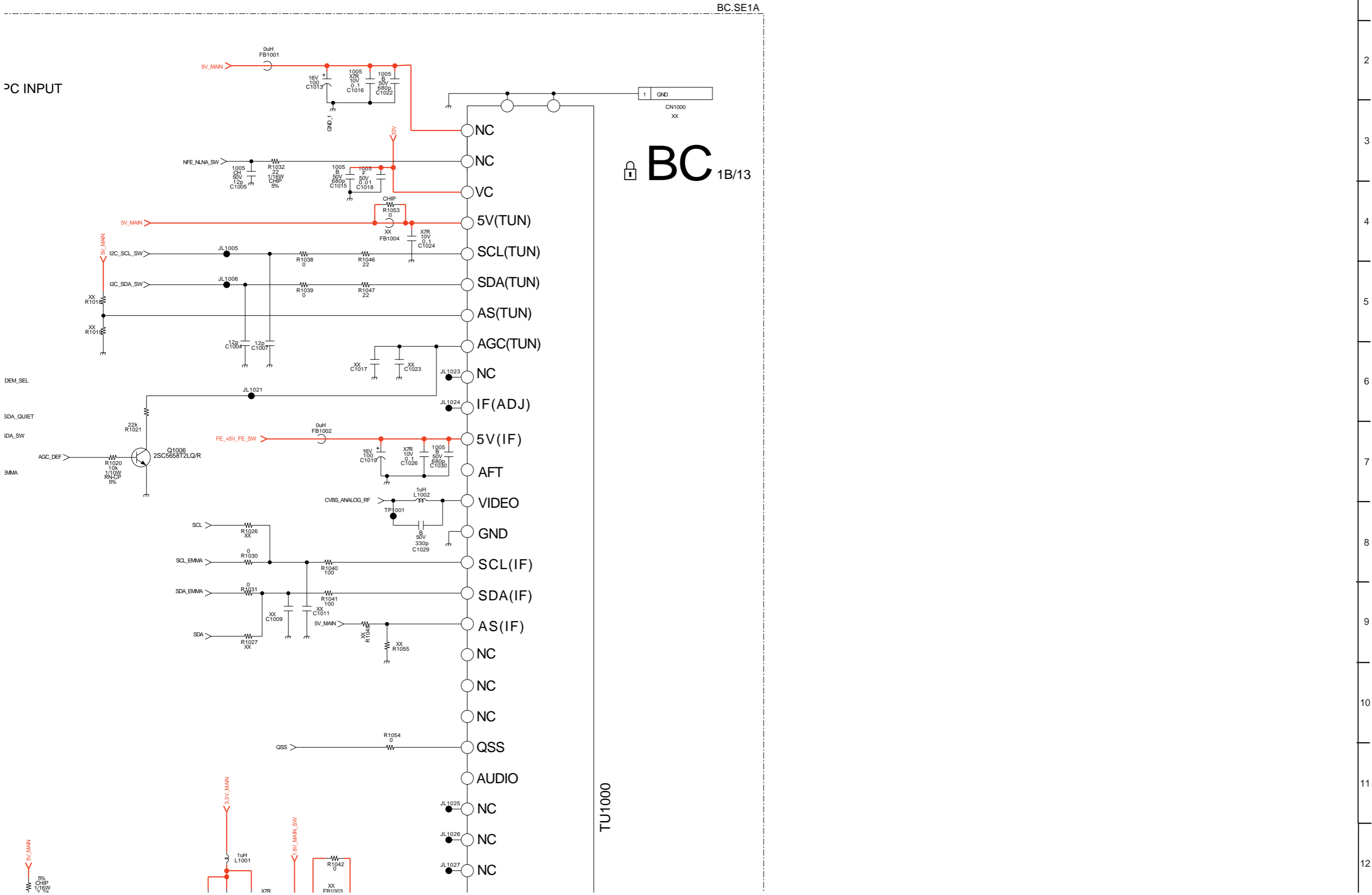
**Note: Schematic diagrams are for reference only. Please refer to the electrical parts list for the correct value and part number of components.**

BC.SE1A

# BC 1A/13 TUNER, AUDIO/VIDEO PROCESSOR, HDMI & PC INPUT



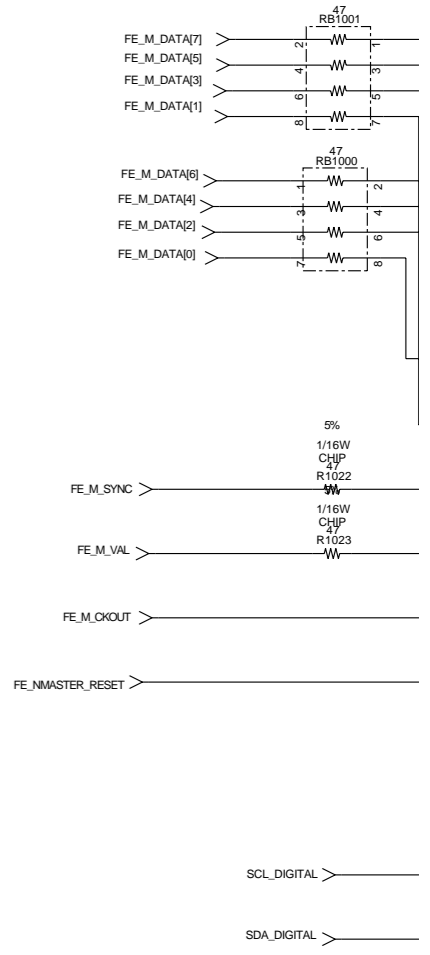
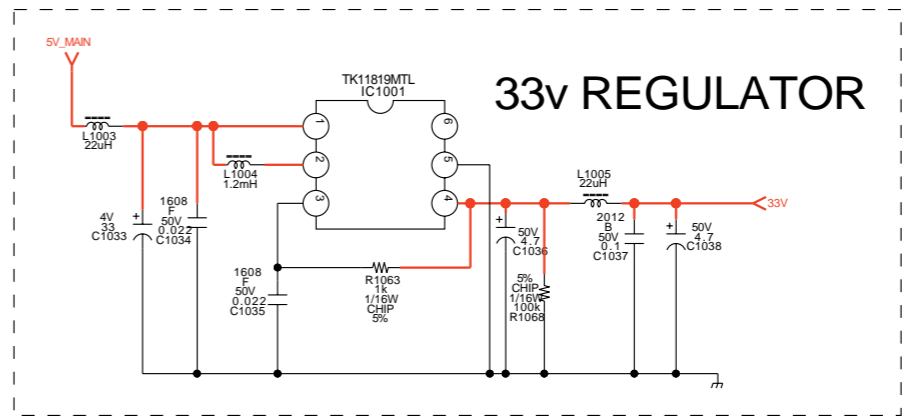
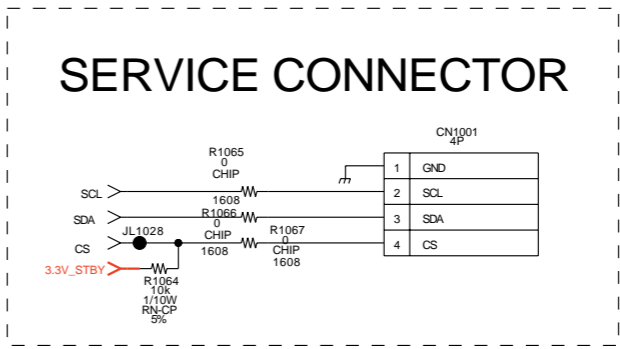
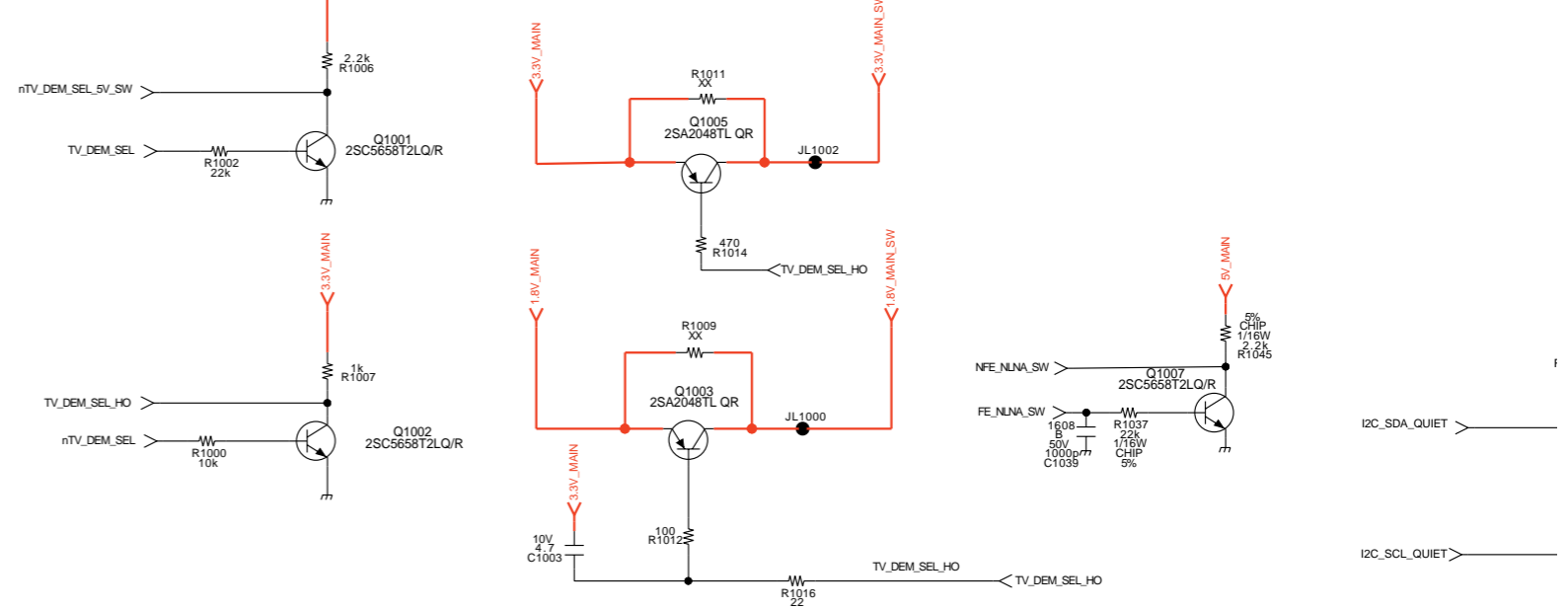
~ BC Board Schematic Diagram [ Tuner, Audio/Video Processor, HDMI & PC Input ] Page 1A/13 ~



**BC** 1B/13

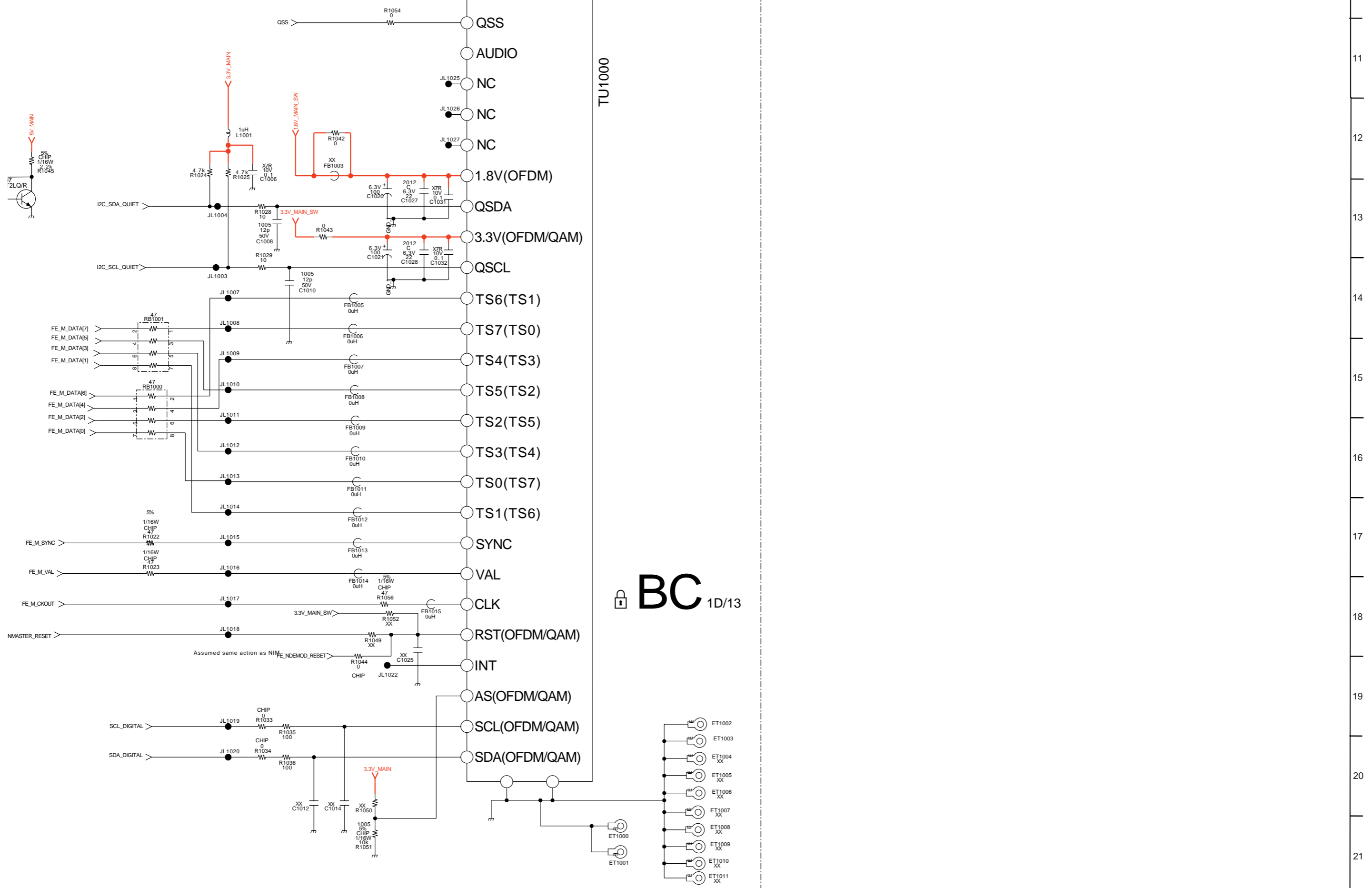


11  
12  
13  
14  
15  
16  
17  
18  
19  
20  
21  
22



**BC** 1C/13

COMPONENTS MARKED AS XX REFER TO PARTS LIST, WILL ONLY BE LISTED IF FITTED  
BC.SE1A



**BC** 1D/13

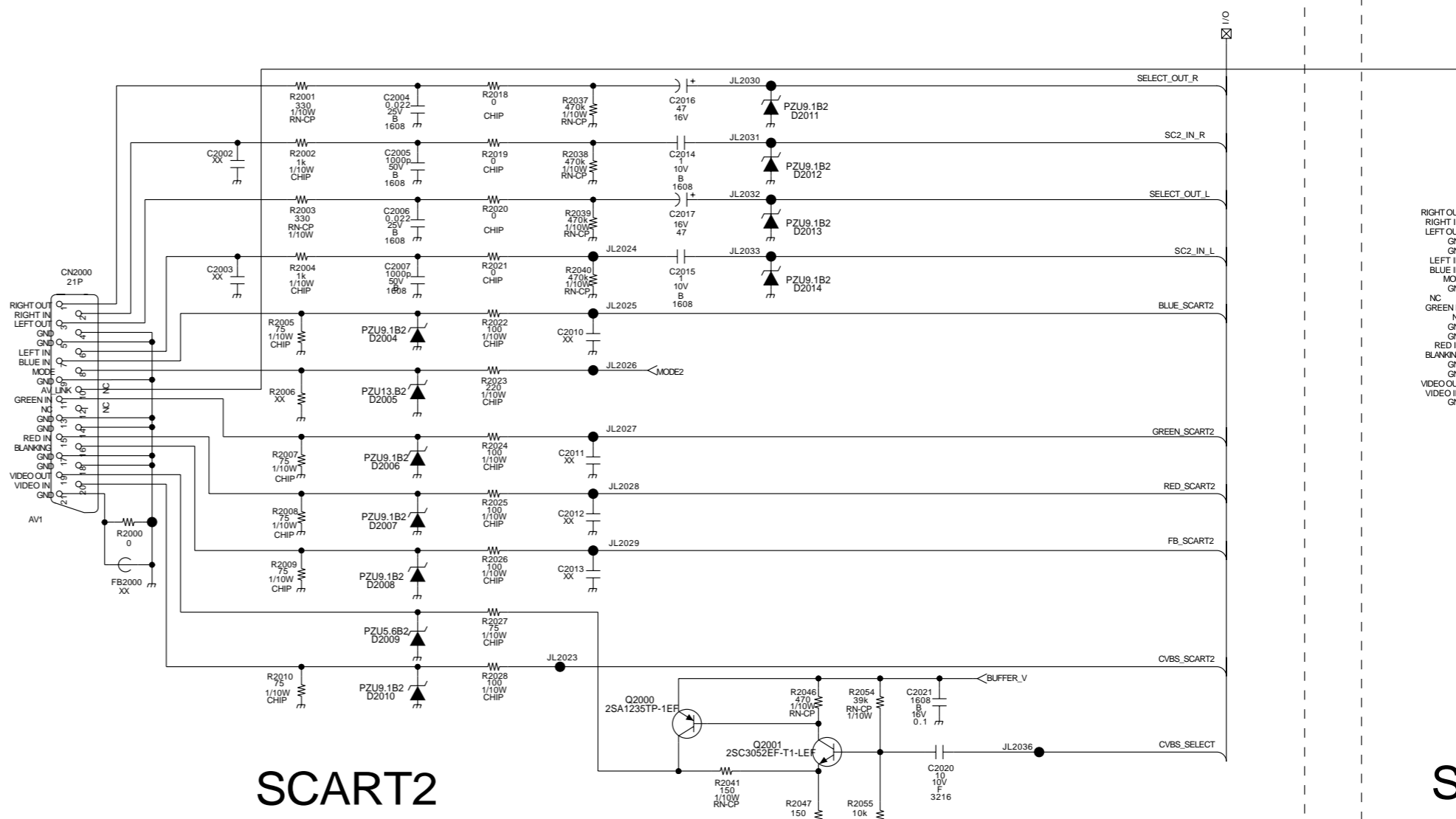
BC.SE1A

TU1000

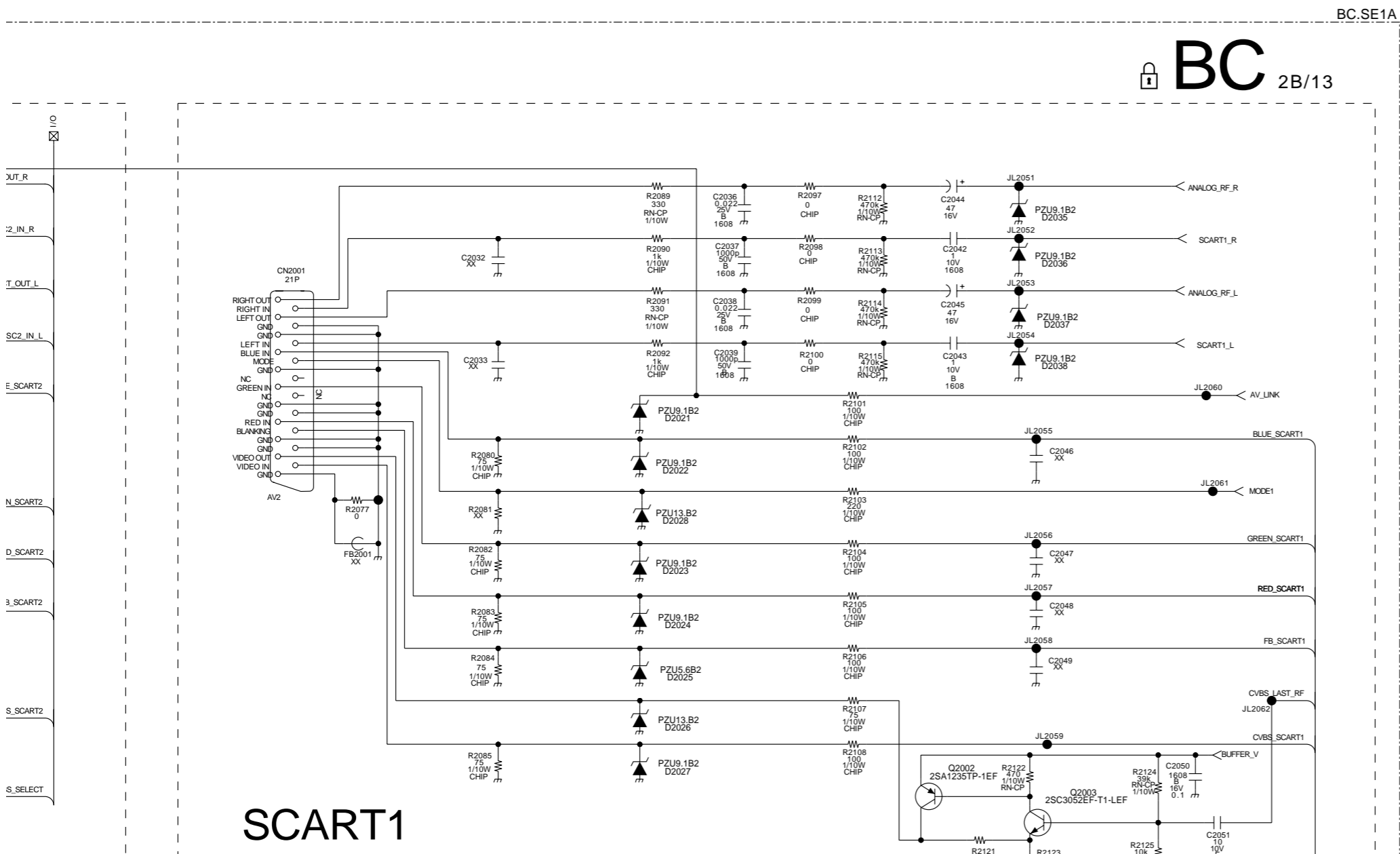
P Q R S T U V W X Y Z AA BB CC DD EE FF

BC.SE1A

# BC 2A/13

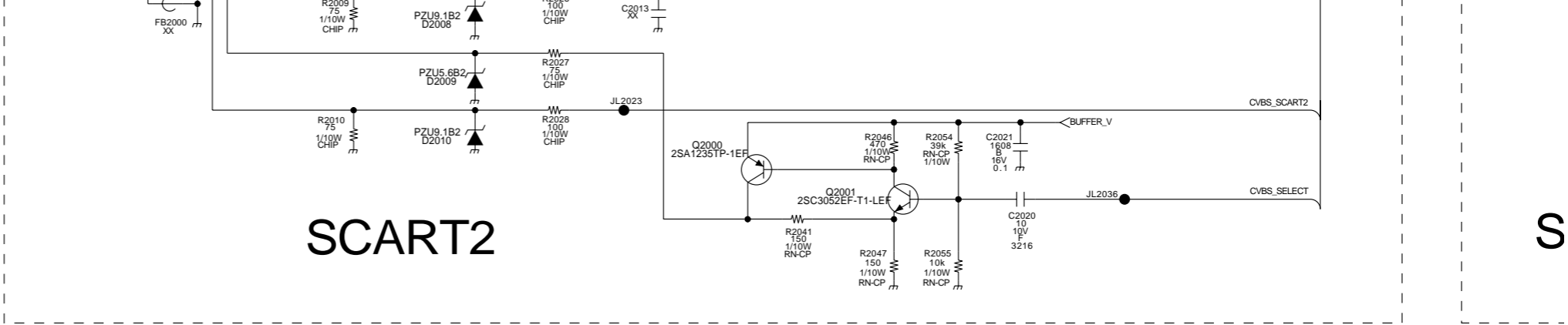


## SCART2



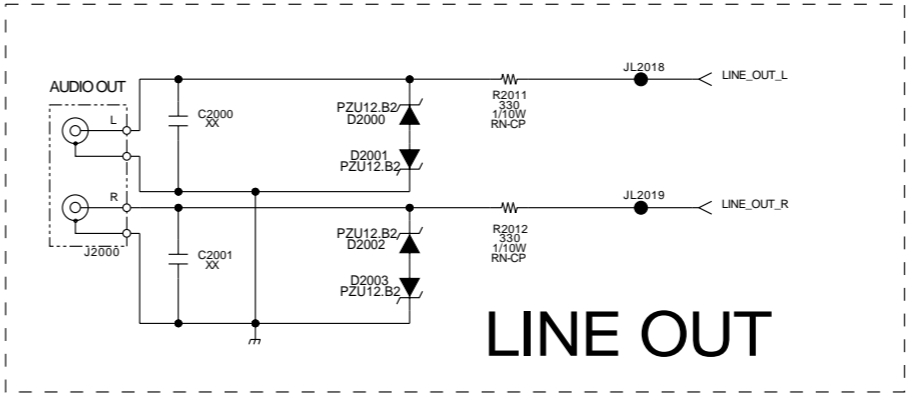
SCART1

11  
12  
13  
14  
15  
16  
17  
18  
19  
20  
21  
22

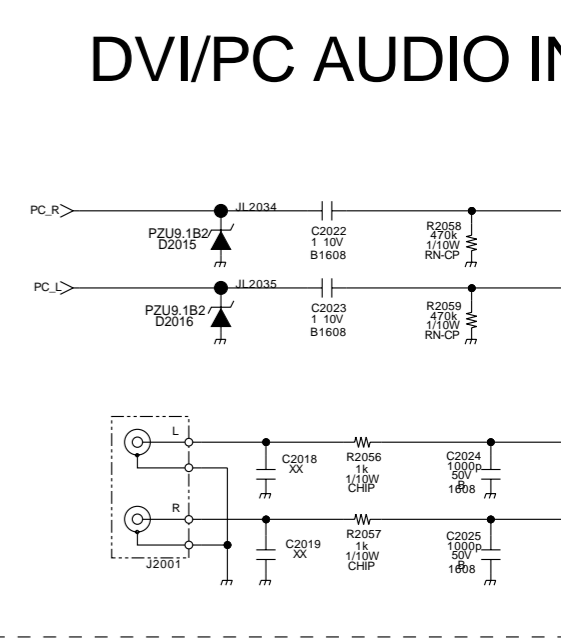


SCART2

S

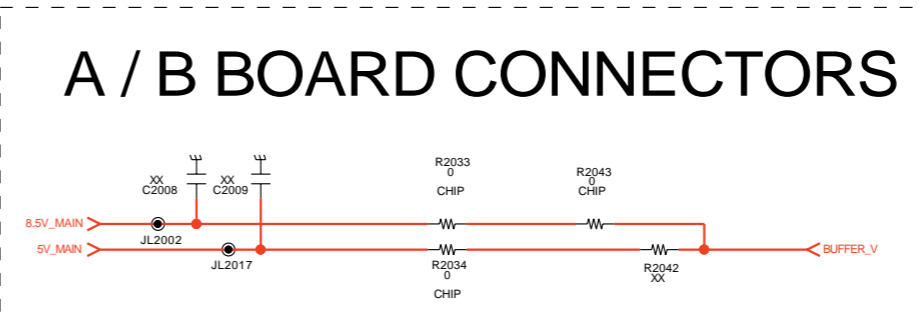


LINE OUT



DVI/PC AUDIO IN

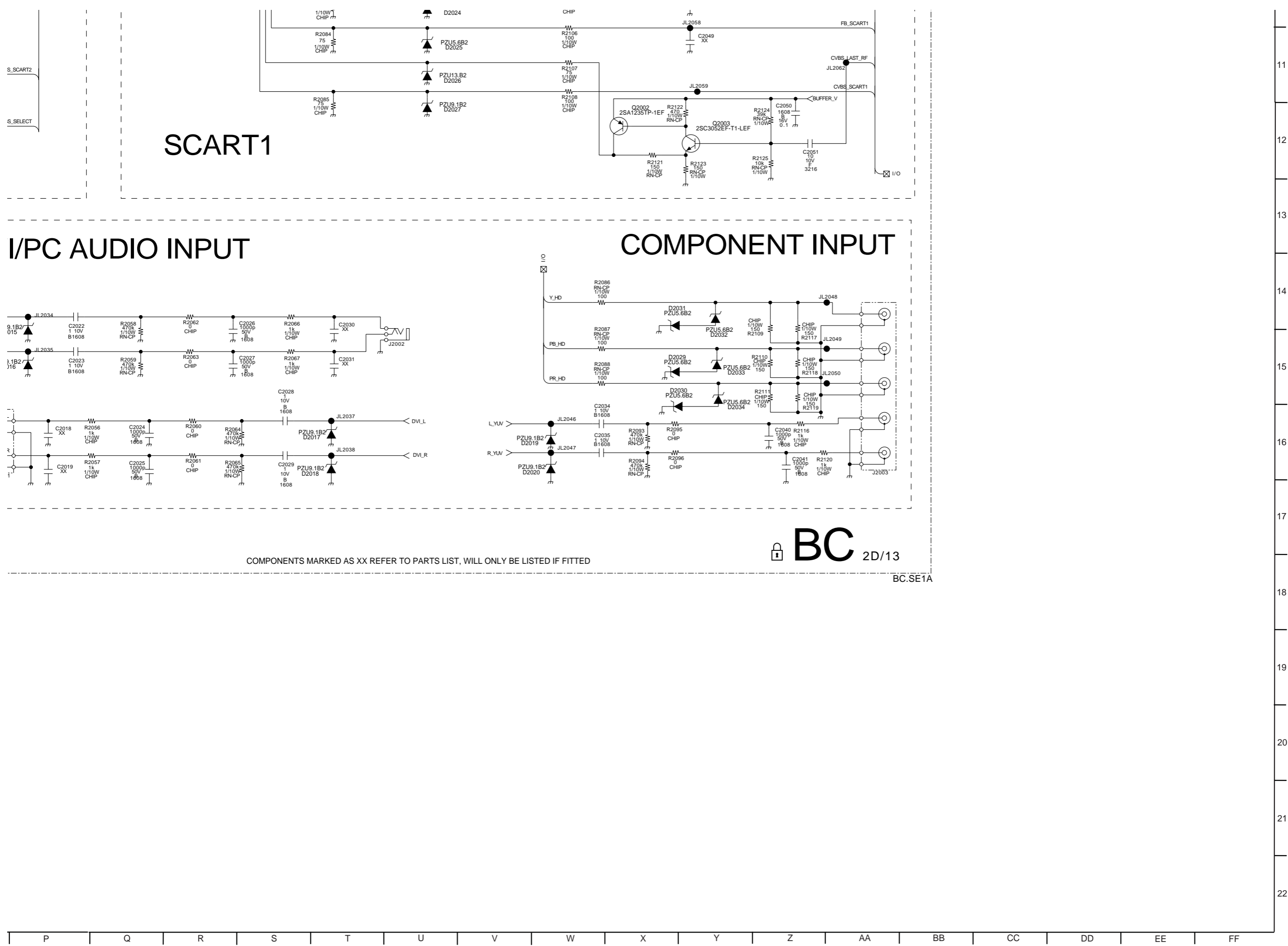
BC 2C/13



A / B BOARD CONNECTORS

BC.SE1A

A | B | C | D | E | F | G | H | I | J | K | L | M | N | O | P | Q



SCART1

I/PC AUDIO INPUT

COMPONENT INPUT

COMPONENTS MARKED AS XX REFER TO PARTS LIST, WILL ONLY BE LISTED IF FITTED

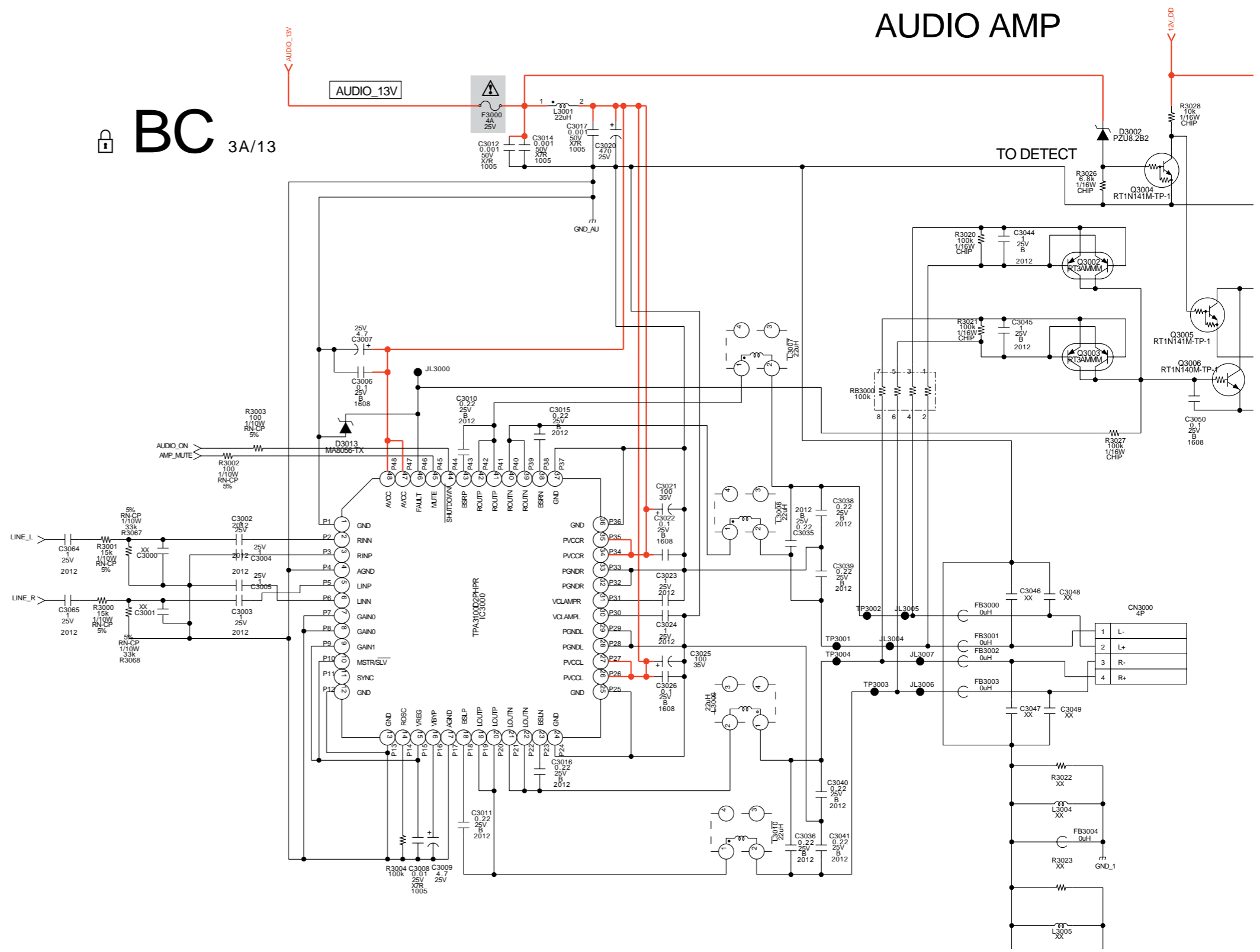
BC 2D/13

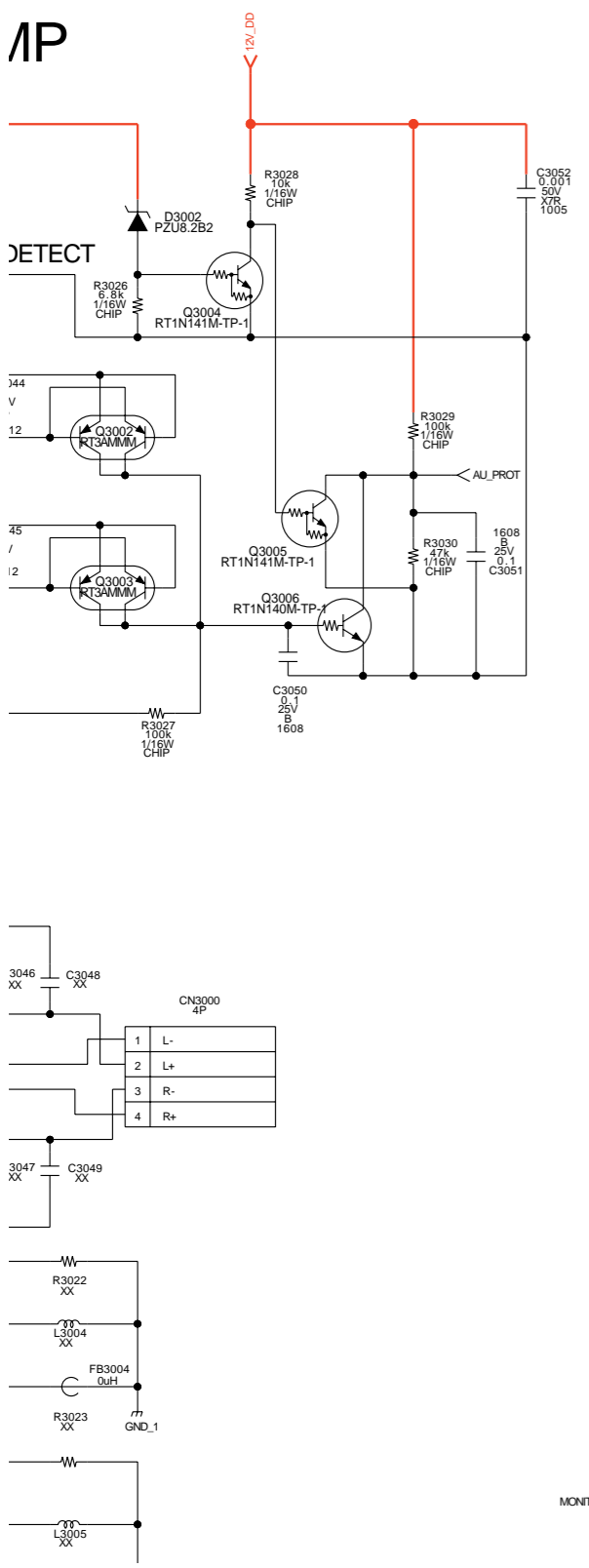
BC.SE1A

BC.SE1A

**BC** 3A/13

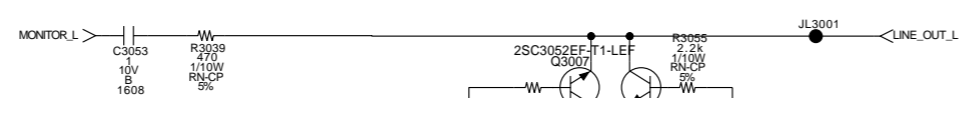
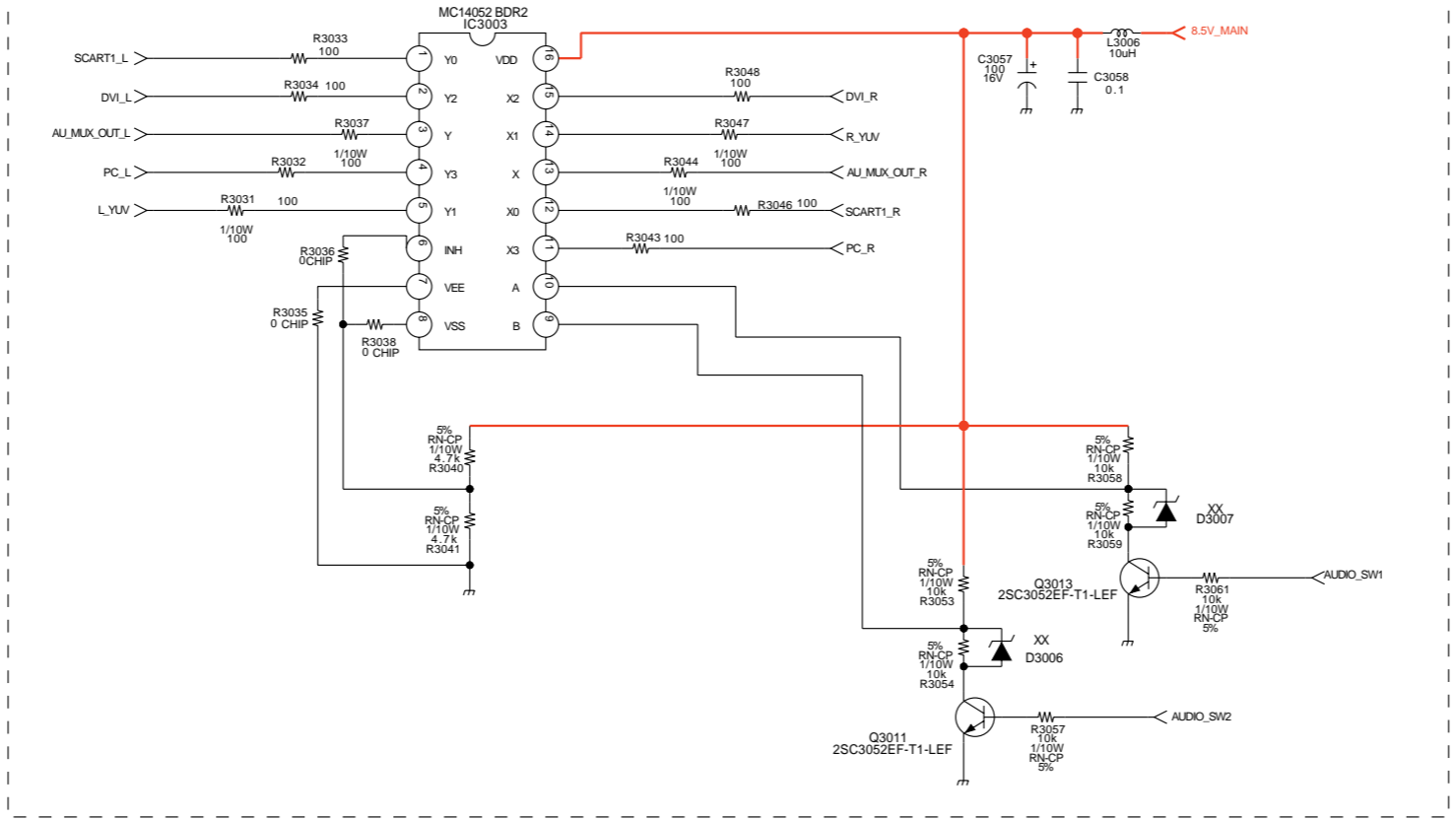
# AUDIO AMP





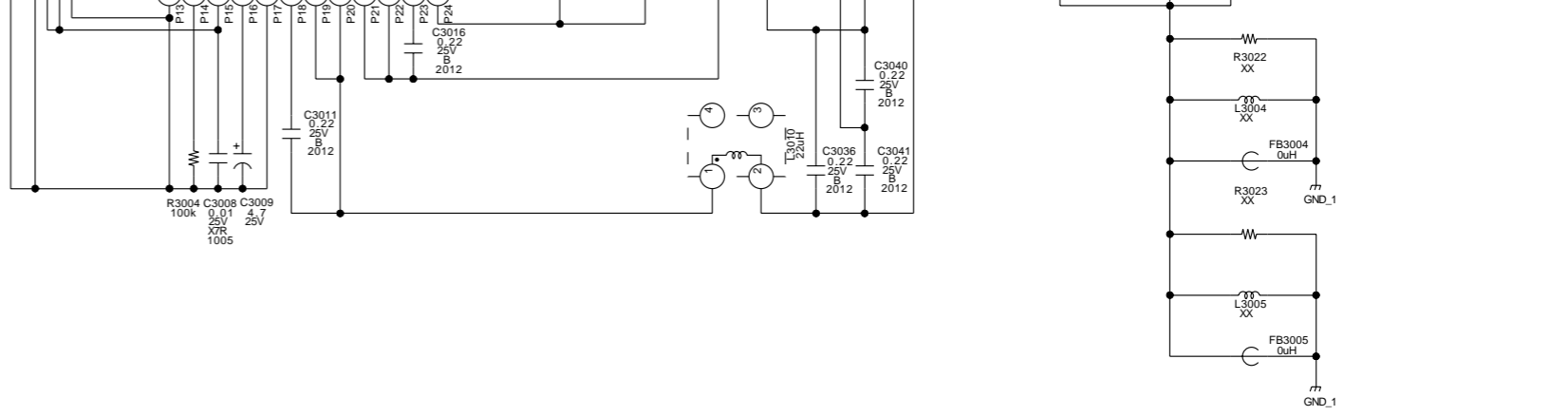
BC 3B/13

AUDIO SWITCH (PC, Component, Scart2, DVI)



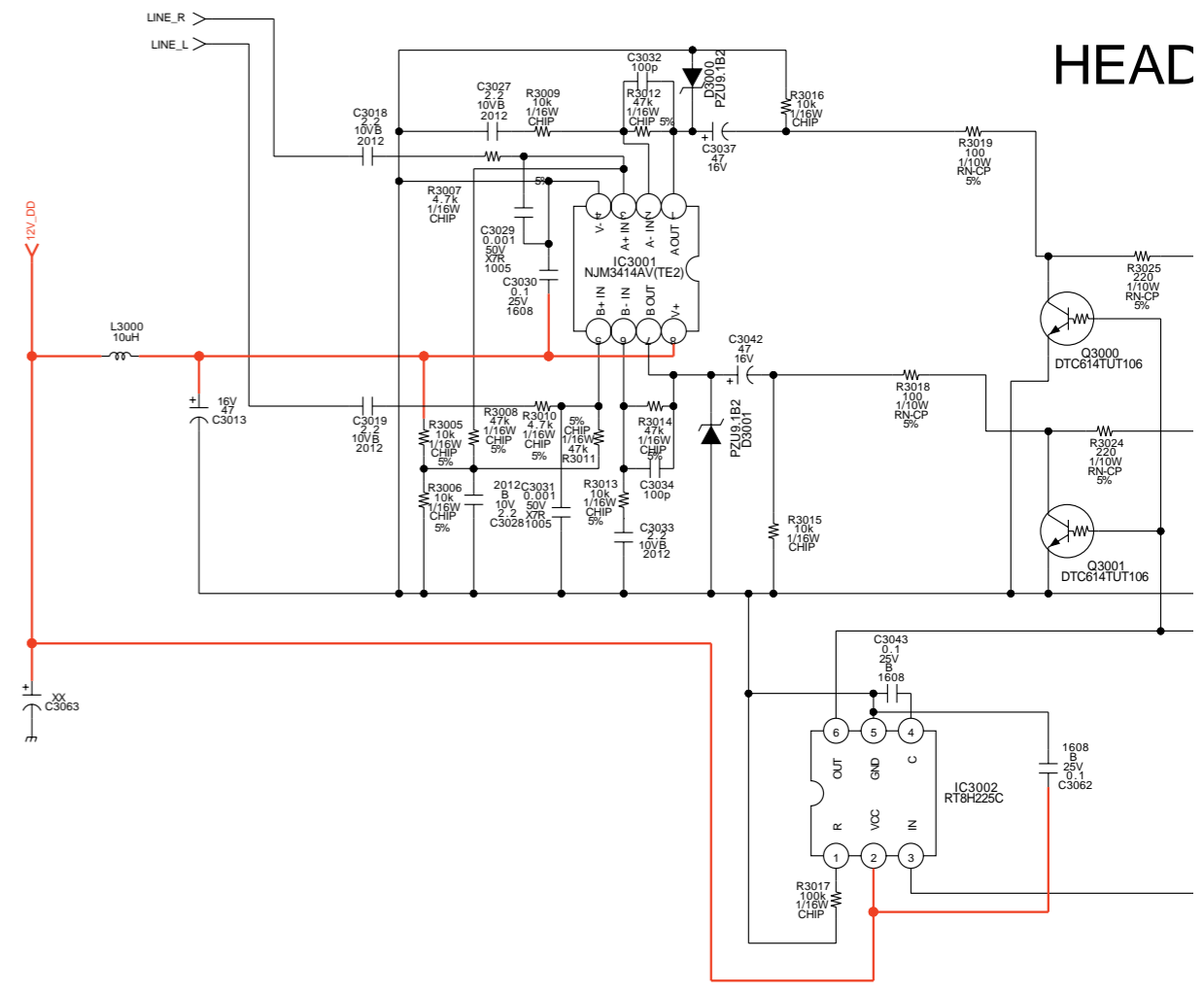


11  
12  
13  
14  
15  
16  
17  
18  
19  
20  
21  
22



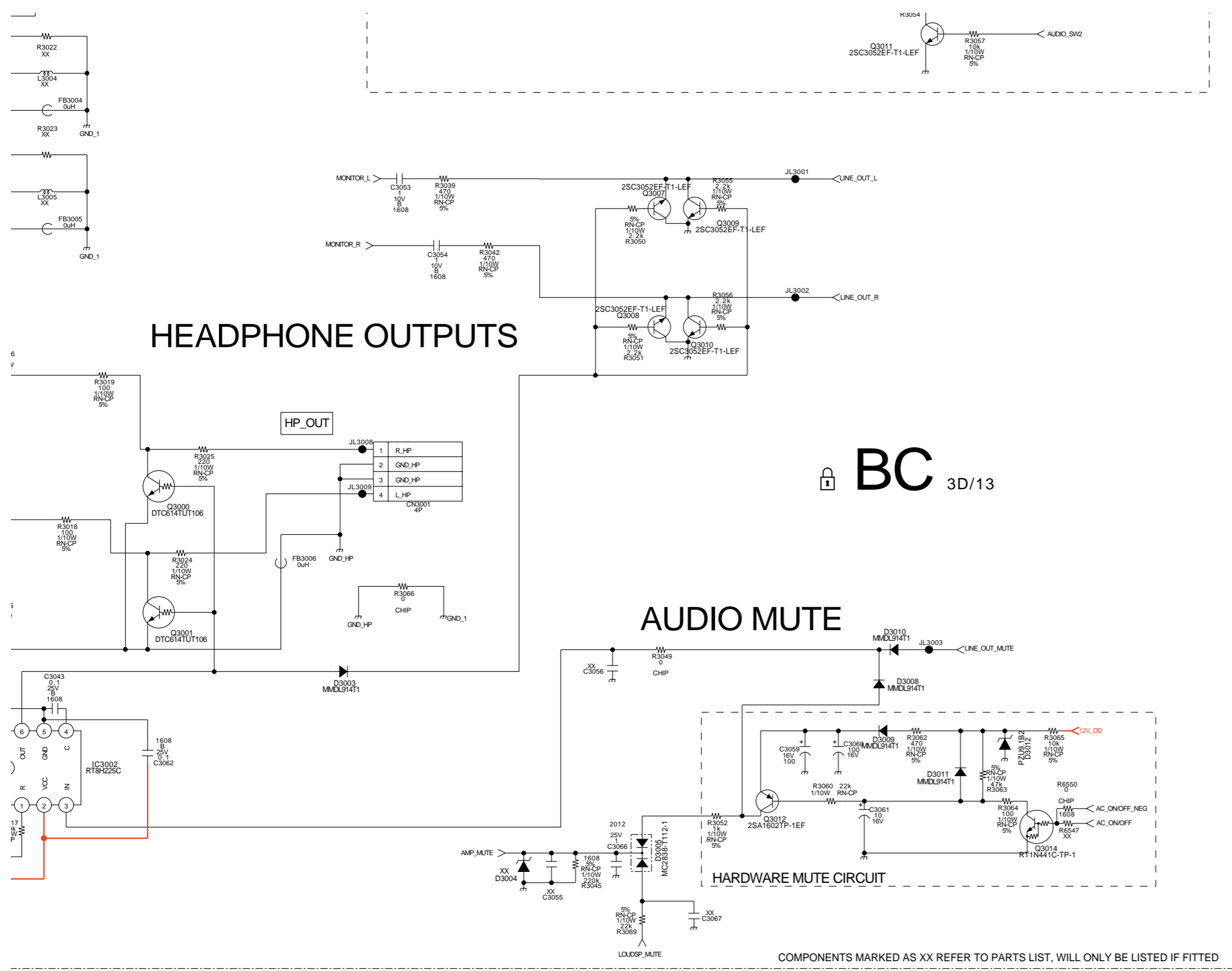
 **BC** 3C/13

**HEAD**



BC.SE1A

A B C D E F G H I J K L M N O P Q



# HEADPHONE OUTPUTS

# AUDIO MUTE

## HARDWARE MUTE CIRCUIT

BC 3D/13

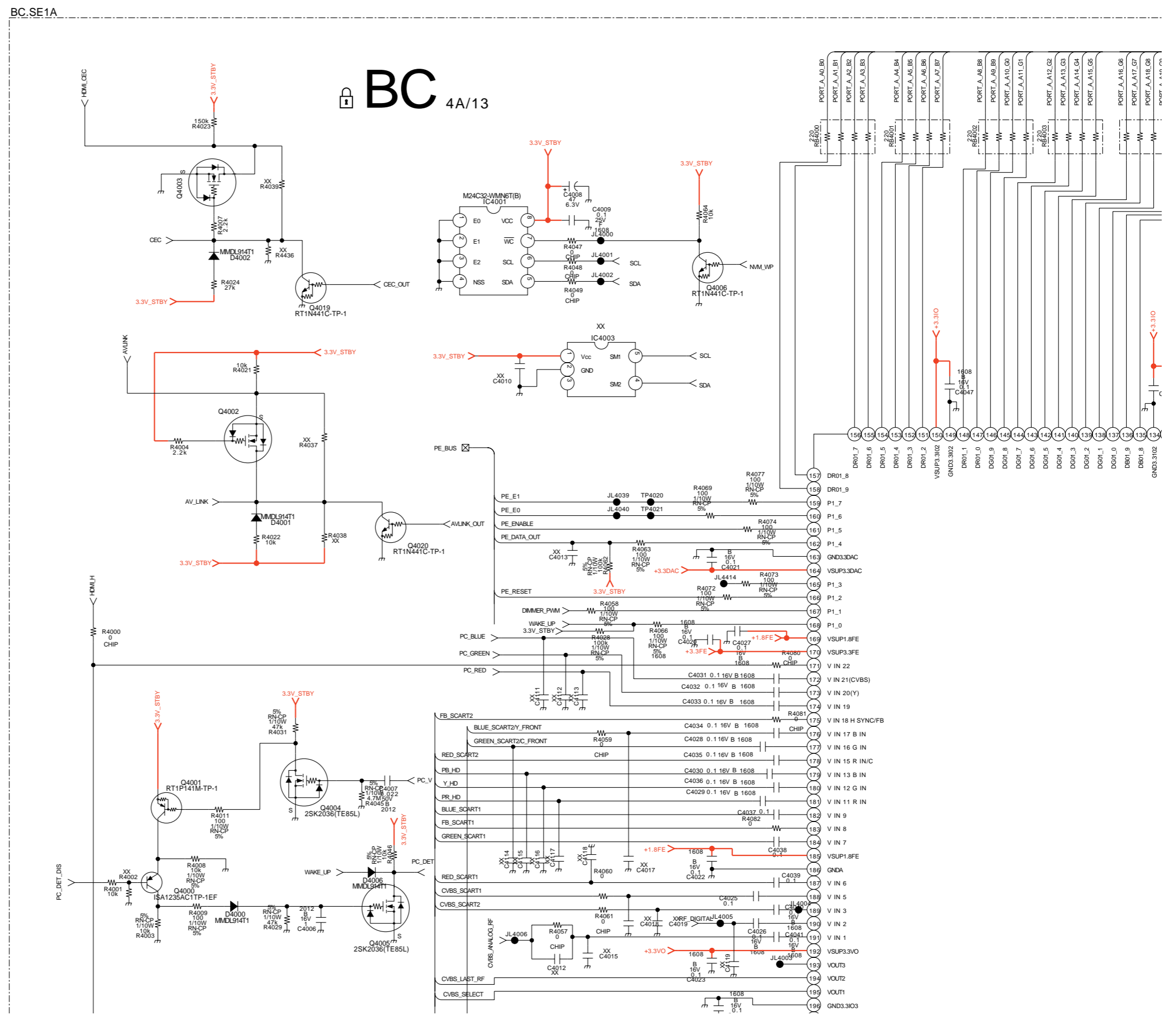
COMPONENTS MARKED AS XX REFER TO PARTS LIST, WILL ONLY BE LISTED IF FITTED

BC.SE1A

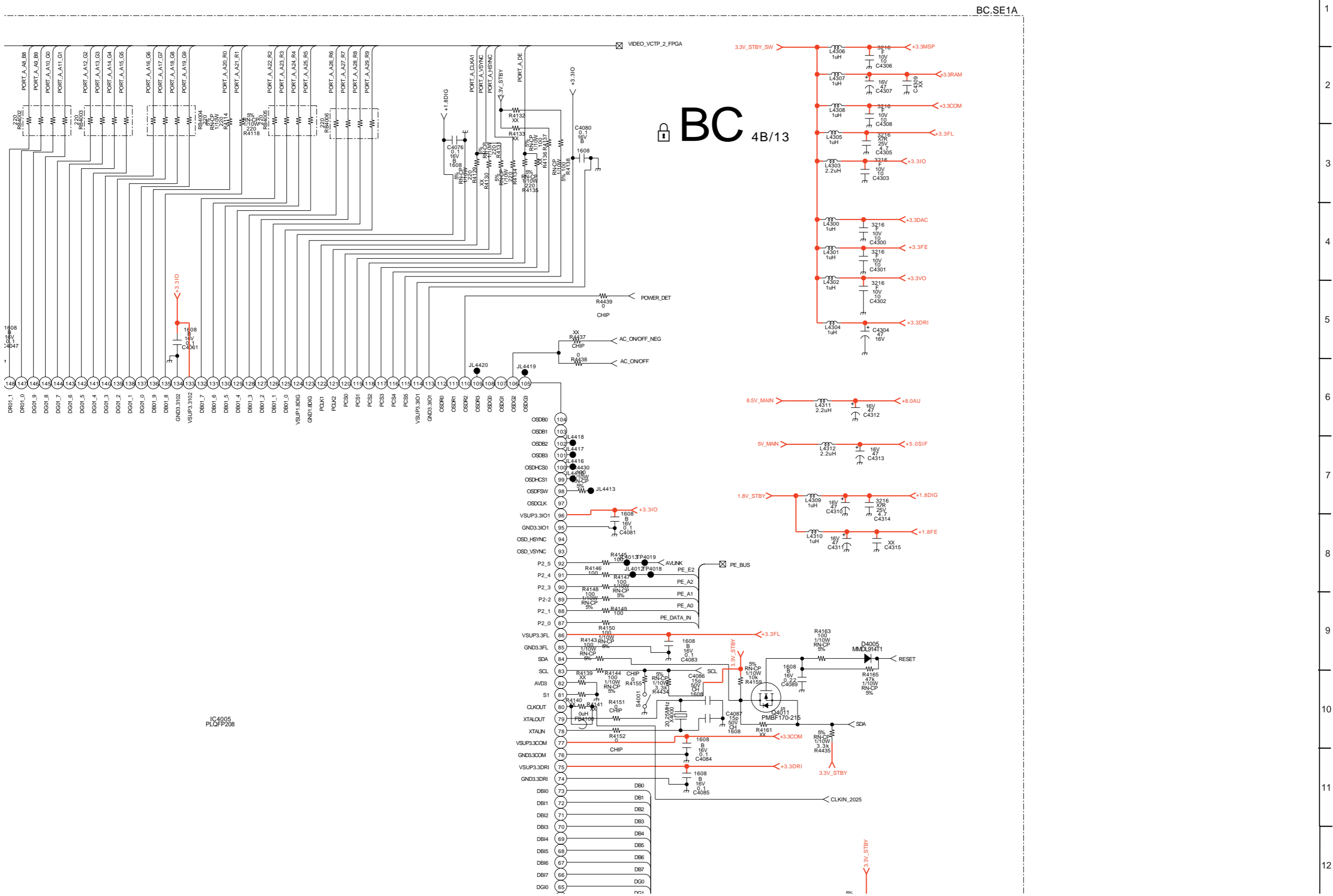
6  
v  
3  
17  
1  
2  
3  
4  
5  
6

11  
12  
13  
14  
15  
16  
17  
18  
19  
20  
21  
22

P Q R S T U V W X Y Z AA BB CC DD EE FF

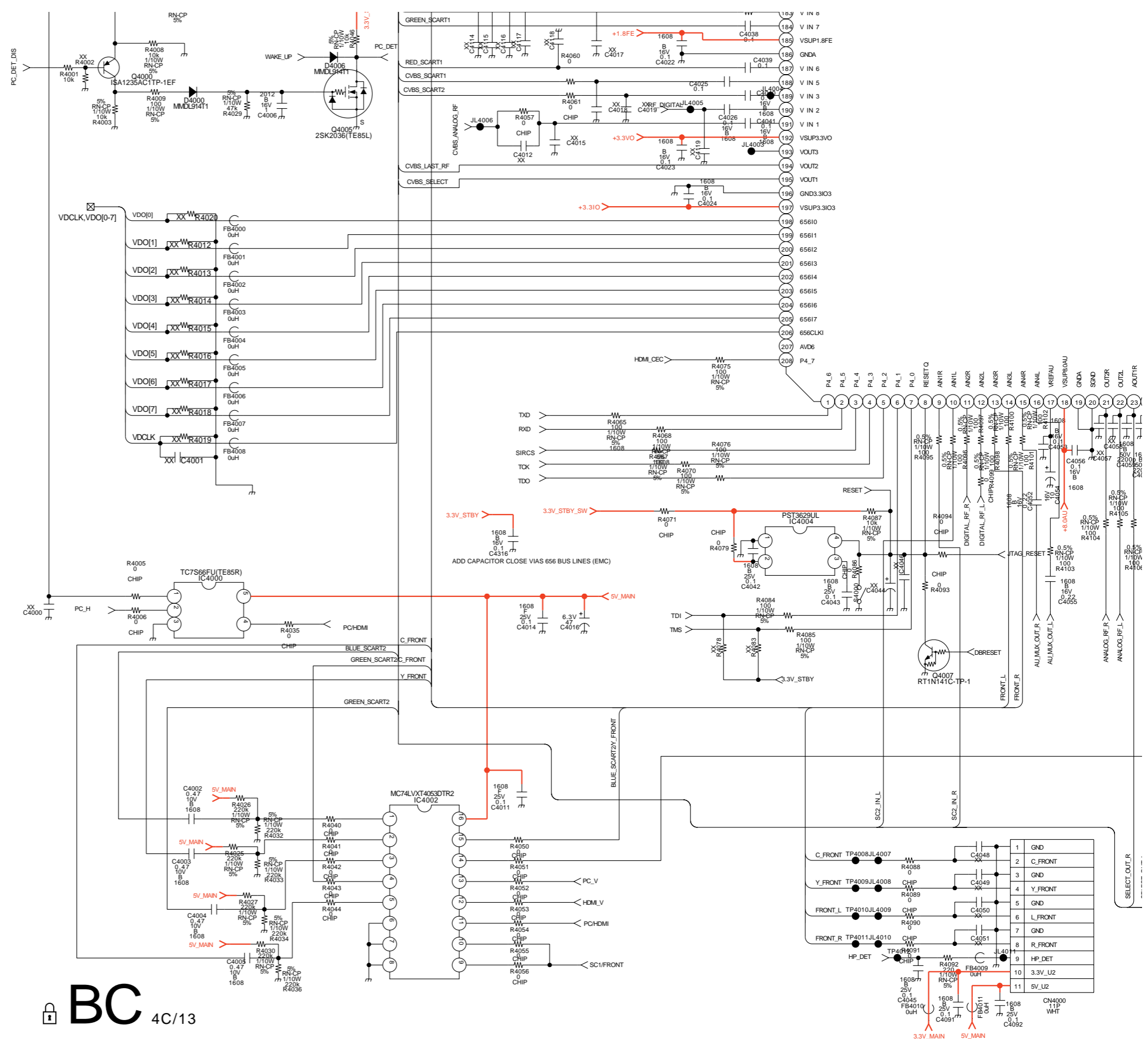


# BC 4A/13



# BC 4B/13

11  
12  
13  
14  
15  
16  
17  
18  
19  
20  
21  
22

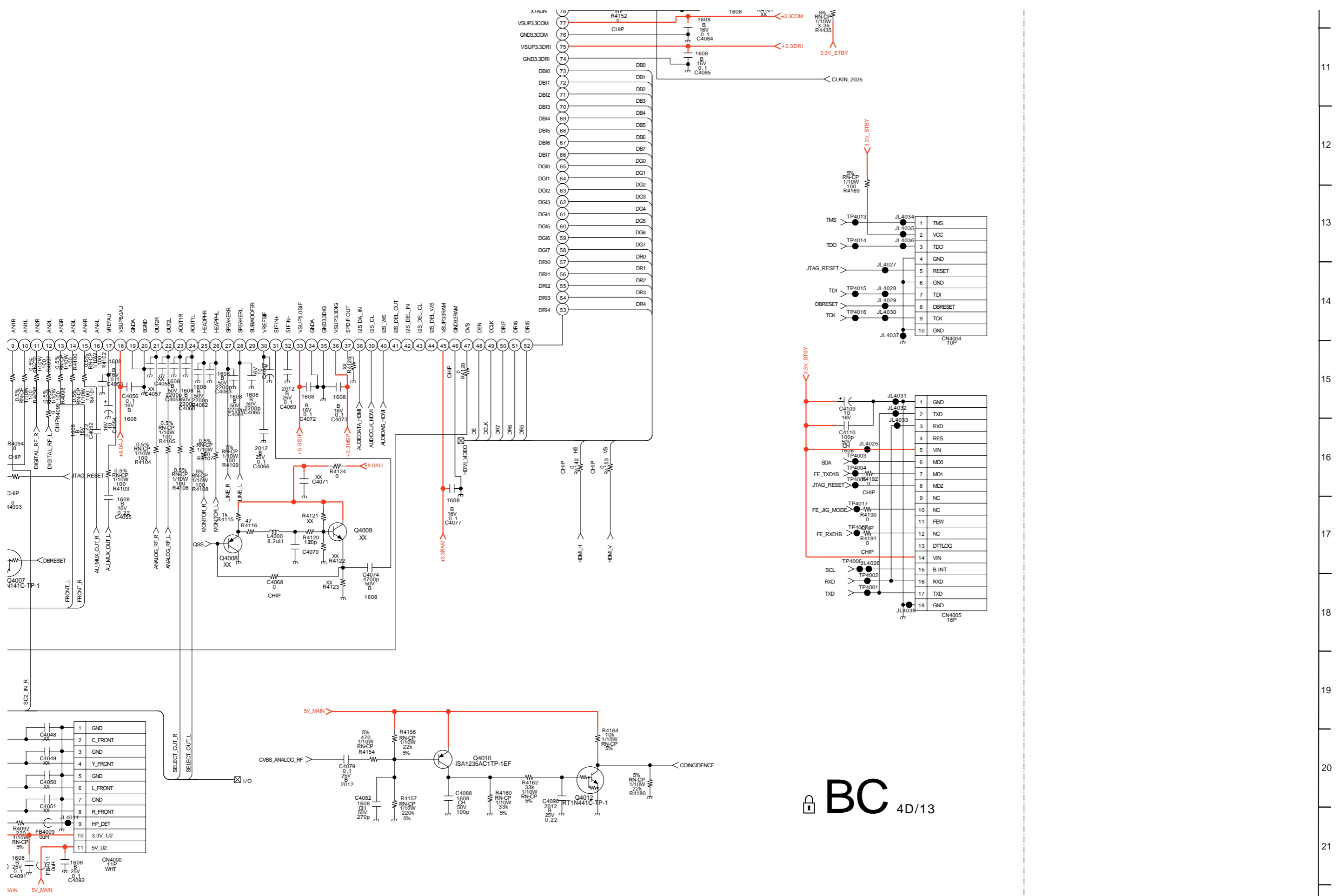


**BC** 4C/13

COMPONENTS MARKED AS XX REFER TO PARTS LIST, WILL ONLY BE LISTED IF FITTED

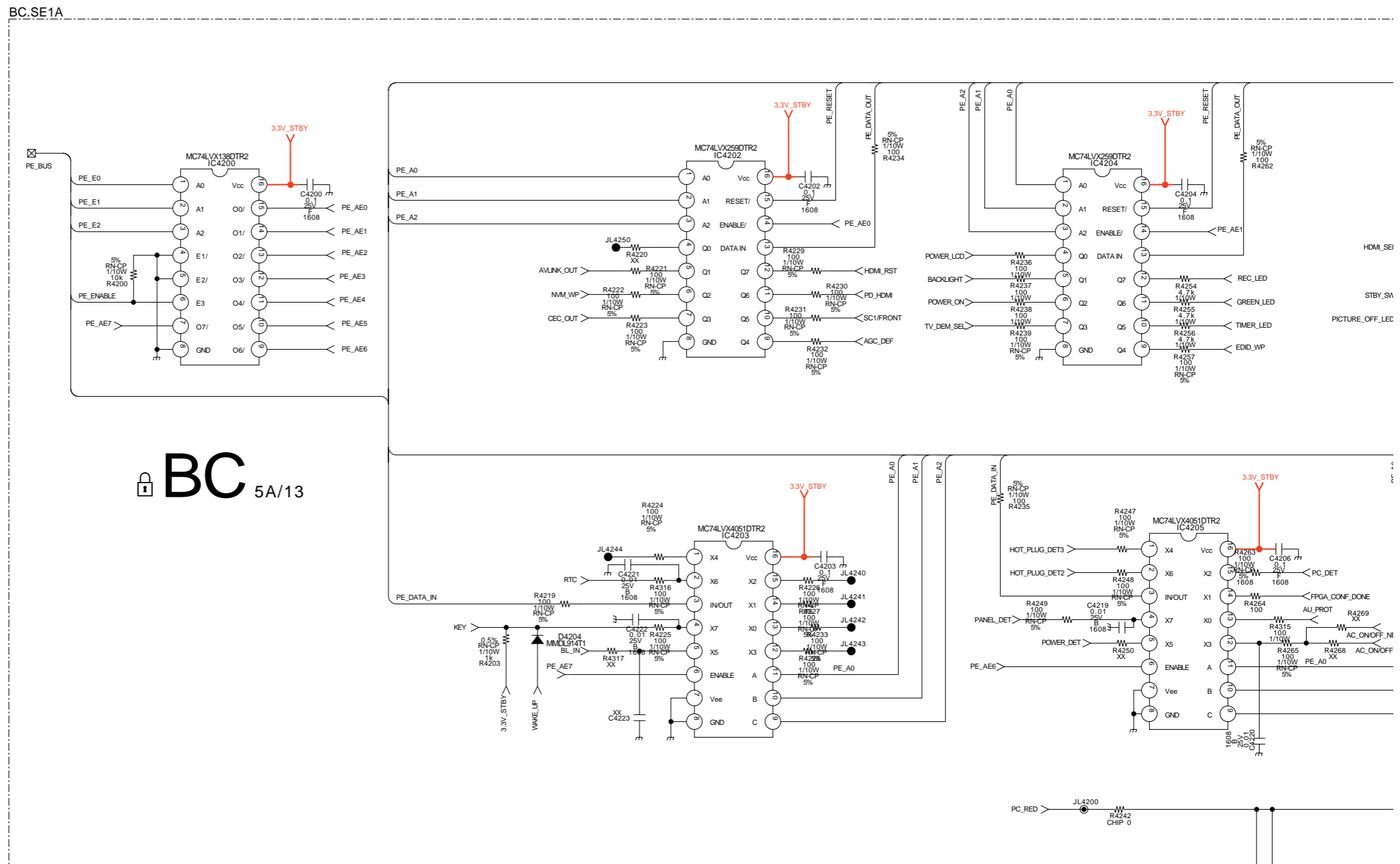
BC.SE1A

A B C D E F G H I J K L M N O P Q



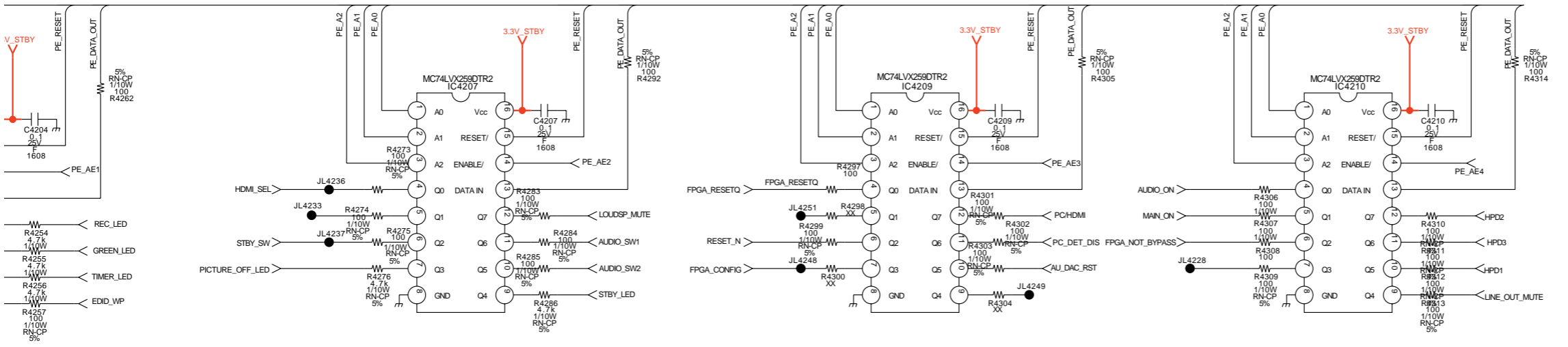
BC.SE1A



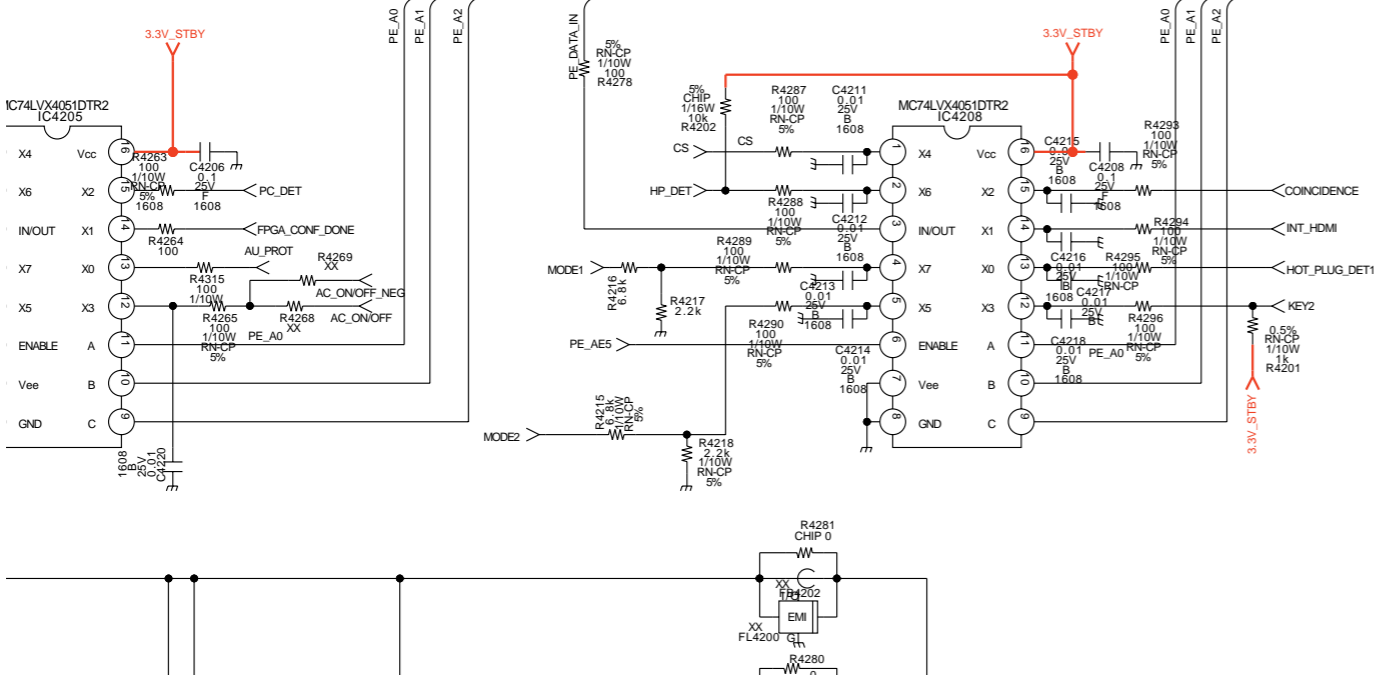


**BC** 5A/13

BC.SE1A



BC 5B/13



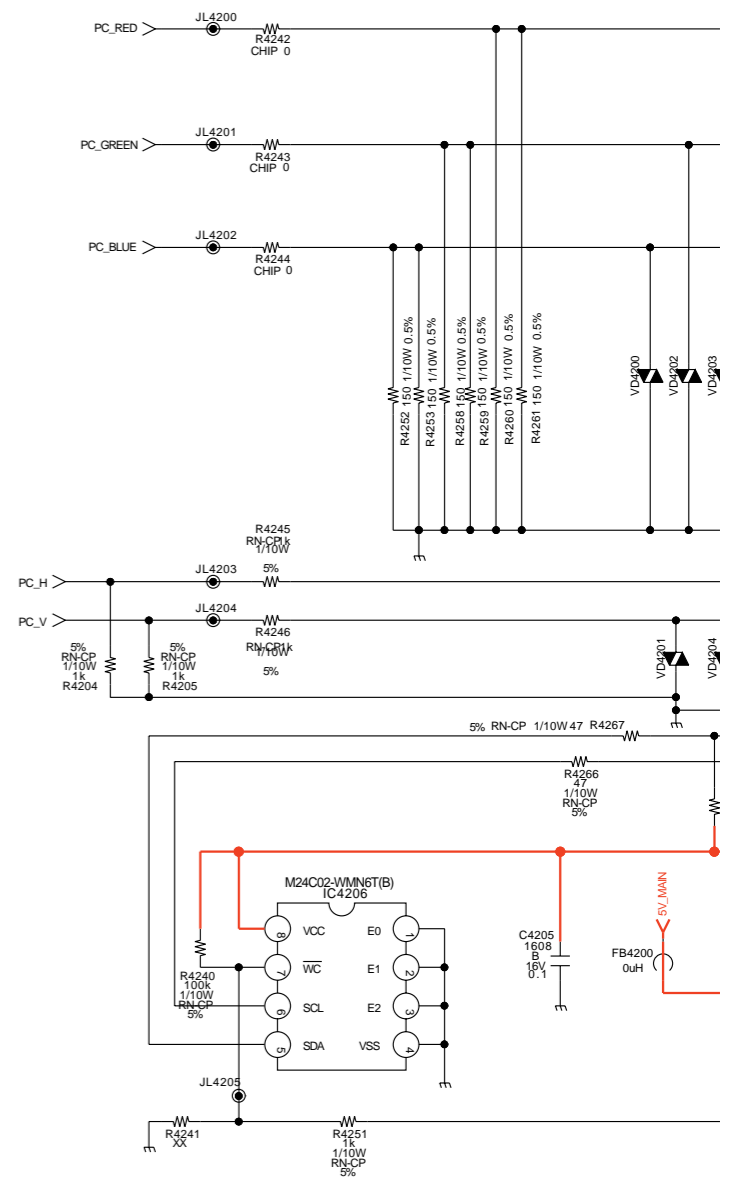
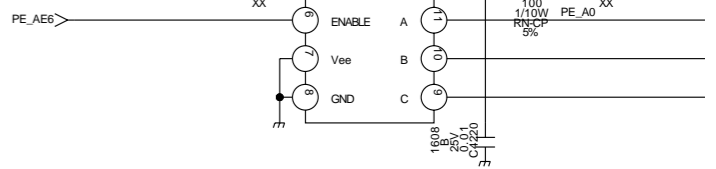
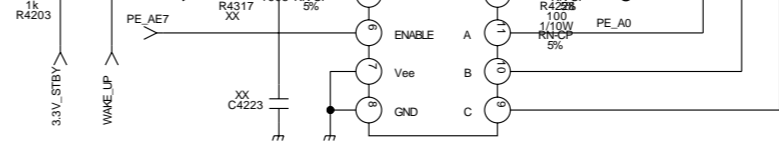


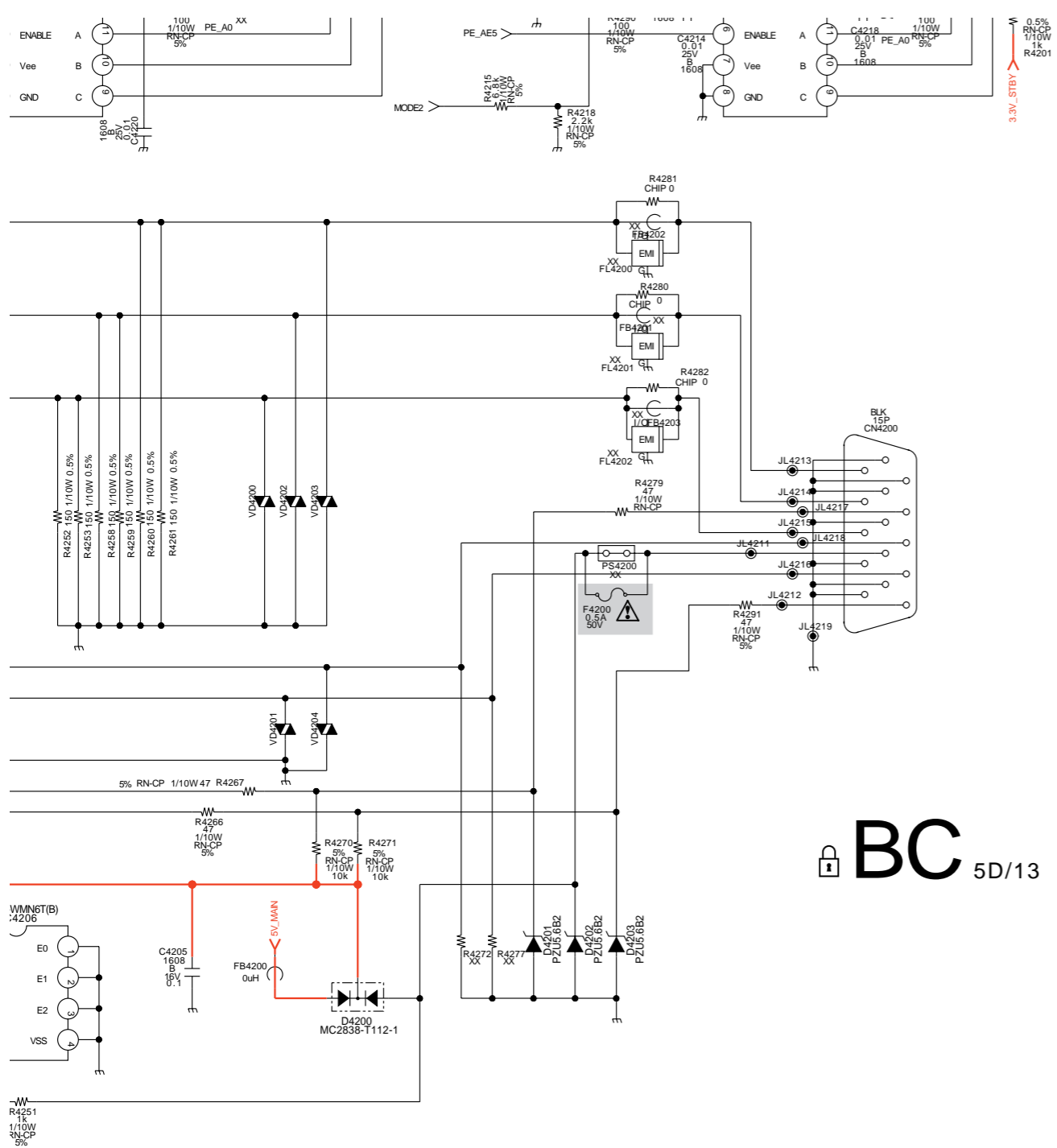
11  
12  
13  
14  
15  
16  
17  
18  
19  
20  
21  
22

A B C D E F G H I J K L M N O P Q

BC.SE1A

# BC 5C/13





**BC** 5D/13

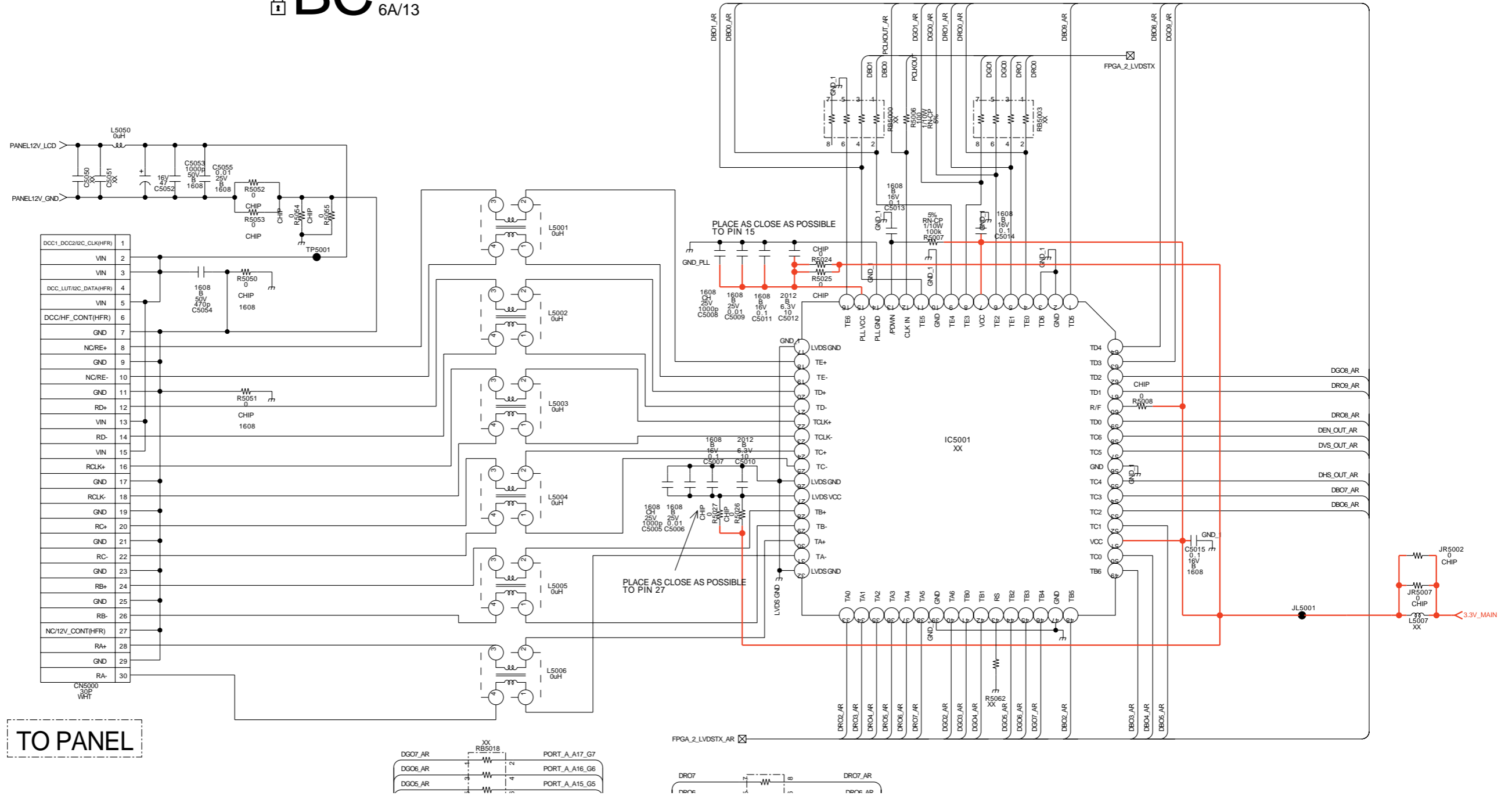
COMPONENTS MARKED AS XX REFER TO PARTS LIST, WILL ONLY BE LISTED IF FITTED

BC.SE1A

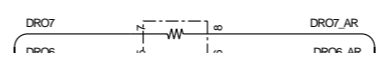
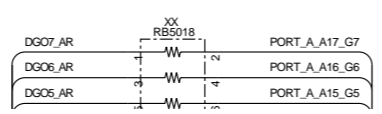
P Q R S T U V W X Y Z AA BB CC DD EE FF

BC.SE1A

# BC 6A/13



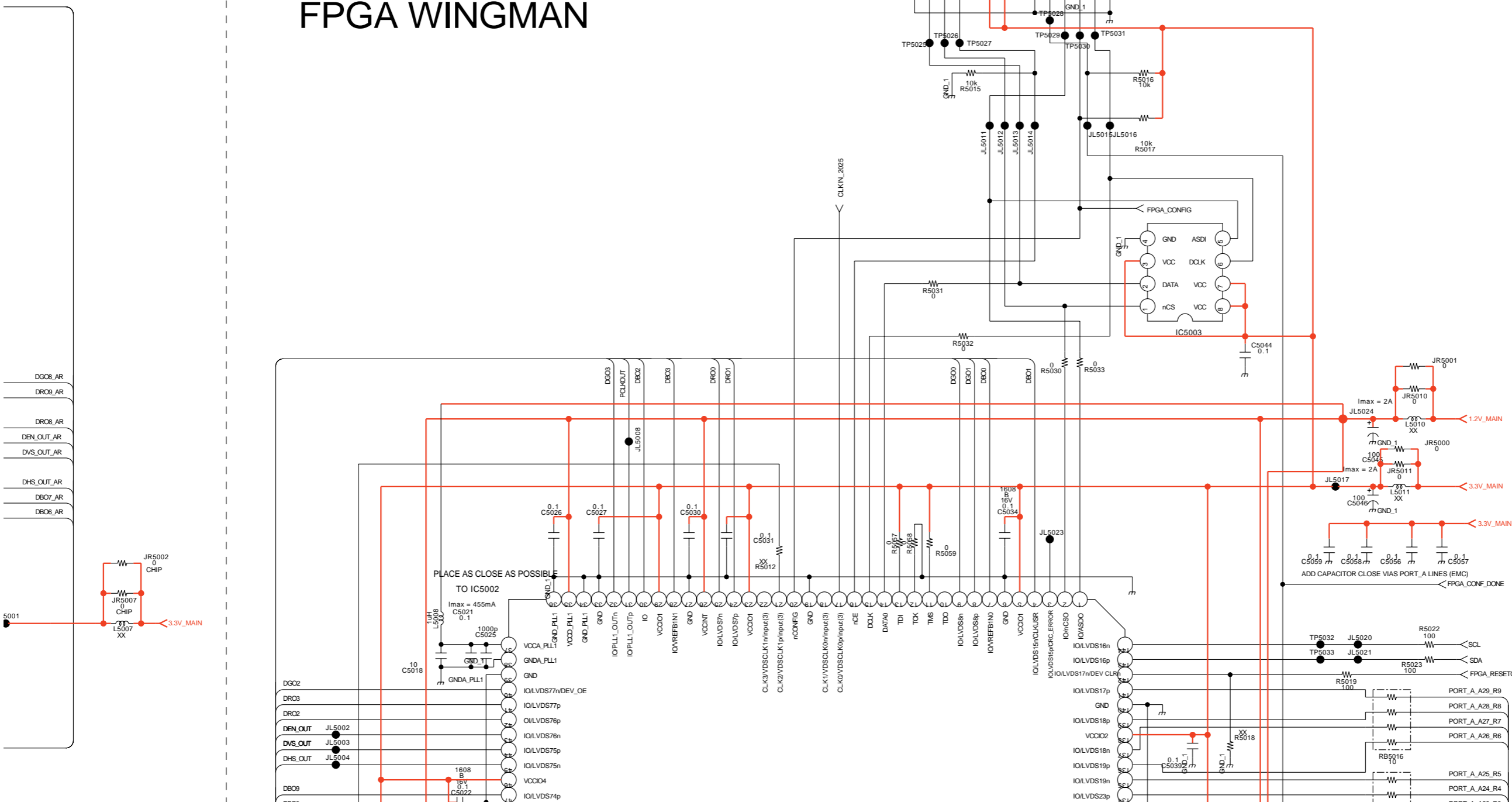
TO PANEL

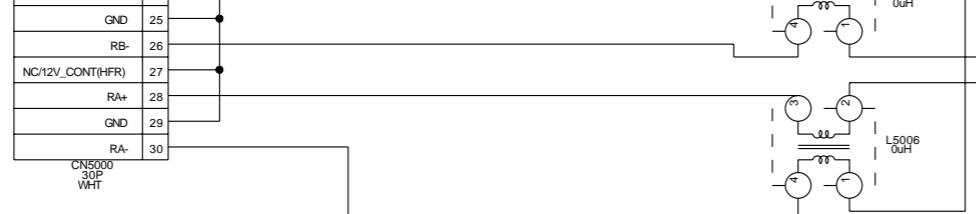


BC.SE1A

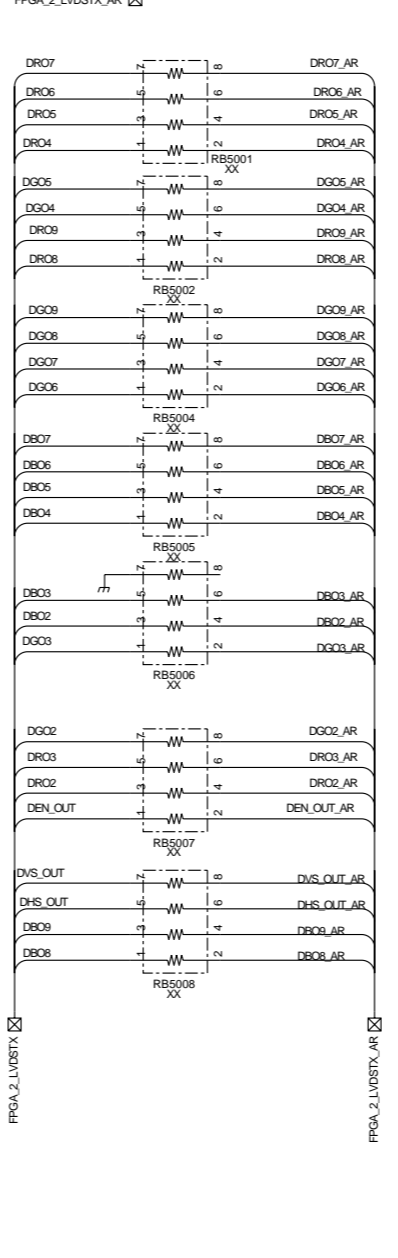
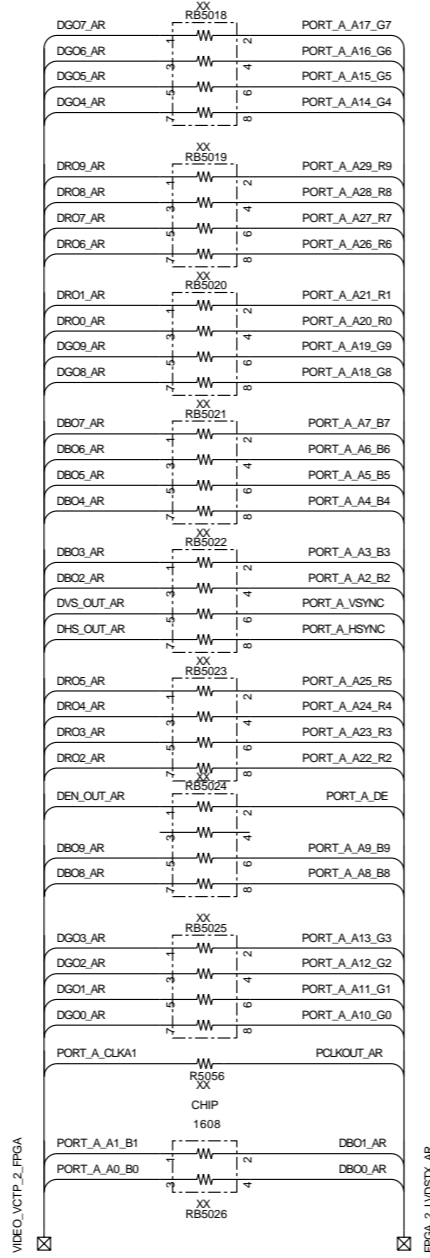
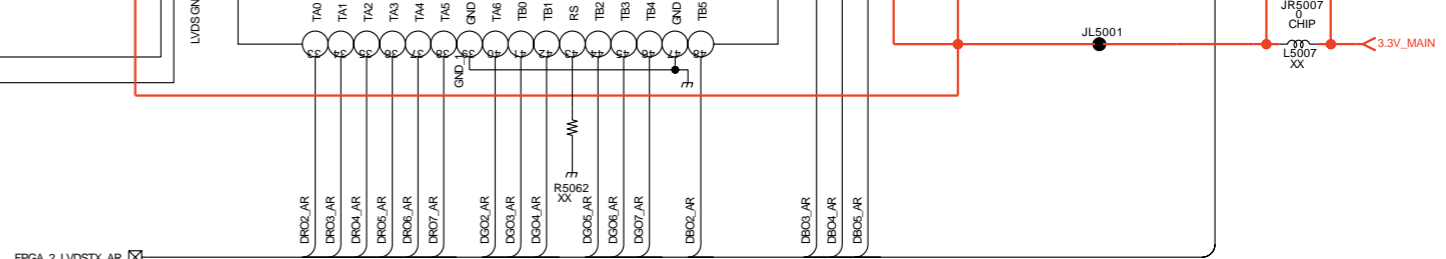
# FPGA WINGMAN

# BC 6B/13





TO PANEL

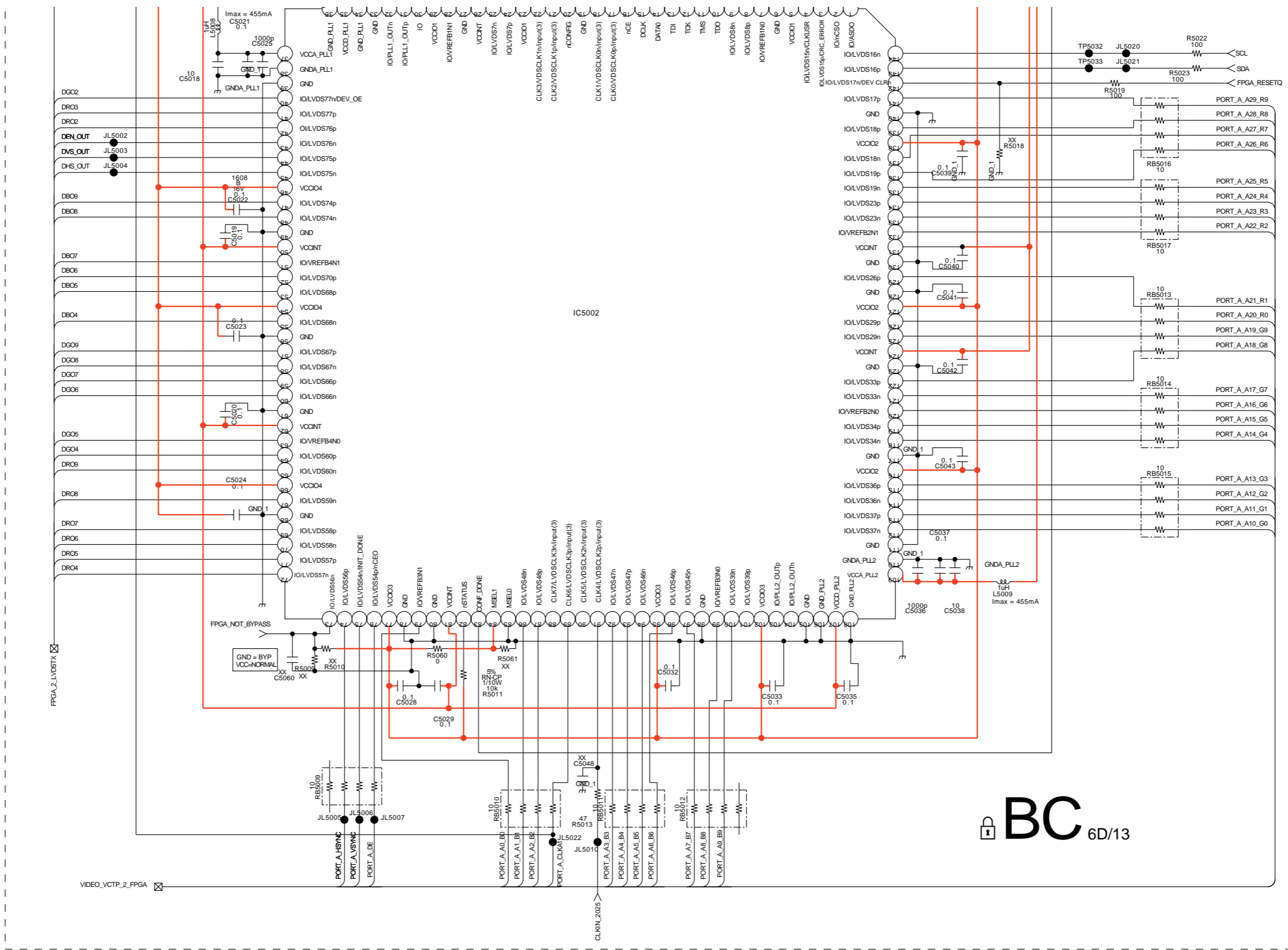
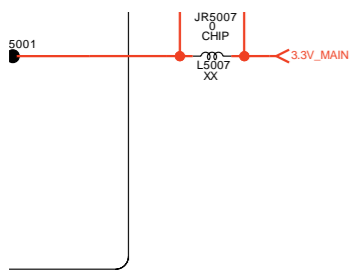


**BC** 6C/13

COMPONENTS MARKED AS XX REFER TO PARTS LIST, WILL ONLY BE LISTED IF FITTED  
BC.SE1A

11  
12  
13  
14  
15  
16  
17  
18  
19  
20  
21  
22

A B C D E F G H I J K L M N O P Q



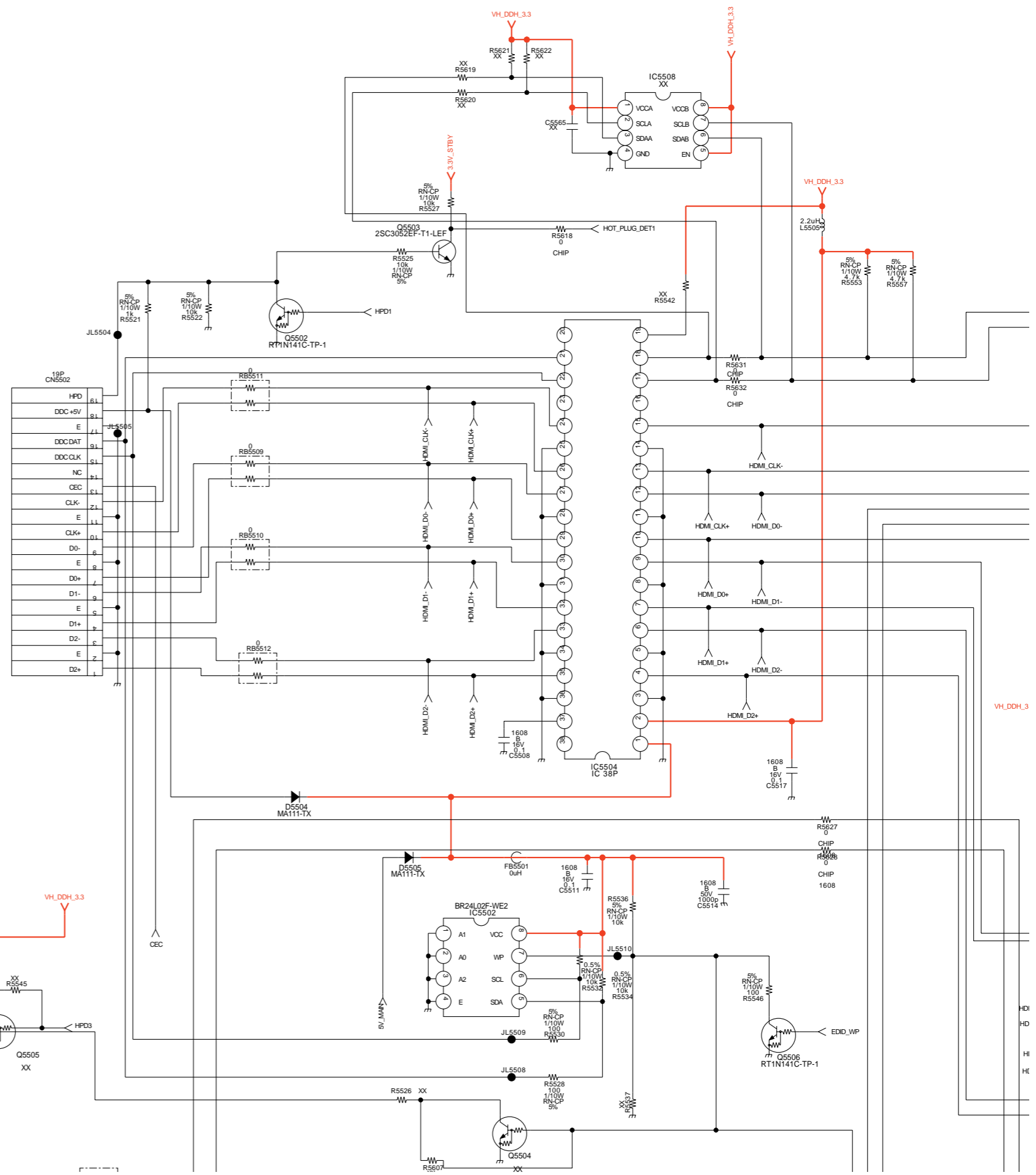
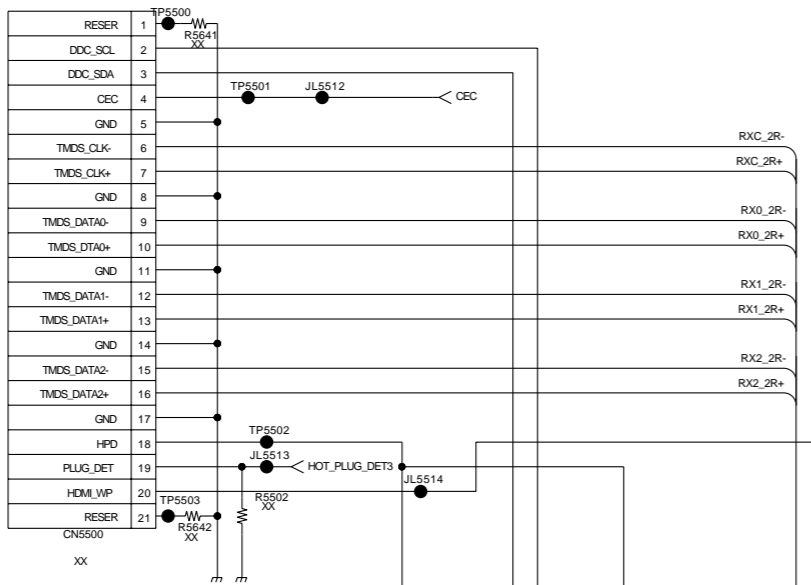
**BC** 6D/13

BC.SE1A

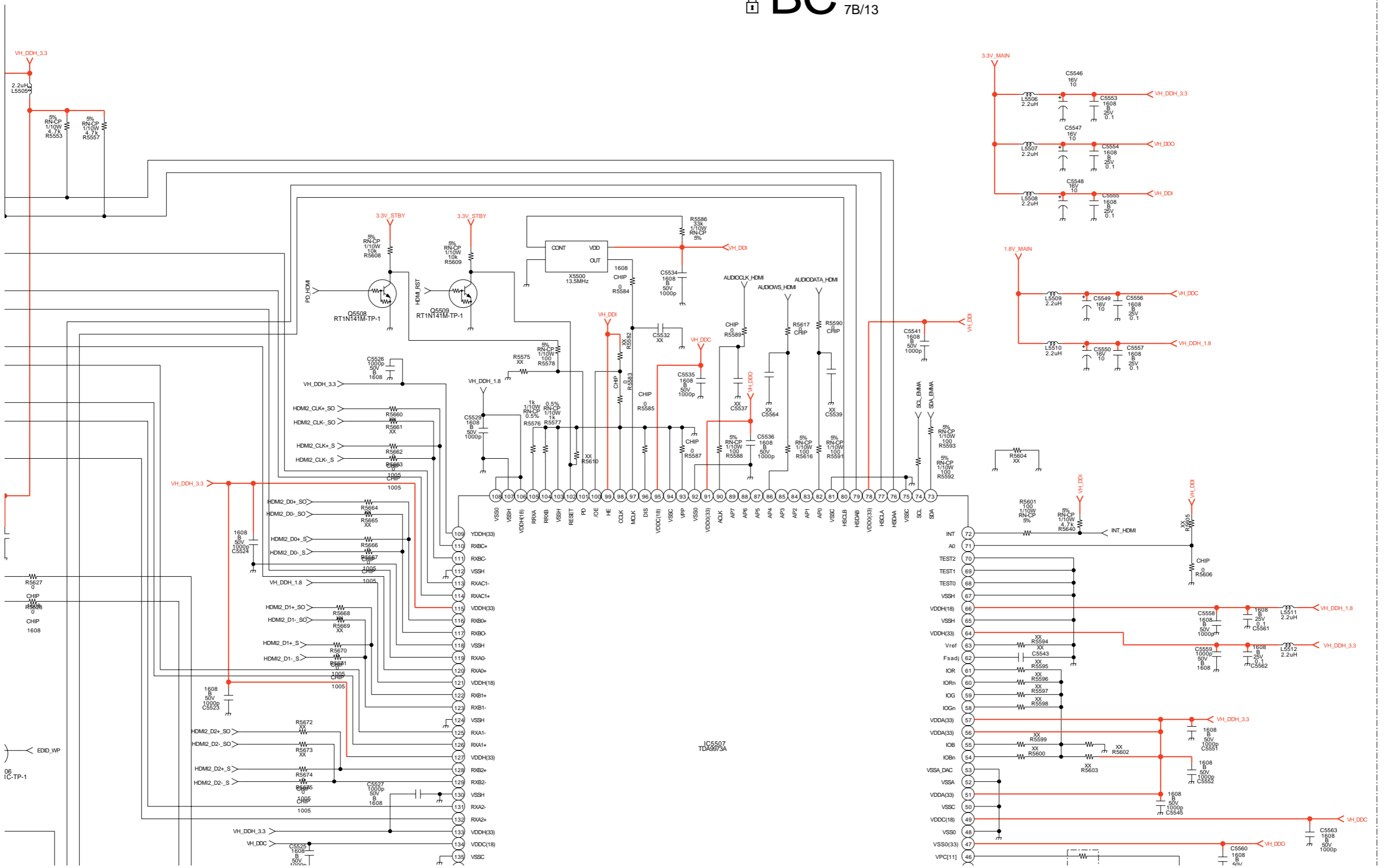
P Q R S T U V W X Y Z AA BB CC DD EE FF

# BC 7A/13

## TO H2 PWB



# BC 7B/13

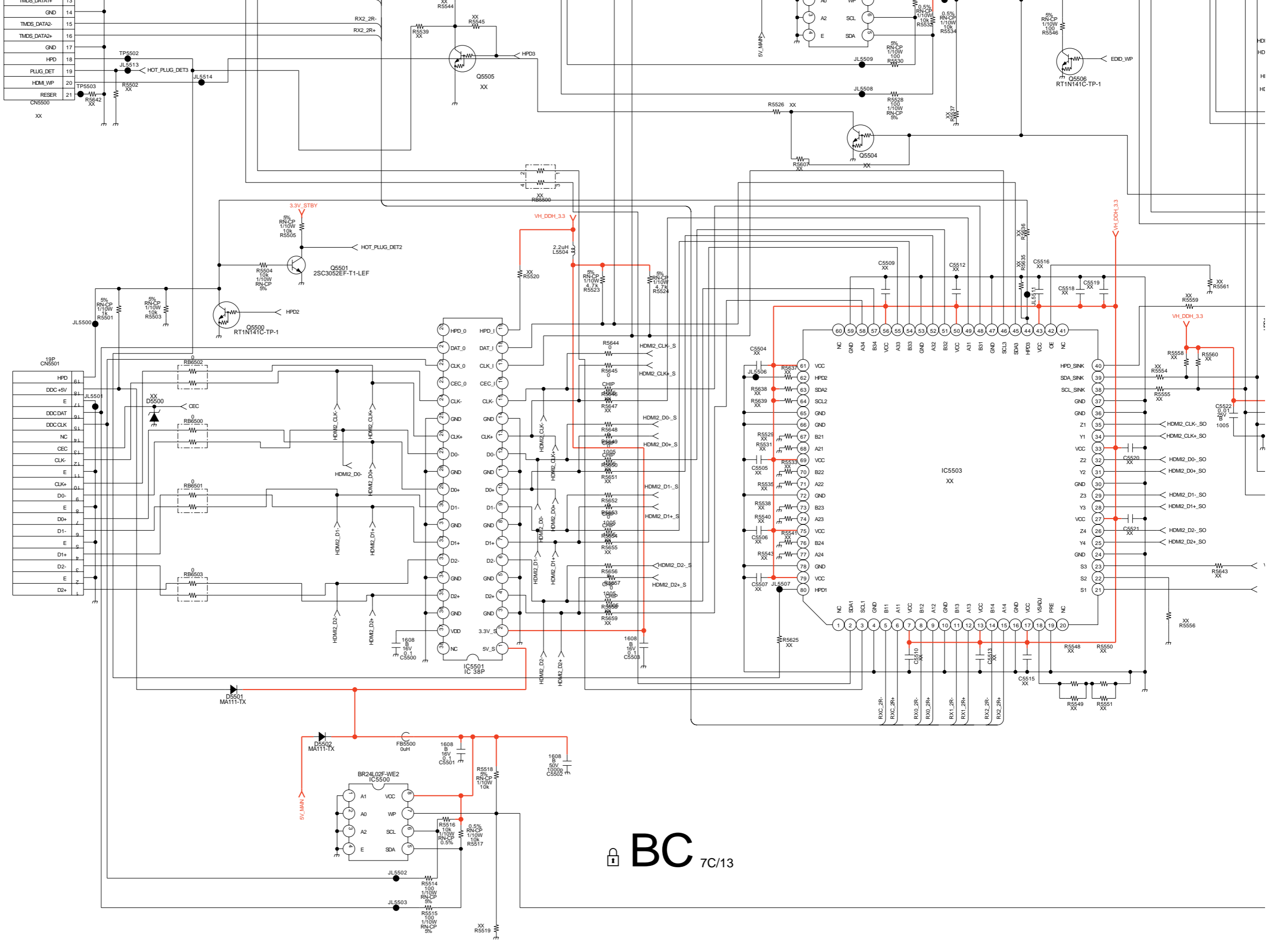


~ BC Board Schematic Diagram [ Tuner, Audio/Video Processor, HDMI & PC Input ] Page 7B/13 ~

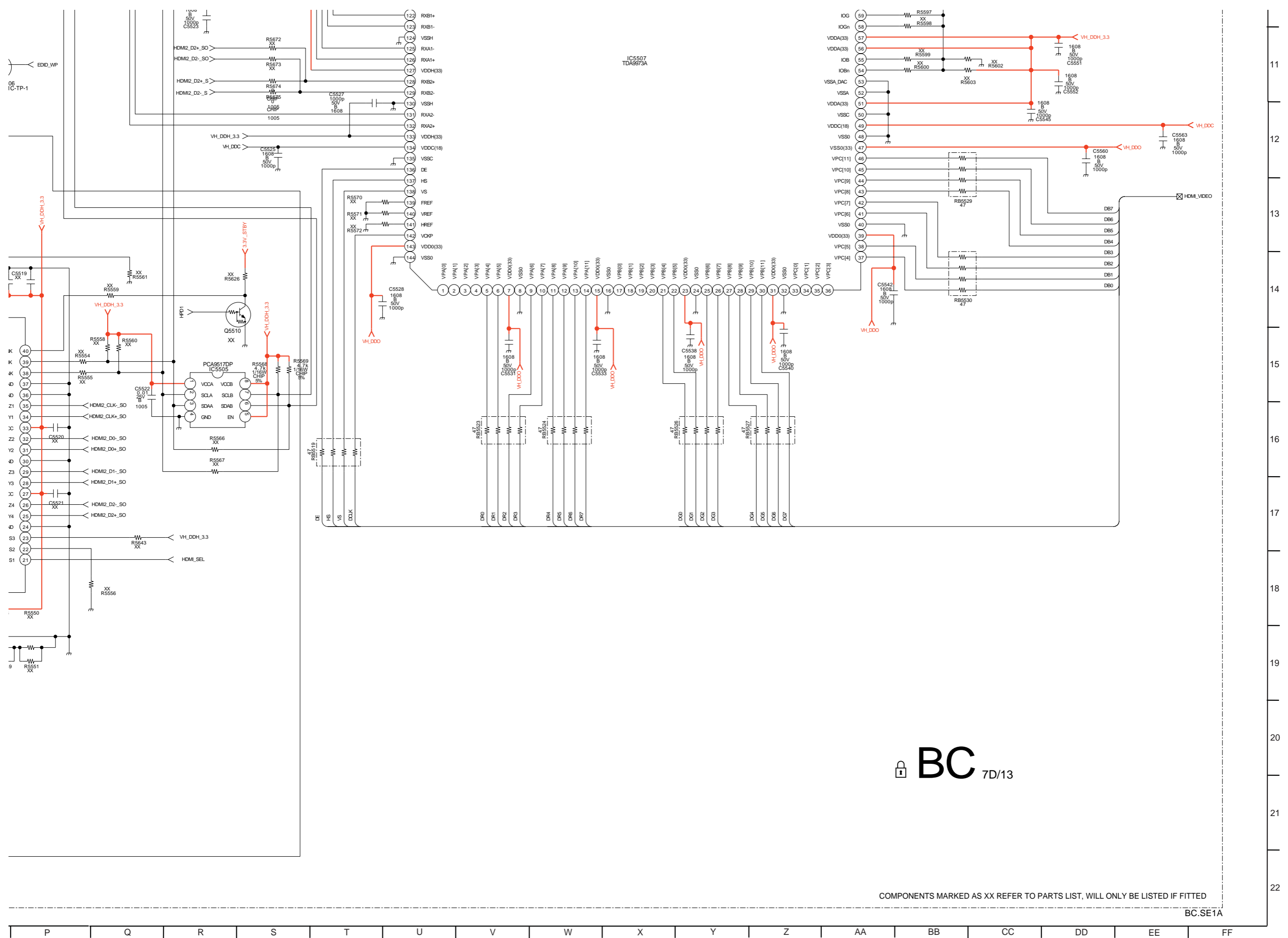


11  
12  
13  
14  
15  
16  
17  
18  
19  
20  
21  
22

BC.SE1A



BC 7C/13



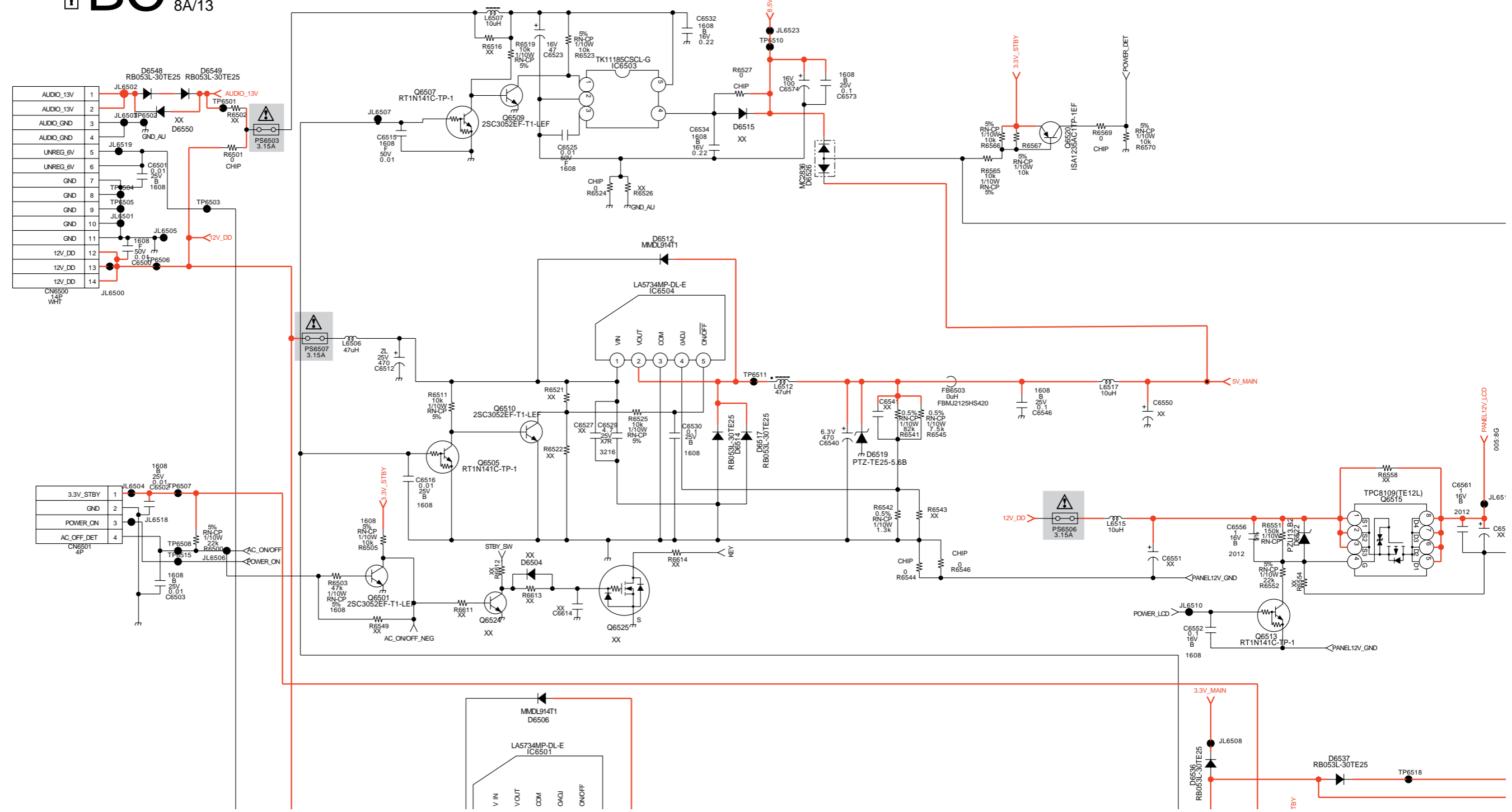
**BC** 7D/13

COMPONENTS MARKED AS XX REFER TO PARTS LIST, WILL ONLY BE LISTED IF FITTED

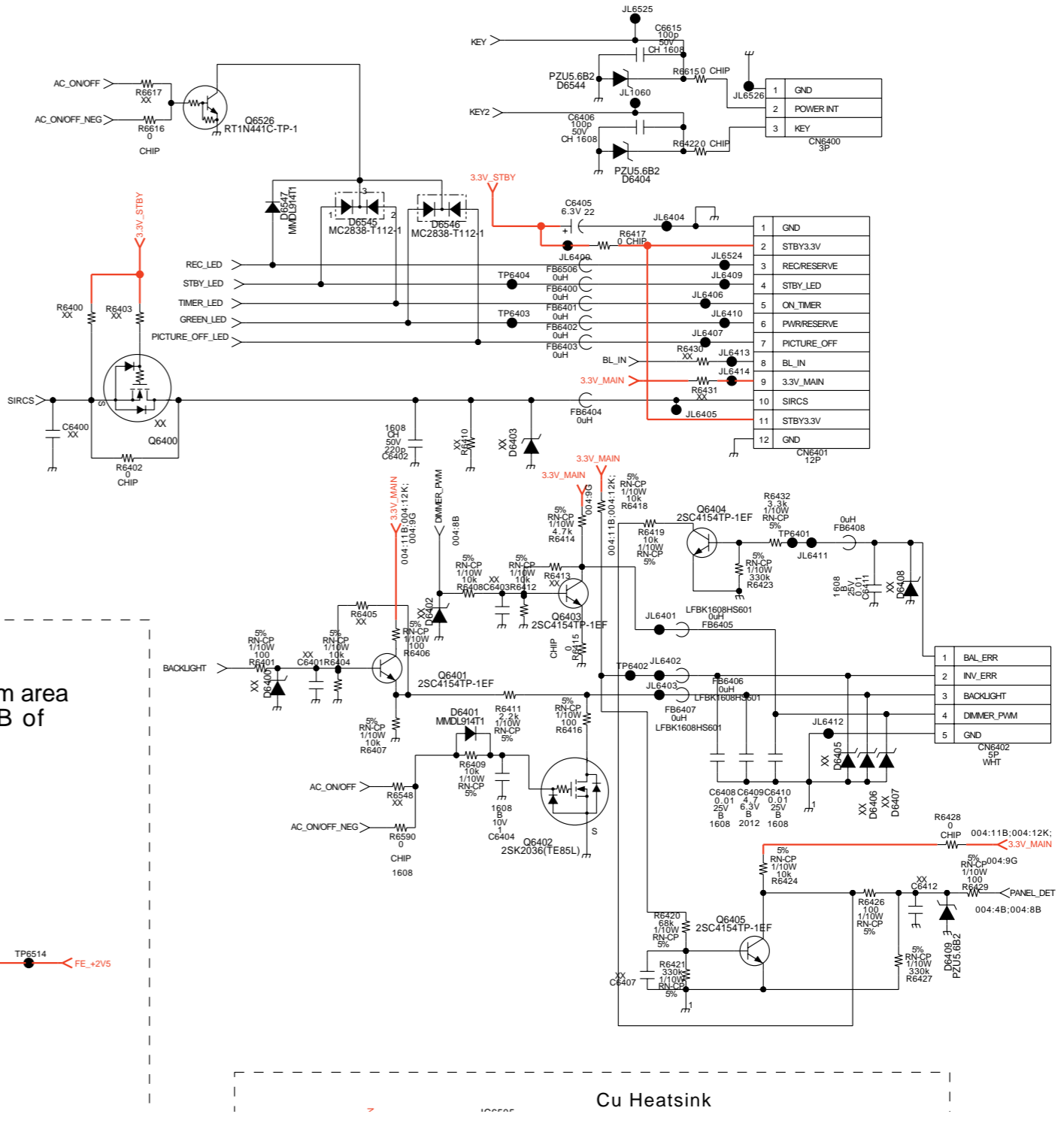
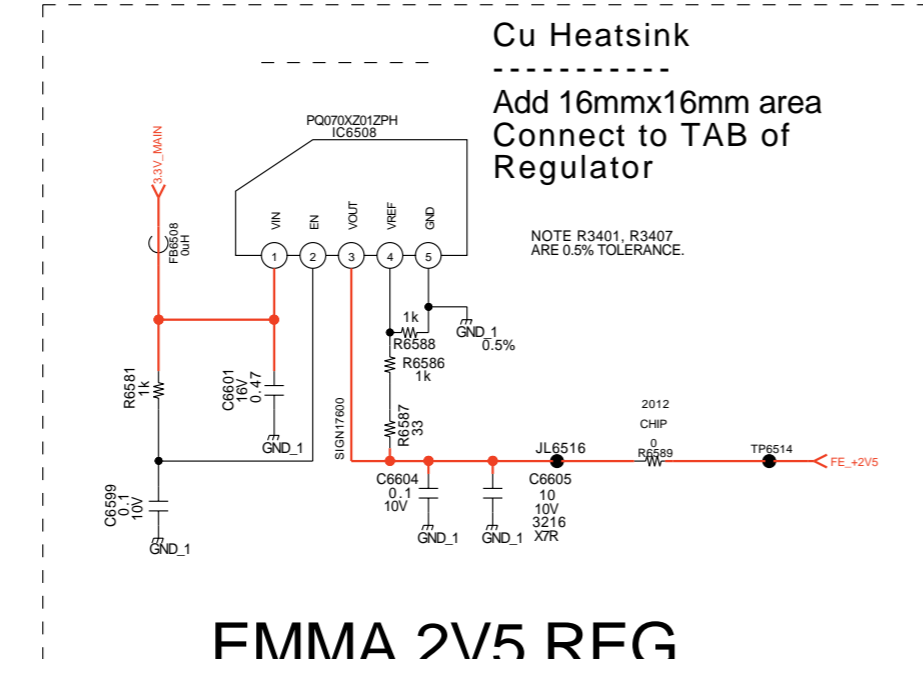
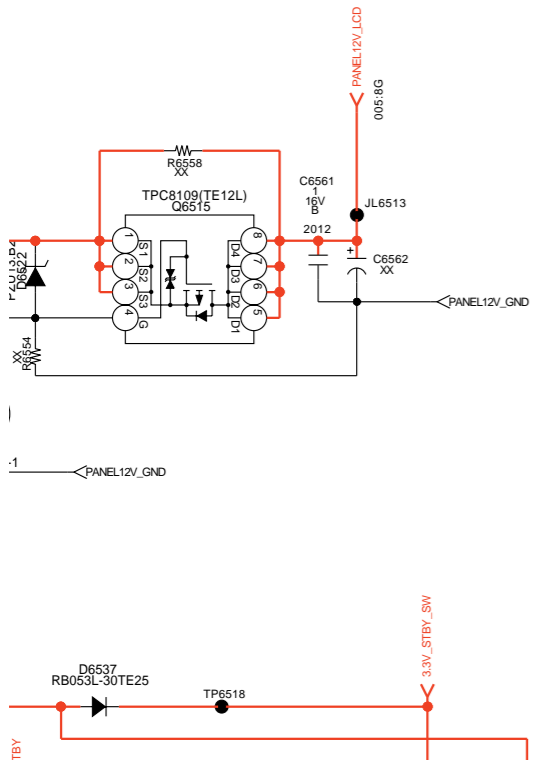
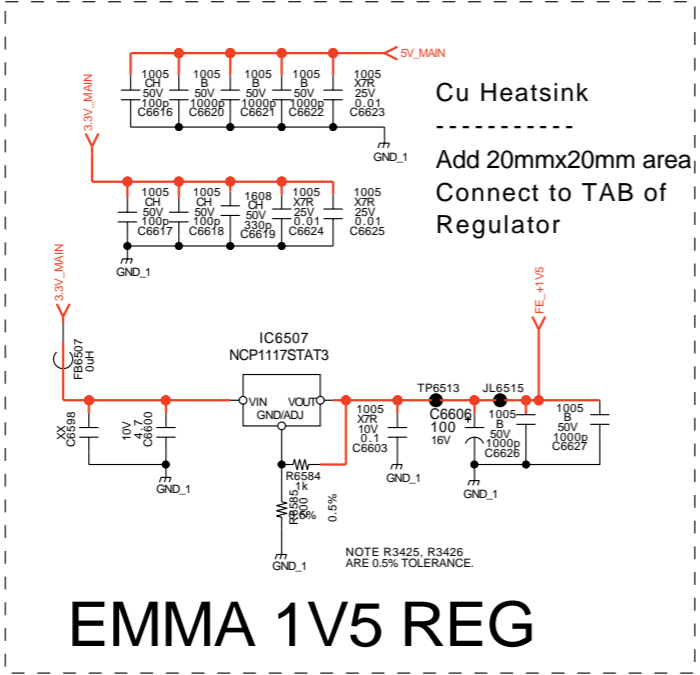
BC.SE1A

BC.SE1A

# BC 8A/13



# BC 8B/13

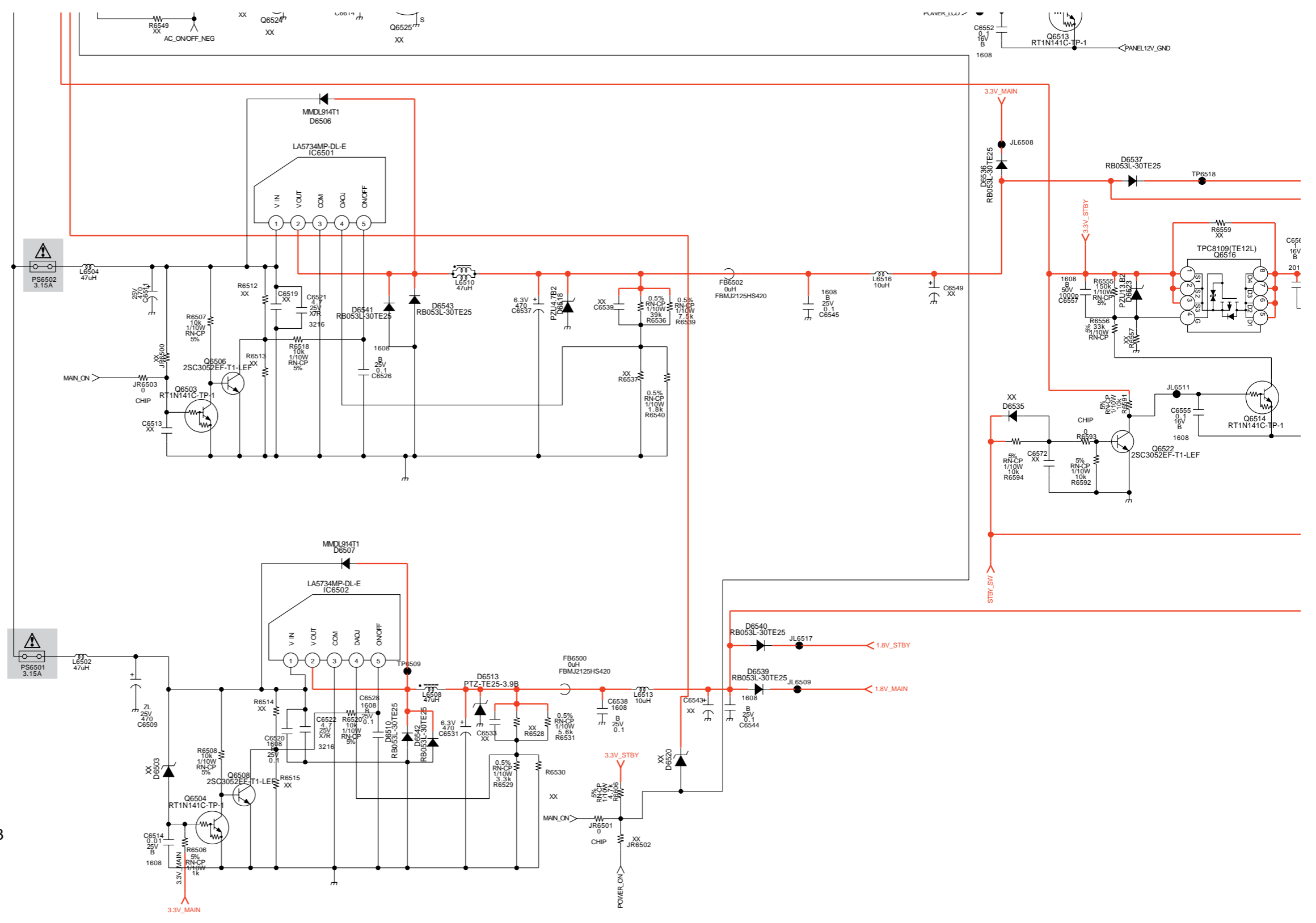


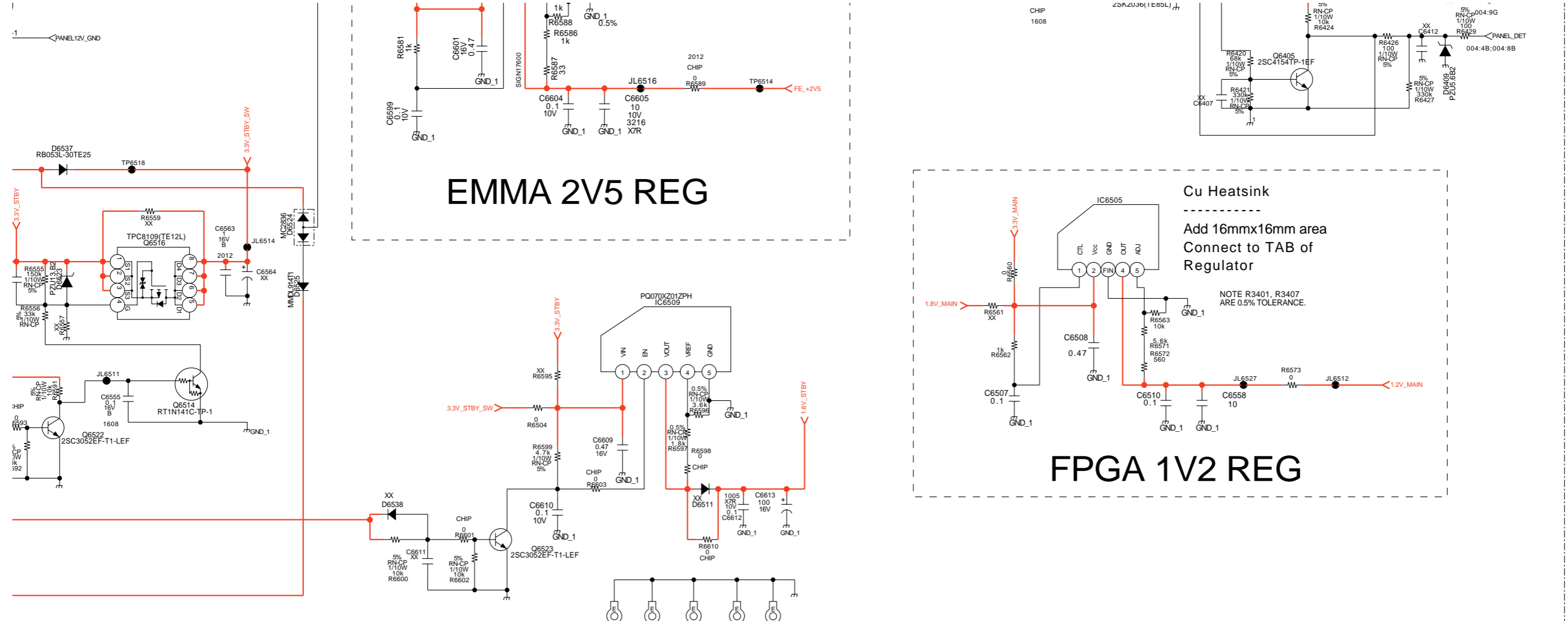
11  
12  
13  
14  
15  
16  
17  
18  
19  
20  
21  
22

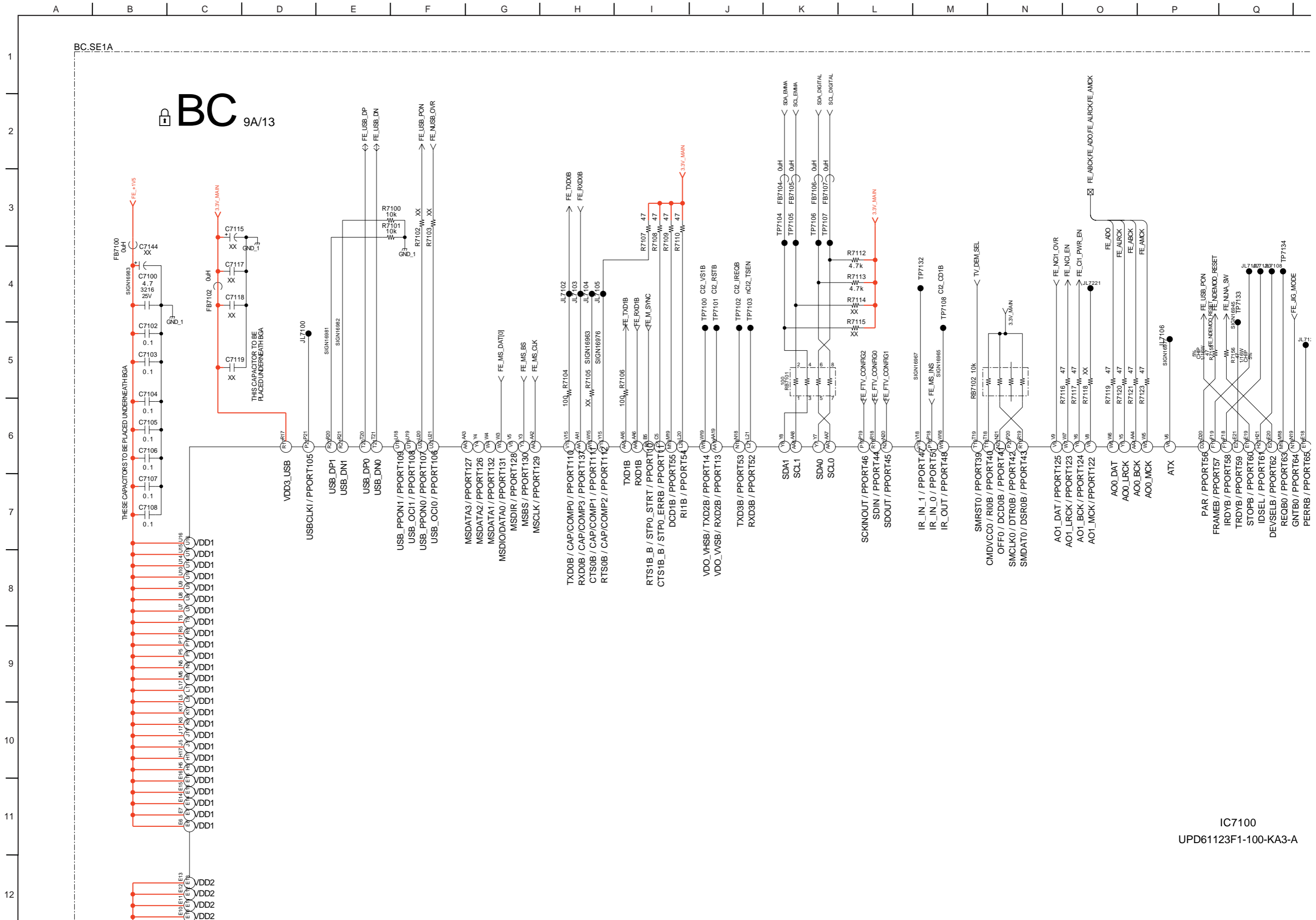
A B C D E F G H I J K L M N O P Q

BC.SE1A

 BC 8C/13

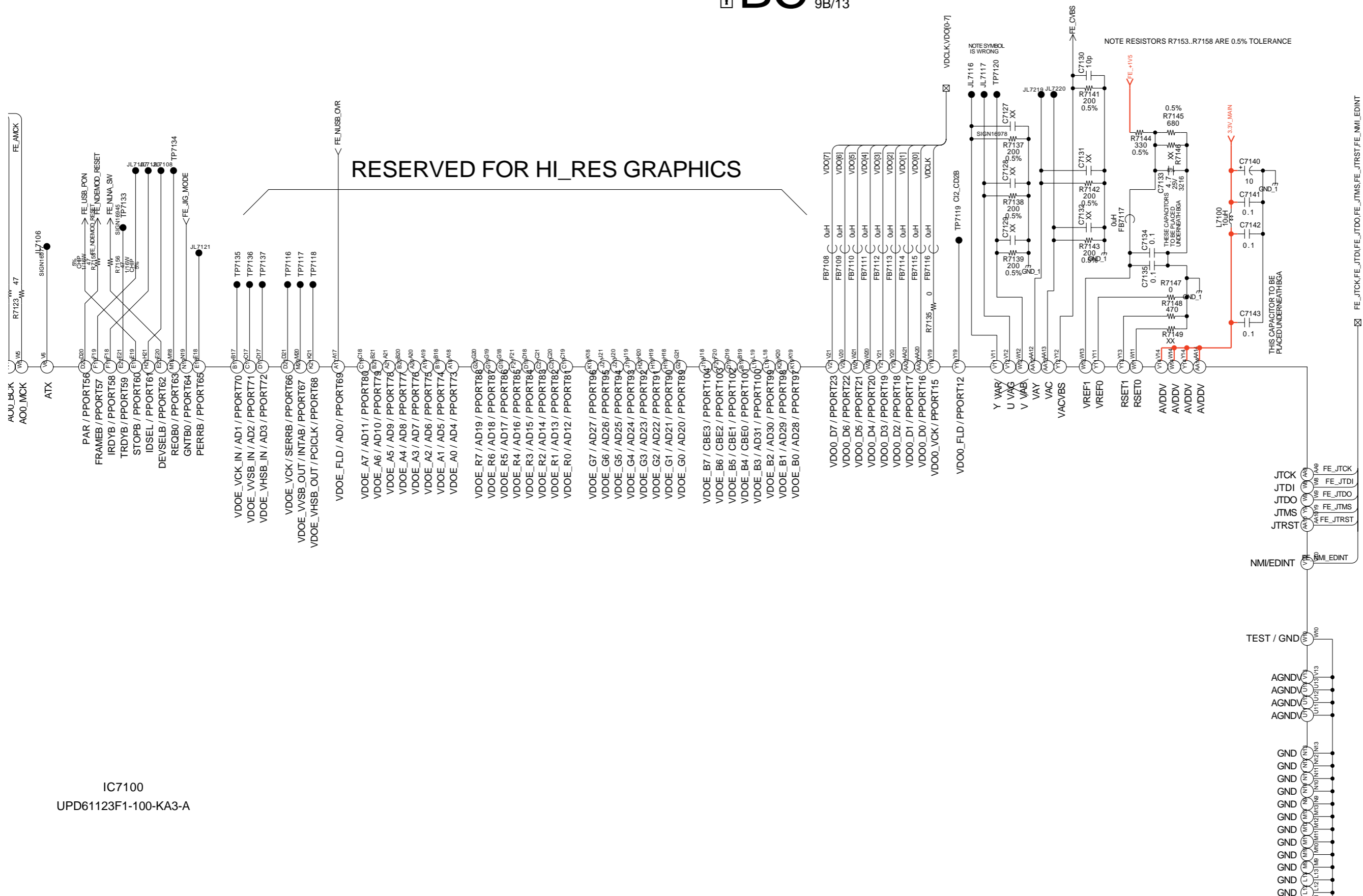






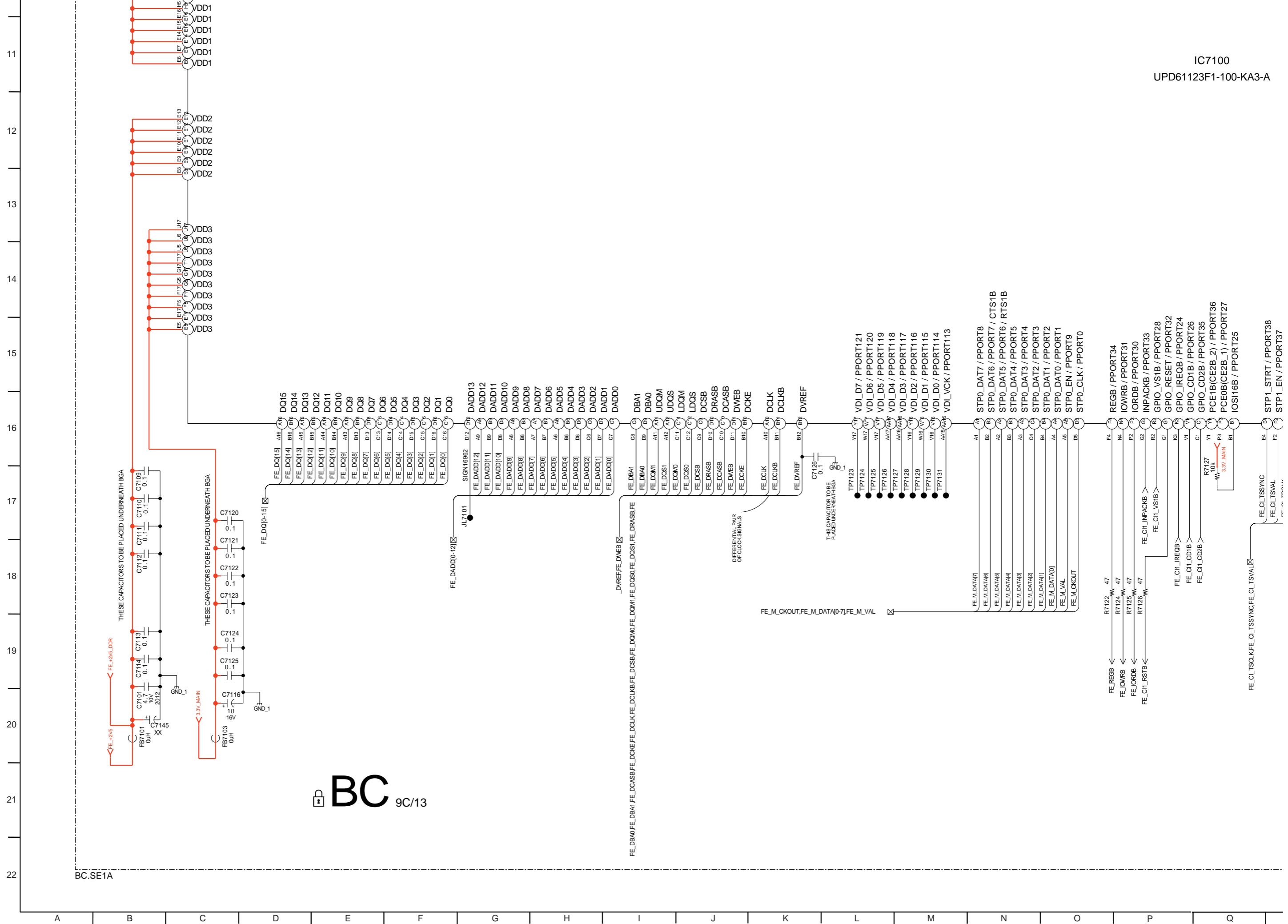
IC7100  
UPD61123F1-100-KA3-A

RESERVED FOR HI\_RES GRAPHICS

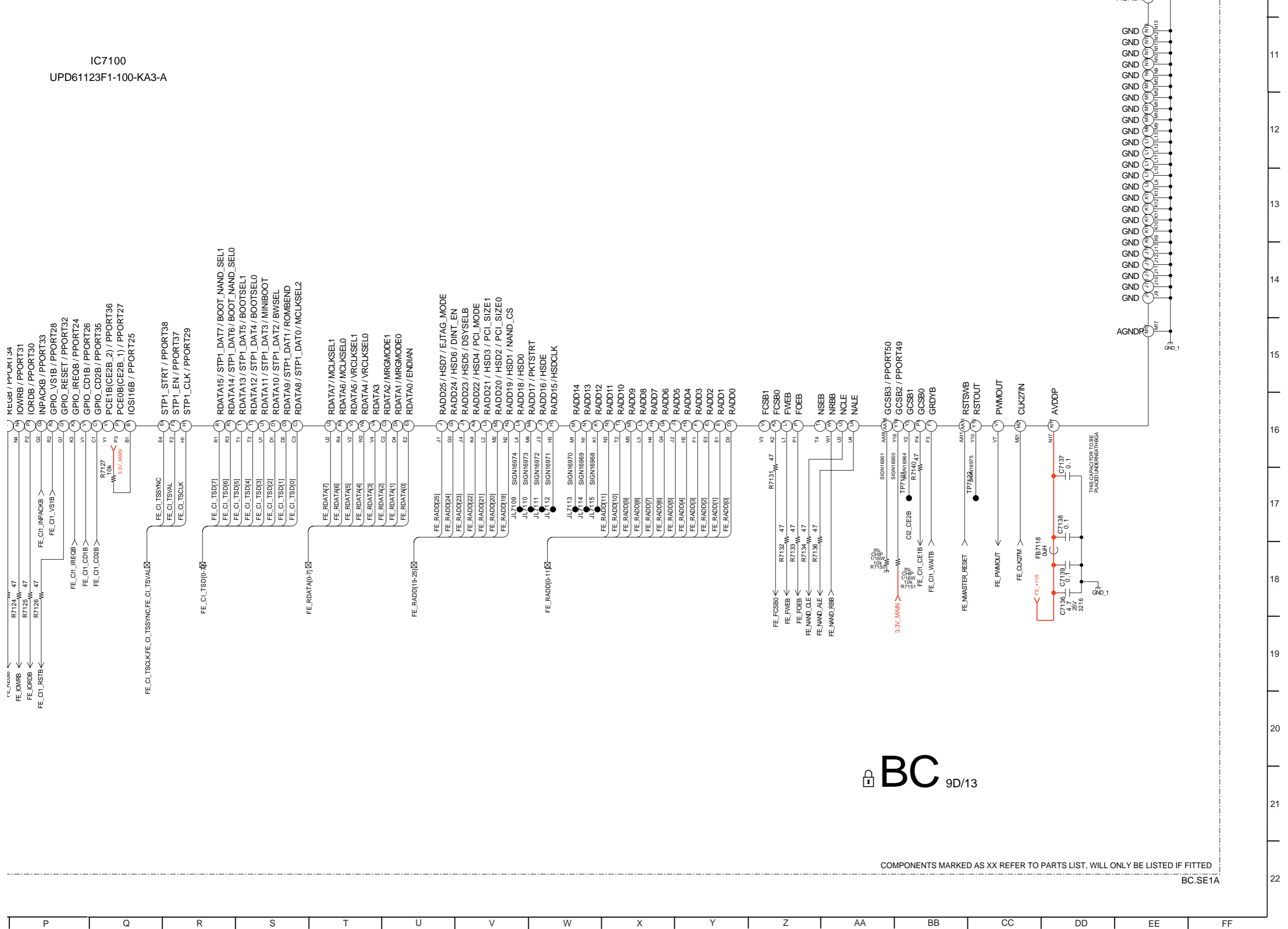


IC7100  
UPD61123F1-100-KA3-A





**BC** 9C/13



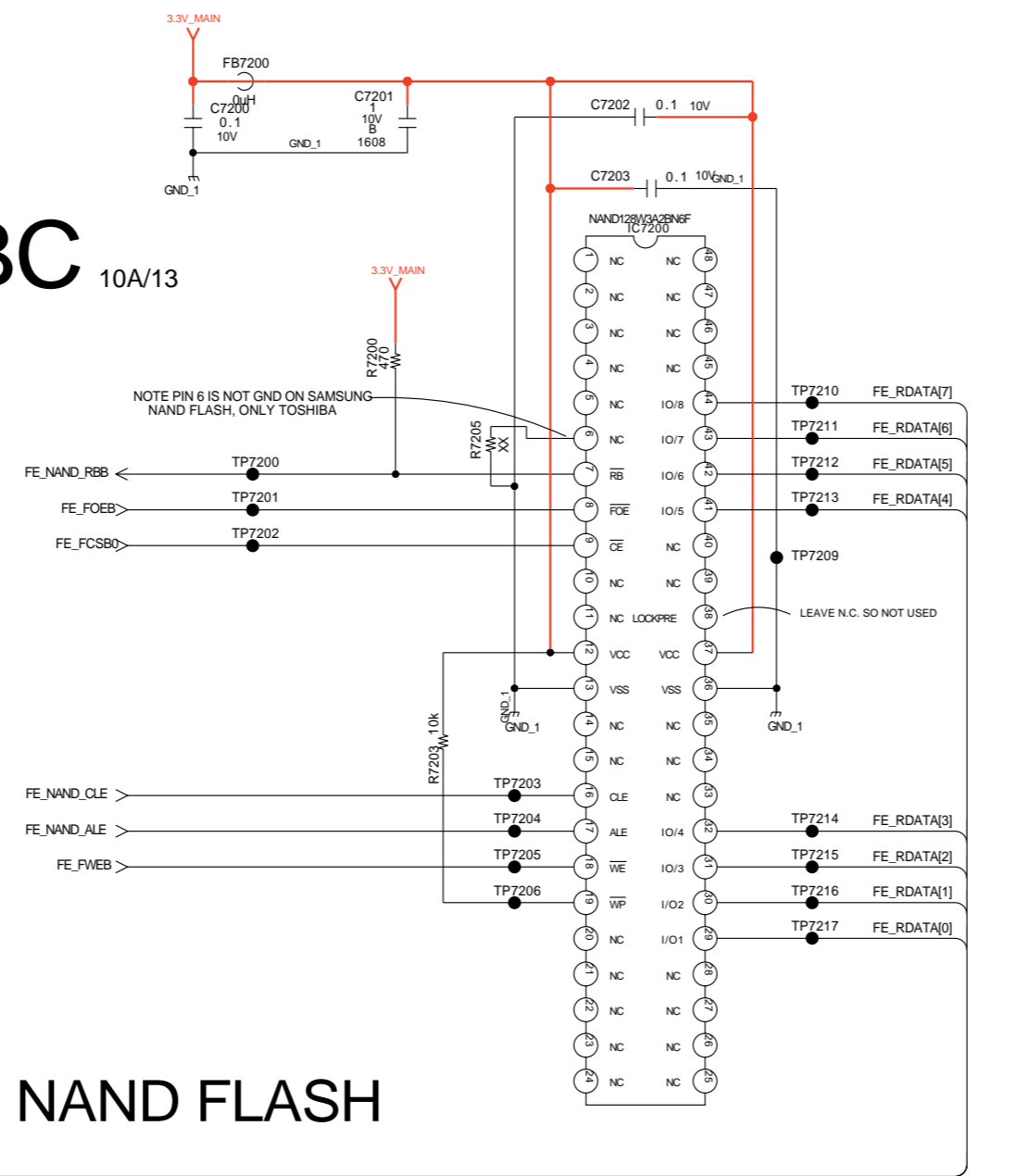
**BC** 9D/13

COMPONENTS MARKED AS XX REFER TO PARTS LIST, WILL ONLY BE LISTED IF FITTED

BC.SE1A

BC.SE1A

# BC 10A/13



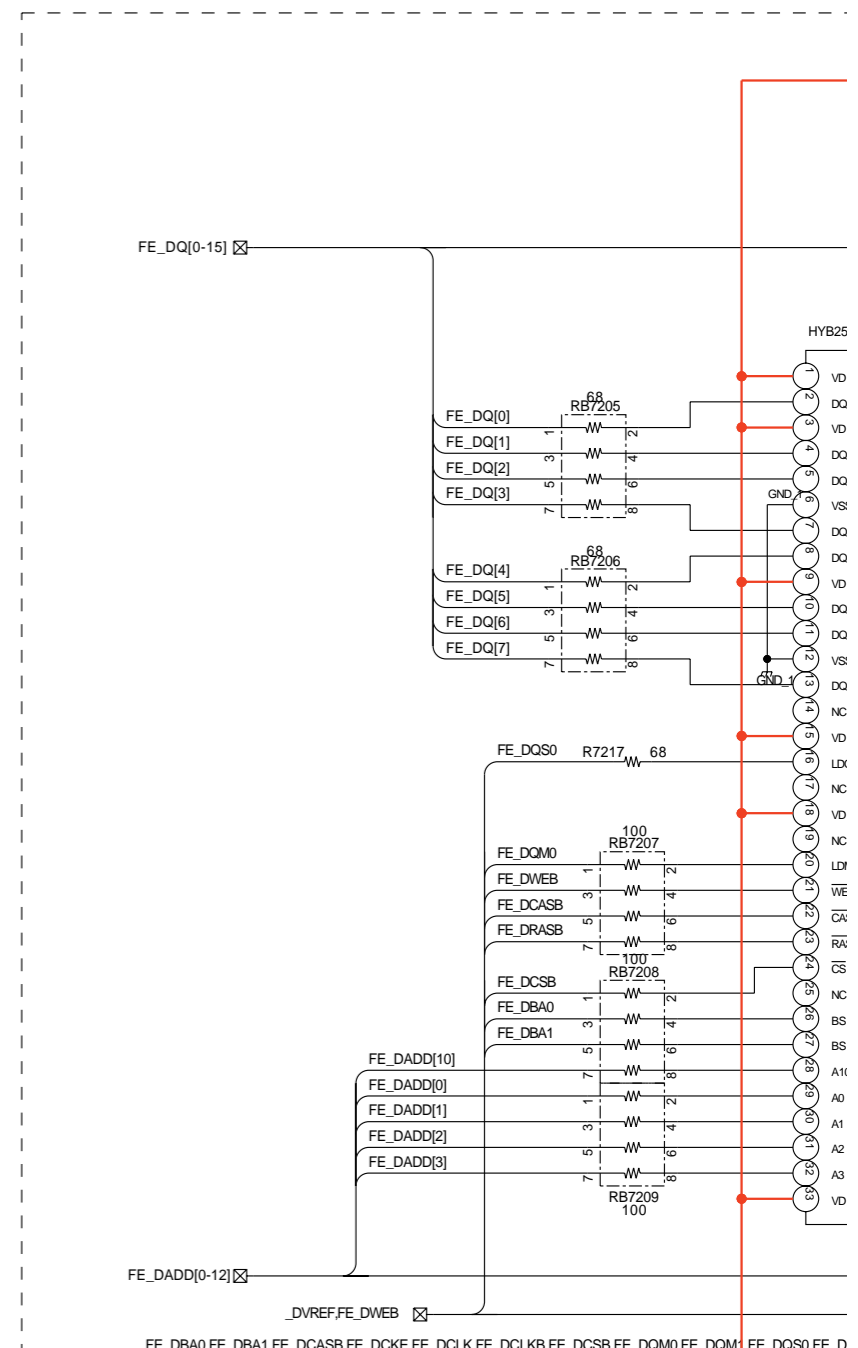
## NAND FLASH

FE\_RDATA[0-7]

FE\_CI\_TSD[0-7]

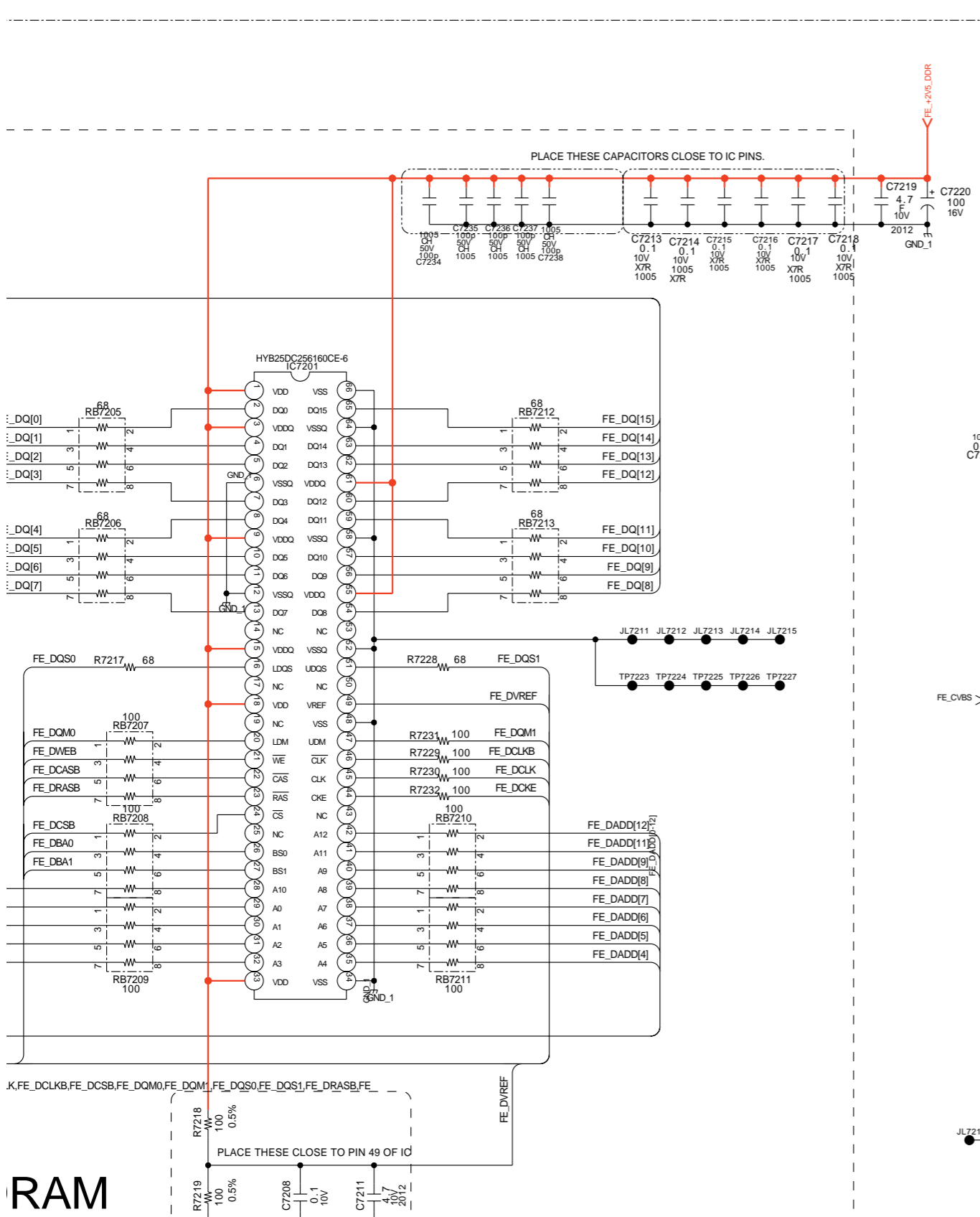
3.3V\_MAIN

## CTD AD DINC

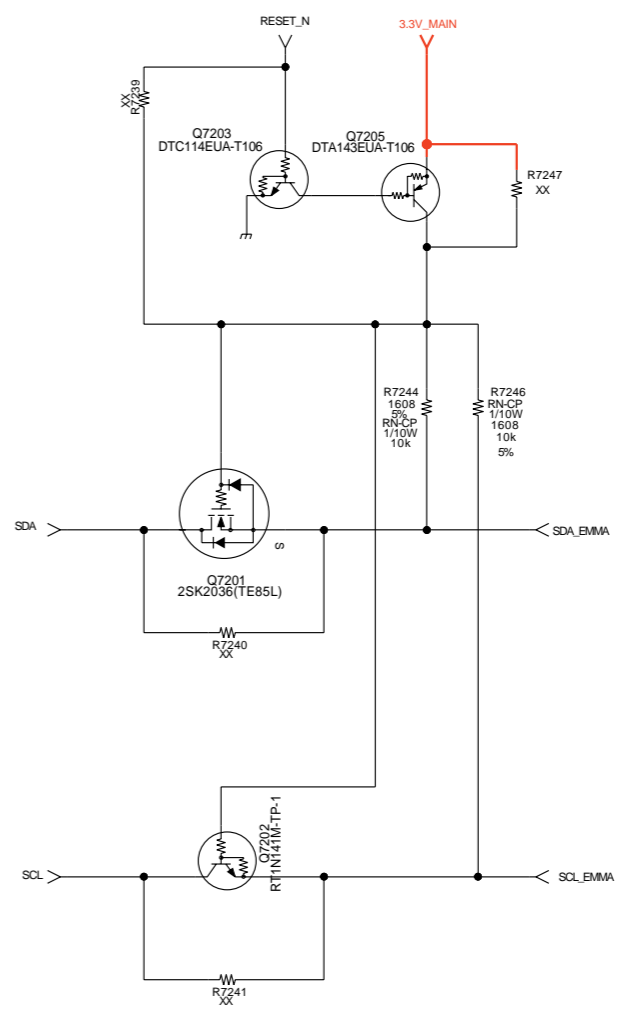
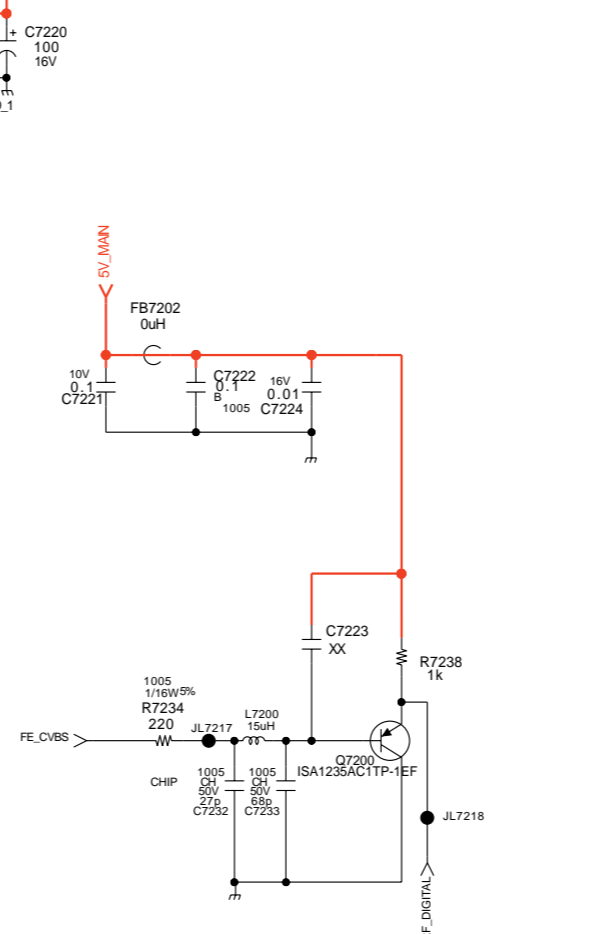


## DDR SDRAM

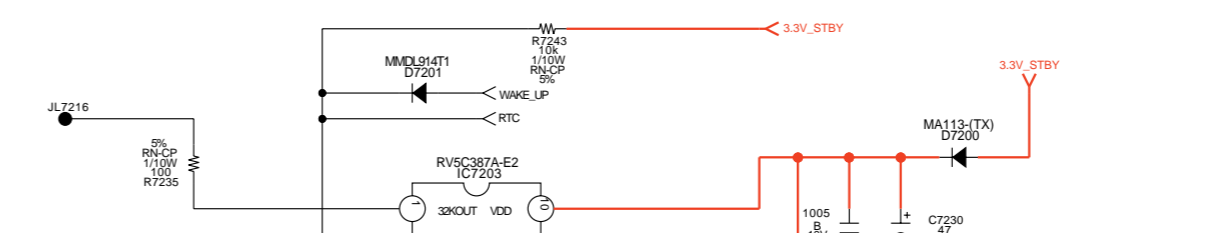
PLACE THESE



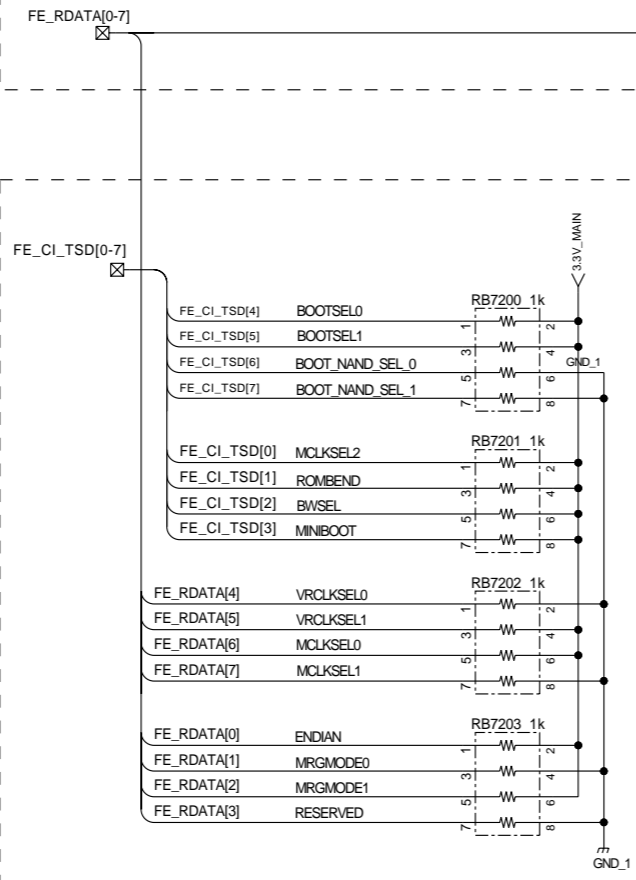
# BC 10B/13



## VIDEO AMPS/BUFFERS

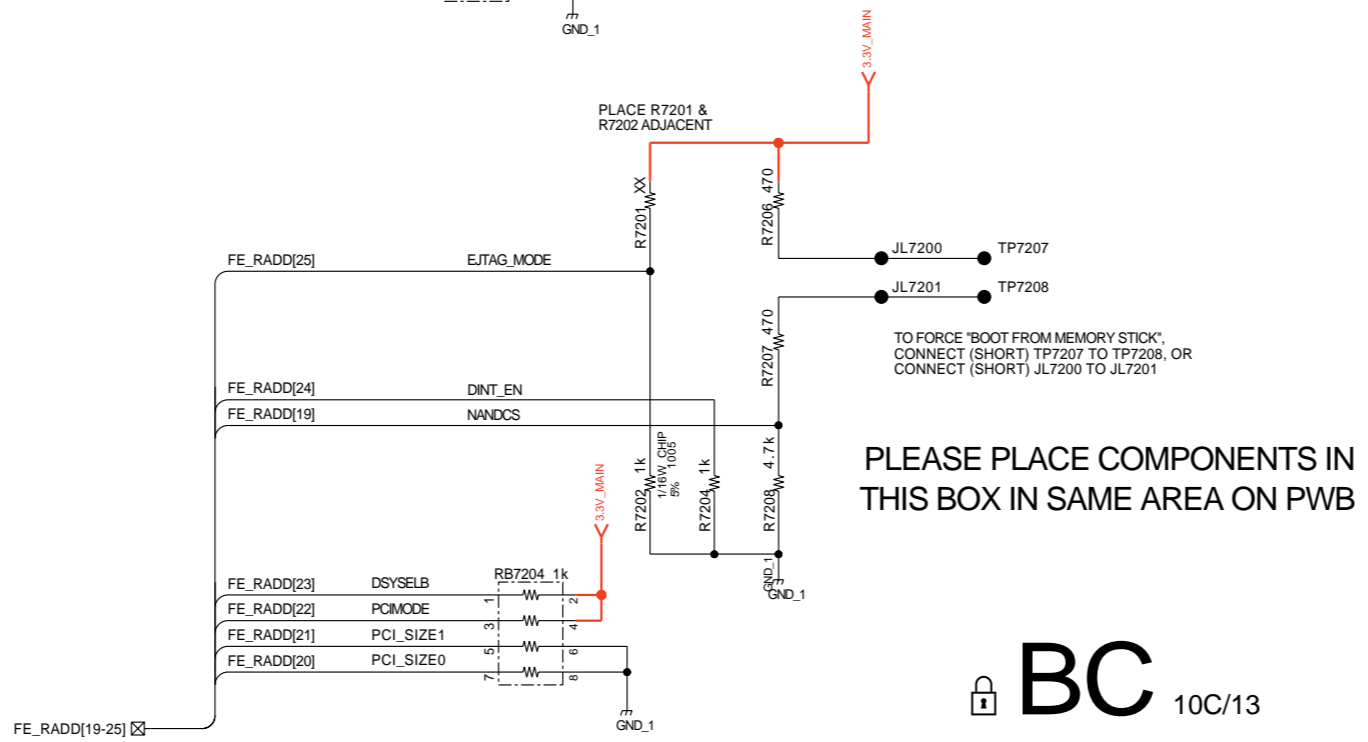


# NAND FLASH



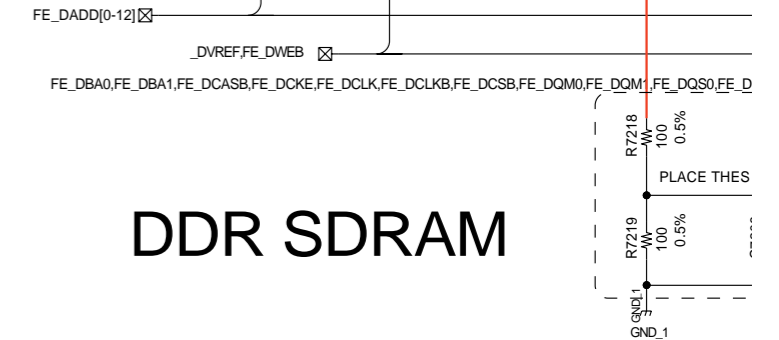
# STRAP PINS

- RDATA[0] = 1 = ENDIAN = Big Endian
- RDATA[2:1] = 10 = MRGMODE1-0 = Full merge & All bytes
- RDATA[3] = -- = RESERVED
- RDATA[5:4] = 10 = VRCLKSEL1-0 = 187MHz
- RDATA[8:6] = 101 = MCLKSEL2-0 = 166MHz
- RDATA[9] = 1 = ROMBEND = Big Endian
- RDATA[10] = 1 = BWSEL = 8bit
- RDATA[11] = 1 = MINIBOOT = use miniboot
- RDATA[13:12] = 11 = BOOTSEL1-0 = Nand, then Memory Stick
- RDATA[15:14] = 00 = BOOT\_NAND\_SEL1-0 = <256mbit
- RADD[25] = 1 = EJTAG\_MODE = EJTAG
- RADD[24] = 0 = DINT\_EN = disable
- RADD[23] = 1 = DSYSELB = main only
- RADD[22] = 1 = PCIMODE = host
- RADD[21:20] = 00 = PCI\_SIZE1-0 = 32Mbyte
- RADD[19] = 0 = NANDCS = CS0

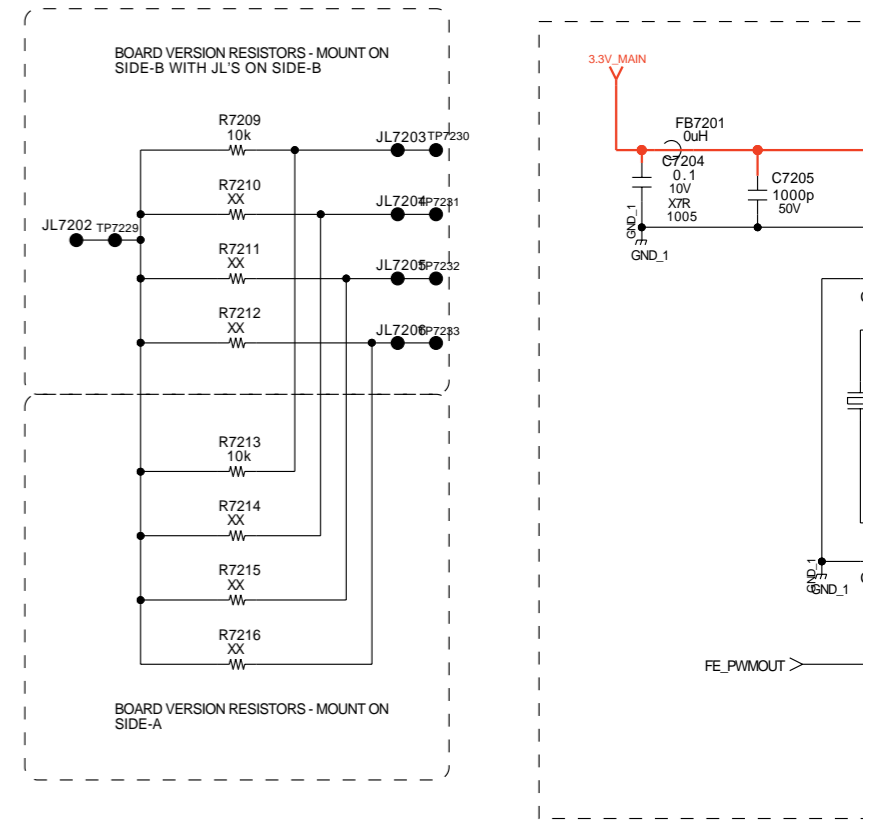


PLEASE PLACE COMPONENTS IN THIS BOX IN SAME AREA ON PWB

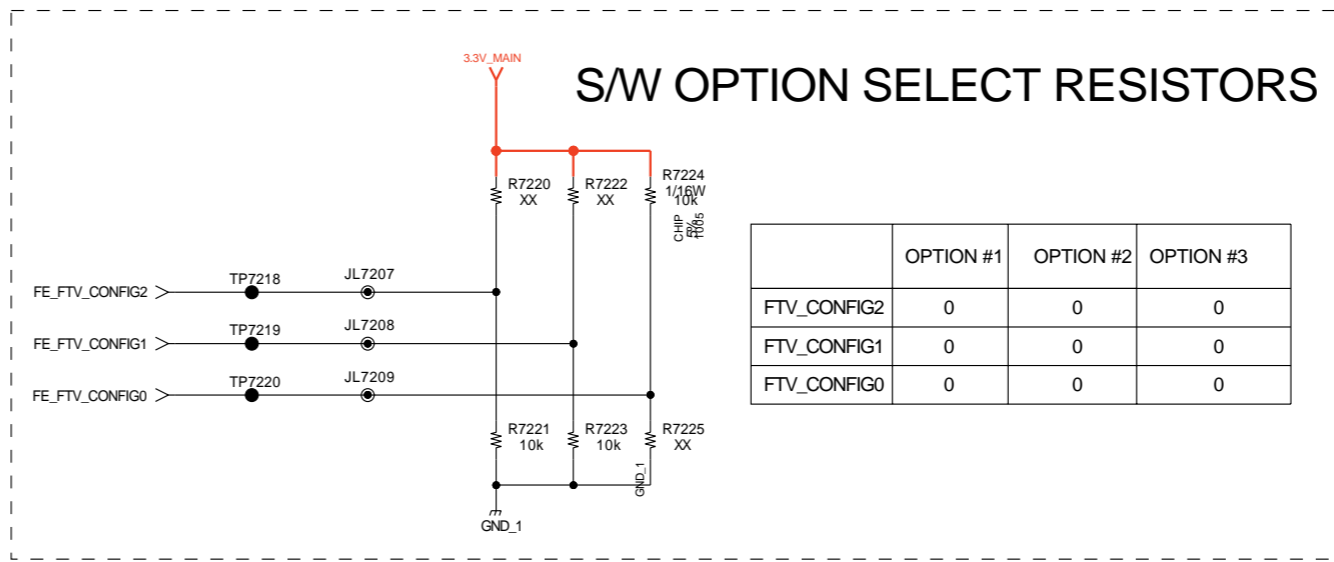
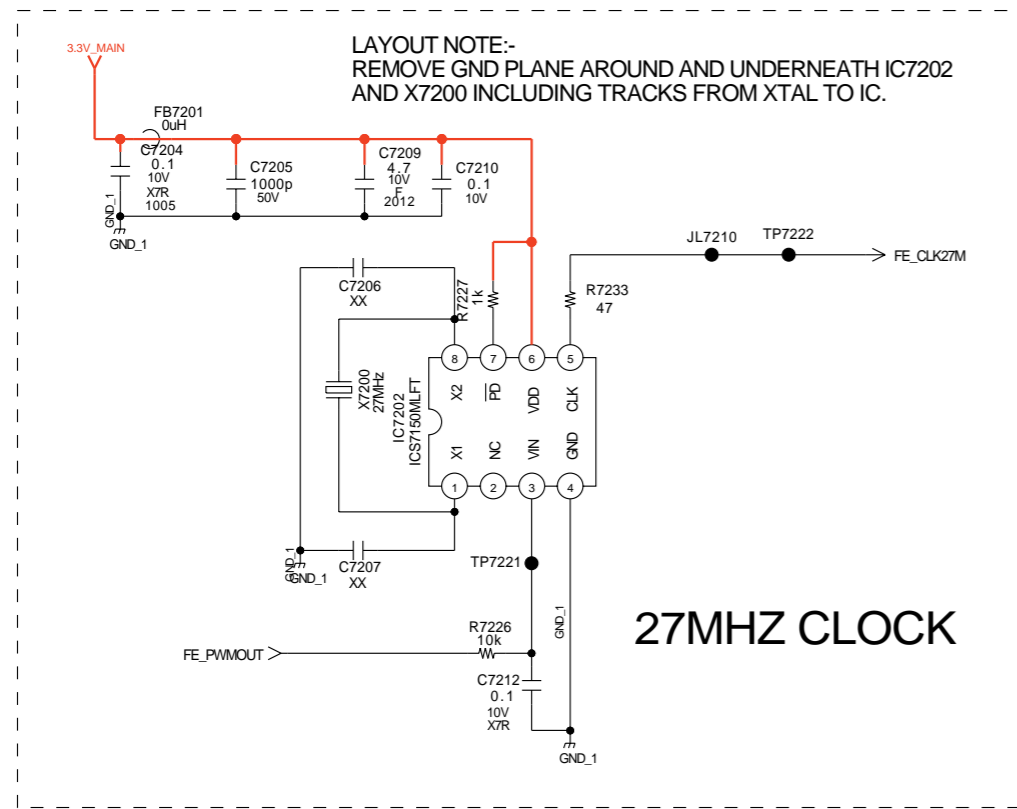
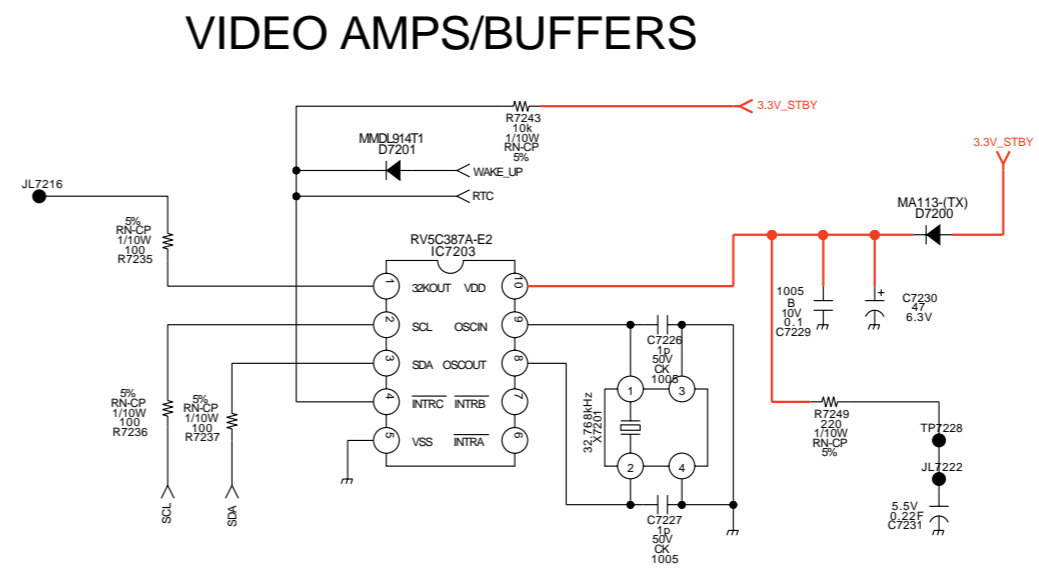
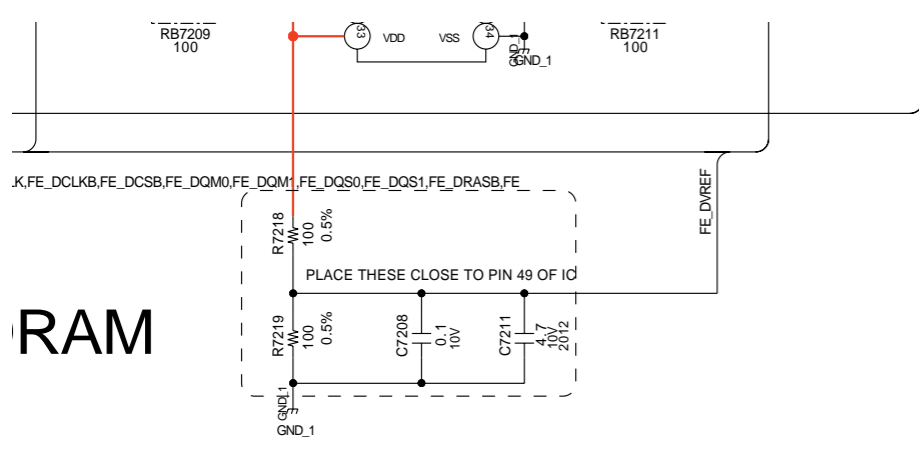
**BC** 10C/13



# DDR SDRAM



BC.SE1A



**BC** 10D/13

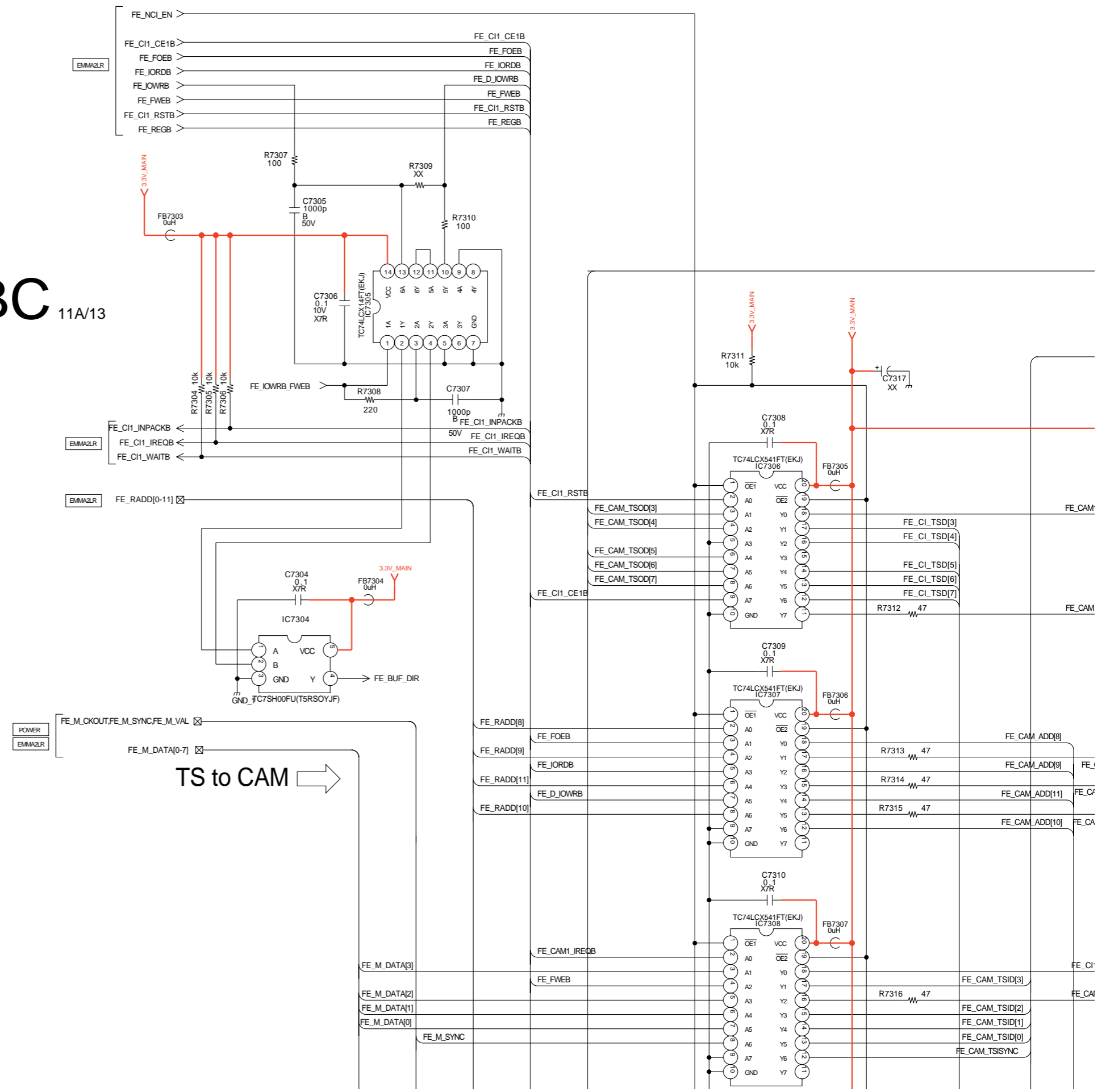
COMPONENTS MARKED AS XX REFER TO PARTS LIST, WILL ONLY BE LISTED IF FITTED

BC.SE1A

1  
2  
3  
4  
5  
6  
7  
8  
9  
10  
11  
12

BC.SE1A

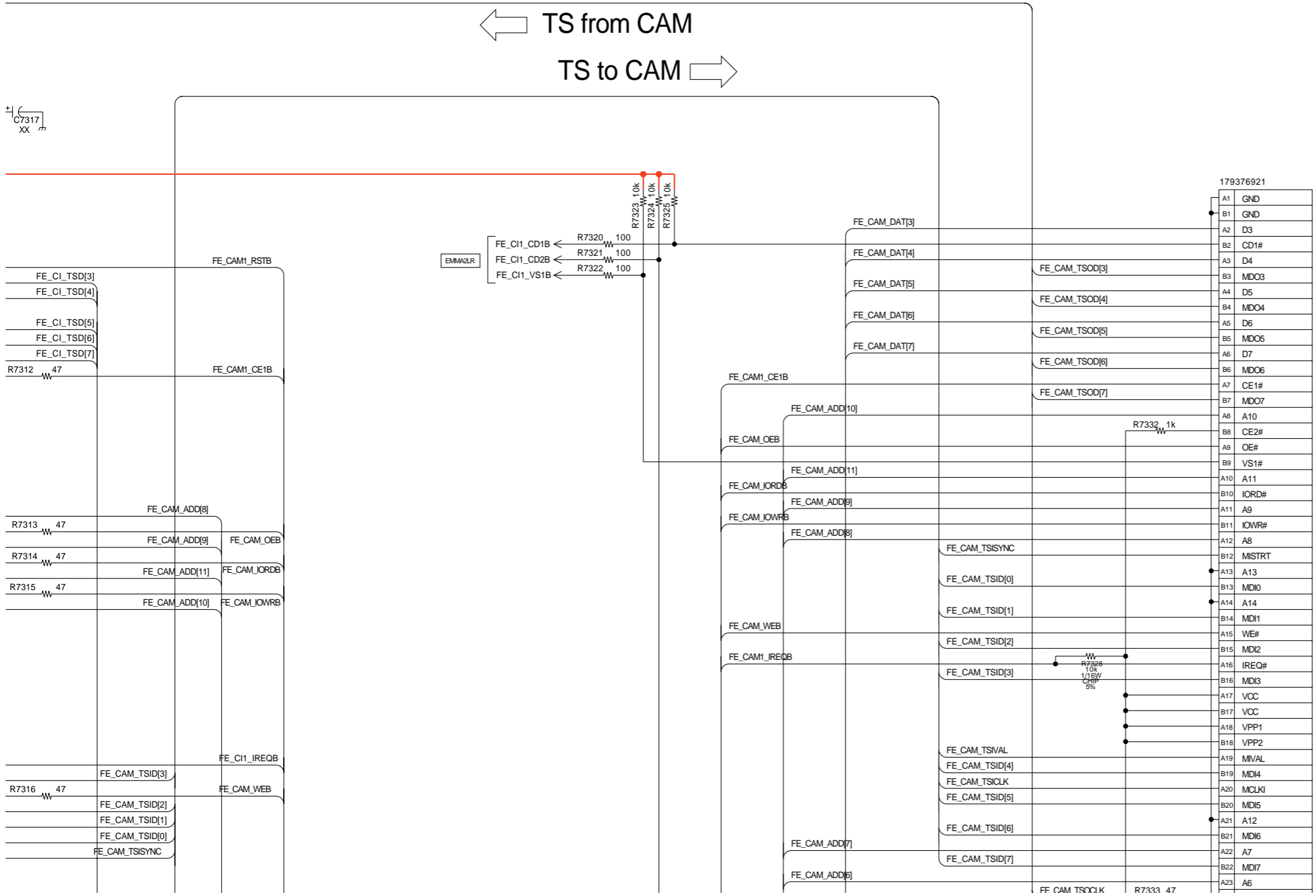
**BC** 11A/13



TS to CAM →

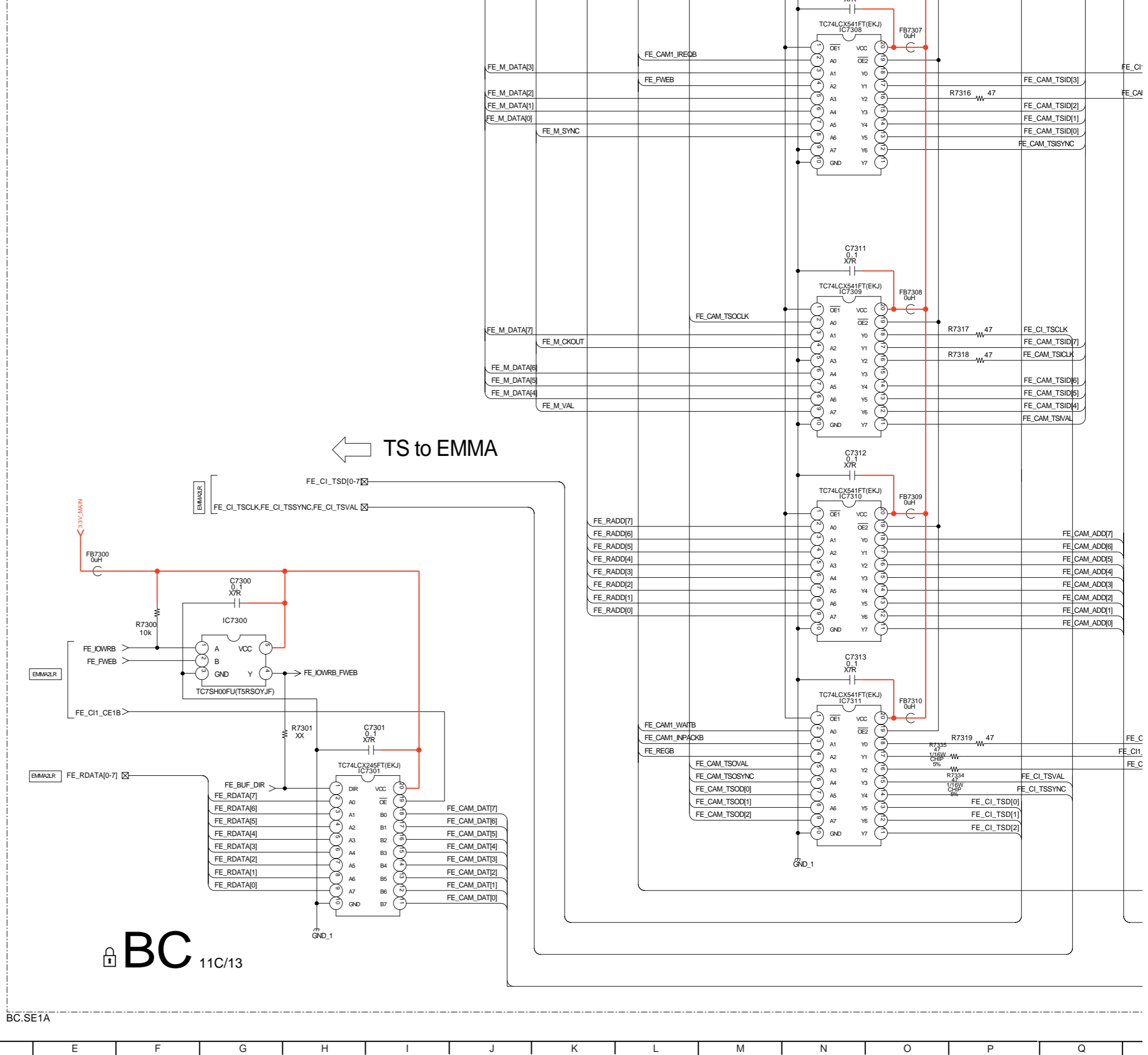
**BC** 11B/13

← TS from CAM  
 TS to CAM →





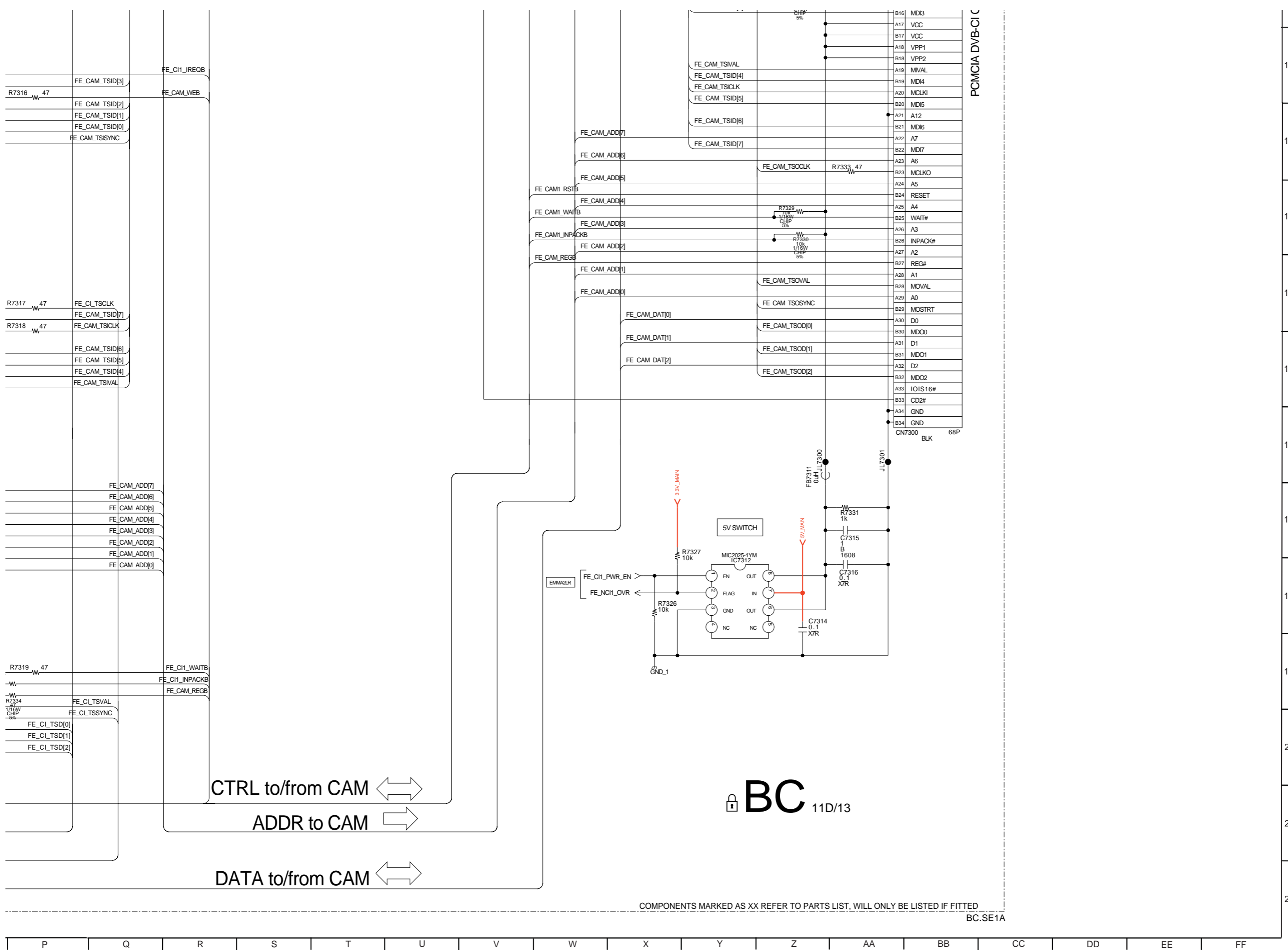
11  
12  
13  
14  
15  
16  
17  
18  
19  
20  
21  
22



← TS to EMMA

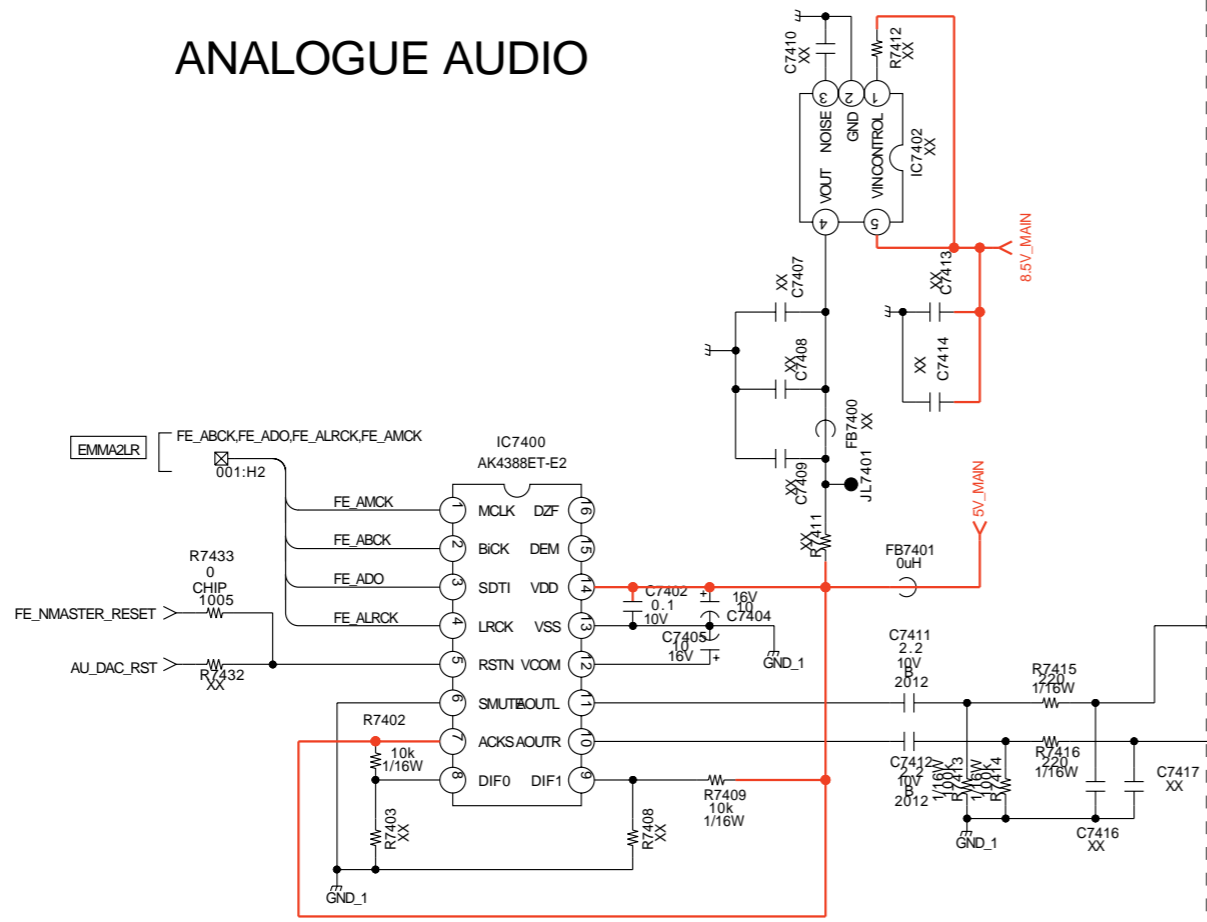
BC 11C/13

BC.SE1A

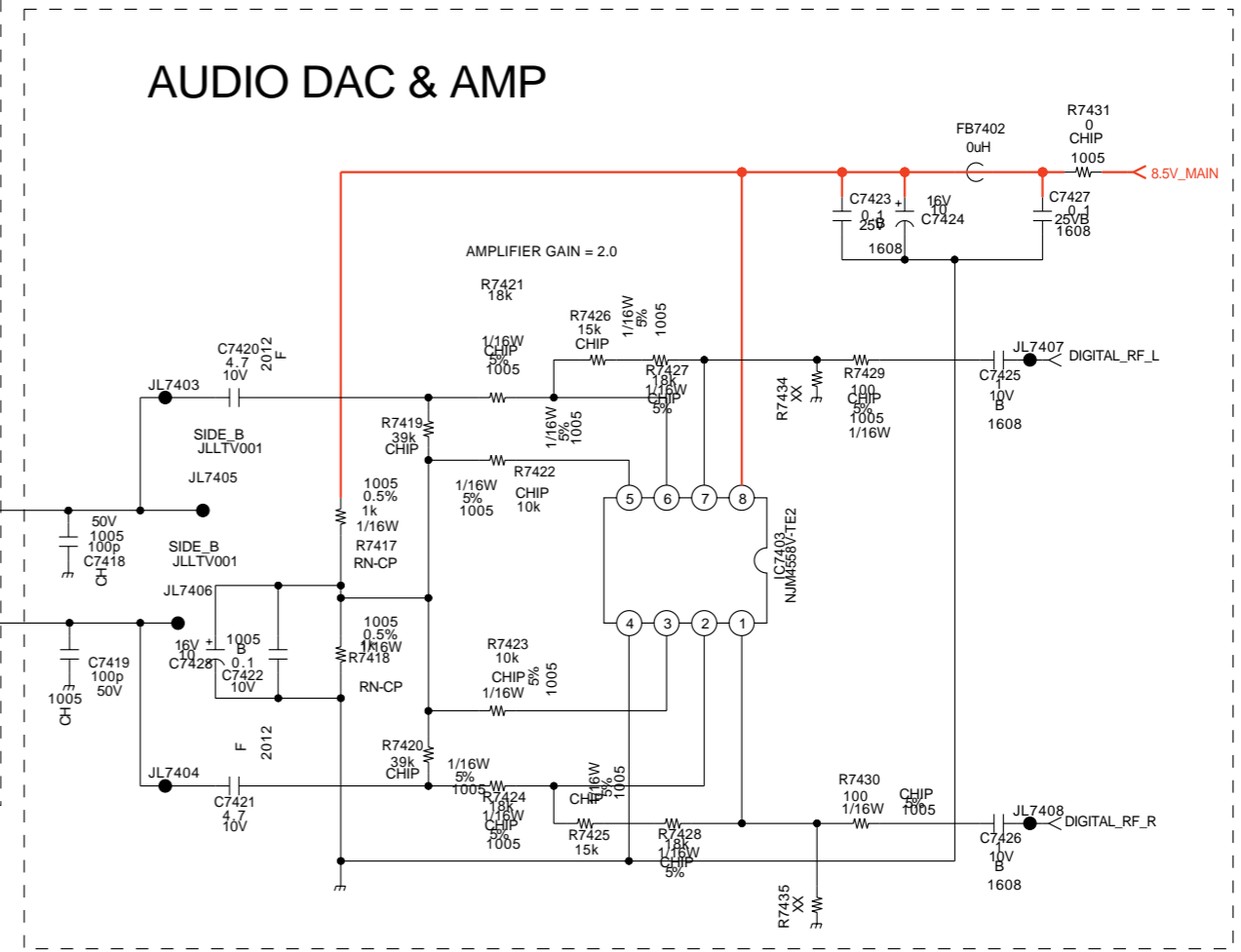


BC.SE1A

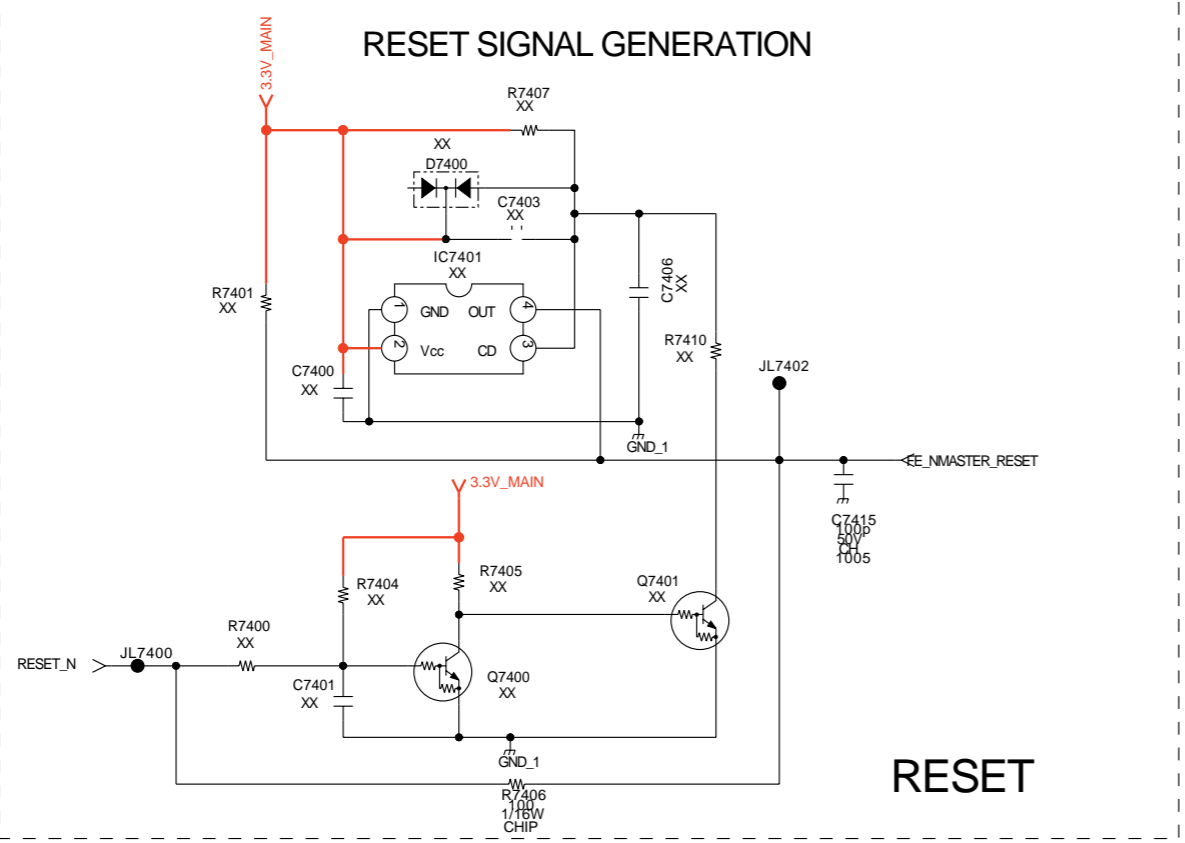
### ANALOGUE AUDIO



### AUDIO DAC & AMP



### RESET SIGNAL GENERATION



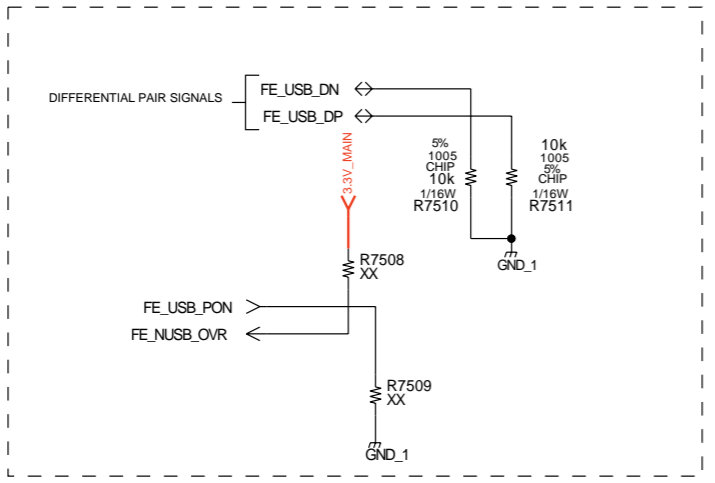
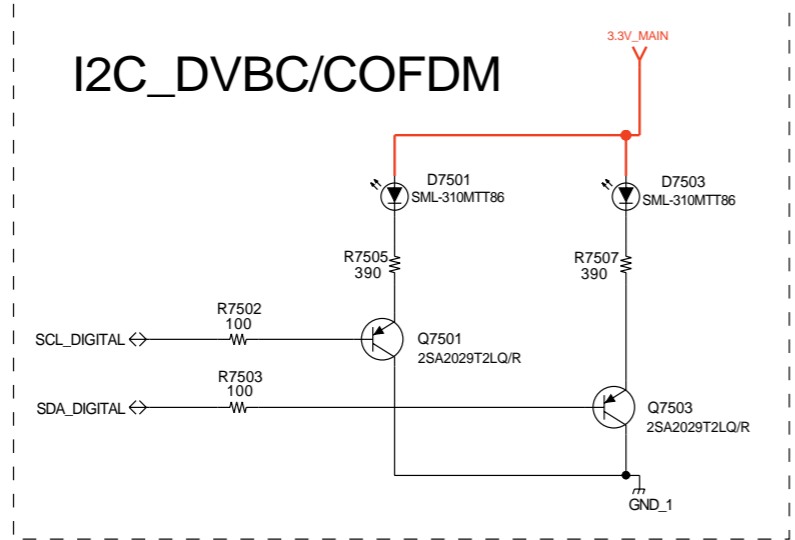
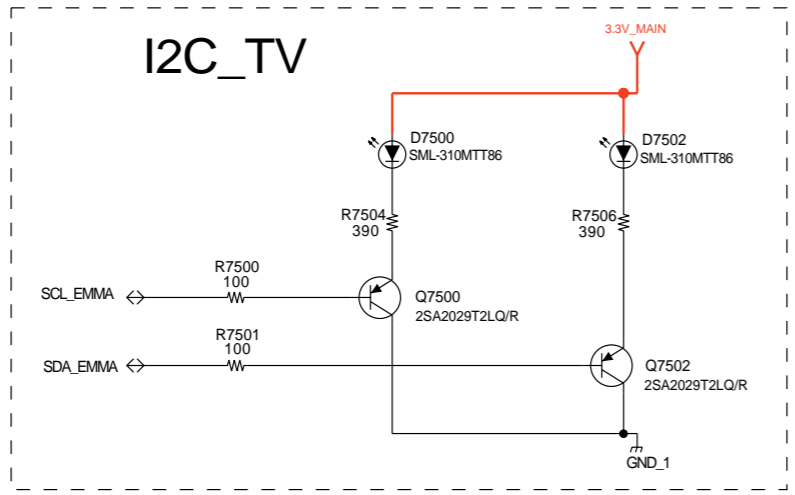
### RESET

**BC** 12/13

COMPONENTS MARKED AS XX REFER TO PARTS LIST, WILL ONLY BE LISTED IF FITTED

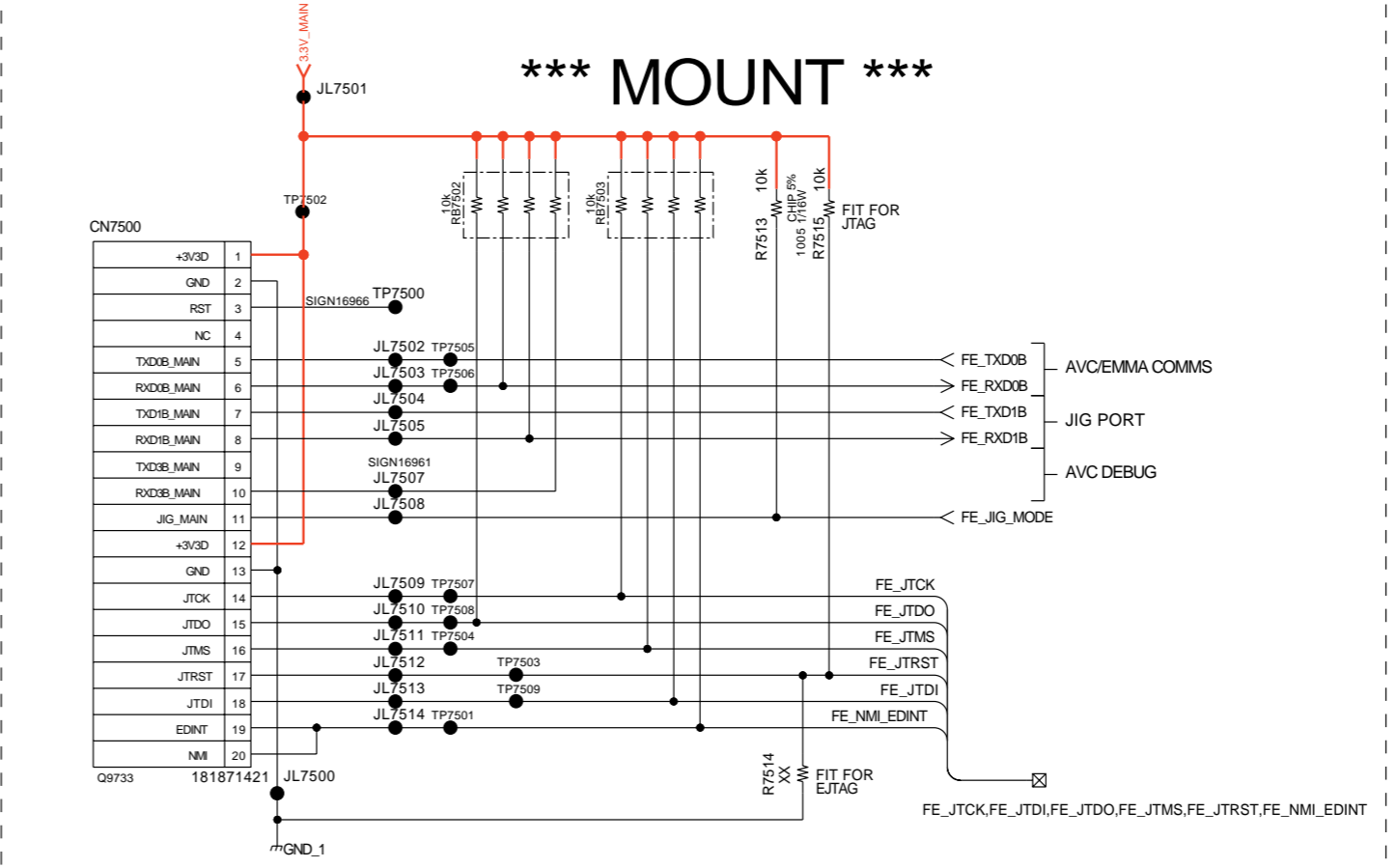
1  
2  
3  
4  
5  
6  
7  
8  
9  
10  
11

BC.SE1A

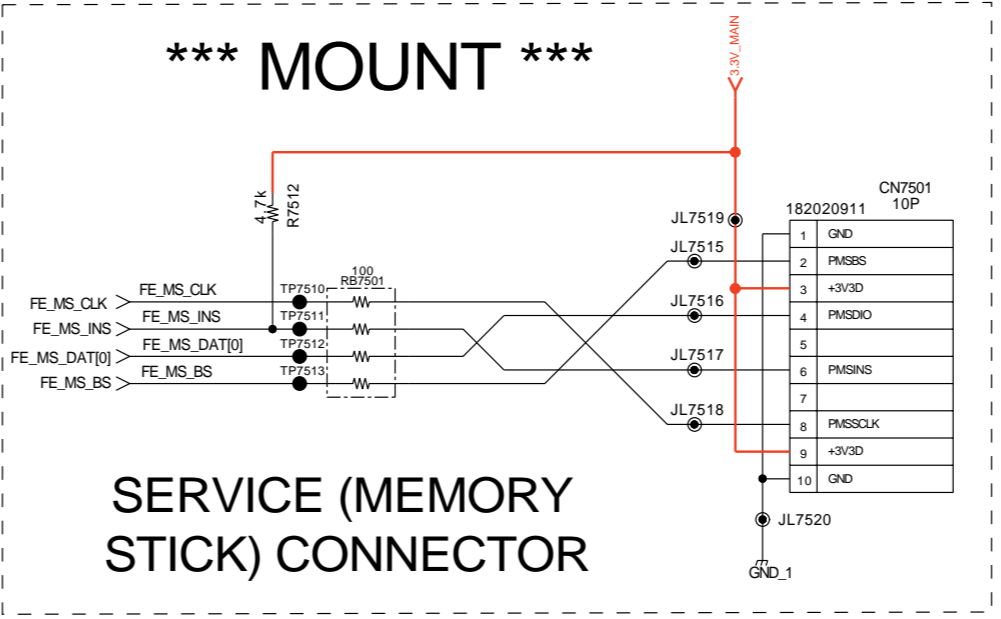


ALL resistors are in ohms,W unless otherwise noted.  
ALL capacitors are in uF(p:pF)unless otherwise noted.  
COMPONENTS MARKED AS XX REFER TO PARTS LIST, WILL ONLY BE LISTED IF FITTED

MOUNT ALL THESE CONNECTORS IN THE "FE" AREA



DEBUG UARTS & EJTAG



SERVICE (MEMORY STICK) CONNECTOR

BC 13/13

A B C D E F G H I J K L M N O

1

2

3

4

5

6

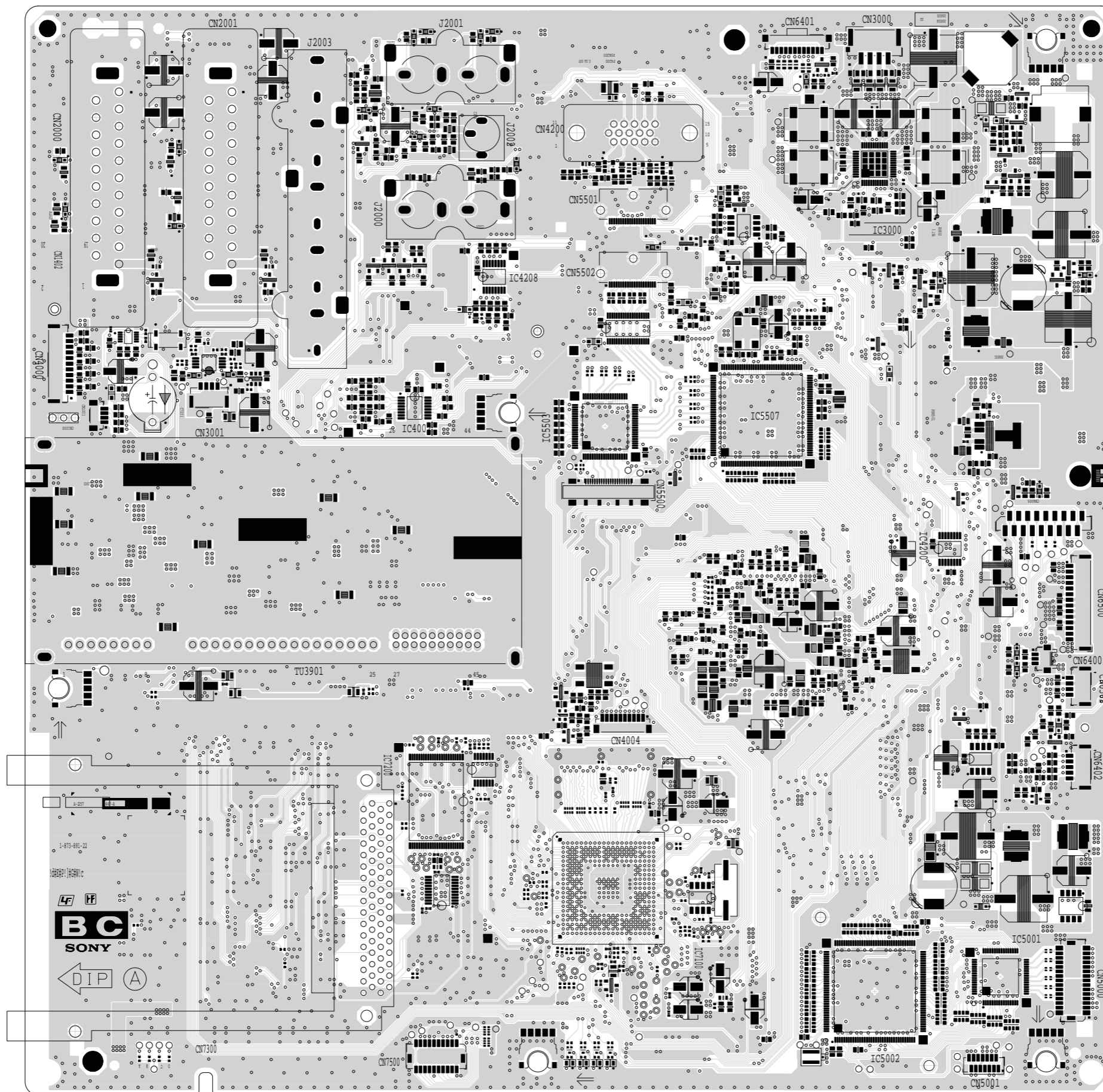
7

8

9

10

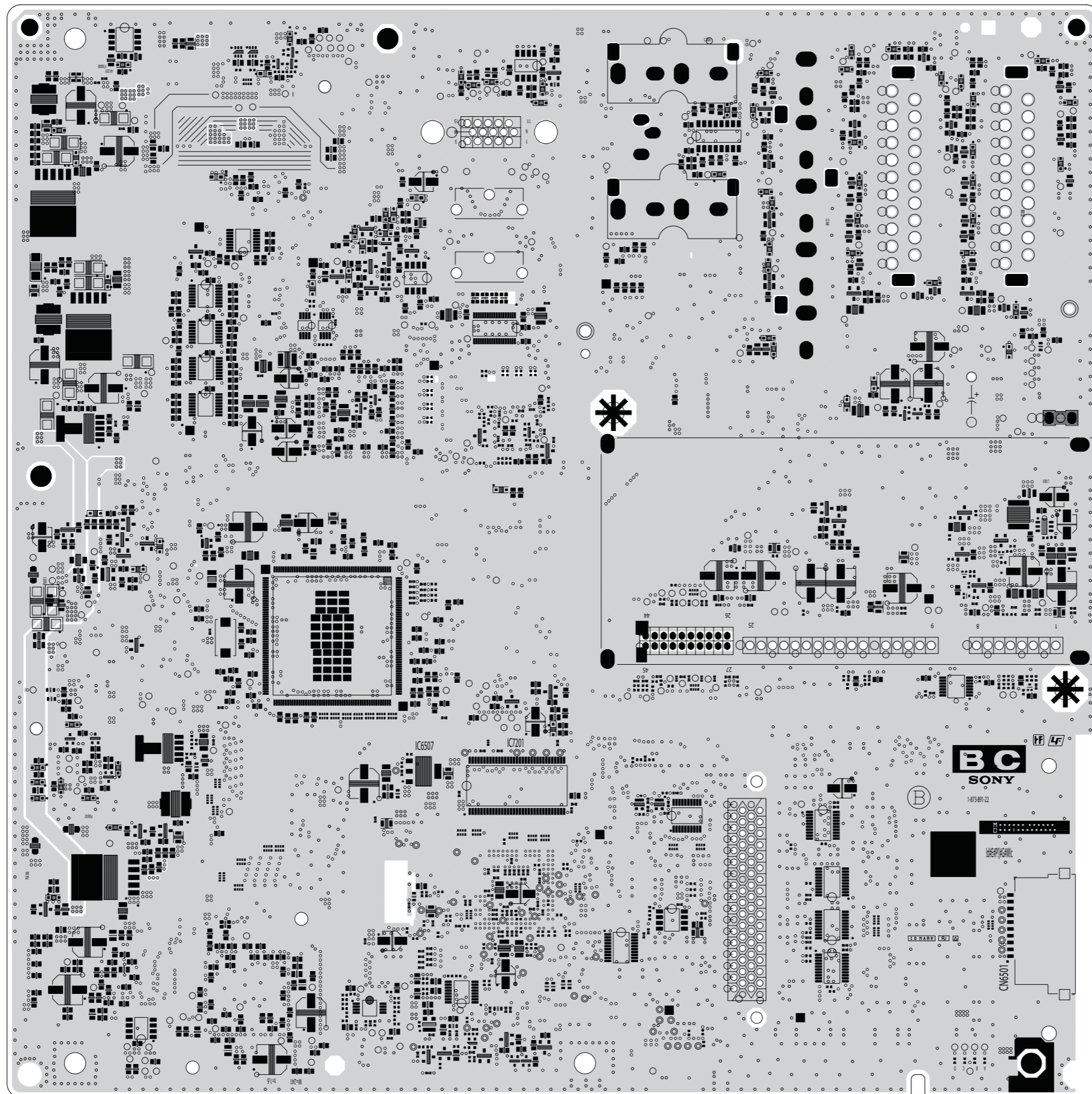
11



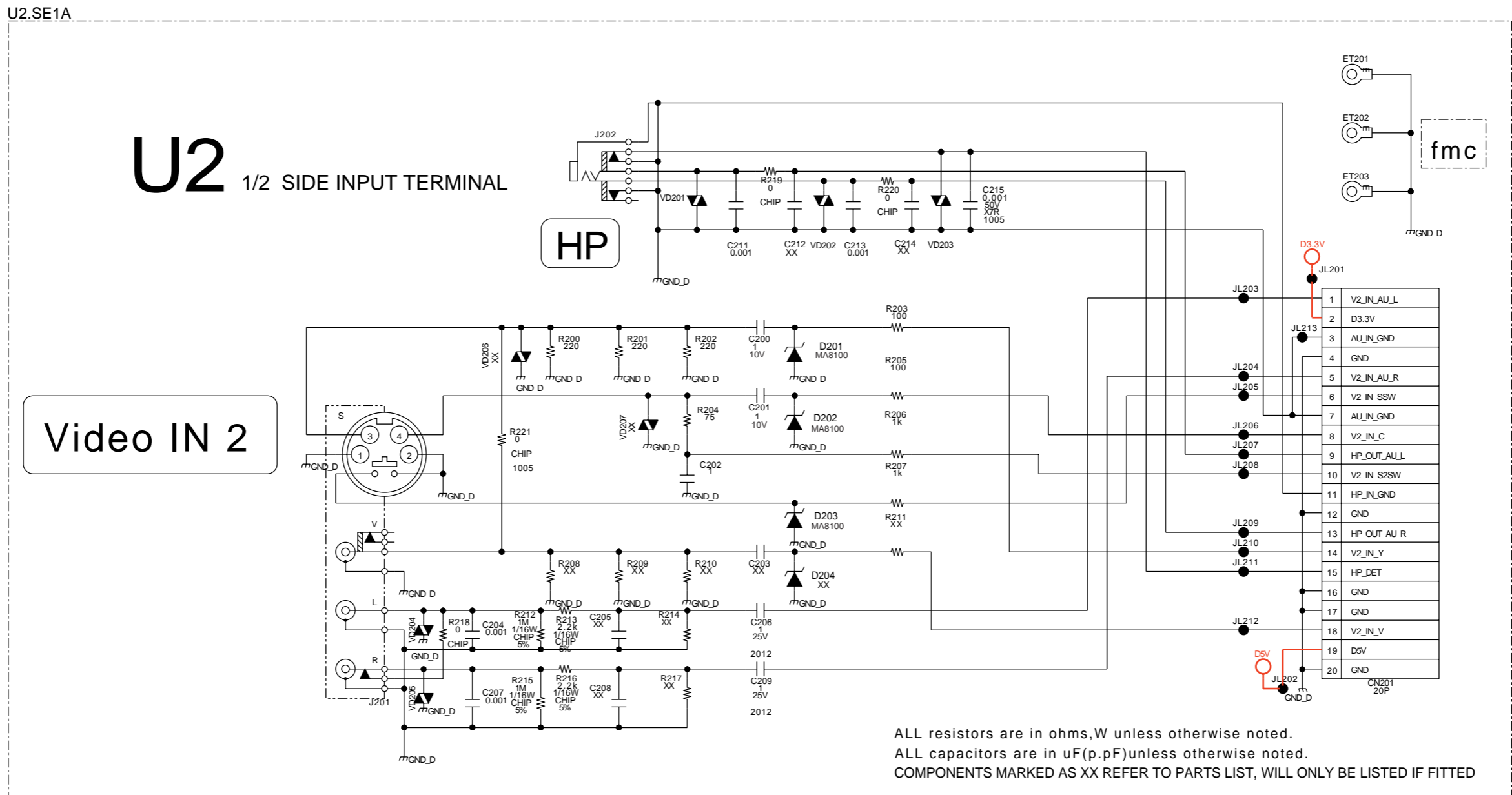
~ BC Printed Wiring Board Side A ~

A B C D E F G H I J K L M N O

1  
2  
3  
4  
5  
6  
7  
8  
9  
10  
11

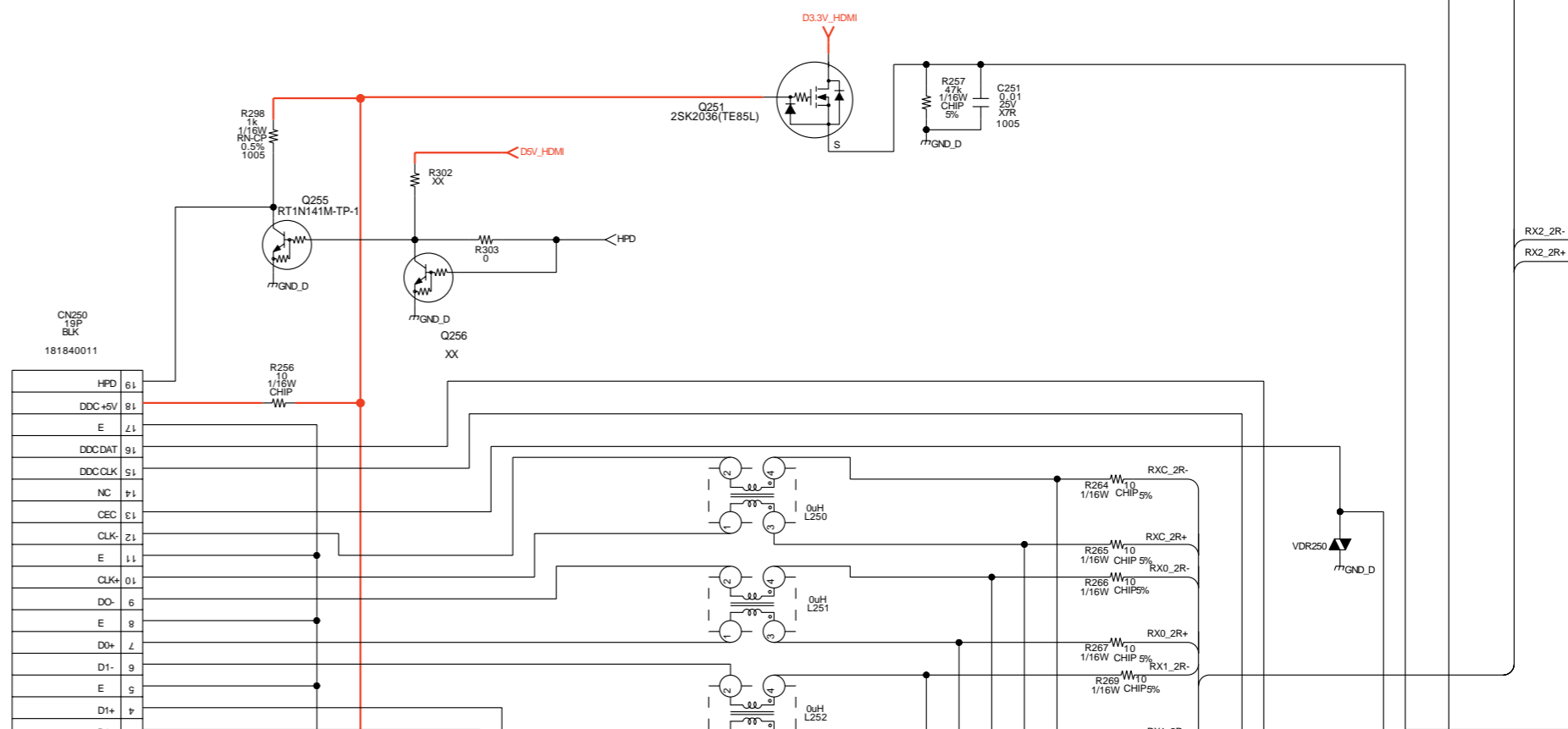


~ BC Printed Wiring Board Side B ~

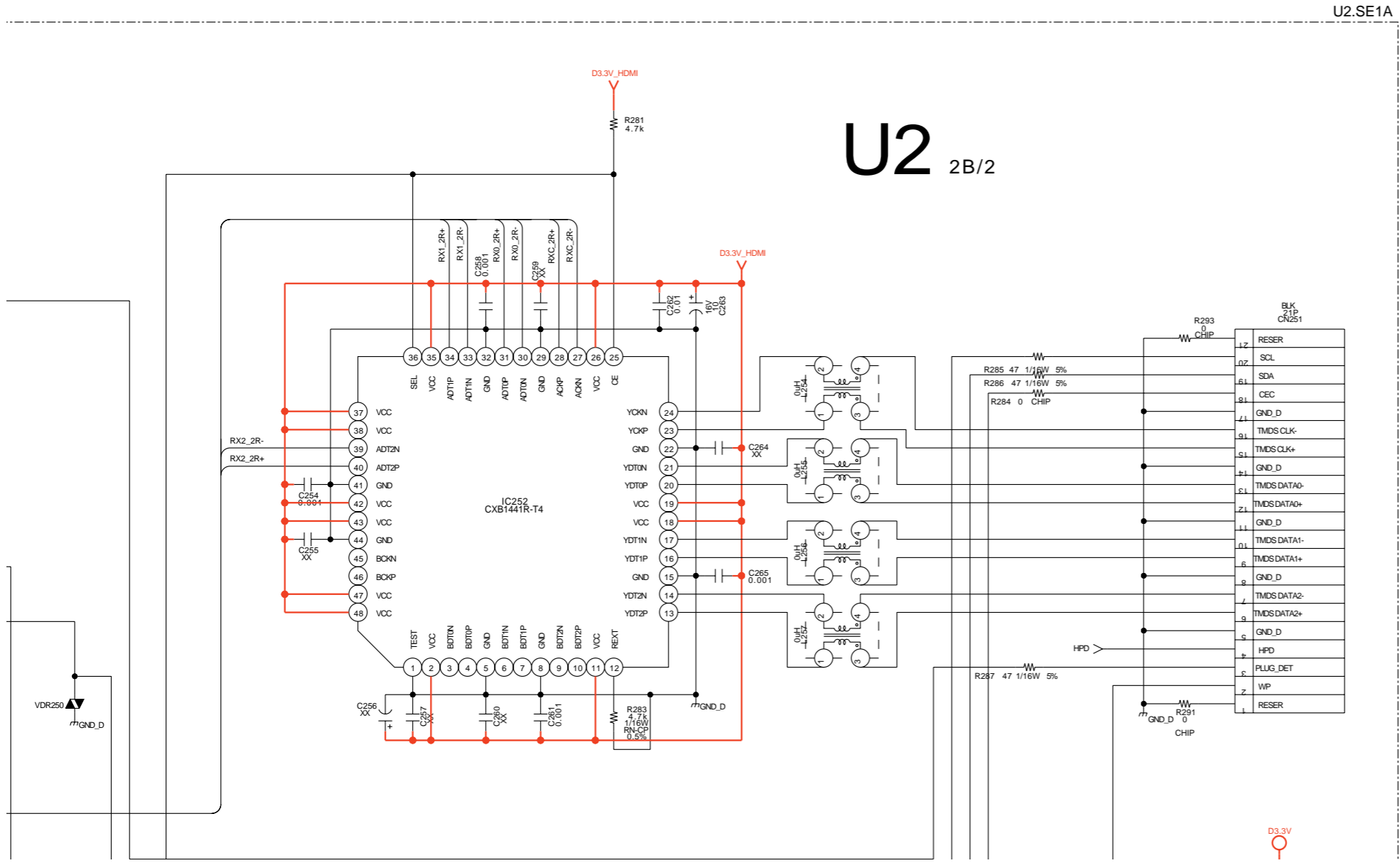


U2.SE1A

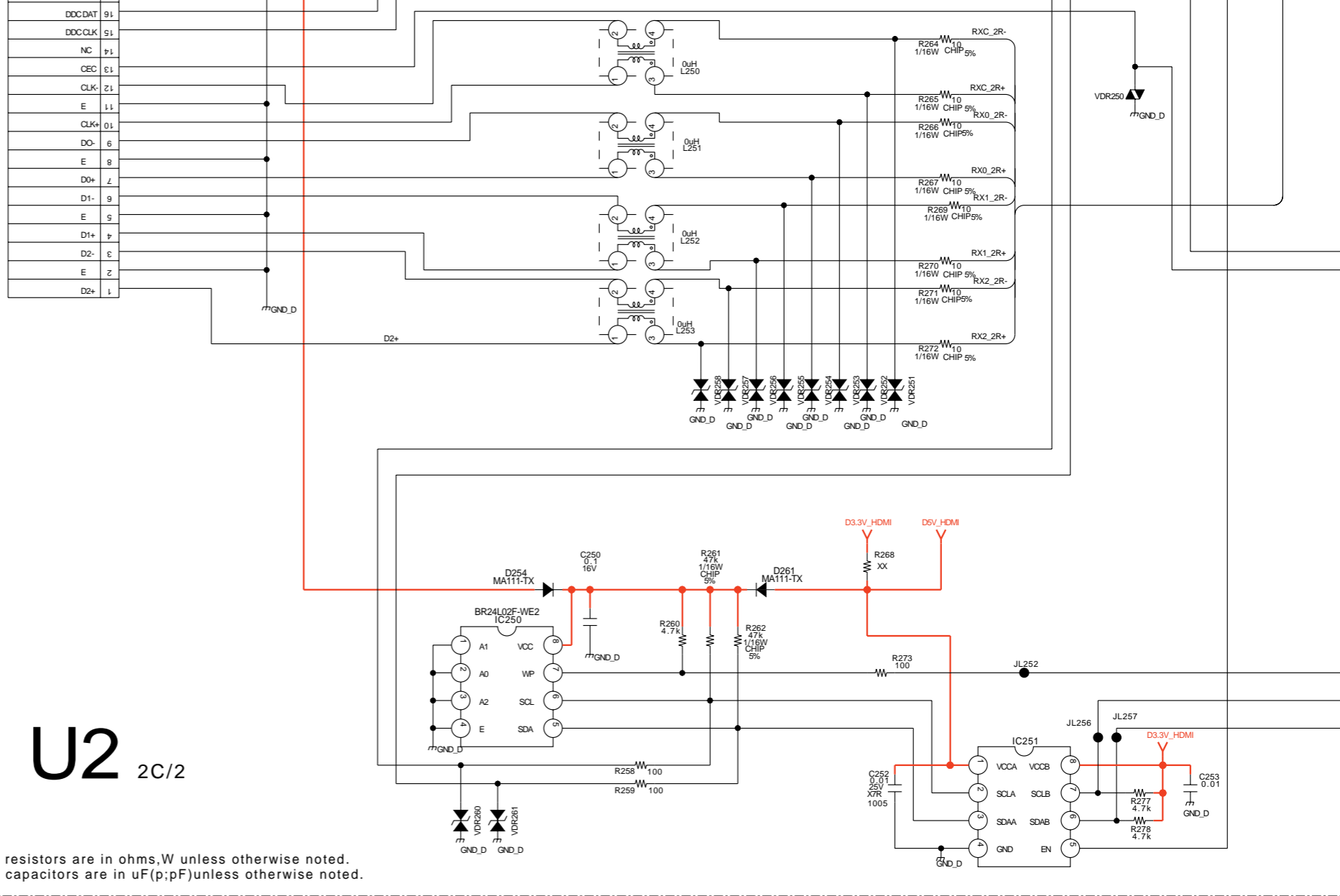
# U2 <sub>2A/2</sub>



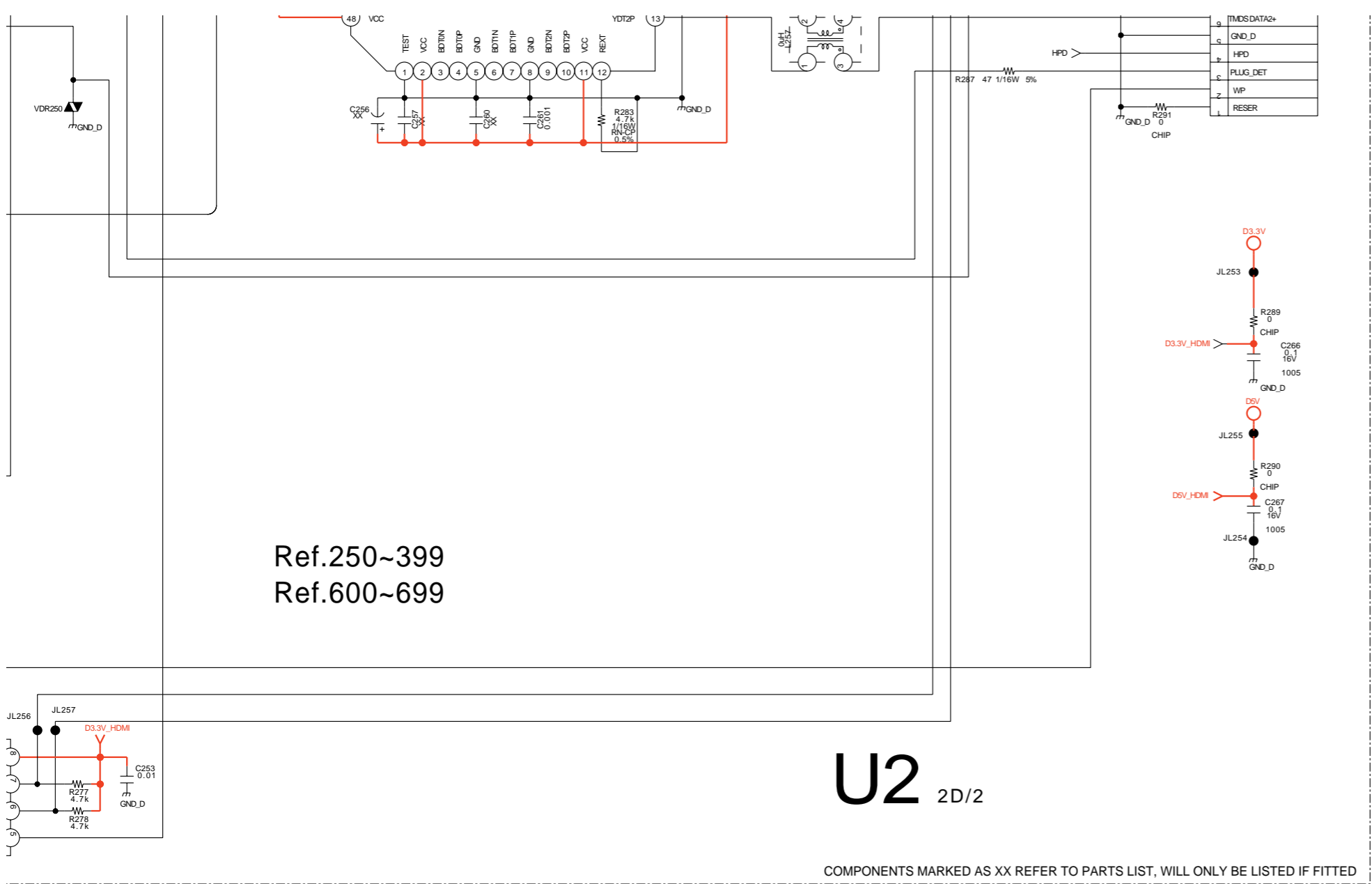




11  
12  
13  
14  
15  
16  
17  
18  
19  
20  
21  
22



U2.SE1A



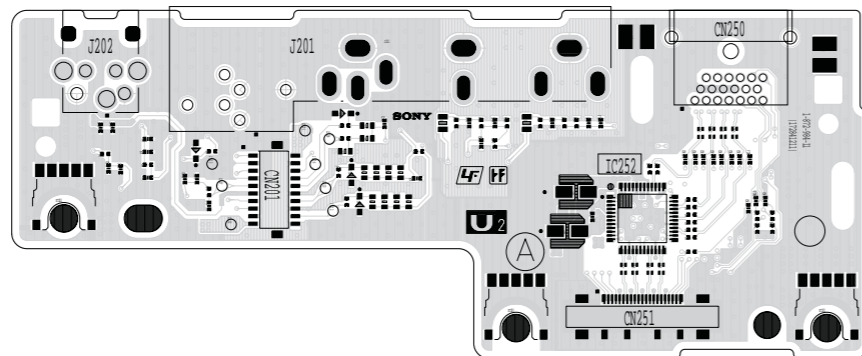
U2.SE1A

P | Q | R | S | T | U | V | W | X | Y | Z | AA | BB | CC | DD | EE | FF

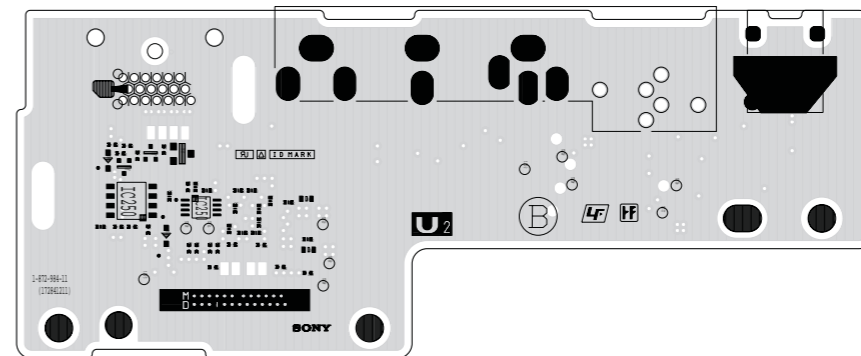
11  
12  
13  
14  
15  
16  
17  
18  
19  
20  
21  
22

A B C D E F G H I J K L M N O

1  
2  
3  
4  
5  
6  
7  
8  
9  
10  
11



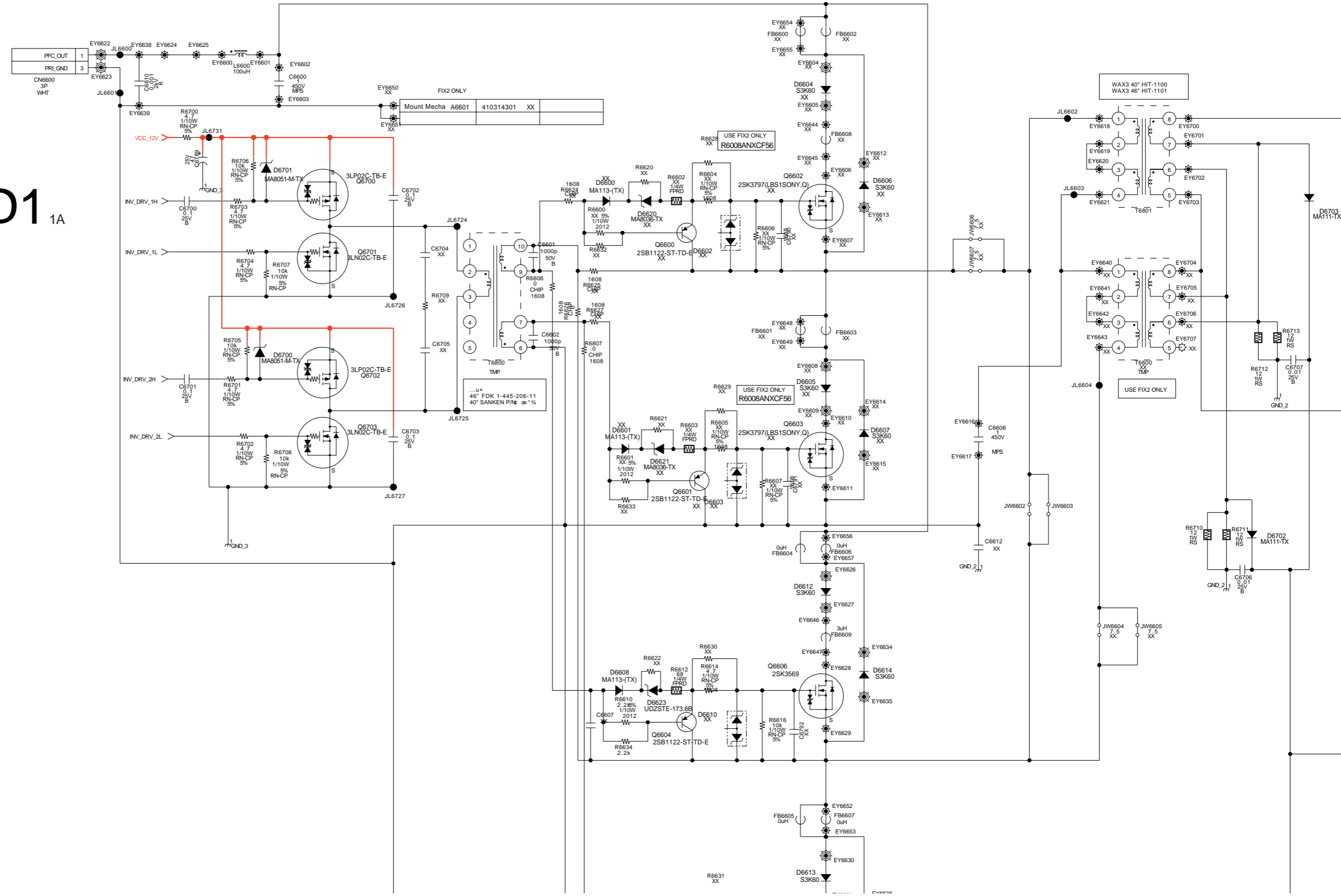
~ U2 Printed Wiring Board Side A ~



~ U2 Printed Wiring Board Side B ~

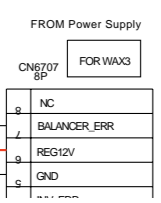
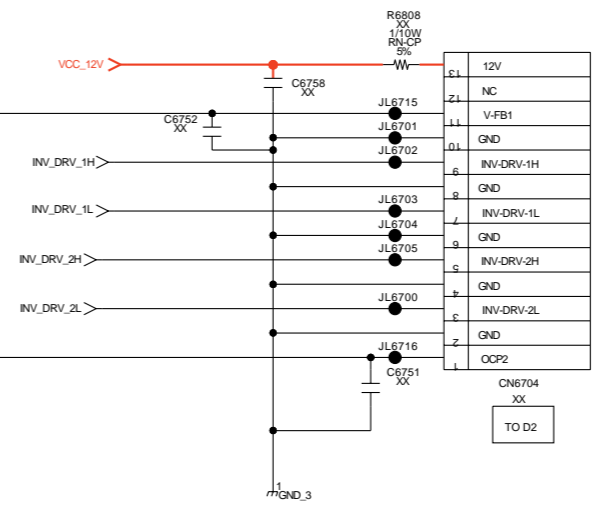
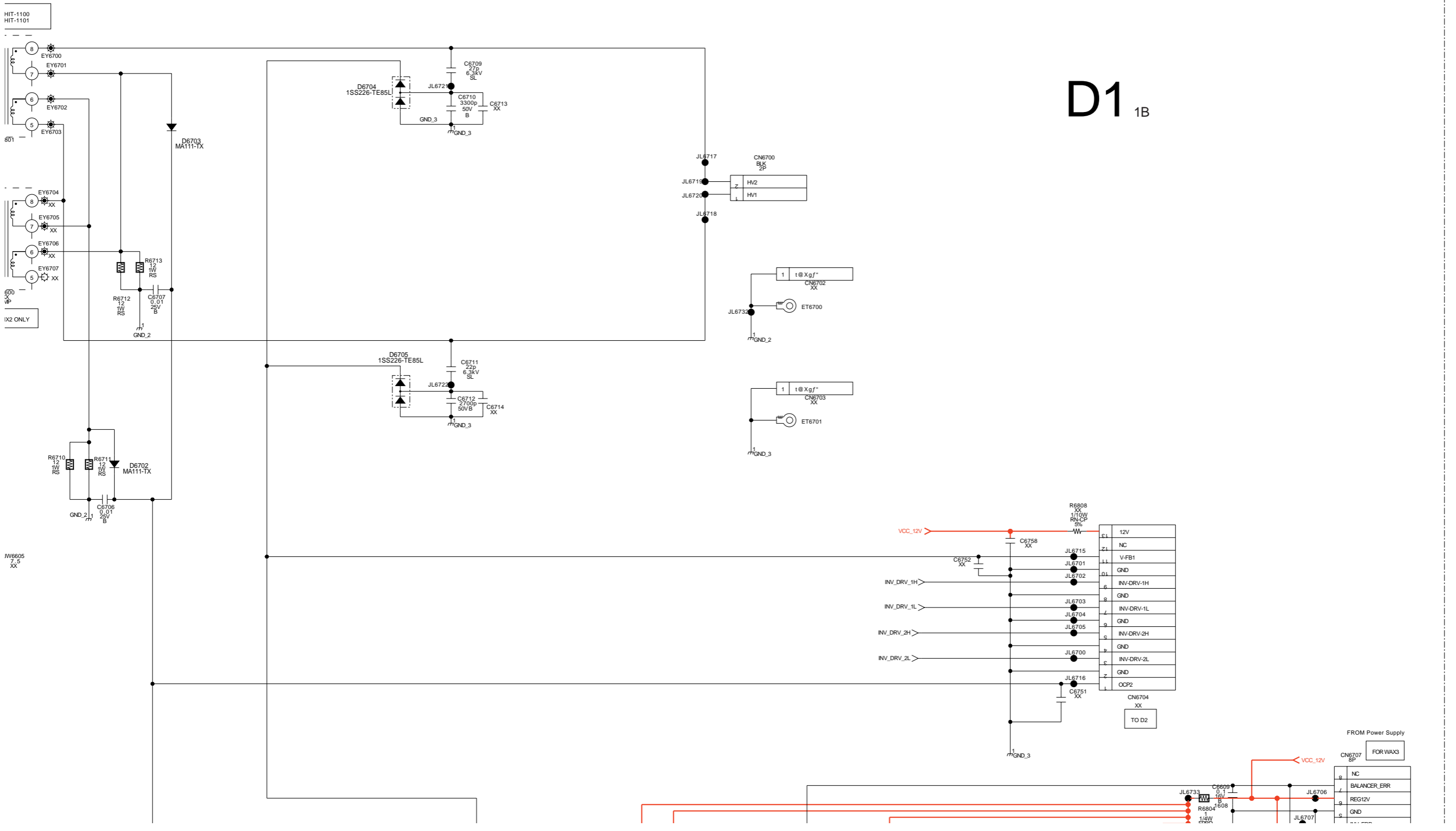
D1.SE1A

D1 1A

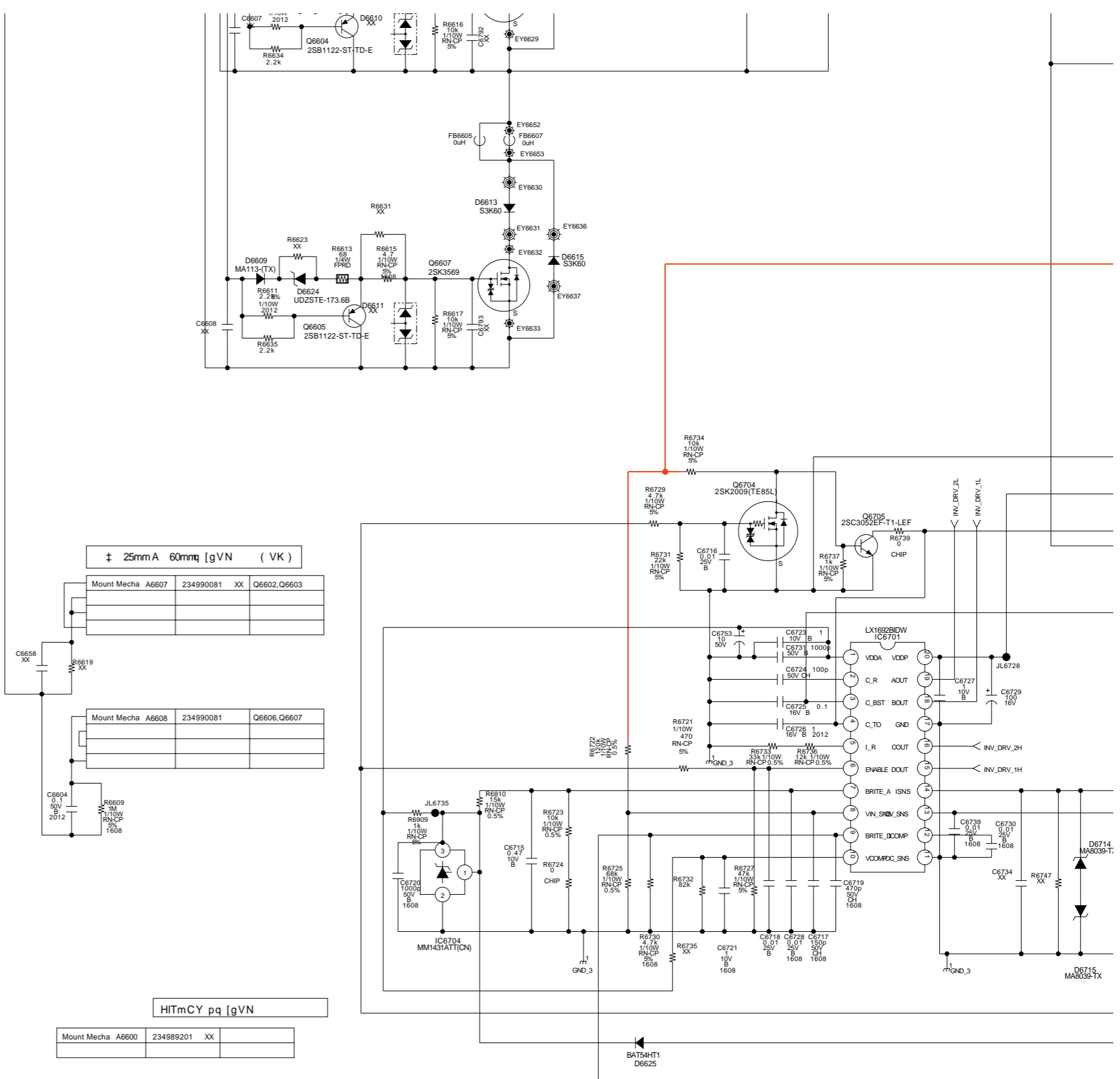


D1.SE1A

D1<sub>1B</sub>



# D1 1C INVERTER POWER CIRCUIT FOR BACKLIGHT



± 25mA 60mV [gVN (VK)

Mount Mecha	A6607	234990081	XX	Q6602, Q6603

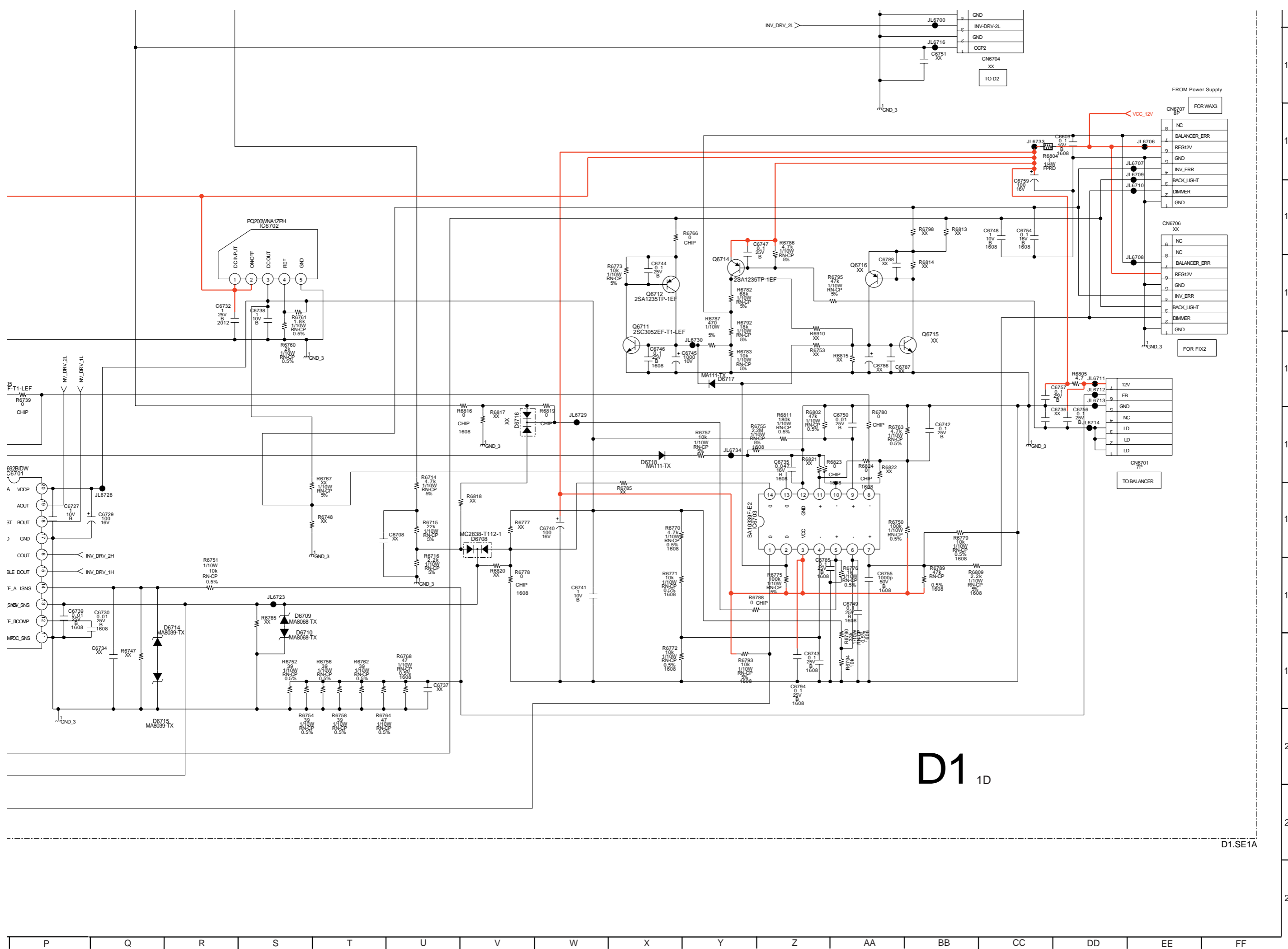
Mount Mecha	A6608	234990081		Q6606, Q6607

HITmCY pq [gVN

Mount Mecha	A6600	234989201	XX	

COMPONENTS MARKED AS XX REFER TO PARTS LIST, WILL ONLY BE LISTED IF FITTED

D1.SE1A



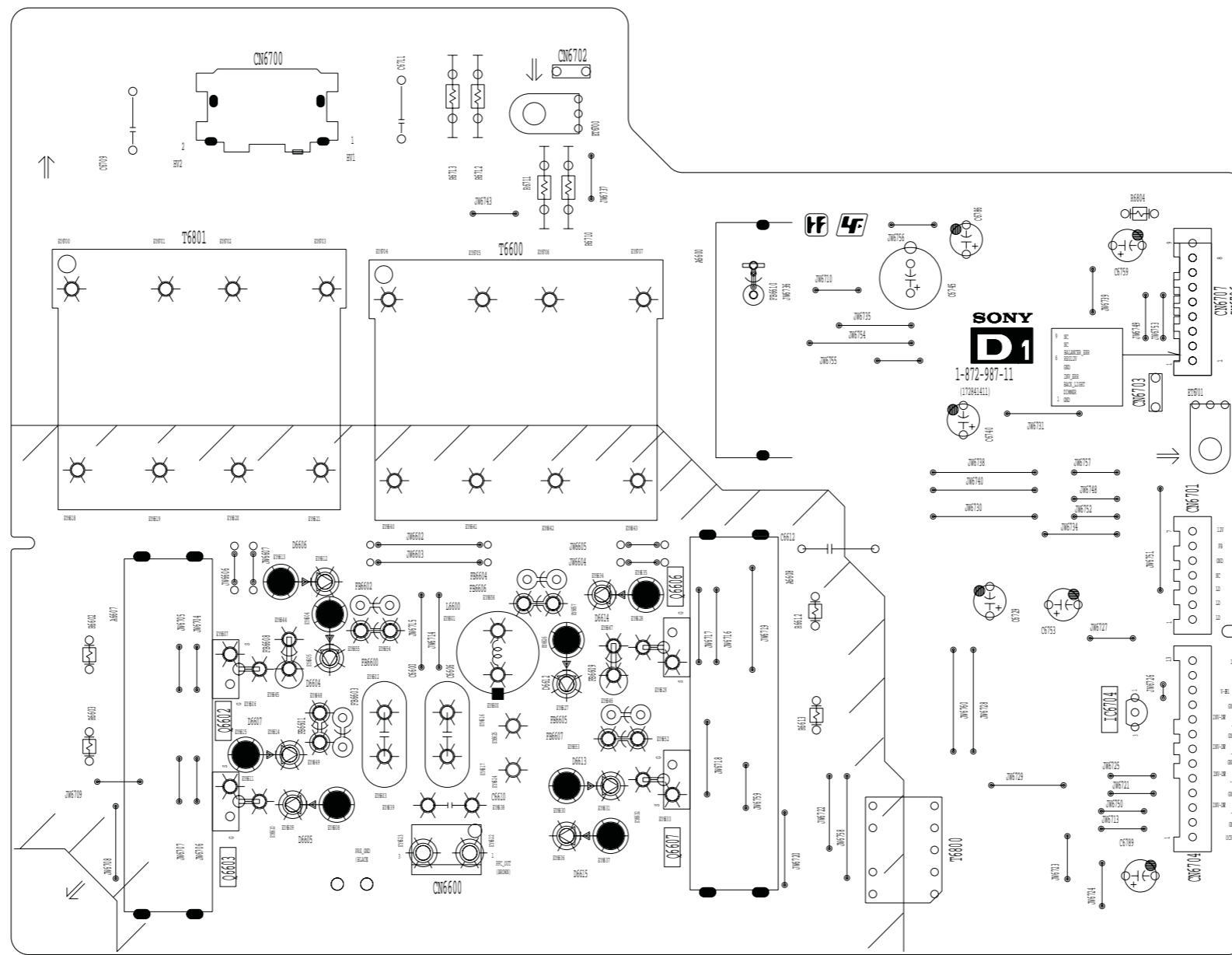
**D1** <sub>1D</sub>

D1.SE1A



A B C D E F G H I J K L M N O

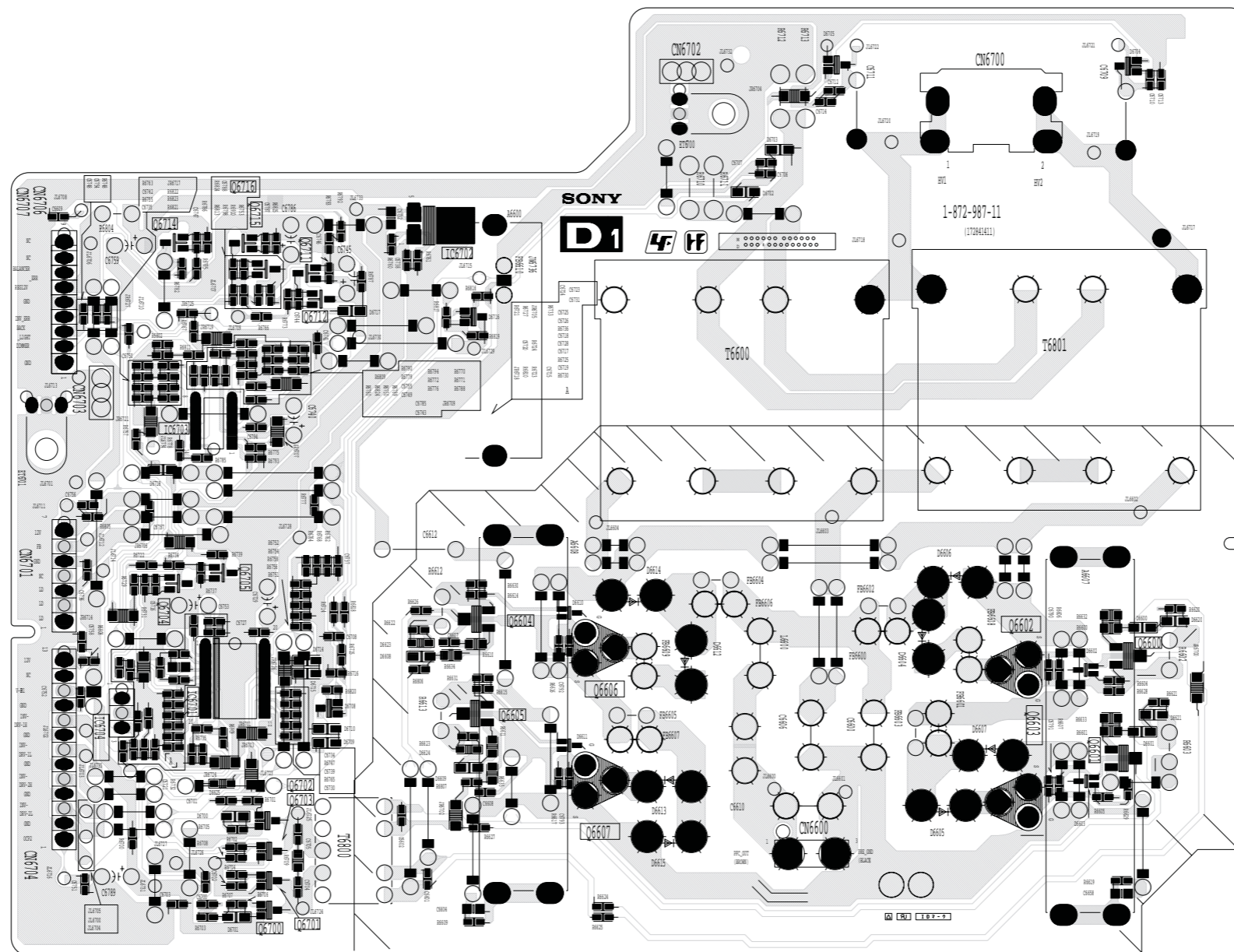
1  
2  
3  
4  
5  
6  
7  
8  
9  
10  
11



~ D1 Printed Wiring Board Side A ~

~ D1 Board IC Voltage Table Side A ~

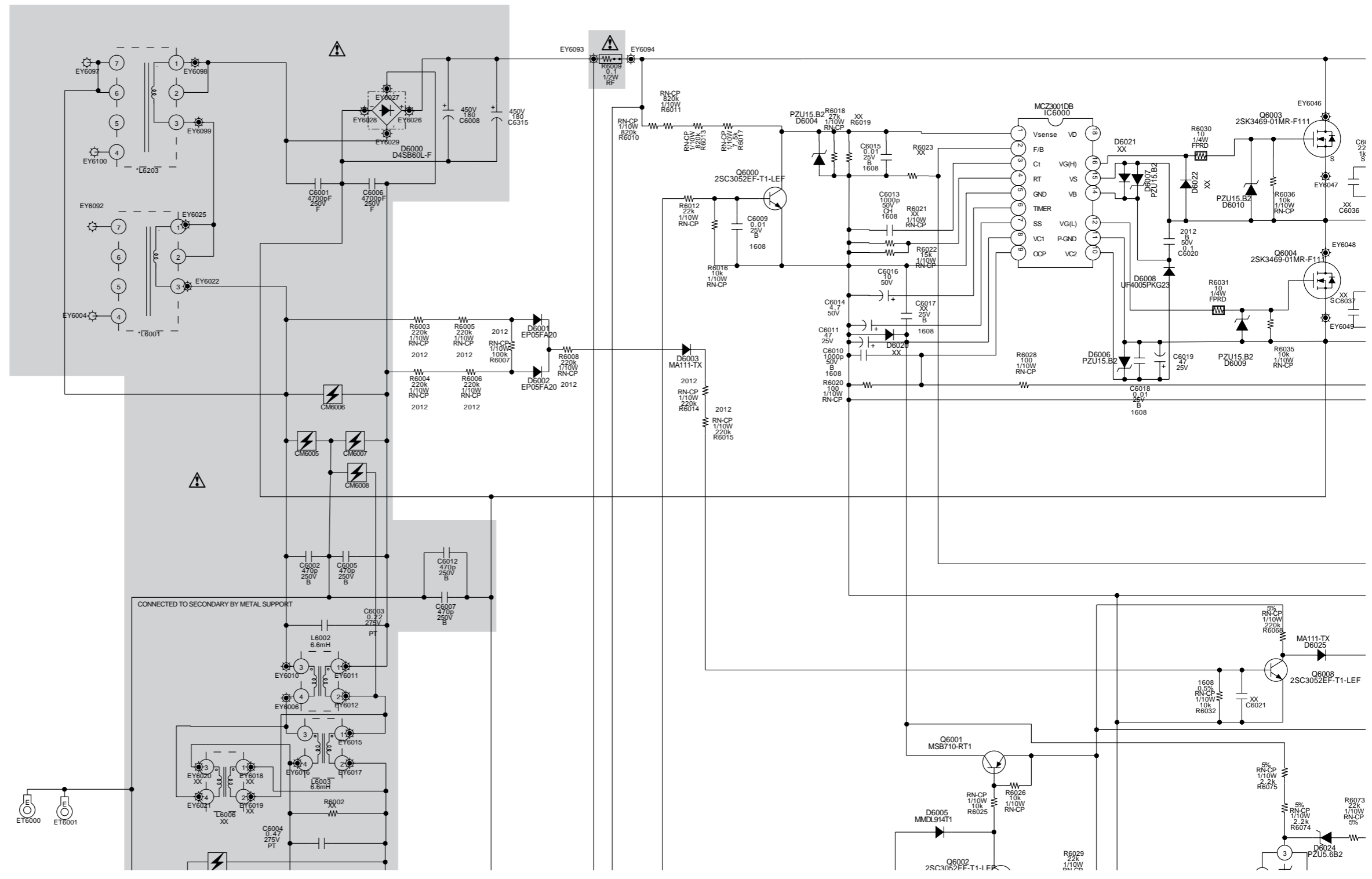
Ref No	Pin No	Volts (V)
IC6704	1	2.5
	2	0
	3	2.5

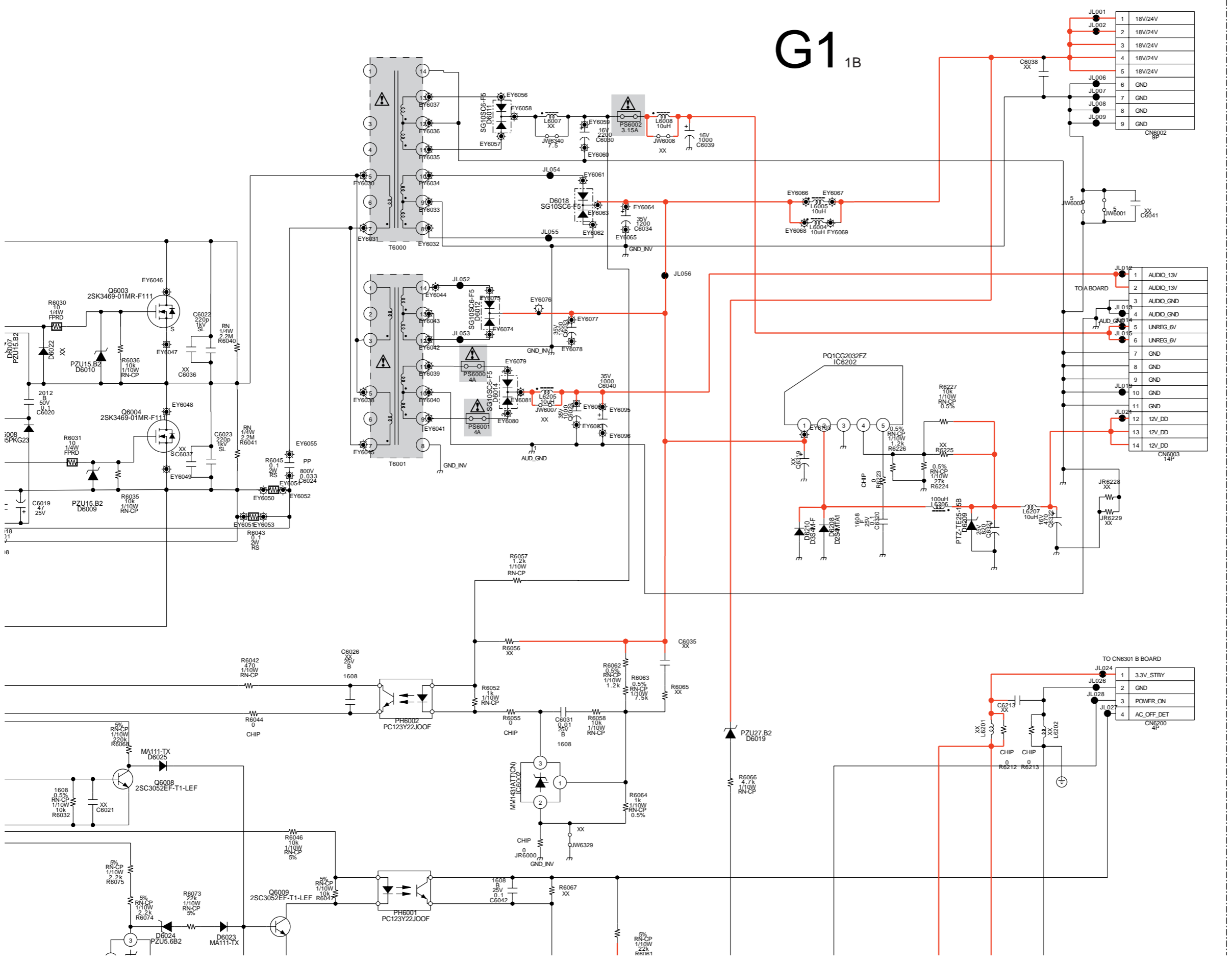


~ D1 Printed Wiring Board Side B ~

G1.SE1A

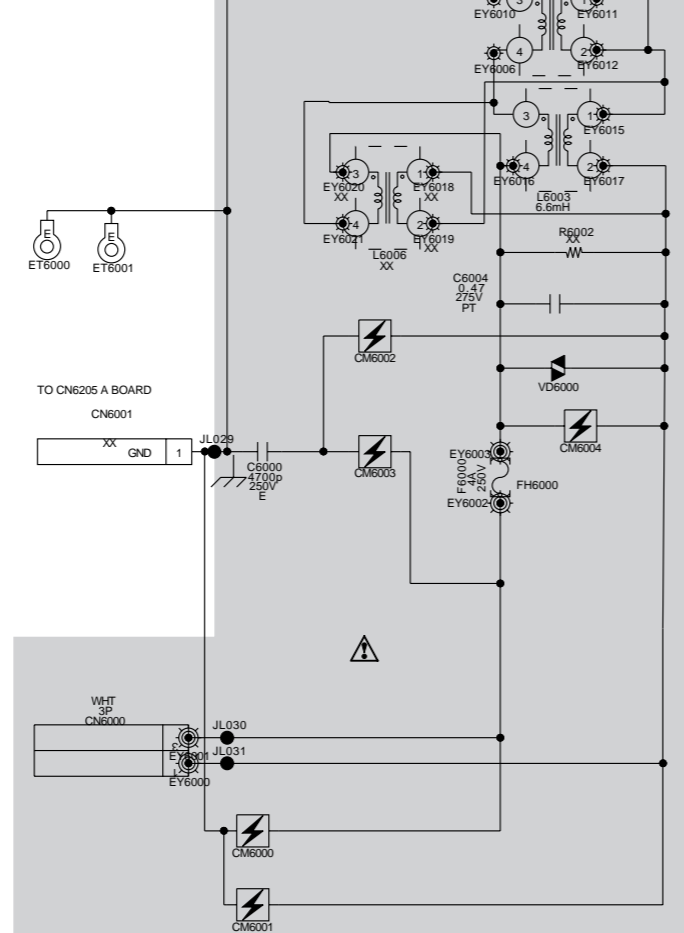
# G1 1A POWER SUPPLY





1  
2  
3  
4  
5  
6  
7  
8  
9  
10  
11  
12

11  
12  
13  
14  
15  
16  
17  
18  
19  
20  
21  
22

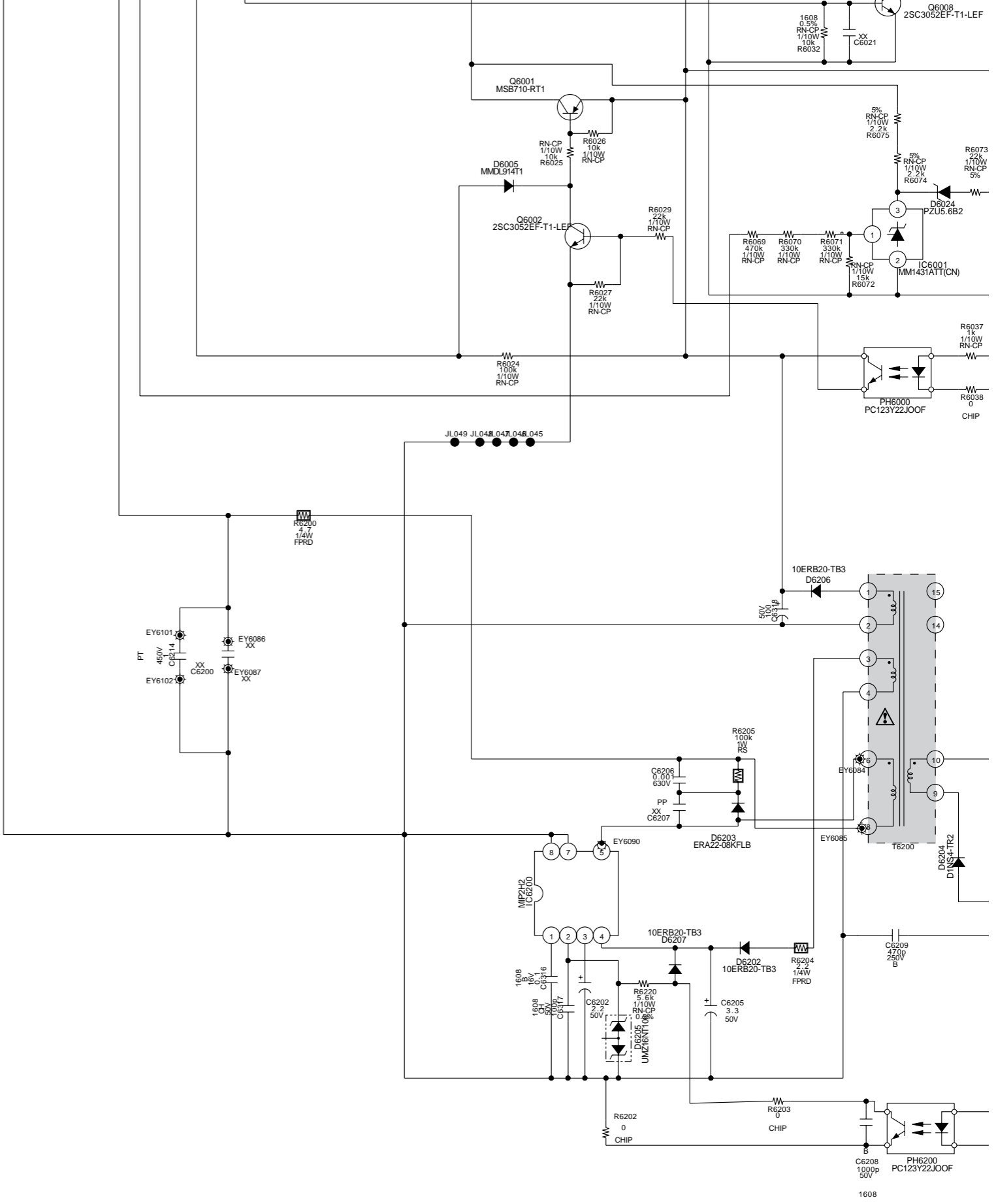


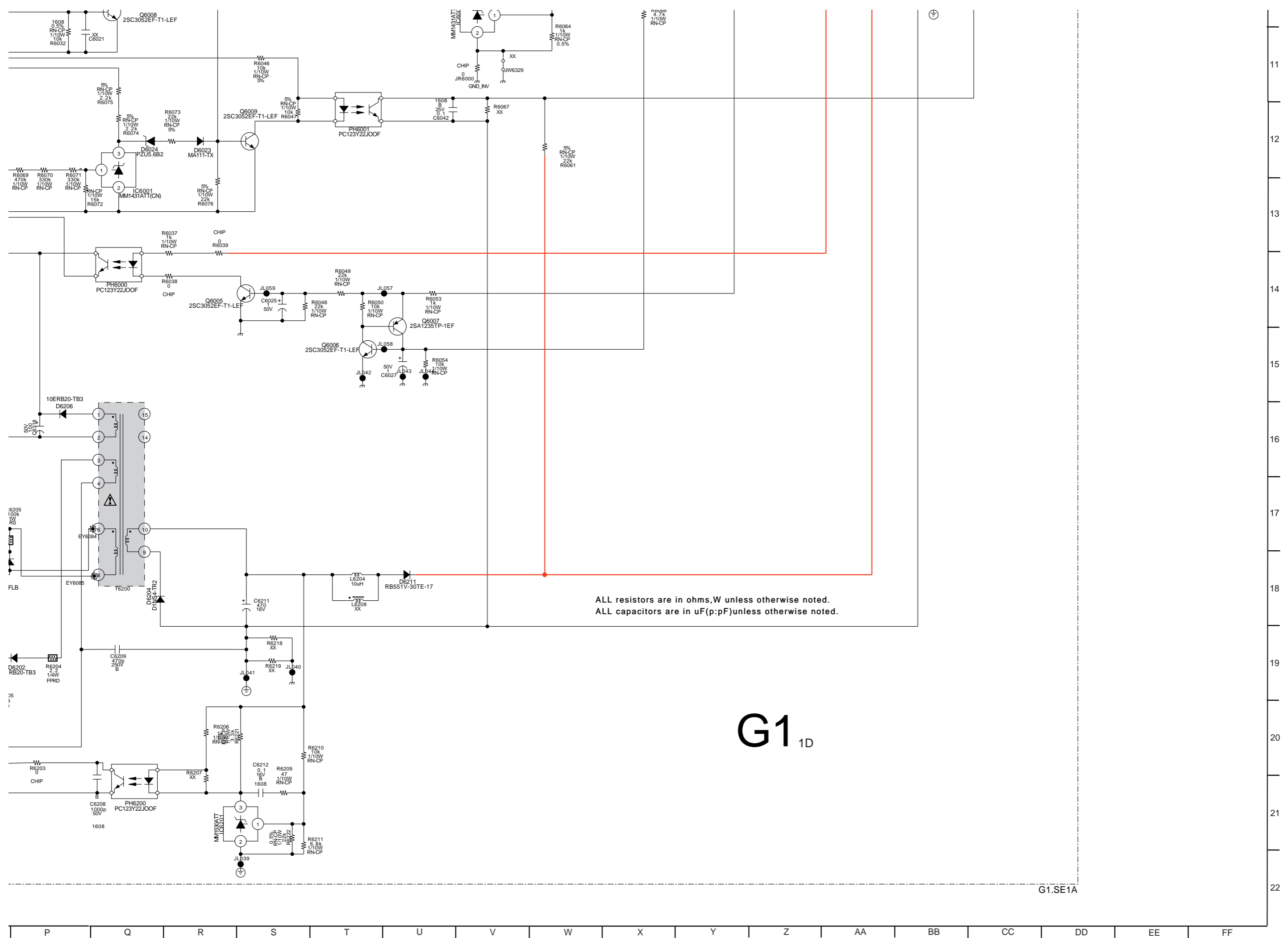
**G1**<sub>1C</sub>

COMPONENTS MARKED AS XX REFER TO PARTS LIST, WILL ONLY BE LISTED IF FITTED

G1.SE1A

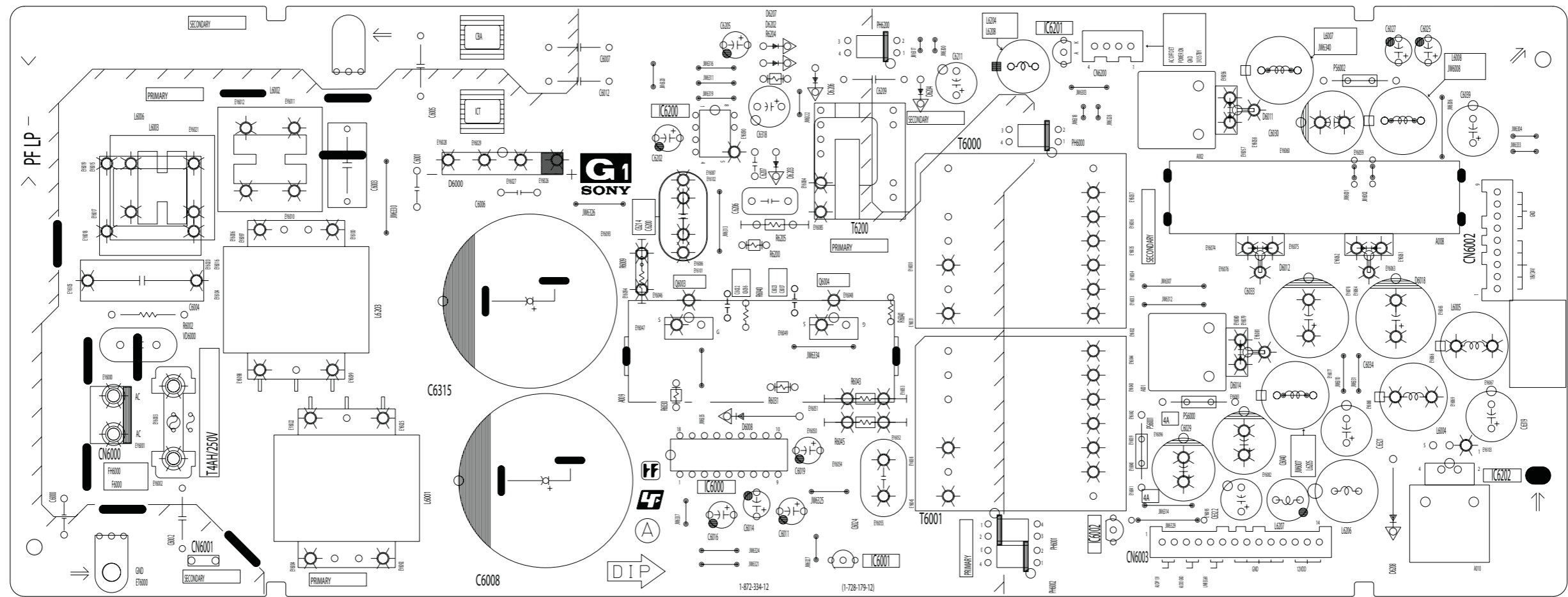
A B C D E F G H I J K L M N O P Q



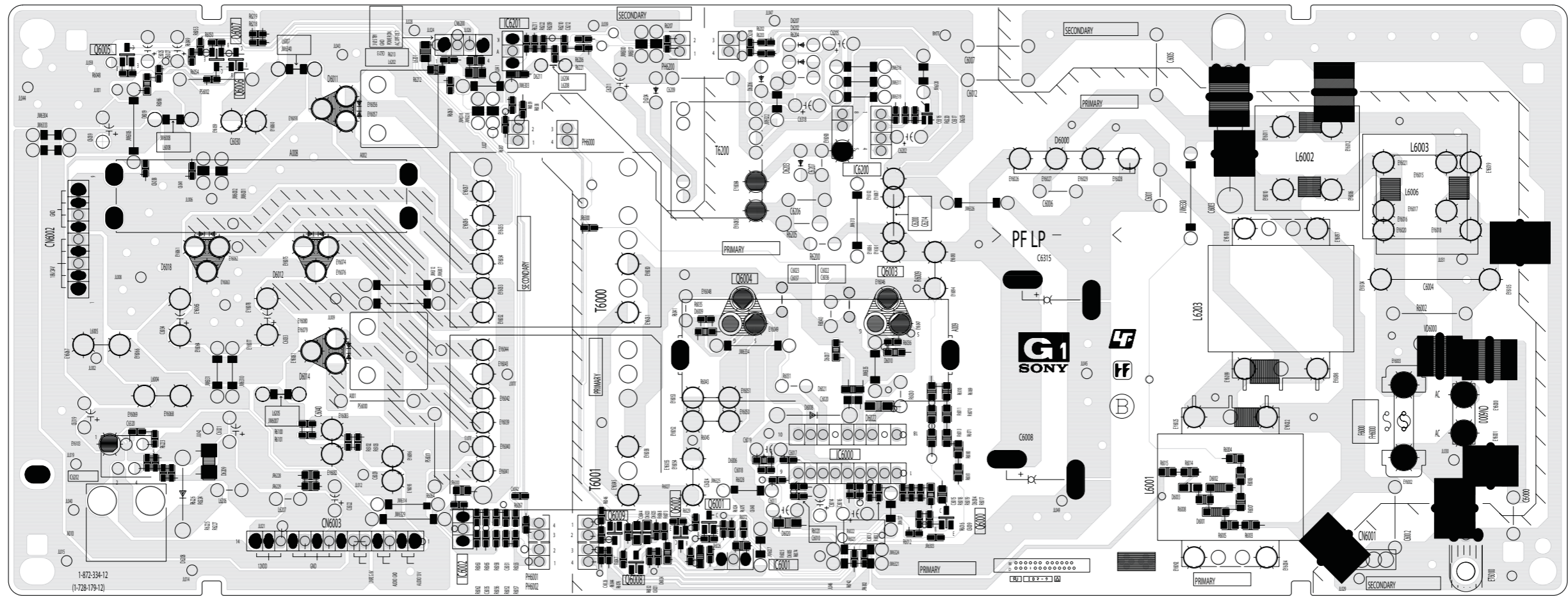


A B C D E F G H I J K L M N O

1  
2  
3  
4  
5  
6  
7  
8  
9  
10  
11



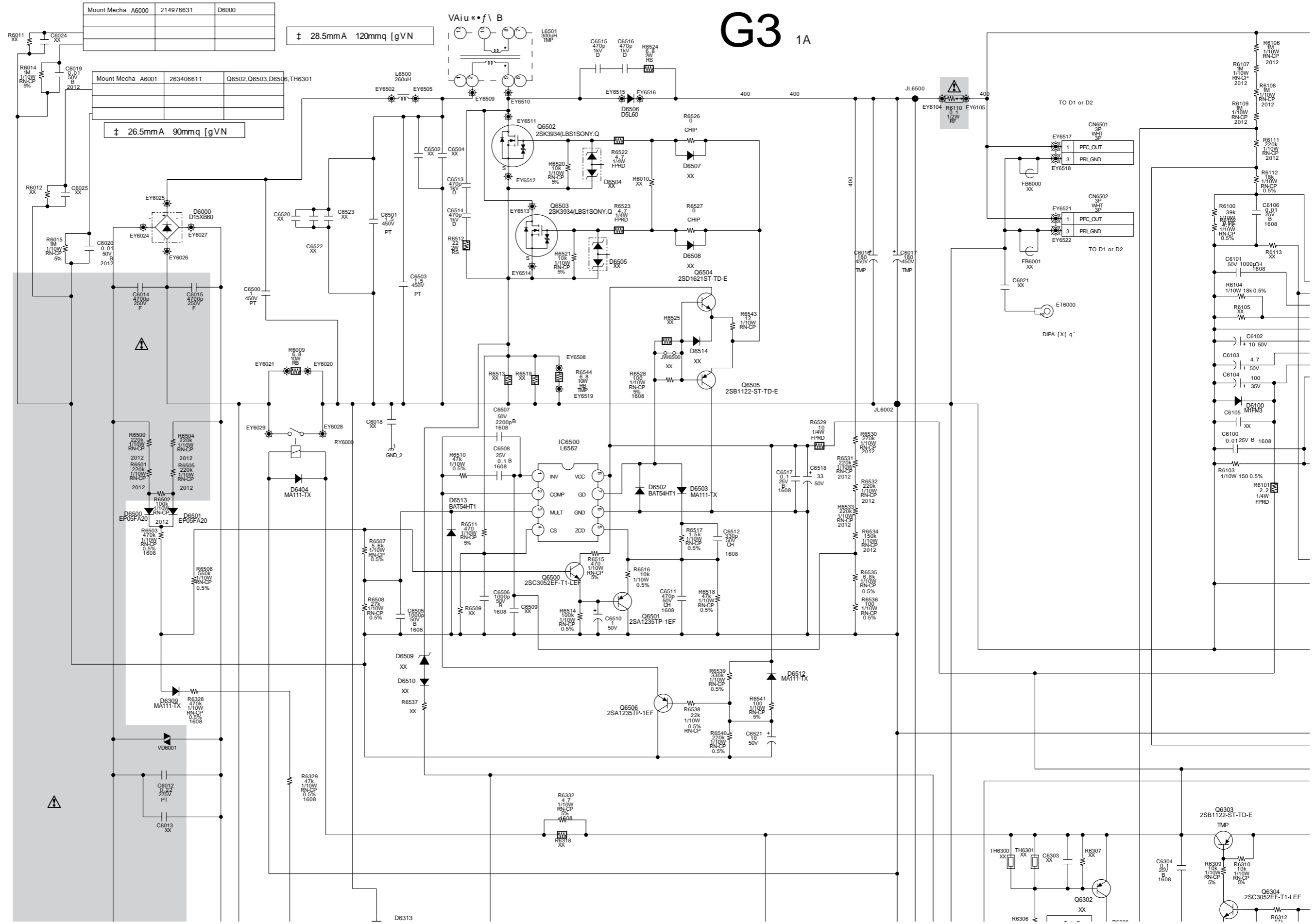
~ G1 Printed Wiring Board Side A ~



~ G1 Printed Wiring Board Side B ~



G3.SE1A



Mount Mecha	A6000	214976631	D6000
-------------	-------	-----------	-------

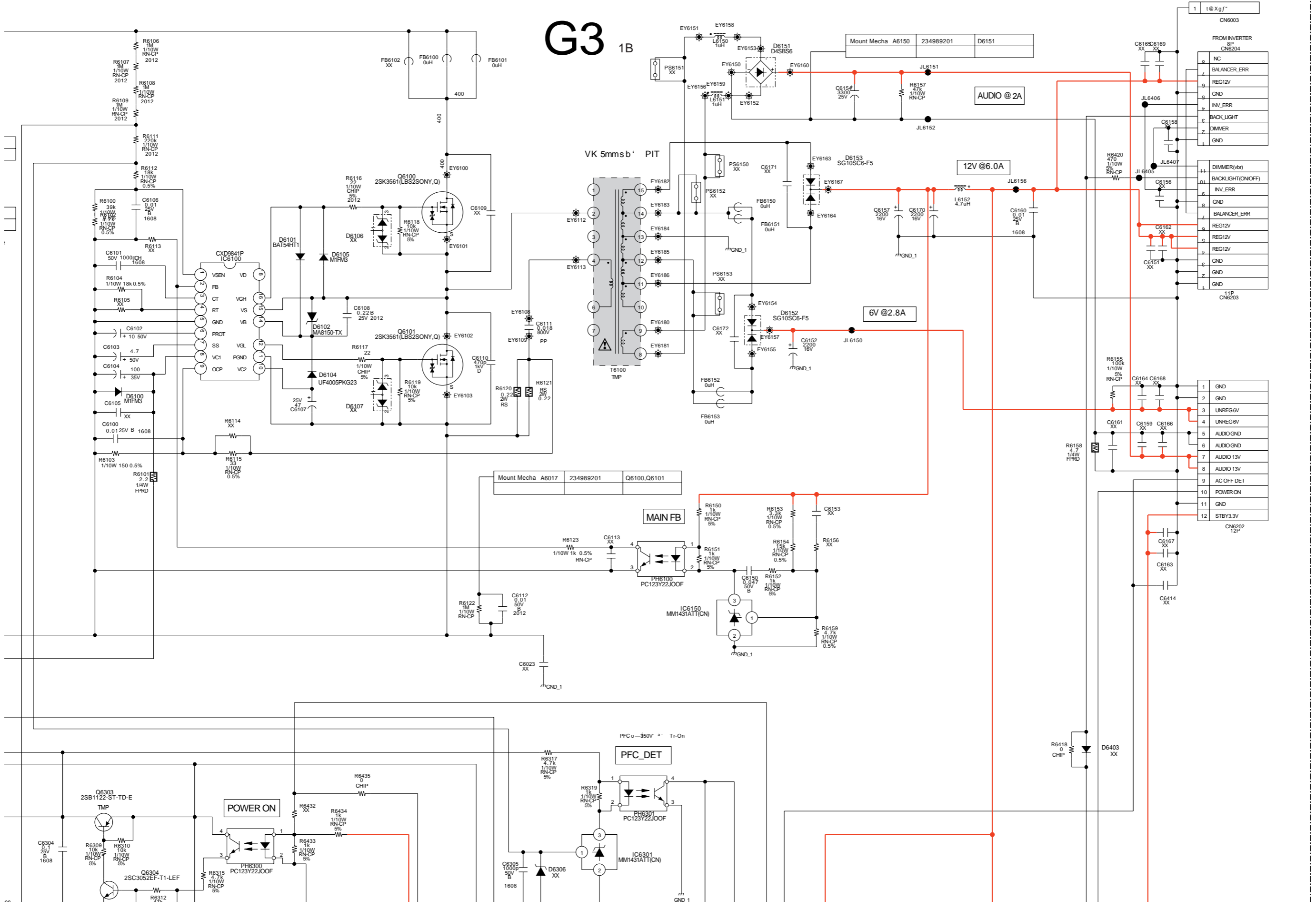
Mount Mecha	A6001	263406611	Q6502, Q6503, D6506, TH6301
-------------	-------	-----------	-----------------------------

± 28.5mA 120mm [gVN]

± 26.5mA 90mm [gVN]

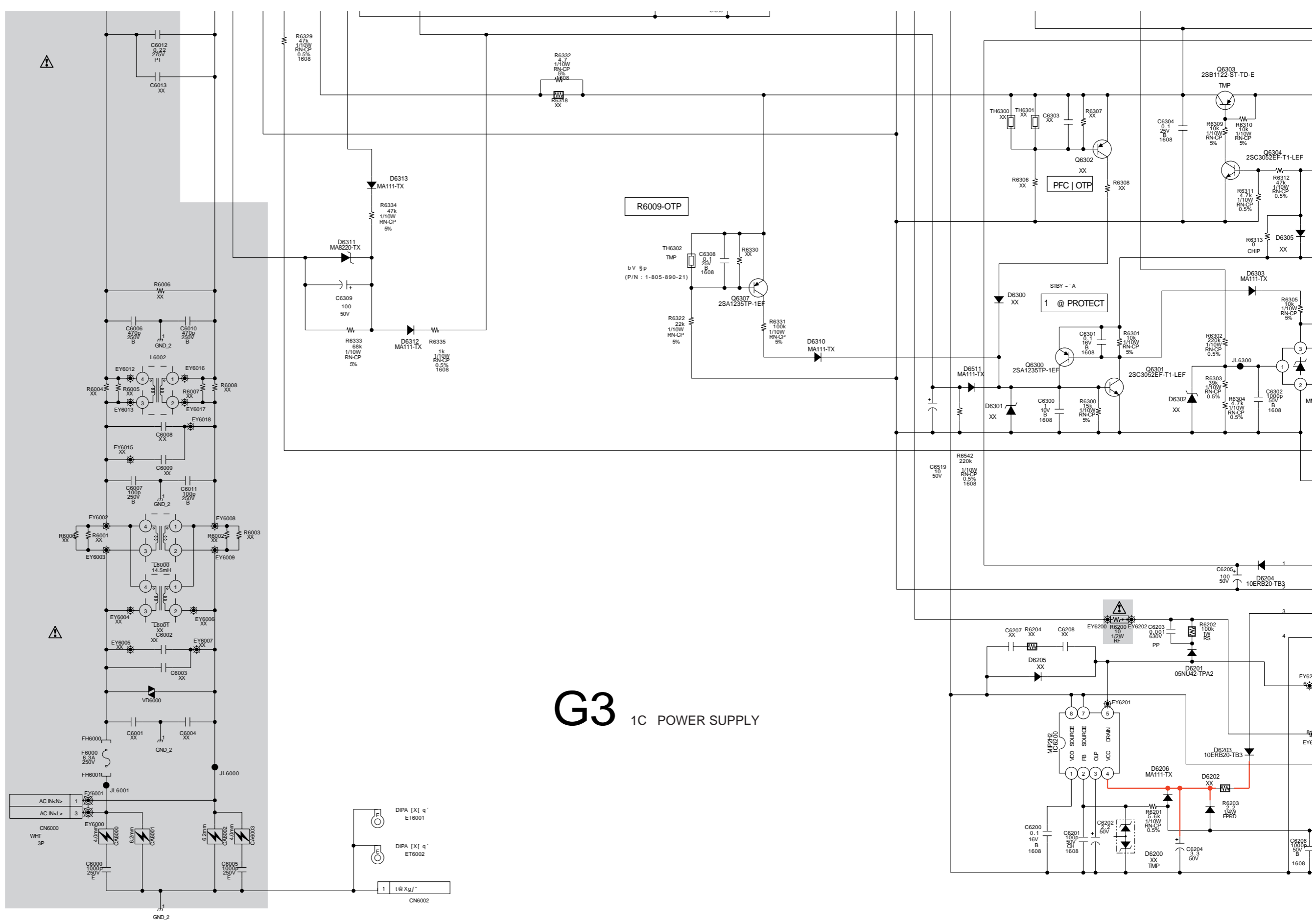
G3 1A

# G3 1B



1  
2  
3  
4  
5  
6  
7  
8  
9  
10  
11  
12

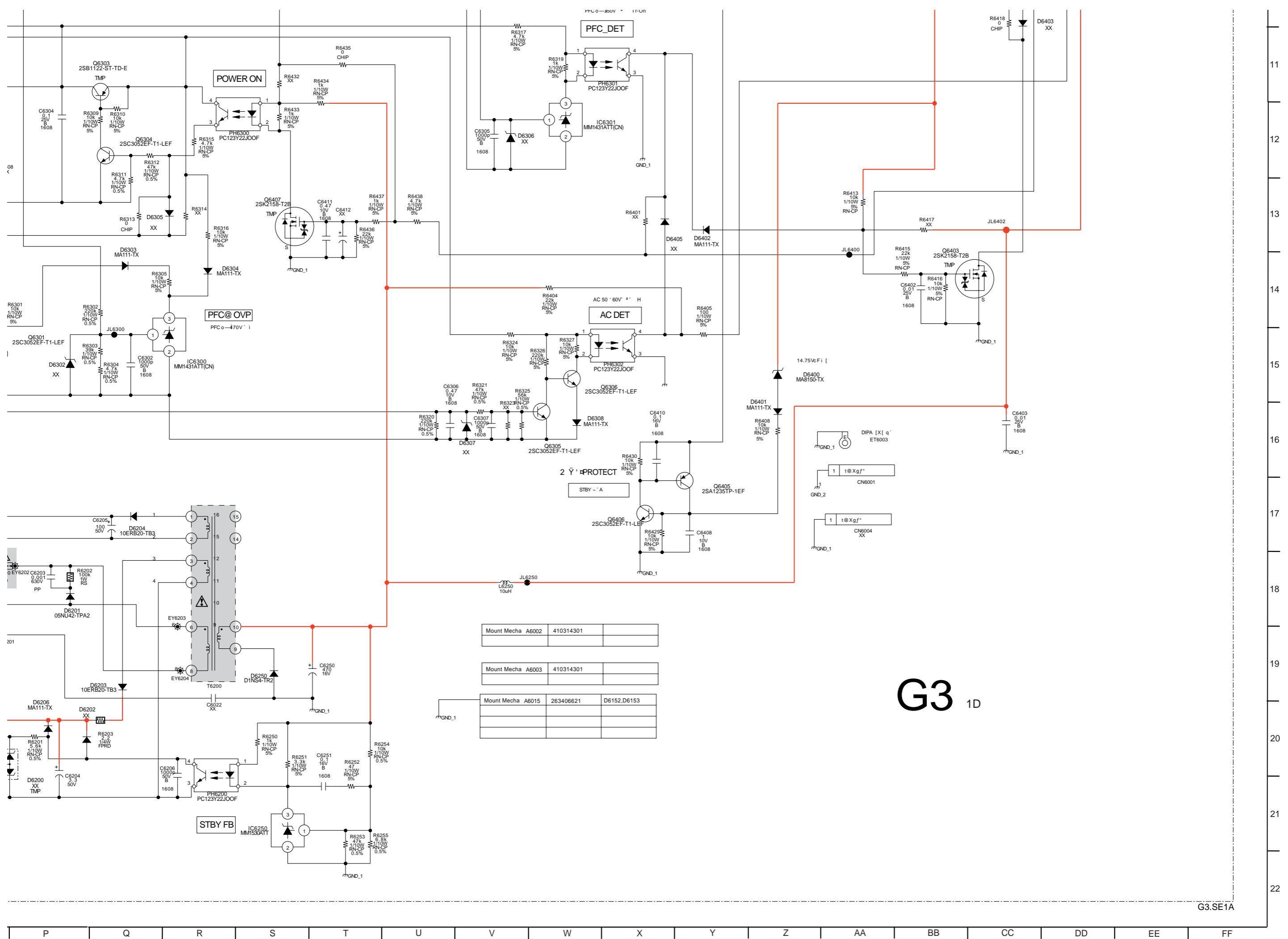
11  
12  
13  
14  
15  
16  
17  
18  
19  
20  
21  
22



# G3 1C POWER SUPPLY

COMPONENTS MARKED AS XX REFER TO PARTS LIST, WILL ONLY BE LISTED IF FITTED  
G3.SE1A

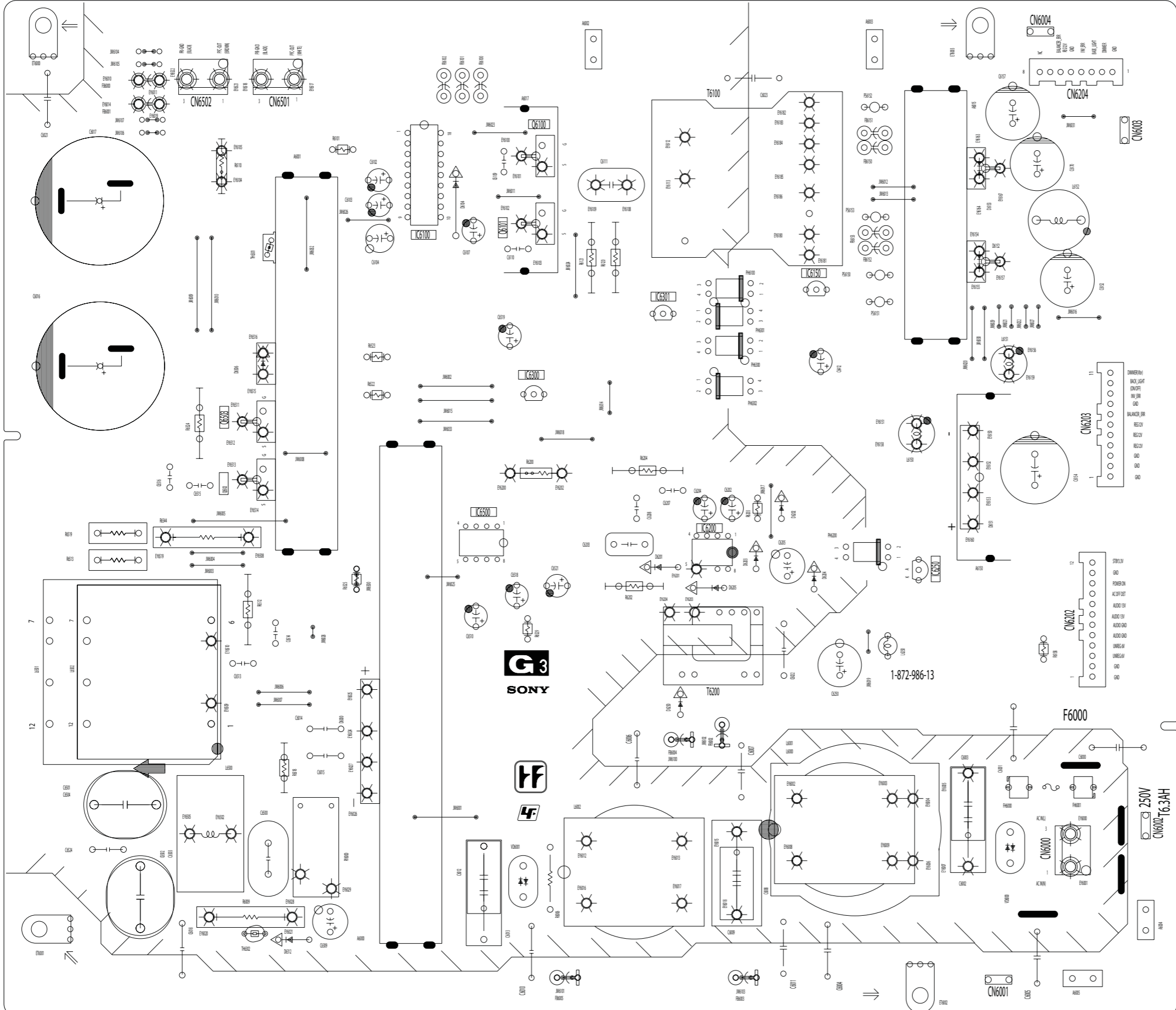
A B C D E F G H I J K L M N O P Q



Mount Mecha	A6002	410314301	
Mount Mecha	A6003	410314301	
Mount Mecha	A6015	263406621	D6152,D6153

**G3** 1D

G3.SE1A



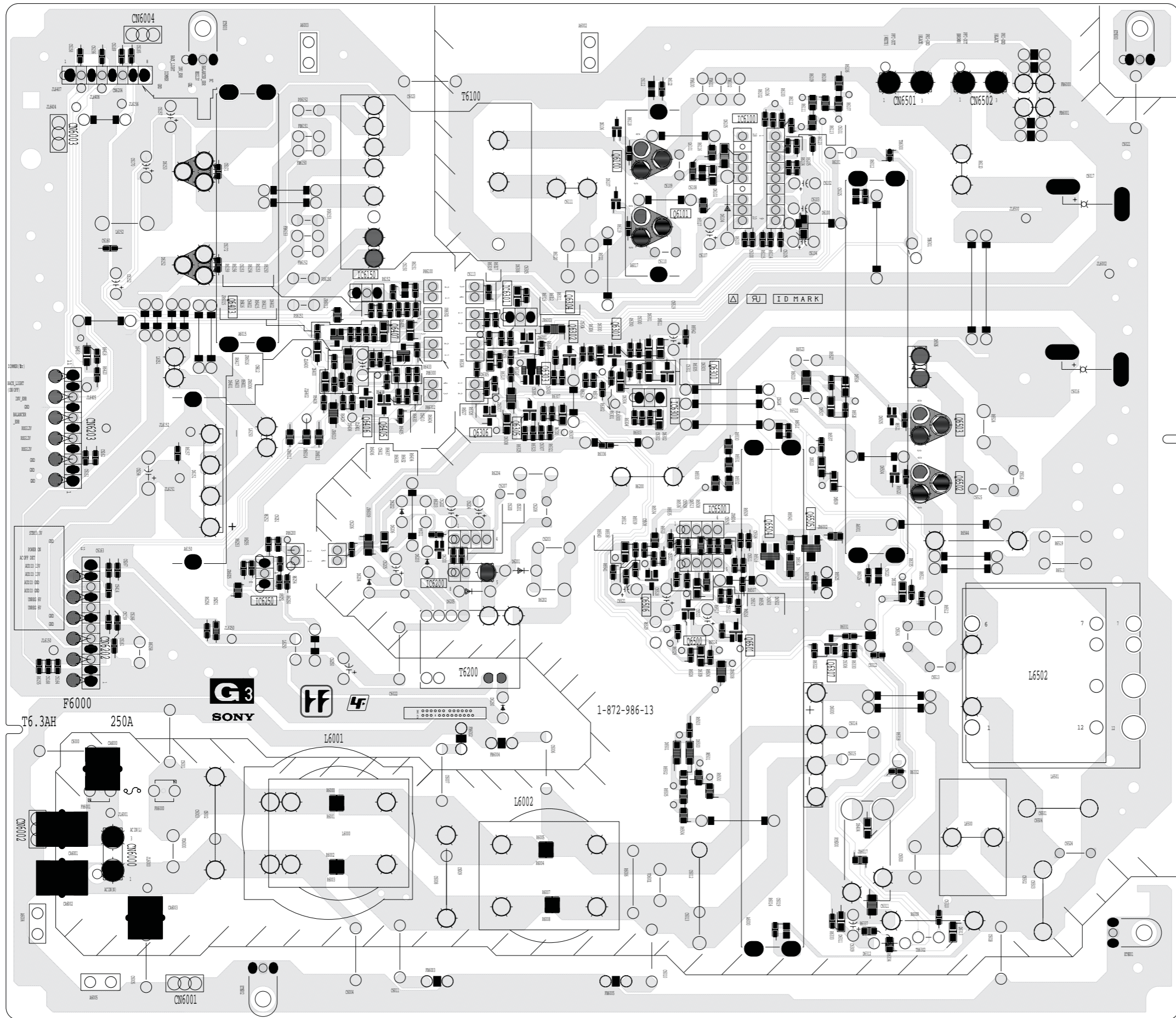
~ G3 Board IC Voltage Table Side A ~

Ref No	Pin No	Volts (V)
IC6250	1	1.3
	2	0
	3	2.2

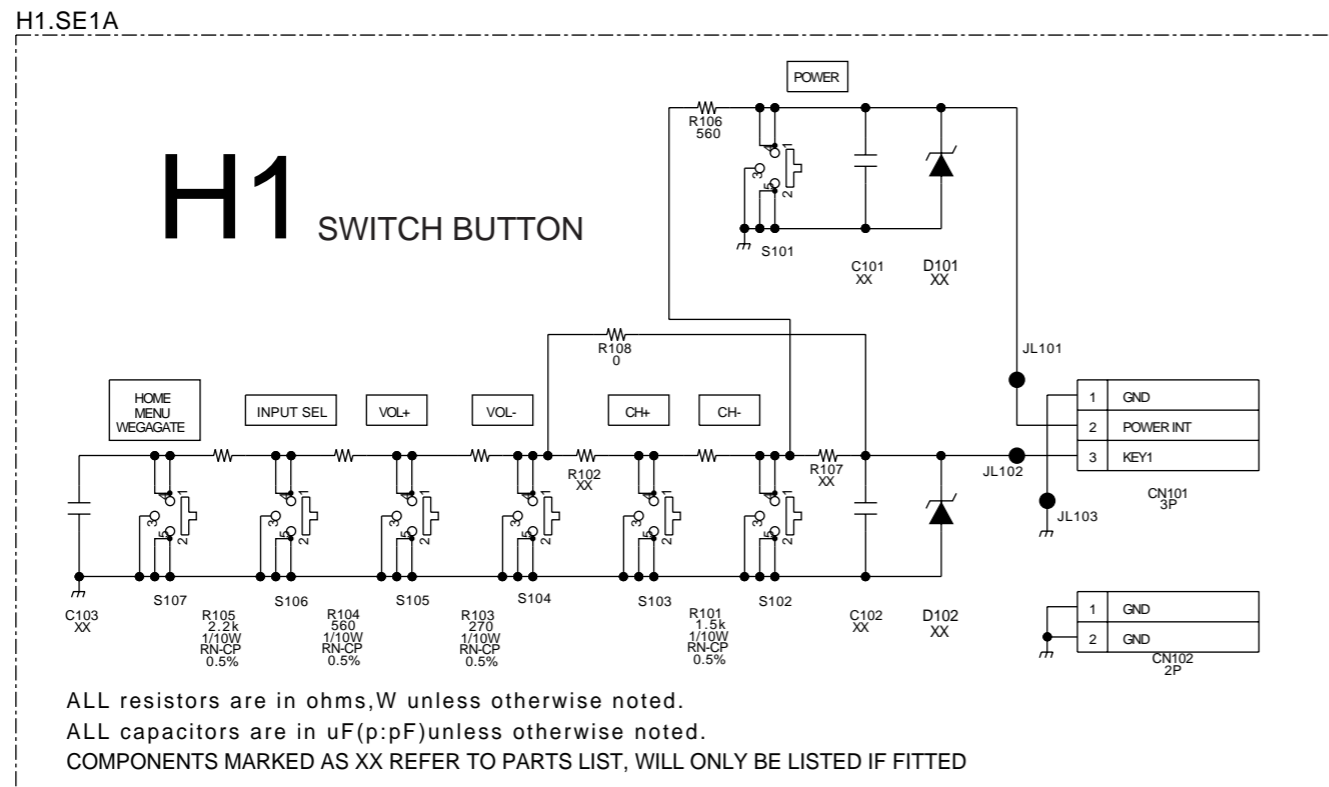
~ G3 Printed Wiring Board Side A ~

A B C D E F G H I J K L M N O

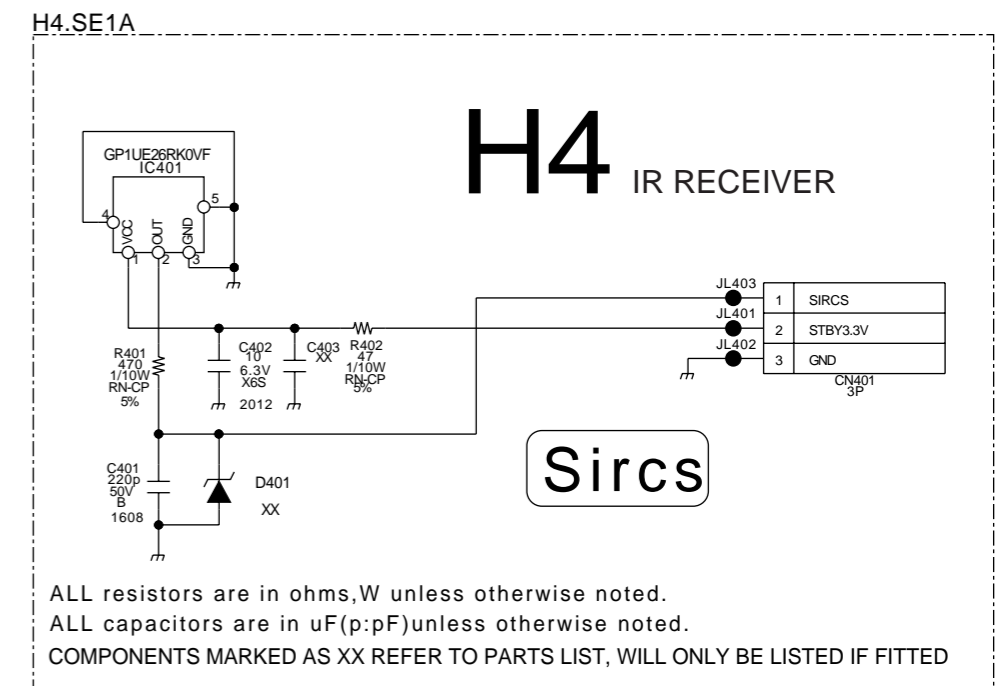
1  
2  
3  
4  
5  
6  
7  
8  
9  
10  
11



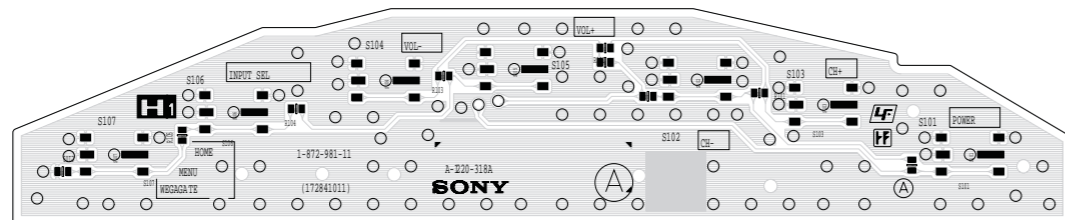
~ G3 Printed Wiring Board Side B ~



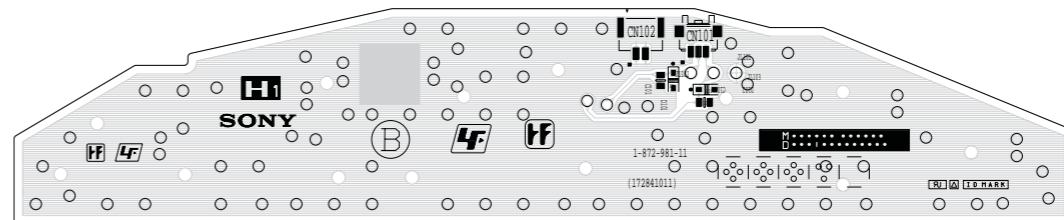
~ H1 Board Schematic Diagram [ Switch Button ] ~



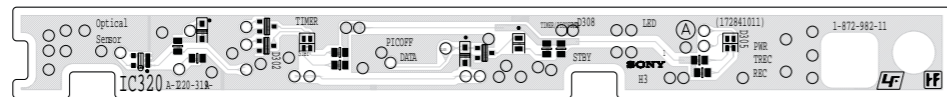
~ H4 Board Schematic Diagram [ IR Receiver ] ~



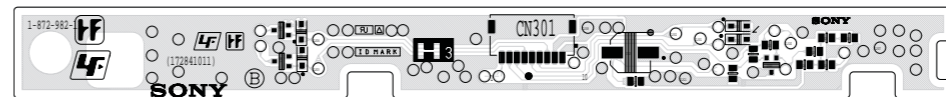
~ H1 Printed Wiring Board Side A ~



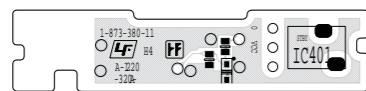
~ H1 Printed Wiring Board Side B ~



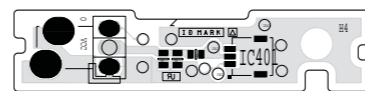
~ H3 Printed Wiring Board Side A ~



~ H3 Printed Wiring Board Side B ~

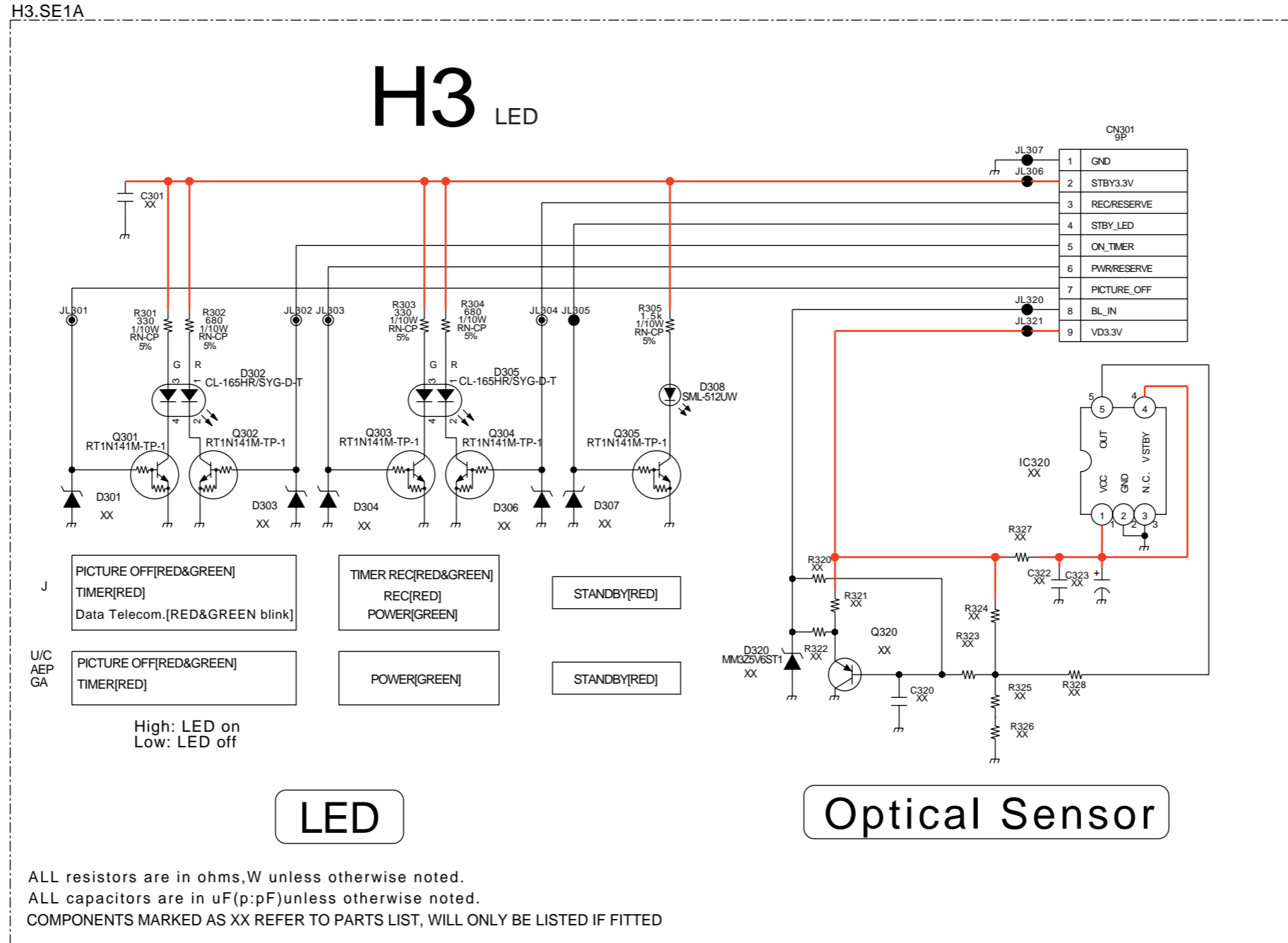


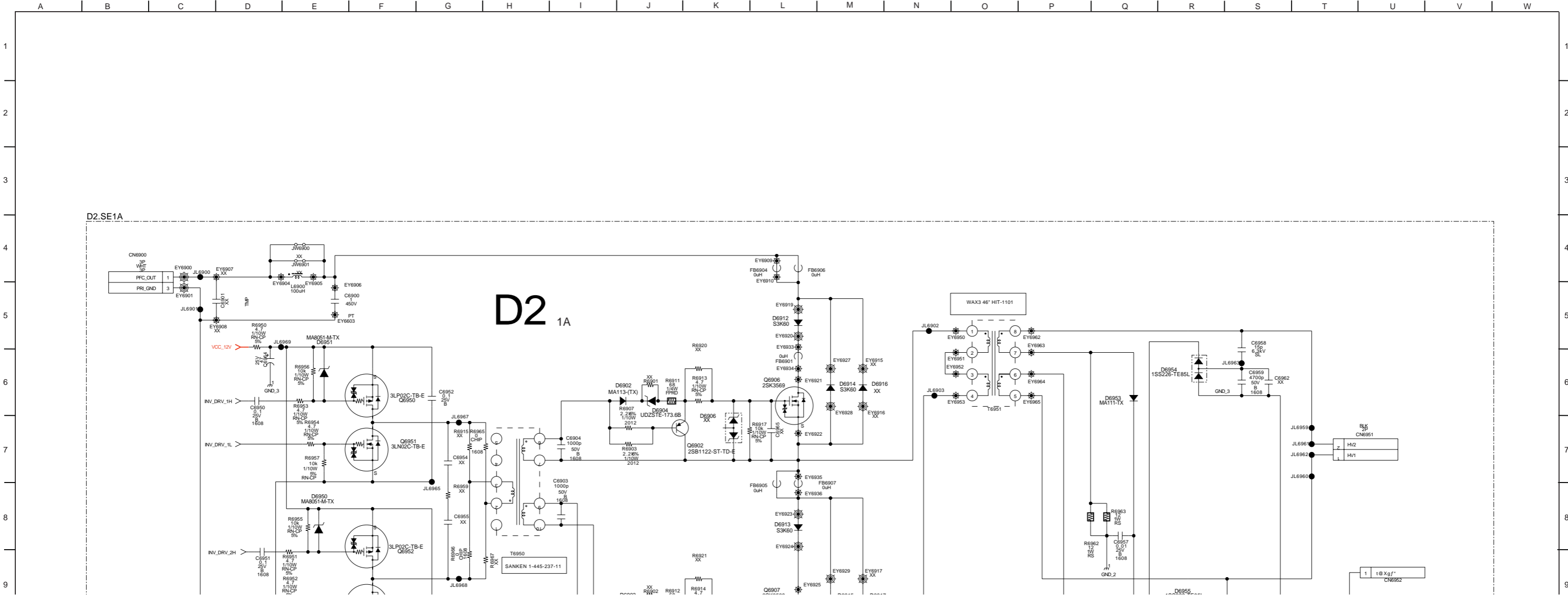
~ H4 Printed Wiring Board Side A ~

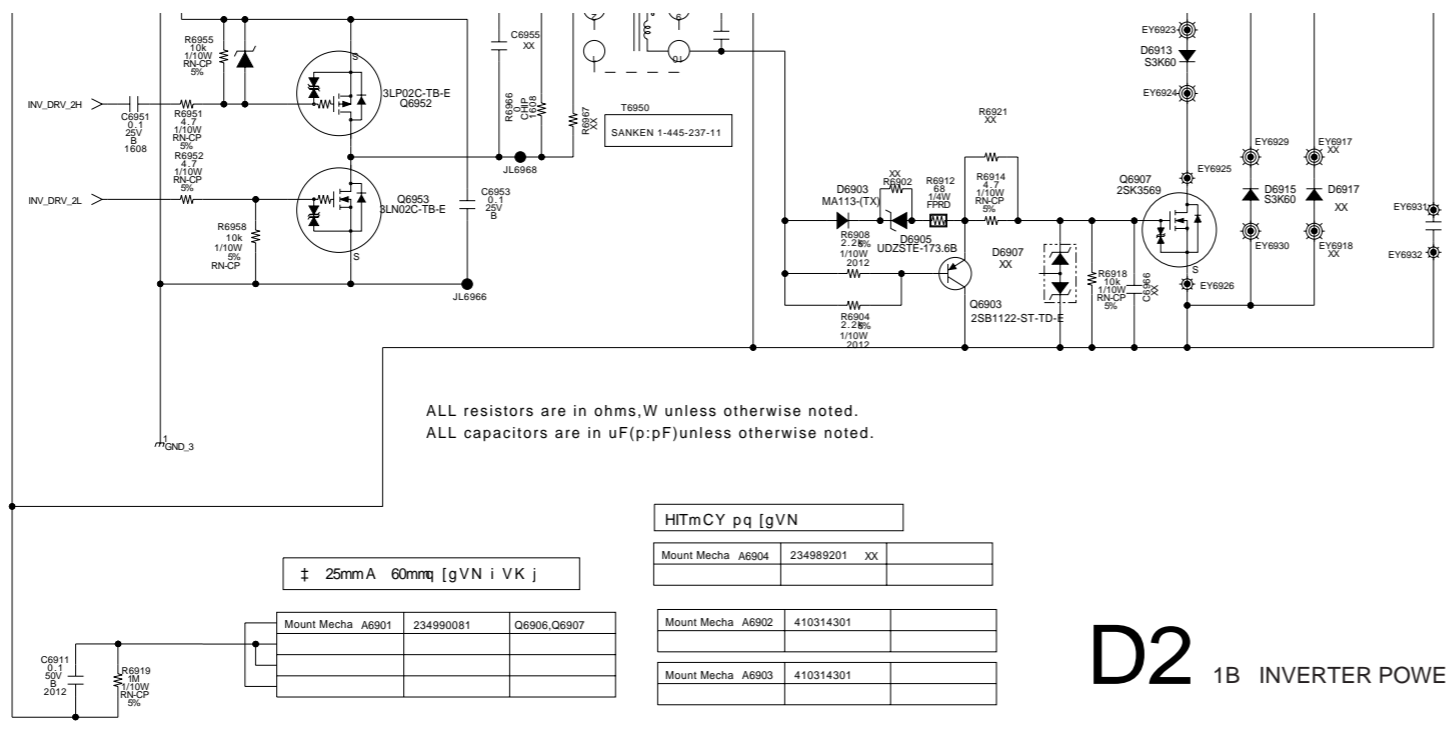


~ H4 Printed Wiring Board Side B ~









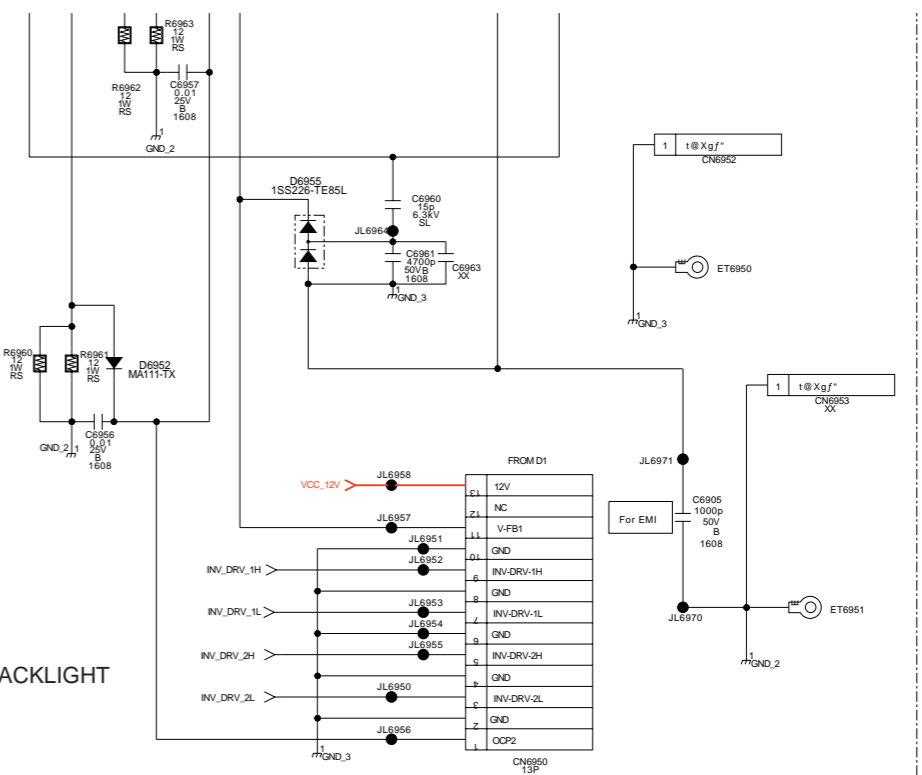
ALL resistors are in ohms,W unless otherwise noted.  
 ALL capacitors are in uF(p:pF) unless otherwise noted.

± 25mmA 60mmq [gVN i VK j]

HiTmCY pq [gVN]		
Mount Mecha A6904	234989201	XX
Mount Mecha A6902	410314301	
Mount Mecha A6903	410314301	

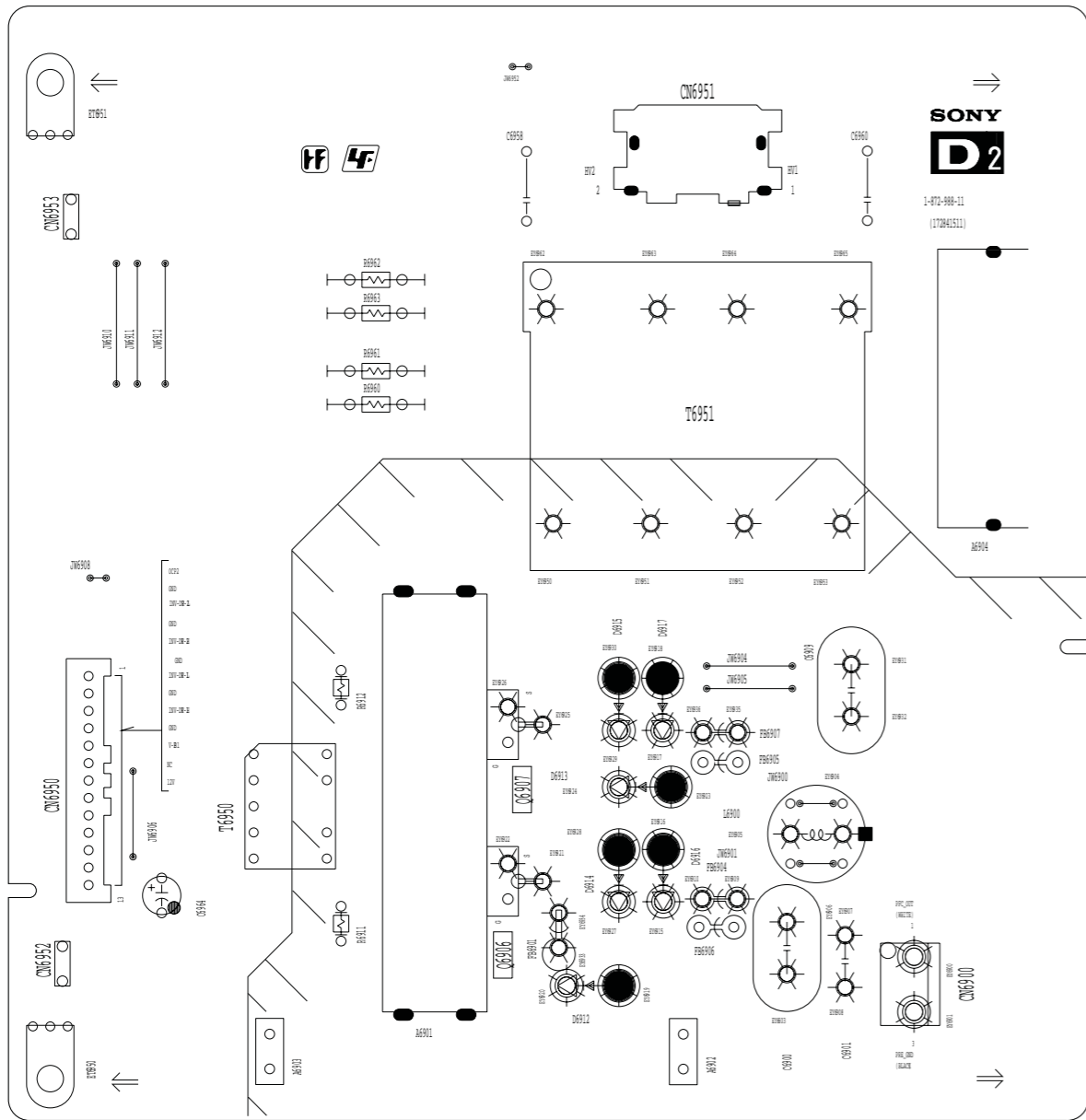
Mount Mecha	A6901	234990081	Q6906,Q6907

# D2 1B INVERTER POWER CIRCUIT FOR BACKLIGHT

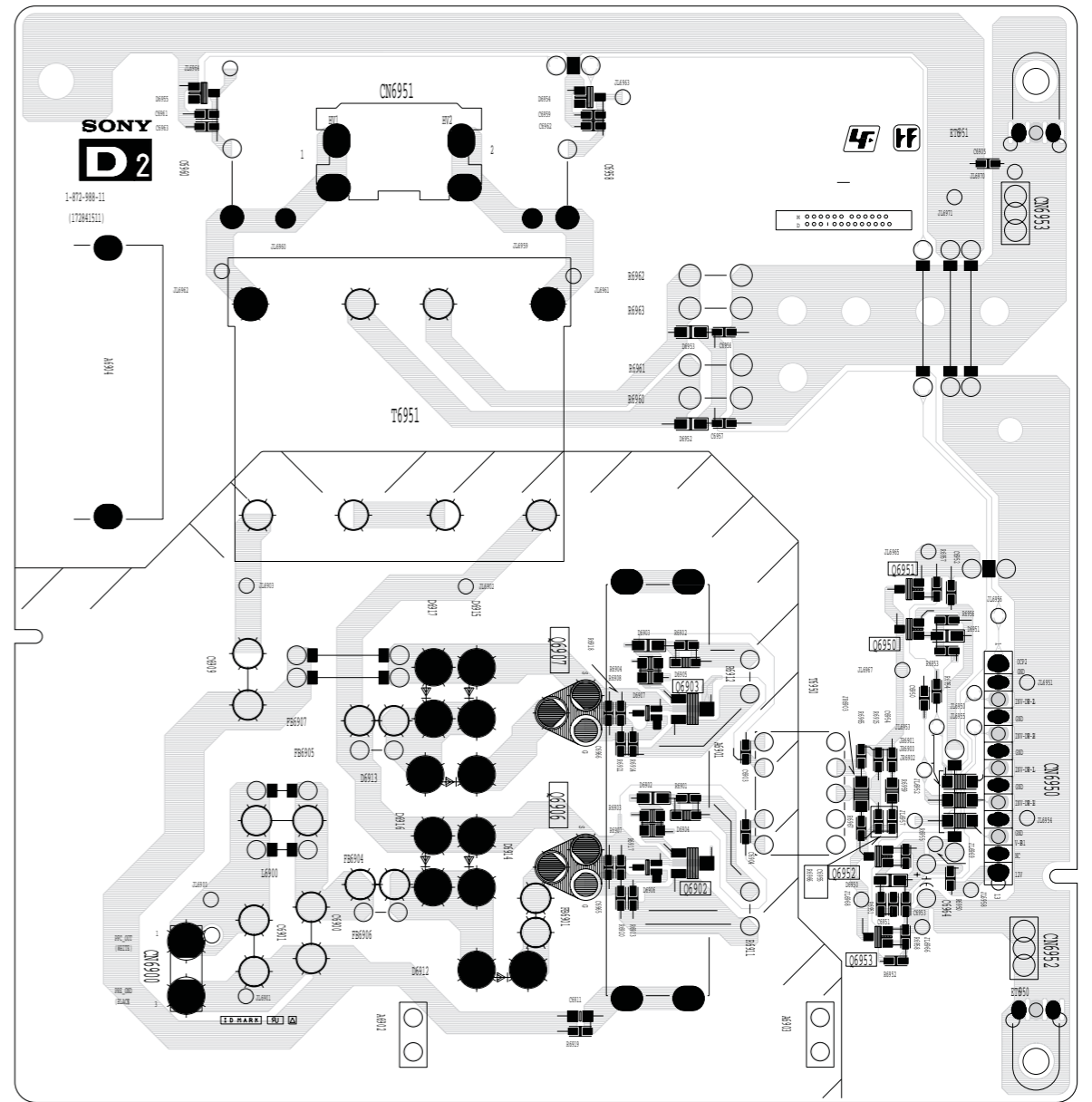


COMPONENTS MARKED AS XX REFER TO PARTS LIST, WILL ONLY BE LISTED IF FITTED

A B C D E F G H I J K L M N O P Q R S T U V W



~ D2 Printed Wiring Board Side A ~



~ D2 Printed Wiring Board Side B ~

# SECTION 5 EXPLODED VIEWS

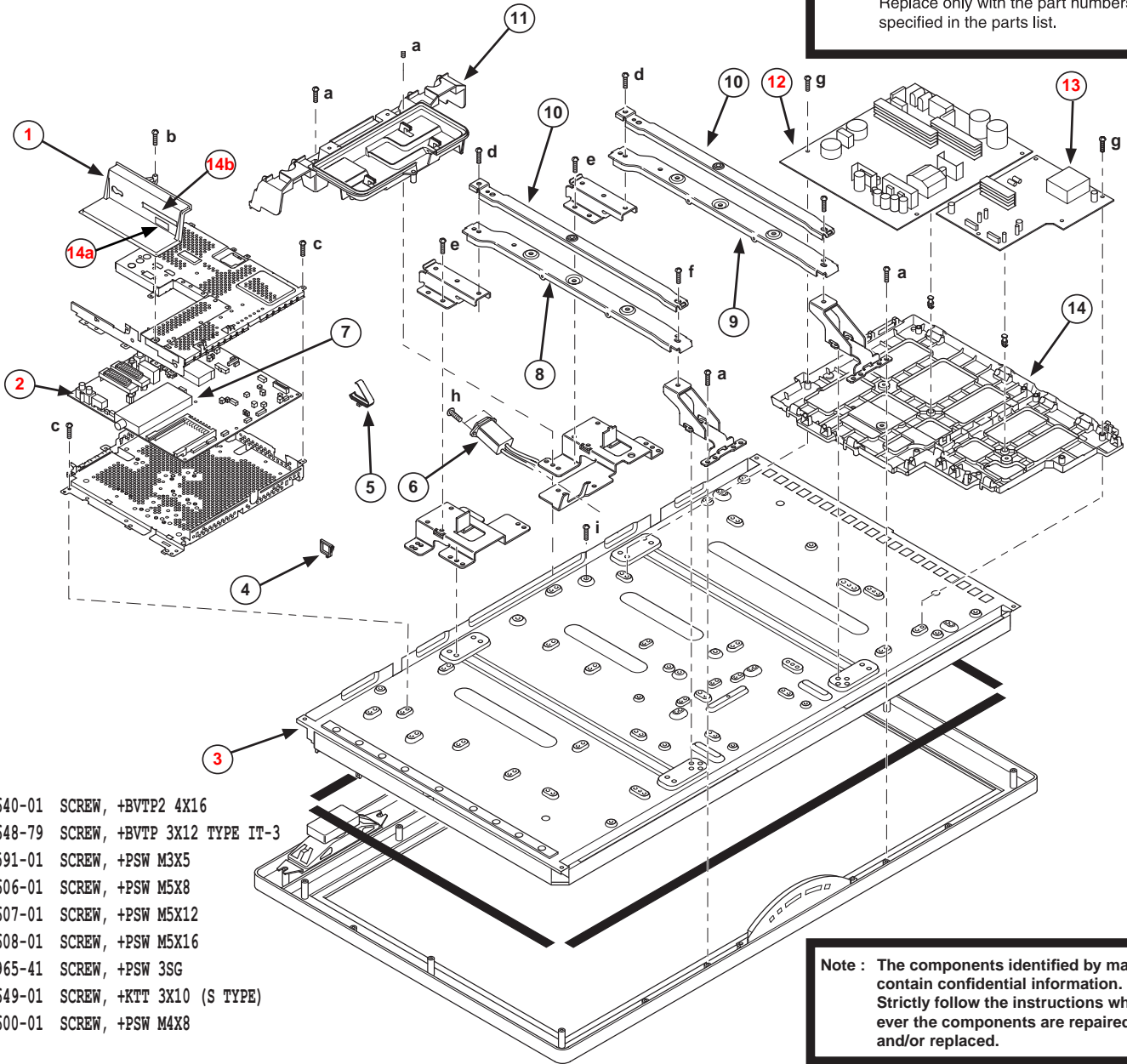
**NOTE :**

- Non-serviceable items with no part number and no description are not stocked because they are not required for routine service.
- The construction parts of an assembled part are indicated with a collation number in the remarks column.
- Items marked “\*” are not stocked since they are seldom required for routine service. Some delay should be anticipated when ordering these items.

**Note :** Les composants identifiés par une trame et par une marque Δ sont d'une importance critique pour la sécurité. Ne les remplacer que par des pièces du numéro spécifique.

**Note :** The components identified by shading and marked Δ are critical for safety. Replace only with the part numbers specified in the parts list.

## 5-1. KDL-32/40/46S30XX CHASSIS

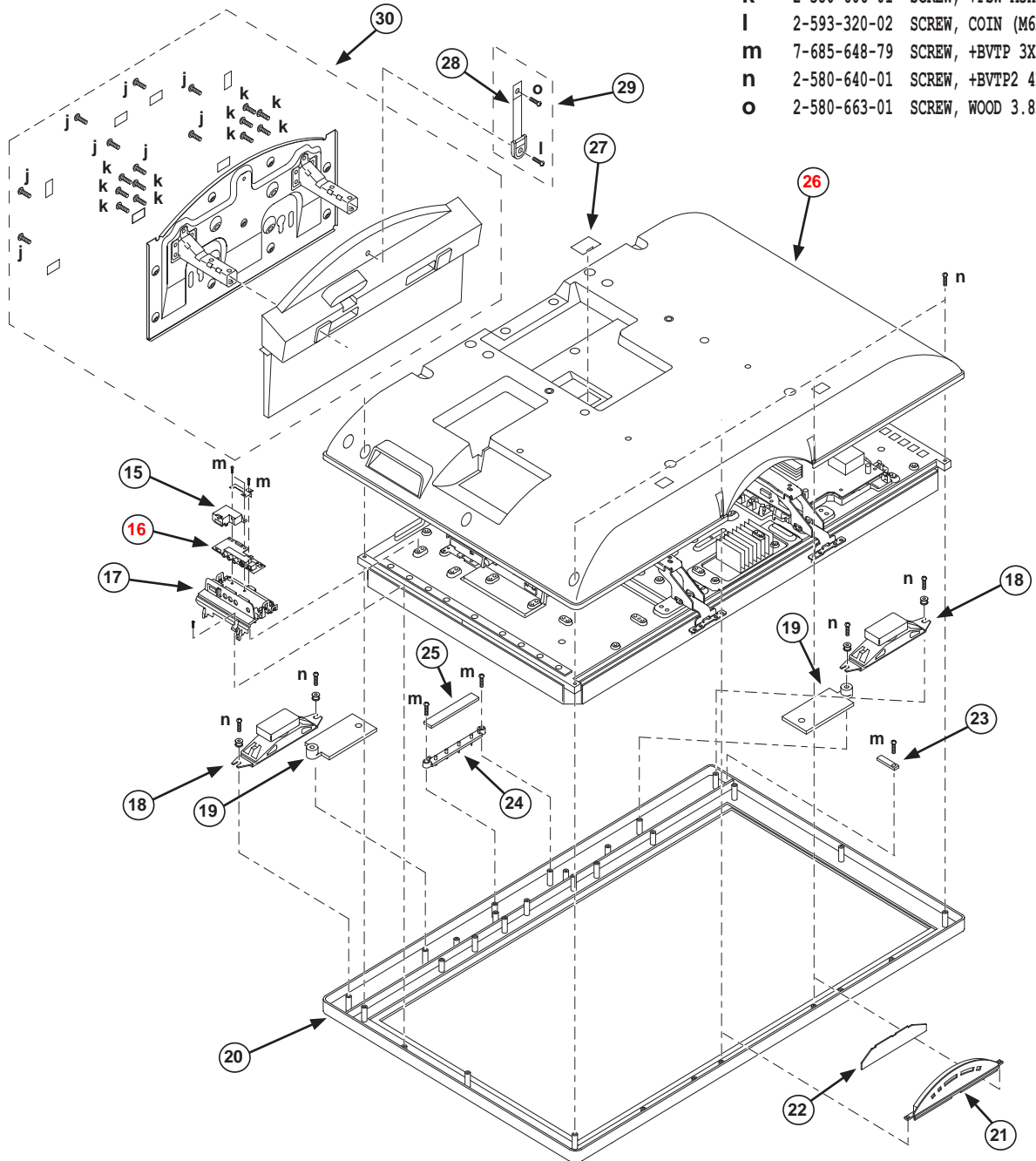


**Note :** The components identified by mark Δ contain confidential information. Strictly follow the instructions whenever the components are repaired and/or replaced.

- a 2-580-640-01 SCREW, +BVTP2 4X16
- b 7-685-648-79 SCREW, +BVTP 3X12 TYPE IT-3
- c 2-580-591-01 SCREW, +PSW M3X5
- d 2-580-606-01 SCREW, +PSW M5X8
- e 2-580-607-01 SCREW, +PSW M5X12
- f 2-580-608-01 SCREW, +PSW M5X16
- g 2-674-965-41 SCREW, +PSW 3SG
- h 2-596-649-01 SCREW, +KTT 3X10 (S TYPE)
- i 2-580-600-01 SCREW, +PSW M4X8

REF.NO.	PART.NO	DESCRIPTION	REMARK	REF.NO.	PART.NO	DESCRIPTION	REMARK
1	X-2178-938-1	SIDE, TERMINAL(AE) ASSY		9	*X-2177-260-1	VESA ARM(40)R ASSY	KDL-40S30XX
2	Δ *A-1503-611-A	BC BOARD, COMPLETE		10	*X-2177-276-1	VESA ARM(46)R ASSY	KDL-46S30XX
3	1-802-380-13	LCD PANEL (32INCH WXGA TFT)	KDL-32S30XX	11	*X-2177-257-1	VESA ARM(32) ASSY	KDL-32S30XX
	1-802-410-12	LCD PANEL (40INCH WXGA TFT)	KDL-40S30XX		*3-100-283-11	COVER, UNDER (M)	KDL-32S30XX
	1-802-409-11	LCD PANEL (46INCH WXGA TFT)	KDL-46S30XX		*3-100-285-01	COVER, UNDER (L)	KDL-40/46S30XX
4	2-650-770-21	SLIDE, CLAMP	VARIOUS POSITIONS	12	*A-1268-619-A	G3 BOARD, COMPLETE	KDL-40/46S30XX
5	2-595-155-02	CLAMP		13	*A-1268-623-A	D1 BOARD, COMPLETE	KDL-40S30XX
6	Δ 1-819-729-14	INLET, AC (W/NOISE FILTER)	KDL-40/46S30XX		*A-1309-274-A	D1 BOARD, COMPLETE	KDL-46S30XX
7	8-597-613-00	TUNER UNIT DIGITAL BTD-HF401Z		14	*X-2178-424-1	BRACKET, G3 ASSY	KDL-40/46S30XX
8	*X-2177-259-1	VESA ARM(40)L ASSY	KDL-40S30XX	14a	2-689-737-01	COVER, MS	
	*X-2177-275-1	VESA ARM(46)L ASSY	KDL-46S30XX	14b	*4-101-356-02	CARD DUMMY	

## 5-2. KDL-32/40/46S30XX REAR COVER, STAND & BEZEL



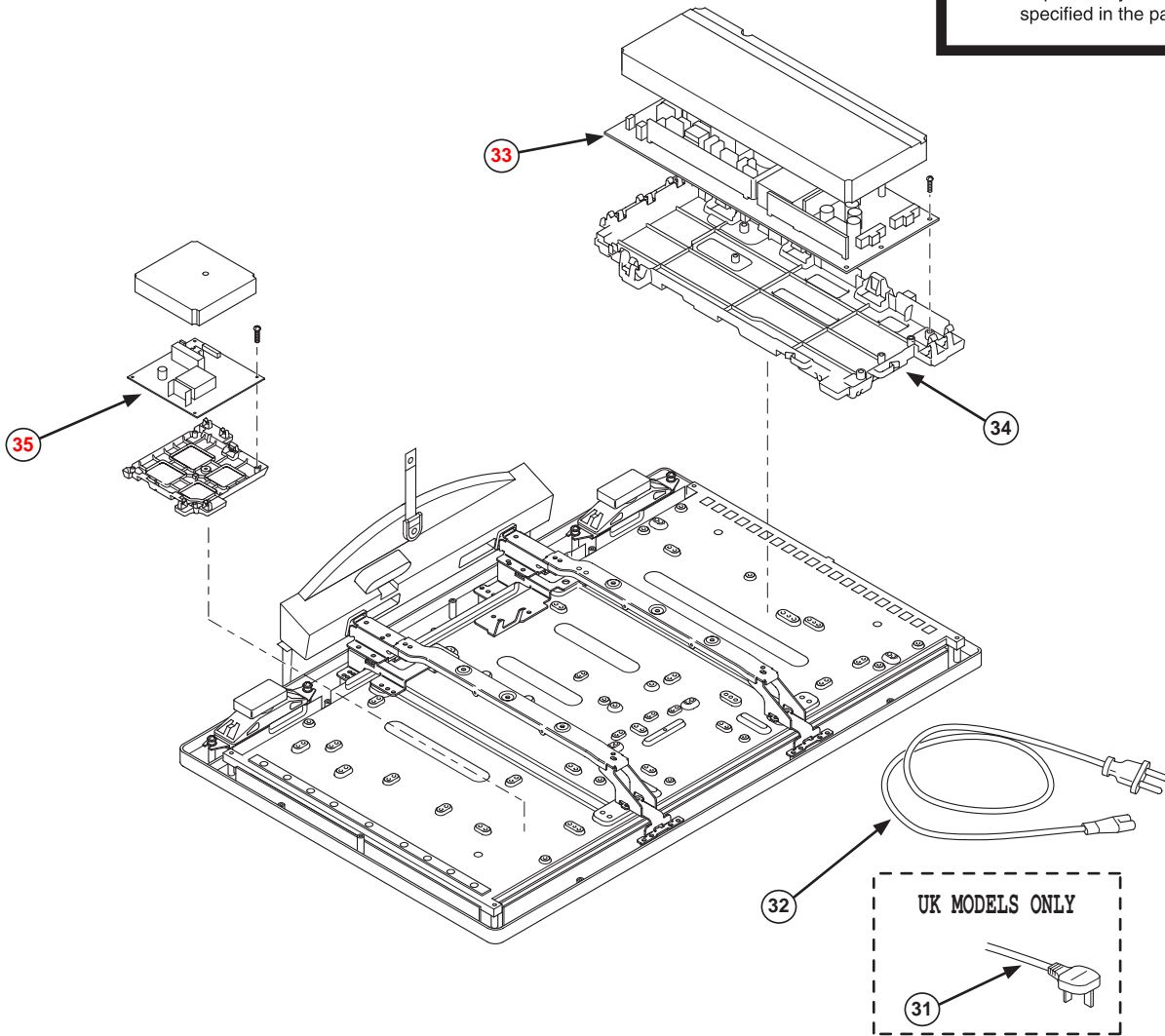
<b>j</b>	2-580-644-01	SCREW, +KTP2 3X8
<b>k</b>	2-580-606-01	SCREW, +PSW M5X8
<b>l</b>	2-593-320-02	SCREW, COIN (M6X18)
<b>m</b>	7-685-648-79	SCREW, +BVTP 3X12 TYPE2 IT-3
<b>n</b>	2-580-640-01	SCREW, +BVTP2 4X16
<b>o</b>	2-580-663-01	SCREW, WOOD 3.8X20

REF.NO.	PART.NO	DESCRIPTION	REMARK	REF.NO.	PART.NO	DESCRIPTION	REMARK
15	3-094-403-01	SHIELD,HDMI (U2)		21	X-2178-919-1	BUTTON, MULTI ASSY	KDL-32/40S30XX
16	*A-1504-449-A	U2 BOARD, COMPLETE			X-2176-663-1	BUTTON, MULTI ASSY	KDL-46S30XX
17	*3-106-547-11	HOLDER, SIDE JACK (M)	KDL-32S30XX	22	*A-1242-174-A	H1 BOARD, COMPLETE	
	*3-106-547-01	HOLDER, SIDE JACK (M)	KDL-40S30XX	23	*A-1242-176-A	H4 BOARD, COMPLETE	
	*3-106-548-01	HOLDER, SIDE JACK (L)	KDL-46S30XX	24	3-096-948-01	GUIDE, LED (S)	
18	1-826-685-11	LOUD SPEAKER (4.2X15CM)	KDL-32S30XX	25	*A-1242-175-A	H3 BOARD, COMPLETE	
	1-826-647-11	LOUD SPEAKER (5.5X15.5CM)	KDL-40S30XX	26	X-2179-555-1	COVER, REAR (32)	KDL-32S30XX
	1-826-646-11	LOUD SPEAKER (13X7CM)	KDL-46S30XX		X-2187-195-1	COVER, REAR ASSY (40)	KDL-40S30XX
19	X-2176-952-1	BAFFLE (32E) ASSY	KDL-32S30XX		3-094-469-11	COVER, REAR (46)	KDL-46S30XX
	X-2176-953-1	BAFFLE (40E) ASSY	KDL-40S30XX	27	3-106-546-01	COVER, ECS	
	X-2176-954-1	BAFFLE (46E) ASSY	KDL-46S30XX	28	*X-2055-089-2	LOCK ASSY, RUDDER	
20	X-2177-608-1	BEZEL (32S3000) ASSY	KDL-32S30XX	29	X-2102-511-2	BAG ASSY, RUDDER LOCK	28
	X-2177-622-1	BEZEL (40SE) ASSY	KDL-40S30XX	30	*X-2177-979-3	STAND (M-B) ASSY	KDL-32S30XX
	X-2179-156-1	BEZEL (46SE) ASSY	KDL-46S30XX		*X-2177-982-2	STAND (ML-B) ASSY	KDL-40S30XX
					*X-2177-985-2	STAND (L-B) ASSY	KDL-46S30XX

### 5-3. KDL-32/40/46S30XX POWER SUPPLY CORDS

**Note :** Les composants indentifiés par une trame et par une marque Δ sont d'une importance critique pour la sécurité. Ne les remplacer que par des pièces du numéro spécifié.

**Note :** The components identified by shading and marked Δ are critical for safety. Replace only with the part numbers specified in the parts list.



REF.NO.	PART.NO	DESCRIPTION	REMARK	REF.NO.	PART.NO	DESCRIPTION	REMARK
31	△ 1-830-609-11	AC POWER-SUPPLY CORD SET KDL-40/46S30XXUK		33	*A-1257-921-A	G1 BOARD, COMPLETE	KDL-32S30XX
	△ 1-832-170-41	POWER SUPPLY CORD (UK PLUG) KDL-32S30XXUK		34	*3-100-996-01	BRACKET, G1	KDL-32S30XX
32	△ 1-830-611-11	POWER-SUPPLY CORD KDL-40/46S30XXAEP		35	*A-1309-278-A	D2 BOARD COMPLETE	KDL-46S30XX
	△ 1-832-132-31	POWER-SUPPLY CORD KDL-32S30XXAEP					

# SECTION 6 ELECTRICAL PARTS LIST


## PARTS LISTING TABLE OF CONTENTS

	<u>Page</u>
<b>U2 BOARD COMPLETE Parts List :</b> .....	105
<b>BC BOARD COMPLETE Parts List :</b> .....	106
<b>G3 BOARD COMPLETE Parts List :</b> KDL-40/46S30XX only .....	124
<b>D1 BOARD COMMON Parts List :</b> Parts common to all models listed in this manual .....	128
Model	Parts that belong only to the model specified
KDL-46S30XX .....	130
KDL-40S30XX .....	131
<b>D2 BOARD COMPLETE Parts List :</b> KDL-46S30XX only .....	131
<b>H4 BOARD COMPLETE Parts List :</b> .....	132
<b>H3 BOARD COMPLETE Parts List :</b> .....	132
<b>H1 BOARD COMPLETE Parts List :</b> .....	132
<b>G1 BOARD COMPLETE Parts List :</b> KDL-32S30XX only .....	133
<b>ACCESSORIES AND CONNECTORS :</b> .....	136
<b>REMOTE COMMANDER :</b> .....	136

**Note :** Items marked “\*” are not stocked since they are seldom required for routine service. Some delay should be anticipated when ordering these items.  
Parts indicated (XX) on the Schematic Diagram are not used in this model and therefore do not appear in the Parts List.



REF.NO.	PART.NO	DESCRIPTION	REMARK	REF.NO.	PART.NO	DESCRIPTION	REMARK
*A-1504-449-A U2 Board, Complete				< COIL >			
< CAPACITOR >				L250	1-457-223-11	INDUCTOR	0UH
C200	1-165-908-11	CERAMIC CHIP 1UF	10% 10V	L251	1-457-223-11	INDUCTOR	0UH
C201	1-165-908-11	CERAMIC CHIP 1UF	10% 10V	L252	1-457-223-11	INDUCTOR	0UH
C202	1-112-781-11	CERAMIC CHIP 1UF	10% 10V	L253	1-457-223-11	INDUCTOR	0UH
C204	1-100-905-11	CERAMIC CHIP 0.001UF	10% 50V	L254	1-457-223-11	INDUCTOR	0UH
C206	1-100-912-11	CERAMIC CHIP 1UF	10% 25V	L255	1-457-223-11	INDUCTOR	0UH
C207	1-100-905-11	CERAMIC CHIP 0.001UF	10% 50V	L256	1-457-223-11	INDUCTOR	0UH
C209	1-100-912-11	CERAMIC CHIP 1UF	10% 25V	L257	1-457-223-11	INDUCTOR	0UH
C211	1-100-905-11	CERAMIC CHIP 0.001UF	10% 50V	< TRANSISTOR >			
C213	1-100-905-11	CERAMIC CHIP 0.001UF	10% 50V	Q251	8-729-028-28	TRANSISTOR 2SK2036(TE85L)	
C215	1-100-905-11	CERAMIC CHIP 0.001UF	10% 50V	Q255	8-729-038-37	TRANSISTOR RT1N141M-TP-1	
C216	1-162-964-11	CERAMIC CHIP 0.001UF	10.00% 50V	< RESISTOR >			
C250	1-100-916-11	CERAMIC CHIP 0.1UF	10% 16V	R200	1-218-831-11	METAL CHIP	220 0.5% 1/10W
C251	1-112-777-11	CERAMIC CHIP 0.01UF	10% 25V	R201	1-218-831-11	METAL CHIP	220 0.5% 1/10W
C252	1-112-777-11	CERAMIC CHIP 0.01UF	10% 25V	R202	1-218-831-11	METAL CHIP	220 0.5% 1/10W
C253	1-112-777-11	CERAMIC CHIP 0.01UF	10% 25V	R203	1-218-941-81	RES-CHIP	100 5% 1/16W
C254	1-100-905-11	CERAMIC CHIP 0.001UF	10% 50V	R204	1-218-285-11	METAL CHIP	75 5% 1/10W
C258	1-100-905-11	CERAMIC CHIP 0.001UF	10% 50V	R205	1-218-941-81	RES-CHIP	100 5% 1/16W
C261	1-100-905-11	CERAMIC CHIP 0.001UF	10% 50V	R206	1-218-953-11	RES-CHIP	1K 5% 1/16W
C262	1-112-777-11	CERAMIC CHIP 0.01UF	10% 25V	R207	1-218-953-11	RES-CHIP	1K 5% 1/16W
C263	1-124-779-00	ELECT CHIP 10UF	20.00% 16V	R212	1-218-989-11	RES-CHIP	1M 5% 1/16W
C265	1-100-905-11	CERAMIC CHIP 0.001UF	10% 50V	R213	1-218-957-11	RES-CHIP	2.2K 5% 1/16W
C266	1-100-916-11	CERAMIC CHIP 0.1UF	10% 16V	R215	1-218-989-11	RES-CHIP	1M 5% 1/16W
C267	1-100-916-11	CERAMIC CHIP 0.1UF	10% 16V	R216	1-218-957-11	RES-CHIP	2.2K 5% 1/16W
<CONNECTOR >				R218	1-218-990-81	SHORT CHIP	0
CN201	*1-819-928-11	HEADER ASSEMBLY 20P		R219	1-218-990-81	SHORT CHIP	0
CN250	*1-818-400-11	HDMI CONNECTOR		R220	1-218-990-81	SHORT CHIP	0
CN251	*1-820-667-11	HEADER ASSEMBLY FOR PWB 21P		R221	1-218-990-81	SHORT CHIP	0
< DIODE >				R222	1-216-864-11	SHORT CHIP	0
D201	8-719-423-03	DIODE MA8100-TX		R256	1-218-929-11	RES-CHIP	10 5% 1/16W
D202	8-719-423-03	DIODE MA8100-TX		R257	1-218-973-11	RES-CHIP	47K 5% 1/16W
D203	8-719-423-03	DIODE MA8100-TX		R258	1-218-941-81	RES-CHIP	100 5% 1/16W
D254	8-719-404-50	DIODE MA111-TX		R259	1-218-941-81	RES-CHIP	100 5% 1/16W
D261	8-719-404-50	DIODE MA111-TX		R260	1-218-961-11	RES-CHIP	4.7K 5% 1/16W
ET201	1-780-482-11	EARTH TERMINAL		R261	1-218-973-11	RES-CHIP	47K 5% 1/16W
ET202	1-780-482-11	EARTH TERMINAL		R262	1-218-973-11	RES-CHIP	47K 5% 1/16W
ET203	1-780-482-11	EARTH TERMINAL		R263	1-208-911-11	METAL CHIP	10K 0.5% 1/16W
< IC >				R264	1-218-929-11	RES-CHIP	10 5% 1/16W
IC250	6-704-001-01	IC BR24L02F-WE2		R265	1-218-929-11	RES-CHIP	10 5% 1/16W
IC251	6-708-758-01	IC PCA9517DP.118		R266	1-218-929-11	RES-CHIP	10 5% 1/16W
IC252	8-753-255-97	IC CXB1441R-T4		R267	1-218-929-11	RES-CHIP	10 5% 1/16W
< SOCKET >				R269	1-218-929-11	RES-CHIP	10 5% 1/16W
J201	1-780-489-11	S TERMINAL BLOCK (RIGHT ANGLE)		R270	1-218-929-11	RES-CHIP	10 5% 1/16W
J202	1-815-325-11	JACK		R271	1-218-929-11	RES-CHIP	10 5% 1/16W
				R272	1-218-929-11	RES-CHIP	10 5% 1/16W
				R273	1-218-941-81	RES-CHIP	100 5% 1/16W

Note : The components identified by mark  contain confidential information. Strictly follow the instructions when ever the components are repaired and/or replaced.

**U2 BC**

REF.NO.	PART.NO	DESCRIPTION	REMARK	REF.NO.	PART.NO	DESCRIPTION	REMARK
R277	1-218-961-11	RES-CHIP	4.7K 5% 1/16W	C1018	1-164-947-11	CERAMIC CHIP 0.01UF	50V
R278	1-218-961-11	RES-CHIP	4.7K 5% 1/16W	C1019	1-117-681-11	ELECT CHIP 100UF	20.00% 16V
R281	1-218-961-11	RES-CHIP	4.7K 5% 1/16W	C1020	1-165-667-21	ELECT CHIP 100UF	20% 6.3V
R283	1-208-903-11	METAL CHIP	4.7K 0.5% 1/16W	C1021	1-165-667-21	ELECT CHIP 100UF	20% 6.3V
R284	1-218-990-81	SHORT CHIP	0	C1022	1-164-936-11	CERAMIC CHIP 680PF	10.00% 50V
R285	1-218-937-11	RES-CHIP	47 5% 1/16W	C1023	1-164-936-11	CERAMIC CHIP 680PF	10.00% 50V
R286	1-218-937-11	RES-CHIP	47 5% 1/16W	C1024	1-100-907-11	CERAMIC CHIP 0.1UF	10% 10V
R287	1-218-937-11	RES-CHIP	47 5% 1/16W	C1026	1-100-907-11	CERAMIC CHIP 0.1UF	10% 10V
R289	1-216-864-11	SHORT CHIP	0	C1027	1-100-611-91	CERAMIC CHIP 22UF	20% 6.3V
R290	1-216-864-11	SHORT CHIP	0	C1028	1-100-611-91	CERAMIC CHIP 22UF	20% 6.3V
R291	1-218-990-81	SHORT CHIP	0	C1029	1-162-961-11	CERAMIC CHIP 330PF	10.00% 50V
R293	1-218-990-81	SHORT CHIP	0	C1030	1-164-936-11	CERAMIC CHIP 680PF	10.00% 50V
R298	1-208-887-11	METAL CHIP	1K 0.5% 1/16W	C1031	1-100-907-11	CERAMIC CHIP 0.1UF	10% 10V
R303	1-218-990-81	SHORT CHIP	0	C1032	1-100-907-11	CERAMIC CHIP 0.1UF	10% 10V
< VARISTOR >				C1033	1-124-778-00	ELECT CHIP 22UF	20.00% 6.3V
VD201	1-802-078-11	VARISTOR (SMD)		C1034	1-162-995-11	CERAMIC CHIP 0.022UF	50V
VD202	1-802-078-11	VARISTOR (SMD)		C1035	1-162-995-11	CERAMIC CHIP 0.022UF	50V
VD203	1-802-078-11	VARISTOR (SMD)		C1036	1-128-996-11	ELECT CHIP 4.7UF	20% 50V
VD204	1-802-078-11	VARISTOR (SMD)		C1037	1-115-339-11	CERAMIC CHIP 0.1UF	10.00% 50V
VD205	1-802-078-11	VARISTOR (SMD)		C1039	1-162-964-11	CERAMIC CHIP 0.001UF	10.00% 50V
VDR250	1-805-774-21	VARISTOR, CHIP		C1042	1-100-911-11	CERAMIC CHIP 4.7UF	10% 25V
VDR251	1-802-245-11	ESD SUPPRESSOR		C1043	1-100-911-11	CERAMIC CHIP 4.7UF	10% 25V
VDR252	1-802-245-11	ESD SUPPRESSOR		C1044	1-100-053-21	ELECT CHIP 220UF	20% 6.3V
VDR253	1-802-245-11	ESD SUPPRESSOR		C1045	1-100-053-21	ELECT CHIP 220UF	20% 6.3V
VDR254	1-802-245-11	ESD SUPPRESSOR		C2004	1-164-227-11	CERAMIC CHIP 0.022UF	10.00% 25V
VDR255	1-802-245-11	ESD SUPPRESSOR		C2005	1-162-964-11	CERAMIC CHIP 0.001UF	10.00% 50V
VDR256	1-802-245-11	ESD SUPPRESSOR		C2006	1-164-227-11	CERAMIC CHIP 0.022UF	10.00% 25V
VDR257	1-802-245-11	ESD SUPPRESSOR		C2007	1-162-964-11	CERAMIC CHIP 0.001UF	10.00% 50V
VDR258	1-802-245-11	ESD SUPPRESSOR		C2014	1-165-908-11	CERAMIC CHIP 1UF	10% 10V
VDR260	1-802-245-11	ESD SUPPRESSOR		C2015	1-165-908-11	CERAMIC CHIP 1UF	10% 10V
VDR261	1-802-245-11	ESD SUPPRESSOR		C2016	1-126-396-11	ELECT CHIP 47UF	20.00% 16V
< CAPACITOR >				C2017	1-126-396-11	ELECT CHIP 47UF	20.00% 16V
C1000	1-126-204-11	ELECT CHIP	47UF 20.00% 16V	C2020	1-117-370-11	CERAMIC CHIP 10UF	10V
C1001	1-100-907-11	CERAMIC CHIP	0.1UF 10% 10V	C2021	1-107-826-11	CERAMIC CHIP 0.1UF	10.00% 16V
C1002	1-100-907-11	CERAMIC CHIP	0.1UF 10% 10V	C2022	1-165-908-11	CERAMIC CHIP 1UF	10% 10V
C1003	1-115-566-11	CERAMIC CHIP	4.7UF 10.00% 10V	C2023	1-165-908-11	CERAMIC CHIP 1UF	10% 10V
C1004	1-164-852-11	CERAMIC CHIP	12PF 5.00% 50V	C2024	1-162-964-11	CERAMIC CHIP 0.001UF	10.00% 50V
C1005	1-164-852-11	CERAMIC CHIP	12PF 5.00% 50V	C2025	1-162-964-11	CERAMIC CHIP 0.001UF	10.00% 50V
C1006	1-100-907-11	CERAMIC CHIP	0.1UF 10% 10V	C2026	1-162-964-11	CERAMIC CHIP 0.001UF	10.00% 50V
C1007	1-164-852-11	CERAMIC CHIP	12PF 5.00% 50V	C2027	1-162-964-11	CERAMIC CHIP 0.001UF	10.00% 50V
C1008	1-164-852-11	CERAMIC CHIP	12PF 5.00% 50V	C2028	1-165-908-11	CERAMIC CHIP 1UF	10% 10V
C1010	1-164-852-11	CERAMIC CHIP	12PF 5.00% 50V	C2029	1-165-908-11	CERAMIC CHIP 1UF	10% 10V
C1013	1-117-681-11	ELECT CHIP	100UF 20.00% 16V	C2034	1-165-908-11	CERAMIC CHIP 1UF	10% 10V
C1015	1-164-936-11	CERAMIC CHIP	680PF 10.00% 50V	C2035	1-165-908-11	CERAMIC CHIP 1UF	10% 10V
C1016	1-100-907-11	CERAMIC CHIP	0.1UF 10% 10V	C2036	1-164-227-11	CERAMIC CHIP 0.022UF	10.00% 25V
C1017	1-115-339-11	CERAMIC CHIP	0.1UF 10.00% 50V	C2037	1-162-964-11	CERAMIC CHIP 0.001UF	10.00% 50V
				C2038	1-164-227-11	CERAMIC CHIP 0.022UF	10.00% 25V
				C2039	1-162-964-11	CERAMIC CHIP 0.001UF	10.00% 50V
				C2040	1-162-964-11	CERAMIC CHIP 0.001UF	10.00% 50V
				C2041	1-162-964-11	CERAMIC CHIP 0.001UF	10.00% 50V

 \*A-1503-611-A BC Board, Complete

REF.NO.	PART.NO	DESCRIPTION	REMARK	REF.NO.	PART.NO	DESCRIPTION	REMARK
C2042	1-165-908-11	CERAMIC CHIP 1UF	10% 10V	C3050	1-100-597-91	CERAMIC CHIP 0.1UF	10% 25V
C2043	1-165-908-11	CERAMIC CHIP 1UF	10% 10V	C3051	1-100-597-91	CERAMIC CHIP 0.1UF	10% 25V
C2044	1-126-396-11	ELECT CHIP 47UF	20.00% 16V	C3052	1-100-905-11	CERAMIC CHIP 0.001UF	10% 50V
C2045	1-126-396-11	ELECT CHIP 47UF	20.00% 16V	C3053	1-165-908-11	CERAMIC CHIP 1UF	10% 10V
C2050	1-107-826-11	CERAMIC CHIP 0.1UF	10.00% 16V	C3054	1-165-908-11	CERAMIC CHIP 1UF	10% 10V
C2051	1-117-370-11	CERAMIC CHIP 10UF	10V	C3057	1-117-681-11	ELECT CHIP 100UF	20.00% 16V
C3002	1-100-912-11	CERAMIC CHIP 1UF	10% 25V	C3058	1-164-156-11	CERAMIC CHIP 0.1UF	25V
C3003	1-100-912-11	CERAMIC CHIP 1UF	10% 25V	C3059	1-117-681-11	ELECT CHIP 100UF	20.00% 16V
C3004	1-100-912-11	CERAMIC CHIP 1UF	10% 25V	C3060	1-117-681-11	ELECT CHIP 100UF	20.00% 16V
C3005	1-100-912-11	CERAMIC CHIP 1UF	10% 25V	C3061	1-124-779-00	ELECT CHIP 10UF	20.00% 16V
C3006	1-100-597-91	CERAMIC CHIP 0.1UF	10% 25V	C3062	1-100-597-91	CERAMIC CHIP 0.1UF	10% 25V
C3007	1-100-764-21	ELECT CHIP 4.7UF	20% 25V	C3063	1-126-396-11	ELECT CHIP 47UF	20.00% 16V
C3008	1-112-777-11	CERAMIC CHIP 0.01UF	10% 25V	C3064	1-100-912-11	CERAMIC CHIP 1UF	10% 25V
C3009	1-100-764-21	ELECT CHIP 4.7UF	20% 25V	C3065	1-100-912-11	CERAMIC CHIP 1UF	10% 25V
C3010	1-115-340-11	CERAMIC CHIP 0.22UF	10.00% 25V	C3066	1-100-912-11	CERAMIC CHIP 1UF	10% 25V
C3011	1-115-340-11	CERAMIC CHIP 0.22UF	10.00% 25V	C3068	1-126-396-11	ELECT CHIP 47UF	20.00% 16V
C3012	1-100-905-11	CERAMIC CHIP 0.001UF	10% 50V	C4002	1-125-891-11	CERAMIC CHIP 0.47UF	10.00% 10V
C3013	1-126-396-11	ELECT CHIP 47UF	20.00% 16V	C4003	1-125-891-11	CERAMIC CHIP 0.47UF	10.00% 10V
C3014	1-100-905-11	CERAMIC CHIP 0.001UF	10% 50V	C4004	1-125-891-11	CERAMIC CHIP 0.47UF	10.00% 10V
C3015	1-115-340-11	CERAMIC CHIP 0.22UF	10.00% 25V	C4005	1-125-891-11	CERAMIC CHIP 0.47UF	10.00% 10V
C3016	1-115-340-11	CERAMIC CHIP 0.22UF	10.00% 25V	C4006	1-127-573-11	CERAMIC CHIP 1UF	10% 16V
C3017	1-100-905-11	CERAMIC CHIP 0.001UF	10% 50V	C4007	1-163-037-11	CERAMIC CHIP 0.022UF	10.00% 50V
C3018	1-125-889-91	CERAMIC CHIP 2.2UF	10% 10V	C4008	1-126-205-11	ELECT CHIP 47UF	20.00% 6.3V
C3019	1-125-889-91	CERAMIC CHIP 2.2UF	10% 10V	C4009	1-164-156-11	CERAMIC CHIP 0.1UF	25V
C3020	1-112-797-11	ELECT CHIP 470UF	20% 25V	C4011	1-164-156-11	CERAMIC CHIP 0.1UF	25V
C3021	1-112-800-11	ELECT CHIP 100UF	20% 35V	C4014	1-164-156-11	CERAMIC CHIP 0.1UF	25V
C3022	1-100-597-91	CERAMIC CHIP 0.1UF	10% 25V	C4016	1-126-205-11	ELECT CHIP 47UF	20.00% 6.3V
C3023	1-100-912-11	CERAMIC CHIP 1UF	10% 25V	C4020	1-107-826-11	CERAMIC CHIP 0.1UF	10.00% 16V
C3024	1-100-912-11	CERAMIC CHIP 1UF	10% 25V	C4021	1-107-826-11	CERAMIC CHIP 0.1UF	10.00% 16V
C3025	1-112-800-11	ELECT CHIP 100UF	20% 35V	C4022	1-107-826-11	CERAMIC CHIP 0.1UF	10.00% 16V
C3026	1-100-597-91	CERAMIC CHIP 0.1UF	10% 25V	C4023	1-107-826-11	CERAMIC CHIP 0.1UF	10.00% 16V
C3027	1-125-889-91	CERAMIC CHIP 2.2UF	10% 10V	C4024	1-107-826-11	CERAMIC CHIP 0.1UF	10.00% 16V
C3028	1-125-889-91	CERAMIC CHIP 2.2UF	10% 10V	C4025	1-107-826-11	CERAMIC CHIP 0.1UF	10.00% 16V
C3029	1-100-905-11	CERAMIC CHIP 0.001UF	10% 50V	C4026	1-107-826-11	CERAMIC CHIP 0.1UF	10.00% 16V
C3030	1-100-597-91	CERAMIC CHIP 0.1UF	10% 25V	C4027	1-107-826-11	CERAMIC CHIP 0.1UF	10.00% 16V
C3031	1-100-905-11	CERAMIC CHIP 0.001UF	10% 50V	C4028	1-107-826-11	CERAMIC CHIP 0.1UF	10.00% 16V
C3032	1-164-874-11	CERAMIC CHIP 100PF	5.00% 50V	C4029	1-107-826-11	CERAMIC CHIP 0.1UF	10.00% 16V
C3033	1-125-889-91	CERAMIC CHIP 2.2UF	10% 10V	C4030	1-107-826-11	CERAMIC CHIP 0.1UF	10.00% 16V
C3034	1-164-874-11	CERAMIC CHIP 100PF	5.00% 50V	C4031	1-107-826-11	CERAMIC CHIP 0.1UF	10.00% 16V
C3035	1-115-340-11	CERAMIC CHIP 0.22UF	10.00% 25V	C4032	1-107-826-11	CERAMIC CHIP 0.1UF	10.00% 16V
C3036	1-115-340-11	CERAMIC CHIP 0.22UF	10.00% 25V	C4033	1-107-826-11	CERAMIC CHIP 0.1UF	10.00% 16V
C3037	1-126-396-11	ELECT CHIP 47UF	20.00% 16V	C4034	1-107-826-11	CERAMIC CHIP 0.1UF	10.00% 16V
C3038	1-115-340-11	CERAMIC CHIP 0.22UF	10.00% 25V	C4035	1-107-826-11	CERAMIC CHIP 0.1UF	10.00% 16V
C3039	1-115-340-11	CERAMIC CHIP 0.22UF	10.00% 25V	C4036	1-107-826-11	CERAMIC CHIP 0.1UF	10.00% 16V
C3040	1-115-340-11	CERAMIC CHIP 0.22UF	10.00% 25V	C4037	1-107-826-11	CERAMIC CHIP 0.1UF	10.00% 16V
C3041	1-115-340-11	CERAMIC CHIP 0.22UF	10.00% 25V	C4038	1-107-826-11	CERAMIC CHIP 0.1UF	10.00% 16V
C3042	1-126-396-11	ELECT CHIP 47UF	20.00% 16V	C4039	1-107-826-11	CERAMIC CHIP 0.1UF	10.00% 16V
C3043	1-100-597-91	CERAMIC CHIP 0.1UF	10% 25V	C4040	1-107-826-11	CERAMIC CHIP 0.1UF	10.00% 16V
C3044	1-100-591-91	CERAMIC CHIP 1UF	10% 25V	C4041	1-107-826-11	CERAMIC CHIP 0.1UF	10.00% 16V
C3045	1-100-591-91	CERAMIC CHIP 1UF	10% 25V	C4042	1-100-566-91	CERAMIC CHIP 0.1UF	10.00% 25V

REF.NO.	PART.NO	DESCRIPTION	REMARK	REF.NO.	PART.NO	DESCRIPTION	REMARK
C4043	1-100-566-91	CERAMIC CHIP 0.1UF	10.00% 25V	C4211	1-162-970-11	CERAMIC CHIP 0.01UF	10.00% 25V
C4045	1-100-566-91	CERAMIC CHIP 0.1UF	10.00% 25V	C4212	1-162-970-11	CERAMIC CHIP 0.01UF	10.00% 25V
C4046	1-163-021-91	CERAMIC CHIP 0.01UF	10.00% 50V	C4213	1-162-970-11	CERAMIC CHIP 0.01UF	10.00% 25V
C4047	1-107-826-11	CERAMIC CHIP 0.1UF	10.00% 16V	C4214	1-162-970-11	CERAMIC CHIP 0.01UF	10.00% 25V
C4052	1-127-715-91	CERAMIC CHIP 0.22UF	10% 16V	C4215	1-162-970-11	CERAMIC CHIP 0.01UF	10.00% 25V
C4053	1-107-826-11	CERAMIC CHIP 0.1UF	10.00% 16V	C4216	1-162-970-11	CERAMIC CHIP 0.01UF	10.00% 25V
C4054	1-126-394-11	ELECT CHIP 10UF	20.00% 16V	C4217	1-162-970-11	CERAMIC CHIP 0.01UF	10.00% 25V
C4055	1-127-715-91	CERAMIC CHIP 0.22UF	10% 16V	C4218	1-162-970-11	CERAMIC CHIP 0.01UF	10.00% 25V
C4056	1-107-826-11	CERAMIC CHIP 0.1UF	10.00% 16V	C4219	1-162-970-11	CERAMIC CHIP 0.01UF	10.00% 25V
C4059	1-162-966-11	CERAMIC CHIP 0.0022UF	10.00% 50V	C4300	1-117-370-11	CERAMIC CHIP 10UF	10V
C4060	1-162-966-11	CERAMIC CHIP 0.0022UF	10.00% 50V	C4301	1-117-370-11	CERAMIC CHIP 10UF	10V
C4061	1-107-826-11	CERAMIC CHIP 0.1UF	10.00% 16V	C4302	1-117-370-11	CERAMIC CHIP 10UF	10V
C4062	1-162-966-11	CERAMIC CHIP 0.0022UF	10.00% 50V	C4303	1-117-370-11	CERAMIC CHIP 10UF	10V
C4063	1-162-966-11	CERAMIC CHIP 0.0022UF	10.00% 50V	C4304	1-126-396-11	ELECT CHIP 47UF	20.00% 16V
C4064	1-162-966-11	CERAMIC CHIP 0.0022UF	10.00% 50V	C4305	1-100-911-11	CERAMIC CHIP 4.7UF	10% 25V
C4065	1-162-966-11	CERAMIC CHIP 0.0022UF	10.00% 50V	C4306	1-117-370-11	CERAMIC CHIP 10UF	10V
C4066	1-164-004-11	CERAMIC CHIP 0.1UF	10.00% 25V	C4307	1-126-396-11	ELECT CHIP 47UF	20.00% 16V
C4067	1-124-779-00	ELECT CHIP 10UF	20.00% 16V	C4308	1-117-370-11	CERAMIC CHIP 10UF	10V
C4068	1-216-864-11	SHORT CHIP 0		C4310	1-126-396-11	ELECT CHIP 47UF	20.00% 16V
C4069	1-164-004-11	CERAMIC CHIP 0.1UF	10.00% 25V	C4311	1-126-396-11	ELECT CHIP 47UF	20.00% 16V
C4070	1-162-928-11	CERAMIC CHIP 120PF	5.00% 50V	C4312	1-126-396-11	ELECT CHIP 47UF	20.00% 16V
C4072	1-107-826-11	CERAMIC CHIP 0.1UF	10.00% 16V	C4313	1-126-396-11	ELECT CHIP 47UF	20.00% 16V
C4073	1-107-826-11	CERAMIC CHIP 0.1UF	10.00% 16V	C4314	1-100-911-11	CERAMIC CHIP 4.7UF	10% 25V
C4074	1-162-968-11	CERAMIC CHIP 0.0047UF	10.00% 50V	C4316	1-107-826-11	CERAMIC CHIP 0.1UF	10.00% 16V
C4076	1-107-826-11	CERAMIC CHIP 0.1UF	10.00% 16V	C5005	1-115-416-11	CERAMIC CHIP 0.001UF	5.00% 25V
C4077	1-107-826-11	CERAMIC CHIP 0.1UF	10.00% 16V	C5006	1-162-970-11	CERAMIC CHIP 0.01UF	10.00% 25V
C4079	1-164-004-11	CERAMIC CHIP 0.1UF	10.00% 25V	C5007	1-107-826-11	CERAMIC CHIP 0.1UF	10.00% 16V
C4080	1-107-826-11	CERAMIC CHIP 0.1UF	10.00% 16V	C5008	1-115-416-11	CERAMIC CHIP 0.001UF	5.00% 25V
C4081	1-107-826-11	CERAMIC CHIP 0.1UF	10.00% 16V	C5009	1-162-970-11	CERAMIC CHIP 0.01UF	10.00% 25V
C4082	1-164-388-91	CERAMIC CHIP 270PF	5.00% 50V	C5010	1-137-710-91	CERAMIC CHIP 10UF	20% 6.3V
C4083	1-107-826-11	CERAMIC CHIP 0.1UF	10.00% 16V	C5011	1-107-826-11	CERAMIC CHIP 0.1UF	10.00% 16V
C4084	1-107-826-11	CERAMIC CHIP 0.1UF	10.00% 16V	C5012	1-137-710-91	CERAMIC CHIP 10UF	20% 6.3V
C4085	1-107-826-11	CERAMIC CHIP 0.1UF	10.00% 16V	C5013	1-107-826-11	CERAMIC CHIP 0.1UF	10.00% 16V
C4086	1-162-917-11	CERAMIC CHIP 15PF	5.00% 50V	C5014	1-107-826-11	CERAMIC CHIP 0.1UF	10.00% 16V
C4087	1-162-917-11	CERAMIC CHIP 15PF	5.00% 50V	C5015	1-107-826-11	CERAMIC CHIP 0.1UF	10.00% 16V
C4088	1-162-927-11	CERAMIC CHIP 100PF	5.00% 50V	C5018	1-137-710-91	CERAMIC CHIP 10UF	20% 6.3V
C4089	1-127-715-91	CERAMIC CHIP 0.22UF	10% 16V	C5019	1-107-826-11	CERAMIC CHIP 0.1UF	10.00% 16V
C4090	1-115-340-11	CERAMIC CHIP 0.22UF	10.00% 25V	C5020	1-107-826-11	CERAMIC CHIP 0.1UF	10.00% 16V
C4091	1-100-566-91	CERAMIC CHIP 0.1UF	10.00% 25V	C5021	1-107-826-11	CERAMIC CHIP 0.1UF	10.00% 16V
C4092	1-100-566-91	CERAMIC CHIP 0.1UF	10.00% 25V	C5022	1-107-826-11	CERAMIC CHIP 0.1UF	10.00% 16V
C4109	1-124-779-00	ELECT CHIP 10UF	20.00% 16V	C5023	1-107-826-11	CERAMIC CHIP 0.1UF	10.00% 16V
C4110	1-162-927-11	CERAMIC CHIP 100PF	5.00% 50V	C5024	1-107-826-11	CERAMIC CHIP 0.1UF	10.00% 16V
C4200	1-164-156-11	CERAMIC CHIP 0.1UF	25V	C5025	1-115-416-11	CERAMIC CHIP 0.001UF	5.00% 25V
C4202	1-164-156-11	CERAMIC CHIP 0.1UF	25V	C5026	1-107-826-11	CERAMIC CHIP 0.1UF	10.00% 16V
C4204	1-164-156-11	CERAMIC CHIP 0.1UF	25V	C5027	1-107-826-11	CERAMIC CHIP 0.1UF	10.00% 16V
C4205	1-107-826-11	CERAMIC CHIP 0.1UF	10.00% 16V	C5028	1-107-826-11	CERAMIC CHIP 0.1UF	10.00% 16V
C4206	1-164-156-11	CERAMIC CHIP 0.1UF	25V	C5029	1-107-826-11	CERAMIC CHIP 0.1UF	10.00% 16V
C4207	1-164-156-11	CERAMIC CHIP 0.1UF	25V	C5030	1-107-826-11	CERAMIC CHIP 0.1UF	10.00% 16V
C4208	1-164-156-11	CERAMIC CHIP 0.1UF	25V	C5031	1-107-826-11	CERAMIC CHIP 0.1UF	10.00% 16V
C4210	1-164-156-11	CERAMIC CHIP 0.1UF	25V	C5032	1-107-826-11	CERAMIC CHIP 0.1UF	10.00% 16V

REF.NO.	PART.NO	DESCRIPTION	REMARK	REF.NO.	PART.NO	DESCRIPTION	REMARK
C5033	1-107-826-11	CERAMIC CHIP 0.1UF	10.00% 16V	C5529	1-162-964-11	CERAMIC CHIP 0.001UF	10.00% 50V
C5034	1-107-826-11	CERAMIC CHIP 0.1UF	10.00% 16V	C5531	1-162-964-11	CERAMIC CHIP 0.001UF	10.00% 50V
C5035	1-107-826-11	CERAMIC CHIP 0.1UF	10.00% 16V	C5533	1-162-964-11	CERAMIC CHIP 0.001UF	10.00% 50V
C5036	1-115-416-11	CERAMIC CHIP 0.001UF	5.00% 25V	C5534	1-162-964-11	CERAMIC CHIP 0.001UF	10.00% 50V
C5037	1-107-826-11	CERAMIC CHIP 0.1UF	10.00% 16V	C5535	1-162-964-11	CERAMIC CHIP 0.001UF	10.00% 50V
C5038	1-137-710-91	CERAMIC CHIP 10UF	20% 6.3V	C5536	1-162-964-11	CERAMIC CHIP 0.001UF	10.00% 50V
C5039	1-107-826-11	CERAMIC CHIP 0.1UF	10.00% 16V	C5538	1-162-964-11	CERAMIC CHIP 0.001UF	10.00% 50V
C5040	1-107-826-11	CERAMIC CHIP 0.1UF	10.00% 16V	C5540	1-162-964-11	CERAMIC CHIP 0.001UF	10.00% 50V
C5041	1-107-826-11	CERAMIC CHIP 0.1UF	10.00% 16V	C5541	1-162-964-11	CERAMIC CHIP 0.001UF	10.00% 50V
C5042	1-107-826-11	CERAMIC CHIP 0.1UF	10.00% 16V	C5542	1-162-964-11	CERAMIC CHIP 0.001UF	10.00% 50V
C5043	1-107-826-11	CERAMIC CHIP 0.1UF	10.00% 16V	C5545	1-162-964-11	CERAMIC CHIP 0.001UF	10.00% 50V
C5044	1-107-826-11	CERAMIC CHIP 0.1UF	10.00% 16V	C5546	1-124-779-00	ELECT CHIP 10UF	20.00% 16V
C5045	1-126-206-11	ELECT CHIP 100UF	20.00% 6.3V	C5547	1-124-779-00	ELECT CHIP 10UF	20.00% 16V
C5046	1-126-206-11	ELECT CHIP 100UF	20.00% 6.3V	C5548	1-124-779-00	ELECT CHIP 10UF	20.00% 16V
C5052	1-126-396-11	ELECT CHIP 47UF	20.00% 16V	C5549	1-124-779-00	ELECT CHIP 10UF	20.00% 16V
C5053	1-162-964-11	CERAMIC CHIP 0.001UF	10.00% 50V	C5550	1-124-779-00	ELECT CHIP 10UF	20.00% 16V
C5054	1-162-962-11	CERAMIC CHIP 470PF	10.00% 50V	C5551	1-162-964-11	CERAMIC CHIP 0.001UF	10.00% 50V
C5055	1-162-970-11	CERAMIC CHIP 0.01UF	10.00% 25V	C5552	1-162-964-11	CERAMIC CHIP 0.001UF	10.00% 50V
C5056	1-107-826-11	CERAMIC CHIP 0.1UF	10.00% 16V	C5553	1-100-566-91	CERAMIC CHIP 0.1UF	10.00% 25V
C5057	1-107-826-11	CERAMIC CHIP 0.1UF	10.00% 16V	C5554	1-100-566-91	CERAMIC CHIP 0.1UF	10.00% 25V
C5058	1-107-826-11	CERAMIC CHIP 0.1UF	10.00% 16V	C5555	1-100-566-91	CERAMIC CHIP 0.1UF	10.00% 25V
C5059	1-107-826-11	CERAMIC CHIP 0.1UF	10.00% 16V	C5556	1-100-566-91	CERAMIC CHIP 0.1UF	10.00% 25V
C5500	1-107-826-11	CERAMIC CHIP 0.1UF	10.00% 16V	C5557	1-100-566-91	CERAMIC CHIP 0.1UF	10.00% 25V
C5501	1-107-826-11	CERAMIC CHIP 0.1UF	10.00% 16V	C5558	1-162-964-11	CERAMIC CHIP 0.001UF	10.00% 50V
C5502	1-162-964-11	CERAMIC CHIP 0.001UF	10.00% 50V	C5559	1-162-964-11	CERAMIC CHIP 0.001UF	10.00% 50V
C5503	1-107-826-11	CERAMIC CHIP 0.1UF	10.00% 16V	C5560	1-162-964-11	CERAMIC CHIP 0.001UF	10.00% 50V
C5504	1-100-567-81	CERAMIC CHIP 0.01UF	10% 25V	C5561	1-100-566-91	CERAMIC CHIP 0.1UF	10.00% 25V
C5505	1-100-567-81	CERAMIC CHIP 0.01UF	10% 25V	C5562	1-100-566-91	CERAMIC CHIP 0.1UF	10.00% 25V
C5506	1-100-567-81	CERAMIC CHIP 0.01UF	10% 25V	C5563	1-162-964-11	CERAMIC CHIP 0.001UF	10.00% 50V
C5507	1-100-567-81	CERAMIC CHIP 0.01UF	10% 25V	C5571	1-164-874-11	CERAMIC CHIP 100PF	5.00% 50V
C5508	1-107-826-11	CERAMIC CHIP 0.1UF	10.00% 16V	C6402	1-164-230-11	CERAMIC CHIP 220PF	5.00% 50V
C5509	1-100-567-81	CERAMIC CHIP 0.01UF	10% 25V	C6404	1-165-908-11	CERAMIC CHIP 1UF	10% 10V
C5510	1-100-567-81	CERAMIC CHIP 0.01UF	10% 25V	C6405	1-126-390-11	ELECT CHIP 22UF	20.00% 6.3V
C5511	1-107-826-11	CERAMIC CHIP 0.1UF	10.00% 16V	C6406	1-162-927-11	CERAMIC CHIP 100PF	5.00% 50V
C5512	1-100-567-81	CERAMIC CHIP 0.01UF	10% 25V	C6408	1-162-970-11	CERAMIC CHIP 0.01UF	10.00% 25V
C5513	1-100-567-81	CERAMIC CHIP 0.01UF	10% 25V	C6409	1-127-760-11	CERAMIC CHIP 4.7UF	10% 6.3V
C5514	1-162-964-11	CERAMIC CHIP 0.001UF	10.00% 50V	C6410	1-162-970-11	CERAMIC CHIP 0.01UF	10.00% 25V
C5515	1-100-567-81	CERAMIC CHIP 0.01UF	10% 25V	C6411	1-162-970-11	CERAMIC CHIP 0.01UF	10.00% 25V
C5516	1-100-567-81	CERAMIC CHIP 0.01UF	10% 25V	C6500	1-162-974-11	CERAMIC CHIP 0.01UF	50V
C5517	1-107-826-11	CERAMIC CHIP 0.1UF	10.00% 16V	C6501	1-162-970-11	CERAMIC CHIP 0.01UF	10.00% 25V
C5518	1-100-567-81	CERAMIC CHIP 0.01UF	10% 25V	C6502	1-162-970-11	CERAMIC CHIP 0.01UF	10.00% 25V
C5519	1-100-703-91	CERAMIC CHIP 10UF	10% 25V	C6503	1-162-970-11	CERAMIC CHIP 0.01UF	10.00% 25V
C5520	1-100-567-81	CERAMIC CHIP 0.01UF	10% 25V	C6507	1-100-907-11	CERAMIC CHIP 0.1UF	10% 10V
C5521	1-100-567-81	CERAMIC CHIP 0.01UF	10% 25V	C6508	1-107-823-11	CERAMIC CHIP 0.47UF	10.00% 16V
C5523	1-162-964-11	CERAMIC CHIP 0.001UF	10.00% 50V	C6509	1-137-894-21	ELECT CHIP 470UF	20% 25V
C5524	1-162-964-11	CERAMIC CHIP 0.001UF	10.00% 50V	C6510	1-100-907-11	CERAMIC CHIP 0.1UF	10% 10V
C5525	1-162-964-11	CERAMIC CHIP 0.001UF	10.00% 50V	C6511	1-112-797-11	ELECT CHIP 470UF	20% 25V
C5526	1-162-964-11	CERAMIC CHIP 0.001UF	10.00% 50V	C6512	1-137-894-21	ELECT CHIP 470UF	20% 25V
C5527	1-162-964-11	CERAMIC CHIP 0.001UF	10.00% 50V	C6514	1-162-970-11	CERAMIC CHIP 0.01UF	10.00% 25V
C5528	1-162-964-11	CERAMIC CHIP 0.001UF	10.00% 50V	C6515	1-162-974-11	CERAMIC CHIP 0.01UF	50V

REF.NO.	PART.NO	DESCRIPTION	REMARK	REF.NO.	PART.NO	DESCRIPTION	REMARK
C6516	1-162-970-11	CERAMIC CHIP 0.01UF	10.00% 25V	C6625	1-112-777-11	CERAMIC CHIP 0.01UF	10% 25V
C6520	1-100-566-91	CERAMIC CHIP 0.1UF	10.00% 25V	C6626	1-164-937-11	CERAMIC CHIP 0.001UF	10.00% 50V
C6521	1-100-911-11	CERAMIC CHIP 4.7UF	10% 25V	C6627	1-164-937-11	CERAMIC CHIP 0.001UF	10.00% 50V
C6522	1-100-911-11	CERAMIC CHIP 4.7UF	10% 25V	C7100	1-100-911-11	CERAMIC CHIP 4.7UF	10% 25V
C6523	1-126-396-11	ELECT CHIP 47UF	20.00% 16V	C7101	1-117-720-11	CERAMIC CHIP 4.7UF	10V
C6525	1-162-974-11	CERAMIC CHIP 0.01UF	50V	C7102	1-100-907-11	CERAMIC CHIP 0.1UF	10% 10V
C6526	1-100-566-91	CERAMIC CHIP 0.1UF	10.00% 25V	C7103	1-100-907-11	CERAMIC CHIP 0.1UF	10% 10V
C6528	1-100-566-91	CERAMIC CHIP 0.1UF	10.00% 25V	C7104	1-100-907-11	CERAMIC CHIP 0.1UF	10% 10V
C6529	1-100-911-11	CERAMIC CHIP 4.7UF	10% 25V	C7105	1-100-907-11	CERAMIC CHIP 0.1UF	10% 10V
C6530	1-100-566-91	CERAMIC CHIP 0.1UF	10.00% 25V	C7106	1-100-907-11	CERAMIC CHIP 0.1UF	10% 10V
C6531	1-165-671-21	ELECT CHIP 470UF	20% 6.3V	C7107	1-100-907-11	CERAMIC CHIP 0.1UF	10% 10V
C6532	1-127-715-91	CERAMIC CHIP 0.22UF	10% 16V	C7108	1-100-907-11	CERAMIC CHIP 0.1UF	10% 10V
C6534	1-127-715-91	CERAMIC CHIP 0.22UF	10% 16V	C7109	1-100-907-11	CERAMIC CHIP 0.1UF	10% 10V
C6537	1-165-671-21	ELECT CHIP 470UF	20% 6.3V	C7110	1-100-907-11	CERAMIC CHIP 0.1UF	10% 10V
C6538	1-100-566-91	CERAMIC CHIP 0.1UF	10.00% 25V	C7111	1-100-907-11	CERAMIC CHIP 0.1UF	10% 10V
C6540	1-165-671-21	ELECT CHIP 470UF	20% 6.3V	C7112	1-100-907-11	CERAMIC CHIP 0.1UF	10% 10V
C6544	1-100-566-91	CERAMIC CHIP 0.1UF	10.00% 25V	C7113	1-100-907-11	CERAMIC CHIP 0.1UF	10% 10V
C6545	1-100-566-91	CERAMIC CHIP 0.1UF	10.00% 25V	C7114	1-100-907-11	CERAMIC CHIP 0.1UF	10% 10V
C6546	1-100-566-91	CERAMIC CHIP 0.1UF	10.00% 25V	C7116	1-124-779-00	ELECT CHIP 10UF	20.00% 16V
C6552	1-107-826-11	CERAMIC CHIP 0.1UF	10.00% 16V	C7120	1-100-907-11	CERAMIC CHIP 0.1UF	10% 10V
C6555	1-107-826-11	CERAMIC CHIP 0.1UF	10.00% 16V	C7121	1-100-907-11	CERAMIC CHIP 0.1UF	10% 10V
C6556	1-164-004-11	CERAMIC CHIP 0.1UF	10.00% 25V	C7122	1-100-907-11	CERAMIC CHIP 0.1UF	10% 10V
C6557	1-162-964-11	CERAMIC CHIP 0.001UF	10.00% 50V	C7123	1-100-907-11	CERAMIC CHIP 0.1UF	10% 10V
C6558	1-112-066-11	CERAMIC CHIP 10UF	10% 10V	C7124	1-100-907-11	CERAMIC CHIP 0.1UF	10% 10V
C6561	1-127-573-11	CERAMIC CHIP 1UF	10% 16V	C7125	1-100-907-11	CERAMIC CHIP 0.1UF	10% 10V
C6563	1-127-573-11	CERAMIC CHIP 1UF	10% 16V	C7126	1-100-907-11	CERAMIC CHIP 0.1UF	10% 10V
C6573	1-100-566-91	CERAMIC CHIP 0.1UF	10.00% 25V	C7130	1-164-850-11	CERAMIC CHIP 10PF	0.50PF 50V
C6574	1-117-681-11	ELECT CHIP 100UF	20.00% 16V	C7133	1-100-911-11	CERAMIC CHIP 4.7UF	10% 25V
C6590	1-162-974-11	CERAMIC CHIP 0.01UF	50V	C7134	1-100-907-11	CERAMIC CHIP 0.1UF	10% 10V
C6599	1-100-907-11	CERAMIC CHIP 0.1UF	10% 10V	C7135	1-100-907-11	CERAMIC CHIP 0.1UF	10% 10V
C6600	1-117-720-11	CERAMIC CHIP 4.7UF	10V	C7136	1-100-911-11	CERAMIC CHIP 4.7UF	10% 25V
C6601	1-107-823-11	CERAMIC CHIP 0.47UF	10.00% 16V	C7137	1-100-907-11	CERAMIC CHIP 0.1UF	10% 10V
C6603	1-100-907-11	CERAMIC CHIP 0.1UF	10% 10V	C7138	1-100-907-11	CERAMIC CHIP 0.1UF	10% 10V
C6604	1-100-907-11	CERAMIC CHIP 0.1UF	10% 10V	C7139	1-100-907-11	CERAMIC CHIP 0.1UF	10% 10V
C6605	1-112-066-11	CERAMIC CHIP 10UF	10% 10V	C7140	1-124-779-00	ELECT CHIP 10UF	20.00% 16V
C6606	1-117-681-11	ELECT CHIP 100UF	20.00% 16V	C7141	1-100-907-11	CERAMIC CHIP 0.1UF	10% 10V
C6609	1-107-823-11	CERAMIC CHIP 0.47UF	10.00% 16V	C7142	1-100-907-11	CERAMIC CHIP 0.1UF	10% 10V
C6610	1-100-907-11	CERAMIC CHIP 0.1UF	10% 10V	C7143	1-100-907-11	CERAMIC CHIP 0.1UF	10% 10V
C6612	1-100-907-11	CERAMIC CHIP 0.1UF	10% 10V	C7200	1-100-907-11	CERAMIC CHIP 0.1UF	10% 10V
C6613	1-117-681-11	ELECT CHIP 100UF	20.00% 16V	C7201	1-165-908-11	CERAMIC CHIP 1UF	10% 10V
C6615	1-162-927-11	CERAMIC CHIP 100PF	5.00% 50V	C7202	1-100-907-11	CERAMIC CHIP 0.1UF	10% 10V
C6616	1-164-874-11	CERAMIC CHIP 100PF	5.00% 50V	C7203	1-100-907-11	CERAMIC CHIP 0.1UF	10% 10V
C6617	1-164-874-11	CERAMIC CHIP 100PF	5.00% 50V	C7204	1-100-907-11	CERAMIC CHIP 0.1UF	10% 10V
C6618	1-164-874-11	CERAMIC CHIP 100PF	5.00% 50V	C7205	1-164-937-11	CERAMIC CHIP 0.001UF	10.00% 50V
C6619	1-164-390-91	CERAMIC CHIP 330PF	5.00% 50V	C7206	1-164-840-11	CERAMIC CHIP 1PF	0.25PF 50V
C6620	1-164-937-11	CERAMIC CHIP 0.001UF	10.00% 50V	C7207	1-164-840-11	CERAMIC CHIP 1PF	0.25PF 50V
C6621	1-164-937-11	CERAMIC CHIP 0.001UF	10.00% 50V	C7208	1-100-907-11	CERAMIC CHIP 0.1UF	10% 10V
C6622	1-164-937-11	CERAMIC CHIP 0.001UF	10.00% 50V	C7209	1-117-720-11	CERAMIC CHIP 4.7UF	10V
C6623	1-112-777-11	CERAMIC CHIP 0.01UF	10% 25V	C7210	1-100-907-11	CERAMIC CHIP 0.1UF	10% 10V
C6624	1-112-777-11	CERAMIC CHIP 0.01UF	10% 25V	C7211	1-117-720-11	CERAMIC CHIP 4.7UF	10V

REF.NO.	PART.NO	DESCRIPTION	REMARK	REF.NO.	PART.NO	DESCRIPTION	REMARK
C7212	1-100-907-11	CERAMIC CHIP 0.1UF	10% 10V	C7423	1-100-597-91	CERAMIC CHIP 0.1UF	10% 25V
C7213	1-100-907-11	CERAMIC CHIP 0.1UF	10% 10V	C7424	1-126-394-11	ELECT CHIP 10UF	20.00% 16V
C7214	1-100-907-11	CERAMIC CHIP 0.1UF	10% 10V	C7425	1-165-908-11	CERAMIC CHIP 1UF	10% 10V
C7215	1-100-907-11	CERAMIC CHIP 0.1UF	10% 10V	C7426	1-165-908-11	CERAMIC CHIP 1UF	10% 10V
C7216	1-100-907-11	CERAMIC CHIP 0.1UF	10% 10V	C7427	1-100-597-91	CERAMIC CHIP 0.1UF	10% 25V
C7217	1-100-907-11	CERAMIC CHIP 0.1UF	10% 10V	C7428	1-126-394-11	ELECT CHIP 10UF	20.00% 16V
C7218	1-100-907-11	CERAMIC CHIP 0.1UF	10% 10V	< CONNECTOR >			
C7219	1-117-720-11	CERAMIC CHIP 4.7UF	10V	CN1001	*1-779-884-11	CONNECTOR 4P	
C7220	1-117-681-11	ELECT CHIP 100UF	20.00% 16V	CN2000	*1-417-602-11	SOCKET 21PIN	
C7221	1-125-777-11	CERAMIC CHIP 0.1UF	10.00% 10V	CN2001	*1-417-602-11	SOCKET 21PIN	
C7222	1-125-777-11	CERAMIC CHIP 0.1UF	10.00% 10V	CN3000	*1-819-461-11	HEADER ASSEMBLY FOR PWB 4P	
C7224	1-164-943-81	CERAMIC CHIP 0.01UF	10.00% 16V	CN3001	*1-819-473-11	HEADER ASSEMBLY FOR PWB 4P	
C7226	1-164-840-11	CERAMIC CHIP 1PF	0.25PF 50V	CN4000	*1-819-444-11	HEADER ASSEMBLY FOR PWB 11P	
C7227	1-164-840-11	CERAMIC CHIP 1PF	0.25PF 50V	CN4004	*1-784-254-11	CONNECTOR 10P	
C7229	1-125-777-11	CERAMIC CHIP 0.1UF	10.00% 10V	CN4005	*1-779-936-51	CONNECTOR, FFC/FPC 18P	
C7230	1-126-205-11	ELECT CHIP 47UF	20.00% 6.3V	CN4200	*1-817-804-11	CONNECTOR, D SUB 15P	
C7231	1-104-905-11	DOUBLE LAYER 0.22F	5.5V	CN5000	*1-818-656-21	HEADER ASSEMBLY 30P	
C7232	1-164-860-11	CERAMIC CHIP 27PF	5.00% 50V	CN5001	*1-779-331-51	CONNECTOR, FFC/FPC 14P	
C7233	1-164-870-11	CERAMIC CHIP 68PF	5.00% 50V	CN5500	*1-820-667-11	HEADER ASSEMBLY FOR PWB 21P	
C7234	1-164-874-11	CERAMIC CHIP 100PF	5.00% 50V	CN5501	*1-821-188-11	HDMI CONNECTOR	
C7235	1-164-874-11	CERAMIC CHIP 100PF	5.00% 50V	CN5502	*1-821-188-11	HDMI CONNECTOR	
C7236	1-164-874-11	CERAMIC CHIP 100PF	5.00% 50V	CN6400	*1-820-180-11	HEADER ASSEMBLY (PRINT PWB) 3P	
C7237	1-164-874-11	CERAMIC CHIP 100PF	5.00% 50V	CN6401	*1-820-189-11	HEADER ASSEMBLY (PRINT PWB)12P	
C7238	1-164-874-11	CERAMIC CHIP 100PF	5.00% 50V	CN6402	*1-819-333-11	HEADER ASSEMBLY FOR PWB 5P	
C7300	1-100-907-11	CERAMIC CHIP 0.1UF	10% 10V	CN6500	*1-819-442-11	HEADER ASSEMBLY FOR PWB 14P	
C7301	1-100-907-11	CERAMIC CHIP 0.1UF	10% 10V	CN6501	*1-819-473-11	HEADER ASSEMBLY FOR PWB 4P	
C7304	1-100-907-11	CERAMIC CHIP 0.1UF	10% 10V	CN7300	*1-793-769-21	CONNECTOR, CARD (PCMCIA CARD)	
C7305	1-164-937-11	CERAMIC CHIP 0.001UF	10.00% 50V	CN7500	*1-818-714-21	HEADER ASSEMBLY 20P	
C7306	1-100-907-11	CERAMIC CHIP 0.1UF	10% 10V	CN7501	*1-820-209-11	MEMORY STICK CONNECTOR	
C7307	1-164-937-11	CERAMIC CHIP 0.001UF	10.00% 50V	< DIODE >			
C7308	1-100-907-11	CERAMIC CHIP 0.1UF	10% 10V	D2000	6-501-622-01	DIODE PZU12B2	
C7309	1-100-907-11	CERAMIC CHIP 0.1UF	10% 10V	D2001	6-501-622-01	DIODE PZU12B2	
C7310	1-100-907-11	CERAMIC CHIP 0.1UF	10% 10V	D2002	6-501-622-01	DIODE PZU12B2	
C7311	1-100-907-11	CERAMIC CHIP 0.1UF	10% 10V	D2003	6-501-622-01	DIODE PZU12B2	
C7312	1-100-907-11	CERAMIC CHIP 0.1UF	10% 10V	D2004	6-501-619-01	DIODE PZU9.1B2	
C7313	1-100-907-11	CERAMIC CHIP 0.1UF	10% 10V	D2005	6-501-623-01	DIODE PZU13B2	
C7314	1-100-907-11	CERAMIC CHIP 0.1UF	10% 10V	D2006	6-501-619-01	DIODE PZU9.1B2	
C7315	1-117-720-11	CERAMIC CHIP 4.7UF	10V	D2007	6-501-619-01	DIODE PZU9.1B2	
C7316	1-100-907-11	CERAMIC CHIP 0.1UF	10% 10V	D2008	6-501-619-01	DIODE PZU9.1B2	
C7402	1-100-907-11	CERAMIC CHIP 0.1UF	10% 10V	D2009	6-501-614-01	DIODE PZU5.6B2	
C7404	1-126-394-11	ELECT CHIP 10UF	20.00% 16V	D2010	6-501-619-01	DIODE PZU9.1B2	
C7405	1-126-394-11	ELECT CHIP 10UF	20.00% 16V	D2011	6-501-619-01	DIODE PZU9.1B2	
C7411	1-125-889-91	CERAMIC CHIP 2.2UF	10% 10V	D2012	6-501-619-01	DIODE PZU9.1B2	
C7412	1-125-889-91	CERAMIC CHIP 2.2UF	10% 10V	D2013	6-501-619-01	DIODE PZU9.1B2	
C7415	1-164-874-11	CERAMIC CHIP 100PF	5.00% 50V	D2014	6-501-619-01	DIODE PZU9.1B2	
C7418	1-164-874-11	CERAMIC CHIP 100PF	5.00% 50V	D2015	6-501-619-01	DIODE PZU9.1B2	
C7419	1-164-874-11	CERAMIC CHIP 100PF	5.00% 50V	D2016	6-501-619-01	DIODE PZU9.1B2	
C7420	1-117-720-11	CERAMIC CHIP 4.7UF	10V				
C7421	1-117-720-11	CERAMIC CHIP 4.7UF	10V				
C7422	1-125-777-11	CERAMIC CHIP 0.1UF	10.00% 10V				

**Note :** The components identified by shading and marked  $\Delta$  are critical for safety. Replace only with the part numbers specified in the parts list.



REF.NO.	PART.NO	DESCRIPTION	REMARK	REF.NO.	PART.NO	DESCRIPTION	REMARK
D2017	6-501-619-01	DIODE PZU9.1B2		D6506	8-719-081-97	DIODE MMDL914T1	
D2018	6-501-619-01	DIODE PZU9.1B2		D6507	8-719-081-97	DIODE MMDL914T1	
D2019	6-501-619-01	DIODE PZU9.1B2		D6510	6-500-253-01	DIODE RB053L-30TE25	
D2020	6-501-619-01	DIODE PZU9.1B2		D6512	8-719-081-97	DIODE MMDL914T1	
D2021	6-501-619-01	DIODE PZU9.1B2		D6513	6-500-294-01	DIODE PTZ-TE25-3.9B	
D2022	6-501-619-01	DIODE PZU9.1B2		D6514	6-500-253-01	DIODE RB053L-30TE25	
D2023	6-501-619-01	DIODE PZU9.1B2		D6517	6-500-253-01	DIODE RB053L-30TE25	
D2024	6-501-619-01	DIODE PZU9.1B2		D6518	6-501-612-01	DIODE PZU4.7B2	
D2025	6-501-614-01	DIODE PZU5.6B2		D6518	8-719-083-60	DIODE UDZSTE-174.7B	
D2026	6-501-623-01	DIODE PZU13B2		D6519	6-500-295-01	DIODE PTZ-TE25-5.6B	
D2027	6-501-619-01	DIODE PZU9.1B2		D6522	6-501-623-01	DIODE PZU13B2	
D2028	6-501-623-01	DIODE PZU13B2		D6523	6-501-623-01	DIODE PZU13B2	
D2029	6-501-614-01	DIODE PZU5.6B2		D6524	6-500-334-01	DIODE MC2836-T112-1	
D2030	6-501-614-01	DIODE PZU5.6B2		D6525	8-719-081-97	DIODE MMDL914T1	
D2031	6-501-614-01	DIODE PZU5.6B2		D6526	6-500-334-01	DIODE MC2836-T112-1	
D2032	6-501-614-01	DIODE PZU5.6B2		D6536	6-500-253-01	DIODE RB053L-30TE25	
D2033	6-501-614-01	DIODE PZU5.6B2		D6537	6-500-253-01	DIODE RB053L-30TE25	
D2034	6-501-614-01	DIODE PZU5.6B2		D6539	6-500-253-01	DIODE RB053L-30TE25	
D2035	6-501-619-01	DIODE PZU9.1B2		D6540	6-500-253-01	DIODE RB053L-30TE25	
D2036	6-501-619-01	DIODE PZU9.1B2		D6541	6-500-253-01	DIODE RB053L-30TE25	
D2037	6-501-619-01	DIODE PZU9.1B2		D6542	6-500-253-01	DIODE RB053L-30TE25	
D2038	6-501-619-01	DIODE PZU9.1B2		D6543	6-500-253-01	DIODE RB053L-30TE25	
D3000	6-501-619-01	DIODE PZU9.1B2		D6544	6-501-614-01	DIODE PZU5.6B2	
D3001	6-501-619-01	DIODE PZU9.1B2		D6545	6-500-335-01	DIODE MC2838-T112-1	
D3002	6-501-618-01	DIODE PZU8.2B2		D6545	8-719-066-11	DIODE 1PS184-115	
D3003	8-719-081-97	DIODE MMDL914T1		D6546	6-500-335-01	DIODE MC2838-T112-1	
D3005	6-500-335-01	DIODE MC2838-T112-1		D6547	8-719-081-97	DIODE MMDL914T1	
D3008	8-719-081-97	DIODE MMDL914T1		D6548	6-500-253-01	DIODE RB053L-30TE25	
D3009	8-719-081-97	DIODE MMDL914T1		D6549	6-500-253-01	DIODE RB053L-30TE25	
D3010	8-719-081-97	DIODE MMDL914T1		D6551	6-501-614-01	DIODE PZU5.6B2	
D3011	8-719-081-97	DIODE MMDL914T1		D7200	8-719-041-97	DIODE MA113-(TX)	
D3012	6-501-619-01	DIODE PZU9.1B2		D7201	8-719-081-97	DIODE MMDL914T1	
D3013	8-719-422-46	DIODE MA8056-TX		D7500	8-719-053-07	DIODE SML-310MTT86	
D4000	8-719-081-97	DIODE MMDL914T1		D7501	8-719-053-07	DIODE SML-310MTT86	
D4001	8-719-081-97	DIODE MMDL914T1		D7502	8-719-053-07	DIODE SML-310MTT86	
D4002	8-719-058-24	DIODE RB501V-40TE-17		D7503	8-719-053-07	DIODE SML-310MTT86	
D4005	8-719-081-97	DIODE MMDL914T1		ET1000	1-780-482-11	EARTH TERMINAL	
D4006	8-719-081-97	DIODE MMDL914T1		ET1001	1-780-482-11	EARTH TERMINAL	
D4200	6-500-335-01	DIODE MC2838-T112-1		ET1002	1-780-152-11	CONTACT, ON-BOARD	
D4201	6-501-614-01	DIODE PZU5.6B2		ET1003	1-780-152-11	CONTACT, ON-BOARD	
D4202	6-501-614-01	DIODE PZU5.6B2		ET6501	1-780-482-11	EARTH TERMINAL	
D4203	6-501-614-01	DIODE PZU5.6B2		ET6503	1-780-482-11	EARTH TERMINAL	
D4204	8-719-081-97	DIODE MMDL914T1		ET6504	1-780-482-11	EARTH TERMINAL	
D5501	8-719-404-50	DIODE MA111-TX					
D5502	8-719-404-50	DIODE MA111-TX					
D5504	8-719-404-50	DIODE MA111-TX					
D5505	8-719-404-50	DIODE MA111-TX					
D6401	8-719-081-97	DIODE MMDL914T1					
D6404	6-501-614-01	DIODE PZU5.6B2					
D6409	6-501-614-01	DIODE PZU5.6B2					

< FUSE >

F3000	$\Delta$	1-576-958-21	FUSE	4A	24V
F3001	$\Delta$	1-576-958-21	FUSE	4A	24V
F4200	$\Delta$	1-576-646-11	FUSE	0.5A	50V



REF.NO.	PART.NO	DESCRIPTION	REMARK	REF.NO.	PART.NO	DESCRIPTION	REMARK
< FERRITE BEAD >				FB6507	1-400-110-21	FERRITE	OUH
FB1000	1-469-869-21	FERRITE	OUH	FB6508	1-400-110-21	FERRITE	OUH
FB1001	1-469-869-21	FERRITE	OUH	FB6509	1-400-244-11	FERRITE	OUH
FB1002	1-469-869-21	FERRITE	OUH	FB6510	1-400-244-11	FERRITE	OUH
FB1004	1-400-833-21	FERRITE	OUH	FB7100	1-469-869-21	FERRITE	OUH
FB1005	1-400-834-11	FERRITE	OUH	FB7101	1-469-869-21	FERRITE	OUH
FB1006	1-400-834-11	FERRITE	OUH	FB7102	1-469-869-21	FERRITE	OUH
FB1007	1-400-834-11	FERRITE	OUH	FB7103	1-469-869-21	FERRITE	OUH
FB1008	1-400-834-11	FERRITE	OUH	FB7104	1-400-244-11	FERRITE	OUH
FB1009	1-400-834-11	FERRITE	OUH	FB7105	1-400-244-11	FERRITE	OUH
FB1010	1-400-834-11	FERRITE	OUH	FB7106	1-400-244-11	FERRITE	OUH
FB1011	1-400-834-11	FERRITE	OUH	FB7107	1-400-244-11	FERRITE	OUH
FB1012	1-400-834-11	FERRITE	OUH	FB7108	1-400-834-11	FERRITE	OUH
FB1013	1-400-834-11	FERRITE	OUH	FB7109	1-400-834-11	FERRITE	OUH
FB1014	1-400-834-11	FERRITE	OUH	FB7110	1-400-834-11	FERRITE	OUH
FB1015	1-400-834-11	FERRITE	OUH	FB7111	1-400-834-11	FERRITE	OUH
FB3000	1-400-089-21	FERRITE	OUH	FB7112	1-400-834-11	FERRITE	OUH
FB3001	1-400-089-21	FERRITE	OUH	FB7113	1-400-834-11	FERRITE	OUH
FB3002	1-400-089-21	FERRITE	OUH	FB7114	1-400-834-11	FERRITE	OUH
FB3003	1-400-089-21	FERRITE	OUH	FB7115	1-400-834-11	FERRITE	OUH
FB3006	1-400-089-21	FERRITE	OUH	FB7116	1-400-834-11	FERRITE	OUH
FB4000	1-400-833-21	FERRITE	OUH	FB7117	1-400-834-11	FERRITE	OUH
FB4001	1-400-833-21	FERRITE	OUH	FB7118	1-469-869-21	FERRITE	OUH
FB4002	1-400-833-21	FERRITE	OUH	FB7200	1-400-244-11	FERRITE	OUH
FB4003	1-400-833-21	FERRITE	OUH	FB7201	1-400-244-11	FERRITE	OUH
FB4004	1-400-833-21	FERRITE	OUH	FB7202	1-400-244-11	FERRITE	OUH
FB4005	1-400-833-21	FERRITE	OUH	FB7300	1-400-834-11	FERRITE	OUH
FB4006	1-400-833-21	FERRITE	OUH	FB7303	1-400-834-11	FERRITE	OUH
FB4007	1-400-833-21	FERRITE	OUH	FB7304	1-400-834-11	FERRITE	OUH
FB4008	1-400-833-21	FERRITE	OUH	FB7305	1-400-834-11	FERRITE	OUH
FB4009	1-414-555-21	FERRITE	OUH	FB7306	1-400-834-11	FERRITE	OUH
FB4010	1-414-445-11	FERRITE	OUH	FB7307	1-400-834-11	FERRITE	OUH
FB4011	1-414-445-11	FERRITE	OUH	FB7308	1-400-834-11	FERRITE	OUH
FB4200	1-400-141-22	FERRITE	OUH	FB7309	1-400-834-11	FERRITE	OUH
FB5500	1-414-234-22	FERRITE	OUH	FB7310	1-400-834-11	FERRITE	OUH
FB5501	1-414-234-22	FERRITE	OUH	FB7311	1-469-869-21	FERRITE	OUH
FB6400	1-414-555-21	FERRITE	OUH	FB7401	1-400-834-11	FERRITE	OUH
FB6401	1-414-555-21	FERRITE	OUH	FB7402	1-400-244-11	FERRITE	OUH
FB6402	1-414-555-21	FERRITE	OUH	< IC >			
FB6403	1-414-555-21	FERRITE	OUH	IC1000	6-709-257-01	IC 74LVC4066PW	
FB6404	1-414-555-21	FERRITE	OUH	IC1001	8-749-925-00	IC TK11819MTL	
FB6405	1-414-445-11	FERRITE	OUH	IC3000	6-711-225-01	IC TPA3101D2PHPRG4	
FB6406	1-414-445-11	FERRITE	OUH	IC3001	8-759-359-49	IC NJM3414AV (TE2)	
FB6407	1-414-445-11	FERRITE	OUH	IC3002	6-709-927-01	IC RT8H225C-TP-2	
FB6408	1-414-445-11	FERRITE	OUH	IC3003	8-759-385-76	IC MC14052 BDR2	
FB6500	1-469-324-21	FERRITE	OUH	IC4000	8-759-287-55	IC TC7S66FU (TE85R)	
FB6502	1-469-324-21	FERRITE	OUH	IC4001	6-704-573-01	IC M24C32-WMN6T (B)	
FB6503	1-469-775-21	FERRITE	OUH	IC4002	6-701-173-01	IC MC74LVXT4053DTR2	
FB6506	1-414-555-21	FERRITE	OUH	IC4004	6-703-175-01	IC PST3629UL	

REF.NO.	PART.NO	DESCRIPTION	REMARK	REF.NO.	PART.NO	DESCRIPTION	REMARK
IC4005	6-807-390-01	IC CXD9905R				< COIL >	
IC4200	6-701-155-01	IC MC74LVX138DTR2		L1000	1-410-993-42	INDUCTOR	1UH
IC4202	6-701-162-01	IC MC74LVX259DTR2		L1001	1-410-993-42	INDUCTOR	1UH
IC4204	6-701-162-01	IC MC74LVX259DTR2		L1002	1-410-993-42	INDUCTOR	1UH
IC4205	6-701-166-01	IC MC74LVX4051DTR2		L1003	1-414-755-11	INDUCTOR	22UH
				L1004	1-400-815-21	INDUCTOR	1.2MH
IC4206	6-704-600-01	IC M24C02-WMN6T (B)		L1005	1-414-755-11	INDUCTOR	22UH
IC4207	6-701-162-01	IC MC74LVX259DTR2		L3000	1-412-058-11	INDUCTOR	10UH
IC4208	6-701-166-01	IC MC74LVX4051DTR2		L3001	1-481-083-11	INDUCTOR	22UH
IC4210	6-701-162-01	IC MC74LVX259DTR2		L3006	1-412-058-11	INDUCTOR	10UH
IC5001	6-711-340-01	IC BU8254KVT-E2		L3007	1-457-429-11	INDUCTOR	22UH
IC5002	6-710-900-01	IC EP2C8T144C7N					
IC5003	6-807-444-01	IC EPCS4SI8N-SE1A01		L3008	1-457-429-11	INDUCTOR	22UH
IC5500	6-704-001-01	IC BR24L02F-WE2		L3009	1-457-429-11	INDUCTOR	22UH
IC5501	6-709-806-01	IC IP4776CZ38		L3010	1-457-429-11	INDUCTOR	22UH
IC5502	6-704-001-01	IC BR24L02F-WE2		L4000	1-412-990-41	INDUCTOR	8.2UH
				L4300	1-481-240-11	INDUCTOR	1UH
IC5503	6-710-819-01	IC TMSD341APFCR					
IC5504	6-709-806-01	IC IP4776CZ38		L4301	1-481-240-11	INDUCTOR	1UH
IC6501	6-710-889-01	IC LA5734MP-DL-E		L4302	1-481-240-11	INDUCTOR	1UH
IC6502	6-710-889-01	IC LA5734MP-DL-E		L4303	1-414-394-11	INDUCTOR	2.2UH
IC6503	6-706-046-01	IC TK11185CSCL-G		L4304	1-481-240-11	INDUCTOR	1UH
				L4305	1-481-240-11	INDUCTOR	1UH
IC6504	6-710-889-01	IC LA5734MP-DL-E					
IC6505	6-711-042-01	IC BD00KA5WFP-E2		L4306	1-481-240-11	INDUCTOR	1UH
IC6507	6-706-106-01	IC NCP1117STAT3		L4307	1-481-240-11	INDUCTOR	1UH
IC6508	6-705-403-01	IC PQ070XZ01ZPH		L4308	1-481-240-11	INDUCTOR	1UH
IC6509	6-705-403-01	IC PQ070XZ01ZPH		L4309	1-481-240-11	INDUCTOR	1UH
				L4310	1-481-240-11	INDUCTOR	1UH
IC7100	6-709-214-01	IC UPD61123F1-100-KA3-A					
IC7200	6-708-910-01	IC NAND128W3A2BN6F		L4311	1-414-394-11	INDUCTOR	2.2UH
IC7201	6-705-306-01	IC HYB25DC256160CE-6		L4312	1-414-394-11	INDUCTOR	2.2UH
IC7202	6-708-916-01	IC ICS7150MLFT		L5001	1-456-984-11	INDUCTOR	0UH
IC7203	6-700-108-01	IC RV5C387A-E2-FB		L5002	1-456-984-11	INDUCTOR	0UH
				L5003	1-456-984-11	INDUCTOR	0UH
IC7300	6-706-482-01	IC TC7SH00FU(T5RSOYJF)					
IC7301	6-707-850-01	IC TC74LCX245FT (EKJ)		L5004	1-456-984-11	INDUCTOR	0UH
IC7304	6-706-482-01	IC TC7SH00FU(T5RSOYJF)		L5005	1-456-984-11	INDUCTOR	0UH
IC7305	6-707-846-01	IC TC74LCX14FT (EKJ)		L5006	1-456-984-11	INDUCTOR	0UH
IC7306	6-707-853-01	IC TC74LCX541FT (EKJ)		L5008	1-469-549-21	INDUCTOR	1UH
				L5009	1-469-549-21	INDUCTOR	1UH
IC7307	6-707-853-01	IC TC74LCX541FT (EKJ)					
IC7308	6-707-853-01	IC TC74LCX541FT (EKJ)		L5050	1-400-180-21	FERRITE	0UH
IC7309	6-707-853-01	IC TC74LCX541FT (EKJ)		L5504	1-414-394-11	INDUCTOR	2.2UH
IC7310	6-707-853-01	IC TC74LCX541FT (EKJ)		L5505	1-414-394-11	INDUCTOR	2.2UH
IC7311	6-707-853-01	IC TC74LCX541FT (EKJ)		L5506	1-414-394-11	INDUCTOR	2.2UH
				L5507	1-414-394-11	INDUCTOR	2.2UH
IC7312	6-710-593-01	IC MIC2025-1YM					
IC7400	6-710-905-01	IC AK4388ET-E2		L5508	1-414-394-11	INDUCTOR	2.2UH
IC7403	8-759-278-58	IC NJM4558V-TE2		L5509	1-414-394-11	INDUCTOR	2.2UH
				L5510	1-414-394-11	INDUCTOR	2.2UH
		< SOCKET >		L5511	1-414-394-11	INDUCTOR	2.2UH
J2000	1-819-327-21	PHONO JACK 2P		L5512	1-414-394-11	INDUCTOR	2.2UH
J2001	1-819-327-21	PHONO JACK 2P					
J2002	1-820-021-11	JACK		L6502	1-457-454-11	INDUCTOR	47UH
J2003	1-819-354-21	PHONO JACK 5P		L6504	1-457-454-11	INDUCTOR	47UH
				L6506	1-457-454-11	INDUCTOR	47UH

**Note :** The components identified by shading and marked  $\Delta$  are critical for safety. Replace only with the part numbers specified in the parts list.



REF.NO.	PART.NO	DESCRIPTION	REMARK	REF.NO.	PART.NO	DESCRIPTION	REMARK
L6507	1-414-398-11	INDUCTOR	10UH	Q4006	8-729-038-28	TRANSISTOR RT1N441C-TP-1	
L6508	1-457-242-11	INDUCTOR	47UH	Q4007	8-729-038-23	TRANSISTOR RT1N141C-TP-1	
L6510	1-424-976-21	INDUCTOR	47UH	Q4010	6-551-696-01	TRANSISTOR ISA1235AC1TP-1EF	
L6512	1-457-242-11	INDUCTOR	47UH	Q4011	8-729-050-10	TRANSISTOR PMBF170-215	
L6513	1-457-455-11	INDUCTOR	10UH	Q4012	8-729-038-28	TRANSISTOR RT1N441C-TP-1	
L6515	1-457-455-11	INDUCTOR	10UH	Q4019	8-729-038-28	TRANSISTOR RT1N441C-TP-1	
L6516	1-457-455-11	INDUCTOR	10UH	Q4020	8-729-038-28	TRANSISTOR RT1N441C-TP-1	
L6517	1-457-455-11	INDUCTOR	10UH	Q5500	8-729-038-23	TRANSISTOR RT1N141C-TP-1	
L7100	1-414-398-11	INDUCTOR	10UH	Q5501	8-729-620-07	TRANSISTOR 2SC3052EF-T1-LEF	
L7200	1-412-008-31	INDUCTOR	15UH	Q5502	8-729-038-23	TRANSISTOR RT1N141C-TP-1	
< PROTECTOR MODULE >				Q5503	8-729-620-07	TRANSISTOR 2SC3052EF-T1-LEF	
PS6501	$\Delta$ 1-576-736-41	IC LINK	3.15A 24V	Q5505	8-729-038-37	TRANSISTOR RT1N141M-TP-1	
PS6502	$\Delta$ 1-576-736-41	IC LINK	3.15A 24V	Q5506	8-729-038-23	TRANSISTOR RT1N141C-TP-1	
PS6503	$\Delta$ 1-576-736-41	IC LINK	3.15A 24V	Q5508	8-729-038-37	TRANSISTOR RT1N141M-TP-1	
PS6506	$\Delta$ 1-576-736-41	IC LINK	3.15A 24V	Q5509	8-729-038-37	TRANSISTOR RT1N141M-TP-1	
PS6507	$\Delta$ 1-576-736-41	IC LINK	3.15A 24V	Q6401	8-729-620-13	TRANSISTOR 2SC4154TP-1EF	
< TRANSISTOR >				Q6402	6-551-701-01	TRANSISTOR INK0003AC1-T112A-1	
Q1000	8-729-038-23	TRANSISTOR RT1N141C-TP-1		Q6403	8-729-620-13	TRANSISTOR 2SC4154TP-1EF	
Q1001	6-550-237-01	TRANSISTOR 2SC5658T2LQ/R		Q6404	8-729-620-13	TRANSISTOR 2SC4154TP-1EF	
Q1002	6-550-237-01	TRANSISTOR 2SC5658T2LQ/R		Q6405	8-729-620-13	TRANSISTOR 2SC4154TP-1EF	
Q1003	6-550-871-01	TRANSISTOR 2SA2048TL QR		Q6501	8-729-620-07	TRANSISTOR 2SC3052EF-T1-LEF	
Q1004	6-550-871-01	TRANSISTOR 2SA2048TL QR		Q6503	8-729-038-23	TRANSISTOR RT1N141C-TP-1	
Q1005	6-550-871-01	TRANSISTOR 2SA2048TL QR		Q6504	8-729-038-23	TRANSISTOR RT1N141C-TP-1	
Q1006	6-550-237-01	TRANSISTOR 2SC5658T2LQ/R		Q6505	8-729-038-23	TRANSISTOR RT1N141C-TP-1	
Q1007	6-550-237-01	TRANSISTOR 2SC5658T2LQ/R		Q6506	8-729-620-07	TRANSISTOR 2SC3052EF-T1-LEF	
Q2000	8-729-620-33	TRANSISTOR 2SA1235TP-1EF		Q6507	8-729-038-23	TRANSISTOR RT1N141C-TP-1	
Q2001	8-729-620-07	TRANSISTOR 2SC3052EF-T1-LEF		Q6508	8-729-620-07	TRANSISTOR 2SC3052EF-T1-LEF	
Q2002	8-729-620-33	TRANSISTOR 2SA1235TP-1EF		Q6509	8-729-620-07	TRANSISTOR 2SC3052EF-T1-LEF	
Q2003	8-729-620-07	TRANSISTOR 2SC3052EF-T1-LEF		Q6510	8-729-620-07	TRANSISTOR 2SC3052EF-T1-LEF	
Q3000	6-551-364-01	TRANSISTOR DTC614TUT106		Q6513	8-729-038-23	TRANSISTOR RT1N141C-TP-1	
Q3001	6-551-364-01	TRANSISTOR DTC614TUT106		Q6514	8-729-038-23	TRANSISTOR RT1N141C-TP-1	
Q3002	6-551-271-01	TRANSISTOR RT3AMMM		Q6515	6-550-369-01	TRANSISTOR TPC8109 (TE12L)	
Q3003	6-551-271-01	TRANSISTOR RT3AMMM		Q6516	6-550-369-01	TRANSISTOR TPC8109 (TE12L)	
Q3004	8-729-038-37	TRANSISTOR RT1N141M-TP-1		Q6520	6-551-696-01	TRANSISTOR ISA1235AC1TP-1EF	
Q3005	8-729-038-37	TRANSISTOR RT1N141M-TP-1		Q6522	8-729-620-07	TRANSISTOR 2SC3052EF-T1-LEF	
Q3006	8-729-038-36	TRANSISTOR RT1N140M-TP-1		Q6523	8-729-620-07	TRANSISTOR 2SC3052EF-T1-LEF	
Q3009	8-729-620-07	TRANSISTOR 2SC3052EF-T1-LEF		Q6526	8-729-038-28	TRANSISTOR RT1N441C-TP-1	
Q3010	8-729-620-07	TRANSISTOR 2SC3052EF-T1-LEF		Q6527	8-729-620-07	TRANSISTOR 2SC3052EF-T1-LEF	
Q3011	8-729-620-07	TRANSISTOR 2SC3052EF-T1-LEF		Q7200	6-551-696-01	TRANSISTOR ISA1235AC1TP-1EF	
Q3012	8-729-620-10	TRANSISTOR 2SA1602TP-1EF		Q7201	6-551-701-01	TRANSISTOR INK0003AC1-T112A-1	
Q3013	8-729-620-07	TRANSISTOR 2SC3052EF-T1-LEF		Q7202	6-551-701-01	TRANSISTOR INK0003AC1-T112A-1	
Q3014	8-729-038-28	TRANSISTOR RT1N441C-TP-1		Q7203	8-729-038-36	TRANSISTOR RT1N140M-TP-1	
Q4000	6-551-696-01	TRANSISTOR ISA1235AC1TP-1EF		Q7205	8-729-028-86	TRANSISTOR DTA143EUA-T106	
Q4001	8-729-038-30	TRANSISTOR RT1P141M-TP-1		Q7500	6-550-232-01	TRANSISTOR 2SA2029T2LQ/R	
Q4002	6-551-701-01	TRANSISTOR INK0003AC1-T112A-1		Q7501	6-550-232-01	TRANSISTOR 2SA2029T2LQ/R	
Q4003	6-551-701-01	TRANSISTOR INK0003AC1-T112A-1		Q7502	6-550-232-01	TRANSISTOR 2SA2029T2LQ/R	
Q4004	8-729-028-28	TRANSISTOR 2SK2036 (TE85L)		Q7503	6-550-232-01	TRANSISTOR 2SA2029T2LQ/R	
Q4005	6-551-701-01	TRANSISTOR INK0003AC1-T112A-1					

REF.NO.	PART.NO	DESCRIPTION	REMARK	REF.NO.	PART.NO	DESCRIPTION	REMARK
< RESISTOR >				R1063	1-218-953-11	RES-CHIP	1K 5% 1/16W
JR5000	1-216-864-11	SHORT CHIP	0	R1064	1-216-833-11	METAL CHIP	10K 5% 1/10W
JR5001	1-216-864-11	SHORT CHIP	0	R1065	1-216-864-11	SHORT CHIP	0
JR5002	1-216-864-11	SHORT CHIP	0	R1066	1-216-864-11	SHORT CHIP	0
JR5007	1-216-864-11	SHORT CHIP	0	R1067	1-216-864-11	SHORT CHIP	0
JR5010	1-216-864-11	SHORT CHIP	0	R1068	1-218-977-11	RES-CHIP	100K 5% 1/16W
JR5011	1-216-864-11	SHORT CHIP	0	R1069	1-218-963-11	RES-CHIP	6.8K 5% 1/16W
JR6501	1-216-864-11	SHORT CHIP	0	R2000	1-216-295-91	SHORT CHIP	0
JR6503	1-216-864-11	SHORT CHIP	0	R2001	1-216-815-11	METAL CHIP	330 5% 1/10W
R1000	1-218-965-11	RES-CHIP	10K 5% 1/16W	R2002	1-216-049-11	RES-CHIP	1K 5% 1/10W
R1002	1-218-969-11	RES-CHIP	22K 5% 1/16W	R2003	1-216-815-11	METAL CHIP	330 5% 1/10W
R1004	1-218-965-11	RES-CHIP	10K 5% 1/16W	R2004	1-216-049-11	RES-CHIP	1K 5% 1/10W
R1005	1-218-953-11	RES-CHIP	1K 5% 1/16W	R2005	1-216-022-00	RES-CHIP	75 5% 1/10W
R1006	1-218-957-11	RES-CHIP	2.2K 5% 1/16W	R2007	1-216-022-00	RES-CHIP	75 5% 1/10W
R1007	1-218-953-11	RES-CHIP	1K 5% 1/16W	R2008	1-216-022-00	RES-CHIP	75 5% 1/10W
R1008	1-218-965-11	RES-CHIP	10K 5% 1/16W	R2009	1-216-022-00	RES-CHIP	75 5% 1/10W
R1012	1-218-941-81	RES-CHIP	100 5% 1/16W	R2010	1-216-022-00	RES-CHIP	75 5% 1/10W
R1013	1-218-949-11	RES-CHIP	470 5% 1/16W	R2011	1-216-815-11	METAL CHIP	330 5% 1/10W
R1014	1-218-949-11	RES-CHIP	470 5% 1/16W	R2012	1-216-815-11	METAL CHIP	330 5% 1/10W
R1016	1-218-933-11	RES-CHIP	22 5% 1/16W	R2018	1-216-864-11	SHORT CHIP	0
R1020	1-216-833-11	METAL CHIP	10K 5% 1/10W	R2019	1-216-864-11	SHORT CHIP	0
R1021	1-218-969-11	RES-CHIP	22K 5% 1/16W	R2020	1-216-864-11	SHORT CHIP	0
R1022	1-218-937-11	RES-CHIP	47 5% 1/16W	R2021	1-216-864-11	SHORT CHIP	0
R1023	1-218-937-11	RES-CHIP	47 5% 1/16W	R2022	1-216-025-11	RES-CHIP	100 5% 1/10W
R1024	1-218-961-11	RES-CHIP	4.7K 5% 1/16W	R2023	1-216-033-00	RES-CHIP	220 5% 1/10W
R1025	1-218-961-11	RES-CHIP	4.7K 5% 1/16W	R2024	1-216-025-11	RES-CHIP	100 5% 1/10W
R1028	1-218-929-11	RES-CHIP	10 5% 1/16W	R2025	1-216-025-11	RES-CHIP	100 5% 1/10W
R1029	1-218-929-11	RES-CHIP	10 5% 1/16W	R2026	1-216-025-11	RES-CHIP	100 5% 1/10W
R1030	1-218-990-81	SHORT CHIP	0	R2027	1-216-022-00	RES-CHIP	75 5% 1/10W
R1031	1-218-990-81	SHORT CHIP	0	R2028	1-216-025-11	RES-CHIP	100 5% 1/10W
R1032	1-218-933-11	RES-CHIP	22 5% 1/16W	R2033	1-216-864-11	SHORT CHIP	0
R1033	1-218-990-81	SHORT CHIP	0	R2034	1-216-864-11	SHORT CHIP	0
R1034	1-218-990-81	SHORT CHIP	0	R2037	1-216-853-11	METAL CHIP	470K 5% 1/10W
R1035	1-218-941-81	RES-CHIP	100 5% 1/16W	R2038	1-216-853-11	METAL CHIP	470K 5% 1/10W
R1036	1-218-941-81	RES-CHIP	100 5% 1/16W	R2039	1-216-853-11	METAL CHIP	470K 5% 1/10W
R1037	1-218-969-11	RES-CHIP	22K 5% 1/16W	R2040	1-216-853-11	METAL CHIP	470K 5% 1/10W
R1038	1-218-990-81	SHORT CHIP	0	R2041	1-216-811-11	METAL CHIP	150 5% 1/10W
R1039	1-218-990-81	SHORT CHIP	0	R2043	1-216-864-11	SHORT CHIP	0
R1040	1-218-941-81	RES-CHIP	100 5% 1/16W	R2046	1-216-817-11	METAL CHIP	470 5% 1/10W
R1041	1-218-941-81	RES-CHIP	100 5% 1/16W	R2047	1-216-811-11	METAL CHIP	150 5% 1/10W
R1042	1-218-990-81	SHORT CHIP	0	R2054	1-216-840-11	METAL CHIP	39K 5% 1/10W
R1043	1-216-295-91	SHORT CHIP	0	R2055	1-216-833-11	METAL CHIP	10K 5% 1/10W
R1044	1-218-990-81	SHORT CHIP	0	R2056	1-216-049-11	RES-CHIP	1K 5% 1/10W
R1045	1-218-957-11	RES-CHIP	2.2K 5% 1/16W	R2057	1-216-049-11	RES-CHIP	1K 5% 1/10W
R1046	1-218-933-11	RES-CHIP	22 5% 1/16W	R2058	1-216-853-11	METAL CHIP	470K 5% 1/10W
R1047	1-218-933-11	RES-CHIP	22 5% 1/16W	R2059	1-216-853-11	METAL CHIP	470K 5% 1/10W
R1051	1-218-965-11	RES-CHIP	10K 5% 1/16W	R2060	1-216-864-11	SHORT CHIP	0
R1054	1-218-990-81	SHORT CHIP	0	R2061	1-216-864-11	SHORT CHIP	0
R1056	1-218-937-11	RES-CHIP	47 5% 1/16W	R2062	1-216-864-11	SHORT CHIP	0
				R2063	1-216-864-11	SHORT CHIP	0

REF.NO.	PART.NO	DESCRIPTION	REMARK	REF.NO.	PART.NO	DESCRIPTION	REMARK
R2064	1-216-853-11	METAL CHIP	470K 5% 1/10W	R3000	1-216-829-11	METAL CHIP	4.7K 5% 1/10W
R2065	1-216-853-11	METAL CHIP	470K 5% 1/10W	R3001	1-216-829-11	METAL CHIP	4.7K 5% 1/10W
R2066	1-216-049-11	RES-CHIP	1K 5% 1/10W	R3002	1-216-809-11	METAL CHIP	100 5% 1/10W
R2067	1-216-049-11	RES-CHIP	1K 5% 1/10W	R3003	1-216-809-11	METAL CHIP	100 5% 1/10W
R2077	1-216-295-91	SHORT CHIP	0	R3004	1-218-977-11	RES-CHIP	100K 5% 1/16W
R2080	1-216-022-00	RES-CHIP	75 5% 1/10W	R3005	1-218-965-11	RES-CHIP	10K 5% 1/16W
R2082	1-216-022-00	RES-CHIP	75 5% 1/10W	R3006	1-218-965-11	RES-CHIP	10K 5% 1/16W
R2083	1-216-022-00	RES-CHIP	75 5% 1/10W	R3007	1-218-961-11	RES-CHIP	4.7K 5% 1/16W
R2084	1-216-022-00	RES-CHIP	75 5% 1/10W	R3008	1-218-973-11	RES-CHIP	47K 5% 1/16W
R2085	1-216-022-00	RES-CHIP	75 5% 1/10W	R3009	1-218-965-11	RES-CHIP	10K 5% 1/16W
R2086	1-216-809-11	METAL CHIP	100 5% 1/10W	R3010	1-218-961-11	RES-CHIP	4.7K 5% 1/16W
R2087	1-216-809-11	METAL CHIP	100 5% 1/10W	R3011	1-218-973-11	RES-CHIP	47K 5% 1/16W
R2088	1-216-809-11	METAL CHIP	100 5% 1/10W	R3012	1-218-973-11	RES-CHIP	47K 5% 1/16W
R2089	1-216-815-11	METAL CHIP	330 5% 1/10W	R3013	1-218-965-11	RES-CHIP	10K 5% 1/16W
R2090	1-216-049-11	RES-CHIP	1K 5% 1/10W	R3014	1-218-973-11	RES-CHIP	47K 5% 1/16W
R2091	1-216-815-11	METAL CHIP	330 5% 1/10W	R3015	1-218-965-11	RES-CHIP	10K 5% 1/16W
R2092	1-216-049-11	RES-CHIP	1K 5% 1/10W	R3016	1-218-965-11	RES-CHIP	10K 5% 1/16W
R2093	1-216-853-11	METAL CHIP	470K 5% 1/10W	R3017	1-218-977-11	RES-CHIP	100K 5% 1/16W
R2094	1-216-853-11	METAL CHIP	470K 5% 1/10W	R3018	1-216-809-11	METAL CHIP	100 5% 1/10W
R2095	1-216-864-11	SHORT CHIP	0	R3019	1-216-809-11	METAL CHIP	100 5% 1/10W
R2096	1-216-864-11	SHORT CHIP	0	R3020	1-218-977-11	RES-CHIP	100K 5% 1/16W
R2097	1-216-864-11	SHORT CHIP	0	R3021	1-218-977-11	RES-CHIP	100K 5% 1/16W
R2098	1-216-864-11	SHORT CHIP	0	R3022	1-216-864-11	SHORT CHIP	0
R2099	1-216-864-11	SHORT CHIP	0	R3024	1-216-815-11	METAL CHIP	330 5% 1/10W
R2100	1-216-864-11	SHORT CHIP	0	R3025	1-216-815-11	METAL CHIP	330 5% 1/10W
R2101	1-216-025-11	RES-CHIP	100 5% 1/10W	R3026	1-218-963-11	RES-CHIP	6.8K 5% 1/16W
R2102	1-216-025-11	RES-CHIP	100 5% 1/10W	R3027	1-218-977-11	RES-CHIP	100K 5% 1/16W
R2103	1-216-033-00	RES-CHIP	220 5% 1/10W	R3028	1-218-965-11	RES-CHIP	10K 5% 1/16W
R2104	1-216-025-11	RES-CHIP	100 5% 1/10W	R3029	1-218-977-11	RES-CHIP	100K 5% 1/16W
R2105	1-216-025-11	RES-CHIP	100 5% 1/10W	R3030	1-218-973-11	RES-CHIP	47K 5% 1/16W
R2106	1-216-025-11	RES-CHIP	100 5% 1/10W	R3031	1-216-809-11	METAL CHIP	100 5% 1/10W
R2107	1-216-022-00	RES-CHIP	75 5% 1/10W	R3032	1-216-809-11	METAL CHIP	100 5% 1/10W
R2108	1-216-025-11	RES-CHIP	100 5% 1/10W	R3033	1-216-809-11	METAL CHIP	100 5% 1/10W
R2109	1-216-029-00	RES-CHIP	150 5% 1/10W	R3034	1-216-809-11	METAL CHIP	100 5% 1/10W
R2110	1-216-029-00	RES-CHIP	150 5% 1/10W	R3035	1-216-864-11	SHORT CHIP	0
R2111	1-216-029-00	RES-CHIP	150 5% 1/10W	R3036	1-216-864-11	SHORT CHIP	0
R2112	1-216-853-11	METAL CHIP	470K 5% 1/10W	R3037	1-216-809-11	METAL CHIP	100 5% 1/10W
R2113	1-216-853-11	METAL CHIP	470K 5% 1/10W	R3038	1-216-864-11	SHORT CHIP	0
R2114	1-216-853-11	METAL CHIP	470K 5% 1/10W	R3039	1-216-817-11	METAL CHIP	470 5% 1/10W
R2115	1-216-853-11	METAL CHIP	470K 5% 1/10W	R3040	1-216-829-11	METAL CHIP	4.7K 5% 1/10W
R2116	1-216-049-11	RES-CHIP	1K 5% 1/10W	R3041	1-216-829-11	METAL CHIP	4.7K 5% 1/10W
R2117	1-216-029-00	RES-CHIP	150 5% 1/10W	R3042	1-216-817-11	METAL CHIP	470 5% 1/10W
R2118	1-216-029-00	RES-CHIP	150 5% 1/10W	R3043	1-216-809-11	METAL CHIP	100 5% 1/10W
R2119	1-216-029-00	RES-CHIP	150 5% 1/10W	R3044	1-216-809-11	METAL CHIP	100 5% 1/10W
R2120	1-216-049-11	RES-CHIP	1K 5% 1/10W	R3045	1-216-849-11	METAL CHIP	220K 5% 1/10W
R2121	1-216-811-11	METAL CHIP	150 5% 1/10W	R3046	1-216-809-11	METAL CHIP	100 5% 1/10W
R2122	1-216-817-11	METAL CHIP	470 5% 1/10W	R3047	1-216-809-11	METAL CHIP	100 5% 1/10W
R2123	1-216-811-11	METAL CHIP	150 5% 1/10W	R3048	1-216-809-11	METAL CHIP	100 5% 1/10W
R2124	1-216-840-11	METAL CHIP	39K 5% 1/10W	R3049	1-216-864-11	SHORT CHIP	0
R2125	1-216-833-11	METAL CHIP	10K 5% 1/10W	R3052	1-216-821-11	METAL CHIP	1K 5% 1/10W

REF.NO.	PART.NO	DESCRIPTION	REMARK			REF.NO.	PART.NO	DESCRIPTION	REMARK		
R3053	1-216-833-11	METAL CHIP	10K	5%	1/10W	R4045	1-220-397-11	METAL CHIP	4.7M	5%	1/10W
R3054	1-216-833-11	METAL CHIP	10K	5%	1/10W	R4046	1-216-833-11	METAL CHIP	10K	5%	1/10W
R3055	1-216-833-11	METAL CHIP	10K	5%	1/10W	R4047	1-216-864-11	SHORT CHIP	0		
R3056	1-216-833-11	METAL CHIP	10K	5%	1/10W	R4048	1-216-864-11	SHORT CHIP	0		
R3057	1-216-833-11	METAL CHIP	10K	5%	1/10W	R4049	1-216-864-11	SHORT CHIP	0		
R3058	1-216-833-11	METAL CHIP	10K	5%	1/10W	R4050	1-216-864-11	SHORT CHIP	0		
R3059	1-216-833-11	METAL CHIP	10K	5%	1/10W	R4051	1-216-864-11	SHORT CHIP	0		
R3060	1-216-837-11	METAL CHIP	22K	5%	1/10W	R4052	1-216-809-11	METAL CHIP	100	5%	1/10W
R3061	1-216-833-11	METAL CHIP	10K	5%	1/10W	R4053	1-216-864-11	SHORT CHIP	0		
R3062	1-216-817-11	METAL CHIP	470	5%	1/10W	R4054	1-216-864-11	SHORT CHIP	0		
R3063	1-216-841-11	METAL CHIP	47K	5%	1/10W	R4055	1-216-864-11	SHORT CHIP	0		
R3064	1-216-809-11	METAL CHIP	100	5%	1/10W	R4056	1-216-864-11	SHORT CHIP	0		
R3065	1-216-833-11	METAL CHIP	10K	5%	1/10W	R4057	1-216-864-11	SHORT CHIP	0		
R3067	1-216-839-11	METAL CHIP	33K	5%	1/10W	R4058	1-216-809-11	METAL CHIP	100	5%	1/10W
R3068	1-216-839-11	METAL CHIP	33K	5%	1/10W	R4059	1-216-864-11	SHORT CHIP	0		
R3069	1-216-837-11	METAL CHIP	22K	5%	1/10W	R4060	1-216-864-11	SHORT CHIP	0		
R3071	1-216-864-11	SHORT CHIP	0			R4061	1-216-864-11	SHORT CHIP	0		
R3073	1-216-864-11	SHORT CHIP	0			R4062	1-216-845-11	METAL CHIP	100K	5%	1/10W
R3074	1-216-845-11	METAL CHIP	100K	5%	1/10W	R4063	1-216-809-11	METAL CHIP	100	5%	1/10W
R4000	1-216-864-11	SHORT CHIP	0			R4064	1-216-833-11	METAL CHIP	10K	5%	1/10W
R4001	1-216-833-11	METAL CHIP	10K	5%	1/10W	R4065	1-216-809-11	METAL CHIP	100	5%	1/10W
R4003	1-216-833-11	METAL CHIP	10K	5%	1/10W	R4066	1-216-809-11	METAL CHIP	100	5%	1/10W
R4004	1-216-825-11	METAL CHIP	2.2K	5%	1/10W	R4067	1-216-809-11	METAL CHIP	100	5%	1/10W
R4005	1-216-864-11	SHORT CHIP	0			R4068	1-216-809-11	METAL CHIP	100	5%	1/10W
R4006	1-216-864-11	SHORT CHIP	0			R4069	1-216-809-11	METAL CHIP	100	5%	1/10W
R4007	1-216-825-11	METAL CHIP	2.2K	5%	1/10W	R4070	1-216-809-11	METAL CHIP	100	5%	1/10W
R4008	1-216-833-11	METAL CHIP	10K	5%	1/10W	R4071	1-216-864-11	SHORT CHIP	0		
R4009	1-216-809-11	METAL CHIP	100	5%	1/10W	R4072	1-216-809-11	METAL CHIP	100	5%	1/10W
R4011	1-216-809-11	METAL CHIP	100	5%	1/10W	R4073	1-216-809-11	METAL CHIP	100	5%	1/10W
R4021	1-216-833-11	METAL CHIP	10K	5%	1/10W	R4074	1-216-809-11	METAL CHIP	100	5%	1/10W
R4022	1-216-833-11	METAL CHIP	10K	5%	1/10W	R4075	1-216-833-11	METAL CHIP	10K	5%	1/10W
R4023	1-216-847-11	METAL CHIP	150K	5%	1/10W	R4076	1-216-809-11	METAL CHIP	100	5%	1/10W
R4024	1-216-838-11	METAL CHIP	27K	5%	1/10W	R4077	1-216-809-11	METAL CHIP	100	5%	1/10W
R4025	1-216-849-11	METAL CHIP	220K	5%	1/10W	R4079	1-216-864-11	SHORT CHIP	0		
R4026	1-216-849-11	METAL CHIP	220K	5%	1/10W	R4080	1-216-864-11	SHORT CHIP	0		
R4027	1-216-849-11	METAL CHIP	220K	5%	1/10W	R4081	1-216-864-11	SHORT CHIP	0		
R4028	1-216-845-11	METAL CHIP	100K	5%	1/10W	R4082	1-216-864-11	SHORT CHIP	0		
R4029	1-216-841-11	METAL CHIP	47K	5%	1/10W	R4084	1-216-809-11	METAL CHIP	100	5%	1/10W
R4030	1-216-849-11	METAL CHIP	220K	5%	1/10W	R4085	1-216-809-11	METAL CHIP	100	5%	1/10W
R4031	1-216-841-11	METAL CHIP	47K	5%	1/10W	R4086	1-216-864-11	SHORT CHIP	0		
R4032	1-216-849-11	METAL CHIP	220K	5%	1/10W	R4087	1-216-833-11	METAL CHIP	10K	5%	1/10W
R4033	1-216-849-11	METAL CHIP	220K	5%	1/10W	R4088	1-216-864-11	SHORT CHIP	0		
R4034	1-216-849-11	METAL CHIP	220K	5%	1/10W	R4089	1-216-864-11	SHORT CHIP	0		
R4035	1-216-864-11	SHORT CHIP	0			R4090	1-216-864-11	SHORT CHIP	0		
R4036	1-216-849-11	METAL CHIP	220K	5%	1/10W	R4091	1-216-864-11	SHORT CHIP	0		
R4040	1-216-864-11	SHORT CHIP	0			R4092	1-216-813-11	METAL CHIP	220	5%	1/10W
R4041	1-216-864-11	SHORT CHIP	0			R4093	1-216-864-11	SHORT CHIP	0		
R4042	1-216-864-11	SHORT CHIP	0			R4094	1-216-864-11	SHORT CHIP	0		
R4043	1-216-864-11	SHORT CHIP	0			R4095	1-218-823-11	METAL CHIP	100	0.5%	1/10W
R4044	1-216-864-11	SHORT CHIP	0			R4096	1-218-823-11	METAL CHIP	100	0.5%	1/10W

REF.NO.	PART.NO	DESCRIPTION	REMARK	REF.NO.	PART.NO	DESCRIPTION	REMARK
R4097	1-218-823-11	METAL CHIP	100 0.5% 1/10W	R4180	1-216-837-11	METAL CHIP	22K 5% 1/10W
R4098	1-218-823-11	METAL CHIP	100 0.5% 1/10W	R4190	1-218-990-81	SHORT CHIP	0
R4099	1-216-864-11	SHORT CHIP	0	R4191	1-218-990-81	SHORT CHIP	0
R4100	1-218-823-11	METAL CHIP	100 0.5% 1/10W	R4192	1-218-990-81	SHORT CHIP	0
R4101	1-218-823-11	METAL CHIP	100 0.5% 1/10W	R4200	1-216-833-11	METAL CHIP	10K 5% 1/10W
R4102	1-218-823-11	METAL CHIP	100 0.5% 1/10W	R4201	1-218-847-11	METAL CHIP	1K 0.5% 1/10W
R4103	1-218-823-11	METAL CHIP	100 0.5% 1/10W	R4202	1-218-965-11	RES-CHIP	10K 5% 1/16W
R4104	1-218-823-11	METAL CHIP	100 0.5% 1/10W	R4203	1-218-847-11	METAL CHIP	1K 0.5% 1/10W
R4105	1-218-823-11	METAL CHIP	100 0.5% 1/10W	R4204	1-216-813-11	METAL CHIP	220 5% 1/10W
R4106	1-218-823-11	METAL CHIP	100 0.5% 1/10W	R4215	1-216-831-11	METAL CHIP	6.8K 5% 1/10W
R4107	1-218-823-11	METAL CHIP	100 0.5% 1/10W	R4216	1-216-831-11	METAL CHIP	6.8K 5% 1/10W
R4108	1-216-809-11	METAL CHIP	100 5% 1/10W	R4217	1-216-825-11	METAL CHIP	2.2K 5% 1/10W
R4109	1-216-809-11	METAL CHIP	100 5% 1/10W	R4218	1-216-825-11	METAL CHIP	2.2K 5% 1/10W
R4114	1-216-805-11	METAL CHIP	47 5% 1/10W	R4220	1-216-809-11	METAL CHIP	100 5% 1/10W
R4115	1-216-821-11	METAL CHIP	1K 5% 1/10W	R4221	1-216-809-11	METAL CHIP	100 5% 1/10W
R4116	1-216-805-11	METAL CHIP	47 5% 1/10W	R4222	1-216-809-11	METAL CHIP	100 5% 1/10W
R4118	1-216-805-11	METAL CHIP	47 5% 1/10W	R4223	1-216-809-11	METAL CHIP	100 5% 1/10W
R4120	1-216-864-11	SHORT CHIP	0	R4229	1-216-809-11	METAL CHIP	100 5% 1/10W
R4124	1-216-864-11	SHORT CHIP	0	R4230	1-216-809-11	METAL CHIP	100 5% 1/10W
R4128	1-216-864-11	SHORT CHIP	0	R4231	1-216-809-11	METAL CHIP	100 5% 1/10W
R4129	1-216-809-11	METAL CHIP	100 5% 1/10W	R4232	1-216-809-11	METAL CHIP	100 5% 1/10W
R4131	1-216-809-11	METAL CHIP	100 5% 1/10W	R4234	1-216-809-11	METAL CHIP	100 5% 1/10W
R4134	1-216-809-11	METAL CHIP	100 5% 1/10W	R4235	1-216-809-11	METAL CHIP	100 5% 1/10W
R4135	1-216-809-11	METAL CHIP	100 5% 1/10W	R4236	1-216-809-11	METAL CHIP	100 5% 1/10W
R4137	1-216-809-11	METAL CHIP	100 5% 1/10W	R4237	1-216-809-11	METAL CHIP	100 5% 1/10W
R4138	1-216-809-11	METAL CHIP	100 5% 1/10W	R4238	1-216-809-11	METAL CHIP	100 5% 1/10W
R4141	1-216-864-11	SHORT CHIP	0	R4239	1-216-809-11	METAL CHIP	100 5% 1/10W
R4142	1-216-864-11	SHORT CHIP	0	R4240	1-216-845-11	METAL CHIP	100K 5% 1/10W
R4143	1-216-809-11	METAL CHIP	100 5% 1/10W	R4242	1-216-797-11	METAL CHIP	10 5% 1/10W
R4144	1-216-809-11	METAL CHIP	100 5% 1/10W	R4243	1-216-797-11	METAL CHIP	10 5% 1/10W
R4145	1-216-809-11	METAL CHIP	100 5% 1/10W	R4244	1-216-797-11	METAL CHIP	10 5% 1/10W
R4146	1-216-809-11	METAL CHIP	100 5% 1/10W	R4245	1-216-809-11	METAL CHIP	100 5% 1/10W
R4147	1-216-809-11	METAL CHIP	100 5% 1/10W	R4246	1-216-809-11	METAL CHIP	100 5% 1/10W
R4148	1-216-809-11	METAL CHIP	100 5% 1/10W	R4247	1-216-809-11	METAL CHIP	100 5% 1/10W
R4149	1-216-809-11	METAL CHIP	100 5% 1/10W	R4248	1-216-809-11	METAL CHIP	100 5% 1/10W
R4150	1-216-809-11	METAL CHIP	100 5% 1/10W	R4249	1-216-809-11	METAL CHIP	100 5% 1/10W
R4151	1-216-864-11	SHORT CHIP	0	R4251	1-216-821-11	METAL CHIP	1K 5% 1/10W
R4152	1-216-864-11	SHORT CHIP	0	R4252	1-218-827-11	METAL CHIP	150 0.5% 1/10W
R4153	1-216-864-11	SHORT CHIP	0	R4253	1-218-827-11	METAL CHIP	150 0.5% 1/10W
R4154	1-216-817-11	METAL CHIP	470 5% 1/10W	R4254	1-216-829-11	METAL CHIP	4.7K 5% 1/10W
R4155	1-216-864-11	SHORT CHIP	0	R4255	1-216-829-11	METAL CHIP	4.7K 5% 1/10W
R4156	1-216-837-11	METAL CHIP	22K 5% 1/10W	R4256	1-216-829-11	METAL CHIP	4.7K 5% 1/10W
R4157	1-216-849-11	METAL CHIP	220K 5% 1/10W	R4257	1-216-809-11	METAL CHIP	100 5% 1/10W
R4159	1-216-833-11	METAL CHIP	10K 5% 1/10W	R4258	1-218-827-11	METAL CHIP	150 0.5% 1/10W
R4160	1-216-839-11	METAL CHIP	33K 5% 1/10W	R4259	1-218-827-11	METAL CHIP	150 0.5% 1/10W
R4162	1-216-839-11	METAL CHIP	33K 5% 1/10W	R4260	1-218-827-11	METAL CHIP	150 0.5% 1/10W
R4163	1-216-809-11	METAL CHIP	100 5% 1/10W	R4261	1-218-827-11	METAL CHIP	150 0.5% 1/10W
R4164	1-216-833-11	METAL CHIP	10K 5% 1/10W	R4262	1-216-809-11	METAL CHIP	100 5% 1/10W
R4165	1-216-841-11	METAL CHIP	47K 5% 1/10W	R4263	1-216-809-11	METAL CHIP	100 5% 1/10W
R4169	1-216-809-11	METAL CHIP	100 5% 1/10W	R4264	1-216-809-11	METAL CHIP	100 5% 1/10W

REF.NO.	PART.NO	DESCRIPTION	REMARK	REF.NO.	PART.NO	DESCRIPTION	REMARK
R4265	1-216-809-11	METAL CHIP	100 5% 1/10W	R5007	1-216-845-11	METAL CHIP	100K 5% 1/10W
R4266	1-216-805-11	METAL CHIP	47 5% 1/10W	R5011	1-216-833-11	METAL CHIP	10K 5% 1/10W
R4267	1-216-805-11	METAL CHIP	47 5% 1/10W	R5013	1-216-805-11	METAL CHIP	47 5% 1/10W
R4270	1-216-833-11	METAL CHIP	10K 5% 1/10W	R5015	1-216-833-11	METAL CHIP	10K 5% 1/10W
R4271	1-216-833-11	METAL CHIP	10K 5% 1/10W	R5016	1-216-833-11	METAL CHIP	10K 5% 1/10W
R4273	1-216-809-11	METAL CHIP	100 5% 1/10W	R5017	1-216-833-11	METAL CHIP	10K 5% 1/10W
R4274	1-216-809-11	METAL CHIP	100 5% 1/10W	R5019	1-216-809-11	METAL CHIP	100 5% 1/10W
R4275	1-216-809-11	METAL CHIP	100 5% 1/10W	R5022	1-216-809-11	METAL CHIP	100 5% 1/10W
R4276	1-216-809-11	METAL CHIP	100 5% 1/10W	R5023	1-216-809-11	METAL CHIP	100 5% 1/10W
R4278	1-216-809-11	METAL CHIP	100 5% 1/10W	R5024	1-216-864-11	SHORT CHIP	0
R4279	1-216-805-11	METAL CHIP	47 5% 1/10W	R5025	1-216-864-11	SHORT CHIP	0
R4280	1-216-864-11	SHORT CHIP	0	R5026	1-216-864-11	SHORT CHIP	0
R4281	1-216-864-11	SHORT CHIP	0	R5027	1-216-864-11	SHORT CHIP	0
R4282	1-216-864-11	SHORT CHIP	0	R5030	1-216-864-11	SHORT CHIP	0
R4283	1-216-809-11	METAL CHIP	100 5% 1/10W	R5031	1-216-864-11	SHORT CHIP	0
R4284	1-216-809-11	METAL CHIP	100 5% 1/10W	R5032	1-216-864-11	SHORT CHIP	0
R4285	1-216-809-11	METAL CHIP	100 5% 1/10W	R5033	1-216-864-11	SHORT CHIP	0
R4286	1-216-829-11	METAL CHIP	4.7K 5% 1/10W	R5050	1-216-864-11	SHORT CHIP	0
R4287	1-216-809-11	METAL CHIP	100 5% 1/10W	R5051	1-216-864-11	SHORT CHIP	0
R4288	1-216-809-11	METAL CHIP	100 5% 1/10W	R5052	1-216-864-11	SHORT CHIP	0
R4289	1-216-809-11	METAL CHIP	100 5% 1/10W	R5053	1-216-864-11	SHORT CHIP	0
R4290	1-216-809-11	METAL CHIP	100 5% 1/10W	R5054	1-216-864-11	SHORT CHIP	0
R4291	1-216-805-11	METAL CHIP	47 5% 1/10W	R5055	1-216-864-11	SHORT CHIP	0
R4292	1-216-809-11	METAL CHIP	100 5% 1/10W	R5057	1-216-864-11	SHORT CHIP	0
R4293	1-216-809-11	METAL CHIP	100 5% 1/10W	R5058	1-216-864-11	SHORT CHIP	0
R4294	1-216-809-11	METAL CHIP	100 5% 1/10W	R5059	1-216-864-11	SHORT CHIP	0
R4295	1-216-809-11	METAL CHIP	100 5% 1/10W	R5060	1-216-864-11	SHORT CHIP	0
R4296	1-216-809-11	METAL CHIP	100 5% 1/10W	R5063	1-216-864-11	SHORT CHIP	0
R4306	1-216-809-11	METAL CHIP	100 5% 1/10W	R5501	1-216-821-11	METAL CHIP	1K 5% 1/10W
R4307	1-216-829-11	METAL CHIP	4.7K 5% 1/10W	R5502	1-218-973-11	RES-CHIP	47K 5% 1/16W
R4308	1-216-809-11	METAL CHIP	100 5% 1/10W	R5503	1-216-833-11	METAL CHIP	10K 5% 1/10W
R4309	1-216-809-11	METAL CHIP	100 5% 1/10W	R5504	1-216-833-11	METAL CHIP	10K 5% 1/10W
R4310	1-216-809-11	METAL CHIP	100 5% 1/10W	R5505	1-216-833-11	METAL CHIP	10K 5% 1/10W
R4311	1-216-809-11	METAL CHIP	100 5% 1/10W	R5514	1-216-809-11	METAL CHIP	100 5% 1/10W
R4312	1-216-809-11	METAL CHIP	100 5% 1/10W	R5515	1-216-809-11	METAL CHIP	100 5% 1/10W
R4313	1-216-809-11	METAL CHIP	100 5% 1/10W	R5516	1-216-835-11	METAL CHIP	15K 5% 1/10W
R4314	1-216-809-11	METAL CHIP	100 5% 1/10W	R5517	1-216-835-11	METAL CHIP	15K 5% 1/10W
R4315	1-216-809-11	METAL CHIP	100 5% 1/10W	R5518	1-216-833-11	METAL CHIP	10K 5% 1/10W
R4430	1-216-809-11	METAL CHIP	100 5% 1/10W	R5521	1-216-821-11	METAL CHIP	1K 5% 1/10W
R4434	1-216-831-11	METAL CHIP	6.8K 5% 1/10W	R5522	1-216-833-11	METAL CHIP	10K 5% 1/10W
R4435	1-216-831-11	METAL CHIP	6.8K 5% 1/10W	R5523	1-216-829-11	METAL CHIP	4.7K 5% 1/10W
R4438	1-216-864-11	SHORT CHIP	0	R5524	1-216-829-11	METAL CHIP	4.7K 5% 1/10W
R4439	1-216-864-11	SHORT CHIP	0	R5525	1-216-833-11	METAL CHIP	10K 5% 1/10W
R4440	1-216-864-11	SHORT CHIP	0	R5526	1-218-990-81	SHORT CHIP	0
R4441	1-216-864-11	SHORT CHIP	0	R5527	1-216-833-11	METAL CHIP	10K 5% 1/10W
R4442	1-216-864-11	SHORT CHIP	0	R5528	1-216-809-11	METAL CHIP	100 5% 1/10W
R4443	1-216-864-11	SHORT CHIP	0	R5530	1-216-809-11	METAL CHIP	100 5% 1/10W
R4444	1-216-809-11	METAL CHIP	100 5% 1/10W	R5532	1-216-835-11	METAL CHIP	15K 5% 1/10W
R4445	1-216-864-11	SHORT CHIP	0	R5534	1-216-835-11	METAL CHIP	15K 5% 1/10W
R5006	1-216-809-11	METAL CHIP	100 5% 1/10W	R5536	1-216-833-11	METAL CHIP	10K 5% 1/10W



REF.NO.	PART.NO	DESCRIPTION	REMARK			REF.NO.	PART.NO	DESCRIPTION	REMARK		
R5539	1-218-990-81	SHORT CHIP	0			R5655	1-218-990-81	SHORT CHIP	0		
R5544	1-218-953-11	RES-CHIP	1K	5%	1/16W	R5658	1-218-990-81	SHORT CHIP	0		
R5546	1-216-809-11	METAL CHIP	100	5%	1/10W	R5659	1-218-990-81	SHORT CHIP	0		
R5548	1-208-923-11	METAL CHIP	33K	0.5%	1/16W	R5660	1-218-990-81	SHORT CHIP	0		
R5549	1-208-899-81	METAL CHIP	3.3K	0.5%	1/16W	R5661	1-218-990-81	SHORT CHIP	0		
R5550	1-208-899-81	METAL CHIP	3.3K	0.5%	1/16W	R5664	1-218-990-81	SHORT CHIP	0		
R5551	1-208-899-81	METAL CHIP	3.3K	0.5%	1/16W	R5665	1-218-990-81	SHORT CHIP	0		
R5553	1-216-829-11	METAL CHIP	4.7K	5%	1/10W	R5668	1-218-990-81	SHORT CHIP	0		
R5554	1-218-937-11	RES-CHIP	47	5%	1/16W	R5669	1-218-990-81	SHORT CHIP	0		
R5555	1-218-937-11	RES-CHIP	47	5%	1/16W	R5672	1-218-990-81	SHORT CHIP	0		
R5556	1-216-864-11	SHORT CHIP	0			R5673	1-218-990-81	SHORT CHIP	0		
R5557	1-216-829-11	METAL CHIP	4.7K	5%	1/10W	R6401	1-216-809-11	METAL CHIP	100	5%	1/10W
R5558	1-218-961-11	RES-CHIP	4.7K	5%	1/16W	R6402	1-216-864-11	SHORT CHIP	0		
R5560	1-218-961-11	RES-CHIP	4.7K	5%	1/16W	R6404	1-216-833-11	METAL CHIP	10K	5%	1/10W
R5561	1-218-965-11	RES-CHIP	10K	5%	1/16W	R6406	1-216-809-11	METAL CHIP	100	5%	1/10W
R5566	1-216-864-11	SHORT CHIP	0			R6407	1-216-833-11	METAL CHIP	10K	5%	1/10W
R5567	1-216-864-11	SHORT CHIP	0			R6408	1-216-833-11	METAL CHIP	10K	5%	1/10W
R5576	1-218-847-11	METAL CHIP	1K	0.5%	1/10W	R6409	1-216-833-11	METAL CHIP	10K	5%	1/10W
R5577	1-218-847-11	METAL CHIP	1K	0.5%	1/10W	R6411	1-216-825-11	METAL CHIP	2.2K	5%	1/10W
R5578	1-216-809-11	METAL CHIP	100	5%	1/10W	R6412	1-216-833-11	METAL CHIP	10K	5%	1/10W
R5583	1-216-864-11	SHORT CHIP	0			R6414	1-216-829-11	METAL CHIP	4.7K	5%	1/10W
R5584	1-216-864-11	SHORT CHIP	0			R6415	1-216-864-11	SHORT CHIP	0		
R5585	1-216-864-11	SHORT CHIP	0			R6416	1-216-809-11	METAL CHIP	100	5%	1/10W
R5586	1-216-839-11	METAL CHIP	33K	5%	1/10W	R6417	1-216-864-11	SHORT CHIP	0		
R5587	1-216-864-11	SHORT CHIP	0			R6418	1-216-833-11	METAL CHIP	10K	5%	1/10W
R5588	1-216-809-11	METAL CHIP	100	5%	1/10W	R6419	1-216-833-11	METAL CHIP	10K	5%	1/10W
R5589	1-216-864-11	SHORT CHIP	0			R6420	1-216-843-11	METAL CHIP	68K	5%	1/10W
R5590	1-216-864-11	SHORT CHIP	0			R6421	1-216-851-11	METAL CHIP	330K	5%	1/10W
R5591	1-216-809-11	METAL CHIP	100	5%	1/10W	R6422	1-216-864-11	SHORT CHIP	0		
R5592	1-216-809-11	METAL CHIP	100	5%	1/10W	R6423	1-216-851-11	METAL CHIP	330K	5%	1/10W
R5593	1-216-809-11	METAL CHIP	100	5%	1/10W	R6424	1-216-833-11	METAL CHIP	10K	5%	1/10W
R5601	1-216-809-11	METAL CHIP	100	5%	1/10W	R6426	1-216-809-11	METAL CHIP	100	5%	1/10W
R5606	1-216-864-11	SHORT CHIP	0			R6427	1-216-851-11	METAL CHIP	330K	5%	1/10W
R5607	1-216-864-11	SHORT CHIP	0			R6428	1-216-864-11	SHORT CHIP	0		
R5608	1-216-833-11	METAL CHIP	10K	5%	1/10W	R6429	1-216-809-11	METAL CHIP	100	5%	1/10W
R5609	1-216-833-11	METAL CHIP	10K	5%	1/10W	R6432	1-216-827-11	METAL CHIP	3.3K	5%	1/10W
R5616	1-216-809-11	METAL CHIP	100	5%	1/10W	R6500	1-216-837-11	METAL CHIP	22K	5%	1/10W
R5617	1-216-864-11	SHORT CHIP	0			R6501	1-216-295-91	SHORT CHIP	0		
R5618	1-216-864-11	SHORT CHIP	0			R6503	1-216-841-11	METAL CHIP	47K	5%	1/10W
R5631	1-216-864-11	SHORT CHIP	0			R6504	1-216-864-11	SHORT CHIP	0		
R5632	1-216-864-11	SHORT CHIP	0			R6505	1-216-833-11	METAL CHIP	10K	5%	1/10W
R5640	1-216-829-11	METAL CHIP	4.7K	5%	1/10W	R6506	1-216-821-11	METAL CHIP	1K	5%	1/10W
R5641	1-218-990-81	SHORT CHIP	0			R6507	1-216-833-11	METAL CHIP	10K	5%	1/10W
R5642	1-218-990-81	SHORT CHIP	0			R6508	1-216-833-11	METAL CHIP	10K	5%	1/10W
R5643	1-218-965-11	RES-CHIP	10K	5%	1/16W	R6511	1-216-833-11	METAL CHIP	10K	5%	1/10W
R5646	1-218-990-81	SHORT CHIP	0			R6518	1-216-833-11	METAL CHIP	10K	5%	1/10W
R5647	1-218-990-81	SHORT CHIP	0			R6519	1-216-833-11	METAL CHIP	10K	5%	1/10W
R5650	1-218-990-81	SHORT CHIP	0			R6520	1-216-833-11	METAL CHIP	10K	5%	1/10W
R5651	1-218-990-81	SHORT CHIP	0			R6523	1-216-833-11	METAL CHIP	10K	5%	1/10W
R5654	1-218-990-81	SHORT CHIP	0			R6524	1-216-295-91	SHORT CHIP	0		

REF.NO.	PART.NO	DESCRIPTION	REMARK	REF.NO.	PART.NO	DESCRIPTION	REMARK
R6525	1-216-833-11	METAL CHIP	10K 5% 1/10W	R6602	1-216-833-11	METAL CHIP	10K 5% 1/10W
R6527	1-216-864-11	SHORT CHIP	0	R6603	1-216-864-11	SHORT CHIP	0
R6528	1-218-885-11	METAL CHIP	39K 0.5% 1/10W	R6606	1-216-829-11	METAL CHIP	4.7K 5% 1/10W
R6529	1-218-857-11	METAL CHIP	2.7K 0.5% 1/10W	R6610	1-216-864-11	SHORT CHIP	0
R6531	1-218-865-11	METAL CHIP	5.6K 0.5% 1/10W	R6615	1-216-864-11	SHORT CHIP	0
R6533	1-218-863-11	METAL CHIP	4.7K 0.5% 1/10W	R6616	1-216-864-11	SHORT CHIP	0
R6534	1-218-895-11	METAL CHIP	100K 0.5% 1/10W	R7100	1-218-965-11	RES-CHIP	10K 5% 1/16W
R6535	1-216-833-11	METAL CHIP	10K 5% 1/10W	R7101	1-218-965-11	RES-CHIP	10K 5% 1/16W
R6536	1-218-891-11	METAL CHIP	68K 0.5% 1/10W	R7104	1-218-941-81	RES-CHIP	100 5% 1/16W
R6539	1-218-868-11	METAL CHIP	7.5K 0.5% 1/10W	R7106	1-218-941-81	RES-CHIP	100 5% 1/16W
R6540	1-218-853-11	METAL CHIP	1.8K 0.5% 1/10W	R7107	1-218-937-11	RES-CHIP	47 5% 1/16W
R6541	1-218-898-11	METAL CHIP	130K 0.5% 1/10W	R7108	1-218-937-11	RES-CHIP	47 5% 1/16W
R6542	1-218-850-11	METAL CHIP	1.3K 0.5% 1/10W	R7109	1-218-937-11	RES-CHIP	47 5% 1/16W
R6544	1-216-864-11	SHORT CHIP	0	R7110	1-218-937-11	RES-CHIP	47 5% 1/16W
R6545	1-218-868-11	METAL CHIP	7.5K 0.5% 1/10W	R7112	1-218-961-11	RES-CHIP	4.7K 5% 1/16W
R6546	1-216-864-11	SHORT CHIP	0	R7113	1-218-961-11	RES-CHIP	4.7K 5% 1/16W
R6550	1-216-864-11	SHORT CHIP	0	R7116	1-218-937-11	RES-CHIP	47 5% 1/16W
R6551	1-216-842-11	METAL CHIP	56K 5% 1/10W	R7117	1-218-937-11	RES-CHIP	47 5% 1/16W
R6552	1-216-844-11	METAL CHIP	82K 5% 1/10W	R7119	1-218-937-11	RES-CHIP	47 5% 1/16W
R6555	1-216-847-11	METAL CHIP	150K 5% 1/10W	R7120	1-218-937-11	RES-CHIP	47 5% 1/16W
R6556	1-216-839-11	METAL CHIP	33K 5% 1/10W	R7121	1-218-937-11	RES-CHIP	47 5% 1/16W
R6560	1-216-295-91	SHORT CHIP	0	R7122	1-218-937-11	RES-CHIP	47 5% 1/16W
R6562	1-216-821-11	METAL CHIP	1K 5% 1/10W	R7123	1-218-945-11	RES-CHIP	220 5% 1/16W
R6563	1-218-871-11	METAL CHIP	10K 0.5% 1/10W	R7124	1-218-937-11	RES-CHIP	47 5% 1/16W
R6565	1-216-833-11	METAL CHIP	10K 5% 1/10W	R7125	1-218-937-11	RES-CHIP	47 5% 1/16W
R6566	1-216-833-11	METAL CHIP	10K 5% 1/10W	R7126	1-218-937-11	RES-CHIP	47 5% 1/16W
R6567	1-216-833-11	METAL CHIP	10K 5% 1/10W	R7127	1-218-965-11	RES-CHIP	10K 5% 1/16W
R6569	1-216-864-11	SHORT CHIP	0	R7131	1-218-937-11	RES-CHIP	47 5% 1/16W
R6570	1-216-833-11	METAL CHIP	10K 5% 1/10W	R7132	1-218-937-11	RES-CHIP	47 5% 1/16W
R6571	1-218-865-11	METAL CHIP	5.6K 0.5% 1/10W	R7133	1-218-937-11	RES-CHIP	47 5% 1/16W
R6572	1-218-841-11	METAL CHIP	560 0.5% 1/10W	R7134	1-218-937-11	RES-CHIP	47 5% 1/16W
R6573	1-216-295-91	SHORT CHIP	0	R7135	1-218-990-81	SHORT CHIP	0
R6581	1-218-953-11	RES-CHIP	1K 5% 1/16W	R7136	1-218-937-11	RES-CHIP	47 5% 1/16W
R6584	1-208-887-11	METAL CHIP	1K 0.5% 1/16W	R7137	1-208-870-81	METAL CHIP	200 0.5% 1/16W
R6585	1-208-870-81	METAL CHIP	200 0.5% 1/16W	R7138	1-208-870-81	METAL CHIP	200 0.5% 1/16W
R6586	1-208-887-11	METAL CHIP	1K 0.5% 1/16W	R7139	1-208-870-81	METAL CHIP	200 0.5% 1/16W
R6587	1-208-863-11	METAL CHIP	100 0.5% 1/16W	R7140	1-218-937-11	RES-CHIP	47 5% 1/16W
R6588	1-208-887-11	METAL CHIP	1K 0.5% 1/16W	R7141	1-208-870-81	METAL CHIP	200 0.5% 1/16W
R6589	1-216-295-91	SHORT CHIP	0	R7142	1-208-870-81	METAL CHIP	200 0.5% 1/16W
R6590	1-216-864-11	SHORT CHIP	0	R7143	1-208-870-81	METAL CHIP	200 0.5% 1/16W
R6591	1-216-833-11	METAL CHIP	10K 5% 1/10W	R7144	1-208-875-11	METAL CHIP	330 0.5% 1/16W
R6592	1-216-833-11	METAL CHIP	10K 5% 1/10W	R7145	1-208-883-81	METAL CHIP	680 0.5% 1/16W
R6593	1-216-864-11	SHORT CHIP	0	R7147	1-218-990-81	SHORT CHIP	0
R6594	1-216-833-11	METAL CHIP	10K 5% 1/10W	R7148	1-208-879-81	METAL CHIP	470 0.5% 1/16W
R6596	1-218-860-11	METAL CHIP	3.6K 0.5% 1/10W	R7155	1-218-937-11	RES-CHIP	47 5% 1/16W
R6597	1-218-853-11	METAL CHIP	1.8K 0.5% 1/10W	R7156	1-218-937-11	RES-CHIP	47 5% 1/16W
R6598	1-216-864-11	SHORT CHIP	0	R7200	1-218-949-11	RES-CHIP	470 5% 1/16W
R6599	1-216-829-11	METAL CHIP	4.7K 5% 1/10W	R7202	1-218-953-11	RES-CHIP	1K 5% 1/16W
R6600	1-216-833-11	METAL CHIP	10K 5% 1/10W	R7203	1-218-965-11	RES-CHIP	10K 5% 1/16W
R6601	1-216-864-11	SHORT CHIP	0	R7204	1-218-953-11	RES-CHIP	1K 5% 1/16W

REF.NO.	PART.NO	DESCRIPTION	REMARK	REF.NO.	PART.NO	DESCRIPTION	REMARK
R7206	1-218-949-11	RES-CHIP	470 5% 1/16W	R7326	1-218-965-11	RES-CHIP	10K 5% 1/16W
R7207	1-218-949-11	RES-CHIP	470 5% 1/16W	R7327	1-218-965-11	RES-CHIP	10K 5% 1/16W
R7208	1-218-961-11	RES-CHIP	4.7K 5% 1/16W	R7328	1-218-965-11	RES-CHIP	10K 5% 1/16W
R7209	1-218-965-11	RES-CHIP	10K 5% 1/16W	R7329	1-218-965-11	RES-CHIP	10K 5% 1/16W
R7213	1-218-965-11	RES-CHIP	10K 5% 1/16W	R7330	1-218-965-11	RES-CHIP	10K 5% 1/16W
R7217	1-218-939-11	RES-CHIP	68 5% 1/16W	R7331	1-218-953-11	RES-CHIP	1K 5% 1/16W
R7218	1-208-863-11	METAL CHIP	100 0.5% 1/16W	R7332	1-218-953-11	RES-CHIP	1K 5% 1/16W
R7219	1-208-863-11	METAL CHIP	100 0.5% 1/16W	R7333	1-218-937-11	RES-CHIP	47 5% 1/16W
R7221	1-218-965-11	RES-CHIP	10K 5% 1/16W	R7334	1-218-937-11	RES-CHIP	47 5% 1/16W
R7223	1-218-965-11	RES-CHIP	10K 5% 1/16W	R7335	1-218-937-11	RES-CHIP	47 5% 1/16W
R7224	1-218-965-11	RES-CHIP	10K 5% 1/16W	R7402	1-218-965-11	RES-CHIP	10K 5% 1/16W
R7226	1-218-965-11	RES-CHIP	10K 5% 1/16W	R7406	1-218-941-81	RES-CHIP	100 5% 1/16W
R7227	1-218-953-11	RES-CHIP	1K 5% 1/16W	R7409	1-218-965-11	RES-CHIP	10K 5% 1/16W
R7228	1-218-939-11	RES-CHIP	68 5% 1/16W	R7413	1-218-977-11	RES-CHIP	100K 5% 1/16W
R7229	1-218-941-81	RES-CHIP	100 5% 1/16W	R7414	1-218-977-11	RES-CHIP	100K 5% 1/16W
R7230	1-218-941-81	RES-CHIP	100 5% 1/16W	R7415	1-218-945-11	RES-CHIP	220 5% 1/16W
R7231	1-218-941-81	RES-CHIP	100 5% 1/16W	R7416	1-218-945-11	RES-CHIP	220 5% 1/16W
R7232	1-218-941-81	RES-CHIP	100 5% 1/16W	R7417	1-208-887-11	METAL CHIP	1K 0.5% 1/16W
R7233	1-218-937-11	RES-CHIP	47 5% 1/16W	R7418	1-208-887-11	METAL CHIP	1K 0.5% 1/16W
R7234	1-218-945-11	RES-CHIP	220 5% 1/16W	R7419	1-218-972-11	RES-CHIP	39K 5% 1/16W
R7235	1-216-809-11	METAL CHIP	100 5% 1/10W	R7420	1-218-972-11	RES-CHIP	39K 5% 1/16W
R7236	1-216-809-11	METAL CHIP	100 5% 1/10W	R7421	1-218-968-11	RES-CHIP	18K 5% 1/16W
R7237	1-216-809-11	METAL CHIP	100 5% 1/10W	R7422	1-218-965-11	RES-CHIP	10K 5% 1/16W
R7238	1-218-953-11	RES-CHIP	1K 5% 1/16W	R7423	1-218-965-11	RES-CHIP	10K 5% 1/16W
R7243	1-216-833-11	METAL CHIP	10K 5% 1/10W	R7424	1-218-968-11	RES-CHIP	18K 5% 1/16W
R7244	1-216-833-11	METAL CHIP	10K 5% 1/10W	R7425	1-218-967-11	RES-CHIP	15K 5% 1/16W
R7246	1-216-833-11	METAL CHIP	10K 5% 1/10W	R7426	1-218-967-11	RES-CHIP	15K 5% 1/16W
R7249	1-216-813-11	METAL CHIP	220 5% 1/10W	R7427	1-218-968-11	RES-CHIP	18K 5% 1/16W
R7300	1-218-965-11	RES-CHIP	10K 5% 1/16W	R7428	1-218-968-11	RES-CHIP	18K 5% 1/16W
R7304	1-218-965-11	RES-CHIP	10K 5% 1/16W	R7429	1-218-941-81	RES-CHIP	100 5% 1/16W
R7305	1-218-965-11	RES-CHIP	10K 5% 1/16W	R7430	1-218-941-81	RES-CHIP	100 5% 1/16W
R7306	1-218-965-11	RES-CHIP	10K 5% 1/16W	R7431	1-218-990-81	SHORT CHIP	0
R7307	1-218-941-81	RES-CHIP	100 5% 1/16W	R7433	1-218-990-81	SHORT CHIP	0
R7308	1-218-945-11	RES-CHIP	220 5% 1/16W	R7500	1-218-941-81	RES-CHIP	100 5% 1/16W
R7310	1-218-941-81	RES-CHIP	100 5% 1/16W	R7501	1-218-941-81	RES-CHIP	100 5% 1/16W
R7311	1-218-965-11	RES-CHIP	10K 5% 1/16W	R7502	1-218-941-81	RES-CHIP	100 5% 1/16W
R7312	1-218-937-11	RES-CHIP	47 5% 1/16W	R7503	1-218-941-81	RES-CHIP	100 5% 1/16W
R7313	1-218-937-11	RES-CHIP	47 5% 1/16W	R7504	1-218-948-11	RES-CHIP	390 5% 1/16W
R7314	1-218-937-11	RES-CHIP	47 5% 1/16W	R7505	1-218-948-11	RES-CHIP	390 5% 1/16W
R7315	1-218-937-11	RES-CHIP	47 5% 1/16W	R7506	1-218-948-11	RES-CHIP	390 5% 1/16W
R7316	1-218-937-11	RES-CHIP	47 5% 1/16W	R7507	1-218-948-11	RES-CHIP	390 5% 1/16W
R7317	1-218-937-11	RES-CHIP	47 5% 1/16W	R7510	1-218-965-11	RES-CHIP	10K 5% 1/16W
R7318	1-218-937-11	RES-CHIP	47 5% 1/16W	R7511	1-218-965-11	RES-CHIP	10K 5% 1/16W
R7319	1-218-937-11	RES-CHIP	47 5% 1/16W	R7512	1-218-961-11	RES-CHIP	4.7K 5% 1/16W
R7320	1-218-941-81	RES-CHIP	100 5% 1/16W	R7513	1-218-965-11	RES-CHIP	10K 5% 1/16W
R7321	1-218-941-81	RES-CHIP	100 5% 1/16W	R7515	1-218-965-11	RES-CHIP	10K 5% 1/16W
R7322	1-218-941-81	RES-CHIP	100 5% 1/16W	< RESISTOR CHIP >			
R7323	1-218-965-11	RES-CHIP	10K 5% 1/16W	RB1000	1-234-371-21	RES, NETWORK 47	(1005X4)
R7324	1-218-965-11	RES-CHIP	10K 5% 1/16W				
R7325	1-218-965-11	RES-CHIP	10K 5% 1/16W				

**Note :** The components identified by shading and marked  $\Delta$  are critical for safety. Replace only with the part numbers specified in the parts list.



REF.NO.	PART.NO	DESCRIPTION	REMARK	REF.NO.	PART.NO	DESCRIPTION	REMARK
RB1001	1-234-371-21	RES, NETWORK 47	(1005X4)	RB7205	1-234-702-11	RES, NETWORK 68	(1005X4)
RB3000	1-234-381-21	RES, NETWORK 100K	(1005X4)	RB7206	1-234-702-11	RES, NETWORK 68	(1005X4)
RB4000	1-234-371-21	RES, NETWORK 47	(1005X4)	B7207	1-234-372-11	RES, NETWORK 100	(1005X4)
RB4001	1-234-371-21	RES, NETWORK 47	(1005X4)	RB7208	1-234-372-11	RES, NETWORK 100	(1005X4)
RB4002	1-234-371-21	RES, NETWORK 47	(1005X4)	RB7209	1-234-372-11	RES, NETWORK 100	(1005X4)
RB4003	1-234-371-21	RES, NETWORK 47	(1005X4)	RB7210	1-234-372-11	RES, NETWORK 100	(1005X4)
RB4004	1-234-371-21	RES, NETWORK 47	(1005X4)	RB7211	1-234-372-11	RES, NETWORK 100	(1005X4)
RB4005	1-234-371-21	RES, NETWORK 47	(1005X4)	RB7212	1-234-702-11	RES, NETWORK 68	(1005X4)
RB4006	1-234-371-21	RES, NETWORK 47	(1005X4)	RB7213	1-234-702-11	RES, NETWORK 68	(1005X4)
RB5000	1-233-576-11	RES, CHIP NETWORK 100	(3216)	RB7501	1-234-372-11	RES, NETWORK 100	(1005X4)
RB5001	1-233-576-11	RES, CHIP NETWORK 100	(3216)	RB7502	1-234-378-21	RES, NETWORK 10K	(1005X4)
RB5002	1-233-576-11	RES, CHIP NETWORK 100	(3216)	RB7503	1-234-378-21	RES, NETWORK 10K	(1005X4)
RB5003	1-233-576-11	RES, CHIP NETWORK 100	(3216)	< SWITCH >			
RB5004	1-233-576-11	RES, CHIP NETWORK 100	(3216)	S4000	1-572-921-11	SWITCH, KEY BOARD	
RB5005	1-233-576-11	RES, CHIP NETWORK 100	(3216)	S4001	1-572-921-11	SWITCH, KEY BOARD	
RB5006	1-233-576-11	RES, CHIP NETWORK 100	(3216)	< TUNER >			
RB5007	1-233-576-11	RES, CHIP NETWORK 100	(3216)	TU1000	8-597-613-00	TUNER UNIT, DIGITAL BTD-HF401Z	
RB5008	1-233-576-11	RES, CHIP NETWORK 100	(3216)	< VARISTOR >			
RB5009	1-233-574-11	RES, CHIP NETWORK 10	(3216)	VD4200	1-803-974-21	VARISTOR, CHIP	(1608)
RB5010	1-233-574-11	RES, CHIP NETWORK 10	(3216)	VD4201	1-803-974-21	VARISTOR, CHIP	(1608)
RB5011	1-233-574-11	RES, CHIP NETWORK 10	(3216)	VD4202	1-803-974-21	VARISTOR, CHIP	(1608)
RB5012	1-233-574-11	RES, CHIP NETWORK 10	(3216)	VD4203	1-803-974-21	VARISTOR, CHIP	(1608)
RB5013	1-233-574-11	RES, CHIP NETWORK 10	(3216)	VD4204	1-803-974-21	VARISTOR, CHIP	(1608)
RB5014	1-233-574-11	RES, CHIP NETWORK 10	(3216)	< CRYSTAL >			
RB5015	1-233-574-11	RES, CHIP NETWORK 10	(3216)	X4000	1-813-531-11	OSCILLATOR, CRYSTAL UNIT	
RB5016	1-233-574-11	RES, CHIP NETWORK 10	(3216)	X5500	1-813-806-21	OSCILLATOR, CRYSTAL	
RB5017	1-233-574-11	RES, CHIP NETWORK 10	(3216)	X7200	1-813-055-11	QUARTZ CRYSTAL UNIT	
RB5500	1-234-106-81	RES, NETWORK 0		X7201	1-781-696-31	VIBRATOR, CRYSTAL	
RB5509	1-233-796-11	RES, NETWORK	(1608)	X7201	1-813-784-21	VIBRATOR, CRYSTAL	
RB5510	1-233-796-11	RES, NETWORK	(1608)	<b>*A-1268-619-A G3 Board, Complete (KDL-40/46S30XX)</b>			
RB5511	1-233-796-11	RES, NETWORK	(1608)	4-382-854-11		SCREW (M3X10), P, SW (+)	
RB5512	1-233-796-11	RES, NETWORK	(1608)	<CAPACITOR >			
RB5519	1-233-423-21	RES, CHIP NETWORK 47	(3216)	C6000	$\Delta$ 1-119-893-51	CERAMIC 1000PF	20.00% 250V
RB5523	1-233-423-21	RES, CHIP NETWORK 47	(3216)	C6002	1-165-530-11	MYLAR 0.47UF	10 275V
RB5524	1-233-423-21	RES, CHIP NETWORK 47	(3216)	C6005	$\Delta$ 1-119-893-51	CERAMIC 1000PF	20.00% 250V
RB5526	1-233-423-21	RES, CHIP NETWORK 47	(3216)	C6006	$\Delta$ 1-114-153-11	CERAMIC 680PF	10% 125V
RB5527	1-233-423-21	RES, CHIP NETWORK 47	(3216)	C6007	$\Delta$ 1-119-892-51	CERAMIC 470PF	10.00% 250V
RB5529	1-233-423-21	RES, CHIP NETWORK 47	(3216)	C6010	$\Delta$ 1-114-153-11	CERAMIC 680PF	10% 125V
RB5530	1-233-423-21	RES, CHIP NETWORK 47	(3216)	C6011	$\Delta$ 1-119-892-51	CERAMIC 470PF	10.00% 250V
RB6500	1-233-796-11	RES, NETWORK	(1608)	C6012	$\Delta$ 1-165-529-11	MYLAR 0.22UF	10 275V
RB6501	1-233-796-11	RES, NETWORK	(1608)	C6014	$\Delta$ 1-161-964-91	CERAMIC 0.0047UF	250V
RB6502	1-233-796-11	RES, NETWORK	(1608)	C6015	$\Delta$ 1-161-964-91	CERAMIC 0.0047UF	250V
RB6503	1-233-796-11	RES, NETWORK	(1608)	C6016	1-114-379-21	ELECT(BLOCK) 150UF	20% 450V
RB7101	1-234-372-11	RES, NETWORK 100	(1005X4)				
RB7102	1-234-378-21	RES, NETWORK 10K	(1005X4)				
RB7200	1-234-375-21	RES, NETWORK 1K	(1005X4)				
RB7201	1-234-375-21	RES, NETWORK 1K	(1005X4)				
RB7202	1-234-375-21	RES, NETWORK 1K	(1005X4)				
RB7203	1-234-375-21	RES, NETWORK 1K	(1005X4)				
RB7204	1-234-375-21	RES, NETWORK 1K	(1005X4)				

**Note :** The components identified by shading and marked  $\Delta$  are critical for safety. Replace only with the part numbers specified in the parts list.

**G3**

REF.NO.	PART.NO	DESCRIPTION	REMARK	REF.NO.	PART.NO	DESCRIPTION	REMARK
C6017	1-114-379-21	ELECT (BLOCK) 150UF	20% 450V	C6506	1-162-964-11	CERAMIC CHIP 0.001UF	10.00% 50V
C6018	1-119-894-51	CERAMIC 2200PF	20.00% 250V	C6507	1-162-966-11	CERAMIC CHIP 0.0022UF	10.00% 50V
C6019	1-163-021-91	CERAMIC CHIP 0.01UF	10.00% 50V	C6508	1-100-566-91	CERAMIC CHIP 0.1UF	10.00% 25V
C6020	1-163-021-91	CERAMIC CHIP 0.01UF	10.00% 50V	C6510	1-107-902-11	ELECT 1UF	20% 50V
C6100	1-162-970-11	CERAMIC CHIP 0.01UF	10.00% 25V	C6511	1-164-315-11	CERAMIC CHIP 470PF	5.00% 50V
C6101	1-100-831-91	CERAMIC CHIP 0.001UF	2% 50V	C6512	1-164-390-91	CERAMIC CHIP 330PF	5.00% 50V
C6102	1-107-906-11	ELECT 10UF	20% 50V	C6513	1-112-481-11	CERAMIC 470PF	10% 1KV
C6103	1-107-905-11	ELECT 4.7UF	20% 50V	C6514	1-112-481-11	CERAMIC 470PF	10% 1KV
C6104	1-107-893-91	ELECT 100UF	20% 35V	C6515	1-112-481-11	CERAMIC 470PF	10% 1KV
C6106	1-162-970-11	CERAMIC CHIP 0.01UF	10.00% 25V	C6516	1-112-481-11	CERAMIC 470PF	10% 1KV
C6107	1-107-888-11	ELECT 47UF	20% 25V	C6517	1-100-566-91	CERAMIC CHIP 0.1UF	10.00% 25V
C6108	1-115-340-11	CERAMIC CHIP 0.22UF	10.00% 25V	C6518	1-107-908-11	ELECT 33UF	20% 50V
C6110	1-112-481-11	CERAMIC 470PF	10% 1KV	C6519	1-107-906-11	ELECT 10UF	20% 50V
C6111	1-100-310-11	FILM 18000PF	3% 800V	C6521	1-107-906-11	ELECT 10UF	20% 50V
C6112	1-163-021-91	CERAMIC CHIP 0.01UF	10.00% 50V				
C6150	1-104-760-11	CERAMIC CHIP 0.047UF	10.00% 50V	< CONNECTOR >			
C6152	1-112-231-21	ELECT 2200UF	20% 16V	CN6000	$\Delta$ *1-793-660-11	PIN, CONNECTOR (PC BOARD) 3P	
C6154	1-112-835-11	ELECT 3300UF	20% 25V	CN6001	*1-695-915-11	TAB (CONTACT)	
C6157	1-112-231-21	ELECT 2200UF	20% 16V	CN6002	*1-695-915-11	TAB (CONTACT)	
C6160	1-162-970-11	CERAMIC CHIP 0.01UF	10.00% 25V	CN6003	*1-695-915-11	TAB (CONTACT)	
C6170	1-112-231-21	ELECT 2200UF	20% 16V	CN6202	*1-785-708-11	PIN, CONNECTOR (PC BOARD) 12P	
C6200	1-107-826-11	CERAMIC CHIP 0.1UF	10.00% 16V	CN6203	*1-785-707-11	PIN, CONNECTOR (PC BOARD) 11P	
C6201	1-162-927-11	CERAMIC CHIP 100PF	5.00% 50V	CN6204	*1-778-853-11	PIN, CONNECTOR (PC BOARD) 8P	
C6202	1-107-903-11	ELECT 2.2UF	20% 50V	CN6501	*1-793-660-11	PIN, CONNECTOR (PC BOARD) 3P	
C6203	1-100-139-41	FILM 0.001UF	5% 630V	CN6502	*1-793-660-11	PIN, CONNECTOR (PC BOARD) 3P	
C6204	1-107-904-11	ELECT 3.3UF	20% 50V	< DIODE >			
C6205	1-107-910-11	ELECT 100UF	20% 50V	D6000	8-719-054-89	DIODE D15XB60	
C6206	1-162-964-11	CERAMIC CHIP 0.001UF	10.00% 50V	D6100	8-719-081-67	DIODE M1FM3	
C6250	1-128-949-31	ELECT 470UF	20% 16V	D6101	6-500-137-01	DIODE BAT54HT1	
C6251	1-107-826-11	CERAMIC CHIP 0.1UF	10.00% 16V	D6102	8-719-017-89	DIODE MA8150-TX	
C6300	1-165-908-11	CERAMIC CHIP 1UF	10% 10V	D6104	8-719-979-64	DIODE UF4005/23	
C6301	1-107-826-11	CERAMIC CHIP 0.1UF	10.00% 16V	D6105	8-719-081-67	DIODE M1FM3	
C6302	1-162-964-11	CERAMIC CHIP 0.001UF	10.00% 50V	D6151	8-719-060-88	DIODE D4SBS6	
C6304	1-100-566-91	CERAMIC CHIP 0.1UF	10.00% 25V	D6152	6-501-545-01	DIODE SG10SC6-F5	
C6305	1-162-964-11	CERAMIC CHIP 0.001UF	10.00% 50V	D6153	6-501-545-01	DIODE SG10SC6-F5	
C6306	1-125-891-11	CERAMIC CHIP 0.47UF	10.00% 10V	D6201	8-719-058-74	DIODE 05NU42-TPA2	
C6307	1-162-964-11	CERAMIC CHIP 0.001UF	10.00% 50V	D6203	6-500-567-31	DIODE 10ERB20-TB3	
C6308	1-100-566-91	CERAMIC CHIP 0.1UF	10.00% 25V	D6204	6-500-567-31	DIODE 10ERB20-TB3	
C6309	1-107-910-11	ELECT 100UF	20% 50V	D6206	8-719-404-50	DIODE MA111-TX	
C6310	1-162-964-11	CERAMIC CHIP 0.001UF	10.00% 50V	D6250	8-719-032-10	DIODE D1NS4-TR2	
C6311	1-131-872-91	CERAMIC CHIP 1000PF	10% 630V	D6251	8-719-073-35	DIODE RB551V-30TE-17	
C6402	1-162-970-11	CERAMIC CHIP 0.01UF	10.00% 25V	D6303	8-719-404-50	DIODE MA111-TX	
C6403	1-162-970-11	CERAMIC CHIP 0.01UF	10.00% 25V	D6304	8-719-404-50	DIODE MA111-TX	
C6408	1-165-908-11	CERAMIC CHIP 1UF	10% 10V	D6308	8-719-404-50	DIODE MA111-TX	
C6410	1-107-826-11	CERAMIC CHIP 0.1UF	10.00% 16V	D6309	8-719-404-50	DIODE MA111-TX	
C6411	1-125-891-11	CERAMIC CHIP 0.47UF	10.00% 10V	D6310	8-719-404-50	DIODE MA111-TX	
C6500	1-112-744-61	MYLAR 1UF	10% 450V	D6311	8-719-018-01	DIODE MA8220-TX	
C6501	1-112-188-11	MYLAR 1.5UF	5% 450V	D6312	8-719-058-74	DIODE 05NU42-TPA2	
C6503	1-112-188-11	MYLAR 1.5UF	5% 450V	D6313	8-719-404-50	DIODE MA111-TX	
C6505	1-162-964-11	CERAMIC CHIP 0.001UF	10.00% 50V				

**Note :** The components identified by shading and marked  $\Delta$  are critical for safety. Replace only with the part numbers specified in the parts list.

**G3**

REF.NO.	PART.NO	DESCRIPTION	REMARK	REF.NO.	PART.NO	DESCRIPTION	REMARK
D6400	8-719-017-89	DIODE MA8150-TX		L6250	1-414-183-41	INDUCTOR	10UH
D6401	8-719-404-50	DIODE MA111-TX		L6500	1-457-277-11	INDUCTOR	260UH
D6402	8-719-404-50	DIODE MA111-TX		L6501	1-457-435-11	INDUCTOR	300UH
D6404	8-719-404-50	DIODE MA111-TX		L6501	1-457-445-11	INDUCTOR	290UH
D6500	6-500-108-01	DIODE EP05FA20		< PHOTO COUPLER >			
D6501	6-500-108-01	DIODE EP05FA20		PH6100	6-600-187-01	PHOTO COUPLER	PC123Y22J00F
D6502	6-500-137-01	DIODE BAT54HT1		PH6200	6-600-187-01	PHOTO COUPLER	PC123Y22J00F
D6503	8-719-404-50	DIODE MA111-TX		PH6300	6-600-187-01	PHOTO COUPLER	PC123Y22J00F
D6506	8-719-029-04	DIODE D5L60		PH6301	6-600-187-01	PHOTO COUPLER	PC123Y22J00F
D6511	8-719-404-50	DIODE MA111-TX		PH6302	6-600-187-01	PHOTO COUPLER	PC123Y22J00F
D6512	8-719-404-50	DIODE MA111-TX		< TRANSISTOR >			
D6513	6-500-137-01	DIODE BAT54HT1		Q6100	6-551-302-01	TRANSISTOR	2SK3561 (LBS1SONY,Q)
ET6000	1-537-770-21	TERMINAL BOARD, GROUND		Q6101	6-551-302-01	TRANSISTOR	2SK3561 (LBS1SONY,Q)
ET6001	1-537-770-21	TERMINAL BOARD, GROUND		Q6300	8-729-620-33	TRANSISTOR	2SA1235TP-1EF
ET6002	1-537-770-21	TERMINAL BOARD, GROUND		Q6301	8-729-620-07	TRANSISTOR	2SC3052EF-T1-LEF
ET6003	1-537-770-21	TERMINAL BOARD, GROUND		Q6303	6-551-678-01	TRANSISTOR	2SA1364-T111-1DE
< FUSE >				Q6304	8-729-620-07	TRANSISTOR	2SC3052EF-T1-LEF
F6000	$\Delta$ 1-576-233-51	FUSE	6.3A 250V	Q6305	8-729-620-07	TRANSISTOR	2SC3052EF-T1-LEF
FH6000	$\Delta$ 1-533-223-11	FUSE HOLDER		Q6306	8-729-620-07	TRANSISTOR	2SC3052EF-T1-LEF
FH6001	$\Delta$ 1-533-223-11	FUSE HOLDER		Q6307	8-729-620-33	TRANSISTOR	2SA1235TP-1EF
< FERRITE BEAD >				Q6403	6-551-714-01	TRANSISTOR	INK0001AC1-T112A-1
FB6000	1-412-911-11	FERRITE	0UH	Q6405	8-729-620-33	TRANSISTOR	2SA1235TP-1EF
FB6001	1-412-911-11	FERRITE	0UH	Q6406	8-729-620-07	TRANSISTOR	2SC3052EF-T1-LEF
FB6004	1-410-396-41	FERRITE	0.45UH	Q6407	6-551-714-01	TRANSISTOR	INK0001AC1-T112A-1
FB6005	1-410-396-41	FERRITE	0.45UH	Q6500	8-729-620-07	TRANSISTOR	2SC3052EF-T1-LEF
FB6100	1-412-911-11	FERRITE	0UH	Q6501	8-729-620-33	TRANSISTOR	2SA1235TP-1EF
FB6101	1-412-911-11	FERRITE	0UH	Q6502	6-551-336-01	TRANSISTOR	2SK3934 (LBS1SONY,Q)
FB6150	1-412-911-11	FERRITE	0UH	Q6503	6-551-336-01	TRANSISTOR	2SK3934 (LBS1SONY,Q)
FB6151	1-412-911-11	FERRITE	0UH	Q6504	8-729-820-90	TRANSISTOR	2SD1621ST-TD-E
FB6152	1-412-911-11	FERRITE	0UH	Q6505	8-729-822-09	TRANSISTOR	2SB1122-ST-TD-E
FB6153	1-412-911-11	FERRITE	0UH	Q6506	8-729-620-33	TRANSISTOR	2SA1235TP-1EF
< IC >				< RESISTOR >			
IC6100	6-707-749-01	IC CXD9841P		JR6001	1-216-864-11	SHORT CHIP	0
IC6150	6-709-368-01	IC MM1431ATT (CN)		JR6002	1-216-295-91	SHORT CHIP	0
IC6200	6-708-801-01	IC MIP2H2		JR6003	1-216-296-11	SHORT CHIP	0
IC6250	6-709-442-01	IC MM1530ATT		JR6004	1-216-295-91	SHORT CHIP	0
IC6300	6-709-368-01	IC MM1431ATT (CN)		JR6005	1-216-295-91	SHORT CHIP	0
IC6301	6-709-368-01	IC MM1431ATT (CN)		JR6006	1-216-864-11	SHORT CHIP	0
IC6500	6-709-791-01	IC L6562N		JR6007	1-216-296-11	SHORT CHIP	0
< COIL >				JR6008	1-216-296-11	SHORT CHIP	0
L6000	$\Delta$ 1-457-457-11	LINE FILTER COIL		JR6009	1-216-296-11	SHORT CHIP	0
L6002	$\Delta$ 1-457-457-11	LINE FILTER COIL		JR6010	1-216-296-11	SHORT CHIP	0
L6150	1-414-487-41	INDUCTOR	1UH	JR6011	1-216-295-91	SHORT CHIP	0
L6151	1-414-487-41	INDUCTOR	1UH	JR6012	1-216-295-91	SHORT CHIP	0
L6152	1-457-239-11	INDUCTOR	4.7UH	JR6013	1-216-295-91	SHORT CHIP	0
				JR6014	1-216-295-91	SHORT CHIP	0
				JR6015	1-216-864-11	SHORT CHIP	0

Note : The components identified by shading and marked  $\Delta$  are critical for safety. Replace only with the part numbers specified in the parts list.

G3

REF.NO.	PART.NO	DESCRIPTION	REMARK	REF.NO.	PART.NO	DESCRIPTION	REMARK
JR6016	1-216-296-11	SHORT CHIP	0	R6304	1-218-863-11	METAL CHIP	4.7K 0.5% 1/10W
JR6017	1-216-295-91	SHORT CHIP	0	R6305	1-216-833-11	METAL CHIP	10K 5% 1/10W
R6009	1-240-251-11	METAL	6.8 5% 10W	R6309	1-216-833-11	METAL CHIP	10K 5% 1/10W
R6014	1-216-857-11	METAL CHIP	1M 5% 1/10W	R6310	1-216-833-11	METAL CHIP	10K 5% 1/10W
R6015	1-216-857-11	METAL CHIP	1M 5% 1/10W	R6311	1-218-863-11	METAL CHIP	4.7K 0.5% 1/10W
R6100	1-218-885-11	METAL CHIP	39K 0.5% 1/10W	R6312	1-218-887-11	METAL CHIP	47K 0.5% 1/10W
R6101	1-249-385-11	CARBON	2.2 5% 1/4W	R6313	1-216-864-11	SHORT CHIP	0
R6102	1-218-863-11	METAL CHIP	4.7K 0.5% 1/10W	R6315	1-216-829-11	METAL CHIP	4.7K 5% 1/10W
R6103	1-218-827-11	METAL CHIP	150 0.5% 1/10W	R6316	1-216-833-11	METAL CHIP	10K 5% 1/10W
R6104	1-218-877-11	METAL CHIP	18K 0.5% 1/10W	R6317	1-216-829-11	METAL CHIP	4.7K 5% 1/10W
R6106	1-208-854-11	METAL CHIP	1M 0.5% 1/10W	R6319	1-216-821-11	METAL CHIP	1K 5% 1/10W
R6107	1-208-854-11	METAL CHIP	1M 0.5% 1/10W	R6320	1-218-903-11	METAL CHIP	220K 0.5% 1/10W
R6108	1-208-854-11	METAL CHIP	1M 0.5% 1/10W	R6321	1-218-887-11	METAL CHIP	47K 0.5% 1/10W
R6109	1-208-854-11	METAL CHIP	1M 0.5% 1/10W	R6322	1-216-837-11	METAL CHIP	22K 5% 1/10W
R6110	$\Delta$ 1-220-778-81	FUSIBLE	0.1 10% 1/2W	R6324	1-216-833-11	METAL CHIP	10K 5% 1/10W
R6111	1-208-838-91	METAL CHIP	220K 0.5% 1/10W	R6325	1-218-889-11	METAL CHIP	56K 0.5% 1/10W
R6112	1-218-877-11	METAL CHIP	18K 0.5% 1/10W	R6326	1-216-849-11	METAL CHIP	220K 5% 1/10W
R6115	1-211-981-11	METAL CHIP	33 0.5% 1/10W	R6327	1-216-833-11	METAL CHIP	10K 5% 1/10W
R6116	1-216-009-91	RES-CHIP	22 5% 1/10W	R6328	1-218-911-11	METAL CHIP	470K 0.5% 1/10W
R6117	1-216-009-91	RES-CHIP	22 5% 1/10W	R6329	1-218-887-11	METAL CHIP	47K 0.5% 1/10W
R6118	1-216-833-11	METAL CHIP	10K 5% 1/10W	R6332	1-216-793-11	METAL CHIP	4.7 5% 1/10W
R6119	1-216-833-11	METAL CHIP	10K 5% 1/10W	R6333	1-216-843-11	METAL CHIP	68K 5% 1/10W
R6120	1-243-945-71	METAL OXIDE	0.22 5% 2W	R6334	1-208-814-91	METAL CHIP	22K 0.5% 1/10W
R6121	1-243-945-71	METAL OXIDE	0.22 5% 2W	R6335	1-218-847-11	METAL CHIP	1K 0.5% 1/10W
R6122	1-216-857-11	METAL CHIP	1M 5% 1/10W	R6336	1-216-864-11	SHORT CHIP	0
R6123	1-218-847-11	METAL CHIP	1K 0.5% 1/10W	R6337	1-208-814-91	METAL CHIP	22K 0.5% 1/10W
R6150	1-216-821-11	METAL CHIP	1K 5% 1/10W	R6404	1-216-837-11	METAL CHIP	22K 5% 1/10W
R6151	1-216-821-11	METAL CHIP	1K 5% 1/10W	R6405	1-216-809-11	METAL CHIP	100 5% 1/10W
R6152	1-216-821-11	METAL CHIP	1K 5% 1/10W	R6408	1-216-833-11	METAL CHIP	10K 5% 1/10W
R6153	1-218-859-11	METAL CHIP	3.3K 0.5% 1/10W	R6413	1-216-833-11	METAL CHIP	10K 5% 1/10W
R6154	1-218-875-11	METAL CHIP	15K 0.5% 1/10W	R6415	1-216-837-11	METAL CHIP	22K 5% 1/10W
R6155	1-216-845-11	METAL CHIP	100K 5% 1/10W	R6416	1-216-833-11	METAL CHIP	10K 5% 1/10W
R6157	1-216-841-11	METAL CHIP	47K 5% 1/10W	R6418	1-216-864-11	SHORT CHIP	0
R6158	1-249-389-11	CARBON	4.7 5% 1/4W	R6420	1-216-817-11	METAL CHIP	470 5% 1/10W
R6159	1-218-863-11	METAL CHIP	4.7K 0.5% 1/10W	R6429	1-216-833-11	METAL CHIP	10K 5% 1/10W
R6200	$\Delta$ 1-212-958-00	FUSIBLE	10 5% 1/2W	R6430	1-216-833-11	METAL CHIP	10K 5% 1/10W
R6201	1-218-865-11	METAL CHIP	5.6K 0.5% 1/10W	R6433	1-216-821-11	METAL CHIP	1K 5% 1/10W
R6202	1-243-725-71	METAL OXIDE	100K 5% 1W	R6434	1-216-821-11	METAL CHIP	1K 5% 1/10W
R6203	1-249-385-11	CARBON	2.2 5% 1/4W	R6435	1-216-864-11	SHORT CHIP	0
R6250	1-216-821-11	METAL CHIP	1K 5% 1/10W	R6436	1-216-837-11	METAL CHIP	22K 5% 1/10W
R6251	1-216-827-11	METAL CHIP	3.3K 5% 1/10W	R6437	1-216-821-11	METAL CHIP	1K 5% 1/10W
R6252	1-216-805-11	METAL CHIP	47 5% 1/10W	R6438	1-216-829-11	METAL CHIP	4.7K 5% 1/10W
R6253	1-218-879-11	METAL CHIP	22K 0.5% 1/10W	R6500	$\Delta$ 1-208-838-91	METAL CHIP	220K 0.5% 1/10W
R6254	1-218-871-11	METAL CHIP	10K 0.5% 1/10W	R6501	$\Delta$ 1-208-838-91	METAL CHIP	220K 0.5% 1/10W
R6255	1-218-867-11	METAL CHIP	6.8K 0.5% 1/10W	R6502	$\Delta$ 1-208-830-11	METAL CHIP	100K 0.5% 1/10W
R6300	1-216-835-11	METAL CHIP	15K 5% 1/10W	R6503	1-208-846-11	METAL CHIP	470K 0.5% 1/10W
R6301	1-216-833-11	METAL CHIP	10K 5% 1/10W	R6504	$\Delta$ 1-208-838-91	METAL CHIP	220K 0.5% 1/10W
R6302	1-218-903-11	METAL CHIP	220K 0.5% 1/10W	R6505	$\Delta$ 1-208-838-91	METAL CHIP	220K 0.5% 1/10W
R6303	1-218-885-11	METAL CHIP	39K 0.5% 1/10W	R6506	1-218-913-91	METAL CHIP	560K 0.5% 1/10W
				R6507	1-218-865-11	METAL CHIP	5.6K 0.5% 1/10W

**Note :** The components identified by shading and marked  $\Delta$  are critical for safety. Replace only with the part numbers specified in the parts list.

**G3 D1**

REF.NO.	PART.NO	DESCRIPTION	REMARK	REF.NO.	PART.NO	DESCRIPTION	REMARK
R6508	1-218-881-11	METAL CHIP	27K 0.5% 1/10W	<b>*A-1268-623-A D1 Board, Complete (KDL-46S30XX)</b> <b>*A-1309-274-A D1 Board, Complete (KDL-40S30XX)</b>			
R6510	1-218-887-11	METAL CHIP	47K 0.5% 1/10W				
R6511	1-216-817-11	METAL CHIP	470 5% 1/10W	<b>D1 Board Common Parts</b>			
R6512	1-243-556-71	METAL OXIDE	22 5% 2W				
R6514	1-218-895-11	METAL CHIP	100K 0.5% 1/10W	4-382-854-11		SCREW (M3X10), P, SW (+)	
R6515	1-216-817-11	METAL CHIP	470 5% 1/10W	< CAPACITOR >			
R6516	1-218-871-11	METAL CHIP	10K 0.5% 1/10W	C6601	1-162-964-11	CERAMIC CHIP 0.001UF	10.00% 50V
R6517	1-218-851-11	METAL CHIP	1.5K 0.5% 1/10W	C6602	1-162-964-11	CERAMIC CHIP 0.001UF	10.00% 50V
R6518	1-218-887-11	METAL CHIP	47K 0.5% 1/10W	C6604	1-115-339-11	CERAMIC CHIP 0.1UF	10.00% 50V
R6520	1-216-833-11	METAL CHIP	10K 5% 1/10W	C6609	1-107-826-11	CERAMIC CHIP 0.1UF	10.00% 16V
R6521	1-216-833-11	METAL CHIP	10K 5% 1/10W	C6612	1-119-891-51	CERAMIC 220PF	10.00% 250V
R6522	1-249-389-11	CARBON	4.7 5% 1/4W	C6700	1-100-566-91	CERAMIC CHIP 0.1UF	10.00% 25V
R6523	1-249-389-11	CARBON	4.7 5% 1/4W	C6701	1-100-566-91	CERAMIC CHIP 0.1UF	10.00% 25V
R6524	1-243-550-71	METAL OXIDE	6.8 5% 2W	C6702	1-100-566-91	CERAMIC CHIP 0.1UF	10.00% 25V
R6526	1-216-864-11	SHORT CHIP	0	C6703	1-100-566-91	CERAMIC CHIP 0.1UF	10.00% 25V
R6527	1-216-864-11	SHORT CHIP	0	C6706	1-162-970-11	CERAMIC CHIP 0.01UF	10.00% 25V
R6528	1-216-809-11	METAL CHIP	100 5% 1/10W	C6707	1-162-970-11	CERAMIC CHIP 0.01UF	10.00% 25V
R6529	1-249-393-11	CARBON	10 5% 1/4W	C6715	1-125-891-11	CERAMIC CHIP 0.47UF	10.00% 10V
R6530	1-208-840-11	METAL CHIP	270K 0.5% 1/10W	C6716	1-162-970-11	CERAMIC CHIP 0.01UF	5.00% 25V
R6531	1-208-838-91	METAL CHIP	220K 0.5% 1/10W	C6717	1-164-217-11	CERAMIC CHIP 150PF	5.00% 50V
R6532	1-208-838-91	METAL CHIP	220K 0.5% 1/10W	C6718	1-162-970-11	CERAMIC CHIP 0.01UF	10.00% 25V
R6533	1-208-838-91	METAL CHIP	220K 0.5% 1/10W	C6719	1-164-315-11	CERAMIC CHIP 470PF	5.00% 50V
R6534	1-208-834-11	METAL CHIP	150K 0.5% 1/10W	C6720	1-162-964-11	CERAMIC CHIP 0.001UF	10.00% 50V
R6535	1-218-867-11	METAL CHIP	6.8K 0.5% 1/10W	C6721	1-165-908-11	CERAMIC CHIP 1UF	10% 10V
R6536	1-218-823-11	METAL CHIP	100 0.5% 1/10W	C6723	1-165-908-11	CERAMIC CHIP 1UF	10% 10V
R6538	1-218-879-11	METAL CHIP	22K 0.5% 1/10W	C6724	1-127-804-91	CERAMIC CHIP 100PF	1% 50V
R6539	1-218-907-11	METAL CHIP	330K 0.5% 1/10W	C6725	1-107-826-11	CERAMIC CHIP 0.1UF	10.00% 16V
R6540	1-218-903-11	METAL CHIP	220K 0.5% 1/10W	C6726	1-127-573-11	CERAMIC CHIP 1UF	10% 16V
R6541	1-216-809-11	METAL CHIP	100 5% 1/10W	C6727	1-165-908-11	CERAMIC CHIP 1UF	10% 10V
R6542	1-218-903-11	METAL CHIP	220K 0.5% 1/10W	C6728	1-162-970-11	CERAMIC CHIP 0.01UF	10.00% 25V
R6543	1-211-954-11	METAL CHIP	12 0.5% 1/10W	C6729	1-107-882-91	ELECT 100UF	20% 16V
R6544	1-246-189-11	METAL	0.12 5% 10W	C6730	1-162-970-11	CERAMIC CHIP 0.01UF	10.00% 25V
< RELAY >				C6731	1-162-964-11	CERAMIC CHIP 0.001UF	10.00% 50V
RY6000	1-755-516-11	RELAY (AC POWER)		C6732	1-100-591-91	CERAMIC CHIP 1UF	10% 25V
< TRANSFORMER >				C6735	1-165-176-11	CERAMIC CHIP 0.047UF	10.00% 16V
T6100	$\Delta$ 1-445-205-11	CONVERTER TRANSFORMER (PIT)		C6738	1-165-908-11	CERAMIC CHIP 1UF	10% 10V
T6200	$\Delta$ 1-443-984-11	CONVERTER TRANSFORMER (SBT)		C6739	1-162-970-11	CERAMIC CHIP 0.01UF	10.00% 25V
< VARISTOR >				C6740	1-107-882-91	ELECT 100UF	20% 16V
VD6000	$\Delta$ 1-804-996-21	VARISTOR		C6741	1-165-908-11	CERAMIC CHIP 1UF	10% 10V
VD6001	$\Delta$ 1-804-996-21	VARISTOR		C6742	1-100-566-91	CERAMIC CHIP 0.1UF	10.00% 25V
				C6743	1-100-566-91	CERAMIC CHIP 0.1UF	10.00% 25V
				C6744	1-100-566-91	CERAMIC CHIP 0.1UF	10.00% 25V
				C6745	1-107-877-11	ELECT 1000UF	20% 10V
				C6746	1-100-566-91	CERAMIC CHIP 0.1UF	10.00% 25V
				C6747	1-100-566-91	CERAMIC CHIP 0.1UF	10.00% 25V
				C6748	1-165-908-11	CERAMIC CHIP 1UF	10% 10V
				C6749	1-100-566-91	CERAMIC CHIP 0.1UF	10.00% 25V
				C6750	1-162-970-11	CERAMIC CHIP 0.01UF	10.00% 25V
				C6753	1-107-906-11	ELECT 10UF	20% 50V



REF.NO.	PART.NO	DESCRIPTION	REMARK	REF.NO.	PART.NO	DESCRIPTION	REMARK
C6754	1-107-826-11	CERAMIC CHIP 0.1UF	10.00% 16V			< IC >	
C6755	1-162-964-11	CERAMIC CHIP 0.001UF	10.00% 50V				
C6756	1-100-566-91	CERAMIC CHIP 0.1UF	10.00% 25V	IC6702	6-708-762-01	IC PQ200WNA1ZPH	
C6757	1-100-566-91	CERAMIC CHIP 0.1UF	10.00% 25V	IC6703	8-759-575-27	IC BA10339F-E2	
C6759	1-107-882-91	ELECT 100UF	20% 16V	IC6704	6-709-368-01	IC MM1431ATT (CN)	
C6785	1-100-566-91	CERAMIC CHIP 0.1UF	10.00% 25V			< COIL >	
C6789	1-107-888-11	ELECT 47UF	20% 25V				
C6794	1-100-566-91	CERAMIC CHIP 0.1UF	10.00% 25V	L6600	1-406-977-21	INDUCTOR 100UH	
		< CONNECTOR >				< TRANSISTOR >	
CN6600	*1-793-660-11	PIN, CONNECTOR (PC BOARD) 3P		Q6604	8-729-822-09	TRANSISTOR 2SB1122-ST-TD-E	
CN6700	*1-821-072-11	HEADER ASSEMBLY FOR PWB 2P		Q6605	8-729-822-09	TRANSISTOR 2SB1122-ST-TD-E	
CN6701	*1-785-704-11	PIN, CONNECTOR (PC BOARD) 7P		Q6606	6-551-713-01	TRANSISTOR 2SK3569 (LBS1SONY.Q)	
CN6707	*1-778-853-11	PIN, CONNECTOR (PC BOARD) 8P		Q6607	6-551-713-01	TRANSISTOR 2SK3569 (LBS1SONY.Q)	
		< DIODE >		Q6700	6-551-687-01	TRANSISTOR 3LP02C-TB-E	
D6608	8-719-041-97	DIODE MA113-(TX)		Q6701	6-551-688-01	TRANSISTOR 3LN02C-TB-E	
D6609	8-719-041-97	DIODE MA113-(TX)		Q6702	6-551-687-01	TRANSISTOR 3LP02C-TB-E	
D6612	6-501-848-01	DIODE S3K60		Q6703	6-551-688-01	TRANSISTOR 3LN02C-TB-E	
D6613	6-501-848-01	DIODE S3K60		Q6704	8-729-028-27	TRANSISTOR 2SK2009 (TE85L)	
D6614	6-501-848-01	DIODE S3K60		Q6705	8-729-620-07	TRANSISTOR 2SC3052EF-T1-LEF	
D6615	6-501-848-01	DIODE S3K60		Q6711	8-729-620-07	TRANSISTOR 2SC3052EF-T1-LEF	
D6623	8-719-083-57	DIODE UDZSTE-173.6B		Q6712	8-729-620-33	TRANSISTOR 2SA1235TP-1EF	
D6624	8-719-083-57	DIODE UDZSTE-173.6B		Q6714	8-729-620-33	TRANSISTOR 2SA1235TP-1EF	
D6625	6-500-137-01	DIODE BAT54HT1				< RESISTOR >	
D6700	8-719-420-90	DIODE MA8051-M-TX		JR6700	1-216-296-11	SHORT CHIP 0	
D6701	8-719-420-90	DIODE MA8051-M-TX		JR6701	1-216-296-11	SHORT CHIP 0	
D6702	8-719-404-50	DIODE MA111-TX		JR6702	1-216-296-11	SHORT CHIP 0	
D6703	8-719-404-50	DIODE MA111-TX		JR6703	1-216-296-11	SHORT CHIP 0	
D6704	8-719-800-76	DIODE 1SS226-TE85L		JR6704	1-216-296-11	SHORT CHIP 0	
D6705	8-719-800-76	DIODE 1SS226-TE85L		JR6705	1-216-296-11	SHORT CHIP 0	
D6708	6-500-335-01	DIODE MC2838-T112-1		JR6706	1-216-296-11	SHORT CHIP 0	
D6709	8-719-017-58	DIODE MA8068-TX		JR6707	1-216-296-11	SHORT CHIP 0	
D6710	8-719-017-58	DIODE MA8068-TX		JR6709	1-216-296-11	SHORT CHIP 0	
D6714	8-719-422-12	DIODE MA8039-TX		JR6714	1-216-296-11	SHORT CHIP 0	
D6715	8-719-422-12	DIODE MA8039-TX		JR6717	1-216-864-11	SHORT CHIP 0	
D6717	8-719-404-50	DIODE MA111-TX		JR6718	1-216-864-11	SHORT CHIP 0	
D6718	8-719-404-50	DIODE MA111-TX		JR6719	1-216-296-11	SHORT CHIP 0	
ET6700	1-537-770-21	TERMINAL BOARD, GROUND		JR6721	1-216-296-11	SHORT CHIP 0	
ET6701	1-537-770-21	TERMINAL BOARD, GROUND		JR6724	1-216-296-11	SHORT CHIP 0	
		< FERRITE BEAD >		JR6725	1-216-864-11	SHORT CHIP 0	
FB6604	1-412-911-11	FERRITE 0UH		JR6726	1-216-296-11	SHORT CHIP 0	
FB6605	1-412-911-11	FERRITE 0UH		JR6727	1-216-864-11	SHORT CHIP 0	
FB6606	1-412-911-11	FERRITE 0UH		R6609	1-216-857-11	METAL CHIP 1M 5% 1/10W	
FB6607	1-412-911-11	FERRITE 0UH		R6610	1-216-057-00	RES-CHIP 2.2K 5% 1/10W	
FB6609	1-481-256-11	FERRITE 0UH		R6611	1-216-057-00	RES-CHIP 2.2K 5% 1/10W	
FB6610	1-410-396-41	FERRITE 0.45UH		R6612	1-249-403-11	CARBON 68 5% 1/4W	
				R6613	1-249-403-11	CARBON 68 5% 1/4W	
				R6614	1-216-793-11	METAL CHIP 4.7 5% 1/10W	
				R6615	1-216-793-11	METAL CHIP 4.7 5% 1/10W	

REF.NO.	PART.NO	DESCRIPTION	REMARK	REF.NO.	PART.NO	DESCRIPTION	REMARK
R6616	1-216-833-11	METAL CHIP	10K 5% 1/10W	R6778	1-216-864-11	SHORT CHIP	0
R6617	1-216-833-11	METAL CHIP	10K 5% 1/10W	R6779	1-218-871-11	METAL CHIP	10K 0.5% 1/10W
R6626	1-216-864-11	SHORT CHIP	0	R6780	1-216-864-11	SHORT CHIP	0
R6634	1-216-057-00	RES-CHIP	2.2K 5% 1/10W	R6782	1-218-887-11	METAL CHIP	47K 0.5% 1/10W
R6635	1-216-057-00	RES-CHIP	2.2K 5% 1/10W	R6783	1-218-895-11	METAL CHIP	100K 0.5% 1/10W
R6700	1-216-793-11	METAL CHIP	4.7 5% 1/10W	R6786	1-216-829-11	METAL CHIP	4.7K 5% 1/10W
R6701	1-216-793-11	METAL CHIP	4.7 5% 1/10W	R6787	1-216-817-11	METAL CHIP	470 5% 1/10W
R6702	1-216-793-11	METAL CHIP	4.7 5% 1/10W	R6788	1-216-864-11	SHORT CHIP	0
R6703	1-216-793-11	METAL CHIP	4.7 5% 1/10W	R6789	1-218-887-11	METAL CHIP	47K 0.5% 1/10W
R6704	1-216-793-11	METAL CHIP	4.7 5% 1/10W	R6790	1-218-883-11	METAL CHIP	33K 0.5% 1/10W
R6705	1-216-833-11	METAL CHIP	10K 5% 1/10W	R6792	1-218-885-11	METAL CHIP	39K 0.5% 1/10W
R6706	1-216-833-11	METAL CHIP	10K 5% 1/10W	R6793	1-216-833-11	METAL CHIP	10K 5% 1/10W
R6707	1-216-833-11	METAL CHIP	10K 5% 1/10W	R6794	1-218-871-11	METAL CHIP	10K 0.5% 1/10W
R6708	1-216-833-11	METAL CHIP	10K 5% 1/10W	R6795	1-216-841-11	METAL CHIP	47K 5% 1/10W
R6710	1-243-831-71	METAL OXIDE	12 5% 1W	R6802	1-218-887-11	METAL CHIP	47K 0.5% 1/10W
R6711	1-243-831-71	METAL OXIDE	12 5% 1W	R6804	1-249-381-11	CARBON	1 5% 1/4W
R6712	1-243-831-71	METAL OXIDE	12 5% 1W	R6805	1-216-793-11	METAL CHIP	4.7 5% 1/10W
R6713	1-243-831-71	METAL OXIDE	12 5% 1W	R6806	1-216-864-11	SHORT CHIP	0
R6721	1-216-817-11	METAL CHIP	470 5% 1/10W	R6807	1-216-864-11	SHORT CHIP	0
R6722	1-218-897-11	METAL CHIP	120K 0.5% 1/10W	R6809	1-216-825-11	METAL CHIP	2.2K 5% 1/10W
R6723	1-218-871-11	METAL CHIP	10K 0.5% 1/10W	R6810	1-218-875-11	METAL CHIP	15K 0.5% 1/10W
R6724	1-216-864-11	SHORT CHIP	0	R6811	1-218-901-11	METAL CHIP	180K 0.5% 1/10W
R6725	1-218-891-11	METAL CHIP	68K 0.5% 1/10W	R6816	1-216-864-11	SHORT CHIP	0
R6727	1-216-841-11	METAL CHIP	47K 5% 1/10W	R6819	1-216-864-11	SHORT CHIP	0
R6729	1-216-829-11	METAL CHIP	4.7K 5% 1/10W	R6823	1-216-864-11	SHORT CHIP	0
R6730	1-216-829-11	METAL CHIP	4.7K 5% 1/10W	R6824	1-216-864-11	SHORT CHIP	0
R6731	1-216-837-11	METAL CHIP	22K 5% 1/10W	R6909	1-216-821-11	METAL CHIP	1K 5% 1/10W
R6733	1-218-863-11	METAL CHIP	4.7K 0.5% 1/10W	< TRANSFORMER >			
R6734	1-216-833-11	METAL CHIP	10K 5% 1/10W	T6800	1-445-237-11	TRANSFORMER, DRIVE	
R6736	1-218-885-11	METAL CHIP	39K 0.5% 1/10W	<b>Variant Parts KDL-46S30XX</b>			
R6737	1-216-821-11	METAL CHIP	1K 5% 1/10W	< CAPACITOR >			
R6739	1-216-864-11	SHORT CHIP	0	C6600	1-112-744-61	MYLAR	1UF 10% 450V
R6750	1-218-895-11	METAL CHIP	100K 0.5% 1/10W	C6606	1-112-744-61	MYLAR	1UF 10% 450V
R6751	1-218-871-11	METAL CHIP	10K 0.5% 1/10W	C6709	1-112-736-11	CERAMIC	15PF 5% 6.3KV
R6752	1-211-983-11	METAL CHIP	39 0.5% 1/10W	C6710	1-162-968-11	CERAMIC CHIP	0.0047UF 10.00% 50V
R6754	1-211-983-11	METAL CHIP	39 0.5% 1/10W	C6711	1-112-736-11	CERAMIC	15PF 5% 6.3KV
R6755	1-216-861-11	METAL CHIP	2.2M 5% 1/10W	C6712	1-162-968-11	CERAMIC CHIP	0.0047UF 10.00% 50V
R6756	1-211-983-11	METAL CHIP	39 0.5% 1/10W	C6751	1-162-927-11	CERAMIC CHIP	100PF 5.00% 50V
R6757	1-216-833-11	METAL CHIP	10K 5% 1/10W	C6752	1-162-927-11	CERAMIC CHIP	100PF 5.00% 50V
R6758	1-211-983-11	METAL CHIP	39 0.5% 1/10W	C6758	1-100-566-91	CERAMIC CHIP	0.1UF 10.00% 25V
R6760	1-218-854-11	METAL CHIP	2K 0.5% 1/10W	< CONNECTOR >			
R6761	1-218-853-11	METAL CHIP	1.8K 0.5% 1/10W	CN6704	*1-793-235-11	PIN, CONNECTOR (PC BOARD)	13P
R6763	1-218-863-11	METAL CHIP	4.7K 0.5% 1/10W	< IC >			
R6766	1-216-864-11	SHORT CHIP	0	IC6701	6-711-021-01	IC LX1692BIDW-TR	
R6770	1-218-863-11	METAL CHIP	4.7K 0.5% 1/10W				
R6771	1-218-871-11	METAL CHIP	10K 0.5% 1/10W				
R6772	1-218-871-11	METAL CHIP	10K 0.5% 1/10W				
R6773	1-216-833-11	METAL CHIP	10K 5% 1/10W				
R6775	1-216-845-11	METAL CHIP	100K 5% 1/10W				
R6776	1-218-847-11	METAL CHIP	1K 0.5% 1/10W				

REF.NO.	PART.NO	DESCRIPTION	REMARK	REF.NO.	PART.NO	DESCRIPTION	REMARK
< RESISTOR >				*A-1309-278-A D2 Board, Complete (KDL-46S30XX)			
R6714	1-218-853-11	METAL CHIP	1.8K 0.5% 1/10W	4-382-854-11		SCREW (M3X10), P, SW (+)	
R6715	1-218-855-11	METAL CHIP	2.2K 0.5% 1/10W	< CAPACITOR >			
R6716	1-218-855-11	METAL CHIP	2.2K 0.5% 1/10W	C6900	1-112-744-61	MYLAR 1UF	10% 450V
R6732	1-218-889-11	METAL CHIP	56K 0.5% 1/10W	C6903	1-162-964-11	CERAMIC CHIP 0.001UF	10.00% 50V
R6762	1-211-985-11	METAL CHIP	47 0.5% 1/10W	C6904	1-162-964-11	CERAMIC CHIP 0.001UF	10.00% 50V
R6764	NOT FITTED			C6905	1-162-964-11	CERAMIC CHIP 0.001UF	10.00% 50V
R6768	NOT FITTED			C6909	1-112-744-61	MYLAR 1UF	10% 450V
R6808	1-218-446-11	METAL CHIP	1 5% 1/10W	C6911	1-115-339-11	CERAMIC CHIP 0.1UF	10.00% 50V
< TRANSFORMER >				C6950	1-100-566-91	CERAMIC CHIP 0.1UF	10.00% 25V
T6801	8-597-055-00	TRANSFORMER, HIGH-VOLTAGE INSU		C6951	1-100-566-91	CERAMIC CHIP 0.1UF	10.00% 25V
Variant Parts KDL-40S30XX				C6952	1-100-566-91	CERAMIC CHIP 0.1UF	10.00% 25V
< CAPACITOR >				C6953	1-100-566-91	CERAMIC CHIP 0.1UF	10.00% 25V
C6600	1-165-794-21	MYLAR	1UF 10% 450V	C6956	1-162-970-11	CERAMIC CHIP 0.01UF	10.00% 25V
C6606	1-165-794-21	MYLAR	1UF 10% 450V	C6957	1-162-970-11	CERAMIC CHIP 0.01UF	10.00% 25V
C6709	1-112-737-11	CERAMIC	27PF 5% 6.3KV	C6958	1-112-736-11	CERAMIC 15PF	5% 6.3KV
C6710	1-162-967-11	CERAMIC CHIP	0.0033UF 10.00% 50V	C6959	1-162-968-11	CERAMIC CHIP 0.0047UF	10.00% 50V
C6711	1-104-512-11	CERAMIC	22PF 5% 6.3KV	C6960	1-112-736-11	CERAMIC 15PF	5% 6.3KV
C6712	1-162-979-11	CERAMIC CHIP	0.0027UF 10.00% 50V	C6961	1-162-968-11	CERAMIC CHIP 0.0047UF	10.00% 50V
C6751	NOT FITTED			C6964	1-107-888-11	ELECT 47UF	20% 25V
C6752	NOT FITTED			< CONNECTOR >			
C6758	NOT FITTED			CN6900	*1-793-660-11	PIN, CONNECTOR (PC BOARD) 3P	
< CONNECTOR >				CN6950	*1-793-235-11	PIN, CONNECTOR (PC BOARD) 13P	
CN6704	NOT FITTED			CN6951	*1-821-072-11	HEADER ASSEMBLY FOR PWB 2P	
< IC >				CN6952	*1-695-915-11	TAB (CONTACT)	
IC6701	NOT FITTED			< DIODE >			
< RESISTOR >				D6902	8-719-041-97	DIODE MA113-(TX)	
R6714	1-216-829-11	METAL CHIP	4.7K 5% 1/10W	D6903	8-719-041-97	DIODE MA113-(TX)	
R6715	1-216-837-11	METAL CHIP	22K 5% 1/10W	D6904	8-719-083-57	DIODE UDZSTE-173.6B	
R6716	1-216-825-11	METAL CHIP	2.2K 5% 1/10W	D6905	8-719-083-57	DIODE UDZSTE-173.6B	
R6732	1-218-893-11	METAL CHIP	82K 0.5% 1/10W	D6950	8-719-420-90	DIODE MA8051-M-TX	
R6762	1-211-983-11	METAL CHIP	39 0.5% 1/10W	D6951	8-719-420-90	DIODE MA8051-M-TX	
R6764	1-211-985-11	METAL CHIP	47 0.5% 1/10W	D6952	8-719-404-50	DIODE MA111-TX	
R6768	1-211-985-11	METAL CHIP	47 0.5% 1/10W	D6953	8-719-404-50	DIODE MA111-TX	
R6808	NOT FITTED			D6954	8-719-800-76	DIODE 1SS226-TE85L	
< TRANSFORMER >				D6955	8-719-800-76	DIODE 1SS226-TE85L	
T6801	8-597-054-00	TRANSFORMER, HIGH-VOLTAGE INSU		ET6950	1-537-770-21	TERMINAL BOARD, GROUND	
< FERRITE BEAD >				ET6951	1-537-770-21	TERMINAL BOARD, GROUND	
FB6901	1-481-256-11	FERRITE	0UH				
FB6904	1-412-911-11	FERRITE	0UH				
FB6905	1-412-911-11	FERRITE	0UH				
FB6906	1-412-911-11	FERRITE	0UH				
FB6907	1-412-911-11	FERRITE	0UH				

REF.NO.	PART.NO	DESCRIPTION	REMARK	REF.NO.	PART.NO	DESCRIPTION	REMARK
< COIL >				<b>*A-1242-176-A H4 Board, Complete</b>			
L6900	1-406-977-21	INDUCTOR	100UH	< CAPACITOR >			
< TRANSISTOR >				C401	1-162-960-11	CERAMIC CHIP 220PF	10.00% 50V
Q6902	8-729-822-09	TRANSISTOR 2SB1122-ST-TD-E		C402	1-100-909-11	CERAMIC CHIP 10UF	10% 6.3V
Q6903	8-729-822-09	TRANSISTOR 2SB1122-ST-TD-E		< CONNECTOR >			
Q6906	6-551-713-01	TRANSISTOR 2SK3569 (LBS1SONY.Q)		CN401	*1-820-297-11	HEADER ASSEMBLY (PRINT PWB) 3P	
Q6907	6-551-713-01	TRANSISTOR 2SK3569 (LBS1SONY.Q)		< IC >			
Q6950	6-551-687-01	TRANSISTOR 3LP02C-TB-E		IC401	6-600-502-01	HIC GP1UE26RK0VF	
Q6951	6-551-688-01	TRANSISTOR 3LN02C-TB-E		< RESISTOR >			
Q6952	6-551-687-01	TRANSISTOR 3LP02C-TB-E		R401	1-216-817-11	METAL CHIP 470 5%	1/10W
Q6953	6-551-688-01	TRANSISTOR 3LN02C-TB-E		R402	1-216-805-11	METAL CHIP 47 5%	1/10W
< RESISTOR >				<b>*A-1242-175-A H3 Board, Complete</b>			
JR6900	1-216-296-11	SHORT CHIP	0	< CONNECTOR >			
JR6901	1-216-296-11	SHORT CHIP	0	CN301	*1-820-288-11	HEADER ASSEMBLY (PRINT PWB) 9P	
JR6902	1-216-296-11	SHORT CHIP	0	< DIODE >			
JR6903	1-216-296-11	SHORT CHIP	0	D302	8-719-085-26	DIODE CL-165HR/SYG-D-T	
R6903	1-216-057-00	RES-CHIP	2.2K 5%	1/10W	D305	8-719-085-26	DIODE CL-165HR/SYG-D-T
R6904	1-216-057-00	RES-CHIP	2.2K 5%	1/10W	D308	6-500-817-01	DIODE (LED) SML-512UWT86
R6907	1-216-057-00	RES-CHIP	2.2K 5%	1/10W	< TRANSISTOR >		
R6908	1-216-057-00	RES-CHIP	2.2K 5%	1/10W	Q301	8-729-038-37	TRANSISTOR RTIN141M-TP-1
R6911	1-249-403-11	CARBON	68 5%	1/4W	Q302	8-729-038-37	TRANSISTOR RTIN141M-TP-1
R6912	1-249-403-11	CARBON	68 5%	1/4W	Q303	8-729-038-37	TRANSISTOR RTIN141M-TP-1
R6913	1-216-793-11	METAL CHIP	4.7 5%	1/10W	Q304	8-729-038-37	TRANSISTOR RTIN141M-TP-1
R6914	1-216-793-11	METAL CHIP	4.7 5%	1/10W	Q305	8-729-038-37	TRANSISTOR RTIN141M-TP-1
R6917	1-216-833-11	METAL CHIP	10K 5%	1/10W	< RESISTOR >		
R6918	1-216-833-11	METAL CHIP	10K 5%	1/10W	R301	1-216-815-11	METAL CHIP 330 5%
R6919	1-216-857-11	METAL CHIP	1M 5%	1/10W	R302	1-216-819-11	METAL CHIP 680 5%
R6950	1-216-793-11	METAL CHIP	4.7 5%	1/10W	R303	1-216-815-11	METAL CHIP 330 5%
R6951	1-216-793-11	METAL CHIP	4.7 5%	1/10W	R304	1-216-819-11	METAL CHIP 680 5%
R6952	1-216-793-11	METAL CHIP	4.7 5%	1/10W	R305	1-216-823-11	METAL CHIP 1.5K 5%
R6953	1-216-793-11	METAL CHIP	4.7 5%	1/10W	<b>*A-1242-174-A H1 Board, Complete</b>		
R6954	1-216-793-11	METAL CHIP	4.7 5%	1/10W	< CONNECTOR >		
R6955	1-216-833-11	METAL CHIP	10K 5%	1/10W	CN101	*1-820-180-11	HEADER ASSEMBLY (PRINT PWB) 3P
R6956	1-216-833-11	METAL CHIP	10K 5%	1/10W	< RESISTOR >		
R6957	1-216-833-11	METAL CHIP	10K 5%	1/10W	R101	1-218-851-11	METAL CHIP 1.5K 0.5%
R6958	1-216-833-11	METAL CHIP	10K 5%	1/10W	R103	1-218-833-11	METAL CHIP 270 0.5%
R6960	1-243-831-71	METAL OXIDE	12 5%	1W	R104	1-218-841-11	METAL CHIP 560 0.5%
R6961	1-243-831-71	METAL OXIDE	12 5%	1W			
R6962	1-243-831-71	METAL OXIDE	12 5%	1W			
R6963	1-243-831-71	METAL OXIDE	12 5%	1W			
R6965	1-216-864-11	SHORT CHIP	0				
R6966	1-216-864-11	SHORT CHIP	0				
< TRANSFORMER >							
T6950	1-445-237-11	TRANSFORMER, DRIVE					
T6951	8-597-055-00	TRANSFORMER, HIGH-VOLTAGE INSU					

**Note :** The components identified by shading and marked  $\Delta$  are critical for safety. Replace only with the part numbers specified in the parts list.

**H1 G1**

REF.NO.	PART.NO	DESCRIPTION	REMARK	REF.NO.	PART.NO	DESCRIPTION	REMARK
R105	1-218-855-11	METAL CHIP	2.2K 0.5% 1/10W	C6040	1-112-254-21	ELECT	1000UF 20% 35V
R106	1-218-841-11	METAL CHIP	560 0.5% 1/10W	C6042	1-100-566-91	CERAMIC CHIP	0.1UF 10.00% 25V
R108	1-216-864-11	SHORT CHIP	0	C6043	1-162-970-11	CERAMIC CHIP	0.01UF 10.00% 25V
< SWITCH >				C6202	1-107-903-11	ELECT	2.2UF 20% 50V
S101	1-572-595-31	SWITCH, TACTILE (REFLOW TYPE)		C6205	1-107-904-11	ELECT	3.3UF 20% 50V
S102	1-572-595-31	SWITCH, TACTILE (REFLOW TYPE)		C6206	1-100-139-41	FILM	0.001UF 5% 630V
S103	1-572-595-31	SWITCH, TACTILE (REFLOW TYPE)		C6208	1-162-964-11	CERAMIC CHIP	0.001UF 10.00% 50V
S104	1-572-595-31	SWITCH, TACTILE (REFLOW TYPE)		C6209	1-119-892-51	CERAMIC	470PF 10.00% 250V
S105	1-572-595-31	SWITCH, TACTILE (REFLOW TYPE)		C6211	1-112-226-21	ELECT	470UF 20% 16V
S106	1-572-595-31	SWITCH, TACTILE (REFLOW TYPE)		C6212	1-107-826-11	CERAMIC CHIP	0.1UF 10.00% 16V
S107	1-572-595-31	SWITCH, TACTILE (REFLOW TYPE)		C6214	1-112-744-61	MYLAR	1UF 10% 450V
<b>*A-1257-921-A G1 Board, Complete (KDL-32S30XX)</b>				C6315 $\Delta$	1-135-361-11	ELECT (BLOCK)	180UF 20% 450V
2-409-877-21	WASHER (3X10), RS TITE SPRING			C6316	1-107-826-11	CERAMIC CHIP	0.1UF 10.00% 16V
< CAPACITOR >				C6317	1-162-927-11	CERAMIC CHIP	100PF 5.00% 50V
C6000 $\Delta$	1-113-924-11	CERAMIC	0.0047UF 20.00% 250V	C6318	1-107-910-11	ELECT	100UF 20% 50V
C6001 $\Delta$	1-161-964-51	CERAMIC	0.0047UF 250V	C6320	1-164-156-11	CERAMIC CHIP	0.1UF 25V
C6002 $\Delta$	1-119-892-51	CERAMIC	470PF 10.00% 250V	C6321	1-112-240-21	ELECT	820UF 20% 25V
C6003 $\Delta$	1-165-529-11	MYLAR	0.22UF 10 275V	C6322	1-128-525-91	ELECT	470UF 20% 16V
C6004 $\Delta$	1-165-530-11	MYLAR	0.47UF 10 275V	< CONNECTOR >			
C6005 $\Delta$	1-119-892-51	CERAMIC	470PF 10.00% 250V	CN6000 $\Delta$	*1-691-960-11	PIN, CONNECTOR (PC BOARD)	3P
C6006 $\Delta$	1-161-964-51	CERAMIC	0.0047UF 250V	CN6002	*1-785-705-11	PIN, CONNECTOR (PC BOARD)	9P
C6007 $\Delta$	1-119-892-51	CERAMIC	470PF 10.00% 250V	CN6003	*1-793-236-11	PIN, CONNECTOR (PC BOARD)	14P
C6008 $\Delta$	1-135-361-11	ELECT (BLOCK)	180UF 20% 450V	CN6200	*1-779-944-11	PIN, CONNECTOR (PC BOARD)	4P
C6009	1-162-970-11	CERAMIC CHIP	0.01UF 10.00% 25V	CN6200	*1-779-944-21	PIN, CONNECTOR (PC BOARD)	4P
C6010	1-162-964-11	CERAMIC CHIP	0.001UF 10.00% 50V	< DIODE >			
C6011	1-107-888-11	ELECT	47UF 20% 25V	D6000	8-719-510-63	DIODE D4SB60L-F	
C6012 $\Delta$	1-119-892-51	CERAMIC	470PF 10.00% 250V	D6001	6-500-108-01	DIODE EP05FA20	
C6013	1-100-831-91	CERAMIC CHIP	0.001UF 2% 50V	D6002	6-500-108-01	DIODE EP05FA20	
C6014	1-107-905-11	ELECT	4.7UF 20% 50V	D6003	8-719-404-50	DIODE MA111-TX	
C6015	1-162-970-11	CERAMIC CHIP	0.01UF 10.00% 25V	D6004	6-501-625-01	DIODE PZU15B2	
C6016	1-107-906-11	ELECT	10UF 20% 50V	D6004	8-719-083-83	DIODE UDZS-TE17-15B	
C6018	1-162-970-11	CERAMIC CHIP	0.01UF 10.00% 25V	D6005	8-719-081-97	DIODE MMDL914T1	
C6019	1-107-888-11	ELECT	47UF 20% 25V	D6006	6-501-625-01	DIODE PZU15B2	
C6020	1-115-339-11	CERAMIC CHIP	0.1UF 10.00% 50V	D6006	8-719-083-83	DIODE UDZS-TE17-15B	
C6021	1-165-908-11	CERAMIC CHIP	1UF 10% 10V	D6007	6-501-625-01	DIODE PZU15B2	
C6022	1-107-824-11	CERAMIC	220PF 5.00% 1KV	D6007	8-719-083-83	DIODE UDZS-TE17-15B	
C6023	1-107-824-11	CERAMIC	220PF 5.00% 1KV	D6008	8-719-979-64	DIODE UF4005/23	
C6024	1-165-610-11	FILM	33000PF 3% 800V	D6009	6-501-625-01	DIODE PZU15B2	
C6025	1-107-902-11	ELECT	1UF 20% 50V	D6009	8-719-083-83	DIODE UDZS-TE17-15B	
C6027	1-107-902-11	ELECT	1UF 20% 50V	D6010	6-501-625-01	DIODE PZU15B2	
C6029	1-112-254-21	ELECT	1000UF 20% 35V	D6010	8-719-083-83	DIODE UDZS-TE17-15B	
C6030	1-112-231-21	ELECT	2200UF 20% 16V	D6011	6-501-545-01	DIODE SG10SC6-F5	
C6031	1-162-970-11	CERAMIC CHIP	0.01UF 10.00% 25V	D6012	6-501-917-01	DI SG10SC9F5-5009F23	
C6033	1-165-745-21	ELECT	1200UF 20% 35V	D6014	6-501-545-01	DIODE SG10SC6-F5	
C6034	1-165-745-21	ELECT	1200UF 20% 35V	D6018	6-501-917-01	DI SG10SC9F5-5009F23	
C6039	1-112-228-21	ELECT	1000UF 20% 16V	D6019	6-501-631-01	DIODE PZU27B	
				D6019	8-719-083-70	DIODE UDZSTE-1727B	
				D6023	8-719-404-50	DIODE MA111-TX	

**Note :** The components identified by shading and marked  $\Delta$  are critical for safety. Replace only with the part numbers specified in the parts list.

**G1**

REF.NO.	PART.NO	DESCRIPTION	REMARK	REF.NO.	PART.NO	DESCRIPTION	REMARK
D6024	6-501-614-01	DIODE PZU5.6B2		PS6002 $\Delta$	1-533-595-31	IC LINK	3.15A 90V
D6025	8-719-404-50	DIODE MA111-TX		< TRANSISTOR >			
D6202	6-500-567-31	DIODE 10ERB20-TB3		Q6000	8-729-031-00	TRANSISTOR 2PD601AR-115	
D6203	6-501-297-01	DIODE 1F6G		Q6000	8-729-620-07	TRANSISTOR 2SC3052EF-T1-LEF	
D6204	8-719-032-10	DIODE D1NS4-TR2		Q6001	8-729-010-08	TRANSISTOR MSB710-RT1	
D6205	6-501-043-01	DIODE UMZ16NT106		Q6002	8-729-031-00	TRANSISTOR 2PD601AR-115	
D6206	6-500-567-31	DIODE 10ERB20-TB3		Q6002	8-729-620-07	TRANSISTOR 2SC3052EF-T1-LEF	
D6207	6-500-567-31	DIODE 10ERB20-TB3		Q6003	6-551-545-01	TRANSISTOR 2SK3469-01MR-F111	
D6208	8-719-022-97	DIODE D2S4MTA1		Q6004	6-551-545-01	TRANSISTOR 2SK3469-01MR-F111	
D6209	8-719-084-56	DIODE PTZ-TE25-15B		Q6005	8-729-031-00	TRANSISTOR 2PD601AR-115	
D6211	8-719-073-35	DIODE RB551V-30TE-17		Q6005	8-729-620-07	TRANSISTOR 2SC3052EF-T1-LEF	
ET6000	1-537-770-21	TERMINAL BOARD, GROUND		Q6006	8-729-031-00	TRANSISTOR 2PD601AR-115	
ET6001	1-537-770-21	TERMINAL BOARD, GROUND		Q6006	8-729-620-07	TRANSISTOR 2SC3052EF-T1-LEF	
< FUSE >				Q6007	8-729-031-03	TRANSISTOR 2PB709AR-115	
F6000 $\Delta$	1-576-231-51	FUSE	4A 250V	Q6007	8-729-620-33	TRANSISTOR 2SA1235TP-1EF	
FH6000 $\Delta$	1-533-725-21	FUSE HOLDER	6.3A 250V	Q6008	8-729-031-00	TRANSISTOR 2PD601AR-115	
< IC >				Q6008	8-729-620-07	TRANSISTOR 2SC3052EF-T1-LEF	
IC6000	6-705-810-01	IC MCZ3001DB		Q6009	8-729-031-00	TRANSISTOR 2PD601AR-115	
IC6001	6-709-368-01	IC MM1431ATT (CN)		Q6009	8-729-620-07	TRANSISTOR 2SC3052EF-T1-LEF	
IC6002	6-709-368-01	IC MM1431ATT (CN)		< RESISTOR >			
IC6200	6-708-801-01	IC MIP2H2		JR6000	1-216-295-91	SHORT CHIP	0
IC6201	6-709-442-01	IC MM1530ATT		JR6300	1-216-864-11	SHORT CHIP	0
IC6202	8-759-640-19	IC PQ1CG2032FZ		JR6302	1-216-864-11	SHORT CHIP	0
< COIL >				JR6303	1-216-864-11	SHORT CHIP	0
L6001 $\Delta$	1-457-430-11	INDUCTOR	24MH	R6003	1-208-838-91	METAL CHIP	220K 0.5% 1/10W
L6002 $\Delta$	1-457-440-11	LINE FILTER COIL		R6004	1-208-838-91	METAL CHIP	220K 0.5% 1/10W
L6003 $\Delta$	1-457-440-11	LINE FILTER COIL		R6005	1-208-838-91	METAL CHIP	220K 0.5% 1/10W
L6004	1-406-971-11	INDUCTOR	10UH	R6006	1-208-838-91	METAL CHIP	220K 0.5% 1/10W
L6005	1-406-971-11	INDUCTOR	10UH	R6007	1-208-830-11	METAL CHIP	100K 0.5% 1/10W
L6008	1-406-971-11	INDUCTOR	10UH	R6008	1-208-838-91	METAL CHIP	220K 0.5% 1/10W
L6203 $\Delta$	1-457-430-11	INDUCTOR	24MH	R6009 $\Delta$	1-220-778-31	FUSIBLE	0.1 10% 1/2W
L6204	1-414-934-21	INDUCTOR	10UH	R6010	1-208-852-11	METAL CHIP	820K 0.5% 1/10W
L6205	1-406-971-11	INDUCTOR	10UH	R6011	1-208-852-11	METAL CHIP	820K 0.5% 1/10W
L6206	1-456-803-11	INDUCTOR	100UH	R6012	1-216-837-11	METAL CHIP	22K 5% 1/10W
L6207	1-412-525-31	INDUCTOR	10UH	R6013	1-208-852-11	METAL CHIP	820K 0.5% 1/10W
< PHOTO COUPLER >				R6014	1-208-838-91	METAL CHIP	220K 0.5% 1/10W
PH6000	6-600-187-01	PHOTO COUPLER	PC123Y22J00F	R6015	1-208-838-91	METAL CHIP	220K 0.5% 1/10W
PH6001	6-600-187-01	PHOTO COUPLER	PC123Y22J00F	R6016	1-216-833-11	METAL CHIP	10K 5% 1/10W
PH6002	6-600-187-01	PHOTO COUPLER	PC123Y22J00F	R6017	1-208-803-11	METAL CHIP	7.5K 0.5% 1/10W
PH6200	6-600-187-01	PHOTO COUPLER	PC123Y22J00F	R6018	1-218-881-11	METAL CHIP	27K 0.5% 1/10W
< PROTECTOR MODULE >				R6020	1-218-823-11	METAL CHIP	100 0.5% 1/10W
PS6000 $\Delta$	1-533-596-21	IC LINK	4A 90V	R6022	1-218-875-11	METAL CHIP	15K 0.5% 1/10W
PS6001 $\Delta$	1-533-596-21	IC LINK	4A 90V	R6024	1-216-845-11	METAL CHIP	100K 5% 1/10W
				R6025	1-216-833-11	METAL CHIP	10K 5% 1/10W
				R6026	1-216-833-11	METAL CHIP	10K 5% 1/10W
				R6027	1-216-837-11	METAL CHIP	22K 5% 1/10W
				R6028	1-218-823-11	METAL CHIP	100 0.5% 1/10W

**Note :** The components identified by shading and marked  $\Delta$  are critical for safety. Replace only with the part numbers specified in the parts list.

**G1**

REF.NO.	PART.NO	DESCRIPTION	REMARK	REF.NO.	PART.NO	DESCRIPTION	REMARK
R6029	1-216-837-11	METAL CHIP	22K 5% 1/10W	R6209	1-216-805-11	METAL CHIP	47 5% 1/10W
R6030	1-249-393-11	CARBON	10 5% 1/4W	R6210	1-218-871-11	METAL CHIP	10K 0.5% 1/10W
R6031	1-249-393-11	CARBON	10 5% 1/4W	R6211	1-218-867-11	METAL CHIP	6.8K 0.5% 1/10W
R6032	1-218-871-11	METAL CHIP	10K 0.5% 1/10W	R6212	1-216-295-91	SHORT CHIP	0
R6035	1-216-833-11	METAL CHIP	10K 5% 1/10W	R6213	1-216-295-91	SHORT CHIP	0
R6036	1-216-833-11	METAL CHIP	10K 5% 1/10W	R6220	1-218-865-11	METAL CHIP	5.6K 0.5% 1/10W
R6037	1-216-821-11	METAL CHIP	1K 5% 1/10W	R6221	1-216-827-11	METAL CHIP	3.3K 5% 1/10W
R6038	1-216-864-11	SHORT CHIP	0	R6222	1-218-879-11	METAL CHIP	22K 0.5% 1/10W
R6039	1-216-864-11	SHORT CHIP	0	R6223	1-216-864-11	SHORT CHIP	0
R6040	1-245-494-21	METAL	2.2M 2% 1/4W	R6224	1-218-881-11	METAL CHIP	27K 0.5% 1/10W
R6041	1-245-494-21	METAL	2.2M 2% 1/4W	R6226	1-218-849-11	METAL CHIP	1.2K 0.5% 1/10W
R6042	1-216-817-11	METAL CHIP	470 5% 1/10W	R6227	1-218-871-11	METAL CHIP	10K 0.5% 1/10W
R6043	1-245-315-21	METAL OXIDE	0.1 5% 2W	< TRANSFORMER >			
R6043	1-245-315-71	METAL OXIDE	0.1 5% 2W	T6000	$\Delta$ 1-445-204-11	CONVERTER TRANSFORMER (PIT)	
R6044	1-216-864-11	SHORT CHIP	0	T6001	$\Delta$ 1-445-201-11	CONVERTER TRANSFORMER (PIT)	
R6045	1-245-315-21	METAL OXIDE	0.1 5% 2W	T6200	$\Delta$ 1-443-984-11	CONVERTER TRANSFORMER (SBT)	
R6045	1-245-315-71	METAL OXIDE	0.1 5% 2W	< VARISTOR >			
R6046	1-216-833-11	METAL CHIP	10K 5% 1/10W	VD6000	$\Delta$ 1-804-995-11	VARISTOR	
R6047	1-216-833-11	METAL CHIP	10K 5% 1/10W				
R6048	1-216-837-11	METAL CHIP	22K 5% 1/10W				
R6049	1-216-837-11	METAL CHIP	22K 5% 1/10W				
R6050	1-216-833-11	METAL CHIP	10K 5% 1/10W				
R6052	1-216-821-11	METAL CHIP	1K 5% 1/10W				
R6053	1-216-821-11	METAL CHIP	1K 5% 1/10W				
R6054	1-216-833-11	METAL CHIP	10K 5% 1/10W				
R6055	1-216-864-11	SHORT CHIP	0				
R6057	1-216-822-11	METAL CHIP	1.2K 5% 1/10W				
R6058	1-216-833-11	METAL CHIP	10K 5% 1/10W				
R6061	1-216-837-11	METAL CHIP	22K 5% 1/10W				
R6062	1-218-849-11	METAL CHIP	1.2K 0.5% 1/10W				
R6063	1-218-868-11	METAL CHIP	7.5K 0.5% 1/10W				
R6064	1-218-847-11	METAL CHIP	1K 0.5% 1/10W				
R6066	1-216-829-11	METAL CHIP	4.7K 5% 1/10W				
R6068	1-216-849-11	METAL CHIP	220K 5% 1/10W				
R6069	1-208-842-11	METAL CHIP	330K 0.5% 1/10W				
R6070	1-208-842-11	METAL CHIP	330K 0.5% 1/10W				
R6071	1-208-838-91	METAL CHIP	220K 0.5% 1/10W				
R6072	1-208-810-11	METAL CHIP	15K 0.5% 1/10W				
R6073	1-216-837-11	METAL CHIP	22K 5% 1/10W				
R6074	1-216-825-11	METAL CHIP	2.2K 5% 1/10W				
R6075	1-216-825-11	METAL CHIP	2.2K 5% 1/10W				
R6076	1-216-837-11	METAL CHIP	22K 5% 1/10W				
R6080	1-208-838-91	METAL CHIP	220K 0.5% 1/10W				
R6081	1-216-295-91	SHORT CHIP	0				
R6200	1-249-389-11	CARBON	4.7 5% 1/4W				
R6202	1-216-864-11	SHORT CHIP	0				
R6203	1-216-864-11	SHORT CHIP	0				
R6204	1-249-385-11	CARBON	2.2 5% 1/4W				
R6205	1-243-725-21	METAL OXIDE	100K 5% 1W				
R6206	1-216-821-11	METAL CHIP	1K 5% 1/10W				

**Note :** The components identified by shading and marked  $\Delta$  are critical for safety. Replace only with the part numbers specified in the parts list.

REF.NO.	PART.NO	DESCRIPTION	REMARK	REF.NO.	PART.NO	DESCRIPTION	REMARK
<b>ACCESSORIES AND CONNECTORS</b>							
	*1-833-927-12	CONNECTOR ASSY (BALANCER-CN6700 (D1))	(KDL-40S30XXUK/AEP)		*1-910-036-44	CONNECTOR ASSY 7P (BALANCER-CN6701 (D1))	(KDL-40S30XXUK/AEP)
	*1-833-928-12	CONNECTOR ASSY (BALANCER-CN6700 (D1))	(KDL-46S30XXUK/AEP)		*1-910-036-52	CONNECTOR ASSY 7P (BALANCER-CN6701 (D1))	(KDL-46S30XXUK/AEP)
	*1-833-929-12	CONNECTOR ASSY (BALANCER-CN6951 (D2))	(KDL-46S30XXUK/AEP)		*1-910-036-75	MULTI-CONNECTOR (CN6202 (G3) -CN6203 (G3) -CN6402 (BC) , CN6500 (BC) , CN6501 (BC) )	(KDL-40/46S30XXUK/AEP)
	1-834-221-11	HDMI CABLE	(KDL-32S30XXUK/AEP)		1-769-175-21	ANTENNA CABLE	
	1-834-222-11	HDMI CABLE	(KDL-40S3000UK/AEP)		*3-198-502-11	INSTRUCTION MANUAL (KDL-32/40/41S30XXUK)	ENGLISH
	1-834-223-11	HDMI CABLE (CN5500 (BC) -CN251 (U2))	(KDL-46S30XXUK/AEP)		*3-198-502-21	INSTRUCTION MANUAL (KDL-32/40/46AEP)	GERMAN/FRENCH/ITALIAN/DUTCH
	*1-910-035-65	SPEAKER HARNESS, 4 PIN (CN3000 (BC) -SPEAKER)	(KDL-32S30XXUK/AEP)		*3-198-502-31	INSTRUCTION MANUAL (KDL-32/40/46S30XXAEP)	SPANISH/PORTUGUESE/GREEK
	*1-910-035-66	SPEAKER HARNESS, 4 PIN (CN3000 (BC) -SPEAKER)	(KDL-40S30XXUK/AEP)		*3-198-502-41	INSTRUCTION MANUAL (KDL-32/40/46S30XXAEP)	ENGLISH/RUSSIAN/POLISH/CZECH/SLOVAK/HUNGARIAN
	*1-910-035-67	SPEAKER HARNESS, 4 PIN (SPEAKER-CN3000 (BC) )	(KDL-46S30XXUK/AEP)		*3-198-502-51	INSTRUCTION MANUAL (KDL-32/40/46S30XXAEP)	NORWEGIAN/SWEDISH/FINNISH/DANISH/TURKISH
	*1-910-035-68	CONNECTOR ASSY 3P (CN101 (H1) -CN6400 (BC) )	(KDL-32S30XXUK/AEP)	<b>REMOTE COMMANDER</b>			
	*1-910-035-70	CONNECTOR ASSY 3P (CN101 (H1) -CN6400 (BC) )	(KDL-40/46S30XXUK/AEP)		1-480-158-11	REMOTE COMMANDER (RM-ED009)	
	*1-910-035-71	CONNECTOR ASSY 14P (CN6002 (G1) -CN6402 (BC) -INVERTER)	(KDL-32S30XXUK/AEP)				
	*1-910-035-72	CONNECTOR ASSY 14P (CN6003 (G1) -CN6500 (BC) )	(KDL-32S30XXUK/AEP)				
	*1-910-035-73	CONNECTOR ASSY 3P (CN6200 (G1) -CN6501 (BC) )	(KDL-32S30XXUK/AEP)				
	*1-910-035-74	CONNECTOR ASSY 3P (CN6501 (G3) -CN6900 (D2) )	(KDL-46S30XXUK/AEP)				
	*1-910-035-75	CONNECTOR ASSY 3P (CN6502 (G3) -CN6600 (D1) )	(KDL-40/46S30XXUK/AEP)				
	*1-910-035-76	CONNECTOR ASSY 20P (CN3001 (BC) -CN4000 (BC) -CN201 (U2) )	(KDL-32S30XXUK/AEP)				
	*1-910-035-77	CONNECTOR ASSY 20P (CN3001 (BC) -CN4000 (BC) -CN201 (U2) )	(KDL-32S30XXUK/AEP)				
	*1-910-035-79	LVDS 30P (TCOM-CN5000 (BC) )	(KDL-32S30XXUK/AEP)				
	*1-910-035-80	LVDS 30P (TCOM-CN5000 (BC) )	(KDL-40S30XXUK/AEP)				
	*1-910-035-82	CONNECTOR ASSY 12P (CN6401 (BC) -CN301 (H3) -CN401 (H4) )	(KDL-32S30XXUK/AEP)				
	*1-910-035-83	CONNECTOR ASSY 12P (CN6401 (BC) -CN301 (H3) -CN401 (H4) )	(KDL-40S30XXUK/AEP)				
	*1-910-035-84	CONNECTOR ASSY 12P (CN6401 (BC) -CN301 (H3) -CN401 (H4) )	(KDL-46S30XXUK/AEP)				
	*1-910-035-87	CONNECTOR ASSY 12P (CN6704 (D1) -CN6950 (D2) )	(KDL-46S30XXUK/AEP)				
	*1-910-035-94	LVDS 30P (TCOM-CN5000 (BC) )	(KDL-46S30XXUK/AEP)				
	*1-910-036-43	CONNECTOR ASSY 8P (CN6204 (G3) -CN6707 (D1) )	(KDL-40/46S30XXUK/AEP)				

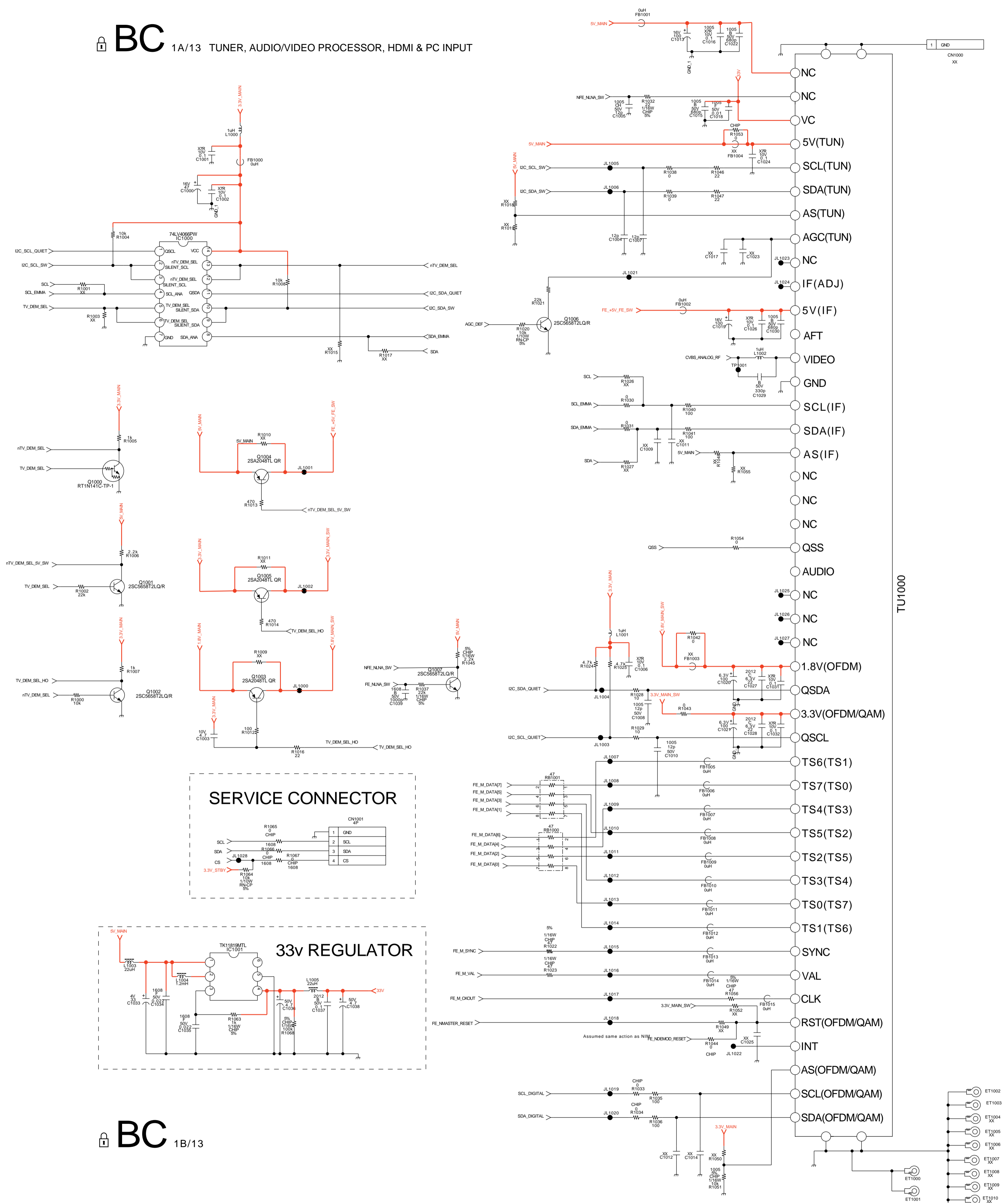




BC.SE1A

# BC 1A/13 TUNER, AUDIO/VIDEO PROCESSOR, HDMI & PC INPUT

COMPONENTS MARKED AS XX REFER TO PARTS LIST, WILL ONLY BE LISTED IF FITTED



# BC 1B/13

BC.SE1A

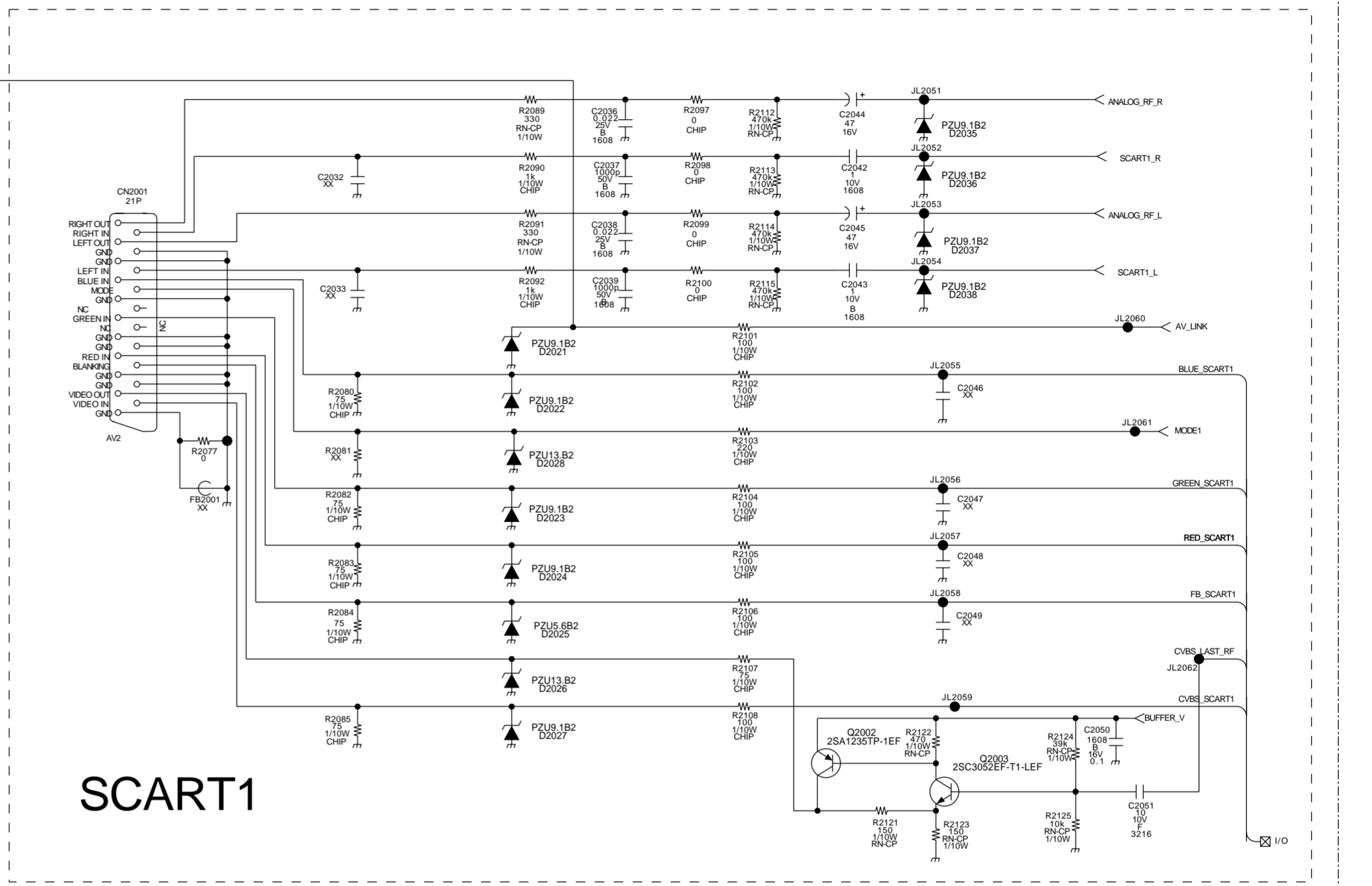
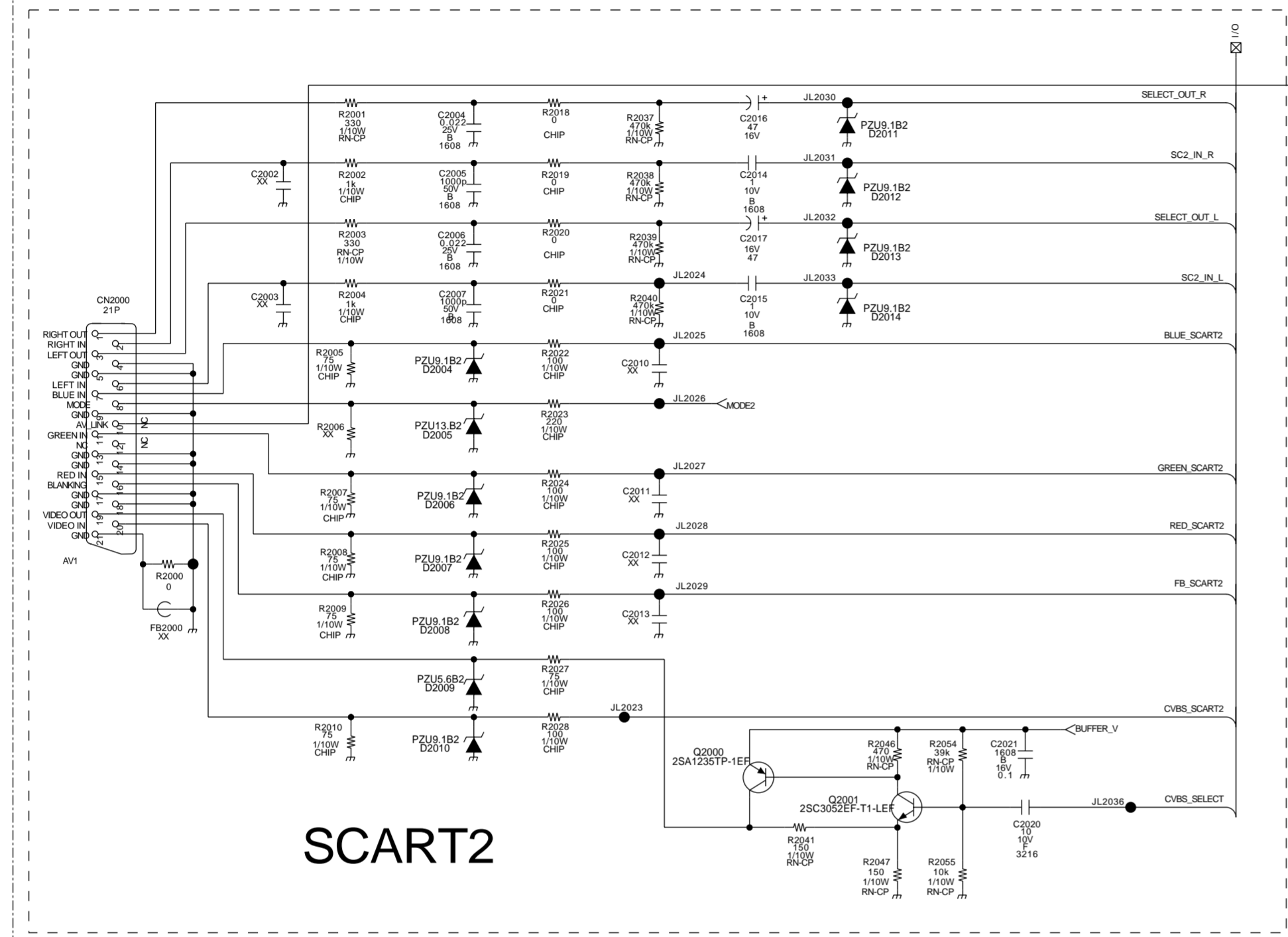
COMPONENTS MARKED AS XX REFER TO PARTS LIST, WILL ONLY BE LISTED IF FITTED

BC.SE1A

BC.SE1A

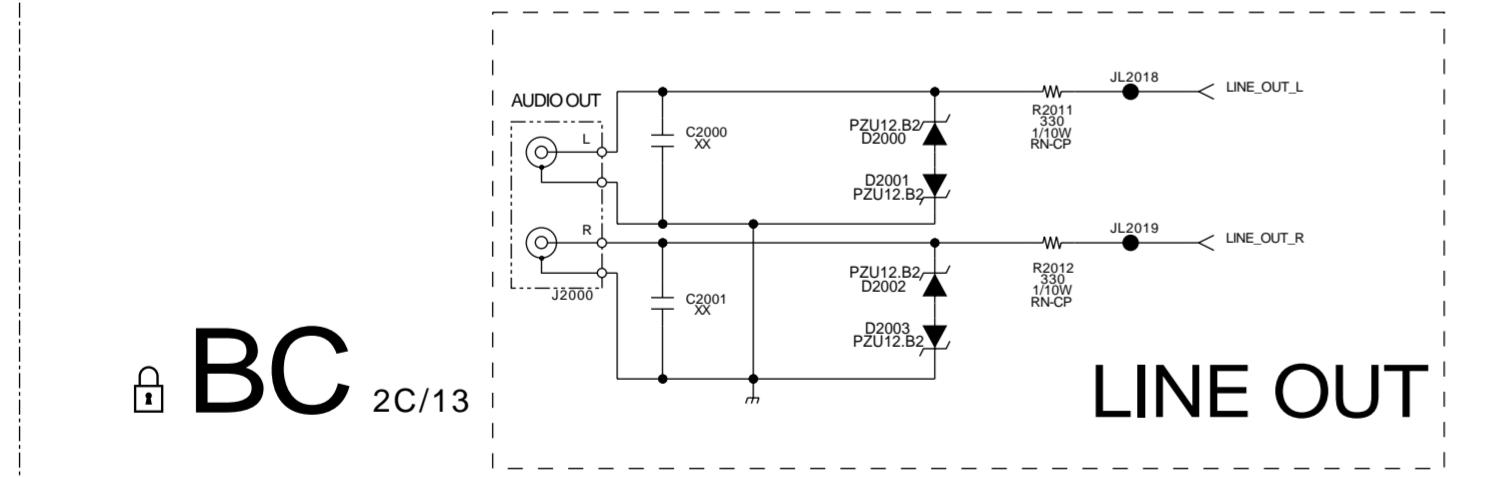
BC 2A/13

BC 2B/13

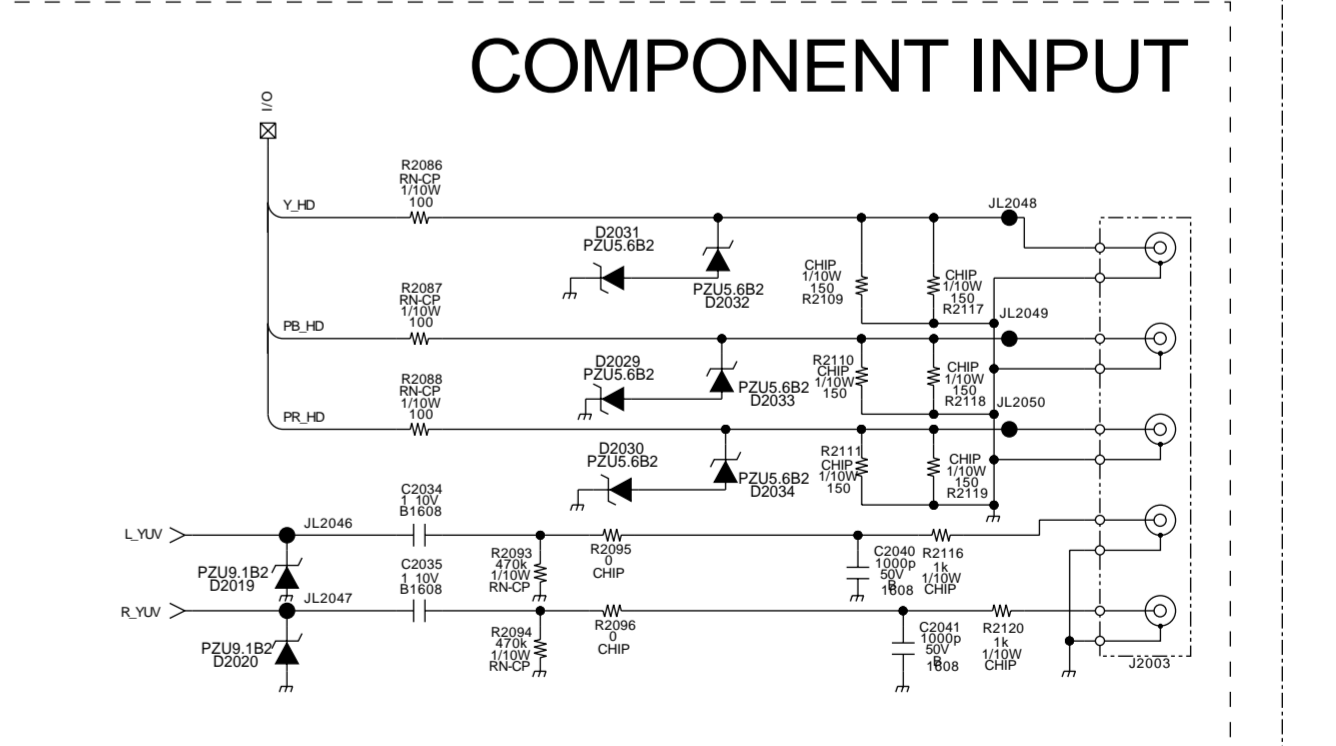
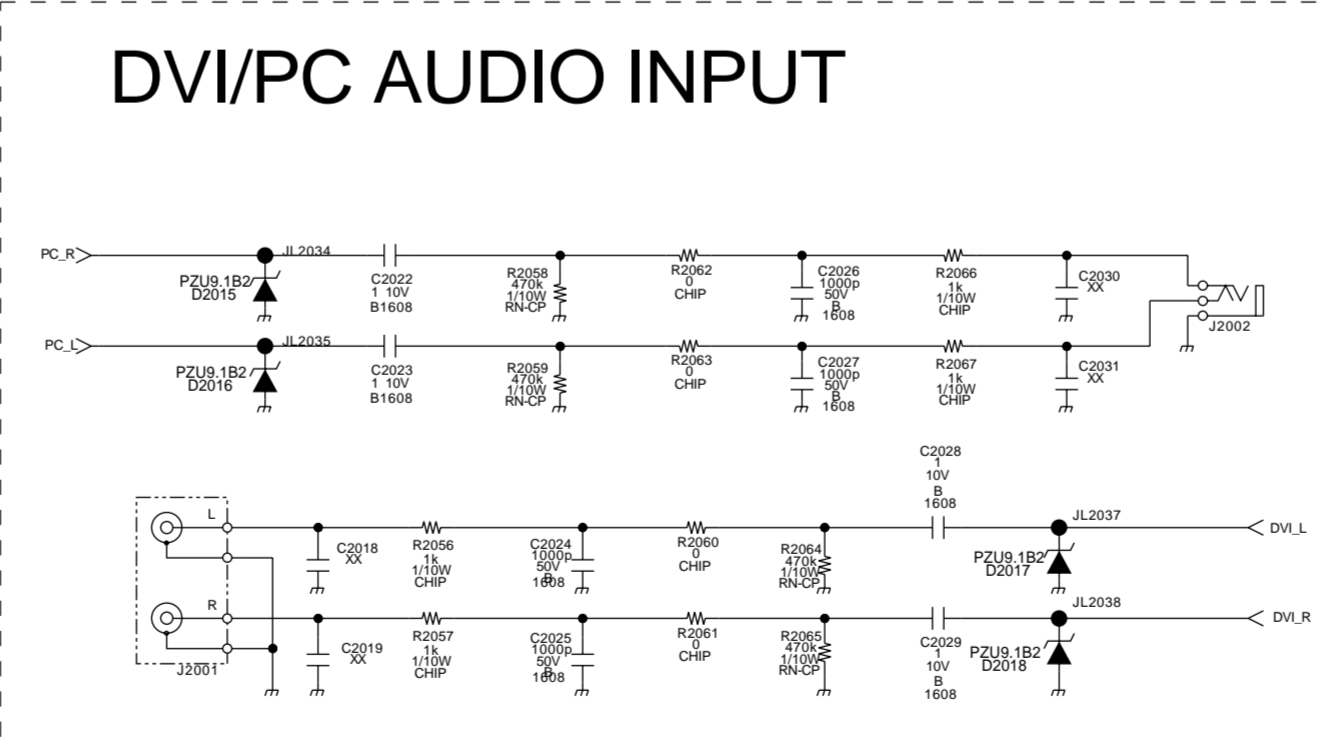


SCART2

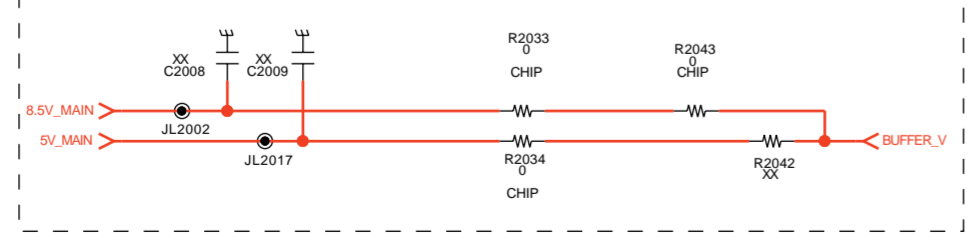
SCART1



BC 2C/13



A / B BOARD CONNECTORS

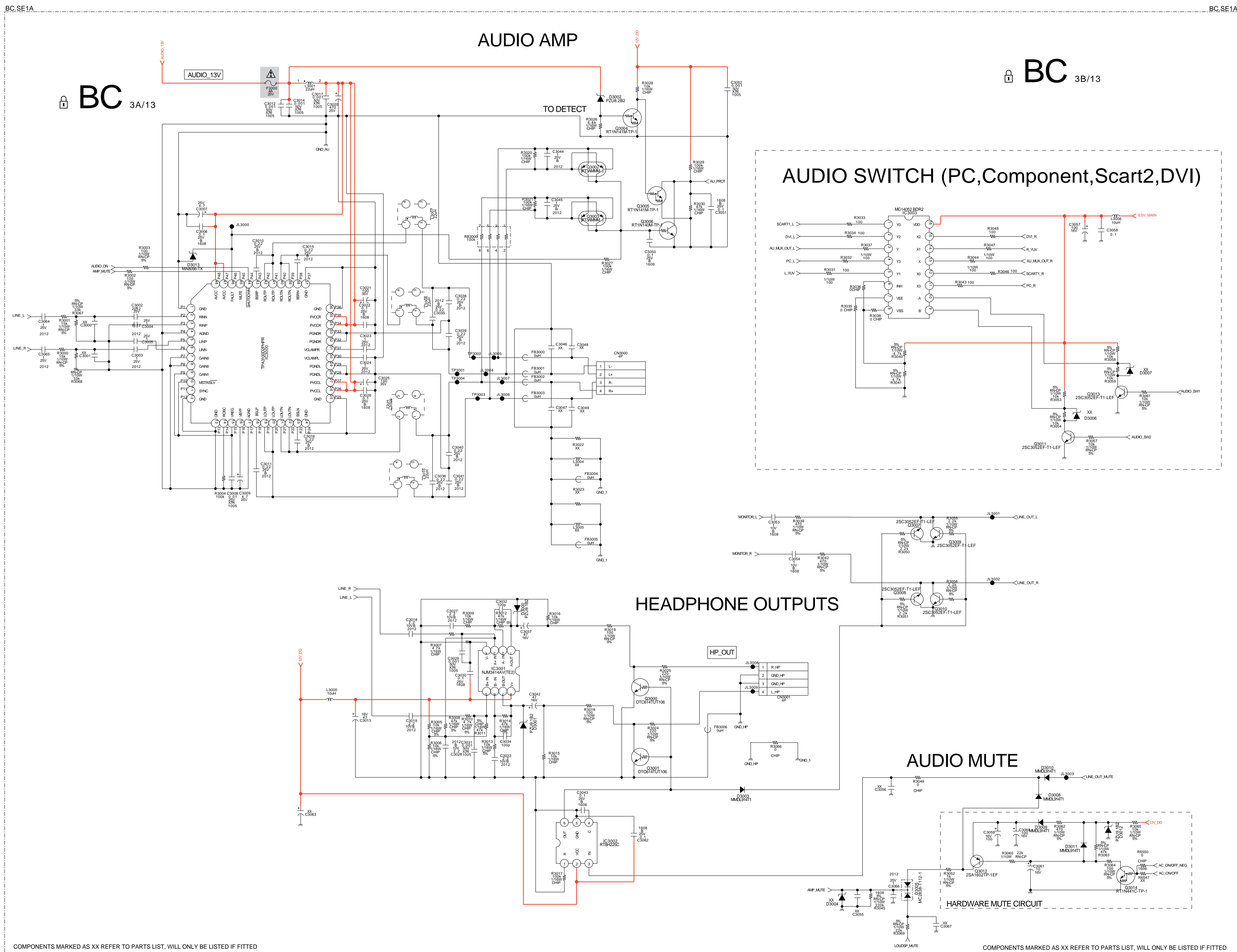


COMPONENTS MARKED AS XX REFER TO PARTS LIST, WILL ONLY BE LISTED IF FITTED

BC 2D/13

BC.SE1A

BC.SE1A

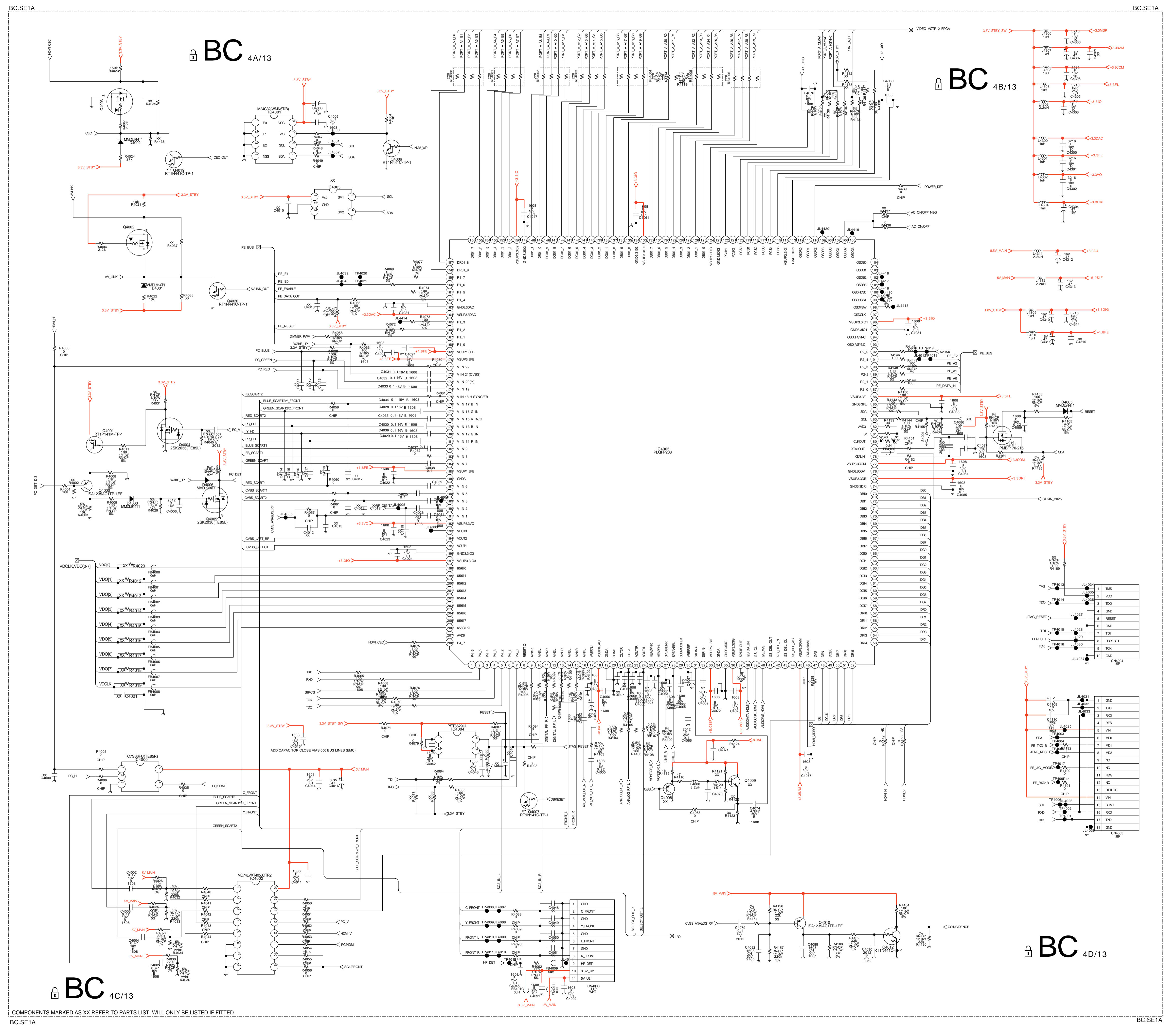


BC.SF1A

BC.SF1A

BC 3A/13

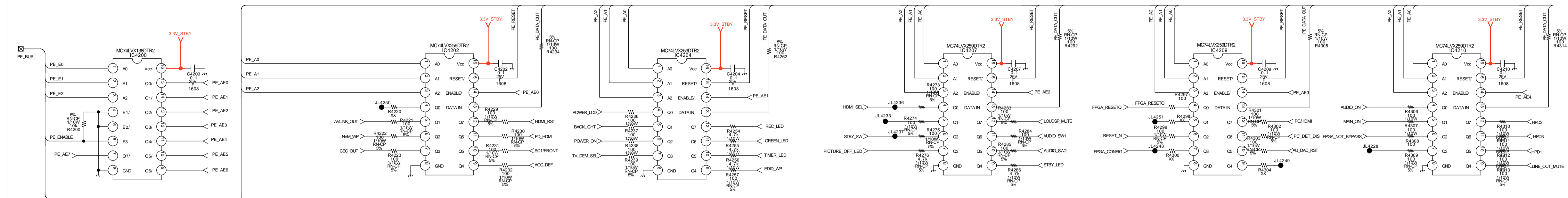
BC 3B/13



COMPONENTS MARKED AS XX REFER TO PARTS LIST, WILL ONLY BE LISTED IF FITTED

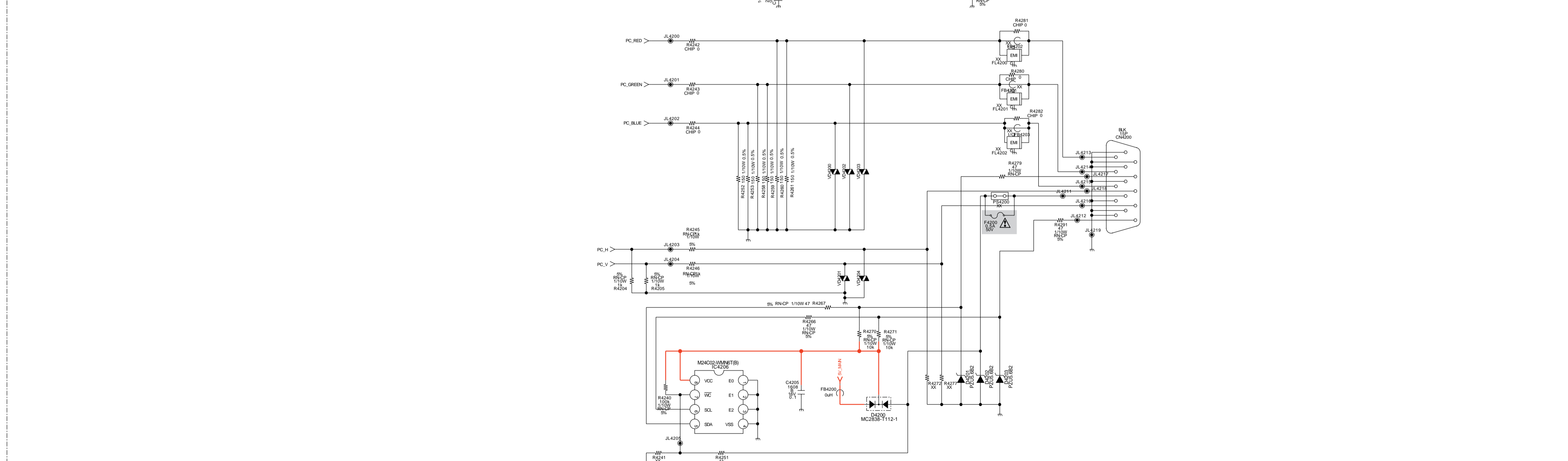
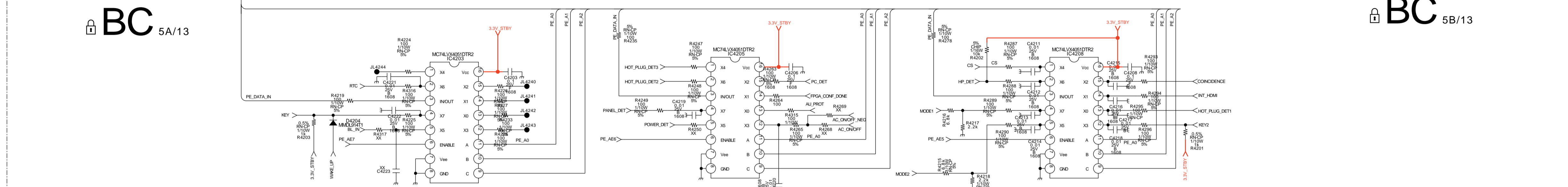
BC.SF1A

BC.SF1A



BC 5A/13

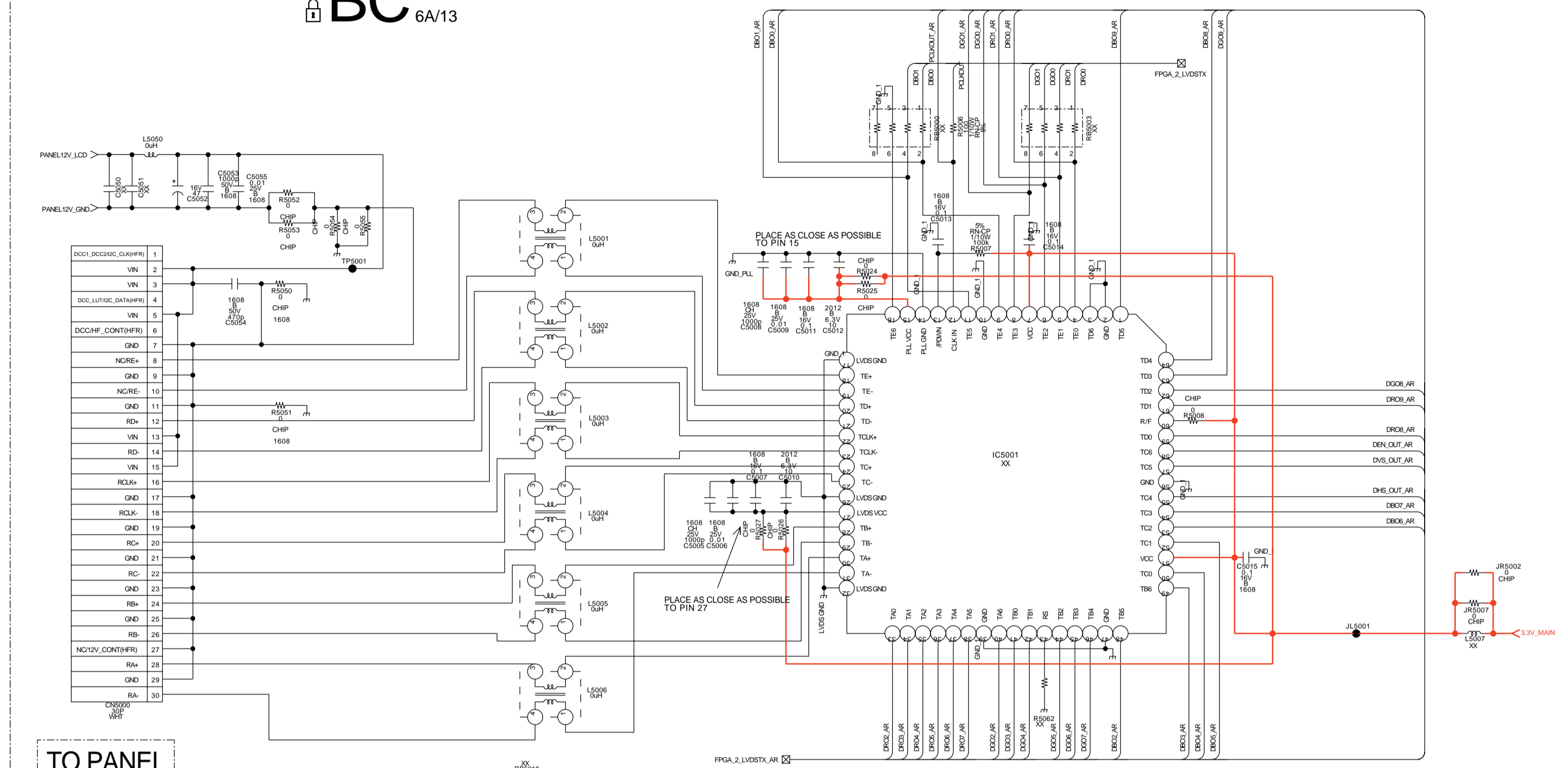
BC 5B/13



COMPONENTS MARKED AS XX REFER TO PARTS LIST, WILL ONLY BE LISTED IF FITTED

COMPONENTS MARKED AS XX REFER TO PARTS LIST, WILL ONLY BE LISTED IF FITTED

**BC** 6A/13



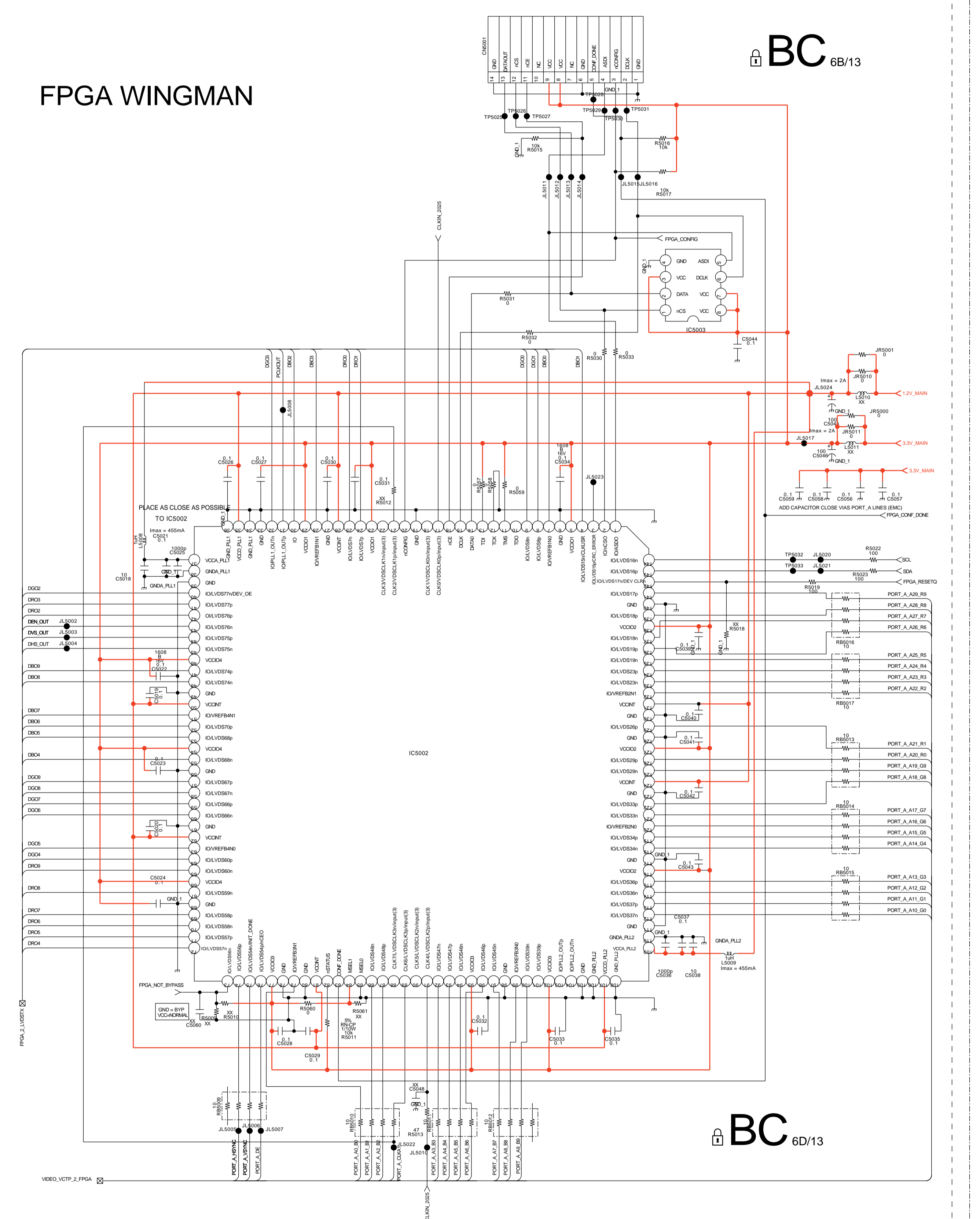
TO PANEL

PORT_A_A17_G7	PORT_A_A18_G6	PORT_A_A19_G5	PORT_A_A14_G4
PORT_A_A20_R9	PORT_A_A21_R8	PORT_A_A22_R7	PORT_A_A26_R6
PORT_A_A21_R1	PORT_A_A20_R2	PORT_A_A19_G3	PORT_A_A18_G8
PORT_A_A7_B7	PORT_A_A6_B6	PORT_A_A4_B4	
PORT_A_A3_B3	PORT_A_A2_B2	PORT_A_VSYNC	PORT_A_HEYNC
PORT_A_A25_R5	PORT_A_A24_R4	PORT_A_A23_R3	PORT_A_A22_R2
PORT_A_A1	PORT_A_A0		
PORT_A_A13_G3	PORT_A_A12_G2	PORT_A_A11_G1	PORT_A_A10_G9
PORT_A_A1_B1	PORT_A_A0_B0		

**BC** 6C/13

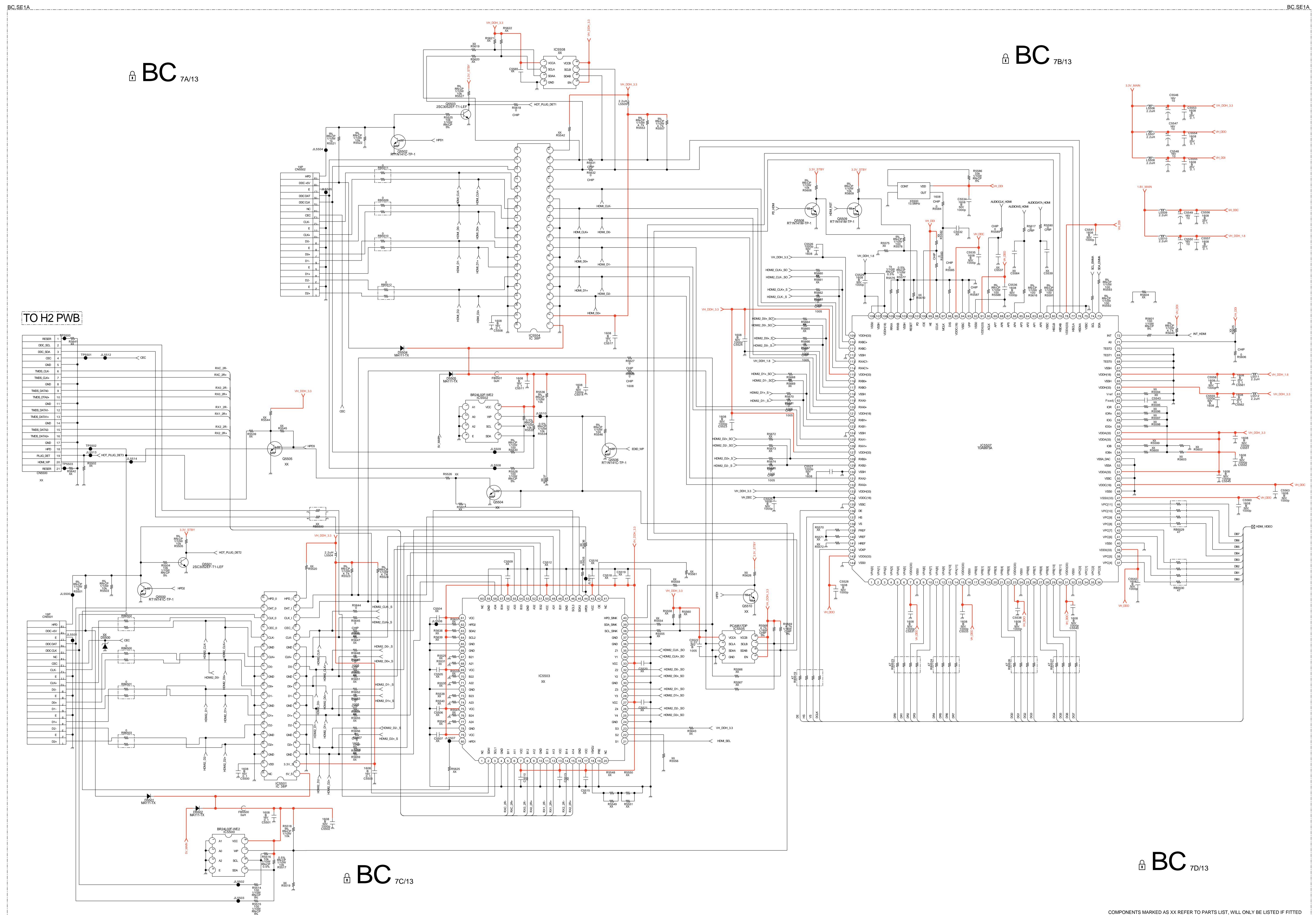
**FPGA WINGMAN**

**BC** 6B/13



**BC** 6D/13

COMPONENTS MARKED AS XX REFER TO PARTS LIST. WILL ONLY BE LISTED IF FITTED



BC 7A/13

BC 7B/13

BC 7C/13

BC 7D/13

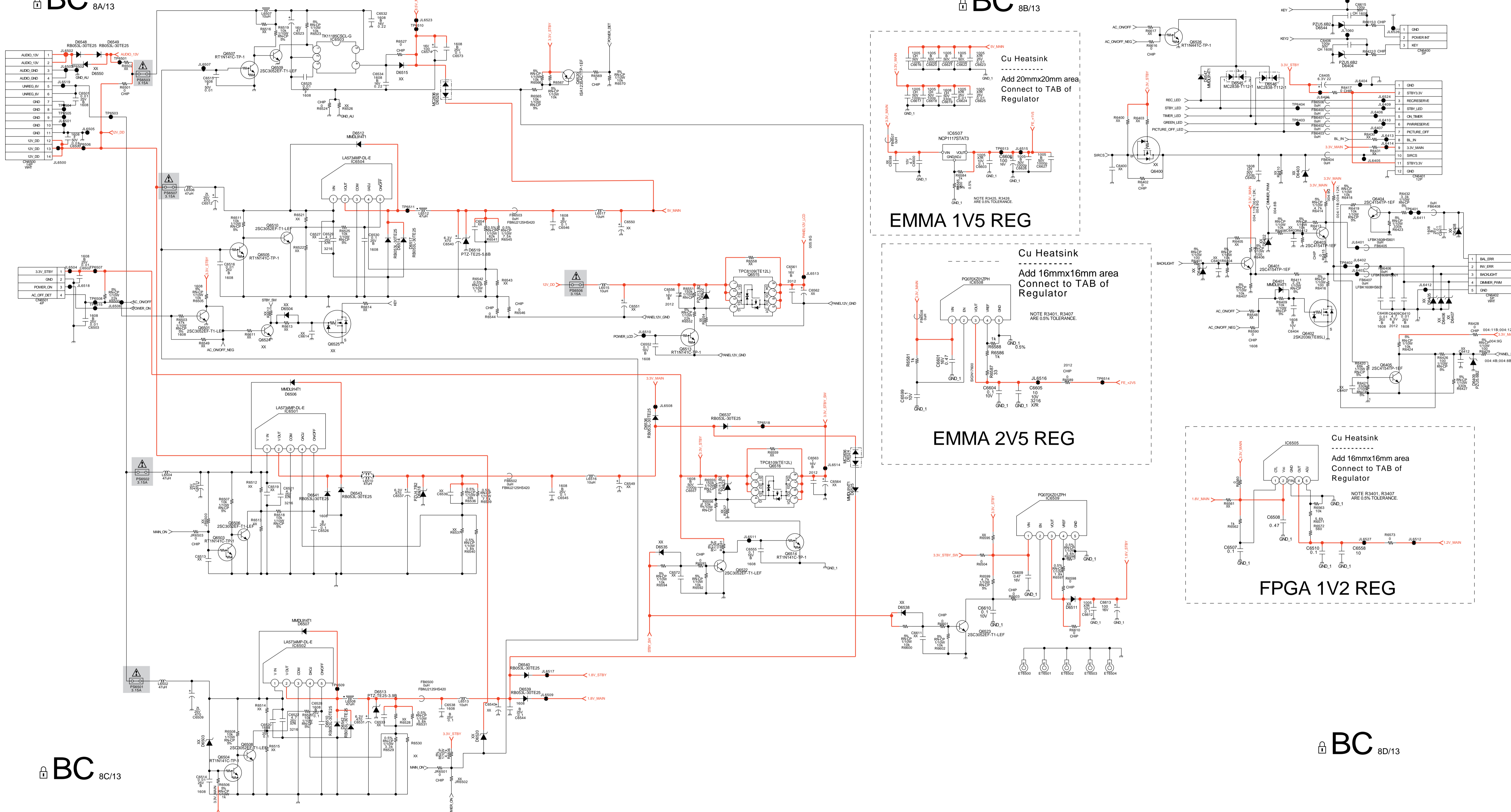
TO H2 PWB

COMPONENTS MARKED AS XX REFER TO PARTS LIST, WILL ONLY BE LISTED IF FITTED



# BC 8A/13

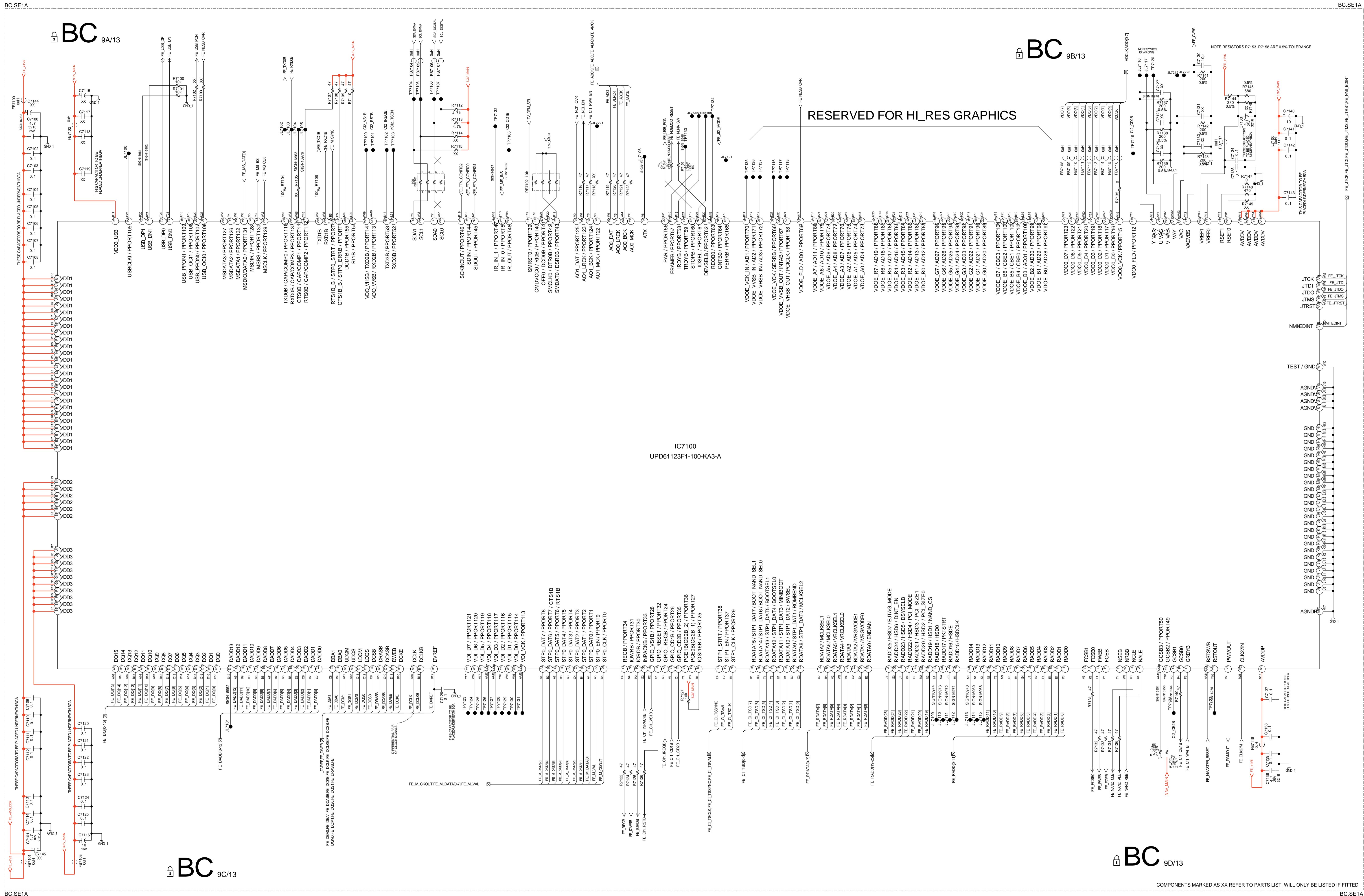
# BC 8B/13



# BC 8C/13

# BC 8D/13

COMPONENTS MARKED AS XX REFER TO PARTS LIST, WILL ONLY BE LISTED IF FITTED



BC 9A/13

BC 9B/13

BC 9C/13

RESERVED FOR HI\_RES GRAPHICS

IC7100  
UPD61123F1-100-KA3-A

BC 9D/13

COMPONENTS MARKED AS XX REFER TO PARTS LIST. WILL ONLY BE LISTED IF FITTED

# BC 10A/13

## NAND FLASH

## STRAP PINS

RDATA[0] = 1 = ENDIAN = Big Endian  
 RDATA[2:1] = 10 = MRGMODE1-0 = Full merge & All bytes  
 RDATA[3] = .. = RESERVED  
 RDATA[5:4] = 10 = VRCLKSEL1-0 = 187MHz  
 RDATA[8:6] = 101 = MCLKSEL2-0 = 166MHz  
 RDATA[9] = 1 = ROMBEND = Big Endian  
 RDATA[10] = 1 = BWSEL = 8bit  
 RDATA[11] = 1 = MINIBOOT = use miniboot  
 RDATA[13:12] = 11 = BOOTSEL1-0 = Nand, then Memory Stick  
 RDATA[15:14] = 00 = BOOT\_NAND\_SEL1-0 = <256mbit  
 RADD[25] = 1 = EJTAG\_MODE = EJTAG  
 RADD[24] = 0 = DINT\_EN = disable  
 RADD[23] = 1 = DSYSELB = main only  
 RADD[22] = 1 = PCIMODE = host  
 RADD[21:20] = 00 = PCI\_SIZE1-0 = 32Mbyte  
 RADD[19] = 0 = NANDCS = CS0

PLEASE PLACE COMPONENTS IN THIS BOX IN SAME AREA ON PWB

# BC 10C/13

# BC 10B/13

## VIDEO AMPS/BUFFERS

## SW OPTION SELECT RESISTORS

	OPTION #1	OPTION #2	OPTION #3
FTV_CONFIG2	0	0	0
FTV_CONFIG1	0	0	0
FTV_CONFIG0	0	0	0

# BC 10D/13

## DDR SDRAM

## 27MHZ CLOCK

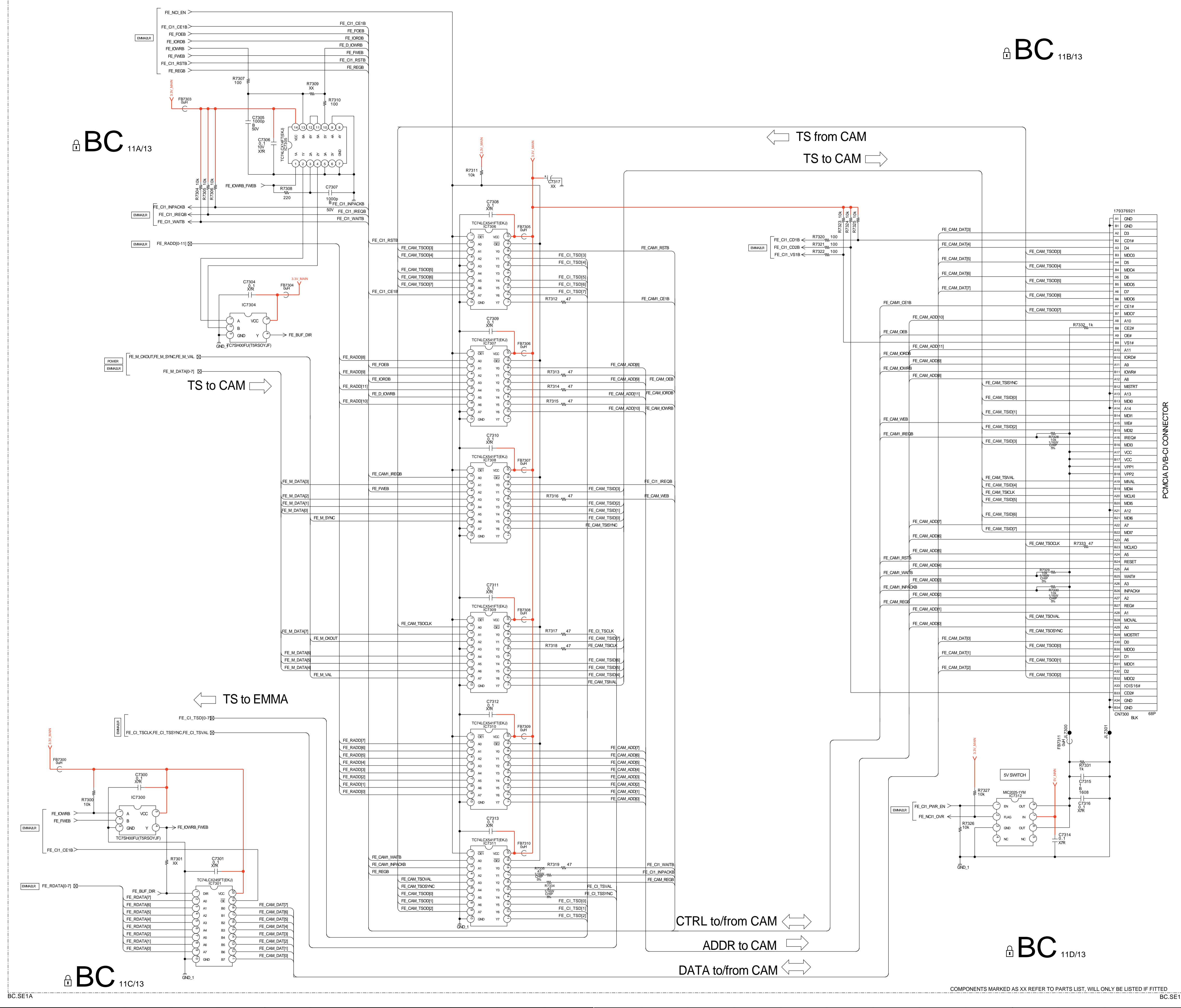
COMPONENTS MARKED AS XX REFER TO PARTS LIST. WILL ONLY BE LISTED IF FITTED

BC 11A/13

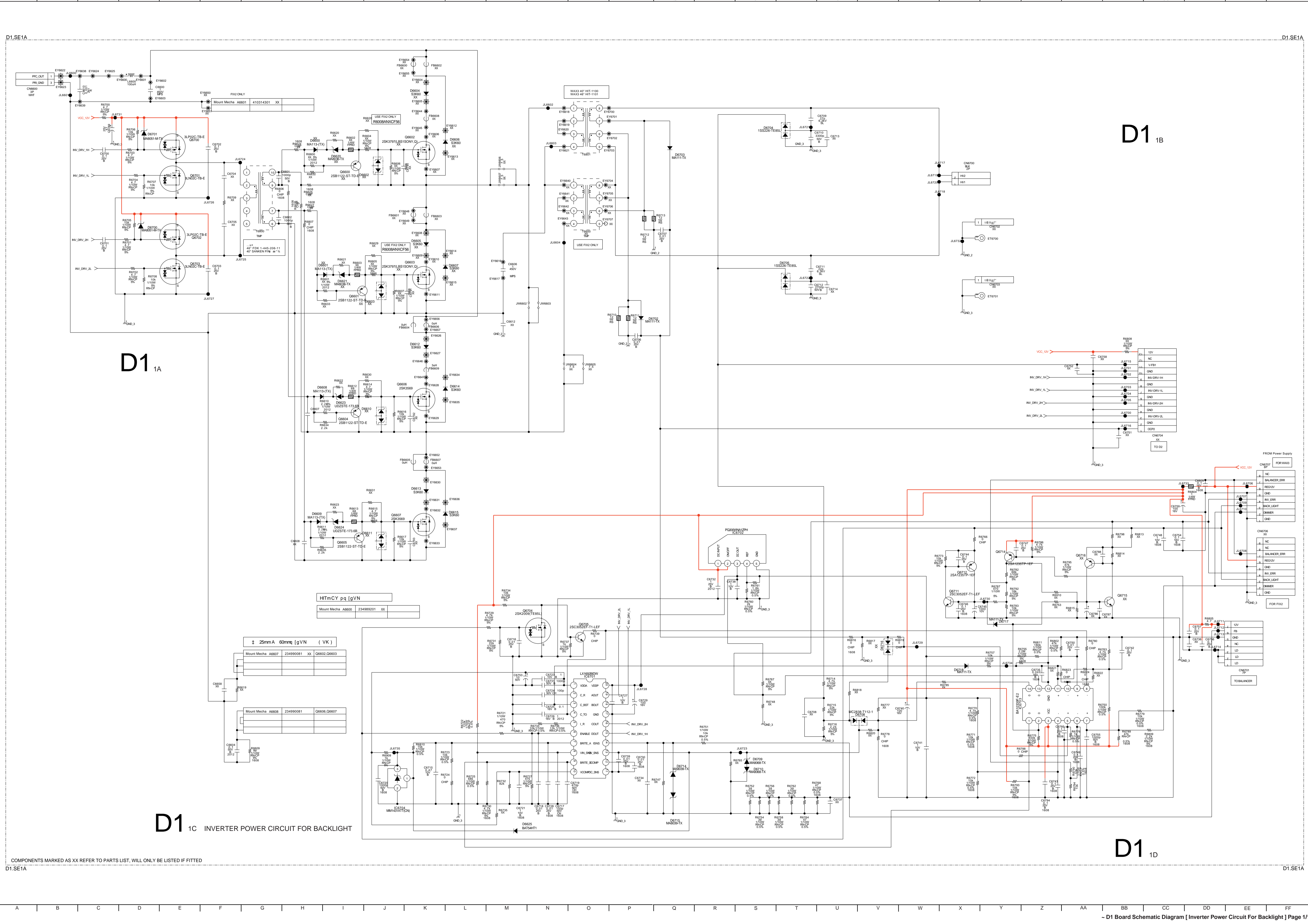
BC 11B/13

BC 11C/13

BC 11D/13



COMPONENTS MARKED AS XX REFER TO PARTS LIST. WILL ONLY BE LISTED IF FITTED



D1 1A

D1 1B

D1 1C INVERTER POWER CIRCUIT FOR BACKLIGHT

D1 1D

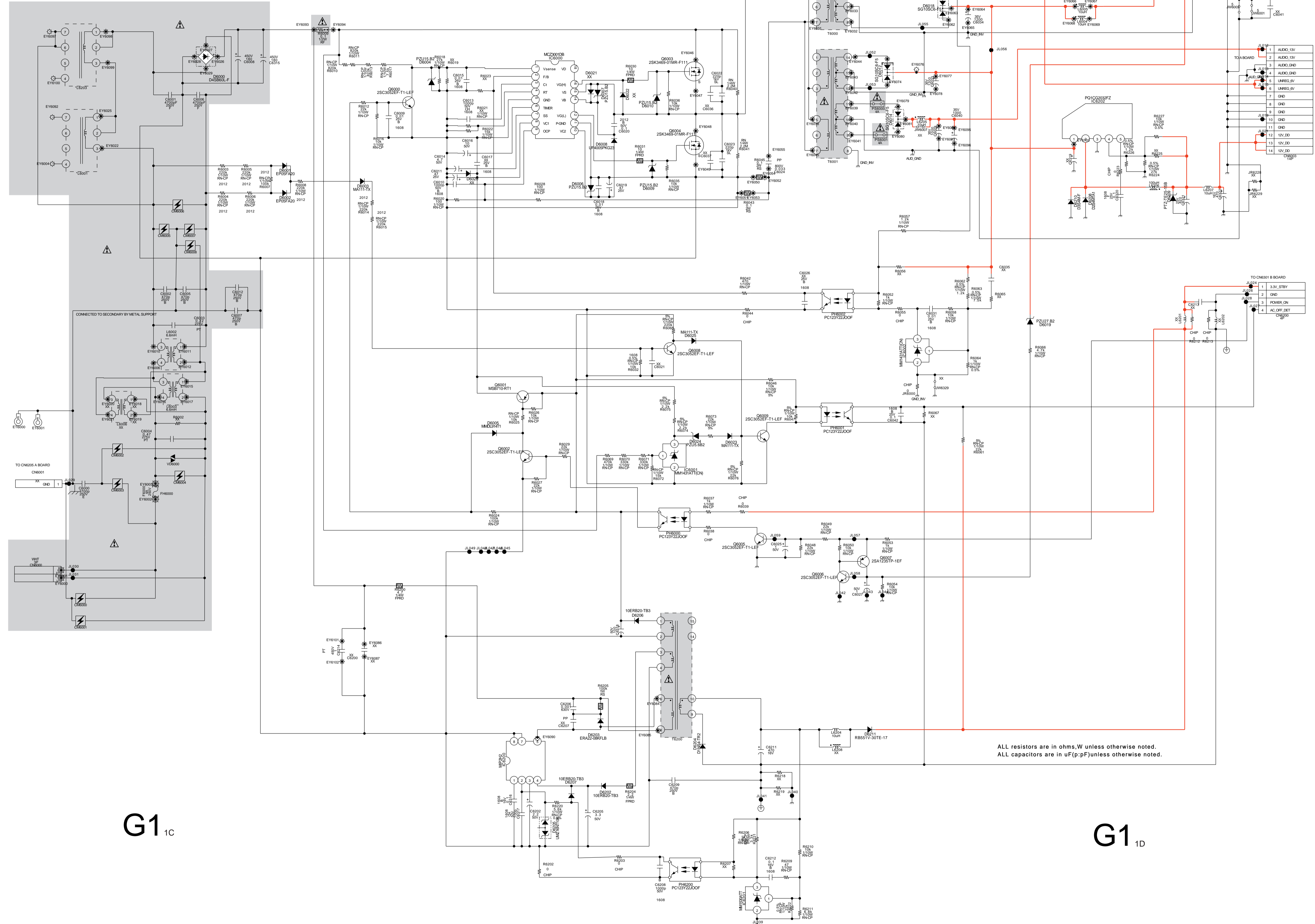
COMPONENTS MARKED AS XX REFER TO PARTS LIST. WILL ONLY BE LISTED IF FITTED

# G1 1A POWER SUPPLY

# G1 1B

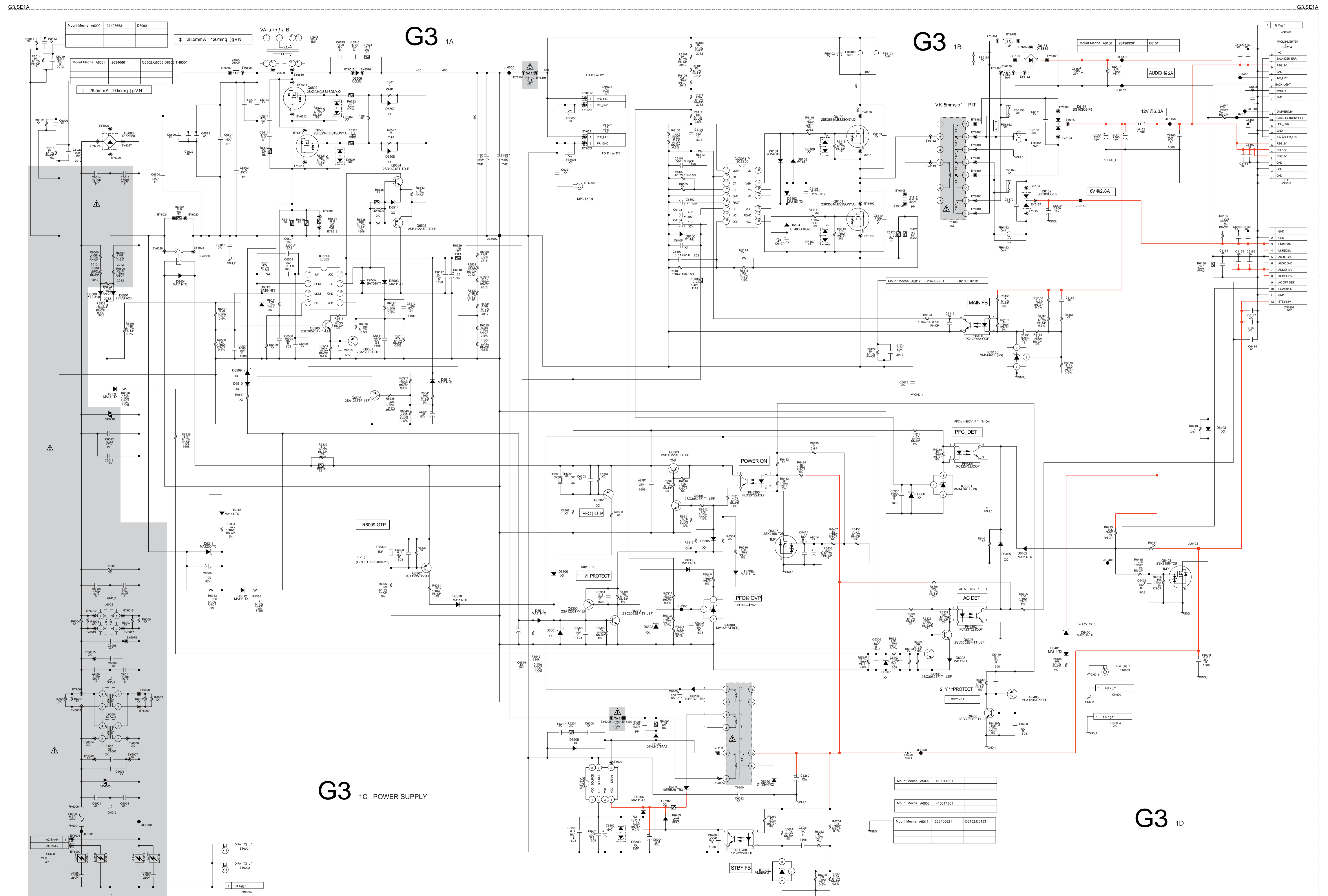
# G1 1C

# G1 1D



COMPONENTS MARKED AS XX REFER TO PARTS LIST, WILL ONLY BE LISTED IF FITTED

ALL resistors are in ohms,W unless otherwise noted.  
ALL capacitors are in uF(p:pF)unless otherwise noted.



**G3 1C POWER SUPPLY**

**G3 1D**

COMPONENTS MARKED AS XX REFER TO PARTS LIST, WILL ONLY BE LISTED IF FITTED

Mount Mecha	A600	41021-4301
Mount Mecha	A603	41021-4301
Mount Mecha	A615	26340621 D6152.D6153

1	18kgf	CH600
2	BALANCE_ERR	CH601
3	REGDY	CH602
4	NO_ERR	CH603
5	BACK_LIGHT	CH604
6	DIMMER	CH605
7	BACKLIGHT_DIMMER	CH606
8	BACKLIGHT_DIMMER_ERR	CH607
9	REGDY	CH608
10	REGDY	CH609
11	REGDY	CH610
12	REGDY	CH611
13	REGDY	CH612
14	REGDY	CH613
15	REGDY	CH614
16	REGDY	CH615
17	REGDY	CH616
18	REGDY	CH617
19	REGDY	CH618
20	REGDY	CH619
21	REGDY	CH620

