

Self Diagnosis
Supported model

SERVICE MANUAL

EX2L-Basil CHASSIS

MODEL	DEST	MODEL	DEST
KDL-32W5800	AEP / UK	KDL-46W5800	AEP / UK
KDL-37W5800	AEP / UK	KDL-52W5800	AEP / UK
KDL-40W5800	AEP / UK		



RM-ED020 (UK)



RM-ED016 (AEP)

FLAT PANEL COLORTV
SONY®

TABLE OF CONTENTS

<i>Section</i>	<i>Title</i>	<i>Page</i>	<i>Section</i>	<i>Title</i>	<i>Page</i>
1. GENERAL			4. DIAGRAMS		
	Caution	3	4-1.	Block Diagram	16
	Specifications	6	4-2.	Circuit Board Location	17
	Connectors	8	4-3.	Schematic Diagrams and Printed Wiring Boards	17
	Self Diagnosis	9		BA Board Schematic Diagram	18
2. DISASSEMBLY				D5N Board Schematic Diagram (52 inches)	36
2-1.	Rear Cover Removal (Step 1)	10		D6N Board Schematic Diagram (52 inches)	37
2-2.	Rear Cover Removal (Step 2)	10		HL4A Board Schematic Diagram	38
2-3.	Rear Installation	10		HSN Board Schematic Diagram	38
2-4.	Stand Assy Removal	11		IP1 Board Schematic Diagram (40 inches)	39
2-5.	Under Cover Removal	11		IP2 Board Schematic Diagram (46 inches)	41
2-6.	Loudspeaker Removal	11		TUS Board Schematic Diagram	43
2-7.	BA Board Removal.....	11		BA Printed Wiring Board	45
2-8.	D5N Board Removal (52 inches).....	12		HSN Printed Wiring Board	45
2-9.	D6N Board Removal (52 inches)	12		HL4A Printed Wiring Board	46
2-10.	G2 Board Removal (32 inches)	12		D5N Printed Wiring Board (52 inches)	47
2-11.	G4 Board Removal (37 inches)	12		D6N Printed Wiring Board (52 inches)	48
2-12.	G5 Board Removal (52 inches)	13		TUS Printed Wiring Board	48
2-13.	HL4A Board Removal	13		IP1 Printed Wiring Board (40 inches)	49
2-14.	HSN Board Removal	13		IP2 Printed Wiring Board (46 inches)	51
2-15.	IP1 Board Removal (40 inches)	13	5. EXPLODED VIEWS		
2-16.	IP2 Board Removal (46 inches).....	14	5-1.	Chassis	53
2-17.	TUS Board Removal.....	14	5-2.	Bezel Assy & Stand Assy	55
3. SERVICE MENUS			5-3.	Rear Cover Assy & Power Supply Cords	56
3-1.	How to enter the Service Mode	15	6. ELECTRICAL PARTS LIST		57
3-2.	Changing TVM Data Settings	15			
3-3.	Writing TVM Data	15			

WARNING !!

AN ISOLATION TRANSFORMER SHOULD BE USED DURING ANY SERVICE WORK TO AVOID POSSIBLE SHOCK HAZARD DUE TO LIVE CHASSIS, THE CHASSIS OF THIS RECEIVER IS DIRECTLY CONNECTED TO THE POWER LINE.

SAFETY-RELATED COMPONENT WARNING !!

COMPONENTS IDENTIFIED BY SHADING AND MARKED Δ ON THE EXPLODED VIEWS AND IN THE PARTS LIST ARE CRITICAL FOR SAFE OPERATION. REPLACE THESE COMPONENTS WITH SONY PARTS WHOSE PART NUMBERS APPEAR AS SHOWN IN THIS MANUAL OR IN SUPPLEMENTS PUBLISHED BY SONY.

SECTION 1 GENERAL

CAUTION

Lead Free Soldered Boards

The circuit boards used in these models have been processed using Lead Free Solder. The boards are identified by the LF logo located close to the board designation e.g. H1 etc [see example]. The servicing of these boards requires special precautions to be taken as outlined below.

example



Lead Free Solder material must be used to comply with environmental requirements of new solder joints. Lead Free Solder is available under the following part numbers :


Partnumber	Diameter	Remarks
7-640-005-19	0.3mm	0.25Kg
7-640-005-20	0.4mm	0.50Kg
7-640-005-21	0.5mm	0.50Kg
7-640-005-22	0.6mm	0.25Kg
7-640-005-23	0.8mm	1.00Kg
7-640-005-24	1.0mm	1.00Kg
7-640-005-25	1.2mm	1.00Kg
7-640-005-26	1.6mm	1.00Kg

Due to the higher melting point of Lead Free Solder the soldering iron tip temperature needs to be set to 370 degrees centigrade. This requires soldering equipment capable of accurate temperature control coupled with a good heat recovery characteristics.

For more information on the use of Lead Free Solder, please refer to <http://www.sony-training.com>

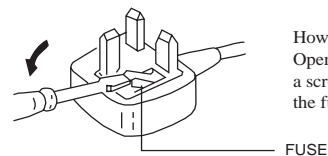
UK PLUG WARNING

WARNING (UK Models only)

The flexible mains lead is supplied connected to a **B.S. 1363** fused plug having a fuse of the correct rating for the set. Should the fuse need to be replaced, use a fuse of the same rating approved by ASTA to **BS 1362**, ie one that carries the  mark.

IF THE PLUG SUPPLIED WITH THIS APPLIANCE IS NOT SUITABLE FOR THE OUTLET SOCKETS IN YOUR HOME, IT SHOULD BE CUT OFF AND AN APPROPRIATE PLUG FITTED. THE PLUG SEVERED FROM THE MAINS LEAD MUST BE DESTROYED AS A PLUG WITH BARED WIRES IS DANGEROUS IF ENGAGED IN A LIVE SOCKET.

When an alternative type of plug is used, it should be fitted with the correct rating fuse, otherwise the circuit should be protected by the same rating fuse at the distribution board.



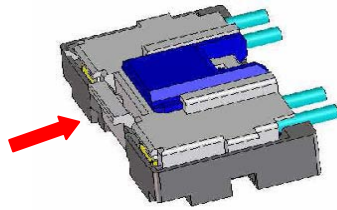
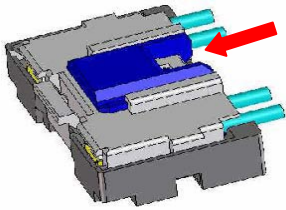
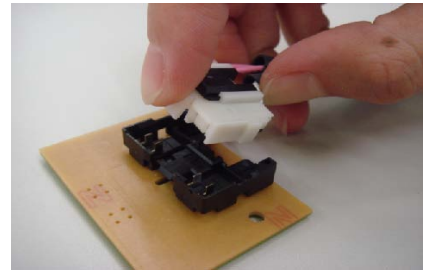
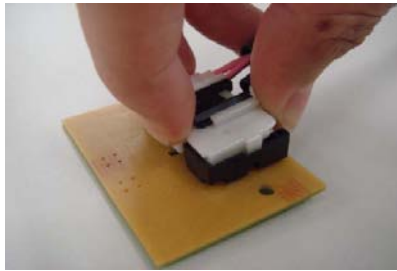
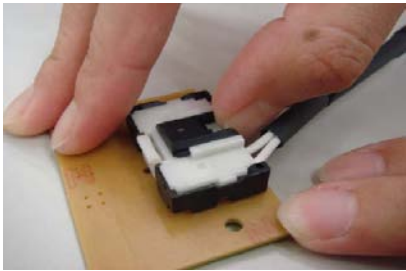
How to replace the fuse.
Open the fuse compartment with a screwdriver blade and replace the fuse.

LCD PANEL CAUTION

Whilst working on this product, it is not recommended to lay the TV set face down when powered up, as this can result in panel problems. If it is necessary to power up the TV set when face down, the time should be minimised as much as possible.

CAUTION

1. MDF-61 Connector (Removal)

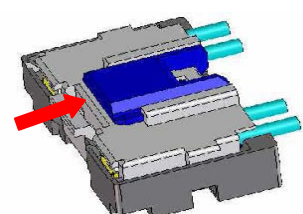
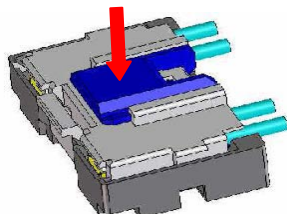
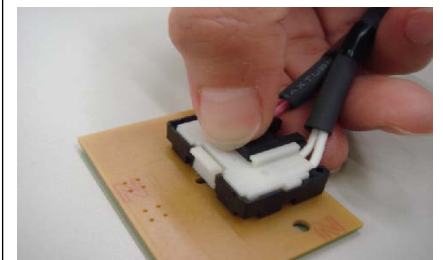
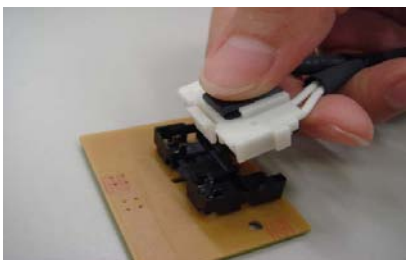


Slide the slider to release slider lock.

Press the centre lock tab to release the lock and pull the connector up

Remove connector

2. MDF-61 Connector (Refitting)



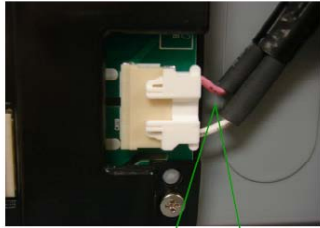
Hold the centre of connector

Press centre of connector to insert

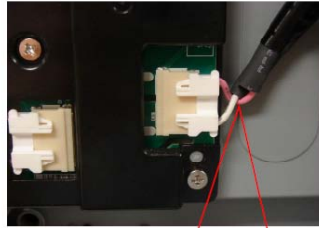
Slide the slider to lock connector

3. The harness must not be crossed or twisted

BALANCER BOARD SIDE

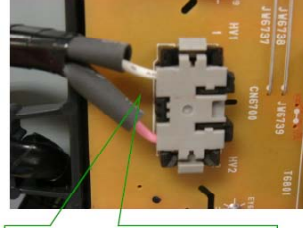


OK
PINK AND WHITE CABLES ARE
NOT TWISTED

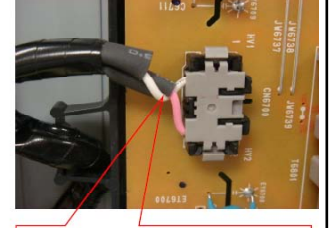


NG
PINK AND WHITE CABLES MUST
NOT BE TWISTED

INVERTER BOARD SIDE

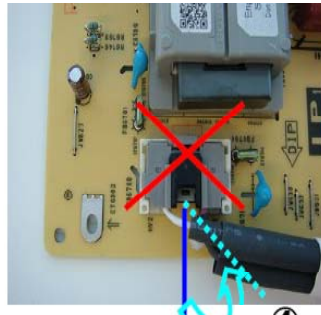


OK
PINK AND WHITE CABLES ARE
NOT TWISTED



NG
PINK AND WHITE CABLES MUST
NOT BE TWISTED

4. Wire Dressing at connector



The harness must not bend more than 45 degrees from the direction of the connector base to avoid crossing or twisting.

5. Wire distance at connector






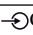

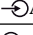




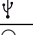


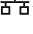
The distance between each wire must be wider than 4mm to ensure isolation from lamp voltage.

SPECIFICATIONS

Model name		KDL-52V58xx, 52W58xx	KDL-46V58xx, 46W58xx	KDL-40V58xx, 40W58xx	KDL-37V58xx, 37W58xx	KDL-32V58xx, 32W58xx
Power and others						
Power requirements		220 V – 240 V AC, 50 Hz				
Screen size (measured diagonally)		52 inches / Approx. 132 cm	46 inches / Approx. 117 cm	40 inches / Approx. 102 cm	37 inches / Approx. 94 cm	32 inches / Approx. 81 cm
Display resolution		1,920 dots (horizontal) × 1,080 lines (vertical)				
Power consumption	in “Home”/ “Standard” mode	156 W (KDL-52V58xx) 164 W (KDL-52W58xx)	123 W (KDL-46V58xx) 142 W (KDL-46W58xx)	111 W (KDL-40V58xx) 110 W (KDL-40W58xx)	112 W (KDL-37V58xx) 117 W (KDL-37W58xx)	77 W (KDL-32V58xx) 71 W (KDL-32W58xx)
	in “Shop”/ “Vivid” mode	254 W (KDL-52V58xx) 261 W (KDL-52W58xx)	203 W (KDL-46V58xx) 221 W (KDL-46W58xx)	177 W (KDL-40V58xx) 172 W (KDL-40W58xx)	169 W (KDL-37V58xx) 179 W (KDL-37W58xx)	109 W (KDL-32V58xx) 99 W (KDL-32W58xx)
Standby power consumption*		0.17 W (17 W when “Quick Start” is set to “On”)				

Model name	KDL-52V58xx, 52W58xx	KDL-46V58xx, 46W58xx	KDL-40V58xx, 40W58xx	KDL-37V58xx, 37W58xx	KDL-32V58xx, 32W58xx
Dimensions (Approx.) (w × h × d)					
with Table-Top Stand	126.2 x 86.9 x 35.8 cm (KDL-52V58xx)	112.3 x 77.1 x 33.0 cm (KDL-46V58xx)	98.7 x 68.4 x 30.3 cm (KDL-40V58xx)	91.7 x 64.8 x 30.3 cm (KDL-37V58xx)	79.8 x 58.4 x 25.9 cm (KDL-32V58xx)
	126.2 x 87.1 x 35.8 cm (KDL-52W58xx)	112.3 x 77.2 x 33.0 cm (KDL-46W58xx)	98.7 x 68.6 x 30.3 cm (KDL-40W58xx)	91.7 x 64.9 x 30.3 cm (KDL-37W58xx)	79.8 x 58.5 x 25.9 cm (KDL-32W58xx)
without Table-Top Stand	126.2 x 82.2 x 11.5 cm (KDL-52V58xx)	112.3 x 72.3 x 9.6 cm (KDL-46V58xx)	98.7 x 63.6 x 9.3 cm (KDL-40V58xx)	91.7 x 60.0 x 9.1 cm (KDL-37V58xx)	79.8 x 53.6 x 8.9 cm (KDL-32V58xx)
	126.2 x 82.3 x 11.5 cm (KDL-52W58xx)	112.3 x 72.5 x 9.6 cm (KDL-46W58xx)	98.7 x 63.8 x 9.3 cm (KDL-40W58xx)	91.7 x 60.2 x 9.1 cm (KDL-37W58xx)	79.8 x 53.7 x 8.9 cm (KDL-32W58xx)
Mass (Approx.)					
with Table-Top Stand	35.0 kg (KDL-52V58xx) 35.5 kg (KDL-52W58xx)	27.0 kg (KDL-46V58xx) 27.5 kg (KDL-46W58xx)	20.5 kg (KDL-40V58xx) 21.0 kg (KDL-40W58xx)	18.0 kg (KDL-37V58xx) 18.5 kg (KDL-37W58xx)	14.5 kg (KDL-32V58xx) 15.0 kg (KDL-32W58xx)
	30.5 kg (KDL-52V58xx) 31.0 kg (KDL-52W58xx)	23.5 kg (KDL-46V58xx) 24.0 kg (KDL-46W58xx)	17.5 kg (KDL-40V58xx) 18.0 kg (KDL-40W58xx)	15.0 kg (KDL-37V58xx) 15.5 kg (KDL-37W58xx)	12.0 kg (KDL-32V58xx) 12.5 kg (KDL-32W58xx)

*Specified standby power is reached after the TV finishes necessary internal processes.
Design and specifications are subject to change without notice.

System	
Panel system	LCD (Liquid Crystal Display) Panel
TV system	Analogue: Depending on your country/area selection: B/G/H, D/K, L, I Digital: DVB-T/DVB-C Satellite: DVB-S/DVB-S2
Colour/video system	Analogue: PAL, PAL60 (only video input), SECAM, NTSC3.58, NTSC4.43 (only video input) Digital: MPEG-2 MP@ML/HL, H.264/MPEG-4 AVC MP/HP@L4
Channel coverage	Analogue: VHF: E2–E12/UHF: E21–E69/CATV: S1–S20/HYPER: S21–S41 D/K: R1–R12, R21–R69/L: F2–F10, B–Q, F21–F69/I: UHF B21–B69 Digital: VHF/UHF Satellite: IF Frequency 950-2150 MHz
Sound output	10 W + 10 W
Input/Output jacks	
Aerial/Antenna cable	75 ohm external terminal for VHF/UHF
Satellite antenna	Female F-Type Connector IEC169-24, 75 ohm. DiSEqC 1.0, LNB 13V/18V & 22KHz tone
 AV1	21-pin scart connector (CENELEC standard) including audio/video input, RGB input and TV audio/video output.
 AV2	21-pin scart connector (CENELEC standard) including audio/video input, RGB input and selectable audio/video output.
 COMPONENT IN	Supported formats: 1080p, 1080i, 720p, 576p, 576i, 480p, 480i Y: 1 Vp-p, 75 ohms, 0.3V negative sync/Pb/Cb: 0.7 Vp-p, 75 ohms/ Pr/Cr: 0.7 Vp-p, 75 ohms
 COMPONENT IN	Audio input (phono jacks)
HDMI IN1, 2, 3, 4	Video: 1080/24p, 1080p, 1080i, 720p, 576p, 576i, 480p, 480i Audio: Two channel linear PCM: 32, 44.1 and 48 kHz, 16, 20 and 24 bits, Dolby Digital Analogue audio input (minijack) (HDMI IN1 only) PC Input (See below)
 AV3	Video input (phono jack)
 AV3	Audio input (phono jacks)
 DIGITAL AUDIO OUT (OPTICAL)	Digital optical jack (Two channel linear PCM, Dolby Digital)
	Audio output (phono jacks)
 PC IN	PC Input (D-sub 15-pin) (See below) G: 0.7 Vp-p, 75 ohms, non Sync on Green/B: 0.7 Vp-p, 75 ohms/ R: 0.7 Vp-p, 75 ohms/HD: 1-5 Vp-p/VD: 1-5 Vp-p  PC audio input (minijack)
	USB port
	Headphones jack
	CAM (Conditional Access Module) slot
 LAN	10BASE-T/100BASE-TX connector (Depending on the operating environment of the network, connection speed may differ. 10BASE-T/100BASE-TX communication rate and communication quality are not guaranteed for this TV.)

PC input signal reference chart for PC and HDMI IN 1, 2, 3, 4

Resolution						
Signals	Horizontal (Pixel)	x	Vertical (Line)	Horizontal frequency (kHz)	Vertical frequency (Hz)	Standard
VGA	640	x	480	31.5	60	VESA
	640	x	480	37.5	75	VESA
	720	x	400	31.5	70	VESA
SVGA	800	x	600	37.9	60	VESA
	800	x	600	46.9	75	VESA
XGA	1024	x	768	48.4	60	VESA
	1024	x	768	56.5	70	VESA
	1024	x	768	60.0	75	VESA
WXGA	1280	x	720	45.0	60	EIA
	1280	x	768	47.4	60	VESA
	1280	x	768	47.8	60	VESA
	1280	x	960	60.0	60	VESA
	1360	x	768	47.7	60	VESA
SXGA	1280	x	1024	64.0	60	VESA
HDTV	1920	x	1080	66.6	60	VESA*
	1920	x	1080	67.5	60	EIA*

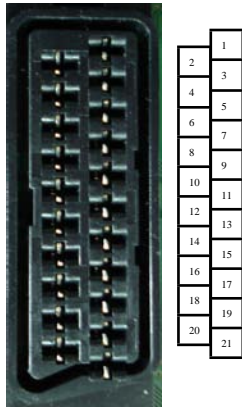
* 1080p timing when applied to the HDMI input will be treated as a video timing and not a PC timing. This affects the “Video Settings” menu and “Screen” menu settings.
To view PC contents, set “Screen Format” to “Wide” and “Display Area” to “Full Pixel”.

~

- This TV’s PC input does not support Sync on Green or Composite Sync.
- This TV’s PC input does not support interlaced signals.
- For the best picture quality, it is recommended to use the signals in the above chart with a 60 Hz vertical frequency (boldfaced).

CONNECTORS

21 Pin Connector (SCART)



Pin No	AV-1	AV-2	Signal	Signal Level
1	*	*	Audio Output B (Right)	Standard Level: 0.5V rms Impedance: less than 1KΩ*
2	*	*	Audio Input B (Right)	Standard Level: 0.5V rms Impedance: more than 10KΩ*
3	*	*	Audio Output A (Left)	Standard Level: 0.5V rms Impedance: less than 1KΩ*
4	*	*	Ground (Audio)	
5	*	*	Ground (Blue)	
6	*	*	Audio Input A (Left)	Standard Level: 0.5V rms Impedance: more than 10KΩ*
7	*	*	Blue Input	0.7V +/- 3dB, 75Ω, positive
8	*	*	Function Select (AV control)	High State (9.5-12V): AV mode Low State (0-2V): TV mode Impedance: more than 10KΩ* Capacitance: less than 2nF
9	*	*	Ground (Green)	
10	-	*	AV Link	
11	*	*	Green Input	0.7V +/- 3dB, 75Ω, positive
12	-	*	Open	
13	*	*	Ground (Red)	
14	*	*	Ground (Blanking)	
15	*	*	Red Input	0.7V +/- 3dB, 75Ω, positive
	*	*	S signal Chroma Input	0.3V +/- 3dB, 75Ω, positive
16	*	*	Blanking Input (Y Signal)	High State (1-3V) Low State (0-0.4V) Impedance: 75Ω
17	*	*	Ground (Video Output)	
18	*	*	Ground (Video Input)	
19	*	*	Video Output	1V +/- 3dB, positive sync 0.3V (-3-10dB)
20	*	*	Video Input	1V +/- 3dB, positive sync 0.3V (-3-10dB)
	*	*	Video Input Y (S Signal)	1V +/- 3dB, positive sync 0.3V (-3-10dB)
21	*	*	Common Ground (Shield)	

HDMI Connector



Pin No	Signal Assignment	Pin No	Signal Assignment
1	TMDS Data2+	11	TMDS Clock Shield
2	TMDS Data2 Shield	12	TMDS Clock-
3	TMDS Data2-	13	CEC
4	TMDS Data1+	14	Reserved (N.C. on device)
5	TMDS Data1 Shield	15	SCL
6	TMDS Data1-	16	SDA
7	TMDS Data0+	17	DDC/CEC Ground
8	TMDS Data0 Shield	18	+5V power
9	TMDS Data0-	19	Hot Plug Detect
10	TMDS Clock+		

15 Pin D Sub Connector (PC)



Pin No	Signal Assignment	Pin No	Signal Assignment	Pin No	Signal Assignment
1	Red Output	6	Red Return	11	Monitor ID0 in display
2	Green Output	7	Green Return (Ground)	12	DCC Serial Data
3	Blue Output	8	Blue Return (Ground)	13	Horizontal Sync
4	Unused	9	+5V DC	14	Vertical Sync
5	Ground	10	Sync Return (Ground)	15	DCC Serial Clock

EX2L SELF DIAGNOSTIC SOFTWARE

The identification of errors within the EX2L chassis is triggered in one of two ways :- 1: Busy or 2: Device failure to respond to IIC. In the event of one of these situations arising the software will first try to release the bus if busy (Failure to do so will report with a continuous flashing LED) and then communicate with each device in turn to establish if a device is faulty. If a device is found to be faulty the relevant device number will be displayed through the LED (Series of flashes which must be counted).

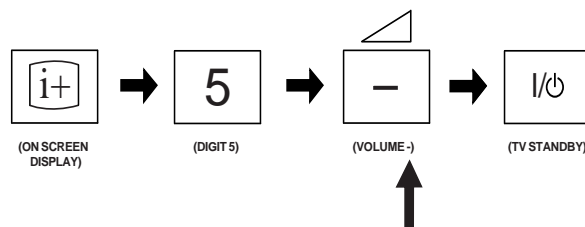
LED Error Codes and Descriptions

Number of LED Flashes	Error Description	Error (Comp Ref.)
02	Main Power Error	Pwr_Err
05	DC_ALERT3	DC_Alt
06	Backlight Error	Bck_Lgt
07	Thermal Error	Temp_Err
08	Audio Error	Aud_Err
10	Digital FE/BE Error	Dig_Err
12	HFR Error (Tcon)	Hfr_Err
13	Balancer Error	Bal_Err
14	Tcon Error	Tcn_Err

Self Diagnostic Screen Display

To bring up the self diagnostic screen display

In standby mode, press the following buttons on the remote commander sequentially in rapid succession as shown below:



Note that this differs from entering the service mode (Volume)

The following menu appears as shown below:

```

SELF CHECK
002 MAIN_PEW      0000000000  0000000000  0000000000  00
012 HFR_ER       0000000000  0000000000  0000000000  00
006 BACKLI_E     0000000000  0000000000  0000000000  00

007 TEMP_E       0000000000  0000000000  0000000000  00
008 AUD_PR       0000000000  0000000000  0000000000  00
010 DTT_WD       0000000000  0000000000  0000000000  00
005 DC_ALE3T     0000000000  0000000000  0000000000  00

013 BALANC_R     0000000000  0000000000  0000000000  00
014 TCON_E       0000000000  0000000000  0000000000  00

00215-02325-00190
    
```

WORKING TIME (BOTTOM LEFT CORNER)

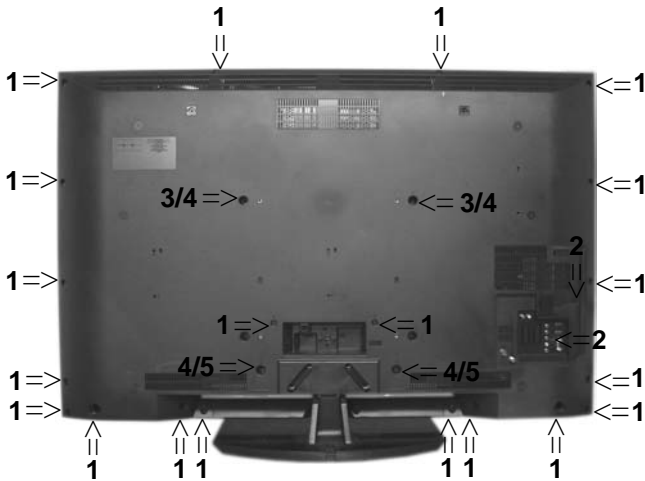
xxxxx-yyyyy-zzzzz(e.g. 00215-02325-00190)

1. xxxxx = Total Operation time
Working time Stby+ Power On
2. yyyyy = Boot count
Power on / off / Stby operations
3. zzzzz = Working Hours (Panel)
Panel working time (backlight is on)

To exit the “Self Diagnostic Screen Display” please turn the TV set off and then on again.

SECTION 2 DISASSEMBLY

2-1. Rear Cover Removal (Step 1)

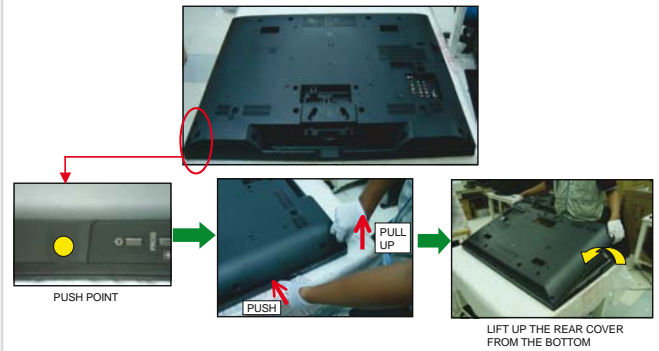


Remove the rear cover fixing screws indicated and then push the 'Rear Cover' in by the side controls whilst lifting the 'Rear Cover' up from the bottom (See Step 2).

Screw Part number(s) and Description(s)

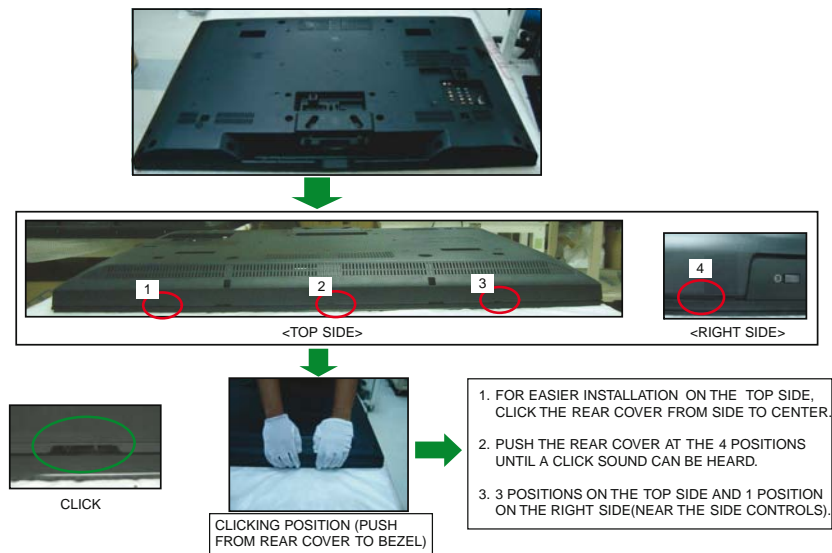
- 1) 2-580-640-01 SCREW, +BVTP2 4X16 (32" = 15pcs, 37" = 17pcs, 40" = 18pcs, 46/52" = 20pcs)
- 2) 7-685-648-79 SCREW, +BVTP 3X12 (32/37/40/46/52" = 2pcs)
- 3) 2-580-600-01 SCREW, +PSW M4X8 (32" = 2pcs)
- 4) 2-580-602-01 SCREW, +PSW M4X12 (37/40/46" = 4pcs, 52" = 2pcs)
- 5) 2-580-606-01 SCREW, +PSW M5X8 (52" = 2pcs)

2-2. Rear Cover Removal (Step 2)



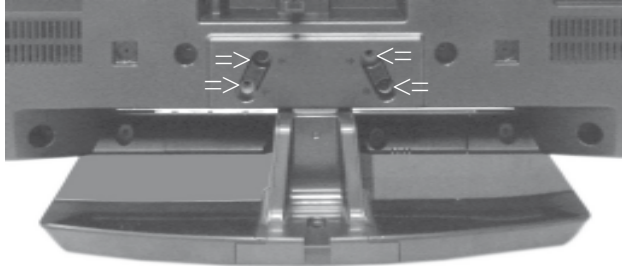
To remove the 'Rear Cover' push the 'Rear Cover' in by the side controls whilst lifting the 'Rear Cover' up from the bottom.

2-3. Rear Cover Installation



To install the 'Rear Cover' push the 4 positions indicated until a clicking sound can be heard. To ease installation on the top side of the 'Rear Cover' work from the sides in.

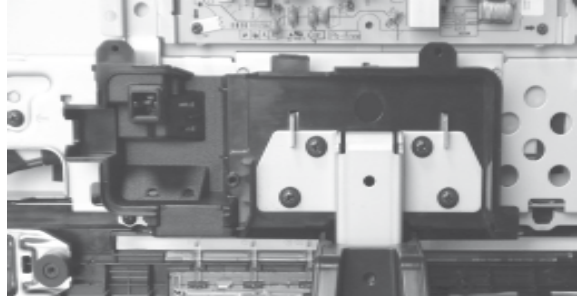
2-4. Stand Assy Removal



Remove the 4 stand fixing screws indicated and lift the TV set up and away from the 'Stand Assy'.

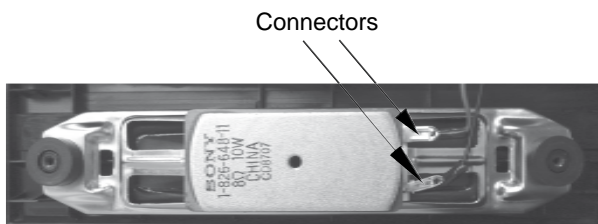
Screw Part number(s) and Description(s)
1) 2-580-608-01 SCREW, +PSW M5X16

2-5. Under Cover Removal



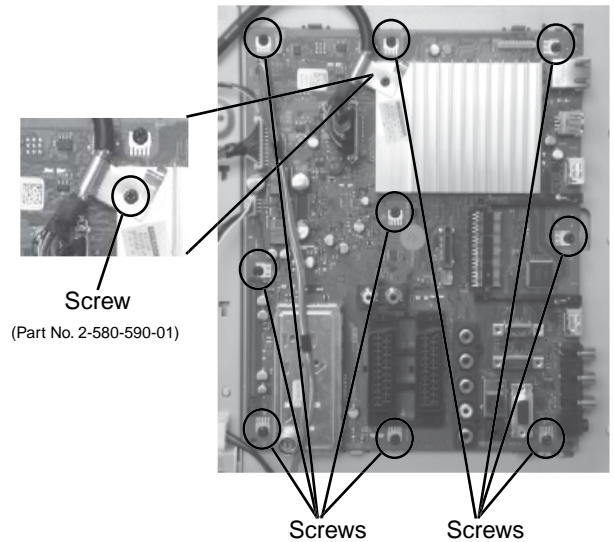
To remove the 'Under Cover' first remove the 'Rear Cover' (See Sec 2-2-1) and then the 'Stand Assy' (See Sec 2-2-4). The 'Under Cover' can then be gently pulled away from the back of the TV set.

2-6. Loudspeaker Removal



To remove the 'Loudspeaker' first remove the 'Rear Cover' (See Sec 2-2-1). Disconnect the 'Loudspeaker' connectors and pull the 'Loudspeaker' gently away from the back of the TV set.

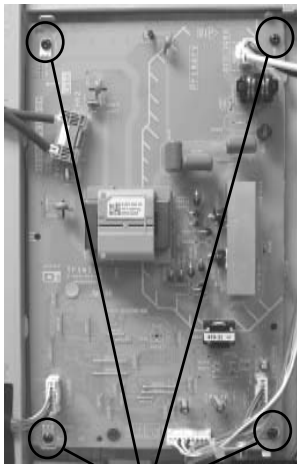
2-7. BA Board Removal



To remove the 'BA' board remove the 1 screw securing the cable clip, disconnect all connectors and then remove the 9 screws circled and ease the board gently away from the back of the TV set.

Screw Part number(s) and Description(s)
2-580-629-01 SCREW, +BVST 3X8

2-8. D5N Board Removal (52 inches)



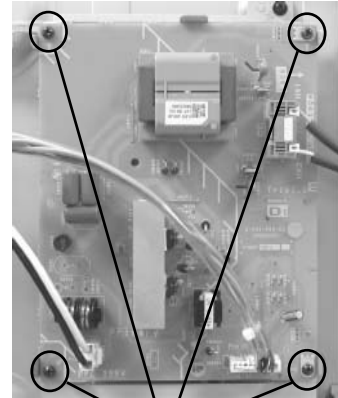
Screws

To remove the 'D5N' board disconnect all connectors and then remove the 4 screws circled and ease the board gently away from the back of the TV set.

Note: Refer to page 4 - Hirose MDF61 connector.

Screw Part number(s) and Description(s)
2-580-629-01 SCREW, +BVST 3X8

2-9. D6N Board Removal (52 inches)



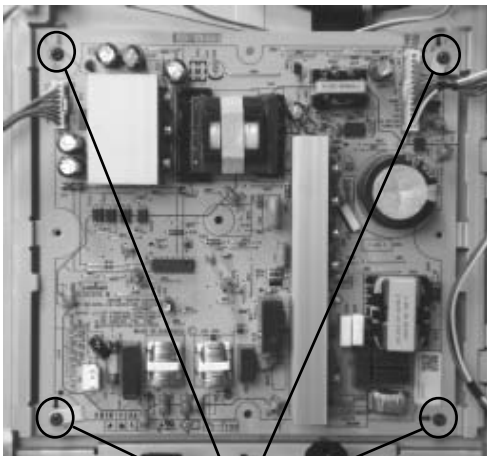
Screws

To remove the 'D6N' board disconnect all connectors and then remove the 4 screws circled and ease the board gently away from the back of the TV set.

Note: Refer to page 4 - Hirose MDF61 connector.

Screw Part number(s) and Description(s)
2-580-629-01 SCREW, +BVST 3X8

2-10. G2 Board Removal (32 inches)

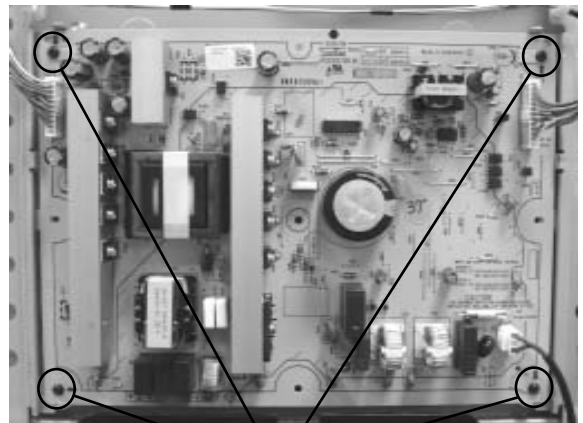


Screws

To remove the 'G2' board disconnect all the connectors and remove the 4 screws circled, then ease the board gently away from the back of the TV set.

Screw Part number(s) and Description(s)
2-580-629-01 SCREW, +BVST 3X8

2-11. G4 Board Removal (37 inches)

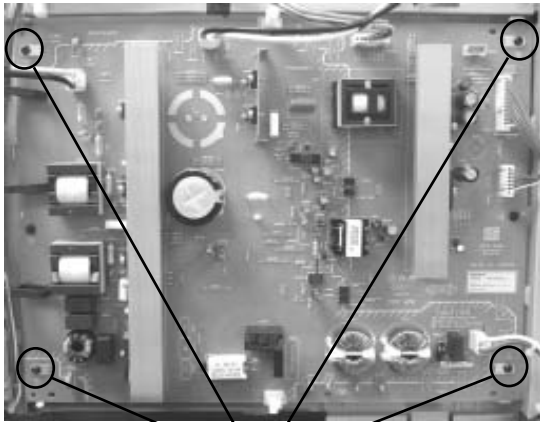


Screws

To remove the 'G4' board disconnect all the connectors and remove the 4 screws circled, then ease the board gently away from the back of the TV set.

Screw Part number(s) and Description(s)
2-580-629-01 SCREW, +BVST 3X8

2-12. G5 Board Removal (52 inches)

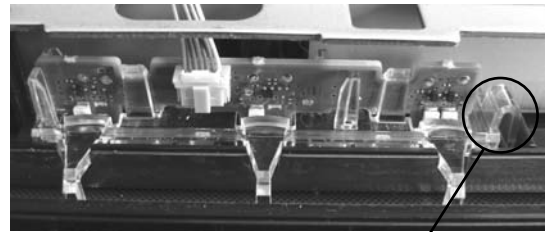


Screws

To remove the 'G5' board disconnect all the connectors and remove the 4 screws circled, then ease the board gently away from the back of the TV set.

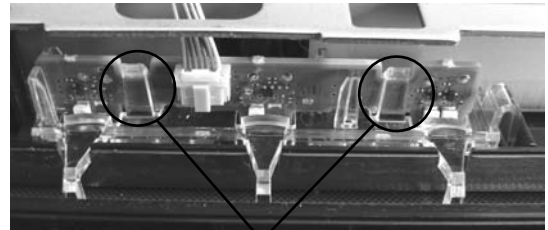
Screw Part number(s) and Description(s)
2-580-629-01 SCREW, +BVST 3X8

2-13. HL4A Board Removal



Clip

To remove the 'HL4A' board first remove the 'Rear Cover' (See Sec 2-2-1) the Stand Assy (See Sec 2-2-4) and then the 'Under Cover' (See Sec 2-2-5). The 'Guide, Led' can then be removed by disconnecting the 1 connector and releasing the 1 clip circled.



Clips

The 'HL4A' board can then be removed by releasing the 2 clips circled.

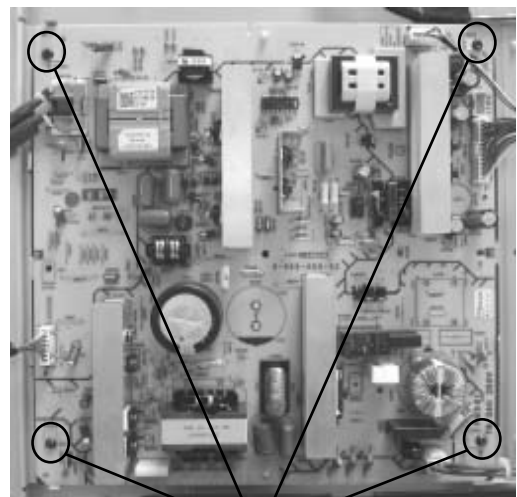
2-14. HSN Board Removal



Clip

To remove the 'HSN' board disconnect the 1 connector and release the 1 clip circled, then ease the board gently away from the back of the TV set.

2-15. IP1 Board Removal (40 inches)



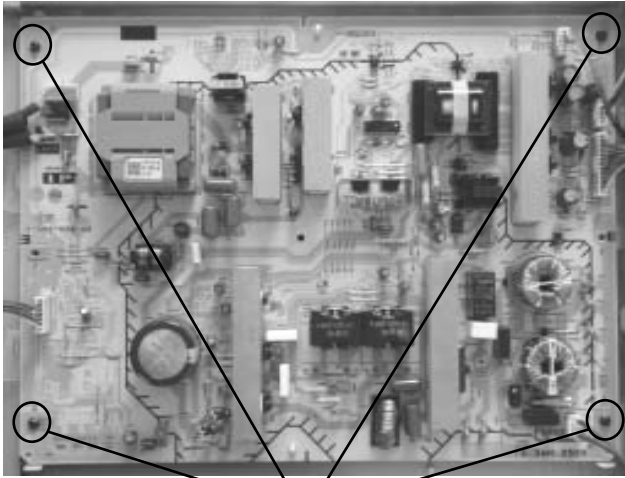
Screws

To remove the 'IP1' board disconnect all connectors and then remove the 4 screws circled and ease the board gently away from the back of the TV set.

Note: Refer to page 4 - Hirose MDF61 connector.

Screw Part number(s) and Description(s)
2-580-629-01 SCREW, +BVST 3X8

2-16. IP2 Board Removal (46 inches)



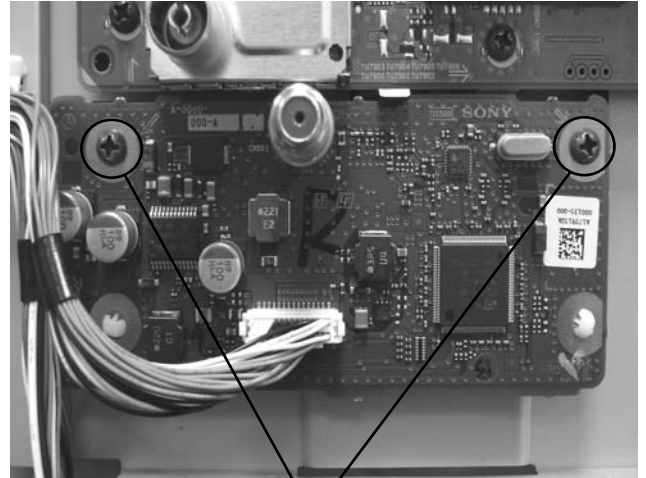
Screws

To remove the 'IP2' board disconnect all connectors and then remove the 4 screws circled and ease the board gently away from the back of the TV set.

Note: Refer to page 4 - Hirose MDF61 connector.

Screw Part number(s) and Description(s)
2-580-629-01 SCREW, +BVST 3X8

2-17. TUS Board Removal



Screws

To remove the 'TUS' board disconnect the 1 connector and then remove the 2 screws circled and ease the board gently away from the back of the TV set.

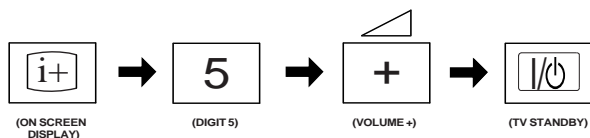
Screw Part number(s) and Description(s)
2-580-592-01 SCREW, +PSW M3X8

SECTION 3 SERVICE MENUS

3-1. How to enter the Service Mode

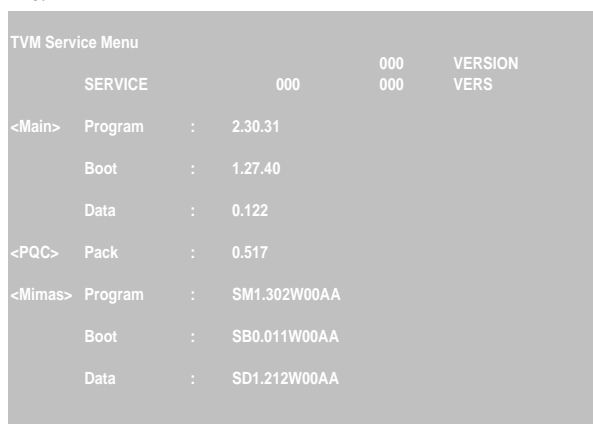
Service adjustments to this model can be performed using the supplied Remote Commander (See front cover).

1. Turn on the power to the TV set and enter into the stand-by mode.
2. Press the following sequence of buttons on the Remote Commander.



3. The TVM menu appears on the screen (See Pic.1).

Pic.1



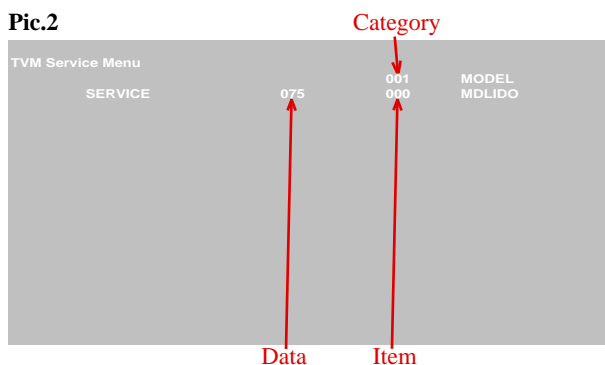
Note :

After carrying out the service adjustments, to prevent the customer accessing the 'Service Menu' switch the TV set OFF and then ON.

3-2. Changing TVM Data Settings

1. Press "2 / 5" on the remote commander to select (up / down) category (See Pic.2).
2. Press "1 / 4" on the remote commander to select (up / down) item (See Pic.2).
3. Press "3 / 6" on the remote commander to select (up / down) data (See Pic.2).

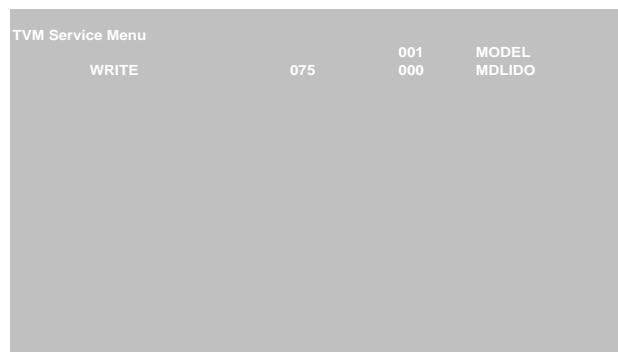
Pic.2



3-3. Writing TVM Data

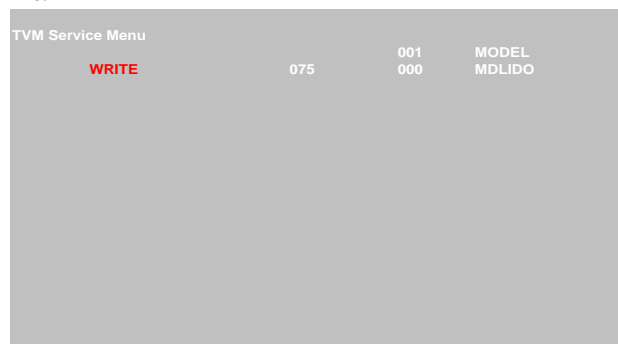
1. Press "Mute" on the remote commander. The word "SERVICE" changes to "WRITE" (See Pic.3).

Pic.3



2. Press "0" on the remote commander. The word "WRITE" changes to red. This indicates writing is in progress. (See Pic.4).

Pic.4

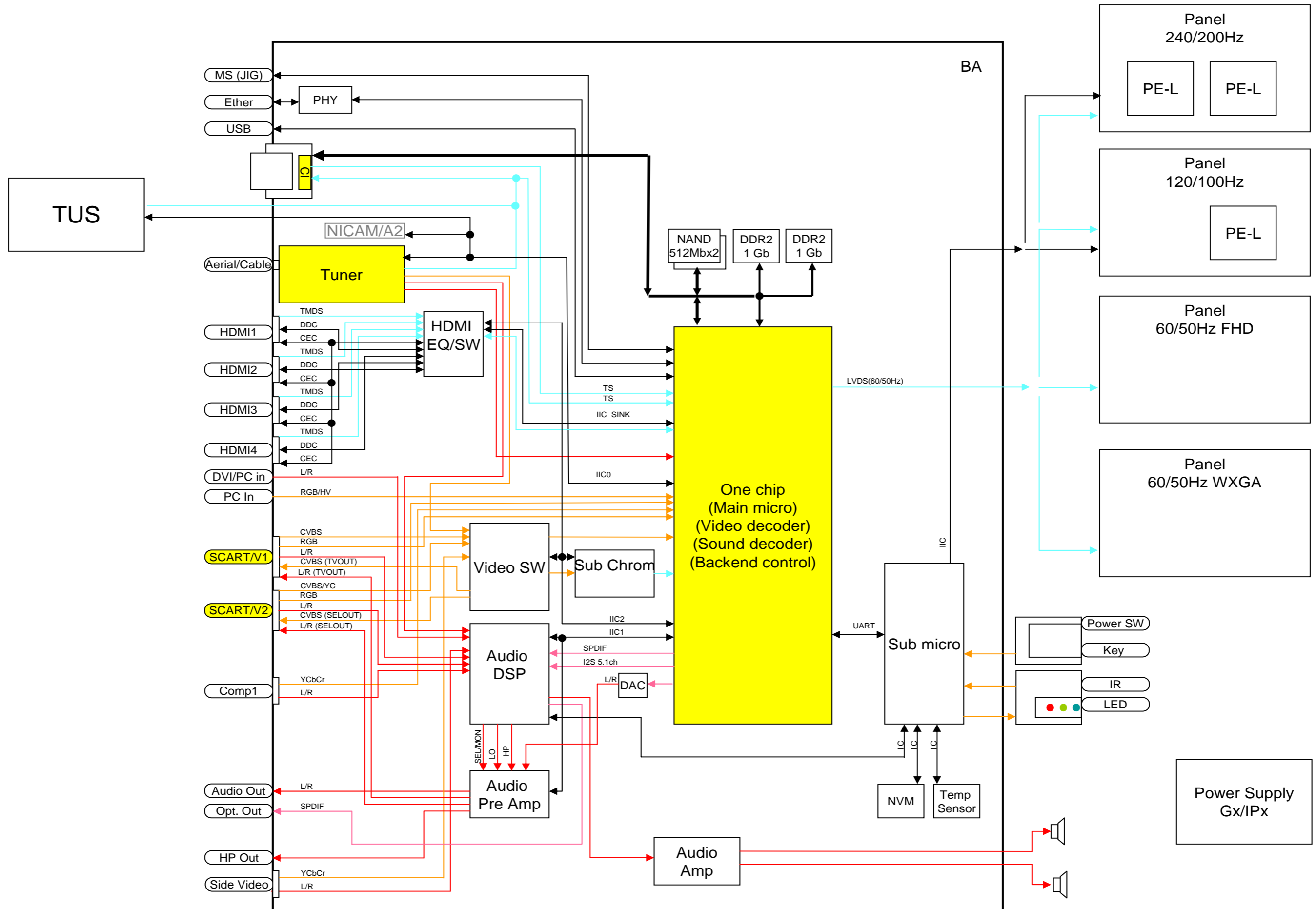


3. When red "WRITE" changes to green "SERVICE". This indicates writing is complete. (See Pic.5).

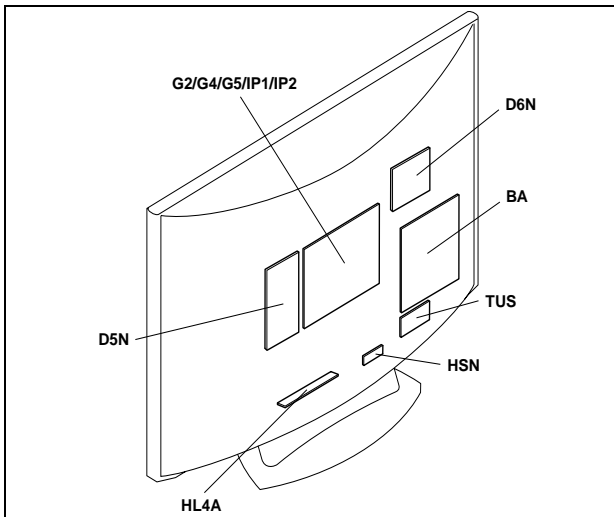
Pic.5



4-1. BLOCK DIAGRAM



4-2. CIRCUIT BOARD LOCATION


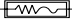









4-3. SCHEMATIC DIAGRAMS AND PRINTED WIRING BOARDS


Note :

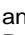
- All capacitors are in μF unless otherwise noted.
- pF : μF 50WV or less are not indicated except for electrolytic types.
- Indication of resistance, which does not have one for rating electrical power, is as follows.


Pitch : 5mm
Electrical power rating : 1/4W


- Chip resistors are 1/10W
- All resistors are in ohms.
k = 1000 ohms, M = 1000,000 ohms
-  : nonflammable resistor.
-  : fusible resistor.
-  : internal component.
-  : panel designation or adjustment for repair.
- All variable and adjustable resistors have characteristic curve B, unless otherwise noted.
- All voltages are in Volts.
- Readings are taken with a 10Mohm digital multimeter.
- Readings are taken with a color bar input signal.
- Voltage variations may be noted due to normal production tolerances.
-  : B + bus.
-  : B - bus.
-  : RF signal path.
-  : earth - ground.
-  : earth - chassis.

Reference Information

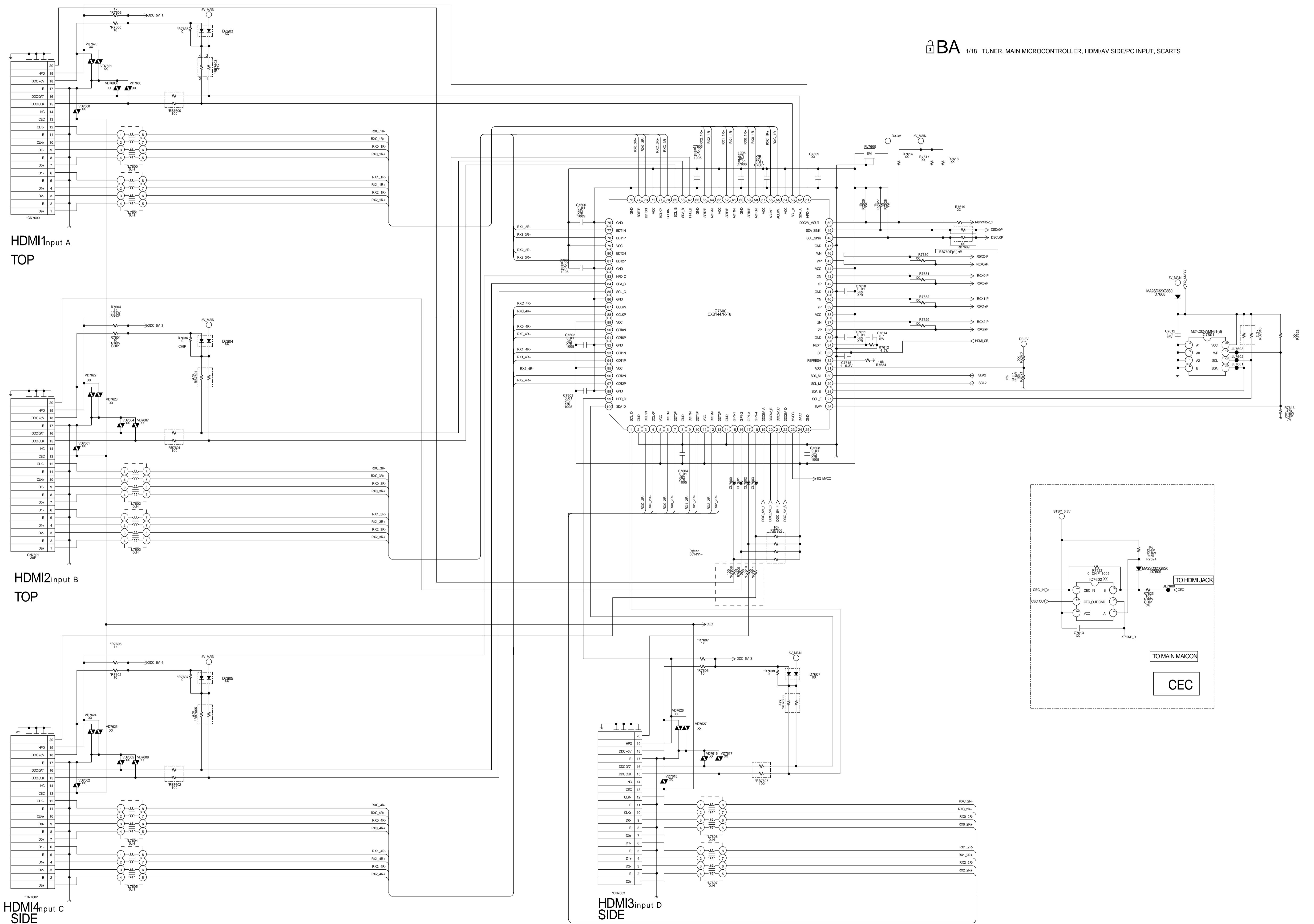
RESISTOR	RN	: METAL FILM
	RC	: SOLID
	FPRD	: NON FLAMMABLE CARBON
	FUSE	: NON FLAMMABLE FUSIBLE
	RS	: NON FLAMMABLE METAL OXIDE
	RB	: NON FLAMMABLE CEMENT
	RW	: NON FLAMMABLE WIREWOUND
		: ADJUSTMENT RESISTOR
COIL	LF-8L	: MICRO INDUCTOR
CAPACITOR	TA	: TANTALUM
	PS	: STYROL
	PP	: POLYPROPYLENE
	PT	: MYLAR
	MPS	: METALIZED POLYESTER
	MPP	: METALIZED POLYPROPYLENE
	ALB	: BIPOLAR
	ALT	: HIGH TEMPERATURE
	ALR	: HIGH RIPPLE

Note : The components identified by shading and marked  are critical for safety. Replace only with the part numbers specified in the parts list.

Note : Les composants identifiés par une trame et par une marque  sont d'une importance critique pour la sécurité. Ne les remplacer que par des pièces de numéro spécifié.

Note : The components identified by mark  contain confidential information. Strictly follow the instructions whenever the components are repaired and/or replaced.

NOTE: The G2, G4 and G5 boards are not Sony boards so their schematic diagrams and printed wiring boards are not shown in this Service Manual. Schematic diagrams are for reference only. Please refer to the electrical parts list for the correct value and part number of components.

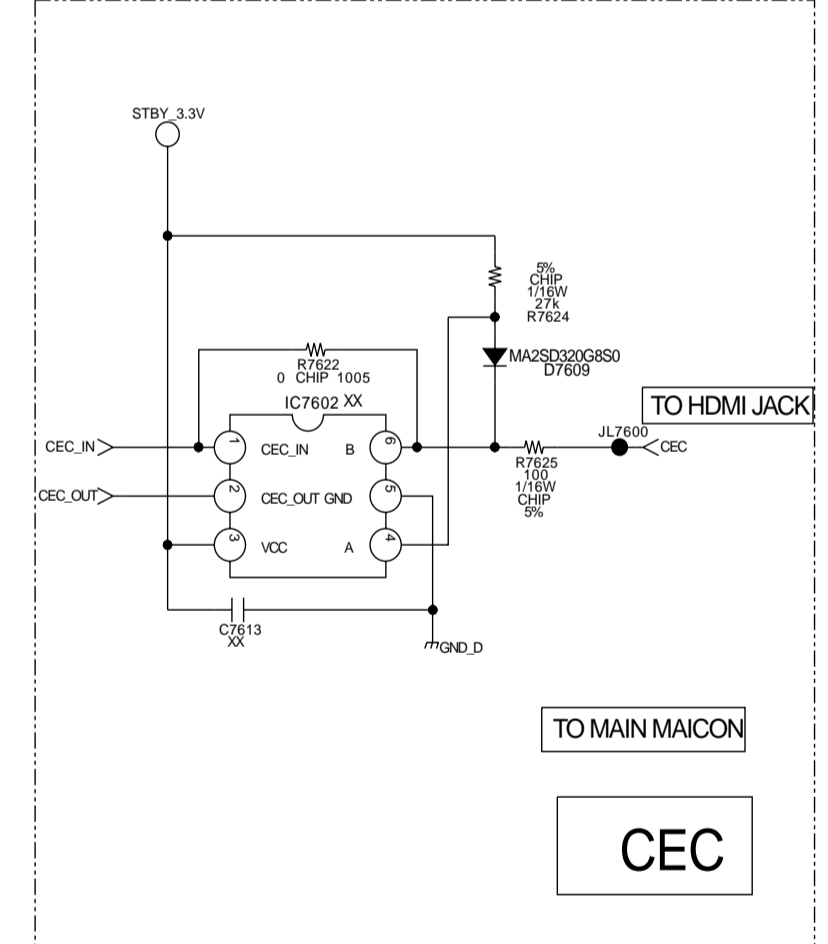


HDMI1 Input A TOP

HDMI2 Input B TOP

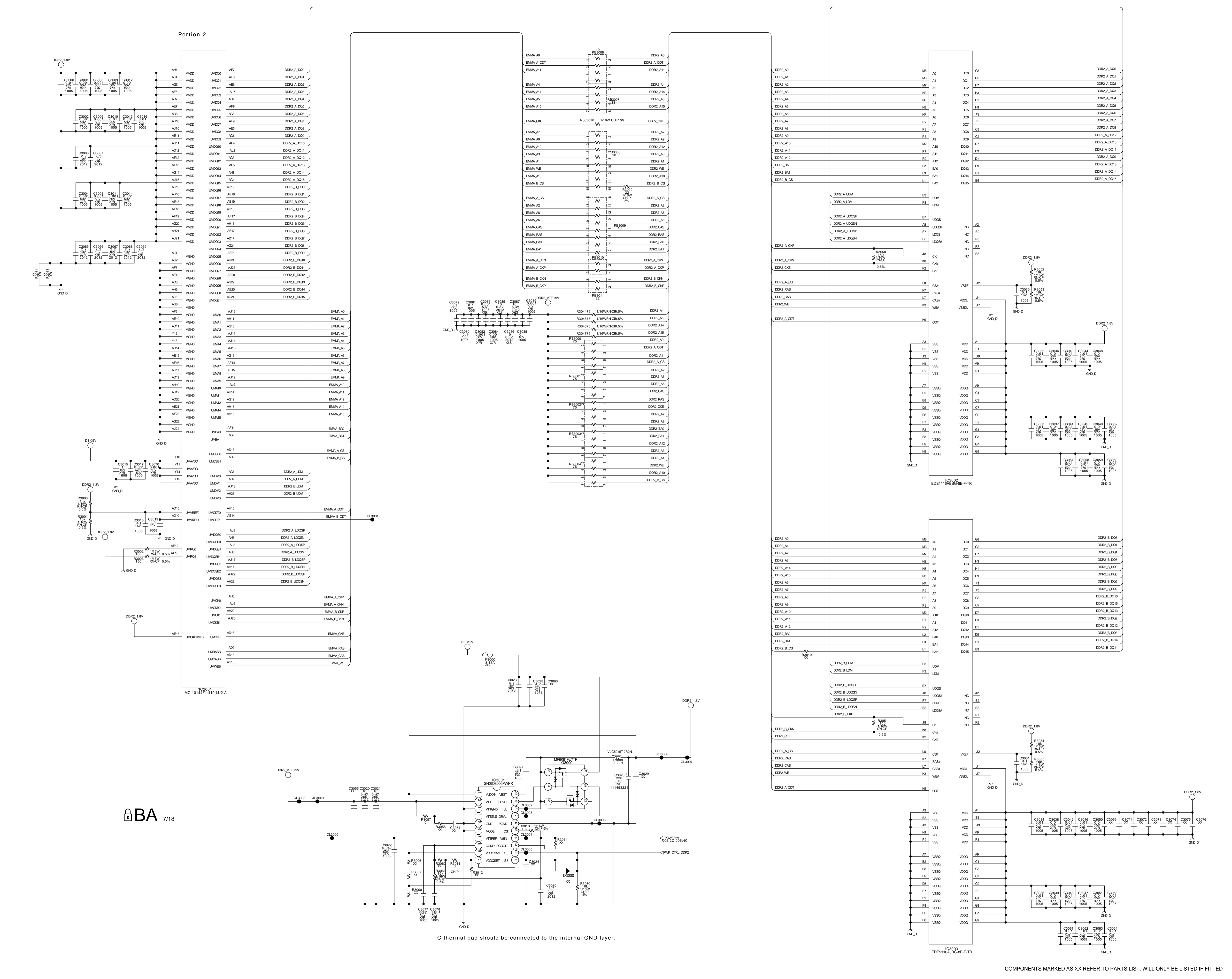
HDMI4 Input C SIDE

HDMI3 Input D SIDE



TO MAIN MAICON
CEC

COMPONENTS MARKED AS XX REFER TO PARTS LIST. WILL ONLY BE LISTED IF FITTED!

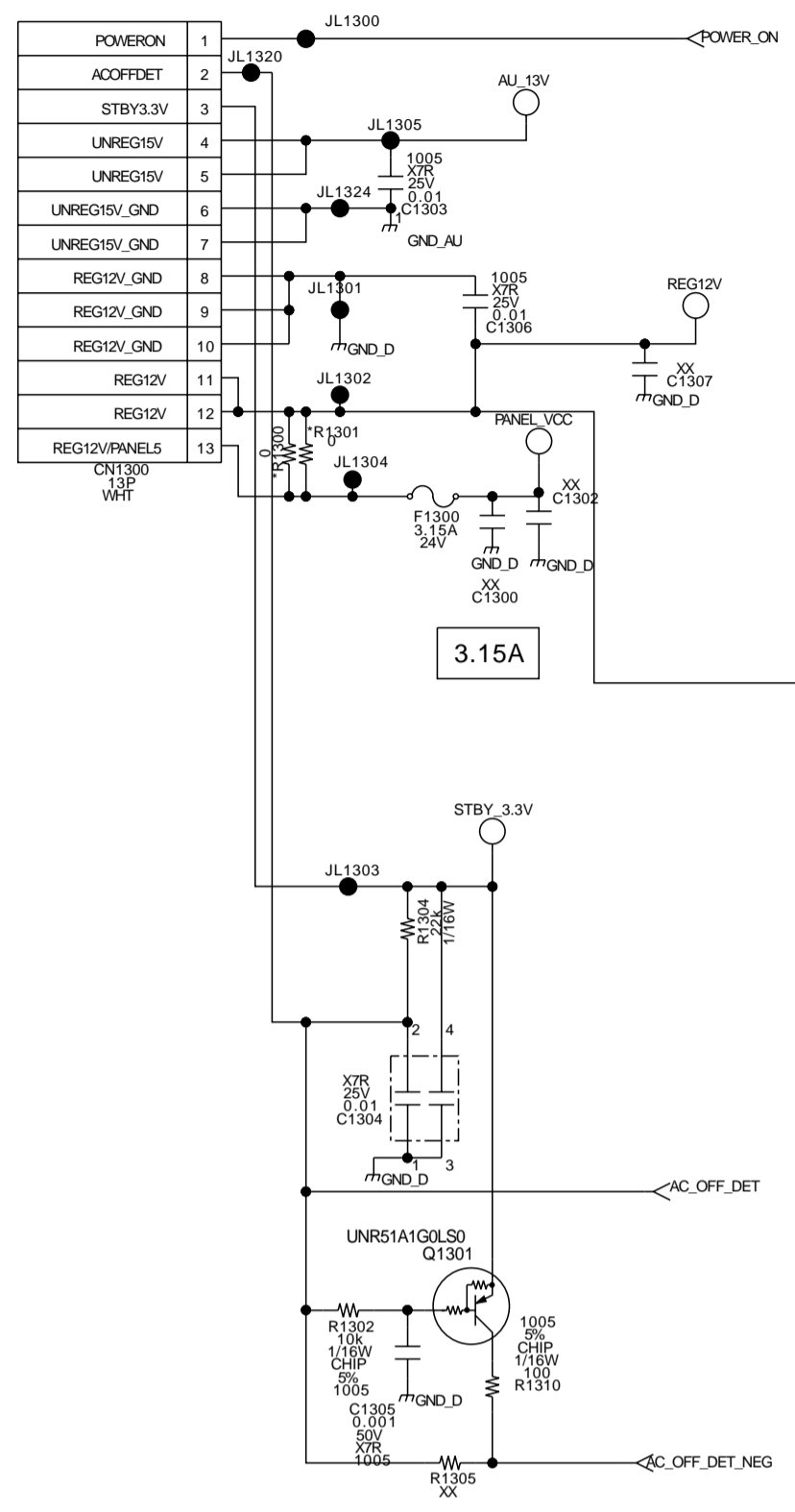


BA 7/18

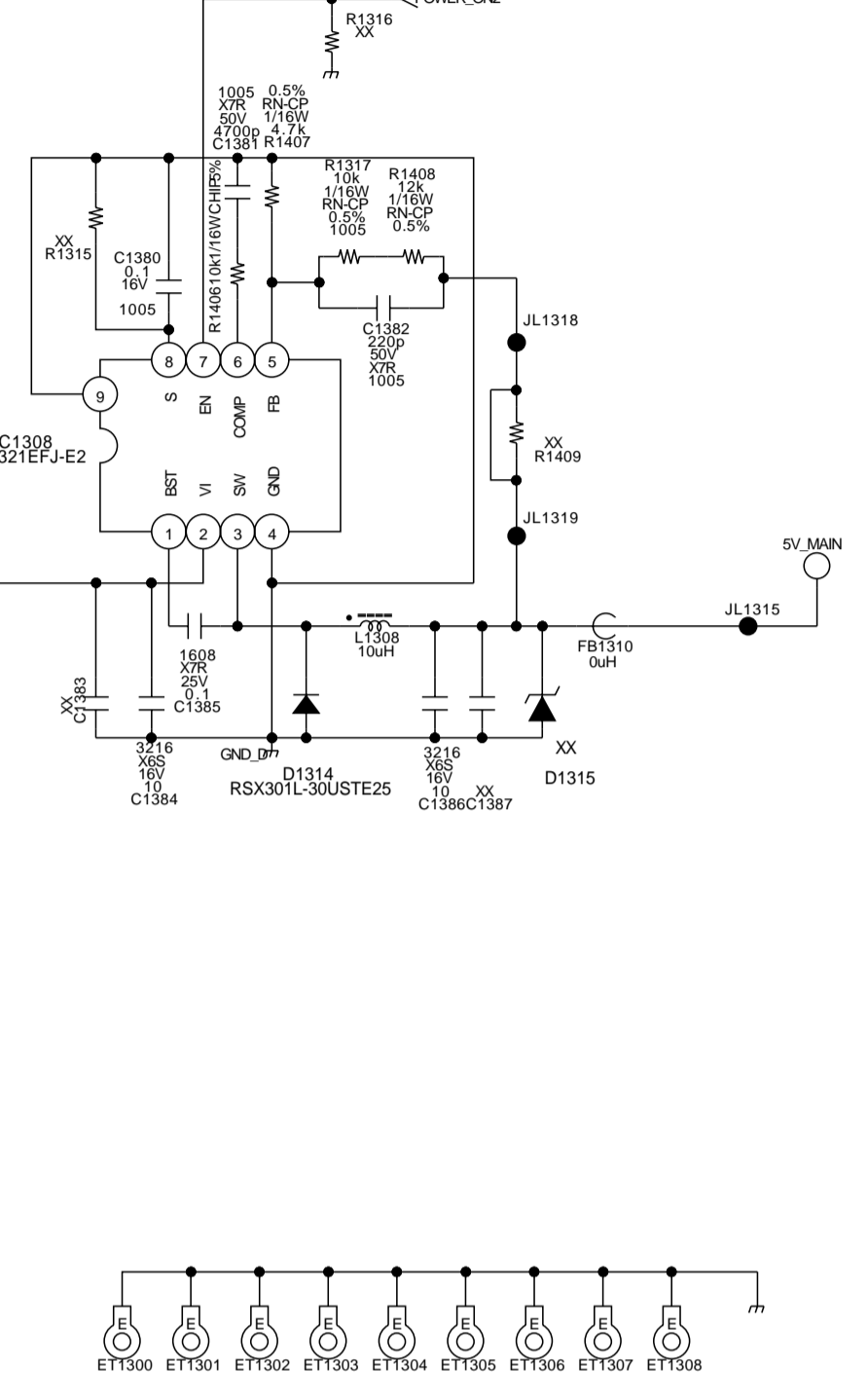
IC thermal pad should be connected to the internal GND layer.

COMPONENTS MARKED AS XX REFER TO PARTS LIST, WILL ONLY BE LISTED IF FITTED.

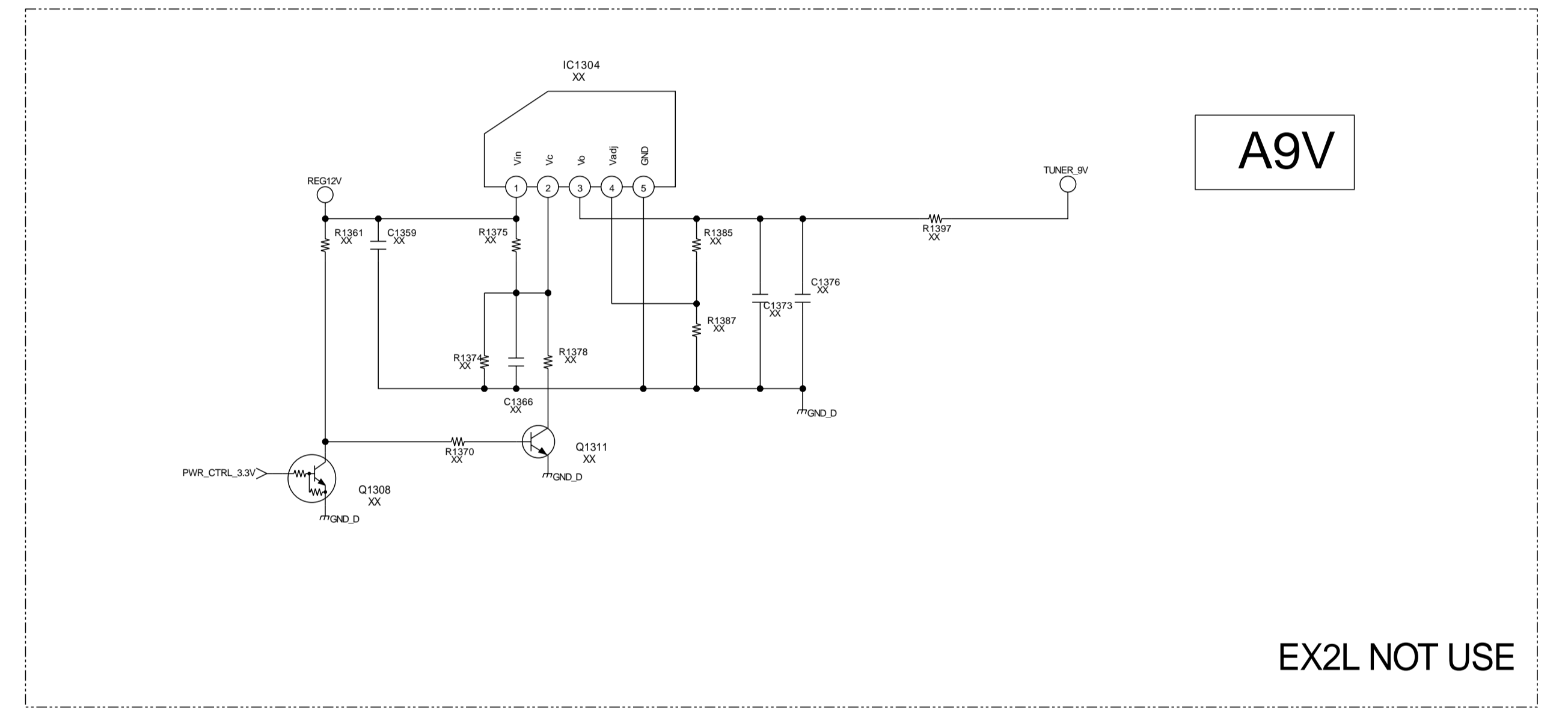
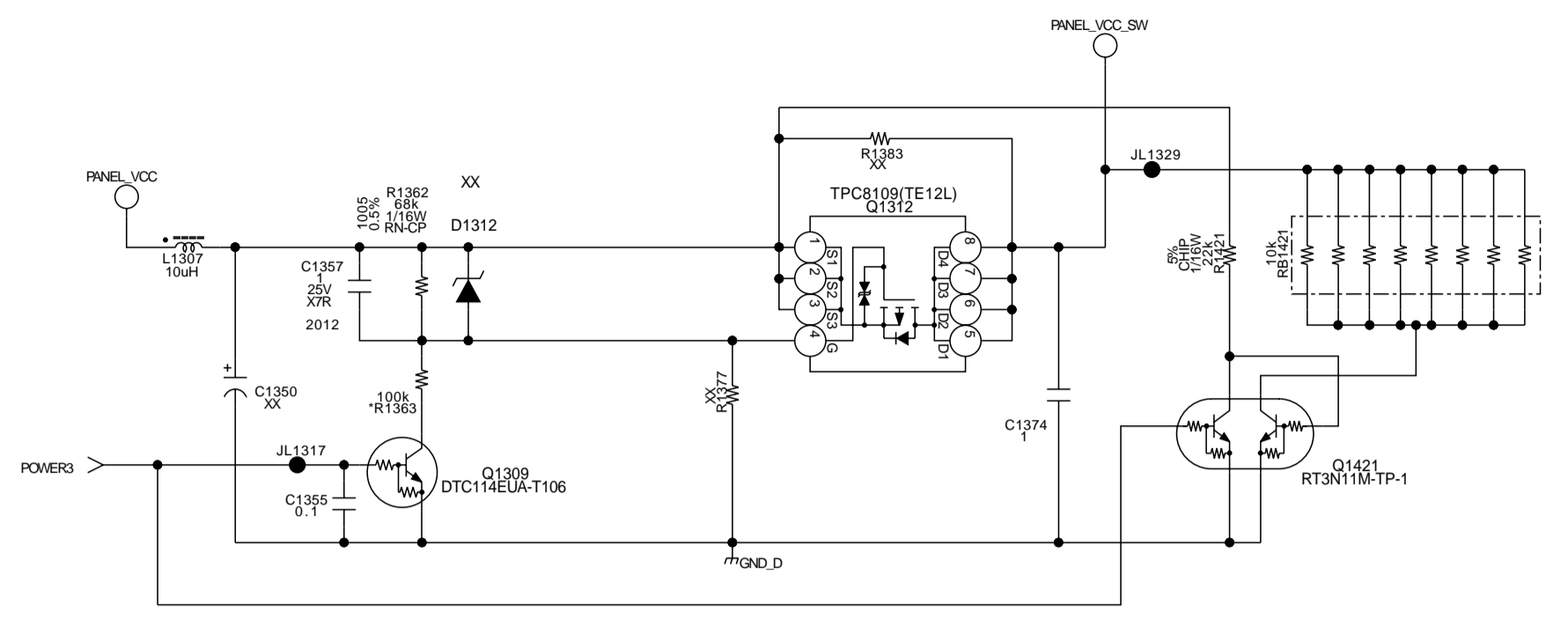
BA-EX2L



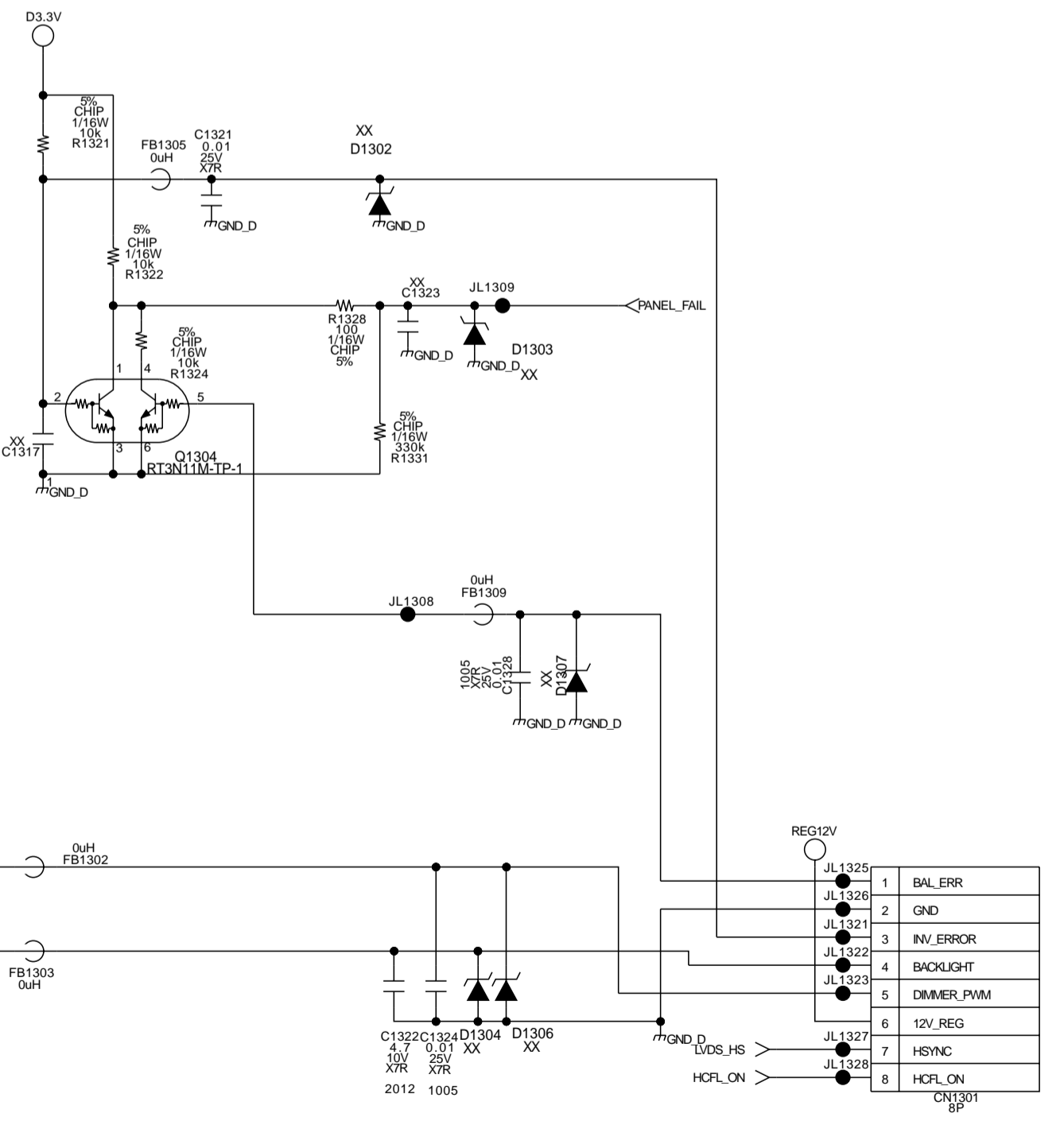
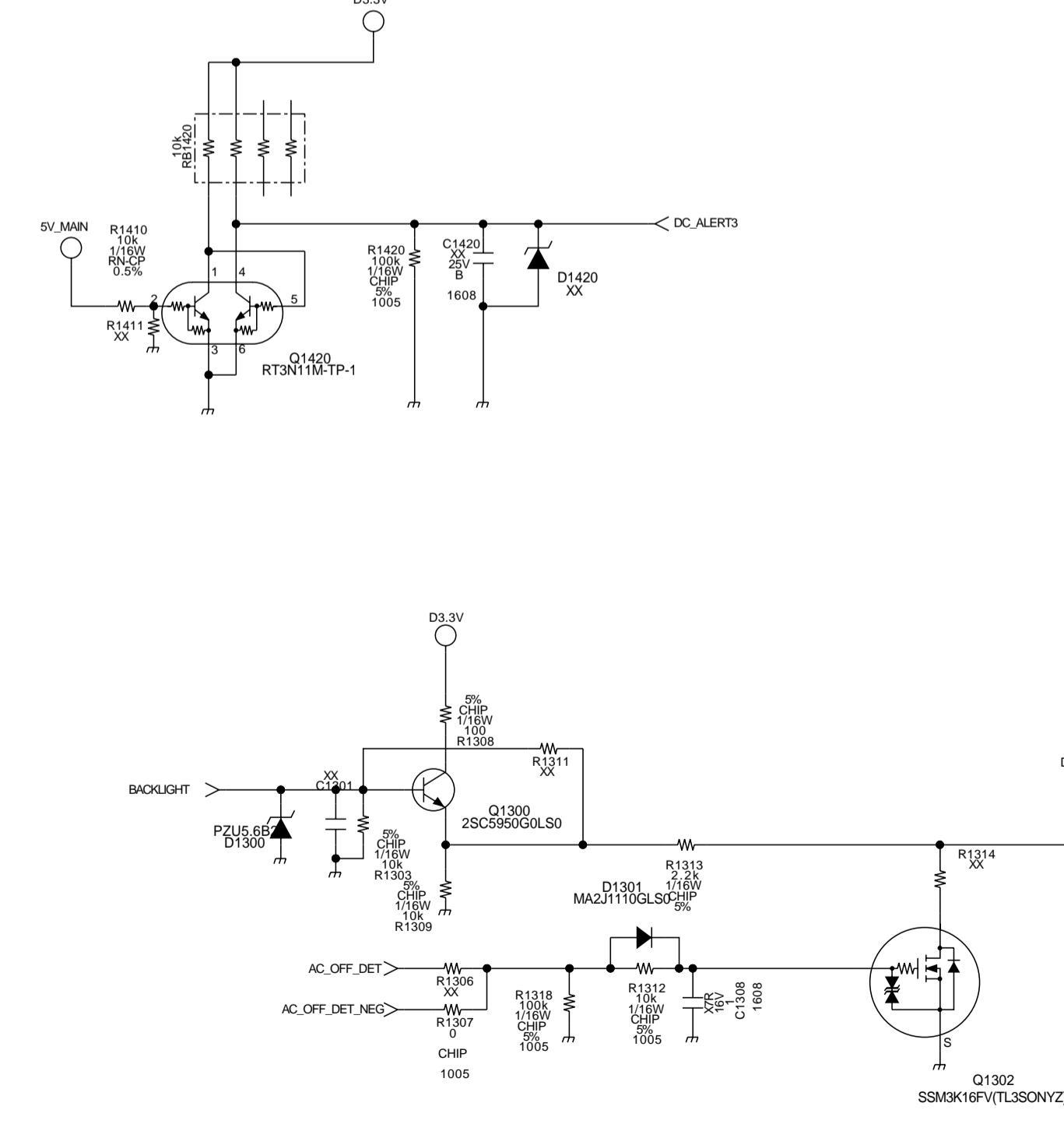
+5V REG



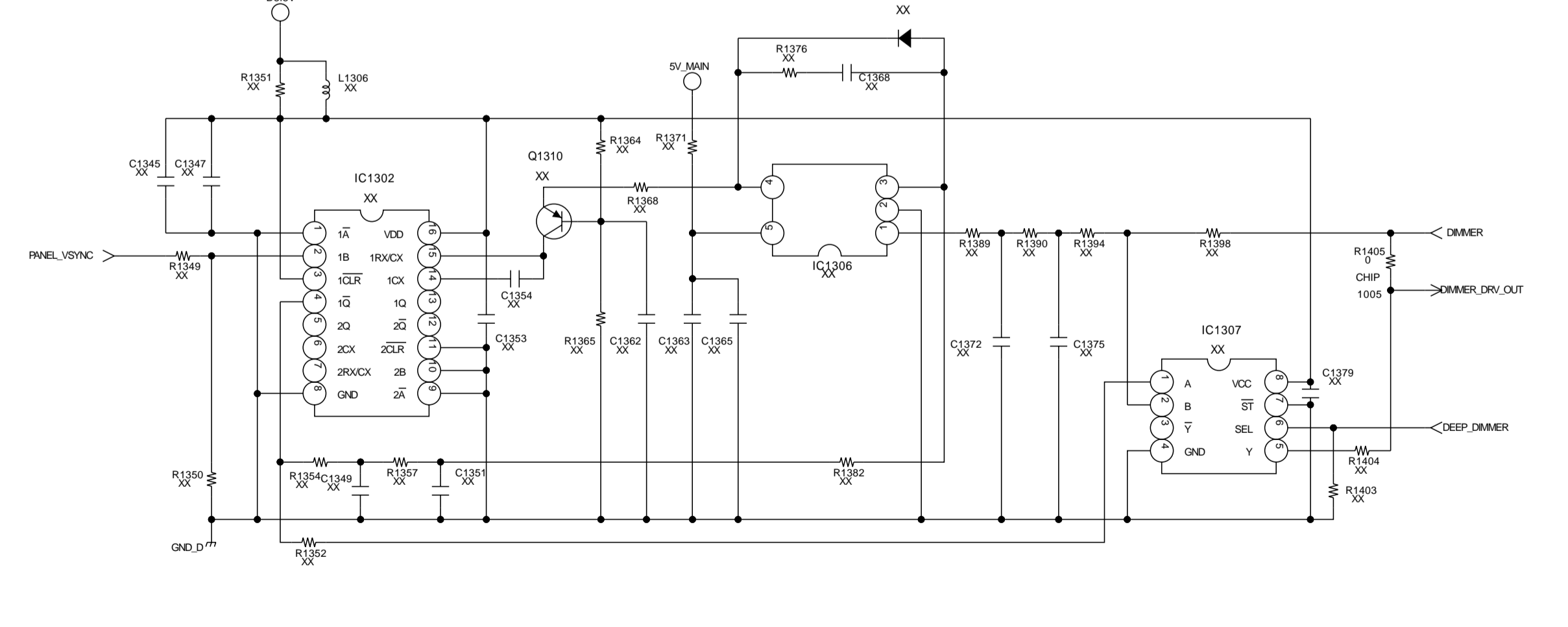
BA 12/18



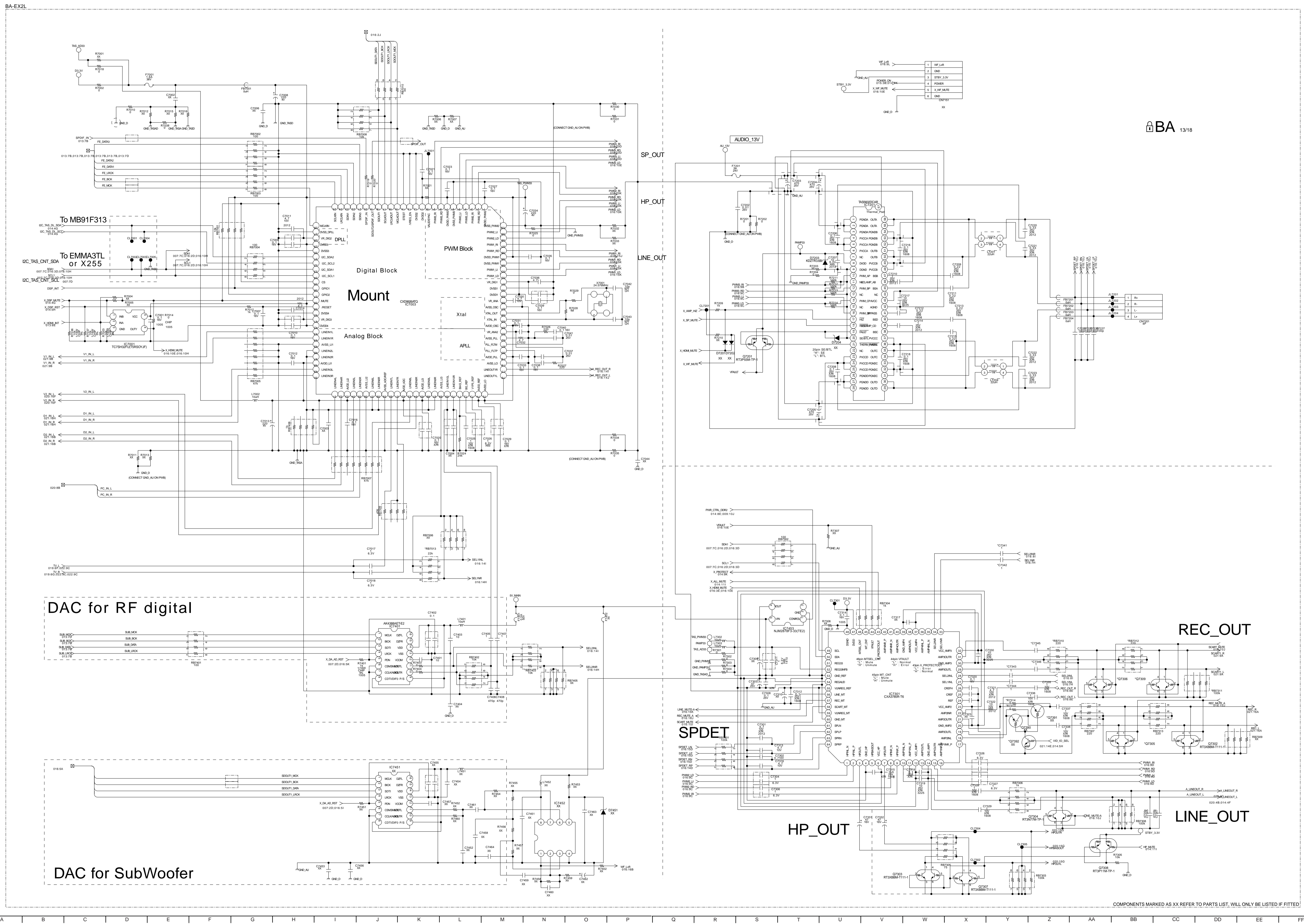
DC_ALERT3



WATER FALL

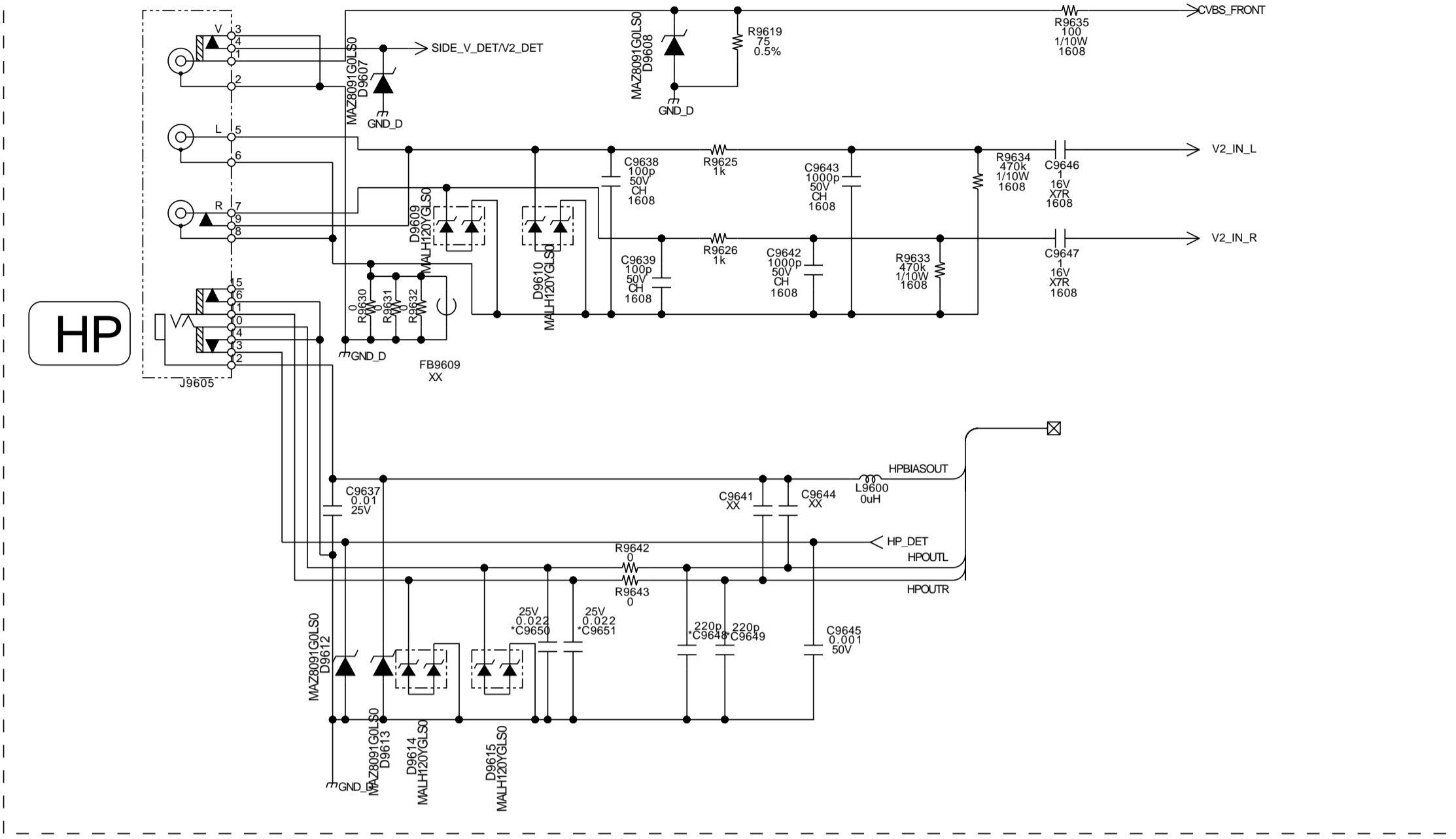


COMPONENTS MARKED AS XX REFER TO PARTS LIST, WILL ONLY BE LISTED IF FITTED

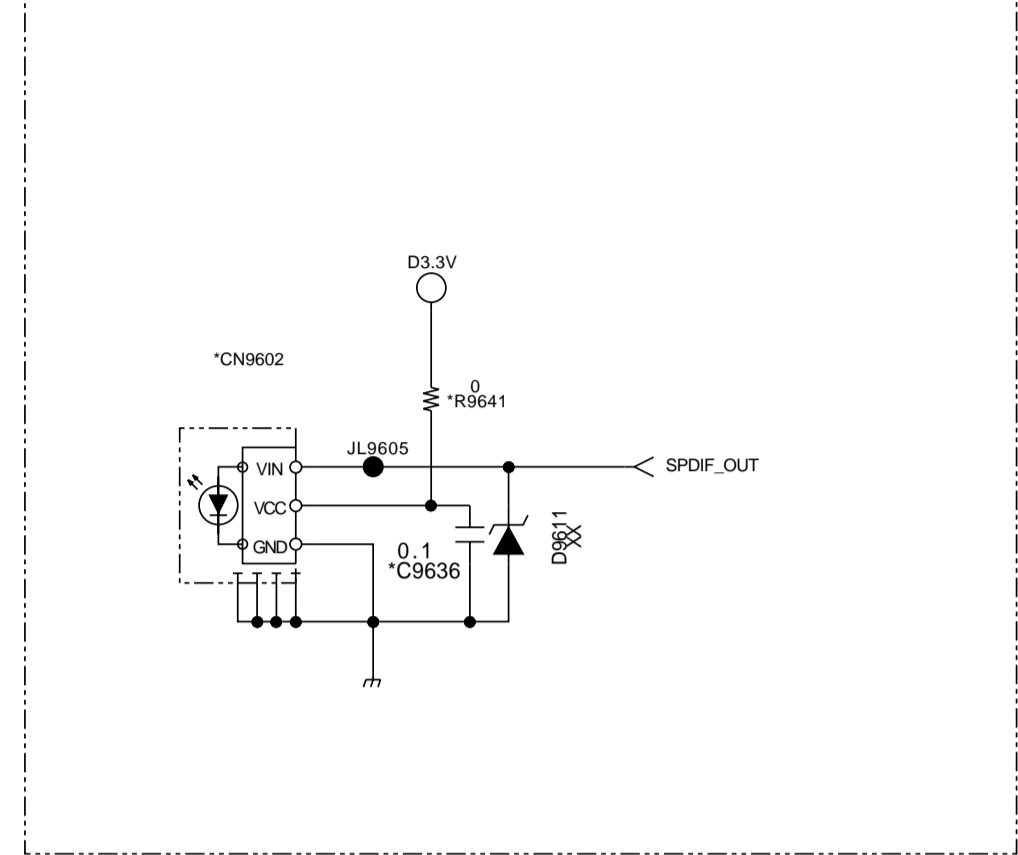


BA 13/18

LATERAL AV CONNECTOR

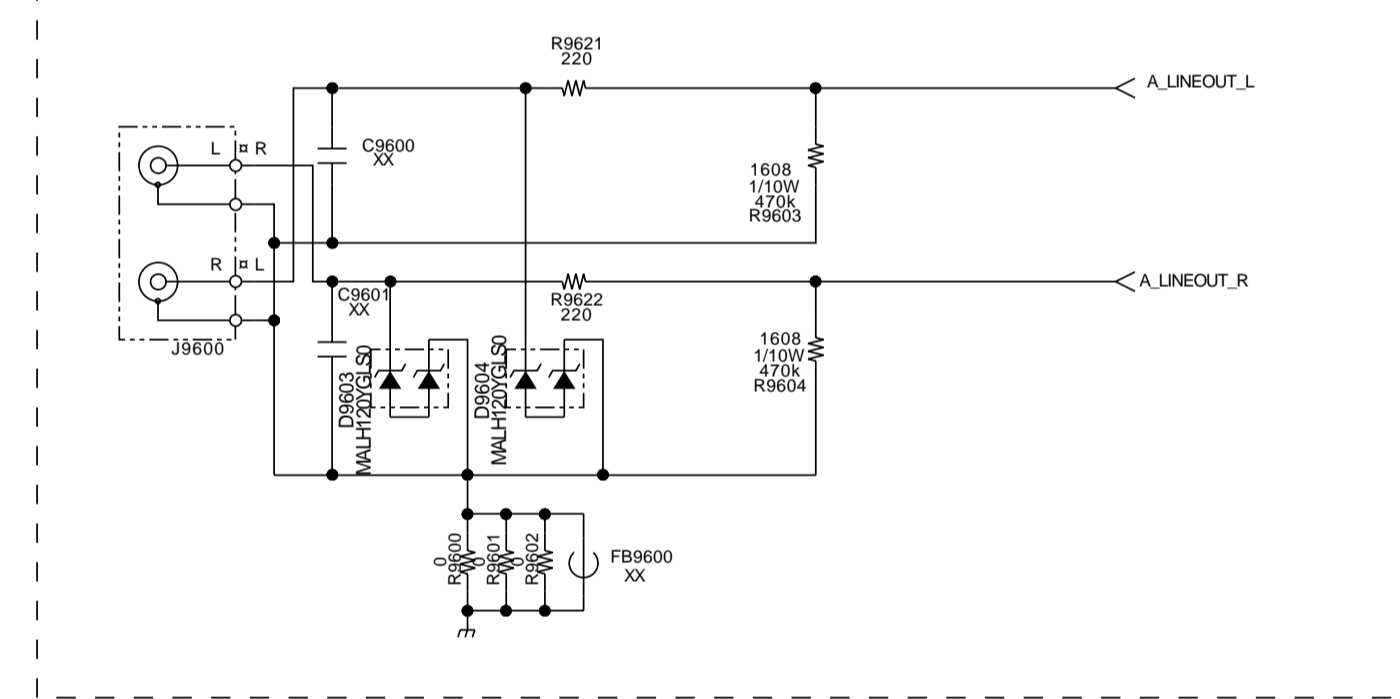


SPDIF OPTICAL OUT

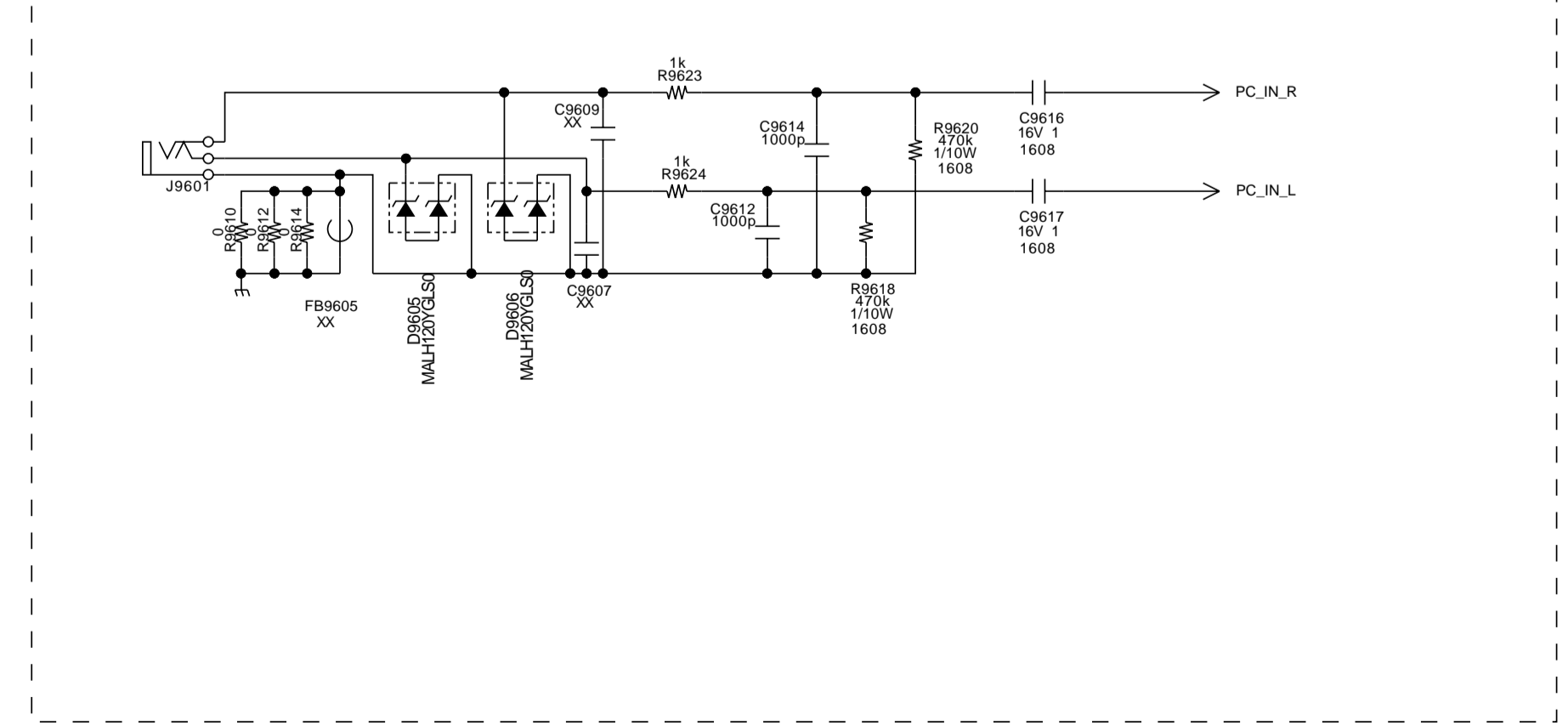


BA 15/18

LINE OUT

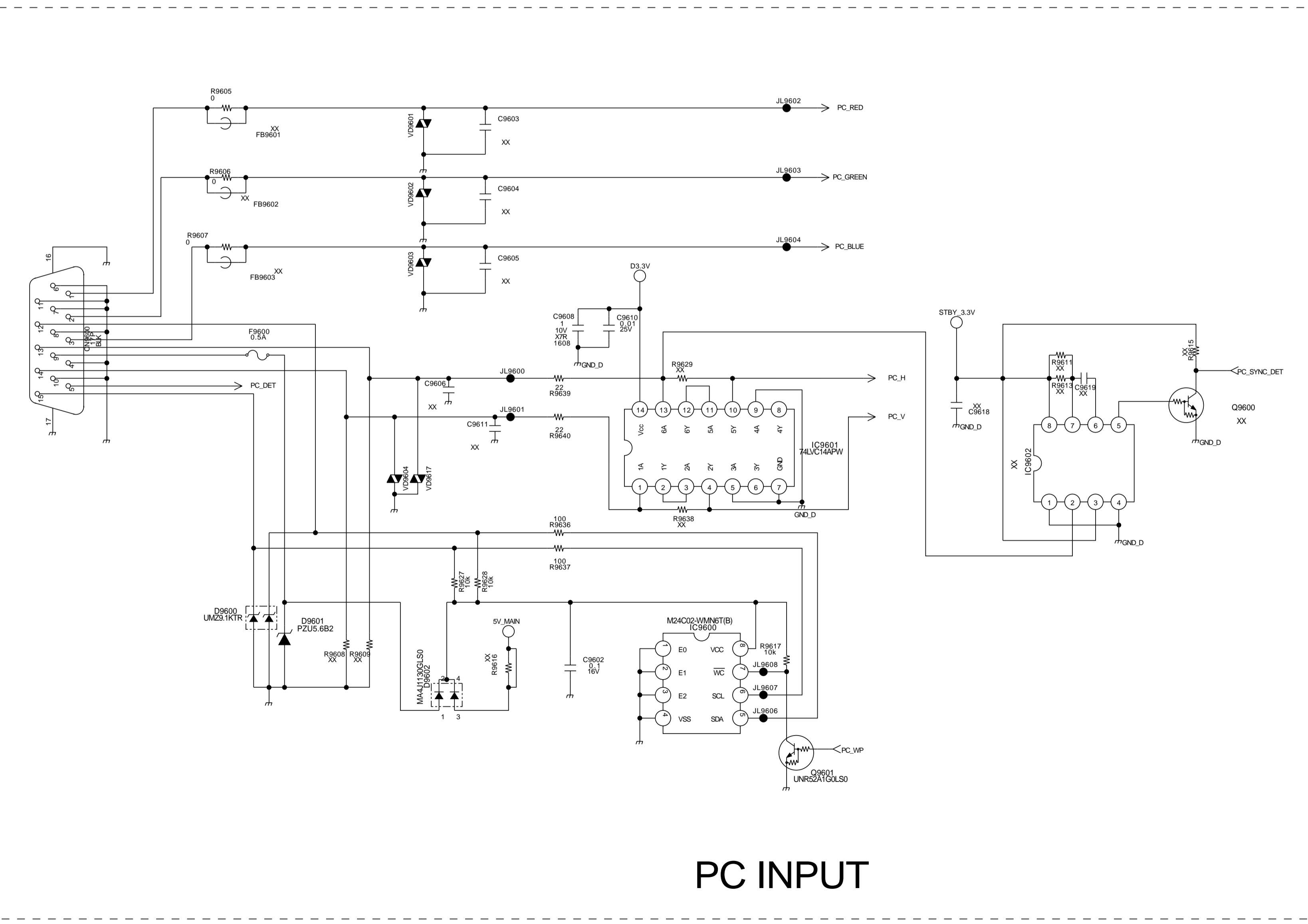


DVI/PC AUDIO INPUT

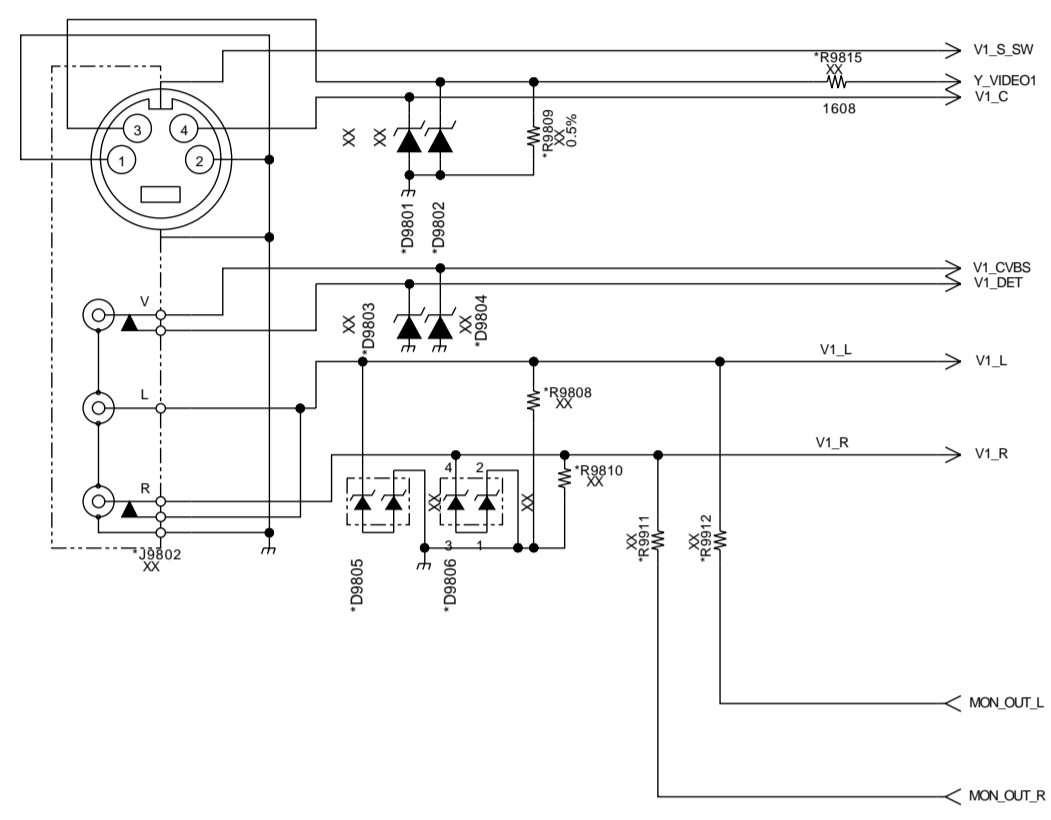


COMPONENTS MARKED AS XX REFER TO PARTS LIST, WILL ONLY BE LISTED IF FITTED

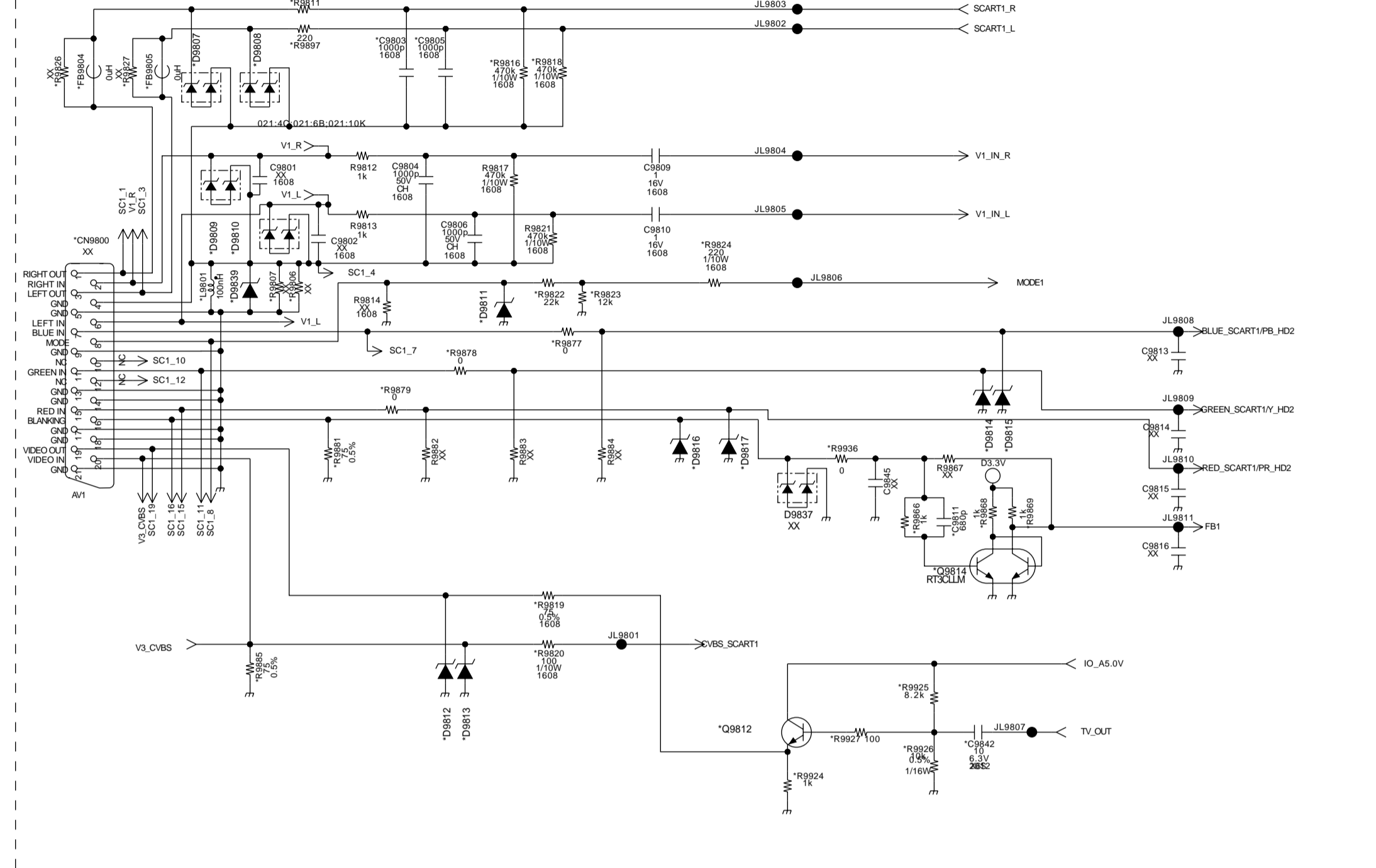
PC INPUT



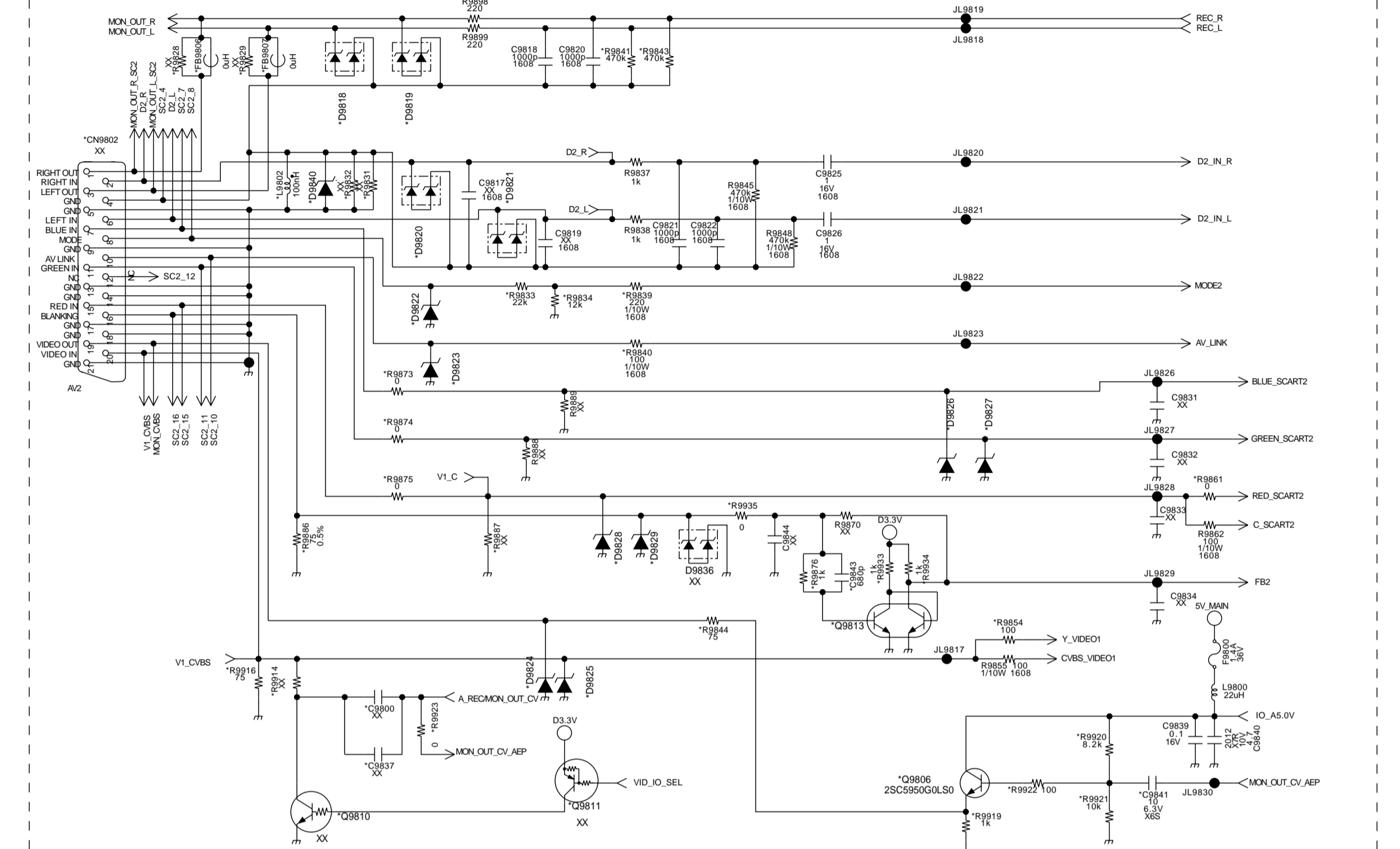
CVBS INPUT & OUTPUT Y/C INPUT



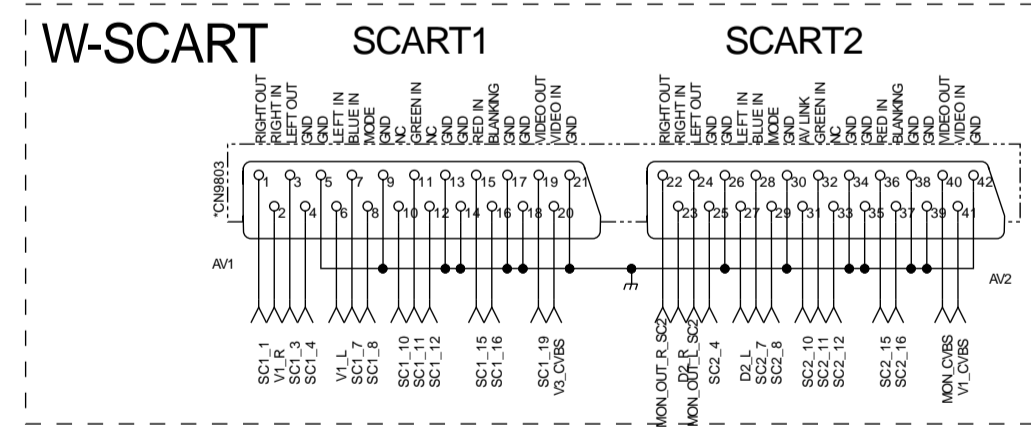
SCART1



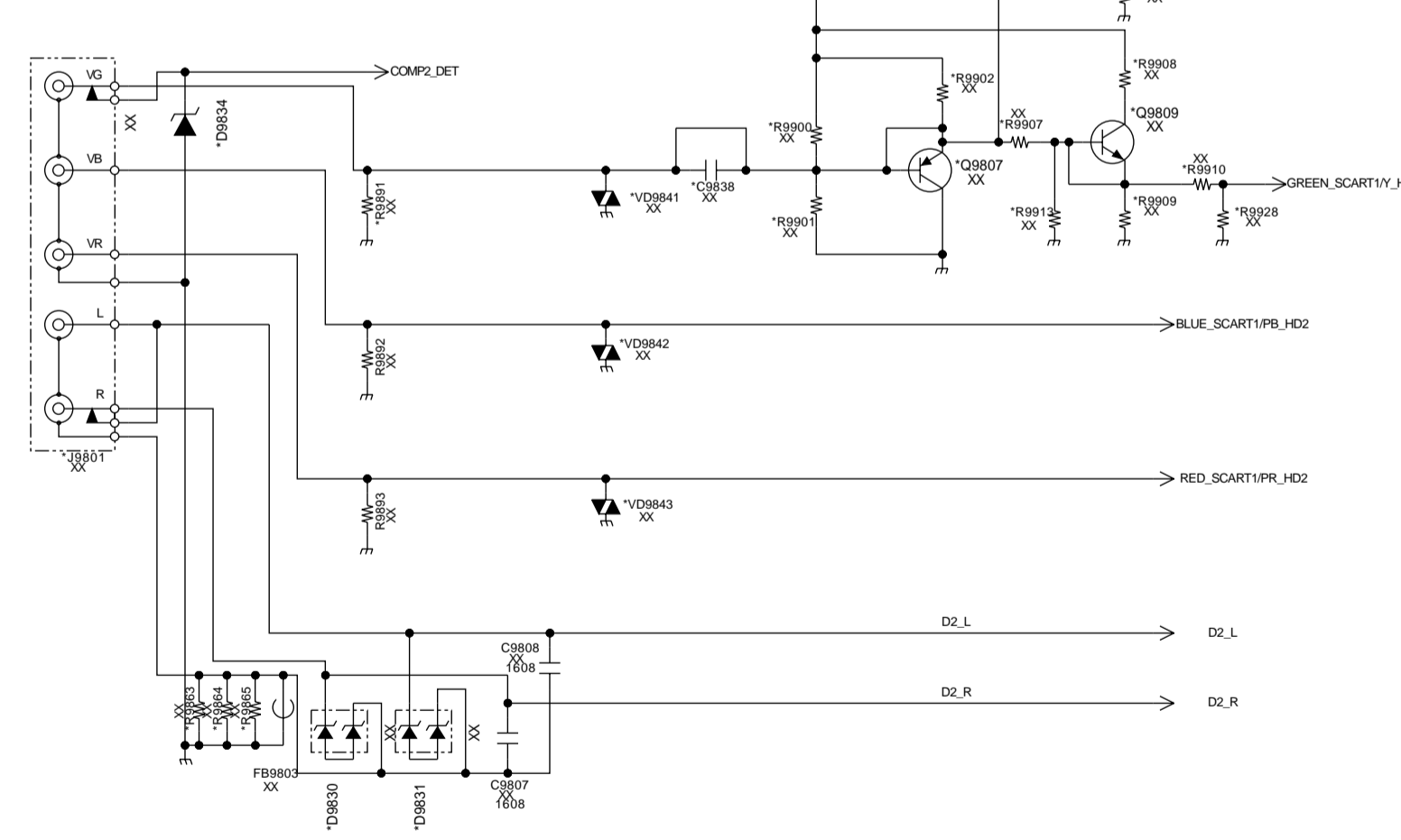
SCART2



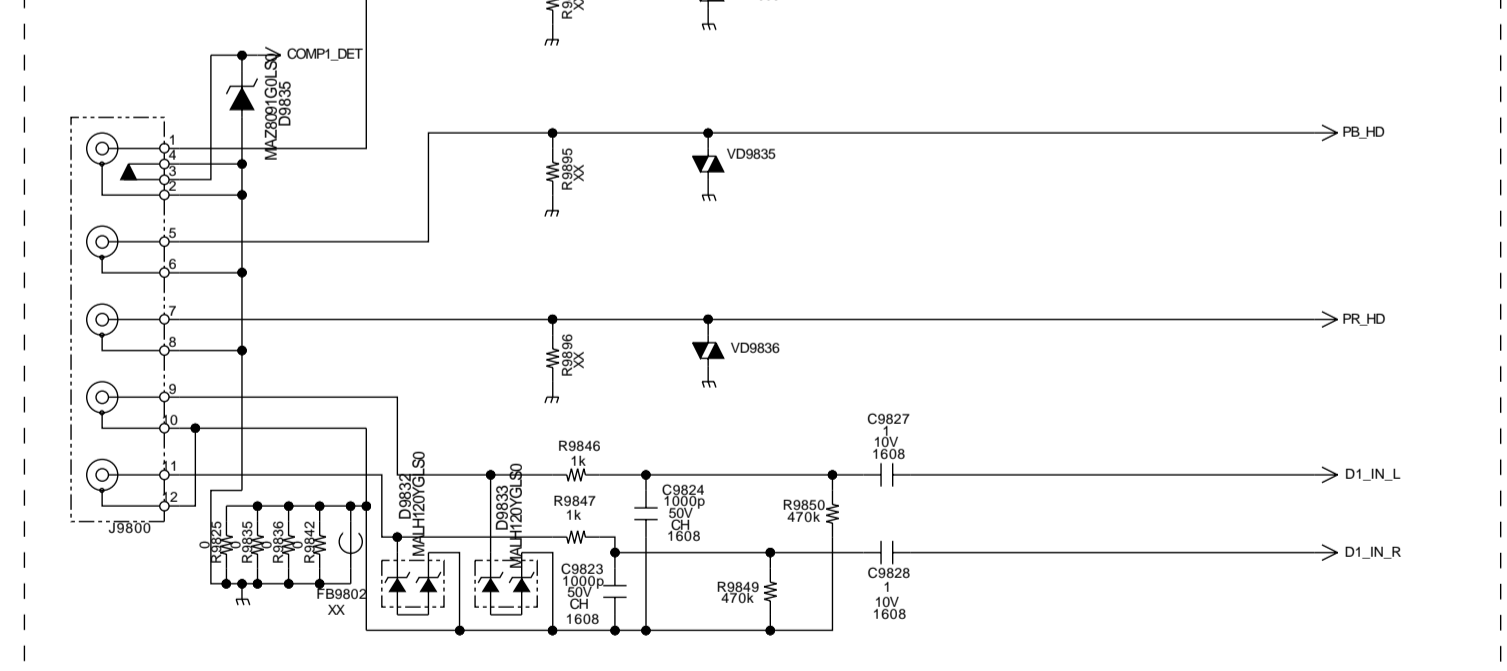
BA 16/18



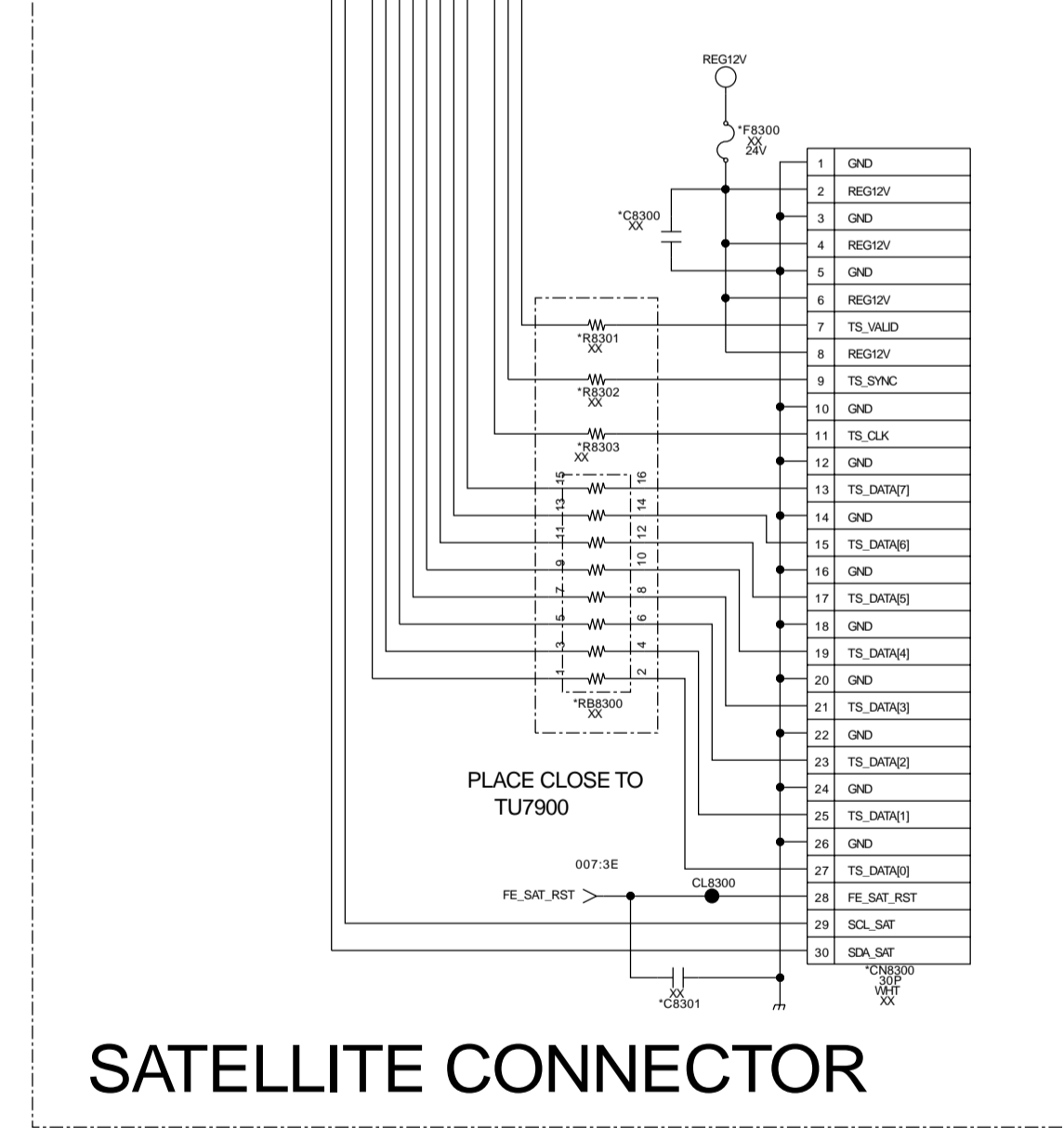
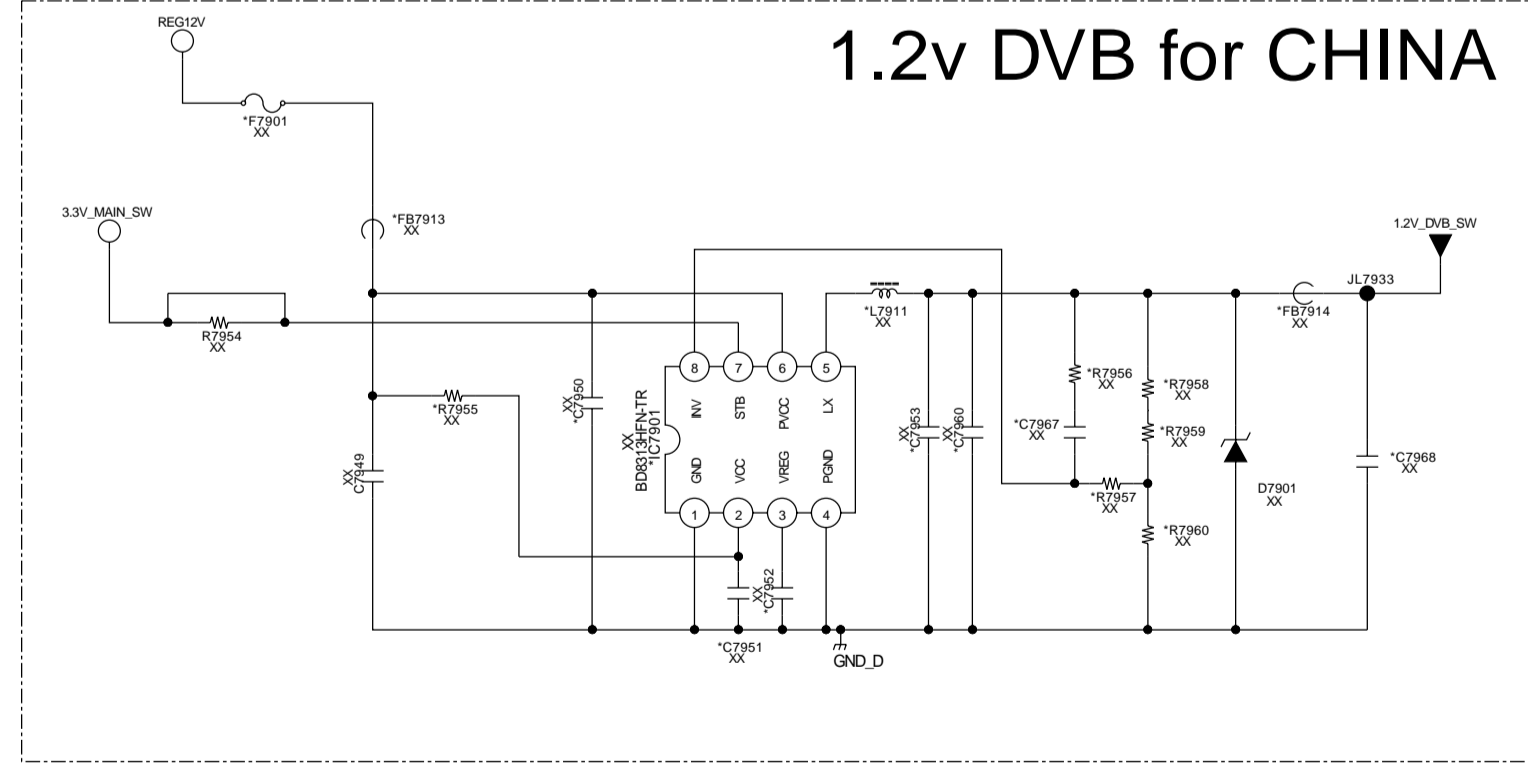
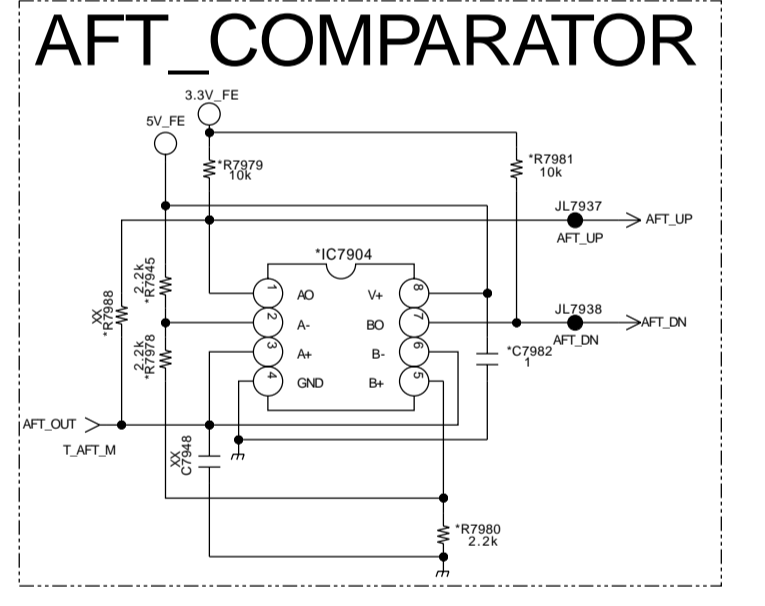
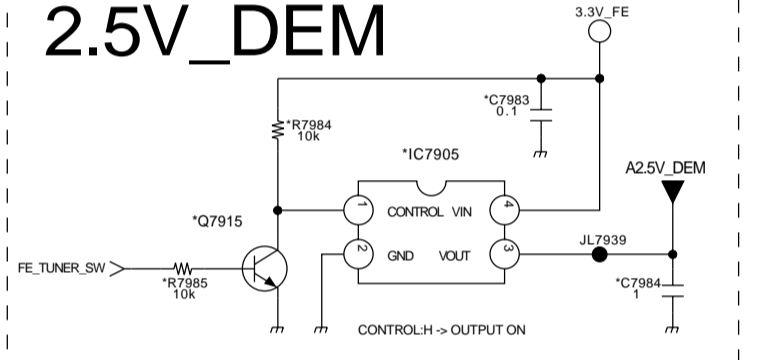
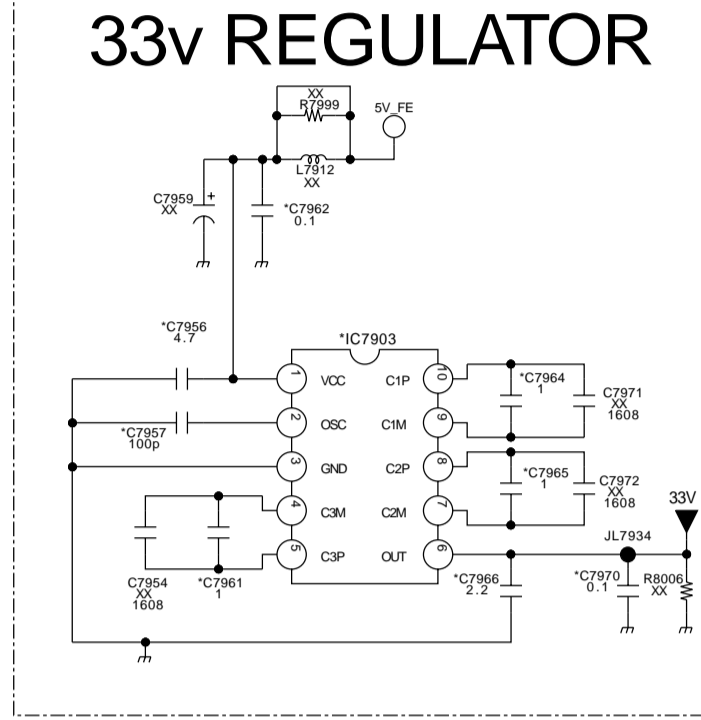
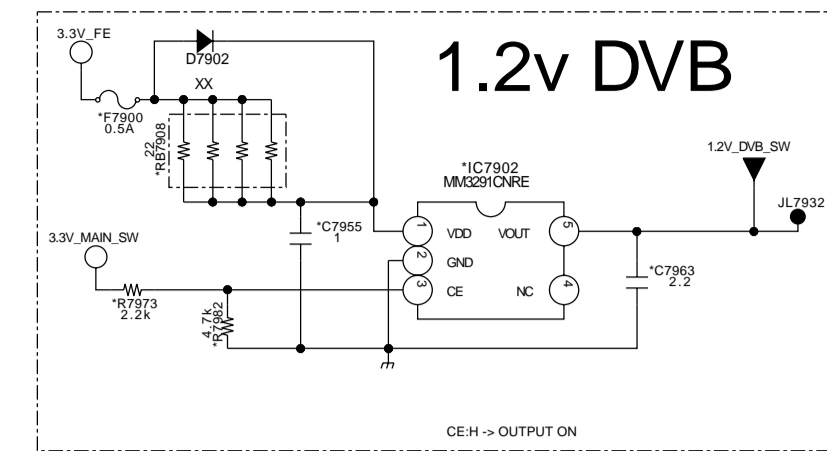
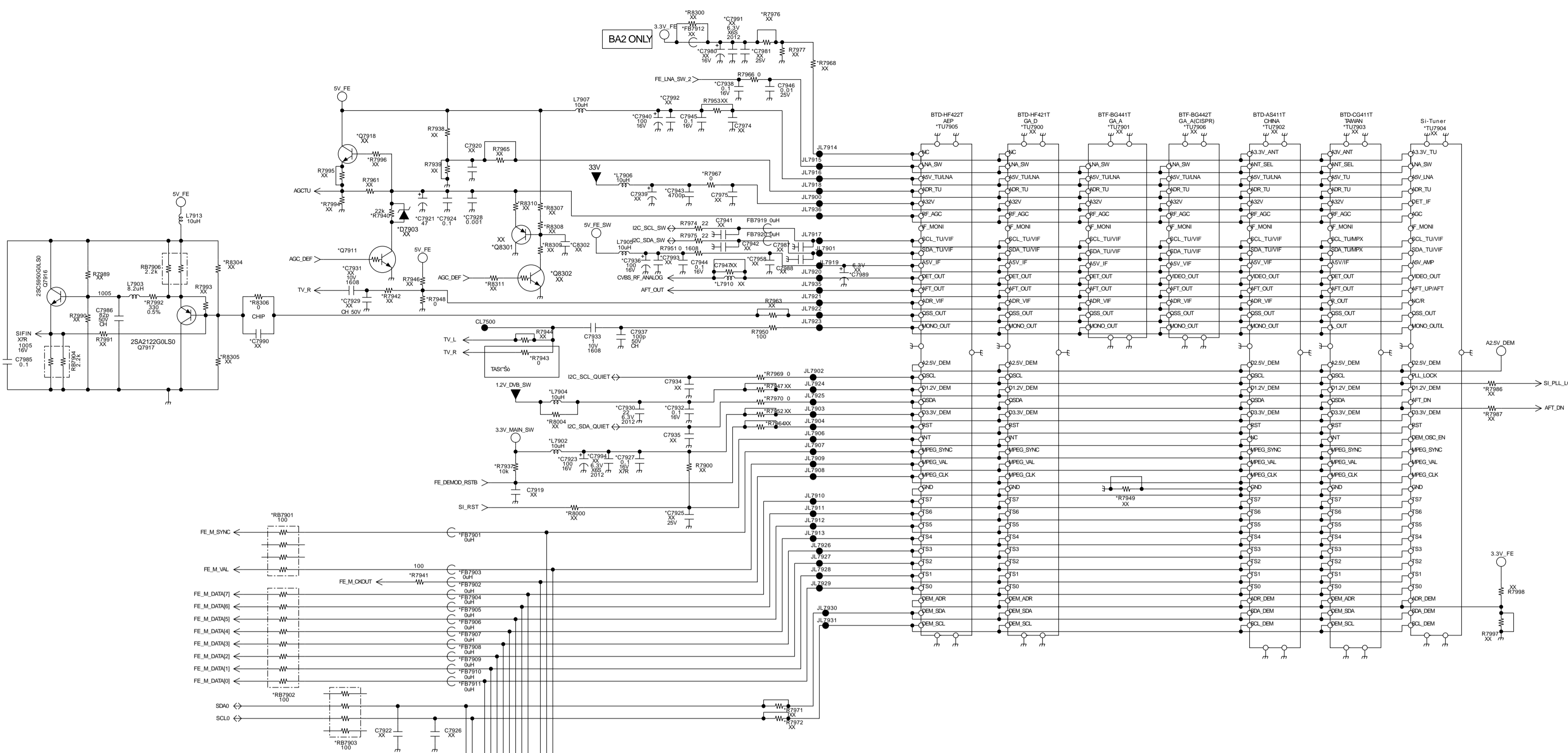
COMPONENT & CVBS INPUT



COMPONENT INPUT



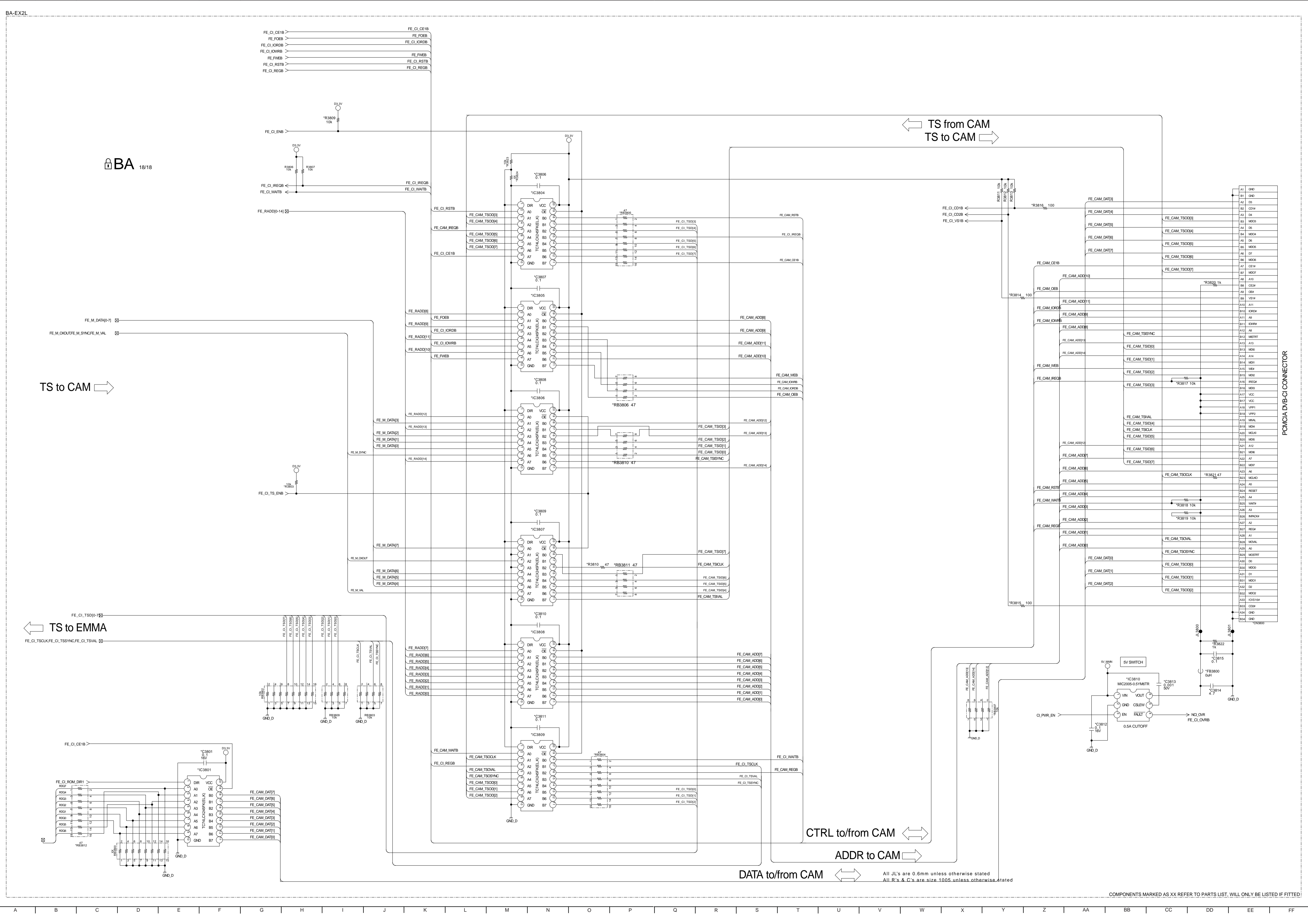
COMPONENTS MARKED AS XX REFER TO PARTS LIST. WILL ONLY BE LISTED IF FITTED!



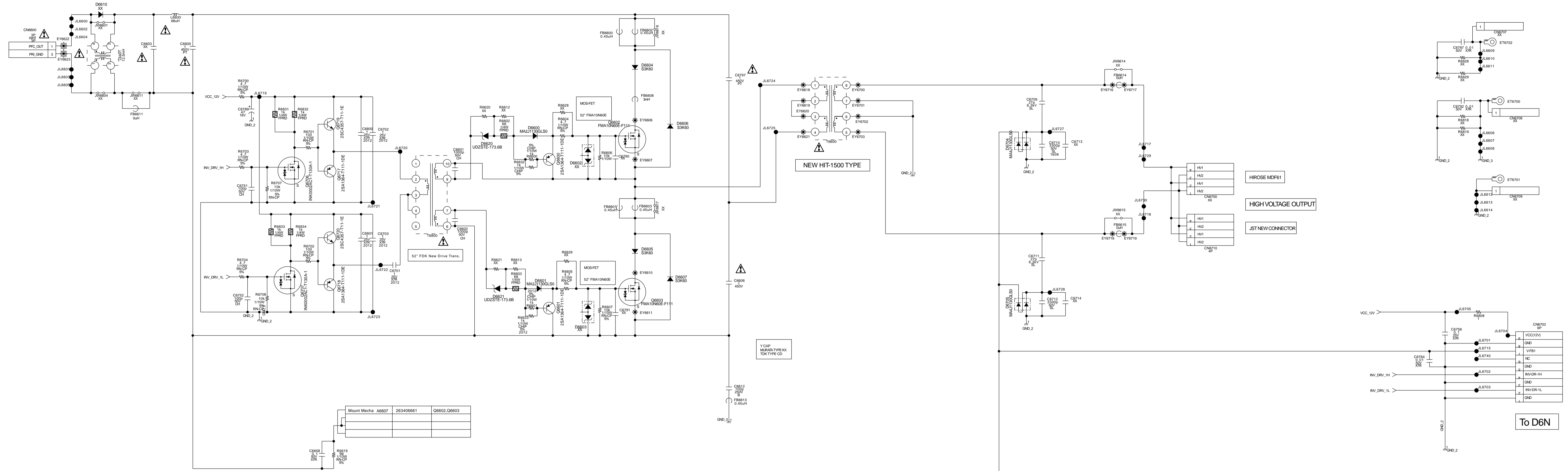
BA 17/18

- ET2902
- ET2903
- ET2904
- ET2905
- ET2906
- ET2907
- ET2908
- ET2909
- ET2910
- ET2911
- ET2912

COMPONENTS MARKED AS XX REFER TO PARTS LIST. WILL ONLY BE LISTED IF FITTED

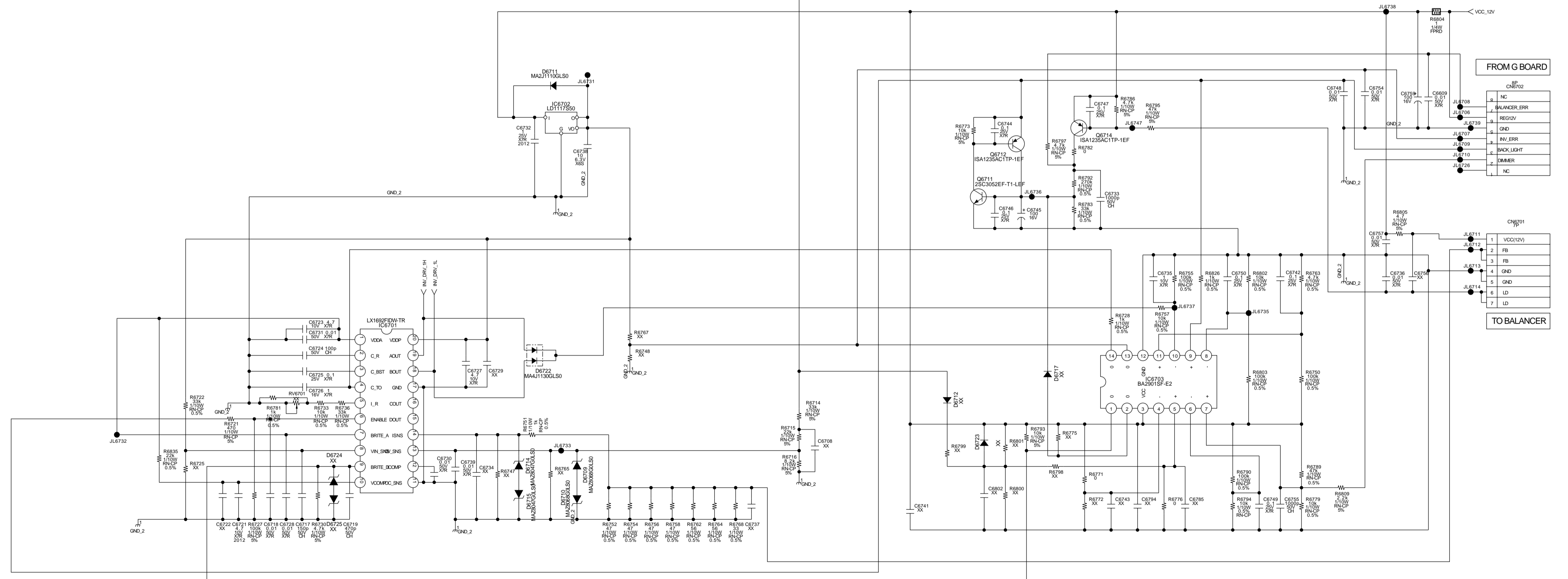


D5N-EX2L



D5N INVERTER

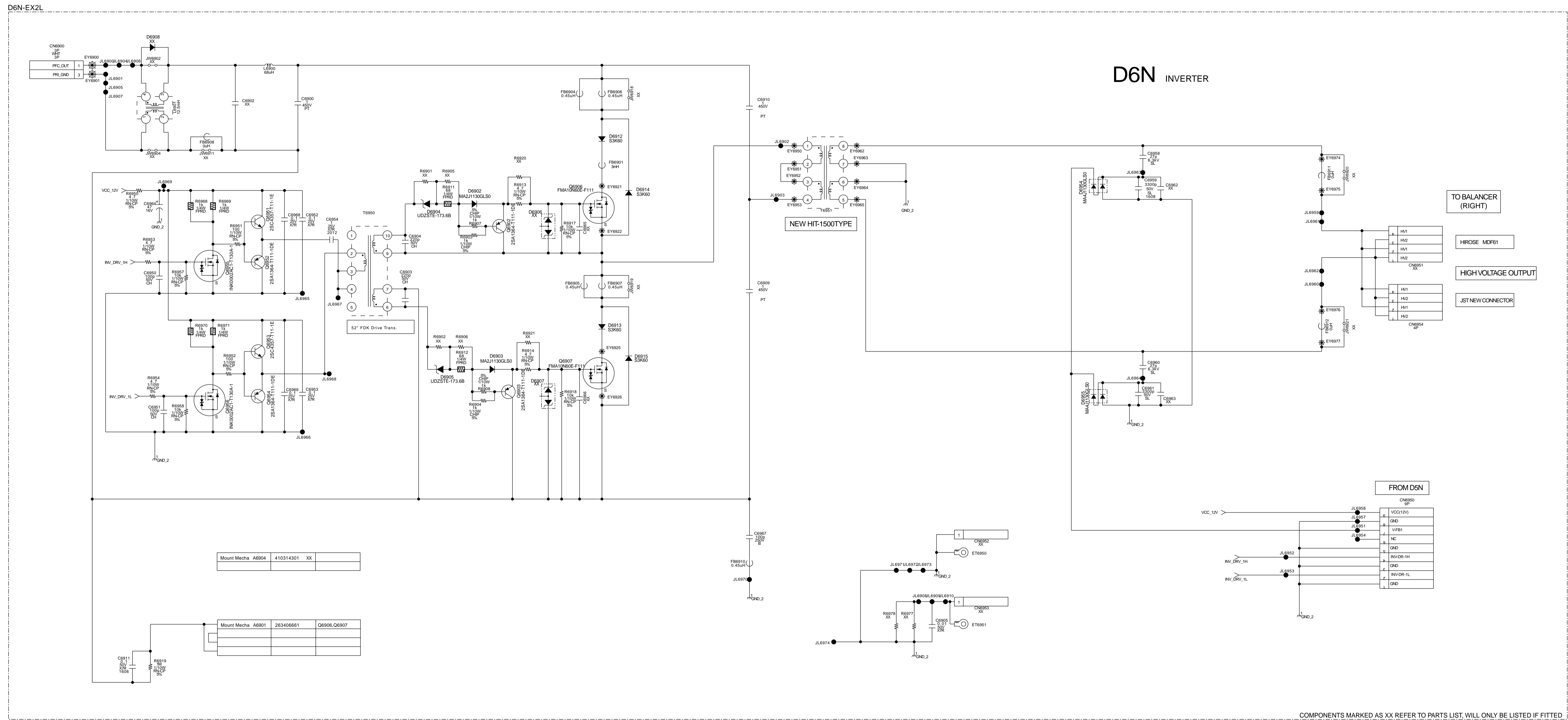
Mount Mecha	A6607	2E340661	Q8602, Q8603
-------------	-------	----------	--------------

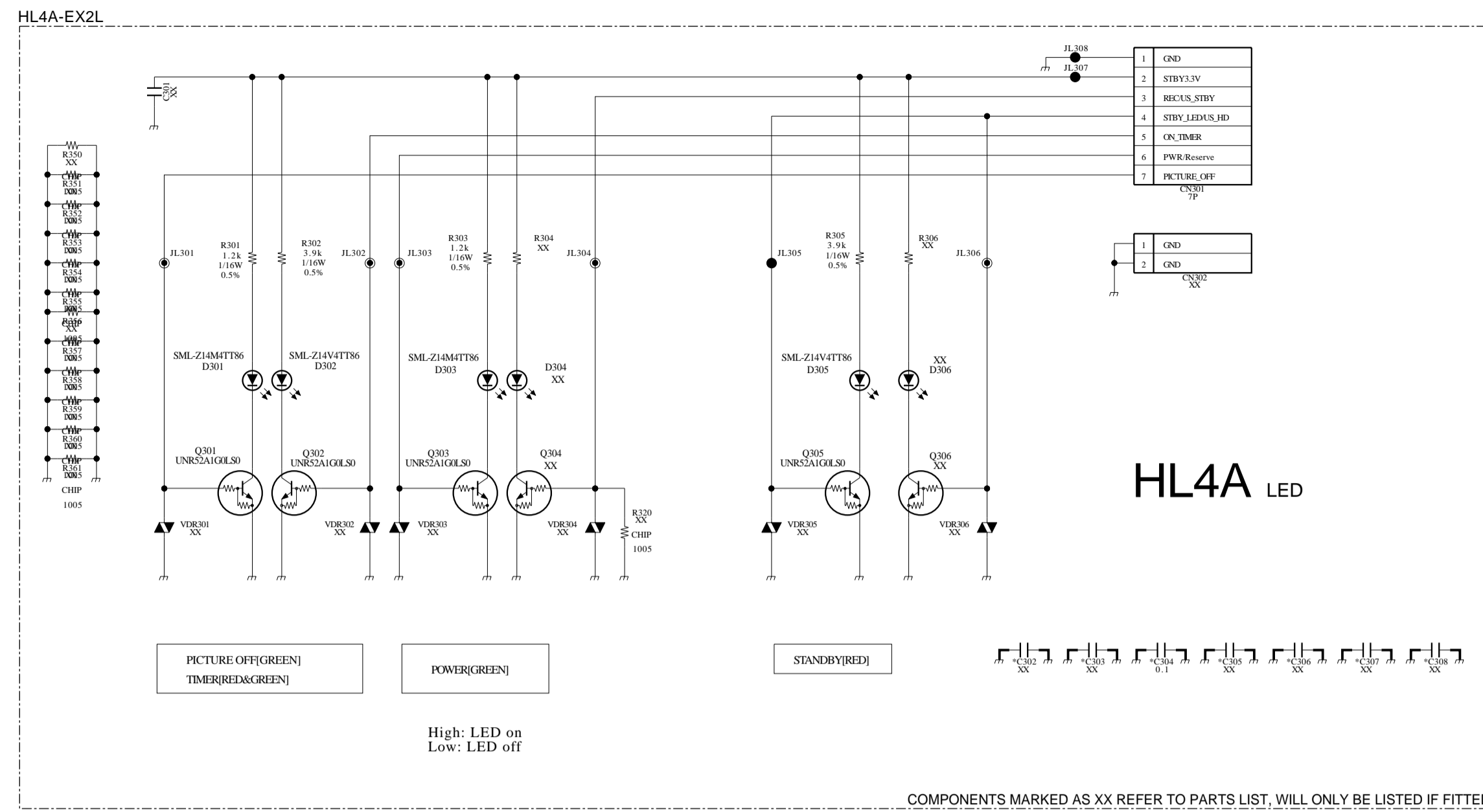


FROM G BOARD

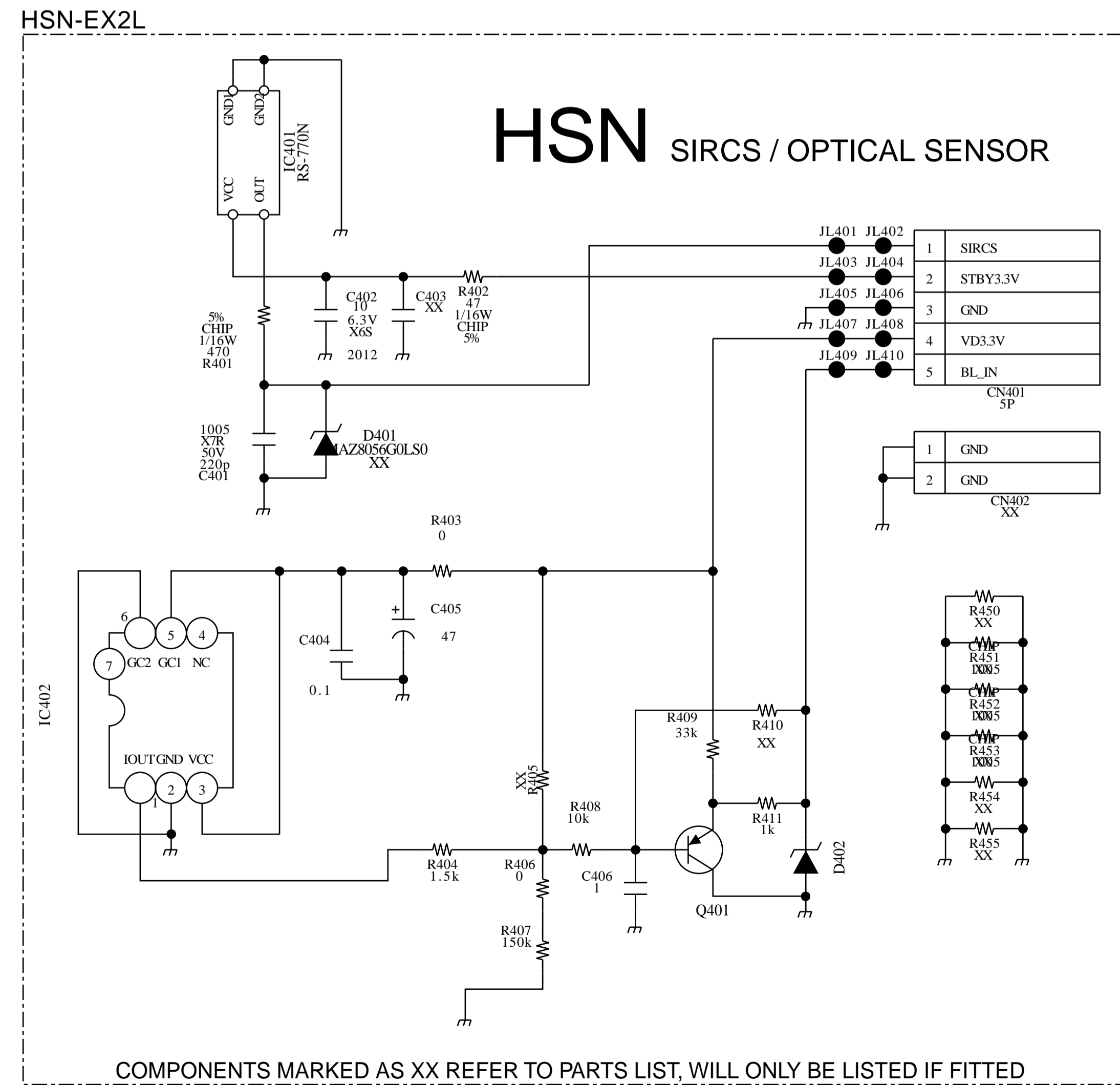
TO BALANCER

COMPONENTS MARKED AS XX REFER TO PARTS LIST, WILL ONLY BE LISTED IF FITTED

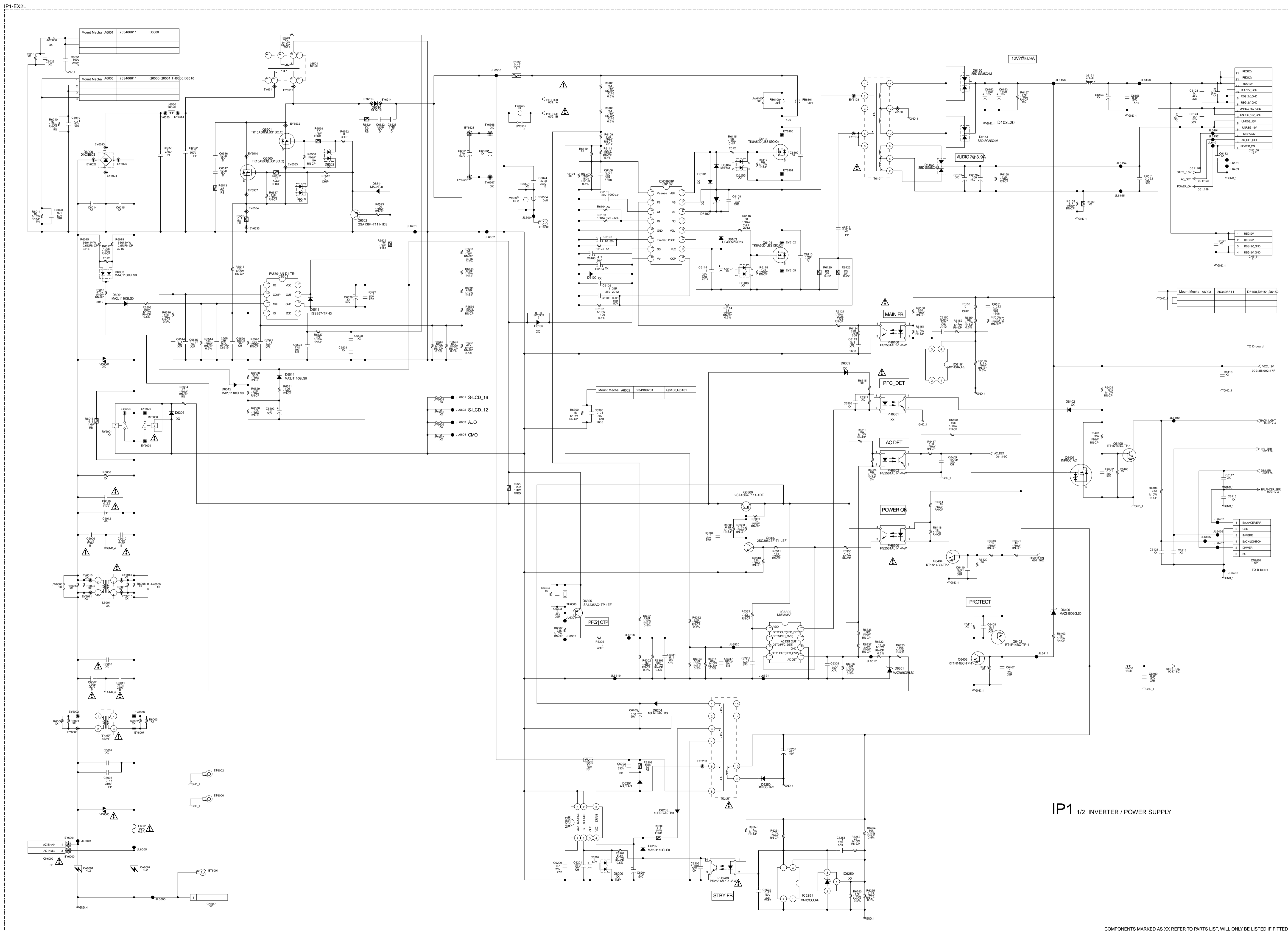




- HL4A Board Schematic Diagram [LED] -



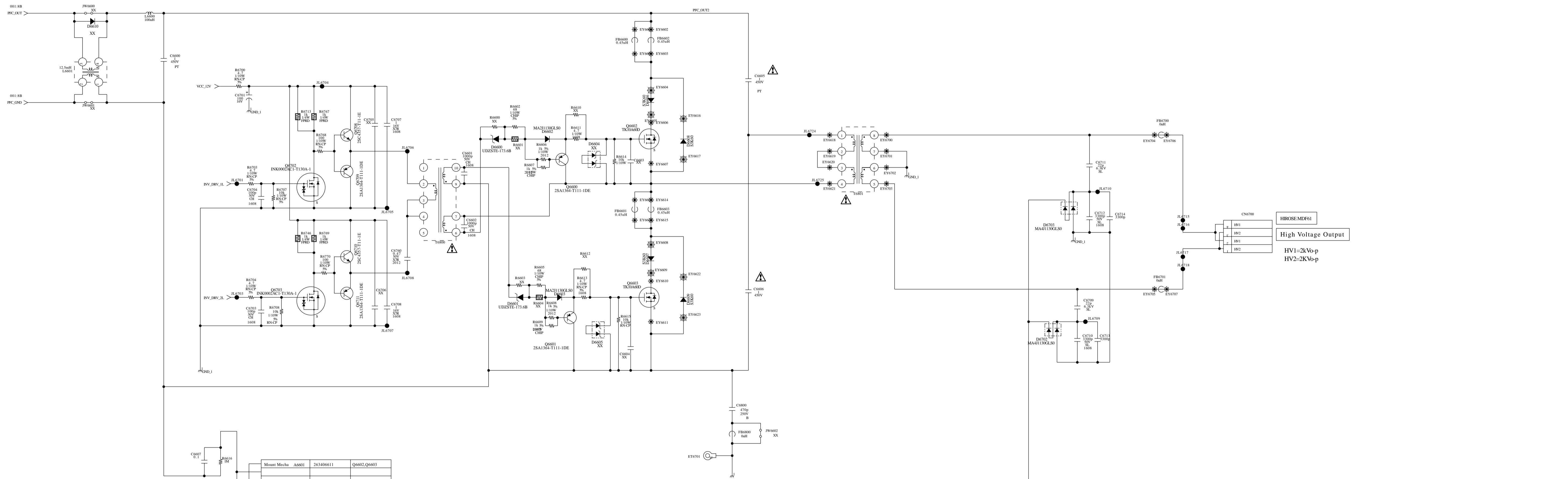
- HSN Board Schematic Diagram [SIRCS / Optical Sensor] -



IP1 1/2 INVERTER / POWER SUPPLY

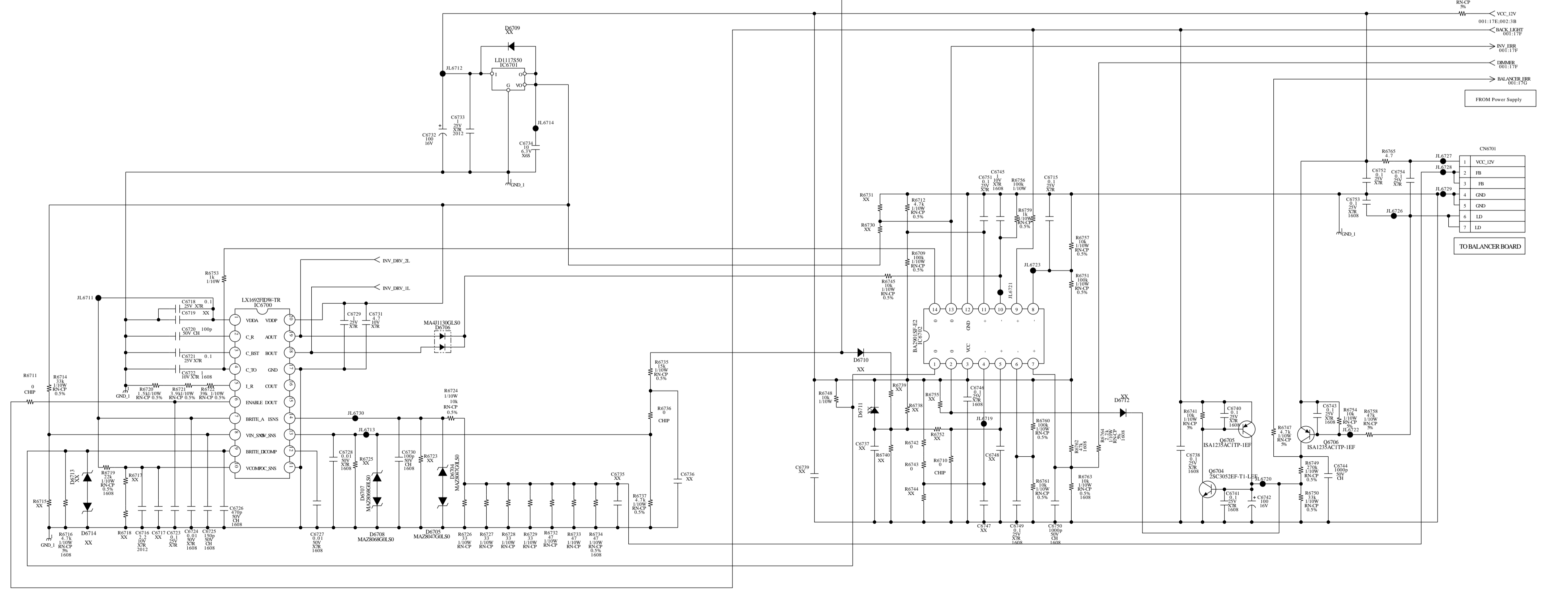
COMPONENTS MARKED AS XX REFER TO PARTS LIST. WILL ONLY BE LISTED IF FITTED

IP1-EX2L

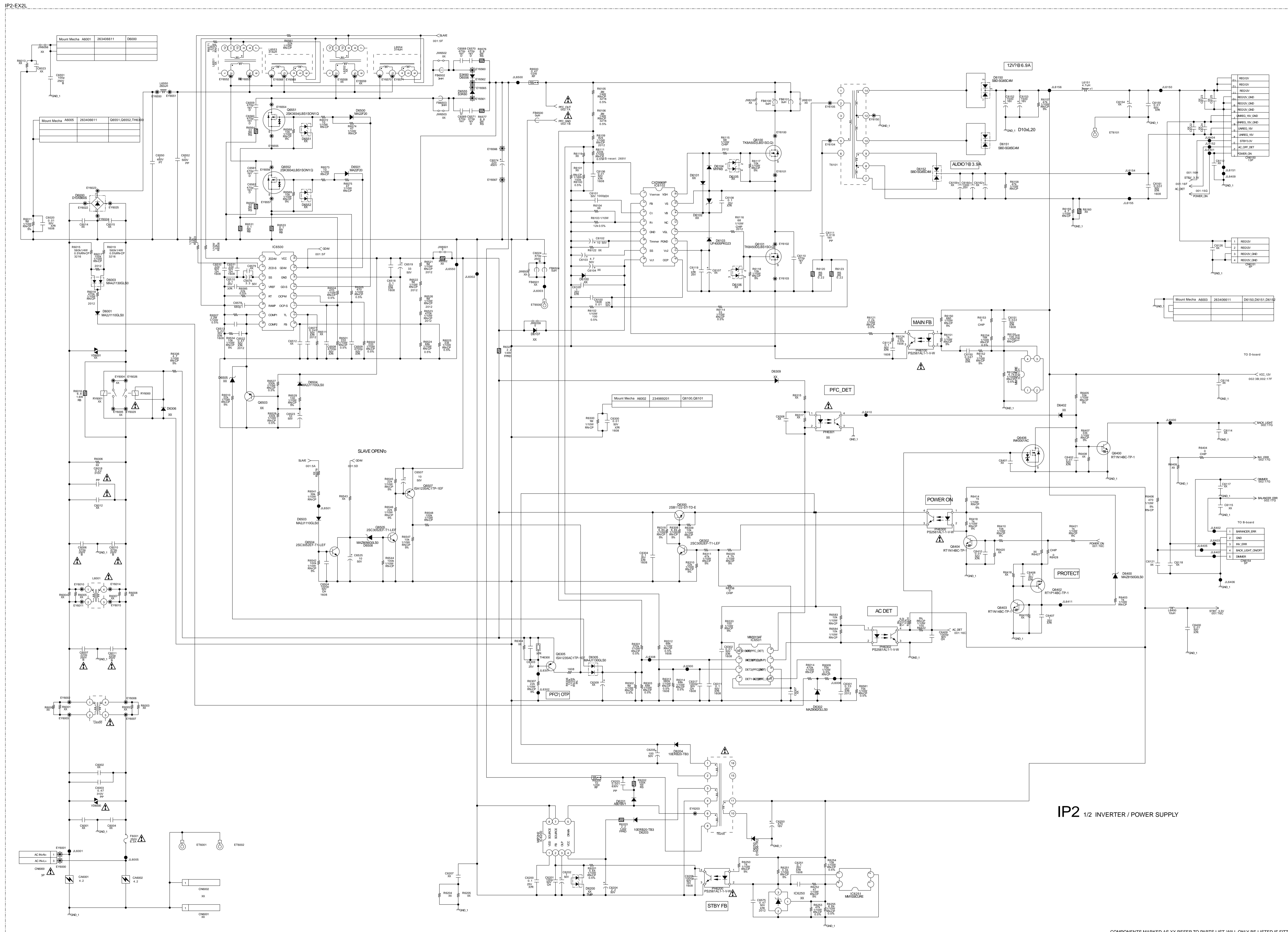


Mount	Mech	A6601	263496611	Q6002_Q6003

IP1 2/2



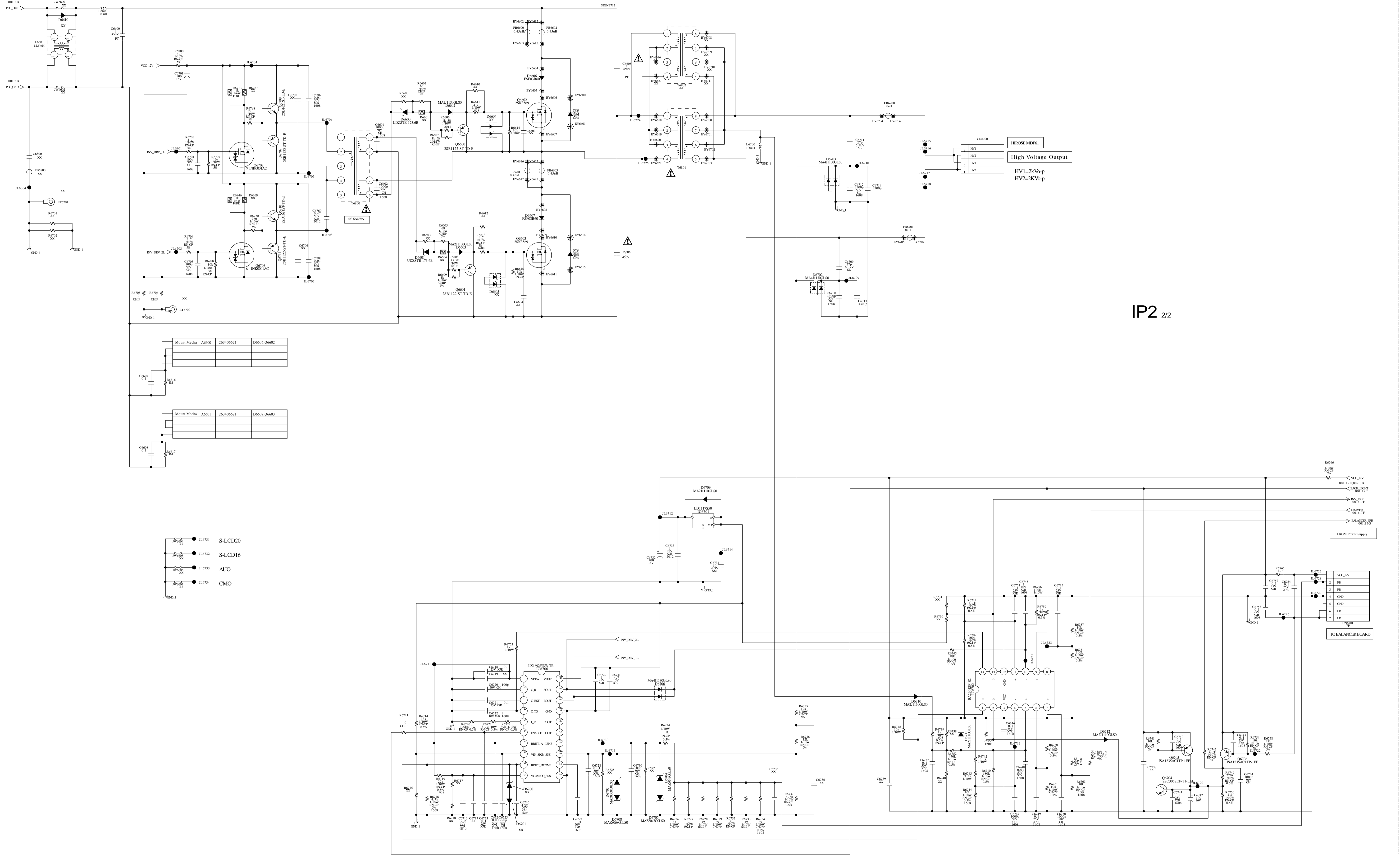
COMPONENTS MARKED AS XX REFER TO PARTS LIST. WILL ONLY BE LISTED IF FITTED.



IP2 1/2 INVERTER / POWER SUPPLY

COMPONENTS MARKED AS XX REFER TO PARTS LIST. WILL ONLY BE LISTED IF FITTED

IP2-EX2L

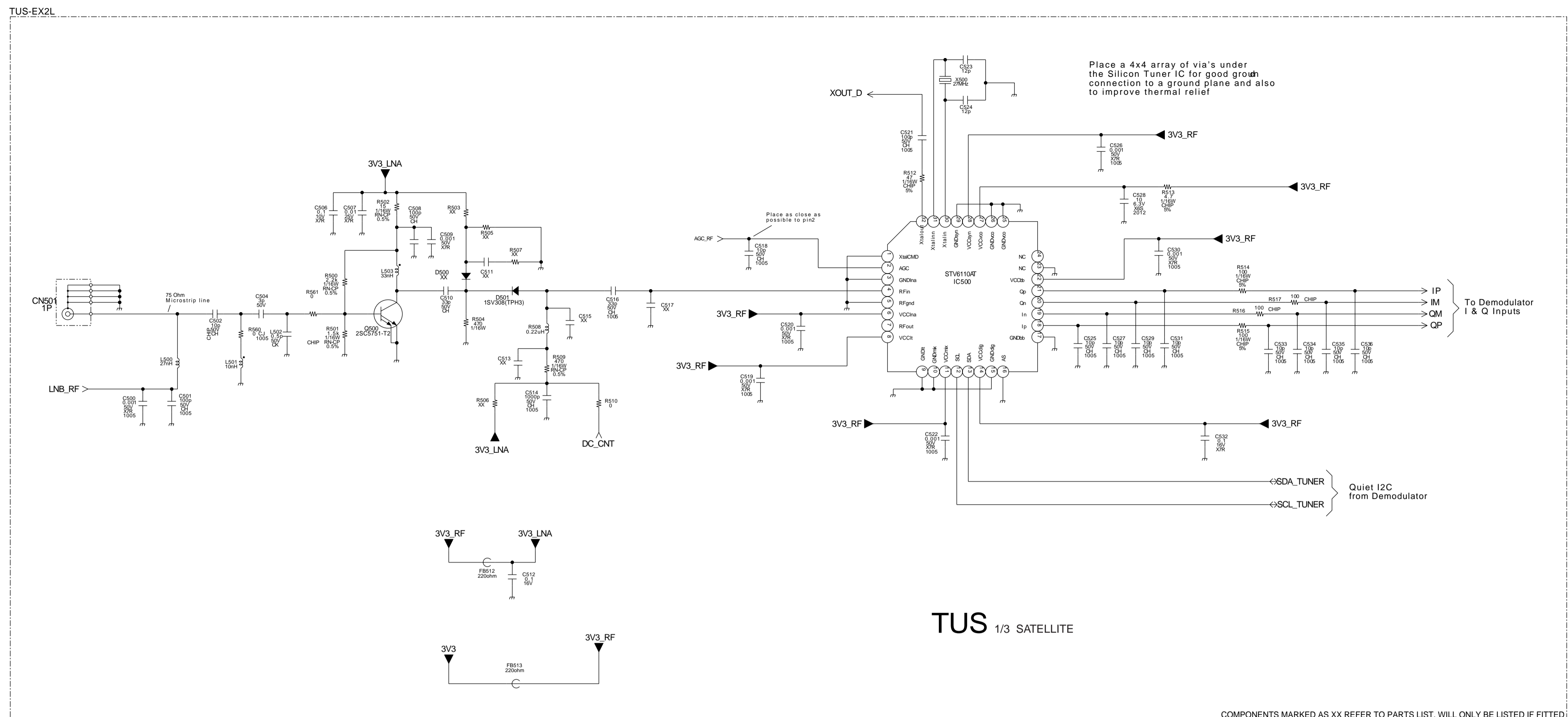


IP2 2/2

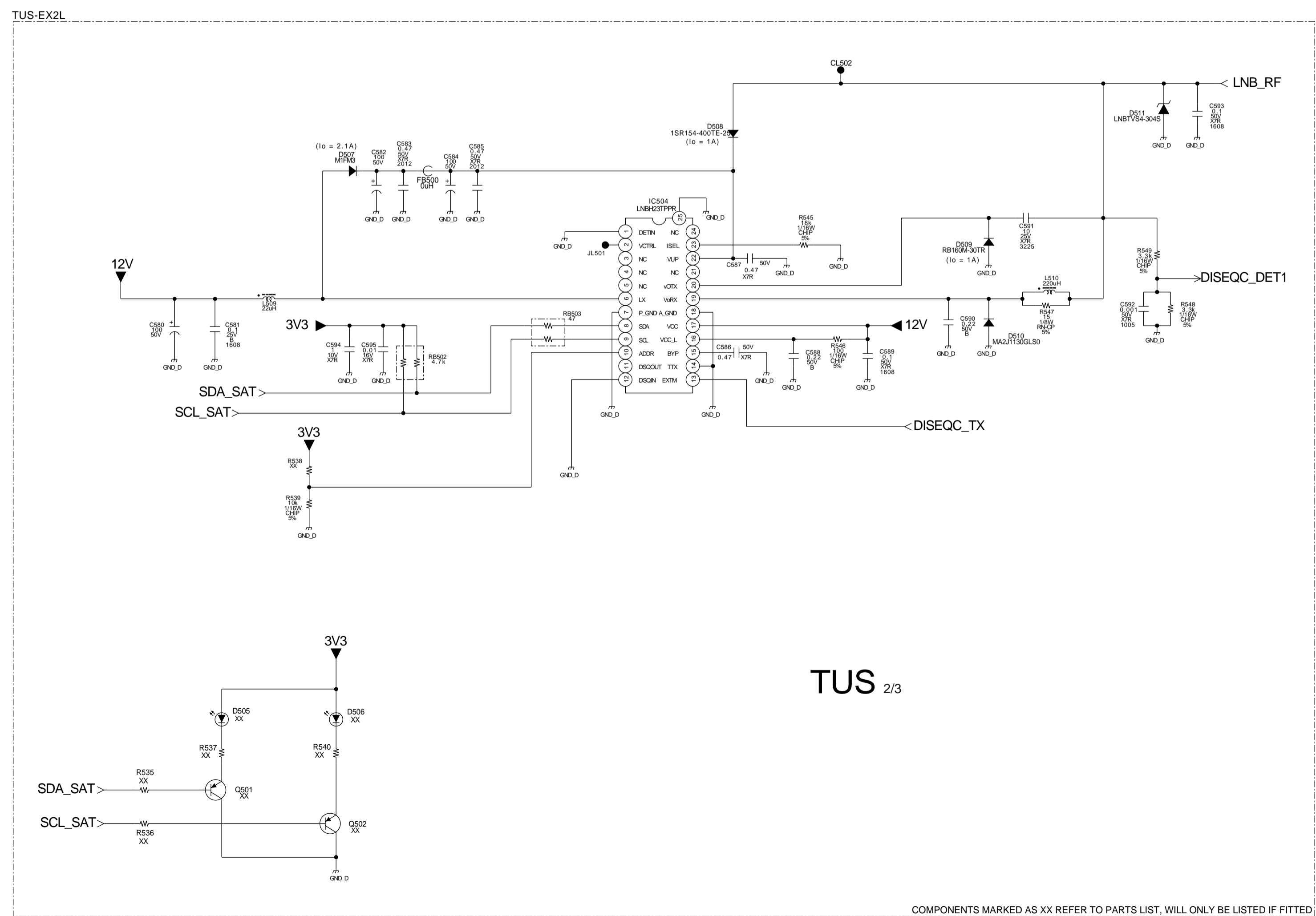
Mount Mecha	A6000	243406621	D6606 06602
Mount Mecha	A6001	243406621	D6607 06603

FR6002	XX	JL6731	S-LCD20
FR6003	XX	JL6732	S-LCD16
FR6004	XX	JL6733	AUO
FR6005	XX	JL6734	CMO

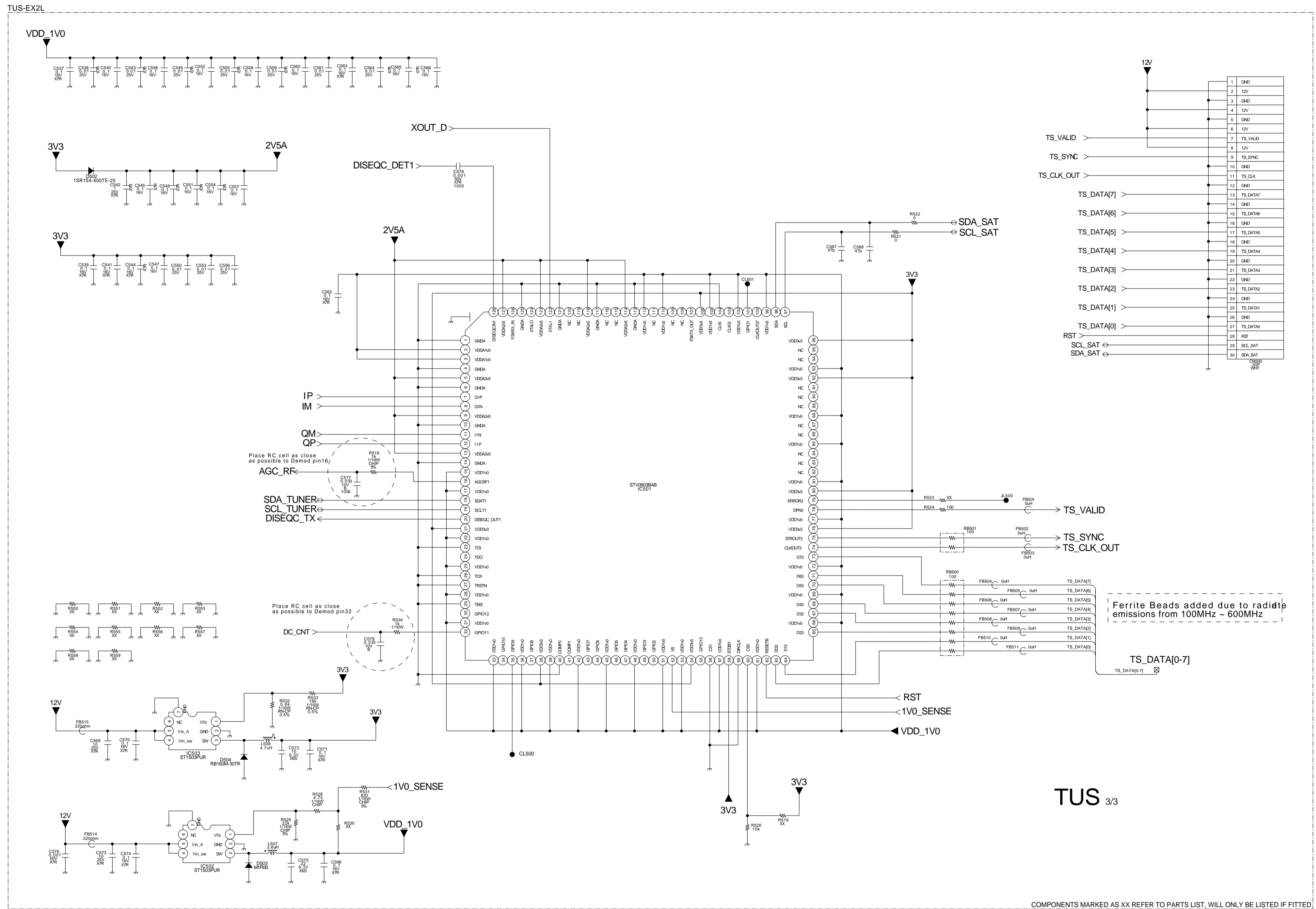
COMPONENTS MARKED AS XX REFER TO PARTS LIST, WILL ONLY BE LISTED IF FITTED



- TUS Board Schematic Diagram [Satellite] Page 1/3 -



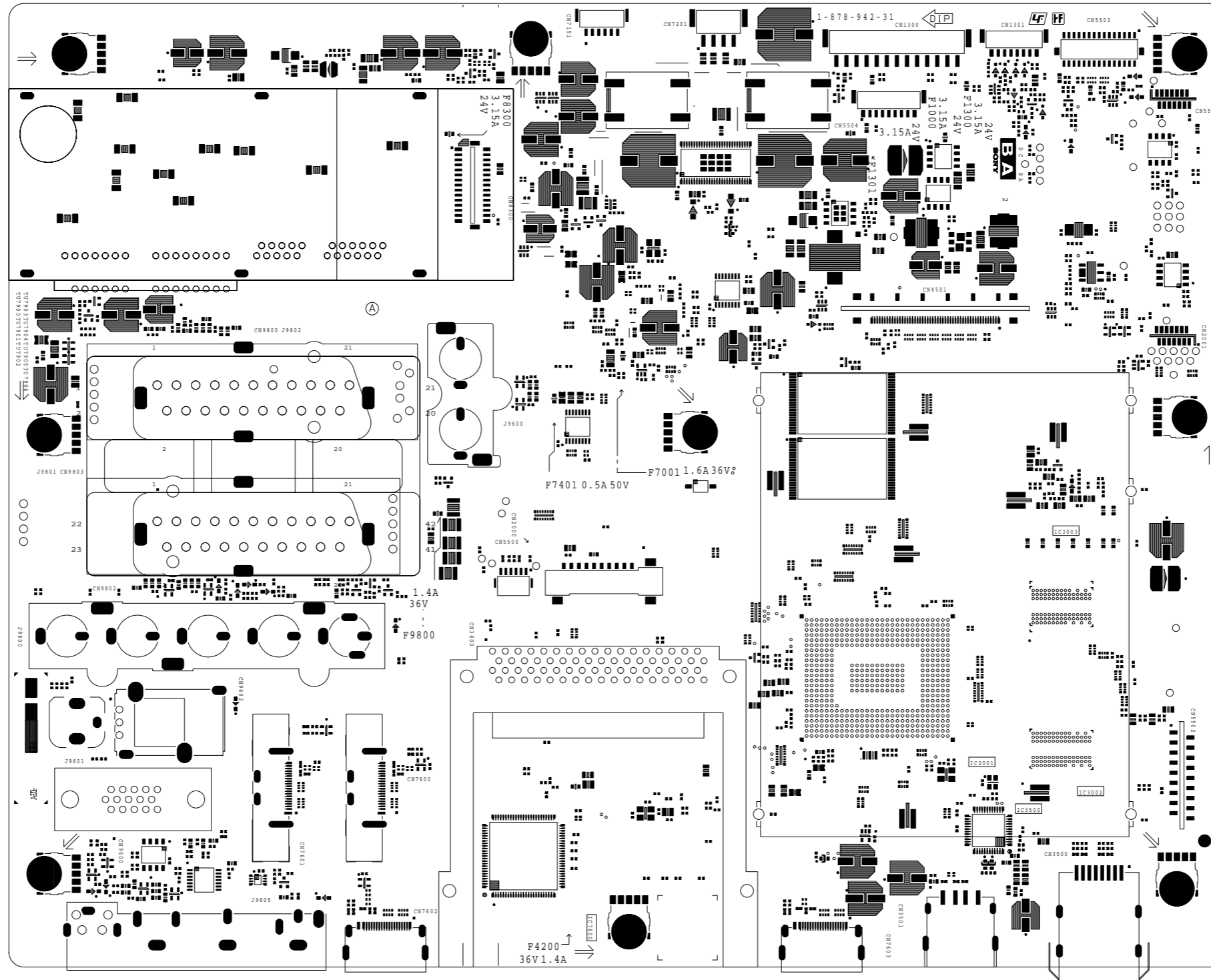
- TUS Board Schematic Diagram [Satellite] Page 2/3 -



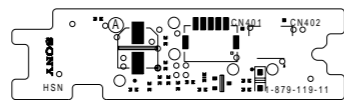
Ferrite Beads added due to radiate emissions from 100MHz - 600MHz

COMPONENTS MARKED AS XX REFER TO PARTS LIST, WILL ONLY BE LISTED IF FITTED

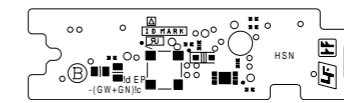
~ BA Printed Wiring Board Side A ~



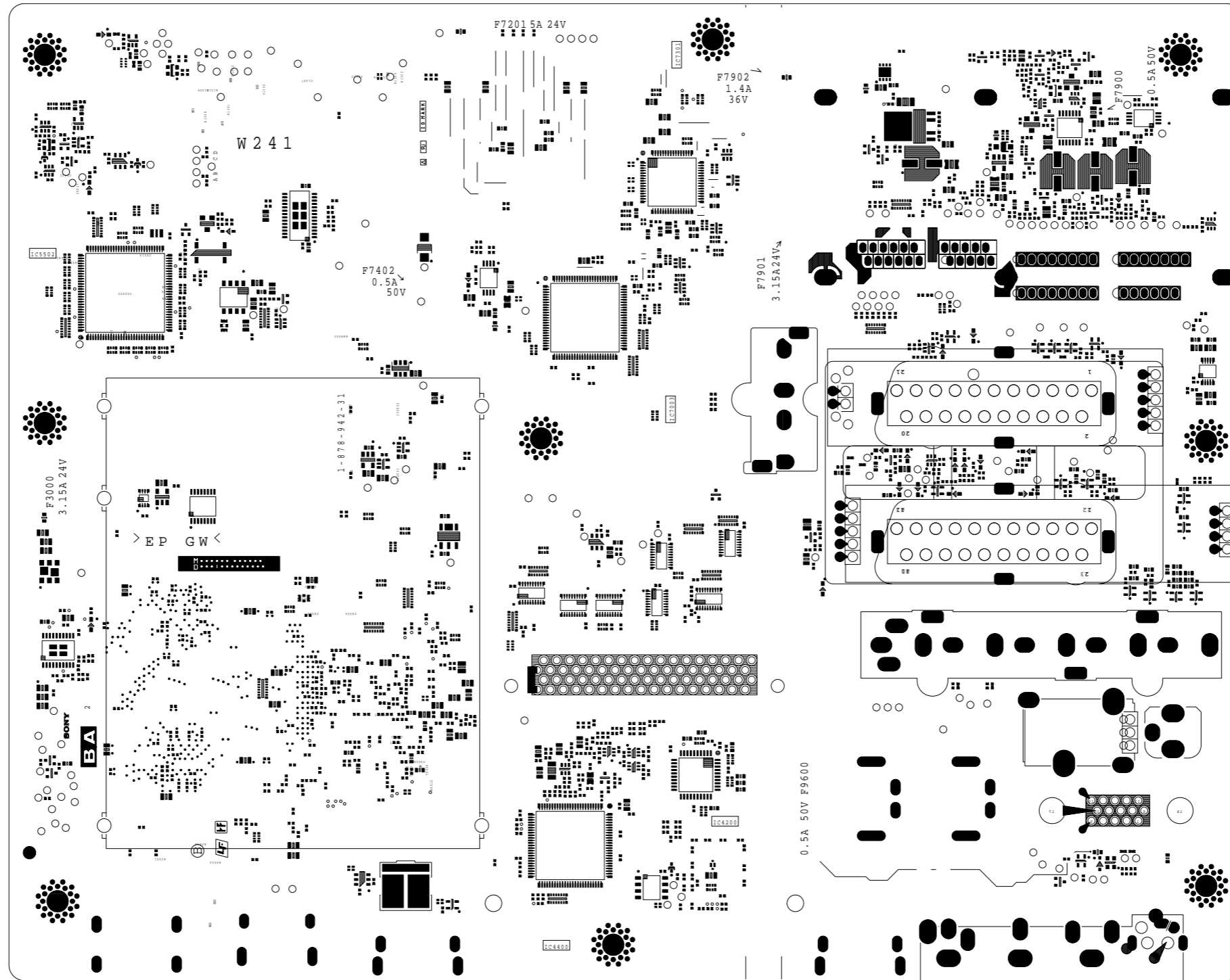
~ HSN Printed Wiring Board Side A ~



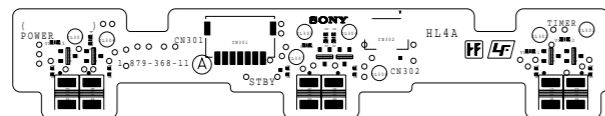
~ HSN Printed Wiring Board Side B ~



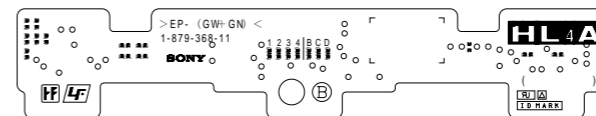
~ BA Printed Wiring Board Side B ~



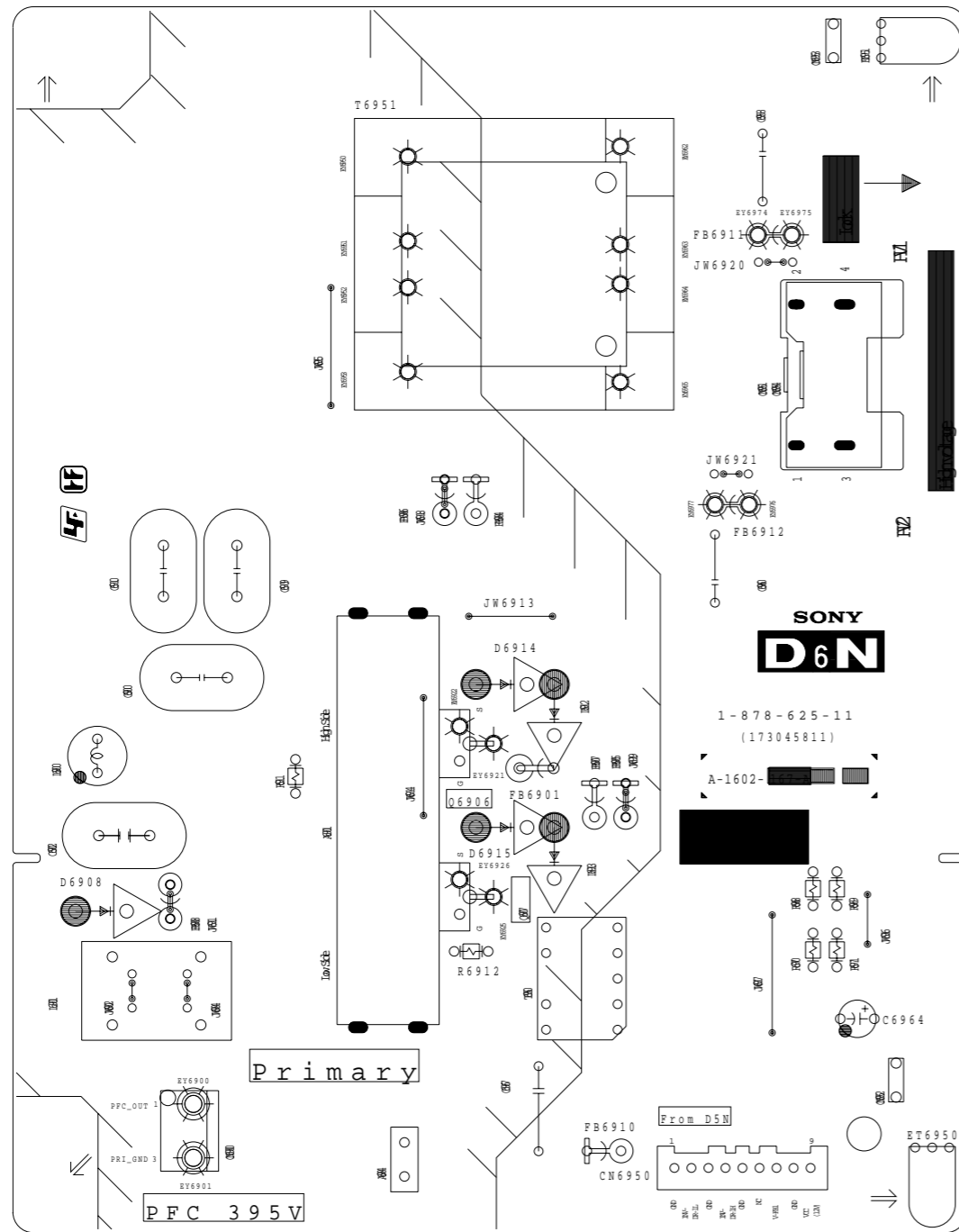
~ HL4A Printed Wiring Board Side A ~



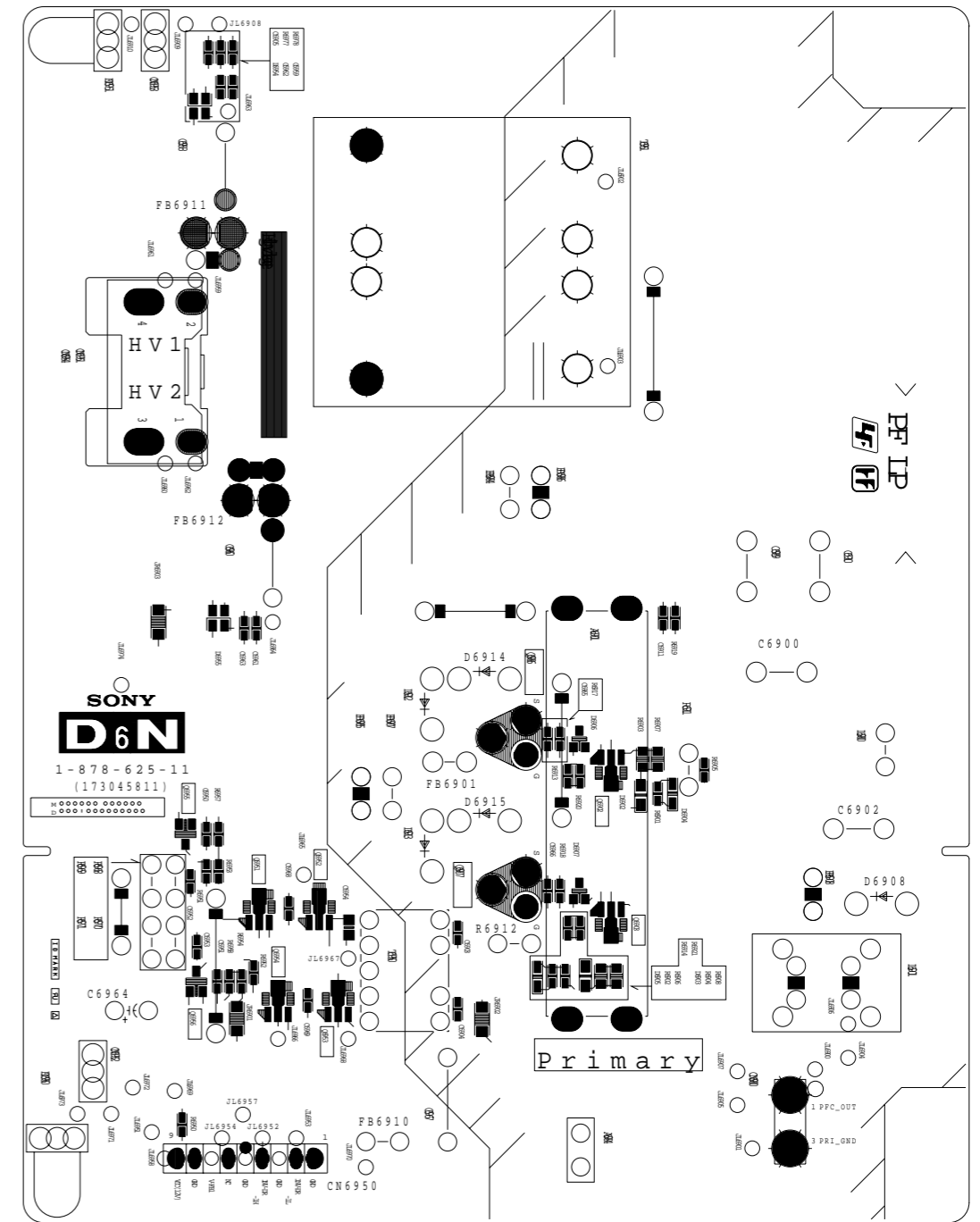
~ HL4A Printed Wiring Board Side B ~



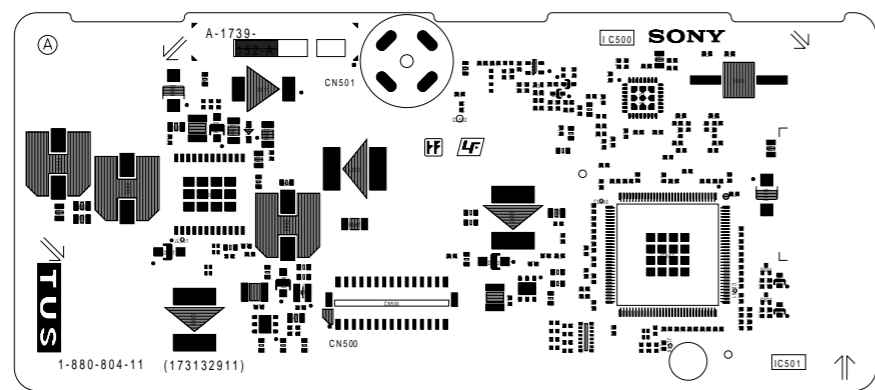
~ D6N Printed Wiring Board Side A ~



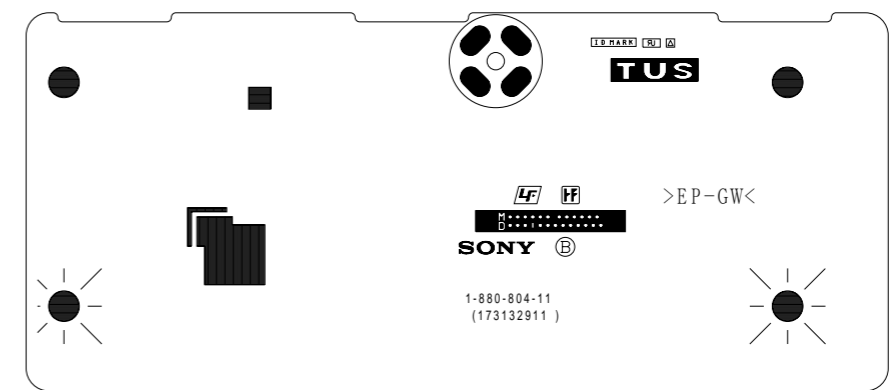
~ D6N Printed Wiring Board Side B ~



~ TUS Printed Wiring Board Side A ~



~ TUS Printed Wiring Board Side B ~



SECTION 5 EXPLODED VIEWS

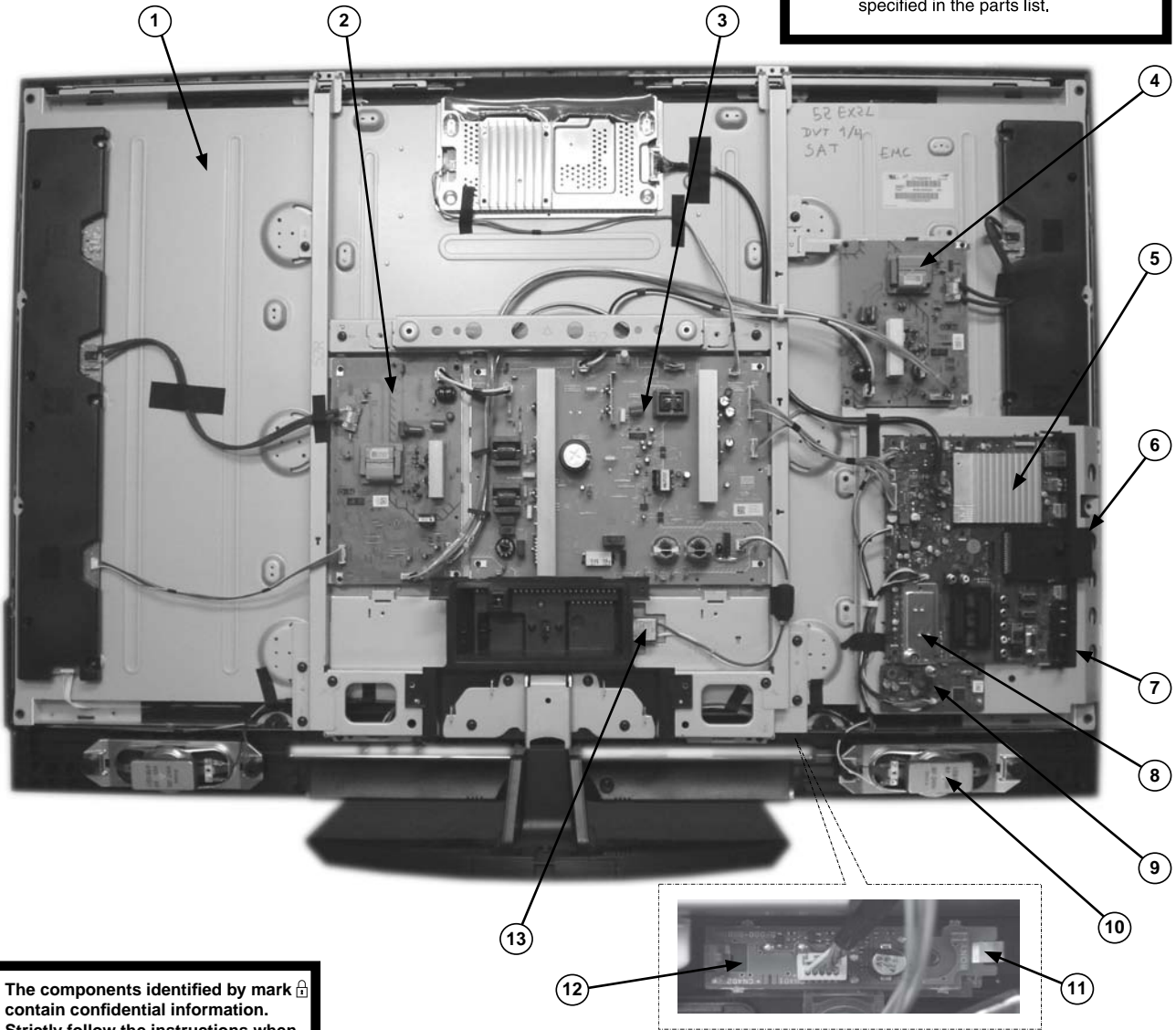
NOTE :

- Non-serviceable items with no part number and no description are not stocked because they are not required for routine service.
- The construction parts of an assembled part are indicated with a collation number in the remarks column.
- Items marked “*” are not stocked since they are seldom required for routine service. Some delay should be anticipated when ordering these items.

Note : Les composants identifiés par une trame et par une marque Δ sont d'une importance critique pour la securite. Ne les remplacer que par des pieces du numero specifie.

Note : The components identified by shading and marked Δ are critical for safety. Replace only with the part numbers specified in the parts list.

5-1. CHASSIS

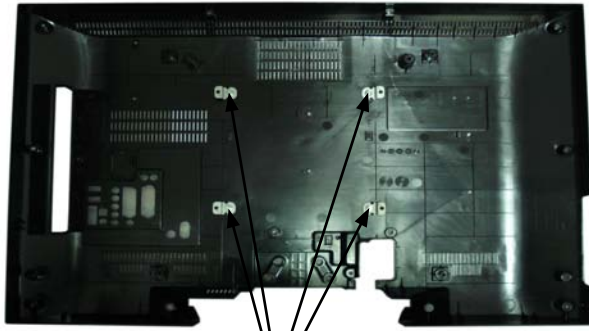


Note : The components identified by mark contain confidential information. Strictly follow the instructions when ever the components are repaired and/or replaced.

Ver 2.0

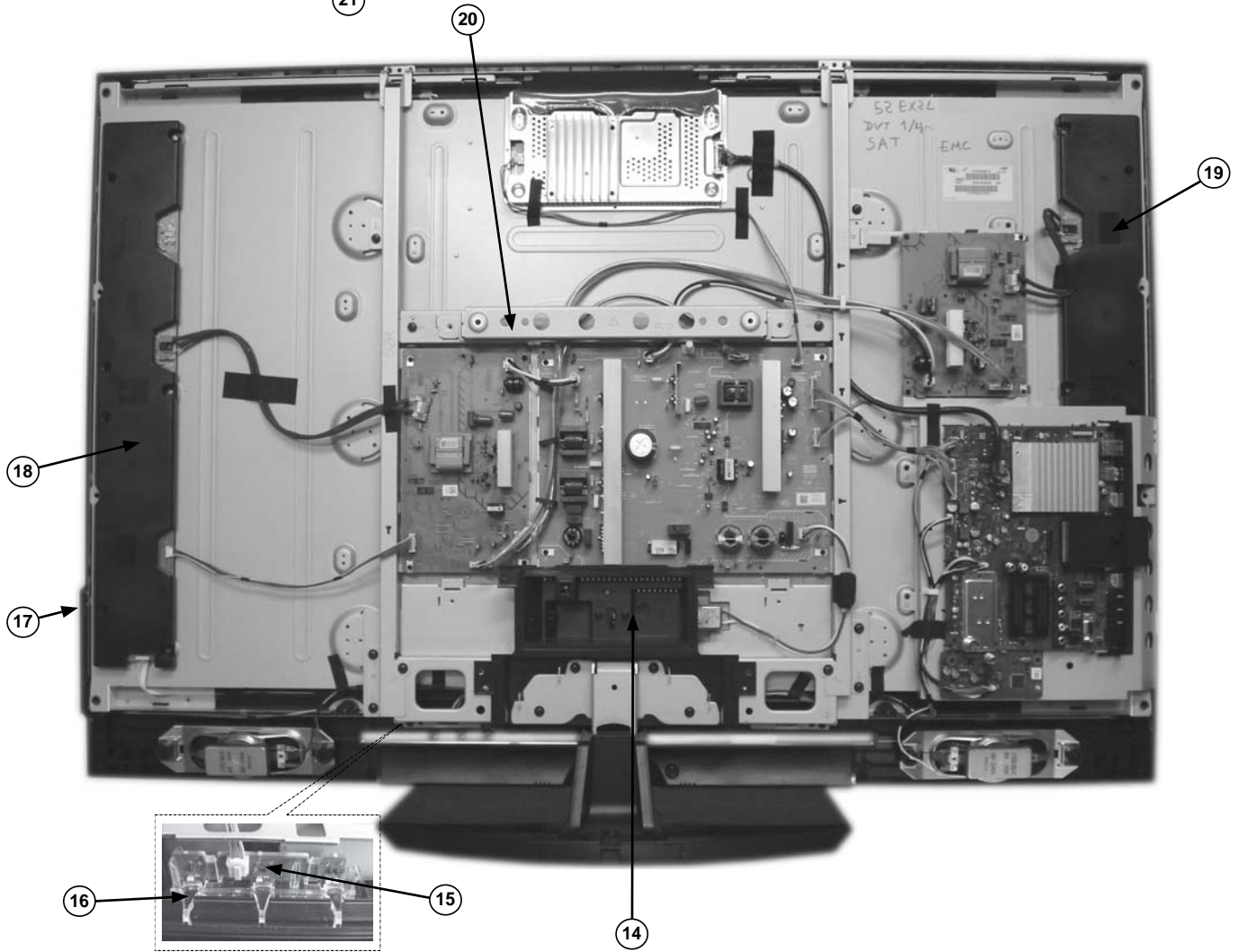
REF.NO.	PART.NO	DESCRIPTION	REMARK	REF.NO.	PART.NO	DESCRIPTION	REMARK
1	△ 1-802-886-11	LCD PANEL (32 INCH FHD TFT)	32 inches	6	*4-136-306-01	CARD, DUMMY	
	△ 1-802-885-11	LCD PANEL (37 INCH FHD TFT)	37 inches	7	4-132-225-02	BRACKET, SIDE JACK (STD)	
	△ 1-802-877-21	LCD PANEL (40 INCH FHD TFT)	40 inches	8	8-597-702-00	UNIVERSAL SIL-TU SUT-HE101T	
	△ 1-802-876-12	LCD PANEL (46 INCH FHD TFT)	46 inches	9	A-1742-442-A	TUS BOARD, COMPLETE	
	△ 1-802-875-13	LCD PANEL (52 INCH FHD TFT)	52 inches	10	1-858-301-11	LOUDSPEAKER	32 inches
2	A-1663-196-A	D5 BOARD, COMPLETE	52 inches		1-858-184-11	LOUDSPEAKER	37 inches
3	1-474-152-13	POWER UNIT (G2)	32 inches		1-858-169-11	LOUDSPEAKER	40 inches
	1-474-162-13	POWER UNIT (G4)	37 inches		1-858-170-11	LOUDSPEAKER	46 inches
	A-1660-720-A	IP1 BOARD, COMPLETE	40 inches		1-858-183-11	LOUDSPEAKER	52 inches
	A-1660-728-A	IP2 BOARD, COMPLETE	46 inches	11	4-123-491-01	GUIDE, IR (B)	
	1-487-340-11	POWER UNIT (G5)	52 inches	12	A-1704-202-A	HSN BOARD, COMPLETE	
4	A-1663-200-A	D6 BOARD, COMPLETE	52 inches	13	△ 1-822-617-11	AC INLET FILTER	40/46 inches
5	A-1743-179-A	BA BOARD, COMPLETE			△ 1-822-622-11	AC INLET FILTER	52 inches

5-1. CHASSIS Cont.



Note : Les composants indentifiés par une trame et par une marque Δ sont d'une importance critique pour la securite. Ne les remplacer que par des pieces du numero specifie.

Note : The components identified by shading and marked Δ are critical for safety. Replace only with the part numbers specified in the parts list.



REF.NO.	PART.NO	DESCRIPTION	REMARK	REF.NO.	PART.NO	DESCRIPTION	REMARK
14	4-123-485-01	COVER, UNDER (S)	32 inches	18	1-857-394-11	ETC-INVERTER MT BOARD	32 inches
	4-136-502-21	COVER, UNDER (M)	37 inches		1-857-395-11	ETC-INVERTER MT BOARD	37 inches
	4-123-484-01	COVER, UNDER (M)	40/46 inches		1-857-370-11	ETC-INVERTER MT BOARD	40 inches
	4-123-483-01	COVER, UNDER (L)	52 inches		1-857-371-11	ETC-INVERTER MT BOARD	46 inches
15	A-1671-629-A	HL4A BOARD, COMPLETE			1-857-372-11	ETC-INVERTER MT BOARD (LEFT)	52 inches
16	4-123-490-01	GUIDE, LED (B-S)	32/37/40 inches	19	1-857-373-11	ETC-INVERTER MT BOARD (RIGHT)	52 inches
	4-123-489-01	GUIDE, LED (B-L)	46/52 inches	20	4-129-446-01	FRAME, VESA TOP (52)	52 inches
17	1-487-233-11	SWITCH UNIT		21	4-122-585-01	FRAME, VESA (M6)	

5-2. BEZEL ASSY & STAND ASSY

Note : Les composants indentifiés par une trame et par une marque Δ sont d'une importance critique pour la sécurité. Ne les remplacer que par des pièces du numéro spécifié.

Note : The components identified by shading and marked Δ are critical for safety. Replace only with the part numbers specified in the parts list.

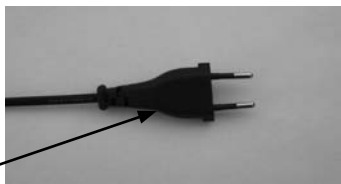
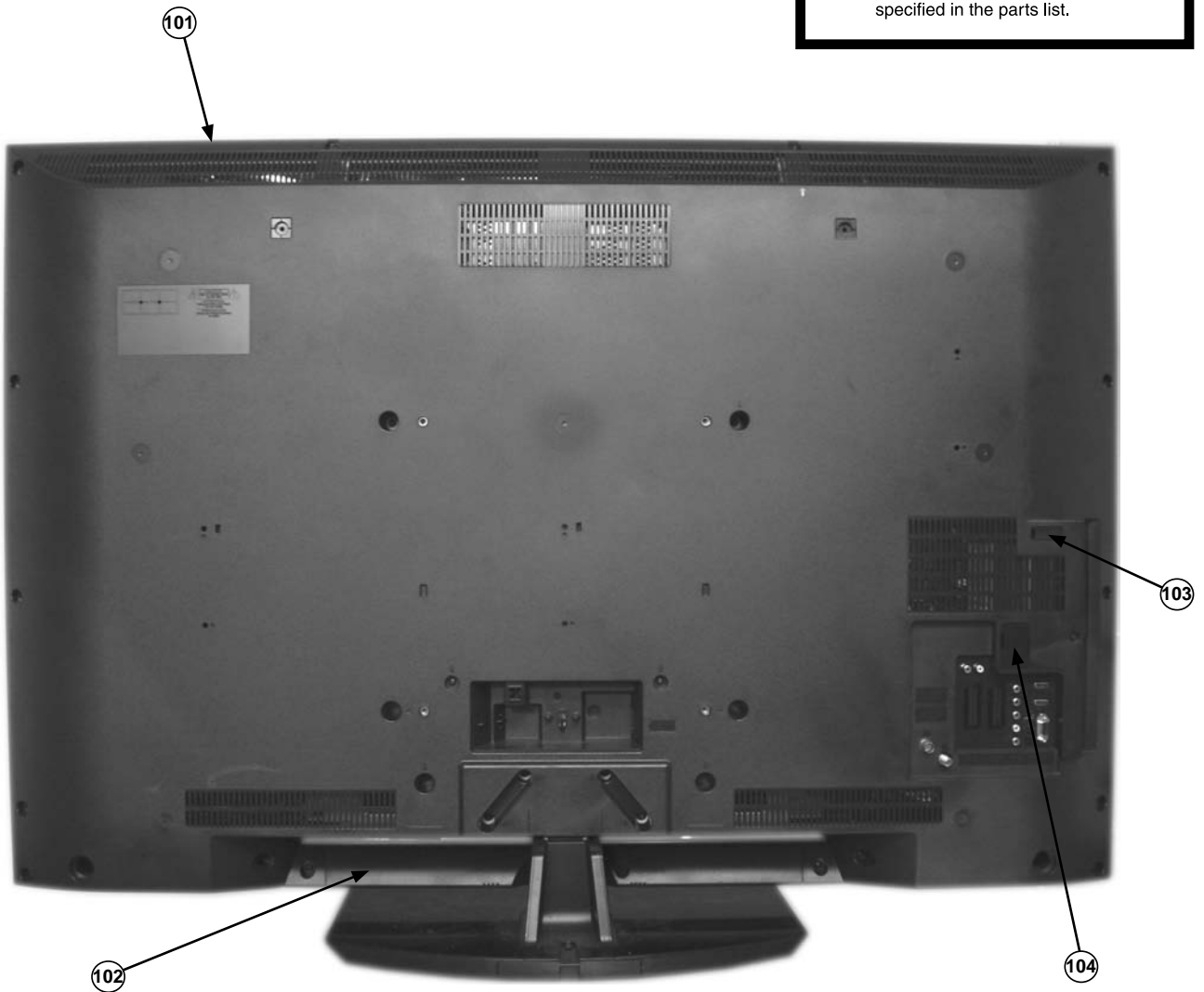


REF.NO.	PART.NO	DESCRIPTION	REMARK	REF.NO.	PART.NO	DESCRIPTION	REMARK
51	X-2348-387-2	BEZEL ASSY (32B)	32 inches	52	X-2349-373-1	STAND ASSY (M2)	32 inches
	X-2348-404-2	BEZEL ASSY (37B)	37 inches		X-2345-864-2	STAND ASSY (ML2)	37/40 inches
	X-2349-430-2	BEZEL ASSY (40B)	40 inches		X-2345-868-2	STAND ASSY (L2A)	46 inches
	X-2348-543-2	BEZEL ASSY (46B)	46 inches		X-2345-870-2	STAND ASSY (LL2A)	52 inches
	X-2349-467-1	BEZEL ASSY (52)	52 inches				

5-3. REAR COVER ASSY & POWER SUPPLY CORDS

Note : Les composants identifiés par une trame et par une marque Δ sont d'une importance critique pour la sécurité. Ne les remplacer que par des pièces du numéro spécifié.

Note : The components identified by shading and marked Δ are critical for safety. Replace only with the part numbers specified in the parts list.



REF.NO.	PART.NO	DESCRIPTION	REMARK
101	X-2349-457-1	REAR COVER ASSY (32C SAT)	32 inches
	X-2349-459-1	REAR COVER ASSY (37C SAT)	37 inches
	X-2349-461-1	REAR COVER ASSY (40C SAT)	40 inches
	X-2349-464-1	REAR COVER ASSY (46C SAT)	46 inches
	X-2349-466-1	REAR COVER ASSY (52C SAT)	52 inches
102	4-123-488-02	BAR, UNDER (S)	32/37/40 inches
	4-123-487-01	BAR, UNDER (M)	46 inches
	4-123-486-01	BAR, UNDER (L)	52 inches

REF.NO.	PART.NO	DESCRIPTION	REMARK
103	4-122-617-01	COVER,ECS (S)	(TL Jig)
104	3-106-546-31	COVER,ECS	(Memory Stick)
105	Δ 1-832-132-31	POWER-SUPPLY CORD (AEP)	32/37 inches
	Δ 1-835-200-11	POWER-SUPPLY CORD (AEP)	40/46/52 inches
106	Δ 1-832-170-41	POWER-SUPPLY CORD (UK)	32/37 inches
	Δ 1-835-165-11	POWER-SUPPLY CORD (UK)	40/46/52 inches


SECTION 6 ELECTRICAL PARTS LIST

PARTS LISTING TABLE OF CONTENTS


	<u>Page</u>
BA BOARD COMPLETE Parts List :	58
HL4A BOARD COMPLETE Parts List :	72
HSN BOARD COMPLETE Parts List :	72
TUS BOARD COMPLETE Parts List :	73
ACCESSORIES AND CONNECTORS :	75
REMOTE COMMANDER :	75

Note: To ensure safety and reliability it is Sony policy that power supply boards should not be repaired at component level in the field as a result... The D5N, D6N, G2, G4, G5, IP1 and IP2 boards are regarded as non service items for exchange only and are not indicated in the parts list of this service manual.

Note : Items marked “*” are not stocked since they are seldom required for routine service. Some delay should be anticipated when ordering these items.

Note : The components identified by mark  contain confidential information. Strictly follow the instructions when ever the components are repaired and/or replaced.



REF.NO.	PART.NO	DESCRIPTION	REMARK	REF.NO.	PART.NO	DESCRIPTION	REMARK
 A-1743-179-A BA Board, Complete				C2015	1-112-777-11	CERAMIC CHIP 0.01UF	10% 25V
< CAPACITOR >				C2016	1-112-777-11	CERAMIC CHIP 0.01UF	10% 25V
C1001	1-164-874-11	CERAMIC CHIP 100PF	5.00% 50V	C2017	1-112-777-11	CERAMIC CHIP 0.01UF	10% 25V
C1002	1-112-781-11	CERAMIC CHIP 1UF	10% 10V	C2018	1-112-777-11	CERAMIC CHIP 0.01UF	10% 25V
C1003	1-114-325-11	CERAMIC CHIP 0.1UF	10% 25V	C2019	1-112-777-11	CERAMIC CHIP 0.01UF	10% 25V
C1004	1-114-325-11	CERAMIC CHIP 0.1UF	10% 25V	C2020	1-112-777-11	CERAMIC CHIP 0.01UF	10% 25V
C1006	1-114-331-11	CERAMIC CHIP 4.7UF	10% 10V	C2021	1-112-777-11	CERAMIC CHIP 0.01UF	10% 25V
C1007	1-114-553-11	CERAMIC CHIP 10UF	10% 16V	C2022	1-112-777-11	CERAMIC CHIP 0.01UF	10% 25V
C1008	1-114-553-11	CERAMIC CHIP 10UF	10% 16V	C2023	1-112-777-11	CERAMIC CHIP 0.01UF	10% 25V
C1010	1-165-872-21	ELECT CHIP 47UF	20% 6.3V	C2024	1-112-777-11	CERAMIC CHIP 0.01UF	10% 25V
C1011	1-114-532-21	ELECT CHIP 330UF	20% 4V	C2025	1-112-777-11	CERAMIC CHIP 0.01UF	10% 25V
C1012	1-100-909-11	CERAMIC CHIP 10UF	10% 6.3V	C2026	1-112-777-11	CERAMIC CHIP 0.01UF	10% 25V
C1013	1-114-332-11	CERAMIC CHIP 22UF	10% 6.3V	C2027	1-112-777-11	CERAMIC CHIP 0.01UF	10% 25V
C1014	1-100-909-11	CERAMIC CHIP 10UF	10% 6.3V	C2028	1-112-777-11	CERAMIC CHIP 0.01UF	10% 25V
C1015	1-112-781-11	CERAMIC CHIP 1UF	10% 10V	C2029	1-112-777-11	CERAMIC CHIP 0.01UF	10% 25V
C1017	1-112-781-11	CERAMIC CHIP 1UF	10% 10V	C2030	1-112-777-11	CERAMIC CHIP 0.01UF	10% 25V
C1018	1-112-781-11	CERAMIC CHIP 1UF	10% 10V	C2031	1-112-777-11	CERAMIC CHIP 0.01UF	10% 25V
C1019	1-100-916-11	CERAMIC CHIP 0.1UF	10% 16V	C2033	1-112-777-11	CERAMIC CHIP 0.01UF	10% 25V
C1020	1-112-064-11	CERAMIC CHIP 2.2UF	10% 10V	C2034	1-100-916-11	CERAMIC CHIP 0.1UF	10% 16V
C1021	1-100-916-11	CERAMIC CHIP 0.1UF	10% 16V	C2035	1-100-916-11	CERAMIC CHIP 0.1UF	10% 16V
C1022	1-112-064-11	CERAMIC CHIP 2.2UF	10% 10V	C2036	1-100-916-11	CERAMIC CHIP 0.1UF	10% 16V
C1024	1-112-781-11	CERAMIC CHIP 1UF	10% 10V	C2037	1-100-916-11	CERAMIC CHIP 0.1UF	10% 16V
C1303	1-112-777-11	CERAMIC CHIP 0.01UF	10% 25V	C2500	1-100-916-11	CERAMIC CHIP 0.1UF	10% 16V
C1304	1-114-353-11	CAP, CERAMIC 0.01MF X7R (1410)		C2501	1-100-909-11	CERAMIC CHIP 10UF	10% 6.3V
C1306	1-112-777-11	CERAMIC CHIP 0.01UF	10% 25V	C2502	1-100-916-11	CERAMIC CHIP 0.1UF	10% 16V
C1321	1-112-777-11	CERAMIC CHIP 0.01UF	10% 25V	C2503	1-100-916-11	CERAMIC CHIP 0.1UF	10% 16V
C1322	1-114-331-11	CERAMIC CHIP 4.7UF	10% 10V	C2505	1-100-916-11	CERAMIC CHIP 0.1UF	10% 16V
C1324	1-112-777-11	CERAMIC CHIP 0.01UF	10% 25V	C2506	1-114-399-21	ELECT CHIP 47UF	20% 6.3V
C1328	1-112-777-11	CERAMIC CHIP 0.01UF	10% 25V	C3000	1-112-777-11	CERAMIC CHIP 0.01UF	10% 25V
C1355	1-100-916-11	CERAMIC CHIP 0.1UF	10% 16V	C3001	1-100-905-11	CERAMIC CHIP 0.001UF	10% 50V
C1357	1-100-912-11	CERAMIC CHIP 1UF	10% 25V	C3002	1-100-905-11	CERAMIC CHIP 0.001UF	10% 50V
C1374	1-100-912-11	CERAMIC CHIP 1UF	10% 25V	C3003	1-112-064-11	CERAMIC CHIP 2.2UF	10% 10V
C1380	1-100-916-11	CERAMIC CHIP 0.1UF	10% 16V	C3004	1-100-905-11	CERAMIC CHIP 0.001UF	10% 50V
C1381	1-112-776-11	CERAMIC CHIP 0.0047UF	10% 50V	C3005	1-100-905-11	CERAMIC CHIP 0.001UF	10% 50V
C1382	1-112-068-11	CERAMIC CHIP 220PF	10% 50V	C3006	1-100-905-11	CERAMIC CHIP 0.001UF	10% 50V
C1384	1-114-553-11	CERAMIC CHIP 10UF	10% 16V	C3007	1-112-064-11	CERAMIC CHIP 2.2UF	10% 10V
C1385	1-114-325-11	CERAMIC CHIP 0.1UF	10% 25V	C3008	1-100-905-11	CERAMIC CHIP 0.001UF	10% 50V
C1386	1-114-553-11	CERAMIC CHIP 10UF	10% 16V	C3009	1-100-905-11	CERAMIC CHIP 0.001UF	10% 50V
C2000	1-164-846-11	CERAMIC CHIP 6PF	0.50PF 50V	C3010	1-112-777-11	CERAMIC CHIP 0.01UF	10% 25V
C2001	1-164-846-11	CERAMIC CHIP 6PF	0.50PF 50V	C3011	1-100-905-11	CERAMIC CHIP 0.001UF	10% 50V
C2007	1-100-909-11	CERAMIC CHIP 10UF	10% 6.3V	C3012	1-100-905-11	CERAMIC CHIP 0.001UF	10% 50V
C2008	1-100-909-11	CERAMIC CHIP 10UF	10% 6.3V	C3013	1-100-905-11	CERAMIC CHIP 0.001UF	10% 50V
C2009	1-112-777-11	CERAMIC CHIP 0.01UF	10% 25V	C3014	1-100-905-11	CERAMIC CHIP 0.001UF	10% 50V
C2010	1-112-777-11	CERAMIC CHIP 0.01UF	10% 25V	C3015	1-112-781-11	CERAMIC CHIP 1UF	10% 10V
C2011	1-112-777-11	CERAMIC CHIP 0.01UF	10% 25V	C3016	1-112-777-11	CERAMIC CHIP 0.01UF	10% 25V
C2012	1-112-777-11	CERAMIC CHIP 0.01UF	10% 25V	C3017	1-100-905-11	CERAMIC CHIP 0.001UF	10% 50V
C2013	1-112-777-11	CERAMIC CHIP 0.01UF	10% 25V	C3018	1-100-916-11	CERAMIC CHIP 0.1UF	10% 16V
C2014	1-112-777-11	CERAMIC CHIP 0.01UF	10% 25V	C3019	1-100-916-11	CERAMIC CHIP 0.1UF	10% 16V
				C3020	1-100-909-11	CERAMIC CHIP 10UF	10% 6.3V
				C3021	1-100-909-11	CERAMIC CHIP 10UF	10% 6.3V

REF.NO.	PART.NO	DESCRIPTION	REMARK	REF.NO.	PART.NO	DESCRIPTION	REMARK
C3022	1-112-779-11	CERAMIC CHIP 0.047UF	10% 25V	C3083	1-100-905-11	CERAMIC CHIP 0.001UF	10% 50V
C3023	1-114-870-11	CERAMIC CHIP 4.7UF	10% 16V	C3084	1-100-905-11	CERAMIC CHIP 0.001UF	10% 50V
C3025	1-114-870-11	CERAMIC CHIP 4.7UF	10% 16V	C3085	1-100-909-11	CERAMIC CHIP 10UF	10% 6.3V
C3026	1-114-331-11	CERAMIC CHIP 4.7UF	10% 10V	C3086	1-100-909-11	CERAMIC CHIP 10UF	10% 6.3V
C3027	1-114-325-11	CERAMIC CHIP 0.1UF	10% 25V	C3087	1-100-909-11	CERAMIC CHIP 10UF	10% 6.3V
C3028	1-114-532-21	ELECT CHIP 330UF	20% 4V	C3088	1-100-916-11	CERAMIC CHIP 0.1UF	10% 16V
C3030	1-100-916-11	CERAMIC CHIP 0.1UF	10% 16V	C3089	1-100-905-11	CERAMIC CHIP 0.001UF	10% 50V
C3031	1-100-916-11	CERAMIC CHIP 0.1UF	10% 16V	C3501	1-100-909-11	CERAMIC CHIP 10UF	10% 6.3V
C3032	1-112-777-11	CERAMIC CHIP 0.01UF	10% 25V	C3502	1-100-909-11	CERAMIC CHIP 10UF	10% 6.3V
C3033	1-112-777-11	CERAMIC CHIP 0.01UF	10% 25V	C3503	1-100-916-11	CERAMIC CHIP 0.1UF	10% 16V
C3034	1-112-777-11	CERAMIC CHIP 0.01UF	10% 25V	C3505	1-100-909-11	CERAMIC CHIP 10UF	10% 6.3V
C3035	1-112-777-11	CERAMIC CHIP 0.01UF	10% 25V	C3506	1-100-916-11	CERAMIC CHIP 0.1UF	10% 16V
C3036	1-112-777-11	CERAMIC CHIP 0.01UF	10% 25V	C3507	1-100-916-11	CERAMIC CHIP 0.1UF	10% 16V
C3037	1-112-777-11	CERAMIC CHIP 0.01UF	10% 25V	C3508	1-100-916-11	CERAMIC CHIP 0.1UF	10% 16V
C3038	1-112-777-11	CERAMIC CHIP 0.01UF	10% 25V	C3509	1-100-916-11	CERAMIC CHIP 0.1UF	10% 16V
C3039	1-112-777-11	CERAMIC CHIP 0.01UF	10% 25V	C3510	1-100-916-11	CERAMIC CHIP 0.1UF	10% 16V
C3040	1-112-777-11	CERAMIC CHIP 0.01UF	10% 25V	C3511	1-100-916-11	CERAMIC CHIP 0.1UF	10% 16V
C3041	1-112-777-11	CERAMIC CHIP 0.01UF	10% 25V	C3512	1-164-874-11	CERAMIC CHIP 100PF	5.00% 50V
C3042	1-112-777-11	CERAMIC CHIP 0.01UF	10% 25V	C3513	1-100-916-11	CERAMIC CHIP 0.1UF	10% 16V
C3043	1-112-777-11	CERAMIC CHIP 0.01UF	10% 25V	C3514	1-100-909-11	CERAMIC CHIP 10UF	10% 6.3V
C3044	1-112-777-11	CERAMIC CHIP 0.01UF	10% 25V	C3515	1-100-916-11	CERAMIC CHIP 0.1UF	10% 16V
C3045	1-112-777-11	CERAMIC CHIP 0.01UF	10% 25V	C3516	1-114-400-21	ELECT CHIP 100UF	20% 6.3V
C3046	1-112-777-11	CERAMIC CHIP 0.01UF	10% 25V	C3517	1-112-777-11	CERAMIC CHIP 0.01UF	10% 25V
C3047	1-112-777-11	CERAMIC CHIP 0.01UF	10% 25V	C3518	1-112-777-11	CERAMIC CHIP 0.01UF	10% 25V
C3048	1-112-777-11	CERAMIC CHIP 0.01UF	10% 25V	C3519	1-100-905-11	CERAMIC CHIP 0.001UF	10% 50V
C3049	1-112-777-11	CERAMIC CHIP 0.01UF	10% 25V	C3520	1-100-916-11	CERAMIC CHIP 0.1UF	10% 16V
C3050	1-112-777-11	CERAMIC CHIP 0.01UF	10% 25V	C3523	1-100-905-11	CERAMIC CHIP 0.001UF	10% 50V
C3051	1-112-777-11	CERAMIC CHIP 0.01UF	10% 25V	C3524	1-100-767-21	ELECT CHIP 220UF	20% 16V
C3052	1-112-777-11	CERAMIC CHIP 0.01UF	10% 25V	C3525	1-100-916-11	CERAMIC CHIP 0.1UF	10% 16V
C3053	1-112-777-11	CERAMIC CHIP 0.01UF	10% 25V	C3526	1-100-909-11	CERAMIC CHIP 10UF	10% 6.3V
C3057	1-112-777-11	CERAMIC CHIP 0.01UF	10% 25V	C3527	1-100-909-11	CERAMIC CHIP 10UF	10% 6.3V
C3058	1-112-777-11	CERAMIC CHIP 0.01UF	10% 25V	C3801	1-100-916-11	CERAMIC CHIP 0.1UF	10% 16V
C3059	1-112-777-11	CERAMIC CHIP 0.01UF	10% 25V	C3806	1-100-916-11	CERAMIC CHIP 0.1UF	10% 16V
C3060	1-112-777-11	CERAMIC CHIP 0.01UF	10% 25V	C3807	1-100-916-11	CERAMIC CHIP 0.1UF	10% 16V
C3061	1-112-777-11	CERAMIC CHIP 0.01UF	10% 25V	C3808	1-100-916-11	CERAMIC CHIP 0.1UF	10% 16V
C3062	1-112-777-11	CERAMIC CHIP 0.01UF	10% 25V	C3809	1-100-916-11	CERAMIC CHIP 0.1UF	10% 16V
C3063	1-112-777-11	CERAMIC CHIP 0.01UF	10% 25V	C3810	1-100-916-11	CERAMIC CHIP 0.1UF	10% 16V
C3064	1-112-777-11	CERAMIC CHIP 0.01UF	10% 25V	C3811	1-100-916-11	CERAMIC CHIP 0.1UF	10% 16V
C3065	1-112-064-11	CERAMIC CHIP 2.2UF	10% 10V	C3812	1-100-916-11	CERAMIC CHIP 0.1UF	10% 16V
C3066	1-112-064-11	CERAMIC CHIP 2.2UF	10% 10V	C3813	1-100-905-11	CERAMIC CHIP 0.001UF	10% 50V
C3067	1-112-064-11	CERAMIC CHIP 2.2UF	10% 10V	C3814	1-114-331-11	CERAMIC CHIP 4.7UF	10% 10V
C3068	1-112-064-11	CERAMIC CHIP 2.2UF	10% 10V	C3815	1-100-916-11	CERAMIC CHIP 0.1UF	10% 16V
C3069	1-112-064-11	CERAMIC CHIP 2.2UF	10% 10V	C4000	1-100-916-11	CERAMIC CHIP 0.1UF	10% 16V
C3070	1-100-905-11	CERAMIC CHIP 0.001UF	10% 50V	C4001	1-100-916-11	CERAMIC CHIP 0.1UF	10% 16V
C3077	1-100-904-11	CERAMIC CHIP 330PF	10% 50V	C4003	1-164-850-11	CERAMIC CHIP 10PF	0.50PF 50V
C3078	1-100-905-11	CERAMIC CHIP 0.001UF	10% 50V	C4006	1-100-916-11	CERAMIC CHIP 0.1UF	10% 16V
C3079	1-100-916-11	CERAMIC CHIP 0.1UF	10% 16V	C4007	1-112-777-11	CERAMIC CHIP 0.01UF	10% 25V
C3080	1-100-916-11	CERAMIC CHIP 0.1UF	10% 16V	C4008	1-100-916-11	CERAMIC CHIP 0.1UF	10% 16V
C3081	1-100-916-11	CERAMIC CHIP 0.1UF	10% 16V	C4009	1-112-777-11	CERAMIC CHIP 0.01UF	10% 25V
C3082	1-100-905-11	CERAMIC CHIP 0.001UF	10% 50V	C4010	1-100-916-11	CERAMIC CHIP 0.1UF	10% 16V

REF.NO.	PART.NO	DESCRIPTION	REMARK	REF.NO.	PART.NO	DESCRIPTION	REMARK
C4011	1-112-777-11	CERAMIC CHIP 0.01UF	10% 25V	C4419	1-100-916-11	CERAMIC CHIP 0.1UF	10% 16V
C4012	1-100-916-11	CERAMIC CHIP 0.1UF	10% 16V	C4420	1-100-916-11	CERAMIC CHIP 0.1UF	10% 16V
C4013	1-100-916-11	CERAMIC CHIP 0.1UF	10% 16V	C4421	1-100-916-11	CERAMIC CHIP 0.1UF	10% 16V
C4014	1-100-916-11	CERAMIC CHIP 0.1UF	10% 16V	C4423	1-112-777-11	CERAMIC CHIP 0.01UF	10% 25V
C4015	1-100-916-11	CERAMIC CHIP 0.1UF	10% 16V	C4424	1-112-777-11	CERAMIC CHIP 0.01UF	10% 25V
C4016	1-112-779-11	CERAMIC CHIP 0.047UF	10% 25V	C4425	1-112-777-11	CERAMIC CHIP 0.01UF	10% 25V
C4017	1-164-874-11	CERAMIC CHIP 100PF	5.00% 50V	C4427	1-112-777-11	CERAMIC CHIP 0.01UF	10% 25V
C4018	1-164-878-11	CERAMIC CHIP 150PF	5% 50V	C4428	1-112-777-11	CERAMIC CHIP 0.01UF	10% 25V
C4019	1-100-916-11	CERAMIC CHIP 0.1UF	10% 16V	C4429	1-112-777-11	CERAMIC CHIP 0.01UF	10% 25V
C4020	1-100-916-11	CERAMIC CHIP 0.1UF	10% 16V	C4430	1-112-777-11	CERAMIC CHIP 0.01UF	10% 25V
C4021	1-100-916-11	CERAMIC CHIP 0.1UF	10% 16V	C4431	1-112-777-11	CERAMIC CHIP 0.01UF	10% 25V
C4022	1-100-909-11	CERAMIC CHIP 10UF	10% 6.3V	C4432	1-112-777-11	CERAMIC CHIP 0.01UF	10% 25V
C4027	1-100-909-11	CERAMIC CHIP 10UF	10% 6.3V	C4433	1-112-777-11	CERAMIC CHIP 0.01UF	10% 25V
C4028	1-100-909-11	CERAMIC CHIP 10UF	10% 6.3V	C4434	1-112-777-11	CERAMIC CHIP 0.01UF	10% 25V
C4029	1-100-909-11	CERAMIC CHIP 10UF	10% 6.3V	C4502	1-100-916-11	CERAMIC CHIP 0.1UF	10% 16V
C4030	1-100-909-11	CERAMIC CHIP 10UF	10% 6.3V	C4503	1-100-916-11	CERAMIC CHIP 0.1UF	10% 16V
C4031	1-100-909-11	CERAMIC CHIP 10UF	10% 6.3V	C4504	1-100-909-11	CERAMIC CHIP 10UF	10% 6.3V
C4032	1-100-909-11	CERAMIC CHIP 10UF	10% 6.3V	C4506	1-100-916-11	CERAMIC CHIP 0.1UF	10% 16V
C4033	1-100-909-11	CERAMIC CHIP 10UF	10% 6.3V	C4507	1-100-916-11	CERAMIC CHIP 0.1UF	10% 16V
C4034	1-100-909-11	CERAMIC CHIP 10UF	10% 6.3V	C4508	1-114-869-11	CERAMIC CHIP 2.2UF	10% 6.3V
C4035	1-100-909-11	CERAMIC CHIP 10UF	10% 6.3V	C4509	1-100-916-11	CERAMIC CHIP 0.1UF	10% 16V
C4036	1-100-909-11	CERAMIC CHIP 10UF	10% 6.3V	C4510	1-100-916-11	CERAMIC CHIP 0.1UF	10% 16V
C4037	1-100-909-11	CERAMIC CHIP 10UF	10% 6.3V	C4511	1-100-916-11	CERAMIC CHIP 0.1UF	10% 16V
C4038	1-100-909-11	CERAMIC CHIP 10UF	10% 6.3V	C4512	1-112-777-11	CERAMIC CHIP 0.01UF	10% 25V
C4039	1-100-909-11	CERAMIC CHIP 10UF	10% 6.3V	C4513	1-112-777-11	CERAMIC CHIP 0.01UF	10% 25V
C4056	1-114-354-11	CAP, CERAMIC 0.1MF X7R (1410)		C4514	1-112-777-11	CERAMIC CHIP 0.01UF	10% 25V
C4057	1-100-916-11	CERAMIC CHIP 0.1UF	10% 16V	C4515	1-112-777-11	CERAMIC CHIP 0.01UF	10% 25V
C4058	1-100-916-11	CERAMIC CHIP 0.1UF	10% 16V	C4516	1-100-916-11	CERAMIC CHIP 0.1UF	10% 16V
C4200	1-112-781-11	CERAMIC CHIP 1UF	10% 10V	C4517	1-100-916-11	CERAMIC CHIP 0.1UF	10% 16V
C4201	1-112-781-11	CERAMIC CHIP 1UF	10% 10V	C5004	1-100-916-11	CERAMIC CHIP 0.1UF	10% 16V
C4202	1-112-781-11	CERAMIC CHIP 1UF	10% 10V	C5005	1-100-916-11	CERAMIC CHIP 0.1UF	10% 16V
C4205	1-112-781-11	CERAMIC CHIP 1UF	10% 10V	C5006	1-100-916-11	CERAMIC CHIP 0.1UF	10% 16V
C4209	1-112-781-11	CERAMIC CHIP 1UF	10% 10V	C5007	1-100-916-11	CERAMIC CHIP 0.1UF	10% 16V
C4210	1-112-781-11	CERAMIC CHIP 1UF	10% 10V	C5009	1-100-916-11	CERAMIC CHIP 0.1UF	10% 16V
C4211	1-112-781-11	CERAMIC CHIP 1UF	10% 10V	C5010	1-100-916-11	CERAMIC CHIP 0.1UF	10% 16V
C4213	1-100-916-11	CERAMIC CHIP 0.1UF	10% 16V	C5011	1-100-916-11	CERAMIC CHIP 0.1UF	10% 16V
C4214	1-114-331-11	CERAMIC CHIP 4.7UF	10% 10V	C5012	1-100-916-11	CERAMIC CHIP 0.1UF	10% 16V
C4401	1-116-079-11	CERAMIC CHIP 10UF	10% 10V	C5027	1-100-916-11	CERAMIC CHIP 0.1UF	10% 16V
C4402	1-100-916-11	CERAMIC CHIP 0.1UF	10% 16V	C5500	1-100-905-11	CERAMIC CHIP 0.001UF	10% 50V
C4406	1-114-332-11	CERAMIC CHIP 22UF	10% 6.3V	C5501	1-100-905-11	CERAMIC CHIP 0.001UF	10% 50V
C4407	1-100-909-11	CERAMIC CHIP 10UF	10% 6.3V	C5505	1-112-781-11	CERAMIC CHIP 1UF	10% 10V
C4408	1-100-916-11	CERAMIC CHIP 0.1UF	10% 16V	C5506	1-100-916-11	CERAMIC CHIP 0.1UF	10% 16V
C4409	1-112-779-11	CERAMIC CHIP 0.047UF	10% 25V	C5507	1-112-781-11	CERAMIC CHIP 1UF	10% 10V
C4410	1-112-779-11	CERAMIC CHIP 0.047UF	10% 25V	C5509	1-100-916-11	CERAMIC CHIP 0.1UF	10% 16V
C4411	1-112-779-11	CERAMIC CHIP 0.047UF	10% 25V	C5510	1-100-916-11	CERAMIC CHIP 0.1UF	10% 16V
C4413	1-112-779-11	CERAMIC CHIP 0.047UF	10% 25V	C5511	1-100-916-11	CERAMIC CHIP 0.1UF	10% 16V
C4414	1-112-779-11	CERAMIC CHIP 0.047UF	10% 25V	C5512	1-100-916-11	CERAMIC CHIP 0.1UF	10% 16V
C4415	1-112-779-11	CERAMIC CHIP 0.047UF	10% 25V	C5514	1-100-916-11	CERAMIC CHIP 0.1UF	10% 16V
C4416	1-112-779-11	CERAMIC CHIP 0.047UF	10% 25V	C5516	1-100-916-11	CERAMIC CHIP 0.1UF	10% 16V
C4417	1-112-779-11	CERAMIC CHIP 0.047UF	10% 25V	C5517	1-100-916-11	CERAMIC CHIP 0.1UF	10% 16V

REF.NO.	PART.NO	DESCRIPTION	REMARK	REF.NO.	PART.NO	DESCRIPTION	REMARK
C5518	1-100-916-11	CERAMIC CHIP 0.1UF	10% 16V	C7039	1-114-354-11	CAP, CERAMIC 0.1MF X7R (1410)	
C5519	1-100-916-11	CERAMIC CHIP 0.1UF	10% 16V	C7040	1-100-916-11	CERAMIC CHIP 0.1UF	10% 16V
C5522	1-100-916-11	CERAMIC CHIP 0.1UF	10% 16V	C7041	1-112-777-11	CERAMIC CHIP 0.01UF	10% 25V
C5523	1-100-916-11	CERAMIC CHIP 0.1UF	10% 16V	C7042	1-164-850-11	CERAMIC CHIP 10PF	0.50PF 50V
C5525	1-100-916-11	CERAMIC CHIP 0.1UF	10% 16V	C7043	1-164-850-11	CERAMIC CHIP 10PF	0.50PF 50V
C5528	1-100-905-11	CERAMIC CHIP 0.001UF	10% 50V	C7202	1-112-777-11	CERAMIC CHIP 0.01UF	10% 25V
C5529	1-164-850-11	CERAMIC CHIP 10PF	0.50PF 50V	C7203	1-114-193-11	ELECT CHIP 470UF	20% 25V
C5530	1-164-852-11	CERAMIC CHIP 12PF	5.00% 50V	C7204	1-114-193-11	ELECT CHIP 470UF	20% 25V
C5531	1-100-916-11	CERAMIC CHIP 0.1UF	10% 16V	C7205	1-114-193-11	ELECT CHIP 470UF	20% 25V
C5533	1-100-916-11	CERAMIC CHIP 0.1UF	10% 16V	C7206	1-114-325-11	CERAMIC CHIP 0.1UF	10% 25V
C5535	1-112-777-11	CERAMIC CHIP 0.01UF	10% 25V	C7207	1-100-909-11	CERAMIC CHIP 10UF	10% 6.3V
C5536	1-114-130-11	CERAMIC CHIP 1UF	10% 6.3V	C7208	1-114-325-11	CERAMIC CHIP 0.1UF	10% 25V
C5540	1-112-777-11	CERAMIC CHIP 0.01UF	10% 25V	C7209	1-114-326-11	CERAMIC CHIP 0.22UF	10% 25V
C5542	1-164-874-11	CERAMIC CHIP 100PF	5.00% 50V	C7210	1-100-912-11	CERAMIC CHIP 1UF	10% 25V
C5543	1-100-909-11	CERAMIC CHIP 10UF	10% 6.3V	C7211	1-114-326-11	CERAMIC CHIP 0.22UF	10% 25V
C5544	1-112-777-11	CERAMIC CHIP 0.01UF	10% 25V	C7212	1-114-326-11	CERAMIC CHIP 0.22UF	10% 25V
C5546	1-100-916-11	CERAMIC CHIP 0.1UF	10% 16V	C7213	1-114-326-11	CERAMIC CHIP 0.22UF	10% 25V
C5548	1-100-916-11	CERAMIC CHIP 0.1UF	10% 16V	C7214	1-100-912-11	CERAMIC CHIP 1UF	10% 25V
C5550	1-100-905-11	CERAMIC CHIP 0.001UF	10% 50V	C7215	1-114-326-11	CERAMIC CHIP 0.22UF	10% 25V
C5551	1-100-905-11	CERAMIC CHIP 0.001UF	10% 50V	C7216	1-114-325-11	CERAMIC CHIP 0.1UF	10% 25V
C5552	1-112-781-11	CERAMIC CHIP 1UF	10% 10V	C7217	1-114-334-11	CERAMIC CHIP 10UF	10% 25V
C5553	1-112-781-11	CERAMIC CHIP 1UF	10% 10V	C7218	1-114-325-11	CERAMIC CHIP 0.1UF	10% 25V
C7001	1-100-916-11	CERAMIC CHIP 0.1UF	10% 16V	C7220	1-114-814-11	CERAMIC CHIP 0.33UF	10% 25V
C7007	1-100-916-11	CERAMIC CHIP 0.1UF	10% 16V	C7221	1-114-814-11	CERAMIC CHIP 0.33UF	10% 25V
C7008	1-100-767-21	ELECT CHIP 220UF	20% 16V	C7222	1-114-814-11	CERAMIC CHIP 0.33UF	10% 25V
C7009	1-114-354-11	CAP, CERAMIC 0.1MF X7R (1410)		C7223	1-114-814-11	CERAMIC CHIP 0.33UF	10% 25V
C7010	1-114-354-11	CAP, CERAMIC 0.1MF X7R (1410)		C7224	1-164-874-11	CERAMIC CHIP 100PF	5.00% 50V
C7011	1-114-331-11	CERAMIC CHIP 4.7UF	10% 10V	C7225	1-164-874-11	CERAMIC CHIP 100PF	5.00% 50V
C7012	1-100-916-11	CERAMIC CHIP 0.1UF	10% 16V	C7226	1-164-874-11	CERAMIC CHIP 100PF	5.00% 50V
C7013	1-100-767-21	ELECT CHIP 220UF	20% 16V	C7227	1-164-874-11	CERAMIC CHIP 100PF	5.00% 50V
C7014	1-114-331-11	CERAMIC CHIP 4.7UF	10% 10V	C7301	1-114-331-11	CERAMIC CHIP 4.7UF	10% 10V
C7016	1-100-916-11	CERAMIC CHIP 0.1UF	10% 16V	C7302	1-114-331-11	CERAMIC CHIP 4.7UF	10% 10V
C7017	1-114-130-11	CERAMIC CHIP 1UF	10% 6.3V	C7303	1-137-942-21	ELECT CHIP 47UF	20% 25V
C7018	1-114-130-11	CERAMIC CHIP 1UF	10% 6.3V	C7304	1-114-520-11	CAP, CERAMIC 1MF X6S (1410)	
C7020	1-114-354-11	CAP, CERAMIC 0.1MF X7R (1410)		C7305	1-112-776-11	CERAMIC CHIP 0.0047UF	10% 50V
C7021	1-100-916-11	CERAMIC CHIP 0.1UF	10% 16V	C7306	1-114-520-11	CAP, CERAMIC 1MF X6S (1410)	
C7023	1-100-916-11	CERAMIC CHIP 0.1UF	10% 16V	C7307	1-112-776-11	CERAMIC CHIP 0.0047UF	10% 50V
C7025	1-112-781-11	CERAMIC CHIP 1UF	10% 10V	C7308	1-114-325-11	CERAMIC CHIP 0.1UF	10% 25V
C7026	1-114-520-11	CAP, CERAMIC 1MF X6S (1410)		C7311	1-114-520-11	CAP, CERAMIC 1MF X6S (1410)	
C7027	1-100-916-11	CERAMIC CHIP 0.1UF	10% 16V	C7312	1-114-325-11	CERAMIC CHIP 0.1UF	10% 25V
C7029	1-114-354-11	CAP, CERAMIC 0.1MF X7R (1410)		C7313	1-114-331-11	CERAMIC CHIP 4.7UF	10% 10V
C7030	1-114-331-11	CERAMIC CHIP 4.7UF	10% 10V	C7314	1-100-916-11	CERAMIC CHIP 0.1UF	10% 16V
C7031	1-100-916-11	CERAMIC CHIP 0.1UF	10% 16V	C7315	1-114-325-11	CERAMIC CHIP 0.1UF	10% 25V
C7032	1-114-331-11	CERAMIC CHIP 4.7UF	10% 10V	C7316	1-114-331-11	CERAMIC CHIP 4.7UF	10% 10V
C7033	1-100-916-11	CERAMIC CHIP 0.1UF	10% 16V	C7318	1-114-325-11	CERAMIC CHIP 0.1UF	10% 25V
C7034	1-100-767-21	ELECT CHIP 220UF	20% 16V	C7319	1-114-334-11	CERAMIC CHIP 10UF	10% 25V
C7035	1-100-916-11	CERAMIC CHIP 0.1UF	10% 16V	C7320	1-100-916-11	CERAMIC CHIP 0.1UF	10% 16V
C7036	1-114-331-11	CERAMIC CHIP 4.7UF	10% 10V	C7321	1-114-331-11	CERAMIC CHIP 4.7UF	10% 10V
C7037	1-112-777-11	CERAMIC CHIP 0.01UF	10% 25V	C7322	1-116-079-11	CERAMIC CHIP 10UF	10% 10V
C7038	1-100-916-11	CERAMIC CHIP 0.1UF	10% 16V	C7326	1-114-520-11	CAP, CERAMIC 1MF X6S (1410)	

REF.NO.	PART.NO	DESCRIPTION	REMARK	REF.NO.	PART.NO	DESCRIPTION	REMARK
C7327	1-114-520-11	CAP, CERAMIC 1MF X6S (1410)		C7914	1-112-775-11	CERAMIC CHIP 0.0022UF	10% 50V
C7328	1-112-781-11	CERAMIC CHIP 1UF	10% 10V	C7916	1-114-320-11	CERAMIC CHIP 0.22UF	10% 6.3V
C7329	1-112-781-11	CERAMIC CHIP 1UF	10% 10V	C7918	1-114-331-11	CERAMIC CHIP 4.7UF	10% 10V
C7330	1-114-334-11	CERAMIC CHIP 10UF	10% 25V	C7923	1-135-366-11	ELECT CHIP 100UF	20% 16V
C7331	1-100-766-21	ELECT CHIP 47UF	20% 16V	C7925	1-112-777-11	CERAMIC CHIP 0.01UF	10% 25V
C7332	1-100-766-21	ELECT CHIP 47UF	20% 16V	C7927	1-100-916-11	CERAMIC CHIP 0.1UF	10% 16V
C7335	1-112-781-11	CERAMIC CHIP 1UF	10% 10V	C7929	1-164-874-11	CERAMIC CHIP 100PF	5.00% 50V
C7336	1-112-781-11	CERAMIC CHIP 1UF	10% 10V	C7930	1-114-332-11	CERAMIC CHIP 22UF	10% 6.3V
C7337	1-112-781-11	CERAMIC CHIP 1UF	10% 10V	C7931	1-112-781-11	CERAMIC CHIP 1UF	10% 10V
C7338	1-112-781-11	CERAMIC CHIP 1UF	10% 10V	C7932	1-100-916-11	CERAMIC CHIP 0.1UF	10% 16V
C7341	1-112-781-11	CERAMIC CHIP 1UF	10% 10V	C7933	1-112-781-11	CERAMIC CHIP 1UF	10% 10V
C7342	1-112-781-11	CERAMIC CHIP 1UF	10% 10V	C7936	1-135-366-11	ELECT CHIP 100UF	20% 16V
C7343	1-112-781-11	CERAMIC CHIP 1UF	10% 10V	C7937	1-164-874-11	CERAMIC CHIP 100PF	5.00% 50V
C7344	1-112-781-11	CERAMIC CHIP 1UF	10% 10V	C7938	1-100-916-11	CERAMIC CHIP 0.1UF	10% 16V
C7345	1-112-781-11	CERAMIC CHIP 1UF	10% 10V	C7940	1-135-366-11	ELECT CHIP 100UF	20% 16V
C7346	1-112-781-11	CERAMIC CHIP 1UF	10% 10V	C7944	1-100-916-11	CERAMIC CHIP 0.1UF	10% 16V
C7401	1-100-909-11	CERAMIC CHIP 10UF	10% 6.3V	C7945	1-100-916-11	CERAMIC CHIP 0.1UF	10% 16V
C7402	1-114-354-11	CAP, CERAMIC 0.1MF X7R (1410)		C7946	1-112-777-11	CERAMIC CHIP 0.01UF	10% 25V
C7403	1-100-909-11	CERAMIC CHIP 10UF	10% 6.3V	C7955	1-112-781-11	CERAMIC CHIP 1UF	10% 10V
C7405	1-112-781-11	CERAMIC CHIP 1UF	10% 10V	C7963	1-112-064-11	CERAMIC CHIP 2.2UF	10% 10V
C7406	1-112-774-11	CERAMIC CHIP 470PF	10% 50V	C7976	1-135-366-11	ELECT CHIP 100UF	20% 16V
C7407	1-112-781-11	CERAMIC CHIP 1UF	10% 10V	C7977	1-135-366-11	ELECT CHIP 100UF	20% 16V
C7408	1-112-774-11	CERAMIC CHIP 470PF	10% 50V	C7978	1-112-777-11	CERAMIC CHIP 0.01UF	10% 25V
C7600	1-112-777-11	CERAMIC CHIP 0.01UF	10% 25V	C7979	1-112-777-11	CERAMIC CHIP 0.01UF	10% 25V
C7601	1-112-777-11	CERAMIC CHIP 0.01UF	10% 25V	C7980	1-135-366-11	ELECT CHIP 100UF	20% 16V
C7602	1-112-777-11	CERAMIC CHIP 0.01UF	10% 25V	C7981	1-112-777-11	CERAMIC CHIP 0.01UF	10% 25V
C7603	1-112-777-11	CERAMIC CHIP 0.01UF	10% 25V	C7983	1-100-916-11	CERAMIC CHIP 0.1UF	10% 16V
C7604	1-112-777-11	CERAMIC CHIP 0.01UF	10% 25V	C7984	1-112-781-11	CERAMIC CHIP 1UF	10% 10V
C7605	1-112-777-11	CERAMIC CHIP 0.01UF	10% 25V	C7985	1-100-916-11	CERAMIC CHIP 0.1UF	10% 16V
C7606	1-112-777-11	CERAMIC CHIP 0.01UF	10% 25V	C7986	1-164-872-11	CERAMIC CHIP 82PF	5.00% 50V
C7607	1-112-777-11	CERAMIC CHIP 0.01UF	10% 25V	C7991	1-100-909-11	CERAMIC CHIP 10UF	10% 6.3V
C7608	1-112-777-11	CERAMIC CHIP 0.01UF	10% 25V	C7994	1-100-909-11	CERAMIC CHIP 10UF	10% 6.3V
C7610	1-112-777-11	CERAMIC CHIP 0.01UF	10% 25V	C9602	1-100-916-11	CERAMIC CHIP 0.1UF	10% 16V
C7611	1-112-777-11	CERAMIC CHIP 0.01UF	10% 25V	C9608	1-112-781-11	CERAMIC CHIP 1UF	10% 10V
C7612	1-100-916-11	CERAMIC CHIP 0.1UF	10% 16V	C9610	1-112-777-11	CERAMIC CHIP 0.01UF	10% 25V
C7614	1-100-916-11	CERAMIC CHIP 0.1UF	10% 16V	C9612	1-100-831-91	CERAMIC CHIP 0.001UF	2% 50V
C7615	1-114-130-11	CERAMIC CHIP 1UF	10% 6.3V	C9614	1-100-831-91	CERAMIC CHIP 0.001UF	2% 50V
C7617	1-164-874-11	CERAMIC CHIP 100PF	5.00% 50V	C9616	1-114-813-11	CERAMIC CHIP 1UF	10% 16V
C7900	1-100-766-21	ELECT CHIP 47UF	20% 16V	C9617	1-114-813-11	CERAMIC CHIP 1UF	10% 16V
C7901	1-100-916-11	CERAMIC CHIP 0.1UF	10% 16V	C9636	1-100-916-11	CERAMIC CHIP 0.1UF	10% 16V
C7903	1-112-778-11	CERAMIC CHIP 0.022UF	10% 25V	C9637	1-112-777-11	CERAMIC CHIP 0.01UF	10% 25V
C7904	1-164-874-11	CERAMIC CHIP 100PF	5.00% 50V	C9638	1-162-927-11	CERAMIC CHIP 100PF	5.00% 50V
C7905	1-112-779-11	CERAMIC CHIP 0.047UF	10% 25V	C9639	1-162-927-11	CERAMIC CHIP 100PF	5.00% 50V
C7906	1-100-916-11	CERAMIC CHIP 0.1UF	10% 16V	C9642	1-100-831-91	CERAMIC CHIP 0.001UF	2% 50V
C7907	1-114-332-11	CERAMIC CHIP 22UF	10% 6.3V	C9643	1-100-831-91	CERAMIC CHIP 0.001UF	2% 50V
C7908	1-112-776-11	CERAMIC CHIP 0.0047UF	10% 50V	C9645	1-100-905-11	CERAMIC CHIP 0.001UF	10% 50V
C7909	1-100-916-11	CERAMIC CHIP 0.1UF	10% 16V	C9646	1-114-813-11	CERAMIC CHIP 1UF	10% 16V
C7910	1-100-916-11	CERAMIC CHIP 0.1UF	10% 16V	C9647	1-114-813-11	CERAMIC CHIP 1UF	10% 16V
C7911	1-100-916-11	CERAMIC CHIP 0.1UF	10% 16V	C9648	1-112-068-11	CERAMIC CHIP 220PF	10% 50V
C7913	1-114-399-21	ELECT CHIP 47UF	20% 6.3V	C9649	1-112-068-11	CERAMIC CHIP 220PF	10% 50V

Note : The components identified by shading and marked Δ are critical for safety. Replace only with the part numbers specified in the parts list.



REF.NO.	PART.NO	DESCRIPTION	REMARK	REF.NO.	PART.NO	DESCRIPTION	REMARK
C9650	1-112-778-11	CERAMIC CHIP 0.022UF	10% 25V	D7604	6-502-318-01	DI MA4J1130GLS0	
C9651	1-112-778-11	CERAMIC CHIP 0.022UF	10% 25V	D7605	6-502-318-01	DI MA4J1130GLS0	
C9803	1-100-831-91	CERAMIC CHIP 0.001UF	2% 50V	D7607	6-502-318-01	DI MA4J1130GLS0	
C9804	1-100-831-91	CERAMIC CHIP 0.001UF	2% 50V	D7608	6-502-150-01	DI MA2SD320G8S0	
C9805	1-100-831-91	CERAMIC CHIP 0.001UF	2% 50V	D7609	6-502-150-01	DI MA2SD320G8S0	
C9806	1-100-831-91	CERAMIC CHIP 0.001UF	2% 50V	D7900	8-719-058-24	DIODE RB501V-40TE-17	
C9809	1-114-813-11	CERAMIC CHIP 1UF	10% 16V	D9602	6-502-318-01	DI MA4J1130GLS0	
C9810	1-114-813-11	CERAMIC CHIP 1UF	10% 16V	D9605	6-502-574-01	DI MALH120YGLS0	
C9811	1-114-410-21	CERAMIC CHIP 680PF	2% 50V	D9606	6-502-574-01	DI MALH120YGLS0	
C9818	1-100-831-91	CERAMIC CHIP 0.001UF	2% 50V	D9807	6-502-574-01	DI MALH120YGLS0	
C9820	1-100-831-91	CERAMIC CHIP 0.001UF	2% 50V	D9808	6-502-574-01	DI MALH120YGLS0	
C9821	1-100-831-91	CERAMIC CHIP 0.001UF	2% 50V	D9811	6-501-770-01	DIODE MAZ8130G0LS0	
C9822	1-100-831-91	CERAMIC CHIP 0.001UF	2% 50V	D9812	6-501-754-01	DIODE MAZ8091G0LS0	
C9823	1-100-831-91	CERAMIC CHIP 0.001UF	2% 50V	D9814	6-501-754-01	DIODE MAZ8091G0LS0	
C9824	1-100-831-91	CERAMIC CHIP 0.001UF	2% 50V	D9815	6-501-754-01	DIODE MAZ8091G0LS0	
C9825	1-114-813-11	CERAMIC CHIP 1UF	10% 16V	D9816	6-501-754-01	DIODE MAZ8091G0LS0	
C9826	1-114-813-11	CERAMIC CHIP 1UF	10% 16V	D9817	6-501-754-01	DIODE MAZ8091G0LS0	
C9827	1-112-781-11	CERAMIC CHIP 1UF	10% 10V	D9818	6-502-574-01	DI MALH120YGLS0	
C9828	1-112-781-11	CERAMIC CHIP 1UF	10% 10V	D9819	6-502-574-01	DI MALH120YGLS0	
C9839	1-100-916-11	CERAMIC CHIP 0.1UF	10% 16V	D9822	6-501-770-01	DIODE MAZ8130G0LS0	
C9840	1-114-331-11	CERAMIC CHIP 4.7UF	10% 10V	D9824	6-501-754-01	DIODE MAZ8091G0LS0	
C9841	1-216-295-91	SHORT CHIP 0		D9825	6-501-754-01	DIODE MAZ8091G0LS0	
C9842	1-216-295-91	SHORT CHIP 0		D9826	6-501-754-01	DIODE MAZ8091G0LS0	
C9843	1-114-410-21	CERAMIC CHIP 680PF	2% 50V	D9827	6-501-754-01	DIODE MAZ8091G0LS0	
< CONNECTOR >				D9828	6-501-754-01	DIODE MAZ8091G0LS0	
CN1300	1-819-797-11	HEADER ASSEMBLY FOR PWB 13P		D9829	6-501-754-01	DIODE MAZ8091G0LS0	
CN1301	1-819-476-11	HEADER ASSEMBLY FOR PWB 8P		ET2000	1-694-974-21	CONTACT TERMINAL	
CN2000	1-821-180-11	MEMORY STICK CONNECTOR		ET2001	1-694-974-21	CONTACT TERMINAL	
CN3500	1-822-537-11	ETHERNET CONNECTOR		ET2002	1-694-974-21	CONTACT TERMINAL	
CN3501	1-821-834-12	USB CONNECTOR		ET2003	1-694-974-21	CONTACT TERMINAL	
CN3800	1-822-579-12	CARD CONNECTOR (PCMCIA CARD)		ET2004	1-694-974-21	CONTACT TERMINAL	
CN4501	1-822-656-11	HEADER ASSEMBLY FOR PWB 51P		ET2005	1-694-974-21	CONTACT TERMINAL	
CN5502	1-779-936-51	CONNECTOR, FFC/FPC 18P		ET2006	1-694-974-21	CONTACT TERMINAL	
CN5503	1-820-235-11	HEADER ASSEMBLY 30P		ET2007	1-780-317-11	TERMINAL	
CN7201	1-819-461-11	HEADER ASSEMBLY FOR PWB 4P		< FUSE >			
CN7600	*1-822-482-11	HDMI CONNECTOR		F1000 Δ	1-576-603-11	FUSE	3.15A 24V
CN7601	*1-822-482-11	HDMI CONNECTOR		F1300 Δ	1-576-603-11	FUSE	3.15A 24V
CN7602	*1-822-484-11	HDMI CONNECTOR		F1301 Δ	1-576-603-11	FUSE	3.15A 24V
CN7603	*1-822-484-11	HDMI CONNECTOR		F3000 Δ	1-576-603-11	FUSE	3.15A 24V
CN8300	*1-818-656-21	HEADER ASSEMBLY 30P		F4200 Δ	1-576-406-11	FUSE	1.4A 32V
CN9600	*1-821-827-21	D SUB CONNECTOR		F7001 Δ	1-576-913-11	FUSE	1.6A 36V
CN9602	*1-822-525-21	OPTICAL OUT CONNECTOR		F7201 Δ	1-576-933-21	FUSE	5A 24V
CN9803	1-822-580-11	CONNECTOR DUAL SCART		F7401 Δ	1-576-646-11	FUSE	0.5A 50V
< DIODE >				F7900 Δ	1-576-646-11	FUSE	0.5A 50V
D1314	6-502-730-01	DI RSX301L-30USTE25		F7902 Δ	1-576-406-11	FUSE	1.4A 32V
D5509	8-719-056-48	DIODE 1SS388(TPL3)		F8300 Δ	1-576-603-11	FUSE	3.15A 24V
D7203	6-502-247-01	DI KDZTR3.6B		F9600 Δ	1-576-646-11	FUSE	0.5A 50V
D7603	6-502-318-01	DI MA4J1130GLS0		F9800 Δ	1-576-406-11	FUSE	1.4A 32V

REF.NO.	PART.NO	DESCRIPTION	REMARK	REF.NO.	PART.NO	DESCRIPTION	REMARK
< FERRITE BEAD >				< FILTER >			
FB1000	1-481-515-11	FERRITE	OUI	FL4500	1-234-494-21	FILTER, EMI REMOVAL (SMD)	
FB1302	1-400-834-11	FERRITE	OUI	FL4501	1-200-014-21	FILTER, EMI REMOVAL (SMD)	
FB1303	1-400-834-11	FERRITE	OUI	FL7600	1-234-939-21	FILTER, EMI REMOVAL (SMD)	
FB1305	1-400-834-11	FERRITE	OUI	< IC >			
FB1309	1-400-834-11	FERRITE	OUI	IC1000	6-713-863-01	IC BD9540EFV-E2	
FB1310	1-400-089-21	FERRITE	OUI	IC1001	6-711-047-01	IC S-1132B18-U5T1G	
FB2000	1-400-461-21	FERRITE	OUI	IC1002	6-710-941-01	IC MM3141ZNRE(1.07V)	
FB2001	1-400-461-21	FERRITE	OUI	IC1003	6-711-238-01	IC NJM2878F3-15 (TE2)	
FB3502	1-481-466-11	FERRITE	OUI	IC1004	6-711-237-01	IC NJM2878F3-33 (TE2)	
FB3503	1-481-466-11	FERRITE	OUI	IC1308	6-714-032-01	IC BD9321EFJ-E2	
FB3504	1-481-466-11	FERRITE	OUI	IC2003	6-712-397-01	IC 74AHC1G08GW-125	
FB3505	1-481-466-11	FERRITE	OUI	IC2501	6-713-835-01	IC K9F1208U0C-PIB0T	
FB3506	1-481-466-11	FERRITE	OUI	IC2502	6-713-835-01	IC K9F1208U0C-PIB0T	
FB3800	1-481-517-11	FERRITE	OUI	IC3001	6-710-949-01	IC SN0608006PWPR	
FB4000	1-400-462-21	FERRITE	OUI	IC3002	6-714-682-01	IC NT5TU64M16DG-AC	
FB4001	1-400-462-21	FERRITE	OUI	IC3003	6-714-682-01	IC NT5TU64M16DG-AC	
FB4002	1-400-462-21	FERRITE	OUI	IC3500	6-712-775-11	IC KSZ8041TLTR	
FB5000	1-400-462-21	FERRITE	OUI	IC3502	6-711-288-01	IC MIC2005-0.5YM6TR	
FB5001	1-400-462-21	FERRITE	OUI	IC3801	6-714-523-01	IC TC74LCX245FK	
FB5500	1-500-922-11	FERRITE	OUI	IC3804	6-714-523-01	IC TC74LCX245FK	
FB5501	1-500-922-11	FERRITE	OUI	IC3805	6-714-523-01	IC TC74LCX245FK	
FB5502	1-500-922-11	FERRITE	OUI	IC3806	6-714-523-01	IC TC74LCX245FK	
FB7001	1-481-517-11	FERRITE	OUI	IC3807	6-714-523-01	IC TC74LCX245FK	
FB7201	1-400-089-21	FERRITE	OUI	IC3808	6-714-523-01	IC TC74LCX245FK	
FB7202	1-400-089-21	FERRITE	OUI	IC3809	6-714-523-01	IC TC74LCX245FK	
FB7203	1-400-089-21	FERRITE	OUI	IC3810	6-711-288-01	IC MIC2005-0.5YM6TR	
FB7204	1-400-089-21	FERRITE	OUI	IC4200	8-753-289-76	IC CXA2241Q-T4	
FB7900	1-469-869-21	FERRITE	OUI	IC4400	6-708-641-11	IC SAA7115AHL/V1,518	
FB7901	1-400-834-11	FERRITE	OUI	IC5500	6-713-333-11	IC PST8429UL	
FB7902	1-400-834-11	FERRITE	OUI	IC5501	6-711-047-01	IC S-1132B18-U5T1G	
FB7903	1-400-834-11	FERRITE	OUI	IC5502	6-713-820-01	IC MB91F313APMC-GE1	
FB7904	1-400-834-11	FERRITE	OUI	IC5503	6-710-786-01	IC TC7SH125FU(T5RSOYF)	
FB7905	1-400-834-11	FERRITE	OUI	IC5504	6-710-786-01	IC TC7SH125FU(T5RSOYF)	
FB7906	1-400-834-11	FERRITE	OUI	IC5505	6-704-573-01	IC M24C32-WMN6T(B)	
FB7907	1-400-834-11	FERRITE	OUI	IC5506	6-713-333-11	IC PST8429UL	
FB7908	1-400-834-11	FERRITE	OUI	IC5507	6-713-836-01	IC LM75BD	
FB7909	1-400-834-11	FERRITE	OUI	IC5508	6-712-393-01	IC 74AHC1G00GW-125	
FB7910	1-400-834-11	FERRITE	OUI	IC7001	6-706-489-01	IC TC7SH32FU(T5RSOYJF)	
FB7911	1-400-834-11	FERRITE	OUI	IC7003	6-712-974-01	IC CXD9926ATQ	
FB7917	1-400-462-21	FERRITE	OUI	IC7201	6-713-875-01	IC TAS5602DCAR	
FB7919	1-400-461-21	FERRITE	OUI	IC7301	8-753-314-50	IC CXA3785R-T6	
FB7920	1-400-461-21	FERRITE	OUI	IC7401	6-713-862-01	IC AK4388AET-E2	
FB7921	1-400-179-21	FERRITE	OUI	IC7453	6-711-237-01	IC NJM2878F3-33 (TE2)	
FB9804	1-400-461-21	FERRITE	OUI	IC7600	8-753-310-83	IC CXB1447R-T6	
FB9805	1-400-461-21	FERRITE	OUI	IC7601	6-704-600-01	IC M24C02-WMN6T(B)	
FB9806	1-400-461-21	FERRITE	OUI	IC7902	6-711-132-01	IC MM3291CNRE	
FB9807	1-400-461-21	FERRITE	OUI	IC7905	6-710-532-01	IC NJM2878F4-25(TE2)	

REF.NO.	PART.NO	DESCRIPTION	REMARK	REF.NO.	PART.NO	DESCRIPTION	REMARK
IC9600	6-704-600-01	IC M24C02-WMN6T(B)				< TRANSISTOR >	
IC9601	6-708-132-01	IC 74LVC14APW					
		< SOCKET >					
J9600	*1-822-524-31	PHONO JACK 2P		Q1000	6-550-354-01	TRANSISTOR RTQ035P02TR	
J9601	1-822-528-11	JACK		Q1001	6-551-815-01	TR UNR52A1G0LS0	
J9605	1-822-581-12	MULTIPLE PHONO JACK 4P		Q1002	6-552-215-01	TR RRS100N03FPFTB1	
J9800	1-822-523-11	PHONO JACK 5P		Q1003	6-552-215-01	TR RRS100N03FPFTB1	
		< COIL >		Q1004	6-552-212-01	TR MP6K61FU7TR	
L1002	1-457-714-11	INDUCTOR	4.7UH	Q1304	6-551-690-01	TRANSISTOR RT3N11M-TP-1	
L1003	1-457-744-11	INDUCTOR	1.5UH	Q1309	8-729-907-00	TRANSISTOR DTC114EU	
L1307	1-457-455-11	INDUCTOR	10UH	Q1312	6-550-369-01	TRANSISTOR TPC8109 (TE12L)	
L1308	1-424-918-21	INDUCTOR	10UH	Q1420	6-551-690-01	TRANSISTOR RT3N11M-TP-1	
L3000	1-457-730-11	INDUCTOR	2.2UH	Q1421	6-551-690-01	TRANSISTOR RT3N11M-TP-1	
L3500	1-457-223-11	INDUCTOR	0UH	Q2500	6-551-775-01	TR 2SA2122G0LS0	
L4001	1-469-556-21	INDUCTOR	15UH	Q2501	6-551-815-01	TR UNR52A1G0LS0	
L4200	1-469-557-21	INDUCTOR	22UH	Q3000	6-552-212-01	TR MP6K61FU7TR	
L4401	1-481-521-11	INDUCTOR	1UH	Q4000	8-729-026-53	TRANSISTOR 2SA1576A-T106-QR	
L4514	1-481-521-11	INDUCTOR	1UH	Q4031	6-551-775-01	TR 2SA2122G0LS0	
L4515	1-457-539-11	INDUCTOR	0UH	Q4200	6-551-903-01	TR RT3S02M-T111-1	
L4516	1-457-539-11	INDUCTOR	0UH	Q4201	6-551-903-01	TR RT3S02M-T111-1	
L4517	1-457-539-11	INDUCTOR	0UH	Q4202	6-551-903-01	TR RT3S02M-T111-1	
L4518	1-457-539-11	INDUCTOR	0UH	Q4401	6-551-321-01	TRANSISTOR RT3WLMM-TP-1F	
L4519	1-457-539-11	INDUCTOR	0UH	Q5500	6-551-775-01	TR 2SA2122G0LS0	
L4520	1-457-539-11	INDUCTOR	0UH	Q5501	6-551-815-01	TR UNR52A1G0LS0	
L7002	1-481-524-11	INDUCTOR	10UH	Q5503	6-551-825-01	TR UNR52A5G0LS0	
L7201	1-457-754-11	INDUCTOR	22UH	Q5504	6-551-321-01	TRANSISTOR RT3WLMM-TP-1F	
L7204	1-457-754-11	INDUCTOR	22UH	Q5507	6-551-815-01	TR UNR52A1G0LS0	
L7302	1-481-524-11	INDUCTOR	10UH	Q5510	6-551-824-01	TR UNR51A5G0LS0	
L7303	1-481-524-11	INDUCTOR	10UH	Q5512	6-552-110-01	TR UNR52AMG0LS0	
L7401	1-481-524-11	INDUCTOR	10UH	Q7201	6-551-969-01	TR RT3P55M-TP-1	
L7600	1-456-844-11	INDUCTOR	0UH	Q7302	6-551-551-01	TRANSISTOR RT3N77M-TP-1	
L7601	1-456-844-11	INDUCTOR	0UH	Q7303	6-551-943-01	TR RT3XBEM-T111-1	
L7602	1-456-844-11	INDUCTOR	0UH	Q7304	6-551-551-01	TRANSISTOR RT3N77M-TP-1	
L7603	1-456-844-11	INDUCTOR	0UH	Q7305	6-551-551-01	TRANSISTOR RT3N77M-TP-1	
L7604	1-456-844-11	INDUCTOR	0UH	Q7306	6-551-943-01	TR RT3XBEM-T111-1	
L7605	1-456-844-11	INDUCTOR	0UH	Q7307	6-551-943-01	TR RT3XBEM-T111-1	
L7606	1-456-844-11	INDUCTOR	0UH	Q7308	6-551-691-01	TRANSISTOR RT3P11M-TP-1	
L7607	1-456-844-11	INDUCTOR	0UH	Q7309	6-551-943-01	TR RT3XBEM-T111-1	
L7901	1-469-549-21	INDUCTOR	1UH	Q7901	6-551-904-01	TR RT3S03M-T111-1	
L7902	1-400-791-21	INDUCTOR	10UH	Q7902	6-551-904-01	TR RT3S03M-T111-1	
L7903	1-412-990-41	INDUCTOR	8.2UH	Q7903	6-551-775-01	TR 2SA2122G0LS0	
L7905	1-400-791-21	INDUCTOR	10UH	Q7905	6-551-775-01	TR 2SA2122G0LS0	
L7907	1-400-791-21	INDUCTOR	10UH	Q7906	6-551-775-01	TR 2SA2122G0LS0	
L7913	1-469-555-21	INDUCTOR	10UH	Q7910	6-551-776-01	TR 2SC5950G0LS0	
L9600	1-400-177-21	FERRITE	0UH	Q7914	6-551-904-01	TR RT3S03M-T111-1	
L9800	1-469-557-21	INDUCTOR	22UH	Q7916	6-551-776-01	TR 2SC5950G0LS0	
				Q7917	6-551-775-01	TR 2SA2122G0LS0	
				Q9601	6-551-815-01	TR UNR52A1G0LS0	
				Q9806	6-551-776-01	TR 2SC5950G0LS0	
				Q9812	6-551-776-01	TR 2SC5950G0LS0	
				Q9813	6-551-272-01	TRANSISTOR RT3CLLM	

REF.NO.	PART.NO	DESCRIPTION	REMARK	REF.NO.	PART.NO	DESCRIPTION	REMARK
Q9814	6-551-272-01	TRANSISTOR RT3CLLM		R2047	1-218-957-11	METAL CHIP 2.2K 5%	1/16W
	< RESISTOR >			R2048	1-218-965-11	METAL CHIP 10K 5%	1/16W
R1000	1-218-965-11	METAL CHIP 10K 5%	1/16W	R2049	1-218-957-11	METAL CHIP 2.2K 5%	1/16W
R1001	1-218-985-11	METAL CHIP 470K 5%	1/16W	R2050	1-218-961-11	METAL CHIP 4.7K 5%	1/16W
R1002	1-208-711-11	METAL CHIP 15K 0.5%	1/16W	R2051	1-218-961-11	METAL CHIP 4.7K 5%	1/16W
R1003	1-208-698-11	METAL CHIP 4.3K 0.5%	1/16W	R2056	1-218-965-11	METAL CHIP 10K 5%	1/16W
R1004	1-208-911-11	METAL CHIP 10K 0.5%	1/16W	R2057	1-218-965-11	METAL CHIP 10K 5%	1/16W
R1005	1-208-698-11	METAL CHIP 4.3K 0.5%	1/16W	R2066	1-218-965-11	METAL CHIP 10K 5%	1/16W
R1006	1-218-965-11	METAL CHIP 10K 5%	1/16W	R2068	1-218-965-11	METAL CHIP 10K 5%	1/16W
R1007	1-218-978-11	METAL CHIP 120K 5%	1/16W	R2070	1-218-965-11	METAL CHIP 10K 5%	1/16W
R1008	1-218-953-11	METAL CHIP 1K 5%	1/16W	R2076	1-218-965-11	METAL CHIP 10K 5%	1/16W
R1009	1-218-974-11	METAL CHIP 56K 5%	1/16W	R2086	1-208-883-81	METAL CHIP 680 0.5%	1/16W
R1300	1-218-990-81	SHORT CHIP 0		R2087	1-208-683-11	METAL CHIP 1K 0.5%	1/16W
R1301	1-218-990-81	SHORT CHIP 0		R2088	1-208-687-11	METAL CHIP 1.5K 0.5%	1/16W
R1303	1-218-965-11	METAL CHIP 10K 5%	1/16W	R2100	1-218-937-11	METAL CHIP 47 5%	1/16W
R1304	1-218-969-11	METAL CHIP 22K 5%	1/16W	R2138	1-218-937-11	METAL CHIP 47 5%	1/16W
R1311	1-218-990-81	SHORT CHIP 0		R2139	1-218-937-11	METAL CHIP 47 5%	1/16W
R1313	1-218-957-11	METAL CHIP 2.2K 5%	1/16W	R2140	1-218-965-11	METAL CHIP 10K 5%	1/16W
R1317	1-208-911-11	METAL CHIP 10K 0.5%	1/16W	R2141	1-218-937-11	METAL CHIP 47 5%	1/16W
R1321	1-218-965-11	METAL CHIP 10K 5%	1/16W	R2142	1-218-937-11	METAL CHIP 47 5%	1/16W
R1322	1-218-965-11	METAL CHIP 10K 5%	1/16W	R2143	1-218-965-11	METAL CHIP 10K 5%	1/16W
R1324	1-218-965-11	METAL CHIP 10K 5%	1/16W	R2144	1-218-965-11	METAL CHIP 10K 5%	1/16W
R1328	1-218-941-81	METAL CHIP 100 5%	1/16W	R2145	1-218-990-81	SHORT CHIP 0	
R1331	1-218-983-11	METAL CHIP 330K 5%	1/16W	R2146	1-218-990-81	SHORT CHIP 0	
R1362	1-208-931-11	METAL CHIP 68K 0.5%	1/16W	R2147	1-218-990-81	SHORT CHIP 0	
R1363	1-218-977-11	METAL CHIP 100K 5%	1/16W	R2148	1-218-990-81	SHORT CHIP 0	
R1405	1-218-990-81	SHORT CHIP 0		R2149	1-218-990-81	SHORT CHIP 0	
R1406	1-218-965-11	METAL CHIP 10K 5%	1/16W	R2150	1-218-990-81	SHORT CHIP 0	
R1407	1-208-699-11	METAL CHIP 4.7K 0.5%	1/16W	R2151	1-218-990-81	SHORT CHIP 0	
R1408	1-208-709-11	METAL CHIP 12K 0.5%	1/16W	R2152	1-218-990-81	SHORT CHIP 0	
R1410	1-208-911-11	METAL CHIP 10K 0.5%	1/16W	R2506	1-218-937-11	METAL CHIP 47 5%	1/16W
R1420	1-218-977-11	METAL CHIP 100K 5%	1/16W	R2510	1-218-937-11	METAL CHIP 47 5%	1/16W
R1421	1-218-969-11	METAL CHIP 22K 5%	1/16W	R2514	1-218-937-11	METAL CHIP 47 5%	1/16W
R1500	1-218-990-81	SHORT CHIP 0		R2517	1-218-933-11	METAL CHIP 22 5%	1/16W
R2001	1-218-941-81	METAL CHIP 100 5%	1/16W	R2518	1-218-933-11	METAL CHIP 22 5%	1/16W
R2002	1-218-937-11	METAL CHIP 47 5%	1/16W	R2519	1-218-933-11	METAL CHIP 22 5%	1/16W
R2008	1-218-965-11	METAL CHIP 10K 5%	1/16W	R2530	1-218-965-11	METAL CHIP 10K 5%	1/16W
R2010	1-218-990-81	SHORT CHIP 0		R2579	1-218-937-11	METAL CHIP 47 5%	1/16W
R2011	1-218-937-11	METAL CHIP 47 5%	1/16W	R2580	1-218-937-11	METAL CHIP 47 5%	1/16W
R2012	1-218-965-11	METAL CHIP 10K 5%	1/16W	R2605	1-218-965-11	METAL CHIP 10K 5%	1/16W
R2017	1-218-937-11	METAL CHIP 47 5%	1/16W	R2608	1-218-965-11	METAL CHIP 10K 5%	1/16W
R2021	1-218-941-81	METAL CHIP 100 5%	1/16W	R2612	1-218-965-11	METAL CHIP 10K 5%	1/16W
R2035	1-218-941-81	METAL CHIP 100 5%	1/16W	R2616	1-218-949-11	METAL CHIP 470 5%	1/16W
R2040	1-218-937-11	METAL CHIP 47 5%	1/16W	R2657	1-218-965-11	METAL CHIP 10K 5%	1/16W
R2041	1-218-937-11	METAL CHIP 47 5%	1/16W	R2674	1-218-965-11	METAL CHIP 10K 5%	1/16W
R2043	1-218-939-11	METAL CHIP 68 5%	1/16W	R2675	1-218-965-11	METAL CHIP 10K 5%	1/16W
R2045	1-218-965-11	METAL CHIP 10K 5%	1/16W	R2704	1-218-953-11	METAL CHIP 1K 5%	1/16W
R2046	1-218-965-11	METAL CHIP 10K 5%	1/16W	R2705	1-218-965-11	METAL CHIP 10K 5%	1/16W
				R2706	1-218-961-11	METAL CHIP 4.7K 5%	1/16W
				R2707	1-218-937-11	METAL CHIP 47 5%	1/16W

REF.NO.	PART.NO	DESCRIPTION	REMARK	REF.NO.	PART.NO	DESCRIPTION	REMARK
R2709	1-218-941-81	METAL CHIP	100 5% 1/16W	R3809	1-218-965-11	METAL CHIP	10K 5% 1/16W
R3000	1-208-911-11	METAL CHIP	10K 0.5% 1/16W	R3810	1-218-937-11	METAL CHIP	47 5% 1/16W
R3001	1-208-911-11	METAL CHIP	10K 0.5% 1/16W	R3811	1-218-965-11	METAL CHIP	10K 5% 1/16W
R3002	1-208-663-11	METAL CHIP	150 0.5% 1/16W	R3812	1-218-965-11	METAL CHIP	10K 5% 1/16W
R3003	1-208-663-11	METAL CHIP	150 0.5% 1/16W	R3813	1-218-965-11	METAL CHIP	10K 5% 1/16W
R3009	1-218-990-81	SHORT CHIP	0	R3814	1-218-941-81	METAL CHIP	100 5% 1/16W
R3010	1-218-990-81	SHORT CHIP	0	R3815	1-218-941-81	METAL CHIP	100 5% 1/16W
R3013	1-218-965-11	METAL CHIP	10K 5% 1/16W	R3816	1-218-941-81	METAL CHIP	100 5% 1/16W
R3038	1-218-929-11	METAL CHIP	10 5% 1/16W	R3817	1-218-965-11	METAL CHIP	10K 5% 1/16W
R3044	1-208-860-81	METAL CHIP	75 0.5% 1/16W	R3818	1-218-965-11	METAL CHIP	10K 5% 1/16W
R3045	1-208-860-81	METAL CHIP	75 0.5% 1/16W	R3819	1-218-965-11	METAL CHIP	10K 5% 1/16W
R3046	1-208-860-81	METAL CHIP	75 0.5% 1/16W	R3820	1-218-953-11	METAL CHIP	1K 5% 1/16W
R3047	1-208-860-81	METAL CHIP	75 0.5% 1/16W	R3821	1-218-937-11	METAL CHIP	47 5% 1/16W
R3050	1-208-663-11	METAL CHIP	150 0.5% 1/16W	R3822	1-218-953-11	METAL CHIP	1K 5% 1/16W
R3051	1-208-663-11	METAL CHIP	150 0.5% 1/16W	R3823	1-218-965-11	METAL CHIP	10K 5% 1/16W
R3052	1-208-911-11	METAL CHIP	10K 0.5% 1/16W	R4001	1-218-990-81	SHORT CHIP	0
R3053	1-208-911-11	METAL CHIP	10K 0.5% 1/16W	R4002	1-218-990-81	SHORT CHIP	0
R3054	1-208-911-11	METAL CHIP	10K 0.5% 1/16W	R4003	1-218-941-81	METAL CHIP	100 5% 1/16W
R3055	1-208-911-11	METAL CHIP	10K 0.5% 1/16W	R4004	1-218-945-11	METAL CHIP	220 5% 1/16W
R3060	1-218-965-11	METAL CHIP	10K 5% 1/16W	R4005	1-220-177-81	METAL CHIP	360 5% 1/16W
R3061	1-208-711-11	METAL CHIP	15K 0.5% 1/16W	R4008	1-218-943-11	METAL CHIP	150 5% 1/16W
R3501	1-218-941-11	METAL CHIP	100 5% 1/16W	R4010	1-208-635-11	METAL CHIP	10 0.5% 1/16W
R3502	1-218-941-11	METAL CHIP	100 5% 1/16W	R4011	1-208-635-11	METAL CHIP	10 0.5% 1/16W
R3503	1-218-941-11	METAL CHIP	100 5% 1/16W	R4012	1-208-635-11	METAL CHIP	10 0.5% 1/16W
R3504	1-218-941-11	METAL CHIP	100 5% 1/16W	R4013	1-218-939-11	METAL CHIP	68 5% 1/16W
R3505	1-218-941-11	METAL CHIP	100 5% 1/16W	R4014	1-218-939-11	METAL CHIP	68 5% 1/16W
R3506	1-218-941-11	METAL CHIP	100 5% 1/16W	R4015	1-218-939-11	METAL CHIP	68 5% 1/16W
R3507	1-218-941-11	METAL CHIP	100 5% 1/16W	R4042	1-218-949-11	METAL CHIP	470 5% 1/16W
R3508	1-218-941-11	METAL CHIP	100 5% 1/16W	R4047	1-218-990-81	SHORT CHIP	0
R3510	1-208-703-11	METAL CHIP	6.8K 0.5% 1/16W	R4049	1-218-990-81	SHORT CHIP	0
R3511	1-218-939-11	METAL CHIP	68 5% 1/16W	R4070	1-218-938-11	METAL CHIP	56 5% 1/16W
R3512	1-218-937-11	METAL CHIP	47 5% 1/16W	R4072	1-218-939-11	METAL CHIP	68 5% 1/16W
R3513	1-218-978-11	METAL CHIP	120K 5% 1/16W	R4074	1-218-939-11	METAL CHIP	68 5% 1/16W
R3518	1-218-961-11	METAL CHIP	4.7K 5% 1/16W	R4091	1-208-855-81	METAL CHIP	47 0.5% 1/16W
R3524	1-218-953-11	METAL CHIP	1K 5% 1/16W	R4093	1-208-855-81	METAL CHIP	47 0.5% 1/16W
R3525	1-218-961-11	METAL CHIP	4.7K 5% 1/16W	R4095	1-208-855-81	METAL CHIP	47 0.5% 1/16W
R3528	1-218-953-11	METAL CHIP	1K 5% 1/16W	R4097	1-208-855-81	METAL CHIP	47 0.5% 1/16W
R3530	1-218-953-11	METAL CHIP	1K 5% 1/16W	R4099	1-208-855-81	METAL CHIP	47 0.5% 1/16W
R3534	1-218-953-11	METAL CHIP	1K 5% 1/16W	R4101	1-208-855-81	METAL CHIP	47 0.5% 1/16W
R3536	1-218-953-11	METAL CHIP	1K 5% 1/16W	R4102	1-208-687-11	METAL CHIP	1.5K 0.5% 1/16W
R3541	1-220-884-81	METAL CHIP	39 0.5% 1/16W	R4103	1-208-687-11	METAL CHIP	1.5K 0.5% 1/16W
R3542	1-220-884-81	METAL CHIP	39 0.5% 1/16W	R4119	1-218-990-81	SHORT CHIP	0
R3544	1-208-688-11	METAL CHIP	1.6K 0.5% 1/16W	R4120	1-218-990-81	SHORT CHIP	0
R3545	1-218-967-11	METAL CHIP	15K 5% 1/16W	R4121	1-218-941-81	METAL CHIP	100 5% 1/16W
R3546	1-218-967-11	METAL CHIP	15K 5% 1/16W	R4122	1-218-941-81	METAL CHIP	100 5% 1/16W
R3558	1-218-937-11	METAL CHIP	47 5% 1/16W	R4123	1-208-643-11	METAL CHIP	22 0.5% 1/16W
R3561	1-218-937-11	METAL CHIP	47 5% 1/16W	R4124	1-208-635-11	METAL CHIP	10 0.5% 1/16W
R3803	1-218-965-11	METAL CHIP	10K 5% 1/16W	R4125	1-208-635-11	METAL CHIP	10 0.5% 1/16W
R3806	1-218-965-11	METAL CHIP	10K 5% 1/16W	R4126	1-220-880-81	METAL CHIP	27 0.5% 1/16W
R3807	1-218-965-11	METAL CHIP	10K 5% 1/16W	R4127	1-220-880-81	METAL CHIP	27 0.5% 1/16W

REF.NO.	PART.NO	DESCRIPTION	REMARK	REF.NO.	PART.NO	DESCRIPTION	REMARK
R4128	1-220-880-81	METAL CHIP	27 0.5% 1/16W	R5513	1-218-965-11	METAL CHIP	10K 5% 1/16W
R4129	1-220-880-81	METAL CHIP	27 0.5% 1/16W	R5514	1-218-965-11	METAL CHIP	10K 5% 1/16W
R4130	1-220-880-81	METAL CHIP	27 0.5% 1/16W	R5518	1-245-604-11	METAL CHIP	10M 5% 1/16W
R4131	1-220-880-81	METAL CHIP	27 0.5% 1/16W	R5519	1-218-941-81	METAL CHIP	100 5% 1/16W
R4144	1-208-687-11	METAL CHIP	1.5K 0.5% 1/16W	R5520	1-218-981-91	METAL CHIP	220K 5% 1/16W
R4145	1-208-687-11	METAL CHIP	1.5K 0.5% 1/16W	R5521	1-208-911-11	METAL CHIP	10K 0.5% 1/16W
R4146	1-208-687-11	METAL CHIP	1.5K 0.5% 1/16W	R5523	1-218-965-11	METAL CHIP	10K 5% 1/16W
R4153	1-208-683-11	METAL CHIP	1K 0.5% 1/16W	R5526	1-218-965-11	METAL CHIP	10K 5% 1/16W
R4154	1-218-990-81	SHORT CHIP	0	R5529	1-208-683-11	METAL CHIP	1K 0.5% 1/16W
R4201	1-218-941-81	METAL CHIP	100 5% 1/16W	R5532	1-218-965-11	METAL CHIP	10K 5% 1/16W
R4203	1-218-962-11	METAL CHIP	5.6K 5% 1/16W	R5534	1-208-691-11	METAL CHIP	2.2K 0.5% 1/16W
R4204	1-218-962-11	METAL CHIP	5.6K 5% 1/16W	R5535	1-218-953-11	METAL CHIP	1K 5% 1/16W
R4205	1-218-941-81	METAL CHIP	100 5% 1/16W	R5536	1-218-990-81	SHORT CHIP	0
R4207	1-218-965-11	METAL CHIP	10K 5% 1/16W	R5538	1-218-945-11	METAL CHIP	220 5% 1/16W
R4208	1-218-965-11	METAL CHIP	10K 5% 1/16W	R5540	1-208-711-11	METAL CHIP	15K 0.5% 1/16W
R4216	1-218-990-81	SHORT CHIP	0	R5542	1-208-703-11	METAL CHIP	6.8K 0.5% 1/16W
R4217	1-218-965-11	METAL CHIP	10K 5% 1/16W	R5545	1-218-965-11	METAL CHIP	10K 5% 1/16W
R4218	1-218-965-11	METAL CHIP	10K 5% 1/16W	R5546	1-208-931-11	METAL CHIP	68K 0.5% 1/16W
R4401	1-208-889-11	METAL CHIP	1.2K 0.5% 1/16W	R5550	1-218-965-11	METAL CHIP	10K 5% 1/16W
R4403	1-218-958-11	METAL CHIP	2.7K 5% 1/16W	R5552	1-218-965-11	METAL CHIP	10K 5% 1/16W
R4405	1-208-677-11	METAL CHIP	560 0.5% 1/16W	R5553	1-218-965-11	METAL CHIP	10K 5% 1/16W
R4409	1-218-990-81	SHORT CHIP	0	R5554	1-218-965-11	METAL CHIP	10K 5% 1/16W
R4411	1-218-933-11	METAL CHIP	22 5% 1/16W	R5555	1-218-965-11	METAL CHIP	10K 5% 1/16W
R4420	1-218-937-11	METAL CHIP	47 5% 1/16W	R5559	1-218-937-11	METAL CHIP	47 5% 1/16W
R4421	1-218-937-11	METAL CHIP	47 5% 1/16W	R5560	1-218-937-11	METAL CHIP	47 5% 1/16W
R4422	1-216-295-91	SHORT CHIP	0	R5561	1-218-965-11	METAL CHIP	10K 5% 1/16W
R4505	1-208-893-11	METAL CHIP	1.8K 0.5% 1/16W	R5563	1-218-941-81	METAL CHIP	100 5% 1/16W
R4506	1-208-635-11	METAL CHIP	10 0.5% 1/16W	R5564	1-218-941-81	METAL CHIP	100 5% 1/16W
R4507	1-218-990-81	SHORT CHIP	0	R5567	1-218-941-81	METAL CHIP	100 5% 1/16W
R4512	1-216-864-11	SHORT CHIP	0	R5568	1-218-941-81	METAL CHIP	100 5% 1/16W
R4513	1-216-864-11	SHORT CHIP	0	R5569	1-218-965-11	METAL CHIP	10K 5% 1/16W
R4514	1-242-967-81	METAL CHIP	1 5% 1/16W	R5570	1-218-953-11	METAL CHIP	1K 5% 1/16W
R4517	1-208-635-11	METAL CHIP	10 0.5% 1/16W	R5571	1-218-977-11	METAL CHIP	100K 5% 1/16W
R4525	1-218-941-81	METAL CHIP	100 5% 1/16W	R5572	1-218-977-11	METAL CHIP	100K 5% 1/16W
R4531	1-218-965-11	METAL CHIP	10K 5% 1/16W	R5576	1-218-965-11	METAL CHIP	10K 5% 1/16W
R4532	1-218-990-81	SHORT CHIP	0	R5577	1-218-965-11	METAL CHIP	10K 5% 1/16W
R5020	1-218-937-11	METAL CHIP	47 5% 1/16W	R5578	1-208-939-11	METAL CHIP	150K 0.5% 1/16W
R5023	1-218-937-11	METAL CHIP	47 5% 1/16W	R5579	1-208-935-11	METAL CHIP	100K 0.5% 1/16W
R5024	1-218-937-11	METAL CHIP	47 5% 1/16W	R5582	1-218-965-11	METAL CHIP	10K 5% 1/16W
R5025	1-218-937-11	METAL CHIP	47 5% 1/16W	R5594	1-218-941-81	METAL CHIP	100 5% 1/16W
R5051	1-218-937-11	METAL CHIP	47 5% 1/16W	R5599	1-218-953-11	METAL CHIP	1K 5% 1/16W
R5500	1-208-703-11	METAL CHIP	6.8K 0.5% 1/16W	R5603	1-218-953-11	METAL CHIP	1K 5% 1/16W
R5501	1-208-935-11	METAL CHIP	100K 0.5% 1/16W	R5604	1-218-947-11	METAL CHIP	330 5% 1/16W
R5502	1-208-695-11	METAL CHIP	3.3K 0.5% 1/16W	R5605	1-218-965-11	METAL CHIP	10K 5% 1/16W
R5503	1-218-961-11	METAL CHIP	4.7K 5% 1/16W	R5803	1-216-864-11	SHORT CHIP	0
R5504	1-218-965-11	METAL CHIP	10K 5% 1/16W	R7003	1-218-965-11	METAL CHIP	10K 5% 1/16W
R5507	1-218-977-11	METAL CHIP	100K 5% 1/16W	R7017	1-218-953-11	METAL CHIP	1K 5% 1/16W
R5510	1-218-949-11	METAL CHIP	470 5% 1/16W	R7024	1-220-199-81	METAL CHIP	24K 5% 1/16W
R5511	1-218-937-11	METAL CHIP	47 5% 1/16W	R7025	1-218-990-81	SHORT CHIP	0
R5512	1-218-937-11	METAL CHIP	47 5% 1/16W	R7026	1-218-945-11	METAL CHIP	220 5% 1/16W

REF.NO.	PART.NO	DESCRIPTION	REMARK			REF.NO.	PART.NO	DESCRIPTION	REMARK		
R7027	1-218-945-11	METAL CHIP	220	5%	1/16W	R7908	1-218-961-11	METAL CHIP	4.7K	5%	1/16W
R7028	1-218-989-11	METAL CHIP	1M	5%	1/16W	R7910	1-208-939-11	METAL CHIP	150K	0.5%	1/16W
R7030	1-218-990-81	SHORT CHIP	0			R7911	1-218-989-11	METAL CHIP	1M	5%	1/16W
R7031	1-218-990-81	SHORT CHIP	0			R7912	1-218-989-11	METAL CHIP	1M	5%	1/16W
R7034	1-218-990-81	SHORT CHIP	0			R7914	1-218-957-11	METAL CHIP	2.2K	5%	1/16W
R7035	1-218-990-81	SHORT CHIP	0			R7916	1-218-959-11	METAL CHIP	3.3K	5%	1/16W
R7036	1-218-965-11	METAL CHIP	10K	5%	1/16W	R7917	1-218-990-81	SHORT CHIP	0		
R7037	1-218-965-11	METAL CHIP	10K	5%	1/16W	R7918	1-218-958-11	METAL CHIP	2.7K	5%	1/16W
R7038	1-218-990-81	SHORT CHIP	0			R7919	1-208-697-11	METAL CHIP	3.9K	0.5%	1/16W
R7201	1-218-990-81	SHORT CHIP	0			R7920	1-218-965-11	METAL CHIP	10K	5%	1/16W
R7202	1-218-990-81	SHORT CHIP	0			R7922	1-218-941-81	METAL CHIP	100	5%	1/16W
R7204	1-218-990-81	SHORT CHIP	0			R7925	1-218-990-81	SHORT CHIP	0		
R7209	1-218-953-11	METAL CHIP	1K	5%	1/16W	R7926	1-218-989-11	METAL CHIP	1M	5%	1/16W
R7211	1-218-977-11	METAL CHIP	100K	5%	1/16W	R7927	1-216-864-11	SHORT CHIP	0		
R7212	1-218-977-11	METAL CHIP	100K	5%	1/16W	R7930	1-218-990-81	SHORT CHIP	0		
R7213	1-218-977-11	METAL CHIP	100K	5%	1/16W	R7935	1-218-959-11	METAL CHIP	3.3K	5%	1/16W
R7214	1-218-977-11	METAL CHIP	100K	5%	1/16W	R7936	1-218-990-81	SHORT CHIP	0		
R7302	1-218-990-81	SHORT CHIP	0			R7937	1-218-965-11	METAL CHIP	10K	5%	1/16W
R7303	1-218-990-81	SHORT CHIP	0			R7941	1-218-941-81	METAL CHIP	100	5%	1/16W
R7304	1-218-990-81	SHORT CHIP	0			R7942	1-218-990-81	SHORT CHIP	0		
R7305	1-218-965-11	METAL CHIP	10K	5%	1/16W	R7950	1-218-941-81	METAL CHIP	100	5%	1/16W
R7313	1-218-990-81	SHORT CHIP	0			R7951	1-216-864-11	SHORT CHIP	0		
R7314	1-218-990-81	SHORT CHIP	0			R7966	1-218-990-81	SHORT CHIP	0		
R7401	1-218-953-11	METAL CHIP	1K	5%	1/16W	R7968	1-216-864-11	SHORT CHIP	0		
R7600	1-218-929-11	METAL CHIP	10	5%	1/16W	R7973	1-218-957-11	METAL CHIP	2.2K	5%	1/16W
R7601	1-218-929-11	METAL CHIP	10	5%	1/16W	R7974	1-218-933-11	METAL CHIP	22	5%	1/16W
R7602	1-218-929-11	METAL CHIP	10	5%	1/16W	R7975	1-218-933-11	METAL CHIP	22	5%	1/16W
R7603	1-208-683-11	METAL CHIP	1K	0.5%	1/16W	R7982	1-218-961-11	METAL CHIP	4.7K	5%	1/16W
R7604	1-208-683-11	METAL CHIP	1K	0.5%	1/16W	R7984	1-218-965-11	METAL CHIP	10K	5%	1/16W
R7605	1-208-683-11	METAL CHIP	1K	0.5%	1/16W	R7986	1-218-990-81	SHORT CHIP	0		
R7606	1-218-929-11	METAL CHIP	10	5%	1/16W	R7987	1-218-990-81	SHORT CHIP	0		
R7607	1-208-683-11	METAL CHIP	1K	0.5%	1/16W	R7988	1-218-990-81	SHORT CHIP	0		
R7608	1-218-941-81	METAL CHIP	100	5%	1/16W	R7992	1-208-869-11	METAL CHIP	180	0.5%	1/16W
R7609	1-218-941-81	METAL CHIP	100	5%	1/16W	R8000	1-218-990-81	SHORT CHIP	0		
R7610	1-218-941-81	METAL CHIP	100	5%	1/16W	R8003	1-218-990-81	SHORT CHIP	0		
R7611	1-218-941-81	METAL CHIP	100	5%	1/16W	R8004	1-216-864-11	SHORT CHIP	0		
R7612	1-208-699-11	METAL CHIP	4.7K	0.5%	1/16W	R8300	1-216-864-11	SHORT CHIP	0		
R7613	1-218-973-11	METAL CHIP	47K	5%	1/16W	R8301	1-218-933-11	METAL CHIP	22	5%	1/16W
R7621	1-218-965-11	METAL CHIP	10K	5%	1/16W	R8302	1-218-933-11	METAL CHIP	22	5%	1/16W
R7622	1-218-990-81	SHORT CHIP	0			R8303	1-400-834-11	FERRITE	0UH		
R7624	1-218-970-11	METAL CHIP	27K	5%	1/16W	R8306	1-218-990-81	SHORT CHIP	0		
R7625	1-218-941-81	METAL CHIP	100	5%	1/16W	R9600	1-218-990-81	SHORT CHIP	0		
R7626	1-218-953-11	METAL CHIP	1K	5%	1/16W	R9601	1-218-990-81	SHORT CHIP	0		
R7627	1-218-957-11	METAL CHIP	2.2K	5%	1/16W	R9602	1-218-990-81	SHORT CHIP	0		
R7628	1-218-957-11	METAL CHIP	2.2K	5%	1/16W	R9603	1-216-853-11	METAL CHIP	470K	5%	1/10W
R7634	1-218-965-11	METAL CHIP	10K	5%	1/16W	R9604	1-216-853-11	METAL CHIP	470K	5%	1/10W
R7902	1-218-941-81	METAL CHIP	100	5%	1/16W	R9610	1-218-990-81	SHORT CHIP	0		
R7903	1-218-990-81	SHORT CHIP	0			R9612	1-218-990-81	SHORT CHIP	0		
R7905	1-218-957-11	METAL CHIP	2.2K	5%	1/16W	R9614	1-218-990-81	SHORT CHIP	0		
R7907	1-218-961-11	METAL CHIP	4.7K	5%	1/16W	R9617	1-218-965-11	METAL CHIP	10K	5%	1/16W

REF.NO.	PART.NO	DESCRIPTION	REMARK	REF.NO.	PART.NO	DESCRIPTION	REMARK
R9618	1-216-853-11	METAL CHIP	470K 5% 1/10W	R9843	1-216-853-11	METAL CHIP	470K 5% 1/10W
R9619	1-208-860-81	METAL CHIP	75 0.5% 1/16W	R9844	1-211-990-11	METAL CHIP	75 0.5% 1/10W
R9620	1-216-853-11	METAL CHIP	470K 5% 1/10W	R9845	1-216-853-11	METAL CHIP	470K 5% 1/10W
R9621	1-218-945-11	METAL CHIP	220 5% 1/16W	R9846	1-218-953-11	METAL CHIP	1K 5% 1/16W
R9622	1-218-945-11	METAL CHIP	220 5% 1/16W	R9847	1-218-953-11	METAL CHIP	1K 5% 1/16W
R9623	1-218-953-11	METAL CHIP	1K 5% 1/16W	R9848	1-216-853-11	METAL CHIP	470K 5% 1/10W
R9624	1-218-953-11	METAL CHIP	1K 5% 1/16W	R9849	1-218-985-11	METAL CHIP	470K 5% 1/16W
R9625	1-218-953-11	METAL CHIP	1K 5% 1/16W	R9850	1-218-985-11	METAL CHIP	470K 5% 1/16W
R9626	1-218-953-11	METAL CHIP	1K 5% 1/16W	R9854	1-216-809-11	METAL CHIP	100 5% 1/10W
R9627	1-218-965-11	METAL CHIP	10K 5% 1/16W	R9855	1-216-809-11	METAL CHIP	100 5% 1/10W
R9628	1-218-965-11	METAL CHIP	10K 5% 1/16W	R9861	1-218-990-81	SHORT CHIP	0
R9630	1-218-990-81	SHORT CHIP	0	R9862	1-216-809-11	METAL CHIP	100 5% 1/10W
R9631	1-218-990-81	SHORT CHIP	0	R9866	1-208-683-11	METAL CHIP	1K 0.5% 1/16W
R9632	1-218-990-81	SHORT CHIP	0	R9868	1-208-683-11	METAL CHIP	1K 0.5% 1/16W
R9633	1-216-853-11	METAL CHIP	470K 5% 1/10W	R9869	1-208-683-11	METAL CHIP	1K 0.5% 1/16W
R9634	1-216-853-11	METAL CHIP	470K 5% 1/10W	R9873	1-218-990-81	SHORT CHIP	0
R9635	1-216-809-11	METAL CHIP	100 5% 1/10W	R9874	1-218-990-81	SHORT CHIP	0
R9636	1-218-941-81	METAL CHIP	100 5% 1/16W	R9875	1-218-990-81	SHORT CHIP	0
R9637	1-218-941-81	METAL CHIP	100 5% 1/16W	R9876	1-208-683-11	METAL CHIP	1K 0.5% 1/16W
R9639	1-218-933-11	METAL CHIP	22 5% 1/16W	R9877	1-218-990-81	SHORT CHIP	0
R9640	1-218-933-11	METAL CHIP	22 5% 1/16W	R9878	1-218-990-81	SHORT CHIP	0
R9642	1-218-990-81	SHORT CHIP	0	R9879	1-218-990-81	SHORT CHIP	0
R9643	1-218-990-81	SHORT CHIP	0	R9881	1-208-860-81	METAL CHIP	75 0.5% 1/16W
R9801	1-218-965-11	METAL CHIP	10K 5% 1/16W	R9885	1-208-860-81	METAL CHIP	75 0.5% 1/16W
R9806	1-218-990-81	SHORT CHIP	0	R9886	1-208-860-81	METAL CHIP	75 0.5% 1/16W
R9807	1-218-990-81	SHORT CHIP	0	R9897	1-218-945-11	METAL CHIP	220 5% 1/16W
R9811	1-218-945-11	METAL CHIP	220 5% 1/16W	R9898	1-218-945-11	METAL CHIP	220 5% 1/16W
R9812	1-218-953-11	METAL CHIP	1K 5% 1/16W	R9899	1-218-945-11	METAL CHIP	220 5% 1/16W
R9813	1-218-953-11	METAL CHIP	1K 5% 1/16W	R9916	1-208-860-81	METAL CHIP	75 0.5% 1/16W
R9816	1-216-853-11	METAL CHIP	470K 5% 1/10W	R9919	1-218-953-11	METAL CHIP	1K 5% 1/16W
R9817	1-216-853-11	METAL CHIP	470K 5% 1/10W	R9922	1-218-941-81	METAL CHIP	100 5% 1/16W
R9818	1-216-853-11	METAL CHIP	470K 5% 1/10W	R9923	1-218-990-81	SHORT CHIP	0
R9819	1-211-990-11	METAL CHIP	75 0.5% 1/10W	R9924	1-218-953-11	METAL CHIP	1K 5% 1/16W
R9820	1-216-809-11	METAL CHIP	100 5% 1/10W	R9927	1-218-941-81	METAL CHIP	100 5% 1/16W
R9821	1-216-853-11	METAL CHIP	470K 5% 1/10W	R9933	1-208-683-11	METAL CHIP	1K 0.5% 1/16W
R9822	1-218-969-11	METAL CHIP	22K 5% 1/16W	R9934	1-208-683-11	METAL CHIP	1K 0.5% 1/16W
R9823	1-218-966-11	METAL CHIP	12K 5% 1/16W	R9935	1-218-990-81	SHORT CHIP	0
R9824	1-216-813-11	METAL CHIP	220 5% 1/10W	R9936	1-218-990-81	SHORT CHIP	0
R9825	1-218-990-81	SHORT CHIP	0	< RESISTOR CHIP >			
R9831	1-218-990-81	SHORT CHIP	0	RB1420	1-234-378-21	RES, NETWORK 10K	(1005X4)
R9832	1-218-990-81	SHORT CHIP	0	RB1421	1-234-799-21	RES, CHIP NETWORK 10KX8	(3816)
R9833	1-218-969-11	METAL CHIP	22K 5% 1/16W	RB2001	1-234-799-21	RES, CHIP NETWORK 10KX8	(3816)
R9834	1-218-966-11	METAL CHIP	12K 5% 1/16W	RB2002	1-234-378-21	RES, NETWORK 10K	(1005X4)
R9835	1-218-990-81	SHORT CHIP	0	RB2003	1-234-371-21	RES, NETWORK 47	(1005X4)
R9836	1-218-990-81	SHORT CHIP	0	RB2004	1-234-378-21	RES, NETWORK 10K	(1005X4)
R9837	1-218-953-11	METAL CHIP	1K 5% 1/16W	RB2006	1-239-670-81	RESISTOR, NETWORK 47	
R9838	1-218-953-11	METAL CHIP	1K 5% 1/16W	RB2009	1-234-378-21	RES, NETWORK 10K	(1005X4)
R9839	1-216-813-11	METAL CHIP	220 5% 1/10W	RB2010	1-234-371-21	RES, NETWORK 47	(1005X4)
R9841	1-216-853-11	METAL CHIP	470K 5% 1/10W	RB2013	1-234-371-21	RES, NETWORK 47	(1005X4)
R9842	1-218-990-81	SHORT CHIP	0				

REF.NO.	PART.NO	DESCRIPTION	REMARK	REF.NO.	PART.NO	DESCRIPTION	REMARK
RB2504	1-234-710-21	RES, CHIP NETWORK 47X8	(3816)	RB5000	1-234-710-21	RES, CHIP NETWORK 47X8	(3816)
RB2505	1-234-710-21	RES, CHIP NETWORK 47X8	(3816)	RB5001	1-234-371-21	RES, NETWORK 47	(1005X4)
RB2506	1-234-785-21	RES, CHIP NETWORK 100X8	(3816)	RB5501	1-234-376-11	RES, NETWORK 2.2K	(1005X4)
RB2507	1-234-371-21	RES, NETWORK 47	(1005X4)	RB5502	1-234-372-11	RES, NETWORK 100	(1005X4)
RB2508	1-234-711-21	RES, CHIP NETWORK 22X8	(3816)	RB5503	1-234-372-11	RES, NETWORK 100	(1005X4)
RB2509	1-234-711-21	RES, CHIP NETWORK 22X8	(3816)	RB5505	1-234-372-11	RES, NETWORK 100	(1005X4)
RB2510	1-234-370-21	RES, NETWORK 22	(1005X4)	RB5506	1-234-785-21	RES, CHIP NETWORK 100X8	(3816)
RB2512	1-234-378-21	RES, NETWORK 10K	(1005X4)	RB5507	1-234-372-11	RES, NETWORK 100	(1005X4)
RB2513	1-234-378-21	RES, NETWORK 10K	(1005X4)	RB5508	1-234-372-11	RES, NETWORK 100	(1005X4)
RB2516	1-234-799-21	RES, CHIP NETWORK 10KX8	(3816)	RB5509	1-234-376-11	RES, NETWORK 2.2K	(1005X4)
RB2517	1-234-378-21	RES, NETWORK 10K	(1005X4)	RB5510	1-234-710-21	RES, CHIP NETWORK 47X8	(3816)
RB2518	1-234-371-21	RES, NETWORK 47	(1005X4)	RB5512	1-234-372-11	RES, NETWORK 100	(1005X4)
RB2519	1-234-378-21	RES, NETWORK 10K	(1005X4)	RB5513	1-234-372-11	RES, NETWORK 100	(1005X4)
RB2520	1-234-378-21	RES, NETWORK 10K	(1005X4)	RB5514	1-234-372-11	RES, NETWORK 100	(1005X4)
RB2521	1-234-378-21	RES, NETWORK 10K	(1005X4)	RB5516	1-234-375-21	RES, NETWORK 1K	(1005X4)
RB2522	1-234-378-21	RES, NETWORK 10K	(1005X4)	RB5518	1-234-372-11	RES, NETWORK 100	(1005X4)
RB2523	1-234-799-21	RES, CHIP NETWORK 10KX8	(3816)	RB5519	1-234-375-21	RES, NETWORK 1K	(1005X4)
RB3000	1-234-723-21	RES, NETWORK 75	(1005X4)	RB5520	1-234-378-21	RES, NETWORK 10K	(1005X4)
RB3001	1-234-723-21	RES, NETWORK 75	(1005X4)	RB5521	1-234-378-21	RES, NETWORK 10K	(1005X4)
RB3002	1-234-723-21	RES, NETWORK 75	(1005X4)	RB5522	1-234-375-21	RES, NETWORK 1K	(1005X4)
RB3003	1-234-723-21	RES, NETWORK 75	(1005X4)	RB5524	1-234-375-21	RES, NETWORK 1K	(1005X4)
RB3004	1-234-723-21	RES, NETWORK 75	(1005X4)	RB5525	1-234-375-21	RES, NETWORK 1K	(1005X4)
RB3006	1-234-369-21	RES, NETWORK 10	(1005X4)	RB5526	1-234-375-21	RES, NETWORK 1K	(1005X4)
RB3007	1-242-963-21	RES, NETWORK 33	(1005X4)	RB5527	1-234-372-11	RES, NETWORK 100	(1005X4)
RB3008	1-234-891-21	RES, CHIP NETWORK 10X8	(3816)	RB5528	1-234-372-11	RES, NETWORK 100	(1005X4)
RB3009	1-234-891-21	RES, CHIP NETWORK 10X8	(3816)	RB5530	1-234-375-21	RES, NETWORK 1K	(1005X4)
RB3010	1-239-666-81	RESISTOR, NETWORK 22		RB5531	1-234-372-11	RES, NETWORK 100	(1005X4)
RB3011	1-239-666-81	RESISTOR, NETWORK 22		RB5532	1-234-376-11	RES, NETWORK 2.2K	(1005X4)
RB3500	1-234-371-21	RES, NETWORK 47	(1005X4)	RB5533	1-234-376-11	RES, NETWORK 2.2K	(1005X4)
RB3501	1-239-698-11	RESISTOR, NETWORK 10K		RB7001	1-234-378-21	RES, NETWORK 10K	(1005X4)
RB3502	1-234-377-21	RES, NETWORK 4.7K	(1005X4)	RB7002	1-234-372-11	RES, NETWORK 100	(1005X4)
RB3503	1-234-371-21	RES, NETWORK 47	(1005X4)	RB7003	1-234-372-11	RES, NETWORK 100	(1005X4)
RB3504	1-234-371-21	RES, NETWORK 47	(1005X4)	RB7004	1-234-372-11	RES, NETWORK 100	(1005X4)
RB3802	1-234-799-21	RES, CHIP NETWORK 10KX8	(3816)	RB7005	1-234-882-21	RES, CHIP NETWORK 47KX8	(3816)
RB3803	1-234-378-21	RES, NETWORK 10K	(1005X4)	RB7007	1-234-882-21	RES, CHIP NETWORK 47KX8	(3816)
RB3804	1-234-710-21	RES, CHIP NETWORK 47X8	(3816)	RB7008	1-234-378-21	RES, NETWORK 10K	(1005X4)
RB3805	1-234-710-21	RES, CHIP NETWORK 47X8	(3816)	RB7009	1-234-380-21	RES, NETWORK 47K	(1005X4)
RB3806	1-234-371-21	RES, NETWORK 47	(1005X4)	RB7013	1-234-379-21	RES, NETWORK 22K	(1005X4)
RB3807	1-234-378-21	RES, NETWORK 10K	(1005X4)	RB7301	1-234-381-11	RES, NETWORK 100K	(1005X4)
RB3809	1-234-378-21	RES, NETWORK 10K	(1005X4)	RB7302	1-234-372-11	RES, NETWORK 100	(1005X4)
RB3810	1-234-371-21	RES, NETWORK 47	(1005X4)	RB7303	1-234-381-11	RES, NETWORK 100K	(1005X4)
RB3811	1-234-371-21	RES, NETWORK 47	(1005X4)	RB7304	1-234-375-21	RES, NETWORK 1K	(1005X4)
RB3812	1-234-710-21	RES, CHIP NETWORK 47X8	(3816)	RB7305	1-234-723-21	RES, NETWORK 75	(1005X4)
RB4200	1-234-372-11	RES, NETWORK 100	(1005X4)	RB7306	1-234-375-21	RES, NETWORK 1K	(1005X4)
RB4201	1-234-372-11	RES, NETWORK 100	(1005X4)	RB7307	1-234-373-21	RES, NETWORK 220	(1005X4)
RB4203	1-234-372-11	RES, NETWORK 100	(1005X4)	RB7308	1-234-381-11	RES, NETWORK 100K	(1005X4)
RB4204	1-234-372-11	RES, NETWORK 100	(1005X4)	RB7310	1-234-373-21	RES, NETWORK 220	(1005X4)
RB4401	1-234-711-21	RES, CHIP NETWORK 22X8	(3816)	RB7311	1-234-381-11	RES, NETWORK 100K	(1005X4)
RB4503	1-239-662-81	RESISTOR, NETWORK 10		RB7312	1-234-373-21	RES, NETWORK 220	(1005X4)
RB4504	1-234-371-21	RES, NETWORK 47	(1005X4)	RB7313	1-234-373-21	RES, NETWORK 220	(1005X4)

REF.NO.	PART.NO	DESCRIPTION	REMARK	REF.NO.	PART.NO	DESCRIPTION	REMARK
RB7401	1-234-372-11	RES, NETWORK 100	(1005X4)			< DIODE >	
RB7402	1-234-378-21	RES, NETWORK 10K	(1005X4)				
RB7403	1-234-378-21	RES, NETWORK 10K	(1005X4)	D301	6-502-615-01	DI SML-Z14MTT86A	
RB7406	1-234-375-21	RES, NETWORK 1K	(1005X4)	D302	6-502-609-01	DI SML-Z14VTT86A	
RB7600	1-239-674-81	RESISTOR, NETWORK 100		D303	6-502-615-01	DI SML-Z14MTT86A	
				D305	6-502-609-01	DI SML-Z14VTT86A	
RB7601	1-239-674-81	RESISTOR, NETWORK 100				< TRANSISTOR >	
RB7602	1-239-674-81	RESISTOR, NETWORK 100					
RB7603	1-239-706-81	RESISTOR, NETWORK 47K		Q301	6-551-815-01	TR UNR52A1G0LS0	
RB7604	1-239-706-81	RESISTOR, NETWORK 47K		Q302	6-551-815-01	TR UNR52A1G0LS0	
RB7605	1-239-706-81	RESISTOR, NETWORK 47K		Q303	6-551-815-01	TR UNR52A1G0LS0	
				Q305	6-551-815-01	TR UNR52A1G0LS0	
RB7606	1-234-378-21	RES, NETWORK 10K	(1005X4)			< RESISTOR >	
RB7607	1-239-674-81	RESISTOR, NETWORK 100		R301	1-208-883-81	METAL CHIP 680 0.5% 1/16W	
RB7608	1-239-706-81	RESISTOR, NETWORK 47K		R302	1-218-695-11	METAL CHIP 3.3K 0.5% 1/16W	
RB7610	1-239-690-81	RESISTOR, NETWORK 2.2K		R303	1-208-675-11	METAL CHIP 470 0.5% 1/16W	
RB7901	1-234-372-11	RES, NETWORK 100	(1005X4)	R305	1-218-958-11	METAL CHIP 2.7K 5% 1/16W	
RB7902	1-234-785-21	RES, CHIP NETWORK 100X8 (3816)				A-1704-202-A HSN Board, Complete	
RB7903	1-234-372-11	RES, NETWORK 100	(1005X4)			< CAPACITOR >	
RB7904	1-239-690-81	RESISTOR, NETWORK 2.2K		C401	1-112-068-11	CERAMIC CHIP 220PF 10% 50V	
RB7906	1-239-690-81	RESISTOR, NETWORK 2.2K		C402	1-100-909-11	CERAMIC CHIP 10UF 10% 6.3V	
RB7907	1-234-378-21	RES, NETWORK 10K	(1005X4)	C404	1-100-916-11	CERAMIC CHIP 0.1UF 10% 16V	
				C405	1-114-399-21	ELECT CHIP 47UF 20% 6.3V	
RB7908	1-234-370-21	RES, NETWORK 22	(1005X4)	C406	1-114-130-11	CERAMIC CHIP 1UF 10% 6.3V	
RB8300	1-234-711-21	RES, CHIP NETWORK 22X8 (3816)				< CONNECTOR >	
				CN401	*1-821-132-11	HEADER ASSEMBLY FOR PWB 5P	
						< DIODE >	
				D402	6-501-732-01	DIODE MAZ8056G0LS0	
						< IC >	
				IC401	6-600-681-01	IC RS-770N	
				IC402	6-600-680-01	PHOTO DIODE BH1690FVC-TR	
						< TRANSISTOR >	
				Q401	6-551-775-01	TR 2SA2122G0LS0	
						< RESISTOR >	
				R401	1-218-941-81	METAL CHIP 100 5% 1/16W	
				R402	1-218-937-11	METAL CHIP 47 5% 1/16W	
				R403	1-218-990-81	SHORT CHIP 0	
				R404	1-218-955-11	METAL CHIP 1.5K 5% 1/16W	
				R406	1-218-990-81	SHORT CHIP 0	
				R407	1-218-979-11	METAL CHIP 150K 5% 1/16W	
				R408	1-218-965-11	METAL CHIP 10K 5% 1/16W	
						< CAPACITOR >	
C304	1-100-916-11	CERAMIC CHIP 0.1UF	10% 16V				
						< CONNECTOR >	
CN301	*1-821-147-11	HEADER ASSEMBLY FOR PWB 7P					

A-1671-629-A HL4A Board, Complete

REF.NO.	PART.NO	DESCRIPTION	REMARK	REF.NO.	PART.NO	DESCRIPTION	REMARK
R409	1-218-971-11	METAL CHIP 33K	5% 1/16W	C550	1-112-777-11	CERAMIC CHIP 0.01UF	10% 25V
R411	1-218-953-11	METAL CHIP 1K	5% 1/16W	C551	1-100-916-11	CERAMIC CHIP 0.1UF	10% 16V
A-1742-442-A TUS Board, Complete							
< CAPACITOR >							
C500	1-100-905-11	CERAMIC CHIP 0.001UF	10% 50V	C552	1-100-916-11	CERAMIC CHIP 0.1UF	10% 16V
C501	1-164-874-11	CERAMIC CHIP 100PF	5.00% 50V	C553	1-112-777-11	CERAMIC CHIP 0.01UF	10% 25V
C502	1-164-850-11	CERAMIC CHIP 10PF	0.50PF 50V	C554	1-100-916-11	CERAMIC CHIP 0.1UF	10% 16V
C504	1-164-843-11	CERAMIC CHIP 3PF	0.25PF 50V	C555	1-112-777-11	CERAMIC CHIP 0.01UF	10% 25V
C506	1-100-907-11	CERAMIC CHIP 0.1UF	10% 10V	C556	1-112-777-11	CERAMIC CHIP 0.01UF	10% 25V
C507	1-112-777-11	CERAMIC CHIP 0.01UF	10% 25V	C557	1-100-916-11	CERAMIC CHIP 0.1UF	10% 16V
C508	1-164-874-11	CERAMIC CHIP 100PF	5.00% 50V	C558	1-100-916-11	CERAMIC CHIP 0.1UF	10% 16V
C509	1-100-905-11	CERAMIC CHIP 0.001UF	10% 50V	C559	1-112-777-11	CERAMIC CHIP 0.01UF	10% 25V
C510	1-164-862-11	CERAMIC CHIP 33PF	5.00% 50V	C560	1-100-916-11	CERAMIC CHIP 0.1UF	10% 16V
C512	1-100-916-11	CERAMIC CHIP 0.1UF	10% 16V	C561	1-112-777-11	CERAMIC CHIP 0.01UF	10% 25V
C514	1-112-692-11	CERAMIC CHIP 1000PF	5% 50V	C562	1-100-916-11	CERAMIC CHIP 0.1UF	10% 16V
C516	1-164-862-11	CERAMIC CHIP 33PF	5.00% 50V	C563	1-100-916-11	CERAMIC CHIP 0.1UF	10% 16V
C518	1-164-850-11	CERAMIC CHIP 10PF	0.50PF 50V	C564	1-112-777-11	CERAMIC CHIP 0.01UF	10% 25V
C519	1-100-905-11	CERAMIC CHIP 0.001UF	10% 50V	C565	1-100-916-11	CERAMIC CHIP 0.1UF	10% 16V
C520	1-100-905-11	CERAMIC CHIP 0.001UF	10% 50V	C566	1-100-916-11	CERAMIC CHIP 0.1UF	10% 16V
C521	1-164-874-11	CERAMIC CHIP 100PF	5.00% 50V	C567	1-164-866-11	CERAMIC CHIP 47PF	5.00% 50V
C522	1-100-905-11	CERAMIC CHIP 0.001UF	10% 50V	C568	1-164-866-11	CERAMIC CHIP 47PF	5.00% 50V
C523	1-164-852-11	CERAMIC CHIP 12PF	5.00% 50V	C569	1-114-334-11	CERAMIC CHIP 10UF	10% 25V
C524	1-164-852-11	CERAMIC CHIP 12PF	5.00% 50V	C570	1-100-916-11	CERAMIC CHIP 0.1UF	10% 16V
C525	1-164-850-11	CERAMIC CHIP 10PF	0.50PF 50V	C571	1-100-916-11	CERAMIC CHIP 0.1UF	10% 16V
C526	1-100-905-11	CERAMIC CHIP 0.001UF	10% 50V	C572	1-100-909-11	CERAMIC CHIP 10UF	10% 6.3V
C527	1-164-850-11	CERAMIC CHIP 10PF	0.50PF 50V	C573	1-114-334-11	CERAMIC CHIP 10UF	10% 25V
C528	1-100-909-11	CERAMIC CHIP 10UF	10% 6.3V	C574	1-100-916-11	CERAMIC CHIP 0.1UF	10% 16V
C529	1-164-850-11	CERAMIC CHIP 10PF	0.50PF 50V	C575	1-114-332-11	CERAMIC CHIP 22UF	10% 6.3V
C530	1-100-905-11	CERAMIC CHIP 0.001UF	10% 50V	C576	1-100-905-11	CERAMIC CHIP 0.001UF	10% 50V
C531	1-164-850-11	CERAMIC CHIP 10PF	0.50PF 50V	C577	1-127-772-81	CERAMIC CHIP 0.033UF	10% 10V
C532	1-100-916-11	CERAMIC CHIP 0.1UF	10% 16V	C578	1-100-905-11	CERAMIC CHIP 0.001UF	10% 50V
C533	1-164-850-11	CERAMIC CHIP 10PF	0.50PF 50V	C579	1-127-772-81	CERAMIC CHIP 0.033UF	10% 10V
C534	1-164-850-11	CERAMIC CHIP 10PF	0.50PF 50V	C580	1-112-807-11	ELECT CHIP 100UF	20% 50V
C535	1-164-850-11	CERAMIC CHIP 10PF	0.50PF 50V	C581	1-100-597-91	CERAMIC CHIP 0.1UF	10% 25V
C536	1-164-850-11	CERAMIC CHIP 10PF	0.50PF 50V	C582	1-112-807-11	ELECT CHIP 100UF	20% 50V
C537	1-100-916-11	CERAMIC CHIP 0.1UF	10% 16V	C583	1-114-329-11	CERAMIC CHIP 0.47UF	10% 50V
C538	1-112-777-11	CERAMIC CHIP 0.01UF	10% 25V	C584	1-112-807-11	ELECT CHIP 100UF	20% 50V
C539	1-100-916-11	CERAMIC CHIP 0.1UF	10% 16V	C585	1-114-329-11	CERAMIC CHIP 0.47UF	10% 50V
C540	1-100-916-11	CERAMIC CHIP 0.1UF	10% 16V	C586	1-114-329-11	CERAMIC CHIP 0.47UF	10% 50V
C541	1-100-916-11	CERAMIC CHIP 0.1UF	10% 16V	C587	1-114-329-11	CERAMIC CHIP 0.47UF	10% 50V
C542	1-100-912-11	CERAMIC CHIP 1UF	10% 25V	C588	1-125-898-91	CERAMIC CHIP 0.22UF	10.00% 50V
C543	1-112-777-11	CERAMIC CHIP 0.01UF	10% 25V	C589	1-114-868-11	CERAMIC CHIP 0.1UF	10% 50V
C544	1-100-916-11	CERAMIC CHIP 0.1UF	10% 16V	C590	1-125-898-91	CERAMIC CHIP 0.22UF	10.00% 50V
C545	1-100-916-11	CERAMIC CHIP 0.1UF	10% 16V	C591	1-114-334-11	CERAMIC CHIP 10UF	10% 25V
C546	1-100-916-11	CERAMIC CHIP 0.1UF	10% 16V	C592	1-100-905-11	CERAMIC CHIP 0.001UF	10% 50V
C547	1-100-916-11	CERAMIC CHIP 0.1UF	10% 16V	C593	1-114-868-11	CERAMIC CHIP 0.1UF	10% 50V
C548	1-100-916-11	CERAMIC CHIP 0.1UF	10% 16V	C594	1-112-781-11	CERAMIC CHIP 1UF	10% 10V
C549	1-112-777-11	CERAMIC CHIP 0.01UF	10% 25V	C595	1-100-906-11	CERAMIC CHIP 0.01UF	10% 16V
				C596	1-100-916-11	CERAMIC CHIP 0.1UF	10% 16V

REF.NO.	PART.NO	DESCRIPTION	REMARK	REF.NO.	PART.NO	DESCRIPTION	REMARK
< CONNECTOR >				< TRANSISTOR >			
CN500	*1-818-656-21	HEADER ASSEMBLY 30P		Q500	6-550-673-01	TRANSISTOR 2SC5751-T2	
CN501	1-822-761-11	COAXIAL CONNECTOR (F TYPE)		< RESISTOR >			
< DIODE >				R500	1-208-691-11	METAL CHIP 2.2K 0.5%	1/16W
D501	8-719-076-47	DIODE 1SV308(TH3SONY,F)		R501	1-208-687-11	METAL CHIP 1.5K 0.5%	1/16W
D502	8-719-053-18	DIODE 1SR154-400TE-25		R502	1-220-874-81	METAL CHIP 15 0.5%	1/16W
D503	8-719-081-67	DIODE M1FM3		R504	1-208-675-11	METAL CHIP 470 0.5%	1/16W
D504	8-719-081-34	DIODE RB160M-30TR		R508	1-412-971-31	INDUCTOR 0.22UH	
D507	8-719-081-67	DIODE M1FM3		R509	1-208-675-11	METAL CHIP 470 0.5%	1/16W
D508	8-719-053-18	DIODE 1SR154-400TE-25		R510	1-218-990-81	SHORT CHIP 0	
D509	8-719-081-34	DIODE RB160M-30TR		R512	1-218-937-11	METAL CHIP 47 5%	1/16W
D510	6-501-818-01	DIODE MA2J1130GLS0		R513	1-242-967-81	METAL CHIP 1 5%	1/16W
D511	6-502-943-01	DI LNBTVS4-304S		R514	1-218-941-81	METAL CHIP 100 5%	1/16W
< FERRITE BEAD >				R515	1-218-941-81	METAL CHIP 100 5%	1/16W
FB500	1-469-869-21	FERRITE	OUH	R516	1-218-941-81	METAL CHIP 100 5%	1/16W
FB501	1-469-084-21	FERRITE	OMH	R517	1-218-941-81	METAL CHIP 100 5%	1/16W
FB502	1-469-084-21	FERRITE	OMH	R518	1-218-953-11	METAL CHIP 1K 5%	1/16W
FB503	1-469-084-21	FERRITE	OMH	R520	1-218-965-11	METAL CHIP 10K 5%	1/16W
FB504	1-469-084-21	FERRITE	OMH	R521	1-218-990-81	SHORT CHIP 0	
FB505	1-469-084-21	FERRITE	OMH	R522	1-218-990-81	SHORT CHIP 0	
FB506	1-469-084-21	FERRITE	OMH	R524	1-208-869-11	METAL CHIP 180 0.5%	1/16W
FB507	1-469-084-21	FERRITE	OMH	R528	1-218-961-11	METAL CHIP 4.7K 5%	1/16W
FB508	1-469-084-21	FERRITE	OMH	R529	1-218-969-11	METAL CHIP 22K 5%	1/16W
FB509	1-469-084-21	FERRITE	OMH	R531	1-218-952-11	METAL CHIP 820 5%	1/16W
FB510	1-469-084-21	FERRITE	OMH	R532	1-208-905-11	METAL CHIP 5.6K 0.5%	1/16W
FB511	1-469-084-21	FERRITE	OMH	R533	1-208-713-11	METAL CHIP 18K 0.5%	1/16W
FB512	1-400-180-21	FERRITE	OUH	R534	1-218-953-11	METAL CHIP 1K 5%	1/16W
FB513	1-400-180-21	FERRITE	OUH	R539	1-218-965-11	METAL CHIP 10K 5%	1/16W
FB514	1-400-180-21	FERRITE	OUH	R545	1-208-711-11	METAL CHIP 15K 0.5%	1/16W
FB515	1-400-180-21	FERRITE	OUH	R546	1-218-941-81	METAL CHIP 100 5%	1/16W
< IC >				R547	1-216-154-00	METAL CHIP 15 5%	1/8W
IC500	6-714-597-01	IC STV6110AT		R548	1-218-959-11	METAL CHIP 3.3K 5%	1/16W
IC501	6-714-562-01	IC STV0903BAB		R549	1-218-959-11	METAL CHIP 3.3K 5%	1/16W
IC502	6-714-497-01	IC ST1S03PUR		R560	1-218-990-81	SHORT CHIP 0	
IC503	6-714-497-01	IC ST1S03PUR		R561	1-218-990-81	SHORT CHIP 0	
IC504	6-714-518-01	IC LNBH23TPPR		R563	1-208-869-11	METAL CHIP 180 0.5%	1/16W
< COIL >				R564	1-208-869-11	METAL CHIP 180 0.5%	1/16W
L500	1-481-673-21	INDUCTOR 27NH		< RESISTOR CHIP >			
L501	1-414-786-21	INDUCTOR 10NH		RB500	1-200-051-21	RES, NETWORK 150 (1005X4)	
L502	1-164-839-11	CERAMIC CHIP 0.5PF	0.25PF 50V	RB502	1-239-694-81	RESISTOR, NETWORK 4.7K	
L503	1-469-859-21	INDUCTOR 33NH		RB503	1-239-670-81	RESISTOR, NETWORK 47	
L507	1-457-849-11	INDUCTOR 3.6UH		RB504	1-200-051-21	RES, NETWORK 150 (1005X4)	
L508	1-481-548-11	INDUCTOR 4.7UH		< CRYSTAL >			
L509	1-457-850-11	INDUCTOR 22UH		X500	1-813-055-11	QUARTZ CRYSTAL UNIT	
L510	1-457-851-11	INDUCTOR 220UH					

REF.NO.	PART.NO	DESCRIPTION	REMARK	REF.NO.	PART.NO	DESCRIPTION	REMARK
ACCESSORIES AND CONNECTORS							
32 INCHES							
	1-837-113-21	LEAD WIRE CONNECTOR(LVDS) (TCON-BA(CN4501))			*1-910-054-84	CONNECTOR ASSY 4P (TCON-G5)	
	*1-910-054-76	CONNECTOR ASSY 14P (INVERTER(CN01)-G2(CN02)-BA(CN1301))			*1-910-057-47	MULTI HARNESS SPEAKER ASSY (BA(CN5503/7201)-HSN(CN401)-HL4A(CN301)-SWITCH UNIT-SPEAKERS)	
	*1-910-054-77	CONNECTOR ASSY 13P (G2(CN3)-BA(CN1300))			*1-910-058-88	CONNECTOR ASSY 30P (BA-TUS)	
	*1-910-057-28	MULTI HARNESS SPEAKER ASSY (BA(CN5503/7201)-HSN(CN401)-HL4A(CN301)-SWITCH UNIT-SPEAKERS)		INSTRUCTION MANUALS			
	*1-910-058-88	CONNECTOR ASSY 30P (BA-TUS)			*4-159-944-11	INSTRUCTION MANUAL (U) ENGLISH	
37 INCHES					*4-159-944-21	INSTRUCTION MANUAL (E) ENGLISH/FRENCH/ITALIAN/GERMAN/CEZCH/SLOVAK/TURKISH	
	1-836-681-21	LEAD WIRE CONNECTOR(LVDS) (TCON-BA(CN4501))		REMOTE COMMANDER			
	*1-910-054-57	CONNECTOR ASSY 13P (G4-BA(CN1300))			1-487-228-11	REMOTE COMMANDER (RM-ED016)	(AEP Dest)
	*1-910-054-58	CONNECTOR ASSY 14P (INVERTER-G4-BA(CN1301))			1-487-570-11	REMOTE COMMANDER (RM-ED020)	(UK Dest)
	*1-910-057-30	MULTI HARNESS SPEAKER ASSY (BA(CN5503/7201)-HSN(CN401)-HL4A(CN301)-SWITCH UNIT-SPEAKERS)					
	*1-910-058-88	CONNECTOR ASSY 30P (BA-TUS)					
40 INCHES							
	*1-836-420-21	CONNECTOR ASSY, MDF61 (INVERTER-IP1(CN6700))					
	1-836-679-21	LEAD WIRE CONNECTOR(LVDS) (TCON-BA(CN4501))					
	*1-910-054-60	CONNECTOR ASSY 7P (INVERTER-IP1(CN6701))					
	*1-910-054-61	HARNESS ASSY 7P (BA-IP1)					
	*1-910-054-81	CONNECTOR ASSY 4P (TCON-IP1)					
	*1-910-057-32	MULTI HARNESS SPEAKER ASSY (BA(CN5503/7201)-HSN(CN401)-HL4A(CN301)-SWITCH UNIT-SPEAKERS)					
	*1-910-058-88	CONNECTOR ASSY 30P (BA-TUS)					
46 INCHES							
	1-836-674-21	LEAD WIRE CONNECTOR(LVDS) (TCON-BA(CN4501))					
	*1-910-419-21	CONNECTOR ASSY, MDF61 (INVERTER-IP2(CN6700))					
	*1-910-054-57	CONNECTOR ASSY 13P (IP2(CN6150)-BA(CN1300))					
	*1-910-054-64	CONNECTOR ASSY 7P (BALANCER-IP2(CN6701))					
	*1-910-054-66	CONNECTOR ASSY 8P (IP2(CN6154)-BA(CN1301))					
	*1-910-054-84	CONNECTOR ASSY 4P (IP2-TCON)					
	*1-910-057-34	MULTI HARNESS SPEAKER ASSY (BA(CN5503/7201)-HSN(CN401)-HL4A(CN301)-SWITCH UNIT-SPEAKERS)					
	*1-910-058-88	CONNECTOR ASSY 30P (BA-TUS)					
52 INCHES							
	*1-835-715-11	CONNECTOR ASSY 2P (D5N(CN6600)-BALANCER)					
	*1-836-138-11	CONNECTOR ASSY 2P (D6N(CN6900)-BALANCER)					
	*1-836-417-21	CONNECTOR ASSY, MDF61 (INVERTER-D5N(CN6700))					
	*1-836-418-21	CONNECTOR ASSY, MDF61 (INVERTER-D6N(CN6951))					
	1-836-673-21	LEAD WIRE CONNECTOR(LVDS) (TCON-BA(CN4501))					
	*1-910-054-68	HARNESS ASSY (7P/13P) (G5-BA(CN1300/CN1301))					
	*1-910-054-72	CONNECTOR ASSY 8P(D5(CN6702)-G5)					
	*1-910-054-73	CONNECTOR ASSY 10P(D5N(CN6703)-D6N(CN6950))					
	*1-910-054-74	CONNECTOR ASSY 7P(BALANCER-D5N(CN6701))					

