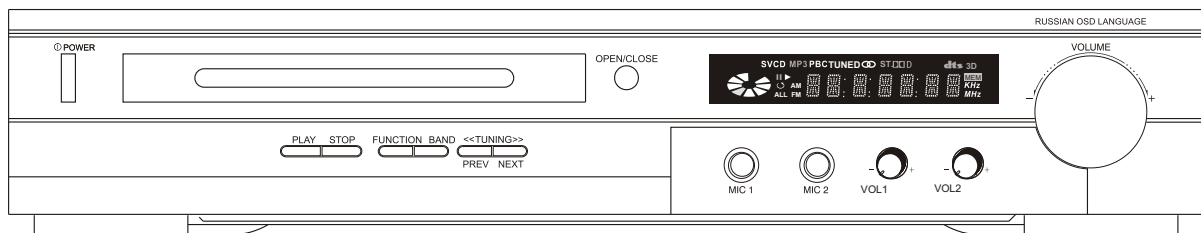


SERVICE MANUAL

Dk960S



CONTENTS

1.	SAFETY PRICAUTIONS	1
2.	PREVENTION OF ELECTRO STATIC DISCHARGE(ESD)TO ELECTROSTATICALLY SENSITIVE(ES)DEVICES	1
3.	CONTROL BUTTON LOCATIONS AND EXPLANATIONS	2
4.	PREVERTION OF STATIC ELECTRICITY DISCHARGE	4
5.	ASSEMBLING AND DISASSEMBLING THE MECHANISM UNIT	5
5.1	OPTICAL PICKUP UNIT EXPLODED VIEW AND PART LIST	5
5.2	BRACKET EXPLODED VIEW AND PART LIST	7
5.3	MISCELLANEOUS	8
6.	ELECTRICAL CONFIRMATION	9
6.1	VIDEO OUTPUT (LUMINANCE SIGNAL) CONFIRMATION	9
6.2	VIDEO OUTPUT(CHROMINANCE SIGNAL) CONFIRMATION	10
7.	MPEG BOARD CHECK WAVEFORM	11
8.	IC BLOCK DIAGRAM & DESCRIPTION	12
8.1	MT1336	12
8.2	MT1379	20
8.3	U214 HY29F800	36
8.4	HY57V641620HG	39
9.	SCHEMATIC & PCB WIRING DIAGRAM	42
10.	SPARE PARTS LIST	59

1. SAFETY PREAUTIONS

1.1 GENERAL GUIDELINES

1. When servicing, observe the original lead dress. if a short circuit is found, replace all parts which have been overheated or damaged by the short circuit.
2. After servicing, see to it that all the protective devices such as insulation barrier, insulation papers shields are properly installed.
3. After servicing, make the following leakage current checks to prevent the customer from being exposed to shock hazards.

2.PREVENTION OF ELECTRO STATIC DISCHARGE(ESD)TO ELECTROSTATICALLY SENSITIVE(ES)DEVICES

Some semiconductor(solid state)devices can be damaged easily by static electricity. Such components commonly are called Electrostatically Sensitive(ES)Devices. Examples of typical ES devices are integrated circuits and some field-effect transistors and semiconductor chip components. The following techniques should be used to help reduce the incidence of component damage caused by electro static discharge(ESD).

1. Immediately before handling any semiconductor component or semiconductor-equipped assembly, drain off any ESD on your body by touching a known earth ground. Alternatively, obtain and wear a commercially availabel discharging ESD wrist strap, which should be removed for potential shock reasons prior to applying power to the unit under test.
2. After removing an electrical assembly equipped with ES devices,place the assembly on a conductive surface such as alminum foil, to prevent electrostatic charge buildup or exposure of the assembly.
3. Use only a grounded-tip soldering iron to solder or unsolder ES devices.
4. Use only an anti-static solder removal device. Some solder removal devices not classified as anti-static (ESD protected)can generate electrical charge sufficient to damage ES devices.
5. Do not use freon-propelled chemicals. These can generate electrical charges sufficient to damage ES devices.
6. Do not remove a replacement ES device from its protective package until immediately before you are ready to install it. (Most replacement ES devices are packaged with leads electrically shorted together by conductive foam, alminum foil or comparable conductive material).
7. Immediately before removing the protective material from the leads of a replacement ES device, touch the protective material to the chassis or circuit assembly into which the device will be installed.

Caution

Be sure no power is applied to the chassis or circuit, and observe all other safety precautions.

8. Minimize bodily motions when handling unpackaged replacement ES devices. (Otherwise harmless motion such as the brushing together of your clothes fabric or the lifting of your foot from a carpeted floor can generate static electricity(ESD).

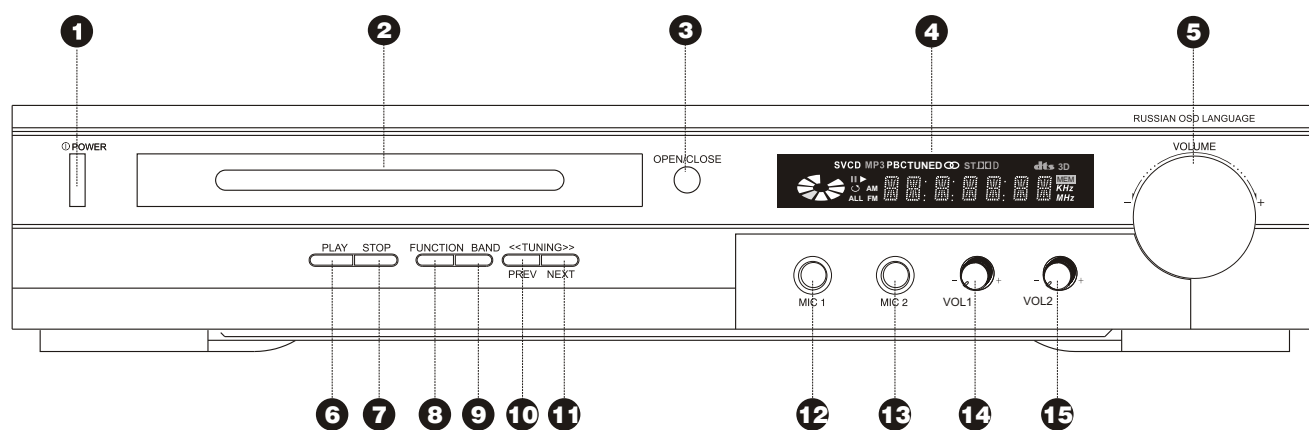
notice (1885x323x2 tiff)

IMPORTANT SAFETY NOTICE

There are special components used in this equipment which are imporant for safety. These parts are marked by Δ in the schematic diagrams, Exploded Views and replacement parts list. It is essential that these critical parts should be replaced with manufacturer's specified parts to prevent shock, fire, or other hazards. Do not modify the original design without permission of manufacturer.

3. Control Button Locations and Explanations

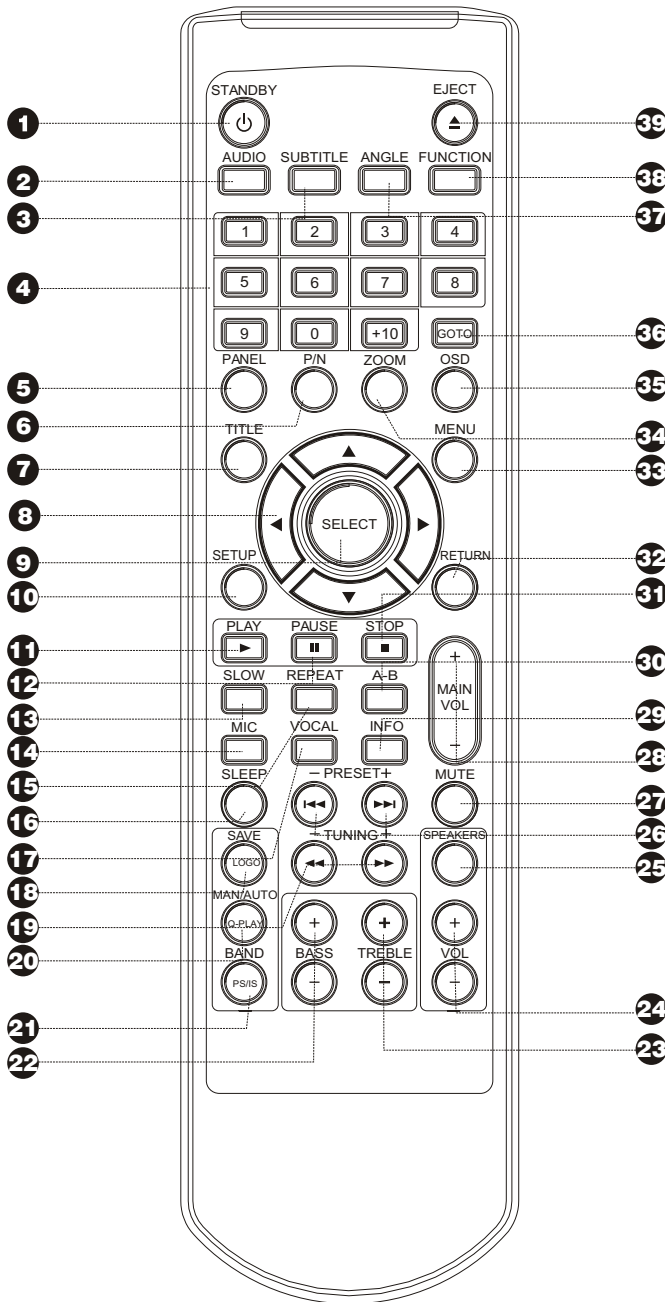
■ Front Panel Illustration



- | | | |
|----------------------|---|--|
| 1 POWER switch | 6 PLAY button | 11 DVD MODE: NEXT button
TUNER MODE: TUNING» button |
| 2 Disc tray | 7 STOP button | 12 MIC 1 jack |
| 3 OPEN/CLOSE button | 8 FUNCTION button | 13 MIC 2 jack |
| 4 VFD display window | 9 DVD MODE: PAUSE button
TUNER MODE: BAND button | 14 MIC VOLUME 1 knob |
| 5 VOLUME knob | 10 DVD MODE: PREV button
TUNER MODE: TUNING « button | 15 MIC VOLUME 2 knob |

Control Button Locations and Explanations (Continued)

Remote Control Illustration



- 1** **STANDBY button**
Enter or exit the standby mode.
- 2** **AUDIO button**
Change the audio language.
- 3** **SUBTITLE button**
Change subtitle languages/Switch JPEG display modes.
- 4** **NUMBERED buttons**
- 5** **PANEL button**
Open/close the virtual keyboard function.
- 6** **P/N button**
Switch the TV system between PAL, NTSC and AUTO.
- 7** **TITLE button**
DVD titles.
- 8** **DIRECTION ARROWS**
UP/DOWN/LEFT/RIGHT DIRECTION ARROW.
- 9** **SELECT button**
- 10** **SETUP button**
Function setup.
- 11** **PLAY button**
Normal playback.
- 12** **PAUSE button**
Pause playback.
- 13** **SLOW button**
Slow playback.
- 14** **MIC button**
Karaoke operation menu.
- 15** **REPEAT button**
Repeat playback.
- 16** **SLEEP button**
Sleep timer.
- 17** **VOCAL button**
Select the Karaoke sing-along mode
- 18** **SAVE/LOGO button**
Stations saving button, up to 20 FM/AM stations can be saved respectively/Set the played image as the power-on logo
- 19** **TUNING +/- buttons**
Tuning up/down stations.
- 20** **MAN/AUTO button/Q-PLAY button**
Manual/automatic tuning switch/Skip the advertisement/warning and play the DVD directly.
- 21** **BAND button/IS/PS button**
FM/AM switch/Switch Video output to the interlacing mode./Switch video to the progressive Y Pb Pr mode.
- 22** **BASS +/- button**
Increase/decrease bass.
- 23** **TREBLE +/- button**
Increase/decrease treble.
- 24** **VOL +/- button**
Increase/decrease power amplifier's channel volume.
- 25** **SPEAKERS button**
Select power amplifier's channel volume.
- 26** **PRESET +/- button**
Select the preset channels.
- 27** **PREVIOUS/NEXT button**
Select previous/next chapter or track when playing.
- 28** **MUTE button**
Turn off/on audio outputs
- 29** **MAIN VOL button**
Increase/decrease the master volume.
- 30** **INFO button**
Switch new user interface.
- 31** **A-B button**
Repeat the selected section A-B.
- 32** **RETURN button**
Back to the previous menu.
- 33** **MENU button**
Display the disc menu, PBC ON/OFF button.
- 34** **ZOOM button**
Zoom in/out the playing frame.
- 35** **OSD button**
Display the disc information.
- 36** **GOTO button**
Play from the desired point.
- 37** **ANGLE button**
Camera angles switch, MP3/JPEG playback modes switch.
- 38** **FUNCTION button**
DISC/RADIO/AUX IN switch.
- 39** **EJECT button**
Open/Close the disc tray.

4. PREVENTION OF STATIC ELECTRICITY DISCHARGE

The laser diode in the traverse unit (optical pickup) may brake down due to static electricity of clothes or human body. Use due caution to electrostatic breakdown when servicing and handling the laser diode.

4.1. Grounding for electrostatic breakdown prevention

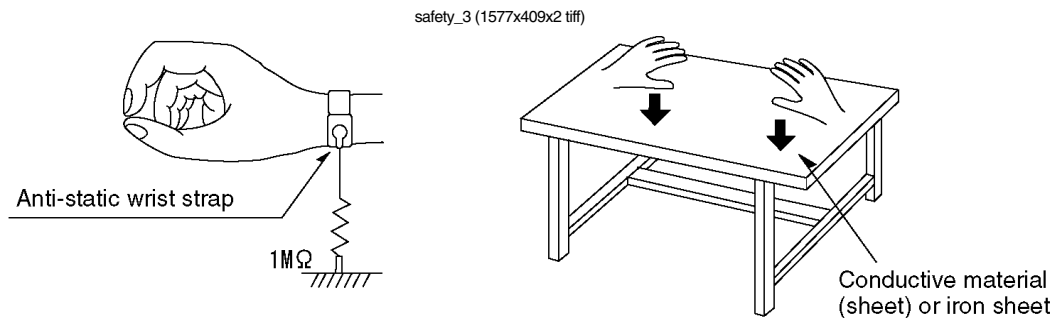
Some devices such as the DVD player use the optical pickup (laser diode) and the optical pickup will be damaged by static electricity in the working environment. Proceed servicing works under the working environment where grounding works is completed.

4.1.1. Worktable grounding

1. Put a conductive material (sheet) or iron sheet on the area where the optical pickup is placed, and ground the sheet.

4.1.2. Human body grounding

1 Use the anti-static wrist strap to discharge the static electricity from your body.



4.1.3. Handling of optical pickup

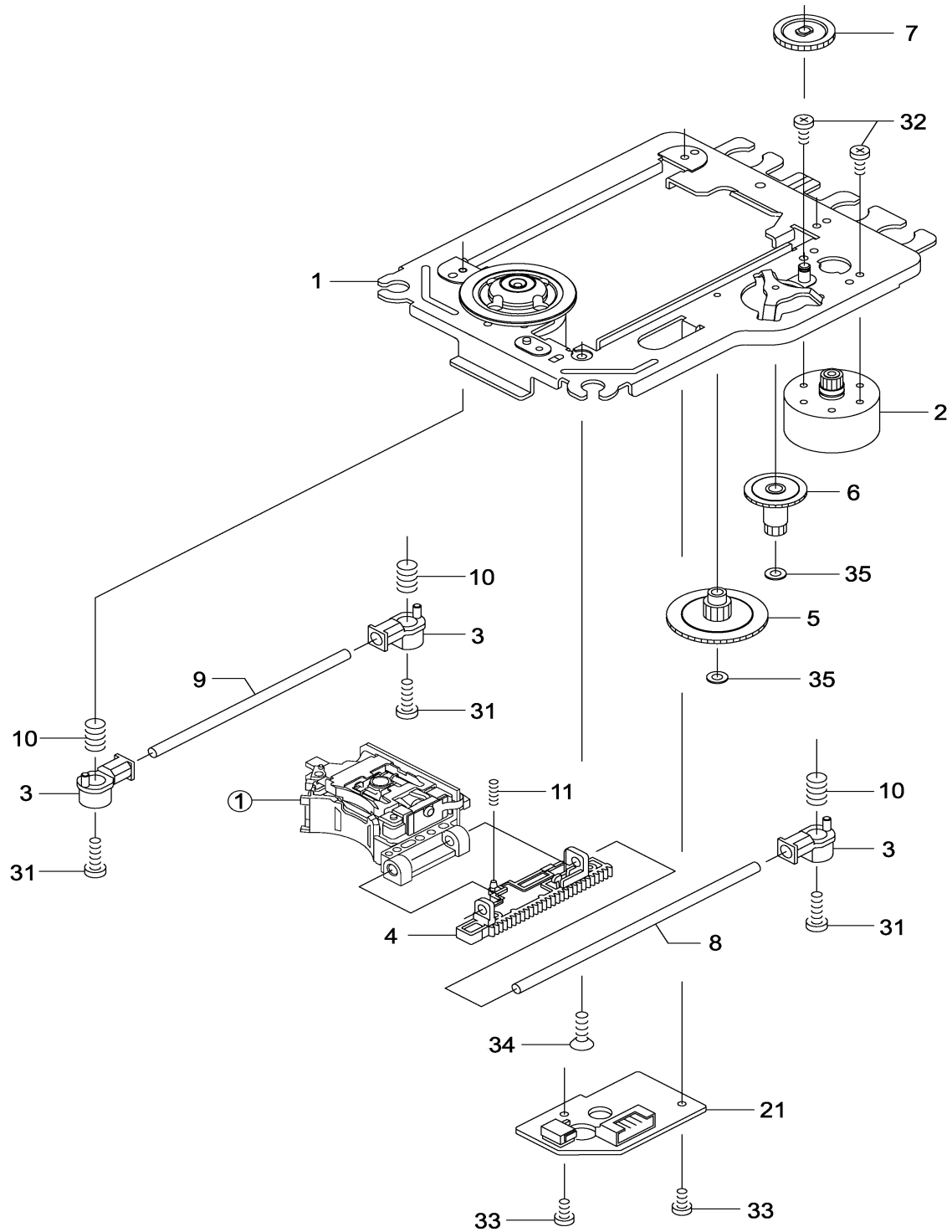
1. To keep the good quality of the optical pickup maintenance parts during transportation and before installation, the both ends of the laser diode are short-circuited. After replacing the parts with new ones, remove the short circuit according to the correct procedure. (See this Technical Guide).
2. Do not use a tester to check the laser diode for the optical pickup. Failure to do so will damage the laser diode due to the power supply in the tester.

4.2. Handling precautions for Traverse Unit (Optical Pickup)

1. Do not give a considerable shock to the traverse unit (optical pickup) as it has an extremely high-precision structure.
2. When replacing the optical pickup, install the flexible cable and cut its short lead with a nipper. See the optical pickup replacement procedure in this Technical Guide. Before replacing the traverse unit, remove the short pin for preventing static electricity and install a new unit. Connect the connector as short times as possible.
3. The flexible cable may be cut off if an excessive force is applied to it. Use caution when handling the cable.
4. The half-fixed resistor for laser power adjustment cannot be adjusted. Do not turn the resistor.

5. Assembling and disassembling the mechanism unit

5.1 Optical pickup Unit Explosed View and Part List



Pic (1)

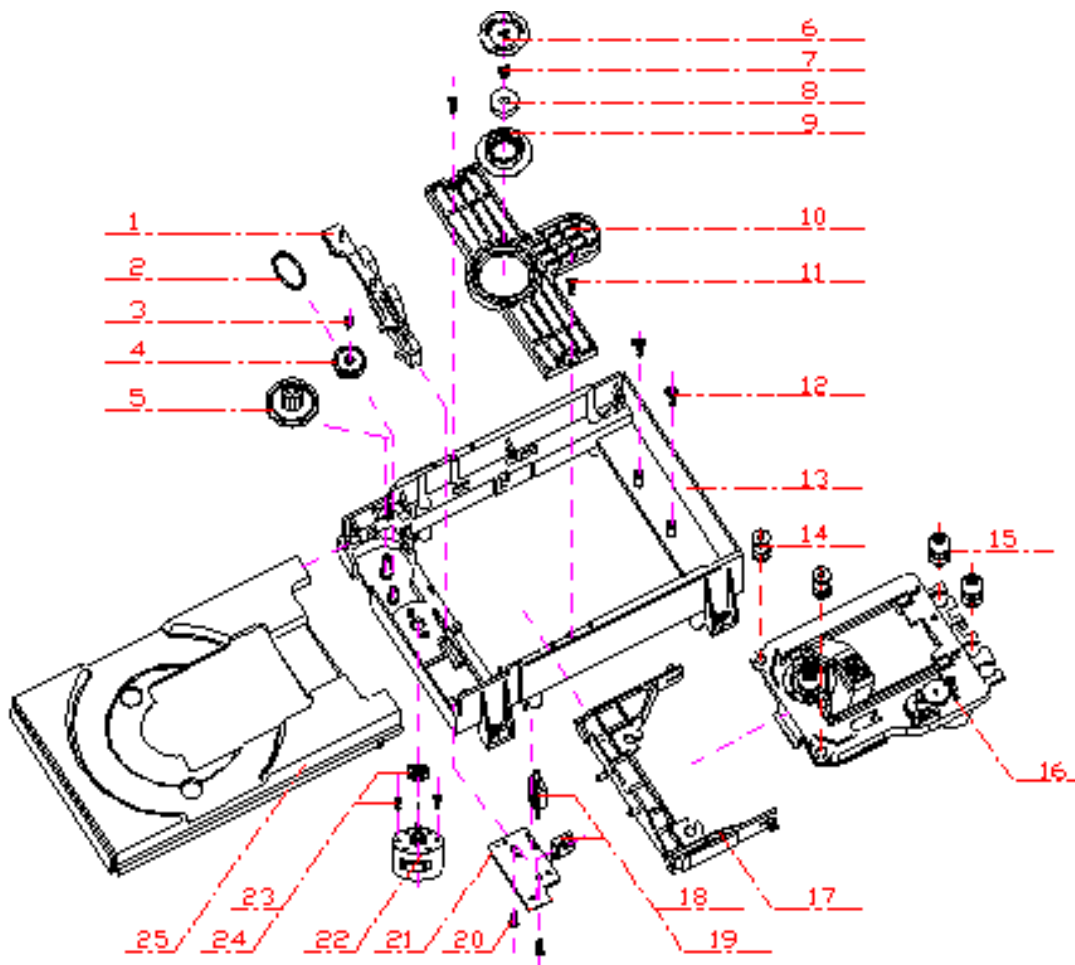
Materials to Pic (1)

No.	PARTS CODE	PARTS NAME	Q' ty
①	14692200	SF-HD60	1
1	1EA0311A06300	ASSY, CHASSIS, COMPLETE	1
2	1EA0M10A15500	ASSY, MOTOR, SLED	1
Or	1EA0M10A15501	ASSY, MOTOR, SLED	1
3	1EA2451A24700	HOLDER, SHAFT	3
4	1EA2511A29100	GEAR, RACK	1
5	1EA2511A29200	GEAR, DRIVE	1
6	1EA2511A29300	GEAR, MIDDLE, A	1
7	1EA2511A29400	GEAR, MIDDLE, B	1
8	1EA2744A03000	SHAFT, SLIDE	1
9	1EA2744A03100	SHAFT, SLIDE, SUB	1
10	1EA2812A15300	SPRING, COMP, TYOUSEI	3
11	1EA2812A15400	SPRING, COMP, RACK	1
21	1EA0B10B20100	ASSY, PWB	1
Or	1EA0B10B20200	ASSY, PWB	1
31	SEXEA25700---	SPECIAL SCREW BIN+-M2X11	3
32	SEXEA25900---	SPECIAL SCREW M1.7X2.2	2
33	SFBPN204R0SE-	SCR S-TPG PAN 2X4	2
34	SFSFN266R0SE-	SCR S-TPG FLT 2.6X6	1
35	SWXEA15400---	SPECIAL WASHER 1.8X4 X0.25	2

□□□□□□□□□□□□□□□□□□□□□□□□□□□□

Note : This parts list is not for service parts supply.

5.2 Bracket Exploded View and Part List



Pic (2)

Materials to Pic(2)

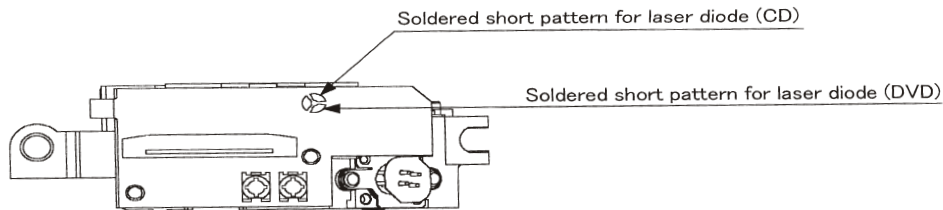
- | | |
|-----------------------------------|--------------------------|
| 1.bracket | 14. front silicon rubber |
| 2.belt | 15. Back silicon rubber |
| 3.screw | 16. Pick-up |
| 4.belt wheel | 17. Pick-up |
| 5.gearwheel | 18. switch |
| 6.iron chip | 19. Five-pin flat plug |
| 7. Immobility mechanism equipment | 20. screw |
| 8. Magnet | 21. PCB |
| 9. Platen | 22. motor |
| 10. Bridge bracket | 23. Motor wheel |
| 11. screw | 24. screw |
| 12. screw | 25.tray |
| 13. Big bracket | |

Before going process with disassembly and installation, please carefully both peruse the chart and confirm the materials.

5.3 MISCELLANEOUS

5.3.1 Protection of the LD(Laser diode)

Short the parts of LD circuit pattern by soldering.



5.3.2 Cautions on assembly and adjustment

Make sure that the workbenches, jigs, tips, tips of soldering irons and measuring instruments are grounded, and that personnel wear wrist straps for ground.

Open the LD short lands quickly with a soldering iron after a circuit is connected.

Keep the power source of the pick-up protected from internal and external sources of electrical noise.

Refrain from operation and storage in atmospheres containing corrosive gases (such as H₂S, SO₂, NO₂ and Cl₂) or toxic gases or in locations containing substances (especially from the organic silicon, cyan, formalin and phenol groups) which emit toxic gases. It is particularly important to ensure that none of the above substances are present inside the unit. Otherwise, the motor may no longer run.

6. Electrical Confirmation

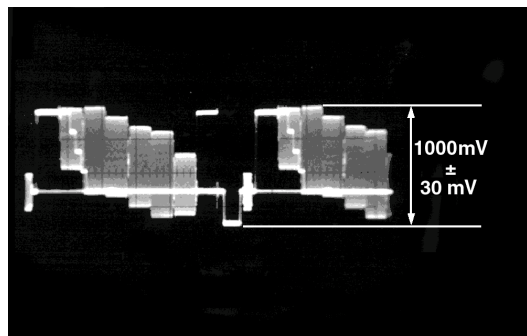
6.1. Video Output (Luminance Signal) Confirmation

DO this confirmation after replacing a P.C.B.

Measurement point	Mode	Disc
Video output terminal	Color bar 75% PLAY(Title 46):DVDT-S15 PLAY(Title 12):DVDT-S01	DVDT-S15 or DVDT-S01
Measuring equipment,tools	Confirmation value	
200mV/dir,10 μ sec/dir	1000mVp-p \pm 30mV	

Purpose:To maintain video signal output compatibility.

- 1.Connect the oscilloscope to the video output terminal and terminate at 75 ohms.
- 2.Confirm that luminance signal(Y+S)level is 1000mVp-p \pm 30mV



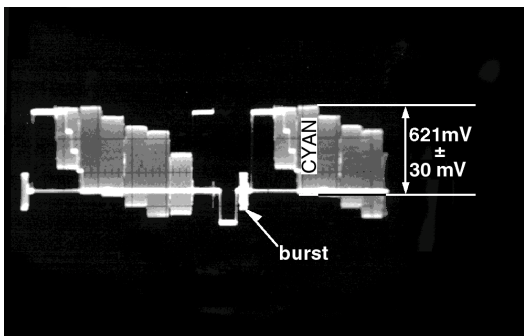
6.2 Video Output(Chrominance Signal) Confirmation

Do the confirmation after replacing P.C.B.

Measurement point	Mode	Disc
Video output terminal	Color bar 75% PLAY(Title 46):DVDT-S15 PLAY(Title 12):DVDT-S01	DVDT-S15 or DVDT-S01
Measuring equipment,tools	Confirmation value	
Screwdriver,Oscilloscope 200mV/dir,10 μ sec/dir	621mVp-p \pm 30mV	

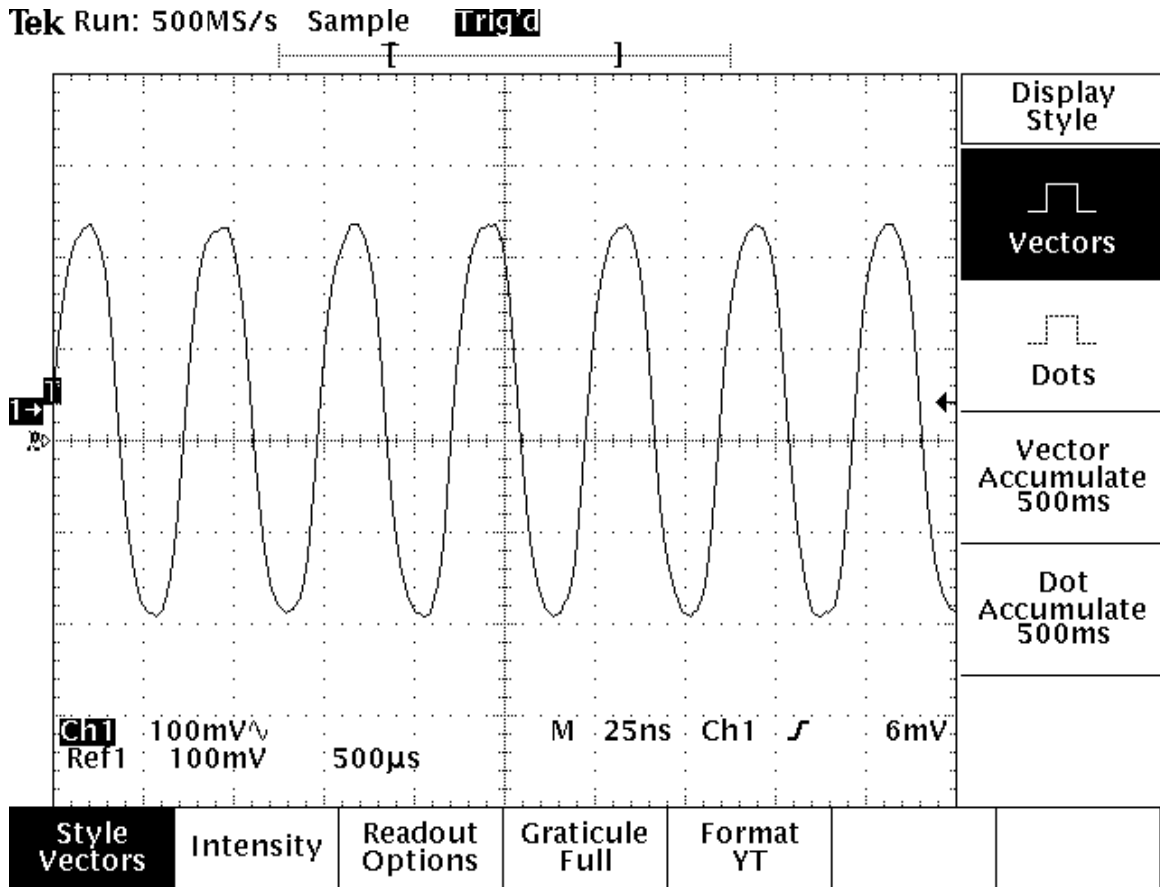
Purpose:To maintain video signal output compatibility.

- 1.Connect the oscilloscope to the video output terminal and terminate at 75 ohme.
- 2.Confirm that the chrominance signal(C)level is 621 mVp-p \pm 30mV

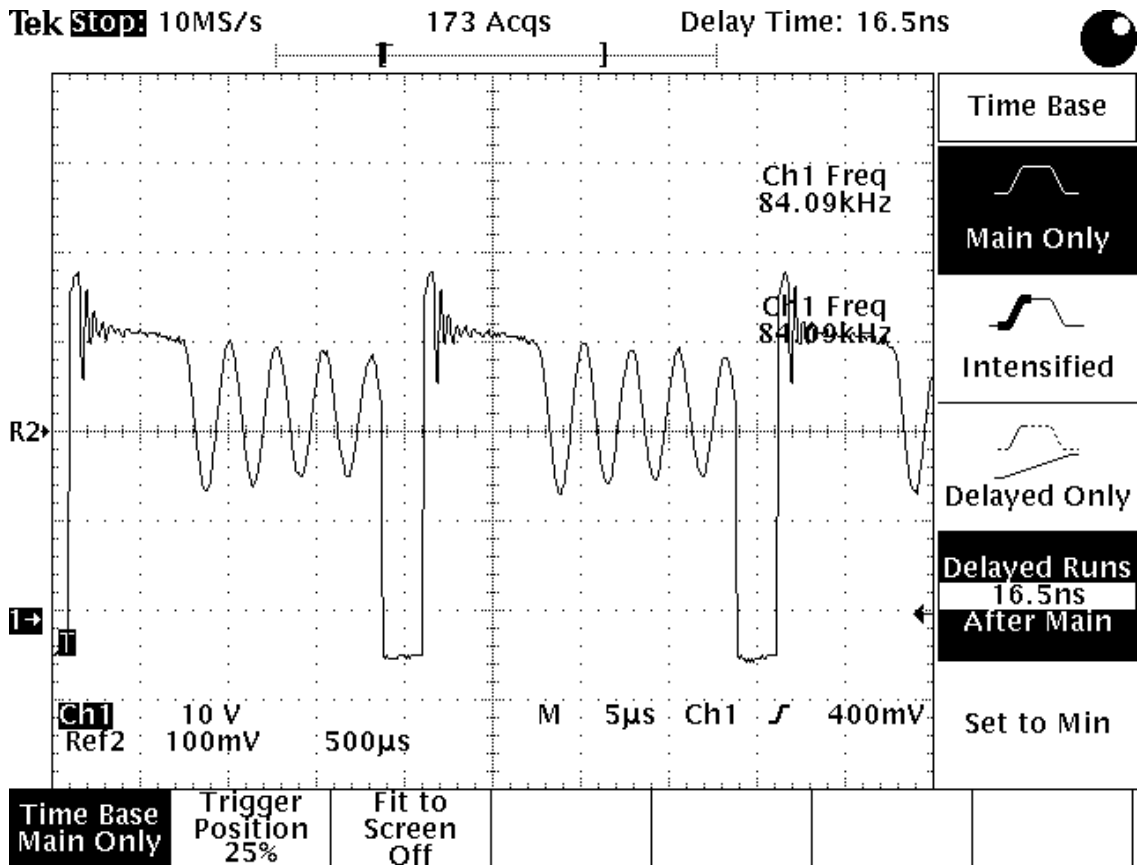


7.MPEG BOARD CHECK WAVEFORM

7.1 27MHz WAVEFORM



7.2 IC5L0380R PIN.2 WAVEFORM DIAGRAM





8. IC BLOCK DIAGRAM & DESCRIPTION

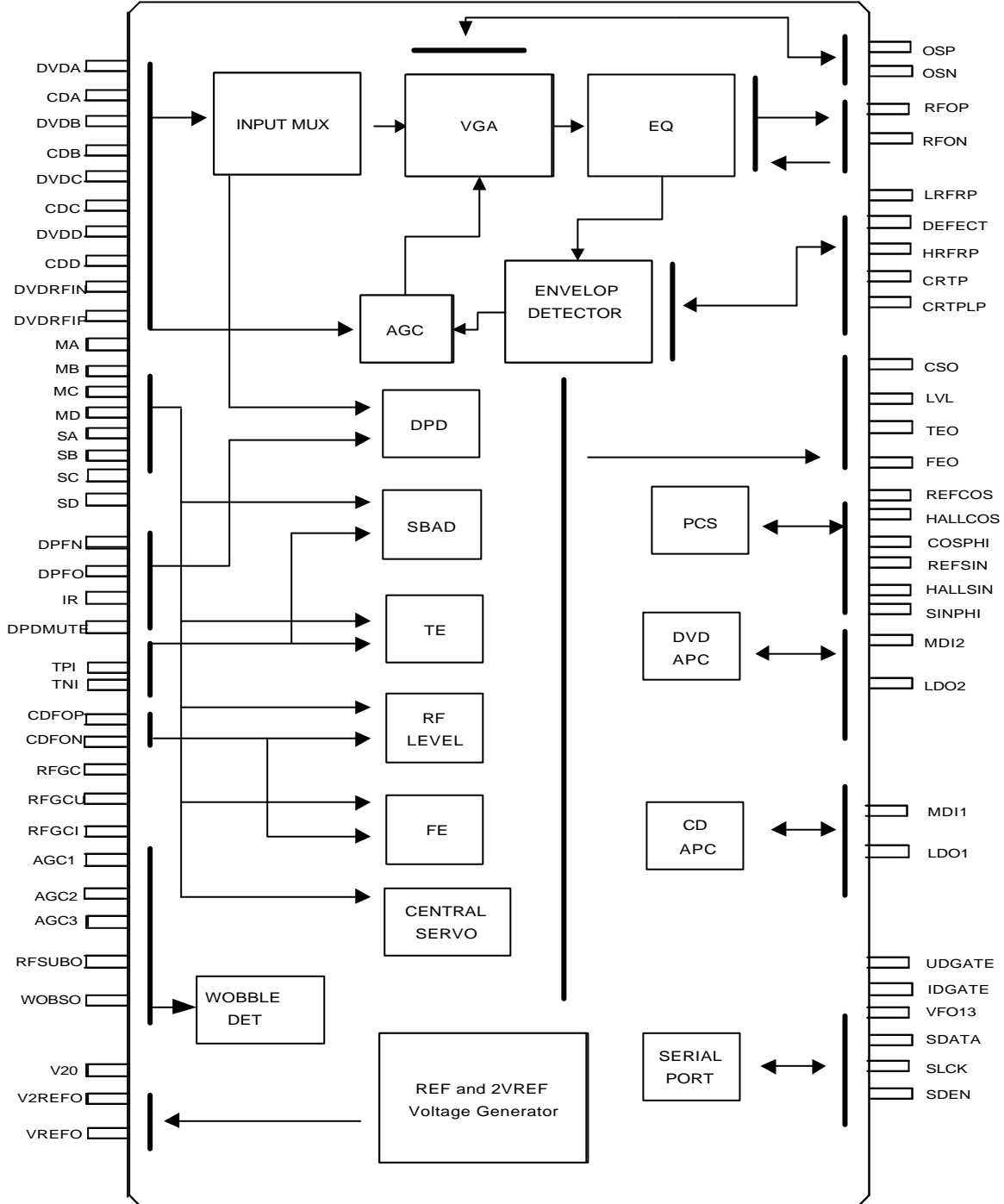
8.1 MT1336

GENERAL DESCRIPTION

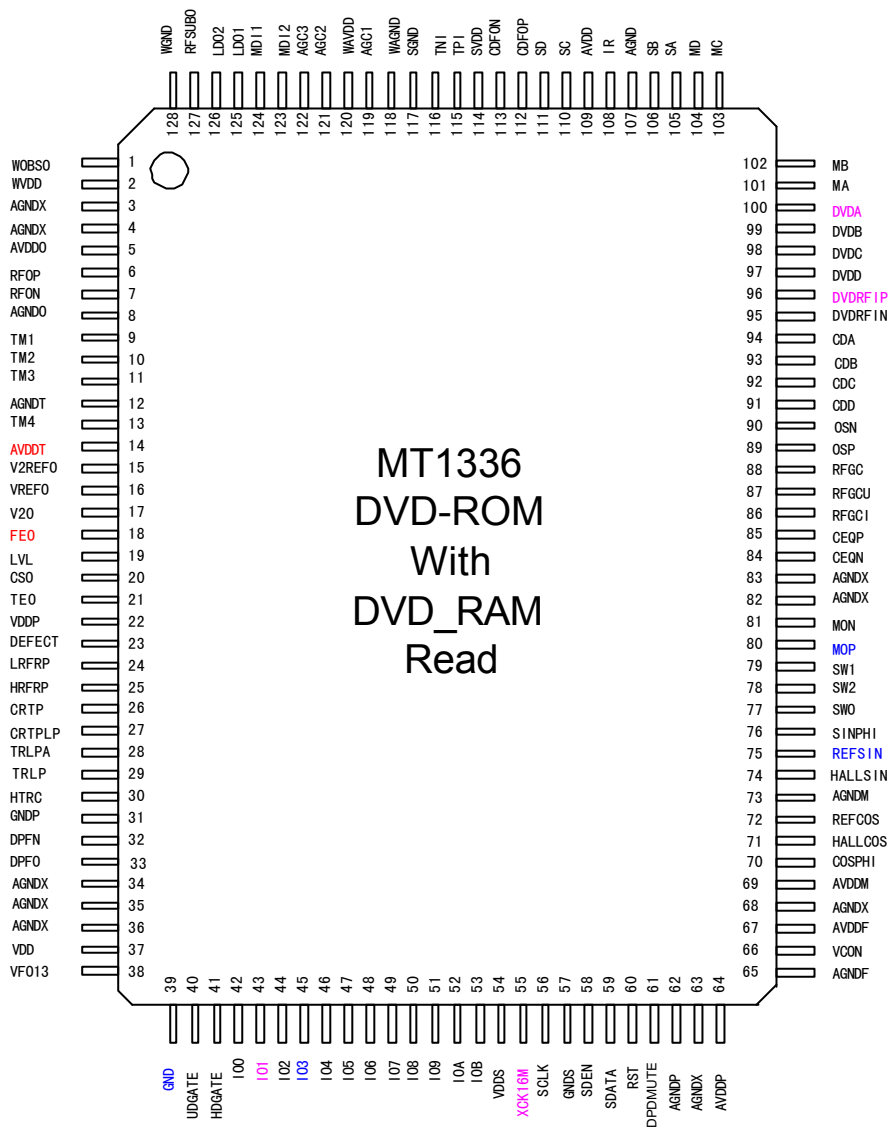
MT1336 is a high performance CMOS analog front-end IC for both CD-ROM driver up to 48XS and DVD-ROM driver up to 16XS. It also supports DVD-RAM read up to 4XS Version 2. It contains servo amplifiers to generate focusing error, 3-beam tracking error, 1 beam radial push-pull signal, RF level and SBAD for servo functions. It also includes DPD tracking error signal for DVD-ROM application. For DVD-RAM disks, there are also Differential Push-Pull (DPP) method for generating tracking signal and Differential Astigmatic Detection (DAD) for processing focusing signal. Programmable equalizer and AGC circuits are also incorporated in this chip to optimize read channel performance. In addition, this chip has dual automatic laser power control circuits for DVD-ROM (DVD-RAM) and CD-ROM separately and reference voltage generators to reduce external components. Programmable functions are implemented by the access of internal register through bi-directional serial port to configure modes selection.

FEATURES

- RF equalizer with programmable f_c from 3MHz to 70 MHz and programmable boost from 3dB to 13dB.
- MT1336 supports at least eight different kinds of pick-up heads with versatile input configuration for both RF input stages and servo signal blocks.
- Versatile on-line AGC.
- 3 beams tracking error signal generator for CD-ROM application.
- One beam differential phase tracking error (DPD) generator for DVD-ROM application.
- Differential push pull tracking error (DPP) generator for DVD-RAM application.
- Focusing error signal generator for CD-ROM, DVD-ROM and DVD-RAM (DAD method).
- RF level signal generator.
- Sub-beam added signal for 3 beams CD-ROM.
- One beam push-pull signal generator for central servo application.
- High speed RF envelop detection circuit with bandwidth up to 400KHz for CD-ROM.
- Defect and Blank detection circuits.
- Dual automatic laser power control circuits with programmable level of LD monitor voltage.
- $V_{ref}=1.4V$ voltage and $V_{2ref}=2.8V$ voltage generators.
- $V_{20}=2.0V$ voltage for pick-up head reference.
- Bi-directional serial port to access internal registers.



MT1336 FUNCTION BLOCKS DIAGRAM



MT1336 PIN ASSIGNMENT



MT1336 PIN DESCRIPTIONS

Pin Numbers	Symbol	Type	Description
LQFP128			
RF Flag Interface			
23	DEFECT	Digital Output	Flag of bad data output status
RF SIO interface			
56	SCLK	Digital Input	RF serial clock input
58	SDEN	Digital Input	RF serial data enable
59	SDATA	Digital IO	RF serial data IO
60	RST	Digital input	Reset (active high)
55	XCK16M	Digital Input	16.9MHz for verification
RF SERVO interface			
40	UDGATE	Digital Input	Control signal for DVD-RAM
41	IDGATE	Digital Input	Control signal for DVD-RAM
38	VFO13	Digital Input	DVD -RAM Header signal
RF			
100	DVDA	Analog input	AC coupled DVD RF signal input A
99	DVDB	Analog Input	AC coupled DVD RF signal input B
98	DVDC	Analog Input	AC coupled DVD RF signal input C
97	DVDD	Analog Input	AC coupled DVD RF signal input D
95	DVDRFIN	Analog Input	AC coupled DVD RF signal input RFIN
96	DVDRFIP	Analog Input	AC coupled DVD RF signal input RFIP
94	CDA	Analog Input	AC coupled CD RF signal input A
93	CDB	Analog Input	AC coupled CD RF signal input B
92	CDC	Analog Input	AC coupled CD RF signal input C
91	CDD	Analog Input	AC coupled CD RF signal input D
90	OSN	Analog	RF Offset cancellation capacitor connecting
89	OSP	Analog	RF Offset cancellation capacitor connecting
85	CEQP	Analog	RF Offset cancellation capacitor connecting
84	CEQN	Analog	RF Offset cancellation capacitor connecting
88	RFGC	Analog	RF AGC loop capacitor connecting for DVD -ROM



87	RFGCU	Analog	RF AGC loop capacitor connecting for DVD -RAM
86	RFGCI	Analog	RF AGC loop capacitor connecting for DVD -RAM
101	MA	Analog Input	DC coupled DVD-RAM main-beam RF signal input A
102	MB	Analog Input	DC coupled DVD-RAM main-beam RF signal input B
103	MC	Analog Input	DC coupled DVD-RAM main-beam RF signal input C
104	MD	Analog Input	DC coupled DVD-RAM main-beam RF signal input D
105	SA	Analog Input	DC coupled DVD-RAM sub-beam RF signal input A
106	SB	Analog Input	DC coupled DVD-RAM sub-beam RF signal input B
110	SC	Analog Input	DC coupled DVD-RAM sub-beam RF signal input C
111	SD	Analog Input	DC coupled DVD-RAM sub-beam RF signal input D
108	IR	Analog	External current bias resistor (R=20K)
119	AGC1	Analog	Wobble AGC loop1 capacitor
121	AGC2	Analog	Wobble AGC loop2 capacitor
122	AGC3	Analog	Wobble AGC loop3 capacitor
127	RFSUBO	Analog output	Header push-pull RF output signal
1	WOBSO	Digital output	Wobble signal output
6	RFOP	Analog output	RF positive output
7	RFON	Analog output	RF negative output
TRACKING ERROR			
32	DPFN	Analog	DPD amplifier negative input
33	DPFO	Analog	DPD amplifier output
61	DPDMUTE	Digital input	DPD mute control input
116	TNI	Analog Input	3 beam satellite PD signal negative input
115	TPI	Analog Input	3 beam satellite PD signal positive input
21	TEO	Analog Output	Tracking error output
FOCUSING ERROR & RF LEVEL & CENTRAL SERVO SIGNAL			
112	CDFOP	Analog Input	CD focusing error positive input
113	CDFON	Analog Input	CD focusing error negative input
18	FEO	Analog Output	Focusing error output
19	LVL	Analog Output	RF level output
20	CSO	Analog output	Central servo signal output
ALPC			



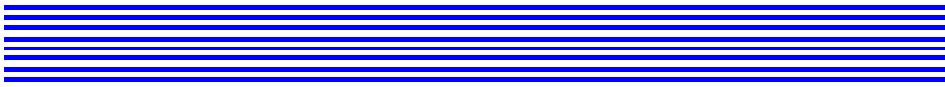
124	MDI1	Analog Input	Laser power monitor input
125	LDO1	Analog Output	Laser driver output
123	MDI2	Analog Input	Laser power monitor input
126	LDO2	Analog Output	Laser driver output
RF RIPPLE			
26	CRTP	Analog	RF top envelop filter capacitor connecting
27	CRTPLP	Analog	Defect level filter capacitor connecting
25	HRFRP	Analog output	High frequency RF ripple output or Blank detector' s output
24	LRFRP	Analog output	Low frequency RF ripple output
POWER			
67, 69	AVDD	Power	Master PLL Filter power
65, 73	AGND	GND	GND for Master PLL Filter
64	AVDD	Power	DPD Power
62	AGND	GND	DPD GND
109	AVDD	Power	RF path Power
107	AGND	GND	RF path GND
114	SVDD	Power	Servo Power
117	SGND	GND	Servo GND
2,120	WAVDD	Power	Wobble Power
128,118	WAGND	GND	Wobble GND
5	AVDDO	Power	Power for RF output
8	AGNDO	GND	GND for RF output
14	AVDDT	Power	Power for Trimming PAD
12	AGNDT	GND	GND for Trimming PAD
22	VDDP	Power	Peak Detection Power
31	GNDP	GND	Peak Detection GND
37,54	VDD	Power	Serial I/O Power
39,57	GND	GND	Serial I/O GND
REFERENCE VOLTAGE			
16	VREFO	Analog output	Reference voltage 1.4V
15	V2REFO	Analog output	Reference voltage 2.8V
17	V20	Analog Output	Reference voltage 2.0V



ALPC TRIMMING			
9	TM1	Analog input	Trimming pin for ALPC1
10	TM2	Analog input	Trimming pin for ALPC1
11	TM3	Analog input	Trimming pin for ALPC2
13	TM4	Analog input	Trimming pin for ALPC2
HIGH SPEED TRACK COUNTING			
29	TRLP	Analog	Low-pass filter capacitor connecting
28	TRLPA	Analog	Low-pass filter capacitor connecting
30	HTRC	Digital output	High speed track counting digital output
PCS			
74	HALLSIN	Analog input	Negative input of amplifier for hall sensor signal
75	REFSIN	Analog input	Positive input of amplifier for hall sensor signal
76	SINPHI	Analog output	Amplifier output for hall sensor signal
71	HALLCOS	Analog input	Negative input of amplifier for hall sensor signal
72	REFCOS	Analog input	Positive input of amplifier for hall sensor signal
70	COSPHI	Analog output	Amplifier output for hall sensor signal
FOR MONITOR ONLY			
81	MON	Analog output	
80	MOP	Analog output	
66	VCON	Analog output	
77	SWO	Analog output	Output from mux of SW1 & SW2
78	SW2	Analog input	External input for servo input select
79	SW1	Analog input	External input for servo input select
FOR SERIAL I/O			
42	IO0		
43	IO1		
44	IO2		
45	IO3		
46	IO4		
47	IO5		



48	IO6		
49	IO7		
50	IO8		
51	IO9		
52	IOA		
53	IOB		



Specifications are subject to change without notice

Progressive Scan DVD Player Combo Chip

8.2 MT1379

- Super Integration DVD player single chip
 - Servo controller and data channel processing
 - MPEG-1/MPEG-2/JPEG video decoding
 - Dolby AC-3/DTS/DVD-Audio audio decoding
 - Unified track buffer and A/V decoding buffer
 - Video processing for scaling and video quality enhancement
 - OSD & Sub-picture decoding
 - Built-in clock generator
 - Built-in TV encoder
 - Built-in progressive video output
 - Video input port and audio/SPDIF input port
- Speed Performance on Servo and Decoding
 - DVD-ROM up to 8XS
 - CD-ROM up to 24XS
 - Built-in a frequency programmable clock to μ P and RSPC Decoder to optimize the performance over power
- Channel Data Processor
 - Provides interface with analog front-end processor
 - Analog data slicer for small jitter capability
 - Built-in high performance data PLL for channel data demodulation
 - EFM/EFM+ data demodulation
 - Enhanced channel data frame sync protection & DVD-ROM sector sync protection
- Servo Control and Spindle Motor Control
 - Programmable frequency error gain and phase error gain of spindle PLL to control spindle motor on CLV and CAV mode
 - Provide a varipitch speed control for CLV and CAV mode
 - Built-in ADCs and DACs for digital servo control
 - Provide 2 general PWM
- Tray control can be PWM output or digital output
 - Built-in DSP for digital servo control
- Host Micro controller
 - Built-in 8032 micro controller
 - Built-in internal 373 and 8-bit programmable lower address port
 - 1024-bytes on-chip RAM
 - Up to 2M bytes FLASH-programming interface
 - Supports 5/3.3-Volt. FLASH interface
 - Supports power-down mode
 - Supports additional serial port
- DVD-ROM/CD-ROM Decoding Logic
 - Supports CD-ROM Mode 1, CD-ROM XA Mode 2 Form 1, CD-ROM XA Mode 2 Form 2, and CD-DA formats
 - High-speed ECC logic capable of correcting one error per each P-codeword or Q-codeword
 - Automatic sector Mode and Form detection
 - Automatic sector Header verification
 - 8-bit counter for decode completion check
 - Programmable descrambling and error correction schemes
 - Automatically repeated error corrections
 - 8-bit C2 Pointer counter
 - Decoder Error Notification Interrupt that signals various decoder errors
 - Provide error correction acceleration
- Buffer Memory Controller
 - Supports 16Mb/32Mb/64Mb/128Mb SDRAM
 - Supports 16-bit/32-bit SDRAM data bus interface
 - Build in a DRAM interface programmable clock to optimize the DRAM performance
 - Provide the self-refresh mode SDRAM
 - Programmable DRAM access cycle and refresh

- cycle timings
 - Block-based sector addressing
 - Programmable buffering counter for buffer status tracking
 - Maximum DRAM speed is 133MHz
 - Support 5/3.3-Volt. DRAM Interface
- Video Decode
 - Decodes MPEG1 video and MPEG2 main level, main profile video (720/480 and 720x576)
 - Maximum input bit-rate of 15Mbits/sec
 - Smooth digest view function with I, P and B picture decoding
 - Baseline, extended-sequential and progressive JPEG image decoding
 - RLE and non-RLE BMP image decoding
 - Support CD-G titles
- Video/OSD/SPU/HLI Processor
 - Arbitrary ratio vertical/horizontal scaling of video, from 0.25X to 256X
 - 65535/256/16/4/2-color bitmap format OSD,
 - 256/16 color RLC format OSD
 - Automatic scrolling of OSD image
 - Provides 4 -color/32x32-pixel hardware cursor
 - Fade-in, Fade out, and Wipe functions as specified in the DVD-Audio Specification and other slide show transition effects
 - Progressive scan output
- Audio Processing
 - Decoder format supports:
 - Dolby Digital (AC -3) decoding
 - DTS decoding
 - MLP decoding for DVD -Audio
 - MPEG-1 layer 1/layer 2 audio decoding
 - MPEG-2 layer1/layer2 2 -channel audio decoding
 - Dolby Pro Logic decoding
 - High Definition Compatible Digital (HDCD) decoding
 - Up to 6 channel linear PCM output for DVD Audio / DVD Video
- Downmix function
 - Support IEC 60958/61937 output
 - PCM / bit stream / mute mode
 - Custom IEC latency up to 2 frames
 - Pink noise and white noise generator
 - Karaoke functions
 - Microphone echo with adjustable echo level, echo -depth and delay length
 - Microphone tone control with three custom second-order IIR filter
 - Vocal mute/vocal assistant
 - Key shift up to +/- 8 keys controlled by 1/2 key
 - Channel equalizer
 - 3D surround processing include virtual surround and speaker separation
 - Power-down control
 - HDCD certified
- TV Encoder
 - Six 54MHz/12bit DA converters
 - Support NTSC, PAL-BDGHl, PAL-N, PAL-M interlace TV format and 480p, 576p progressive TV format
 - Automatically turn off unconnected channel(s).
 - Support PC monitor (VGA)
 - Support Macrovision 7.1
- Progressive Output
 - Automatic detect film or video source
 - 3:2 pull down source detection
 - Advanced Motion adaptive de-interlace
 - Minimum external memory requirement
- Audio/Video Output
 - Line-in/SPDIF-in for versatile audio processing
 - CCIR601/656 video input port
 - Support picture-in-picture for video decoding and input source
- Outline
 - 216-pin LQFP package
 - 3.3/2.5-Volt. Dual operating voltages



PIN DEFINITIONS

Pin Number	Symbol	Type	Description
1	IREF	Analog Input	Current reference input. It generates reference current for data PLL. Connect an external 100K resistor to this pin and PLLVSS.
2	PLLVSS	Ground	Ground pin for data PLL and related analog circuitry
3	LPIOP	Analog Output	Positive output of the low pass filter
4	LPION	Analog Output	Negative output of the low pass filter
5	LPFON	Analog output	Negative output of loop filter amplifier
6	LPFIP	Analog Input	Positive input of loop filter amplifier
7	LPFIN	Analog Input	Negative input of loop filter amplifier
8	LPFOP	Analog Output	Positive output of loop filter amplifier
9	JITFO	Analog Output	RF jitter meter output
10	JITFN	Analog Input	Negative input of the operation amplifier for RF jitter meter
11	PLLVDD3	Power	3.3V power pin for data PLL and related analog circuitry
12	FOO	Analog Output	Focus servo output. PDM output of focus servo compensator
13	TRO	Analog Output	Tracking servo output. PDM output of tracking servo compensator
14	TROPENPWM	Analog Output	Tray open output, controlled by microcontroller. This is PWM output for TRWMEN27hRW2=1 or is digital output for TRWMEN27hRW2=0
15	PWMOUT1	Analog Output	The 1st general PWM output
16	PWMOUT2	Analog Output	The 2nd general PWM output
17	DVDD2	Power	2.5V power pin for internal fully digital circuitry
18	DMO	Analog Output	Disk motor control output. PWM output
19	FMO	Analog Output	Feed motor control. PWM output
20	DVSS	Ground	Ground pin for internal fully digital circuitry
21	FG	Input	Motor Hall sensor input
22	HIGHA0	Inout 2~16MA, SR PU	Microcontroller address 8
23	HIGHA1	Inout 2~16MA, SR PU	Microcontroller address 9
24	HIGHA2	Inout 2~16MA, SR PU	Microcontroller address 10
25	HIGHA3	Inout 2~16MA, SR PU	Microcontroller address 11
26	HIGHA4	Inout 2~16MA, SR PU	Microcontroller address 12
27	HIGHA5	Inout 2~16MA, SR PU	Microcontroller address 13
28	DVSS	Ground	Ground pin for internal digital circuitry

Pin Number	Symbol	Type	Description
29	HIGHA6	Inout 2~16MA, SR PU	Microcontroller address 14
30	HIGHA7	Inout 2~16MA, SR PU	Microcontroller address 15
31	AD7	Inout 2~16MA, SR	Microcontroller address/data 7
32	AD6	Inout 2~16MA, SR	Microcontroller address/data 6
33	AD5	Inout 2~16MA, SR	Microcontroller address/data 5
34	AD4	Inout 2~16MA, SR	Microcontroller address/data 4
35	DVDD3	Power	3.3V power pin for internal digital circuitry
36	AD3	Inout 2~16MA, SR	Microcontroller address/data 3
37	AD2	Inout 2~16MA, SR	Microcontroller address/data 2
38	AD1	Inout 2~16MA, SR	Microcontroller address/data 1
39	AD0	Inout 2~16MA, SR	Microcontroller address/data 0
40	IOA0	Inout 2~16MA, SR PU	Microcontroller address 0 / IO
41	IOA1	Inout 2~16MA, SR PU	Microcontroller address 1 / IO
42	DVDD2	Power	2.5V power pin for internal digital circuitry
43	IOA2	Inout 2~16MA, SR PU	Microcontroller address 2 / IO
44	IOA3	Inout 2~16MA, SR PU	Microcontroller address 3 / IO
45	IOA4	Inout 2~16MA, SR PU	Microcontroller address 4 / IO
46	IOA5	Inout 2~16MA, SR PU	Microcontroller address 5 / IO
47	IOA6	Inout 2~16MA, SR PU	Microcontroller address 6 / IO

Pin Number	Symbol	Type	Description
48	IOA7	Inout 2~16MA, SR PU	Microcontroller address 7 / IO
49	A16	Output 2~16MA, SR	Flash address 16
50	A17	Output 2~16MA, SR	Flash address 17
51	IOA18	Inout 2~16MA, SR SMT	Flash address 18 / IO
52	IOA19	Inout 2~16MA, SR SMT	Flash address 19 / IO
53	IOA20	Inout 2~16MA, SR SMT	Flash address 20 / IO OR Videoin Data PortB 0
54	APLLVSS	Ground	Ground pin for audio clock circuitry
55	APLLVDD3	Power	3.3V Power pin for audio clock circuitry
56	ALE	Inout 2~16MA, SR PU, SMT	Microcontroller address latch enable
57	IOOE#	Inout 2~16MA, SR SMT	Flash output enable, active low / IO
58	IOWR#	Inout 2~16MA, SR SMT	Flash write enable, active low / IO
59	IOCS#	Inout 2~16MA, SR PU, SMT	Flash chip select, active low / IO
60	DVSS	Ground	Ground pin for internal digital circuitry
61	UP1_2	Inout 4MA, SR PU, SMT	Microcontroller port 1-2
62	UP1_3	Inout 4MA, SR PU, SMT	Microcontroller port 1-3
63	UP1_4	Inout 4MA, SR PU, SMT	Microcontroller port 1-4
64	UP1_5	Inout 4MA, SR PU, SMT	Microcontroller port 1-5
65	UP1_6	Inout 4MA, SR PU, SMT	Microcontroller port 1-6
66	DVDD3	Power	3.3V power pin for internal digital circuitry

Pin Number	Symbol	Type	Description
67	UP1_7	Inout 4MA, SR PU, SMT	Microcontroller port 1-7
68	UP3_0	Inout 4MA, SR PU, SMT	Microcontroller port 3-0
69	UP3_1	Inout 4MA, SR PU, SMT	Microcontroller port 3-1
70	INT0#	Inout 2~16MA, SR PU, SMT	Microcontroller interrupt 0, active low
71	IR	Input SMT	IR control signal input
72	DVDD2	Power	2.5V power pin for internal digital circuitry
73	UP3_4	Inout	Microcontroller port 3-4
74	UP3_5	Inout	Microcontroller port 3-5
75	UWR#	Inout 2~16MA, SR PU, SMT	Microcontroller write strobe, active low
76	URD#	Inout 2~16MA, SR PU, SMT	Microcontroller read strobe, active low
77	DVSS	Ground	Ground pin for internal digital circuitry
78	RD7	Inout	DRAM data 7
79	RD6	Inout	DRAM data 6
80	RD5	Inout	DRAM data 5
81	RD4	Inout	DRAM data 4
82	DVDD2	Power	2.5V power pin for internal digital circuitry
83	RD3	Inout	DRAM data 3
84	RD2	Inout	DRAM data 2
85	RD1	Inout	DRAM data 1
86	RD0	Inout	DRAM data 0
87	RWE#	Output 2~16MA, SR	DRAM Write enable, active low
88	CAS#	Output 2~16MA, SR	DRAM columnaddress strobe, active low
89	RAS#	Output 2~16MA, SR	DRAM row address strobe, active low
90	RCS#	Output 2~16MA, SR	DRAM chip select, active low
91	BA0	Output 2~16MA, SR	DRAM bank address 0
92	DVSS	Ground	Ground pin for internal digital circuitry
93	RD15	Inout 2~16MA, SR PU/PD, SMT	DRAM data 15

Pin Number	Symbol	Type	Description
94	RD14	Inout 2~16MA, SR PU/PD, SMT	DRAM data 14
95	RD13	Inout 2~16MA, SR PU/PD, SMT	DRAM data 13
96	RD12	Inout 2~16MA, SR PU/PD, SMT	DRAM data 12
97	DVDD3	Power	3.3V power pin for internal digital circuitry
98	RD11	Inout 2~16MA, SR PU/PD, SMT	DRAM data 11
99	RD10	Inout 2~16MA, SR PU/PD, SMT	DRAM data 10
100	RD9	Inout 2~16MA, SR PU/PD, SMT	DRAM data 9
101	RD8	Inout 2~16MA, SR PU/PD, SMT	DRAM data 8
102	DVSS	Ground	Ground pin for internal digital circuitry
103	CLK	Output 2~16MA, SR	DRAM clock
104	CLE	Output 2~16MA, SR	DRAM clock enable
105	RA11	Output 2~16MA, SR	DRAM address bit 11 or audio serial data 3 (channel 7/8)
106	RA9	Output 2~16MA, SR	DRAM address 9
107	RA8	Output 2~16MA, SR	DRAM address 8
108	DMVDD3	Power	3.3V Power pin for DRAM clock circuitry
109	DMVSS	Ground	Ground pin for DRAM clock circuitry
110	RA7	Output 2~16MA, SR	DRAM address 7
111	DVDD3	Power	3.3V power pin for internal digital circuitry
112	RA6	Output 2~16MA, SR	DRAM address 6
113	RA5	Output 2~16MA, SR	DRAM address 5
114	RA4	Output 2~16MA, SR	DRAM address 4
115	DVSS	Ground	Ground pin for internal digital circuitry
116	DQM1	Output 2~16MA, SR	Mask for DRAM input/output byte 1

Pin Number	Symbol	Type	Description
117	DQM0	Output 2~16MA, SR	Mask for DRAM input/output byte 0
118	BA1	Output 2~16MA, SR	DRAM bank address 0
119	RA10	Output 2~16MA, SR	DRAM address10
120	DVDD2	Power	2.5V power pin for internal digital circuitry
121	RA0	Output 2~16MA, SR	DRAM address 0
122	RA1	Output 2~16MA, SR	DRAM address 1
123	RA2	Output 2~16MA, SR	DRAM address 2
124	RA3	Output 2~16MA, SR	DRAM address 3
125	DVSS	Ground	Ground pin for internal digital circuitry
126	RD31	Inout 2~16MA, SR PU/PD, SMT	DRAM data 31
127	RD30	Inout 2~16MA, SR PU/PD, SMT	DRAM data 30
128	RD29	Inout 2~16MA, SR PU/PD, SMT	DRAM data 29
129	RD28	Inout 2~16MA, SR PU/PD, SMT	DRAM data 28
130	DVDD3	Power	3.3V power pin for internal digital circuitry
131	RD27	Inout 2~16MA, SR PU/PD, SMT	DRAM data 27
132	RD26	Inout 2~16MA, SR PU/PD, SMT	DRAM data 26
133	RD25	Inout 2~16MA, SR PU/PD, SMT	DRAM data 25
134	RD24	Inout 2~16MA, SR PU/PD, SMT	DRAM data 24
135	DVSS	Ground	Ground pin for internal digital circuitry
136	DQM3	Output 2~16MA, SR	Mask for DRAM input/output byte 3
137	DQM2	Output 2~16MA, SR	Mask for DRAM input/output byte 2

Pin Number	Symbol	Type	Description
138	RD23	Inout 2~16MA, SR PU/PD, SMT	DRAM data 23 / Videoin Data PortA 7
139	RD22	Inout 2~16MA, SR PU/PD, SMT	DRAM data 22 / Videoin Data PortA 6
140	DVDD2	Power	2.5V power pin for internal digital circuitry
141	RD21	Inout 2~16MA, SR PU/PD, SMT	DRAM data 21 / Videoin Data PortA 5
142	RD20	Inout 2~16MA, SR PU/PD, SMT	DRAM data 20 / Videoin Data PortA 4
143	RD19	Inout 2~16MA, SR PU/PD, SMT	DRAM data 19 / Videoin Data PortA 3
144	RD18	Inout 2~16MA, SR PU/PD, SMT	DRAM data 18 / Videoin Data PortA 2
145	DVSS	Ground	Ground pin for internal digital circuitry
146	RD17	Inout 2~16MA, SR PU/PD, SMT	DRAM data 17 / Videoin Data PortA 1
147	RD16	Inout 2~16MA, SR PU/PD, SMT	DRAM data 16 / Videoin Data PortA 0
148	ABCK	Output 4MA	Audio bit clock
149	ALRCK	Inout 4MA, PD, SMT	(1) Audio left/right channel clock (2) Trap value in power-on reset : 1 : use external 373 0: use internal 373
150	DVDD3	Power	3.3V power pin for internal digital circuitry
151	ACLK	Inout 4MA	Audio DAC master clock (384/256 audio sample frequency)
152	MC_DATA	Input	Microphone serial input
153	SPDIF	Output 2~16MA, SR : ON/OFF	SPDIF output
154	ASDATA0	Inout 4MA PD SMT	(1) Audio serial data 0 (left/right channel) (2) Trap value in power-on reset : 1 : manufactory test mode 0 : normal operation
155	ASDATA1	Inout 4MA PD SMT	(1) Audio serial data 1 (surround left/surround right channel) (2) Trap value in power-on reset : 1 : manufactory test mode 0 : normal operation
156	ASDATA2	Inout 4MA PD SMT	(1) Audio serial data 2 (center/left channel) (2) Trap value in power-on reset : 1 : manufactory test mode 0 : normal operation

Pin Number	Symbol	Type	Description
157	ASDATA3	Inout 4MA PD SMT	(1) Audio serial data 3 (surround left/surround right channel) (2) Trap value in power-on reset : 1 : manufactory test mode 0 : normal operation OR Videoin Data PortB 1
158	ASDATA4	Inout 4MA PD SMT	(1) Audio serial data 4 (center/left channel) (2) Trap value in power-on reset : 1 : manufactory test mode 0 : normal operation OR Videoin Data PortB 2
159	DACVDDC	Power	3.3V power pin for VIDEO DAC circuitry
160	VREF	Analog input	Bandgap reference voltage
161	FS	Analog output	Full scale adjustment
162	YUV0/CIN	Output 4MA, SR	Video data output bit 0 / Compensation capacitor
163	DACVSSC	Ground	Ground pin for VIDEO DAC circuitry
164	YUV1/C	Output 4MA, SR	Video data output bit 1 / Analog chroma output
165	DACVddb	Power	3.3V power pin for VIDEO DAC circuitry
166	YUV2/Y	Output 4MA, SR	Video data output bit 2 / Analog Y output
167	DACVSSB	Ground	Ground pin for VIDEO DAC circuitry
168	YUV3/CVBS	Output 4MA, SR	Video data output bit 3 / Analog composite output
169	DACVDDA	Power	3.3V power pin for VIDEO DAC circuitry
170	YUV4/G	Output 4MA, SR	Video data output bit 4 / Green or Y
171	DACVSSA	Ground	Ground pin for VIDEO DAC circuitry
172	YUV5/B	Output 4MA, SR	Video data output bit 5 / Blue or CB
173	YUV6/R	Output 4MA, SR	Video data output bit 6 / Red or CR
174	ICE	Input PD, SMT	Microcontroller ICE mode enable
175	BLANK#	Inout 4MA, SR SMT	Video blank area, active low / Videoin Field_601
176	VSYN	Inout 4MA, SR SMT	Vertical sync / Videoin Vsync_601
177	YUV7	Inout 4MA, SR SMT	Video data output bit 7 / Videoin Data PortB 3
178	DVSS	Ground	Ground pin for internal digital circuitry
179	HSYN	Inout 4MA, SR SMT	Horizontal sync / Videoin Hsync_601
180	SPMCLK	Input	Audio DAC master clock of SPDIF input / Videoin Data PortB 4

Pin Number	Symbol	Type	Description
181	SPDATA	Input	Audio data of SPDIF input / Videoin Data PortB 5
182	DVDD2	Power	2.5V power pin for internal digital circuitry
183	SPLRCK	Input	Audio left/right channel clock of SPDIF input / Videoin Data PortB 6
184	SPBCK	Input	Audio bit clock of SPDIF input / Videoin Data PortB 7
185	DVDD3	Power	3.3V power pin for internal digital circuitry
186	XTALO	Output	Crystal output
187	XTALI	Input	Crystal input
188	PRST	Input PD, SMT	Power on reset input, active high
189	DVSS	Ground	Ground pin for internal digital circuitry
190	VFO13	Output	The 1st, 3rd header VFO pulse output
191	IDGATE	Output	Header detect signal output
192	DVDD3	Power	3.3V power pin for internal digital circuitry
193	UDGATE	Output	DVD_RAM recording data gate signal output
194	WOBSI	Input	Wobble signal input
195	SDATA	Output	RF serial data output
196	SDEN	Output	RF serial data latch enable
197	SLCK	Output	RF serial clock output
198	BDO	Input	Flag of defect data input status
199	ADCVSS	Ground	Ground pin for ADC circuitry
200	ADIN	Analog Input	General A/D input
201	RFSUBI	Analog Input	RF subtraction signal input terminal
202	TEZISLV	Analog Input	Tracking error zero crossing low pass input
203	TEI	Analog Input	Tracking error input
204	CSO	Analog Input	Central servo input
205	FEI	Analog Input	Focus error input
206	RFLEVEL	Analog Input	Sub beam add input or RFRP low pass input
207	RFRP_DC	A Input	RF ripple detect input
208	RFRP_AC	Analog Input	RF ripple detect input (through AC coupling)
209	HRFZC	Analog Input	High frequency RF ripple zero crossing
210	PWMVREF	A Input	A reference voltage input for PWM circuitry. A typical value of 4.0 v
211	PWM2VREF	A Input	A reference voltage input for PWM circuitry. A typical value of 2.0 v
212	ADCVDD3	Power	3.3V power pin for ADC circuitry
213	RFDTSLVP	Analog Output	Positive RF data slicer level output
214	RFDTSLVN	Analog Output	Negative RF data slicer level output
215	RFIN	Analog Input	Negative input of RF differential signal
216	RFIP	Analog Input	Positive input of RF differential signal

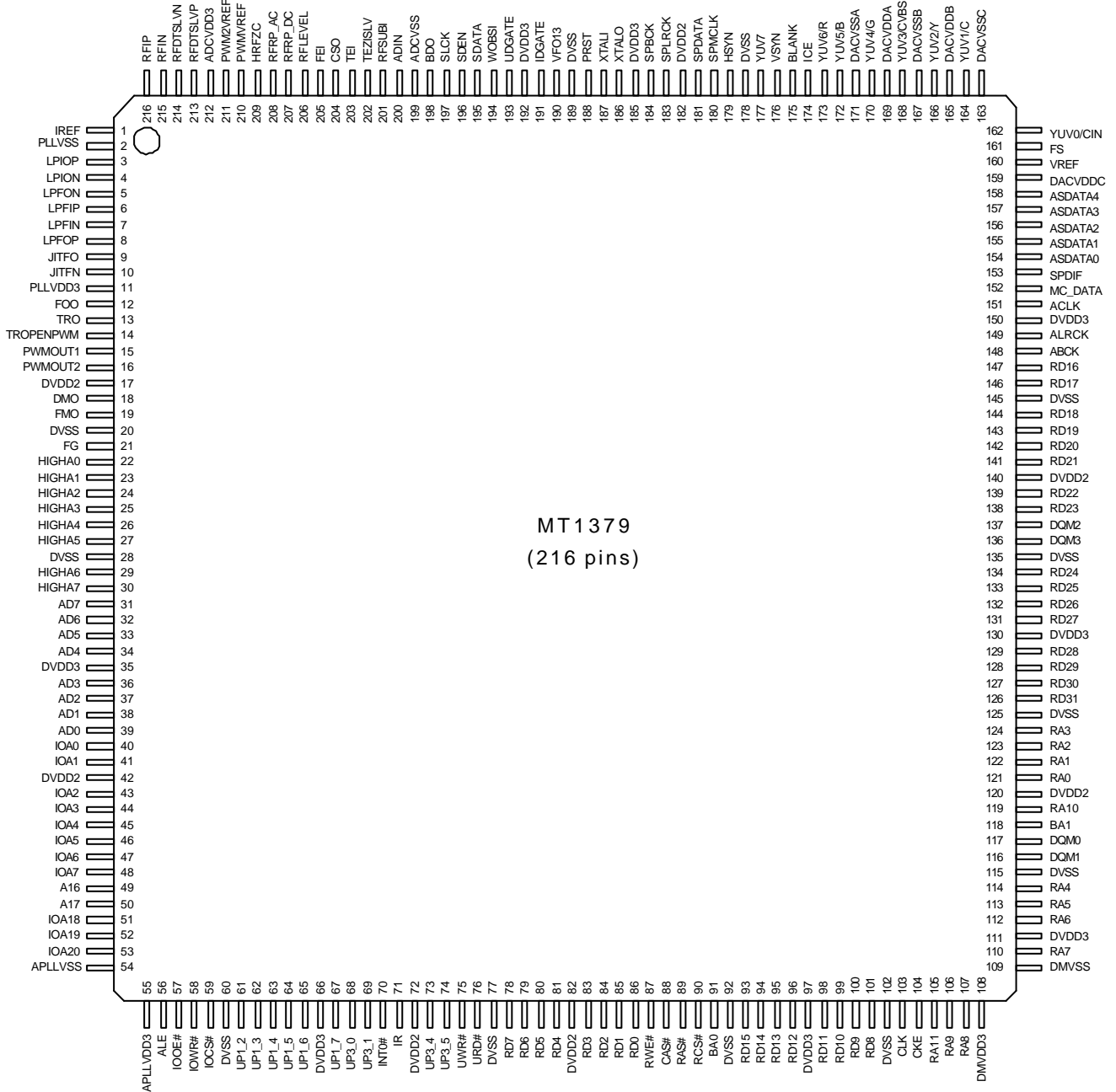


MT1379

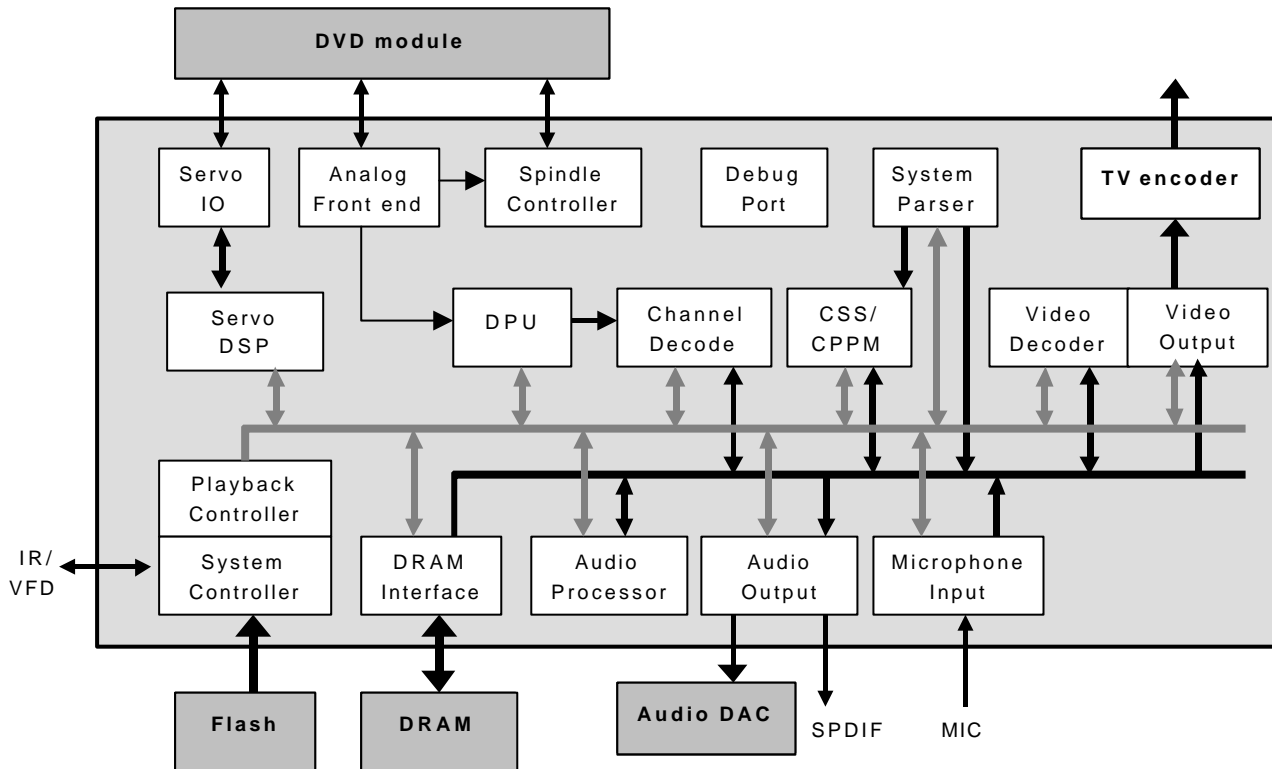
PRELIMINARY, SUBJECT TO CHANGE WITHOUT NOTICE

MTK CONFIDENTIAL, NO DISCLOSURE

26 Jul, 2002
Page 1 of 2



FUNCTIONAL BLOCK



Servo Controller

The servo control is accomplished through the servo DSP (Servo Digital Signal Processor) and its accessory I/O circuits. This servo DSP is capable of performing complex operations and also provides a friendly interface for the system controller. By issuing type 1 and type 2 commands from the system controller, the servo DSP can accomplish various complicated servo control functions, such as tracking, seeking and MT1336/MT1376 chip register programming. As for the servo I/O circuits, it provides interface between the input servo signals and the Servo DSP. It has built-in ADCs to digitize the servo control signal and DACs to provide signals for the actuator and sledge motor. It also has a serial interface to communicate with the MT1336/MT1376 chip.

Analog Front End

The analog front end contains a data slicer circuit and a data PLL circuit. The RF analog signal from MT1336/MT1376 is quantized by the data slicer to form the EFM/EFM+ bit stream, from which the channel bit clock is extracted by the data PLL. The EFM/EFM+ bit stream and bit clock are then output to DPU for channel bit processing.

DPU

Data path unit (DPU) provides protection on data with lost synchronization patterns and demodulates EFM/EFM+ bit stream into the channel raw data that will be corrected by the decoder. The synchronization protection makes data after the synchronization pattern to be extracted even if the synchronization pattern is not found.

Spindle Controller

The spindle controller is used to control disc spindle motor. It includes a varipitch CLV clock generator, a CLV/CAV controller, and a PWM generator. The varipitch CLV clock generator generates a reference clock for the speed of operation. The CLV/CAV

controller changes the mode and speed of operation according to servo register setting. The PWM generator generates pulse-width-modulated signal to drive disc spindle motor driver.

CSS/CPPM

The CSS/CPPM module provides functions necessary for decoding discs conforming to CSS/CPPM specification.

System Parser

The system parser is used to help the system controller to decode DVD/SVCD/VCD bitstream just after the channel decoder performing error correction. Acting as a DMA master, it moves bitstream data from RSPC buffer to video, audio, or sub-picture buffer according to system controller request. It also decrypts the scramble data of the CSS/CPPM sectors. Another function of system parser is providing system controller/DSP a DRAM memory copy controller to enhance system controller/DSP performance.

Video Decoder

The primary function of MT1379 is to support MPEG1 and MPEG2 video decoding. The video decode engine comprises of variable length decoder (VLD), inverse transformer (IT), motion compensator (MC), and block reconstructor (BR). The video decode engine decodes the variable length encoded symbols in MPEG bitstream and performs inverse scan, inverse quantization, mismatch control and inverse discrete cosine transform onto the variable length decoded data. The motion compensator fetches prediction data from reference picture buffer according to motion vectors and motion prediction mode for P and B pictures. Finally, the block reconstructor combines both the results of inverse transformer and motion compensator to derive the reconstructed image macroblock and write back to picture buffer.

The video decode engine can also support JPEG and BMP file decoding by common image compression hardware kernels.

Video Output

The Video Output unit contains Video Processor, SPU, OSD, Cursor, TV encoder units, it performs

- Reading decoded video from DRAM buffer
- Scaling the image
- Gamma/Brightness/Hue/Saturation adjustment and edge enhancement
- Reading and decoding SPU and OSD data from DRAM buffer
- Generating hardware cursor image
- Merging the video data, SPU, OSD and cursor

Video Processor

The Video Processor unit controls the transfer of video data stored in the DRAM to an internal or external TV encoder. It uses FIFOs to buffer outgoing luminance and chrominance data, and performs YUV420 to YUV422 conversion and arbitrary vertical/horizontal decimation/interpolation, from 1/4x to 256x. With this arbitrary ratio scaling capability, the Video Processor can perform arbitrary image conversion, such as PAL to NTSC, NTSC to PAL, MPEG1 to MPEG2, Letterbox, Pan-Scan conversion or zoom in, zoom out. It is also capable of interlace to progressive conversion.

The Video Processor unit performs the following functions:

- Requests and receives the decoded picture data from the picture buffer in external DRAM for display
- Resample vertical data to create 4:2:2 sample format
- Optionally performs vertical/horizontal resampling of both luminance and chrominance data
- Performs optional Gamma correction, luminance/chrominance adjustment, and edge enhancement

The Video Processor unit contains two 2-tap vertical filters for luminance and chrominance. These filters are used to interpolate and reposition luminance and chrominance line to improve picture quality. These filters are capable of generating up to eight, unique subline value between two consecutive scan lines. The generation of lines depends on the ratio between the height of the source image and the target image. In applications where DRAM bandwidth are critical the filters can be configured as simple line-repeating to reduce the DRAM bandwidth required.

The Video Processor unit integrates two separate horizontal postprocessing filter, a simple 2-tap linear horizontal filter and an 8-tap programmable filter. These filters are provided for scaling images horizontally along the scan line. These two filters is capable of generating up to eight, unique subpixel values between two consecutive pixels on a scan line. The generation of pixels depends on the ratio between the width of the source image and the target image.

SPU



This is a hardware sub-picture decoder. It decodes the compressed SPU image bitstream and CHG_COLCON commands according to SPU header information previously decoded by system controller. The SPU module also allows two SPU objects to be displayed at the same time. SPU image is blended with main video stream.

OSD

The OSD module can operate with 2/4/16/256-color bitmap format (1/2/4/8 bits), and 16/256 color RLC format, all have 16 levels of transparency. In addition, it accepts a special WARP mode, which inserts one programmable RLC code in the bitmap to reduce the image size stored in DRAM. It also features automatic shadow/outline generation in 2-color mode, 2 Highlight areas, 1 ChangeColor area and 1 OSDVoid area. One OSD area can occupy the full or a partial screen, or multiple OSDs can occur in a screen at the same time, only if they don't occupy the same horizontal line. The output image is blended with the video-SPU mixed stream.

Cursor

A hardware cursor generator is integrated in Video Output Unit. The cursor image is a 32x32 4-color bitmap image, each colors are programmable. Cursor can be enlarged by 2 in both vertical and horizontal directions. Cursor image is multiplexed with video-SPU-OSD mixed stream.

Audio Interface

Audio interface consists of Audio Output Interface and Microphone Input Interface.

Audio Output Interface

The MT1379 can support up to 8 channel audio outputs. The output formats can be 16, 24, or 32-bit frames. Left alignment, right alignment, or I²S formats are all supported.

With built-in PLL, MT1379 can provide the audio clock (ACLK) for external audio DAC at 384Fs, where Fs is usually 32KHz, 44.1KHz, 48KHz, 96KHz, or 192KHz. ACLK can also be programmed to be from outside MT1379. When ACLK is input to MT1379, the frequency could be 128*n Fs, where n is from 1 to 7.

Audio raw (encoded) data or cooked (decoded) data can be output on a single line using S/PDIF interface. The output slew rate and driving force of this pad are programmable.

Microphone Input Interface

The MT1379 provides a microphone input interface. Two independent microphones' data could be input to the MT1379. There are two independent digital volume control for these two input channels. The input data formats can also be left alignment, right alignment, or I²S formats.

System Controller

MT1379 uses an embedded Turbo-8032 as System Controller and provide ICE interface to increase the feasibility of F/W development. Also, MT1379 includes an build-in internal 373 to latch lower byte address from 8032 Port 0 and provide a glue-logic free solution. MT1379 supports up to 1M X 16 bits Flash ROM to store 8032 code, H/W related data, User data, etc. F/W upgrade can be achieved either by debug interface or by disk.

ELECTRICAL CHARACTERISTICS
Absolute Maximum Rating

Symbol	Parameters	Value	Unit
VDD3	3.3V Supply voltage	-0.3 to 3.6	V
VDD2	2.5V Supply voltage	-0.3 to 3.0	V
VDDA	Analog Supply voltage	-0.3 to 3.6	V
V _{IN}	Input Voltage	-0.3 to 5.5	V
V _{OUT}	Output Voltage	-0.3 to VDD3+0.3	V
T _a	Ambient Temperature	0 to 70	°C

DC Characteristics

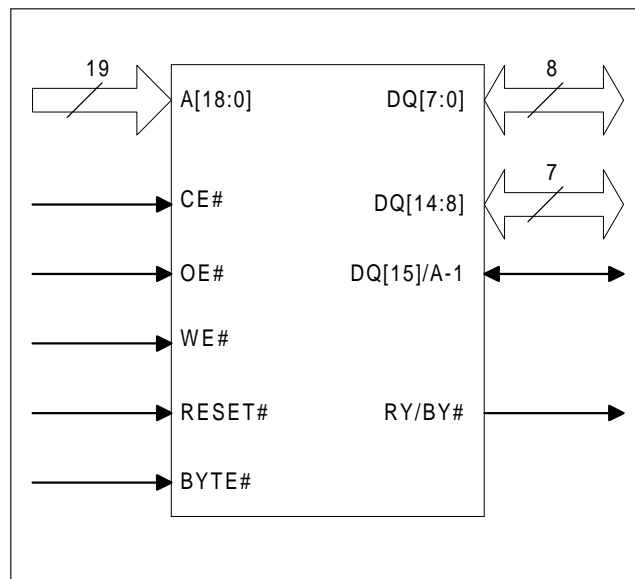
Symbol	Parameters	Min	Typ	Max	Unit
V _{IH}	Input voltage high	2.4	-	3.6	V
V _{IL}	Input voltage low	-	-	0.8	V
V _{OH}	Output voltage high	3.0	-	VDD3	V
V _{OL}	Output voltage low	-	-	0.5	V
I _{IH}	High level input current			10	uA
I _{IL}	Low level input current	-10			uA
P _D	Power dissipation		1.0		W
P _{Down}	Power down mode			0.1	W

IC BLOCK DIAGRAM & DESCRIPTION

8.3 U214 HY29F800

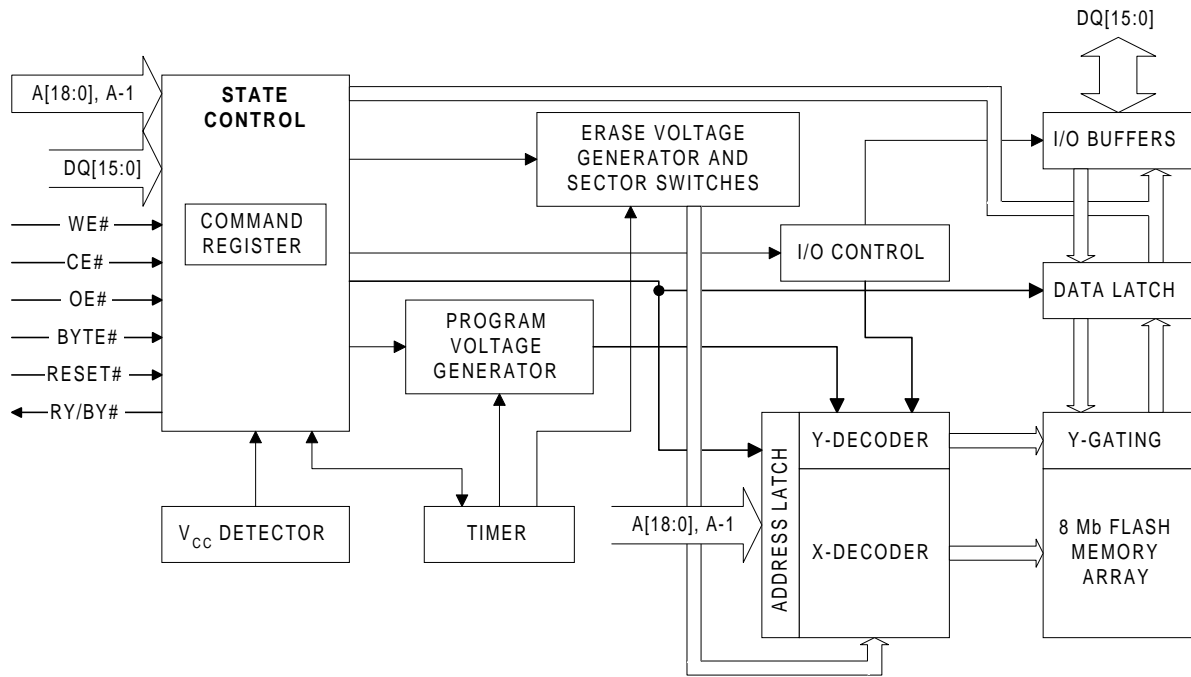
KEY FEATURES

- **5 Volt Read, Program, and Erase**
 - Minimizes system-level power requirements
- **High Performance**
 - Access times as fast as 55 ns
- **Low Power Consumption**
 - 20 mA typical active read current in byte mode, 28 mA typical in word mode
 - 35 mA typical program/erase current
 - 5 μ A maximum CMOS standby current
- **Compatible with JEDEC Standards**
 - Package, pinout and command-set compatible with the single-supply Flash device standard
 - Provides superior inadvertent write protection
- **Sector Erase Architecture**
 - Boot sector architecture with top and bottom boot block options available
 - One 16 Kbyte, two 8 Kbyte, one 32 Kbyte and fifteen 64 Kbyte sectors in byte mode
 - One 8 Kword, two 4 Kword, one 16 Kword and fifteen 32 Kword sectors in word mode
 - A command can erase any combination of sectors
 - Supports full chip erase
- **Erase Suspend/Resume**
 - Temporarily suspends a sector erase operation to allow data to be read from, or programmed into, any sector not being erased
- **Sector Protection**
 - Any combination of sectors may be locked to prevent program or erase operations within those sectors
- **Temporary Sector Unprotect**
 - Allows changes in locked sectors (requires high voltage on RESET# pin)
- **Internal Erase Algorithm**
 - Automatically erases a sector, any combination of sectors, or the entire chip
- **Internal Programming Algorithm**
 - Automatically programs and verifies data at a specified address
- **Fast Program and Erase Times**
 - Byte programming time: 7 μ s typical
 - Sector erase time: 1.0 sec typical
 - Chip erase time: 19 sec typical
- **Data# Polling and Toggle Status Bits**
 - Provide software confirmation of completion of program or erase operations
- **Ready/Busy# Output (RY/BY#)**
 - Provides hardware confirmation of completion of program and erase operations
- **Minimum 100,000 Program/Erase Cycles**
- **Space Efficient Packaging**
 - Available in industry-standard 44-pin PSOP and 48-pin TSOP and reverse TSOP packages



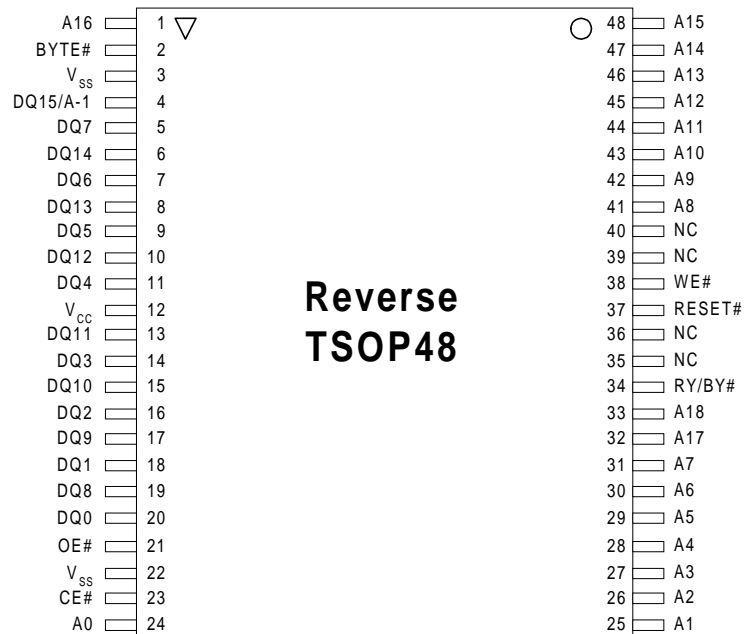
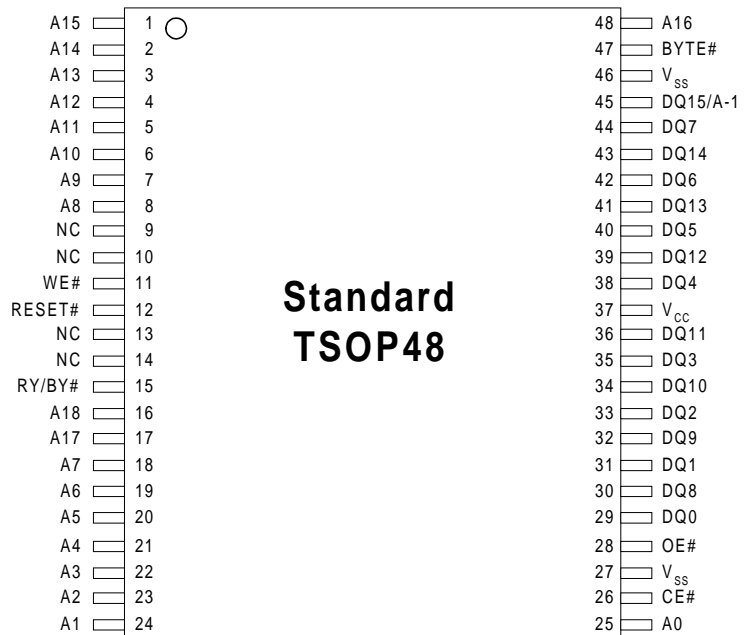
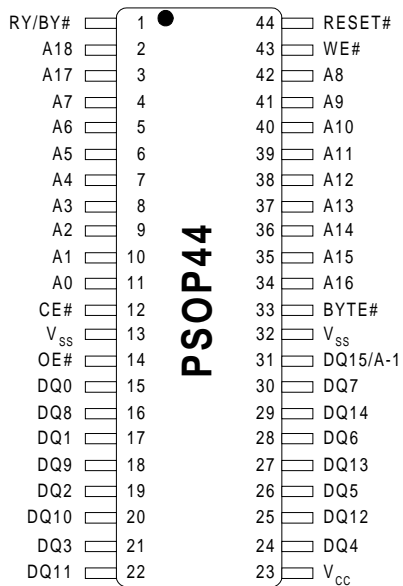
IC BLOCK DIAGRAM & DESCRIPTION

BLOCK DIAGRAM



IC BLOCK DIAGRAM & DESCRIPTION

PIN CONFIGURATIONS



8.4 HY57V641620HG

DESCRIPTION

The Hyundai HY57V641620HG is a 67,108,864-bit CMOS Synchronous DRAM, ideally suited for the main memory applications which require large memory density and high bandwidth. HY57V641620HG is organized as 4banks of 1,048,576x16.

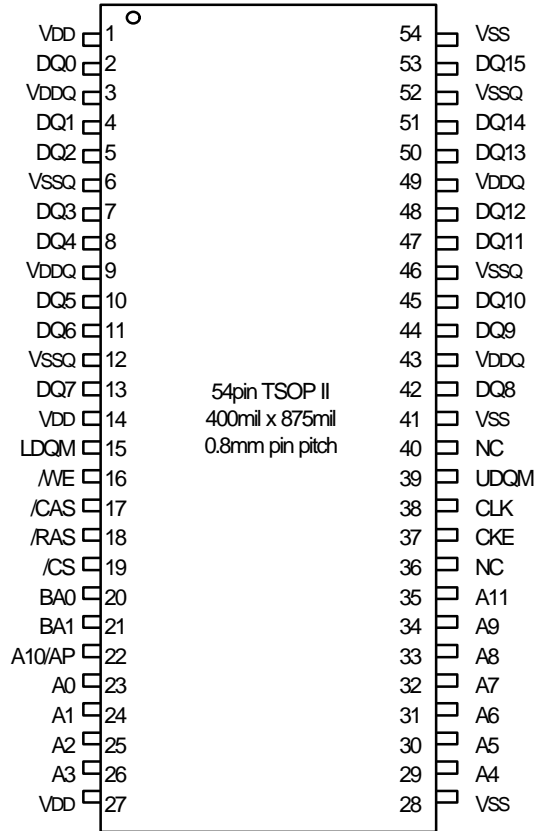
HY57V641620HG is offering fully synchronous operation referenced to a positive edge of the clock. All inputs and outputs are synchronized with the rising edge of the clock input. The data paths are internally pipelined to achieve very high bandwidth. All input and output voltage levels are compatible with LVTTTL.

Programmable options include the length of pipeline (Read latency of 2 or 3), the number of consecutive read or write cycles initiated by a single control command (Burst length of 1,2,4,8 or Full page), and the burst count sequence(sequential or interleave). A burst of read or write cycles in progress can be terminated by a burst terminate command or can be interrupted and replaced by a new burst read or write command on any cycle. (This pipelined design is not restricted by a `2N` rule.)

FEATURES

- Single 3.3±0.3V power supply ^{Note)}
- All device pins are compatible with LVTTTL interface
- JEDEC standard 400mil 54pin TSOP-II with 0.8mm of pin pitch
- All inputs and outputs referenced to positive edge of system clock
- Data mask function by UDQM or LDQM
- Internal four banks operation
- Auto refresh and self refresh
- 4096 refresh cycles / 64ms
- Programmable Burst Length and Burst Type
 - 1, 2, 4, 8 or Full page for Sequential Burst
 - 1, 2, 4 or 8 for Interleave Burst
- Programmable $\overline{\text{CAS}}$ Latency ; 2, 3 Clocks

PIN CONFIGURATION

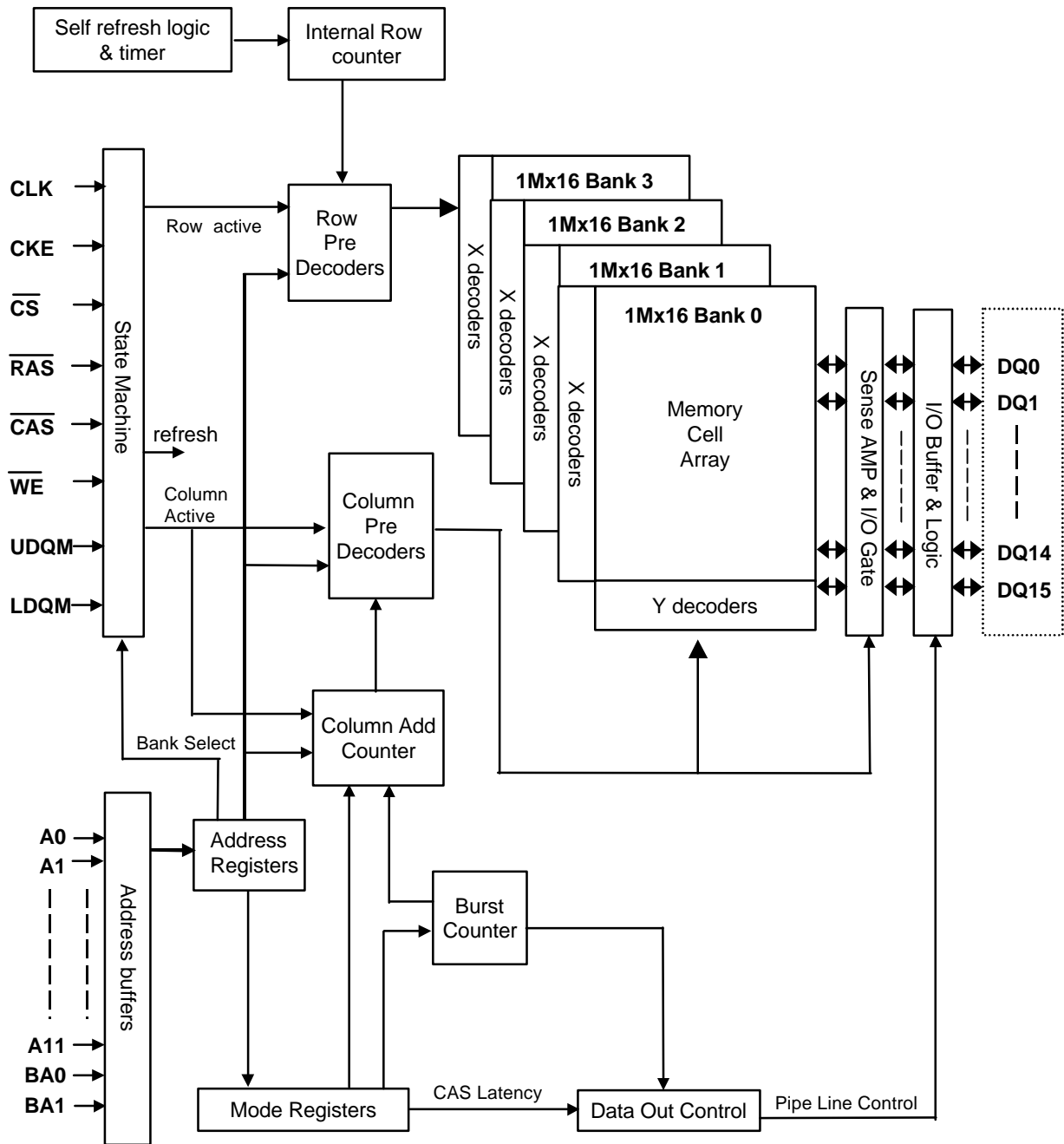


PIN DESCRIPTION

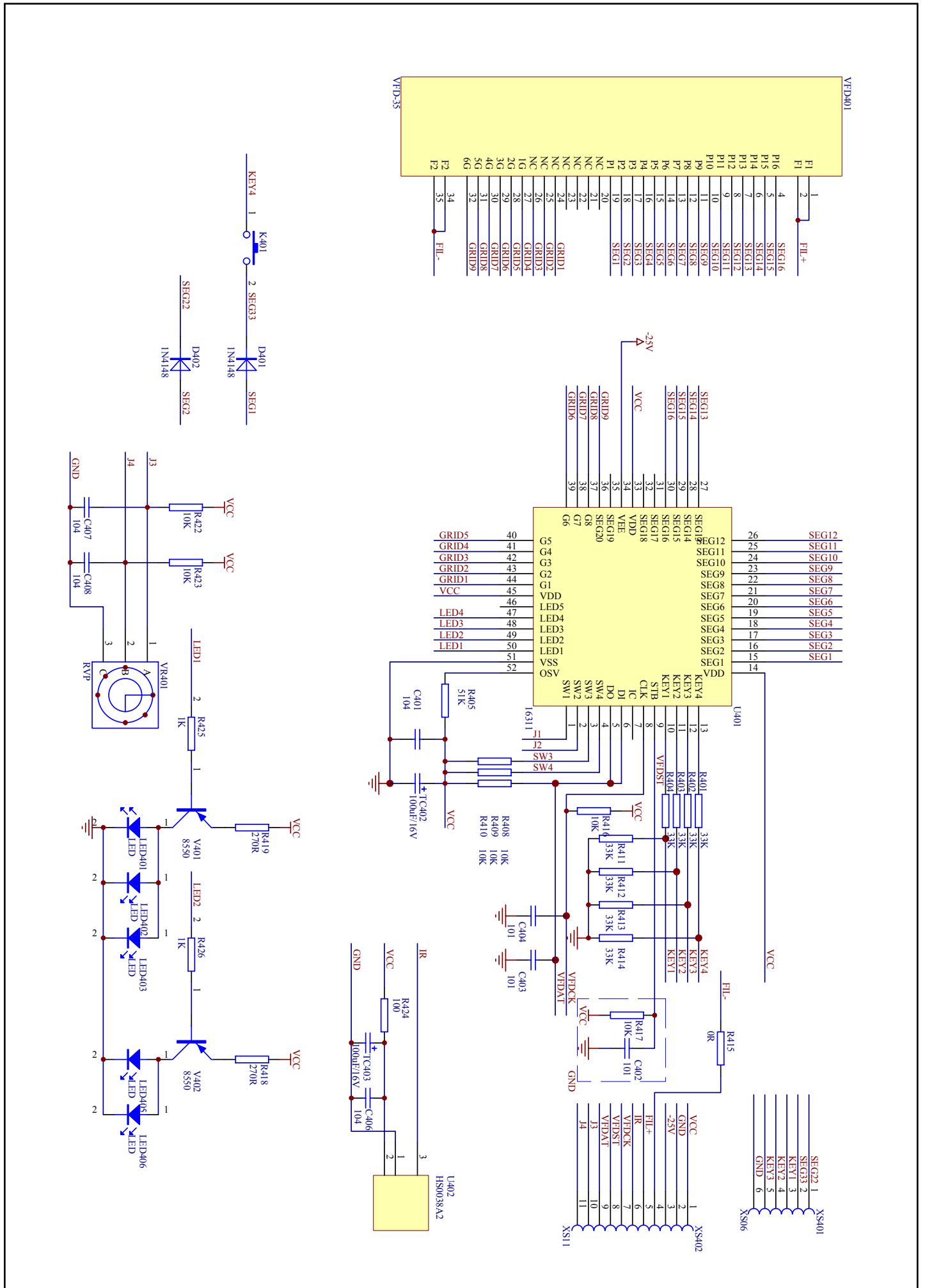
PIN	PIN NAME	DESCRIPTION
CLK	Clock	The system clock input. All other inputs are registered to the SDRAM on the rising edge of CLK
CKE	Clock Enable	Controls internal clock signal and when deactivated, the SDRAM will be one of the states among power down, suspend or self refresh
\overline{CS}	Chip Select	Enables or disables all inputs except CLK, CKE and DQM
BA0,BA1	Bank Address	Selects bank to be activated during \overline{RAS} activity Selects bank to be read/written during \overline{CAS} activity
A0 ~ A11	Address	Row Address : RA0 ~ RA11, Column Address : CA0 ~ CA7 Auto-precharge flag : A10
\overline{RAS} , \overline{CAS} , \overline{WE}	Row Address Strobe, Column Address Strobe, Write Enable	\overline{RAS} , \overline{CAS} and \overline{WE} define the operation Refer function truth table for details
LDQM, UDQM	Data Input/Output Mask	Controls output buffers in read mode and masks input data in write mode
DQ0 ~ DQ15	Data Input/Output	Multiplexed data input / output pin
VDD/VSS	Power Supply/Ground	Power supply for internal circuits and input buffers
VDDQ/VSSQ	Data Output Power/Ground	Power supply for output buffers
NC	No Connection	No connection

FUNCTIONAL BLOCK DIAGRAM

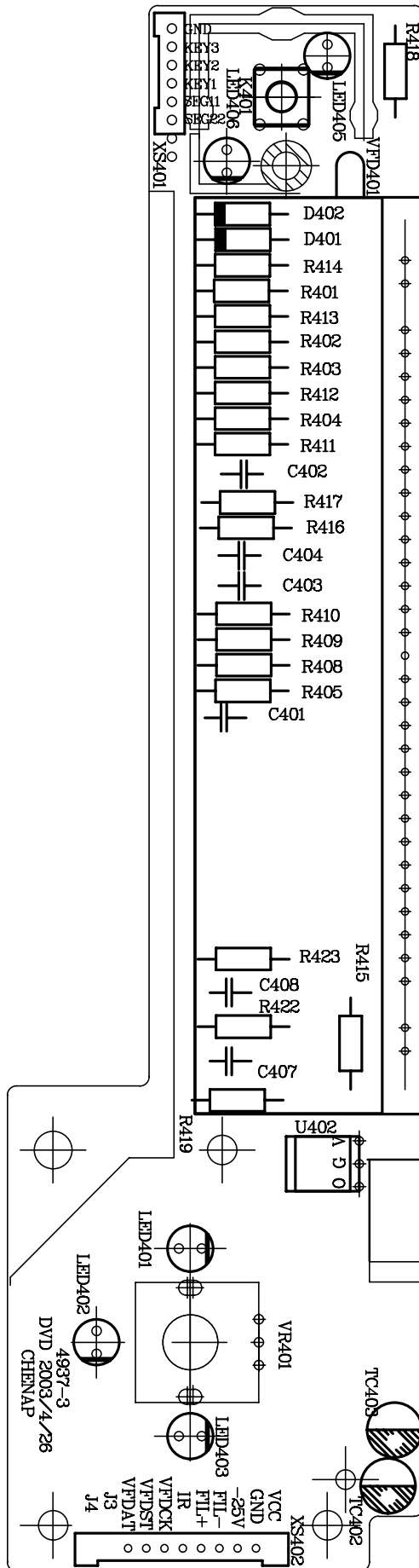
1Mbit x 4banks x 16 I/O Synchronous DRAM



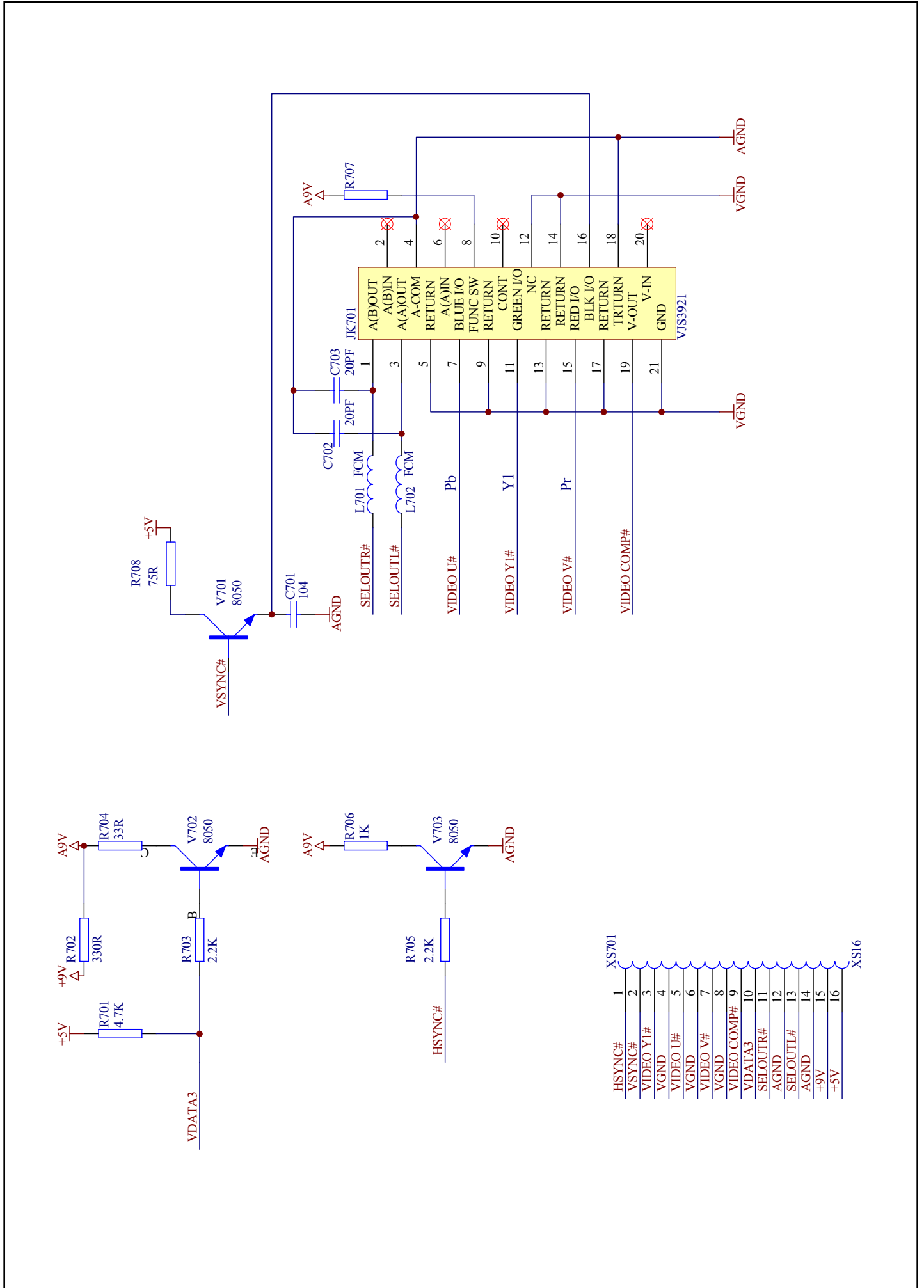
9. SCHEMATIC & P.C.B WIRING DIAGRAM FRONT SCHEMATIC DIAGRAM



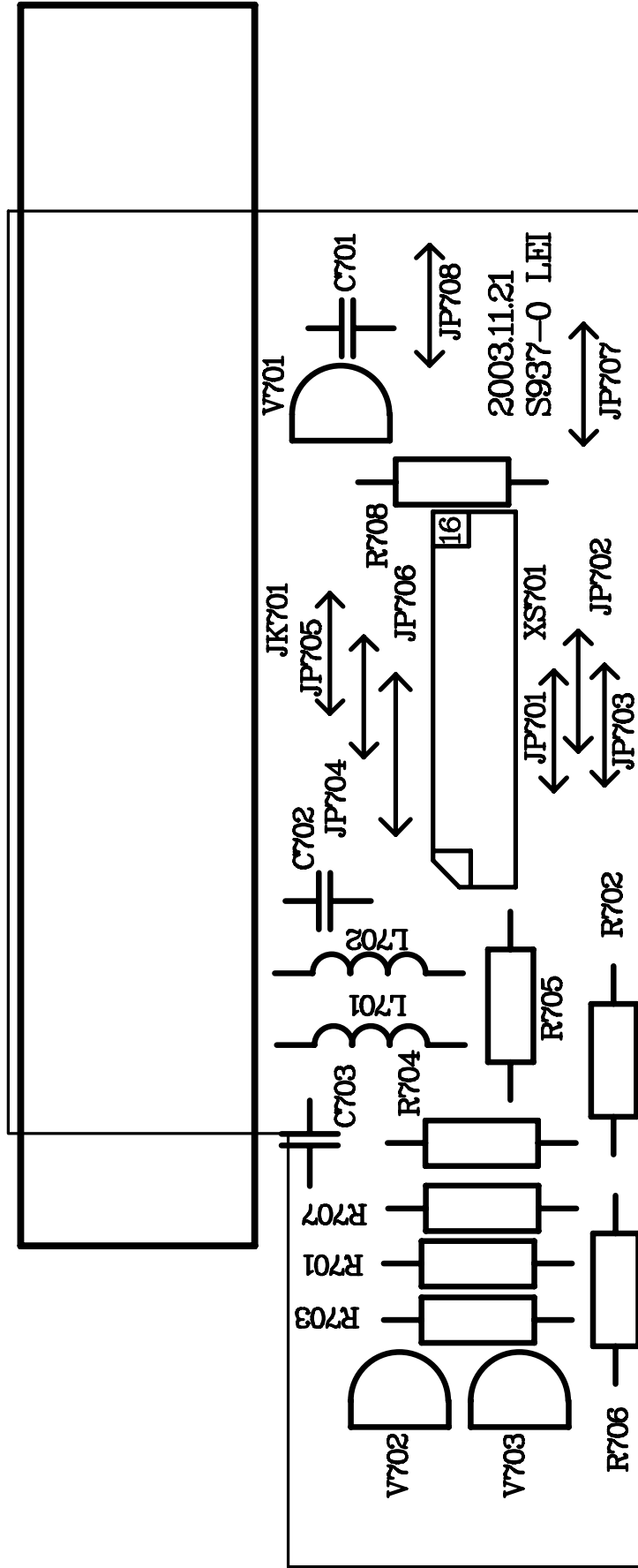
FRONT SCHEMATIC DIAGRAM



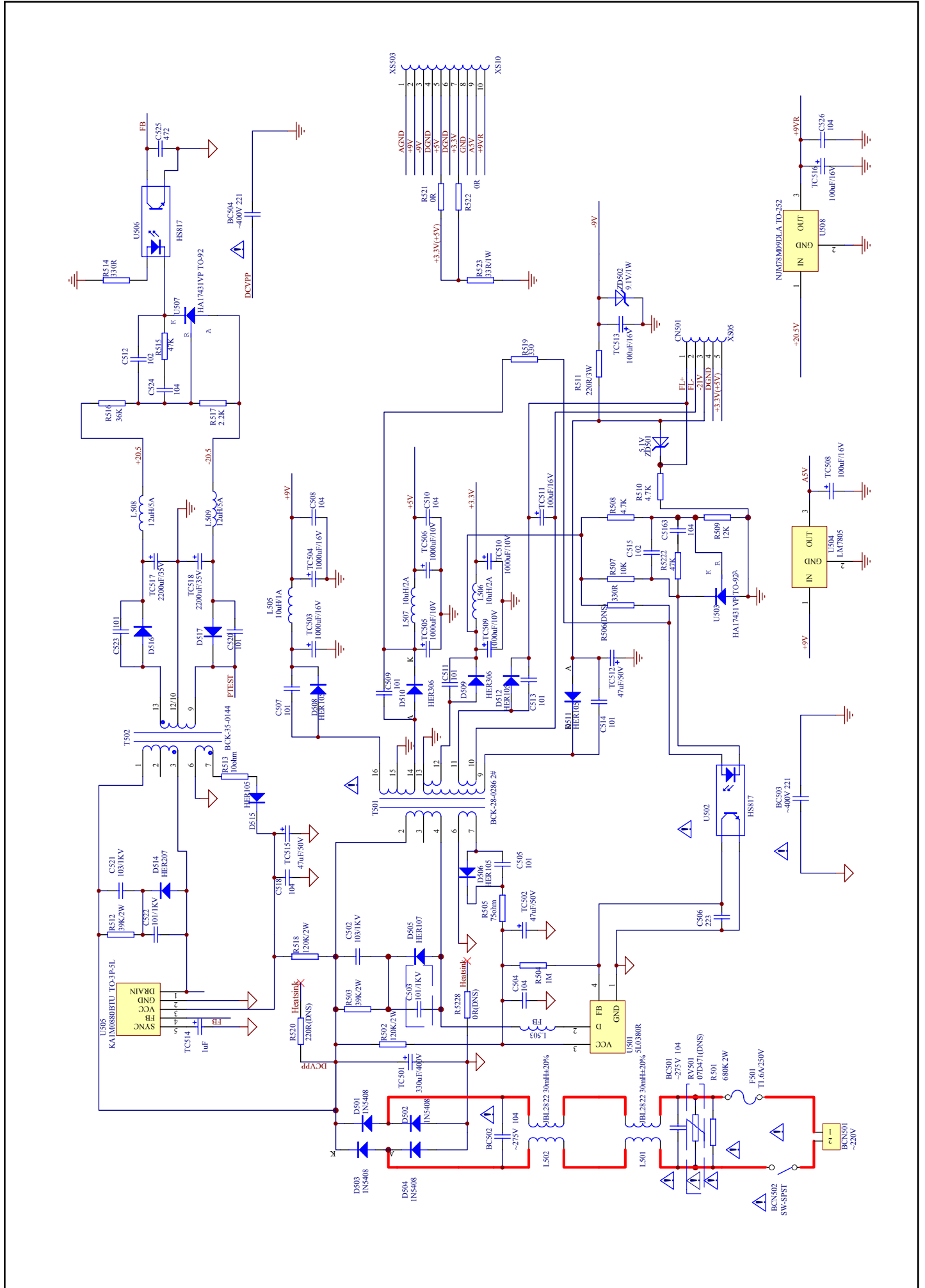
SCART BOARD



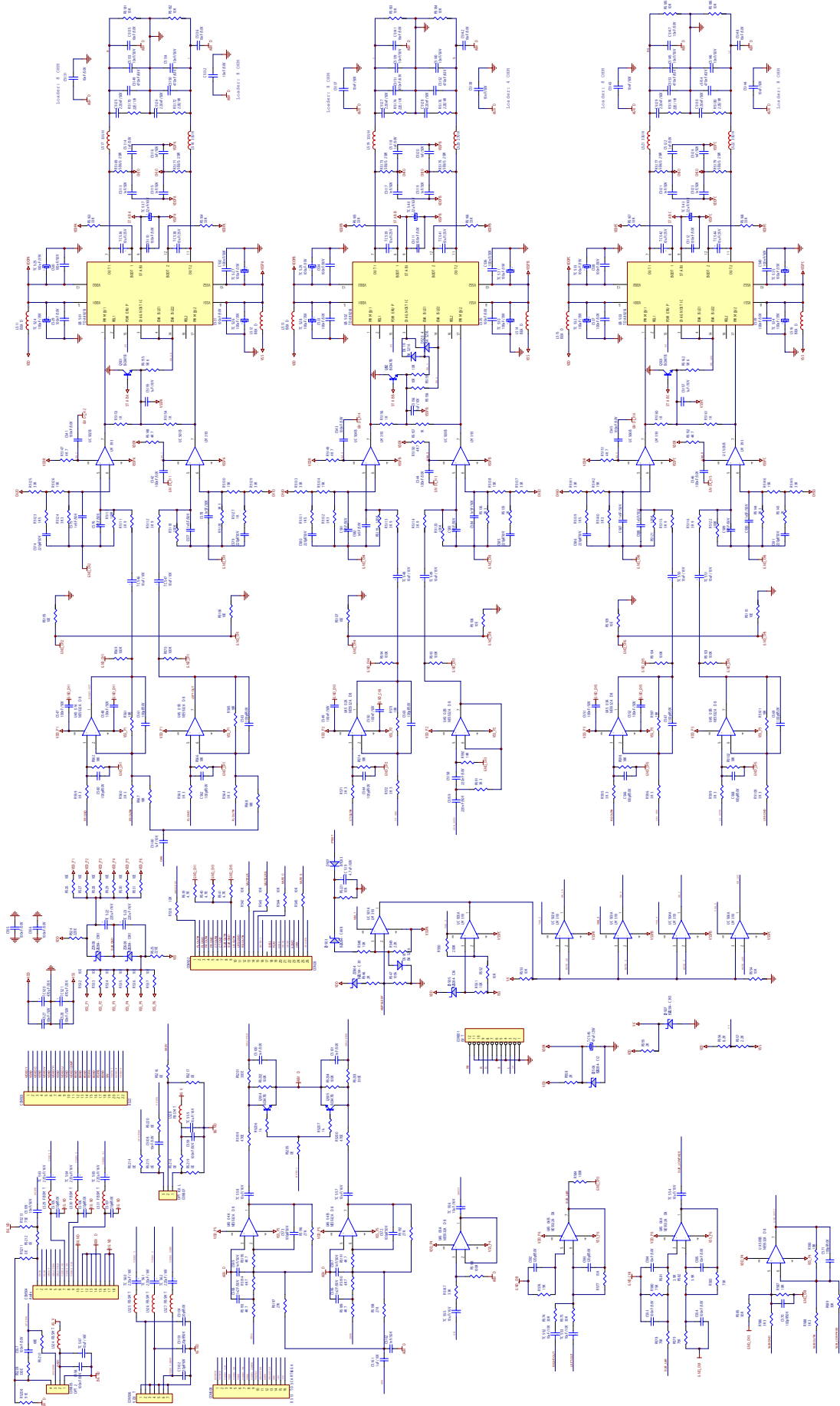
SCART BOARD



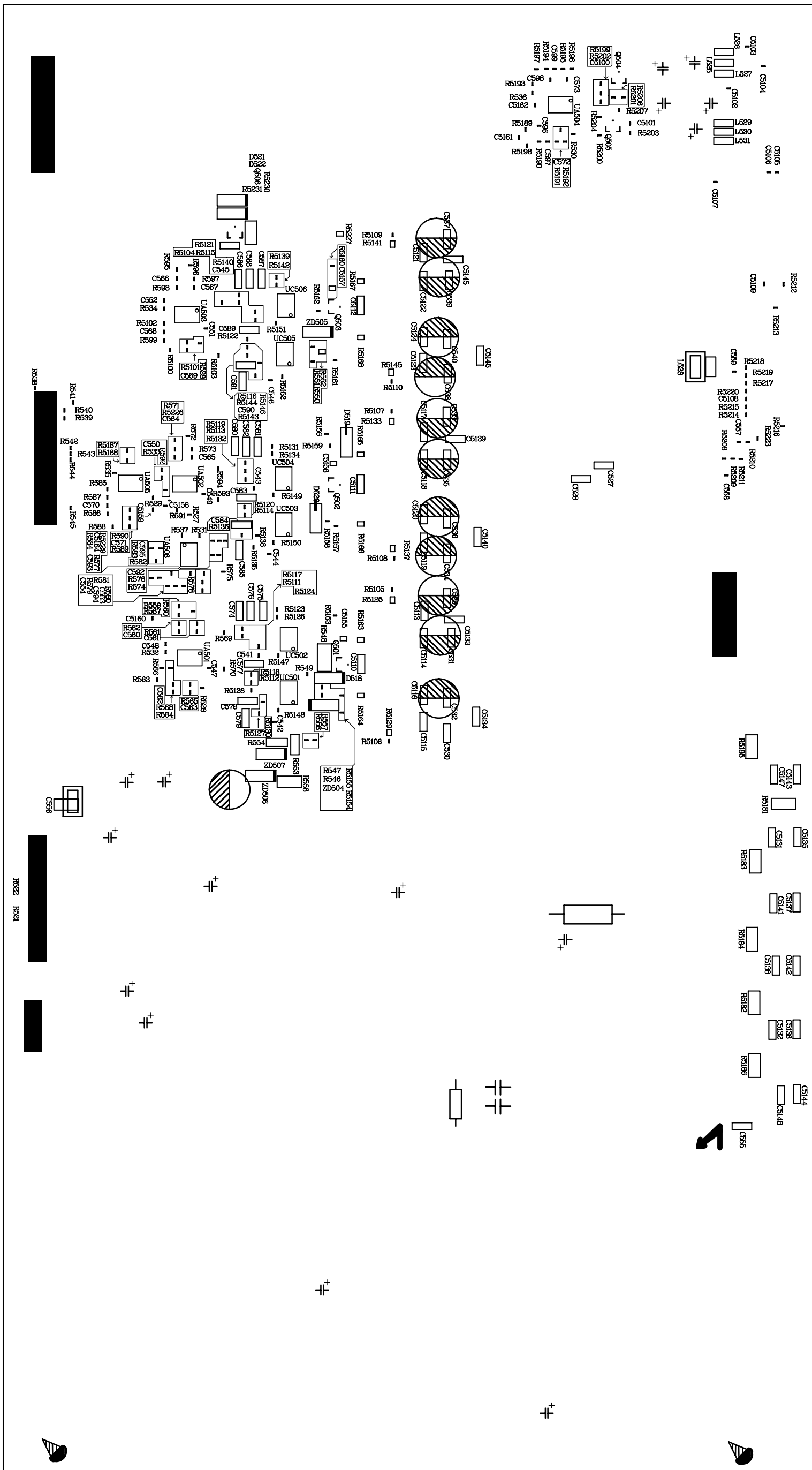
POWER SOURCE/AMPLIFIER BOARD SCHEMATIC DIAGRAM



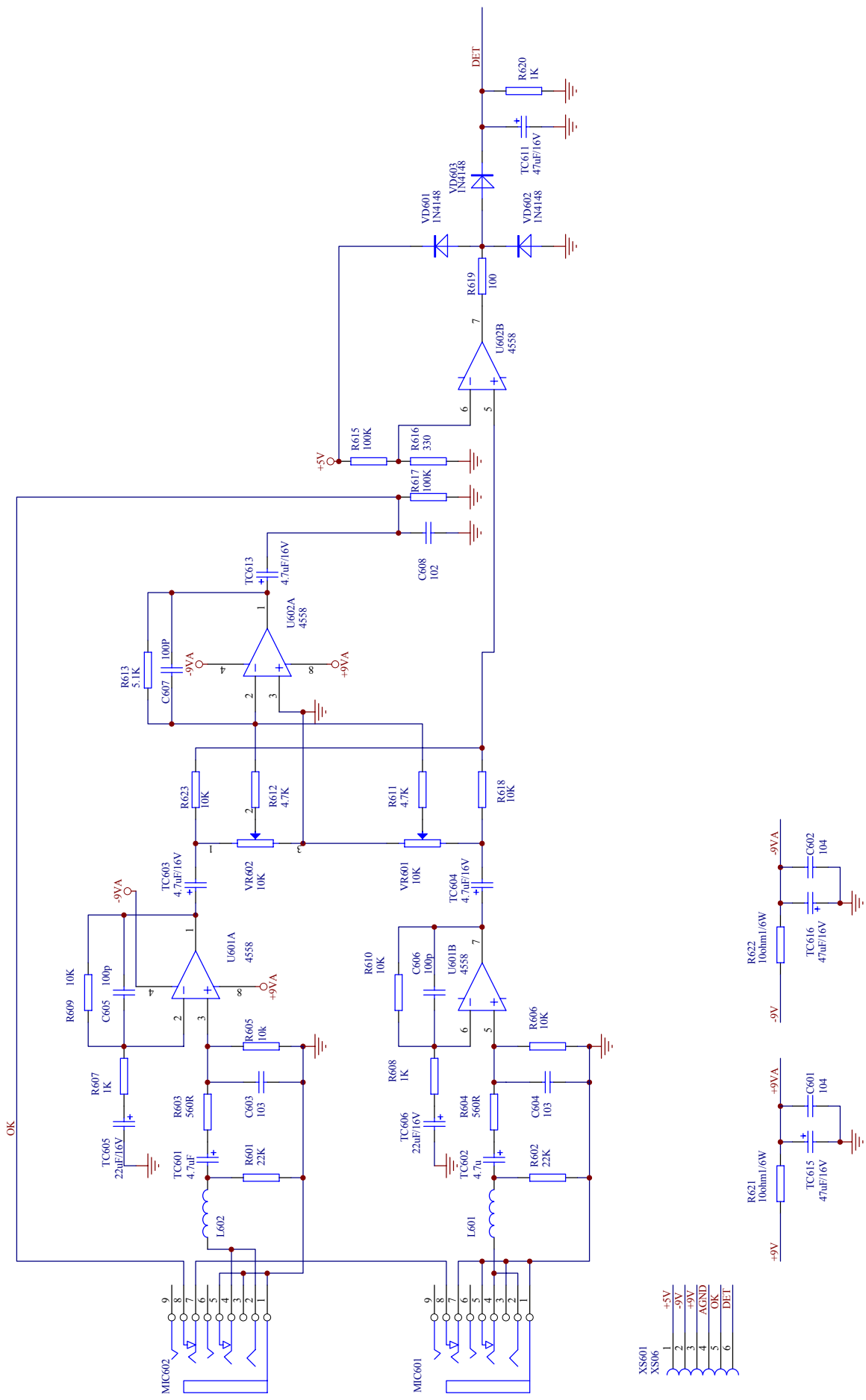
POWER SOURCE/AMPLIFIER BOARD SCHEMATIC DIAGRAM



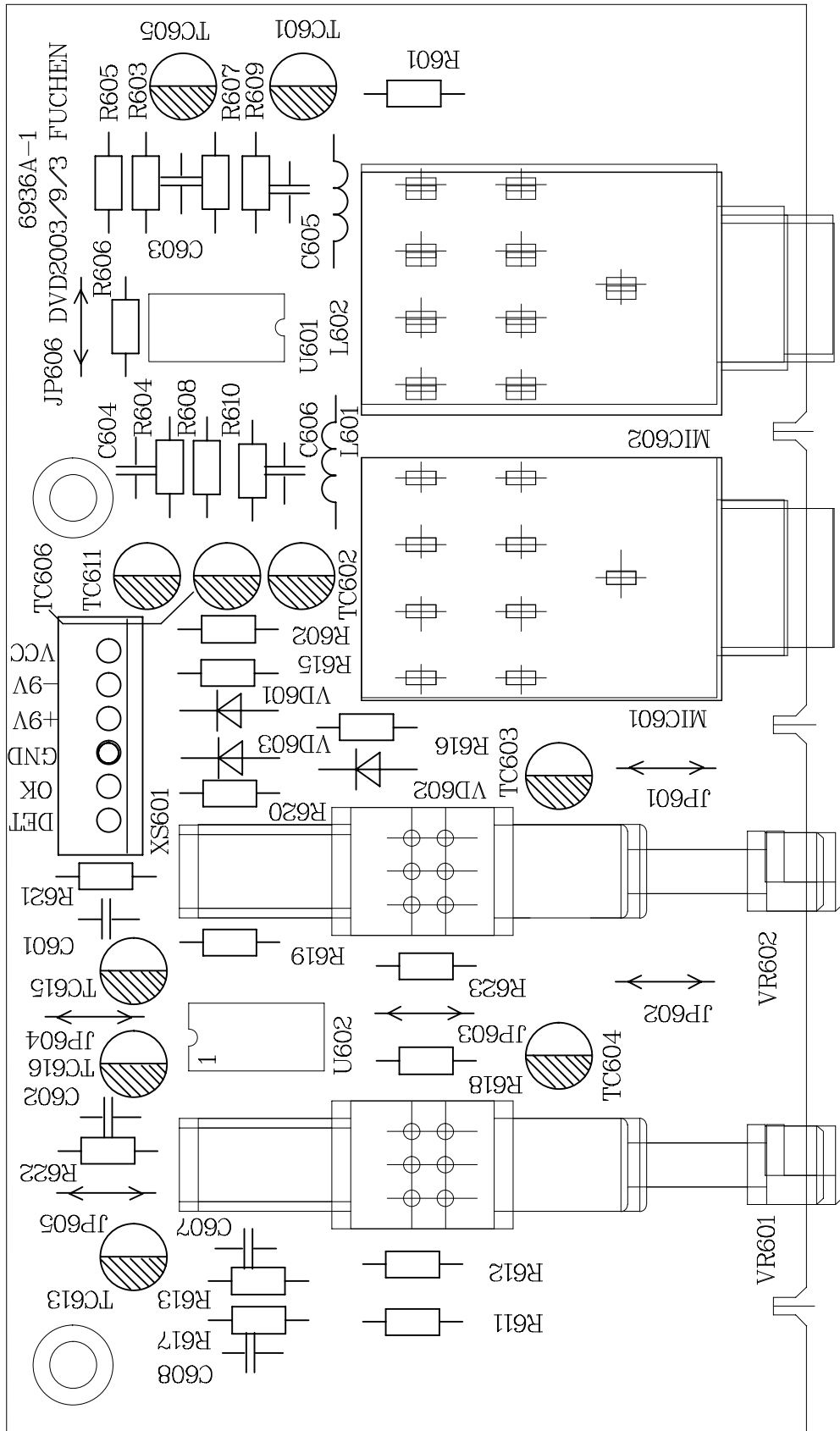
POWER SOURCE/AMPLIFIER BOARD SCHEMATIC DIAGRAM



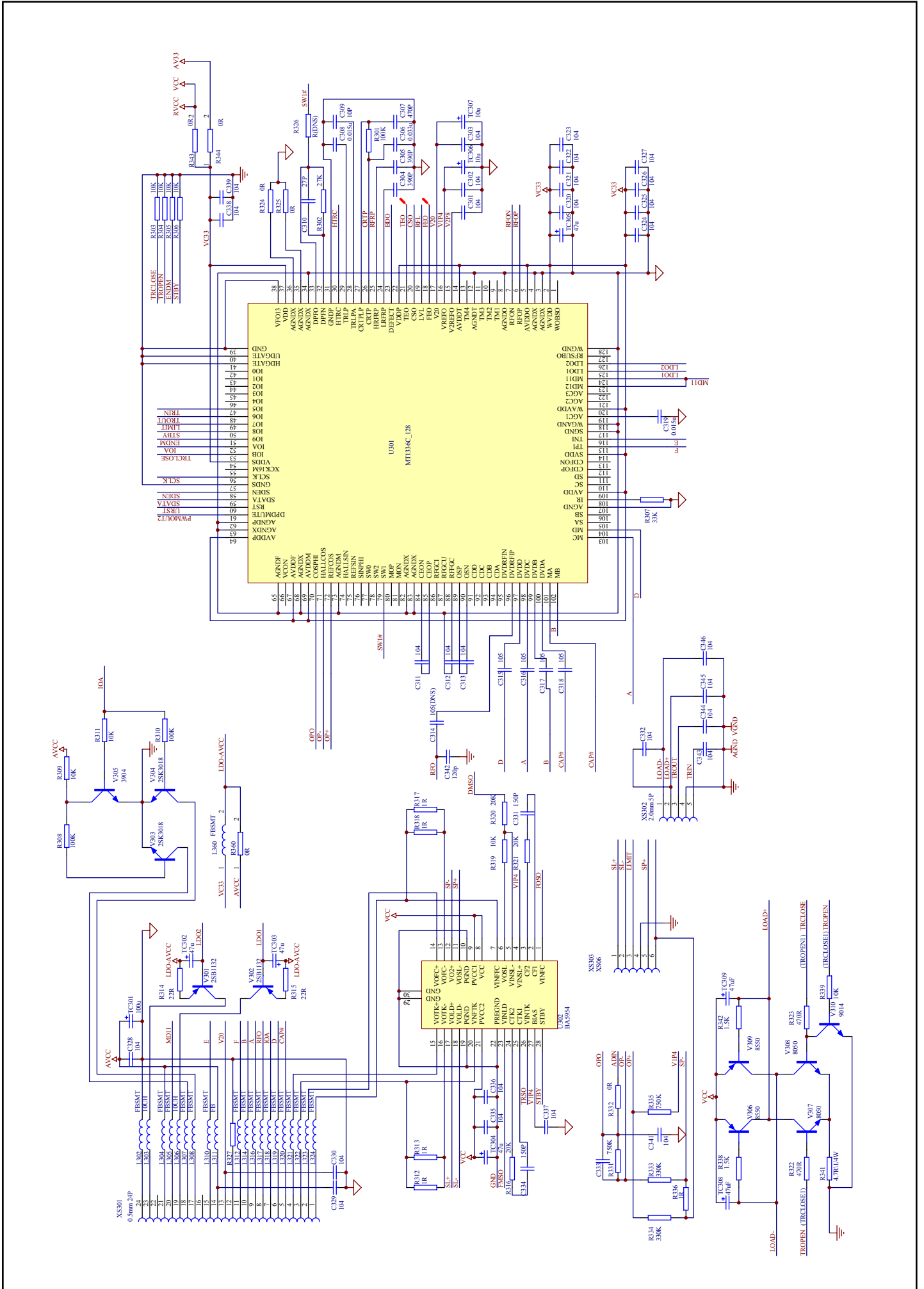
OK SCHEMATIC DIAGRAM



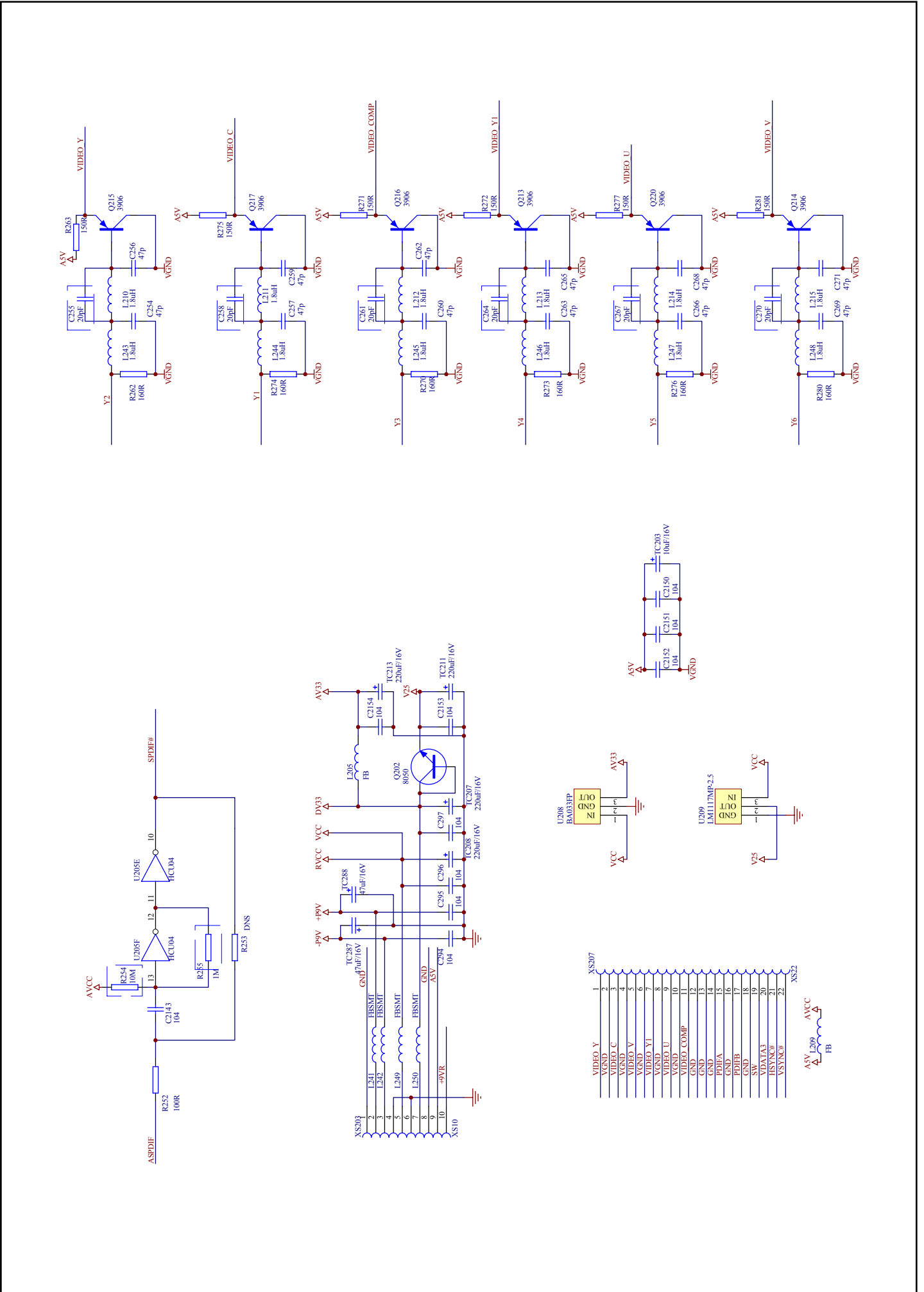
OK SCHEMATIC DIAGRAM



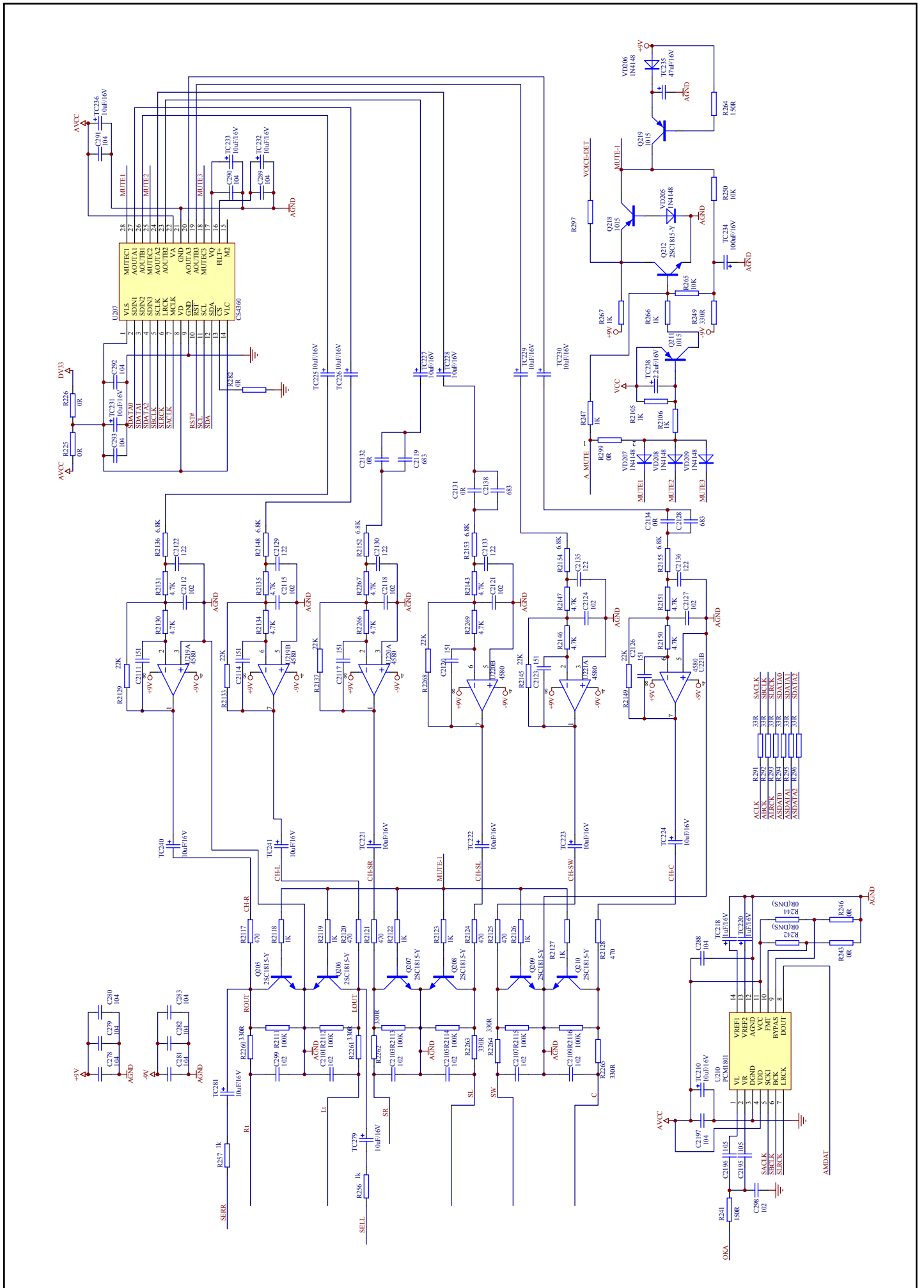
MIAN SCHEMATIC DIAGRAM



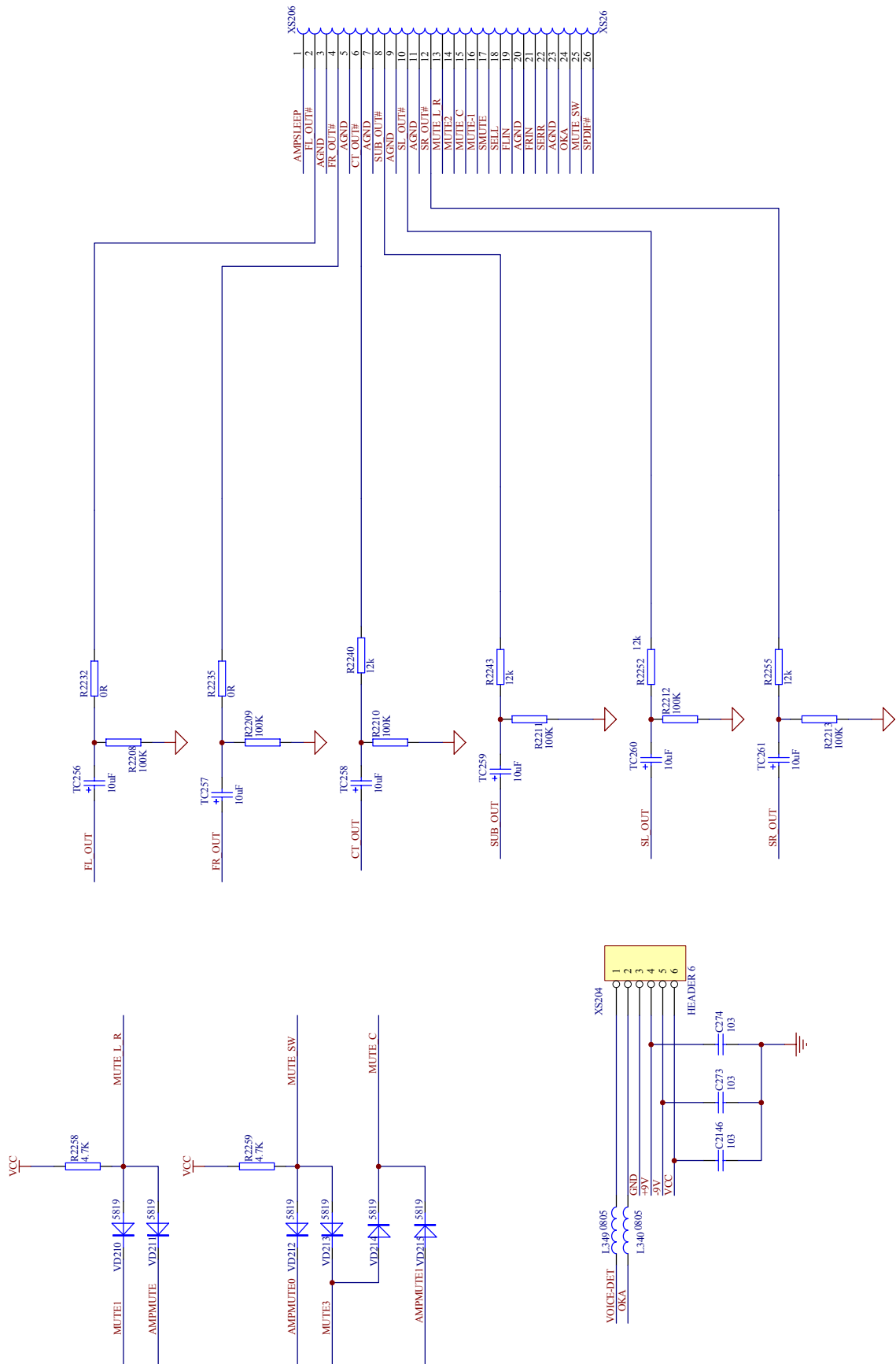
MIAN SCHEMATIC DIAGRAM



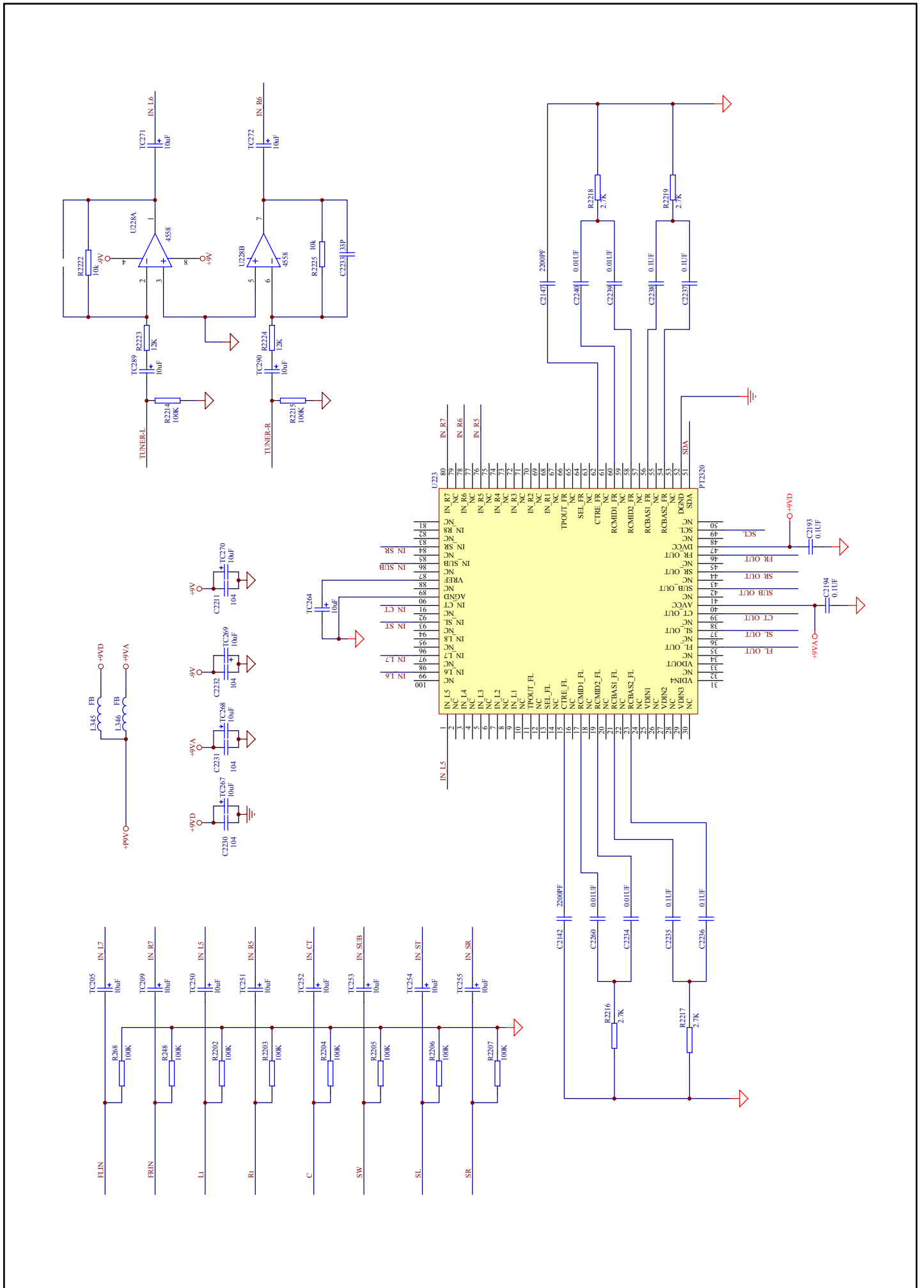
MIAN SCHEMATIC DIAGRAM



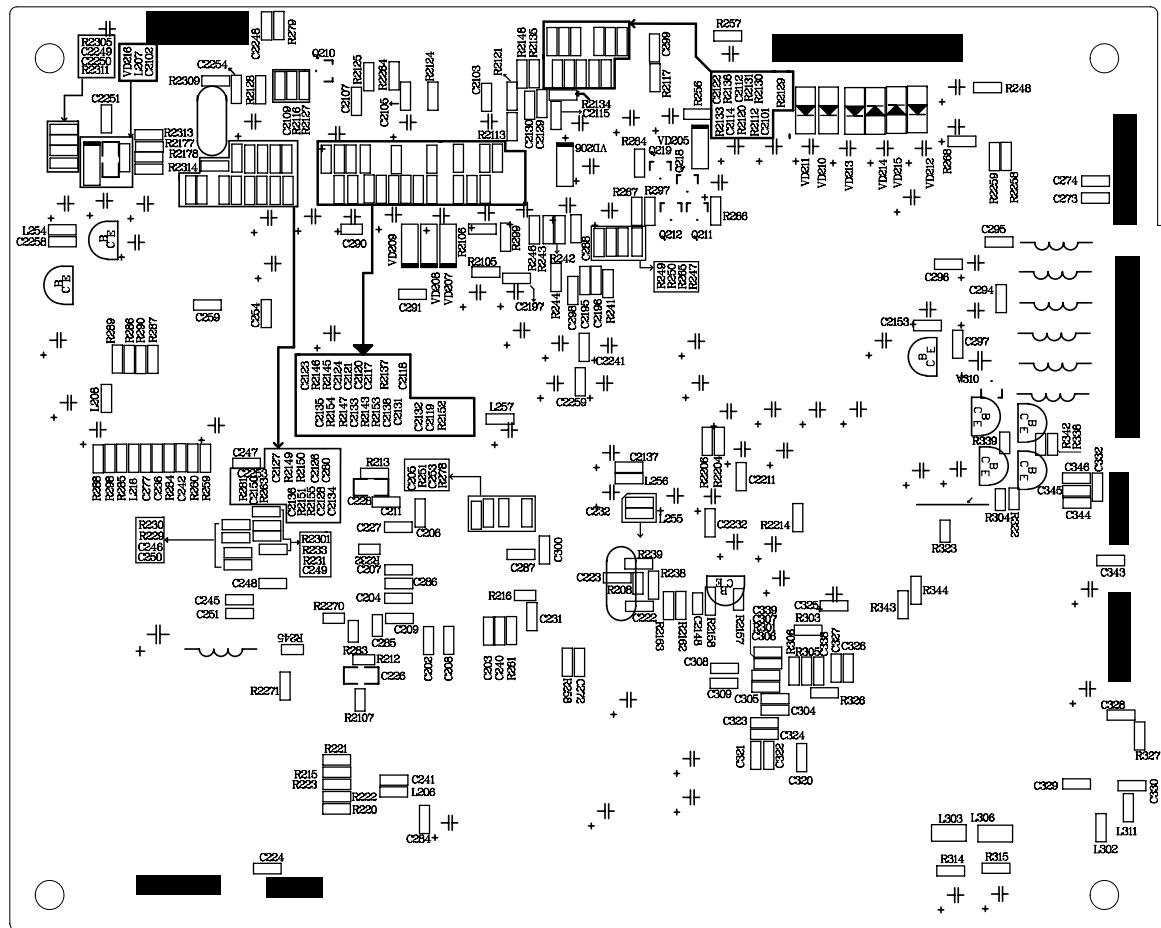
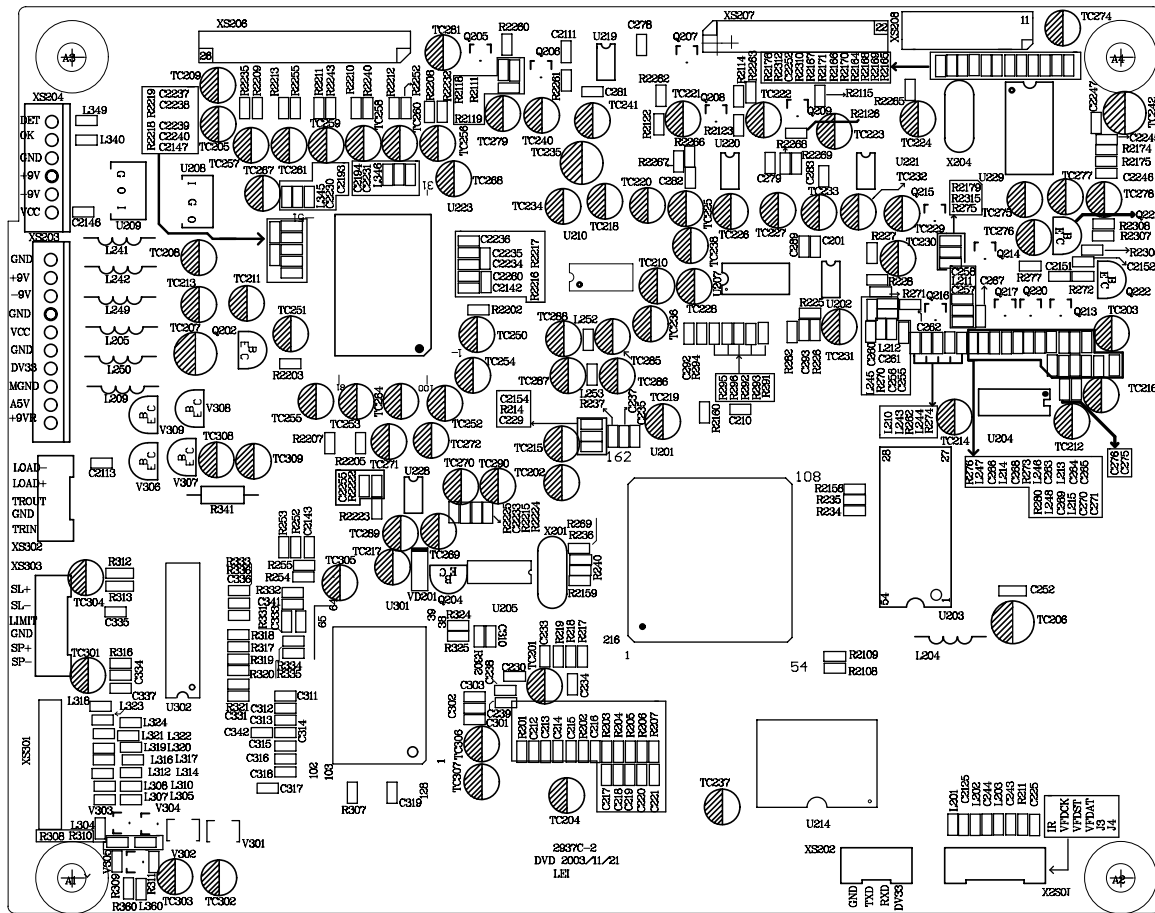
MIAN SCHEMATIC DIAGRAM



MIAN SCHEMATIC DIAGRAM



MIAN SCHEMATIC DIAGRAM



10.DK960S(RU) MATERIAL LIST

DK960S MATERIAL LIST

1. DECODE BOARD

NO	MATERIAL	SPECIFICATIONS/PART NUMBER	QUANTITY	LOCATION
1	CARBON FILM RESISTOR	1/4W2.2Ω±5%	1	R341
1	CARBON FILM RESISTOR	1/4W2.2Ω±5%	1	R341
2	SMD RESISTOR	1/16W 0Ω ±5% 0603	31	R205,R219,R220,R226,R259,R299,R282,R332,L243~L248,C2131,C2132,C2134,R2232,R2235,R344,R279,R2162,R327,R243,R246,R2240,R2243,R2252,R2255,R2271,R2270
3	SMD RESISTOR	1/16W1Ω±5% 0603	5	R312,R313,R317,R318,R336
4	SMD RESISTOR	1/16W 4.7Ω ±5% 0603	4	R212,R213,R258,R261
5	SMD RESISTOR	1/16W 15Ω ±5% 0603	3	R211,R314,R315
6	SMD RESISTOR	1/16W 33Ω ±5% 0603	19	R229~R235,R291~R296,R2107,R2108,R2109,R2159,R2301,R2156
7	SMD RESISTOR	1/16W 100Ω ±5% 0603	1	R252
8	SMD RESISTOR	1/16W 150Ω ±5% 0603	8	R263,R264,R271,R272,R275,R277,R281,R241
9	SMD RESISTOR	1/16W 160Ω ±5% 0603	6	R262,R270,R273,R274,R276,R280
10	SMD RESISTOR	1/16W 220Ω ±5% 0603	10	R2168~R2171,R2305,R2311,R2176~R2179
11	SMD RESISTOR	1/16W 330Ω ±5% 0603	7	R249,R2260~R2265
12	SMD RESISTOR	1/16W 470Ω ±5% 0603	8	R322,R323,R2117,R2120,R2121,R2124,R2125,R2128
13	SMD RESISTOR	1/16W 1K ±5% 0603	18	R227,R228,R266,R267,R2105,R2106,R2118,R2119,R2122,R2123,R2126,R2127,R2306,R256,R257,R2158,R2160,R2309
14	SMD RESISTOR	1/16W 1.5K ±5% 0603	2	R338,R342
15	SMD RESISTOR	1/16W 2.7K ±5% 0603	4	R2216~R2219
16	SMD RESISTOR	1/16W 4.7K ±5% 0603	19	R245,R2130,R2131,R2134,R2135,R2143,R2146,R2147,R2150,R2151,R2308,R2266,R2267,R2269,R283,R222,R223,R2258,R2259
17	SMD RESISTOR	1/16W 6.8K ±5% 0603	6	R2136,R2148,R2152,R2153,R2154,R2155
18	SMD RESISTOR	1/16W 8.2K ±5% 0603	1	R201
19	SMD RESISTOR	1/16W 10K ±5% 0603	29	R206,R2157,R250,R265,R303~R306,R309,R311,R319,R339,R2164~R2167,R2307,R2129,R2133,R2137,R2145,R2149,R2268,R2312~R2315,R2174,R2175
20	SMD RESISTOR	1/16W 30K ±5% 0603	2	R2223,R2224
21	SMD RESISTOR	1/16W 5.1K ±5% 0603	2	R2222,R2225
22	SMD RESISTOR	1/16W 18K ±5% 0603	2	R204,R216
23	SMD RESISTOR	1/16W 20K ±5% 0603	4	R203,R316,R320,R321
24	SMD RESISTOR	1/16W 15K ±5% 0603	2	R207,R307
25	SMD RESISTOR	1/16W 100K ±5% 0603	24	R208,R217,R248,R268,R2111~R2116,R308,R310,R2202~R2207,R2210~R2215
26	PRECISION SMD RESISTOR	1/16W 330K ±1% 0603	2	R333,R334
27	SMD RESISTOR	1/16W 470K ±5% 0603	1	R2310

28		PRECISION SMD RESISTOR	1/16W 750K ±1% 0603	3	R202,R331,R335
29		SMD RESISTOR	1/16W 1MΩ ±5% 0603	1	R255
30		SMD RESISTOR	1/16W 10MΩ ±5% 0603	1	R254
31		SMD RESISTOR	1/16W 2K ±5% 0603	1	R237
32		CD	CD11 50V2.2U±20%5×11 2	1	TC274
33		CD	CD11 50V4.7U±20%5×11 2	1	TC277
34		CD	CD11 16V1U±20%5×11 2	2	TC218,TC220
35		CD	CD11 16V10U±20%5×11 2	53	TC201,TC202,TC203,TC217,TC219,TC221~TC233,TC236,TC240,TC241,TC306,TC307,TC250~TC261,TC264,TC267~TC272,TC289,TC290,TC278,TC279,TC281,TC285,TC286,TC238,TC205,TC209,TC210
36		CD	CD11C 16V47U±20%5×7 2	14	TC204,TC206,TC215,TC237,TC302~TC305,TC308,TC309,TC287,TC288,TC234,TC275
	36.1	CD	CD11 16V47U±20%5×11 2	14	TC204,TC206,TC215,TC237,TC302~TC305,TC308,TC309,TC287,TC288,TC234,TC275
	36.2	CD	CD110 16V47U±20%5×11 2	14	TC204,TC206,TC215,TC237,TC302~TC305,TC308,TC309,TC287,TC288,TC234,TC275
37		CD	CD11 16V220U±20%6×12 2.5	8	TC207,TC208,TC211,TC213,TC235,TC301,TC276,TC242
38		SMD CAPACITOR	50V 27P ±5% NPO 0603	3	C222,C223,C333
39		SMD CAPACITOR	50V 33P ±5% NPO 0603	2	C2233,C2255
40		SMD CAPACITOR	50V 47P ±5% NPO 0603	16	C254,C256,C257,C259,C260,C262,C263,C265,C266,C268,C269,C271,C243,C244,C2125, C2253
41		SMD CAPACITOR	50V 82P ±5% NPO 0603	2	C305,C2254
42		SMD CAPACITOR	50V 101 ±5% NPO 0603	10	C216,C225.C285,C286,C2111,C2114,C2117,C2120,C2123,C2126
43		SMD CAPACITOR	50V 151 ±5% NPO 0603	3	C331,C334,C2251
44		SMD CAPACITOR	50V 331 ±5% NPO 0603	3	C217,C218,C2248
45		SMD CAPACITOR	50V 391 ±10% 0603	1	C304
46		SMD CAPACITOR	50V 471 ±10% 0603	1	C311
47		SMD CAPACITOR	50V 102 ±10% 0603	17	C233,C238,C239,C2112,C2115,C2118,C2121,C2124,C2127,C299,C2101,C2103,C2105,C2107,C2109,C2148.C298
48		SMD CAPACITOR	50V 122 ±10% 0603	6	C2122,C2129,C2130,C2133,C2135,C2136
49		SMD CAPACITOR	50V 222 ±10% 0603	3	C2142,C2147,C2247
50		SMD CAPACITOR	50V 103 ±10% 0603	8	C212~C215,C2234,C2239,C2240,C2260
51		SMD CAPACITOR	50V 153 ±10% 0603	3	C220,C308,C319
52		SMD CAPACITOR	50V 223 ±10% 0603	1	C2102
53		SMD CAPACITOR	10V 225 +80%-20% 0805	2	C226,C228
54		SMD CAPACITOR	16V 333 ±10% 0603	1	C306

55		SMD CAPACITOR	50V 104 +80%-20% 0603	103	C201~C211,C221,C224,C227,C230,C231,C232,C234~C235,C237,C240,C245,C246~C253,C272~C274,C278~C283,C284,C287~C297,C301~C303,C312~C313,C320~C330,C332,C335~C339,C343~C346,C2113,C2137,C2143,C2146,C2150~C2154,C341,C2230,C2231,C2241,C2258,C2235~C2238,C2193,C2194,C2197,C2211,C2232,C2249,C2250,C2252
56		SMD CAPACITOR	50V 474 +80%-20% 0603	2	C2245,C2246
57		SMD CAPACITOR	16V 105 +80%-20% 0603	6	C315~C318,C2195,C2196
58		SMD INDUCTOR	1.8UH ±10% 1608	6	L210~L215
59		SMD INDUCTOR	10UH ±10% 2012	2	L303,L306
60		SMD MAGNETIC BEADS	FCM1608K-221T05	34	L201,L202,L203,,L255,L256,L257,L304,L305,L307,L308,L310~L312,L314,L316~L324,L254,L340,L349,L252,L253,L345,L346,L302,L360,R240,R269
61		SMD MAGNETIC BEADS	FCM2012V-221T07	1	L207
62		MAGNETIC BEADS INDUCTOR	RH354708	7	L204,L205,L209,L241,L242,L249,L250
63		SMD DIODE	1N4148	6	VD201,VD205~VD209
	63.1	SMD DIODE	LS4148	6	VD201,VD205~VD209
	63.2	SMD DIODE	LL4148	6	VD201,VD205~VD209
64		SMD SCHOTTKY DIODE	1N5819 (HOMEMADE)	6	VD210~VD215
65		SMD VOLTAGE REGULATOR	5.1V 1/2W	1	VD216
66		TRIODE	S8050D	3	Q202,V307,V308
67		TRIODE	S8550D	2	V306,V309
68		TRIODE	2N3906	1	Q221
69		TRIODE	9014C	1	Q204
70		SMD TRIODE	2SA1015	3	Q211,Q218,Q219
71		SMD TRIODE	3906	6	Q213~Q217,Q220
72		TRIODE	2N3904	1	Q222
73		SMD TRIODE	C1815	7	Q205~Q209,Q212,Q210
74		SMD TRIODE	3904	1	V305
75		SMD TRIODE	9014C	1	V310
76		SMD TRIODE	2SK3018	2	V303,V304
77		SMD TRIODE	2SB1132	2	V301,V302
78		IC	RC4558D SOP	4	U219,U220,U221,U228
79		IC	74HCU04D SOP	1	U205
80		IC	NT5SV4M16DT-7 TSOP	1	U203
81		IC	CS4360 SSOP	1	U207
82		IC	PT2320 QFP	1	U223
83		IC	24C02N SOP	1	U202
84		IC	MT1336E-C QFP	1	U301
85		IC	MT1379EE-C QFP	1	U201
86		IC	AT5654H SOP	1	U302
	86.1	IC	D5954 SOP	1	U302
87		IC	PCM1801U SOP	1	U210
88		IC	SAA6588 SO20	1	U229
89		CRYSTAL OSCILLATOR	4.332MHz 49-s	1	X204

90	CRYSTAL OSCILLATOR	27.00MHz 49-S	1	X201
91	SOCKET	5P 2.0mm	1	XS302
92	SOCKET	6P 2.0mm	2	XS303,XS201
93	SOCKET	10P 2.5mm	1	XS203
94	SOCKET	6P 2.5mm	1	XS204
95	PCB	2937C-2	1	
96	CABLE SOCKET	11P 1.0mm STRAIGHT DUAL LINE PLUG	1	XS207
97	CABLE SOCKET	13P 1.0mm DUAL LINE CONTACT, STRAIGHT DUAL LINE PLUG	1	XS206
98	CABLE SOCKET	6/5P 1.25mm STRAIGHT DUAL LINE PLUG	1	XS208
99	CABLE SOCKET	24P 0.5mm SMD WITH CLASP	1	XS301

2. POWER AMPLIFIER BOARD

NO	MATERIAL	SPECIFICATIONS/PART NUMBER	QUANTITY	LOCATION
1	SMD RESISTOR	1/16W 0 Ω \pm 5% 0603	5	R522,R5211,R5214,R5216,R5219
2	SMD RESISTOR	1/16W 1K \pm 5% 0603	9	R5153,R5154,R5156,R5157,R5160,R5161,R5206,R5207,R5231
3	SMD RESISTOR	1/16W 2.2K \pm 5% 0603	1	R557
4	SMD RESISTOR	1/16W 2K \pm 5% 0603	1	R546
5	SMD RESISTOR	1/10W 2K \pm 5% 0805	1	R558
6	CARBON FILM RESISTOR	1/4W2K \pm 5% SHAPED 10	1	R555
7	SMD RESISTOR	1/16W 3.9K \pm 5% 0603	8	R581,R582,R5111,R5112,R5113,R5114,R5115,R5116
8	SMD RESISTOR	1/16W 3.3K \pm 5% 0603	22	R559,R560,R563,R564,R571,R572,R586,R588,R591,R595,R596,R599,R5100,R5124,R5128,R5132,R5136,R5140,R5144,R5123,R5131,R5139
9	SMD RESISTOR	1/16W 3K \pm 5% 0603	3	R5127,R5135,R5143
10	SMD RESISTOR	1/16W 4.7 Ω \pm 5% 0603	3	R539,R540,R541
11	SMD RESISTOR	1/16W 4.7K \pm 5% 0603	12	R5147,R5148,R5149,R5150,R5151,R5152,R5189,R5190,R5191,R5193,R5194,R5195
12	SMD RESISTOR	1/16W 5.6K \pm 5% 0603	2	R5155,R5162
13	SMD RESISTOR	1/16W 8.2K \pm 5% 0603	1	R556
14	SMD RESISTOR	1/16W 10 Ω \pm 5% 0603	18	R526,R527,R528,R529,R530,R531,R532,R533,R534,R535,R536,R537,R5105,R5106,R5107,R5108,R5109,R5110
15	SMD RESISTOR	1/16W 10K \pm 5% 0603	8	R538,R542,R543,R544,R545,R551,R5158,R5159
16	SMD RESISTOR	1/10W 15K \pm 5% 0805	1	R554
17	SMD RESISTOR	1/8W18K \pm 5% 1206	1	R548
18	SMD RESISTOR	1/10W 10K \pm 5% 0805	8	R552,R5181,R5182,R5183,R5184,R5185,R5186,R5230
19	SMD RESISTOR	1/16W 15K \pm 5% 0603	7	R5126,R5130,R5134,R5138,R5142,R5146,R5229
20	SMD RESISTOR	1/10W 12K \pm 5% 0805	1	R553
21	SMD RESISTOR	1/16W 30K \pm 5% 0603	2	R576,R577
22	SMD RESISTOR	1/16W 18K \pm 5% 0603	10	R561,R562,R565,R566,R573,R526,R597,R598,R5101,R5102

23		SMD RESISTOR	1/16W 47K ±5% 0603	1	R549
24		SMD RESISTOR	1/16W 27K ±5% 0603	2	R5192,R5196
25		SMD RESISTOR	1/16W 30K ±5% 0603	4	R574,R575,R585,R589
26		SMD RESISTOR	1/10W 33K ±5% 0805	6	R5129,R5133,R5137,R5141,R5145,R5125
27		SMD RESISTOR	1/10W 150K ±5% 0805	6	R5163~R5168
28		SMD RESISTOR	1/16W 33K ±5% 0603	3	R5187,R587,R590
29		SMD RESISTOR	1/16W 68Ω ±5% 0603	1	R5223
30		SMD RESISTOR	1/16W 75K ±5% 0603	4	R578,R579,R580,R583
31		SMD RESISTOR	1/16W 91Ω ±5% 0603	1	R5208
32		SMD RESISTOR	1/16W 100K ±5% 0603	18	R569,R570,R584,R593,R594,R5103,R5104,R5117,R5118,R5119,R5120,R5121,R5122,R5188,R5202,R5204,R547,R592
33		SMD RESISTOR	1/16W 200K ±5% 0603	1	R550
34		SMD RESISTOR	1/16W 330Ω ±5% 0603	3	R5201,R5203,R5209
35		SMD RESISTOR	1/16W 470Ω ±5% 0603	2	R5199,R5200
36		SMD CAPACITOR	50V 104 +80%-20% 0603	34	C541,C542,C543,C544,C545,C546,C547,C548,C549,C550,C551,C552,C553,C554,C557,C558,C527,C528,C529,C530,C531,C532,C533,C555,C534,C535,C536,C537,C538,C539,C540,C5110,C5111,C5112
37		SMD CAPACITOR	50V 102 ±10% 0603	4	C597,C599,C5100,C5101
38		SMD CAPACITOR	50V 122 ±10% 0603	2	C596,C598
39		SMD CAPACITOR	50V 152 ±5% 0603	12	C575,C576,C577,C578,C581,C582,C583,C584,C587,C588,C589,C590
40		SMD CAPACITOR	50V 561 ±10% 0603	12	C5113,C5114,C5115,C5116,C5117,C5118,C5119,C5120,C5121,C5122,C5123,C5124
41		SMD CAPACITOR	50V 105 ±20% 0805	3	C5155,C5156,C5157
42		SMD CAPACITOR	50V 103 ±10% 0603	20	C594,C595,C5131,C5132,C5133,C5134,C5135,C5136,C5137,C5138,C5139,C5140,C5141,C5142,C5143,C5144,C5145,C5146,C5147,C5148
43		SMD CAPACITOR	50V 20P ±5% 0603	6	C5102,C5103,C5104,C5105,C5106,C5107
44		SMD CAPACITOR	50V 101 ±5% NPO 0603	12	C560,C561,C562,C563,C564,C565,C566,C567,C568,C569,C572,C573
45		SMD CAPACITOR	50V 33P ±5% NPO 0603	2	C570,C571
46		SMD CAPACITOR	50V 121 ±10% 0603	3	C592,C593,C5164
47		SMD CAPACITOR	16V 224 ±10% 0603	2	C5158,C5159
48		SMD CAPACITOR	50V 221 ±5% NPO 0603	6	C574,C579,C580,C585,C586,C591
49		SMD DIODE	1N4148	5	D518,D519,D520,D521,D522
50		SMD TRIODE	BC847B	5	Q501,Q502,Q503,Q504,Q505
51		SMD TRIODE	8050D	1	Q506
52		SMD MAGNETIC BEADS	FCM1608K-221T05	6	L525,L526,L527,L529,L530,L531
53		SMD VOLTAGE REGULATOR DIODE	5.1V 1/2W	1	ZD507
54		SMD VOLTAGE REGULATOR DIODE	12V 1/2W MINIMELF	1	ZD506

55		SMD VOLTAGE REGULATOR DIODE	30V 1/2W MINIMELF	2	ZD504,ZD505
56		CARBON FILM RESISTOR	1/4W22Ω±5% SHAPED 10	1	R513
57		CARBON FILM RESISTOR	1W33Ω±5% SHAPED R 15×8	1	R523
58		CARBON FILM RESISTOR	1/4W10K±5% SHAPED 10	1	R507
59		CARBON FILM RESISTOR	1/4W75Ω±5% SHAPED 10	1	R505
60		CARBON FILM RESISTOR	1/4W220Ω±5%	1	R520
61		CARBON FILM RESISTOR	1/4W4.7K±5% SHAPED 10	1	R510
62		CARBON FILM RESISTOR	1/4W1MΩ±5% SHAPED 10	1	R504
63		CARBON FILM RESISTOR	1/4W47K±5% SHAPED 10	2	R5222,R515
64		CARBON FILM RESISTOR	1/6W 5.6Ω±5%	6	R5169,R5171,R5173,R5175,R5177,R5179
65		CARBON FILM RESISTOR	1/2W 10K±5% SHAPED R 12.5×7	1	R5221
66		CARBON FILM RESISTOR	1W560Ω±5% SHAPED FLAT 15×7	2	R524,R525
67		METAL FILM RESISTOR	1/4W2.2K±1% SHAPED 10	2	R514,R519
68		METAL FILM RESISTOR	1/4W4.7K±1%	1	R508
	68.1	METAL FILM RESISTOR	1/4W4.7K±1% SHAPED 10	1	R508
69		METAL FILM RESISTOR	1/4W2.2K±1% SHAPED 10	1	R517
70		METAL FILM RESISTOR	1/4W36K±1% SHAPED 10	1	R516
71		METAL FILM RESISTOR	1/4W12K±1% SHAPED 10	1	R509
72		METAL OXIDE FILM RESISTOR	3W220Ω±5% SHAPED FLAT 15×7	1	R511
73		METAL OXIDE FILM RESISTOR	2W39K±5% SHAPED FLAT 15×9	2	R503,R512
	73.1	METAL OXIDE FILM RESISTOR	2W39K±5% SHAPED FLAT 15×7	2	R503,R512
74		METAL OXIDE FILM RESISTOR	2W120K±5% SHAPED FLAT 15×7	2	R502,R518
75		HIGH VOLTAGE RESISTOR	1/2W680K±5%	1	R501
	75.1	HIGH VOLTAGE RESISTOR	1/2W680K±5% SHAPED 15mm	1	R501
76		PORCELAIN CAPACITOR	50V 100P ±10% 5mm	5	C505,C507,C509,C511,C513
77		PORCELAIN CAPACITOR	500V 101 ±10% 5mm	3	C514,C520,C523
78		PORCELAIN CAPACITOR	50V 104 ±20% 5mm	7	C504,C508,C510,C518,C526,C5163,C524
79		PORCELAIN CAPACITOR	1000V 101 +80%-20% 7.5mm	2	C503,C522
	79.1	PORCELAIN CAPACITOR	1000V 101 ±10% 7.5mm	2	C503,C522
80		PORCELAIN CAPACITOR	50V 102 ±10% 5mm	1	C515
81		PORCELAIN CAPACITOR	1000V 103 +80%-20% 7.5mm	2	C502,C521
82		CERAMIC CAPACITOR	CT81 250VAC471±10% 10mm	1	BC503
83		CERAMIC CAPACITOR	400VAC 102 ±10% 10mm	1	BC504
84		TERYLENE CAPACITOR	100V 223 ±10% 5mm	1	C506
85		TERYLENE CAPACITOR	100V 472±10% SHAPED 5mm	1	C525
86		TERYLENE CAPACITOR	275V 104 ±20% 15mm	2	BC501,BC502
	86.1	TERYLENE CAPACITOR	275V 104 ±10% 15mm	2	BC501,BC502
87		METAL POLYESTER FILM CAPACITOR	CL23X 63V 474 ±5% 5	6	C5149,C5150,C5151,C5152,C5153,C5154
88		CD	CD11T 50V47u±20%6×12 2.5	3	TC502,TC512,TC515
89		CD	CD11T 16V100u±20%6×12 2.5	4	TC508,TC511,TC513,TC516
90		CD	CD11 105°C 16V1000U±20%10×20 5	3	TC503,TC504,TC565
91		CD	CD11T 10V1000u±20%8×16 3.5	4	TC505,TC506,TC509,TC510
92		CD	CD110 105°C 50V1U±20%5×11 2	1	TC514
93		CD	LS 400V330U±20% 30×40 10	1	TC501
94		CD	GZ 105°C 35V 2200U±20% 16×36 7.5	2	TC517,TC518

95		CD	CD11 105°C 16V10U±20%5×11 2	14	TC546,TC547,TC548,TC549,TC550,TC551,TC552,TC553,TC554,TC555,TC556,TC557,TC558,TC557
96		CD	CD11 105°C 100V4.7U±20%6×12 2.5	1	TC519
97		CD	CD11T 25V10U±10%5×11 2	6	TC536,TC538,TC539,TC541,TC542,TC544
98		CD	CD11C 105°C 50V22U±20%6×7 2.5	3	TC537,TC540,TC543
99		CD	GZ 105°C 25V47u ±20%8×12 3.5	1	TC545
100		CD	CD11C 105°C 35V100U±20%6.3×11 2.5	12	TC524,TC525,TC526,TC527,TC528,TC529,TC530,TC531,TC532,TC533,TC534,TC535
101		CD	CD11T 16V220U±20%6×12 2.5	7	TC522,TC523,TC560,TC561,TC562,TC563,TC564
102		CD	CD11 105°C 35V470U±20%10×20 5	2	TC520,TC521
103		VERTICAL SHIELD FILTER INDUCTOR	RP1315-270	1	L520
104		VERTICAL SHIELD FILTER INDUCTOR	RP1315-330	5	L517,L518,L519,L521,L522
105		CHOKE COIL	VERTICAL 10UH 1A 5mm	1	L505
106		CHOKE COIL	VERTICAL 15uH 5A 10mm	2	L508,L509
107		CHOKE COIL	VERTICAL 10UH 2A 5mm	2	L506,L507
108		SWITCHING POWER TRANSFORMER	BCK-28-0286 2#	1	T501
109		SWITCHING POWER TRANSFORMER	BCK-35-0144	1	T502
110		MAGNETIC BEADS INDUCTOR	RH354708	8	L511,L512,L513,L514,L515,L516,L524,L503
111		DIODE	BYW29E-200 TO-220	2	D516,D517
112		DIODE	HER105	6	D506,D508,D511,D512,D515,D507
	112.1	DIODE	HER105 SHAPED 12.5mm	6	D506,D508,D511,D512,D515,D507
113		DIODE	HER306	2	D510,D509
	113.1	DIODE	HER306 SHAPED R 17.5×8mm	2	D510,D509
114		DIODE	HER107	1	D505
	114.1	DIODE	HER107 SHAPED R 12.5mm	1	D505
115		DIODE	HER307 SHAPED R 13.6×8mm	1	D514
116		DIODE	1N5408 SHAPED R 17.5×8mm	4	D501~D504
	116.1	DIODE	1N5408 SHAPED 17.5mm	4	D501~D504
117		VOLTAGE REGULATOR DIODE	5.1V 1/2W	1	ZD501
	117.1	VOLTAGE REGULATOR DIODE	5.1V 1/2W SHAPED 10mm	1	ZD501
118		VOLTAGE REGULATOR DIODE	6.8V 1/2W	1	ZD503
119		VOLTAGE REGULATOR DIODE	9.1V 1W	1	ZD502
	119.1	VOLTAGE REGULATOR DIODE	9.1V 1W SHAPED 10mm	1	ZD502
120		IC	KA1M0880BTU TO-3P-5L	1	U505
121		IC	5L0380R YDTU	1	U501
122		IC	MIK431C TO-92	2	U503,U507
	122.1	IC	TL431 TO-92	2	U503,U507
123		IC	LM7805 GOLD SEALED TO-220	1	U504

124		IC	L7809CV GOLD SEALED TO-220	1	U508
125		IC	LM393 SO8	6	UC501,UC502,UC503,UC504,U C505,UC506
126		IC	RC4558D SOP	6	UA501,UA502,UA503,UA504,U A505,UA506
127		IC	TDA8927JN2C1E3 DBS	3	UB502,UB501,UB503
128		POWER GRID FILTER	JBL2822 30mH±20%	2	L501,L502
129		PHOTOELECTRIC COUPLER	HS817	2	U502,U506
130		SOCKET	2P 8.0mm 2#	2	BCN501,BCN502
131		SOCKET	5P 2.0mm	1	CN501
132		SOCKET	10P 2.5mm	1	XS503
133		FUSE	T6.3AL 250V	1	F501
134		FUSE	BLX-2	1	FOR F501
135		SILICON INSULATOR PIECE	20×25×0.3	1	U505 INSULATION WITH HEAT RADIATOR
136		SILICON INSULATOR PIECE	16×30×0.3	3	UB501、UB502、UB503 INSULATION WITH HEAT RADIATOR
137		HEAT RADIATION BOARD	40×40×20 BLACK DV937	1	U505 FOR HEAT RADIATION
138		HEAT RADIATION BOARD	11×15×25 AB009K	5	U501,U504,D516,D517,U508 FOR HEAT RADIATION
	138.1	HEAT RADIATION BOARD	11×15×25 WHITE AB905	5	U501,U504,D516,D517,U508 FOR HEAT RADIATION
139		HEAT RADIATION BOARD	125×18×40 SILVERY DV937	1	FOR POWER AMPLIFIER PIPE
140		TAPPING SCREW	BT 3×8 BLACK	5	U501,U504,D516,D517,U508 FOR HEAT RADIATION
141		TAPPING SCREW	BT 3×10 WHITE NICKEL	7	FIXDE HEAT RADIATION BOARD, U505 HEAT RADIATION BOARD
142		TERMINAL SOCKET	AV9-8.4-2G-3	1	JK501
143		TERMINAL SOCKET	CS-09	1	JK502
144		ELECTRO-OPTIC TRANSFORMER	TX179AT	1	JK503
	144.1	ELECTRO-OPTIC TRANSFORMER	TP01A	1	JK503
145		EXTERNAL SOCKET	WP12-1	1	JK505
146		CABLE SOCKET	13P 1.0mm DUAL LINE CONTACT, STRAIGHT DUAL LINE PLUG	1	XS501
147		CABLE SOCKET	11P 1.0mm STRAIGHT DUAL LINE PLUG	1	XS502
148		CABLE SOCKET	8P 1.0mm DUAL LINE	1	XS504
149		PVC PIECE	100×10×0.25 SINGLE FACED WITH GLUE REAR	1	RADIATION BOARD AND PCB
150		PCB	5937PH-3	1	

3. POWER SOCKET

NO	MATERIAL	SPECIFICATIONS/PART NUMBER	QUANTITY	LOCATION
1	HEAT SHRINKABLE TUBE	Φ22	0.05	
2	SWITCHING LEAD	2P 80/90mm 8.0mm WITH CLASP	1	FROM POWER BOARD TO AC SOCKET
3	PCB	C936A-0	1	
4	8-SHAPED POWER SOCKET	SA-2S-129	1	

4. SCART BOARD

NO	MATERIAL	SPECIFICATIONS/PART NUMBER	QUANTITY	LOCATION
1	CARBON FILM RESISTOR	1/4W4.7K±5%	1	R701
2	CARBON FILM RESISTOR	1/4W330Ω±5% SHAPED 10	1	R702
3	CARBON FILM RESISTOR	1/4W2.2K±5% SHAPED 10	2	R703,R705
4	CARBON FILM RESISTOR	1/4W33Ω±5%	1	R704
5	CARBON FILM RESISTOR	1/4W1K±5%	1	R706
6	CARBON FILM RESISTOR	1/4W75Ω±5%	1	R708
7	PORCELAIN CAPACITOR	50V 104 ±20% 5mm	1	C701
8	MAGNETIC BEADS INDUCTOR	RH354708	2	L701,L702
9	TRIODE	S8050D	3	V701,V702,V703
10	SCART SOCKET	SCART-01	1	JK701
11	CONNECTION CORDS	Φ0.6 SHAPED 7.5mm	7	JP701,JP702,JP703,JP704,JP705 ,JP707,JP708
12	CONNECTION CORDS	Φ0.6 SHAPED 10mm	2	JP706,R707
13	PCB	S937-0	1	
14	CABLE SOCKET	8P 1.0mm DUAL LINE	1	XS701

5. MAIN FRONT PANEL

NO	MATERIAL	SPECIFICATIONS/PART NUMBER	QUANTITY	LOCATION
1	SOFT SPONGE SPACER	15×15×7 DOUBLE FACED, HARD	1	CONNECT VFD WITH FRONT PANEL PCB
2	SOFT SPONGE SPACER	15×5×7 DOUBLE FACED, HARD	1	CONNECT VFD WITH FRONT PANEL PCB
3	SOFT SPONGE SPACER	7×7×12.5 DOUBLE FACED, HARD	1	CONNECT IR SENSOR WITH FRONT PANEL PCB
4	SMD RESISTOR	1/10W 100Ω ±5%	1	R424
6	CARBON FILM RESISTOR	1/4W10Ω±5% SHAPED10	2	R418,R419
	SMD RESISTOR	1/10W 1K ±5%	2	R425,R426
7	CARBON FILM RESISTOR	1/4W10K±5%	7	R408~R410,R416,R417,R422,R4 23
7.1	CARBON FILM RESISTOR	1/4W10K±5% SHAPED 10	7	R408~R410,R416,R417,R422,R4 23
8	CARBON FILM RESISTOR	1/4W33K±5%	8	R401~R404,R411~R414
8.1	CARBON FILM RESISTOR	1/4W33K±5% SHAPED 10	8	R401~R404,R411~R414
9	CARBON FILM RESISTOR	1/4W51K±5%	1	R405
9.1	CARBON FILM RESISTOR	1/4W51K±5% SHAPED 10	1	R405
10	CD	CD11C 16V100U±20%6×7 2.5	2	TC402,TC403
11	DIODE	1N4148	2	D401,D402
11.1	DIODE	1N4148 SHAPED 10mm	2	D401,D402
12	IC	PT6311 QFP	1	U401
13	VFD	HNVC09SS35	1	VFD401
14	LIGHT TOUCH RESTORE SWITCH	HORIZONTAL 6×6×1	1	K401
15	RADIATION DIODE	3B3SC WHITE WITH BLUE	5	LED401~LED403,LED405,LED 406
15.1	RADIATION DIODE	3B3HC COLORLESS WITH BLUE	5	LED401~LED403,LED405,LED 406
16	IR SENSOR	HS0038B3V	1	U402
17	PORCELAIN CAPACITOR	50V 103 ±20% 5mm	3	C401,C407,C408
	SMD CAPACITOR	50V 103 ±10% 0603	1	C406
18	SMD TRIODE	8550D	2	V401,V402
19	DIGITAL POTENTIOMETER	EC1224-2-24-F25	1	VR401

		CONNECTION CORDS	Φ0.6 SHAPED 10mm	1	R415
20		FLAT CABLE	11-6/5P 100/360 2.0 T3 WITH L NEEDLE	1	XS402
21		PCB	4937-3	1	

6. SUBSIDIARY BOARD

NO	MATERIAL	SPECIFICATIONS/PART NUMBER	QUANTITY	LOCATION
1	PCB	9937-0	1	
2	FLAT CABLE	6P 40mm 2.0mm	1	FROM MAIN FRONT PANEL TO ITS SUBSIDIARY BOARD
3	LIGHT TOUCH RESTORE SWITCH	HORIZONTAL 6×6×1	6	K901~K903,K905~K907

7. OK BOARD

NO	MATERIAL	SPECIFICATIONS/PART NUMBER	QUANTITY	LOCATION	
1	CARBON FILM RESISTOR	1/6W10Ω±5% SHAPED 7.5	2	R621,R622	
3	CARBON FILM RESISTOR	1/6W330Ω±5% SHAPED 7.5	1	R616	
4	CARBON FILM RESISTOR	1/6W560Ω±5% SHAPED 7.5	2	R603,R604	
5	CARBON FILM RESISTOR	1/6W1K±5% SHAPED 7.5	3	R607,R608,R619	
6	CARBON FILM RESISTOR	1/6W5.1K±5% SHAPED 7.5	1	R613	
7	CARBON FILM RESISTOR	1/6W10K±5% SHAPED 7.5	7	R605,R606,R618, R623,R609,R610,R620	
8	CARBON FILM RESISTOR	1/6W22K±5% SHAPED 7.5	2	R601,R602	
9	CARBON FILM RESISTOR	1/6W100K±5% SHAPED 7.5	2	R615,R617	
10	CARBON FILM RESISTOR	1/6W4.7K±5% SHAPED 7.5	2	R611,R612	
11	ROTATED POTENTIOMETER	R0901N-BA1-B10K	2	VR601,VR602	
12	PORCELAIN CAPACITOR	50V 47P ±5% NPO 5mm	2	C605,C606	
	12.1	PORCELAIN CAPACITOR	50V 47P ±5% 5mm	2	C605,C606
	12.2	PORCELAIN CAPACITOR	50V 47P ±10% 5mm	2	C605,C606
13	PORCELAIN CAPACITOR	50V 100P ±10% 5mm	1	C607	
14	PORCELAIN CAPACITOR	50V 103 ±10% 5mm	2	C603,C604	
15	PORCELAIN CAPACITOR	50V 104 ±20% 5mm	2	C601,C602	
16	PORCELAIN CAPACITOR	50V 102 ±20% 5mm	1	C608	
17	CD	CD110 16V47U±20%5×11 2	3	TC611,TC615,TC616	
	17.1	CD	CD11 16V47U±20%5×11 2	3	TC611,TC615,TC616
	17.2	CD	CD11C 16V47U±20%5×7 2	3	TC611,TC615,TC616
18	CD	CD11 16V4.7U±20%5×11 2	5	TC601~TC604, TC613	
19	CD	CD11 16V22U±20%5×11 2	2	TC605,TC606	
	19.1	CD	CD11 25V22U±20%5×11 2	2	TC605,TC606
20	MAGNETIC BEADS INDUCTOR	RH354708	2	L601,L602	
21	DIODE	1N4148	3	VD601~VD603	
22	IC	NJM4558D DIP	2	U601,U602	
	22.1	IC	KA4558 DIP	2	U601,U602
23	PCB	6937A-0	1		
24	FLAT CABLE	6P240 2.5 T2 1P SHIELD WITH L NEEDLE REVERSE	1	XS601	
25	MICROPHONE SOCKET	CK3-6.35-106	2	MIC601,MIC602	
26	CONNECTION CORDS	Φ0.6 SHAPED 7.5mm	5	JP601,JP602,JP603,JP604,JP605	