

***IBBK***

***DK970S***

**SERVICE MANUAL**

# CONTENT

SPECIFICATIONS-----	1
PRECAUTIONS-----	1
GENERAL CHART-----	2-3
DK970S FRONT SPEAKER-----	2
DK970S SURROUND SPEAKER-----	2
DK970S CENTER SPEAKER-----	3
DK970S PASSIVE SUBWOOFER-----	3
BILL OF MATERIAL-----	4

# SPECIFICATIONS

<b>Model Number</b>	DK970S	DK970S	DK970S	DK970S
<b>Cabinet Type</b>	FRONT SPEAKER	SURROUND SPEAKER	CENTER SPEAKER	PASSIVER SUBWOOFER
<b>Component</b>	0.5" Tweeter X1pcs 5X12 Woofer X2pcs	0.5" Tweeter X1pcs 5X12 Woofer X2pcs	0.5" Tweeter X1pcs 5X12 Woofer X2pcs	8" Woofer X1pcs
<b>Speaker System</b>	Close	Close	Close	Close
<b>Speaker Terminals</b>	Binding post	Binding post	Binding post	Binding post
<b>Dimensions (WxDxH)mm</b>				
<b>Weight(net)</b>				

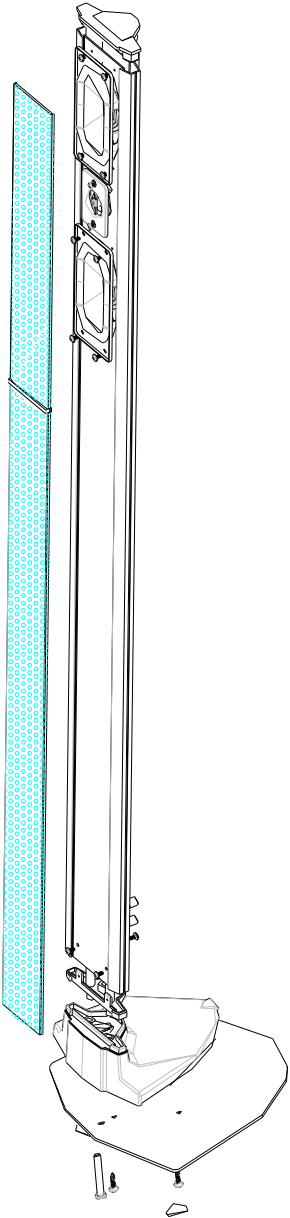
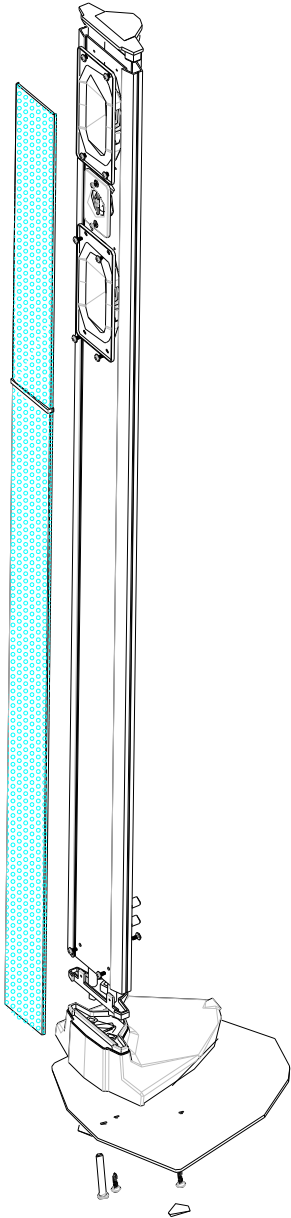
## PRECAUTIONS

- For the speaker  
There are wires connected speakers with crossover, when disassembling the speakers or crossover, remember to unplug the connecting terminals.

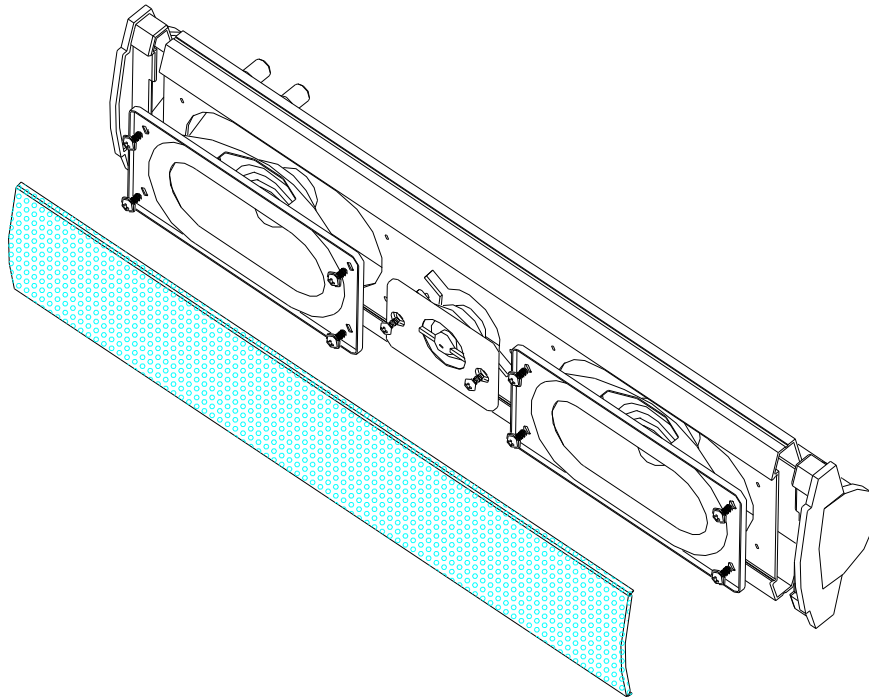
# GENERAL CHART

1.DK970S FRONT SPEAKER

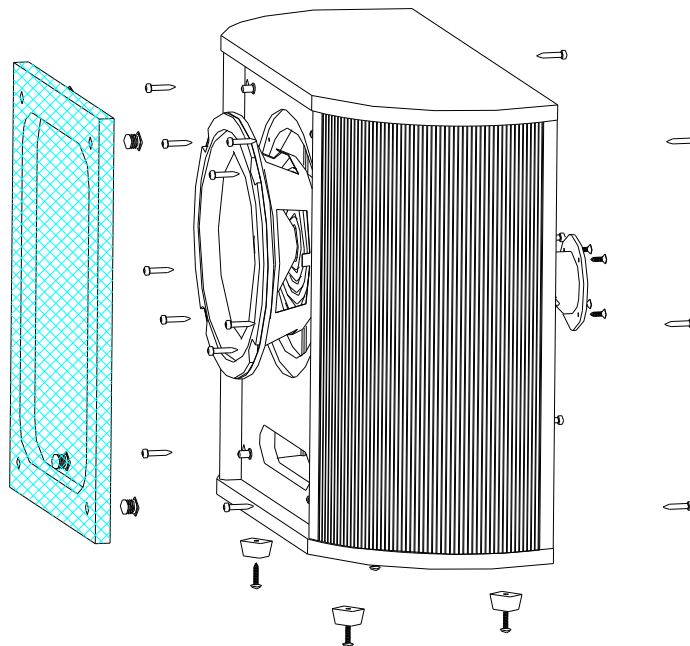
2.DK970S SURROUND SPEAKER



### 3. DK970S CENTER SPEAKER



### 4. PASSIVER SUBWOOFER



# BILL OF MATERIAL

MODEL: DK970S FRONT SPEAKER

Unit: 1pc

Product Code: EDK970S F S-BB Model: DK970S F Front speaker for export to Russia Silver BBK

Item	Material Code	Material Name	Specification	Unit	Dosage	Remark
43	T156S18N4P13-1	Tweeter Antimagnetic panel 56 Square magnet 18 neodymium ferboron 4Ω	Coil made of PSV material 13core	PCS	1.0000	
44	W10512T13N4K14-1	Woofers Anantimagnetic Bracket5"x12" Ellipse magnet 80 ferboron 4Ω	Coil made of KSV material 14core YDT512B-1B0500701	PCS	2.0000	

MODEL: DK970S SURROUND SPEAKER

Unit: 1pc

Product Code: EDK970S S S-BB Model: DK970S S Surround speaker for export to Russia Silver BBK

Item	Material Code	Material Name	Specification	Unit	Dosage	Remark
43	T156S18N4P13-1	Tweeter Antimagnetic panel 56 Square magnet 18 neodymium ferboron 4Ω	Coil made of PSV material 13core	PCS	1.0000	
44	W10512T13N4K14-1	Woofers Anantimagnetic Bracket5"x12" Ellipse magnet 80 ferboron 4Ω	Coil made of KSV material 14core YDT512B-1B0500701	PCS	2.0000	

MODEL: DK970S CENTER SPEAKER

Unit: 1pc

Product Code: EDK970S C S-BB Model: DK970S C Centre speaker for export to Russia Silver BBK

Item	Material Code	Material Name	Specification	Unit	Dosage	Remark
20	T156S18N4P13-1	Tweeter Antimagnetic panel 56 Square magnet 18 neodymium ferboron 4Ω	Coil made of PSV material 13core	PCS	1.0000	
21	W10512T13N4K14-1	Woofers Anantimagnetic Bracket5"x12" Ellipse magnet 80 ferboron 4Ω	Coil made of KSV material 14core YDT512B-1B-0500701	PCS	2.0000	

MODEL: DK970S PASSIVE SUBWOOFER

Unit: 1pc

Product Code: EDK970S S S-BB Model: DK970S S Surround speaker for export to Russia Silver BBK

Item	Material Code	Material Name	Specification	Unit	Dosage	Remark
37	W0200R100B4A35-1	Woofers Unantimagnetic bracket 200 Round magnet 100 Ferrite 4Ω	Coil made of ASV material 35 core	PCS	1.0000	

***BBK***