

IBBK

FSA-1806

SERVICE MANUAL

CONTENT

CHAPTER 1(ACOUSTIC)

SPECIFICATIONS-----	3
PRECAUTIONS-----	3
GENERAL CHART-----	4
BILL OF MATERIAL-----	6

CHAPTER 2(ELECTRONIC)

TECHNICAL PARAMETER-----	8
DISASSEMBLY INSTRUCTION-----	9
PROCESS CHART-----	12
PRINCIPLE CHART-----	13
PCB BOARD-----	16
GENERAL CHART-----	18
BILL OF MATERIAL-----	19

Chapter 1 (Acoustic)

SPECIFICATIONS

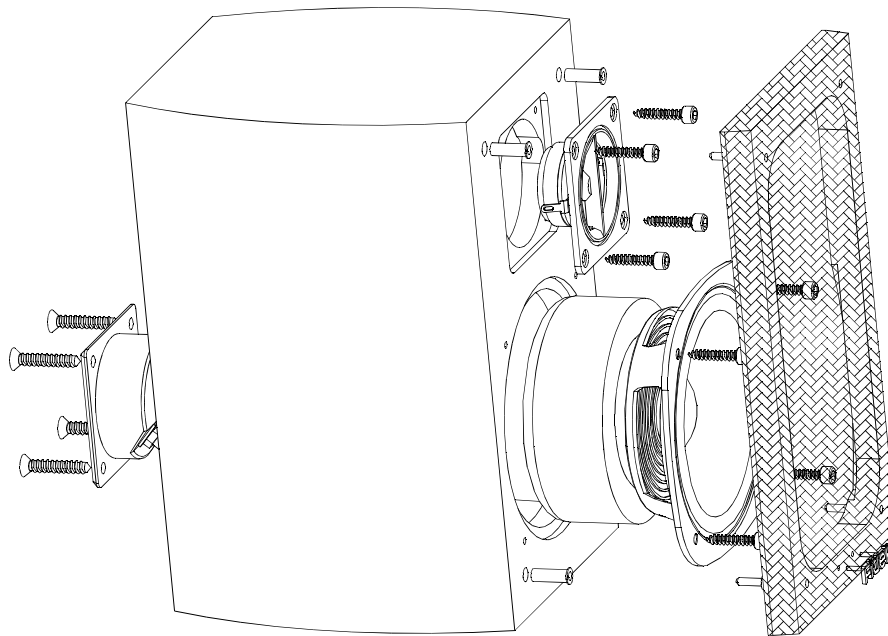
Model Number	FSA-1806	FSA-1806	FSA-1806	FSA-1806
Cabinet Type	Front Speaker	Center Speaker	surround Speaker	subwoofer
Component	4" woofer x1 0.5" tweeter	4" woofer x2 0.5" tweeter	4" woofer x1	8" woofer
Speaker System	Close	Close	Close	Bass Reflex
Speaker Terminals	Binding Post	Binding Post	Binding Post	Spring Clip
Dimensions (WxDxH)mm	132x145x210	370x145x132	370x145x132	270x370x395
Weight(net)	1.6 kg/pc	3.05 kg/pc	1.35 kg/pc	12.5 kg/pc

PRECAUTIONS

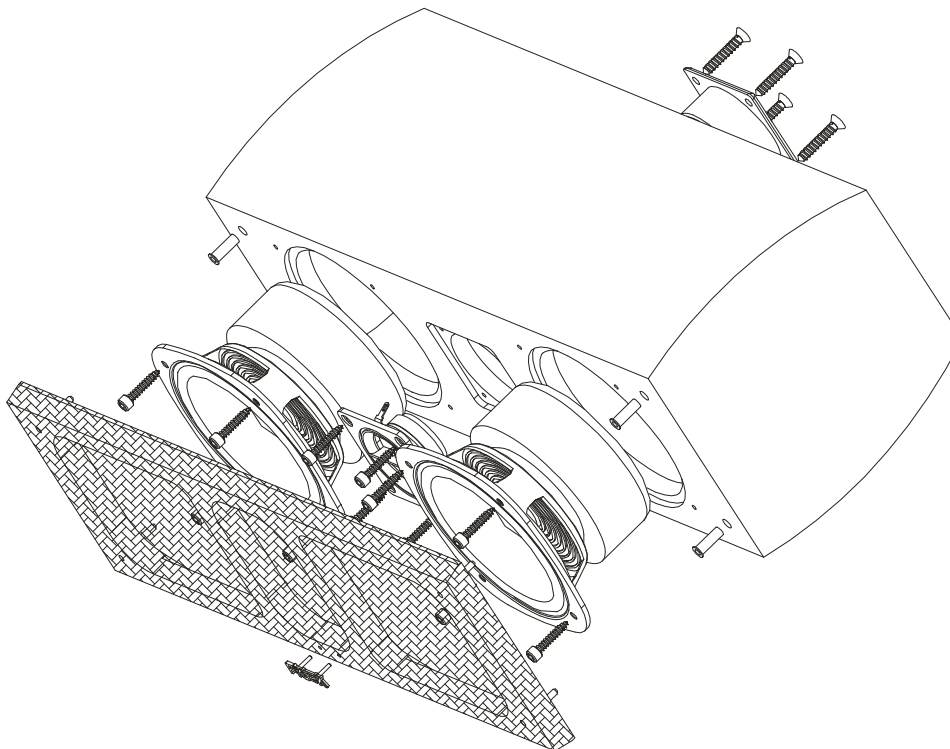
- For the speaker
There are wires connected speakers with crossover, when disassembling the speakers or crossover, remember to unplug the connecting terminals.
- For the subwoofer only
There are wires connected speaker with amplifier panel, when disassembling speaker, remember to unplug the connecting terminals.
when disassembling amplifier panel, please refer to Chapter 2(Electronic).

GENERAL CHART

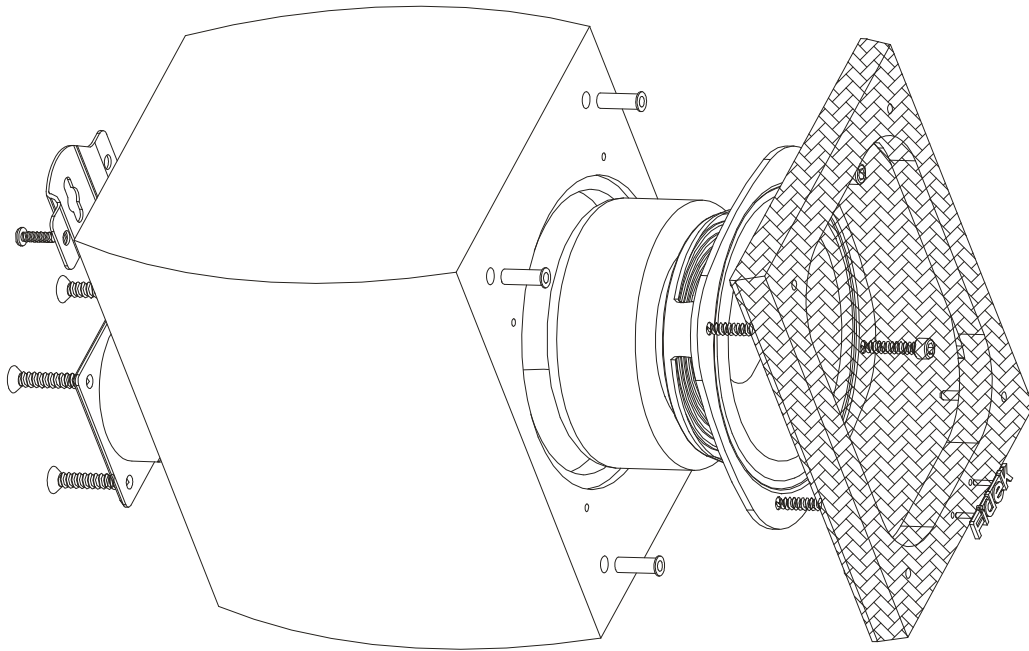
FSA-1806 (Front Speaker)



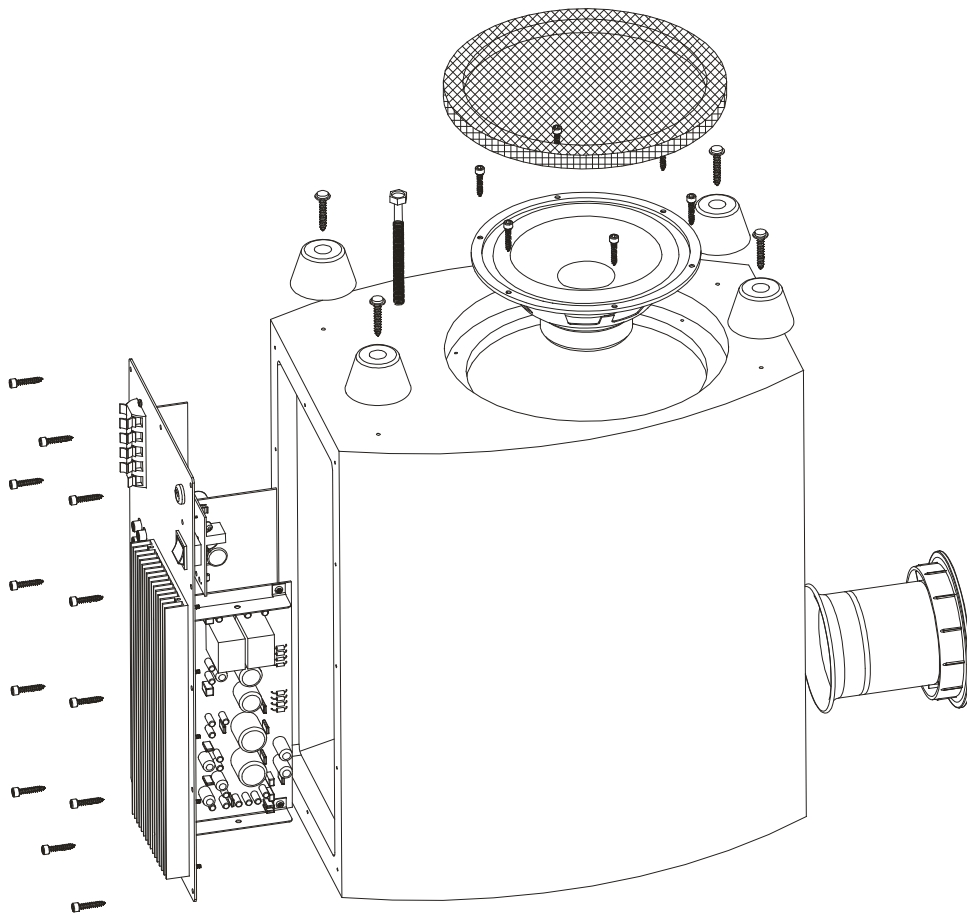
FSA-1806 (Center speaker)



FSA-1806 (Surround speaker)



FSA-1806 (Subwoofer)



Bill of Material

This bill is only for servicing use.

Type	Part No.	Description	Qty/unit
EFSW-1806 Subwoofer	W0806-0350-02	woofer 8 inch HSP-8149 6 ohm, non magnetic shielded	1
	B60353	amplifier part FSA-1806 BBK	1
EFSA-1806 Front Speaker	N201-257	crossover AM-21196	1
	T008-0130-15	tweeter 0.5 inch HT-1374 8 ohm	1
	W0404-0250-47	woofer 4 inch HSP-4211 4 ohm	1
EFSA-1806 Center Speaker	N201-257	crossover AM-21196	1
	T008-0130-15	tweeter 0.5 inch HT-1374 8 ohm	1
	W0404-0250-47	woofer 4 inch HSP-4211 4 ohm	2
EFSA-1806 Surround Speaker (4pcs/set)	N201-257	crossover AM-21196	1
	W0404-0250-47	woofer 4 inch HSP-4211 4 ohm	1

Chapter 2

(Electronic)

TECHNICAL PARAMETER

Rated output power :

R/L (1KHz,THD+N=0.5%,RL=4)-----15W+15W

C (1KHz,THD+N=0.5%,RL=4)-----15W

SR/SL (1KHz,THD+N=0.5%,RL=4)-----15W+15W

SW(60Hz,THD+N=0.5%,RL=4)-----50W

Frequency response----- 60HZ-20KHZ-0.5dB

Input sensitivity :

Audio input-----320mv/47K

Tune control :

Bass----- ± 10dB(200HZ)

Treble----- ± 10dB(10KHZ)

General:

Power-----AC230V ± 10% 50HZ

Max power consuming-----200W

DISASSEMBLY INSTRUCTION

Please study the circuitry position well before any disassembly to ensure all wires locate as original.

1. The parts in fig 1 can't be changed by customer.



fig 1

2. Unscrew the screws A to fake off the back panel.

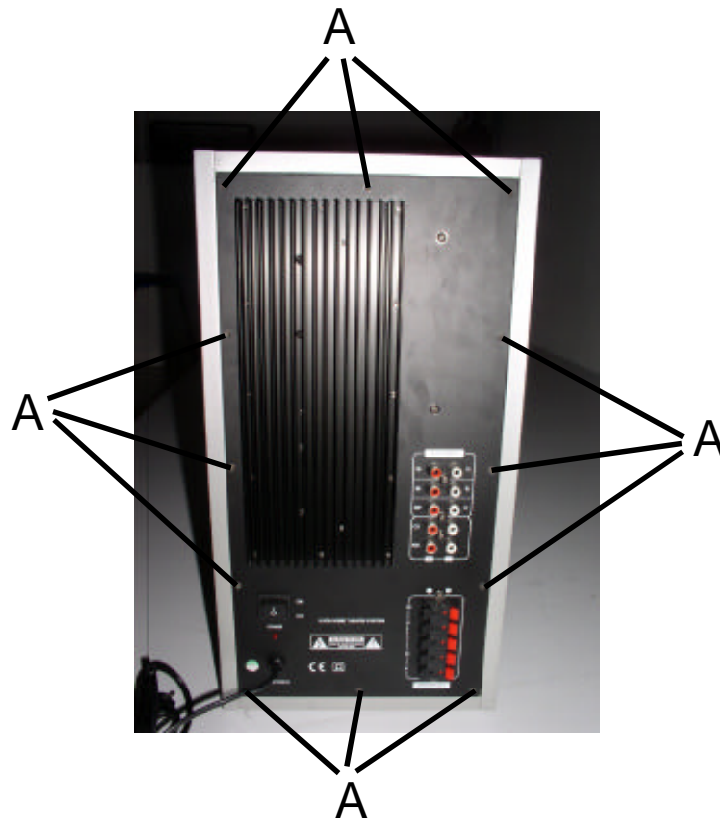


fig 2

3. Unscrew B and C to take off amplifier board D.

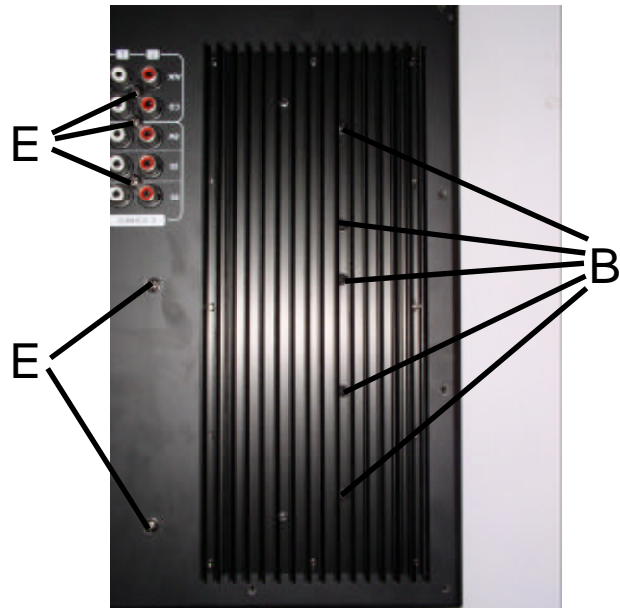


fig 3

4. Unscrew E to take off VR board F.

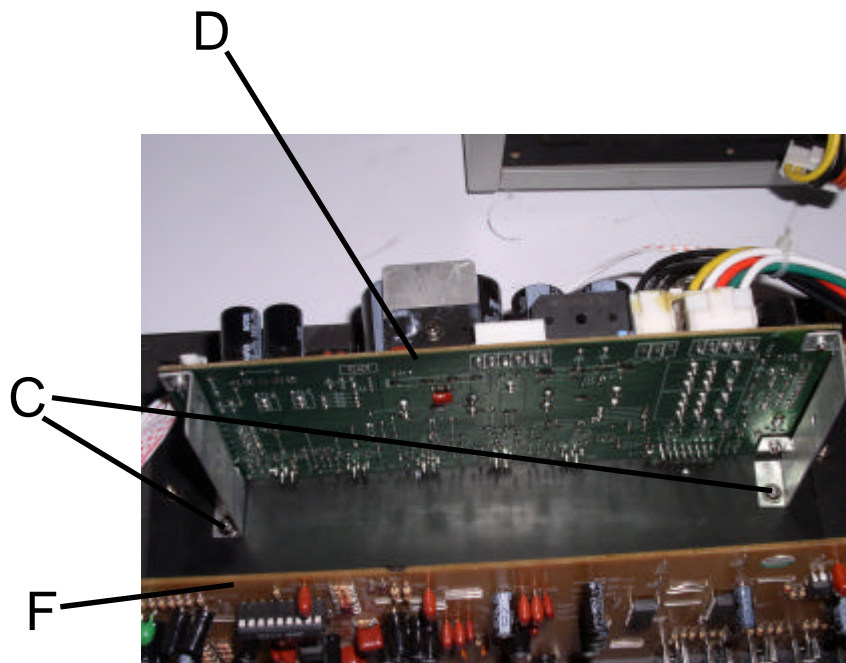


fig 4

5. Unscrew G to take off transformer.

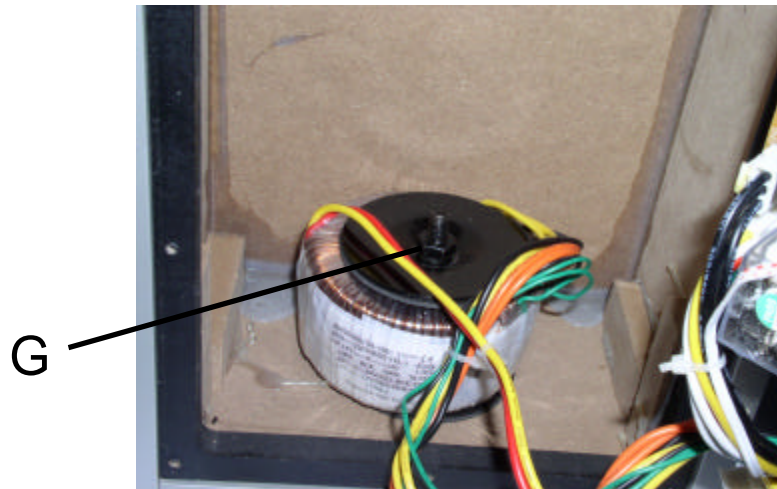


fig 5

6. Change fuse tube: Take off the fuse tube and change a fuse of same type and specification with the original one according to instruction H.

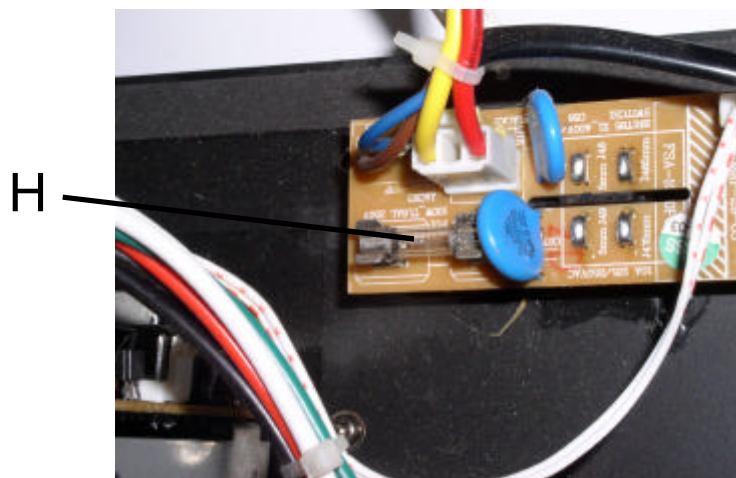
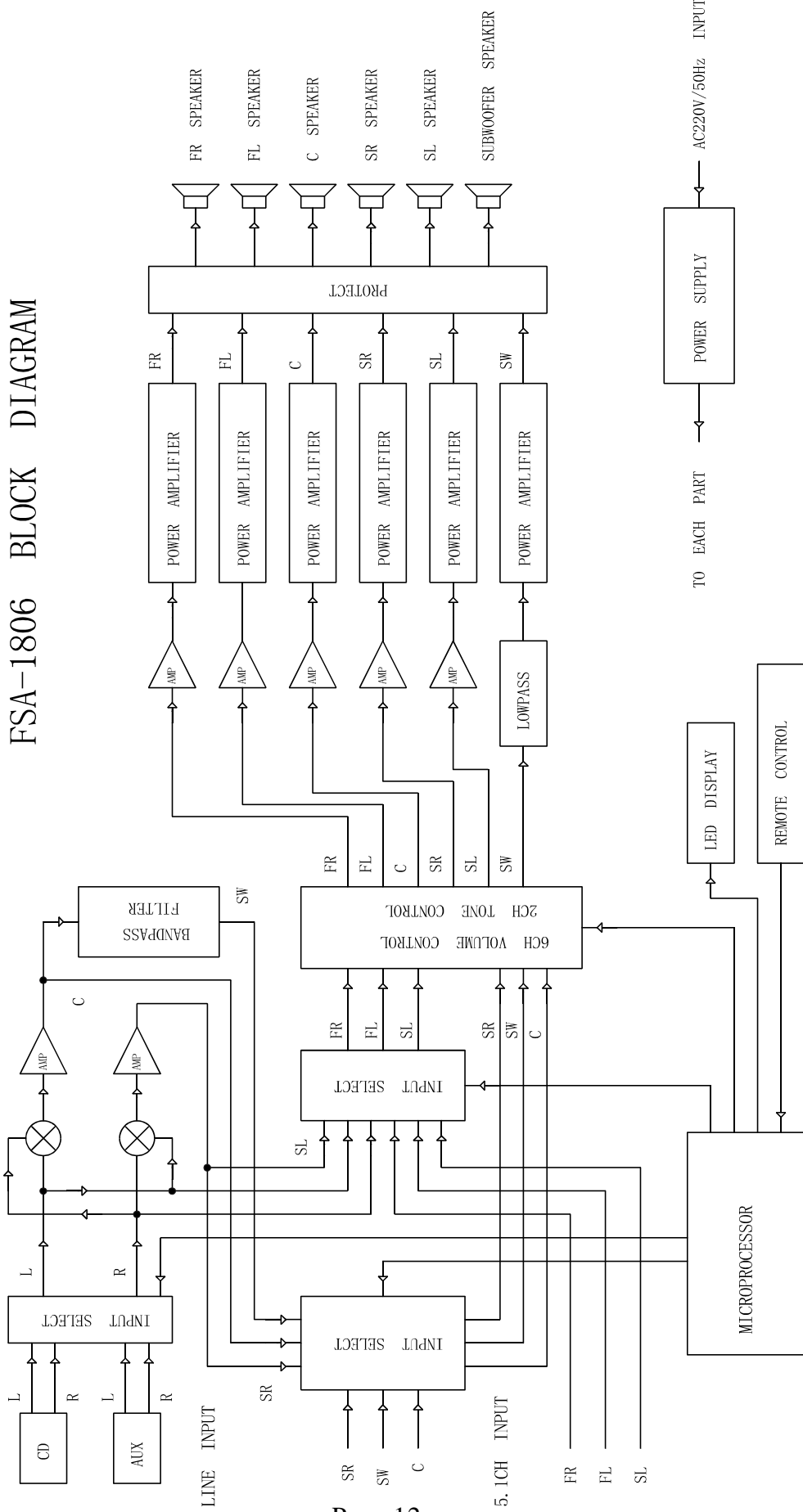
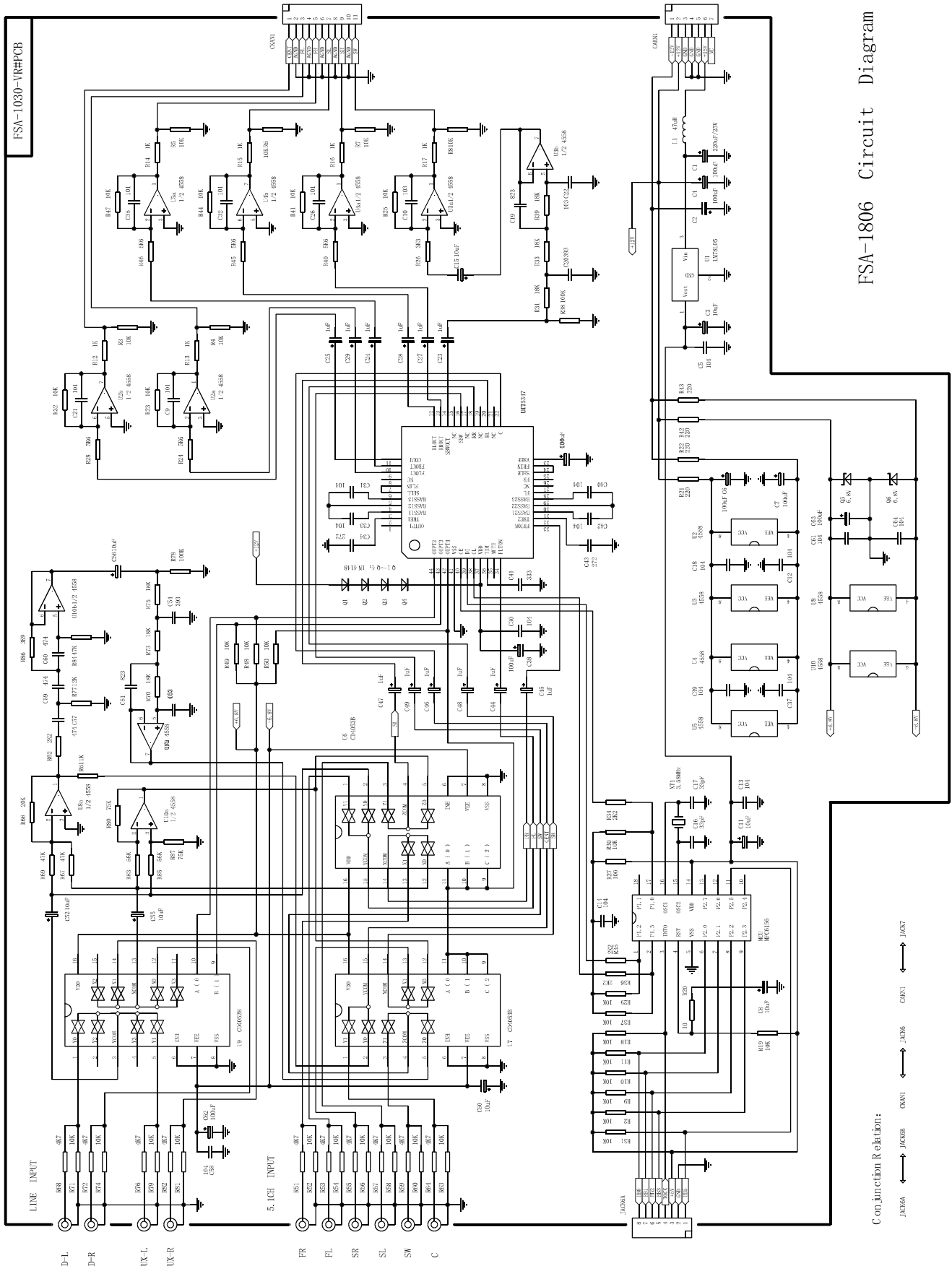


fig 6

PROCESS CHART



PRINCIPLE CHART



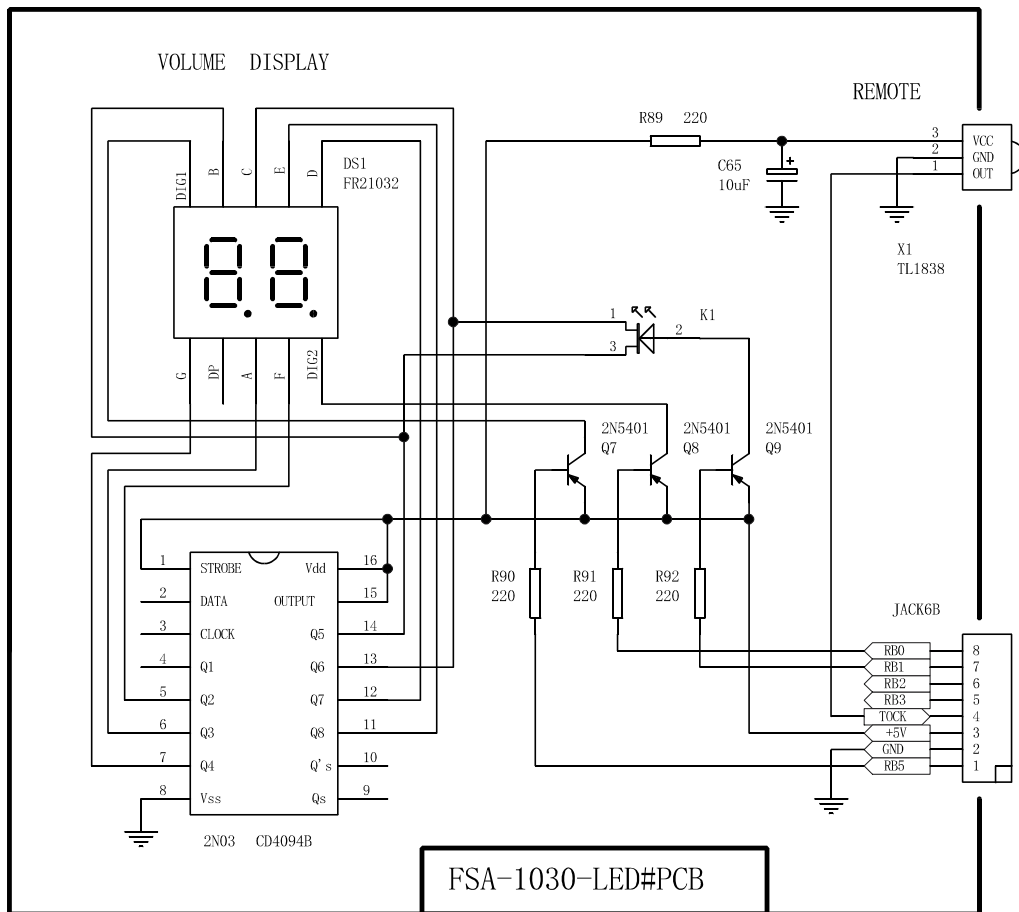
FSA-1806 Circuit Diagram

Conjunction Relation:



PRINCIPLE CHART

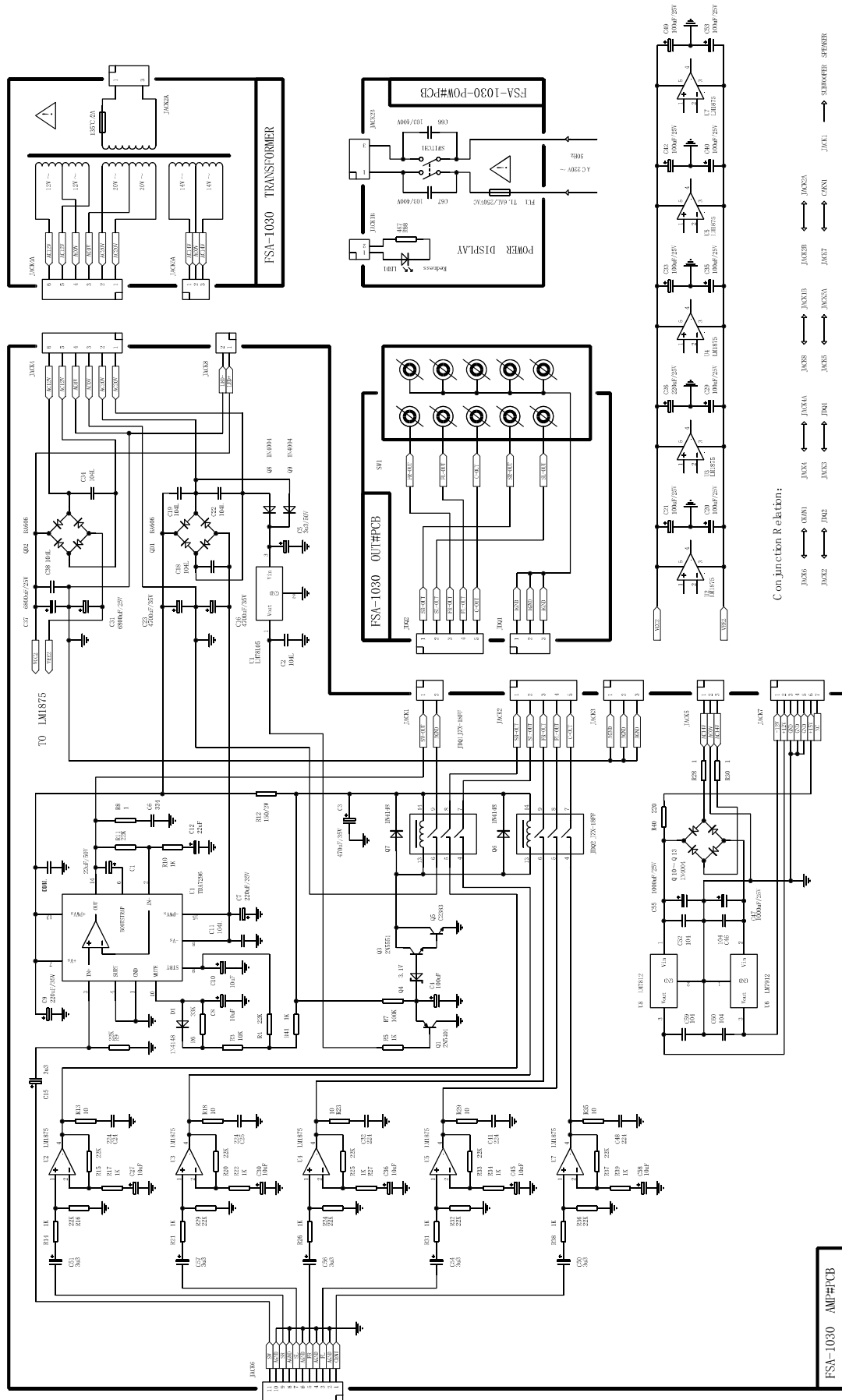
FSA-1806 Circuit Diagram



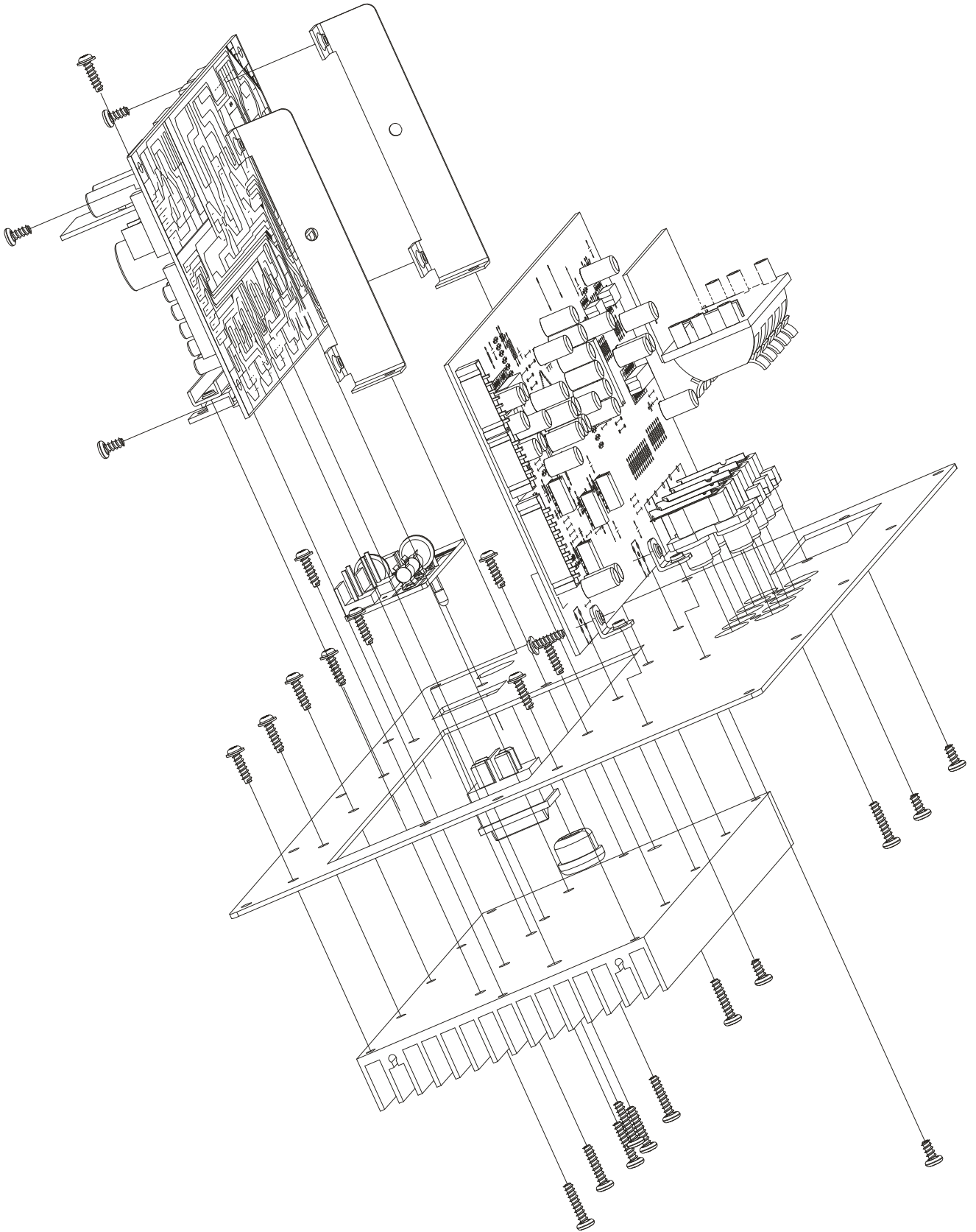
Conjunction Relation: JACK6B ↔ JACK6A

PRINCIPLE CHART

FSA-1806 Circuit Diagram



GENERAL CHART



Bill of Material

Type	Part No.	Description	Q'ty/Unit
Front Board Assembly B60117	05168	IC LM78L05 T0-78L	1
	05107	IC NJM4558D	6
	05263	IC eelectronil volume LC75347	1
	05278	IC CPU FSA-1030	1
	08018	crystal 3.58MHz	1
			Other parts for the front board assembly
Amplifier Board Assembly B60118	0300069	electrolytic capacitor 35V 4700uF ± 20% Dia 22x40	2
	0300103	electrolytic capacitor 35V 4700uF ± 20% Dia 18x35 NOVA	2
	05040	IC TDA 2030A ST	5
	05163	IC BA7611AN	1
	05177	IC KA7812	1
	05191	IC KA7912	1
	05279	IC TDA7296	1
	10041	relay JZX-18FF (Y-330) DC 12V pin	1
			Other parts for the amolifier board assembly
Displaying Board Assembly B60119	05100-1	IC HEF4094BP SOP	1
	06060	diode Dia5	1
	12006	receiver TSOP1838	1
			Other parts for the displaying board assembly
Switch Board Assembly B60120	06004	diode Dia3	1
	13076	fuse 250V T1.6A Dia5x20 VDE/UL/3C	1
			Other parts for the switch board assembly
Other Parts	090175	switch KCD5-102 6A/250V	1
	11441	transformer FSA1020BT , 220 , 0CE	1
			Other parts

IBBK