

***IBBK***

**FSA-3020T**

**SERVICE MANUAL**

# CONTENT

## CHAPTER 1(ACOUSTIC)

SPECIFICATIONS-----	3
PRECAUTIONS-----	3
GENERAL CHART-----	4
BILL OF MATERIAL-----	5

## CHAPTER 2(ELECTRONIC)

SPECIFICATION-----	7
DISASSEMBLY INSTRUCTION-----	8
CIRCUITRY PRINCIPLE CHART-----	10
PROCESS CHART-----	11
PCB BOARD-----	12
GENERAL ASSEMBLY ILLUSTRATION-----	13
BILL OF MATERIAL-----	14

# Chapter 1 (Acoustic)

## SPECIFICATIONS

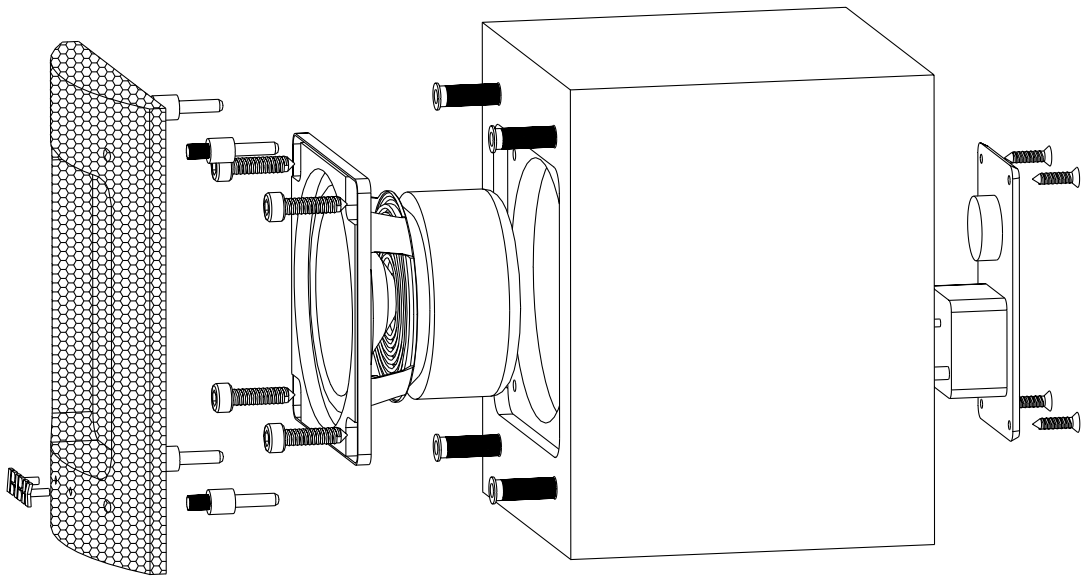
<b>Model Number</b>	FSA-3020T	FSA-3020T
<b>Cabinet Type</b>	Satellite Speaker	Subwoofer
<b>Component</b>	2.5" woofer x1	6.5" woofer
<b>Speaker System</b>	Close	Bass Reflex
<b>Speaker Terminals</b>	Spring Clip	Spring Clip
<b>Dimensions (WxDxH)mm</b>	95x106x115	213x360x410
<b>Weight(net)</b>	0.7kg/pc	10 kg/pc

## PRECAUTIONS

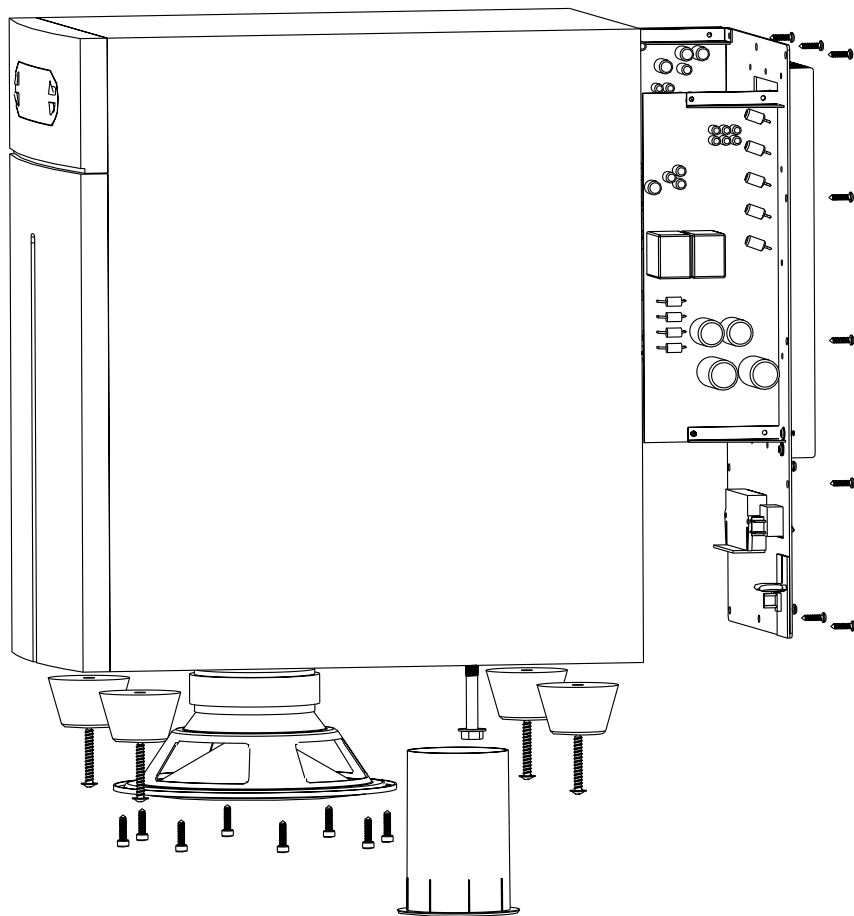
- For the speaker  
There are wires connected speakers with crossover, when disassembling the speakers or crossover, remember to unplug the connecting terminals.
- For the subwoofer only  
There are wires connected speaker with amplifier panel, when disassembling speaker, remember to unplug the connecting terminals.  
when disassembling amplifier panel, please refer to Chapter 2 (Electronic).

# GENERAL CHART

## FSA-3020T (Satellite Speaker)



## FSA-6800 (Subwoofer)



## **Bill of Material**

This bill is only for servicing use.

# Chapter 2

## (Electronic)

## Specification

power output	:50W
power wastage	: 150W
Impedance of subwoofer	: 4 (OHM)
Frequency Response:	
Sub woofer	:40Hz-120Hz
Front Center Surround	:100Hz-20KHz
Seperation	: $\geq 50$ dB
System S/N ratio	: $\geq 75$ dB
Input voltage	: AC220V 50Hz (China and Russia)
	:AC230V 50Hz (Europe and Asia)
	: AC120V 60Hz (USA and Canada)
	: AC100V 50Hz (Japan)
	: AC240V 50Hz (Australia & New Zealand)
	: AC110V 50/60Hz (Taiwan)

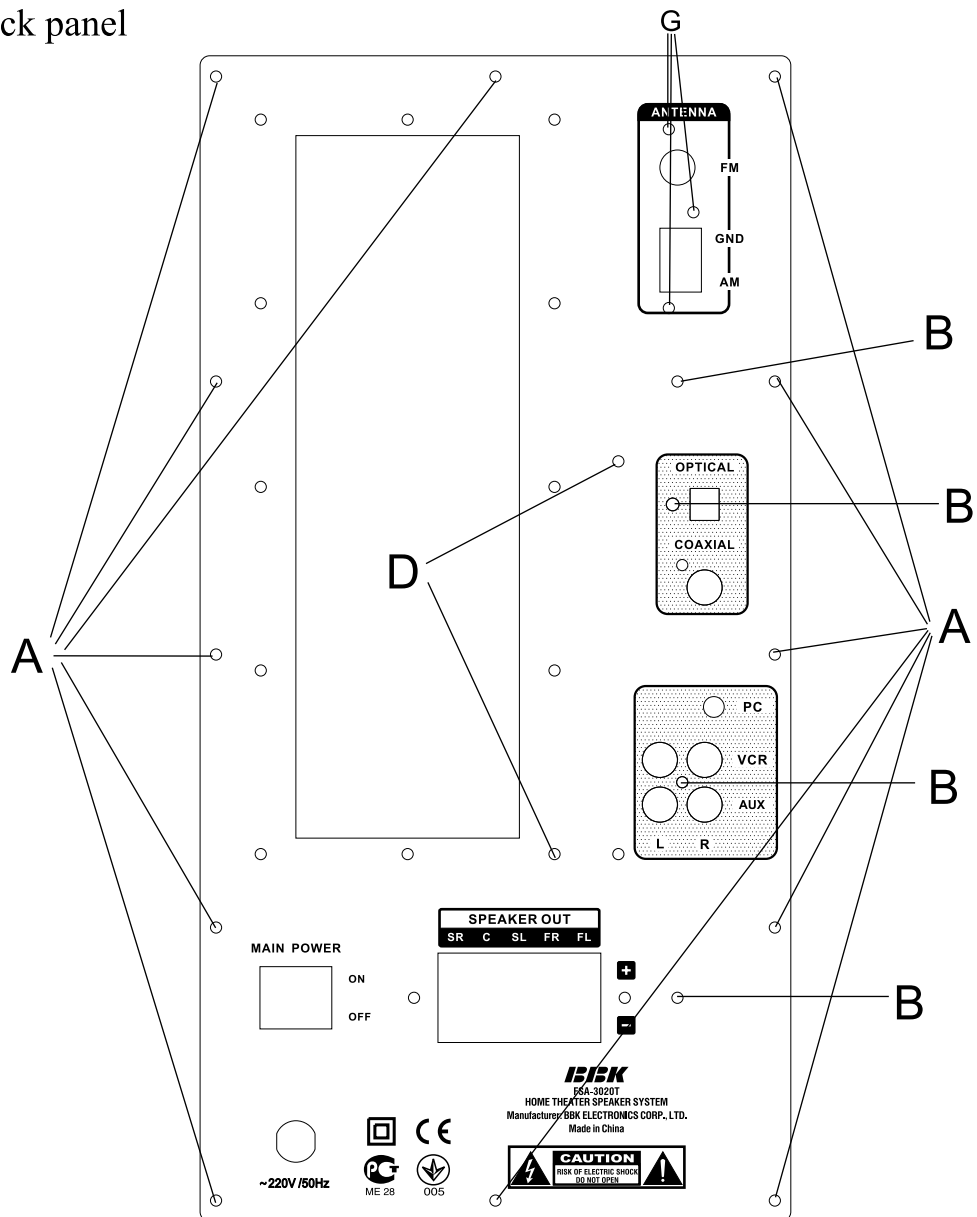


## Disassembly instruction

Please study the circuitry position well before any disassembly to ensure all wires locate as original.

### 1. Back Panel

- Unscrew 12pcs of A (Fig. 1);
- Take off the back panel;
- Unplug speaker-connecting wire C (Fig. 2);
- Unplug displaying screen connecting wire C (Fig.2);
- Unplug transformer-connecting wire C (Fig.2);
- Remove the back panel



**Fig.1**

## 2. Decoder

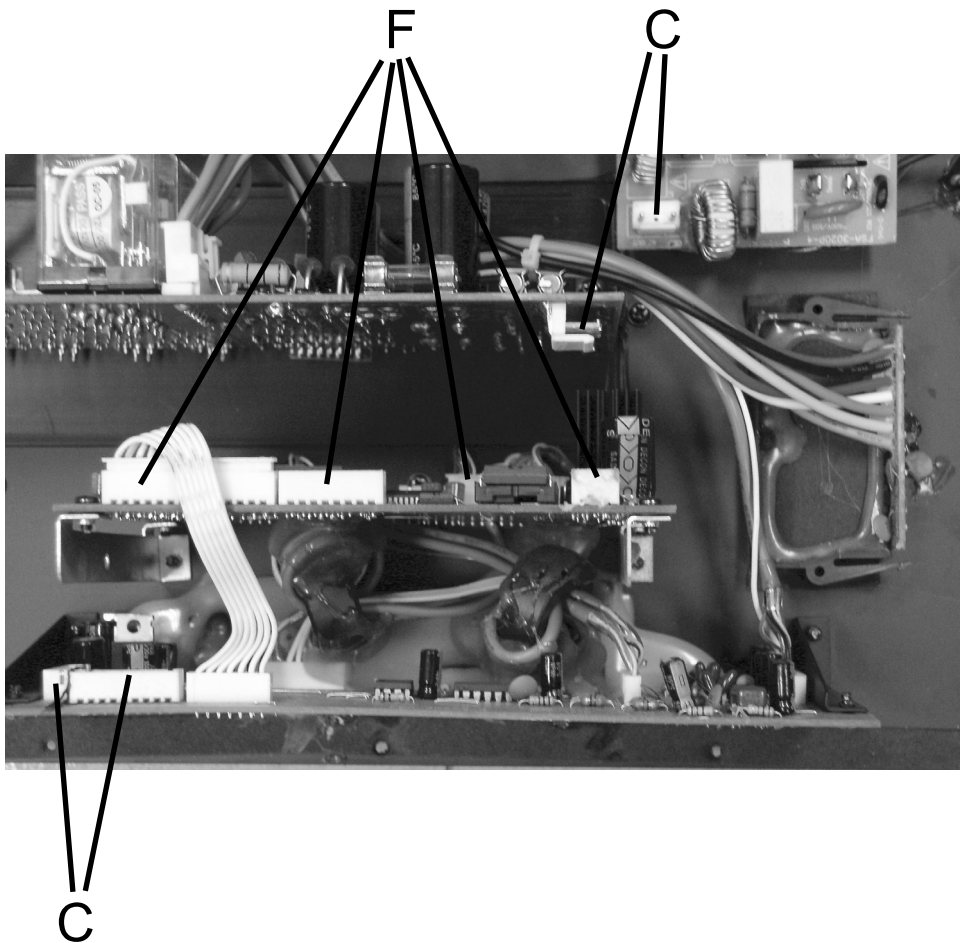
- Unscrew 2pcs of D (Fig.1);
- Unplug F (Fig.2);
- Remove the decoder.

## 3. Front Panel

- Unscrew 4pcs of B ( Fig.1);
- Unplug C (Fig2);
- Remove the front panel.

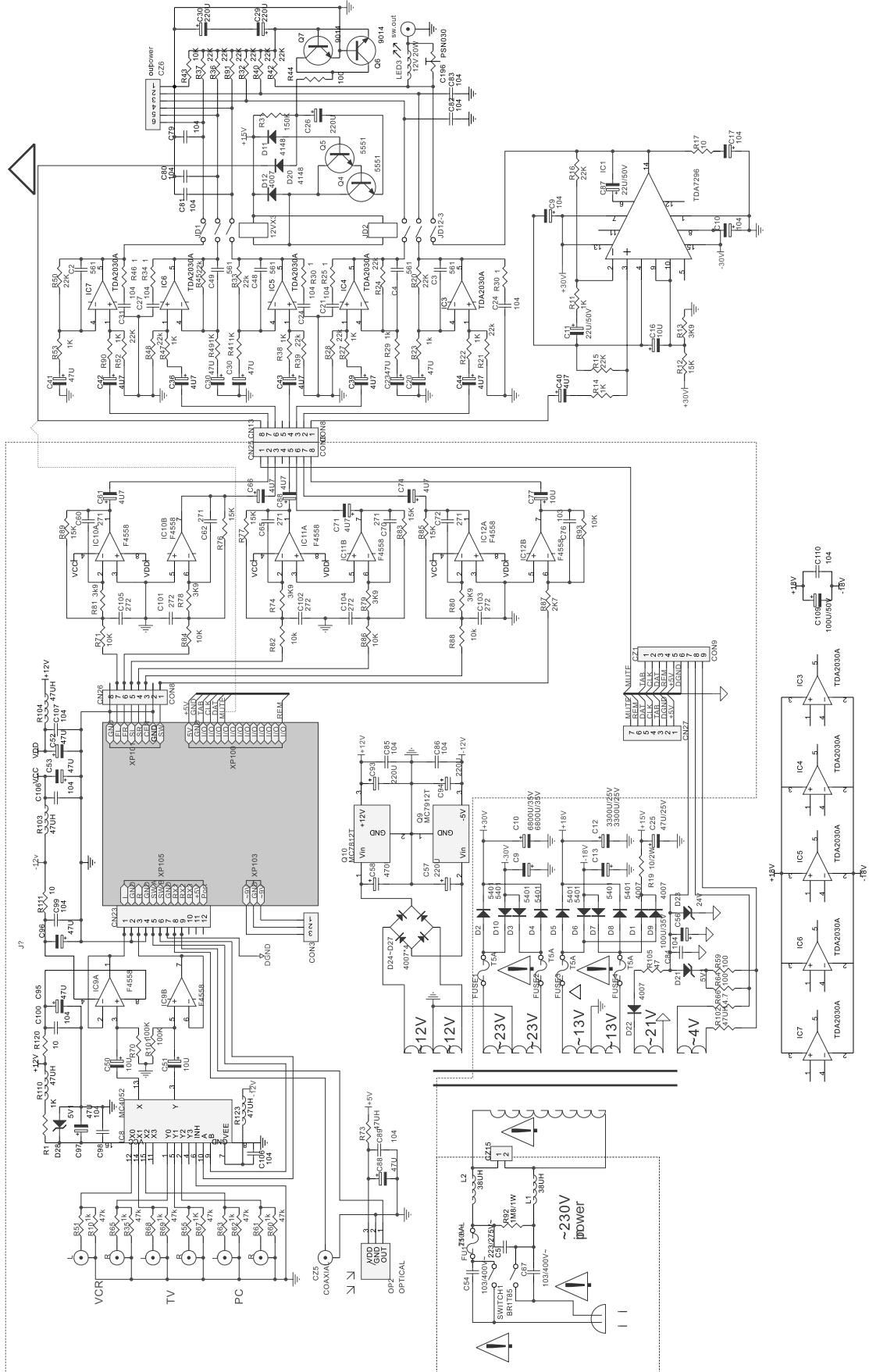
## 4. Tuner receiver

- Unplug 3pcs of G (Fig.1);
- Remove the receiver.

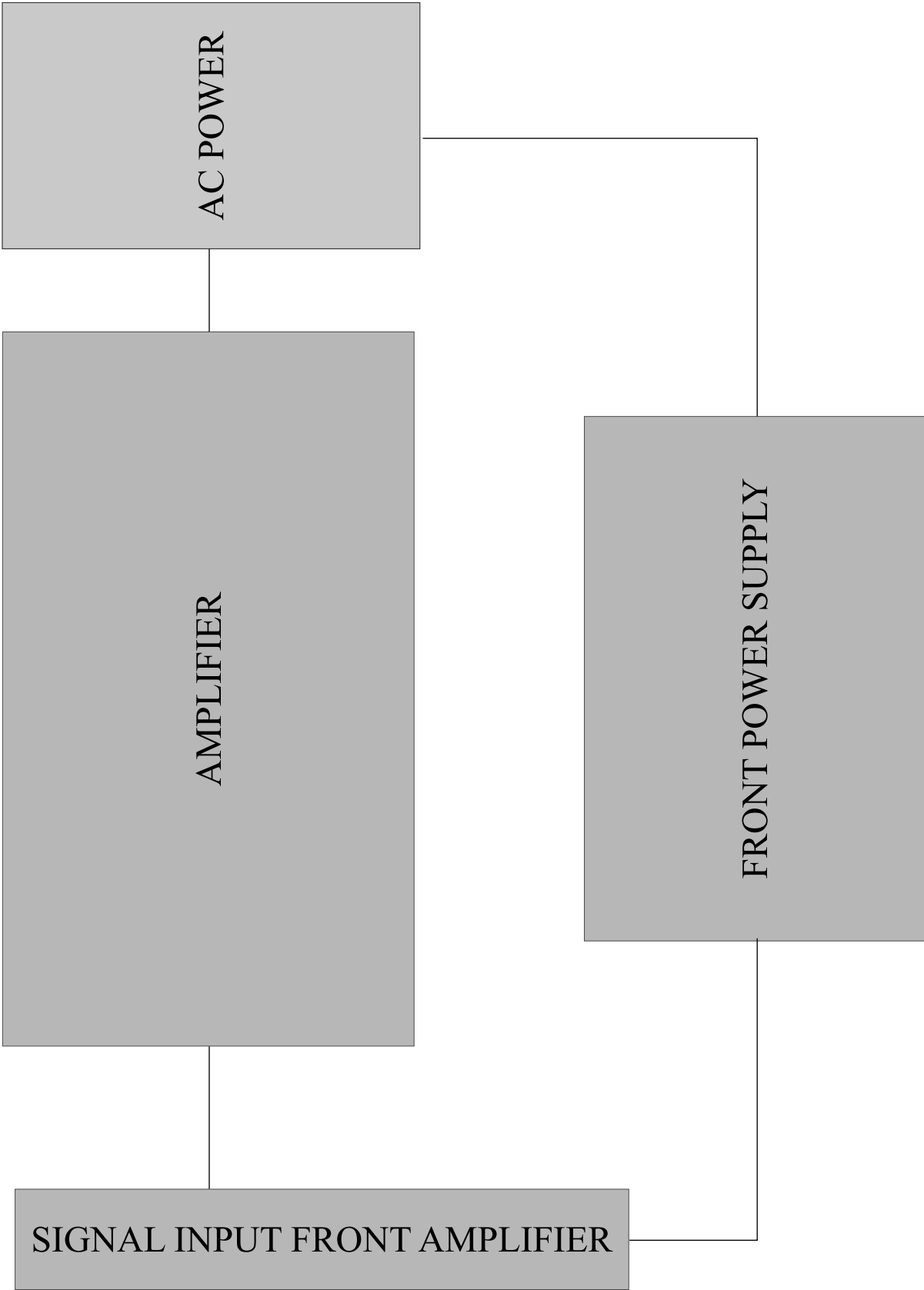


**Fig.2**

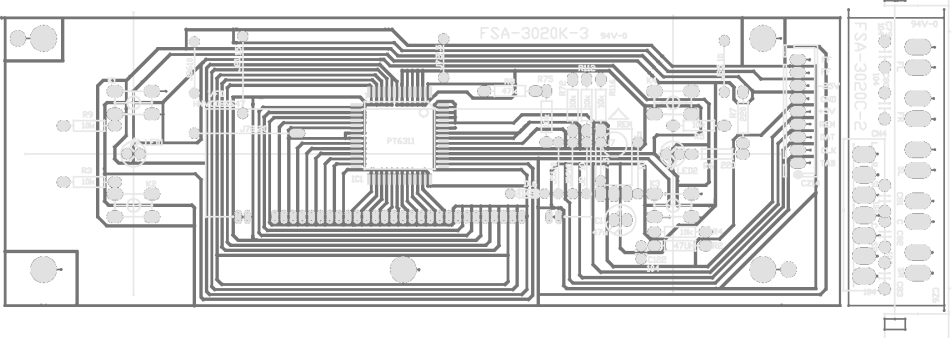
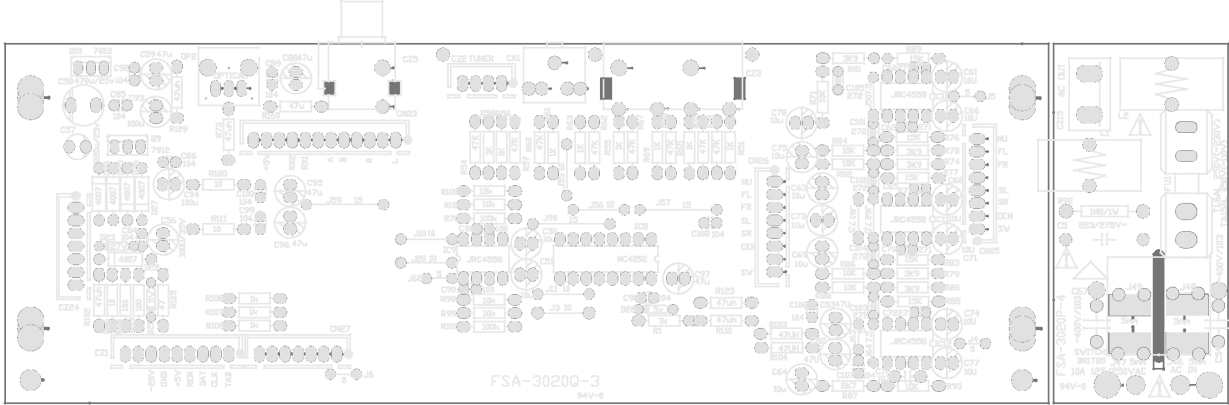
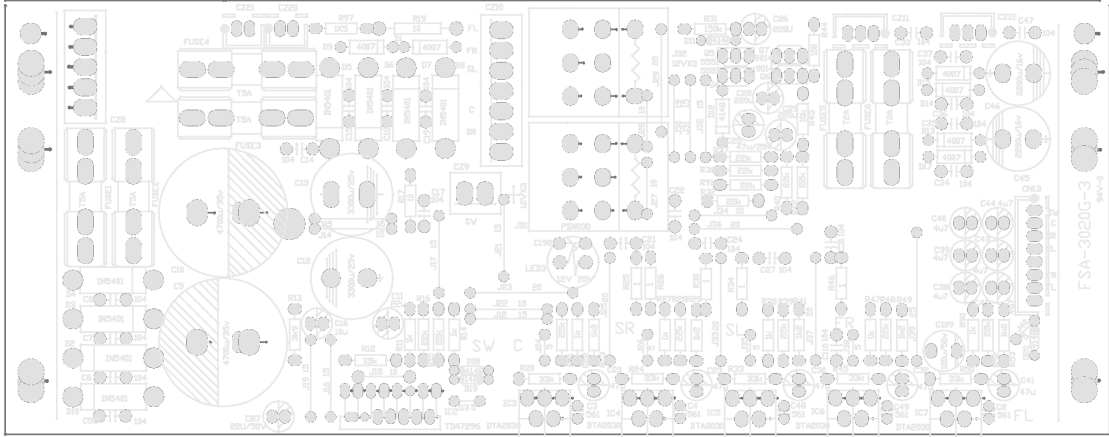
# CIRCUITRY PRINCIPLE CHART



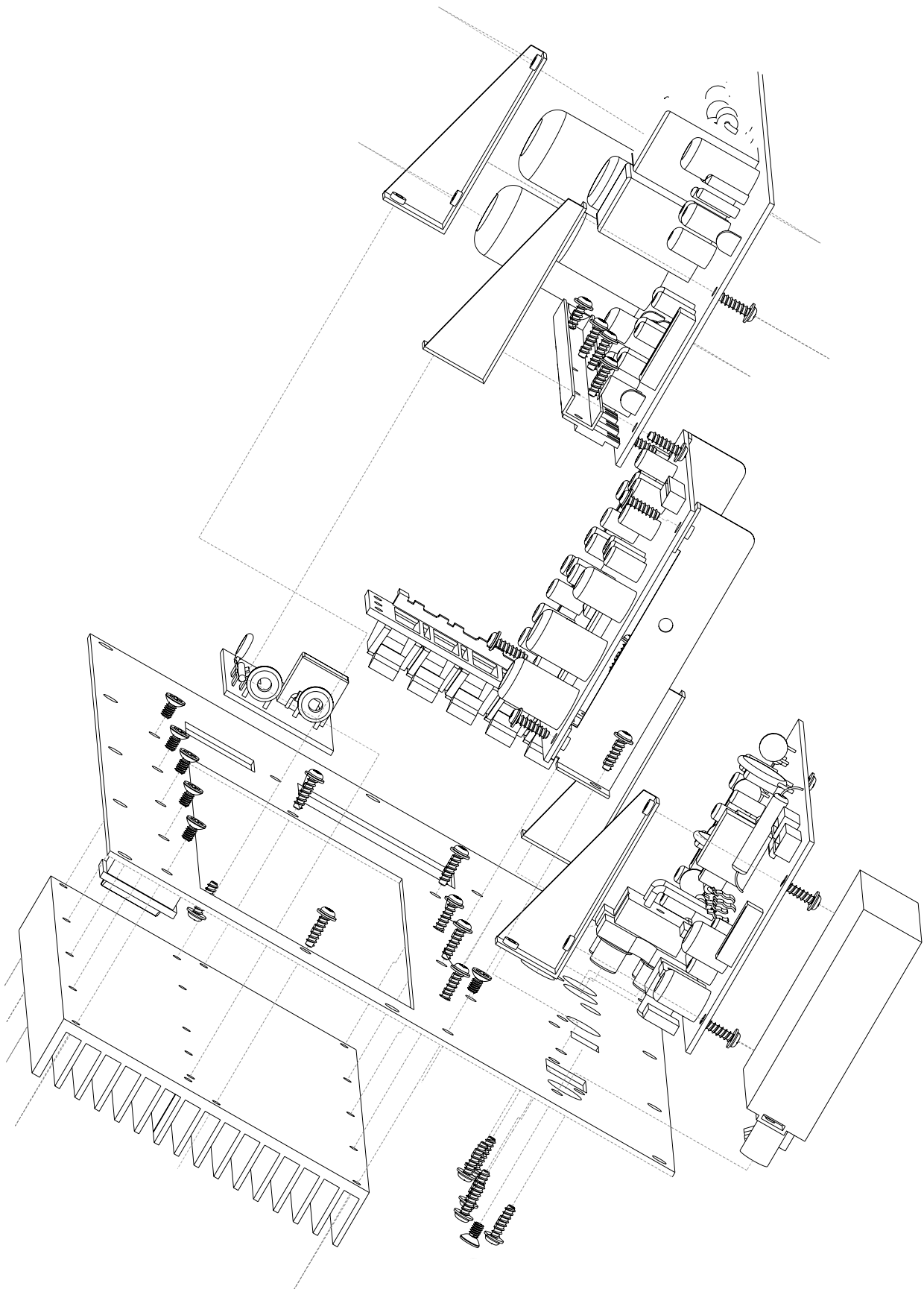
# PROCESS CHART



# PCB BOARD CHART



# GENERAL ASSEMBLY ILLUSTRATION



BILL OF MATERIAL

***IBBK***