

IBK

FSW-100T

SERVICE MANUAL

CONTENT

CHAPTER 1(ACOUSTIC)

SPECIFICATIONS-----	3
PRECAUTIONS-----	3
GENERAL CHART-----	4
BILL OF MATERIAL-----	4

CHAPTER 2(ELECTRONIC)

SPECIFICATION-----	6
DISASSEMBLY INSTRUCTION-----	7
CIRCUITRY PRINCIPLE CHART-----	9
PROCESS CHART-----	10
PCB BOARD-----	11
GENERAL ASSEMBLY ILLUSTRATION-----	12
BILL OF MATERIAL-----	13

Chapter 1 (Acoustic)

SPECIFICATIONS

Model Number FSW-100T

Cabinet Type Subwoofer

Component 10" woofer

Speaker System Bass Reflex

Speaker Terminals Spring Clip

Dimensions 312x418x470

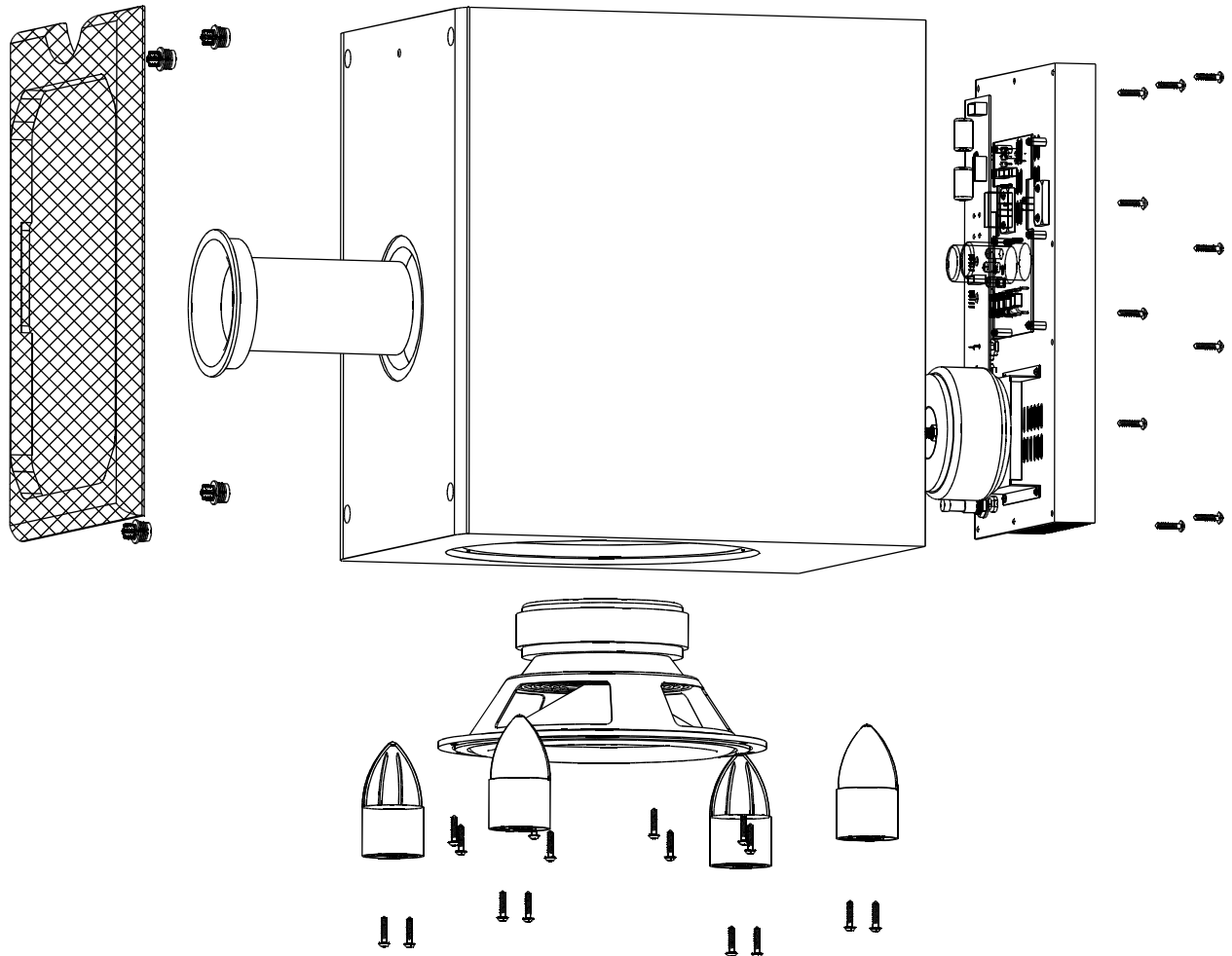
(WxDxH)mm

Weight(net) 18.3 kg/pc

PRECAUTIONS

There are wires connected speaker with amplifier panel, when disassembling speaker, remember to unplug the connecting terminals.
when disassembling amplifier panel, please refer to Chapter 1(Electronic).

GENERAL CHART



BILL OF MATERIAL(This bill is only for servicing use)

ITEM	material code	name	unit
10	53709	plastic bottom foot S09 LS-600S,00,008,0 black colour	PCS
33	B60193	AMPLIFY BOARD FSW-100T BBK BP-594	PCS
34	W1006-0490-001	woofer unit 10" PA 2887A 6 Ω 49core non magnetism-proof out purchase	PCS

remark: except front panel and boarding , the left parts product like LS-600S,speaker parameter is same with LS-600S

Chapter 2

(Electronic)

SPECIFICATION

Speaker Unit	:25cm (10") cone woofer x 1
Amplifier Output	:120W (4Ω/100Hz)
Distortion	:≤0.5%
S/N Ratio	:≥90dB
Frequency Response	:40Hz-150Hz
Sensitivity	:130 ± 10mV
Power supply	: ~220V, 50Hz

DISASSEMBLY INSTRUCTION

Please study the circuitry position well before any disassembly to ensure all wires locate as original.

Rear panel

- Take away the 11 pcs screw A (fig.1);
- Move off the rear panel;
- Pull down the speaker terminal;
- Move off the rear panel.

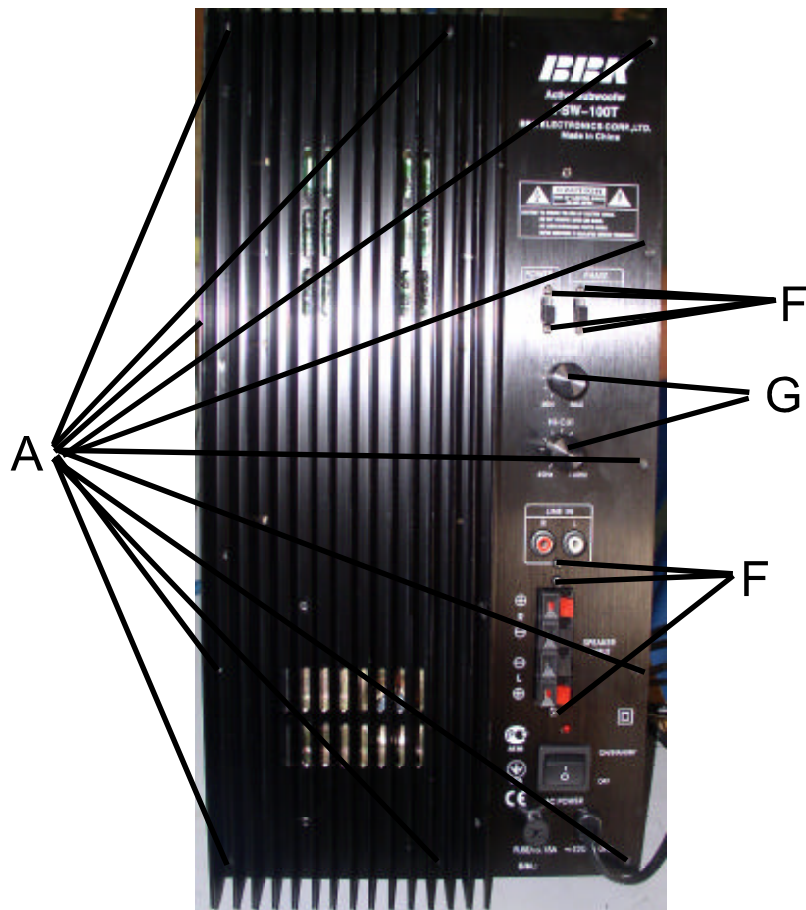


Fig.1

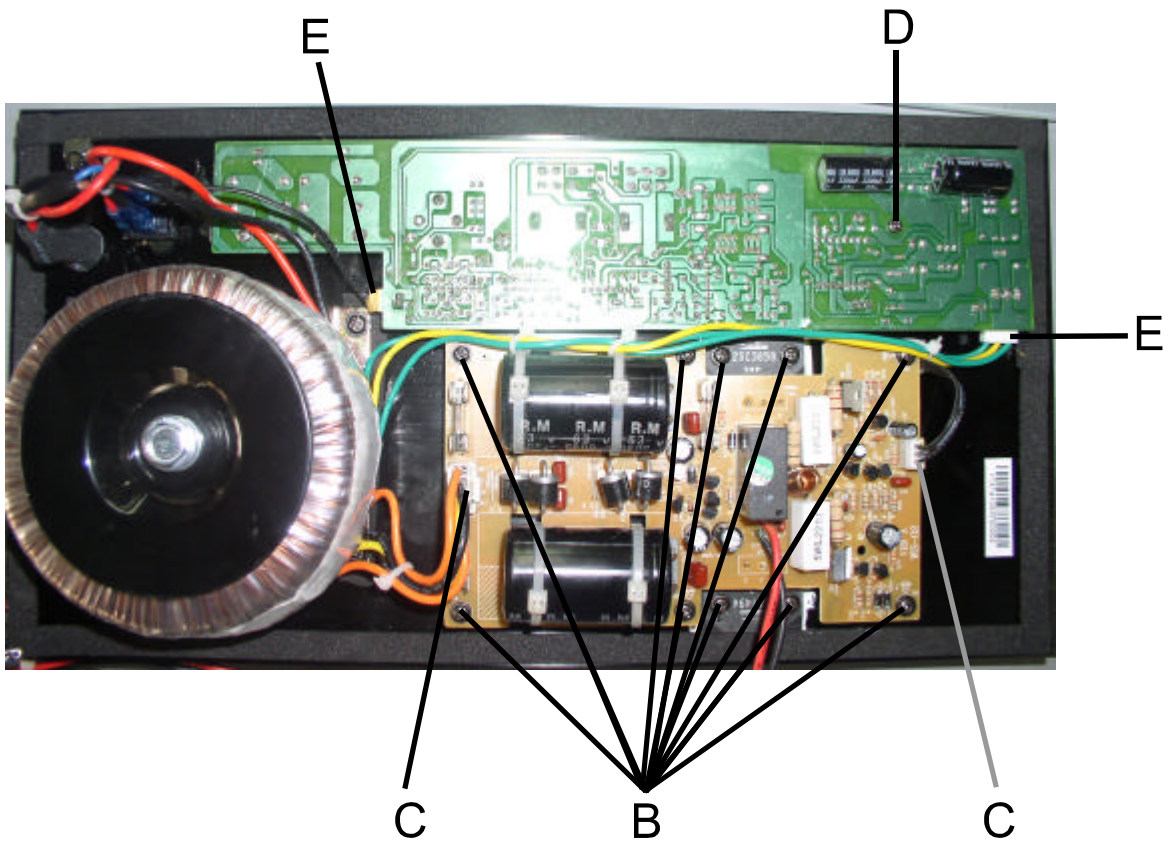


Fig.2

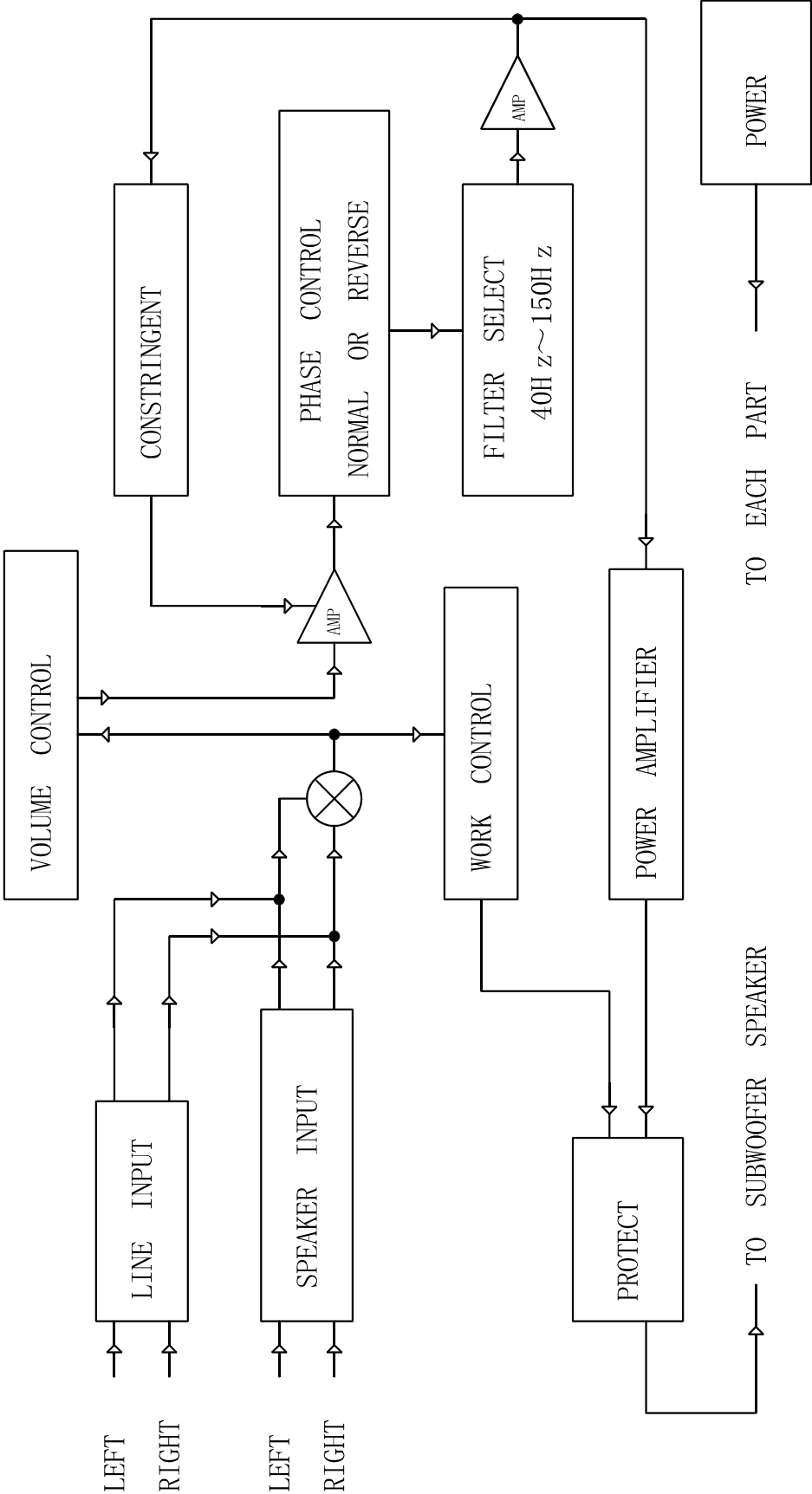
Amplifier board

- Take away the 10 pcs screw B (fig.2);
- Pull down the terminal C (fig.2);
- Move off the amplifier board.

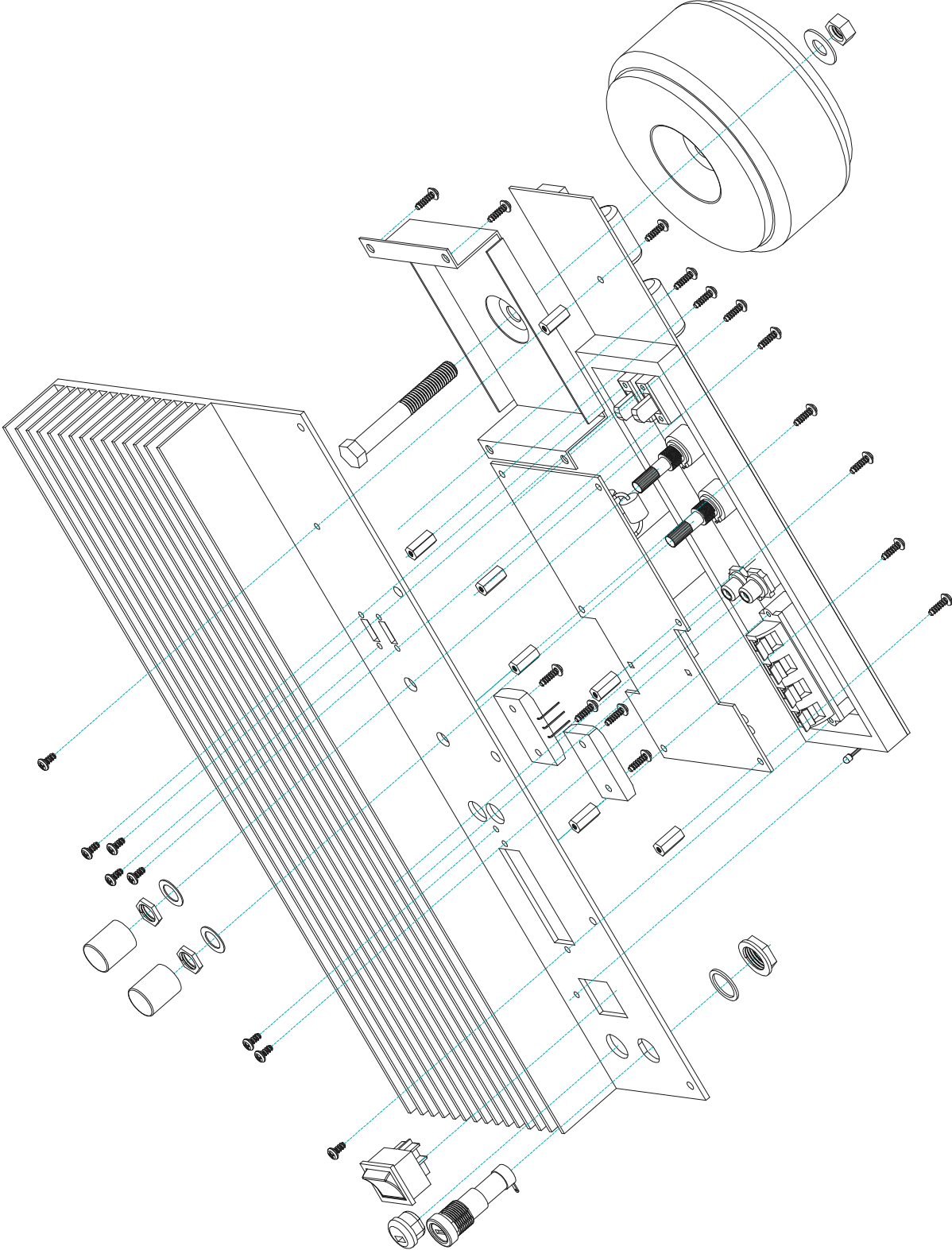
Front panel

- Take away the 1 pc screw D (fig.2);
- Pull down the terminal E (fig.2);
- Take away the 7 pcs screw F (fig.1);
- Pull out the knob and disassembly the 2 nuts G under it (fig.1);
- Move off the front panel.

PROCESS CHART



GENERAL ASSEMBLY ILLUSTRATION



BILL OF MATERIAL

Amplifier Part			
Part Name:FSW-100T amplifier part			
Type	Part No.	Description	Q'ty/Unit
Amplifier	0202130	rotary potentiometer B20kx2 L=15mm	2
Board	0300211	electrolytic capacitor 63V 6800uF ±20% Dia30x51	2
Assembly	05177	IC KA7812	1
B60080	05191	IC KA7912	1
	06004	diode Dia3	2
	07030	transistor 2SA1494 200W	1
	07081	transistor 2SC3858 200W SANKEN	1
	090175	switch KCD5-102 6A/250V	1
	10031	relay TRA3L-12VDC-S-H	1
	11597	transformer FSW-100, BT, BBK, 220, 0 CE	1
	13033	fuse 250V T1A Dia5x20 VDE/UL/3C	1
	13047	fuse 250V T6. 3A Dia5x20 VDE/UL/3C	2
	13072	fuse 250V T3. 15A Dia5x20 VDE/UL/3C	1
		Other parts for the amplifier board assembly	

IBBK