

IBBK

FSW-108

SERVICE MANUAL

CONTENT

CHAPTER 1(ACOUSTIC)

SPECIFICATIONS-----	3
PRECAUTIONS-----	3
GENERAL CHART-----	4
BILL OF MATERIAL-----	4

CHAPTER 2(ELECTRONIC)

SPECIFICATION-----	6
DISASSEMBLY INSTRUCTION-----	7
CIRCUITRY PRINCIPLE CHART-----	9
PROCESS CHART-----	10
PCB BOARD-----	11
GENERAL ASSEMBLY ILLUSTRATION-----	12
BILL OF MATERIAL-----	13

Chapter 1 (Acoustic)

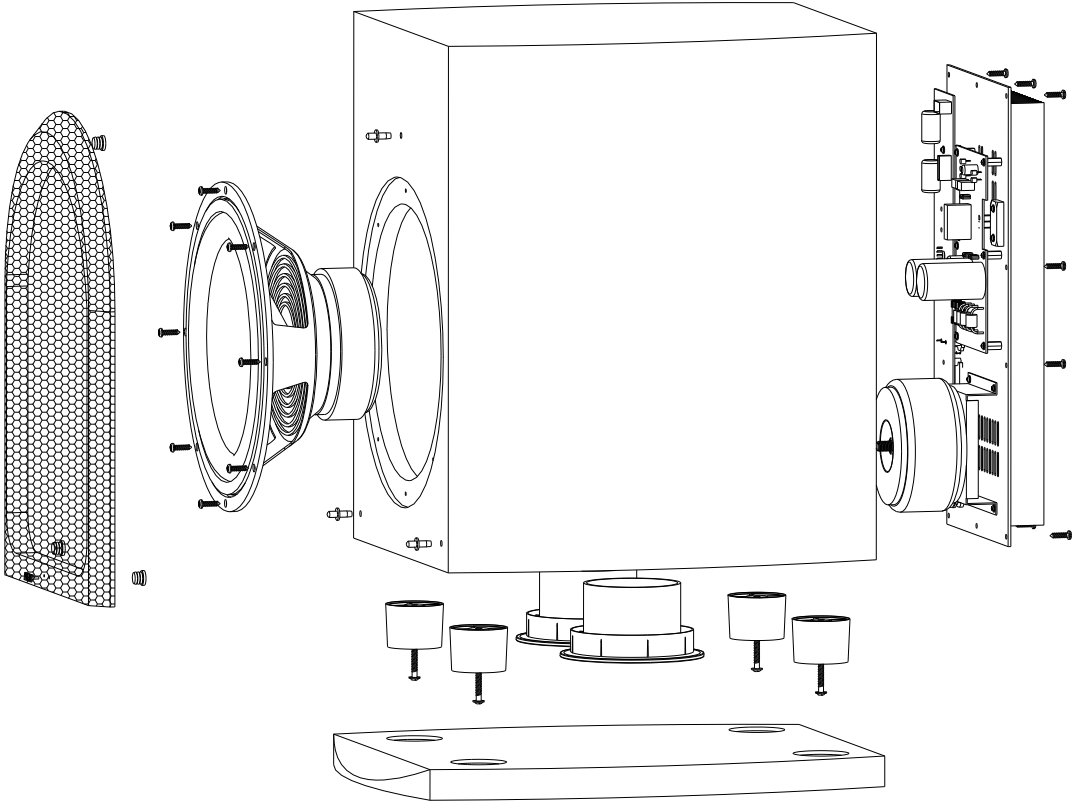
SPECIFICATIONS

Model Number	FSW-108
Cabinet Type	Subwoofer
Component	100 woofer
Speaker System	Bass Reflex
Speaker Terminals	Spring Clip
Dimensions (WxDxH)mm	305x395x470
Weight(net)	15.5 kg/pc

PRECAUTIONS

There are wires connected speaker with amplifier panel, when disassembling speaker, remember to unplug the connecting terminals.
When disassembling amplifier panel, please refer to Chapter 2 (Electronic).

GENERAL CHART



Bill of Material

Chapter 2 (Electronic)

Amplifier main set
Output
Distortion factor

DISASSEMBLY INSTRUCTION

Please study the circuitry position well before any disassembly to ensure all wires locate as original.

Rear panel

- Take away the 11 pcs screw A (fig.1);
- Move off the rear panel;
- Pull down the speaker terminal;
- Move off the rear panel.

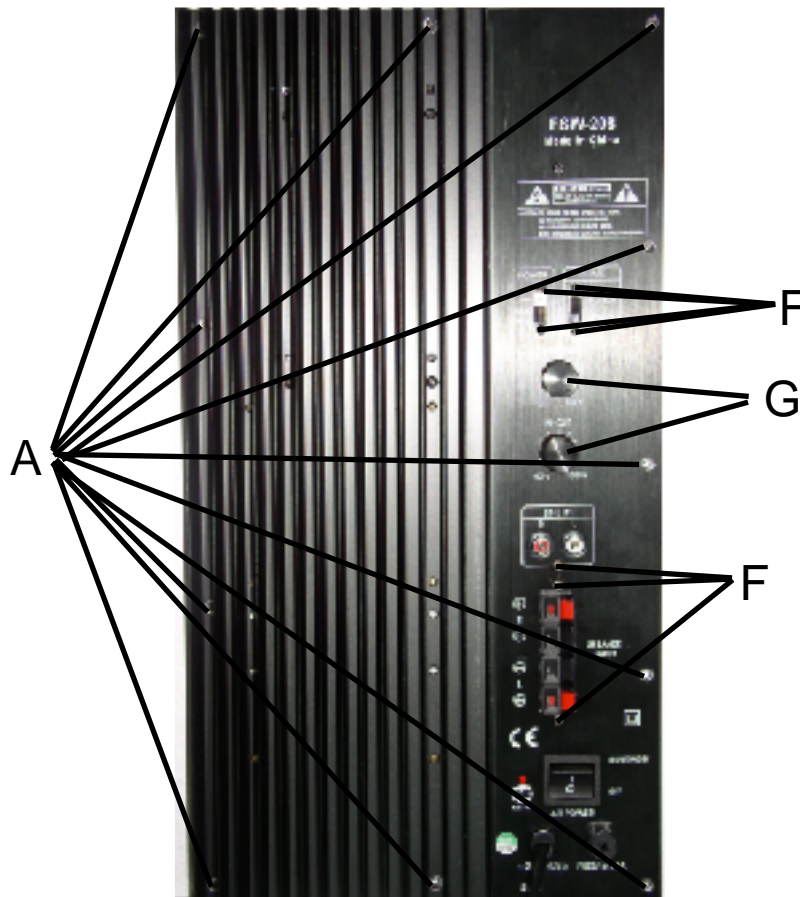


Fig.1

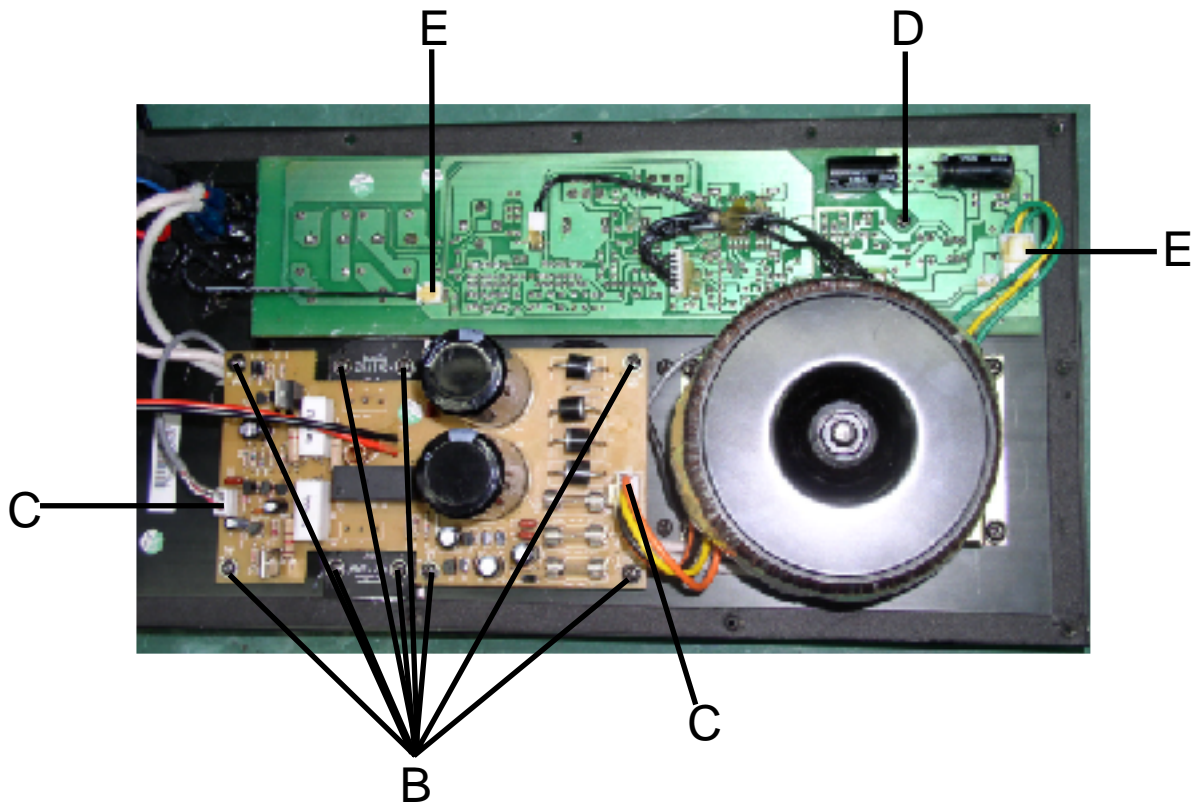


Fig.2

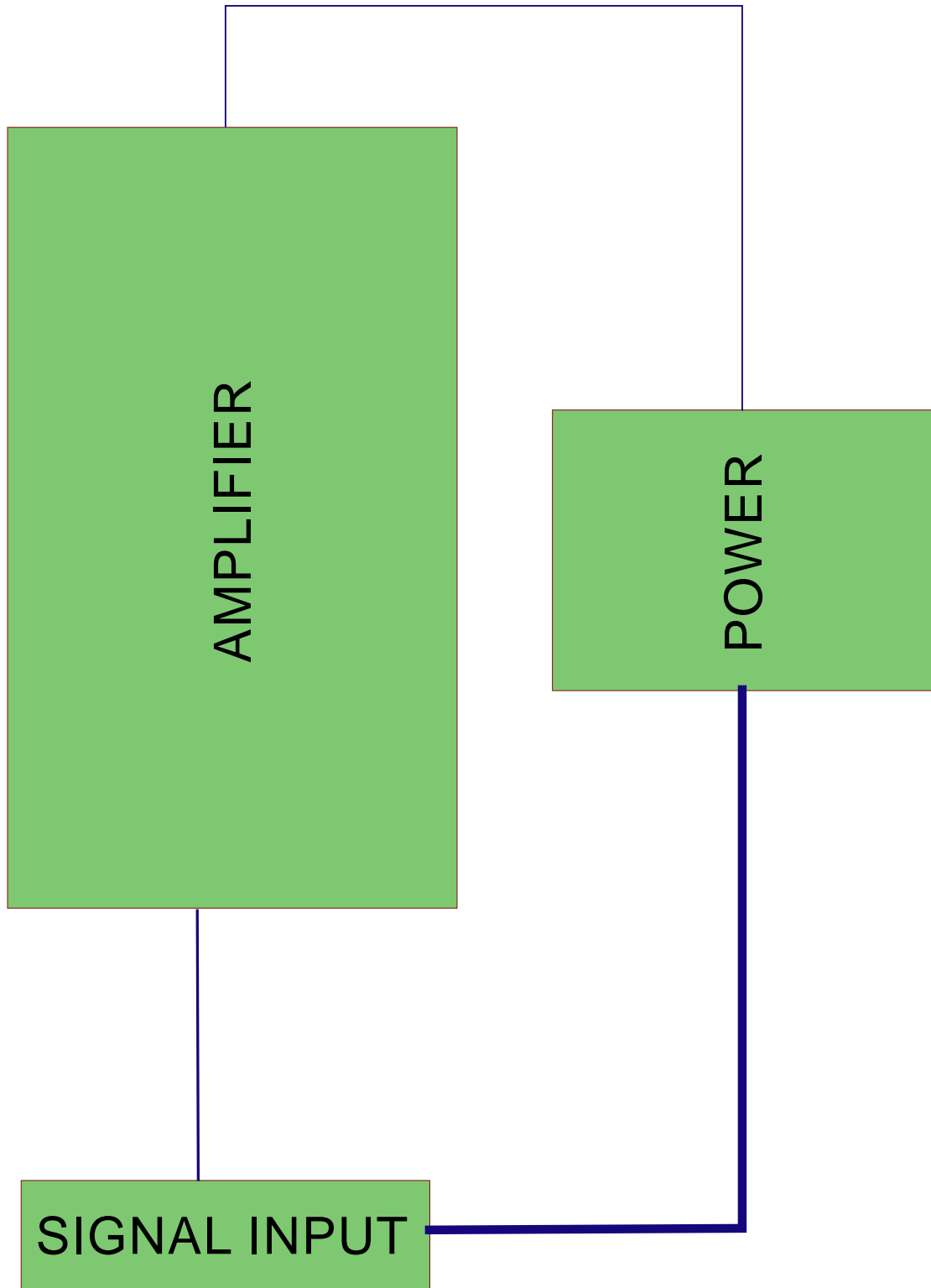
Amplifier board

- Take away the 9 pcs screw B (fig.2);
- Pull down the speaker terminal C;
- Move off the amplifier board.

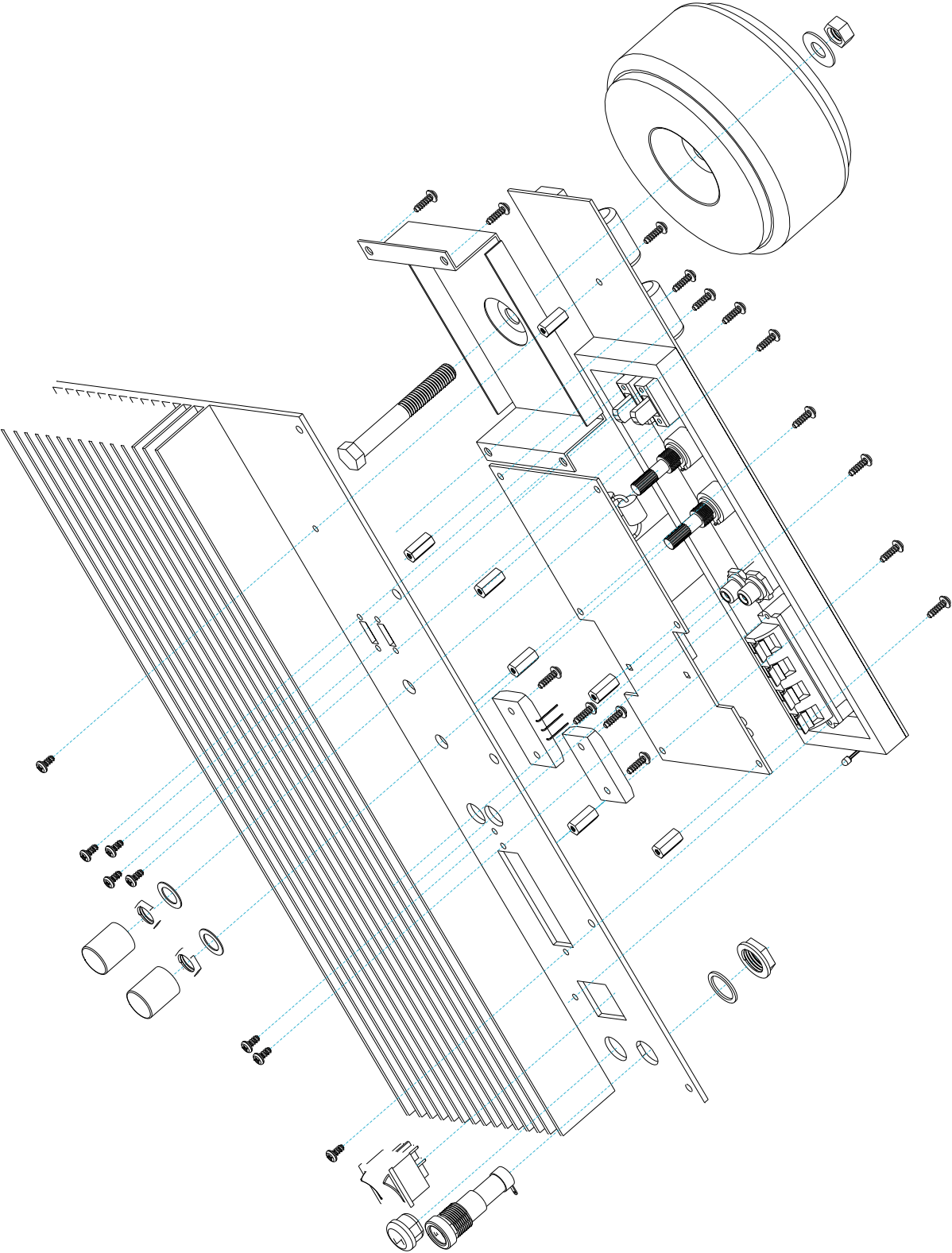
Front panel

- Take away the 1 pc screw D (fig.2);
- Take away the 7 pcs screw F (fig.1);
- Pull out the knob and disassembly the 2 nuts G under it (fig.1);
- Move off the front panel.

PROCESS CHART



GENERAL ASSEMBLY ILLUSTRATION



IBBK

PCB BOARD

