

***IBBK***

**FSW-208**

**SERVICE MANUAL**

# CONTENT

## CHAPTER 1(ACOUSTIC)

SPECIFICATIONS-----	3
PRECAUTIONS-----	3
GENERAL CHART-----	4
BILL OF MATERIAL-----	4

## CHAPTER 2(ELECTRONIC)

SPECIFICATION-----	6
DISASSEMBLY INSTRUCTION-----	7
CIRCUITRY PRINCIPLE CHART-----	9
PROCESS CHART-----	10
PCB BOARD-----	11
GENERAL ASSEMBLY ILLUSTRATION-----	12
BILL OF MATERIAL-----	13

# Chapter 1 (Acoustic)

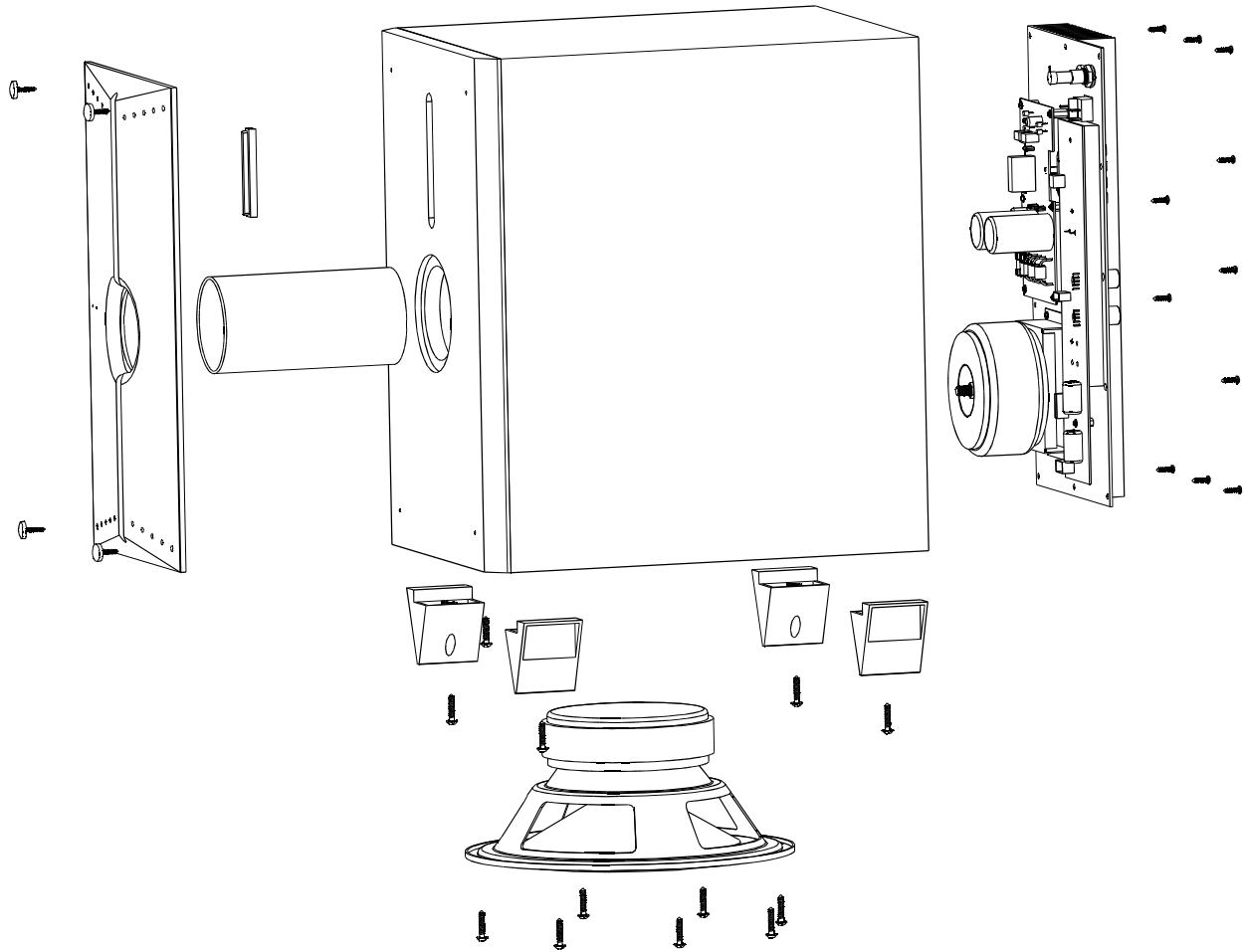
## **SPECIFICATIONS**

<b>Model Number</b>	FSW-208
<b>Cabinet Type</b>	Subwoofer
<b>Component</b>	10" woofer
<b>Speaker System</b>	Bass Reflex
<b>Speaker Terminals</b>	Spring Clip
<b>Dimensions (WxDxH)mm</b>	305x395x470
<b>Weight(net)</b>	16.3 kg/pc

## **PRECAUTIONS**

There are wires connected speaker with amplifier panel, when disassembling speaker, remember to unplug the connecting terminals.  
when disassembling amplifier panel, please refer to Chapter 1(Electronic).

# GENERAL CHART



## Bill of Material

Type	Part No.	Description	Qty/unit
Subwoofer	W1004-0350-1	woofer 1 inch HSP-1021 4 Ohm	1

# Chapter 2

## (Electronic)

# SPECIFICATION

## Amplifier main set

### Output

Distortion factor	$\leq 1\%$
Sine wave power	120W/4 $\Omega$
Music power	150W
Input sensitivity/impedance	130mV/10 $\Omega$
Phase adjustment	0° 、 180°
Frequency response	40~180Hz
SNR	$\geq 80$ dB

## System

### AC power supply together

Operation voltage	~220V
Frequency	50Hz
Maximal voltage consumption	$\geq 150$ W
Standby voltage consumption	$\leq 8$ W

# DISASSEMBLY INSTRUCTION

Please study the circuitry position well before any disassembly to ensure all wires locate as original.

## Rear panel

- Take away the 11 pcs screw A (fig.1);
- Move off the rear panel;
- Pull down the speaker terminal;
- Move off the rear panel.

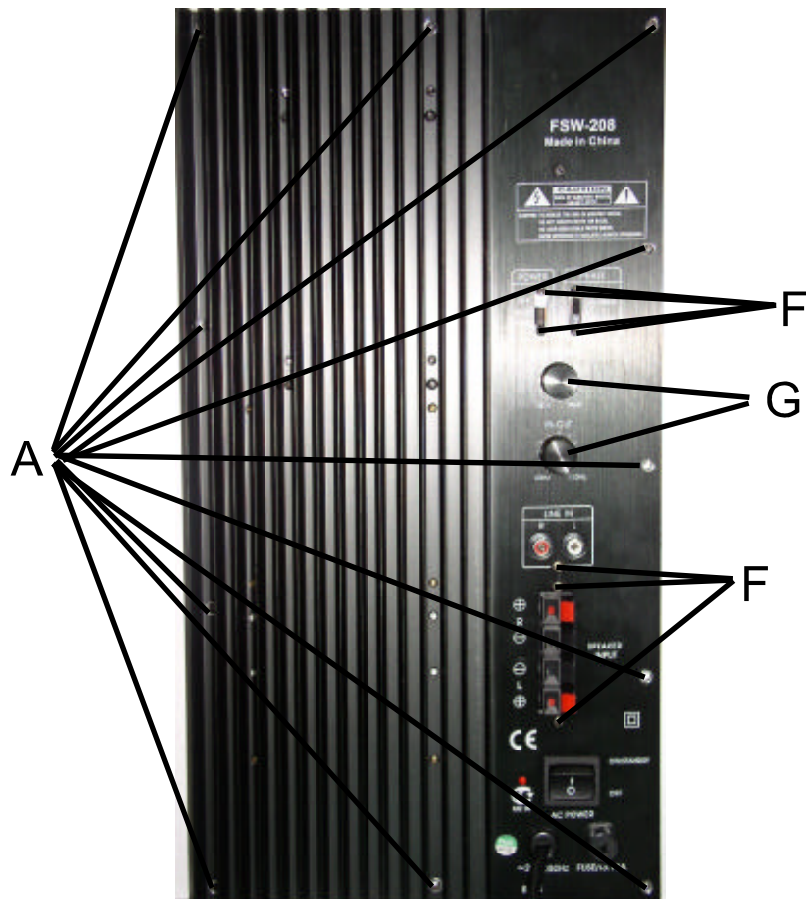


Fig.1



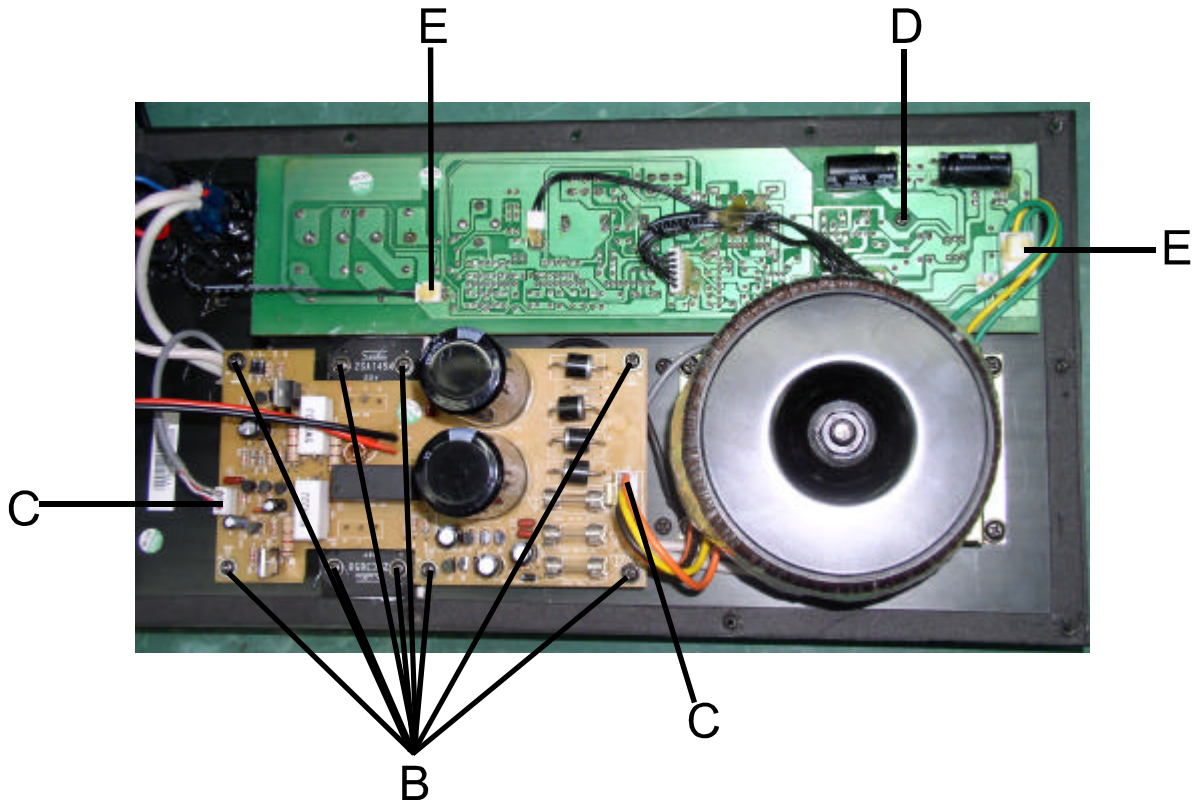


Fig.2

#### Amplifier board

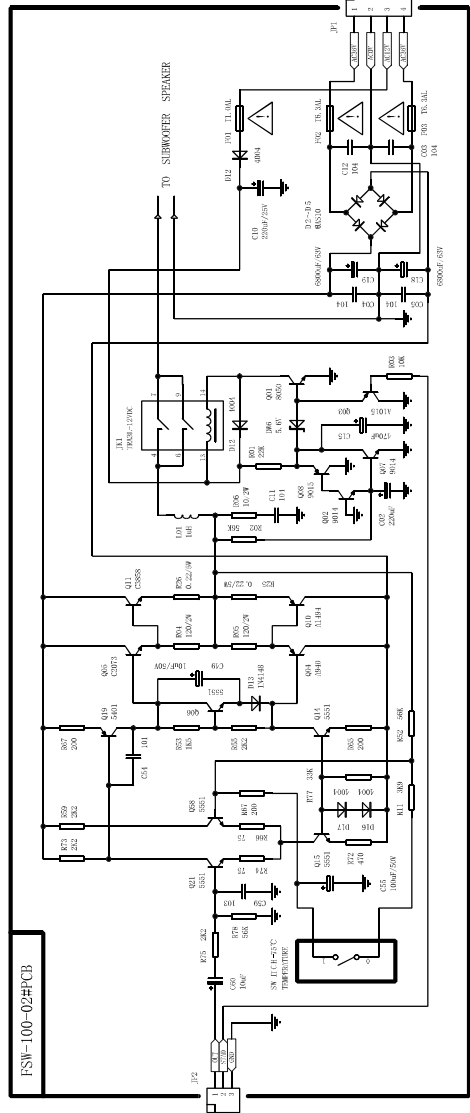
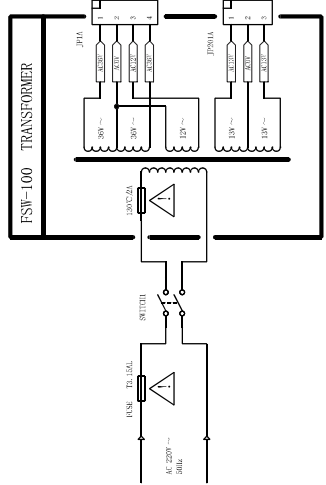
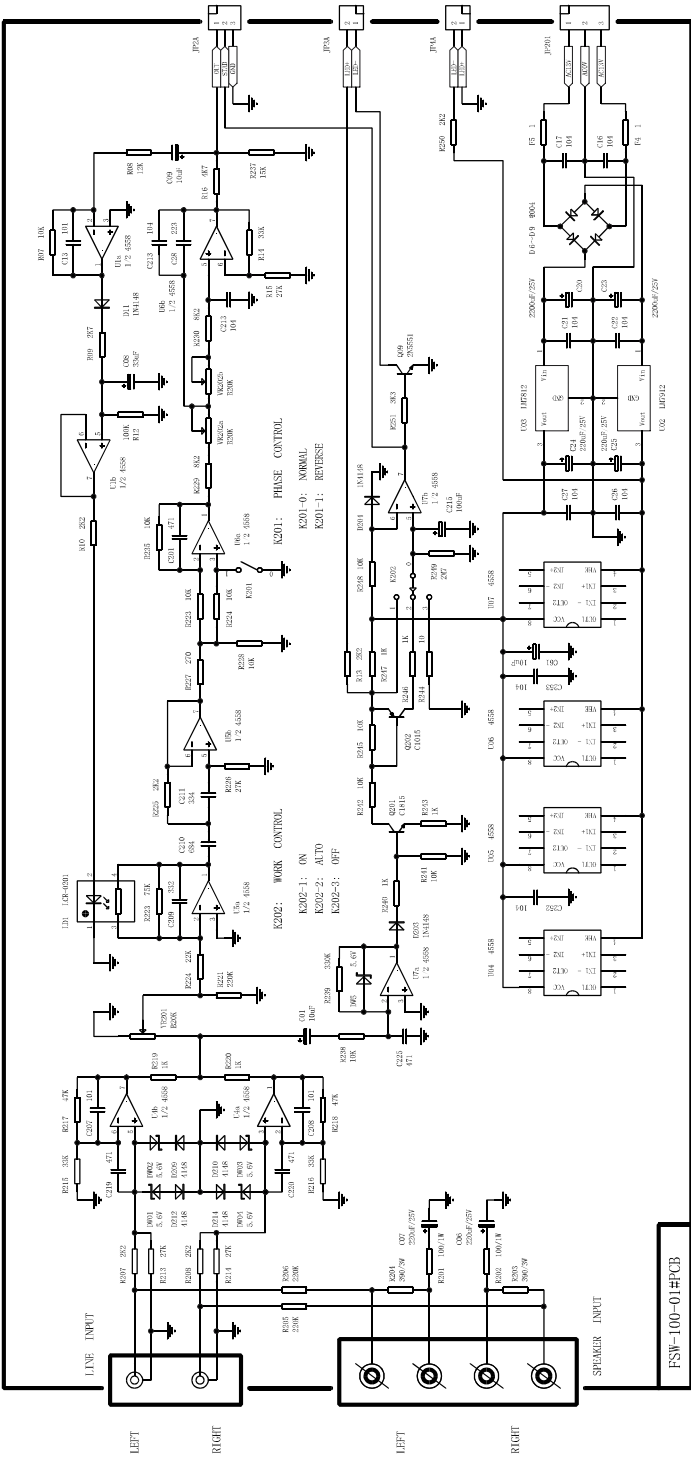
- Take away the 9 pcs screw B (fig.2);
- Pull down the speaker terminal C;
- Move off the amplifier board.

#### Front panel

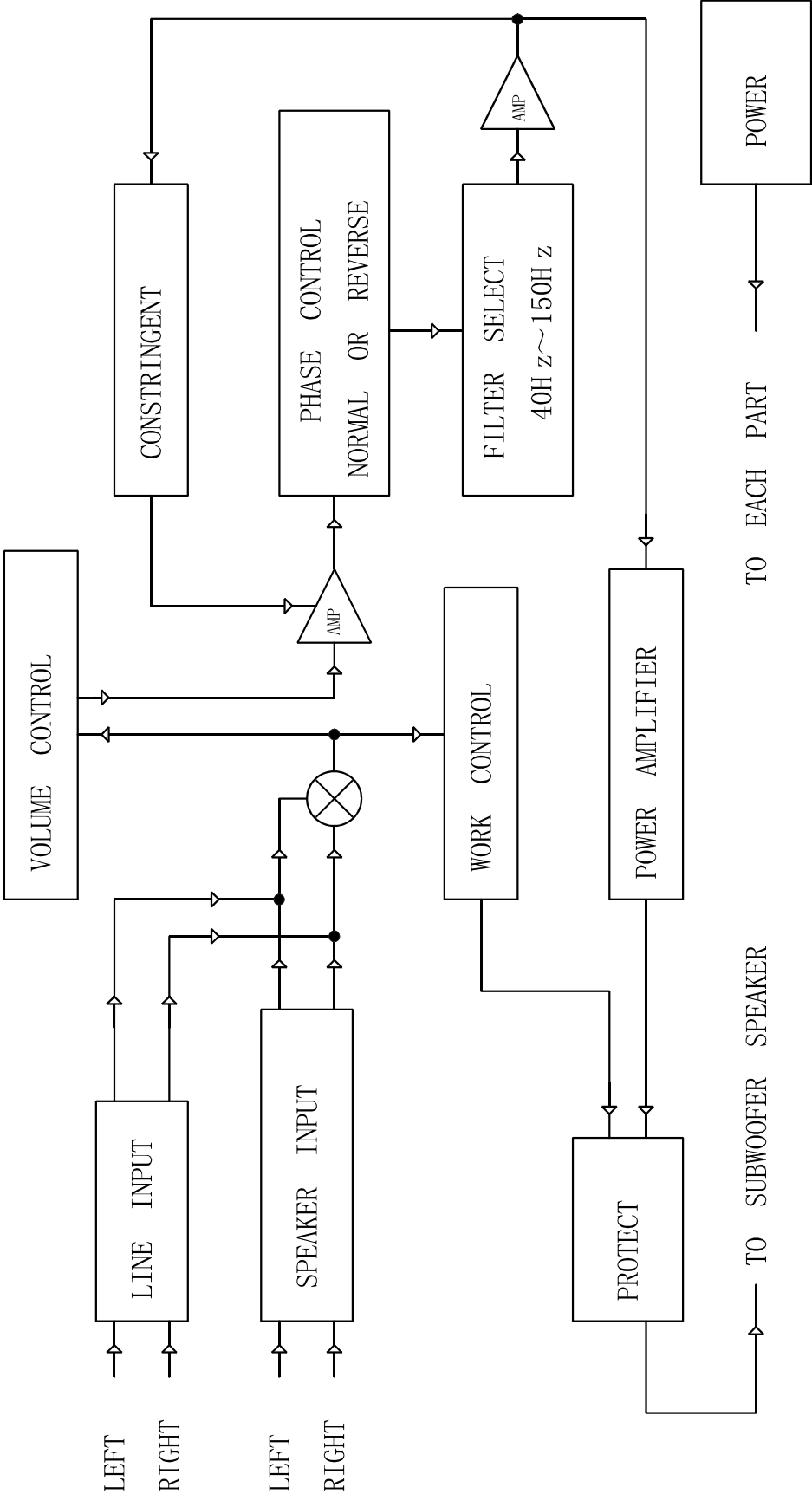
- Take away the 1 pc screw D (fig.2);
- Take away the 7 pcs screw F (fig.1);
- Pull out the knob and disassembly the 2 nuts G under it (fig.1);
- Move off the front panel.

# CIRCUITRY PRINCIPLE CHART

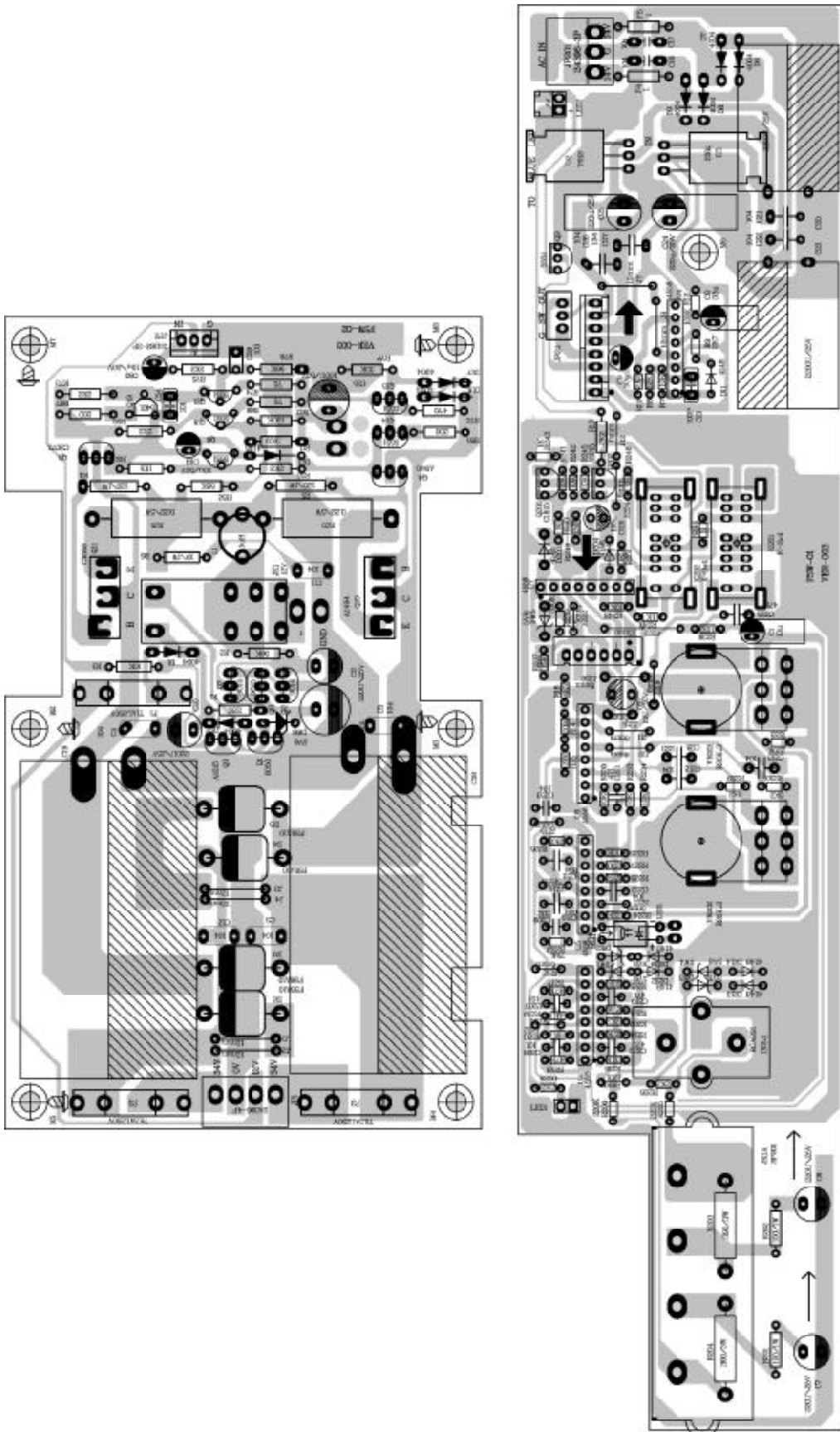
Connection Relation:



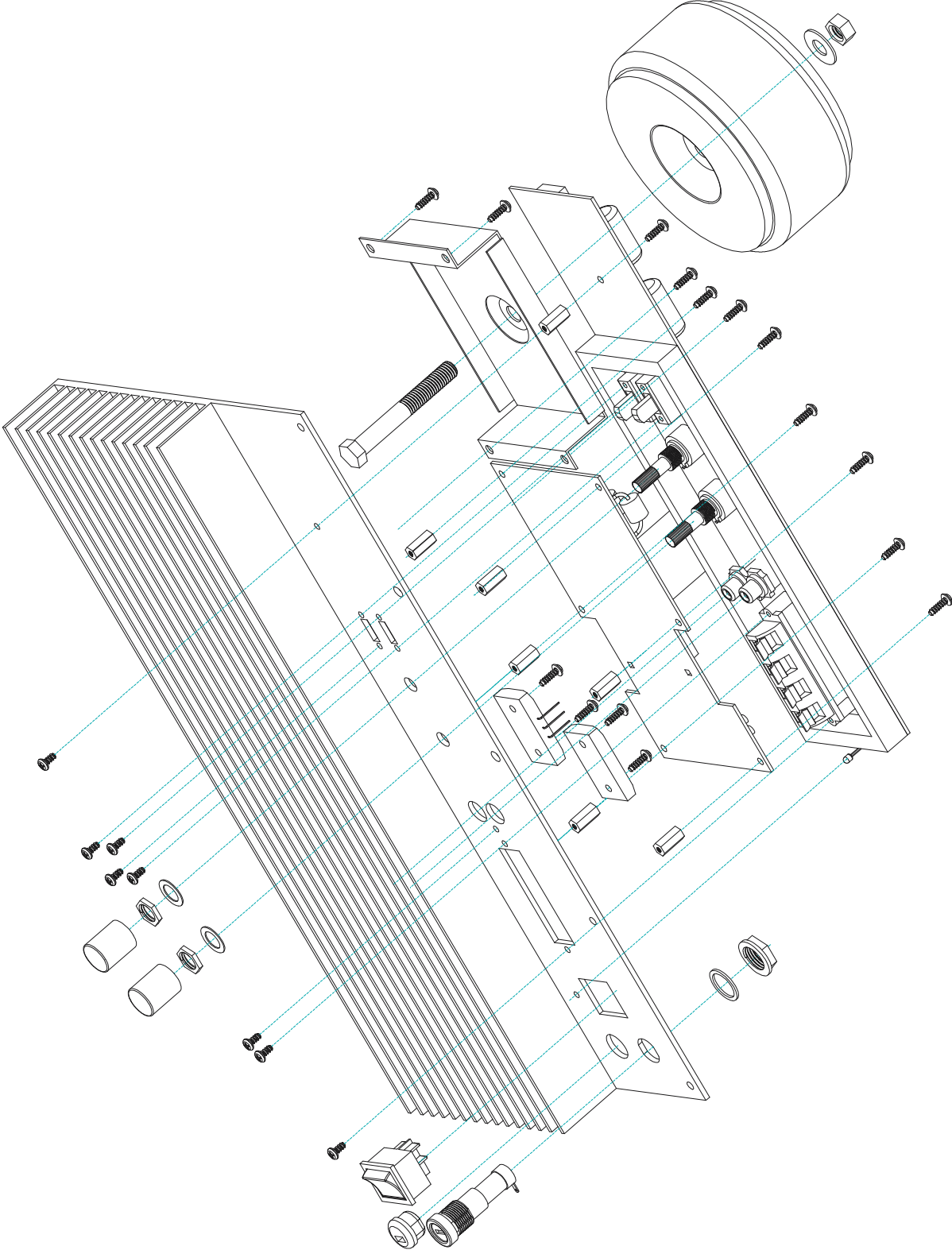
# PROCESS CHART



# PCB BOARD



# GENERAL ASSEMBLY ILLUSTRATION



# BILL OF MATERIAL

Part Name:FSW-208 amplifier part ERP Code: B60147				
Type	Part No.	Description	Q'ty/Unit	
Amplifier Board Assembly B60080	0202130	rotary potentiometer B20kx2 L=15mm	2	
	0300211	electrolytic capaxitor 63V 6800uF ±20% Dia30x51	2	
	05177	IC KA7812	1	
	05191	IC KA7912	1	
	06004	diode Dia3	2	
	06035	diode Dia5	2	
	07030	transistor 2SA1494 200W	1	
	07081	transistor 2SC3858 200W SANKEN	1	
	090175	switch KCD5-102 6A/250V	1	
	10031	relay TRA3L-12VDC-S-H	1	
	11369	transformer 220V FSW-208, BT, 001, 0	1	
	13033	fuse 250V T1A Dia5x20 VDE/UL/3C	1	
	13047	fuse 250V T6.3A Dia5x20 VDE/UL/3C	2	
	13072	fuse 250V T3.15A Dia5x20 VDE/UL/3C	1	
		Other parts for the amplifier board assembly		

***IBBK***