

BBK

VANTAGE SUB

SERVICE MANUAL

CONTENT

CHAPTER 1(ACOUSTIC)

| | |
|-----------------------|---|
| SPECIFICATIONS----- | 3 |
| PRECAUTIONS----- | 3 |
| GENERAL CHART----- | 4 |
| BILL OF MATERIAL----- | 4 |

CHAPTER 2(ELECTRONIC)

| | |
|------------------------------|----|
| Technical parameter----- | 6 |
| Disassembly instruction----- | 7 |
| Flow chart----- | 9 |
| Principle chart----- | 10 |
| PCB board----- | 11 |
| General chart----- | 12 |
| BILL OF MATERIAL----- | 13 |

Chapter 1 (Acoustic)

SPECIFICATIONS

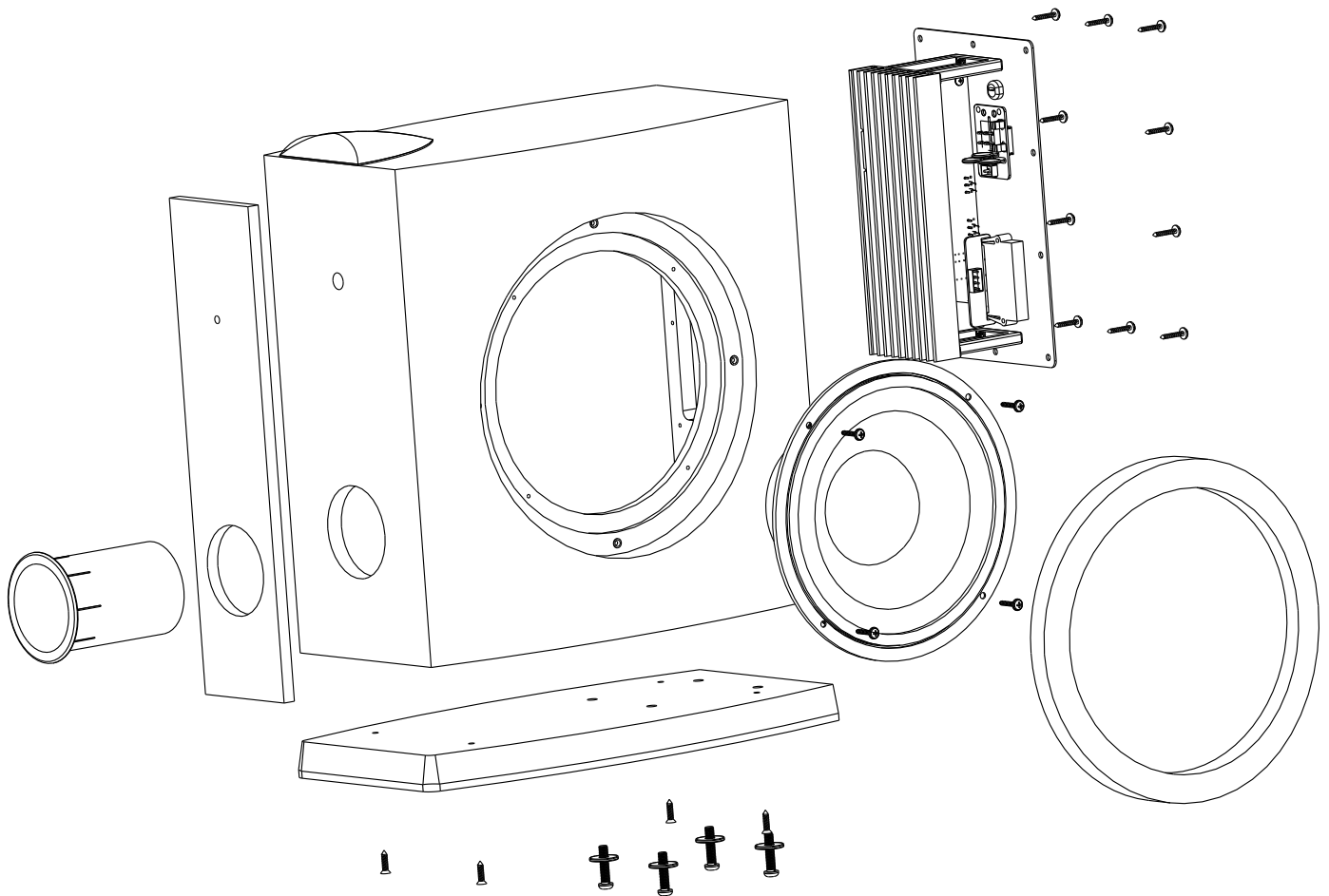
| | |
|---------------------------------|------------------|
| Model Number | VANTAGE SUB |
| Cabinet Type | Active Subwoofer |
| Component | 8 woofer |
| Speaker System | Bass Reflex |
| Speaker Terminals | Spring Clip |
| Dimensions (WxDxH)mm | 360 x 201 x 375 |
| Weight(net) | 10.3 kg/pc |

PRECAUTIONS

There are wires connected speaker with amplifier panel, when disassembling speaker, remember to unplug the connecting terminals.

When disassembling amplifier panel, please refer to Chapter 2 (Electronic).

GENERAL CHART



BILL OF MATERIAL

| ITEM | MATERIAL NO. | MATERIAL NAME | UNIT | USAGE | REMARK |
|------|---------------|--|------|--------|--------|
| 19 | 53761 | top cover ABS plastic VANTAGE Series.00.001.0 black-brightness | PCS | 1.0000 | |
| 39 | B60755 | VANTAGE SUB amplifier board BBK BP-529 220V | PCS | 1.0000 | |
| 40 | W0804-0350-20 | woofer unit 8" HSP-8115 4Ω non-magnet-proof | PCS | 1.0000 | |
| | | | | | |
| | | | | | |
| | | | | | |
| | | | | | |
| | | | | | |
| | | | | | |
| | | | | | |
| | | | | | |

Chapter 2 (Electronic)

TECHNICAL PARAMETER

| | |
|---------------------------------|---------------------------|
| Type | : Active Subwoofer |
| Speaker Unit | : (8") cone woofer x 1 |
| Power Output | : 60W (4 Ω /100Hz) |
| Distortion | : $\leq 0.7\%$ |
| S/N Ratio | : $\geq 80\text{dB}$ |
| Frequency Response | : 20Hz-160Hz |
| Sensitivity | : $\geq 120\text{mV}$ |
| Switch off automatically period | : 18~20 minutes |
| Power supply | : AC220V 50Hz |
| Dimensions (W x D x H) | : 360 x 201 x 375 mm |

DISASSEMBLY INSTRUCTION

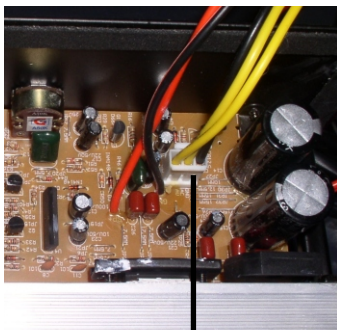
Study the cords layout carefully before any takedown. Set them as original after servicing.

Take off back panel:

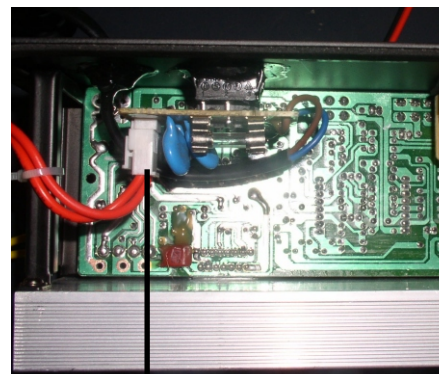
- screw off nail A (fig 1);
- take away speaker terminal;
- take away terminal B (fig 2);
- take away terminal C (fig 3);
- take off back panel.



Fig 1



B
Fig 2



C
Fig 3

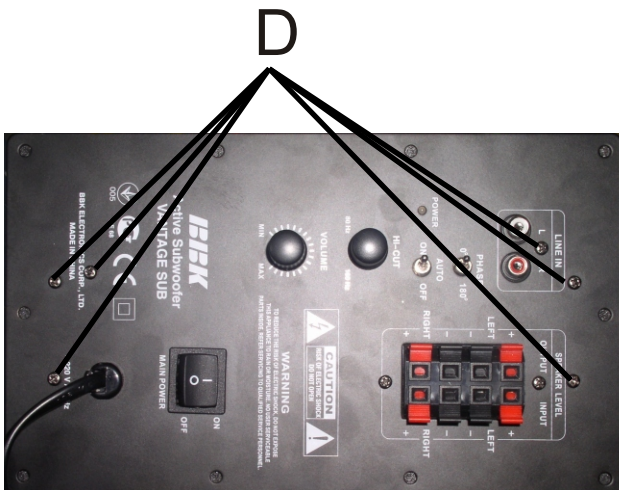
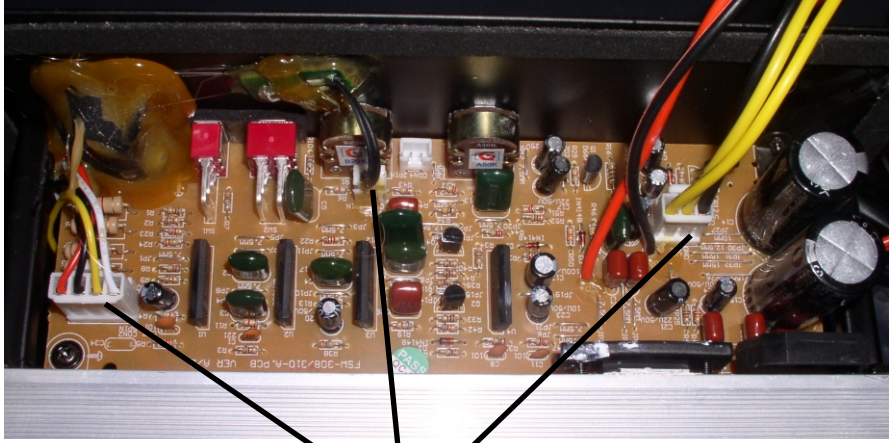


Fig 4



E

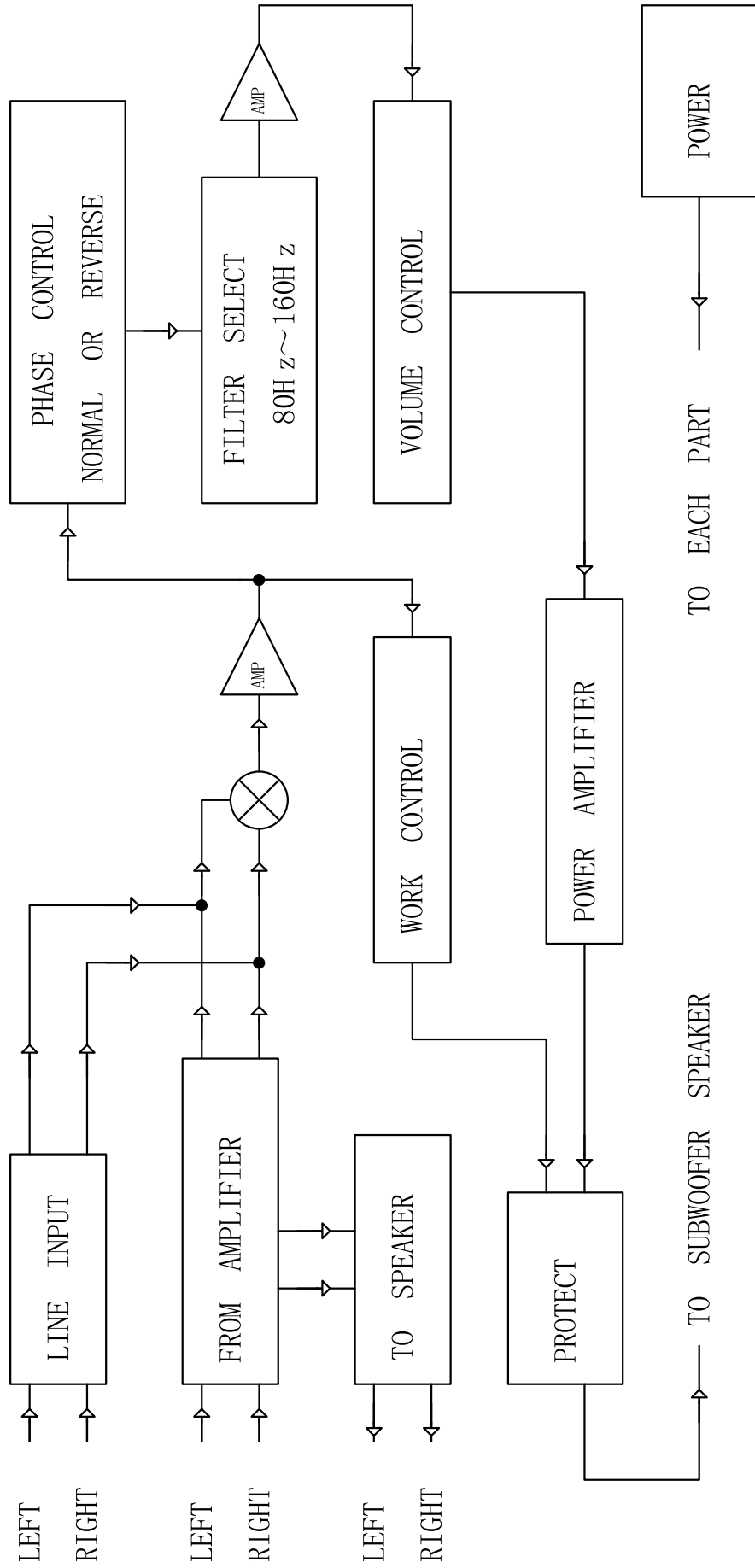
Fig 4

Take off power amplifier PCB:

- screw off nail D (fig 4);
- move down knob, screw off fixed nut (fig 4);
- move away terminal E (fig 5);
- take off power amplifier PCB.

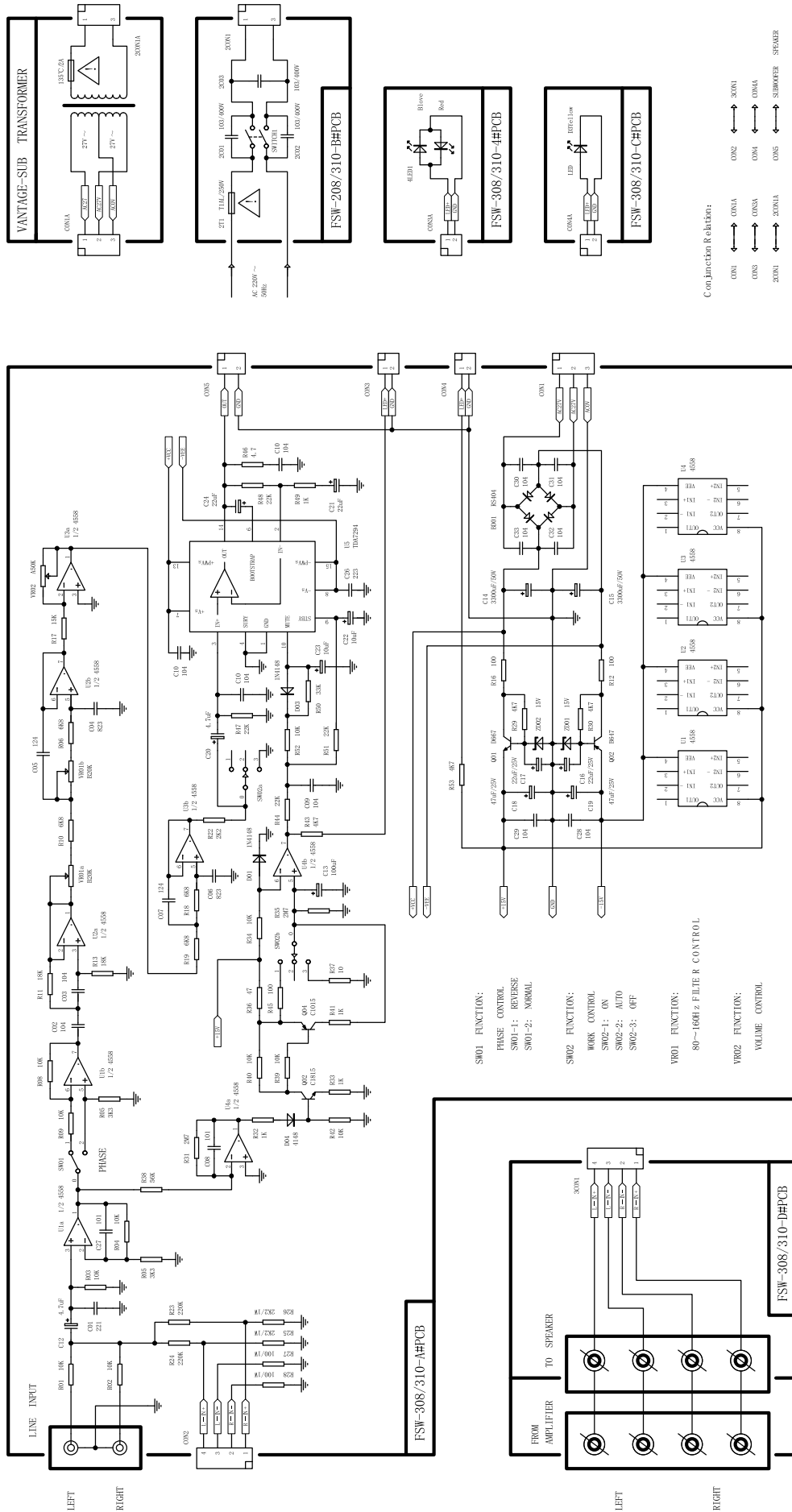
FLOW CHART

VANTAGE-SUB BLOCK DIAGRAM

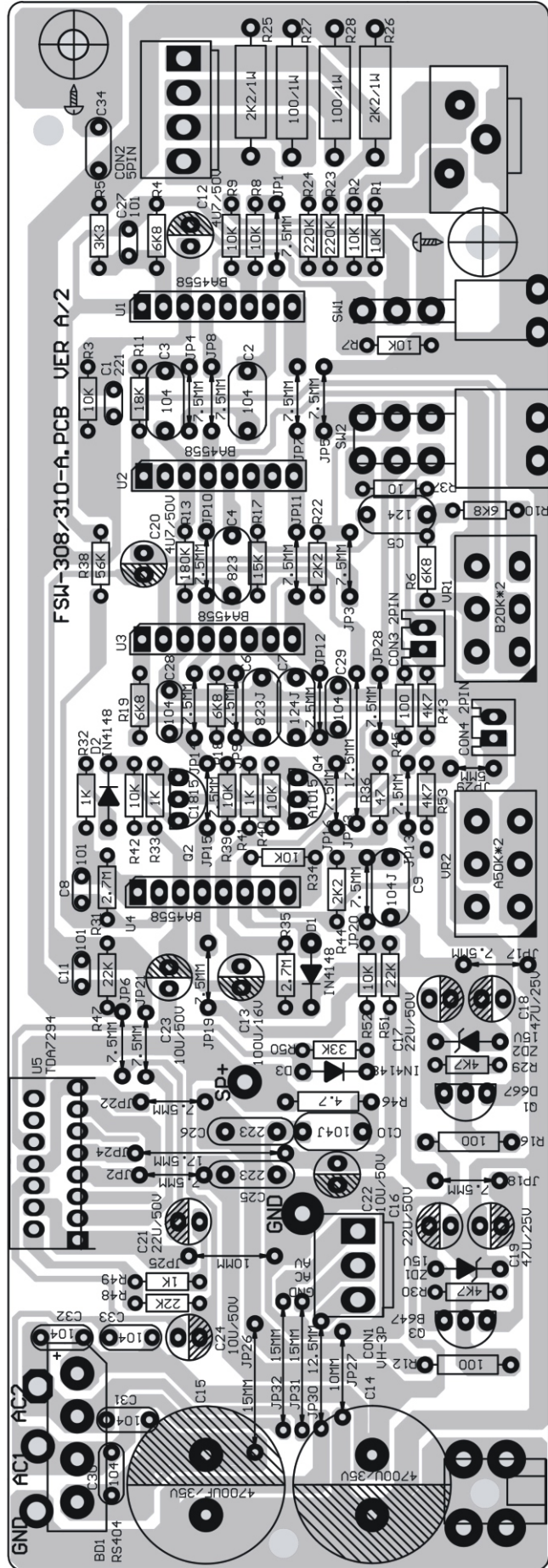
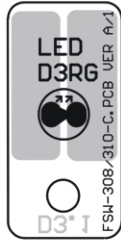
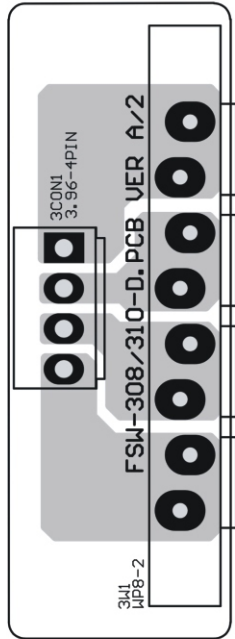
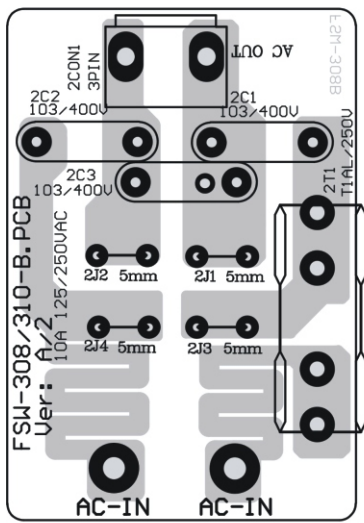


PRINCIPLE CHART

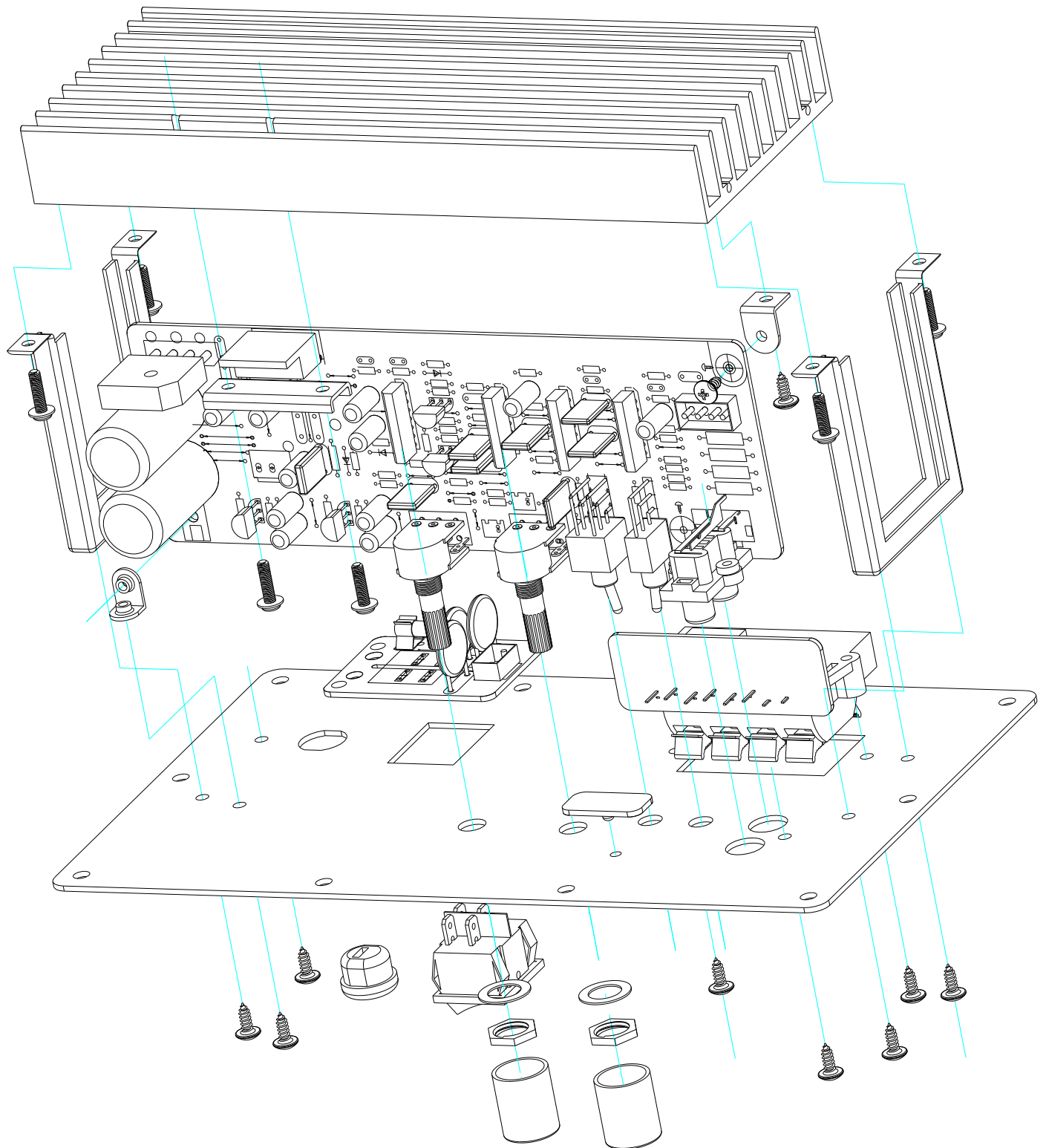
VAN TAGE—SUB C ircuit D iagram



PCB BOARD



GENERAL CHART



BILL OF MATERIAL

| Model No.:VISION VANTAGE SUB B60755 | | | |
|-------------------------------------|-----------------|---|---------------------------|
| item | spare part code | specifications | dosage for unique cabinet |
| amplifier panel | 0300184 | capacitor electrolyse 50V 3300uF \pm 20% Dia18x35 | 2 |
| B60756 | 05153 | IC TDA7294 | 1 |
| | 091801 | knob switch T8019L-TNQ | 1 |
| | 091802 | knobswitch T8022L-TNQ | 1 |
| | 0202061 | potentiometer rotary A50kx2 L=15mm | 1 |
| | 0202074 | potentiometer rotary B20kx2 L=15mm erect | 1 |
| | | othe materials of amplifier discreteness | |
| light panel | 6035 | diode blue light Dia5 transparency focusing | 1 |
| B60536 | | other materials of light panel discreteness | |
| other spare parts | 11565-1 | transformer VANTAGE SUB, BT, 220,1 | 1 |
| | | power switch KCD5-102 6A/250V | 1 |
| | | other materials | |

IBK