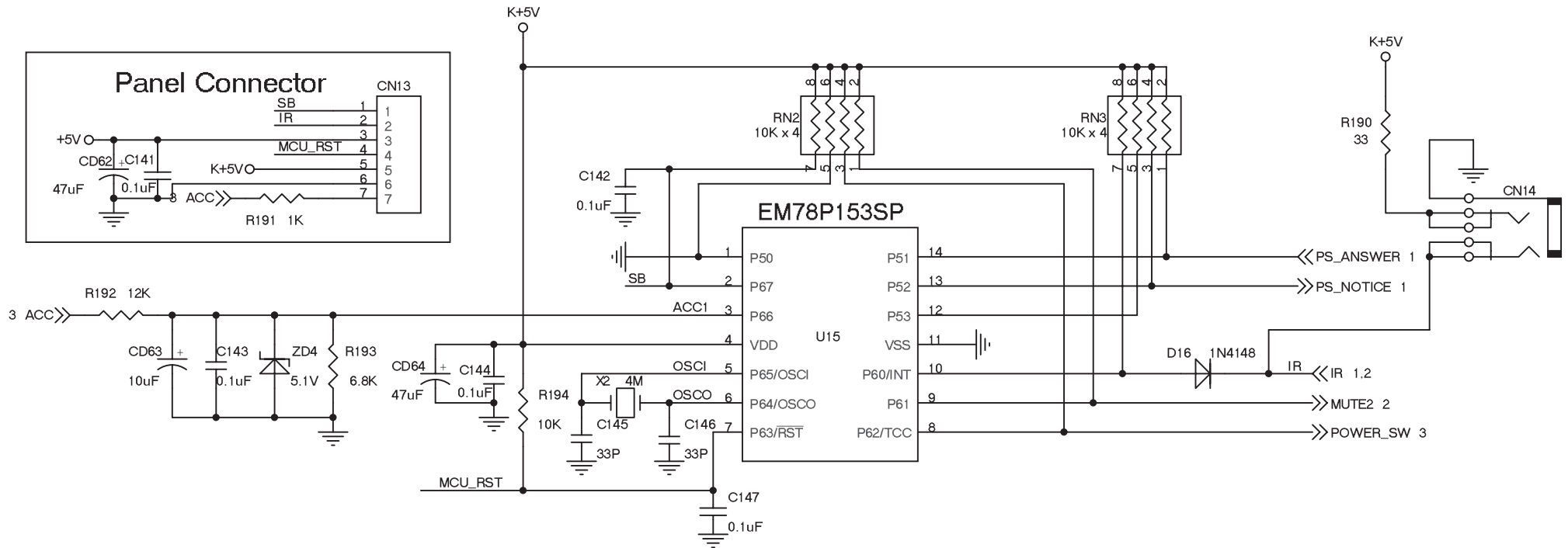


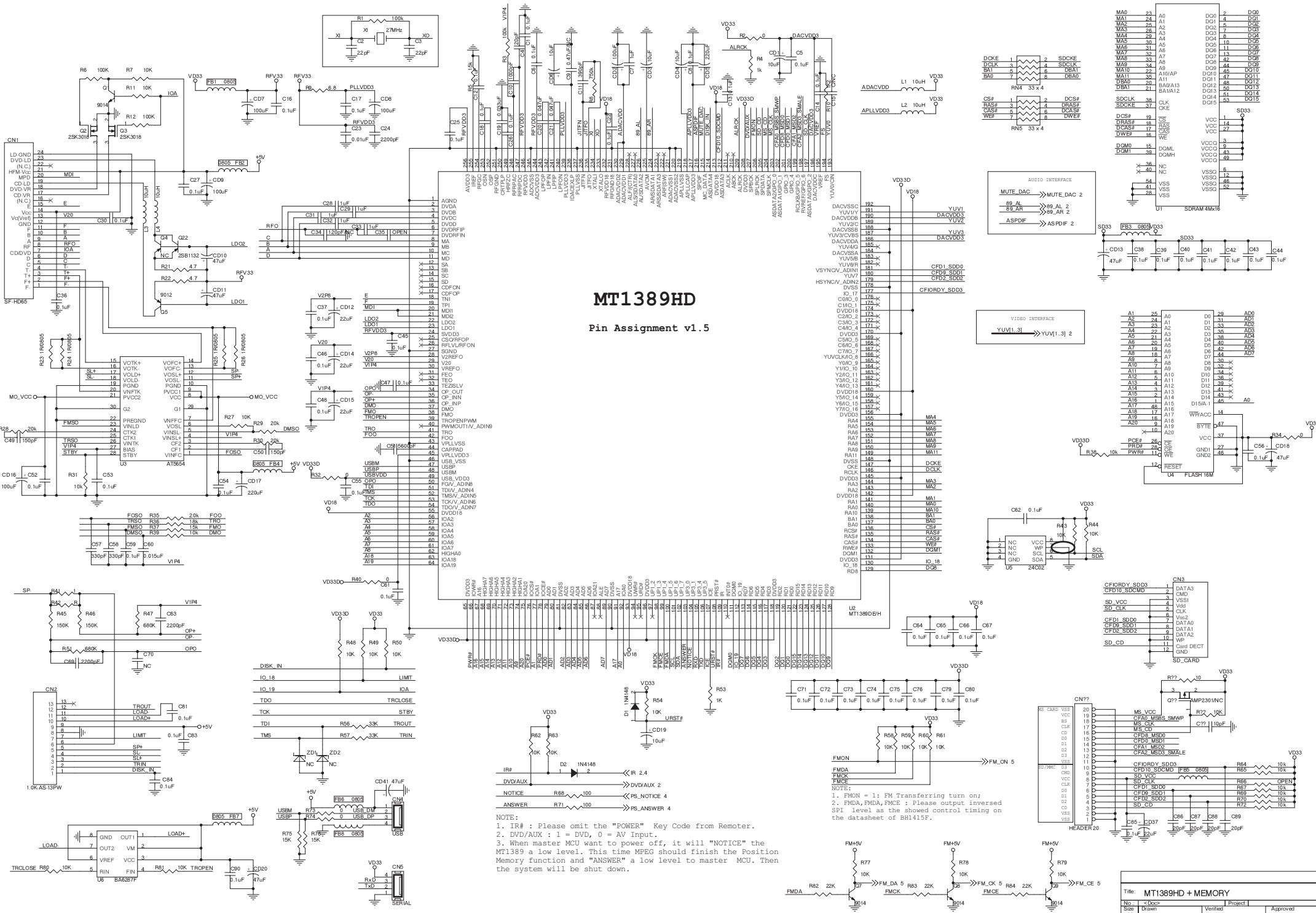
PROLOGY

DVD-350U

Saturn High-Tech, Inc.



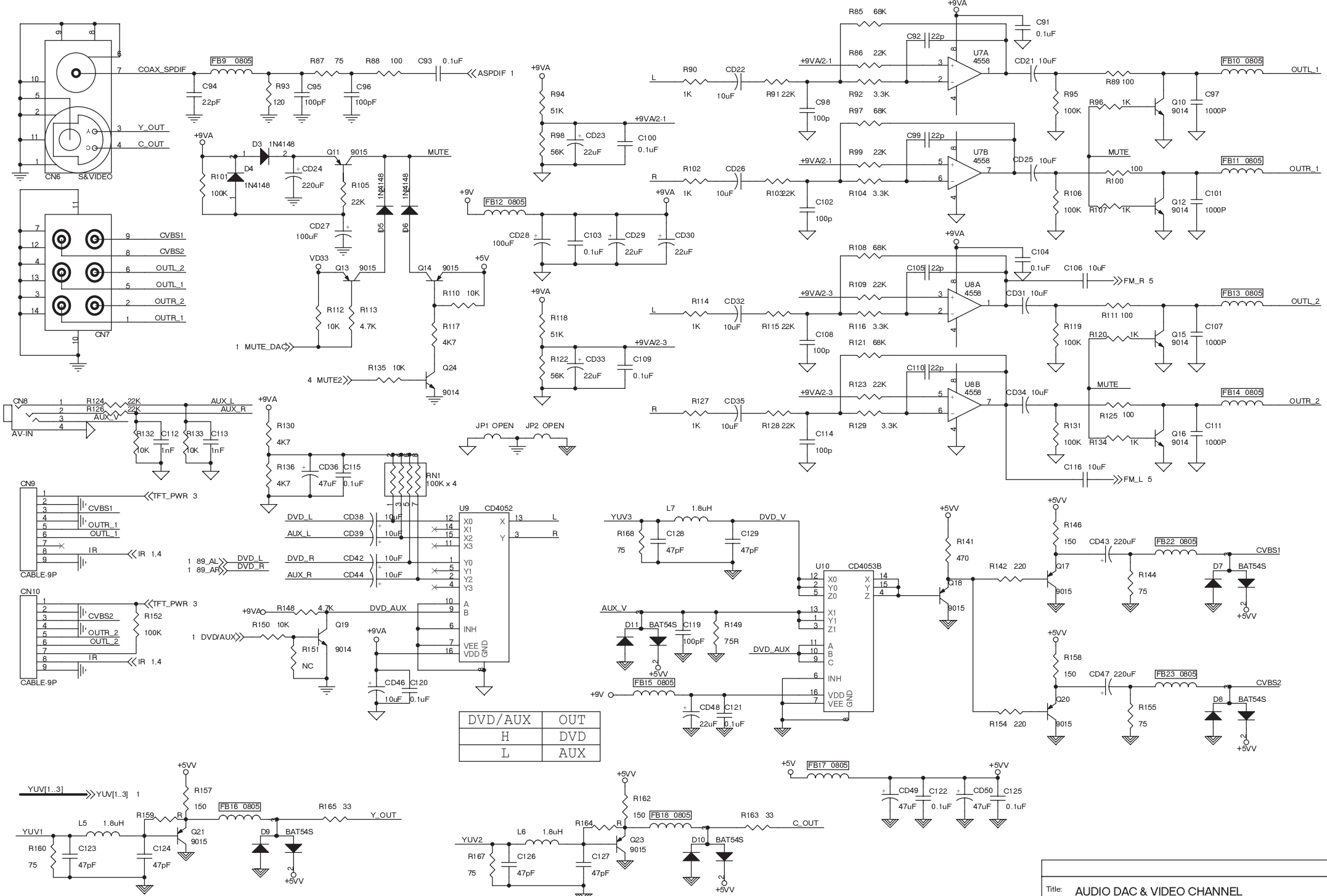
Title: MCU and PANEL Connector			
No.:	<Doc>	Project:	
Size	Drawn	Verified	Approved
A4			
Rev.:	A2	Date:	Wednesday, April 12, 2006
		Sheet	4 of 5



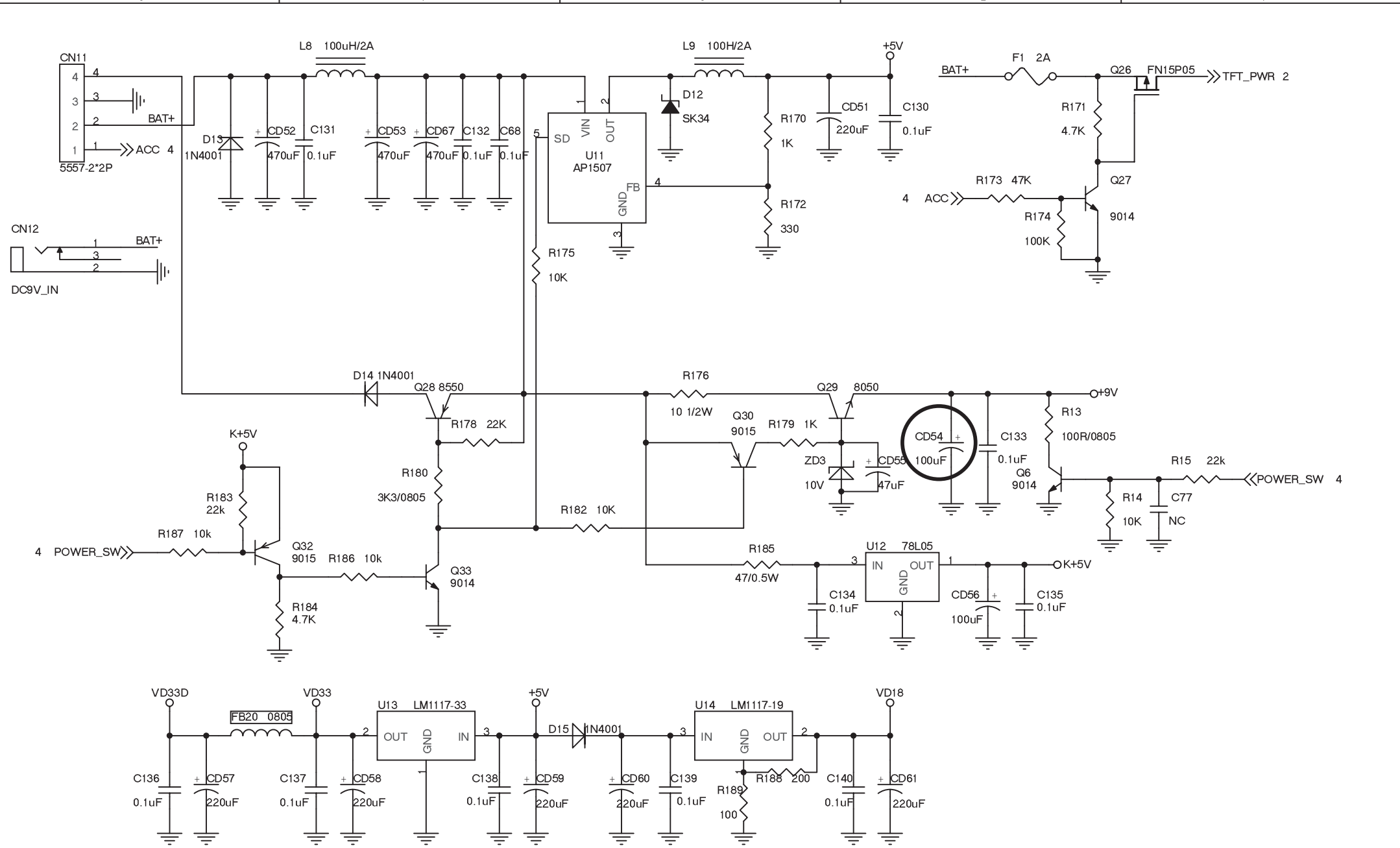
MT1389HD

Pin Assignment v1.5

NOTE:
 1. IR# : Please omit the "POWER" Key Code from Remoter.
 2. DVD/AUX : 1 = DVD, 0 = AV Input.
 3. When master MCU want to power off, it will "NOTICE" the MT1389 a low level. This time MPEG should finish the Position Memory function and "ANSWER" a low level to master MCU. Then the system will be shut down.



DVD/AUX	OUT
H	DVD
L	AUX



Title: POWER			
No.:	<Doc>	Project:	
Size	A4	Drawn	Verified
Rev.	A2	Date:	Wednesday, April 12, 2006
		Sheet	3 of 5

