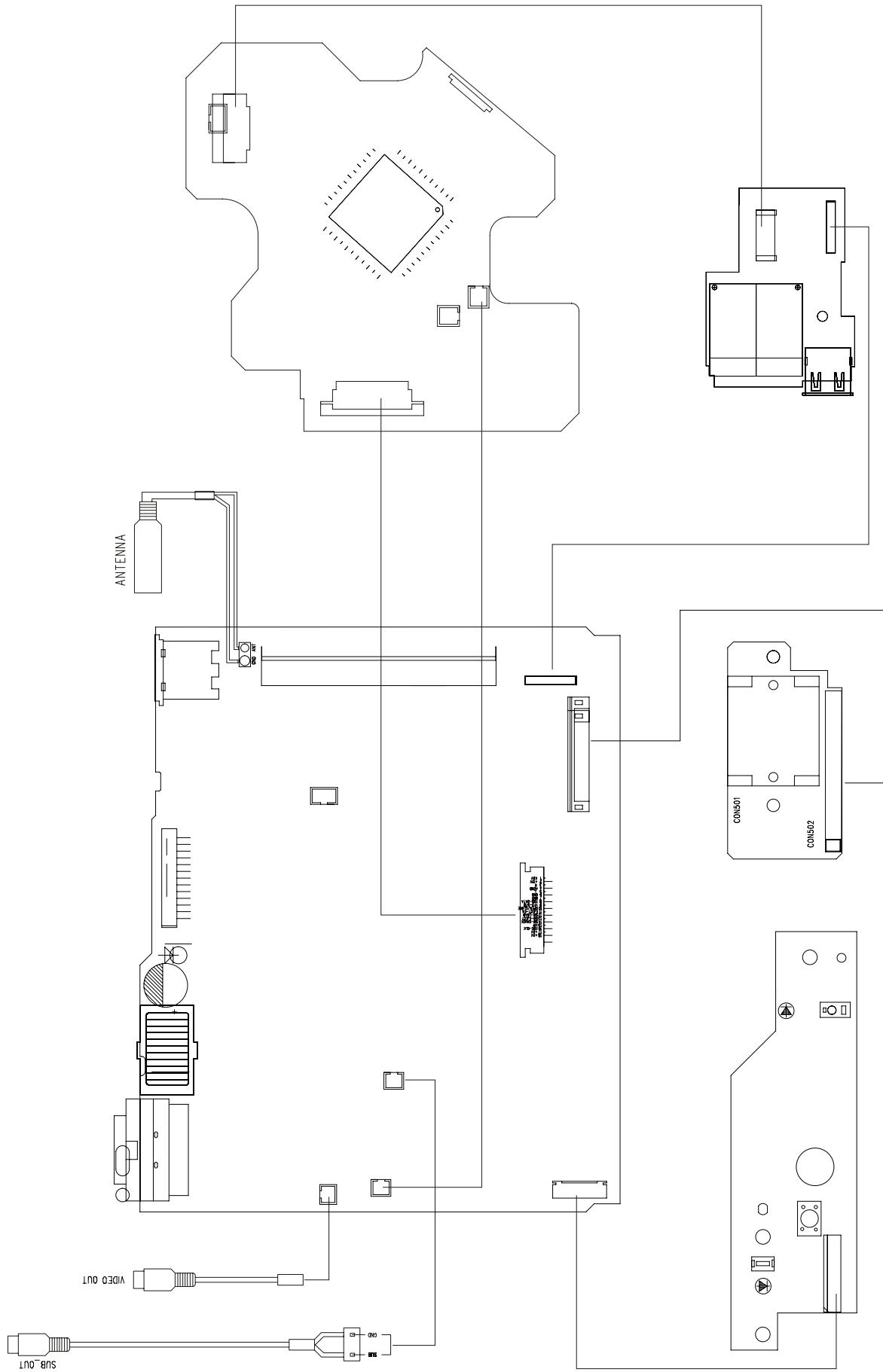


Service
Service

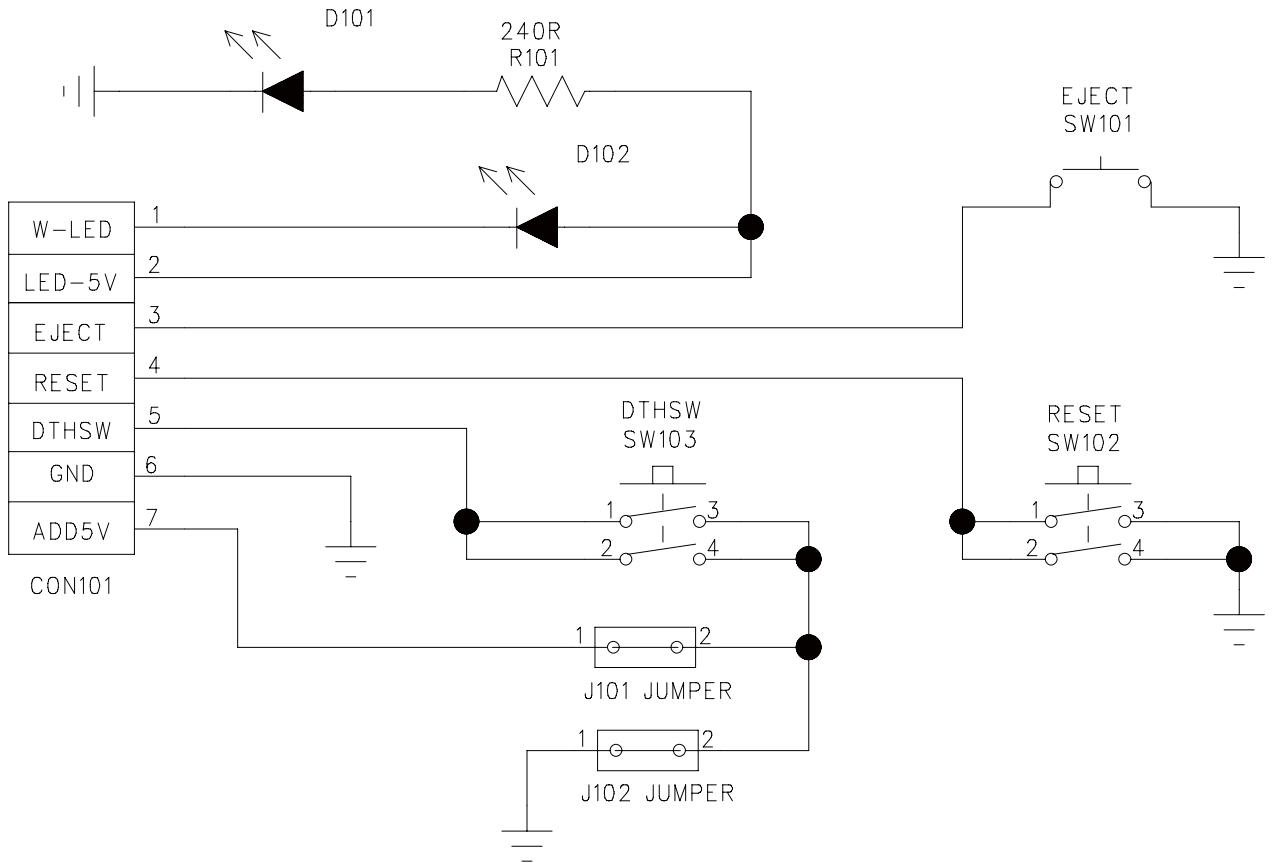
Service Manual

PROLOGY

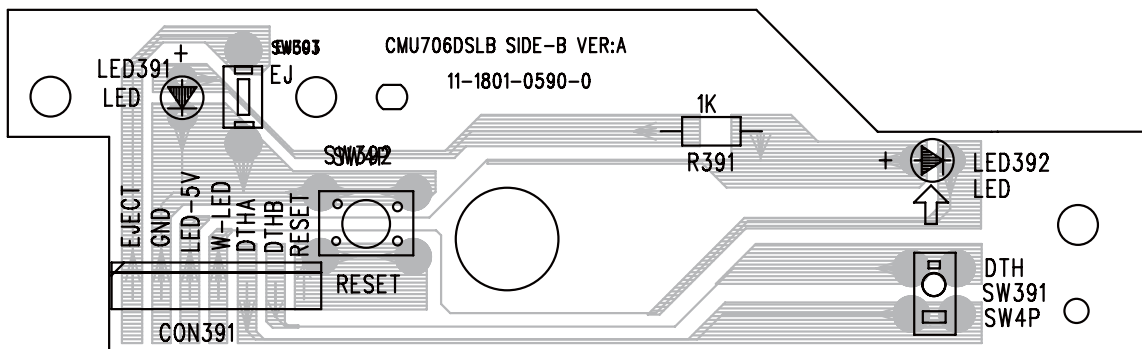
SET BLOCK DIAGRAM



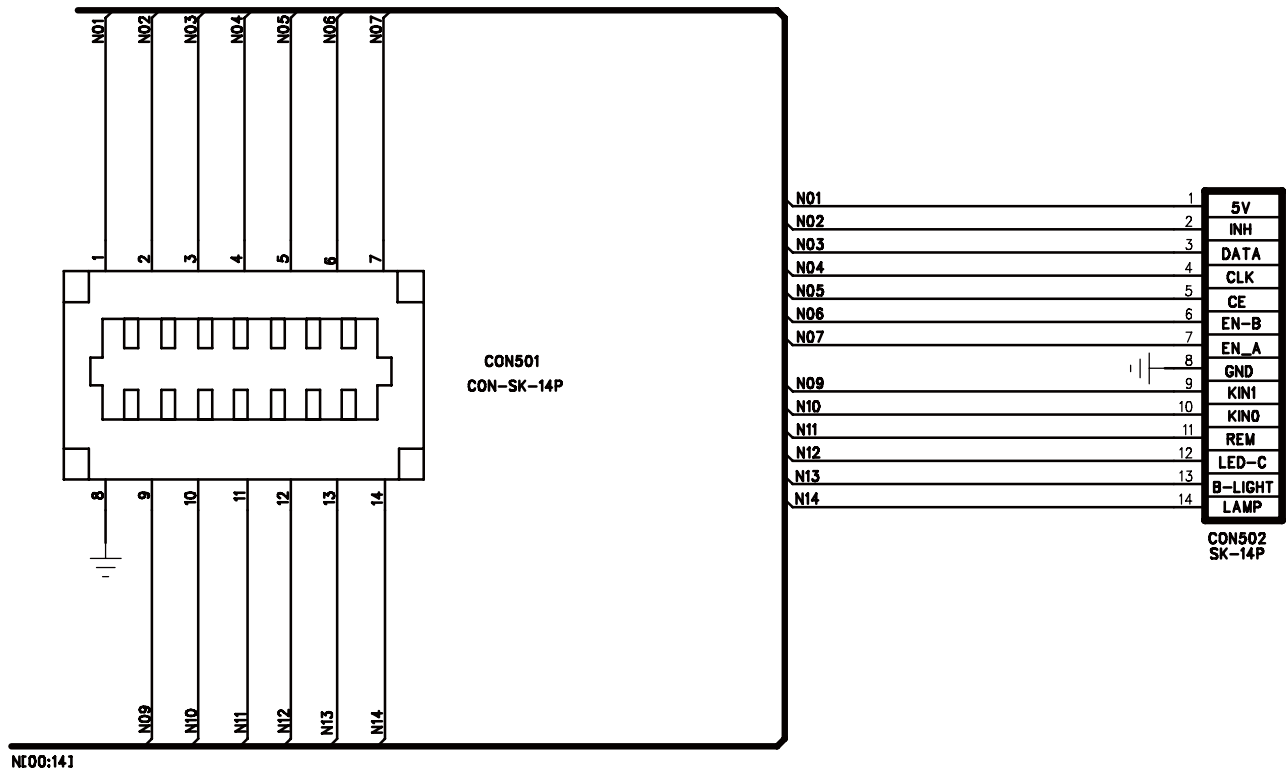
FRONT BOARD - CIRCUIT DIAGRAM



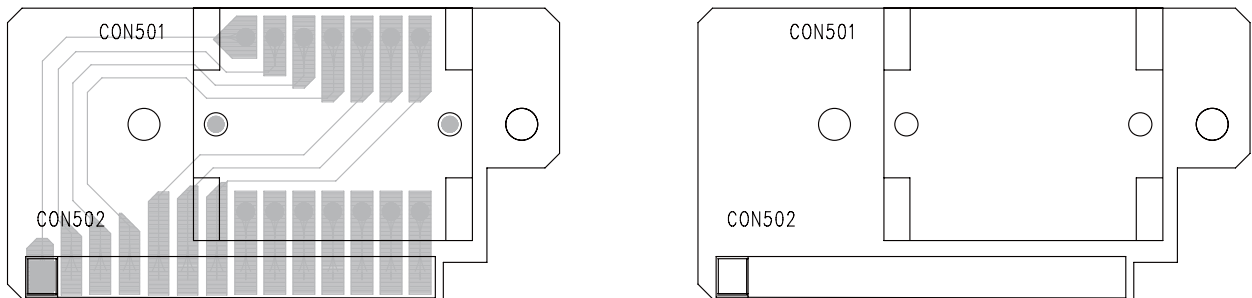
FRONT BOARD - LAYOUT DIAGRAM



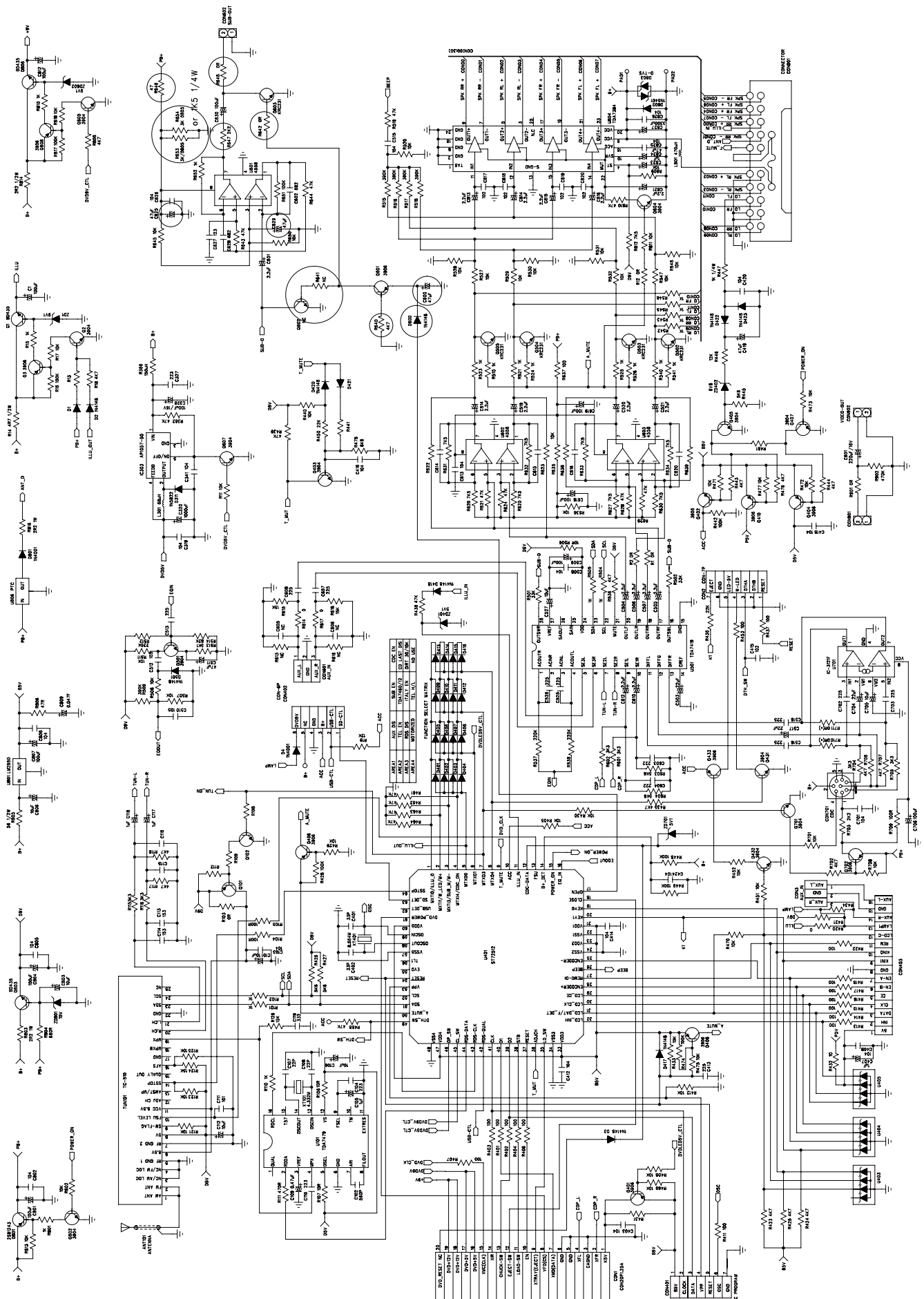
CONNECTOR BOARD - CIRCUIT DIAGRAM



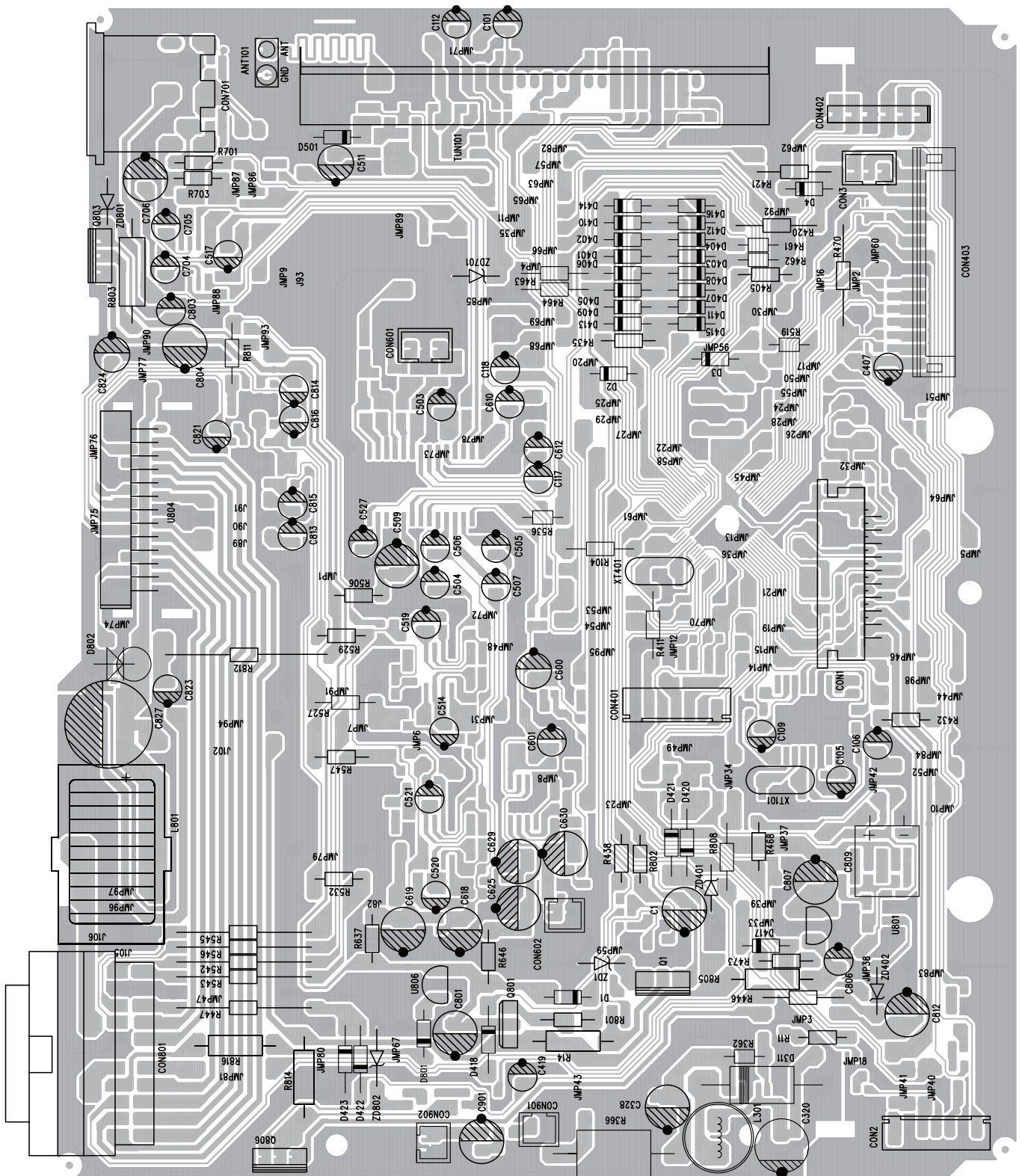
CONNECTOR BOARD - LAYOUT DIAGRAM



MAIN BOARD - CIRCUIT DIAGRAM

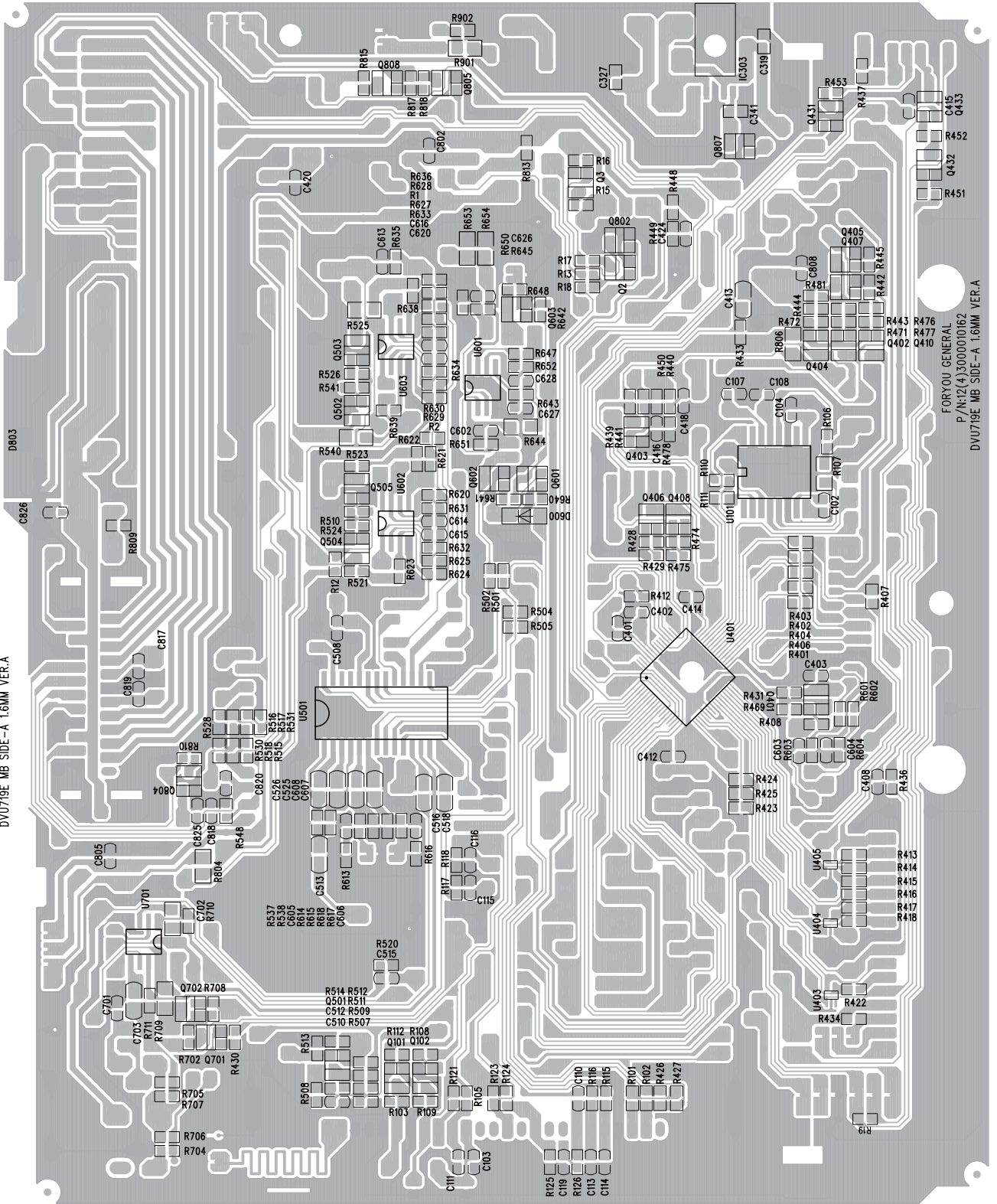


MAIN BOARD - PCB LAYOUT TOP VIEW



MAIN BOARD - PCB LAYOUT BOTTOM VIEW

P/N:12(4)3000010162
 FORYOU GENERAL
 DATE:2006-07-14
 DVU719E MB SIDE-A 1.6MM VER.A



FORYOU GENERAL
 P/N:12(4)3000010162
 DVU719E MB SIDE-A 1.6MM VER.A

ELECTRICAL PARTS LIST - MAIN BOARD

Part NO.	Description	QTY	Location
83802DVD719EMB051	4X4V ESP RDS FM/OIRT 4VSUB AUX T-MUT	1	
	7386MB SMT		
83801DVD719EMB051	4X4V ESP RDS FM/OIRT 4VSUB AUX T-MUT	1	
	7386MB A/I		
1138500000036	φ 0.5mm, 5.0mm	14	JMP7,,JMP11,,JMP16,,JMP30,,JMP31,,JMP40,, JMP41,,JMP42,,JMP60,,JMP68,,JMP76,,JMP77,, JMP88,, JMP99
1138500000039	φ 0.5mm, 6mm	12	J82,,JMP14,,JMP34,,JMP38,,JMP46,,JMP51,, JMP61,,JMP66,,JMP70,,JMP85,,JMP57,,JMP59
1138500000041	φ 0.5mm, 7mm	8	JMP5,,JMP6,,JMP10,,JMP71,,JMP78,,JMP83,, JMP67,,JMP44
1138500000043	φ 0.5mm, 8mm	4	JMP15,,JMP37,,JMP39,,JMP72
1138500000045	φ 0.5mm, 9mm	8	J105,,J106,,JMP21,,JMP23,,JMP52,,JMP74,, JMP95,,JMP43
1138500000042	φ 0.5mm, 10mm	12	JMP1,,JMP2,,JMP12,,JMP19,,JMP64,,JMP75,, JMP79,,JMP84,,J89,,J90,,J91,,JMP80
1138500000044	φ 0.5mm, 11mm	9	JMP33,,JMP53,,JMP54,,JMP56,,JMP62,,JMP96,, JMP97,,JMP98,,R421
1138500000046	φ 0.5mm, 12mm	7	JMP3,,JMP50,,JMP18,,JMP82,,JMP49,,JMP65,,JMP17
1138500000048	φ 0.5mm, 13mm	3	JMP55,,JMP81,,JMP91
1138500000049	φ 0.5mm, 14mm	1	JMP90
1138500000047	φ 0.5mm, 15mm	1	JMP94
1138500000044	φ 0.5mm, 16mm	4	JMP24,,JMP26,,JMP35,,JMP63
1138500000046	φ 0.5mm, 17mm	2	J102,,JMP47
1138500000048	φ 0.5mm, 18mm	1	JMP92
1138500000020	φ 0.5mm, 19mm	2	JMP20,,JMP89
1138500000023	φ 0.5mm, 21mm	3	JMP28,,JMP32,,JMP58
1138500000025	φ 0.5mm, 22mm	2	JMP36,,JMP93
1138500000029	φ 0.5mm, 25mm	4	JMP25,,JMP27,,JMP29,,JMP73
1138500000016	φ 0.5mm, 26mm	1	JMP13
1138500000018	φ 0.5mm, 27mm	2	JMP45,,JMP22
1138270000001	φ 0.5mm, 29mm	2	J93,,JMP8
1216460000022	RCF 20.2, ±5%, 1/2W	3	R803, R814, R816
1216460000560	RCF 56Ω, ±5%, 1/2W	1	R805
121640000101	RCF 1KΩ, ±5%, 1/8W	3	R411, R104, R637
121640000472	RCF 4K7Ω, ±5%, 1/8W	6	R447, R801, R542, R543, R545, R546
121640000103	RCF 10KΩ, ±5%, 1/8W	3	R435, R536, R808
121640000123	RCF 12KΩ, ±5%, 1/8W	6	R11, R473, R405, R470, R811, R802
121640000473	RCF 47KΩ, ±5%, 1/8W	1	R446
1422030000003	SW DIODE, 1N4148, DO-35	11	R362, R461, R462, R463, R464, R466, R519, R527, R529, R532, R547
133000010162	PCB MB, DVU719E, 94V0, 1.6mm,	12	D3, D401, D406, D412, D417, D420, D422, D423, D501, D402, D409, D410, D416
142206000004	194X152.5mm, celophony,	1	
142224000088	ZENER DIODE, 1N4001, 1A, 1V, 50V, DO-41	2	D801, D4
142224000028	ZENER DIODE, 6.8V, 1/2W	1	ZD402
142224000001	ZENER DIODE, 9V1, 1/2W, DO-35	1	ZD802
121640000470	ZENER DIODE, 10V, 1/2W, DO-35	1	ZD801
	RCF 47Ω, ±5%, 1/8W	1	R646

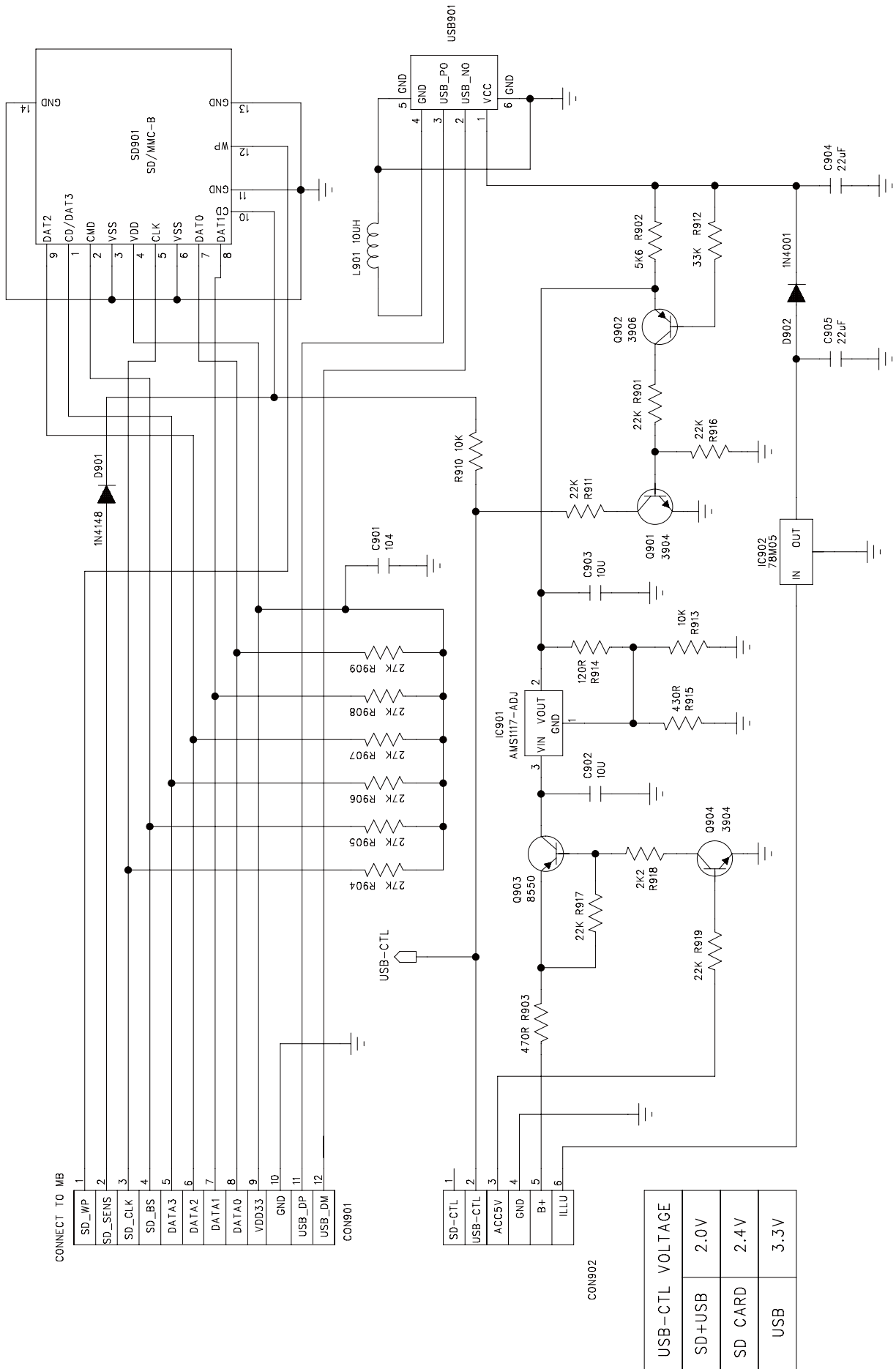
MAIN BOARD PARTS LIST

Description	QTY	Location
CAP.220pF, ±5%, 25V, NPO, 0603	4	C817, C818, C819, C820
CAP.33pF, ±5%, 50V, NPO, 0603	2	C401, C402
CAP.100pF, ±5%, 50V, NPO, 0603	1	C111
CAP.1nF, ±10%, 16V, X7R, 0603	5	C415, C605, C606, C603, C604
CAP.3300pF, ±10%, 50V, X7R, 0603	1	C119
CAP.0.012μF, ±20%, 50V, Y5V, 0603	1	C627
CAP.0.015μF, ±10%, 50V, X7R, 0603	3	C113, C114
CAP.0.022μF, ±10%, 50V, X7R, 0603	2	C327, C104, C110
CAP.8800pF, ±10%, 50V, X7R, 0603	2	C602, C628
CAP.0.1μF, ±80%, 20%, 16V, Y5V, 0603	20	C103, C319, C341, C403, C408, C412, C414, C416, C418, C420, C424, C508, C515, C613, C626, C602, C805, C808, C825, C826
CAP.0805, 105, 50V, Y5V, ±80%, -20%	2	C510, C512
CAP.2.2μF, ±80%, -20%, 16V, Y5V, 0805	6	C413, C513, C525, C526, C607, C608
RES.0Ω, ±5%, 1/16W, 0603	7	R1, R2, R12, R103, R642, R648, R434
RES.100Ω, ±5%, 1/16W, 0603	16	R105, R401, R402, R403, R404, R406, R407, R413, R414, R415, R416, R417, R418, R453, R422, R437,
RES.2K2Ω, ±5%, 1/16W, 0603	1	R647
RES.680Ω, ±5%, 1/10W, 0805	1	R804
RES.1KΩ, ±5%, 1/16W, 0603	13	R101, R102, R510, R504, R505, R524, R526, R541, R652, R815, R110, R521, R523
RES.3K3Ω, ±5%, 1/16W, 0603	4	R115, R116, R601, R602
RES.4K7Ω, ±5%, 1/16W, 0603	9	R424, R425, R443, R444, R476, R117-R118 R423, R640
RES.5K1Ω, ±5%, 1/16W, 0603	1	R513
RES.5K6Ω, ±5%, 1/16W, 0603	5	R426, R427, R445, R603, R604
RES.6.8KΩ, ±5%, 1/16W, 0603	5	R478, R501, R502, R615, R618
RES.7K5Ω, ±5%, 1/16W, 0603	4	R620, R625, R627, R630
RES.10KΩ, ±5%, 1/16W, 0603	32	R121, R123, R125, R408, R412, R429, R433, R440, R469, R471, R472, R475, R451, R452, R477, R507, R508, R511, R520, R528, R530, R531, R548, R635, R636, R645, R650, R809, R813, R818, R614, R617
RES.12KΩ, ±5%, 1/16W, 0603	1	R19
RES.15KΩ, ±5%, 1/16W, 0603	2	R124, R126
RES.22KΩ, ±5%, 1/16W, 0603	4	R436, R450, R613, R616
RES.47KΩ, ±5%, 1/16W, 0603	11	R439, R621, R624, R628, R629, R643, R810, R631, R632, R633, R634
RES.82KΩ, ±5%, 1/16W, 0603	1	R514
RES.100KΩ, ±5%, 1/16W, 0603	7	R442, R448, R449, R474, R651, R817, R428
RES.220KΩ, ±5%, 1/16W, 0603	3	R512, R537, R538
RES.390KΩ, ±5%, 1/16W, 0603	5	R509, R515, R516, R517, R518
RES.470KΩ, ±5%, 1/16W, 0603	1	R902
RES.0Ω, ±5%, 1/10W, 0805	1	R901
RES.1KΩ, ±5%, 1/10W, 0805	2	R525, R540
RES.47KΩ, ±5%, 1/10W, 0805	1	R644
TR, 2N3904 (NPN), SOT-23	9	Q403, Q405, Q407, Q501, Q802, Q804, Q805, Q807, Q432
TR, MMBT3906LT1, SOT-23, PNP	8	Q401, Q404, Q406, Q408, Q410, Q808, Q601, Q433
TR, KRC231S (NPN), SOT-23	5	Q502, Q503, Q504, Q505, Q603

MAIN BOARD PARTS LIST

Part NO.	Description	QTY	Location
142400000416	IC,UTC4558,SOP-8,UTC	3	U601,U602,U603
142400000080	IC,AP1507-5V,TO252-5L,ANACHIP	1	IC303
142400000384	IC,TDA7419,SO-28,ST	1	U501
142245000018	TR, KRC102 (NPN) , SOT-23	1	Q431
142245000024	TR, KTC8550S (PNP) , SOT-23	1	Q402
121604000100	RES,10 Ω , \pm 5%,1/16W,0603	1	R106
121606000100	RES,10 Ω , \pm 5%,1/10W,0805	1	R107
121604000471	RES,470 Ω , \pm 5%,1/16W,0603	1	R111
121803010561	CAP,560pF, \pm 5%,50V,COG,0603	1	C102
121803000220	CAP,22pF, \pm 5%,50V,NPO,0603	2	C107,C108
142400000388	IC,TDA7478D,SO 16,ST	1	U101
121606000302	RES,3K Ω , \pm 5%,1/10W,0805	2	R653 R654
122206000020	SW DIODE,1N4148,25mA,0.9V,100V,MINI-MELF	1	D600
121830000105	E.CAP,1 μ F, \pm 20%,4X5,50V,105 $^{\circ}$ C	5	C117,C118,C407,C823,C105
121830000225	E.CAP,2.2 μ F, \pm 20%,4X5,50V,105 $^{\circ}$ C	16	C504,C505,C506,C507,C514,C519,C520, C521,C601,C610,C612,C813,C814,C815, C816,C821
121830020106	E.CAP,10 μ F, \pm 20%,4X5.5,16V,85 $^{\circ}$ C	6	C101,C112,C527,C803,C806,C106
121830000226	E.CAP,22 μ F, \pm 20%,4X5,16V,105 $^{\circ}$ C	1	C503
121830040476	E.CAP,47 μ F, \pm 20%,5X5,16V,105 $^{\circ}$ C	6	C419,C511,C824,C600,C625,C629
121830020107	E.CAP,100 μ F, \pm 20%,6.3X5,16V,105 $^{\circ}$ C	9	C328,C509,C618,C619,C630,C801,C804, C807,C812
121836070227	E.CAP,220 μ F, \pm 20%,6.3X11,16V,85 $^{\circ}$ C	1	C901
121842030108	E.CAP,1000 μ F, \pm 20%,8X12,10V,105 $^{\circ}$ C	1	C320
121842030338	E.CAP,3300 μ F, \pm 20%,13X26,16V,105 $^{\circ}$ C	1	C827
142206000008	REC DIODE, 1N5822, 3A, 0.9V, 40V, DO-27	1	D311
142206000006	REC DIODE, 1N5401, 3A, 1V, 100V, DO-27	1	D802
142257000001	TR,2SB1243TV2Q(PNP),ATV	1	Q801
142400000380	IC,TDA7386,FLEXIWATT25,ST	1	U804
122400000218	IC,LM2950-5V,TO-92,HTC	1	U801
123830010086	CM700,20PIN,PWR/SPK EST-KNT-20-04	1	CON801
123805000101	7PIN,2.0mm,WAFER DIP 180 $^{\circ}$	2	CON401,CON2
123805000017	14PIN,2.0mm,WAFER 90 $^{\circ}$	1	CON403
123800000023	2PIN,SOCKET 2.0mm DIP 180 $^{\circ}$	1	CON901
143825000190	CONNECTOR,20PIN,1.0mm, CONNECTOR FZC6A-020	1	CON1
121670000109	PTC,GBX050	1	U806
122005000017	STAND INDUCTOR,68 μ H, \pm 10%, Φ 0.4	1	L301
142820000026	CRYSTAL,8.664MHz, \pm 30ppm,-20 $^{\circ}$ C~+70 $^{\circ}$ C, CL=30pF,HC-49/US	1	XT401
144815000046	TUNER,TC-512,FM/AM/OIRT TUNER WITH RDS	1	TUN101
122015000014	CHOKE COIL,470UH,1A, \pm 30%,26mm(D) X10mm(L)X14mm(H)(CM206)	1	
113000010010	PCB,CB,CM206,94-V0,36 \times 30 \times 1.6mm	1	
124800000025	FUSE,ZH270,15A,SLOW FUSE TYPE	1	
141000000319	CM226,BRACKET IC 7386,SECC,T0.8	1	
121640000752	RCF,7.5K Ω , \pm 5%,1/8W	1	R812
122005000016	STAND INDUCTOR,150 μ H, \pm 10%,700mA, Φ 0.4X12.5X9.5mm	1	R366
121830000474	E.CAP,0.47 μ F, \pm 20%,4X5,50V,105 $^{\circ}$ C	1	C109
122820000019	CRYSTAL,4.332MHz, \pm 30ppm,-20 $^{\circ}$ C~+70 $^{\circ}$ C, CL=32pF,HC-49/US	1	XT101

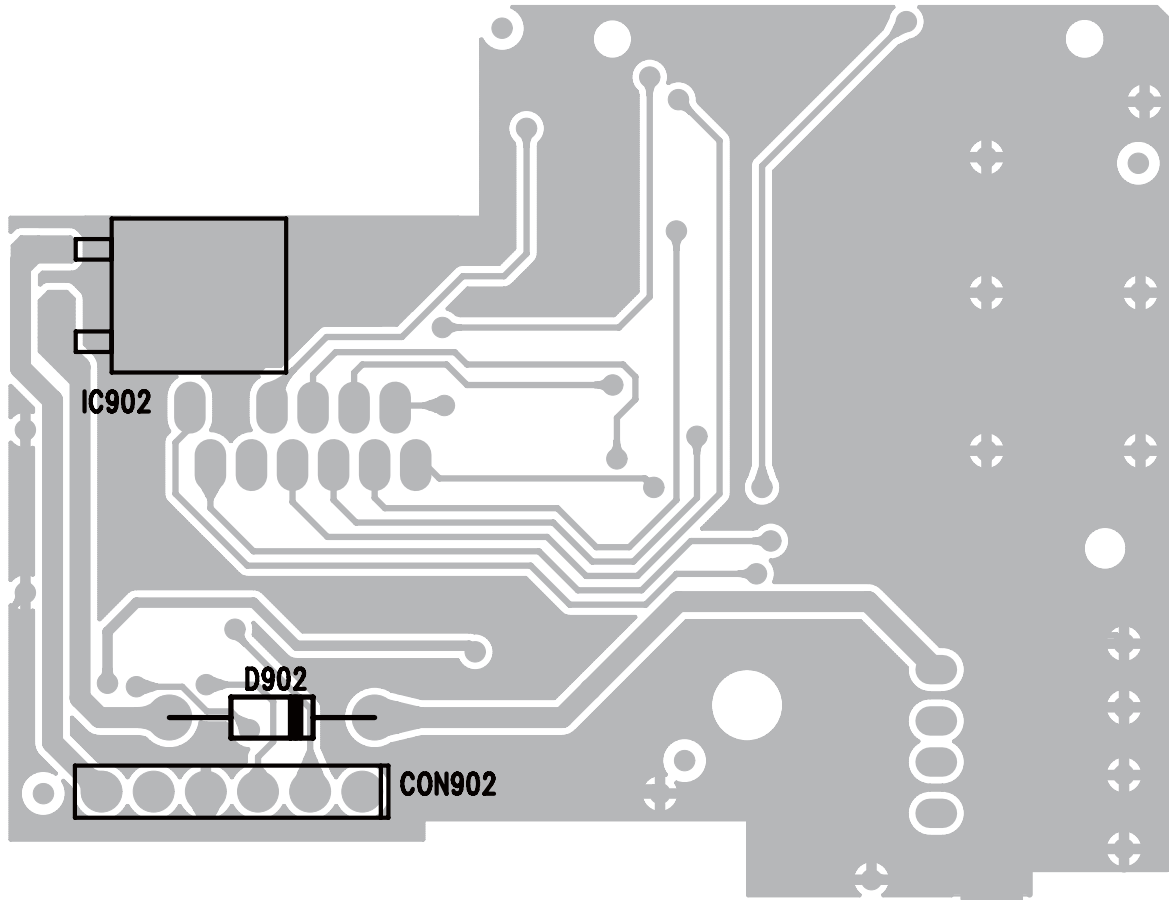
SD BOARD PARTS LIST



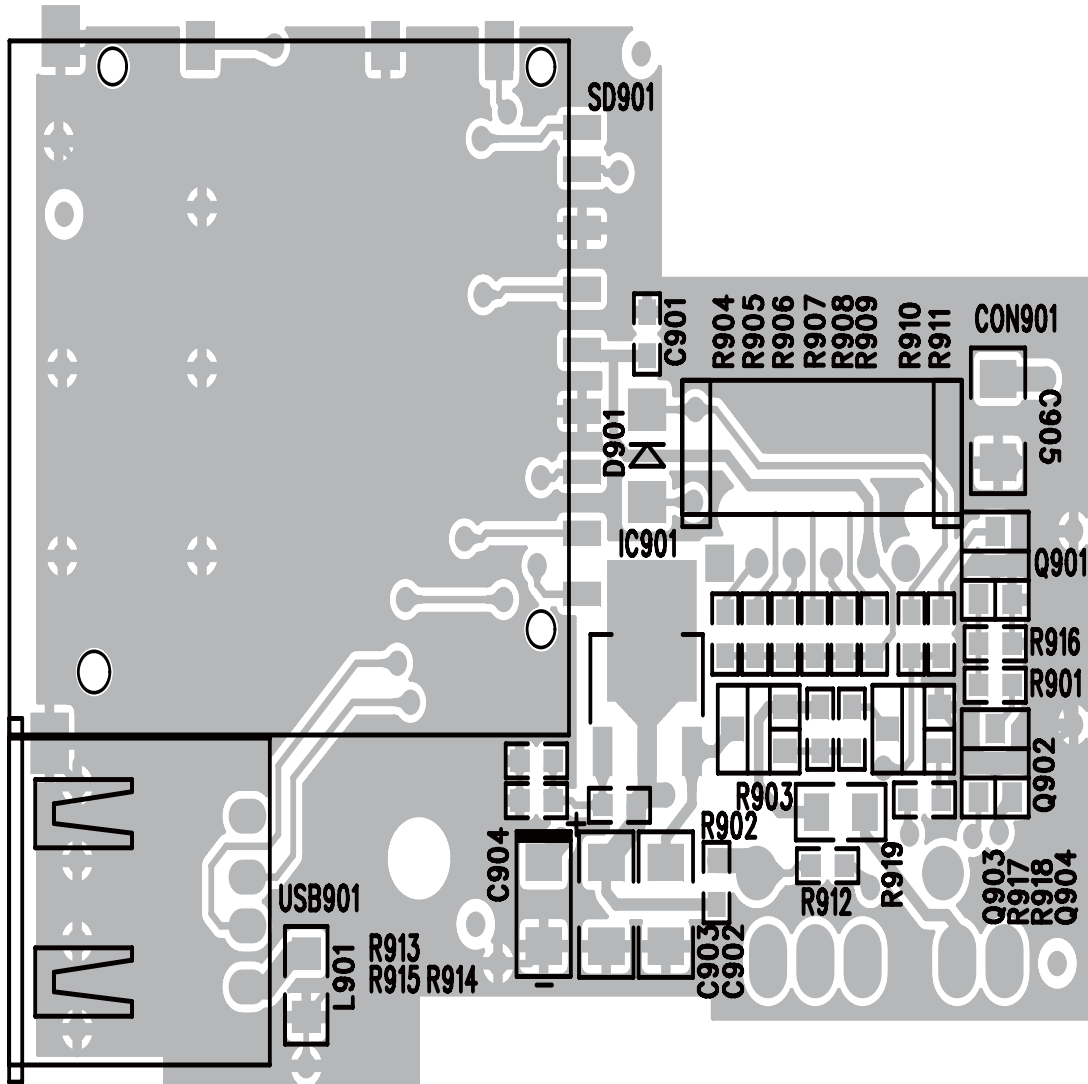
USB-CTL VOLTAGE	
SD+USB	2.0V
SD CARD	2.4V
USB	3.3V

SIDE

SD BOARD - LAYOUT DIAGRAM TOP VIEW



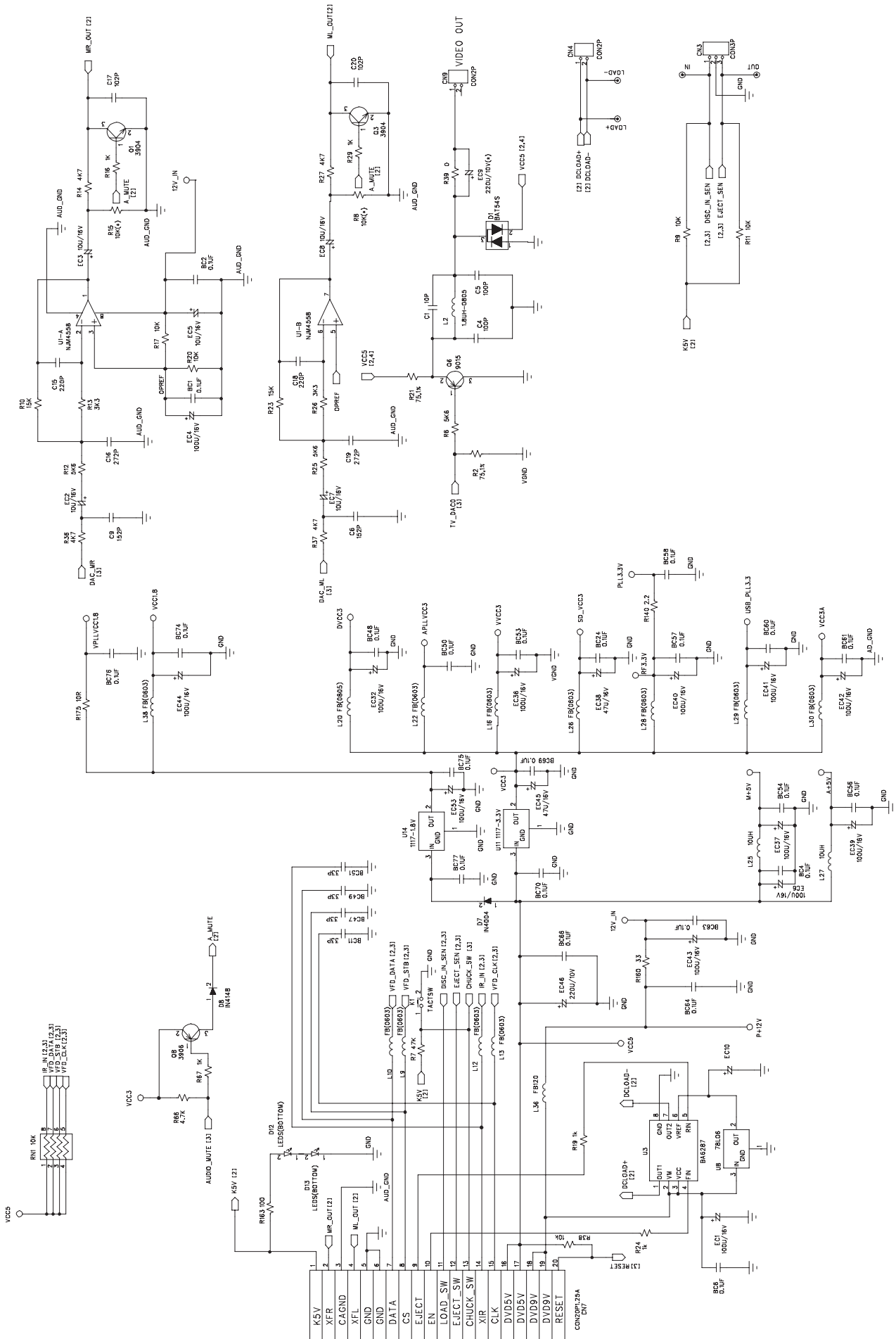
SD BOARD - LAYOUT DIAGRAM BOTTOM VIEW



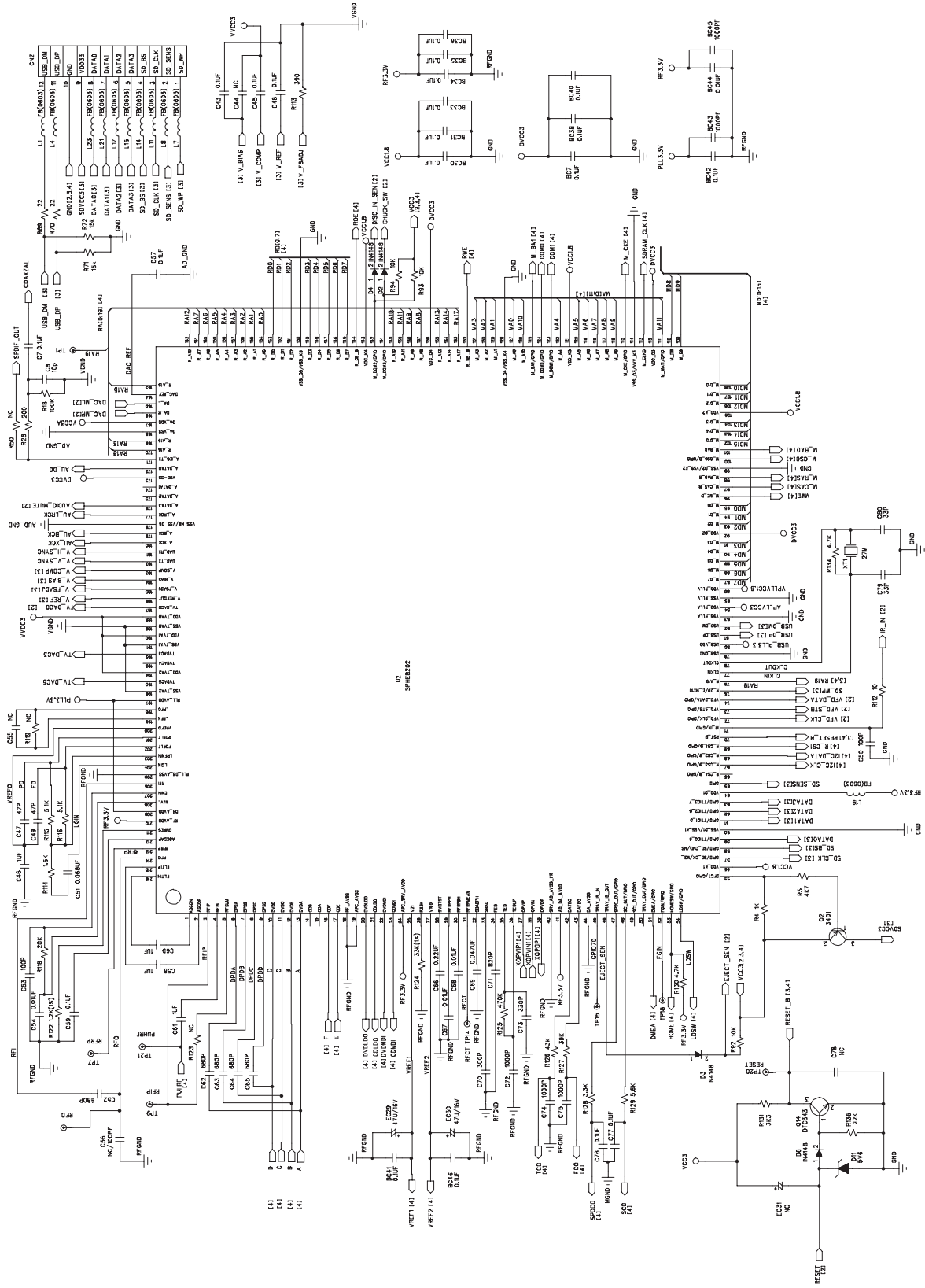
SD BOARD PARTS LIST

Part NO.	Description	QTY	Location
83803DVD719ESD000	DVD719E SD MIAssm	1	
123805000097	6PIN,USB-SOCKET(STANDARD FEMALE CONNECTOR)90°	1	USB901
83802DVD719ESD000	DVD719E SD SMTAssm	1	
142251000001	TR, 2N3904 (NPN) , SOT-23	2	Q901 Q904
142245000048	TR,MMBT3906LT1,SOT-23,PNP	1	Q902
122040000042	CHIP BEAD,0805,2.0X1.2X0.9X0.5,200mA,100MHZ,0.40Ω	1	L901
121604000273	RES,27KΩ,±5%,1/16W,0603	6	R904-909
121604000562	RES,5K6Ω,±5%,1/16W,0603	1	R902
143805000207	SD/MMC SOCKET-HSMT CMU705	1	SD901
133010010360	PCB,SD,DVD708,FR4,1.2mm,175.6X130.6mm	1	
121604000103	RES,10KΩ,±5%,1/16W,0603	2	R910 R913
121604000223	RES,22KΩ,±5%,1/16W,0603	5	R911 R901 R916 R917 R919
121604000333	RES,33KΩ,±5%,1/16W,0603	1	R912
121803000104	CAP,0.1μF,+80%-20%,16V,Y5V,0603	1	C901
121809000106	CAP,10μF,±10%,10V,X5R,1206	1	C903
121604000121	RES,120Ω,±5%,1/16W,0603	1	R914
121604000222	RES,2K2Ω,±5%,1/16W,0603	1	R918
121604000431	RES,430Ω,±5%,1/16W,0603	1	R915
121606000221	RES,220Ω,±5%,1/10W,0805	1	R903
122206000020	SW DIODE,1N4148,25mA,0.9V,100V,MINI-MELF	1	D901
142245000024	TR, KTC8550S (PNP) , SOT-23	1	Q903
142400000414	IC,UTC1117,ADJSOT-223,	1	IC901
121845040226	TAN.CAP,22μF,±20%,6.3V,A	2	C904 C905
123805000011	CONNECTOR,12PIN,1.0mm,90°	1	CON901
142206000004	REC DIODE, 1N4001, 1A, 1V, 50V, DO-41	1	D902
123805000096	CONNECTOR,6PIN,2.5mm,90°	1	CON902
142400000227	IC,LM7805,D-PAK,FAIRCHILD	1	IC902

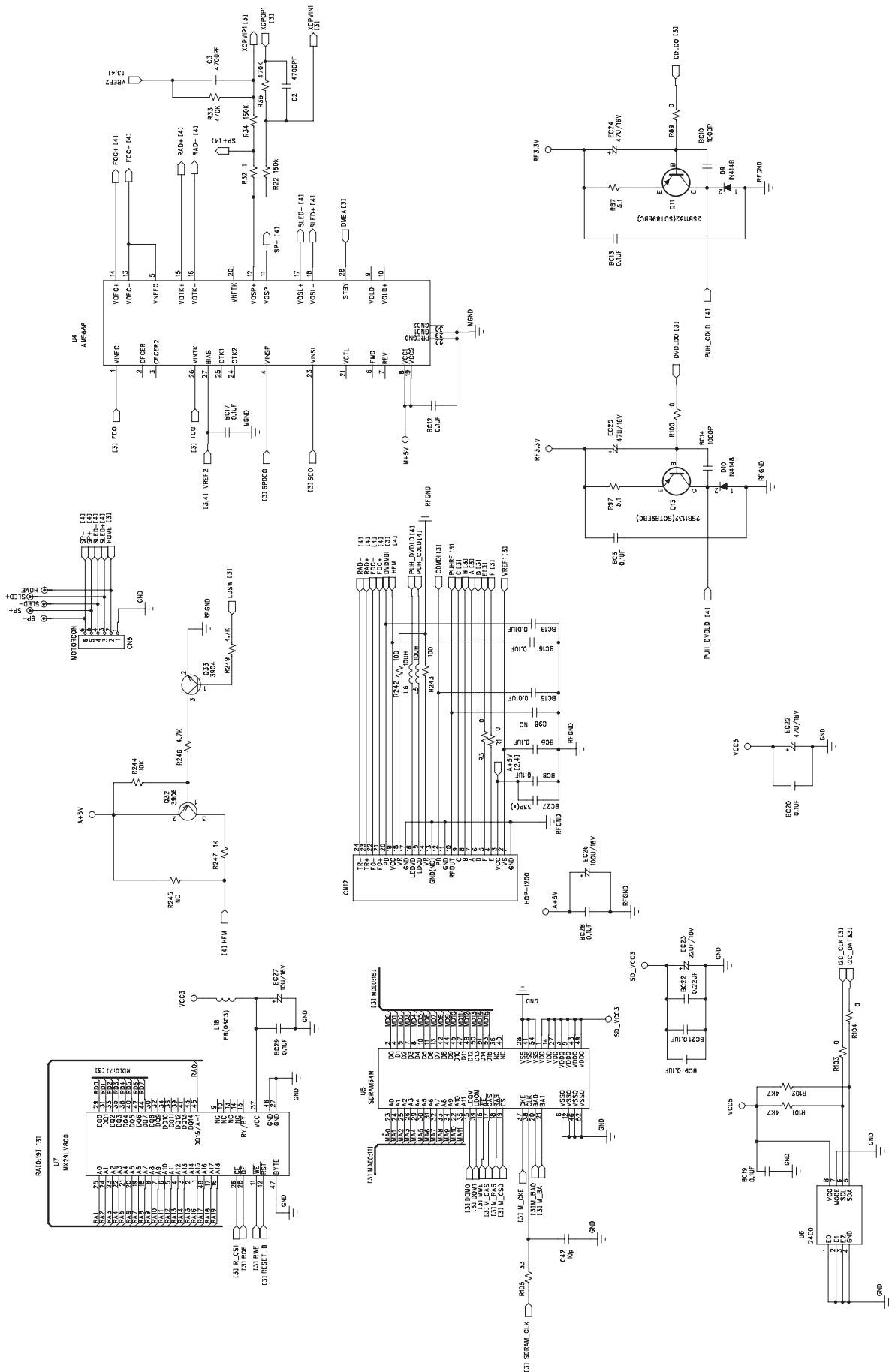
SERVO BOARD - CIRCUIT DIAGRAM



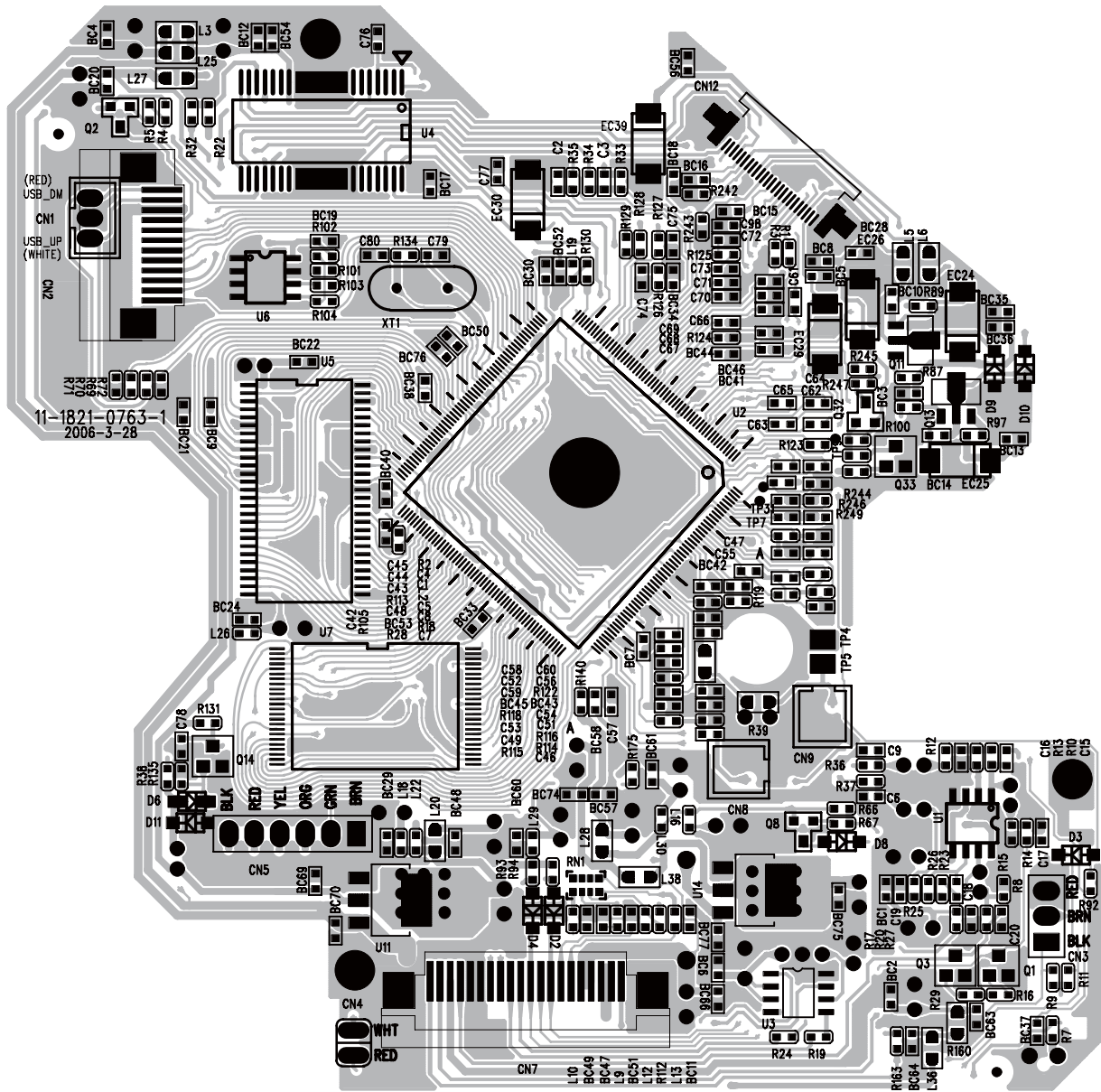
SERVO BOARD - CIRCUIT DIAGRAM



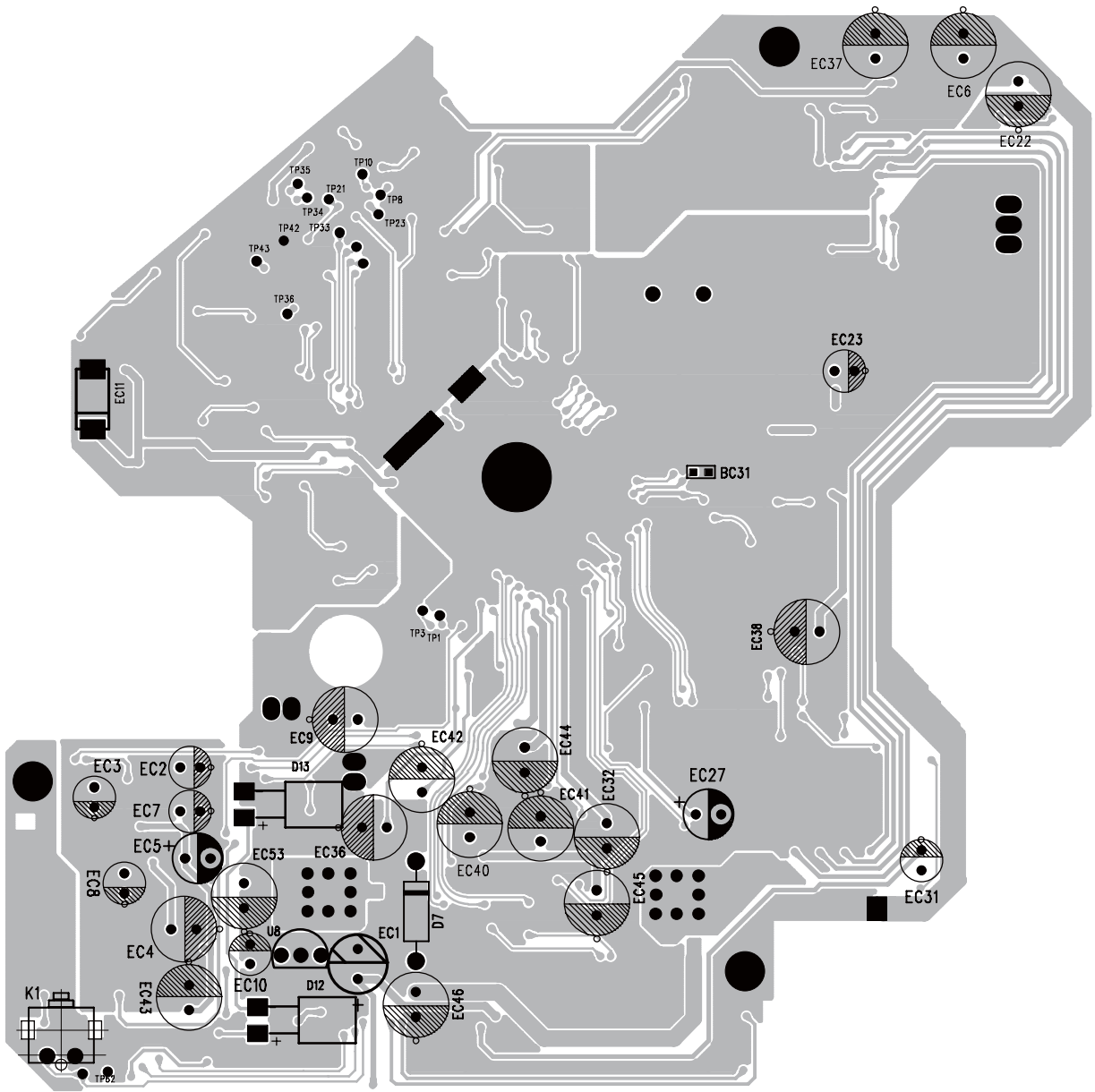
SERVO BOARD - CIRCUIT DIAGRAM



SERVO BOARD - LAYOUT DIAGRAM TOP VIEW



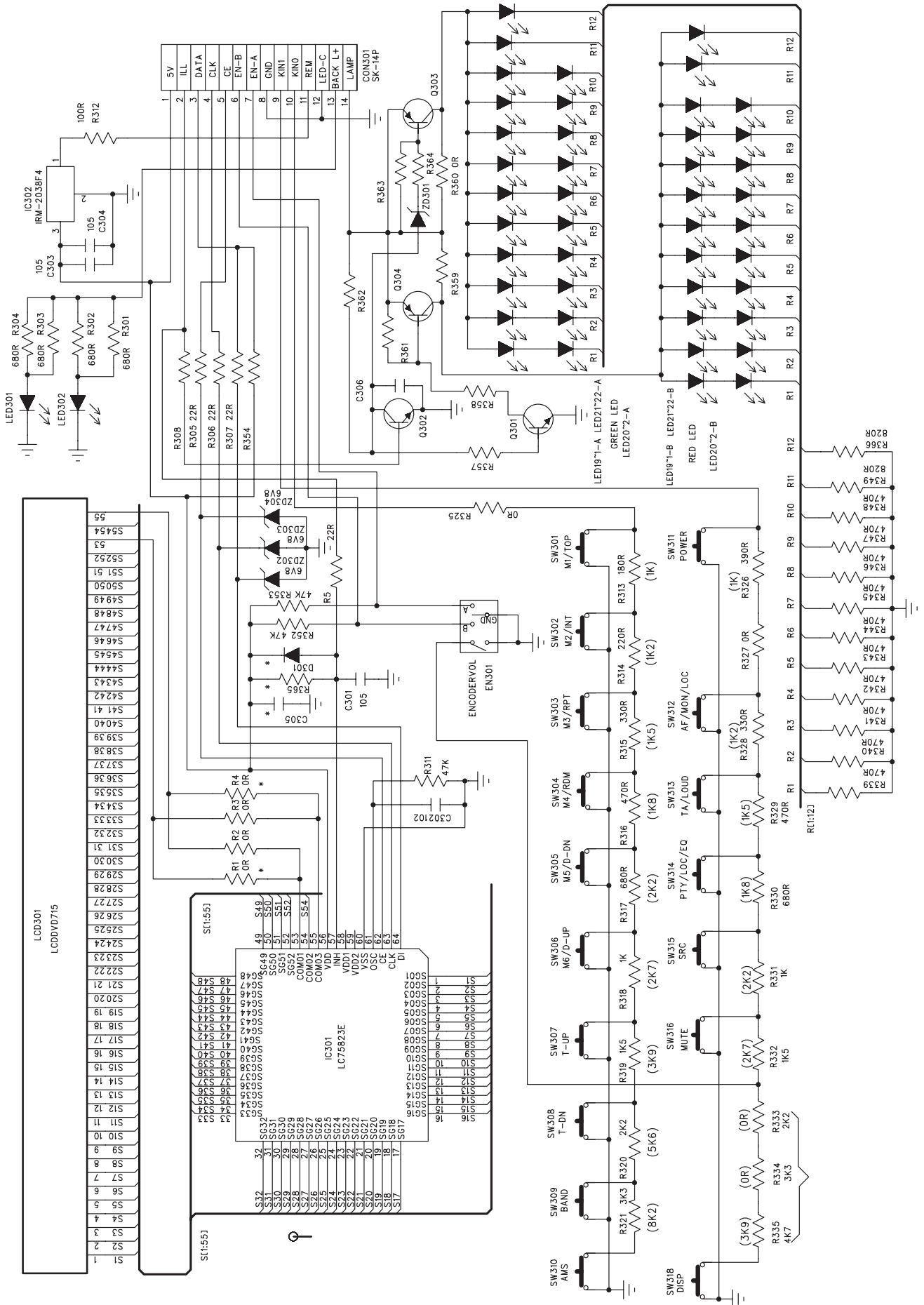
SERVO BOARD - LAYOUT DIAGRAM BOTTOM VIEW



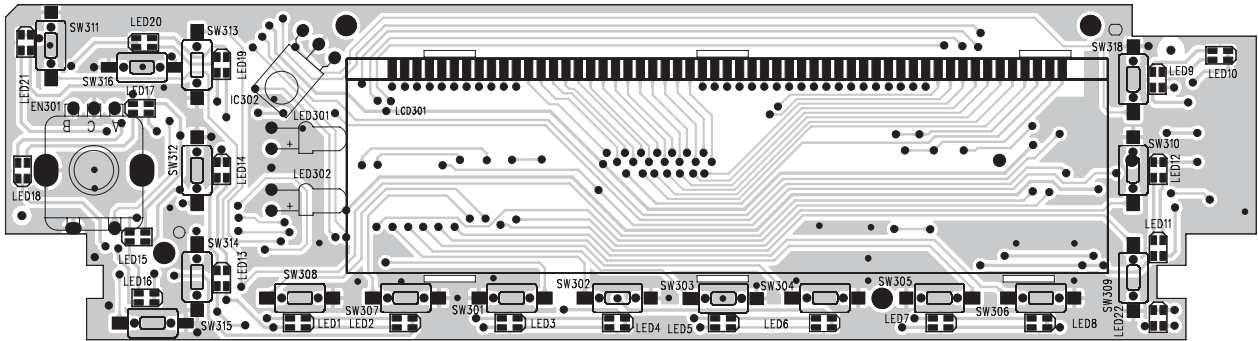
SERVO BOARD - SB PARTS LIST

Part NO.	Description	QTY	Location	Part NO.	Description	QTY	Location
83802DVD705ESB051	DVD705E DIVX (DVD705E-56A) SB SMT Assm	1		121803000683	CAP.0.068µ F,±10%,50V,X7R,0603	1	C51
121604000000	RES.0.0,±5%,1/16W,0603	6	R1,R3,R89,R100,R103,R104	121803000821	CAP.0.603,820pf,±10%,16V,X7R	1	C71
121604000100	RES.10.0,±5%,1/16W,0603	3	R112,R175	121845090107	TAN.CAP.100µ F,±20%,6.3V,C	6	EC26,EC24,EC25,EC29,EC30,EC39
121604000101	RES.100.0,±5%,1/16W,0603	3	R163,R242,R243	122000000179	INDUCTOR,1.8µ H,±10%,50MA,0805	1	L2
121604010102	RES.1k.0,±1%,1/16W,0603	6	R19,R24,R29,R16,R67,R247	122040000011	CHIP BEAD,0603,1.6X0.8X0.8,800mA,100MHZ,0.6	10	L9,L10,L12,L13,L18,L19,L22,L26,L28,L16
121604000103	RES.10k.0,±5%,1/16W,0603	9	R17,R20,R92,R93,R94,R244,R38,R9,R11	122040000061	CHIP BEAD,120.0,LL2XW1,25XT1,25XA0,5.3A,100MHZ,DCR17.0	3	L20,L28,L38
121604000332	RES.3k3.0,±5%,1/16W,0603	4	R13,R26,R128,R131	122040000042	CHIP BEAD,0805,2.0X1.2X0.9X0.5,200mA,100MHZ,0.40.0	5	L5,L6,L25,L27,L36
121604010122	RES.1k2.0,±1%,1/16W,0603	1	R122	142245000015	TR, DTC343TK, SOT-23	1	Q14
121604000152	RES.1k5.0,±5%,1/16W,0603	4	R114	142206000020	SW DIODE,1N4148,25mA,0.9V,100V,MINI-MELF	7	D8,D9,D10,D2,D3,D4,D6
121604000153	RES.15k.0,±5%,1/16W,0603	1	R71,R72,R10,R23	142251000001	TR, 2N3904 (NPN), SOT-23	1	Q33
121604000154	RES.150k.0,±5%,1/16W,0603	2	R22,R34	142245000003	TR,2N3906(PNP),SOT-23	2	Q8,Q32
121604000010	RES.1.0,±5%,1/16W,0603	1	R32	122290000031	TR,2SB1132,SOT-89	2	Q11,Q13
121604000393	RES.39k.0,±5%,1/16W,0603	1	R127	142400000541	IC,AT24C02,SOP-8	1	U6
121604000203	RES.20k.0,±5%,1/16W,0603	1	R118	IC,UTC4558,SOP-8,UTC	1	U1	
121604000330	RES.0603,33.0,±5%,1/16W	1	R105	IC,BA6287F,SOP-8,ROMH	1	U3	
121604000333	RES.33k.0,±5%,1/16W,0603	1	R124	IC,UTC1117-3.3V,SOT23,UTC	1	U11	
121604000391	RES.390.0,±5%,1/16W,0603	1	R113	IC,UTC1117-1.8V,SOT-223,UTC	1	U14	
121604000433	RES.43k.0,±5%,1/16W,0603	1	R126	IC,IS42S16400A,TSOP14-54,ISSI	1	U5	
121604000047	RES.4.0,7,±5%,1/16W,0603	2	R87,R97	IC,AM5668S,HSOP28,AMTEK	1	U4	
121604000472	RES.4k7.0,±5%,1/16W,0603	11	R66,R130,R134,R246,R249,R14,R27	IC,SPHE8281D-216PIN,LQFP,216,SUNPLUS	1	U2	
121604000474	RES.470k.0,±5%,1/16W,0603	3	R101-R102,R36,R37	24PIN,0.5mm,FPC SOCKET SMT TYPE TOP	1	CN12	
121604000512	RES.5k1.0,±5%,1/16W,0603	2	R33,R125,R35	CONNECT TYPE			
121604000750	RES.75.0,±5%,1/16W,0603	2	R115,R116	PCB,SB,DVD705E,1.2mm,107X109mm(SUNPLUS)	1		
121604000022	RES.2.0,±5%,1/16W,0603	1	R2	RES.22k.0,±5%,1/16W,0603	1	R135	
121606000330	RES.33.0,±5%,1/10W,0805	1	R140,L30	RES.5k6.0,±5%,1/16W,0603	3	R12,R25,R129	
121618000103	RES.10k.0,4,±5%,1/16W,0603	1	R160	CAP.2700PF,±5%,50V,X7R,0603	2	C16,C19	
121603000100	CAP,10pF,±1%,50V,NPO,0603	1	RN1	RES.47k.0,±5%,1/16W,0603	1	R7	
121603000101	CAP,100pF,±5%,50V,NPO,0603	3	C1,C42	RES.0.0,±5%,1/10W,0805	1	R39	
121603000102	CAP,1nF,±10%,16V,X7R,0603	9	C4,C5,C53	ZENER DIODE, 5V6, MINI MELF	1	D11	
121603000103	CAP,0.01µ F,±10%,50V,X7R,0603	6	BC43,BC45,C72,C74,C75,C17,C20	DECC,DL-C28D1(SHINWA)	2	BC38,BC22	
121603020104	CAP,0.1µ F,±10%,25V,X7R,0603	53	BC14,BC10	FFC,12PIN,1.00mm,160mm	1	EC46	
			C54,BC44,BC18,BC15,C67,C68	CAP.220µ F,±20%,6.3X7,10V,-55C--+105C	1	EC46	
			BC1,BC2,BC3,BC4,BC5,BC7,BC8,BC13	E.CAP,100µ F,±20%,6.3X5,16V,105C	14	EC1,EC4,EC6,EC32,EC38,EC37,EC40	
			BC52,BC16,BC17,BC19,BC20,BC21	E.CAP.47µ F,±20%,5X5,10V,105C	3	EC38,EC27,EC5	
			BC6,BC9,BC24,BC28,BC29,BC30,BC34	INFRARED RECEIVER,IR228-6C	2	D12,D13	
			BC35,BC36,BC37,BC40,BC41,BC42	CRYSTAL,27.000MHz,±20ppm,-30C--+80C,CL=18pF, 1	XT1		
			BC46,BC48,BC50,BC53,BC54,BC56	HC-49US	1		
			BC57,BC58,BC60,BC61,BC63,BC64	DETECT SW,SW110	1	K1	
			BC66,BC69,BC70,BC74,BC75,BC76	IC,CJ78L06,TO-92,C.(V)=6V,IOM=0.1A)	1	U8	
			BC77,C43,C45,C48,C57,C76,C77,C59	CMV700,2PIN,PI=2.0mm,135mm(SOCKET PIN)	1	CN9	
			C46,C58,C60,C61,BC33	E.CAP.22µ F,±20%,4X5,16V,105C	4	EC2,EC3,EC7,EC8	
			C15,C18	E.CAP,100µ F,±20%,6.3X5,16V,105C	14	EC41,EC42,EC43,EC44,EC53,EC45,EC22	
			C6, C9	E.CAP.47µ F,±20%,5X5,10V,105C	3	EC38,EC27,EC5	
			C66	INFRARED RECEIVER,IR228-6C	2	D12,D13	
			C70	CRYSTAL,27.000MHz,±20ppm,-30C--+80C,CL=18pF, 1	XT1		
			BC47,BC51,C79,C80,BC49,BC11	HC-49US	1		
			C73	DETECT SW,SW110	1	K1	
			C47,C49	IC,CJ78L06,TO-92,C.(V)=6V,IOM=0.1A)	1	U8	
			C2,C3	CMV700,2PIN,PI=2.0mm,135mm(SOCKET PIN)	1	CN9	
			C69	E.CAP.22µ F,±20%,4X5,16V,105C	4	EC2,EC3,EC7,EC8	
			C62,C63,C64,C65,C52	E.CAP,100µ F,±20%,6.3X5,16V,105C	14	EC41,EC42,EC43,EC44,EC53,EC45,EC22	
				E.CAP.47µ F,±20%,5X5,10V,105C	3	EC38,EC27,EC5	
				INFRARED RECEIVER,IR228-6C	2	D12,D13	
				CRYSTAL,27.000MHz,±20ppm,-30C--+80C,CL=18pF, 1	XT1		
				HC-49US	1		
				DETECT SW,SW110	1	K1	
				IC,CJ78L06,TO-92,C.(V)=6V,IOM=0.1A)	1	U8	
				CMV700,2PIN,PI=2.0mm,135mm(SOCKET PIN)	1	CN9	
				E.CAP.22µ F,±20%,4X5,16V,105C	4	EC2,EC3,EC7,EC8	
				E.CAP,100µ F,±20%,6.3X5,16V,105C	14	EC41,EC42,EC43,EC44,EC53,EC45,EC22	
				E.CAP.47µ F,±20%,5X5,10V,105C	3	EC38,EC27,EC5	
				INFRARED RECEIVER,IR228-6C	2	D12,D13	
				CRYSTAL,27.000MHz,±20ppm,-30C--+80C,CL=18pF, 1	XT1		
				HC-49US	1		
				DETECT SW,SW110	1	K1	
				IC,CJ78L06,TO-92,C.(V)=6V,IOM=0.1A)	1	U8	
				CMV700,2PIN,PI=2.0mm,135mm(SOCKET PIN)	1	CN9	
				E.CAP.22µ F,±20%,4X5,16V,105C	4	EC2,EC3,EC7,EC8	
				E.CAP,100µ F,±20%,6.3X5,16V,105C	14	EC41,EC42,EC43,EC44,EC53,EC45,EC22	
				E.CAP.47µ F,±20%,5X5,10V,105C	3	EC38,EC27,EC5	
				INFRARED RECEIVER,IR228-6C	2	D12,D13	
				CRYSTAL,27.000MHz,±20ppm,-30C--+80C,CL=18pF, 1	XT1		
				HC-49US	1		
				DETECT SW,SW110	1	K1	
				IC,CJ78L06,TO-92,C.(V)=6V,IOM=0.1A)	1	U8	
				CMV700,2PIN,PI=2.0mm,135mm(SOCKET PIN)	1	CN9	
				E.CAP.22µ F,±20%,4X5,16V,105C	4	EC2,EC3,EC7,EC8	
				E.CAP,100µ F,±20%,6.3X5,16V,105C	14	EC41,EC42,EC43,EC44,EC53,EC45,EC22	
				E.CAP.47µ F,±20%,5X5,10V,105C	3	EC38,EC27,EC5	
				INFRARED RECEIVER,IR228-6C	2	D12,D13	
				CRYSTAL,27.000MHz,±20ppm,-30C--+80C,CL=18pF, 1	XT1		
				HC-49US	1		
				DETECT SW,SW110	1	K1	
				IC,CJ78L06,TO-92,C.(V)=6V,IOM=0.1A)	1	U8	
				CMV700,2PIN,PI=2.0mm,135mm(SOCKET PIN)	1	CN9	
				E.CAP.22µ F,±20%,4X5,16V,105C	4	EC2,EC3,EC7,EC8	
				E.CAP,100µ F,±20%,6.3X5,16V,105C	14	EC41,EC42,EC43,EC44,EC53,EC45,EC22	
				E.CAP.47µ F,±20%,5X5,10V,105C	3	EC38,EC27,EC5	
				INFRARED RECEIVER,IR228-6C	2	D12,D13	
				CRYSTAL,27.000MHz,±20ppm,-30C--+80C,CL=18pF, 1	XT1		
				HC-49US	1		
				DETECT SW,SW110	1	K1	
				IC,CJ78L06,TO-92,C.(V)=6V,IOM=0.1A)	1	U8	
				CMV700,2PIN,PI=2.0mm,135mm(SOCKET PIN)	1	CN9	
				E.CAP.22µ F,±20%,4X5,16V,105C	4	EC2,EC3,EC7,EC8	
				E.CAP,100µ F,±20%,6.3X5,16V,105C	14	EC41,EC42,EC43,EC44,EC53,EC45,EC22	
				E.CAP.47µ F,±20%,5X5,10V,105C	3	EC38,EC27,EC5	
				INFRARED RECEIVER,IR228-6C	2	D12,D13	
				CRYSTAL,27.000MHz,±20ppm,-30C--+80C,CL=18pF, 1	XT1		
				HC-49US	1		
				DETECT SW,SW110	1	K1	
				IC,CJ78L06,TO-92,C.(V)=6V,IOM=0.1A)	1	U8	
				CMV700,2PIN,PI=2.0mm,135mm(SOCKET PIN)	1	CN9	
				E.CAP.22µ F,±20%,4X5,16V,105C	4	EC2,EC3,EC7,EC8	
				E.CAP,100µ F,±20%,6.3X5,16V,105C	14	EC41,EC42,EC43,EC44,EC53,EC45,EC22	
				E.CAP.47µ F,±20%,5X5,10V,105C	3	EC38,EC27,EC5	
				INFRARED RECEIVER,IR228-6C	2	D12,D13	
				CRYSTAL,27.000MHz,±20ppm,-30C--+80C,CL=18pF, 1	XT1		
				HC-49US	1		
				DETECT SW,SW110	1	K1	
				IC,CJ78L06,TO-92,C.(V)=6V,IOM=0.1A)	1	U8	
				CMV700,2PIN,PI=2.0mm,135mm(SOCKET PIN)	1	CN9	
				E.CAP.22µ F,±20%,4X5,16V,105C	4	EC2,EC3,EC7,EC8	
				E.CAP,100µ F,±20%,6.3X5,16V,105C	14	EC41,EC42,EC43,EC44,EC53,EC45,EC22	
				E.CAP.47µ F,±20%,5X5,10V,105C	3	EC38,EC27,EC5	
				INFRARED RECEIVER,IR228-6C	2	D12,D13	
				CRYSTAL,27.000MHz,±20ppm,-30C--+80C,CL=18pF, 1	XT1		
				HC-49US	1		
				DETECT SW,SW110	1	K1	
				IC,CJ78L06,TO-92,C.(V)=6V,IOM=0.1A)	1	U8	
				CMV700,2PIN,PI=2.0mm,135mm(SOCKET PIN)	1	CN9	
				E.CAP.22µ F,±20%,4X5,16V,105C	4	EC2,EC3,EC7,EC8	
				E.CAP,100µ F,±20%,6.3X5,16V,105C	14	EC41,EC42,EC43,EC44,EC53,EC45,EC22	
				E.CAP.47µ F,±20%,5X5,10V,105C	3	EC38,EC27,EC5	
				INFRARED RECEIVER,IR228-6C	2	D12,D13	
				CRYSTAL,27.000MHz,±20ppm,-30C--+80C,CL=18pF, 1	XT1		
				HC-49US	1		
				DETECT SW,SW110	1	K1	
				IC,CJ78L06,TO-92,C.(V)=6V,IOM=0.1A)	1	U8	
				CMV700,2PIN,PI=2.0mm,135mm(SOCKET PIN)	1	CN9	
				E.CAP.22µ F,±20%,4X5,16V,105C	4	EC2,EC3,EC7,EC8	
				E.CAP,100µ F,±20%,6.3X5,16V,105C	14	EC41,EC42,EC43,EC44,EC53,EC45,EC22	
				E.CAP.47µ F,±20%,5X5,10V,105C	3	EC38,EC27,EC5	
				INFRARED RECEIVER,IR228-6C	2	D12,D13	
				CRYSTAL,27.000MHz,±20ppm,-30C--+80C,CL=18pF, 1	XT1		
				HC-49US	1		
				DETECT SW,SW110	1	K1	
				IC,CJ78L06,TO-92,C.(V)=6V,IOM=0.1A)	1	U8	
				CMV700,2PIN,PI=2.0mm,135mm(SOCKET PIN)	1	CN9	
				E.CAP.22µ F,±20%,4X5,16V,105C	4	EC2,EC3,EC7,EC8	
				E.CAP,100µ F,±20%,6.3X5,16V,105C	14	EC41,EC42,EC43,EC44,EC53,EC45,EC22	

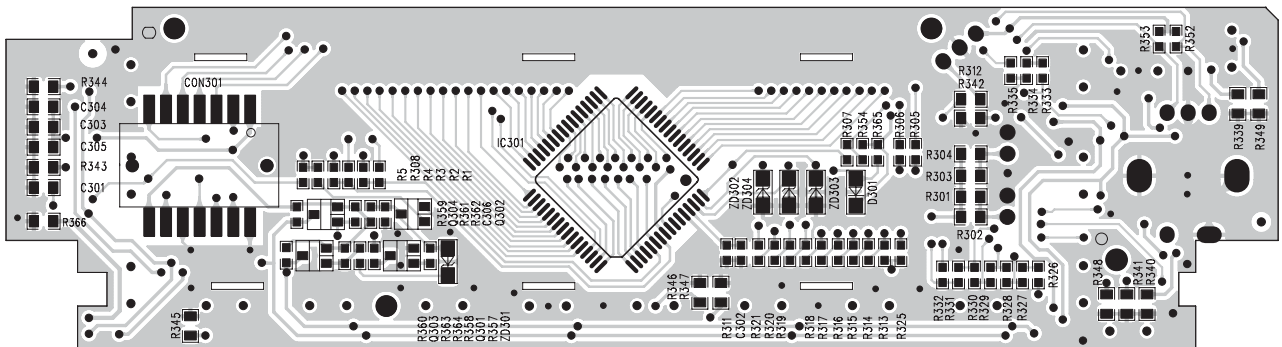
KB BOARD - CIRCUIT DIAGRAM



KB BOARD - CLAYOUT DIAGRAM TOP VIEW



KB BOARD - CLAYOUT DIAGRAM BOTTOM VIEW



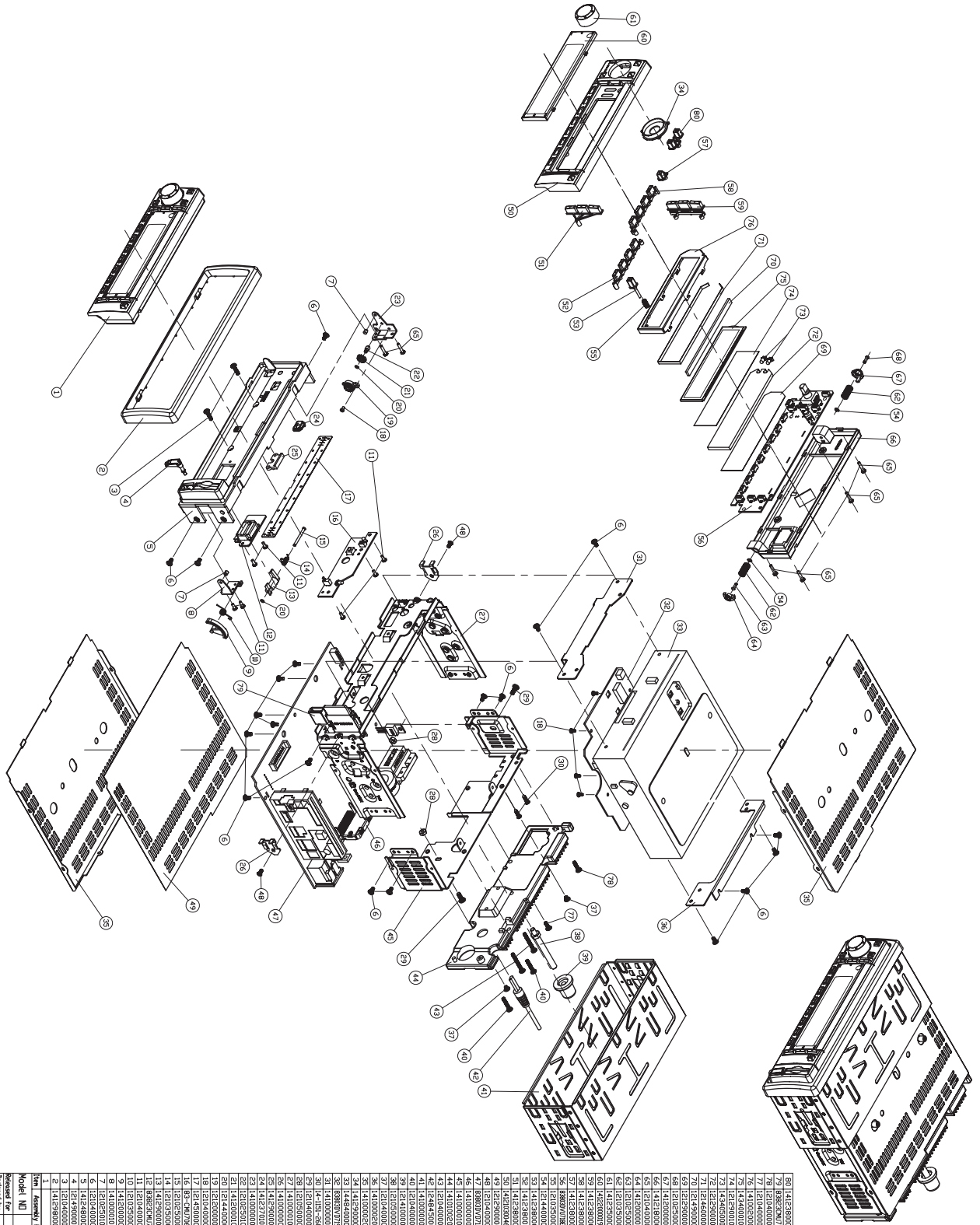
KB BOARD - PARTS LIST

Part NO.	Description	QTY	Location
83806DVU719EIC010	DVU-719E-MCU-7.00 IC Assm	1	U401
142400000355	IC,ST72F321AR9TAE,TQFP64,10X10,ST	1	U401
83806DVU705EIC000	DVU-705E-SERVO-7.03 IC Assm	1	U7
142410000132	IC,KH29LV800CBTC-70, TSOP-48,MXIC	1	U7
83803DVU718EKB090	DVU718E-58A 黑色面板、按钮 GREEN DVU718黑彩 RMT KB MI Assm	1	
83802DVU718EKB020	DVU718E GREEN KB SMT Assm	1	
143010000256	PCB,KB,DVD718E,FR4,1.2mm,151.2X40.5mm	1	
142400000338	IC,SC75823E,QFP-64-14X14-0.8,SL	1	IC301
143405000025	LED,GREEN,0603,25MA,5V,KINGSKY	22	LED1~LED22("G"的位置)
143210000016	TACT SW,KPS-1107YB-130	17	SW301~316,SW318
121606000681	RES,680Ω,±5%,1/10W,0805	4	R301~R304
121606000471	RES,470Ω,±5%,1/10W,0805	10	R339~R344,R345~R348
121604000000	RES,0Ω,±5%,1/16W,0603	7	R2,R3,R360,R325,R327,R334,R335
121604000101	RES,100Ω,±5%,1/16W,0603	1	R312
121604000102	RES,1KΩ,±5%,1/16W,0603	2	R318,R331
121604000103	RES,10KΩ,±5%,1/16W,0603	1	R333
121604000152	RES,1K5Ω,±5%,1/16W,0603	2	R319,R332
121604000181	RES,180Ω,±5%,1/16W,0603	1	R313
121604000220	RES,22Ω,±5%,1/16W,0603	4	R305~R307,R5
121604000221	RES,220Ω,±5%,1/16W,0603	1	R314
121604000222	RES,2K2Ω,±5%,1/16W,0603	1	R320
121604000331	RES,330Ω,±5%,1/16W,0603	2	R315,R328
121604000332	RES,3K3Ω,±5%,1/16W,0603	1	R321
121604000391	RES,390Ω,±5%,1/16W,0603	1	R326
121604000471	RES,470Ω,±5%,1/16W,0603	2	R316,R329
121604000473	RES,47KΩ,±5%,1/16W,0603	3	R311,R352~R353
121604000681	RES,680Ω,±5%,1/16W,0603	2	R317,R330
121803000102	CAP,1nF,±10%,16V,X7R,0603	1	C302
121806000105	CAP,0805,105,50V,Y5V,+80%-20%	1	C304
121606000821	RES,820Ω,±5%,1/10W,0805	2	R349 R366
121806000225	CAP,2.2μF,+80%,-20%,16V,Y5V,0805	1	C301
141002000002	CAD415,LCD COVER,T0.5	1	
121290010238	CM700,FILTER SHEET	1	
121460000027	CAD415,LIGHT SHIELDING SHEET,Tinsel Sheet,T0.15	1	
121290000237	CM700,BACK LIGHTING SHEET	1	
141290000043	CA-C310,BACKLIGHTGUIDE,PmmA	1	
121445000080	ETR1200,DOUBLE SIDE GLUE,3M	2	
121405000002	206,REMOTECONTROLSPONGE	1	
141210300461138	DVU718E-58A,PANEL FRONT,ABS,GENERAL,BLACK,PROLOGY	1	
141218000114	CMU718,PANEL HOμSING BACK,ABS777D	1	
141290000601	CMU718,VOL GUIDE LIGHT,PC	1	
141238000411	3 4 5 6 KNOB PC FOR CMU718 BLACK	1	
141238000413	PREV NEXT 1 2 KNOB PC FOR CMU718 BLACK	1	
141238000412	DISP AMS BAND KNOB PC FOR CMU718 BLACK	1	
141235030077	DH-500,KNOB ENCODER,PC,WATER PLUTE	1	
121035000332	CMV100,SPRING RELEASE NEW,0.3mm,	1	
121040000120	SCREW,FTP,BLACK Zinc,M2.0X8	4	FOR PANEL
141200000085	CM700,LEFT-SLIDE,POM	1	
121025010152	CM700,LEFT SLIDE BLOCK SHAFT	1	
141200000084	CM700,RIGHT-SLIDE,POM	1	
121025010153	CM700,RIGHT SLIDE BLOCK SHAFT	1	
121035000136	CM700,L/&R ROTATING SPRING,φ0.40	2	
121440000037	CM700E-WASHER,4X0.5,硅钢片	2	

KB BOARD - PARTS LIST

121445000022	CD206,DOUBLE SIDE TAPE FOR LENS,3M	2	
121405020030	CM700,EVA-REF	1	
141220000192138	DVU718E-58A,LENS,PMMA,BLACK	1	
121405010006	226,SHADESPONGE	1	
141238000414	PWR MUT KNOB PC FOR CMU718 SILVER	1	
121445000038	CM700,DOUBLE TAPE LEFT	1	
141238000416	SRC KNOB PC FOR CMU718 SILVER	1	
141238000417	TA AF PTY KNOB PC FOR CMU718 BLACK	1	
143405000060	LED,WHITE,φ3,204-15AUWW,20MA,3.5V	2	LED301~LED302
141662000005	ENCODER,EC110201M2D-HA1-011	1	EN301
143400000085	LCD,DVU718,TN NEGATIVE BLACK MASK,JIC-TB6480N	1	LCD301
142212010002	PHOTO DIODE,IRM2.638AF4,5V/1.1	1	IC302
123805000016	14PIN,2.0mm,SOCKET MALE ESTF2-14-01(90°)	1	CON301
121490000120	CM203,ZEBRA STRIP	1	
141238000415	RELEASE KNOB PC FOR CMU718 SILVER	1	

EXPLORED VIEW - MAIN NUT



Item	Quantity	Part No	Description	Material	SEC PART	Weight	Unit	Scale	Remark
80	1	14123000044	FRONT PANEL PC (FOR CONTROL BOARD)						
79	1	14123000043	CONTROL BOARD						
78	1	14123000072	CONTROL BOARD MOUNTING						
77	1	14123000075	CONTROL BOARD COVER						
76	1	14123000062	CONTROL BOARD COVER LENS						
75	1	14123000025	CONTROL BOARD COVER MOUNTING						
74	1	14123000028	CONTROL BOARD COVER SHEET						
73	1	14123000027	CONTROL BOARD COVER SHEET						
72	1	14123000027	CONTROL BOARD COVER SHEET						
71	1	14123000027	CONTROL BOARD COVER SHEET						
70	1	14123000027	CONTROL BOARD COVER SHEET						
69	1	14123000027	CONTROL BOARD COVER SHEET						
68	1	14123000027	CONTROL BOARD COVER SHEET						
67	1	14123000027	CONTROL BOARD COVER SHEET						
66	1	14123000027	CONTROL BOARD COVER SHEET						
65	1	14123000027	CONTROL BOARD COVER SHEET						
64	1	14123000027	CONTROL BOARD COVER SHEET						
63	1	14123000027	CONTROL BOARD COVER SHEET						
62	1	14123000027	CONTROL BOARD COVER SHEET						
61	1	14123000027	CONTROL BOARD COVER SHEET						
60	1	14123000027	CONTROL BOARD COVER SHEET						
59	1	14123000027	CONTROL BOARD COVER SHEET						
58	1	14123000027	CONTROL BOARD COVER SHEET						
57	1	14123000027	CONTROL BOARD COVER SHEET						
56	1	14123000027	CONTROL BOARD COVER SHEET						
55	1	14123000027	CONTROL BOARD COVER SHEET						
54	1	14123000027	CONTROL BOARD COVER SHEET						
53	1	14123000027	CONTROL BOARD COVER SHEET						
52	1	14123000027	CONTROL BOARD COVER SHEET						
51	1	14123000027	CONTROL BOARD COVER SHEET						
50	1	14123000027	CONTROL BOARD COVER SHEET						
49	1	14123000027	CONTROL BOARD COVER SHEET						
48	1	14123000027	CONTROL BOARD COVER SHEET						
47	1	14123000027	CONTROL BOARD COVER SHEET						
46	1	14123000027	CONTROL BOARD COVER SHEET						
45	1	14123000027	CONTROL BOARD COVER SHEET						
44	1	14123000027	CONTROL BOARD COVER SHEET						
43	1	14123000027	CONTROL BOARD COVER SHEET						
42	1	14123000027	CONTROL BOARD COVER SHEET						
41	1	14123000027	CONTROL BOARD COVER SHEET						
40	1	14123000027	CONTROL BOARD COVER SHEET						
39	1	14123000027	CONTROL BOARD COVER SHEET						
38	1	14123000027	CONTROL BOARD COVER SHEET						
37	1	14123000027	CONTROL BOARD COVER SHEET						
36	1	14123000027	CONTROL BOARD COVER SHEET						
35	1	14123000027	CONTROL BOARD COVER SHEET						
34	1	14123000027	CONTROL BOARD COVER SHEET						
33	1	14123000027	CONTROL BOARD COVER SHEET						
32	1	14123000027	CONTROL BOARD COVER SHEET						
31	1	14123000027	CONTROL BOARD COVER SHEET						
30	1	14123000027	CONTROL BOARD COVER SHEET						
29	1	14123000027	CONTROL BOARD COVER SHEET						
28	1	14123000027	CONTROL BOARD COVER SHEET						
27	1	14123000027	CONTROL BOARD COVER SHEET						
26	1	14123000027	CONTROL BOARD COVER SHEET						
25	1	14123000027	CONTROL BOARD COVER SHEET						
24	1	14123000027	CONTROL BOARD COVER SHEET						
23	1	14123000027	CONTROL BOARD COVER SHEET						
22	1	14123000027	CONTROL BOARD COVER SHEET						
21	1	14123000027	CONTROL BOARD COVER SHEET						
20	1	14123000027	CONTROL BOARD COVER SHEET						
19	1	14123000027	CONTROL BOARD COVER SHEET						
18	1	14123000027	CONTROL BOARD COVER SHEET						
17	1	14123000027	CONTROL BOARD COVER SHEET						
16	1	14123000027	CONTROL BOARD COVER SHEET						
15	1	14123000027	CONTROL BOARD COVER SHEET						
14	1	14123000027	CONTROL BOARD COVER SHEET						
13	1	14123000027	CONTROL BOARD COVER SHEET						
12	1	14123000027	CONTROL BOARD COVER SHEET						
11	1	14123000027	CONTROL BOARD COVER SHEET						
10	1	14123000027	CONTROL BOARD COVER SHEET						
9	1	14123000027	CONTROL BOARD COVER SHEET						
8	1	14123000027	CONTROL BOARD COVER SHEET						
7	1	14123000027	CONTROL BOARD COVER SHEET						
6	1	14123000027	CONTROL BOARD COVER SHEET						
5	1	14123000027	CONTROL BOARD COVER SHEET						
4	1	14123000027	CONTROL BOARD COVER SHEET						
3	1	14123000027	CONTROL BOARD COVER SHEET						
2	1	14123000027	CONTROL BOARD COVER SHEET						
1	1	14123000027	CONTROL BOARD COVER SHEET						