

Service
Service

Service Manual

TABLE OF CONTENTS

	Page
Technical Specifications	1-2
Measurement setup	1-3
Service Aids, Safety Instruction, etc	1-4 to 1-5
Preparations & Controls	1-6 to 1-8
Maintenance & Troubleshooting	1-9
Disassembly Instructions & Service positions	2
Set Block diagram	3
Set Wiring diagram	4
Key Board	5
Servo Board	6
Main Board	7
Set Mechanical Exploded view & parts list	8

SPECIFICATIONS

■ General

Power supply:	12V DC(11V-16V) Test voltage 14.4V, negative ground
Maximum power output:	55Wx4 channels
Continuous power output:	25Wx4 channels (4 Ω 10% T.H.D.)
Suitable speaker impedance:	4-8 ohm
Pre-Amp output voltage:	4.0V(CD play mode: 1KHz, 0 dB, 10 K Ω load)
Fuse:	15A
Dimensions(WxHxD)	178x50x166mm
Weight:	1.7kg
Aux-in level:	\geq 300 mV
Sub-out:	4.0V

■ FM Stereo Radio

Frequency range:	87.5-108.0 Mhz (EUROPE MODE) 87.5-107.9Mhz (USA MODE) 65.0 - 74.0 MHz (OIRT MODE)
Usable sensitivity:	8 dB μ
Frequency response:	30 Hz-15kHz
Stereo separation:	30dB(1kHz)
Image response ratio:	50dB
IF response ratio:	70dB
Signal/noise ratio	> 55dB

■ Disc Player

System:	Disc digital audio system
Frequency response:	20 Hz - 20 kHz
Signal/noise ratio:	> 80 dB
Total harmonic distortion:	Less than 0.20%(1 kHz)
Channel separation:	> 60 dB
Video signal format system:	PAL/NTSC/AUTO
Video:	
video output:	1 \pm 0.2V
horizontal nesowtiou:	\geq 500 lines

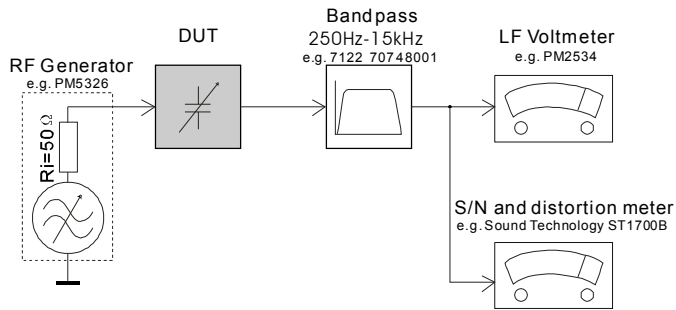
■ Components

Mounting collar	1
Tapping screws M5x6 mm	4
M4x6 mm	4
Mounting bolt (50 mm)	1
Wire connector	1
Removable face plate case	1
Trim plate	1
T-key	2
Operating Instructions	1
Rubber cushion	1
Remote controller	1

Note: Specifications and design are subject to change without notice for product improvements.

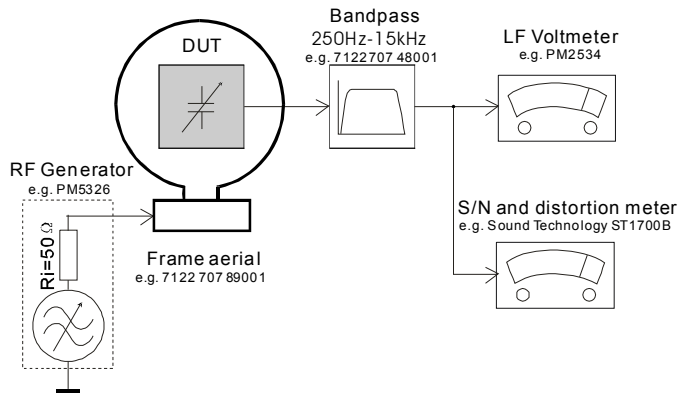
MEASUREMENT SETUP

Tuner FM



Use a bandpass filter to eliminate hum(50Hz,100Hz) and disturbance from the pilotone(19kHz,38kHz).

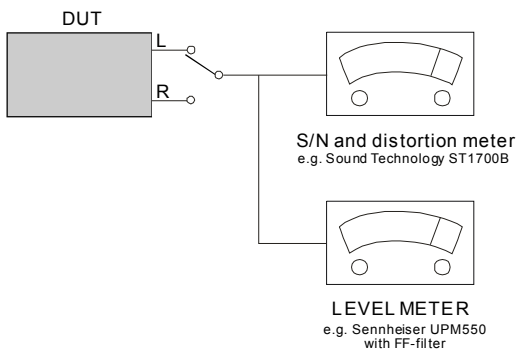
Tuner AM (MW,LW)



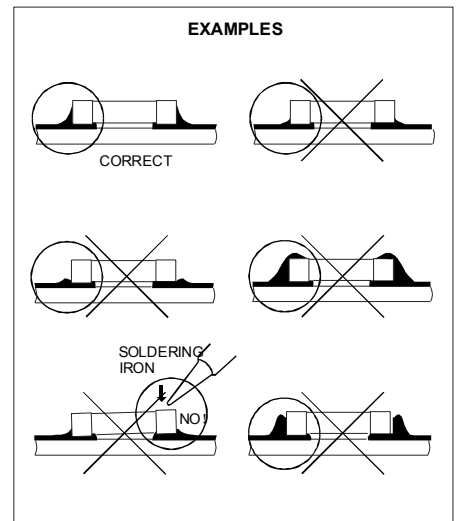
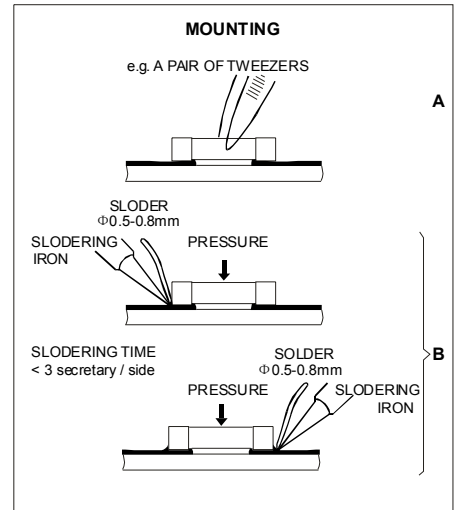
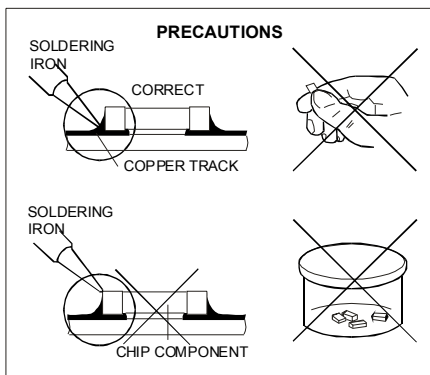
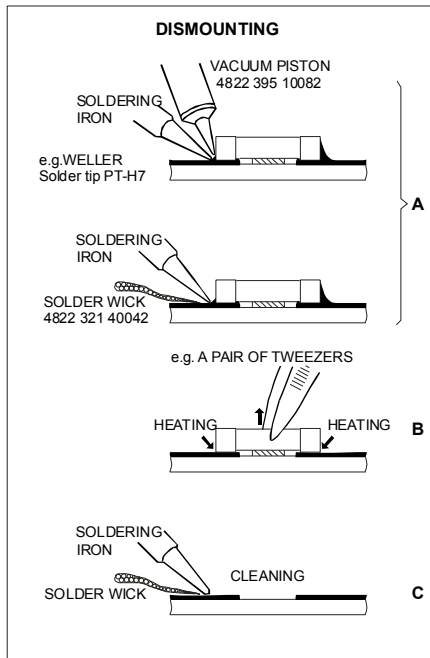
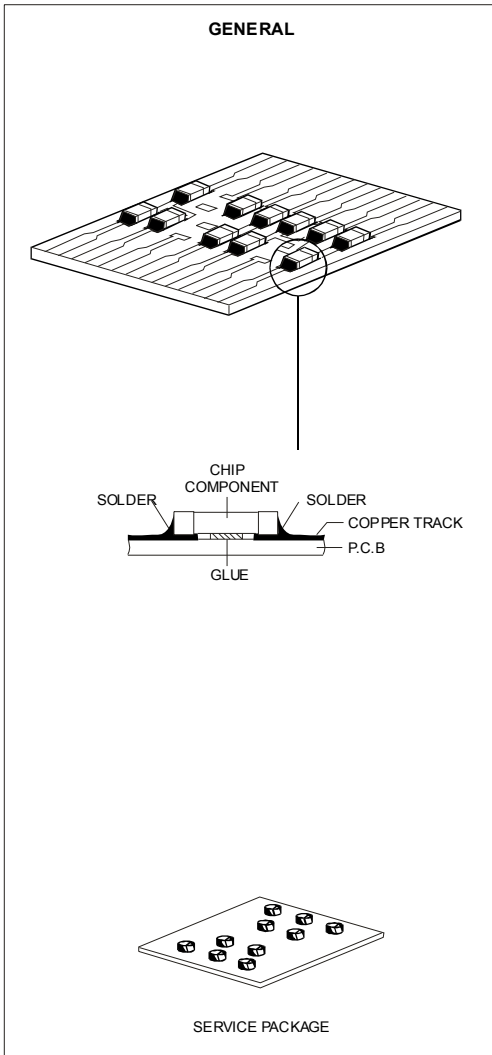
To avoid atmospheric interference all AM-measurements have to be carried out in a Faraday's cage.
Use a bandpass filter (or at least a high pass filter with 250Hz) to eliminate hum (50Hz,100Hz).

CD

Use Audio Signal Disc SBC429 4822 397 30184
(replaces test disc 3)



HANDLING CHIP COMPONENTS



GB WARNING

All ICs and many other semi-conductors are susceptible to electrostatic discharges (ESD). Careless handling during repair can reduce life drastically.

When repairing, make sure that you are connected with the same potential as the mass of the set via a wrist wrap with resistance. Keep components and tools also at this potential.

ESD**NL WAARSCHUWING**

Alle IC's en vele andere halfgeleiders zijn gevoelig voor electrostatische ontladingen (ESD).

Onzorgvuldig behandelen tijdens reparatie kan de levensduur drastisch doen verminderen. Zorg ervoor dat u tijdens reparatie via een polsband met weerstand verbonden bent met hetzelfde potentiaal als de massa van het apparaat. Houd componenten en hulpmiddelen ook op ditzelfde potentiaal.

F ATTENTION

Tous les IC et beaucoup d'autres semi-conducteurs sont sensibles aux décharges statiques(ESD).

Leur longévité pourrait être considérablement écourtée par le fait qu'aucune précaution n'est prise à leur manipulation.

Lors de réparations, s'assurer de bien être relié au même potentiel que la masse de l'appareil et enfiler le bracelet serti d'une résistance de sécurité.

Veiller à ce que les composants ainsi que les outils que l'on utilise soient également à ce potentiel.

D WARNING

Alle ICs und viele andere Halbleiter sind empfindlich gegenüber elektrostatischen Entladungen(ESD).

Unvorsichtige Behandlung im Reparaturfall kann die Lebensdauer drastisch reduzieren.

Veranlassen Sie, dass Sie im Reparaturfall über ein Pulsarmband mit Widerstand verbunden sind mit dem gleichen Potential wie die Masse des Gerätes.

Bauteile und Hilfsmittel auch auf dieses gleiche Potential halten.

I AVVERTIMENTO

Tutti IC e parecchi semi-conduttori sono sensibili alle scariche statiche(ESD).

La loro longevità potrebbe essere fortemente ridotta in caso di non osservazione della più grande cauzione alla loro manipolazione. Durante le riparazioni occorre quindi essere collegato allo stesso potenziale che quello della massa dell'apparecchio tramite un braccialetto a resistenza.

Assicurarsi che i componenti e anche gli utensili con quali si lavora siano anche a questo potenziale.

GB ATTENTION

Safety regulations require that the set be restored to its original condition and that parts which are identical with those specified, be used.

"Pour votre sécurité, ces documents doivent être utilisés par des spécialistes agréés, seuls habilités à réparer votre appareil en panne."

NL

Veiligheidsbepalingen vereisen, dat het apparaat bij reparatie in zijn oorspronkelijke toestand wordt teruggebracht en dat onderdelen, identiek aan de gespecificeerde, worden toegepast.

**F**

Les normes de sécurité exigent que l'appareil soit remis à l'état d'origine et que soient utilisées les pièces de rechange identiques à celles spécifiées.

GB Warning!

Invisible laser radiation when open. Avoid direct exposure to beam.

D

Bei jeder Reparatur sind die geltenden Sicherheitsvorschriften zu beachten. Der Originalzustand des Geräts darf nicht verändert werden; für Reparaturen sind Original-Ersatzteile zu verwenden.

S Varning!

Osynlig laserstrålning när apparaten är öppnad och spärrar är urkopplad. Betrakta ej strålen.

I

Le norme di sicurezza esigono che l'apparecchio venga rimesso nelle condizioni originali e che siano utilizzati i pezzi di ricambio identici a quelli specificati.

SF Varoitus!

Avatussa laitteessa ja suojalukituksen ohitettaessa olet alltiina näkymättömälle laserisäteilylle. Älä katso säteeseen!

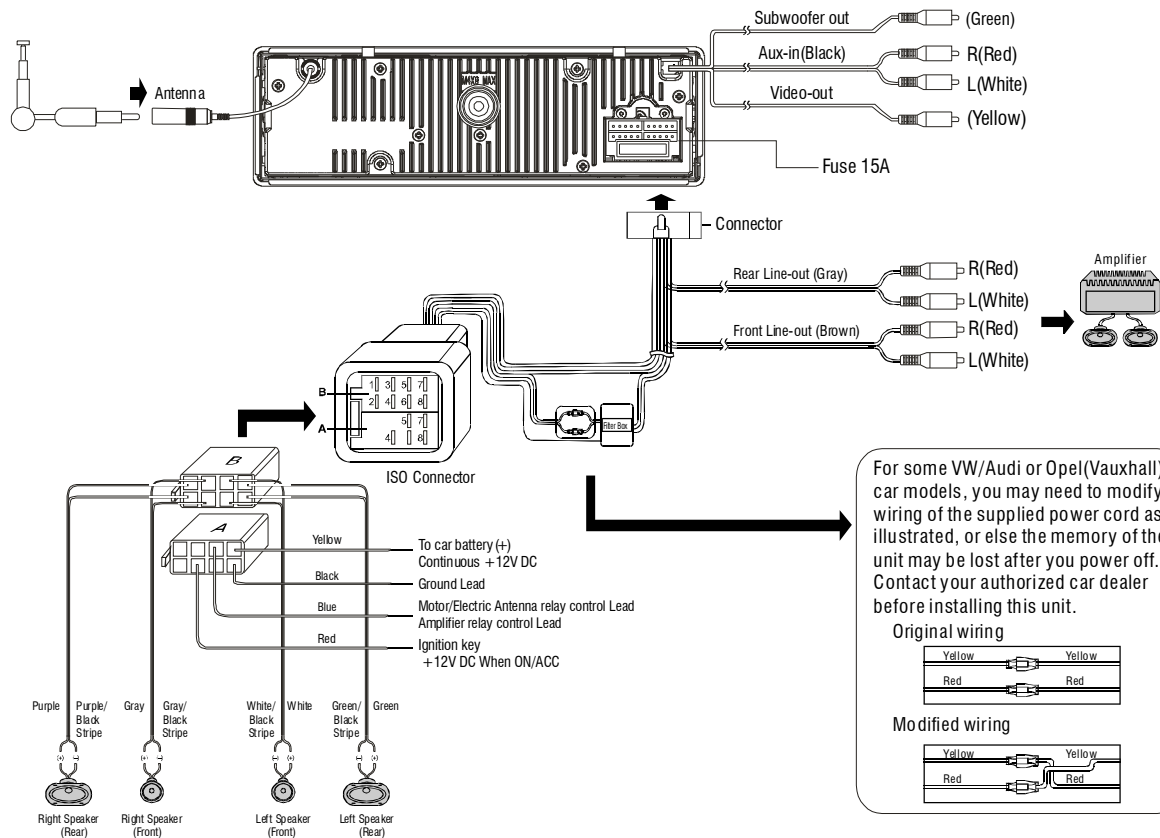
"After servicing and before returning set to customer perform a leakage current measurement test from all exposed metal parts to earth ground to assure no shock hazard exist. The leakage current must not exceed 0.5mA."

DK Advarsel!

Usynlig laserstrålning ved åbning når sikkerhedsafbrydere er ude af funktion. Undgå udsættelse for strålning.

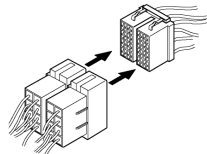
PREPARATIONS

■ Wiring Diagram

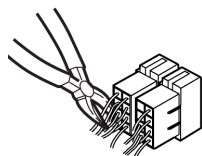


■ Using the ISO Connector

1. If your car is equipped with the ISO connector, then connect the ISO connectors as illustrated.



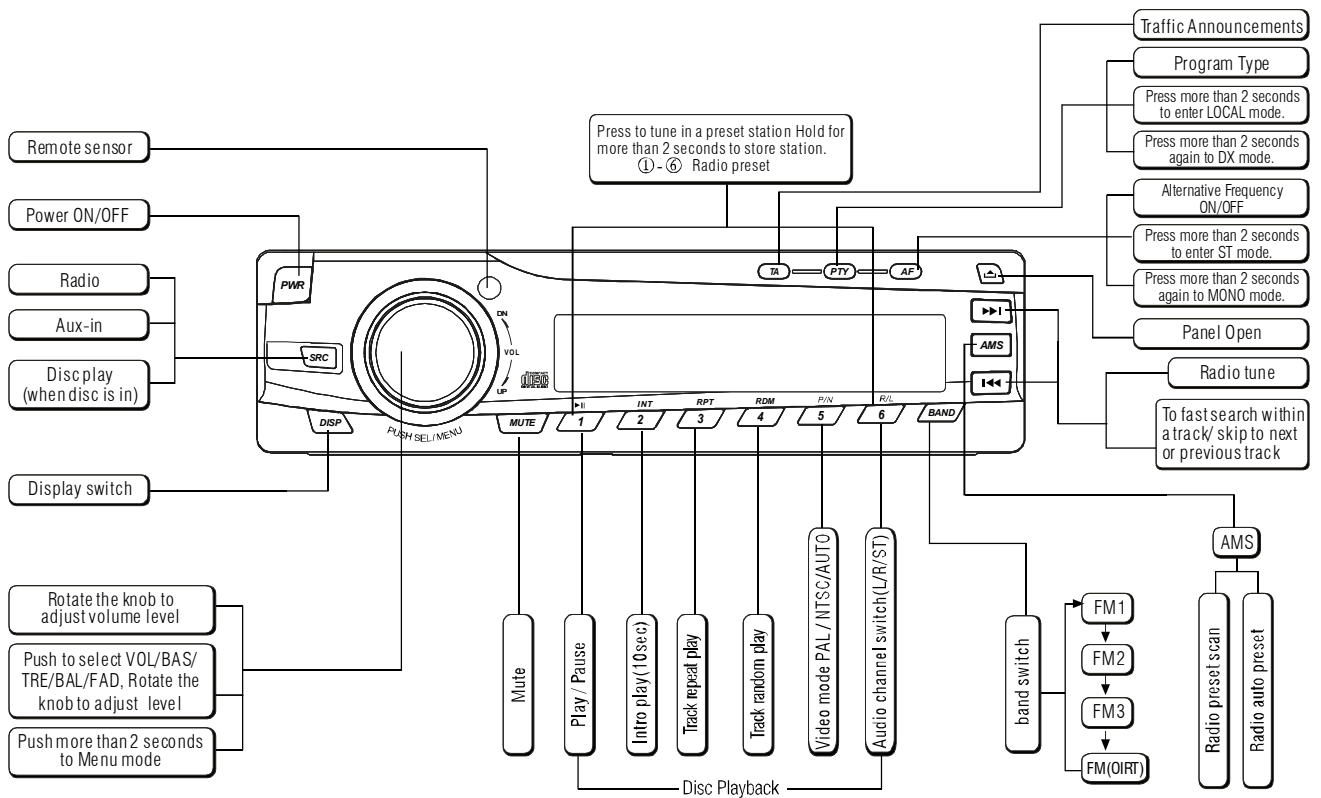
2. For connections without the ISO connectors, check the wiring in the vehicle carefully before connecting, incorrect connection may cause serious damage to this unit. Cut the connector, connect the colored leads of the power cord to the car battery, as shown in the colour code table below for speaker and power cable connections



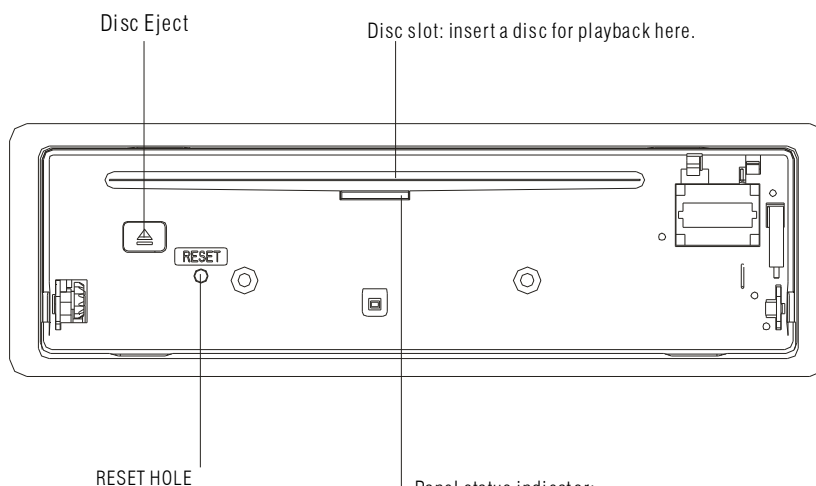
LOCATION	FUNCTION	
	Connector A	Connector B
1		Rear Right (+) - Purple
2		Rear Right (-) - Purple / Black Stripe
3		Front Right (+) - Gray
4	ACC+/red	Front Right (-) - Gray / Black Stripe
5	Auto Antenna/blue	Front Left (+) - White
6		Front Left (-) - White / Black Stripe
7	Battery 12V(+)/yellow	Rear Left (+) - Green
8	Ground/black	Rear Left (-) - Green / Black Stripe

CONTROLS

Power on/off : Press PWR to turn on/off the unit.



Press the  button to open the panel and press  to eject the disc.

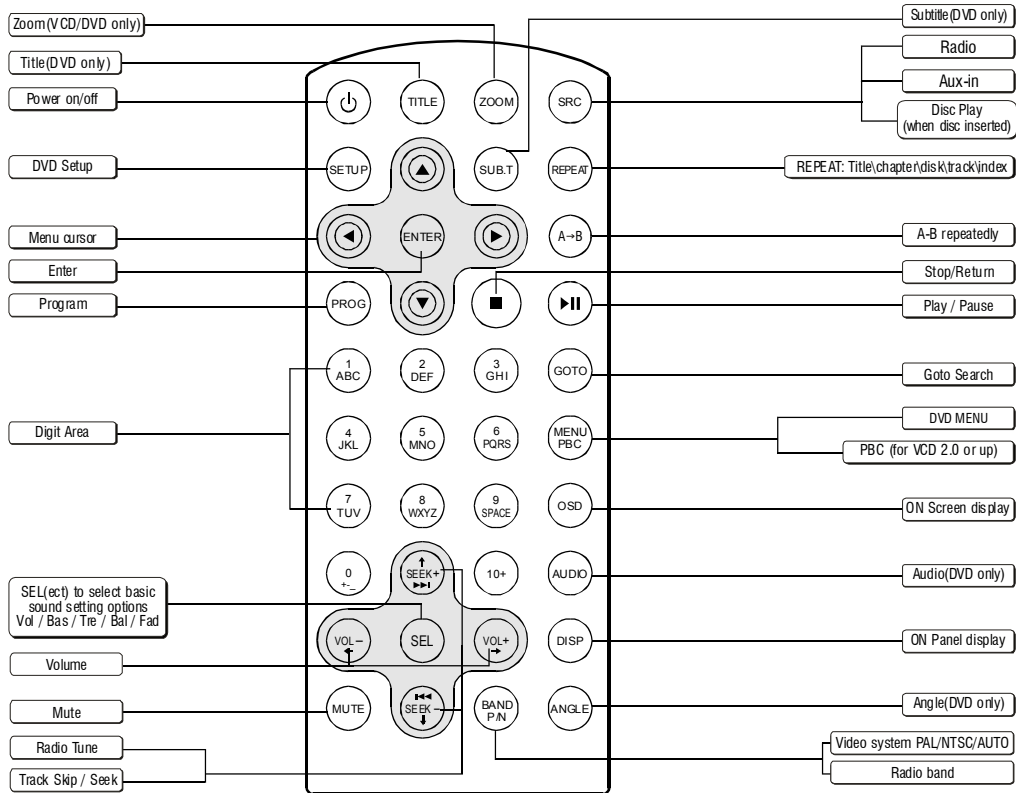


Note: Pressing the RESET hole will erase the clock setting and stored stations.

Panel status indicator:
 Lights up when you slide the panel down;
 Flashes when you remove the panel.

REMOTE CONTROLS

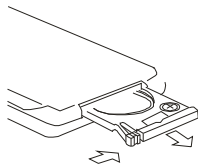
Power On : Press  button to turn on/off the unit.



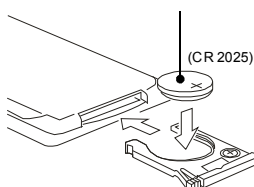
Replacing the lithium battery of remote control unit.

* When the operation range of the card remote control becomes short or no Properly, replace the lithium battery with a new one. Make sure the battery polarity replacement is correct.

1. Pull out the battery holder while pressing the stopper.



2. Insert the button-type lithium battery with the (+) mark facing upward. Insert the battery holder into the remote control.



WARNINGS:

- Store the battery in place where children cannot reach. If a child accidentally swallows the battery, consult a doctor immediately.
- Do not recharge, short, disassemble or heat the battery or dispose it in a fire.
- Doing any of these things may cause the battery to give off heat, crack or start a fire.
- Do not leave the battery with other metallic materials. Doing this may cause the battery to give off heat, crack or start a fire.
- When throwing away or saving the battery, wrap it in tape and insulate; otherwise, the battery may start to give off heat, crack or start a fire.
- Do not poke the battery with tweezers or similar tools. Doing this may cause the battery to give off heat, crack or start a fire.

MAINTENANCE AND TROUBLESHOOTING

Maintenance

Clearing disc

When a disc becomes dirty clean it with a cleaning cloth.
Wipe the disc from the center out.

Cleaning the disc lens

After prolonged use, dirt or dust may accumulate at the lens. To ensure good playback quality, clean the disc with Philips CD lens Cleaner or any commercially available cleaner. Follow the instructions supplied with cleaner.

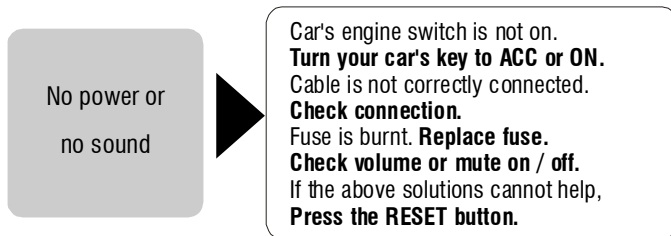
Cleaning the heads and the Tape Parts

To ensure good playback quality, clean the heads (A), the capstan (B), and pressure roller (C) after every 50 hours of tape operation. Use a cotton swab slightly moistened with cleaning fluid or alcohol. You can also clean the heads by playing a cleaning tape once.

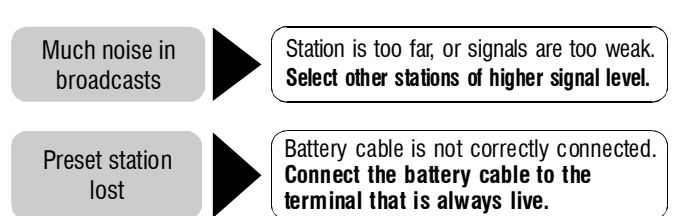
Troubleshooting

If you suspect something is wrong, immediately switch power off. Immediately stop using it and call the store where you purchased it. Never try to repair the unit yourself because it is dangerous to do so.

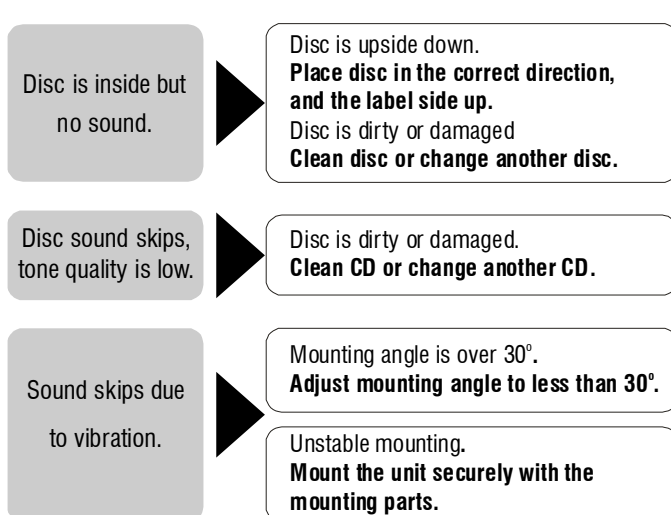
■ General



■ Radio



■ Disc



■ Error Display Messages

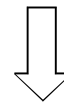
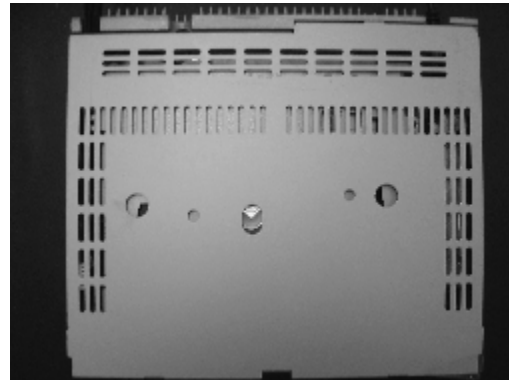


DISMANTLING INSTRUCTIONS

1 Pull out the short sheet from main set.



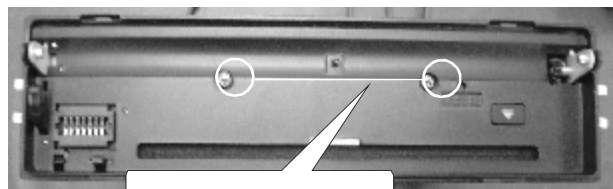
2 Remove top and bottom covers.



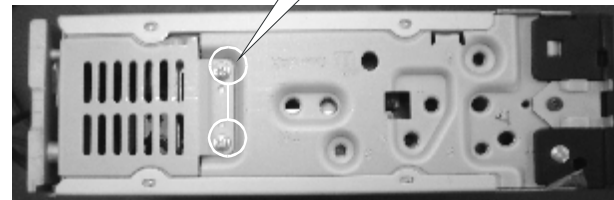
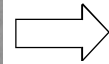
Loosen 8 screws to remove heatsink & top cover & bottom cover.



3 Loosen 4 pcs screw to remove Front Cabinet.



Remove 2 pcs screw from front cabinet.

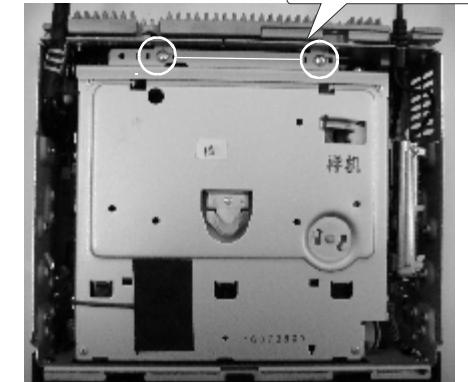
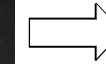
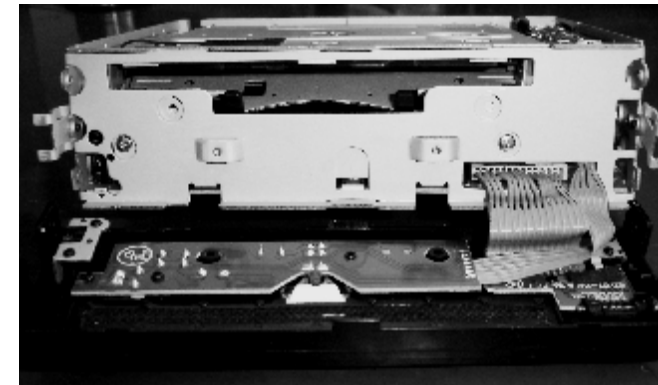


Remove the 2 pcs screw to dismantle the frame.



Remove the 2 pcs screw to dismantle the frame.

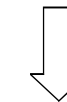
4 Remove CD loader



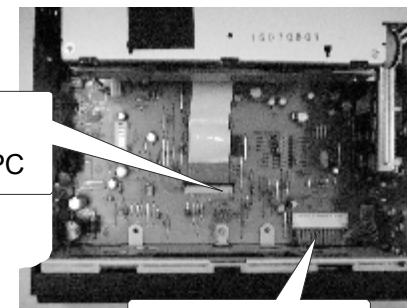
Remove 2 pcs screw on the top of loader.



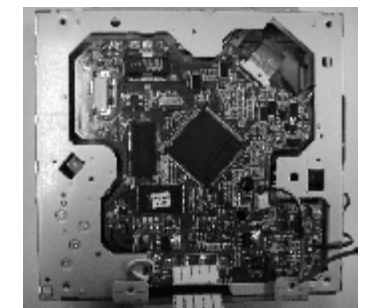
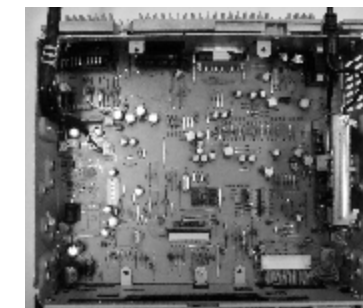
Remove 6 pcs screw on the main board.



Pull out FPC wire.



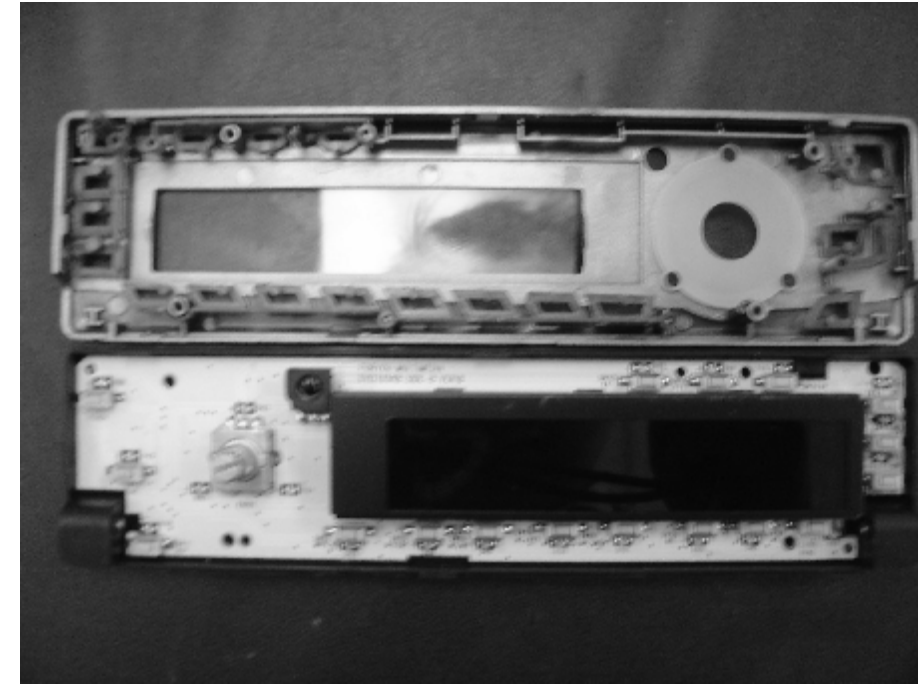
Remove the two connectors from the mainboard.



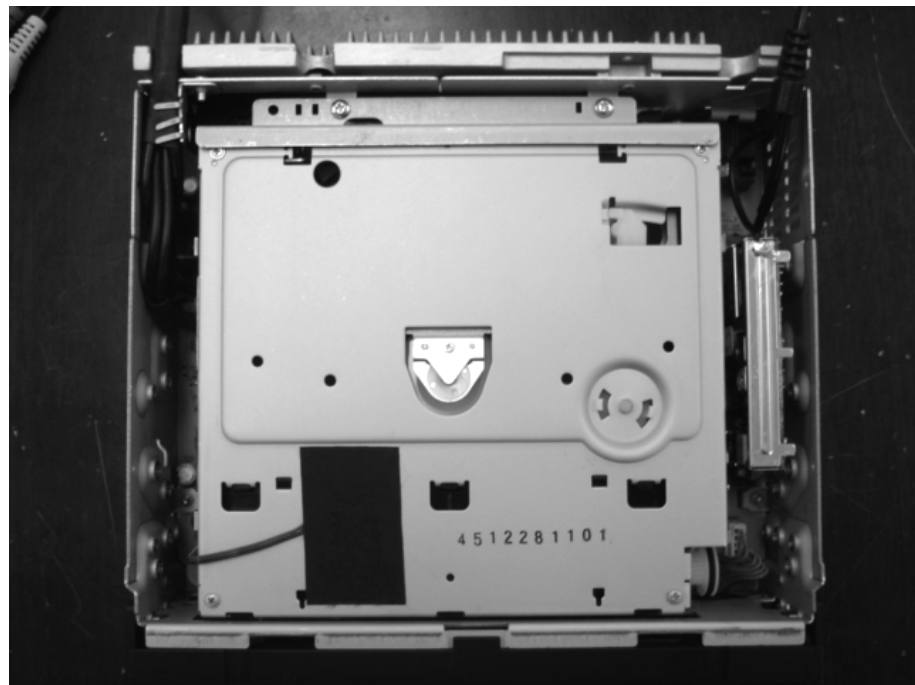
DISMANTLING INSTRUCTIONS



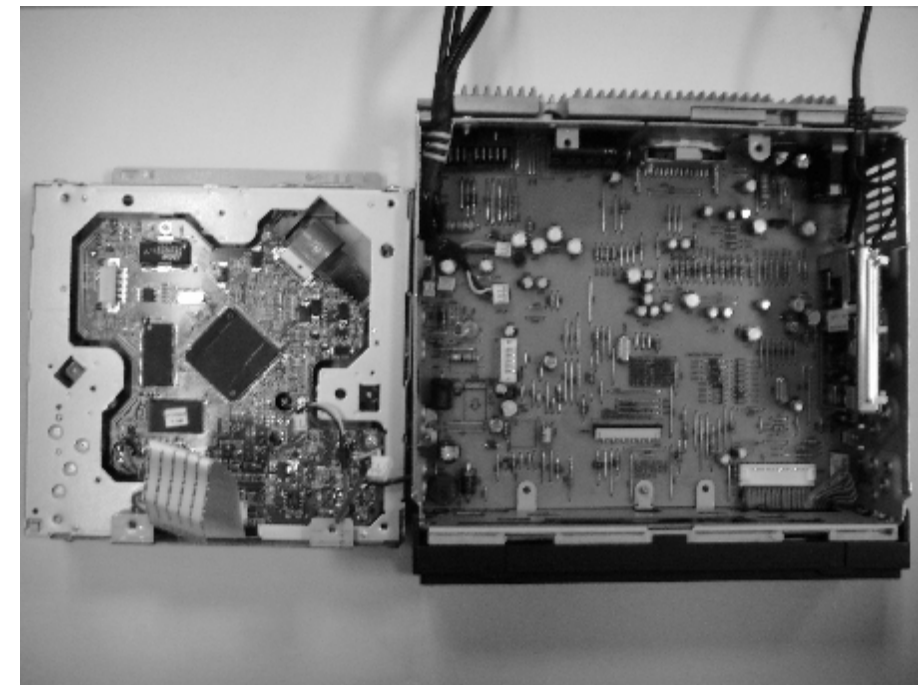
Service Position A



Service Position C



Service Position B

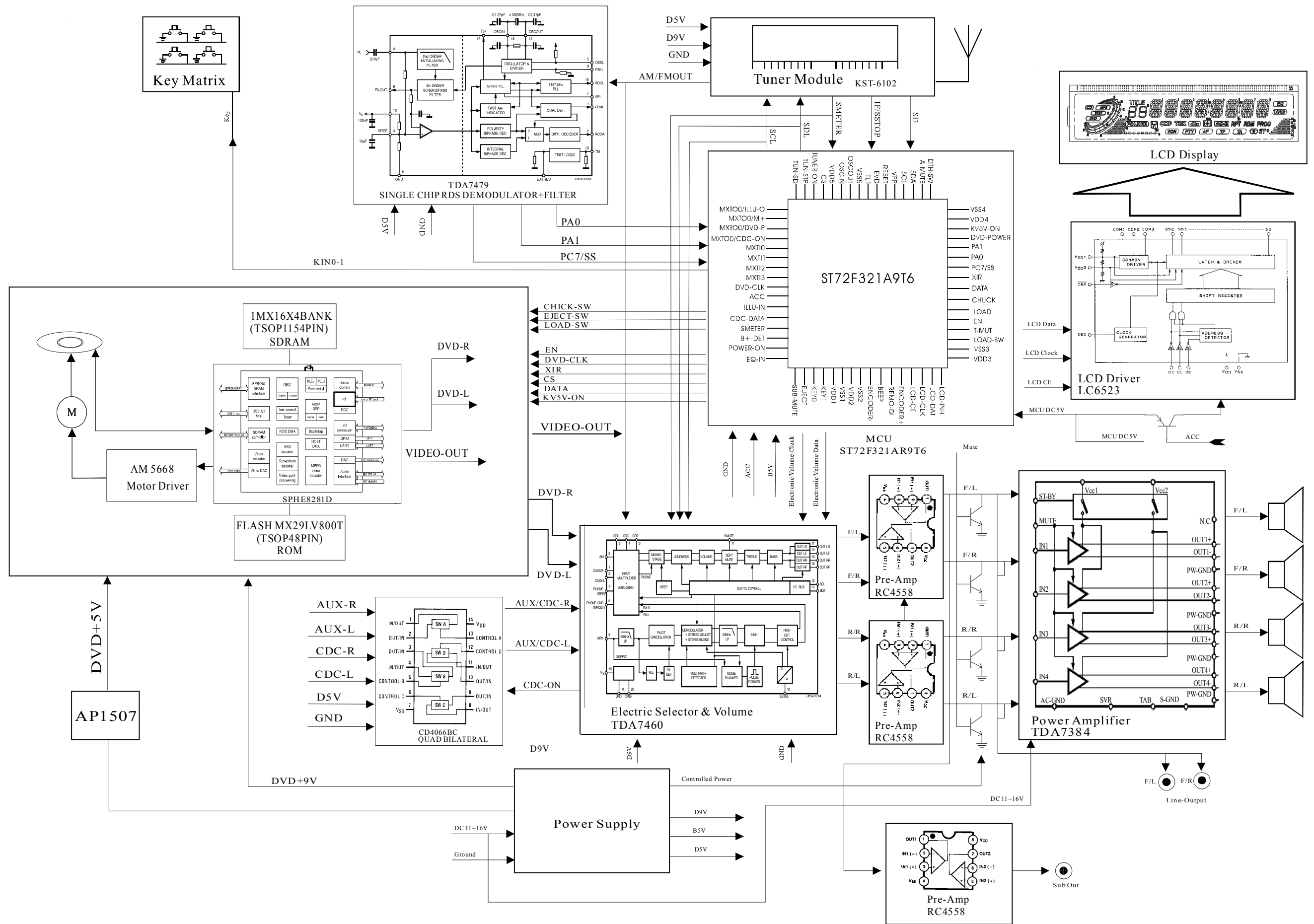


Service Position D

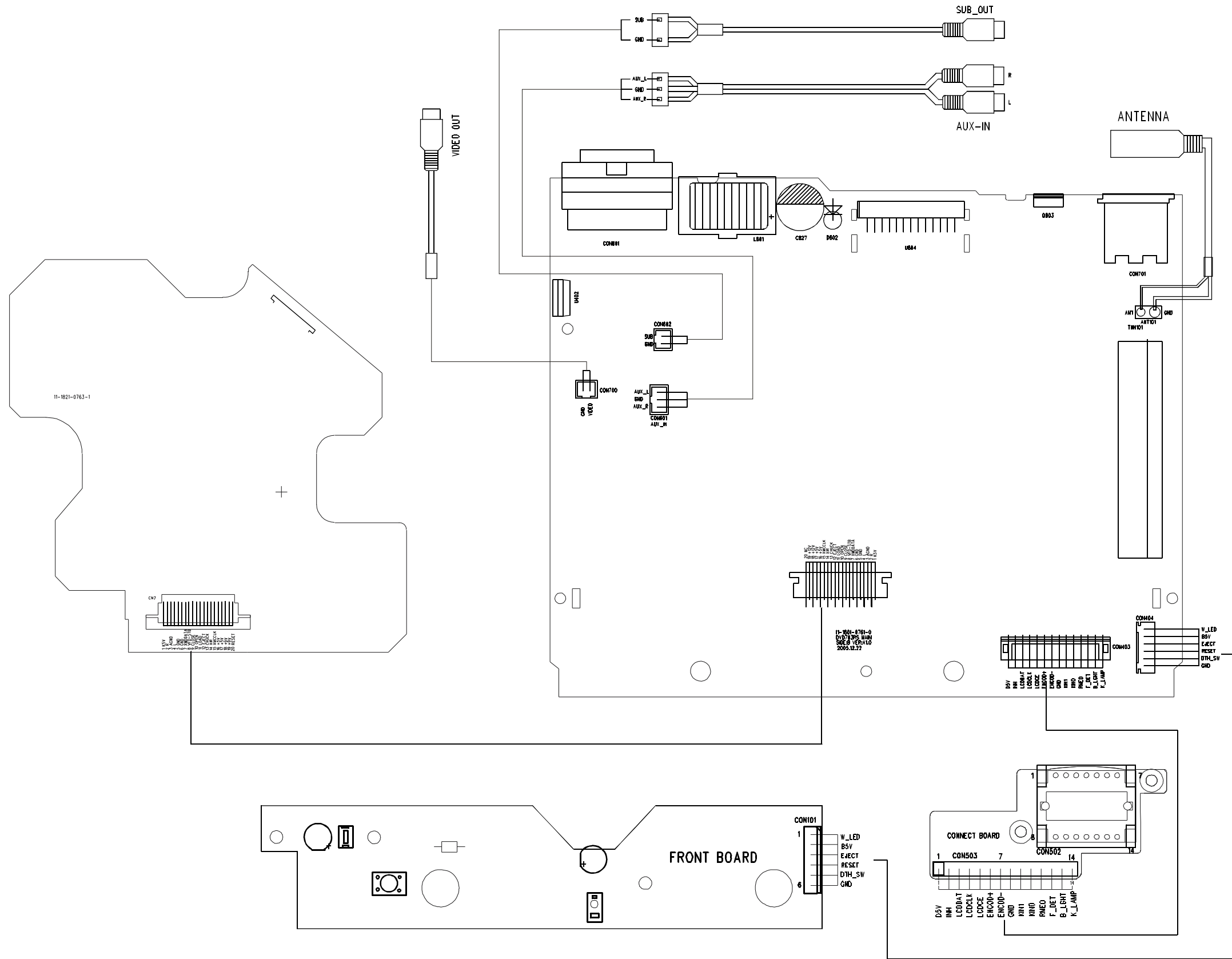
SET BLOCK DIAGRAM

3

3



SET WIRING DIAGRAM

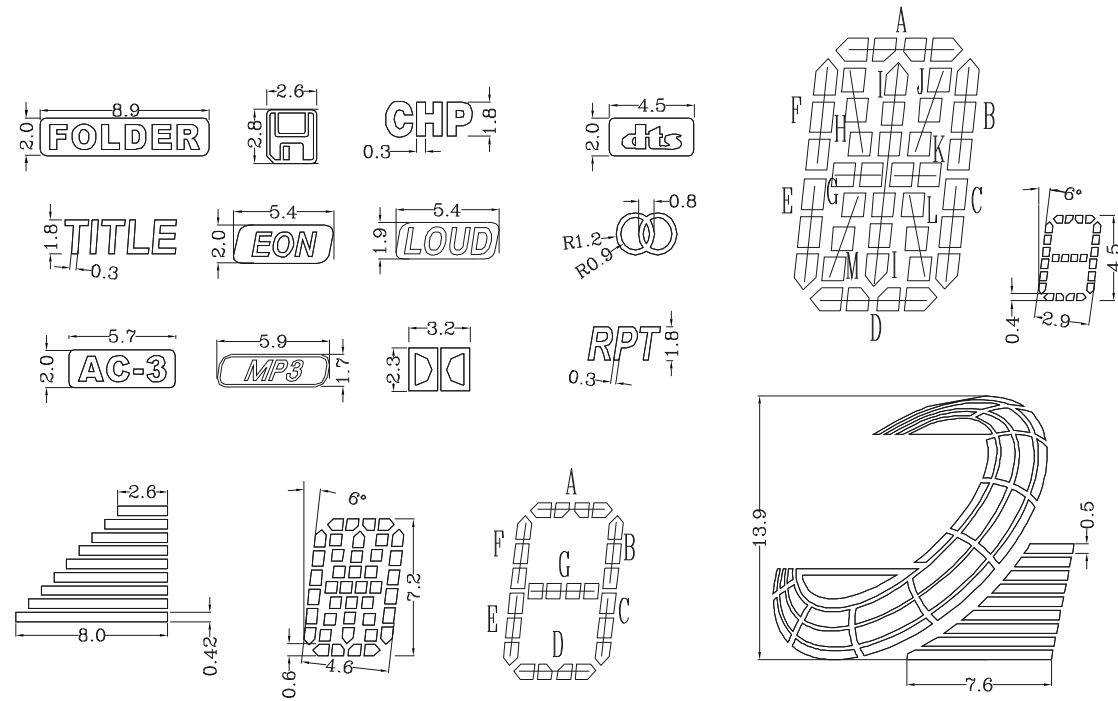
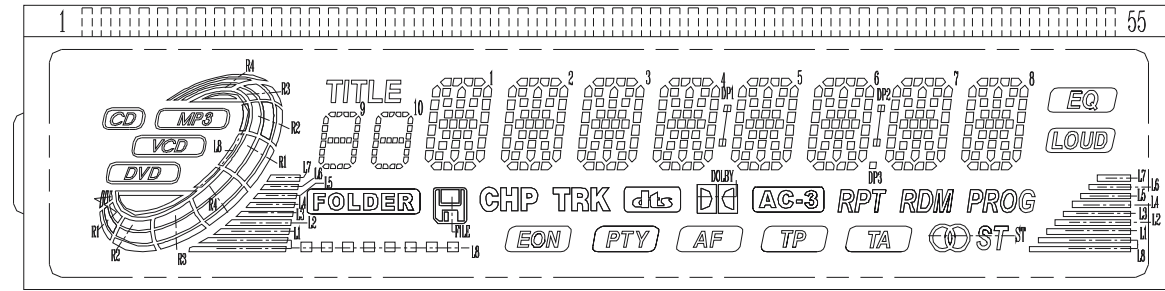


KEY BOARD

TABLE OF CONTENTS

LCD Display.....	5-1
Front board.....	5-2
connector board.....	5-2
Key Board Circuit Diagram.....	5-3
Key Board Layout Diagram.....	5-4
Electrical Parts List.....	5-5

LCD PIN CONNECTION

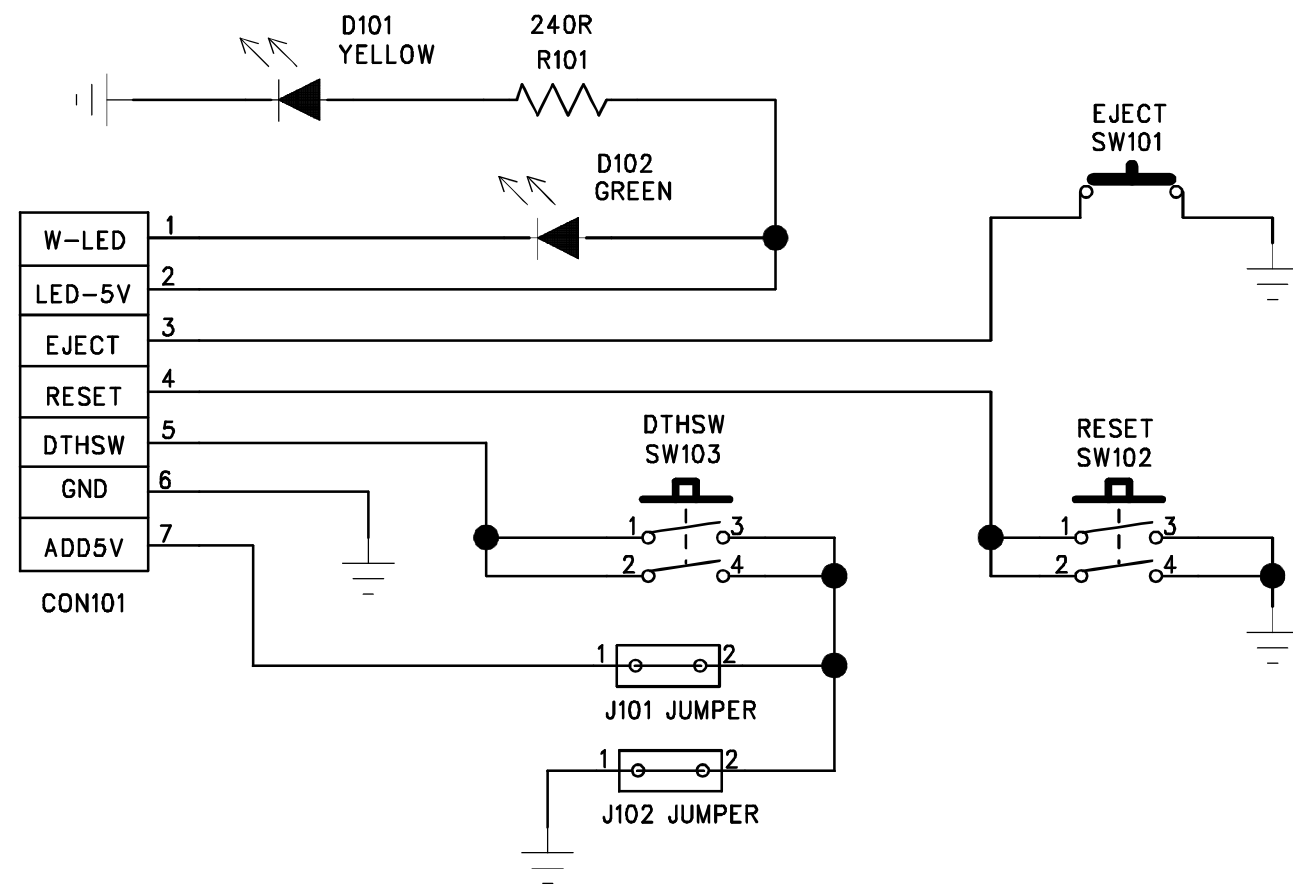


PIN SEGMENT DISPLAY:

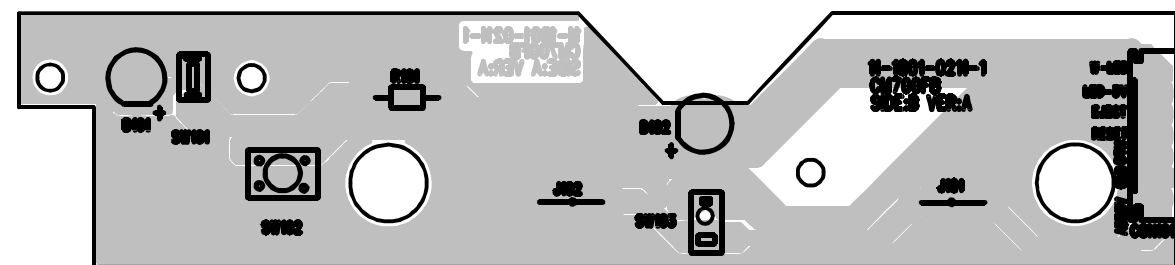
PIN	1	2	3	4	5	6	7	8	9	10	11	12	13	14	15	16	17	18	19	20	21	22	23	24	25	26	27	28
COM1	TITLE	9A	9B	10A	10B	CD	1E	1M	1D	1L	R2	2E	2M	2D	2L	VCD	3E	3M	3D	3L	CHP	4E	4M	4D	4L	DP1	5E	5M
COM2	9F	9C	9C	10D	10C	DVD	1G	1I	1K	1C	R3	2G	2I	2K	2C	DP2	3G	3I	3K	3C	TRK	4G	4I	4K	4C	RDM	5G	5I
COM3	9E	9D	10G	10E	10F	1F	1H	1A	1J	1B	2F	2H	2A	2J	2B	3F	3H	3A	3J	3B	4F	4H	4A	4J	4B	5F	5H	5A

PIN	29	30	31	32	33	34	35	36	37	38	39	40	41	42	43	44	45	46	47	48	49	50	51	52	53	54	55	
COM1	5D	5L	RPT	6E	6M	6D	6L	FOLDER	7E	7M	7D	7L	LOUD	8E	8M	8D	8L	R4	EON	PTY	DTS	DOLBY	L6	L3	COM1			
COM2	5K	5C	MP3	6G	6I	6K	6C	FILE	7G	7I	7K	7C	ST	8G	8I	8K	8C	R1	DP3	AF	PROC	AC-3	L5	L2	COM2			
COM3	5J	5B	6F	6H	6A	6J	6B	7F	7H	7A	7J	7B	8F	8H	8A	8J	8B	L8	TA	TP	EQ	L7	L4	L1		COM3		

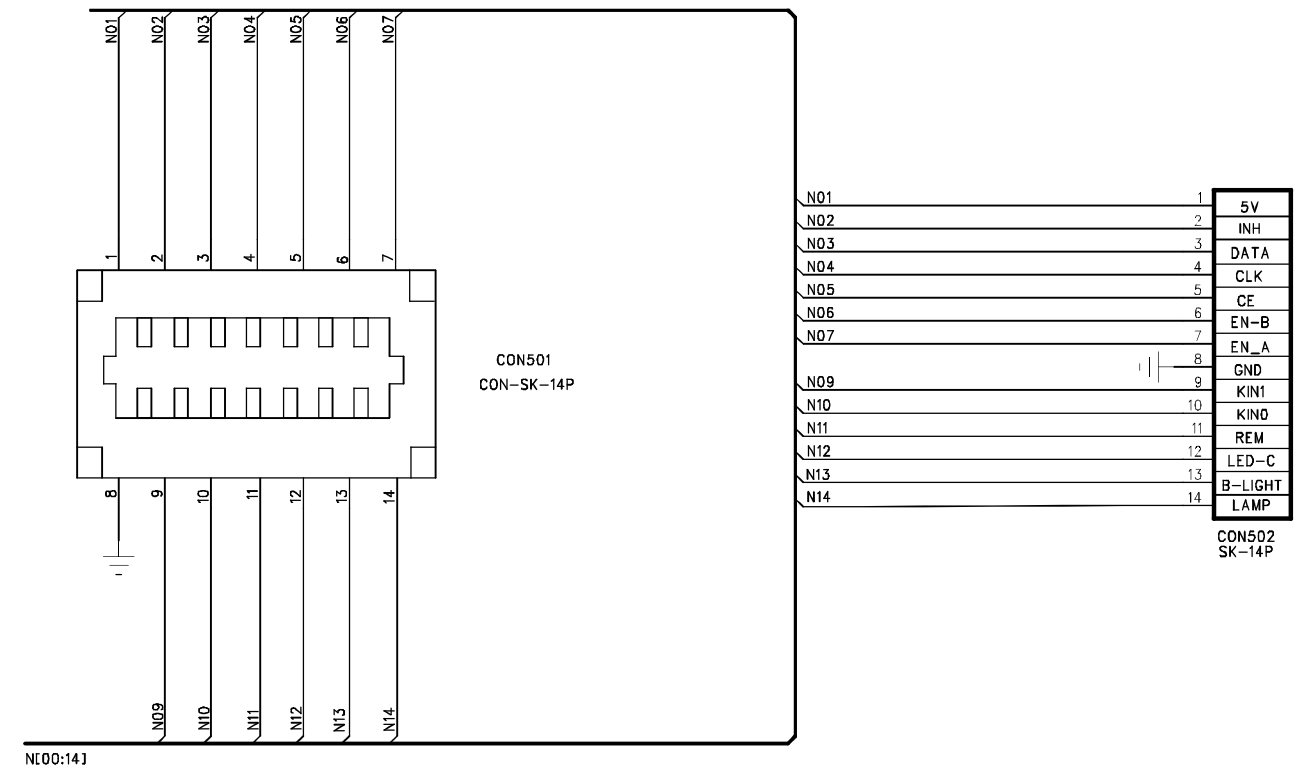
FRONT BOARD - CIRCUIT DIAGRAM



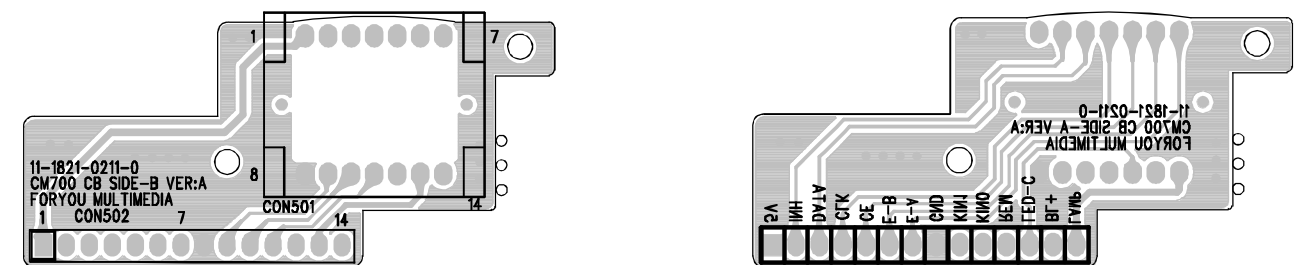
FRONT BOARD - LAYOUT DIAGRAM



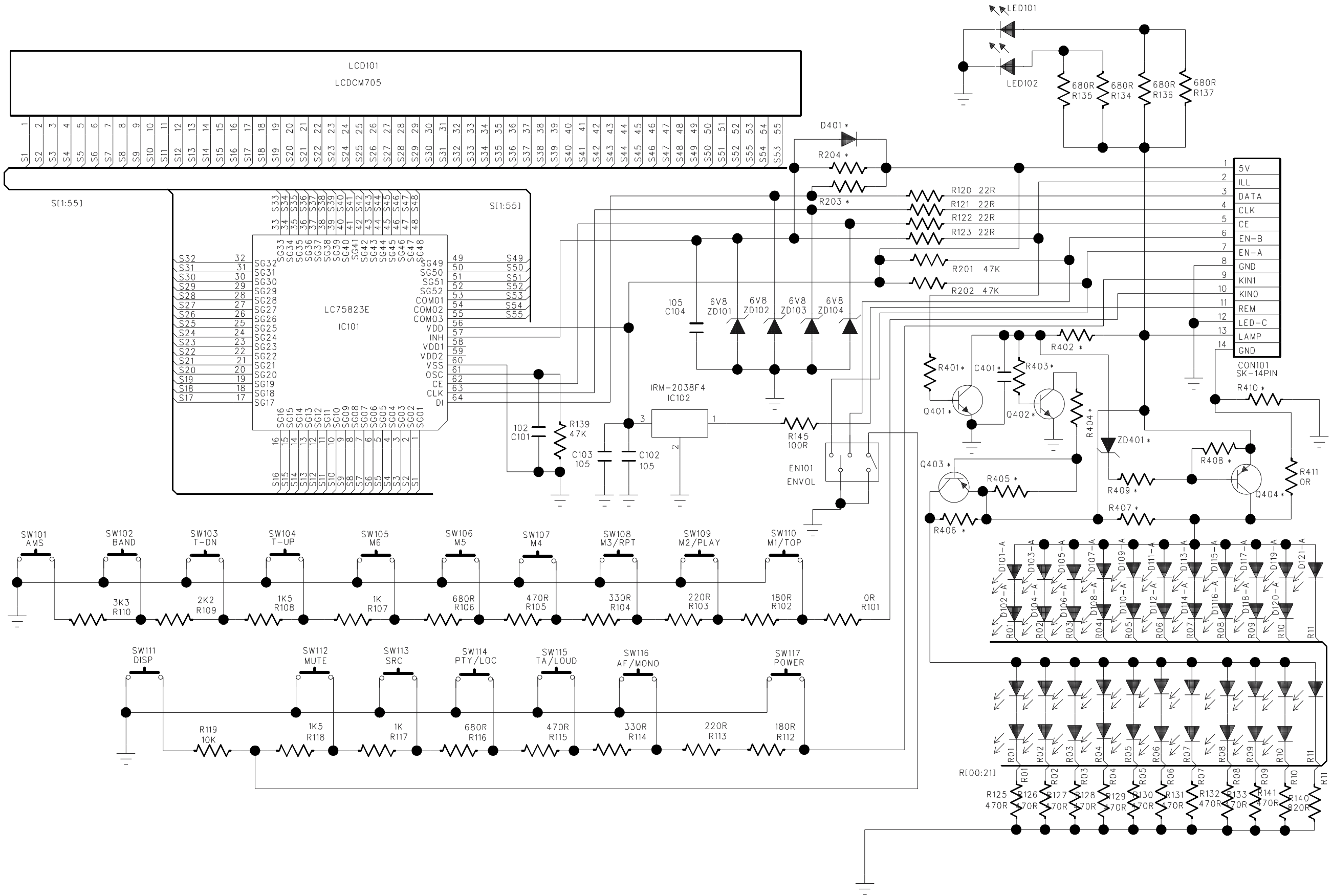
CONNECTOR BOARD - CIRCUIT DIAGRAM



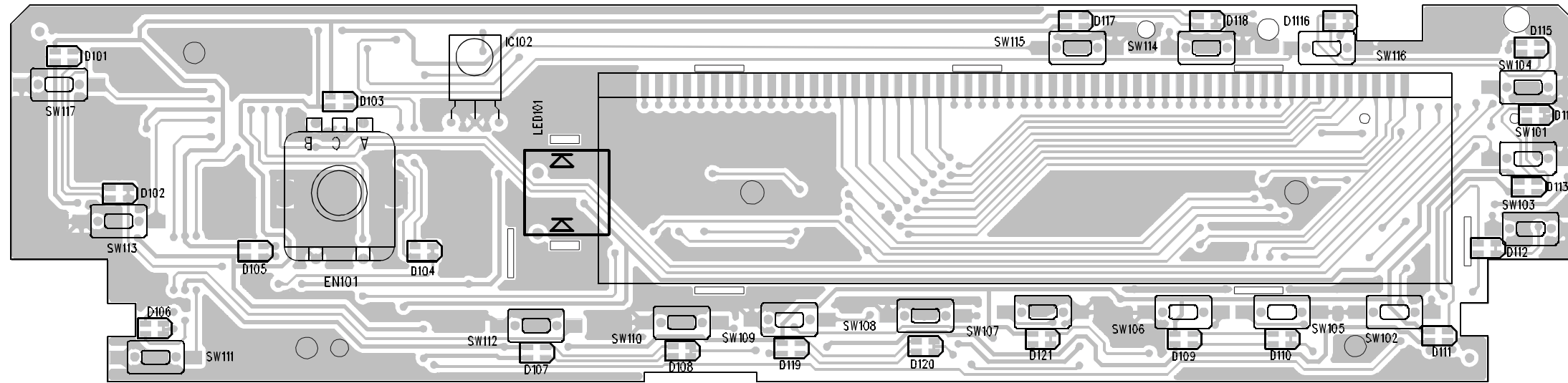
CONNECTOR BOARD - LAYOUT DIAGRAM



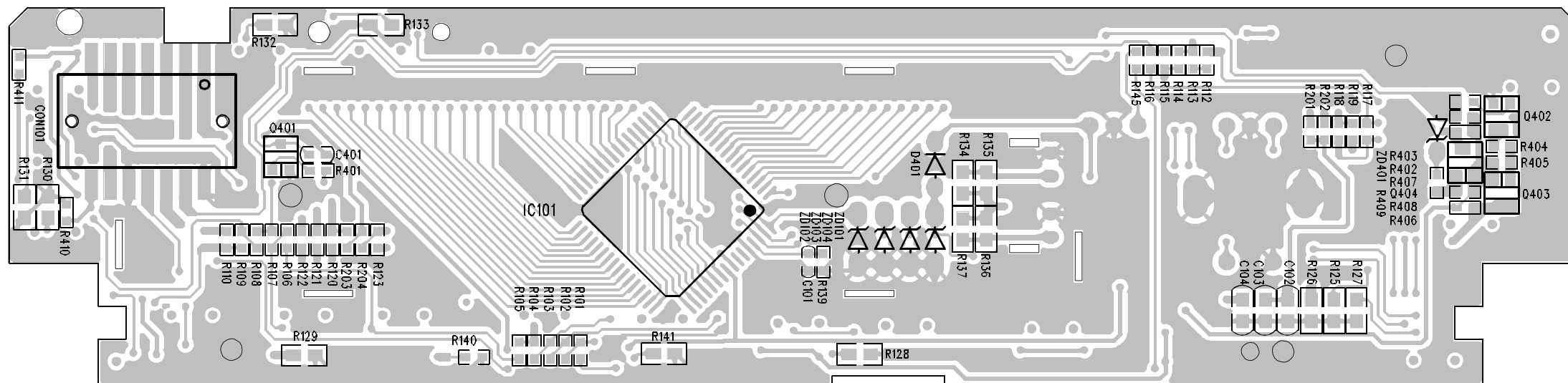
KEY BOARD - CIRCUIT DIAGRAM



KEY BOARD - LAYOUT DIAGRAM TOP VIEW



KEY BOARD - LAYOUT DIAGRAM BOTTOM VIEW



ELECTRICAL PARTS LIST - KEY BOARD GREEN LIGHT

Part NO.	Description	QTY	Location
84-DVD705RS-KB00-A	DVD705RS-58A	1	
82-CM705-KB02-C	CM705 KB SMT	1	
11-0102-0R02-0	RMF 0Ω 1/16W ±5% SMT 0603	2	R101,R407
11-0102-1022-0	RMF 1KΩ 1/16W ±5% SMT 0603	2	R107,R117
11-0102-1032-0	RMF 10KΩ 1/16W ±5% SMT 0603	1	R119
11-0102-1521-0	RMF 1K5Ω 1/16W ±5% SMT 0603	2	R108,R118
11-0102-1811-0	RMF 180Ω 1/16W ±5% SMT 0603	2	R102,R112
11-0102-2202-0	RMF 22Ω 1/16W ±5% SMT 0603	4	R120~R123
11-0102-2211-0	RMF 220Ω 1/16W ±5% SMT 0603	2	R103,R113
11-0102-2222-0	RMF 2K2Ω 1/16W ±5% SMT 0603	1	R109
11-0102-3311-0	RMF 330Ω 1/16W ±5% SMT 0603	2	R104,R114
11-0102-3322-0	RMF 3K3Ω 1/16W ±5% SMT 0603	1	R110
11-0102-4711-0	RMF 470Ω 1/16W ±5% SMT 0603	2	R105,R115
11-0102-4732-0	RMF 47KΩ 1/16W ±5% SMT 0603	3	R139,R201,R202
11-0102-6811-0	RMF 680Ω 1/16W ±5% SMT 0603	2	R106,R116
11-0103-4711-0	RMF 470Ω 1/10W ±5% SMT 0805	10	R125~R133, R141
11-0103-6811-0	RMF 680Ω 1/10W ±5% SMT 0805	4	R134~R137
11-0202-1021-0	CC1000PF/50V ±10% 0603(X7R)	1	C101
11-0203-1051-0	CC 1μF/25V -80% +20% SMT 0805	3	C102,C103,C104
11-0406-0005-A	LED 2.2V 10MA GREEN SMT 0603	21	D101~D121
11-0901-0065-A	IC PT6523 LCD DRIVE	1	IC101
11-1821-0594-C	PCB CM705 KB D/S 1.2MM VER.2	1	
11-2011-0025-0	TACT SW 250GF 4.3MM(SMT)CHIFENG (Difeng)	17	SW101~SW117
11-0103-7511-0	RMF 750Ω 1/10W ±5% SMT 0805	1	R140
11-0102-1012-0	RMF 100Ω 1/16W ±5% SMT 0603	1	R145
11-0181-0010-A	ECB12(7X5)(PV)S17	1	EN101
11-0406-0032-0	LED 3.5V 25MA WHITE Φ3MM (FCWHWAO-AO)	2	D126,D127
11-2602-0030-0	LCD DVD705 NEGATIVE COLOUR (SA)	1	LCD101

ELECTRICAL PARTS LIST - KEY BOARD RED LIGHT

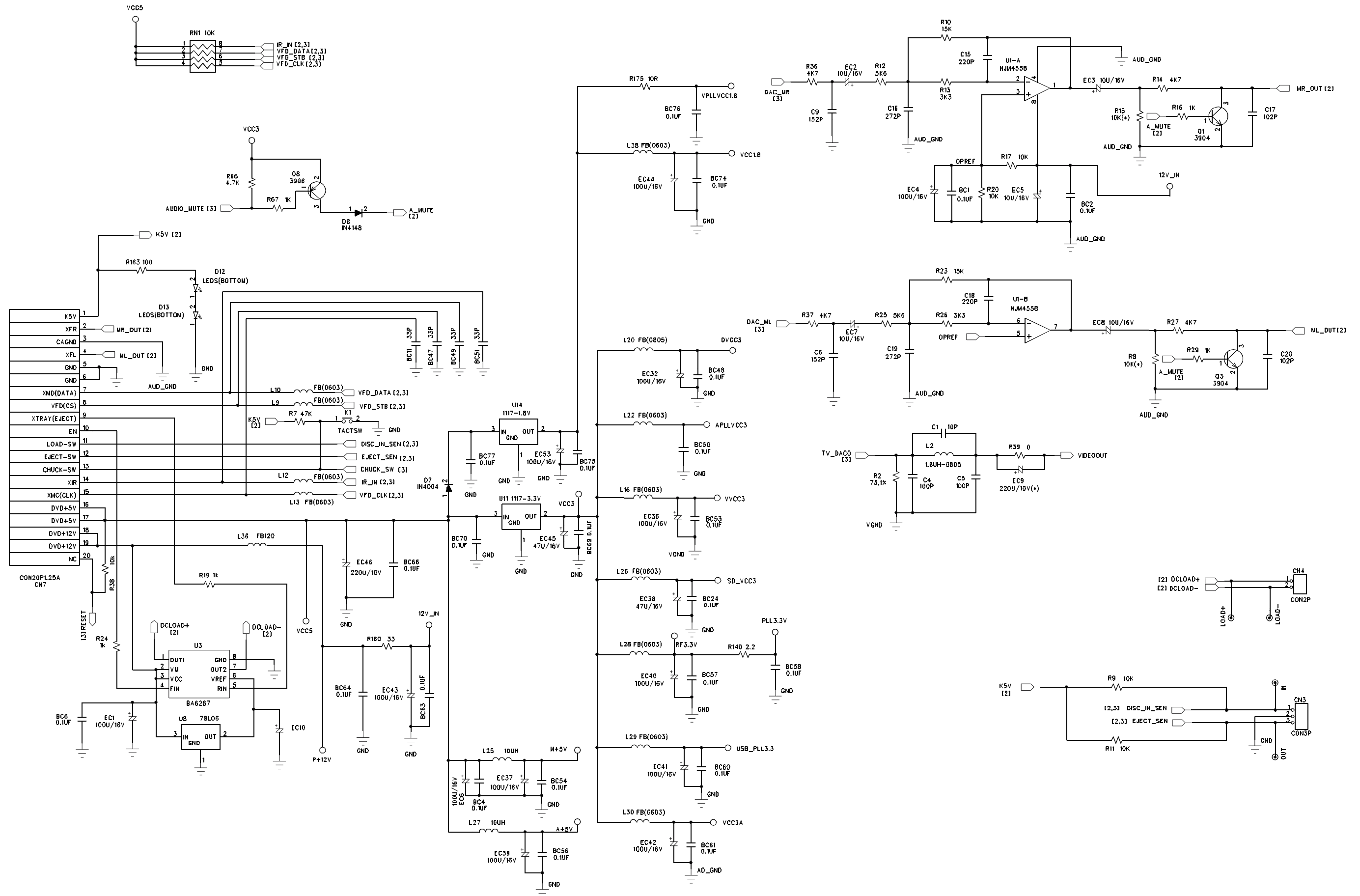
Part NO.	Description	QTY	Location
83802DVD705EKB013	DVD705E RED KB SMT Assm	1	
121604000000	RES,0Ω,±5%,1/16W,0603	4	R101,R407,R301~R302
121604000102	RES,1KΩ,±5%,1/16W,0603	2	R107,R117
121604000103	RES,10KΩ,±5%,1/16W,0603	1	R119
121604000152	RES,1K5Ω,±5%,1/16W,0603	2	R108,R118
121604000181	RES,180Ω,±5%,1/16W,0603	2	R102,R112
121604000220	RES,22Ω,±5%,1/16W,0603	4	R120~R123
121604000221	RES,220Ω,±5%,1/16W,0603	2	R103,R113
121604000222	RES,2K2Ω,±5%,1/16W,0603	1	R109
121604000331	RES,330Ω,±5%,1/16W,0603	2	R104,R114
121604000332	RES,3K3Ω,±5%,1/16W,0603	1	R110
121604000471	RES,470Ω,±5%,1/16W,0603	2	R105,R115
121604000473	RES,47KΩ,±5%,1/16W,0603	3	R139,R201,R202
121604000681	RES,680Ω,±5%,1/16W,0603	2	R106,R116
121606000471	RES,470Ω,±5%,1/10W,0805	10	R125~R133, R141
121606000681	RES,680Ω,±5%,1/10W,0805	4	R134~R137
121803000102	CAP,1nF,±10%,16V,X7R,0603	1	C101
121806000105	CAP,0805,105,50V,Y5V,+80%-20%	3	C102,C103,C104
143405000069	LED,RED,0603,10mA,2.2V	21	(at G position)D101~D115,D1116,D117~D121
142400000338	IC,SC75823E,QFP-64-14X14-0.8,SL	1	IC101
143010030397	KB,CM705,FR4,183.2X160.8mm,1.2mm	1	
143210000050	TACTSW,4.3mm,TS-03M-AH-A,250GF	17	SW101~SW117
121604000751	RES,750Ω,±5%,1/16W,0603	1	R140
121604000101	RES,100Ω,±5%,1/16W,0603	1	R145
141662000008	ENCODER,ECB12,(7X5)(PV)S17	1	EN101
143405000057	LED,WHITE,FCWHWAO-AO,25MA,3.5V	2	D126,D127
123400010008	DVD705,NEGATIVE COLOUR (SA)	1	LCD101
123805000016	14PIN,2.0mm,SOCKET MALE ESTF2-14-01(90°)	1	CON101

SERVO BOARD

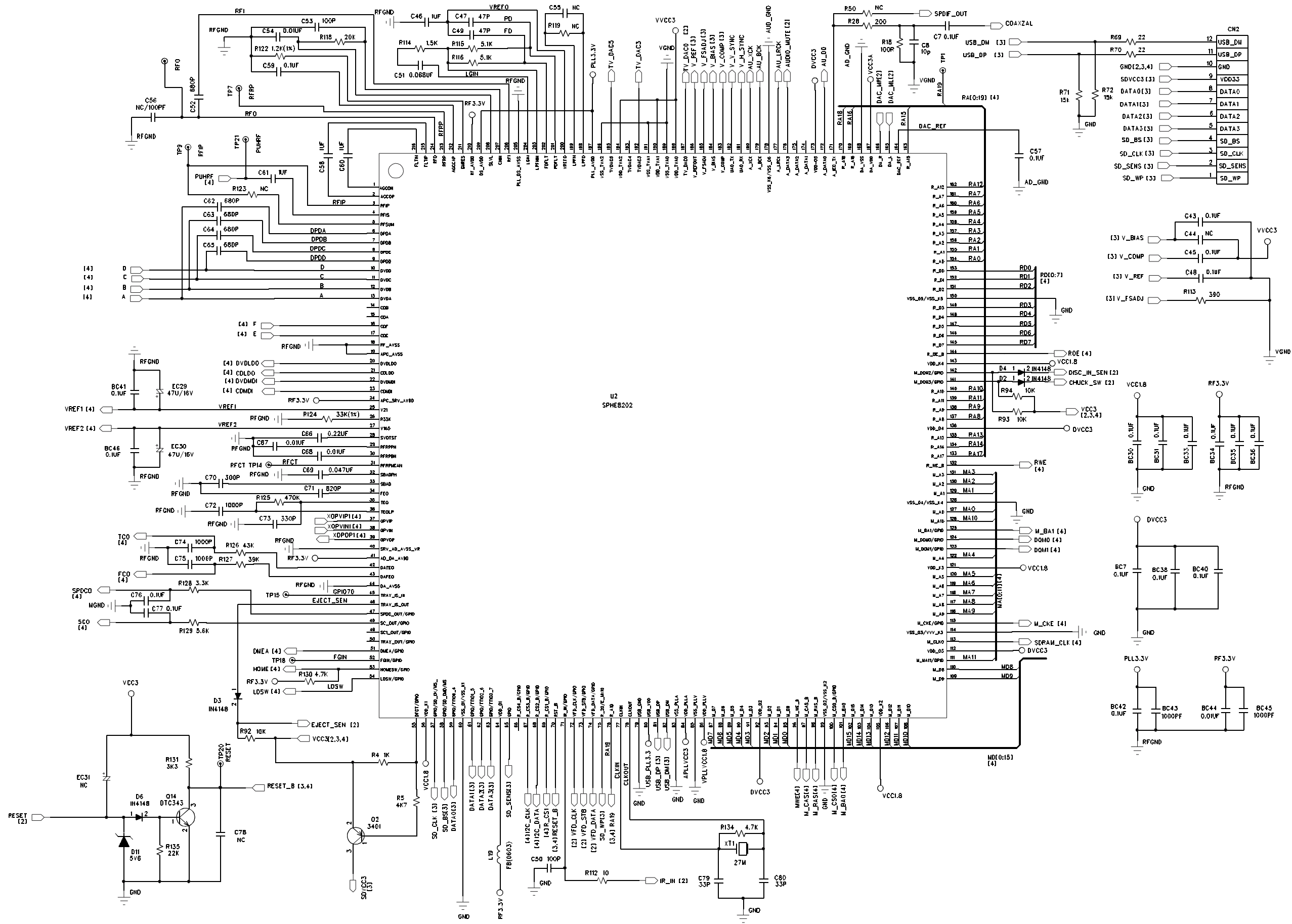
TABLE OF CONTENTS

Circuit Diagram.....	6-2 to 6-4
PCB Layout	6-5
Electrical Parts List.....	6-6

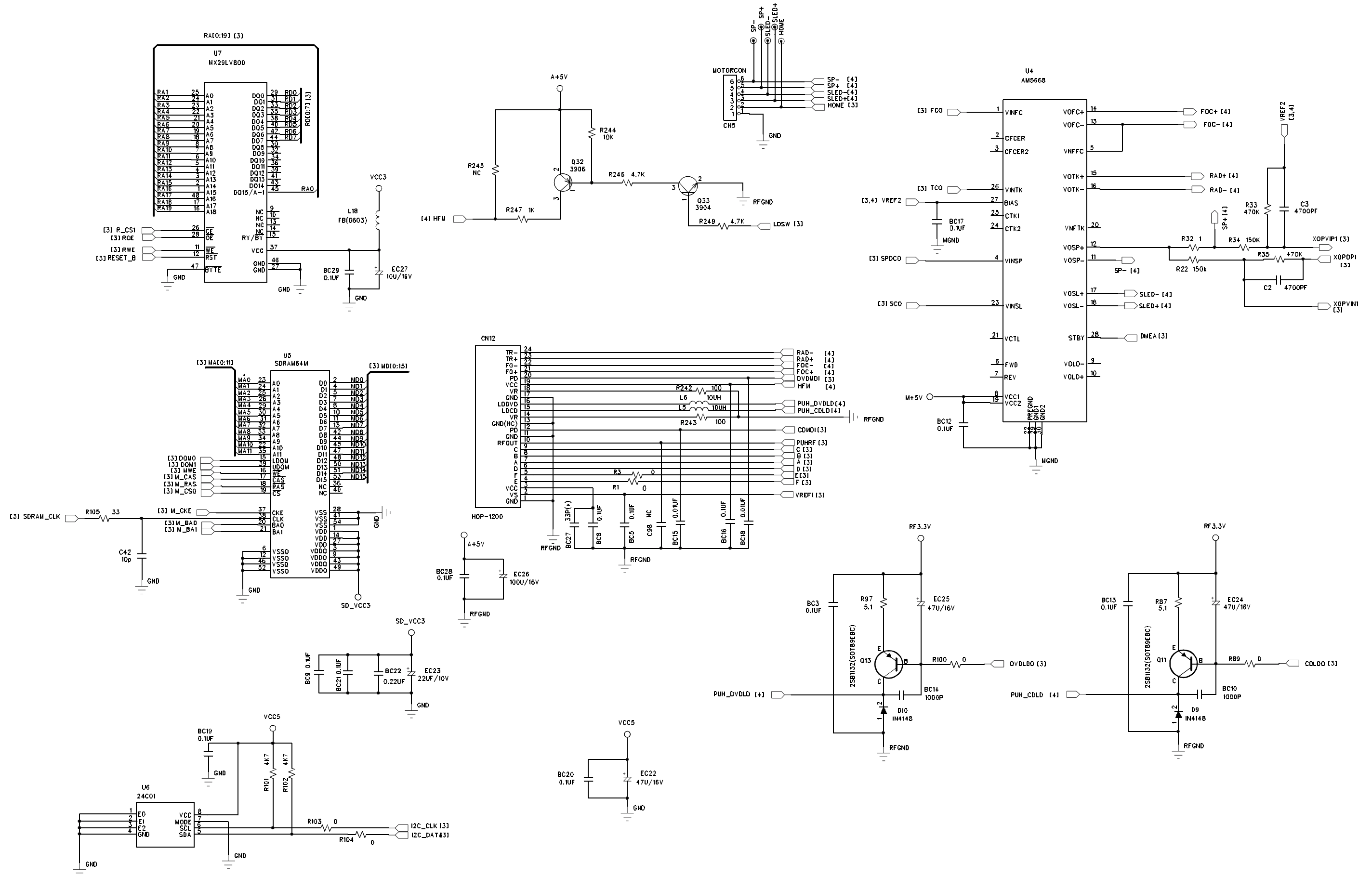
SERVO BOARD - CIRCUIT DIAGRAM



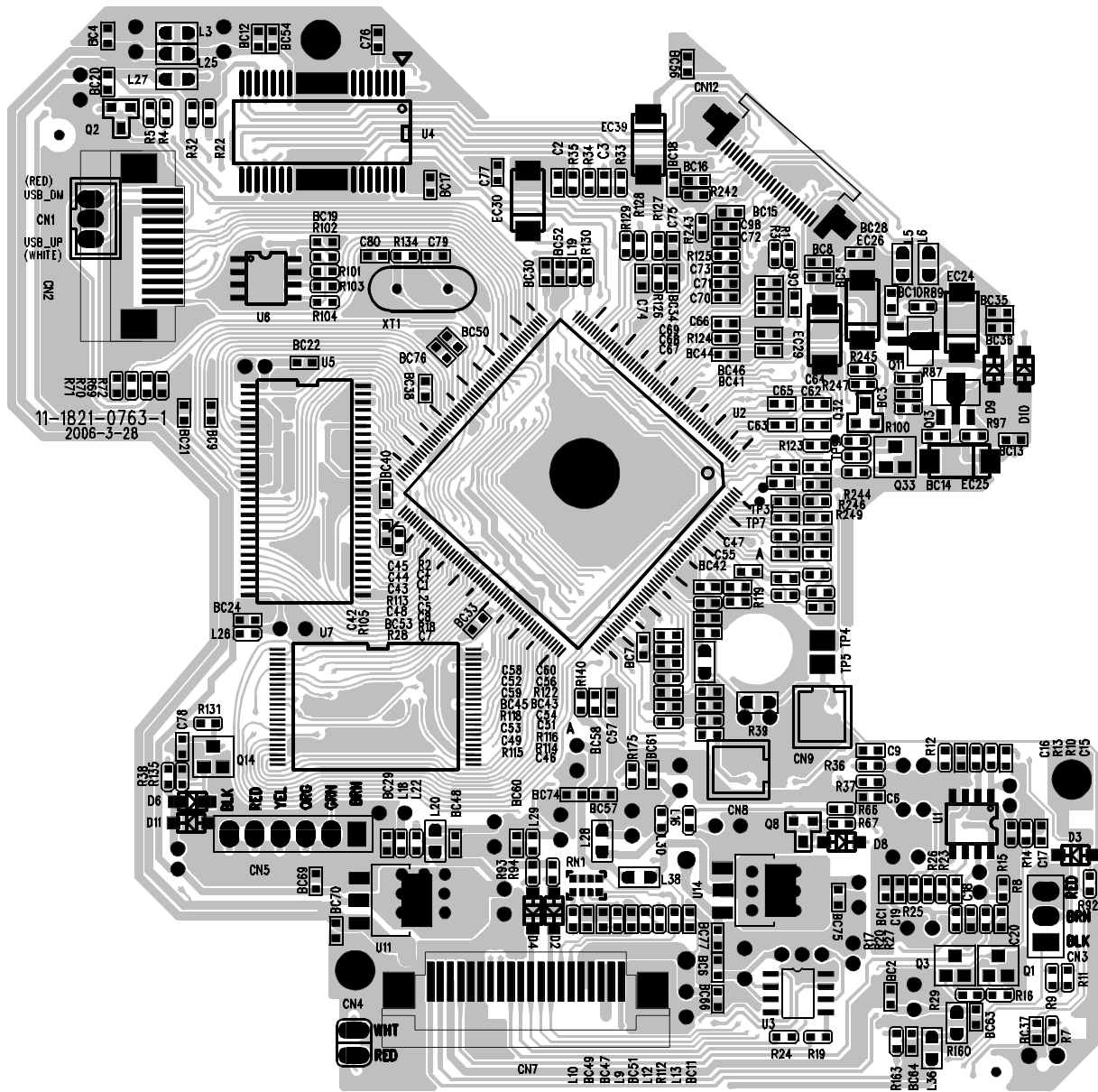
SERVO BOARD - CIRCUIT DIAGRAM



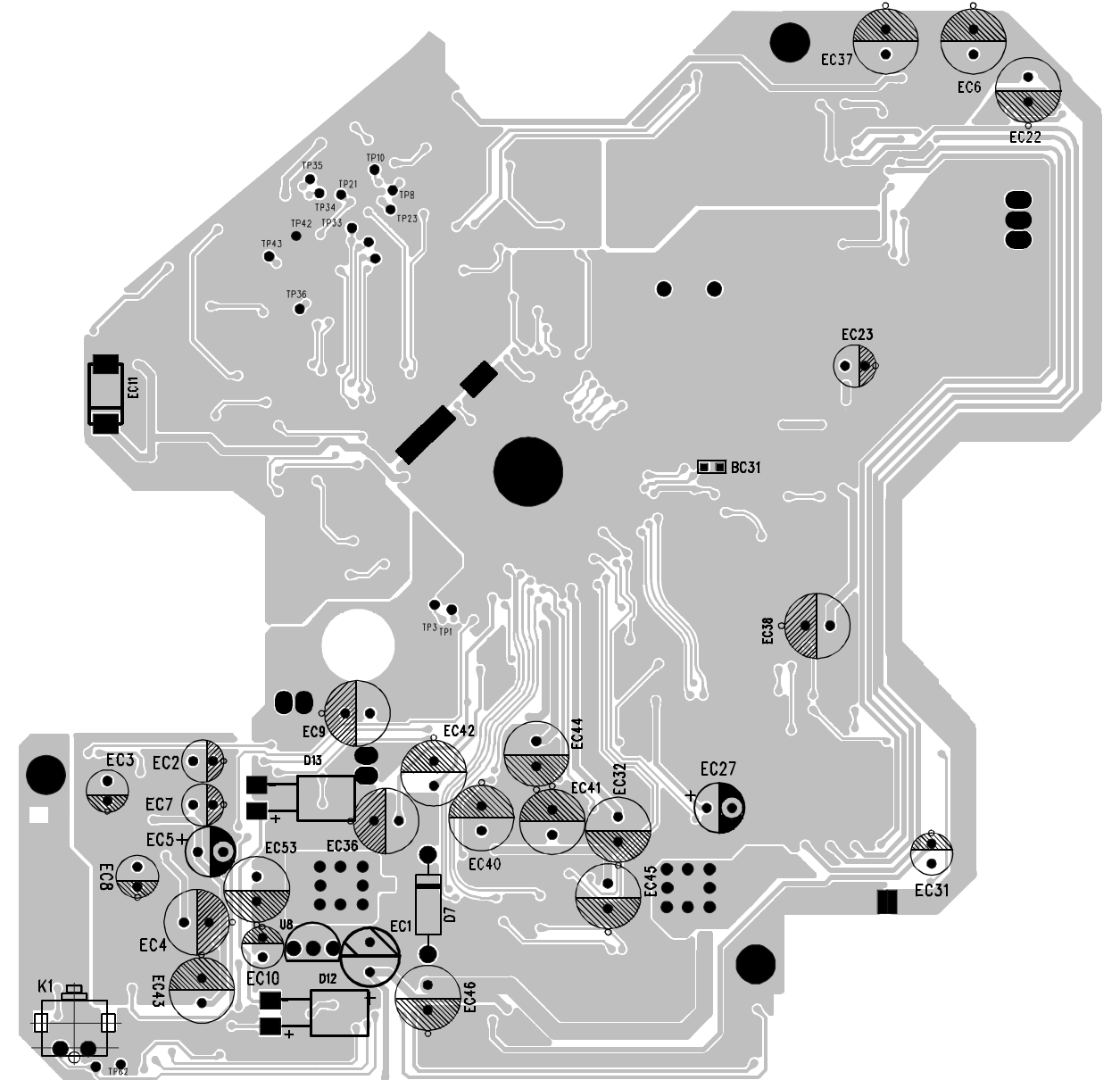
SERVO BOARD - CIRCUIT DIAGRAM



SERVO BOARD - LAYOUT DIAGRAM TOP VIEW



SERVO BOARD - LAYOUT DIAGRAM BOTTOM VIEW



ELECTRICAL PARTS LIST - SERVO BOARD

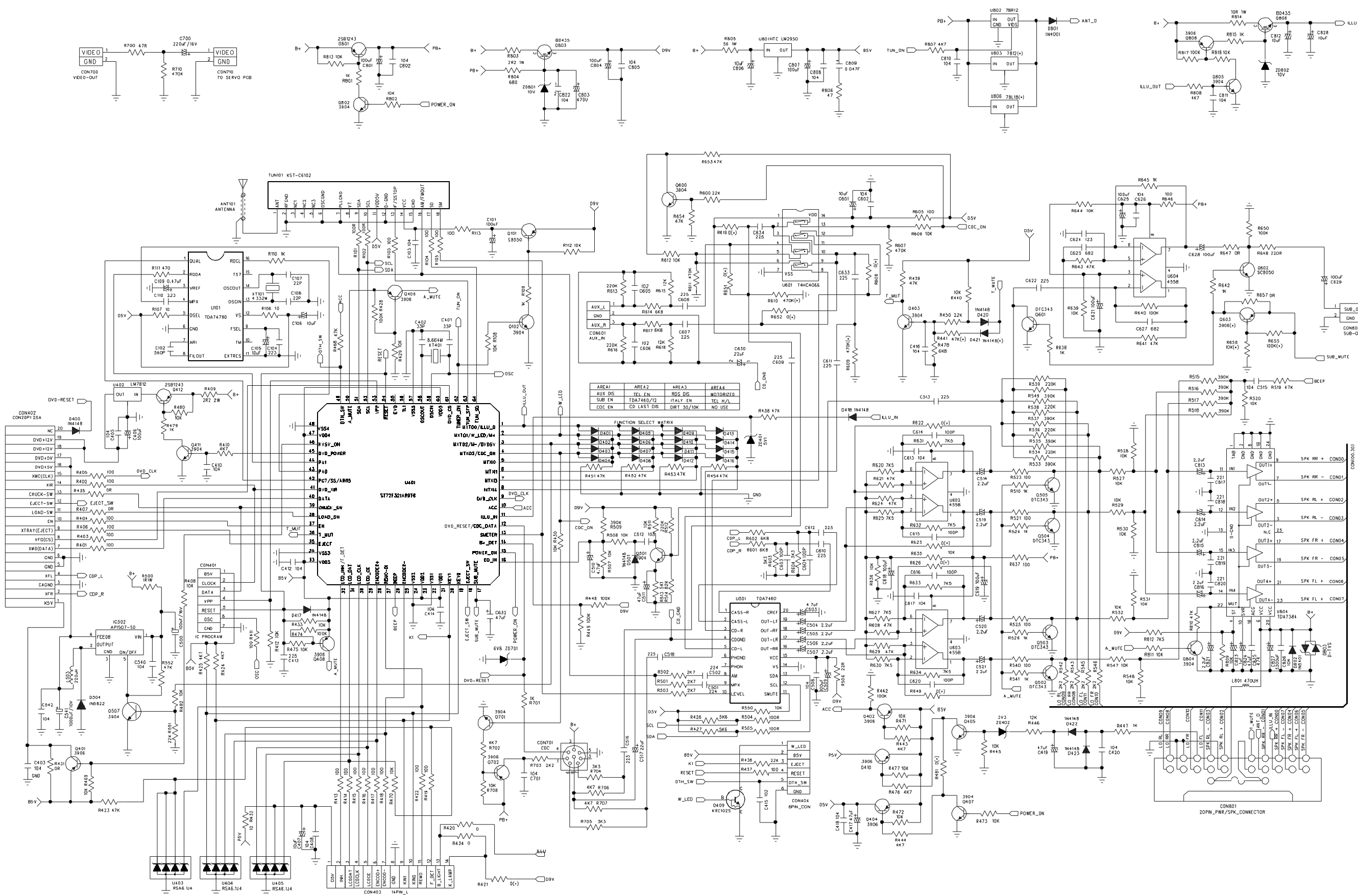
Part NO.	Description	QTY	Location	Part NO.	Description	QTY	Location
83802DVD705ESB051	DVD705E DIVX (DVD705E-58A) SB SMT Assm	1		121803000683	CAP,0.068 μ F, \pm 10%,50V,X7R,0603	1	C51
121604000000	RES,0 Ω , \pm 5%,1/16W,0603	6	R1 R3 R89 R100 R103 R104	121803000821	CAP,0603,820pf, \pm 10%,16V,X7R	1	C71
121604000100	RES,10 Ω , \pm 5%,1/16W,0603	2	R112 R175	121845090107	TAN.CAP,100 μ F, \pm 20%,6.3V,C	6	EC26 EC24 EC25 EC29 EC30 EC39
121604000101	RES,100 Ω , \pm 5%,1/16W,0603	3	R163 R242 R243	122000000179	INDUCTOR,1.8 μ H, \pm 10%,50MA,0805	1	L2
121604010102	RES,1k Ω , \pm 1%,1/16W,0603	6	R19 R24 R29 R16 R67 R247	122040000011	CHIP BEAD,0603,1.6X0.8X0.8,800mA,100MHZ,0.6	10	L9,L10,L12,L13,L18,L19,L22,L26 L29,L16
121604000103	RES,10K Ω , \pm 5%,1/16W,0603	9	R17 R20 R92 R93 R94 R244 R38 R9 R11	122040000061	CHIP BEAD,120 Ω ,L2XW1.25XT1.25XA0.5,3A,	3	L20,L28,L38
121604000332	RES,3K3 Ω , \pm 5%,1/16W,0603	4	R13 R26 R128 R131		100MHZ,DCR17 Ω		
121604010122	RES,1K2 Ω , \pm 1%,1/16W,0603	1	R122	122040000042	CHIP BEAD,0805,2.0X1.2X0.9X0.5,200mA,	5	L5 L6 L25 L27 L36
121604000152	RES,1K5 Ω , \pm 5%,1/16W,0603	1	R114		100MHZ,0.40 Ω		
121604000153	RES,15K Ω , \pm 5%,1/16W,0603	4	R71 R72 R10 R23	142245000015	TR, DTC343TK, SOT-23	1	Q14
121604000154	RES,150K Ω , \pm 5%,1/16W,0603	2	R22 R34	142206000020	SW DIODE, 1N4148, 25mA,0.9V, 100V, MINI-MELF	7	D8 D9 D10 D2 D3 D4 D6
121604000010	RES,1 Ω , \pm 5%,1/16W,0603	1	R32	142251000001	TR, 2N3904 (NPN) , SOT-23	1	Q33
121604000393	RES,39K Ω , \pm 5%,1/16W,0603	1	R127	142245000003	TR,2N3906(PNP),SOT-23	2	Q8 Q32
121604000203	RES,20K Ω , \pm 5%,1/16W,0603	1	R118	122290000031	TR,2SB1132,SOT-89	2	Q11 Q13
121604000330	RES,0603,33 Ω , \pm 5%,1/16W	1	R105	142400000541	IC,AT24C02,SOP-8	1	U6
121604000333	RES,33K Ω , \pm 5%,1/16W,0603	1	R124	142400000416	IC,UTC4558,SOP-8,UTC	1	U1
121604000391	RES,390 Ω , \pm 5%,1/16W,0603	1	R113	142400000108	IC,BA6287F,SOP-8,ROMH	1	U3
121604000433	RES,43K Ω , \pm 5%,1/16W,0603	1	R126	142400000504	IC,UTC1117-3.3V,SOT-23,UTC	1	U11
121604000047	RES,4 Ω 7, \pm 5%,1/16W,0603	2	R87 R97	142400000505	IC,UTC1117-1.8V,SOT-223,UTC	1	U14
121604000472	RES,4K7 Ω , \pm 5%,1/16W,0603	11	R66 R130 R134 R246 R249 R14 R27	142400000179	IC,IS42S16400A,TSOPII-54,ISSI	1	U5
			R101~R102 R36 R37	142410000024	IC,AM5668S,HSOP28,AMTEK	1	U4
121604000474	RES,470K Ω , \pm 5%,1/16W,0603	3	R33 R125 R35	142410000087	IC,SPHE8281D-216PIN,LQFP-216,SUNPLUS	1	U2
121604000512	RES,5K1 Ω , \pm 5%,1/16W,0603	2	R115 R116	123800000018	24PIN,0.5mm,FPC SOCKET SMT TYPE TOP	1	CN12
121604000750	RES,75 Ω , \pm 5%,1/16W,0603	1	R2		CONNECT TYPE		
121604000022	RES,2 Ω 2, \pm 5%,1/16W,0603	2	R140 L30	143010010355	PCB,SB,DVD705E,1.2mm,107X109mm(SUNPLUS)	1	
121606000330	RES,33 Ω , \pm 5%,1/10W,0805	1	R160	121604000223	RES,22K Ω , \pm 5%,1/16W,0603	1	R135
121618000103	RES,10K Ω ,4, \pm 5%,1/16W,0603	1	RN1	121604000562	RES,5K6 Ω , \pm 5%,1/16W,0603	3	R12 R25 R129
121803000100	CAP,10pF, \pm 1%,50V,NPO,0603	2	C1 C42	121803010272	CAP,2700PF, \pm 5%,50V,X7R,0603	2	C16 C19
121803000101	CAP,100pF, \pm 5%,50V,NPO,0603	3	C4 C5 C53	121604000473	RES,47K Ω , \pm 5%,1/16W,0603	1	R7
121803000102	CAP,1nF, \pm 10%,16V,X7R,0603	9	BC43 BC45 C72 C74 C75 C17 C20	121606000000	RES,0 Ω , \pm 5%,1/10W,0805	1	R39
			BC14 BC10	142224000023	ZENER DIODE, 5V6, MINI MELF	1	D11
121803000103	CAP,0.01 μ F, \pm 10%,50V,X7R,0603	6	C54 BC44 BC18 BC15 C67 C68	121803000225	CAP,2.2 μ F,+80%,-20%,16V,X7R,0603	2	BC38 BC22
121803020104	CAP,0.1 μ F, \pm 10%,25V,X7R,0603	53	BC1 BC2 BC3 BC4 BC5 BC7 BC8 BC13	144840000018	DECD,DL-C28D1(SHINWA)	1	
			BC52 BC16 BC17 BC19 BC20 BC21	143820000147	FFC,12PIN,1.00mm,160mm,	1	EC46
			BC6 BC9 BC24 BC28 BC29 BC30 BC34	141827050227	CAP,220 μ F, \pm 20%,6.3X7,10V,-55 $^{\circ}$ C--105 $^{\circ}$ C	1	EC46
			BC35 BC36 BC37 BC40 BC41 BC42	141830020106	E.CAP,10 μ F, \pm 20%,4X5,16V,85 $^{\circ}$ C	4	EC2 EC3 EC7 EC8
			BC46 BC48 BC50 BC53 BC54 BC56	121830020107	E.CAP,100 μ F, \pm 20%,6.3X5,16V,105 $^{\circ}$ C	14	EC1 EC4 EC6 EC32 EC36 EC37 EC40
			BC57 BC58 BC60 BC61 BC63 BC64				EC41 EC42 EC43 EC44 EC53 EC45 EC22
			BC66 BC69 BC70 BC74 BC75 BC76	141830040476	E.CAP,47 μ F, \pm 20%,5X5,10V,105 $^{\circ}$ C	3	EC38 EC27 EC5
			BC77 C43 C45 C48 C57 C76 C77 C59	143405000004	INFRARED RECEIVER,IR928-6C	2	D12 D13
			C46 C58 C60 C61 BC33	142820000010	CRYSTAL,27.000MHZ, \pm 20ppm,-30 $^{\circ}$ C~+80 $^{\circ}$ C,CL=18pF,	1	XT1
			C15 C18		HC-49/US		
121800020105	CAP,1 μ F, \pm 10%,16V,X7R,0603	5	C6, C9	143210000004	DETECT SW,SW110	1	K1
121803010221	CAP,220pF, \pm 5%,25V,NPO,0603	2	C66	142400000133	IC,CJ78L06,TO-92,CJ(V0=6V IOM=0.1A)	1	U8
121803000152	CAP,1500pF, \pm 10%,50V,X7R,0603	2	C70	123830000117	CMV700,2PIN,PI=2.0mm 135mm(SOCKET PIN)	1	CN9
121803010224	CAP,0.22 μ F, \pm 10%,25V,X7R,0603	1	BC47 BC51 C79 C80 BC49 BC11	121830000226	E.CAP,22 μ F, \pm 20%,4X5,16V,105 $^{\circ}$ C	2	EC10 EC23
121803010301	CAP,300pF, \pm 5%,50V,NPO,0603	1	C73	143820000149	FFC,20PIN,1.0mm,120mm,E	1	CN7
121803000330	CAP,33pF, \pm 5%,50V,NPO,0603	6	C47 C49	142206000004	REC DIODE, 1N4001, 1A, 1V, 50V, DO-41	1	D7
121803010331	CAP,0603,330p,16V, \pm 5%,NPO	1	C2 C3				
121803000470	CAP,47pF, \pm 5%,16V,NPO,0603	2	C69				
121803000472	CAP,4700pF, \pm 10%,50V,X7R,0603	2	C62 C63 C64 C65 C52				
121803000473	CAP,0.047 μ F, \pm 10%,50V,X7R,0603	1					
121803000681	CAP,680pF, \pm 10%,16V,X7R,0603	5					

MAIN BOARD

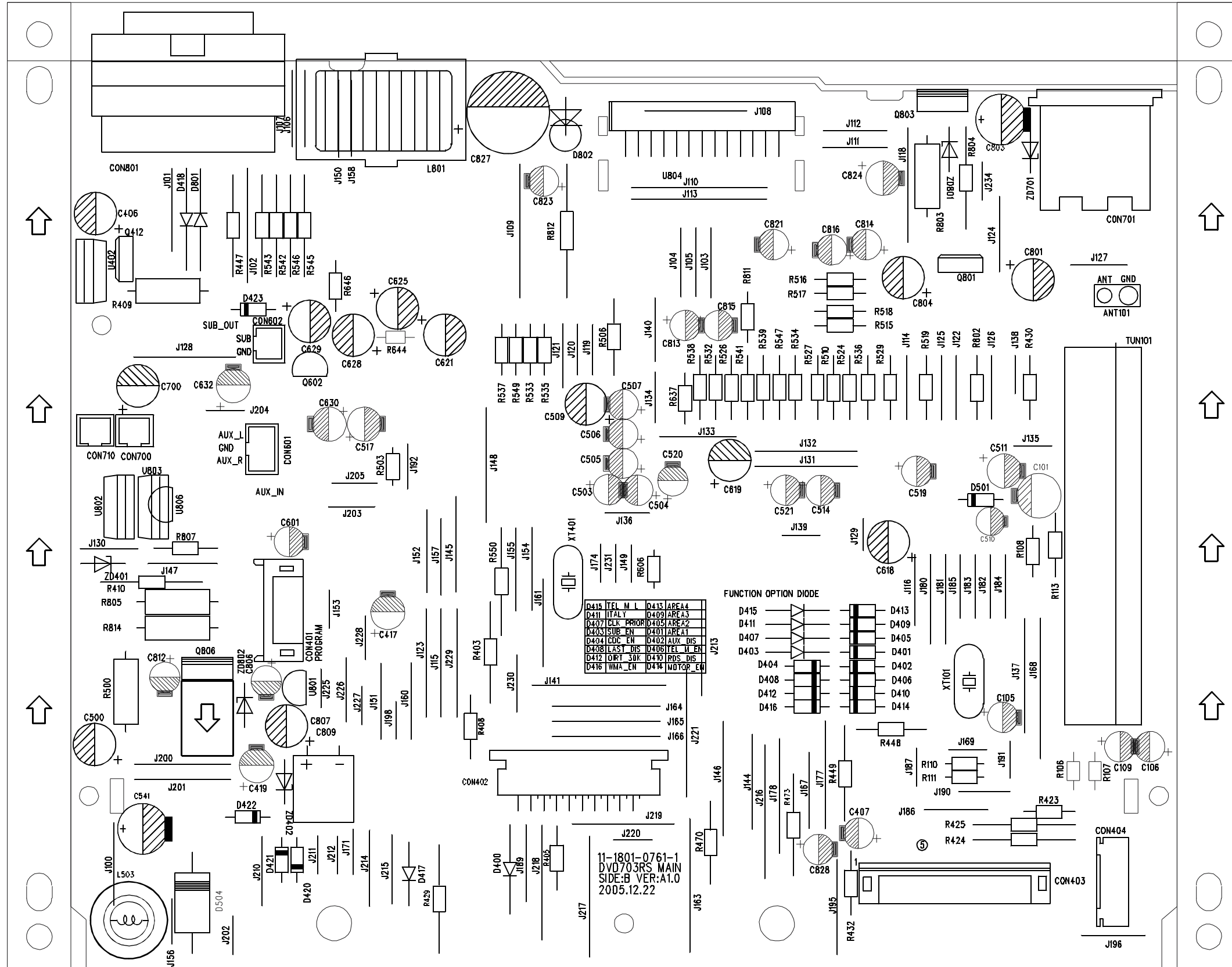
TABLE OF CONTENTS

Circuit Diagram 7-2
PCB Layout Top View 7-3
PCB Layout Bottom View 7-4
Electrical Parts List 7-5 to 7-6

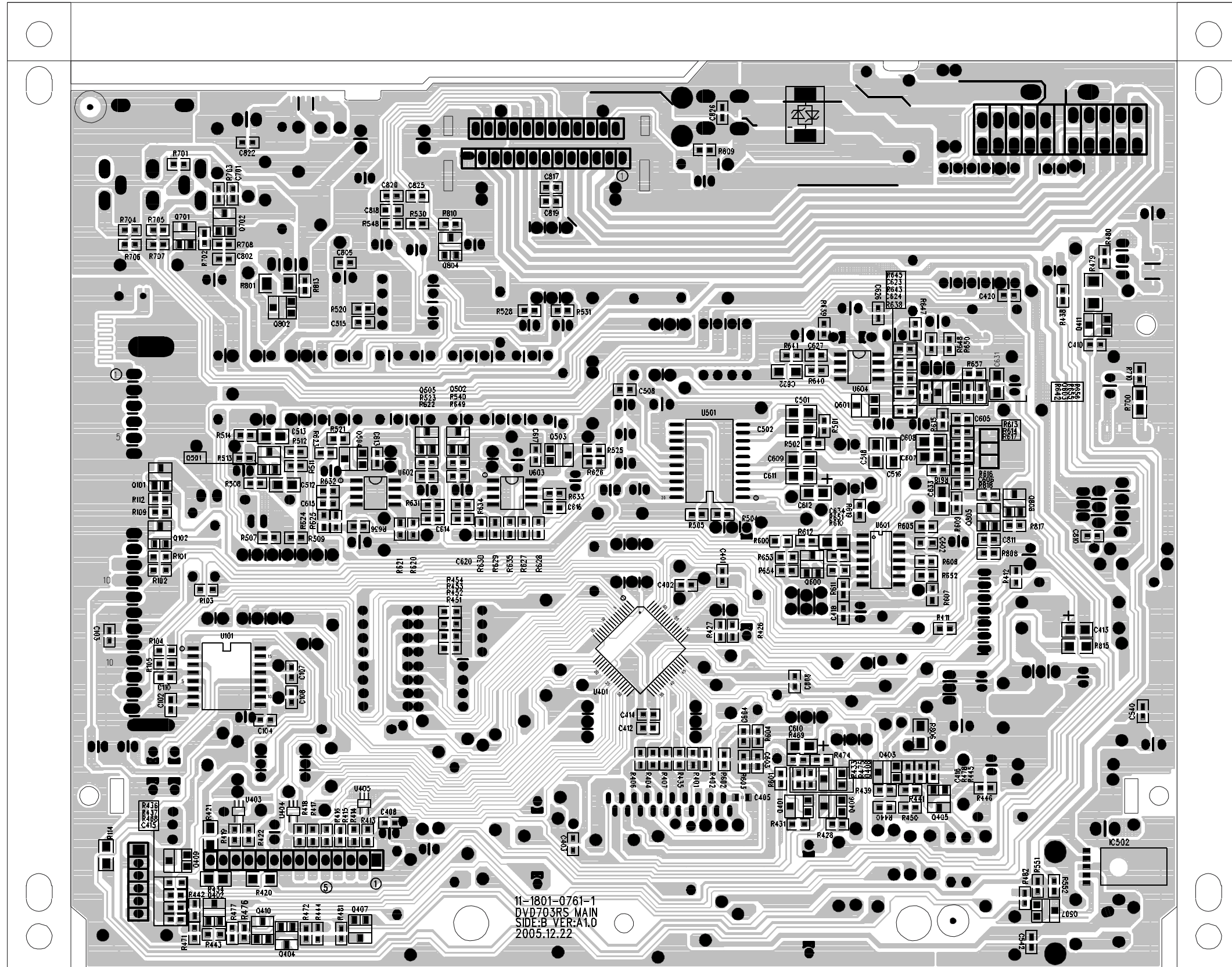
CIRCUIT DIAGRAM



PCB LAYOUT TOP VIEW



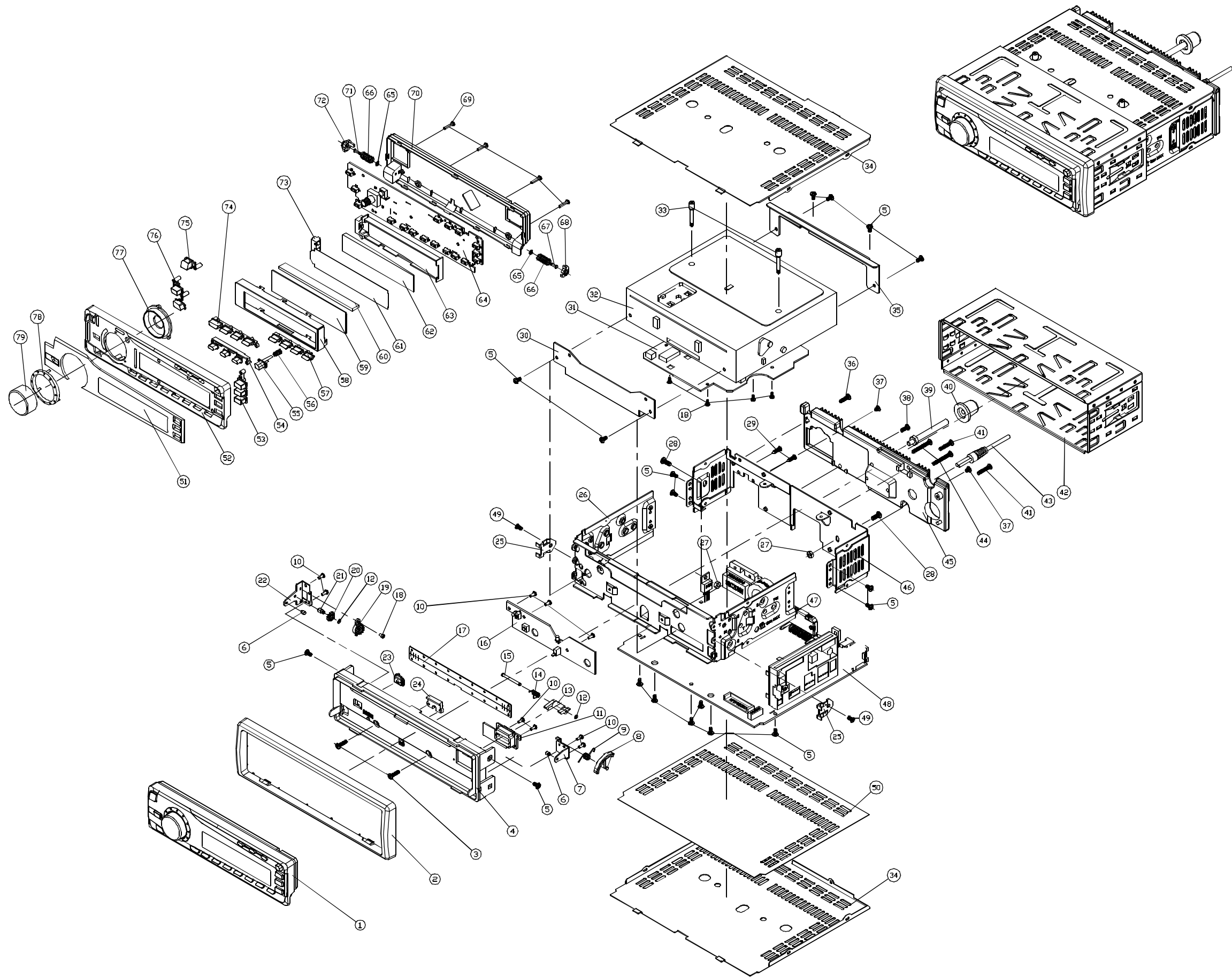
PCB LAYOUT BOTTOM VIEW



ELECTRICAL PARTS LIST - MAIN BOARD

Part NO.	Description	QTY	Location
121842020108	E.CAP,1000 μ F, \pm 20%,8X16,10V,105 $^{\circ}$ C	1	C541
121842030338	E.CAP,3300 μ F, \pm 20%,12.5X25,16V,85 $^{\circ}$	1	C827
122005000019	STAND INDUCTOR,150 μ H, \pm 10%, Φ 0.3	1	R500
142257000001	TR,2SB1243TV2Q(PNP),ATV	2	Q412 Q801
142400000218	IC,LM2950-5V,TO-92,HTC	1	U801
141670000109	GBX050,PTC(RILAIDA)	1	U803*3*pin and R807*1*pin
142400000380	IC,TDA7386,FLEXIWATT25,ST	1	U804
142820000026	CRYSTAL,8.664MHZ, \pm 30ppm,-20 $^{\circ}$ C~+70 $^{\circ}$ C, CL=30pF,HC-49/US	1	XT401
144815000022	TUNER,KST-C6102LVD-100,FM/OIRT/AM	1	TUN101
123830010086	CM700,20PIN,PWR/SPK EST-KNT-20-04	1	CON801
123800000023	2PIN,SOCKET 2.0mm DIP 180 $^{\circ}$	1	CON700
123805000095	6PIN,2.0mm,WAFER DIP 180 $^{\circ}$	1	CON404
123805000017	14PIN,2.0mm,WAFER 90 $^{\circ}$	1	CON403
142206000006	REC DIODE, 1N5401, 3A, 1V, 100V, DO-27	1	D802
141000000319	CM226,BRACKET IC 7386,SECC,T0.8	1	
124800000025	FUSE,ZH270,15A,SLOW FUSE TYPE	1	
141836000477	E.CAP,470 μ F, \pm 20%,8X11,16V,105 $^{\circ}$ C	1	C803
123805000102	7PIN,CONNECT,2.0mm,90 $^{\circ}$	1	CON401
122005000017	STAND INDUCTOR,68 μ H, \pm 10%, Φ 0.4	1	L503
142206000008	REC DIODE, 1N5822, 3A, 0.9V, 40V, DO-27	1	D504
143825000190	CONNECTOR,20PIN,1.0mm, CONNECTOR FZC6A-020	1	CON402
123000010010	PCB,CB,CM206,94-V0,36 \times 30 \times 1.6mm	1	
121830000226	E.CAP,22 μ F, \pm 20%,4X5,16V,105 $^{\circ}$ C	1	C630
142248000007	TR, S8050 (NPN) , TO-92	1	Q602
121830010107	100 μ F, \pm 20%, Φ 5*11,16V,105 $^{\circ}$ C	1	C404

EXPLODED VIEW - MAIN UNIT



MECHANICAL PARTS LIST(BLACK PANEL, GREEN LIGHT)

Item	Assembly Part NO	Description	QTY
1	84-DVD705RS-KB00-A	Front-panel ass'y DVD705	1
2	13-0721-0801-A	Rim	1
3	14-1074-2610-0	ScrewBTS M2.6*10 Black	2
4	13-0343-0001-B	Cabinet	1
5	14-1174-2605-0	Screw BTS M2.6*5 Ni	18
6	14-0721-0004-0	Rivet panel	2
7	14-0318-0011-0	Panel-bracket right	1
8	13-1121-0004-0	Push	1
9	14-0221-0002-0	Spring-eject	1
10	14-1055-2005-0	Screw M2*5	9
11	89-CAD310-0166-0	Sk board	1
12	14-0107-0002-0	felt	2
13	13-0821-0001-0	Locker	1
14	14-0221-0003-0	Spring-locker	1
15	14-0721-0002-0	Shaft-locker	1
16	89-CAD310-0167-0	Front-PCB ass'y	1
17	13-1843-0001-1	Dustproof PVC plate	1
18	14-1254-2004-0	Screw Pw M2*4 color Zn	5
19	13-1106-0004-0	Damper	1
20	13-1121-0001-0	Gear	1
21	14-0721-0003-1	Rivet gear	1
22	14-0318-0012-0	Bracket-gear	1
23	13-0521-0715-1	Knob-eject	1
24	13-1021-0001-0	Lens-gate	1
25	14-0318-0009-0	Side stopper	2
26	14-0318-0006-C	Front U bracket	1
27	14-2621-0001-0	Mut	2
28	14-1170-3008-0	Screw M3*8	2
29	14-1151-2608-0	Screw PAM2*8 Ni	2
30	14-0343-0006-0	Deck front bracket	1
31	82-DVD705-SB01-A	Servo board ass'y	1
32	11-3501-0014-A	SHINWA DVD DECK DL-C28D1	1
33	14-1200-2619-0	Pivot screw M2.6*19	2
34	14-0538-0001-0	Top-cover	1
35	14-0343-0005-A	Deck rear bracket	1
36	14-1174-2610-0	SCREW BTS2610 NI	1
37	14-1474-2603-0	Screw M2.6*3	2
38	14-1174-2607-0	SCREW BTD2607 MI	1
39	14-2600-0001-0	Pole	1
40	13-1600-0001-0	Rubber	1
41	14-1174-2614-0	Screw BTS M2.6*14 Ni	2
42	14-0618-0001-0	Short sheet	1
43	11-2501-0002-0	Ant socket W/GND L230mm	1
44	14-1174-2621-0	Screw M2.6*21	2
45	14-0921-0003-B	Heat-sink for CM700	1
46	14-0331-0001-C	Bracket-Back for CAD510	1
47	14-0307-0013-1	Bracket-IC7386	1
48	83-DVD703RS-MB01-A	Main board ass'y	1
49	14-1080-2605-0	Screw M2.6*5	2
50	13-1721-0001-0	Isolator-sheet	1

Item	Assembly Part NO	Description	QTY
51	13-0448-0826-0	LENS OF DVD705	1
52	13-0148-0821-0	PANEL OF DVD705	1
53	13-0548-0804-0	Knob-SKIP/AMS CM705	1
54	13-0548-0808-0	KNOB LOUD/LOC/MONO FOR CM705	1
55	13-0548-0806-0	Knob-open CM705	1
56	14-0200-0007-0	CMV100,SPRING RELEASE NEW	1
57	13-0548-0807-0	Knob-band CM705	1
58	14-0305-0003-A	LCD COVER FOR CM110	1
59	11-2602-0030-0	LCD	1
60	11-3400-0001-0	ZEBRA STRIP FOR CM110	1
61	13-1048-0001-0	Filter sheet for CM705	1
62	13-0900-0002-A	Reflector lcd	1
63	13-0805-0001-C	LCD holder	1
64	82-CM705-KB02-C	KB-ASSMBLY	1
65	13-2321-0001-0	E-WASHER	2
66	14-0221-0004-0	I/R Rotation-spring	2
67	14-0721-0005-0	Right-slide-block-shift	1
68	13-1121-0003-A	Right-slide-block	1
69	14-0721-0001-0	Screw FTP M2*8	4
70	13-0248-0801-0	Panel back for CM705	1
71	14-0721-0001-0	Left-slide-block-shift	1
72	13-1121-0002-A	Left-slide-block	1
73	13-0800-0008-0	BRACKET FOR LED OF CMV100	1
74	13-0548-0803-0	Knob-number/loud/band CM705	1
75	13-0548-0801-0	Knob-power CM705	1
76	13-0548-0802-0	Knob-src/disp CM705	1
77	13-0948-0001-0	Light-guide volume CM705	1
78	13-0748-0501-0	Cosmetic-bar CM705	1
79	13-0648-0501-0	Knob-vol for CM705	1

MECHANICAL PARTS LIST(BLACK PANEL, RED LIGHT)

Item	Assembly Part NO	Description	QTY
1	84-DVD705RS-KB02-A	Front-panel ass'y DVD705	1
2	13-0721-0801-A	Rim	1
3	14-1074-2610-0	ScrewBTS M2.6*10 Black	2
4	13-0343-0001-B	Cabinet	1
5	14-1174-2605-0	Screw BTS M2.6*5 Ni	18
6	14-0721-0004-0	Rivet panel	2
7	14-0318-0011-0	Panel-bracket right	1
8	13-1121-0004-0	Push	1
9	14-0221-0002-0	Spring-eject	1
10	14-1055-2005-0	Screw M2*5	9
11	89-CAD310-0166-0	Sk board	1
12	14-0107-0002-0	felt	2
13	13-0821-0001-0	Locker	1
14	14-0221-0003-0	Spring-locker	1
15	14-0721-0002-0	Shaft-locker	1
16	89-CAD310-0167-0	Front-PCB ass'y	1
17	13-1843-0001-1	Dustproof PVC plate	1
18	14-1254-2004-0	Screw Pw M2*4 color Zn	5
19	13-1106-0004-0	Damper	1
20	13-1121-0001-0	Gear	1
21	14-0721-0003-1	Rivet gear	1
22	14-0318-0012-0	Bracket-gear	1
23	13-0521-0715-1	Knob-eject	1
24	13-1021-0001-0	Lens-gate	1
25	14-0318-0009-0	Side stopper	2
26	14-0318-0006-C	Front U bracket	1
27	14-2621-0001-0	Mut	2
28	14-1170-3008-0	Screw M3*8	2
29	14-1151-2608-0	Screw PAM2*8 Ni	2
30	14-0343-0006-0	Deck front bracket	1
31	82-DVD705-SB01-A	Servo board ass'y	1
32	11-3501-0014-A	SHINWA DVD DECK DL-C28D1	1
33	14-1200-2619-0	Pivot screw M2.6*19	2
34	14-0538-0001-0	Top-cover	1
35	14-0343-0005-A	Deck rear bracket	1
36	14-1174-2610-0	SCREW BTS2610 NI	1
37	14-1474-2603-0	Screw M2.6*3	2
38	14-1174-2607-0	SCREW BTD2607 MI	1
39	14-2600-0001-0	Pole	1
40	13-1600-0001-0	Rubber	1
41	14-1174-2614-0	Screw BTS M2.6*14 Ni	2
42	14-0618-0001-0	Short sheet	1
43	11-2501-0002-0	Ant socket W/GND L230mm	1
44	14-1174-2621-0	Screw M2.6*21	2
45	14-0921-0003-B	Heat-sink for CM700	1
46	14-0331-0001-C	Bracket-Back for CAD510	1
47	14-0307-0013-1	Bracket-IC7386	1
48	83-DVD703RS-MB01-A	Main board ass'y	1
49	14-1080-2605-0	Screw M2.6*5	2
50	13-1721-0001-0	Isolator-sheet	1

Item	Assembly Part NO	Description	QTY
51	13-0448-0826-0	LENS OF DVD705	1
52	13-0148-0821-0	PANEL OF DVD705	1
53	13-0548-0804-0	Knob-SKIP/AMS CM705	1
54	13-0548-0808-0	KNOB LOUD/LOC/MONO FOR CM705	1
55	13-0548-0806-0	Knob-open CM705	1
56	14-0200-0007-0	CMV100,SPRING RELEASE NEW	1
57	13-0548-0807-0	Knob-band CM705	1
58	14-0305-0003-A	LCD COVER FOR CM110	1
59	11-2602-0030-0	LCD	1
60	11-3400-0001-0	ZEBRA STRIP FOR CM110	1
61	13-1048-0001-0	Filter sheet for CM705	1
62	13-0900-0002-A	Reflector lcd	1
63	13-0805-0001-C	LCD holder	1
64	82-CM705-KB00-C	KB-ASSMBLY	1
65	13-2321-0001-0	E-WASHER	2
66	14-0221-0004-0	I/R Rotation-spring	2
67	14-0721-0005-0	Right-slide-block-shift	1
68	13-1121-0003-A	Right-slide-block	1
69	14-0721-0001-0	Screw FTP M2*8	4
70	13-0248-0801-0	Panel back for CM705	1
71	14-0721-0001-0	Left-slide-block-shift	1
72	13-1121-0002-A	Left-slide-block	1
73	13-0800-0008-0	BRACKET FOR LED OF CMV100	1
74	13-0548-0803-0	Knob-number/loud/band CM705	1
75	13-0548-0801-0	Knob-power CM705	1
76	13-0548-0802-0	Knob-src/disp CM705	1
77	13-0948-0001-0	Light-guide volume CM705	1
78	13-0748-0501-0	Cosmetic-bar CM705	1
79	13-0648-0501-0	Knob-vol for CM705	1

MECHANICAL PARTS LIST(SILVER PANEL, GREEN LIGHT)

Item	Assembly Part NO	Description	QTY
1	84-DVD705RS-KB01-A	Front-panel ass'y DVD705	1
2	13-0721-0701-A	Rim	1
3	14-1074-2610-0	ScrewBTS M2.6*10 Black	2
4	13-0343-0001-B	Cabinet	1
5	14-1174-2605-0	Screw BTS M2.6*5 Ni	18
6	14-0721-0004-0	Rivet panel	2
7	14-0318-0011-0	Panel-bracket right	1
8	13-1121-0004-0	Push	1
9	14-0221-0002-0	Spring-eject	1
10	14-1055-2005-0	Screw M2*5	9
11	89-CAD310-0166-0	Sk board	1
12	14-0107-0002-0	felt	2
13	13-0821-0001-0	Locker	1
14	14-0221-0003-0	Spring-locker	1
15	14-0721-0002-0	Shaft-locker	1
16	89-CAD310-0167-0	Front-PCB ass'y	1
17	13-1843-0001-1	Dustproof PVC plate	1
18	14-1254-2004-0	Screw Pw M2*4 color Zn	5
19	13-1106-0004-0	Damper	1
20	13-1121-0001-0	Gear	1
21	14-0721-0003-1	Rivet gear	1
22	14-0318-0012-0	Bracket-gear	1
23	13-0521-0715-1	Knob-eject	1
24	13-1021-0001-0	Lens-gate	1
25	14-0318-0009-0	Side stopper	2
26	14-0318-0006-C	Front U bracket	1
27	14-2621-0001-0	Mut	2
28	14-1170-3008-0	Screw M3*8	2
29	14-1151-2608-0	Screw PAM2*8 Ni	2
30	14-0343-0006-0	Deck front bracket	1
31	82-DVD705-SB01-A	Servo board ass'y	1
32	11-3501-0014-A	SHINWA DVD DECK DL-C28D1	1
33	14-1200-2619-0	Pivot screw M2.6*19	2
34	14-0538-0001-0	Top-cover	1
35	14-0343-0005-A	Deck rear bracket	1
36	14-1174-2610-0	SCREW BTS2610 NI	1
37	14-1474-2603-0	Screw M2.6*3	2
38	14-1174-2607-0	SCREW BTD2607 MI	1
39	14-2600-0001-0	Pole	1
40	13-1600-0001-0	Rubber	1
41	14-1174-2614-0	Screw BTS M2.6*14 Ni	2
42	14-0618-0001-0	Short sheet	1
43	11-2501-0002-0	Ant socket W/GND L230mm	1
44	14-1174-2621-0	Screw M2.6*21	2
45	14-0921-0003-B	Heat-sink for CM700	1
46	14-0331-0001-C	Bracket-Back for CAD510	1
47	14-0307-0013-1	Bracket-IC7386	1
48	83-DVD703RS-MB01-A	Main board ass'y	1
49	14-1080-2605-0	Screw M2.6*5	2
50	13-1721-0001-0	Isolator-sheet	1

Item	Assembly Part NO	Description	QTY
51	13-0448-0826-0	LENS OF DVD705	1
52	13-0148-0721-0	PANEL OF DVD705RS 58C PROLOGY SILVER	1
53	13-0548-0704-0	Knob-SKIP/AMS CM705	1
54	13-0548-0708-0	KNOB LOUD/LOC/MONO FOR CM705 NO RDS	1
55	13-0548-0706-0	Knob-open CM705	1
56	14-0200-0007-0	CMV100,SPRING RELEASE NEW	1
57	13-0548-0707-0	KNOB-NUMBER/BAND FOR CM705	1
58	14-0305-0003-A	LCD COVER FOR CM110	1
59	11-2602-0030-0	LCD	1
60	11-3400-0001-0	ZEBRA STRIP FOR CM110	1
61	13-1048-0001-0	Filter sheet for CM705	1
62	13-0900-0002-A	Reflector lcd	1
63	13-0805-0001-C	LCD holder	1
64	82-CM705-KB02-C	KB-ASSMBLY	1
65	13-2321-0001-0	E-WASHER	2
66	14-0221-0004-0	I/R Rotation-spring	2
67	14-0721-0005-0	Right-slide-block-shift	1
68	13-1121-0003-A	Right-slide-block	1
69	14-0721-0001-0	Screw FTP M2*8	4
70	13-0248-0801-0	Panel back for CM705	1
71	14-0721-0001-0	Left-slide-block-shift	1
72	13-1121-0002-A	Left-slide-block	1
73	13-0800-0008-0	BRACKET FOR LED OF CMV100	1
74	13-0548-0703-0	KNOB-NUMBER/MUTE FOR CM705	1
75	13-0548-0701-0	Knob-power CM705	1
76	13-0548-0702-0	Knob-src/disp CM705	1
77	13-0948-0001-0	Light-guide volume CM705	1
78	13-0748-0501-0	Cosmetic-bar CM705	1
79	13-0648-0501-0	Knob-vol for CM705	1

MECHANICAL PARTS LIST(SILVER PANEL, RED LIGHT)

Item	Assembly Part NO	Description	QTY
1	84-DVD705RS-KB03-A	Front-panel ass'y DVD705	1
2	13-0721-0701-A	Rim	1
3	14-1074-2610-0	ScrewBTS M2.6*10 Black	2
4	13-0343-0001-B	Cabinet	1
5	14-1174-2605-0	Screw BTS M2.6*5 Ni	18
6	14-0721-0004-0	Rivet panel	2
7	14-0318-0011-0	Panel-bracket right	1
8	13-1121-0004-0	Push	1
9	14-0221-0002-0	Spring-eject	1
10	14-1055-2005-0	Screw M2*5	9
11	89-CAD310-0166-0	Sk board	1
12	14-0107-0002-0	felt	2
13	13-0821-0001-0	Locker	1
14	14-0221-0003-0	Spring-locker	1
15	14-0721-0002-0	Shaft-locker	1
16	89-CAD310-0167-0	Front-PCB ass'y	1
17	13-1843-0001-1	Dustproof PVC plate	1
18	14-1254-2004-0	Screw Pw M2*4 color Zn	5
19	13-1106-0004-0	Damper	1
20	13-1121-0001-0	Gear	1
21	14-0721-0003-1	Rivet gear	1
22	14-0318-0012-0	Bracket-gear	1
23	13-0521-0715-1	Knob-eject	1
24	13-1021-0001-0	Lens-gate	1
25	14-0318-0009-0	Side stopper	2
26	14-0318-0006-C	Front U bracket	1
27	14-2621-0001-0	Mut	2
28	14-1170-3008-0	Screw M3*8	2
29	14-1151-2608-0	Screw PAM2*8 Ni	2
30	14-0343-0006-0	Deck front bracket	1
31	82-DVD705-SB01-A	Servo board ass'y	1
32	11-3501-0014-A	SHINWA DVD DECK DL-C28D1	1
33	14-1200-2619-0	Pivot screw M2.6*19	2
34	14-0538-0001-0	Top-cover	1
35	14-0343-0005-A	Deck rear bracket	1
36	14-1174-2610-0	SCREW BTS2610 NI	1
37	14-1474-2603-0	Screw M2.6*3	2
38	14-1174-2607-0	SCREW BTD2607 MI	1
39	14-2600-0001-0	Pole	1
40	13-1600-0001-0	Rubber	1
41	14-1174-2614-0	Screw BTS M2.6*14 Ni	2
42	14-0618-0001-0	Short sheet	1
43	11-2501-0002-0	Ant socket W/GND L230mm	1
44	14-1174-2621-0	Screw M2.6*21	2
45	14-0921-0003-B	Heat-sink for CM700	1
46	14-0331-0001-C	Bracket-Back for CAD510	1
47	14-0307-0013-1	Bracket-IC7386	1
48	83-DVD703RS-MB01-A	Main board ass'y	1
49	14-1080-2605-0	Screw M2.6*5	2
50	13-1721-0001-0	Isolator-sheet	1

Item	Assembly Part NO	Description	QTY
51	13-0448-0826-0	LENS OF DVD705	1
52	13-0148-0721-0	PANEL OF DVD705RS 58C PROLOGY SILVER	1
53	13-0548-0704-0	Knob-SKIP/AMS CM705	1
54	13-0548-0708-0	KNOB LOUD/LOC/MONO FOR CM705 NO RDS	1
55	13-0548-0706-0	Knob-open CM705	1
56	14-0200-0007-0	CMV100,SPRING RELEASE NEW	1
57	13-0548-0707-0	KNOB-NUMBER/BAND FOR CM705	1
58	14-0305-0003-A	LCD COVER FOR CM110	1
59	11-2602-0030-0	LCD	1
60	11-3400-0001-0	ZEBRA STRIP FOR CM110	1
61	13-1048-0001-0	Filter sheet for CM705	1
62	13-0900-0002-A	Reflector lcd	1
63	13-0805-0001-C	LCD holder	1
64	82-CM705-KB00-C	KB-ASSMBLY	1
65	13-2321-0001-0	E-WASHER	2
66	14-0221-0004-0	I/R Rotation-spring	2
67	14-0721-0005-0	Right-slide-block-shift	1
68	13-1121-0003-A	Right-slide-block	1
69	14-0721-0001-0	Screw FTP M2*8	4
70	13-0248-0801-0	Panel back for CM705	1
71	14-0721-0001-0	Left-slide-block-shift	1
72	13-1121-0002-A	Left-slide-block	1
73	13-0800-0008-0	BRACKET FOR LED OF CMV100	1
74	13-0548-0703-0	KNOB-NUMBER/MUTE FOR CM705	1
75	13-0548-0701-0	Knob-power CM705	1
76	13-0548-0702-0	Knob-src/disp CM705	1
77	13-0948-0001-0	Light-guide volume CM705	1
78	13-0748-0501-0	Cosmetic-bar CM705	1
79	13-0648-0501-0	Knob-vol for CM705	1