

Service
Service

Service Manual

TABLE OF CONTENTS

	Page
Technical Specifications	1-2
Measurement setup	1-3
Service Aids, Safety Instruction, etc	1-4 to 1-5
Preparations & Controls	1-6 to 1-8
Maintenance & Troubleshooting	1-9
Disassembly Instructions & Service positions	2
Set Block diagram	3
Set Wiring diagram	4
Key Board	5
Servo Board	6
Main Board	7
Set Mechanical Exploded view & parts list	8

SPECIFICATIONS

■ General

Power supply:	12V DC(11V-16V) Test voltage 14.4V, negative ground
Maximum power output:	55Wx4 channels
Continuous power output:	25Wx4 channels (4 Ω 10% T.H.D.)
Suitable speaker impedance:	4-8 ohm
Pre-Amp output voltage:	4.0V(CD play mode: 1KHz, 0 dB, 10 K Ω load)
Fuse:	15A
Dimensions(WxHxD)	178x50x166mm
Weight:	1.7kg
Aux-in level:	\geq 300 mV
Sub-out:	4.0V

■ FM Stereo Radio

Frequency range:	87.5-108.0 Mhz (EUROPE MODE) 87.5-107.9Mhz (USA MODE) 65.0 - 74.0 MHz (OIRT MODE)
Usable sensitivity:	8 dB μ
Frequency response:	30 Hz-15kHz
Stereo separation:	30dB(1kHz)
Image response ratio:	50dB
IF response ratio:	70dB
Signal/noise ratio	>55dB

■ Disc Player

System:	Disc digital audio system
Frequency response:	20 Hz - 20 kHz
Signal/noise ratio:	>80 dB
Total harmonic distortion:	Less than 0.20%(1 kHz)
Channel separation:	>60 dB
Video signal format system:	PAL/NTSC
Video:	
video output:	1 \pm 0.2V
horizontal nesowtiou:	\geq 500 lines

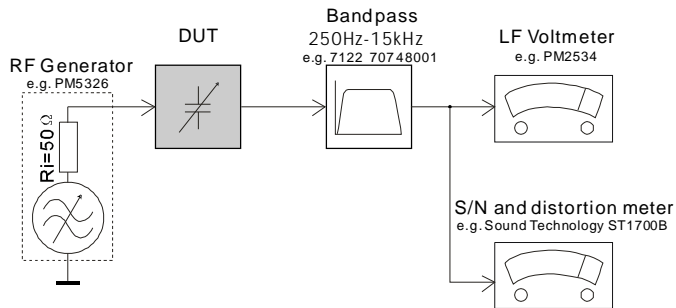
■ Components

Mounting collar	1
Tapping screws M5x6 mm	4
M4x6 mm	4
Mounting bolt (50 mm)	1
Wire connector	1
Removable face plate case	1
Trim plate	1
T-key	2
Operating Instructions	1
Rubber cushion	1
Remote controller	1

Note: Specifications and design are subject to change without notice for product improvements.

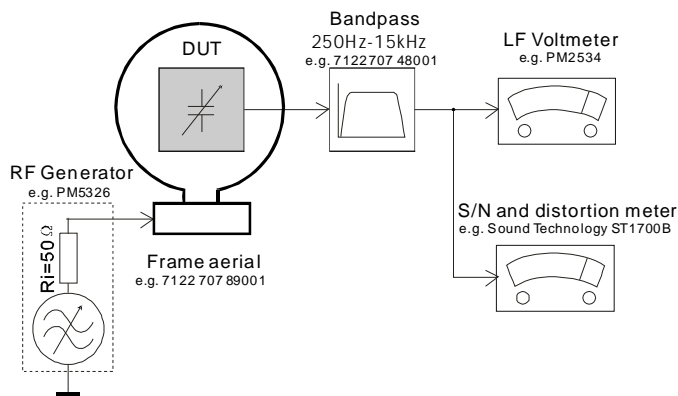
MEASUREMENT SETUP

Tuner FM



Use a bandpass filter to eliminate hum(50Hz,100Hz) and disturbance from the pilotone(19kHz,38kHz).

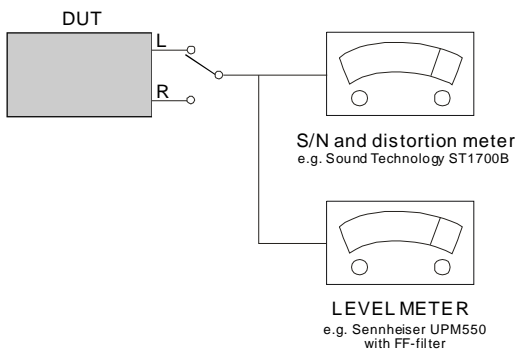
Tuner AM (MW,LW)



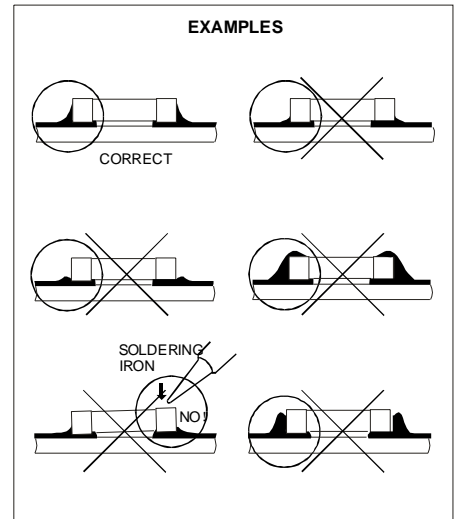
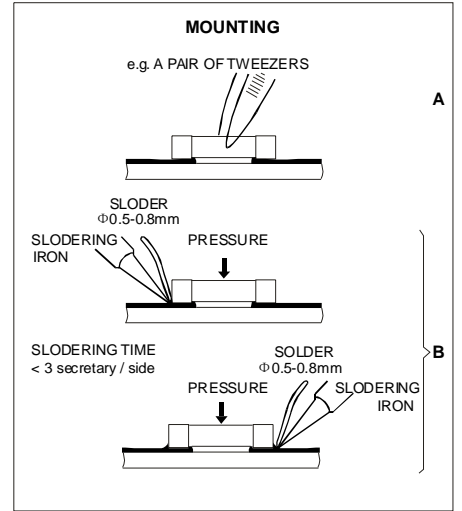
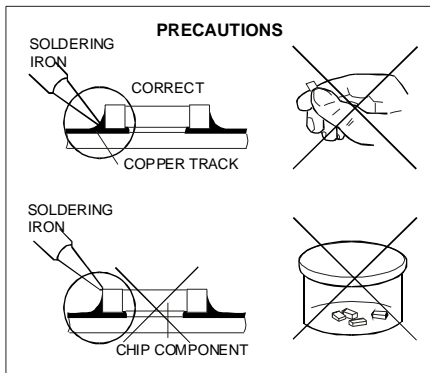
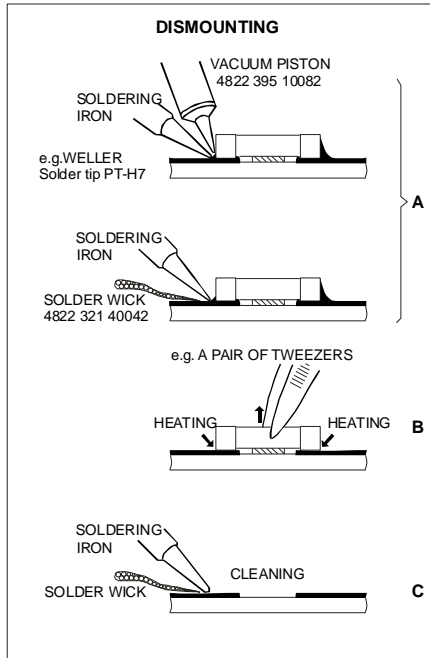
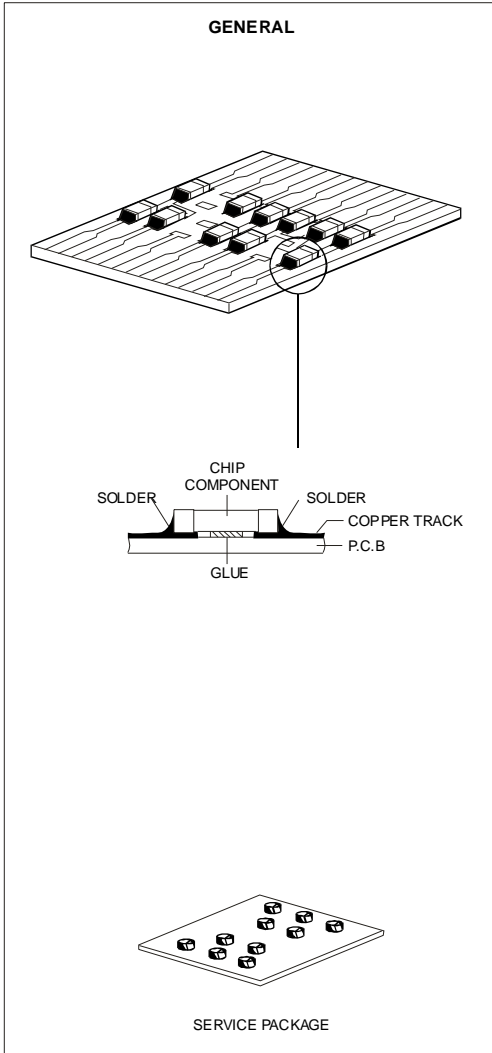
To avoid atmospheric interference all AM-measurements have to be carried out in a Faraday's cage. Use a bandpass filter (or at least a high pass filter with 250Hz) to eliminate hum (50Hz,100Hz).

CD

Use Audio Signal Disc SBC429 4822 397 30184 (replaces test disc 3)



HANDLING CHIP COMPONENTS



GB WARNING

All ICs and many other semi-conductors are susceptible to electrostatic discharges (ESD). Careless handling during repair can reduce life drastically.

When repairing, make sure that you are connected with the same potential as the mass of the set via a wrist wrap with resistance. Keep components and tools also at this potential.

ESD**NL WAARSCHUWING**

Alle IC's en vele andere halfgeleiders zijn gevoelig voor electrostatische ontladingen (ESD).

Onzorgvuldig behandelen tijdens reparatie kan de levensduur drastisch doen verminderen. Zorg ervoor dat u tijdens reparatie via een polsband met weerstand verbonden bent met hetzelfde potentiaal als de massa van het apparaat. Houd componenten en hulpmiddelen ook op ditzelfde potentiaal.

F ATTENTION

Tous les IC et beaucoup d'autres semi-conducteurs sont sensibles aux décharges statiques(ESD).

Leur longévité pourrait être considérablement écourtée par le fait qu'aucune précaution n'est prise à leur manipulation.

Lors de réparations, s'assurer de bien être relié au même potentiel que la masse de l'appareil et enfiler le bracelet serti d'une résistance de sécurité.

Veiller à ce que les composants ainsi que les outils que l'on utilise soient également à ce potentiel.

D WARNING

Alle ICs und viele andere Halbleiter sind empfindlich gegenüber elektrostatischen Entladungen(ESD).

Unvorsichtige Behandlung im Reparaturfall kann die Lebensdauer drastisch reduzieren.

Veranlassen Sie, dass Sie im Reparaturfall über ein Pulsarmband mit Widerstand verbunden sind mit dem gleichen Potential wie die Masse des Gerätes.

Bauteile und Hilfsmittel auch auf dieses gleiche Potential halten.

I AVVERTIMENTO

Tutti IC e parecchi semi-conduttori sono sensibili alle scariche statiche(ESD).

La loro longevità potrebbe essere fortemente ridatta in caso di non osservazione della più grande cauzione alla loro manipolazione.

Durante le riparazioni occorre quindi essere collegato allo stesso potenziale che quello della massa dell'apparecchio tramite un bracciale a resistenza.

Assicurarsi che i componenti e anche gli utensili con quali si lavora siano anche a questo potenziale.

GB ATTENTION

Safety regulations require that the set be restored to its original condition and that parts which are identical with those specified, be used.

"Pour votre sécurité, ces documents doivent être utilisés par des spécialistes agréés, seuls habilités à réparer votre appareil en panne."

NL

Veiligheidsbepalingen vereisen, dat het apparaat bij reparatie in zijn oorspronkelijke toestand wordt teruggebracht en dat onderdelen, identiek aan de gespecificeerde, worden toegepast.

F

Les normes de sécurité exigent que l'appareil soit remis à l'état d'origine et que soient utilisées les pièces de rechange identiques à celles spécifiées.

D

Bei jeder Reparatur sind die geltenden Sicherheitsvorschriften zu beachten. Der Originalzustand des Geräts darf nicht verändert werden; für Reparaturen sind Original-Ersatzteile zu verwenden.

I

Le norme di sicurezza esigono che l'apparecchio venga rimesso nelle condizioni originali e che siano utilizzati i pezzi di ricambio identici a quelli specificati.

"After servicing and before returning set to customer perform a leakage current measurement test from all exposed metal parts to earth ground to assure no shock hazard exist. The leakage current must not exceed 0.5mA."

**GB Warning!**

Invisible laser radiation when open. Avoid direct exposure to beam.

S Varning!

Osynlig laserstrålning när apparaten är öppnad och spärrar är urkopplad. Betrakta ej strålen.

SF Varoitus!

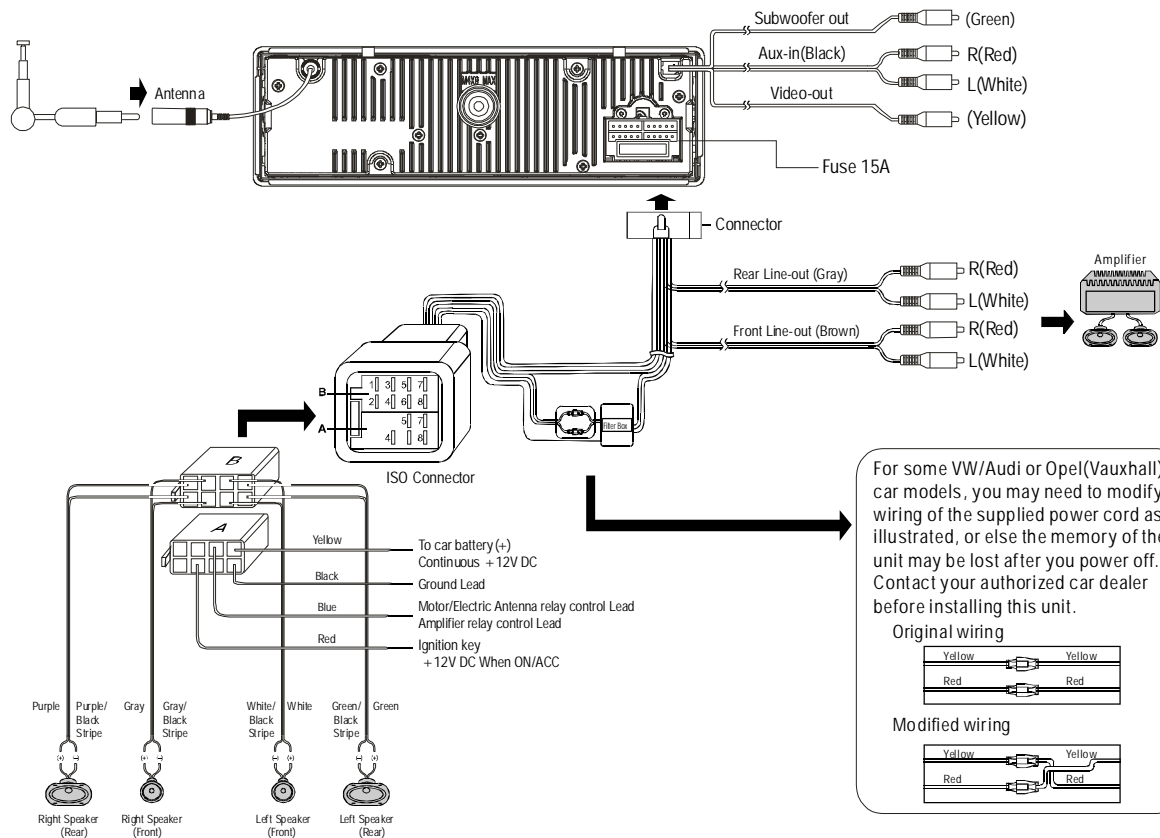
Avatussa laitteessa ja suojalukituksen ohitettaessa olet alttiina näkymättömälle laserisäteilylle. Älä katso säteeseen!

DK Advarsel!

Usynlig laserstrålning ved åbning når sikkerhedsafbrydere er ude af funktion. Undgå udsættelse for stråling.

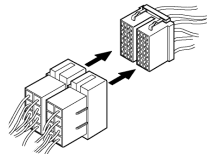
PREPARATIONS

■ Wiring Diagram



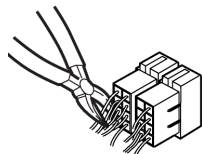
■ Using the ISO Connector

1.If your car is equipped with the ISO connector, then connect the ISO connectors as illustrated.




2. For connections without the ISO connectors, check the wiring in the vehicle carefully before connecting, incorrect connection may cause serious damage to this unit.

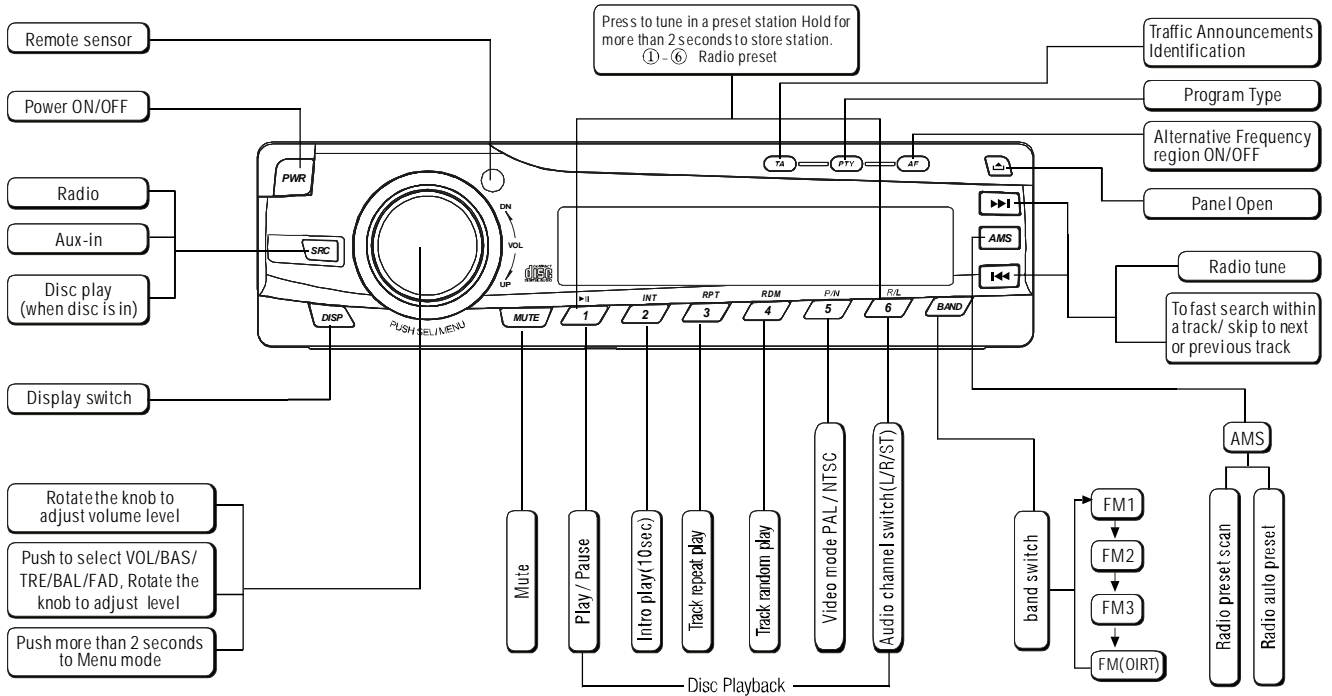
Cut the connector, connect the colored leads of the power cord to the car battery, as shown in the colour code table below for speaker and power cable connections



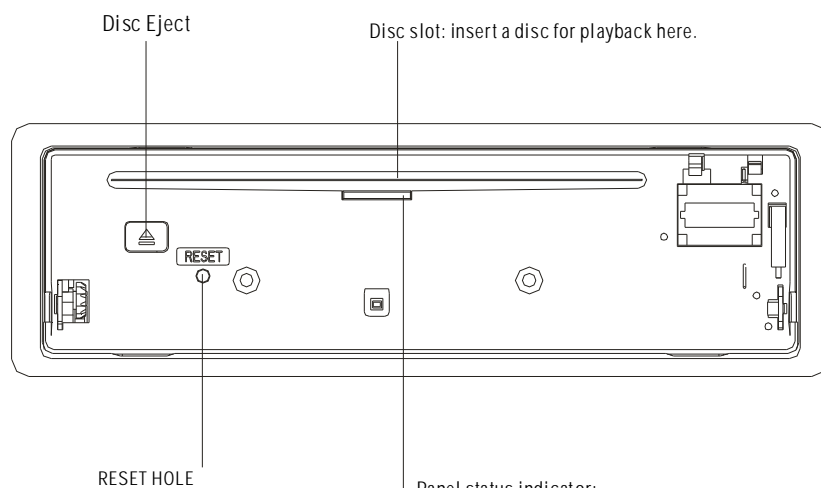
LOCATION	FUNCTION	
	Connector A	Connector B
1		Rear Right (+) - Purple
2		Rear Right (-) - Purple / Black Stripe
3		Front Right (+) - Gray
4	ACC+/red	Front Right (-) - Gray / Black Stripe
5	Auto Antenna/blue	Front Left (+) - White
6		Front Left (-) - White / Black Stripe
7	Battery 12V(+)/yellow	Rear Left (+) - Green
8	Ground/black	Rear Left (-) - Green / Black Stripe

CONTROLS

Power on : press any button on the panel except  to turn on the unit.



Press the  button to open the panel and press  to eject the disc.

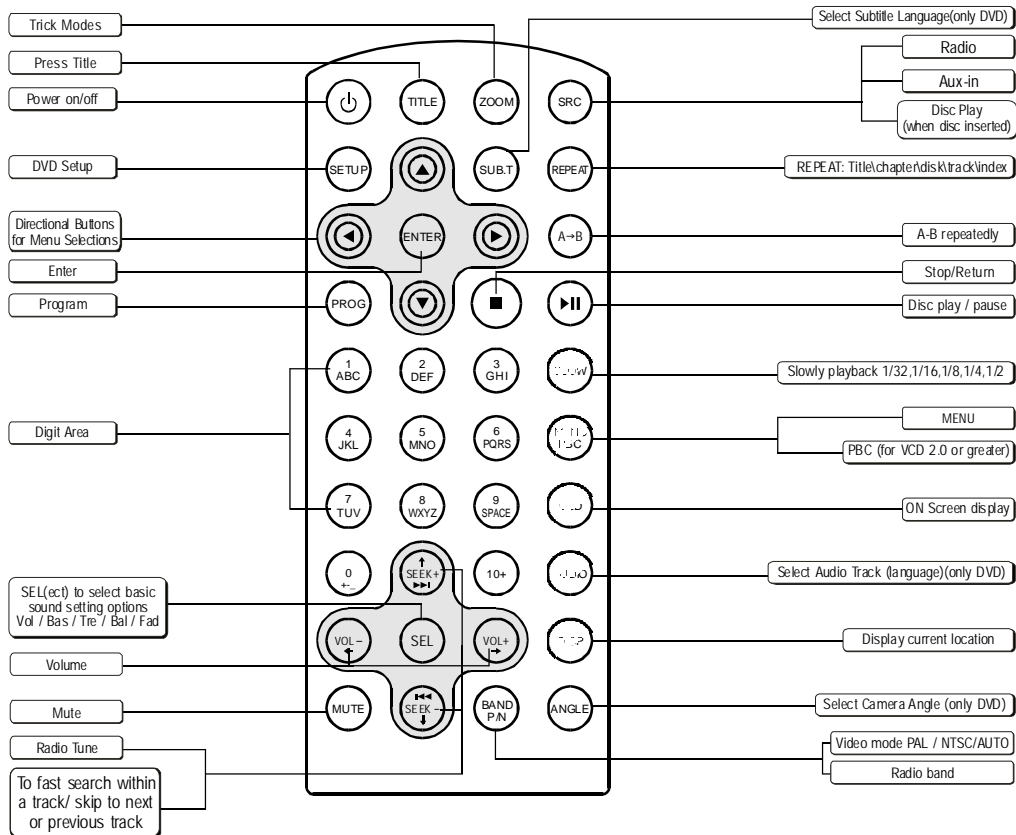


Note: Pressing the RESET hole will erase the clock setting and stored stations.

Panel status indicator:
Lights up when you slide the panel down;
Flashes when you remove the panel.

REMOTE CONTROLS

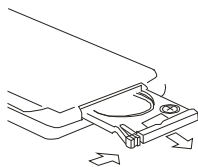
Power On : Press any button on the remote control to turn on the unit.



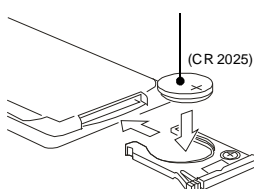
Replacing the lithium battery of remote control unit.

* When the operation range of the card remote control becomes short or no Properly, replace the lithium battery with a new one. Make sure the battery polarity replacement is correct.

1. Pull out the battery holder while pressing the stopper.



2. Insert the button-type lithium battery with the (+) mark facing upward. Insert the battery holder into the remote control.



WARNINGS:

- Store the battery in place where children cannot reach. If a child accidentally swallows the battery, consult a doctor immediately.
- Do not recharge, short, disassemble or heat the battery or dispose it in a fire.
- Doing any of these things may cause the battery to give off heat, crack or start a fire.
- Do not leave the battery with other metallic materials. Doing this may cause the battery to give off heat, crack or start a fire.
- When throwing away or saving the battery, wrap it in tape and insulate; otherwise, the battery may start to give off heat, crack or start a fire.
- Do not poke the battery with tweezers or similar tools. Doing this may cause the battery to give off heat, crack or start a fire.

MAINTENANCE AND TROUBLESHOOTING

Maintenance

Clearing disc

When a disc becomes dirty clean it with a cleaning cloth.
Wipe the disc from the center out.

Cleaning the disc lens

After prolonged use, dirt or dust may accumulate at the lens. To ensure good playback quality, clean the disc with Philips CD lens Cleaner or any commercially available cleaner. Follow the instructions supplied with cleaner.

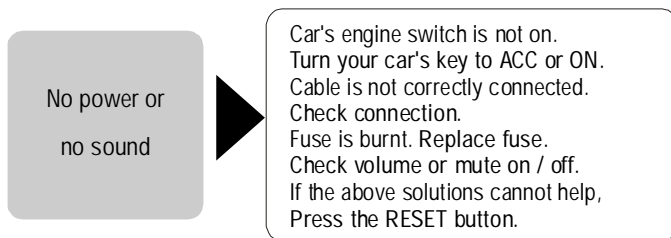
Cleaning the heads and the Tape Parts

To ensure good playback quality, clean the heads (A), the capstan (B), and pressure roller (C) after every 50 hours of tape operation. Use a cotton swab slightly moistened with cleaning fluid or alcohol. You can also clean the heads by playing a cleaning tape once.

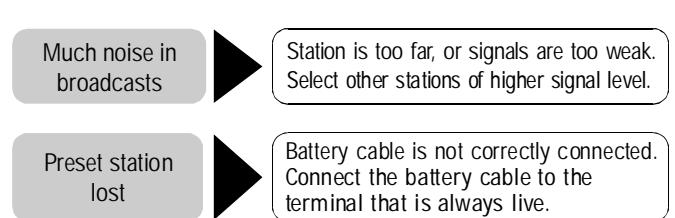
Troubleshooting

If you suspect something is wrong, immediately switch power off. Immediately stop using it and call the store where you purchased it. Never try to repair the unit yourself because it is dangerous to do so.

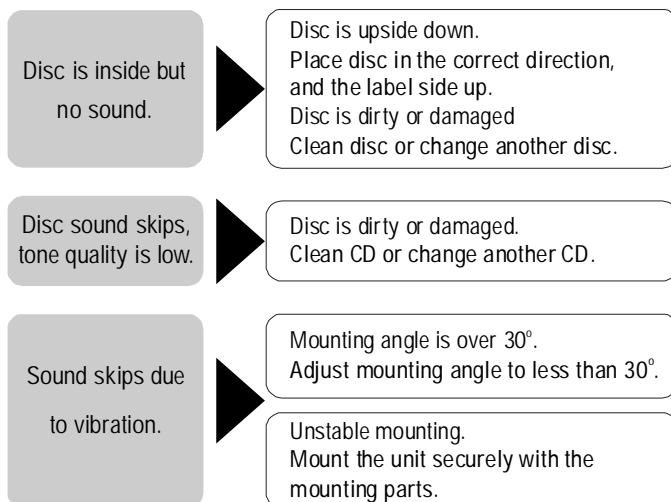
■ General



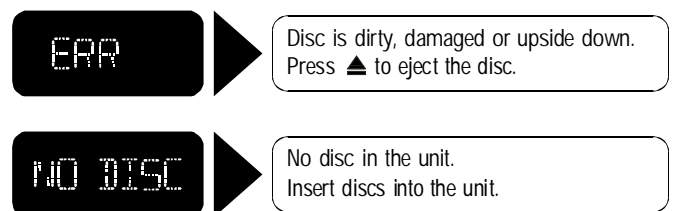
■ Radio



■ Disc



■ Error Display Messages

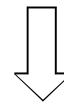
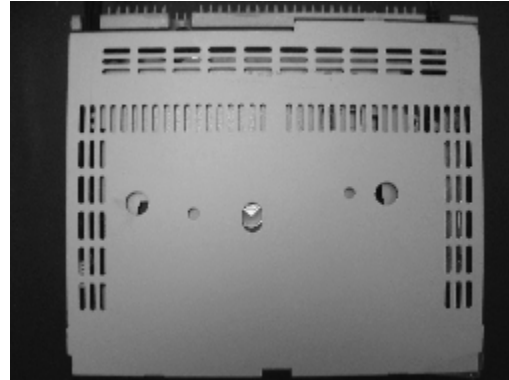


DISMANTLING INSTRUCTIONS

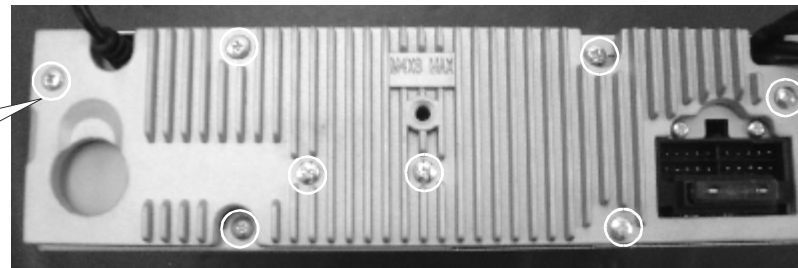
1 Pull out the short sheet from main set.



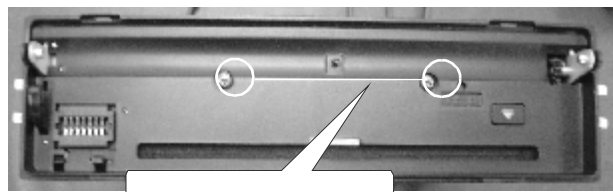
2 Remove top and bottom covers.



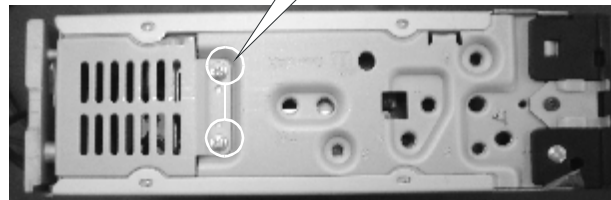
Loosen 8 screws to remove heatsink & top cover & bottom cover.



3 Loosen 4 pcs screw to remove Front Cabinet.



Remove 2 pcs screw from front cabinet.

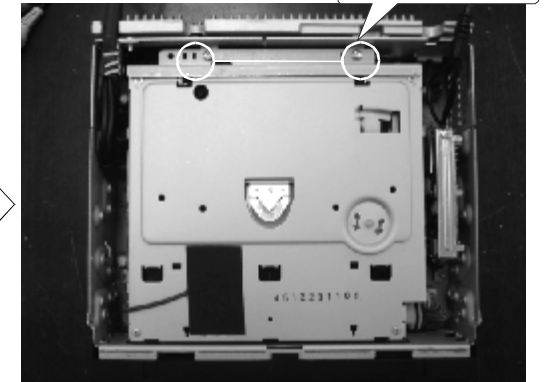
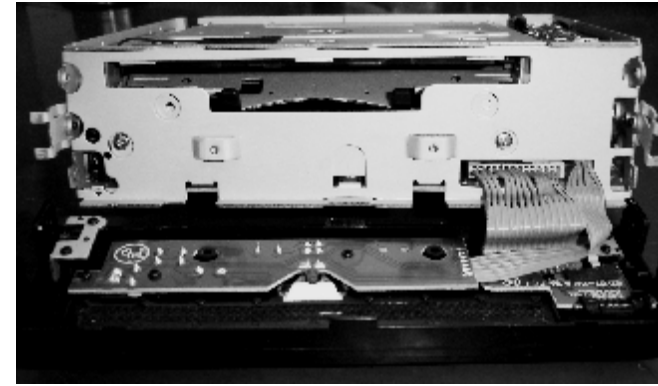


Remove the 2 pcs screw to dismantle the frame.



Remove the 2 pcs screw to dismantle the frame.

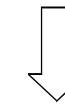
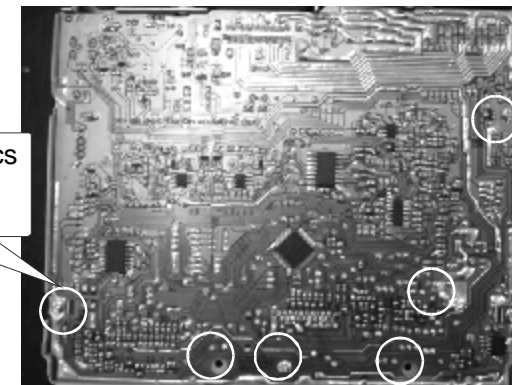
4 Remove CD loader



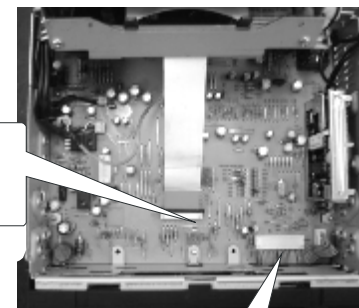
Remove 2 pcs screw on the top of loader.



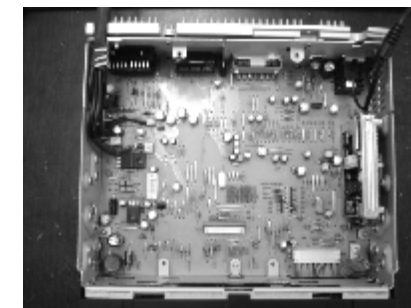
Remove 6 pcs screw on the main board.



Pull out FPC wire.



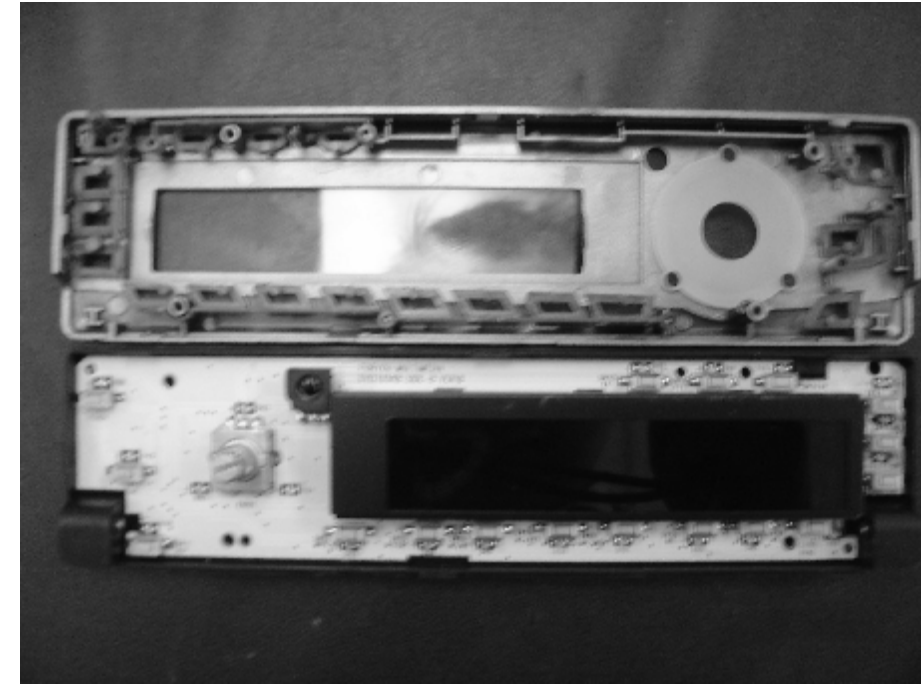
Remove the two connectors from the mainboard.



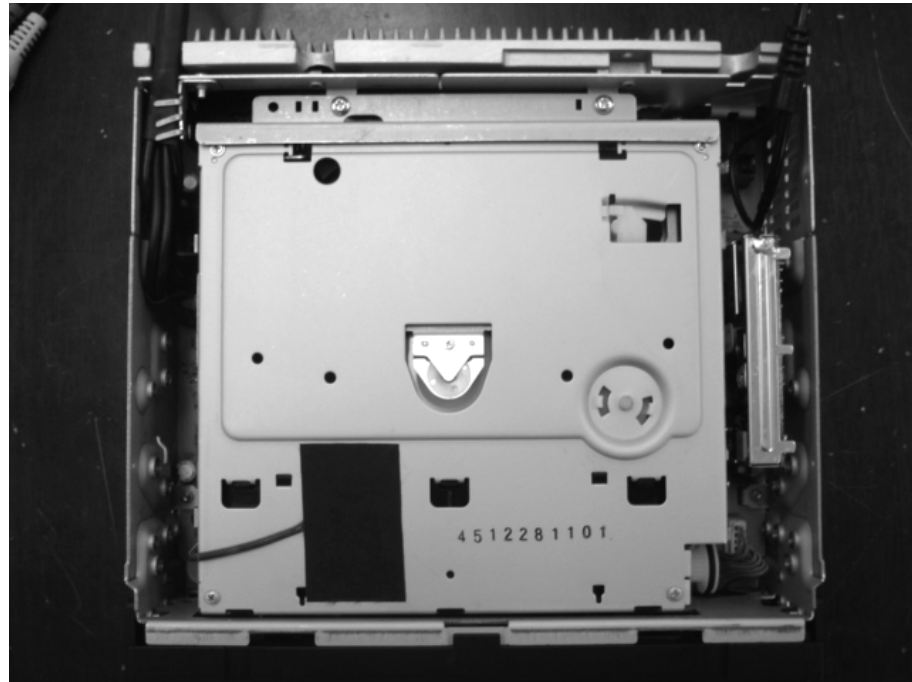
DISMANTLING INSTRUCTIONS



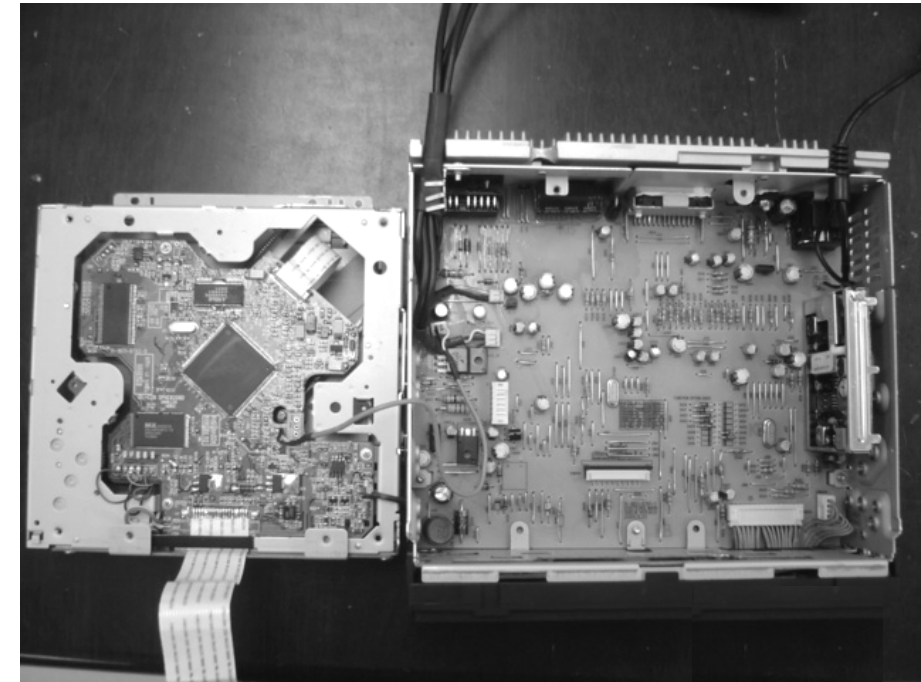
Service Position A



Service Position C



Service Position B

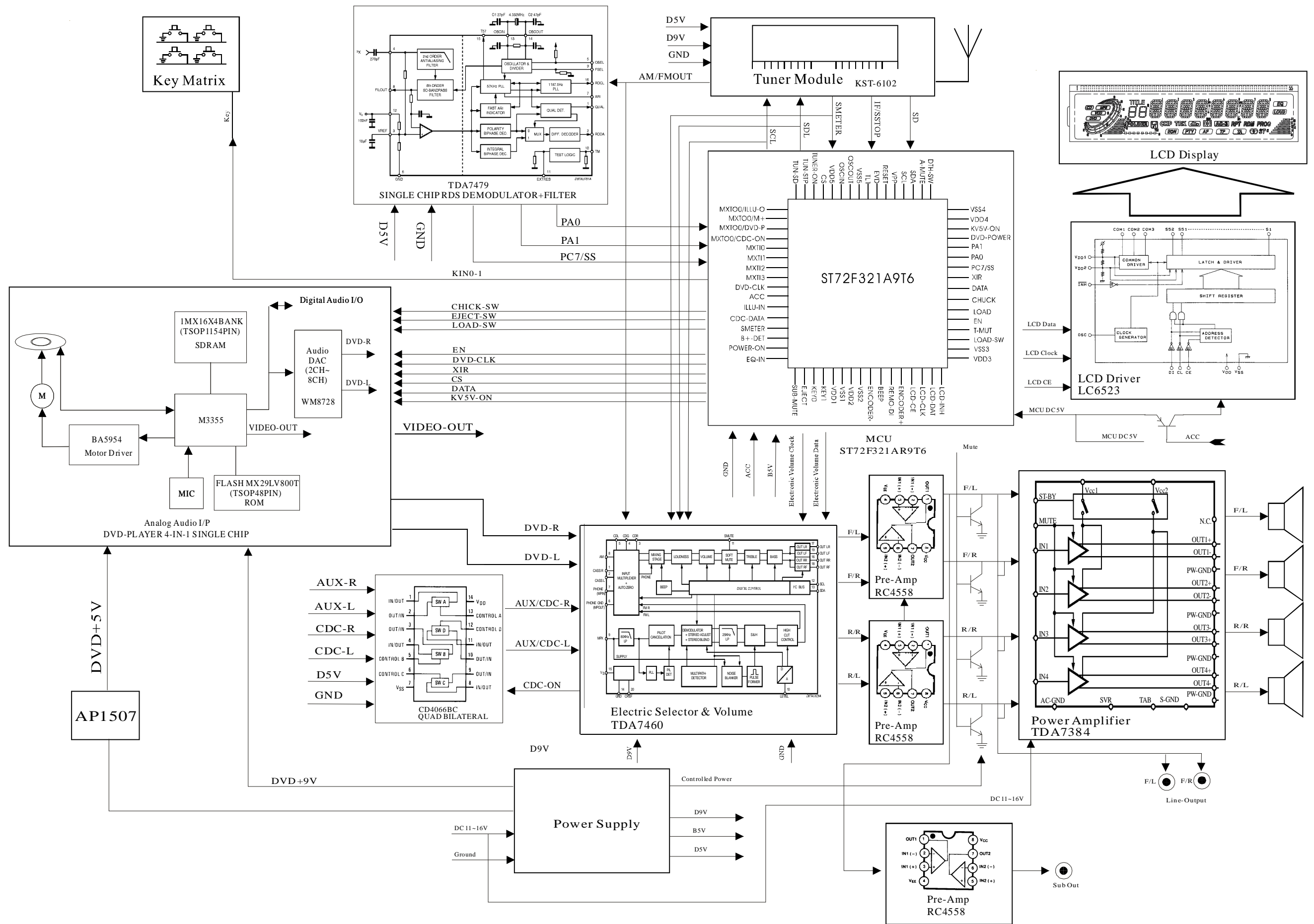


Service Position D

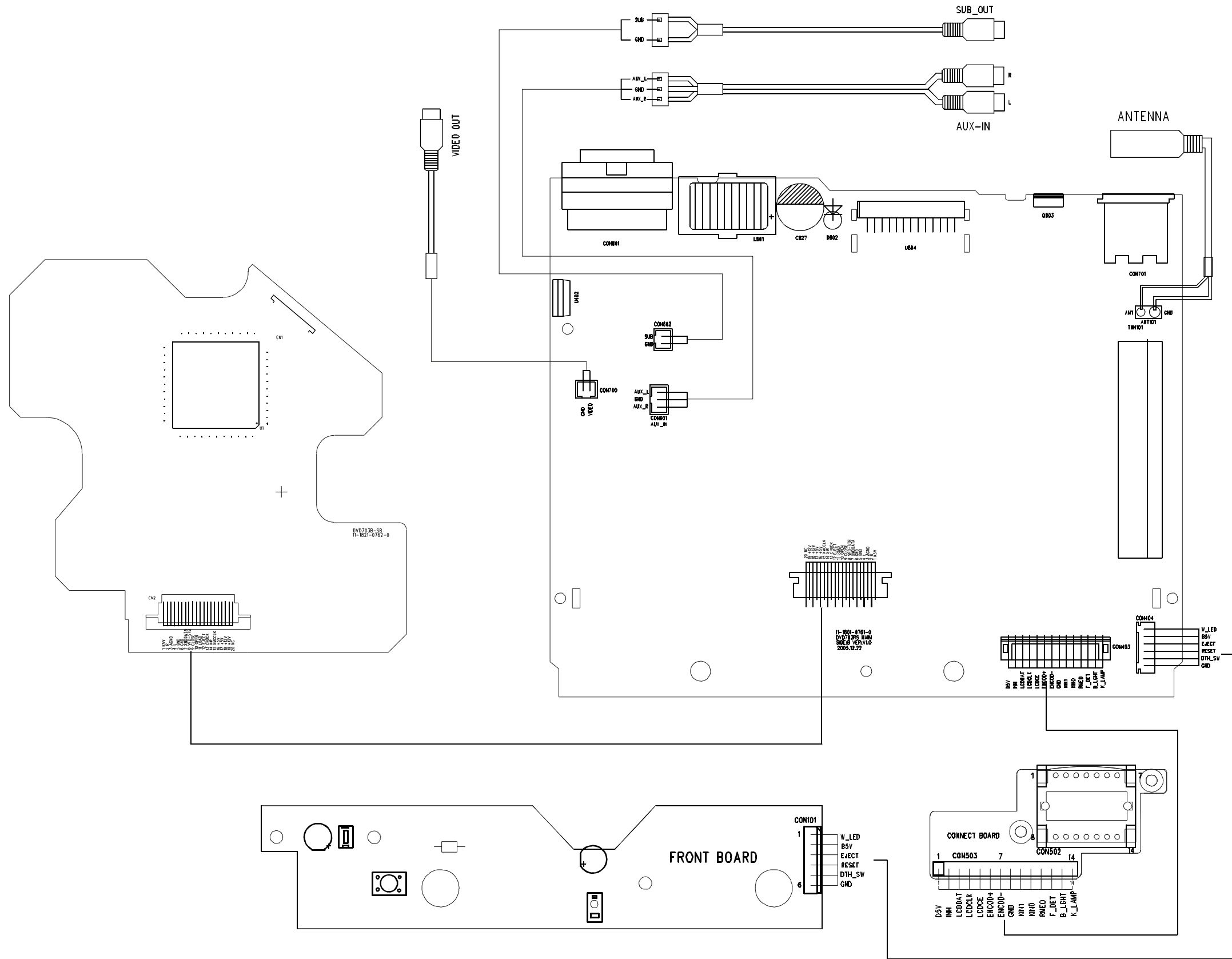
SET BLOCK DIAGRAM

3

3



SET WIRING DIAGRAM

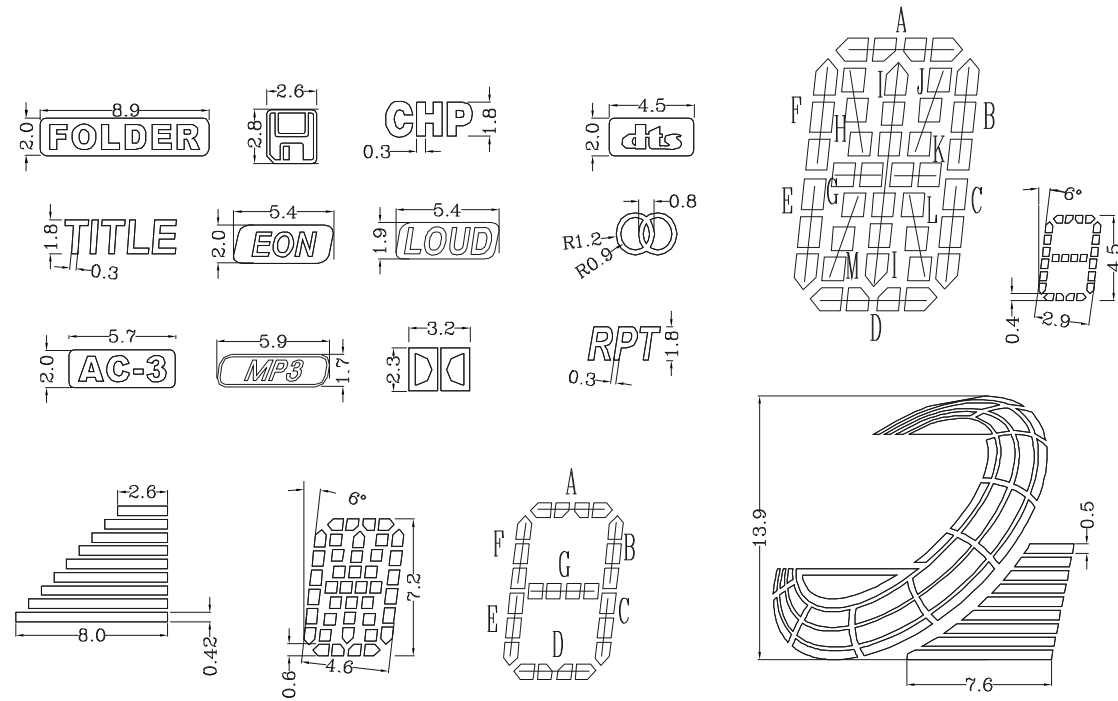
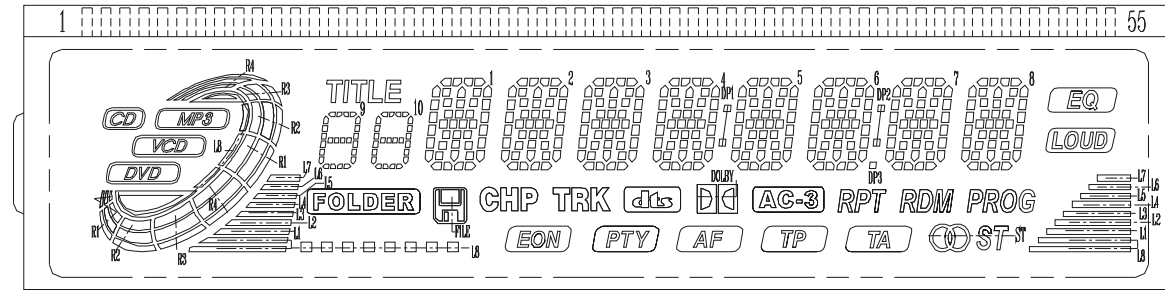


KEY BOARD

TABLE OF CONTENTS

LCD Display.....	5-1
Front board.....	5-2
connector board.....	5-2
Key Board Circuit Diagram.....	5-3
Key Board Layout Diagram.....	5-4
Electrical Parts List.....	5-5

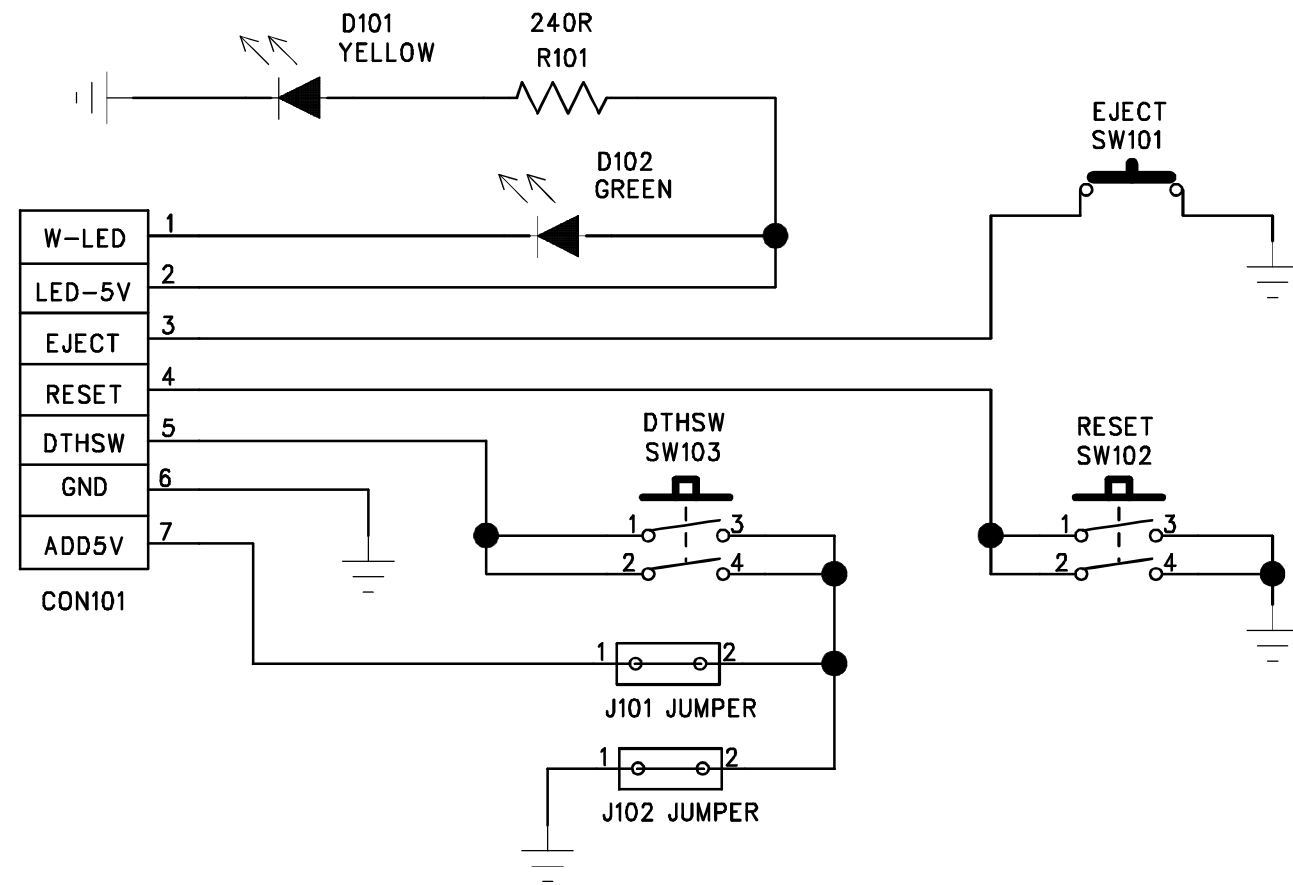
LCD PIN CONNECTION



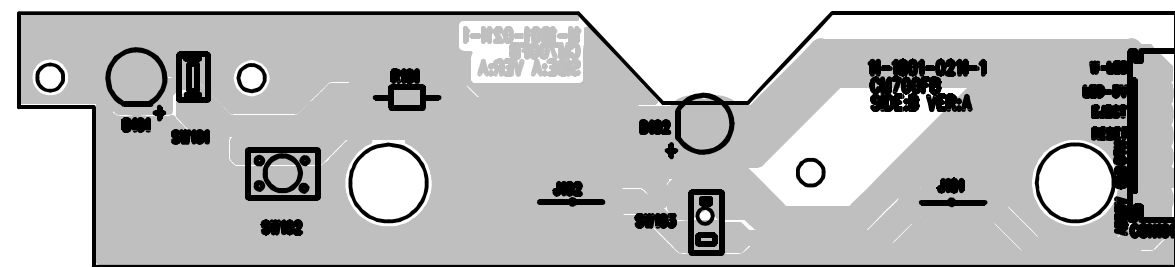
PIN SEGMENT DISPLAY:

PIN	1	2	3	4	5	6	7	8	9	10	11	12	13	14	15	16	17	18	19	20	21	22	23	24	25	26	27	28
COM1	TITLE	9A	9B	10A	10B	CD	1E	1M	1D	1L	R2	2E	2M	2D	2L	VCD	3E	3M	3D	3L	CHP	4E	4M	4D	4L	DP1	5E	5M
COM2	9F	9C	9C	10D	10C	DVD	1G	1I	1K	1C	R3	2G	2I	2K	2C	DP2	3G	3I	3K	3C	TRK	4G	4I	4K	4C	RDM	5G	5I
COM3	9E	9D	10G	10E	10F	1F	1H	1A	1J	1B	2F	2H	2A	2J	2B	3F	3H	3A	3J	3B	4F	4H	4A	4J	4B	5F	5H	5A
PIN	29	30	31	32	33	34	35	36	37	38	39	40	41	42	43	44	45	46	47	48	49	50	51	52	53	54	55	
COM1	5D	5L	RPT	6E	6M	6D	6L	FOLDER	7E	7M	7D	7L	LOUD	8E	8M	8D	8L	R4	EON	PTY	DTS	DOLBY	L6	L3	COM1			
COM2	5K	5C	MP3	6G	6I	6K	6C	FILE	7G	7I	7K	7C	ST	8G	8I	8K	8C	R1	DP3	AF	PROC	AC-3	L5	L2	COM2			
COM3	5J	5B	6F	6H	6A	6J	6B	7F	7H	7A	7J	7B	8F	8H	8A	8J	8B	L8	TA	TP	EQ	L7	L4	L1		COM3		

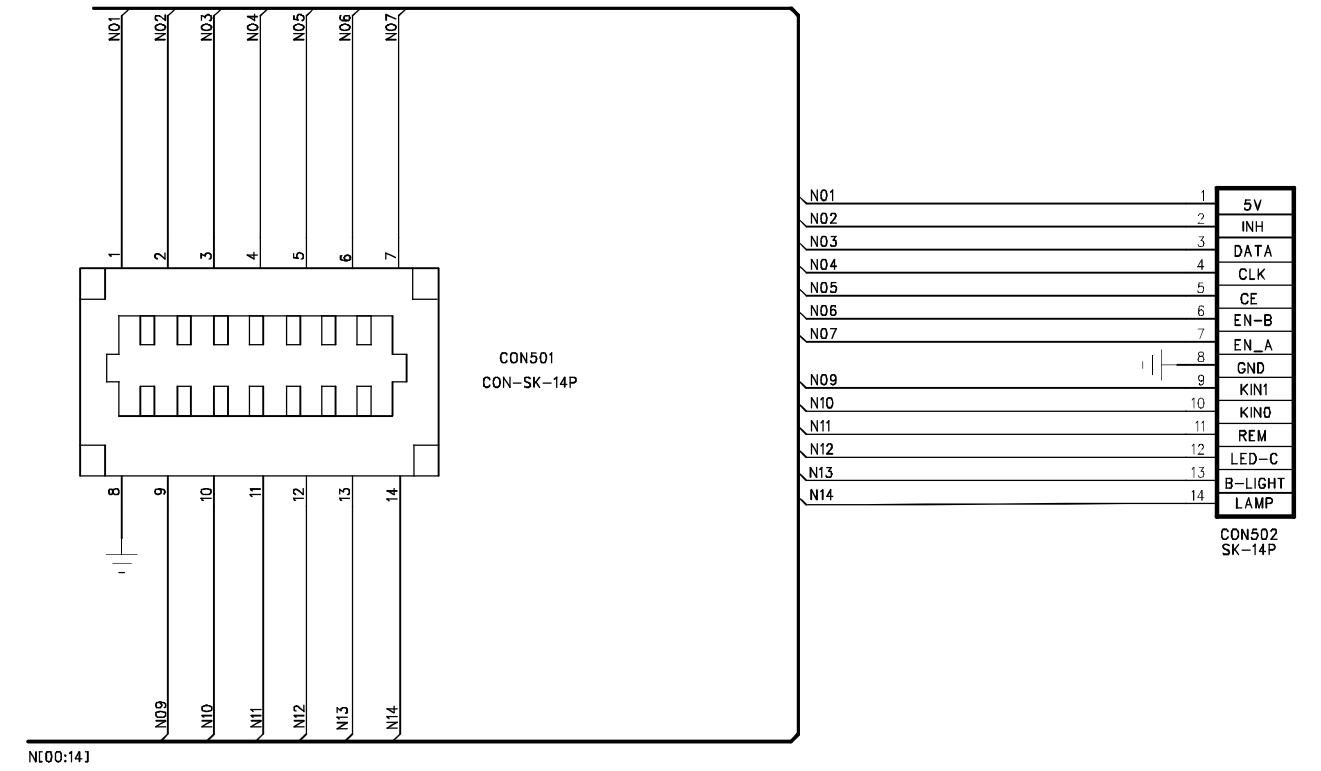
FRONT BOARD - CIRCUIT DIAGRAM



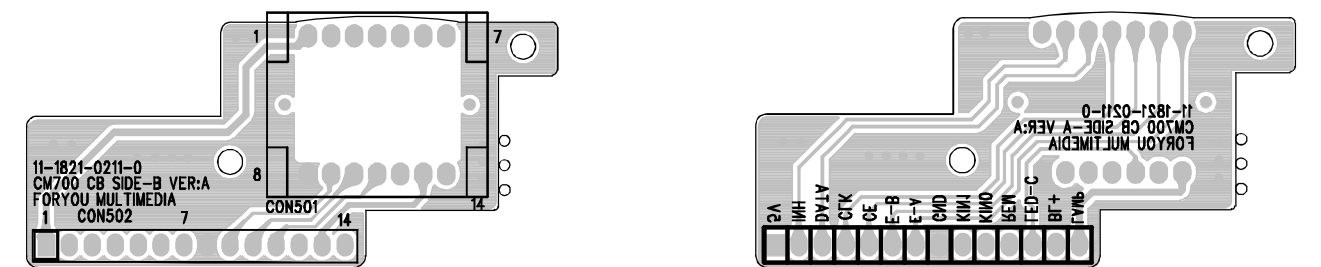
FRONT BOARD - LAYOUT DIAGRAM



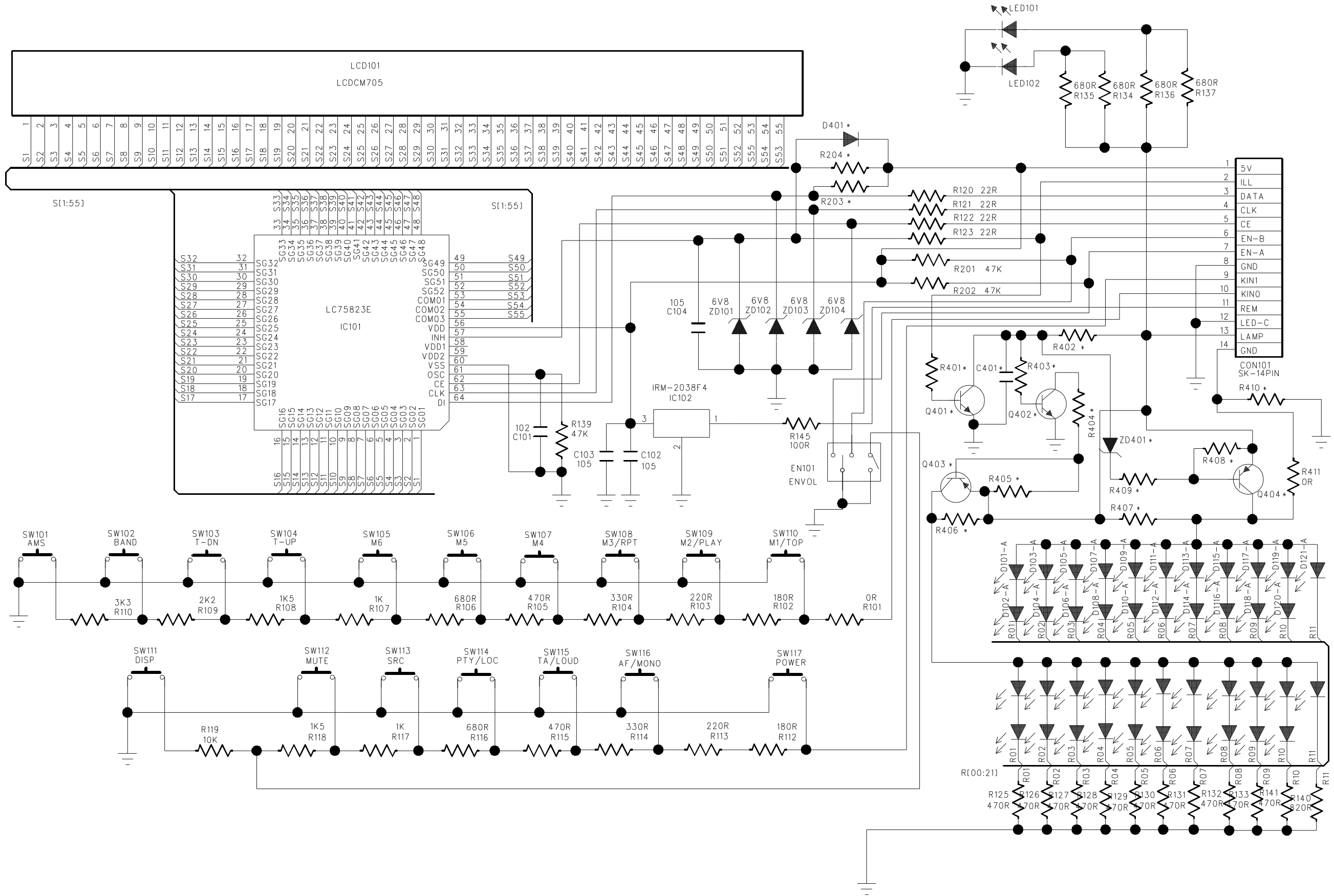
CONNECTOR BOARD - CIRCUIT DIAGRAM



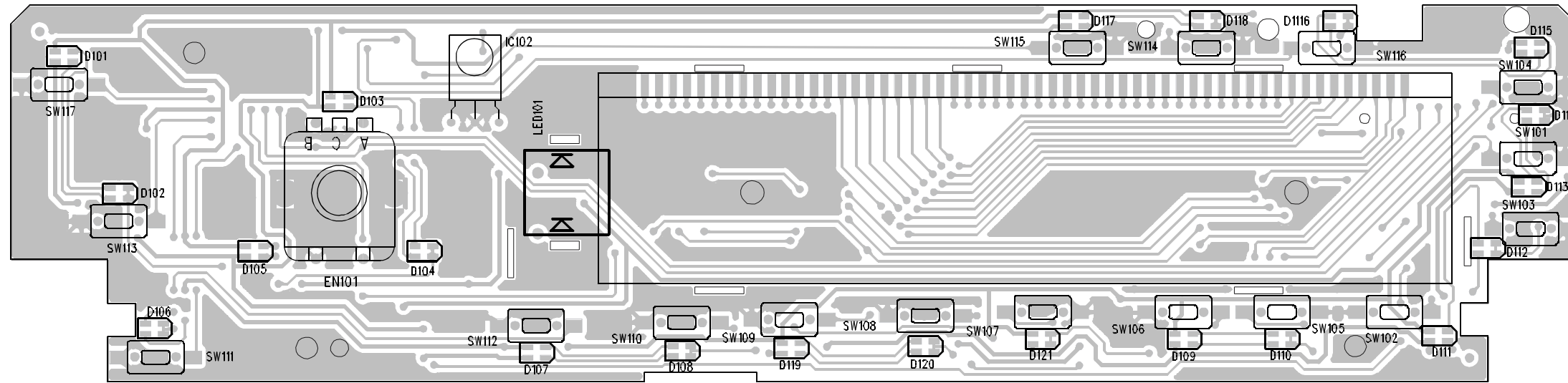
CONNECTOR BOARD - LAYOUT DIAGRAM



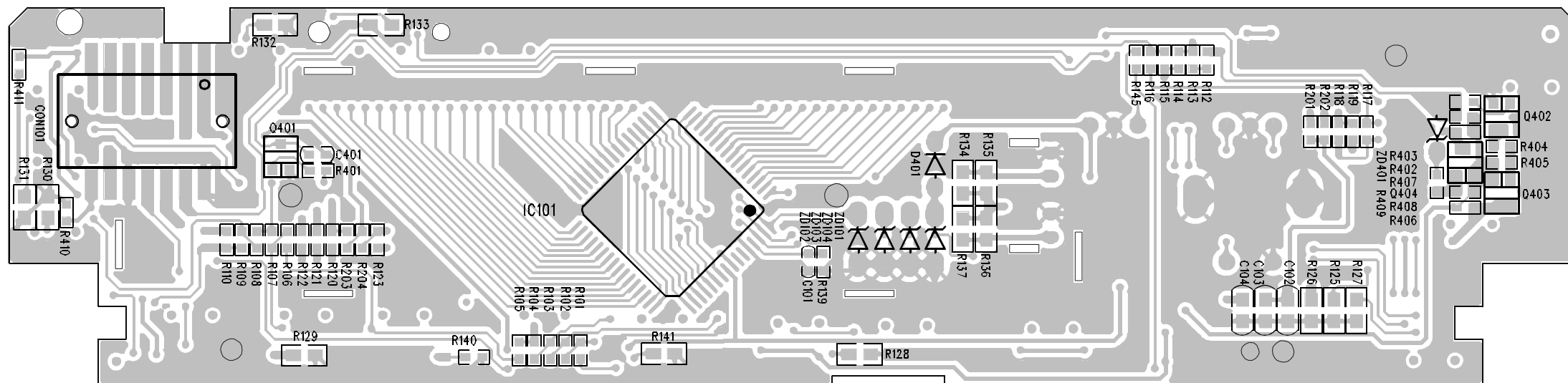
KEY BOARD - CIRCUIT DIAGRAM



KEY BOARD - LAYOUT DIAGRAM TOP VIEW



KEY BOARD - LAYOUT DIAGRAM BOTTOM VIEW



ELECTRICAL PARTS LIST - KEY BOARD

Part NO.	Description	QTY	Location
84-DVD705RS-KB04-A	DVD705RS-58E	1	
82-CM705-KB02-C	CM705 KB SMT	1	
11-0102-0R02-0	RMF 0Ω 1/16W ±5% SMT 0603	2	R101,R407
11-0102-1022-0	RMF 1KΩ 1/16W ±5% SMT 0603	2	R107,R117
11-0102-1032-0	RMF 10KΩ 1/16W ±5% SMT 0603	1	R119
11-0102-1521-0	RMF 1K5Ω 1/16W ±5% SMT 0603	2	R108,R118
11-0102-1811-0	RMF 180Ω 1/16W ±5% SMT 0603	2	R102,R112
11-0102-2202-0	RMF 22Ω 1/16W ±5% SMT 0603	4	R120-R123
11-0102-2211-0	RMF 220Ω 1/16W ±5% SMT 0603	2	R103,R113
11-0102-2222-0	RMF 2K2Ω 1/16W ±5% SMT 0603	1	R109
11-0102-3311-0	RMF 330Ω 1/16W ±5% SMT 0603	2	R104,R114
11-0102-3322-0	RMF 3K3Ω 1/16W ±5% SMT 0603	1	R110
11-0102-4711-0	RMF 470Ω 1/16W ±5% SMT 0603	2	R105,R115
11-0102-4732-0	RMF 47KΩ 1/16W ±5% SMT 0603	3	R139,R201,R202
11-0102-6811-0	RMF 680Ω 1/16W ±5% SMT 0603	2	R106,R116
11-0103-4711-0	RMF 470Ω 1/10W ±5% SMT 0805	10	R125-R133, R141
11-0103-6811-0	RMF 680Ω 1/10W ±5% SMT 0805	4	R134-R137
11-0202-1021-0	CC1000PF/50V ±10% 0603(X7R)	1	C101
11-0203-1051-0	CC 1μ F/25V -80% +20% SMT 0805	3	C102,C103,C104
11-0406-0005-A	LED 2.2V 10MA GREEN SMT 0603	21	D101-D121
11-0901-0065-A	IC PT6523 LCD DRIVE	1	IC101
11-1821-0594-C	PCB CM705 KB D/S 1.2MM VER.2	1	
11-2011-0025-0	TACT SW 250GF 4.3MM(SMT)CHIFENG (Difeng)	17	SW101-SW117
11-0103-7511-0	RMF 750Ω 1/10W ±5% SMT 0805	1	R140
11-0102-1012-0	RMF 100Ω 1/16W ±5% SMT 0603	1	R145
11-0181-0010-A	ECB12(7X5)(PV)S17	1	EN101
11-0406-0032-0	LED 3.5V 25MA WHITE Φ3MM (FCWHWAO-AO)	2	D126,D127
11-2602-0030-0	LCD DVD705 NEGATIVE COLOUR (SA)	1	LCD101
11-3101-0034-0	14PIN SOCKET MALE ESTF2-14-01	1	CON101
11-0421-0001-B	REMOTE-CRM HEADER	1	IC102

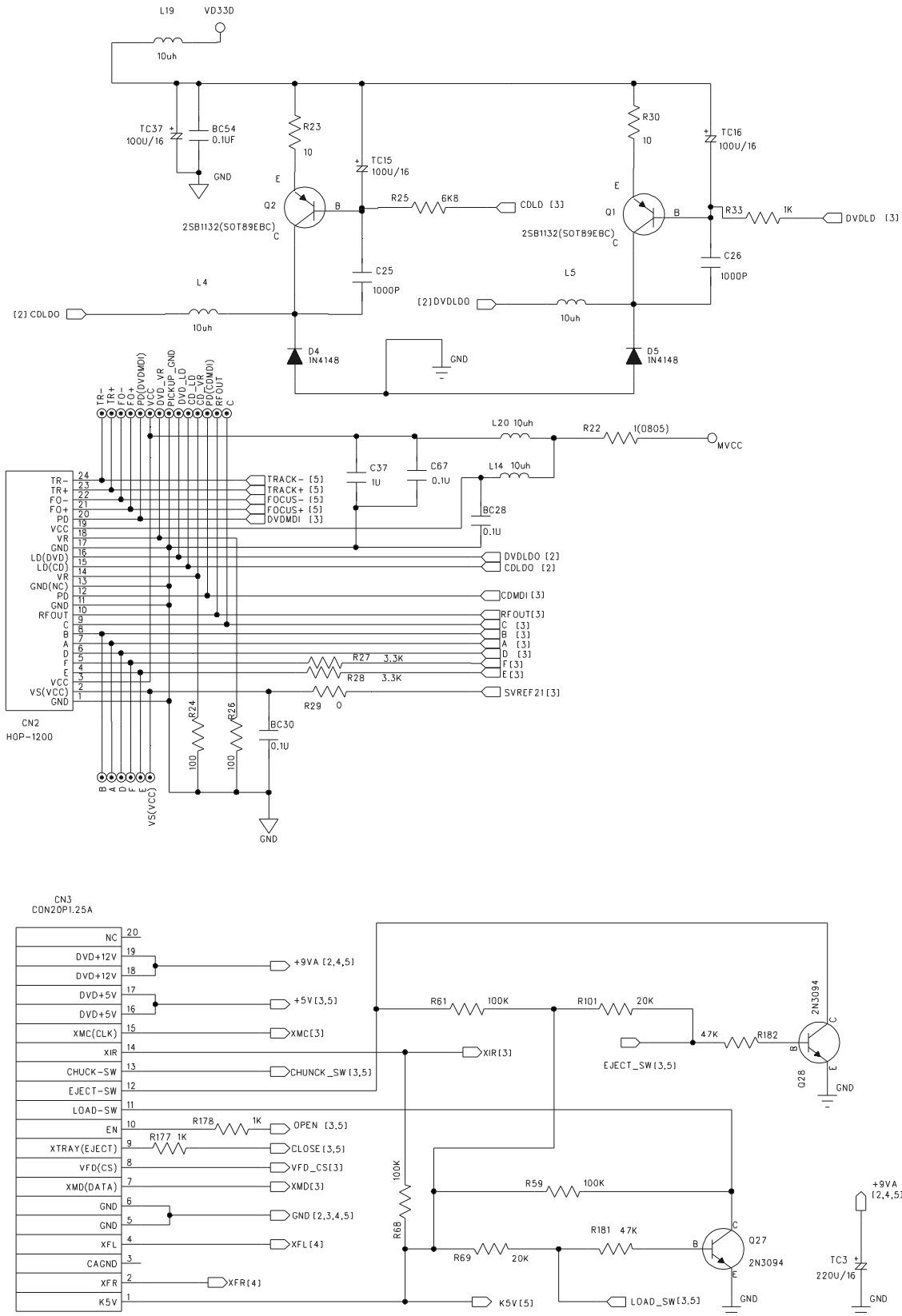
SERVO BOARD

TABLE OF CONTENTS

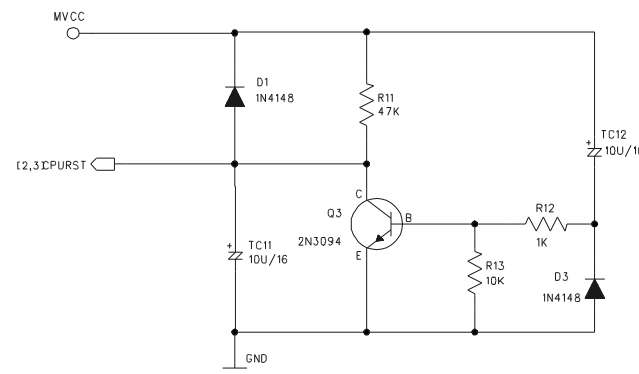
Circuit Diagram.....	6-2 to 6-5
PCB Layout	6-6
Electrical Parts List.....	6-7

SERVO BOARD - CIRCUIT DIAGRAM

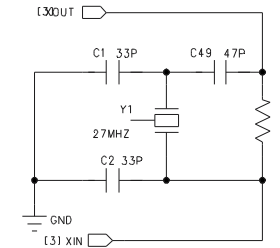
PICK UP 1200W CONNECTOR



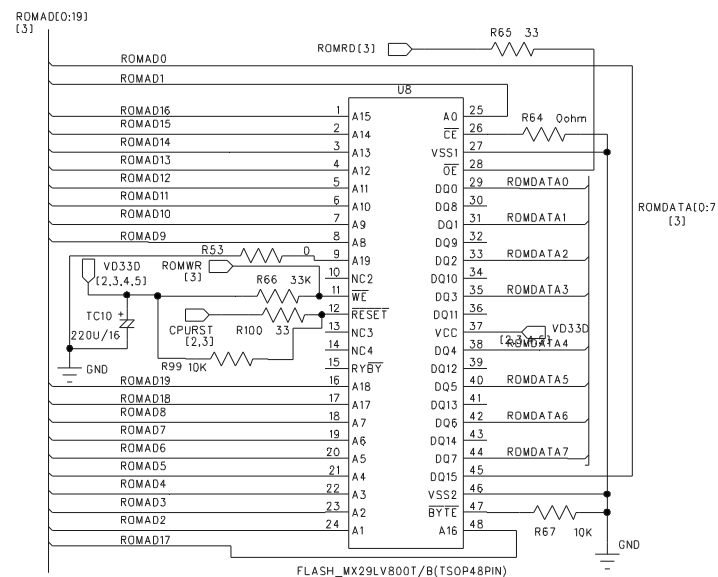
CPU RESET



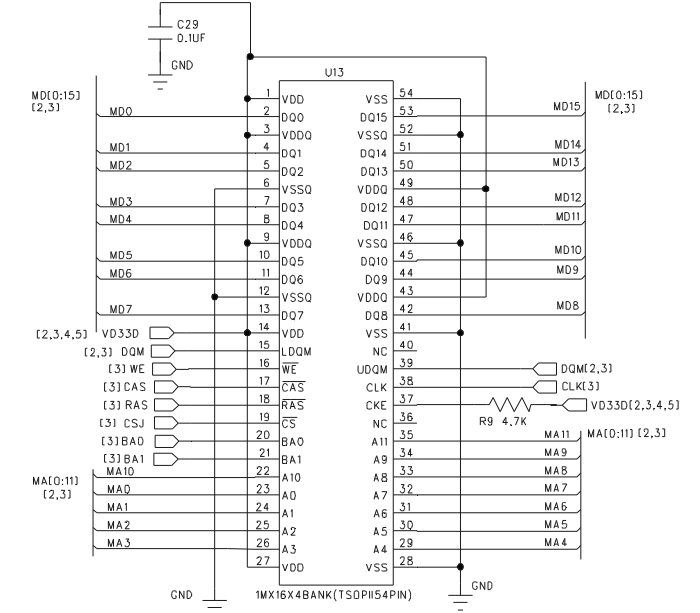
SYSTEM CRYSTAL



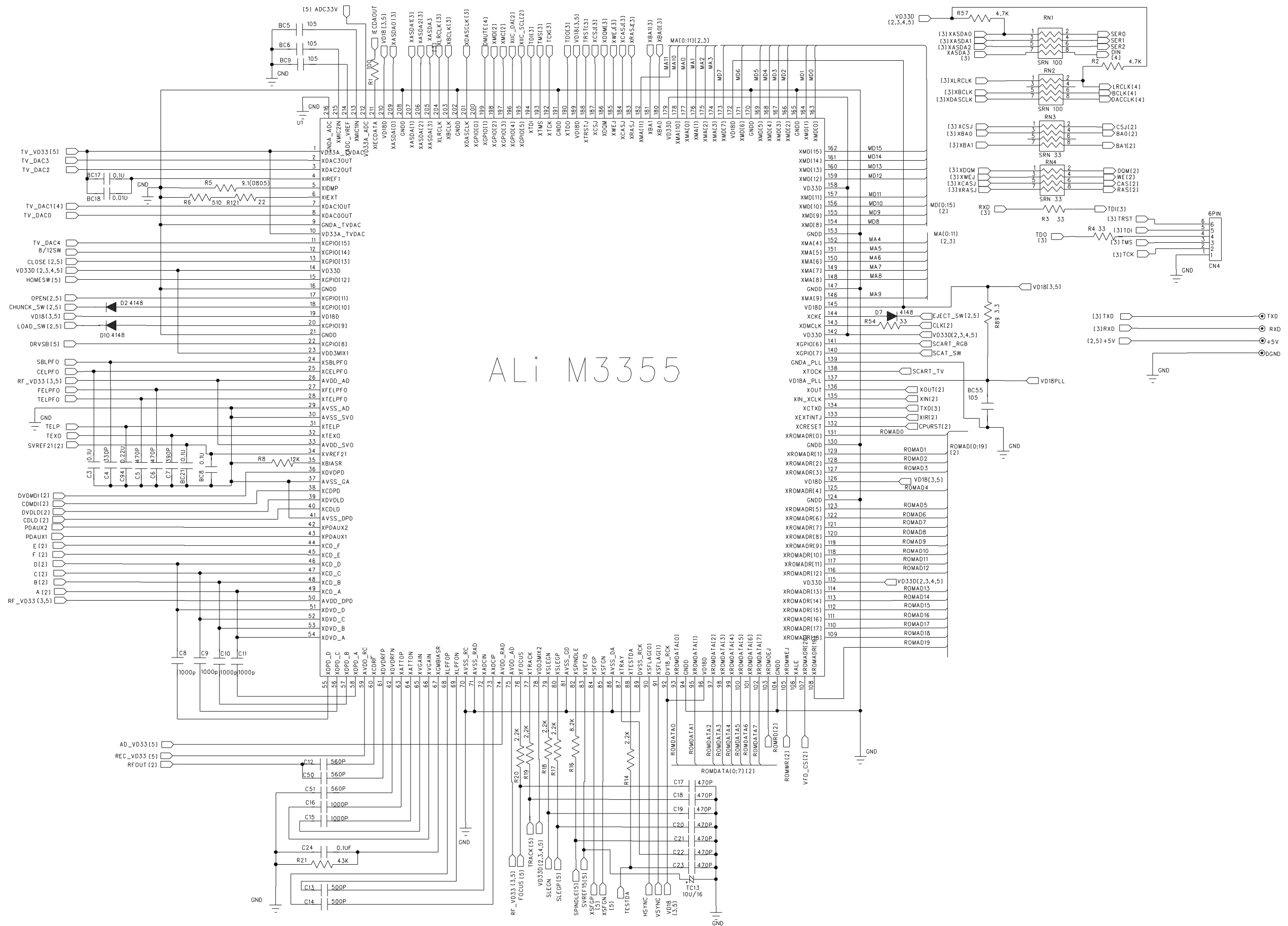
FLASH ROM & EEPROM



SDRAM



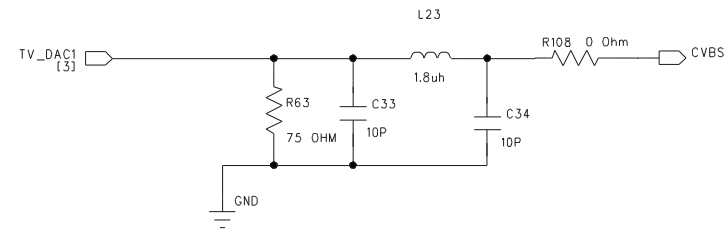
SERVO BOARD - CIRCUIT DIAGRAM



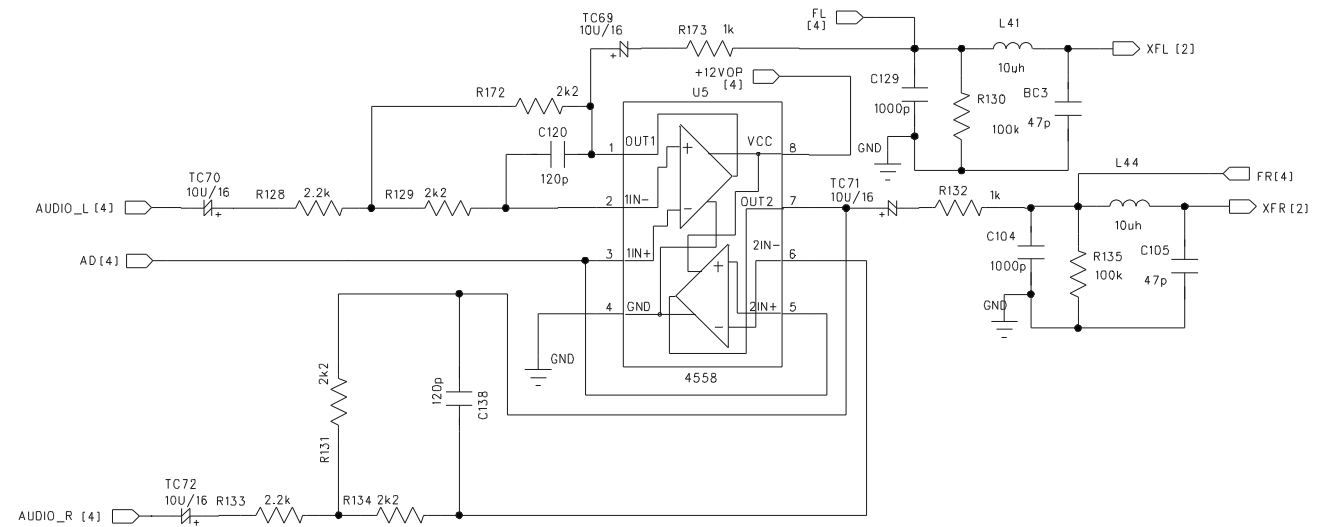
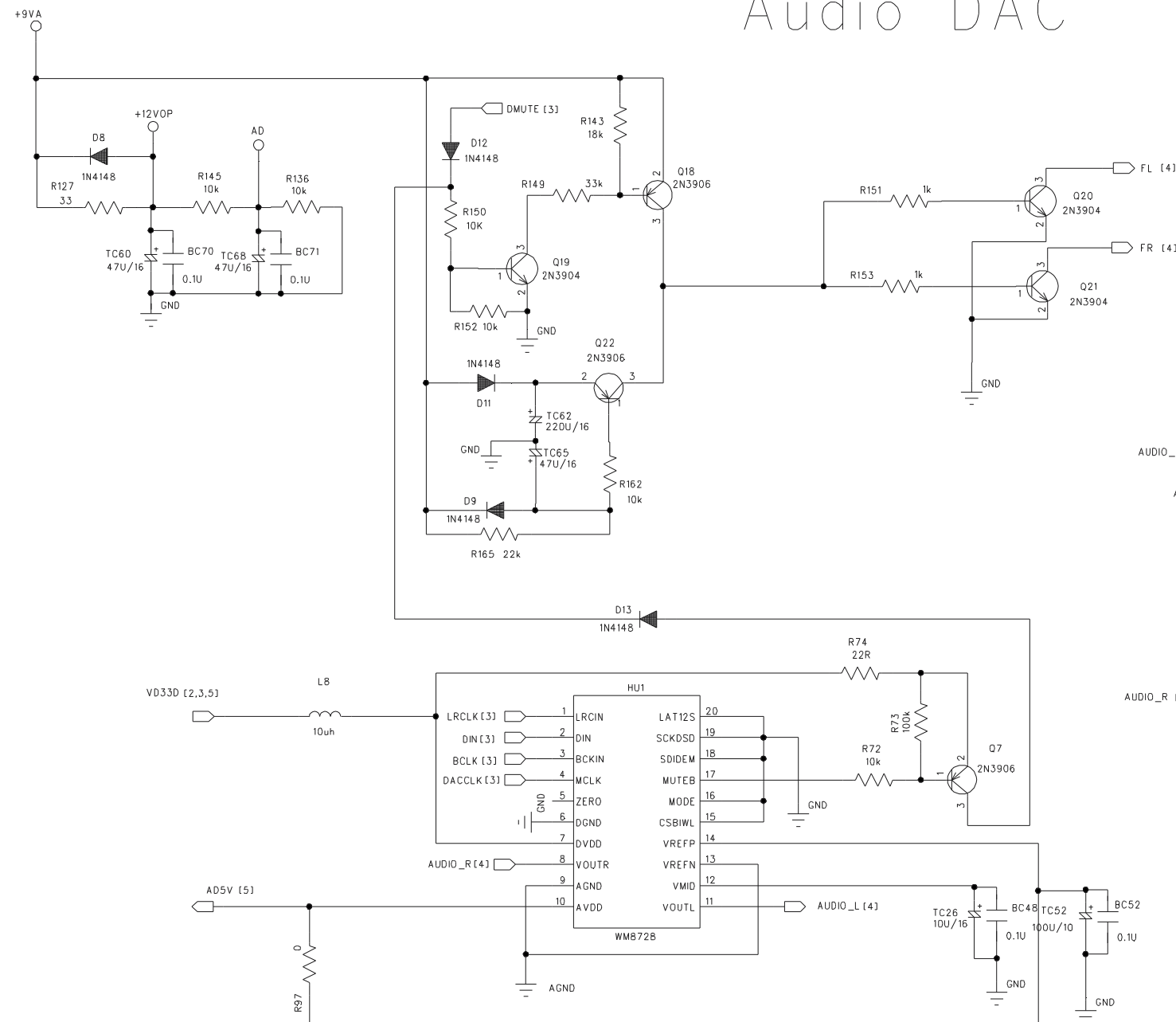
Ali M3355

SERVO BOARD - CIRCUIT DIAGRAM

Video output

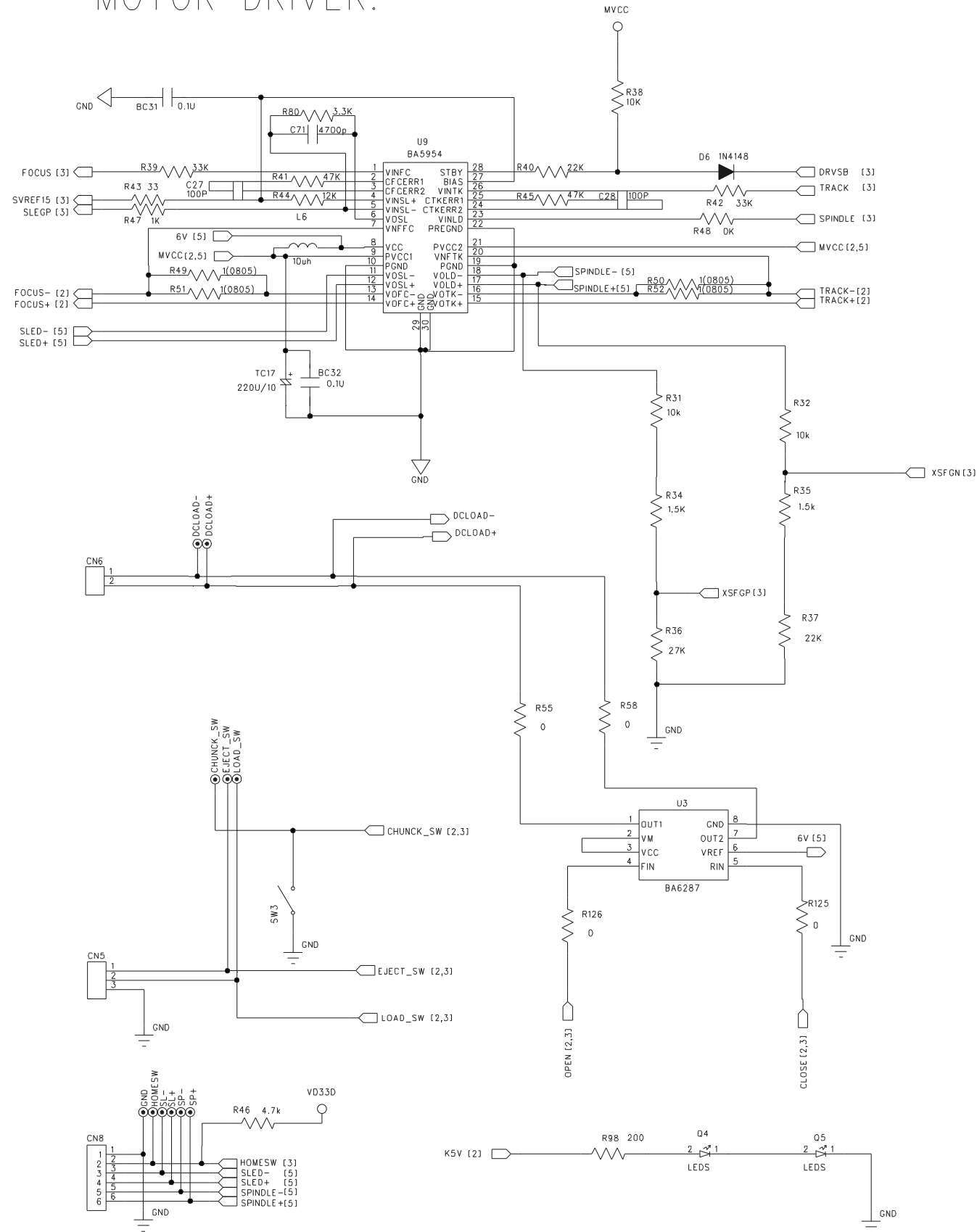


Audio DAC

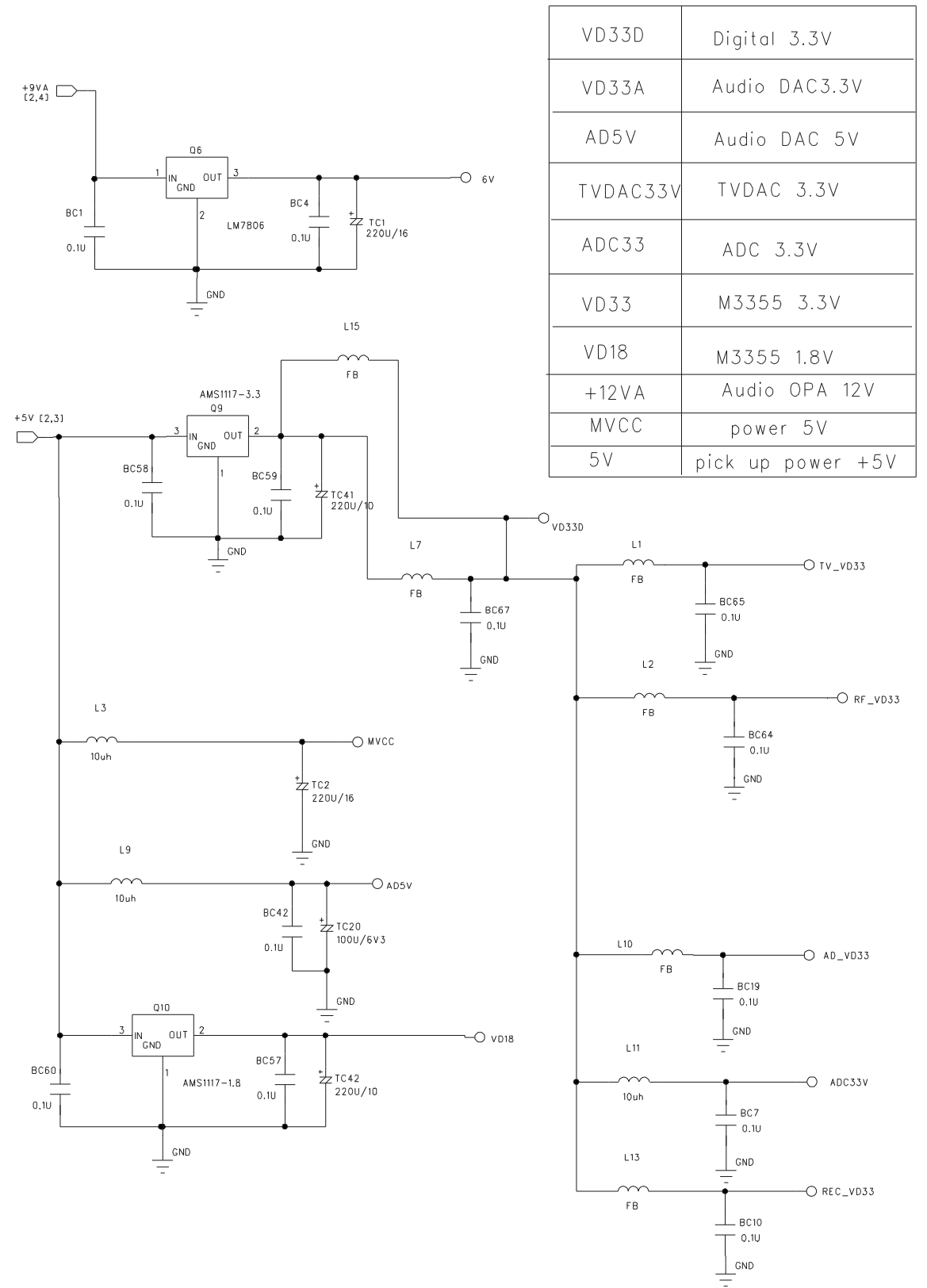


SERVO BOARD - CIRCUIT DIAGRAM

MOTOR DRIVER:

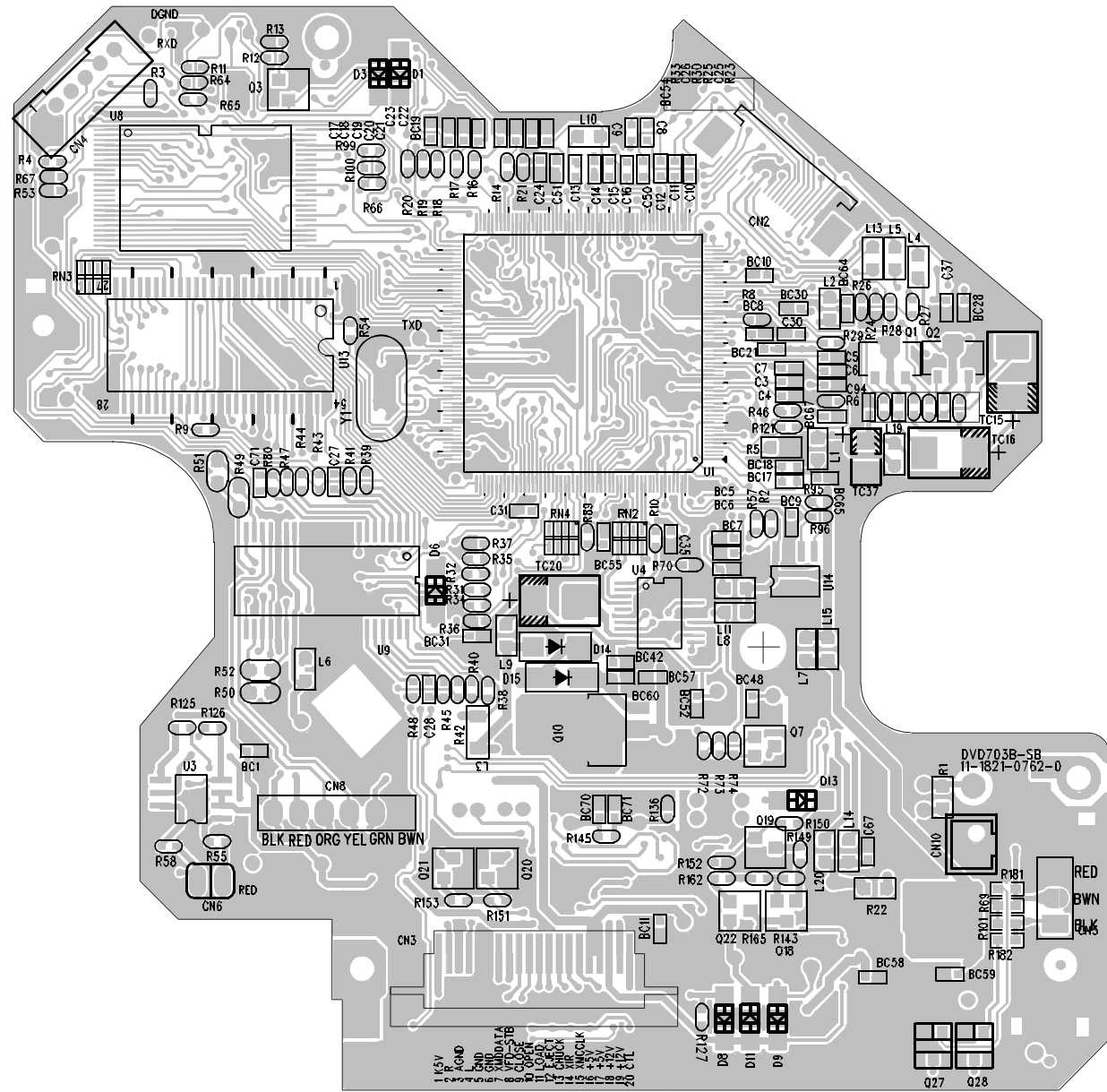


POWER SUPPLY:

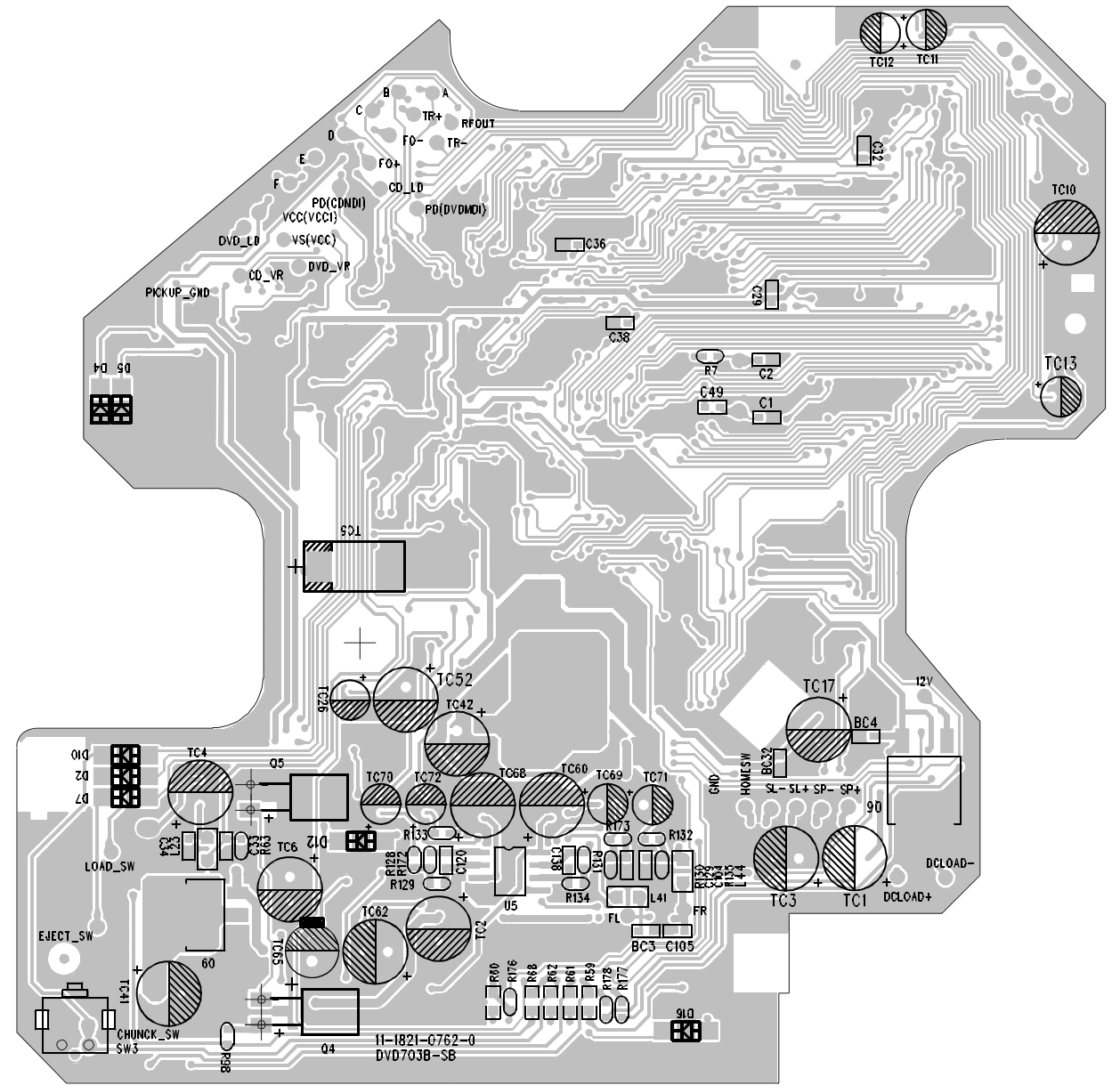


VD33D	Digital 3.3V
VD33A	Audio DAC3.3V
AD5V	Audio DAC 5V
TVDAC33V	TVDAC 3.3V
ADC33	ADC 3.3V
VD33	M3355 3.3V
VD18	M3355 1.8V
+12VA	Audio OPA 12V
MVCC	power 5V
5V	pick up power +5V

SERVO BOARD - LAYOUT DIAGRAM TOP VIEW



SERVO BOARD - LAYOUT DIAGRAM BOTTOM VIEW



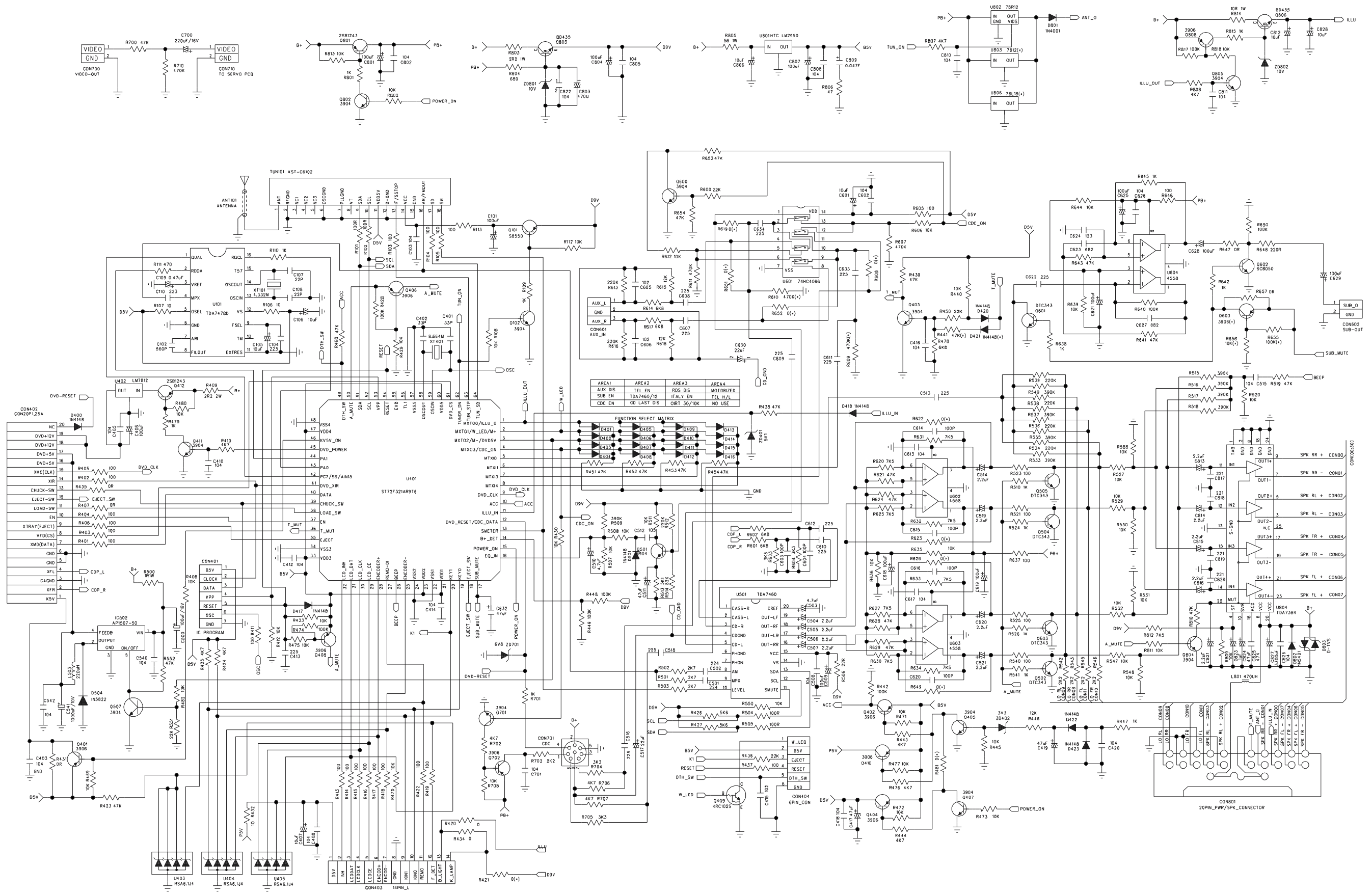
ELECTRICAL PARTS LIST - SERVO BOARD

Part NO.	Description	QTY	Location	Part NO.	Description	QTY	Location
83-DVD705-SB03-A	DVD705 ESP SB	1		11-0102-1042-0	RMF 100K Ω 1/16W \pm 5% SMT 0603	7	R130 R135 R73 R59 R61 R62 R68
82-DVD705-SB01-A	DVD705 ESP SB SMT	1		11-0102-1051-0	RMF 1M Ω 1/16W \pm 5% SMT 0603	1	R7
11-0202-1001-0	CC10PF/50V \pm 5% 0603(NPO)	2	C33 C34	11-0109-3301-0	RMF 4X33 Ω 1/16W \pm 5% SMT 0603	2	RN3,RN4
11-0202-3301-0	CC33PF/50V \pm 5% SMT 0603	2	C1 C2	11-0109-1011-0	RMF 100 Ω X4 1/16W \pm 5% SMT 0603	1	RN2
11-0202-4701-0	CC 47PF/50V \pm 5% SMT 0603(NPO)	3	C49 C105 BC3	11-0302-1H81-0	F MLC1 1.8 μ H /50MA \pm 10% 0805	1	L23
11-0202-1012-0	CC100PF/50V \pm 10% 0603(X7R)	2	C27 C28	11-0351-1001-0	F COIL 10 μ H \pm 10% SMT 1206	1	L3
11-0202-1211-0	CC120PF/50V \pm 5% 0603(NPO)	2	C120 C138	11-0351-1002-0	F COIL 10 μ H \pm 10% SMT 0805	4	L4 L5 L9 L11
11-0202-3310-0	CC330PF/50V \pm 5% SMT 0603	1	C4	11-0351-0023-0	FB 120 Ω 3000MA SMT 0805	13	L1,L2,L7,L8,L10,L13,L14,L15,L19, L20,L41,L44,L6
11-0202-3911-0	CC 390PF/50V \pm 10% SMT 0603	1	C7				
11-0202-4711-0	CC470PF/50V \pm 10% 0603(X7R)	9	C5 C6 C17-C23	11-0501-0002-A	TR 3904(SMT SOT-23)NPN	5	Q19 Q20 Q21 Q27 Q28
11-0202-5111-0	CC 510PF/50V \pm 10% SMT 0603	2	C13 C14	11-0501-0003-A	TR 3906(SMT SOT-23)PNP	2	Q18 Q7
11-0202-5611-0	CC 560PF/50V 0603(COG)	3	C12 C50 C51	11-0511-0005-A	TR-PNP 2SB1132 MPT3	2	Q1 Q2
11-0202-1021-0	CC1000PF/50V \pm 10% 0603(X7R)	10	C8 C9 C10 C11 C15 C16 C25 C26 C104 C129	11-0901-0316-0	IC UTC1117 1.8V SOT-223	1	Q10
11-0202-4721-0	CC 4700PF/50V \pm 10% SMT 0603	1	C71	11-0901-0292-0	IC UTC1117 3.3V SOT-223	1	Q9
11-0202-2242-0	CC 0.22 μ F/16V +80% -20% 0603	1	C94	11-0901-0201-A	IC BA5954FP HSOP-28 ROMH	1	U9
11-0202-1046-0	CC0.1 μ F/25V \pm 10% X7R 0603	33	BC1,BC4,BC7,BC8,BC17,BC19,BC21, BC31,BC32,BC42,BC48,BC11,BC52, BC54,BC57,BC58,BC59,BC60,BC64, BC65,BC67,BC70,BC71,C3,C24,C67, BC10,BC30,C36,C35,C29,C38,C31 BC18	11-0901-0200-A	IC BA6287F SOP-8 ROMH	1	U3
11-0202-1032-0	CC0.01 μ F/50V \pm 20% 0603	1	BC5,BC6,BC9,BC55,C37,BC28	11-0911-0002-A	IC M3355 LQFP-216/EPD	1	U1
11-0202-1054-0	CC 1 μ F/25V \pm 10% X5R 0603	6	R29,R48,R55,R58,R64	11-0911-0004-A	IC IS42S16400A TSOPII-54	1	U13
11-0102-0R02-0	RMF 0 Ω 1/16W \pm 5% SMT 0603	5	R22,R49,R50,R51,R52	11-0911-0025-A	IC AT24C02 SOP-8	1	U14
11-0103-1R01-0	RMF 1 Ω 1/10W \pm 5% SMT 0805	5	R89	11-0901-0146-A	IC XWM8728EDS SSOP-20	1	U4
11-0102-3R31-0	RMF 3R3 Ω 1/16W \pm 5% 0603	1	R5	11-0901-0315-A	IC 78M06 REGULATOR ST	1	Q6
11-0103-9R11-0	RMF 9.1 Ω 1/10W \pm 5% SMT 0805	1	R23 R30	11-0901-0063-0	IC MC 4558 SOP DUAL OPERATIONA	1	U5
11-0102-1002-0	RMF 10 Ω 1/16W \pm 5% SMT 0603	2	R121 ,R74	11-1821-0762-A	PCB DVD703B SB D/S 107X109X1.2MM	1	
11-0102-2202-0	RMF 22 Ω 1/16W \pm 5% SMT 0603	2	R3,R4,R43,R54,R65,R127	11-3111-0001-A	FPC CONNETOR 20PIN S PITCH=1.0	1	CN3
11-0102-3301-0	RMF 33 Ω 1/16W \pm 5% SMT 0603	6	R63	11-0411-0006-A	DIODE IN4001 SMT 1210	2	D14 D15
11-0102-7501-0	RMF 75 Ω 1/16W \pm 5% SMT 0603	1	R24 R26 R98,R10	81-DVD705-IC05-A	DVD705 FLASH IC	1	U8
11-0102-1012-0	RMF 100 Ω 1/16W \pm 5% SMT 0603	4	R6	11-0911-0009-A	IC MX29LV800BBTC-70 TSOP-48	1	U8
11-0102-5111-0	RMF 510 Ω 1/16W \pm 5% SMT 0603	1	R47 R132 R 151 R153 R173 R33	11-0241-4761-0	CT 47 μ F/6.3V \pm 20% SMT 3528	1	TC37
11-0102-1022-0	RMF 1K Ω 1/16W \pm 5% SMT 0603	8	R177 R178	11-0241-1071-0	CT 100 μ F/6.3V \pm 20% SMT	3	TC15 TC16 TC20
11-0102-1521-0	RMF 1K5 Ω 1/16W \pm 5% SMT 0603	2	R34 R35	11-0411-0008-A	DIODE IN4148 SMT 1/2W	11	D2,D7,D10,D12,D4,D5,D8,D13,D1, D3,D6
11-0102-2222-0	RMF 2K2 Ω 1/16W \pm 5% SMT 0603	11	R14 R17 R18 R19 R20 R128 R133 R131 R134 R172 R129	11-3111-0037-0	24PIN FPC SOCKET PITCH=0.5MM	1	CN2
11-0102-6822-0	RMF 6K8 Ω 1/16W \pm 5% SMT 0603	1	R25	11-0103-0R01-0	RMF 0 Ω 1/10W \pm 5% SMT 0805	1	R1
11-0102-3322-0	RMF 3K3 Ω 1/16W \pm 5% SMT 0603	3	R27 R28 R80	11-0241-2271-1	CT 220 μ F/6.3V \pm 10% SMT 7343 H=2.9	1	TC5
11-0102-4722-0	RMF 4K7 Ω 1/16W \pm 5% SMT 0603	7	R2 R9 R46 R57 R95 R96,R12	11-0202-2251-0	CC 2.2 μ F/10V +80% -20% 0603	1	C30
11-0102-8222-0	RMF 8K2 Ω 1/16W \pm 5% SMT 0603	1	R16	11-0102-2032-0	RMF 20K Ω 1/16W \pm 5% SMT 0603	2	R69,R101
11-0102-1032-0	RMF 10K Ω 1/16W \pm 5% SMT 0603	11	R31,R32,R38,R11,R67,R99,R136, R145,R150,R152,R72	11-0224-1067-0	CE 10 μ F/16V \pm 20% 4X5 105 $^{\circ}$ C	7	TC13 TC26 TC69-72 TC12
11-0102-1231-0	RMF 12K Ω 1/16W \pm 5% SMT 0603	2	R44 R8	11-0224-1077-0	CE 100 μ F/16V \pm 20% 6.3X5 105 $^{\circ}$ C	1	TC52
11-0102-1832-0	RMF 18K Ω 1/16W \pm 5% SMT 0603	1	R143	11-0222-2271-0	CE 220 μ F/10V \pm 20% 6.3X7 105	9	TC10 TC41 TC42 TC17 TC3 TC1 TC6 TC60 TC68
11-0102-2231-0	RMF 22K Ω 1/16W \pm 5% SMT 0603	2	R37 R40	11-1500-0006-A	XT 27.000MHZ(-30 $^{\circ}$ C~+80 $^{\circ}$ C)	1	Y1
11-0102-2731-0	RMF 27K Ω 1/16W \pm 5% SMT 0603	1	R36	11-0231-1081-0	CE 1000 μ F/10V \pm 20% 8X16 105 $^{\circ}$ C	1	TC2
11-0102-3332-0	RMF 33K Ω 1/16W \pm 5% SMT 0603	4	R39 R42 R66 R149	11-0406-0011-A	PHOTOTRANSISTOR IR928-6C	2	Q4 Q5
11-0102-4331-0	RMF 43K Ω 1/16W \pm 5% SMT 0603	1	R21	11-3501-0014-A	SHINWA DVD DECK DL-C28D1	1	
11-0102-4732-0	RMF 47K Ω 1/16W \pm 5% SMT 0603	5	R45 R41 R13 R181 R182	16-0200-0013-0	2PIN WIRE PI=2.0MM L=120MM(SOCKET WITH PIN)	1	CN10
				11-2011-0005-A	CD DETECTOR CDX100	1	SW3
				16-0100-0001-B	20PIN FFC 120MM PITCH=1.0MM T=0.4MM	1	
				11-0501-0002-A	TR 3904(SMT SOT-23)NPN	1	Q3

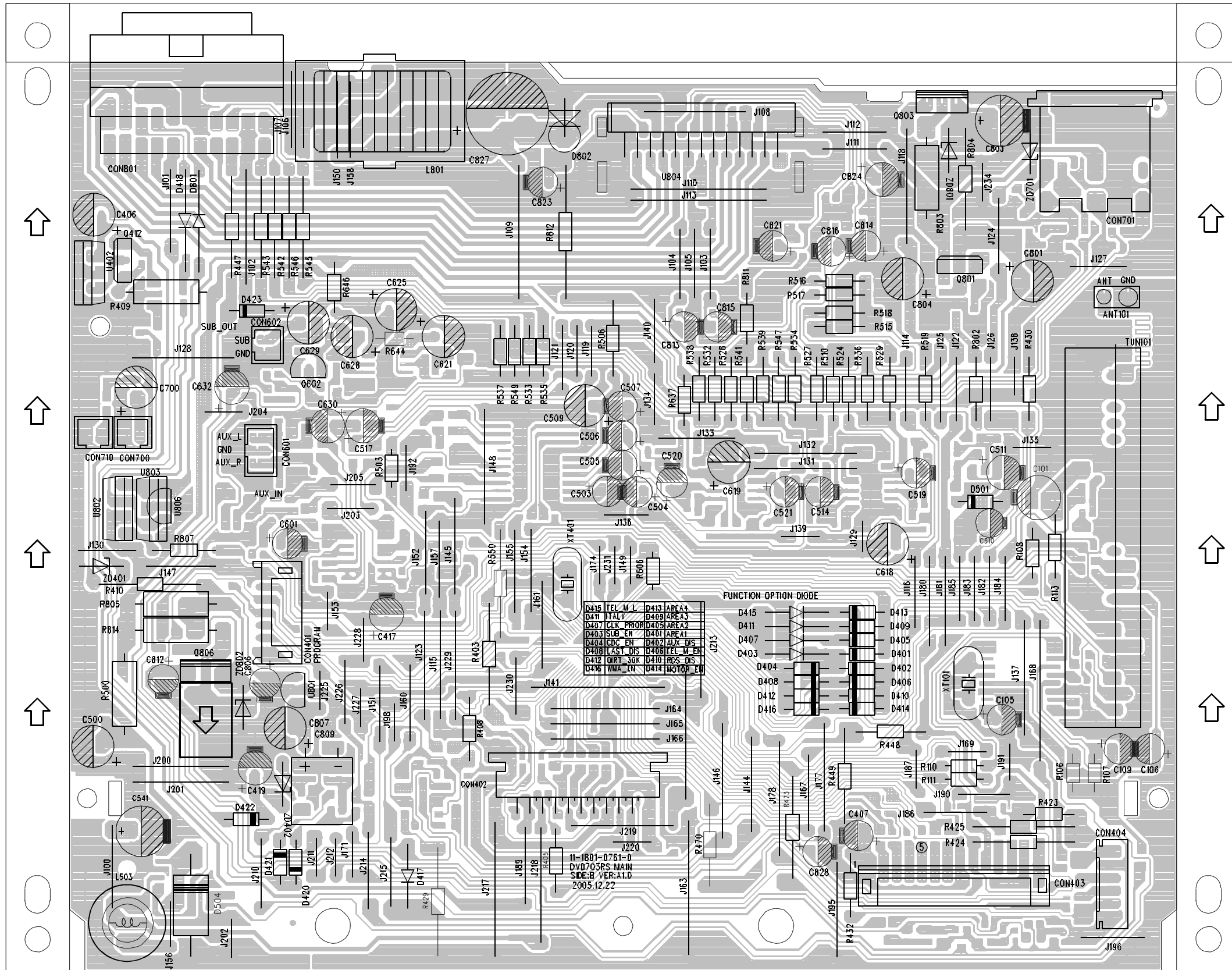
MAIN BOARD

TABLE OF CONTENTS

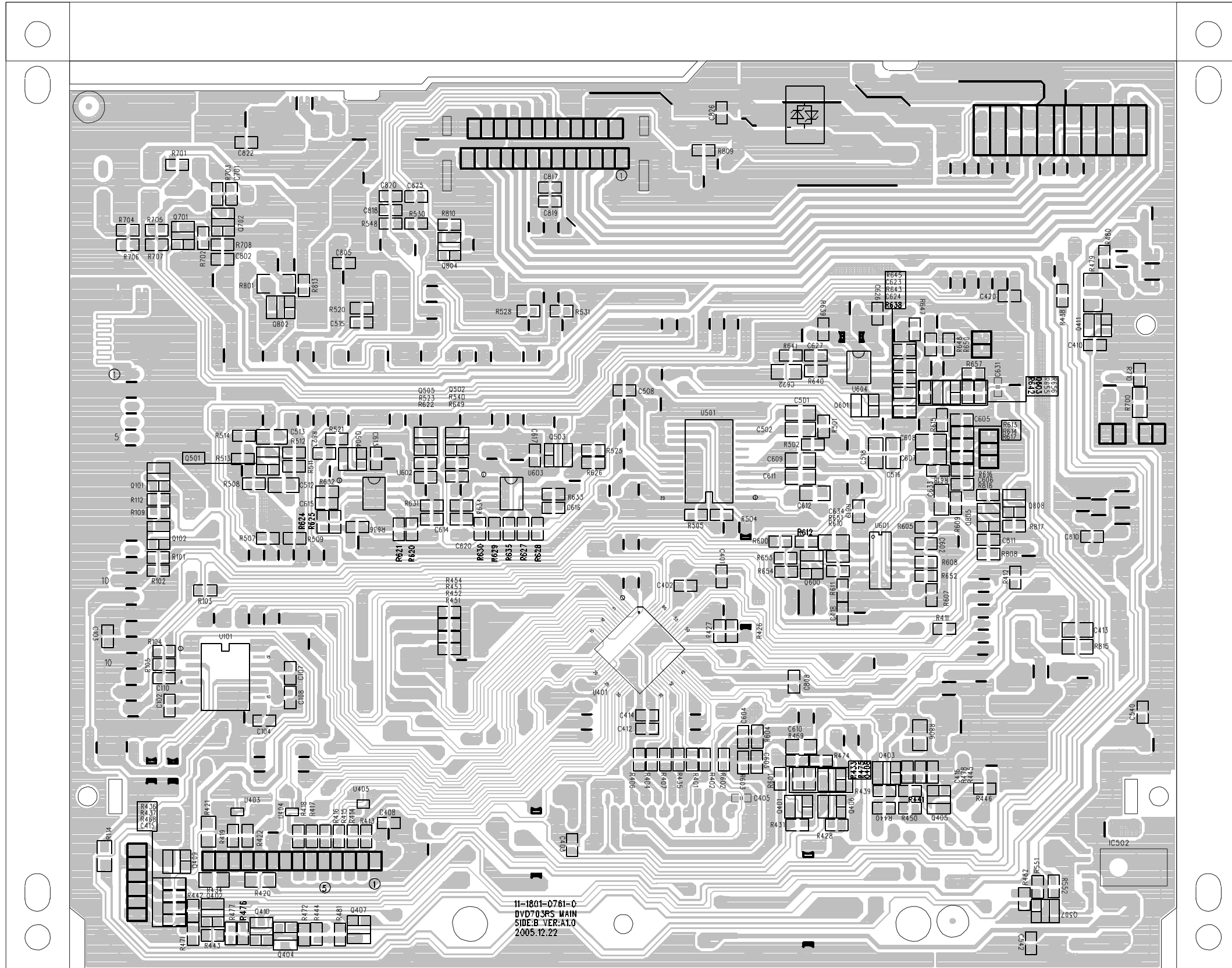
Circuit Diagram	7-2
PCB Layout Top View	7-3
PCB Layout Bottom View	7-4
Electrical Parts List	7-5 to 7-6



PCB LAYOUT TOP VIEW



PCB LAYOUT BOTTOM VIEW



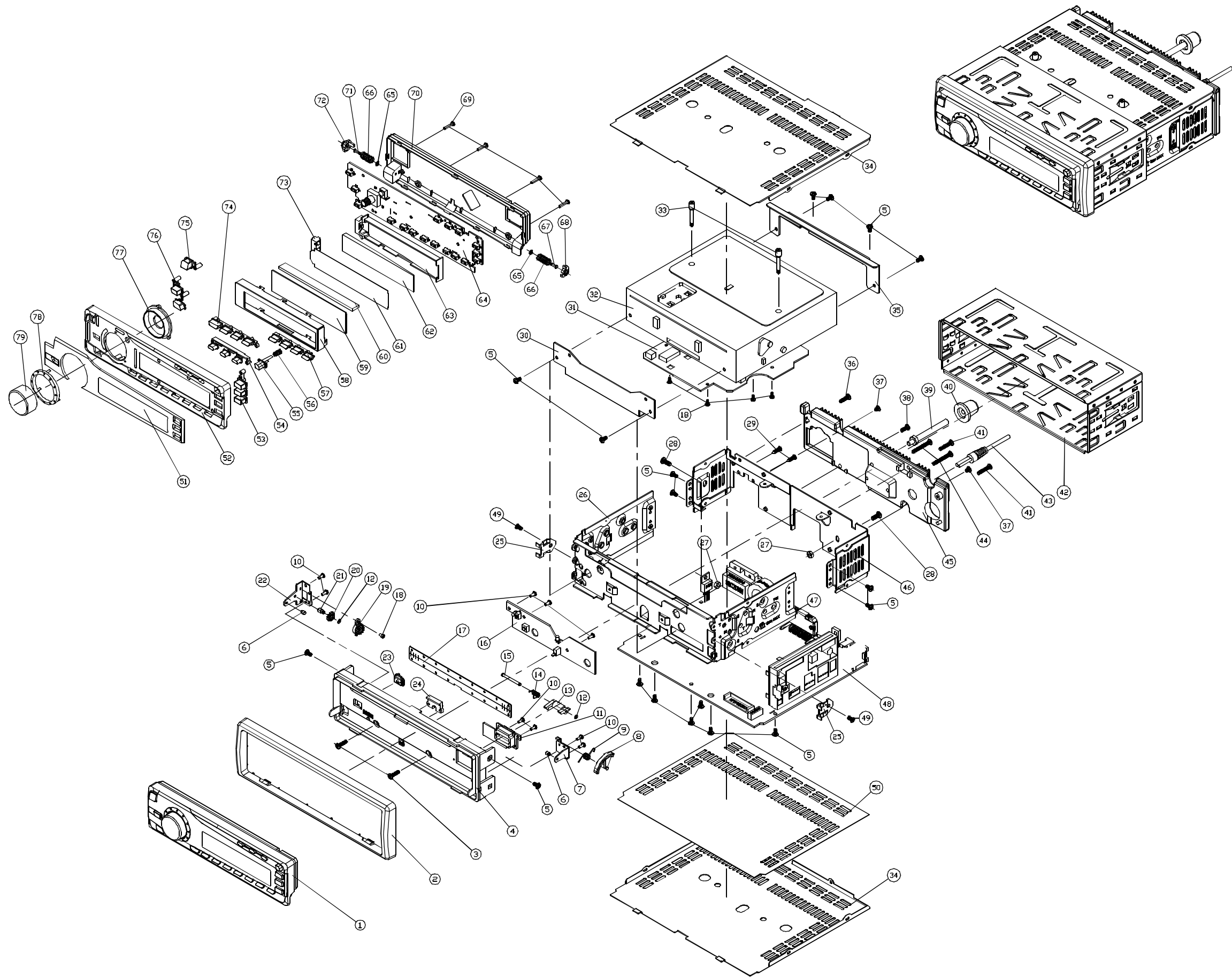
ELECTRICAL PARTS LIST - MAIN BOARD

Part NO.	Description	QTY	Location	Part NO.	Description	QTY	Location
83-DVD703RS-MB02-A	4X4V FM/OIRT RDS ESP 4VSUB AUXIN TDA7386 MB MI	1		16-0701-0501-0	JUMP WIRE 5.0MM ϕ 0.5MM	1	J129
82-DVD703RS-MB02-A	4X4V FM/OIRT RDS ESP 4VSUBOUT AUXIN MB SMT	1		81-CM703RS-IC00-A	CM703RS OTP IC V1.0	1	U401
81-DVD703RS-JW02-A	4X4V FM/OIRT RDS ESP 4VSUB AUXIN MB AI	1		11-0901-0182-A	IC ST72F321AR9TA TQFP64 10X10	1	U401
11-0122-1001-0	RCF 10 Ω 1/8W \pm 5% RTS	3	R432,R106,R107	11-0901-0183-A	IC TDA7460NAUDIOPROCESSOR SO 20	1	U501
11-0122-1011-0	RCF 100 Ω 1/8W \pm 5% RTS	4	R637 R403 R646 R405	11-0102-0R02-0	RMF 0 Ω 1/16W \pm 5% SMT 0603	7	R407,R651~R652 R647 R657 R435 C631
11-0122-1022-0	RCF 1K Ω 1/8W \pm 5% RTS	10	R526 R541 R447 R510 R524 R110 R542, R543,R545,R546	11-0102-1012-0	RMF 100 Ω 1/16W \pm 5% SMT 0603	25	R101-105 R401-402 R404 R406 R411 R413-419 R422 R437 R521 R523 R525 R540,R504-505
11-0122-1031-0	RCF 10K Ω 1/8W \pm 5% RTS	9	R108 R408 R470 R550 R802 R811 R473 R644 R429	11-0102-1022-0	RMF 1K Ω 1/16W \pm 5% SMT 0603	4	R109 R645, R638, R642
11-0122-1042-0	RCF 100K Ω 1/8W \pm 5% RTS	2	R448-449	11-0103-1022-0	RMF 1K Ω 1/10W \pm 5% SMT 0805	1	R801
11-0122-2241-0	RCF 220K Ω 1/8W \pm 5% RTS	4	R534 R536 R538-539	11-0102-1032-0	RMF 10K Ω 1/16W \pm 5% SMT 0603	24	R508 R511 R520 R412 R469 R471-472 R445 R112 R636 R477 R480 R809 R507 R813 R482 R433 R475 R635 R528 R530 R531 R548 R639
11-0122-2721-0	RCF 2K7 Ω 1/8W \pm 5% RTS	1	R503	11-0102-1042-0	RMF 100K Ω 1/16W \pm 5% SMT 0603	5	R428 R442 R474 R640 R650
11-0122-4721-0	RCF 4K7 Ω 1/8W \pm 5% RTS	3	R410 R424-425	11-0102-1231-0	RMF 12K Ω 1/16W \pm 5% SMT 0603	3	R446 R615 R618
11-0122-4731-0	RCF 47K Ω 1/8W \pm 5% RTS	7	R519 R423,R527,R529,R532,R547,ZD401	11-0102-2231-0	RMF 22K Ω 1/16W \pm 5% SMT 0603	2	R436 R551
11-0122-22R1-0	RCF 22 Ω 1/8W \pm 5% RTS	1	R506	11-0102-2241-0	RMF 220K Ω 1/16W \pm 5% SMT 0603	3	R512 R613 R616
11-0122-6811-0	RCF 680 Ω 1/8W \pm 5% RTS	1	R804	11-0102-2721-0	RMF 2K7 Ω 1/16W \pm 5% SMT 0603	2	R501-502
11-0122-7520-0	RCF 7.5K Ω 1/8W \pm 5% RTS	1	R812	11-0102-3941-0	RMF 390K Ω 1/16W \pm 5% SMT0603	1	R509
11-0127-2R20-0	RCF 2 Ω 2W \pm 5% RTS	2	R803,R409	11-0102-4701-0	RMF 47 Ω 1/16W \pm 5% SMT 0603	1	R648
11-0126-5601-0	RCF 56 Ω 1W \pm 5% RTS	1	R805	11-0102-4722-0	RMF 4K7 Ω 1/16W \pm 5% SMT 0603	3	R444 R443 R476
11-0402-4148-A	DIODE IN4148 1/2W	7	D417,D422~D423,D501 D403 D416,D405	11-0102-4732-0	RMF 47K Ω 1/16W \pm 5% SMT 0603	17	R468 R810 R552 R628 R629 R621 R624 R643 R641 R451~454 R631~R634
11-0411-0002-A	DIODE IN4001	1	D801	11-0102-4741-0	RMF 470K Ω 1/16W \pm 5% SMT 0603	1	R710
11-0122-3941-0	RCF 390K Ω 1/8W \pm 5% RTS	4	R533 R535 R537 R549	11-0102-5121-0	RMF 5K1 Ω 1/16W \pm 5% SMT 0603	1	R513
11-0431-0330-A	ZENER DIODE 3V3 1/2W	1	ZD402	11-0102-5622-0	RMF 5K6 Ω 1/16W \pm 5% SMT 0603	2	R426-427
11-0431-1000-A	ZENER DIODE 10V 1/2W	1	ZD801	11-0102-6822-0	RMF 6K8 Ω 1/16W \pm 5% SMT 0603	4	R601 R602 R614 R617
11-1801-0761-A	PCB DVD703RS MB S/S 193.6X151.7X1.6MM	1		11-0102-7521-0	RMF 7K5 Ω 1/16W \pm 5% SMT 0603	4	R620 R625 R627 R630
16-0701-0601-0	JUMP WIRE 6MM ϕ 0.5MM	20	J135,J138,J149,J153,J174,J187,J191, J198,J204,J156,J202,J211,J212,J220, J227,J169 ,J225,J234,J231,J139	11-0102-8232-0	RMF 82K Ω 1/16W \pm 5% SMT 0603	1	R514
16-0701-0701-0	JUMP WIRE 7MM ϕ 0.5MM	6	J136,J192,J171,J228,J203,J205	11-0103-0R01-0	RMF 0 Ω 1/10W \pm 5% SMT 0805	4	R421 R434 R114 C633
16-0701-0801-0	JUMP WIRE 8MM ϕ 0.5MM	4	J119,J120,J134,J190	11-0103-4701-0	RMF 47 Ω 1/10W \pm 5% SMT 0805	1	R700
16-0701-0901-0	JUMP WIRE 9MM ϕ 0.5MM	3	J127,J130,J230	11-0202-1013-0	CC100PF/50V \pm 5% 0603(NPO)	6	C603-604 C614-616 C620
16-0701-1001-0	JUMP WIRE 10MM ϕ 0.5MM	15	J111,J112,J114,J121,J122,J125,J126,J140, J182,J183,J184,J185,J186,J226 J196	11-0202-1021-0	CC1000PF/50V \pm 10% 0603(X7R)	3	C415 C605-606
16-0701-1101-0	JUMP WIRE 11MM ϕ 0.5MM	7	J103,J104,J105,J116,J210,J215,J147	11-0202-1042-0	CC0.1 μ F/16V +80% -20% 0603	21	C103 C403 C405 C408 C410 C412 C414 C418 C420 C508 C515 C613,C822 C617 C626 C802 C805 C808 C826,C542 C540
16-0701-1201-0	JUMP WIRE 12MM ϕ 0.5MM	12	J106,J107,J124,J133,J151,J157,J160, J167,J214,J189,J150,J158	11-0202-1232-0	CC 0.012 μ F/50V \pm 20% SMT 0603	1	C624
16-0701-1301-0	JUMP WIRE 13MM ϕ 0.5MM	5	J154,J155,J152,J101,J100	11-0202-3301-0	CC33PF/50V \pm 5% SMT 0603	2	C401-402
16-0701-1401-0	JUMP WIRE 14MM ϕ 0.5MM	3	J180,J181,J161	11-0202-6821-0	CC 6800PF/50V \pm 10% 0603(X7R)	2	C623 C627
16-0701-1501-0	JUMP WIRE 15MM ϕ 0.5MM	6	J144,J145,J195,J213,J201,J200	11-0203-1051-0	CC 1 μ F/25V -80% +20% SMT 0805	1	C512
16-0701-1601-0	JUMP WIRE 16MM ϕ 0.5MM	5	J108,J131,J132,J219,J128	11-0203-2241-0	CC0.22 μ F/16V +80% -20% 0805	2	C501-502
16-0701-1701-0	JUMP WIRE 17MM ϕ 0.5MM	9	J177,J216,J229,J115,J123,J164,J165, J166,J148	11-0203-2251-0	CC2.2 μ F/16V +80% -20% 0805	9	C413 C513 C607-612 C622
16-0701-1801-0	JUMP WIRE 18MM ϕ 0.5MM	6	J102,J118,J137,J218,J146,J178	11-0501-0001-A	TR DTC343TK(SMT SOT-23)	5	Q502-505 Q601
16-0701-2001-0	JUMP WIRE 20MM ϕ 0.5MM	1	J221	11-0501-0002-A	TR 3904(SMT SOT-23)NPN	8	Q102 Q405 Q407 Q411 Q501 Q802 Q804 Q507
16-0701-2101-0	JUMP WIRE 21MM ϕ 0.5MM	6	J109,J110,J113,J141,J163,J217	11-0501-0003-A	TR 3906(SMT SOT-23)PNP	6	Q401-402 Q404 Q406 Q408 Q410
16-0701-2301-0	JUMP WIRE 23MM ϕ 0.5MM	1	J168	11-0501-0010-0	TR S8550 SMT SOT-23	1	Q101
11-0124-1001-0	RCF 10 Ω 1/4W \pm 5% RTS	1	R113	11-0901-0063-0	IC MC 4558 SOP DUAL OPERATIONA	3	U602-603 U604
11-0122-3941-0	RCF 390K Ω 1/8W \pm 5% RTS	4	R515~R518	11-0202-2211-0	CC 220PF/25V \pm 5.0% NPO 0603	4	C817~820
11-0122-4711-0	RCF 470 Ω 1/8W \pm 5% RTS	1	R111	11-0202-4741-0	CC0.47 μ F/25V -80% +20% 0603	1	C825

ELECTRICAL PARTS LIST - MAIN BOARD

Part NO.	Description	QTY	Location
11-0501-0025-A	TR KRC102 KEC(SMT SOT-23)	1	Q409
11-0104-1021-0	RMF 1K Ω 1/4W \pm 5% SMT 1206	1	R479
11-0901-0274-0	IC AP1507-50 DC/DC CONVERTER 3A	1	IC502
11-0901-0184-A	IC TDA7478D RDS DEMODULATOR SO 16	1	U101
11-0202-2231-0	CC0.022 μ F/50V \pm 10% 0603(X7R)	2	C104,C110
11-0202-5611-0	CC 560PF/50V 0603(COG)	1	C102
11-0202-2201-0	CC 22PF/50V \pm 5% SMT 0603(NPO)	2	C107,C108
11-0102-3322-0	RMF 3K3 Ω 1/16W \pm 5% SMT 0603	2	R603 R604
11-0224-1053-0	CE 1 μ F/50V \pm 20% 4X5 105° C	1	C823
11-0224-1067-0	CE 10 μ F/16V \pm 20% 4X5 105° C	4	C106 C407 C806 C105
11-0224-1077-0	CE 100 μ F/16V \pm 20% 6.3X5 105° C	13	C101 C406 C509 C618-619 C801 C804 C807 C628 C625 C629 C621 C500
11-0224-2253-0	CE 2.2 μ F/50V \pm 20% 4X5 105° C	13	C504-507 C514 C519-521 C813-816 C821
11-0224-4751-0	CE 4.7 μ F/16V \pm 20% 4X5 105° C	2	C503,C510
11-0224-4767-0	CE 47 μ F/16V \pm 20% 5X5 105° C	5	C417 C419 C511 C824 C632
11-0226-2277-0	CE 220 μ F/16V \pm 20% 8X7 105° C	1	C700
11-0231-1081-0	CE 1000 μ F/10V \pm 20% 8X16 105° C	1	C541
11-0231-3381-0	CE3300 μ F/16V \pm 20% 12.5X25 105	1	C827
11-0311-1512-0	STAND INDUCTOR 150 μ H \pm 10% Φ 0.3	1	R500
11-0522-0001-A	TR B1243 POWER SWITCH	2	Q412 Q801
11-0901-0192-0	IC HTC LM2950 5.0V 100MA LDO REG	1	U801
11-0144-0008-0	GBX050 PTC	1	U803
11-0901-0082-A	I.C.TDA7386	1	U804
11-1500-0029-A	CRYSTAL 8.664M DIP W/30P (-20°C+70°C)	1	XT401
11-2701-0024-A	FM/OIRT/AM KST-C6102LVD-100	1	TUN101
11-3101-0020-1	20PIN PWR/SPK EST-KNT-20-04	1	CON801
11-3102-0005-0	2PIN SOCKET PITCH=2.0MM(180°)	1	CON700
11-3102-0023-0	6PIN WAFER PH P=2.0MM	1	CON404
11-3102-0024-0	14PIN WAFER 90° P=2.0MM	1	CON403
11-0411-0001-A	DIODE IN5401	1	D802
14-0322-0007-A	BRACKET IC 7386 FOR CM226	1	
11-2101-0001-0	15A DIN FUSE	1	
11-0228-4771-0	CE 470 μ F/16V \pm 20% 8X11 105° C	1	C803
11-3102-0100-0	7PIN CONNECT 90 P=2.0MM	1	CON401
11-0311-2211-0	STAND INDUCTOR 220 μ H 2A	1	L503
11-0411-0009-A	DIODE IN5822	1	D504
16-0300-0001-A	20PIN S TYPE PITCH=1.0	1	CON402
11-0224-4741-0	CE 0.47 μ F/50V \pm 20% 4X5 105° C	1	C109
11-1500-0008-A	CRYSTAL 4.332MHZ DIP W/32PF	1	XT101
11-0502-0001-A	TR S8050 NPN TO-92	1	Q602
11-0224-2261-0	CE 22 μ F/16V \pm 20% 4X5 105° C	1	C630
11-0512-0011-A	T.R.BD435S SAMSUNG	1	Q803
11-0901-0055-A	IC L7809 REGULATOR ST	1	U402
11-2501-0042-0	ANTENNA WIRE WITH NYLON CONNECT EST-TNZ-05-21 L=230MM	1	ANT101
16-0300-0027-0	SUB OUT WIRE RCA GREEN	1	CON602
16-0300-0040-0	2PIN AUX-IN RCA WIRE L=260MM(PHILIPS)	1	CON601
16-0300-0071-0	VIDEO OUT WIRE RCA L=250MM 1PIN AWG#26 YELLOW	1	

EXPLODED VIEW - MAIN UNIT



MECHANICAL PARTS LIST(BLACK PANEL, GREEN LIGHT)

Item	Assembly Part NO	Description	QTY
1	84-DVD705RS-KB04-A	Front-panel ass'y DVD705	1
2	13-0721-0801-A	Rim	1
3	14-1074-2610-0	ScrewBTS M2.6*10 Black	2
4	13-0343-0001-B	Cabinet	1
5	14-1174-2605-0	Screw BTS M2.6*5 Ni	18
6	14-0721-0004-0	Rivet panel	2
7	14-0318-0011-0	Panel-bracket right	1
8	13-1121-0004-0	Push	1
9	14-0221-0002-0	Spring-eject	1
10	14-1055-2005-0	Screw M2*5	9
11	89-CAD310-0166-0	Sk board	1
12	14-0107-0002-0	felt	2
13	13-0821-0001-0	Locker	1
14	14-0221-0003-0	Spring-locker	1
15	14-0721-0002-0	Shaft-locker	1
16	89-CAD310-0167-0	Front-PCB ass'y	1
17	13-1843-0001-1	Dustproof PVC plate	1
18	14-1254-2004-0	Screw Pw M2*4 color Zn	5
19	13-1106-0004-0	Damper	1
20	13-1121-0001-0	Gear	1
21	14-0721-0003-1	Rivet gear	1
22	14-0318-0012-0	Bracket-gear	1
23	13-0521-0715-1	Knob-eject	1
24	13-1021-0001-0	Lens-gate	1
25	14-0318-0009-0	Side stopper	2
26	14-0318-0006-C	Front U bracket	1
27	14-2621-0001-0	Mut	2
28	14-1170-3008-0	Screw M3*8	2
29	14-1151-2608-0	Screw PAM2*8 Ni	2
30	14-0343-0006-0	Deck front bracket	1
31	82-DVD705-SB01-A	Servo board ass'y	1
32	11-3501-0014-A	SHINWA DVD DECK DL-C28D1	1
33	14-1200-2619-0	Pivot screw M2.6*19	2
34	14-0538-0001-0	Top-cover	1
35	14-0343-0005-A	Deck rear bracket	1
36	14-1174-2610-0	SCREW BTS2610 NI	1
37	14-1474-2603-0	Screw M2.6*3	2
38	14-1174-2607-0	SCREW BTD2607 MI	1
39	14-2600-0001-0	Pole	1
40	13-1600-0001-0	Rubber	1
41	14-1174-2614-0	Screw BTS M2.6*14 Ni	2
42	14-0618-0001-0	Short sheet	1
43	11-2501-0002-0	Ant socket W/GND L230mm	1
44	14-1174-2621-0	Screw M2.6*21	2
45	14-0921-0003-B	Heat-sink for CM700	1
46	14-0331-0001-C	Bracket-Back for CAD510	1
47	14-0307-0013-1	Bracket-IC7386	1
48	83-DVD703RS-MB01-A	Main board ass'y	1
49	14-1080-2605-0	Screw M2.6*5	2
50	13-1721-0001-0	Isolator-sheet	1

Item	Assembly Part NO	Description	QTY
51	13-0448-0827-0	LENS OF DVD705RS 58E PROLOGY	1
52	13-0148-0822-0	PANEOF DVD705RS 58E PROLOGY BLACK	1
53	13-0548-0804-0	Knob-SKIP/AMS CM705	1
54	13-0548-0805-0	KNOB-TA/PTY/AF FOR CM705	1
55	13-0548-0806-0	Knob-open CM705	1
56	14-0200-0007-0	CMV100,SPRING RELEASE NEW	1
57	13-0548-0807-0	Knob-band CM705	1
58	14-0305-0003-A	LCD COVER FOR CM110	1
59	11-2602-0030-0	LCD	1
60	11-3400-0001-0	ZEBRA STRIP FOR CM110	1
61	13-1048-0001-0	Filter sheet for CM705	1
62	13-0900-0002-A	Reflector lcd	1
63	13-0805-0001-C	LCD holder	1
64	82-CM705-KB02-C	KB-ASSMBLY	1
65	13-2321-0001-0	E-WASHER	2
66	14-0221-0004-0	I/R Rotation-spring	2
67	14-0721-0005-0	Right-slide-block-shift	1
68	13-1121-0003-A	Right-slide-block	1
69	14-0721-0001-0	Screw FTP M2*8	4
70	13-0248-0801-0	Panel back for CM705	1
71	14-0721-0001-0	Left-slide-block-shift	1
72	13-1121-0002-A	Left-slide-block	1
73	13-0800-0008-0	BRACKET FOR LED OF CMV100	1
74	13-0548-0803-0	Knob-number/loud/band CM705	1
75	13-0548-0801-0	Knob-power CM705	1
76	13-0548-0802-0	Knob-src/disp CM705	1
77	13-0948-0001-0	Light-guide volume CM705	1
78	13-0748-0501-0	Cosmetic-bar CM705	1
79	13-0648-0501-0	Knob-vol for CM705	1

MECHANICAL PARTS LIST(BLACK PANEL, RED LIGHT)

Item	Assembly Part NO	Description	QTY
1	84-DVD705RS-KB05-A	Front-panel ass'y DVD705	1
2	13-0721-0801-A	Rim	1
3	14-1074-2610-0	ScrewBTS M2.6*10 Black	2
4	13-0343-0001-B	Cabinet	1
5	14-1174-2605-0	Screw BTS M2.6*5 Ni	18
6	14-0721-0004-0	Rivet panel	2
7	14-0318-0011-0	Panel-bracket right	1
8	13-1121-0004-0	Push	1
9	14-0221-0002-0	Spring-eject	1
10	14-1055-2005-0	Screw M2*5	9
11	89-CAD310-0166-0	Sk board	1
12	14-0107-0002-0	felt	2
13	13-0821-0001-0	Locker	1
14	14-0221-0003-0	Spring-locker	1
15	14-0721-0002-0	Shaft-locker	1
16	89-CAD310-0167-0	Front-PCB ass'y	1
17	13-1843-0001-1	Dustproof PVC plate	1
18	14-1254-2004-0	Screw Pw M2*4 color Zn	5
19	13-1106-0004-0	Damper	1
20	13-1121-0001-0	Gear	1
21	14-0721-0003-1	Rivet gear	1
22	14-0318-0012-0	Bracket-gear	1
23	13-0521-0715-1	Knob-eject	1
24	13-1021-0001-0	Lens-gate	1
25	14-0318-0009-0	Side stopper	2
26	14-0318-0006-C	Front U bracket	1
27	14-2621-0001-0	Mut	2
28	14-1170-3008-0	Screw M3*8	2
29	14-1151-2608-0	Screw PAM2*8 Ni	2
30	14-0343-0006-0	Deck front bracket	1
31	82-DVD705-SB01-A	Servo board ass'y	1
32	11-3501-0014-A	SHINWA DVD DECK DL-C28D1	1
33	14-1200-2619-0	Pivot screw M2.6*19	2
34	14-0538-0001-0	Top-cover	1
35	14-0343-0005-A	Deck rear bracket	1
36	14-1174-2610-0	SCREW BTS2610 NI	1
37	14-1474-2603-0	Screw M2.6*3	2
38	14-1174-2607-0	SCREW BTD2607 MI	1
39	14-2600-0001-0	Pole	1
40	13-1600-0001-0	Rubber	1
41	14-1174-2614-0	Screw BTS M2.6*14 Ni	2
42	14-0618-0001-0	Short sheet	1
43	11-2501-0002-0	Ant socket W/GND L230mm	1
44	14-1174-2621-0	Screw M2.6*21	2
45	14-0921-0003-B	Heat-sink for CM700	1
46	14-0331-0001-C	Bracket-Back for CAD510	1
47	14-0307-0013-1	Bracket-IC7386	1
48	83-DVD703RS-MB01-A	Main board ass'y	1
49	14-1080-2605-0	Screw M2.6*5	2
50	13-1721-0001-0	Isolator-sheet	1

Item	Assembly Part NO	Description	QTY
51	13-0448-0827-0	LENS OF DVD705RS 58E PROLOGY	1
52	13-0148-0822-0	PANEOF DVD705RS 58E PROLOGY BLACK	1
53	13-0548-0804-0	Knob-SKIP/AMS CM705	1
54	13-0548-0805-0	KNOB-TA/PTY/AF FOR CM705	1
55	13-0548-0806-0	Knob-open CM705	1
56	14-0200-0007-0	CMV100,SPRING RELEASE NEW	1
57	13-0548-0807-0	Knob-band CM705	1
58	14-0305-0003-A	LCD COVER FOR CM110	1
59	11-2602-0030-0	LCD	1
60	11-3400-0001-0	ZEBRA STRIP FOR CM110	1
61	13-1048-0001-0	Filter sheet for CM705	1
62	13-0900-0002-A	Reflector lcd	1
63	13-0805-0001-C	LCD holder	1
64	82-CM705-KB00-C	KB-ASSMBLY	1
65	13-2321-0001-0	E-WASHER	2
66	14-0221-0004-0	I/R Rotation-spring	2
67	14-0721-0005-0	Right-slide-block-shift	1
68	13-1121-0003-A	Right-slide-block	1
69	14-0721-0001-0	Screw FTP M2*8	4
70	13-0248-0801-0	Panel back for CM705	1
71	14-0721-0001-0	Left-slide-block-shift	1
72	13-1121-0002-A	Left-slide-block	1
73	13-0800-0008-0	BRACKET FOR LED OF CMV100	1
74	13-0548-0803-0	Knob-number/loud/band CM705	1
75	13-0548-0801-0	Knob-power CM705	1
76	13-0548-0802-0	Knob-src/disp CM705	1
77	13-0948-0001-0	Light-guide volume CM705	1
78	13-0748-0501-0	Cosmetic-bar CM705	1
79	13-0648-0501-0	Knob-vol for CM705	1