

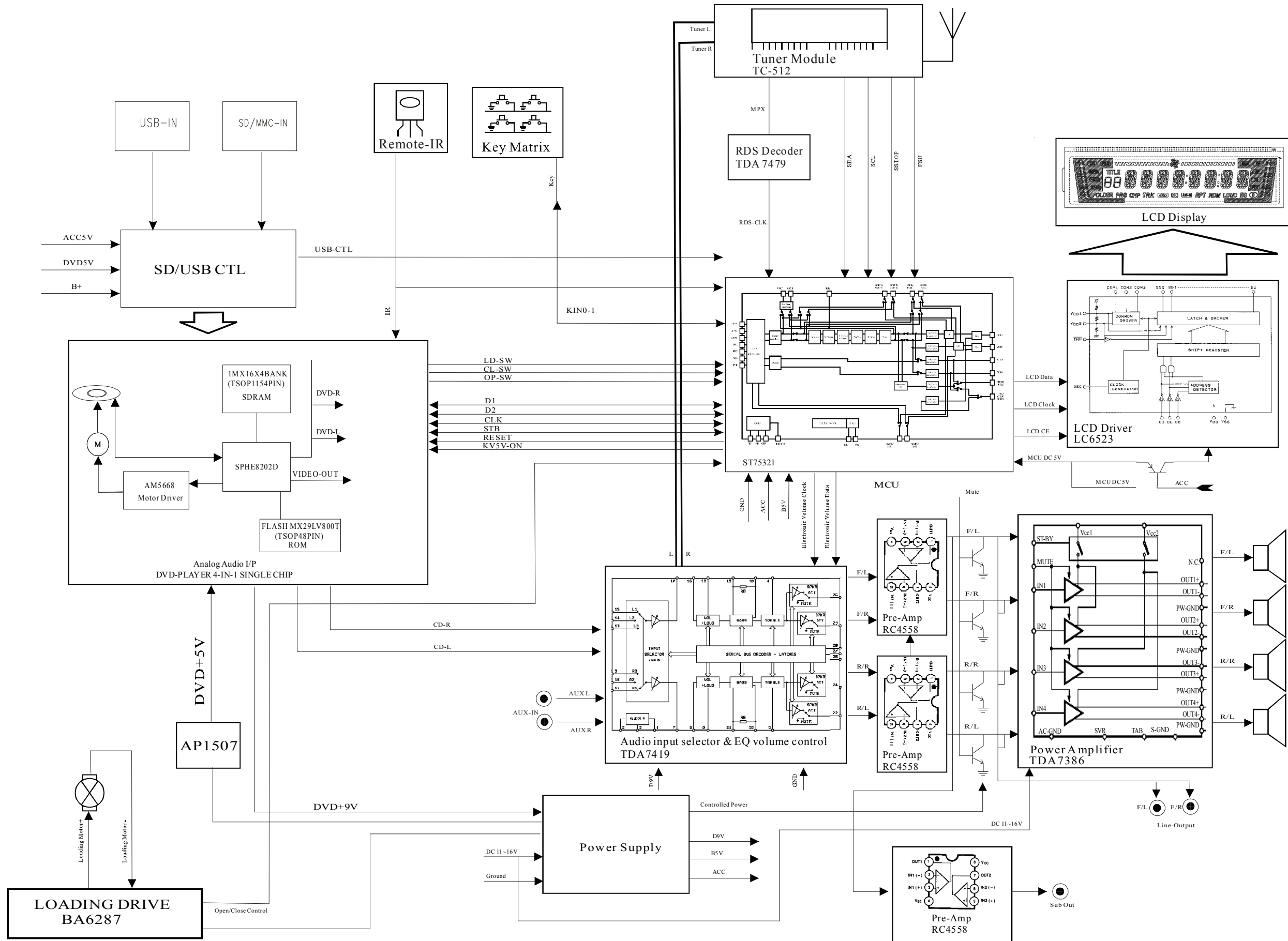
Service
Service

Service Manual

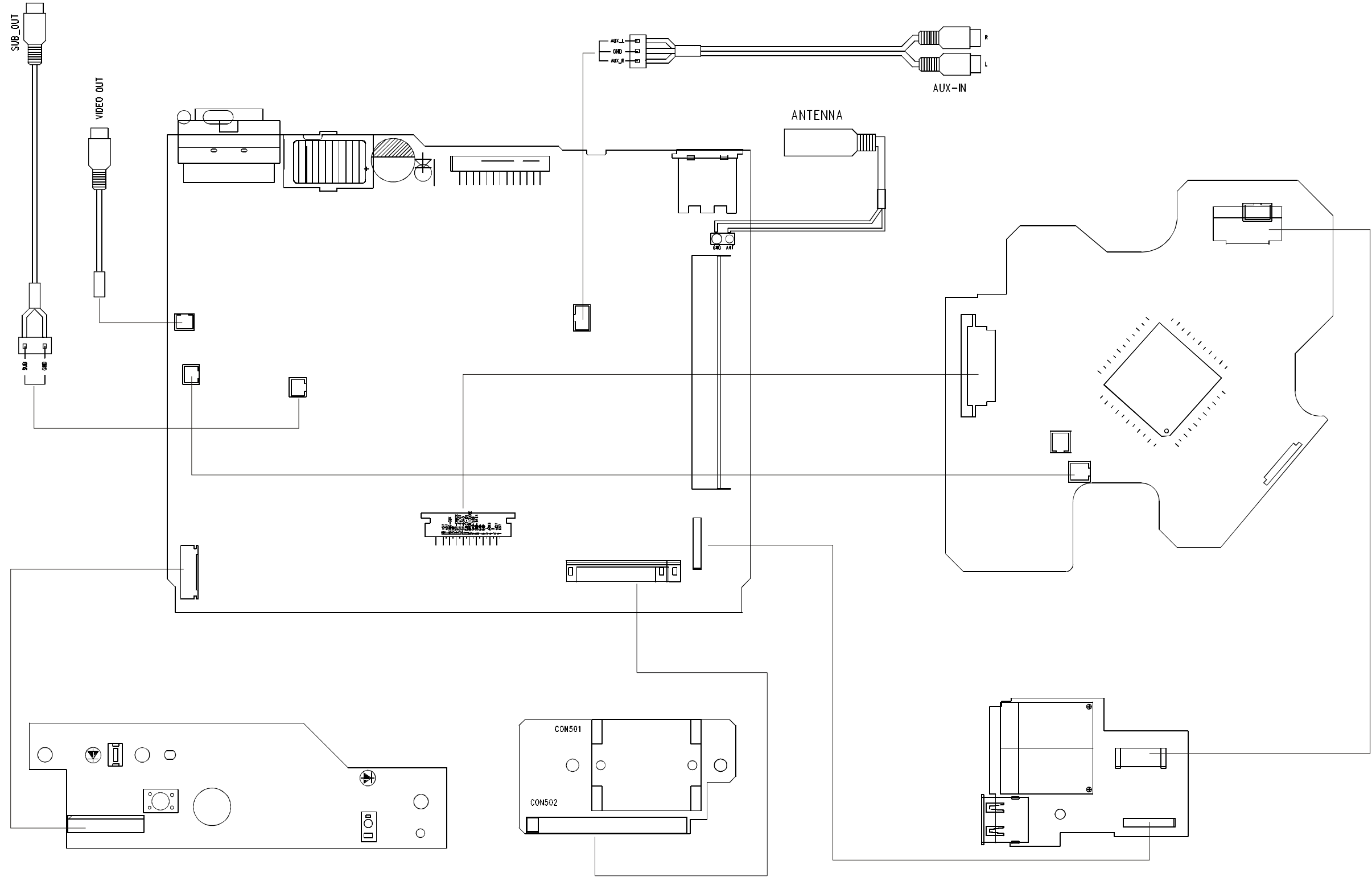
TABLE OF CONTENTS

	Page
Technical Specifications	1-2
Measurement setup	1-3
Service Aids, Safety Instruction, etc	1-4 to 1-5
Preparations & Controls	1-6 to 1-8
Maintenance & Troubleshooting	1-9
Disassembly Instructions & Service positions	2
Set Block diagram	3
Set Wiring diagram	4
Key Board	5
Servo Board	6
Main Board	7
SD Board.....	8
Set Mechanical Exploded view & parts list	9

SET BLOCK DIAGRAM



SET WIRING DIAGRAM

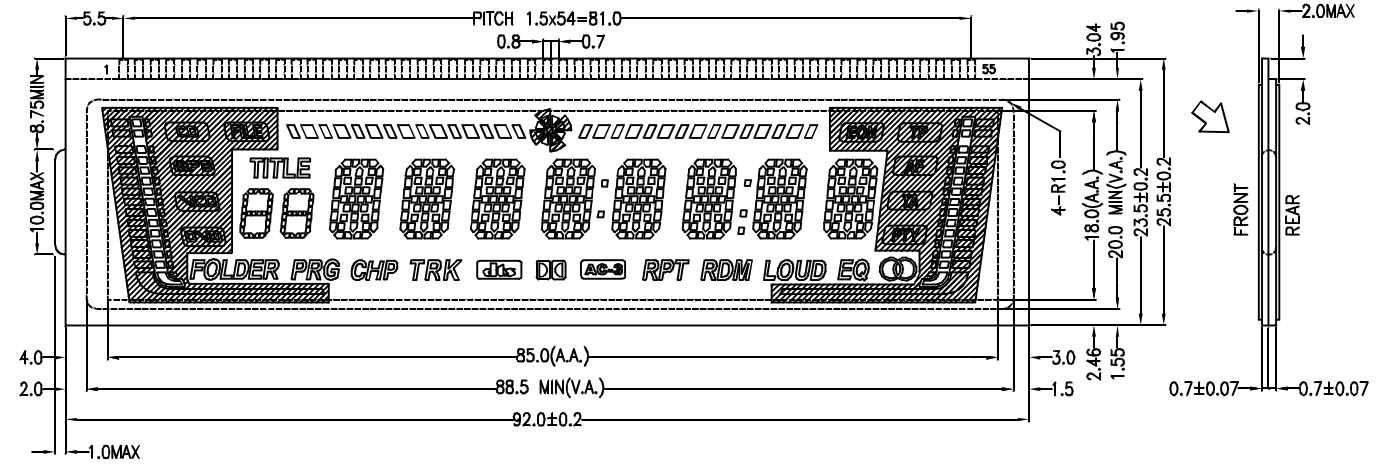


KEY BOARD

TABLE OF CONTENTS

LCD Display.....5-1
 Front board.....5-2
 connector board.....5-2
 Key Board Circuit Diagram.....5-3
 Key Board Layout Diagram.....5-4
 Electrical Parts List.....5-5

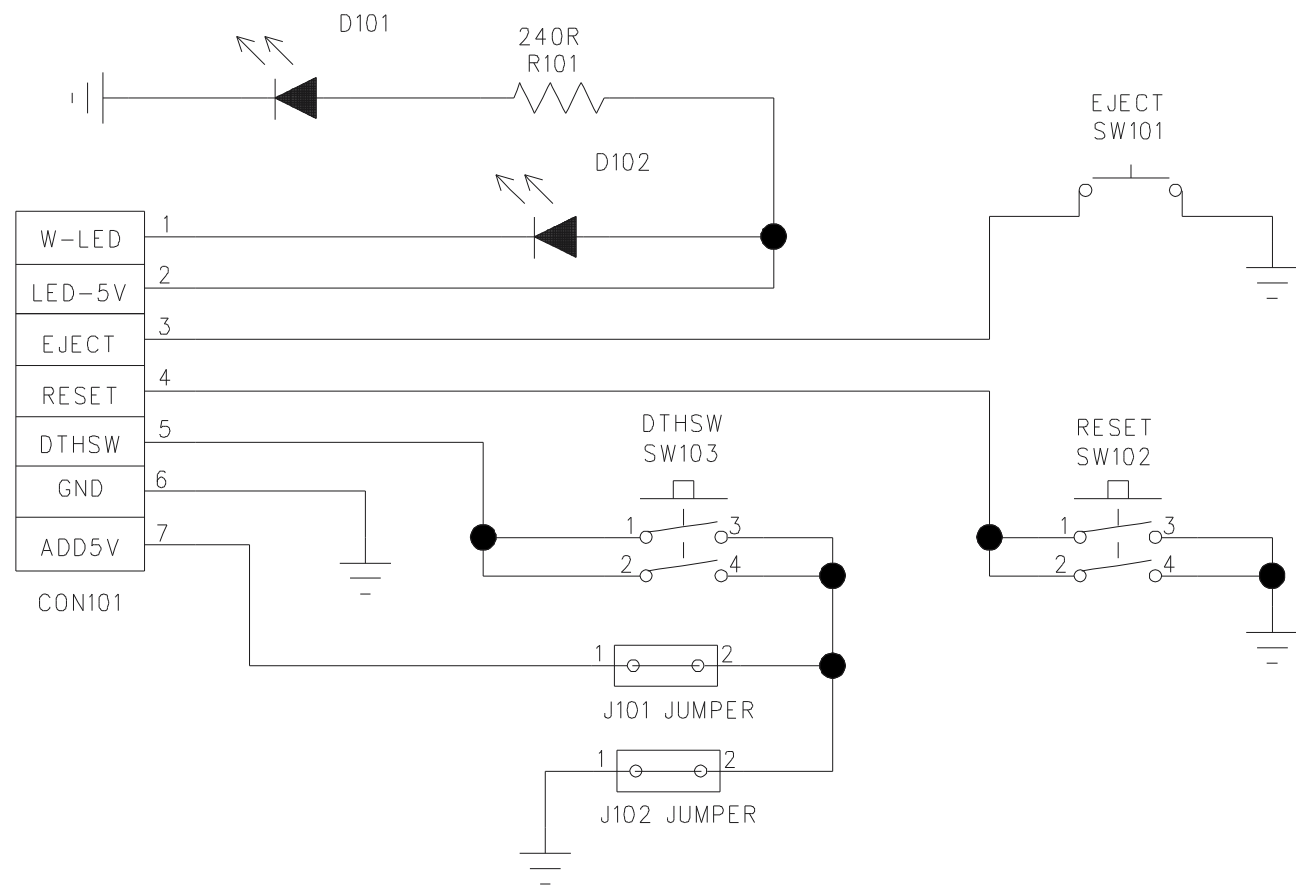
LCD PIN CONNECTION



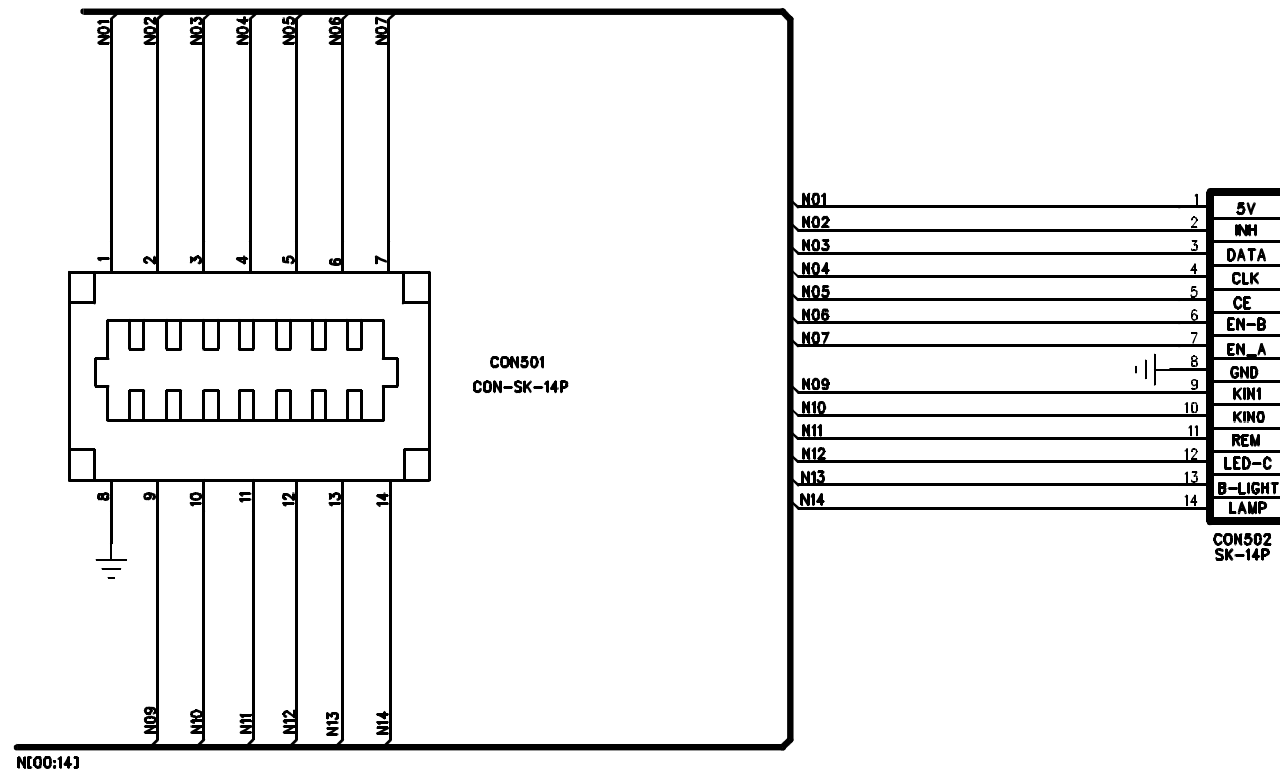
PIN SEGMENT DISPLAY

PIN	1	2	3	4	5	6	7	8	9	10	11	12	13	14	15	16	17	18	19	20	21	22	23	24	25	26	27	28
COM1	TITLE	9A	9B	10A	10B	CD	1E	1M	1D	1L	R2	2E	2M	2D	2L	VCD	3E	3M	3D	3L	CHP	4E	4M	4D	4L	DP1	5E	5M
COM2	9F	9G	9C	10D	10C	DVD	1G	1I	1K	1C	R3	2G	2I	2K	2C	DP2	3G	3I	3K	3C	TRK	4G	4I	4K	4C	RDM	5G	5I
COM3	9E	9D	10G	10E	10F	1F	1H	1A	1J	1B	2F	2H	2A	2J	2B	3F	3H	3A	3J	3B	4F	4H	4A	4J	4B	5F	5H	5A
PIN	29	30	31	32	33	34	35	36	37	38	39	40	41	42	43	44	45	46	47	48	49	50	51	52	53	54	55	
COM1	5D	5L	RPT	6E	6M	6D	6L	FOLDER	7E	7M	7D	7L	LOUD	8E	8M	8D	8L	R4	EON	PTY	DTS	DOLBY	L6	L3	COM1			
COM2	5K	5C	MP3	6G	6I	6K	6C	FILE	7G	7I	7K	7C	ST	8G	8I	8K	8C	R1	DP3	AF	PRG	AC-3	L5	L2	COM2			
COM3	5J	5B	6F	6H	6A	6J	6B	7F	7H	7A	7J	7B	8F	8H	8A	8J	8B	L8	TA	TP	EQ	L7	L4	L1			COM3	

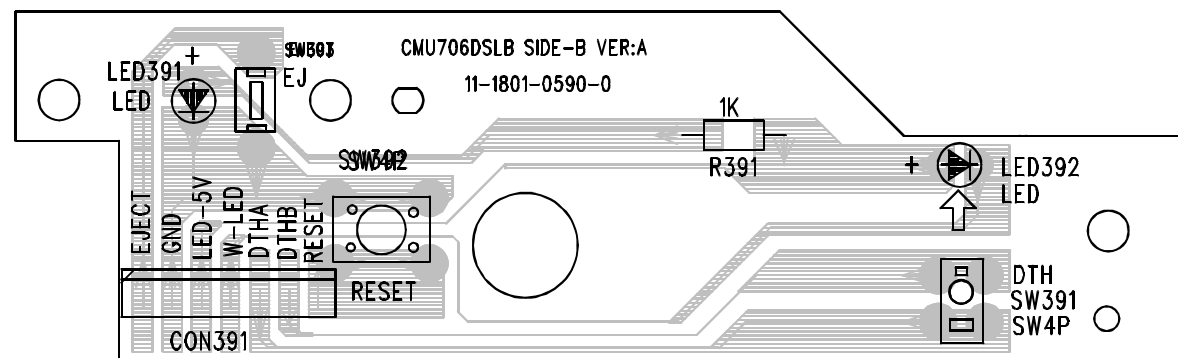
FRONT BOARD - CIRCUIT DIAGRAM



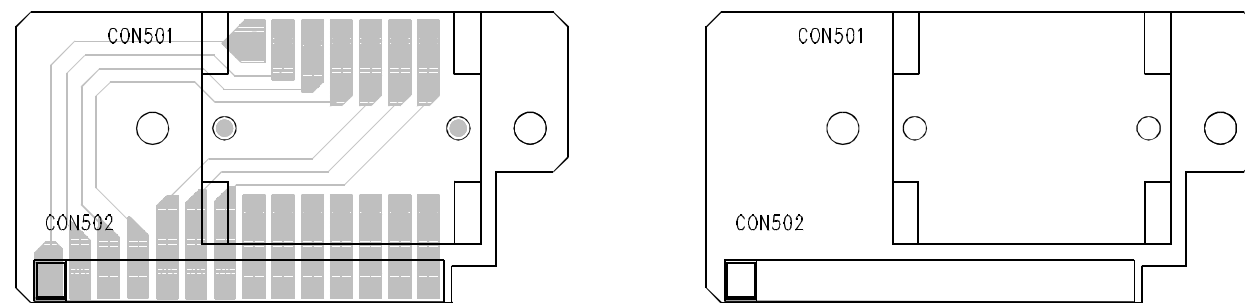
CONNECTOR BOARD - CIRCUIT DIAGRAM



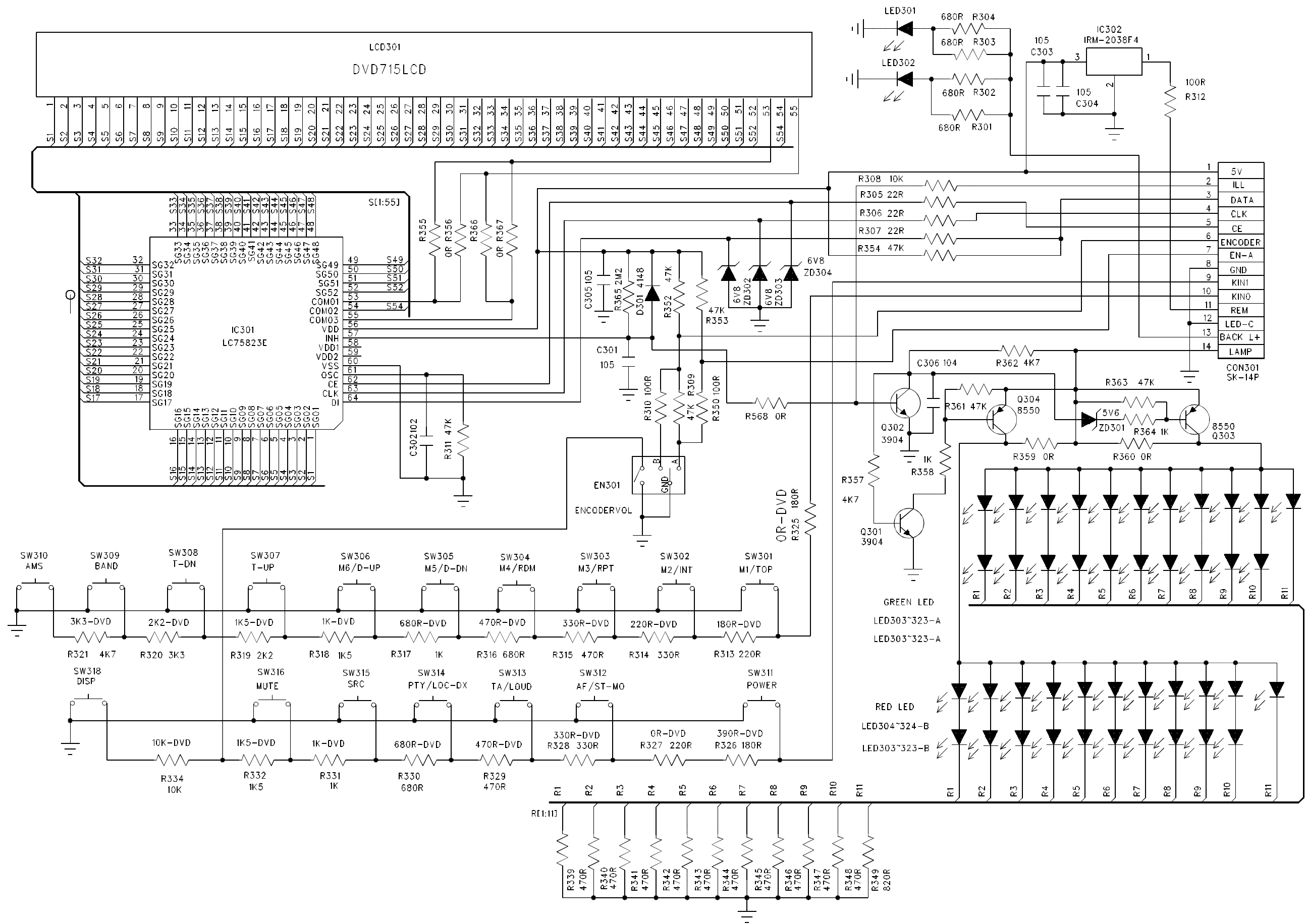
FRONT BOARD - LAYOUT DIAGRAM



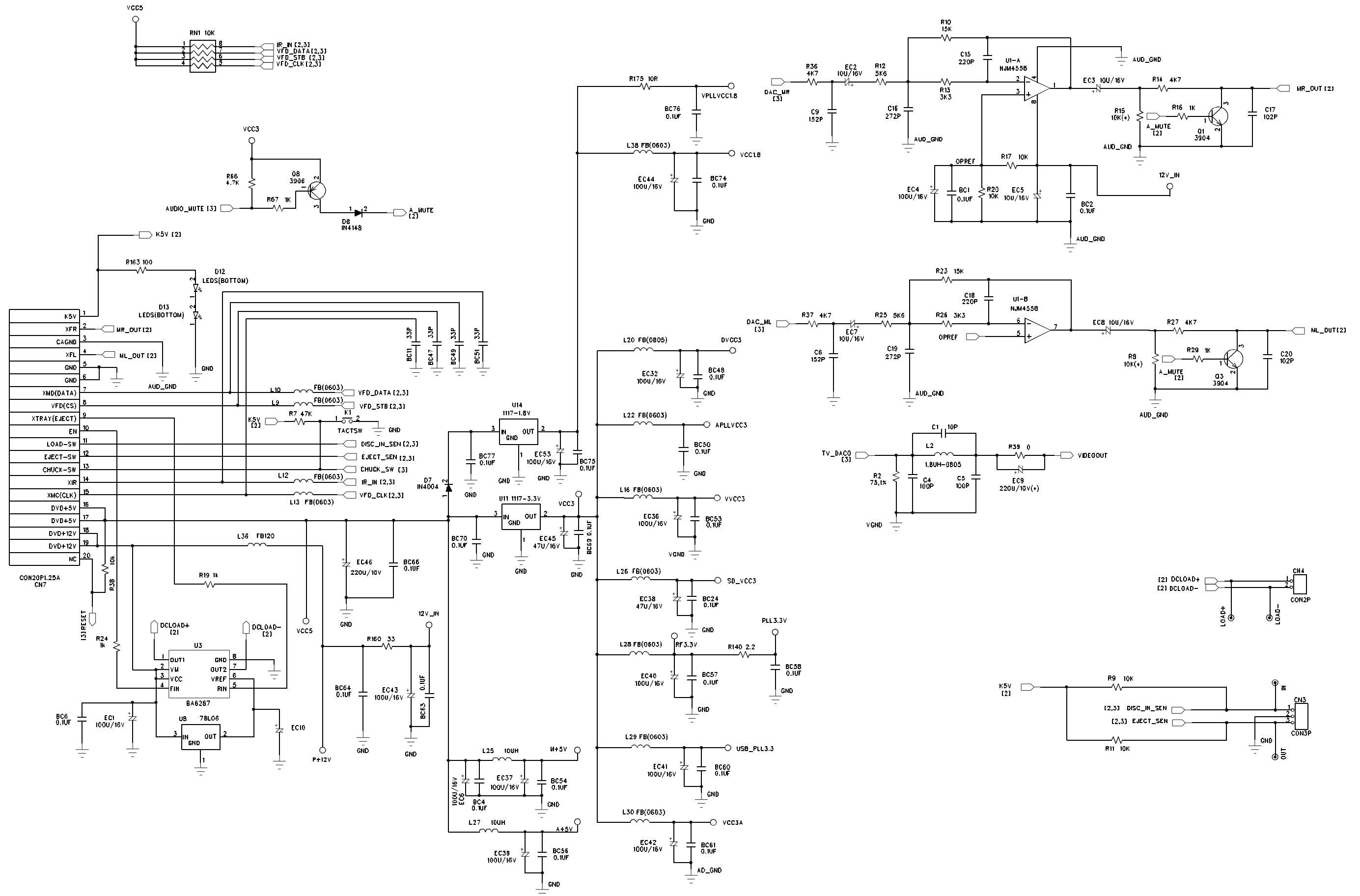
CONNECTOR BOARD - LAYOUT DIAGRAM



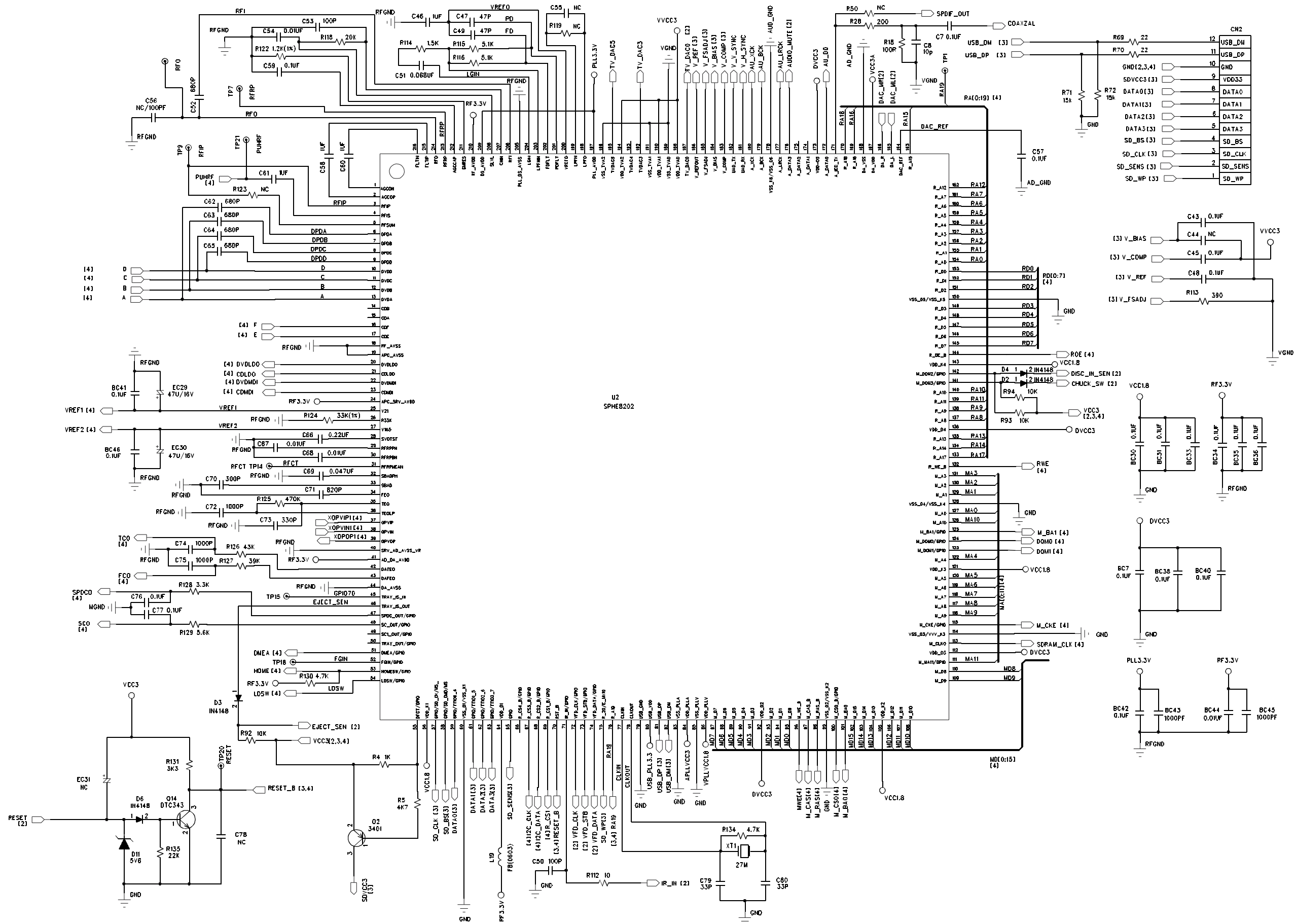
KEY BOARD - CIRCUIT DIAGRAM



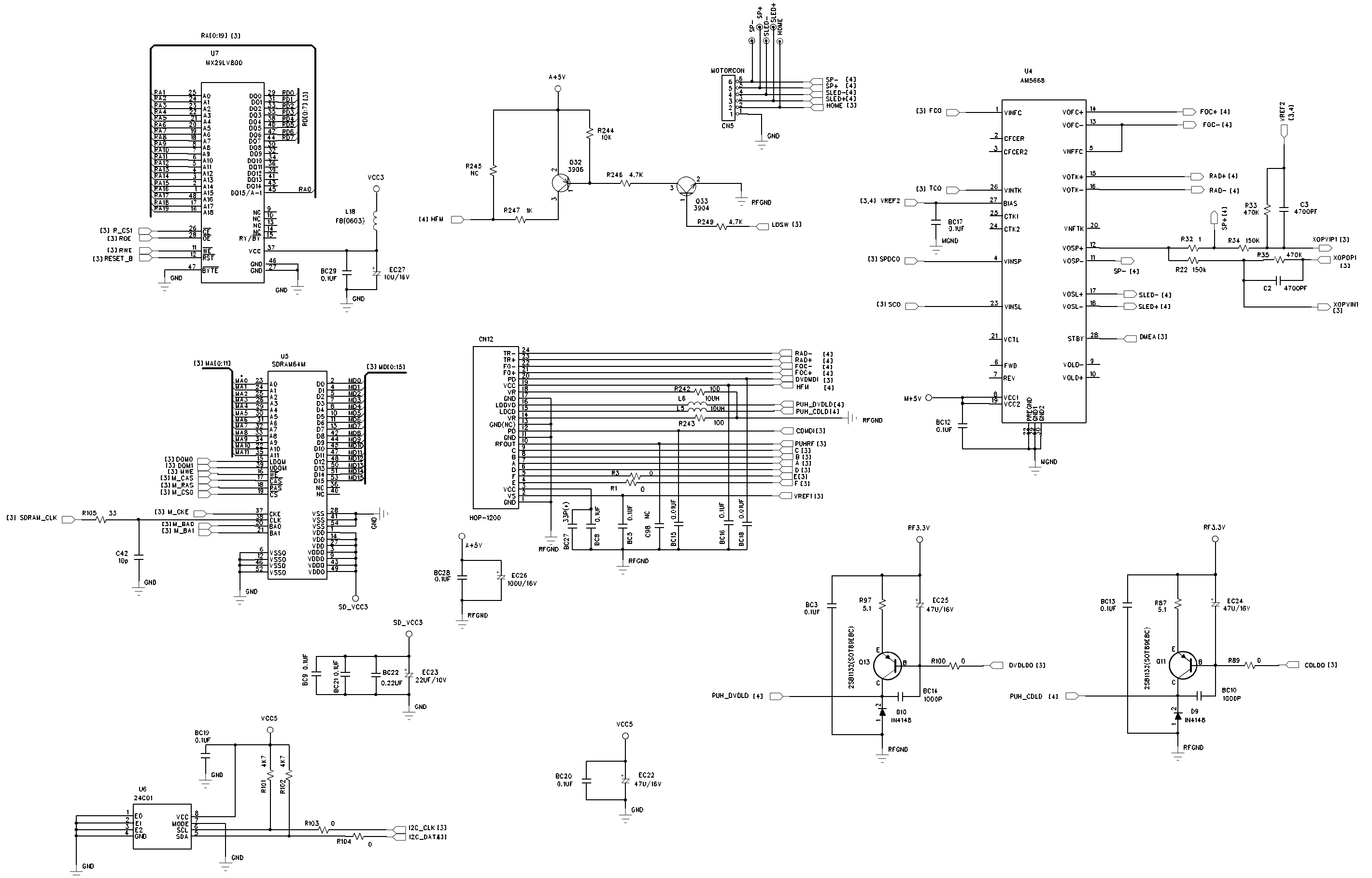
SERVO BOARD - CIRCUIT DIAGRAM



SERVO BOARD - CIRCUIT DIAGRAM



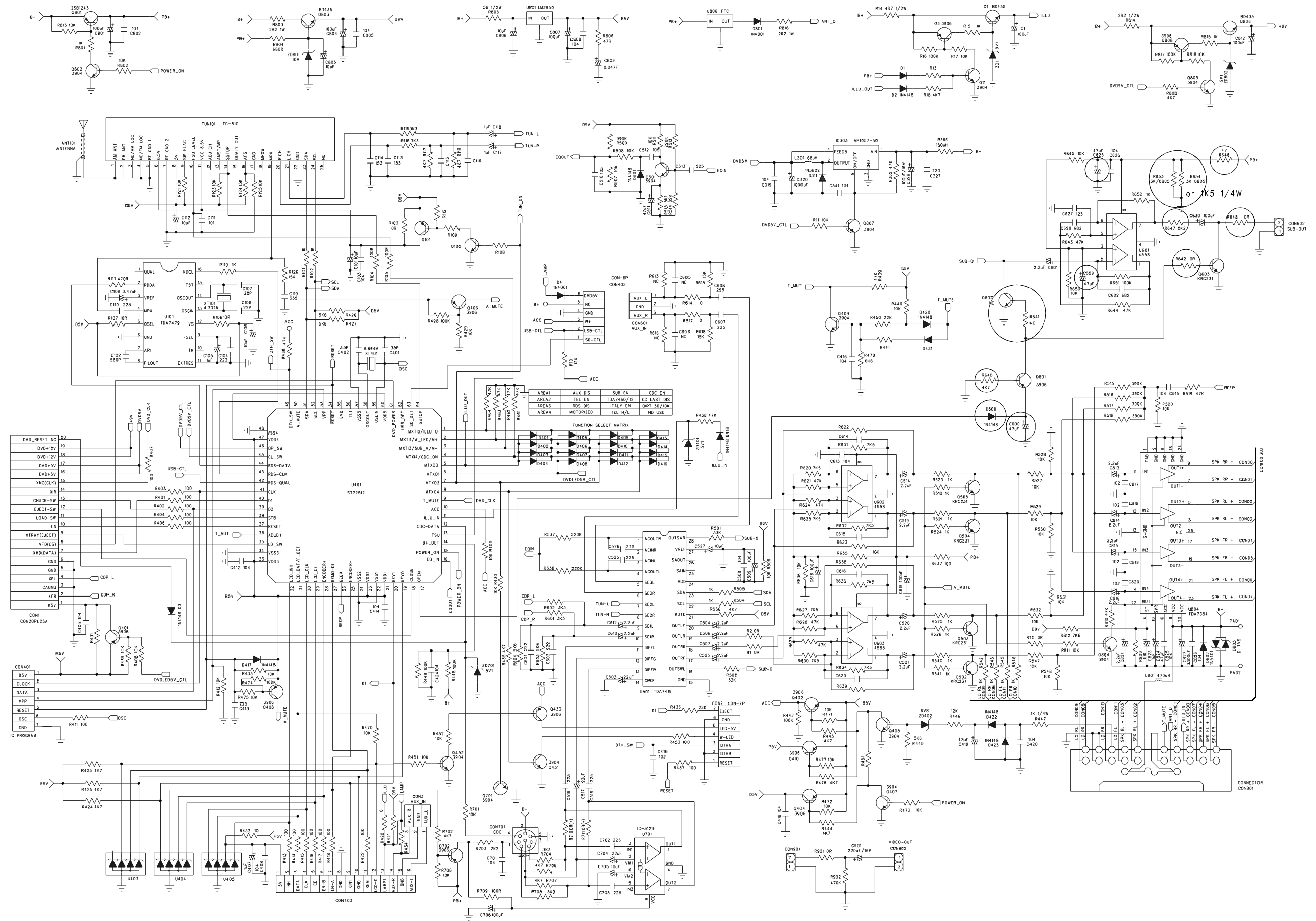
SERVO BOARD - CIRCUIT DIAGRAM



CIRCUIT DIAGRAM

7-2

7-2



SD BOARD - CIRCUIT DIAGRAM

