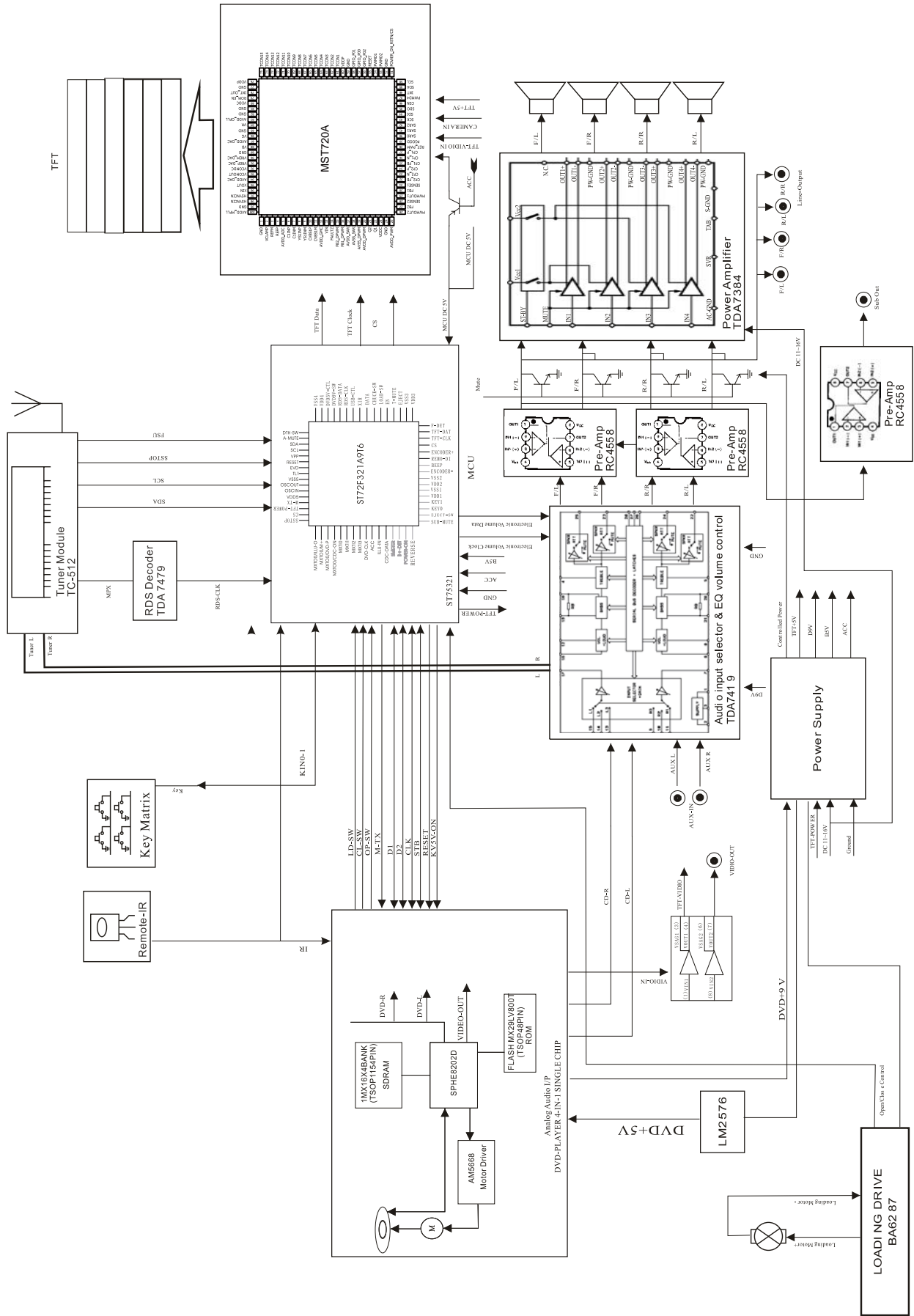


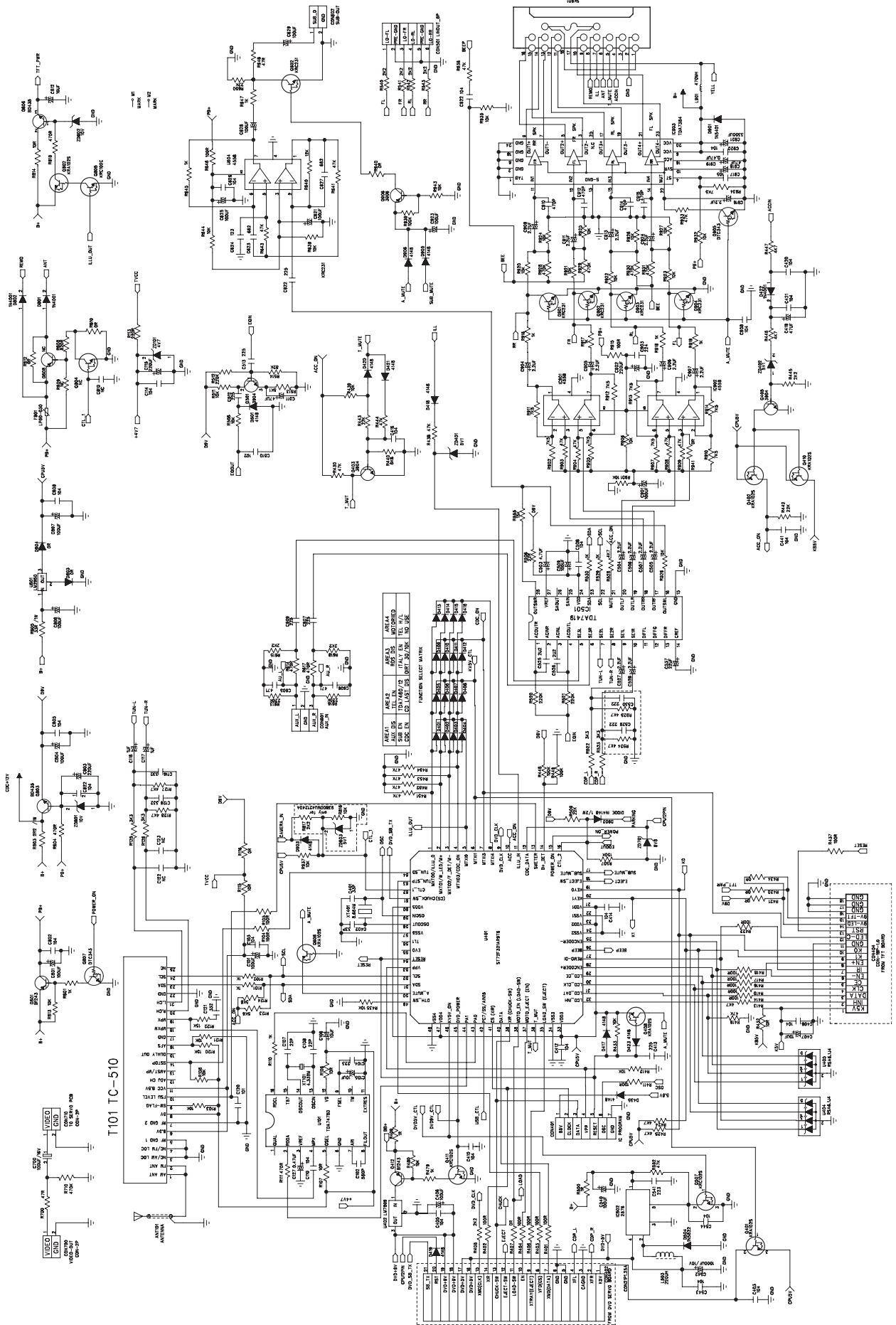
Service
Service

Service Manual

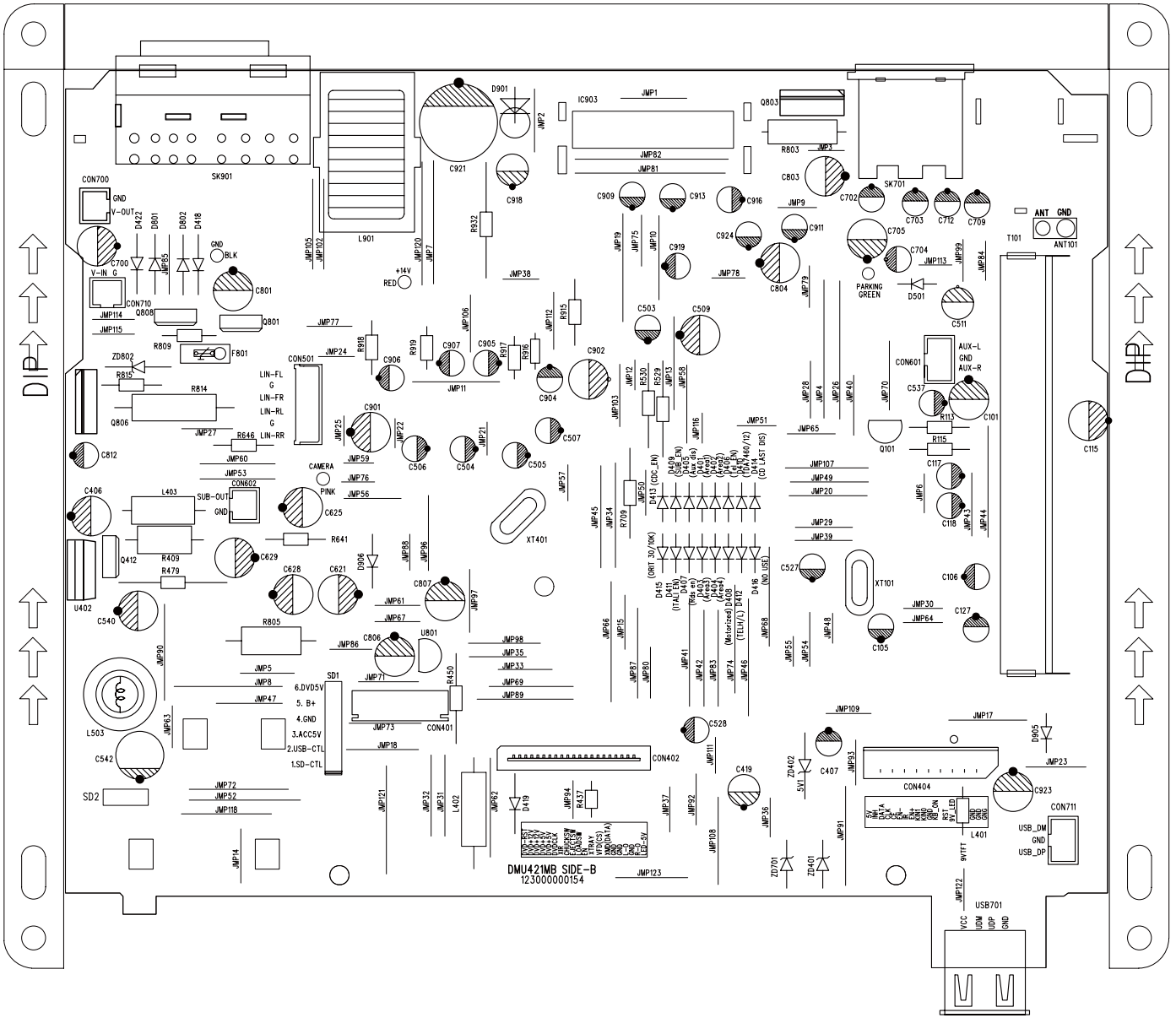
SET WIRING DIAGRAM



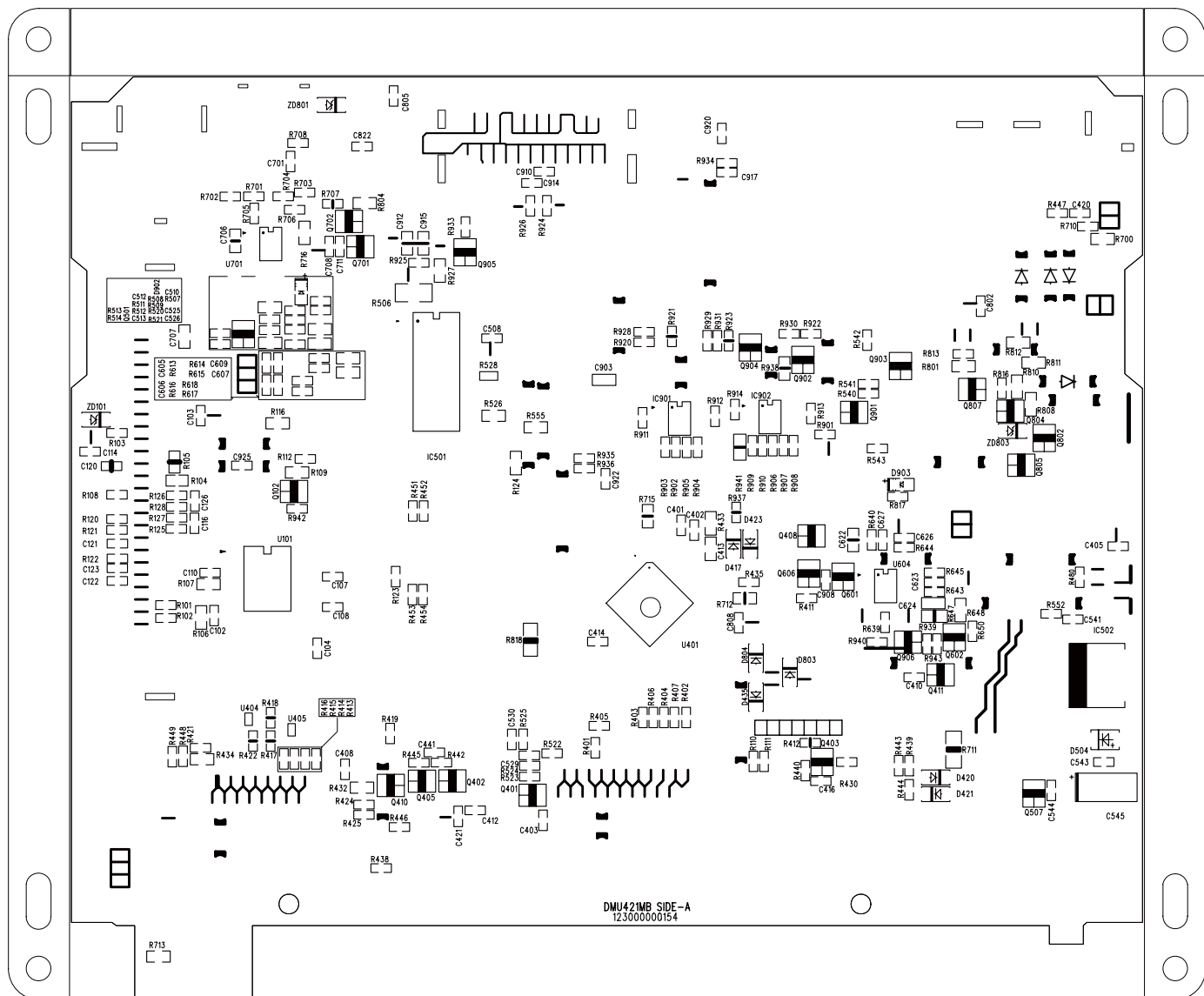
MAIN BOARD - CIRCUIT DIAGRAM



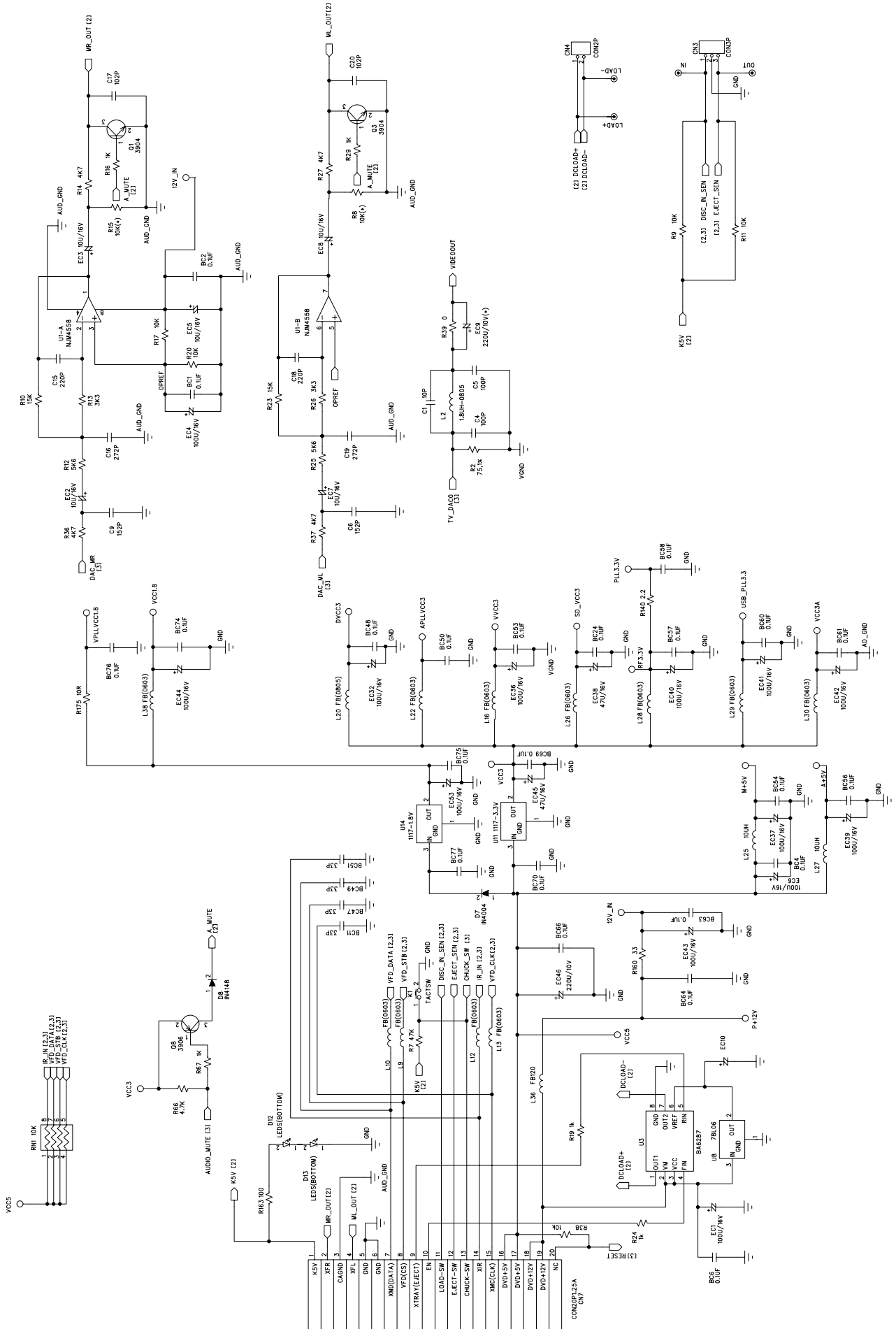
MAIN BOARD - PCB LAYOUT TOP VIEW



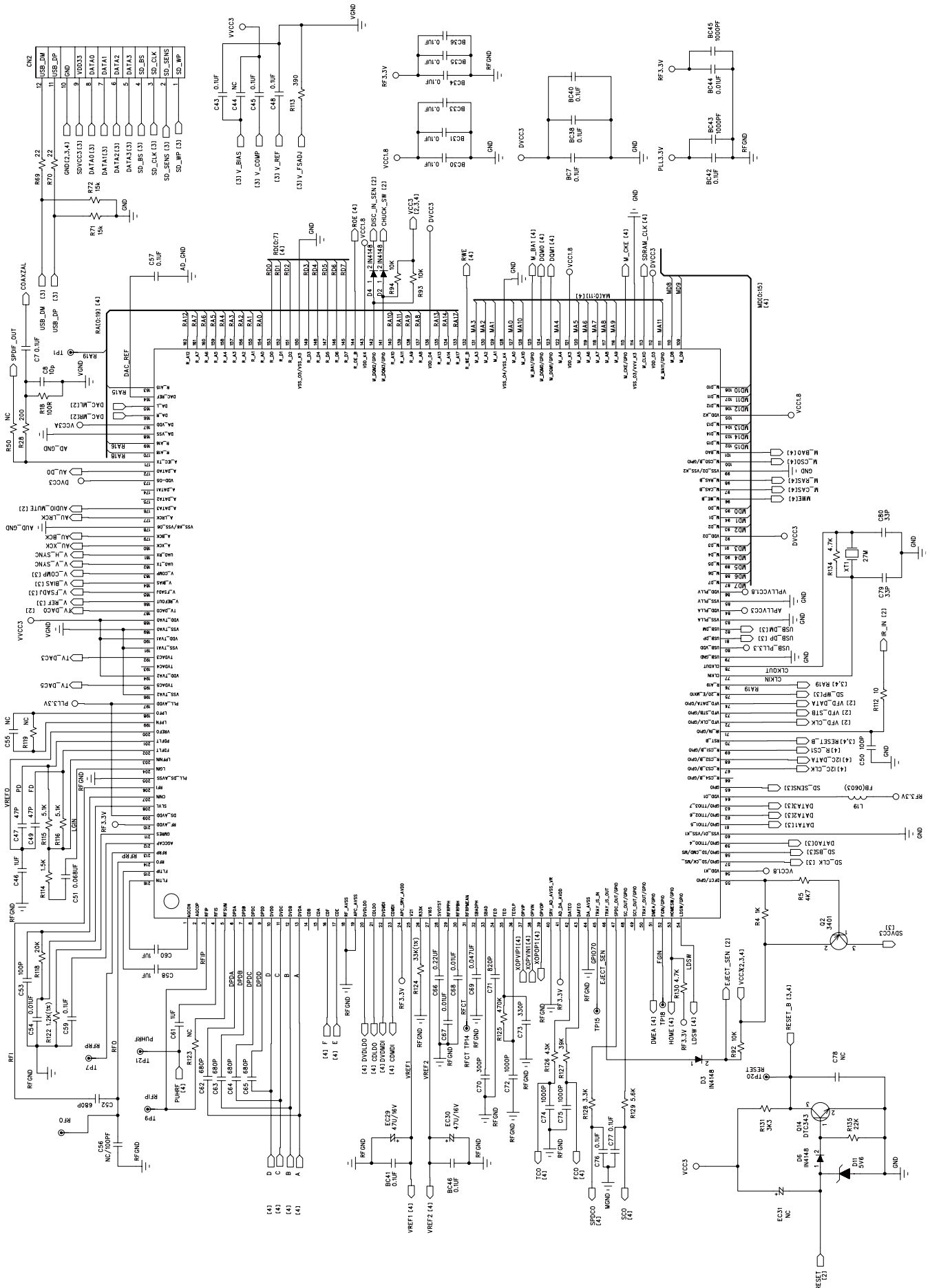
MAIN BOARD - PCB LAYOUT BOTTOM VIEW



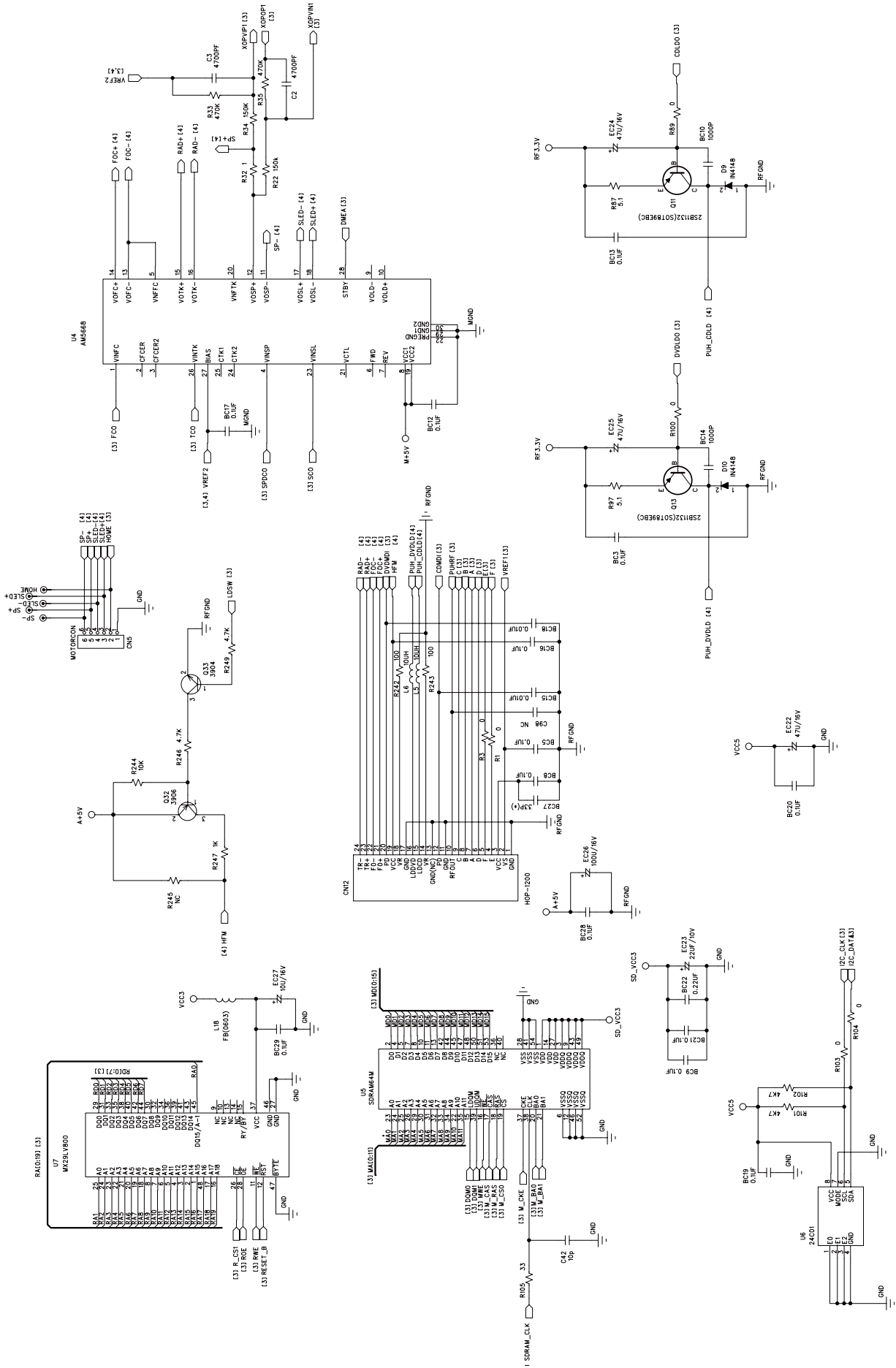
SERVO BOARD - CIRCUIT DIAGRAM



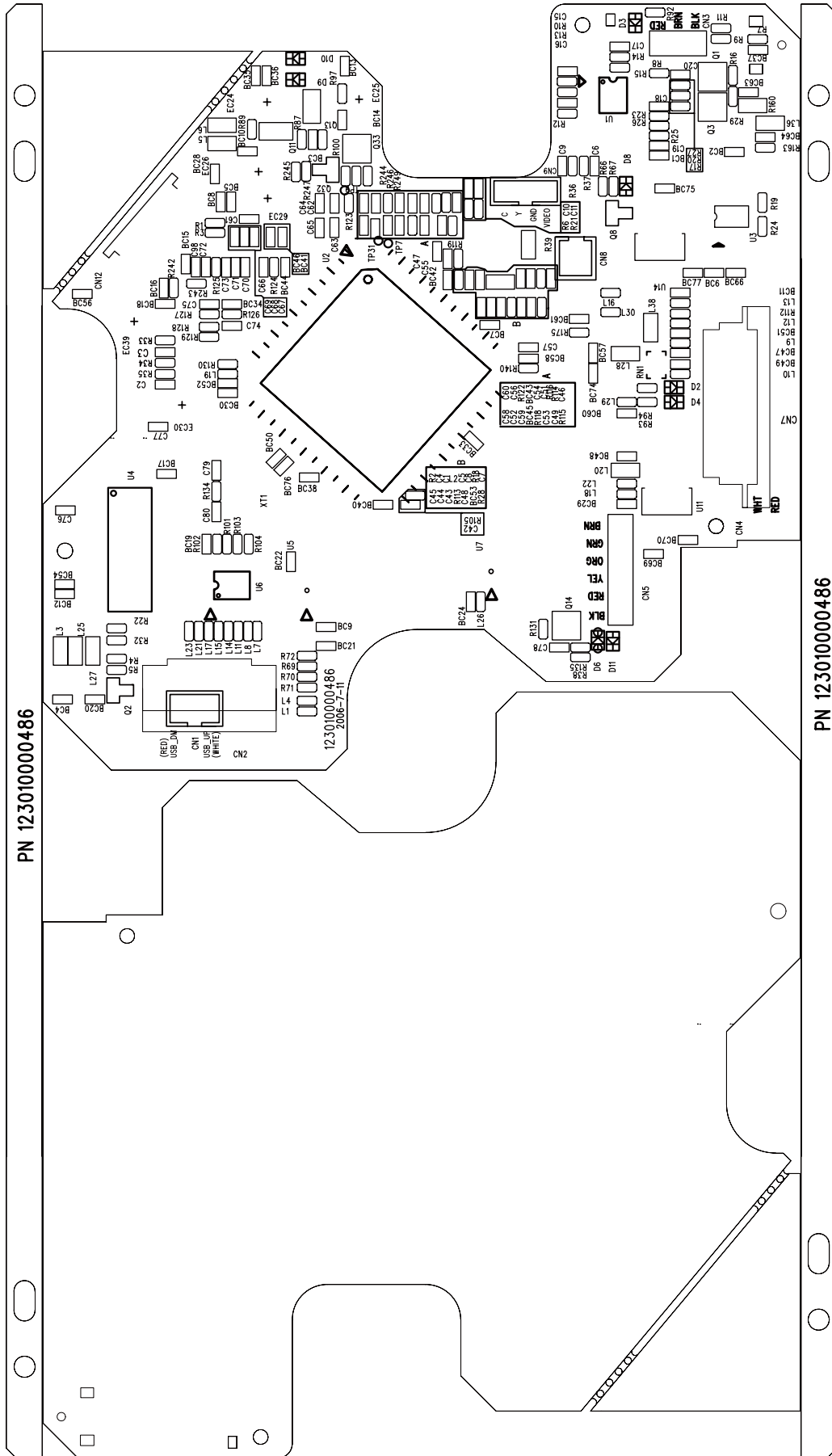
SERVO BOARD - CIRCUIT DIAGRAM



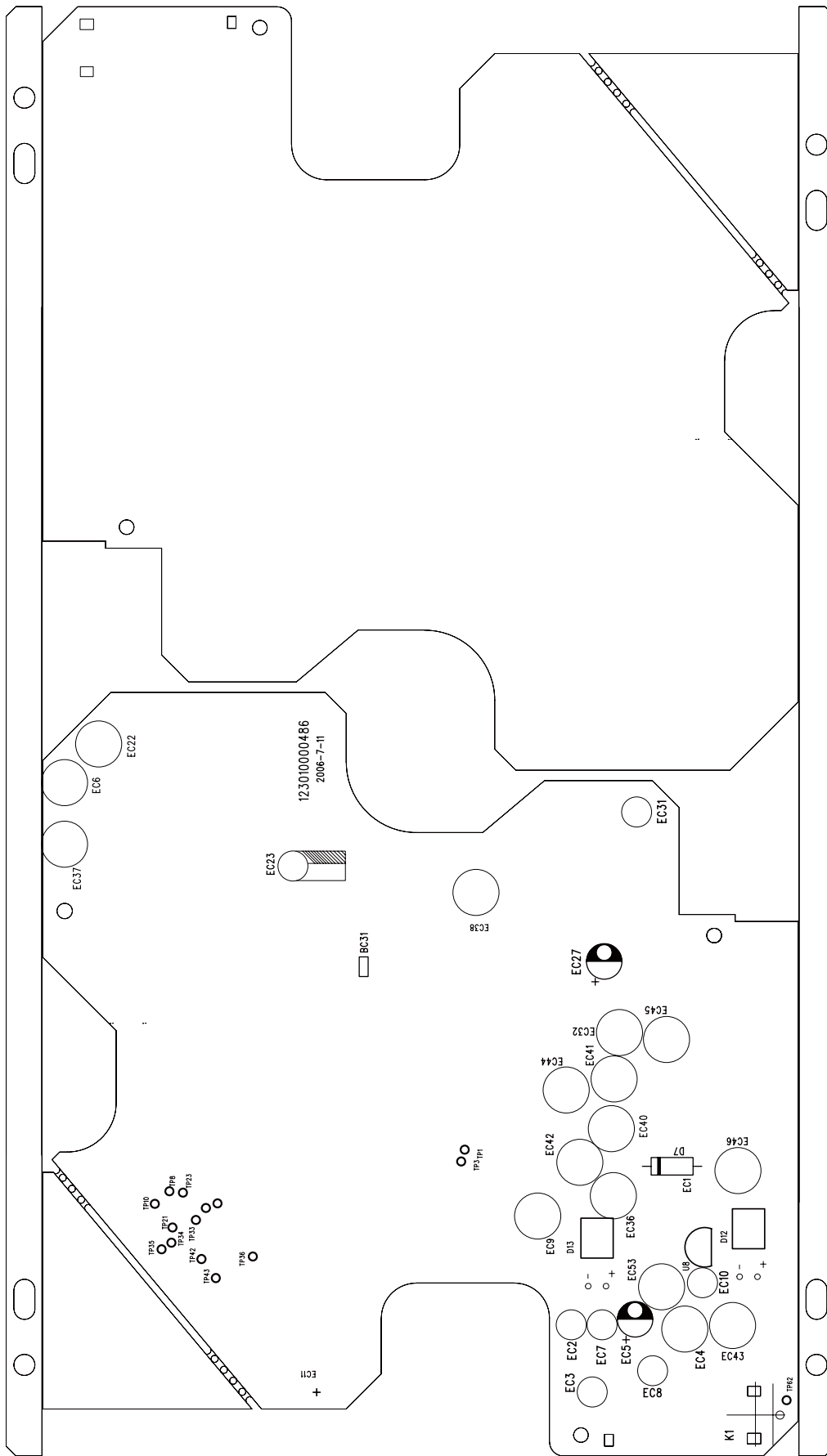
SERVO BOARD - CIRCUIT DIAGRAM



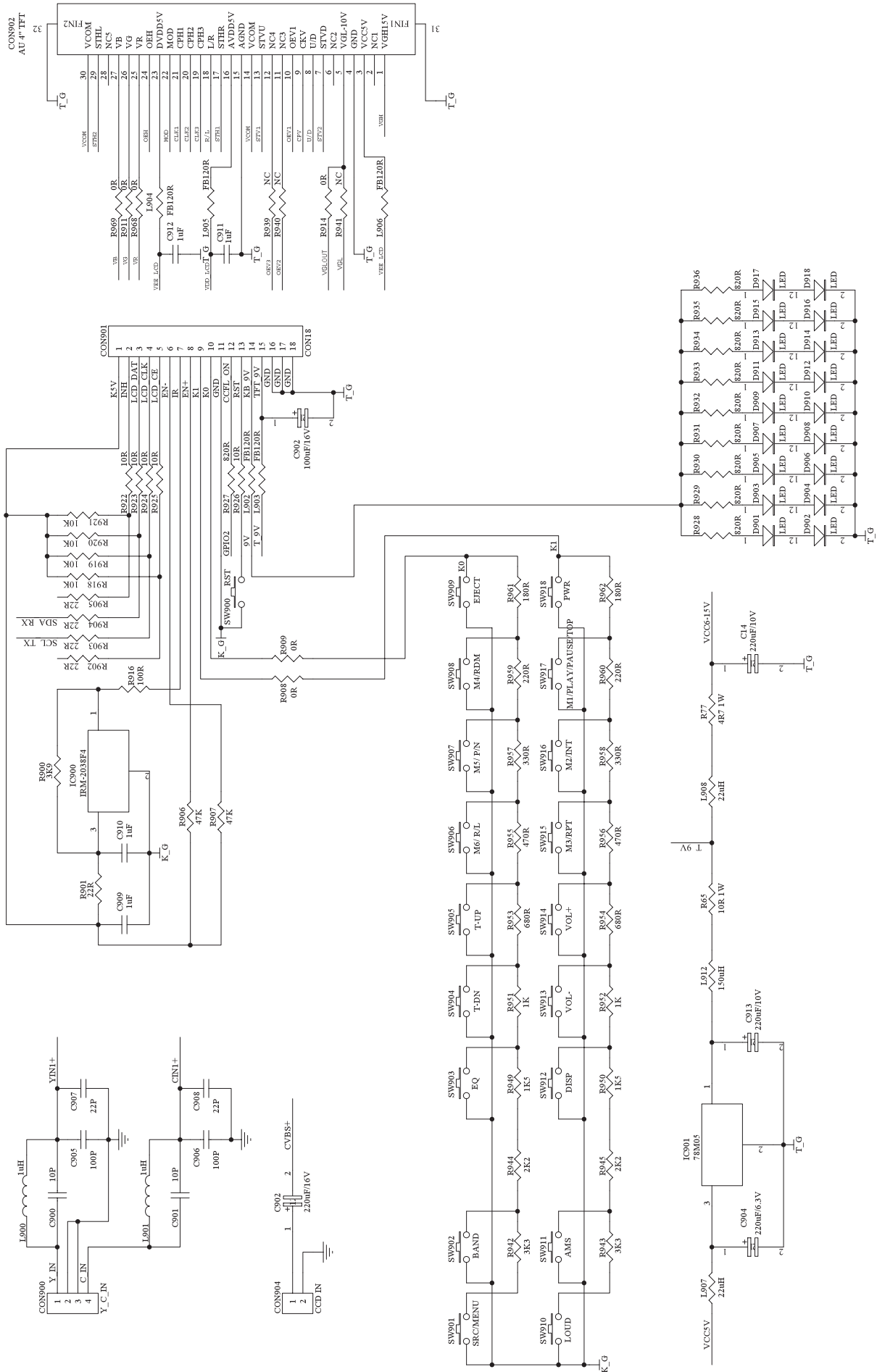
SERVO BOARD - LAYOUT DIAGRAM TOP VIEW



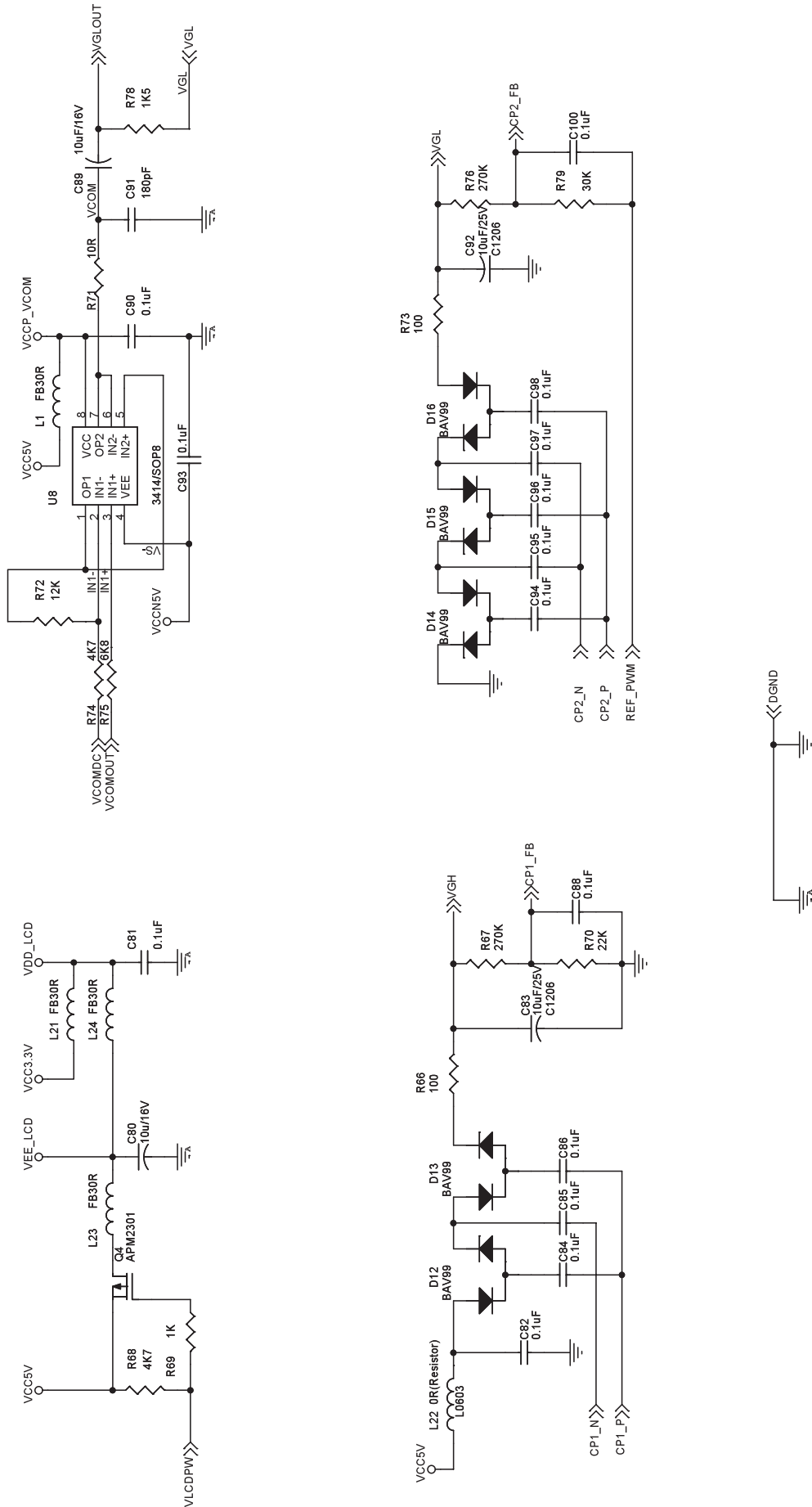
SERVO BOARD - LAYOUT DIAGRAM BOTTOM VIEW



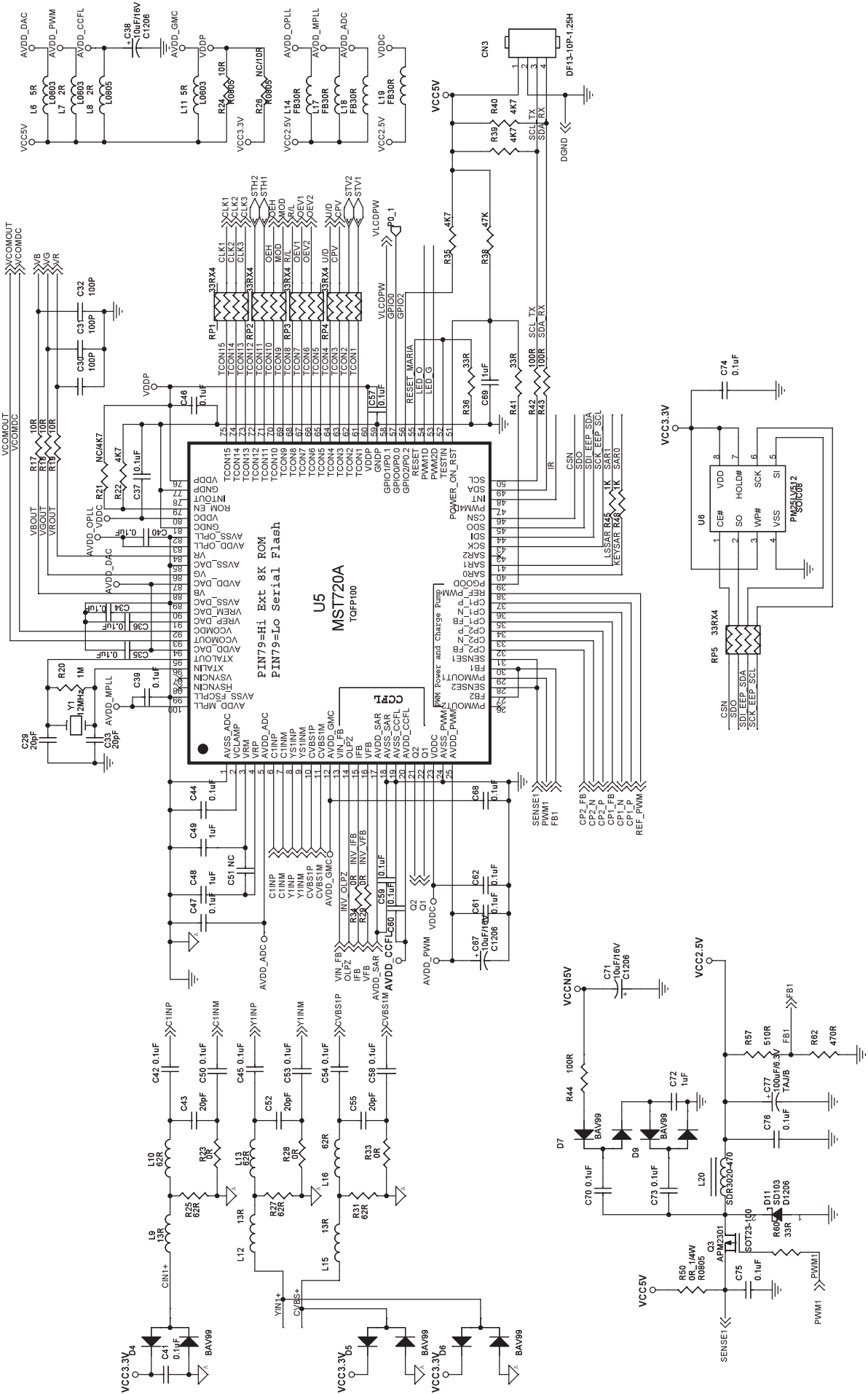
KEY BOARD - CIRCUIT DIAGRAM



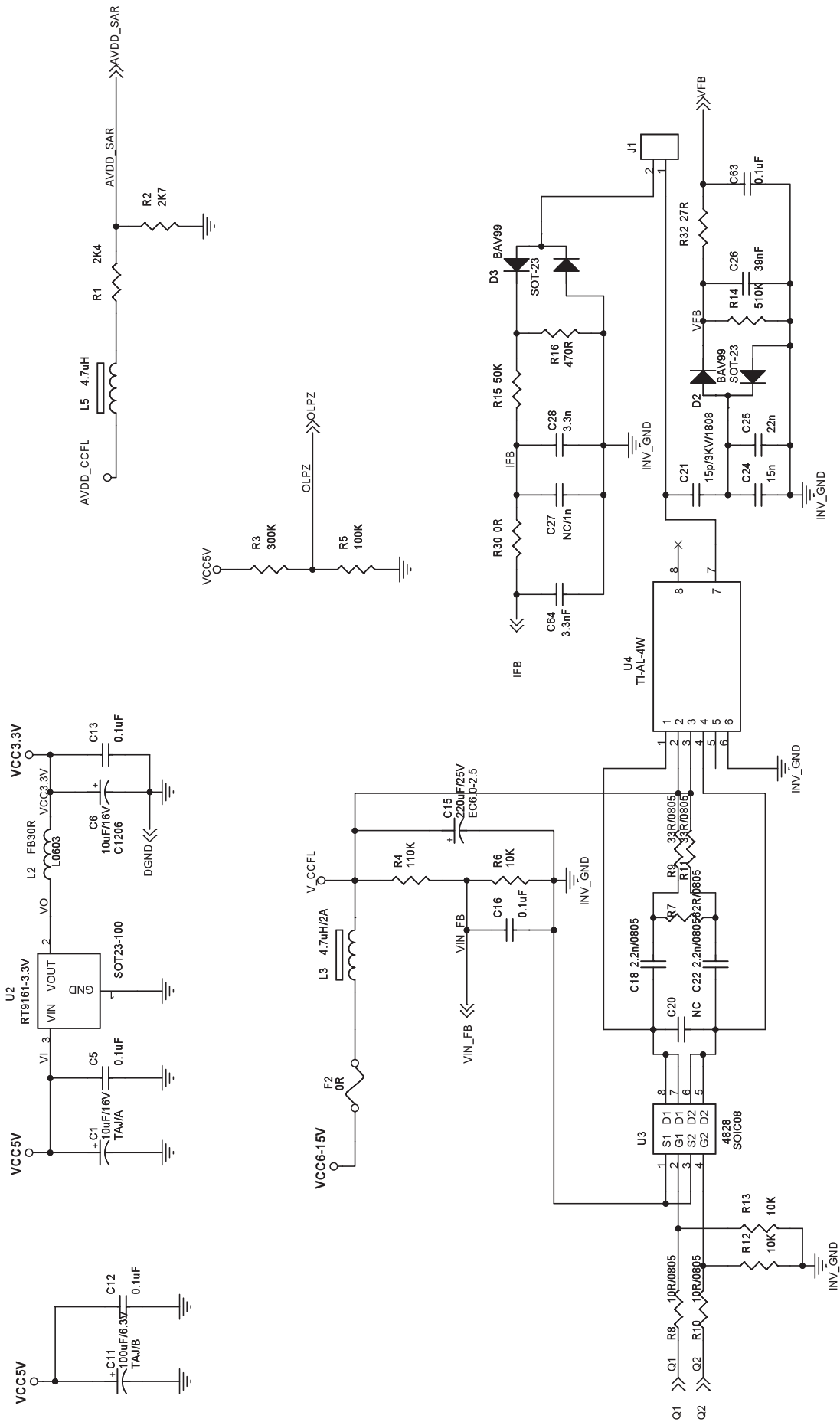
KEY BOARD - CIRCUIT DIAGRAM



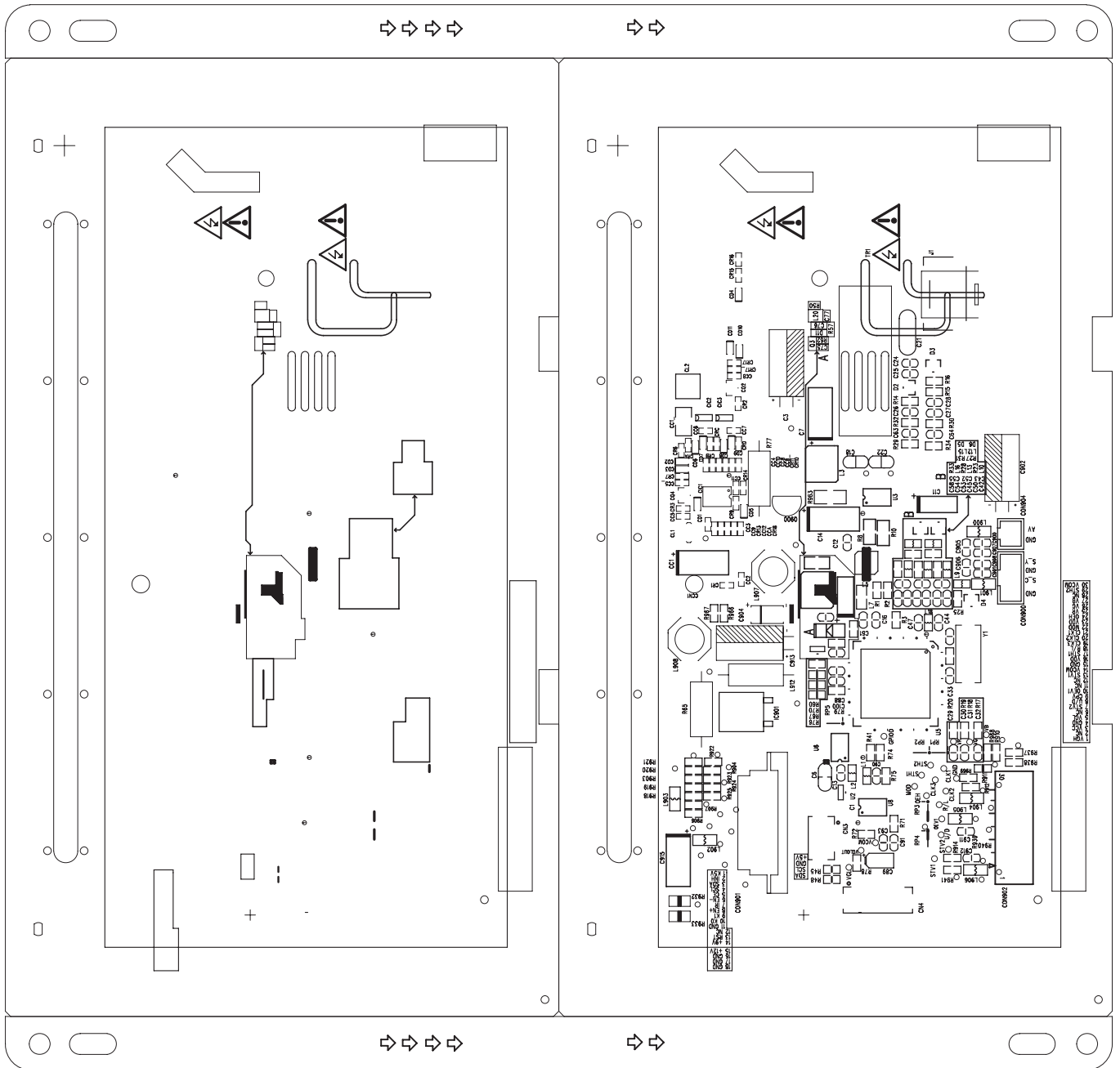
KEY BOARD - CIRCUIT DIAGRAM



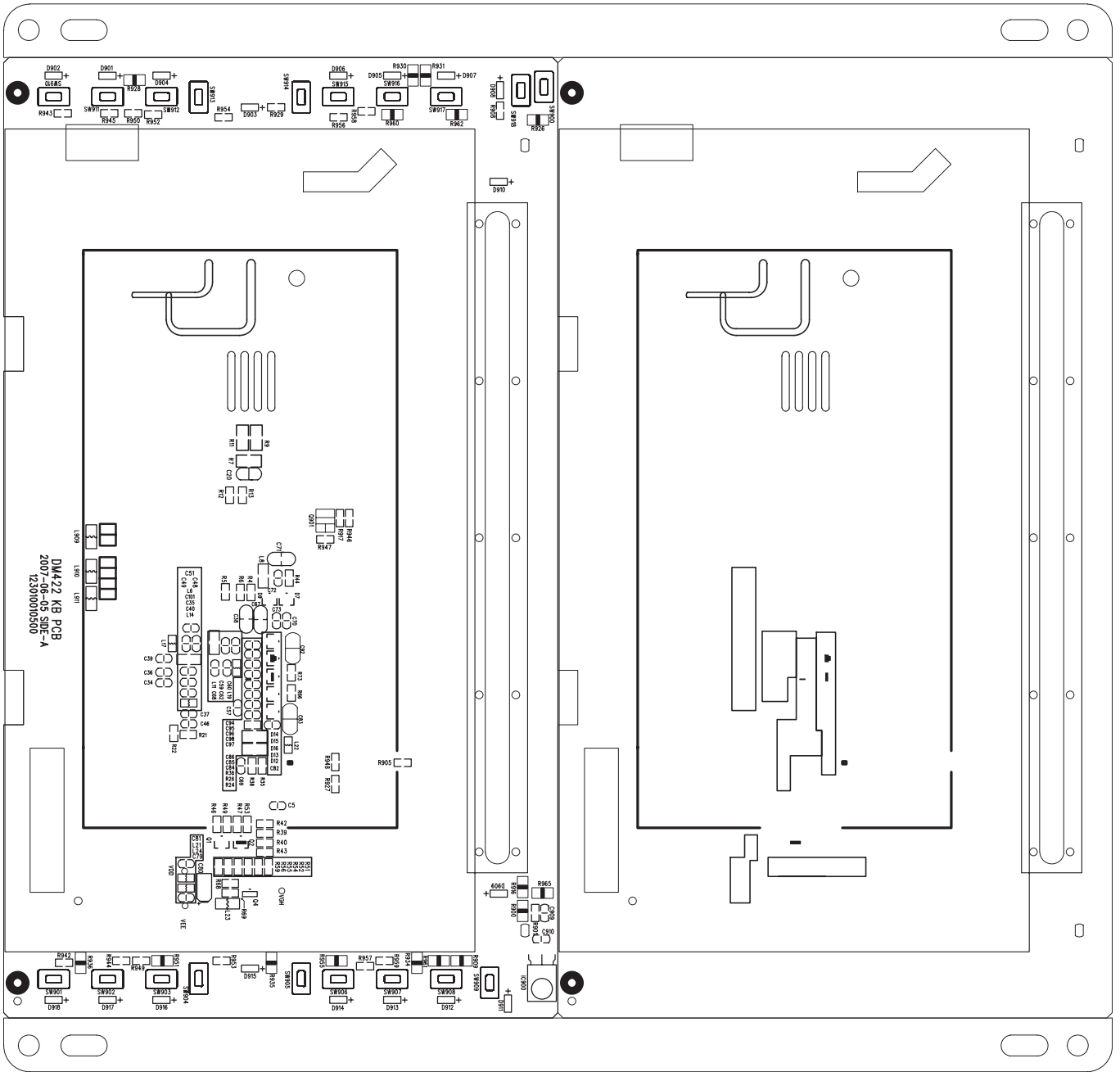
KEY BOARD - CIRCUIT DIAGRAM



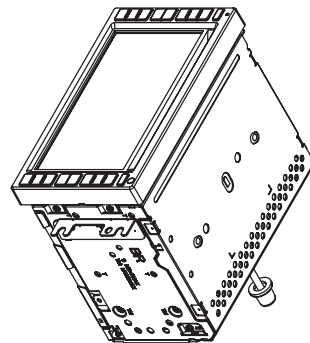
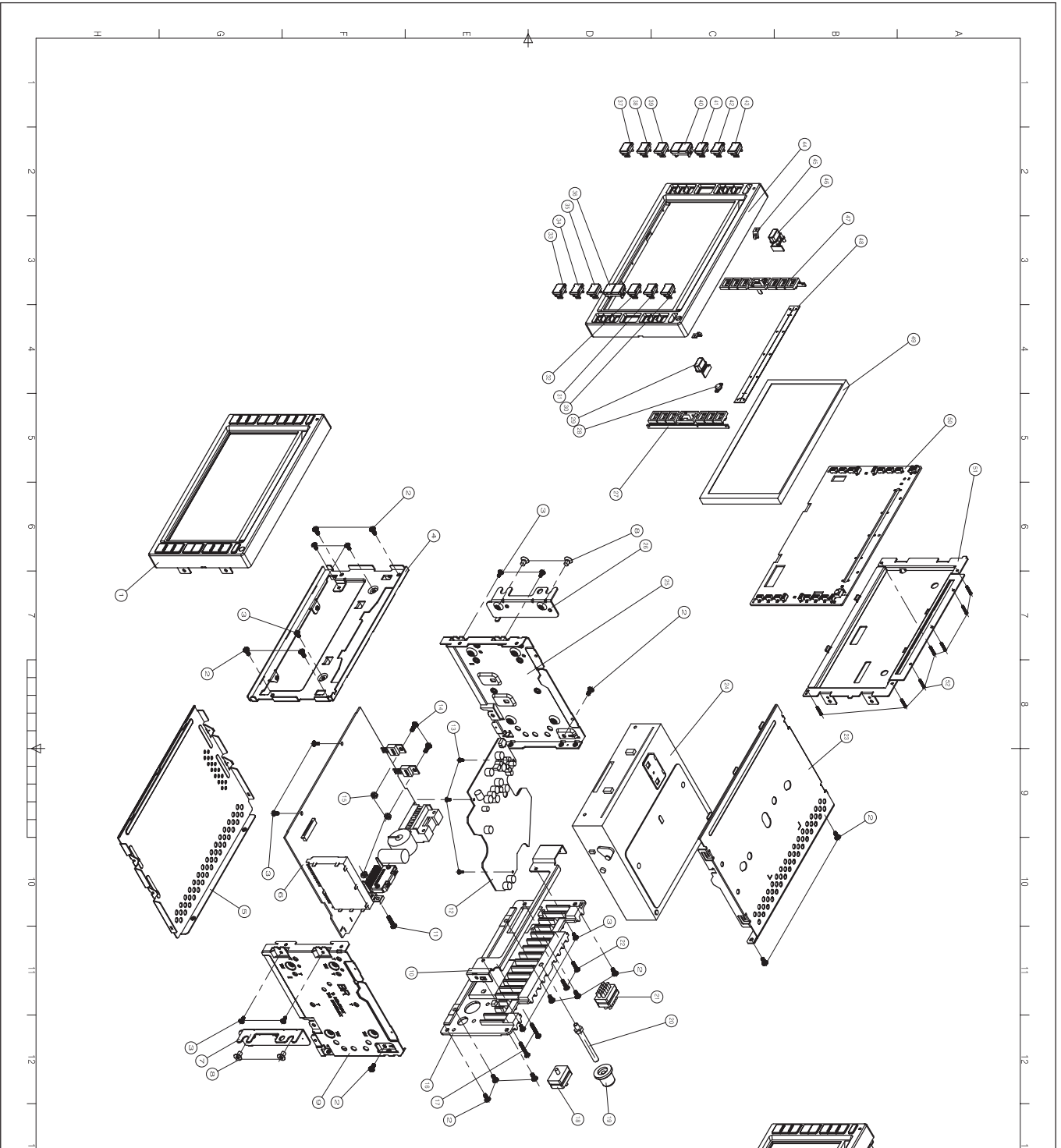
KB BOARD - CLAYOUT DIAGRAM TOP VIEW



KB BOARD - CLAYOUT DIAGRAM BOTTOM VIEW



EXPLORED VIEW - MAIN NUIT



Scale	1:1
Revision	01
Date	
Signature	

Part No.	Description	Quantity	Remarks
01	ASSEMBLY FRONT	1	
02	ASSEMBLY REAR	1	
03	ASSEMBLY TOP	1	
04	ASSEMBLY BOTTOM	1	
05	ASSEMBLY INTERNAL	1	
06	ASSEMBLY FRONT PANEL	1	
07	ASSEMBLY REAR PANEL	1	
08	ASSEMBLY TOP COVER	1	
09	ASSEMBLY BOTTOM COVER	1	
10	ASSEMBLY INTERNAL BOARD	1	
11	ASSEMBLY FRONT BEZEL	1	
12	ASSEMBLY REAR BEZEL	1	
13	ASSEMBLY TOP BEZEL	1	
14	ASSEMBLY BOTTOM BEZEL	1	
15	ASSEMBLY INTERNAL FRAME	1	
16	ASSEMBLY FRONT FRAME	1	
17	ASSEMBLY REAR FRAME	1	
18	ASSEMBLY TOP FRAME	1	
19	ASSEMBLY BOTTOM FRAME	1	
20	ASSEMBLY INTERNAL BRACKET	1	
21	ASSEMBLY FRONT BRACKET	1	
22	ASSEMBLY REAR BRACKET	1	
23	ASSEMBLY TOP BRACKET	1	
24	ASSEMBLY BOTTOM BRACKET	1	
25	ASSEMBLY INTERNAL MOUNTING	1	
26	ASSEMBLY FRONT MOUNTING	1	
27	ASSEMBLY REAR MOUNTING	1	
28	ASSEMBLY TOP MOUNTING	1	
29	ASSEMBLY BOTTOM MOUNTING	1	
30	ASSEMBLY INTERNAL CONNECTOR	1	
31	ASSEMBLY FRONT CONNECTOR	1	
32	ASSEMBLY REAR CONNECTOR	1	
33	ASSEMBLY TOP CONNECTOR	1	
34	ASSEMBLY BOTTOM CONNECTOR	1	
35	ASSEMBLY INTERNAL SWITCH	1	
36	ASSEMBLY FRONT SWITCH	1	
37	ASSEMBLY REAR SWITCH	1	
38	ASSEMBLY TOP SWITCH	1	
39	ASSEMBLY BOTTOM SWITCH	1	
40	ASSEMBLY INTERNAL LED	1	
41	ASSEMBLY FRONT LED	1	
42	ASSEMBLY REAR LED	1	
43	ASSEMBLY TOP LED	1	
44	ASSEMBLY BOTTOM LED	1	
45	ASSEMBLY INTERNAL KEY	1	
46	ASSEMBLY FRONT KEY	1	
47	ASSEMBLY REAR KEY	1	
48	ASSEMBLY TOP KEY	1	
49	ASSEMBLY BOTTOM KEY	1	