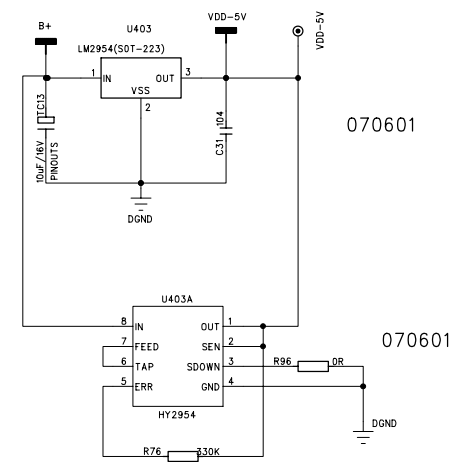
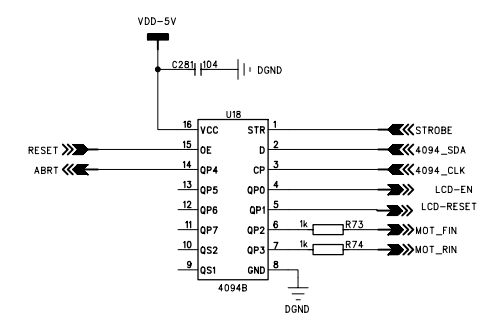
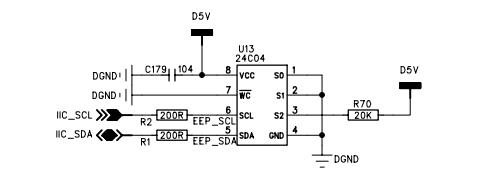
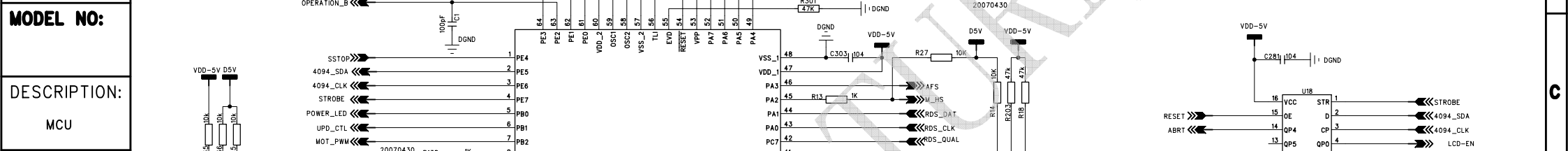
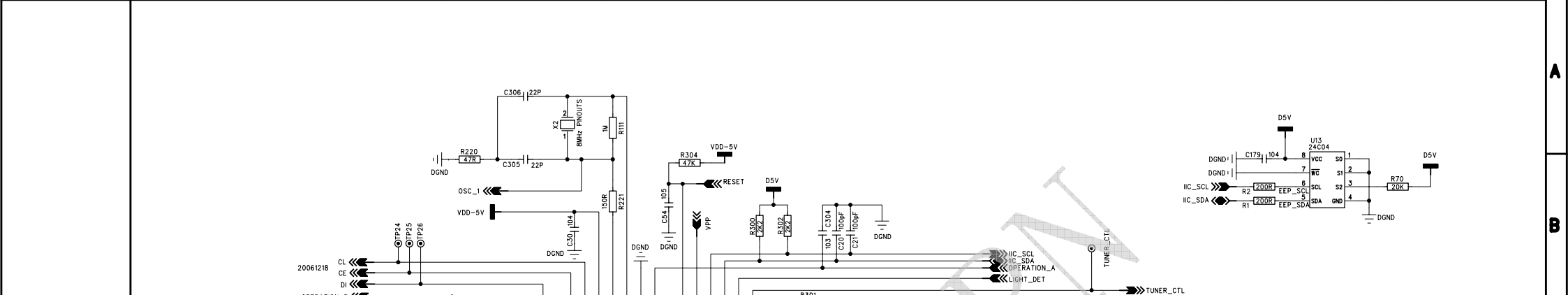
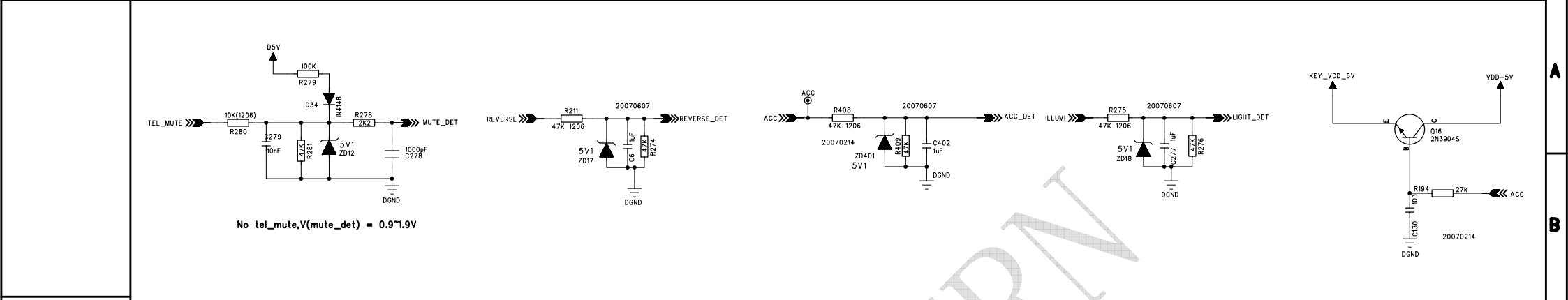
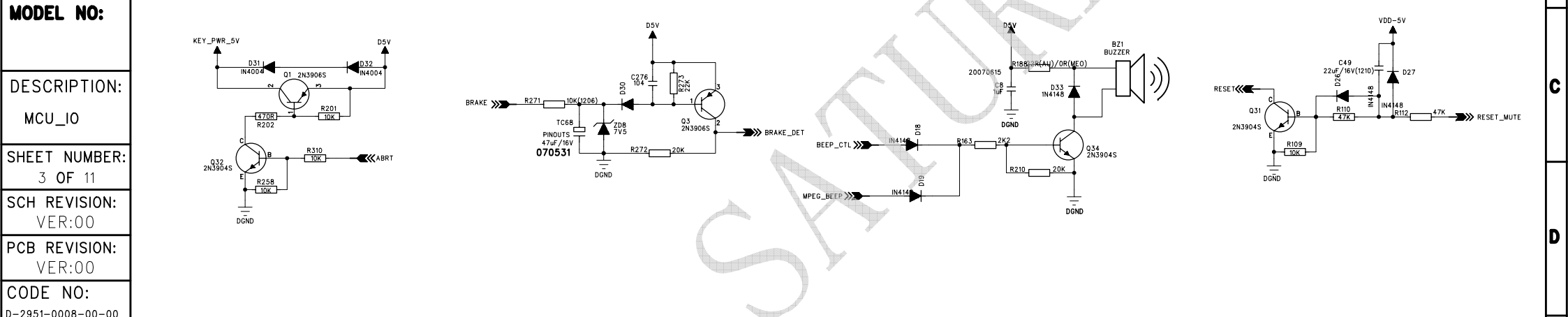


0	9	8	7	6	5	4	3	2	1	
	<div data-bbox="873 430 1500 542" data-label="Section-Header"> <h1>MDD-702L</h1> </div> <div data-bbox="716 702 1724 798" data-label="Section-Header"> <h2>MAIN BOARD DESIGN</h2> </div> <div data-bbox="1097 1133 1366 1212" data-label="Text"> <p>Ver:00</p> </div> <div data-bbox="1859 1484 2038 1524" data-label="Text"> <p>Confidential</p> </div>									A
MODEL NO:										B
DESCRIPTION: Main Board										C
SHEET NUMBER: 1 OF 11										D
SCH REVISION: VER:00										E
PCB REVISION: VER:00										F
CODE NO: D-2951-0008-00-00 Designed Simon										G
Checked										
Approved										
DATED: 2007-10-15										





No tel_mute,V(mute_det) = 0.9~1.9V



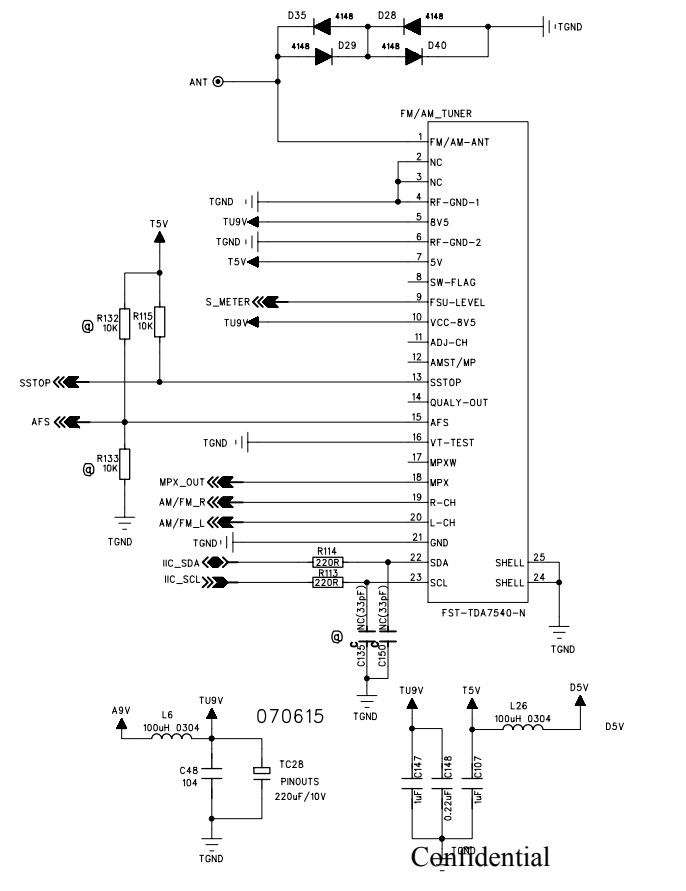
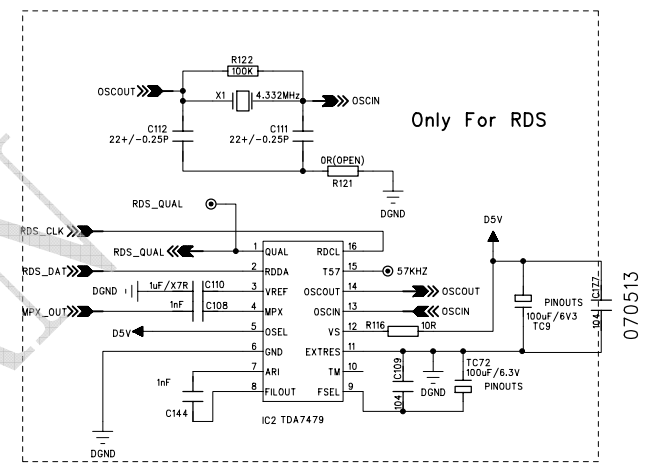
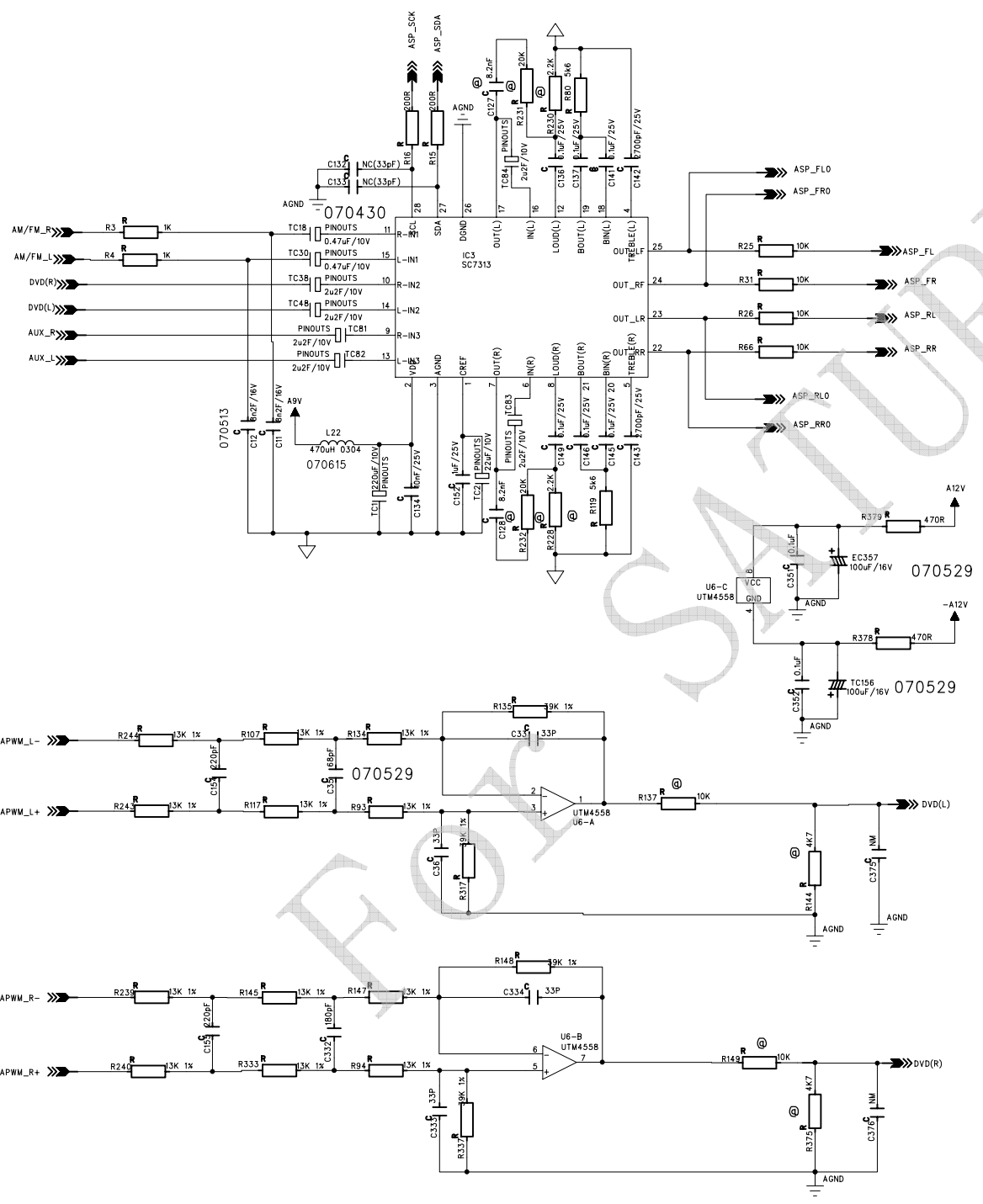
Note: Updata,UPD_CTL = 1

Note: B+ = 15.8V Battery_det = 3.36V
B+ = 10.6V Battery_det = 2.25V

MODEL NO:
DESCRIPTION:
 ASP_TUNER
SHEET NUMBER:
 5 OF 11
SCH REVISION:
 VER:00
PCB REVISION:
 VER:00
CODE NO:
 D-2951-0008-00-00

Designed
 Simon
 Checked
 Approved

DATED: 2007-10-15



Confidential

MODEL NO:

DESCRIPTION:
PRE_AMP

SHEET NUMBER:
6 OF 11

SCH REVISION:
VER:00

PCB REVISION:
VER:00

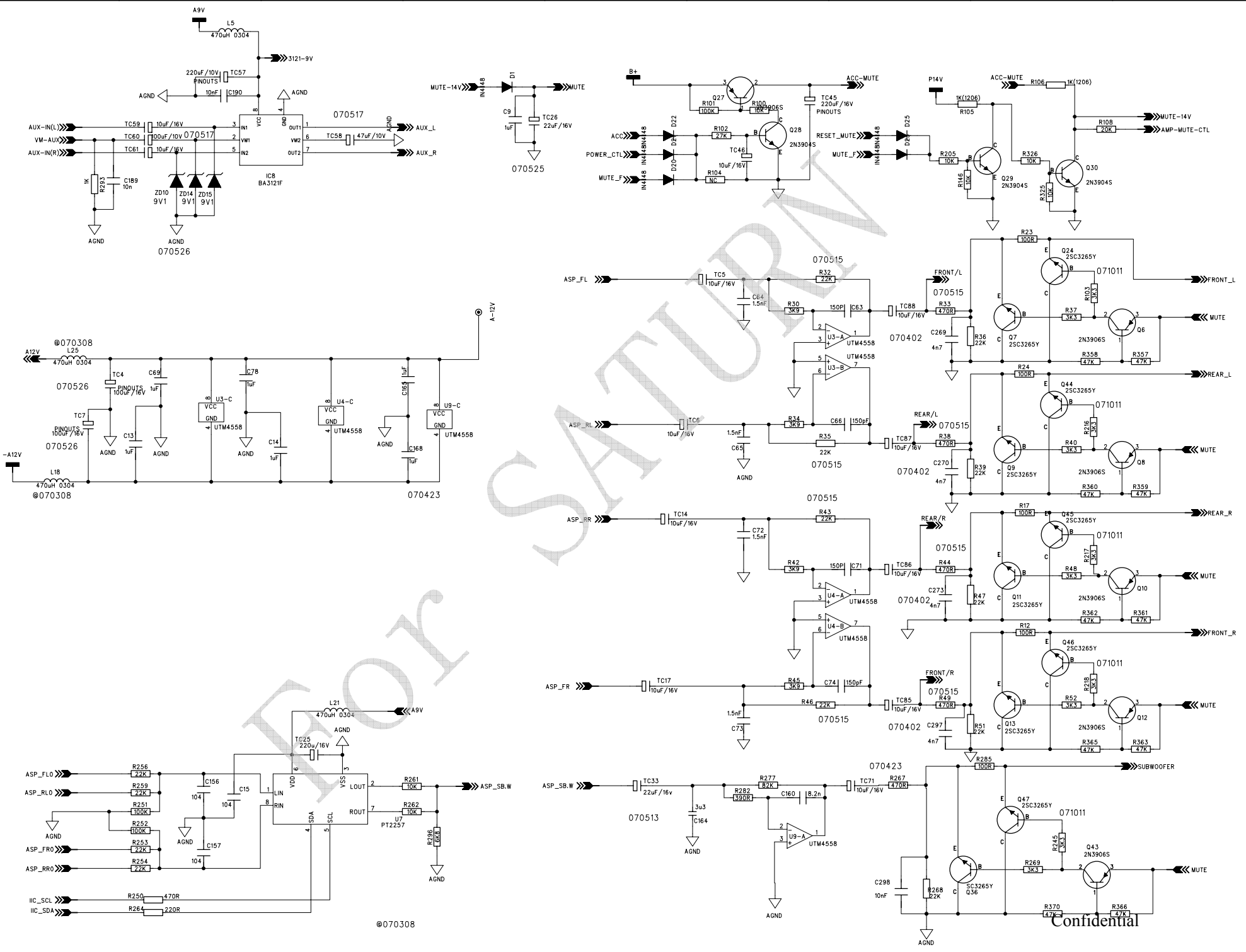
CODE NO:
D-2951-0008-00-00

Designed
Simon

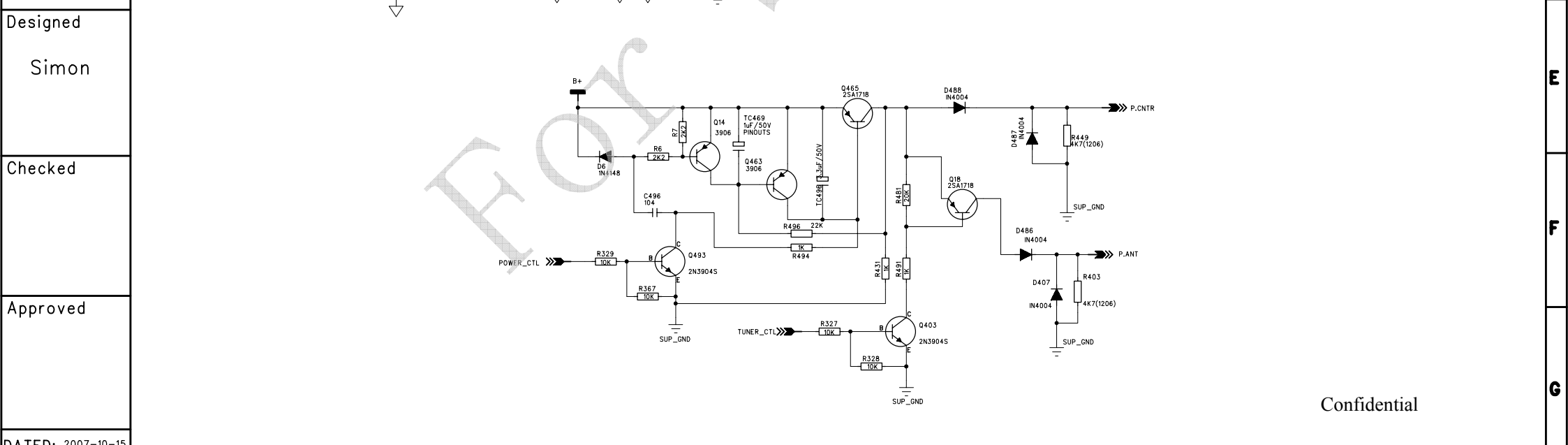
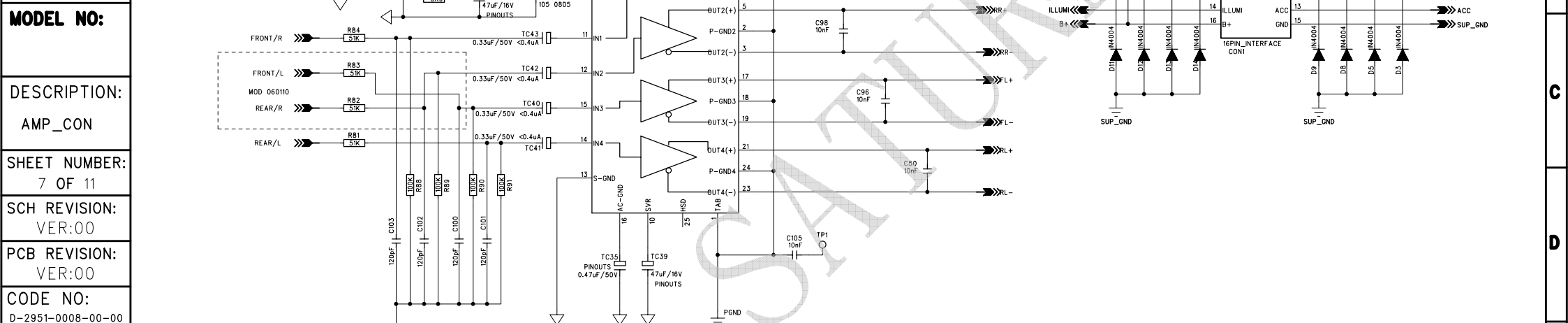
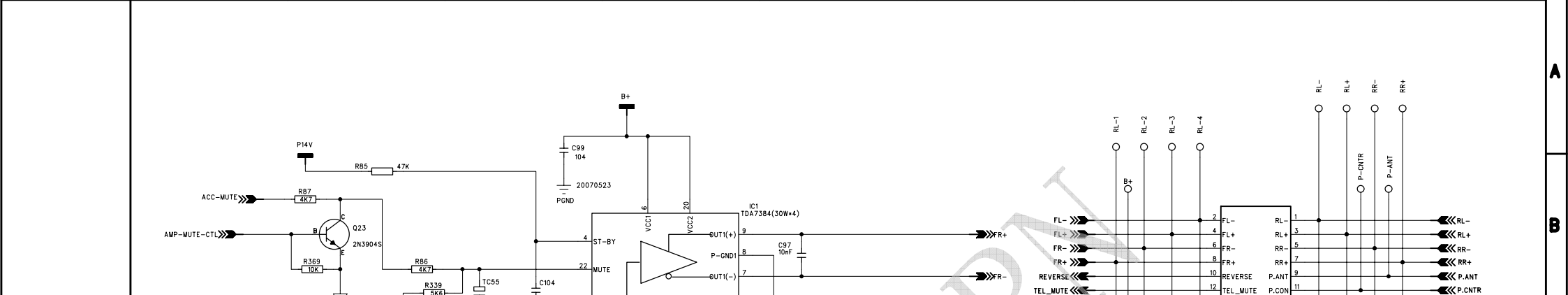
Checked

Approved

DATED: 2007-10-15



Confidential



MODEL NO:

DESCRIPTION:
AMP_CON

SHEET NUMBER:
7 OF 11

SCH REVISION:
VER:00

PCB REVISION:
VER:00

CODE NO:
D-2951-0008-00-00

Designed
Simon

Checked

Approved

DATED: 2007-10-15

MODEL NO:

DESCRIPTION:
VIDEO

SHEET NUMBER:
8 OF 11

SCH REVISION:
VER:00

PCB REVISION:
VER:00

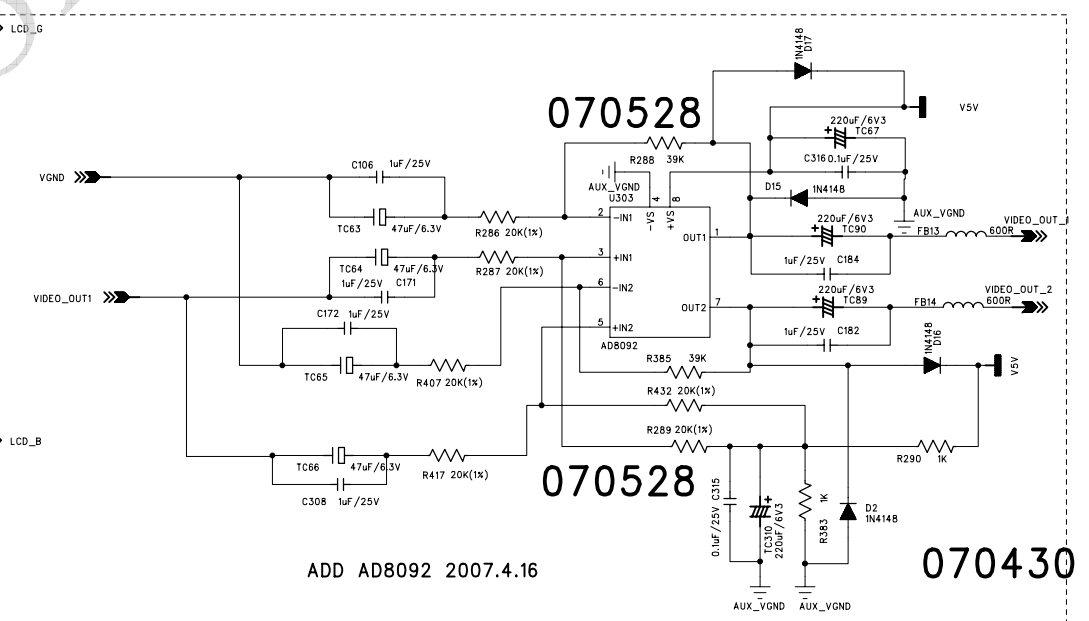
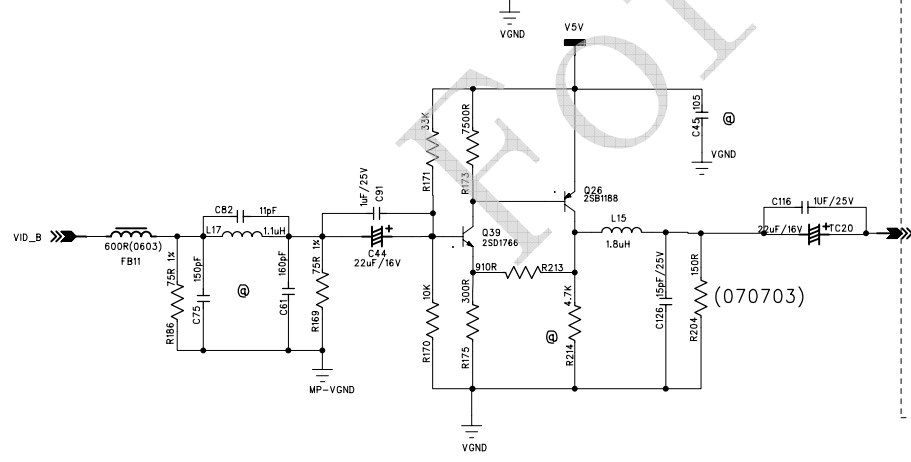
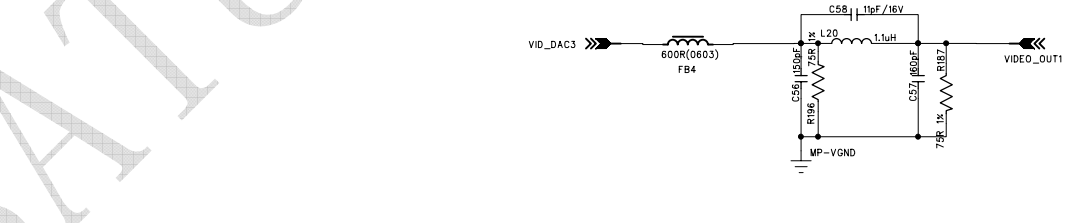
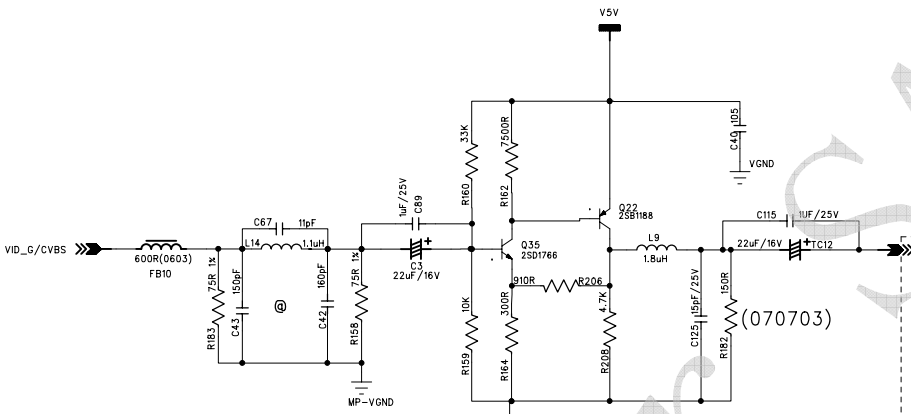
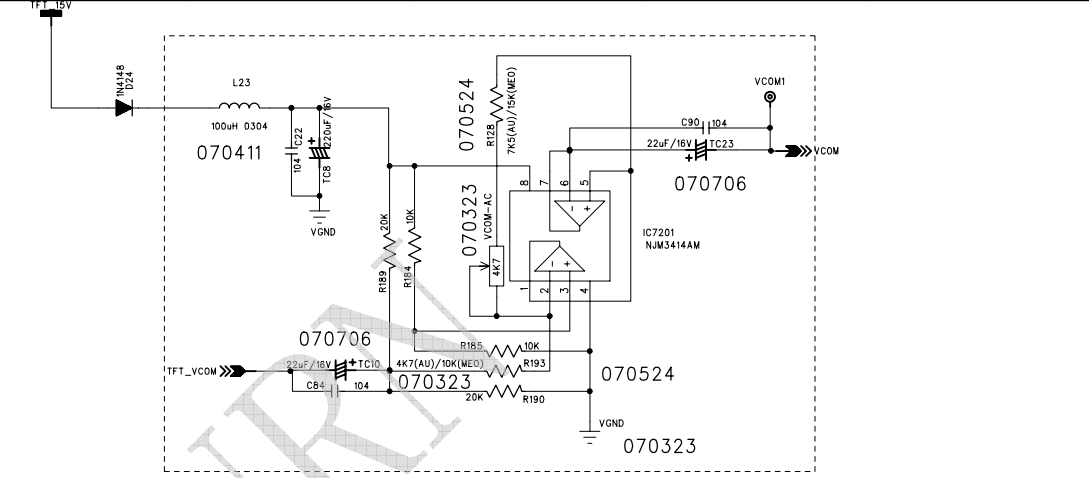
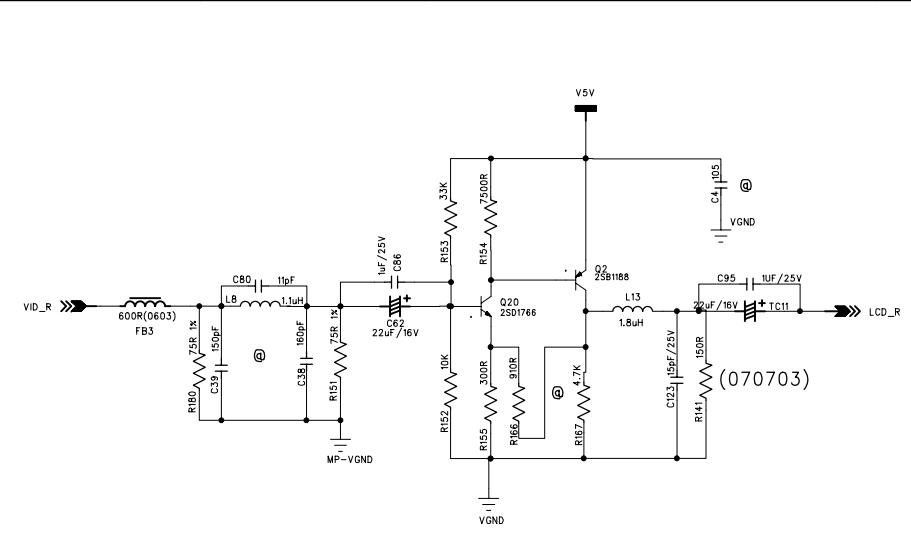
CODE NO:
D-2951-0008-00-00

Designed
Simon

Checked

Approved

DATED: 2007-10-15



ADD AD8092 2007.4.16

070430

Confidential

A
B
C
D
E
F
G

MODEL NO:

DESCRIPTION:
INTERFACE

SHEET NUMBER:
9 OF 11

SCH REVISION:
VER:00

PCB REVISION:
VER:00

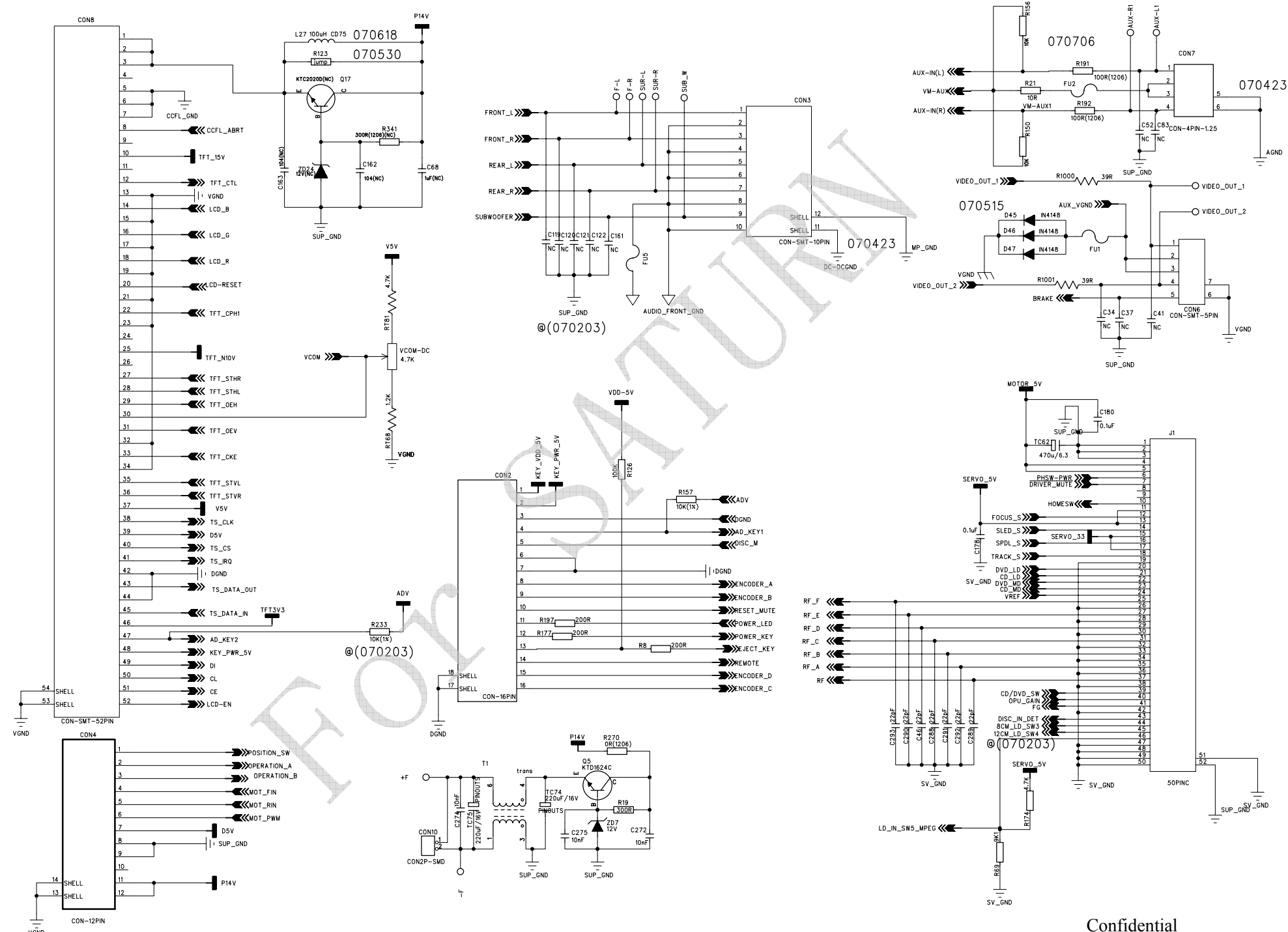
CODE NO:
D-2951-0008-00-00

Designed
Simon

Checked

Approved

DATED: 2007-10-15



MODEL NO:

DESCRIPTION:

MPEG_1

SHEET NUMBER:

10 OF 11

SCH REVISION:

VER:00

PCB REVISION:

VER:00

CODE NO:

D-2951-0008-00-00

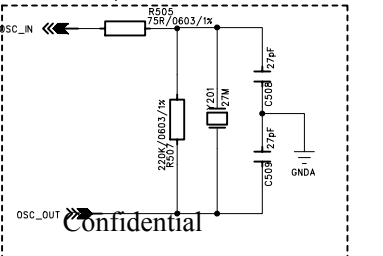
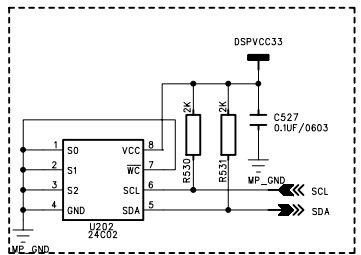
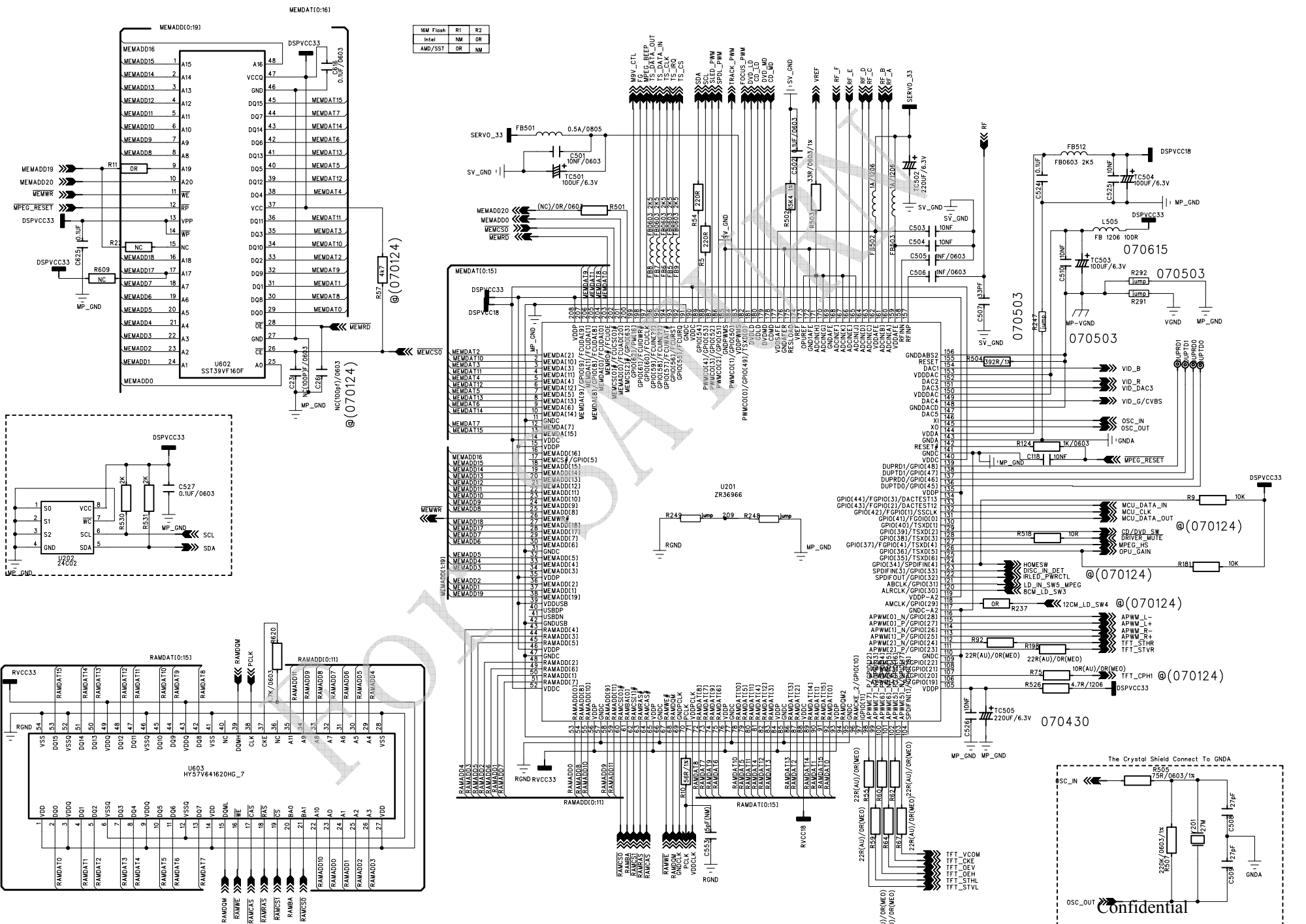
Designed

Simon

Checked

Approved

DATED: 2007-10-15



Confidential

0	9	8	7	6	5	4	3	2	1		
	<p style="text-align: center;">MDD-702L</p> <p style="text-align: center;">Schematic Circuit Diagram</p> <p style="text-align: center;">V03</p> <p style="text-align: right;">Confidential</p>										A
MODEL NO:											B
DESCRIPTION: TFT DRIVER											C
SHEET NUMBER: 1 OF 5											D
SCH REVISION: V03											E
PCB REVISION: V03											F
CODE NO: D-2951-0007-03-00											G
Designed											
Checked											
Approved											
DATED: 2007-07-11											

MODEL NO:

DESCRIPTION:
TFT DRIVER

SHEET NUMBER:
2 OF 5

SCH REVISION:
V03

PCB REVISION:
V03

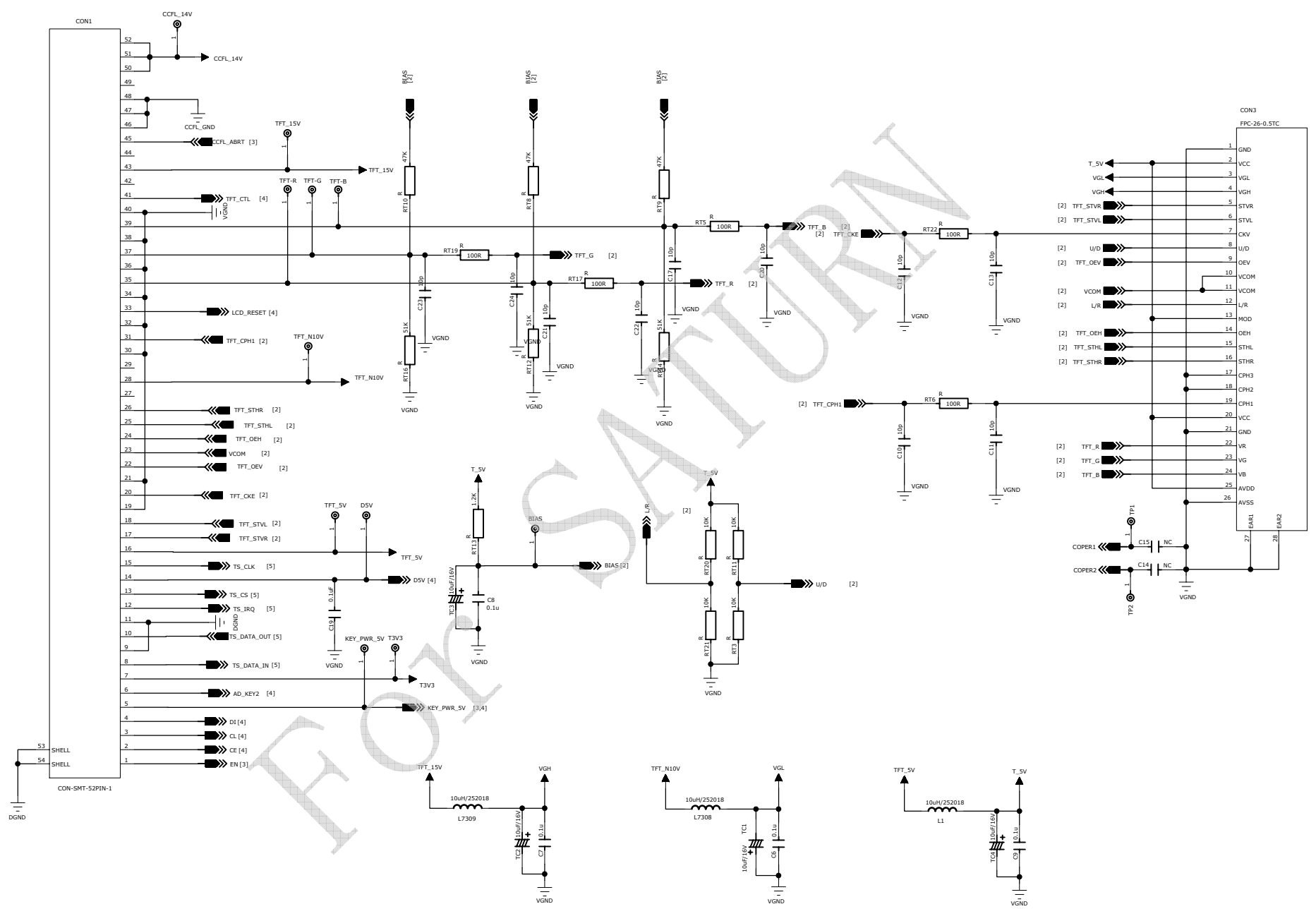
CODE NO:
D-2951-0007-03-00

Designed

Checked

Approved

DATED: 2007-07-11



A

B

C

D

E

F

G

MODEL NO:

DESCRIPTION:
TFT DRIVER

SHEET NUMBER:
3 OF 5

SCH REVISION:
V03

PCB REVISION:
V03

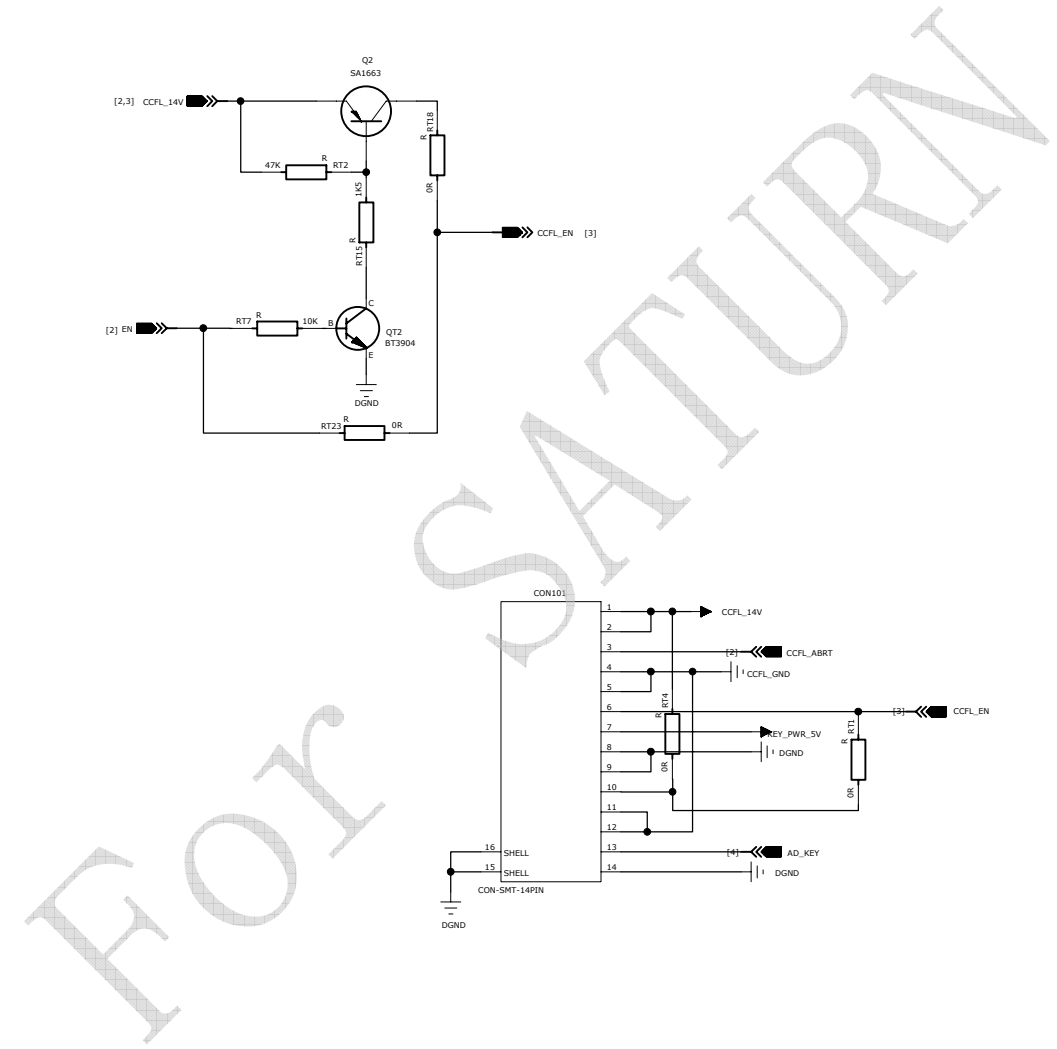
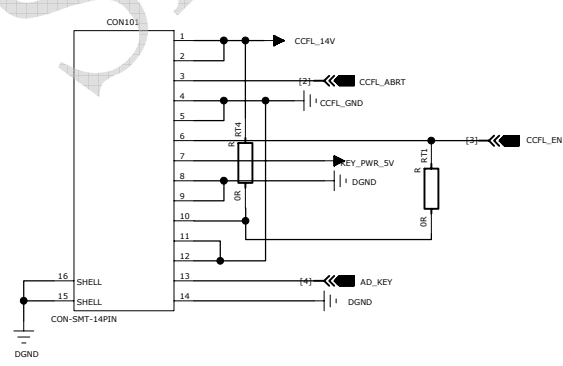
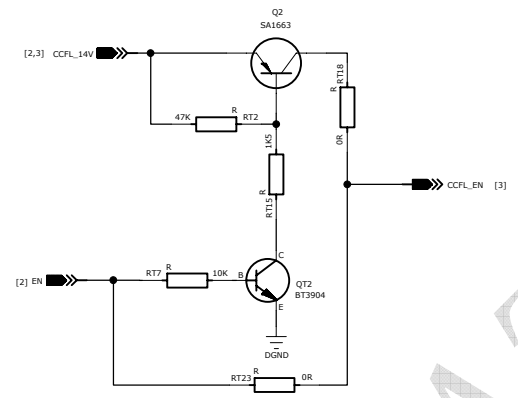
CODE NO:
D-2951-0007-03-00

Designed

Checked

Approved

DATED: 2007-07-11



A

B

C

D

E

F

G

MODEL NO:

DESCRIPTION:
TFT DRIVER

SHEET NUMBER:
4 OF 5

SCH REVISION:
V03

PCB REVISION:
V03

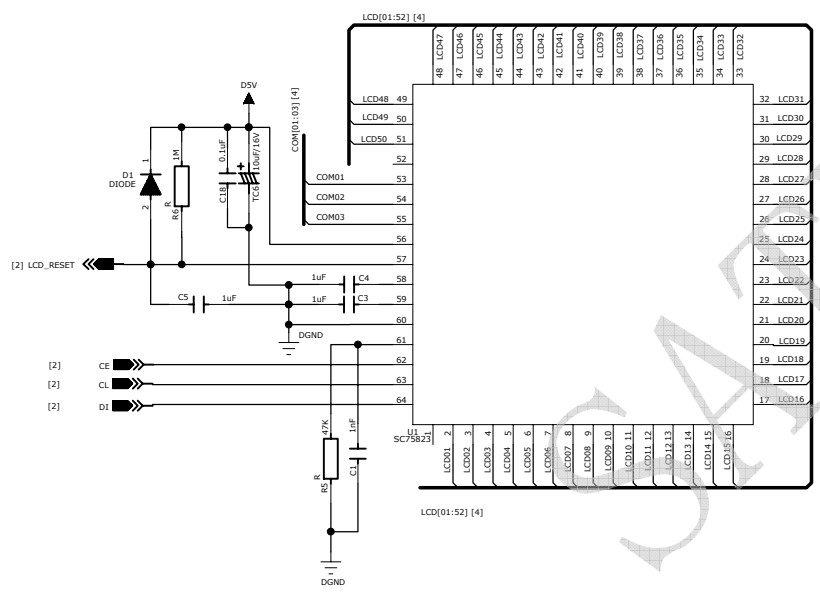
CODE NO:
D-2951-0007-03-00

Designed

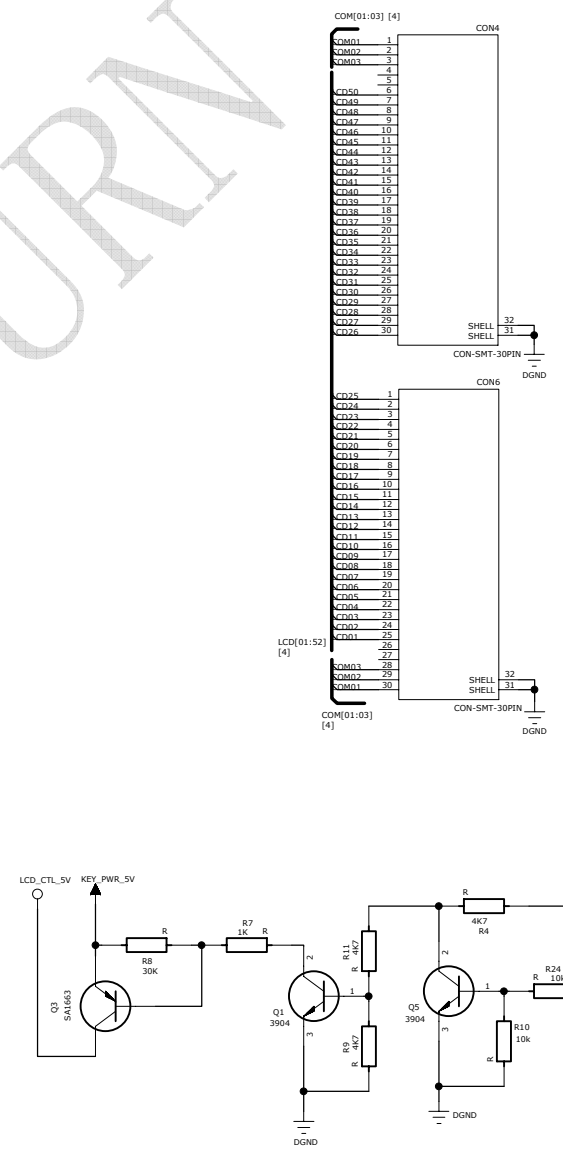
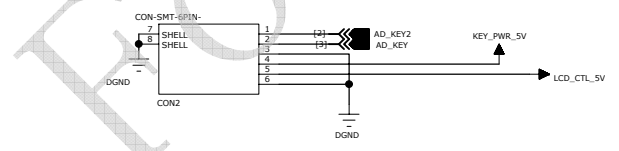
Checked

Approved

DATED: 2007-07-11



- [2] CE
- [2] CL
- [2] D1



MODEL NO:

DESCRIPTION:
TFT DRIVER

SHEET NUMBER:
5 OF 5

SCH REVISION:
V03

PCB REVISION:
V03

CODE NO:
D-2951-0007-03-00

Designed

Checked

Approved

DATED: 2007-07-11

