

0	9	8	7	6	5	4	3	2	1	
	<p style="text-align: center;"><b>MDD-707</b></p> <p style="text-align: center;"><b>MAINBOARD DESIGN</b></p> <p style="text-align: center;"><b>Ver : 01</b></p> <p style="text-align: right;">Confidential</p>									A
MODEL NO										B
DESCRIPTION Mi Board										C
SHEET NUMBER: 1 OF 12										D
SCH REVISION V01										E
PCB REVISION V01										F
CODE NO D-2971-0005-01-00										G
Designed										
Checked										
Approved										
DATED 2007-12-01										



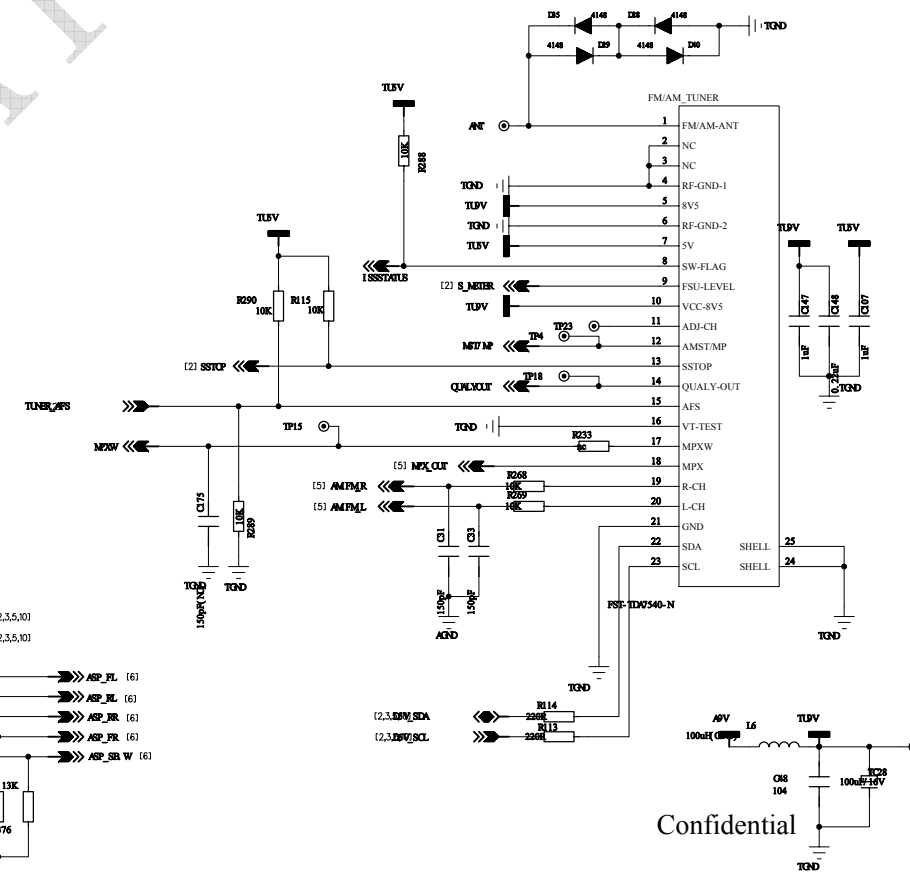
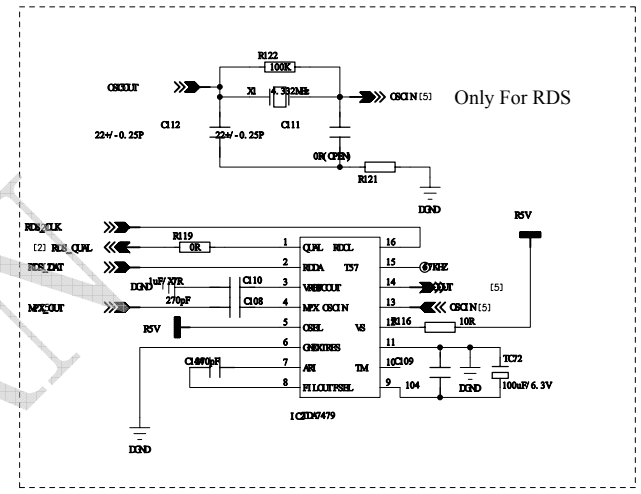
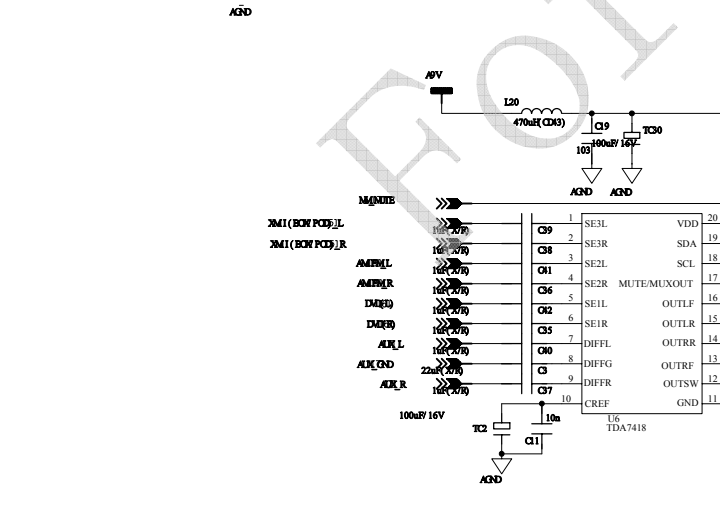
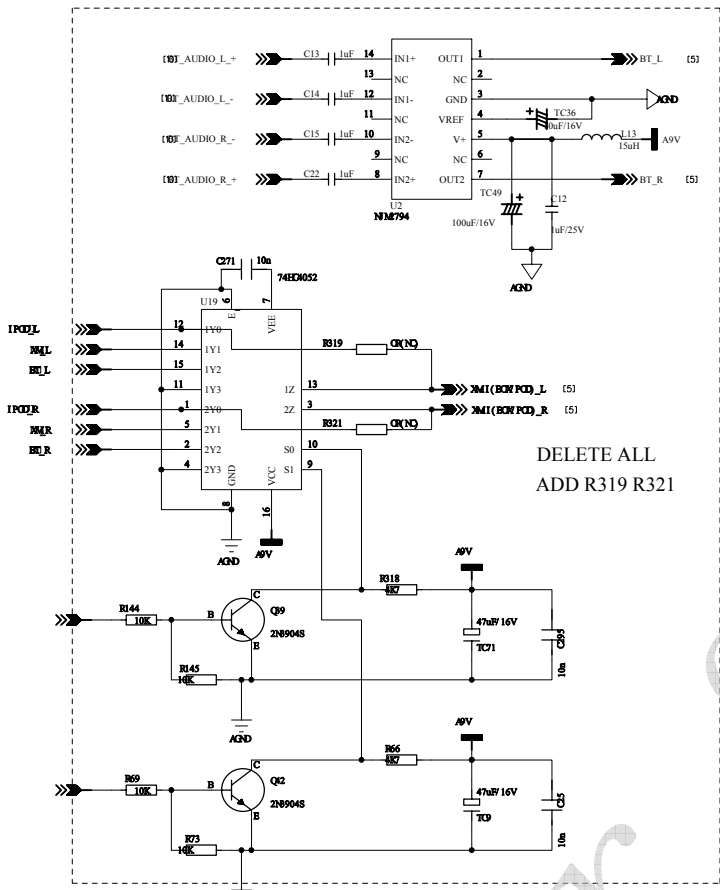




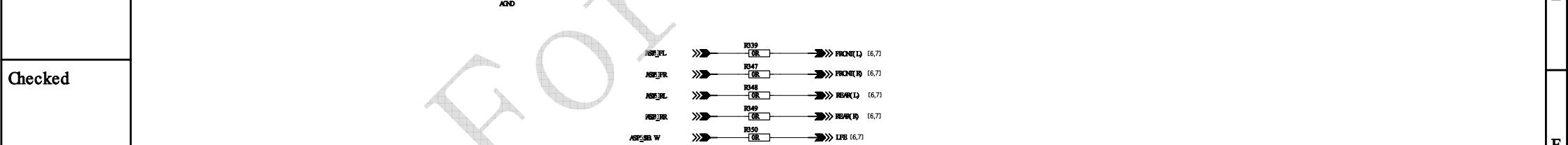
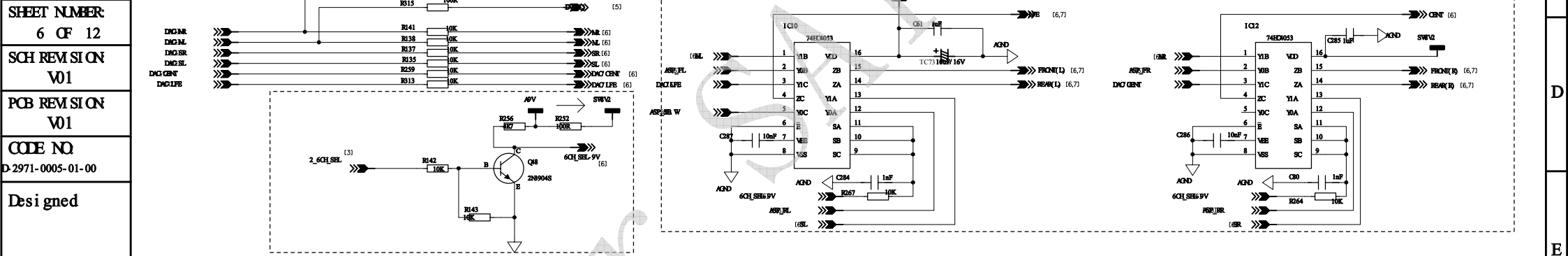
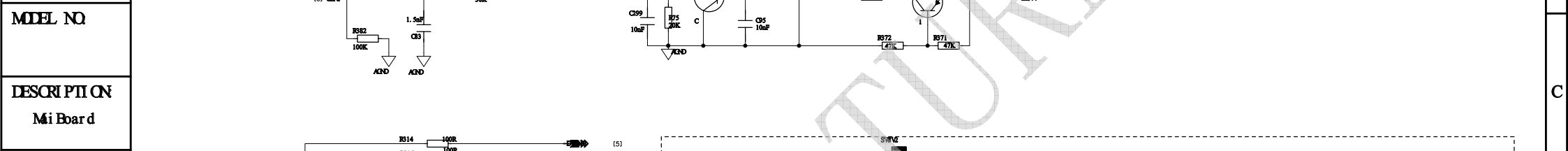
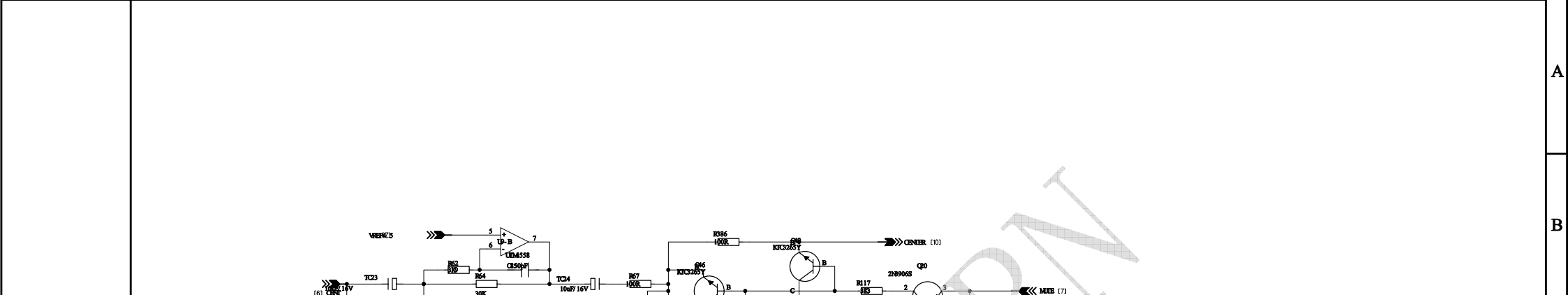


MODEL NO  
 DESCRPTION  
 Mi Board  
 SHEET NUMBER:  
 5 OF 12  
 SCH REVISION  
 V01  
 PCB REVISION  
 V01  
 CODE NO  
 D-2971-0005-01-00  
 Designed

Checked  
 Approved  
 DATED 2007-12-01

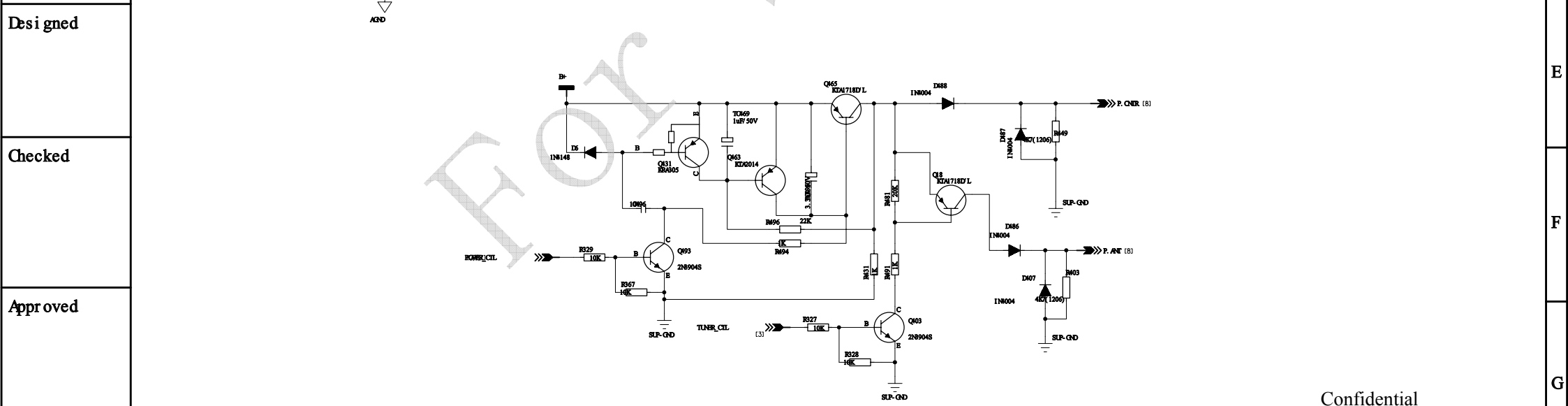
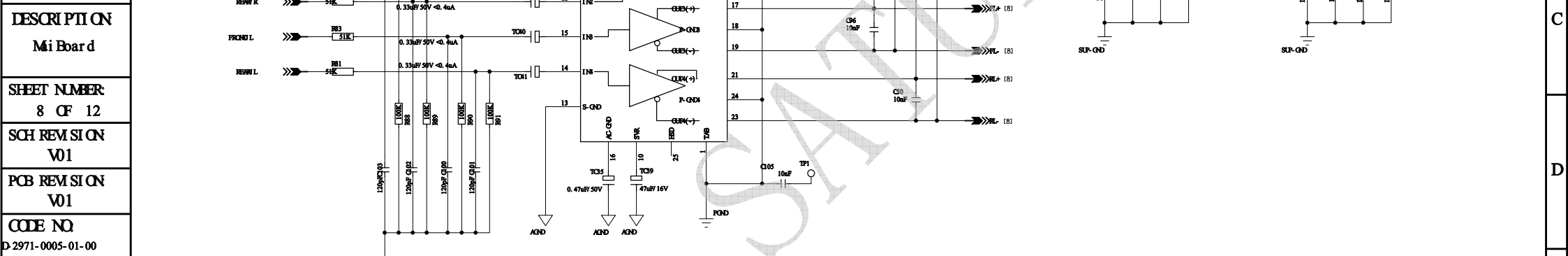
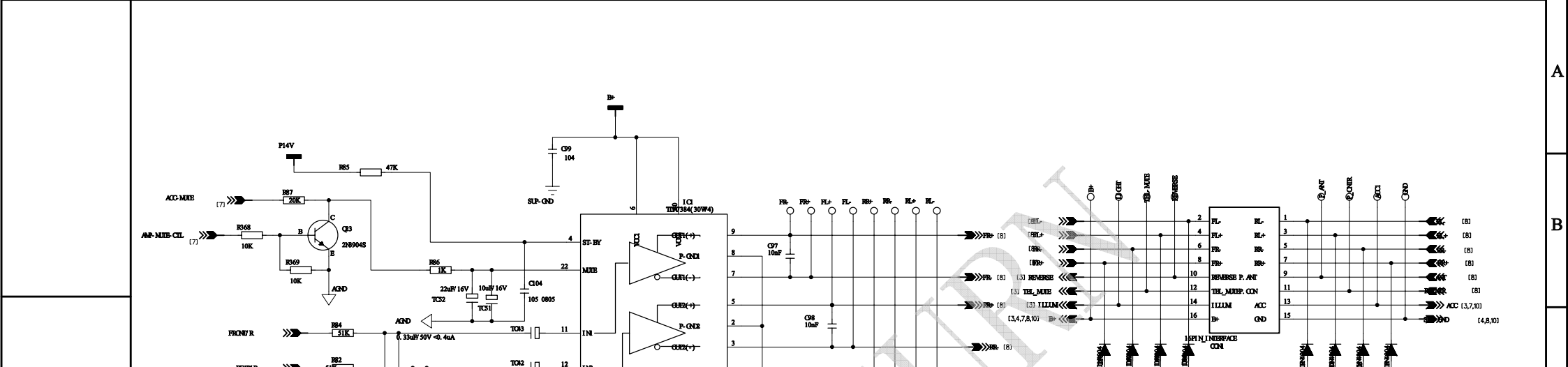


Confidential



Model No: Mi Board  
 Description: Mi Board  
 Sheet Number: 6 of 12  
 Revision: V01  
 Code No: D-2971-0005-01-00  
 Designed: \_\_\_\_\_  
 Checked: \_\_\_\_\_  
 Approved: \_\_\_\_\_





DESCR IPTION  
Mi Board

SHEET NUMBER:  
8 OF 12

SCH REM SI CN  
V01

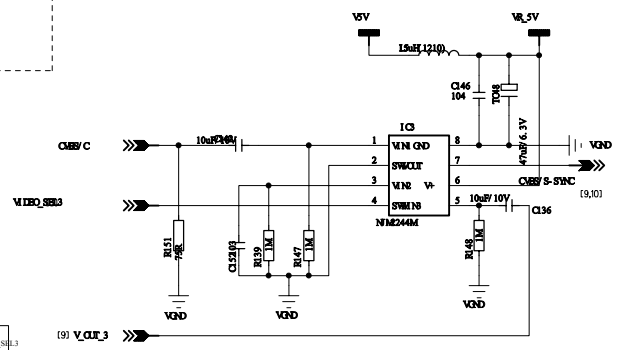
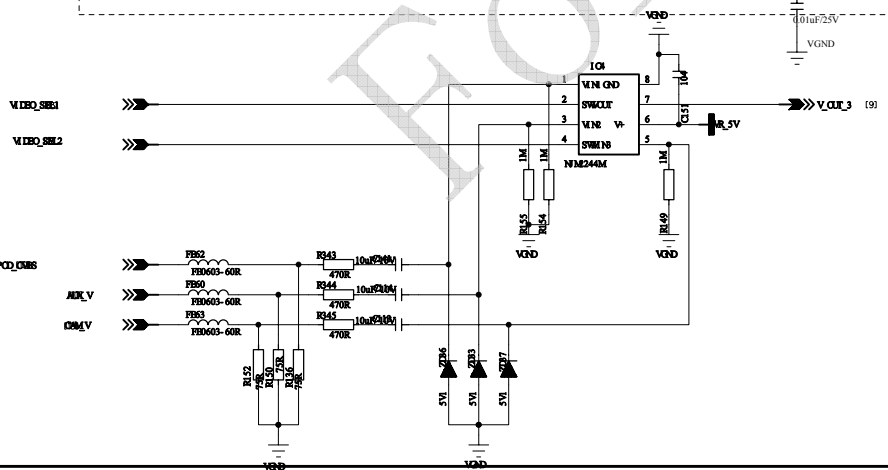
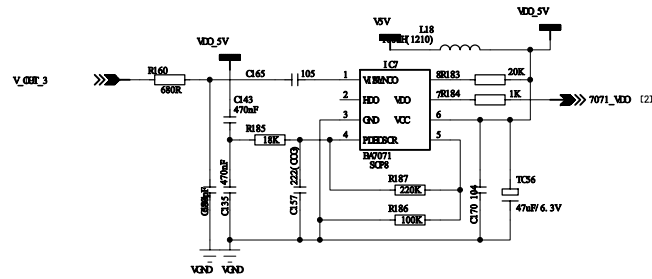
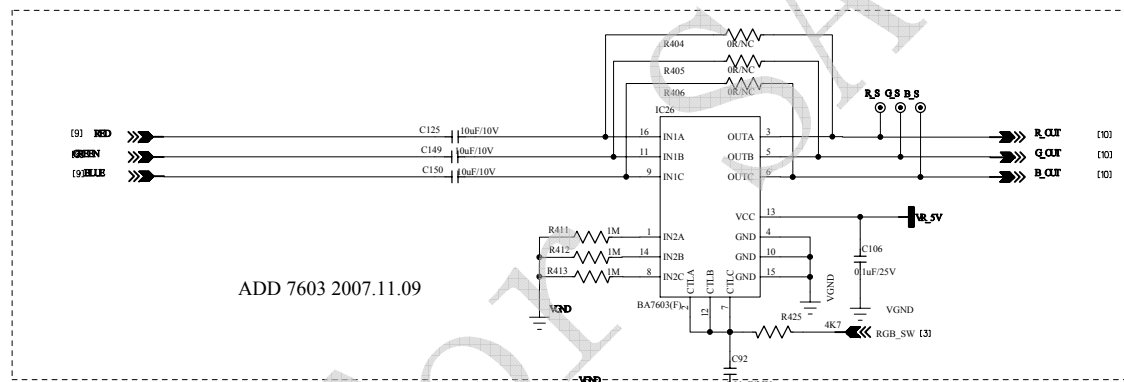
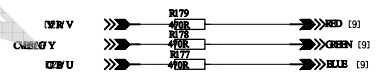
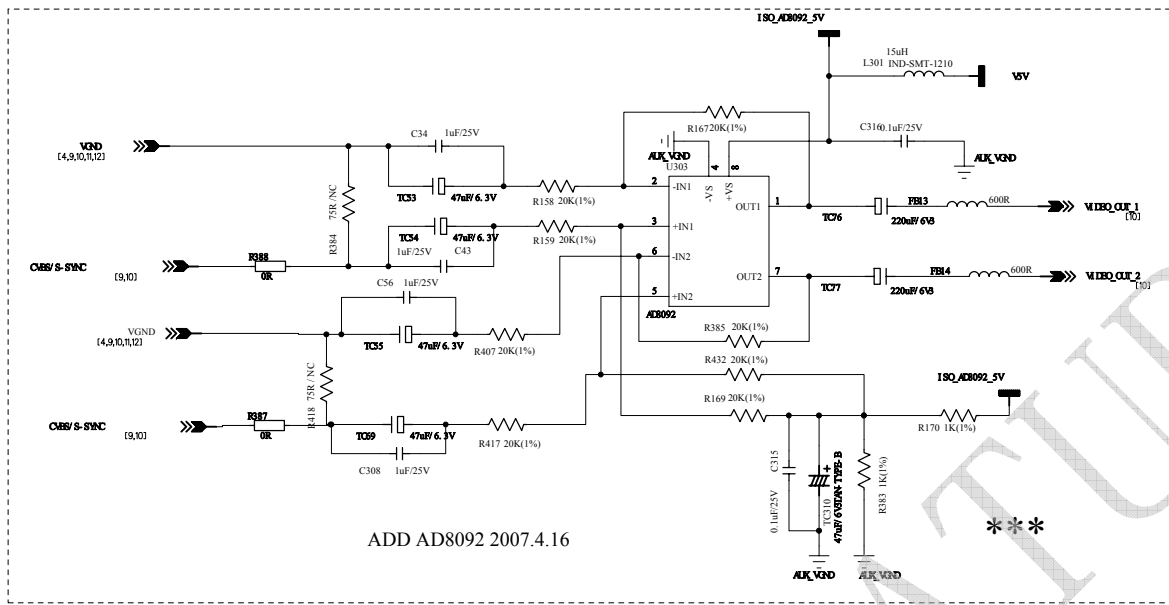
PCB REM SI CN  
V01

CODE NO  
D-2971-0005-01-00

Desi gned

Checked

Approved



VIDEO_SOURCE	VIDEO_SEL1	VIDEO_SEL2	VIDEO_SEL3
DVD	X	X	0
CAM	X	1	1
Box Inpd	0	0	1
AUX IN	1	0	1

Confidential

MODEL NO

DESCRIPTION  
Mi Board

SHEET NUMBER  
9 OF 12

SCH REV SI ON  
V01

PCB REV SI ON  
V01

CODE NO  
D 2971-0005-01-00

Desi gned

Checked

Approved

DATED 2007-12-01

A

B

C

D

E

F

G



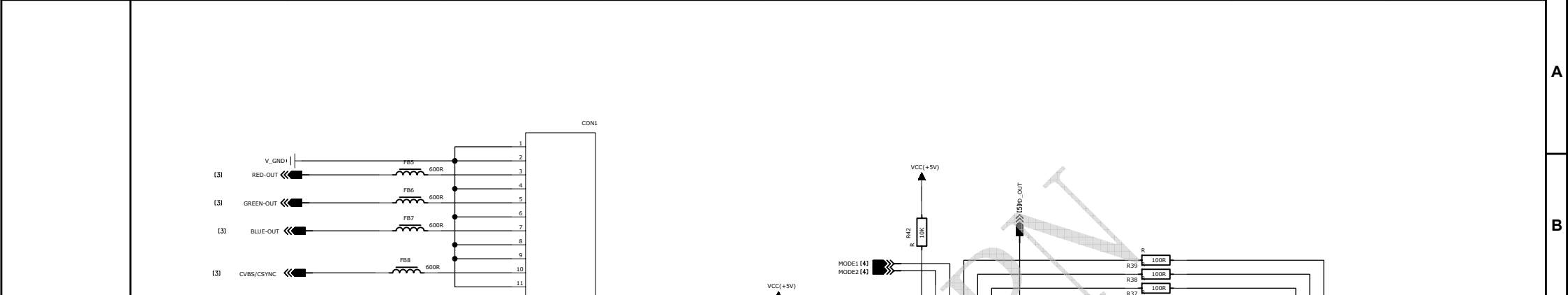




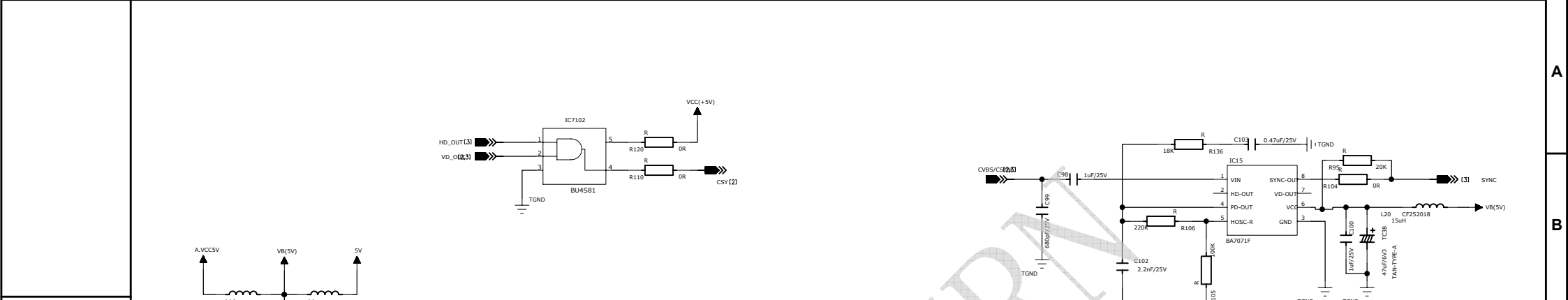


0	9	8	7	6	5	4	3	2	1	
	<div data-bbox="1030 478 1456 574" data-label="Text"> <h1>MDD-707</h1> </div> <div data-bbox="761 734 1702 813" data-label="Text"> <h2>Schematic Circuit Diagram</h2> </div> <div data-bbox="1120 925 1299 1005" data-label="Text"> <h3>V05</h3> </div> <div data-bbox="582 271 1635 1324" data-label="Text"> <p>For SATURN</p> </div>									A
MODEL NO:										B
DESCRIPTION: TFT DRIVER										C
SHEET NUMBER: 1 OF 9										D
SCH REVISION: V05										E
PCB REVISION: V05										F
CODE NO: D-2981-0013-05-00										G
Designed										
Checked										
Approved										
DATED: 2007-10-18										

Confidential



MODEL NO:	(3) TB1318_CS	12
DESCRIPTION:	(8) AD_KEY	13
TFT DRIVER	(8) AD_GND	14
	(7) TFT_SCL	15
	(7) TFT_SDA	16
	(8) DSV_SCL	17
	(8) DSV_SDA	18
	(7) TOSC_CLOCK	19
SHEET NUMBER:	(7) TOSC_DATA_IN	20
2 OF 9	(7) TOSC_DATA_0	21
	(7) TOSC_DATA_1	22
SCH REVISION:	(4) LED_ABR_T	25
V05	(7) TOSC_CS	26
	T15V	27
PCB REVISION:	(7) TOSC_PEN_IRQ	28
V05	KEY_PWR_SV	29
	DGND	30
CODE NO:	(8) ABR_T	32
D-2981-0013-05-00	D14V	33
Designed	(9) SELECT-TELEPH	35
	(9) RX_BT	36
	(9) TX_BT	37
	BT_POWER	38
	(9) BT_AUDIO_R	39
	(9) BT_AUDIO_L	40
	BT_SV	41
	(9) BT_AUDIO_L_	42
	(9) BT_AUDIO_L_	43
	(9) BT_AUDIO_L_	44
Checked	(9) MIC	45
	AGND	46
	(9) MIC+	47
		48
		49
	CCFL_GND	50
	CCFL_POWER	51
		52
Approved		53
		54



MODEL NO:

DESCRIPTION:  
TFT DRIVER

SHEET NUMBER:  
4 OF 9

SCH REVISION:  
V05

PCB REVISION:  
V05

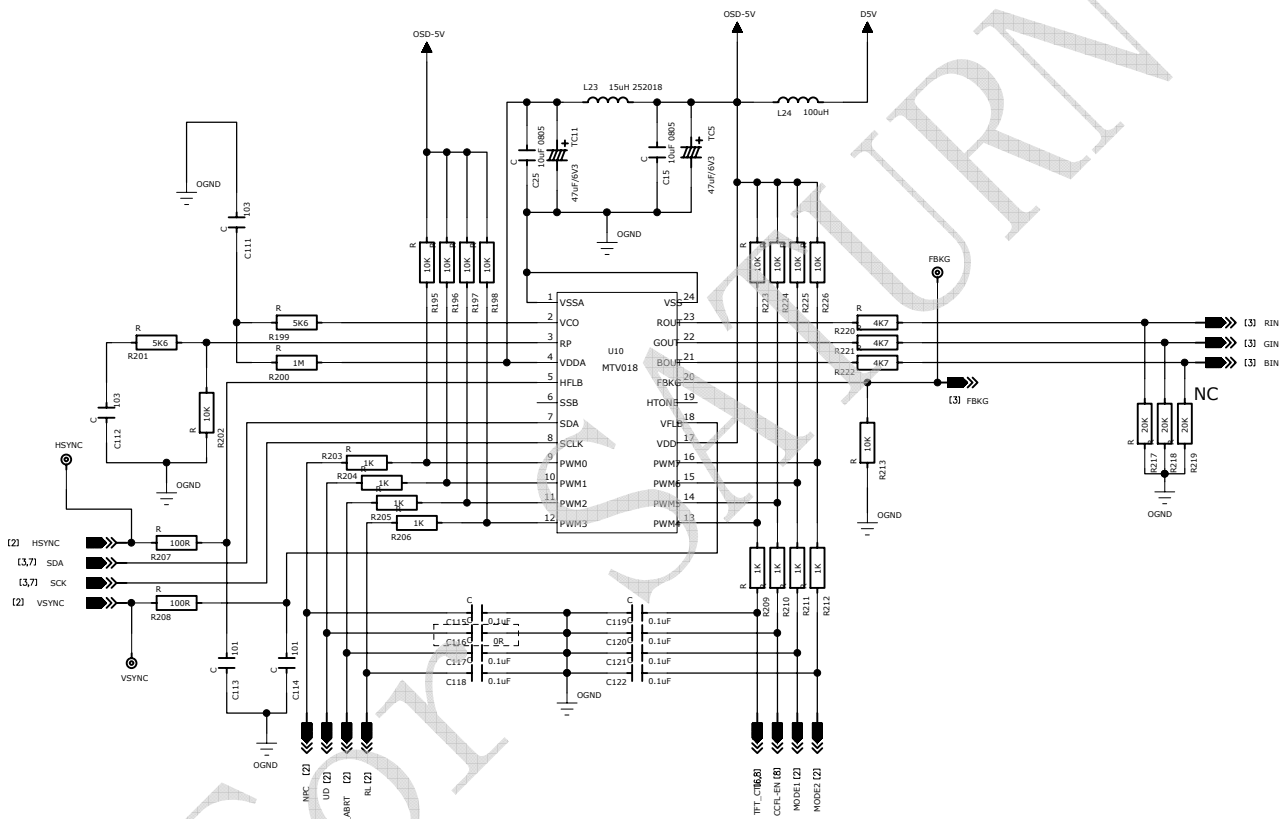
CODE NO:  
D-2981-0013-05-00

Designed

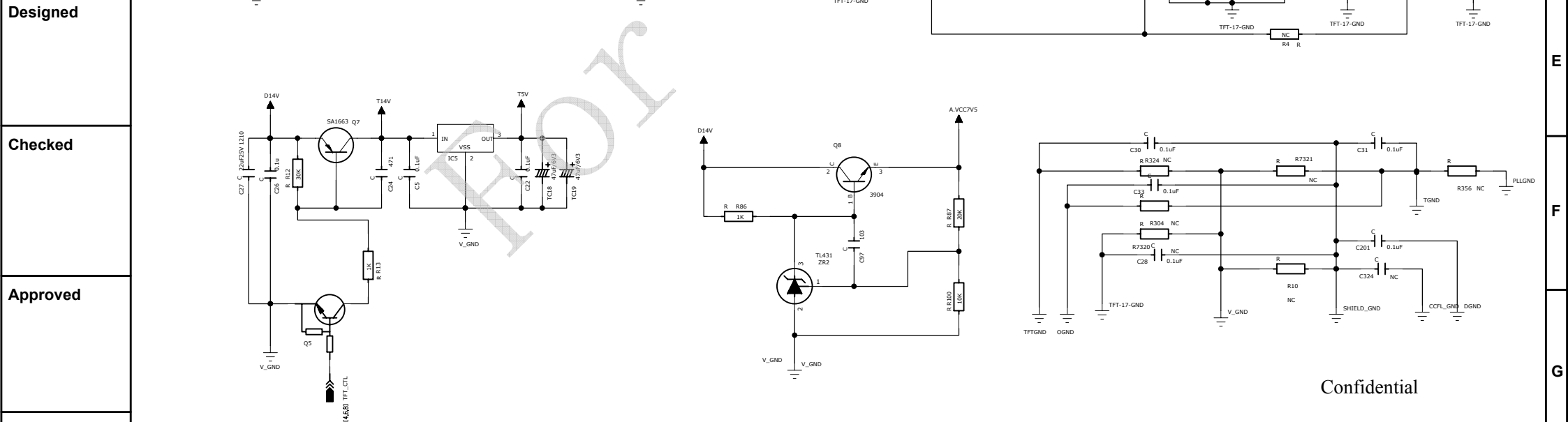
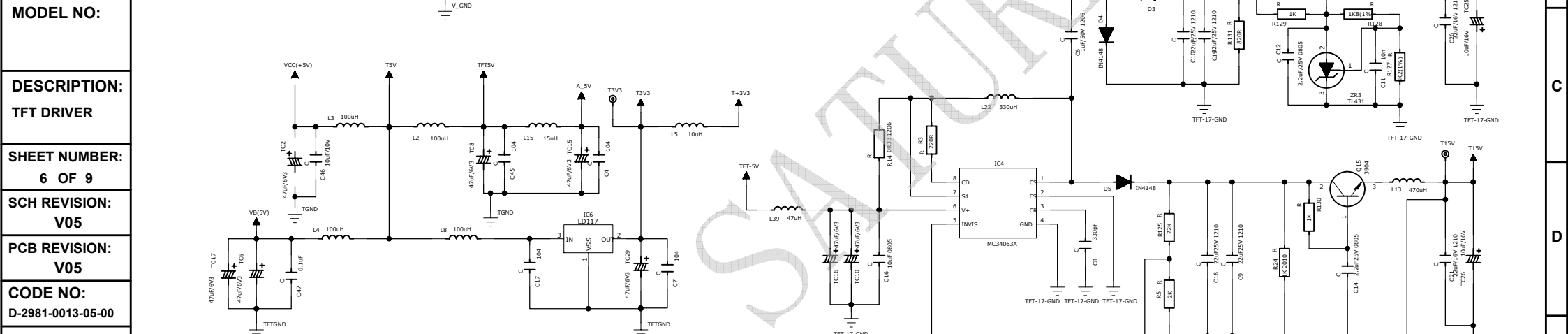
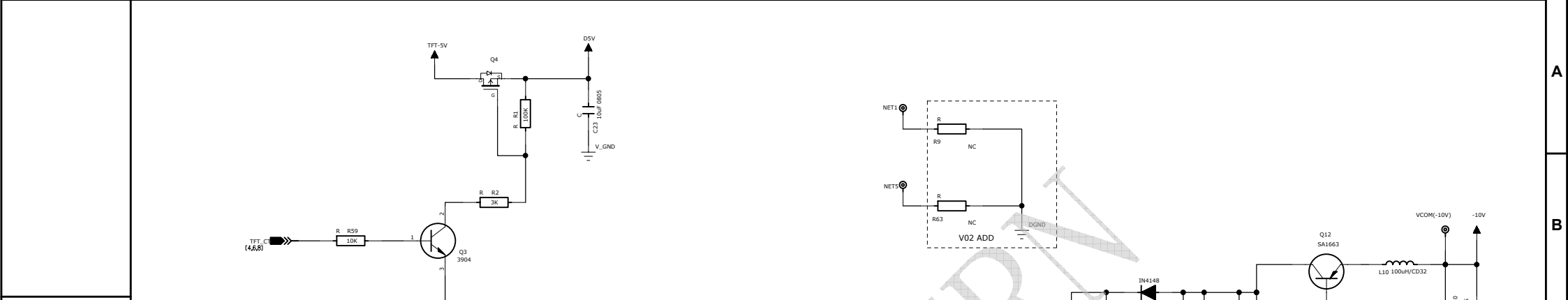
Checked

Approved

DATED: 2007-10-18

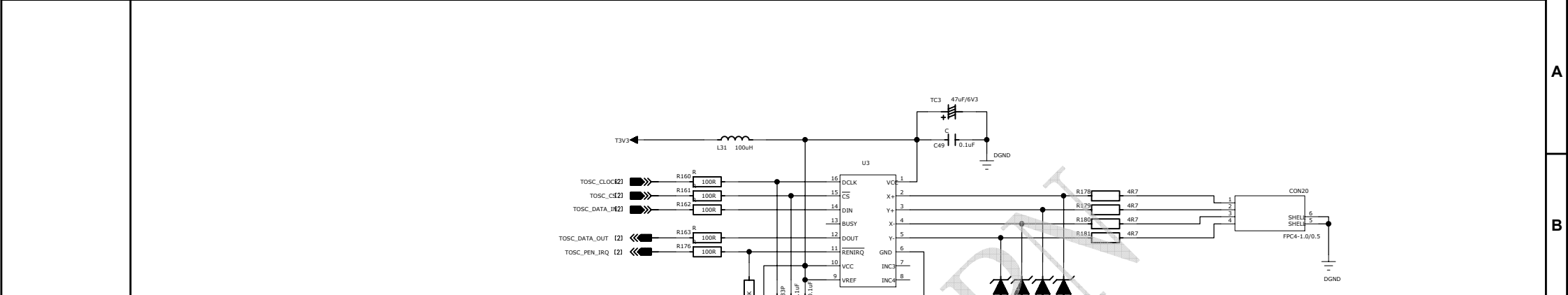






Confidential





**MODEL NO:**

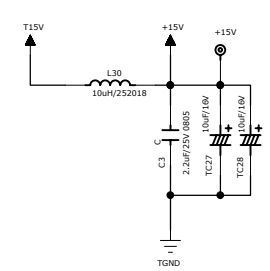
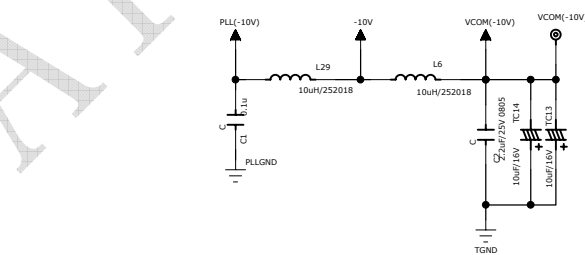
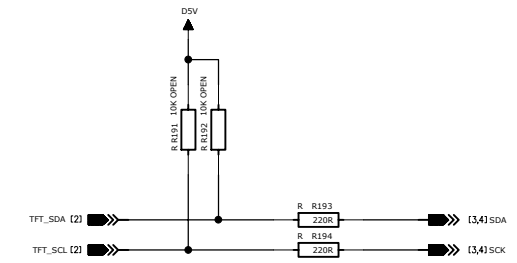
**DESCRIPTION:**  
TFT DRIVER

**SHEET NUMBER:**  
7 OF 9

**SCH REVISION:**  
V05

**PCB REVISION:**  
V05

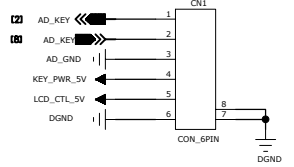
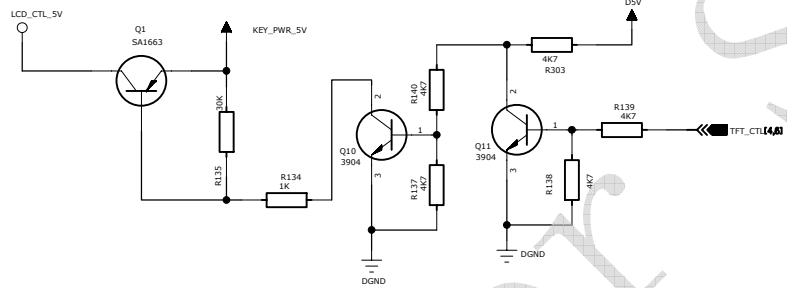
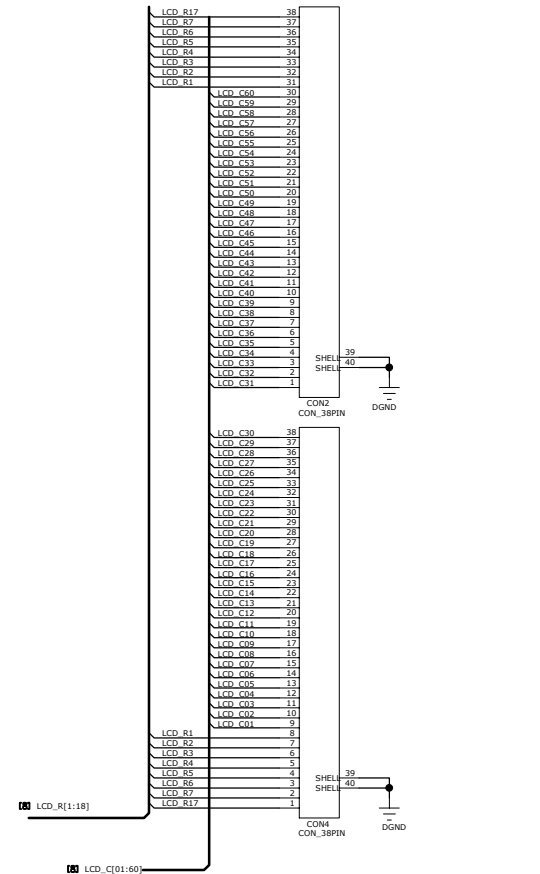
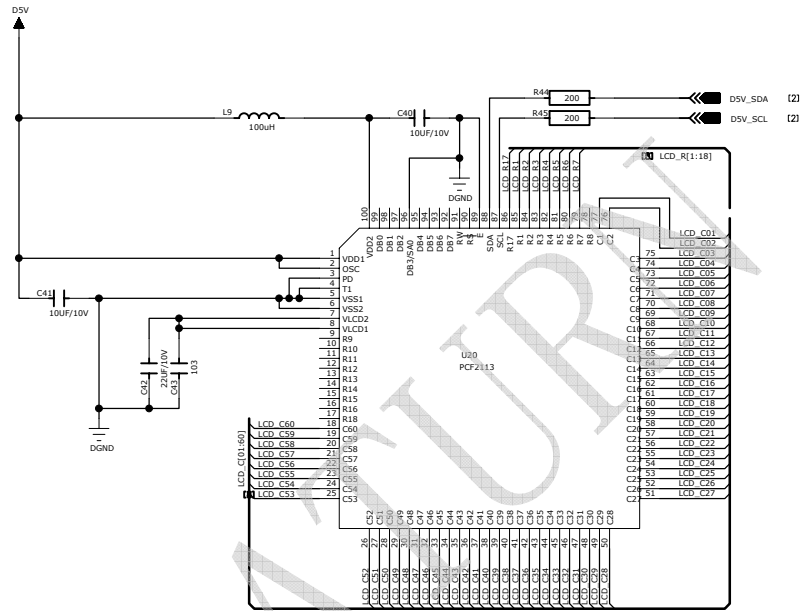
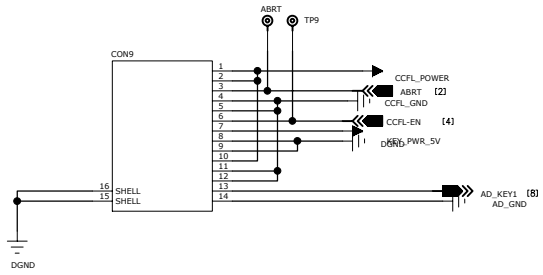
**CODE NO:**  
D-2981-0013-05-00



**Designed**

**Checked**

**Approved**



**MODEL NO:**

**DESCRIPTION:**  
TFT DRIVER

**SHEET NUMBER:**  
8 OF 9

**SCH REVISION:**  
V05

**PCB REVISION:**  
V05

**CODE NO:**  
D-2981-0013-05-00

**Designed**

**Checked**

**Approved**

**DATED: 2007-10-18**

**MODEL NO:**

**DESCRIPTION:**  
TFT DRIVER

**SHEET NUMBER:**  
9 OF 9

**SCH REVISION:**  
V05

**PCB REVISION:**  
V05

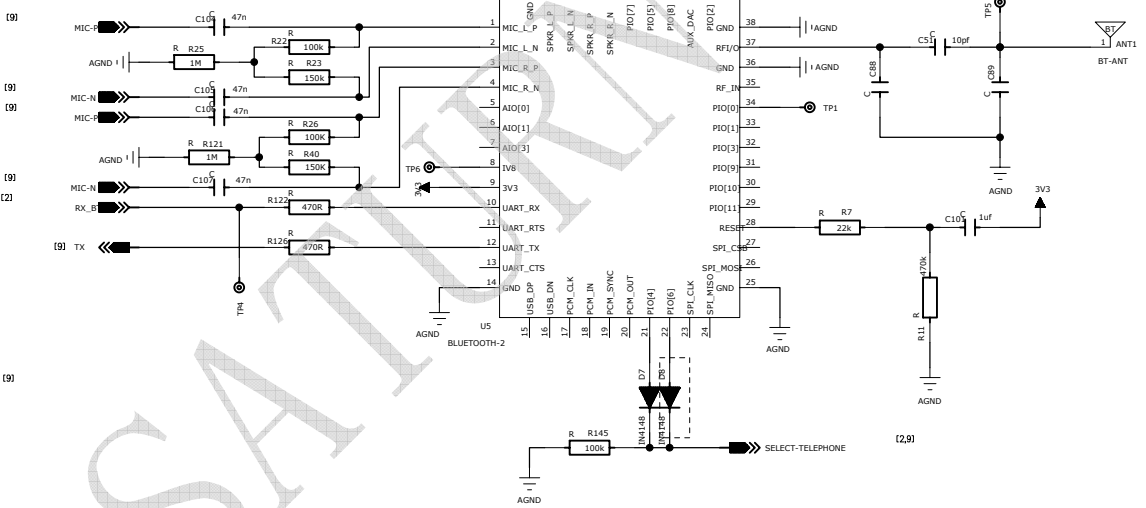
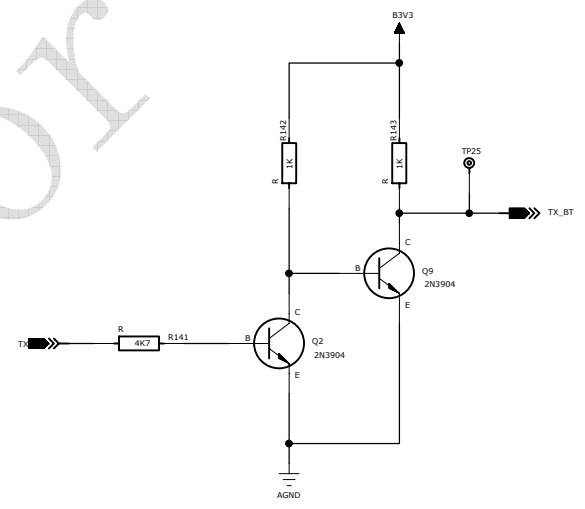
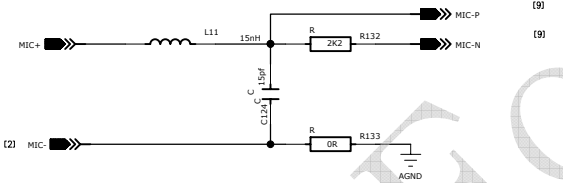
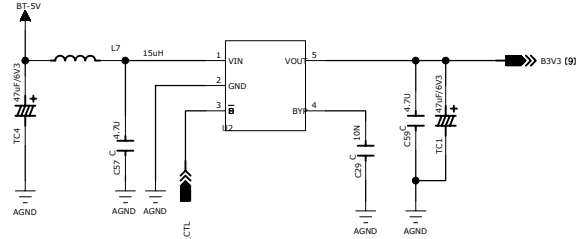
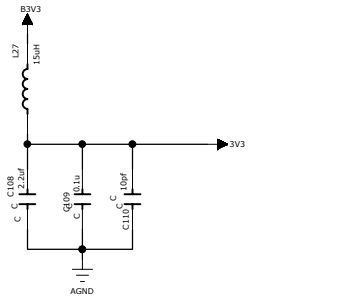
**CODE NO:**

**Designed**

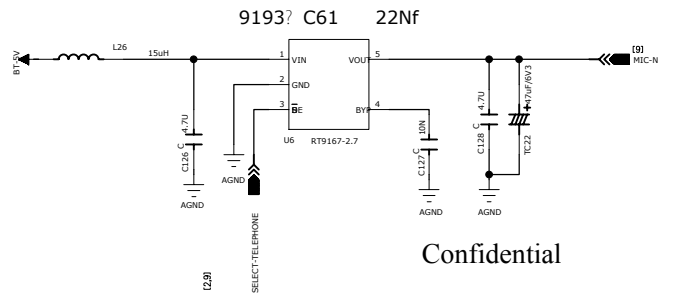
**Checked**

**Approved**

**DATED: 2007-10-18**



ADD JUMP1 2007-6-4



Confidential