

SERVICE MANUAL

MMD-710/710T

PAV-1510/1510T



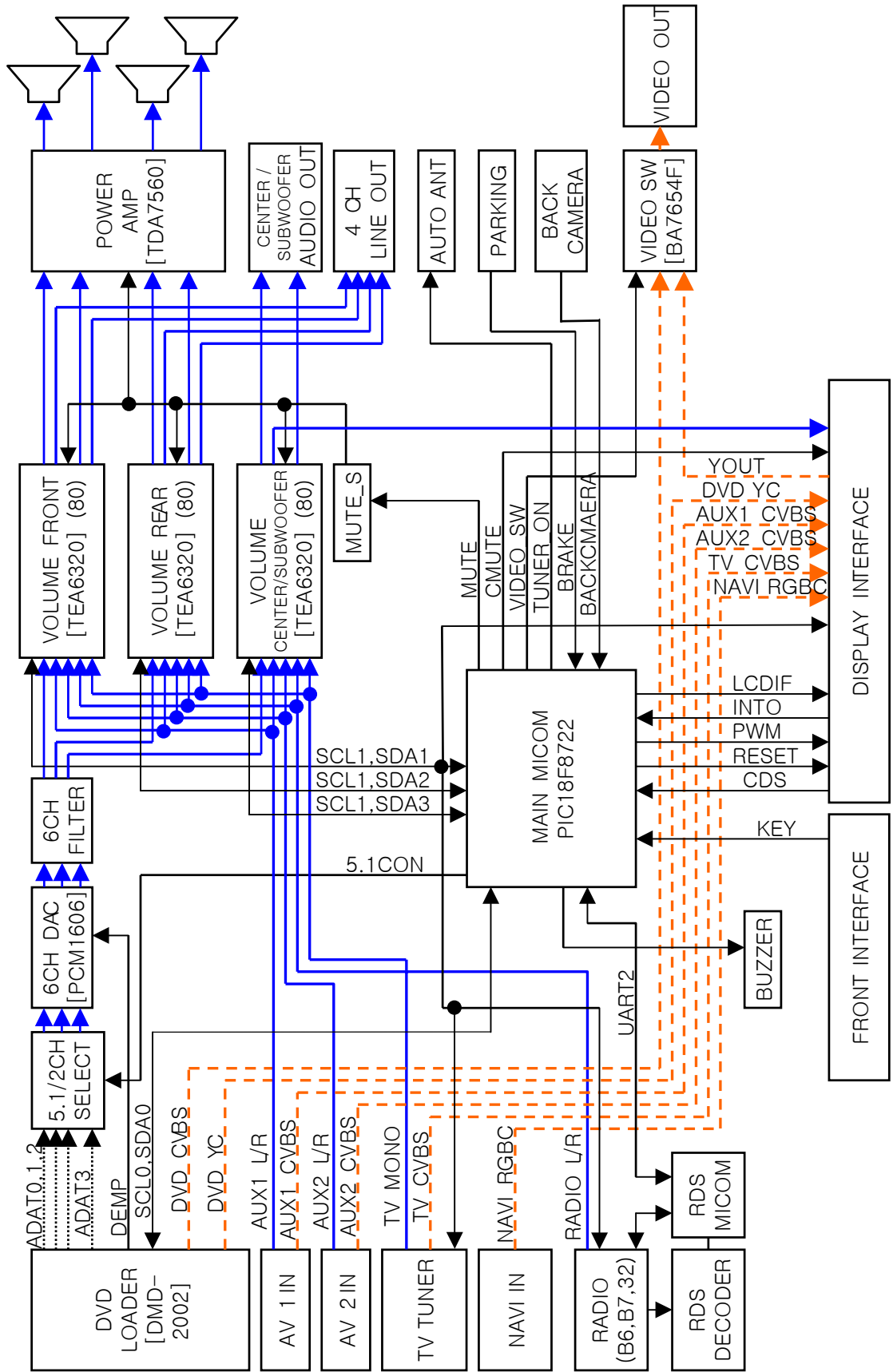
Contents

1. Cover
2. Features
3. Block Diagram (Main)
4. Block Diagram (Monitor)
5. Unit Wiring Diagram
6. Schematic Diagram (Main)
7. Schematic Diagram (Monitor)
8. Schematic Diagram (TV BOX)
9. IC & TR Voltage Chart (Main PCB)
10. IC & TR Voltage Chart (Monitor PCB)
11. Exploded View & Part's List
12. Exploded View & Part's List (Tilt Loader)
13. Exploded View & Part's List (DVD Deck)
14. Circuit Board Diagram (Main)
15. Part's List / Main PCB Ass'y
16. Circuit Board Diagram (Monitor)
17. Part's List / Monitor PCB Ass'y
18. Circuit Board Diagram (Front)
19. Part's List / Front PCB Ass'y
20. Circuit Board Diagram (Tuner)
21. Part's List / Tuner PCB Ass'y
22. Part's List (Tilt Loader) Motor PCB Ass'y
23. Part's List (DVD Deck) MPEG PCB Ass'y
24. Part's List / Packing
25. Product Specification

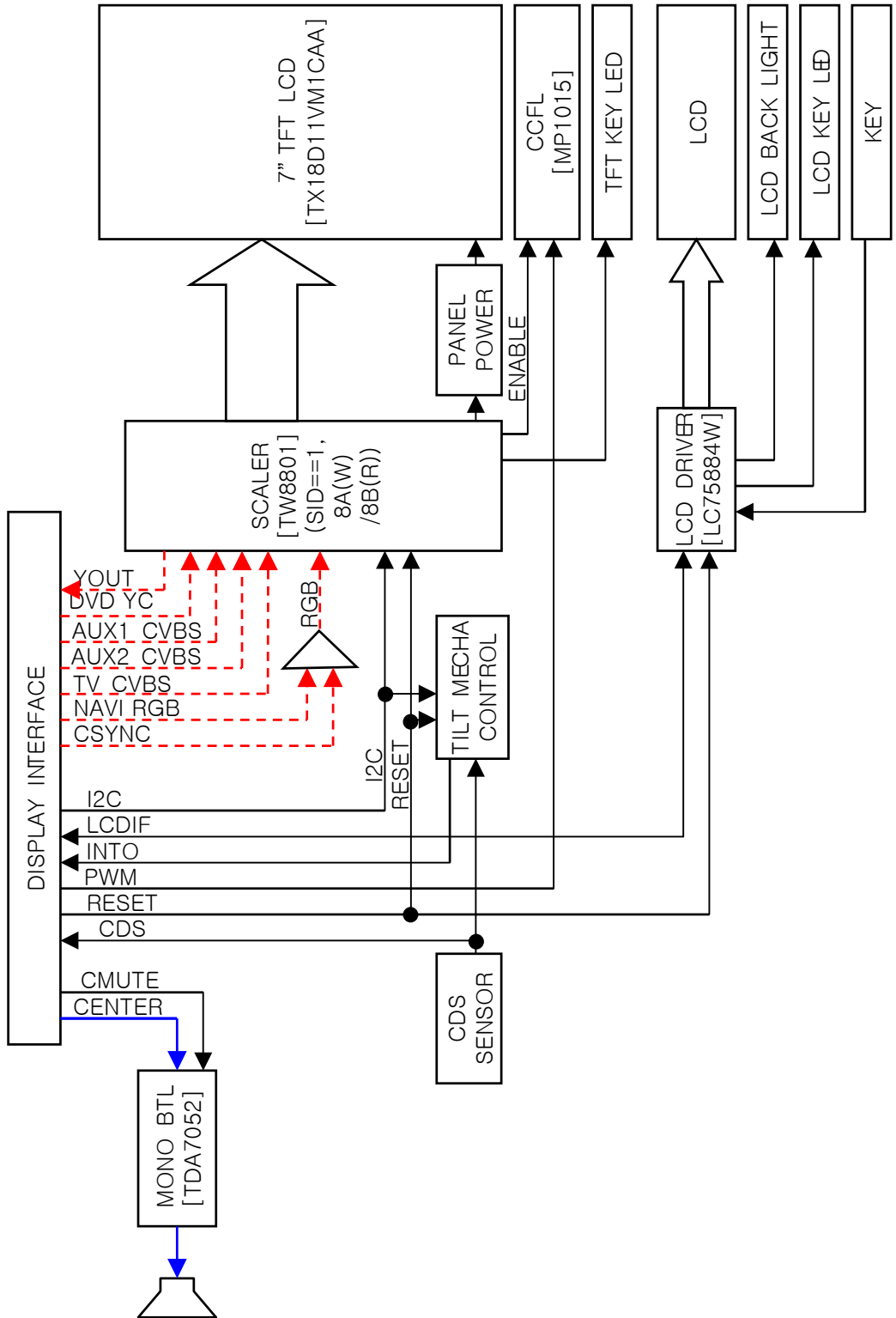
2. Features

- Motorized 7" Digital TFT Screen
- AM/FM Stereo Tuner
- TV Tuner with Diversity Antenna Input
- DVD-R/RW, CD-R/RW Compatible
- Video Select (V Sel.) Rear Zone Output
- ESP - Electronic Shock Protection for DVD, MP3 and CDDA
- OSD - On Touching Screen Display
- Joystick Menu Navigation
- AV1 and AV2 Inputs for System Expansion
- Auto Dimmer Illumination

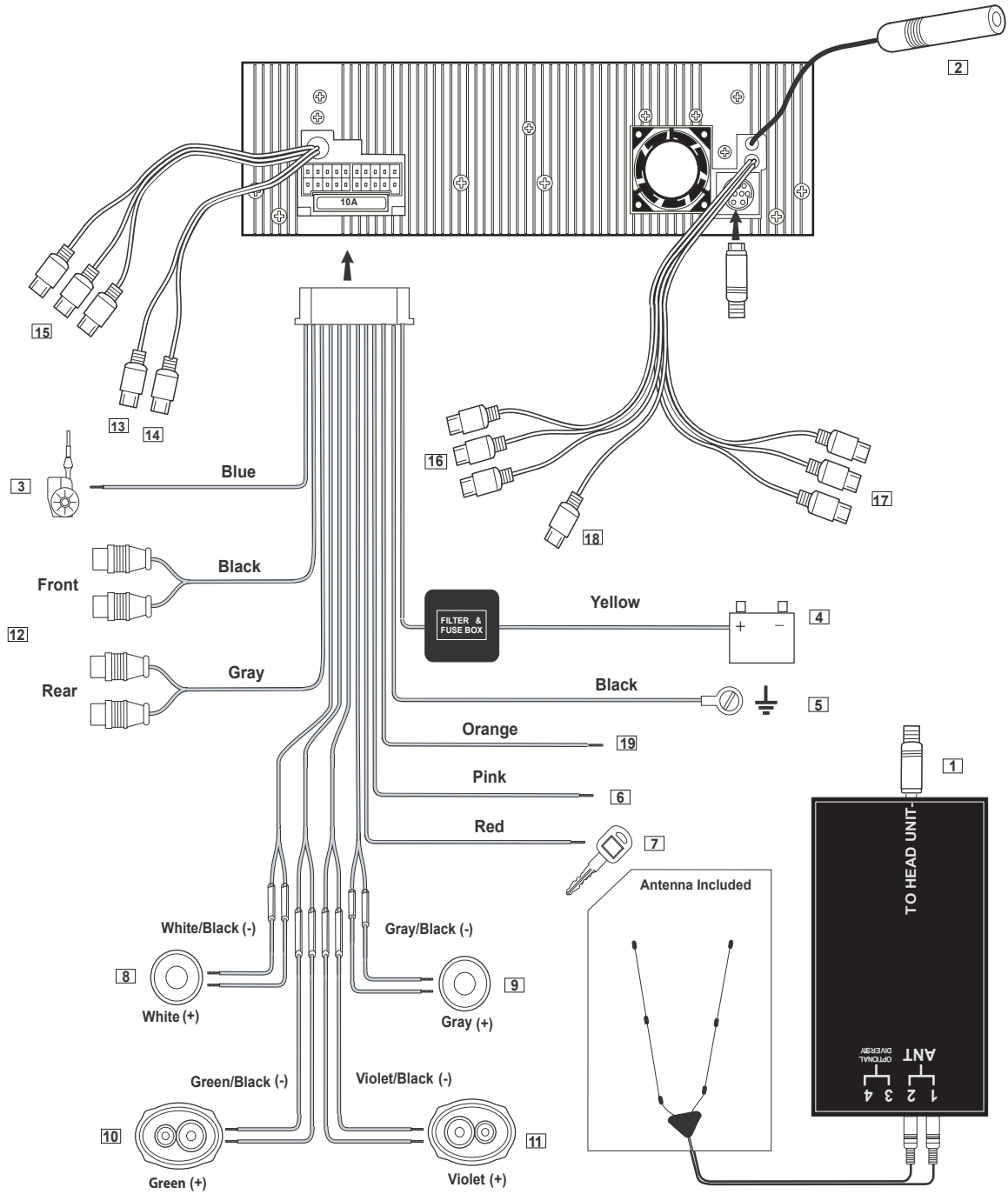
3. Block Diagram (Main)

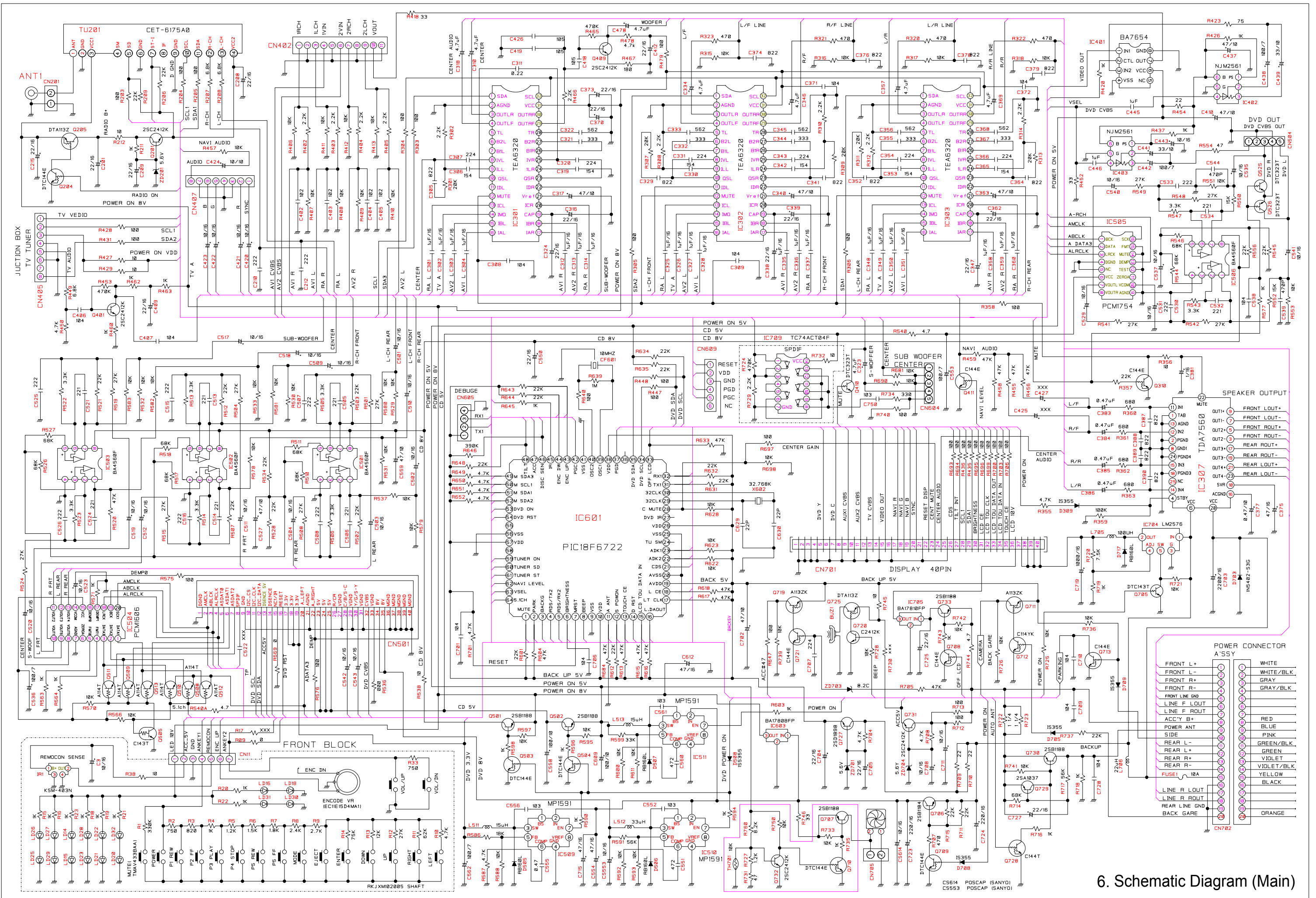


4. Block Diagram (Monitor)

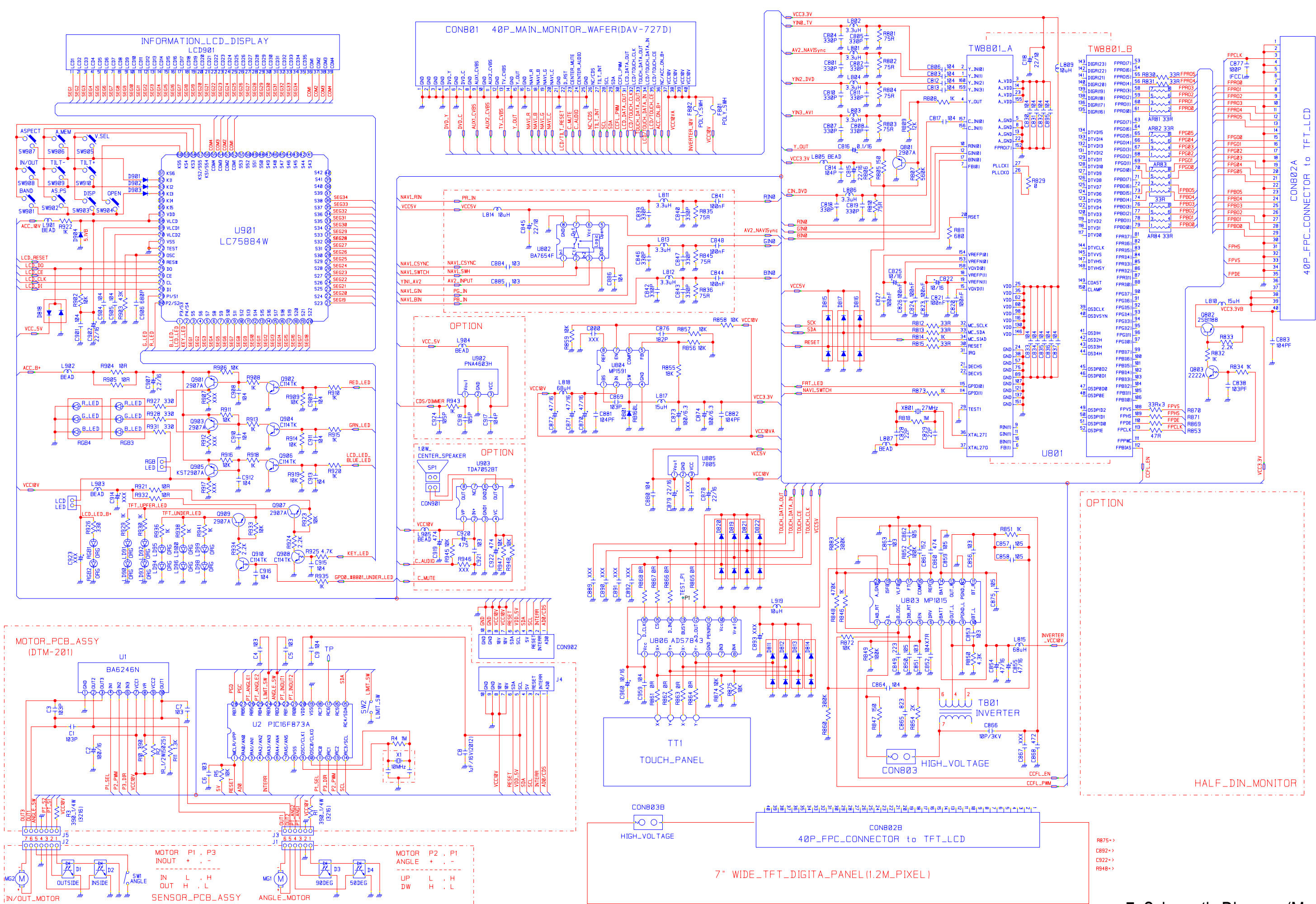


5. Unit Wiring Diagram



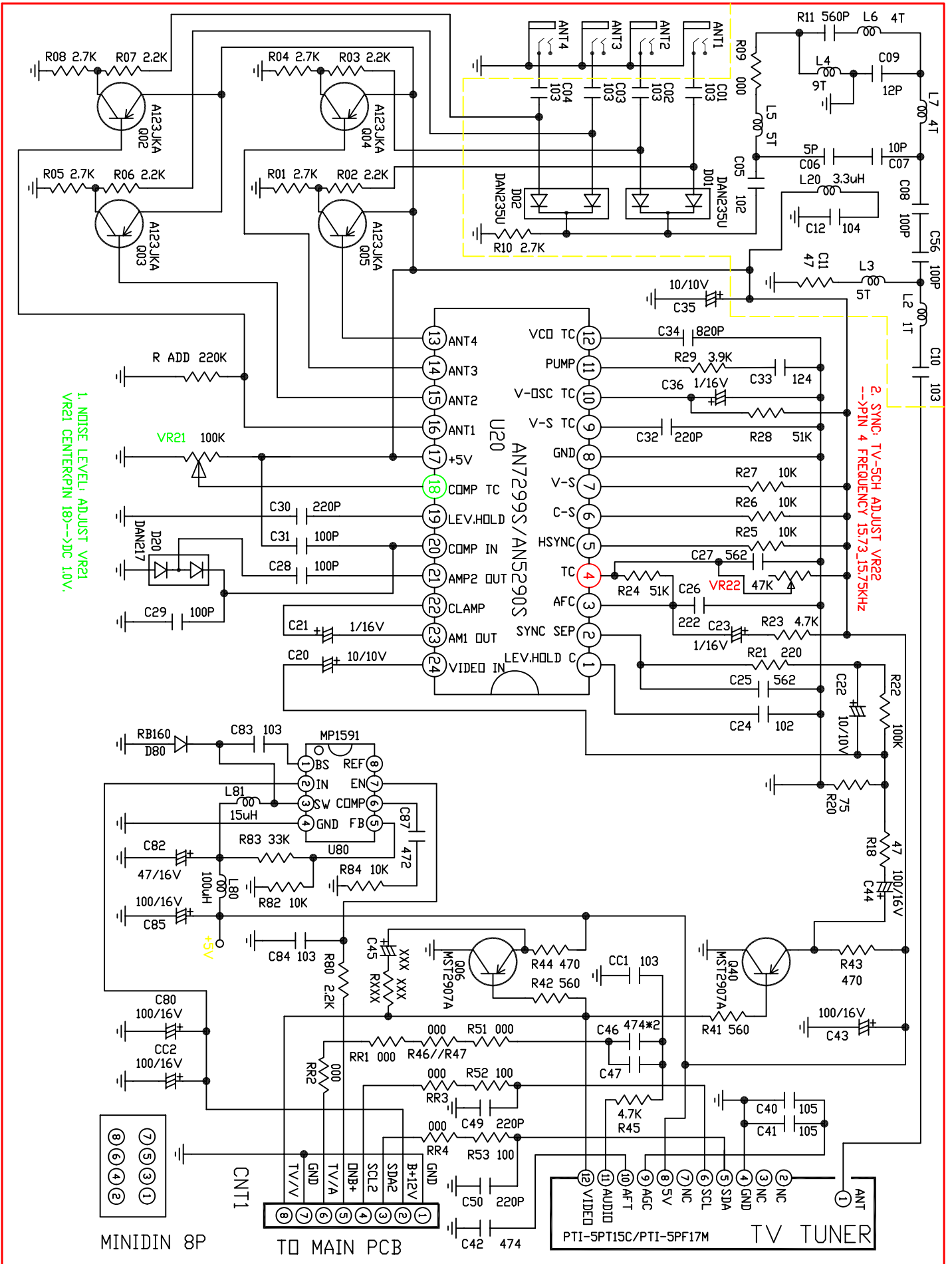


6. Schematic Diagram (Main)



7. Schematic Diagram (Monitor)

8. Schematic Diagram (TV Box)



9. IC & TR VOLTAGE CHART (MAIN PCB)

IC 601						NO	IC705
NO	PIC18F6722	NO	PIC18F6722	NO	PIC18F6722		BA17810FP
1	5	24		47	5	1	14
2	5	25	0	48	5	2	0
3	0	26	5	49	5	3	10
4	0	27		50	5		
5	0	28	0	51	5		
6	5	29	0.5	52	5		
7	5	30	0.4	53	5		
8		31	5	54			
9	0	32	5	55			
10	5	33	5	56	0		
11		34	3.5	57	5		
12	5	35	3.6	58			
13	4.9	36		59	5		
14	5	37	0.1	60	5.1		
15	4.9	38	5	61	5.1		
16	4.9	39	2.2	62	0		
17	0.1	40	2.3	63	5		
18	5	41	0	64	0		
19	5	42	0				
20	0	43	0				
21	4	44	0				
22	5	45	5				
23		46	0.2				

NO	Q719	NO	Q725	NO	Q733	NO	Q711
B	0.1	B	5	B	12.2	B	5
C	5	C	5	C	12.9	C	5
E	5	E	0	E	12.9	E	0
	Q721		Q720		Q708		Q712
B	2.7	B	0	B	5	B	0
C	0.1	C	5	C	0.1	C	5
E	0	E	0	E	0	E	0
	Q713		Q411				
B	0.5	B					
C	5	C					
E	0	E					

9. IC & TR VOLTAGE CHART (MAIN PCB)

IC307				NO	IC704	NO	Q705
NO	TDA7560	NO	TDA7560		LM2576	B	2
1	0	14	6.1	1	12.9	C	0
2	0	15	6.1	2	10.5	E	0
3	6.3	16	6.1	3	0		Q310
4	4.3	17	6.3	4	1.2	B	0
5	6.3	18	0	5	10.5	C	7.8
6	13	19	6.3			E	0
7	6.3	20	13				
8	0	21	6.3				
9	6.3	22	7.8				
10	6.1	23	6				
11	6.1	24	0				
12	6.1	25					
13	0						

IC504				NO	Q509	NO	Q508
NO	PCM1606	NO	PCM1606	B	4.8	B	0
1	0	12	2.4	C	0	C	0
2	0	13	2.4	E	0.05	E	0
3	0	14	2.4		Q511		Q510
4	0	15	4.8	B	4.8	B	0
5	0	16	0	C	0	C	0
6	0	17	0	E	0.05	E	0
7	0	18	1.7		Q505		
8	2.4	19	1.7	B	0		
9	2.4	20	1.7	C	4.8		
10	2.4			E	0		
11	2.4						

IC301,302,303				NO	Q204	NO	TU201
NO	TEA6320	NO	TEA6320	B	5		CET-6175A0
1	5	17	3.9	C	0.1	1	0
2	0	18	3.9	E	0	2	0
3	3.9	19	7.8		Q202	3	7.7
4	3.9	20	3.9	B	7.8	4	2
5	3.9	21	3.9	C	7.9	5	0
6	3.9	22	3.9	E	8	6	0
7	3.9	23	3.9		Q201	7	5.2
8	3.9	24	3.9	B	5.6	8	3.4
9	3.9	25	3.9	C	7.8	9	0
10	3.9	26	3.9	E	5.1	10	5.1
11	3.9	27	3.9			11	5.1
12	7.8	28	3.9			12	3.5
13	3.9	29	3.9			13	3.5
14	3.9	30	3.9			14	5.2
15	3.9	31	7.8				
16	3.9	32	4.6				

9. IC & TR VOLTAGE CHART (MAIN PCB)

NO	IC501	NO	IC502	NO	IC503		
	BA4560F		BA4560F		BA4560F		
1	3.8	1	3.8	1	3.8		
2	3.8	2	3.8	2	3.8		
3	3.8	3	3.8	3	3.8		
4	0	4	0	4	0		
5	3.8	5	3.8	5	3.8		
6	3.8	6	3.8	6	3.8		
7	3.8	7	3.8	7	3.8		
8	7.7	8	7.7	8	7.7		

NO	IC401	NO	IC506	IC505			
	BA7651		BA4560	NO	PCM1754	NO	PCM1754
1	2	1	3.9	1	1.7	9	0
2	4.9	2	3.8	2	3	10	2.4
3	2	3	3.8	3	1.7	11	4.8
4	0	4	0	4	0	12	0
5	2	5	3.8	5	0	13	0
6	5.3	6	3.8	6	4.8	14	0
7	1.3	7	3.8	7	2.4	15	0
8	0	8	7.7	8	2.4	16	1.7

NO	IC403	NO	IC402	NO	Q525		
	NJM2561		NJM2561	B	0		
1	4.5	1	4.5	C	0		
2	0.8	2	0.8	E	0		
3	0.9	3	0.9		Q526		
4	1.4	4	1.4	B	0		
5	0	5	0	C	0.1		
6	4.9	6	4.9	E	0		

NO	IC509	NO	IC510	NO	IC511	NO	IC603
	MP1591		MP1591		MP1591		BA17808FP
1	8.2	1	12.4	1	10	1	12.8
2	12.8	2	12.8	2	12.8	2	0
3	3.4	3	8.1	3	5.3	3	7.8
4	0	4	0	4	0		IC703
5	1.1	5	1.2	5	1.2		BA17805
6	1.2	6	1.2	6	1.2	1	5
7	4.5	7	4.9	7	4.9	2	0
8	4.8	8	4.9	8	4.8	3	5

NO	Q501	NO	Q503	NO	Q502	NO	Q504
B	7.1	B	4.5	B	0.1	B	4.5
C	7.8	C	6.1	C	7.8	C	0.1
E	7.8	E	0	E	7.8	E	0

9. IC & TR VOLTAGE CHART (MAIN PCB)

NO	Q727	NO	Q731	NO	Q706	NO	Q709
B	5.6	B	5.6	B	12	B	4.5
C	12.6	C	12.6	C	13	C	2.7
E	5	E	5	E	12.8	E	0
	Q728		Q729		Q730		
B	5	B	13	B	12.3		
C	0.1	C	12.3	C	13		
E	0	E	13	E	13		

10. IC & TR VOLTAGE CHART (MONITOR PCB)

U901							
NO	LC75884W	NO	LC75884W	NO	LC75884W	NO	LC75884W
1	5	21	0	41	0	61	0
2	0	22	0	42	0	62	0.1
3	0	23	0	43	0	63	0.1
4	0	24	0	44	0	64	0.1
5	0	25	0	45	0	65	0
6	0	26	0	46	0	66	0
7	0	27	0	47	0	67	5
8	0	28	0	48	0	68	5
9	0	29	0	49	0	69	3.3
10	0	30	0	50	0	70	1.7
11	0	31	0	51	0	71	0
12	0	32	0	52	0	72	0
13	0	33	0	53	0	73	3.7
14	0	34	0	54	0	74	5
15	0	35	0	55	0	75	5
16	0	36	0	56	0	76	5
17	0	37	0	57	5	77	0.2
18	0	38	0	58	5	78	5
19	0	39	0	59	5	79	0
20	0	40	0	60	5	80	0

NO	Q901	NO	Q903	NO	Q905	NO	Q906
B	10	B	10	B	10	B	0.1
C	10	C	0	C	0.5	C	10
E	0	E	10	E	10	E	0.1
	Q904		Q902		Q909		Q910
B	0.1	B	0.1	B	9.2	B	3.5
C	10	C	10	C	9.9	C	0.1
E	0.1	E	0	E	9.9	E	0.1
	Q908		Q907				
B	4.6	B	9.2				
C	0.1	C	10				
E	0.1	E	10				

NO	U802	NO	U804	U806			
	BA7654F		MP1591	NO	ADS7843	NO	ADS7843
1	2	1	8.5	1	5	9	5
2	3.5	2	10.1	2	0.1	10	5
3	1.8	3	3.5	3	0.1	11	0
4	0	4	0	4	0.1	12	5
5	2.2	5	1.3	5	0.1	13	0.5
6	5	6	1.3	6	0	14	5
7	1	7	5.2	7	0	15	5
8	0	8	5	8	4.9	16	0.1

10. IC & TR VOLTAGE CHART (MONITOR PCB)

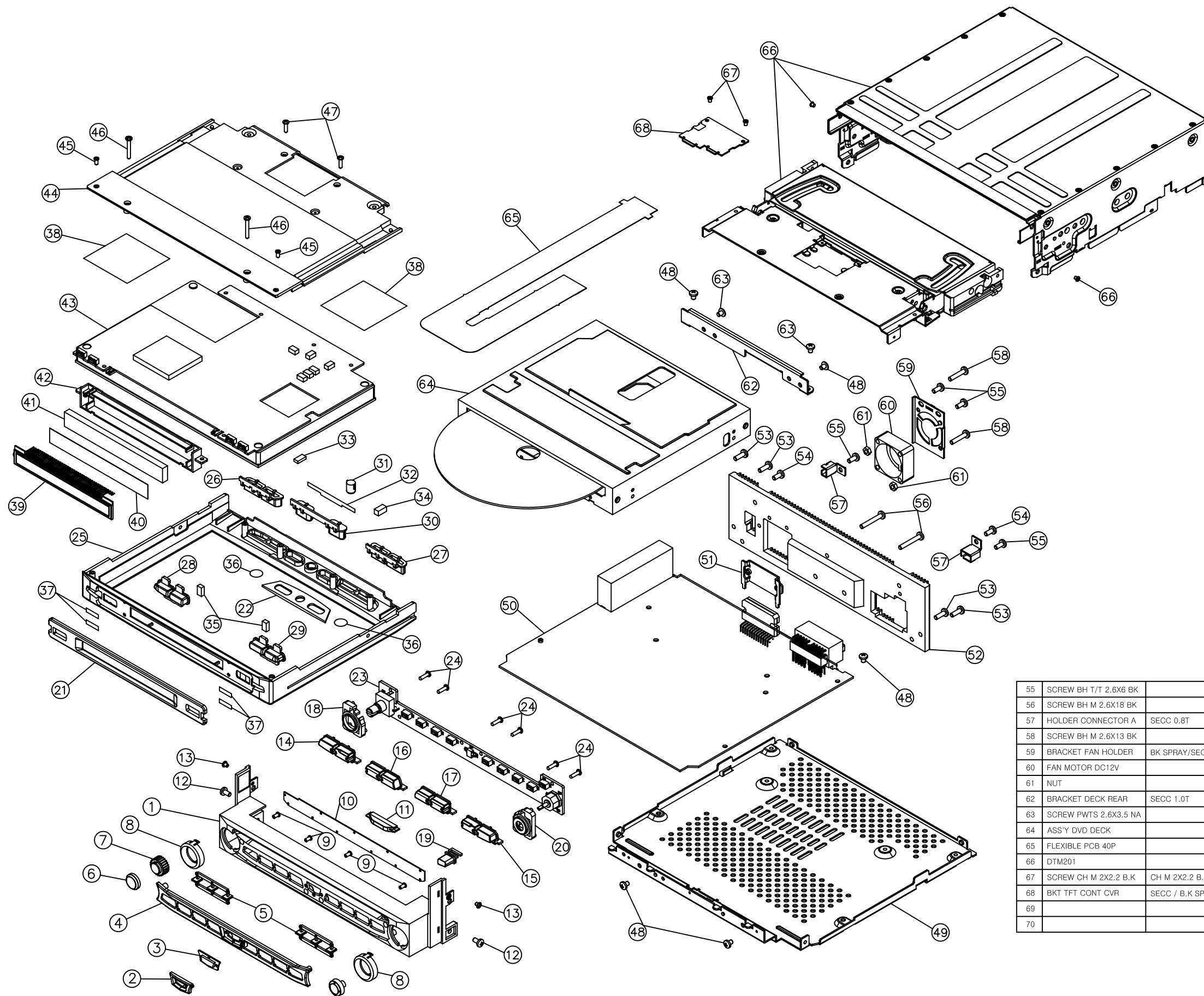
U801							
NO	TW8801	NO	TW8801	NO	TW8801	NO	TW8801
1	0.1	41		81		121	0
2	0.1	42		82		122	
3	3.5	43		83		123	
4	1.6	44		84		124	
5	0	45		85		125	
6		46		86		126	
7		47		87		127	
8	0	48		88		128	
9		49		89	0	129	
10	0	50		90		130	3.5
11		51		91		131	
12	0	52		92		132	
13	0	53		93		133	
14	3.5	54		94		134	
15	1.7	55	1.4	95		135	
16		56	1.4	96		136	
17	0	57	0	97		137	0
18	2.2	58	0.6	98	3.5	138	
19	1.2	59	0.2	99		139	
20	0	60	0.2	100		140	
21		61	0.2	101		141	
22	0	62	3.5	102		142	
23	3.5	63		103		143	
24	0	64		104		144	
25	3.5	65	1.4	105		145	
26	0	66	1.4	106		146	3.5
27	0	67	0.6	107	0	147	
28		68	0.1	108	3.7	148	
29	0	69	0.2	109	3.4	149	
30	5.1	70	0.2	110	2.4	150	
31		71		111	1.7	151	0
32	5.1	72		112		152	0
33	5.1	73	1.4	113		153	1.2
34	3	74	1.4	114	3.5	154	2.2
35	3.5	75	0	115	3.5	155	3.5
36	1.7	76	0.6	116	3.5	156	
37	1.7	77	0.2	117		157	1.7
38	0	78	0.2	118		158	1.7
39		79	0.2	119		159	0.1
40		80	3.5	120		160	1.6

10. IC & TR VOLTAGE CHART (MONITOR PCB)

U803						NO	U805
NO	MP1015	NO	MP1015	NO	MP1015		7805
1	5	8	2.5	15	5	1	5
2	0	9	0	16	2.3	2	0
3	1	10	7.8	17	0.1	3	10.2
4	5	11	8.1	18	9.8		
5	3.4	12	0	19	0.1		
6	5.9	13	2.7	20	0		
7	9.7	14	9.7				

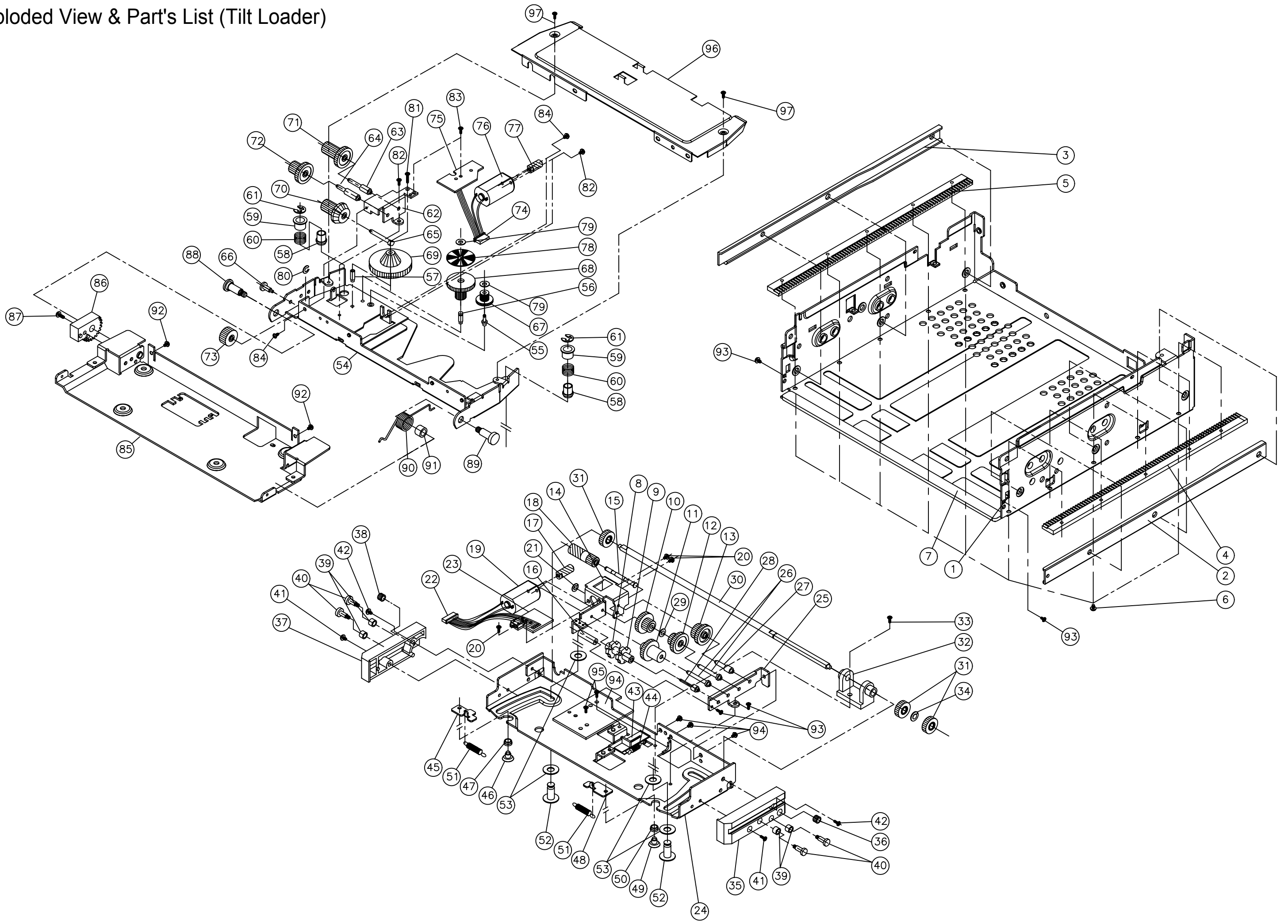
	Q801		Q802		Q803		
B	1.5	B	2.8	B	0.7		
C	2.1	C	3.4	C	0.1		
E	0	E	3.5	E	0		

11. Exploded View & Part's List (MMTD-9200S)



NO.	Part Name	Description	QTY	STOCK NO.
1	FRONT PANEL	ABS BLACK	1	YIB3C0
2	HOLDER GUIDE CENSER	ABS PLATE	1	YIC9A0
3	REMOCON WINDOW CENSER	ACRYL CLEAR	1	YS66A0
4	PANEL FRONT DECORATION PL	ABS PLATE	1	YID6A0
5	INDICATOR BUTTON	ABS PLATE	2	YID5A0
6	VOLUME CAP	A.L	1	YS33A0
7	LEVEL KNOB L	ABS WHITE	1	YI74C0
8	VOLUME DECORATION RING	ABS PLATE	2	YID0A0
9	SCREW CM T2 2X4 (B.K)		4	YR11A0
10	PLATE DISC	ACETAL PLATE	1	YZ34B0
11	INDICATOR DISC	ACRYL	1	UI26A0
12	SCREW BH M 2.6X4 (B.K)		2	YR13A0
13	SRW CM 2X2.5 (B.K-WASHER)		2	YR17A0
14	BUTTON PRESET L	P.C MILKY	1	YS62A0
15	BUTTON PRESET AR	P.C MILKY	1	YS63A0
16	BUTTON PRESET BL	P.C MILKY	1	YS64A0
17	BUTTON PRESET BR	P.C MILKY	1	YS65A0
18	VOLUME ILLUMINATOR L	P.C MILKY	1	YID1A0
19	BUTTON EJECT	P.C MILKY	1	YS68A0
20	VOLUME ILLUMINATOR R	ACRYL CLEAR	1	YID2A0
21	DECORATION PLT LCD	ABS BLACK	1	YID4A0
22	DECORATION PLT TFT	ABS PLATE	1	YID3A0
23	ASS'Y FRONT PCB		1	Y486C1
24	SCREW BH T1 2X8 (B.K)		6	WY12A0
25	TFT PANEL	ABS BLACK	1	YIB5C0
26	BUTTON TFT A	P.C MILKY	1	YS60A0
27	BUTTON TFT B	P.C MILKY	1	YS61A0
28	BUTTOB TFT C	P.C MILKY	1	YS67A0
29	BUTTON TFT D	P.C MILKY	1	YS69A0
30	BUTTON TFT E	P.C MILKY	1	YS70A0
31	LENS CDS	P.C MILKY	1	YA60A0
32	TAPE TFT BUTTON E	TAPE B.K	1	YZ59A0
33	CUSHION CDS B	E.V.A	1	YG89A0
34	CUSHION CDS A	E.V.A	1	YG88A0
35	CUSHION BUTTON	E.V.A	2	YG95C0
36	TAPE TFT DECO	DOUBLE ADHESIVE TAPE	2	YZ58A0
37	TAPE LCD DECO	DOUBLE ADHESIVE TAPE	4	YZ57A0
38	TAPE BLACK MONITOR	TAPE B.K	2	YZ61A0
39	LCD DISPLAY		1	YZ54A0
40	LCD DIFFUSER	DIFFUSE SHEET	1	YZ47A0
41	LCD REFLECTOR	ACRYL CLEAR	1	YS59A0
42	HOUSING LCD REFLECTOR	P.C MILKY	1	YH06A0
43	ASS'Y MONITOR PCB		1	Y478A1
44	TFT PANEL COVER	ABS BLACK	1	Y478A1
45	SCREW CM T2 2X4 BK		4	YR11A0
46	SCREW BH T2 2X15 BK		2	YR11A0
47	SCREW BH T1 2X10 BK		2	VY15A0
48	SCREW BH M 2.6X3.5 WH		5	PY10A0
49	COVER TOP	SECC 1.0T	1	YP29A0
50	ASS'Y MAIN PCB		1	YR12A0
51	BRACKET IC	SBHG 1.0 T	1	YX02A0
52	HEAT SINK	AL	1	YZ56A0
53	SCREW BH M 2.6X8 BK		4	VY12A0
54	SCREW BH M 2.6X6 BK		2	YR04A0
55	SCREW BH T/T 2.6X6 BK		4	YR08A0
56	SCREW BH M 2.6X18 BK		2	VR12A0
57	HOLDER CONNECTOR A	SECC 0.8T	2	YP23A0
58	SCREW BH M 2.6X13 BK		2	YR12A0
59	BRACKET FAN HOLDER	BK SPRAY/SECC 0.8T	1	YP24A0
60	FAN MOTOR DC12V		1	YM04A0
61	NUT		2	YW03A0
62	BRACKET DECK REAR	SECC 1.0T	1	YP30A0
63	SCREW PWTS 2.6X3.5 NA		2	LR08A0
64	ASS'Y DVD DECK		1	U2T020
65	FLEXIBLE PCB 40P		1	YE13B0
66	DTM201		1	C2T110
67	SCREW CH M 2X2.2 B.K	CH M 2X2.2 B.K	4	VY41A0
68	BKT TFT CONT CVR	SECC / B.K SPRAY	1	CP46A0
69				
70				

12. Exploded View & Part's List (Tilt Loader)



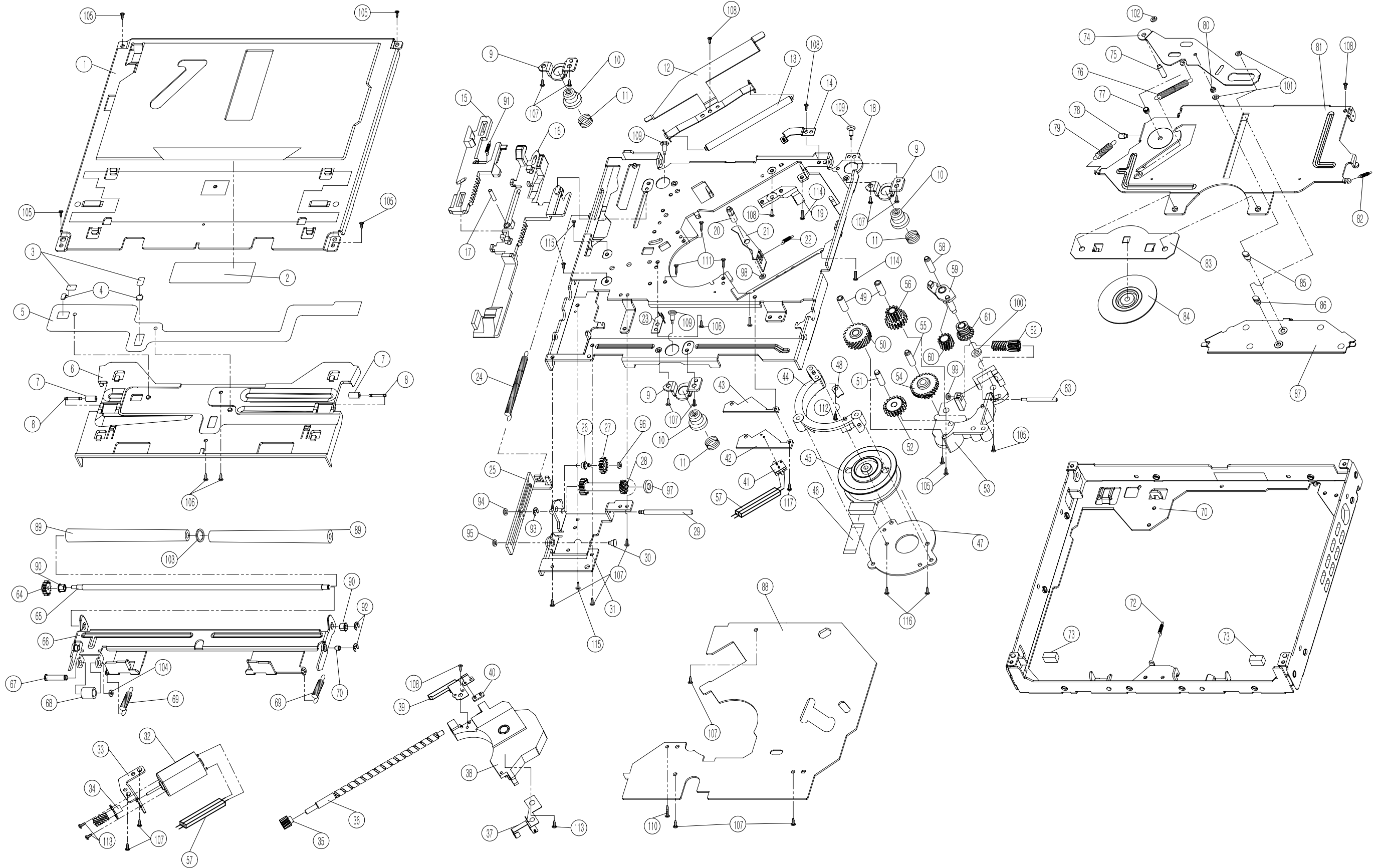
12. EXPLODED VIEW PARTS LIST (TILT LOADER)

NO	PARTS NAME	PART NO	Q'TY	REMARKS	NO	PARTS NAME	PART NO	Q'TY	REMARKS
	ASS'Y MAIN CHS	C429A1			42	SRW CH M2X5 ZNC	QR03A0	2	
1	CHS MAIN	CP58A0	1		43	SLIDE SWITCH	CI12A0	1	
2	GUIDE RAIL-L	CP61A0	1		44	SPG SLIDE SWITCH	CS09A0	1	
3	GUIDE RAIL-R	CP62A0	1			ASS'Y ANGLE MONT-L	C405A1		
4	GEAR RACK-L	CJ01B0	1		45	ANGLE MONT-L	CP32A0	1	
5	GEAR RACK-R	CJ02B0	1		46	SFT MECH-B	CF14B0	1	
6	SRW FH T2 2X3 NI	CR07A0	10		47	BUSHING MECH C	CF15C0	1	
7	PLT CHS SEAL	YX03A0	1			ASS'Y ANGLE MONT-R	C406A1		
	ASS'T BKT MTR NEW R0	C421A1			48	ANGLE MONT-R	CP33A0	1	
8	GEAR SENSOR	CI11A0	1		49	SFT MECH-B	CF14B0	1	
9	GEAR SENSOR-1	CI17A0	1		50	BUSHING MECH C	CF15C0	1	
10	GEAR SPUR-A	CJ05A0	1		51	SPG ANGLE	CS06A0	2	
11	GEAR SPUR-B	CJ08A0	1		52	SFT MECH-A	CF17A0	2	
12	GEAR SPUR-C1	CJ09A0	1		53	WSR PN 0.2TX4.1X9	CW02A0	4	
13	GEAR SPUR-D	CJ07B0	1			ASS'Y MECHA CHS NEW	C430A1		
	ASS'Y BKT MTR NEW R-1	C422A1			54	MECHA CHS NEW	CP59A0	1	
14	BKT MTR NEW R-1	CP51A0	1		55	SFT GEAR SPUR-A NEW	CF27A0	1	
15	SFT HELICAL-R	CF03A0	1		56	SFT GEAR SPUR-B NEW	CF28A0	1	
16	SFT CONNECT	CF26A0	1		57	SFT GEAR SPUR-C NEW	CF29A0	1	
17	WORM-R	CJ03A0	1		58	BUSHING MECH-A	CF18A0	2	
18	HELICAL-R	CJ04A0	1		59	BUSHING MECH-B	CF19A0	2	
19	MTR PPN13PB12C	CM01A0	1		60	SPG GEAR	CS04A0	2	
20	SRW CH M2X2.2	VY41A0	3		61	E-RING 3.2X7X0.6T	CW01A0	2	
21	WSR PC 0.3TX1.6X3.2	3005	1			ASS'Y BKT L NEW	C426A1		
	ASS'Y SWH PCB NEW	C424A1			62	BKT MTR L NEW	CP49A0	1	
22	CONT 7P ASS'Y(80m/m)	CA06A0	1		63	SFT GEAR SPUR-E NEW	CF32A0	1	
23	PCB SWH NEW	CB03A0	1		64	SFT GEAR SPUR-F NEW	CF33A0	1	
	1)SENSOR(GPIS093HCZ)	CE03A0	2		65	SFT GEAR SPUR-D NEW	CF30A0	1	
	2)SWH(SPVG310300)	CQ03A0	1		66	SFT GEAR SPUR-G NEW	CF31A0	1	
24	CHS SLIDE NEW	CP45B0	1		67	GEAR SPUR-A NEW	CJ21A0	1	
	ASS'Y BKT MTR NEW R	C423A1			68	GEAR SPUR-B NEW	CJ22A0	1	
25	BKT MTR NEW R	CP47A0	1		69	GEAR SPUR-C NEW	CJ06B0	1	
26	SFT GEAR SPUR-A	CF05A0	2		70	GEAR SPUR-D NEW	CJ23A0	1	
27	SFT GEAR SPUR-D	CF04A0	1		71	GEAR SPUR-E NEW	CJ24A0	1	
28	SFT GEAR SENSOR	CF25A0	1		72	GEAR SPUR-F NEW	CJ25A0	1	
29	WSR PN 0.25TX2.1X4	HW01A0	1		73	GEAR SPUR-G NEW	CJ26A0	1	
30	SFT SLIDE	CF16A0	1			ASS'Y PCB SENSOR NEW	C420C1		
31	GEAR SPUR-E	CJ18C0	3		74	CONT 6P ASS'Y(80mm/m)	CA07A0	1	
32	BUSHING SFT SLIDE	CI10A0	1		75	PCB SENSOR NEW	CE04A0	1	
33	SRW CH M2X2.2 BK	VY41A0	1			1)PHOTO	CE05A0	2	
34	WSR PN 0.5TX2.6X4.7	HW05A0	1		76	MTR PPN13PB12C	CM01A0	1	
	ASS'Y SIDE-L				77	WORM L NEW	CJ20A0	1	
35	CVR SIDE-L	CI15A0	1		78	MIRROR SHET	CZ13B0	1	
36	BUSHING SLIDE SFT	CF21A0	1		79	WSR PET 2.1X4.5X0.35T	CW03A0	2	
	ASS'Y SIDE-R				80	E-RING 1.5X3.2X0.3T	2239	1	
37	CVR SIDE-R	CI16A0	1		81	SRW CM 2X6 ZNC	CR04A0	1	
38	BUSHING SLIDE SFT	CF21A0	1		82	SRW CH M2X2.2BK	VY41A0	2	
39	SFT ROLLER	CF35A0	4		83	SRW CM 2X3 NI	YR02A0	1	
40	SRW M/S M2X6.1X2.5	CR06A0	4		84	SRW FM 2X3	3197	2	
41	SRW CH M2X4 BK	CR03A0	2		85	BKT TFT	CP57A0	1	

12. EXPLODED VIEW PARTS LIST (TILT LOADER)

NO	PARTS NAME	PART NO	Q'TY	REMARKS	NO	PARTS NAME	PART NO	Q'TY	REMARKS
86	GEAR SPUR-9	CJ19D0	1						
87	SRW BTS 2X8 ZNC	1160	1						
88	SRW M3X8	CR01A0	1						
89	SRW M3X8.7	CR02A0	1						
90	SPG MONITOR	CS10A0	1						
91	BUSHING LOADING SPG	CF24A0	1						
92	SRW CM 2X4 BK	CR03A0	2						
93	SRW CH M2X2.2 BK	VY41A0	4						
94	ASS'Y MOTOR PCB	C428A1	1						
95	SRW CM 2X3 NI	YR02A0	5						
96	SLIDE COVER	CP63A0	1						
97	SRW CM 2X4 BK	CR03A0	2						

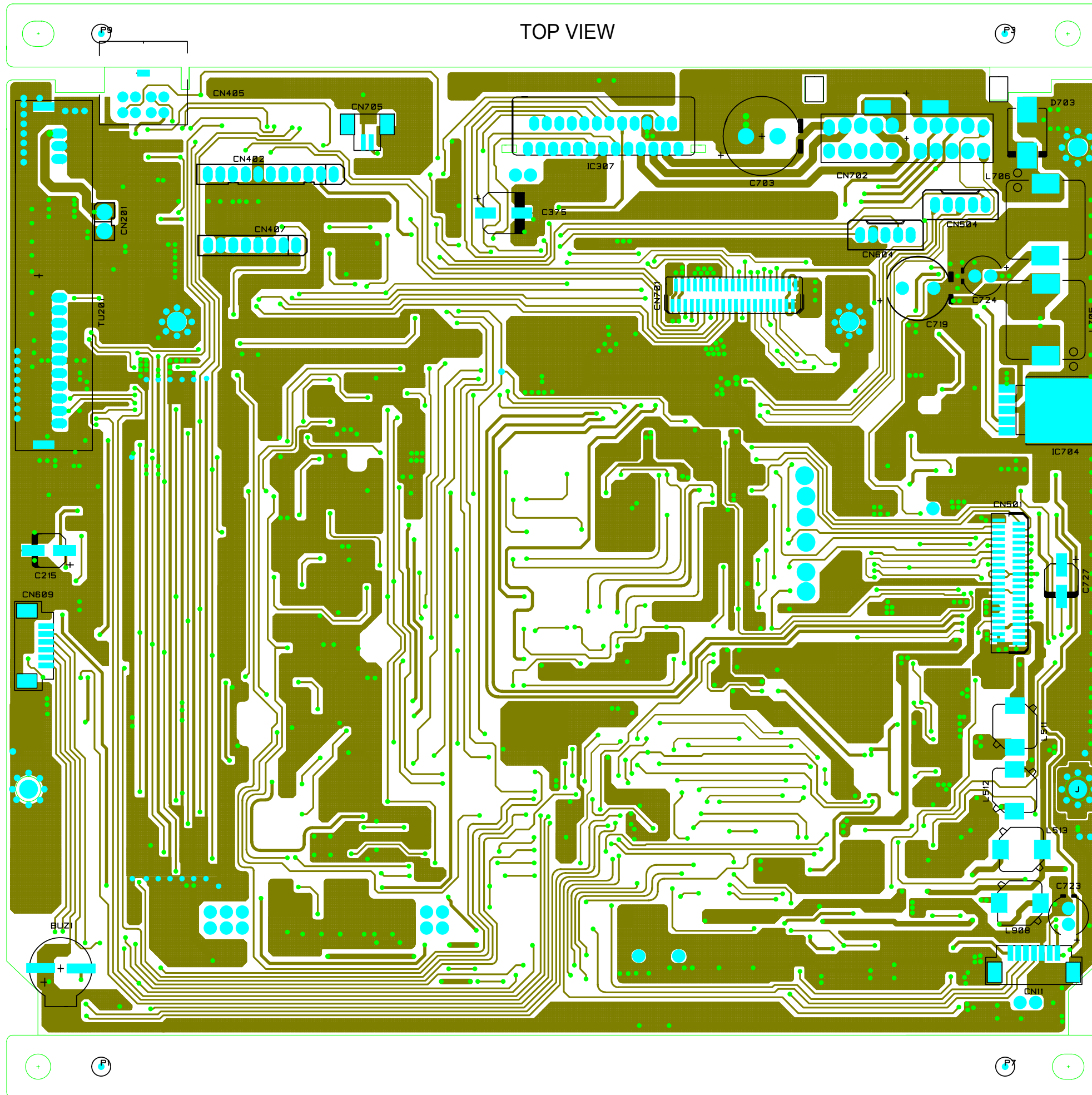
13. Exploded View & Part's List (DVD Deck)



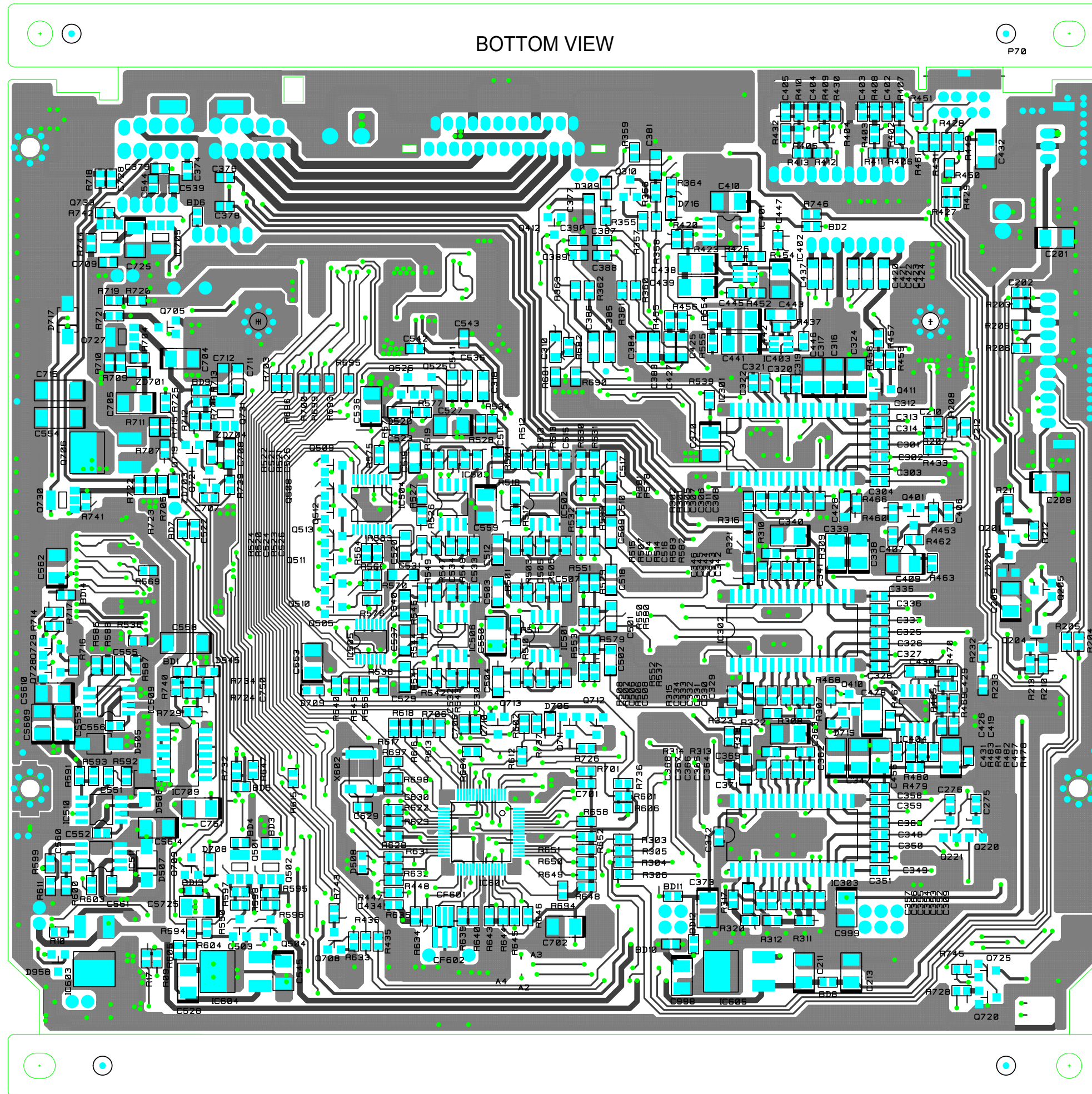
13. Exploded View & Part List (DVD DECK)

NO.	STOCK NO.	DESCRIPTION	Q' TY	NO.	STOCK NO.	DESCRIPTION	Q' TY	NO.	STOCK NO.	DESCRIPTION	Q' TY
1	UP01A0	TOP PLATE	1	40	UI10A0	SRW HOLDER	1	79	US04A0	SPG CLAMPER ARM L	3
2	UZ01A0	FELT	1	41	US11A0	SWH DETECT SPVG120302	1	80	UF03A0	PIN STOPPER ARM	1
3	UZ07A0	SENSOR PCB SHEET	2	42	UB02A0	PCB LIMIT SWH	1	81	UP04A0	CLAMPER ARM	2
4	UE02A0	PHOTO TRANSISTOR	2	43	UP21A0	BKT S/W	1	82	US05A0	SPG CLAMPER ARM R	1
5	UE01A0	PCB SENSOR	1	44	UI11A0	MTR SPACE	1	83	UP03A0	CLAMPER HOLDER	1
6	UI02A0	UPPER GUIDE	1	45	UM03A0	MTR F7HR34	1	84	UI04A0	CLAMPER RING	1
7	UZ12A0	UPPER GUIDE RLR	2	46	KE77A0	FLAT CABLE 11P 41mm	1	85	UF04A0	SFT DISC STOPPER 1	1
8	UF21A0	SFT UPPER GUIDE RLR	2	47	UP11A0	SPINDLE MTR BASE	1	86	UF04B0	SFT DISC STOPPER 2	1
9	UP22A0	BKT DUMPER	3	48	UP12A0	LEAD SRW PLATE	1	87	UP06A0	DISC STOPPER	1
10	UB05A0	RUBBER DUMPER	3	49	UF12B0	SFT GEAR BOX 2	2	88	U421A1	ASS'Y MPEG PCB	1
11	US01A0	SPG DUMPER RUBBER	3	50	UJ02A0	GEAR ROLLER DOUBLE WORM	1	89	UZ03A0	ROLLER	2
12	UP10B0	PICK SUBGUIDE SPG 2	1	51	UF23A0	SFT POWER IDLE GEAR	1	90	UI05A0	ROLLER BUSH	2
13	UF14A0	SFT PICK SUBGUIDE	1	52	UJ03A0	GEAR POWER IDLE	1	91	US07A0	SPG SLIDE RACK	1
14	UP10G0	PICK SUB GUIDE SPG 3	1	53	UI08A0	GEAR BOX	1	92	0350	E-RING 0.4TX1.5X4	2
15	UI07A0	SLIDE RACK	1	54	UJ04A0	GEAR LOADING DOUBLE	1	93	0082	E-RING 0.3TX1.2X3	1
16	UI06A0	SHIFT CAM	1	55	UF22A0	SFT LOADING DOUBLE GEAR	1	94	UW08A0	WSR PC 0.35TX0.9X3.5	1
17	UF11A0	PIN SHIFT CAM	1	56	UJ05A0	GEAR POWER PINION	1	95	MW11A0	WSR PC 0.35TX1.5X4	1
18	UP24A0	DRIVE PLT	1	57	UW10A0	WIRE 2P	2	96	MW05A0	WSR PC 0.35TX1.2X3	1
19	UI12A0	SRW HOLDER B	1	58	UF12A0	SFT GEAR BOX 1	1	97	HW01A0	WSR PN 0.25TX2.1X4	1
20	UF17A0	SFT LOCK LVR	1	59	UI09A0	SWING GEAR ARM	1	98	UW05A0	WSR PC 0.4TX1.5X3.2	1
21	UP23A0	LOCK LVR	1	60	UJ08A0	GEAR PICK MIDDLE	1	99	UW09A0	WSR PC 0.35TX0.9X3	1
22	US08A0	SPG LOCK ARM	1	61	UJ07A0	GEAR PICK SWING WORM	1	100	EW08A0	WSR PN 0.25TX2.1X5	1
23	UP13A0	LEAD SRW SPG	1	62	UJ06A0	GEAR LOADING DOUBLE WORM	1	101	EW16A0	WSR PC 0.3TX2.6X5	2
24	US18A0	SPG CHANGE LVR	1	63	UF13A0	SFT LOADING DOUBLE WORM GEAR	1	102	UW01A0	WSR PC 0.25TX2.1X5	1
25	UP29A0	CHANGE LVR	1	64	UJ01A0	GEAR ROLLER	1	103	UW02A0	WSR PN 0.25TX2.65X3.7	1
26	UF10A0	SFT ROLLER IDLE GEAR	1	65	UF05A0	SFT ROLLER	1	104	UW07A0	WSR PC 0.35TX0.9X2.6	1
27	UJ12A0	GEAR ROLLER IDLE	1	66	UP07A0	ROLLER ARM	1	105	UR01A0	SRW CH M1.7X3	7
28	UJ11A0	GEAR ROLLER DOUBLE	1	67	UF06A0	SFT LIFT ARM ROLLER	1	106	UR05A0	SRW CH M1.7X1.5	3
29	UF16A0	SFT ROLLER DOUBLE GEAR	1	68	UF07A0	LIFT ARM ROLLER	1	107	DR02A0	SRW CM 1.7X2	13
30	UF20A0	SFT CHANGE LVR	1	69	US06A0	SPG ROLLER	1	108	JR09A0	SRW CM 1.7X2.5	5
31	UP20A0	BKT DRIVE PLT	1	70	UF08A0	SFT ROLLER ARM	1	109	UR06A0	SRW DUMPER RUBBER	3
32	UM02A0	MTR M1N10FB11G	1	71	UP02A0	CASE	3	110	UR07A0	SRW CH M1.7X8.5 ZNC	1
33	UP14A0	MTR HOLDER	1	72	US09A0	SPG FLOAT	1	111	UR02A0	SRW FH M1.7X9.5	3
34	UJ10A0	GEAR WORM PICK MTR	1	73	UG13A0	CASE CUSHION	1	112	DR03A0	SRW CM 1.7X5.5	1
35	UJ09A	GEAR LEAD SRW	1	74	UP05A0	STOPPER ARM	1	113	GR02A0	SRW CH M1.4X2	2
36	UF15A0	LEAD SRW	1	75	UF18A0	PIN STOPPER ARM 2	1	114	KR21A0	SRW FH M/T2 M2XL4XP0.25	3
37	UP10F0	PICK SUBGUIDE SPG 1	1	76	US03A0	SPG STOPPER ARM	1	115	MR08A0	SRW FH M1.7X3	3
38	UE06A0	PICK UP (SF-HD8CAX)	1	77	UF02A0	SFT STOPPER ARM	1	116	MR11A0	SRW CM 2X2	2
39	UP09C0	SRW HOLDER SPG	1	78	UF01A0	SFT ARM CLAMPER	1	117	MR09A0	SRW CM 1.7X4	1

14. Circuit Board Diagram (Main)



14. Circuit Board Diagram (Main)



BOTTOM VIEW

P70

15. Part's List / Main PCB Ass'y

NOTES : 1. Abbreviations

- 1) CAP CE - Ceramic Capacitor
- CAP EL - Electrolytic Capacitor
- CAP POS - Polymerized Organic Semiconductor Capacitor
- CAP TANTAL - Tantalum Capacitor
- CONT - Connector
- DID /R - Rectifier Diode
- DID /S - Switching Diode
- DID /STK - Schottky Diode
- DID /Z - Zenor Diode
- RES CF - Ceramic Film Resistor
- TR - Transistor
- 2) CS - Chip SMD

Ref No.	Part No.	Part Name	Description
BD10	YC33A0	BEAD CS MPZ1608S601A	CHIP1608 600 OHM
BD12	YC33A0	BEAD CS MPZ1608S601A	CHIP1608 600 OHM
BD13	YC33A0	BEAD CS MPZ1608S601A	CHIP1608 600 OHM
BD14	YC33A0	BEAD CS MPZ1608S601A	CHIP1608 600 OHM
BD2	YC33A0	BEAD CS MPZ1608S601A	CHIP1608 600 OHM
BD5	YC33A0	BEAD CS MPZ1608S601A	CHIP1608 600 OHM
BD8	YC33A0	BEAD CS MPZ1608S601A	CHIP1608 600 OHM
BD9	YC33A0	BEAD CS MPZ1608S601A	CHIP1608 600 OHM
BUZ1	YZ28A0	BUZZER CSM9027A	CSM9027A BUZZER
C301	DK04U0	CAP CE CS (1608)16V 105PF	C1608X5R1C105K
C302	DK04U0	CAP CE CS (1608)16V 105PF	C1608X5R1C105K
C303	DK04U0	CAP CE CS (1608)16V 105PF	C1608X5R1C105K
C304	DK04U0	CAP CE CS (1608)16V 105PF	C1608X5R1C105K
C312	DK04U0	CAP CE CS (1608)16V 105PF	C1608X5R1C105K
C313	DK04U0	CAP CE CS (1608)16V 105PF	C1608X5R1C105K
C314	DK04U0	CAP CE CS (1608)16V 105PF	C1608X5R1C105K
C325	DK04U0	CAP CE CS (1608)16V 105PF	C1608X5R1C105K
C326	DK04U0	CAP CE CS (1608)16V 105PF	C1608X5R1C105K
C327	DK04U0	CAP CE CS (1608)16V 105PF	C1608X5R1C105K
C328	DK04U0	CAP CE CS (1608)16V 105PF	C1608X5R1C105K
C335	DK04U0	CAP CE CS (1608)16V 105PF	C1608X5R1C105K
C336	DK04U0	CAP CE CS (1608)16V 105PF	C1608X5R1C105K
C337	DK04U0	CAP CE CS (1608)16V 105PF	C1608X5R1C105K
C348	DK04U0	CAP CE CS (1608)16V 105PF	C1608X5R1C105K
C349	DK04U0	CAP CE CS (1608)16V 105PF	C1608X5R1C105K
C350	DK04U0	CAP CE CS (1608)16V 105PF	C1608X5R1C105K
C351	DK04U0	CAP CE CS (1608)16V 105PF	C1608X5R1C105K
C358	DK04U0	CAP CE CS (1608)16V 105PF	C1608X5R1C105K
C359	DK04U0	CAP CE CS (1608)16V 105PF	C1608X5R1C105K
C360	DK04U0	CAP CE CS (1608)16V 105PF	C1608X5R1C105K
C406	DK04U0	CAP CE CS (1608)16V 105PF	C1608X5R1C105K
C407	DK04U0	CAP CE CS (1608)16V 105PF	C1608X5R1C105K
C445	DK04U0	CAP CE CS (1608)16V 105PF	C1608X5R1C105K
C446	DK04U0	CAP CE CS (1608)16V 105PF	C1608X5R1C105K
C447	DK04U0	CAP CE CS (1608)16V 105PF	C1608X5R1C105K
C555	YK07A0	CAP CE CS (1608)16V 474PF	EMK107BJ474K-T
C306	KK06A0	CAP CE CS (1608)25V 154PF	C1608X7R1E154K
C319	KK06A0	CAP CE CS (1608)25V 154PF	C1608X7R1E154K
C429	KK06A0	CAP CE CS (1608)25V 154PF	C1608X7R1E154K
C307	DK06U0	CAP CE CS (1608)25V 224PF	MCH183CN224KK
C311	DK06U0	CAP CE CS (1608)25V 224PF	MCH183CN224KK
C320	DK06U0	CAP CE CS (1608)25V 224PF	MCH183CN224KK
C331	DK06U0	CAP CE CS (1608)25V 224PF	MCH183CN224KK
C343	DK06U0	CAP CE CS (1608)25V 224PF	MCH183CN224KK
C354	DK06U0	CAP CE CS (1608)25V 224PF	MCH183CN224KK
C366	DK06U0	CAP CE CS (1608)25V 224PF	MCH183CN224KK
C707	DK06U0	CAP CE CS (1608)25V 224PF	MCH183CN224KK
C402	YK21A0	CAP CE CS (1608)50V 102PF	MCH185C102K
C403	YK21A0	CAP CE CS (1608)50V 102PF	MCH185C102K
C404	YK21A0	CAP CE CS (1608)50V 102PF	MCH185C102K
C405	YK21A0	CAP CE CS (1608)50V 102PF	MCH185C102K
C202	YK01A0	CAP CE CS (1608)50V 103PF	MCH185C103K

15. Part's List /Main PCB Ass'y

Ref No.	Part No.	Part Name	Description
C539	YK01A0	CAP CE CS (1608)50V 103PF	MCH185C103K
C544	YK01A0	CAP CE CS (1608)50V 103PF	MCH185C103K
C552	YK01A0	CAP CE CS (1608)50V 103PF	MCH185C103K
C556	YK01A0	CAP CE CS (1608)50V 103PF	MCH185C103K
C561	YK01A0	CAP CE CS (1608)50V 103PF	MCH185C103K
C308	KK04A0	CAP CE CS (1608)50V 104PF	C1608X7R1H104KT
C309	KK04A0	CAP CE CS (1608)50V 104PF	C1608X7R1H104KT
C330	KK04A0	CAP CE CS (1608)50V 104PF	C1608X7R1H104KT
C342	KK04A0	CAP CE CS (1608)50V 104PF	C1608X7R1H104KT
C353	KK04A0	CAP CE CS (1608)50V 104PF	C1608X7R1H104KT
C365	KK04A0	CAP CE CS (1608)50V 104PF	C1608X7R1H104KT
C371	KK04A0	CAP CE CS (1608)50V 104PF	C1608X7R1H104KT
C372	KK04A0	CAP CE CS (1608)50V 104PF	C1608X7R1H104KT
C434	KK04A0	CAP CE CS (1608)50V 104PF	C1608X7R1H104KT
C701	KK04A0	CAP CE CS (1608)50V 104PF	C1608X7R1H104KT
C706	KK04A0	CAP CE CS (1608)50V 104PF	C1608X7R1H104KT
C709	KK04A0	CAP CE CS (1608)50V 104PF	C1608X7R1H104KT
C710	KK04A0	CAP CE CS (1608)50V 104PF	C1608X7R1H104KT
C728	KK04A0	CAP CE CS (1608)50V 104PF	C1608X7R1H104KT
C374	DK03U0	CAP CE CS (1608)50V 153PF	MCH185CN153KK
C376	DK03U0	CAP CE CS (1608)50V 153PF	MCH185CN153KK
C378	DK03U0	CAP CE CS (1608)50V 153PF	MCH185CN153KK
C379	DK03U0	CAP CE CS (1608)50V 153PF	MCH185CN153KK
C505	YK27A0	CAP CE CS (1608)50V 221PF	MCH185CA221J
C506	YK27A0	CAP CE CS (1608)50V 221PF	MCH185CA221J
C513	YK27A0	CAP CE CS (1608)50V 221PF	MCH185CA221J
C514	YK27A0	CAP CE CS (1608)50V 221PF	MCH185CA221J
C521	YK27A0	CAP CE CS (1608)50V 221PF	MCH185CA221J
C524	YK27A0	CAP CE CS (1608)50V 221PF	MCH185CA221J
C275	YK02A0	CAP CE CS (1608)50V 222PF	MCH185CN222KK
C276	YK02A0	CAP CE CS (1608)50V 222PF	MCH185CN222KK
C507	YK02A0	CAP CE CS (1608)50V 222PF	MCH185CN222KK
C508	YK02A0	CAP CE CS (1608)50V 222PF	MCH185CN222KK
C515	YK02A0	CAP CE CS (1608)50V 222PF	MCH185CN222KK
C516	YK02A0	CAP CE CS (1608)50V 222PF	MCH185CN222KK
C525	YK02A0	CAP CE CS (1608)50V 222PF	MCH185CN222KK
C526	YK02A0	CAP CE CS (1608)50V 222PF	MCH185CN222KK
C530	YK02A0	CAP CE CS (1608)50V 222PF	MCH185CN222KK
C533	YK02A0	CAP CE CS (1608)50V 222PF	MCH185CN222KK
C629	YK11A0	CAP CE CS (1608)50V 22PF	MCH185A220JK
C630	YK11A0	CAP CE CS (1608)50V 22PF	MCH185A220JK
C321	DK07A0	CAP CE CS (1608)50V 333PF	MCH185C333K
C332	DK07A0	CAP CE CS (1608)50V 333PF	MCH185C333K
C344	DK07A0	CAP CE CS (1608)50V 333PF	MCH185C333K
C355	DK07A0	CAP CE CS (1608)50V 333PF	MCH185C333K
C367	DK07A0	CAP CE CS (1608)50V 333PF	MCH185C333K
C426	DK07A0	CAP CE CS (1608)50V 333PF	MCH185C333K
C431	YK36A0	CAP CE CS (1608)50V 472PF	MCH185CN472KK
C551	YK36A0	CAP CE CS (1608)50V 472PF	MCH185CN472KK
C560	YK36A0	CAP CE CS (1608)50V 472PF	MCH185CN472KK
C532	DK02A0	CAP CE CS (1608)50V 561PF	MCH185A561J
C534	DK02A0	CAP CE CS (1608)50V 561PF	MCH185A561J
C210	YK33A0	CAP CE CS (1608)50V 562PF	MCH185CN562KK
C212	YK33A0	CAP CE CS (1608)50V 562PF	MCH185CN562KK
C322	YK33A0	CAP CE CS (1608)50V 562PF	MCH185CN562KK
C419	DK06A0	CAP CE CS (1608)50V 563PF	MCH185CN563KK
C305	DK02U0	CAP CE CS (1608)50V 822PF	MCH185CN822KK
C329	DK02U0	CAP CE CS (1608)50V 822PF	MCH185CN822KK
C333	DK02U0	CAP CE CS (1608)50V 822PF	MCH185CN822KK
C341	DK02U0	CAP CE CS (1608)50V 822PF	MCH185CN822KK
C345	DK02U0	CAP CE CS (1608)50V 822PF	MCH185CN822KK
C352	DK02U0	CAP CE CS (1608)50V 822PF	MCH185CN822KK
C356	DK02U0	CAP CE CS (1608)50V 822PF	MCH185CN822KK
C364	DK02U0	CAP CE CS (1608)50V 822PF	MCH185CN822KK
C368	DK02U0	CAP CE CS (1608)50V 822PF	MCH185CN822KK

15. Part's List / Main PCB Ass'y

Ref No.	Part No.	Part Name	Description
C387	DK02U0	CAP CE CS (1608)50V 822PF	MCH185CN822KK
C388	DK02U0	CAP CE CS (1608)50V 822PF	MCH185CN822KK
C389	DK02U0	CAP CE CS (1608)50V 822PF	MCH185CN822KK
C390	DK02U0	CAP CE CS (1608)50V 822PF	MCH185CN822KK
C215	IE02A0	CAP EL CS 16V 22 MV E55	E55 (5X5.2) TAPING
C727	IE02A0	CAP EL CS 16V 22 MV E55	E55 (5X5.2) TAPING
C375	IE08A0	CAP EL CS 16V 47 MV F55	F55 (6.3X5.2) TAPING
C999	YK53A0	CAP POS 16V 10UF	16TQC 10M (3528)
CS553	YK53A0	CAP POS 16V 10UF	16TQC 10M (3528)
CS609	YK53A0	CAP POS 16V 10UF	16TQC 10M (3528)
CS610	YK53A0	CAP POS 16V 10UF	16TQC 10M (3528)
CS614	YK53A0	CAP POS 16V 10UF	16TQC 10M (3528)
C558	YN19A0	CAP TANTAL 10V 100uF	C (6032) 10V 100uF
C439	KE11A0	CAP TANTAL 10V 33UF	B(3528) 10V 33UF
C441	KE11A0	CAP TANTAL 10V 33UF	B(3528) 10V 33UF
C317	UN01A0	CAP TANTAL 10V 47uF	B (3528) 10V 47uF
C340	UN01A0	CAP TANTAL 10V 47uF	B (3528) 10V 47uF
C363	UN01A0	CAP TANTAL 10V 47uF	B (3528) 10V 47uF
C410	UN01A0	CAP TANTAL 10V 47uF	B (3528) 10V 47uF
C437	UN01A0	CAP TANTAL 10V 47uF	B (3528) 10V 47uF
C527	UN01A0	CAP TANTAL 10V 47uF	B (3528) 10V 47uF
C559	UN01A0	CAP TANTAL 10V 47uF	B (3528) 10V 47uF
C702	UN01A0	CAP TANTAL 10V 47uF	B (3528) 10V 47uF
CS725	UN01A0	CAP TANTAL 10V 47uF	B (3528) 10V 47uF
C428	YN02A0	CAP TANTAL 16V 10UF	A (3216)
C430	YN02A0	CAP TANTAL 16V 10UF	A (3216)
C443	YN02A0	CAP TANTAL 16V 10UF	A (3216)
C501	YN02A0	CAP TANTAL 16V 10UF	A (3216)
C502	YN02A0	CAP TANTAL 16V 10UF	A (3216)
C503	YN02A0	CAP TANTAL 16V 10UF	A (3216)
C504	YN02A0	CAP TANTAL 16V 10UF	A (3216)
C509	YN02A0	CAP TANTAL 16V 10UF	A (3216)
C510	YN02A0	CAP TANTAL 16V 10UF	A (3216)
C511	YN02A0	CAP TANTAL 16V 10UF	A (3216)
C512	YN02A0	CAP TANTAL 16V 10UF	A (3216)
C517	YN02A0	CAP TANTAL 16V 10UF	A (3216)
C518	YN02A0	CAP TANTAL 16V 10UF	A (3216)
C519	YN02A0	CAP TANTAL 16V 10UF	A (3216)
C520	YN02A0	CAP TANTAL 16V 10UF	A (3216)
C523	YN02A0	CAP TANTAL 16V 10UF	A (3216)
C529	YN02A0	CAP TANTAL 16V 10UF	A (3216)
C531	YN02A0	CAP TANTAL 16V 10UF	A (3216)
C535	YN02A0	CAP TANTAL 16V 10UF	A (3216)
C537	YN02A0	CAP TANTAL 16V 10UF	A (3216)
C540	YN02A0	CAP TANTAL 16V 10UF	A (3216)
C541	YN02A0	CAP TANTAL 16V 10UF	A (3216)
C708	YN02A0	CAP TANTAL 16V 10UF	A (3216)
C711	YN02A0	CAP TANTAL 16V 10UF	A (3216)
C712	YN02A0	CAP TANTAL 16V 10UF	A (3216)
C201	YN12A0	CAP TANTAL 16V 22UF	B (3528)
C208	YN12A0	CAP TANTAL 16V 22UF	B (3528)
C209	YN12A0	CAP TANTAL 16V 22UF	B (3528)
C211	YN12A0	CAP TANTAL 16V 22UF	B (3528)
C213	YN12A0	CAP TANTAL 16V 22UF	B (3528)
C316	YN12A0	CAP TANTAL 16V 22UF	B (3528)
C324	YN12A0	CAP TANTAL 16V 22UF	B (3528)
C338	YN12A0	CAP TANTAL 16V 22UF	B (3528)
C339	YN12A0	CAP TANTAL 16V 22UF	B (3528)
C347	YN12A0	CAP TANTAL 16V 22UF	B (3528)
C362	YN12A0	CAP TANTAL 16V 22UF	B (3528)
C370	YN12A0	CAP TANTAL 16V 22UF	B (3528)
C373	YN12A0	CAP TANTAL 16V 22UF	B (3528)
C409	YN12A0	CAP TANTAL 16V 22UF	B (3528)
C456	YN12A0	CAP TANTAL 16V 22UF	B (3528)
C528	YN12A0	CAP TANTAL 16V 22UF	B (3528)

15. Part's List / Main PCB Ass'y

Ref No.	Part No.	Part Name	Description
C550	YN12A0	CAP TANTAL 16V 22UF	B (3528)
C704	YN12A0	CAP TANTAL 16V 22UF	B (3528)
C705	YN12A0	CAP TANTAL 16V 22UF	B (3528)
C725	YN12A0	CAP TANTAL 16V 22UF	B (3528)
C310	YN10A0	CAP TANTAL 16V 4.7UF	A (3216)
C318	YN10A0	CAP TANTAL 16V 4.7UF	A (3216)
C334	YN10A0	CAP TANTAL 16V 4.7UF	A (3216)
C346	YN10A0	CAP TANTAL 16V 4.7UF	A (3216)
C357	YN10A0	CAP TANTAL 16V 4.7UF	A (3216)
C369	YN10A0	CAP TANTAL 16V 4.7UF	A (3216)
C554	YN13A0	CAP TANTAL 16V 47UF	C (6032)
C715	YN13A0	CAP TANTAL 16V 47UF	C (6032)
C377	YN11A0	CAP TANTAL 35V 0.47UF	A (3216)
C381	YN11A0	CAP TANTAL 35V 0.47UF	A (3216)
C383	YN11A0	CAP TANTAL 35V 0.47UF	A (3216)
C384	YN11A0	CAP TANTAL 35V 0.47UF	A (3216)
C385	YN11A0	CAP TANTAL 35V 0.47UF	A (3216)
C386	YN11A0	CAP TANTAL 35V 0.47UF	A (3216)
C438	YN17A0	CAP TANTAL 7V 100uF	B (3528) 7V 100uF
C442	YN17A0	CAP TANTAL 7V 100uF	B (3528) 7V 100uF
C457	YN17A0	CAP TANTAL 7V 100uF	B (3528) 7V 100uF
C478	YN17A0	CAP TANTAL 7V 100uF	B (3528) 7V 100uF
C536	YN17A0	CAP TANTAL 7V 100uF	B (3528) 7V 100uF
C545	YN17A0	CAP TANTAL 7V 100uF	B (3528) 7V 100uF
C553	YN17A0	CAP TANTAL 7V 100uF	B (3528) 7V 100uF
C562	YN17A0	CAP TANTAL 7V 100uF	B (3528) 7V 100uF
L705	YC28A0	COIL CS PWR 100UH	SH1280-101 2A
L706	YC29A0	COIL CS PWR 22uH	SH1280-220 4A
L512	YC32A0	COIL CS PWR 33UH	SH7032-330 1A
L511	YC34A0	COIL CS PWR 47UH	7.0X7.0X4.0-470 (SHIN HO)
L513	YC34A0	COIL CS PWR 47UH	7.0X7.0X4.0-470 (SHIN HO)
L908	YC20A0	COIL WD-7045-150K	15uH 2A (7.0X4.5)
CN501	YA35A0	CONT 04-6274-040-000-800	SMT 40P STR (P0.5mm)
CN701	YA35A0	CONT 04-6274-040-000-800	SMT 40P STR (P0.5mm)
CN609	CA05A0	CONT WAFER 12505WR-06A00	6P 1.25mmP ANGLE
CN11	YA39A0	CONT WAFER 12505WR-07A00	7P 1.25mmP ANGLE
CN705	YA52A0	CONT WAFER 12505WS-02A00	2P 1.25mmP STR
D703	ID02A0	DID /R CS S3G	3A 400V (DO-214AB)
D309	KE60A0	DID /S CS 1SS355	UMD2 (SC-76) (2.5X1.25)
D508	KE60A0	DID /S CS 1SS355	UMD2 (SC-76) (2.5X1.25)
D705	KE60A0	DID /S CS 1SS355	UMD2 (SC-76) (2.5X1.25)
D708	KE60A0	DID /S CS 1SS355	UMD2 (SC-76) (2.5X1.25)
D709	KE60A0	DID /S CS 1SS355	UMD2 (SC-76) (2.5X1.25)
D945	KE60A0	DID /S CS 1SS355	UMD2 (SC-76) (2.5X1.25)
D520	YD04A0	DID /S CS 1SS356 (UMD2)	35V 100mA BAND SWITCHING
D715	YD04A0	DID /S CS 1SS356 (UMD2)	35V 100mA BAND SWITCHING
D716	YD04A0	DID /S CS 1SS356 (UMD2)	35V 100mA BAND SWITCHING
D505	YD05A0	DID /STK CS RB160L-40	BARRIER (PMDS)
D506	YD05A0	DID /STK CS RB160L-40	BARRIER (PMDS)
D507	YD05A0	DID /STK CS RB160L-40	BARRIER (PMDS)
D717	YD05A0	DID /STK CS RB160L-40	BARRIER (PMDS)
ZD701	YD16A0	DID /Z CS KDZ 5.6V	56/KEC USC (2.5X1.25)
ZD704	YD16A0	DID /Z CS KDZ 5.6V	56/KEC USC (2.5X1.25)
ZD703	YD13A0	DID /Z CS KDZ 8.2V	8.2V (7.7~8.7)/KEC
ZD201	ID03A0	DID /Z CS Z02W 5.6V YRTK	5.6V YRTK
IC605	YI44A0	IC BA17809FP	9V STANDARD REGULATOR
IC404	KE46A0	IC BA4560F (SOP-8P)	DUAL OP AMP
IC501	KE46A0	IC BA4560F (SOP-8P)	DUAL OP AMP
IC502	KE46A0	IC BA4560F (SOP-8P)	DUAL OP AMP
IC503	KE46A0	IC BA4560F (SOP-8P)	DUAL OP AMP
IC506	KE46A0	IC BA4560F (SOP-8P)	DUAL OP AMP
IC401	YI05A0	IC BA7654F (SOP8)	VCR SIGNAL SELECT SW
IC705	YI9A0	IC KIA78L10F	10V 150mA (SOT-89)
IC604	YI2A0	IC KIA78M05F	5V 0.5A (DPAK)
IC704	YI16A0	IC LM2576SX-ADJ (TS5B)	SW VOLT REGULATOR

15. Part's List / Main PCB Ass'y

Ref No.	Part No.	Part Name	Description
IC509	YI78A0	IC MP1591DS	Vi=32V, 2A, SOP8
IC510	YI78A0	IC MP1591DS	Vi=32V, 2A, SOP8
IC511	YI78A0	IC MP1591DS	Vi=32V, 2A, SOP8
IC402	YIB0A0	IC NJM2561F1	VIDEO AMP (MPT6)
IC403	YIB0A0	IC NJM2561F1	VIDEO AMP (MPT6)
IC603	YI60A0	IC NJM78M08DL1A-REGULATO	NJM78M08DL1A-REGULATOR
IC504	YIB1A0	IC PCM1606E	6CH DAC (SSOP-20)
IC505	UI17A0	IC PCM1754DBQ	AUDIO DAC (SSOP-B16)
IC601	YIC0A0	IC PIC18F6722	DAV-727D MICOM
IC301	YI56A0	IC TEA6320 E/VOL	TEA6320 E/VOL
IC302	YI56A0	IC TEA6320 E/VOL	TEA6320 E/VOL
IC303	YI56A0	IC TEA6320 E/VOL	TEA6320 E/VOL
	YB11C0	PCB MAIN	DAV-727D
BD11	KV20A0	RES CFCS (1608) 1/10 0	MCR03EZH J 0R0
BD3	KV20A0	RES CFCS (1608) 1/10 0	MCR03EZH J 0R0
BD4	KV20A0	RES CFCS (1608) 1/10 0	MCR03EZH J 0R0
R17	KV20A0	RES CFCS (1608) 1/10 0	MCR03EZH J 0R0
R536	KV20A0	RES CFCS (1608) 1/10 0	MCR03EZH J 0R0
R569	KV20A0	RES CFCS (1608) 1/10 0	MCR03EZH J 0R0
R746	KV20A0	RES CFCS (1608) 1/10 0	MCR03EZH J 0R0
R722	YV54A0	RES CFCS (1608) 1/10 1	MCR03EZH J 1R0
R723	YV54A0	RES CFCS (1608) 1/10 1	MCR03EZH J 1R0
R212	YV25A0	RES CFCS (1608) 1/10 10	MCR03EZHZ 100
R356	YV25A0	RES CFCS (1608) 1/10 10	MCR03EZHZ 100
R427	YV25A0	RES CFCS (1608) 1/10 10	MCR03EZHZ 100
R429	YV25A0	RES CFCS (1608) 1/10 10	MCR03EZHZ 100
R538	YV25A0	RES CFCS (1608) 1/10 10	MCR03EZHZ 100
R745	YV25A0	RES CFCS (1608) 1/10 10	MCR03EZHZ 100
R203	YV08A0	RES CFCS (1608) 1/10 100	MCR03EZHZ J101
R204	YV08A0	RES CFCS (1608) 1/10 100	MCR03EZHZ J101
R205	YV08A0	RES CFCS (1608) 1/10 100	MCR03EZHZ J101
R303	YV08A0	RES CFCS (1608) 1/10 100	MCR03EZHZ J101
R304	YV08A0	RES CFCS (1608) 1/10 100	MCR03EZHZ J101
R304	YV08A0	RES CFCS (1608) 1/10 100	MCR03EZHZ J101
R305	YV08A0	RES CFCS (1608) 1/10 100	MCR03EZHZ J101
R306	YV08A0	RES CFCS (1608) 1/10 100	MCR03EZHZ J101
R320	YV08A0	RES CFCS (1608) 1/10 100	MCR03EZHZ J101
R321	YV08A0	RES CFCS (1608) 1/10 100	MCR03EZHZ J101
R322	YV08A0	RES CFCS (1608) 1/10 100	MCR03EZHZ J101
R323	YV08A0	RES CFCS (1608) 1/10 100	MCR03EZHZ J101
R358	YV08A0	RES CFCS (1608) 1/10 100	MCR03EZHZ J101
R428	YV08A0	RES CFCS (1608) 1/10 100	MCR03EZHZ J101
R431	YV08A0	RES CFCS (1608) 1/10 100	MCR03EZHZ J101
R435	YV08A0	RES CFCS (1608) 1/10 100	MCR03EZHZ J101
R436	YV08A0	RES CFCS (1608) 1/10 100	MCR03EZHZ J101
R447	YV08A0	RES CFCS (1608) 1/10 100	MCR03EZHZ J101
R448	YV08A0	RES CFCS (1608) 1/10 100	MCR03EZHZ J101
R468	YV08A0	RES CFCS (1608) 1/10 100	MCR03EZHZ J101
R550	YV08A0	RES CFCS (1608) 1/10 100	MCR03EZHZ J101
R552	YV08A0	RES CFCS (1608) 1/10 100	MCR03EZHZ J101
R575	YV08A0	RES CFCS (1608) 1/10 100	MCR03EZHZ J101
R576	YV08A0	RES CFCS (1608) 1/10 100	MCR03EZHZ J101
R640	YV08A0	RES CFCS (1608) 1/10 100	MCR03EZHZ J101
R647	YV08A0	RES CFCS (1608) 1/10 100	MCR03EZHZ J101
R682	YV08A0	RES CFCS (1608) 1/10 100	MCR03EZHZ J101
R693	YV08A0	RES CFCS (1608) 1/10 100	MCR03EZHZ J101
R694	YV08A0	RES CFCS (1608) 1/10 100	MCR03EZHZ J101
R695	YV08A0	RES CFCS (1608) 1/10 100	MCR03EZHZ J101
R696	YV08A0	RES CFCS (1608) 1/10 100	MCR03EZHZ J101
R697	YV08A0	RES CFCS (1608) 1/10 100	MCR03EZHZ J101
R699	YV08A0	RES CFCS (1608) 1/10 100	MCR03EZHZ J101
R700	YV08A0	RES CFCS (1608) 1/10 100	MCR03EZHZ J101
R703	YV08A0	RES CFCS (1608) 1/10 100	MCR03EZHZ J101
R706	YV08A0	RES CFCS (1608) 1/10 100	MCR03EZHZ J101
R712	YV08A0	RES CFCS (1608) 1/10 100	MCR03EZHZ J101

15. Part's List / Main PCB Ass'y

Ref No.	Part No.	Part Name	Description
R713	YV08A0	RES CFCS (1608) 1/10 100	MCR03EZH J101
R233	KV10A0	RES CFCS (1608) 1/10 100K	MCR03EZH J 104
R359	KV10A0	RES CFCS (1608) 1/10 100K	MCR03EZH J 104
R315	KV11A0	RES CFCS (1608) 1/10 10K	MCR03EZH J 103
R316	KV11A0	RES CFCS (1608) 1/10 10K	MCR03EZH J 103
R317	KV11A0	RES CFCS (1608) 1/10 10K	MCR03EZH J 103
R318	KV11A0	RES CFCS (1608) 1/10 10K	MCR03EZH J 103
R480	KV11A0	RES CFCS (1608) 1/10 10K	MCR03EZH J 103
R529	KV11A0	RES CFCS (1608) 1/10 10K	MCR03EZH J 103
R530	KV11A0	RES CFCS (1608) 1/10 10K	MCR03EZH J 103
R531	KV11A0	RES CFCS (1608) 1/10 10K	MCR03EZH J 103
R532	KV11A0	RES CFCS (1608) 1/10 10K	MCR03EZH J 103
R533	KV11A0	RES CFCS (1608) 1/10 10K	MCR03EZH J 103
R537	KV11A0	RES CFCS (1608) 1/10 10K	MCR03EZH J 103
R542	KV11A0	RES CFCS (1608) 1/10 10K	MCR03EZH J 103
R548	KV11A0	RES CFCS (1608) 1/10 10K	MCR03EZH J 103
R551	KV11A0	RES CFCS (1608) 1/10 10K	MCR03EZH J 103
R553	KV11A0	RES CFCS (1608) 1/10 10K	MCR03EZH J 103
R566	KV11A0	RES CFCS (1608) 1/10 10K	MCR03EZH J 103
R570	KV11A0	RES CFCS (1608) 1/10 10K	MCR03EZH J 103
R578	KV11A0	RES CFCS (1608) 1/10 10K	MCR03EZH J 103
R579	KV11A0	RES CFCS (1608) 1/10 10K	MCR03EZH J 103
R580	KV11A0	RES CFCS (1608) 1/10 10K	MCR03EZH J 103
R581	KV11A0	RES CFCS (1608) 1/10 10K	MCR03EZH J 103
R582	KV11A0	RES CFCS (1608) 1/10 10K	MCR03EZH J 103
R583	KV11A0	RES CFCS (1608) 1/10 10K	MCR03EZH J 103
R592	KV11A0	RES CFCS (1608) 1/10 10K	MCR03EZH J 103
R595	KV11A0	RES CFCS (1608) 1/10 10K	MCR03EZH J 103
R597	KV11A0	RES CFCS (1608) 1/10 10K	MCR03EZH J 103
R600	KV11A0	RES CFCS (1608) 1/10 10K	MCR03EZH J 103
R606	KV11A0	RES CFCS (1608) 1/10 10K	MCR03EZH J 103
R622	KV11A0	RES CFCS (1608) 1/10 10K	MCR03EZH J 103
R623	KV11A0	RES CFCS (1608) 1/10 10K	MCR03EZH J 103
R628	KV11A0	RES CFCS (1608) 1/10 10K	MCR03EZH J 103
R681	KV11A0	RES CFCS (1608) 1/10 10K	MCR03EZH J 103
R690	KV11A0	RES CFCS (1608) 1/10 10K	MCR03EZH J 103
R698	KV11A0	RES CFCS (1608) 1/10 10K	MCR03EZH J 103
R721	KV11A0	RES CFCS (1608) 1/10 10K	MCR03EZH J 103
R725	KV11A0	RES CFCS (1608) 1/10 10K	MCR03EZH J 103
R726	KV11A0	RES CFCS (1608) 1/10 10K	MCR03EZH J 103
R728	KV11A0	RES CFCS (1608) 1/10 10K	MCR03EZH J 103
R736	KV11A0	RES CFCS (1608) 1/10 10K	MCR03EZH J 103
R739	KV11A0	RES CFCS (1608) 1/10 10K	MCR03EZH J 103
R741	KV11A0	RES CFCS (1608) 1/10 10K	MCR03EZH J 103
R742	KV11A0	RES CFCS (1608) 1/10 10K	MCR03EZH J 103
R465	KV03A0	RES CFCS (1608) 1/10 12K	MCR03EZHJ 123
R469	KV03A0	RES CFCS (1608) 1/10 12K	MCR03EZHJ 123
R478	KV03A0	RES CFCS (1608) 1/10 12K	MCR03EZHJ 123
R599	YV12A0	RES CFCS (1608) 1/10 15K	MCR03EZH J153
R591	YV04A0	RES CFCS (1608) 1/10 18K	MCR03EZH J183
R211	KV13A0	RES CFCS (1608) 1/10 1K	MCR03EZH J 102
R232	KV13A0	RES CFCS (1608) 1/10 1K	MCR03EZH J 102
R364	KV13A0	RES CFCS (1608) 1/10 1K	MCR03EZH J 102
R420	KV13A0	RES CFCS (1608) 1/10 1K	MCR03EZH J 102
R426	KV13A0	RES CFCS (1608) 1/10 1K	MCR03EZH J 102
R437	KV13A0	RES CFCS (1608) 1/10 1K	MCR03EZH J 102
R460	KV13A0	RES CFCS (1608) 1/10 1K	MCR03EZH J 102
R462	KV13A0	RES CFCS (1608) 1/10 1K	MCR03EZH J 102
R463	KV13A0	RES CFCS (1608) 1/10 1K	MCR03EZH J 102
R466	KV13A0	RES CFCS (1608) 1/10 1K	MCR03EZH J 102
R470	KV13A0	RES CFCS (1608) 1/10 1K	MCR03EZH J 102
R563	KV13A0	RES CFCS (1608) 1/10 1K	MCR03EZH J 102
R564	KV13A0	RES CFCS (1608) 1/10 1K	MCR03EZH J 102
R571	KV13A0	RES CFCS (1608) 1/10 1K	MCR03EZH J 102
R577	KV13A0	RES CFCS (1608) 1/10 1K	MCR03EZH J 102

15. Part's List / Main PCB Ass'y

Ref No.	Part No.	Part Name	Description
R590	KV13A0	RES CFCS (1608) 1/10 1K	MCR03EZH J 102
R594	KV13A0	RES CFCS (1608) 1/10 1K	MCR03EZH J 102
R596	KV13A0	RES CFCS (1608) 1/10 1K	MCR03EZH J 102
R598	KV13A0	RES CFCS (1608) 1/10 1K	MCR03EZH J 102
R603	KV13A0	RES CFCS (1608) 1/10 1K	MCR03EZH J 102
R645	KV13A0	RES CFCS (1608) 1/10 1K	MCR03EZH J 102
R716	KV13A0	RES CFCS (1608) 1/10 1K	MCR03EZH J 102
R718	KV13A0	RES CFCS (1608) 1/10 1K	MCR03EZH J 102
R719	KV13A0	RES CFCS (1608) 1/10 1K	MCR03EZH J 102
R743	KV13A0	RES CFCS (1608) 1/10 1K	MCR03EZH J 102
R639	YV21A0	RES CFCS (1608) 1/10 1M	MCR03EZH J105
R302	KV07A0	RES CFCS (1608) 1/10 2.2K	MCR03EZH J222
R307	KV07A0	RES CFCS (1608) 1/10 2.2K	MCR03EZH J222
R308	KV07A0	RES CFCS (1608) 1/10 2.2K	MCR03EZH J222
R309	KV07A0	RES CFCS (1608) 1/10 2.2K	MCR03EZH J222
R310	KV07A0	RES CFCS (1608) 1/10 2.2K	MCR03EZH J222
R311	KV07A0	RES CFCS (1608) 1/10 2.2K	MCR03EZH J222
R312	KV07A0	RES CFCS (1608) 1/10 2.2K	MCR03EZH J222
R313	KV07A0	RES CFCS (1608) 1/10 2.2K	MCR03EZH J222
R314	KV07A0	RES CFCS (1608) 1/10 2.2K	MCR03EZH J222
R301	YV03A0	RES CFCS (1608) 1/10 20K	MCR03EZHJ203
R454	YV11A0	RES CFCS (1608) 1/10 22	MCR03EZH J220
R709	YV11A0	RES CFCS (1608) 1/10 22	MCR03EZH J220
R710	YV11A0	RES CFCS (1608) 1/10 22	MCR03EZH J220
R206	KV08A0	RES CFCS (1608) 1/10 22K	MCR03EZH J223
R209	KV08A0	RES CFCS (1608) 1/10 22K	MCR03EZH J223
R357	KV08A0	RES CFCS (1608) 1/10 22K	MCR03EZH J223
R502	KV08A0	RES CFCS (1608) 1/10 22K	MCR03EZH J223
R503	KV08A0	RES CFCS (1608) 1/10 22K	MCR03EZH J223
R507	KV08A0	RES CFCS (1608) 1/10 22K	MCR03EZH J223
R512	KV08A0	RES CFCS (1608) 1/10 22K	MCR03EZH J223
R528	KV08A0	RES CFCS (1608) 1/10 22K	MCR03EZH J223
R534	KV08A0	RES CFCS (1608) 1/10 22K	MCR03EZH J223
R545	KV08A0	RES CFCS (1608) 1/10 22K	MCR03EZH J223
R556	KV08A0	RES CFCS (1608) 1/10 22K	MCR03EZH J223
R601	KV08A0	RES CFCS (1608) 1/10 22K	MCR03EZH J223
R612	KV08A0	RES CFCS (1608) 1/10 22K	MCR03EZH J223
R631	KV08A0	RES CFCS (1608) 1/10 22K	MCR03EZH J223
R632	KV08A0	RES CFCS (1608) 1/10 22K	MCR03EZH J223
R634	KV08A0	RES CFCS (1608) 1/10 22K	MCR03EZH J223
R635	KV08A0	RES CFCS (1608) 1/10 22K	MCR03EZH J223
R643	KV08A0	RES CFCS (1608) 1/10 22K	MCR03EZH J223
R644	KV08A0	RES CFCS (1608) 1/10 22K	MCR03EZH J223
R648	KV08A0	RES CFCS (1608) 1/10 22K	MCR03EZH J223
R711	KV08A0	RES CFCS (1608) 1/10 22K	MCR03EZH J223
R715	KV08A0	RES CFCS (1608) 1/10 22K	MCR03EZH J223
R737	KV08A0	RES CFCS (1608) 1/10 22K	MCR03EZH J223
R501	KV19A0	RES CFCS (1608) 1/10 27K	MCR03EZHJ 273
R504	KV19A0	RES CFCS (1608) 1/10 27K	MCR03EZHJ 273
R508	KV19A0	RES CFCS (1608) 1/10 27K	MCR03EZHJ 273
R515	KV19A0	RES CFCS (1608) 1/10 27K	MCR03EZHJ 273
R519	KV19A0	RES CFCS (1608) 1/10 27K	MCR03EZHJ 273
R524	KV19A0	RES CFCS (1608) 1/10 27K	MCR03EZHJ 273
R541	KV19A0	RES CFCS (1608) 1/10 27K	MCR03EZHJ 273
R549	KV19A0	RES CFCS (1608) 1/10 27K	MCR03EZHJ 273
R505	YV30A0	RES CFCS (1608) 1/10 3.3K	MCR03EZH J332
R506	YV30A0	RES CFCS (1608) 1/10 3.3K	MCR03EZH J332
R513	YV30A0	RES CFCS (1608) 1/10 3.3K	MCR03EZH J332
R514	YV30A0	RES CFCS (1608) 1/10 3.3K	MCR03EZH J332
R522	YV30A0	RES CFCS (1608) 1/10 3.3K	MCR03EZH J332
R523	YV30A0	RES CFCS (1608) 1/10 3.3K	MCR03EZH J332
R543	YV30A0	RES CFCS (1608) 1/10 3.3K	MCR03EZH J332
R547	YV30A0	RES CFCS (1608) 1/10 3.3K	MCR03EZH J332
R593	YV32A0	RES CFCS (1608) 1/10 3.9K	MCR03EZHJ 392
R646	UV10A0	RES CFCS (1608) 1/10 390K	MCR03EZHJ394

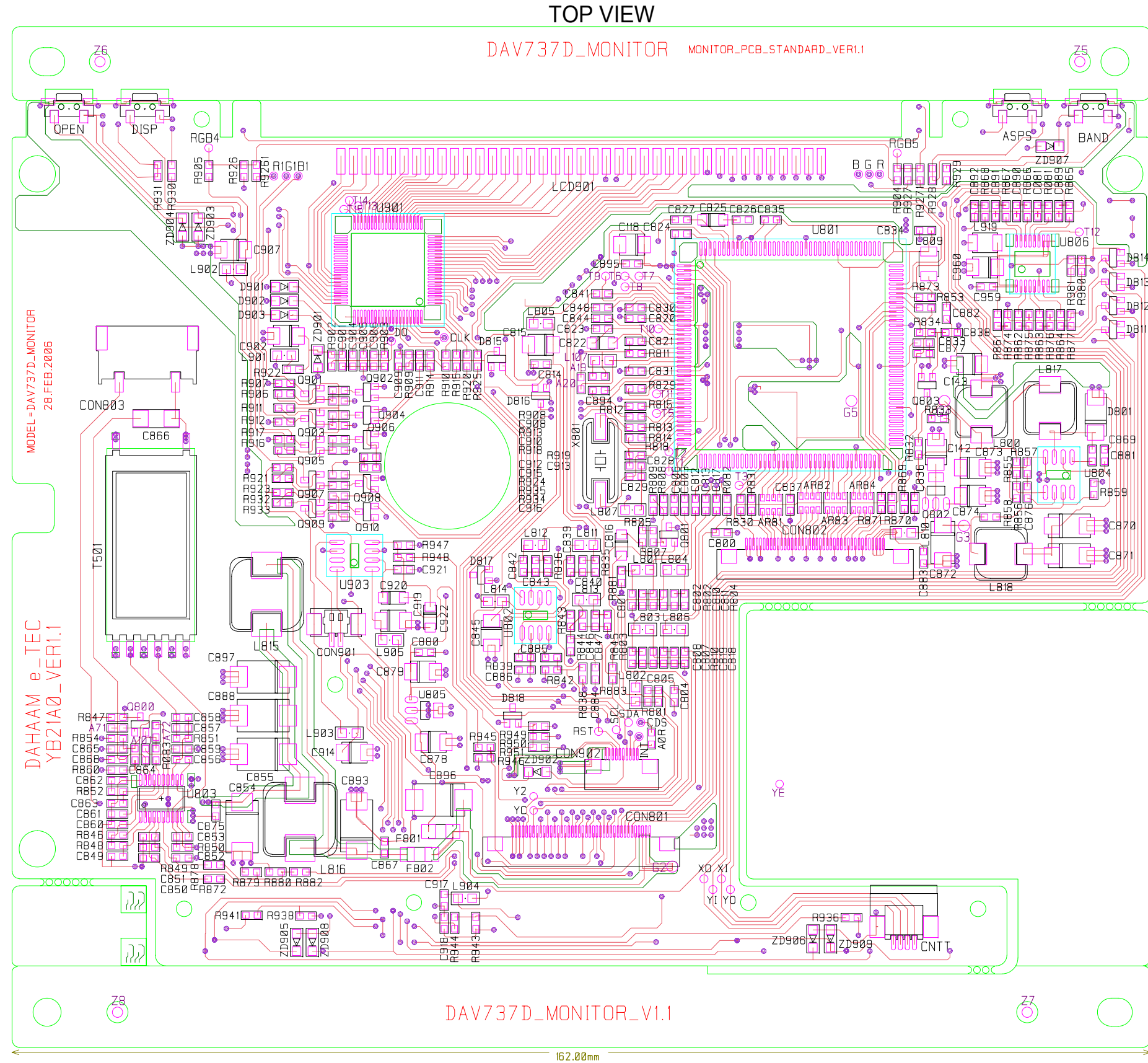
15. Part's List / Main PCB Ass'y

Ref No.	Part No.	Part Name	Description
R479	DV10U0	RES CFCS (1608) 1/10 4.7	MCR03EZHZ 4.7 OHM
R540	DV10U0	RES CFCS (1608) 1/10 4.7	MCR03EZHZ 4.7 OHM
R732	DV10U0	RES CFCS (1608) 1/10 4.7	MCR03EZHZ 4.7 OHM
R744	DV10U0	RES CFCS (1608) 1/10 4.7	MCR03EZHZ 4.7 OHM
R355	KV17A0	RES CFCS (1608) 1/10 4.7K	MCR03EZH J 472
R402	KV17A0	RES CFCS (1608) 1/10 4.7K	MCR03EZH J 472
R403	KV17A0	RES CFCS (1608) 1/10 4.7K	MCR03EZH J 472
R404	KV17A0	RES CFCS (1608) 1/10 4.7K	MCR03EZH J 472
R405	KV17A0	RES CFCS (1608) 1/10 4.7K	MCR03EZH J 472
R450	KV17A0	RES CFCS (1608) 1/10 4.7K	MCR03EZH J 472
R587	KV17A0	RES CFCS (1608) 1/10 4.7K	MCR03EZH J 472
R588	KV17A0	RES CFCS (1608) 1/10 4.7K	MCR03EZH J 472
R611	KV17A0	RES CFCS (1608) 1/10 4.7K	MCR03EZH J 472
R649	KV17A0	RES CFCS (1608) 1/10 4.7K	MCR03EZH J 472
R650	KV17A0	RES CFCS (1608) 1/10 4.7K	MCR03EZH J 472
R651	KV17A0	RES CFCS (1608) 1/10 4.7K	MCR03EZH J 472
R652	KV17A0	RES CFCS (1608) 1/10 4.7K	MCR03EZH J 472
R701	KV17A0	RES CFCS (1608) 1/10 4.7K	MCR03EZH J 472
R704	KV17A0	RES CFCS (1608) 1/10 4.7K	MCR03EZH J 472
R708	KV17A0	RES CFCS (1608) 1/10 4.7K	MCR03EZH J 472
R423	DV03A0	RES CFCS (1608) 1/10 47	MCR03EZH J 470
R554	DV03A0	RES CFCS (1608) 1/10 47	MCR03EZH J 470
R604	DV03A0	RES CFCS (1608) 1/10 47	MCR03EZH J 470
R605	DV03A0	RES CFCS (1608) 1/10 47	MCR03EZH J 470
R360	YV10A0	RES CFCS (1608) 1/10 470	MCR03EZHJ471
R361	YV10A0	RES CFCS (1608) 1/10 470	MCR03EZHJ471
R362	YV10A0	RES CFCS (1608) 1/10 470	MCR03EZHJ471
R363	YV10A0	RES CFCS (1608) 1/10 470	MCR03EZHJ471
R707	YV10A0	RES CFCS (1608) 1/10 470	MCR03EZHJ471
R453	DV12U0	RES CFCS (1608) 1/10 470K	MCR03EZHJ 474
R467	DV12U0	RES CFCS (1608) 1/10 470K	MCR03EZHJ 474
R213	KV06A0	RES CFCS (1608) 1/10 47K	MCR03EZH J 473
R481	KV06A0	RES CFCS (1608) 1/10 47K	MCR03EZH J 473
R482	KV06A0	RES CFCS (1608) 1/10 47K	MCR03EZH J 473
R483	KV06A0	RES CFCS (1608) 1/10 47K	MCR03EZH J 473
R521	KV06A0	RES CFCS (1608) 1/10 47K	MCR03EZH J 473
R602	KV06A0	RES CFCS (1608) 1/10 47K	MCR03EZH J 473
R613	KV06A0	RES CFCS (1608) 1/10 47K	MCR03EZH J 473
R615	KV06A0	RES CFCS (1608) 1/10 47K	MCR03EZH J 473
R616	KV06A0	RES CFCS (1608) 1/10 47K	MCR03EZH J 473
R617	KV06A0	RES CFCS (1608) 1/10 47K	MCR03EZH J 473
R618	KV06A0	RES CFCS (1608) 1/10 47K	MCR03EZH J 473
R633	KV06A0	RES CFCS (1608) 1/10 47K	MCR03EZH J 473
R658	KV06A0	RES CFCS (1608) 1/10 47K	MCR03EZH J 473
R684	KV06A0	RES CFCS (1608) 1/10 47K	MCR03EZH J 473
R705	KV06A0	RES CFCS (1608) 1/10 47K	MCR03EZH J 473
R407	KV09A0	RES CFCS (1608) 1/10 56K	MCR03EZH J563
R408	KV09A0	RES CFCS (1608) 1/10 56K	MCR03EZH J563
R409	KV09A0	RES CFCS (1608) 1/10 56K	MCR03EZH J563
R410	KV09A0	RES CFCS (1608) 1/10 56K	MCR03EZH J563
R520	KV09A0	RES CFCS (1608) 1/10 56K	MCR03EZH J563
R717	KV09A0	RES CFCS (1608) 1/10 56K	MCR03EZH J563
R207	YV22A0	RES CFCS (1608) 1/10 6.8K	MCR03EZH J682
R208	YV22A0	RES CFCS (1608) 1/10 6.8K	MCR03EZH J682
R449	YV22A0	RES CFCS (1608) 1/10 6.8K	MCR03EZH J682
R510	YV06A0	RES CFCS (1608) 1/10 68K	MCR03EZHJ683
R511	YV06A0	RES CFCS (1608) 1/10 68K	MCR03EZHJ683
R517	YV06A0	RES CFCS (1608) 1/10 68K	MCR03EZHJ683
R518	YV06A0	RES CFCS (1608) 1/10 68K	MCR03EZHJ683
R526	YV06A0	RES CFCS (1608) 1/10 68K	MCR03EZHJ683
R527	YV06A0	RES CFCS (1608) 1/10 68K	MCR03EZHJ683
R544	YV06A0	RES CFCS (1608) 1/10 68K	MCR03EZHJ683
R714	YV06A0	RES CFCS (1608) 1/10 68K	MCR03EZHJ683
R714	YV06A0	RES CFCS (1608) 1/10 68K	MCR03EZHJ683
R720	YV46A0	RES CFCS (1608) 1/10 7.5K	MCR03EZH J752

15. Part's List / Main PCB Ass'y

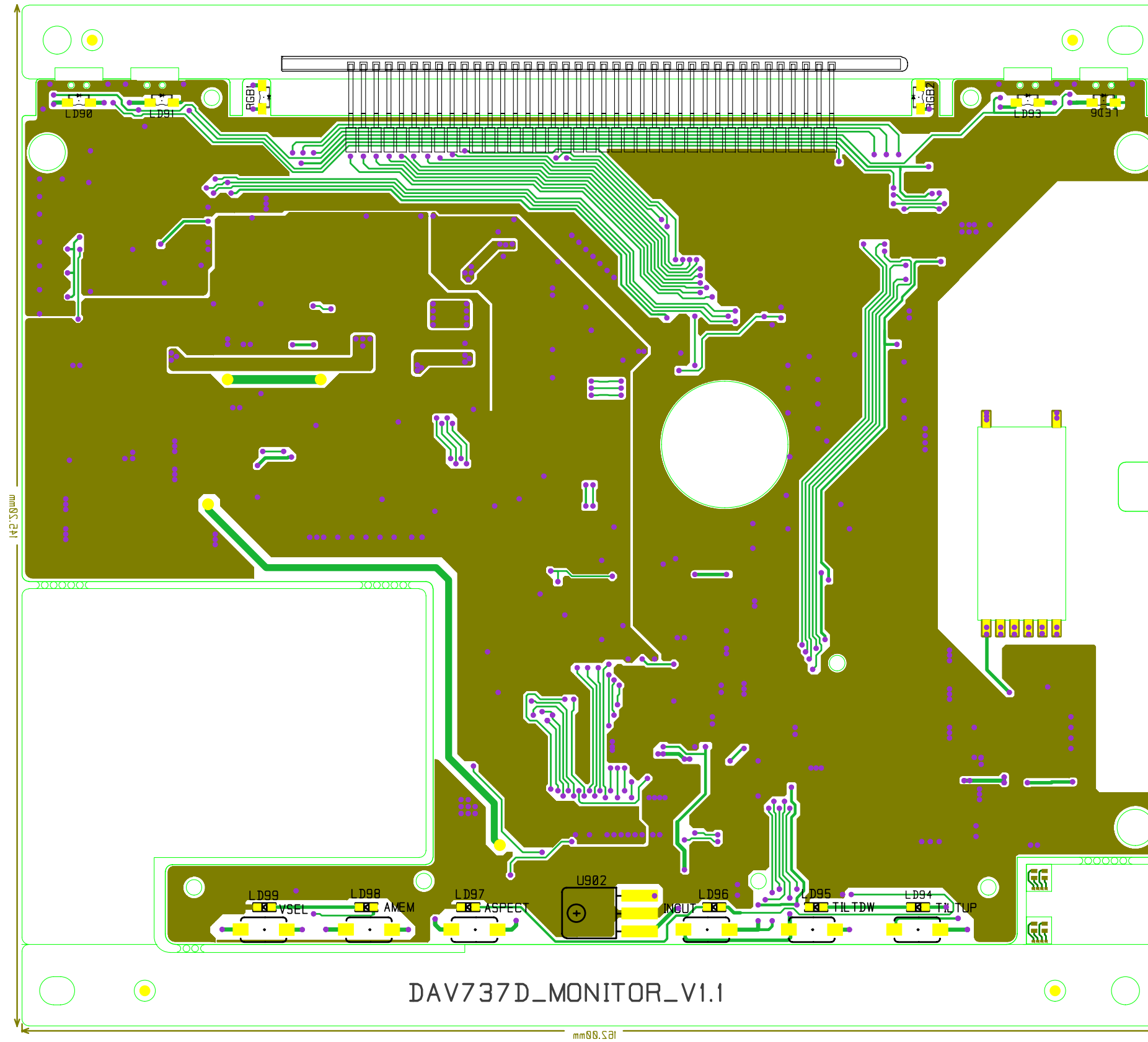
Ref No.	Part No.	Part Name	Description
R451	YV14A0	RES CFCS (1608) 1/10 75	MCR03EZHZ 750
R452	YV14A0	RES CFCS (1608) 1/10 75	MCR03EZHZ 750
R586	YV02A0	RES CFCS (1608) 1/10 8.2K	MCR03EZHZ J822
D958	WV07A0	RES CFCS 1/8 4.7	MCR10EZHW 4.7 OHM
CF601	YR15A0	RESONATOR ZTTCV10.00MT	10MHz (3.7X3.1)
Q729	KE13A0	TR CS 2SA1037AK-R	GENERAL PURPOSE
Q706	YT10A0	TR CS 2SB1184-R (CPT3)	MEDIUM PWR BIPOLAR
Q501	LE88A0	TR CS 2SB1188-R	MEDIUM POWER
Q502	LE88A0	TR CS 2SB1188-R	MEDIUM POWER
Q730	LE88A0	TR CS 2SB1188-R	MEDIUM POWER
Q733	LE88A0	TR CS 2SB1188-R	MEDIUM POWER
Q201	WT01A0	TR CS 2SC2412K-R	GENERAL PURPOSE
Q401	WT01A0	TR CS 2SC2412K-R	GENERAL PURPOSE
Q720	WT01A0	TR CS 2SC2412K-R	GENERAL PURPOSE
Q727	WT08A0	TR CS 2SD1898	2SD1898 (SMT)
Q731	WT08A0	TR CS 2SD1898	2SD1898 (SMT)
Q205	PT02A0	TR CS DTA113ZKA	DTA113ZKA
Q711	PT02A0	TR CS DTA113ZKA	DTA113ZKA
Q719	PT02A0	TR CS DTA113ZKA	DTA113ZKA
Q725	PT02A0	TR CS DTA113ZKA	DTA113ZKA
Q508	YT19A0	TR CS DTA114TK	SMT3
Q509	YT19A0	TR CS DTA114TK	SMT3
Q510	YT19A0	TR CS DTA114TK	SMT3
Q511	YT19A0	TR CS DTA114TK	SMT3
Q512	YT19A0	TR CS DTA114TK	SMT3
Q513	YT19A0	TR CS DTA114TK	SMT3
Q712	PT04A0	TR CS DTC114YKA	10K-4.7K SMT3 (SC-59)
Q505	VT10A0	TR CS DTC143TKA	DTC143TKA
Q705	VT10A0	TR CS DTC143TKA	DTC143TKA
Q204	VT09A0	TR CS DTC144EK	DTC144EK
Q503	VT09A0	TR CS DTC144EK	DTC144EK
Q504	VT09A0	TR CS DTC144EK	DTC144EK
Q708	VT09A0	TR CS DTC144EK	DTC144EK
Q709	VT09A0	TR CS DTC144EK	DTC144EK
Q713	VT09A0	TR CS DTC144EK	DTC144EK
Q721	VT09A0	TR CS DTC144EK	DTC144EK
Q220	PT07A0	TR CS DTC144TK	DTC144TK
Q221	PT07A0	TR CS DTC144TK	DTC144TK
Q310	PT07A0	TR CS DTC144TK	DTC144TK
Q412	PT07A0	TR CS DTC144TK	DTC144TK
Q728	PT07A0	TR CS DTC144TK	DTC144TK
Q410	LE82A0	TR CS DTC323TK	DTC323TK
Q525	LE82A0	TR CS DTC323TK	DTC323TK
Q526	LE82A0	TR CS DTC323TK	DTC323TK
X602	YZ45A0	X-TAL 32.768K (SMD)	HC-TP-38 SMD
	KE80A0	FLAT CABLE 40P 150mm (F/E~B/E)	40PX150XP7X0.5 UL2896 (ATAP)
	YA26B0	CONT 2P RCA JACK ASS'Y (DAV-720D)	WOOFER/CENTER-RAC/GOLD
	YA48B0	CONT 11P AV ASS'Y (GOLD)	11P AV RCA JACK (DAV-720D)
	YA50B0	CONT 3P RCA JACK ASS'Y (GOLD)	DUAL ZONE
	YE19A0	FLEXIBLE PCB 10P (DAV-720D)	150m/m (TFT+MTR)
	YJ02A0	ANT JACK ASS'Y PIGTAIL TYPE	ANT JACK (DAV-720D)

16. Circuit Board Diagram (Monitor)



16. Circuit Board Diagram (Monitor)

BOTTOM VIEW



17. Part's List / Monitor PCB Ass'y

Ref No.	Part No.	Part Name	Description
	Y478B1	ASS'Y MONITOR PCB	DAV-737D (STD)
L805	YV53A0	BEAD CHIP HB-1H2012-150JT	CHIP FERRITE BEAD 150HM
L807	YV53A0	BEAD CHIP HB-1H2012-150JT	CHIP FERRITE BEAD 150HM
L810	YV53A0	BEAD CHIP HB-1H2012-150JT	CHIP FERRITE BEAD 150HM
L901	YV53A0	BEAD CHIP HB-1H2012-150JT	CHIP FERRITE BEAD 150HM
L902	YV53A0	BEAD CHIP HB-1H2012-150JT	CHIP FERRITE BEAD 150HM
L903	YV53A0	BEAD CHIP HB-1H2012-150JT	CHIP FERRITE BEAD 150HM
L904	YV53A0	BEAD CHIP HB-1H2012-150JT	CHIP FERRITE BEAD 150HM
C850	DK04U0	CAP CE CS (1608)16V 105PF	C1608X5R1C105K
C857	DK04U0	CAP CE CS (1608)16V 105PF	C1608X5R1C105K
C858	DK04U0	CAP CE CS (1608)16V 105PF	C1608X5R1C105K
C859	DK04U0	CAP CE CS (1608)16V 105PF	C1608X5R1C105K
C862	DK04U0	CAP CE CS (1608)16V 105PF	C1608X5R1C105K
C867	DK04U0	CAP CE CS (1608)16V 105PF	C1608X5R1C105K
C875	DK04U0	CAP CE CS (1608)16V 105PF	C1608X5R1C105K
C918	DK04U0	CAP CE CS (1608)16V 105PF	C1608X5R1C105K
R944	DK04U0	CAP CE CS (1608)16V 105PF	C1608X5R1C105K
C860	YK07A0	CAP CE CS (1608)16V 474PF	EMK107BJ474K-T
C838	YK01A0	CAP CE CS (1608)50V 103PF	MCH185C103K
C851	YK01A0	CAP CE CS (1608)50V 103PF	MCH185C103K
C853	YK01A0	CAP CE CS (1608)50V 103PF	MCH185C103K
C856	YK01A0	CAP CE CS (1608)50V 103PF	MCH185C103K
C863	YK01A0	CAP CE CS (1608)50V 103PF	MCH185C103K
C869	YK01A0	CAP CE CS (1608)50V 103PF	MCH185C103K
C800	KK04A0	CAP CE CS (1608)50V 104PF	C1608X7R1H104KT
C803	KK04A0	CAP CE CS (1608)50V 104PF	C1608X7R1H104KT
C806	KK04A0	CAP CE CS (1608)50V 104PF	C1608X7R1H104KT
C812	KK04A0	CAP CE CS (1608)50V 104PF	C1608X7R1H104KT
C813	KK04A0	CAP CE CS (1608)50V 104PF	C1608X7R1H104KT
C814	KK04A0	CAP CE CS (1608)50V 104PF	C1608X7R1H104KT
C817	KK04A0	CAP CE CS (1608)50V 104PF	C1608X7R1H104KT
C820	KK04A0	CAP CE CS (1608)50V 104PF	C1608X7R1H104KT
C821	KK04A0	CAP CE CS (1608)50V 104PF	C1608X7R1H104KT
C823	KK04A0	CAP CE CS (1608)50V 104PF	C1608X7R1H104KT
C824	KK04A0	CAP CE CS (1608)50V 104PF	C1608X7R1H104KT
C826	KK04A0	CAP CE CS (1608)50V 104PF	C1608X7R1H104KT
C827	KK04A0	CAP CE CS (1608)50V 104PF	C1608X7R1H104KT
C830	KK04A0	CAP CE CS (1608)50V 104PF	C1608X7R1H104KT
C831	KK04A0	CAP CE CS (1608)50V 104PF	C1608X7R1H104KT
C833	KK04A0	CAP CE CS (1608)50V 104PF	C1608X7R1H104KT
C834	KK04A0	CAP CE CS (1608)50V 104PF	C1608X7R1H104KT
C835	KK04A0	CAP CE CS (1608)50V 104PF	C1608X7R1H104KT
C836	KK04A0	CAP CE CS (1608)50V 104PF	C1608X7R1H104KT
C837	KK04A0	CAP CE CS (1608)50V 104PF	C1608X7R1H104KT
C841	KK04A0	CAP CE CS (1608)50V 104PF	C1608X7R1H104KT
C844	KK04A0	CAP CE CS (1608)50V 104PF	C1608X7R1H104KT
C848	KK04A0	CAP CE CS (1608)50V 104PF	C1608X7R1H104KT
C852	KK04A0	CAP CE CS (1608)50V 104PF	C1608X7R1H104KT
C864	KK04A0	CAP CE CS (1608)50V 104PF	C1608X7R1H104KT
C880	KK04A0	CAP CE CS (1608)50V 104PF	C1608X7R1H104KT
C881	KK04A0	CAP CE CS (1608)50V 104PF	C1608X7R1H104KT
C882	KK04A0	CAP CE CS (1608)50V 104PF	C1608X7R1H104KT
C883	KK04A0	CAP CE CS (1608)50V 104PF	C1608X7R1H104KT
C886	KK04A0	CAP CE CS (1608)50V 104PF	C1608X7R1H104KT
C894	KK04A0	CAP CE CS (1608)50V 104PF	C1608X7R1H104KT
C895	KK04A0	CAP CE CS (1608)50V 104PF	C1608X7R1H104KT
C901	KK04A0	CAP CE CS (1608)50V 104PF	C1608X7R1H104KT
C904	KK04A0	CAP CE CS (1608)50V 104PF	C1608X7R1H104KT
C905	KK04A0	CAP CE CS (1608)50V 104PF	C1608X7R1H104KT
C912	KK04A0	CAP CE CS (1608)50V 104PF	C1608X7R1H104KT
C913	KK04A0	CAP CE CS (1608)50V 104PF	C1608X7R1H104KT
C915	KK04A0	CAP CE CS (1608)50V 104PF	C1608X7R1H104KT
C916	KK04A0	CAP CE CS (1608)50V 104PF	C1608X7R1H104KT
C917	KK04A0	CAP CE CS (1608)50V 104PF	C1608X7R1H104KT
C959	KK04A0	CAP CE CS (1608)50V 104PF	C1608X7R1H104KT

17. Part's List / Monitor PCB Ass'y

Ref No.	Part No.	Part Name	Description
R880	KK04A0	CAP CE CS (1608)50V 104PF	C1608X7R1H104KT
C861	YK09A0	CAP CE CS (1608)50V 152K	MCH185C152K
C876	YK43A0	CAP CE CS (1608)50V 182PF	UMK107B182KZ-T
C849	YK06A0	CAP CE CS (1608)50V 223PF	MCH185C223K
C828	YK11A0	CAP CE CS (1608)50V 22PF	MCH185A220JK
C829	YK11A0	CAP CE CS (1608)50V 22PF	MCH185A220JK
C801	YK29A0	CAP CE CS (1608)50V 331PF	MCH185A331J
C802	YK29A0	CAP CE CS (1608)50V 331PF	MCH185A331J
C804	YK29A0	CAP CE CS (1608)50V 331PF	MCH185A331J
C805	YK29A0	CAP CE CS (1608)50V 331PF	MCH185A331J
C807	YK29A0	CAP CE CS (1608)50V 331PF	MCH185A331J
C808	YK29A0	CAP CE CS (1608)50V 331PF	MCH185A331J
C810	YK29A0	CAP CE CS (1608)50V 331PF	MCH185A331J
C811	YK29A0	CAP CE CS (1608)50V 331PF	MCH185A331J
C818	YK29A0	CAP CE CS (1608)50V 331PF	MCH185A331J
C819	YK29A0	CAP CE CS (1608)50V 331PF	MCH185A331J
C839	YK29A0	CAP CE CS (1608)50V 331PF	MCH185A331J
C840	YK29A0	CAP CE CS (1608)50V 331PF	MCH185A331J
C842	YK29A0	CAP CE CS (1608)50V 331PF	MCH185A331J
C843	YK29A0	CAP CE CS (1608)50V 331PF	MCH185A331J
C846	YK29A0	CAP CE CS (1608)50V 331PF	MCH185A331J
C847	YK29A0	CAP CE CS (1608)50V 331PF	MCH185A331J
C868	YK36A0	CAP CE CS (1608)50V 472PF	MCH185CN472KK
C906	YK12A0	CAP CE CS (1608)50V 681PF	MCH185A681J
C865	DK04A0	CAP CE CS (1608)50V 823PF	MCH185CN823KK
C866	YK48A0	CAP CE CS 3KV 10PF HIGH	10P/3KV
C143	UN01A0	CAP TANTAL 10V 47uF	B (3528) 10V 47uF
C873	UN01A0	CAP TANTAL 10V 47uF	B (3528) 10V 47uF
C874	UN01A0	CAP TANTAL 10V 47uF	B (3528) 10V 47uF
C822	YN02A0	CAP TANTAL 16V 10UF	A (3216)
C825	YN02A0	CAP TANTAL 16V 10UF	A (3216)
C118	YN12A0	CAP TANTAL 16V 22UF	B (3528)
C815	YN12A0	CAP TANTAL 16V 22UF	B (3528)
C878	YN12A0	CAP TANTAL 16V 22UF	B (3528)
C879	YN12A0	CAP TANTAL 16V 22UF	B (3528)
C902	YN12A0	CAP TANTAL 16V 22UF	B (3528)
C960	YN12A0	CAP TANTAL 16V 22UF	B (3528)
C854	YN13A0	CAP TANTAL 16V 47UF	C (6032)
C855	YN13A0	CAP TANTAL 16V 47UF	C (6032)
C870	YN13A0	CAP TANTAL 16V 47UF	C (6032)
C871	YN13A0	CAP TANTAL 16V 47UF	C (6032)
C872	YN13A0	CAP TANTAL 16V 47UF	C (6032)
C888	YN13A0	CAP TANTAL 16V 47UF	C (6032)
C893	YN13A0	CAP TANTAL 16V 47UF	C (6032)
C896	YN13A0	CAP TANTAL 16V 47UF	C (6032)
C897	YN13A0	CAP TANTAL 16V 47UF	C (6032)
C816	PN01A0	CAP TANTAL 35V 0.1uF	A (3216) 35MCM 104MA
C907	YN25A0	CAP TANTAL 35V 2.2uF	B (3528)
C914	YN25A0	CAP TANTAL 35V 2.2uF	B (3528)
L801	DC01U0	COIL CS 3.3uH	FCI2012-3R3K
L802	DC01U0	COIL CS 3.3uH	FCI2012-3R3K
L803	DC01U0	COIL CS 3.3uH	FCI2012-3R3K
L804	DC01U0	COIL CS 3.3uH	FCI2012-3R3K
L806	DC01U0	COIL CS 3.3uH	FCI2012-3R3K
L811	DC01U0	COIL CS 3.3uH	FCI2012-3R3K
L812	DC01U0	COIL CS 3.3uH	FCI2012-3R3K
L813	DC01U0	COIL CS 3.3uH	FCI2012-3R3K
L809	YC15A0	COIL CS ELJFA100JF	10UH 3225 SMT INDUCTOR
L919	YC15A0	COIL CS ELJFA100JF	10UH 3225 SMT INDUCTOR
L817	YC21A0	COIL SHP-0735-150K	15uH-SHP-0735
L800	YC19A0	COIL SHP-0735-680K	68uH SHP-0735
L818	YC19A0	COIL SHP-0735-680K	68uH SHP-0735
L815	YC30A0	COIL SHP-1035-680K	68uH 1.2A (10X10X3.5)
CN902	YA45A0	CONT (6239-10P-P0.5mm)	04-6239-010-001-800
CN803	YA01A0	CONT 20015WR-05A	PWR 2P ANG (SMT)

17. Part's List / Monitor PCB Ass'y

Ref No.	Part No.	Part Name	Description
CNNT	UA01A0	CONT 52207-0490 (FFC)	4P 1mmP SMD ANGLE TOP
CN801	YA42A0	CONT 6240 40P P0.5mm	04-6240-040-003-800
CN802	YA42A0	CONT 6240 40P P0.5mm	04-6240-040-003-800
D901	KE60A0	DID /S CS 1SS355	UMD2 (SC-76) (2.5X1.25)
D902	KE60A0	DID /S CS 1SS355	UMD2 (SC-76) (2.5X1.25)
D903	KE60A0	DID /S CS 1SS355	UMD2 (SC-76) (2.5X1.25)
D801	YD05A0	DID /STK CS RB160L-40	BARRIER (PMDS)
ZD901	YD10A0	DID /Z CS KDZ 5.1V	5.1V-51/KEC
ZD903	YD10A0	DID /Z CS KDZ 5.1V	5.1V-51/KEC
ZD904	YD10A0	DID /Z CS KDZ 5.1V	5.1V-51/KEC
ZD905	YD10A0	DID /Z CS KDZ 5.1V	5.1V-51/KEC
ZD906	YD10A0	DID /Z CS KDZ 5.1V	5.1V-51/KEC
ZD907	YD10A0	DID /Z CS KDZ 5.1V	5.1V-51/KEC
ZD908	YD10A0	DID /Z CS KDZ 5.1V	5.1V-51/KEC
ZD909	YD10A0	DID /Z CS KDZ 5.1V	5.1V-51/KEC
D811	WD10A0	DID F/S DA204K	DA204K-T146
D812	WD10A0	DID F/S DA204K	DA204K-T146
D813	WD10A0	DID F/S DA204K	DA204K-T146
D814	WD10A0	DID F/S DA204K	DA204K-T146
U806	YIA6A0	IC ADS7843	ADS7843 (TOUCH-DRIVE)
U805	VI43A0	IC KIA78L05F (REGULATOR)	0.15A P3 REGULATOR
U901	YIA7A0	IC LC75884W	LC75884W (LCD-DRIVE)
U803	YI82A0	IC MP1015 (INVERTER)	MP1015
U804	YI78A0	IC MP1591DS	Vi=32V, 2A, SOP8
	YIA8A0	IC PNA4603H	DIMMER (LSTFR 103-002)
U801	YIA4A0	IC TW8801	TW8801 (TFT-LCD-SCALER)
	YZ54B0	LCD DISPLAY (DAV-737D)	81523BBN-P (BLUE)
LD94	YL16A0	LED BLUE CHIP 1608	IWS-164-BXWF-B
LD95	YL16A0	LED BLUE CHIP 1608	IWS-164-BXWF-B
LD96	YL16A0	LED BLUE CHIP 1608	IWS-164-BXWF-B
LD97	YL16A0	LED BLUE CHIP 1608	IWS-164-BXWF-B
LD98	YL16A0	LED BLUE CHIP 1608	IWS-164-BXWF-B
LD99	YL16A0	LED BLUE CHIP 1608	IWS-164-BXWF-B
LD90	YL17A0	LED BLUE CHIP SIDE VIEW	IWS-298-UB
LD91	YL17A0	LED BLUE CHIP SIDE VIEW	IWS-298-UB
LD93	YL17A0	LED BLUE CHIP SIDE VIEW	IWS-298-UB
LED6	YL17A0	LED BLUE CHIP SIDE VIEW	IWS-298-UB
	YL15A0	LED WHITE CHIP SIDE VIEW	IWS-298-UW-S3-B5
	YB21A0	PCB MONITOR	DAV-737D (STANDARD)
	YG28A0	POLY SWH (NANOSMD-C150-2)	SMD
R829	KV20A0	RES CFCS (1608) 1/10 0	MCR03EZH J 0R0
R861	KV20A0	RES CFCS (1608) 1/10 0	MCR03EZH J 0R0
R862	KV20A0	RES CFCS (1608) 1/10 0	MCR03EZH J 0R0
R863	KV20A0	RES CFCS (1608) 1/10 0	MCR03EZH J 0R0
R864	KV20A0	RES CFCS (1608) 1/10 0	MCR03EZH J 0R0
R865	KV20A0	RES CFCS (1608) 1/10 0	MCR03EZH J 0R0
R866	KV20A0	RES CFCS (1608) 1/10 0	MCR03EZH J 0R0
R867	KV20A0	RES CFCS (1608) 1/10 0	MCR03EZH J 0R0
R868	KV20A0	RES CFCS (1608) 1/10 0	MCR03EZH J 0R0
R881	KV20A0	RES CFCS (1608) 1/10 0	MCR03EZH J 0R0
R882	KV20A0	RES CFCS (1608) 1/10 0	MCR03EZH J 0R0
R883	KV20A0	RES CFCS (1608) 1/10 0	MCR03EZH J 0R0
R929	KV04A0	RES CFCS (1608) 1/10 1.5K	MCR03EZH J152
R930	KV04A0	RES CFCS (1608) 1/10 1.5K	MCR03EZH J152
R921	YV25A0	RES CFCS (1608) 1/10 10	MCR03EZHZ 100
R932	YV25A0	RES CFCS (1608) 1/10 10	MCR03EZHZ 100
R849	KV10A0	RES CFCS (1608) 1/10 100K	MCR03EZH J 104
R852	KV10A0	RES CFCS (1608) 1/10 100K	MCR03EZH J 104
R856	KV11A0	RES CFCS (1608) 1/10 10K	MCR03EZH J 103
R857	KV11A0	RES CFCS (1608) 1/10 10K	MCR03EZH J 103
R858	KV11A0	RES CFCS (1608) 1/10 10K	MCR03EZH J 103
R859	KV11A0	RES CFCS (1608) 1/10 10K	MCR03EZH J 103
R872	KV11A0	RES CFCS (1608) 1/10 10K	MCR03EZH J 103
R874	KV11A0	RES CFCS (1608) 1/10 10K	MCR03EZH J 103
R875	KV11A0	RES CFCS (1608) 1/10 10K	MCR03EZH J 103

17. Part's List / Monitor PCB Ass'y

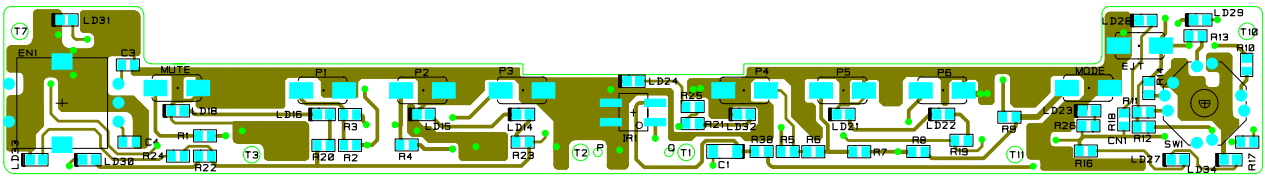
Ref No.	Part No.	Part Name	Description
R878	KV11A0	RES CFCS (1608) 1/10 10K	MCR03EZH J 103
R902	KV11A0	RES CFCS (1608) 1/10 10K	MCR03EZH J 103
R916	KV11A0	RES CFCS (1608) 1/10 10K	MCR03EZH J 103
R919	KV11A0	RES CFCS (1608) 1/10 10K	MCR03EZH J 103
R923	KV11A0	RES CFCS (1608) 1/10 10K	MCR03EZH J 103
R933	KV11A0	RES CFCS (1608) 1/10 10K	MCR03EZH J 103
R949	KV11A0	RES CFCS (1608) 1/10 10K	MCR03EZH J 103
R950	KV11A0	RES CFCS (1608) 1/10 10K	MCR03EZH J 103
R951	KV11A0	RES CFCS (1608) 1/10 10K	MCR03EZH J 103
R809	KV03A0	RES CFCS (1608) 1/10 12K	MCR03EZHJ 123
R805	YV59A0	RES CFCS (1608) 1/10 180	MCR03EZHJ 181
R847	YV59A0	RES CFCS (1608) 1/10 180	MCR03EZHJ 181
R9261	YV59A0	RES CFCS (1608) 1/10 180	MCR03EZHJ 181
R855	YV04A0	RES CFCS (1608) 1/10 18K	MCR03EZH J183
R082	KV13A0	RES CFCS (1608) 1/10 1K	MCR03EZH J 102
R808	KV13A0	RES CFCS (1608) 1/10 1K	MCR03EZH J 102
R814	KV13A0	RES CFCS (1608) 1/10 1K	MCR03EZH J 102
R834	KV13A0	RES CFCS (1608) 1/10 1K	MCR03EZH J 102
R846	KV13A0	RES CFCS (1608) 1/10 1K	MCR03EZH J 102
R851	KV13A0	RES CFCS (1608) 1/10 1K	MCR03EZH J 102
R873	KV13A0	RES CFCS (1608) 1/10 1K	MCR03EZH J 102
R918	KV13A0	RES CFCS (1608) 1/10 1K	MCR03EZH J 102
R920	KV13A0	RES CFCS (1608) 1/10 1K	MCR03EZH J 102
R922	KV13A0	RES CFCS (1608) 1/10 1K	MCR03EZH J 102
R925	KV13A0	RES CFCS (1608) 1/10 1K	MCR03EZH J 102
R935	KV13A0	RES CFCS (1608) 1/10 1K	MCR03EZH J 102
R943	KV13A0	RES CFCS (1608) 1/10 1K	MCR03EZH J 102
R818	YV21A0	RES CFCS (1608) 1/10 1M	MCR03EZH J105
R833	KV07A0	RES CFCS (1608) 1/10 2.2K	MCR03EZH J222
R924	KV07A0	RES CFCS (1608) 1/10 2.2K	MCR03EZH J222
R934	KV07A0	RES CFCS (1608) 1/10 2.2K	MCR03EZH J222
R854	YV48A0	RES CFCS (1608) 1/10 2K	MCR03EZHJ 202
R083	YV58A0	RES CFCS (1608) 1/10 300K	MCR03EZH J 304
R860	YV58A0	RES CFCS (1608) 1/10 300K	MCR03EZH J 304
R812	DV02A0	RES CFCS (1608) 1/10 33	MCR03EZH J 330
R813	DV02A0	RES CFCS (1608) 1/10 33	MCR03EZH J 330
R815	DV02A0	RES CFCS (1608) 1/10 33	MCR03EZH J 330
R830	DV02A0	RES CFCS (1608) 1/10 33	MCR03EZH J 330
R831	DV02A0	RES CFCS (1608) 1/10 33	MCR03EZH J 330
R869	DV02A0	RES CFCS (1608) 1/10 33	MCR03EZH J 330
R870	DV02A0	RES CFCS (1608) 1/10 33	MCR03EZH J 330
R871	DV02A0	RES CFCS (1608) 1/10 33	MCR03EZH J 330
R904	YV20A0	RES CFCS (1608) 1/10 330	MCR03EZHJ 331
R850	DV08U0	RES CFCS (1608) 1/10 4.3K	MCR03EZH J 432
R903	YV56A0	RES CFCS (1608) 1/10 43K	MCR03EZHJ 433
R853	DV03A0	RES CFCS (1608) 1/10 47	MCR03EZH J 470
R832	YV10A0	RES CFCS (1608) 1/10 470	MCR03EZHJ471
R936	YV10A0	RES CFCS (1608) 1/10 470	MCR03EZHJ471
R938	YV10A0	RES CFCS (1608) 1/10 470	MCR03EZHJ471
R941	YV10A0	RES CFCS (1608) 1/10 470	MCR03EZHJ471
R848	DV12U0	RES CFCS (1608) 1/10 470K	MCR03EZHJ 474
R879	KV06A0	RES CFCS (1608) 1/10 47K	MCR03EZH J 473
R807	YV55A0	RES CFCS (1608) 1/10 560K	MCR03EZHJ564
R811	YV24A0	RES CFCS (1608) 1/10 680	MCR03EZH J681
R801	YV14A0	RES CFCS (1608) 1/10 75	MCR03EZHJ 750
R802	YV14A0	RES CFCS (1608) 1/10 75	MCR03EZHJ 750
R803	YV14A0	RES CFCS (1608) 1/10 75	MCR03EZHJ 750
R804	YV14A0	RES CFCS (1608) 1/10 75	MCR03EZHJ 750
R810	YV14A0	RES CFCS (1608) 1/10 75	MCR03EZHJ 750
R835	YV14A0	RES CFCS (1608) 1/10 75	MCR03EZHJ 750
R836	YV14A0	RES CFCS (1608) 1/10 75	MCR03EZHJ 750
R845	YV14A0	RES CFCS (1608) 1/10 75	MCR03EZHJ 750
AR81	DO05A0	RES CFCS (1608X4) 33 ARRA	MNR14E0ABJ 330 (3.2X1.6)
AR82	DO05A0	RES CFCS (1608X4) 33 ARRA	MNR14E0ABJ 330 (3.2X1.6)
AR83	DO05A0	RES CFCS (1608X4) 33 ARRA	MNR14E0ABJ 330 (3.2X1.6)

17. Part's List / Monitor PCB Ass'y

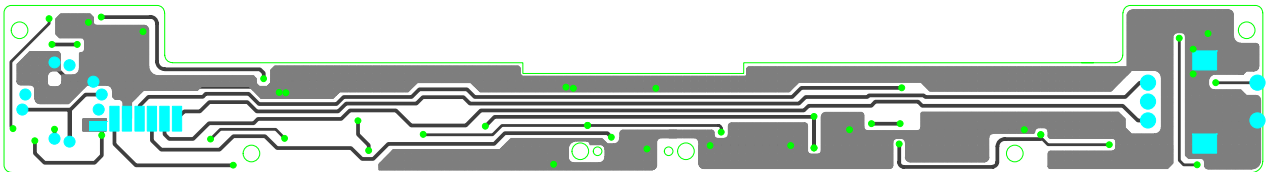
Ref No.	Part No.	Part Name	Description
AR84	DO05A0	RES CFCS (1608X4) 33 ARRA	MNR14E0ABJ 330 (3.2X1.6)
ZD902	TV11A0	RES CFCS 1/8 000	MCR10EZHJW ZERO(CHIP JUMPER)
	VS35B0	SWH TACT (TMAV433BAA)	SMT (POSTEC)
	YS21A0	SWH TACT (YTP-1100E)	YTP-1100E
Q802	LE80A0	TR CS 2SB1188-Q	MEDIUM POWER
Q906	PT05A0	TR CS DTC114TK	DTC114TK
Q908	PT05A0	TR CS DTC114TK	DTC114TK
Q910	PT05A0	TR CS DTC114TK	DTC114TK
Q803	YT04A0	TR CS MMST2222A (SMT3)	KTN2222AS (NPN 0.2W)
Q801	YT05A0	TR CS MMST2907A (SMT3)	KTN2907AS (PNP 0.2W)
Q905	YT05A0	TR CS MMST2907A (SMT3)	KTN2907AS (PNP 0.2W)
Q907	YT05A0	TR CS MMST2907A (SMT3)	KTN2907AS (PNP 0.2W)
Q909	YT05A0	TR CS MMST2907A (SMT3)	KTN2907AS (PNP 0.2W)
T501	YZ27B0	TRANS INVERTER (TFT LCD)	CM703WLI INVERTER
	YW04A0	WIRE AWG #26 BK 30M/M	AWG #26 BK 30M/M 2-2
X801	UZ04A0	X-TAL 27MHz (SMD,L=3.2)	STM-27.000-18-H3

18. Circuit Board Diagram (Front)

TOP VIEW



BOTTOM VIEW

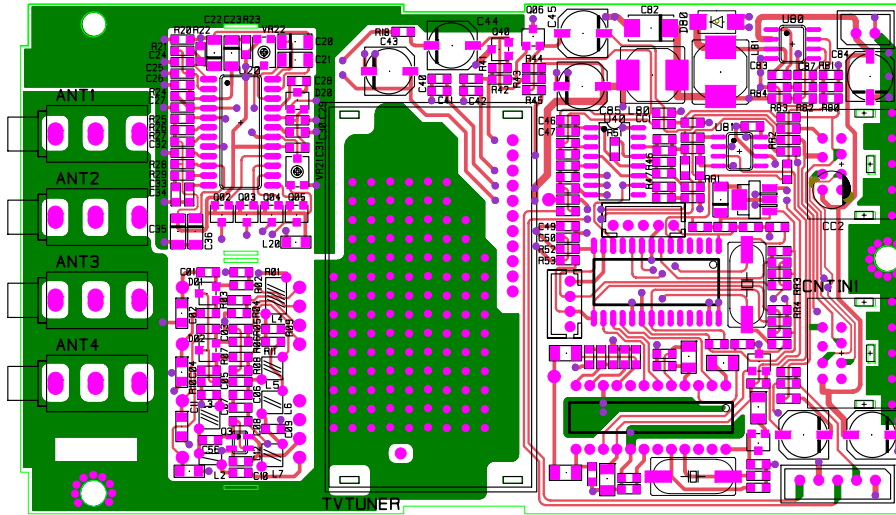


19. Part's List / Front PCB Ass'y

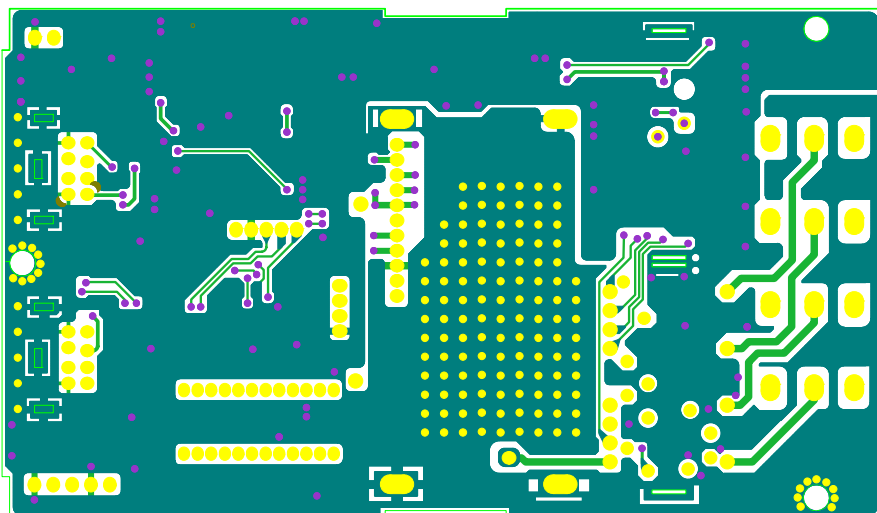
Ref No.	Part No.	Part Name	Description
	Y481A1	ASS'Y FRONT PCB	DAV-737D (DUAL)
C1	YN02A0	CAP TANTAL 16V 10UF	A (3216)
	YA33A0	CONT WIRE ASS'Y (7P) 60mm	MAIN+FRONT (DAV-720D) 12505
	YI25A0	IC KSM-403N (SMT-4P)	OPTIC RECEIVER MODULE
LD14	YL16A0	LED BLUE CHIP 1608	IWS-164-BXWF-B
LD15	YL16A0	LED BLUE CHIP 1608	IWS-164-BXWF-B
LD16	YL16A0	LED BLUE CHIP 1608	IWS-164-BXWF-B
LD18	YL16A0	LED BLUE CHIP 1608	IWS-164-BXWF-B
LD21	YL16A0	LED BLUE CHIP 1608	IWS-164-BXWF-B
LD22	YL16A0	LED BLUE CHIP 1608	IWS-164-BXWF-B
LD23	YL16A0	LED BLUE CHIP 1608	IWS-164-BXWF-B
LD24	YL16A0	LED BLUE CHIP 1608	IWS-164-BXWF-B
LD27	YL16A0	LED BLUE CHIP 1608	IWS-164-BXWF-B
LD28	YL16A0	LED BLUE CHIP 1608	IWS-164-BXWF-B
LD29	YL16A0	LED BLUE CHIP 1608	IWS-164-BXWF-B
LD30	YL16A0	LED BLUE CHIP 1608	IWS-164-BXWF-B
LD31	YL16A0	LED BLUE CHIP 1608	IWS-164-BXWF-B
LD32	YL16A0	LED BLUE CHIP 1608	IWS-164-BXWF-B
LD34	YL16A0	LED BLUE CHIP 1608	IWS-164-BXWF-B
	YB22A0	PCB FRONT	DAV-737D (DUAL)
R5	YV16A0	RES CFCS (1608) 1/10 1.2K	MCR03EZHZ 122
R6	KV04A0	RES CFCS (1608) 1/10 1.5K	MCR03EZH J152
R7	YV41A0	RES CFCS (1608) 1/10 1.8K	MCR03EZH J182
R38	YV25A0	RES CFCS (1608) 1/10 10	MCR03EZHZ 100
R22	KV14A0	RES CFCS (1608) 1/10 120	MCR03EZH J121
R13	KV03A0	RES CFCS (1608) 1/10 12K	MCR03EZHZ 123
R4	KV13A0	RES CFCS (1608) 1/10 1K	MCR03EZH J 102
R8	YV51A0	RES CFCS (1608) 1/10 2.4K	MCR03EZHZ 242
R9	YV07A0	RES CFCS (1608) 1/10 2.7K	MCR03EZHZ 272
R16	KV16A0	RES CFCS (1608) 1/10 220	MCR03EZH J 221
R19	KV16A0	RES CFCS (1608) 1/10 220	MCR03EZH J 221
R20	KV16A0	RES CFCS (1608) 1/10 220	MCR03EZH J 221
R23	KV16A0	RES CFCS (1608) 1/10 220	MCR03EZH J 221
R12	KV19A0	RES CFCS (1608) 1/10 27K	MCR03EZHZ 273
R1	YV13A0	RES CFCS (1608) 1/10 330K	MCR03EZHZ330K
R10	KV17A0	RES CFCS (1608) 1/10 4.7K	MCR03EZH J 472
R17	YV10A0	RES CFCS (1608) 1/10 470	MCR03EZHZ471
R18	YV10A0	RES CFCS (1608) 1/10 470	MCR03EZHZ471
R21	YV10A0	RES CFCS (1608) 1/10 470	MCR03EZHZ471
R25	YV10A0	RES CFCS (1608) 1/10 470	MCR03EZHZ471
R26	YV10A0	RES CFCS (1608) 1/10 470	MCR03EZHZ471
R11	YV01A0	RES CFCS (1608) 1/10 62K	MCR03EZHZ 623
R2	DV06U0	RES CFCS (1608) 1/10 750	MCR03EZHZ 751
R14	YV57A0	RES CFCS (1608) 1/10 75K	MCR03EZHZ 753
R3	YV45A0	RES CFCS (1608) 1/10 820	MCR03EZHZ 821
EJT	VS35B0	SWH TACT (TMAV433BAA)	SMT (POSTEC)
MODE	VS35B0	SWH TACT (TMAV433BAA)	SMT (POSTEC)
MUTE	VS35B0	SWH TACT (TMAV433BAA)	SMT (POSTEC)
P1	VS35B0	SWH TACT (TMAV433BAA)	SMT (POSTEC)
P2	VS35B0	SWH TACT (TMAV433BAA)	SMT (POSTEC)
P3	VS35B0	SWH TACT (TMAV433BAA)	SMT (POSTEC)
P4	VS35B0	SWH TACT (TMAV433BAA)	SMT (POSTEC)
P5	VS35B0	SWH TACT (TMAV433BAA)	SMT (POSTEC)
P6	VS35B0	SWH TACT (TMAV433BAA)	SMT (POSTEC)
SW1	YS15A0	SWH TACT 8DIRECTIONAL	RKJXM102005 SHAFT
EN1	YS16A0	VR ENCODER SHAFT	EC11E15D4MA1

20.Circuit Board Diagram (Tuner)

TOP VIEW



BOTTOM VIEW



21. Part's List / Tuner PCB Ass'y

Ref No.	Part No.	Part Name	Description
	Y475A1	ASS'Y TUNER PCB (PAL)	DAV-727D (PAL)
C40	DK04U0	CAP CE CS (1608)16V 105PF	C1608X5R1C105K
C41	DK04U0	CAP CE CS (1608)16V 105PF	C1608X5R1C105K
C33	YK41A0	CAP CE CS (1608)16V 124PF	EMK107BJ124K-T
C42	YK07A0	CAP CE CS (1608)16V 474PF	EMK107BJ474K-T
C46	YK07A0	CAP CE CS (1608)16V 474PF	EMK107BJ474K-T
C47	YK07A0	CAP CE CS (1608)16V 474PF	EMK107BJ474K-T
C12	YK03A0	CAP CE CS (1608)25V 104PF	MCH182CN104KK
C08	YK22A0	CAP CE CS (1608)50V 101PF	MCH185A101J
C21	YK22A0	CAP CE CS (1608)50V 101PF	MCH185A101J
C29	YK22A0	CAP CE CS (1608)50V 101PF	MCH185A101J
C31	YK22A0	CAP CE CS (1608)50V 101PF	MCH185A101J
C66	YK22A0	CAP CE CS (1608)50V 101PF	MCH185A101J
C05	YK21A0	CAP CE CS (1608)50V 102PF	MCH185C102K
C24	YK21A0	CAP CE CS (1608)50V 102PF	MCH185C102K
C01	YK01A0	CAP CE CS (1608)50V 103PF	MCH185C103K
C02	YK01A0	CAP CE CS (1608)50V 103PF	MCH185C103K
C03	YK01A0	CAP CE CS (1608)50V 103PF	MCH185C103K
C04	YK01A0	CAP CE CS (1608)50V 103PF	MCH185C103K
C10	YK01A0	CAP CE CS (1608)50V 103PF	MCH185C103K
C48	YK01A0	CAP CE CS (1608)50V 103PF	MCH185C103K
C83	YK01A0	CAP CE CS (1608)50V 103PF	MCH185C103K
C84	YK01A0	CAP CE CS (1608)50V 103PF	MCH185C103K
C07	YK10A0	CAP CE CS (1608)50V 10PF	MCH185A100DK
C09	KK05A0	CAP CE CS (1608)50V 12PF	MCH185A120JK
C30	YK27A0	CAP CE CS (1608)50V 221PF	MCH185CA221J
C32	YK27A0	CAP CE CS (1608)50V 221PF	MCH185CA221J
C49	YK27A0	CAP CE CS (1608)50V 221PF	MCH185CA221J
C50	YK27A0	CAP CE CS (1608)50V 221PF	MCH185CA221J
C26	YK02A0	CAP CE CS (1608)50V 222PF	MCH185CN222KK
C87	YK36A0	CAP CE CS (1608)50V 472PF	MCH185CN472KK
C11	DK02A0	CAP CE CS (1608)50V 561PF	MCH185A561J
C25	YK33A0	CAP CE CS (1608)50V 562PF	MCH185CN562KK
C27	YK33A0	CAP CE CS (1608)50V 562PF	MCH185CN562KK
C06	KK15A0	CAP CE CS (1608)50V 5PF	MCH185A050J
C34	KK03A0	CAP CE CS (1608)50V 820PF	UMK107CH821JW
C43	KE70A0	CAP EL CS RV2-16V101M	16V 100uF D6.3 L5.3SMD
C44	KE70A0	CAP EL CS RV2-16V101M	16V 100uF D6.3 L5.3SMD
C80	KE70A0	CAP EL CS RV2-16V101M	16V 100uF D6.3 L5.3SMD
	VE16A0	CAP EL TR 16V 100 SHL	P2.5
C85	YK53A0	CAP POS 16V 10UF	16TQC 10M (3528)
C20	YN02A0	CAP TANTAL 16V 10UF	A (3216)
C22	YN02A0	CAP TANTAL 16V 10UF	A (3216)
C35	YN02A0	CAP TANTAL 16V 10UF	A (3216)
C82	YN13A0	CAP TANTAL 16V 47UF	C (6032)
C21	YN08A0	CAP TANTAL 35V 1uF	A (3216)
C23	YN08A0	CAP TANTAL 35V 1uF	A (3216)
C36	YN08A0	CAP TANTAL 35V 1uF	A (3216)
L20	DC01U0	COIL CS 3.3uH	FCI2012-3R3K
	YC22A0	COIL SPRING (SP-2520)	1 1/2Ts, 0.35PIE
	YC23A0	COIL SPRING (SP-2521)	4 1/2Ts, 0.35PIE
	YC24A0	COIL SPRING (SP-2522)	5 1/2Ts, 0.35PIE
	YC25A0	COIL SPRING (SP-2524)	9 1/2Ts, 0.35PIE
L80	YC26A0	COIL WD-7032-101A	100uH-WD-7032
L81	YC20A0	COIL WD-7045-150K	15uH 2A (7.0X4.5)
D20	YD15A0	DID /S CS DAN217	ARRAY DID (SMD3)
D01	YD03A0	DID /S CS DAN235U	BAND SWH (UMD3)
D02	YD03A0	DID /S CS DAN235U	BAND SWH (UMD3)
D80	YD05A0	DID /STK CS RB160L-40	BARRIER (PMDS)
U20	YI26A0	IC AN7299S (SOP24)	TV ANT DIVERSITY (NTSC)
U80	YI78A0	IC MP1591DS	Vi=32V, 2A, SOP8
	YZ42A0	JACK PHONE (DKE-13000GOLD)	DIVERSITY ANT
	YB14A0	PCB TV-TUNER BOX FR4-1.2t	DAV-720D
R09	KV20A0	RES CFCS (1608) 1/10 0	MCR03EZH J 0R0
R46	KV20A0	RES CFCS (1608) 1/10 0	MCR03EZH J 0R0

21. Part's List / Tuner PCB Ass'y

Ref No.	Part No.	Part Name	Description
R47	KV20A0	RES CFCS (1608) 1/10 0	MCR03EZH J 0R0
R48	KV20A0	RES CFCS (1608) 1/10 0	MCR03EZH J 0R0
R49	KV20A0	RES CFCS (1608) 1/10 0	MCR03EZH J 0R0
R51	KV20A0	RES CFCS (1608) 1/10 0	MCR03EZH J 0R0
R55	KV20A0	RES CFCS (1608) 1/10 0	MCR03EZH J 0R0
R56	KV20A0	RES CFCS (1608) 1/10 0	MCR03EZH J 0R0
R52	YV08A0	RES CFCS (1608) 1/10 100	MCR03EZH J101
R53	YV08A0	RES CFCS (1608) 1/10 100	MCR03EZH J101
R22	KV10A0	RES CFCS (1608) 1/10 100K	MCR03EZH J 104
R25	KV11A0	RES CFCS (1608) 1/10 10K	MCR03EZH J 103
R26	KV11A0	RES CFCS (1608) 1/10 10K	MCR03EZH J 103
R27	KV11A0	RES CFCS (1608) 1/10 10K	MCR03EZH J 103
R82	KV11A0	RES CFCS (1608) 1/10 10K	MCR03EZH J 103
R84	KV11A0	RES CFCS (1608) 1/10 10K	MCR03EZH J 103
R02	KV07A0	RES CFCS (1608) 1/10 2.2K	MCR03EZH J222
R03	KV07A0	RES CFCS (1608) 1/10 2.2K	MCR03EZH J222
R06	KV07A0	RES CFCS (1608) 1/10 2.2K	MCR03EZH J222
R07	KV07A0	RES CFCS (1608) 1/10 2.2K	MCR03EZH J222
R80	KV07A0	RES CFCS (1608) 1/10 2.2K	MCR03EZH J222
R01	YV07A0	RES CFCS (1608) 1/10 2.7K	MCR03EZHJ 272
R04	YV07A0	RES CFCS (1608) 1/10 2.7K	MCR03EZHJ 272
R05	YV07A0	RES CFCS (1608) 1/10 2.7K	MCR03EZHJ 272
R08	YV07A0	RES CFCS (1608) 1/10 2.7K	MCR03EZHJ 272
R10	YV07A0	RES CFCS (1608) 1/10 2.7K	MCR03EZHJ 272
R21	KV16A0	RES CFCS (1608) 1/10 220	MCR03EZH J 221
R29	YV32A0	RES CFCS (1608) 1/10 3.9K	MCR03EZHJ 392
R83	KV12A0	RES CFCS (1608) 1/10 33K	MCR03EZHJ 333
R23	KV17A0	RES CFCS (1608) 1/10 4.7K	MCR03EZH J 472
R45	KV17A0	RES CFCS (1608) 1/10 4.7K	MCR03EZH J 472
R10	DV03A0	RES CFCS (1608) 1/10 47	MCR03EZH J 470
R40	DV03A0	RES CFCS (1608) 1/10 47	MCR03EZH J 470
R43	YV10A0	RES CFCS (1608) 1/10 470	MCR03EZHJ471
R44	YV10A0	RES CFCS (1608) 1/10 470	MCR03EZHJ471
R24	YV34A0	RES CFCS (1608) 1/10 51K	MCR03EZH J513
R28	YV34A0	RES CFCS (1608) 1/10 51K	MCR03EZH J513
R41	KV05A0	RES CFCS (1608) 1/10 560	MCR03EZH J561
R42	KV05A0	RES CFCS (1608) 1/10 560	MCR03EZH J561
	YV14A0	RES CFCS (1608) 1/10 75	MCR03EZHJ 750
	TU30A0	RES CFTA 1/6 220K	220K OHM 1/6W
VR21	YO07A0	SEMI VR 100K CHIP	PVZ3A104A01R00
VR20	YO06A0	SEMI VR 47K CHIP	PVZ3A473A01R00
	VZ66A0	SOCKET 8P MINI DIN	SCD-8100 MARINE
Q02	PT03A0	TR CS DTA123JK	DTA123JK
Q03	PT03A0	TR CS DTA123JK	DTA123JK
Q04	PT03A0	TR CS DTA123JK	DTA123JK
Q05	PT03A0	TR CS DTA123JK	DTA123JK
	YT05A0	TR CS MMST2907A (SMT3)	KTN2907AS (PNP 0.2W)
	YZ32C0	TUNER TV (PT1-5PF17M)MULT	MULT
	VW18A0	WIRE #28 ORG 50M/M 2-2	#28 ORG 50M/M 2-2

22. Part's List (Tilt Loader) Motor PCB Ass'y

Ref No.	Part No.	Part Name	Description
C1	YK01A0	CAP CE CS (1608)50V 103PF	MCH185C103K
C3	YK01A0	CAP CE CS (1608)50V 103PF	MCH185C103K
C4	YK01A0	CAP CE CS (1608)50V 103PF	MCH185C103K
C5	YK01A0	CAP CE CS (1608)50V 103PF	MCH185C103K
C6	YK01A0	CAP CE CS (1608)50V 103PF	MCH185C103K
C7	YK01A0	CAP CE CS (1608)50V 103PF	MCH185C103K
C8	SK07A0	CAP CE CS 25V 105PF	C2012Y5V1E105ZT
C2	KE70A0	CAP EL CS RV2-16V101M	16V 100uF D6.3 L5.3SMD
J4	YA09A0	CONT 08-6212-010-800A	SMT 10P ANG (P0.5mm)
	CA07A0	CONT 6P ASS'Y (80m/m)	12505HS-P1.25
	CA06A0	CONT 7P ASS'Y (80m/m)	12505HS-P1.25
J3	CA05A0	CONT WAFER 12505WR-06A00	6P 1.25mmP ANGLE
J5	YA39A0	CONT WAFER 12505WR-07A00	7P 1.25mmP ANGLE
U1	CI14A0	IC BA6246N (SIP10)	2CH REVERS MTR DRIVE
U2	CI13A0	IC PIC16F873	MICOM-TILT-LOADER
	YB03B0	PCB MTR2 (DAV-2000) FR-4	129X133.5X1.2T (ARY-15)
	CE04A0	PCB SENSOR NEW (DTM-200N)	FR-4 0.8t
	CB03A0	PCB SWH NEW (DTM-200N)	FR-4/0.8T
	CE05A0	PHOTO SENSOR (GP2S60B)	DTM-201
R11	CV03A0	RES CFCS (1608) 1/10 1.3K	MCR03EZHZ J132
R5	KV11A0	RES CFCS (1608) 1/10 10K	MCR03EZHZ J 103
	KV11A0	RES CFCS (1608) 1/10 10K	MCR03EZHZ J 103
R3	KV03A0	RES CFCS (1608) 1/10 12K	MCR03EZHZJ 123
R5	KV03A0	RES CFCS (1608) 1/10 12K	MCR03EZHZJ 123
R4	YV21A0	RES CFCS (1608) 1/10 1M	MCR03EZHZ J105
R10	DV05U0	RES CFCS (1608) 1/10 390	MCR03EZHZJ 391
	CV04A0	RES CFCS (1608) 1/10 39K	MCR03EZHZ J393
R2	CV01A0	RES CFCS 1/2 1	MCR50JZHZ
R1	CV02A0	RES CFCS 1/4 390	MCR18EZHZJW 390 OHM
R3	CV02A0	RES CFCS 1/4 390	MCR18EZHZJW 390 OHM
R1	LE66A0	RES CFCS 1/8 150	MCR10EZHZJW 150 OHM
X1	YR15A0	RESONATOR ZTTCV10.00MT	10MHz (3.7X3.1)
IN	CE03A0	SENSOR	GPIS093HCZ (SHARP)
OUT	CE03A0	SENSOR	GPIS093HCZ (SHARP)
	CQ03A0	SWH (SPVG310300)	ALPS (ANGLE)
	CQ03A0	SWH (SPVG310300)	ALPS (ANGLE)
	WT01A0	TR CS 2SC2412K-R	GENERAL PURPOSE

23. Part's List (DVD Deck) MPEG PCB Ass'y

Ref No.	Part No.	Part Name	Description
LA11	VV13C0	BEAD CHIP HB-1M2012-121JT	HB-1M2012-121JT
LA12	VV13C0	BEAD CHIP HB-1M2012-121JT	HB-1M2012-121JT
LA13	VV13C0	BEAD CHIP HB-1M2012-121JT	HB-1M2012-121JT
LA14	VV13C0	BEAD CHIP HB-1M2012-121JT	HB-1M2012-121JT
LP12	VV13C0	BEAD CHIP HB-1M2012-121JT	HB-1M2012-121JT
LP13	VV13C0	BEAD CHIP HB-1M2012-121JT	HB-1M2012-121JT
LP14	VV13C0	BEAD CHIP HB-1M2012-121JT	HB-1M2012-121JT
LP15	VV13C0	BEAD CHIP HB-1M2012-121JT	HB-1M2012-121JT
LP16	VV13C0	BEAD CHIP HB-1M2012-121JT	HB-1M2012-121JT
LP17	VV13C0	BEAD CHIP HB-1M2012-121JT	HB-1M2012-121JT
LP18	VV13C0	BEAD CHIP HB-1M2012-121JT	HB-1M2012-121JT
LP20	VV13C0	BEAD CHIP HB-1M2012-121JT	HB-1M2012-121JT
CA20	UK04A0	CAP CE CS (1608)16V 224PF	C1608X5R1H224KT
CC15	YK22A0	CAP CE CS (1608)50V 101PF	MCH185A101J
CD23	YK22A0	CAP CE CS (1608)50V 101PF	MCH185A101J
CD24	YK22A0	CAP CE CS (1608)50V 101PF	MCH185A101J
CA16	YK21A0	CAP CE CS (1608)50V 102PF	MCH185C102K
CA17	YK21A0	CAP CE CS (1608)50V 102PF	MCH185C102K
CA31	YK21A0	CAP CE CS (1608)50V 102PF	MCH185C102K
CA32	YK21A0	CAP CE CS (1608)50V 102PF	MCH185C102K
CA33	YK21A0	CAP CE CS (1608)50V 102PF	MCH185C102K
CA34	YK21A0	CAP CE CS (1608)50V 102PF	MCH185C102K
CA36	YK21A0	CAP CE CS (1608)50V 102PF	MCH185C102K
CA37	YK21A0	CAP CE CS (1608)50V 102PF	MCH185C102K
CA50	YK21A0	CAP CE CS (1608)50V 102PF	MCH185C102K
CC13	YK01A0	CAP CE CS (1608)50V 103PF	MCH185C103K
CC62	YK01A0	CAP CE CS (1608)50V 103PF	MCH185C103K
CA11	KK04A0	CAP CE CS (1608)50V 104PF	C1608X7R1H104KT
CA12	KK04A0	CAP CE CS (1608)50V 104PF	C1608X7R1H104KT
CA18	KK04A0	CAP CE CS (1608)50V 104PF	C1608X7R1H104KT
CA24	KK04A0	CAP CE CS (1608)50V 104PF	C1608X7R1H104KT
CA27	KK04A0	CAP CE CS (1608)50V 104PF	C1608X7R1H104KT
CA28	KK04A0	CAP CE CS (1608)50V 104PF	C1608X7R1H104KT
CA29	KK04A0	CAP CE CS (1608)50V 104PF	C1608X7R1H104KT
CA30	KK04A0	CAP CE CS (1608)50V 104PF	C1608X7R1H104KT
CA47	KK04A0	CAP CE CS (1608)50V 104PF	C1608X7R1H104KT
CA48	KK04A0	CAP CE CS (1608)50V 104PF	C1608X7R1H104KT
CA49	KK04A0	CAP CE CS (1608)50V 104PF	C1608X7R1H104KT
CC11	KK04A0	CAP CE CS (1608)50V 104PF	C1608X7R1H104KT
CC12	KK04A0	CAP CE CS (1608)50V 104PF	C1608X7R1H104KT
CC14	KK04A0	CAP CE CS (1608)50V 104PF	C1608X7R1H104KT
CC17	KK04A0	CAP CE CS (1608)50V 104PF	C1608X7R1H104KT
CC22	KK04A0	CAP CE CS (1608)50V 104PF	C1608X7R1H104KT
CC23	KK04A0	CAP CE CS (1608)50V 104PF	C1608X7R1H104KT
CC25	KK04A0	CAP CE CS (1608)50V 104PF	C1608X7R1H104KT
CC26	KK04A0	CAP CE CS (1608)50V 104PF	C1608X7R1H104KT
CC27	KK04A0	CAP CE CS (1608)50V 104PF	C1608X7R1H104KT
CC28	KK04A0	CAP CE CS (1608)50V 104PF	C1608X7R1H104KT
CC29	KK04A0	CAP CE CS (1608)50V 104PF	C1608X7R1H104KT
CC30	KK04A0	CAP CE CS (1608)50V 104PF	C1608X7R1H104KT
CC31	KK04A0	CAP CE CS (1608)50V 104PF	C1608X7R1H104KT
CC32	KK04A0	CAP CE CS (1608)50V 104PF	C1608X7R1H104KT
CC33	KK04A0	CAP CE CS (1608)50V 104PF	C1608X7R1H104KT
CC34	KK04A0	CAP CE CS (1608)50V 104PF	C1608X7R1H104KT
CC35	KK04A0	CAP CE CS (1608)50V 104PF	C1608X7R1H104KT
CC36	KK04A0	CAP CE CS (1608)50V 104PF	C1608X7R1H104KT
CD11	KK04A0	CAP CE CS (1608)50V 104PF	C1608X7R1H104KT
CD12	KK04A0	CAP CE CS (1608)50V 104PF	C1608X7R1H104KT
CD25	KK04A0	CAP CE CS (1608)50V 104PF	C1608X7R1H104KT
CD26	KK04A0	CAP CE CS (1608)50V 104PF	C1608X7R1H104KT
CD27	KK04A0	CAP CE CS (1608)50V 104PF	C1608X7R1H104KT
CM11	KK04A0	CAP CE CS (1608)50V 104PF	C1608X7R1H104KT
CM13	KK04A0	CAP CE CS (1608)50V 104PF	C1608X7R1H104KT
CM14	KK04A0	CAP CE CS (1608)50V 104PF	C1608X7R1H104KT
CM15	KK04A0	CAP CE CS (1608)50V 104PF	C1608X7R1H104KT

23. Part's List (DVD Deck) MPEG PCB Ass'y

Ref No.	Part No.	Part Name	Description
CM16	KK04A0	CAP CE CS (1608)50V 104PF	C1608X7R1H104KT
CM17	KK04A0	CAP CE CS (1608)50V 104PF	C1608X7R1H104KT
CM18	KK04A0	CAP CE CS (1608)50V 104PF	C1608X7R1H104KT
CM25	KK04A0	CAP CE CS (1608)50V 104PF	C1608X7R1H104KT
CM26	KK04A0	CAP CE CS (1608)50V 104PF	C1608X7R1H104KT
CP13	KK04A0	CAP CE CS (1608)50V 104PF	C1608X7R1H104KT
CP14	KK04A0	CAP CE CS (1608)50V 104PF	C1608X7R1H104KT
CP15	KK04A0	CAP CE CS (1608)50V 104PF	C1608X7R1H104KT
CP16	KK04A0	CAP CE CS (1608)50V 104PF	C1608X7R1H104KT
CP16	KK04A0	CAP CE CS (1608)50V 104PF	C1608X7R1H104KT
CP17	KK04A0	CAP CE CS (1608)50V 104PF	C1608X7R1H104KT
CP17	KK04A0	CAP CE CS (1608)50V 104PF	C1608X7R1H104KT
CP18	KK04A0	CAP CE CS (1608)50V 104PF	C1608X7R1H104KT
CP18	KK04A0	CAP CE CS (1608)50V 104PF	C1608X7R1H104KT
CP19	KK04A0	CAP CE CS (1608)50V 104PF	C1608X7R1H104KT
CP19	KK04A0	CAP CE CS (1608)50V 104PF	C1608X7R1H104KT
CP20	KK04A0	CAP CE CS (1608)50V 104PF	C1608X7R1H104KT
CP20	KK04A0	CAP CE CS (1608)50V 104PF	C1608X7R1H104KT
CS1	KK04A0	CAP CE CS (1608)50V 104PF	C1608X7R1H104KT
CS1	KK04A0	CAP CE CS (1608)50V 104PF	C1608X7R1H104KT
CS10	KK04A0	CAP CE CS (1608)50V 104PF	C1608X7R1H104KT
CS10	KK04A0	CAP CE CS (1608)50V 104PF	C1608X7R1H104KT
CS11	KK04A0	CAP CE CS (1608)50V 104PF	C1608X7R1H104KT
CS11	KK04A0	CAP CE CS (1608)50V 104PF	C1608X7R1H104KT
CS3	KK04A0	CAP CE CS (1608)50V 104PF	C1608X7R1H104KT
CS3	KK04A0	CAP CE CS (1608)50V 104PF	C1608X7R1H104KT
CS5	KK04A0	CAP CE CS (1608)50V 104PF	C1608X7R1H104KT
CS5	KK04A0	CAP CE CS (1608)50V 104PF	C1608X7R1H104KT
CS8	KK04A0	CAP CE CS (1608)50V 104PF	C1608X7R1H104KT
CS8	KK04A0	CAP CE CS (1608)50V 104PF	C1608X7R1H104KT
CS9	KK04A0	CAP CE CS (1608)50V 104PF	C1608X7R1H104KT
CS9	KK04A0	CAP CE CS (1608)50V 104PF	C1608X7R1H104KT
CA14	YK23A0	CAP CE CS (1608)50V 121PF	MCH185A121J
CA15	YK23A0	CAP CE CS (1608)50V 121PF	MCH185A121J
CB11	YK40A0	CAP CE CS (1608)50V 18PF	C1608C0G1H180JT/MCH185A180DK
CC18	YK26A0	CAP CE CS (1608)50V 20PF	C1608C0G1H200JT/MCH185A200JK
CA19	YK29A0	CAP CE CS (1608)50V 331PF	MCH185A331J
CA38	YK29A0	CAP CE CS (1608)50V 331PF	MCH185A331J
CA39	YK29A0	CAP CE CS (1608)50V 331PF	MCH185A331J
CB18	YK29A0	CAP CE CS (1608)50V 331PF	MCH185A331J
CB12	YK20A0	CAP CE CS (1608)50V 33PF	MCH185A330JK
CB13	YK20A0	CAP CE CS (1608)50V 33PF	MCH185A330JK
CB14	YK20A0	CAP CE CS (1608)50V 33PF	MCH185A330JK
CB15	YK20A0	CAP CE CS (1608)50V 33PF	MCH185A330JK
CB16	YK20A0	CAP CE CS (1608)50V 33PF	MCH185A330JK
CB17	YK20A0	CAP CE CS (1608)50V 33PF	MCH185A330JK
CA23	YK30A0	CAP CE CS (1608)50V 391PF	MCH185CN391KK
CC16	KK10A0	CAP CE CS (1608)50V 393PF	C1608X7R1H393KT
CA21	YK31A0	CAP CE CS (1608)50V 471PF	MCH185A471J
CA22	YK31A0	CAP CE CS (1608)50V 471PF	MCH185A471J
CA40	YK31A0	CAP CE CS (1608)50V 471PF	MCH185A471J
CA42	YK31A0	CAP CE CS (1608)50V 471PF	MCH185A471J
CA43	YK31A0	CAP CE CS (1608)50V 471PF	MCH185A471J
CA44	YK31A0	CAP CE CS (1608)50V 471PF	MCH185A471J
CA45	YK31A0	CAP CE CS (1608)50V 471PF	MCH185A471J
CA46	YK31A0	CAP CE CS (1608)50V 471PF	MCH185A471J
CC21	YK31A0	CAP CE CS (1608)50V 471PF	MCH185A471J
CC20	YK34A0	CAP CE CS (1608)50V 47PF	MCH185A470JKK
CA26	DK02A0	CAP CE CS (1608)50V 561PF	MCH185A561J
CC10	UN01A0	CAP TANTAL 10V 47uF	B (3528) 10V 47uF
CC37	UN01A0	CAP TANTAL 10V 47uF	B (3528) 10V 47uF
CM22	UN01A0	CAP TANTAL 10V 47uF	B (3528) 10V 47uF
CP38	UN01A0	CAP TANTAL 10V 47uF	B (3528) 10V 47uF
CP39	UN01A0	CAP TANTAL 10V 47uF	B (3528) 10V 47uF
CP41	UN01A0	CAP TANTAL 10V 47uF	B (3528) 10V 47uF

23. Part's List (DVD Deck) MPEG PCB Ass'y

Ref No.	Part No.	Part Name	Description
CA71	YN02A0	CAP TANTAL 16V 10UF	A (3216)
CC4	YN02A0	CAP TANTAL 16V 10UF	A (3216)
CC42	YN02A0	CAP TANTAL 16V 10UF	A (3216)
CC43	YN02A0	CAP TANTAL 16V 10UF	A (3216)
CD30	YN12A0	CAP TANTAL 16V 22UF	B (3528)
CA72	YN17A0	CAP TANTAL 7V 100uF	B (3528) 7V 100uF
CA73	YN17A0	CAP TANTAL 7V 100uF	B (3528) 7V 100uF
CA74	YN17A0	CAP TANTAL 7V 100uF	B (3528) 7V 100uF
CC41	YN17A0	CAP TANTAL 7V 100uF	B (3528) 7V 100uF
CC52	YN17A0	CAP TANTAL 7V 100uF	B (3528) 7V 100uF
CC55	YN17A0	CAP TANTAL 7V 100uF	B (3528) 7V 100uF
CM21	YN17A0	CAP TANTAL 7V 100uF	B (3528) 7V 100uF
CP31	YN17A0	CAP TANTAL 7V 100uF	B (3528) 7V 100uF
CP35	YN17A0	CAP TANTAL 7V 100uF	B (3528) 7V 100uF
CP36	YN17A0	CAP TANTAL 7V 100uF	B (3528) 7V 100uF
CP37	YN17A0	CAP TANTAL 7V 100uF	B (3528) 7V 100uF
CP40	YN17A0	CAP TANTAL 7V 100uF	B (3528) 7V 100uF
JP4	UA01A0	CONT 52207-0490 (FFC)	4P 1mmP SMD ANGLE TOP
JP24	UA07A0	CONT 52435-2491	24P 0.5mmP SMD ANGLE TOP
JP11	UA02A0	CONT 52745-1190 (FFC)	11P 0.5mmP SMD ANGLE TOP
JP40	KA05A0	CONT 54104-4092 (FFC)	40P 0.5mmP SMD ANGLE TOP
DA11	UD01A0	DID /S CS RLS4148TE-11	3415 size LLDS (LL-34)
DA12	UD01A0	DID /S CS RLS4148TE-11	3415 size LLDS (LL-34)
DD13	UD01A0	DID /S CS RLS4148TE-11	3415 size LLDS (LL-34)
QA11	UT03A0	FET CS RHU002N06	ROHM
IA13	UT04A0	FET CS SM6K2	ROHM
IAO2	KI28A0	IC BA5810FP-E2	DRIVER (HSOP-28)
US1	UI14A0	IC BA6849FS	SPINDLE DRIVER (SSOP-A24)
IC12	UI13A0	IC BD5229G-TR	2.9V DETECTOR
IC13	UI15A0	IC BR24L08-W	EEPROM (SOP-8)
U1	UI19A0	IC IP1117L-18	1.8V REGULATOR-SMD (SOT-223)
IC15	UI16A0	IC K4S641632H-TI75	64M SD-RAM (SSOP-54)
IC14	KI63A0	IC M29W160ET70N6	16Mbit 3V Flash (TSOP48)
IC11	UI29A0	IC M3355 (ALI)	MAIN CHIP (TQFP-216)
	UB01A0	PCB MAIN (DMD-2002)	93X102X0.8T
DP1	UE03A0	PHOTO DIODE GL4800E0000F	2.5mm AXIAL
DP2	UE03A0	PHOTO DIODE GL4800E0000F	2.5mm AXIAL
DA13	KV20A0	RES CFCS (1608) 1/10 0	MCR03EZH J 0R0
RA15	KV20A0	RES CFCS (1608) 1/10 0	MCR03EZH J 0R0
RA21	KV20A0	RES CFCS (1608) 1/10 0	MCR03EZH J 0R0
RB24	KV20A0	RES CFCS (1608) 1/10 0	MCR03EZH J 0R0
RB27	KV20A0	RES CFCS (1608) 1/10 0	MCR03EZH J 0R0
RB33	KV20A0	RES CFCS (1608) 1/10 0	MCR03EZH J 0R0
RC16	KV20A0	RES CFCS (1608) 1/10 0	MCR03EZH J 0R0
RC18	KV20A0	RES CFCS (1608) 1/10 0	MCR03EZH J 0R0
RC46	KV20A0	RES CFCS (1608) 1/10 0	MCR03EZH J 0R0
RD12	KV20A0	RES CFCS (1608) 1/10 0	MCR03EZH J 0R0
RD15	KV20A0	RES CFCS (1608) 1/10 0	MCR03EZH J 0R0
RO3	KV20A0	RES CFCS (1608) 1/10 0	MCR03EZH J 0R0
RO4	KV20A0	RES CFCS (1608) 1/10 0	MCR03EZH J 0R0
RS4	KV20A0	RES CFCS (1608) 1/10 0	MCR03EZH J 0R0
RC13	UV12A0	RES CFCS (1608) 1/10 1.2K	MCR03EZH F 1201 (1%)
RA17	YV25A0	RES CFCS (1608) 1/10 10	MCR03EZHJ 100
RC23	YV25A0	RES CFCS (1608) 1/10 10	MCR03EZHJ 100
RA18	YV08A0	RES CFCS (1608) 1/10 100	MCR03EZH J101
RA26	YV08A0	RES CFCS (1608) 1/10 100	MCR03EZH J101
RA27	YV08A0	RES CFCS (1608) 1/10 100	MCR03EZH J101
RC40	YV08A0	RES CFCS (1608) 1/10 100	MCR03EZH J101
RC41	YV08A0	RES CFCS (1608) 1/10 100	MCR03EZH J101
RC42	YV08A0	RES CFCS (1608) 1/10 100	MCR03EZH J101
RC43	YV08A0	RES CFCS (1608) 1/10 100	MCR03EZH J101
RC44	YV08A0	RES CFCS (1608) 1/10 100	MCR03EZH J101
RC45	YV08A0	RES CFCS (1608) 1/10 100	MCR03EZH J101
RS3	KV10A0	RES CFCS (1608) 1/10 100K	MCR03EZH J 104
RA19	KV11A0	RES CFCS (1608) 1/10 10K	MCR03EZH J 103

23. Part's List (DVD Deck) MPEG PCB Ass'y

Ref No.	Part No.	Part Name	Description
RA20	KV11A0	RES CFCS (1608) 1/10 10K	MCR03EZH J 103
RB11	KV11A0	RES CFCS (1608) 1/10 10K	MCR03EZH J 103
RB12	KV11A0	RES CFCS (1608) 1/10 10K	MCR03EZH J 103
RB14	KV11A0	RES CFCS (1608) 1/10 10K	MCR03EZH J 103
RB15	KV11A0	RES CFCS (1608) 1/10 10K	MCR03EZH J 103
RC26	KV11A0	RES CFCS (1608) 1/10 10K	MCR03EZH J 103
RC27	KV11A0	RES CFCS (1608) 1/10 10K	MCR03EZH J 103
RC28	KV11A0	RES CFCS (1608) 1/10 10K	MCR03EZH J 103
RC29	KV11A0	RES CFCS (1608) 1/10 10K	MCR03EZH J 103
RD16	KV11A0	RES CFCS (1608) 1/10 10K	MCR03EZH J 103
RD17	KV11A0	RES CFCS (1608) 1/10 10K	MCR03EZH J 103
RD18	KV11A0	RES CFCS (1608) 1/10 10K	MCR03EZH J 103
RD21	KV11A0	RES CFCS (1608) 1/10 10K	MCR03EZH J 103
RM16	KV11A0	RES CFCS (1608) 1/10 10K	MCR03EZH J 103
RA28	KV03A0	RES CFCS (1608) 1/10 12K	MCR03EZHJ 123
RC11	YV33A0	RES CFCS (1608) 1/10 18	MCR03EZHJ 180
RC12	YV33A0	RES CFCS (1608) 1/10 18	MCR03EZHJ 180
RC20	YV21A0	RES CFCS (1608) 1/10 1M	MCR03EZH J105
RA29	KV07A0	RES CFCS (1608) 1/10 2.2K	MCR03EZH J222
RA33	KV07A0	RES CFCS (1608) 1/10 2.2K	MCR03EZH J222
RA34	KV07A0	RES CFCS (1608) 1/10 2.2K	MCR03EZH J222
RA35	KV07A0	RES CFCS (1608) 1/10 2.2K	MCR03EZH J222
RS9	KV07A0	RES CFCS (1608) 1/10 2.2K	MCR03EZH J222
RD22	KV08A0	RES CFCS (1608) 1/10 22K	MCR03EZH J223
RB17	DV02A0	RES CFCS (1608) 1/10 33	MCR03EZH J 330
RC24	DV02A0	RES CFCS (1608) 1/10 33	MCR03EZH J 330
RC25	DV02A0	RES CFCS (1608) 1/10 33	MCR03EZH J 330
RC30	DV02A0	RES CFCS (1608) 1/10 33	MCR03EZH J 330
RC31	DV02A0	RES CFCS (1608) 1/10 33	MCR03EZH J 330
RC32	DV02A0	RES CFCS (1608) 1/10 33	MCR03EZH J 330
RC33	DV02A0	RES CFCS (1608) 1/10 33	MCR03EZH J 330
RC34	DV02A0	RES CFCS (1608) 1/10 33	MCR03EZH J 330
RC35	DV02A0	RES CFCS (1608) 1/10 33	MCR03EZH J 330
RC36	DV02A0	RES CFCS (1608) 1/10 33	MCR03EZH J 330
RD24	DV02A0	RES CFCS (1608) 1/10 33	MCR03EZH J 330
RM11	DV02A0	RES CFCS (1608) 1/10 33	MCR03EZH J 330
RM12	DV02A0	RES CFCS (1608) 1/10 33	MCR03EZH J 330
RS7	DV02A0	RES CFCS (1608) 1/10 33	MCR03EZH J 330
RA1	YV20A0	RES CFCS (1608) 1/10 330	MCR03EZHJ 331
RD19	KV12A0	RES CFCS (1608) 1/10 33K	MCR03EZHJ 333
RA38	UV10A0	RES CFCS (1608) 1/10 390K	MCR03EZHJ394
RS1	DV10U0	RES CFCS (1608) 1/10 4.7	MCR03EZHJ 4.7 OHM
RS2	DV10U0	RES CFCS (1608) 1/10 4.7	MCR03EZHJ 4.7 OHM
RA11	KV17A0	RES CFCS (1608) 1/10 4.7K	MCR03EZH J 472
RA12	KV17A0	RES CFCS (1608) 1/10 4.7K	MCR03EZH J 472
RA14	KV17A0	RES CFCS (1608) 1/10 4.7K	MCR03EZH J 472
RA6	KV17A0	RES CFCS (1608) 1/10 4.7K	MCR03EZH J 472
RA7	KV17A0	RES CFCS (1608) 1/10 4.7K	MCR03EZH J 472
RC14	KV17A0	RES CFCS (1608) 1/10 4.7K	MCR03EZH J 472
RC15	KV17A0	RES CFCS (1608) 1/10 4.7K	MCR03EZH J 472
RC17	KV17A0	RES CFCS (1608) 1/10 4.7K	MCR03EZH J 472
RC19	KV17A0	RES CFCS (1608) 1/10 4.7K	MCR03EZH J 472
RC37	KV17A0	RES CFCS (1608) 1/10 4.7K	MCR03EZH J 472
RC39	KV17A0	RES CFCS (1608) 1/10 4.7K	MCR03EZH J 472
RD20	KV17A0	RES CFCS (1608) 1/10 4.7K	MCR03EZH J 472
RD23	KV17A0	RES CFCS (1608) 1/10 4.7K	MCR03EZH J 472
RM1	KV17A0	RES CFCS (1608) 1/10 4.7K	MCR03EZH J 472
RM17	KV17A0	RES CFCS (1608) 1/10 4.7K	MCR03EZH J 472
RA36	YV56A0	RES CFCS (1608) 1/10 43K	MCR03EZHJ 433
RA31	YV10A0	RES CFCS (1608) 1/10 470	MCR03EZHJ471
RA32	YV10A0	RES CFCS (1608) 1/10 470	MCR03EZHJ471
RA22	UV08A0	RES CFCS (1608) 1/10 5.1	MCR03EZH J 5R1
RA23	UV08A0	RES CFCS (1608) 1/10 5.1	MCR03EZH J 5R1
RC21	UV01A0	RES CFCS (1608) 1/10 6.8	MCR03EZH J 6R8
RC22	UV01A0	RES CFCS (1608) 1/10 6.8	MCR03EZH J 6R8

23. Part's List (DVD Deck) MPEG PCB Ass'y

Ref No.	Part No.	Part Name	Description
RA24	UV09A0	RES CFCS (1608) 1/10 8.2	MCR03EZH J 8R2
RA25	UV09A0	RES CFCS (1608) 1/10 8.2	MCR03EZH J 8R2
RS10	PV02A0	RES CFCS 1/4 1	MCR18EZHJW 1 OHM
RS11	PV02A0	RES CFCS 1/4 1	MCR18EZHJW 1 OHM
RL1	UV13A0	RES CFCS 1/4 270	MCR18EZHJW 271
LD11	UV07A0	RES CFCS 1/8 2	MCR10EZH J 2R0
LP19	UV07A0	RES CFCS 1/8 2	MCR10EZH J 2R0
SW2	US10A0	SWH DETACT (SPVE110600)	2mm SIZE TYPE B
QA12	UT01A0	TR CS 2SB1132T100Q	SOT-89
QA13	UT01A0	TR CS 2SB1132T100Q	SOT-89
X-TAL	UZ04A0	X-TAL 27MHz (SMD,L=3.2)	STM-27.000-18-H3

24. Part's List / Packing

Ref No.	Part No.	Part Name	Description
	Y477B1	ASS'Y PACKING	DAV-737D (MYSTERY)
	PG09A0	BAG POLY SRW	0.05TX80X100
	TX16B0	BKT MOUNT (PRO)	SECC1.0TX205X31.5
	3275	SECC 1.0T(S)-DR	SLITTING
	1535	SECC 1.0T-DPYE	KS-SECC-8
	TZ42A0	SILICAGEL	
	WG16A0	BAG POLY MANUAL	200X300 0.04T
	YA43A0	CABLE MINI DIN 8P 1.5M	DAV-720D (TV BOX)
	YA44C0	CONT 20P PWR ASS'Y	DAV-727D (NAKAMICHI)
	YGA3A0	STICKER ROUND	DAV-737D (MYSTERY)
	YG30A0	BOX PAPER UPPER UNDER	TYPE SNOW BOX (DAV-720D)
	YG33A0	LBL WARNING	DAV-720D
	YG34A0	LBL CAUTION	DAV-720D
	YG37A0	POLY AIR	180X900
	YG42A0	BOX INNER 'L', 'R'	DAV-720D
	YG91C0	BOX GIFT	DAV-737D (MYSTERY)
	YG92C0	MANUAL (ENGLISH, RUSSIAN)	DAV-737D (MYSTERY)
	YG93C0	LBL SET	DAV-737D (MYSTERY)
	YG94B0	BOX C/T	DAV-737D (MYSTERY)
	YI76A0	TRIM RING (DAV-720D)	ABS BLACK/BLACK SPRAY
	YI76C0	TRIM RING	DAV-720D
	XX81C0	PC	3022 IR
	YJ04B0	ANT DIVERSITY (2EA)	STANDARD (DAV-720D)
	YZ37B0	TAPE PROTECTION LCD (MYST	144X86X0.25T
	YZ38A0	SET PROTECTION VELT	50X600
	2203	P/BAG SET	0.03X250X400

25. Specifications

DVD Player	Frequency response: 10Hz-20kHz Channel separation @ 1kHz: >65dB D/A converter: 24 Bit
FM Tuner	Tuning range: 87.5MHz-108MHz Usable sensitivity: 8.5dBf 50dB quieting sensitivity: 10dBf Stereo separation @ 1kHz: 40dB Frequency response: 30Hz-13kHz
AM Tuner	Tuning range: 522kHz-1620kHz Usable sensitivity: 22uV Frequency response: 30Hz-2.2kHz
Monitor	Panel size: 7" (177.8 mm) diagonal measurement View angle (up/down/left/right): 45/60/65/6 Resolution: 800 x R.G.B x 480 Brightness (cd/m ²): 400 Contrast ratio: 200:1 Elements: 1,152,000
General	Operating voltage: 11-16 VDC, negative ground Speaker output impedance: 4~8 ohms Line output voltage: 2 Volts Line output impedance: 200 ohms Chassis dimensions: 7" x 7" x 2" (178 x 178 x 51 mm)

Design and specifications subject to change without notice.



CEA-2006 Power Standard Specifications
(reference: 14.4VDC +/- 0.2V, 20Hz~20kHz)

Power Output: 18Watts RMS x 4 channels at 4 ohms and 1% THD+N
Signal to Noise Ratio: 80dB (reference: 1 watt into 4 ohms)