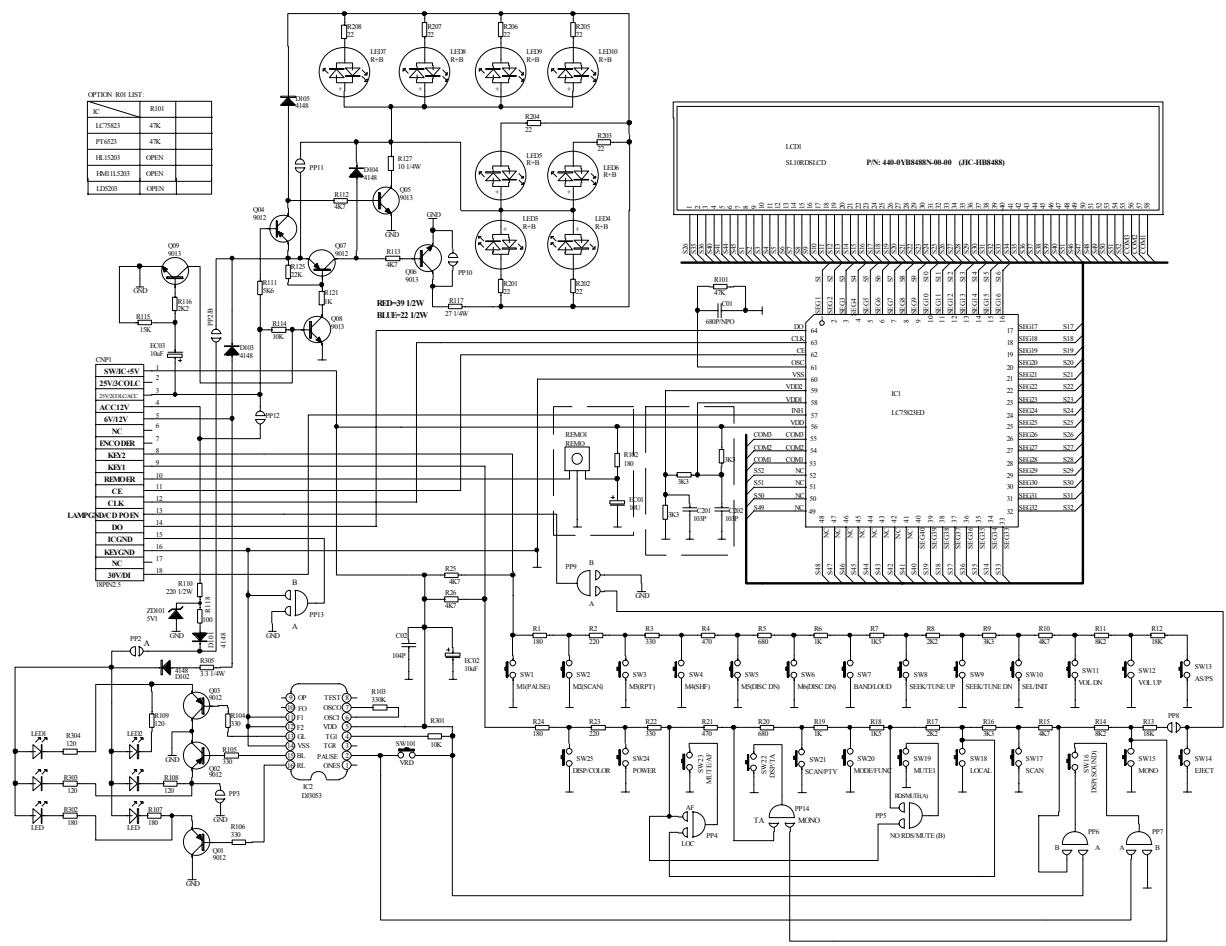


OPEN RES LIST:

K	R101	
LC7883	47K	
PT6023	47K	
HL5203	OPEN	
FM01L5203	OPEN	
LX203	OPEN	



IC1 PIN LIST:

1	SW1/SW18
2	2V/3V/OLC
3	2V/3V/OLC
4	AC CLK
5	5V/TV
6	NC
7	ENC ODR
8	BN2
9	BN1
10	REMEMBER
11	CLK
12	CE
13	CLK
14	DO
15	IC/GND
16	REV/GND
17	NC
18	30V/BI