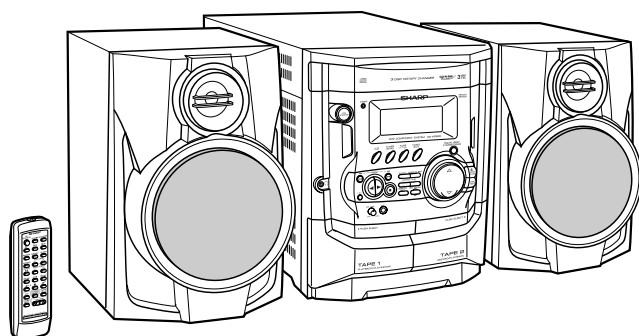


# SHARP SERVICE MANUAL

No. S6245CDXP200W



## MINI COMPONENT SYSTEM

# MODEL CD-XP200W

CD-XP200W Mini Component System consisting of CD-XP200W (main unit) and CP-XP200 (speaker system).



- In the interests of user-safety the set should be restored to its original condition and only parts identical to those specified be used.

## CONTENTS

	Page
SAFETY PRECAUTION FOR SERVICE MANUAL .....	2
VOLTAGE SELECTION .....	2
AC POWER SUPPLY CORD AND AC PLUG ADAPTOR .....	2
SPECIFICATIONS .....	3
NAMES OF PARTS .....	4
DISASSEMBLY .....	6
REMOVING AND REINSTALLING THE MAIN PARTS .....	9
ADJUSTMENT .....	10
NOTES ON SCHEMATIC DIAGRAM .....	14
TYPES OF TRANSISTOR AND LED .....	14
BLOCK DIAGRAM .....	15
SCHEMATIC DIAGRAM / WIRING SIDE OF P.W.BOARD .....	18
VOLTAGE .....	36
WAVEFORMS OF CD CIRCUIT .....	37
TROUBLESHOOTING .....	38
FUNCTION TABLE OF IC .....	42
FL DISPLAY .....	50
REPLACEMENT PARTS LIST/EXPLODED VIEW	

## SAFETY PRECAUTION FOR SERVICE MANUAL

### WARNINGS

THE AEL (ACCESSIBLE EMISSION LEVEL) OF THE LASER POWER OUTPUT IS LESS THAN CLASS 1 BUT THE LASER COMPONENT IS CAPABLE OF EMITTING RADIATION EXCEEDING THE LIMIT FOR CLASS 1. THEREFORE IT IS IMPORTANT THAT THE FOLLOWING PRECAUTIONS ARE OBSERVED DURING SERVICING TO PROTECT YOUR EYES AGAINST EXPOSURE TO THE LASER BEAM.

**1-WHEN THE CABINET IS REMOVED, THE POWER IS TURNED ON WITHOUT A COMPACT DISC IN POSITION AND THE PICKUP IS ON THE OUTER EDGE THE LASER WILL LIGHT FOR SEVERAL SECONDS TO DETECT A DISC. DO NOT LOOK INTO THE PICKUP LENS.**

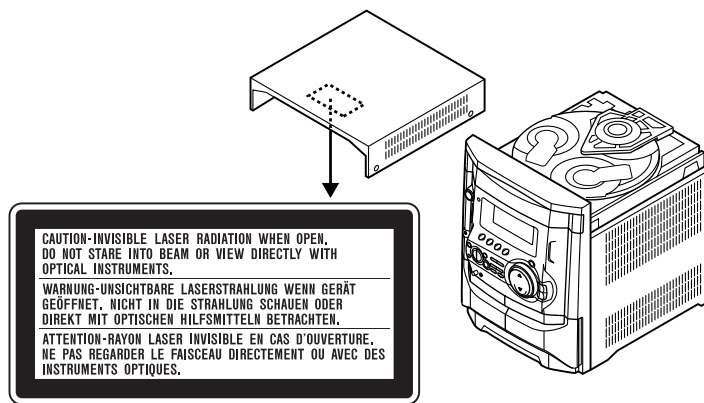
**2-THE LASER POWER OUTPUT OF THE PICKUP UNIT AND REPLACEMENT SERVICE PARTS ARE ALL FACTORY PRESET BEFORE SHIPMENT.**

**DO NOT ATTEMPT TO READJUST THE LASER PICKUP UNIT DURING REPLACEMENT OR SERVICING.**

**3-UNDER NO CIRCUMSTANCES STARE INTO THE PICKUP LENS AT ANY TIME.**

**4-CAUTION-USE OF CONTROLS OR ADJUSTMENTS, OR PERFORMANCE OF PROCEDURES OTHER THAN THOSE SPECIFIED HEREIN MAY RESULT IN HAZARDOUS RADIATION EXPOSURE.**

Laser Diode Properties  
 Material: GaAlAs  
 Wavelength: 780 nm  
 Emission Duration: continuous  
 Laser Output: max. 0.6 mW



### VOLTAGE SELECTION

Before operating the unit on mains, check the preset voltage. If the voltage is different from your local voltage, adjust the voltage as follows.

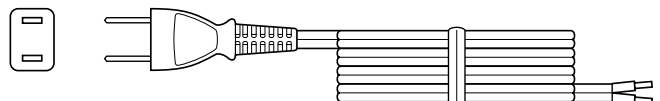
Turn the selector with a screwdriver until the appropriate voltage number appears in the window (110 V, 127 V, 220 V or 230 V - 240 V AC).

### AC POWER SUPPLY CORD AND AC PLUG ADAPTOR

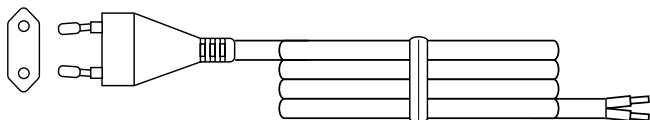
QACCA0003AW00



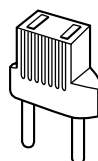
QACCZ0007AW00



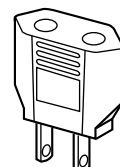
QACCE0012AW00



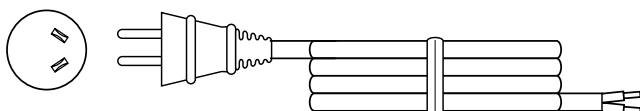
QPLGA0003AWZZ



QPLGA0004AWZZ



QACCL0005AW00



FOR A COMPLETE DESCRIPTION OF THE OPERATION OF THIS UNIT, PLEASE REFER TO THE OPERATION MANUAL.

## SPECIFICATIONS

### CD-XP200W

#### ■ General

Power source	AC 110/127/220/230 - 240 V, 50/60 Hz
Power consumption	133 W
Dimensions	Width: 270 mm (10-5/8") Height: 330 mm (13") Depth: 355 mm (13-15/16")
Weight	7.4 kg (16.3 lbs.)

#### ■ Amplifier

Output power	MPO: 240 W (120 W + 120 W) (10 % T.H.D.) RMS: 150 W (75 W + 75 W) (10 % T.H.D.) RMS: 104 W (52 W + 52 W) (0.9 % T.H.D.)
Output terminals	Speakers: 6 ohms Headphones: 16 - 50 ohms (recommended: 32 ohms)
Input terminals	Video/Auxiliary (audio signal): 500 mV/47 k ohms Microphone: 1 mV/600 ohms

#### ■ CD player

Type	3-disc multi-play compact disc player
Signal readout	Non-contact, 3-beam semiconductor laser pickup
D/A converter	1-bit D/A converter
Frequency response	20 - 20,000 Hz
Dynamic range	90 dB (1 kHz)

#### ■ Tuner

Frequency range	FM: 88 - 108 MHz AM: 531 - 1,602 kHz
-----------------	---

#### ■ Cassette deck

Frequency response	50 - 14,000 Hz (Normal tape)
Signal/noise ratio	55 dB (TAPE 1, playback) 50 dB (TAPE 2, recording/playback)
Wow and flutter	0.3 % (WRMS)

### CP-XP200

Type	2-way type speaker system 5 cm (2") Tweeter 13 cm (5-1/8") Woofer
Maximum input power	150 W
Rated input power	75 W
Impedance	6 ohms
Dimensions	Width: 220 mm (8-11/16") Height: 330 mm (13") Depth: 222 mm (8-6/8")
Weight	3.0 kg (6.6 lbs.)/each

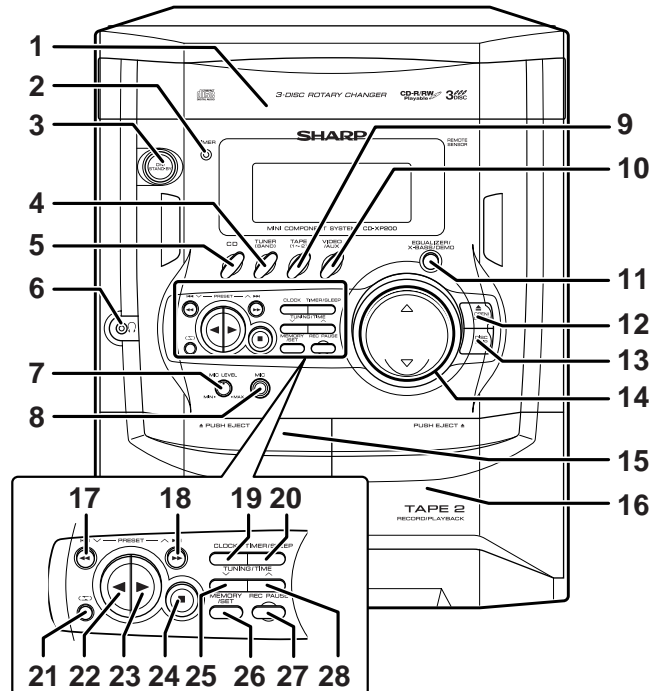
Specifications for this model are subject to change without prior notice.

## NAMES OF PARTS

### CD-XP200W

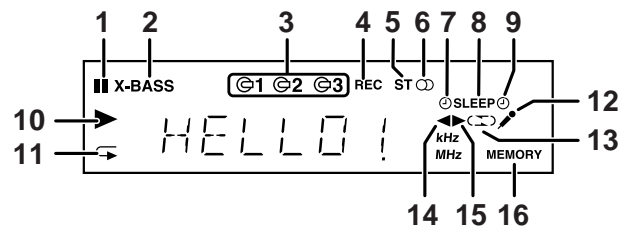
#### ■ Front panel

1. Disc Tray
2. Timer Set Indicator
3. On/Stand-by Button
4. Tuner (Band) Button
5. CD Button
6. Headphone Socket
7. Microphone Level Control
8. Microphone Socket
9. Tape (1 – 2) Button
10. Video/Auxiliary Button
11. Equaliser Mode Select/Extra Bass/Demo Mode Button
12. Disc Tray Open/Close Button
13. Disc Skip Button
14. Volume Up and Down Buttons
15. Tape 1 Cassette Compartment
16. Tape 2 Cassette Compartment
17. CD Track Down or Fast Reverse, Tape 2 Fast Wind, Tuner Preset Down Button
18. CD Track Up or Fast Forward, Tape 2 Fast Wind, Tuner Preset Up Button
19. Clock Button
20. Timer/Sleep Button
21. Tape 2 Reverse Mode Select Button
22. Tape 2 Reverse Play Button
23. CD Play or Repeat, Tape 1 Play, Tape 2 Forward Play Button
24. CD or Tape Stop Button
25. Tuning and Time Down Button
26. Memory/Set Button
27. Tape 2 Record Pause Button
28. Tuning and Time Up Button



#### ■ Display

1. CD Pause Indicator
2. Extra Bass Indicator
3. Disc Number Indicators
4. Tape 2 Record Indicator
5. FM Stereo Mode Indicator
6. FM Stereo Receiving Indicator
7. Timer Play Indicator
8. Sleep Indicator
9. Timer Recording Indicator
10. CD Play Indicator
11. CD Repeat Play Indicator
12. Karaoke Mode Indicator
13. Tape Reverse Mode Indicator
14. Tape 2 Reverse Play Indicator
15. Tape 1 Play or Tape 2 Forward Play Indicator
16. Memory Indicator

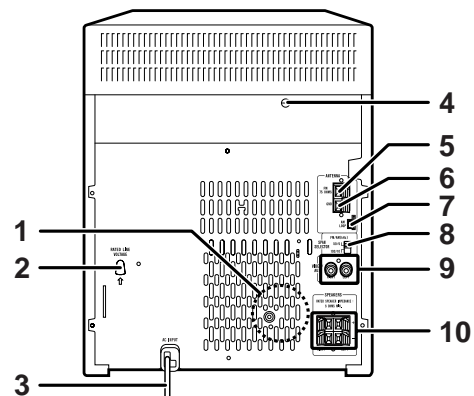


#### ■ Rear panel

1. Cooling Fan
2. AC Voltage Selector
3. AC Power Lead
4. Transport Screw
5. FM 75 Ohms Aerial Terminal
6. FM Aerial Earth Terminal
7. AM Loop Aerial Socket
8. Span Selector Switch
9. Video/Auxiliary (Audio Signal) Input Sockets
10. Speaker Terminals

#### Note:

This product is equipped with a cooling fan inside, which begins to run at a specified volume level for better heat radiation.

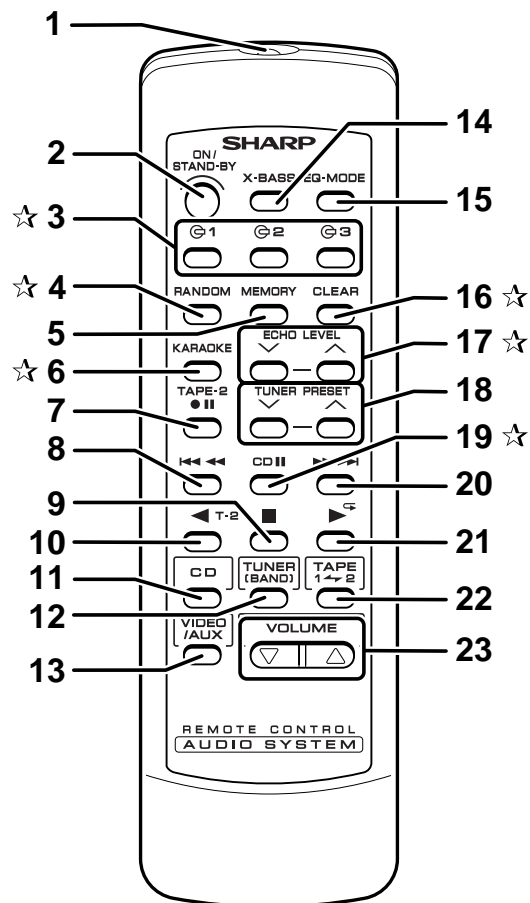


**CD-XP200W**

**Remote control**

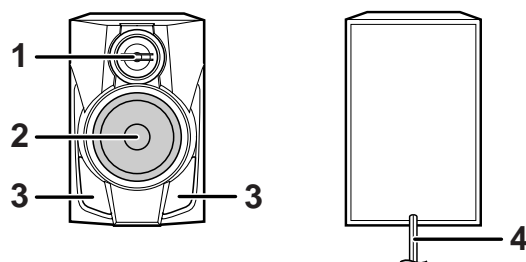
1. Remote Control Transmitter
2. On/Stand-by Button
3. Disc Number Select Buttons
4. CD Random Button
5. CD Memory Button
6. Karaoke Mode Button
7. Tape 2 Record Pause Button
8. CD Track Down or Fast Reverse, Tape 2 Fast Wind Button
9. CD or Tape Stop Button
10. Tape 2 Reverse Play Button
11. CD Button
12. Tuner (Band) Button
13. Video/Auxiliary Button
14. Extra Bass Button
15. Equaliser Mode Select Button
16. CD Clear Button
17. Echo Level Up and Down Buttons
18. Tuner Preset Up and Down Buttons
19. CD Pause Button
20. CD Track Up or Fast Forward, Tape 2 Fast Wind Button
21. CD Play or Repeat, Tape 1 Play, Tape 2 Forward Play Button
22. Tape (1 → 2) Button
23. Volume Up and Down Buttons

Buttons with "☆" mark in the illustration can be operated on the remote control only.



**CP-XP200**

1. Tweeter
2. Woofer
3. Bass Reflex Duct
4. Speaker Wire



## DISASSEMBLY

### Caution on Disassembly

Follow the below-mentioned notes when disassembling the unit and reassembling it, to keep it safe and ensure excellent performance:

1. Take cassette tape and compact disc out of the unit.
2. Be sure to remove the power supply plug from the wall outlet before starting to disassemble the unit.
3. Take off nylon bands or wire holders where they need to be removed when disassembling the unit. After servicing the unit, be sure to rearrange the leads where they were before disassembling.
4. Take sufficient care on static electricity of integrated circuits and other circuits when servicing.

### CD-XP200W

STEP	REMOVAL	PROCEDURE	FIGURE
1	Top Cabinet	1. Screw ..... (A1) x4	6-1
2	Side Panel (Left/Right)	1. Screw ..... (B1) x8	6-1
3	CD Tray Cover/ CD Player Unit	1. Turn on the power supply, open the disc tray, take out the CD tray cover, and close. (Note 1) 2. Screw ..... (C1) x1 3. Hook ..... (C2) x3 4. Hook ..... (C3) x2 5. Socket ..... (C4) x2	6-2
4	Rear Panel with Fan Motor	1. Screw ..... (D1) x12 2. Socket ..... (D2) x1	6-2
5	Main PWB	1. Screw ..... (E1) x4 2. Socket ..... (E2) x4 3. Flat Cable ..... (E3) x1 4. Flat Wire ..... (E4) x1	6-2, 7-1 7-1
6	Front Panel	1. Screw ..... (F1) x2 2. Hook ..... (F2) x2 3. Socket ..... (F3) x1	7-1
7	Mic PWB	1. Screw ..... (G1) x2 2. Tip Wire ..... (G2) x1	7-1
8	Display PWB	1. Screw ..... (H1) x12 2. Flat Cable ..... (H2) x1	7-2
9	Tape Mechanism	1. Open the cassette holder. 2. Screw ..... (J1) x5	7-2
10	Headphones PWB	1. Screw ..... (K1) x1	7-2
11	Turntable	1. Hook ..... (L1) x2 2. Cover ..... (L2) x1	7-3
12	Loading Tray	1. Turn fully the lock lever in the arrow direction. 2. Push the loading tray backward to engage the claw with the groove and remove it in the direction of the arrow. (M1) x6	6-3 7-4
13	CD Servo PWB (Note 2)	1. Screw ..... (N1) x2 2. Hook ..... (N2) x1 3. Socket ..... (N3) x4	7-5
14	CD Mechanism	1. Hook ..... (P1) x2 2. Hook ..... (P2) x2	7-6

**Note 1:** How to open the changer manually. (Fig. 6-3)

1. In this state, turn fully the lock lever in the arrow direction through the hole on the loading tray bottom.
2. After that, push forward the loading tray.

**Note 2:**

1. After removing the connector for the optical pickup from the connector, wrap the conductive aluminium foil around the front end of the connector so as to protect the optical pickup from electrostatic damage.

### CD-XP200W

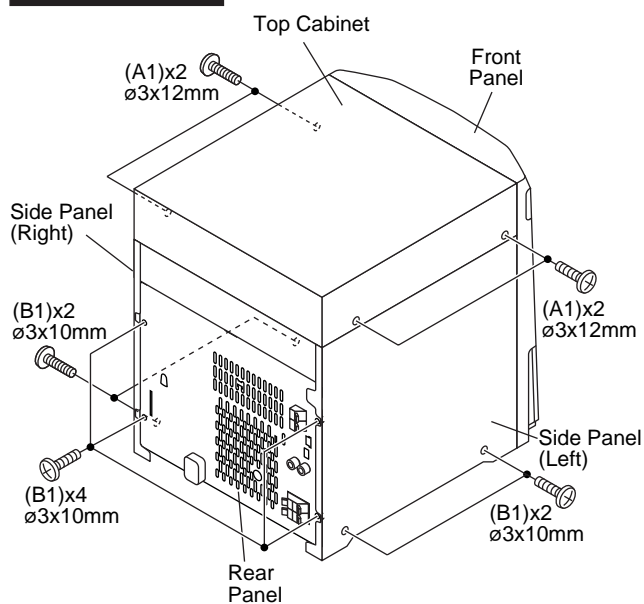


Figure 6-1

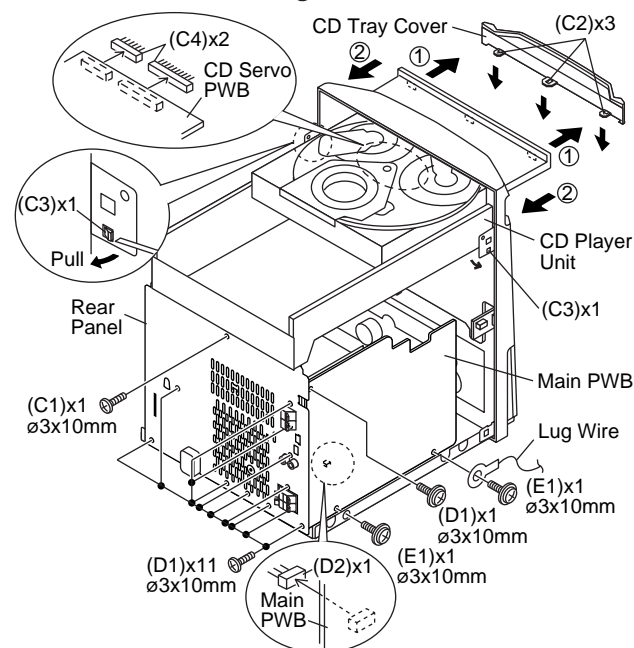


Figure 6-2

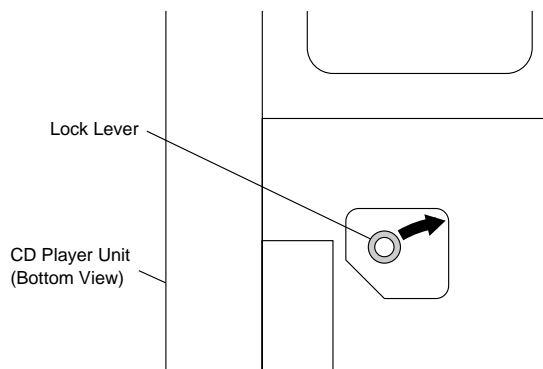


Figure 6-3

**Note 3:**

1. Be careful not to break the claw of the CD mechanism.
2. When fining back the cam gear assembly, let it lock by front movement.

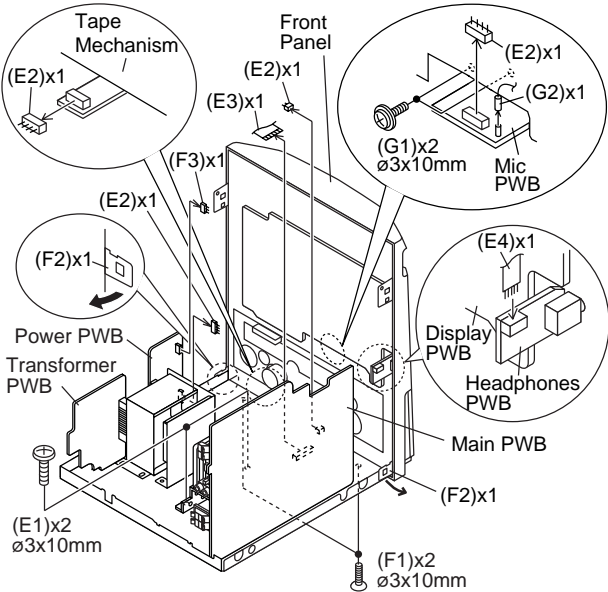


Figure 7-1

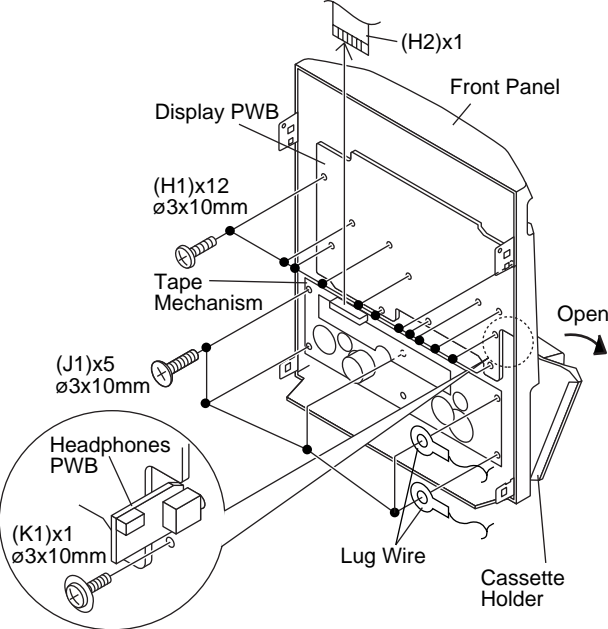


Figure 7-2

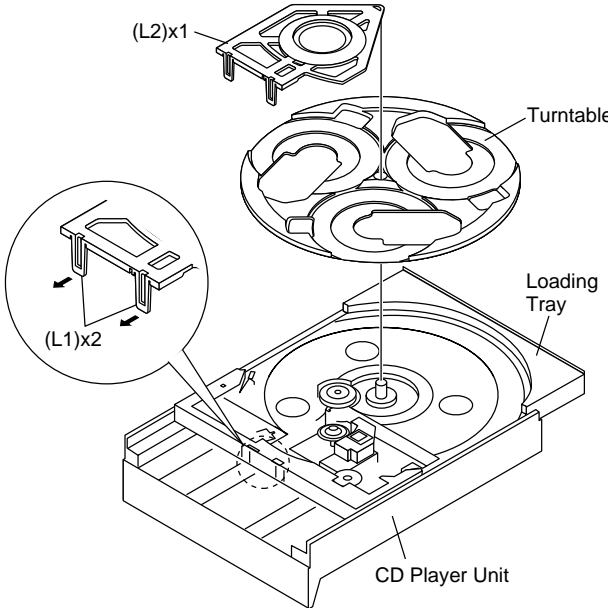


Figure 7-3

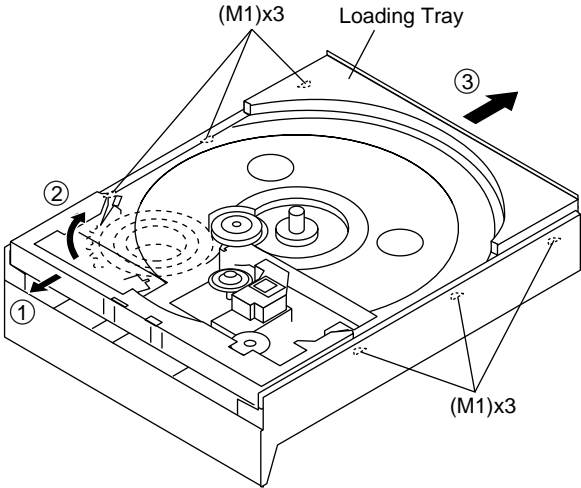


Figure 7-4

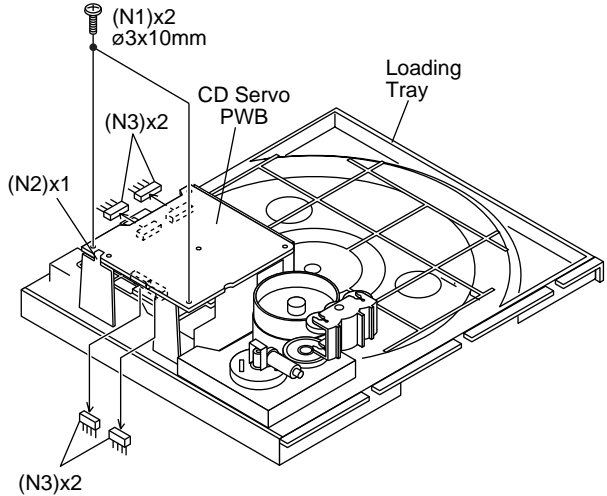


Figure 7-5

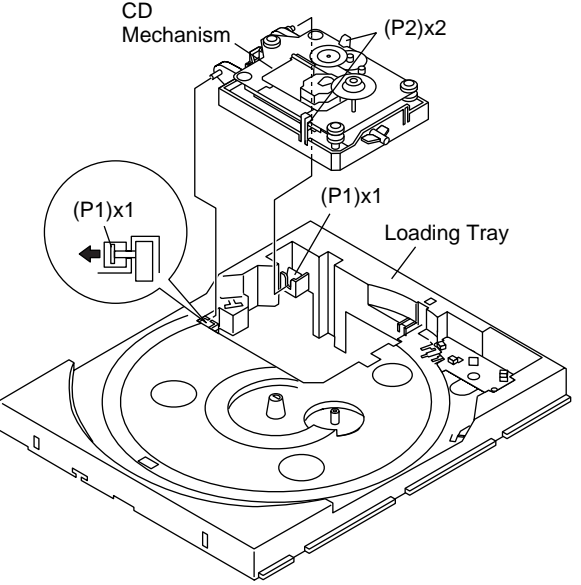


Figure 7-6

# CD-XP200W

CP-XP200			
STEP	REMOVAL	PROCEDURE	FIGURE
1	Woofers	1. Front Panel ..... (A1) x1	8-1
		2. Screw ..... (A2) x4	8-2
2	Tweeter	1. Screw ..... (B1) x2	8-2

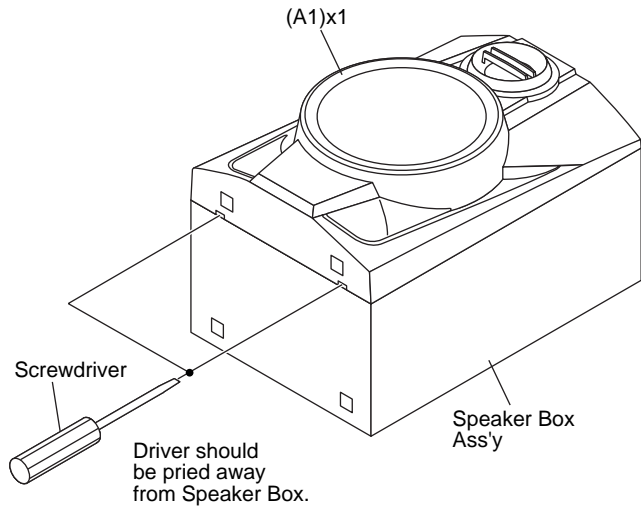


Figure 8-1

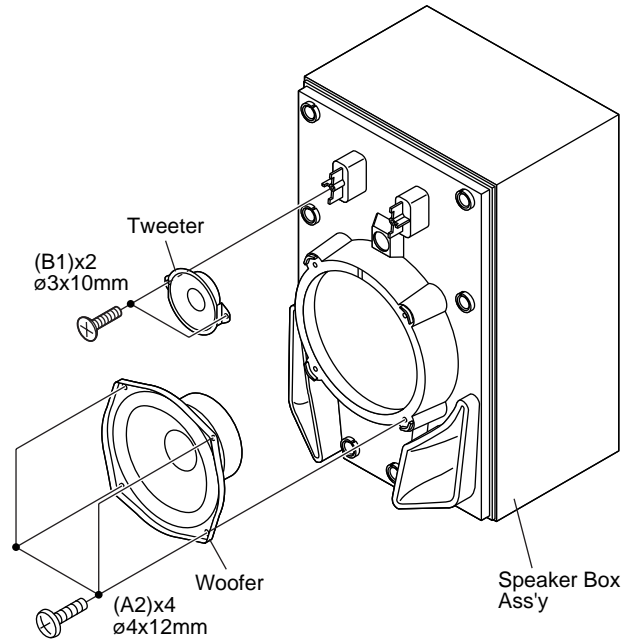


Figure 8-2



## REMOVING AND REINSTALLING THE MAIN PARTS

### TAPE MECHANISM SECTION

Perform steps 1 to 6 and 9 of the disassembly method to remove the tape mechanism.

#### How to remove the record/playback and erase heads (TAPE 2) (See Fig. 9-1)

1. When you remove the screws (A1) x 2 pcs., the record/playback head and three-dimensional head of the erasing head can be removed.

#### How to remove the playback head (TAPE 1) (See Fig. 9-2)

1. When you remove the screws (B1) x 2 pcs., the playback head can be removed.

#### How to remove the pinch roller (TAPE 1/2) (See Fig. 9-3)

1. Carefully bend the pinch roller pawl in the direction of the arrow <A>, and remove the pinch roller (C1) x 1 pc., in the direction of the arrow <B>.

**Note:**

When installing the pinch roller, pay attention to the spring mounting position.

#### How to remove the belt (TAPE 2) (See Fig. 9-4)

1. Remove the main belt (D1) x 1 pc., from the tape motor side.
2. Remove the FF/REW belt (D2) x 1 pc.

#### How to remove the belt (TAPE 1) (See Fig. 9-4)

1. Remove the main belt (E1) x 1 pc., from the tape motor side.
2. Remove the FF/REW belt (E2) x 1 pc.

#### How to remove the tape motor (See Fig. 9-5)

1. Remove the screws (F1) x 2 pcs., to remove the tape motor.

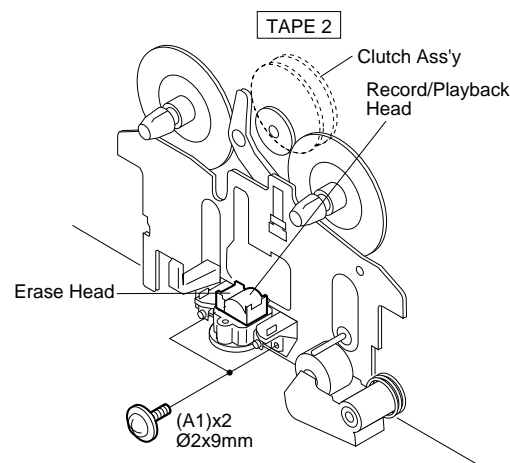


Figure 9-1

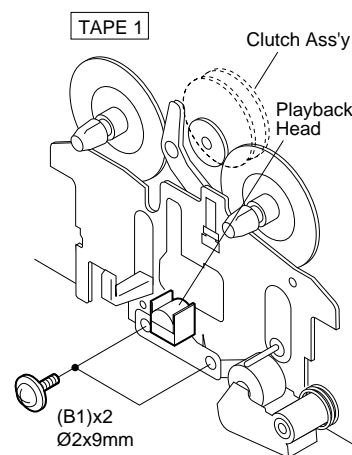


Figure 9-2

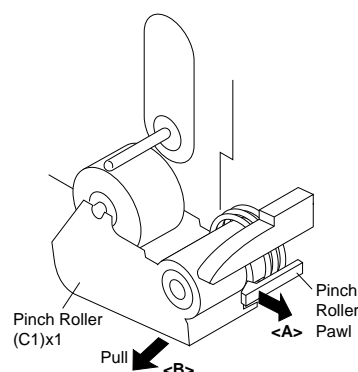


Figure 9-3

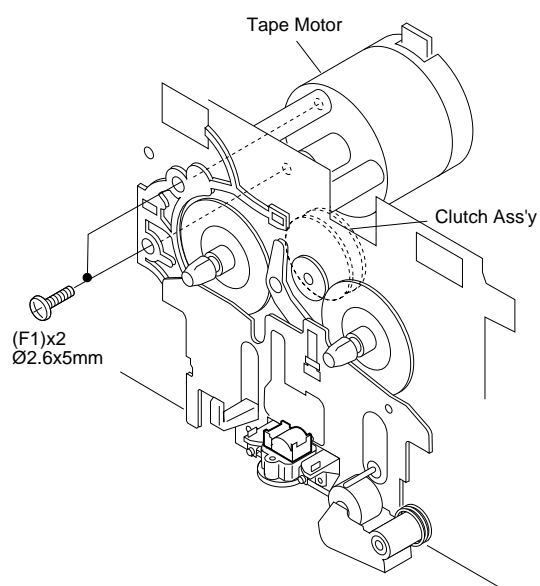


Figure 9-5

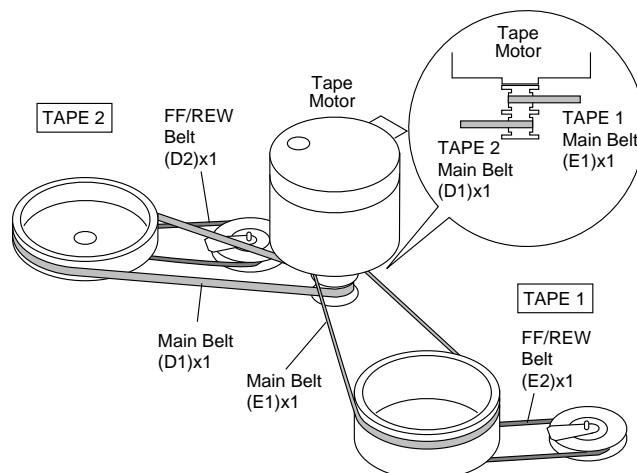


Figure 9-4

## CD-XP200W

### CD MECHANISM SECTION

Perform steps 1, 2, 3, 11, 12, 13 and 14 of the disassembly method to remove the CD mechanism.

#### How to remove the loading motor (See Fig. 10-1)

1. Remove the screw (A1) x 1 pc., to bend the hooks (A2) x 5 pcs., to remove the loading motor.

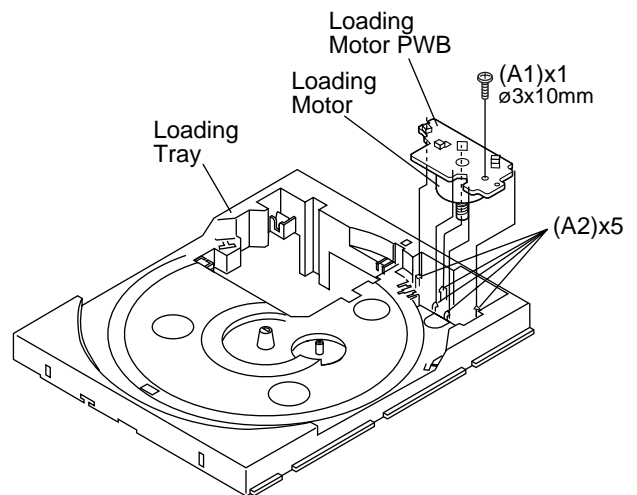


Figure 10-1

#### How to remove the pickup (See Fig. 10-2)

1. Remove the stop washer (B1) x 1 pc., to remove the gear (B2) x 1 pc.
2. Remove the screws (B3) x 2 pcs., to remove the shaft (B4) x 1 pc.
3. Remove the pickup.

#### Note

After removing the connector for the optical pickup from the connector wrap the conductive aluminium foil around the front end of connector so as to protect the optical pickup from electrostatic damage.

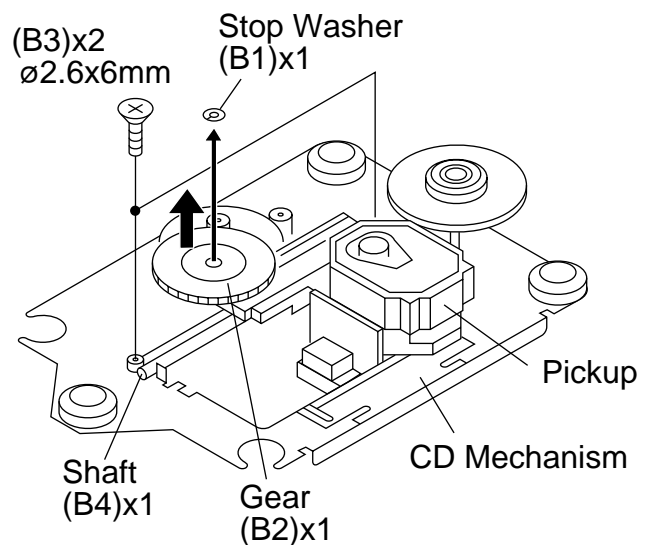


Figure 10-2

## ADJUSTMENT

### MECHANISM SECTION

#### • Driving Force Check

Torque Meter	Specified Value
Play: TW-2111	Tape 1: Over 80 g Tape 2: Over 80 g

#### • Torque Check

Torque Meter	Specified Value	
	Tape 1	Tape 2
Play: TW-2111	30 to 80 g.cm	30 to 80 g.cm
Fast forward: TW-2231	—	70 to 180 g.cm
Rewind: TW-2231	—	70 to 180 g.cm

#### • Tape Speed

	Test Tape	Adjusting Point	Specified Value	Instrument Connection
Normal speed	MTT-111	Variable Resistor in motor.	3,000 ± 30 Hz	Speaker Terminal (Load resistance: 6 ohms)

### TAPE MECHANISM

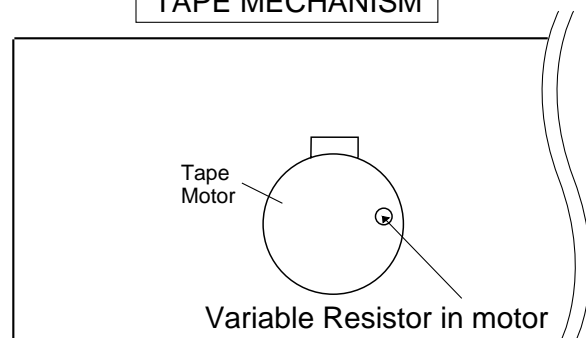


Figure 10-3

### TUNER SECTION

fL: Low-range frequency  
fH: High-range frequency

#### • AM IF/RF

Signal generator: 400 Hz, 30%, AM modulated

Test Stage	Frequency	Frequency Display	Setting/ Adjusting Parts	Instrument Connection
AM IF	450 kHz	1,602 kHz	T351	*1
AM Band Coverage	—	531 kHz	(fL): T306 1.1 ± 0.1 V	*2
AM Tracking	990 kHz	990 kHz	(fL): T303	*1

\*1. Input: Antenna Output: TP302  
\*2. Input: Antenna Output: TP301

#### • FM RF

Signal generator: 1 kHz, 40 kHz dev., FM modulated

Test Stage	Frequency	Frequency Display	Setting/ Adjusting Point	Instrument Connection
FM Band Coverage	—	87.50 MHz	T301 (fL): 1.3 V ± 0.1 V	*1
FM RF	98.00 MHz (10-30 dB)	98.00 MHz	L312	*2

\*1. Input: Antenna Output: TP301  
\*2. Input: Antenna Output: Speaker terminal

#### • FM IF

Signal generator: 10.7 MHz, FM modulated

Test Stage	Frequency	Frequency Display	Setting/ Adjusting Point	Instrument Connection
IF	10.7 MHz	98 MHz	T302 (Turn the core of transformer T302 fully counter-clock wise)	*1

\*1. Input: Antenna Output: TP301

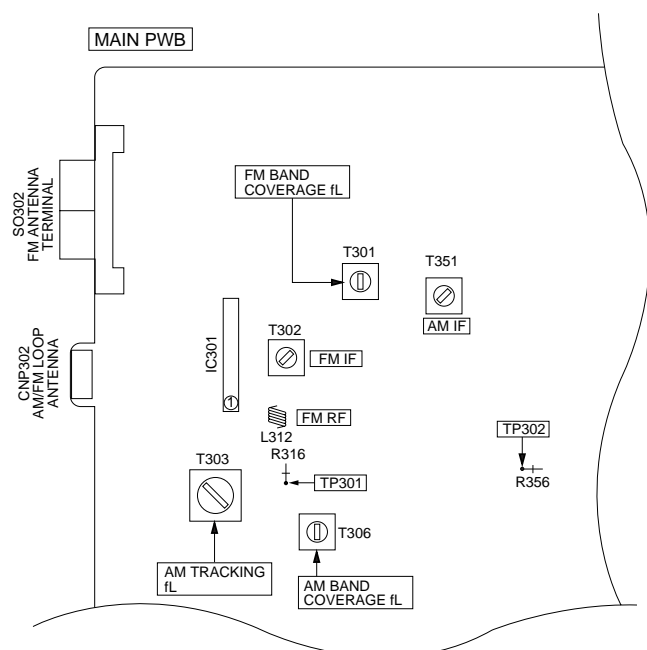


Figure 11-1 ADJUSTMENT POINTS

### CD SECTION

#### • Adjustment

Since this CD system incorporates the following automatic adjustment functions, readjustment is not needed when replacing the pickup. Therefore, different PWBs and pickups can be combined freely.

Each time a disc is changed, these adjustments are performed automatically. Therefore, playback of each disc can be performed under optimum conditions.

#### Items adjusted automatically

- Offset adjustment (The offset voltage between the head amplifier output and the VREF reference voltage is compensated inside the IC.)
  - \* Focus offset adjustment
  - \* Tracking offset adjustment
- Tracking balance adjustment (waveform drawing Fig. 11-2 EFBL)
- Gain adjustment (The gain is compensated inside the IC so that the loop gain at the gain crossover frequency will be 0 dB.)
  - \* Focus gain adjustment
  - \* Tracking gain adjustment

### CD ERROR CODE DESCRIPTION

Error	Explanation
01	When Pickup set inner position, inner switch cannot detect 'ON' level for 10 secs.
10*	When tray moves to Open/Close, Open/Close switch cannot detect 'ON' level for 7 secs. When disc table rotate to target position. Clamp switch cannot detect 'ON' level for 7 secs.
11*	When disc table set to Disc1 position for 1 st time, "CLAMP SW", "DISC NO SW" and "OPEN/CLOSE" cannot detect 'ON' level for 14 secs.
31	When it changes to CD function, DSP cannot read initial data.

#### \* 'CHECKING'

If Error is detected, 'CHECKING' will be display instead of 'ER-CD\*\*' display. 'ER-CD\*\*' display will only be display when error had been detected for the 5 th times.

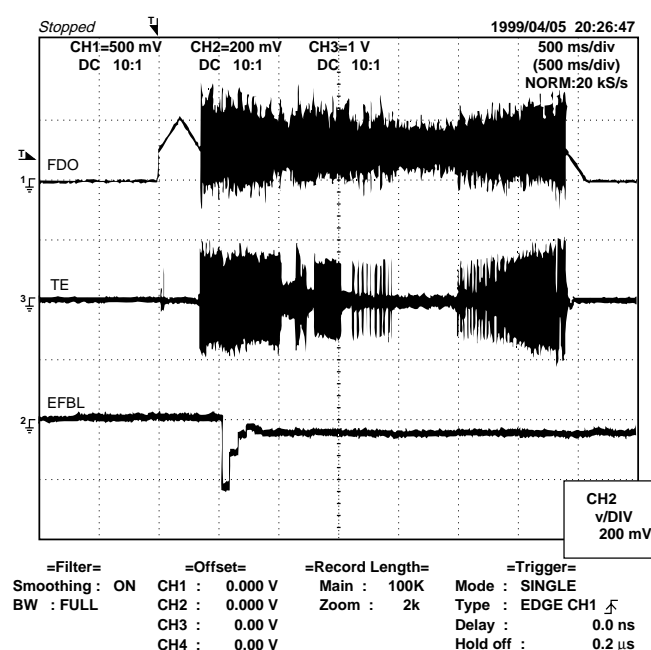


Figure 11-2

# CD-XP200W

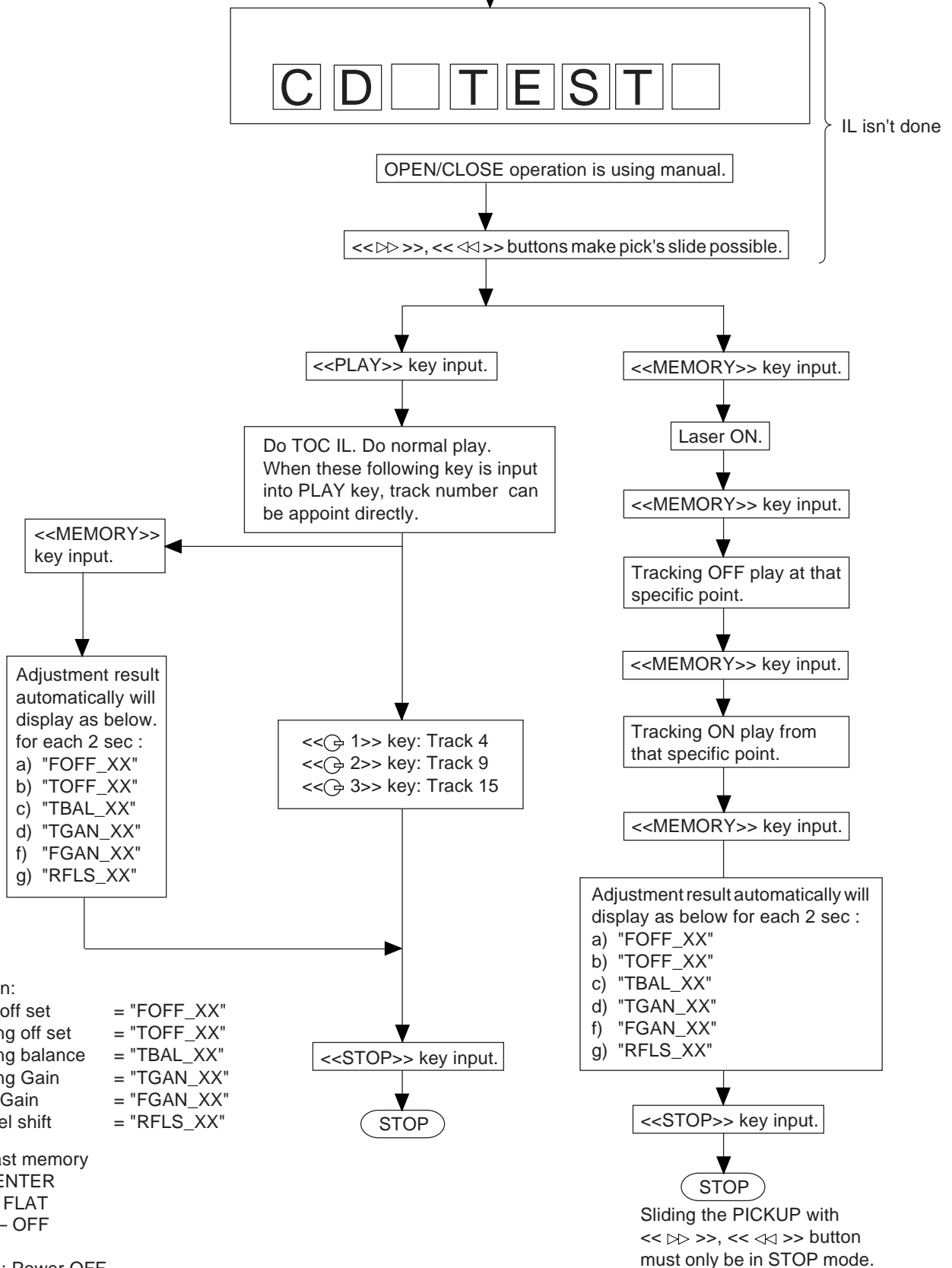
## TEST MODE

### • Setting the test mode

Any one of test mode can be set by pressing several keys as follows.

<X-BASS> + <CD> + <POWER> TEST: CD operation test.

Function: -CD test mode.  
-Enter test mode.



## Standard Specification of Stereo System Error Message Display Contents

Error Contents		DISPLAY	Notes
TAPE	Mechanism Error.	'ER-TA**'	00: Tape Mechanism Error. 01: Initial Error.
CD	Pickup Mechanism Error.	'ER-CD**'	01: PU-IN SW Detection NG.
	CD Changer Mechanism Error.	'ER-CD**' (* )	10: Changer Error. 11: Initial Error.
	CD DSP Communication Error	'ER-CD**'	31: DSP COMMUNICATION ERROR
	Focus Not Match.	'NO DISC'	
	IL Time Over.	'NOT READ'	
TUN	PLL Unlock.	'ER-TU**'	00: TUN Error. 01: PLL Unlock.

(\* ) CHECKING:

If CD changer mechanism error is detected, 'CHECKING' will be display instead of 'ER-CD\*\*' display 'ER-CD\*\*' will only be display when CD changer mechanism error had been detected for the 5 th times.

### Speaker abnormal detection and +B PROTECTION display

In case speaker abnormal detection or +B PROTECTION had occurred, it can be check by pressing 'POWER', 'VIDEO' and 'X-BASS' key twice. Display will show "S\*\* B\*\*". S is referring to speaker abnormal detection and B is referring to +B PROTECTION. \*\* is in hex valve.

+B PROTECTION is condition when irregular process occur on power supply line.

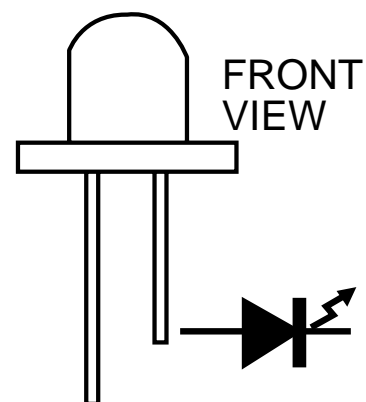
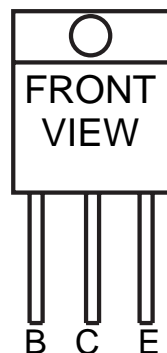
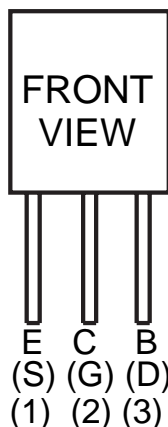
## NOTES ON SCHEMATIC DIAGRAM

- Resistor:  
To differentiate the units of resistors, such symbol as K and M are used: the symbol K means 1000 ohm and the symbol M means 1000 kohm and the resistor without any symbol is ohm-type resistor. Besides, the one with "Fusible" is a fuse type.
- Capacitor:  
To indicate the unit of capacitor, a symbol P is used: this symbol P means pico-farad and the unit of the capacitor without such a symbol is microfarad. As to electrolytic capacitor, the expression "capacitance/withstand voltage" is used.  
(CH), (TH), (RH), (UJ): Temperature compensation  
(ML): Mylar type  
(P.P.): Polypropylene type
- Schematic diagram and Wiring Side of P.W.Board for this model are subject to change for improvement without prior notice.
- The indicated voltage in each section is the one measured by Digital Multimeter between such a section and the chassis with no signal given.
  1. In the tuner section, indicates AM indicates FM stereo
  2. In the main section, a tape is being played back.
  3. In the deck section, a tape is being played back.
  4. In the power section, a tape is being played back.
  5. In the CD section, the CD is stopped.
- Parts marked with "△" ( □ = = = □ ) are important for maintaining the safety of the set. Be sure to replace these parts with specified ones for maintaining the safety and performance of the set.

REF. NO	DESCRIPTION	POSITION
SW1	OPEN/CLOSE	ON—OFF
SW2	CLAMP	ON—OFF
SW3	DISC NUMBER	ON—OFF
SW4	PICKUP IN	ON—OFF
SW601	SPAN SELECTOR	50 kHz/9 kHz— 100 kHz/10 kHz
SW701	ON/STAND-BY	ON—OFF
SW702	FAST REWIND/PRESET DOWN	ON—OFF
SW703	FAST FORWARD/PRESET UP	ON—OFF
SW704	STOP	ON—OFF
SW705	PLAY	ON—OFF
SW706	REVERSE PLAY	ON—OFF
SW707	REVERSE MODE	ON—OFF
SW711	CD	ON—OFF
SW712	TUNER (BAND)	ON—OFF

REF. NO	DESCRIPTION	POSITION
SW713	TAPE	ON—OFF
SW714	VIDEO/AUX	ON—OFF
SW715	TIMER/SLEEP	ON—OFF
SW716	TUNING/TIME UP	ON—OFF
SW717	REC PAUSE	ON—OFF
SW718	MEMORY/SET	ON—OFF
SW719	TUNING/TIME DOWN	ON—OFF
SW720	CLOCK	ON—OFF
SW721	VOLUME UP	ON—OFF
SW722	VOLUME DOWN	ON—OFF
SW723	DISC SKIP	ON—OFF
SW724	OPEN/CLOSE	ON—OFF
SW725	EQUALIZER/X-BASS/DEMO	ON—OFF
SW801	VOLTAGE SELECTOR	110 V—127 V— 220 V— 230-240 V

## TYPES OF TRANSISTOR AND LED



KRC102 M    KTC3199 GR  
 KRC104 M    KTC3200 GR  
 KTA1266 GR    KTC3194 Y  
 KTA1273 Y    KTC3203 Y  
 KTA1274 Y

KTC2026

SLR342VCJ

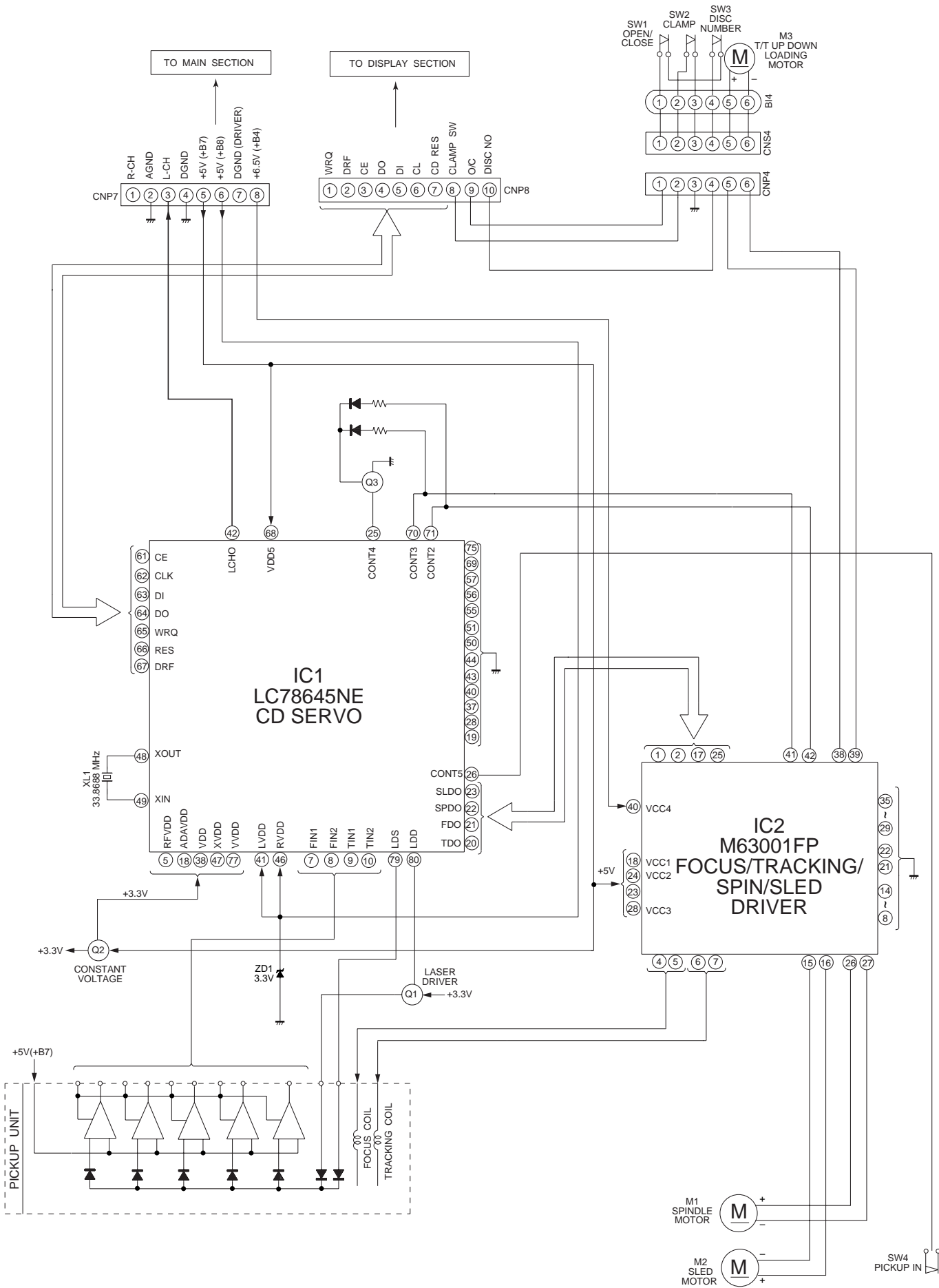


Figure 15 BLOCK DIAGRAM (1/3)

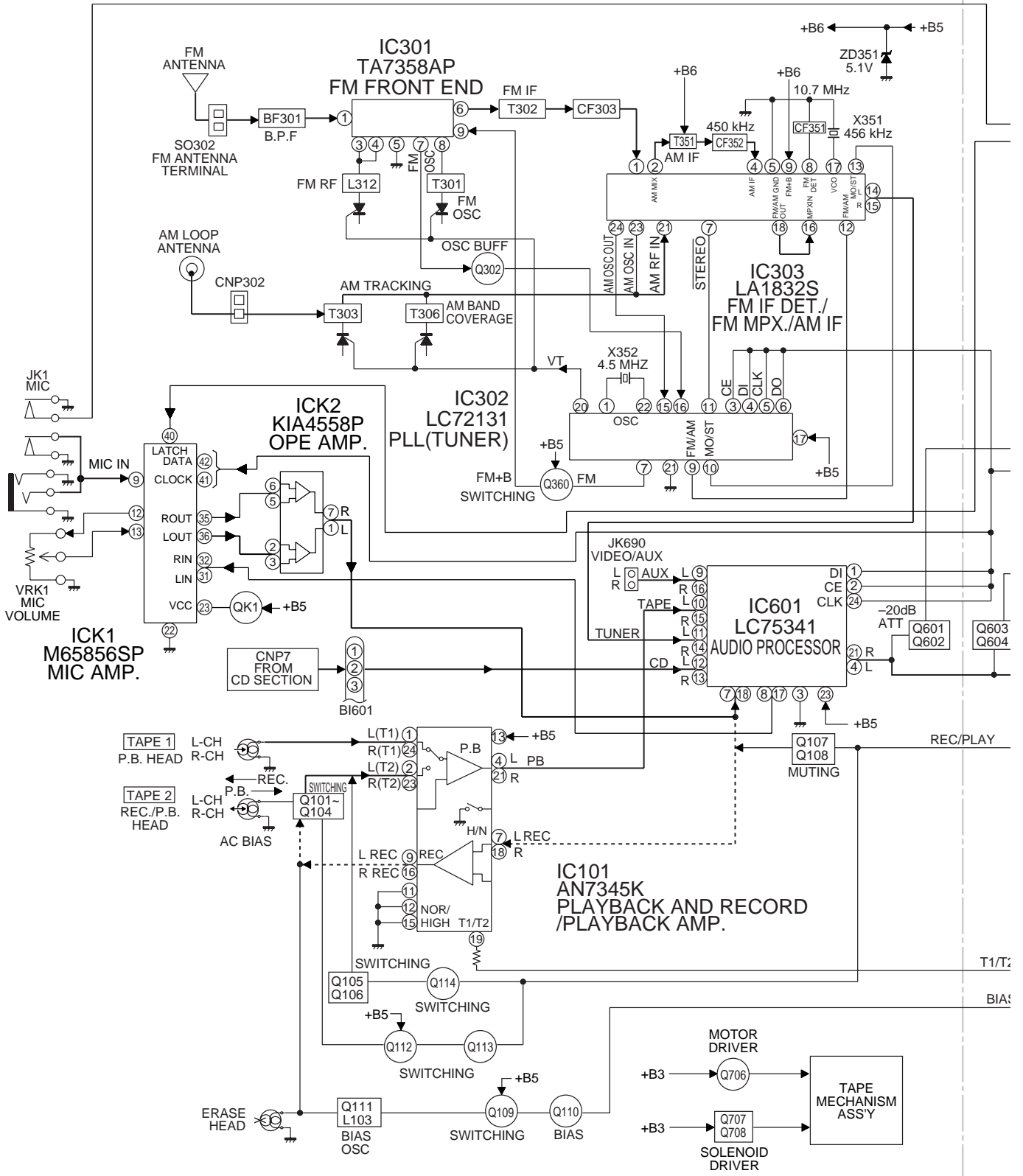


Figure 16 BLOCK DIAGRAM (2/3)



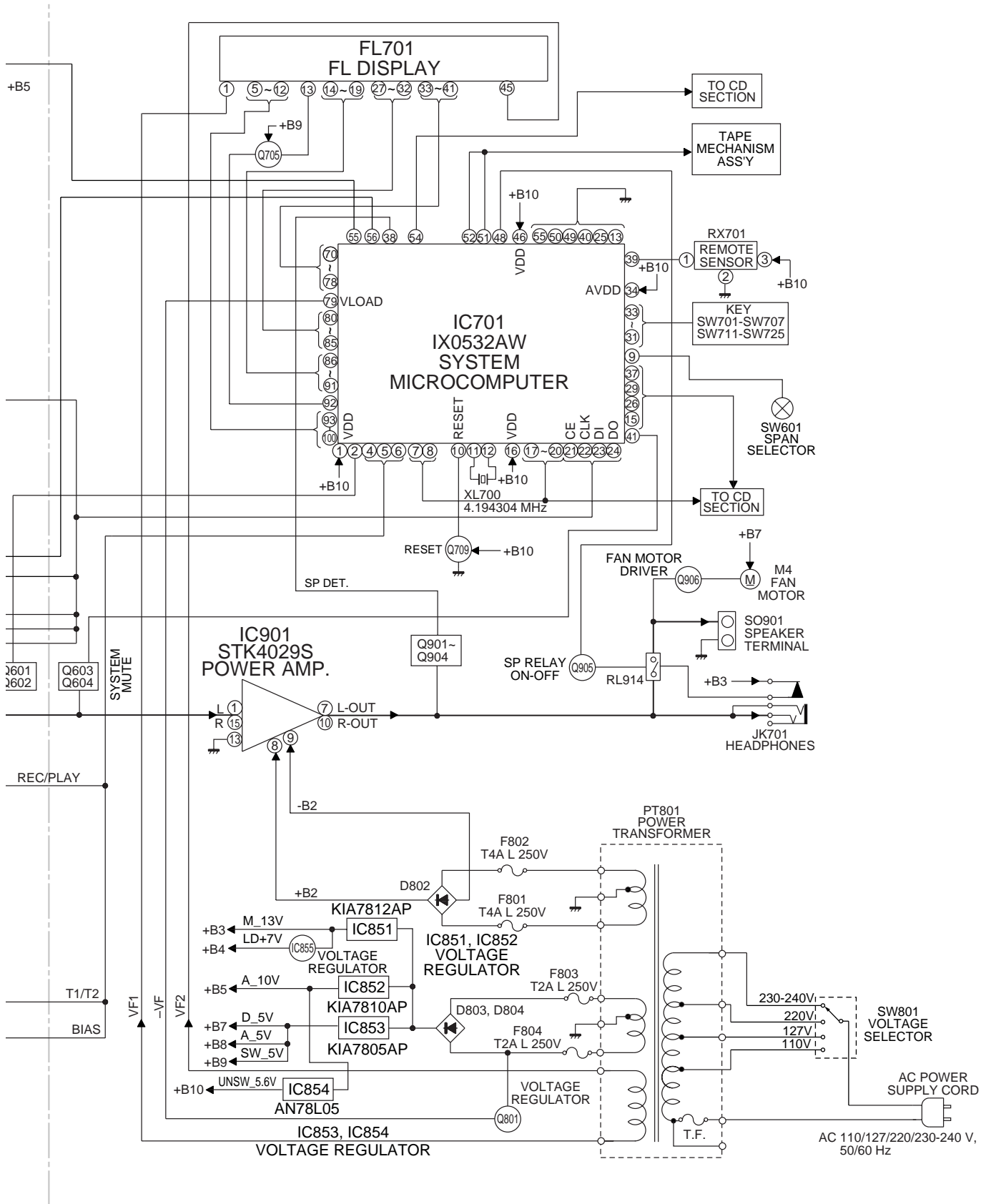


Figure 17 BLOCK DIAGRAM (3/3)



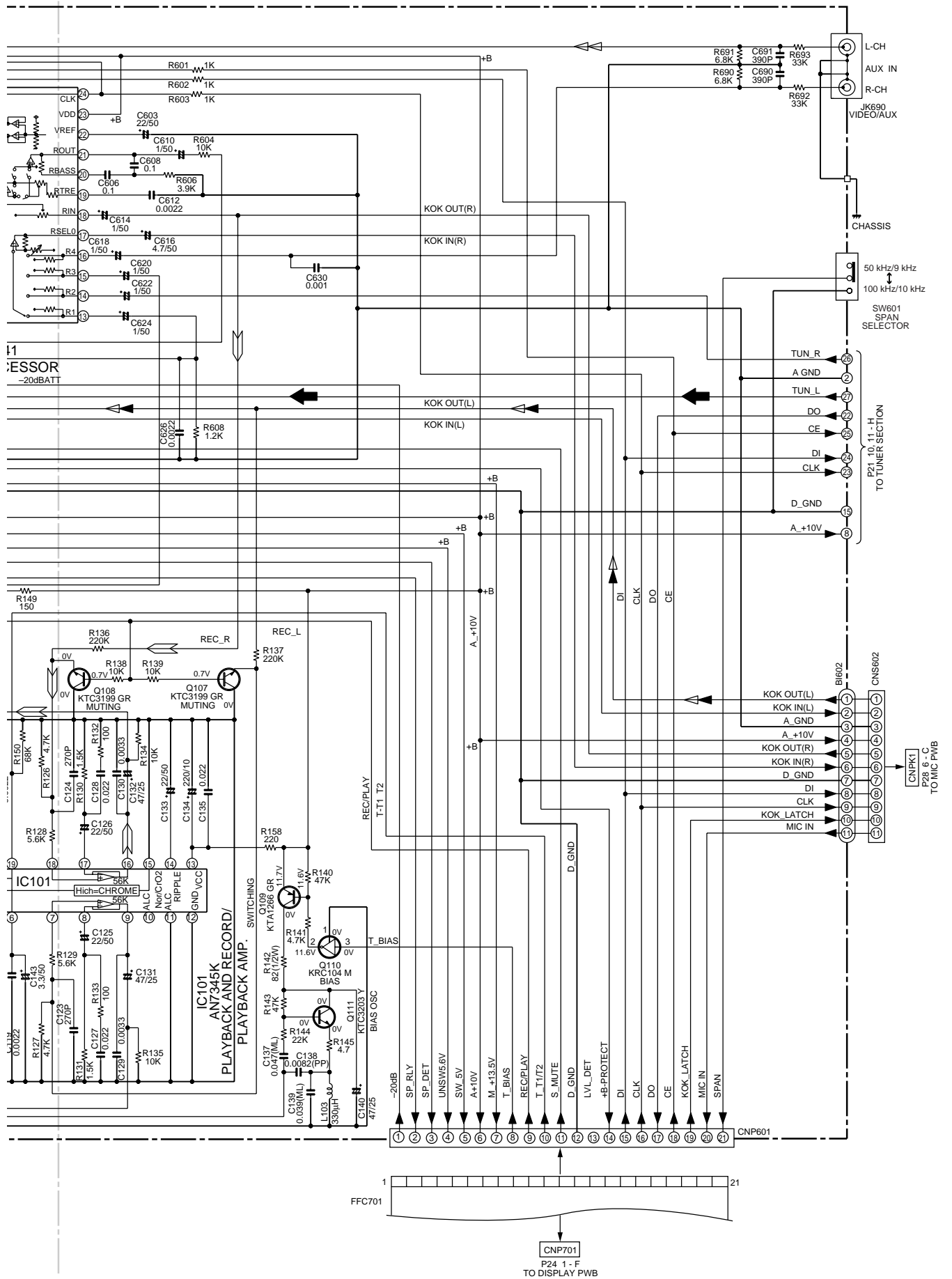


Figure 19 SCHEMATIC DIAGRAM (2/11)

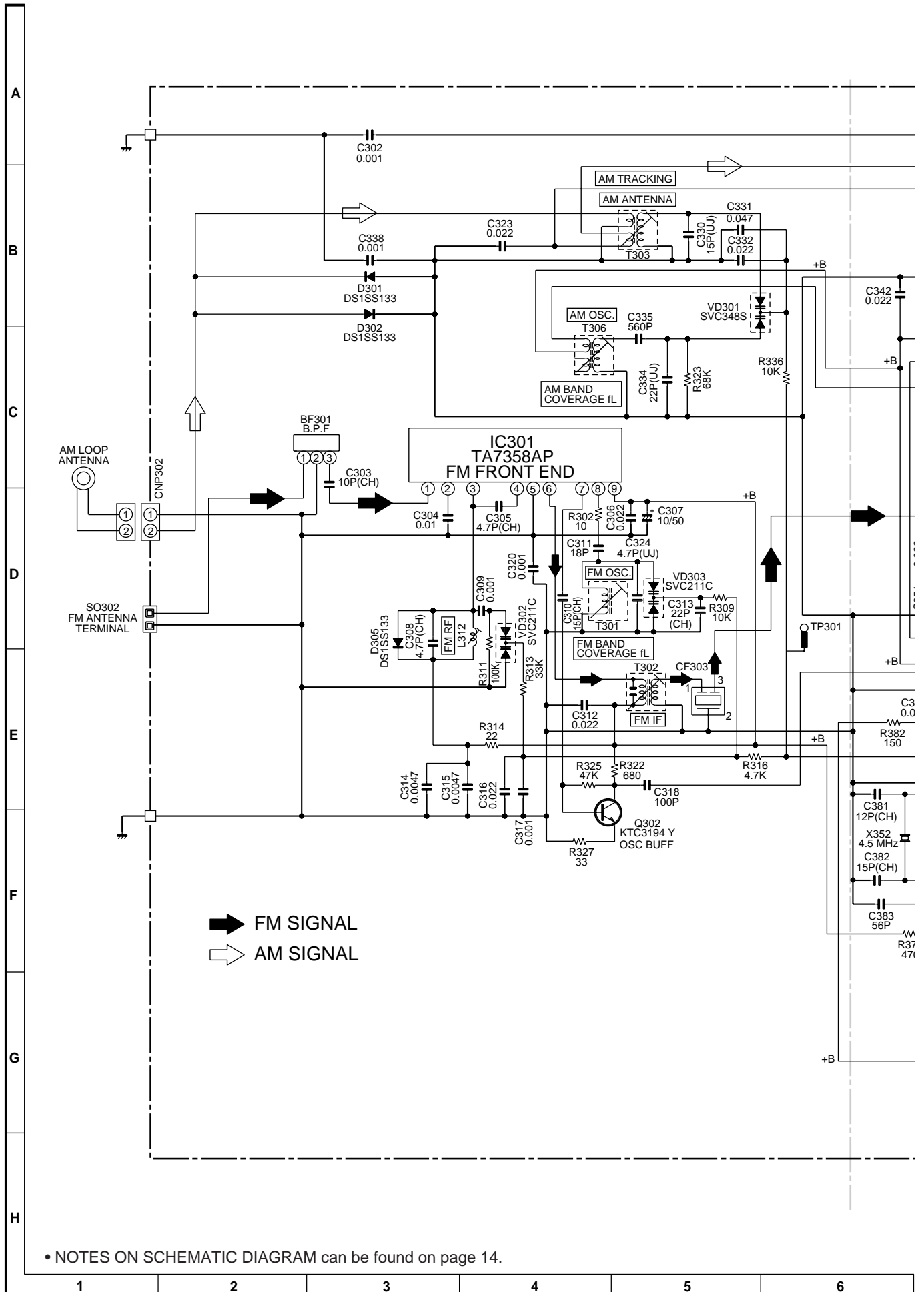
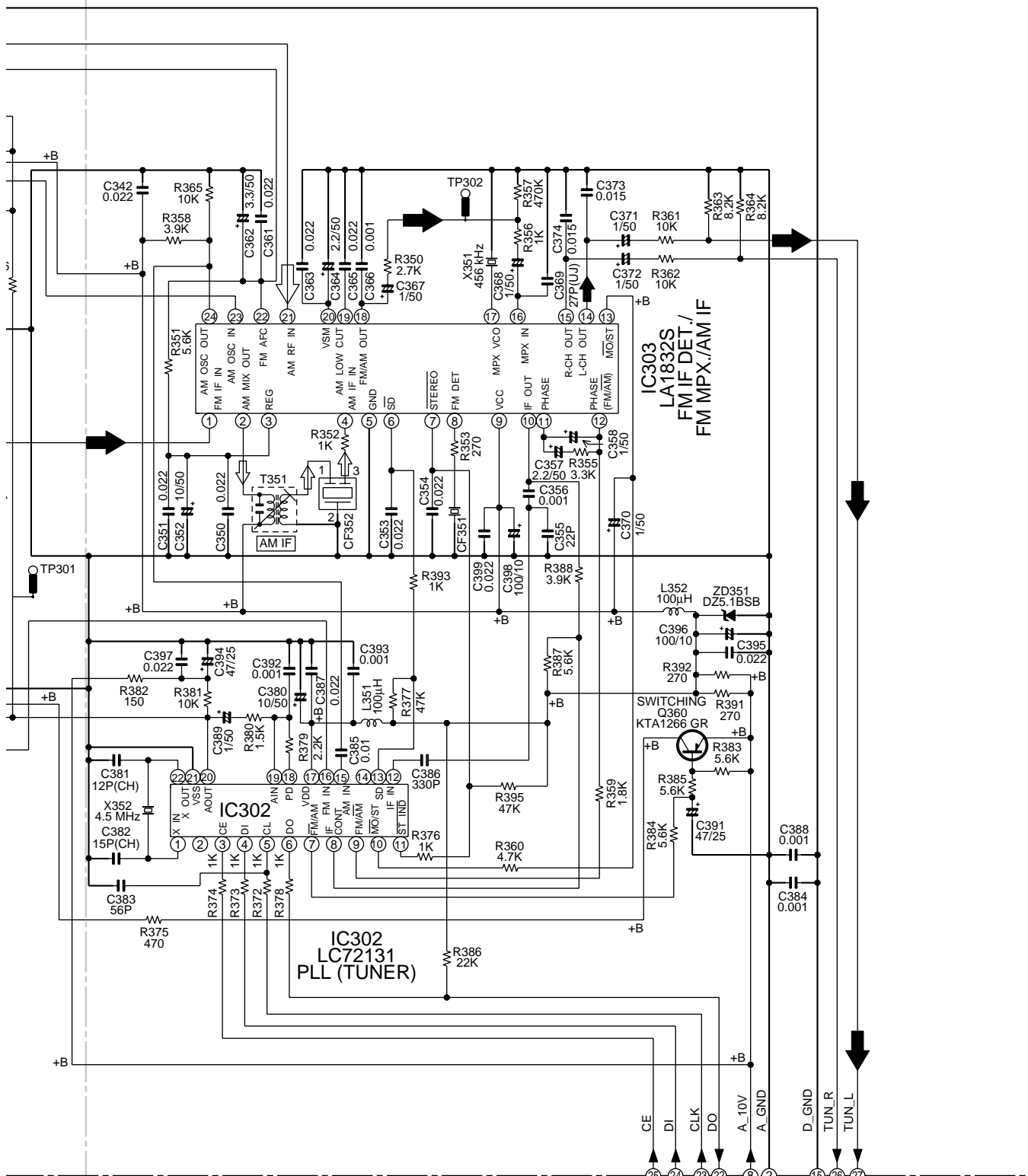


Figure 20 SCHEMATIC DIAGRAM (3/11)

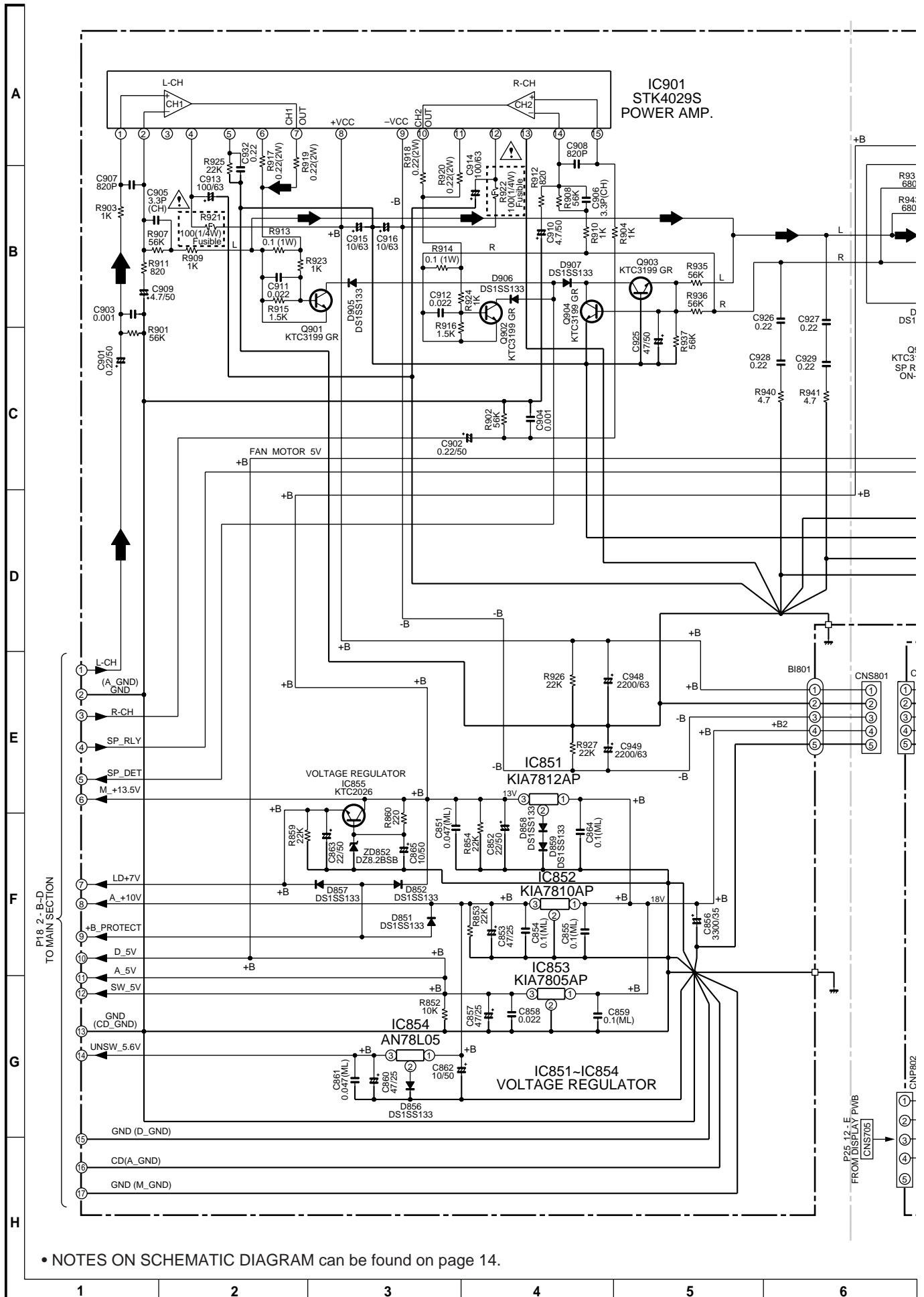
MAIN PWB-A1 (2/3)



P19 12-C, D  
TO MAIN SECTION

7	8	9	10	11	12
---	---	---	----	----	----

Figure 21 SCHEMATIC DIAGRAM (4/11)



• NOTES ON SCHEMATIC DIAGRAM can be found on page 14.

Figure 22 SCHEMATIC DIAGRAM (5/11)

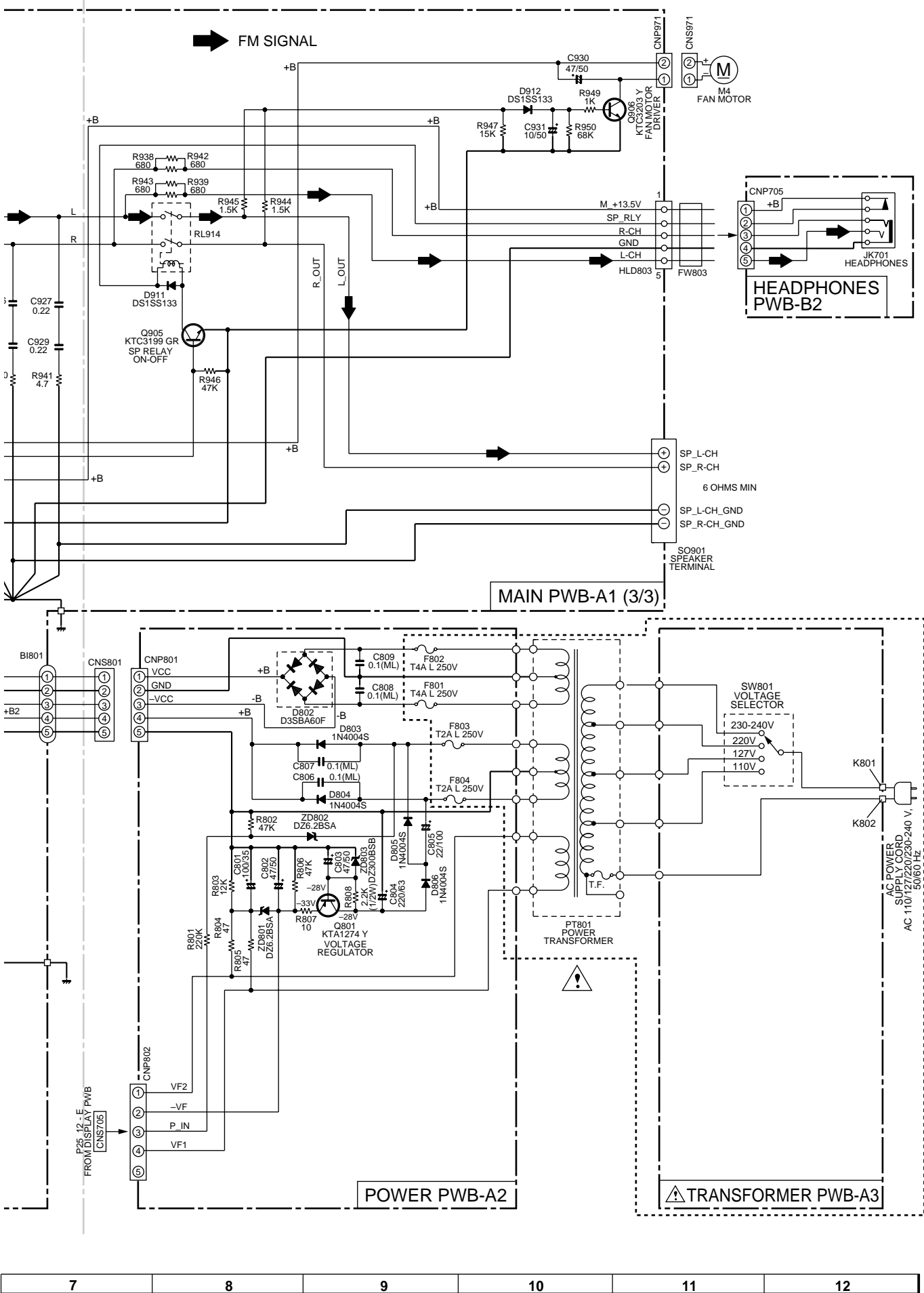
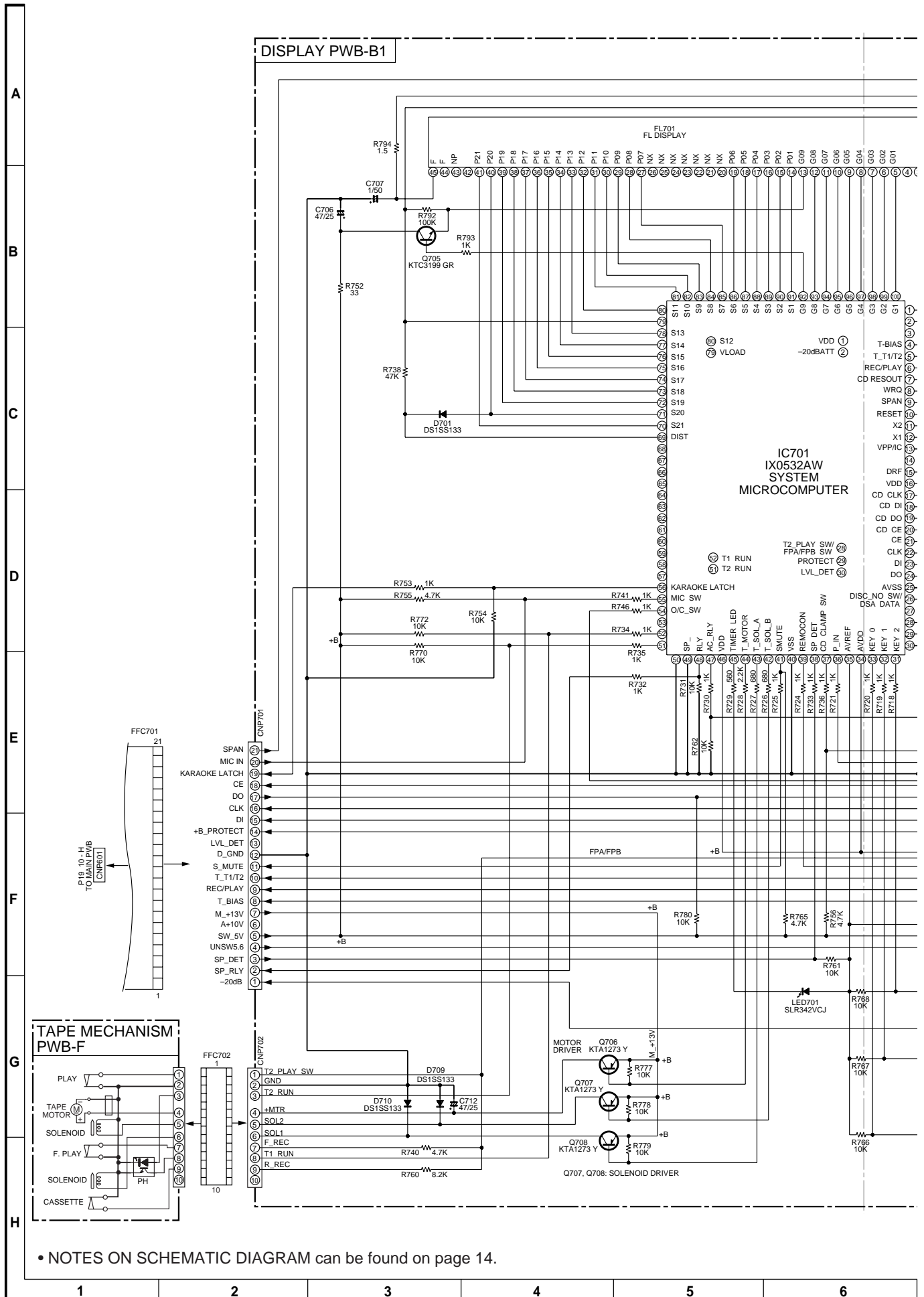


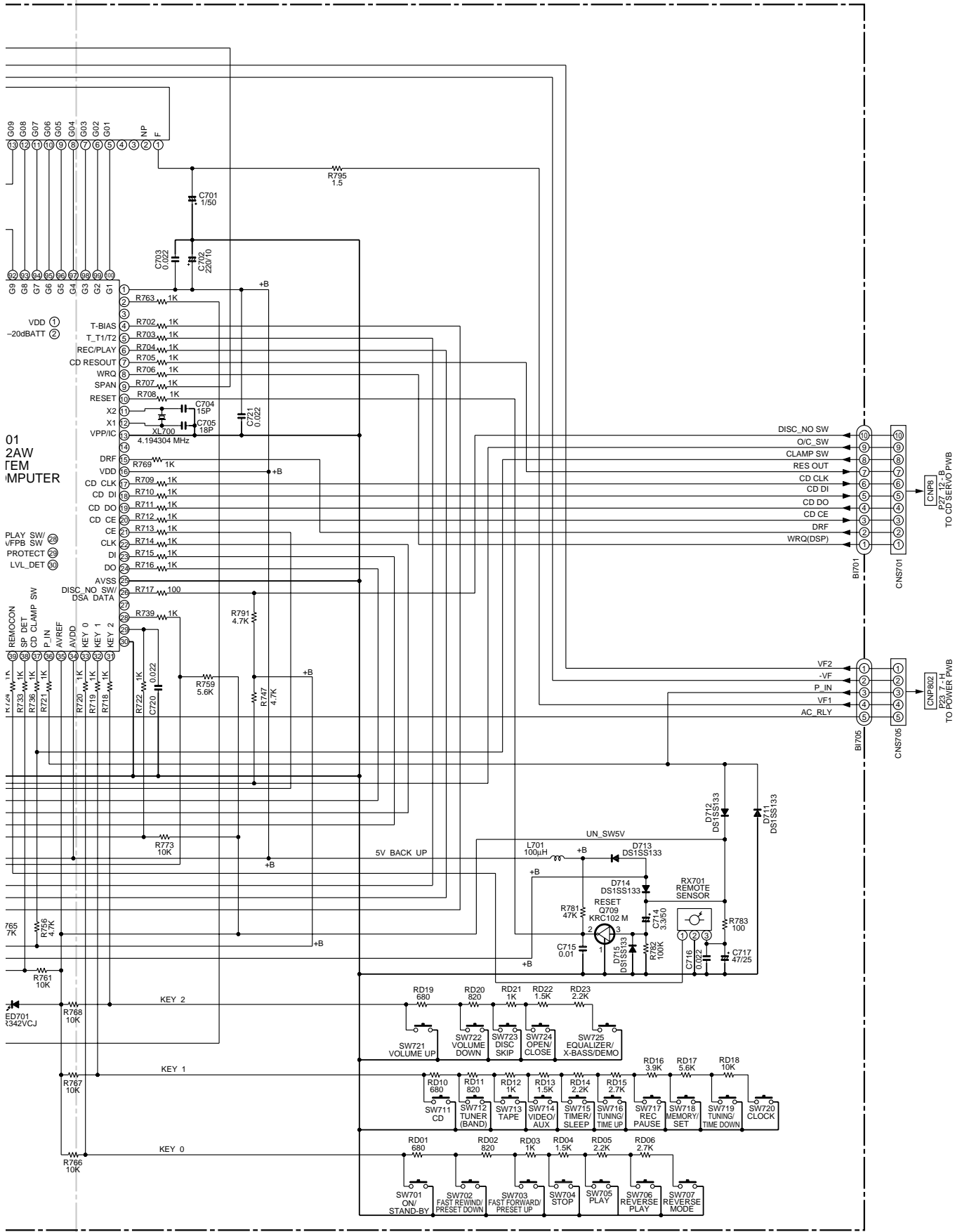
Figure 23 SCHEMATIC DIAGRAM (6/11)



• NOTES ON SCHEMATIC DIAGRAM can be found on page 14.

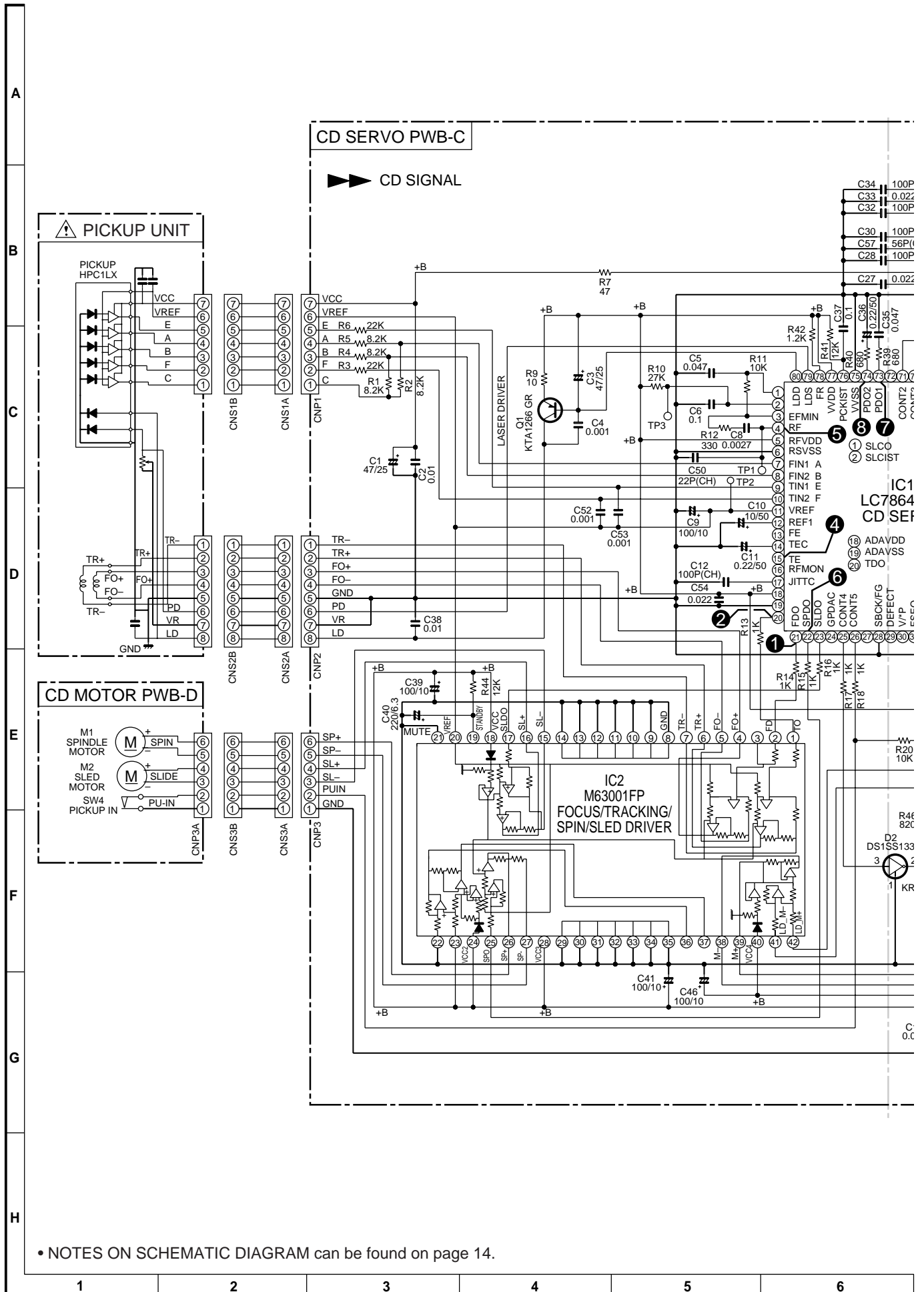
Figure 24 SCHEMATIC DIAGRAM (7/11)





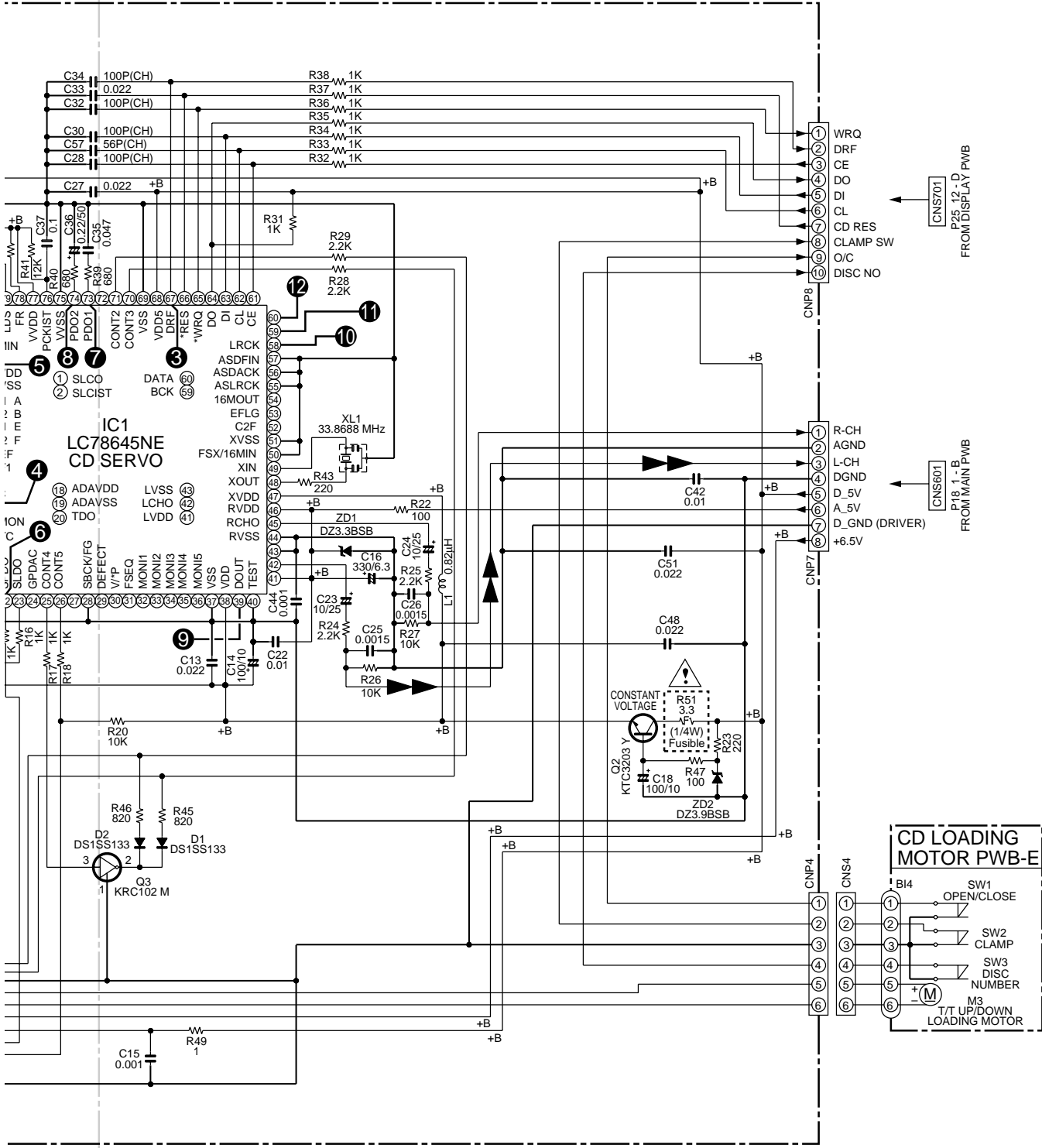
7	8	9	10	11	12
---	---	---	----	----	----

Figure 25 SCHEMATIC DIAGRAM (8/11)



• NOTES ON SCHEMATIC DIAGRAM can be found on page 14.

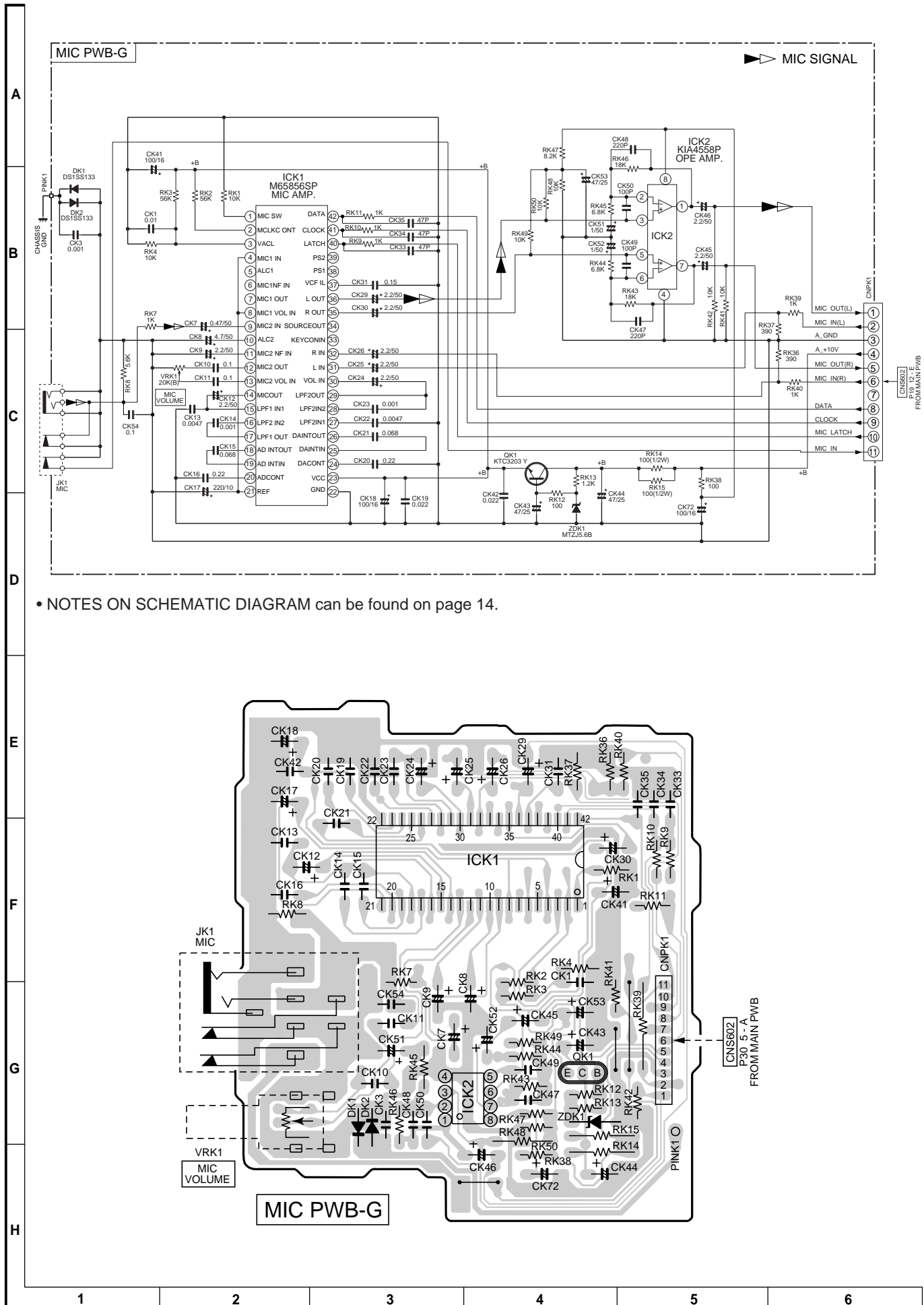
Figure 26 SCHEMATIC DIAGRAM (9/11)



• The numbers 1 to 12 are waveform numbers shown in page 37.

7	8	9	10	11	12
---	---	---	----	----	----

Figure 27 SCHEMATIC DIAGRAM (10/11)



• NOTES ON SCHEMATIC DIAGRAM can be found on page 14.

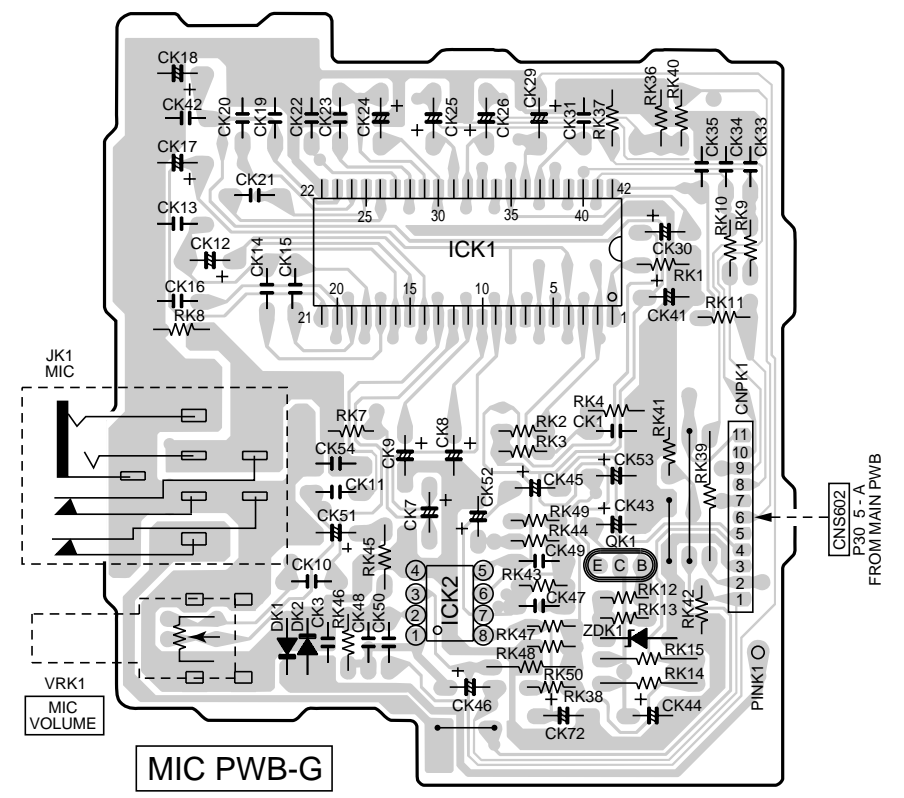
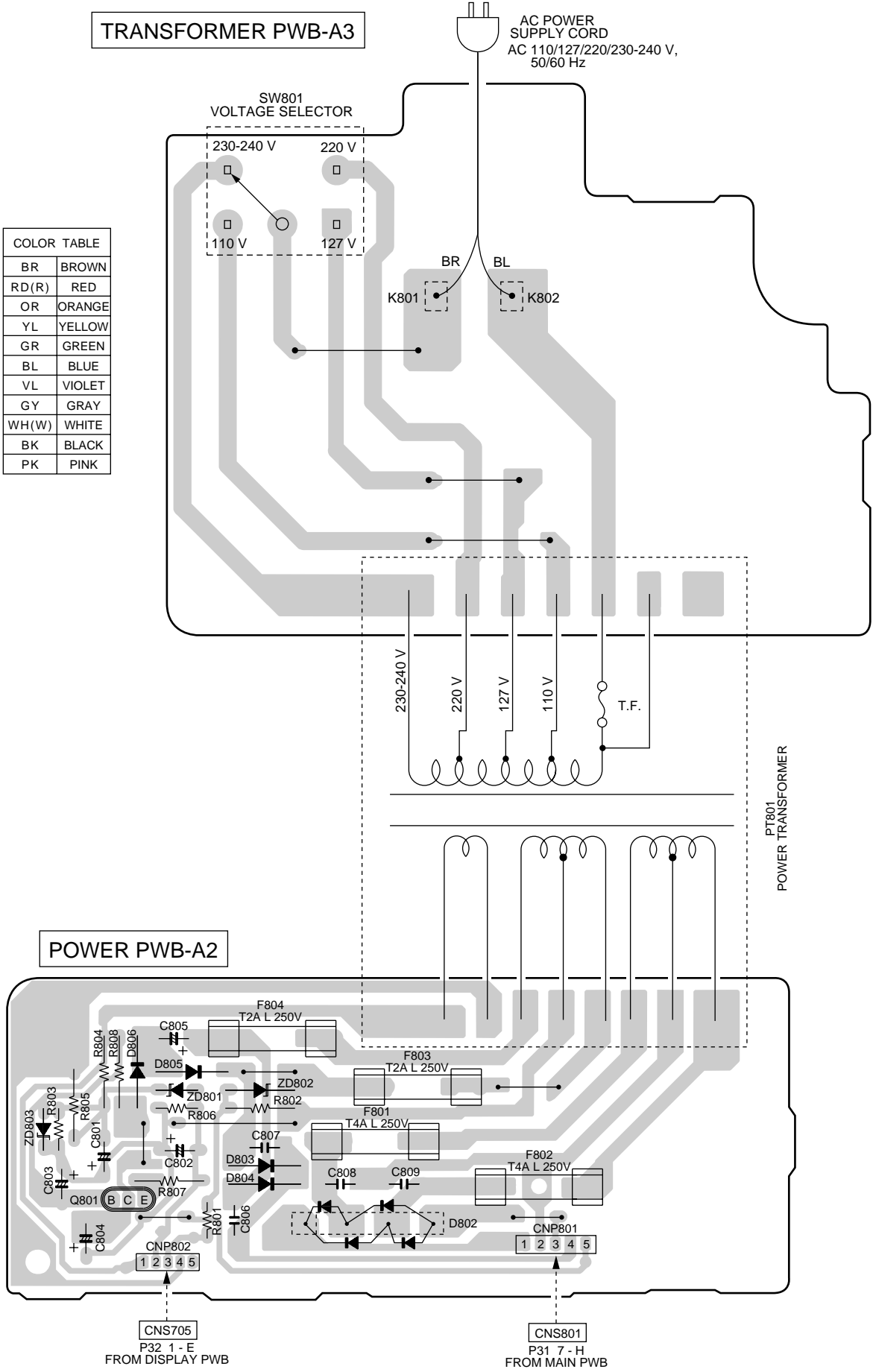


Figure 28 SCHEMATIC DIAGRAM (11/11) / WIRING SIDE OF P.W.BOARD (1/8)



COLOR TABLE

BR	BROWN
RD(R)	RED
OR	ORANGE
YL	YELLOW
GR	GREEN
BL	BLUE
VL	VIOLET
GY	GRAY
WH(W)	WHITE
BK	BLACK
PK	PINK

Figure 29 WIRING SIDE OF P.W.BOARD (2/8)

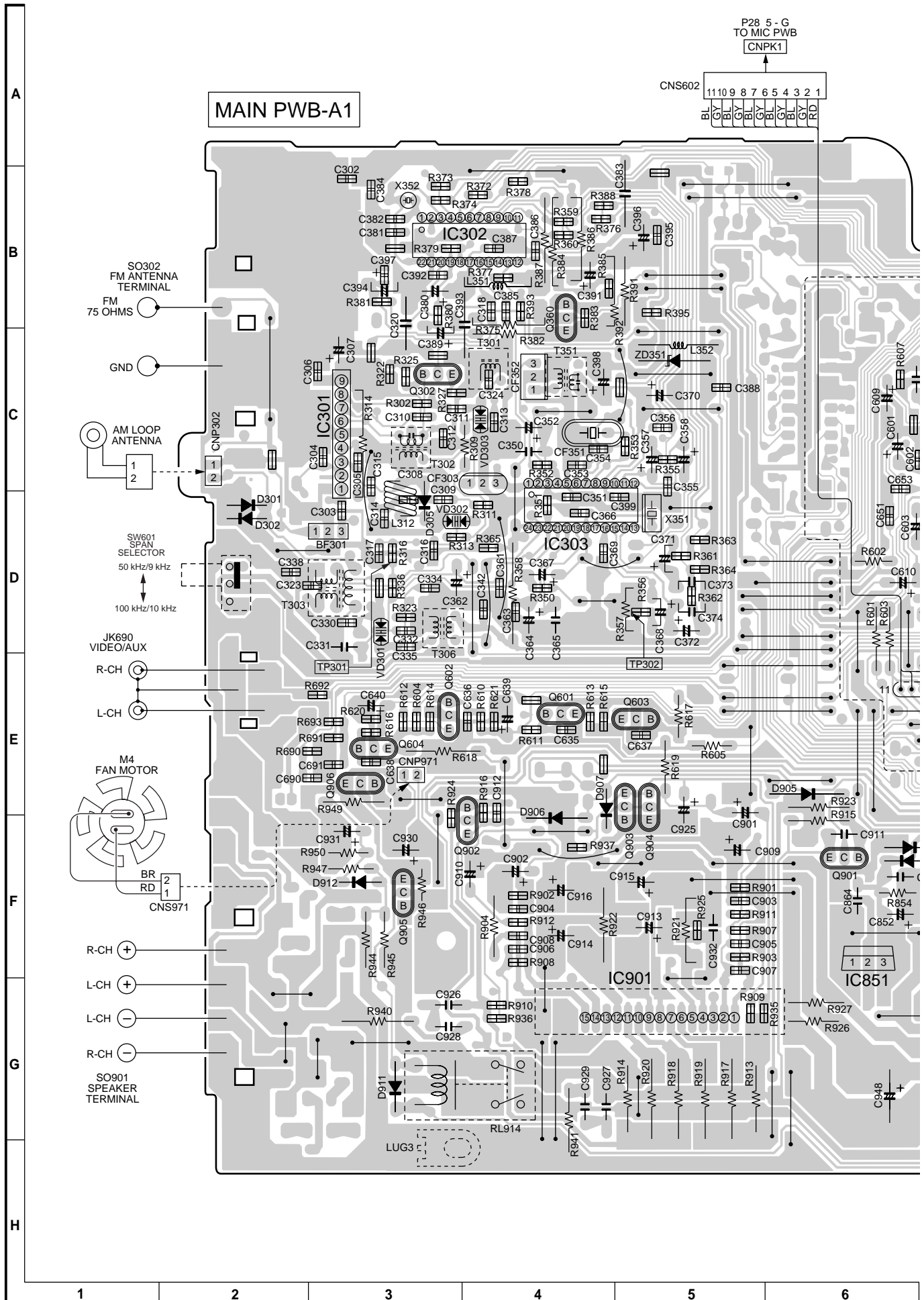


Figure 30 WIRING SIDE OF P.W.BOARD (3/8)

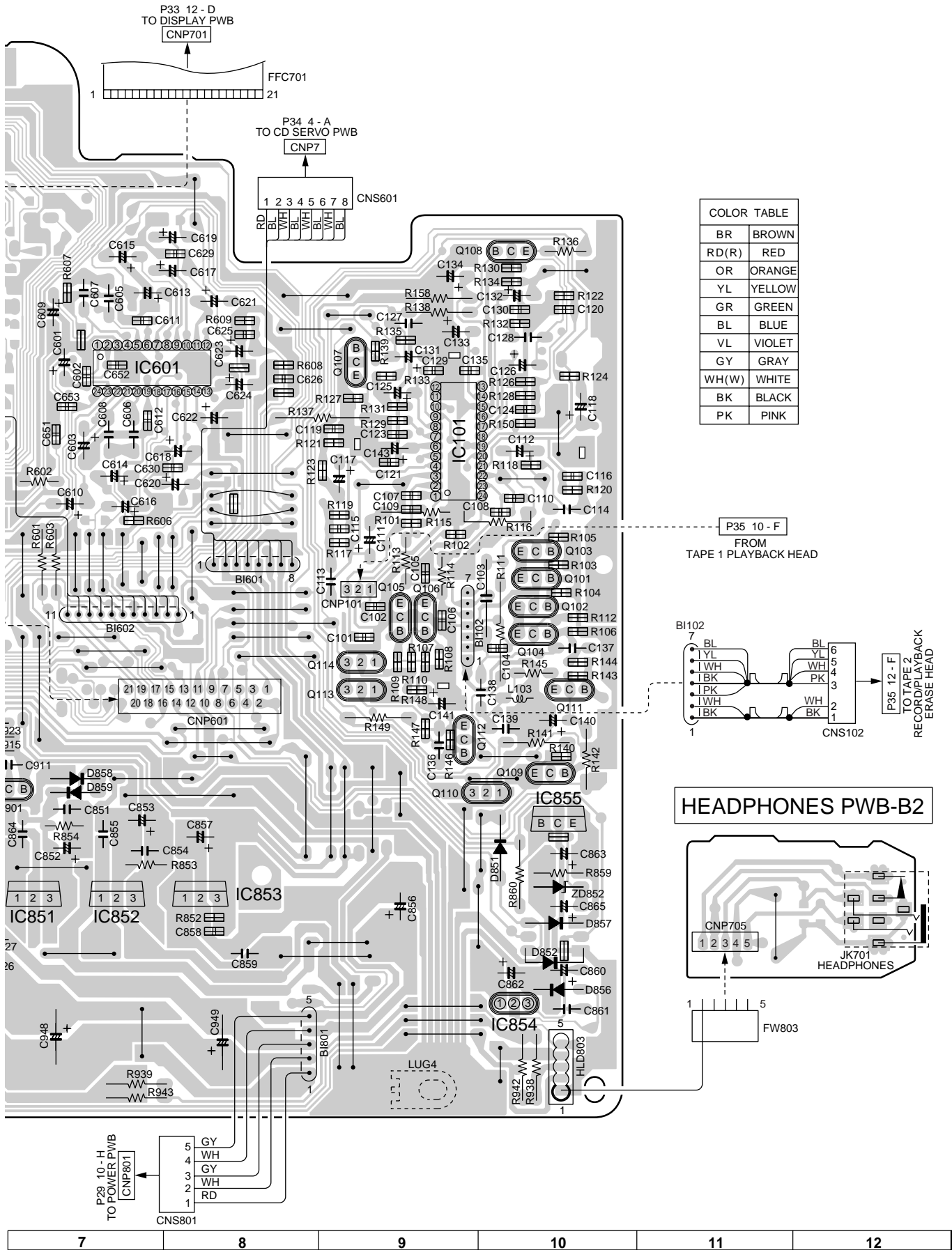


Figure 31 WIRING SIDE OF P.W.BOARD (4/8)

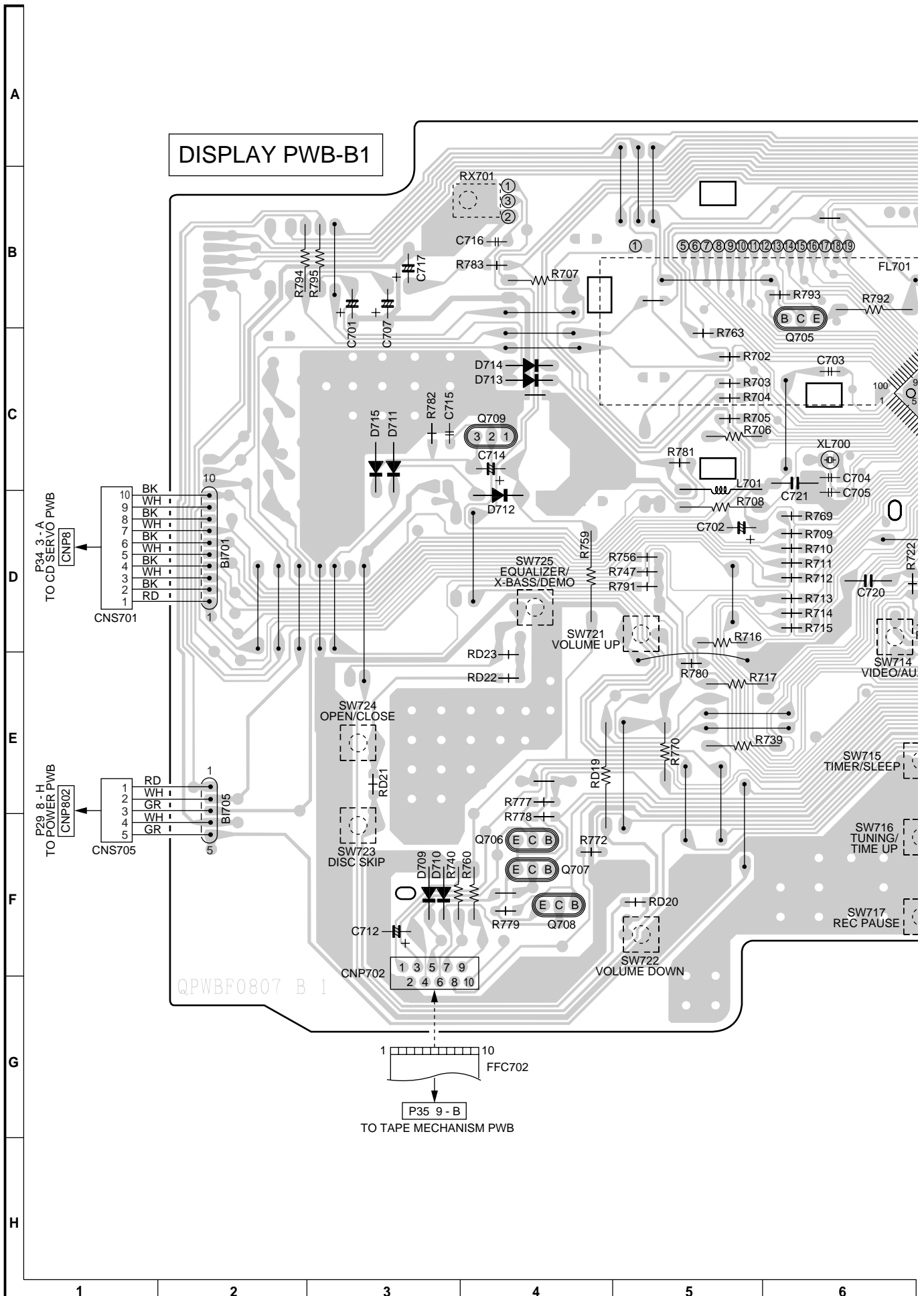
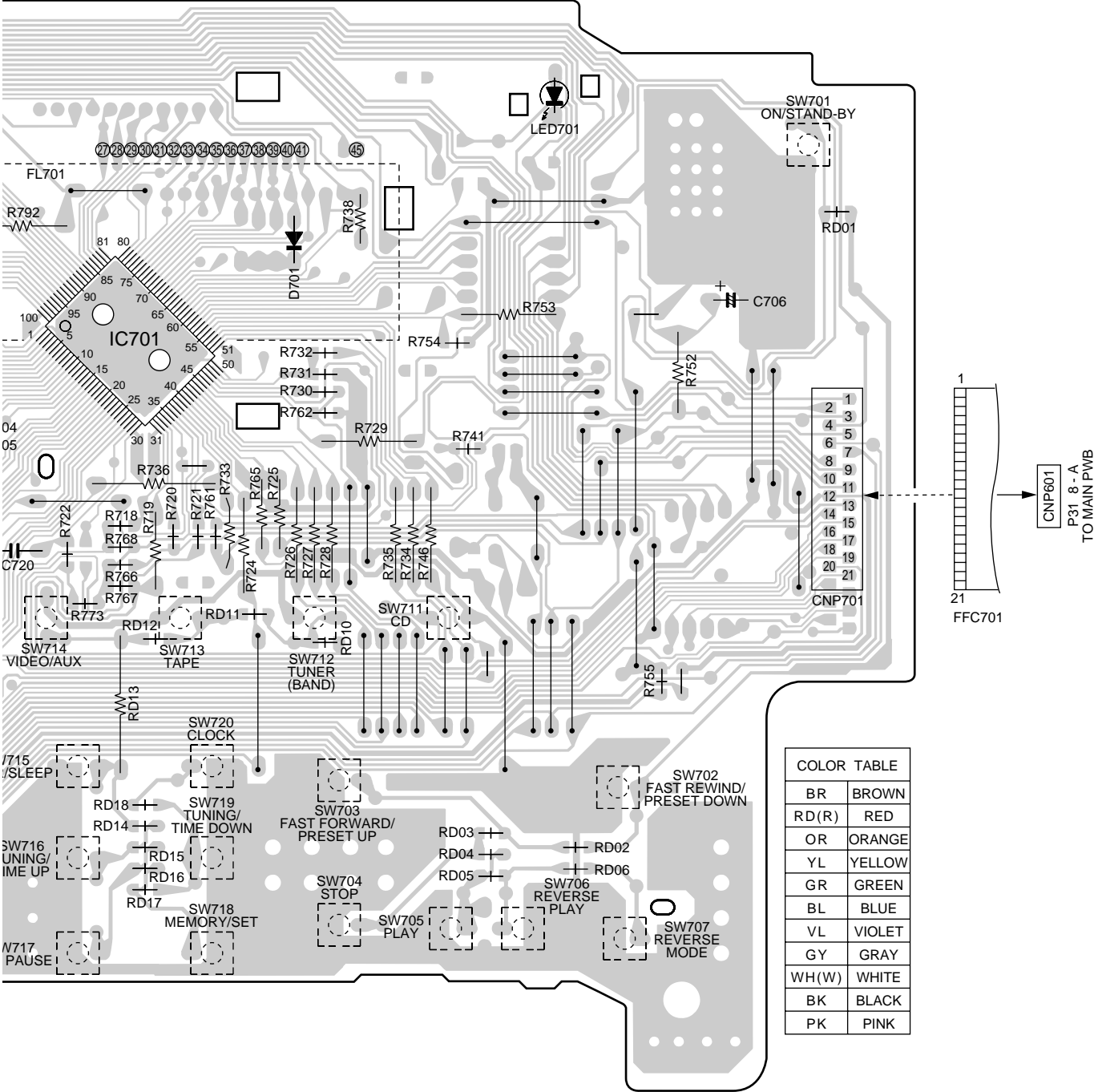


Figure 32 WIRING SIDE OF P.W.BOARD (5/8)





7 8 9 10 11 12

Figure 33 WIRING SIDE OF P.W.BOARD (6/8)

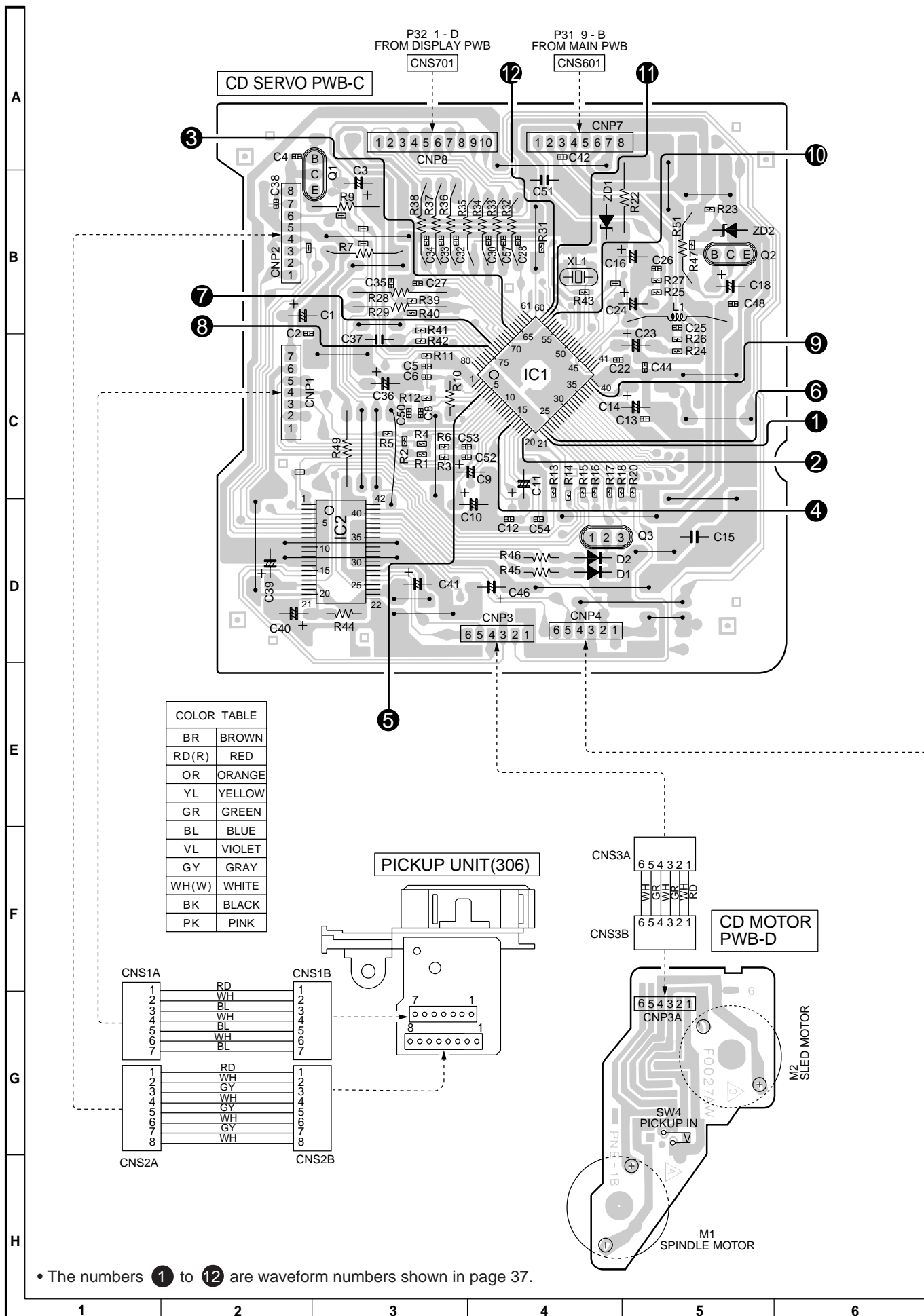


Figure 34 WIRING SIDE OF P.W.BOARD (7/8)

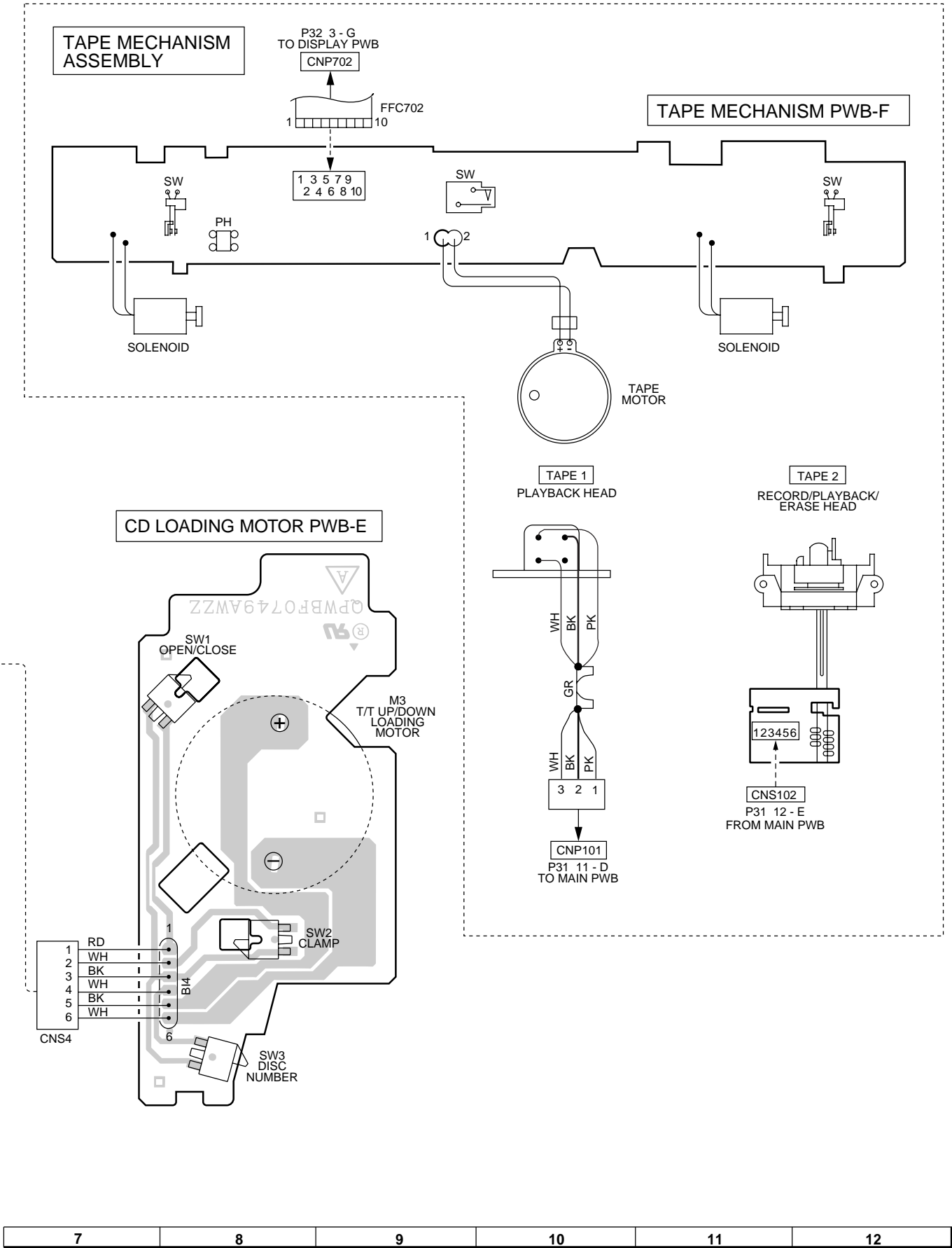


Figure 35 WIRING SIDE OF P.W.BOARD (8/8)

VOLTAGE

IC101	
PIN NO.	VOLTAGE
1	0 V
2	0 V
3	0.56 V
4	1.97 V
5	0 V
6	1.30 V
7	0 V
8	0.58 V
9	3.42 V
10	3.42 V
11	0 V
12	0 V
13	6.90 V
14	4.12 V
15	0 V
16	3.40 V
17	0.58 V
18	0 V
19	2.60 V
20	0 V
21	1.96 V
22	0.56 V
23	0 V
24	0 V

IC302	
PIN NO.	VOLTAGE
1	2.43 V
2	0 V
3	0 V
4	4.77 V
5	4.77 V
6	4.96 V
7	9.92 V
8	4.53 V
9	3.71 V
10	3.82 V
11	4.98 V
12	0 V
13	4.98 V
14	0 V
15	2.48 V
16	0 V
17	5.00 V
18	0 V
19	0 V
20	9.92 V
21	0 V
22	2.45 V

IC601	
PIN NO.	VOLTAGE
1	4.78 V
2	0 V
3	0 V
4	4.75 V
5	4.72 V
6	4.68 V
7	4.93 V
8	4.93 V
9	4.93 V
10	4.93 V
11	4.93 V
12	4.93 V
13	4.93 V
14	4.93 V
15	4.93 V
16	4.93 V
17	4.93 V
18	4.93 V
19	4.93 V
20	4.93 V
21	4.93 V
22	4.93 V
23	9.93 V
24	4.76 V

IC701			
PIN NO.	VOLTAGE	PIN NO.	VOLTAGE
1	4.77 V	51	0 V
2	4.66 V	52	0 V
3	0 V	53	0 V
4	0 V	54	4.94 V
5	4.68 V	55	0 V
6	4.71 V	56	0 V
7	4.74 V	57	0 V
8	0 V	58	0 V
9	0 V	59	0 V
10	4.85 V	60	0 V
11	2.30 V	61	4.76 V
12	1.99 V	62	0 V
13	0 V	63	4.77 V
14	4.76 V	64	4.77 V
15	0 V	65	4.77 V
16	4.77 V	66	0 V
17	0 V	67	0 V
18	0 V	68	0 V
19	0 V	69	29.16 V
20	0 V	70	29.16 V
21	0 V	71	29.16 V
22	4.77 V	72	29.16 V
23	4.77 V	73	29.16 V
24	4.97 V	74	29.16 V
25	0 V	75	29.16 V
26	4.94 V	76	29.16 V
27	0 V	77	29.16 V
28	4.98 V	78	29.16 V
29	4.98 V	79	-29.36 V
30	0 V	80	-29.36 V
31	0.32 V	81	-29.36 V
32	4.99 V	82	-29.36 V
33	4.99 V	83	-29.36 V
34	4.77 V	84	-29.36 V
35	4.99 V	85	-29.36 V
36	1.86 V	86	-29.36 V
37	4.94 V	87	-29.36 V
38	4.99 V	88	-29.36 V
39	4.84 V	89	-29.36 V
40	0 V	90	-29.36 V
41	1.93 V	91	-29.36 V
42	13.2 V	92	-26.23 V
43	13.2 V	93	-26.23 V
44	13.2 V	94	-26.23 V
45	3.75 V	95	-26.23 V
46	4.78 V	96	-26.23 V
47	4.76 V	97	-26.23 V
48	0 V	98	-26.23 V
49	0 V	99	-26.23 V
50	0 V	100	-26.23 V

IC1			
PIN NO.	VOLTAGE	PIN NO.	VOLTAGE
1	1.59 V	41	3.70 V
2	1.05 V	42	3.70 V
3	1.59 V	43	0 V
4	1.90 V	44	0 V
5	3.25 V	45	3.70 V
6	0 V	46	3.70 V
7	1.64 V	47	3.25 V
8	1.64 V	48	3.25 V
9	1.64 V	49	0 V
10	1.64 V	50	0 V
11	1.64 V	51	0 V
12	1.64 V	52	3.25 V
13	1.64 V	53	3.25 V
14	1.70 V	54	0 V
15	1.70 V	55	0 V
16	0 V	56	0 V
17	0 V	57	0 V
18	3.26 V	58	3.25 V
19	0 V	59	0 V
20	1.62 V	60	0 V
21	1.63 V	61	0 V
22	1.63 V	62	0 V
23	1.63 V	63	0 V
24	1.63 V	64	4.94 V
25	0 V	65	4.94 V
26	0 V	66	4.73 V
27	0 V	67	0 V
28	0 V	68	4.93 V
29	0 V	69	0 V
30	3.26 V	70	0 V
31	0 V	71	0 V
32	0 V	72	0 V
33	0 V	73	0 V
34	0 V	74	0 V
35	1.62 V	75	0 V
36	0 V	76	3.25 V
37	0 V	77	3.25 V
38	3.26 V	78	3.25 V
39	3.26 V	79	0 V
40	0 V	80	3.25 V

IC2	
PIN NO.	VOLTAGE
1	1.65 V
2	1.65 V
3	1.86 V
4	2.11 V
5	2.15 V
6	2.14 V
7	2.14 V
8	0 V
9	0 V
10	0 V
11	0 V
12	0 V
13	0 V
14	0 V
15	2.13 V
16	2.13 V
17	1.65 V
18	4.91 V
19	4.99 V
20	0 V
21	0 V
22	0 V
23	4.91 V
24	4.91 V
25	1.65 V
26	2.14 V
27	2.14 V
28	4.91 V
29	0 V
30	0 V
31	0 V
32	0 V
33	0 V
34	0 V
35	0 V
36	4.22 V
37	0 V
38	3.55 V
39	3.55 V
40	7.75 V
41	0.32 V
42	0.32 V

IC851	
PIN NO.	VOLTAGE
1	21.19 V
2	1.33 V
3	13.22 V

IC852	
PIN NO.	VOLTAGE
1	21.19 V
2	0 V
3	9.94 V

IC853	
PIN NO.	VOLTAGE
1	21.19 V
2	0 V
3	4.95 V

IC854	
PIN NO.	VOLTAGE
1	5.56 V
2	0.61 V
3	9.92 V

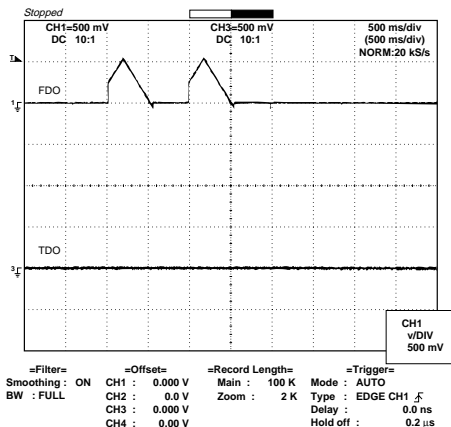
IC855	
PIN NO.	VOLTAGE
E	8.31 V
C	13.21 V
B	7.82 V

IC901	
PIN NO.	VOLTAGE
1	-0.13 V
2	-0.13 V
3	0 V
4	48.2 V
5	46.7 V
6	0 V
7	0 V
8	49.4 V
9	-49.4 V
10	0 V
11	0 V
12	-48.1 V
13	0 V
14	-0.13 V
15	-0.13 V

IC303	
PIN NO.	VOLTAGE
1	2.11 V
2	4.88 V
3	2.11 V
4	2.11 V
5	0 V
6	4.98 V
7	4.98 V
8	2.80 V
9	4.88 V
10	4.20 V
11	3.70 V
12	3.70 V
13	3.84 V
14	1.23 V
15	1.23 V
16	2.10 V
17	2.23 V
18	0.79 V
19	0 V
20	1.07 V
21	3.97 V
22	3.97 V
23	4.88 V
24	4.88 V

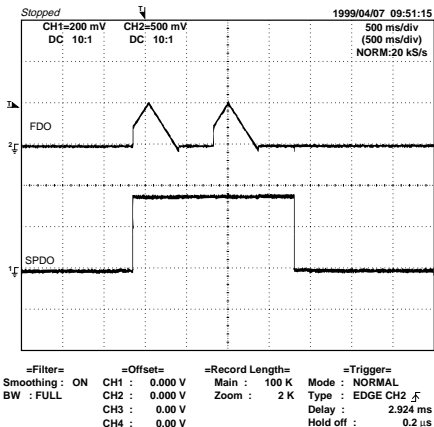
# WAVEFORMS OF CD CIRCUIT

1 IC1 (21)



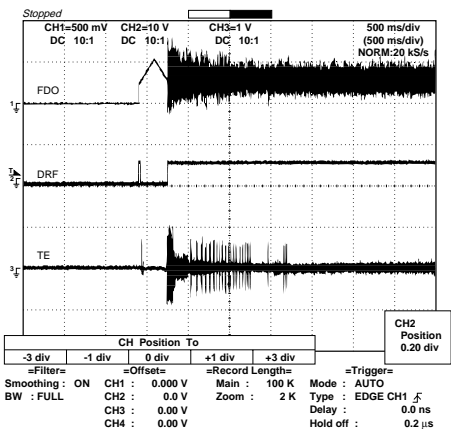
2 IC1 (20)

1 IC1 (21)



6 IC1 (22)

1 IC1 (21)



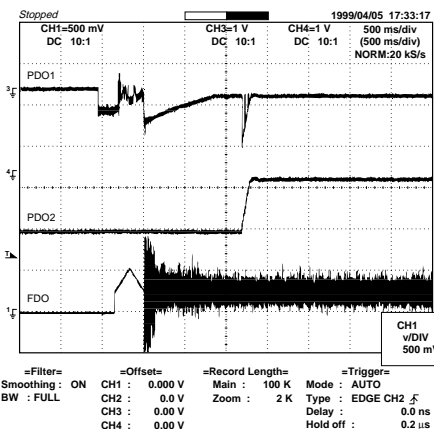
3 IC1 (67)

4 IC1 (15)

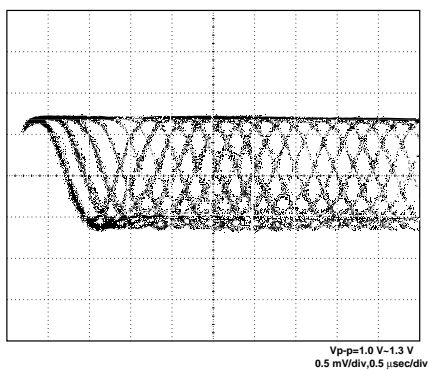
7 IC1 (73)

8 IC1 (74)

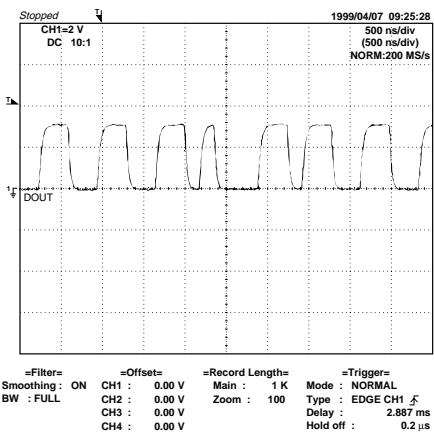
1 IC1 (21)



5 IC1 (4)

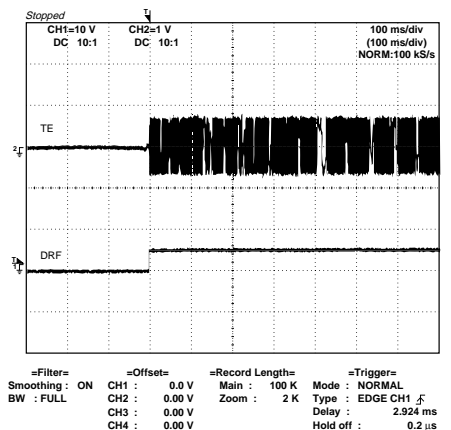


9 IC1 (39)



4 IC1 (15)

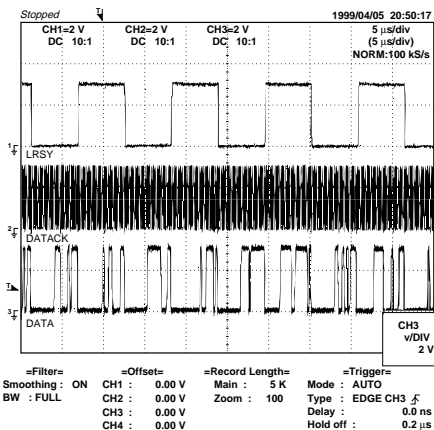
3 IC1 (67)



10 IC1 (58)

11 IC1 (59)

12 IC1 (60)



## TROUBLESHOOTING

### When the CD does not function

When the CD section does not operate when the objective lens of the optical pickup is dirty, this section may not operate. Clean the objective lens, and check the playback operation. When this section does not operate even after the above step is taken, check the following items.

Remove the cabinet and follow the trouble shooting instructions.

"Track skipping and/or no TOC (Table Of Contents) may be caused by build up of dust other foreign matter on the laser pickup lens. Before attempting any adjustment make certain that the lens is clean. If not, clean it as mentioned below."

Turn the power off.

Gently clean the lens with a lens cleaning tissue and a small amount of isopropyl alcohol.

Do not touch the lens with the bare hand.

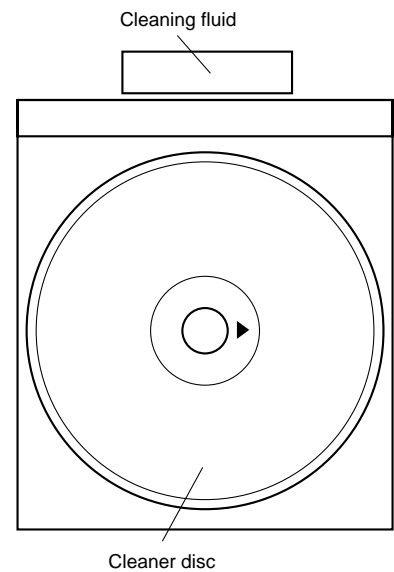
	Parts code
1. CD optical pickup Lens cleaner disc	UDSKA0004AFZZ

#### HOW TO USE

- Using the brush in the cleaner cap, apply 1 or 2 drops of the cleaning fluid to the brush on the CD cleaner disc which has the mark next to it.
- Place the CD cleaner disc onto the CD disc tray with the brush side down, then press the play button.
- You will hear music for about 20 seconds and the CD player will automatically stop. If it continuous to turn, press the stop button.

#### CAUTION

- The CD lens cleaner should be effective for 30-50 operations, however if the brushes become worn out earlier then please the cleaner disc.
- If the CD cleaner brushes become very wet then wipe off any excess fluid with a soft cloth.
- Do not drink the cleaner fluid or allow it to come in contact with the eyes. In the event of this happening then drink and / or rinse with clean water and seek medical advice.
- The CD cleaner disc must not be used on car CD players or on computer CD-ROM drives.
- All rights reserved. Unauthorized duplicating, broadcasting and renting this product is prohibited by law.



### When a CD cannot be played

#### 1. "E-CD01" is displayed.

- (1) Check the power to IC1 (LC78645NE), the presence of the clock signal (33.8688 MHz) and the status of the RESET terminal (pin 66 on IC1).
- (2) Does the pickup move to the PICKUP-IN Switch (SW4) position ?

If (1) and (2) are OK, check the system microcomputer (especially the communication line with the DSP).

#### 2. Pressing the CD operation key is accepted, but playback does not occur.

- (1) Focus-HF system check
- (2) Tracking system check
- (3) Spin system check
- (4) PLL system check
- (5) Others

**(1) Focus-HF system check.**

Although a CD is inserted and the cover is closed, "NO DISC" is displayed.

Press the OPEN/CLOSE switch (SW1) without inserting a disc, and try starting the playback operation.

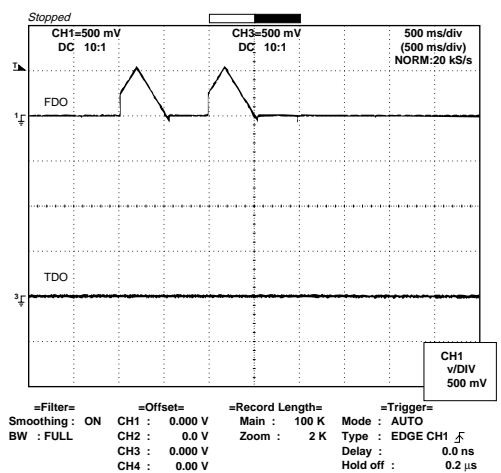
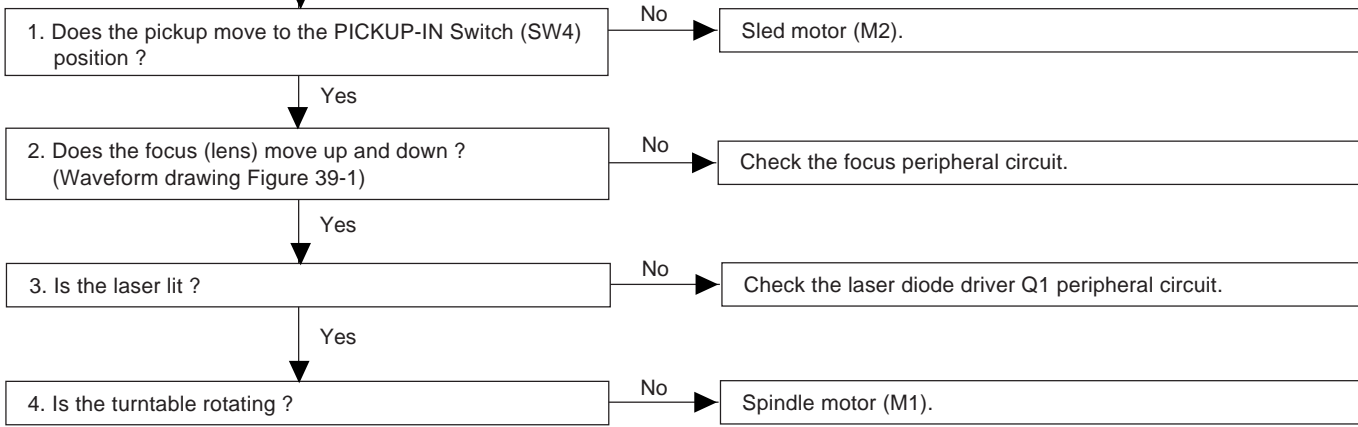


Figure 39-1



When a disc is loaded, start playback operation.

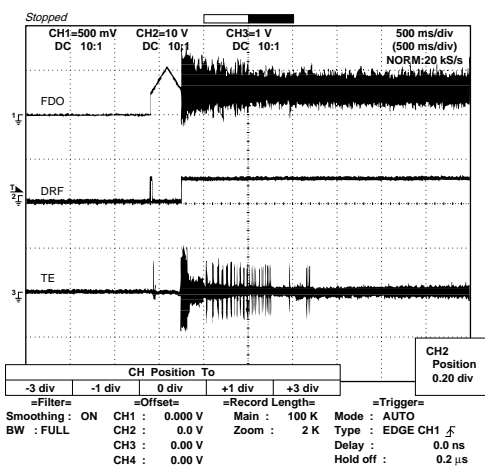
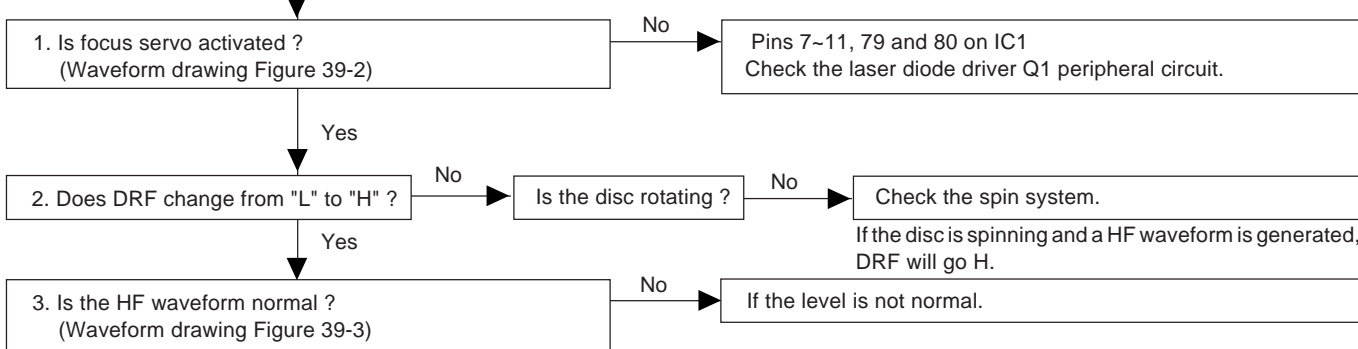


Figure 39-2

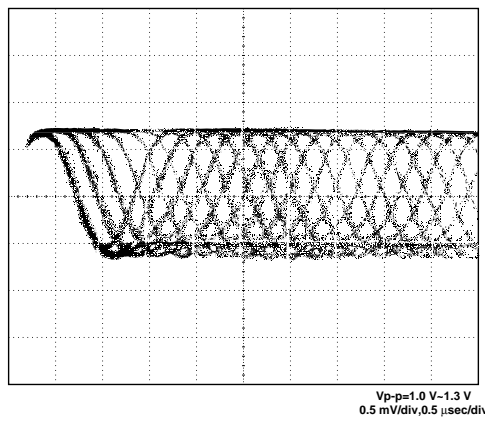


Figure 39-3

# CD-XP200W

## (2) Tracking system check.

Check the TE waveform at pin 15 on IC1.

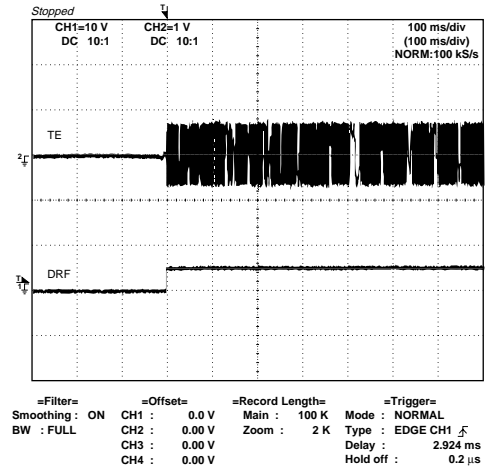
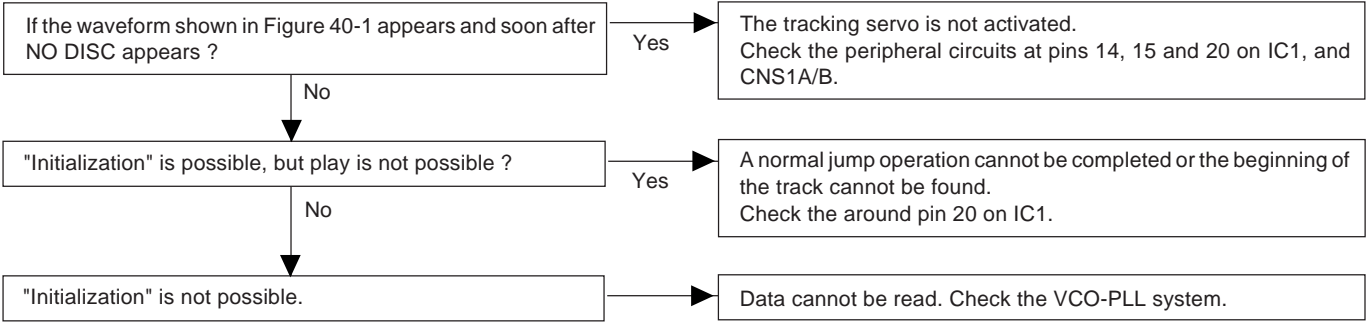


Figure 40-1

## (3) Spin system check.

Press the OPEN/CLOSE switch without inserting a disc, and then try starting the play operation.

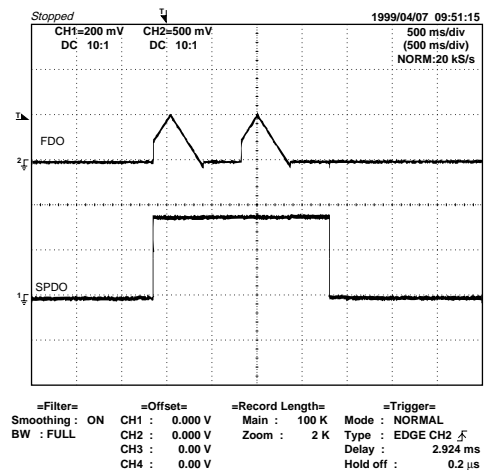
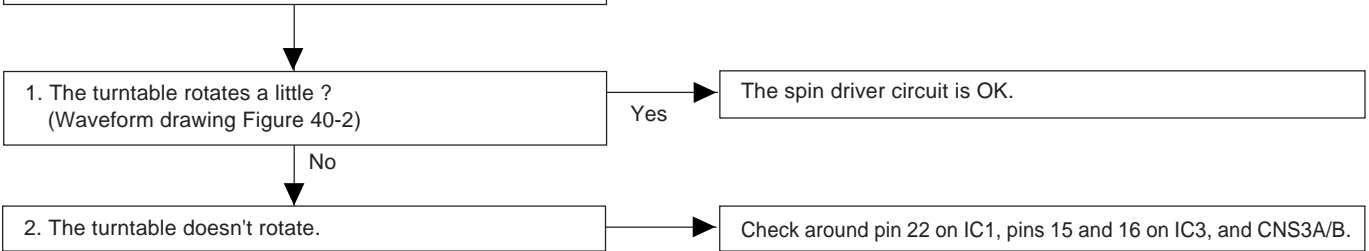


Figure 40-2



**(4) PLL system check.**

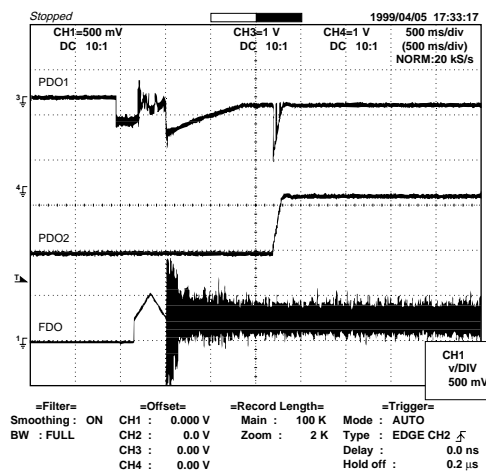
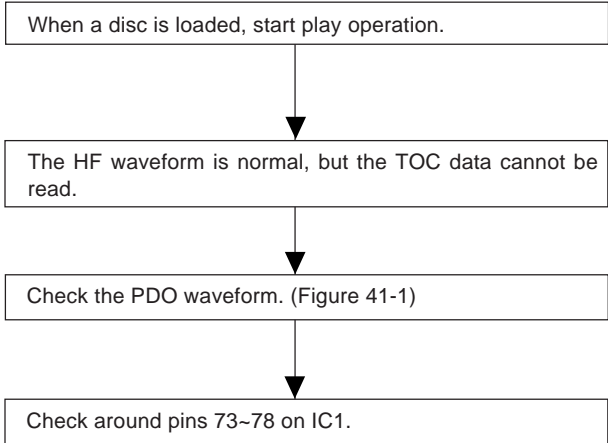


Figure 41-1

**(5) Others.**

The HF waveform is normal and the time is displayed normally, but no sound is produced. Or the sound has dropouts.

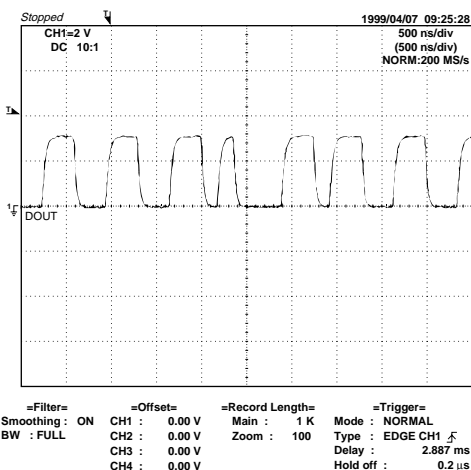
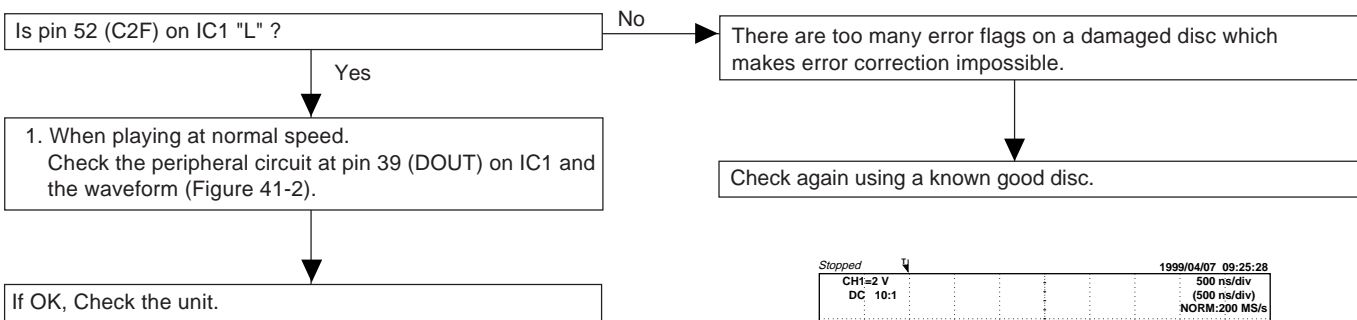


Figure 41-2

## FUNCTION TABLE OF IC

## IC1 VHiLC78645NE1: CD Servo (LC78645NE) (1/2)

Pin No.	Terminal Name	Input/Output	Setting in Reset	Function	
1	SLCO	Output	—	For slice level control.	Control output.
2	SLCIST	Input	—		Resistor connection terminal for SLCO output current setting.
3	EFMIN	Input	—		RF signal input terminal.
4	RF	Output	—	RF signal monitor terminal.	
5	RFVDD	Input	—	RF power terminal.	
6	RFVSS	—	—	RF earth terminal. To be connected to 0 V.	
7	FIN1	Input	—	A+C signal input terminal.	
8	FIN2	Input	—	B+D signal input terminal.	
9	TIN1	Input	—	E signal input terminal.	
10	TIN2	Input	—	F signal input terminal.	
11	VREF	Output	RFVDD/2	VREF voltage output terminal.	
12	REF1	Input	—	Reference supply setting terminal.	
13*	FE	Output	ZHI	FE signal monitor terminal.	
14	TEC	Output	—	LPF capacitor connection terminal for TE signal.	
15*	TE	Output	ZHI	TE signal monitor terminal.	
16*	RFMON	Output	ZHI	RF internal signal monitor terminal.	
17	JITTC	—	—	Capacitor connection terminal for jitter detection.	
18	ADAVDD	Input	—	Power terminal for servo A/D, D/A.	
19	ADAVSS	—	—	Earth terminal for servo A/D, D/A. To be connected to 0 V.	
20	TDO	Output	ADAVDD/2	Output terminal for tracking control. D/A output.	
21	FDO	Output	ADAVDD/2	Output terminal for focus control. D/A output.	
22	SPDO	Output	ADAVDD/2	Output terminal for spindle control. D/A output.	
23	SLDO	Output	ADAVDD/2	Output terminal for sled control. D/A output.	
24*	GPDAC	Output	ADAVDD/2	Servo D/A general-purpose output terminal.	
25	CONT4	Input/Output	Input Mode	General-purpose I/O terminal 4.	Controlled by commands from the microcomputer. When not used, set them as input terminals and connect to 0 V, or set them as output terminals and leave open.
26	CONT5	Input/Output	Input Mode	General-purpose I/O terminal 5.	
27*	SBCK/CONT6	Input/Output	Input Mode	General-purpose I/O terminal 6 or Subcode reading clock input terminal.	
28	SBCK/FG	Input	—	Subcode reading clock input terminal/FG signal input terminal/external emphasis setting terminal. Terminal functions are set by commands. When not used, connect to 0 V.	
29*	DEFECT	Output	L	Defect terminal.	
30*	V/*P	Output	H	Auto switching monitor output terminal for rough servo phase control. "H": rough servo, "L": phase servo.	
31*	FSEQ	Output	L	Sync signal detection output terminal. The status changes to "H" when the sync signal detected in EFM and the sync signal of internal generation are identified.	
32*	MONI1	Output	L	Internal signal monitor terminal 1.	
33*	MONI2	Output	L	Internal signal monitor terminal 2.	
34*	MONI3	Output	L	Internal signal monitor terminal 3.	
35*	MONI4	Output	L	Internal signal monitor terminal 4.	
36*	MONI5	Output	L	Internal signal monitor terminal 5.	
37	VSS	—	—	Digital system earth terminal. To be connected to 0 V.	
38	VDD	Input	—	Digital system power terminal.	
39*	DOUT	Output	L	Digital OUT output terminal. (EIAJ format)	
40	TEST	Input	L	Input terminal for test. To be connected to 0 V.	
41	LVDD	Input	—	Left channel D/A converter	Power supply for Left channel.
42	LCHO	Output	LVDD/2		Left channel output.
43	LVSS	—	—		GND for Left channel. Must be connected to 0 V.

In this unit, the terminal with asterisk mark (\*) is (open) terminal which is not connected to the outside.

## IC1 VHiLC78645NE1: CD Servo (LC78645NE) (2/2)

Pin No.	Terminal Name	Input/Output	Setting in Reset	Function	
44	RVSS	—	—	Right channel D/A converter	GND for Right channel. Must be connected to 0 V.
45	RCHO	Output	LVDD /2		Right channel output.
46	RVDD	Input	—		Power supply for Right channel.
47	XVDD	Input	—	Crystal Oscillator	Power supply for crystal oscillator.
48	XOUT	Output	—		Connected for the 33.8688 MHz crystal oscillator ciement.
49	XIN	Input	—		
50	FSX/16MIN	Input/Output	Input	7.35 kHz Synchronization signal monitor port. or Clock input port for Digital filter & D/A	
51	XVSS	—	—	Crystal Oscillator	GND for crystal oscillator. Must be connected to 0 V.
52*	C2F	Output	H	C2 FLAG monitor port.	
53*	EFLG	Output	L	C1, C2 error corrected monitor port.	
54*	16MOUT	Output	Clock	16.9344 MHz output port.	
55	ASLRCK	Input	—	Anti-shock	Word clock input port. (If this port does not use, must be connect to 0 V.)
56	ASDACK	Input	—		Bit clock input port. (If this port does not use, must be connect to 0 V.)
57	ASDFIN	Input	—		Left/Right channel data input port. (If this port does not use, must be connect to 0 V.)
58*	LRCK	Output	L	Digital data	Word clock output port.
59*	BCK	Output	L		Bit clock output port.
60*	DATA	Output	L		Left/Right channel data output port.
61	CE	Input	—	Microcomputer Interface	Chip enable signal input port.
62	CL	Input	—		Data transfer clock input port.
63	DI	Input	—		Data input port.
64	DO	Output	(H)		Data output port. (N-ch. open drain output.)
65	*WRQ	Output	H		Interruption signal output.
66	*RES	Input	—	Chip reset signal input port. This port must be set LOW after first applied power on.	
67	DRF	Output	L	Focus detection output port.	
68	VDD5	Input	—	Power supply for Microprocessor.	
69	VSS	—	—	GND for digital circuit. Must be connected to 0 V.	
70	CONT3	Input/Output	Input	General purpose port 1.	Controlled with serial data command from micro-computer. When not used, General purpose input/output terminal 7. Set it as the input terminal and open it by connecting to 0 V, or set it as the output terminal and open it.
71	CONT2	Input/Output	Input	General purpose port 2.	
72*	CONT1	Input/Output	Input	General purpose port 3.	
73	PDO1	Output	—	PLL	Internal VCO control phase comparator output port 1.
74	PDO2	Output	Input		Internal VCO control phase comparator output port 2.
75	VVSS	—	—		GND for internal VCO. Must be connected to 0 V.
76	PCKIST	Input	—		PDO output current adjustment resistor connection port.
77	VVDD	Input	—		Power supply for internal VCO.
78	FR	Input	—		VCO frequency range adjustment port.
79	LDS	Input	—	LASER power detected signal input port.	
80	LDD	Output	—	LASER power control signal output port.	

In this unit, the terminal with asterisk mark (\*) is (open) terminal which is not connected to the outside.

Be sure to supply the same potential to each power terminal. (VVDD, ADAVDD, VDD, LVDD, RVDD, XVDD)

Terminal witch is controlled by the power terminal (VDD5 V) for a microcomputer interface :

CE (61 pin), CL (62 pin), DI (63 pin), DO (64 pin), WRQ (65 pin), RES (66 pin), DRF (67 pin)

CD-XP200W

IC1 VHiLC78645NE1: CD Servo (LC78645NE)

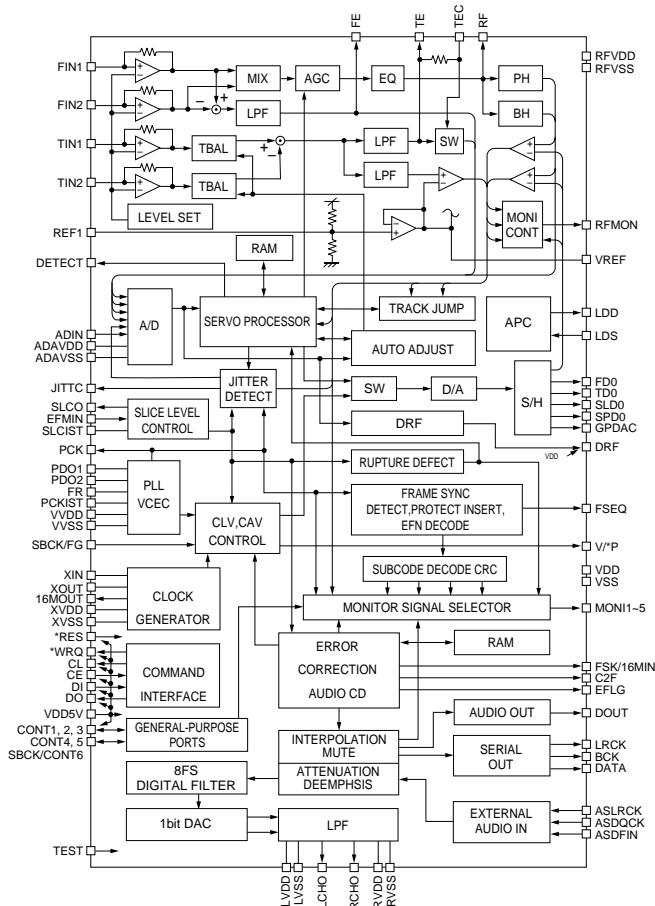
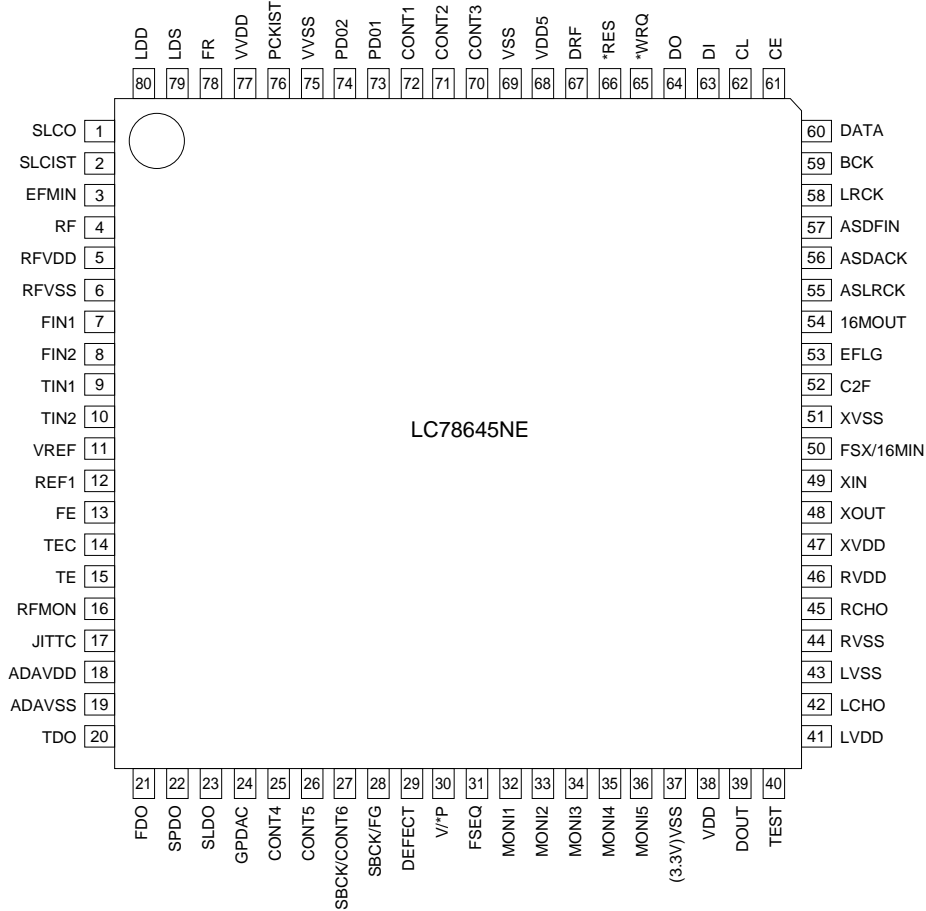


Figure 44 BLOCK DIAGRAM OF IC

IC601 VHiLC75341/-1: Audio Processor (LC75341)

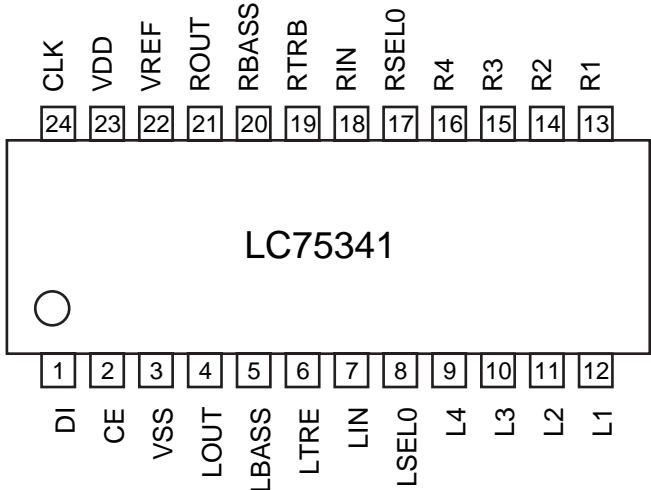
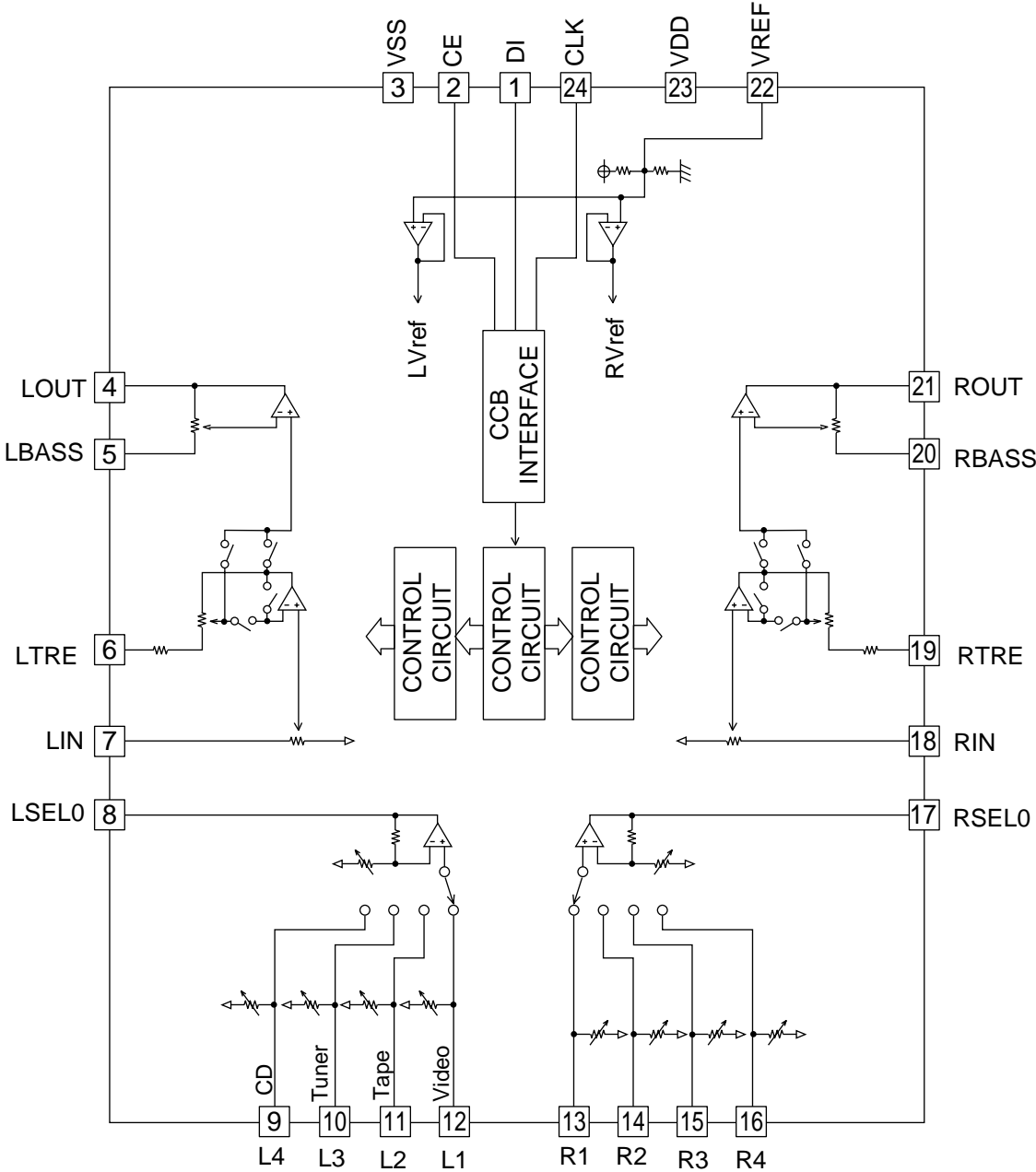


Figure 45 BLOCK DIAGRAM OF IC

## CD-XP200W

### IC701 RH-iX0532AWZZ: System Microcomputer (IX0532AW) (1/2)

Pin No.	Port Name	Terminal Name	Input/Output	Function
1	VDD	VDD	Input	(+) Power supply.
2	P37	-20dBATT	Output	-20dB Attenuator.
3*	P36	NO USE	Output	Open
4	P35	T-BIAS	Output	Tape record bias.
5	P34	T_T1/T2	Output	Tape T1/T2 change.
6	P33	T-REC/PLAY	Output	Tape REC/PLAY change.
7	P32	CD RESOUT	Output	CD DSP reset.
8	P31	CD_WRQ	Input	CD write read request..
9	P30	SPAN	Input	Tuner span change.
10	RESET	RESET	Input	Reset.
11	X2	X2	Output	Main clock.
12	X1	X1	Input	Main clock.
13	VPP/IC	VPP/IC	—	GND
14*	XT2	XT2	—	Open
15	P04	CD_DRF	Input	CD DRF level detection.
16	VDD	VDD	Input	(+) Power supply.
17	P27	CD CLK	Output	CD DSP clock.
18	P26	CD DI	Output	CD DSP command.
19	P25	CD DO	Input	CD DSP CODE Q out.
20	P24	CD CE	Output	CD DSP CE output.
21	P23	CE	Output	CE output.
22	P22	CLK	Output	Clock output.
23	P21	DI	Output	Data output.
24	P20	DO	Input	Data input.
25	AVSS	AVSS	—	Analog ground.
26	P17	DISC_NO SW	Input	CD DISC No. SW.
27	ANI6	TUN SM	Input	Tuner signal meter input.
28	ANI5	T2_PLAY SW/FPA/FPB SW	Input	Tape F.P A/B SW & PLAY 2 SW.
29	ANI4	PROTECT	Input	Power abnormal detect.
30	ANI3	LVL_DET	Input	Speaker output level detect.
31-33	ANI2-ANI0	KEY 2-KEY 0	Input	Key input.
34	AVDD	AVDD	Input	Analog VDD.
35	AVREF	AVREF	—	Analog ref voltage.
36	INTP3	P_IN	Input	Power failure detect.
37	P02	CD CLAMP SW	Input	CD CLAMP SW.
38	INTP1	SP DET	Input	Speaker abnormal detect.
39	INTP0	REMOCON	Input	Remocon input.
40	VSS	VSS	—	Ground voltage.
41	P74	SMUTE	Output	System mute control.
42	P73	T_SOL_B	Output	Tape 2 solenoid control.
43	P72	T_SOL_A	Output	Tape 1 solenoid control.
44	P71	T_MOTOR	Output	Tape motor control.
45	P70	TIMER LED	Output	Timer LED control.
46	VDD	VDD	Input	(+) Power supply.
47	P127	AC_RLY	Output	AC relay control.
48	P126	SP_RLY	Output	Speaker relay control.
49	P125	JOG 1	Input	Volume jog input 1.
50	P124	JOG 2	Input	Volume jog input 2.
51	P123	T 2_RUN	Input	TAPE 2 RUN PULSE input.
52	P122	T 1_RUN	Input	TAPE 1 RUN PULSE input.
53*	P121	MONST LED	Output	Monster LED.

In this unit, the terminal with asterisk mark (\*) is (open) terminal which is not connected to the outside.

**IC701 RH-iX0532AWZZ: System Microcomputer (IX0532AW) (2/2)**

Pin No.	Port Name	Terminal Name	Input/Output	Function
54	P120	O/C SW	Input	CD OPEN/CLOSE SW.
55	P117	MIC SW	Input	Mic switch input.
56	P116	KARA_LATCH	Output	Karaoke latch.
57*	P115	NO USE	Output	Open
58*	P114	MPEG POWER	Output	MPEG power control.
59*	P113	RDS RST	Output	RDS RAM reset.
60*	P112	RDS RDDA	Input	RDS data input.
61*	P111	RDS RDCL	Output	RDS clock.
62*	P110	RDS READY	Input	RDS ready.
63*	P107	ILU_LED1	Output	Illumination LED1.
64*	P106	ILU_LED2	Output	Illumination LED2.
65*	P105	ILU_LED3	Output	Illumination LED3.
66*	P104	FOR PLY_LED	Output	Forward play LED.
67*	P103	PEV PLY_LED	Output	Reverse play LED.
68*	P102	STOP_LED	Output	Stop LED.
69	FIP30	DIST	Input	Destination input.
70	FIP29	S21	Output	FL segment driver.
71-74	P97-P94	S20-S17/DIST3-0	Output	Destination output./FL segment driver.
75-78	FIP24-FIP21	S16-S13	Output	FL segment driver.
79	VLOAD	VLOAD	Input	FL driver power supp. -30 V
80-91	FIP20-FIP9	S12-S1	Output	FL segment driver.
92-100	FIP8-FIP0	G9-G1	Output	FL grid driver.

In this unit, the terminal with asterisk mark (\*) is (open) terminal which is not connected to the outside.

## CD-XP200W

### ICK1 VHiM65856SP-1: Mic Amp. (M65856SP) (1/2)

Pin No.	Port Name	Input/Output	Function
1	MIC SW	Input	Microphone SW L: MIC OFF, H: MIC ON
2	MCLKC ONT	—	Clock Control. Controls built-in clock generation circuit with external R.
3	VALCL	—	ALC operating voltage setting terminal. To set ALC operating voltage according to applied voltage.
4	MIC1 IN	Input	Microphone 1 input. To connect MIC 1.
5*	ALC1	—	ALC1 control. To connect ALC1 attack/recovery time setting capacitor.
6*	MIC1NF IN	Input	Microphone 1 negative feedback input. To connect low cut-off frequency of MIC1 amplifier setting capacitor.
7*	MIC1 OUT	Output	Microphone 1 output.
8	MIC1 VOL IN	Input	Microphone 1 volume input. To connect capacitor to reduce noise generated at time of volume change.
9	MIC2 IN	Input	Microphone 2 input. To connect MIC 2.
10	ALC2	—	ALC2 control. To connect ALC2 attack/recovery time setting capacitor.
11	MIC2 NF IN	Input	Microphone 2 negative feedback input. To connect low cut-off frequency of MIC2 amplifier setting capacitor.
12	MIC2 OUT	Output	Microphone 2 output.
13	MIC2 VOL IN	Input	Microphone 2 volume input. To connect capacitor to reduce noise generated at time of volume change.
14	MICOUT	Output	Microphone output. Mixing output of MIC 1 and MIC 2.
15	LPF1 IN1	Input	Low pass filter 1 input 1. Pre-filter before A/D convertor for digital delay.
16	LPF1 IN2	Input	Low pass filter 1 input 2. Pre-filter before A/D convertor for digital delay.
17	LPF1 OUT	Output	Low pass filter 1 output. Pre-filter before A/D convertor for digital delay.
18	AD INTOUT	Output	A/D integrator output. Composes D/A conversion integrator with external capacitor.
19	AD INTIN	Input	A/D integrator input. Composes D/A conversion integrator with external capacitor.
20	ADCONT	—	A/D control. To determine adaptive time constant of A/D convertor with ADM system.
21	REF	—	Reference power output. To connect 1/2 Vcc output and filter capacitor.
22	GND	—	Ground.
23	VCC	Input	Power supply.
24	DACONT	—	D/A control. To determine adaptive time constant of D/A convertor with ADM system .
25	DAINTIN	Input	D/A Integrator input. Composes D/A conversion integrator with external capacitor.
26	DAINTOUT	Output	D/A Integrator output. Composes D/A conversion integrator with external capacitor.
27	LPF2IN1	Input	Low pass filter 2 input 1. Post-filter after D/A convertor for digital delay.
28	LPF2IN2	Input	Low pass filter 2 input 2. Post-filter after D/A convertor for digital delay.
29	LPF2OUT	Output	Low pass filter 2 output. Post-filter after D/A convertor for digital delay.
30	VOLIN	Input	Echo effect/Echo feed back volume input. To connect capacitor to reduce noise generated at time of volume change.
31	L IN	Input	Lch line input.
32	R IN	Input	Rch line input.

In this unit, the terminal with asterisk mark (\*) is (open) terminal which is not connected to the outside.



ICK1 VHiM65856SP-1: Mic Amp. (M65856SP) (2/2)

Pin No.	Port Name	Input/Output	Function
33*	KEYCONIN	Input	Monaural input for external KEYCONTROL IC. Input/Output interface terminal for external KEYCONTROL IC.
34*	SOURCEOUT	Output	Monaural input for external KEYCONTROL IC. Input/Output interface terminal for external KEYCONTROL IC.
35	R OUT	Output	Rch mixing output.
36	L OUT	Output	Lch mixing output.
37	VCF IL	—	Vocal cut filter. Processes frequencies lower then the vocal band.
38*	PS1	Input	Phase shift input 1. Determines a constant at time of phase shift.
39*	PS2	Input	Phase shift input 2. Determines a constant at time of phase shift.
40	LATCH	Input	Latch input via serial bus.
41	CLOCK	Input	Clock input via serial bus.
42	DATA	Input	Data input via serial bus.

In this unit, the terminal with asterisk mark (\*) is (open) terminal which is not connected to the outside.

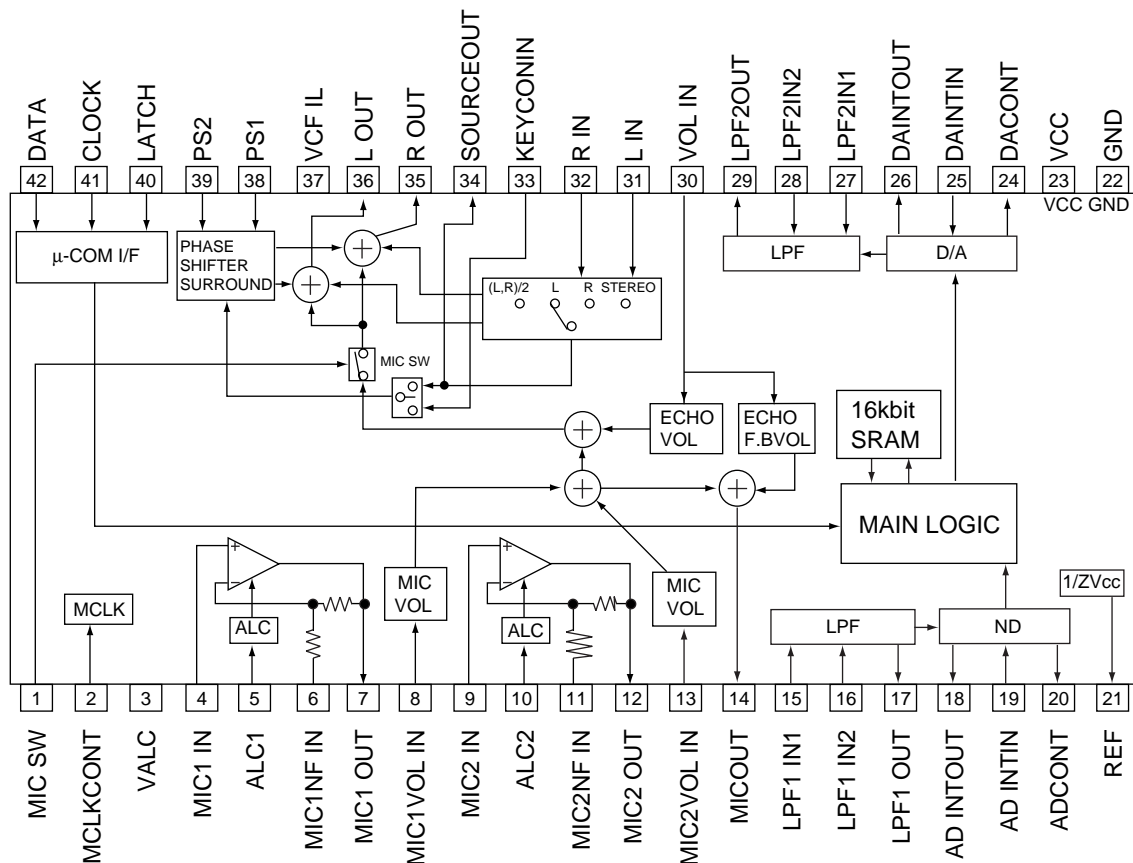
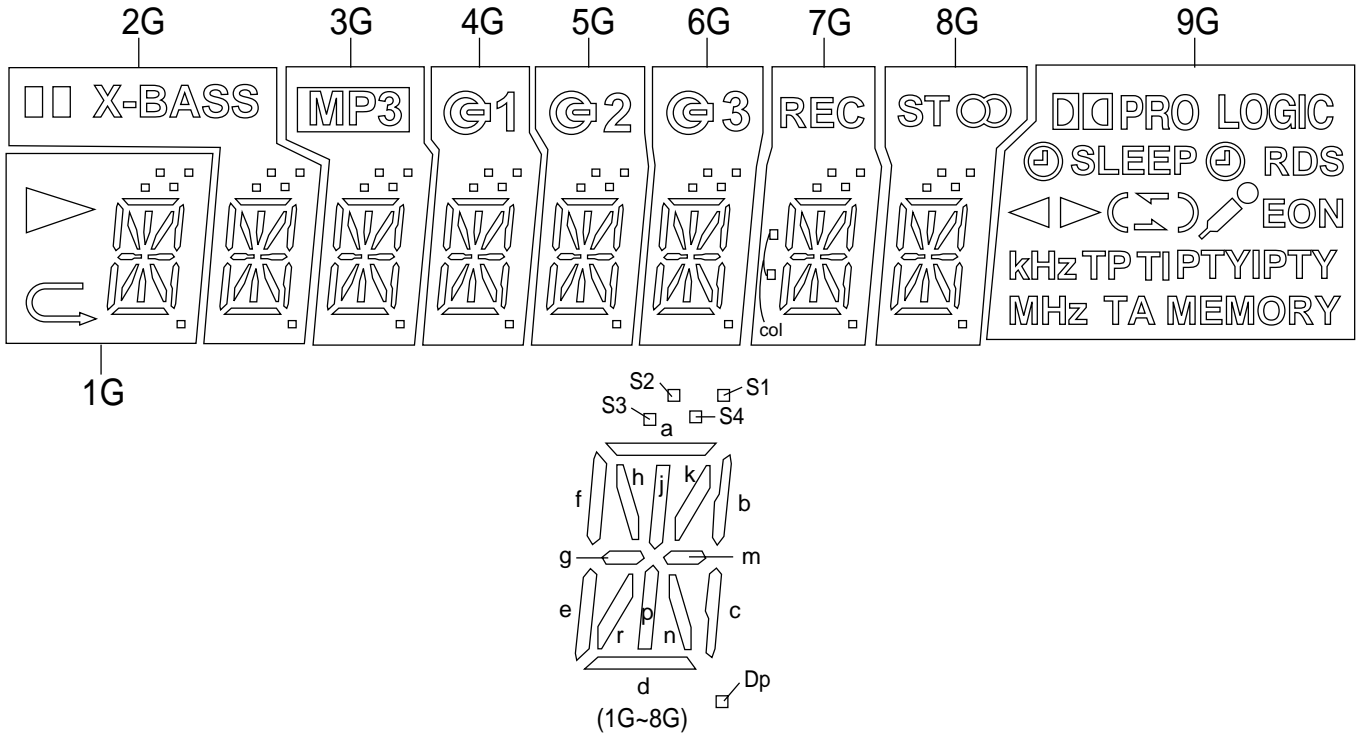


Figure 49 BLOCK DIAGRAM OF IC

FL DISPLAY

FL701 VVKNA09SS29-1

GRID ASSIGNMENT



ANODE CONNECTION

	1G	2G	3G	4G	5G	6G	7G	8G	9G
P1		X-BASS	MP3	G1	G2	G3	col	ST	PTY
P2	S1	S1	S1	S1	S1	S1	S1	S1	—
P3	S2	S2	S2	S2	S2	S2	S2	S2	TA
P4	S3	S3	S3	S3	S3	S3	S3	S3	TP
P5	S4	S4	S4	S4	S4	S4	S4	S4	RDS
P6	a	a	a	a	a	a	a	a	TI
P7	b	b	b	b	b	b	b	b	
P8	k	k	k	k	k	k	k	k	
P9	j	j	j	j	j	j	j	j	MEMORY
P10	h	h	h	h	h	h	h	h	PTY
P11	f	f	f	f	f	f	f	f	)
P12	m	m	m	m	m	m	m	m	(
P13	d	d	d	d	d	d	d	d	MHz
P14	g	g	g	g	g	g	g	g	
P15	p	p	p	p	p	p	p	p	kHz
P16	e	e	e	e	e	e	e	e	EON
P17	n	n	n	n	n	n	n	n	PRO LOGIC
P18	r	r	r	r	r	r	r	r	
P19	c	c	c	c	c	c	c	c	(L)
P20	Dp	Dp	Dp	Dp	Dp	Dp	Dp	Dp	(H)
P21		X-BASS	—	—	—	—	—	REC	ST

# SHARP PARTS GUIDE

## MINI COMPONENT SYSTEM

# MODEL CD-XP200W

CD-XP200W Mini Component System consisting of CD-XP200W (main unit) and CP-XP200 (speaker system).

### “HOW TO ORDER REPLACEMENT PARTS”

To have your order filled promptly and correctly, please furnish the following information.

- |                 |                |
|-----------------|----------------|
| 1. MODEL NUMBER | 2. REF. No.    |
| 3. PART NO.     | 4. DESCRIPTION |

★ MARK: SPARE PARTS-DELIVERY SECTION

#### For U.S.A. only

Contact your nearest SHARP Parts Distributor to order.

For location of SHARP Parts Distributor,  
Please call Toll-Free;  
1-800-BE-SHARP

## Explanation of capacitors/resistors parts codes

### Capacitors

- VCC ..... Ceramic type
- VCK ..... Ceramic type
- VCT ..... Semiconductor type
- VC •• MF ..... Cylindrical type (without lead wire)
- VC •• MN ..... Cylindrical type (without lead wire)
- VC •• TV ..... Square type (without lead wire)
- VC •• TQ ..... Square type (without lead wire)
- VC •• CY ..... Square type (without lead wire)
- VC •• CZ ..... Square type (without lead wire)
- VC •••••••• J .. The 13th character represents capacity difference.  
("J" ±5%, "K" ±10%, "M" ±20%, "N" ±30%,  
"C" ±0.25 pF, "D" ±0.5 pF, "Z" +80-20%.)

If there are no indications for the electrolytic capacitors, error is ±20%.

### Resistors

- VRD ..... Carbon-film type
- VRS ..... Carbon-film type
- VRN ..... Metal-film type
- VR •• MF ..... Cylindrical type (without lead wire)
- VR •• MN ..... Cylindrical type (without lead wire)
- VR •• TV ..... Square type (without lead wire)
- VR •• TQ ..... Square type (without lead wire)
- VR •• CY ..... Square type (without lead wire)
- VR •• CZ ..... Square type (without lead wire)
- VR •••••••• J .. The 13th character represents error.  
("J" ±5%, "F" ±1%, "D" ±0.5%.)

If there are no indications for other parts, the resistors are ±5% carbon-film type.

### NOTE:

Parts marked with “△” are important for maintaining the safety of the set.  
Be sure to replace parts with specified ones for maintaining the safety and performance of the set.

# CD-XP200W

NO.	PART CODE	★ PRICE RANK	DESCRIPTION
<b>CD-XP200W</b>			
<b>INTEGRATED CIRCUITS</b>			
IC1	VHILC78645NE1	J AY	CD Servo,LC78645NE
IC2	VHIM63001FP-1	J AX	Focus/Tracking/Spin/Sled Driver, M63001FP
IC101	VHIAN7345K/-1	J AM	Playback and Record/Playback Amp.,AN7345K
IC301	VHITA7358AP-1	J AG	FM Front End,TA7358AP
IC302	VHILC72131/-1	J AP	PLL (Tuner),LC72131
IC303	VHILA1832S/-1	J AN	FM IF Det./FM Mpx./AM IF, LA1832S
IC601	VHILC75341/-1	J AM	Audio Processor,LC75341
IC701	RH-IX0532AWZZ	J AZ	System Microcomputer, IX0532AW
IC851	VHIKIA7812AP1	J AF	Voltage Regulator,KIA7812AP
IC852	VHIKIA7810AP1	J AF	Voltage Regulator,KIA7810AP
IC853	VHIKIA7805AP1	J AF	Voltage Regulator,KIA7805AP
IC854	VHIAN78L05/-1	J AE	Voltage Regulator,AN78L05
IC855	VSKTC2026//1	J AF	Silicon,NPN,KTC2026
IC901	VHISTK4029S-1	J BA	Power Amp.,STK4029S
ICK1	VHIM65856SP-1	J AX	Mic Amp.,M65856SP
ICK2	VHIKIA4558P-1	J AC	Ope Amp.,KIA4558P

## TRANSISTORS

Q1	VSKTA1266GR-1	J AB	Silicon,PNP,KTA1266 GR
Q2	VSKTC3203Y/-1	J AC	Silicon,NPN,KTC3203 Y
Q3	VSKRC102M//1	J AC	Digital,NPN,KRC102 M
Q101-104	VSKTC3200GR-1	J AC	Silicon,NPN,KTC3200 GR
Q105-108	VSKTC3199GR-1	J AB	Silicon,NPN,KTC3199 GR
Q109	VSKTA1266GR-1	J AB	Silicon,PNP,KTA1266 GR
Q110	VSKRC104M//1	J AC	Digital,NPN,KRC104 M
Q111	VSKTC3203Y/-1	J AC	Silicon,NPN,KTC3203 Y
Q112	VSKTA1266GR-1	J AB	Silicon,PNP,KTA1266 GR
Q113,114	VSKRC104M//1	J AC	Digital,NPN,KRC104 M
Q302	VSKTC3194Y/-1	J AD	Silicon,NPN,KTC3194 Y
Q360	VSKTA1266GR-1	J AB	Silicon,PNP,KTA1266 GR
Q601-604	VSKTC3199GR-1	J AB	Silicon,NPN,KTC3199 GR
Q705	VSKTC3199GR-1	J AB	Silicon,NPN,KTC3199 GR
Q706-708	VSKTA1273Y/-1	J AE	Silicon,PNP,KTA1273 Y
Q709	VSKRC102M//1	J AC	Digital,NPN,KRC102 M
Q801	VSKTA1274Y/-1	J AE	Silicon,PNP,KTA1274 Y
Q901-905	VSKTC3199GR-1	J AB	Silicon,NPN,KTC3199 GR
Q906	VSKTC3203Y/-1	J AC	Silicon,NPN,KTC3203 Y
QK1	VSKTC3203Y/-1	J AC	Silicon,NPN,KTC3203 Y

## DIODES

D1,2	VHDDS1SS133-1	J AB	Silicon,DS1SS133
D301,302	VHDDS1SS133-1	J AB	Silicon,DS1SS133
D305	VHDDS1SS133-1	J AB	Silicon,DS1SS133
D701	VHDDS1SS133-1	J AB	Silicon,DS1SS133
D709-715	VHDDS1SS133-1	J AB	Silicon,DS1SS133
D802	VHDD3SBA60F-1	J AG	Silicon,D3SBA60F
D803-806	VHD1N4004S/-1	J AB	Silicon,1N4004S
D851,852	VHDDS1SS133-1	J AB	Silicon,DS1SS133
D856-859	VHDDS1SS133-1	J AB	Silicon,DS1SS133
D905-907	VHDDS1SS133-1	J AB	Silicon,DS1SS133
D911,912	VHDDS1SS133-1	J AB	Silicon,DS1SS133
DK1,2	VHDDS1SS133-1	J AB	Silicon,DS1SS133
LED701	VHPSLR342VCJ1	J AC	LED,Red,SLR342VCJ
ZD1	VHEDZ3R3BSB-1	J AB	Zener,3.3V,DZ3.3BSB
ZD2	VHEDZ3R9BSB-1	J AC	Zener,3.9V,DZ3.9BSB
ZD351	VHEDZ5R1BSA-1	J AB	Zener,5.1V,DZ5.1BSA
ZD801,802	VHEDZ6R2BSA-1	J AB	Zener,6.2V,DZ6.2BSA
ZD803	VHEDZ300BSB-1	J AB	Zener,30V,DZ30BSB
ZD852	VHEDZ8R2BSB-1	J AB	Zener,8.2V,DZ8.2BSB
ZDK1	VHEMTZJ5R6B-1	J AD	Zener,5.6V,MTZJ5.6B

## FILTERS

BF301	RFILR0008AWZZ	J AE	Band Pass Filter
CF303	RFILF0124AFZZ	J AD	FM IF,10.7 MHz
CF351	RFILF0003AWZZ	J AK	FM IF
CF352	RFILA0009AWZZ	J AE	AM IF

## TRANSFORMERS

△ PT801	RTRNP0409AWZZ	J	Power
T301	RCILB0065AWZZ	J AC	FM OSC.
T302	RCILJ0017AWZZ	J AB	FM IF
T303	RCILA0052AWZZ	J AE	AM Antenna
T306	RCILB0067AWZZ	J AD	AM OSC.
T351	RCILJ0019AWZZ	J AD	AM IF

## COILS

L1	VP-XHR82K0000	J AC	0.82 μH,Choke
L103	VP-MK331K0000	J AB	330 μH,Choke
L312	RCILR0056AWZZ	J AB	FM RF
L351,352	VP-DH101K0000	J AB	100 μH,Choke
L701	VP-DH101K0000	J AB	100 μH,Choke

## VARIABLE RESISTOR

VRK1	92LVRR1674A	J AF	20 kohms (B) [Mic Volume]
------	-------------	------	---------------------------

## VARIABLE CAPACITORS

VD301	VHCSVC348S/-1	J AK	Variable Capacitance,SVC348S
VD302,303	VHCSVC211C/-1	J AG	Variable Capacitance,SVC211C

## VIBRATORS

X351	92LCRSTL1425A	J AF	Crystal,456 kHz
X352	RCRSP0019AWZZ	J AF	Crystal,4.5 MHz
XL1	RCRM-0041AWZZ	J AF	Ceramic,33.8688 MHz
XL700	RCRSP0003AWZZ	J AH	Crystal,4.19403 MHz

## CAPACITORS

C1	VCEAZA1EW476M	J AB	47 μF,25V,Electrolytic
C2	VCKYCY1CB103K	J AA	0.01 μF,16V
C3	VCEAZA1EW476M	J AB	47 μF,25V,Electrolytic
C4	VCKYCY1HB102K	J AA	0.001 μF,50V
C5	VCKYCY1HB473K	J AB	0.047 μF,50V
C6	VCKYCY1CB104K	J AB	0.1 μF,16V
C8	VCKYCY1HB272K	J AA	0.0027 μF,50V
C9	VCEAZA1AW107M	J AB	100 μF,10V,Electrolytic
C10	VCEAZA1HW106M	J AB	10 μF,50V,Electrolytic
C11	VCEAZA1HW224M	J AB	0.22 μF,50V,Electrolytic
C12	VCCCCY1HH101J	J AA	100 pF (CH),50V
C13	VCKYCY1EF223Z	J AB	0.022 μF,25V
C14	RC-EZY107AF1A	J AB	100 μF,10V,Electrolytic
C15	VCKYPA1HB102K	J AA	0.001 μF,50V
C16	RC-EZY337AF0J	J AA	330 μF,6.3V,Electrolytic
C18	RC-EZY107AF1A	J AB	100 μF,10V,Electrolytic
C22	VCKYCY1CB103K	J AA	0.01 μF,16V
C23,24	RC-EZY106AF1E	J AB	10 μF,25V,Electrolytic
C25,26	VCKYCY1HB152K	J AA	0.0015 μF,50V
C27	VCKYCY1EF223Z	J AB	0.022 μF,25V
C28	VCCCCY1HH101J	J AA	100 pF (CH),50V
C30	VCCCCY1HH101J	J AA	100 pF (CH),50V
C32	VCCCCY1HH101J	J AA	100 pF (CH),50V
C33	VCKYCY1EF223Z	J AB	0.022 μF,25V
C34	VCCCCY1HH101J	J AA	100 pF (CH),50V
C35	VCKYCY1HB473K	J AB	0.047 μF,50V
C36	VCEAZA1HW224M	J AB	0.22 μF,50V,Electrolytic
C37	VCTYPA1CX104K	J AB	0.1 μF,16V
C38	VCKYCY1CB103K	J AA	0.01 μF,16V
C39	RC-EZY107AF1A	J AB	100 μF,10V,Electrolytic
C40	VCEAZA0JW227M	J AC	220 μF,6.3V,Electrolytic
C41	VCEAZA1AW107M	J AB	100 μF,10V,Electrolytic
C42	VCKYCY1CB103K	J AA	0.01 μF,16V
C44	VCKYCY1HB102K	J AA	0.001 μF,50V
C46	VCEAZA1AW107M	J AB	100 μF,10V,Electrolytic
C48	VCKYCY1EF223Z	J AB	0.022 μF,25V
C50	VCCCCY1HH220J	J AA	22 pF (CH),50V
C51	VCKZPA1HF223Z	J AA	0.022 μF,50V
C52,53	VCKYCY1HB102K	J AA	0.001 μF,50V
C54	VCKYCY1EF223Z	J AB	0.022 μF,25V
C57	VCCCCY1HH560J	J AA	56 pF (CH),50V
C101,102	VCKYMN1HB561K	J AA	560 pF,50V
C103	VCKYBT1HB181K	J AA	180 pF,50V
C104	VCKYMN1HB181K	J AA	180 pF,50V

NO.	PART CODE	★ PRICE RANK	DESCRIPTION	NO.	PARTS CODE	★ PRICE RANK	DESCRIPTION
C105,106	VCKYMN1HB561K	J AA	560 pF,50V	C396	VCEAZA1AW107M	J AB	100 μF,10V,Electrolytic
C107~110	VCKYMN1HB331K	J AA	330 pF,50V	C397	VCTYMN1EF223Z	J AA	0.022 μF,25V
C111,112	VCEAZA1EW107M	J AB	100 μF,25V,Electrolytic	C398	VCEAZA1AW107M	J AB	100 μF,10V,Electrolytic
C113,114	VCTYPA1EX333K	J AA	0.033 μF,25V	C399	VCTYMN1EF223Z	J AA	0.022 μF,25V
C115,116	VCKYMN1HB561K	J AA	560 pF,50V	C601	VCEAZA1CW227M	J AC	220 μF,16V,Electrolytic
C117,118	VCEAZA1EW476M	J AB	47 μF,25V,Electrolytic	C602	VCTYMN1EF223Z	J AA	0.022 μF,25V
C119,120	VCTYMN1CX222K	J AA	0.0022 μF,16V	C603	VCEAZA1HW226M	J AB	22 μF,50V,Electrolytic
C121	VCTYMN1EF223Z	J AA	0.022 μF,25V	C605~608	VCFYHA1HA104J	J AB	0.1 μF,50V,Thin Film
C123,124	VCKYMN1HB271K	J AA	270 pF,50V	C609,610	VCEAZA1HW105M	J AB	1 μF,50V,Electrolytic
C125,126	VCEAZA1HW226M	J AB	22 μF,50V,Electrolytic	C611,612	VCTYMN1CX222K	J AA	0.0022 μF,16V
C127,128	VCTYPA1CX223K	J AA	0.022 μF,16V	C613,614	VCEAZA1HW105M	J AB	1 μF,50V,Electrolytic
C129,130	VCTYMN1CX332K	J AA	0.0033 μF,16V	C615,616	VCEAZA1HW475M	J AB	4.7 μF,50V,Electrolytic
C131,132	VCEAZA1EW476M	J AB	47 μF,25V,Electrolytic	C617~624	VCEAZA1HW105M	J AB	1 μF,50V,Electrolytic
C133	VCEAZA1HW226M	J AB	22 μF,50V,Electrolytic	C625,626	VCTYMN1CX222K	J AA	0.0022 μF,16V
C134	VCEAZA1AW227M	J AC	220 μF,10V,Electrolytic	C629,630	VCKYMN1HB102K	J AA	0.001 μF,50V
C135	VCTYMN1EF223Z	J AA	0.022 μF,25V	C635~638	VCKYMN1HB102K	J AA	0.001 μF,50V
C136	VCKZPA1HF223Z	J AA	0.022 μF,50V	C639	VCEAZA1HW105M	J AB	1 μF,50V,Electrolytic
C137	VCQYKA1HM473K	J AB	0.047 μF,50V,Mylar	C640	VCEAZA1HW226M	J AB	22 μF,50V,Electrolytic
C138	VCQPKA2AA822J	J AA	0.0082 μF,100V,Polypropylene	C651~653	VCKYMN1HB221K	J AA	220 pF,50V
C139	VCQYKA1HM393K	J AB	0.039 μF,50V,Mylar	C690,691	VCKYMN1HB391K	J AA	390 pF,50V
C140	VCEAZA1EW476M	J AB	47 μF,25V,Electrolytic	C701	VCEAZA1HW105M	J AB	1 μF,50V,Electrolytic
C141	VCEAZA1CW107M	J AC	100 μF,16V,Electrolytic	C702	VCEAZA1AW227M	J AC	220 μF,10V,Electrolytic
C143	VCEAZA1HW335M	J AB	3.3 μF,50V,Electrolytic	C703	VCTYMN1EF223Z	J AA	0.022 μF,25V
C302	VCKYMN1HB102K	J AA	0.001 μF,50V	C704	VCCSMN1HL150J	J AA	15 pF,50V
C303	VCCCMN1HH100J	J AA	10 pF (CH),50V	C705	VCCSMN1HL180J	J AA	18 pF,50V
C304	VCTYMN1CY103N	J AA	0.01 μF,16V	C706	VCEAZA1EW476M	J AB	47 μF,25V,Electrolytic
C305	VCCCMN1HH4R7C	J AA	4.7 pF (CH),50V	C707	VCEAZA1HW105M	J AB	1 μF,50V,Electrolytic
C306	VCTYMN1EF223Z	J AA	0.022 μF,25V	C712	VCEAZA1EW476M	J AB	47 μF,25V,Electrolytic
C307	VCEAZA1HW106M	J AB	10 μF,50V,Electrolytic	C714	VCEAZA1HW335M	J AB	3.3 μF,50V,Electrolytic
C308	VCCCMN1HH4R7C	J AA	4.7 pF (CH),50V	C715	VCTYMN1EF103Z	J AB	0.01 μF,25V
C309	VCKYMN1HB102K	J AA	0.001 μF,50V	C716	VCTYMN1EF223Z	J AA	0.022 μF,25V
C310	VCCCMN1HH150J	J AA	15 pF (CH),50V	C717	VCEAZA1EW476M	J AB	47 μF,25V,Electrolytic
C311	VCCSMN1HL180J	J AA	18 pF,50V	C720	VCTYBT1EF223Z	J AA	0.022 μF,25V
C312	VCTYMN1EF223Z	J AA	0.022 μF,25V	C721	VCKZPA1HF223Z	J AA	0.022 μF,50V
C313	VCCCMN1HH220J	J AA	22 pF (CH),50V	C801	VCEAZA1VW107M	J AC	100 μF,35V,Electrolytic
C314,315	VCTYMN1CX472K	J AA	0.0047 μF,16V	C802,803	VCEAZA1HW476M	J AB	47 μF,50V,Electrolytic
C316	VCTYMN1EF223Z	J AA	0.022 μF,25V	C804	VCEAZV1JW227M	J AC	220 μF,63V,Electrolytic
C317	VCKYMN1HB102K	J AA	0.001 μF,50V	C805	VCEAZA2AW226M	J AC	22 μF,100V,Electrolytic
C318	VCKYMN1HB101K	J AA	100 pF,50V	C806~809	VCQYKA1HM104K	J AB	0.1 μF,50V,Mylar
C320	VCKYBT1HB102K	J AA	0.001 μF,50V	C851	VCQYKA1HM473K	J AB	0.047 μF,50V,Mylar
C323	VCTYMN1EF223Z	J AA	0.022 μF,25V	C852	VCEAZA1HW226M	J AB	22 μF,50V,Electrolytic
C324	VCCUMN1HJ4R7D	J AA	4.7 pF (UJ),50V	C853	VCEAZA1EW476M	J AB	47 μF,25V,Electrolytic
C330	VCCUMN1HJ150J	J AA	15 pF (UJ),50V	C854,855	VCQYKA1HM104K	J AB	0.1 μF,50V,Mylar
C331	VCKZPA1HF473Z	J AA	0.047 μF,50V	C856	VCEAZW1VW338M	J AH	3300 μF,35V,Electrolytic
C332	VCTYMN1EF223Z	J AA	0.022 μF,25V	C857	VCEAZA1EW476M	J AB	47 μF,25V,Electrolytic
C334	VCCUMN1HJ220J	J AA	22 pF (UJ),50V	C858	VCTYMN1EF223Z	J AA	0.022 μF,25V
C335	VCKYMN1HB561K	J AA	560 pF,50V	C859	VCQYKA1HM104K	J AB	0.1 μF,50V,Mylar
C338	VCKYMN1HB102K	J AA	0.001 μF,50V	C860	VCEAZA1EW476M	J AB	47 μF,25V,Electrolytic
C342	VCTYMN1EF223Z	J AA	0.022 μF,25V	C861	VCQYKA1HM473K	J AB	0.047 μF,50V,Mylar
C350	VCKZPA1HF223Z	J AA	0.022 μF,50V	C862	VCEAZA1HW106M	J AB	10 μF,50V,Electrolytic
C351	VCTYMN1EF223Z	J AA	0.022 μF,25V	C863	VCEAZA1HW226M	J AB	22 μF,50V,Electrolytic
C352	VCEAZA1HW106M	J AB	10 μF,50V,Electrolytic	C864	VCQYKA1HM104K	J AB	0.1 μF,50V,Mylar
C353,354	VCTYMN1EF223Z	J AA	0.022 μF,25V	C865	VCEAZA1HW106M	J AB	10 μF,50V,Electrolytic
C355	VCCSMN1HL220J	J AA	22 pF,50V	C901,902	VCEAZA1HW224M	J AB	0.22 μF,50V,Electrolytic
C356	VCKYMN1HB102K	J AA	0.001 μF,50V	C903,904	VCKYMN1HB102K	J AA	0.001 μF,50V
C357	VCEAZA1HW225M	J AB	2.2 μF,50V,Electrolytic	C905,906	VCCCMN1HH3R3C	J AA	3.3 pF (CH),50V
C358	VCEAZA1HW105M	J AB	1 μF,50V,Electrolytic	C907,908	VCKYMN1HB821K	J AA	820 pF,50V
C361	VCTYMN1EF223Z	J AA	0.022 μF,25V	C909,910	VCEAZA1HW475M	J AB	4.7 μF,50V,Electrolytic
C362	VCEAZA1HW335M	J AB	3.3 μF,50V,Electrolytic	C911	VCKZPA1HF223Z	J AA	0.022 μF,50V
C363	VCTYMN1EF223Z	J AA	0.022 μF,25V	C912	VCTYMN1EF223Z	J AA	0.022 μF,25V
C364	VCEAZA1HW225M	J AB	2.2 μF,50V,Electrolytic	C913,914	VCEAZV1JW107M	J AC	100 μF,63V,Electrolytic
C365	VCKZPA1HF223Z	J AA	0.022 μF,50V	C915,916	VCEAZA1JW106M	J AB	10 μF,63V,Electrolytic
C366	VCKYMN1HB102K	J AA	0.001 μF,50V	C925	VCEAZA1HW476M	J AB	47 μF,50V,Electrolytic
C367,368	VCEAZA1HW105M	J AB	1 μF,50V,Electrolytic	C926~929	VCFYHA1HA224J	J AC	0.22 μF,50V,Thin Film
C369	VCCUMN1HJ270J	J AA	27 pF (UJ),50V	C930	VCEAZA1HW476M	J AB	47 μF,50V,Electrolytic
C370~372	VCEAZA1HW105M	J AB	1 μF,50V,Electrolytic	C931	VCEAZA1HW106M	J AB	10 μF,50V,Electrolytic
C373,374	VCTYPA1CX153K	J AA	0.015 μF,16V	C932	VCFYHA1HA224J	J AC	0.22 μF,50V,Polyester
C380	VCEAZA1HW106M	J AB	10 μF,50V,Electrolytic	C948,949	RC-EZ0063AWZZ	J AM	2200 μF,63V,Electrolytic
C381	VCCCMN1HH120J	J AA	12 pF (CH),50V	CK1	VCTYPA1CX103K	J AA	0.01 μF,16V
C382	VCCCMN1HH150J	J AA	15 pF (CH),50V	CK3	VCKYPA1HB102K	J AA	0.001 μF,50V
C383	VCCSBT1HL560J	J AA	56 pF,50V	CK7	VCEAZA1HW474M	J AB	0.47 μF,50V,Electrolytic
C384	VCKYMN1HB102K	J AA	0.001 μF,50V	CK8	VCEAZA1HW475M	J AB	4.7 μF,50V,Electrolytic
C385	VCTYMN1CY103N	J AA	0.01 μF,16V	CK9	VCEAZA1HW225M	J AB	2.2 μF,50V,Electrolytic
C386	VCKYMN1HB331K	J AA	330 pF,50V	CK10,11	VCFYDA1HA104J	J AB	0.1 μF,50V,Thin Film
C387	VCTYMN1EF223Z	J AA	0.022 μF,25V	CK12	RC-EZY225AF1H	J AB	2.2 μF,50V,Electrolytic
C388	VCKYMN1HB102K	J AA	0.001 μF,50V	CK13	VCTYPA1CX472K	J AA	0.0047 μF,16V
C389	VCEAZA1HW105M	J AB	1 μF,50V,Electrolytic	CK14	VCKYPA1HB102K	J AA	0.001 μF,50V
C391	VCEAZA1EW476M	J AB	47 μF,25V,Electrolytic	CK15	VCFYDA1HA683J	J AB	0.068 μF,50V,Polyester
C392	VCKYMN1HB102K	J AA	0.001 μF,50V	CK16	VCFYDA1HA224J	J AB	0.22 μF,50V,Polyester
C393	VCKYBT1HB102K	J AA	0.001 μF,50V	CK17	RC-EZD227AF1A	J AC	220 μF,10V,Electrolytic
C394	VCEAZA1EW476M	J AB	47 μF,25V,Electrolytic	CK18	RC-EZY107AF1C	J AB	100 μF,16V,Electrolytic
C395	VCTYMN1EF223Z	J AA	0.022 μF,25V	CK19	VCKZPA1HF223Z	J AA	0.022 μF,50V

# CD-XP200W

NO.	PART CODE	★	PRICE RANK	DESCRIPTION
CK20	VCFYDA1HA224J	J	AB	0.22 μF,50V,Polyester
CK21	VCFYDA1HA683J	J	AB	0.068 μF,50V,Polyester
CK22	VCTYPA1CX472K	J	AA	0.0047 μF,16V
CK23	VCKYPA1HB102K	J	AA	0.001 μF,50V
CK24~26	VCEAZA1HW225M	J	AB	2.2 μF,50V,Electrolytic
CK29,30	VCEAZA1HW225M	J	AB	2.2 μF,50V,Electrolytic
CK31	VCFYDA1HA154J	J	AB	0.15 μF,50V,Polyester
CK33~35	VCCSPA1HL470J	J	AA	47 pF,50V
CK41	VCEAZA1CW107M	J	AC	100 μF,16V,Electrolytic
CK42	VCKZPA1HF223Z	J	AA	0.022 μF,50V
CK43,44	VCEAZA1EW476M	J	AB	47 μF,25V,Electrolytic
CK45,46	VCEAZA1HW225M	J	AB	2.2 μF,50V,Electrolytic
CK47,48	VCCSPA1HL221J	J	AA	220 pF,50V
CK49,50	VCCSPA1HL101J	J	AA	100 pF,50V
CK51,52	VCEAZA1HW105M	J	AB	1 μF,50V,Electrolytic
CK53	VCEAZA1EW476M	J	AB	47 μF,25V,Electrolytic
CK54	VCFYDA1HA104J	J	AB	0.1 μF,50V,Thin Film
CK72	VCEAZA1CW107M	J	AC	100 μF,16V,Electrolytic

## RESISTORS

NO.	PART CODE	★	PRICE RANK	DESCRIPTION
	VRD-MN2BD000C	J	AA	0 ohm,Jumper,ø1.4×3.5mm,Ivory
	VRS-CY1JB000J	J	AA	0 ohm,Jumper,0.8×1.55mm,Green
R1,2	VRS-CY1JB822J	J	AA	8.2 kohms,1/16W
R3	VRS-CY1JB223J	J	AA	22 kohms,1/16W
R4,5	VRS-CY1JB822J	J	AA	8.2 kohms,1/16W
R6	VRS-CY1JB223J	J	AA	22 kohms,1/16W
R7	VRD-ST2CD470J	J	AA	47 ohms,1/6W
R9	VRD-ST2CD100J	J	AA	10 ohm,1/6W
R10	VRD-ST2CD273J	J	AA	27 kohms,1/6W
R11	VRS-CY1JB103J	J	AA	10 kohm,1/16W
R12	VRS-CY1JB331J	J	AA	330 ohms,1/16W
R13~18	VRS-CY1JB102J	J	AA	1 kohm,1/16W
R20	VRS-CY1JB103J	J	AA	10 kohm,1/16W
R22	VRD-ST2CD101J	J	AA	100 ohm,1/6W
R23	VRS-CY1JB221J	J	AA	220 ohms,1/16W
R24,25	VRS-CY1JB222J	J	AA	2.2 kohms,1/16W
R26,27	VRS-CY1JB103J	J	AA	10 kohm,1/16W
R28,29	VRD-ST2CD222J	J	AA	2.2 kohms,1/6W
R31	VRS-CY1JB102J	J	AA	1 kohm,1/16W
R32~38	VRD-ST2CD102J	J	AA	1 kohm,1/6W
R39,40	VRS-CY1JB681J	J	AA	680 ohms,1/16W
R41	VRS-CY1JB123J	J	AA	12 kohms,1/16W
R42	VRS-CY1JB122J	J	AA	1.2 kohms,1/16W
R43	VRS-CY1JB221J	J	AA	220 ohms,1/16W
R44	VRD-ST2CD123J	J	AA	12 kohms,1/6W
R45,46	VRD-ST2CD821J	J	AA	820 ohms,1/6W
R47	VRS-CY1JB101J	J	AA	100 ohm,1/16W
R49	VRD-ST2EE1R0J	J	AA	1 ohm,1/4W
△ R51	VRG-ST2EG3R3J	J	AB	3.3 ohms,1/4W,Fusible
R101,102	VRD-MN2BD102J	J	AA	1 kohm,1/8W
R103,104	VRD-MN2BD222J	J	AA	2.2 kohms,1/8W
R105,106	VRD-MN2BD332J	J	AA	3.3 kohms,1/8W
R107,108	VRD-MN2BD473J	J	AA	47 kohms,1/8W
R109,110	VRD-MN2BD472J	J	AA	4.7 kohms,1/8W
R111	VRD-ST2CD153J	J	AA	15 kohms,1/6W
R112	VRD-MN2BD153J	J	AA	15 kohms,1/8W
R113,114	VRD-ST2CD102J	J	AA	1 kohm,1/6W
R115,116	VRD-ST2CD560J	J	AA	56 ohms,1/6W
R117,118	VRD-MN2BD104J	J	AA	100 kohm,1/8W
R119,120	VRD-MN2BD392J	J	AA	3.9 kohms,1/8W
R121,122	VRD-MN2BD103J	J	AA	10 kohm,1/8W
R123,124	VRD-MN2BD562J	J	AA	5.6 kohms,1/8W
R126,127	VRD-MN2BD472J	J	AA	4.7 kohms,1/8W
R128,129	VRD-MN2BD562J	J	AA	5.6 kohms,1/8W
R130,131	VRD-MN2BD152J	J	AA	1.5 kohms,1/8W
R132,133	VRD-MN2BD101J	J	AA	100 ohm,1/8W
R134,135	VRD-MN2BD103J	J	AA	10 kohm,1/8W
R136,137	VRD-ST2CD224J	J	AA	220 kohms,1/6W
R138	VRD-ST2CD103J	J	AA	10 kohm,1/6W
R139	VRD-MN2BD103J	J	AA	10 kohm,1/8W
R140	VRD-MN2BD473J	J	AA	47 kohms,1/8W
R141	VRD-ST2CD472J	J	AA	4.7 kohms,1/6W
R142	VRD-RT2HD820J	J	AA	82 ohms,1/2W
R143	VRD-MN2BD473J	J	AA	47 kohms,1/8W
R144	VRD-MN2BD223J	J	AA	22 kohms,1/8W
R145	VRD-ST2CD4R7J	J	AA	4.7 ohms,1/6W
R146,147	VRD-MN2BD103J	J	AA	10 kohm,1/8W
R148	VRD-MN2BD472J	J	AA	4.7 kohms,1/8W
R149	VRD-ST2EE151J	J	AA	150 ohms,1/4W
R150	VRD-MN2BD683J	J	AA	68 kohms,1/8W
R158	VRD-ST2EE221J	J	AA	220 ohms,1/4W

NO.	PARTS CODE	★	PRICE RANK	DESCRIPTION
R302	VRD-MN2BD100J	J	AA	10 ohm,1/8W
R309	VRD-ST2CD103J	J	AA	10 kohm,1/6W
R311	VRD-MN2BD104J	J	AA	100 kohm,1/8W
R313	VRD-MN2BD333J	J	AA	33 kohms,1/8W
R314	VRD-ST2CD220J	J	AA	22 ohms,1/6W
R316	VRD-MN2BD472J	J	AA	4.7 kohms,1/8W
R322	VRD-MN2BD681J	J	AA	680 ohms,1/8W
R323	VRD-MN2BD683J	J	AA	68 kohms,1/8W
R325	VRD-MN2BD473J	J	AA	47 kohms,1/8W
R327	VRD-MN2BD330J	J	AA	33 ohms,1/8W
R336	VRD-MN2BD103J	J	AA	10 kohm,1/8W
R350	VRD-MN2BD272J	J	AA	2.7 kohms,1/8W
R351	VRD-MN2BD562J	J	AA	5.6 kohms,1/8W
R352	VRD-MN2BD102J	J	AA	1 kohm,1/8W
R353	VRD-MN2BD271J	J	AA	270 ohms,1/8W
R355	VRD-MN2BD332J	J	AA	3.3 kohms,1/8W
R356	VRD-MN2BD102J	J	AA	1 kohm,1/8W
R357	VRD-ST2CD474J	J	AA	470 kohms,1/6W
R358	VRD-ST2CD392J	J	AA	3.9 kohms,1/6W
R359	VRD-MN2BD182J	J	AA	1.8 kohms,1/8W
R360	VRD-MN2BD472J	J	AA	4.7 kohms,1/8W
R361,362	VRD-MN2BD103J	J	AA	10 kohm,1/8W
R363,364	VRD-MN2BD822J	J	AA	8.2 kohms,1/8W
R365	VRD-MN2BD103J	J	AA	10 kohm,1/8W
R372~374	VRD-MN2BD102J	J	AA	1 kohm,1/8W
R375	VRD-ST2CD471J	J	AA	470 ohms,1/6W
R376	VRD-MN2BD102J	J	AA	1 kohm,1/8W
R377	VRD-MN2BD473J	J	AA	47 kohms,1/8W
R378	VRD-MN2BD102J	J	AA	1 kohm,1/8W
R379	VRD-MN2BD222J	J	AA	2.2 kohms,1/8W
R380	VRD-MN2BD152J	J	AA	1.5 kohms,1/8W
R381	VRD-MN2BD103J	J	AA	10 kohm,1/8W
R382	VRD-ST2EE151J	J	AA	150 ohms,1/4W
R383	VRD-MN2BD562J	J	AA	5.6 kohms,1/8W
R384	VRD-ST2CD562J	J	AA	5.6 kohms,1/6W
R385	VRD-MN2BD562J	J	AA	5.6 kohms,1/8W
R386	VRD-ST2CD223J	J	AA	22 kohms,1/6W
R387	VRD-ST2CD562J	J	AA	5.6 kohms,1/6W
R388	VRD-MN2BD392J	J	AA	3.9 kohms,1/8W
R391,392	VRD-ST2EE271J	J	AA	270 ohms,1/4W
R393	VRD-MN2BD102J	J	AA	1 kohm,1/8W
R395	VRD-MN2BD473J	J	AA	47 kohms,1/8W
R601~603	VRD-ST2CD102J	J	AA	1 kohm,1/6W
R604	VRD-MN2BD103J	J	AA	10 kohm,1/8W
R605	VRD-ST2CD103J	J	AA	10 kohm,1/6W
R606,607	VRD-MN2BD392J	J	AA	3.9 kohms,1/8W
R608,609	VRD-MN2BD122J	J	AA	1.2 kohms,1/8W
R610,611	VRD-MN2BD222J	J	AA	2.2 kohms,1/8W
R612,613	VRD-MN2BD391J	J	AA	390 ohms,1/8W
R614,615	VRD-MN2BD472J	J	AA	4.7 kohms,1/8W
R616	VRD-MN2BD222J	J	AA	2.2 kohms,1/8W
R617	VRD-ST2CD222J	J	AA	2.2 kohms,1/6W
R618,619	VRD-ST2CD331J	J	AA	330 ohms,1/6W
R620,621	VRD-MN2BD223J	J	AA	22 kohms,1/8W
R690,691	VRD-MN2BD682J	J	AA	6.8 kohms,1/8W
R692,693	VRD-MN2BD333J	J	AA	33 kohms,1/8W
R702~705	VRD-MN2BD102J	J	AA	1 kohm,1/8W
R706~708	VRD-ST2CD102J	J	AA	1 kohm,1/6W
R709~715	VRD-MN2BD102J	J	AA	1 kohm,1/8W
R716	VRD-ST2CD102J	J	AA	1 kohm,1/6W
R717	VRD-ST2CD101J	J	AA	100 ohm,1/6W
R718	VRD-MN2BD102J	J	AA	1 kohm,1/8W
R719	VRD-ST2CD102J	J	AA	1 kohm,1/6W
R720~722	VRD-MN2BD102J	J	AA	1 kohm,1/8W
R724,725	VRD-ST2CD102J	J	AA	1 kohm,1/6W
R726,727	VRD-ST2CD681J	J	AA	680 ohms,1/6W
R728	VRD-ST2CD222J	J	AA	2.2 kohms,1/6W
R729	VRD-ST2CD561J	J	AA	560 ohms,1/6W
R730	VRD-MN2BD102J	J	AA	1 kohm,1/8W
R731	VRD-MN2BD103J	J	AA	10 kohm,1/8W
R732	VRD-MN2BD102J	J	AA	1 kohm,1/8W
R733~736	VRD-ST2CD102J	J	AA	1 kohm,1/6W
R738	VRD-ST2CD473J	J	AA	47 kohms,1/6W
R739	VRD-ST2CD102J	J	AA	1 kohm,1/6W
R740	VRD-ST2CD472J	J	AA	4.7 kohms,1/6W
R741	VRD-MN2BD102J	J	AA	1 kohm,1/8W
R746	VRD-ST2CD102J	J	AA	1 kohm,1/6W
R747	VRD-MN2BD472J	J	AA	4.7 kohms,1/8W
R752	VRD-ST2CD330J	J	AA	33 ohms,1/6W
R753	VRD-ST2CD102J	J	AA	1 kohm,1/6W
R754	VRD-MN2BD103J	J	AA	10 kohm,1/8W
R755	VRD-MN2BD472J	J	AA	4.7 kohms,1/8W

NO.	PART CODE	★ PRICE RANK	DESCRIPTION	NO.	PARTS CODE	★ PRICE RANK	DESCRIPTION
R756	VRD-MN2BD472J	J AA	4.7 kohms,1/8W	RK36,37	VRD-ST2CD391J	J AA	390 ohms,1/6W
R759	VRD-ST2CD562J	J AA	5.6 kohms,1/6W	RK38	VRD-ST2CD101J	J AA	100 ohm,1/6W
R760	VRD-ST2CD822J	J AA	8.2 kohms,1/6W	RK39,40	VRD-ST2CD102J	J AA	1 kohm,1/6W
R761,762	VRD-MN2BD103J	J AA	10 kohm,1/8W	RK41,42	VRD-ST2CD103J	J AA	10 kohm,1/6W
R763	VRD-MN2BD102J	J AA	1 kohm,1/8W	RK43	VRD-ST2CD183J	J AA	18 kohms,1/6W
R765	VRD-ST2CD472J	J AA	4.7 kohms,1/6W	RK44,45	VRD-ST2CD682J	J AA	6.8 kohms,1/6W
R766-768	VRD-MN2BD103J	J AA	10 kohm,1/8W	RK46	VRD-ST2CD183J	J AA	18 kohms,1/6W
R769	VRD-MN2BD102J	J AA	1 kohm,1/8W	RK47	VRD-ST2CD822J	J AA	8.2 kohms,1/6W
R770	VRD-ST2CD103J	J AA	10 kohm,1/6W	RK48-50	VRD-ST2CD103J	J AA	10 kohm,1/6W
R772,773	VRD-MN2BD103J	J AA	10 kohm,1/8W				
R777-780	VRD-MN2BD103J	J AA	10 kohm,1/8W				
R781	VRD-MN2BD473J	J AA	47 kohms,1/8W				
R782	VRD-MN2BD104J	J AA	100 kohm,1/8W				
R783	VRD-MN2BD101J	J AA	100 ohm,1/8W				
R791	VRD-MN2BD472J	J AA	4.7 kohms,1/8W				
R792	VRD-ST2CD104J	J AA	100 kohm,1/6W				
R793	VRD-MN2BD102J	J AA	1 kohm,1/8W				
R794,795	VRD-ST2EE1R5J	J AA	1.5 ohms,1/4W				
R801	VRD-ST2CD224J	J AA	220 kohms,1/6W				
R802	VRD-ST2CD473J	J AA	47 kohms,1/6W				
R803	VRD-ST2CD123J	J AA	12 kohms,1/6W				
R804,805	VRD-ST2EE470J	J AA	47 ohms,1/4W				
R806	VRD-ST2CD473J	J AA	47 kohms,1/6W				
R807	VRD-ST2EE100J	J AA	10 ohm,1/4W				
R808	VRD-RT2HD222J	J AA	2.2 kohms,1/2W				
R852	VRD-MN2BD103J	J AA	10 kohm,1/8W				
R853,854	VRD-ST2CD223J	J AA	22 kohms,1/6W				
R859	VRD-ST2CD223J	J AA	22 kohms,1/6W				
R860	VRD-ST2EE221J	J AA	220 ohms,1/4W				
R901,902	VRD-MN2BD563J	J AA	56 kohms,1/8W				
R903	VRD-MN2BD102J	J AA	1 kohm,1/8W				
R904	VRD-ST2CD102J	J AA	1 kohm,1/6W				
R907,908	VRD-MN2BD563J	J AA	56 kohms,1/8W				
R909,910	VRD-MN2BD102J	J AA	1 kohm,1/8W				
R911,912	VRD-MN2BD821J	J AA	820 ohms,1/8W				
R913,914	VRN-VV3AAR10J	J AB	0.1 ohm,1W				
R915	VRD-ST2CD152J	J AA	1.5 kohms,1/6W				
R916	VRD-MN2BD152J	J AA	1.5 kohms,1/8W				
R917-920	VRN-VV3DAR22J	J AC	0.22 ohms,2W				
△ R921,922	VRG-ST2EC101J	J AB	100 ohm,1/4W,Fusible				
R923	VRD-ST2CD102J	J AA	1 kohm,1/6W				
R924	VRD-MN2BD102J	J AA	1 kohm,1/8W				
R925	VRD-MN2BD223J	J AA	22 kohms,1/8W				
R926,927	VRD-ST2CD223J	J AA	22 kohms,1/6W				
R935-937	VRD-MN2BD563J	J AA	56 kohms,1/8W				
R938,939	VRD-RT2HD681J	J AA	680 ohms,1/2W				
R940,941	VRD-ST2EE4R7J	J AA	4.7 ohms,1/4W				
R942,943	VRD-RT2HD681J	J AA	680 ohms,1/2W				
R944,945	VRD-ST2CD152J	J AA	1.5 kohms,1/6W				
R946	VRD-ST2CD473J	J AA	47 kohms,1/6W				
R947	VRD-ST2CD153J	J AA	15 kohms,1/6W				
R949	VRD-RT2HD102J	J AA	1 kohm,1/2W				
R950	VRD-ST2CD683J	J AA	68 kohms,1/6W				
RD01	VRD-MN2BD681J	J AA	680 ohms,1/8W				
RD02	VRD-MN2BD821J	J AA	820 ohms,1/8W				
RD03	VRD-MN2BD102J	J AA	1 kohm,1/8W				
RD04	VRD-MN2BD152J	J AA	1.5 kohms,1/8W				
RD05	VRD-MN2BD222J	J AA	2.2 kohms,1/8W				
RD06	VRD-MN2BD272J	J AA	2.7 kohms,1/8W				
RD10	VRD-MN2BD681J	J AA	680 ohms,1/8W				
RD11	VRD-MN2BD821J	J AA	820 ohms,1/8W				
RD12	VRD-MN2BD102J	J AA	1 kohm,1/8W				
RD13	VRD-ST2CD152J	J AA	1.5 kohms,1/6W				
RD14	VRD-MN2BD222J	J AA	2.2 kohms,1/8W				
RD15	VRD-MN2BD272J	J AA	2.7 kohms,1/8W				
RD16	VRD-MN2BD392J	J AA	3.9 kohms,1/8W				
RD17	VRD-MN2BD562J	J AA	5.6 kohms,1/8W				
RD18	VRD-MN2BD103J	J AA	10 kohm,1/8W				
RD19	VRD-ST2CD681J	J AA	680 ohms,1/6W				
RD20	VRD-MN2BD821J	J AA	820 ohms,1/8W				
RD21	VRD-MN2BD102J	J AA	1 kohm,1/8W				
RD22	VRD-MN2BD152J	J AA	1.5 kohms,1/8W				
RD23	VRD-MN2BD222J	J AA	2.2 kohms,1/8W				
RK1	VRD-ST2CD103J	J AA	10 kohm,1/6W				
RK2,3	VRD-ST2CD563J	J AA	56 kohms,1/6W				
RK4	VRD-ST2CD103J	J AA	10 kohm,1/6W				
RK7	VRD-ST2CD102J	J AA	1 kohm,1/6W				
RK8	VRD-ST2CD562J	J AA	5.6 kohms,1/6W				
RK9-11	VRD-ST2CD102J	J AA	1 kohm,1/6W				
RK12	VRD-ST2CD101J	J AA	100 ohm,1/6W				
RK13	VRD-ST2CD122J	J AA	1.2 kohms,1/6W				
RK14,15	VRD-RT2HD101J	J AA	100 ohm,1/2W				
BI4/CNS4	QCNWN1572AWZZ	J AF	Connector Ass'y,6/6Pin	BI4/CNS4	QCNWN1572AWZZ	J AF	Connector Ass'y,6/6Pin
BI102/CNS102	QCNWN1974AWZZ	J AM	Connector Ass'y,7/6Pin	BI102/CNS102	QCNWN1974AWZZ	J AM	Connector Ass'y,7/6Pin
BI601/CNS601	QCNWN2241AWZZ	J AG	Connector Ass'y,8/8Pin	BI601/CNS601	QCNWN2241AWZZ	J AG	Connector Ass'y,8/8Pin
BI602/CNS602	QCNWN2178AWZZ	J AK	Connector Ass'y,11/11Pin	BI602/CNS602	QCNWN2178AWZZ	J AK	Connector Ass'y,11/11Pin
BI701/CNS701	QCNWN2172AWZZ	J AH	Connector Ass'y,10/10Pin	BI701/CNS701	QCNWN2172AWZZ	J AH	Connector Ass'y,10/10Pin
BI705/CNS705	QCNWN2180AWZZ	J AF	Connector Ass'y,5/5Pin	BI705/CNS705	QCNWN2180AWZZ	J AF	Connector Ass'y,5/5Pin
BI801/CNS801	QCNWN2221AWZZ	J AF	Connector Ass'y,5/5Pin	BI801/CNS801	QCNWN2221AWZZ	J AF	Connector Ass'y,5/5Pin
CNP1	QCNCM704GAWZZ	J AC	Plug,7Pin	CNP1	QCNCM704GAWZZ	J AC	Plug,7Pin
CNP2	QCNCM704HAWZZ	J AC	Plug,8Pin	CNP2	QCNCM704HAWZZ	J AC	Plug,8Pin
CNP3	92LCONE6P53253	J AC	Plug,6Pin	CNP3	92LCONE6P53253	J AC	Plug,6Pin
CNP3A	92LCONE6P53254	J AC	Plug,6Pin	CNP3A	92LCONE6P53254	J AC	Plug,6Pin
CNP4	QCNCM705FAFZZ	J AB	Plug,6Pin	CNP4	QCNCM705FAFZZ	J AB	Plug,6Pin
CNP7	92LCONE8P53254	J AC	Plug,8Pin	CNP7	92LCONE8P53254	J AC	Plug,8Pin
CNP8	92LCONEAP53254	J AD	Plug,10Pin	CNP8	92LCONEAP53254	J AD	Plug,10Pin
CNP101	QCNCM705CAFZZ	J AA	Plug,3Pin	CNP101	QCNCM705CAFZZ	J AA	Plug,3Pin
CNP302	92LCONE2P5268	J AB	Plug,2Pin	CNP302	92LCONE2P5268	J AB	Plug,2Pin
CNP601	QCNCWXZ21AWZZ	J AD	Socket,21Pin	CNP601	QCNCWXZ21AWZZ	J AD	Socket,21Pin
CNP701	QCNCWZF21AWZZ	J AF	Plug,21Pin	CNP701	QCNCWZF21AWZZ	J AF	Plug,21Pin
CNP702	QCNCWZY10AWZZ	J AC	Socket,10Pin	CNP702	QCNCWZY10AWZZ	J AC	Socket,10Pin
CNP705	QCNCW026EAWZZ	J AE	Plug,5Pin	CNP705	QCNCW026EAWZZ	J AE	Plug,5Pin
CNP801	92LCONE5P5267X	J AB	Plug,5Pin	CNP801	92LCONE5P5267X	J AB	Plug,5Pin
CNP802	92LCONE5P53253	J AB	Plug,5Pin	CNP802	92LCONE5P53253	J AB	Plug,5Pin
CNP971	92LCONE2P53253	J AB	Plug,2Pin	CNP971	92LCONE2P53253	J AB	Plug,2Pin
CNPK1	QCNCM705LAFZZ	J AC	Plug,11Pin	CNPK1	QCNCM705LAFZZ	J AC	Plug,11Pin
CNS1A/B	QCNWN1537AWZZ	J AG	Connector Ass'y,7/7Pin	CNS1A/B	QCNWN1537AWZZ	J AG	Connector Ass'y,7/7Pin
CNS2A/B	QCNWN1538AWZZ	J AG	Connector Ass'y,8/8Pin	CNS2A/B	QCNWN1538AWZZ	J AG	Connector Ass'y,8/8Pin
CNS3A/B	QCNWN1539AWZZ	J AE	Connector Ass'y,6/6Pin	CNS3A/B	QCNWN1539AWZZ	J AE	Connector Ass'y,6/6Pin
CNS971	QCNWN1389AWZZ	J AC	Connector Ass'y,2Pin	CNS971	QCNWN1389AWZZ	J AC	Connector Ass'y,2Pin
△ F801,802	QFS-D402CAWNI	J AC	Fuse,T4A L 250V	△ F801,802	QFS-D402CAWNI	J AC	Fuse,T4A L 250V
△ F803,804	QFS-D202CAWNI	J AC	Fuse,T2A L 250V	△ F803,804	QFS-D202CAWNI	J AC	Fuse,T2A L 250V
FFC701	QCNWN2182AWZZ	J AG	Flat Cable,21Pin	FFC701	QCNWN2182AWZZ	J AG	Flat Cable,21Pin
FFC702	QCNWN1845AWZZ	J AE	Flat Cable,10Pin	FFC702	QCNWN1845AWZZ	J AE	Flat Cable,10Pin
FL701	VVKNA09SS29-1	J AX	FL Display	FL701	VVKNA09SS29-1	J AX	FL Display
FW803	QCNWN2252AWZZ	J AD	Flat Wire,5Pin	FW803	QCNWN2252AWZZ	J AD	Flat Wire,5Pin
HLD803	QCNCW019EAWZZ	J AB	Holder,Flat Wire	HLD803	QCNCW019EAWZZ	J AB	Holder,Flat Wire
JK1	QJAKJ0012AWZZ	J AF	Jack,Mic	JK1	QJAKJ0012AWZZ	J AF	Jack,Mic
JK690	QSOCJ0224AWZZ	J AC	Jack,Video/AUX	JK690	QSOCJ0224AWZZ	J AC	Jack,Video/AUX
JK701	QJAKM0004AWZZ	J AK	Jack,Headphones	JK701	QJAKM0004AWZZ	J AK	Jack,Headphones
△ K801,802	92LLUG1746A	J AA	Lug,Terminal	△ K801,802	92LLUG1746A	J AA	Lug,Terminal
LUG3,4	QLUGP0001AWZZ	J AC	Lug	LUG3,4	QLUGP0001AWZZ	J AC	Lug
M1	92LMTR2790CASY	J BB	Motor with Chassis [Spindle]	M1	92LMTR2790CASY	J BB	Motor with Chassis [Spindle]
M2	92LMTR1854BASY	J AP	Motor with Gear [Sled]	M2	92LMTR1854BASY	J AP	Motor with Gear [Sled]
M3	RMOTV0373AFZZ	J AL	Motor with Worm Pulley [T/T Up/Down Loading]	M3	RMOTV0373AFZZ	J AL	Motor with Worm Pulley [T/T Up/Down Loading]
M4	RMOTV0027AWZZ	J AM	Motor,Air Cooling Fan	M4	RMOTV0027AWZZ	J AM	Motor,Air Cooling Fan
PINK1	QLUGP0002AWZZ	J AB	Lug	PINK1	QLUGP0002AWZZ	J AB	Lug
RL914	RRLYD0016AWZZ	J AH	Relay	RL914	RRLYD0016AWZZ	J AH	Relay
RX701	VHLGP1UM271-1	J AH	Remote Sensor,GP1UM271	RX701	VHLGP1UM271-1	J AH	Remote Sensor,GP1UM271
SO302	QTANC0206AWZZ	J AD	Terminal,FM Antenna	SO302	QTANC0206AWZZ	J AD	Terminal,FM Antenna
SO901	QTANA0423AWZZ	J AE	Terminal,Speaker	SO901	QTANA0423AWZZ	J AE	Terminal,Speaker
SW1	QSW-M0012AWZZ	J AM	Switch,Leaf Type [Open/Close]	SW1	QSW-M0012AWZZ	J AM	Switch,Leaf Type [Open/Close]
SW2	QSW-M0012AWZZ	J AM	Switch,Leaf Type [Clamp]	SW2	QSW-M0012AWZZ	J AM	Switch,Leaf Type [Clamp]
SW3	QSW-M0012AWZZ	J AM	Switch,Leaf Type [Disc Number]	SW3	QSW-M0012AWZZ	J AM	Switch,Leaf Type [Disc Number]
SW4	QSW-F9001AW01	J AD	Switch,Leaf Type [Pickup In]	SW4	QSW-F9001AW01	J AD	Switch,Leaf Type [Pickup In]
SW601	QSW-S0024AWZZ	J AE	Switch,Slide Type [Span Selector]	SW601	QSW-S0024AWZZ	J AE	Switch,Slide Type [Span Selector]
SW701	92LSWICH1401AT	J AC	Switch,Key Type [On/Stand-by]	SW701	92LSWICH1401AT	J AC	Switch,Key Type [On/Stand-by]
SW702	92LSWICH1401AT	J AC	Switch,Key Type [Fast Rewind/Preset Down]	SW702	92LSWICH1401AT	J AC	Switch,Key Type [Fast Rewind/Preset Down]
SW703	92LSWICH1401AT	J AC	Switch,Key Type [Fast Forward/Preset Up]	SW703	92LSWICH1401AT	J AC	Switch,Key Type [Fast Forward/Preset Up]
SW704	92LSWICH1401AT	J AC	Switch,Key Type [Stop]	SW704	92LSWICH1401AT	J AC	Switch,Key Type [Stop]
SW705	92LSWICH1401AT	J AC	Switch,Key Type [Play]	SW705	92LSWICH1401AT	J AC	Switch,Key Type [Play]
SW706	92LSWICH1401AT	J AC	Switch,Key Type [Reverse Play]	SW706	92LSWICH1401AT	J AC	Switch,Key Type [Reverse Play]
SW707	92LSWICH1401AT	J AC	Switch,Key Type [Reverse Mode]	SW707	92LSWICH1401AT	J AC	Switch,Key Type [Reverse Mode]
SW711	92LSWICH1401AT	J AC	Switch,Key Type [CD]	SW711	92LSWICH1401AT	J AC	Switch,Key Type [CD]
SW712	92LSWICH1401AT	J AC	Switch,Key Type [Tuner (Band)]	SW712	92LSWICH1401AT	J AC	Switch,Key Type [Tuner (Band)]
SW713	92LSWICH1401AT	J AC	Switch,Key Type [Tape]	SW713	92LSWICH1401AT	J AC	Switch,Key Type [Tape]
SW714	92LSWICH1401AT	J AC	Switch,Key Type [Video/Aux]	SW714	92LSWICH1401AT	J AC	Switch,Key Type [Video/Aux]
SW715	92LSWICH1401AT	J AC	Switch,Key Type [Timer/Sleep]	SW715	92LSWICH1401AT	J AC	Switch,Key Type [Timer/Sleep]

# CD-XP200W

NO.	PART CODE	★	PRICE RANK	DESCRIPTION	NO.	PARTS CODE	★	PRICE RANK	DESCRIPTION
SW716	92LSWICH1401AT	J	AC	Switch,Key Type [Tuning/Time Up]	208-8	92PF522-061	J	AZ	Clutch Ass'y Block [Tape 1]
SW717	92LSWICH1401AT	J	AC	Switch,Key Type [Rec Pause]	208-9	92PFF19S-52	J	AL	Belt,FF/REW [Tape 1]
SW718	92LSWICH1401AT	J	AC	Switch,Key Type [Memory/Set]	208-10	92PF513-861	J	AG	Head Plate Block [Tape 1]
SW719	92LSWICH1401AT	J	AC	Switch,Key Type [Tuning/Time Down]	208-11	92PF522-063	J	AZ	Clutch Ass'y Block [Tape 2]
SW720	92LSWICH1401AT	J	AC	Switch,Key Type [Clock]	208-12	92PFD60F-11	J	AK	Cam Gear [Tape 1]
SW721	92LSWICH1401AT	J	AC	Switch,Key Type [Volume Up]	208-13	92PFR26C-11	J	AN	Flywheel [Tape 1]
SW722	92LSWICH1401AT	J	AC	Switch,Key Type [Volume Down]	208-14	92PFR26D-11	J	AN	Flywheel [Tape 2]
SW723	92LSWICH1401AT	J	AC	Switch,Key Type [Disc Skip]	208-15	92PF765-292	J	AS	Solenoid Ass'y
SW724	92LSWICH1401AT	J	AC	Switch,Key Type [Open/Close]	208-16	92PFD58M-14	J	AK	Cam Gear [Tape 2]
SW725	92LSWICH1401AT	J	AC	Switch,Key Type [Equalizer/X-Bass/Demo]	209	LANGK0110AWFW	J	AE	Bracket,Cassette Lock,Tape 1
△ SW801	QSOCE0009AWZZ	J	AH	Switch,Rotary Type [Voltage Selector]	210	LANGK0111AWFW	J	AE	Bracket,Cassette Lock,Tape 2
<b>CD MECHANISM PARTS</b>					211	LANGK0300AWFW	J	AE	Bracket,Fan Support
301	NGERH0011AWZZ	J	AC	Gear,Middle	212	LBSHC0002AWZZ	J	AD	Bushing,AC Power Supply Cord
302	NGERH0012AWZZ	J	AC	Gear,Drive	213	LCHSM0157AWFW	J	AP	Chassis,Main
303	MLEVP0080AWZZ	J	AC	Rail,Guide	214	LCHSM0155AWZZ	J	AS	Chassis,Loading
304	NSFTM0020AWFW	J	AD	Shaft,Guide	215	LHLDM1018AWZZ	J	AE	Stabilizer
305	92LM-CUSN1524A	J	AC	Cushion	216	LHLDZ1357AWZZ	J	AH	Holder,CD Mechanism
△ 306	92LHPC1LXASY	J	BD	Pickup Unit Ass'y	217	LHLDZ1358AWZZ	J	AF	Holder,Stabilizer
306-1	—	—	—	Pickup Unit (Not Replacement Item)	218	LHLDZ1359AWZZ	J	AD	Holder,Gear
306-2	NGERR0043AFZZ	J	AC	Gear,Rack	219	LHLDZ1410AWZZ	J	AD	Holder,FL Display
306-3	MSPRC0961AFZZ	J	AA	Spring,Rack	220	LHLDZ1412AWZZ	J	AC	Holder,LED
701	XBSSD26P06000	J	AA	Screw,ø2.6×6mm	221	MCAMP0010AWZZ	J	AE	Gear,Cam Upper
702	XHBSD20P05000	J	AA	Screw,ø2×5mm	222	MCAMP0011AWZZ	J	AE	Gear,Cam Lower
703	XBSSD20P03000	J	AA	Screw,ø2×3mm	223	MLEVP0109AWZZ	J	AB	Lever,Cam Lock
704	LX-WZ1070AFZZ	J	AA	Washer,ø1.5×3.8×0.25mm	224	MLEVP0110AWZZ	J	AB	Lever,Switch A
M1	92LMTR2790CASY	J	BB	Motor with Chassis [Spindle]	225	MLEVP0111AWZZ	J	AB	Lever,Switch B
M2	92LMTR1854BASY	J	AP	Motor with Gear [Sled]	226	MLEVP0112AWZZ	J	AB	Turntable Actuator
SW4	QSW-F9001AW01	J	AD	Switch,Leaf Type [Pickup In]	227	MLOK0003AWZZ	J	AD	Lock Lever,Cassette,Tape 1
<b>CABINET PARTS</b>					228	MLOK0004AWZZ	J	AD	Lock Lever,Cassette,Tape 2
201	92LCAB4239AASY	J	—	Front Panel Ass'y	229	MSPRC0033AWFJ	J	AB	Spring,Friction
201-1	—	—	—	Front Panel (Not Replacement Item)	230	MSPRD0109AWFJ	J	AB	Spring,Cassette Lock,Tape 1
201-2	GCOVA1417AWSA	J	AH	Cover,Cassette [Tape 1]	231	MSPRD0110AWFJ	J	AB	Spring,Cassette Lock,Tape 2
201-3	GCOVA1418AWSA	J	AH	Cover,Cassette [Tape 2]	232	MSPRP0057AWFW	J	AC	Spring,Tray Lock
201-4	GCOVA1421AWSA	J	AC	Cover,Remote Sensor	233	MSPRP0068AWFW	J	AB	Spring,Motor Gear
201-5	GCOVA1422AWSA	J	AB	Cover,LED,Timer	234	NFANP0001AWZZ	J	AD	Rotary Fan
201-6	GDORF0112AWSA	J	AE	Holder,Cassette [Tape 1]	235	NGERH0152AWZZ	J	AC	Gear,Turntable Drive
201-7	GDORF0113AWSA	J	AE	Holder,Cassette [Tape 2]	236	NGERH0153AWZZ	J	AC	Gear,Drive
201-8	HDECQ0834AWSA	J	AE	Panel,Cassette [Tape 1]	237	NGERW0020AWZZ	J	AC	Gear,Center
201-9	HDECQ0835AWSA	J	AE	Panel,Cassette [Tape 2]	238	NGERW0021AWZZ	J	AC	Gear,Idler
201-10	HDECQ0919AWSA	J	J	Panel,Amp.	239	NGERW0022AWZZ	J	AD	Gear,Worm
201-11	HDECQ0844AWSA	J	AC	Ring,Play/Stop	240	NGERW0023AWZZ	J	AC	Gear,Motor
201-12	HDECQ0850AWSA	J	AH	Panel,FL Display	241	NTNT-0022AWZZ	J	AK	Turntable
201-13	JKNBZ0862AWSA	J	AH	Button,Volume	242	PCUSG0022AWZZ	J	AB	Cushion,Leg
201-14	JKNBZ0890AWSA	J	AH	Button,Operation	243	PMAGF0001AWZZ	J	AF	Magnet
201-15	JKNBZ0864AWSA	J	AC	Button,X-Bass/Equalizer	244	PRDAR0244AWFW	J	J	Heat Sink,Main
201-16	JKNBZ0865AWSA	J	AD	Button,Function	△ 245	QACCA0003AW00	J	AL	AC Power Supply Cord
201-17	JKNBZ0884AWSA	J	AE	Button,On/Stand-by	△ 245	QACCE0012AW00	J	AH	AC Power Supply Cord
201-18	LHLDZ1424AWZZ	J	AF	Block,Button	△ 245	QACCL0005AW00	J	AN	AC Power Supply Cord
201-19	MLIFF0008AWZZ	J	AD	Damper	△ 245	QACCZ0007AW00	J	AP	AC Power Supply Cord
201-20	MSPRD0151AWFJ	J	AB	Spring,Cassette [Tape 1]	246	QCNWN1860AWZZ	J	AC	Lug Wire
201-21	MSPRD0152AWFJ	J	AB	Spring,Cassette [Tape 2]	△ 247	QFSD0001AWZZ	J	AB	Holder,Fuse
202	92LCAB3838BASY	J	AN	Side Panel Ass'y,Left	248	92LCSRP1431C	J	AA	Spring,Ring
202-1	—	—	—	Side Panel,Left (Not Replacement Item)	249	92LMT0304302	J	AB	Plate,Metal
202-2	PCUSG0022AWZZ	J	AB	Cushion,Leg	250	92LNBAND1318A	J	AA	Nylon Band,80mm
203	92LCAB3838CASY	J	AN	Side Panel Ass'y,Right	251	92LPT0303002	J	AB	Roller
203-1	—	—	—	Side Panel,Right (Not Replacement Item)	252	LANGK0326AWFW	J	AD	Bracket,PWB
203-2	PCUSG0022AWZZ	J	AB	Cushion,Leg	253	PRDAR0199AWFW	J	AH	Heat Sink,Sub
204	GCAB-1197AWZZ	J	AM	Loading Tray	254	TLABS0354AWZZ	J	AC	Label,Class 3A
205	GCAB-1215AWSA	J	AT	Top Cabinet	255	JKNBK0012AWSK	J	AK	Knob,Mic
206	GCOVA1416AWSA	J	AL	Cover,CD Tray	256	QCNWN2030AWZZ	J	AD	Lug Wire
207	GITAR1057AWSA	J	J	Rear Panel	257	PSLDM9004AWFW	J	J	Shield Plate,Power Transformer
208	KMECB0025AWZZ	J	BG	Tape Mechanism Ass'y	258	PSHEZ0178AWZZ	J	J	Sheet,Power Transformer
208-1	92PFF513-853	J	BL	Head Plate Block [Tape 2]	601	LX-BZ0082AWFC	J	AE	Screw,Transport
208-2	92PFF525-336	J	BE	Motor with Pulley [Tape]	602	LX-EZ0010AWFD	J	AA	Screw,Special
208-3	92PFF567-677	J	—	Tape Mechanism PWB Ass'y	603	LX-HZ0009AWFD	J	AC	Screw,ø2×13mm
208-4	92PFF19N-21	J	AL	Belt,Main [Tape 2]	604	LX-JZ0010AFFD	J	AA	Screw,ø3×10mm
208-5	92PFF514-133	J	AL	Pinch Roller	605	XBSSD20P04000	J	AA	Screw,ø2×4mm
208-6	92PFF19S-31	J	AL	Belt,FF/REW [Tape 2]	606	XEBSD26P08000	J	AA	Screw,ø2.6×8mm
208-7	92PFF19N-11	J	AL	Belt,Main [Tape 1]	607	XEBSD30P08000	J	AA	Screw,ø3×8mm
					608	XEBSD30P10000	J	AA	Screw,ø3×10mm
					609	XEBSD30P12000	J	AA	Screw,ø3×12mm
					610	XESSD30P10000	J	AA	Screw,ø3×10mm
					611	XHBSD26P04000	J	AA	Screw,ø2.6×4mm
					612	XHBSD40P08000	J	AA	Screw,ø4×8mm
					613	XJBSD20P05000	J	AA	Screw,ø2×5mm
					614	XJBSD30P10000	J	AA	Screw,ø3×10mm
					615	XJBSD30P06000	J	AA	Screw,ø3×6mm
					616	XJBSD30P14000	J	AA	Screw,ø3×14mm
					617	XJBFSF30P10000	J	AA	Screw,ø3×10mm
					618	XJSSD30P10000	J	AA	Screw,ø3×10mm
					619	92LSC0310RBZI	J	AB	Screw,ø3×10mm
					620	92LSC0314WBZI	J	AB	Screw,ø3×14mm
					621	LX-JZ0036AWFD	J	AB	Screw,Special



NO.	PART CODE	★ PRICE RANK	DESCRIPTION
-----	-----------	--------------	-------------

**ACCESSORIES/PACKING PARTS**

△	QANTL0008AWZZ	J AH	AM Loop Antenna
△	QPLGA0003AWZZ	J AF	AC Plug Adaptor
△	QPLGA0004AWZZ	J AF	AC Plug Adaptor
	SPAKA0366AWZZ	J AN	Packing Add.Left/Right
	SPAKC1403AWZZ	J	Packing Case [For Australia/New Zealand]
	SPAKC1404AWZZ	J	Packing Case [Except for Australia/New Zealand]
	SPAKP0013AWZZ	J AC	Polyethylene Bag,Unit
	SPAKZ0885AWZZ	J AB	Sheet,Mirror Mat
	SPAKZ0887AWZZ	J AD	Pad,Bottom
	SPAKZ0895AWZZ	J AD	Pad,Support
	SSAKA0007AWZZ	J AB	Polyethylene Bag,Accessories
	TCAUZ0035AWZZ	J AB	Caution Sheet,
	TCAUZ0132AWZZ	J AB	Caution,Transport
	TINSZ0837AWZZ	J	Operation Manual [Except for Australia/New Zealand]
	TINSZ0839AWZZ	J	Operation Manual [For Australia/New Zealand]
	TLABE0650AWZZ	J	Label,Bar Code [For Australia/New Zealand]
	TLABR1273AWZZ	J	Label,Bar Code [Except for Australia/New Zealand]
	TLABZ1115AWZZ	J	Label,Feature [Tape 1]
	TLABZ1171AWZZ	J AC	Label,Feature [Tape 2]
	92LBAG1770A	J AB	Polyethylene Bag,AC Power supply Cord [For Argentina Only]
	92LBAG760C	J AA	Polyethylene Bag,AC Plug Adaptor [For Saudi Arabia Only]
	92LFANT1746A	J AD	FM Antenna
	92LGCARD1266E1	J AC	Warranty Card
	92LLABL1204C	J AA	Label,MADE IN MALAYSIA
	RRMCG0319AWSA	J AR	Remote Control
	GFTAB1043AWSA	J AG	Battery Lid,Remote Control

**P.W.B. ASSEMBLY (Not Replacement Item)**

△	PWB-A1~3	92LPWB4239MANS	J —	Main/Power/Transformer (Combined Ass'y)
	PWB-B1,2	92LPWB4239DPLS	J —	Display/Headphones (Combined Ass'y)
	PWB-C	92LPWB4237CDUS	J —	CD Servo
	PWB-D	QPWBF0027AWZZ	J AD	CD Motor (PWB Only)
	PWB-E	QPWBF0749AWZZ	J AD	CD Loading Motor (PWB Only)
	PWB-F	92PF567-677	J —	Tape Mechanism
	PWB-G	92LPWB3844MICS	J —	Mic

**OTHER SERVICE PART**

	UDSKA0004AFZZ	J AZ	CD Pickup Lens Cleaner
--	---------------	------	------------------------

**CP-XP200****SPEAKER BOX PARTS**

901	GBOXS0088AWSB	J BC	Speaker Box Ass'y
902	CPNLS1056AW01	J AX	Front Panel Ass'y
903	QCNWN1833AWZZ	J AH	Speaker Cord Ass'y (with Capacitor C1,2)
904	PCUSG0022AWZZ	J AB	Cushion,Leg
905	PFLT-0046AWZZ	J AC	Felt
906	TSPC-1026AWZZ	J	Label,Specifications
907	XJBSD30P10000	J AA	Screw,ø3×10mm
908	XJBSD40P12000	J AA	Screw,ø4×12mm
SP1,2	RSPA10069AW6W	J BA	Woofer
SP3,4	RSPA00057AW6T	J AT	Tweeter

**PACKING PARTS**

	SPAKA0367AWZZ	J AL	Packing Add.,Top/Bottom
	SSAKH0051AWZZ	J AC	Polyethylene Bag,Speaker

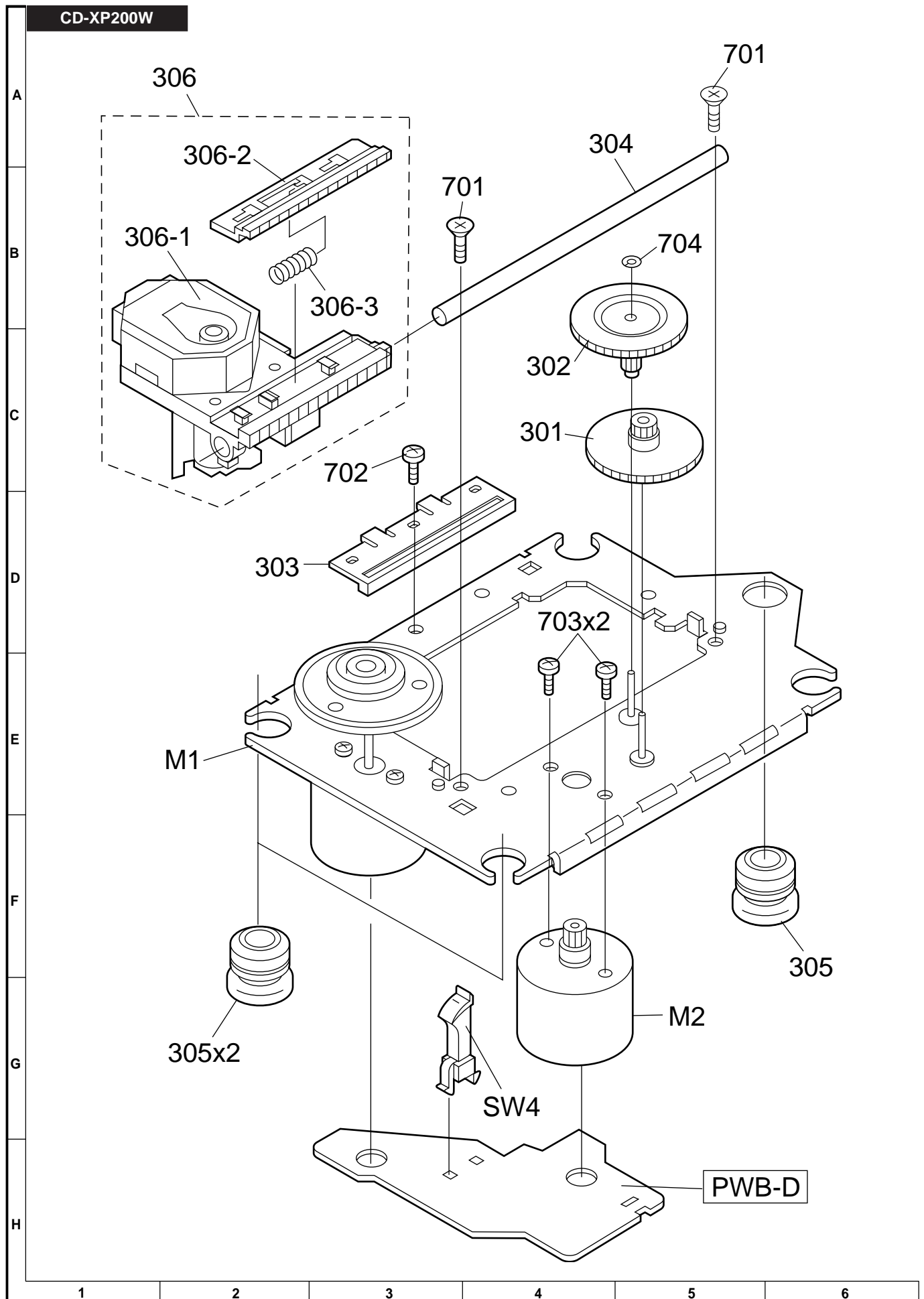


Figure 7 CD MECHANISM EXPLODED VIEW

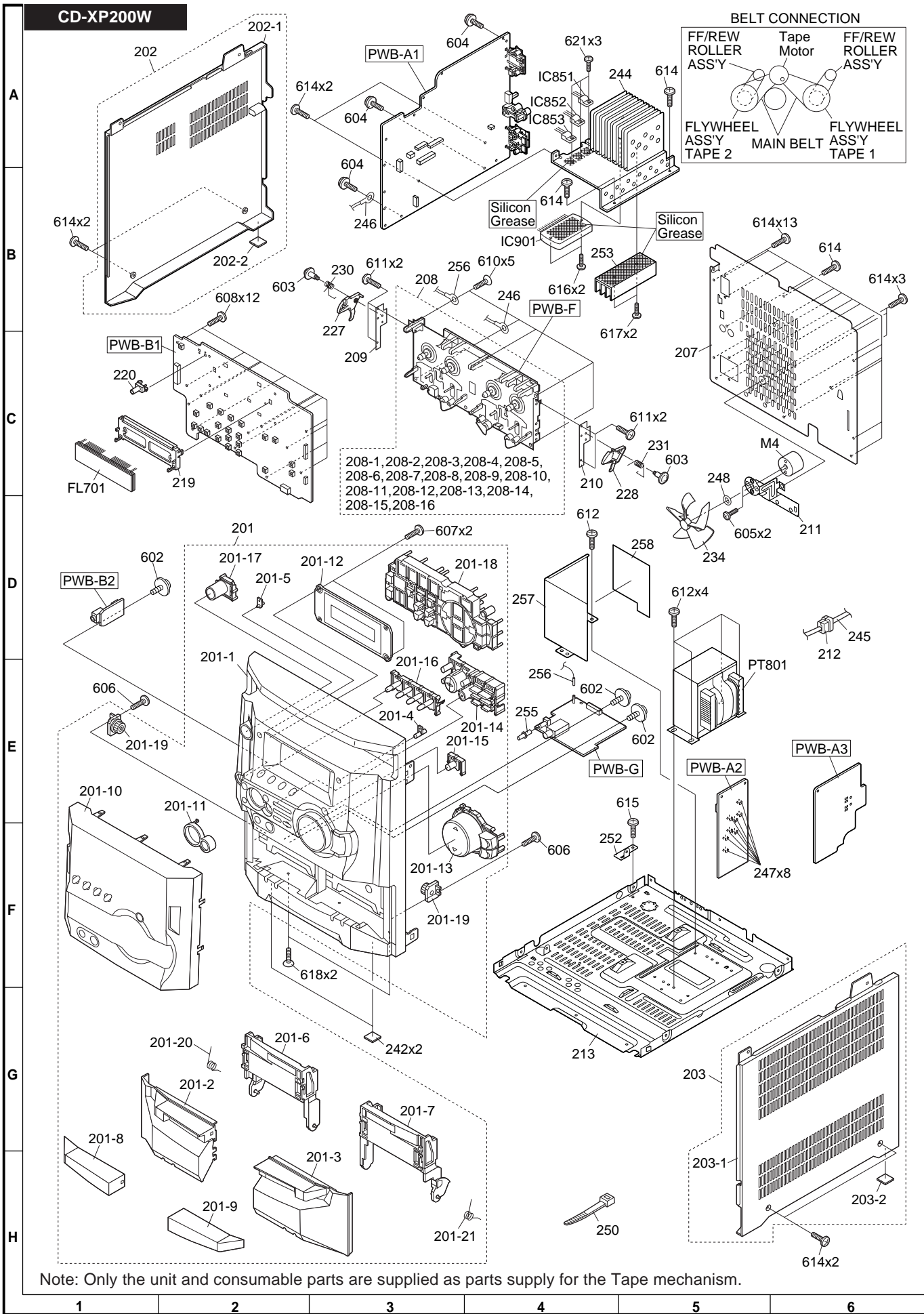


Figure 8 CABINET EXPLODED VIEW (1/2)

CD-XP200W

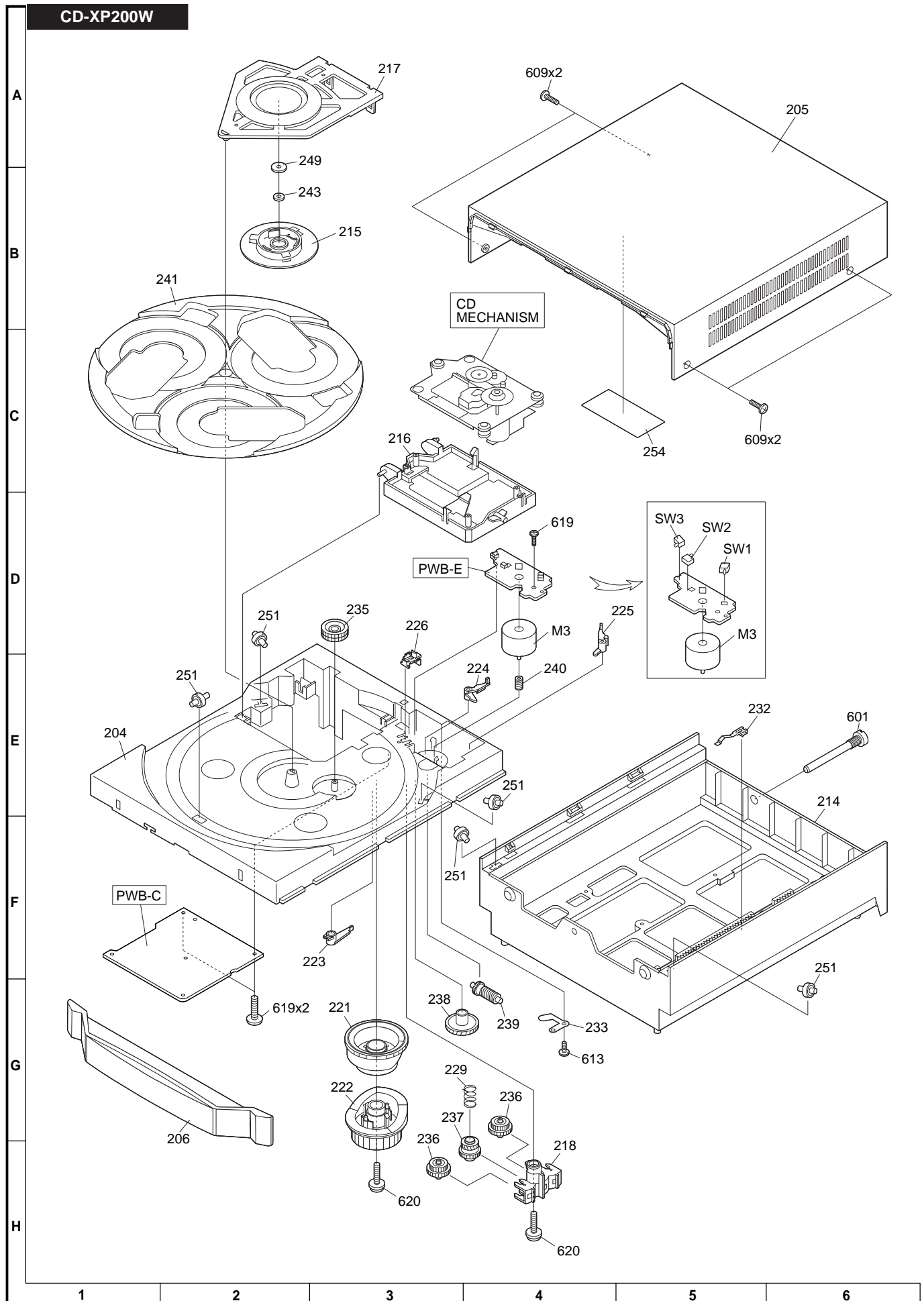


Figure 9 CABINET EXPLODED VIEW (2/2)

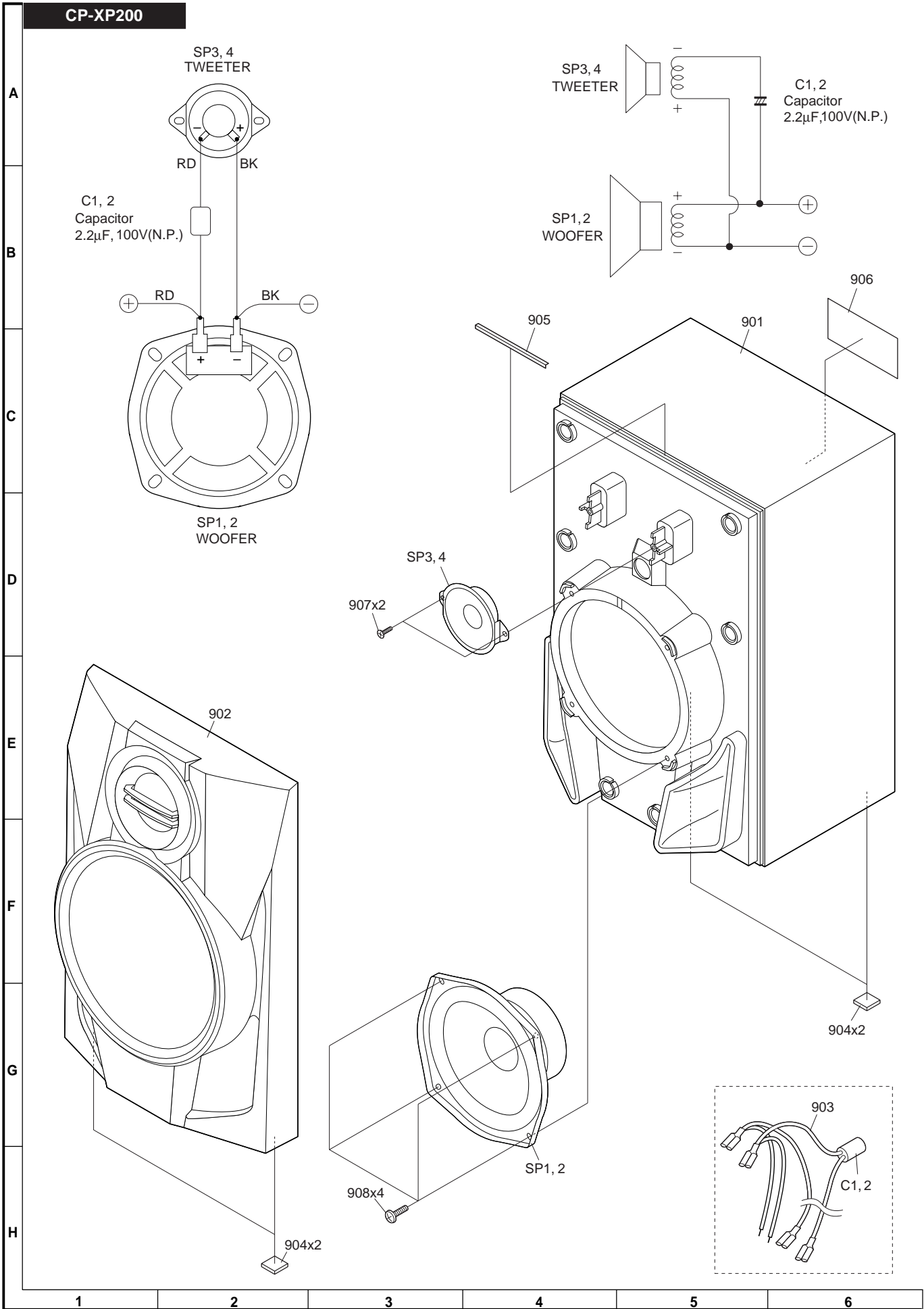


Figure 10 SPEAKER EXPLODED VIEW

**CD-XP200W**

**— M E M O —**

— M E M O —

# SHARP

**COPYRIGHT © 2002 BY SHARP CORPORATION**

**ALL RIGHTS RESERVED.**

No part of this publication may be reproduced, stored in a retrieval system, or transmitted in any form or by any means, electronic, mechanical, photocopying, recording, or otherwise, without prior written permission of the publisher.

**SHARP CORPORATION**  
**AV Systems Group**  
**Audio Systems Division**  
**Higashihiroshima, Hiroshima 739-0192, Japan**  
**Printed in Japan**

**A0206-367DS•HA•M**

**SA • SZ • EX**