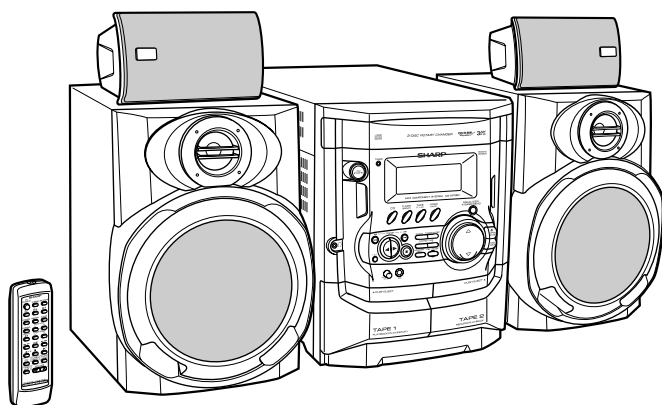


# SHARP SERVICE MANUAL

No. S4227CDXP350W



## MINI COMPONENT SYSTEM

## MODEL CD-XP350W

CD-XP350W Mini Component System consisting of CD-XP350W (main unit), CP-XP350 (front speaker) and GBOXS0094AWM1 (surround speaker).

- In the interests of user-safety the set should be restored to its original condition and only parts identical to those specified should be used.



This new model CD-XP350W has almost the same structure as the former model CD-XP300W except for some outer parts, the surround speaker and so only these parts are here described. When servicing the CD-XP350W, please refer to the already issued service manual for CD-XP300W (S4220CDXP300W) as well as this service manual.

## SPECIFICATIONS

### GBOXS0094AWM1

Type	10 cm (4") full-range speaker
Maximum input power	60 W
Rated input power	30 W
Impedance	16 ohms
Dimensions	Width: 210 mm (8-1/4") Height: 130 mm (5-1/8") Depth: 154 mm (6-1/16")
Weight	0.7 kg (1.5 lbs./each)

**CD-XP350W**

**DIFFERENCE BETWEEN CD-XP300W AND CD-XP350W**

REF. NO.	PART NO. ★		PART NO. ★		DESCRIPTION	CODE
	CD-XP300W		CD-XP350W			
<b>CAPACITORS</b>						
C947,948	Not used	J	VCEAZA1HW226M	J	22 μF, 50V, Electrolytic	AB
<b>OTHER CIRCUITRY PART</b>						
SO901	QTANA0423AWZZ	J	QTANA0811AWZZ	J	Terminal, Speaker	
<b>CABINET PARTS</b>						
201	92LCAB3844AASY	J	92LCAB4209AASY	J	Front Panel Ass'y	
201-1					Front Panel (Not Replacement Item)	—
201-2	GCōVA1417AWSA	J	Same as CD-XP300W		Cover, Cassette [Tape 1]	AH
201-3	GCōVA1418AWSA	J	Same as CD-XP300W		Cover, Cassette [Tape 2]	AH
201-4	GCōVA1421AWSA	J	Same as CD-XP300W		Cover, Remote Sensor	AC
201-5	GCōVA1422AWSA	J	Same as CD-XP300W		Cover, LED, Timer	AB
201-6	GDōRF0112AWSA	J	Same as CD-XP300W		Holder, Cassette [Tape 1]	AE
201-7	GDōRF0013AWSA	J	Same as CD-XP300W		Holder, Cassette [Tape 2]	AE
201-8	HDECQ0834AWSA	J	Same as CD-XP300W		Panel, Cassette [Tape 1]	AE
201-9	HDECQ0835AWSA	J	Same as CD-XP300W		Panel, Cassette [Tape 2]	AE
201-10	HDECQ0899AWSA	J	HDECQ0909AWSA	J	Panel, Amp.	
201-11	HDECQ0844AWSA	J	Same as CD-XP300W		Ring, Play/Stop	AC
201-12	HDECQ0850AWSA	J	Same as CD-XP300W		Panel, FL Display	AH
201-13	JKNBZ0862AWSA	J	Same as CD-XP300W		Button, Volume	AH
201-14	JKNBZ0890AWSA	J	Same as CD-XP300W		Button, Operation	AH
201-15	JKNBZ0864AWSA	J	Same as CD-XP300W		Button, X-Bass/Equalizer	AC
201-16	JKNBZ0865AWSA	J	Same as CD-XP300W		Button, Function	AD
201-17	JKNBZ0884AWSA	J	Same as CD-XP300W		Button, On/Stand-by	AE
201-18	LHLDZ1424AWZZ	J	Same as CD-XP300W		Button, Block	AD
201-19	MLiFP0008AWZZ	J	Same as CD-XP300W		Damper	AD
201-20	MSPRD0151AWFJ	J	Same as CD-XP300W		Spring, Cassette [Tape 1]	AB
201-21	MSPRD0152AWFJ	J	Same as CD-XP300W		Spring, Cassette [Tape 2]	AB
207	GiTAR1024AWSA	J	GiTAR1044AWSA	J	Rear Panel	
<b>ACCESSORIES/PACKING PARTS</b>						
	SPAKC1371WZZ	J	SPAKC1377AWZZ	J	Packing Case [For Australia/New Zealand]	AB
	SPAKC1372AWZZ	J	SPAKC1378AWZZ	J	Packing Case [Except for Australia/New Zealand]	
	Not used		SPAKZ0891AWZZ	J	Sheet, CD Tray	
	Not used		SPAKZ0770AWZZ	J	Carton Pad	
	TCAUA0061AWZZ	J	TCAUA0076AWZZ	J	Caution Tag [For Taiwan]	
	TGANZ0035AW04	J	TGANZ0035AW05	J	Warranty Card [For Taiwan]	
	TiNSZ0820AWZZ	J	TiNSZ0833AWZZ	J	Operation Manual [Except for Australia/New Zealand]	
	TiNSZ0819AWZZ	J	TiNSZ0832AWZZ	J	Operation Manual [For Australia/New Zealand]	
	TLABE0669AWZZ	J	TLABE0671AWZZ	J	Label, Bar Code	
	TLABR1275AWZZ	J	TLABR1276AWZZ	J	Label, Bar Code	
	TLABZ1176AWZZ	J	TLABZ1184AWZZ	J	Label, Carton [For Taiwan]	
	TSPC-1065AWZZ	J	TSPC-1070AWZZ	J	Label, Specifications [For Taiwan]	
<b>P. W. B. ASSEMBLY (Not Replacement Item)</b>						
PWB-A1~3	92LPWB3844MANS	J	92LPWB4209MANS	J	Main/Power/Transformer (Combined Ass'y)	—
PWB-B1, 2	92LPWB3844DPLS	J	92LPWB4209DPLS	J	Display/Headphones (Combined Ass'y)	—

**DIFFERENCE BETWEEN CP-XP300 AND CP-XP350**

REF. NO.	PART NO. ★		PART NO. ★		DESCRIPTION	CODE
	CP-XP300		CP-XP350			
<b>SPEAKER BOX PARTS</b>						
906	TSPC-1020AWZZ	J	TSPC-1075AWZZ	J	Label, Specifications	
SP1, 2	RSPA10079AW6W	J	RSPA10077AW8W	J	Woofer	
SP3, 4	RSPA00065AW6T	J	RSPA00063AW8T	J	Tweeter	

★ MARK: SPARE PARTS-DELIVERY SECTION

NO.	PART CODE	★ PRICE RANK	DESCRIPTION
-----	-----------	--------------	-------------

**GBOXS0094AWM1**

**SPEAKER BOX PARTS**

901	CWAKP1067AWM1	J AR	Net Frame Ass'y
902	GCAB-1220AWSA	J	Rear Cabinet
903	TLABM0156AWZZ	J	Label, Parts Code
904	QCNWN2325AWZZ	J AK	Speaker Cord
905	XEBSD30P10000	J AA	Screw,ø3×10mm
906	XJBSD40P16000	J AA	Screw,ø4×16mm
SP1,2	RSPA10065AWWS	J AV	Speaker

**PACKING PARTS**

SPAKA0361AWZZ	J		Packing Add.
SSAKH0091AWZZ	J AC		Polyethylene Bag,Speaker

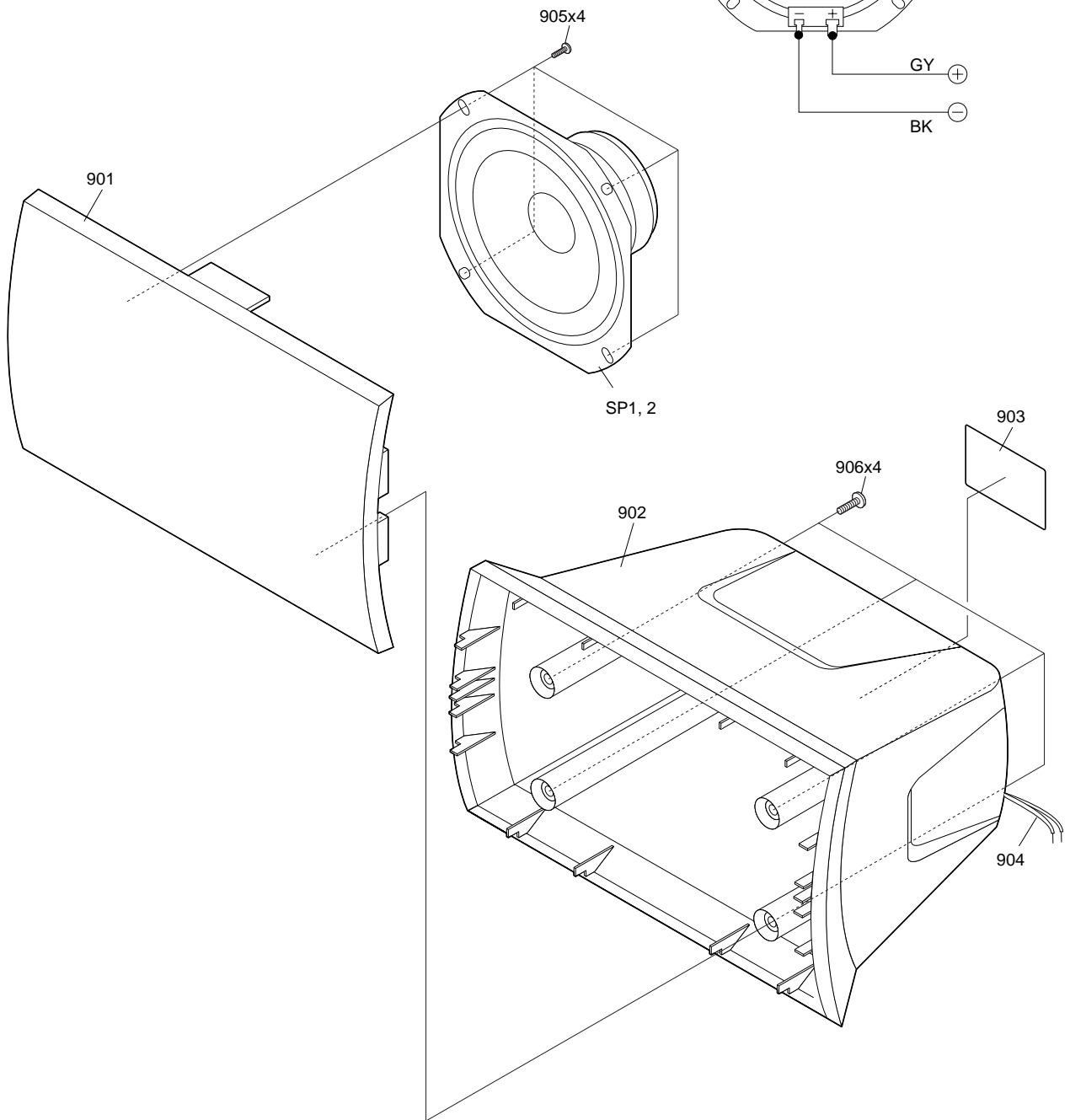
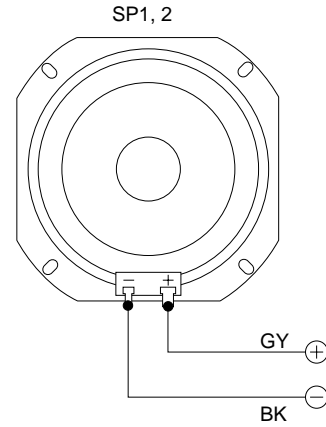
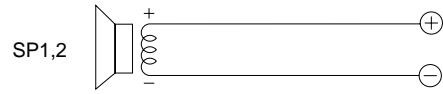


Figure 3 SPEAKER EXPLODED VIEW

# SHARP

**COPYRIGHT © 2002 BY SHARP CORPORATION**

**ALL RIGHTS RESERVED.**

No part of this publication may be reproduced, stored in a retrieval system, or transmitted in any form or by any means, electronic, mechanical, photocopying, recording, or otherwise, without prior written permission of the publisher.

**SHARP CORPORATION**  
**AV Systems Group**  
**Audio Systems Division**  
Higashihiroshima, Hiroshima 739-0192, Japan  
Printed in Japan

**A0204- 672DS•HA•M**

**EX • SA • SZ**