

# AV RECEIVER/AV AMPLIFIER RX-N600/RX-N600D/HTR-N5060 DSP-N600 SERVICE MANUAL

## IMPORTANT NOTICE

This manual has been provided for the use of authorized YAMAHA Retailers and their service personnel. It has been assumed that basic service procedures inherent to the industry, and more specifically YAMAHA Products, are already known and understood by the users, and have therefore not been restated.

**WARNING:** Failure to follow appropriate service and safety procedures when servicing this product may result in personal injury, destruction of expensive components, and failure of the product to perform as specified. For these reasons, we advise all YAMAHA product owners that any service required should be performed by an authorized YAMAHA Retailer or the appointed service representative.

**IMPORTANT:** The presentation or sale of this manual to any individual or firm does not constitute authorization, certification or recognition of any applicable technical capabilities, or establish a principle-agent relationship of any form.

The data provided is believed to be accurate and applicable to the unit(s) indicated on the cover. The research, engineering, and service departments of YAMAHA are continually striving to improve YAMAHA products. Modifications are, therefore, inevitable and specifications are subject to change without notice or obligation to retrofit. Should any discrepancy appear to exist, please contact the distributor's Service Division.

**WARNING:** Static discharges can destroy expensive components. Discharge any static electricity your body may have accumulated by grounding yourself to the ground buss in the unit (heavy gauge black wires connect to this buss).

**IMPORTANT:** Turn the unit OFF during disassembly and part replacement. Recheck all work before you apply power to the unit.

## CONTENTS

TO SERVICE PERSONNEL .....	2-3	AMP ADJUSTMENT / アンプ部調整 .....	51
FRONT PANELS .....	3-4	DISPLAY DATA .....	52-55
REAR PANELS .....	5-8	IC DATA .....	56-69
REMOTE CONTROL PANELS .....	9	PIN CONNECTION DIAGRAMS .....	70-71
SPECIFICATIONS / 参考仕様 .....	10-12	BLOCK DIAGRAMS .....	72-75
INTERNAL VIEW .....	13	PRINTED CIRCUIT BOARDS .....	76-95
DISASSEMBLY PROCEDURES / 分解手順 .....	14-20	SCHEMATIC DIAGRAMS .....	97-108
UPDATING FIRMWARE / ファームウェアの書き込み .....	21-24	REPLACEMENT PARTS LIST .....	109-138
SELF DIAGNOSIS FUNCTION (DIAG) / 自己診断機能(ダイアグ) .....	25-50	REMOTE CONTROL .....	139
		ADVANCED SETUP .....	140-141




このサービスマニュアルは、エコマーク認定の再生紙を使用しています。  
This Service Manual uses recycled paper.



## ■ TO SERVICE PERSONNEL

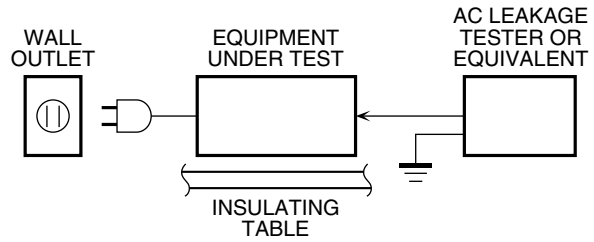
### 1. Critical Components Information

Components having special characteristics are marked  and must be replaced with parts having specifications equal to those originally installed.

### 2. Leakage Current Measurement (For 120V Models Only)

When service has been completed, it is imperative to verify that all exposed conductive surfaces are properly insulated from supply circuits.

- Meter impedance should be equivalent to 1500 ohms shunted by 0.15μF.



- Leakage current must not exceed 0.5mA.
- Be sure to test for leakage with the AC plug in both polarities.



#### “CAUTION”

“F3000, 3001: FOR CONTINUED PROTECTION AGAINST RISK OF FIRE, REPLACE ONLY WITH SAME TYPE 8A, 125V FUSE.”

#### CAUTION

F3000, 3001: REPLACE WITH SAME TYPE 8A, 125V FUSE.

#### ATTENTION

F3000, 3001: UTILISER UN FUSIBLE DE RECHANGE DE MEME TYPE DE 8A, 125V.

## WARNING: CHEMICAL CONTENT NOTICE!

The solder used in the production of this product contains LEAD. In addition, other electrical/electronic and/or plastic (where applicable) components may also contain traces of chemicals found by the California Health and Welfare Agency (and possibly other entities) to cause cancer and/or birth defects or other reproductive harm.

DO NOT PLACE SOLDER, ELECTRICAL/ELECTRONIC OR PLASTIC COMPONENTS IN YOUR MOUTH FOR ANY REASON WHATSOEVER!

Avoid prolonged, unprotected contact between solder and your skin! When soldering, do not inhale solder fumes or expose eyes to solder/flux vapor!

If you come in contact with solder or components located inside the enclosure of this product, wash your hands before handling food.

## About Lead Free Solder / 無鉛ハンダについて

All of the P.C.B.s installed in this unit are soldered using the lead free solder.

Among some types of lead free solder currently available, it is recommended to use one of the following types for the repair work.

- Sn + Ag + Cu (tin + silver + copper)
- Sn + Cu (tin + copper)
- Sn + Zn + Bi (tin + zinc + bismuth)

#### Caution:

As the melting point temperature of the lead free solder is about 30°C to 40°C (50°F to 70°F) higher than that of the lead solder, be sure to use a soldering iron suitable to each solder.

本機に搭載されているすべての基板は無鉛ハンダでハンダ付けされています。

無鉛ハンダにはいくつかの種類がありますが、修理時には下記のような無鉛ハンダの使用を推奨します。

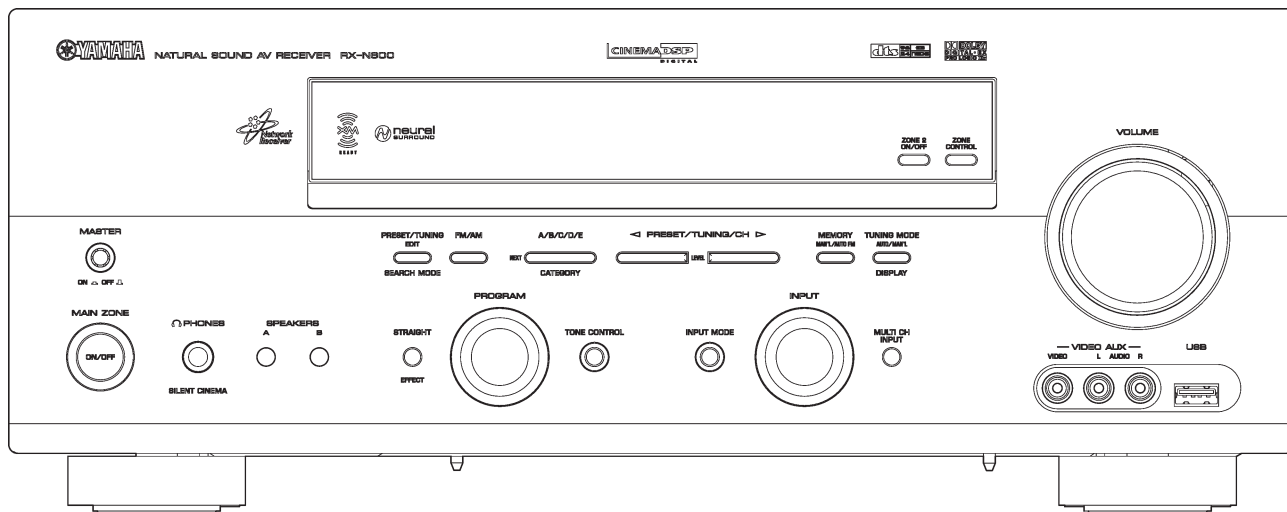
- Sn+Ag+Cu(錫+銀+銅)
- Sn+Cu(錫+銅)
- Sn+Zn+Bi(錫+亜鉛+ビスマス)

#### 注意：

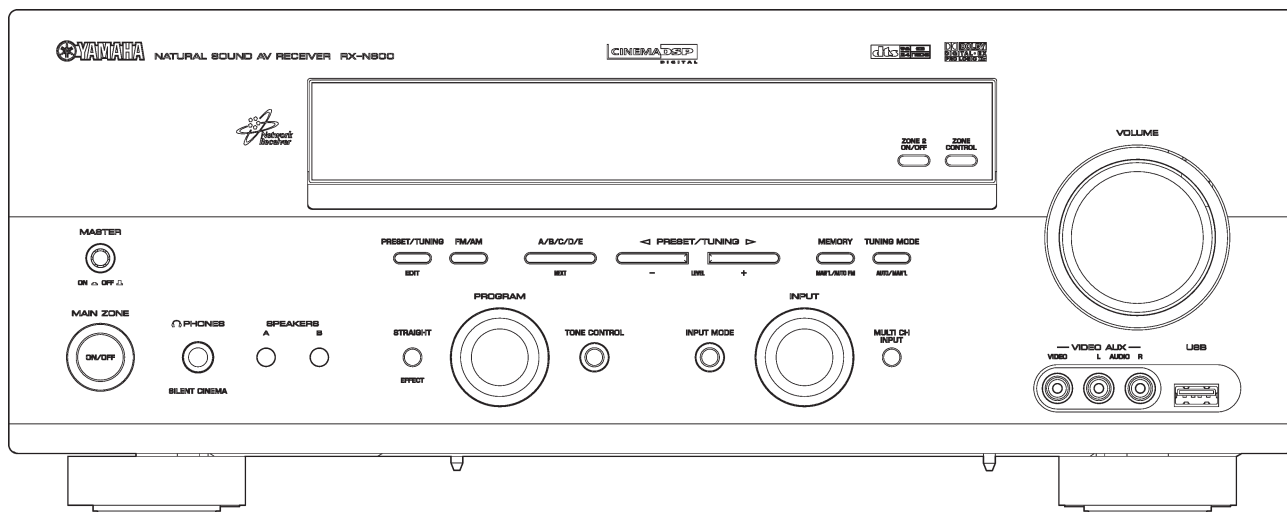
無鉛ハンダの融点温度は通常の鉛入りハンダに比べ30～40℃程度高くなっていますので、それぞれのハンダに合ったハンダごてをご使用ください。

# FRONT PANELS

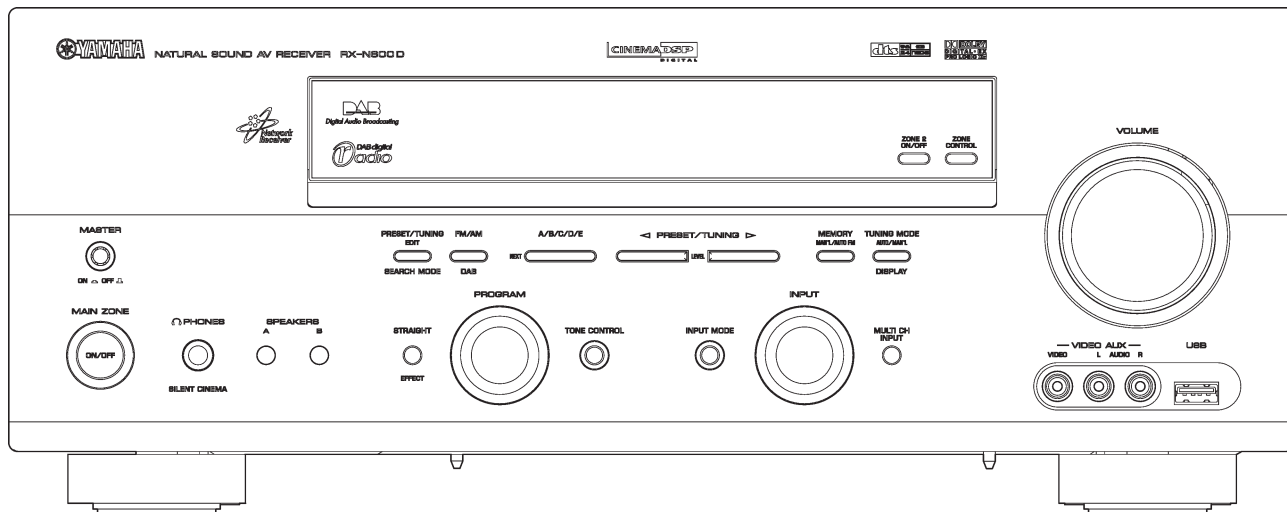
## RX-N600 (U, C models)



## RX-N600 (R, T, K, A, G, E models)

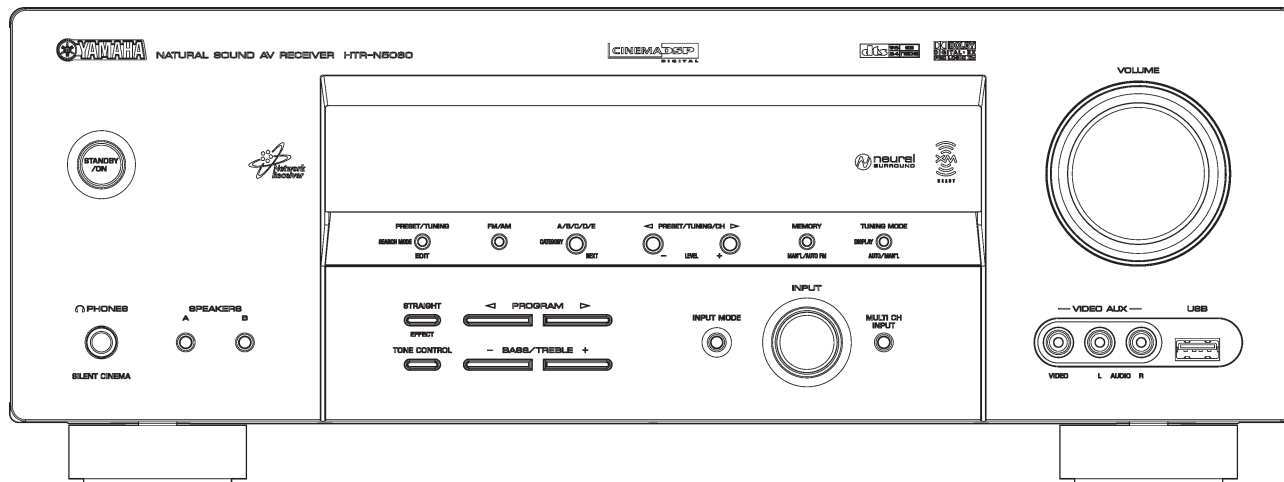


## RX-N600D (B model)

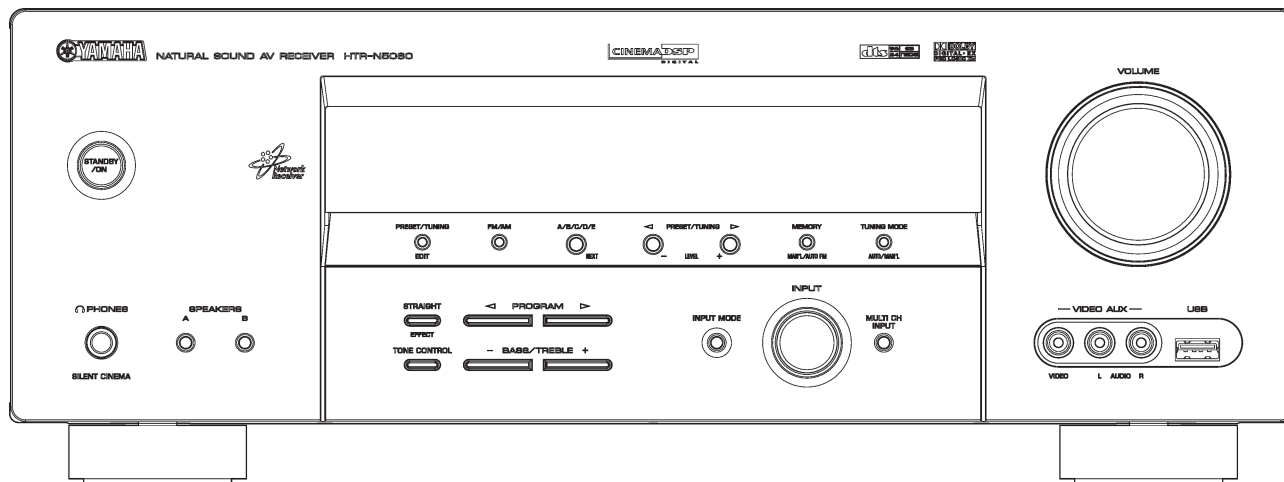


RX-N600/RX-N600D/  
HTR-N5060/DSP-N600

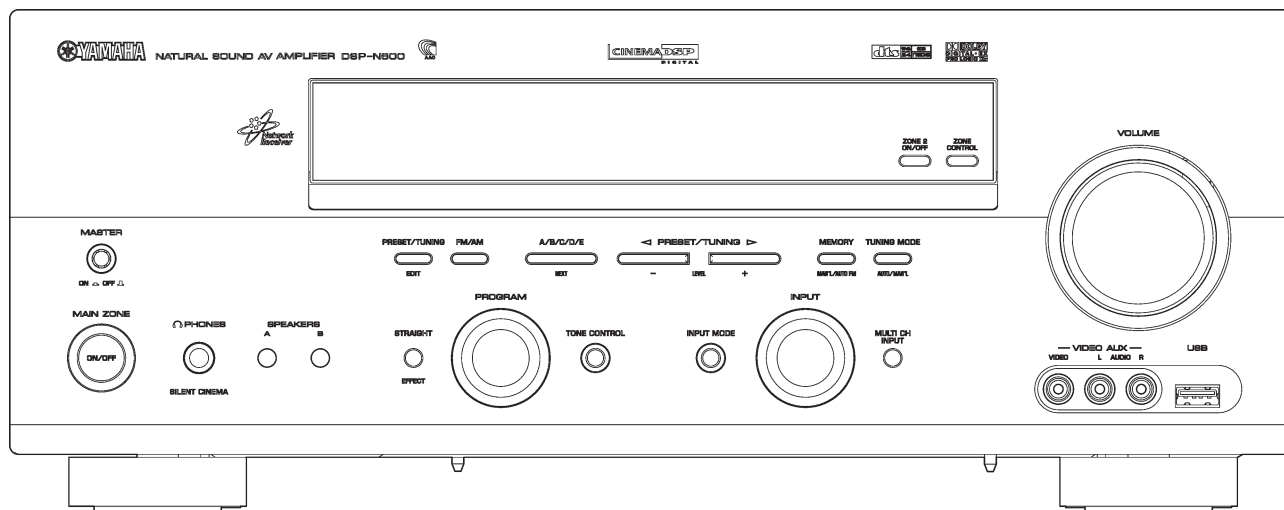
HTR-N5060 (U, C models)



HTR-N5060 (A, G models)



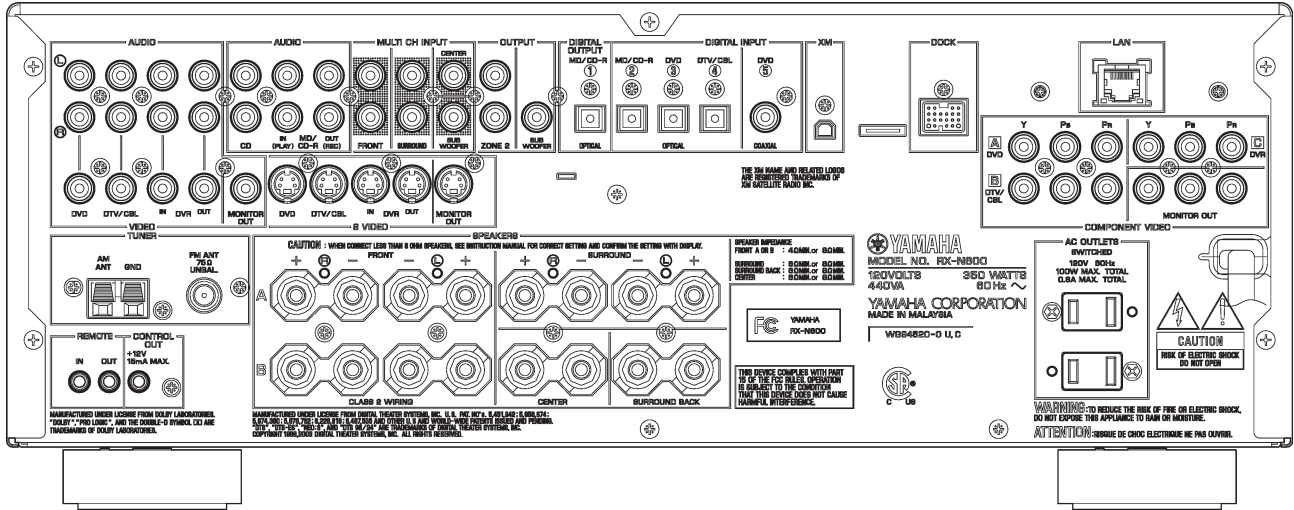
DSP-N600 (J model)



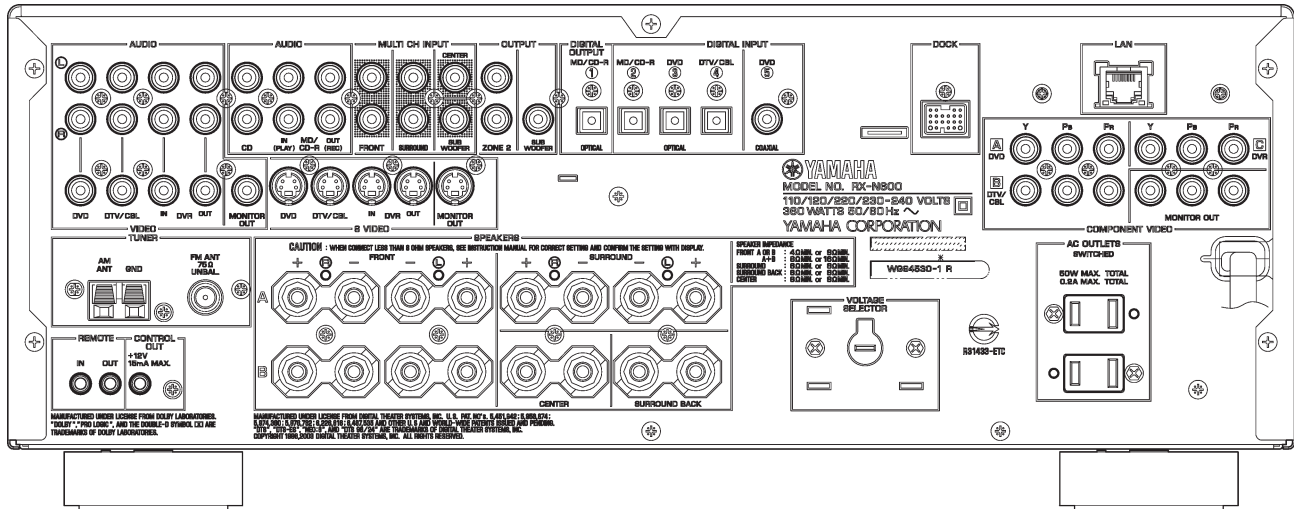
RX-N600/RX-N600D/  
HTR-N5060/DSP-N600

# REAR PANELS

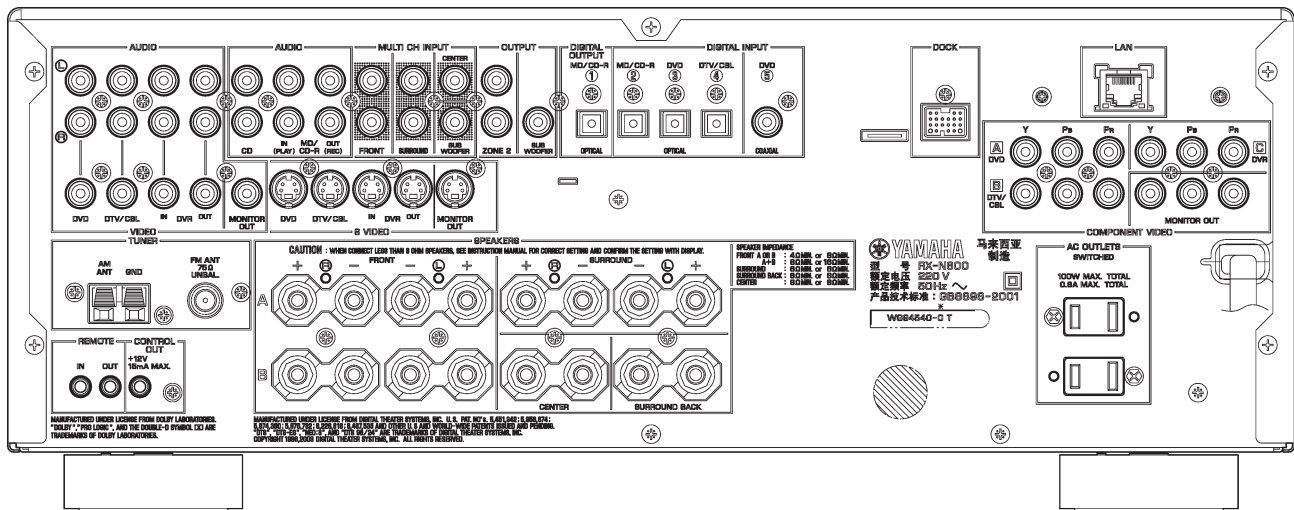
## RX-N600 (U, C models)



## RX-N600 (R model)

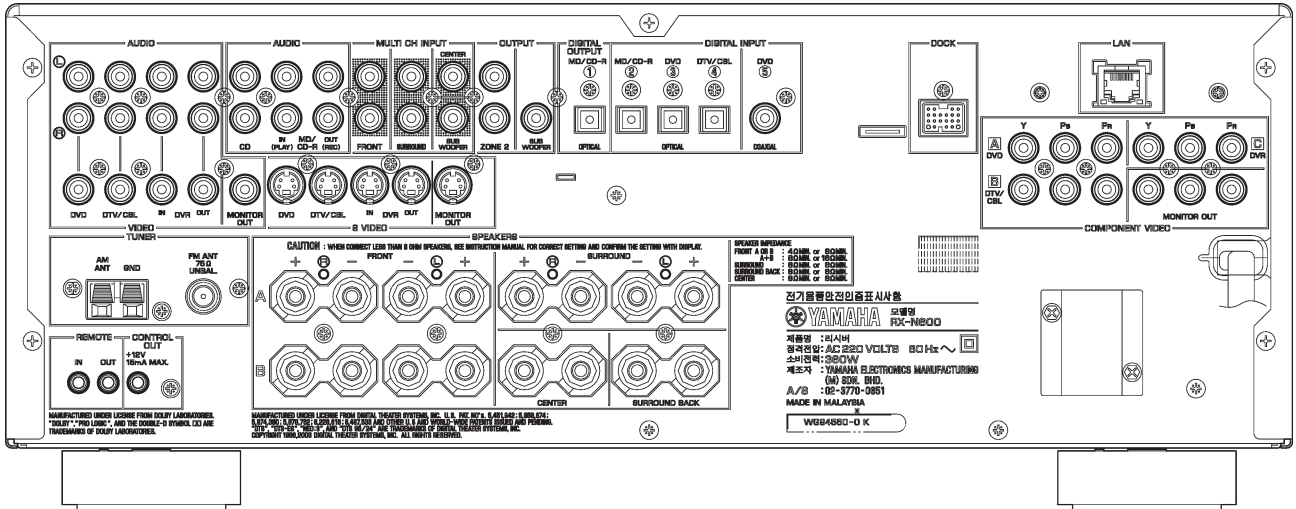


## RX-N600 (T model)

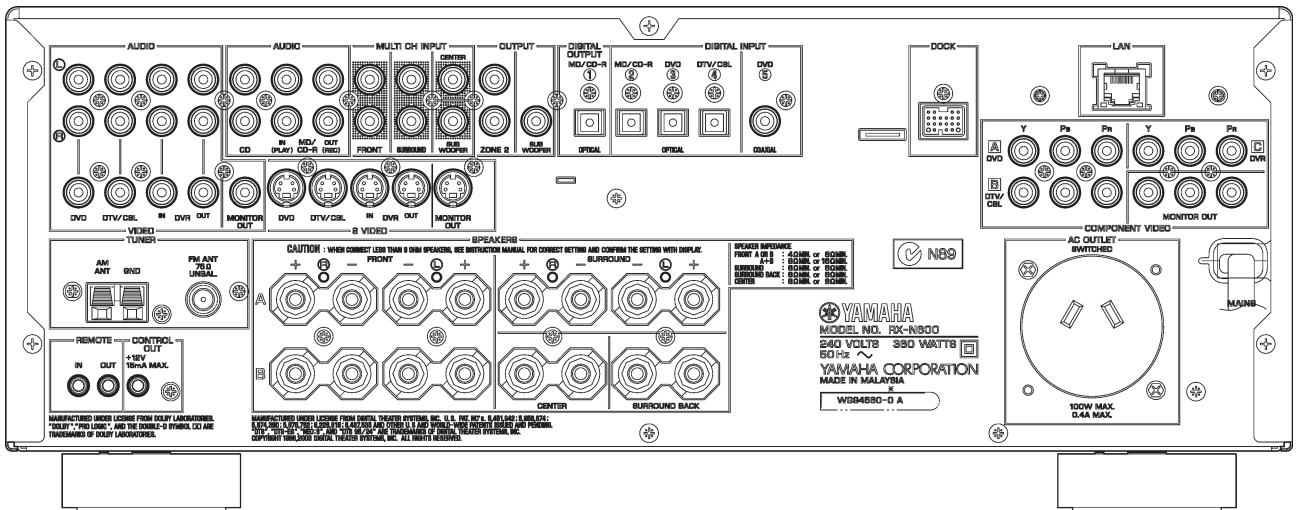


RX-N600/RX-N600D/  
HTR-N5060/DSP-N600

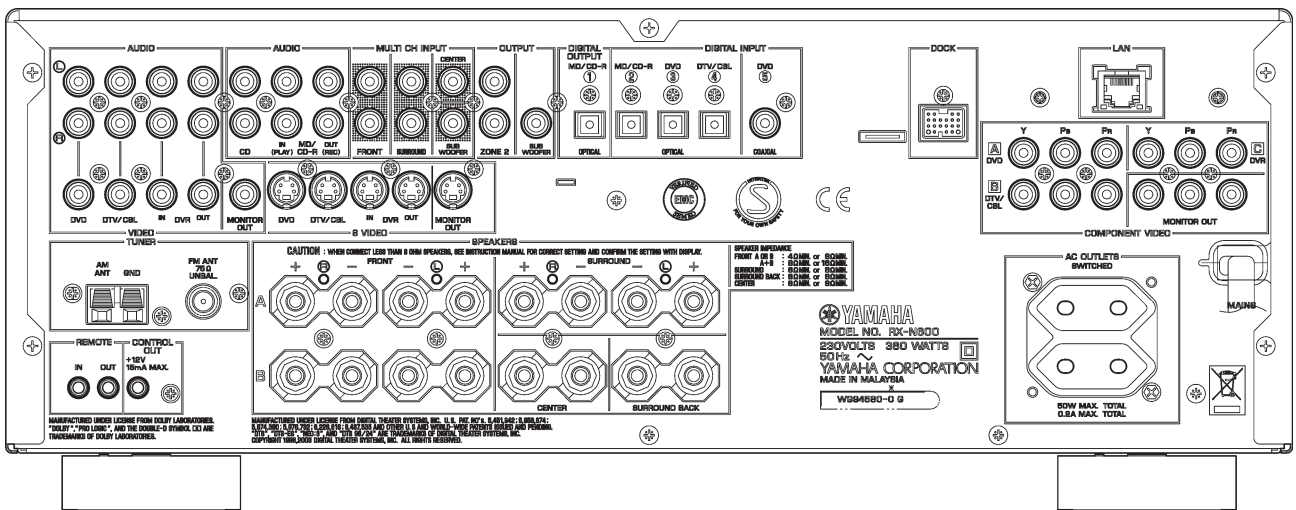
RX-N600 (K model)



RX-N600 (A model)

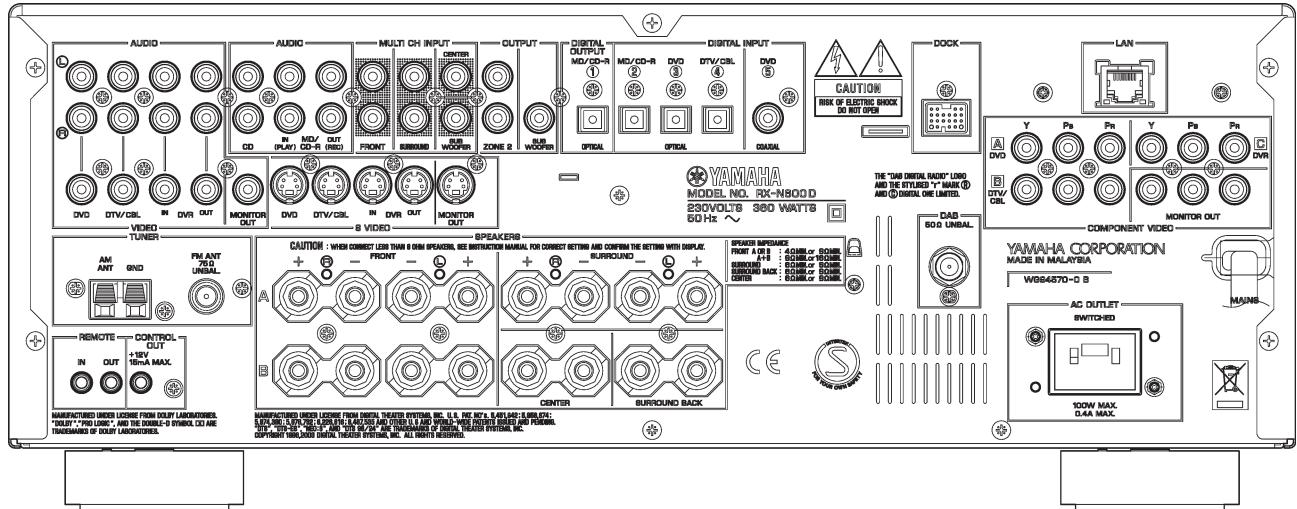


RX-N600 (G, E models)

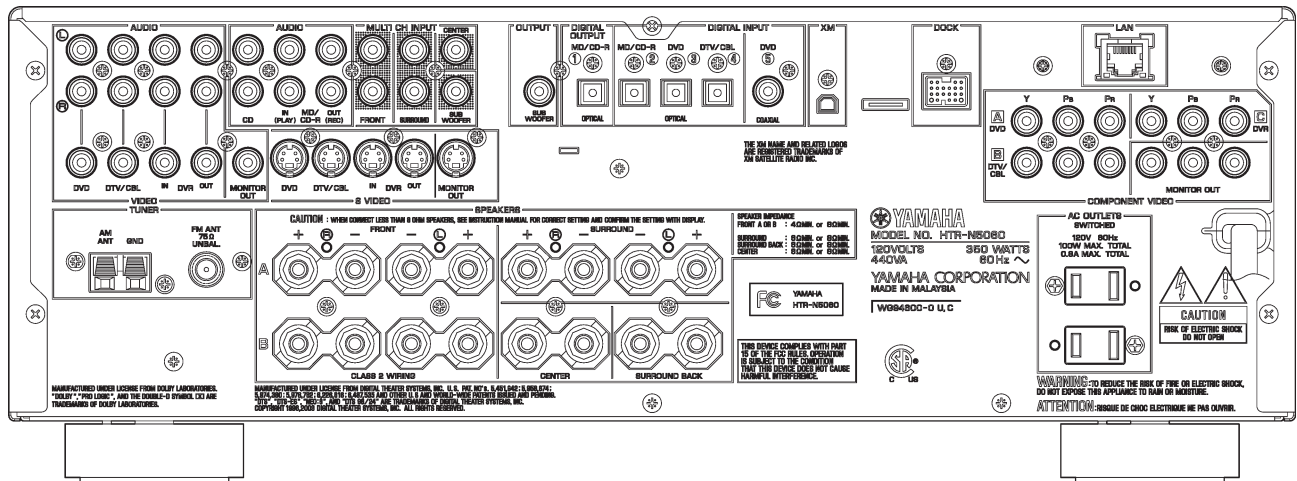


RX-N600/RX-N600D/  
HTR-N5060/DSP-N600

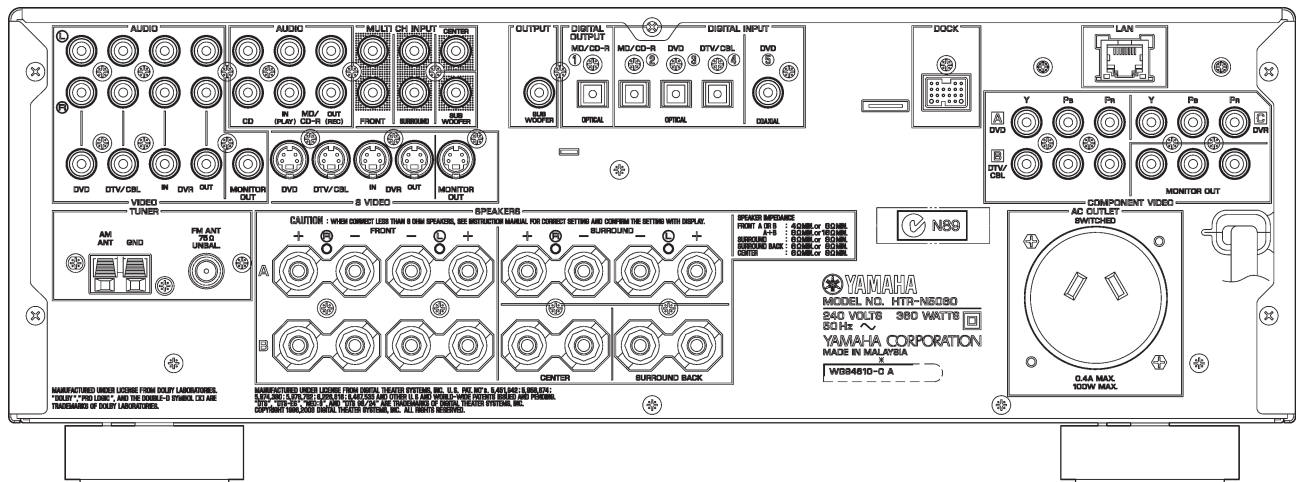
RX-N600D (B model)



HTR-N5060 (U, C models)

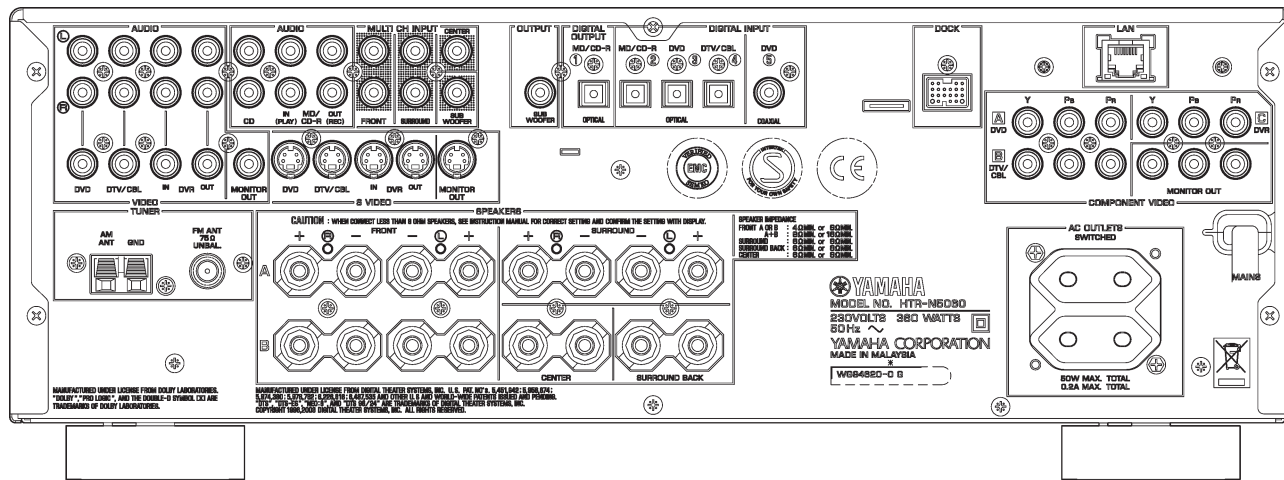


HTR-N5060 (A model)

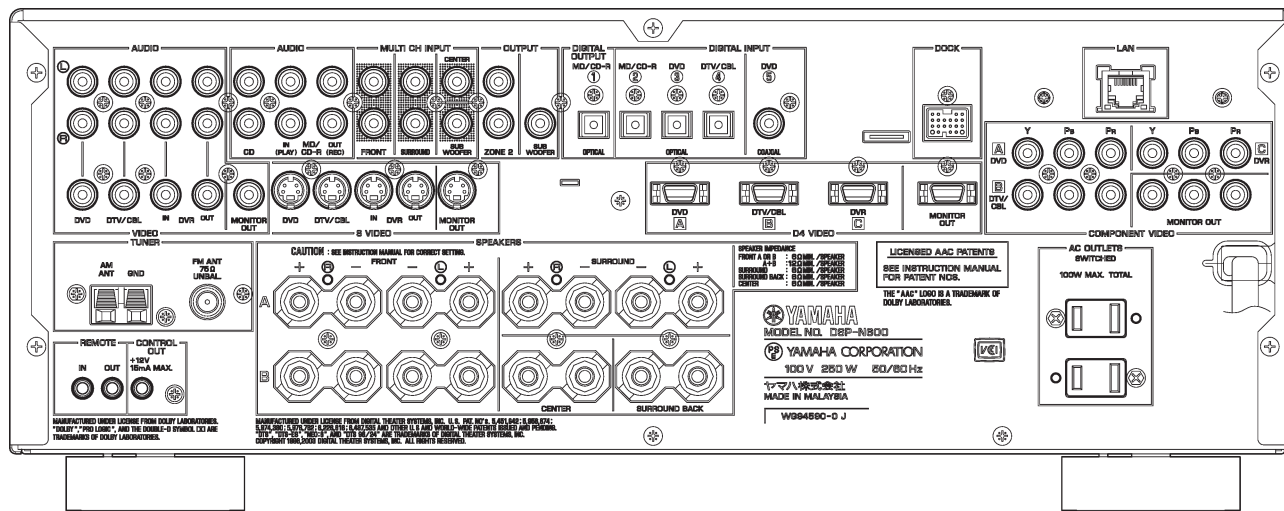


RX-N600/RX-N600D/  
HTR-N5060/DSP-N600

HTR-N5060 (G model)



DSP-N600 (J model)

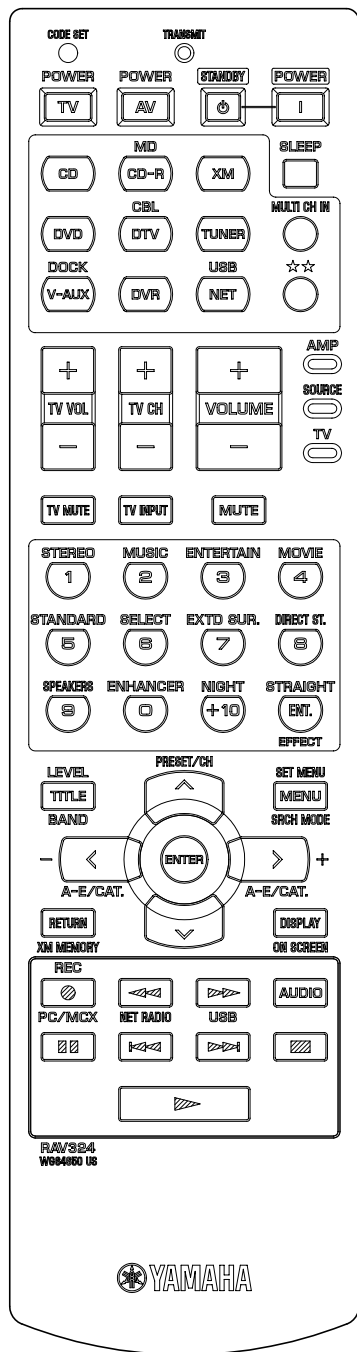


RX-N600/RX-N600D/  
HTR-N5060/DSP-N600

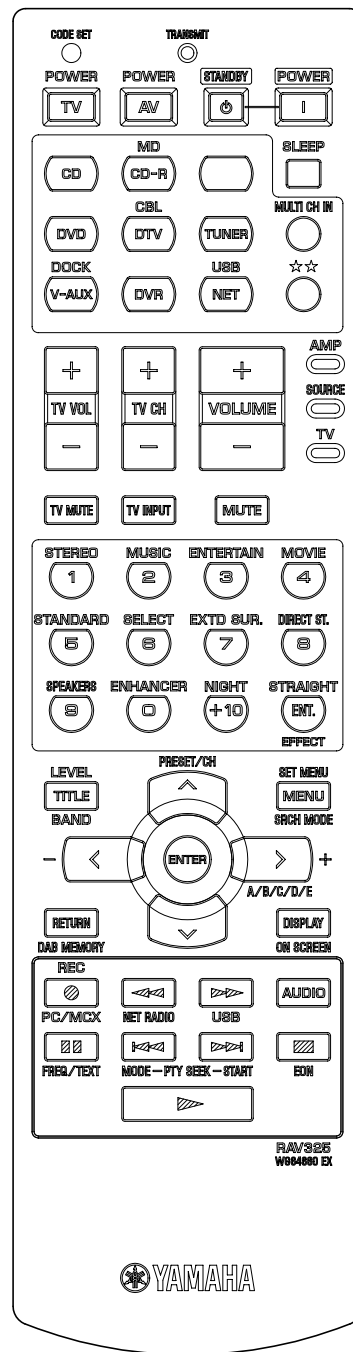


## REMOTE CONTROL PANELS

RX-N600 (U, C models)  
HTR-N5060 (U, C models)



RX-N600 (R, T, K, A, G, E models)  
RX-N600D (B model)  
HTR-N5060 (A, G models)  
DSP-N600 (J model)



RX-N600/RX-N600D/  
HTR-N5060/DSP-N600

## ■ SPECIFICATIONS / 参考仕様

### ■ Audio Section / オーディオ部

#### Minimum RMS Output Power / 定格出力

##### [RX-N600/RX-N600D]

(20 Hz to 20 kHz, 0.06 % THD, 8 ohms)

FRONT L/R	95 W + 95 W
CENTER	95 W
SURROUND L/R	95 W + 95 W
SURROUND BACK	95 W

##### [HTR-N5060]

(1 kHz, 0.7 % THD, 8 ohms)

FRONT L/R	110 W + 110 W
CENTER	110 W
SURROUND L/R	110 W + 110 W
SURROUND BACK	110 W

##### [DSP-N600]

(20 Hz to 20 kHz, 0.09 % THD, 6 ohms)

FRONT L/R	95 W + 95 W
CENTER	95 W
SURROUND L/R	95 W + 95 W
SURROUND BACK	95 W

#### Maximum Useful Output Power / 実用最大出力 (EIAJ)

##### [RX-N600] (R, T, K models)

(1 kHz, 10 % THD, 8 ohms)

FRONT L/R	135 W
CENTER	135 W
SURROUND L/R	135 W
SURROUND BACK	135 W

##### [DSP-N600] (J model)

(1 kHz, 10 % THD, 6 ohms)

FRONT L/R	135 W
CENTER	135 W
SURROUND L/R	135 W
SURROUND BACK	135 W

#### Dynamic Power Per Channel / ダイナミックパワー (IHF)

##### [RX-N600/RX-N600D/HTR-N5060]

FRONT L/R (8/6/4/2 ohms) ..... 130/165/195/240 W

##### [DSP-N600]

FRONT L/R (-/6/4/2 ohms) ..... -/135/165/210 W

#### Maximum Output Power / MAXパワー

(SP IMPEDANCE SET: 8 ohms minimum/1 kHz, 0.7 % THD, 4 ohms)

##### [RX-N600/RX-N600D/HTR-N5060] (B, G, E models)

FRONT L/R	145 W + 145 W
CENTER	145 W
SURROUND L/R	145 W + 145 W
SURROUND BACK	145 W

#### Dynamic Headroom / ダイナミックヘッドルーム (IHF)

##### [RX-N600/HTR-N5060] (U, C models)

FRONT L/R (8 ohms) ..... 1.6 dB

#### IEC Output Power / IECパワー (1 kHz, 0.06 % THD, 8 ohms)

##### [RX-N600/RX-N600D/HTR-N5060] (B, G, E models)

FRONT L/R ..... 105 W + 105 W

#### Damping Factor / ダンピングファクタ

FRONT L/R (20 Hz to 20 kHz, 8 ohms) ..... 120 or more

#### Maximum Input Voltage / 最大許容入力 (1 kHz, 0.5 % THD)

CD, etc. (Effect on) ..... 2.2 V or more

#### Frequency Response / 周波数特性

CD, etc. (10 Hz to 100 kHz) ..... +0/-3.0 dB  
V-AUX (10 Hz to 20 kHz) ..... +0/-3.0 dB

#### Total Harmonic Distortion / 全高調波歪率

(20 Hz to 20 kHz, 50 W/8 ohms)  
CD, etc. to FRONT L/R ..... 0.06 % or less

#### Signal to Noise Ratio / 信号対雑音比 (IHF-A Network)

CD, etc. to FRONT L/R  
250 mV ..... 100 dB or more

#### Residual Noise / 残留ノイズ (IHF-A Network)

SP OUT ..... 150 μV or less

#### Input Sensitivity/Input Impedance / 入力感度/入力インピーダンス

(1 kHz, 100 W/8 ohms)  
CD, etc. .... 200 mV / 47 k-ohms  
MULTI CH IN  
FRONT L/R, CENTER, SURROUND L/R, SUBWOOFER  
..... 200 mV / 47 k-ohms

#### Rated Output Voltage/Output Impedance /

##### 定格出力電圧/出力インピーダンス

OUT (REC) ..... 200 mV / 1.2 k-ohms  
SUBWOOFER (2ch STEREO and FRONT SP: Small)  
..... 4 V / 1.2 k-ohms

##### [RX-N600/RX-N600D/DSP-N600]

ZONE2 OUT ..... 200 mV / 1.2 k-ohms

#### Headphone Jack Rated Output Voltage/Impedance /

##### ヘッドフォン出力電圧/出力インピーダンス

CD, etc. (Input 1 kHz, 50 mV, 8 ohms) ..... 150 mV / 100 ohms

#### Channel Separation / チャンネルセパレーション

CD, etc. (Input 5.1 k-ohms shorted, 1 kHz/10 kHz)  
..... 60 dB or more/45 dB or more

#### Volume Control / 可変範囲

..... MUTE/-80 dB to +16 dB/1 dB step

#### Tone Control Characteristics / トーンコントロール特性

##### (FRONT L/R)

BASS  
Boost/Cut ..... ±10 dB/2 dB step (60 Hz)  
TREBLE  
Boost/Cut ..... ±10 dB/2 dB step (20 kHz)

#### Filter Characteristics / フィルタ特性

FRONT L/R, CENTER, SURROUND L/R, SURROUND BACK  
Small (H.P.F.)  
..... fc= 40/60/80/90/100/110/120/160/200 Hz / 12 dB/oct.  
SUBWOOFER (L.P.F.)  
..... fc= 40/60/80/90/100/110/120/160/200 Hz / 24 dB/oct.

### ■ Video Section / ビデオ部

#### Video Format (Gray Back) / グレーバック

U, C, R, K, J models ..... NTSC  
T, A, B, G, E models ..... PAL

#### Video Format (Video Conversion) /

ビデオ信号方式(ビデオコンバージョン)  
..... NTSC / PAL

#### Composite Video Rated Input Voltage /

コンポジットビデオ 信号レベル  
..... 1 Vp-p / 75 ohms

#### S-Video Rated Input Voltage / Sビデオ信号 信号レベル

Y ..... 1 Vp-p / 75 ohms  
C ..... 0.286 Vp-p / 75 ohms

#### Component Video Rated Input Voltage /

コンポーネントビデオ 信号レベル  
Y ..... 1 Vp-p / 75 ohms  
Cb/Cr ..... 0.7 Vp-p / 75 ohms

#### D4-Video Signal Level Rated Input Voltage /

D4ビデオ 信号レベル (J model)  
Y ..... 1 Vp-p / 75 ohms  
Cb/Cr ..... 0.7 Vp-p / 75 ohms

#### Maximum Input Voltage / 最大許容入力

VIDEO CONV. OFF ..... 1.5 Vp-p or more

#### Signal to Noise Ratio / S/N比

..... 50 dB or more

#### Frequency Response (Monitor Out) / 周波数特性

(VIDEO CONV. OFF)  
Component video signal level / コンポーネントビデオ信号  
..... 5 Hz to 60 MHz, -3 dB  
D4-video signal level / D4ビデオ信号 (J model)  
..... 5 Hz to 60 MHz, -3 dB

■ FM Section / FM部

**Tuning Range / 受信周波数**  
 U, C models ..... 87.5 to 107.9 MHz  
 R model ..... 87.5 to 108.0 / 87.50 to 108.00 MHz  
 T, K, A, B, G, E models ..... 87.50 to 108.00 MHz  
 J model ..... 76.0 to 90.0 MHz

**50 dB Quietening Sensitivity / 50dB SN感度 (IHF) (1 kHz, 100 % Mod.)**  
 Mono / Stereo ..... 2.0 μV (17.3 dBf) / 25 μV (39.2 dBf)

**Usable Sensitivity / 実用感度 (IHF)**  
 Mono ..... 1.0 μV (11.2 dBf)

**Selectivity / 選択度 (at 400 kHz)** ..... 70 dB

**Signal to Noise Ratio / S/N比 (IHF)**  
 Mono / Stereo ..... 76 dB / 70 dB

**Harmonic Distortion / 歪率 (1 kHz)**  
 Mono / Stereo ..... 0.2 % / 0.3 %

**Stereo Separation / ステレオセパレーション**  
 1 kHz ..... 42 dB

**Frequency Response / 周波数特性**  
 20 Hz to 15 kHz ..... +0.5/-2 dB

**Antenna Input / アンテナ入力** ..... 75 ohms unbalanced

■ AM Section / AM部

**Tuning Range / 受信周波数**  
 U, C models ..... 530 to 1,710 kHz  
 R model ..... 530 to 1,710 / 531 to 1,611 kHz  
 T, K, A, B, G, E, J models ..... 531 to 1,611 kHz

**Usable Sensitivity / 実用感度** ..... 300 μV/m

**Antenna / アンテナ入力** ..... Loop antenna

■ DAB Section (B model)

**Tuning Range**  
 Band III ..... 174 to 240 MHz  
 L-band ..... 1,452 to 1,492 MHz

**Sensitivity**  
 Band III ..... -99 dBm  
 L-band ..... -95 dBm

**Selectivity (for adjacent channel)**  
 Band III ..... 40 dBm  
 L-band ..... 40 dBm

**Signal to Noise Ratio** ..... 97 dB

**Total Harmonic Distortion** ..... 0.01 %

**Stereo Separation**  
 1 kHz ..... 95 dB

**Frequency Response**  
 20 Hz to 20 kHz ..... +0.5/-0.5 dB

**Antenna Input** ..... 75 ohms unbalanced

■ General / 総合

**Power Supply / 電源電圧**  
 U, C models ..... AC 120 V, 60 Hz  
 R model ..... AC 110/120/220/230-240 V, 50/60 Hz  
 T model ..... AC 220 V, 50 Hz  
 K model ..... AC 220 V, 60 Hz  
 A model ..... AC 240 V, 50 Hz  
 B, G, E models ..... AC 230 V, 50 Hz  
 J model ..... AC 100V, 50/60 Hz

**Power Consumption / 消費電力**  
 U, C models ..... 350 W / 440 VA  
 R, T, K, A, B, G, E models ..... 360 W  
 J model ..... 250 W

**Standby Power Consumption (reference data) / 待機時消費電力 (参考値)** ..... 0.1 W

**Maximum Power Consumption / 最大消費電力 (R model)**  
 6ch Drive, 10 % THD ..... 700 W

**AC Outlets / ACアウトレット**  
 2 Switched Outlets  
 U, C, T, J models ..... 100 W max. total  
 R, B, G, E models ..... 50 W max. total  
 1 Switched Outlet  
 A model ..... 100 W max.

**Dimensions / 寸法 (W x H x D)**  
**[RX-N600/RX-N600D/DSP-N600]**  
 ..... 435 x 171 x 393.2 mm (17-1/8" x 6-3/4" x 15-1/2")

**[HTR-N5060]**  
 ..... 435 x 161 x 391.2 mm (17-1/8" x 6-5/16" x 15-3/8")

**Weight / 質量**  
**[RX-N600/DSP-N600]**  
 ..... 11.7 kg (25 lbs. 12 oz.)

**[RX-N600D]**  
 ..... 11.9 kg (26 lbs. 3 oz.)

**[HTR-N5060]**  
 ..... 11.2 kg (24 lbs. 11 oz.)

**Finish / 仕上げ**  
**[RX-N600/RX-N600D]**  
 Gold color ..... R, T models  
 Black color ..... U, C, R, A, B, G, E models  
 Titanium color ..... C, K, B, G, E models

**[HTR-N5060]**  
 Black color ..... U, C models  
 Silver color ..... U, C, A, G models

**[DSP-N600]**  
 Gold color ..... J model

**Accessories / 付属品**  
 Remote control x 1, Batteries x 2, Indoor FM antenna x 1, AM loop antenna x 1, Indoor DAB antenna x 1 (B model)

\* Specifications are subject to change without notice due to product improvements.

※ 参考仕様および外観は予告なく変更されることがあります。

U ..... U.S.A. model	C ..... Canadian model
R ..... General model	T ..... Chinese model
K ..... Korean model	A ..... Australian model
B ..... British model	G ..... European model
E ..... South European model	J ..... Japanese model



Manufactured under license from Dolby Laboratories. "Dolby", "Pro Logic", and the double-D symbol are trademarks of Dolby Laboratories.

ドルビーラボラトリーズからの実施権により製造されています。「ドルビー」、「PRO LOGIC」、「Surround EX」およびダブルD記号は、ドルビーラボラトリーズの商標です。



Manufactured under license from Digital Theater Systems, Inc. "DTS", "DTS-ES", "NEO:6", and "DTS 96/24" are trademarks of Digital Theater Systems, Inc. Copyright 1996, 2003 Digital Theater Systems, Inc. All right reserved.

DTS, DTS-ES Extended Surround, NEO:6およびDTS96/24はデジタルシアターシステムズの登録商標です。

iPod®

"iPod" is a trademark of Apple Computer, Inc., registered in the U.S. and other countries.

iPodは、米国およびその他の国々で登録されたApple Computer, Inc.の商標または登録商標です。



Fraunhofer Institut  
Integrierte Schaltungen

MPEG Layer-3 audio coding technology licensed from Fraunhofer IIS and Thomson.

MPEG Layer3音声圧縮技術は、Fraunhofer IISおよびThomsonによってライセンス供与されています。



This receiver supports network connections.

SILENT™ CINEMA

"SILENT CINEMA" is a trademark of YAMAHA CORPORATION.

「サイレントシネマ SILENT CINEMA」はヤマハ株式会社の登録商標です。



The XM name and related logos are registered trademarks of XM Satellite Radio Inc.



Neural Surround™ name and related logos are trademarks owned by Neural Audio Corporation.



The "DAB Digital Radio" logo and the stylised "r" mark ® and © Digital One Limited.



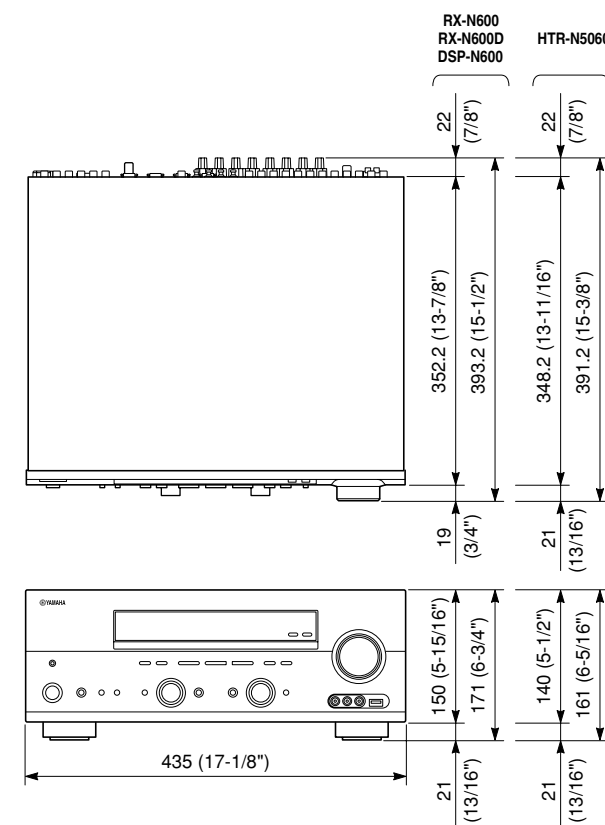
Digital Audio Broadcasting

This receiver supports DAB tuning.



AACロゴマークはドルビーラボラトリーズの商標です。

■ DIMENSIONS / 寸法図



Unit: mm (inch)  
単位: mm (インチ)

• SET MENU TABLE / セットメニュー

CATEGORY	MAIN MENU	SUB MENU	SELECT MENU	VALUE [INITIAL]
BASIC SETUP			ROOM : S > M L	S / [M] / L
			SUBWOOFER : YES	[YES] / NONE
			SPEAKER : 6spk	2spk / 3spk / 4 spk / 5spk / [6spk]
			SETUP : OK	[OK] / CANCEL
			CHECK OK? : YES	[YES] / NO
			FR .....  .....	±10.0dB step
			C .....  .....	
			SL .....  .....	
			SB .....  .....	
			SR .....  .....	
SWFR .....  .....				
MANUAL SETUP	1 SOUND MENU	A) SPEAKER SET	FRONT : LARGE	SMALL / [LARGE]
			CENTER : SML	
			SURROUND L/R : SML	NONE / [SML] / LRG
			SURROUND BACK : SML	
			BASS OUT : BOTH	SWFR / FRONT / [BOTH]
			CROSS OVER : 80Hz	40 / 60 / [80] / 90 / 100 / 110 / 120 / 160 / 200 Hz
			SUBWOOFER PHASE : NORMAL	[NORMAL] / REVERSE
		B) SPEAKER LEVEL	FL .....  .....	-10dB to +10dB [CENTER 0dB], 0.5dB step
			FR .....  .....	
			C .....  .....	
			SL .....  .....	
			SR .....  .....	
			SB .....  .....	
		C) SP DISTANCE	UNIT : meters	feet / [meters]
			FRONT L : 10.0ft/3.00m	
			FRONT R : 10.0ft/3.00m	
			CENTER : 10.0ft/3.00m	feet: 1.0 to 80.0ft [10.0ft], 0.5ft step
			SURR. L : 10.0ft/3.00m	
			SURR. R : 10.0ft/3.00m	meters: 0.30 to 24.00m [3.00m], 0.10m step
	SURR. B : 7.0ft/2.10m			
	SWFR : 10.0ft/3.00m			
	D) CENTER GEQ	TEST : >OFF ON	[OFF] / ON	
		100Hz .....  ..... 0dB	-6dB to +6dB [0dB], 1dB step	
		300Hz .....  ..... 0dB		
		1kHz .....  ..... 0dB		
		3kHz .....  ..... 0dB		
		10kHz .....  ..... 0dB		
	E) LFE LEVEL	SPEAKER LFE : 0dB	-20dB to 0dB [0dB], 1dB step	
		HEADPHONE LFE : 0dB		
	F) DYNAMIC RANGE	SPEAKER : MAX	MIN / STD / [MAX]	
		HEADPHONE : MAX		
	G) AUDIO SET	MUTING TYPE : FULL	-20 dB / [FULL]	
		AUDIO DELAY : 0ms	0ms to 160ms, 1ms step	
		TONE BYPASS : AUTO	OFF / [AUTO]	
		DUAL MONO : MAIN (J model)	[MAIN] / SUB / ALL	
	2 INPUT MENU	A) I/O ASSIGNMENT	CMPNT-V INPUT [A]	[DVD] / DTV/CBL / V-AUX / DVR
			CMPNT-V INPUT [B]	DVD / [DTV/CBL] / V-AUX / DVR
			CMPNT-V INPUT [C]	DVD / DTV/CBL / V-AUX / [DVR]
OPTICAL OUT (1)			CD / [MD/CD-R] / DVD / DTV/CBL / V-AUX / DVR	
OPTICAL IN (2)			CD / [MD/CD-R] / DVD / DTV/CBL / V-AUX / DVR	
OPTICAL IN (3)			CD / MD/CD-R / [DVD] / DTV/CBL / V-AUX / DVR	
OPTICAL IN (4)			CD / MD/CD-R / DVD / [DTV/CBL] / V-AUX / DVR	
COAXIAL IN (5)			[CD] / MD/CD-R / DVD / DTV/CBL / V-AUX / DVR	
B) INPUT MODE		[AUTO] / LAST		
C) INPUT RENAME		CD / MD/CD-R / DVD / DTV/CBL / V-AUX / DVR		

CATEGORY	MAIN MENU	SUB MENU	SELECT MENU	VALUE [INITIAL]		
			D) VOLUME TRIM	-6.0dB to +6.0dB [0dB] 0.5dB step CD / MD/CD-R / DVD / DTV/CBL / V-AUX / DVR		
			3 DAB MENU (B model)	A) INIT SCAN	SCAN : FULL	[FULL] / UK_BAND3 / NO
				B) TUNE AID	5A LEVEL : XX	[5A] / LW (DAB channel label)
				C) DRC MENU	DRC MODE : AUTO	[AUTO] / OFF
				D) PRUNE LIST	OK : [ENTER]	YES / NO
				E) PRESET DELETE	DELETE : XX	XX (Preset number)
			3 NET / USB MENU (U, C, R, T, K, A, G, E, J models)	A) NETWORK	DHCP : ON	[ON] / OFF
					IP xxx. xxx. xxx. xxx	
					SUBNET 255. 255. 255. 000	
					GATEWAY xxx. xxx. xxx. xxx	0 to 255
					DNS (P) xxx. xxx. xxx. xxx	
					DNS (S) xxx. xxx. xxx. xxx	
				SET / CANCEL		
			4 NET / USB MENU (B model)	B) PLAY STYLE	REPEAT : OFF	[OFF] / SINGLE / ALL
					SHUFFLE : OFF	[OFF] / ON
			4 OPTION MENU (U, C, R, T, K, A, G, E, J models)	C) INFORMATION	MAC ADDRESS xx. xx. xx. xx. xx	
					STATUS :	
			5 OPTION MENU (B model)	A) DISPLAY SET	DIMMER : 0	-4 to 0 [0], 1 step
					VIDEO CONV. : ON	OFF / [ON]
OSD SHIFT : 0	-5 to +5, 1step					
GRAY BACK : AUTO	OFF / [AUTO]					
B) MEMORY GUARD	MEMORY GUARD : OFF	[OFF] / ON				
	C) PARAM. INI			STEREO / MUSIC / ENTERTAINMENT / MOVIE THEATER / STANDARD		
D) MULTI ZONE SET (U, C models)	E) XM RADIO SET	SP B : FRONT		[FRONT] / ZONE B		
		XM DISPLAY : 10S		[10S] / 30S / OFF		
		XM ANTENNA : NONE	0% to 100% / [NONE]			
		SCROLL : CONT	[CONT] / ONCE			

• DAB FREQUENCY TABLE

Band 3

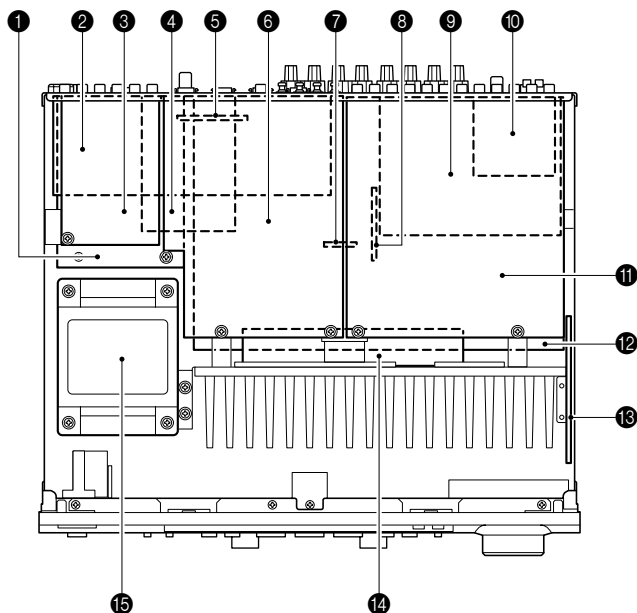
Frequency	Channel label
174.928 MHz	5A
176.640 MHz	5B
178.352 MHz	5C
180.064 MHz	5D
181.936 MHz	6A
183.648 MHz	6B
185.360 MHz	6C
187.072 MHz	6D
188.928 MHz	7A
190.640 MHz	7B
192.352 MHz	7C
194.064 MHz	7D
195.936 MHz	8A
197.648 MHz	8B
199.360 MHz	8C
201.072 MHz	8D
202.928 MHz	9A
204.640 MHz	9B
206.352 MHz	9C
208.064 MHz	9D
209.936 MHz	10A
211.648 MHz	10B
213.360 MHz	10C
215.072 MHz	10D

L-Band

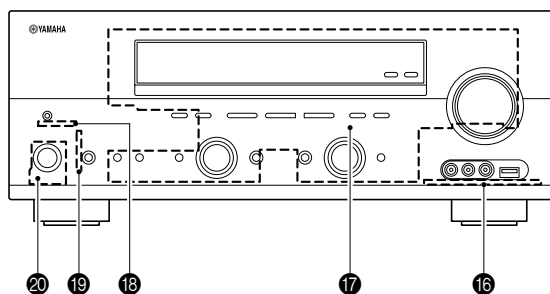
Frequency	Channel label
216.928 MHz	11A
218.640 MHz	11B
220.352 MHz	11C
222.064 MHz	11D
223.936 MHz	12A
225.648 MHz	12B
227.360 MHz	12C
229.072 MHz	12D
230.784 MHz	13A
232.496 MHz	13B
234.208 MHz	13C
235.776 MHz	13D
237.488 MHz	13E
239.200 MHz	13F
1452.960 MHz	LA
1454.672 MHz	LB
1456.384 MHz	LC
1458.096 MHz	LD
1459.808 MHz	LE
1461.520 MHz	LF
1463.232 MHz	LG
1464.944 MHz	LH
1466.656 MHz	LI
1468.368 MHz	LJ
1470.080 MHz	LK
1471.792 MHz	LL
1473.504 MHz	LM
1475.216 MHz	LN
1476.928 MHz	LO
1478.640 MHz	LP
1480.352 MHz	LQ
1482.064 MHz	LR
1483.776 MHz	LS
1485.488 MHz	LT
1487.200 MHz	LU
1488.912 MHz	LV
1490.624 MHz	LW

## INTERNAL VIEW

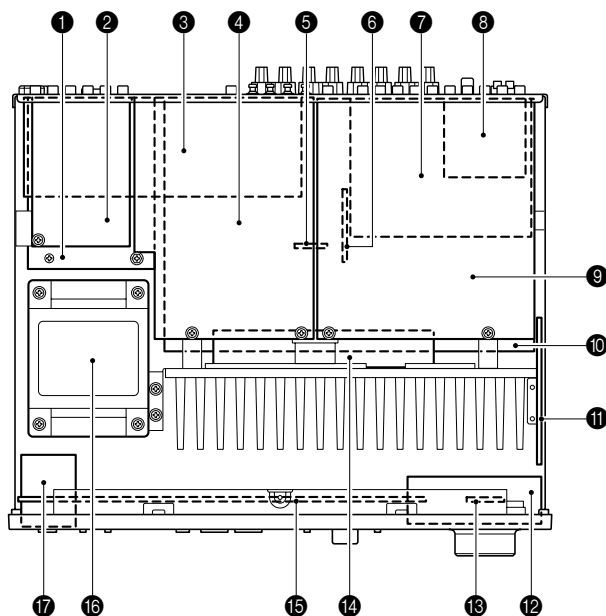
### • RX-N600/RX-N600D/DSP-N600



- ① OPERATION (4) P.C.B.
- ② FUNCTION (2) P.C.B.
- ③ NET P.C.B.
- ④ DAB P.C.B. (B model)
- ⑤ FUNCTION (3) P.C.B. (R model)
- ⑥ DSP P.C.B.
- ⑦ MAIN (5) P.C.B.
- ⑧ MAIN (4) P.C.B.
- ⑨ VIDEO P.C.B.
- ⑩ Tuner
- ⑪ FUNCTION (1) P.C.B.
- ⑫ MAIN (1) P.C.B.
- ⑬ FUNCTION (4) P.C.B.
- ⑭ MAIN (2) P.C.B.
- ⑮ Power Transformer
- ⑯ OPERATION (7) P.C.B.
- ⑰ OPERATION (1) P.C.B.
- ⑱ OPERATION (6) P.C.B.
- ⑲ OPERATION (3) P.C.B.
- ⑳ OPERATION (2) P.C.B.



### • HTR-N5060



- ① OPERATION (4) P.C.B.
- ② NET P.C.B.
- ③ FUNCTION (2) P.C.B.
- ④ DSP P.C.B.
- ⑤ MAIN (5) P.C.B.
- ⑥ MAIN (4) P.C.B.
- ⑦ VIDEO P.C.B.
- ⑧ Tuner
- ⑨ FUNCTION (1) P.C.B.
- ⑩ MAIN (1) P.C.B.
- ⑪ FUNCTION (4) P.C.B.
- ⑫ OPERATION (7) P.C.B.
- ⑬ OPERATION (6) P.C.B.
- ⑭ MAIN (2) P.C.B.
- ⑮ OPERATION (1) P.C.B.
- ⑯ Power Transformer
- ⑰ OPERATION (3) P.C.B.

**RX-N600/RX-N600D/DSP-N600**

**DISASSEMBLY PROCEDURES / 分解手順**

(Remove parts in the order as numbered.)  
Disconnect the power cable from the AC outlet.

(番号順に部品を取り外してください。)  
AC電源コンセントから、電源コードを抜いてください。

**1. Removal of Top Cover**

- a. Remove 4 screws (①), 5 screws (②) and 1 screw (③). (Fig. 1)
- b. Slide the Top Cover rearward to remove it. (Fig. 1)

**1. トップカバーの外し方**

- a. ①のネジ4本、②のネジ5本、③のネジ1本を外します。(Fig. 1)
- b. トップカバーを後方へスライドさせ、取り外します。(Fig. 1)

**2. Removal of Front Panel Unit**

- a. Remove 2 Knobs. (Fig. 1)
- b. Remove 1 screw (④) and then remove the Support Top. (Fig. 1)
- c. Remove 6 screws (⑤). (Fig. 1)
- d. Remove the Front Panel Unit. (Fig. 1)

**2. フロントパネルユニットの外し方**

- a. ノブを2個取り外します。(Fig. 1)
- b. ④のネジ1本を外し、サポートトップを取り外します。(Fig. 1)
- c. ⑤のネジ6本を外します。(Fig. 1)
- d. フロントパネルユニットを取り外します。(Fig. 1)

**3. Removal of Plate Side**

- a. Remove 2 push rivets (⑥). (Fig. 1)
- b. Remove the Plate Side L/R. (Fig. 1)

**3. プレートサイドL/Rの外し方**

- a. ⑥のプッシュリベット2本を外します。(Fig. 1)
- b. プレートサイドL/Rを取り外します。(Fig. 1)

**4. Removal of Sub Chassis Unit**

- a. Remove 2 screws (⑦) and then slide the Sub Chassis Unit forward. (Fig. 1)
- b. Remove 1 push rivet (⑧). (Fig. 1)
- c. Remove the Barrier/FFC. (Fig. 1)
- d. Remove CB5, CB203, CB205, CB312 and CB603. (Fig. 1)
- e. Remove the Sub Chassis Unit. (Fig. 1)

**4. サブシャーシユニットの外し方**

- a. ⑦のネジ2本を外し、サブシャーシユニットを前方に引き出します。(Fig. 1)
- b. ⑧のプッシュリベット1本を外します。(Fig. 1)
- c. バリアー/FFCを取り外します。(Fig. 1)
- d. CB5、CB203、CB205、CB312、CB603を外します。(Fig. 1)
- e. サブシャーシユニットを取り外します。(Fig. 1)

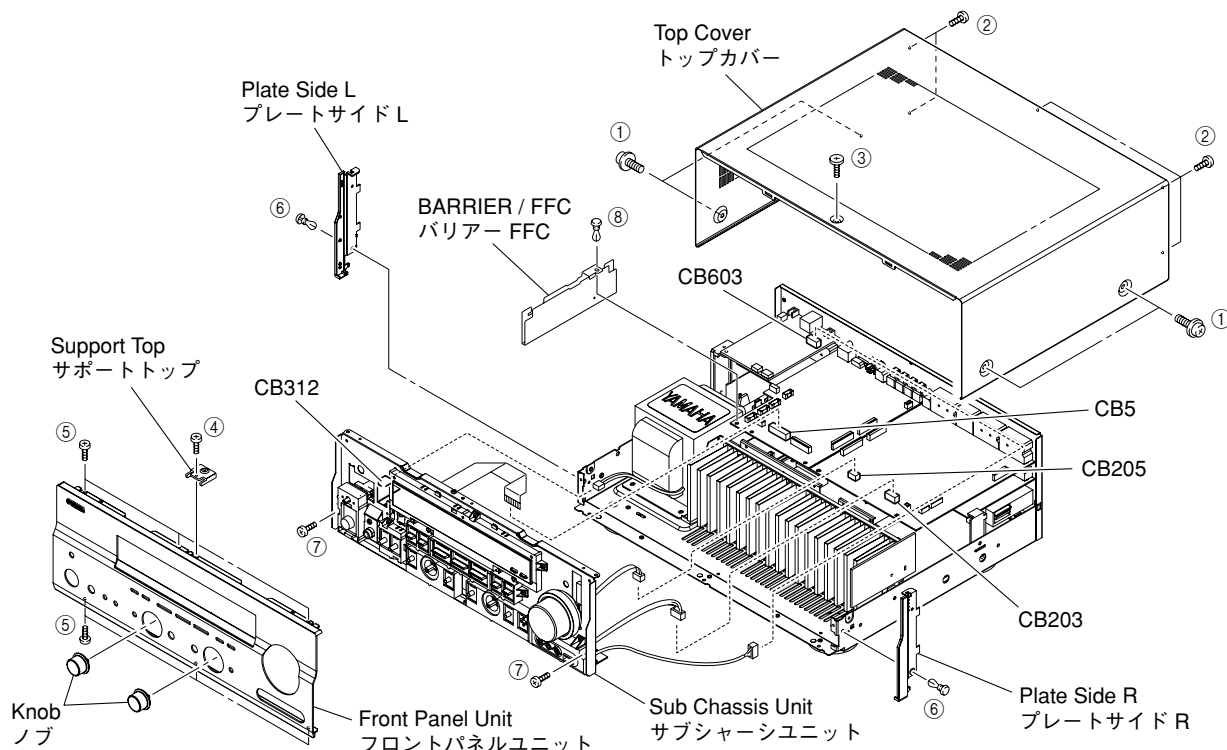


Fig. 1

**5. Removal of FUNCTION (1) P.C.B.**

- a. Remove 2 screws (⑨). (Fig. 2)
- b. Remove 8 screws (⑩). (Fig. 4)
- c. Remove CB200-202, CB204, CB206, CB207 and CB751. (Fig. 2)
- d. Remove the FUNCTION (1) P.C.B.. (Fig. 2)

**5. FUNCTION(1)P.C.B.の外し方**

- a. ⑨のネジ2本を外します。(Fig. 2)
- b. ⑩のネジ8本を外します。(Fig. 4)
- c. CB200～202、CB204、CB206、CB207、CB751を外します。(Fig. 2)
- d. FUNCTION(1)P.C.B.を取り外します。(Fig. 2)

**6. Removal of DSP P.C.B.**

- a. Remove 2 screws (⑪). (Fig. 2)
- b. Remove 6 screws (U, C models) / 6 screws (R, T, K, A, B, G, E models) (⑫). (Fig. 4)
- c. Remove CB2-4, CB6, CB9, and CB57. (Fig. 2)
- d. Remove CB8 and CB53. (B model) (Fig. 2)
- e. Remove the DSP P.C.B.. (Fig. 2)

**6. DSP P.C.B.の外し方**

- a. ⑪のネジ2本を外します。(Fig. 2)
- b. ⑫のネジ6本を外します。(Fig. 4)
- c. CB2～4、CB6、CB57を外します。(Fig. 2)
- d. DSP P.C.B.を取り外します。(Fig. 2)

**7. Removal of NET P.C.B.**

- a. Remove 1 screw (⑬). (Fig. 2)
- b. Remove 2 screws (⑭). (Fig. 4)
- c. Remove CB605. (Fig. 2)
- d. Remove the NET P.C.B.. (Fig. 2)

**7. NET P.C.B.の外し方**

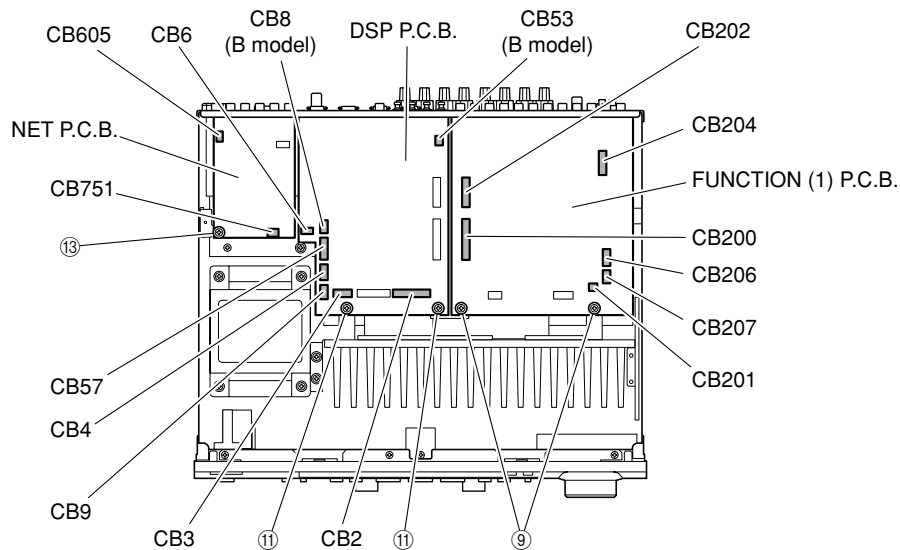
- a. ⑬のネジ1本を外します。(Fig. 2)
- b. ⑭のネジ2本を外します。(Fig. 4)
- c. CB605のネジを外します。(Fig. 2)
- d. NET P.C.B.を取り外します。(Fig. 2)

**8. Removal of VIDEO P.C.B.**

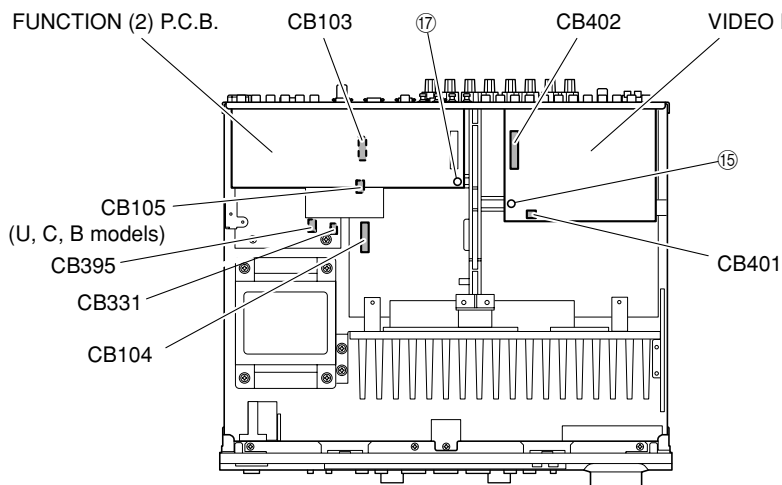
- a. Remove 1 push rivet (⑮). (Fig. 3)
- b. Remove 6 screws (⑯). (Fig. 4)
- c. Remove CB401 and CB402. (Fig. 3)
- d. Remove the VIDEO P.C.B.. (Fig. 3)

**8. VIDEO P.C.B.の外し方**

- a. ⑮のプッシュリベット1本を外します。(Fig. 3)
- b. ⑯のネジ6本を外します。(Fig. 4)
- c. CB401、CB402を外します。(Fig. 3)
- d. VIDEO P.C.B.を取り外します。(Fig. 3)



**Fig. 2** FUNCTION (2) P.C.B. CB103 ⑰ CB402 VIDEO P.C.B.



**Fig. 3**

**9. Removal of FUNCTION (2) P.C.B.**

- a. Remove 1 push rivet (17). (Fig. 3)
- b. Remove 5 screws (18). (Fig. 4)
- c. Remove the FUNCTION (2) P.C.B.. (Fig. 3)

**9. FUNCTION(2)P.C.B.の外し方**

- a. 17のプッシュリベット1本を外します。(Fig. 3)
- b. 18のネジ9本を外します。(Fig. 4)
- c. FUNCTION(2)P.C.B.を取り外します。(Fig. 3)

**10. Removal of TUNER**

- a. Remove 3 screws (19). (Fig. 4)
- b. Remove the TUNER. (Fig. 5)

**10. TUNERの外し方**

- a. 19のネジ3本を外します。(Fig. 4)
- b. TUNERを取り外します。(Fig. 5)

**11. Removal of DAB P.C.B. (B model)**

- a. Remove 2 screws (20). (Fig. 4)
- b. Remove the DAB P.C.B.. (Fig. 5)

**11. MAIN(1)、(2)、(4)、(5)P.C.B.の外し方**

- a. アートベース/PCBを取り外します。(Fig. 5)
- b. 21のネジ2本、22のネジ1本、23のネジ2本、24のネジ1本を外します。(Fig. 5)
- c. 25のネジ5本を外します。(Fig. 4)
- d. CB103、CB104、CB331、CB395を外します。(Fig. 3)
- e. MAIN(1)、(2)、(4)、(5)P.C.B.をヒートシンクと一緒に取り外します。(Fig. 5)

**12. Removal of MAIN (1), (2), (4) and (5) P.C.B.s**

- a. Remove the Artbase/P.C.B.. (Fig. 5)
- b. Remove 2 screws (21), 1 screw (22), 2 screws (23) and 1 screw (24). (Fig. 5)
- c. Remove 5 screws (25). (Fig. 4)
- d. Remove CB103, CB104, CB105 (U, C, B models), CB331 and CB395. (Fig. 3)
- e. Remove MAIN (1), (2), (4) and (5) P.C.B.s together with the Heat Sink. (Fig. 5)

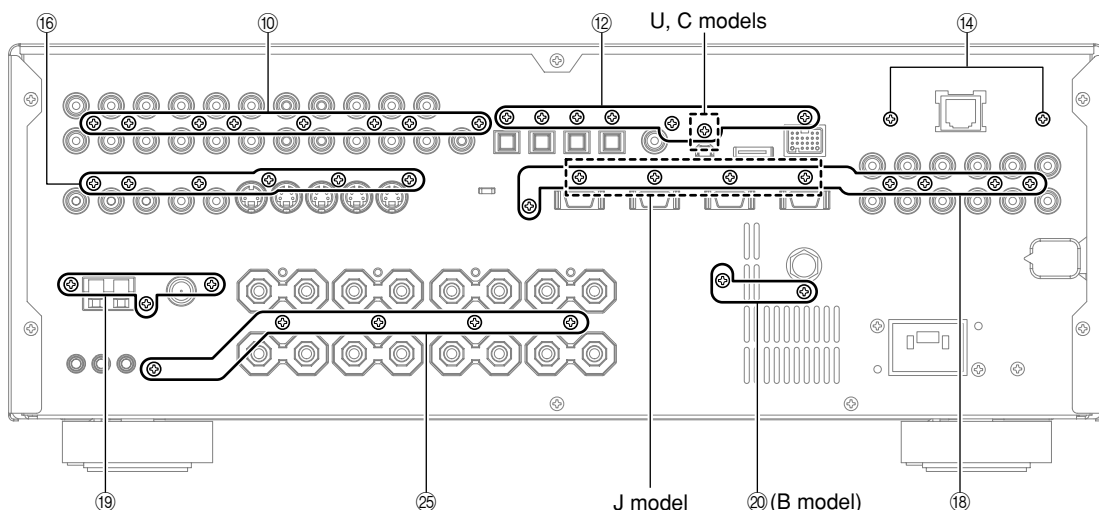


Fig. 4

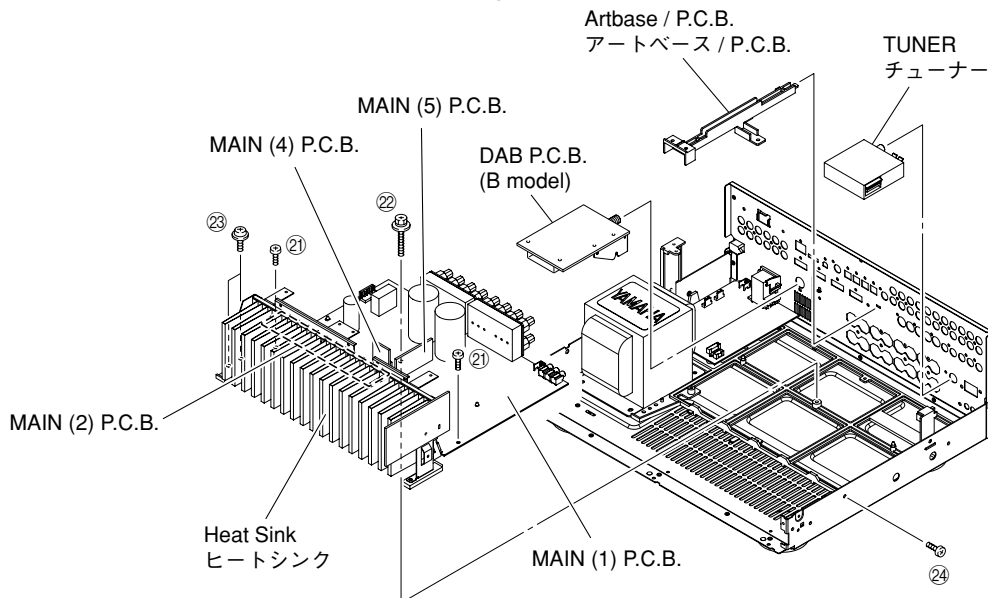


Fig. 5

RX-N600/RX-N600D/  
HTR-N5060/DSP-N600



**When checking the P.C.B.:**

- Put a cloth over the equipment. Put the P.C.B.s together with the heat sink upright on the cloth and check them. (Fig. 6)
- Reconnect all cables (connectors) that have been disconnected.
- When connecting the flat cable, use care for the polarity.
- The P.C.B. removed from the chassis does not work because its grounding is loose. Be sure to connect the ground of rear panel, MAIN (1) P.C.B. (G1001) and OPERATION (4) P.C.B. (G3001) to the chassis with a ground lead or the like. (Fig. 6)

**P.C.B.チェックする場合**

- ・ 布を敷きます。その上にP.C.B.をヒートシンクと一緒に立ててチェックします。(Fig. 6)
- ・ 外したケーブル(コネクタ)をすべて接続してください。
- ・ フラットケーブルを接続する際、極性に注意してください。
- ・ シャーシから外したP.C.B.はアースが浮いて動作しませんので、MAIN(1)P.C.B.(G1001)、OPERATION(4)P.C.B.(G3001)のアースをリード線等でシャーシまたはGNDに接続してください。(Fig. 6)

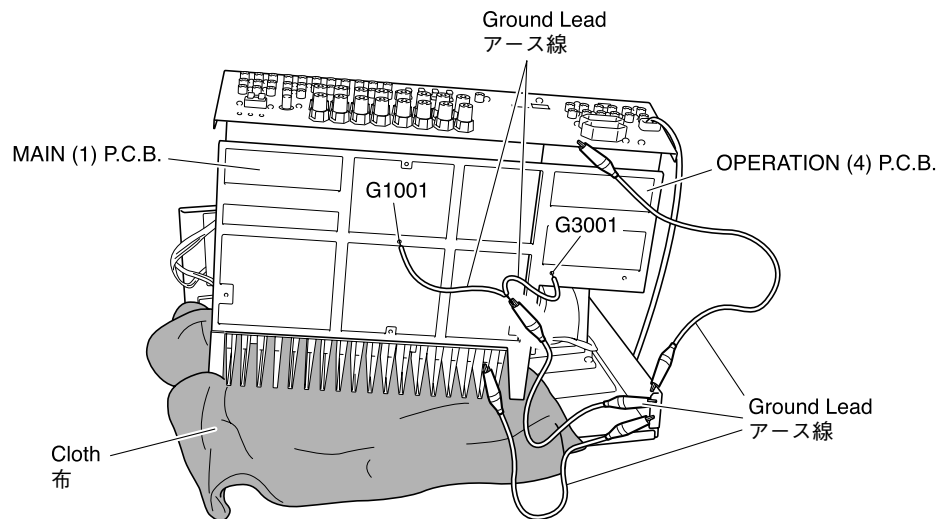


Fig. 6

## DISASSEMBLY PROCEDURES

(Remove parts in the order as numbered.)

Disconnect the power cable from the AC outlet.

### 1. Removal of Top Cover

- a. Remove 4 screws (①), 5 screws (②) and 1 screw (③). (Fig. 1)
- b. Slide the Top Cover rearward to remove it. (Fig. 1)

### 2. Removal of Front Panel Unit

- a. Remove 6 screws (④). (Fig. 1)
- b. Remove 1 push rivet (⑤). (Fig. 1)
- c. Remove the Barrier/FFC. (Fig. 1)
- d. Remove CB5, CB203, CB205, CB310 and CB603. (Fig. 1)
- e. Remove the Front Panel Unit. (Fig. 1)

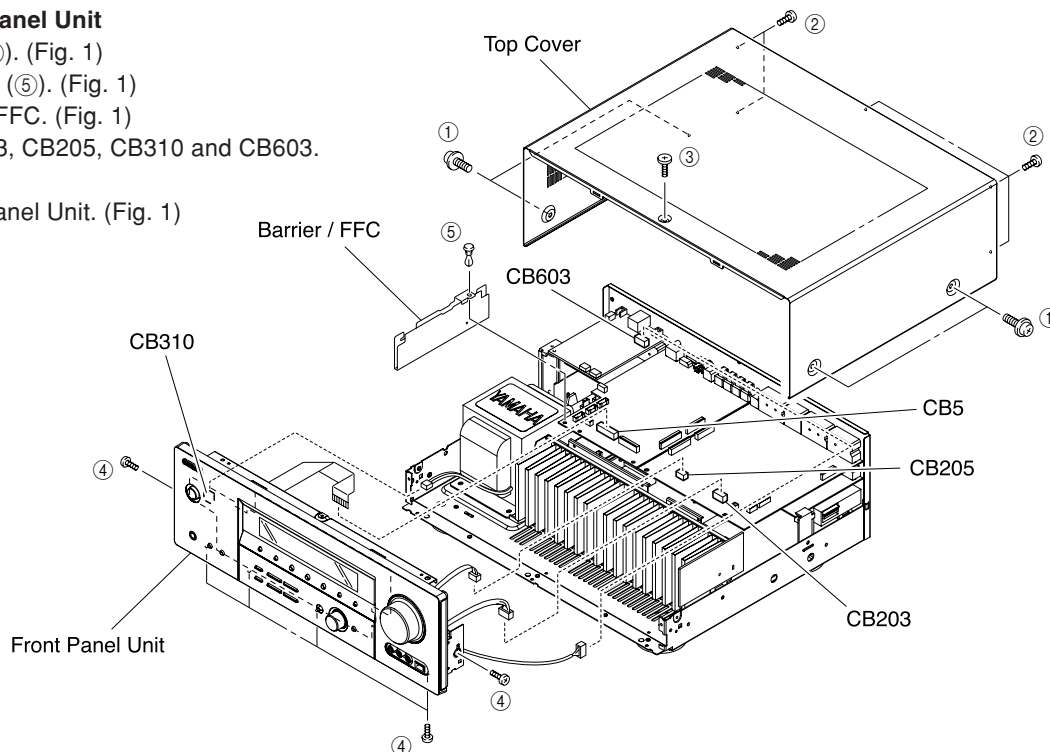


Fig. 1

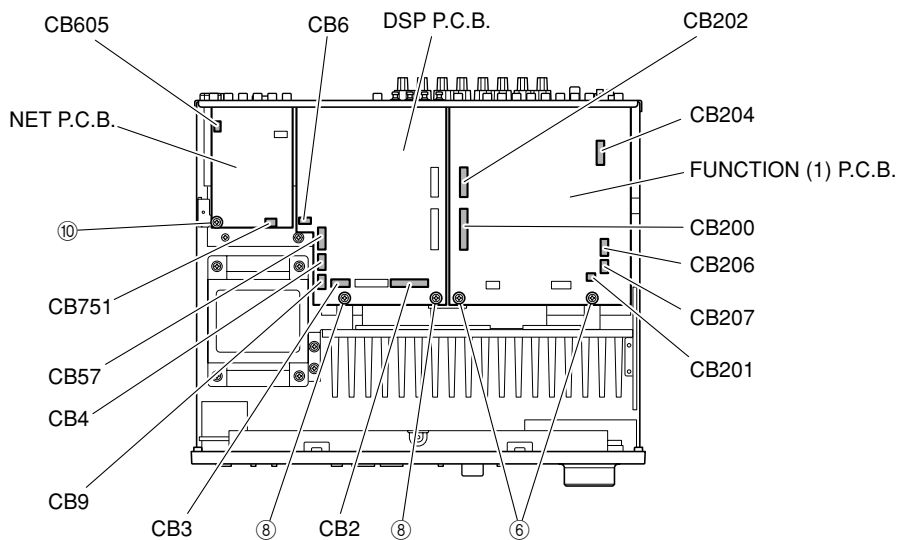


Fig. 2

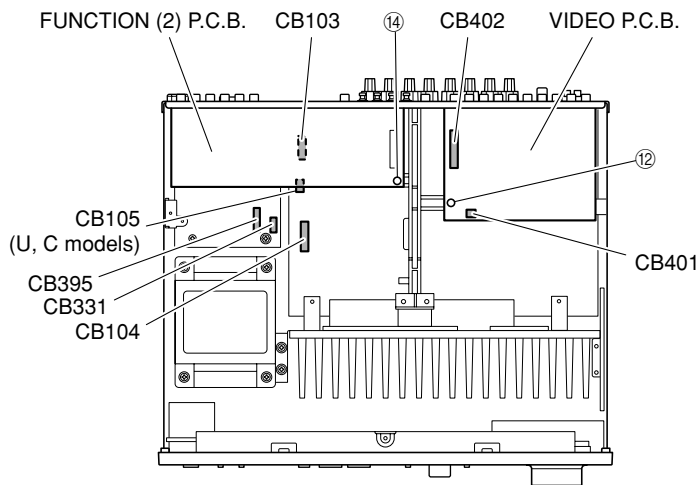


Fig. 3

**3. Removal of FUNCTION (1) P.C.B.**

- a. Remove 2 screws (⑥). (Fig. 2)
- b. Remove 8 screws (⑦). (Fig. 4)
- c. Remove CB200-202, CB204, CB206, CB207 and CB751. (Fig. 2)
- d. Remove the FUNCTION (1) P.C.B.. (Fig. 2)

**4. Removal of DSP P.C.B.**

- a. Remove 2 screws (⑧). (Fig. 2)
- b. Remove 7 screws (⑨) (U, C models)/6 screws (A, G models) (⑨). (Fig. 4)
- c. Remove CB2-4, CB6, CB9 and CB57. (Fig. 2)
- d. Remove the DSP P.C.B.. (Fig. 2)

**5. Removal of NET P.C.B.**

- a. Remove 1 screw (⑩). (Fig. 2)
- b. Remove 2 screws (⑪). (Fig. 4)
- c. Remove CB605. (Fig. 2)
- d. Remove the NET P.C.B.. (Fig. 2)

**6. Removal of VIDEO P.C.B.**

- a. Remove 1 push rivet (⑫). (Fig. 3)
- b. Remove 6 screws (⑬). (Fig. 4)
- c. Remove CB401 and CB402. (Fig. 3)
- d. Remove the VIDEO P.C.B.. (Fig. 3)

**7. Removal of FUNCTION (2) P.C.B.**

- a. Remove 1 push rivet (⑭). (Fig. 3)
- b. Remove 5 screws (⑮). (Fig. 4)
- c. Remove the FUNCTION (2) P.C.B.. (Fig. 3)

**8. Removal of TUNER P.C.B.**

- a. Remove 3 screws (⑯). (Fig. 4)
- b. Remove the TUNER. (Fig. 5)

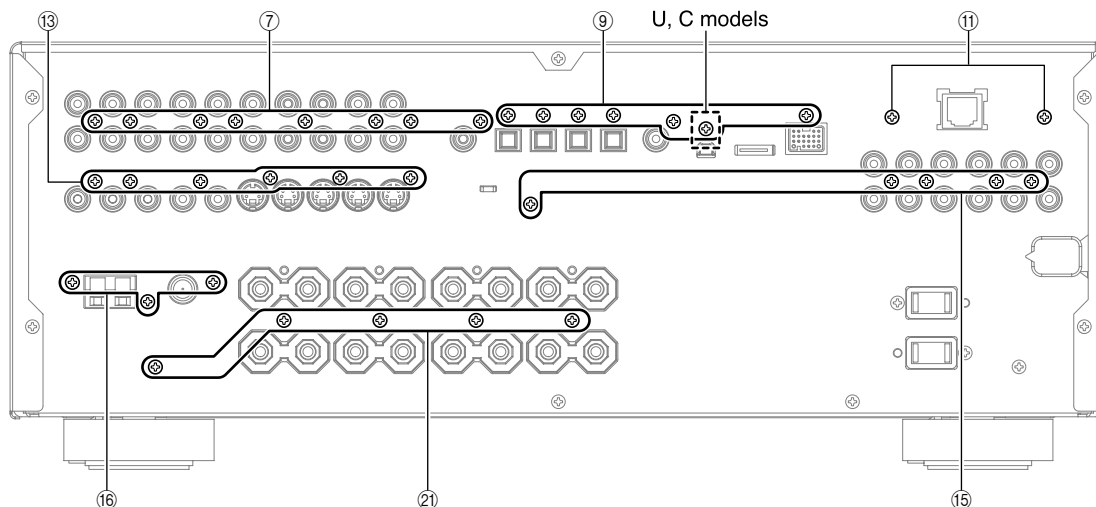


Fig. 4

**9. Removal of MAIN (1), (2), (4) and (5) P.C.B.s**

- a. Remove the Artbase/P.C.B.. (Fig. 5)
- b. Remove 2 screws (17), 1 screw (18), 2 screws (19), 1 screw (20). (Fig. 5)
- c. Remove 5 screws (21). (Fig. 4)
- d. Remove CB103, CB104, CB105 (U, C models), CB331 and CB395. (Fig. 3)
- e. Remove MAIN (1), (2), (4) and (5) P.C.B.s together with the Heat Sink. (Fig. 5)

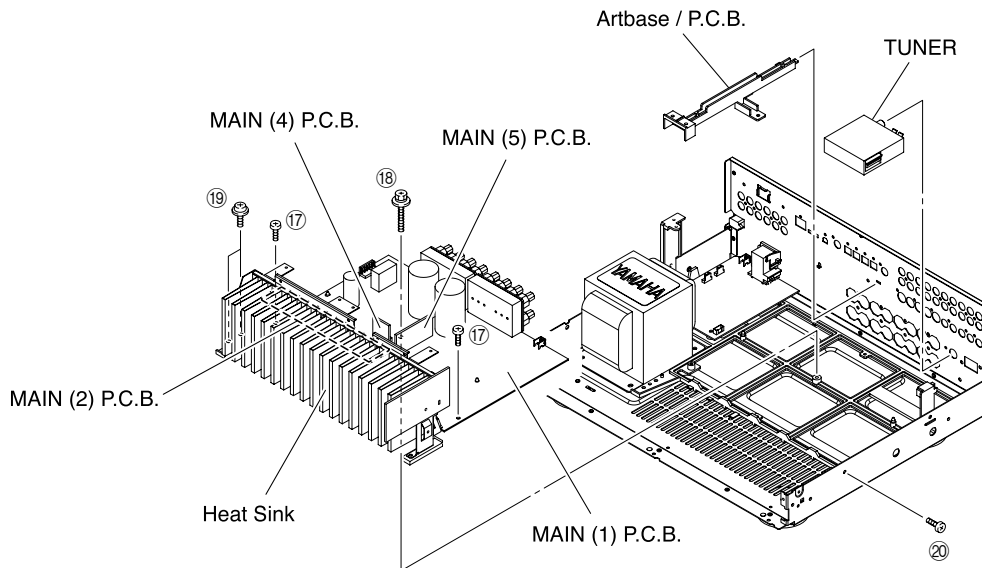


Fig. 5

**When checking the P.C.B.:**

- Put a cloth over the equipment. Put the P.C.B.s together with the heat sink upright on the cloth and check them. (Fig. 6)
- Reconnect all cables (connectors) that have been disconnected.
- When connecting the flat cable, use care for the polarity.
- The P.C.B. removed from the chassis does not work because its grounding is loose. Be sure to connect the ground of rear panel, MAIN (1) P.C.B. (G1001) and OPERATION (4) P.C.B. (G3001) to the chassis with a ground lead or the like.

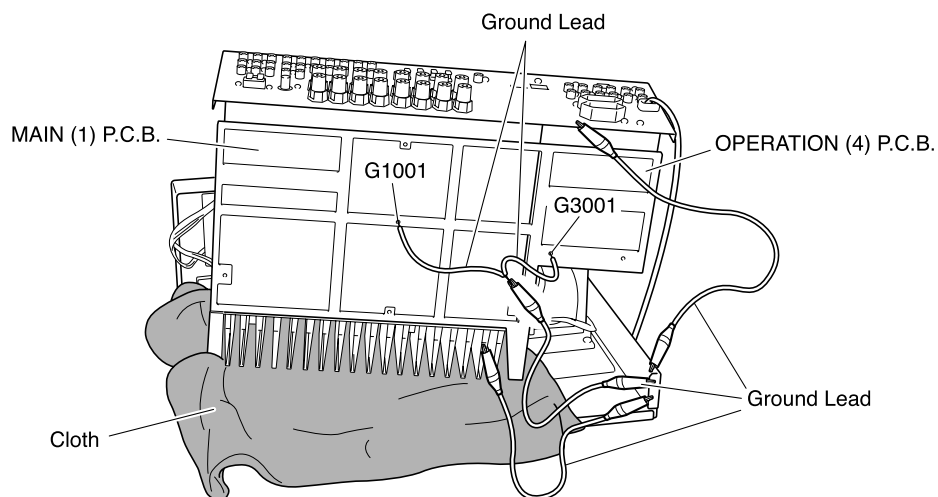


Fig. 6

## ■ UPDATING FIRMWARE / ファームウェアの書き込み

After replacing the IC2 on the DSP P.C.B. with the replacement part (X7626A00), update the firmware according to the following procedure.

\* The IC613 on the NET P.C.B. is not supplied as a replacement part.

### ● Required tools

- DOS/V machine  
OS: Windows 98/2000/Me/XP, PC with a serial port (RS232C).
- Program upgrading program  
DSP\_FLASHER.exe (Version 2.5)
- Firmware  
N600\_XXXXX.mot
- RS232C cross cable "D-sub 9 pin female" (Specifications)  

Pin No.2 RxD	—————	Pin No.2 RxD
Pin No.3 TxD	—————	Pin No.3 TxD
Pin No.5 GND	—————	Pin No.5 GND
Pin No.7 RTS	—————	Pin No.7 RTS
Pin No.8 CTS	—————	Pin No.8 CTS
- RS232C Conversion Adapter (Part No. AAX77610)
- Flexible Flat Cable 9P, 250mm, P=1.25 (Part No. MF109250)

### ● Preparation and precautions before starting the operation

- Download DSP\_FLASHER.exe (Version 2.5) from the specified source to the PC being used.
- Prepare the above specified RS232C cross cable.
- While writing, keep the other application software on the PC closed. It is also recommended to keep the software on the task tray closed as well.

### ● Operation Procedures

#### ● Writing firmware

1. Turn off the power of main unit and disconnect the power cable from the AC outlet.
2. Set the switch (SW301) of RS232C conversion adapter to the "FLASH UCOM" side. (Fig. 1)
3. Connect the writing port of the main unit to the serial port (RS232C) of the PC with RS232C cross cable, RS232C conversion adapter and flexible flat cable as shown below. (Fig. 1)

DSP P.C.B.のIC2をサービス部品(X7626A00)に交換した場合、下記の手順によりファームウェアの書き込みを行ってください。

※ NET P.C.B.のIC613はサービス部品として供給できません。

### ● 必要なツール

- DOS/V機、OS : Windows 98/2000/Me/XP、シリアルポート(RS232C)付きPC
- プログラムアップグレードプログラム  
DSP\_FLASHER.exe(Version 2.5)
- ファームウェア  
N600\_XXXXX.mot
- RS232Cクロスケーブル "D-sub 9pin メス" (仕様)  

Pin No.2 RxD	—————	Pin No.2 RxD
Pin No.3 TxD	—————	Pin No.3 TxD
Pin No.5 GND	—————	Pin No.5 GND
Pin No.7 RTS	—————	Pin No.7 RTS
Pin No.8 CTS	—————	Pin No.8 CTS
- RS232C変換アダプター(部品番号 : AAX77610)
- カード電線 9P、250mm、P=1.25(部品番号 : MF109250)

### ● 操作前の準備と注意

- PCへ指定のダウンロード先からDSP\_FLASHER.exe (Version 2.5)をダウンロードしてください。
- RS232Cクロスケーブルは必ず上記仕様のものを用意してください。
- 書き込み時は、PC上の他のアプリケーションソフトは閉じてください。さらに、タスクトレイ上にあるソフトも閉じておくことを推奨します。

### ● 操作手順

- ファームウェアの書き込み

1. 本機の電源を切り、電源コードをACコンセントから抜きます。
2. RS232C変換アダプターのスイッチ(SW301)を"FLASH UCOM"側に設定します。(Fig.1)
3. 本機の書き込み用ポートとPCのシリアルポート(RS232C)を下記のように接続します。(Fig. 1)

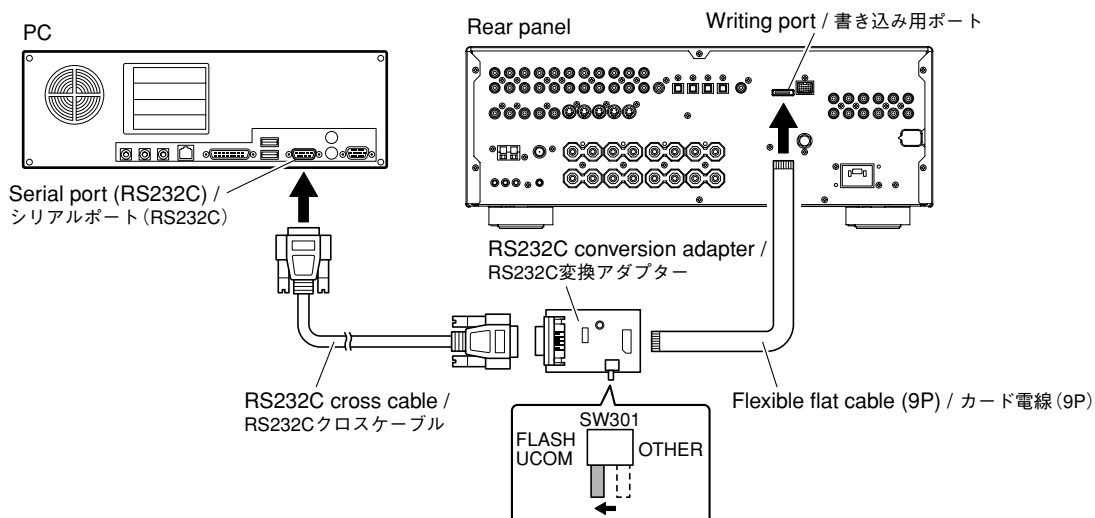


Fig. 1

4. Start up DSP\_FLASHER.exe (Version 2.5).  
Then the screen shown below is displayed. (Fig. 2)

4. PCのDSP\_FLASHER.exe(Version 2.5)を起動します。すると下記の画面が表示されます。(Fig. 2)

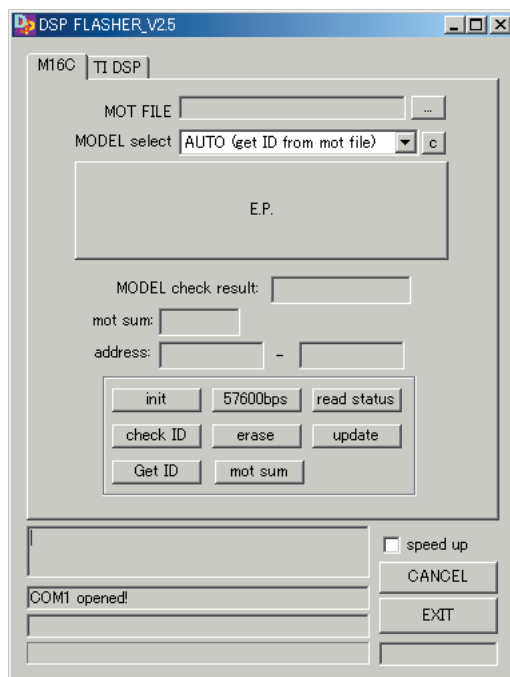
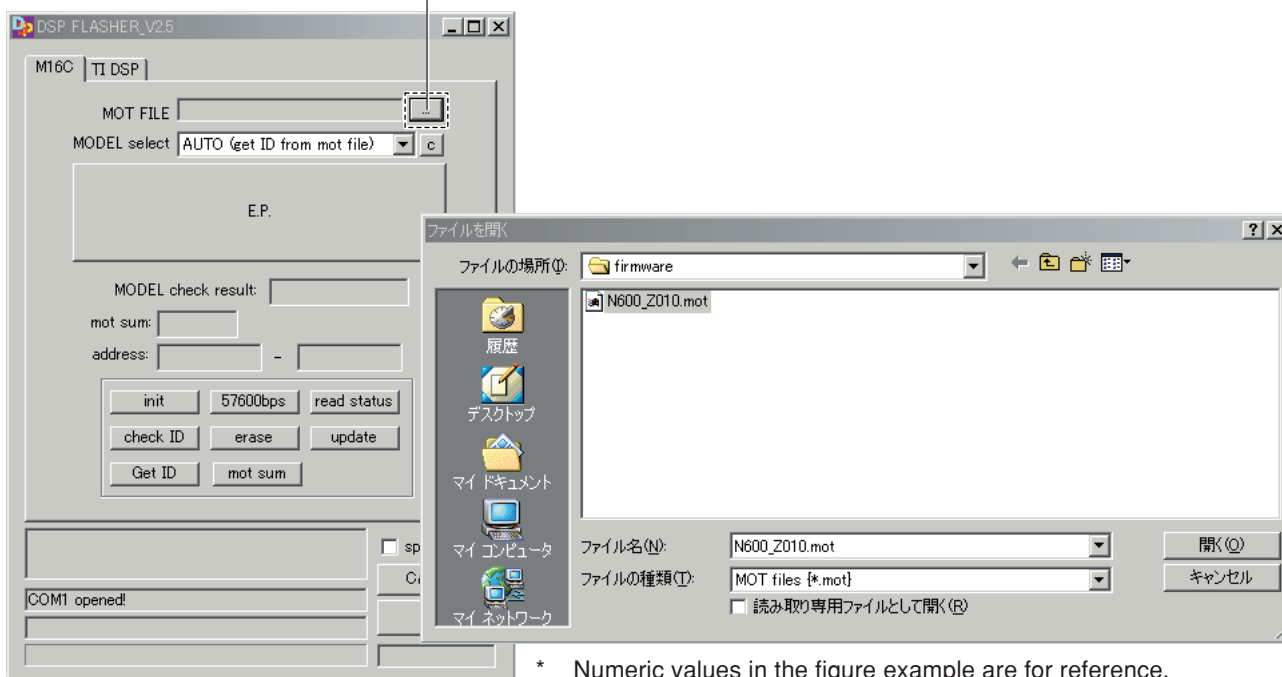


Fig. 2

5. Reconnect the power cable of main unit to the AC outlet.  
6. Press the [...] button to open the window and select the firmware. (Fig. 3)

5. 本機の電源コードをACコンセントに接続します。  
6. [...]ボタンを押すと、ファイルが開く画面が表示されファームウェアを選択します。(Fig. 3)



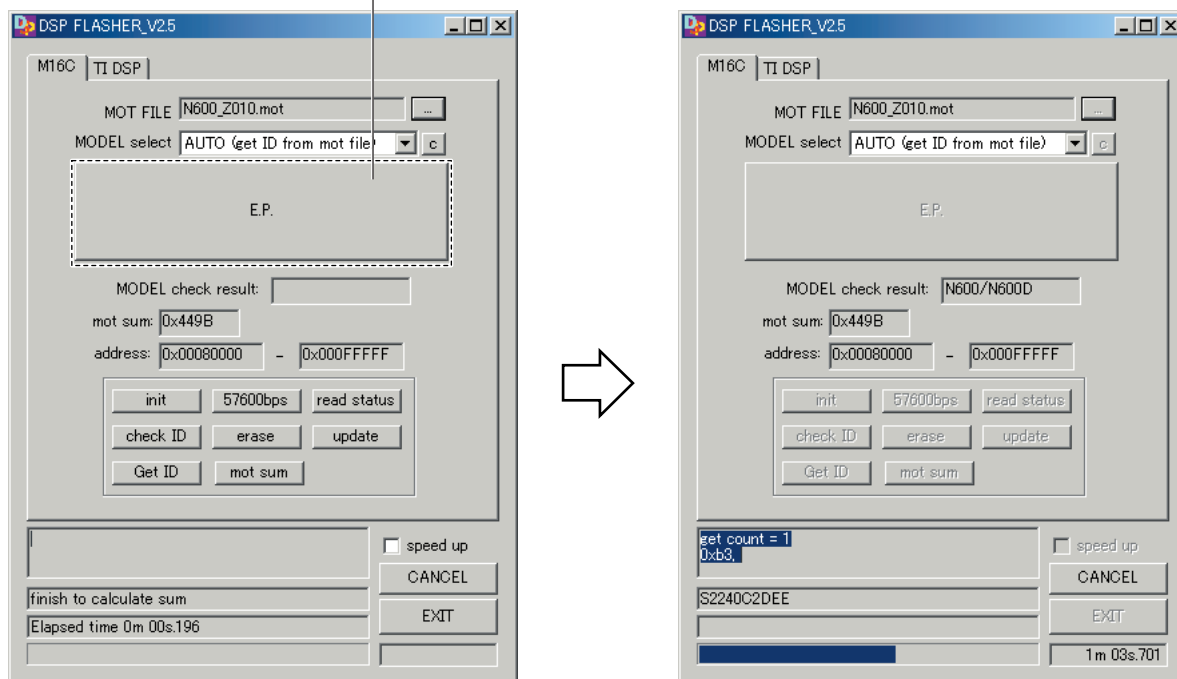
\* Numeric values in the figure example are for reference.

※ 図中の数値は参考例です。

Fig. 3

7. Press the [E.P.] button and start writing. (Fig. 4)

7. [E.P.]ボタンを押し、書き込みを開始します。(Fig. 4)



During downloading. /  
書き込み中。

Fig. 4

8. After writing downloading successfully, the "Program Finished" is displayed. Press the [OK] button. (Fig. 5)

8. 書き込み完了後、“Program Finished”が表示されます。[OK]ボタンを押します。(Fig. 5)

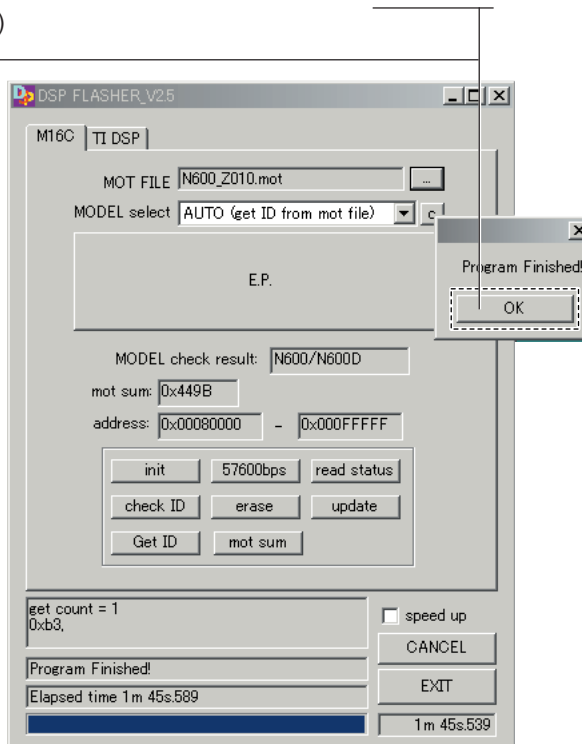


Fig. 5

9. Turn off the power of main unit and disconnect the power cable from the AC outlet.  
10. Disconnect the RS232C cross cable, RS232C conversion adapter and flexible flat cable.

9. 本機の電源を切り、電源コードをACコンセントから抜きます。  
10. RS232Cクロスケーブル、RS232C変換アダプター、カード電線を取り外します。

RX-N600/RX-N600D/  
HTR-N5060/DSP-N600

- Confirmation of firmware version and checksum**  
 Confirm the firmware is updated successfully with the DIAG function.  
 For more information, refer to “SELF DIAGNOSIS FUNCTION”.
  - Connect the power cable of main unit to the AC outlet.
  - Press the “MASTER ON/OFF” key (RX-N600, RX-N600D) / “STANDBY/ON” key (HTR-N5060) while simultaneously pressing the “INPUT MODE” key and “MULTI CH INPUT” key.  
 Then the DIAG function is activated.
  - Select the DIAG menu “22. 1 Firmware version of main microprocessor”.  
 Check the displayed firmware version is the same as the written firmware version. (Fig. 6)
  - Select the DIAG menu “22. 2 Checksum of main microprocessor”.  
 Check the displayed checksum is the same as the written firmware checksum. (Fig. 6)

\* When the displayed firmware version and checksum are different from written firmware version and checksum, follow the steps from 1 to 10 of writing firmware again.

22. 1 Firmware version of main microprocessor /  
22. 1 メインマイコンのファームウェアバージョン



22. 2 Checksum of main microprocessor /  
22. 2 メインマイコンのチェックサム



- ファームウェアのバージョンおよびチェックサムの確認**  
 ダイアグメニューでファームウェアが正しく更新されたことを確認します。  
 ダイアグメニューの詳細は「自己診断」を参照してください。
  - 本機の電源コードをACコンセントに接続します。
  - “INPUT MODE”キーと“MULTI CH INPUT”キーを押しながら、“MASTER ON/OFF”キーを押し、ダイアグを起動します。
  - DIAG 22-1 “メインマイコンのファームウェアのバージョン”を選択します。  
 表示されたファームウェアのバージョンが書き込んだファームウェアのバージョンと同じであることを確認します。
  - DIAG 22-2 “メインマイコンのチェックサム”を選択します。  
 表示されたチェックサムが書き込んだファームウェアのチェックサムと同じであることを確認します。  
 ※ 表示されたファームウェアのバージョンおよびチェックサムが、書き込んだファームウェアのバージョンおよびチェックサムと異なる場合、“ファームウェアの書き込み”の1から10までをもう一度実施してください。

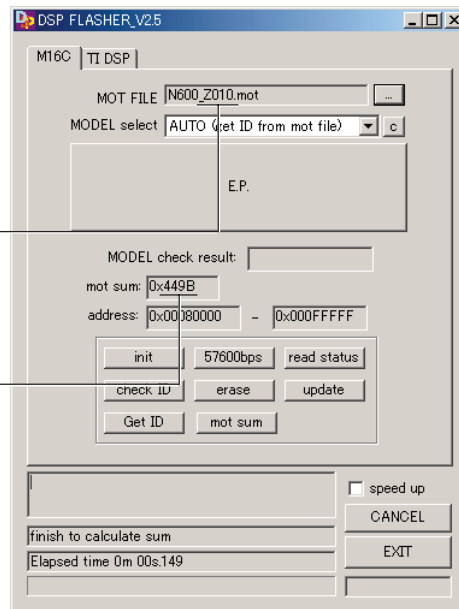
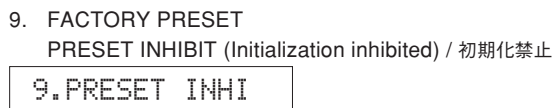


Fig. 6

- Initializing of the main unit**  

\* After updating the firmware, be sure to initialize the main unit.

  - Connect the power cable of main unit to the AC outlet.
  - Press the “MASTER ON/OFF” key (RX-N600, RX-N600D) / “STANDBY/ON” key (HTR-N5060) while simultaneously pressing the “INPUT MODE” key and “MULTI CH INPUT” key.  
 Then the DIAG function is activated.
  - Select the DIAG menu “9. FACTORY PRESET”.
  - Select the “PRESET RSRV”.



- 本機の初期化**  

\* ファームウェアのアップデート後は、必ず本機を初期化してください。

    - 本機の電源コードをACコンセントに接続します。
    - “INPUT MODE”キーと“MULTI CH INPUT”キーを押しながら、“MASTER ON/OFF”キーを押し、ダイアグを起動します。
    - DIAG 9を選択します。
    - “PRESET RSRV”を選択します。
- PRESET RESERVED (Initialization reserved) / 初期化予約
- 

Fig. 7

- Turn off the power of main unit and disconnect the power cable from the AC outlet.

- 本機の電源を切り、電源コードをACコンセントから抜きます。



## ■ SELF DIAGNOSIS FUNCTION (DIAG) / 自己診断機能 (ダイヤグ)

This unit has self diagnosis functions that are intended for inspection, measurement and location of faulty point. There are 23 DIAG menu items, each of which has sub-menu items.

Listed in the table below are menu items and sub-menu items.

Note that not all menu items listed will apply to the models covered in this service manual.

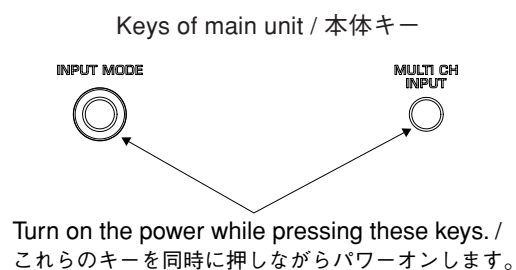
本機には、検査、測定、不良個所の発見を目的にした自己診断機能(ダイヤグ)があります。ダイヤグメニューは23個あり、そのそれぞれにサブメニューがあります。(ダイヤグのメニュー操作は本体で行います。) 下表はメニュー一覧です。下表の全メニュー項目が、このサービスマニュアル記載のモデルに適用されるとは限りません。

No.	MAIN MENU	SUB MENU
1	BYPASS	1. ANALOG BYPASS 2. DSP BYPASS
2	RAM THR	1. RAM MARGIN 2. RAM FULL BIT
3	PRO LOGIC	1. Pro Logic
4	SPEAKERS SET	1. FRONT : SMALL 0dB 2. CENTER : NONE 3. LFE/B : FRNT 4. Pres Mix : 5ch 5. Front GAIN 1 6. Front GAIN 2 7. SURR B Check
5	XCH-INPUT	1. XCH INPUT 6 2. XCH INPUT 8 3. LIMIT SET (Not applied to these models / このモデルには適用されません)
6	MIC CHECK (Not applied to these models / このモデルには適用されません)	1. MIC CHECK --dB
7	DISPLAY CHECK	1. STRAIGHT (Initial display) 2. VFD DISP OFF / OSD OFF 3. VFD DISP ALL / OSD CHARACTER PATTERN 4. VFD DIMMER / OSD CHARACTER PATTERN 5. CHECK PATTERN / OSD CHARACTER PATTERN
8	MANUAL TEST	1. TEST ALL 2. TEST FRNT L 3. TEST CENTER 4. TEST FRNT R 5. TEST SURR R 6. TEST SB R (Not applied to these models / このモデルには適用されません) 7. TEST SB L 8. TEST SURR L 9. TEST LFE
9	FACTORY PRESET	1. PRESET INHI (memory initialization inhibited) 2. PRESET RSRV (memory initialized)
10	AD DATA CHECK	1. PS1/PS2 2. DC/TH 3. IMP SW/POWER LIMIT 4. PANEL KEY
11	VIDEO	1. I2C Read Check 2. DIGITAL THR CVBS 3. DIGITAL THR Y/C 4. ANALOG BYPASS 5. TEST PATTERN 6. LOOP BACK CVBS (Not applied to these models / このモデルには適用されません) 7. LOOP BACK Y/C (Not applied to these models / このモデルには適用されません)
12	XM STATUS (U, C models)	1. 1k -1dB / 44.1k 2. 1k -61dB / 44.1k 3. Mute / 44.1k 4. XM Tone / 44.1k 5. ISO Tone / 44.1k 6. 1k -1dB / 32k 7. 1k -61dB / 32k 8. Mute / 32k 9. XM Tone / 32k 10. ISO Tone / 32k 11. XM / DT Bus Power : OFF
13	iPod	1. DOCK : OK/NG
14	NET CHECK	1. USB 1 TRACK/IP ADDRESS CHECK 2. USB 2 TRACK 3. MAC ADDRESS CHECK

No.	MAIN MENU	SUB MENU
15	DAB CHECK (B model)	1. DAB SCAN/SCL 2. DLS 3. SIGNAL QUALITY
16	IF STATUS	1. DSP STATUS (5Byte) 2. DECODE MODE (2Byte) (Not applied to these models / このモデルには適用されません) 3. DIR INFO (5Byte) (Not applied to these models / このモデルには適用されません) 4. Pc (2Byte) (Not applied to these models / このモデルには適用されません) 5. CHS 1 (5Byte) (Not applied to these models / このモデルには適用されません) 6. CHS 2 (1Byte) (Not applied to these models / このモデルには適用されません) 7. DEC INFO (5Byte) (Not applied to these models / このモデルには適用されません) 8. BSI 1 (5Byte) (Not applied to these models / このモデルには適用されません) 9. BSI 2 (5Byte) (Not applied to these models / このモデルには適用されません) 10. BSI 3 (5Byte) (Not applied to these models / このモデルには適用されません) 11. BSI 4 (5Byte) (Not applied to these models / このモデルには適用されません) 12. BSI 5 (5Byte) (Not applied to these models / このモデルには適用されません) 13. BSI 6 (5Byte) (Not applied to these models / このモデルには適用されません) 14. BSI 7 (5Byte) (Not applied to these models / このモデルには適用されません) 15. BSI 8 (1Byte) (Not applied to these models / このモデルには適用されません) 16. Mute Trigger (5Byte) (Not applied to these models / このモデルには適用されません) 17. Digital Info (5Byte) (Not applied to these models / このモデルには適用されません)
17	DSP BUS CHECK	1. TI (DSP) BUS CHECK 2. RDS IC CHECK
18	SWFR CUT OFF (Not applied to these models / このモデルには適用されません)	1. L CUT OFF 2. H CUT OFF
19	PROTECTION SETTING (Not applied to these models / このモデルには適用されません)	1. PS L 2. PS H 3. DC L 4. DC H 5. TEMP 6. PL 8 M L 7. PL 8 M H 8. PL 8 N L 9. PL 8 N H 10. PL 6 M L 11. PL 6 M H 12. PL 6 N L 13. PL 6 N H
20	PROTECTION HISTORY	1. HISTORY 1 2. HISTORY 2 3. HISTORY 3 4. HISTORY 4
21	SOFT SW	1. SW MODE : PCB/MODEL/FNC 2. MODEL : N600D to H5935 3. DEST : J/U/C/R/T/K/A/B/G/L 4. TUNER DEST : J/UC/ABG/RL 5. TUNER TYPE : NRM/DABRD/DAB/RDS/XM 6. VIDEO FORMAT : NTSC/PAL 7. ZONE2 EXIST : EXIST/NOT 8. AAC EXIST : EXIST/NOT 9. TUNER EXIST : EXIST/NOT 10. ZONE2 AMP EXIST : EXIST/NOT 11. OSD EXIST : EXIST/NOT 12. YPAO EXIST : EXIST/NOT 13. NET EXIST : EXIST/NOT
22	ROM VER / SUM / PORT	1. MICROPROCESSOR VERSION 2. SUM ALL / PROGRAM 3. OPE / DSP / XM VERSION 4. PORT 5. TI (DSP) FLASH VERSION 6. TI (DSP) FLASH SUM 7. EEPROM SUM 8. NET FLASH VERSION 9. NET FLASH SUM 10. DAB MODULE VERSION
23	UPDATE	1. TI (DSP) FLASH BOOT (Not applied to these models / このモデルには適用されません) 2. USB UPDATE

### ● Starting DIAG

Press the “MASTER ON/OFF” (RX-N600/RX-N600D models) / “STANDBY/ON” (HTR-N5060 model) key while simultaneously pressing those two keys of the main unit as indicated in the figure below.



### ● Starting DIAG in the protection cancel mode

If the protection function works and causes hindrance to trouble diagnosis, cancel the protection function as described below, and it will be possible to enter the DIAG mode. (The protection functions other than the excess current detect function will be disabled.)

Press the “MASTER ON/OFF” (RX-N600/RX-N600D models) / “STANDBY/ON” (HTR-N5060 model) key while simultaneously pressing those two keys indicated in the figure above. At this time, keep pressing those two keys for 3 seconds or longer.

In this mode, the “SLEEP” segment of the FL display of the main unit flashes to indicate that the mode is DIAG mode with the protection functions disabled.

### CAUTION!

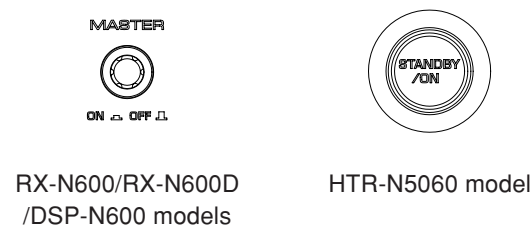
Using this product with the protection function disabled may cause damage to itself. Use special care for this point when using this mode.

### ● Canceling DIAG

- ① Before canceling DIAG, execute setting for FACTORY PRESET of DIAG menu No.9 (Memory initialization inhibited or Memory initialized).
  - \* In order to keep the user memory stored, be sure to select PRESET INHIBITED (Memory initialization inhibited).
- ② Turn off the power by pressing the “MASTER ON/OFF” (RX-N600/RX-N600D models) / “STANDBY/ON” (HTR-N5060 model) key of the main unit.

### ● ダイアグの起動

本体の下図に示すキーを同時に押しながら“MASTER ON/OFF”キーを押すと、ダイアグが起動します。



### ● プロテクション解除モードでの起動

プロテクションが動作することにより、故障箇所の診断に支障をきたすような場合は、次の方法によりプロテクションを解除した状態でダイアグモードに入ることができます。(過電流検出以外のプロテクション動作を解除する)

上図のキーを同時に押しながら“MASTER ON/OFF”キーを押します。このとき、上図のキーを3秒以上押し続けてください。このモードでは本体FLの“SLEEP”セグメントが点滅し、プロテクションを解除した状態でのダイアグモードであることを知らせます。

**注意！**  
プロテクションを解除した状態でのダイアグモードは、危険な状態でもプロテクションが作動しないため、動作させると、機器を破壊することがあります。このモードを使用する場合は十分注意してください。

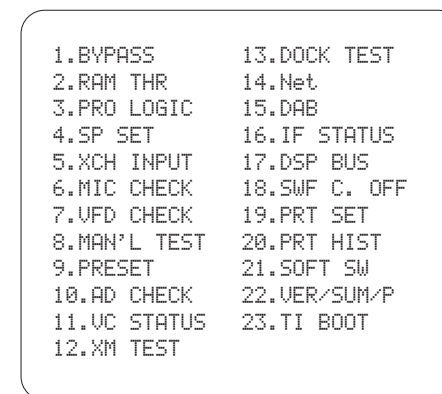
### ● ダイアグの解除

- ① ダイアグを解除する前に、ダイアグメニューNo.9のFACTORY PRESET (メモリーの初期化禁止/またはメモリーの初期化)の設定をします。
  - ※ ユーザーメモリーを保持したい場合は、必ずPRESET INHIBITED(メモリー初期化禁止)を選択してください。
- ② 本体の“MASTER ON/OFF”キーを押し、パワーオフにします。

### ● Display provided when DIAG started

When the monitor is connected, DIAGNOSTIC MENU appears on its screen as shown in the figure.

On the FL display of the main unit, an opening message (including the version and the protection history) appears for a few seconds followed by the diagnostic menu display (1. ANALOG BYPASS).



### ● ダイアグ起動時の表示

モニターを接続してある場合は、モニターの画面に図のようにダイアグメニューが表示されます。

本体FLディスプレイには、オープニング(プロテクション履歴/バージョン)が表示され、数秒後にダイアグメニュー表示(1. ANALOG BYPASS)となります。

When there is no history of protection function:      プロテクション履歴が無い場合：

Opening message / オープニング表示

When there is no protection history  
プロテクション履歴が無い場合

NO PROTECT A

Version (1 alphabet)  
バージョン (英1文字)

After a few second / 数秒後



DIAG menu display / ダイアグメニュー表示

1. ANALOG BYPAS

When there is a history of protection function:

The FL display appears as shown below depending on the type of the protection function.

The protection function worked due to excessive current through the amplifier. Causes could be a short at the speaker terminal or a defect in the amplifier. The protection function activates immediately to turn off the power, with no history display at turn-on, if the amplifier is defective.

I PROTECT A

プロテクション履歴がある場合：

プロテクションの種類によって下記の表示が現れます。

スピーカーをショートさせた時などが原因で、プロテクションが働いたことを示します。

The protection function worked due to a defect or overload in the power supply. If the power is turned on with the abnormality unsolved, the protection function works in about 1 second to turn off the power.

PS1 PRT:000 A  
or  
PS2 PRT:000 A

電源電圧による原因で、プロテクションが働いたことを示します。異常状態のままパワーオンすると、約1秒後にプロテクションが掛かり、電源が切れます。

The protection function worked due to a DC voltage appearing at the speaker terminal. A cause could be a defect in the amplifier. If the power is turned on with the abnormality unsolved, the protection function works in about 3 seconds to turn off the power.

DC PRT:000 A

アンプの故障でスピーカーに直流電圧が掛かるなどが原因で、プロテクションが働いたことを示します。異常状態のままパワーオンすると、約3秒後にプロテクションが掛かり、電源が切れます。

The protection function worked due to the temperature limit being exceeded. Causes could be poor ventilation or a defect related to the thermal sensor. If the power is turned on with the abnormality unsolved, the protection function works in about 1 second to turn off the power.

TMP PRT:000 A

温度制限を越えた原因で、プロテクションが働いたことを示します。異常状態のままパワーオンすると、約1秒後にプロテクションが掛かり、電源が切れません。

For detection of each protection function (except I-PROTECT) , refer to DIAG MENU No.10 AD DATA.

各プロテクションの検出に関しては、後述のダイアグメニューNo.10 AD DATAを参照してください。

### History of protection function

When the protection function has worked, its history is stored in memory with a backup. Even if no abnormality is noted while servicing the unit, an abnormality which has occurred previously can be defined as long as the backup data has been stored.

The history of the protection function is cleared when DIAG is cancelled by selecting PRESET RESERVED (Memory initialized) of DIAG menu No.9 or when the backup data is erased.

### プロテクションの履歴

プロテクションが働いた場合、履歴をバックアップして記憶しています。サービスのときに異常が認められなくても、バックアップが残っていれば、お客様のところで起きた異常を区別できます。

ダイアグメニュー No.9 で PRESET RESERVED (メモリーの初期化) を選んでダイアグを解除した場合、またはバックアップが消えた場合に、プロテクションの履歴はクリアされます。

### ● Display during menu operation

During the DIAG operation, the menu list described in the section of the startup screen appears on the monitor screen and the function at work is indicated on the FL indicator. The contents displayed during the function operation are described later in the "Details of DIAG menu" section.

### ● メニュー動作中の表示

ダイアグ中、モニター画面には起動画面の項で説明したメニュー一覧が表示されます。本体のFL ディスプレイには動作中の機能が表示されます。機能動作中の表示内容については、後述の機能詳細で記述します。

### ● Operation procedure of DIAG menu and SUB-MENU

There are 23 MENU items, each of which has some SUB-MENU items.

### ● ダイアグメニューとサブメニューの操作

ダイアグにはNo.1~23のメニューがあり、そのそれぞれにサブメニューがあります。

#### DIAG menu selection

Main unit: Select the menu using the PROGRAM knob (RX-N600/RX-N600D/DSP-N600 models) or ▷ (Forward) and ◁ (Reverse) keys of PROGRAM (HTR-N5060 model).

#### ダイアグメニューの選択

本体キーでの操作: PROGRAMツマミで選択します。

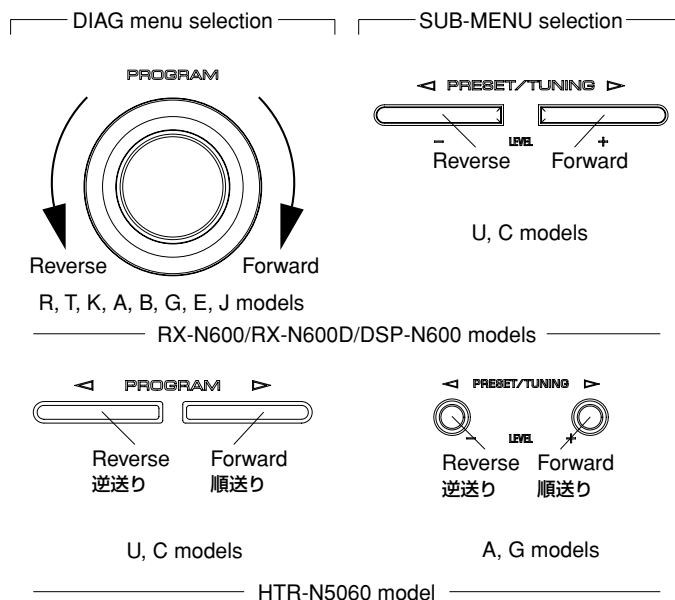
#### SUB-MENU selection

Main unit: Select the sub-menu using ▷ (Forward) and ◁ (Reverse) keys of PRESET/TUNING.

#### サブメニューの選択

本体キーでの操作: PRESET/TUNING ▷ (順送り)、◁ (逆送り) キーで選択します。

Keys of main unit / 本体キー



### ● Functions in DIAG mode

In addition to the DIAG menu items, functions as listed below are available.

- Input selection
  - Center/Rear/Rear Center/Sub-woofer level adjustment
  - Speaker relay control of A and B
  - Muting
  - Power on/off
  - Master volume
- \* Functions related to the tuner and the set menu are not available.
- \* It is possible to confirm Menu No.16 IF STATUS while keeping the signal process (operation status) of each DIAG menu by using the INPUT MODE key of the main unit.

### ● Initial settings used to start DIAG

The following settings are used when starting DIAG. When DIAG is canceled, these settings are restored to those before starting DIAG.

- Master volume: -20 dB
- Input: DVD (MULTI CH INPUT OFF)
- Effect level: 0 dB
- Audio mute: OFF
- Speaker relay of A and B: ON
- Speaker setting: LARGE / BASS OUT = SWFR
- DIAG menu: BYPASS (1. ANALOG BYPASS)

### ● ダイアグ中の機能

ダイアグメニューの他に、以下の機能が動作します。

- インプット切り換え
- センター、リア、リアセンター、サブウーファーレベル調整
- スピーカーリレーA/B
- ミューティング
- パワーオン/オフ
- マスターボリューム

※ チューナー関連、セットメニュー関連は機能しません。

※ 本体のINPUT MODEキーにより、各ダイアグメニューの信号処理(動作状態)を維持したままメニューNo.16 "IF STATUS"の確認ができます。

### ● ダイアグ開始時の初期設定

ダイアグ開始時に以下のような設定になります。ダイアグ解除時にはダイアグ開始前の状態に戻ります。

- マスターボリューム:-20 dB
- インプット: DVD (MULTI CH INPUT オフ)
- エフェクトレベル:0 dB
- オーディオミュート:オフ
- スピーカーリレーA/B:ON
- スピーカー設定:LARGE / BASS OUT = SWFR
- ダイアグメニュー:BYPASS (1. ANALOG BYPASS)

● Details of DIAG menu

● ダイアグメニュー詳細

1. BYPASS

Using the sub-menu, it is possible to select analog bypass output or DSP bypass output.

1. BYPASS

サブメニューによりANALOG BYPASS/DSP BYPASSが選択可能です。

ANALOG BYPASS

ANALOG BYPASS



Reference data

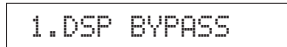
INPUT: DVD ANALOG

SUBWOOFER OUTPUT: 50 Hz, Others: 1 kHz

Input level	Volume	SPEAKERS OUT				SUBWOOFER OUTPUT
		FRONT L/R	CENTER	SURROUND L/R	SURROUND BACK	
Both ch, -20 dBm	+6.0 dB	+13.0 dBm	- ∞	- ∞	- ∞	- ∞

DSP BYPASS

DSP BYPASS



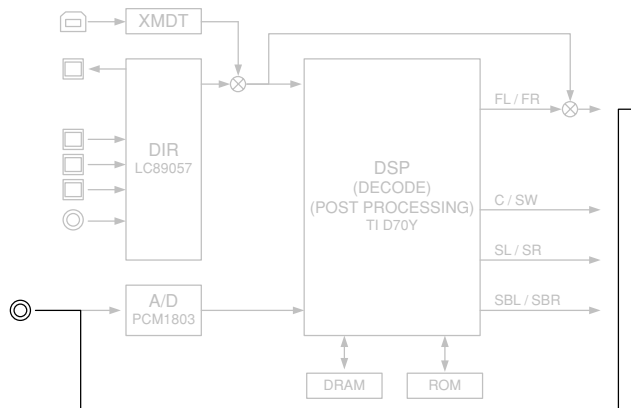
Reference data

INPUT: DVD ANALOG

SUBWOOFER OUTPUT: 50 Hz, Others: 1 kHz

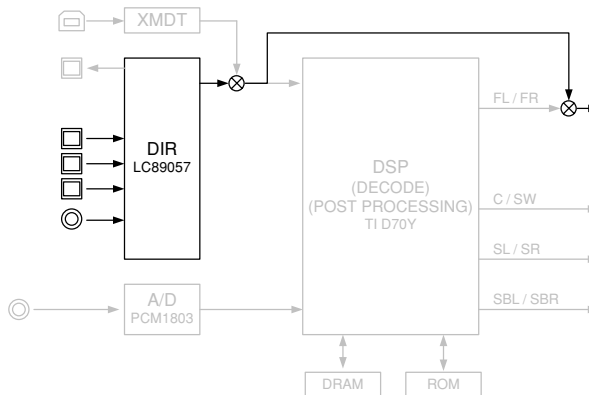
Input level	Volume	SPEAKERS OUT				SUBWOOFER OUTPUT
		FRONT L/R	CENTER	SURROUND L/R	SURROUND BACK	
Both ch, -20 dBm	+6.0 dB	+13.5 dBm	- ∞	- ∞	- ∞	- ∞

ANALOG BYPASS



(Shaded items not used in this example)

DSP BYPASS



(Shaded items not used in this example)

RX-N600/RX-N600D/  
HTR-N5060/DSP-N600

## 2. RAM THROUGH

Using the sub-menu, it is possible to select margin output or full-bit output.

### RAM MARGIN

Following head margin is reserved.

FRONT	CENTER	SURROUND	SURROUND BACK	SUBWOOFER
+15.0 dB	+13.5 dB	+9.0 dB	+7.5 dB	+21.0 dB

### 2. RAM MARGIN

Reference data

INPUT: DVD ANALOG

SUBWOOFER OUTPUT: 50 Hz, Others: 1 kHz

Input level	Volume	SPEAKERS OUT				SUBWOOFER OUTPUT
		FRONT L/R	CENTER	SURROUND L/R	SURROUND BACK	
Both ch, -20 dBm	+6.0 dB	+13.5 dBm	+13.5 dBm	+13.5 dBm	+13.5 dBm	+2.0 dBm

## 2. RAM THROUGH

サブメニューによりMARGIN/Full Bitが選択可能です。

### RAM MARGIN

以下のヘッドマージンを取ります。

### RAM FULL BIT

### RAM FULL BIT

No head margin is reserved except SW.

SW以外のヘッドマージンを取りません。

FRONT	CENTER	SURROUND	SURROUND BACK	SUBWOOFER
0 dB	0 dB	0 dB	0 dB	+21.0 dB

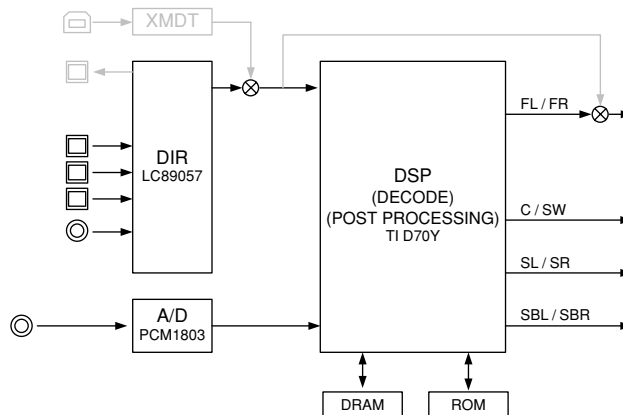
### 2. RAM FULL BIT

Reference data

INPUT: DVD ANALOG

SUBWOOFER OUTPUT: 50 Hz, Others: 1 kHz

Input level	Volume	SPEAKERS OUT				SUBWOOFER OUTPUT
		FRONT L/R	CENTER	SURROUND L/R	SURROUND BACK	
Both ch, -20 dBm	+6.0 dB	+13.5 dBm	+13.5 dBm	+13.5 dBm	+13.5 dBm	+2.0 dBm



(Shaded items not used in this example)

When input source is stereo, signal is assigned as below.

2ch信号入力時、以下のように信号を振り分けて出力します。

- Front L → Center / Surround L / Surround Back L, R
- Front R → Surround R
- Front L +10 dB → SWFR

### 3. PRO LOGIC

Dolby PRO LOGIC is applied to input stereo source.

### 3. PRO LOGIC

入力2ch信号にDolby PRO LOGIC処理を行います。

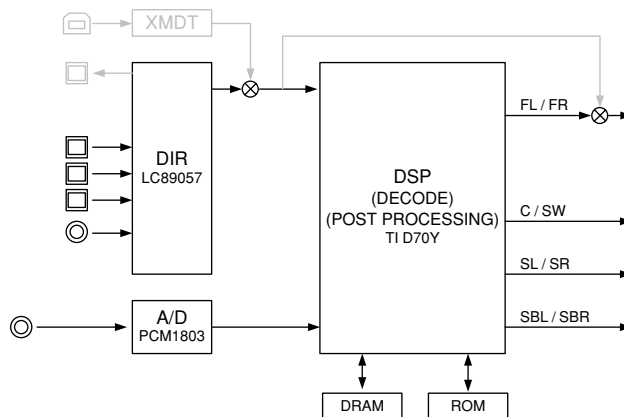
#### 3. PRO LOGIC

Reference data

INPUT: DVD ANALOG

SUBWOOFER OUTPUT: 50 Hz, Others: 1 kHz

Input level	Volume	SPEAKERS OUT				SUBWOOFER OUTPUT
		FRONT L/R	CENTER	SURROUND L/R	SURROUND BACK	
Each ch, -20 dBm	+6.0 dB	+13.5 dBm	- ∞	- ∞	- ∞	- ∞
Both ch, -20 dBm	+6.0 dB	-20.0 dBm	+16.5 dBm	- ∞	- ∞	- ∞



(Shaded items not used in this example)

### 4. SPEAKERS SET

The analog switch settings for each sub-menu are as shown in the table below.

### 4. SPEAKERS SET

各サブメニューにおけるアナログスイッチの設定は以下の通りです。

	Sub-menu	FRONT L/R	CENTER	SUR. L/R	SUR.B	LFE/BASS
1	FRNT: SML 0 dB	SMALL	LARGE	LARGE	LARGE	SWFR
2	CENTER: NONE	LARGE	NONE	LARGE	LARGE	SWFR
3	LFE/B: FRNT	LARGE	SMALL	SMALL	SMALL	FRONT
4	Pre Mix: 5ch	-	-	-	-	-
5	Front GAIN 1	-	-	-	-	-
6	Front GAIN 2	-	-	-	-	-
7	SURR B Check	-	-	-	-	-

**LARGE:** This mode is used with a speaker with high bass reproduction performance (a large unit). Full bandwidth signals are output.

**SMALL:** This mode is used with a speaker with low bass reproduction performance (a small unit). The signals of 80 Hz or less are mixed into the channel specified by LFE/BASS.

**NONE:** This mode is used with no center speaker. The center content is reduced by 3 dB and distributed to FRONT L/R.

**SWFR:** LFE of 5.1ch signal or LFE/BASS lower than 90Hz is output through SUBWOOFER OUT.

**FRONT:** LFE of 5.1ch signal or LFE/BASS lower than 90Hz is distributed to FRONT L/R.

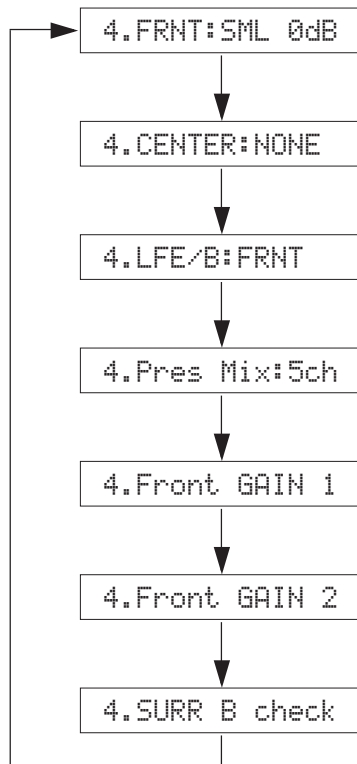
**LARGE:** 低音再生能力の高い(ユニットの大きい)スピーカーを使用するモードです。全帯域が出力されます。

**SMALL:** 低音再生能力の低い(ユニットの小さい)スピーカーを使用するモードです。80 Hz以下がLFE/BASSで指定したチャンネルにミックスされます。

**NONE:** スピーカーを使用しないモードです。センター成分は3 dBされて、FRONT L/R に振り分けられます。

**SWFR:** 5.1ch信号のLFEまたは90Hz以下のLFE/BASSがSUBWOOFER OUTに出力されます。

**FRONT:** 5.1ch信号のLFEまたは90Hz以下のLFE/BASSをFRONT L/Rに振り分けられます。



Reference data

INPUT: DVD ANALOG (Both ch)

SUBWOOFER OUTPUT: 50 Hz, Others: 1 kHz

	Sub-menu	Input level	Volume	SPEAKER OUT				SUBWOOFER OUTPUT
				FRONT L/R	CENTER	SURROUND L/R	SURROUND BACK	
1	FRONT: SML 0dB	Both ch, -20 dBm	+6.0 dB	+13.5 dBm	+13.5 dBm	+13.5 dBm	+13.5 dBm	+5.5 dBm
2	CENTER: NONE	Both ch, -20 dBm	+6.0 dB	+10.5 dBm	- ∞	+13.5 dBm	+13.5 dBm	+2.0 dBm
3	LFE/B: FRNT (1 kHz)	Both ch, -20 dBm	+6.0 dB	- ∞	+13.5 dBm	+13.5 dBm	+13.5 dBm	- ∞
	LFE/B: FRNT (50 Hz)	Both ch, -20 dBm	+6.0 dB	+25.0 dBm	+13.5 dBm	+13.5 dBm	+13.5 dBm	- ∞
4	Pres Mix: 5ch	Both ch, -20 dBm	+6.0 dB	- ∞	+13.5 dBm	+18.5 dBm	- ∞	-0.5 dBm
5	Front Gain 1	Both ch, -20 dBm	+6.0 dB	+20.5 dBm	+13.5 dBm	+13.5 dBm	+13.5 dBm	+2.0 dBm
6	Front Gain 2	Both ch, -20 dBm	+6.0 dB	+20.5 dBm	+13.5 dBm	+13.5 dBm	+13.5 dBm	+2.0 dBm
7	SURR B check	Both ch, -20 dBm	+6.0 dB	- ∞	- ∞	- ∞	+13.5 dBm	- ∞



**5. XCH INPUT**

The signal input through the multi ch input is output.  
The speaker impedance can be selected.

**XCH INPUT\_6 (ohms)**

5.XCH INPUT\_6

Reference data

INPUT: MULTI CH INPUT

SUBWOOFER OUTPUT: 50 Hz, Others: 1 kHz

Input level	Volume	SPEAKERS OUT				SUBWOOFER OUTPUT
		FRONT L/R	CENTER	SURROUND L/R	SURROUND BACK	
Both ch, -20 dBm	+6.0 dB	+13.5 dBm	+13.5 dBm	+13.5 dBm	- ∞	-10.0 dBm

**5. XCH INPUT**

マルチCH入力された信号が出力されます。  
6オーム、8オームが選択されます。

**XCH INPUT\_6(ohms)**

**XCH INPUT\_8 (ohms)**

5.XCH INPUT\_8

Reference data

INPUT: MULTI CH INPUT

SUBWOOFER OUTPUT: 50 Hz, Others: 1 kHz

Input level	Volume	SPEAKERS OUT				SUBWOOFER OUTPUT
		FRONT L/R	CENTER	SURROUND L/R	SURROUND BACK	
Both ch, -20 dBm	+6.0 dB	+13.5 dBm	+13.5 dBm	+13.5 dBm	- ∞	-10.0 dBm

**XCH INPUT\_8(ohms)**

**LIMIT SET**

Not applied to these models.

XXXXXXXXXXXX\_\_

**LIMIT SET**

このモデルには適用されません。

**6. MIC CHECK**

Not applied to these models.

6.MIC CHK --dB

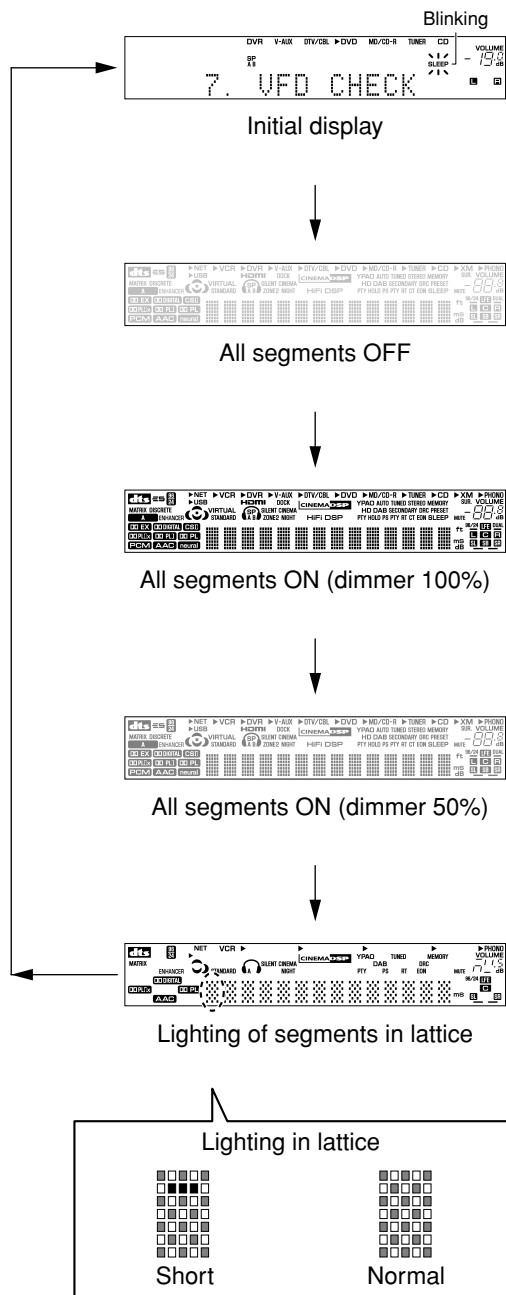
**6. MIC CHECK**

このモデルには適用されません。

## 7. DISPLAY CHECK

This program is used to check the FL display section and video control section. The display condition varies as shown below according to the sub-menu operation. The signal route is STRAIGHT.

### Checking FL display section / FL表示部のチェック

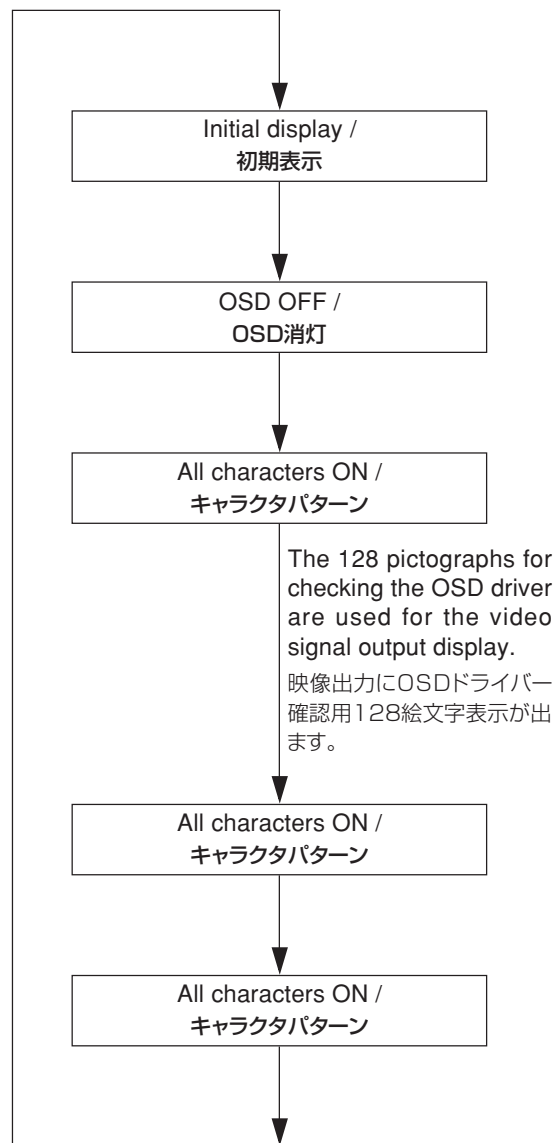


Segment conditions of the FL driver and the FL tube are checked by turning ON and OFF all segments. Next, the operation of the FL driver is checked by using the dimmer control. Then a short between segments next to each other is checked by turning ON and OFF all segments alternately (in lattice). (In the above example, the segments in the second row from the top are shorted.)

## 7. DISPLAY CHECK

FL表示部と映像制御部のチェックプログラムです。サブメニュー操作により、表示状態が以下のように変わります。信号処理はSTRAIGHTです。

### Checking OSD section (Monitor Out) 映像制御部のチェック (モニターアウト)



全セグメント消灯・全セグメント点灯によりFLドライバー、FL管のセグメントの不良を確認します。次に、デマーマコントロールによってFLドライバーの動作チェックを行います。さらに全セグメントを交互(格子状)に点灯/消灯することで、隣り合うセグメントのショートをチェックします。(上図の例では、上から2行目のセグメントがショートしています。)

### 8. MANUAL TEST

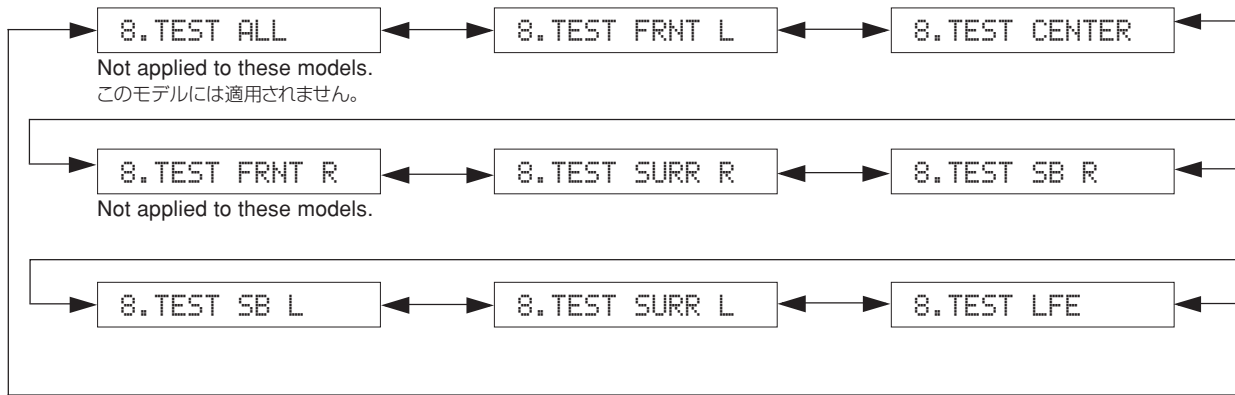
The test noise based THX is output to the channel specified by the sub-menu from the DSP.

The noise frequency for LFE is 35 to 250 Hz. Other than that, the center frequency is 800 Hz.

### 8. MANUAL TEST

DSPからサブメニューで指定したチャンネルへTHX準拠のテストノイズを出力します。

LFE用のノイズ周波数は35～250 Hz、それ以外は中心周波数800 Hzとなります。

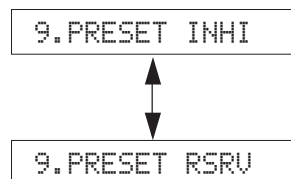


### 9. FACTORY PRESET

This menu is used to reserve/inhibit initialization of the backup RAM (Parameters and set menu contents, etc. of the sound field program).

### 9. FACTORY PRESET

バックアップ用RAM（音場プログラムのパラメーターやセットメニュー内容など）の初期化を予約/禁止します。



#### PRESET INHIBIT (Initialization inhibited) / PRESET INHIBIT (初期化禁止)

RAM initialization is not executed. Select this sub-menu to protect the values set by the user.

**Note: The protection history will not be erased using PRESET INHIBIT.**

RAMの初期化は行われません。ユーザーの設定値を保護するときは、こちらを選択してください。

#### PRESET RESERVED (Initialization reserved) / PRESET RESERVED (初期化予約)

Initialization of the back-up RAM is reserved. (Actually, initialization is executed the next time that the power is turned on.) Select this sub-menu to reset to the original factory settings or to reset the RAM. Use PRESET RESERVED to erase the protection history.

バックアップRAMの初期化が予約されます。(実際に初期化されるのは、次回の電源投入時です。)工場出荷時やRAMをリセットしたいときは、こちらを選択してください。

**CAUTION:** Before setting to the PRESET RESERVED, write down the existing preset memory. Content of the Tuner in a table as shown below. (This is because setting to the PRESET RESERVED will cause ALL user memory contents to be erased.)

注意： PRESET RESERVEDを選んで初期化をする前に、チューナーのユーザーメモリー内容を下表に書き写してください。(初期化をすると、ユーザーメモリーの内容は消えてしまいます。)

Preset group	P1	P2	P3	P4	P5	P6	P7	P8
A								
B								
C								
D								
E								

• PRESET STATIONS / プリセット局

STATION		FM FACTORY PRESET DATA (MHz)			
PAGE	NO.	U, C	R, T, K, A, B, G, E	J	
A/C/E	1	87.5	87.50	76.0	
	2	90.1	90.10	83.0	
	3	95.1	95.10	84.0	
	4	98.1	98.10	86.0	
	5	107.9	108.00	90.0	
	6	88.1	88.10	78.0	
	7	106.1	106.10	88.0	
	8	107.9	108.00	82.1	

STATION		FM FACTORY PRESET DATA (MHz)			
PAGE	NO.	U, C, R, T, K	A, B, G, E		J
B/D	1	630	630		630
	2	1080	1080		1080
	3	1440	1440		1440
	4	530	531		531
	5	1710	1611		1611
	6	900	900		900
	7	1350	1350		1350
	8	1400	1404		1404

10. AD DATA CHECK

This menu is used to display the A/D conversion value of the Microprocessor which detects panel keys of the main unit and protection functions in using the sub-menu. During audio signal processing, the condition before execution is maintained.

When K0/K1 menu is selected, keys become non-operable due to detection of the values of all keys. However, it is possible to advance to the next sub-menu by turning the VOLUME of the main unit. When using this function, note that turning the VOLUME more than 1 click would cause the volume value to change.

\* The figures in the diagram are given as reference only.

PS1/PS2 (Power supply voltage protection detection)

Power supply voltage protection value (Normal value: PS1: 17 to 66, PS2: 36 to 53)

PS1: Detects +5S and +5DAB.

PS2: Detects ±12V, ±5V, +5D, +3.3D and +5i.

\* If PS is out of the normal value range, the protection function works to turn off the power.

(Reference voltage: 5 V=100 %)

PS1:039 2:044

DC/TH (protection detection/temperature detection)

DC: DC detect protection value (Normal value: 5 to 36)

\* If DC is out of the normal value range, the protection function works to turn off the power.

(Reference voltage: 5 V=100 %)

TH: Detects the temperature of the heat sink.

Temperature detected value

(Normal value: 9 to 177) R, T, K, A, B, G, E, J models

(Reference voltage: 5 V=255)

DC:007 TH:115

10. AD DATA CHECK

本機パネルキー、プロテクションなどを検出しているMicroprocessorのA/D変換の値を、サブメニューで表示します。オーディオ信号処理は実行前の状態を維持します。

K0/K1のメニューにすると、全キーの値を検出するためキー操作はできなくなりますが、本機のVOLUMEを回すことにより、次のサブメニューに進めることができます。このとき1クリック以上回すと、ボリューム値が変化するので注意してください。

※ 図中の数値は参考例です。

PS1/PS2 (電源電圧プロテクションの検出)

プロテクションの値(正常値 PS1: 17~66, PS2: 36~53)

PS1: +5Sを検出しています。

PS2: ±12V, ±5V, +5D, +3.3D, +5iを検出しています。

※ PSは正常値を外れるとプロテクションが働き、電源オフされます。(基準電圧: 5V=100%)

DC/TH (プロテクションの検出/温度検出)

DC: DC検出プロテクションの値(正常値5~36)

※ DCは正常値を外れるとプロテクションが働き、電源オフされます。(基準電圧: 5V=100%)

TH: ヒートシンクの温度を検出しています。

温度検出値

(正常値: 9~177)

(基準電圧: 5V=255)

**IMP SW/POWER LIMIT** (impedance/power limiter detection)

IMP: Not applied to these models.

PL: Power limiter detection value

The voltage value of pin No. 123 of IC2 is displayed, using 5V/256 as standard.

The port (No. 6) output is controlled by using the input voltage value of pin No. 123 of IC2.

IMP:8 PL:245

**IMP SW/POWER LIMIT** (インピーダンス/パワーリミッターの検出)

IMP: このモデルには適用されません。

PL: パワーリミッター検出の値

IC2 123ピンの入力電圧値を5V/256を基準にして表示します。IC2 123ピンの入力電圧値により、ポート(6ピン)を制御します。

**PANEL KEY (K0/K1)**

(Panel key of main unit) [Remote control code: -]

A/D of the key fails to function properly when the standard value is deviated by  $\pm 8$ . In this case, check the constant of partial pressure resistor, solder condition, etc. Refer to table.

(Reference voltage: 5 V=100 %)

K0:100 K1:100

**PANEL KEY (K0/K1)**

(本機パネルキー)

キーのA/Dは基準値から $\pm 8$ を外れると、正常な動きをしません。下表をご覧ください。各キーの分圧抵抗の定数、ハンダ不良等の確認をしてください。

(基準電圧: 5V=100%)

**RX-N600/RX-N600D/DSP-N600**

Display (%)	K0	K1
0 - 6	MAIN ZONE ON/OFF	ZONE ON/OFF
7 - 13	—	—
14 - 21	—	—
22 - 31	—	ZONE CONTROL
32 - 41	INPUT MODE	MULTI CH INPUT
42 - 53	STRAIGHT	FM/AM/DAB
54 - 63	TONE CONTROL	A/B/C/D/E
64 - 72	PRESET/TUNING	◁ PRESET
73 - 80	SPEAKERS B	PRESET ▷
81 - 88	SPEAKERS A	MEMORY
89 - 95	—	TUNING MODE
96 - 100	KEY OFF	KEY OFF

**HTR-N5060**

Display (%)	K0	K1
0 - 6	◁ PROGRAM	—
7 - 13	PROGRAM ▷	—
14 - 21	BASS/TREBLE -	—
22 - 31	BASS/TREBLE +	—
32 - 41	INPUT MODE	MULTI CH INPUT
42 - 53	STRAIGHT	FM/AM/DAB
54 - 63	TONE CONTROL	A/B/C/D/E
64 - 72	PRESET/TUNING	◁ PRESET
73 - 80	SPEAKERS B	PRESET ▷
81 - 88	SPEAKERS A	MEMORY
89 - 95	—	TUNING MODE
96 - 100	KEY OFF	KEY OFF

### 11. VIDEO

The image signal is converted and output as follows.

#### I2C

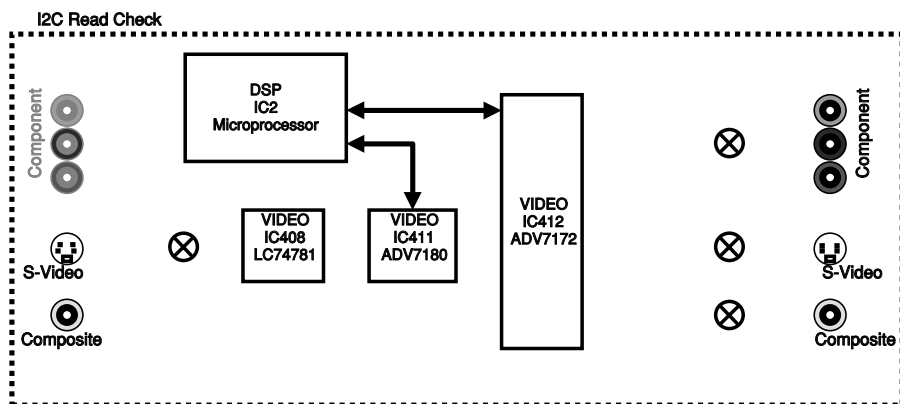
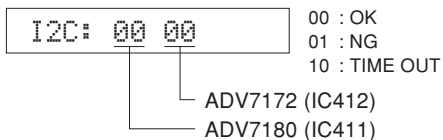
Perform the read/write check between the microprocessor and ADV7180 (IC411) as well as ADV7172 (IC412).

### 11. VIDEO

映像信号が以下のように変換され、出力されます。

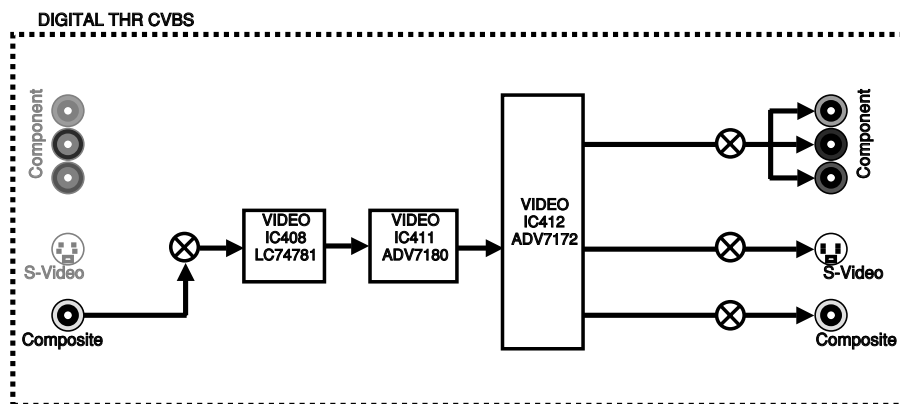
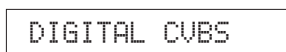
#### I2C

マイコンとADV7180(IC411)、およびADV7172(IC412)間のリード/ライトのチェックを行います。



### DIGITAL THR CVBS

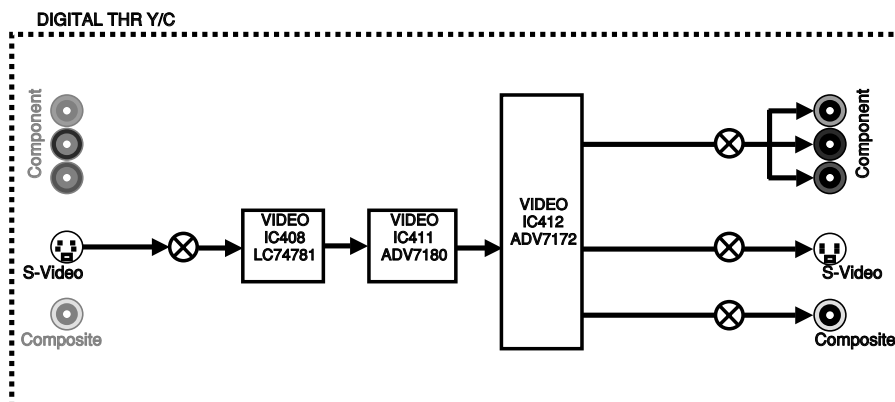
### DIGITAL THR CVBS



DIGITAL THR Y/C

DIGITAL THR Y/C

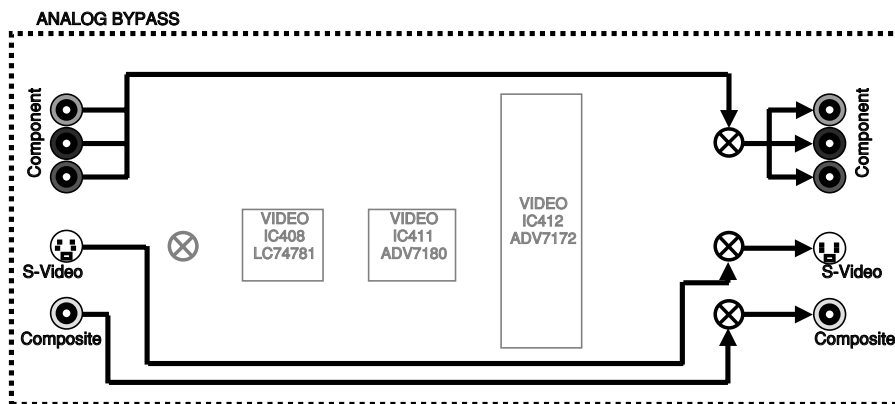
DIGITAL Y/C



ANALOG BYPASS

ANALOG BYPASS

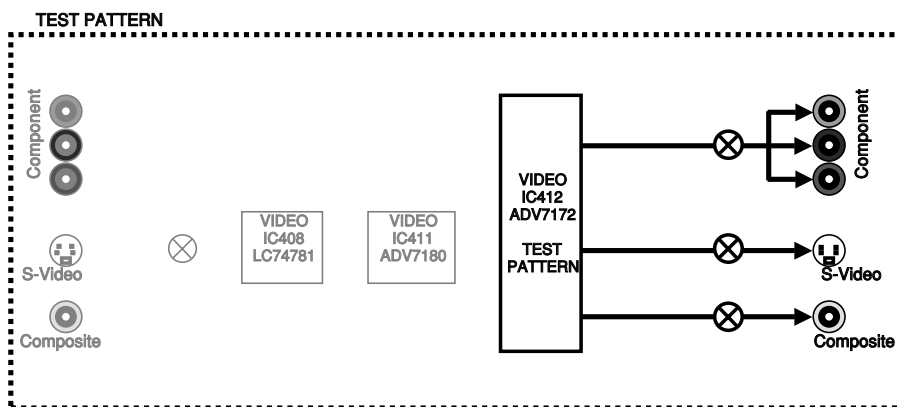
ANALOG BYPASS



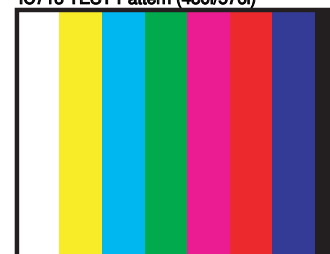
TEST PATTERN

TEST PATTERN

TEST PATTERN



IC713 TEST Pattern (480i/576i)



RX-N600/RX-N600D/  
HTR-N5060/DSP-N600

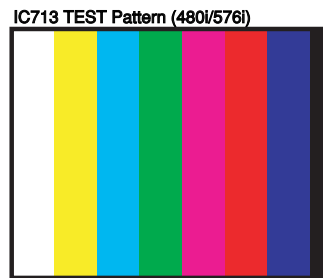
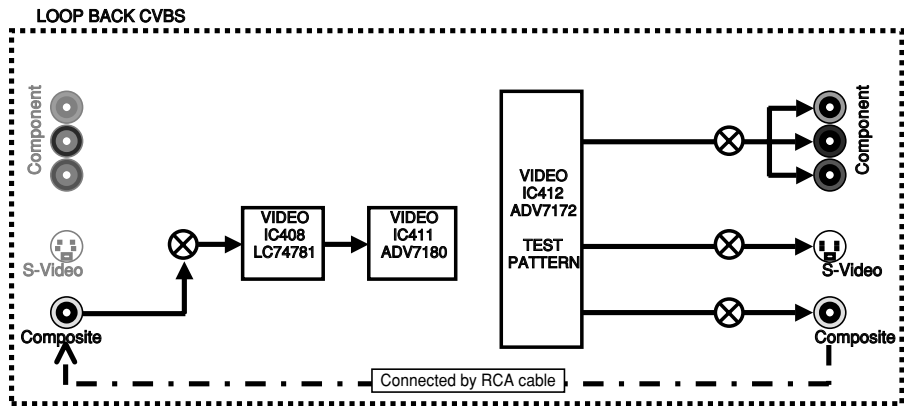
**LOOP BACK CVBS**

Not applied to these models.

**LOOP BACK CVBS**

このモデルには適用されません。

LPBK CVBS OK



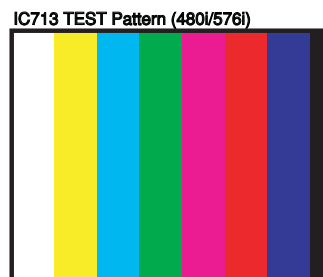
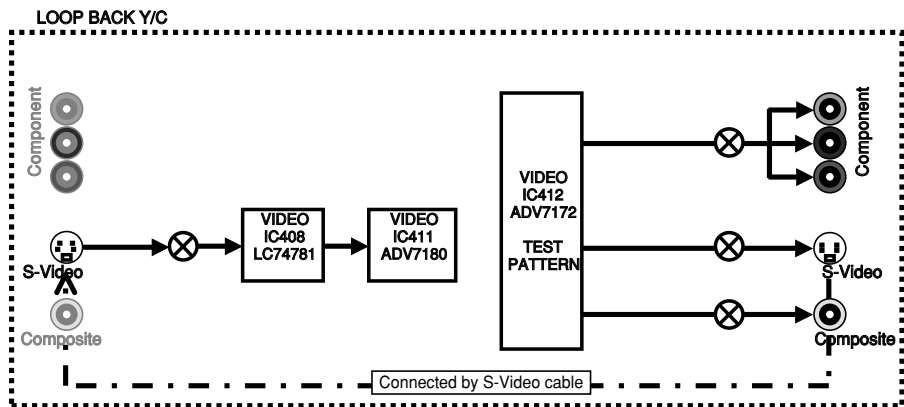
**LOOP BACK Y/C**

Not applied to these models.

**LOOP BACK Y/C**

このモデルには適用されません。

LPBK Y/C OK



RX-N600/RX-N600D/  
HTR-N5060/DSP-N600



## 12. XM STATUS (U, C models)

Perform the output check of XM Radio Antenna connected to the XM terminal.

### 1k -1dB/44.1k

The test tone (1kHz, -1dB/44.1kHz) is output.

1k - 1dB/44

### 1k -61dB/44.1k

The test tone (1kHz, -61dB/44.1kHz) is output.

1k -61dB/44

### Mute /44.1k

Nothing is output.

Mute /44

### XM Tone/44.1k

The XM tone (44.1kHz) is output.

XM Tone/44

### ISO Tone/44.1k

The ISO tone (44.1kHz) is output.

ISO Tone/44

### 1k -1dB/32k

The test tone (1kHz, -1dB/32kHz) is output.

1k - 1dB/32

### 1k -61dB/32k

The test tone (1kHz, -61dB/32kHz) is output.

1k -61dB/32

### Mute /32k

Nothing is output.

Mute /32

## 12. XM STATUS(U, C models)

XM端子に接続された、XM Radio Antennaの出力チェックを行います。

### 1k -1dB/44.1k

テストトーン(1kHz, -1dB/44.1kHz)を出力します。

### 1k -61dB/44.1k

テストトーン(1kHz, -61dB/44.1kHz)を出力します。

### Mute /44.1k

何も出力されません。

### XM Tone/44.1k

XMトーン(44.1kHz)を出力します。

### ISO Tone/44.1k

ISOトーン(44.1kHz)を出力します。

### 1k -1dB/32k

テストトーン(1kHz, -1dB/32kHz)を出力します。

### 1k -61dB/32k

テストトーン(1kHz, -61dB/32kHz)を出力します。

### Mute /32k

何も出力されません。

**XM Tone/32k**

The XM tone (32kHz) is output.

**XM Tone/32k**

XMトーン(32kHz)を出力します。



**ISO Tone/32k**

The ISO tone (32kHz) is output.

**ISO Tone/32k**

ISOトーン(32kHz)を出力します。

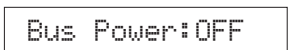


**XM/DT Bus Power: OFF**

The power of XM module is turned off.

**XM/DT Bus Power:OFF**

XMモジュールの電源をOFFします。



**13. iPod**

This menu is used to test the DOCK connector without the iPod itself. After turning off the power, short between pins No. 14 (TX) and No. 18 (RX), between pins No. 1 (PWR) and No. 17 (ACCPW) and between pins No. 4 (iPDET) and No. 8 (DGND). (Make sure that the power is turned off when shorting pins.)

Start the DIAG function and select the menu.

The check result is displayed according to the following display specifications.

**13. iPod**

iPod本体無しで、DOCKコネクタの検査を行うメニューです。

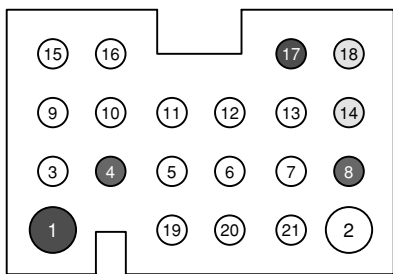
パワーオフ状態にしてから、DOCKコネクタの14ピン(TX)と18ピン(RX)、1ピン(PWR)と17ピン(ACCPW)、4ピン(iPDET)と8ピン(DGND)をショートさせます。(ショートさせる時は、必ず電源を切ってください。)

ダイグを起動してメニューを選択します。

下記表示仕様に従って、チェック結果が表示されます。

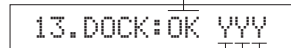
**Note) Be sure to return the shorted locations to their original state.**

**注) ショート箇所は、必ず元に戻してください。**



DOCK

All Y / 全てY = OK  
Others / その他 = NG



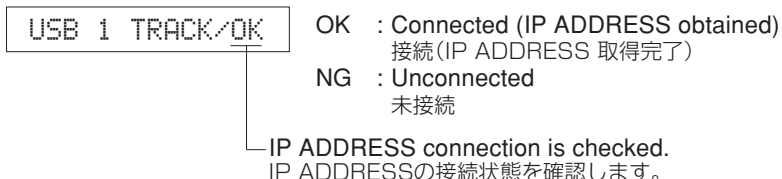
Check item / チェック項目	Judgment/ 判定	Display / 表示
Is UART loop pack check result OK? / UARTループバックチェック結果はOK?	YES	Y
	NO	N
Is detect function of iPod Accessory Power OK? / iPod Accessory Powerの検出機能はOK?	IC2 (DSP P.C.B.) pin No. 45 state High = YES	Y
	IC2 (DSP P.C.B.) 45pinの状態 Low = No	N
Is detect function of iPod installation to DOCK OK? / DOCKへのiPod装着の検出機能はOK?	IC2 (DSP P.C.B.) pin No. 44 state Low = installed / 装着	Y
	IC2 (DSP P.C.B.) 44pinの状態 High = not installed / 非装着	N

### 14. NET CHECK

Using the sub-menu, it is possible to select USB1 TRACK, IP ADDRESS CHECK, USB2 TRACK and MAC ADDRESS CHECK.

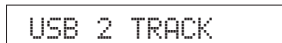
#### USB 1 TRACK/IP ADDRESS CHECK

The music data (first piece) recorded in the portable audio player connected to the USB terminal or in the USB flash memory is reproduced.



#### USB 2 TRACK

The music data (second piece) recorded in the portable audio player connected to the USB terminal or in the USB flash memory is reproduced.

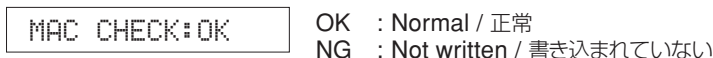


#### USB 2 TRACK

USB端子に接続されているポータブルオーディオプレーヤー、またはUSBフラッシュメモリーに記録されている音楽データ(2曲目)を再生します。

#### MAC ADDRESS CHECK

MAC ADDRESS CHECK information is checked.



#### MAC ADDRESS CHECK

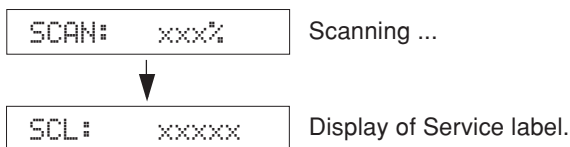
MAC ADDRESS CHECK情報を確認します。

### 15. DAB CHECK (B model)

Using the DIAG menu, it is possible to select DAB SCAN, DLS, SIGNAL QUALITY.

#### DAB SCAN/SCL

The channel that can be received is searched. When reception is completed the SCL (Service Label) is displayed.



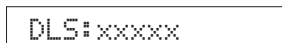
### 15. DAB CHECK (B model)

このモデル(DSP-N600)には適用されません。

#### DAB SCAN/SCL

#### DLS (Dynamic Label Segment)

DLS (Dynamic Label Segment) of the channel being received is displayed.



#### DLS(Dynamic Label Segment)

#### SIGNAL QUALITY

The reception level of the channel being received is displayed.



#### SIGNAL QUALITY

### 16. IF STATUS (Input function status)

Using the sub-menu, the status data is displayed one after another in the hexadecimal notation.

During signal processing, the status before execution of this menu is maintained.

\* Numeric values in the figure example are for reference.

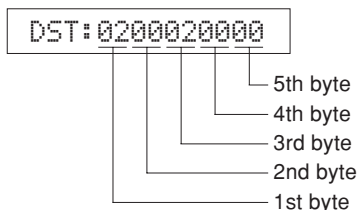
DST: DSP status

### 16. IF STATUS

サブメニュー操作により、以下のステータス情報を順次16進数で表示します。信号処理は、本メニュー実行前の状態を維持します。

※図中の数値は参考例です。

DST: DSPステータス



<1st byte>

Digital input/output setting value

Upper 4 bits: REC OUT selected / lower 4 bits: INPUT selected

<第1バイト> デジタル入出力設定値

上位4 bit REC OUT選択 /

下位4 bit INPUT選択

Value	Choice	Preset name
0	NONE	—
1	OPT FRONT	—
2	OPT 1	MD/CD-R
3	OPT 2	DVD
4	OPT 3	DTV/CBL
8	COAX 1	CD
9	COAX 2	—

<2nd byte> / <第2バイト>

Fs information of reproduction signal /  
再生信号のFs情報

<3rd byte> / <第3バイト>

Audio code mode information of  
reproduction signal /  
再生信号のオーディオコードモード情報

<4th byte> / <第4バイト>

Format information of reproduction signal /  
再生信号のフォーマット情報

Display	Fs (kHz)
00	Analog
01	32 kHz
02	44.1 kHz
03	48 kHz
04	64 kHz
05	88.2 kHz
06	96 kHz
07	128 kHz
08	176.4 kHz
09	192 kHz
0A	Unknown NRM
0B	Unknown DBL
0C	Unknown QUAD
0D	Unknown
0E	Undefined

Display	Audio code
00	1+1
01	1/0
02	2/0
03	3/0
04	2/1
05	3/1
06	2/2
07	3/2
08	2/3
09	3/3
0A	3/4
0B	over 6.1
0C	Multi-Mono
0D	Multi-PCE
0E	Unknown
0F	Undefined

Display	Signal format
00	Analog
01	Err
10	PCM Audio
20	Digital Data
21	IEC1937
22	None PCM
23	Unknown
50	dts
51	dts-CD
52	dts 96/24
54	dts-ES (Matrix)
58	dts-ES (Discrete)
5C	dts-ES (Both)
60	AAC
C0	Dolby Digital
C1	Dolby Digital Karaoke
C4	Dolby Digital EX
FF	Undefined

<5th byte> / <第5バイト>  
Signal processing status information /  
信号処理ステータス情報

bit	Fs (kHz)
bit 7	Digital mute
bit 6	—
bit 5	6.1 (7.1) processing
bit 4	Analog mute
bit 3	—
bit 2	PCM through
bit 1	—
bit 0	dts analog mute

**DMD:** Decoder mode information  
Not applied to these models.

**DMD:** デコーダー情報  
このモデルには適用されません。

DMD:03C00000

**DIF:** DIR information  
Not applied to these models.

**DIF:** DIR情報  
このモデルには適用されません。

DIF:0101000600

**PC:** Preamble C information  
Not applied to these models.

**PC:** Preamble C情報  
このモデルには適用されません。

PC :0000

**CS1, 2:** Channel status information  
Not applied to these models.

**CS1, 2:** チャンネルステータス情報  
このモデルには適用されません。

CS1:0000000000 — CS2:00

**DEI:** Decoder information  
Not applied to these models.

**DEI:** デコーダー情報  
このモデルには適用されません。

DEI:0808000600

**BS1-8:** Bit stream information  
Not applied to these models.

**BS1-8:** ビットストリーム情報  
このモデルには適用されません。

BS1:0000000000 — BS8:00

**MTT:** Mute Trigger  
Not applied to these models.

**MTT:** Mute Trigger  
このモデルには適用されません。

MTT:0018001820

**DGI:** Digital information  
Not applied to these models.

**DGI:** DIGITAL系情報  
このモデルには適用されません。

DGI:0000000000

### 17. DSP BUS CHECK

This menu is used to self-diagnose whether or not the bus connection for the TI (DA70Y) and the external ROM/RAM is made properly.

When no error is detected, "NoEr" appears on display.

TI BUS:NoEr

No error detected.  
不良検出なし

or

TI BUS:Boot

When this indication is displayed with in seconds or displayed alternately "NoEr" and "Boot", it is highly possible that there are errors.

数秒間この状態、またはNoErと交互に表示される場合、異常が発生している可能性があります。

↕

RDS IC:OK

No applied to these models.  
このモデルは適用されません。

or

RDS IC:NG

### 17. DSP BUS CHECK

TI (DA70Y) と外付けROM/RAMとのバス接続の正否を自己診断します。

エラーが検出されなかった場合は、「NoEr」と表示されます。

### 18. SWFR CUT OFF

Not applied to these models.

### 18. SWFR CUT OFF

このモデルには適用されません。

18.LFE LPF 200 ↔ 18.LFE HPF THR

### 19. PROTECTION SETTING

Not applied to these models.

### 19. PROTECTION SETTING

このモデルには適用されません。

PS\_Lo: 0043 — PL\_6\_N\_H:0154

### 20. PROTECTION HISTORY

Four protection histories are display.

### 20. PROTECTION HISTORY

過去のプロテクション履歴を4つまで表示します。

20-1:NoPRT — 20-4:NoPRT

## 21. SOFT SW

**Note)** Changing the function setting may hinder the

This menu is used to switch the function settings on P.C.B. through the software so as to activate the product. The protection function follows the P.C.B. settings. When connected to AC or in the maker preset state, the unit is initialized to the P.C. B. setting. Display of each function after initialization varies depending on settings on P.C.B. The operation mode can be changed by selecting the sub-menu and then using the STRAIGHT key.

**SW MODE:** PCB, MODEL or FNC can be selected.

21.SW :PCB

**MODEL SETTING:** N600D, N600, 559D, N5060, V459D, 759SE, V659, H5960, V559, H5950, V459 or H5935 can be selected. (SW MODE: Selectable when FNC has been selected.)

21.MODEL:N600

**DESTINATION:** J, U, C, R, T, K, A, B, G or E can be selected. (SW MODE: Selectable when MODEL has been selected.)

21.DEST :B

**TUNER DESTINATION:** J, UC, ABG or R can be selected. (SW MODE: Selectable when FNC has been selected.)

21.TuDst:ABG

**TUNER TYPE:** NRM, DABRD (DAB+RDS), DAB, RDS and XM can be selected. (SW MODE: Selectable when FNC has been selected.)

21.TuTyp:NRM

**VIDEO FORMAT:** NTSC or PAL can be selected. (SW MODE: Selectable when FNC has been selected.)

21.VIDEO:PAL

## 21. SOFT SW

**注)** 機能設定を変更した場合、正常に動作しないことがあります。

P.C.B.上の機能設定をソフト的に切り替えて、製品を動作させる機能です。

プロテクション機能は、P.C.B.の設定にしがいます。AC接続またはメーカープリセットで、P.C.B.の設定に初期化されます。初期化後の各機能の表示は、P.C.B.上の設定によります。操作は、サブメニューを選んだ後、STRAIGHTキーで切り替えます。

**SW MODE:** PCB、MODELまたはFNCを選択できます。

**MODEL SETTING:** N600D、N600、559D、N5060、V459D、759SE、V659、H5960、V559、H5950、V459、H5935のいずれかを選択できます。(SW MODE: MODEL時選択できます。)

**DESTINATION:** J、U、C、R、T、K、A、B、G、Eのいずれかを選択できます。(SW MODE: MODEL時選択できます。)

**TUNER DESTINATION:** J、UC、ABG、Rのいずれかを選択できます。(SW MODE: FNC時選択できます。)

**TUNER TYPE:** NRM、DABRD(DAB+RDS)、DAB、RDS、XMのいずれかを選択できます。(SW MODE: FNC時選択できます。)

**VIDEO FORMAT:** NTSCまたはPALを選択できます。(SW MODE: FNC時選択できます。)

**ZONE2:** NOT or EXIST can be selected. (SW MODE: Selectable when FNC has been selected.)

**ZONE2:** NOTまたはEXISTを選択できます。(SW MODE:FNC時選択できます。)

21.ZONE2:EXIST

**AAC:** NOT or EXIST can be selected. (SW MODE: Selectable when FNC has been selected.)

**AAC:** NOTまたはEXISTを選択できます。(SW MODE:FNC時選択できます。)

21.AAC :NOT

**TUNER:** NOT or EXIST can be selected. (SW MODE: Selectable when FNC has been selected.)

**TUNER:** NOTまたはEXISTを選択できます。(SW MODE:FNC時選択できます。)

21.TUNER:EXIST

**ZONE2 AMP:** NOT or EXIST can be selected. (SW MODE: Selectable when FNC has been selected.)

**ZONE2 AMP:** NOTまたはEXISTを選択できます。(SW MODE:FNC時選択できます。)

21.Z2Amp:NOT

**OSD:** NOT or EXIST can be selected. (SW MODE: Selectable when FNC has been selected.)

**OSD:** NOTまたはEXISTを選択できます。(SW MODE:FNC時選択できます。)

21.OSD :EXIST

**YPAO:** NOT or EXIST can be selected. (SW MODE: Selectable when FNC has been selected.)

**YPAO:** NOTまたはEXISTを選択できます。(SW MODE:FNC時選択できます。)

21.YPAO :NOT

**NET:** NOT or EXIST can be selected. (SW MODE: Selectable when FNC has been selected.)

**NET:** NOTまたはEXISTを選択できます。(SW MODE:FNC時選択できます。)

21.NET :EXIST



## 22. SOFTWARE VERSION

The version, checksum and the port specified by the microprocessor are displayed. The signal is processed using EFFECT OFF. The checksum is obtained by adding the data at every 16 bits for each program area and expressing the result as a 4-figure hexadecimal data.

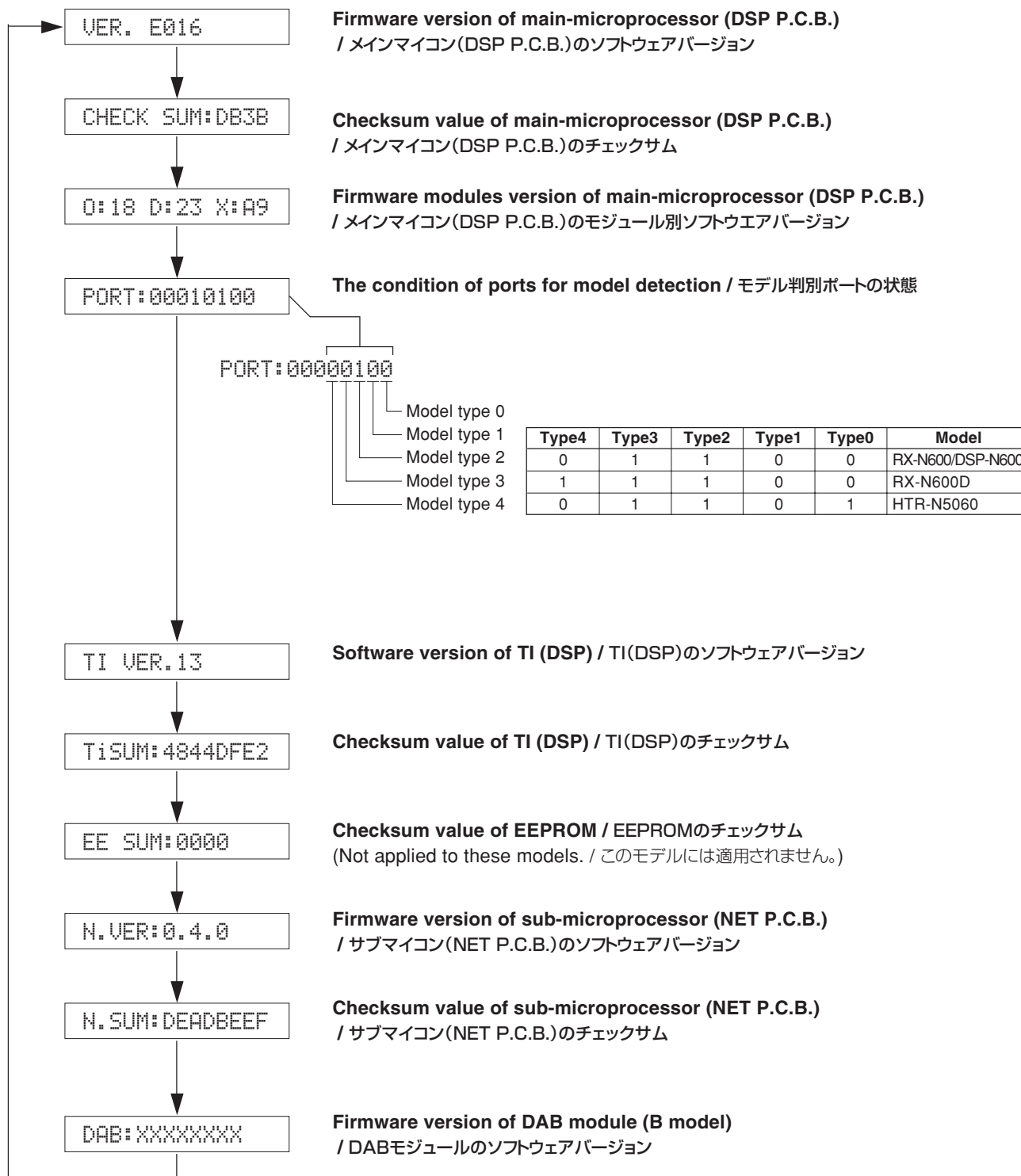
\* Numeric values in the figure example are for reference.

## 22. SOFTWARE VERSION

ソフトウェアのバージョン、チェックサム、マイコンの指定ポートを表示します。

信号はエフェクトOFFです。チェックサムは、プログラムエリア別にデータを16ビットごとに加算していき、4桁の16進データで現したものです。

※図中の数値は参考例です。



### 23. UPDATING FIRMWARE

TI (DSP) BOOT?: Not applied to these models.

23.TI BOOT ?

USB UP:START?: The writing mode of sub-microprocessor (NET P.C.B.) firmware.

USB UP:START?

#### Tools required

USB flash memory  
Firmware (RX-N600.tar)

#### Operation procedure

1. Download the latest firmware from the specified download source to PC.
2. Copy the latest firmware into the root folder of the USB flash memory.

**Caution) When the firmware is copied into the sub-folder, it is not possible to write data in it.**

3. Insert the USB flash memory to the USB terminal of this unit.
4. Start the DIAG function.
5. Select the DIAG menu "23-2 USB UP: START?".

USB UP:START?

6. Press the "STRAIGHT" key to start writing.

USB UP:WAITING

Writing being prepared. / 書き込み準備中。

USB UP:xxx%

Data being written. / 書き込み中。

7. Writing is completed when "USB UP: OK" is displayed.

USB UP:OK

### 23. UPDATING FIRMWARE

TI (DSP) BOOT?:このモデルには適用されません。

USB UP:START?:サブマイコン(NET P.C.B.)のファームウェア書き込みモードです。

#### 必要なツール

USB フラッシュメモリー  
ファームウェア (RX-N600.tar)

#### 操作手順

1. PCへの指定のダウンロード先から最新のファームウェアをダウンロードしてください。
2. 最新のファームウェアをUSBフラッシュメモリーのルートフォルダにコピーします。

**注意) ファームウェアをサブフォルダにコピーした場合、書き込みできません。**

3. 本機のUSB端子にUSBフラッシュメモリーを差し込みます。
4. DIAGを起動します。
5. DIAG 23-2 "USB UP:START?"を選択します。

6. "STRAIGHT" キーを押して、書き込みを開始します。

7. "USB UP:OK"が表示されたら、書き込み完了です。

## ■ AMP ADJUSTMENT

### Confirmation of Idling Current of MAIN (1) P. C. B.

- Right after power is turned on, confirm that each measured voltage across the terminals of R1149 (FRONT Lch), R1150 (FRONT Rch), R1153 (CENTER), R1154 (SURROUND Lch), R1152 (SURROUND Rch), R1151 (SURROUND BACK) is between 0.1 mV and 10.0 mV.
- If it exceeds 10.0 mV, open (cutoff) R1104 (FRONT Lch), R1106 (FRONT Rch), R1112 (CENTER), R1114 (SURROUND Lch), R1110 (SURROUND Rch), R1108 (SURROUND BACK) and reconfirm the voltage.

#### Attention

If the measured voltage exceeds 10.0 mV after an amplifier repair, first check for a defective component before cutting the bias resistor.

- Confirm that the voltage is between 0.2 mV and 15.0 mV after 60 minutes.

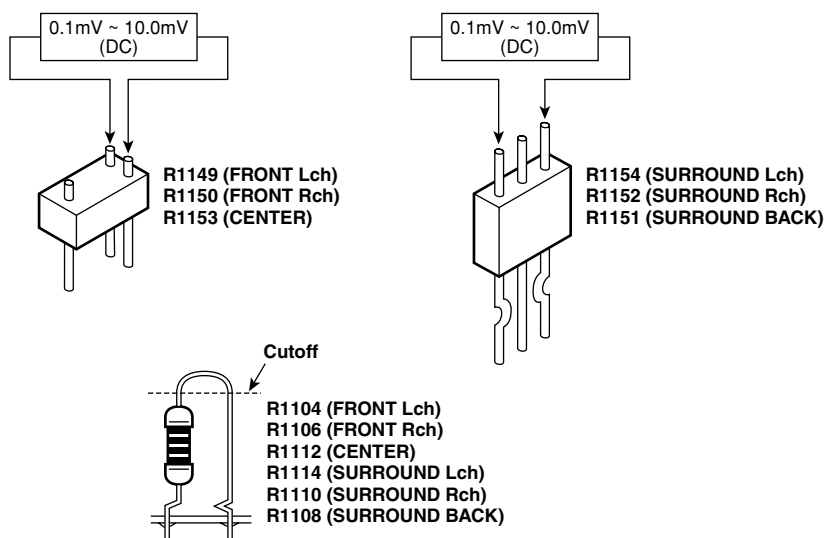
### メイン(1)基板のアイドル電流の確認

- 電源投入直後、R1149(FRONT Lch)、R1150(FRONT Rch)、R1153(CENTER)、R1154(SURROUND Lch)、R1152(SURROUND Rch)、R1151(SURROUND BACK)の端子間電圧を測定し、0.1 mVから10.0 mVの間であることを確認してください。
- 電圧が10 mVを超えている場合は、R1104(FRONT Lch)、R1106(FRONT Rch)、R1112(CENTER)、R1114(SURROUND Lch)、R1110(SURROUND Rch)、R1108(SURROUND BACK)をカットし、電圧を再確認してください。

#### 注意

パワーアンプ修理後に10.0 mVを超えている場合は、抵抗をカットする前に故障箇所を調べてください。

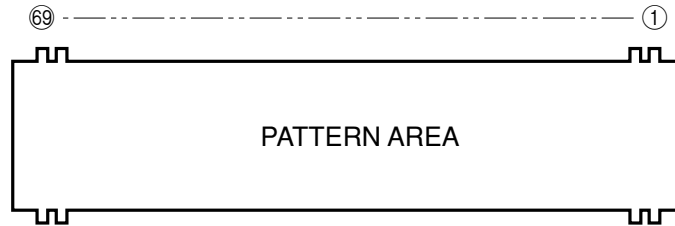
- 60分後、電圧が0.2 mV～15.0 mVであることを確認してください。



**RX-N600/RX-N600D/DSP-N600**

**■ DISPLAY DATA**

● V3000 : HNA-17MM03T (WG474000)



● PIN CONNECTION

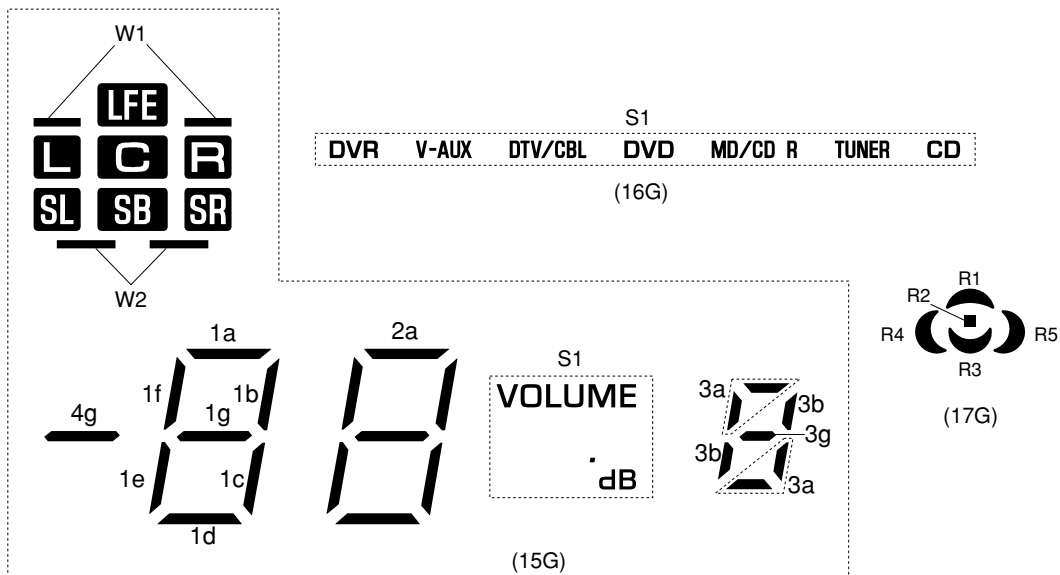
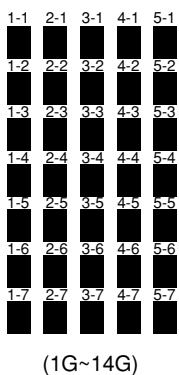
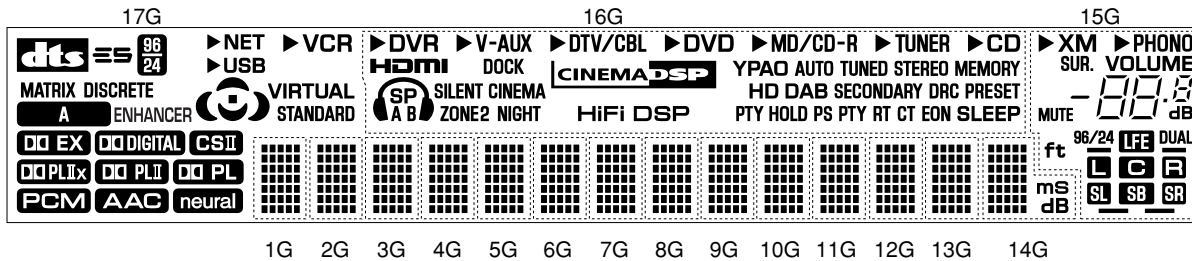
Pin No.	69	68	67	66	65	64	63	62	61	60	59	58	57	56	55	54	53	52	51	50	49	48	47	46	45	44	43	42	41	40	39	38	37	36	35
Connection	F2	F2	NP	NP	P1	P2	P3	P4	P5	P6	P7	P8	P9	P10	P11	P12	P13	P14	P15	P16	P17	P18	P19	P20	P21	P22	P23	P24	P25	P26	P27	P28	P29	P30	P31

Pin No.	34	33	32	31	30	29	28	27	26	25	24	23	22	21	20	19	18	17	16	15	14	13	12	11	10	9	8	7	6	5	4	3	2	1
Connection	P32	P33	P34	P35	P36	P37	NX	NX	NX	NX	NX	NX	NX	17G	16G	15G	14G	13G	12G	11G	10G	9G	8G	7G	6G	5G	4G	3G	2G	1G	NP	NP	F1	F1


Note : 1) Fn ..... Filament pin 2) nG ..... Grid pin 3) Pn ..... Anode pin 4) NP ..... No pin 5) NX ..... No extended pin

● GRID ASSIGNMENT



RX-N600/RX-N600D/  
HTR-N5060/DSP-N600

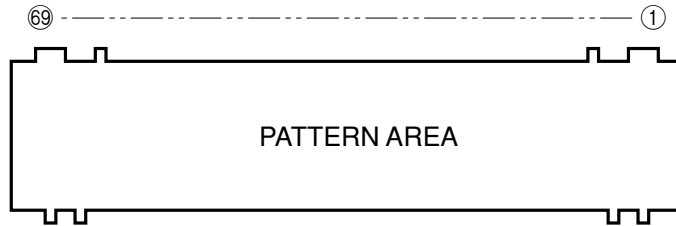
● ANODE CONNECTION

	17G	16G	15G	14G	13G~1G
P1	<b>dtb</b>	S1	S1	1-1	1-1
P2	<b>ES</b>	▶(DVR)	W1	2-1	2-1
P3	MATRIX	▶(V-AUX)	W2	3-1	3-1
P4	DISCRETE	▶(DTV/CBL)	4g	4-1	4-1
P5	<b>96 24</b>	▶(DVD)	1a	5-1	5-1
P6	<b>A</b>	▶(MD/CD-R)	1b	1-2	1-2
P7	ENHANCER	▶(TUNER)	1c	2-2	2-2
P8	<b>EX</b>	▶(CD)	1d	3-2	3-2
P9	<b>DIGITAL</b>	<b>HDMI</b>	1e	4-2	4-2
P10	<b>CSII</b>		1f	5-2	5-2
P11	<b>PLIX</b>	SP	1g	1-3	1-3
P12	<b>PLII</b>	A	2a	2-3	2-3
P13	<b>PL</b>	B	2b	3-3	3-3
P14	<b>PCM</b>	SILENT CINEMA	2c	4-3	4-3
P15	<b>AAC</b>	ZONE2	2d	5-3	5-3
P16	<b>neural</b>	NIGHT	2e	1-4	1-4
P17	<b>NET</b>	DOCK	2f	2-4	2-4
P18	<b>USB</b>	<b>CINEMA DSP</b>	2g	3-4	3-4
P19	<b>VCR</b>	HiFi DSP	3g	4-4	4-4
P20	▶(NET)	YPAO	3b	5-4	5-4
P21	▶(USB)	AUTO	3a	1-5	1-5
P22	▶(VCR)	TUNED	<b>XM</b>	2-5	2-5
P23	R1	STEREO	<b>PHONO</b>	3-5	3-5
P24	R2	MEMORY	▶(XM)	4-5	4-5
P25	R3	HD	▶(PHONO)	5-5	5-5
P26	R4	<b>DAB</b>	<b>SUR.</b>	1-6	1-6
P27	R5	<b>SECONDARY</b>	MUTE	2-6	2-6
P28	VIRTUAL	<b>DRC</b>	DUAL	3-6	3-6
P29	STANDARD	<b>PRESET</b>	96/24	4-6	4-6
P30	–	PTY(HOLD)	ft	5-6	5-6
P31	–	HOLD	<b>LFE</b>	1-7	1-7
P32	–	PS	<b>L</b>	2-7	2-7
P33	–	PTY	<b>C</b>	3-7	3-7
P34	–	RT	<b>R</b>	4-7	4-7
P35	–	CT	<b>SL</b>	5-7	5-7
P36	–	EON	<b>SB</b>	ms	–
P37	–	SLEEP	<b>SR</b>	dB	–

**HTR-N5060**

**■ DISPLAY DATA**

● V3000 : 17-BT-26GNK (WG473900)



● PIN CONNECTION

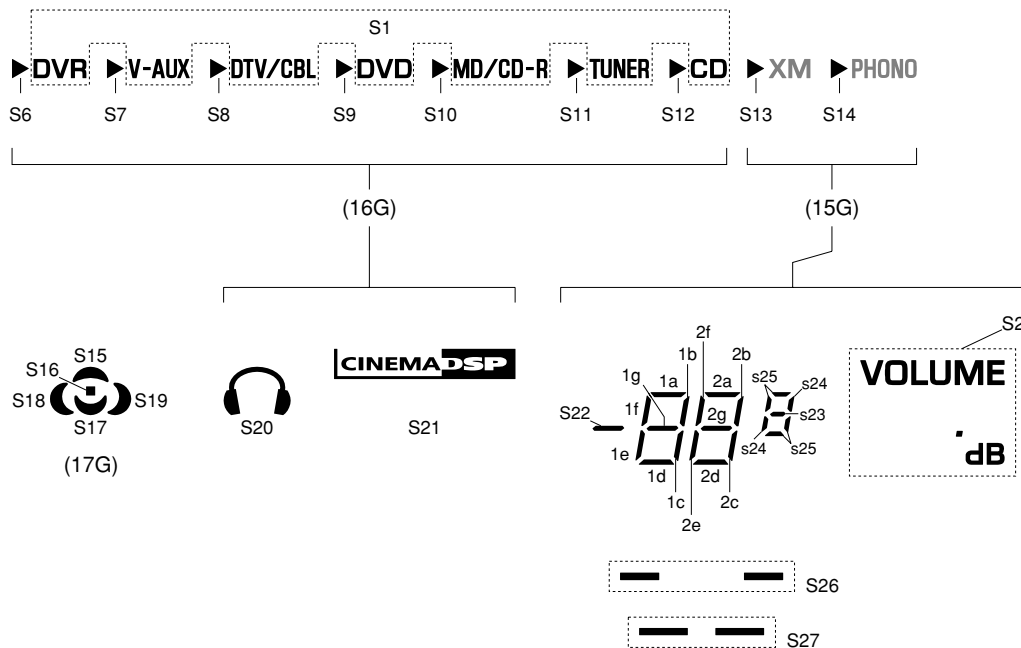
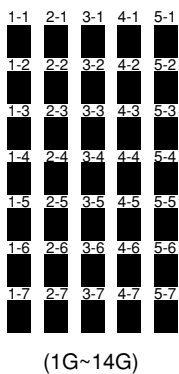
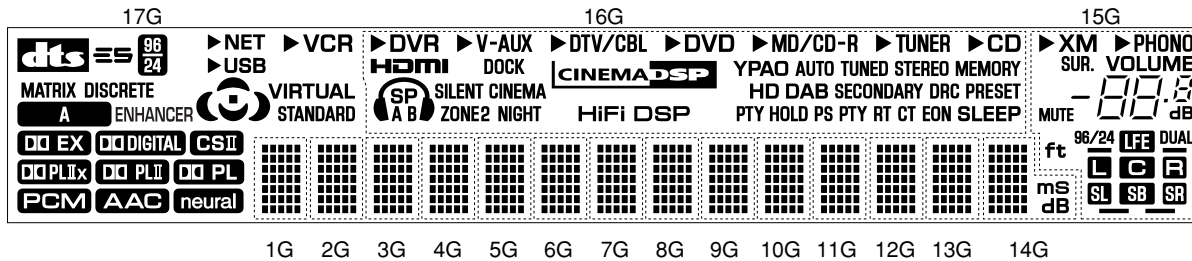
Pin No.	69	68	67	66	65	64	63	62	61	60	59	58	57	56	55	54	53	52	51	50	49	48	47	46	45	44	43	42	41	40	39	38	37	36	35
Connection	F2	NX	NP	NP	P1	P2	P3	P4	P5	P6	P7	P8	P9	P10	P11	P12	P13	P14	P15	P16	P17	P18	P19	P20	P21	P22	P23	P24	P25	P26	P27	P28	P29	P30	P31

Pin No.	34	33	32	31	30	29	28	27	26	25	24	23	22	21	20	19	18	17	16	15	14	13	12	11	10	9	8	7	6	5	4	3	2	1
Connection	P32	P33	P34	P35	P36	P37	NX	NX	NX	NX	NX	NX	NX	17G	16G	15G	14G	13G	12G	11G	10G	9G	8G	7G	6G	5G	4G	3G	2G	1G	NP	NP	NX	F1

Note : 1) F1, F2 ..... Filament pin 2) NP ..... No pin 3) NX ..... No extend pin 4) 1G~17G ..... Grid pin

● GRID ASSIGNMENT



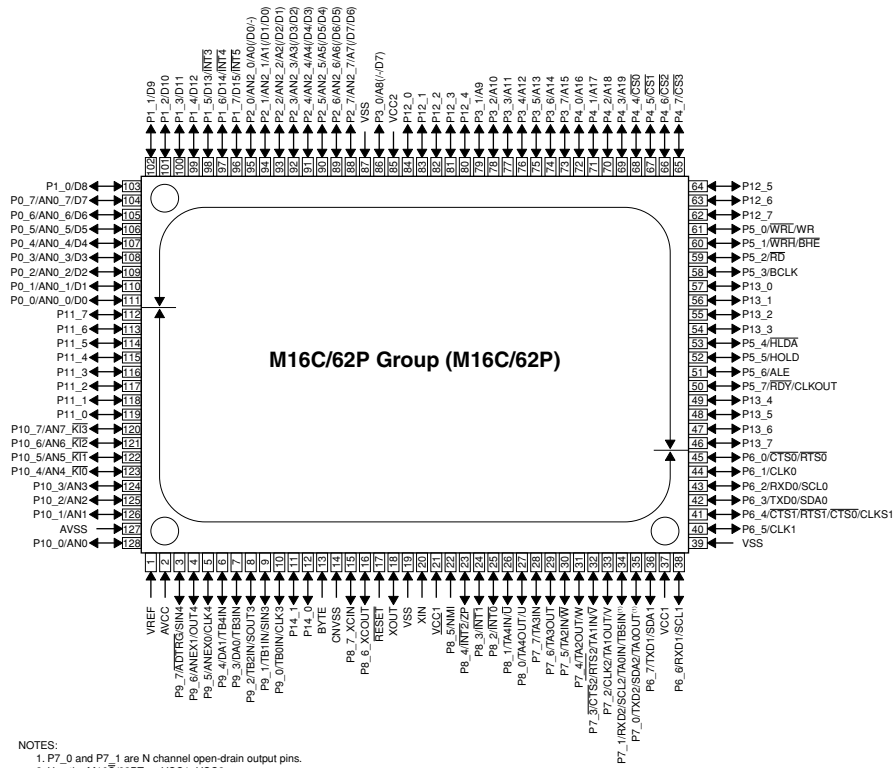
RX-N600/RX-N600D/  
HTR-N5060/DSP-N600

● ANODE CONNECTION

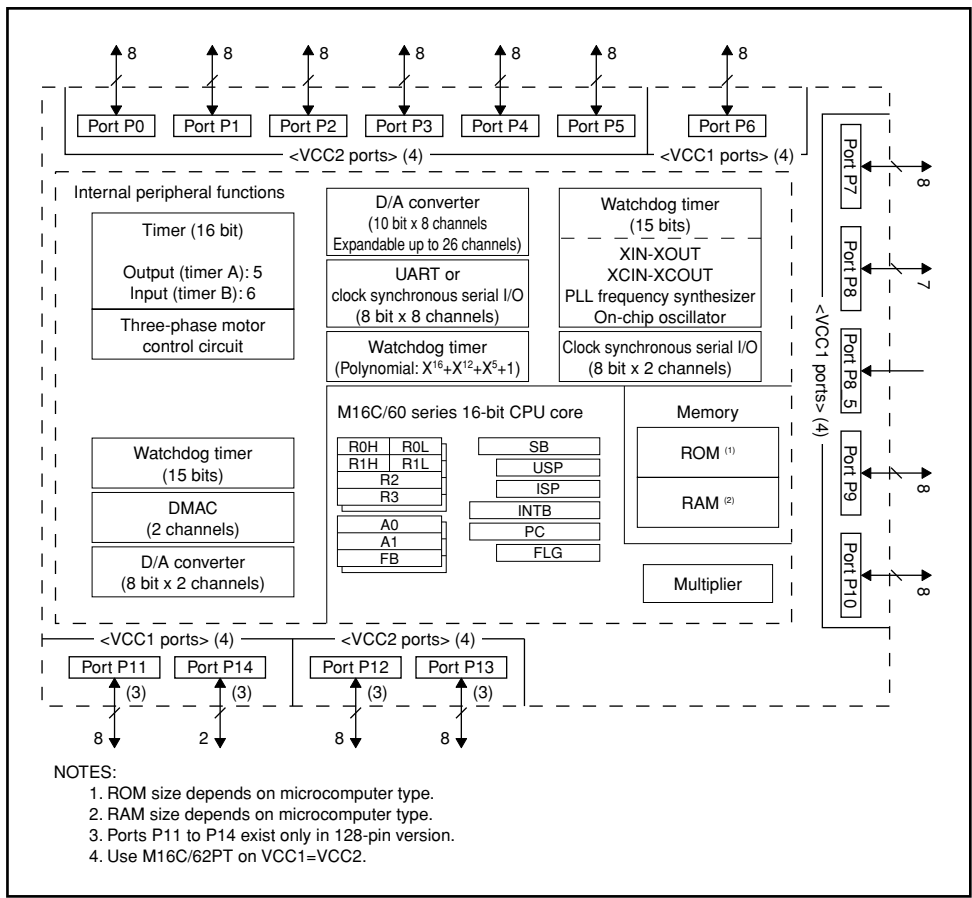
	1G~13G	14G	15G	16G	17G
1P	1-1	1-1	S2	S1	<b>dts</b>
2P	2-1	2-1	S26	S6	<b>ES</b>
3P	3-1	3-1	S27	S7	MATRIX
4P	4-1	4-1	S22	S8	DISCRETE
5P	5-1	5-1	1a	S9	<b>96 24</b>
6P	1-2	1-2	1b	S10	<b>A</b>
7P	2-2	2-2	1c	S11	ENHANCER
8P	3-2	3-2	1d	S12	<b>DD EX</b>
9P	4-2	4-2	1e	<b>HDMI</b>	<b>DD DIGITAL</b>
10P	5-2	5-2	1f	S20	<b>CST</b>
11P	1-3	1-3	1g	SP	<b>DD PLIX</b>
12P	2-3	2-3	2a	A	<b>DD PLI</b>
13P	3-3	3-3	2b	B	<b>DD PL</b>
14P	4-3	4-3	2c	SILENT CINEMA	<b>PCM</b>
15P	5-3	5-3	2d	ZONE2	<b>AAC</b>
16P	1-4	1-4	2e	NIGHT	<b>neural</b>
17P	2-4	2-4	2f	DOCK	<b>NET</b>
18P	3-4	3-4	2g	S21	<b>USB</b>
19P	4-4	4-4	S23	HiFi DSP	<b>VCR</b>
20P	5-4	5-4	S24	YPAO	S3
21P	1-5	1-5	S25	AUTO	S5
22P	2-5	2-5	<b>XM</b>	TUNED	S4
23P	3-5	3-5	<b>PHONO</b>	STEREO	S15
24P	4-5	4-5	S13	MEMORY	S16
25P	5-5	5-5	S14	HD	S17
26P	1-6	1-6	<b>SUR.</b>	<b>DAB</b>	S18
27P	2-6	2-6	MUTE	<b>SECONDARY</b>	S19
28P	3-6	3-6	DUAL	<b>DRC</b>	VIRTUAL
29P	4-6	4-6	96/24	<b>PRESET</b>	STANDARD
30P	5-6	5-6	ft	PTY(HOLD)	—
31P	1-7	1-7	<b>LFE</b>	HOLD	—
32P	2-7	2-7	<b>L</b>	PS	—
33P	3-7	3-7	<b>C</b>	PTY	—
34P	4-7	4-7	<b>R</b>	RT	—
35P	5-7	5-7	<b>SL</b>	CT	—
36P	—	ms	<b>SB</b>	EON	—
37P	—	dB	<b>SR</b>	SLEEP	—

# IC DATA

IC2 : M30625MHP-A98GP (DSP P.C.B.)  
Microprocessor



NOTES:  
1. P7\_0 and P7\_1 are N channel open-drain output pins.  
2. Use the M16C/62PT on VCC1=VCC2.



NOTES:  
1. ROM size depends on microcomputer type.  
2. RAM size depends on microcomputer type.  
3. Ports P11 to P14 exist only in 128-pin version.  
4. Use M16C/62PT on VCC1=VCC2.

RX-N600/RX-N600D/  
HTR-N5060/DSP-N600



IC2 : M30625MHP-A98GP (DSP P.C.B.)  
Microprocessor

No.	Port Name	Terminal Name	I/O				Function
			PowerOn	Pure Direct	Standby	Sleep	
1	Vref	Vref	MCU		MCU	MCU	AD reference
2	Avcc	Vvcc	MCU		MCU	MCU	AD power supply
3	P97/Adtrg/Sin4	CEFD	O		O	O	FL Driver CE
		MOD0			I		MODEL distinction 0
4	P96/ANEX1/SOUT4	DTFD	SO		O	O	FL Driver TxD
5	P95/ANEX0/CLK4	CKFD	SO		O	O	FL Driver CLOCK
6	P94/DA1/TB4in	LC	DA		O	O	Limiter control output
7	P93/DA0/TB3in	XMPWR	O		O	O	XM/DT BUS power control (U model)
8	P92/TB2in/SOUT3	SDM	SO		O	O	Serial data output to DIR, TI (DA70Y), DAC / DIR: 4M, LSBF/TI: 1M, MSBF
9	P91/TB1in/SIN3	SDD	SI		O	O	Serial data input from DIR, TI (DA70Y)
10	P90/TB0in/CLK3	SCK	SO		O	O	Serial clock output to DIR, TI (DA70Y) DAC
11	P141	/ICCNV	O	O	O	O	Reset I2C device of CONV (RX-N600, RX-N600D, DSP-N600 models)
12	P140	NW_RST	O		O	O	Reset signal to Net-module
13	BYTE	BYTE	MCU		MCU	MCU	Vss : When single chip mode is used
14	CNVss	CNVss	MCU		MCU	MCU	Vss : When single chip mode is used, Vcc : When flash writing is used
15	P87/Xcin	MUTETI	O		O	O	Mute of TI decoder DSP DA70Y (HI=Mute)
16	P86/Xcout	/TIBUSY	I		O	O	TI busy detection / CDDA writing data input
17	/RESET	/RES	MCU		MCU	MCU	Reset
18	Xout	Xout	MCU		MCU	MCU	Oscillation output
19	Vss	Vss	MCU		MCU	MCU	Ground for microprocessor
20	Xin	Xin	MCU		MCU	MCU	Oscillation input
21	Vcc1	Vcc	MCU		MCU	MCU	Power supply +5V for microprocessor
22	P85/NMI	NMI	MCU		MCU	MCU	No used, connect Vss
23	P84/INT2	/INTTI	IRQ		O	O	Interrupt of TI decoder DSP DA70Y
24	P83/INT1	/INTDIR	IRQ		O	O	Interrupt of DIR
25	P82/INT0	/VSY	IRQ	O	O	O	Interrupt of vertical sync pulse (RX-N600, RX-N600D, DSP-N600 models)
26	P81/TA4in/U	/CSDIR	O		O	O	Chip enable of DIR
27	P80/TA4out/U	/CSTI	O		O	O	Chip enable of TI decoder DSP DA70Y
28	P77/TA3in	/CSDAC	O		O	O	Chip enable of DAC (2ch/8ch common)
29	P76/TA3out	/ICDIR	O		O	O	DIR reset
30	P75/TA2in/W	/ICTI	O		O	O	Reset of TI decoder DSP DA70Y
31	P74/TA2out/W	/SPIRDY	I		O	O	TI DA70Y serial ready / WCK input for CDDA writing
32	P73/CTS2/RTS2/TA1in/V	/CEEEP	O		O	O	EEPROM CE
33	P72/CLK2/TA1out/V	FET	O		O	O	Control of flash writing
34	P71/RXD2/SCL2/TA0in/TB5in	DRXM	SI		O	O	XMDT IC RxDU (U, C models)/DAB SCL (RX-N600D model)
35	P70/TXD2/SDA2/TA0out	DTXM	SO		O	O	XMDT IC TxDU (U, C models)/DAB SDA (RX-N600D model)
36	P67/TXD1/SDA1	SDA	SO	I	I	I	IIC data I/O for VIDEO (RX-N600, RX-N600D, DSP-N600 models)
		TXDF	SO				Data transmission terminal of AF220
37	Vcc1	Vcc	MCU		MCU	MCU	Power supply +5V for microprocessor
38	P66/RXD1/SCL1	SCL	SO	I	I	I	IIC clock I/O for VIDEO, Clock speed: 100kHz
		RXDF	SO				Flash ROM RxD
39	Vss	Vss	MCU		MCU	MCU	Ground for microprocessor
40	P65/CLK1	N.C.	O		O	O	
		CLKF	SO				Clock transmission terminal signal output for AF220
41	P64/CTS1/RTS1/CTS0/CLKS1	BSY	O				Busy signal output for AF220
42	P63/TXD0/SDA0	TXDNW	SO		O	O	Serial data input for iPod/Net-module
43	P62/RXD0/SCL0	RXDNW	SI		O	O	Serial data input for iPod/Net-module
44	P61/CLK0	iPDET	I		O	O	iPod detection
45	P60/CTS0/RTS0	iPAP	I		O	O	iPod accessories power detection
46	P137	Z2RY	O		O	O	
47	P136	/4ohm	O		O	O	Impedance control / ±B voltage control
48	P135	SBRY	O		O	O	SURROUND BACK SP relay output
49	P134	SPC	O		O	O	CENTER and SURROUND SP relay output
50	P57/RDY/CLKout	SPB	O		O	O	FRONT B SP relay output
51	P56/ALE	SPA	O		O	O	FRONT A SP relay output
52	P55/HOLD	/EMP	I				For FLASH writing (LO)
53	P54/HLDA	PRI	I		O	O	Protection overcurrent detection

**IC2** : M30625MHP-A98GP (DSP P.C.B.)  
Microprocessor

No.	Port Name	Terminal Name	I/O				Function
			PowerOn	Pure Direct	Standby	Sleep	
54	P133	PSV	0		0	0	Power save
55	P132	PRY	0		0	0	Power relay output
56	P131	MASTER	1		0	0	MASTER ON/OFF
57	P130	/BLK	0		0	0	FL Driver turning off
58	P53/BCLK	ISA	1		0	0	INPUT Selector Rotary A
59	P52/RD	ISB	1		0	0	INPUT Selector Rotary B
60	P51/WRH/BHE	TONEA	1		0	0	Tone Control Rotary A
61	P50/WRLWR	/CE	1				For FLASH writing (HI)
62	P127	TONEB	1		0	0	Tone Control Rotary B
63	P126	VRA	1		0	0	Volume Rotary A
64	P125	VRB	1		0	0	Volume Rotary B
65	P47/CS3	VIA	0		0	0	VIDEO Selector A
66	P46/CS2	VIB	0	0	0	0	VIDEO Selector B
67	P45/CS1	VIC	0	0	0	0	VIDEO Selector C
68	P44/CS0	S/V	0	0	0	0	OSD input S/Composite change (RX-N600,RX-N600D,DSP-N600 models)
69	P43/A19	/CES	0	0	0	0	OSD Enable (RX-N600,RX-N600D,DSP-N600 models)
		MOD1	1	0			MODEL distinction 1
70	P42/A18	SVIDD	1		0	0	S-Video Signal Detector
71	P41/A17	BYPASS	0	0	0	0	VIDEO Bypass/ conversion change
72	P40/A16	/INTCNV	1	0	0	0	Interrupt request of VIDEO DEC/ENC IC (RX-N600,RX-N600D,DSP-N600 models)
73	P37/A15	/VR1	0	0	0	0	VIDEO REC OUT 1 mute
74	P36/A14	/VR2	0	0	0	0	
75	P35/A13	/PURD	0	0	0	1	
76	P34/A12	/MON	0		0	0	VIDEO monitor out mute
77	P33/A11	CPNTD	1	0	0	0	Component Signal Detector (DVD)
78	P32/A10	CMP0	0	0	0	0	Component Selector 0
79	P31/A9	CMP1	0	0	0	0	Component Selector 1
80	P124	CBYPASS	0	0	0	0	Component Bypass/Conversion change (RX-N600,RX-N600D,DSP-N600 models)
81	P123	/CNONE	0	0	0	0	Component monitor out mute
82	P122	TRIG	0	0	0	0	DC TRIGGER input
83	P121	TMT	0		0	0	TUNER mute
84	P120	SDRN	1		0	0	RDS RxD (B, G, E models)
85	Vcc2	Vcc	MCU		MCU	MCU	Power supply +5V for microprocessor
86	P30/A8	SCKN	0		0	0	RDS IC Clock (B, G, E models)
			0		0	0	OSD IC Clock (RX-N600,RX-N600D,DSP-N600 models)
87	Vss	Vss	MCU	0	MCU	MCU	Ground for microprocessor
88	P27/A7	SDTN	0		0	0	RDS IC TxD (B, G, E models)
			0		0	0	OSD IC TxD (RX-N600,RX-N600D,DSP-N600 models)
89	P26/A6	RDSE	0	0	0	0	RDS Enable (B, G, E models)
		/ICXM	0		0	0	IC reset (U, C models)
90	P25/A5	SCKP	0		0	0	PLL IC Clock
91	P24/A4	SDTP	0		0	0	PLL IC TxD
92	P23/A3	CEP	0		0	0	PLL IC Enable
93	P22/A2	SDRP	1+		0	0	PLL IC RxD
94	P21/A1	/ST	1+		0	0	TUNER /ST
95	P20/A0	TUNED	1+		0	0	TUNED
96	P17/D15/INT5	PDET	IRQ		IRQ	0	Power Down DETECT INT
97	P16/D14/INT4	/PSW	IRQ		IRQ	0	Interrupt MASTER / MAIN / Zone2 Power SW
98	P15/D13/INT3	REM	IRQ		IRQ	0	Remote Control input
99	P14/D12	/HP	1		0	0	HEAD PHONE detection
100	P13/D11	/MTHP	0		0	0	HEAD PHONE MUTE input
101	P12/D10	/MTFS	0		0	0	MUTE Front/Surround, PreOUT
102	P11/D9	/MTCT	0		0	0	MUTE Center
103	P10/D8	/MTSW	0		0	0	MUTE SW
104	P07/D7	/MTZ2	0		0	0	Zone 2 MUTE (RX-N600,RX-N600D,DSP-N600 models)
105	P06/D6	CKEV	0		0	0	Electron volume IC Clock
106	P05/D5	DTEV	0		0	0	Electron volume IC DATA
107	P04/D4	CKZ2	0		0	0	Zone2 selector (BD3841) Clock (RX-N600,RX-N600D,DSP-N600 models)
108	P03/D3	DTZ2	0		0	0	Zone2 selector (BD3841) data (RX-N600,RX-N600D,DSP-N600 models)

IC2 : M30625MHP-A98GP (DSP P.C.B.)  
Microprocessor

No.	Port Name	Terminal Name	I/O				Function
			PowerOn	Pure Direct	Standby	Sleep	
109	P02/D2	N.C.	O		O	O	
110	P01/D1	N.C.	O		O	O	
111	P00/D0	CKEX	O		O	O	EX. INPUT selector clock
112	P117	DTEX	O		O	O	EX. INPUT selector data
113	P116	CKBD	O		O	O	
114	P115	MOD2			I		MODEL distinction 2
115	P114	DTSEL	O		O	O	
116	P113	CKSEL	O		O	O	
117	P112	MOD4			I		MODEL distinction 4
118	P111	ICEV	O		O	O	
119	P110	CEEV	O		O	O	
		MOD3			I		MODEL distinction 3
120	P107/AN7/KI3	PRV2	AD		O	O	
121	P106/AN6/KI2	PRV1	AD		O	O	AD protection power-supply voltage detection
122	P105/AN5/KI1	PRD	AD		O	O	AD protection DC detection
123	P104/AN4/KI0	PLDET	AD		O	O	AD power limiter detection
124	P103/AN3	THM	AD		O	O	AD temperature detection
125	P102/AN2	ADKEY0	AD		O	O	AD Key 0
126	P101/AN1	ADKEY1	AD		O	O	AD Key 1
127	Avss	Avss	MCU		MCU	MCU	Ground for AD
128	P100/AN0	DEST	AD		O	O	AD model detection

RX-N600/RX-N600D/DSP-N600

Key input(A-D) pull-up resistance 10 k-ohms

Ohm	+0.0k	+1.0k	+1.0k	+1.5k	+2.2k	+3.3k	+4.7k	+4.7k	+6.8k	+10.0k	+22.0k
V	~0.3	~0.7	~1.0	~1.5	~2.0	~2.6	~3.1	~3.4	~3.7	~4.0	~4.4
ADKEY0 125pin/AN2	MAIN/ZONE ON/OFF	—	—	—	INPUT MODE	STRAIGHT	TONE CONTROL	PRESET/TUNING	SPEAKER B	SPEAKER A	—
ADKEY1 126pin/AN1	ZONE2 ON/OFF	—	—	ZONE CONTROL	MULTI CH INPUT	FM/AM DAB	A/B/C/D/E	PRESET/TUNING <	PRESET/TUNING >	MEMORY	TUNING MODE

HTR-N5060

Key input(A-D) pull-up resistance 10 k-ohms

Ohm	+0.0k	+1.0k	+1.0k	+1.5k	+2.2k	+3.3k	+4.7k	+4.7k	+6.8k	+10.0k	+22.0k
V	~0.3	~0.7	~1.0	~1.5	~2.0	~2.6	~3.1	~3.4	~3.7	~4.0	~4.4
ADKEY0 125pin/AN2	PROGRAM <	PROGRAM <	BASS/TREBLE —	BASS/TREBLE +	INPUT MODE	STRAIGHT	TONE CONTROL	PRESET/TUNING	SPEAKER B	SPEAKER A	—
ADKEY1 126pin/AN1	—	—	—	—	MULTI CH INPUT	FM/AM	A/B/C/D/E	PRESET/TUNING <	PRESET/TUNING >	MEMORY	TUNING MODE

Model distinction port / モデル判別ポート

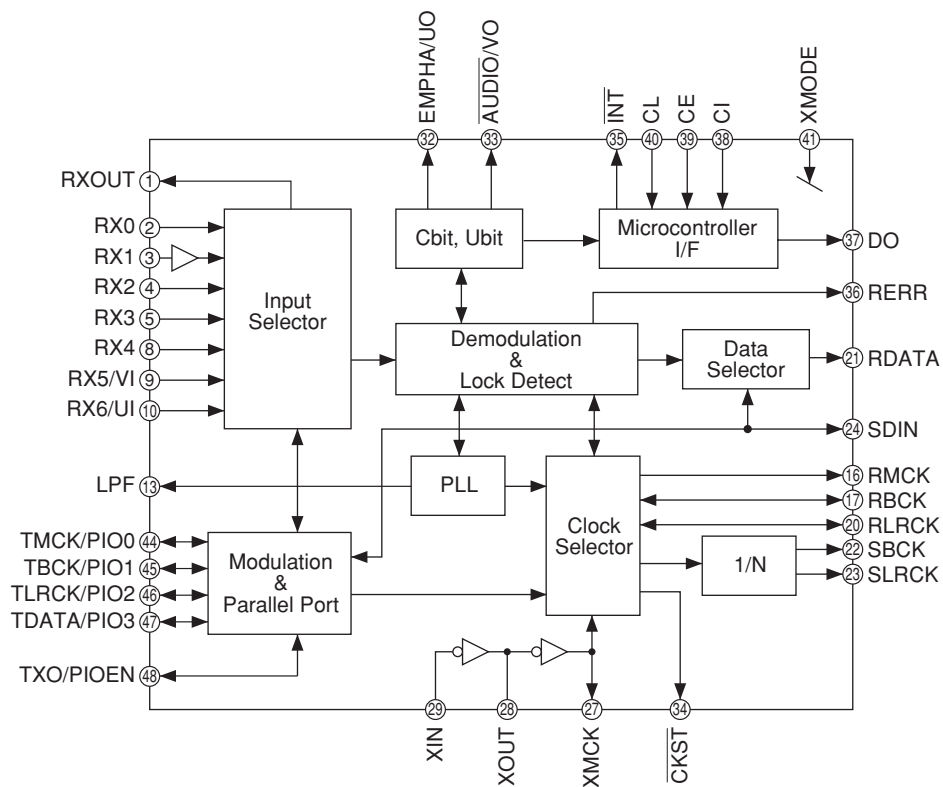
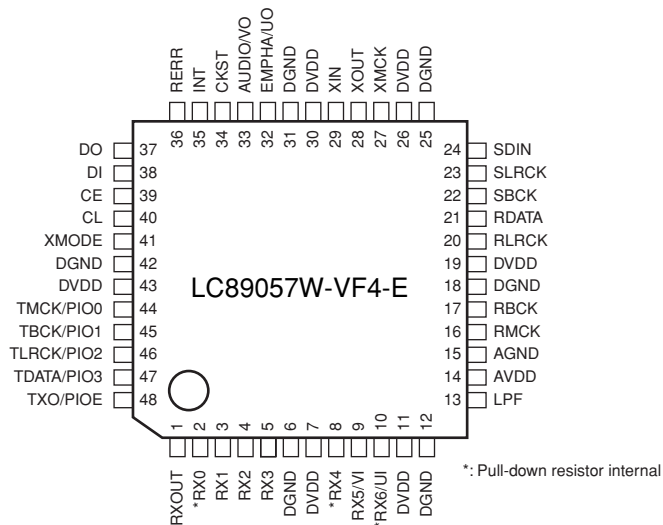
Pin	Function	Name	RX-N600/DSP-N600	RX-N600D	HTR-N5060
3	P97/Adtrg/Sin4	CEFD/MOD0	0	0	1
69	P43/A19	CES/MOD1	0	0	0
114	P115	DTBD/MOD2	1	1	1
119	P110	CEEV/MOD3	1	1	1
117	P112	CESEL/MOD4	0	1	0

Destination for AD Port / 仕向け先判別ポート

Pull-up resistance 10 k-ohms

Ohm	0.0k	1.2k	2.7k	4.7k	6.8k	10.0k	15.0k	27.0k	47.0k	100.0k	∞
V	0-0.2	0.3-0.8	0.9-1.3	1.4-1.8	1.8-2.2	2.3-2.7	2.8-3.3	3.4-3.8	3.9-4.3	4.4-4.7	4.8-5.0
A-D (5V=255)	0-13	14-40	41-68	69-92	93-115	116-140	141-170	171-198	199-221	222-244	245-255
DEST 128pin	J	U, C	—	R	T	K	A	B	G, E	—	—

IC56 : LC89057W-VF4-E (DSP P.C.B)  
Digital Audio Interface Transceiver



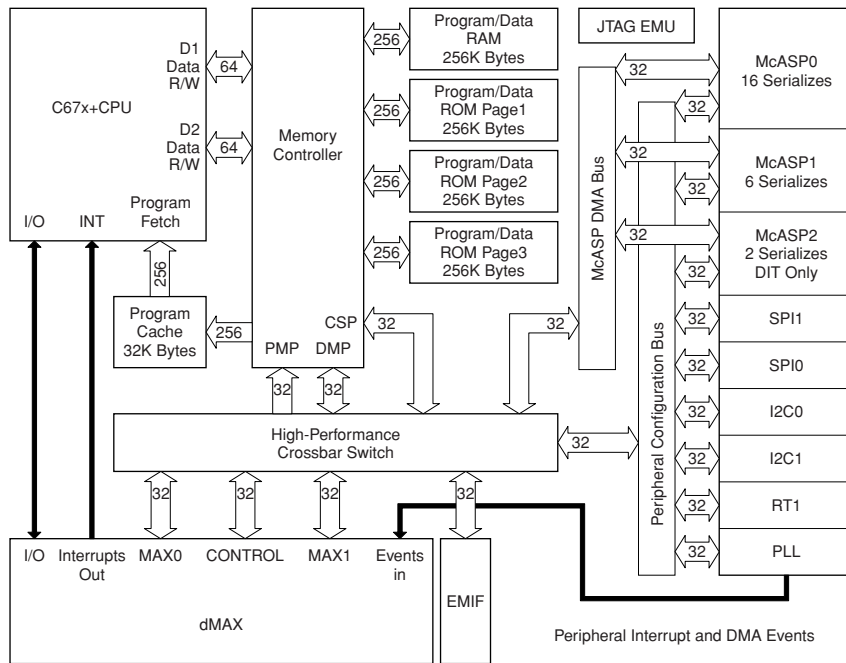
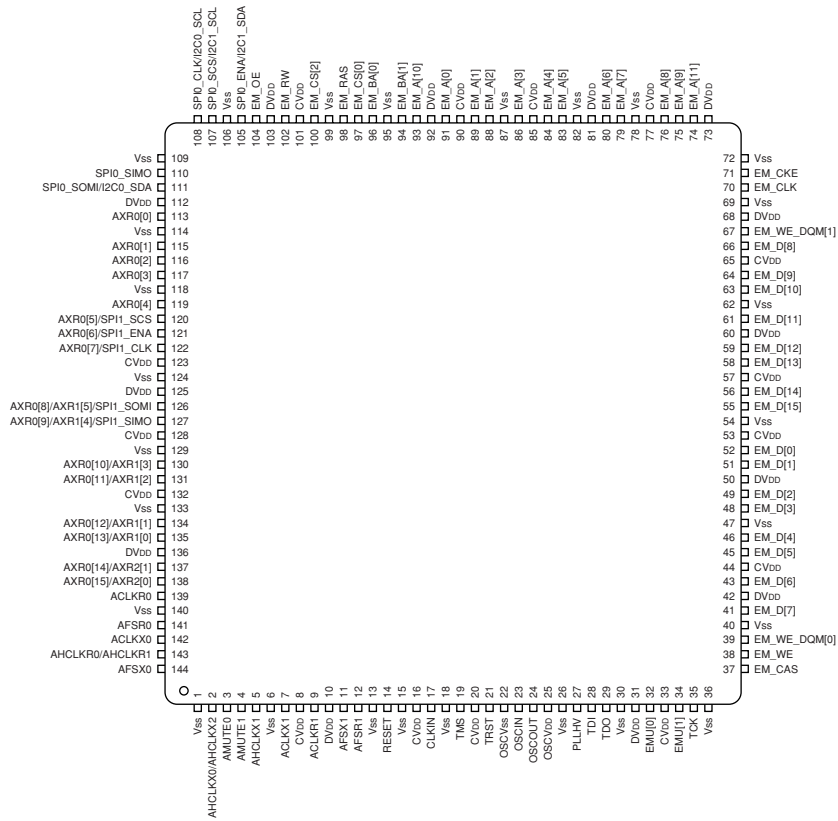
**IC56** : LC89057W-VF4-E (DSP P.C.B)  
Digital Audio Interface Transceiver

No.	Name	I/O	Function
1	RXOUT	O	Input bi-phase selection data output pin
2	RX0	Is	TTL-compatible digital data input pin
3	RX1	I	Coaxial-compatible digital data input pin with built-in amplifier
4	RX2	Is	TTL-compatible digital data input pin
5	RX3	Is	TTL-compatible digital data input pin
6	DGND		Digital GND
7	DVDD		Digital power supply
8	RX4	Is	TTL-compatible digital data input pin
9	RX5/VI	Is	TTL-compatible digital data / Validity flag input pin for modulation
10	RX6/UI	Is	TTL-compatible digital data / User data input pin for modulation
11	DVDD		PLL digital power supply
12	DGND		PLL digital GND
13	LPF	O	PLL loop filter connection pin
14	ACDD		PLL analog power supply
15	AGND		PLL analog GND
16	RMCK	O	R system clock output pin (256fs, 512fs, XIN, VCO)
17	RBCK	O/I	R bit clock input/output pin
18	DGND		Digital GND
19	DVDD		Digital power supply
20	RLRCK	O/I	R LR clock input/output pin (fs)
21	RDATA	O	Serial audio data input pin
22	SBCK	O	S bit clock output pin (32fs, 64fs, 128fs)
23	SLRCK	O	S LR clock output pin (fs/s, fs, 2fs)
24	SDIN	Is	Serial audio data input pin
25	DGND		Digital GND
26	DVDD		Digital power supply
27	XMCK	O	Oscillation amplifier output pin
28	XOUT	O	Crystal resonator connection output pin
29	XIN	I	Crystal resonator connection, external supply clock input pin (24.576 MHz or 12.288 MHz)
30	DVDD		Digital power supply
31	DGND		Digital GND
32	EMPHA/UO	I/O	Emphasis information / U data output / Chip address setting pin
33	AUDIO/VO	I/O	Non-PCM output / V flag output / Chip address setting pin
34	CKST	I/O	Clock switch transition period signal / Demodulation master or slave function switch pin
35	INT	I/O	Microcontroller interrupt output / Modulation or general-purpose I/O switch pin
36	RERR	O	PLL clock error, data error flag output
37	DO	O	Microcontroller I/F read data output pin (3-state)
38	DI	Is	Microcontroller I/F write data input pin
39	CE	Is	Microcontroller I/F chip enable input pin
40	CL	Is	Microcontroller I/F clock input pin
41	XMODE	Is	System reset input pin
42	DGND		Digital GND
43	DVDD		Digital power supply
44	TMCK/PIO0	I/O	Modulation 256fs system clock input / General-purpose I/O input/output pin
45	TMCK/PIO1	I/O	Modulation 64fs bit clock input / General-purpose I/O input/output pin
46	TLRCK/PIO2	I/O	Modulation fs clock input / General-purpose I/O input/output pin
47	TLRCK/PIO3	I/O	Modulation serial audio data input / General-purpose I/O input/output pin
48	TXO/PIOEN	O/I	Modulation data output / General-purpose I/O enable input pin

- 1) Input/output I or O = -0.3 to 3.6V, Is = -0.3 to 5.5V
- 2) Pins 32 and 33 are latch address setting input pins when pin 41 = "L".
- 3) Pin 34 is a demodulation function master or slave setting input pin when pin 41 = "L".
- 4) Pin 35 is a modulation function or general-purpose I/O function switch setting input pin when pin 41 = "L".
- 5) Perform ON/OFF for all power supplies with the same timing as a latch-up countermeasure.

IC60 : D70YE101RFP250 (DSP P.C.B)  
Decoder/Post Processor

\* No replacement part available.



**IC60** : D70YE101RFP250 (DSP P.C.B)  
Decoder/Post Processor

PIN NO.	SIGNAL NAME	TYPE <sup>(1)</sup>	PULL <sup>(2)</sup>	GPIO <sup>(3)</sup>	DESCRIPTION
1	Ground(Vss)				
2	AHCLKX0/AHCLKX2	IO	-	Y	McASP0 and McASP2 Transmit Master Clock
3	AMUTE0	IO	-	Y	McASP0 MUTE Output
4	AMUTE1	IO	-	Y	McASP1 MUTE Output
5	AHCLKX1	IO	-	Y	McASP1 Transmit Master Clock
6	Ground(Vss)				
7	ACLKX1	IO	-	Y	McASP1 Transmit Bit Clock
8	Core Supply (CVpp)				
9	ACLKR1	IO	-	Y	McASP1Receive Bit Clock
10	IO Supply (DVpp)				
11	AFSX1	IO	-	Y	McASP1 Transmit Frame Sync (L/R Clock)
12	AFSR1	IO	-	Y	McASP1Receive Frame Sync (L/R Clock)
13	Ground(Vss)				
14	RESET	IO	-	N	Device reset pin
15	Ground(Vss)				
16	Core Supply (CVpp)				
17	CLKIN	IO	-	N	Alternate clock input (3.3-V LVCMOS Input)
18	Ground(Vss)				
19	TMS	IO	IPU	N	Test mode Select
20	Core Supply (CVpp)				
21	TRST	IO	IPU	N	Test Reset
22	OSCVss	PWR	-	N	Oscillator Vss tap point (for filter only)
23	OSCIN	IO	-	N	1.2-V Oscillator Input
24	OSCOUT	O	-	N	1.2-V Oscillator Output
25	OSCVpp	PWR	-	N	Oscillator 1.2-V Vpp tap point (for filter only)
26	Ground(Vss)				
27	PLLHV	PWR	-	N	PLL 3.3-V Supply Input (requires external filter)
28	TDI	IO	IPU	N	Test Data In
29	TDO	OZ	IPU	N	Test Data Out
30	Ground(Vss)				
31	IO Supply (DVpp)				
32	EMU[0]	IO	IPU	N	Emulation Pin 0
33	Core Supply (CVpp)				
34	EMU[1]	IO	IPU	N	Emulation Pin 1
35	TCK	IO	IPU	N	Test Clock
36	Ground(Vss)				
37	EM_CAS	O	-	N	SDRAM Column Address Strobe
38	EM_WE	O	-	N	SDRAM Write Enable
39	EM_WE_DQM[0]	O	-	N	Write Enable or Byte Enable for EM_D[7:0]
40	Ground(Vss)				
41	EM_D[7]	IO	-	N	EMIF Data Bus [lower 16 Bits]
42	IO Supply (DVpp)				
43	EM_D[6]	IO	-	N	EMIF Data Bus [lower 16 Bits]
44	Core Supply (CVpp)				
45	EM_D[5]	IO	-	N	EMIF Data Bus [lower 16 Bits]
46	EM_D[4]	IO	-	N	EMIF Data Bus [lower 16 Bits]
47	Ground(Vss)				
48	EM_D[3]	IO	-	N	EMIF Data Bus [lower 16 Bits]
49	EM_D[2]	IO	-	N	EMIF Data Bus [lower 16 Bits]
50	IO Supply (DVpp)				
51	EM_D[1]	IO	-	N	EMIF Data Bus [lower 16 Bits]
52	EM_D[0]	IO	-	N	EMIF Data Bus [lower 16 Bits]
53	Core Supply (CVpp)				
54	Ground(Vss)				
55	EM_D[15]	IO	-	N	EMIF Data Bus [lower 16 Bits]

RX-N600/RX-N600D/  
HTR-N5060/DSP-N600

IC60 : D70YE101RFP250 (DSP P.C.B)  
Decoder/Post Processor

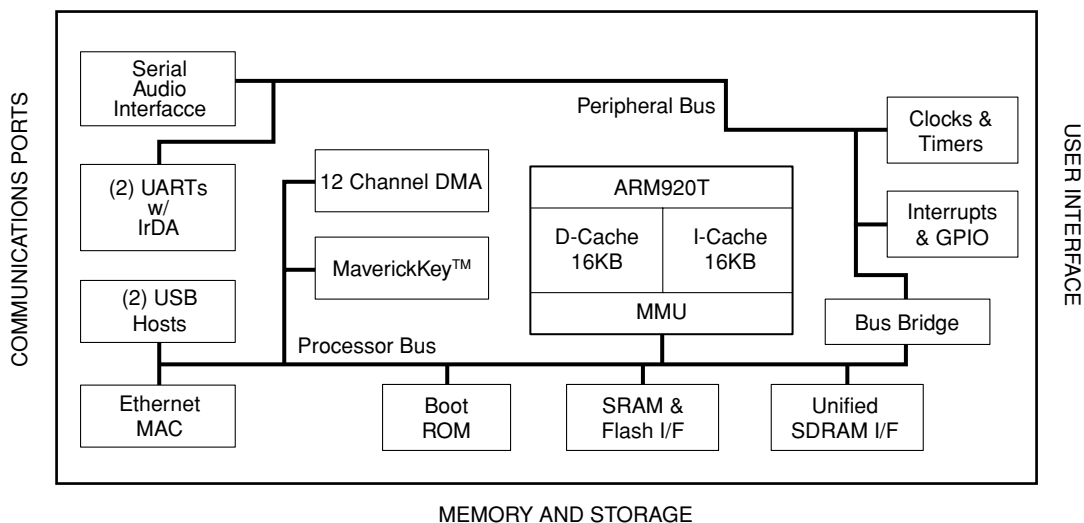
PIN NO.	SIGNAL NAME	TYPE <sup>(1)</sup>	PULL <sup>(2)</sup>	GPIO <sup>(3)</sup>	DESCRIPTION
56	EM_D[14]	IO	-	N	EMIF Data Bus [lower 16 Bits]
57	Core Supply (CVpp)				
58	EM_D[13]	IO	-	N	EMIF Data Bus [lower 16 Bits]
59	EM_D[12]	IO	-	N	EMIF Data Bus [lower 16 Bits]
60	IO Supply (DVpp)				
61	EM_D[11]	IO	-	N	EMIF Data Bus [lower 16 Bits]
62	Ground(Vss)				
63	EM_D[10]	IO	-	N	EMIF Data Bus [lower 16 Bits]
64	EM_D[9]	IO	-	N	EMIF Data Bus [lower 16 Bits]
65	Core Supply (CVpp)				
66	EM_D[8]	IO	-	N	EMIF Data Bus [lower 16 Bits]
67	EM_WE_DQM[1]	O	-	N	Write Enable or Byte Enable for EM_D[15:8]
68	IO Supply (DVpp)				
69	Ground(Vss)				
70	EM_CLK	O	-	N	SDRAM Clock
71	EM_CKE	O	-	N	SDRAM Clock Enable
72	Ground(Vss)				
73	IO Supply (DVpp)				
74	EM_A[11]	O	-	N	EMIF Address Bus
75	EM_A[9]	O	-	N	EMIF Address Bus
76	EM_A[8]	O	-	N	EMIF Address Bus
77	Core Supply (CVpp)				
78	Ground(Vss)				
79	EM_A[7]	O	-	N	EMIF Address Bus
80	EM_A[6]	O	-	N	EMIF Address Bus
81	IO Supply (DVpp)				
82	Ground(Vss)				
83	EM_A[5]	O	-	N	EMIF Address Bus
84	EM_A[4]	O	-	N	EMIF Address Bus
85	Core Supply (CVpp)				
86	EM_A[3]	O	-	N	EMIF Address Bus
87	Ground(Vss)				
88	EM_A[2]	O	-	N	EMIF Address Bus
89	EM_A[1]	O	-	N	EMIF Address Bus
90	Core Supply (CVpp)				
91	EM_A[0]	O	-	N	EMIF Address Bus
92	IO Supply (DVpp)				
93	EM_A[10]	O	-	N	EMIF Address Bus
94	EM_BA[1]	O	-	N	SDRAM Bank Address and Asynchronous Memory LOW-Order Address
95	Ground(Vss)				
96	EM_BA[0]	O	-	N	SDRAM Bank Address and Asynchronous Memory LOW-Order Address
97	EM_CS[0]	O	-	N	SDRAM Chip Select
98	EM_RAS	O	-	N	SDRAM Row Address Strobe
99	Ground(Vss)				
100	EM_CS[2]	O	-	N	Asynchronous Memory Chip Select
101	Core Supply (CVpp)				
102	EM_RW	O	-	N	Asynchronous Memory Read/not Write
103	IO Supply (DVpp)				
104	EM_OE	O	-	N	SDRAM Output Enable
105	SPI0_ENA/I2C1_SDA	IO	-	Y	SPI0 Enable (Ready) or I2c1 Serial Data
106	Ground(Vss)				
107	SPI0_ENA/I2C1_SCL	IO	-	Y	SPI0 Enable (Ready) or I2c1 Serial Clock
108	SPI0_CLK/I2C0_SCL	IO	-	Y	SPI0 Serial Clock or I2c0 Serial Clock
109	Ground(Vss)				
110	SPI0_SIMO	IO	-	Y	SPI0 Data Pin Slave In Master Out



**IC60** : D70YE101RFP250 (DSP P.C.B)  
Decoder/Post Processor

PIN NO.	SIGNAL NAME	TYPE <sup>(1)</sup>	PULL <sup>(2)</sup>	GPIO <sup>(3)</sup>	DESCRIPTION
111	SPI0_SOMI/I2C0_SDA	IO	-	Y	SPI0 Data Pin Slave Out Master In or I2C0 Serial Data
112	IO Supply (DVpp)				
113	AXR0[0]	IO	-	Y	McASP0 Serial Data 0
114	Ground(Vss)				
115	AXR0[1]	IO	-	Y	McASP0 Serial Data 1
116	AXR0[2]	IO	-	Y	McASP0 Serial Data 2
117	AXR0[3]	IO	-	Y	McASP0 Serial Data 3
118	Ground(Vss)				
119	AXR0[4]	IO	-	Y	McASP0 Serial Data 4
120	AXR0[5]/SPI1_SCS	IO	-	Y	McASP0 Serial Data 5 or SPI1 Slave Chip Select
121	AXR0[6]/SPI1_ENA	IO	-	Y	McASP0 Serial Data 6 or SPI1 Enable (Ready)
122	AXR0[7]/SPI1_CLK	IO	-	Y	McASP0 Serial Data 7 or SPI1 Serial Clock
123	Core Supply (CVpp)				
124	Ground(Vss)				
125	IO Supply (DVpp)				
126	AXR0[8]/AXR1[5]/SPI1_SOMI	IO	-	Y	McASP0 Serial Data 8 or McASP1 Serial Data 5 or SPI1 Data Pin Slave Out Master In
127	AXR0[9]/AXR1[4]/SPI1_SIMO	IO	-	Y	McASP0 Serial Data 9 or McASP1 Serial Data 4 or SPI1 Data Pin Slave In Master Out
128	Core Supply (CVpp)				
129	Ground(Vss)	IO	-	Y	
130	AXR0[10]/AXR1[3]	IO	-	Y	McASP0 Serial Data 10 or McASP1 Serial Data 3
131	AXR0[11]/AXR1[2]				McASP0 Serial Data 11 or McASP1 Serial Data 2
132	Core Supply (CVpp)				
133	Ground(Vss)	IO	-	Y	
134	AXR0[12]/AXR1[1]	IO	-	Y	McASP0 Serial Data 12 or McASP1 Serial Data 1
135	AXR0[13]/AXR1[0]				McASP0 Serial Data 13 or McASP1 Serial Data 0
136	IO Supply (DVpp)	IO	-	Y	
137	AXR0[14]/AXR2[1]	IO	-	Y	McASP0 Serial Data 14 or McASP2 Serial Data 1
138	AXR0[15]/AXR2[0]	IO	-	Y	McASP0 Serial Data 15 or McASP2 Serial Data 0
139	ACLKR0				McASP0 Receive bit Clock
140	Ground(Vss)	IO	-	Y	
141	AFSR0	IO	-	Y	McASP0 Receive Frame Sync (L/R Clock)
142	ACLKX0	IO	-	Y	McASP0 Transmit Bit Clock
143	AHCLKR0/AHCLKR1	IO	-	Y	McASP0 and McASP1 Receive Master Clock
144	AFSX0				McASP0 Transmit Frame Sync (L/R Clock)

IC610 : EP9301-CQ2 (NET P.C.B)  
System on chip processor



PIN NO.	Pin Name	Signal Name	I/O Type	Function
1	CSn[7]	N_CS7	O(PU)	Hardware configuration
2	CSn[6]	N_CS6	O(PU)	Chip select 6 for Flash and Hardware configuration
3	CSn[3]	N_CS3	O(PU)	Hardware configuration
4	CSn[2]	N_CS2	O(PU)	Hardware configuration
5	CSn[1]	N_CS1	O(PU)	Hardware configuration
6	AD[25]	(NC)	O	-
7	RVDD	+3.3DC	Power	Digital power (3.3V)
8	RGND	DGND	Ground	Digital ground
9	AD[24]	(NC)	O	-
10	SDCLK	SDCLK	O	SDRAM clock
11	AD[23]	(NC)	O	-
12	CVDD	+1.8DC	Power	Digital power (1.8V)
13	CGND	DGND	Ground	Digital ground
14	SDWEn	N_SDWE	O	SDRAM write enable
15	SDCSn[3]	N_SDCS3	O	SDRAM chip select 3
16	SDCSn[2]	(NC)	O	-
17	SDCSn[1]	(NC)	O	-
18	SDCSn[0]	(NC)	O	-
19	RVDD	+3.3DC	Power	Digital power (3.3V)
20	RGND	DGND	Ground	Digital ground
21	RASn	N_RAS	O	SDRAM RAS
22	CASn	N_CAS	O	SDRAM CAS
23	DQMn[1]	N_DQM1	O	Data mask 1
24	DQMn[0]	N_DQM0	O	Data mask 0
25	AD[22]	(NC)	O	-
26	AD[21]	A[21]	O	Address bus [21]
27	RVDD	+3.3DC	Power	Digital power (3.3V)
28	RGND	DGND	Ground	Digital ground
29	DA[15]	D[15]	I/O(PU)	Data bus [15]
30	AD[7]	A[7]	O	Address bus [7]
31	DA[14]	D[14]	I/O(PU)	Data bus [14]
32	AD[6]	A[6]	O	Address bus [6]
33	DA[13]	D[13]	I/O(PU)	Data bus [13]
34	CVDD	+1.8DC	Power	Digital power (1.8V)
35	CGND	DGND	Ground	Digital ground
36	AD[5]	A[5]	O	Address bus [5]
37	DA[12]	D[12]	I/O(PU)	Data bus [12]
38	AD[4]	A[4]	O	Address bus [4]
39	DA[11]	D[11]	I/O(PU)	Data bus [11]
40	AD[3]	A[3]	O	Address bus [3]

**IC610** : EP9301-CQ2 (NET P.C.B)  
System on chip processor

PIN NO.	Pin Name	Signal Name	I/O Type	Function
41	RVDD	+3.3DC	Power	Digital power (3.3V)
42	RGND	DGND	Ground	Digital ground
43	DA[10]	D[10]	I/O(PU)	Data bus [10]
44	AD[2]	A[2]	O	Address bus [2]
45	DA[9]	D[9]	I/O(PU)	Data bus [9]
46	AD[1]	A[1]	O	Address bus [1]
47	DA[8]	D[8]	I/O(PU)	Data bus [8]
48	AD[0]	A[0]	O	Address bus [0]
49	RVDD	+3.3DC	Power	Digital power (3.3V)
50	RGND	DGND	Ground	Digital ground
51	NC	-	-	-
52	NC	-	-	-
53	RVDD	+3.3DC	Power	Digital power (3.3V)
54	RGND	DGND	Ground	Digital ground
55	AD[15]	A[15]	O	Address bus [15]
56	DA[7]	D[7]	I/O(PU)	Data bus [7]
57	CVDD	+1.8DC	Power	Digital power (1.8V)
58	CGND	DGND	Ground	Digital ground
59	AD[14]	A[14]	O	Address bus [14]
60	DA[6]	D[6]	I/O(PU)	Data bus [6]
61	AD[13]	A[13]	O	Address bus [13]
62	DA[5]	D[5]	I/O(PU)	Data bus [5]
63	AD[12]	A[12]	O	Address bus [12]
64	DA[4]	D[4]	I/O(PU)	Data bus [4]
65	AD[11]	A[11]	O	Address bus [11]
66	RVDD	+3.3DC	Power	Digital power (3.3V)
67	RGND	DGND	Ground	Digital ground
68	DA[3]	D[3]	I/O(PU)	Data bus [3]
69	AD[10]	A[10]	O	Address bus [10]
70	DA[2]	D[2]	I/O(PU)	Data bus [2]
71	AD[9]	A[9]	O	Address bus [9]
72	DA[1]	D[1]	I/O(PU)	Data bus [1]
73	AD[8]	A[8]	O	Address bus [8]
74	DA[0]	D[0]	I/O(PU)	Data bus [0]
75	DSRn	(NC)	I(PU)	-
76	DTRn	(NC)	O	-
77	TCK	ICE_TCK	I(PD)	JTAG clock
78	TDI	ICE_TDI	I(PD)	JTAG data in
79	TDO	ICE_TDO	O	JTAG data out
80	TMS	ICE_TMS	I(PD)	JTAG reset
81	RVDD	+3.3DC	Power	Digital power (3.3V)
82	RGND	DGND	Ground	Digital ground
83	BOOT[1]	BOOT[1]	I(PD)	Hardware configuration
84	BOOT[0]	BOOT[0]	I(PD)	Hardware configuration
85	RGND	DGND	Ground	Digital ground
86	NC	-	-	-
87	EECLK	EECLK	O(PU)	Hardware configuration
88	EEDAT	EEDAT	O(PU)	Hardware configuration
89	ASYNC	(NC)	O(PD)	-
90	CVDD	+1.8DC	Power	Digital power (1.8V)
91	CGND	DGND	Ground	Digital ground
92	ASDO	CPU_SDO	O(PD)	Hardware configuration
93	SCLK	DAC_BICK	I	I2S Serial clock
94	LRCK	DAC_LRCK	I	I2S Frame clock
95	SDI0	(NC)	I	-
96	SDO0	DAC_SDO	O	I2S Transmit Data 0
97	GRLED	GRLED	O	Green LED
98	RDLED	RDLED	O	Red LED
99	RVDD	+3.3DC	Power	Digital power (3.3V)
100	RGND	DGND	Ground	Digital ground

RX-N600/RX-N600D/  
HTR-N5060/DSP-N600

**IC610** : EP9301-CQ2 (NET P.C.B)  
System on chip processor

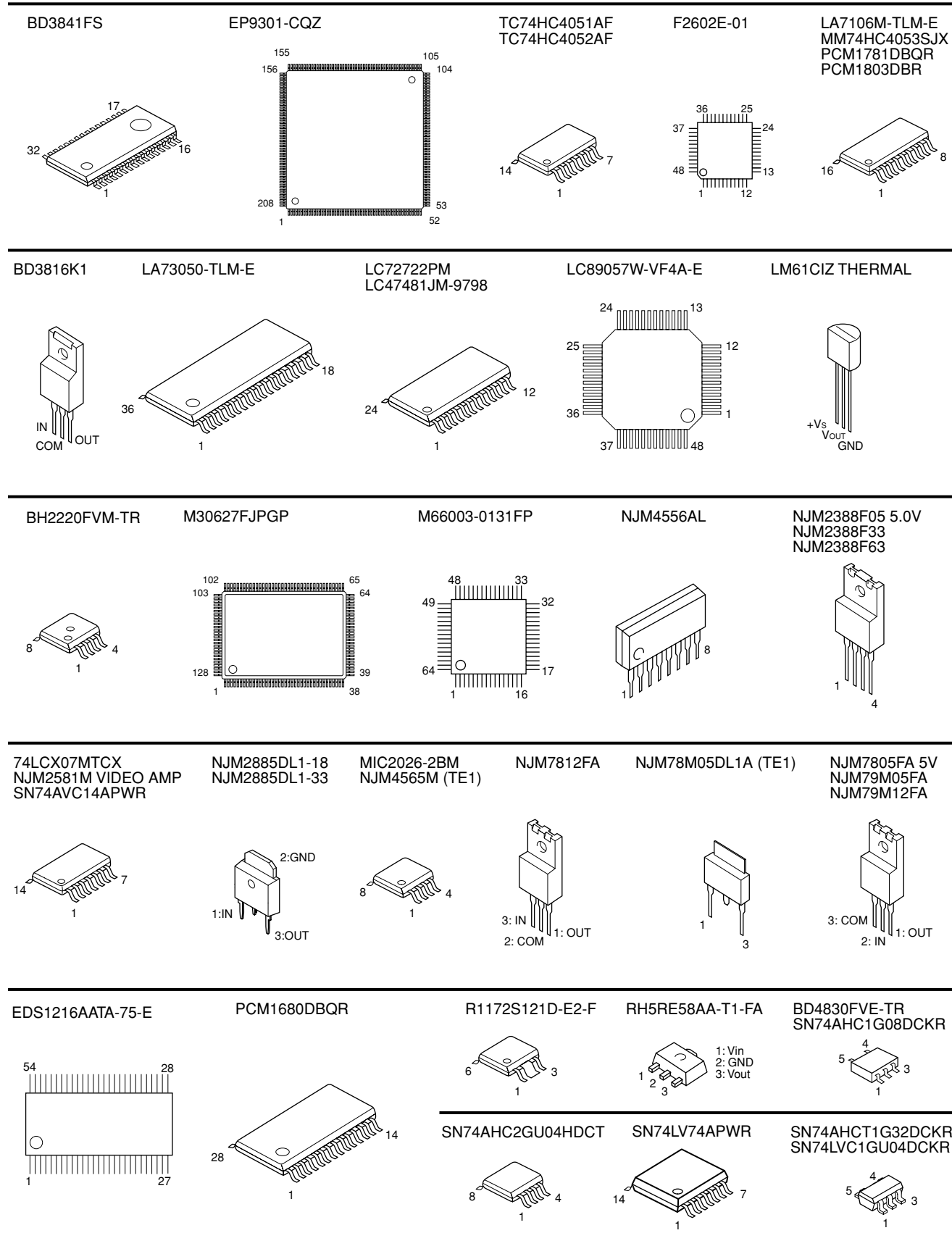
PIN NO.	Pin Name	Signal Name	I/O Type	Function
101	INT[3]	(NC)	I(PD)	-
102	INT[1]	(NC)	I(PD)	-
103	INT[0]	(NC)	I(PD)	-
104	RTSn	(NC)	O	-
105	USBm[0]	(NC)	I/O(A)	-
106	USBp[0]	(NC)	I/O(A)	-
107	ABITCLK	(NC)	O(PD)	-
108	CTSn	(NC)	I(PU)	-
109	RXD[0]	RXDi	I(PU)	UART 0 Receive data from iPod
110	RXD[1]	TXDNW	I(PU)	UART 1 Receive data from microprocessor (IC2 DSP P.C.B.)
111	RVDD	+3.3DC	Power	Digital power (3.3V)
112	RGND	DGND	Ground	Digital ground
113	TXD[0]	TXDi	O	UART 0 Transmit data to for iPod
114	TXD[1]	RXDNW	O	UART 1 Transmit data to microprocessor (IC2 DSP P.C.B.)
115	CGPIO[0]	(NC)	I/O(PU)	-
116	CGND	DGND	Ground	Digital ground
117	PLL_GND	DGND	Ground	Main oscillator ground
118	XTALI	XTALI	I(A)	Main oscillator input (14.7456MHz)
119	XTALO	XTALO	O(A)	Main oscillator output (14.7456MHz)
120	PLL_VDD	+1.8DC	Power	Main oscillator power (1.8V)
121	CVDD	+1.8DC	Power	Digital power (1.8V)
122	RGND	DGND	Ground	Digital ground
123	RVDD	+3.3DC	Power	Digital power (3.3V)
124	RSTOn	CPU_N_RST	I/O	(pull-up only)
125	PRSTn	N_RESETP	I(PU)	Power on reset
126	CSn[0]	(Pull-up)	O(PU)	-
127	CGND	DGND	Ground	Digital ground
128	CVDD	+1.8DC	Power	Digital power (1.8V)
129	RGND	DGND	Ground	Digital ground
130	RVDD	+3.3DC	Power	Digital power (3.3V)
131	ADC4	(NC)	I(A)	-
132	ADC3	(NC)	I(A)	-
133	ADC2	(NC)	I(A)	-
134	ADC1	(NC)	I(A)	-
135	ADC0	(NC)	I(A)	-
136	ADC_VDD	+3.3DC	Power	ADC power (3.3V)
137	RTCXTALI	RTCXTALI	I(A)	RTC oscillator input (32.768KHz)
138	RTCXTALO	(NC)	O(A)	RTC oscillator output (open)
139	ADC_GND	DGND	Ground	ADC ground
140	EGPIO[11]	FLASH_N_VPP	O	-
141	EGPIO[10]	N_DUPLEX	I	HALF/FULL DUPLEX detect (LAN)
142	EGPIO[9]	N_SPD100	I	100M/10M detect (LAN)
143	EGPIO[8]	(NC)	I/O(PU)	-
144	EGPIO[7]	PHY_N_PD	O	Power down signal for PHYceiver
145	EGPIO[6]	PHY_N_RST	O	Reset signal for PHYceiver
146	EGPIO[5]	DAC_MUTE	O	Mute signal for audio DAC
147	EGPIO[4]	USB_N_ENB	O	USB Power control IC enable
148	EGPIO[3]	USB_N_ERR	I	USB error detect signal
149	RGND	DGND	Ground	Digital ground
150	RVDD	+3.3DC	Power	Digital power (3.3V)
151	EGPIO[2]	(NC)	I/O(PU)	-
152	EGPIO[1]	(NC)	I/O(PU)	-
153	EGPIO[0]	(NC)	I/O(PU)	-
154	ARSTn	(NC)	O	-
155	TRSTn	ICE_TRSTN	I(PD)	JTAG reset
156	ASDI	(NC)	I(PD)	-
157	USBm[2]	USBm[2]	I/O(A)	USB negative signal
158	USBp[2]	USBp[2]	I/O(A)	USB positive signal
159	WAITn	(Pull-up)	I(PU)	-
160	EGPIO[15]	(NC)	I/O(PU)	-

**IC610** : EP9301-CQ2 (NET P.C.B)  
System on chip processor

PIN NO.	Pin Name	Signal Name	I/O Type	Function
161	RGND	DGND	Ground	Digital ground
162	RVDD	+3.3DC	Power	Digital power (3.3V)
163	PWMOUT1	VCXO_CNT	O	-
164	EGPIO[13]	(NC)	I/O(PU)	-
165	EGPIO[12]	(NC)	I/O(PU)	-
166	CGND	DGND	Ground	Digital ground
167	CVDD	+1.8DC	Power	Digital power (1.8V)
168	FGPIO[3]	VCXO_SCLK	O	Serial clock for DAC (VCXO)
169	FGPIO[2]	VCXO_SDI	O	Serial data for DAC (VCXO)
170	FGPIO[1]	VCXO_LD	O	Load signal for DAC (VCXO)
171	RGND	DGND	Ground	Digital ground
172	RVDD	+3.3DC	Power	Digital power (3.3V)
173	CLD	MII_CLD	I(PU)	Collision detect
174	CRS	MII_CRS	I(PD)	Carrier sense
175	TXERR	MII_TXERR	O(PD)	Transmit error
176	TXEN	MII_TXEN	O(PD)	Transmit enable
177	MIITXD[0]	MII_TXD[0]	O(PD)	Transmit data 0
178	MIITXD[1]	MII_TXD[1]	O(PD)	Transmit data 1
179	MIITXD[2]	MII_TXD[2]	O(PD)	Transmit data 2
180	MIITXD[3]	MII_TXD[3]	O(PD)	Transmit data 3
181	TXCLK	MII_TXCLK	I(PU)	Transmit clock
182	RXERR	MII_RXERR	I(PD)	Receive data error
183	RXDVAL	MII_RXDVAL	I(PD)	Receive data valid
184	MIIRXD[0]	MII_RXD[0]	I(PD)	Receive data 0
185	MIIRXD[1]	MII_RXD[1]	I(PD)	Receive data 1
186	MIIRXD[2]	MII_RXD[2]	I(PD)	Receive data 2
187	RGND	DGND	Ground	Digital ground
188	RVDD	+3.3DC	Power	Digital power (3.3V)
189	MIIRXD[3]	MII_RXD[3]	I(PD)	Receive data 3
190	RXCLK	MII_RXCLK	I(PD)	Receive clock
191	MDIO	MDIO	I/O(PU)	Management data input/output
192	MDC	MDC	O	Management data clock
193	RDn	N_RD	O	Flash read strobe
194	WRn	N_WR	O	Flash write strobe
195	AD[16]	A[16]	O	Address bus [16]
196	AD[17]	A[17]	O	Address bus [17]
197	CGND	DGND	Ground	Digital ground
198	CVDD	+1.8DC	Power	Digital power (1.8V)
199	HGPIO[2]	DBG0	I	Inspection mode select0
200	HGPIO[3]	DBG1	I	Inspection mode select1
201	HGPIO[4]	DBG2	I	Inspection mode select2
202	HGPIO[5]	DBG3	I	Inspection mode select3
203	RGND	DGND	Ground	Digital ground
204	RVDD	+3.3DC	Power	Digital power (3.3V)
205	AD[18]	A[18]	O	Address bus [18]
206	AD[19]	A[19]	O	Address bus [19]
207	AD[20]	A[20]	O	Address bus [20]
208	SDCLKEN	SDCLKEN	O	SDRAM clock enable

## PIN CONNECTION DIAGRAM

### ICs



SN74LV157APWR SN74LV163APWR SN74LVU04APWR	SN74LV245APWR TRAN	TC4013BP FF TC74VHCU04FT INVER	TLP421	W9816G6CH-7 SDRAM

ADV7180	ADV7172	KSZ8721SL	PQ018EZ01ZP	S29AL004D70TF1020

• Diodes

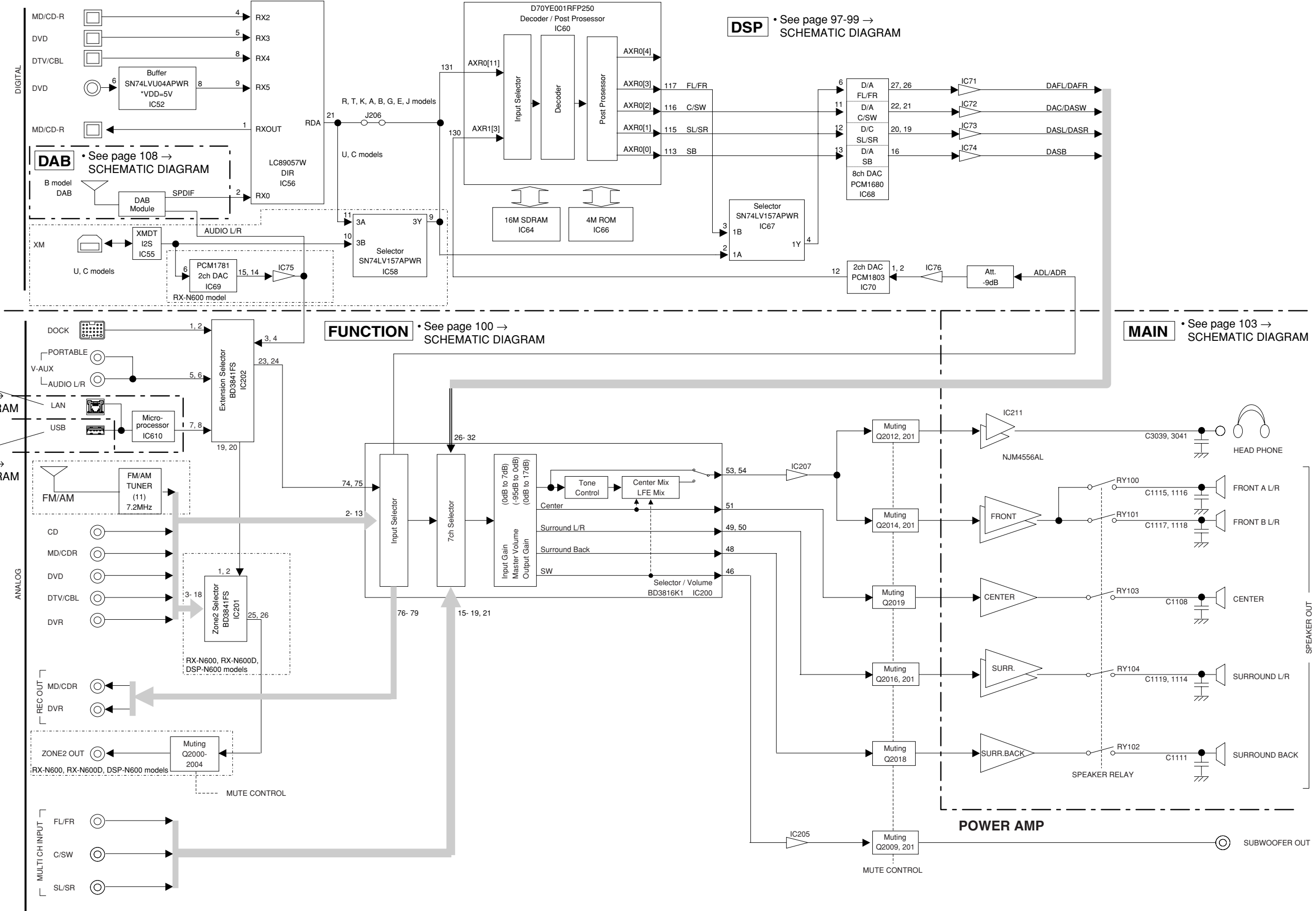
1N4002S 1SS133,176 1SS270A 1SS355 1SS380 1T2 MTZJ15A 15V MTZJ15B 15V MTZJ2.4B 2.4V MTZJ27B 27V MTZJ30A 30V MTZJ5.1C 5.1V RB441Q-40 T-77	D2SBA20 1.5A 200V	MA8030-L 2.9V MA8051-M 5.1V MA8056-M 5.6V MA8068-M 6.8V MA8075-H 7.7V MA8091-M 9.1V MA8100-M 10V UDZ 3.6BTE-17 3.6V	SB01-05Q	MA8082-H 8.5V	
RLZ5.1A 5.1V	MA2S30400L	D3SBA20 4A 200V	TS6P03G 6.0A 200V	TS4B03G C2	KBP103G 1.0A 200V

• Transistors

2SA1015 Y 2SA949 O,Y 2SC1740S QRS 2SC1815 Y 2SC1890A D,E 2SC2229 O,Y	2SC3326 A,B 2SC3837K T146 N,P 2SC3906K T146 R,S	2SB1274 Q,R,S	2SA1695 O,P,Y 2SC4468 O,P,Y 2SD1915F S,T 2SK2158-T2B-A 2SK3850	2SA1708 S,T 2SA1770 S,T 2SC4488 S,T 2SC4614 S,T 2SD1938F S,T
2SA1037K Q,R,S 2SC2412K Q,R,S DTC114EKA DTC144ES	2N5551C-AT 2N5401C-AT	2SK2823 5HP01C-TB-E		

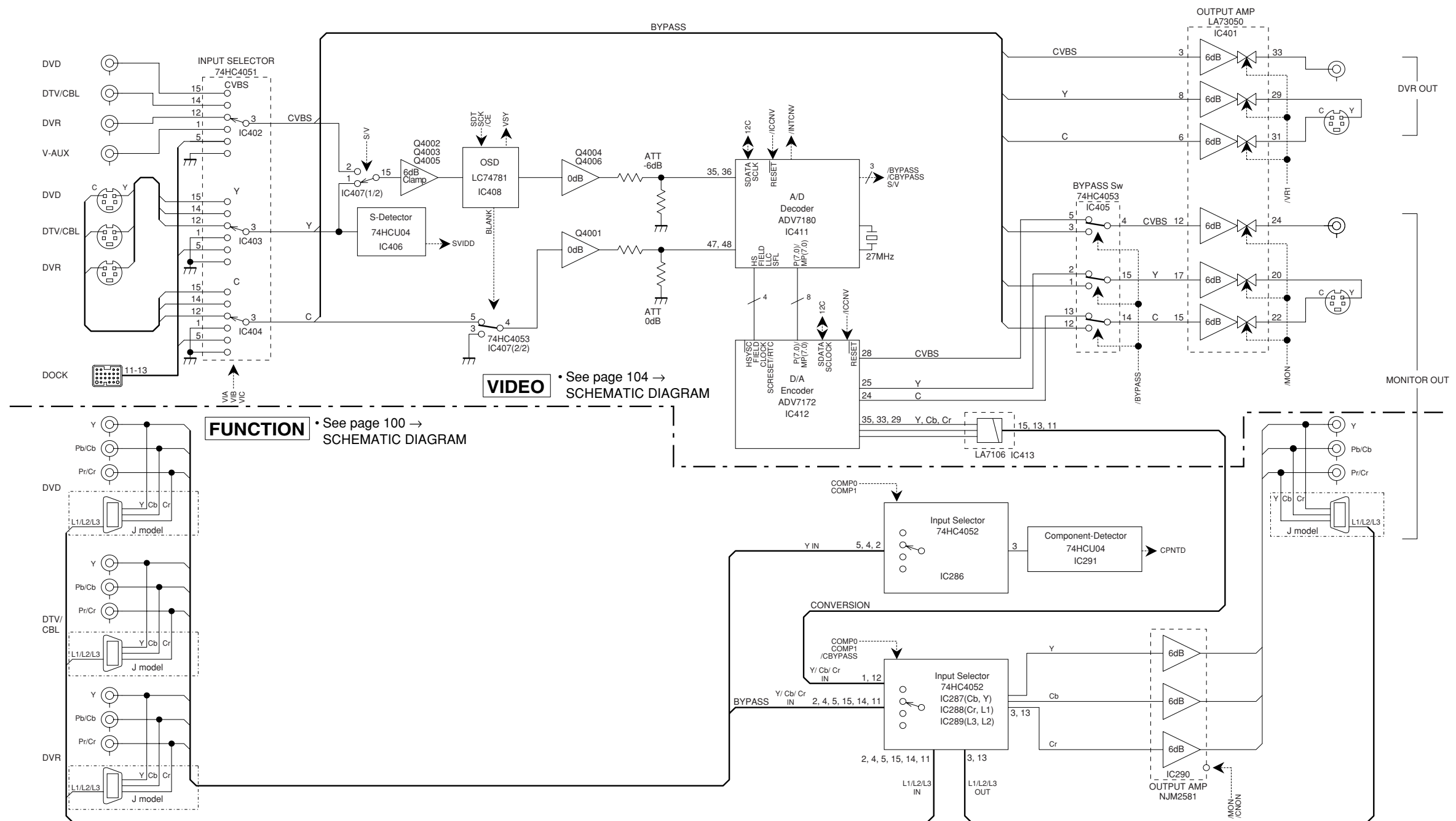
**BLOCK DIAGRAMS**

**AUDIO SECTION BLOCK DIAGRAM**



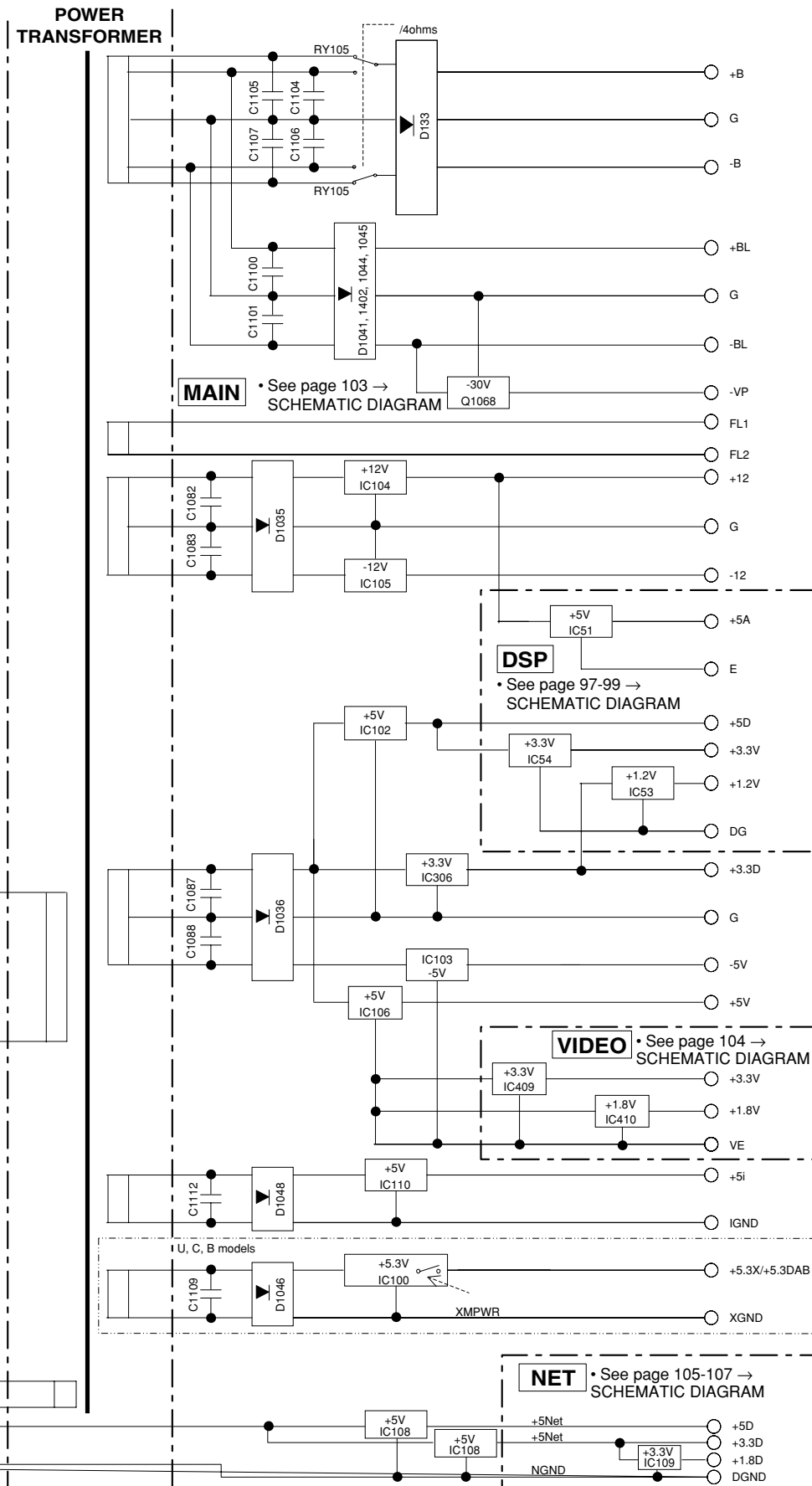
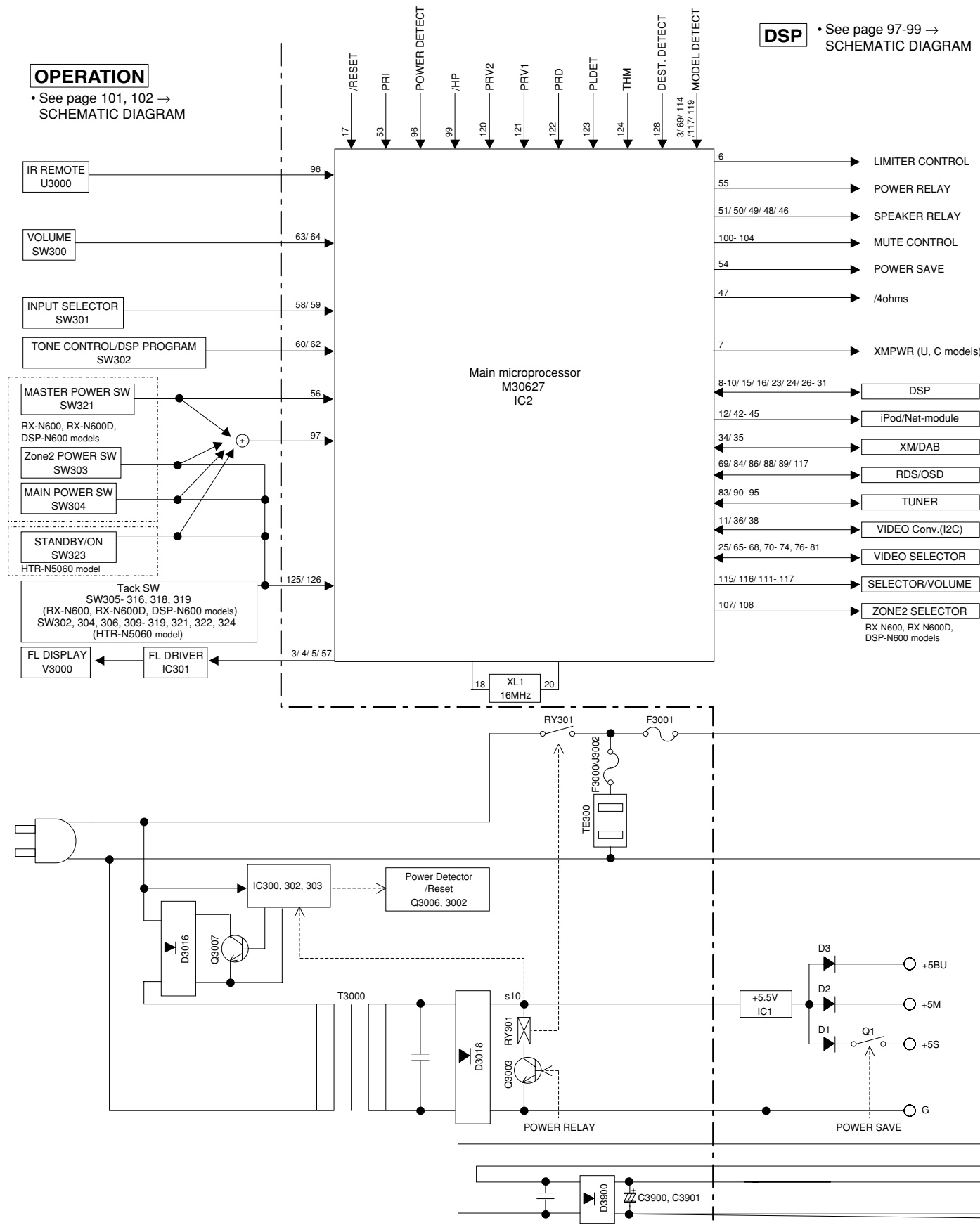


VIDEO SECTION BLOCK DIAGRAM



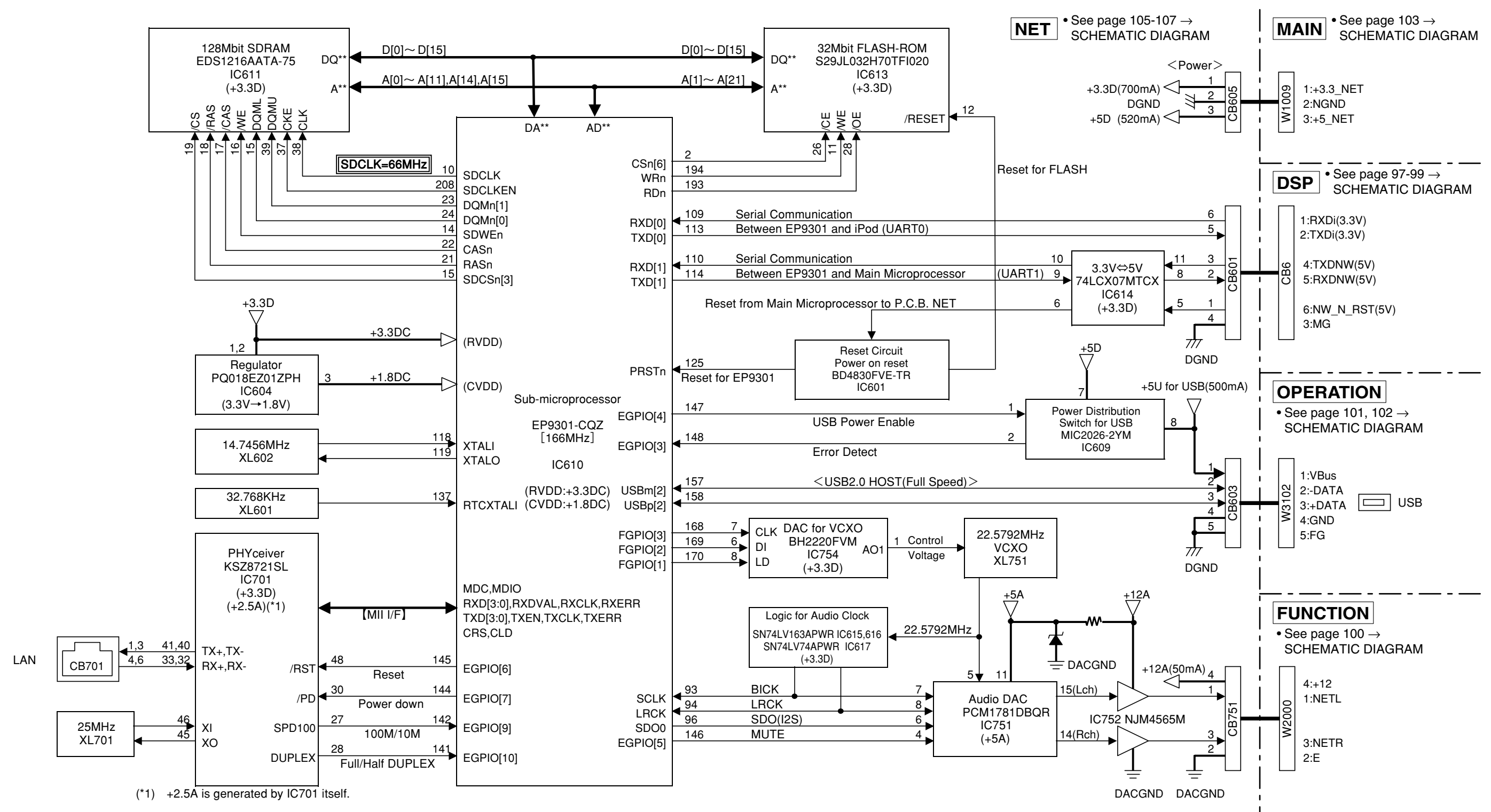
1  
2  
3  
4  
5  
6  
7

### CONTROL/POWER SECTION BLOCK DIAGRAM



### NETWORK SECTION BLOCK DIAGRAM

1  
2  
3  
4  
5  
6  
7

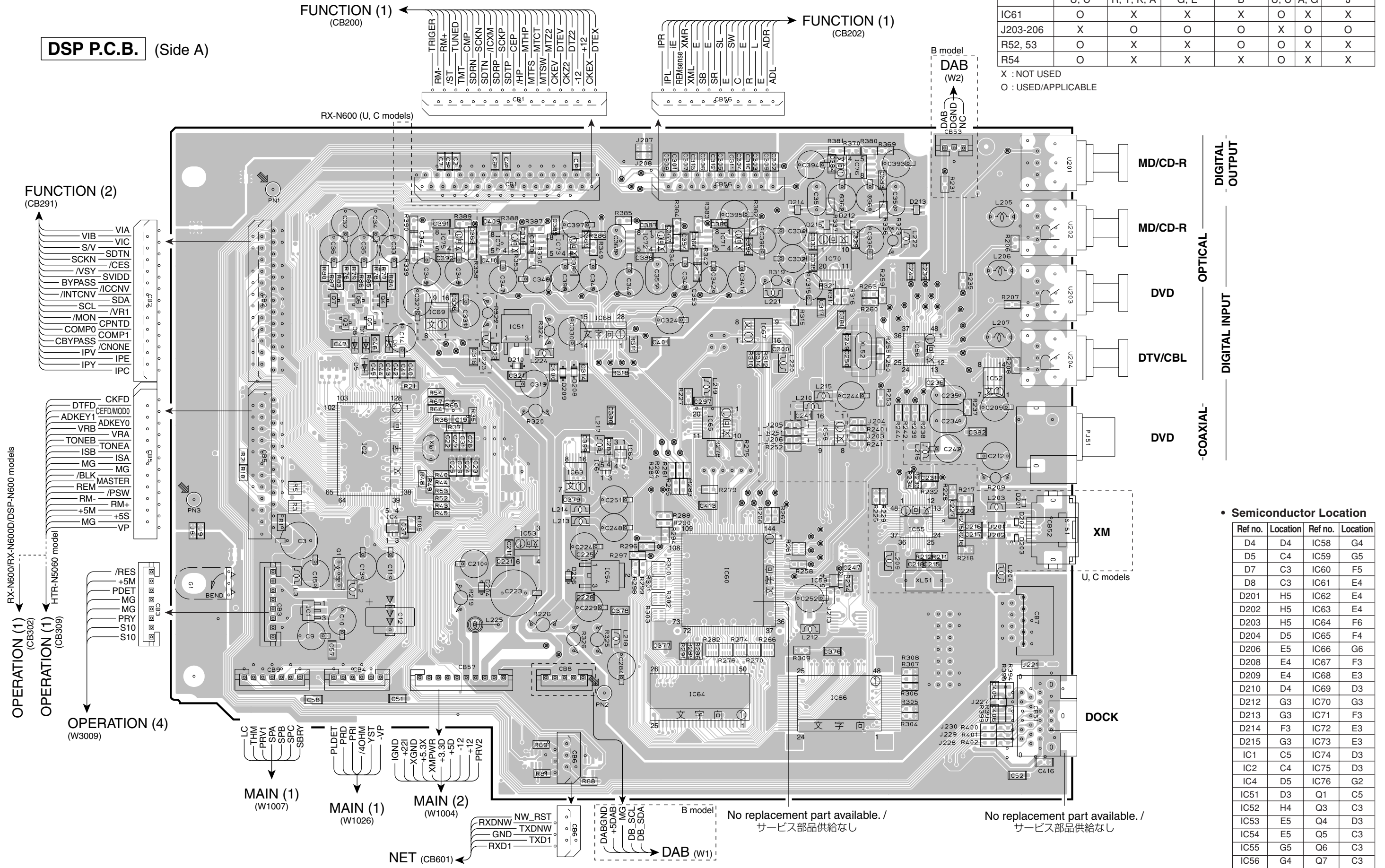


PRINTED CIRCUIT BOARDS

DSP P.C.B. (Side A)

Circuit No.	RX-N600			RX-N600D	HTR-N5060	DSP-N600
	U, C	R, T, K, A	G, E	B	U, C, A, G	J
IC61	O	X	X	X	O	X
J203-206	X	O	O	O	X	O
R52, 53	O	X	X	O	O	X
R54	O	X	X	X	O	X

X : NOT USED  
O : USED/APPLICABLE



DIGITAL OUTPUT  
OPTICAL  
DIGITAL INPUT  
COAXIAL

MD/CD-R  
MD/CD-R  
DVD  
DTV/CBL  
DVD

Semiconductor Location

Ref no.	Location	Ref no.	Location
D4	D4	IC58	G4
D5	C4	IC59	G5
D7	C3	IC60	F5
D8	C3	IC61	E4
D201	H5	IC62	E4
D202	H5	IC63	E4
D203	H5	IC64	F6
D204	D5	IC65	F4
D206	E5	IC66	G6
D208	E4	IC67	F3
D209	E4	IC68	E3
D210	D4	IC69	D3
D212	G3	IC70	G3
D213	G3	IC71	F3
D214	F3	IC72	E3
D215	G3	IC73	E3
IC1	C5	IC74	D3
IC2	C4	IC75	D3
IC4	D5	IC76	G2
IC51	D3	Q1	C5
IC52	H4	Q3	C3
IC54	E5	Q5	C3
IC55	G5	Q6	C3
IC56	G4	Q7	C3

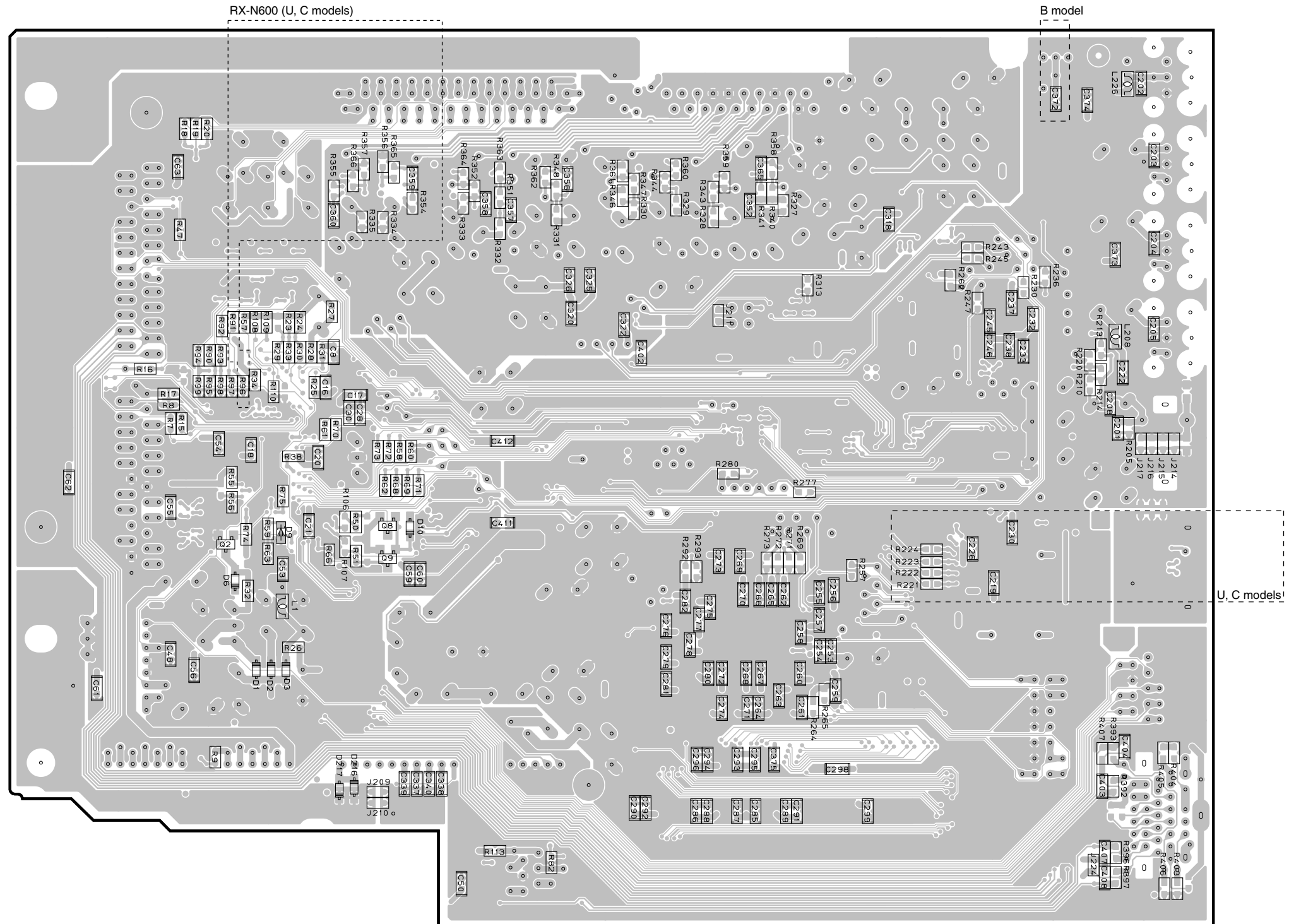
No replacement part available. / サービス部品供給なし

No replacement part available. / サービス部品供給なし

Circuit No.	RX-N600			RX-N600D	HTR-N5060	DSP-N600	
	U, C	R, T, K, A	G, E	B	U, C	A, G	J
R23	X	O	O	O	X	O	O
R47	O	X	X	X	O	X	X
R108	X	X	X	O	X	X	X
R110	O	O	O	X	X	X	O

X : NOT USED  
O : USED/APPLICABLE

**DSP P.C.B.** (Side B)

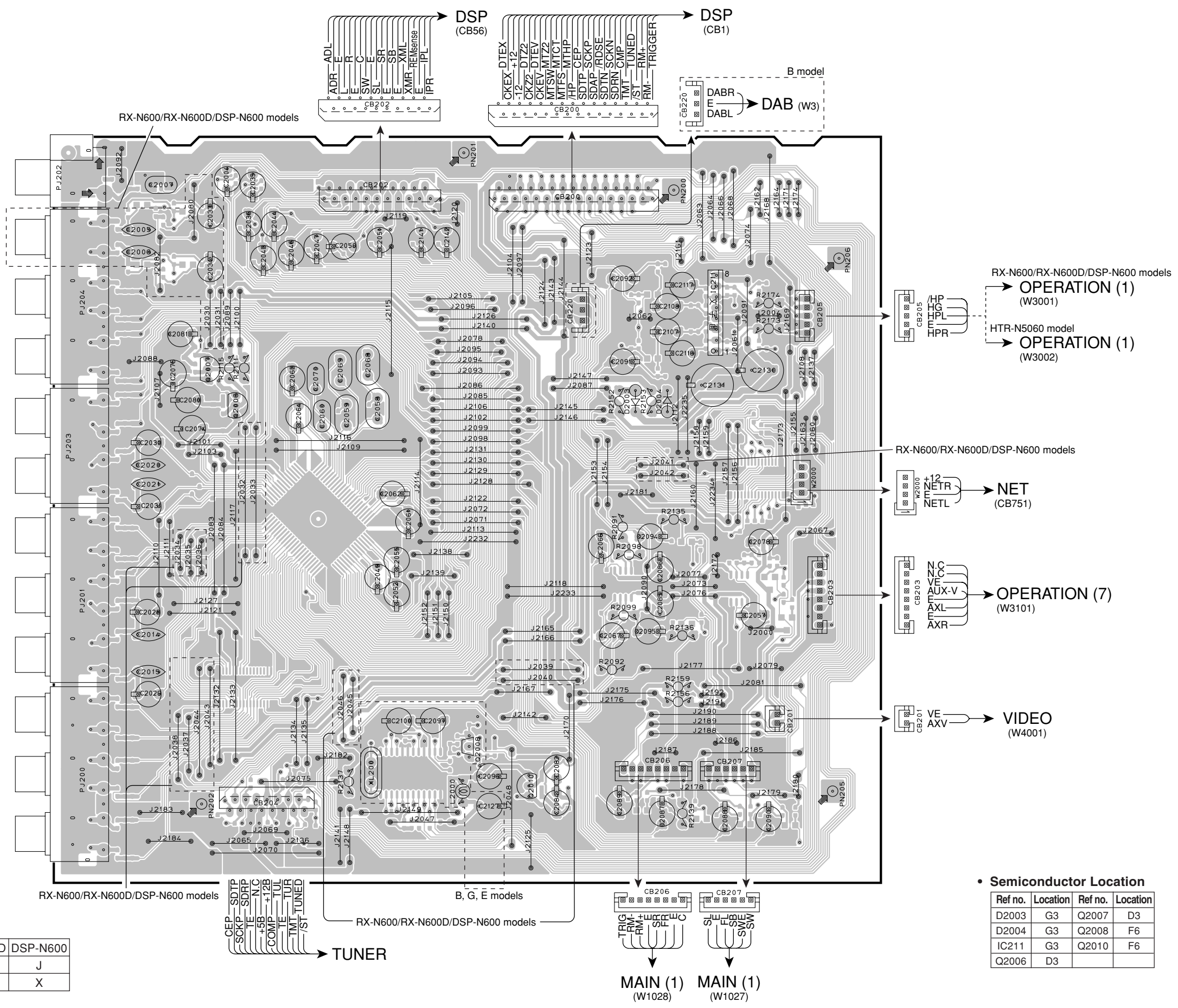


• **Semiconductor Location**

Ref no.	Location	Ref no.	Location
D1	D5	D216	D6
D2	D5	D217	D6
D3	D5	Q2	C5
D6	D5	Q8	D5
D9	D5	Q9	D5
D10	D5		

**FUNCTION (1) P.C.B.** (Side A)

OUTPUT — SUB WOOFER  
— ZONE 2 L/R  
— CENTER/SUB WOOFER  
— MULTI CH INPUT — SURROUND L/R  
— FRONT L/R  
— AUDIO — MD/CD-R OUT L/R (REC)  
— IN L/R (PLAY)  
— CD L/R  
— AUDIO — DVR — OUT L/R  
— IN L/R  
— DTV/CBL L/R  
— DVD L/R



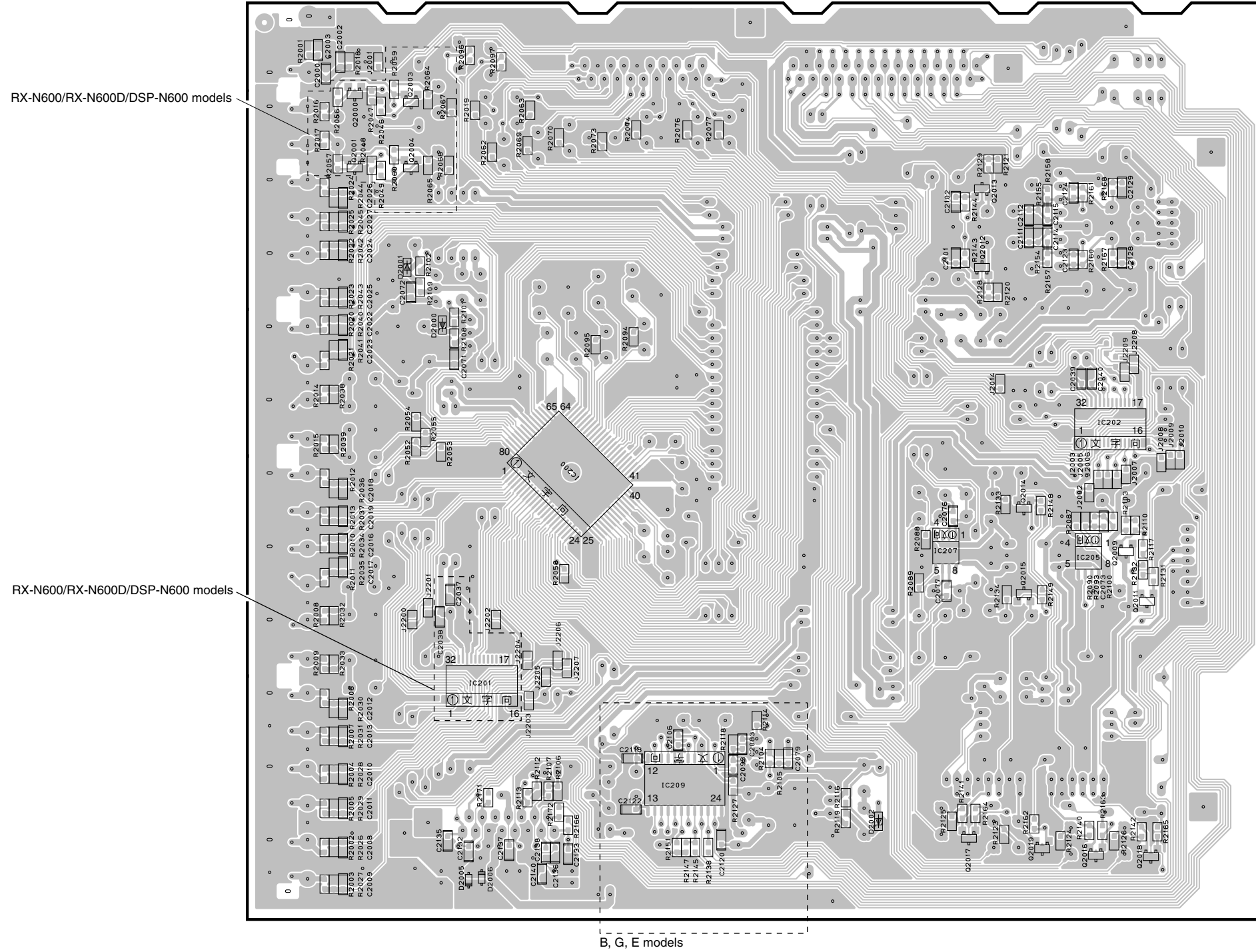
• Semiconductor Location

Ref no.	Location	Ref no.	Location
D2003	G3	Q2007	D3
D2004	G3	Q2008	F6
IC211	G3	Q2010	F6
Q2006	D3		

Circuit No.	RX-N600/HTR-N5060	RX-N600	RX-N600D	DSP-N600
	C2141, 2142	O, U, C, T, K, A	R, X	G, E, X

X : NOT USED  
O : USED/APPLICABLE

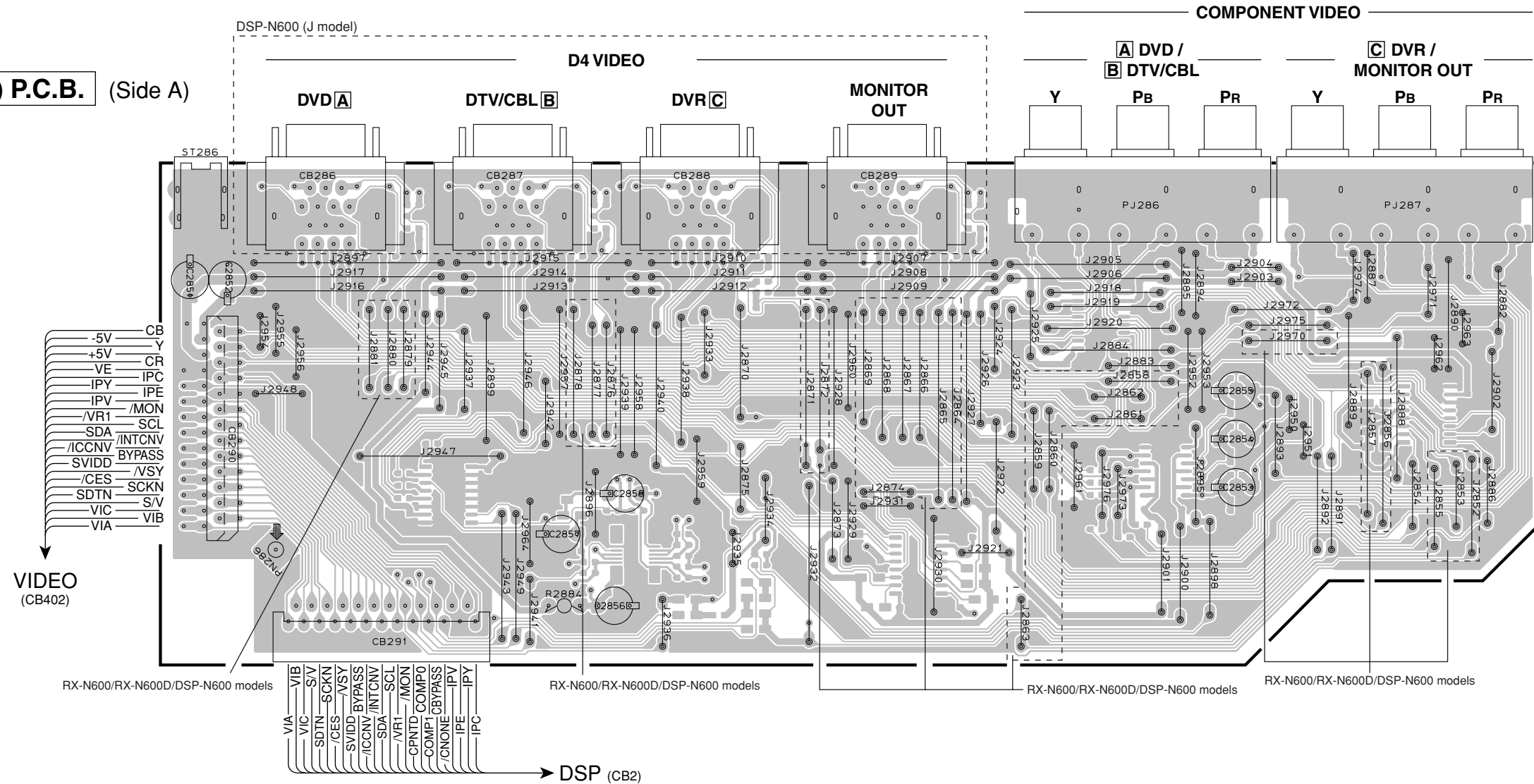
**FUNCTION (1) P.C.B.** (Side B)



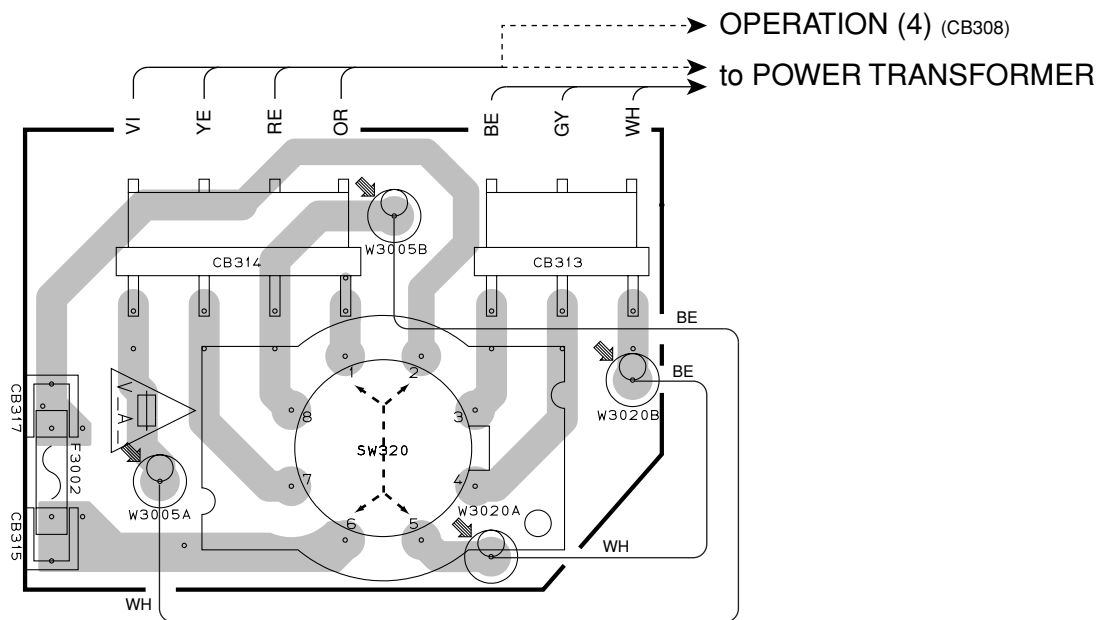
• **Semiconductor Location**

Ref no.	Location	Ref no.	Location
D2000	D3	Q2003	D2
D2001	D3	Q2004	D3
D2002	F6	Q2009	G4
D2005	D6	Q2011	H5
D2006	D6	Q2012	G3
IC200	E4	Q2013	G3
IC201	D5	Q2014	G4
IC202	G4	Q2015	G5
IC205	G5	Q2016	G6
IC207	G4	Q2017	G6
IC209	E6	Q2018	H6
Q2000	D2	Q2019	G6
Q2001	D3		

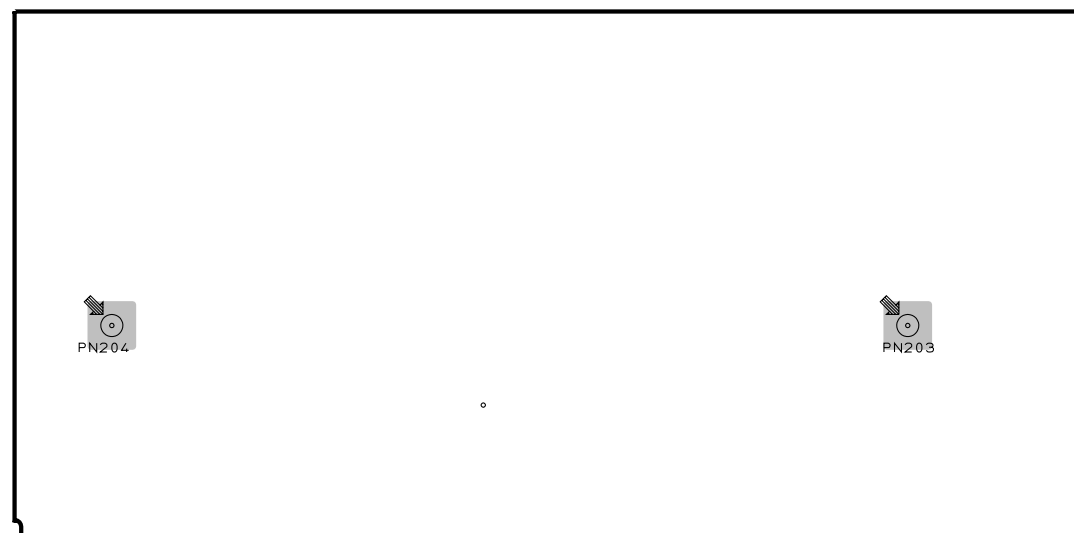
**FUNCTION (2) P.C.B. (Side A)**



**FUNCTION (3) P.C.B. (Side A) R model**

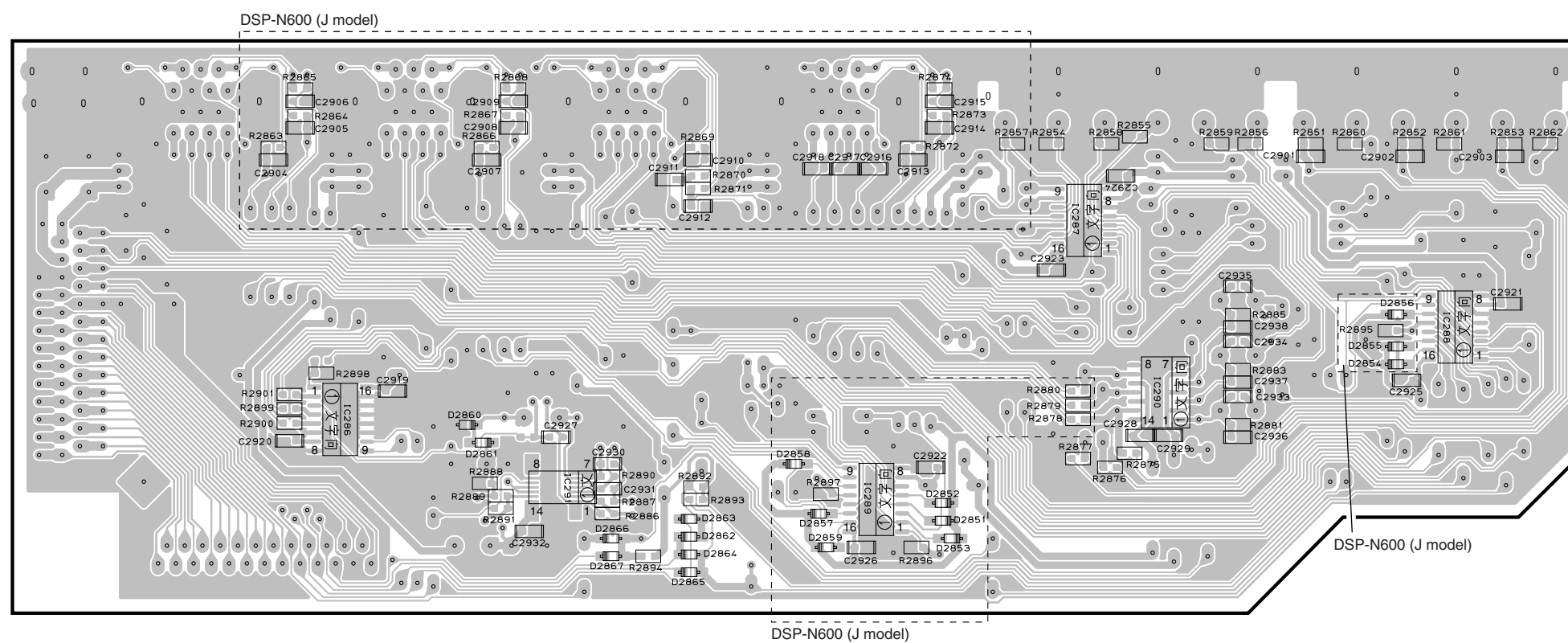


**FUNCTION (4) P.C.B. (Side A)**





**FUNCTION (2) P.C.B.** (Side B)

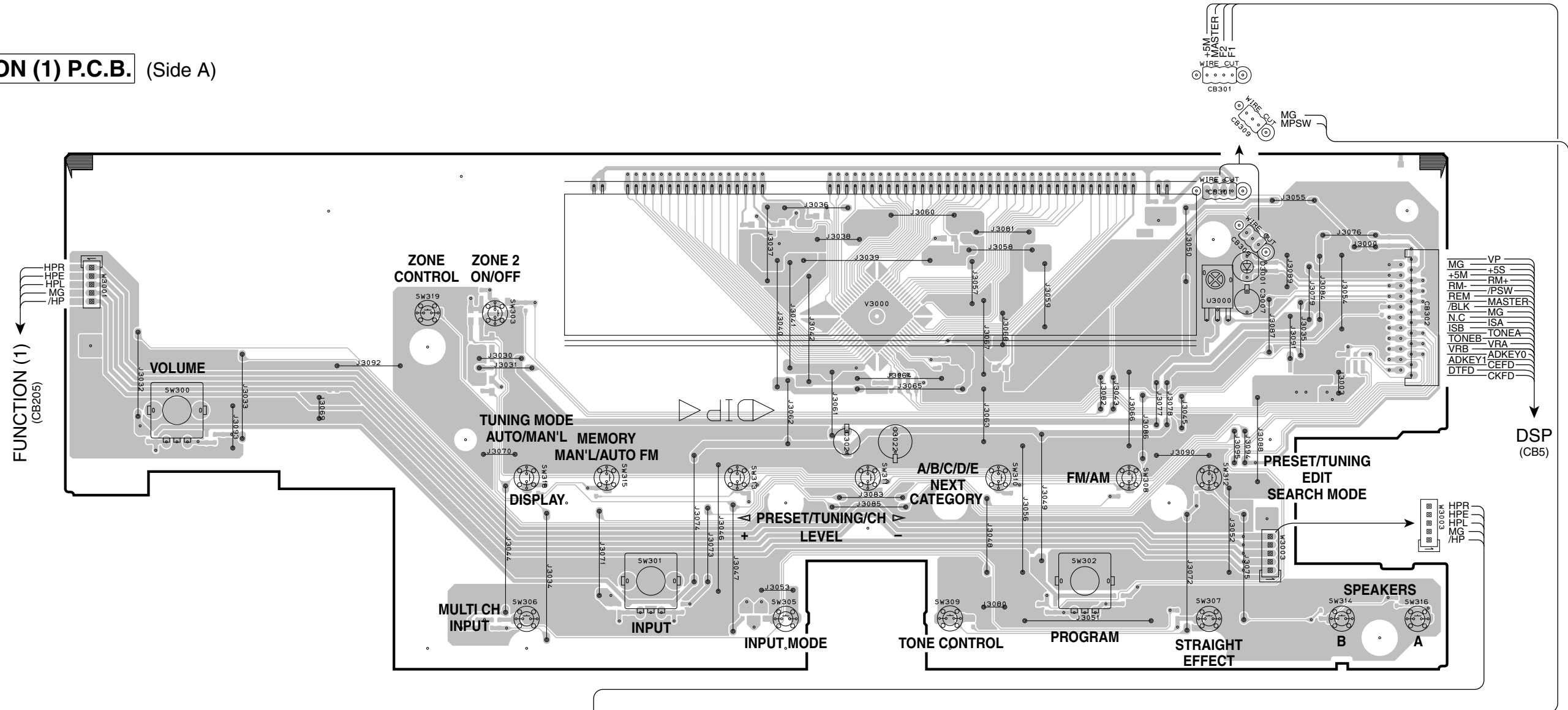


• **Semiconductor Location**

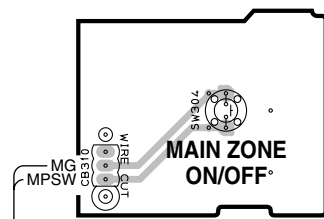
Ref no.	Location	Ref no.	Location
D2851	F5	D2863	E5
D2852	F5	D2864	E5
D2853	F5	D2865	E5
D2854	H4	D2866	E5
D2855	H4	D2867	E5
D2856	H4	IC286	D5
D2857	F5	IC287	G4
D2858	F5	IC288	H4
D2859	F5	IC289	F5
D2860	D5	IC290	G5
D2861	D5	IC291	E5
D2862	E5		

**RX-N600/RX-N600D/DSP-N600**

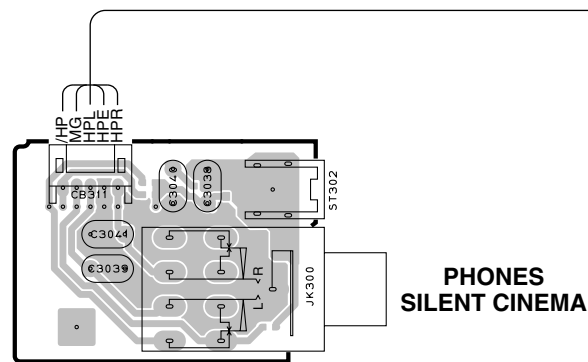
**OPERATION (1) P.C.B.** (Side A)



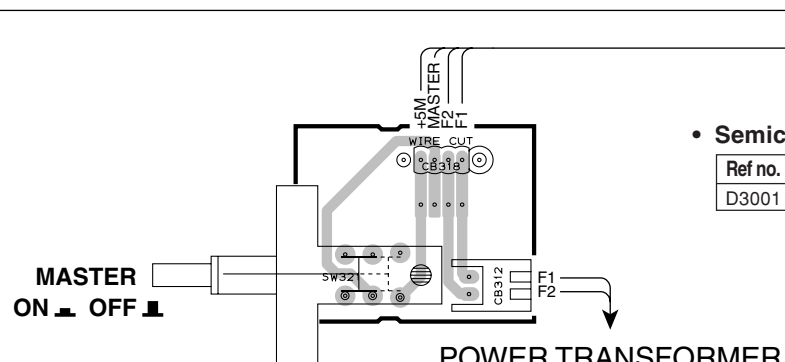
**OPERATION (2) P.C.B.** (Side A)



**OPERATION (3) P.C.B.** (Side A)



**OPERATION (6) P.C.B.** (Side A)



• Semiconductor Location

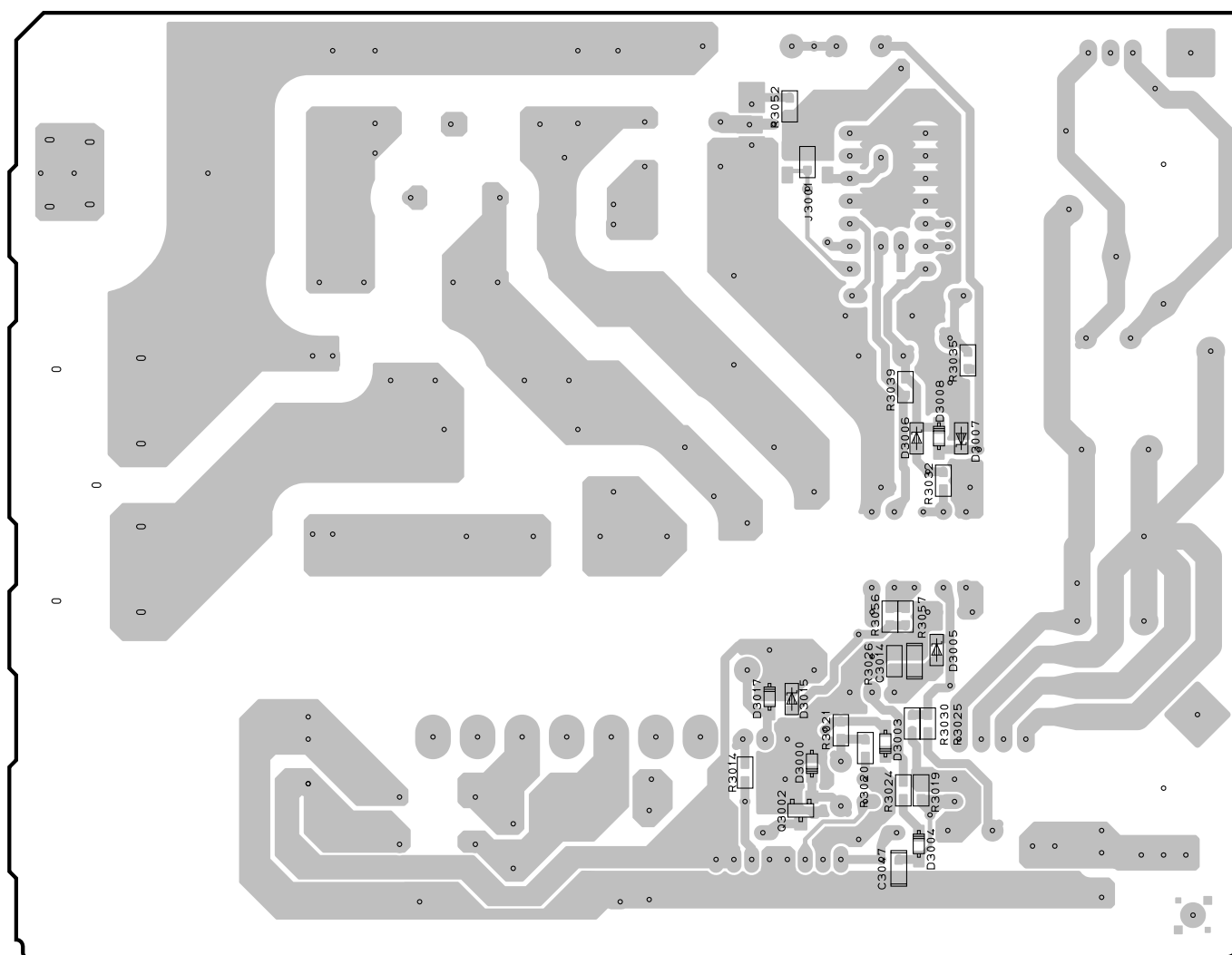
Ref no.	Location
D3001	H3



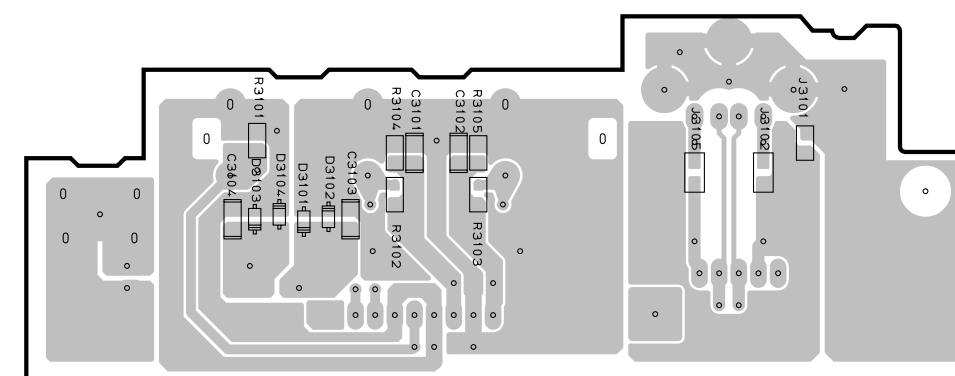


RX-N600/RX-N600D/DSP-N600

OPERATION (4) P.C.B. (Side B)



OPERATION (7) P.C.B. (Side B)

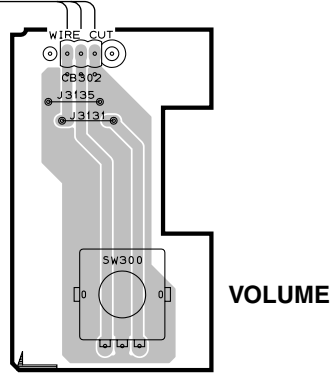
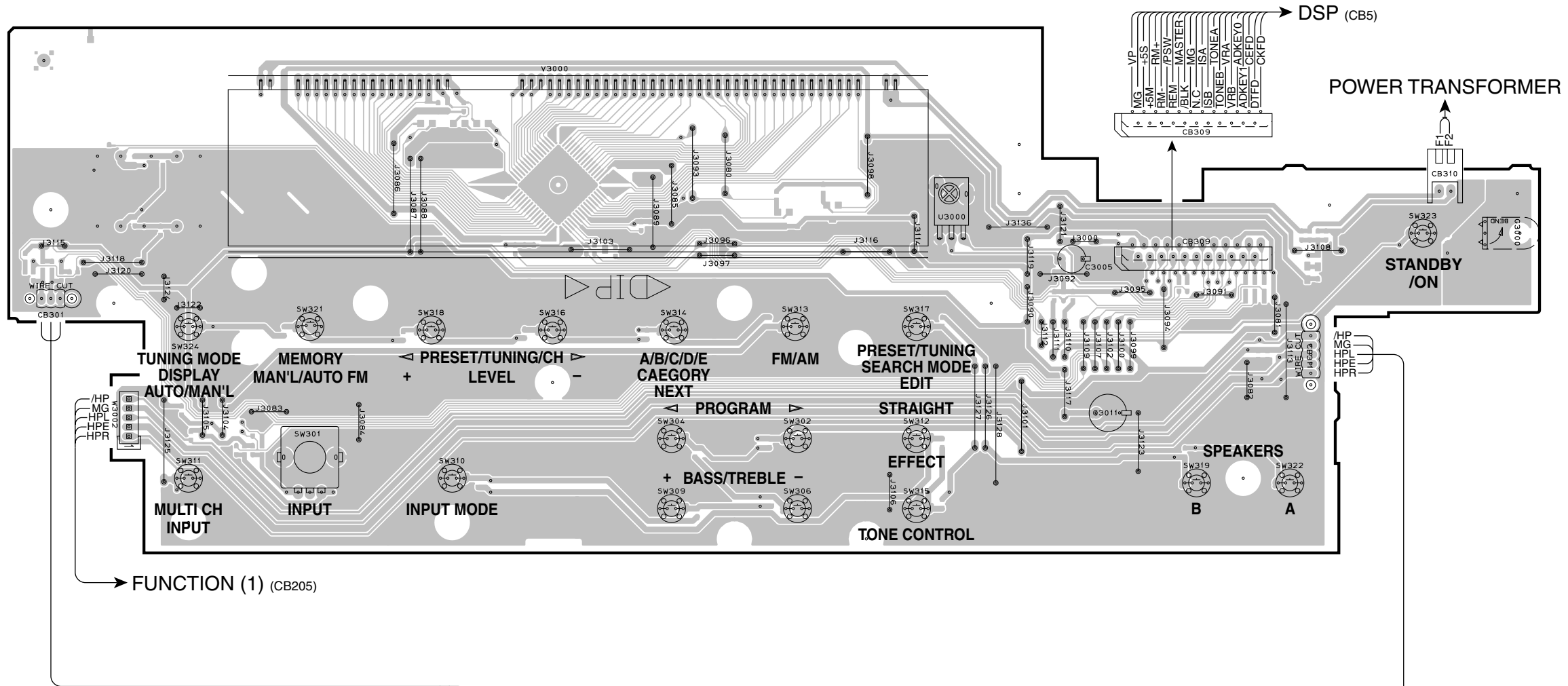


• Semiconductor Location

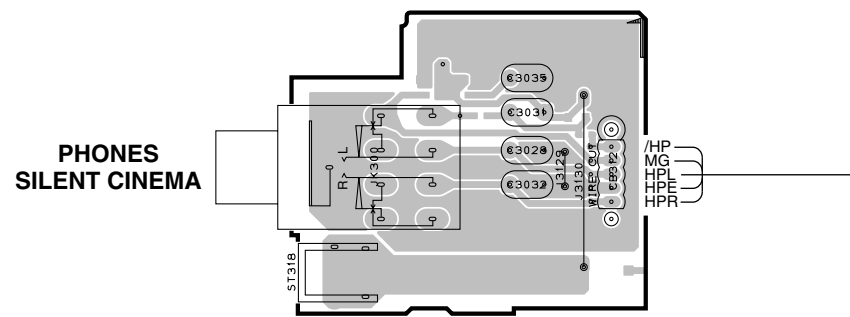
Ref no.	Location	Ref no.	Location
D3000	D5	D3015	D5
D3003	E5	D3017	D5
D3004	E6	D3101	G3
D3005	E5	D3102	G3
D3006	E4	D3103	G3
D3007	E4	D3104	G3
D3008	E4	Q3002	D5

HTR-N5060

**OPERATION (1) P.C.B.** (Side A)



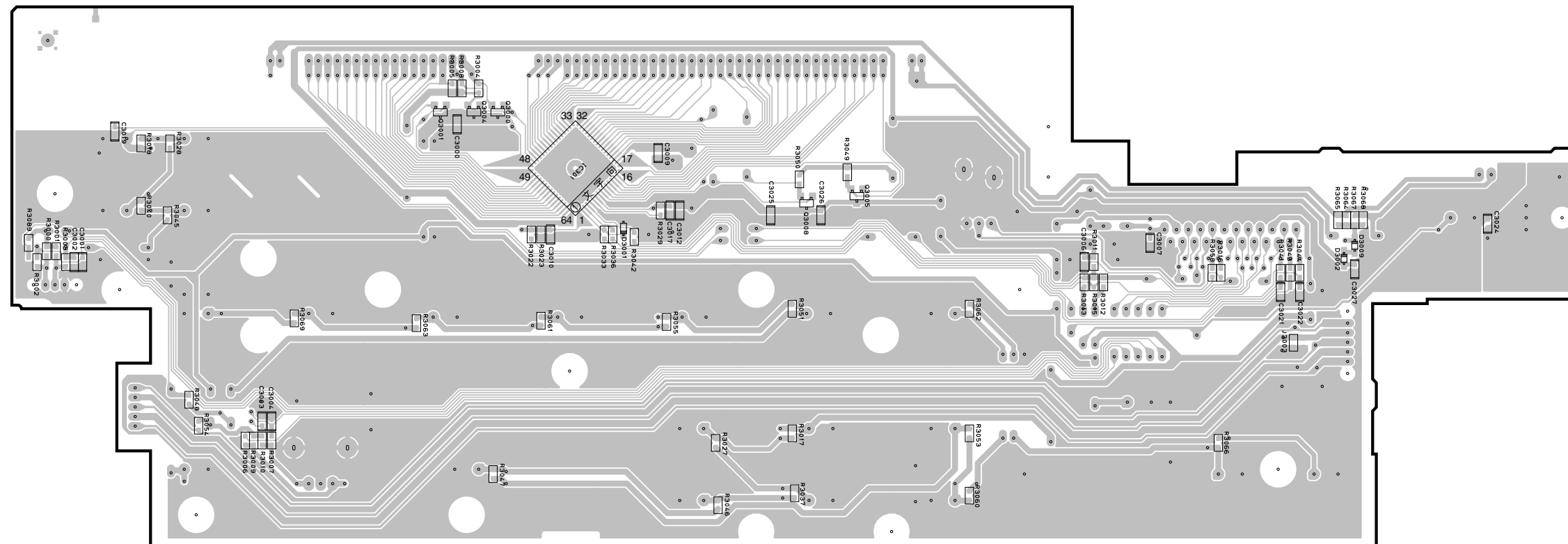
**OPERATION (6) P.C.B.** (Side A)



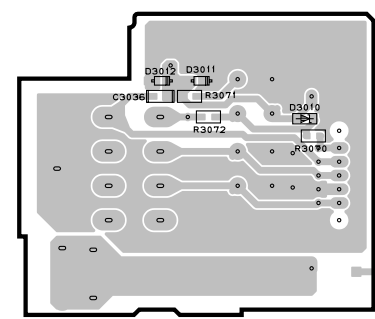
**OPERATION (3) P.C.B.** (Side A)

HTR-N5060

**OPERATION (1) P.C.B.** (Side B)



**OPERATION (3) P.C.B.** (Side B)



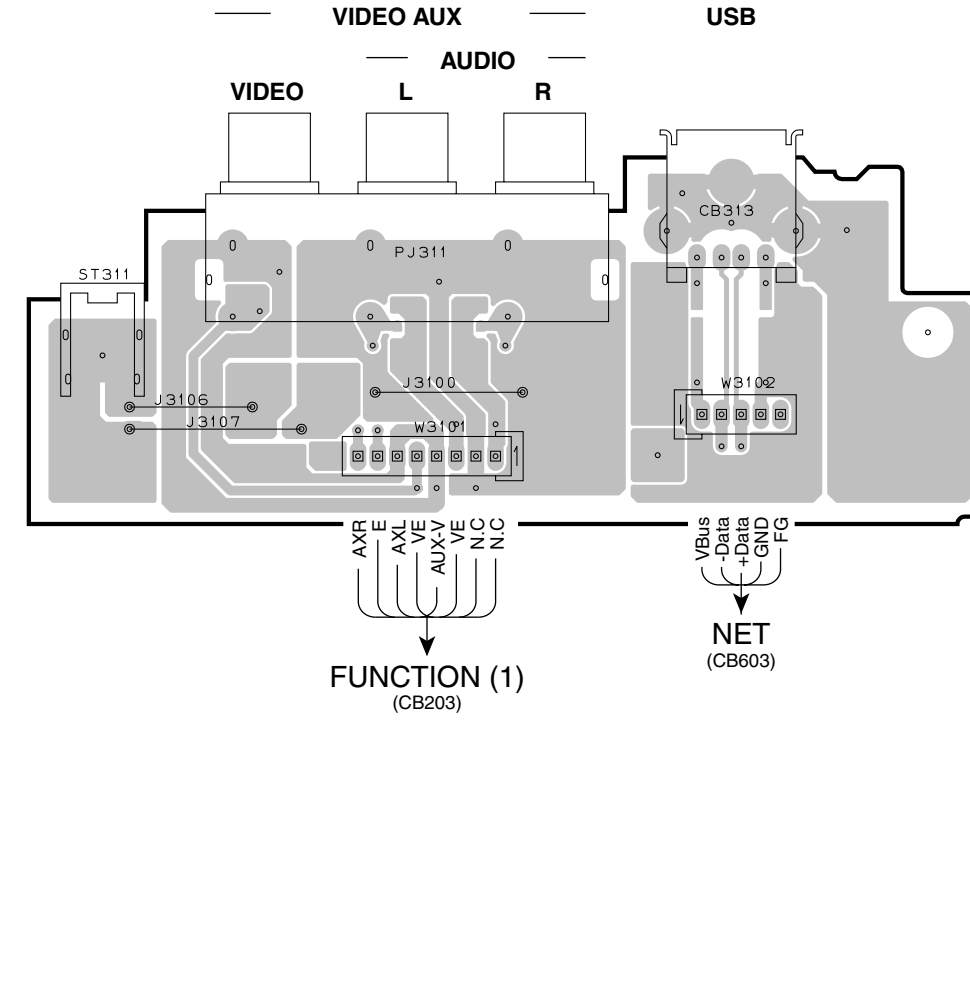
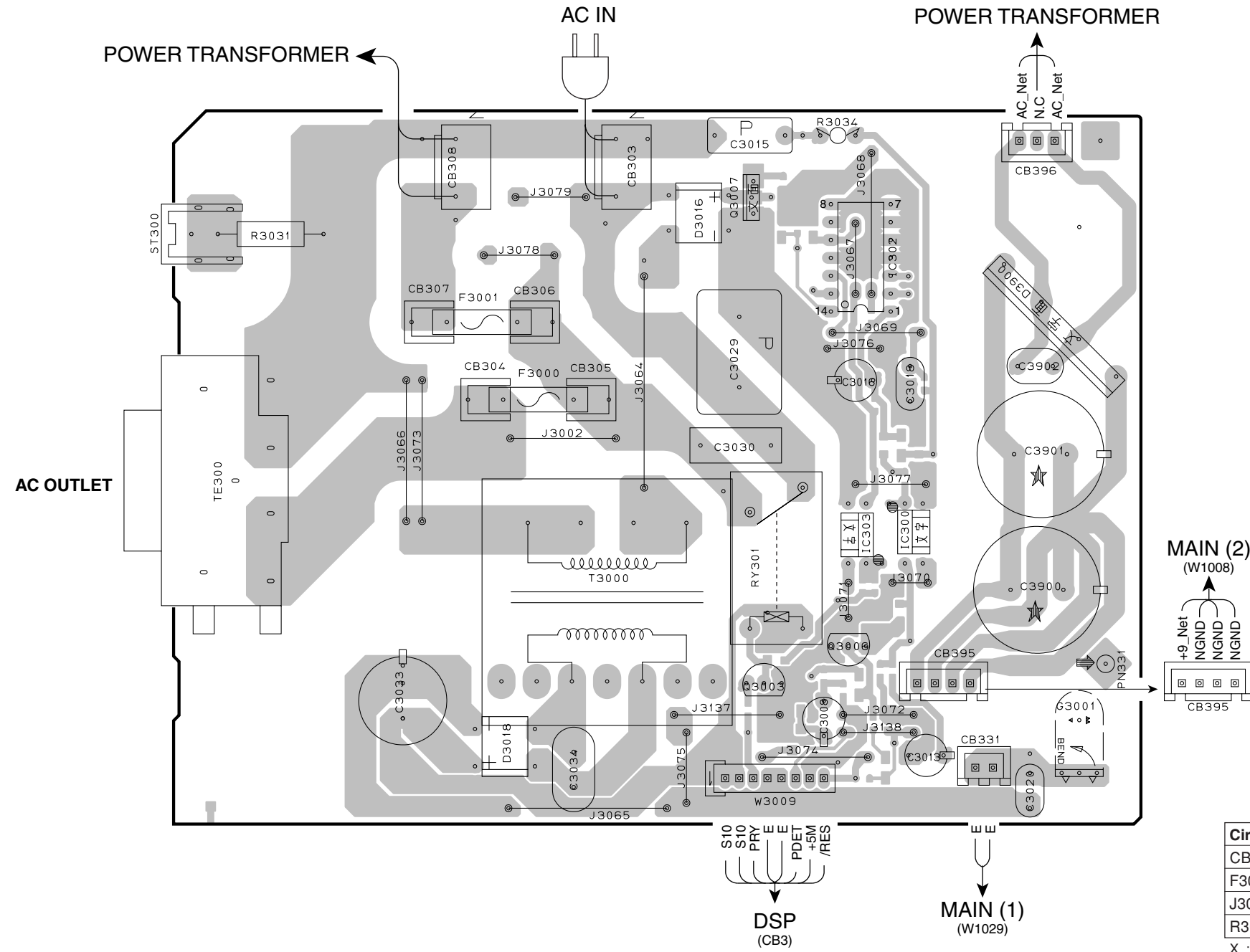
• **Semiconductor Location**

Ref no.	Location	Ref no.	Location
D3001	E3	IC301	D3
D3002	H3	Q3000	D2
D3009	H3	Q3001	D2
D3010	C6	Q3004	D2
D3011	B6	Q3005	F3
D3012	B6	Q3008	F3

HTR-N5060

**OPERATION (4) P.C.B.** (Side A)

**OPERATION (7) P.C.B.** (Side A)



Circuit No.	U, C	A	G
CB304, 305	O	X	O
F3000	O	X	O
J3002	X	O	X
R3031	O	X	X

X : NOT USED  
O : USED/APPLICABLE

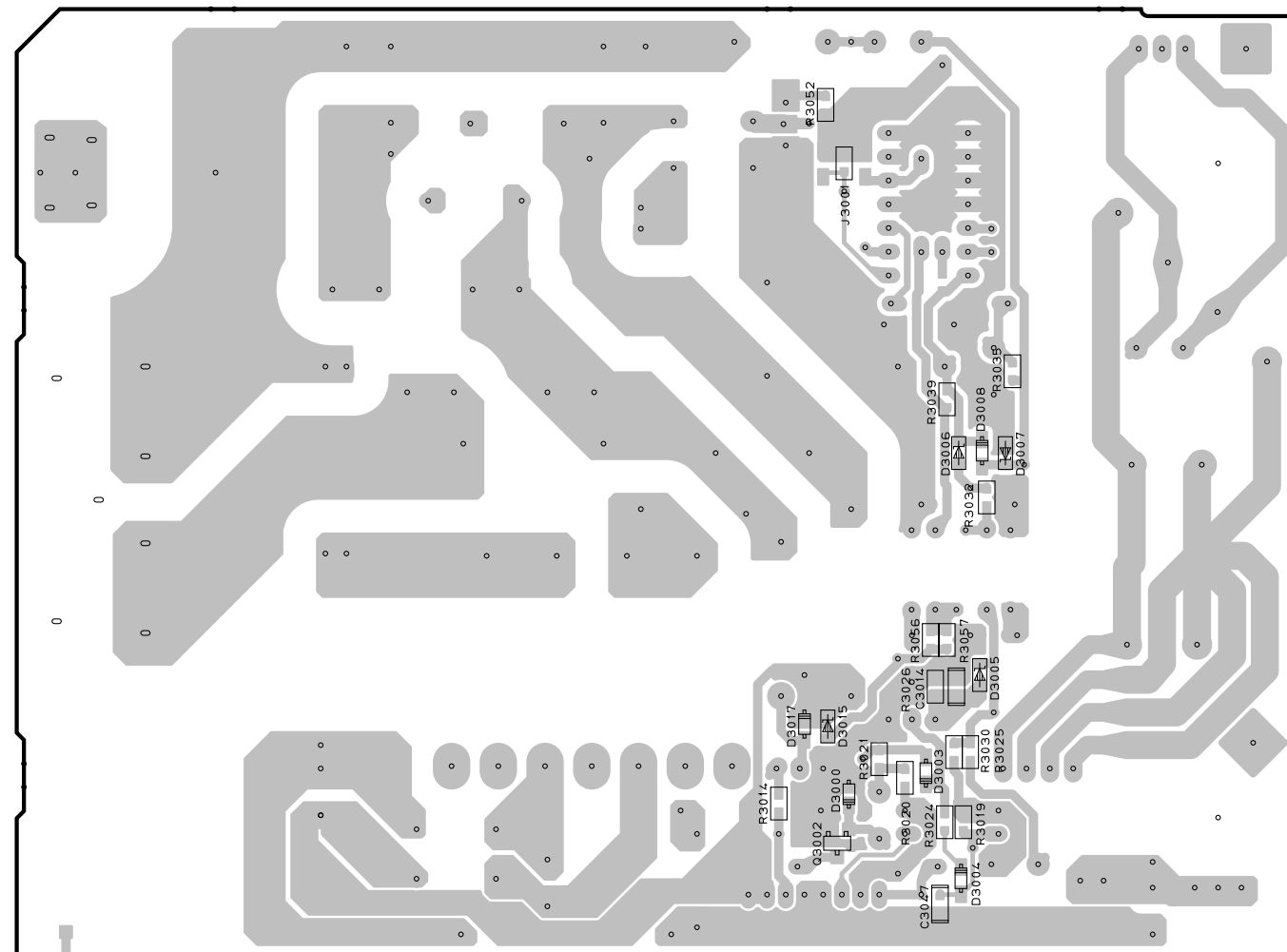
• Semiconductor Location

Ref no.	Location	Ref no.	Location
D3016	D3	IC303	E5
D3018	C6	Q3003	D5
D3900	F4	Q3006	E5
IC300	E5	Q3007	D3
IC302	E3		

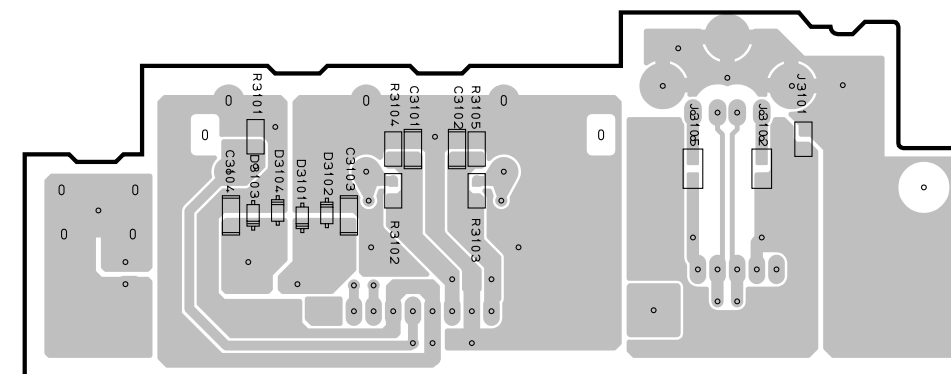


HTR-N5060

**OPERATION (4) P.C.B.** (Side B)



**OPERATION (7) P.C.B.** (Side B)



• **Semiconductor Location**

Ref no.	Location	Ref no.	Location
D3000	D5	D3015	D5
D3003	D5	D3017	D5
D3004	E5	D3101	G3
D3005	E5	D3102	G3
D3006	E4	D3103	G3
D3007	E4	D3104	G3
D3008	E4	Q3002	D5

MAIN (1) P.C.B. (Side A)

SPEAKERS

FRONT A/B

SURROUND L/R

R

L

CENTER

SURROUND BACK

OPERATION (4)  
(CB331)

MAIN (2)  
(W1000B)

POWER TRANSFORMER

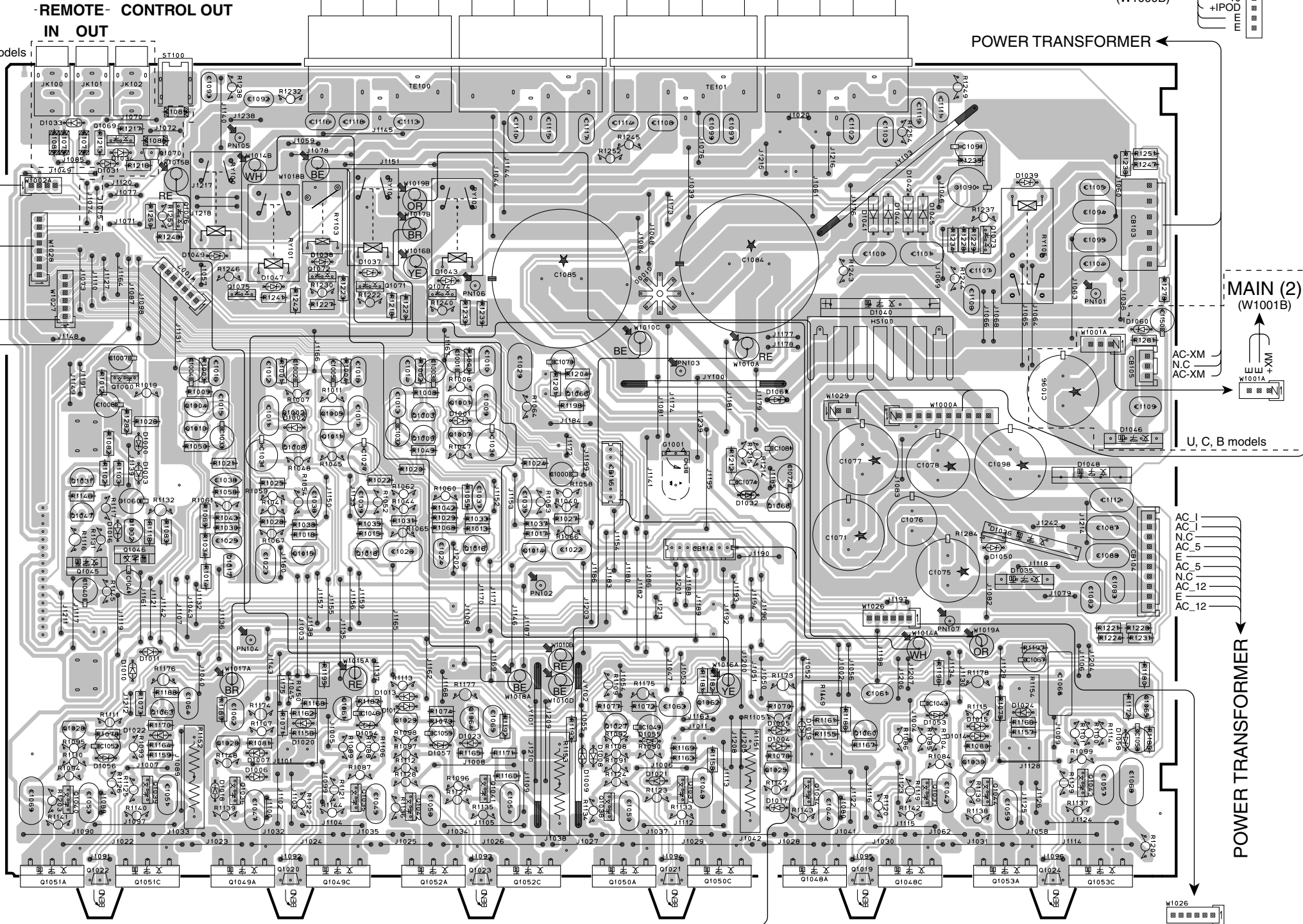
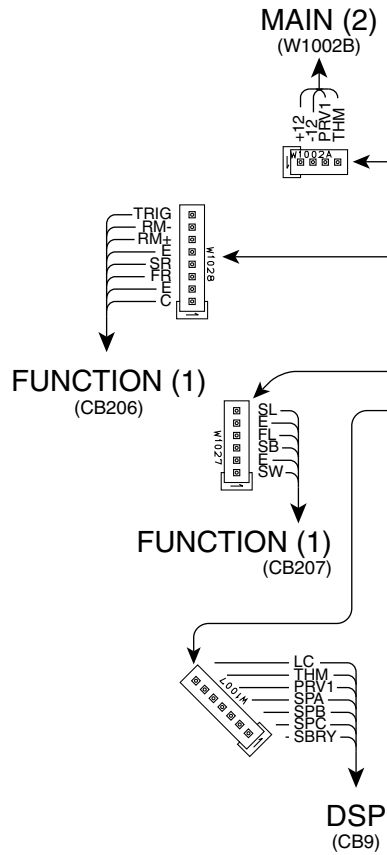
MAIN (2)  
(W1001B)

POWER TRANSFORMER

POWER TRANSFORMER

• Semiconductor Location

Ref no.	Location	Ref no.	Location
D1000	C4	Q1011	D4
D1001	E4	Q1014	E5
D1002	D4	Q1015	D5
D1003	C4	Q1016	E5
D1004	F6	Q1017	D5
D1005	F6	Q1018	D5
D1006	D6	Q1019	G6
D1007	D6	Q1020	D6
D1008	F6	Q1021	F6
D1009	E6	Q1022	C6
D1010	C5	Q1023	E6
D1011	C5	Q1024	H6
D1012	E5	Q1025	F6
D1013	E5	Q1026	D6
D1014	H6	Q1027	F5
D1015	H6	Q1028	C6
D1016	C5	Q1029	E5
D1017	F6	Q1030	G6
D1018	D6	Q1031	C4
D1019	G6	Q1032	C5
D1020	D6	Q1033	G6
D1021	F6	Q1034	G6
D1022	C6	Q1035	D6
D1023	E6	Q1036	D6
D1024	H5	Q1037	F6
D1031	C3	Q1038	F6
D1032	F4	Q1039	C6
D1033	C2	Q1040	C6
D1034	C3	Q1041	E6
D1035	H5	Q1042	E6
D1036	H5	Q1043	H6
D1037	D3	Q1044	H6
D1038	D3	Q1045	C5
D1039	H3	Q1046	C5
D1040	G3	Q1047	C4
D1041	G3	Q1048A	G6
D1042	G3	Q1048C	G6
D1043	E3	Q1049A	D6
D1044	G3	Q1049C	D6
D1045	G3	Q1050A	F6
D1046	H4	Q1050C	F6
D1047	D3	Q1051A	C6
D1048	H4	Q1051C	E6
D1049	D3	Q1052A	C6
D1050	H5	Q1052C	E6
D1053	G5	Q1053A	H6
D1054	D5	Q1053C	H6
D1055	F6	Q1060	G6
D1056	C6	Q1061	D5
D1057	E6	Q1062	F5
D1058	H6	Q1063	C5
D1060	H3	Q1064	E5
D1061	F4	Q1065	H5
Q1000	C4	Q1066	E4
Q1001	E4	Q1068	F4
Q1002	D4	Q1069	C3
Q1003	E4	Q1070	C3
Q1004	D4	Q1071	D3
Q1005	D4	Q1072	D3
Q1007	E4	Q1073	H3
Q1008	D4	Q1074	E3
Q1009	E4	Q1075	D3
Q1010	D4	Q1076	C3

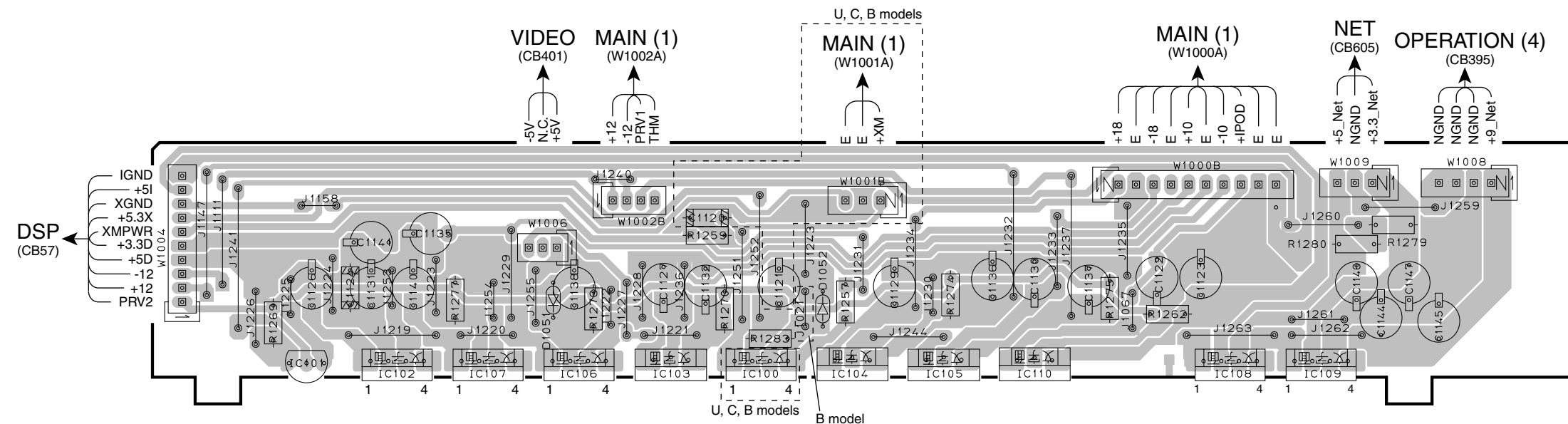


MAIN (4)  
(CB116)

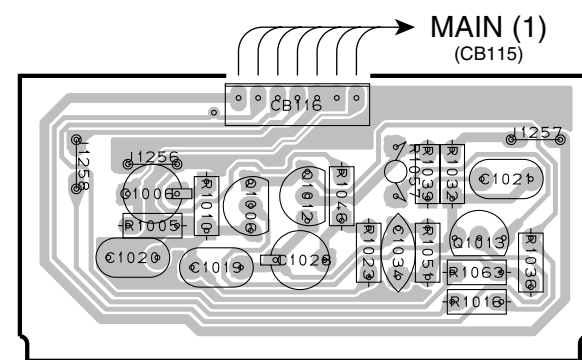
MAIN (5)  
(CB113)

DSP  
(CB4)

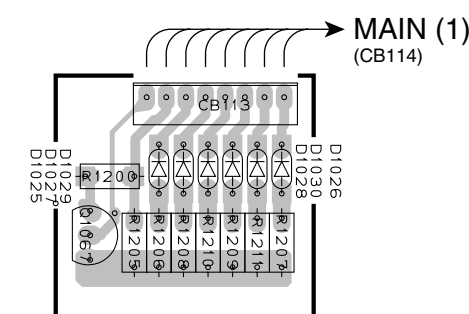
**MAIN (2) P.C.B.** (Side A)



**MAIN (4) P.C.B.** (Side A)



**MAIN (5) P.C.B.** (Side A)



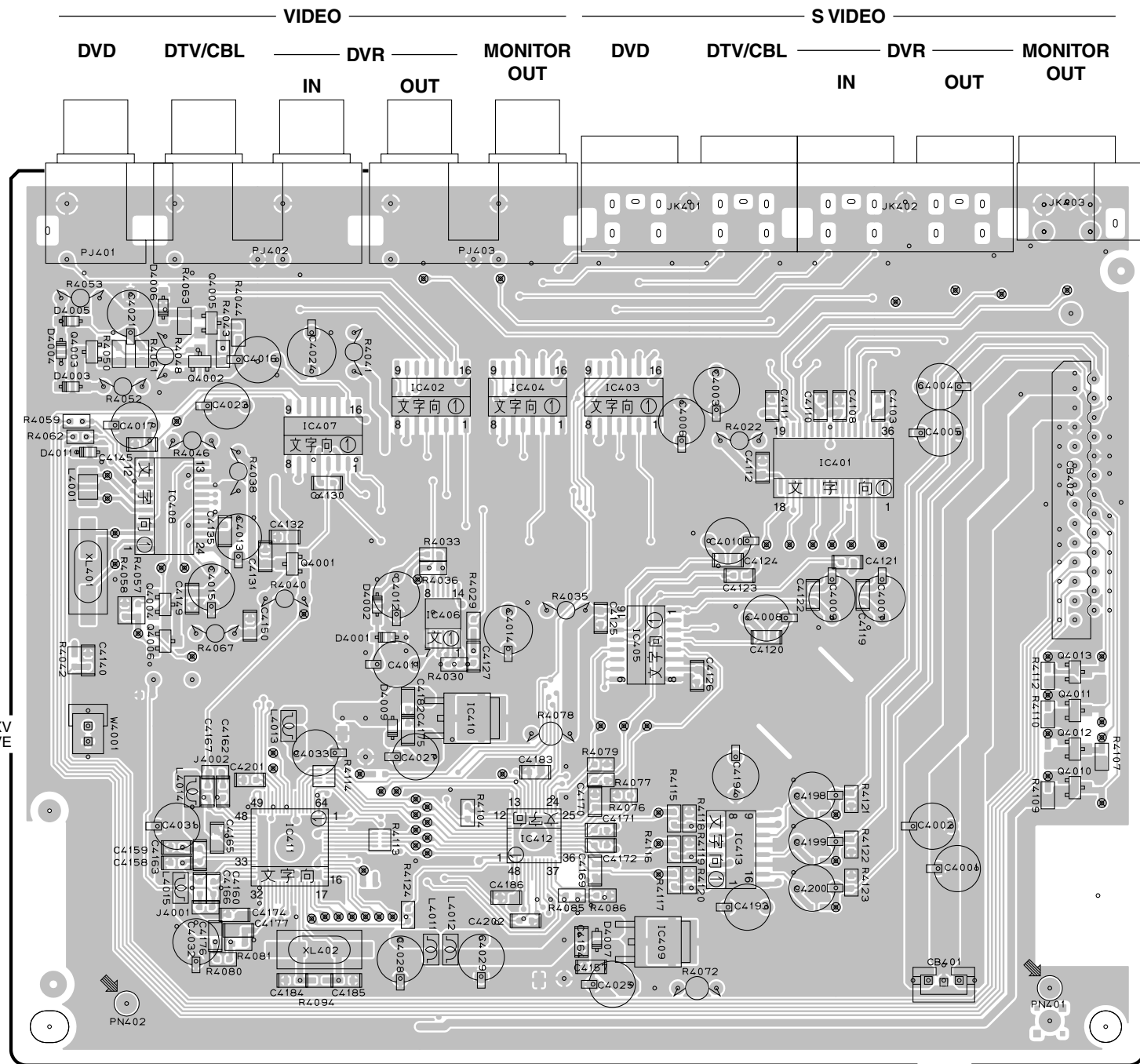
**Semiconductor Location**

Ref no.	Location	Ref no.	Location
D1025	G5	IC104	F4
D1026	H5	IC105	F4
D1027	G5	IC106	D4
D1028	H5	IC107	D4
D1029	H5	IC108	G4
D1030	H5	IC109	H4
D1051	D4	IC110	G4
D1052	F4	Q1006	C5
IC100	E4	Q1012	D5
IC101	C4	Q1013	D5
IC102	D4	Q1067	G6
IC103	E4		

Circuit No.	U, C	R, T, K, A, B, G, E, J
D1052	O	X
R1257, 1283	O	X
R1259	O	X

X : NOT USED  
O : USED/APPLICABLE

**VIDEO P.C.B.** (Side A)



- 5V CB
- Y
- +5V CR
- VE IPC
- IPY IPE
- IPV /MON
- /VR1 SCL
- SDA /INTCNV
- /ICCNV BYPASS
- SVIDD /VSY
- /CES SCKN
- SDTN /SV
- VIC VIB
- VIA

FUNCTION (2)  
(CB290)

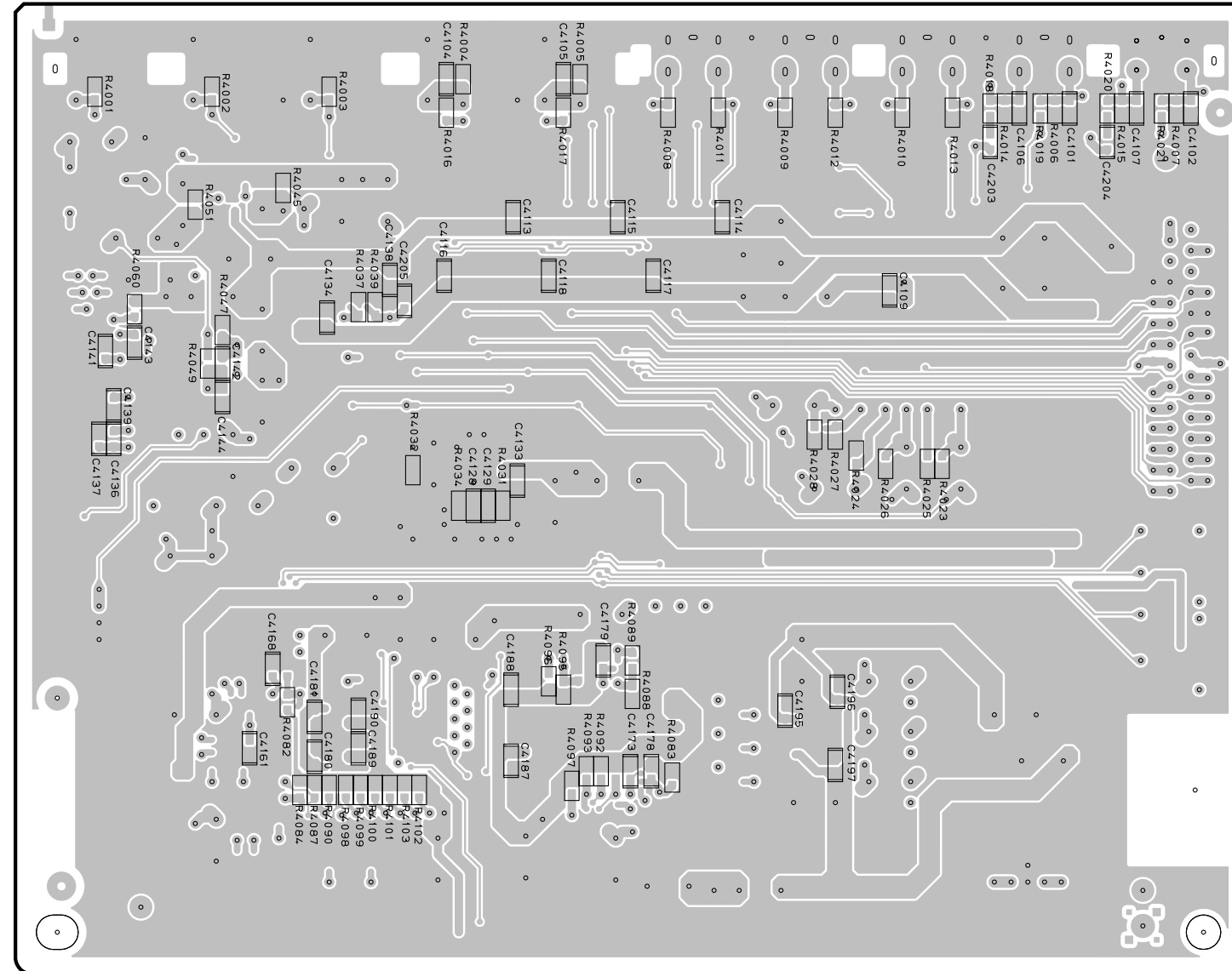
FUNCTION (1)  
(CB201) ← AXV  
VE

MAIN (2)  
(W1006)  
-5V  
VE  
+5V

• Semiconductor Location

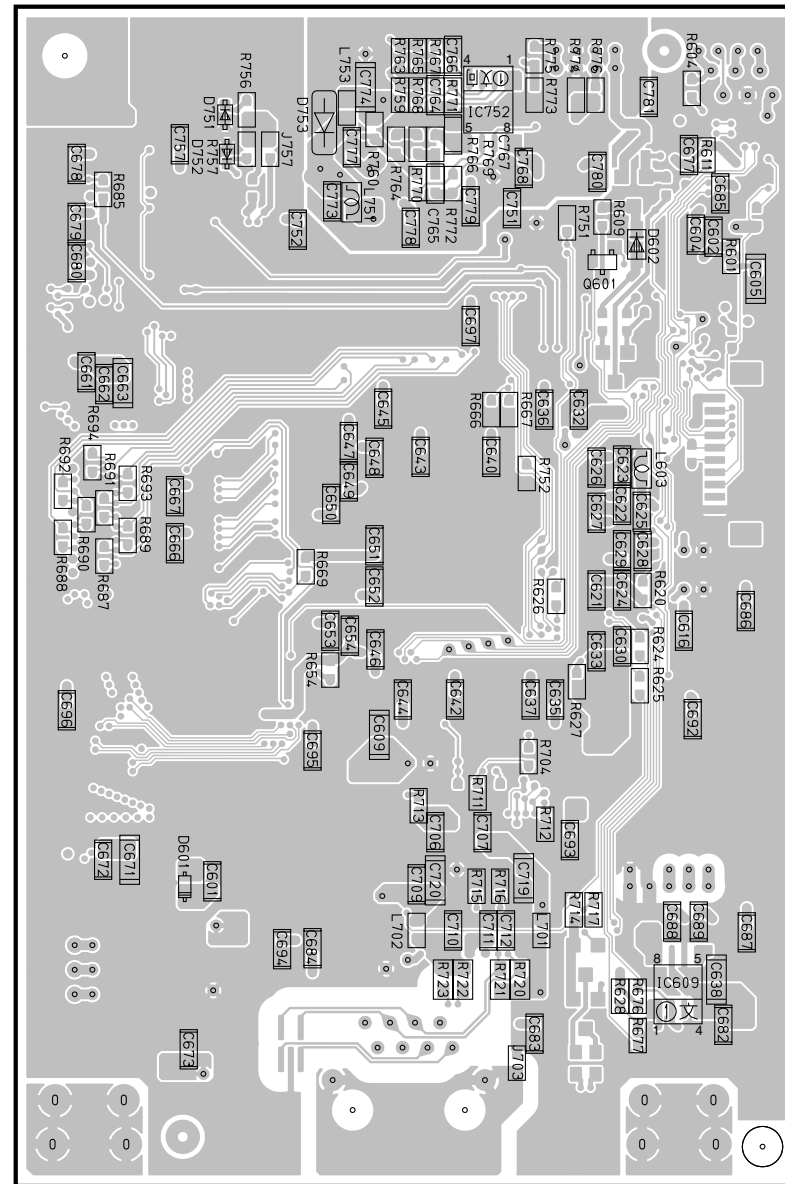
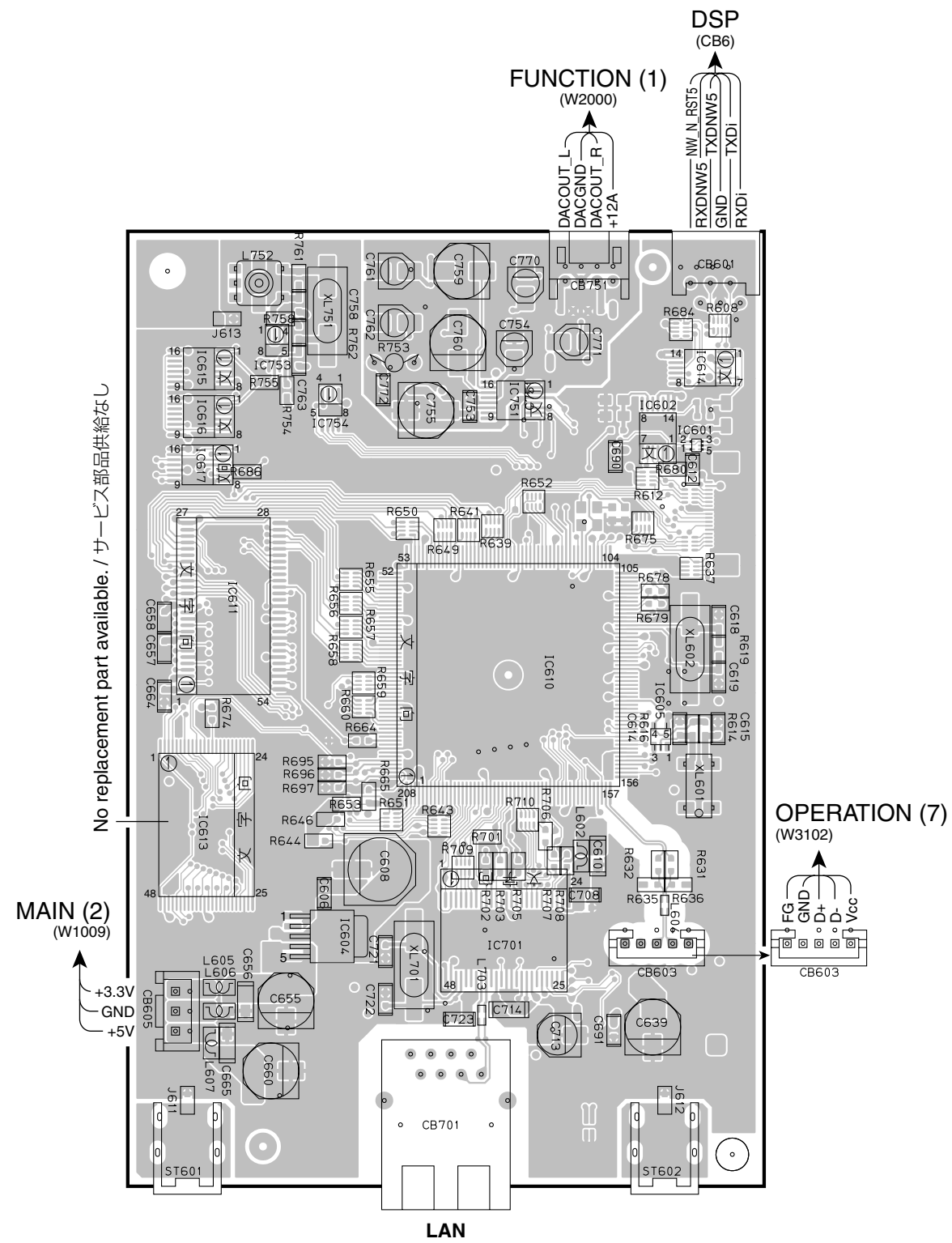
Ref no.	Location	Ref no.	Location
D4001	E4	IC408	D4
D4002	E4	IC409	F6
D4003	C3	IC410	E5
D4004	C3	IC411	D5
D4005	C3	IC412	E5
D4006	D3	IC413	F5
D4007	F6	Q4001	D4
D4009	E5	Q4002	D3
D4011	C4	Q4003	C3
IC401	G4	Q4004	D4
IC402	E3	Q4005	D3
IC403	F3	Q4006	D4
IC404	E3	Q4010	H5
IC405	F4	Q4011	H5
IC406	E4	Q4012	H5
IC407	D3	Q4013	H5

**VIDEO P.C.B.** (Side B)



**NET P.C.B.** (Side A)

**NET P.C.B.** (Side B)



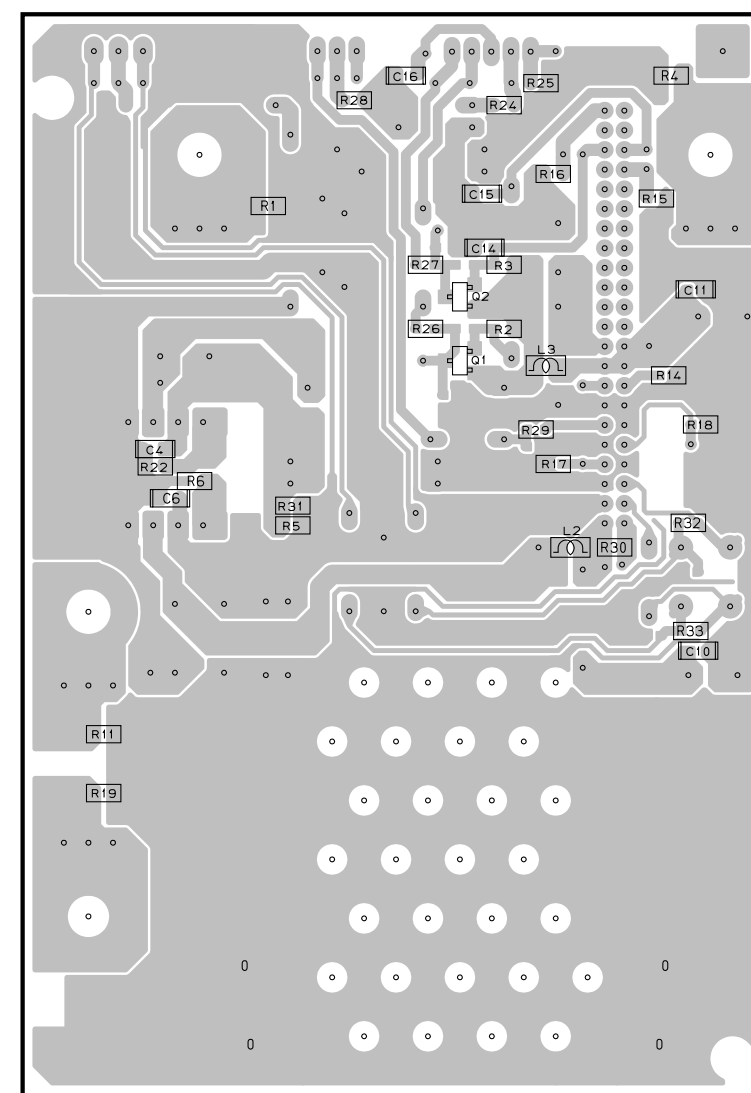
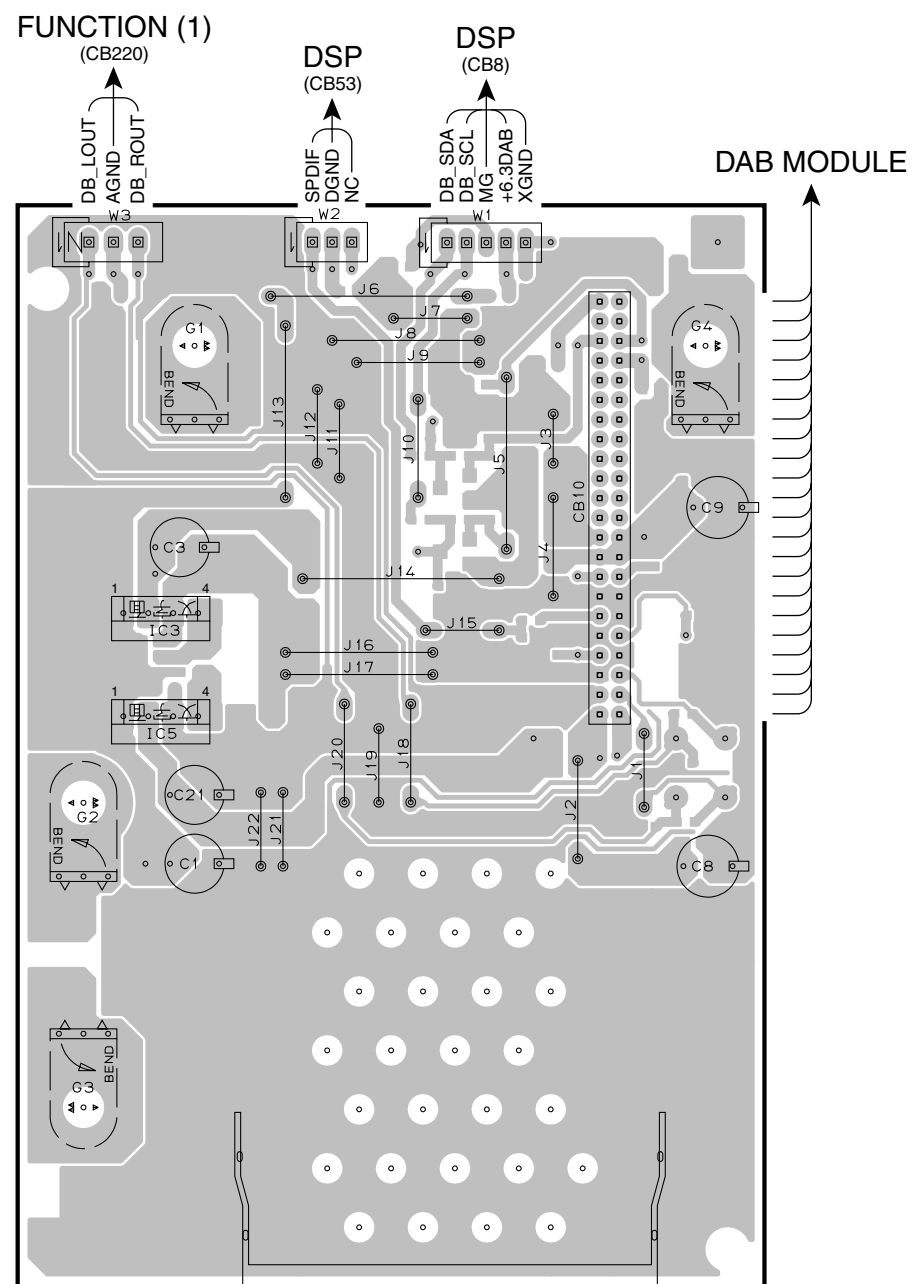
• Semiconductor Location

Ref no.	Location	Ref no.	Location
D601	F5	IC613	B5
D602	G3	IC614	D3
D751	F3	IC615	B3
D752	F3	IC616	B3
D753	F3	IC617	B4
IC601	D3	IC701	C5
IC602	D3	IC751	C3
IC604	B5	IC752	G3
IC605	D5	IC753	B3
IC609	H6	IC754	B3
IC610	C4	Q601	G3
IC611	B4		

**RX-N600D**

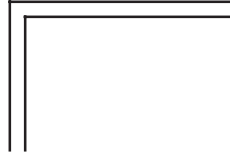
**DAB P.C.B. (Side A)**

**DAB P.C.B. (Side B)**

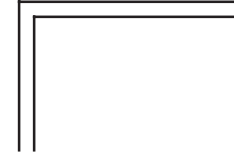
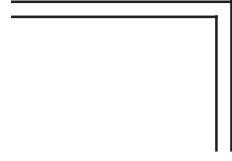


• **Semiconductor Location**

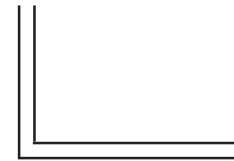
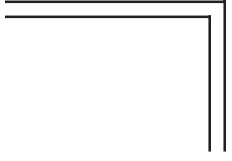
Ref no.	Location	Ref no.	Location
IC3	B4	Q1	G4
IC5	B4	Q2	G4



MEMO



MEMO





DSP

Page 100 [C1]  
to FUNCTION (1)\_CB200

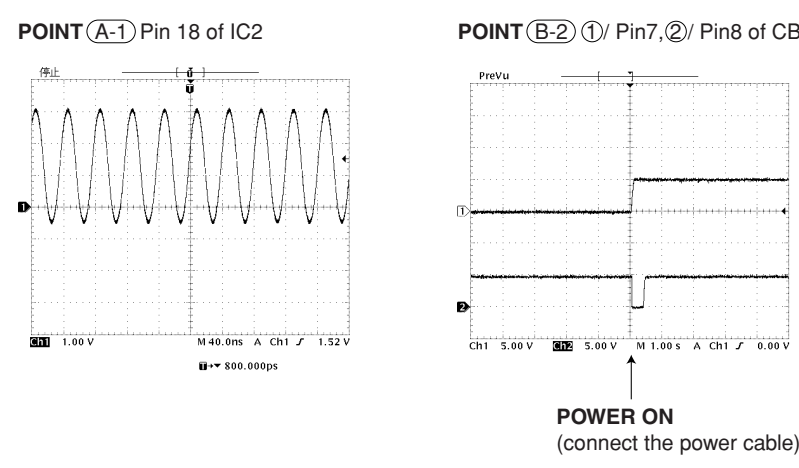
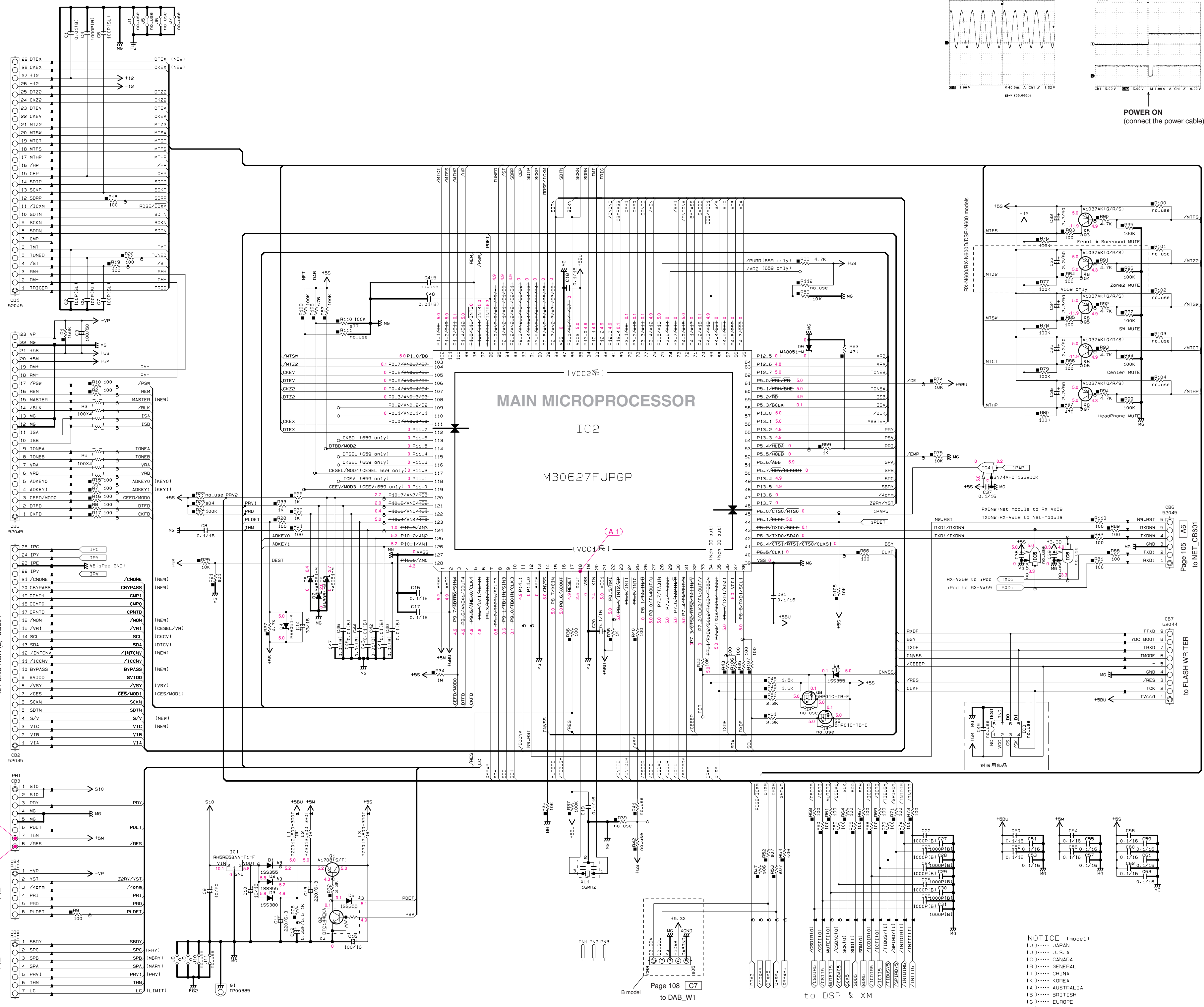
Page 101 [D9]  
to OPERATION (1)\_CB502

Page 100 [B3]  
to FUNCTION (2)\_CB251

Page 103 [H2]  
to MAIN (1)\_W1026

Page 103 [H2]  
to MAIN (1)\_W1007

Page 108 [C7]  
to DAB\_W1

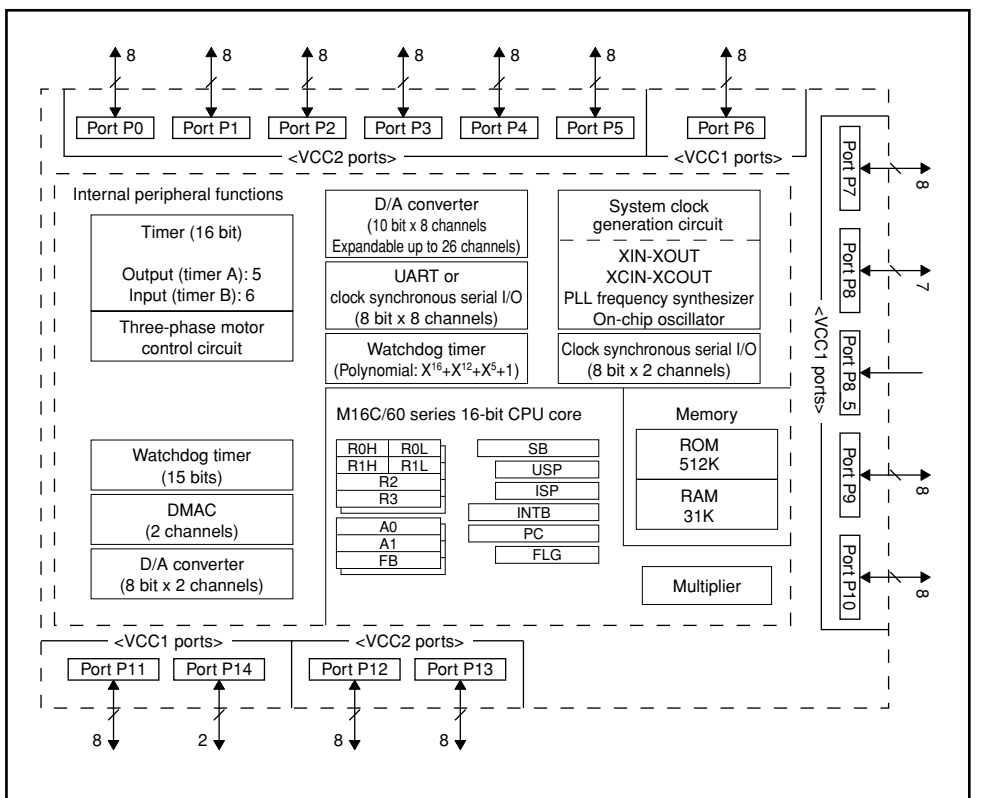


POWER ON  
(connect the power cable)

IC1: RH5RE58AA-T1-FA  
Voltage regulator

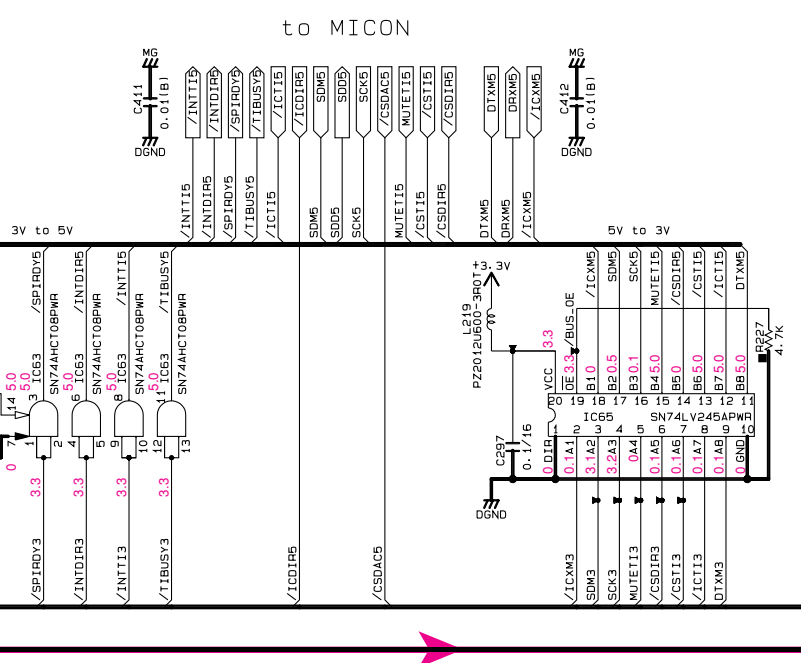
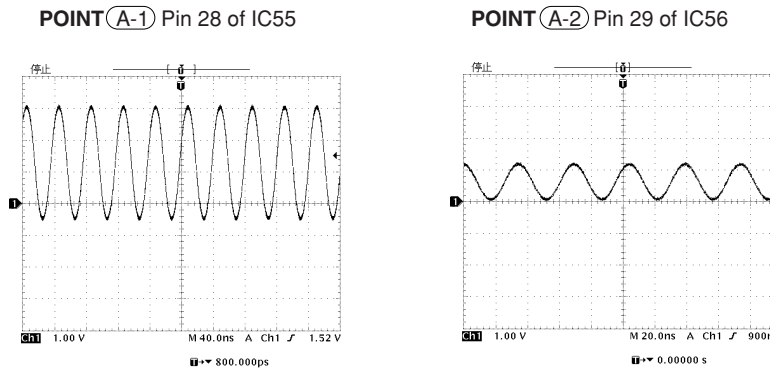
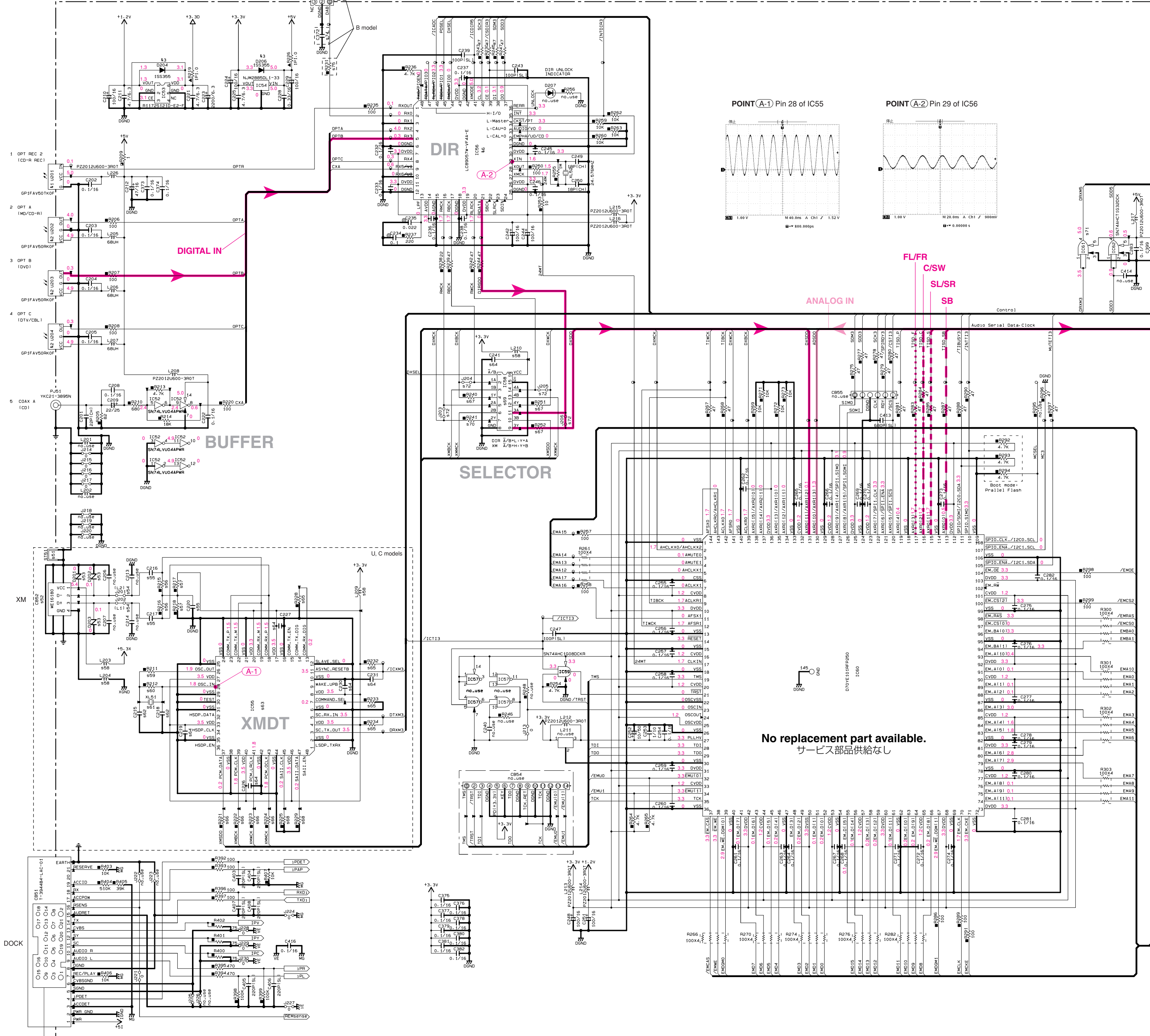
IC4: SN74AHC1G32DCKR  
Single 2-input positive-OR gate

IC2: M30627JPGP  
Single chip 16-bit microcomputer



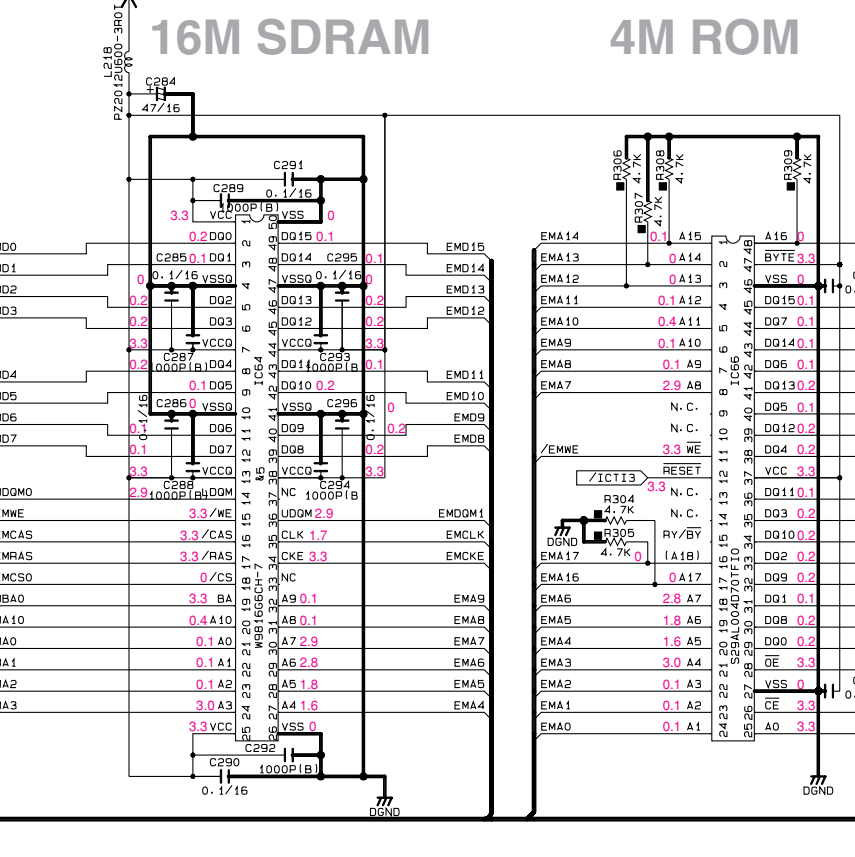
NOTICE (model)  
(J) JAPAN  
(U) U.S.A  
(C) CANADA  
(R) GENERAL  
(T) CHINA  
(K) KOREA  
(A) AUSTRALIA  
(B) BRITISH  
(G) EUROPE  
(L) SINGAPORE  
(E) SOUTH EUROPE  
(V) TAIWAN

\* All voltages are measured with a 10MΩ/V DC electronic volt meter.  
\* Components having special characteristics are marked with a dot (·) and must be replaced with parts having specifications equal to those originally installed.  
\* Schematic diagram is subject to change without notice.



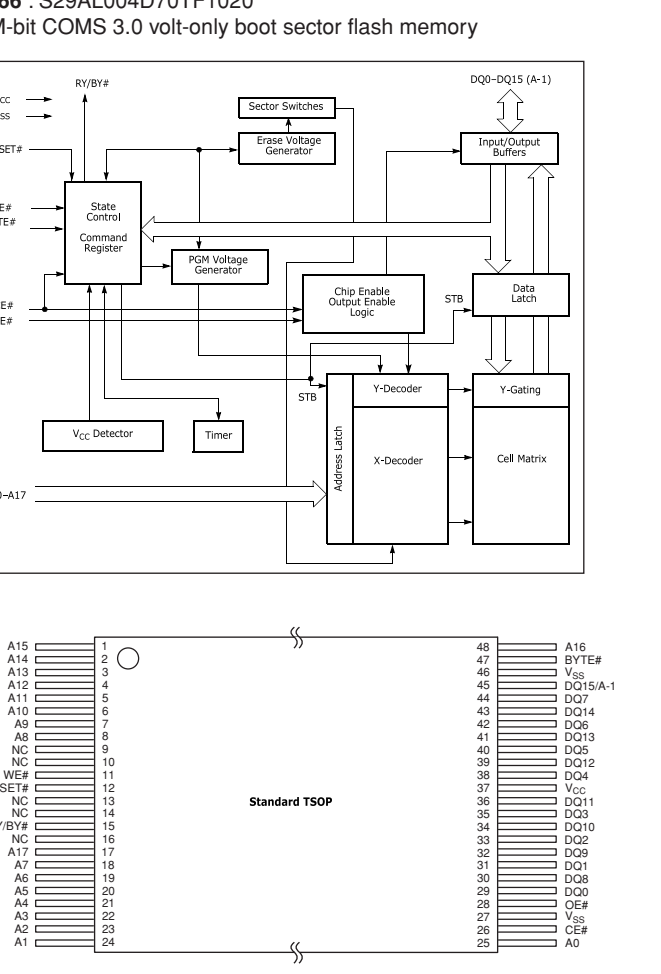
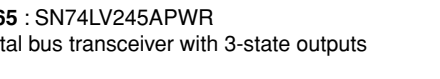
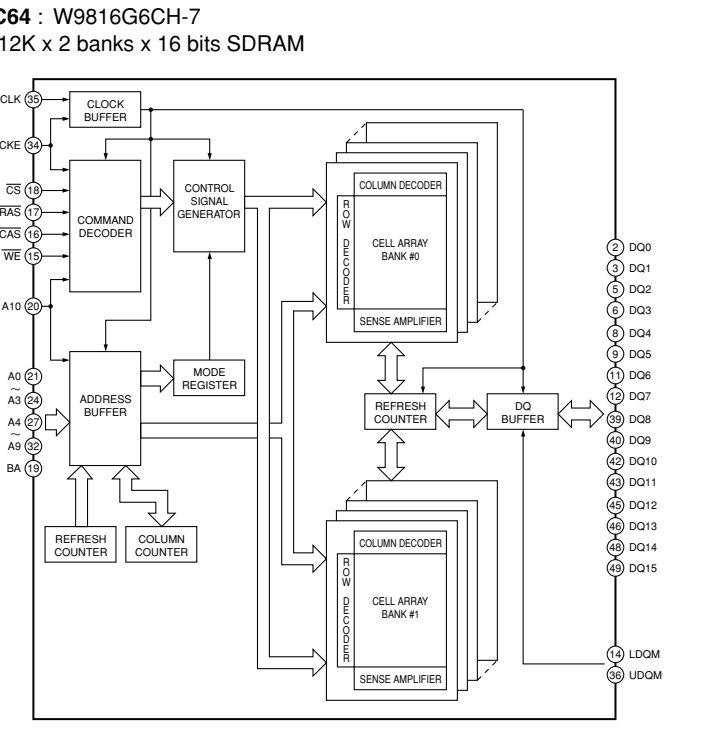
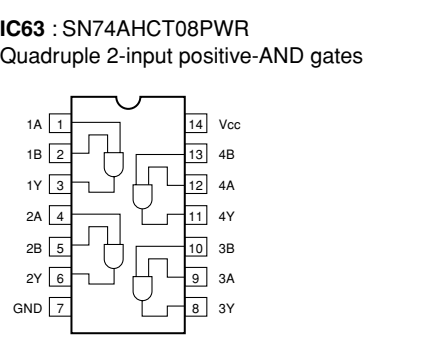
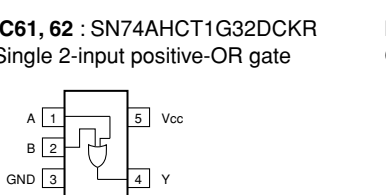
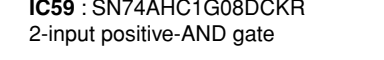
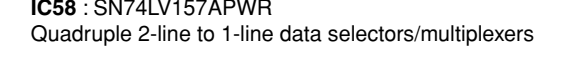
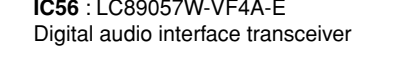
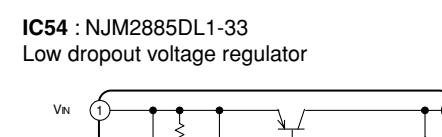
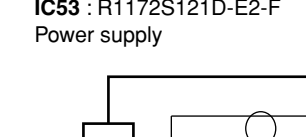
NOTICE (model)

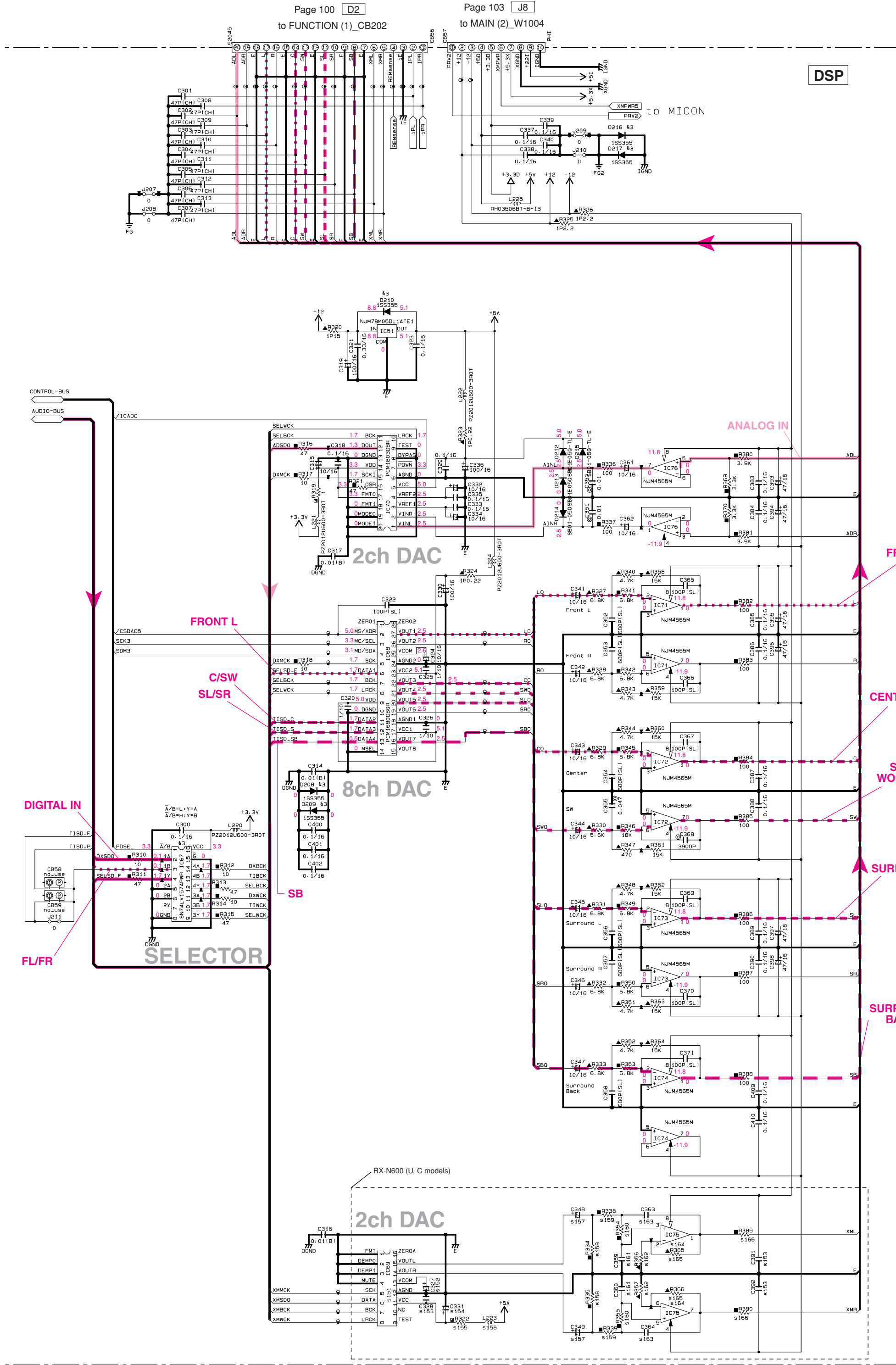
(J) ..... JAPAN  
 (U) ..... U. S. A  
 (C) ..... CANADA  
 (R) ..... GENERAL  
 (T) ..... CHINA  
 (K) ..... KOREA  
 (A) ..... AUSTRALIA  
 (B) ..... BRITISH  
 (G) ..... EUROPE  
 (L) ..... SINGAPORE  
 (E) ..... SOUTH EUROPE  
 (V) ..... TAIWAN



No replacement part available. サービス部品供給なし

- ★ All voltages are measured with a 10M $\Omega$ /V DC electronic volt meter.
- ★ Components having special characteristics are marked with a triangle and must be replaced with parts having specifications equal to those originally installed.
- ★ Schematic diagram is subject to change without notice.
- 電圧は、内部抵抗10M $\Omega$ の電圧計で測定したものです。
- 印のある部品は、安全性確保部品を示しています。部品の交換が必要な場合、パーツリストに記載されている部品を使用してください。
- 本回路図は標準回路図です。改良のため予告なく変更することがございます。





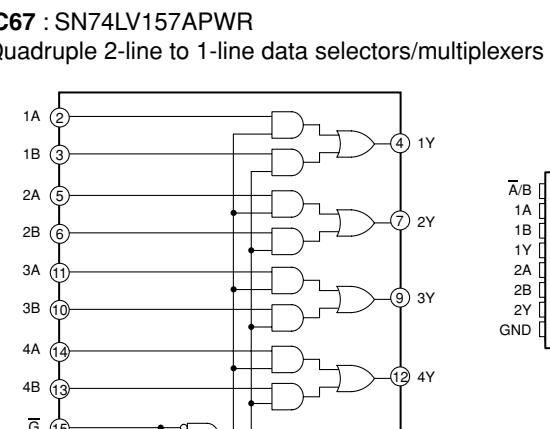
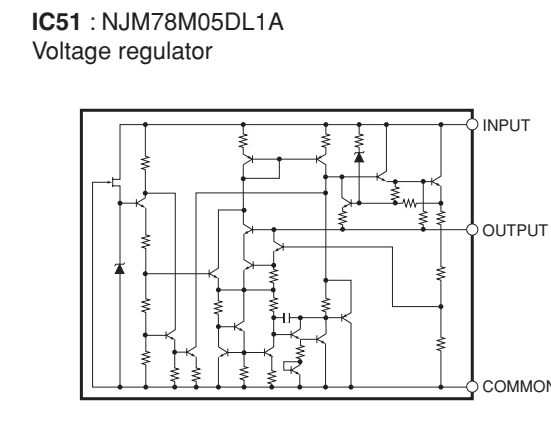
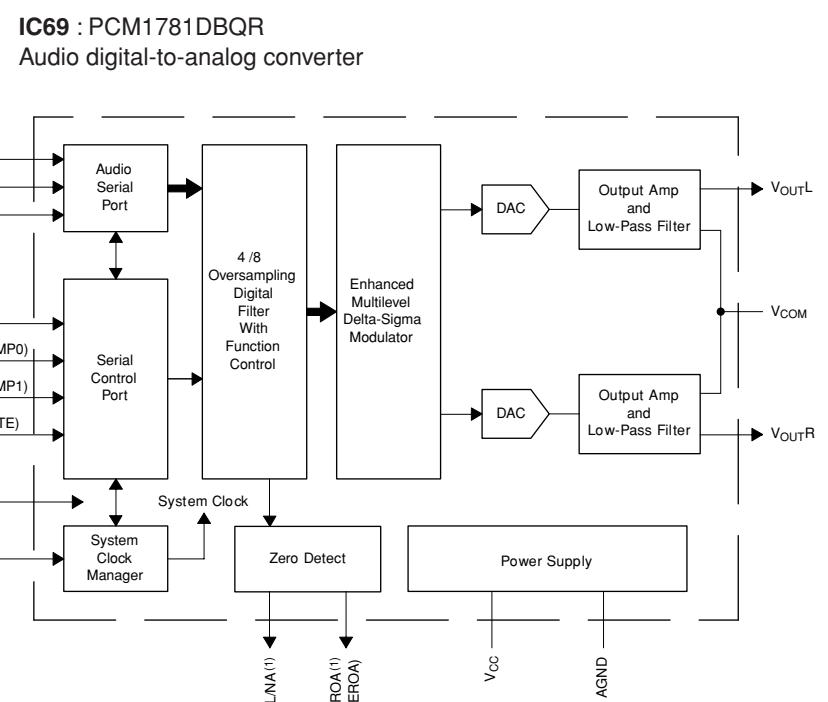
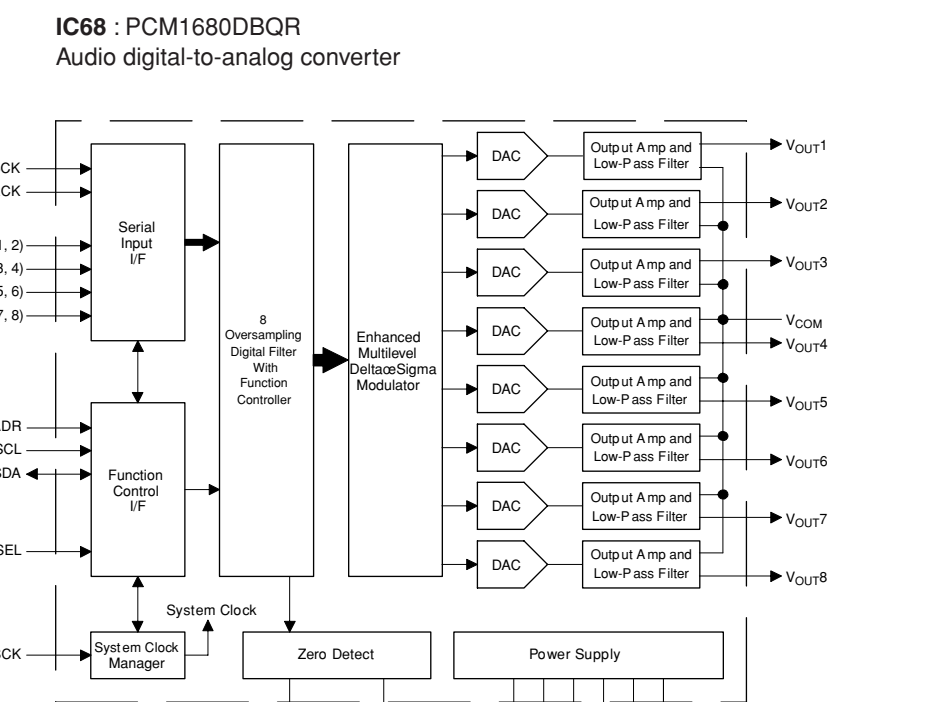
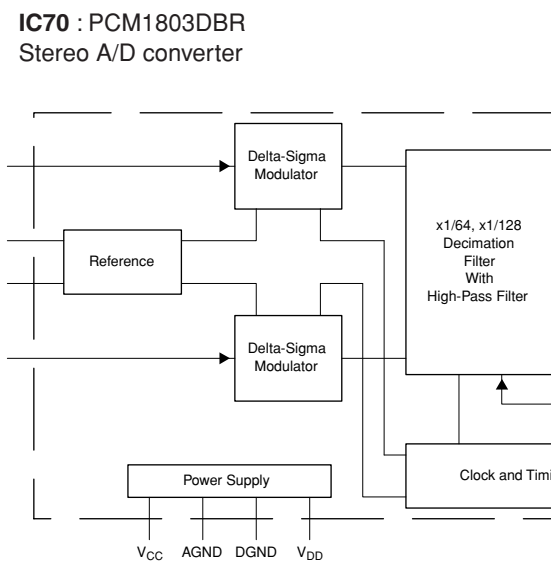
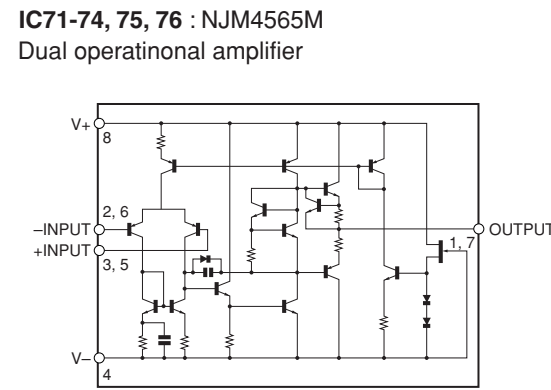
CAPACITOR		RESISTOR	
REMARKS	PARTS NAME	REMARKS	PARTS NAME
NO MARK	ELECTROLYTIC CAPACITOR	NO MARK	CARBON FILM RESISTOR (P=5)
⊙	TANTALUM CAPACITOR	⊙	CARBON FILM RESISTOR (P=10)
⊖	CERAMIC CAPACITOR	△	METAL OXIDE FILM RESISTOR
⊕	CERAMIC TUBULAR CAPACITOR	⊖	METAL FILM RESISTOR
⊗	POLYESTER FILM CAPACITOR	⊙	METAL PLATE RESISTOR
○	POLYSTYRENE FILM CAPACITOR	⊖	FIRE PROOF CARBON FILM RESISTOR
□	MICA CAPACITOR	□	CEMENT MOLDED RESISTOR
◇	POLYPROPYLENE FILM CAPACITOR	◇	SEMI-VARIABLE RESISTOR
⊕	SEMICONDUCTIVE CERAMIC CAPACITOR	■	CHIP RESISTOR
⊖	POLYPHENYLENE SULFIDE FILM CAPACITOR		

NOTICE (model)  
 (J)..... JAPAN  
 (U)..... U.S.A  
 (C)..... CANADA  
 (R)..... GENERAL  
 (T)..... CHINA  
 (K)..... KOREA  
 (A)..... AUSTRALIA  
 (B)..... BRITISH  
 (G)..... EUROPE  
 (L)..... SINGAPORE  
 (E)..... SOUTH EUROPE  
 (V)..... TAIWAN

Destination Part List	DSP-N600	RX-N600	RX-N600D	RX-N600	HTR-N5060
511	R01	R01	R01	R01	R01
512	R02	R02	R02	R02	R02
513	R03	R03	R03	R03	R03
514	R04	R04	R04	R04	R04
515	R05	R05	R05	R05	R05
516	R06	R06	R06	R06	R06
517	R07	R07	R07	R07	R07
518	R08	R08	R08	R08	R08
519	R09	R09	R09	R09	R09
520	R10	R10	R10	R10	R10
521	R11	R11	R11	R11	R11
522	R12	R12	R12	R12	R12
523	R13	R13	R13	R13	R13
524	R14	R14	R14	R14	R14
525	R15	R15	R15	R15	R15
526	R16	R16	R16	R16	R16
527	R17	R17	R17	R17	R17
528	R18	R18	R18	R18	R18
529	R19	R19	R19	R19	R19
530	R20	R20	R20	R20	R20
531	R21	R21	R21	R21	R21
532	R22	R22	R22	R22	R22
533	R23	R23	R23	R23	R23
534	R24	R24	R24	R24	R24
535	R25	R25	R25	R25	R25
536	R26	R26	R26	R26	R26
537	R27	R27	R27	R27	R27
538	R28	R28	R28	R28	R28
539	R29	R29	R29	R29	R29
540	R30	R30	R30	R30	R30
541	R31	R31	R31	R31	R31
542	R32	R32	R32	R32	R32
543	R33	R33	R33	R33	R33
544	R34	R34	R34	R34	R34
545	R35	R35	R35	R35	R35
546	R36	R36	R36	R36	R36
547	R37	R37	R37	R37	R37
548	R38	R38	R38	R38	R38
549	R39	R39	R39	R39	R39
550	R40	R40	R40	R40	R40
551	R41	R41	R41	R41	R41
552	R42	R42	R42	R42	R42
553	R43	R43	R43	R43	R43
554	R44	R44	R44	R44	R44
555	R45	R45	R45	R45	R45
556	R46	R46	R46	R46	R46
557	R47	R47	R47	R47	R47
558	R48	R48	R48	R48	R48
559	R49	R49	R49	R49	R49
560	R50	R50	R50	R50	R50
561	R51	R51	R51	R51	R51
562	R52	R52	R52	R52	R52
563	R53	R53	R53	R53	R53
564	R54	R54	R54	R54	R54
565	R55	R55	R55	R55	R55
566	R56	R56	R56	R56	R56
567	R57	R57	R57	R57	R57
568	R58	R58	R58	R58	R58
569	R59	R59	R59	R59	R59
570	R60	R60	R60	R60	R60
571	R61	R61	R61	R61	R61
572	R62	R62	R62	R62	R62
573	R63	R63	R63	R63	R63
574	R64	R64	R64	R64	R64
575	R65	R65	R65	R65	R65
576	R66	R66	R66	R66	R66
577	R67	R67	R67	R67	R67
578	R68	R68	R68	R68	R68
579	R69	R69	R69	R69	R69
580	R70	R70	R70	R70	R70
581	R71	R71	R71	R71	R71
582	R72	R72	R72	R72	R72
583	R73	R73	R73	R73	R73
584	R74	R74	R74	R74	R74
585	R75	R75	R75	R75	R75
586	R76	R76	R76	R76	R76
587	R77	R77	R77	R77	R77
588	R78	R78	R78	R78	R78
589	R79	R79	R79	R79	R79
590	R80	R80	R80	R80	R80
591	R81	R81	R81	R81	R81
592	R82	R82	R82	R82	R82
593	R83	R83	R83	R83	R83
594	R84	R84	R84	R84	R84
595	R85	R85	R85	R85	R85
596	R86	R86	R86	R86	R86
597	R87	R87	R87	R87	R87
598	R88	R88	R88	R88	R88
599	R89	R89	R89	R89	R89
600	R90	R90	R90	R90	R90

Interchangeable Parts at Manufacture Stage

Mark	Reference Part's Number	Part's Name
41	U001	OPF4501TOP TOTX1771F1I
42	U002-204	OPF4500TOP TOX1771F1I
43	01-2-6-10-204-206 208-210-216-217	IS9359 MA111 K05100-RTK/P
44	02	DT144KA K051045-RTK/P
45	IC64	W91662CH-7 TS40516100C1-7LTA M12L16161A-7TG
46	IC56	LC89057W-VF4A-E LC89057W-VF4D-E



\* All voltages are measured with a 10MΩ/V DC electronic volt meter.  
 \* Components having special characteristics are marked ! and must be replaced with parts having specifications exactly to those originally installed.  
 \* Schematic diagram is subject to change without notice.  
 ● 電圧は、内部抵抗10MΩの電圧計で測定したものです。  
 ● !印のある部品は、安全性確保部品を示しています。部品の交換が必要な場合、パーツリストに記載されている部品を使用してください。  
 ● 本回路図は標準回路図です。改良のため予告なく変更することがございます。

FUNCTION

Page 97 [B3] to DSP\_CB1

Page 99 [C1] to DSP\_CB56

Page 106 [C3] to DAB\_W3

RX-N600/RX-N600D/DSP-N600: Page 101 [K7] to OPERATION (1)\_W3001  
HTR-N5060: Page 102 [I4] to OPERATION (1)\_W3002

Destination Part List (Voltage Sel.)

Table with columns: Part No., Loc., UCTRA, P, M, B, SE. Lists various electronic components and their specifications.

Destination Part List (Model Ver.)

Table with columns: Part No., Loc., UCTRA, P, M, B, SE. Lists various electronic components and their specifications.

Destination Part List (Terminal)

Table with columns: Part No., Loc., UCTRA, P, M, B, SE. Lists various electronic components and their specifications.

Page 104 [D2] to VIDEO\_CB402

Page 97 [B7] to DSP\_CB2

EXTENSION SELECTOR

COMPONENT DETECTOR

OUTPUT AMP

INPUT SELECTOR

INPUT SELECTOR

INPUT SELECTOR

FUNCTION (2)

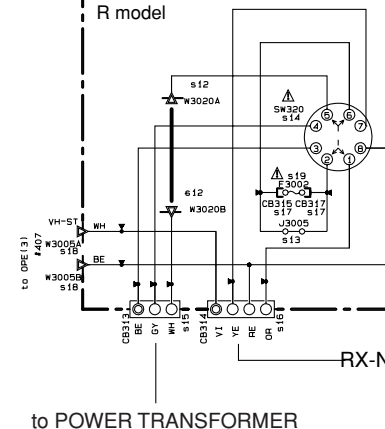
FUNCTION (4)

Table with columns: CAPACITOR, PARTS NAME, REMARKS. Lists capacitor specifications.

Table with columns: RESISTOR, PARTS NAME, REMARKS. Lists resistor specifications.

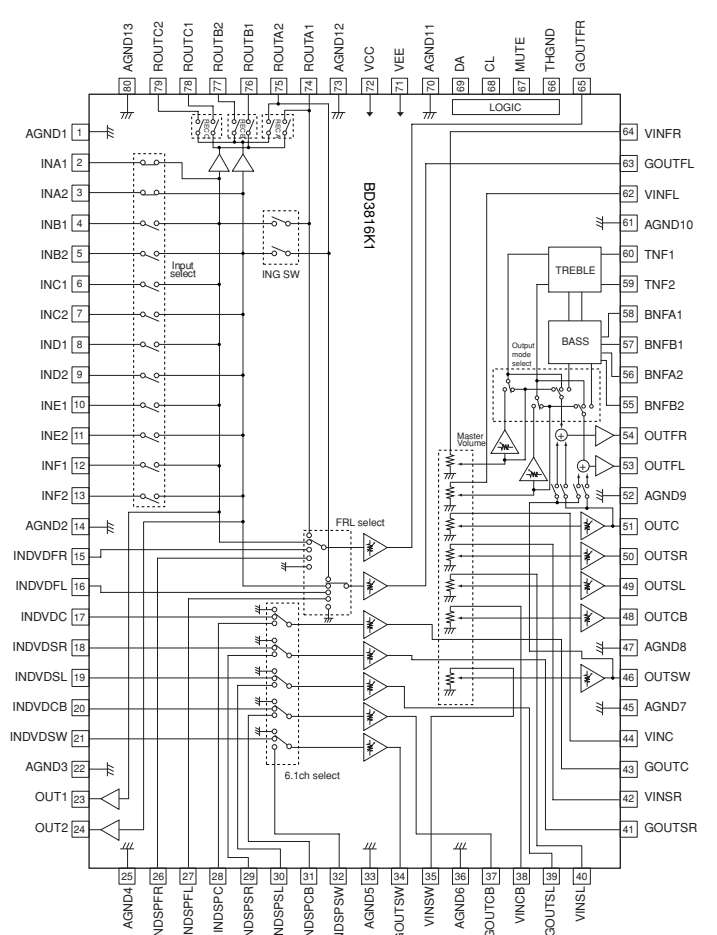
NOTICE (Model): (J) JAPAN, (U) U.S.A., (C) CANADA, (R) GENERAL, (T) CHINA, (K) KOREA, (A) AUSTRALIA, (B) BRITISH, (E) EUROPE, (S) SINGAPORE, (V) SOUTH EUROPE, (Y) TAIWAN.

FUNCTION (3)

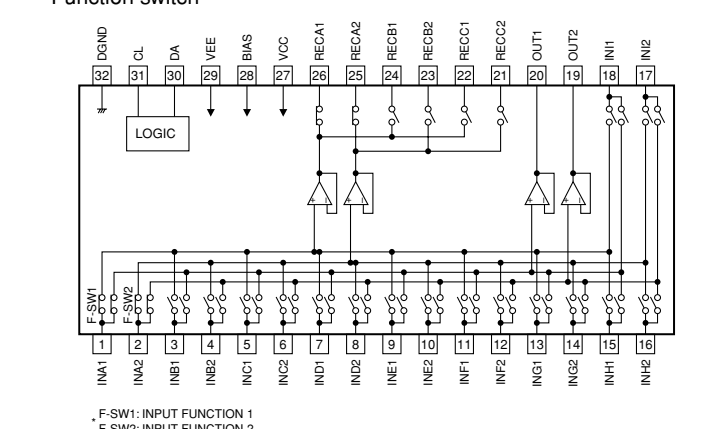


RX-N600/RX-N600D/DSP-N600: Page 101 to OPERATION (4)\_CB308 to POWER TRANSFORMER

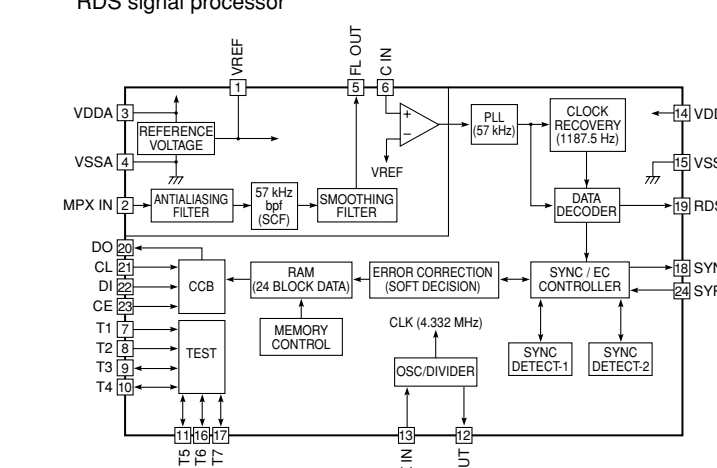
IC200 : BD3816K1 7-channel volume IC for 7-channel



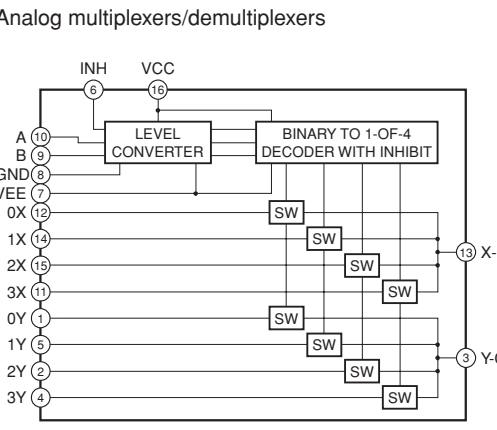
IC201, 202 : BD3841FS Function switch



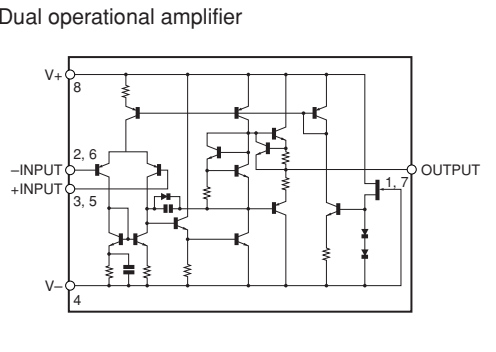
IC209 : LC72722PM RDS signal processor



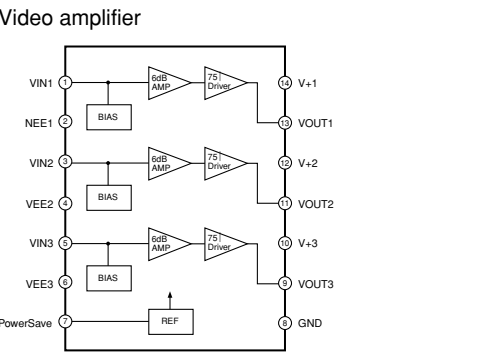
IC286-289 : TC74HC4052AF Analog multiplexers/demultiplexers



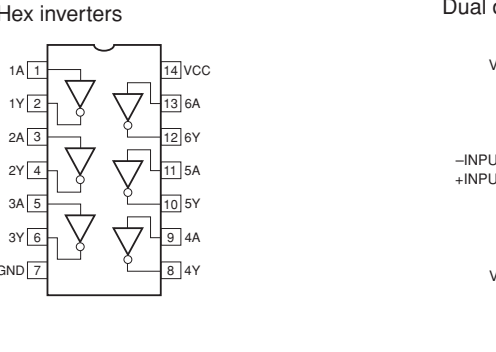
IC211 : NJM2586AL Dual operational amplifier



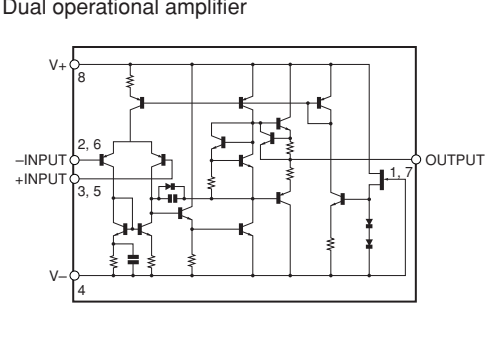
IC290 : NJM2581M Video amplifier



IC291 : TC74VHC04FT Hex inverters



IC205, 207 : NJM4565M Dual operational amplifier



- All voltages are measured with a 10MΩ/V DC electronic volt meter.
Components having special characteristics are marked with a triangle and must be replaced with parts having specifications equal to those originally installed.
Schematic diagram is subject to change without notice.

- 電圧は、内部抵抗10MΩの電圧計で測定したものです。
△印のある部品は、安全性確保部品を示しています。部品の交換が必要な場合、パーツリストに記載されている部品を使用してください。
本回路図は標準回路図です。改良のため予告なく変更することがございます。

Page 107 [L2] to NET\_CB751

Page 104 [E2] to VIDEO\_W4001

Page 103 [B3] to MAIN (1)\_W1027  
Page 106 [B3] to MAIN (1)\_W1028  
Page 107 [B3] to DSP\_CB1  
Page 99 [C1] to DSP\_CB56  
Page 106 [C3] to DAB\_W3  
Page 101 [K7] to OPERATION (1)\_W3001  
Page 102 [I4] to OPERATION (1)\_W3002

OPERATION RX-N600/RX-N600D/DSP-N600

Mark	Reference Parts Number	Parts Name
K1	03003-3006	25C18151V1 KTC3198 Y-A1
K2	03000-3001-3004 3008-3009	25C2412K1G/R/S1 25D65614R/4G1G/R/S1
K3	03000-3003-3004 3008-3012-3017 3023-3023-3028 3101-3104	1S5395 MA111 KDS160-RTK/P
K4	03007	25K3890-E 25K3491-E
K5	03002	DTC144EKA KRC104S-RTK/P
K6	D3900	D35BA20 TS4803G-D7

Interchangeable Parts at Manufacture-Stage

Mark	Reference Parts Number	Parts Name
K1	03003-3006	25C18151V1 KTC3198 Y-A1
K2	03000-3001-3004 3008-3009	25C2412K1G/R/S1 25D65614R/4G1G/R/S1
K3	03000-3003-3004 3008-3012-3017 3023-3023-3028 3101-3104	1S5395 MA111 KDS160-RTK/P
K4	03007	25K3890-E 25K3491-E
K5	03002	DTC144EKA KRC104S-RTK/P
K6	D3900	D35BA20 TS4803G-D7

REMARKS	PARTS NAME
NO MARK	ELECTROLYTIC CAPACITOR
⊖	TANTALUM CAPACITOR
NO MARK	CERAMIC CAPACITOR
⊖	CERAMIC TUBULAR CAPACITOR
⊖	POLYESTER FILM CAPACITOR
⊖	POLYSTYRENE FILM CAPACITOR
⊖	MICA CAPACITOR
⊖	POLYPROPYLENE FILM CAPACITOR
⊖	SEMICONDUCTIVE CERAMIC CAPACITOR

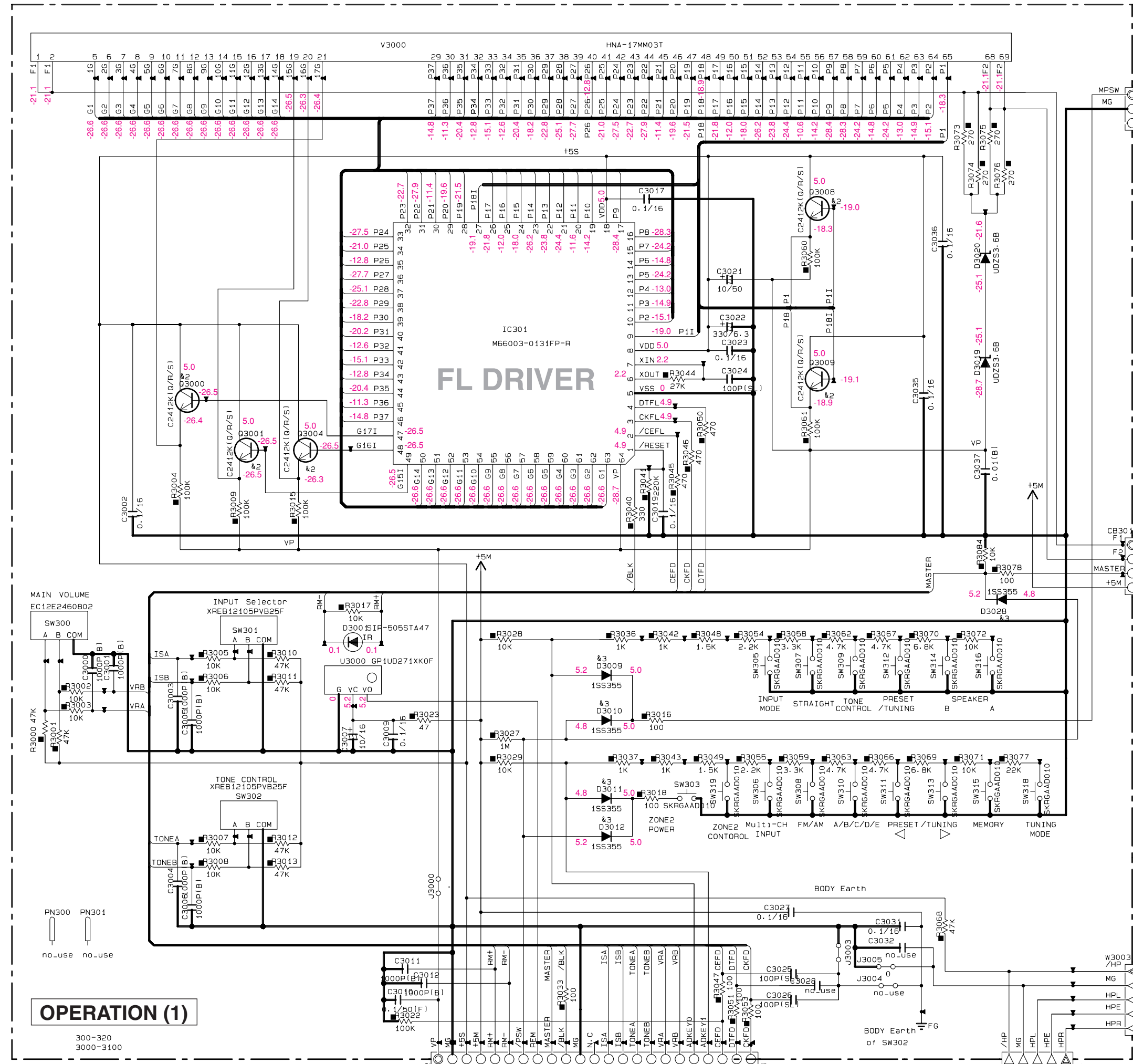
REMARKS	PARTS NAME
NO MARK	CARBON FILM RESISTOR (P=5)
⊖	CARBON FILM RESISTOR (P=10)
⊖	METAL OXIDE FILM RESISTOR
⊖	METAL FILM RESISTOR
⊖	METAL PLATE RESISTOR
⊖	FIRE PROOF CARBON FILM RESISTOR
⊖	CEMENT MOLDED RESISTOR
⊖	SEMI VARIABLE RESISTOR
⊖	CHIP RESISTOR

U, C, R, T, K, A, B, G, E, J models to POWER TRANSFORMER

Page 100 [J9] R model to FUNCTION (3)\_CB314

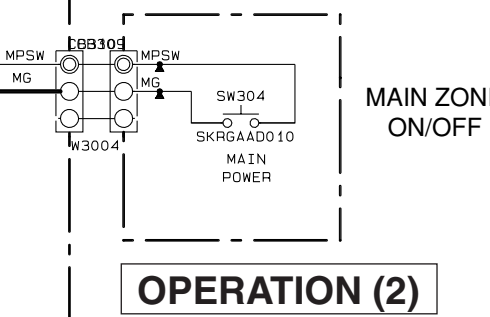
NOTICE (model)

(J)..... JAPAN  
 (U)..... U.S.A  
 (C)..... CANADA  
 (R)..... GENERAL  
 (T)..... CHINA  
 (K)..... KOREA  
 (A)..... AUSTRALIA  
 (B)..... BRITISH  
 (G)..... EUROPE  
 (L)..... SINGAPORE  
 (E)..... SOUTH EUROPE  
 (V)..... TAIWAN

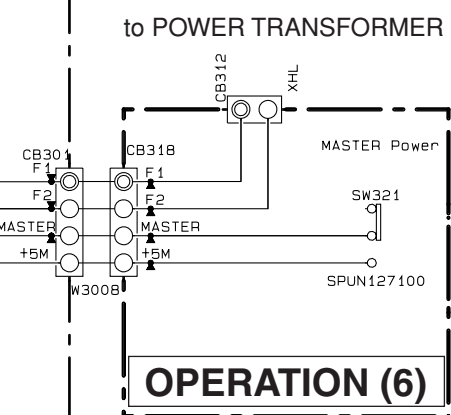


Page 97 [B5] to DSP\_CB5

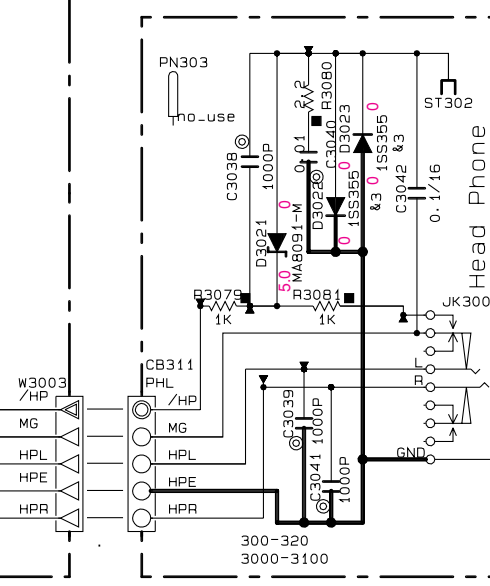
Page 100 [E7] to FUNCTION (1)\_CB205



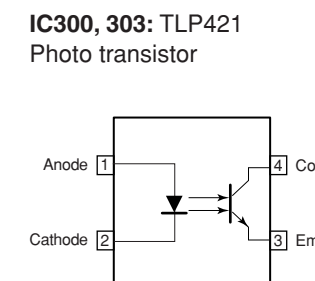
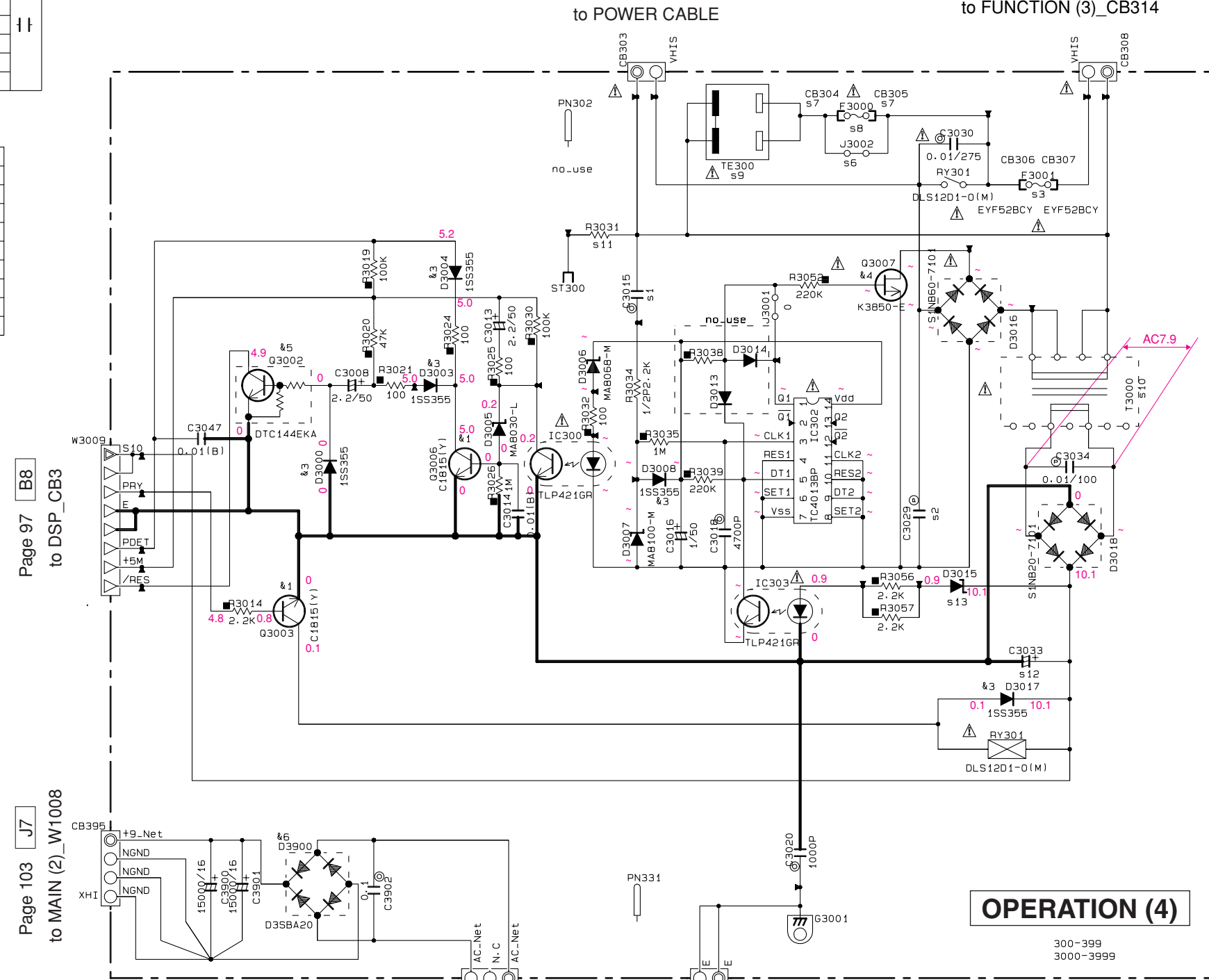
OPERATION (2)



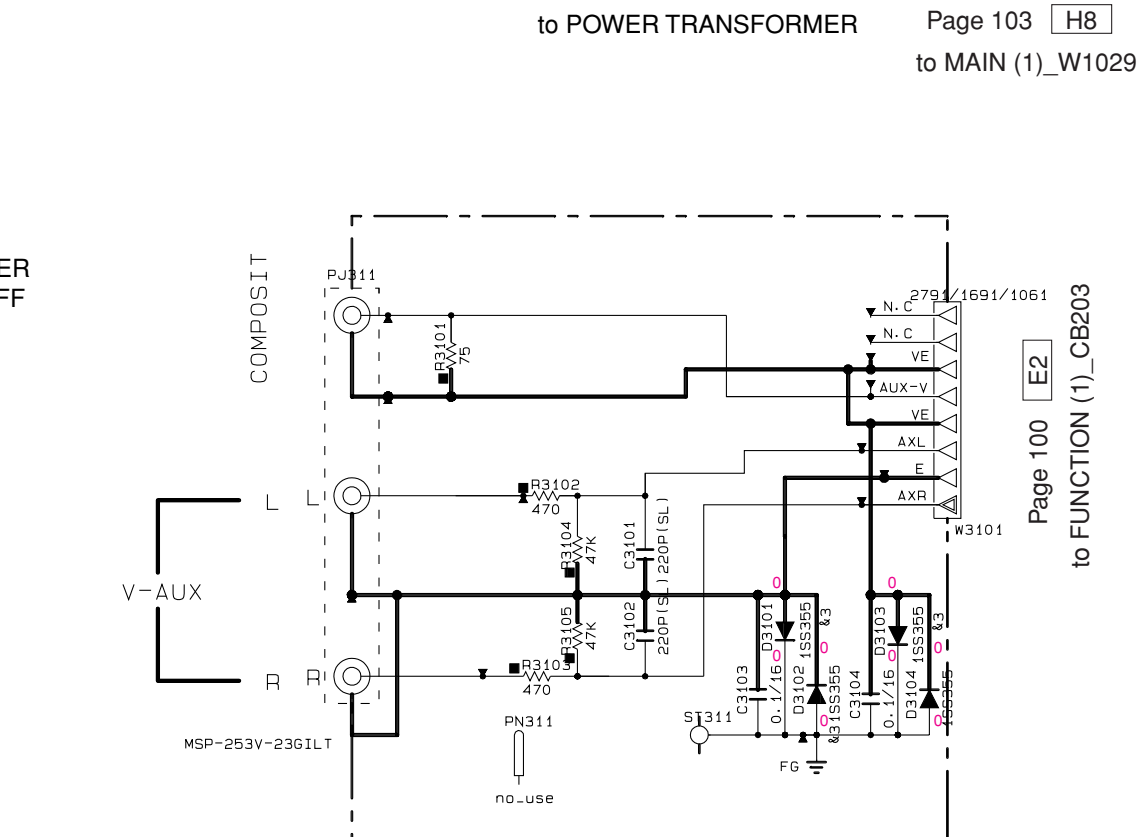
OPERATION (6)



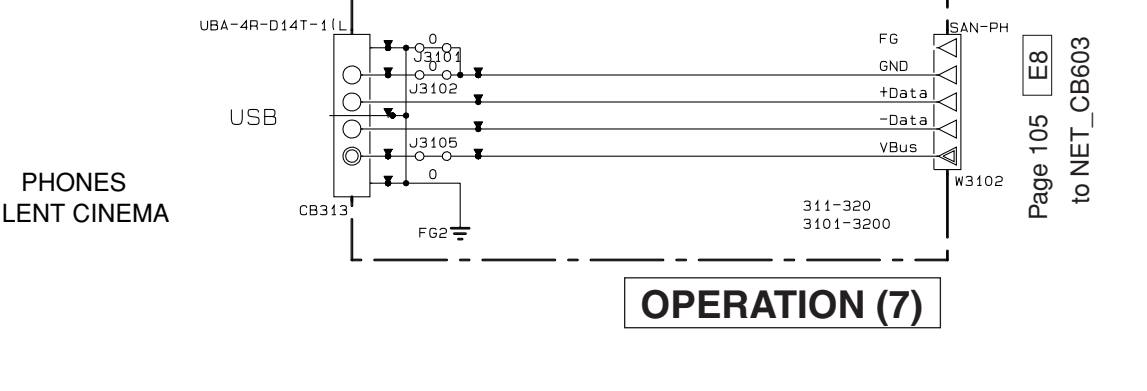
OPERATION (3)



IC300, 303: TLP421 Photo transistor



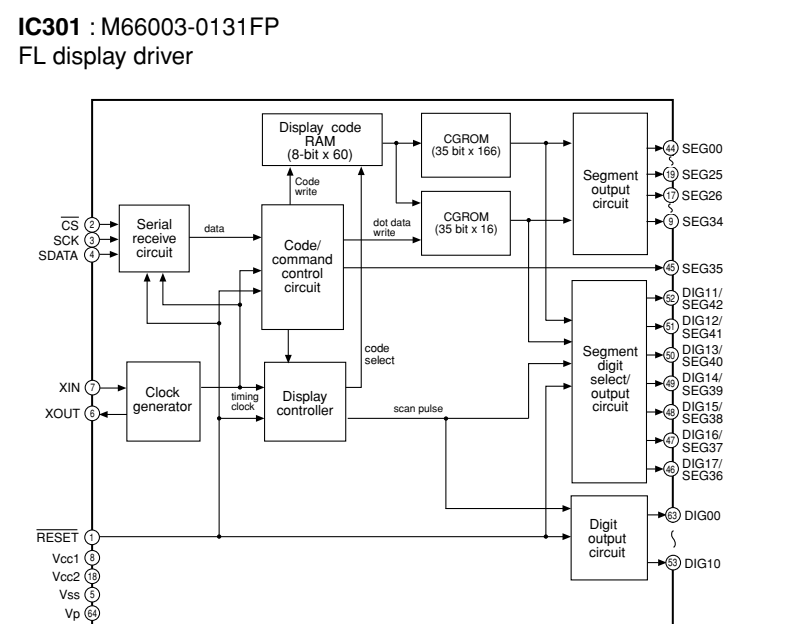
OPERATION (7)



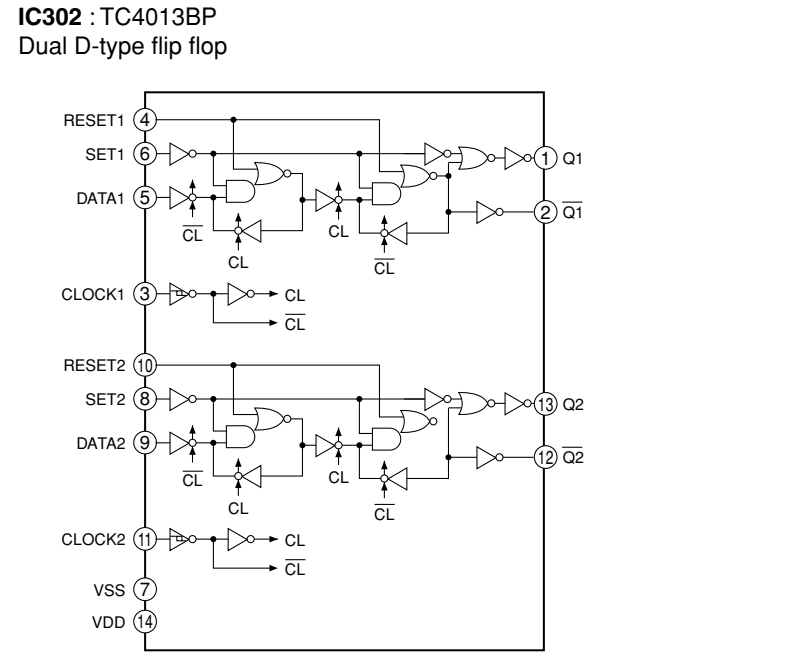
OPERATION (5)



OPERATION (1)



IC301: M66003-0131FP FL display driver

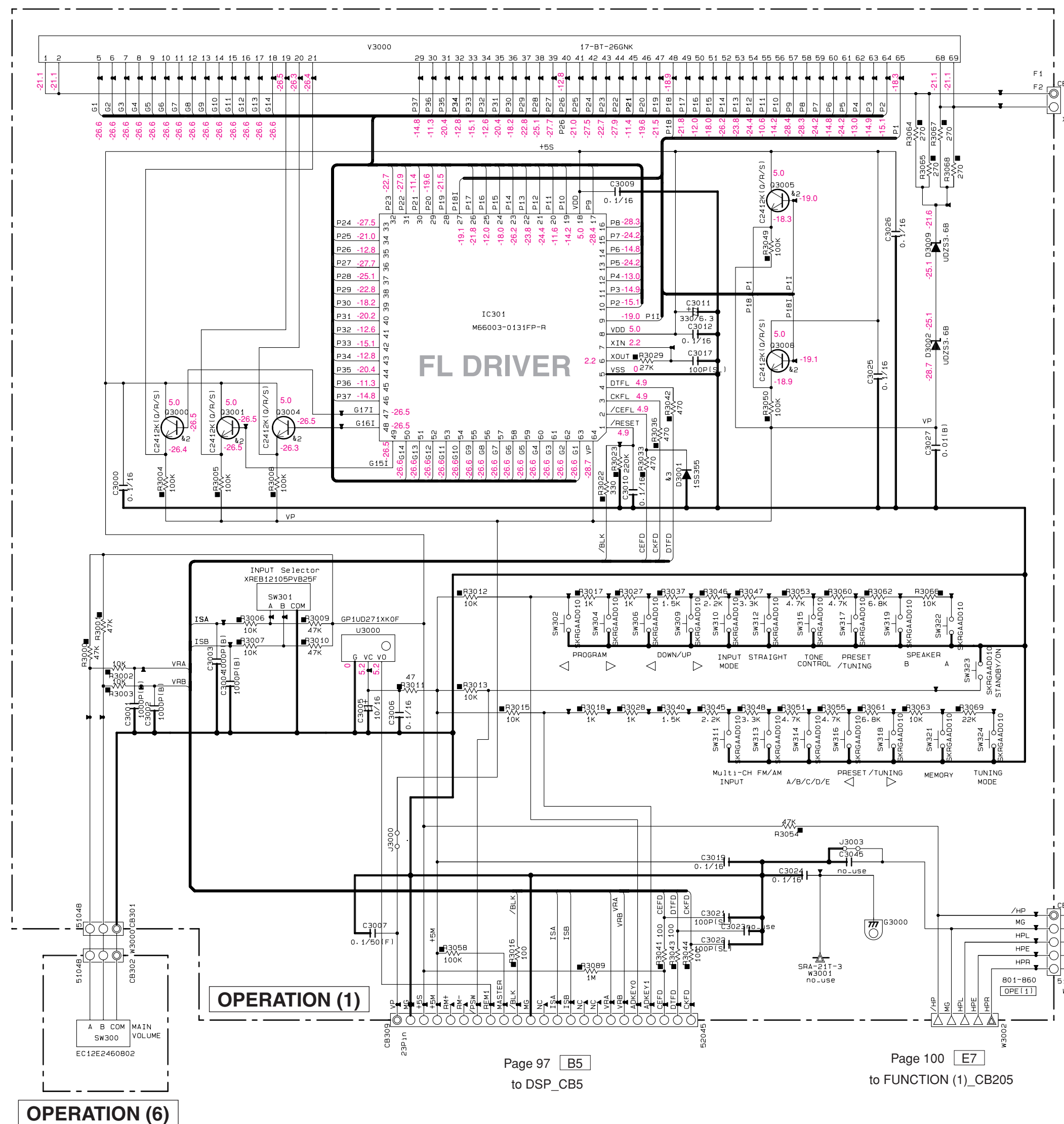


IC302: TC4013BP Dual D-type flip flop

\* All voltages are measured with a 10M $\Omega$  / DC electronic volt meter.  
 \* Components having special characteristics are marked !, and must be replaced with parts having specifications equal to those originally installed.  
 \* Schematic diagram is subject to change without notice.

● 電圧は、内部抵抗10M $\Omega$ の電圧計で測定したものです。  
 ● !印のある部品は、安全性確保部品を示しています。部品の交換が必要な場合、パーツリストに記載されている部品を使用してください。  
 ● 本回路図は標準回路図です。改良のため予告なく変更することがございます。

OPERATION HTR-N5060



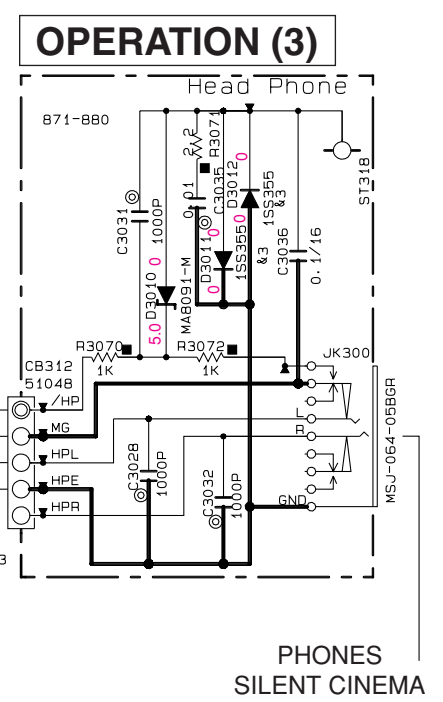
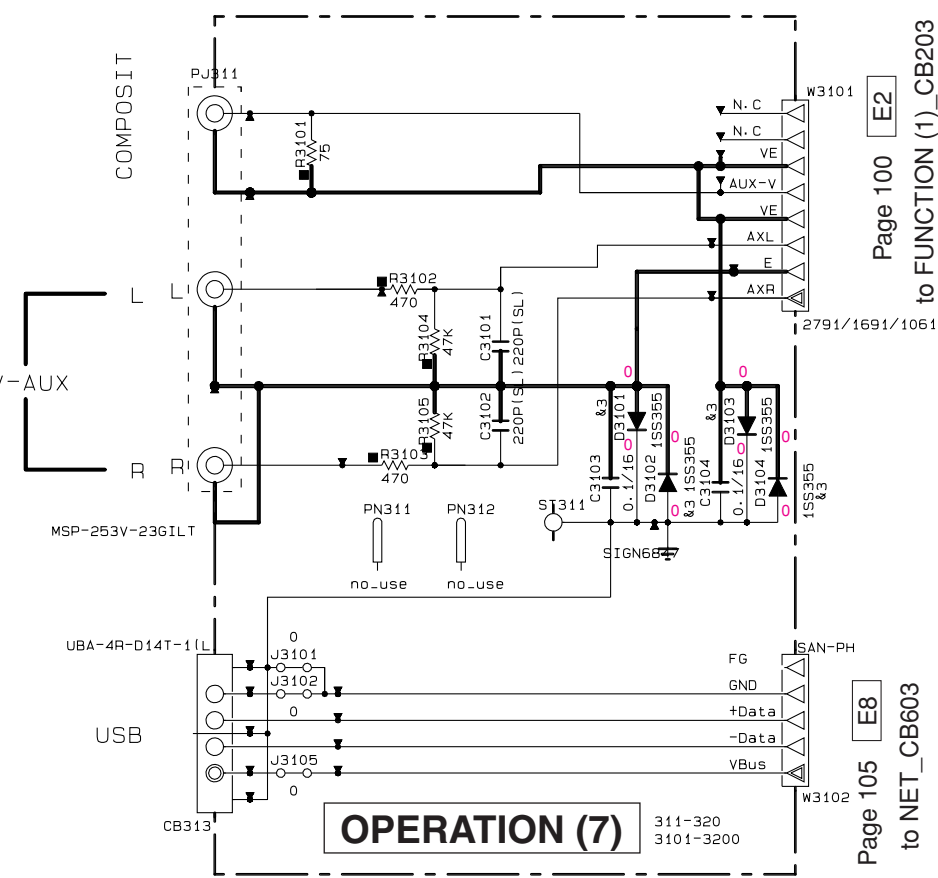
to POWER TRANSFORMER

SXX	LOC	UC	A	G
51	C3015	MB68710	MC04160	MC04160
52	C3029	MB68760	MC027630	MC027630
53	F3001	MG41070	KB00079	KB00079
56	J3002	X	VW00000	X
57	CB304	MC05070	MC05070	MC05070
58	F3000	MG41070	KB00079	KB00079
59	TE300	VU54310	VT19100	VU54340
60	T3000	XW606A0	XW606A0	XW606A0
61	R3031	V673000	X	X

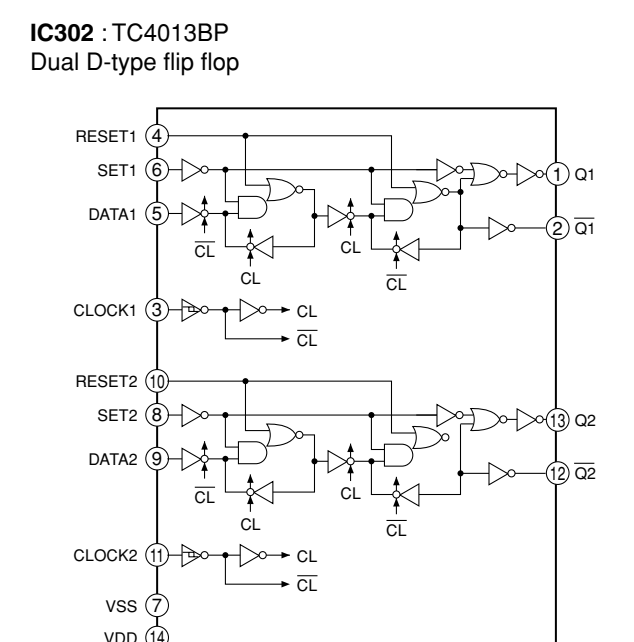
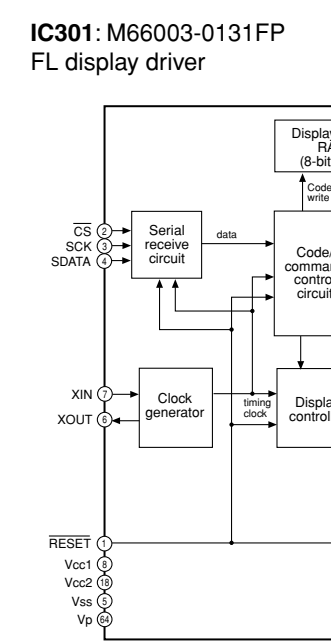
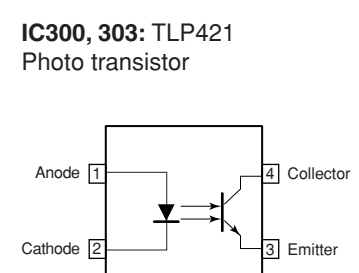
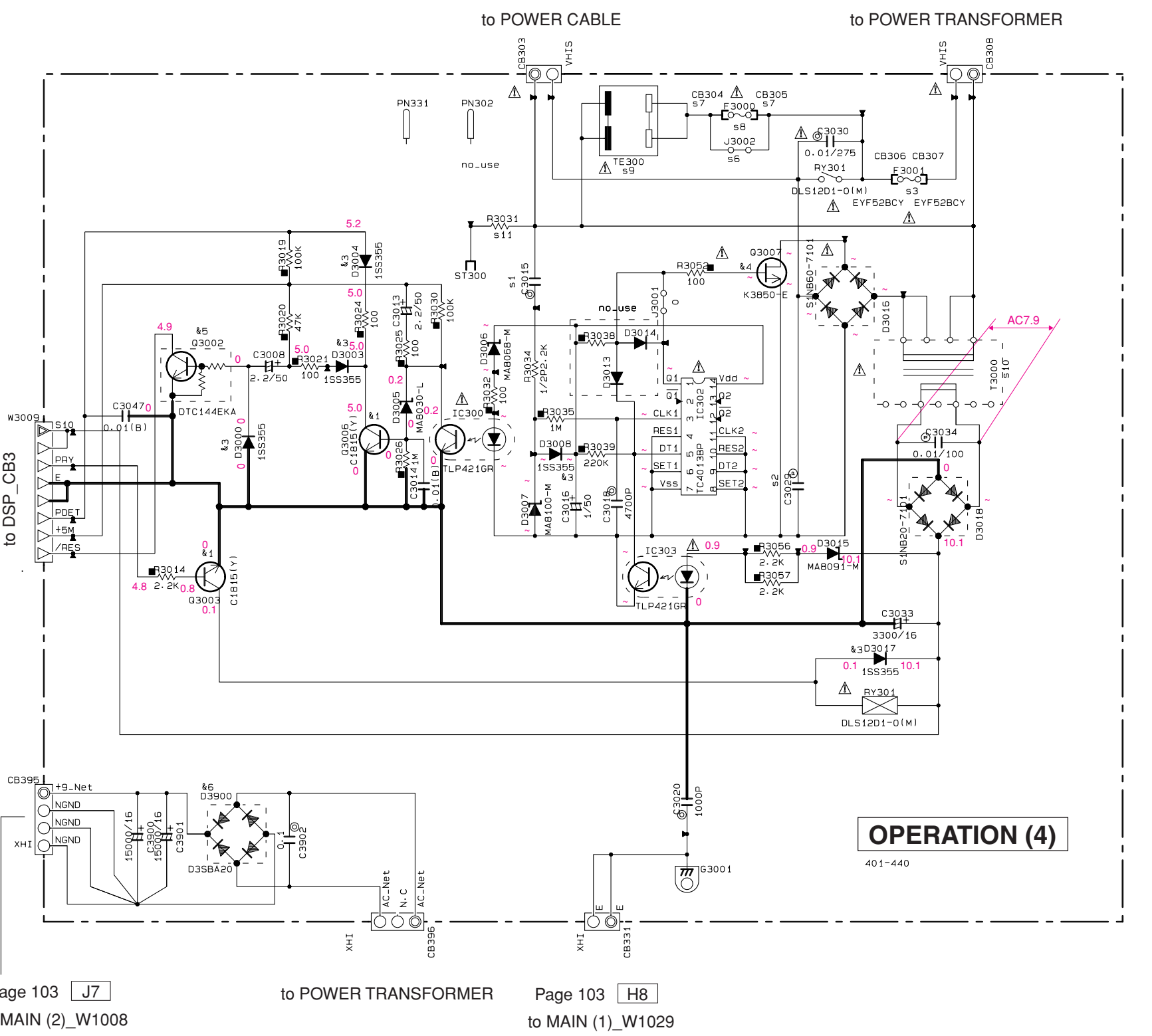
NOTICE (mode1)  
 (J)..... JAPAN  
 (U)..... U.S.A.  
 (C)..... CANADA  
 (R)..... GENERAL  
 (T)..... CHINA  
 (K)..... KOREA  
 (A)..... AUSTRALIA  
 (B)..... BRITISH  
 (G)..... EUROPE  
 (L)..... SINGAPORE  
 (E)..... SOUTH EUROPE  
 (V)..... TAINAN

REMARKS	PARTS NAME
NO MARK	CARBON FILM RESISTOR (P=5)
△	CARBON FILM RESISTOR (P=10)
□	METAL OXIDE FILM RESISTOR
◇	METAL FILM RESISTOR
▢	METAL PLATE RESISTOR
⊠	FIRE PROOF CARBON FILM RESISTOR
⊡	CEMENT MOLDED RESISTOR
⊞	SEMI VARIABLE RESISTOR
⊞	CHIP RESISTOR

REMARKS	PARTS NAME
NO MARK	ELECTROLYTIC CAPACITOR
⊗	TANTALUM CAPACITOR
⊙	CERAMIC TUBULAR CAPACITOR
⊚	POLYESTER FILM CAPACITOR
⊖	POLYSTYRENE FILM CAPACITOR
⊕	MICA CAPACITOR
⊖	POLYPROPYLENE FILM CAPACITOR
⊙	SEMICONDUCTIVE CERAMIC CAPACITOR



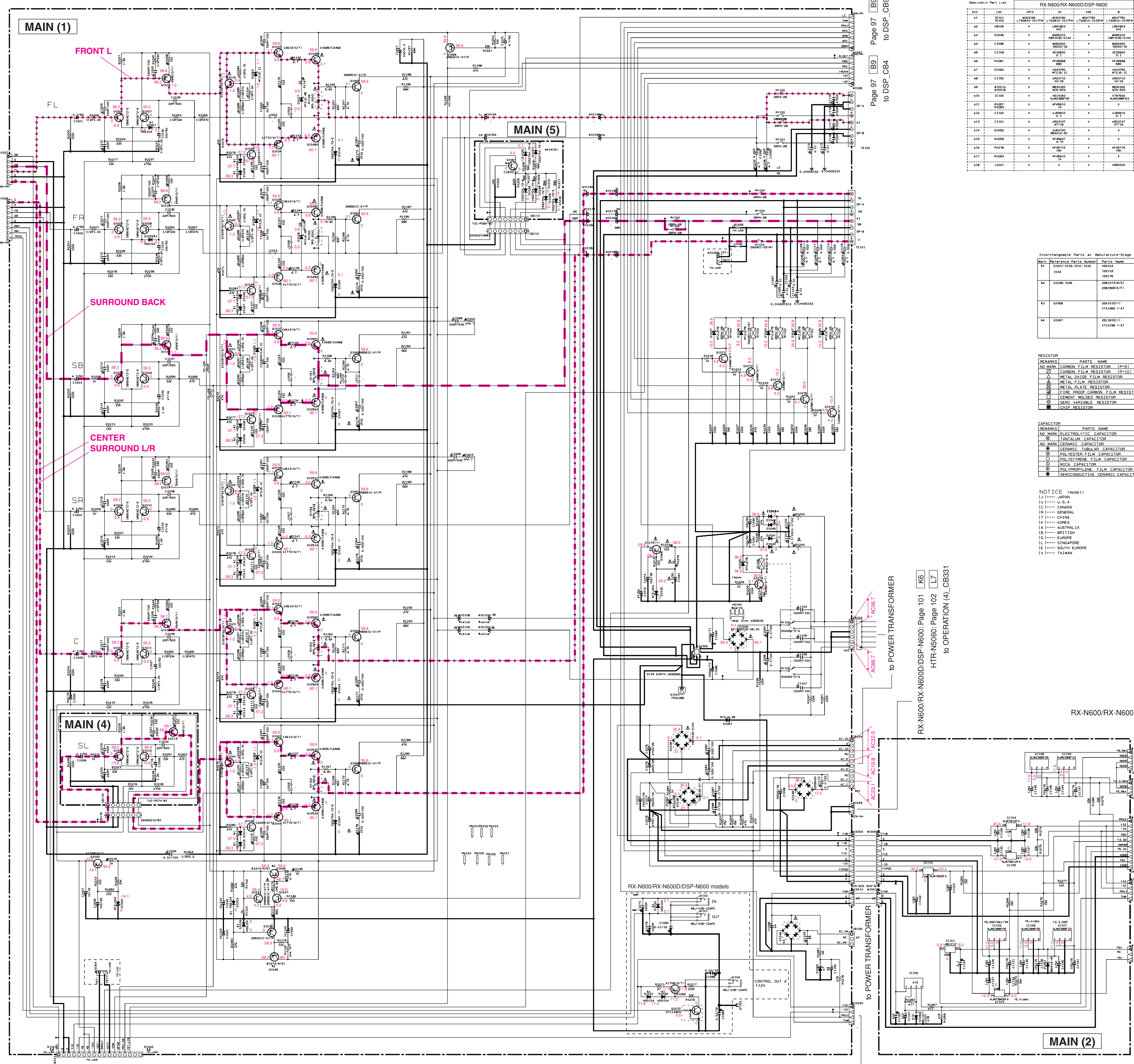
Mark	Reference Parts Number	Parts Name
41	03003-3006	2SC1815V11
42	03000-3001-3004-3005	KTC3198 Y-A1
43	03000-3001-3003-3004	2SC242K(D/R/S)
44	03007	PSD601ARL/AQL1G/R/S)
45	03002	15S395
46	03900	MA111
	3101-3104	K05160-RTK/P
		25K3890-E
		25K3491-E
		DTC144KA
		KRC1045-RTK/P
		D35BA20
		TS4B03G-07



★ All voltages are measured with a 10MΩ/V DC electronic volt meter.  
 ★ Components having special characteristics are marked with a triangle and must be replaced with parts having specifications equal to those originally installed.  
 ★ Schematic diagram is subject to change without notice.

● 電圧は、内部抵抗10MΩの電圧計で測定したものです。  
 ● △印のある部品は、安全性確保部品を示しています。部品の交換が必要な場合、パーツリストに記載されている良品を使用してください。  
 ● 本回路図は標準回路図です。改良のため予告なく変更することがございます。

MAIN



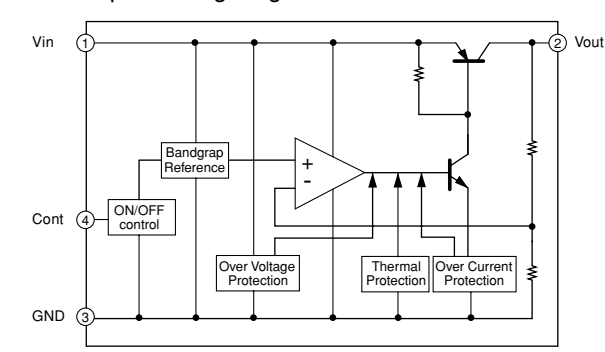
Designator	Part List	RX-N600/RX-N600D/DSP-N600	HTR-N5060
U10	U10A	U10A	U10A
U11	U11A	U11A	U11A
U12	U12A	U12A	U12A
U13	U13A	U13A	U13A
U14	U14A	U14A	U14A
U15	U15A	U15A	U15A
U16	U16A	U16A	U16A
U17	U17A	U17A	U17A
U18	U18A	U18A	U18A
U19	U19A	U19A	U19A
U20	U20A	U20A	U20A
U21	U21A	U21A	U21A
U22	U22A	U22A	U22A
U23	U23A	U23A	U23A
U24	U24A	U24A	U24A
U25	U25A	U25A	U25A
U26	U26A	U26A	U26A
U27	U27A	U27A	U27A
U28	U28A	U28A	U28A

Designator	Part Name	Value
R1	RESISTOR	10K
R2	RESISTOR	10K
R3	RESISTOR	10K
R4	RESISTOR	10K
R5	RESISTOR	10K
R6	RESISTOR	10K
R7	RESISTOR	10K
R8	RESISTOR	10K
R9	RESISTOR	10K
R10	RESISTOR	10K
R11	RESISTOR	10K
R12	RESISTOR	10K
R13	RESISTOR	10K
R14	RESISTOR	10K
R15	RESISTOR	10K
R16	RESISTOR	10K
R17	RESISTOR	10K
R18	RESISTOR	10K
R19	RESISTOR	10K
R20	RESISTOR	10K
R21	RESISTOR	10K
R22	RESISTOR	10K
R23	RESISTOR	10K
R24	RESISTOR	10K
R25	RESISTOR	10K
R26	RESISTOR	10K
R27	RESISTOR	10K
R28	RESISTOR	10K
R29	RESISTOR	10K
R30	RESISTOR	10K
R31	RESISTOR	10K
R32	RESISTOR	10K
R33	RESISTOR	10K
R34	RESISTOR	10K
R35	RESISTOR	10K
R36	RESISTOR	10K
R37	RESISTOR	10K
R38	RESISTOR	10K
R39	RESISTOR	10K
R40	RESISTOR	10K
R41	RESISTOR	10K
R42	RESISTOR	10K
R43	RESISTOR	10K
R44	RESISTOR	10K
R45	RESISTOR	10K
R46	RESISTOR	10K
R47	RESISTOR	10K
R48	RESISTOR	10K
R49	RESISTOR	10K
R50	RESISTOR	10K
R51	RESISTOR	10K
R52	RESISTOR	10K
R53	RESISTOR	10K
R54	RESISTOR	10K
R55	RESISTOR	10K
R56	RESISTOR	10K
R57	RESISTOR	10K
R58	RESISTOR	10K
R59	RESISTOR	10K
R60	RESISTOR	10K
R61	RESISTOR	10K
R62	RESISTOR	10K
R63	RESISTOR	10K
R64	RESISTOR	10K
R65	RESISTOR	10K
R66	RESISTOR	10K
R67	RESISTOR	10K
R68	RESISTOR	10K
R69	RESISTOR	10K
R70	RESISTOR	10K
R71	RESISTOR	10K
R72	RESISTOR	10K
R73	RESISTOR	10K
R74	RESISTOR	10K
R75	RESISTOR	10K
R76	RESISTOR	10K
R77	RESISTOR	10K
R78	RESISTOR	10K
R79	RESISTOR	10K
R80	RESISTOR	10K
R81	RESISTOR	10K
R82	RESISTOR	10K
R83	RESISTOR	10K
R84	RESISTOR	10K
R85	RESISTOR	10K
R86	RESISTOR	10K
R87	RESISTOR	10K
R88	RESISTOR	10K
R89	RESISTOR	10K
R90	RESISTOR	10K
R91	RESISTOR	10K
R92	RESISTOR	10K
R93	RESISTOR	10K
R94	RESISTOR	10K
R95	RESISTOR	10K
R96	RESISTOR	10K
R97	RESISTOR	10K
R98	RESISTOR	10K
R99	RESISTOR	10K
R100	RESISTOR	10K

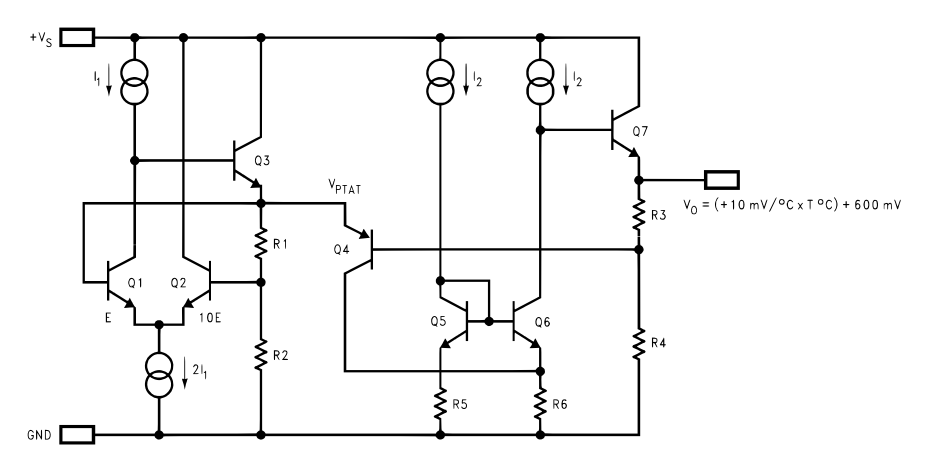
NOTICE (Model)

- 1) JAPAN
- 2) CHINA
- 3) HONG KONG
- 4) TAIWAN
- 5) SOUTH KOREA
- 6) THAILAND
- 7) MALAYSIA
- 8) SINGAPORE
- 9) AUSTRALIA
- 10) NEW ZEALAND
- 11) SOUTH AFRICA
- 12) EUROPE
- 13) NORTH AMERICA
- 14) SOUTH AMERICA
- 15) ISRAEL
- 16) INDIA
- 17) OTHER

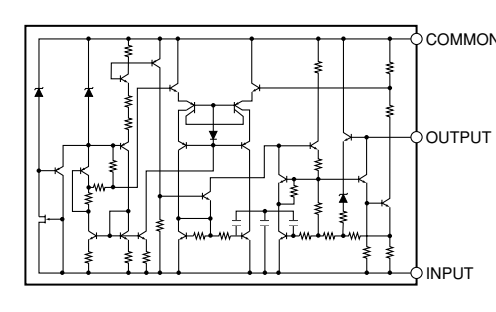
IC100, 102, 106, 108 : NJM2388F05  
IC100 (B model) : NJM2388F63  
Low dropout voltage regulator with ON/OFF control



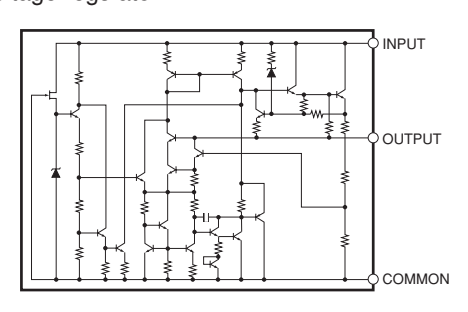
IC101: LM61CIZ  
Temperature sensor



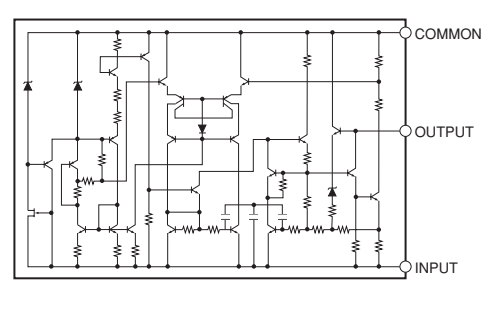
IC103 : NJM79M05FA  
Voltage regulator



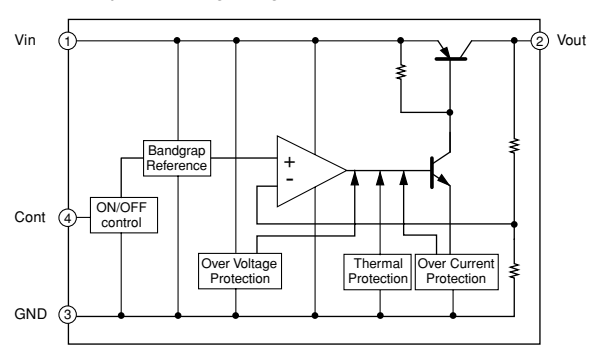
IC104 : NJM7812FA  
Voltage regulator



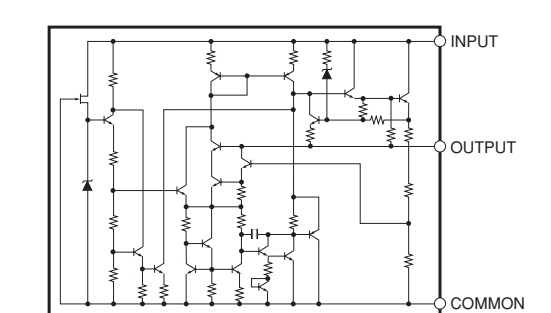
IC105 : NJM79M12FA  
Voltage regulator



IC107, 109 : NJM2388F33  
Low dropout voltage regulator with ON/OFF control



IC110: NJM7805FA  
Voltage regulator



\* All voltages are measured with a 10MΩ/V DC electronic volt meter.  
\* Components having special characteristics are marked ! and must be replaced with parts having specifications equal to those originally installed.  
\* Schematic diagram is subject to change without notice.

● 電圧は、内部抵抗10MΩの電圧計で測定したものです。  
● !印のある部品は、安全性確保部品を示しています。部品の交換が必要な場合、パーツリストに記載されている部品を使用してください。  
● 本回路図は標準回路図です。改良のため予告なく変更することがございます。

VIDEO

Page 103 [J9] to MAIN (2)\_W1006  
Page 100 [H3] to FUNCTION (2)\_CB290  
Page 100 [C9] to FUNCTION (1)\_CB201

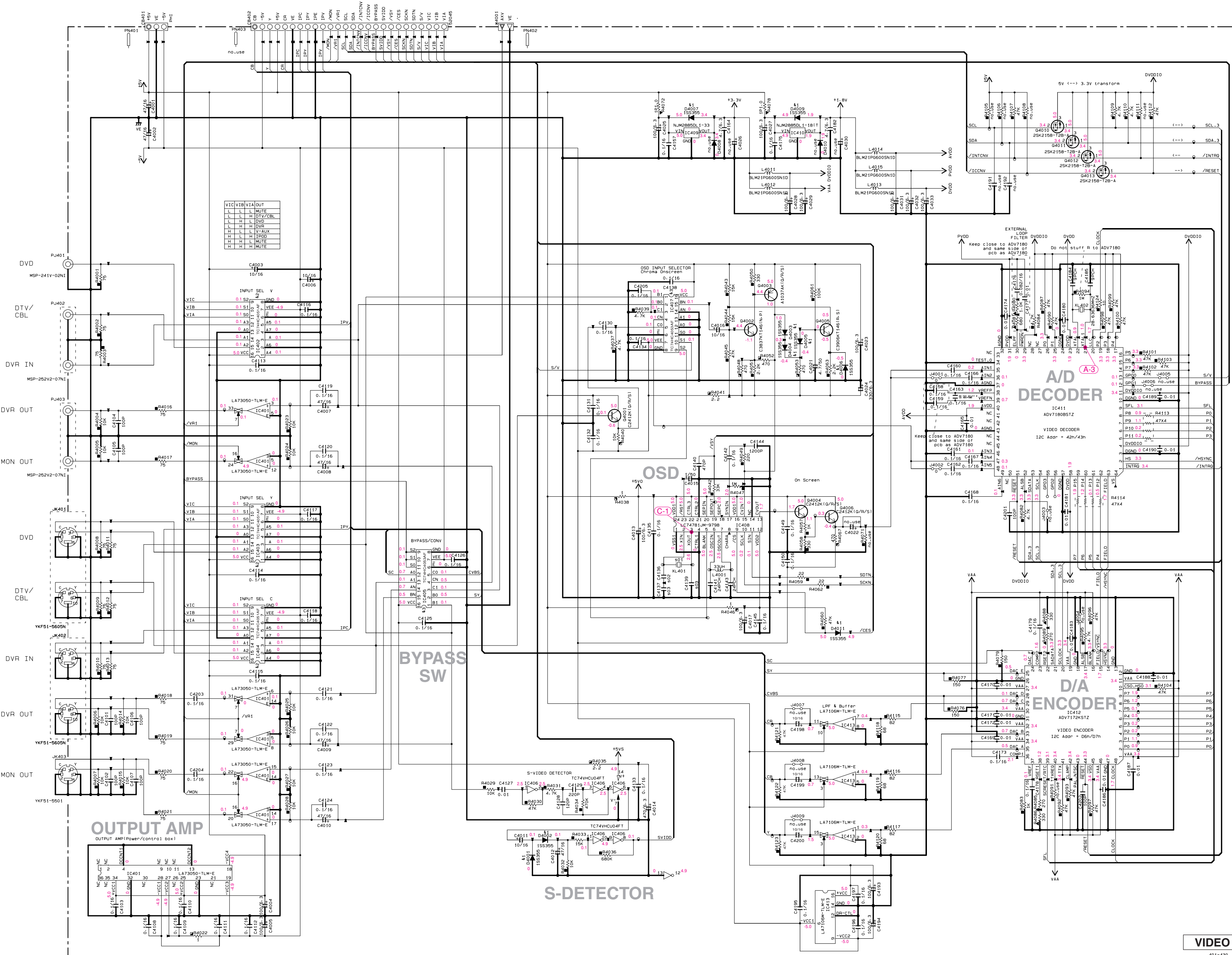


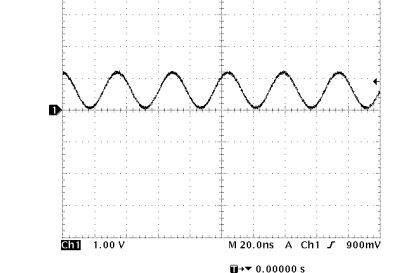
Table with 2 columns: CAPACITOR, RESISTOR. Lists part names and values for various components.

NOTICE (model)  
J ..... JAPAN  
U ..... U.S.A.  
C ..... CANADA  
R ..... GENERAL  
T ..... CHINA  
K ..... KOREA  
A ..... AUSTRALIA  
B ..... BRITISH  
G ..... EUROPE  
L ..... SINGAPORE  
E ..... SOUTH EUROPE  
V ..... TAIWAN

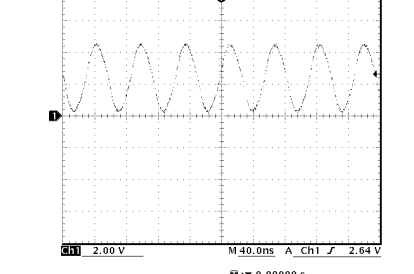
Destination Part List table with columns: Mark, Reference Parts Number, Part Name.

Interchangeable Parts at Manufacture Stage table with columns: Mark, Reference Parts Number, Part Name.

POINT (A-3) Pin 21 of IC411

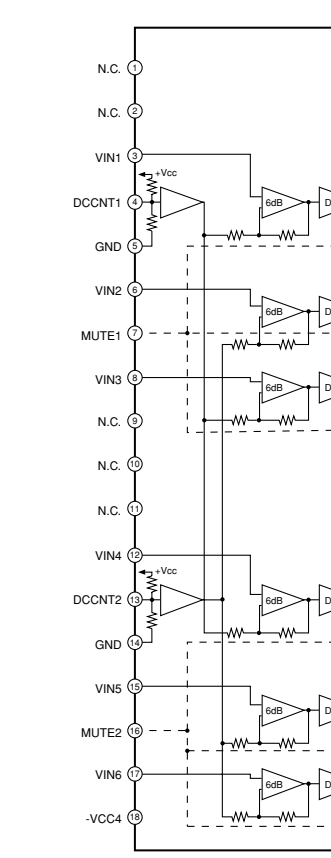


POINT (C-1) Pin 3 of IC408

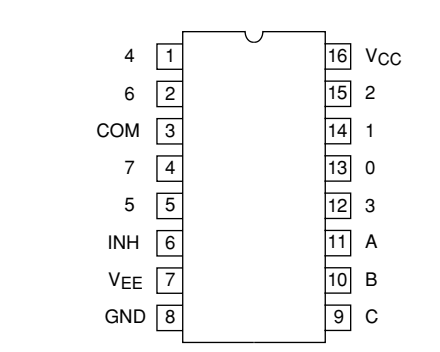


VIDEO  
401-430  
4001-4000

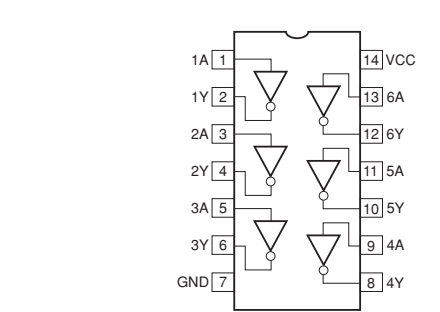
IC401 : LA73050-TLM-E  
Analog amplifier



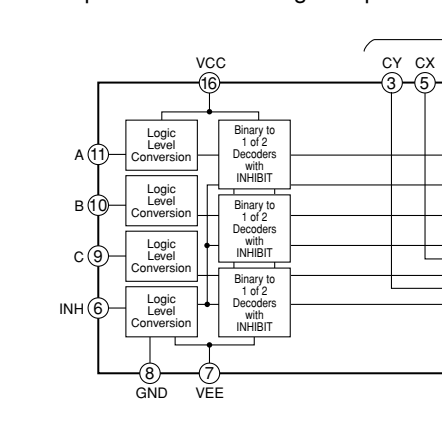
IC402-404 : TC74HC4051AF  
Analog multiplexers/demultiplexers



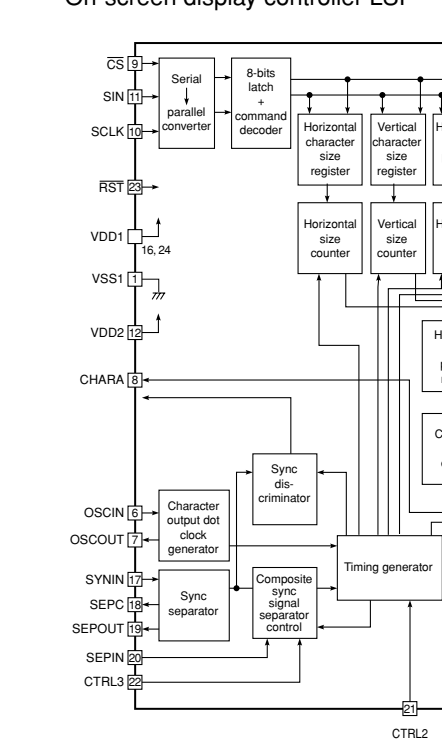
IC406 : TC74VHC04FT  
Hex inverters



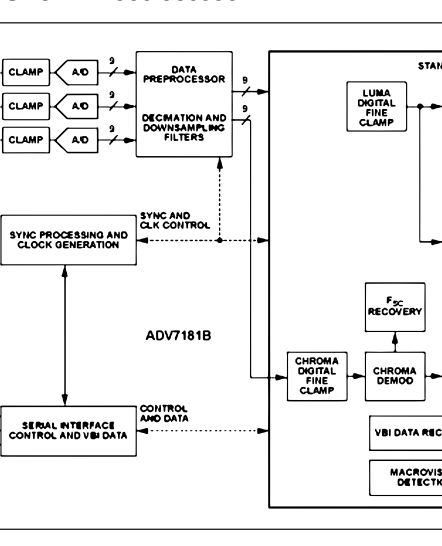
IC405, 407 : MM74HC4053JX  
Triple 2-channel analog multiplexer



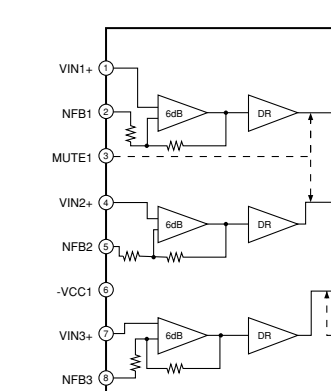
IC408 : LC74781JM-9798  
On-screen display controller LSI



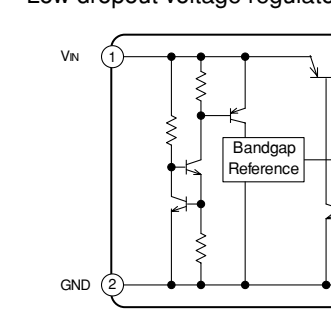
IC411 : ADV7180BSTZ  
NTSC/PAL/SECAM video decoder



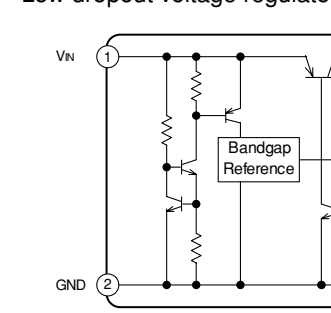
IC413 : LA7106M-TLM-E  
Analog amplifier



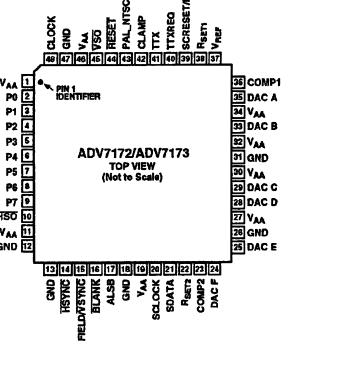
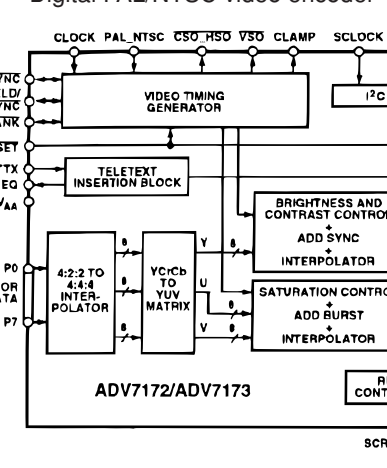
IC410 : NJM2885DL1-18  
Low dropout voltage regulator



IC409 : NJM2885DL1-33  
Low dropout voltage regulator



IC412 : ADV7172KSTZ  
Digital PAL/NTSC video encoder



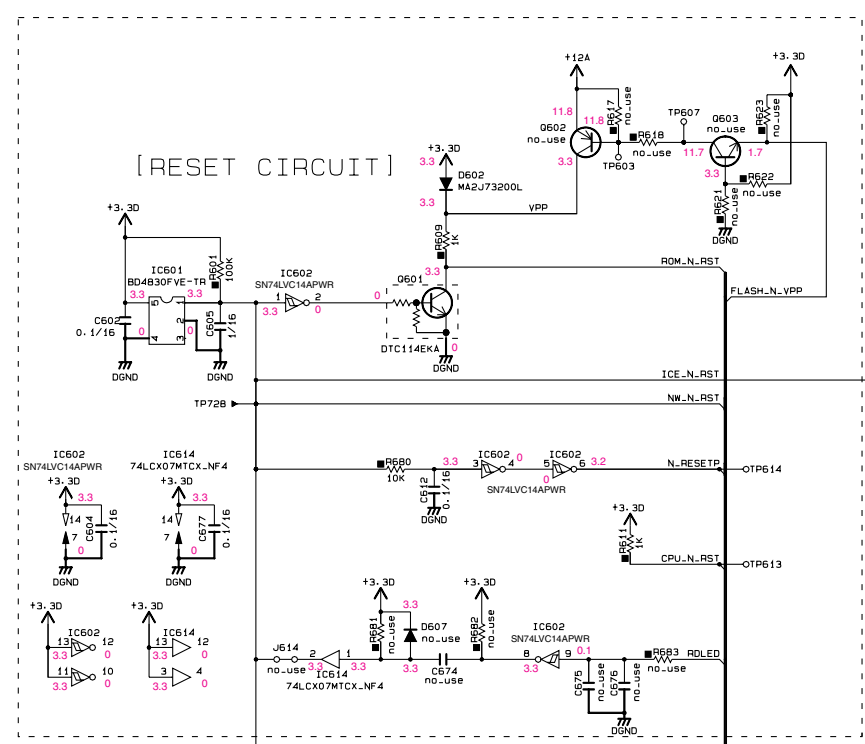
\* All voltages are measured with a 10M Ω DC electronic volt meter.  
\* Components having special characteristics are marked with a triangle, and must be replaced with parts having specifications equal to those originally installed.  
\* Schematic diagram is subject to change without notice.

● 電圧は、内部抵抗10MΩの電圧計で測定したものです。  
● 三角形のある部品は、安全性確保部品を示しています。部品の交換が必要な場合、パーツリストに記載されている部品を使用してください。  
● 本回路図は標準回路図です。改良のため予告なく変更することがございます。

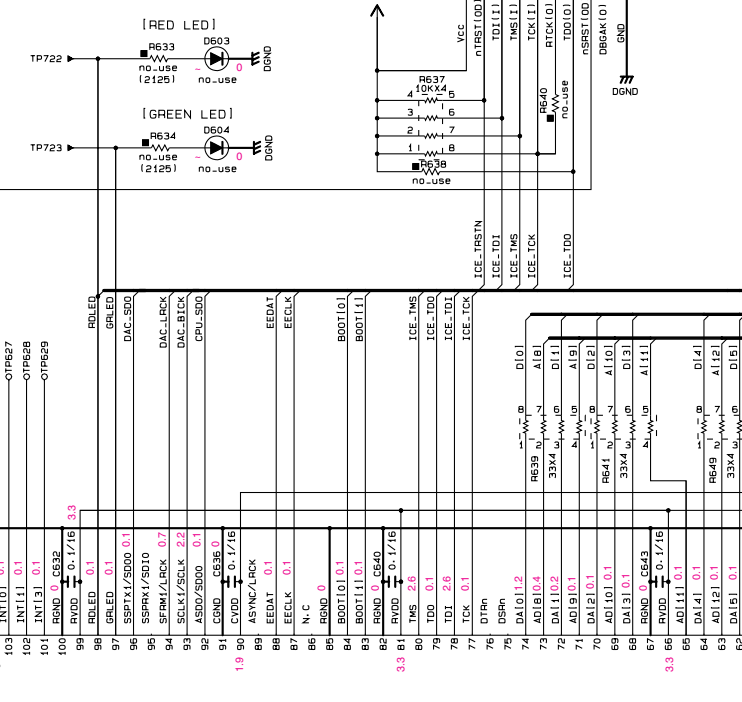


NET 1/3

NET



[JTAG ICE]



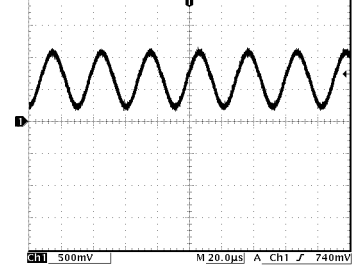
Interchangeable Parts at Manufacture Stage

Table with columns: Part Name, Reference Parts Number, Part's Name. Lists various components and their manufacturer codes.

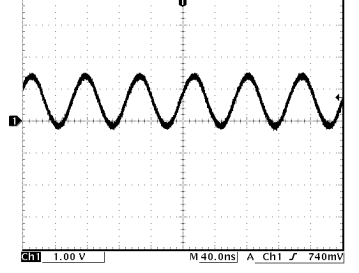
NOTICE (note)

- List of country codes: (J) JAPAN, (U) U.S.A, (C) CANADA, (W) GENERAL, (I) CHINA, (K) KOREA, (A) AUSTRALIA, (B) BRITISH, (E) EUROPE, (L) SINGAPORE, (S) SOUTH EUROPE, (V) TAIWAN.

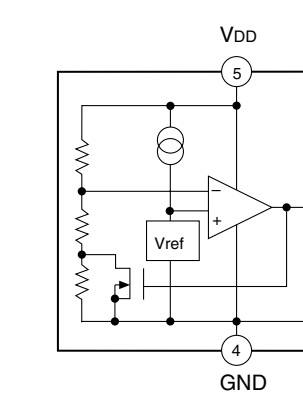
POINT (A-3) Pin 2 of IC605



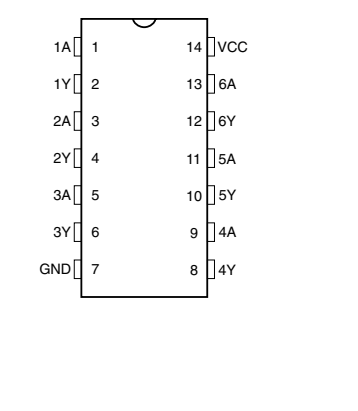
POINT (B-1) Pin 118 of IC610



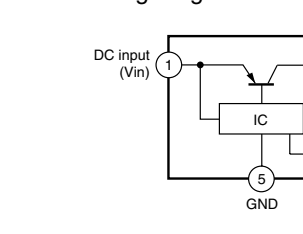
IC601 : BD4830FVE-TR Voltage detector IC



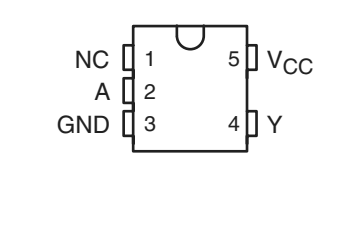
IC602 : SN74ALVC14APWR Hex schmitt trigger inverter



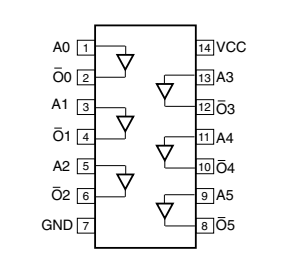
IC604: PQ18E2012P Voltage regulator



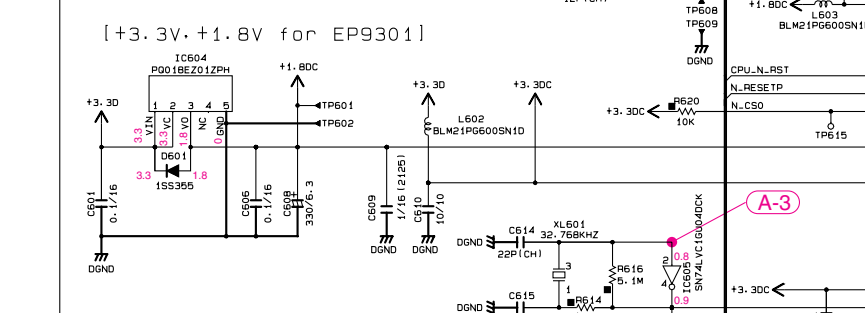
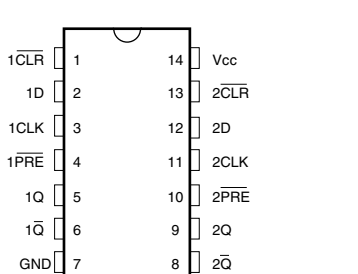
IC605: SN74LVC1GU04DCKR Single inverter



IC614: 74LCX07MTCX Low voltage hex buffer with open drain outputs



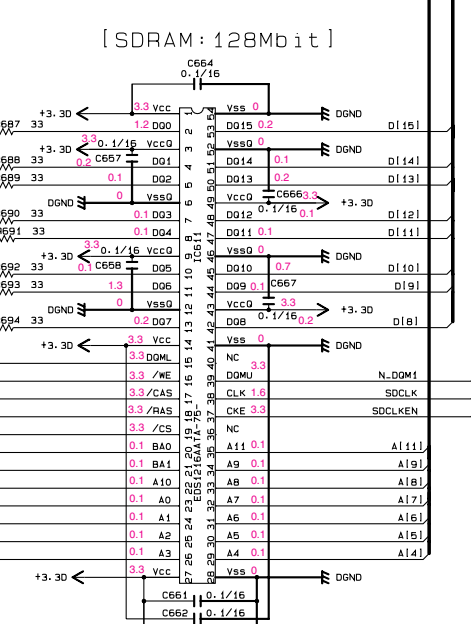
IC617: SN74LV74APWR Dual positive edge triggered D-type flip flop



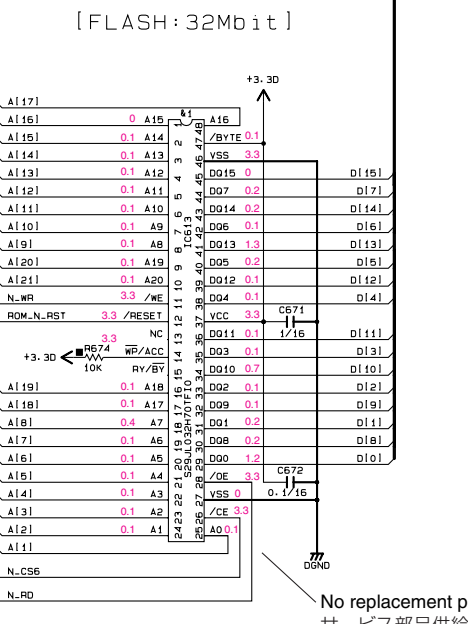
SUB MICROPROCESSOR IC610

EP9301-CQZ (RVDD: 3.3V 45mA(TYP) 80mA(MAX)) (CVDD: 1.8V 180mA(TYP) 230mA(MAX))

128M SDRAM [SDRAM: 128Mbit]



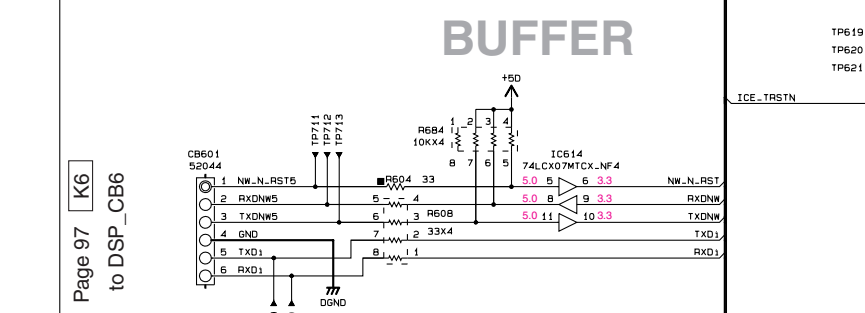
FLASH ROM [FLASH: 32Mbit]



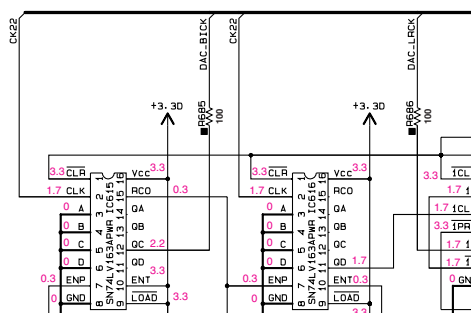
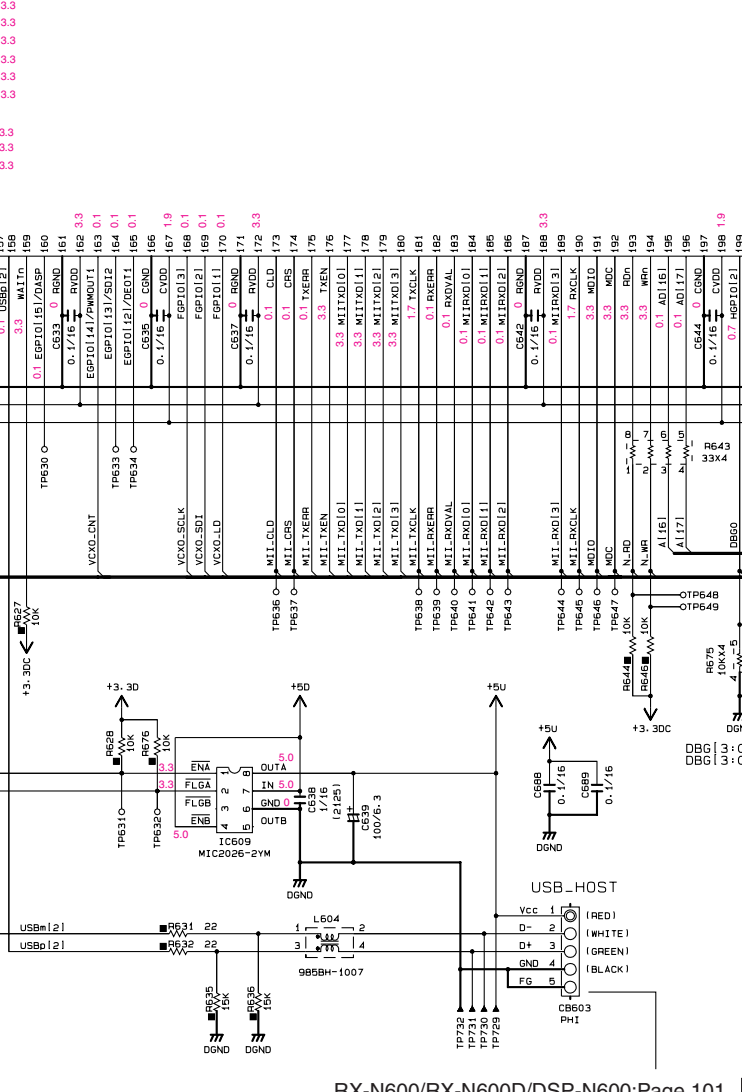
(3.3V 140mA(MAX)) (Burst)

(3.3V 70mA(MAX))

No replacement part available. サービス部品供給なし



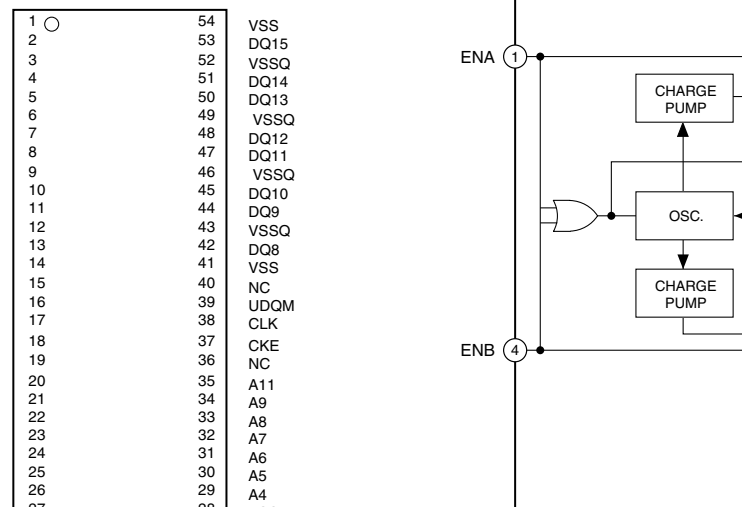
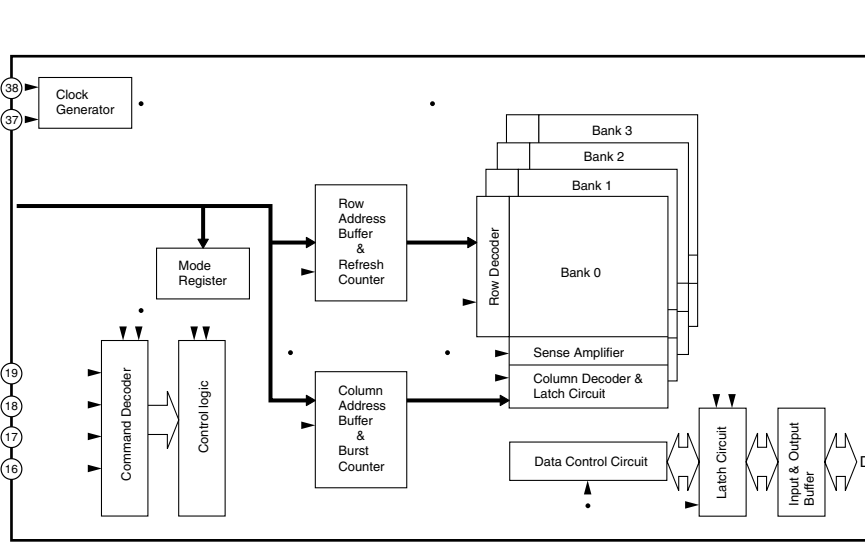
IC609: MIC2026-2BM Dual channel power distributor distribution switch



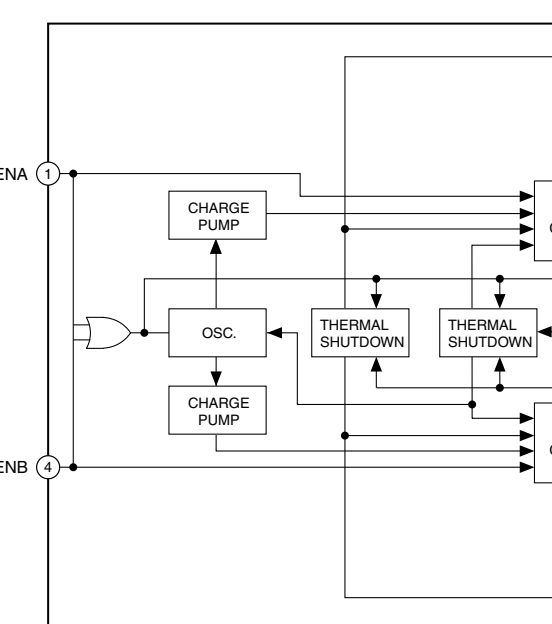
Page 103 [K7] to MAIN (2)\_W1009

RX-N600/RX-N600D/DSP-N600: Page 101 [K8] HTR-N5060: Page 107 [I6] to OPERATION (7)\_W3102

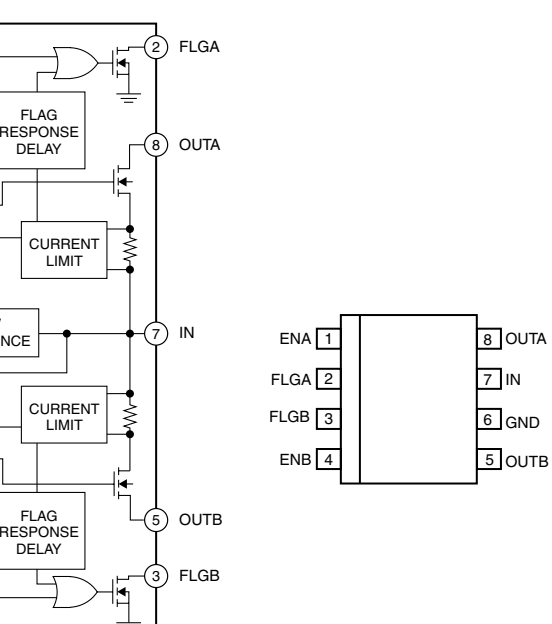
IC611 : EDS1216AATA-75-E 128M bit SDRAM



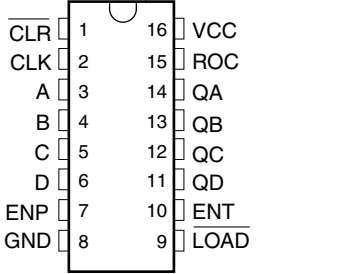
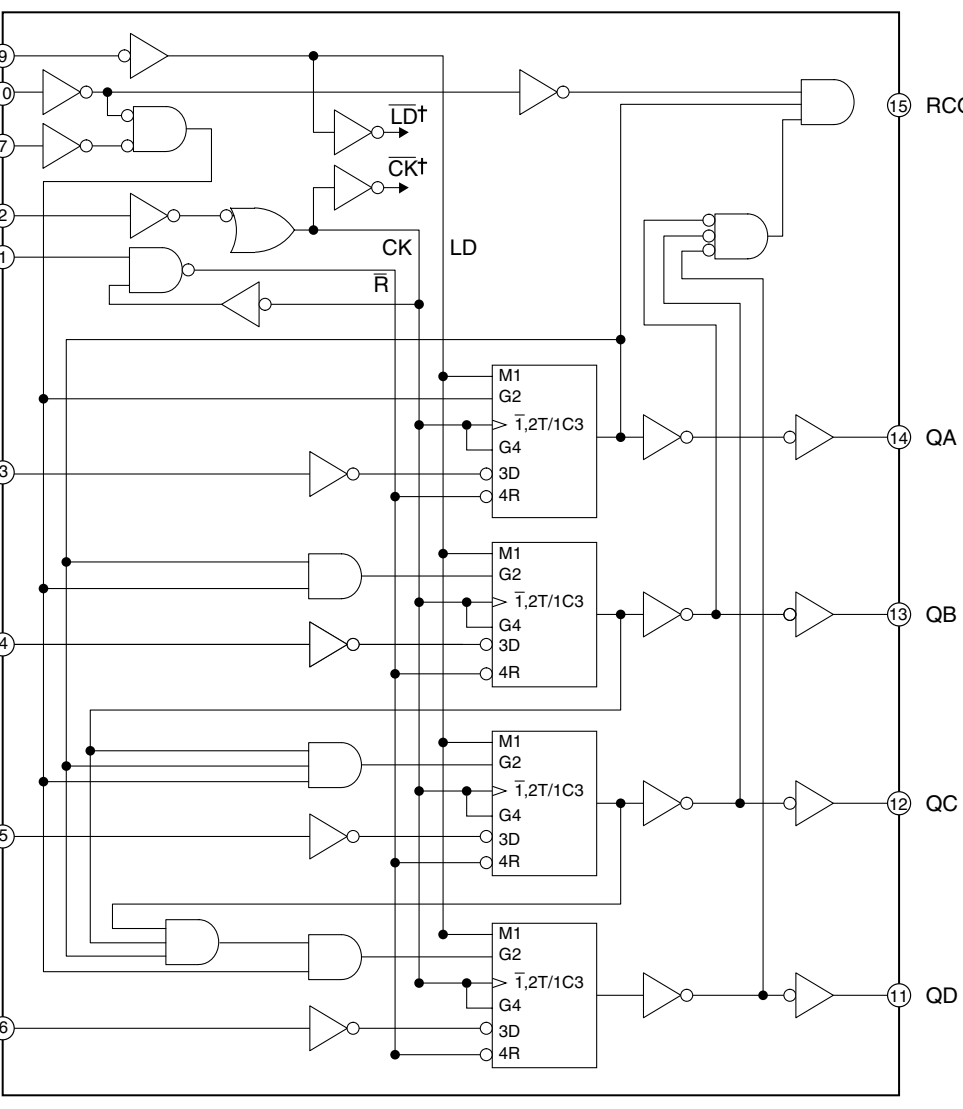
IC616, 616: SN74LV163APWR 4 bit synchronous binary



IC610 : EP9301-CQZ System on chip processor



IC615, 616: SN74LV163APWR 4 bit synchronous binary

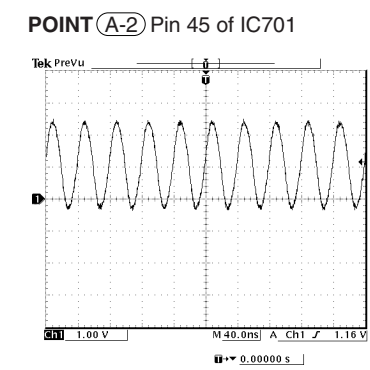
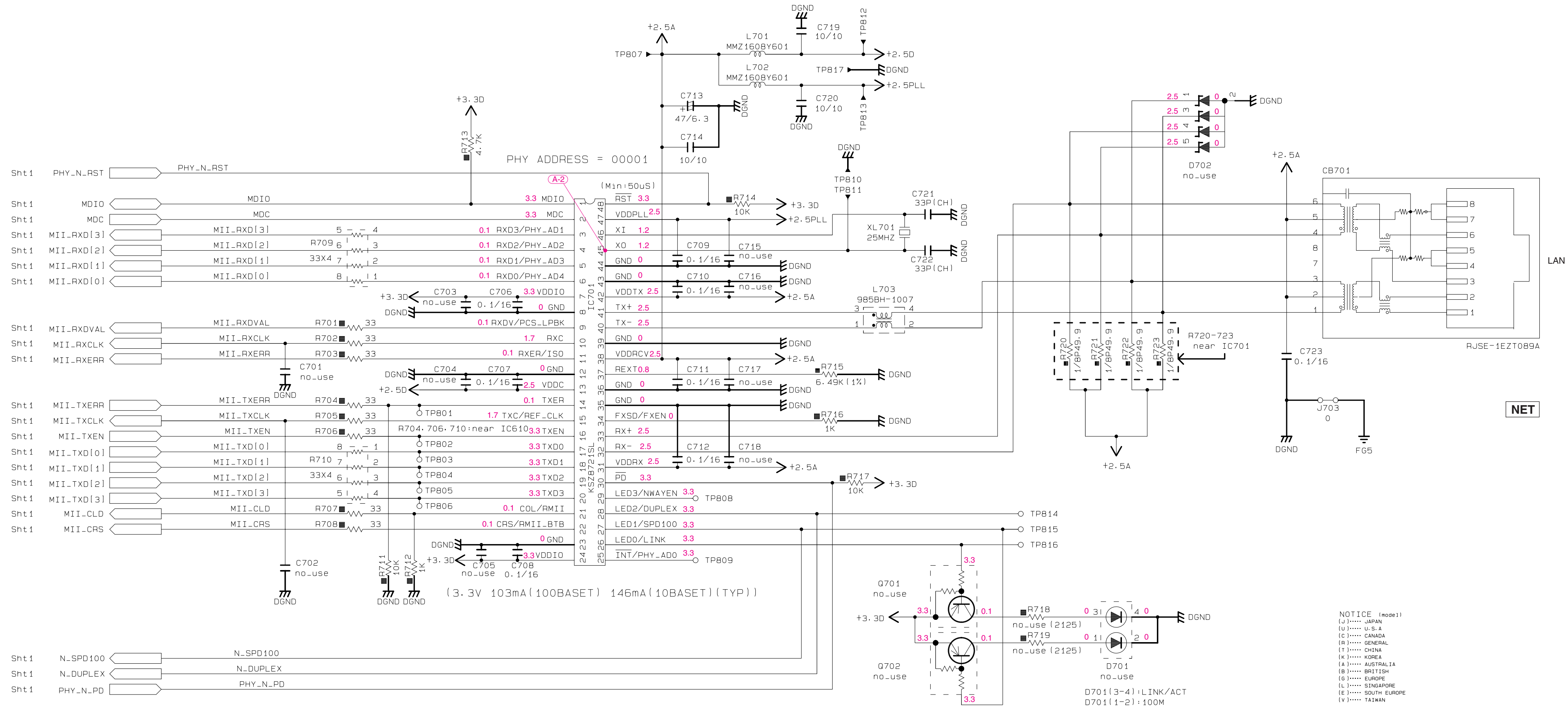


- Notes: \* All voltages are measured with a 10MΩ/V DC electronic volt meter. \* Components having special characteristics are marked with a triangle symbol. \* Schematic diagram is subject to change without notice.

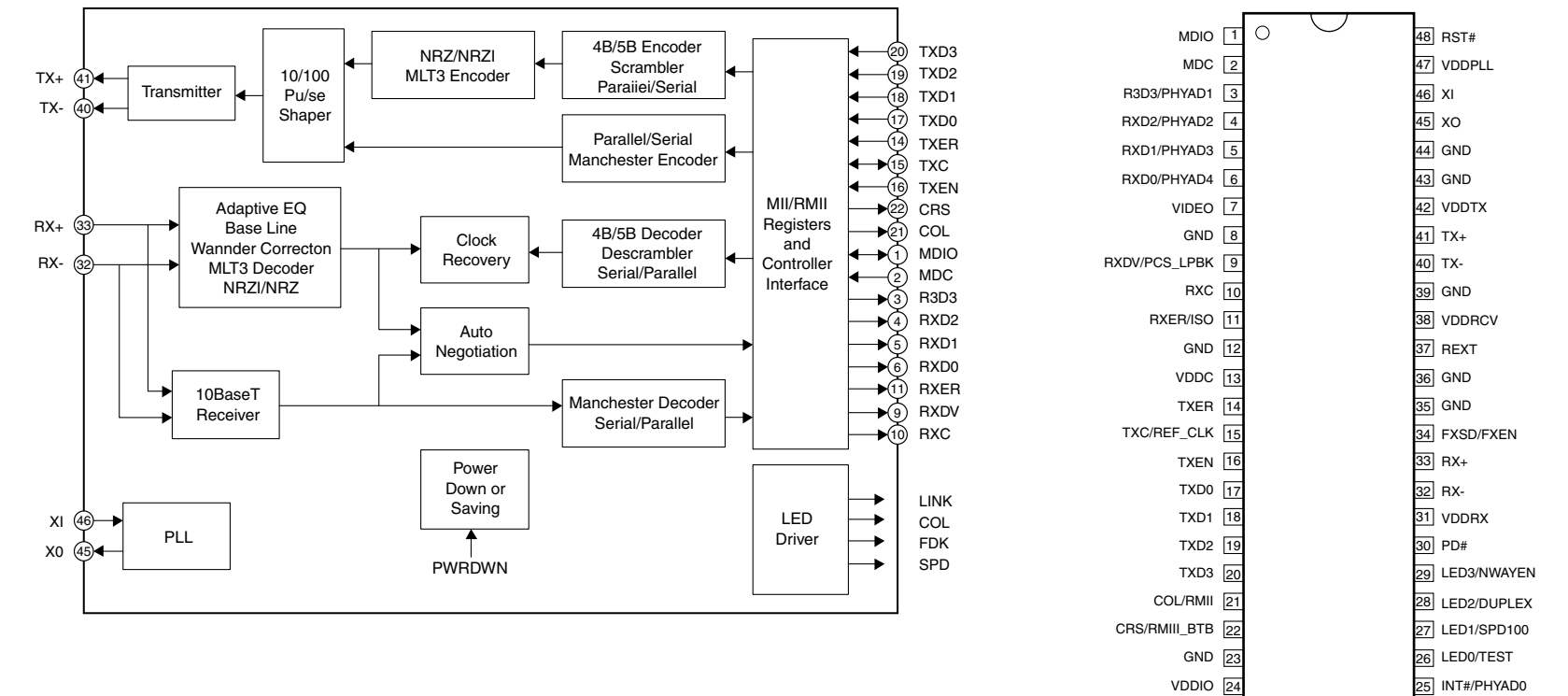
- Notes: ● 電圧は、内部抵抗10MΩの電圧計で測定したものです。 ● 上印のある部品は、安全性確保部品を示しています。部品の交換が必要な場合、パーツリストに記載されている部品を使用してください。 ● 本回路図は標準回路図です。改良のため予告なく変更することがございます。

NET 2/3

[PHYceiver Circuit]



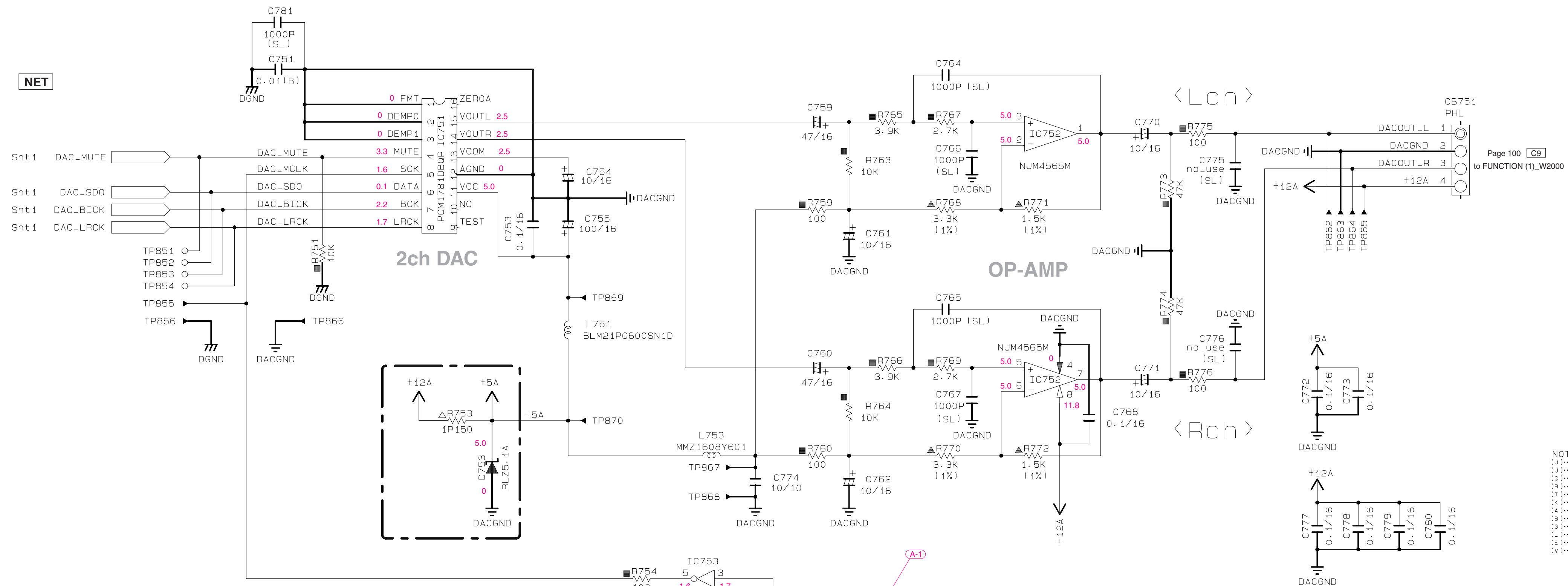
IC701: KSZ8721SL  
PHYceiver



★ All voltages are measured with a 10M $\Omega$ /V DC electronic volt meter.  
 ★ Components having special characteristics are marked  $\Delta$  and must be replaced with parts having specifications equal to those originally installed.  
 ★ Schematic diagram is subject to change without notice.

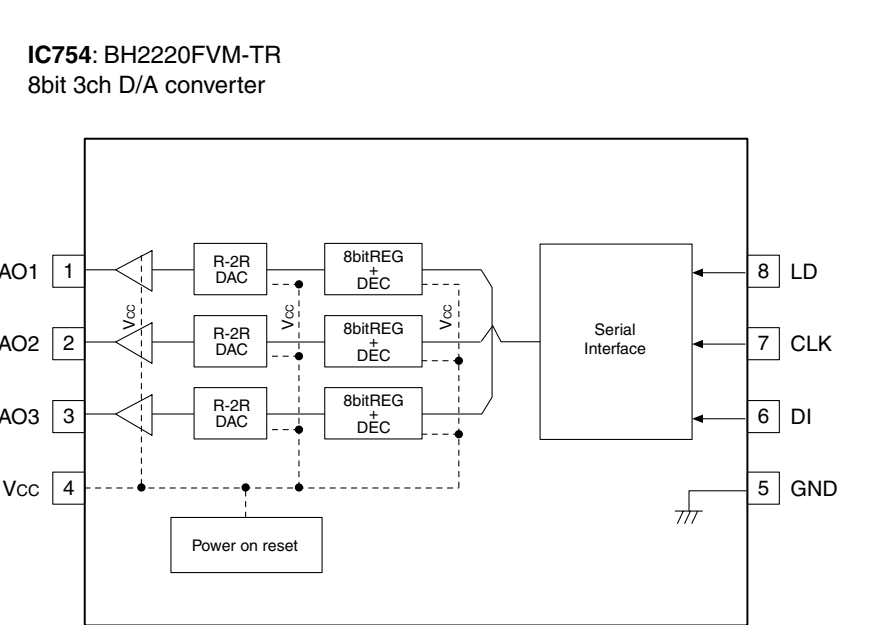
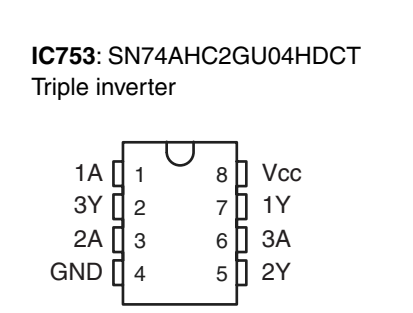
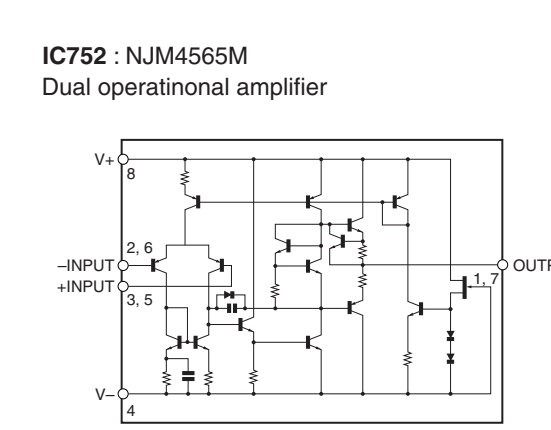
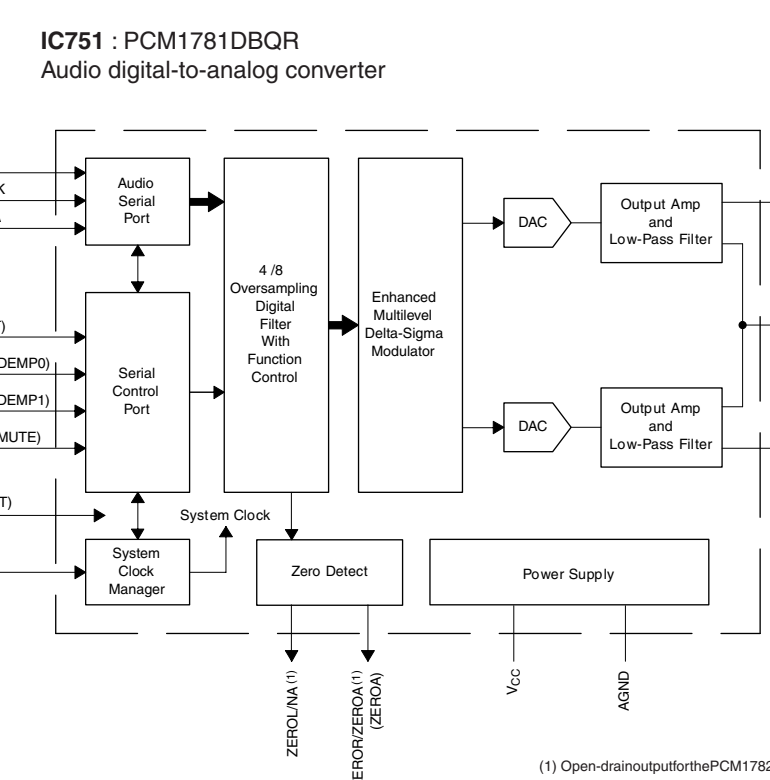
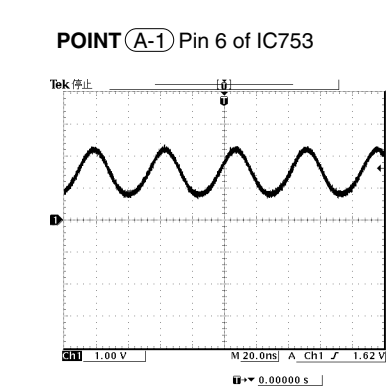
● 電圧は、内部抵抗10M $\Omega$ の電圧計で測定したものです。  
 ●  $\Delta$ 印のある部品は、安全性確保部品を示しています。部品の交換が必要な場合、パーツリストに記載されている部品を使用してください。  
 ● 本回路図は標準回路図です。改良のため予告なく変更することがございます。

NET 3/3



Page 100 [C9] to FUNCTION (1), W2000

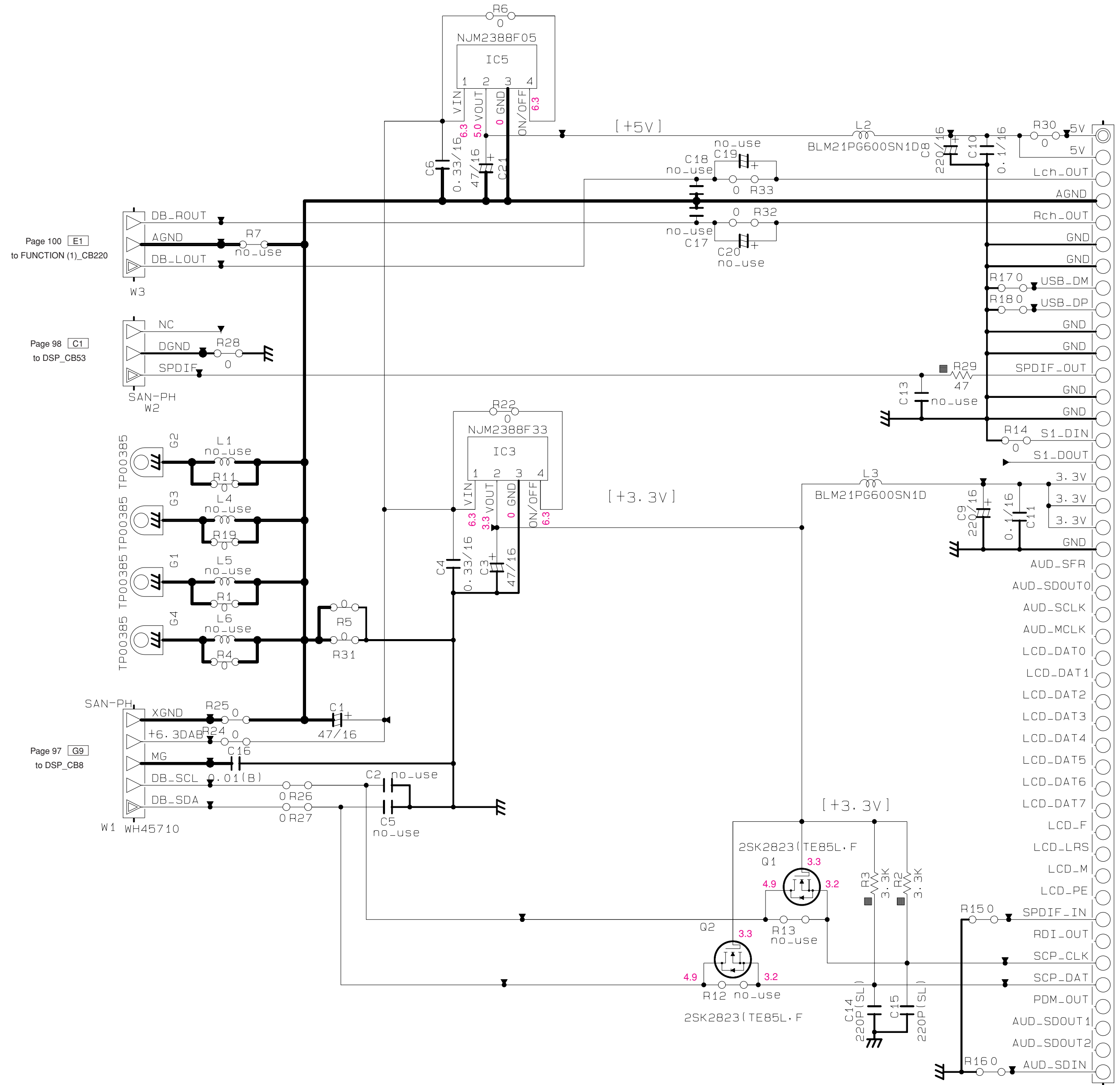
NOTICE (mode1)  
 (J)..... JAPAN  
 (U)..... U.S.A  
 (C)..... CANADA  
 (R)..... GENERAL  
 (T)..... CHINA  
 (K)..... KOREA  
 (A)..... AUSTRALIA  
 (B)..... BRITISH  
 (E)..... EUROPE  
 (S)..... SINGAPORE  
 (V)..... TAIWAN



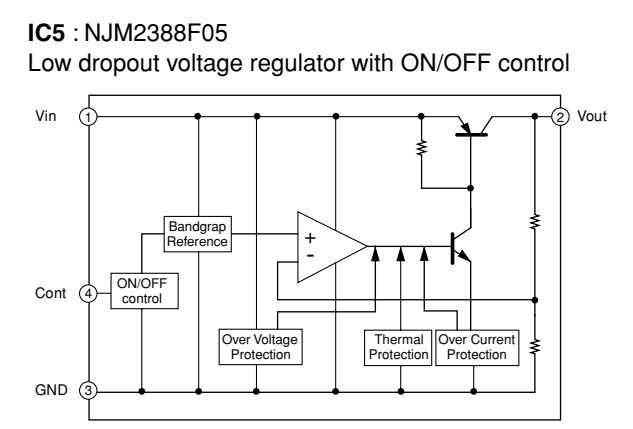
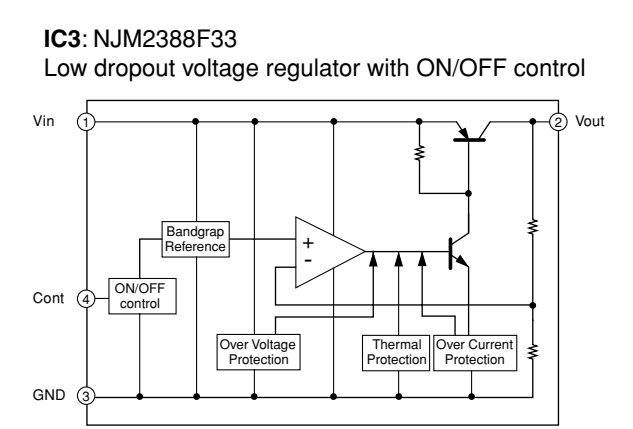
★ All voltages are measured with a 10MΩ/V DC electronic volt meter.  
 ★ Components having special characteristics are marked (†), and must be replaced with parts having specifications equal to those originally installed.  
 ★ Schematic diagram is subject to change without notice.

● 電圧は、内部抵抗10MΩの電圧計で測定したものです。  
 ● †印のある部品は、安全性確保部品を示しています。部品の交換が必要な場合、パーツリストに記載されている部品を使用してください。  
 ● 本回路図は標準回路図です。改良のため予告なく変更することがございます。

DAB RX-N600D



DAB MODULE Venice2.0-C-F



NOTICE (model)  
 (J)..... JAPAN  
 (U)..... U.S.A  
 (C)..... CANADA  
 (R)..... GENERAL  
 (I)..... CHINA  
 (K)..... KOREA  
 (A)..... AUSTRALIA  
 (B)..... BRITISH  
 (G)..... EUROPE  
 (L)..... SINGAPORE  
 (E)..... SOUTH EUROPE  
 (V)..... TAIWAN

DAB

★ All voltages are measured with a 10MQ/V DC electronic volt meter.  
 ★ Components having special characteristics are marked with a triangle and must be replaced with parts having specifications equal to those originally installed.  
 ★ Schematic diagram is subject to change without notice.

●電圧は、内部抵抗10MQの電圧計で測定したものです。  
 ●△印のある部品は、安全性確保部品を示しています。部品の交換が必要な場合、パーツリストに記載されている部品を使用してください。  
 ●本回路図は標準回路図です。改良のため予告なく変更することがございます。

## ■ REPLACEMENT PARTS LIST

### • ELECTRICAL COMPONENT PARTS

#### WARNING

- Components having special characteristics are marked  $\triangle$  and must be replaced with parts having specifications equal to those originally installed.
- $\triangle$ 印のある部分は、安全確保部品を示しています。部品の交換が必要な場合、パーツリストに記載されている部品を使用してください。
- 部品価格ランクは、予告なく変更することがあります。

#### ABBREVIATIONS IN THIS LIST ARE AS FOLLOWS:

C.A.EL.CHP	: CHIP ALUMI.ELECTROLYTIC CAP	L.EMIT	: LIGHT EMITTING MODULE
C.CE	: CERAMIC CAP	LED.DSPLY	: LED DISPLAY
C.CE.ARRAY	: CERAMIC CAP ARRAY	LED.INFRD	: LED,INFRARED
C.CE.CHP	: CHIP CERAMIC CAP	MODUL.RF	: MODULATOR,RF
C.CE.ML	: MULTILAYER CERAMIC CAP	PHOT.CPL	: PHOTO COUPLER
C.CE.M.CHP	: CHIP MULTILAYER CERAMIC CAP	PHOT.INTR	: PHOTO INTERRUPTER
C.CE.SAFTY	: RECOGNIZED CERAMIC CAP	PHOT.RFLCT	: PHOTO REFLECTOR
C.CE.TUBLR	: CERAMIC TUBULAR CAP	PIN.TEST	: PIN,TEST POINT
C.CE.SMI	: SEMI CONDUCTIVE CERAMIC CAP	PLST.RIVET	: PLASTIC RIVET
C.EL	: ELECTROLYTIC CAP	R.ARRAY	: RESISTOR ARRAY
C.MICA	: MICA CAP	R.CAR.	: CARBON RESISTOR
C.ML.FLM	: MULTILAYER FILM CAP	R.CAR.CHP	: CHIP RESISTOR
C.MP	: METALLIZED PAPER CAP	R.CAR.FP	: FLAME PROOF CARBON RESISTOR
C.MYLAR	: MYLAR FILM CAP	R.FUS	: FUSABLE RESISTOR
C.MYLAR.ML	: MULTILAYER MYLAR FILM CAP	R.MTL.CHP	: CHIP METAL FILM RESISTOR
C.PAPER	: PAPER CAPACITOR	R.MTL.FLM	: METAL FILM RESISTOR
C.PLS	: POLYSTYRENE FILM CAP	R.MTL.OXD	: METAL OXIDE FILM RESISTOR
C.POL	: POLYESTER FILM CAP	R.MTL.PLAT	: METAL PLATE RESISTOR
C.POLY	: POLYETHYLENE FILM CAP	RSNR.CE	: CERAMIC RESONATOR
C.PP	: POLYPROPYLENE FILM CAP	RSNR.CRYS	: CRYSTAL RESONATOR
C.TNTL	: TANTALUM CAP	R.TW.CEM	: TWIN CEMENT FIXED RESISTOR
C.TNTL.CHP	: CHIP TANTALUM CAP	R.CEMENT	: CEMENT RESISTOR
C.TRIM	: TRIMMER CAP	SCR.BND.HD	: BIND HEAD B-TIGHT SCREW
CN	: CONNECTOR	SCR.BW.HD	: BW HEAD TAPPING SCREW
CN.BS.PIN	: CONNECTOR,BASE PIN	SCR.CUP	: CUP TIGHT SCREW
CN.CANNON	: CONNECTOR,CANNON	SCR.TERM	: SCREW TERMINAL
CN.DIN	: CONNECTOR,DIN	SCR.TR	: SCREW,TRANSISTOR
CN.FLAT	: CONNECTOR,FLAT CABLE	SUPRT.PCB	: SUPPORT,P.C.B.
CN.POST	: CONNECTOR,BASE POST	SURG.PRTCT	: SURGE PROTECTOR
COIL.MX.AM	: COIL,AM MIX	SW.TACT	: TACT SWITCH
COIL.AT.FM	: COIL,FM ANTENNA	SW.LEAF	: LEAF SWITCH
COIL.DT.FM	: COIL,FM DETECT	SW.LEVER	: LEVER SWITCH
COIL.MX.FM	: COIL,FM MIX	SW.MICRO	: MICRO SWITCH
COIL.OUTPT	: OUTPUT COIL	SW.PUSH	: PUSH SWITCH
DIOD.ARRAY	: DIODE ARRAY	SW.RT.ENC	: ROTARY ENCODER
DIODE.BRG	: DIODE BRIDGE	SW.RT.MTR	: ROTARY SWITCH WITH MOTOR
DIODE.CHP	: CHIP DIODE	SW.RT	: ROTARY SWITCH
DIODE.VAR	: VARACTOR DIODE	SW.SLIDE	: SLIDE SWITCH
DIOD.Z.CHP	: CHIP ZENER DIODE	TERM.SP	: SPEAKER TERMINAL
DIODE.ZENR	: ZENER DIODE	TERM.WRAP	: WRAPPING TERMINAL
DSCR.CE	: CERAMIC DISCRIMINATOR	THRMST.CHP	: CHIP THERMISTOR
FER.BEAD	: FERRITE BEADS	TR.CHP	: CHIP TRANSISTOR
FER.CORE	: FERRITE CORE	TR.DGT	: DIGITAL TRANSISTOR
FET.CHP	: CHIP FET	TR.DGT.CHP	: CHIP DIGITAL TRANSISTOR
FL.DSPLY	: FLUORESCENT DISPLAY	TRANS	: TRANSFORMER
FLTR.CE	: CERAMIC FILTER	TRANS.PULS	: PULSE TRANSFORMER
FLTR.COMB	: COMB FILTER MODULE	TRANS.PWR	: POWER TRANSFORMER ASS'Y
FLTR.LC.RF	: LC FILTER,EMI	TUNER.AM	: TUNER PACK,AM
GND.MTL	: GROUND PLATE	TUNER.FM	: TUNER PACK,FM
GND.TERM	: GROUND TERMINAL	TUNER.PK	: FRONT-ENDTUNER PACK
HOLDER.FUS	: FUSE HOLDER	VR	: ROTARY POTENTIOMETER
IC.PRTCT	: IC PROTECTOR	VR.MTR	: POTENTIOMETER WITH MOTOR
JUMPER.CN	: JUMPER CONNECTOR	VR.SW	: POTENTIOMETER WITH ROTARY SW
JUMPER.TST	: JUMPER,TEST POINT	VR.SLIDE	: SLIDE POTENTIOMETER
L.DTCT	: LIGHT DETECTING MODULE	VR.TRIM	: TRIMMER POTENTIOMETER

P.C.B. DSP

Ref. No.	Part No.	Description	Remarks	Markets	部 品 名	Rank	
*	WG683000	P. C. B.	DSP	N600	J	P C B D S P	
*	WG683100	P. C. B.	DSP	N600	UC	P C B D S P	
*	WG683200	P. C. B.	DSP	N600	R	P C B D S P	
*	WG683300	P. C. B.	DSP	N600	T	P C B D S P	
*	WG956500	P. C. B.	DSP	N600	K	P C B D S P	
*	WG683400	P. C. B.	DSP	N600	A	P C B D S P	
*	WG683500	P. C. B.	DSP	N600D	B	P C B D S P	
*	WG683600	P. C. B.	DSP	N600	GE	P C B D S P	
*	WG684000	P. C. B.	DSP	N5060	UC	P C B D S P	
*	WG684100	P. C. B.	DSP	N5060	A	P C B D S P	
*	WG684200	P. C. B.	DSP	N5060	G	P C B D S P	
CB1	VQ047900	CN	29P			F F Cコネクタ	03
CB2	VP082900	CN. BS. PIN	25P			F F Cコネクタ	02
CB3	VB390400	CN. BS. PIN	8P			ベースピン	01
CB4	VB390200	CN. BS. PIN	6P			コネクタベースポスト	01
CB5	VM689000	CN. BS. PIN	23P			F F Cコネクタ	02
CB6	VQ047000	CN. BS. PIN	6P			F F Cコネクタ	01
CB7	VQ044400	CN. BS. PIN	9P			F F Cコネクタ	01
CB8	VB390100	CN. BS. PIN	5P		B	ベースピン	01
CB9	VB390300	CN. BS. PIN	7P			ベースピン	01
CB52	WE161800	CN. BS. PIN	4P		UC	シリアルバスコネクタ	
CB53	VB389900	CN. BS. PIN	3P		B	ベースピン	01
CB56	VQ047500	CN. BS. PIN	20P			F F Cコネクタ	01
CB57	VB390600	CN. BS. PIN	10P			コネクタベースポスト	01
C1	US064100	C. CE. CHP	0.01uF	50V B		チップセラコン	01
C2	US062100	C. CE. CHP	100pF	50V B		チップセラコン	01
C3	UR868100	C. EL	100uF	50V		ケミコン	01
C4	US063100	C. CE. CHP	1000pF	50V B		チップセラコン	01
C5-7	US062100	C. CE. CHP	100pF	50V B		チップセラコン	01
C8	US135100	C. CE. CHP	0.1uF	16V		チップセラコン	01
C9	UR867100	C. EL	10uF	50V		ケミコン	01
C10	UR837100	C. EL	10uF	16V		ケミコン	01
C11	UR818220	C. EL	220uF	6.3V		ケミコン	01
C12	WB165500	C. EL	0.33F	5.5V		ゴールドキャパシタ	04
C13	UR818220	C. EL	220uF	6.3V		ケミコン	01
C14	UR837330	C. EL	33uF	16V		ケミコン	01
C15	UR838100	C. EL	100uF	16V		ケミコン	01
C16-21	US135100	C. CE. CHP	0.1uF	16V		チップセラコン	01
C22-31	US063100	C. CE. CHP	1000pF	50V B		チップセラコン	01
C32	UR866220	C. EL	2.2uF	50V		ケミコン	01
C33	UR866220	C. EL	2.2uF	50V	N600, N600D	ケミコン	01
C34-36	UR866220	C. EL	2.2uF	50V		ケミコン	01
C37	US135100	C. CE. CHP	0.1uF	16V		チップセラコン	01
C40-48	US064100	C. CE. CHP	0.01uF	50V B		チップセラコン	01
C50-59	US135100	C. CE. CHP	0.1uF	16V		チップセラコン	01
C60-63	US135100	C. CE. CHP	0.1uF	16V		チップセラコン	01
C201	US061220	C. CE. CHP	22pF	50V B		チップセラコン	01
C202-205	US135100	C. CE. CHP	0.1uF	16V		チップセラコン	01
C208	US135100	C. CE. CHP	0.1uF	16V		チップセラコン	01
C209	UR847220	C. EL	22uF	25V		ケミコン	01
C210	UR238100	C. EL	100uF	16V		ケミコン	01
C211	WG251600	C. CE. CHP	4.7uF	6.3V		チップセラコン	01
C212	UR237470	C. EL	47uF	16V		ケミコン	01
C215	US060500	C. CE. CHP	5pF	50V B	UC	チップセラコン	01
C216-217	US035100	C. CE. CHP	0.1uF	16V B	UC	チップセラコン	01
C218	US060500	C. CE. CHP	5pF	50V B	UC	チップセラコン	01
C219	US135100	C. CE. CHP	0.1uF	16V	UC	チップセラコン	01
C220	US035100	C. CE. CHP	0.1uF	16V B	UC	チップセラコン	01
C221	WG251600	C. CE. CHP	4.7uF	6.3V		チップセラコン	01
C222	US135100	C. CE. CHP	0.1uF	16V		チップセラコン	01

\* New Parts \* 新規部品

P.C.B. DSP

Ref. No.	Part No.	Description	Remarks	Markets	部 品 名	Rank	
C223	UR019220	C. EL	2200uF 6.3V		ケミコン	01	
C224	UR238100	C. EL	100uF 16V		ケミコン		
C225	WG251600	C. CE. CHP	4.7uF 6.3V		チップセラコン	01	
C226-227	US135100	C. CE. CHP	0.1uF 16V	UC	チップセラコン	01	
C228	US135330	C. CE. CHP	0.33uF 16V		チップセラコン	01	
C229	UR038100	C. EL	100uF 16V		ケミコン		
C230-231	US135100	C. CE. CHP	0.1uF 16V	UC	チップセラコン	01	
C232-233	US135100	C. CE. CHP	0.1uF 16V		チップセラコン	01	
C234	VE326000	C. MYLAR	0.1uF 50V		マイラーコン	01	
C235	UA654220	C. MYLAR	0.022uF 50V J		マイラーコン	01	
C236-238	US135100	C. CE. CHP	0.1uF 16V		チップセラコン	01	
C239	US062100	C. CE. CHP	100pF 50V B		チップセラコン	01	
C241	US135100	C. CE. CHP	0.1uF 16V	UC	チップセラコン	01	
C242	UR238100	C. EL	100uF 16V		ケミコン		
C243	US062100	C. CE. CHP	100pF 50V B		チップセラコン	01	
C244	UR238100	C. EL	100uF 16V		ケミコン		
C245-246	US135100	C. CE. CHP	0.1uF 16V		チップセラコン	01	
C247	US062100	C. CE. CHP	100pF 50V B		チップセラコン	01	
C248	UR238100	C. EL	100uF 16V		ケミコン		
C249-250	US061180	C. CE. CHP	18pF 50V B		チップセラコン	01	
C251	UR238100	C. EL	100uF 16V		ケミコン		
C252	UR867100	C. EL	10uF 50V		ケミコン	01	
C253	US126100	C. CE. CHP	1uF 10V		チップセラコン	01	
C254	US035100	C. CE. CHP	0.1uF 16V B		チップセラコン	01	
C255-283	US135100	C. CE. CHP	0.1uF 16V		チップセラコン	01	
C284	UR837470	C. EL	47uF 16V		ケミコン	01	
C285-286	US135100	C. CE. CHP	0.1uF 16V		チップセラコン	01	
C287-289	US063100	C. CE. CHP	1000pF 50V B		チップセラコン	01	
C290	US035100	C. CE. CHP	0.1uF 16V B		チップセラコン	01	
C291	US135100	C. CE. CHP	0.1uF 16V		チップセラコン	01	
C292-294	US063100	C. CE. CHP	1000pF 50V B		チップセラコン	01	
C295-299	US135100	C. CE. CHP	0.1uF 16V		チップセラコン	01	
C300	US135100	C. CE. CHP	0.1uF 16V		チップセラコン	01	
C301-313	US061470	C. CE. CHP	47pF 50V B		チップセラコン	01	
C314	US064100	C. CE. CHP	0.01uF 50V B		チップセラコン	01	
C315	UR837100	C. EL	10uF 16V		ケミコン	01	
C316-317	US064100	C. CE. CHP	0.01uF 50V B		チップセラコン	01	
C318	US135100	C. CE. CHP	0.1uF 16V		チップセラコン	01	
C319	UR238100	C. EL	100uF 16V		ケミコン		
C320	US126100	C. CE. CHP	1uF 10V		チップセラコン	01	
C321	US135330	C. CE. CHP	0.33uF 16V		チップセラコン	01	
C322	US062100	C. CE. CHP	100pF 50V B		チップセラコン	01	
C323	US035100	C. CE. CHP	0.1uF 16V B		チップセラコン	01	
C324	UR837100	C. EL	10uF 16V		ケミコン	01	
C325-326	US126100	C. CE. CHP	1uF 10V		チップセラコン	01	
C327	UR837100	C. EL	10uF 16V	N600	ケミコン	01	
C328	US135100	C. CE. CHP	0.1uF 16V	N600	UC	チップセラコン	01
C329	US135100	C. CE. CHP	0.1uF 16V		チップセラコン	01	
C330	UR238100	C. EL	100uF 16V		ケミコン		
C331	UR838100	C. EL	100uF 16V	N600	UC	ケミコン	01
C332	UR837100	C. EL	10uF 16V		ケミコン	01	
C333	US135100	C. CE. CHP	0.1uF 16V		チップセラコン	01	
C334	UR837100	C. EL	10uF 16V		ケミコン	01	
C335	US135100	C. CE. CHP	0.1uF 16V		チップセラコン	01	
C336	UR238100	C. EL	100uF 16V		ケミコン		
C337-340	US135100	C. CE. CHP	0.1uF 16V		チップセラコン	01	
C341-347	UR837100	C. EL	10uF 16V		ケミコン	01	
C348-349	UR837470	C. EL	47uF 16V	N600	UC	ケミコン	01
C350-351	UA654100	C. MYLAR	0.01uF 50V J		マイラーコン	01	
C352-354	US062680	C. CE. CHP	680pF 50V B		チップセラコン	01	

\* New Parts \* 新規部品

RX-N600/RX-N600D/  
HTR-N5060/DSP-N600

P.C.B. DSP

Ref. No.	Part No.	Description	Remarks	Markets	部 品 名	Rank	
C355	UA654470	C. MYLAR	0.047uF 50V J			マイラーコン	01
C356-358	US062680	C. CE. CHP	680pF 50V B			チップセラコン	01
C359-360	US163100	C. CE. CHP	1000pF 50V	N600	UC	チップセラコン	01
C361-362	UR837100	C. EL	10uF 16V			ケミコン	01
C363-364	US163100	C. CE. CHP	1000pF 50V	N600	UC	チップセラコン	01
C365-367	US062100	C. CE. CHP	100pF 50V B			チップセラコン	01
C368	UA653390	C. MYLAR	390pF 50V J			マイラーコン	01
C369-371	US062100	C. CE. CHP	100pF 50V B			チップセラコン	01
C372	US064100	C. CE. CHP	0.01uF 50V B		B	チップセラコン	01
C373-390	US135100	C. CE. CHP	0.1uF 16V			チップセラコン	01
C391-392	US135100	C. CE. CHP	0.1uF 16V	N600	UC	チップセラコン	01
C393-398	UR237470	C. EL	47uF 16V			ケミコン	01
C399	US135100	C. CE. CHP	0.1uF 16V			チップセラコン	01
C400-402	US135100	C. CE. CHP	0.1uF 16V			チップセラコン	01
C403-408	US062220	C. CE. CHP	220pF 50V B			チップセラコン	01
C409-410	US135100	C. CE. CHP	0.1uF 16V			チップセラコン	01
C411-412	US064100	C. CE. CHP	0.01uF 50V B			チップセラコン	01
C413	US062680	C. CE. CHP	680pF 50V B			チップセラコン	01
C416	US135100	C. CE. CHP	0.1uF 16V			チップセラコン	01
D1-2	VT332900	DIODE	1SS355			ダイオード	01
D3	VV833200	DIODE	1SS380			ダイオード	01
D4-5	VU992600	DIODE. ZENR	MA8051-M 5.1V			ツェナーダイオード	01
D6	VT332900	DIODE	1SS355			ダイオード	01
D7-9	VU992600	DIODE. ZENR	MA8051-M 5.1V			ツェナーダイオード	01
D10	VT332900	DIODE	1SS355			ダイオード	01
D201-203	WE674800	DIODE	AVRL161A1R1NTB		UC	チップバリスタ	01
D204	VT332900	DIODE	1SS355			ダイオード	01
D206	VT332900	DIODE	1SS355			ダイオード	01
D208-210	VT332900	DIODE	1SS355			ダイオード	01
D212-215	WB081800	DIODE	SB01-05Q			ショットキーダイオード	01
D216-217	VT332900	DIODE	1SS355			ダイオード	01
IC1	X5886A00	IC	RH5RE58AA-T1-FA			電源IC	04
* IC2	X7626A00	IC. CPU	M30627FJPGP	boot only		IC CPU	
IC4	X2080A00	IC	SN74AHCT1G32DCKR			ロジックIC	01
IC51	XS534A00	IC	NJM78M05DL1A (TE1)			電源IC	02
IC52	X3936A00	IC	SN74LVU04APWR			ロジックIC	
IC53	X7195A00	IC	R1172S121D-E2-F			電源IC	04
IC54	X6869A00	IC	NJM2885DL1-33			電源IC	03
* IC55	X6227B00	IC	F2602E-01		UC	IC	
IC56	X6989A00	IC	LC89057W-VF4A-E			IC	07
IC58	X6123A00	IC	SN74LV157APWR		UC	ロジックIC	02
IC59	X3833A00	IC	SN74AHC1G08DCKR			ロジックIC	01
IC61	X2080A00	IC	SN74AHCT1G32DCKR		UC	ロジックIC	01
IC62	X2080A00	IC	SN74AHCT1G32DCKR			ロジックIC	01
IC63	X3824A00	IC	SN74AHC08PWR			ロジックIC	01
IC64	X2590B00	IC	W9816G6CH-7 SDRAM			メモリIC 16M	06
IC65	X3693A00	IC	SN74LV245APWR TRAN			ロジックIC	
IC66	X7577A00	IC	S29AL004D70TF1020			メモリIC 4M	
IC67	X6123A00	IC	SN74LV157APWR			ロジックIC	02
IC68	X7355A00	IC	PCM1680DBQR			IC	07
* IC69	X7375A00	IC	PCM1781DBQR	N600	UC	IC	
IC70	X7357A00	IC	PCM1803DBR			IC	04
IC71-74	X7378A00	IC	NJM4565M (TE1)			アンプIC	
IC75	X7378A00	IC	NJM4565M (TE1)	N600	UC	アンプIC	
IC76	X7378A00	IC	NJM4565M (TE1)			アンプIC	
J201-202		R. CHP	0Ω 1/16W J		UC	チップ抵抗	01
J203-206		R. CHP	0Ω 1/16W J		JRTKABGE	チップ抵抗	01
PJ51	V4483900	JACK. PIN	1P YKC21-3895N			ピンジャック	02
PN1-3	V9637500	PIN	L=70 #18			スタイルピン	
Q1	VP872600	TR	2SA1708 S, T			トランジスタ	01

\* New Parts \* 新規部品



P.C.B. DSP

Ref. No.	Part No.	Description	Remarks	Markets	部 品 名	Rank	
Q2	VV655700	TR. DGT	DTC144EKA			デジタルトランジスタ	01
Q3	VV556500	TR	2SA1037K Q, R, S			トランジスタ	01
Q4	VV556500	TR	2SA1037K Q, R, S	N600, N600D		トランジスタ	01
Q5-7	VV556500	TR	2SA1037K Q, R, S			トランジスタ	01
Q8-9	WF767900	FET	5HP01C-TB-E			F E T	01
R21		R. CHP	10Ω 1/16W J		J	チップ抵抗	01
R21		R. CHP	1.2KΩ 1/16W J		UC	チップ抵抗	01
R21		R. CHP	4.7KΩ 1/16W J		R	チップ抵抗	01
R21		R. CHP	6.8KΩ 1/16W J		T	チップ抵抗	01
R21		R. CHP	10KΩ 1/16W J		K	チップ抵抗	01
R21		R. CHP	15KΩ 1/16W J		A	チップ抵抗	01
R21		R. CHP	27KΩ 1/16W J		B	チップ抵抗	01
R21		R. CHP	47KΩ 1/16W J		GE	チップ抵抗	01
R23		R. CHP	15KΩ 1/16W J		JRTKAGE	チップ抵抗	01
R47		R. CHP	100Ω 1/16W J		UC	チップ抵抗	01
R52-53		R. CHP	100Ω 1/16W J		UCB	チップ抵抗	01
R54		R. CHP	100Ω 1/16W J		UC	チップ抵抗	01
R108		R. CHP	100KΩ 1/16W J		B	チップ抵抗	01
R110		R. CHP	100KΩ 1/16W J		JUCRTKAGE	チップ抵抗	01
R209	HV753100	R. CAR. FP	1Ω 1/4W			不燃化カーボン抵抗	01
R211		R. CHP	470Ω 1/16W J		UC	チップ抵抗	01
R212		R. CHP	1MΩ 1/16W J		UC	チップ抵抗	01
R215-216		R. CHP	100Ω 1/16W J		UC	チップ抵抗	01
R217-218		R. CHP	1KΩ 1/16W J		UC	チップ抵抗	01
R219	V8070000	R. MTL. FLM	1Ω 1W			金属被膜抵抗	01
R221-224		R. CHP	270Ω 1/16W J		UC	チップ抵抗	01
R225		R. CHP	470KΩ 1/16W J		UC	チップ抵抗	01
R226	V8070000	R. MTL. FLM	1Ω 1W			金属被膜抵抗	01
R228		R. CHP	100KΩ 1/16W J		UC	チップ抵抗	01
R229		R. CHP	470KΩ 1/16W J		UC	チップ抵抗	01
R231		R. CHP	47Ω 1/16W J		B	チップ抵抗	01
R232-234		R. CHP	100KΩ 1/16W J		UC	チップ抵抗	01
R240		R. CHP	47Ω 1/16W J		UC	チップ抵抗	01
R241		R. CHP	22Ω 1/16W J		UC	チップ抵抗	01
R251-252		R. CHP	47Ω 1/16W J		UC	チップ抵抗	01
R319	HV753100	R. CAR. FP	1Ω 1/4W			不燃化カーボン抵抗	01
R320	V8070400	R. MTL. FLM	15Ω 1W			金属被膜抵抗	01
R322	HV753100	R. CAR. FP	1Ω 1/4W	N600	UC	不燃化カーボン抵抗	01
R323-324	VU224000	R. MTL. FLM	0.22Ω 1W			金属被膜抵抗	01
R325-326	V8070100	R. MTL. FLM	2.2Ω 1W			金属被膜抵抗	01
R334-335		R. CHP	10KΩ 1/16W J	N600	UC	チップ抵抗	01
R338-339		R. CHP	3.9KΩ 1/16W J	N600	UC	チップ抵抗	01
R354-355		R. CHP	2.7KΩ 1/16W J	N600	UC	チップ抵抗	01
R356-357	RF356330	R. MTL. CHP	3.3KΩ 1/16W D	N600	UC	チップ金属被膜抵抗	01
R365-366	RF356150	R. MTL. CHP	1.5KΩ 1/16W D	N600	UC	チップ金属被膜抵抗	01
R389-390		R. CHP	100Ω 1/16W J	N600	UC	チップ抵抗	01
U201	WG559700	CN. PHOTO	1P GP1FAV50TK0F			光ファイバ送信器	
U202-204	WG559800	CN. PHOTO	1P GP1FAV50RK0F			光ファイバ受信器	
XL1	WA674700	RSNR. CE	16MHz CSTLS16M0X51			セラミック振動子	
XL51	WE436500	RSNR. CRY	45.1584MHz		UC	水晶振動子	
XL52	V3625700	RSNR. CRY	24.576MHz			水晶振動子	03

\* New Parts \* 新規部品

RX-N600/RX-N600D/  
HTR-N5060/DSP-N600

P.C.B. FUNCTION

Ref. No.	Part No.	Description	Remarks	Markets	部 品 名	Rank	
* * * * * * *	WG687000	P. C. B.	FUNCTION	N600	J	P C B ファンクション	
	WG687100	P. C. B.	FUNCTION	N600	UCTKA	P C B ファンクション	
	WG687200	P. C. B.	FUNCTION	N600	R	P C B ファンクション	
	WG687300	P. C. B.	FUNCTION	N600D	B	P C B ファンクション	
	WG687400	P. C. B.	FUNCTION	N600	GE	P C B ファンクション	
	WG688000	P. C. B.	FUNCTION	N5060	UCA	P C B ファンクション	
	WG688200	P. C. B.	FUNCTION	N5060	G	P C B ファンクション	
CB200	VQ047900	CN	29P			F F Cコネクタ	03
CB201	VB389800	CN. BS. PIN	2P			ベースピン	01
CB202	VQ047500	CN. BS. PIN	20P			F F Cコネクタ	01
CB203	VB390400	CN. BS. PIN	8P			ベースピン	01
CB204	VM859600	CN. BS. PIN	15P			F F Cコネクタ	01
CB205	VB390100	CN. BS. PIN	5P			ベースピン	01
CB206	VB390400	CN. BS. PIN	8P			ベースピン	01
CB207	VB390200	CN. BS. PIN	6P			コネクタベースポスト	01
CB220	VC014700	CN. BS. PIN	3P		B	コネクタベースポスト	01
CB286-289	WE262500	CN	14P SE		J	D端子コネクタ	05
CB290	VN520900	CN. BS. PIN	52045 26P TE			F F Cコネクタ	02
CB291	VQ045400	CN. BS. PIN	25P			F F Cコネクタ	03
CB313	V9377800	CN. BS. PIN	3P SE VH SERIES		R	ベース付ポスト	
CB314	V9377900	CN. BS. PIN	4P SE VH SERIES		R	ベース付ポスト	
CB315	WC050700	CLIP. FUSE	EYF-52BCY		R	ヒューズクリップ	01
CB317	WC050700	CLIP. FUSE	EYF-52BCY		R	ヒューズクリップ	01
C2000	US064100	C. CE. CHP	0.01uF 50V B			チップセラコン	01
C2002-2003	US064100	C. CE. CHP	0.01uF 50V B			チップセラコン	01
C2004	UR837100	C. EL	10uF 16V			ケミコン	01
C2005-2006	FG651470	C. CE	47pF 50V	N600, N600D		セラコン	01
C2007	UA654100	C. MYLAR	0.01uF 50V J			マイラーコン	01
C2008-2013	US062220	C. CE. CHP	220pF 50V B			チップセラコン	01
C2014-2015	FG651470	C. CE	47pF 50V			セラコン	01
C2016-2019	US062220	C. CE. CHP	220pF 50V B			チップセラコン	01
C2020-2021	FG651470	C. CE	47pF 50V			セラコン	01
C2022-2027	US062220	C. CE. CHP	220pF 50V B			チップセラコン	01
C2028-2031	UR837100	C. EL	10uF 16V			ケミコン	01
C2033-2034	UR837100	C. EL	10uF 16V	N600, N600D		ケミコン	01
C2035	UR837100	C. EL	10uF 16V			ケミコン	01
C2036	UR237100	C. EL	10uF 16V			ケミコン	
C2037-2038	US135100	C. CE. CHP	0.1uF 16V	N600, N600D		チップセラコン	01
C2039-2040	US135100	C. CE. CHP	0.1uF 16V			チップセラコン	01
C2043-2044	UR237100	C. EL	10uF 16V			ケミコン	
C2046-2047	UR237100	C. EL	10uF 16V			ケミコン	
C2049	UR837100	C. EL	10uF 16V			ケミコン	01
C2050-2051	UR237100	C. EL	10uF 16V			ケミコン	
C2052	UR837100	C. EL	10uF 16V			ケミコン	01
C2055	UR837100	C. EL	10uF 16V			ケミコン	01
C2057	UR837100	C. EL	10uF 16V			ケミコン	01
C2058-2059	VE326300	C. MYLAR	0.18uF 50V			マイラーコン	01
C2060	UA653470	C. MYLAR	4700pF 50V J			マイラーコン	01
C2061-2064	UR837100	C. EL	10uF 16V			ケミコン	01
C2066-2067	UR837100	C. EL	10uF 16V			ケミコン	01
C2068-2069	VE326200	C. MYLAR	0.15uF 50V			マイラーコン	
C2070	UA653470	C. MYLAR	4700pF 50V J			マイラーコン	01
C2071-2072	US135100	C. CE. CHP	0.1uF 16V			チップセラコン	01
C2073	US062150	C. CE. CHP	150pF 50V B			チップセラコン	01
C2074-2075	UR867470	C. EL	47uF 50V			ケミコン	01
C2076-2077	US062100	C. CE. CHP	100pF 50V B			チップセラコン	01
C2078	UR837100	C. EL	10uF 16V			ケミコン	01
C2079	US135100	C. CE. CHP	0.1uF 16V		BGE	チップセラコン	01
C2080-2081	UR837100	C. EL	10uF 16V			ケミコン	01
C2082	UR238100	C. EL	100uF 16V			ケミコン	01

\* New Parts \* 新規部品

P.C.B. FUNCTION

Ref. No.	Part No.	Description	Remarks	Markets	部 品 名	Rank	
C2083	US062330	C. CE. CHP	330pF 50V B		BGE	チップセラコン	01
C2084	UR837470	C. EL	47uF 16V			ケミコン	01
C2085-2086	UR867470	C. EL	47uF 50V			ケミコン	01
C2087-2092	UR837100	C. EL	10uF 16V			ケミコン	01
C2093	US062330	C. CE. CHP	330pF 50V B		BGE	チップセラコン	01
C2094-2095	UR837100	C. EL	10uF 16V			ケミコン	01
C2096	UR837470	C. EL	47uF 16V			ケミコン	01
C2097	UR837470	C. EL	47uF 16V		BGE	ケミコン	01
C2100	UR837470	C. EL	47uF 16V		BGE	ケミコン	01
C2101-2102	US135100	C. CE. CHP	0.1uF 16V			チップセラコン	01
C2106	US062560	C. CE. CHP	560pF 50V B		BGE	チップセラコン	01
C2107-2108	UR837100	C. EL	10uF 16V			ケミコン	01
C2111-2112	US062100	C. CE. CHP	100pF 50V B			チップセラコン	01
C2114-2115	US061470	C. CE. CHP	47pF 50V B			チップセラコン	01
C2116-2117	UR837100	C. EL	10uF 16V			ケミコン	01
C2118	US061270	C. CE. CHP	27pF 50V B		BGE	チップセラコン	01
C2120	US135100	C. CE. CHP	0.1uF 16V		BGE	チップセラコン	01
C2122	US061270	C. CE. CHP	27pF 50V B		BGE	チップセラコン	01
C2123-2124	US061220	C. CE. CHP	22pF 50V B			チップセラコン	01
C2127	UR837470	C. EL	47uF 16V		BGE	ケミコン	01
C2128-2129	US062100	C. CE. CHP	100pF 50V B			チップセラコン	01
C2130-2131	UR839100	C. EL	1000uF 16V			ケミコン	01
C2132-2133	US062100	C. CE. CHP	100pF 50V B			チップセラコン	01
C2135	US063100	C. CE. CHP	1000pF 50V B			チップセラコン	01
C2136	US062100	C. CE. CHP	100pF 50V B			チップセラコン	01
C2137	US064100	C. CE. CHP	0.01uF 50V B			チップセラコン	01
C2138	US062100	C. CE. CHP	100pF 50V B			チップセラコン	01
C2140	US064100	C. CE. CHP	0.01uF 50V B			チップセラコン	01
C2141-2142	UR837100	C. EL	10uF 16V		UCTKA	ケミコン	01
C2851-2852	UR837100	C. EL	10uF 16V			ケミコン	01
C2853-2855	UR837470	C. EL	47uF 16V			ケミコン	01
C2856	UR837100	C. EL	10uF 16V			ケミコン	01
C2857	UR837470	C. EL	47uF 16V			ケミコン	01
C2858	UR837100	C. EL	10uF 16V			ケミコン	01
C2901-2903	US060800	C. CE. CHP	8pF 50V B			チップセラコン	01
C2904-2912	US060800	C. CE. CHP	8pF 50V B		J	チップセラコン	01
C2913-2915	US064100	C. CE. CHP	0.01uF 50V B		J	チップセラコン	01
C2916-2918	US060800	C. CE. CHP	8pF 50V B		J	チップセラコン	01
C2919-2921	US135100	C. CE. CHP	0.1uF 16V			チップセラコン	01
C2922	US135100	C. CE. CHP	0.1uF 16V		J	チップセラコン	01
C2923-2925	US135100	C. CE. CHP	0.1uF 16V			チップセラコン	01
C2926	US135100	C. CE. CHP	0.1uF 16V		J	チップセラコン	01
C2927	US064100	C. CE. CHP	0.01uF 50V B			チップセラコン	01
C2928-2929	US135100	C. CE. CHP	0.1uF 16V			チップセラコン	01
C2930	US061220	C. CE. CHP	22pF 50V B			チップセラコン	01
C2931	US062560	C. CE. CHP	560pF 50V B			チップセラコン	01
C2932-2935	US135100	C. CE. CHP	0.1uF 16V			チップセラコン	01
C2936-2938	US061220	C. CE. CHP	22pF 50V B			チップセラコン	01
D2000-2001	VU994300	DIODE. ZENR	MA8075-H 7.7V			ツェナーダイオード	
D2002	VU993000	DIODE. ZENR	MA8056-M 5.6V			ツェナーダイオード	01
D2003-2004	VV307700	DIODE	1N4002S			ダイオード	01
D2005-2006	VT332900	DIODE	1SS355			ダイオード	01
D2851-2859	VT332900	DIODE	1SS355		J	ダイオード	01
D2860-2867	VT332900	DIODE	1SS355			ダイオード	01
F3002	KB000790	FUSE	T4A 250V		R	ヒューズ	01
IC200	X5092A00	IC	BD3816K1			IC	
IC201	X3547A00	IC	BD3841FS	N600, N600D		IC	06
IC202	X3547A00	IC	BD3841FS			IC	06
IC205	X7378A00	IC	NJM4565M(Te1)			アンプIC	
IC207	X7378A00	IC	NJM4565M(Te1)			アンプIC	



\* New Parts \* 新規部品

RX-N600/RX-N600D/  
HTR-N5060/DSP-N600

P.C.B. FUNCTION

Ref. No.	Part No.	Description	Remarks	Markets	部 品 名	Rank	
IC209	X0082A00	IC	LC72722PM		BGE	IC	
IC211	XP844A00	IC	NJM4556AL			IC	02
IC286-288	XS790A00	IC	TC74HC4052AF MPX			ロジックIC	02
IC289	XS790A00	IC	TC74HC4052AF MPX		J	ロジックIC	02
IC290	X2904A00	IC	NJM2581M VIDEO AMP			アンプIC	06
IC291	XZ509A00	IC	TC74VHC04FT INVER			ロジックIC	01
PJ200-201	V7046800	JACK.PIN	6P MSP-246V1-01NI			ピンジャック	
PJ202	V7189700	JACK.PIN	1P			ピンジャック	01
PJ203	V7046700	JACK.PIN	4P MSP-244V1-01NI			ピンジャック	03
PJ204	WG674800	JACK.PIN	6P	N600, N600D		ピンジャック	03
PJ204	WG674900	JACK.PIN	4P	N5950		ピンジャック	
PJ286-287	WG471900	JACK.PIN	6P			ピンジャック	03
PN200-206	V9637500	PIN	L=70 #18			スタイルピン	
PN286	V9637500	PIN	L=70 #18			スタイルピン	
Q2000-2001	VZ725900	TR	2SD1938F S,T	N600, N600D		トランジスタ	01
Q2003-2004	VZ725900	TR	2SD1938F S,T	N600, N600D		トランジスタ	01
Q2006	iC181510	TR	2SC1815 Y			トランジスタ	01
Q2007	iA101510	TR	2SA1015 Y			トランジスタ	01
Q2008	iC174020	TR	2SC1740S QRS		BGE	トランジスタ	01
Q2009	VZ725900	TR	2SD1938F S,T			トランジスタ	01
Q2010	iC181510	TR	2SC1815 Y			トランジスタ	01
Q2011	VZ725900	TR	2SD1938F S,T			トランジスタ	01
Q2012-2019	VD303700	TR	2SC3326 A,B			トランジスタ	01
R2016-2017		R. CHP	100Ω 1/16W J	N600, N600D		チップ抵抗	01
R2046-2049		R. CHP	10KΩ 1/16W J	N600, N600D		チップ抵抗	01
R2056-2057		R. CHP	220Ω 1/16W J	N600, N600D		チップ抵抗	01
R2059-2060		R. CHP	1KΩ 1/16W J	N600, N600D		チップ抵抗	01
R2064-2065		R. CHP	100KΩ 1/16W J	N600, N600D		チップ抵抗	01
R2067-2068		R. CHP	100KΩ 1/16W J	N600, N600D		チップ抵抗	01
R2076		R. CHP	47KΩ 1/16W J		JUCRTKAGE	チップ抵抗	01
R2076		R. CHP	100KΩ 1/16W J		B	チップ抵抗	01
R2077		R. CHP	47KΩ 1/16W J		JUCRTKAGE	チップ抵抗	01
R2077		R. CHP	100KΩ 1/16W J		B	チップ抵抗	01
R2091-2092	HF356560	R. CAR	5.6KΩ 1/2W			カーボン抵抗	
R2098-2099	HF356150	R. CAR	1.5KΩ 1/2W			カーボン抵抗	
R2104		R. CHP	100KΩ 1/16W J		BGE	チップ抵抗	01
R2105		R. CHP	33KΩ 1/16W J		BGE	チップ抵抗	01
R2111	HV754470	R. CAR. FP	47Ω 1/4W			不燃化カーボン抵抗	01
R2114		R. CHP	3.3KΩ 1/16W J		BGE	チップ抵抗	01
R2115	HV754470	R. CAR. FP	47Ω 1/4W			不燃化カーボン抵抗	01
R2118		R. CHP	22KΩ 1/16W J		BGE	チップ抵抗	01
R2127		R. CHP	100Ω 1/16W J		BGE	チップ抵抗	01
R2135-2136	HF356100	R. CAR	1KΩ 1/2W			カーボン抵抗	
R2137	HV753220	R. CAR. FP	2.2Ω 1/4W			不燃化カーボン抵抗	01
R2138		R. CHP	470Ω 1/16W J		BGE	チップ抵抗	01
R2139	HF356100	R. CAR	1KΩ 1/2W			カーボン抵抗	
R2145		R. CHP	470Ω 1/16W J		BGE	チップ抵抗	01
R2147		R. CHP	10KΩ 1/16W J		BGE	チップ抵抗	01
R2151		R. CHP	10KΩ 1/16W J		BGE	チップ抵抗	01
R2152	HV755220	R. CAR. FP	220Ω 1/4W			不燃化カーボン抵抗	01
R2153	HV755150	R. CAR. FP	150Ω 1/4W			不燃化カーボン抵抗	01
R2156	HF353220	R. CAR	2.2Ω 1/2W			カーボン抵抗	
R2159	HF353220	R. CAR	2.2Ω 1/2W			カーボン抵抗	
R2173-2174	HV755100	R. CAR. FP	100Ω 1/4W			不燃化カーボン抵抗	01
R2863-2874		R. CHP	100Ω 1/16W J		J	チップ抵抗	01
R2878-2880		R. CHP	75Ω 1/16W J		J	チップ抵抗	01
R2884	HV753220	R. CAR. FP	2.2Ω 1/4W			不燃化カーボン抵抗	01
R2895-2897	RD357100	R. CHP	10KΩ 1/16W J		J	チップ抵抗	01
ST286	V4040500	SCR. TERM	M3			スクリュー/ターミナル	01
SW320	WB493700	VOLT. SELCT	R8140246		R	電圧切替器	

\* New Parts \* 新規部品

**P.C.B. FUNCTION and P.C.B. OPERATION**

Ref. No.	Part No.	Description	Remarks	Markets	部 品 名	Rank	
XL200	V3930900	RSNR. CRY	4. 332MHz		BGE	水晶振動子	05
* * * * * * *	WG770700	P. C. B.	OPERATION	N600	J	P C B オペレーション	
	WG770800	P. C. B.	OPERATION	N600	UC	P C B オペレーション	
	WG770900	P. C. B.	OPERATION	N600	R	P C B オペレーション	
	WG771000	P. C. B.	OPERATION	N600	TK	P C B オペレーション	
	WG771100	P. C. B.	OPERATION	N600	A	P C B オペレーション	
	WG771200	P. C. B.	OPERATION	N600D	B	P C B オペレーション	
	WG771300	P. C. B.	OPERATION	N600	GE	P C B オペレーション	
△	CB302	VQ045300	CN. BS. PIN	23P	N600, N600D	F F Cコネクター	01
	CB303	VG879900	CN. BS. PIN	2P	N600, N600D	ベースピン	01
	CB304-305	WC050700	CLIP. FUSE	EYF-52BCY	N600, N600D	ヒューズクリップ	01
	CB306-307	WC050700	CLIP. FUSE	EYF-52BCY	N600, N600D	ヒューズクリップ	01
△	CB308	VG879900	CN. BS. PIN	2P	N600, N600D	ベースピン	01
	CB311	VB858400	CN. BS. PIN	5P	N600, N600D	ベースピン	01
	CB312	LB919020	CN. BS. PIN	2P	N600, N600D	ベース付ポスト	01
*	CB313	WG668100	CN. USB	USB 4P SE	N600, N600D	U S Bコネクタ	
	CB331	LB918020	CN. BS. PIN	2P	N600, N600D	ベース付ポスト	01
	CB395	LB918040	CN. BS. PIN	4P	N600, N600D	ベース付ポスト	01
	CB396	LB918030	CN. BS. PIN	3P	N600, N600D	ベース付ポスト	01
	C3000-3001	US063100	C. CE. CHP	1000pF 50V B	N600, N600D	チップセラコン	01
	C3002	US135100	C. CE. CHP	0. 1uF 16V	N600, N600D	チップセラコン	01
	C3003-3006	US063100	C. CE. CHP	1000pF 50V B	N600, N600D	チップセラコン	01
	C3007	UM397100	C. EL	10uF 16V	N600, N600D	ケミコン	01
	C3008	UR866220	C. EL	2. 2uF 50V	N600, N600D	ケミコン	01
	C3009	US135100	C. CE. CHP	0. 1uF 16V	N600, N600D	チップセラコン	01
	C3010	US065100	C. CE. CHP	0. 1uF 50V B	N600, N600D	チップセラコン	
	C3011-3012	US063100	C. CE. CHP	1000pF 50V B	N600, N600D	チップセラコン	01
	C3013	UR866220	C. EL	2. 2uF 50V	N600, N600D	ケミコン	01
	C3014	US064100	C. CE. CHP	0. 01uF 50V B	N600, N600D	チップセラコン	01
	C3015	WB687100	C. POL. MTL	0. 047uF 400V	N600	JUC メタライズドポリコン	01
	C3015	WC041600	C. PP	0. 022uF 630V	N600, N600D	RTKABGE P Pコン	01
	C3016	UR866100	C. EL	1uF 50V	N600, N600D	ケミコン	01
	C3017	US135100	C. CE. CHP	0. 1uF 16V	N600, N600D	チップセラコン	01
	C3018	UA653470	C. MYLAR	4700pF 50V J	N600, N600D	マイラーコン	01
	C3019	US135100	C. CE. CHP	0. 1uF 16V	N600, N600D	チップセラコン	01
	C3020	UA653100	C. MYLAR	1000pF 50V J	N600, N600D	マイラーコン	03
	C3021	UM417100	C. EL	10uF 50V	N600, N600D	ケミコン	01
	C3022	UM388330	C. EL	330uF 6. 3V	N600, N600D	ケミコン	01
	C3023	US135100	C. CE. CHP	0. 1uF 16V	N600, N600D	チップセラコン	01
	C3024-3026	US062100	C. CE. CHP	100pF 50V B	N600, N600D	チップセラコン	01
	C3027	US135100	C. CE. CHP	0. 1uF 16V	N600, N600D	チップセラコン	01
	C3029	WB696300	C. POL. MTL	0. 1uF 400V	N600	JUC メタライズドポリコン	
	C3029	WD257600	C. PP	0. 047uF 800V	N600, N600D	RTKABGE P Pコン	
△	C3030	V6185300	C. CE. SAFTY	0. 01uF 275V	N600, N600D	規格認定コン	
	C3031	US135100	C. CE. CHP	0. 1uF 16V	N600, N600D	チップセラコン	01
	C3033	UR239330	C. EL	3300uF 16V	N600, N600D	JUCTKABGE ケミコン	02
	C3033	UR269330	C. EL	3300uF 50V	N600	R ケミコン	
	C3034	WE102900	C. PP	0. 01uF 100V	N600, N600D	P Pコン	
	C3035-3036	US135100	C. CE. CHP	0. 1uF 16V	N600, N600D	チップセラコン	01
	C3037	US064100	C. CE. CHP	0. 01uF 50V B	N600, N600D	チップセラコン	01
	C3038-3039	UA653100	C. MYLAR	1000pF 50V J	N600, N600D	マイラーコン	03
	C3040	UA654100	C. MYLAR	0. 01uF 50V J	N600, N600D	マイラーコン	01
	C3041	UA653100	C. MYLAR	1000pF 50V J	N600, N600D	マイラーコン	03
	C3042	US135100	C. CE. CHP	0. 1uF 16V	N600, N600D	チップセラコン	01
	C3047	US064100	C. CE. CHP	0. 01uF 50V B	N600, N600D	チップセラコン	01
	C3101-3102	US062220	C. CE. CHP	220pF 50V B	N600, N600D	チップセラコン	01
	C3103-3104	US135100	C. CE. CHP	0. 1uF 16V	N600, N600D	チップセラコン	01

\* New Parts \* 新規部品

RX-N600/RX-N600D/  
HTR-N5060/DSP-N600

P.C.B. OPERATION

Ref. No.	Part No.	Description	Remarks	Markets	部 品 名	Rank
C3900-3901	WG602000	C. EL	15000uF 16V	N600, N600D	ケミコン	04
C3902	VE326000	C. MYLAR	0.1uF 50V	N600, N600D	マイラーコン	01
D3000	VT332900	DIODE	1SS355	N600, N600D	ダイオード	01
D3001	V2598200	LED	S1R-505ST	N600, N600D	L E D	
D3003-3004	VT332900	DIODE	1SS355	N600, N600D	ダイオード	01
D3005	VU990500	DIODE.ZENR	MA8030-L 2.9V	N600, N600D	ツェナーダイオード	01
D3006	VU993800	DIODE.ZENR	MA8068-M 6.8V	N600, N600D	ツェナーダイオード	01
D3007	VU995400	DIODE.ZENR	MA8100-M 10V	N600, N600D	ツェナーダイオード	
D3008-3012	VT332900	DIODE	1SS355	N600, N600D	ダイオード	01
D3015	VU995000	DIODE.ZENR	MA8091-M 9.1V	N600, N600D	ツェナーダイオード	
D3015	VU994700	DIODE.ZENR	MA8082-H 8.5V	N600	ツェナーダイオード	
△ D3016	V4756800	DIODE	S1NB60 1.0A 600V	N600, N600D	D i スタック	01
D3017	VT332900	DIODE	1SS355	N600, N600D	ダイオード	01
D3018	VR253700	DIODE.BRG	S1NB20 1A 200V	N600, N600D	D i ブリッジ X 4	02
D3019-3020	VU171500	DIODE.ZENR	UDZ 3.6BTE-17 3.6V	N600, N600D	ツェナーダイオード	01
D3021	VU995000	DIODE.ZENR	MA8091-M 9.1V	N600, N600D	ツェナーダイオード	
D3022-3023	VT332900	DIODE	1SS355	N600, N600D	ダイオード	01
D3028	VT332900	DIODE	1SS355	N600, N600D	ダイオード	01
D3101-3104	VT332900	DIODE	1SS355	N600, N600D	ダイオード	01
D3900	VN011300	DIODE.BRG	D3SBA20 4A 200V	N600, N600D	ダイオード	03
△ F3000	WG410700	FUSE	8A 125V	N600	ヒューズ	01
△ F3000	VT942900	FUSE	T2.5A 250V	N600, N600D	ヒューズ	01
△ F3001	WG410700	FUSE	8A 125V	N600	ヒューズ	01
△ F3001	KB000790	FUSE	T4A 250V	N600, N600D	ヒューズ	01
△ IC300	V8100500	PHOT.CPL	TLP421 GR	N600, N600D	フォトカブラ	01
△ IC301	X6386A00	IC	M66003-0131FP	N600, N600D	I C	07
△ IC302	iG001180	IC	TC4013BP FF	N600, N600D	ロジック I C	05
△ IC303	V8100500	PHOT.CPL	TLP421 GR	N600, N600D	フォトカブラ	01
JK300	V9408200	JACK.PHONE	MSJ-064-05B GR	N600, N600D	ホーンジャック	03
PJ311	V7190100	JACK.PIN	3P	N600, N600D	ピンジャック	
PN331	V9637500	PIN	L=70 #18	N600, N600D	スタイルピン	
Q3000-3001	VV556400	TR	2SC2412K Q, R, S	N600, N600D	トランジスタ	01
Q3002	VV655700	TR.DGT	DTC144EKA	N600, N600D	デジタルトランジスタ	01
Q3003	iC181510	TR	2SC1815 Y	N600, N600D	トランジスタ	01
Q3004	VV556400	TR	2SC2412K Q, R, S	N600, N600D	トランジスタ	01
Q3006	iC181510	TR	2SC1815 Y	N600, N600D	トランジスタ	01
△ Q3007	WC741200	FET	2SK3850	N600, N600D	F E T	
Q3008-3009	VV556400	TR	2SC2412K Q, R, S	N600, N600D	トランジスタ	01
R3031	V6730000	R. CAR	2.2MΩ 1/2W	N600	放電抵抗	01
R3034	HF356220	R. CAR	2.2KΩ 1/2W	N600, N600D	カーボン抵抗	
△ RY301	V6434900	RELAY	DC DLS12D1-0(M)	N600, N600D	リレー 12V TV-8	03
ST300	V4040500	SCR. TERM	M3	N600, N600D	スクリュー/ターミナル	01
ST302	V4040500	SCR. TERM	M3	N600, N600D	スクリュー/ターミナル	01
ST311	WA246200	SCR. TERM	3.5	N600, N600D	スクリューターミナル	
SW300	V9597100	SW. RT. ENC	EC12E2460802	N600, N600D	ロータリーエンコーダ	04
SW301-302	V9266400	SW. RT. ENC	XREB12105PVB25F	N600, N600D	ロータリーエンコーダ	02
SW303-316	WD483100	SW. TACT	SKRGAAD010	N600, N600D	タクト SW	01
SW318-319	WD483100	SW. TACT	SKRGAAD010	N600, N600D	タクト SW	01
SW321	WF875900	SW. PUSH	SPUN127100	N600, N600D	プッシュSW	05
△ T3000	XW605A00	TRANS. PWR		N600	電源トランス	04
△ T3000	XW606A00	TRANS. PWR		N600	電源トランス	
△ T3000	X6351A00	TRANS. PWR		N600	電源トランス	
△ T3000	XW608A00	TRANS. PWR		N600, N600D	電源トランス	
△ TE300	VU543100	OUTLET. AC	2P	N600	A C アウトレット	03
△ TE300	V5867400	OUTLET. AC	2P AC-182-GB-11V	N600	A C アウトレット	
△ TE300	VT915000	OUTLET. AC	1P	N600	A C アウトレット	06
△ TE300	VU543300	OUTLET. AC	1P	N600D	A C アウトレット	05
△ TE300	VU543400	OUTLET. AC	2P	N600	A C アウトレット	05
U3000	V8210200	L. DTCT	GP1UD271XK	N600, N600D	リモコン受光ユニット	03
V3000	WG474000	FL. DSPLY	HNA-17MM03T	N600, N600D	蛍光表示管	08

\* New Parts \* 新規部品

**P.C.B. OPERATION**

Ref. No.	Part No.	Description	Remarks	Markets	部 品 名	Rank	
	V6880300 V6007100	SHEET SPACER.FL	4.6/10/32	N600, N600D N600, N600D		シート/FL スパーサ FL	
* * *	WG772500 WG772600 WG772700	P. C. B. P. C. B. P. C. B.	OPERATION OPERATION OPERATION	N5060 N5060 N5060	UC A G	P C B オペレーション P C B オペレーション P C B オペレーション	
△	CB303	VG879900	CN. BS. PIN	2P	N5060	ベースピン	01
	CB304-305	WC050700	CL. IP. FUSE	EYF-52BCY	N5060	ヒューズクリップ	01
	CB306-307	WC050700	CL. IP. FUSE	EYF-52BCY	N5060	ヒューズクリップ	01
△	CB308	VG879900	CN. BS. PIN	2P	N5060	ベースピン	01
	CB309	VM689000	CN. BS. PIN	23P	N5060	FFCコネクター	02
	CB310	LB919020	CN. BS. PIN	2P	N5060	ベース付ポスト	01
*	CB313	WG668100	CN. USB	USB 4P SE	N5060	USBコネクター	
	CB331	LB918020	CN. BS. PIN	2P	N5060	ベース付ポスト	01
	CB395	LB918040	CN. BS. PIN	4P	N5060	ベース付ポスト	01
	CB396	LB918030	CN. BS. PIN	3P	N5060	ベース付ポスト	01
	C3000	US135100	C. CE. CHP	0.1uF 16V	N5060	チップセラコン	01
	C3001-3004	US063100	C. CE. CHP	1000pF 50V B	N5060	チップセラコン	01
	C3005	UM397100	C. EL	10uF 16V	N5060	ケミコン	01
	C3006	US135100	C. CE. CHP	0.1uF 16V	N5060	チップセラコン	01
	C3007	US065100	C. CE. CHP	0.1uF 50V B	N5060	チップセラコン	
	C3008	UR866220	C. EL	2.2uF 50V	N5060	ケミコン	01
	C3009-3010	US135100	C. CE. CHP	0.1uF 16V	N5060	チップセラコン	01
	C3011	UM388330	C. EL	330uF 6.3V	N5060	ケミコン	01
	C3012	US135100	C. CE. CHP	0.1uF 16V	N5060	チップセラコン	01
	C3013	UR866220	C. EL	2.2uF 50V	N5060	ケミコン	01
	C3014	US064100	C. CE. CHP	0.01uF 50V B	N5060	チップセラコン	01
	C3015	WB687100	C. POL. MTL	0.047uF 400V	N5060	メタライズドポリコン	01
	C3015	WC041600	C. PP	0.022uF 630V	N5060	PPコン	01
	C3016	UR866100	C. EL	1uF 50V	N5060	ケミコン	01
	C3017	US062100	C. CE. CHP	100pF 50V B	N5060	チップセラコン	01
	C3018	UA653470	C. MYLAR	4700pF 50V J	N5060	マイラーコン	01
	C3019	US135100	C. CE. CHP	0.1uF 16V	N5060	チップセラコン	01
	C3020	UA653100	C. MYLAR	1000pF 50V J	N5060	マイラーコン	03
	C3021-3022	US062100	C. CE. CHP	100pF 50V B	N5060	チップセラコン	01
	C3024-3026	US135100	C. CE. CHP	0.1uF 16V	N5060	チップセラコン	01
	C3027	US064100	C. CE. CHP	0.01uF 50V B	N5060	チップセラコン	01
	C3028	UA653100	C. MYLAR	1000pF 50V J	N5060	マイラーコン	03
	C3029	WB696300	C. POL. MTL	0.1uF 400V	N5060	メタライズドポリコン	
	C3029	WD257600	C. PP	0.047uF 800V	N5060	PPコン	
△	C3030	V6185300	C. CE. SAFTY	0.01uF 275V	N5060	規格認定コン	
	C3031-3032	UA653100	C. MYLAR	1000pF 50V J	N5060	マイラーコン	03
	C3033	UR239330	C. EL	3300uF 16V	N5060	ケミコン	02
	C3034	WE102900	C. PP	0.01uF 100V	N5060	PPコン	
	C3035	UA654100	C. MYLAR	0.01uF 50V J	N5060	マイラーコン	01
	C3036	US135100	C. CE. CHP	0.1uF 16V	N5060	チップセラコン	01
	C3047	US064100	C. CE. CHP	0.01uF 50V B	N5060	チップセラコン	01
	C3101-3102	US062220	C. CE. CHP	220pF 50V B	N5060	チップセラコン	01
	C3103-3104	US135100	C. CE. CHP	0.1uF 16V	N5060	チップセラコン	01
	C3900-3901	WG602000	C. EL	15000uF 16V	N5060	ケミコン	04
	C3902	VE326000	C. MYLAR	0.1uF 50V	N5060	マイラーコン	01
	D3000-3001	VT332900	DIODE	1SS355	N5060	ダイオード	01
	D3002	VU171500	DIODE. ZENR	UDZ 3.6BTE-17 3.6V	N5060	ツェナーダイオード	01
	D3003-3004	VT332900	DIODE	1SS355	N5060	ダイオード	01
	D3005	VU990500	DIODE. ZENR	MA8030-L 2.9V	N5060	ツェナーダイオード	01
	D3006	VU993800	DIODE. ZENR	MA8068-M 6.8V	N5060	ツェナーダイオード	01
	D3007	VU995400	DIODE. ZENR	MA8100-M 10V	N5060	ツェナーダイオード	01
	D3008	VT332900	DIODE	1SS355	N5060	ダイオード	01

\* New Parts \* 新規部品

RX-N600/RX-N600D/  
HTR-N5060/DSP-N600

P.C.B. OPERATION and P.C.B. MAIN

Ref. No.	Part No.	Description	Remarks	Markets	部 品 名	Rank	
D3009	VU171500	DIODE.ZENR	UDZ 3.6BTE-17 3.6V	N5060	ツェナーダイオード	01	
D3010	VU995000	DIODE.ZENR	MA8091-M 9.1V	N5060	ツェナーダイオード		
D3011-3012	VT332900	DIODE	1SS355	N5060	ダイオード	01	
D3015	VU995000	DIODE.ZENR	MA8091-M 9.1V	N5060	ツェナーダイオード		
△ D3016	V4756800	DIODE	S1NB60 1.0A 600V	N5060	D i スタック	01	
D3017	VT332900	DIODE	1SS355	N5060	ダイオード	01	
D3018	VR253700	DIODE.BRG	S1NB20 1A 200V	N5060	D I ブリッジ X 4	02	
D3101-3104	VT332900	DIODE	1SS355	N5060	ダイオード	01	
D3900	VN011300	DIODE.BRG	D3SBA20 4A 200V	N5060	ダイオード	03	
△ F3000	WG410700	FUSE	8A 125V	N5060	ヒューズ	01	
△ F3000	VT942900	FUSE	T2.5A 250V	N5060	ヒューズ	01	
△ F3001	WG410700	FUSE	8A 125V	N5060	ヒューズ	01	
△ F3001	KB000790	FUSE	T4A 250V	N5060	ヒューズ	01	
△ IC300	V8100500	PHOT.CPL	TLP421 GR	N5060	フォトカブラ	01	
△ IC301	X6386A00	IC	M66003-0131FP	N5060	I C	07	
△ IC302	iG001180	IC	TC4013BP FF	N5060	ロジック I C	05	
△ IC303	V8100500	PHOT.CPL	TLP421 GR	N5060	フォトカブラ	01	
△ JK300	V9408200	JACK.PHONE	MSJ-064-05B GR	N5060	ホーンジャック	03	
PJ311	V7190100	JACK.PIN		N5060	ピンジャック		
PN331	V9637500	PIN	L=70 #18	N5060	スタイルピン		
Q3000-3001	VV556400	TR	2SC2412K Q, R, S	N5060	トランジスタ	01	
Q3002	VV655700	TR.DGT	DTC144EKA	N5060	デジタルトランジスタ	01	
Q3003	iC181510	TR	2SC1815 Y	N5060	トランジスタ	01	
Q3004-3005	VV556400	TR	2SC2412K Q, R, S	N5060	トランジスタ	01	
Q3006	iC181510	TR	2SC1815 Y	N5060	トランジスタ	01	
△ Q3007	WC741200	FET	2SK3850	N5060	F E T		
Q3008	VV556400	TR	2SC2412K Q, R, S	N5060	トランジスタ	01	
R3031	V6730000	R. CAR.	2.2MΩ 1/2W	N5060	放電抵抗	01	
R3034	HF356220	R. CAR	2.2KΩ 1/2W	N5060	カーボン抵抗		
△ RY301	V6434900	RELAY	DC DLS12D1-0(M)	N5060	リレー 12V TV-8	03	
ST300	V4040500	SCR. TERM	M3	N5060	スクリュー/ターミナル	01	
ST311	WA246200	SCR. TERM	3.5	N5060	スクリューターミナル		
ST318	WA246200	SCR. TERM	3.5	N5060	スクリューターミナル		
SW300	V9597100	SW. RT. ENC	EC12E2460802	N5060	ロータリーエンコーダ	04	
SW301	V9266400	SW. RT. ENC	XREB12105PVB25F	N5060	ロータリーエンコーダ	02	
SW302	WD483100	SW. TACT	SKRGAAD010	N5060	タクト SW	01	
SW304	WD483100	SW. TACT	SKRGAAD010	N5060	タクト SW	01	
SW306	WD483100	SW. TACT	SKRGAAD010	N5060	タクト SW	01	
SW309-319	WD483100	SW. TACT	SKRGAAD010	N5060	タクト SW	01	
SW321-324	WD483100	SW. TACT	SKRGAAD010	N5060	タクト SW	01	
△ T3000	XW606A00	TRANS. PWR		N5060	電源トランス		
△ T3000	XW608A00	TRANS. PWR		N5060	電源トランス		
△ TE300	VU543100	OUTLET. AC	2P	N5060	A C アウトレット	03	
△ TE300	VT915000	OUTLET. AC	1P	N5060	A C アウトレット	06	
△ TE300	VU543400	OUTLET. AC	2P	N5060	A C アウトレット	05	
U3000	V8210200	L. DTCT	GP1UD271XK	N5060	リモコン受光ユニット	03	
V3000	WG473900	FL. DSPLY	17-BT-XXGNK	N5060	蛍光表示管	08	
	V6880300	SHEET		N5060	シート / F L		
	V6007100	SPACER. FL	4.6/10/32	N5060	スペーサ F L		
* * * * *	WG702000	P. C. B.	MAIN	N600	JRTA	P C B メイン	
	WG702100	P. C. B.	MAIN	N600	UC	P C B メイン	
	WG702200	P. C. B.	MAIN	N600	KGE	P C B メイン	
	WG702300	P. C. B.	MAIN	N600D	B	P C B メイン	
	WG703000	P. C. B.	MAIN	N5060	UC	P C B メイン	
	WG703100	P. C. B.	MAIN	N5060	A	P C B メイン	
	WG703200	P. C. B.	MAIN	N5060	G	P C B メイン	
CB103	LB932060	CN. BS. PIN	6P			ベースポスト	01

\* New Parts \* 新規部品



P.C.B. MAIN

Ref. No.	Part No.	Description	Remarks	Markets	部 品 名	Rank
CB104	LB918100	CN. BS. PIN	10P		ベース付ポスト	02
CB105	LB918030	CN. BS. PIN	3P		ベース付ポスト	01
CB113	V7827500	SOCKET	8P		コネクターソケット	
CB114	V7825800	CN	8P		コネクタープラグ	
CB115	V7825700	CN	7P		コネクタープラグ	
CB116	V7827400	SOCKET	7P		コネクターソケット	
C1000	UR238100	C. EL	100uF 16V		ケミコン	
C1001-1004	UR066470	C. EL	4.7uF 50V		ケミコン	01
C1006	UR066470	C. EL	4.7uF 50V		ケミコン	01
C1007	UR237100	C. EL	10uF 16V		ケミコン	
C1008	UR248100	C. EL	100uF 25V		ケミコン	
C1009	UT652100	C. PP	100pF 100V		P Pコン	01
C1010	UA652220	C. MYLAR	220pF 50V J		マイラーコン	01
C1011	UT652100	C. PP	100pF 100V		P Pコン	01
C1012	UA652220	C. MYLAR	220pF 50V J		マイラーコン	01
C1013	UA652100	C. MYLAR	100pF 50V J		マイラーコン	01
C1014	UA652220	C. MYLAR	220pF 50V J		マイラーコン	01
C1015	UA652100	C. MYLAR	100pF 50V J		マイラーコン	01
C1016	UA652220	C. MYLAR	220pF 50V J		マイラーコン	01
C1017	UT652100	C. PP	100pF 100V		P Pコン	01
C1018	UA652220	C. MYLAR	220pF 50V J		マイラーコン	01
C1019	UA652100	C. MYLAR	100pF 50V J		マイラーコン	01
C1020	UA652220	C. MYLAR	220pF 50V J		マイラーコン	01
C1021	UA653330	C. MYLAR	3300pF 50V J		マイラーコン	01
C1022	UT653330	C. PP	3300pF 100V		P Pコン	03
C1023	UT653330	C. PP	3300pF 100V		P Pコン	03
C1024-1025	UA653330	C. MYLAR	3300pF 50V J		マイラーコン	01
C1026	UT653330	C. PP	3300pF 100V		P Pコン	03
C1027	UR268100	C. EL	100uF 50V		ケミコン	
C1028	UR837470	C. EL	47uF 16V		ケミコン	01
C1029	UT654100	C. PP	0.01uF 100V		P Pコン	01
C1030-1031	UR268100	C. EL	100uF 50V		ケミコン	
C1032	UR837470	C. EL	47uF 16V		ケミコン	01
C1033	UR837470	C. EL	47uF 16V		ケミコン	01
C1034-1039	WG211700	C. CE	22pF 500V		セラコン	01
C1040-1041	UR297100	C. EL	10uF 100V		ケミコン	
C1042	UT652150	C. PP	150pF 100V		P Pコン	01
C1043	UR297100	C. EL	10uF 100V		ケミコン	
C1044-1045	UT652150	C. PP	150pF 100V		P Pコン	01
C1046	UR297100	C. EL	10uF 100V		ケミコン	
C1047-1048	UT652150	C. PP	150pF 100V		P Pコン	01
C1049	UR297100	C. EL	10uF 100V		ケミコン	
C1050-1051	UT652150	C. PP	150pF 100V		P Pコン	01
C1052	UR297100	C. EL	10uF 100V		ケミコン	
C1053-1054	UT652150	C. PP	150pF 100V		P Pコン	01
C1055	UR297100	C. EL	10uF 100V		ケミコン	
C1056	UT652150	C. PP	150pF 100V		P Pコン	01
C1057	UT652150	C. PP	150pF 100V		P Pコン	01
C1058	UR297100	C. EL	10uF 100V		ケミコン	
C1059	UT652150	C. PP	150pF 100V		P Pコン	01
C1060	UR297100	C. EL	10uF 100V		ケミコン	
C1061-1065	VR324700	C. MYLAR	0.022uF 100V		マイラーコン	
C1066	UT654220	C. PP	0.022uF 100V		P Pコン	01
C1067	UR818100	C. EL	100uF 6.3V		ケミコン	01
C1068-1069	WE100900	C. PP	220pF 630V		P Pコン	02
C1070	UR866470	C. EL	4.7uF 50V		ケミコン	01
C1071	WG601900	C. EL	10000uF 16V		ケミコン	04
C1072	UR867470	C. EL	47uF 50V		ケミコン	01
C1073	VF467000	C. CE. TUBLR	1000pF 50V	N600, N600D	円筒セラコン	01
C1074	UR858100	C. EL	100uF 35V		ケミコン	01

\* New Parts \* 新規部品

RX-N600/RX-N600D/  
HTR-N5060/DSP-N600

P.C.B. MAIN

Ref. No.	Part No.	Description	Remarks	Markets	部 品 名	Rank
C1075	UR249470	C. EL	4700uF 25V		ケミコン	04
C1076	UR249220	C. EL	2200uF 25V		ケミコン	02
C1077	WG602000	C. EL	15000uF 16V		ケミコン	04
C1078	WG601700	C. EL	4700uF 16V		ケミコン	02
C1079-1080	VF467000	C. CE. TUBLR	1000pF 50V	N600, N600D	円筒セラコン	01
C1081	UR866470	C. EL	4.7uF 50V		ケミコン	01
C1082-1083	VR325200	C. MYLAR	0.022uF 100V		マイラーコン	01
C1084-1085	WG416300	C. EL	10000uF 71V		ケミコン	07
C1086	VF467300	C. CE. TUBLR	0.01uF 16V	N600, N600D	円筒セラコン	01
C1087-1088	VR325400	C. MYLAR	0.1uF 100V		マイラーコン	01
C1089	VF467300	C. CE. TUBLR	0.01uF 16V	N600, N600D	円筒セラコン	01
C1090	UR268330	C. EL	330uF 50V		ケミコン	
C1091	UR268100	C. EL	100uF 50V		ケミコン	
C1092	UA654220	C. MYLAR	0.022uF 50V J		マイラーコン	01
C1093	UA654220	C. MYLAR	0.022uF 50V J		マイラーコン	01
C1094	VR325400	C. MYLAR	0.1uF 100V		マイラーコン	01
C1095	VR325400	C. MYLAR	0.1uF 100V		マイラーコン	01
C1096	WG602000	C. EL	15000uF 16V	UCB	ケミコン	04
C1097	UA654100	C. MYLAR	0.01uF 50V J		マイラーコン	01
C1098	WG602000	C. EL	15000uF 16V		ケミコン	04
C1099	UA654100	C. MYLAR	0.01uF 50V J		マイラーコン	01
C1100	VR325400	C. MYLAR	0.1uF 100V		マイラーコン	01
C1101	VR325400	C. MYLAR	0.1uF 100V		マイラーコン	01
C1102	UA654100	C. MYLAR	0.01uF 50V J		マイラーコン	01
C1103	UA354100	C. MYLAR	0.01uF 50V		マイラーコン	01
C1104-1106	WA747600	C. MYLAR	1000pF 100V		マイラーコン	01
C1108	UA654220	C. MYLAR	0.022uF 50V J		マイラーコン	01
C1109	VE326000	C. MYLAR	0.1uF 50V	UCB	マイラーコン	01
C1110	UA354100	C. MYLAR	0.01uF 50V		マイラーコン	01
C1111	UA654220	C. MYLAR	0.022uF 50V J		マイラーコン	01
C1112	VR325400	C. MYLAR	0.1uF 100V		マイラーコン	01
C1113	UA354100	C. MYLAR	0.01uF 50V		マイラーコン	01
C1114	UA654220	C. MYLAR	0.022uF 50V J		マイラーコン	01
C1115-1116	UA653470	C. MYLAR	4700pF 50V J		マイラーコン	01
C1119	UA654220	C. MYLAR	0.022uF 50V J		マイラーコン	01
C1120	VJ599100	C. CE. TUBLR	0.1uF 50V	UCB	円筒セラコン	01
C1121	UR237470	C. EL	47uF 16V	UCB	ケミコン	
C1122-1123	UR266100	C. EL	1uF 50V		ケミコン	
C1124	VJ599100	C. CE. TUBLR	0.1uF 50V		円筒セラコン	01
C1126-1127	UR266100	C. EL	1uF 50V		ケミコン	
C1129-1130	UR266100	C. EL	1uF 50V		ケミコン	
C1131	UR238100	C. EL	100uF 16V		ケミコン	
C1132	UR266100	C. EL	1uF 50V		ケミコン	
C1135-1037	UR266100	C. EL	1uF 50V		ケミコン	
C1138	UR238100	C. EL	100uF 16V		ケミコン	
C1140	UR266100	C. EL	1uF 50V		ケミコン	
C1141	UR238100	C. EL	100uF 16V		ケミコン	
C1144-1145	UR266100	C. EL	1uF 50V		ケミコン	
C1146-1147	UR238100	C. EL	100uF 16V		ケミコン	
C1150	UR237100	C. EL	10uF 16V	UCB	ケミコン	
D1000	VG440700	DIODE. ZENR	MTZJ15A 15V		ツェナーダイオード	
D1001-1003	VD631600	DIODE	1SS133, 176		ダイオード	01
D1005-1013	VD631600	DIODE	1SS133, 176		ダイオード	01
D1015-1016	VD631600	DIODE	1SS133, 176		ダイオード	01
D1017-1018	VG435500	DIODE. ZENR	MTZJ2.4B 2.4V		ツェナーダイオード	01
D1019-1020	VN008700	DIODE	1SS270A		ダイオード	01
D1023-1030	VN008700	DIODE	1SS270A		ダイオード	01
D1031	VD631600	DIODE	1SS133, 176	N600, N600D	ダイオード	01
D1032	VG443200	DIODE. ZENR	MTZJ30A 30V		ツェナーダイオード	01
D1033-1034	VD631600	DIODE	1SS133, 176	N600, N600D	ダイオード	01

\* New Parts \* 新規部品

P.C.B. MAIN

Ref. No.	Part No.	Description	Remarks	Markets	部 品 名	Rank
△ D1035	WA653100	DIODE. BRG	KBP103G 1.0A 200V		ダイオードブリッジ	02
D1036	WF300200	DIODE. BRG	TS4B03G C2		ダイオードブリッジ	
D1037	VG442900	DIODE. ZENR	MTZJ27B 27V		ツェナーダイオード	01
D1038-1039	VG442900	DIODE. ZENR	MTZJ27B 27V		ツェナーダイオード	01
△ D1040	WA653200	DIODE. BRG	TS6P03G 6.0A 200V		ダイオードブリッジ	04
△ D1041-1042	VS997800	DIODE	1T2		ダイオード	01
D1043	VG442900	DIODE. ZENR	MTZJ27B 27V		ツェナーダイオード	01
△ D1044-1045	VS997800	DIODE	1T2		ダイオード	01
D1046	WA653100	DIODE. BRG	KBP103G 1.0A 200V	UCB	ダイオードブリッジ	02
D1047	VG442900	DIODE. ZENR	MTZJ27B 27V		ツェナーダイオード	01
D1048	V4269600	DIODE. BRG	D2SBA20 1.5A 200V		ダイオードブリッジ	
D1049	VG442900	DIODE. ZENR	MTZJ27B 27V		ツェナーダイオード	01
D1050	VG440800	DIODE. ZENR	MTZJ15B 15V		ツェナーダイオード	01
D1051	VU647200	DIODE. SHOT	RB4410-40 T-77		ショットキーダイオード	01
D1052	VU647200	DIODE. SHOT	RB4410-40 T-77	UC	ショットキーダイオード	01
D1053-1057	VG437500	DIODE. ZENR	MTZJ5.1C 5.1V		ツェナーダイオード	01
D1060	VG437500	DIODE. ZENR	MTZJ5.1C 5.1V	UCB	ツェナーダイオード	01
D1061	VG435500	DIODE. ZENR	MTZJ2.4B 2.4V		ツェナーダイオード	01
G1000	V5995800	PLATE. GND			アースプレート	
IC100	X6143A00	IC	NJM2388F05 5.0V	UC	電源 IC	
IC100	X7976A00	IC	NJM2388F63 6.3V	B	電源 IC	
IC101	X0515A00	IC	LM61C1Z THERMAL		電源 IC	03
IC102	X6143A00	IC	NJM2388F05 5.0V		電源 IC	
IC103	XE436A00	IC	NJM79M05FA		IC	03
IC104	XJ608A00	IC	NJM7812FA		IC	02
IC105	XD343A00	IC	NJM79M12FA		IC	03
IC106	X6143A00	IC	NJM2388F05 5.0V		電源 IC	
IC107	X6248A00	IC	NJM2388F33 3.3V		電源 IC	04
IC108	X6143A00	IC	NJM2388F05 5.0V		電源 IC	
IC109	X6248A00	IC	NJM2388F33 3.3V		電源 IC	04
IC110	XJ607A00	IC	NJM7805FA 5V		IC	02
JK100-102	V9435700	JACK. MNI	MSJ-035-12APC	N600, N600D	モノラル ミニジャック	01
PN101-107	V9637500	PIN	L=70 #18		スタイルピン	
Q1000	VP872600	TR	2SA1708 S,T		トランジスタ	01
Q1001-1007	VP883100	TR	2SC1890A D,E		トランジスタ	01
Q1009-1012	VP883100	TR	2SC1890A D,E		トランジスタ	01
Q1013-1014	V3966800	TR	2SA949 O,Y		トランジスタ	02
Q1018	V3966800	TR	2SA949 O,Y		トランジスタ	02
△ Q1019-1022	VK432900	TR	2SD1915F S,T		トランジスタ	01
Q1025-1028	VR325600	TR	2SC2229 O,Y		トランジスタ	01
Q1029-1030	VR325600	TR	2SC2229 O,Y		トランジスタ	01
Q1031	WC398400	TR	2N5551C-AT		トランジスタ	
Q1032	WC397700	TR	2N5401C-AT		トランジスタ	
Q1033	V4096100	TR	2SC4614 S,T		トランジスタ	02
Q1034	V4096000	TR	2SA1770 S,T		トランジスタ	03
Q1035	V4096100	TR	2SC4614 S,T		トランジスタ	02
Q1036	V4096000	TR	2SA1770 S,T		トランジスタ	03
Q1037	V4096100	TR	2SC4614 S,T		トランジスタ	02
Q1038	V4096000	TR	2SA1770 S,T		トランジスタ	03
Q1039	V4096100	TR	2SC4614 S,T		トランジスタ	02
△ Q1040	V4096000	TR	2SA1770 S,T		トランジスタ	03
Q1041	V4096100	TR	2SC4614 S,T		トランジスタ	02
Q1042	V4096000	TR	2SA1770 S,T		トランジスタ	03
Q1043	V4096100	TR	2SC4614 S,T		トランジスタ	02
Q1044	V4096000	TR	2SA1770 S,T		トランジスタ	03
Q1045-1046	VC614000	TR	2SB1274 Q,R,S		トランジスタ	02
Q1047	WC398400	TR	2N5551C-AT		トランジスタ	
△ Q1048A	iX630850	TR	2SA1695 O,P,Y		トランジスタ	04
△ Q1048C	iX630860	TR	2SC4468 O,P,Y		トランジスタ	04
△ Q1049A	iX630850	TR	2SA1695 O,P,Y		トランジスタ	04

\* New Parts \* 新規部品

RX-N600/RX-N600D/  
HTR-N5060/DSP-N600

P.C.B. MAIN

Ref. No.	Part No.	Description	Remarks	Markets	部 品 名	Rank
△ Q1049C	iX630860	TR	2SC4468 O,P,Y		トランジスタ	04
△ Q1050A	iX630850	TR	2SA1695 O,P,Y		トランジスタ	04
△ Q1050C	iX630860	TR	2SC4468 O,P,Y		トランジスタ	04
△ Q1051A	iX630850	TR	2SA1695 O,P,Y		トランジスタ	04
△ Q1051C	iX630860	TR	2SC4468 O,P,Y		トランジスタ	04
△ Q1052A	iX630850	TR	2SA1695 O,P,Y		トランジスタ	04
△ Q1052C	iX630860	TR	2SC4468 O,P,Y		トランジスタ	04
△ Q1053A	iX630850	TR	2SA1695 O,P,Y		トランジスタ	04
△ Q1053C	iX630860	TR	2SC4468 O,P,Y		トランジスタ	04
Q1060-1065	WC398400	TR	2N5551C-AT		トランジスタ	
Q1066	WC397700	TR	2N5401C-AT		トランジスタ	
Q1067	iC181510	TR	2SC1815 Y		トランジスタ	01
Q1068	iA101510	TR	2SA1015 Y		トランジスタ	01
Q1069	VP872600	TR	2SA1708 S,T	N600, N600D	トランジスタ	01
Q1070	VG722000	TR.DGT	DTC144ES	N600, N600D	デジタルトランジスタ	01
Q1071-1072	VP872700	TR	2SC4488 S,T		トランジスタ	01
Q1074-1076	VP872700	TR	2SC4488 S,T		トランジスタ	01
R1006-1007	HF356100	R. CAR	1KΩ 1/2W		カーボン抵抗	
R1011	HF356100	R. CAR	1KΩ 1/2W		カーボン抵抗	
R1019	HV756100	R. CAR. FP	1KΩ 1/4W		不燃化カーボン抵抗	01
R1040-1041	HF355330	R. CAR	330Ω 1/2W		カーボン抵抗	
R1044	HF355330	R. CAR	330Ω 1/2W		カーボン抵抗	
R1045	HF356120	R. CAR	1.2KΩ 1/2W		カーボン抵抗	
R1047-1048	HF356120	R. CAR	1.2KΩ 1/2W		カーボン抵抗	
R1052	HF357330	R. CAR	33KΩ 1/2W		カーボン抵抗	
R1053-1054	HF357330	R. CAR	33KΩ 1/2W		カーボン抵抗	
R1057-1062	HV755100	R. CAR. FP	100Ω 1/4W		不燃化カーボン抵抗	01
R1064	HF353220	R. CAR	2.2Ω 1/2W		カーボン抵抗	
△ R1065-1067	HF355470	R. CAR	470Ω 1/2W		カーボン抵抗	
R1084	HL006270	R. MTL. OXD	2.7KΩ 1/2W		酸化金属被膜抵抗	
R1085	HL005470	R. MTL. OXD	470Ω 1/2W		酸化金属被膜抵抗	
R1086	HL005820	R. MTL. OXD	820Ω 1/2W		酸化金属被膜抵抗	
R1087	HL006270	R. MTL. OXD	2.7KΩ 1/2W		酸化金属被膜抵抗	
R1088	HL005470	R. MTL. OXD	470Ω 1/2W		酸化金属被膜抵抗	
R1089	HL005820	R. MTL. OXD	820Ω 1/2W		酸化金属被膜抵抗	
R1090	HL006270	R. MTL. OXD	2.7KΩ 1/2W		酸化金属被膜抵抗	
R1091	HL005470	R. MTL. OXD	470Ω 1/2W		酸化金属被膜抵抗	
R1092	HL005820	R. MTL. OXD	820Ω 1/2W		酸化金属被膜抵抗	
R1093	HL006270	R. MTL. OXD	2.7KΩ 1/2W		酸化金属被膜抵抗	
R1094	HL005470	R. MTL. OXD	470Ω 1/2W		酸化金属被膜抵抗	
R1095	HL005820	R. MTL. OXD	820Ω 1/2W		酸化金属被膜抵抗	
R1096	HL006270	R. MTL. OXD	2.7KΩ 1/2W		酸化金属被膜抵抗	
R1097	HL005470	R. MTL. OXD	470Ω 1/2W		酸化金属被膜抵抗	
R1098	HL005820	R. MTL. OXD	820Ω 1/2W		酸化金属被膜抵抗	
R1099	HL006270	R. MTL. OXD	2.7KΩ 1/2W		酸化金属被膜抵抗	
R1100	HL005470	R. MTL. OXD	470Ω 1/2W		酸化金属被膜抵抗	
R1101	HL005820	R. MTL. OXD	820Ω 1/2W		酸化金属被膜抵抗	
R1104	HL006100	R. MTL. OXD	1KΩ 1/2W		酸化金属被膜抵抗	
R1105	HV755100	R. CAR. FP	100Ω 1/4W		不燃化カーボン抵抗	01
R1106	HL006100	R. MTL. OXD	1KΩ 1/2W		酸化金属被膜抵抗	
R1107	HV755100	R. CAR. FP	100Ω 1/4W		不燃化カーボン抵抗	01
R1108	HL006100	R. MTL. OXD	1KΩ 1/2W		酸化金属被膜抵抗	
R1109	HV755100	R. CAR. FP	100Ω 1/4W		不燃化カーボン抵抗	01
R1110	HL006100	R. MTL. OXD	1KΩ 1/2W		酸化金属被膜抵抗	
R1111	HV755100	R. CAR. FP	100Ω 1/4W		不燃化カーボン抵抗	01
R1112	HL006100	R. MTL. OXD	1KΩ 1/2W		酸化金属被膜抵抗	
R1113	HV755100	R. CAR. FP	100Ω 1/4W		不燃化カーボン抵抗	01
R1114	HL006100	R. MTL. OXD	1KΩ 1/2W		酸化金属被膜抵抗	
R1115	HV755100	R. CAR. FP	100Ω 1/4W		不燃化カーボン抵抗	01
R1116	V8072100	R. MTL. OXD	5.6KΩ 1W		酸化金属被膜抵抗	

\* New Parts \* 新規部品

**P.C.B. MAIN and P.C.B. VIDEO**

Ref. No.	Part No.	Description	Remarks	Markets	部 品 名	Rank
	R1117	HV755560 R. CAR. FP	560Ω 1/4W		不燃化カーボン抵抗	01
△	R1119-1128	HV755100 R. CAR. FP	100Ω 1/4W		不燃化カーボン抵抗	01
	R1130	HV755100 R. CAR. FP	100Ω 1/4W		不燃化カーボン抵抗	01
	R1131	HV756470 R. CAR. FP	4.7KΩ 1/4W		不燃化カーボン抵抗	01
	R1132	V8072000 R. MTL. OXD	4.7KΩ 1W		酸化金属被膜抵抗	
△	R1133-1135	HV753470 R. CAR. FP	4.7Ω 1/4W		不燃化カーボン抵抗	01
	R1137-1144	HV753470 R. CAR. FP	4.7Ω 1/4W		不燃化カーボン抵抗	01
	R1145	HV754100 R. CAR. FP	10Ω 1/4W		不燃化カーボン抵抗	01
	R1147-1148	HV754100 R. CAR. FP	10Ω 1/4W		不燃化カーボン抵抗	01
△	R1149-1150	V3873200 R. CEMENT	0.22Ω 3W		セメント抵抗	02
△	R1151-1152	WG471300 R. WW	RF-5EGKR22		セメント抵抗	01
△	R1154	V3873200 R. CEMENT	0.22Ω 3W		セメント抵抗	02
△	R1173-1178	V8070300 R. MTL. FLM	10Ω 1W		金属被膜抵抗	
	R1202-1203	V8070200 R. MTL. FLM	4.7Ω 1W		金属被膜抵抗	
△	R1214	HV755100 R. CAR. FP	100Ω 1/4W		不燃化カーボン抵抗	01
	R1215	HV756100 R. CAR. FP	1KΩ 1/4W		不燃化カーボン抵抗	01
	R1222	HV755180 R. CAR. FP	180Ω 1/4W		不燃化カーボン抵抗	01
	R1230	HV755470 R. CAR. FP	470Ω 1/4W		不燃化カーボン抵抗	01
	R1232	HV753470 R. CAR. FP	4.7Ω 1/4W		不燃化カーボン抵抗	01
	R1237	HV755180 R. CAR. FP	180Ω 1/4W		不燃化カーボン抵抗	01
	R1238	HV753470 R. CAR. FP	4.7Ω 1/4W		不燃化カーボン抵抗	01
	R1240	HV755180 R. CAR. FP	180Ω 1/4W		不燃化カーボン抵抗	01
△	R1243-1244	HV753100 R. CAR. FP	1Ω 1/4W		不燃化カーボン抵抗	01
	R1245	HV753470 R. CAR. FP	4.7Ω 1/4W		不燃化カーボン抵抗	01
	R1246	HV755180 R. CAR. FP	180Ω 1/4W		不燃化カーボン抵抗	01
	R1249	HV753470 R. CAR. FP	4.7Ω 1/4W		不燃化カーボン抵抗	01
	R1252	HV753470 R. CAR. FP	4.7Ω 1/4W		不燃化カーボン抵抗	01
	R1253	HV755180 R. CAR. FP	180Ω 1/4W		不燃化カーボン抵抗	01
	R1254	HV753470 R. CAR. FP	4.7Ω 1/4W		不燃化カーボン抵抗	01
	RY100-101	WA544800 RELAY	DC G5PA-28		リレー 2 4 V	04
	RY103	V5178900 RELAY	DC DQ24D1-0S(M)		リレー 2 4 V	
	RY104	WA544800 RELAY	DC G5PA-28		リレー 2 4 V	04
	RY105	WE648700 RELAY	DC DH24D2-0-Q		リレー 2 4 V	06
	ST100	V4040500 SCR. TERM	M3		スクリュウ/ターミナル	01
	TE100	WC631900 TERM. SP	LTS0810-1017FM	JUCRТА	スピーカターミナル	06
	TE100	WD477500 TERM. SP	LTS0810-1015FM	KBGE	スピーカターミナル	
	TE101	WC631900 TERM. SP	LTS0810-1017FM	JUCRТА	スピーカターミナル	06
	TE101	WD477500 TERM. SP	LTS0810-1015FM	KBGE	スピーカターミナル	
		WE774200 SCR. BND. HD	3x10 MFZN2W3		バインドBタイトネジ	01
	WG769500	P. C. B.	VIDEO		P C B ビデオ	
	WG769600	P. C. B.	VIDEO		P C B ビデオ	
	CB401	VB389900 CN. BS. PIN	3P		ベースピン	01
	CB402	VN520900 CN. BS. PIN	26P		FFCコネクタ	02
	C4001-4002	UR837470 C. EL	47uF 16V		ケミコン	01
	C4003	UR837100 C. EL	10uF 16V		ケミコン	01
	C4004-4005	UR818100 C. EL	100uF 6.3V		ケミコン	01
	C4006	UR837100 C. EL	10uF 16V		ケミコン	01
	C4007-4010	UR837470 C. EL	47uF 16V		ケミコン	01
	C4011	UR837100 C. EL	10uF 16V		ケミコン	01
	C4012	UR837470 C. EL	47uF 16V		ケミコン	01
	C4013	UR818100 C. EL	100uF 6.3V		ケミコン	01
	C4014	UR818470 C. EL	470uF 6.3V		ケミコン	01
	C4015	UR866100 C. EL	1uF 50V		ケミコン	01
	C4016	UR837100 C. EL	10uF 16V		ケミコン	01
	C4017	UR818100 C. EL	100uF 6.3V		ケミコン	01
	C4021	UR866470 C. EL	4.7uF 50V		ケミコン	01
	C4023	UR818100 C. EL	100uF 6.3V		ケミコン	01

\* New Parts \* 新規部品

RX-N600/RX-N600D/  
HTR-N5060/DSP-N600

P.C.B. VIDEO

Ref. No.	Part No.	Description	Remarks	Markets	部 品 名	Rank
C4024	UR818330	C. EL	330uF 6.3V		ケミコン	01
C4025	UR818100	C. EL	100uF 6.3V		ケミコン	01
C4027-4029	UR818100	C. EL	100uF 6.3V		ケミコン	01
C4031-4033	UR818100	C. EL	100uF 6.3V		ケミコン	01
C4101-4102	US062100	C. CE. CHP	100pF 50V B		チップセラコン	01
C4103	US135100	C. CE. CHP	0.1uF 16V		チップセラコン	01
C4104-4107	US062100	C. CE. CHP	100pF 50V B		チップセラコン	01
C4108-4126	US135100	C. CE. CHP	0.1uF 16V		チップセラコン	01
C4127	US064100	C. CE. CHP	0.01uF 50V B		チップセラコン	01
C4128	US062120	C. CE. CHP	120pF 50V B		チップセラコン	01
C4129	US062220	C. CE. CHP	220pF 50V B		チップセラコン	01
C4130-4135	US135100	C. CE. CHP	0.1uF 16V		チップセラコン	01
C4136	US060500	C. CE. CHP	5pF 50V B	JUCRK	チップセラコン	01
C4136	US060300	C. CE. CHP	3pF 50V B	TABGE	チップセラコン	01
C4137	US060800	C. CE. CHP	8pF 50V B	JUCRK	チップセラコン	01
C4137	US060300	C. CE. CHP	3pF 50V B	TABGE	チップセラコン	01
C4138	US135100	C. CE. CHP	0.1uF 16V		チップセラコン	01
C4139	US060800	C. CE. CHP	8pF 50V B	JUCRK	チップセラコン	01
C4139	US060300	C. CE. CHP	3pF 50V B	TABGE	チップセラコン	01
C4140	US062470	C. CE. CHP	470pF 50V B		チップセラコン	01
C4141	US061240	C. CE. CHP	24pF 50V B		チップセラコン	01
C4142	US135100	C. CE. CHP	0.1uF 16V		チップセラコン	01
C4143	US061240	C. CE. CHP	24pF 50V B		チップセラコン	01
C4144	US063120	C. CE. CHP	1200pF 50V B		チップセラコン	01
C4145	US135100	C. CE. CHP	0.1uF 16V		チップセラコン	01
C4149-4150	US135100	C. CE. CHP	0.1uF 16V		チップセラコン	01
C4157-4163	US135100	C. CE. CHP	0.1uF 16V		チップセラコン	01
C4164	WG251600	C. CE. CHP	4.7uF 6.3V		チップセラコン	01
C4165	US064100	C. CE. CHP	0.01uF 50V B		チップセラコン	01
C4166-4168	US135100	C. CE. CHP	0.1uF 16V		チップセラコン	01
C4169-4172	US064100	C. CE. CHP	0.01uF 50V B		チップセラコン	01
C4173	US135100	C. CE. CHP	0.1uF 16V		チップセラコン	01
C4174	US064100	C. CE. CHP	0.01uF 50V B		チップセラコン	01
C4175	US135100	C. CE. CHP	0.1uF 16V		チップセラコン	01
C4176	US034820	C. CE. CHP	0.082uF 16V K		チップセラコン	01
C4177	US064100	C. CE. CHP	0.01uF 50V B		チップセラコン	01
C4178-4179	US135100	C. CE. CHP	0.1uF 16V		チップセラコン	01
C4180-4181	US064100	C. CE. CHP	0.01uF 50V B		チップセラコン	01
C4182	WG251600	C. CE. CHP	4.7uF 6.3V		チップセラコン	01
C4183	US064100	C. CE. CHP	0.01uF 50V B		チップセラコン	01
C4184-4185	US060900	C. CE. CHP	9pF 50V D		チップセラコン	01
C4186-4190	US064100	C. CE. CHP	0.01uF 50V B		チップセラコン	01
C4193-4194	UR818100	C. EL	100uF 6.3V		ケミコン	01
C4195-4197	US135100	C. CE. CHP	0.1uF 16V		チップセラコン	01
C4198-4200	UR837100	C. EL	10uF 16V		ケミコン	01
C4201-4202	US062100	C. CE. CHP	100pF 50V B		チップセラコン	01
C4203-4205	US135100	C. CE. CHP	0.1uF 16V		チップセラコン	01
D4001-4007	VT332900	DIODE	1SS355		ダイオード	01
D4009	VT332900	DIODE	1SS355		ダイオード	01
D4011	VT332900	DIODE	1SS355		ダイオード	01
IC401	X6742A00	IC	LA73050-TLM-E		アンプ IC	04
IC402-404	XY549A00	IC	TC74HC4051AFEL		ロジック IC	02
IC405	XY877A00	IC	MM74HC4053SJX		ロジック IC	01
IC406	XZ509A00	IC	TC74VHC04FT		ロジック IC	01
IC407	XY877A00	IC	MM74HC4053SJX		ロジック IC	01
IC408	X5597A00	IC	LC74781JM-9798		IC アナログ	07
IC409	X6869A00	IC	NJM2885DL1-33		電源 IC	03
IC410	X6868A00	IC	NJM2885DL1-18		電源 IC	03
IC411	X7325A00	IC	ADV7180BSTZ		IC	11
IC412	X6671A00	IC	ADV7172KSTZ		IC	09

\* New Parts \* 新規部品

**P.C.B. VIDEO and P.C.B. NET**

Ref. No.	Part No.	Description	Remarks	Markets	部 品 名	Rank
IC413	X6741A00	IC	LA7106M-TLM-E		アンプIC	05
JK401-402	V9273500	CN. DIN	2P YKF51-5605		D I Nコネクター	
JK403	VS867300	CN. DIN	4P YKF51-5501		D I Nコネクター	03
PJ401	V7189800	JACK. PIN	1P		ピンジャック	01
PJ402-403	V7190000	JACK. PIN	2P		ピンジャック	
PN401-402	V9637500	PIN	L=70 #18		スタイルピン	
Q4001	VV556400	TR	2SC2412K Q, R, S		トランジスタ	01
Q4002	WF550000	TR	2SC3837K T146 N, P		トランジスタ	01
Q4003	VV556500	TR	2SA1037K Q, R, S		トランジスタ	01
Q4004	VV556400	TR	2SC2412K Q, R, S		トランジスタ	01
Q4005	WF549900	TR	2SC3906K T146 R, S		トランジスタ	01
Q4006	VV556400	TR	2SC2412K Q, R, S		トランジスタ	01
Q4010-4013	WG261200	FET	2SK2158-T2B-A		F E T	01
R4022	HV753100	R. CAR. FP	1Ω 1/4W		不燃化カーボン抵抗	01
R4035	HV753220	R. CAR. FP	2.2Ω 1/4W		不燃化カーボン抵抗	01
R4038	HV753100	R. CAR. FP	1Ω 1/4W		不燃化カーボン抵抗	01
R4040	HV757100	R. CAR. FP	10KΩ 1/4W		不燃化カーボン抵抗	01
R4041	HV753220	R. CAR. FP	2.2Ω 1/4W		不燃化カーボン抵抗	01
R4046	HV753100	R. CAR. FP	1Ω 1/4W		不燃化カーボン抵抗	01
R4048	HV755470	R. CAR. FP	470Ω 1/4W		不燃化カーボン抵抗	01
R4052-4053	HV755470	R. CAR. FP	470Ω 1/4W		不燃化カーボン抵抗	01
R4067	HV755470	R. CAR. FP	470Ω 1/4W		不燃化カーボン抵抗	01
R4072	V8070000	R. MTL. FLM	1Ω 1W		金属被膜抵抗	01
R4078	V8070000	R. MTL. FLM	1Ω 1W		金属被膜抵抗	01
XL401	WD280800	RSNR. CRYST	14.31818MHz	JUCRK	水晶振動子	03
XL401	WD280900	RSNR. CRYST	17.734475MHz	TAGEL	水晶振動子	
XL402	VZ772700	RSNR. CRYST	28.63636MHz		水晶振動子	03
	WH091300	P. C. B.	NET		P C B N E T	
CB601	VQ044200	CN. BS. PIN	6P		F F Cコネクター	01
CB603	VB390100	CN. BS. PIN	5P		ベースピン	01
CB605	LB918030	CN. BS. PIN	3P		ベース付ポスト	01
CB701	WB553200	CN. LAN	8P LAN		モジュラーコネクター	
CB751	VB858300	CN. BS. PIN	4P		コネクターベースポスト	01
C601-602	US135100	C. CE. CHP	0.1uF 16V		チップセラコン	01
C604	US135100	C. CE. CHP	0.1uF 16V		チップセラコン	01
C605	UB446100	C. CE. CHP	1uF 16V		チップセラコン	01
C606	US135100	C. CE. CHP	0.1uF 16V		チップセラコン	01
C608	UF118330	C. EL. CHP	330uF 6.3V		チップケミコン	01
C609	UB446100	C. CE. CHP	1uF 16V		チップセラコン	01
C610	WD758300	C. CE. CHP	10uF 10V		チップセラコン	01
C612	US135100	C. CE. CHP	0.1uF 16V		チップセラコン	01
C614-615	US061220	C. CE. CHP	22pF 50V B		チップセラコン	01
C616	US135100	C. CE. CHP	0.1uF 16V		チップセラコン	01
C618-619	US061120	C. CE. CHP	12pF 50V B		チップセラコン	01
C621-622	US063100	C. CE. CHP	1000pF 50V B		チップセラコン	01
C623-630	US135100	C. CE. CHP	0.1uF 16V		チップセラコン	01
C632-633	US135100	C. CE. CHP	0.1uF 16V		チップセラコン	01
C635-637	US135100	C. CE. CHP	0.1uF 16V		チップセラコン	01
C638	UB446100	C. CE. CHP	1uF 16V		チップセラコン	01
C639	UF018100	C. EL. CHP	100uF 6.3V		チップケミコン	01
C640	US135100	C. CE. CHP	0.1uF 16V		チップセラコン	01
C642-654	US135100	C. CE. CHP	0.1uF 16V		チップセラコン	01
C655	UF018100	C. EL. CHP	100uF 6.3V		チップケミコン	01
C656	UB446100	C. CE. CHP	1uF 16V		チップセラコン	01
C657-658	US135100	C. CE. CHP	0.1uF 16V		チップセラコン	01
C660	UF018100	C. EL. CHP	100uF 6.3V		チップケミコン	01
C661-662	US135100	C. CE. CHP	0.1uF 16V		チップセラコン	01

\*

\* New Parts \* 新規部品

RX-N600/RX-N600D/  
HTR-N5060/DSP-N600

P.C.B. NET

Ref. No.	Part No.	Description	Remarks	Markets	部 品 名	Rank
C663	UB446100	C. CE. CHP	1uF 16V		チップセラコン	01
C664	US135100	C. CE. CHP	0.1uF 16V		チップセラコン	01
C665	UB446100	C. CE. CHP	1uF 16V		チップセラコン	01
C666-667	US135100	C. CE. CHP	0.1uF 16V		チップセラコン	01
C671	UB446100	C. CE. CHP	1uF 16V		チップセラコン	01
C672-673	US135100	C. CE. CHP	0.1uF 16V		チップセラコン	01
C677-680	US135100	C. CE. CHP	0.1uF 16V		チップセラコン	01
C682-697	US135100	C. CE. CHP	0.1uF 16V		チップセラコン	01
C706-712	US135100	C. CE. CHP	0.1uF 16V		チップセラコン	01
C713	UF017470	C. EL. CHP	47uF 6.3V		チップケミコン	01
C714	WD758300	C. CE. CHP	10uF 10V		チップセラコン	01
C719-720	WD758300	C. CE. CHP	10uF 10V		チップセラコン	01
C721-722	US061330	C. CE. CHP	33pF 50V B		チップセラコン	01
C723	US135100	C. CE. CHP	0.1uF 16V		チップセラコン	01
C751	US064100	C. CE. CHP	0.01uF 50V B		チップセラコン	01
C752-753	US135100	C. CE. CHP	0.1uF 16V		チップセラコン	01
C754	UF037100	C. EL. CHP	10uF 16V		チップケミコン	01
C755	UF038100	C. EL. CHP	100uF 16V		チップケミコン	01
C757	US135100	C. CE. CHP	0.1uF 16V		チップセラコン	01
C758	US063100	C. CE. CHP	1000pF 50V B		チップセラコン	01
C759-760	UF037470	C. EL. CHP	47uF 16V		チップケミコン	01
C761-762	UF037100	C. EL. CHP	10uF 16V		チップケミコン	01
C763	US063100	C. CE. CHP	1000pF 50V B		チップセラコン	01
C764-767	US163100	C. CE. CHP	1000pF 50V		チップセラコン	01
C768	US135100	C. CE. CHP	0.1uF 16V		チップセラコン	01
C770-771	UF037100	C. EL. CHP	10uF 16V		チップケミコン	01
C772-773	US135100	C. CE. CHP	0.1uF 16V		チップセラコン	01
C774	WD758300	C. CE. CHP	10uF 10V		チップセラコン	01
C777-780	US135100	C. CE. CHP	0.1uF 16V		チップセラコン	01
C781	US163100	C. CE. CHP	1000pF 50V		チップセラコン	01
D601	VT332900	DIODE	1SS355		ダイオード	01
D602	VQ721800	DIODE. CHP	MA732		チップダイオード	01
D751-752	V3616900	DIODE. VAR	MA2S30400L		バリキャップ	01
D753	VV658000	DIODE. ZENR	RLZ5.1A 5.1V		ツェナーダイオード	01
* IC601	X5382A00	IC	BD4830FVE-TR		リセットIC	
IC602	X5539A00	IC	SN74LVC14APWR		ロジックIC	01
IC604	X3401A00	IC	PQ018EZ01ZP 1.8V		電源IC	03
* IC605	X7550A00	IC	SN74LVC1GU04DCKR		ロジックIC	
IC609	X4107A00	IC	M1C2026-2BM		電源IC	05
* IC610	X5620A00	IC. CPU	EP9301-CQZ CPU		IC CPU	
IC611	X6720A00	IC	EDS1216AATA-75-E		メモリIC	09
IC614	X3542A00	IC	74LCX07MTCX		ロジックIC	01
* IC615-616	X7678A00	IC	SN74LV163APWR		ロジックIC	
IC617	X5534A00	IC	SN74LV74APWR		ロジックIC	01
IC701	X5621A00	IC	KSZ8721SL		IC	05
* IC751	X7375A00	IC	PCM1781DBQR		IC	
IC752	X7378A00	IC	NJM4565M		アンプIC	
* IC753	X8090A00	IC	SN74LVC3GU04DCTR		ロジックIC	01
* IC754	X5664A00	IC	BH2220FVM-TR		IC	
Q601	VV655400	TR. DGT	DTC114EKA		デジタルトランジスタ	01
R715	WF156500	R. CAR. CHP	6.49KΩ 1/10W		チップ抵抗	01
R720-723	V9848800	R. CHP	49.9Ω 1/8W		チップ抵抗	01
R753	VP940500	R. MTL. OXD	150Ω 1W		酸化金属被膜抵抗	01
ST601-602	V4040500	SCR. TERM	M3		スクリュー/ターミナル	01
* XL601	WG970800	RSNR. CRY	32.768KHz		水晶振動子	
XL602	WD391000	RSNR. CRY	14.7456MHz		水晶振動子	
XL701	VZ540700	RSNR. CRY	25MHz		水晶振動子	03
* XL751	WG970900	RSNR. CRY	22.5792MHz		水晶振動子	

\* New Parts \* 新規部品



P.C.B. DAB

Ref. No.	Part No.	Description	Remarks	Markets	部 品 名	Rank	
*	WH044900	P. C. B.	DAB	N600D	B	P C B D A B	
*	CB10	WG222400	CN. BS. PIN	44P TE	N600D	ピンヘッダー	
	C1	UR837470	C. EL	47uF 16V	N600D	ケミコン	01
	C3	UR837470	C. EL	47uF 16V	N600D	ケミコン	01
	C4	US135330	C. CE. CHP	0.33uF 16V	N600D	チップセラコン	01
	C6	US135330	C. CE. CHP	0.33uF 16V	N600D	チップセラコン	01
	C8-9	UR238220	C. EL	220uF 16V	N600D	ケミコン	01
	C10-11	US135100	C. CE. CHP	0.1uF 16V	N600D	チップセラコン	01
	C14-15	US062220	C. CE. CHP	220pF 50V B	N600D	チップセラコン	01
	C16	US064100	C. CE. CHP	0.01uF 50V B	N600D	チップセラコン	01
	C21	UR837470	C. EL	47uF 16V	N600D	ケミコン	01
	IC3	X6248A00	IC	NJM2388F33 3.3V	N600D	電源 IC	04
	IC5	X6143A00	IC	NJM2388F05 5.0V	N600D	電源 IC	
	Q1-2	WB520400	FET. CHP	2SK2823	N600D	チップ F E T	01
*		WG158700	SUPPORT		N600D	サポート/D A B	

\* New Parts \* 新規部品

**Chip Resistors**

- The chip resistor is not supplied as a replacement part.
- \* When a chip resistor is necessary, use the following part.

AAX60720: CHIP RESISTOR SAMPLE BOOK

- チップ抵抗はサービス部品として供しません。
- ※ チップ抵抗が必要な場合は、下記の部品をご利用ください。

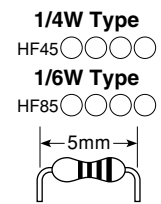
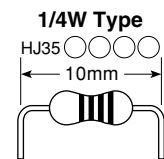
AAX60720: CHIP RESISTOR SAMPLE BOOK

Ref. No.	Part No.	Description	Remarks	Markets	部 品 名	Rank
	R. CHP	0Ω 1/16W J			チップ抵抗	01
	R. CHP	2.2Ω 1/16W J			チップ抵抗	01
	R. CHP	10Ω 1/16W J			チップ抵抗	01
	R. CHP	22Ω 1/16W J			チップ抵抗	01
	R. CHP	33Ω 1/16W J			チップ抵抗	01
	R. CHP	47Ω 1/16W J			チップ抵抗	01
	R. CHP	68Ω 1/16W J			チップ抵抗	01
	R. CHP	75Ω 1/16W J			チップ抵抗	01
	R. CHP	82Ω 1/16W J			チップ抵抗	01
	R. CHP	100Ω 1/16W J			チップ抵抗	01
	R. CHP	150Ω 1/16W J			チップ抵抗	01
	R. CHP	220Ω 1/16W J			チップ抵抗	01
	R. CHP	270Ω 1/16W J			チップ抵抗	01
	R. CHP	330Ω 1/16W J			チップ抵抗	01
	R. CHP	470Ω 1/16W J			チップ抵抗	01
	R. CHP	680Ω 1/16W J			チップ抵抗	01
	R. CHP	1KΩ 1/16W J			チップ抵抗	01
	R. CHP	1.2KΩ 1/16W J			チップ抵抗	01
	R. CHP	1.5KΩ 1/16W J			チップ抵抗	01
	R. CHP	2.2KΩ 1/16W J			チップ抵抗	01
	R. CHP	2.7KΩ 1/16W J			チップ抵抗	01
	R. CHP	3.3KΩ 1/16W J			チップ抵抗	01
	R. CHP	3.9KΩ 1/16W J			チップ抵抗	01
	R. CHP	4.7KΩ 1/16W J			チップ抵抗	01
	R. CHP	6.8KΩ 1/16W J			チップ抵抗	01
	R. CHP	10KΩ 1/16W J			チップ抵抗	01
	R. CHP	15KΩ 1/16W J			チップ抵抗	01
	R. CHP	18KΩ 1/16W J			チップ抵抗	01
	R. CHP	22KΩ 1/16W J			チップ抵抗	01
	R. CHP	27KΩ 1/16W J			チップ抵抗	01
	R. CHP	33KΩ 1/16W J			チップ抵抗	01
	R. CHP	47KΩ 1/16W J			チップ抵抗	01
	R. CHP	100KΩ 1/16W J			チップ抵抗	01
	R. CHP	150KΩ 1/16W J			チップ抵抗	01
	R. CHP	220KΩ 1/16W J			チップ抵抗	01
	R. CHP	470KΩ 1/16W J			チップ抵抗	01
	R. CHP	680KΩ 1/16W J			チップ抵抗	01
	R. CHP	1MΩ 1/16W J			チップ抵抗	01
	R. CHP	5.1MΩ 1/16W J			チップ抵抗	01
	R. CHP	39KΩ 1/16W F			チップ抵抗	01
	R. CHP	510KΩ 1/16W			チップ抵抗	01
	R. CHP	1MΩ 1/16W F			チップ抵抗	01
	R. MTL. CHP	270Ω 1/16W D			チップ金属被膜抵抗	01
	R. MTL. CHP	330Ω 1/16W D			チップ金属被膜抵抗	01
	R. MTL. CHP	470Ω 1/16W D			チップ金属被膜抵抗	01
	R. MTL. CHP	680Ω 1/16W D			チップ金属被膜抵抗	01
	R. MTL. CHP	820Ω 1/16W D			チップ金属被膜抵抗	01
	R. MTL. CHP	1.0KΩ 1/16W D			チップ金属被膜抵抗	01
	R. MTL. CHP	1.5KΩ 1/16W D			チップ金属被膜抵抗	01
	R. MTL. CHP	3.3KΩ 1/16W D			チップ金属被膜抵抗	01
	R. MTL. CHP	4.7KΩ 1/16W D			チップ金属被膜抵抗	01
	R. MTL. CHP	5.6KΩ 1/16W D			チップ金属被膜抵抗	01
	R. MTL. CHP	6.8KΩ 1/16W D			チップ金属被膜抵抗	01
	R. MTL. CHP	15KΩ 1/16W D			チップ金属被膜抵抗	01
	R. MTL. CHP	47KΩ 1/16W D			チップ金属被膜抵抗	01

\* New Parts \* 新規部品

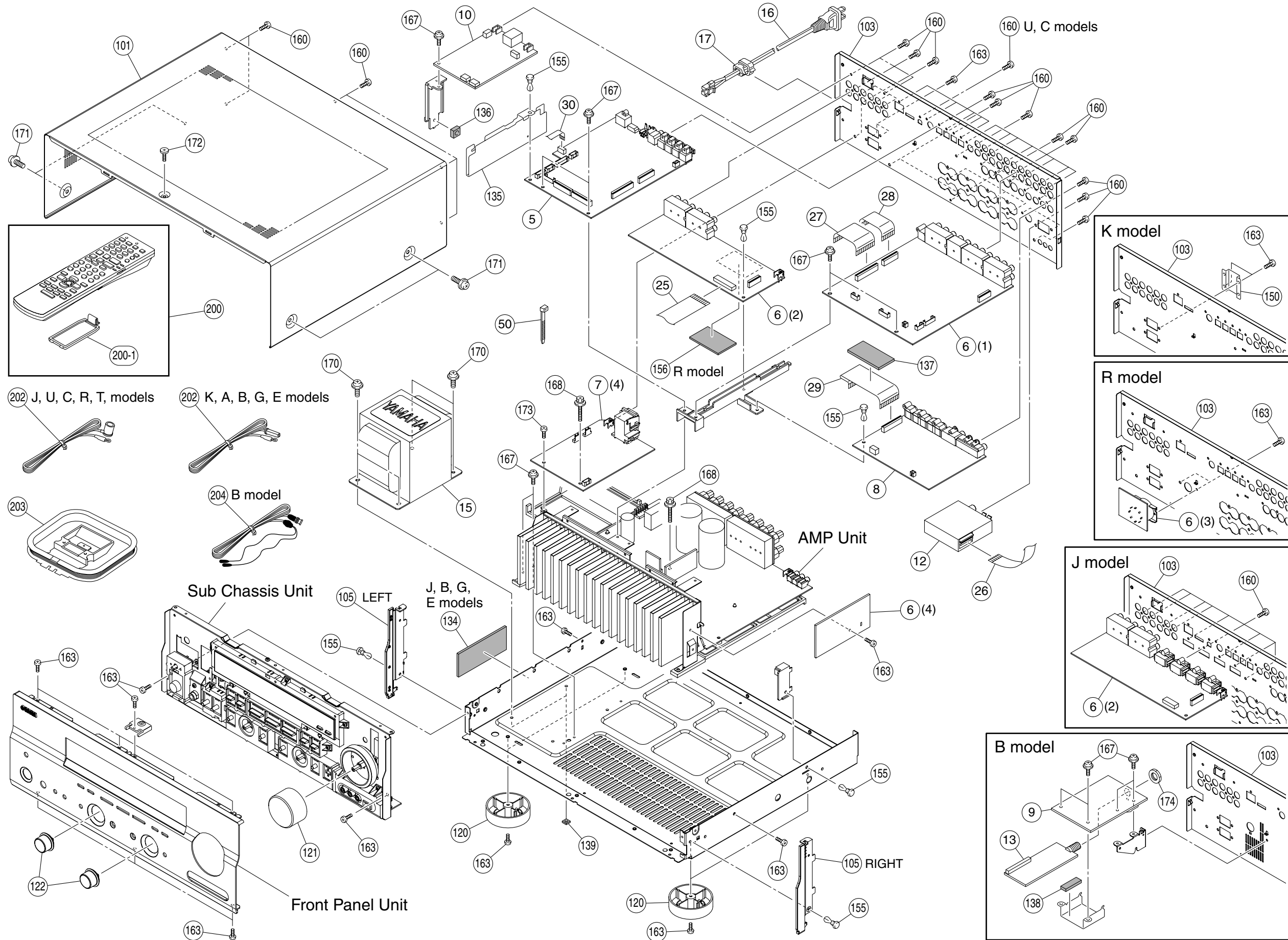
**Carbon Resistors**

Value	1/4W Type Part No.	1/6W Type Part No.	Value	1/4W Type Part No.	1/6W Type Part No.
1.0 Ω	HJ35 3100	HF85 3100	10 kΩ	HF45 7100	HF45 7100
1.8 Ω	HJ35 3180	*	11 kΩ	HF45 7110	HF45 7110
2.2 Ω	HJ35 3220	HF85 3220	12 kΩ	HJ35 7120	HF85 7120
3.3 Ω	HJ35 3330	HF85 3330	13 kΩ	HF45 7130	HF45 7130
4.7 Ω	HJ35 3470	HF85 3470	15 kΩ	HF45 7150	HF45 7150
5.6 Ω	HJ35 3560	HF85 3560	18 kΩ	HF45 7180	HF45 7180
10 Ω	HF45 4100	HF45 4100	22 kΩ	HF45 7220	HF45 7220
15 Ω	HJ35 4150	HF85 4150	24 kΩ	HF45 7240	HF45 7240
22 Ω	HF45 4220	HF45 4220	27 kΩ	HJ35 7270	HF85 7270
27 Ω	HJ35 4270	HF85 4270	30 kΩ	HF45 7300	HF45 7300
33 Ω	HF45 4330	HF45 4330	33 kΩ	HF45 7330	HF45 7330
39 Ω	HJ35 4470	HF85 4390	36 kΩ	HF45 7360	HF45 7360
47 Ω	HF45 4470	HF45 4470	39 kΩ	HF45 7390	HF45 7390
56 Ω	HF45 4560	HF45 4560	47 kΩ	HF45 7470	HF45 7470
68 Ω	HF45 4680	HF45 4680	51 kΩ	HF45 7510	HF45 7510
75 Ω	HF45 4750	HF45 4750	56 kΩ	HF45 7560	HF45 7560
82 Ω	HF45 4820	HF45 4820	62 kΩ	HF45 7620	HF45 7620
91 Ω	HF45 4910	HF45 4910	68 kΩ	HF45 7680	HF45 7680
100 Ω	HF45 5100	HF45 5100	82 kΩ	HF45 7820	HF45 7820
110 Ω	HJ35 5110	HF85 5110	91 kΩ	HF45 7910	HF45 7910
120 Ω	HF45 5120	HF45 5120	100 kΩ	HF45 8100	HF45 8100
150 Ω	HF45 5150	HF45 5150	110 kΩ	HF45 8110	HF45 8110
160 Ω	HJ35 5160	*	120 kΩ	HF45 8120	HF45 8120
180 Ω	HF45 5180	HF45 5180	150 kΩ	HF45 8150	HF45 8150
200 Ω	HF45 5200	HF45 5200	180 kΩ	HF45 8180	HF45 8180
220 Ω	HF45 5220	HF45 5220	220 kΩ	HJ35 8220	HF85 8220
270 Ω	HF45 5270	HF45 5270	270 kΩ	HF45 8270	HF45 8270
330 Ω	HF45 5330	HF45 5330	300 kΩ	HF45 8300	HF45 8300
390 Ω	HF45 5390	HF45 5390	330 kΩ	HF45 8330	HF45 8330
430 Ω	HF45 5430	HF45 5430	390 kΩ	HJ35 8390	HF85 8390
470 Ω	HF45 5470	HF45 5470	470 kΩ	HF45 8470	HF45 8470
510 Ω	HF45 5510	HF45 5510	560 kΩ	HJ35 8560	HF85 8560
560 Ω	HF45 5560	HF45 5560	680 kΩ	HJ35 8680	HF85 8680
680 Ω	HF45 5680	HF45 5680	820 kΩ	HJ35 8820	HF85 8820
820 Ω	HF45 5820	HF45 5820	1.0 MΩ	HF45 9100	HF45 9100
910 Ω	HF45 5910	HF45 5910	1.2 MΩ	HJ35 9120	*
1.0 kΩ	HF45 6100	HF45 6100	1.5 MΩ	HJ35 9150	HF85 9150
1.2 kΩ	HF45 6120	HF45 6120	1.8 MΩ	HJ35 9180	HF85 9180
1.5 kΩ	HF45 6150	HF45 6150	2.2 MΩ	HJ35 9220	HF85 9220
1.8 kΩ	HF45 6180	HF45 6180	3.3 MΩ	HJ35 9330	HF85 9330
2.0 kΩ	HJ35 6200	HF85 6200	3.9 MΩ	HJ35 9390	*
2.2 kΩ	HF45 6220	HF45 6220	4.7 MΩ	HJ35 9470	HF85 9470
2.4 kΩ	HJ35 6240	HF85 6240			
2.7 kΩ	HF45 6270	HF45 6270			
3.0 kΩ	HF45 6300	HF45 6300			
3.3 kΩ	HF45 6330	HF45 6330			
3.6 kΩ	HJ35 6360	HF85 6360			
3.9 kΩ	HF45 6390	HF45 6390			
4.7 kΩ	HF45 6470	HF45 6470			
5.1 kΩ	HF45 6510	HF45 6510			
5.6 kΩ	HF45 6560	HF45 6560			
6.8 kΩ	HF45 6680	HF45 6680			
8.2 kΩ	HF45 6820	HF45 6820			
9.1 kΩ	HF45 6910	HF45 6910			



\* : Not available

1 • **OVERALL ASS'Y** RX-N600/RX-N600D/DSP-N600



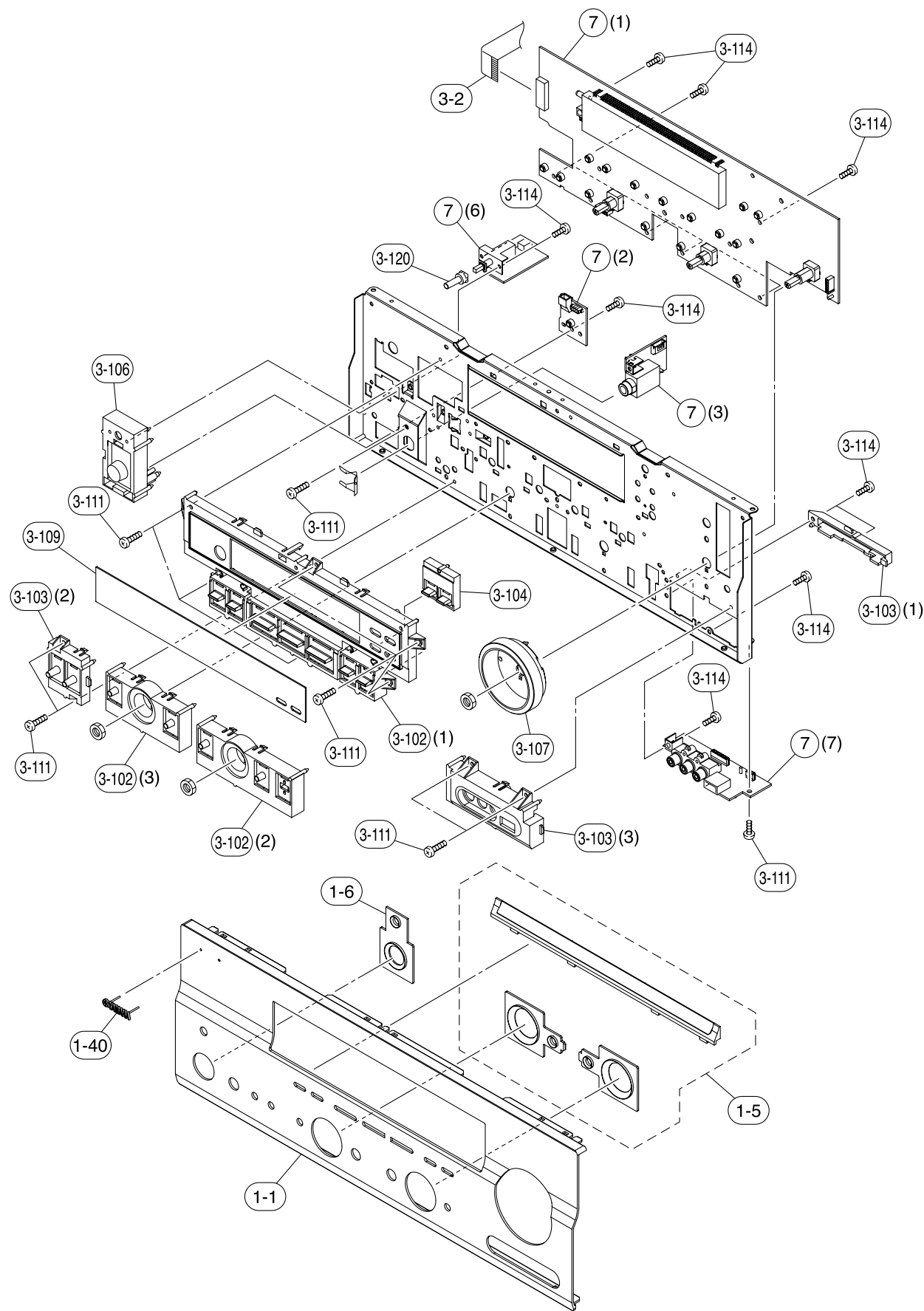
Ref. No.	Part No.	Description	Remarks	Markets	部 品 名	Rank
* 5	WG683000	P. C. B. ASS'Y	DSP	J	P C B D S P	
* 5	WG683100	P. C. B. ASS'Y	DSP	UC	P C B D S P	
* 5	WG683200	P. C. B. ASS'Y	DSP	R	P C B D S P	
* 5	WG683300	P. C. B. ASS'Y	DSP	T	P C B D S P	
* 5	WG956500	P. C. B. ASS'Y	DSP	K	P C B D S P	
* 5	WG683400	P. C. B. ASS'Y	DSP	A	P C B D S P	
* 5	WG683500	P. C. B. ASS'Y	DSP	B	P C B D S P	
* 5	WG683600	P. C. B. ASS'Y	DSP	GE	P C B D S P	
* 6	WG687000	P. C. B. ASS'Y	FUNCTION	J	P C B ファンクション	
* 6	WG687100	P. C. B. ASS'Y	FUNCTION	UCTKA	P C B ファンクション	
* 6	WG687200	P. C. B. ASS'Y	FUNCTION	R	P C B ファンクション	
* 6	WG687300	P. C. B. ASS'Y	FUNCTION	B	P C B ファンクション	
* 6	WG687400	P. C. B. ASS'Y	FUNCTION	GE	P C B ファンクション	
* 7	WG770700	P. C. B. ASS'Y	OPERATION	J	P C B オペレーション	
* 7	WG770800	P. C. B. ASS'Y	OPERATION	UC	P C B オペレーション	
* 7	WG770900	P. C. B. ASS'Y	OPERATION	R	P C B オペレーション	
* 7	WG771000	P. C. B. ASS'Y	OPERATION	TK	P C B オペレーション	
* 7	WG771100	P. C. B. ASS'Y	OPERATION	A	P C B オペレーション	
* 7	WG771200	P. C. B. ASS'Y	OPERATION	B	P C B オペレーション	
* 7	WG771300	P. C. B. ASS'Y	OPERATION	GE	P C B オペレーション	
* 8	WG769500	P. C. B. ASS'Y	VIDEO	JUCRK	P C B ビデオ	19
* 8	WG769600	P. C. B. ASS'Y	VIDEO	TABGE	P C B ビデオ	
* 9	WH044900	P. C. B. ASS'Y	DAB	B	P C B D A B	
* 10	WH091300	P. C. B. ASS'Y	NET		P C B N E T	
12	V6782200	AM/FM TUNER	TFCE1J117A	J	A M / F M チューナー	13
12	V6782300	AM/FM TUNER	TFCE1U115A	UCRT	A M / F M チューナー	
12	V6782400	AM/FM TUNER	TFCE1E317A	KABGE	A M / F M チューナー	
13	WG543600	DAB MODULE	VENICE2.0-C-F	B	D A B モジュール	
* 15	X7666A00	POWER TRANSFORMER		J	電源トランス	
* 15	X7667A00	POWER TRANSFORMER		UC	電源トランス	
* 15	X7668A00	POWER TRANSFORMER		R	電源トランス	
* 15	X7669A00	POWER TRANSFORMER		TK	電源トランス	
* 15	X7670A00	POWER TRANSFORMER		A	電源トランス	
* 15	X7671A00	POWER TRANSFORMER		B	電源トランス	
* 15	X7672A00	POWER TRANSFORMER		GE	電源トランス	
16	WF723000	POWER CABLE	2m	J	電源コード	05
16	V2727500	POWER CABLE	2m	UC	電源コード	
16	WC992700	POWER CABLE	2m	R	電源コード	
16	WB120600	POWER CABLE	2m	T	電源コード	
16	WC753000	POWER CABLE	2m	K	電源コード	
16	WC743700	POWER CABLE	2m	A	電源コード	
16	WF723100	POWER CABLE	2m	B	電源コード	
16	VN363600	POWER CABLE	2m	GE	電源コード	04
17	V2438700	CORD STOPPER	10P1		コードストッパー	02
25	MF125200	FLEXIBLE FLAT CABLE	25P 200mm P=1.25		カード電線 C & C	04
26	MF115140	FLEXIBLE FLAT CABLE	15P 140mm P=1.25		カード電線 C & C	03
27	MF129070	FLEXIBLE FLAT CABLE	29P 70mm P=1.25		カード電線 C & C	01
28	MF120070	FLEXIBLE FLAT CABLE	20P 70mm P=1.25		カード電線 C & C	01
29	MF126100	FLEXIBLE FLAT CABLE	26P 100mm P=1.25		カード電線 C & C	01
* 30	MF106070	FLEXIBLE FLAT CABLE	6P 70mm P=1.25		カード電線 C & C	
50	VU590000	BINDING TIE	CBTD001B		インシュロックタイ	01
101	WG364700	TOP COVER		GD	トップカバー	11
101	WG364600	TOP COVER		BL	トップカバー	
101	WG364800	TOP COVER		TI	トップカバー	
* 103	WG945900	REAR PANEL		J	リアパネル	
* 103	WG945200	REAR PANEL		UC	リアパネル	
* 103	WG945300	REAR PANEL		R	リアパネル	
* 103	WG945400	REAR PANEL		T	リアパネル	
* 103	WG945500	REAR PANEL		K	リアパネル	

\* New Parts \* 新規部品

Ref. No.	Part No.	Description	Remarks	Markets	部 品 名	Rank
* 103	WG945600	REAR PANEL		A	リアパネル	
* 103	WG945700	REAR PANEL		B	リアパネル	
* 103	WG945800	REAR PANEL		GE	リアパネル	
105	WG975100	PLATE SIDE	GD		プレートサイド	03
105	WG975000	PLATE SIDE	BL		プレートサイド	
105	WG975200	PLATE SIDE	TI		プレートサイド	
120	V0042500	LEG	GD		レッグ	03
120	VS025000	LEG	BL, TI		レッグ	02
121	WG375500	KNOB D50	GD		ノブ D 5 0	02
121	WG375400	KNOB D50	BL		ノブ D 5 0	
121	WG375600	KNOB D50	TI		ノブ D 5 0	
122	WG375800	KNOB D21.5	GD		ノブ D 2 1 . 5	01
122	WG375700	KNOB D21.5	BL		ノブ D 2 1 . 5	
122	WG375900	KNOB D21.5	TI		ノブ D 2 1 . 5	
134	V3198100	DAMPER		JBGE	ダンパー	
135	WG918400	BARRIER FFC			バリアー/F F C	03
136	VS516300	PAD LED			パッド/L E D	01
137	V6742300	DAMPER	3/30/60		ダンパー	
138	VP857500	DAMPER	4/10/30	B	ダンパー	01
139	WC879000	DAMPER			ダンパー	
150	V8466300	COVER AC OUTLETS		K	カバー/A C アウトレット	
155	VQ368600	PUSH RIVET	P3555-B		プッシュリベット	01
156	WH137300	DAMPER	1/35/55	R	ダンパー	
160	WE774100	BIND HEAD BONDING B-T. SCREW	3x8 MFZN2B3		ボンディング B タイトネジ	01
163	WE774300	BIND HEAD B-TIGHT SCREW	3x8 MFZN2W3		バインド B タイトネジ	01
167	WF002600	PW HEAD B-TIGHT SCREW	3x8 MFZN2W3		P W ヘッド B タイトネジ	01
168	WH010900	SCREW I C	3x20 MFZN2W3		スクリュー I C	
170	WE774700	BIND HEAD S-TIGHT SCREW	4x10 MFZN2W3		バインド S タイトネジ	01
171	VD069600	PW HEAD S-TIGHT SCREW	4x8-10 MFN133	GD, TI	P W ヘッド S タイトネジ	01
171	VH313200	PW HEAD S-TIGHT SCREW	4x8-10 MFN13BL	BL	P W ヘッド S タイトネジ	01
172	WE200400	DISH HEAD B-TIGHT SCREW	3x6 MFN133	GD, TI	D I S H B タイトネジ	01
172	WE200500	DISH HEAD B-TIGHT SCREW	3x6 MFN13BL	BL	D I S H B タイトネジ	01
173	WE774800	BIND HEAD P-TIGHT SCREW	3x8 MFZN2W3		バインド P タイトネジ	01
174	WG205000	NUT	3/8 UNEF-32	B	ナット	
* 200	WG646600	ACCESSORIES			付属品	
* 200	WG646500	REMOTE CONTROL	RAV325	JRTKABGE	リモコン	
200-1	AAX76600	REMOTE CONTROL	RAV324	UC	リモコン	
202	V6267000	BATTERY COVER		UR76EC6103A	電池蓋	
202	VQ147100	INDOOR FM ANTENNA	1.4m 1pc	JUCRT	F M 簡易アンテナ	03
202	VR248500	INDOOR FM ANTENNA	1.4m 1pc	KABGE	F M 簡易アンテナ	02
203	VR248500	AM LOOP ANTENNA	1.0m 1pc		A M ループアンテナ	03
204	WG233200	INDOOR DAB ANTENNA	1.6m 1pc	B	D A B 簡易アンテナ	
		BATTERY	SUM-3N 2pcs			
	AAX77610	SERVICE TOOL				
	MF109250	RS232C CONVERSION ADAPTER			R S 2 3 2 C 交換アダプター	
		FLEXIBLE FLAT CABLE	9P 250mm P=1.25		カード電線	

\* New Parts \* 新規部品

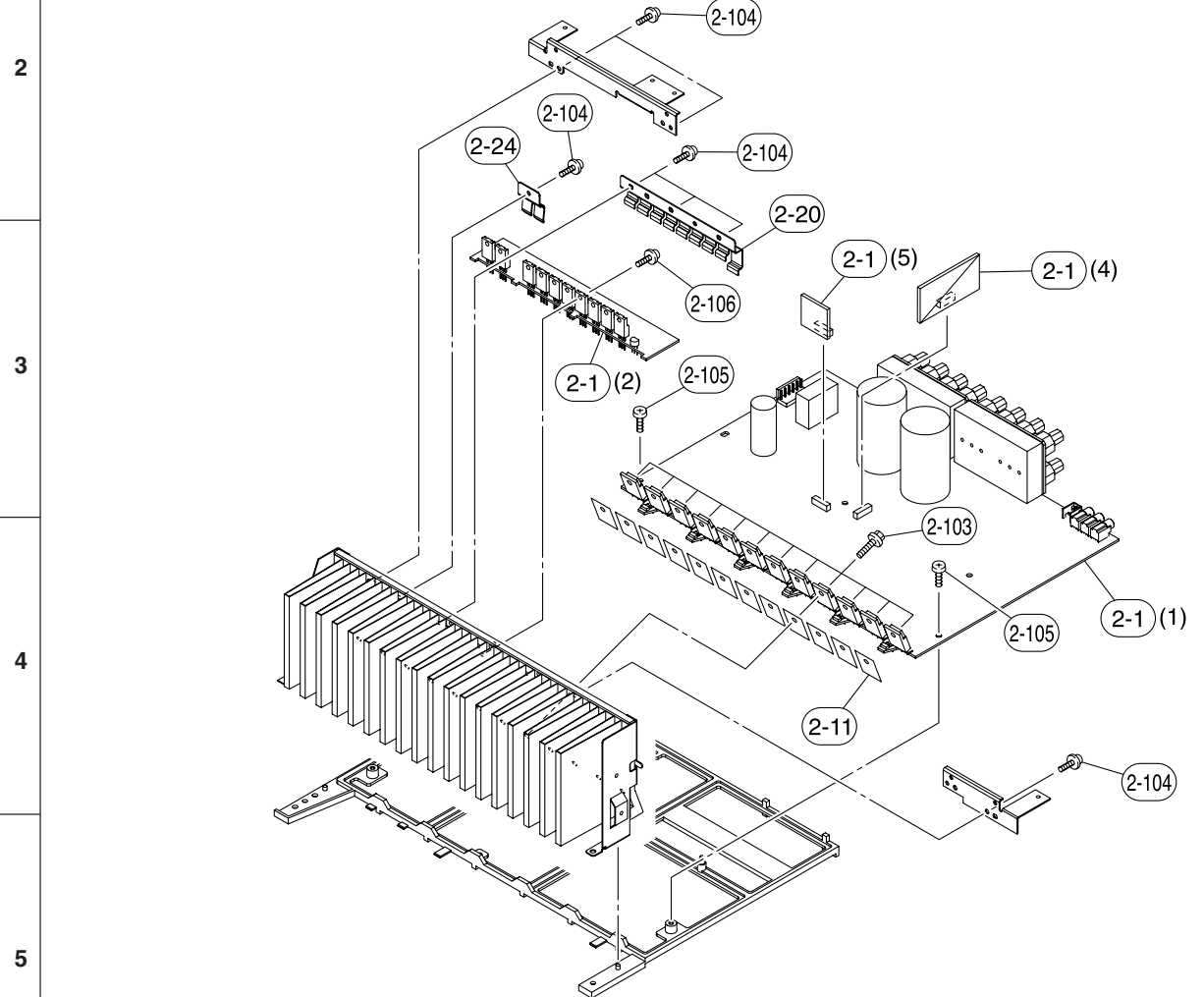
• FRONT PANEL UNIT & SUB CHASSIS UNIT **RX-N600/RX-N600D/DSP-N600**



Ref. No.	Part No.	Description	Remarks	Markets	部品名	Rank	
*	1-1	WG905400	FRONT PANEL	GD	J	フロントパネル	
*	1-1	WG905500	FRONT PANEL	GD	RT	フロントパネル	
*	1-1	WG905100	FRONT PANEL	BL	UC	フロントパネル	
*	1-1	WG905300	FRONT PANEL	BL	RAGE	フロントパネル	
*	1-1	WG905200	FRONT PANEL	BL	B	フロントパネル	
*	1-1	WG905700	FRONT PANEL	TI	C	フロントパネル	
*	1-1	WG905900	FRONT PANEL	TI	KGE	フロントパネル	
*	1-1	WG905800	FRONT PANEL	TI	B	フロントパネル	
	1-5	WG478300	ESCUTCHEON 657	GD		エスカッション 6 5 7	03
	1-5	WG478200	ESCUTCHEON 657	BL		エスカッション 6 5 7	
	1-5	WG478400	ESCUTCHEON 657	TI		エスカッション 6 5 7	
	1-6	WG374600	ESCUTCHEON 659	GD		エスカッション 6 5 9	01
	1-6	WG374500	ESCUTCHEON 659	BL		エスカッション 6 5 9	
	1-6	WG374700	ESCUTCHEON 659	TI		エスカッション 6 5 9	
	1-40	V6034200	EMBLEM	GD		エンブレム	03
	1-40	V6034100	EMBLEM	BL, TI		エンブレム	03
	3-2	MF123350	FLEXIBLE FLAT CABLE 23P 350mm P=1.25			カード電線 C & C	04
	3-102	WC490900	BUTTONCASE 650	GD		ボタンケース 6 5 0	
	3-102	WC490800	BUTTONCASE 650	BL		ボタンケース 6 5 0	
	3-102	WC491000	BUTTONCASE 650	TI		ボタンケース 6 5 0	
	3-103	WG402600	ESCUTCHEON PJ	GD		エスカッション PJ	04
	3-103	WG402500	ESCUTCHEON PJ	BL		エスカッション PJ	
	3-103	WG402700	ESCUTCHEON PJ	TI		エスカッション PJ	
	3-104	WE182400	BUTTON ZONE2			ボタン/ZONE 2	01
	3-106	WG374300	BUTTON MAIN	GD		ボタン/メイン	02
	3-106	WG374200	BUTTON MAIN	BL		ボタン/メイン	
	3-106	WG374400	BUTTON MAIN	TI		ボタン/メイン	
	3-107	WG375200	ESCUTCHEON VOL	GD		エスカッションVOL	02
	3-107	WG375100	ESCUTCHEON VOL	BL		エスカッションVOL	
	3-107	WG375300	ESCUTCHEON VOL	TI		エスカッションVOL	
	3-109	WG542600	SHEET WINDOW		JRTKAGE	シート/ウインドウ	04
	3-109	WG542500	SHEET WINDOW		UC	シート/ウインドウ	
	3-109	WG906000	SHEET WINDOW		B	シート/ウインドウ	
	3-111	WE774300	BIND HEAD B-TIGHT SCREW 3x8 MFZ2W3			バインドBタイトネジ	01
	3-114	WE774800	BIND HEAD P-TIGHT SCREW 3x8 MFZ2W3			バインドPタイトネジ	01
	3-120	V6876200	BUTTON D5	GD		ボタン/D 5	
	3-120	V6876100	BUTTON D5	BL		ボタン/D 5	
	3-120	V8540300	BUTTON D5	TI		ボタン/D 5	
*	7	WG770700	P.C.B. ASS'Y OPERATION		J	P C B オペレーション	
*	7	WG770800	P.C.B. ASS'Y OPERATION		UC	P C B オペレーション	
*	7	WG770900	P.C.B. ASS'Y OPERATION		R	P C B オペレーション	
*	7	WG771000	P.C.B. ASS'Y OPERATION		TK	P C B オペレーション	
*	7	WG771100	P.C.B. ASS'Y OPERATION		A	P C B オペレーション	
*	7	WG771200	P.C.B. ASS'Y OPERATION		B	P C B オペレーション	
*	7	WG771300	P.C.B. ASS'Y OPERATION		GE	P C B オペレーション	

\* New Parts \* 新規部品

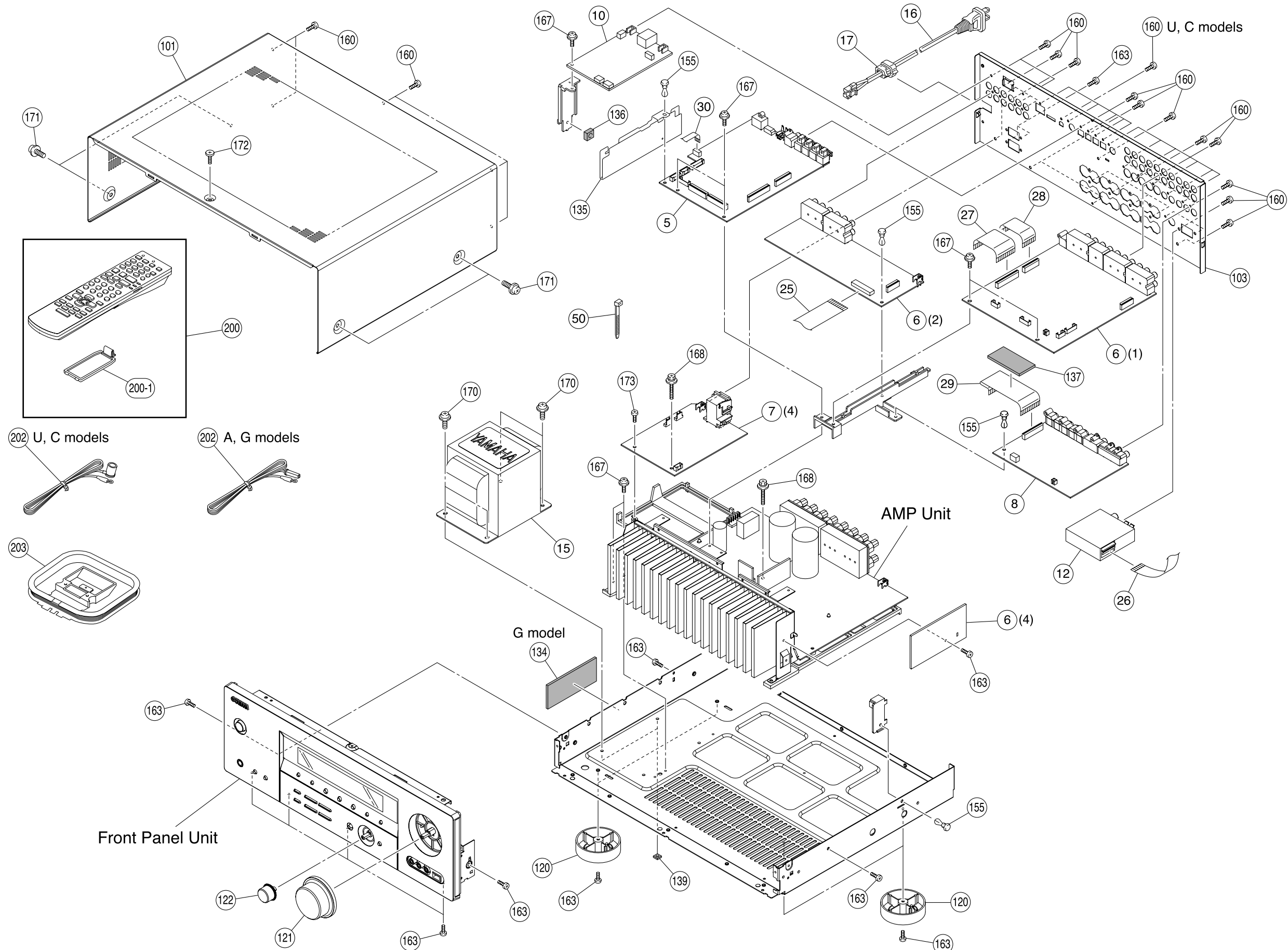
1 • AMP UNIT **RX-N600/RX-N600D/DSP-N600** **HTR-N5060**



Ref. No.	Part No.	Description	Remarks	Markets	部品名	Rank
* 2-1	WG702000	P.C.B. ASS'Y	MAIN	N600	JRTA	P C B メイン
* 2-1	WG702100	P.C.B. ASS'Y	MAIN	N600	UC	P C B メイン
* 2-1	WG702200	P.C.B. ASS'Y	MAIN	N600	KGE	P C B メイン
* 2-1	WG702300	P.C.B. ASS'Y	MAIN	N600D	B	P C B メイン
* 2-1	WG703000	P.C.B. ASS'Y	MAIN	N5060	UC	P C B メイン
* 2-1	WG703100	P.C.B. ASS'Y	MAIN	N5060	A	P C B メイン
* 2-1	WG703200	P.C.B. ASS'Y	MAIN	N5060	G	P C B メイン
* 2-11	WE807300	RADIATION SHEET	19x24			放熱シート
* 2-20	WG440600	SUPPORT TR-8				サポート/TR-8
* 2-24	V2673000	SUPPORT TR-2				サポート/TR-2
* 2-103	VK173200	SCREW TRANSISTOR	3x15 SP MFC2			スクリューTR
* 2-104	WF002600	PW HEAD B-TIGHT SCREW	3x8 MFZN2W3			PWヘッドBタイトネジ
* 2-105	WE774800	BIND HEAD P-TIGHT SCREW	3x8 MFZN2W3			バインドPタイトネジ
* 2-106	WE774300	BIND HEAD B-TIGHT SCREW	3x8 MFZN2W3			バインドBタイトネジ

\* New Parts \* 新規部品

1 • OVERALL ASS'Y HTR-N5060





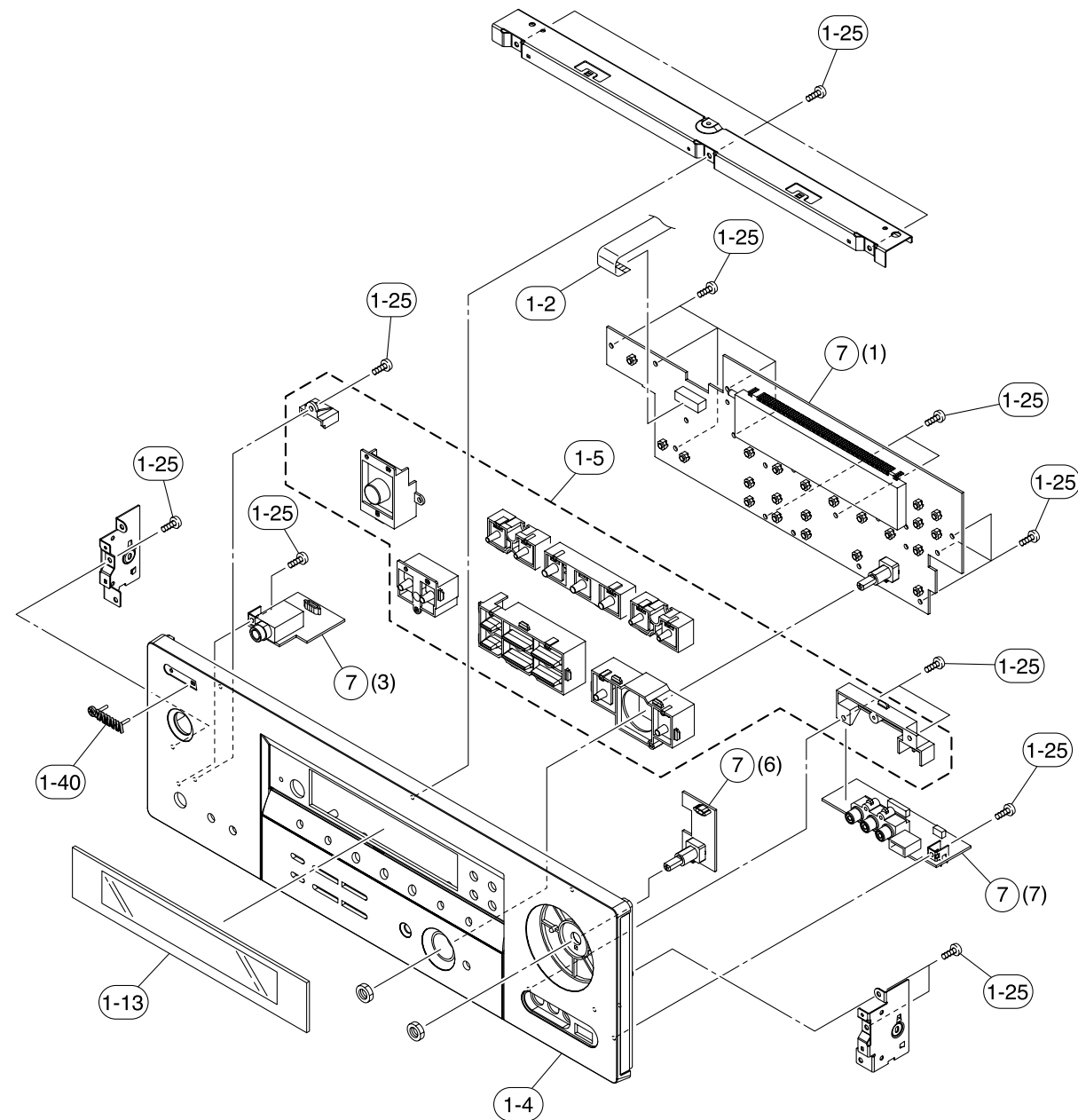
Ref. No.	Part No.	Description	Remarks	Markets
*	5	WG684000	P. C. B. ASS' Y	DSP UC
*	5	WG684100	P. C. B. ASS' Y	DSP A
*	5	WG684200	P. C. B. ASS' Y	DSP G
*	6	WG688000	P. C. B. ASS' Y	FUNCTION UCA
*	6	WG688200	P. C. B. ASS' Y	FUNCTION G
*	7	WG772500	P. C. B. ASS' Y	OPERATION UC
*	7	WG772600	P. C. B. ASS' Y	OPERATION A
*	7	WG772700	P. C. B. ASS' Y	OPERATION G
	8	WG769500	P. C. B. ASS' Y	VIDEO UC
	8	WG769600	P. C. B. ASS' Y	VIDEO AG
*	10	WH091300	P. C. B. ASS' Y	NET
	12	V6782300	AM/FM TUNER	TFCE1U115A UC
	12	V6782400	AM/FM TUNER	TFCE1E317A AG
*	15	X7667A00	POWER TRANSFORMER	UC
*	15	X7672A00	POWER TRANSFORMER	G
*	15	X7670A00	POWER TRANSFORMER	A
	16	V2727500	POWER CABLE	2m UC
	16	VN363600	POWER CABLE	2m G
	16	WC743700	POWER CABLE	2m A
	17	V2438700	CORD STOPPER	10P1
	25	MF125200	FLEXIBLE FLAT CABLE	25P 200mm P=1.25
	26	MF115140	FLEXIBLE FLAT CABLE	15P 140mm P=1.25
	27	MF129070	FLEXIBLE FLAT CABLE	29P 70mm P=1.25
	28	MF120070	FLEXIBLE FLAT CABLE	20P 70mm P=1.25
	29	MF126100	FLEXIBLE FLAT CABLE	26P 100mm P=1.25
*	30	MF106070	FLEXIBLE FLAT CABLE	6P 70mm P=1.25
	50	VU590000	BINDING TIE	CBTD001B
	101	WG437800	TOP COVER	BL
	101	WG438100	TOP COVER	SI
*	103	WG946000	REAR PANEL	UC
*	103	WG946100	REAR PANEL	A
*	103	WG946200	REAR PANEL	G
	120	VV544300	LEG	D60xH21 BL
	120	VS025000	LEG	D60xH21 SI
	121	WG442600	KNOB D48	VOLUME BL
	121	WG442900	KNOB D48	VOLUME SI
	122	WG443200	KNOB D23	INPUT BL
	122	WG443500	KNOB D23	INPUT SI
	134	V3198100	DAMPER	GUARD G
	135	WG918400	BARRIER FFC	
	136	VS516300	PAD	
	137	V6742300	DAMPER	3/30/60
	139	WC879000	DAMPER	SCREW MASK
	155	VQ368600	PUSH RIVET	P3555-B
	160	WE774100	BIND HEAD BONDING B-T. SCREW	3x8 MFZN2B3
	163	WE774300	BIND HEAD B-TIGHT SCREW	3x8 MFZN2W3
	167	WF002600	PW HEAD B-TIGHT SCREW	3x8 MFZN2W3
	168	WH010900	SCREW IC	3x20 MFZN2W3
	170	WE774700	BIND HEAD S-TIGHT SCREW	4x10 MFZN2W3
	171	VH313200	PW HEAD S-TIGHT SCREW	4x8-10 MFN13BL BL
	171	VD069600	PW HEAD S-TIGHT SCREW	4x8-10 MFN133 SI
	172	WE200500	DISH HEAD B-TIGHT SCREW	3x6 MFN13BL BL
	172	WE200400	DISH HEAD B-TIGHT SCREW	3x6 MFN133 SI
	173	WE774800	BIND HEAD P-TIGHT SCREW	3x8 MFZN2W3

\* New Parts

Ref. No.	Part No.	Description	Remarks	Markets
*	200	WG646500	ACCESSORIES	
*	200	WG646600	REMOTE CONTROL	RAV324 UC
	200-1	AAX76600	REMOTE CONTROL	RAV325 AG
	202	V6267000	BATTERY COVER	UR76EC6103A
	202	VQ147100	INDOOR FM ANTENNA	1.4m 1pc UC
	203	VR248500	INDOOR FM ANTENNA	1.4m 1pc AG
			AM LOOP ANTENNA	1.0m 1pc
			BATTERY	SUM-3N 2pcs

\* New Parts

• FRONT PANEL UNIT HTR-N5060

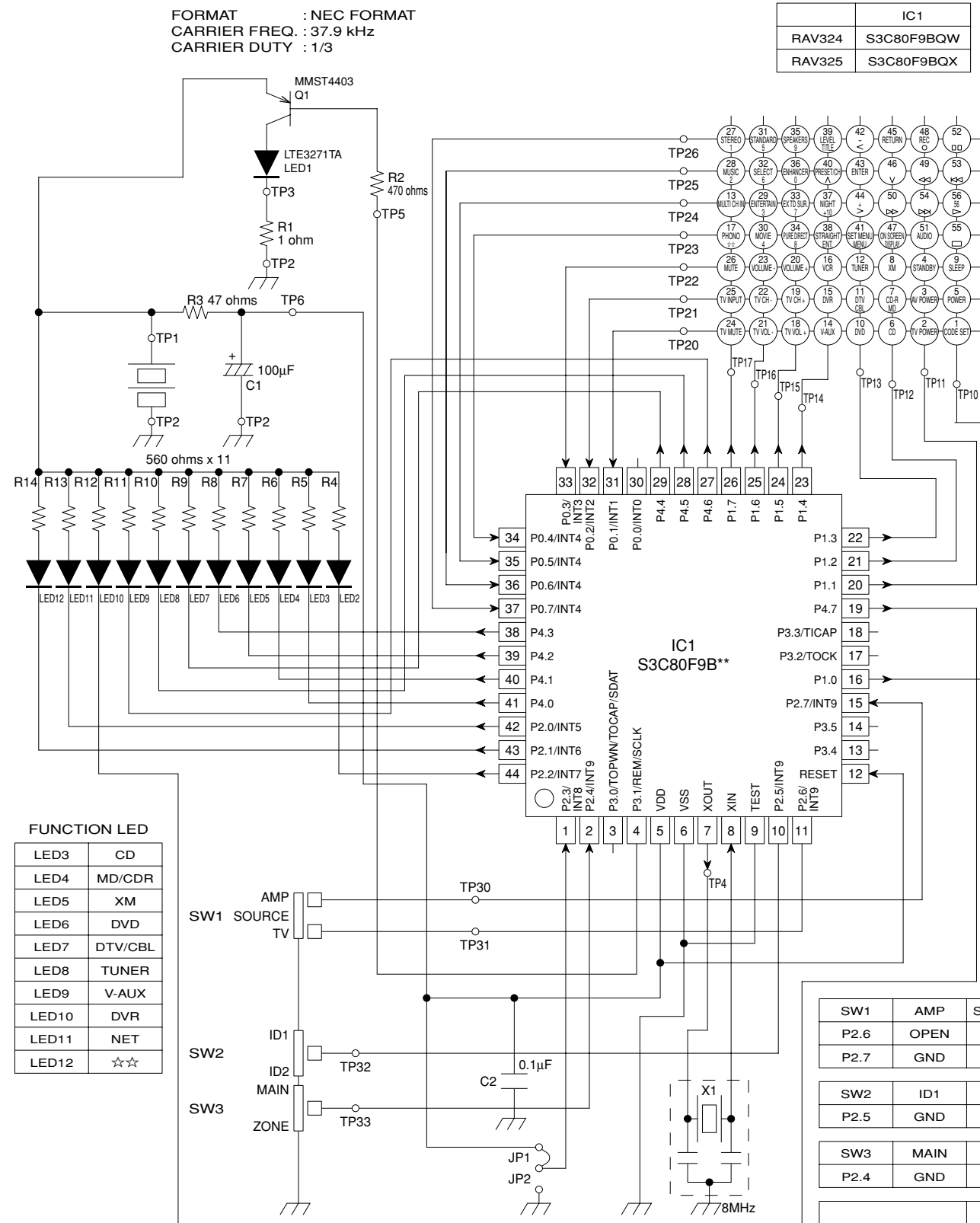


Ref. No.	Part No.	Description	Remarks	Markets
1-2	MF123400	FLEXIBLE FLAT CABLE	23P 400mm P=1.25	
* 1-4	WG906600	FRONT PANEL ASS'Y		BL
* 1-4	WG906900	FRONT PANEL ASS'Y		SI UC
* 1-4	WG907000	FRONT PANEL ASS'Y		SI A
* 1-4	WG907100	FRONT PANEL ASS'Y		SI G
1-5	WG441100	BUTTON CASE		BL
1-5	WG441500	BUTTON CASE		SI
1-13	WG443800	SHEET WINDOW		BL UC
1-13	WG443700	SHEET WINDOW		SI AG
1-13	WG443600	SHEET WINDOW		SI
1-25	WE774800	BIND HEAD P-TIGHT SCREW	3x8 MFZN2W3	
1-40	V6034200	EMBLEM		BL
1-40	V6034100	EMBLEM		SI
* 7	WG772500	P.C.B. ASS'Y	OPERATION	UC
* 7	WG772600	P.C.B. ASS'Y	OPERATION	A
* 7	WG772700	P.C.B. ASS'Y	OPERATION	G

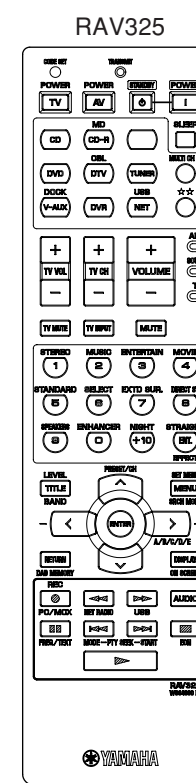
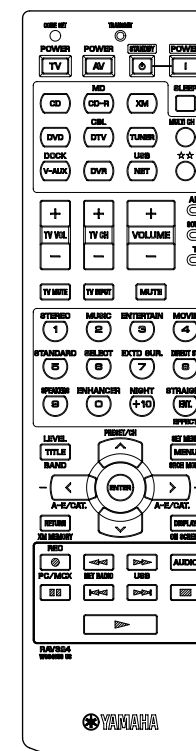
\* New Parts

**1 ■ REMOTE CONTROL RAV324: RX-N600 (U, C models), HTR-N5060 (U, C models)**  
**RAV325: RX-N600 (R, T, K, A, G, E models), RX-N600D (B model), HTR-N5060 (A, G models), DSP-N600 (J model)**

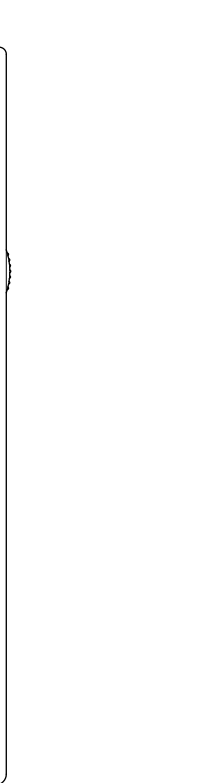
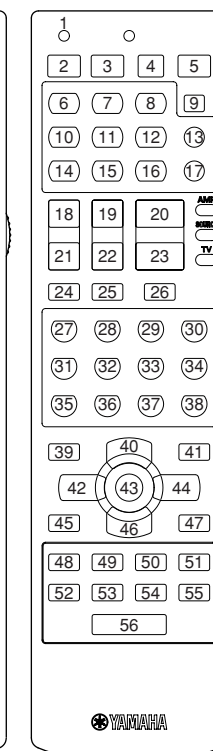
**• SCHEMATIC DIAGRAM**



**• PANELS**  
RAV324



**• KEY LAYOUT • KEY CODE**



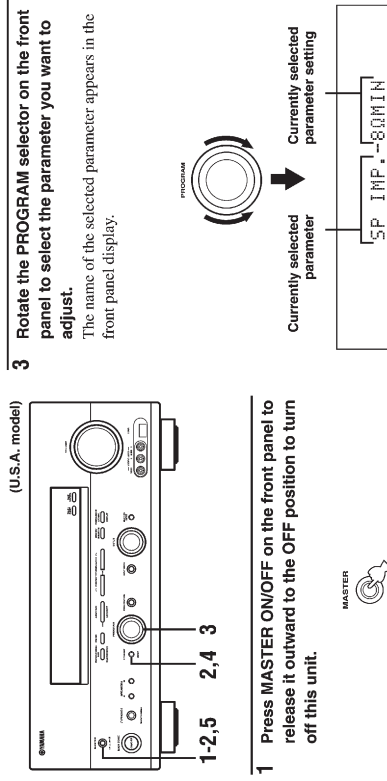
Key No.	Key Label	YAMAHA						UNIVERSAL
		RCV [00001]	DVD [40539]	DVD-R [51544]	D-TUNER [81916]	D-TUNER [81918]	CD [61907]	MD [70888]
1	CODE SET							
2	TV POWER							
3	AV POWER		004-012	048-012				
4	STANDBY		7E-7F					
5	POWER		7E-7E					
6	CD		7A-15					
7	CD-R (MD)		7A-C9					
8	XM		7A-B4					
9	SLEEP		7A-57					
10	DVD		7A-C1					
11	DTV (CBL)		7A-54					
12	TUNER		7A-16					
13	(MULTI CH IN)		7A-87					
14	V-AUX (DOCK)		7A-55					
15	DVR		7A-13					
16	NET (USB)		7A-0F					
17	(☆☆)		7A-14					
18	+ (TV VOL)							
19	+ (TV CH)							
20	+ (VOLUME)		7A-1A					
21	- (TV VOL)							
22	- (TV CH)							
23	- (VOLUME)		7A-1B					
24	TV MUTE							
25	TV INPUT							
26	MUTE		7A-1C					
27	1 (STEREO)		7A-88	004-001	048-001	7A-E5	7A-61	79-11
28	2 (MUSIC)		7A-89	004-002	048-002	7A-E6	7A-62	79-12
29	3 (ENTERTAIN)		7A-8A	004-003	048-003	7A-E7	7A-63	79-13
30	4 (MOVIE)		7A-8B	004-004	048-004	7A-E8	7A-64	79-14
31	5 (STANDARD)		7A-8D	004-005	048-005	7A-E9	7A-65	79-15
32	6 (SELECT)		7A-96	004-006	048-006	7A-EA	7A-66	79-16
33	7 (EXTD SUR.)		7A-97	004-007	048-007	7A-EB	7A-67	79-17
34	8 (PURE DIRECT)		7A-DD	004-008	048-008	7A-EC	7A-68	79-18
35	9 (SPEAKERS)		7A-9A	004-009	048-009	7A-B1	7A-69	79-19
36	0 (ENHANCER)		7A-94	004-000	048-000	7A-B2	7A-60	79-10
37	+10 (NIGHT)		7A-95	004-120				79-1A
38	ENT. (STRAIGHT / EFFECT)		7A-56			7A-B3	7A-BF	79-0B
39	TITLE (LEVEL / BAND)		7A-86	004-113	048-200	7A-AE	7A-70	
40	∧ (PRESET / CH)		7A-98	004-088	048-088	7A-10	7A-6A	
41	MENU (SET MENU)		7A-9C	004-084	048-084	7A-AB	7A-6D	
42	< (-)		7A-53	004-090	048-090	7A-AC	7A-6E	
43	ENTER		7A-DE	004-092	048-092	7A-AD	7A-6F	
44	> (+ / A/B/C/D/E)		7A-52	004-091	048-091	7A-12	7A-6C	
45	RETURN (DAB MEMORY)		7A-AA	004-131	048-131	7A-AF	7A-71	
46	∨		7A-99	004-089	048-089	7A-11	7A-6B	
47	DISPLAY (ON SCREEN)		7A-C2	004-015	048-015	7A-B0	7A-72	79-0A
48	⊙ (REC / PC / MCX)			004-127	048-055			7A-4F
49	◀◀ (NET RADIO)			004-041	048-041			7A-0D
50	▶▶ (USB)			004-040	048-040			7A-0C
51	AUDIO			004-078	048-078			7A-0E
52	⏮ (FREQ/TEXT)			004-048	048-048	7A-4A		7A-A9
53	⏪ (MODE-PTY)			004-033	048-033	7A-A6		7A-AB
54	⏩ (SEEK-START)			004-032	048-032	7A-A7		7A-AE
55	⏭ (EON)			004-049	048-049	7A-A5		7A-AA
56	▶			004-044	048-044			7A-08

## ADVANCED SETUP

This unit has additional menus that are displayed in the front panel display. The advanced setup menu offers additional operations to adjust and customize the way this unit operates. Change the initial settings (indicated in bold under each parameter) to reflect the needs of your listening environment.

### Notes

- The settings you make are reflected next time you press MASTER ON/OFF inward to the ON position to turn on this unit.
- Only MASTER ON/OFF, STRAIGHT (EFFECT) and the PROGRAM selector are effective while you are using the advanced setup menu.
- All the other operations cannot be made while you are using the advanced setup menu.
- The advanced setup menu is only available in the front panel display.



**1** Press MASTER ON/OFF on the front panel to release it outward to the OFF position to turn off this unit.

**2** Press and hold STRAIGHT (EFFECT) on the front panel and then press MASTER ON/OFF inward to the ON position to turn on this unit. This unit turns on, and the advanced setup menu appears in the front panel display.



While holding down

**4** Press STRAIGHT (EFFECT) on the front panel repeatedly to change the selected parameter setting.



**5** Press MASTER ON/OFF on the front panel to release it outward to the OFF position to save the new setting and turn off this unit.



**Note**  
The settings you made are reflected next time you turn on this unit.

### ■ Speaker impedance SP IMP.

Use this feature to set the speaker impedance of this unit so that it matches that of your speakers.

- Choices: **8ΩMIN**, 6ΩMIN
- Select "8ΩMIN" to set the speaker impedance to 8 Ω.
- Select "6ΩMIN" to set the speaker impedance to 6 Ω.

SP IMP.	Speaker	Impedance level
8ΩMIN	Front	If you use one set (A or B), the impedance of each speaker must be 8 Ω or higher.
	Center	If you use two sets (A and B), the impedance of each speaker must be 16 Ω or higher.*
	Surround	
	Surround back	
6ΩMIN	Front	If you use one set (A or B), the impedance of each speaker must be 4 Ω or higher.
	Center	If you use two sets (A and B), the impedance of each speaker must be 8 Ω or higher.
	Surround	
	Surround back	

\* The Canada model cannot use two separate speaker systems (A and B) simultaneously when "SP IMP." is set to "8ΩMIN".

### ADVANCED SETUP

#### ■ Factory presets PRESET

Use this feature to reset all the parameters of this unit to the initial factory settings.

- Choices: **CANCEL**, RESET
- Select "CANCEL" not to reset any parameters of this unit.
- Select "RESET" to reset the parameters of this unit.

#### Notes

- This setting completely resets all the parameters of this unit including the "SET MENU" parameters. However, the advanced setup menu parameters will not be initialized.
- The initial factory settings are activated next time you turn on this unit.

#### ■ Network reset N-RESET

Use this feature to reset the network settings of this unit to the initial factory settings.

- Choices: **CANCEL**, RESET
- Select "CANCEL" not to reset any network settings of this unit.
- Select "RESET" to reset the network settings of this unit.

#### Notes

- The initial factory settings are activated next time you turn on this unit.
- When the network settings are reset, "DHCP" in "NETWORK MENU" is automatically set to "ON".

#### ■ Remote control AMP ID REMOTE AMP

Use this feature to set the AMP ID of this unit for remote control recognition.

- Choices: **ID1**, ID2
- Select "ID1" when the remote control AMP ID library code is set to "00001".
- Select "ID2" when the remote control AMP ID library code is set to "00002".

#### Note

You need to set the corresponding remote control AMP library code for the remote control.

## ADVANCED OPERATION

### ADVANCED SETUP

#### ■ Remote control TUNER ID REMOTE TUN

Use this feature to set the TUNER ID of this unit for remote control recognition.

- Choices: **ID1**, ID2
- Select "ID1" when the remote control TUNER ID library code is set to "81916".
- Select "ID2" when the remote control TUNER ID library code is set to "81917".

#### Note

You need to set the corresponding remote control TUNER library code for the remote control.

#### ■ Remote control XM ID REMOTE XM (U.S.A. and Canada models only)

Use this feature to set the XM ID of this unit for remote control recognition.

- Choices: **ID1**, ID2
- Select "ID1" when the remote control XM ID library code is set to "81918".
- Select "ID2" when the remote control XM ID library code is set to "81919".

#### Note

You need to set the corresponding remote control XM library code for the remote control.

#### ■ Tuner frequency step TU (General model only)

Use this feature to set the tuner frequency step according to the frequency spacing in your area.

- Choices: **AM10/FM100**, AM9/FM50
- Select "AM10/FM100" for North, Central and South America.
- Select "AM9/FM50" for all other areas.

## 本機の設定を変更する (ADVANCED SETUP)

ADVANCED SETUPにより、本機の設定を初期設定に戻したり、リモコンIDを変更することができます。

### ご注意

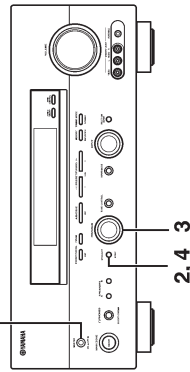
- ADVANCED SETUPの操作をしているあいだは、本機から音が出なくなります。
- ADVANCED SETUPの操作をはじめると、本体のMASTER ON / OFFスイッチ、STRAIGHT / EFFECTキー、PROGRAMセレクター以外は機能しません。

- STRAIGHT / EFFECTキーを繰り返し押しして、設定したい項目を選びます。

### ADVANCED SETUPの操作手順

本体フロントパネルで操作します。

1, 2, 5



- MASTER ON / OFFスイッチを押して、本機の電源をオフにする。



- STRAIGHT / EFFECTキーを押しながら、もう1度MASTER ON / OFFスイッチを押す。

本機の電源がオンになり、フロントパネルディスプレイにADVANCED SETUPのメニューが表示されます。



を押しながら

- PROGRAMセレクターを回して設定したいメニューを選びます。

詳しくは右記の「ADVANCED SETUPのメニューと項目」をご覧ください。



- MASTER ON / OFFスイッチを押す。

電源がオフになり、手順3～4で設定した内容が記憶されます。



手順5を行うと、ADVANCED SETUPの手順は終了します。  
電源をオンにすると、選んだ設定が有効になります。

### ADVANCED SETUPのメニューと項目

必要に応じて初期設定を変更してください。

#### PRESET (初期設定に戻す)

変更したセットメニューの設定や音場プログラムパラメーター、登録 (プリセット) されたFM / AM放送局などをすべて初期設定に戻すことができます。詳しくは、「すべての設定を初期設定に戻す」をご覧ください。

### ご注意

ADVANCED SETUPの設定は初期設定に戻りません。

すべての設定を初期設定に戻す

#### REMOTE AMP (アンプ用リモコンID)

本体のアンプ用リモコンIDをリモコンのアンブライトラリコードの設定に合わせて切り替えます。

選択項目：ID1、ID2  
初期設定：ID1

ID1：アンブライトラリコードが「00001」に設定されているときに選びます。

ID2：アンブライトラリコードが「00002」に設定されているときに選びます。

#### REMOTE TUN (チューナー用リモコンID)

本体のチューナー用リモコンIDをリモコンのチューナーラリコードの設定に合わせて切り替えます。

選択項目：ID1、ID2  
初期設定：ID1

ID1：チューナーラリコードが「81916」に設定されているときに選びます。

ID2：チューナーラリコードが「81917」に設定されているときに選びます。

### ご注意

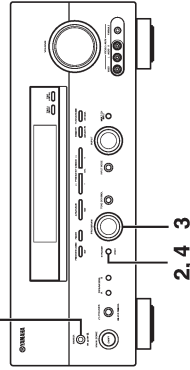
リモコンのライトラリコードの設定もあわせてご確認ください。詳しくは、「ライトラリコードを変更する」をご覧ください。

## すべての設定を初期設定に戻す

変更したセットメニューの設定や音場プログラムパラメーター、登録 (プリセット) されたFM / AM放送局などをすべて初期設定に戻すことができます。

本体フロントパネルで操作します。

1, 2, 5



- 本機の電源をオフにする。



- STRAIGHT / EFFECTキーを押しながら、MASTER ON / OFFスイッチを押す。

本機の電源がオンになり、フロントパネルディスプレイにADVANCED SETUPのメニューが表示されます。



を押しながら

- PROGRAMセレクターを回して、PRESETを選びます。



- STRAIGHT / EFFECTキーを押して、PRESET - CANCELまたはPRESET - RESETを選びます。



CANCEL：初期設定に戻しません。  
RESET：すべての設定を初期設定に戻します。

- MASTER ON / OFFスイッチを押す。



「CANCEL」を選んだ場合は初期設定に戻らずに、本機の電源はそのままオフになります。「RESET」を選んだ場合は、すべての設定が初期設定に戻り、本機の電源はオフになります。

## 視聴空間をより細かく設定する (セットメニュー)

# **RX-N600/RX-N600D/HTR-N5060/ DSP-N600**

---

