

AV RECEIVER/AV AMPLIFIER RX-V1800/HTR-6190/ DSP-AX1800 SERVICE MANUAL

RX-V1800/HTR-6190/
DSP-AX1800

IMPORTANT NOTICE

This manual has been provided for the use of authorized YAMAHA Retailers and their service personnel. It has been assumed that basic service procedures inherent to the industry, and more specifically YAMAHA Products, are already known and understood by the users, and have therefore not been restated.

WARNING: Failure to follow appropriate service and safety procedures when servicing this product may result in personal injury, destruction of expensive components, and failure of the product to perform as specified. For these reasons, we advise all YAMAHA product owners that any service required should be performed by an authorized YAMAHA Retailer or the appointed service representative.

IMPORTANT: The presentation or sale of this manual to any individual or firm does not constitute authorization, certification or recognition of any applicable technical capabilities, or establish a principle-agent relationship of any form.

The data provided is believed to be accurate and applicable to the unit(s) indicated on the cover. The research, engineering, and service departments of YAMAHA are continually striving to improve YAMAHA products. Modifications are, therefore, inevitable and specifications are subject to change without notice or obligation to retrofit. Should any discrepancy appear to exist, please contact the distributor's Service Division.

WARNING: Static discharges can destroy expensive components. Discharge any static electricity your body may have accumulated by grounding yourself to the ground buss in the unit (heavy gauge black wires connect to this buss).

IMPORTANT: Turn the unit OFF during disassembly and part replacement. Recheck all work before you apply power to the unit.

CONTENTS

TO SERVICE PERSONNEL	2	AMP ADJUSTMENT / アンプ部調整	71
FRONT PANELS	3-4	DISPLAY DATA	72
REAR PANELS	5-8	IC DATA	73-84
REMOTE CONTROL PANELS	9	BLOCK DIAGRAMS	85-87
SPECIFICATIONS / 参考仕様	10-13	PRINTED CIRCUIT BOARDS	88-115
INTERNAL VIEW	14	PIN CONNECTION DIAGRAMS	116-118
DISASSEMBLY PROCEDURES / 分解手順	14-20	SCHEMATIC DIAGRAMS	119-137
UPDATING FIRMWARE / ファームウェアの書き込み	20-33	REPLACEMENT PARTS LIST	139-174
SELF-DIAGNOSTIC FUNCTION / ダイアグ (自己診断機能)	34-70	REMOTE CONTROL	175-178
		ADVANCED SETUP / アドバンストセットアップメニューを設定する	179-181



このサービスマニュアルは、エコマーク認定の再生紙を使用しています。
This Service Manual uses recycled paper.

101063

© 2007 YAMAHA CORPORATION All rights reserved.
This manual is copyrighted by YAMAHA and may not be copied or
redistributed either in print or electronically without permission.



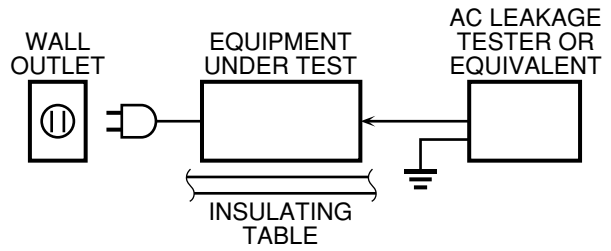
YAMAHA

YAMAHA CORPORATION
P.O.Box 1, Hamamatsu, Japan

07.08

■ TO SERVICE PERSONNEL

1. Critical Components Information
Components having special characteristics are marked ⚠ and must be replaced with parts having specifications equal to those originally installed.
2. Leakage Current Measurement (For 120V Models Only)
When service has been completed, it is imperative to verify that all exposed conductive surfaces are properly insulated from supply circuits.
 - Meter impedance should be equivalent to 1500 ohms shunted by 0.15μF.



- Leakage current must not exceed 0.5mA.
- Be sure to test for leakage with the AC plug in both polarities.



For U model

“CAUTION”

“F1, F2: FOR CONTINUED PROTECTION AGAINST RISK OF FIRE, REPLACE ONLY WITH SAME TYPE 10A, 125V FUSE.”

For C model

CAUTION

F1, F2: REPLACE WITH SAME TYPE 10A, 125V FUSE.

ATTENTION

F1, F2: UTILISER UN FUSIBLE DE RECHANGE DE MÊME TYPE DE 10A, 125V.

WARNING: CHEMICAL CONTENT NOTICE!

The solder used in the production of this product contains LEAD. In addition, other electrical/electronic and/or plastic (where applicable) components may also contain traces of chemicals found by the California Health and Welfare Agency (and possibly other entities) to cause cancer and/or birth defects or other reproductive harm.

DO NOT PLACE SOLDER, ELECTRICAL/ELECTRONIC OR PLASTIC COMPONENTS IN YOUR MOUTH FOR ANY REASON WHATSOEVER!

Avoid prolonged, unprotected contact between solder and your skin! When soldering, do not inhale solder fumes or expose eyes to solder/flux vapor!

If you come in contact with solder or components located inside the enclosure of this product, wash your hands before handling food.

About lead free solder / 無鉛ハンダについて

All of the P.C.B.s installed in this unit and solder joints are soldered using the lead free solder.

Among some types of lead free solder currently available, it is recommended to use one of the following types for the repair work.

- Sn + Ag + Cu (tin + silver + copper)
- Sn + Cu (tin + copper)
- Sn + Zn + Bi (tin + zinc + bismuth)

Caution:

As the melting point temperature of the lead free solder is about 30°C to 40°C (50°F to 70°F) higher than that of the lead solder, be sure to use a soldering iron suitable to each solder.

本機に搭載されているすべての基板およびハンダ付けによる接合部は無鉛ハンダでハンダ付けされています。

無鉛ハンダにはいくつかの種類がありますが、修理時には下記のような無鉛ハンダの使用を推奨します。

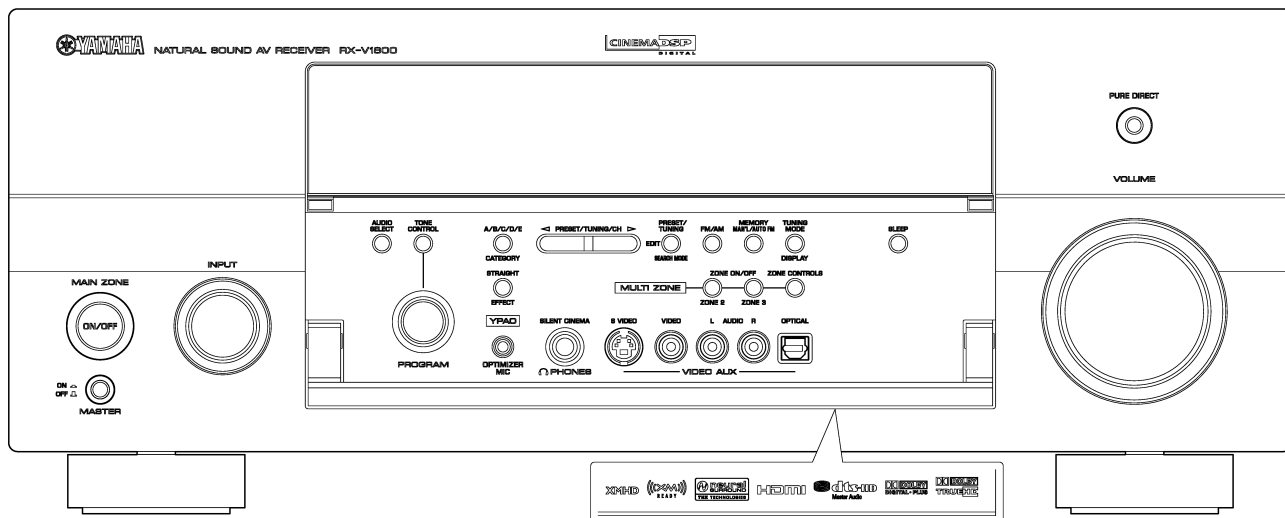
- ・ Sn+Ag+Cu(錫+銀+銅)
- ・ Sn+Cu(錫+銅)
- ・ Sn+Zn+Bi(錫+亜鉛+ビスマス)

注意：

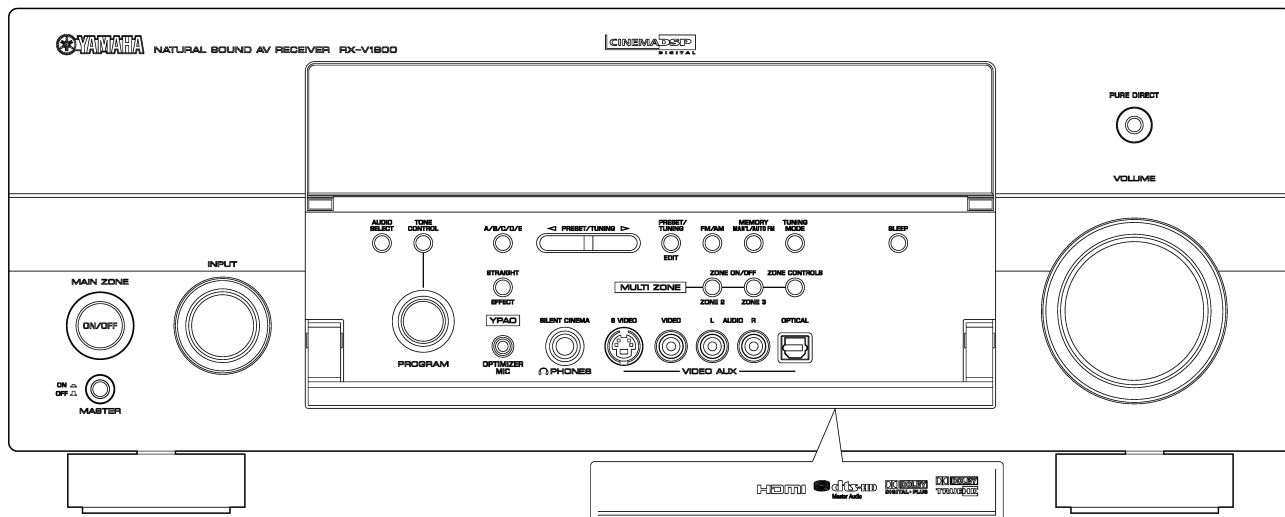
無鉛ハンダの融点温度は通常の鉛入りハンダに比べ30～40℃程度高くなっていますので、それぞれのハンダに合ったハンダごてをご使用ください。

FRONT PANELS

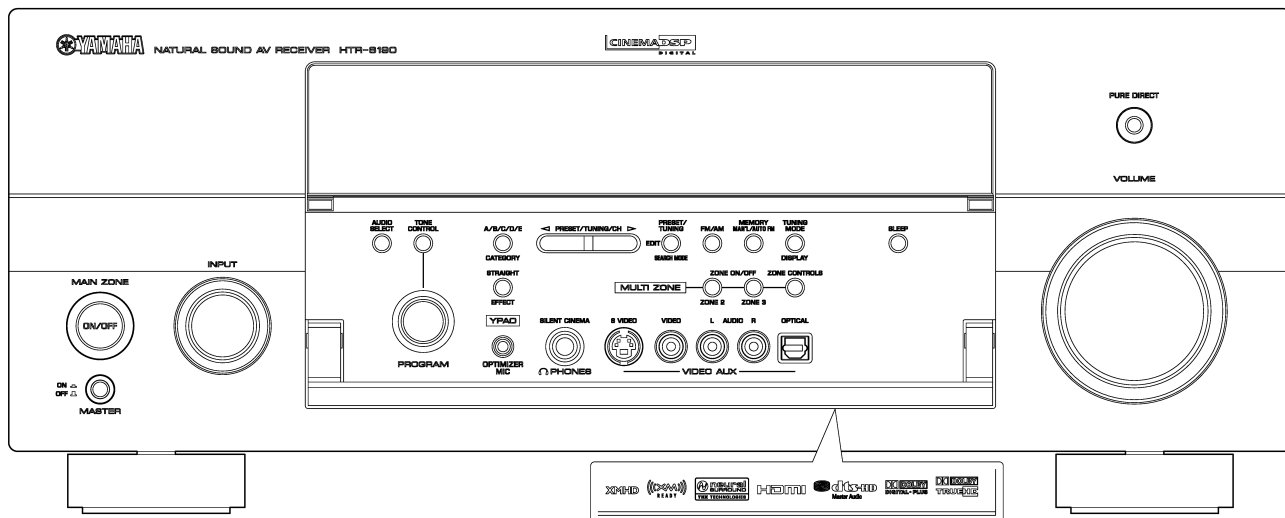
RX-V1800 (U, C models)



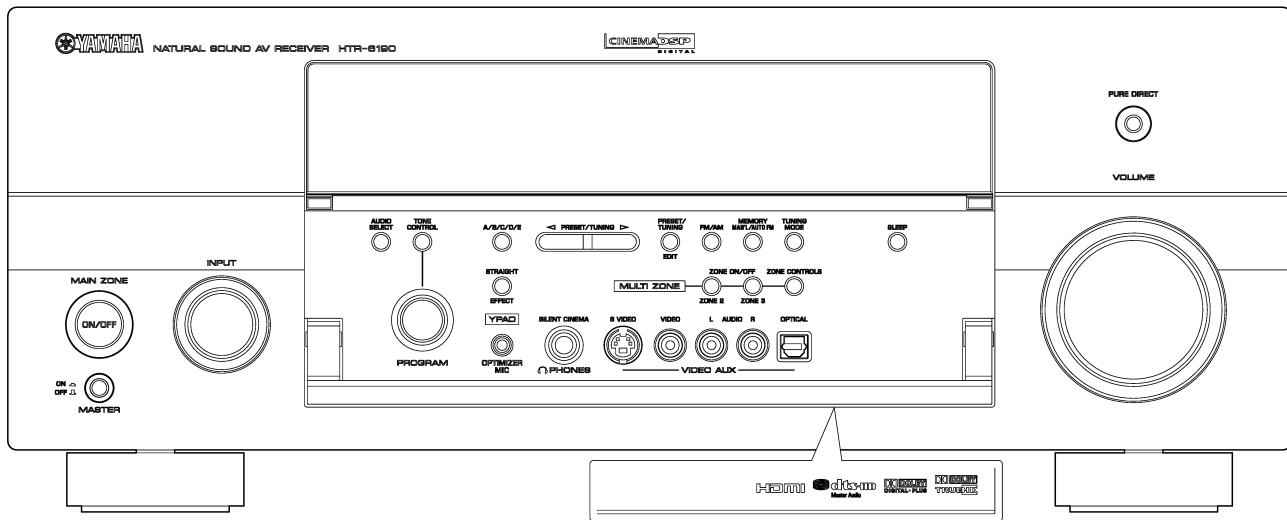
RX-V1800 (R, T, K, A, B, G, E, L models)



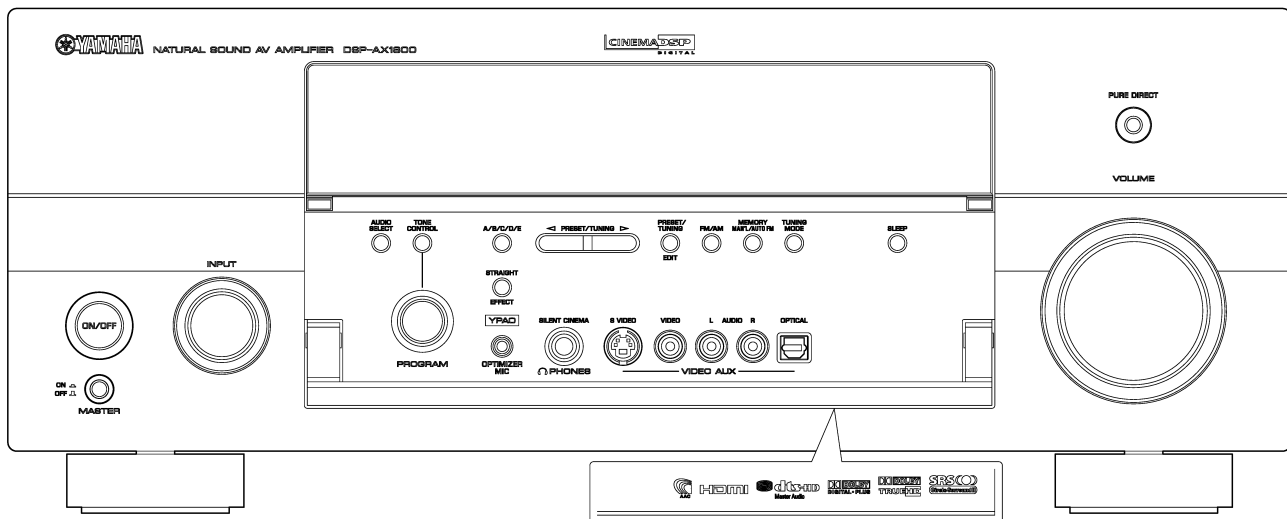
HTR-6190 (C model)



HTR-6190 (G model)

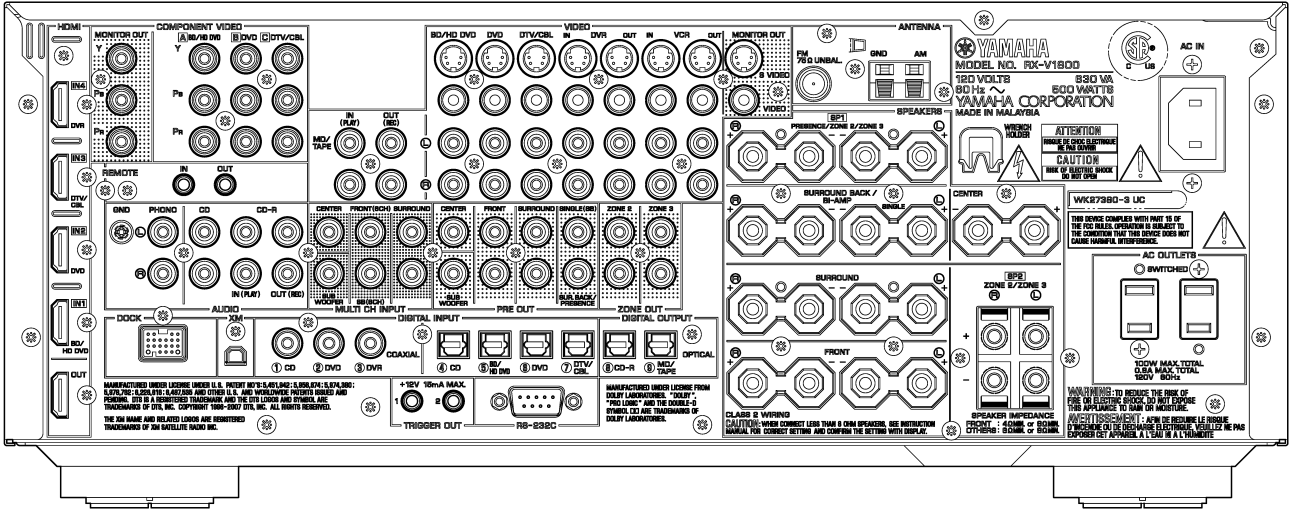


DSP-AX1800 (J model)

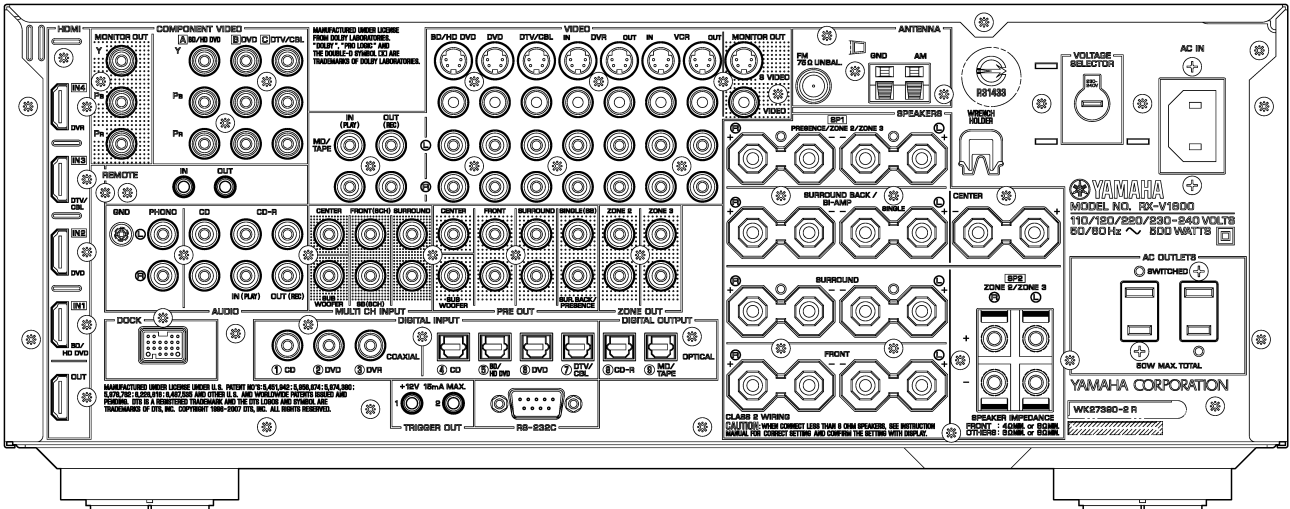


REAR PANELS

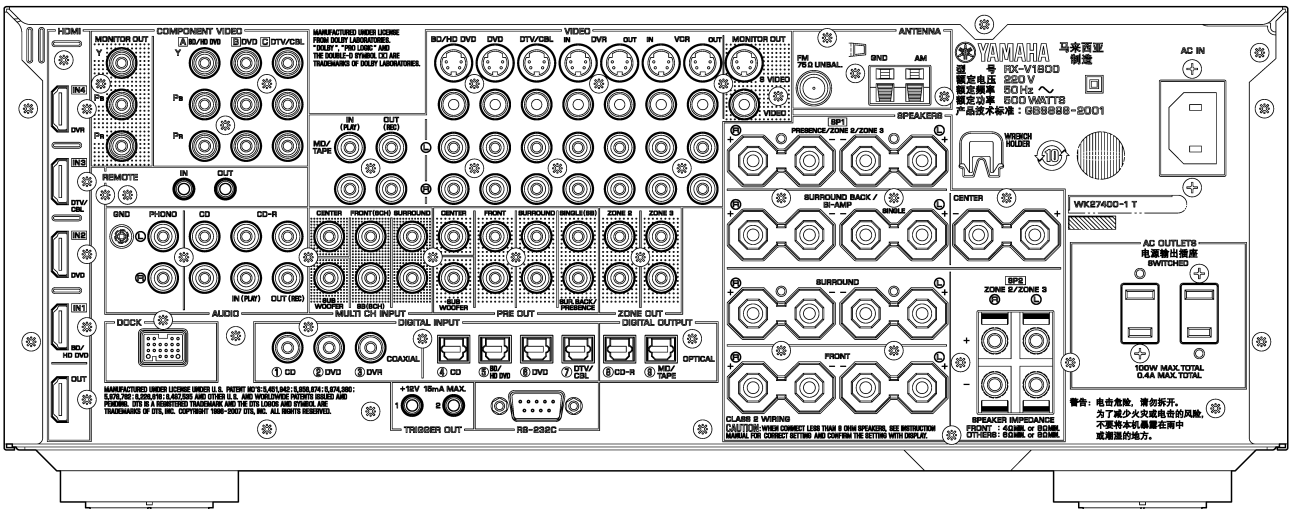
RX-V1800 (U, C models)



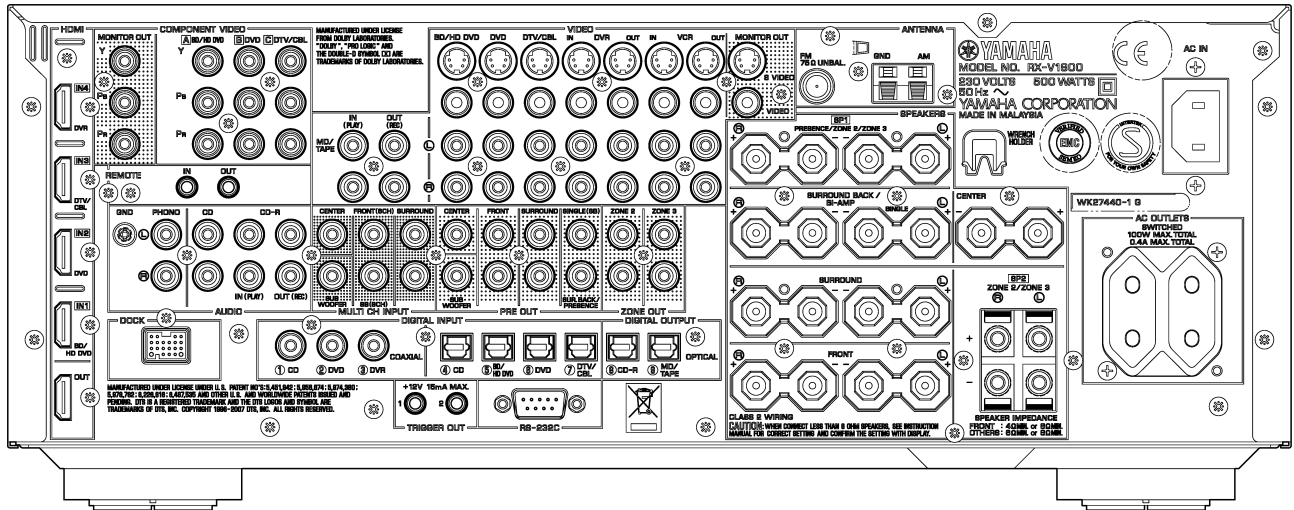
RX-V1800 (R model)



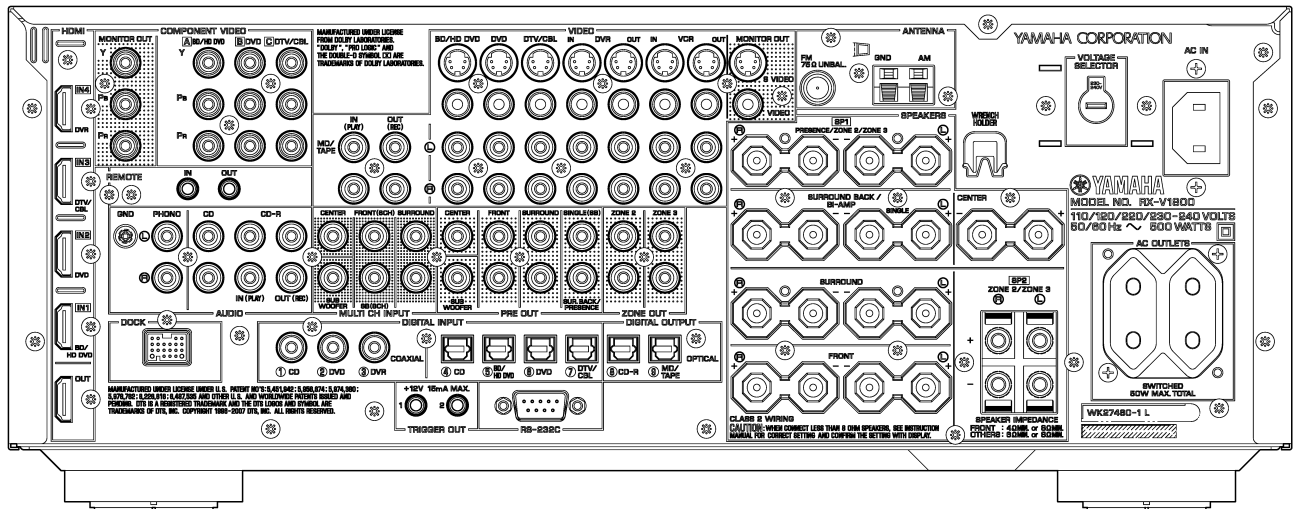
RX-V1800 (T model)



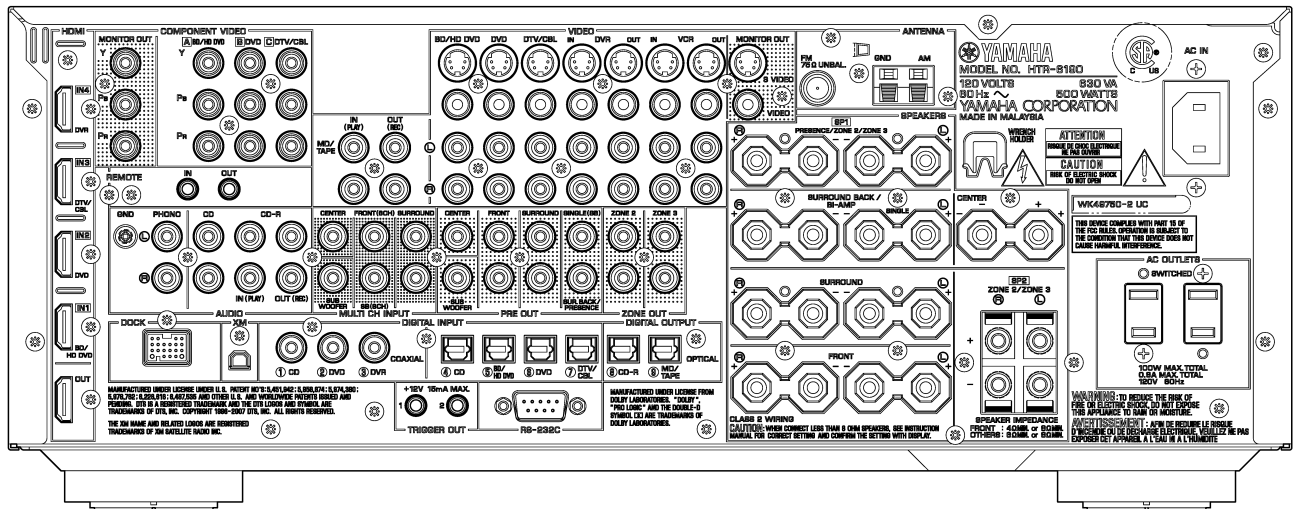
RX-V1800 (G, E models)



RX-V1800 (L model)

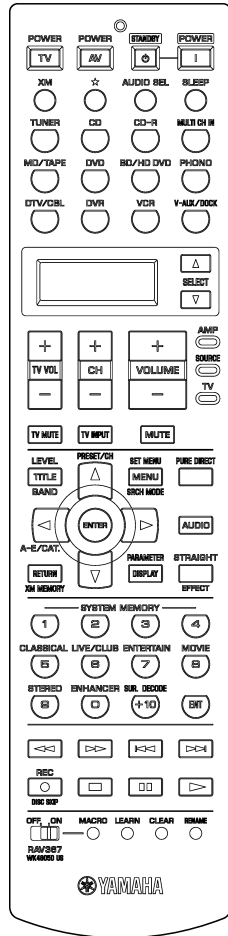


HTR-6190 (C model)

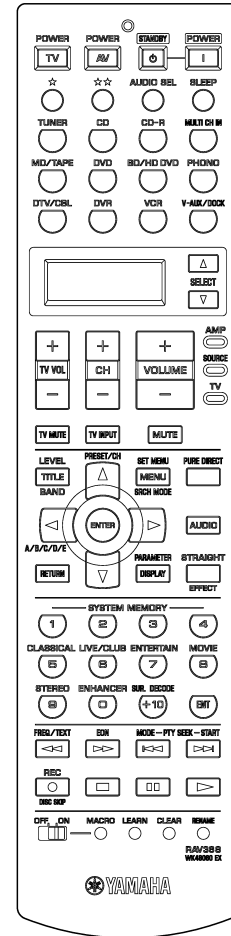


■ REMOTE CONTROL PANELS

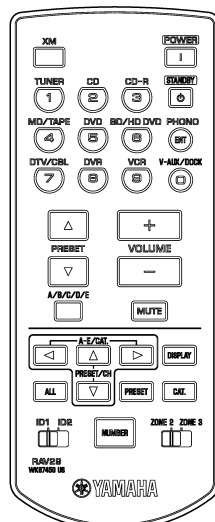
- RAV367
RX-V1800 (U, C models)
HTR-6190 (C model)



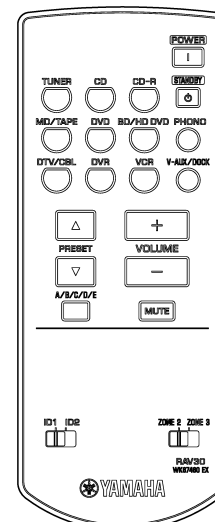
- RAV368
RX-V1800 (R, T, K, A, B, G, E, L models)
HTR-6190 (G model)
DSP-AX1800 (J model)



- RAV29
RX-V1800 (U, C models)



- RAV30
RX-V1800 (R, T, K, A, B, L models)



■ SPECIFICATIONS / 参考仕様

■ Audio Section / オーディオ部

Minimum RMS Output Power (Power Amp. Section) /

定格出力 (パワーアンプ部) (20 Hz to 20 kHz)

FRONT L/R	
U, C, R, T, K, A, B, G, E, L models (0.04 % THD, 8 ohms)	130 W + 130 W
J model (0.06 % THD, 6 ohms)	130 W + 130 W
CENTER	
U, C, R, T, K, A, B, G, E, L models (0.04 % THD, 8 ohms)	130 W
J model (0.06 % THD, 6 ohms)	130 W
SURROUND L/R	
U, C, R, T, K, A, B, G, E, L models (0.04 % THD, 8 ohms)	130 W + 130 W
J model (0.06 % THD, 6 ohms)	130 W + 130 W
SURROUND BACK L/R	
U, C, R, T, K, A, B, G, E, L models (0.04 % THD, 8 ohms)	130 W + 130 W
J model (0.06 % THD, 6 ohms)	130 W + 130 W

Maximum Power / 実用最大出力 (JEITA, 1 kHz, 10 % THD)

FRONT L/R	
R, T, K, L models (8 ohms)	175 W + 175 W
J model (6 ohms)	175 W + 175 W
CENTER	
R, T, K, L models (8 ohms)	175 W
J model (6 ohms)	175 W
SURROUND L/R	
R, T, K, L models (8 ohms)	175 W + 175 W
J model (6 ohms)	175 W + 175 W
SURROUND BACK L/R	
R, T, K, L models (8 ohms)	175 W + 175 W
J model (6 ohms)	175 W + 175 W

Dynamic Power Per Channel (IHF) [U, C, R, T, K, A, L models]

FRONT L/R (8/6/4/2 ohms)	160/195/255/335 W
--------------------------	-------------------

Max. Power Per Channel (1 kHz, 0.7 % THD, 4 ohms)

[B, G, E models]	
FRONT L/R	180 W + 180 W
CENTER	180 W
SURROUND L/R	180 W + 180 W
SURROUND BACK L/R	180 W + 180 W

Dynamic Headroom [U, C, R, T, K, A, L models]

8 ohms	0.9 dB
--------	--------

IEC Power (1 kHz, 0.04 % THD, 8 ohms) [B, G, E models]

FRONT L/R	130 W + 130 W
-----------	---------------

Damping Factor / ダンピングファクタ

FRONT L/R (20 Hz to 20 kHz, SPEAKER-A, 8 ohms)	150 or more
--	-------------

Input Sensitivity/Input Impedance / 入力感度/入力インピーダンス (1 kHz, 100 W/8 ohms)

PHONO (MM)	3.5 mV / 47 k-ohms
CD, etc.	200 mV / 47 k-ohms
MULTI CH INPUT	

FRONT L/R, CENTER, SURROUND L/R, SUBWOOFER	200 mV / 47 k-ohms
--	--------------------

Maximum Input Signal Level / 最大許容入力

PHONO (MM) (1 kHz, 0.1 % THD)	60 mV or more
CD, etc. (1 kHz, 0.5 % THD)	2.4 V or more

Output Level/Output Impedance / 出力電圧/出力インピーダンス

REC OUT	200 mV / 900 ohms
PRE OUT (FRONT L/R, CENTER, SURROUND L/R, SURROUND BACK L/R)	1.0 V / 1.2 k-ohms
SUBWOOFER (20 Hz)	2.0 V / 1.2 k-ohms
ZONE2 OUT [U, C, R, T, K, A, B, G, E, L models]	
	1.0 V / 1.4 k-ohms
ZONE3 OUT [U, C, R, T, K, A, B, G, E, L models]	
	1.0 V / 1.4 k-ohms

Headphone Jack Rated Output/Impedance / ヘッドフォン出力/出力インピーダンス

CD, etc. (1 kHz, 40 mV, 8 ohms)	150 mV / 100 ohms
---------------------------------	-------------------

Frequency Response / 周波数特性 (10 Hz to 100 kHz)

CD, etc. to FRONT L/R (Pure direct)	+0/-3.0 dB
-------------------------------------	------------

RIAA Equalization Deviation / RIAA偏差 (20 Hz to 20 kHz)

PHONO (MM)	0 ±0.5 dB
------------	-----------

Total Harmonic Distortion / 全高調波歪率 (20 Hz to 20 kHz)

PHONO (MM) to REC OUT (1 V)	0.02 % or less
CD, etc. to FRONT L/R SP OUT (65 W, 8 ohms)	0.04 % or less

Signal to Noise Ratio / 信号対雑音比 (IHF-A network)

PHONO (MM) (Input shorted) to SP OUT	
U, C, R, T, K, L models (5 mV)	86 dB or more
A, B, G, E models (5 mV)	81 dB or more
J model (2.5 mV)	80 dB or more
CD, etc. (Input shorted) to SP OUT	
250 mV	100 dB or more

Residual Noise / 残留ノイズ (IHF-A network)

FRONT L/R SP OUT	150 μV or less
------------------	----------------

Channel Separation / チャンネルセパレーション (1 kHz/10 kHz)

PHONO (Input shorted)	60 dB or more/55 dB or more
CD, etc. (Input 5.1 k-ohms shorted)	60 dB or more/45 dB or more

Tone Control Characteristics / トーンコントロール特性

BASS	
Boost/Cut	±6 dB (50 Hz)
Turnover frequency	350 Hz
TREBLE	
Boost/Cut	±6 dB (20 kHz)
Turnover frequency	3.5 kHz

ZONE2, ZONE3 Tone Control Characteristics

[U, C, R, T, K, A, B, G, E, L models]	
BASS	
Boost/Cut	±10 dB (100 Hz)
Turnover frequency	450 Hz
TREBLE	
Boost/Cut	±10 dB (10 kHz)
Turnover frequency	2.0 kHz

Filter Characteristics / フィルター特性

FRONT, CENTER, SURROUND, SURROUND BACK small (H.P.F.)	
	fc=40/60/80/90/100/110/120/160/200 Hz, 12 dB/oct.
SUBWOOFER (L.P.F.)	
	fc=40/60/80/90/100/110/120/160/200 Hz, 24 dB/oct.

■ Video Section / ビデオ部

Video Signal Type / ビデオ信号方式

Gray Back	
U, C, R, K, J models	NTSC
T, A, B, G, E, L models	PAL
Video conversion	NTSC/PAL

Composite Video Signal Level / コンポジットビデオ信号

	1 Vp-p / 75 ohms
--	------------------

S-Video Signal Level / Sビデオ信号

Y	1 Vp-p / 75 ohms
C	0.286 Vp-p / 75 ohms

Component Video Signal Level / コンポーネントビデオ信号

Y	1 Vp-p / 75 ohms
Pb/Pr	0.7 Vp-p / 75 ohms

Maximum Input Level / 最大許容入力

VIDEO CONV. OFF	1.5 Vp-p or more
-----------------	------------------

Signal to Noise Ratio / 信号対雑音比

VIDEO CONV. OFF	60 dB or more
-----------------	---------------

Monitor Out Frequency Response / モニターアウト周波数帯域
(VIDEO CONV. OFF)

Component video signal 5 Hz to 100 MHz, ±3 dB
D5-video signal [J model] 5 Hz to 100 MHz, ±3 dB

HDMI

HDMI (Ver. 1.3a) Type A

■ **FM Section / FM部**

Tuning Range / 受信周波数範囲

U, C models 87.5 to 107.9 MHz
R, L models 87.5 to 108.0 / 87.50 to 108.00 MHz
T, K, A, B, G, E models 87.50 to 108.00 MHz
J model 76.0 to 90.0 MHz

50dB Quieting Sensitivity / 50 dB SN感度 (IHF) (1 kHz, 100 % MOD.)

Mono 2.0 μV (17.3 dBf)
Stereo 25 μV (39.2 dBf)

Usable Sensitivity / 実用感度 (IHF)

Mono 1.0 μV (11.2 dBf)

Selectivity / 選択度

at 400 kHz 70 dB

Signal to Noise Ratio / 信号対雑音比 (IHF)

Mono 76 dB
Stereo 70 dB

Harmonic Distortion / 歪率 (1 kHz)

Mono 0.2 %
Stereo 0.3 %

Stereo Separation / ステレオセパレーション (1 kHz)

..... 42 dB

Frequency Response / 周波数特性 (20 Hz to 15 kHz)

..... +0.5 / -2 dB

Antenna Input / アンテナ入力

..... 75 ohms unbalanced

■ **AM Section / AM部**

Tuning Range / 受信周波数範囲

U, C models 530 to 1,710 kHz
R, L models 530 to 1,710 / 531 to 1,611 kHz
T, K, A, B, G, E, J models 531 to 1,611 kHz

Usable Sensitivity / 実用感度 300 μV/m

Antenna Input / アンテナ入力 Loop antenna

■ **General / 総合**

Power Supply / 電源電圧

U, C models AC 120 V, 60 Hz
R, L models AC 110/120/220/230-240 V, 50/60 Hz
T model AC 220 V, 50 Hz
K model AC 220 V, 60 Hz
A model AC 240 V, 50 Hz
B, G, E models AC 230 V, 50 Hz
J model AC 100 V, 50/60 Hz

Power Consumption / 消費電力

U, C models 500 W / 630 VA
R, T, K, A, B, G, E, L models 500 W
J model 400 W

Standby Power Consumption (reference data) / 待機時消費電力(参考値)

U, C, T, K, A, B, G, E, L, J models 0.1 W or less
R model (AC 240 V / 50 Hz) 0.33 W or less

Maximum Power Consumption (6 ch drive, 10 % THD) [R model]

..... 1100 W

AC Outlets / ACアウトレット

2 switched outlets
U, C models 100 W max. total / 0.8 A max. total
R, T, L models 50 W max. total
G, E models 100 W max. total / 0.4 A max. total
J model 100 W max. total
1 switched outlet
A model 100 W max.
B model 100 W max. / 0.4 A max.

Dimensions / 寸法 (W x H x D)

..... 435 x 171 x 438.5 mm (17-1/8" x 6-3/4" x 17-1/4")

Weight / 質量 17.0 kg (37 lbs. 8 oz.)

Finish / 仕上げ

[RX-V1800]
Gold color R, T, K, L models
Black color U, C, R, A, B, G, E models
Titanium color B, G, E, L models
[HTR-6190]
Black color C, G models
Titanium color G model
[DSP-AX1800]
Gold color J model

Accessories / 付属品

Remote control x 1, Zone remote control x 1 (U, C, R, T, K, A, B, L models), Batteries (R03, AAA, UM-4) x 6 (RX-V1800: U, C, R, T, K, A, B, L models) / x 4 (RX-V1800: G, E models / HTR-6190: C, G models / DSP-AX1800: J model), Indoor FM antenna x 1, AM loop antenna x 1, Power cable x 1 (U, C, R, T, K, A, B, G, E, J models) / x 2 (L model), Optimizer microphone x 1, Speaker terminal wrench x 1

* Specifications are subject to change without notice due to product improvements.

※ 参考仕様および外観は予告なく変更されることがあります。

U U.S.A. model B British model
C Canadian model G European model
R General model E South European model
T Chinese model L Singapore model
K Korean model J Japanese model
A Australian model



Manufactured under license from Dolby Laboratories.

"Dolby", "Pro Logic", and the double-D symbol are trademarks of Dolby Laboratories.

ドルビーラボラトリーズからの実施権に基づき製造されています。「ドルビー」、「PRO LOGIC」、「Surround EX」およびダブルD記号 は、ドルビーラボラトリーズの商標です。



DTS is a registered trademark and the DTS logos, Symbol, DTS-HD and DTS-HD Master Audio are trademark of DTS, Inc. © 1996-2007 DTS, Inc. All Rights Reserved.

DTS、及びDTS-HD Master AudioはDTS社の登録商標です。

iPod™

"iPod" is a trademark of Apple Inc., registered in the U.S. and other countries.

iPodは、米国およびその他の国々で登録されたApple Inc.の商標または登録商標です。

HDMI™

"HDMI", the "HDMI" logo and "High-Definition Multimedia Interface" are trademarks, or registered trademarks of HDMI Licensing LLC.

HDMI、HDMIロゴおよびHigh-Definition Multimedia Interfaceは、HDMI Licensing LLCの商標または、登録商標です。

SILENT™ CINEMA

"SILENT CINEMA" is a trademark of YAMAHA CORPORATION.

「サイレントシネマ/SILENT CINEMA」はヤマハ株式会社の登録商標です。



The XM name and related logos are registered trademarks of XM Satellite Radio Inc.



Neural Surround is a trademark owned by Neural Audio Corporation, THX is a trademark of THX Ltd., which may be registered in some jurisdictions. All rights reserved.

This product is manufactured under license from Neural Audio Corporation and THX Ltd. YAMAHA CORPORATION hereby grants the user a non-exclusive, non-transferable, limited right of use to this product under USA and foreign patent, patent pending and other technology or trademarks owned by Neural Audio Corporation and THX Ltd. "Neural Surround", "Neural Audio", "Neural" and "NRL" are trademarks and logos owned by Neural Audio Corporation, THX is a trademark of THX Ltd., which may be registered in some jurisdictions. All rights reserved.

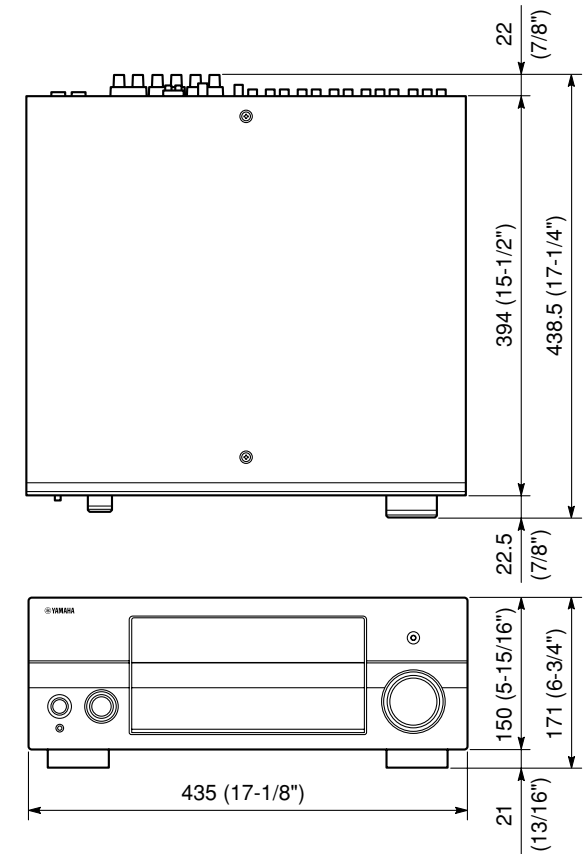


Circle Surround II, FOCUS, TruBass, SRSと 記号はSRS Labs, Inc.の商標です。Circle Surround II, FOCUSとTruBass技術はSRS Labs, Inc.からのライセンスに基づき製品化されています。



AACロゴマーク はドルビーラボラトリーズの商標です。

● **DIMENSIONS / 寸法図**



Unit: mm (inch)
単位: mm(インチ)

• SELECT MENU

		Decode Type (Refer to the attached table. / 別表参照)	3D	DSP Level -6 dB to +3 dB	Init. Delay 1 to 99 ms	Room Size 0.1 to 2.0	Liveness 0 to 10	Sur. Init. Delay 1 to 49 ms	Sur. Room Size 0.1 to 2.0	Sur. Liveness 0 to 10	SB. Init. Delay 1 to 49 ms	SB. Room Size 0.1 to 2.0	SB. Liveness 0 to 10	Rev. Time 1.0 to 5.0 s	Rev. Delay 0 to 250 ms	Rev. Level 0 to 100 %	Dialogue Lift 0 to 5	Center Level 0 to 100 %	Surround L Level 0 to 100 %	Surround R Level 0 to 100 %	Sur. Back Level 0 to 100 %	Presence L Level 0 to 100 %	Presence R Level 0 to 100 %	Direct Auto/Off	Low / High	Panorama On/Off	Center Width 0 to 7	Dimension -3 to +3	Center Image 0.0 to 1.0	FOCUS 0 to 8	TruBass 0 to 8	Extd (Extended) Decode (Refer to the attached table. / 別表参照)	Initialize	
CLASSICAL	Hall in Munich			●	●	●	●										●																	●
	Hall in Vienna			●	●	●	●										●																	●
	Hall in Amsterdam			●	●	●	●										●																	●
	Church in Freiburg			●	●		●								●	●	●	●																●
	Chamber			●	●		●								●	●	●	●																●
LIVE/CLUB	Village Vanguard			●	●	●	●										●																	●
	Warehouse Loft			●	●	●	●							●	●	●	●																	●
	Cellar Club			●	●	●	●										●																	●
	The Roxy Theatre			●	●	●	●							●	●	●	●																	●
ENTERTAINMENT	The Bottom Line			●	●	●	●										●																	●
	Sports			●	●	●		●	●		●	●					●																	●
	Action Game			●	●	●		●	●		●	●					●																	●
	Roleplaying Game			●	●	●		●	●		●	●					●																	●
	Music Video			●	●	●		●	●		●	●					●																	●
MOVIE	Recital/Opera			●	●	●		●	●		●	●					●																	●
	Standard	● *1		●				●	●	●	●	●	●				●																	●
	Spectacle	● *1		●	●	●		●	●		●	●					●																	●
	Sci-Fi	● *1		●	●	●		●	●		●	●					●																	●
	Adventure	● *1		●	●	●		●	●		●	●					●																	●
	Drama	● *1		●	●	●		●	●		●	●					●																	●
STEREO	Mono Movie			●	●	●	●							●	●	●	●																	●
	2 ch Stereo																	●						●										●
MUSIC ENHANCER	7 ch Stereo																	●	●	●	●	●	●											●
	Straight Enhancer																							●										●
SUR. DECODE	7 ch Enhancer																							●										●
	Surround Decoder	● *2																								△	△	△	▲	■	■	● *3	●	
STRAIGHT																																		

△: Setting is possible only when Pro Logic II x Music is selected using decode type. / Decode Type で Pro Logic II x Music を選択時のみ設定可

▲: Setting is possible only when Neo:6 Music is selected using decode type. / Decode Type で Neo:6 Music を選択時のみ設定可

■: Setting is possible only when CS II Cinema/Music is selected using decode type. / Decode Type で CS II Cinema/Music を選択時のみ選択可

*1 Decode Type

Decode Type	PL II x Movie	PL II when Surround Back is None. / Surround BackがNoneの場合はPL II
	Neo:6 Cinema	

*2 Decode Type

Decode Type	Pro Logic	PL II when Surround Back is None. / Surround BackがNoneの場合はPL II
	PL II x Movie	PL II when Surround Back is None. / Surround BackがNoneの場合はPL II
	PL II x Music	PL II when Surround Back is None. / Surround BackがNoneの場合はPL II
	PL II x Game	
	Neo:6 Cinema	
	Neo:6 Music	
	CS II Cinema	(J model)
	CS II Music	(J model)
	Neural-THX	(U, C modes)

*3 Extd (Extended) Decode

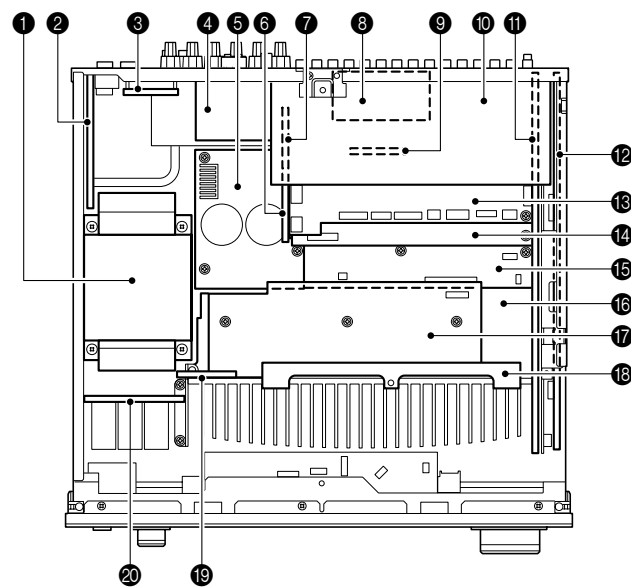
Extd (Extended) Decode	AUTO	Does't displayed when Surround Back is x1/None. / Surround Backがx1/Noneの場合は表示しない
	PL II x Movie	Does't displayed when Surround Back is None. / Surround BackがNoneの場合は表示しない
	PL II x Music	
	EX/ES	
	EX	
	Neural-THX	(U, C modes)
	OFF	

• SET MENU TABLE / セットメニュー
MANUAL SETUP

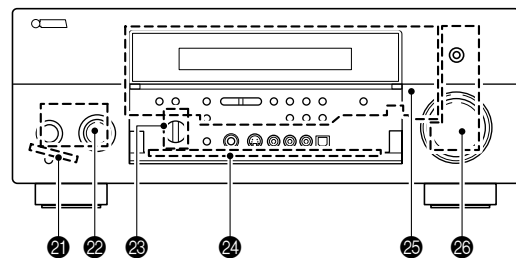
MAIN MENU	SUB MENU	PARAMETER	VALUE [INITIAL VALUE]		
1) BASIC MENU	A) SPEAKER SET	LFE/BASS OUT	SWFR / FRONT / [BOTH]		
		FRONT SP	SMALL / [LARGE]		
		CENTER SP	NONE / [SML] / LRG		
	SUR. L/R SP	NONE / [SML] / LRG			
	SB L/R SP	NONE / [SMLx1] / [SMLx2] / LRGx1 / LRGx2			
	PRESENCE SP	NONE / [YES]			
	CROSSOVER	40 / 60 / [80] / 90 / 100 / 110 / 120 / 160 / 200 Hz			
	SUBWOOFER PHASE	[NORMAL] / REVERSE			
	PRIORITY	PRNS / [SB]			
	B) SPEAKER LEVEL	FRONT L		-10.0 to +10.0 dB, 0.5 dB step, [0 dB]	
		FRONT R			
		CENTER			
		SUR. L			
		SB L			
		SB R			
	C) SP DISTANCE	SB R			
		SB			
		SWFR			
		PRNS L			
PRNS R					
UNIT			meters / feet		
2) VOLUME MENU	D) TEST TONE	FRONT L			
		FRONT R			
		CENTER			
		SUR. L			
		SUR. R			
		SB L			
	SB R				
	SB				
	SWFR				
	PRNS L				
	PRNS R				
	TEST TONE		ON / [OFF]		
	ADAPTIVE DRC		AUTO / [OFF]		
	ADAPTIVE DSP LEVEL		AUTO / [OFF]		
	MUTE TYPE		[FULL] / -20 dB		
	MAX VOLUME		[+16.5 dB] / +15 dB / +10 dB / +5 dB / 0 dB / -5 dB / -10 dB / -15 dB / -20 dB / -25 dB / -30 dB		
	INITIAL VOLUME		[OFF] / MUTE / -80.0 to +16.5 dB, 0.5 dB step AUTO PEQ / [GEO] / EQ OFF		
	3) SOUND MENU	A) EQUALIZER	SELECT		
			FRONT L	63/160/400/1 k/2.5 k/6.3 k/16 k	
FRONT R			63/160/400/1 k/2.5 k/6.3 k/16 k		
CENTER			63/160/400/1 k/2.5 k/6.3 k/16 k		
SUR. L			63/160/400/1 k/2.5 k/6.3 k/16 k		
SUR. R			63/160/400/1 k/2.5 k/6.3 k/16 k		
SB L			63/160/400/1 k/2.5 k/6.3 k/16 k		
SB R			63/160/400/1 k/2.5 k/6.3 k/16 k		
SB			63/160/400/1 k/2.5 k/6.3 k/16 k		
PRNS L			63/160/400/1 k/2.5 k/6.3 k/16 k		
PRNS R			63/160/400/1 k/2.5 k/6.3 k/16 k		
SWFR			63/160 Hz		
TEST					
SPEAKER					
HEADPHONE					
SPEAKER					
HEADPHONE					
HDMI AUTO LIP-SYNC					
AUTO DELAY					
MANUAL DELAY					
EXTENDED SURROUND					
EXTENDED SURROUND					
EXTENDED SURROUND					
TONE BYPASS					
DUAL MONO (J model)					
SUPPORT AUDIO					
COMPONENT-VIDEO INPUT [A]		[1800] (RX-V1800/DSP-AX1800), [6190] (HTR-6190) / OTHER			
COMPONENT-VIDEO INPUT [B]		[BD/HD DVD] / [DVD] / DTV/CBL / DVR / VCR / V-AUX			
COMPONENT-VIDEO INPUT [C]		[BD/HD DVD] / [DVD] / DTV/CBL / DVR / VCR / V-AUX BD/HD DVD / DVD / [DTV/CBL] / DVR / VCR / V-AUX			
4) INPUT MENU	A) I/O ASSIGNMENT	COAXIAL IN (1)	PHONO / [CD] / CD-R / MD TAPE / BD/HD DVD / [DVR] / DTV/CBL / DVR / VCR / V-AUX		
		COAXIAL IN (2)	PHONO / CD / CD-R / MD TAPE / BD/HD DVD / [DVR] / DTV/CBL / DVR / VCR / V-AUX		
		COAXIAL IN (3)	PHONO / CD / CD-R / MD TAPE / BD/HD DVD / [DVR] / DTV/CBL / DVR / VCR / V-AUX		
		OPTICAL IN (4)	PHONO / [CD] / CD-R / MD TAPE / BD/HD DVD / DVD / DTV/CBL / DVR / VCR / V-AUX		
		OPTICAL IN (5)	PHONO / CD / CD-R / MD TAPE / BD/HD DVD / [DVR] / DTV/CBL / DVR / VCR / V-AUX		
		OPTICAL IN (6)	PHONO / CD / CD-R / MD TAPE / BD/HD DVD / [DVR] / DTV/CBL / DVR / VCR / V-AUX		
		OPTICAL IN (7)	PHONO / CD / CD-R / MD TAPE / BD/HD DVD / [DVR] / DTV/CBL / DVR / VCR / V-AUX		
		OPTICAL OUT (8)	PHONO / CD / [CD-R] / MD TAPE / BD/HD DVD / DVD / DTV/CBL / DVR / VCR / V-AUX		
		OPTICAL OUT (9)	PHONO / CD / [CD-R] / MD TAPE / BD/HD DVD / DVD / DTV/CBL / DVR / VCR / V-AUX		
		HDMI IN (IN1)	[BD/HD DVD] / [DVD] / DTV/CBL / DVR / VCR / V-AUX		
		HDMI IN (IN2)	[BD/HD DVD] / [DVD] / DTV/CBL / DVR / VCR / V-AUX		
		HDMI IN (IN3)	[BD/HD DVD] / [DVD] / DTV/CBL / DVR / VCR / V-AUX		
		HDMI IN (IN4)	[BD/HD DVD] / [DVD] / DTV/CBL / DVR / VCR / V-AUX		
		B) INPUT RENAME	XM (U. C models)		
			TUNER		
			PHONO		
		CD			
		CD-R			
		MD/TAPE			
		BD/HD DVD			
		DVD			
		DTV/CBL			
		DVR			
		VCR			
		V-AUX			
		DOCK			
		MULTI CH			
		XM (U. C models)			
		TUNER			
	PHONO				
	CD				
	CD-R				
	MD/TAPE				
	BD/HD DVD				
	DVD				
	DTV/CBL				
	DVR				
	VCR				
	V-AUX				
	DOCK				
	MULTI CH				
	PHONO				
	CD				
	CD-R				
	MD/TAPE				
	BD/HD DVD				
	DVD				
DTV/CBL					
DVR					
VCR					
V-AUX					
C) VOLUME TRIM	XM (U. C models)				
	TUNER				
D) DECODER MODE	PHONO				
	CD				
	CD-R				
	MD/TAPE				
	BD/HD DVD				
	DVD				
	DTV/CBL				
	DVR				
	VCR				
	V-AUX				
	DOCK				
	MULTI CH				
PHONO					
CD					
CD-R					
MD/TAPE					
BD/HD DVD					
DVD					
DTV/CBL					
DVR					
VCR					
V-AUX					
5) OPTION MENU	A) DISPLAY SET	BGV			
		INPUT CH			
		FRONT INPUT			
		DIMMER			
		OSD SHIFT	-4 to 0, 1 step, [0]		
		GRAY BACK	-5 to +5, 1 step, [0]		
		SHORT MESSAGE	[AUTO] / OFF		
		ON SCREEN	[ON] / OFF		
		FL SCROLL	[CONT] / ONCE		
		VIDEO CONVERSION	[ON] / OFF		
		COMPONENT I/P	[ON] / OFF		
		HDMI UP-SCALING	NTSC: [THROUGH] / 480p / 720p / 1080i / 1080p, PAL: [THROUGH] / 576p / 720p / 1080i / 1080p		
	HDMI ASPECT	[THROUGH] / 16:9 Normal / SMART ZOOM			
		[ON] / [OFF]			
		[AUTO] / LAST			
		[AUTO] / LAST			
		[AUTO] / LAST			
	B) VIDEO SET	EXTENDED SURROUND			
ZONE SELECT					
AMPLIFIER		EXT (BI-AMP ON) / SP1 (SURROUND) / SP2 (SURROUND BACK) / BOTH (SP1/SP2)			
VOLUME		[VARI] / FIX			
MAX VOLUME		[+16.5 dB] / +15 dB / +10 dB / +5 dB / 0 dB / -5 dB / -10 dB / -15 dB / -20 dB / -25 dB / -30 dB			
INITIAL VOLUME		[OFF] / MUTE / -80.0 to +16.5 dB, 0.5 dB step			
C) MEMORY GUARD	D) INIT. CONFIG	AUDIO SELECT	[AUTO] / LAST		
		DECODE MODE	[AUTO] / LAST		
		EXTENDED SURROUND	[AUTO] / LAST		
		EXTENDED SURROUND	[AUTO] / LAST		
		ZONE SELECT	[ZONE2] / ZONE3		
		AMPLIFIER	EXT (BI-AMP ON) / SP1 (SURROUND) / SP2 (SURROUND BACK) / BOTH (SP1/SP2)		
		VOLUME	[VARI] / FIX		
		MAX VOLUME	[+16.5 dB] / +15 dB / +10 dB / +5 dB / 0 dB / -5 dB / -10 dB / -15 dB / -20 dB / -25 dB / -30 dB		
		INITIAL VOLUME	[OFF] / MUTE / -80.0 to +16.5 dB, 0.5 dB step		
		E) XM ANTENNA LEVEL (U. C models)	F) DOCK (i-Pod) STANDBY CHARGE	G) MULTI CH SET	NONE (NOT CONNECT) / 0 to 100 %
					[AUTO] / OFF
					BD/HD DVD / DVD / DTV/CBL / DVR / VCR / V-AUX / [LAST] / OFF
[6 ch] / 8 ch					
CD / CD-R / MD/TAPE / [BD/HD DVD] / DVD / DTV/CBL / DVR / VCR / V-AUX					
-4 to 0, 1 step, [0]					
-5 to +5, 1 step, [0]					
[AUTO] / OFF					
[ON] / OFF					
ALWAYS / 10 sec / [30 sec]					
[CONT] / ONCE					
[ON] / OFF					
ON / [OFF]					
NTSC: [THROUGH] / 480p / 720p / 1080i / 1080p, PAL: [THROUGH] / 576p / 720p / 1080i / 1080p					
[THROUGH] / 16:9 Normal / SMART ZOOM					
[ON] / [OFF]					
[AUTO] / LAST					
[AUTO] / LAST					
[AUTO] / LAST					
[ZONE2] / ZONE3					
EXT (BI-AMP ON) / SP1 (SURROUND) / SP2 (SURROUND BACK) / BOTH (SP1/SP2)					
[VARI] / FIX					
[+16.5 dB] / +15 dB / +10 dB / +5 dB / 0 dB / -5 dB / -10 dB / -15 dB / -20 dB / -25 dB / -30 dB					
[OFF] / MUTE / -80.0 to +16.5 dB, 0.5 dB step					

INTERNAL VIEW

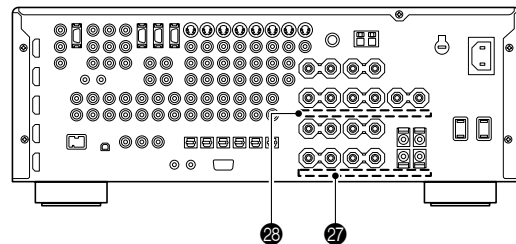
Top view



Front view



Rear view



- ① Power Transformer
- ② POWER (4) P.C.B.
- ③ POWER (2) P.C.B. (R, L models)
- ④ TUNER
- ⑤ MAIN (2) P.C.B.
- ⑥ FL (3) P.C.B.
- ⑦ FL (5) P.C.B.
- ⑧ FL (6) P.C.B.
- ⑨ FL (4) P.C.B.
- ⑩ A-VIDEO P.C.B.
- ⑪ FL (2) P.C.B.
- ⑫ D-VIDEO P.C.B.
- ⑬ FUNCTION (1) P.C.B.
- ⑭ FUNCTION (2) P.C.B.
- ⑮ DSP P.C.B.
- ⑯ MAIN (1) P.C.B.
- ⑰ POWER (3) P.C.B.
- ⑱ POWER (5) P.C.B.
- ⑲ POWER (6) P.C.B.
- ⑳ POWER (1) P.C.B.
- ㉑ OPERATION (5) P.C.B.
- ㉒ OPERATION (1) P.C.B.
- ㉓ OPERATION (4) P.C.B.
- ㉔ OPERATION (3) P.C.B.
- ㉕ FL (1) P.C.B.
- ㉖ OPERATION (2) P.C.B.
- ㉗ MAIN (3) P.C.B.
- ㉘ MAIN (4) P.C.B.

DISASSEMBLY PROCEDURES / 分解手順

(Remove parts in the order as numbered.)

Disconnect the power cable from the AC outlet.

(番号順に部品を取り外してください。)

AC電源コンセントから、電源コードを抜いてください。

1. Removal of Top Cover

- a. Remove 2 screws (①), 4 screws (②) and 5 screws (③). (Fig. 1)
- b. Slide the top cover rearward to remove it. (Fig. 1)

1. トップカバーの外し方

- a. ①のネジ2本、②のネジ4本、③のネジ5本を外します。(Fig. 1)
- b. トップカバーを後方へスライドさせ、取り外します。(Fig. 1)

2. Removal of Front Panel

Remove 6 screws (④) and then remove the front panel forward. (Fig. 1)

2. フロントパネルの外し方

④のネジ6本を外し、フロントパネルを前方に外します。(Fig. 1)

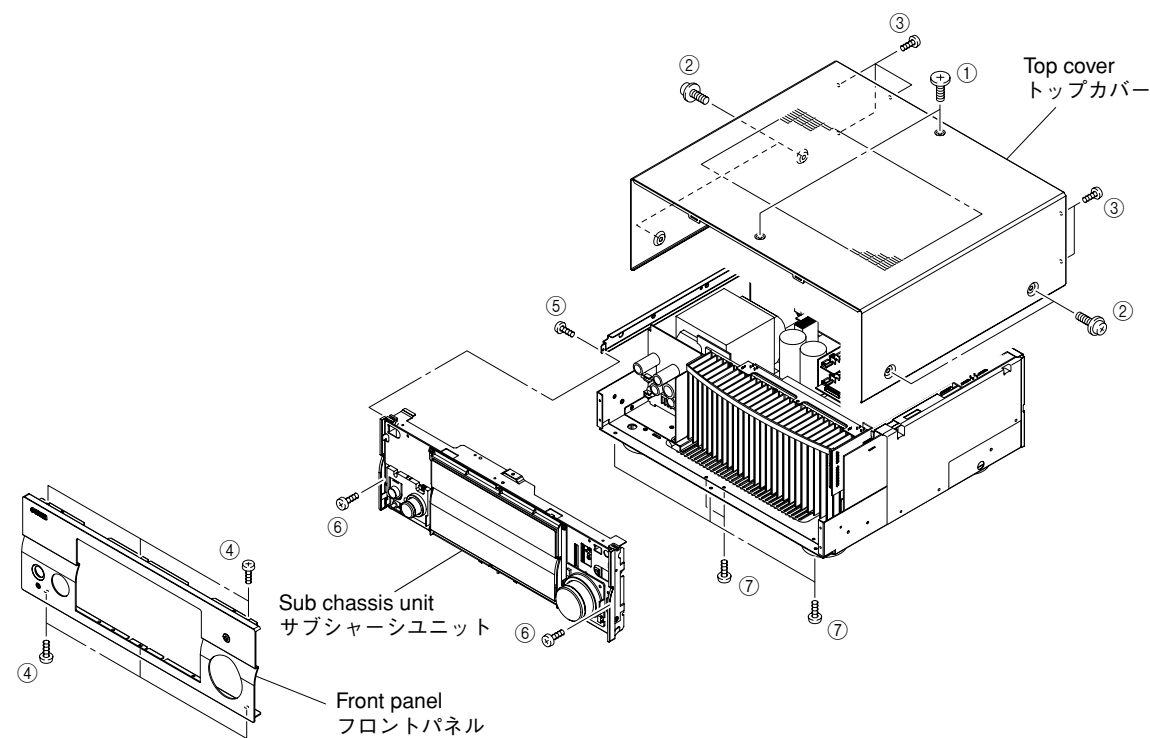


Fig. 1

3. Removal of Sub Chassis Unit

- a. Remove screw (⑤), 2 screws (⑥) and 5 screws (⑦). (Fig. 1)
- b. Remove CB12, CB805-807, CB970 and CB971. (Fig. 2)
- c. Remove the sub chassis unit forward. (Fig. 1)

3. サブシャーシユニットの外し方

- a. ⑤のネジ1本、⑥のネジ2本、⑦のネジ5本を外します。(Fig. 1)
- b. CB12、CB805-CB807、CB970、CB971を外します。(Fig. 2)
- c. サブシャーシユニットを前方に取り外します。(Fig. 1)

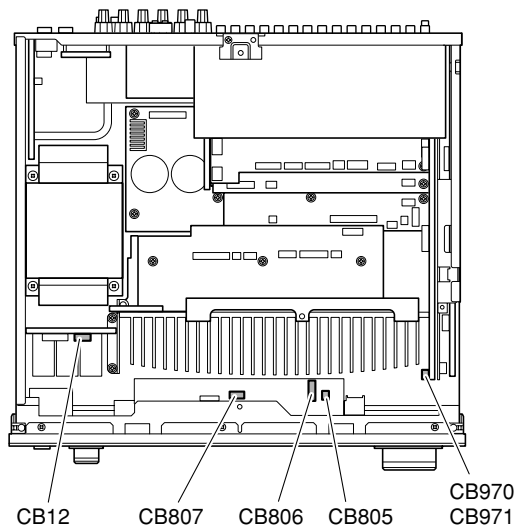


Fig. 2

When checking the FL P.C.B.:

- Place the sub chassis unit on top of the rubber sheet and cloth. (Fig. 3)
- Reconnect all cables (connectors) that have been disconnected. Be sure to use the extension cable before servicing the following section.
 FL (1) P.C.B. CB901_FL (2) P.C.B. CB970 : MF126500 (26P, 500mm)
 FL (2) P.C.B. CB971_OPERATION (2) P.C.B. CB803 : MF115500 (15P, 500mm)
 FL (1) P.C.B. W9001_POWER (1) P.C.B. CB12 : MF405400 (5P, 400mm)
- When connecting the flexible flat cable, be careful with polarity.
- In main unit, the ground of sub chassis unit is connected to the main unit. When this sub chassis unit are removed from main unit, connect the ground to the main unit , using a ground lead or the like. (Fig. 3)

FL P.C.B.をチェックする場合には：

- サブシャーシユニットをゴムシートと布の上に置いてチェックします。(Fig. 3)
- 外したケーブル(コネクター)をすべて接続します。ただし次の区間は、サービス用延長ケーブルを使用してください。
 FL(1)P.C.B. CB901_FL(2)P.C.B. CB970 : MF126500(26P、500mm)
 FL(2)P.C.B. CB971_OPERATION(2)P.C.B. CB803 : MF115500(15P、500mm)
 FL(1)P.C.B. W9001_POWER(1)P.C.B. CB12 : MF405400(5P、400mm)
- フラットケーブルを接続する際、極性に注意してください。
- 本機ではサブシャーシユニットのアースが本機に接続されています。サブシャーシユニットを本機より取り外した場合は、リード線等でアースを本機に接続してください。(Fig. 3)

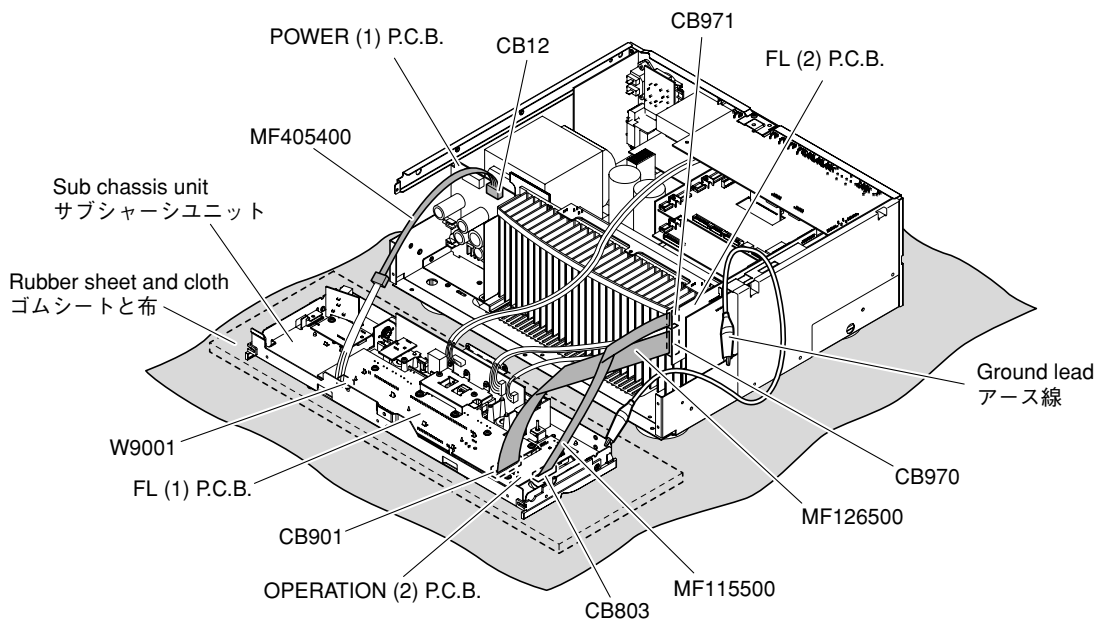


Fig. 3

4. Removal of D-VIDEO P.C.B.

- a. Remove 2 screws (⑧) and screw (⑨). (U, C, T, B, G, E models) (Fig. 4)
- b. Remove the shield case cover. (U, C, T, B, G, E models) (Fig.4)
- c. Remove 3 screws (⑩). (Fig. 4)
- d. Remove screw (⑪). (R, K, A, L models) (Fig. 4)
- e. Remove 6 screws (⑫). (Fig. 6)
- f. Remove CB188, CB204, CB953 and CB957. (Fig. 5)
- g. Remove CB121, CB122 and then remove the D-VIDEO P.C.B. which is connected directly to the A-VIDEO P.C.B. with connectors. (Fig. 4)

4. D-VIDEO P.C.B.の外し方

- a. ⑧のネジ2本、⑨のネジ1本を外します。(Fig. 4)
- b. シールドケースカバーを取り外します。(Fig. 4)
- c. ⑩のネジ3本を外します。(Fig. 4)
- d. ⑫のネジ6本を外します。(Fig. 6)
- e. CB188、CB204、CB953、CB957を外します。(Fig. 5)
- f. CB121、CB122を外し、D-VIDEO P.C.B.を取り外します。ただし、D-VIDEO P.C.B.は、A-VIDEO P.C.B.と直接コネクタ接続されています。(Fig. 4)

5. Removal of A-VIDEO P.C.B.

- a. Remove 6 screws (⑬). (Fig. 6)
- b. Remove CB23, CB203. (Fig. 5)
- c. Remove the A-VIDEO P.C.B.. (Fig. 4)

5. A-VIDEO P.C.B.の外し方

- a. ⑬のネジ10本を外します。(Fig. 6)
- b. CB23、CB203を外します。(Fig. 5)
- c. A-VIDEO P.C.B.を取り外します。(Fig. 4)

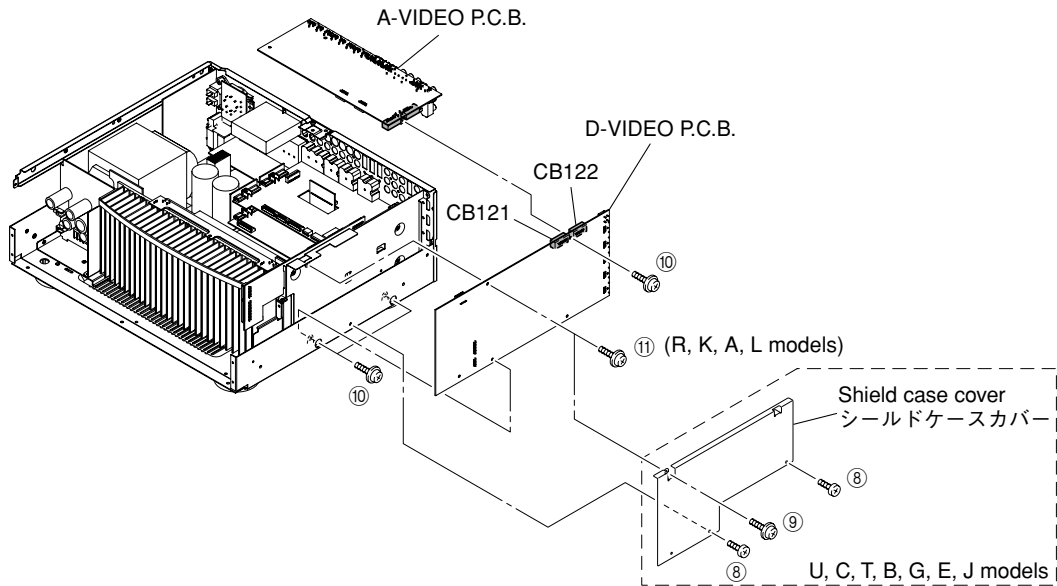


Fig. 4

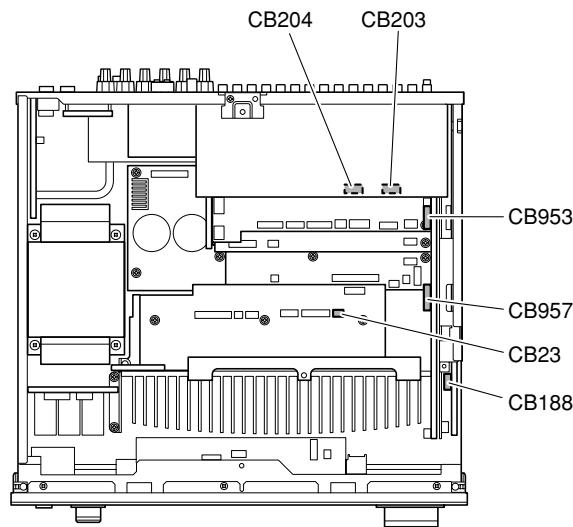
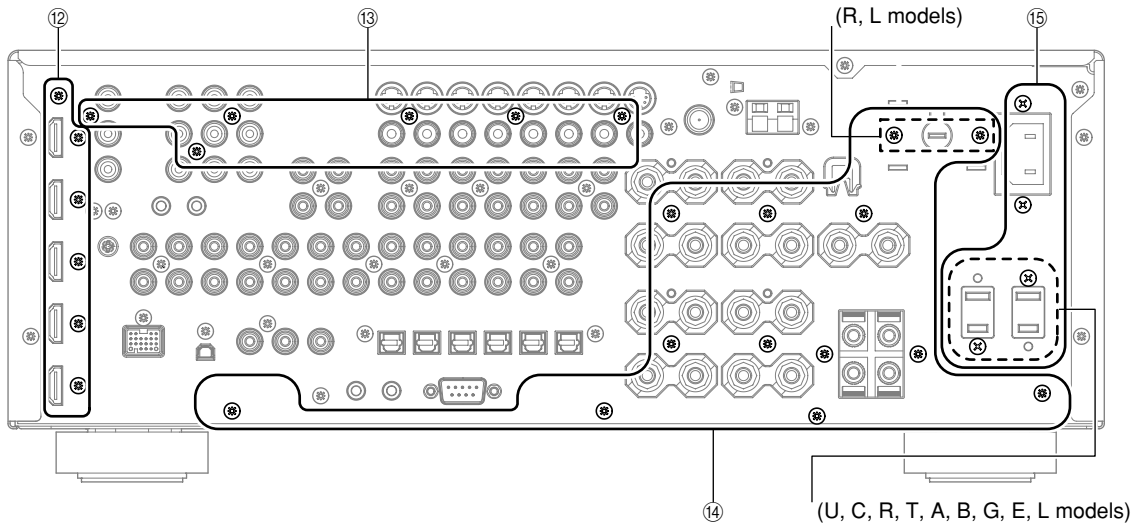


Fig. 5

U, C, R, T, K, A, B, G, E, L models



J model

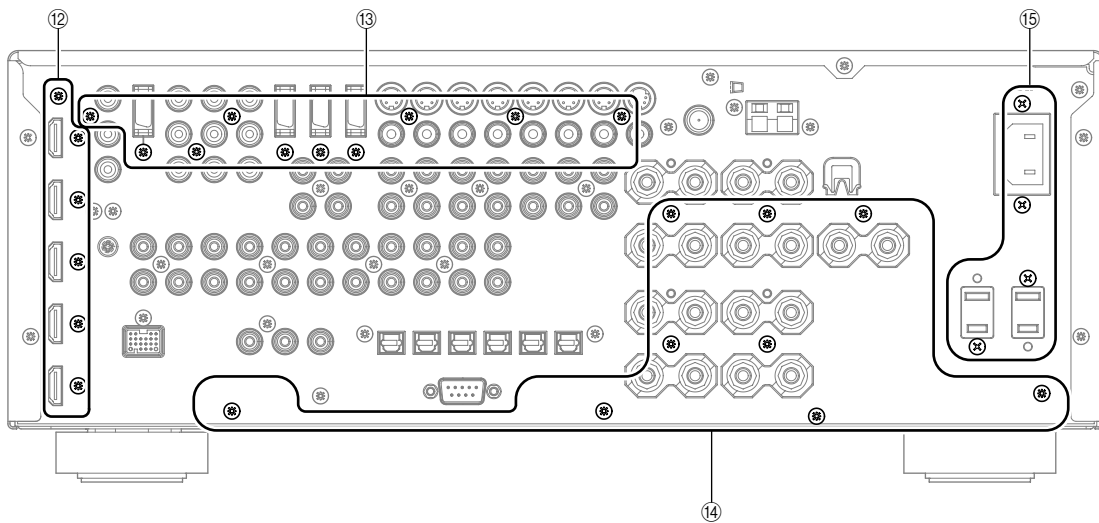


Fig. 6

When checking the D-VIDEO and A-VIDEO P.C.B.s:

- Put the rubber sheet and cloth over the equipment. Then place the P.C.B.s upside down on the cloth and check it. (Fig. 7)
- Reconnect all cables (connectors) that have been disconnected. Be sure to use the extension cable before servicing the following section.
 FL (2) P.C.B. CB953_D-VIDEO P.C.B. CB102: MFA20250 (20P, 250mm)
 FUNCTION (1) P.C.B. CB410_A-VIDEO P.C.B. CB203: MF111350 (11P, 350mm)
 FL (2) P.C.B. CB957_D-VIDEO P.C.B. CB186: MFA18350 (18P, 350mm)
- When connecting the flexible flat cable, be careful with polarity.
- In this unit, the ground of P.C.B.s shown below is connected to the rear panel. When these P.C.B.s are removed from the rear panel, connect the ground point to the rear panel or chassis, using a ground lead wire or the like. (Fig. 7)
 D-VIDEO P.C.B. ST101 (Ground)
 D-VIDEO P.C.B. CB103 (HDMI IN1)
 A-VIDEO P.C.B. PJ204 (COMPONENT VIDEO)

D-VIDEO、A-VIDEO P.C.B.チェックをする場合には：

- 本機の上にゴムシートと布を敷き、その上にP.C.B.を裏返しに置いてチェックします。(Fig. 7)
- 外したケーブル(コネクター)をすべて接続します。ただし次の区間は、サービス用延長ケーブルを使用してください。
 FL (2) P.C.B. CB953_D-VIDEO P.C.B. CB102: MFA20250 (20P, 250mm)
 FUNCTION (1) P.C.B. CB410_A-VIDEO P.C.B. CB203: MF111350 (11P, 350mm)
 FL (2) P.C.B. CB957_D-VIDEO P.C.B. CB186: MFA18350 (18P, 350mm)
- フラットケーブルを接続する際、極性に注意してください。
- 本機ではP.C.B.のアースがリアパネルに接続されています。これらのP.C.B.をリアパネルより取り外した場合は、リード線等でアースポイントをリアパネルまたはシャーシに接続してください。(Fig. 7)
 D-VIDEO P.C.B. ST101 (Ground)
 D-VIDEO P.C.B. CB103 (HDMI IN1)
 A-VIDEO P.C.B. PJ204 (COMPONENT VIDEO)

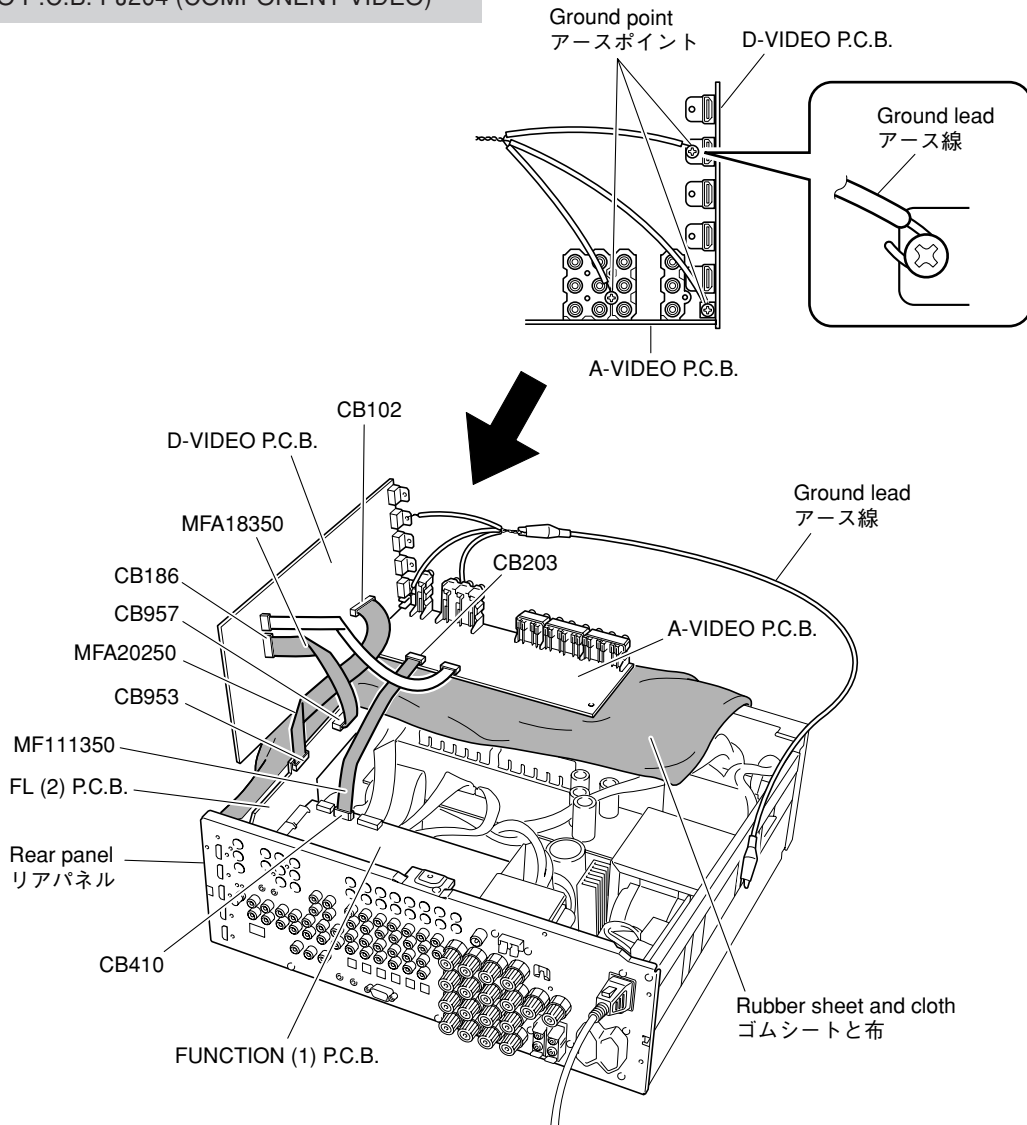


Fig. 7

6. Removal of Rear Unit

- Remove 11 (U, C, T, A, B, G, E models) / 13 (R, L models) screws (14) and 4 (U, C, R, T, A, B, G, E, L models) / 2 (K model) screws (15). (Fig. 6)
- Remove 4 screws (16) and screw (17). (Fig. 8)
- Remove screw (18). (R, K, A, L models) (Fig. 8)
- Remove CB16-18, CB20, CB21, CB303, CB405, CB406 and CB407. (Fig. 8)
- Remove the rear unit and MAIN (2) P.C.B.. (Fig. 8)

6. リアユニットの外し方

- 14のネジ9本、15のネジ4本を外します。(Fig. 6)
- 16のネジ4本、17のネジ1本を外します。(Fig. 8)
- CB16-18、CB20、CB21、CB303、CB405-407を外します。(Fig. 8)
- リアユニットおよびMAIN(2)P.C.B.を取り外します。

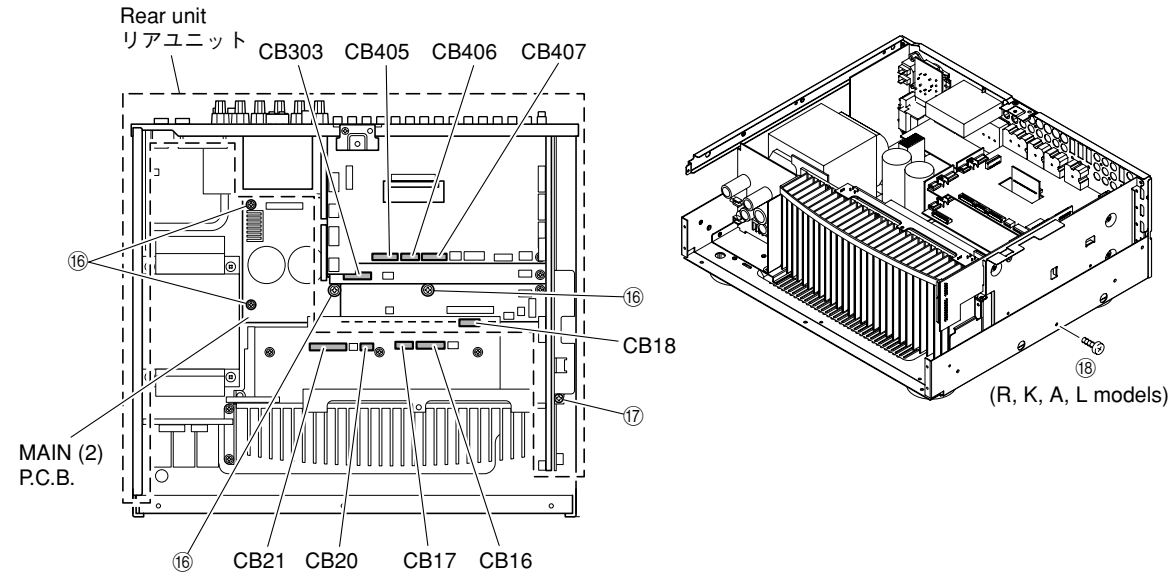


Fig. 8

When checking the DSP P.C.B.:

- Put the rubber sheet and cloth over the equipment. Then place the P.C.B.s upside down on the cloth and check it. (Fig. 9)
- Reconnect all cables (connectors) that have been disconnected. Be sure to use the extension cable before servicing the following section.
FL (1) P.C.B. CB901_FL (2) P.C.B. CB970:
MF126500 (26P, 500mm)
FL (2) P.C.B. CB971_OPERATION (2) P.C.B. CB803:
MF115500 (15P, 500mm)
- When connecting the flexible flat cable, be careful with polarity.
- In main unit, the ground of rear unit is connected to the main unit. When this rear unit are removed from main unit, connect the ground to the main unit, using a ground lead or the like. (Fig. 9)

DSP P.C.B.チェックをする場合には:

- 本機の上にゴムシートと布を敷き、その上にP.C.B.を裏返しに置いてチェックします。(Fig. 9)
- 外したケーブル(コネクタ)をすべて接続します。ただし次の区間は、サービス用延長ケーブルを使用してください。
FL(1)P.C.B. CB901_FL(2)P.C.B. CB970:
MF126500(26P、500mm)
FL(2)P.C.B. CB971_OPERATION(2)P.C.B. CB803:
MF115500(15P、500mm)
- フラットケーブルを接続する際、極性に注意してください。
- 本機ではリアユニットのアースが本機に接続されています。リアユニットを本機より取り外した場合は、リード線等でアースを本機に接続してください。(Fig. 9)

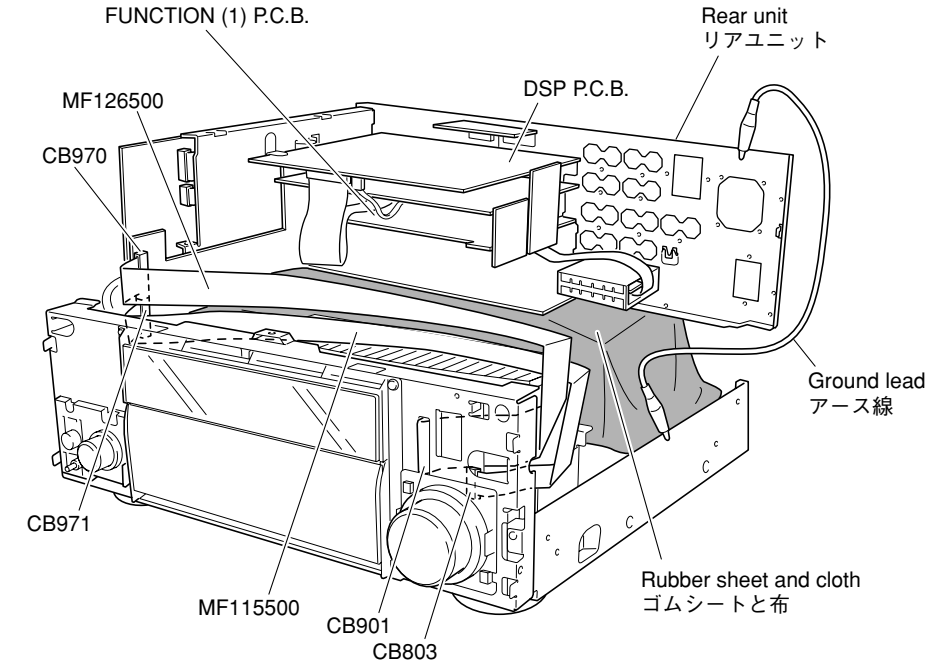


Fig. 9

7. Removal of Amp Unit

- Remove 2 screws (19), 5 screws (20) and 2 screws (21). (Fig. 10)
- Remove CB6, CB11, CB15 and CB253. (Fig. 10)
- Remove the amp unit. (Fig. 10)

7. アンプユニットの外し方

- 19のネジ2本、20のネジ5本、21のネジ2本を外します。(Fig. 10)
- CB6、CB11、CB15、CB253を外します。(Fig. 10)
- アンプユニットを取り外します。(Fig. 10)

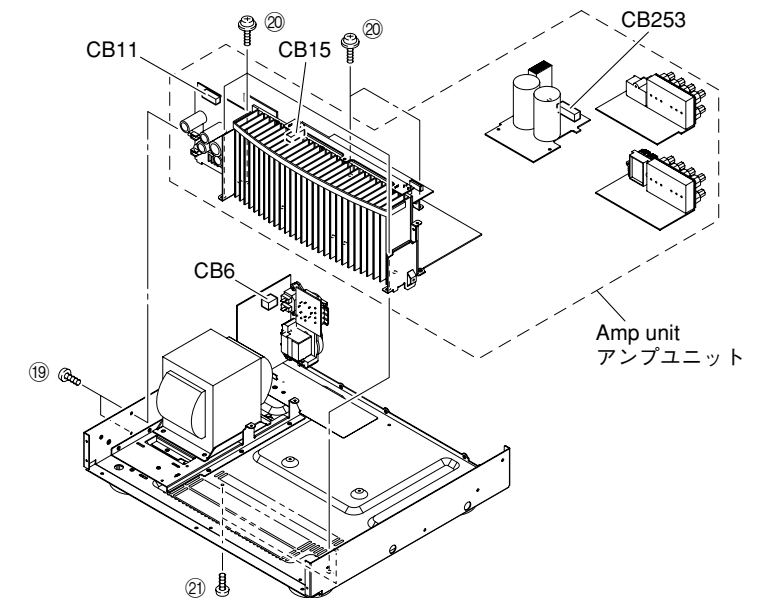


Fig. 10

When checking the Amp Unit:

- Place the sub chassis unit on top of the rubber sheet and cloth. (Fig. 11)
- Put the amp unit together with the heat sink upright and check. (Fig. 11)
- Reconnect all cables (connectors) that have been disconnected. Be sure to use the extension cable before servicing the following section.
 FL (1) P.C.B. CB901_FL (2) P.C.B. CB970: MF126500 (26P, 500mm)
 FL (2) P.C.B. CB971_OPERATION (2) P.C.B. CB803: MF115500 (15P, 500mm)
 FL (1) P.C.B. W9001_POWER (1) P.C.B. CB12: MF405400 (5P, 400mm)
- When connecting the flexible flat cable, be careful with polarity.
- In main unit, the ground of sub chassis unit and amp unit is connected to the main unit. When this sub chassis unit and amp unit are removed from main unit, connect the ground to the main unit, using a ground lead or the like. (Fig. 11)

アンプユニットをチェックをする場合には：

- サブシャーシユニットをゴムシートと布の上に置きます。(Fig. 11)
- アンプユニットはヒートシンクといっしょに立ててチェックします。(Fig. 11)
- 外したケーブル(コネクタ)をすべて接続します。ただし次の区間は、サービス用延長ケーブルを使用してください。
 FL (1) P.C.B. CB901_FL (2) P.C.B. CB970 : MF126500 (26P、500mm)
 FL (2) P.C.B. CB971_OPERATION (2) P.C.B. CB803 : MF115500 (15P、500mm)
 FL (1) P.C.B. W9001_POWER (1) P.C.B. CB12 : MF405400 (5P、400mm)
- フラットケーブルを接続する際、極性に注意してください。
- 本機ではサブシャーシユニットおよびアンプユニットのアースが本機に接続されています。サブシャーシユニットおよびアンプユニットを本機より取り外した場合は、リード線等でアースを本機に接続してください。(Fig. 11)

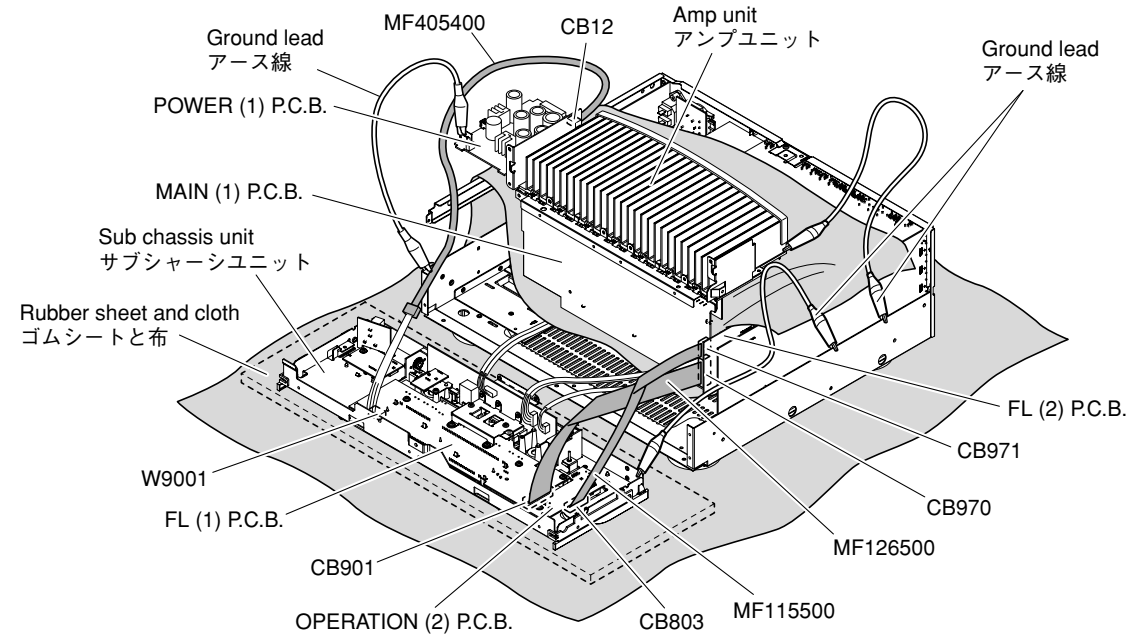


Fig. 11

■ UPDATING FIRMWARE / ファームウェアの書き込み

Note) Updating the firmware will initialize parameters, system memory, tuner presetting, etc. to the original factory settings.

注意) ファームウェアの書き込みを行うと、音場プログラムのパラメーターやシステムメモリー、チューナープリセット等はすべて工場出荷時に初期化されます。

When replacing the following parts, be sure to write the latest firmware.

- P.C.B. Ass'y DSP, FUNCTION or D-VIDEO P.C.B.s IC540 (DSP (TI) flash ROM) of DSP P.C.B.
- IC402 (Main microprocessor) of FUNCTION P.C.B.
- IC182 (Video microprocessor) of D-VIDEO P.C.B.

下記の部品をサービス部品に交換した場合、最新のファームウェアの書き込みを行ってください。

- P.C.B. ASSY : DSP, FUNCTION, D-VIDEO
- DSP P.C.B. : IC540 (DSP (TI) フラッシュROM)
- FUNCTION P.C.B. : IC402 (メインマイコン)
- D-VIDEO P.C.B. : IC182 (ビデオマイコン)

There are 3 ways to write the firmware.

- Writing method using the firmware CD: DVD/CD player and firmware can be used for writing.
- Writing method using PC (RS232C): PC can be used for writing.
- Writing method using USER mode: It is possible to write only the latest firmware.

ファームウェアを書き込む方法は3通りあります。

- ファームウェアCDを使用して書き込む方法: DVD/CDプレーヤーおよびファームウェアCDを使用して書き込みを行うことができます。
- PC (RS232C) を使用して書き込む方法: PCを使用して、書き込みを行うことができます。
- ユーザーモードで書き込む方法: 最新のファームウェアの書き込みのみを行うことができます。

Writing method using the firmware CD

ファームウェアCDを使用して書き込む方法

● **Required tools**

- DVD or CD Player with DIGITAL OUTPUT (OPTICAL or COAXIAL) terminal
- Optical cable (when OPTICAL terminal is used)
- Digital audio pin cable (when COAXIAL terminal is used)
- Latest firmware CD
- * To make the latest firmware CD, download the latest firmware from the specified download source.

● **必要なツール**

- DVDまたはCDプレーヤー (DIGITAL OUTPUT (OPTICALまたはCOAXIAL) 端子付き)
- 光ファイバケーブル (OPTICAL端子使用時)
- デジタル音声ピンケーブル (COAXIAL端子使用時)
- 最新のファームウェアCD
- ※ 最新のファームウェアCDは、最新のファームウェアを指定のダウンロード先からダウンロードして製作してください。

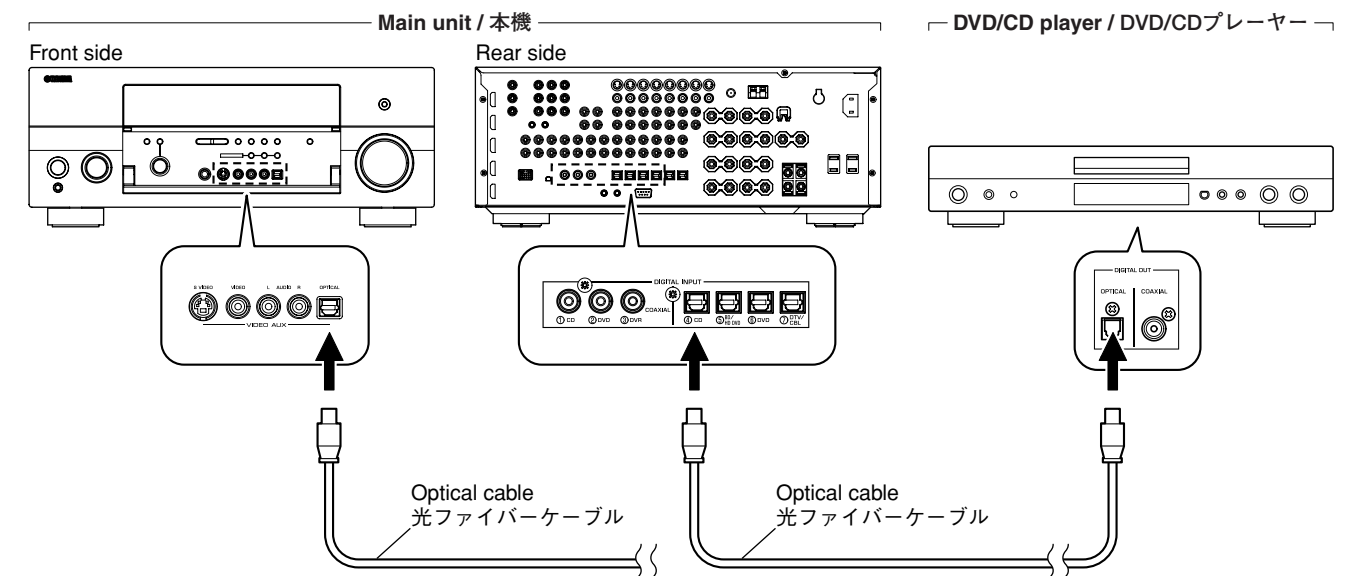
● **Operation procedures**

- * Disconnect the power cable of the main unit and DVD/CD player from the AC outlet.
- 1. Connect the main unit and DVD/CD player as shown below. (Fig. 1)

● **操作方法**

- ※ 本機およびDVD/CDプレーヤーの電源コードをACコンセントから抜いてください。
- 1. 本機とDVD/CDプレーヤーを下記のように接続します。(Fig. 1)

When OPTICAL IN terminal is used / OPTICAL IN 端子使用時



When COAXIAL IN terminal is used / COAXIAL IN 端子使用時

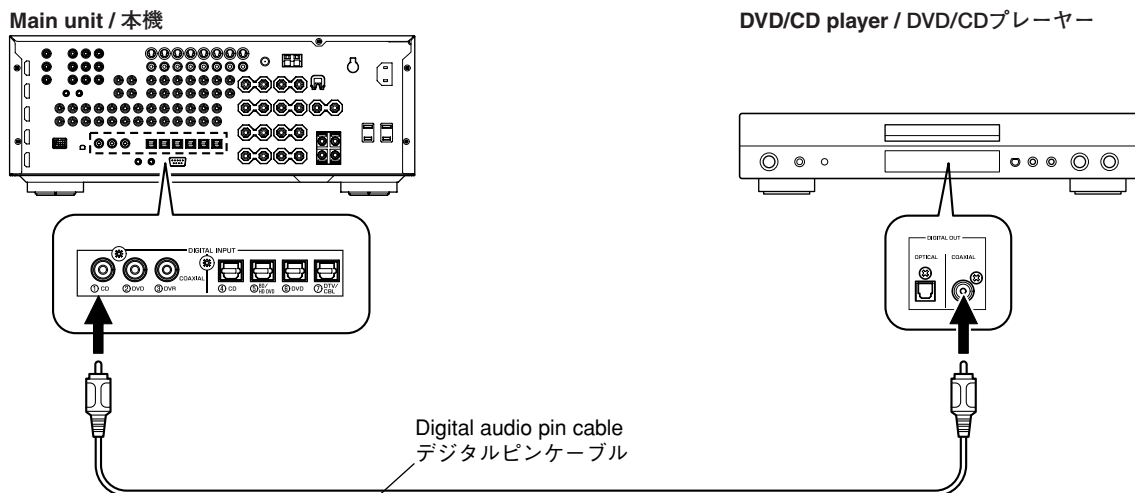


Fig. 1

- | | |
|--|---|
| <ol style="list-style-type: none"> 2. Reconnect the power cable of DVD/CD player to the AC outlet. 3. Press the "MASTER ON/OFF" key of the main unit to set it to the ON state. (Fig. 2) 4. While pressing the "STANDBY/ON" key of the main unit, connect the power cable of the main unit to the AC outlet. (Fig. 2) | <ol style="list-style-type: none"> 2. DVD/CDプレーヤーの電源コードをACコンセントに接続します。 3. 本機の"MASTER ON/OFF"キーを押して、ONの状態にします。(Fig. 2) 4. 本機の"STANDBY/ON"キーを押しながら、本機の電源コードをACコンセントに接続します。(Fig. 2) |
|--|---|
- <CDDA Upgrader 1800> is displayed. (Fig. 2)

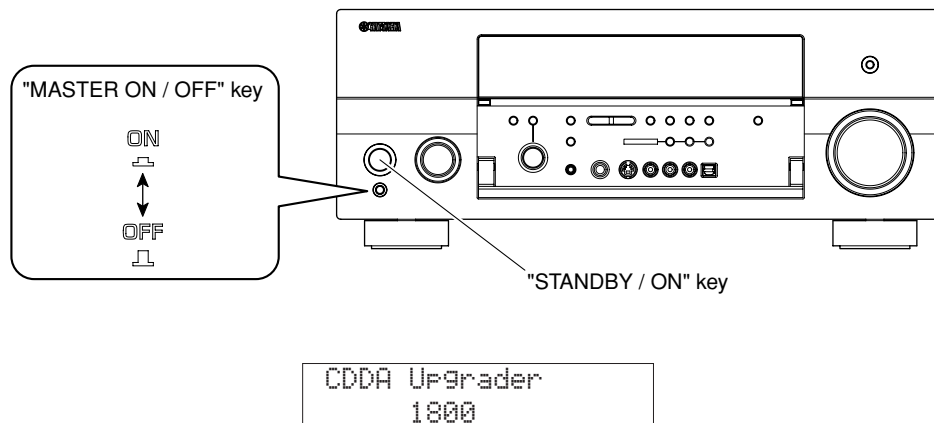


Fig. 2

RX-V1800/HTR-6190/
DSP-AX1800

5. Press the "POWER ON/OFF" key of DVD/CD player to turn on the power.
6. Press the "EJECT" key of the DVD/CD player to open the tray.
7. Put the firmware CD on the tray and close the tray.
8. Press the "PLAY" key of the DVD/CD player. Then writing of the firmware is started. (Fig. 3)
9. When writing of the firmware is completed, <Update Success Please MASTER Off!> is displayed. (Fig. 3)
 - * If <Update Success Please MASTER Off!> is not displayed or <Error xxx> appears before coming to the end, perform steps 1 to 8 of "Operation Procedures" again.

5. DVD/CDプレーヤーの"POWER ON/OFF"キーを押し、電源オンします。
6. DVD/CDプレーヤーの"EJECT"キーを押し、トレイを開きます。
7. ファームウェアCDをトレイにのせ、トレイを閉じます。
8. DVD/CDプレーヤーの"PLAY"キーを押します。ファームウェアの書き込みが開始されます。(Fig. 3)
9. ファームウェアの書き込み完了後、<Update Success Please MASTER Off!>が表示されます。(Fig. 3)
 - ※ <Update Success Please MASTER Off!>が表示されない場合、または途中で<Error xxx>が表示された場合は、「操作方法」の1から8までをもう一度やり直してください。



Fig. 3

10. Press the "STOP" key of the DVD/CD player.
11. Press the "EJECT" key of the DVD/CD player to open the tray.
12. Remove the firmware CD from the tray and close the tray.
13. Turn off the power of the DVD/CD player and disconnect the power cord from the AC outlet.
14. Press the "MASTER ON/OFF" key of the main unit to turn off the power.
15. Disconnect the power cable of the main unit from the AC outlet.

10. DVD/CDプレーヤーの"STOP"キーを押します。
11. DVD/CDプレーヤーの"EJECT"キーを押し、トレイを開きます。
12. ファームウェアCDをトレイから外し、トレイを閉じます。
13. DVD/CDプレーヤーの電源を切り、電源コードをACコンセントから抜きます。
14. 本機の"MASTER ON/OFF"キーを押し、電源オフします。
15. 本機の電源コードをACコンセントから抜きます。

● **Confirmation of firmware version and checksum**

Confirm the firmware is updated successfully with the self-diagnostic function.
For more information, refer to "SELF-DIAGNOSTIC FUNCTION".

- Version of MAIN (Menu no. 29-1)
 - Checksum of MAIN (Menu no. 29-2)
 - Version of VIDEO (Menu no. 29-3)
 - Checksum of VIDEO (Menu no. 29-4 and 29-5)
 - Version of DSP1 (TI-1) (Menu no. 29-6)
 - Checksum of DSP1 (TI-1) (Menu no. 29-7)
 - Version of DSP2 (TI-2) (Menu no. 29-11)
- * When the displayed firmware version and checksum are different from written firmware version and checksum, follow the steps from 1 to 15 of "Operation Procedures" again.

● **ファームウェアのバージョンおよびチェックサムの確認**

ダイアグメニューでファームウェアが正しく更新されたことを確認します。
ダイアグメニューの詳細は「ダイアグ(自己診断)」を参照してください。

- MAINのバージョン (ダイアグ 29-1)
 - MAINのチェックサム (ダイアグ 29-2)
 - VIDEOのバージョン (ダイアグ 29-3)
 - VIDEOのチェックサム (ダイアグ 29-4、29-5)
 - DSP1(TI-1)のバージョン (ダイアグ 29-6)
 - DSP1(TI-1)のチェックサム (ダイアグ 29-7)
 - DSP2(TI-2)のバージョン (ダイアグ 29-11)
- ※ 表示されたファームウェアのバージョンおよびチェックサムが、書き込んだファームウェアのバージョンおよびチェックサムと異なる場合、「操作方法」の1から15までをもう一度やり直してください。

Writing method using PC (RS232C)

● Required tools

- Windows 98/2000/Me/XP, PC with a serial port (RS232C)
- Firmware downloader program
DSP_FLASHER_Vx800_v1.0.exe
- Firmware
For microprocessor: V18Mxxxx.mot
For video : V18V_xxxx.mot
For DSP (TI) : Vx800a_data1_verxxxxx.hex
- RS232C cross cable "D-sub 9 pin female"

Specifications

Pin No.2 RxD		Pin No.2 RxD
Pin No.3 TxD		Pin No.3 TxD
Pin No.5 GND		Pin No.5 GND
Pin No.7 RTS		Pin No.7 RTS
Pin No.8 CTS		Pin No.8 CTS

- RS232C conversion adapter (with flexible flat cable 9P/300mm): Part No. AAX77610
* Use RS232C conversion adapter when writing the firmware with connection made from the front.

● Preparation and precautions before starting the operation

- Download firmware downloader program and firmware's from the specified source to the same folder of the PC.
- Prepare the above specified RS232C cross cable.
- While writing, keep the other application software on the PC closed.
It is also recommended to keep the software on the task tray closed as well.

PC(RS232C)を使用して書き込む方法

● 必要なツール

- Windows 98/2000/Me/XP シリアルポート (RS232C) 付きPC
- ファームウェア書き込み用プログラム
DSP_FLASHER_Vx800_v1.0.exe
- ファームウェア
マイコン用 : V18Mxxxx.mot
ビデオ用 : V18Vxxxx.mot
DSP (TI)用 : Vx800a_data1_verxxxxx.hex
- RS232Cクロスケーブル"D-sub 9pinメス"

仕様

Pin No.2 RxD		Pin No.2 RxD
Pin No.3 TxD		Pin No.3 TxD
Pin No.5 GND		Pin No.5 GND
Pin No.7 RTS		Pin No.7 RTS
Pin No.8 CTS		Pin No.8 CTS

- RS232C変換アダプター (9P/300mmカード電線含む) : 部品番号 AAX77610
※ RS232C変換アダプターは、フロント側から接続して書き込む場合に使用します。

● 操作前の準備と注意

- PCへ指定のダウンロード先からファームウェア書き込み用プログラムおよび、各ファームウェアを同じフォルダにダウンロードしてください。
- RS232Cクロスケーブルは必ず上記仕様のもので用意してください。
- 書き込み時は、PC上の他のアプリケーションソフトは閉じてください。
さらに、タスクトレイ上にあるソフトも閉じておくことを推奨します。

● Connection procedures

- * Disconnect the power cable of the main unit from the AC outlet.
- 1. Set the switch (SW301) of RS232C conversion adapter to the "FLASH UCOM" side. (Fig. 4)
- 2. Connect the writing port of the main unit to the serial port (RS232C) of the PC as shown below. (Fig. 4)
 - * There are 2 writing ports, one at the front and the other at the rear. Either one may be used.

● 接続方法

- ※ 本機の電源コードをACコンセントから抜いてください。
- 1. RS232C変換アダプターのスイッチ(SW301)を"FLASH UCOM"側に設定します。(Fig.4)
- 2. 本機の書き込み用ポートとPCのシリアルポート(RS232C)を下記のように接続します。(Fig. 4)
 - ※ 書き込み用ポートはフロント側およびリア側の2箇所あります。フロント側またはリア側の書き込み用ポートを使用してください。

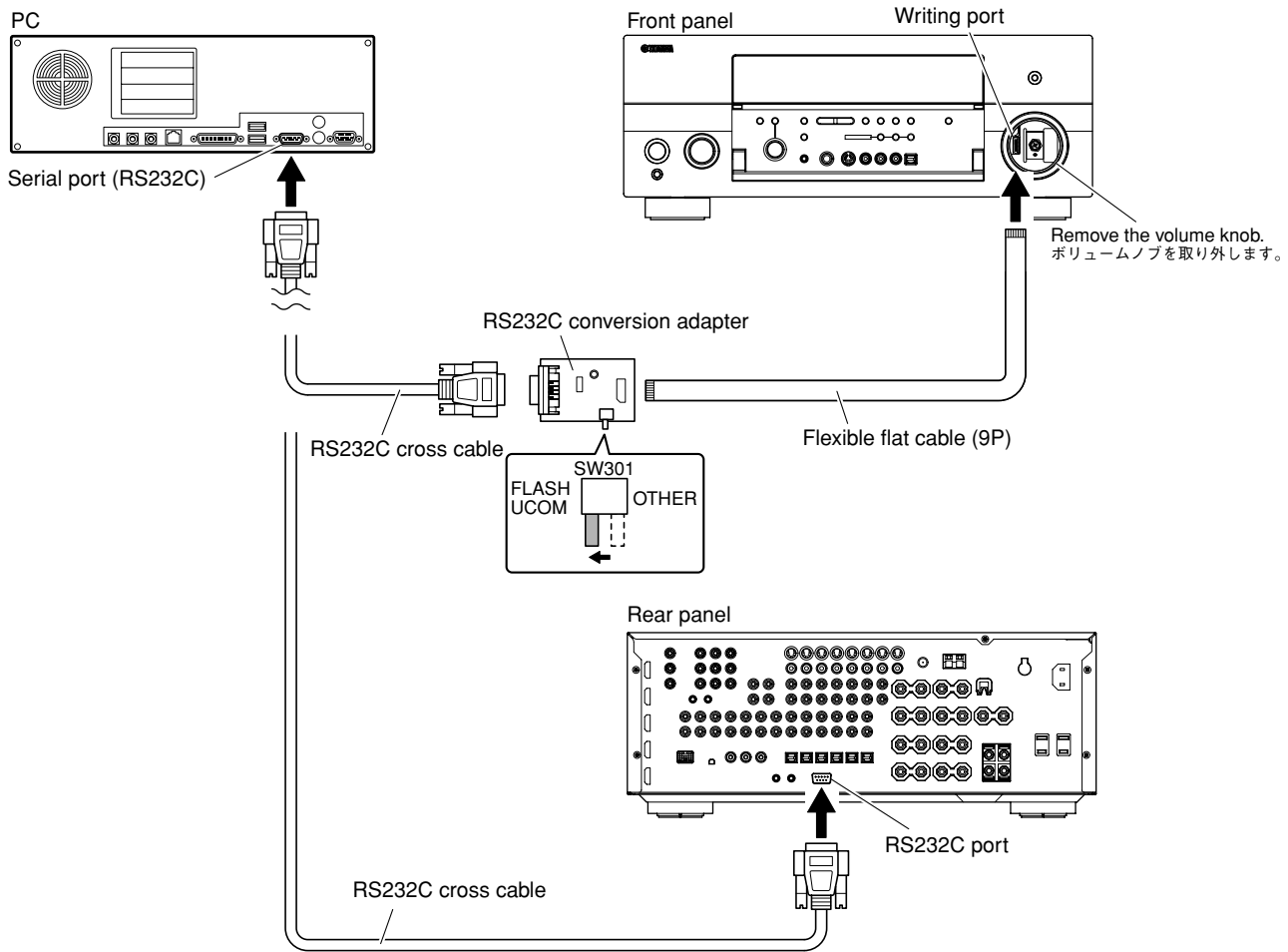


Fig. 4

● Operation procedure

● Writing to MAIN and VIDEO

1. Start up "DSP_FLASHER_Vx800_v1.0.exe" of the PC. (Fig. 5)
2. Select "Main/Video". (Fig. 5)

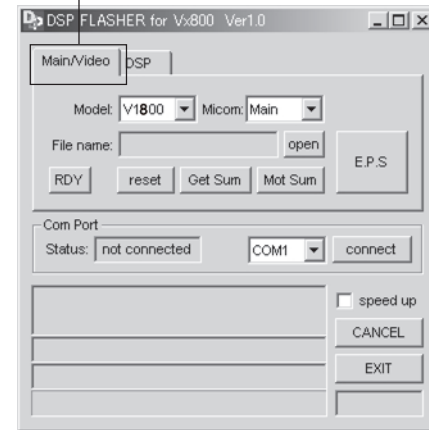


Fig. 5

● 操作方法

● MAINおよびVIDEOへの書き込み

1. "DSP_FLASHER_Vx800_v1.0.exe"を起動します。(Fig. 5)
2. 「Main/Video」を選択します。(Fig. 5)

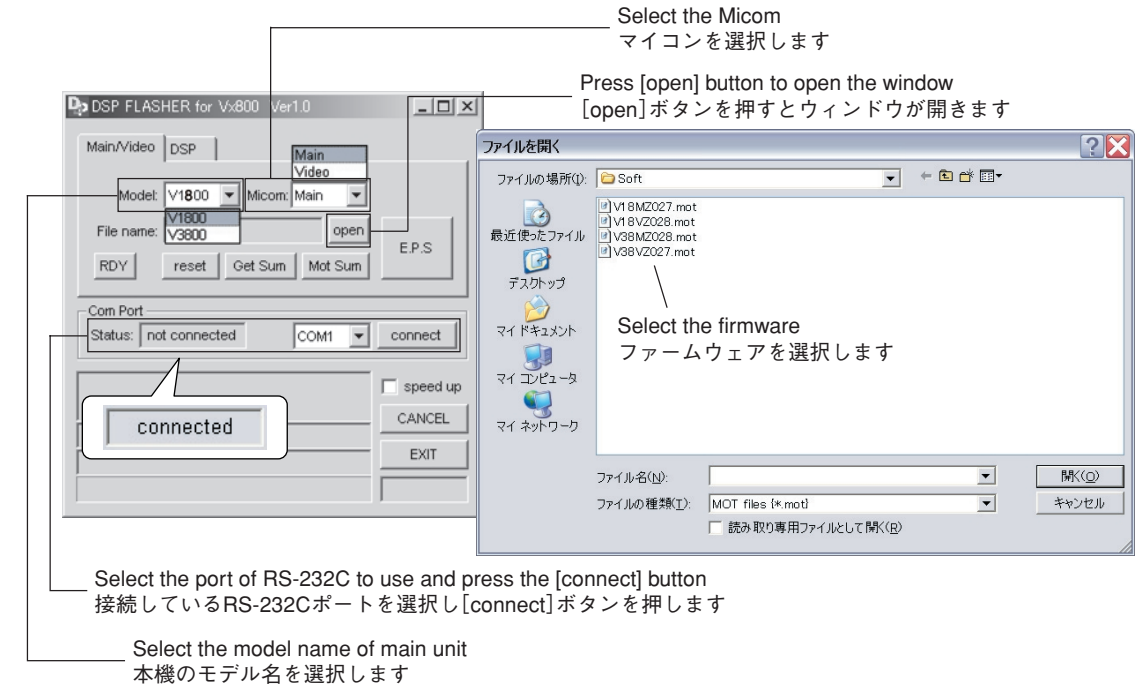


Fig. 6

3. Select the model name of the receiver, the Micom, Com Port and file. (Fig. 6)

Model : Select "V1800".
* Select "V1800" also for HTR-6190.

Micom : Select "MAIN" for writing to MAIN .
Select "VIDEO" for writing to VIDEO.

Com Port : Select the RS232C port (COMx) set on the PC side and press the [connect] button, and <connected> will appear as "Com Port status".

* If <connected> does not appear as "Com Port status", check the setting on the PC side again if the RS232C port (COMx) is selected properly.

File : Select the firmware.

Writing to MAIN
: Select "V18Mxxxx.mot".
* Select "V18Mxxxx.mot" also for HTR-6190.

Writing to VIDEO
: Select "V18Vxxxx.mot".
* Select "V18Vxxxx.mot" also for HTR-6190.

3. レシーバのモデル名、マイコン、ポート、ファイルを選択します。(Fig. 6)

Model : "V1800"を選択します。
Micom : MAINへの書き込みには、"MAIN"を選択します。
VIDEOへの書き込みには、"VIDEO"を選択します。

Com Port : PC側で設定されているRS232Cポート (COMx)を選択し[connect]ボタンを押します。
すると「Com Port Status」に<connected>が表示されます。

※ 「Com Port Status」に<connected>が表示されない場合、RS232Cポート (COMx)が正しく選択されているかPC側の設定をもう一度確認してください。

File : ファームウェアを選択します。

MAINへの書き込み
: "V18Mxxxx.mot"を選択します。

VIDEOへの書き込み
: "V18Vxxxx.mot"を選択します。

4. Press the [RDY] button. (Fig. 7)

The connection ready state will be set.

4. [RDY]ボタンを押します。(Fig. 7)

接続待機の状態になります。

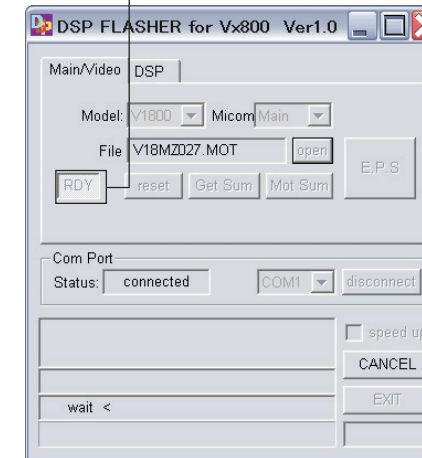


Fig. 7

5. Press the "MASTER ON/OFF" key of the main unit to turn it on. (Fig. 8)
6. For writing to MAIN, while pressing the "AUDIO SELECT" key of the main unit, connect the power cable of the main unit to the AC outlet. (Fig. 8)
For writing to VIDEO, while pressing the "TONE CONTROL" key of the main unit, connect the power cable of the main unit to the AC outlet. (Fig. 8)

5. 本機の"MASTER ON/OFF"キーを押して、ONの状態にします。(Fig. 8)
6. MAINへの書き込みには、本機の"AUDIO SELECT"キーを押しながら、本機の電源コードをACコンセントに接続します。(Fig. 8)
VIDEOへの書き込みには、本機の"TONE CONTROL"キーを押しながら、本機の電源コードをACコンセントに接続します。(Fig. 8)

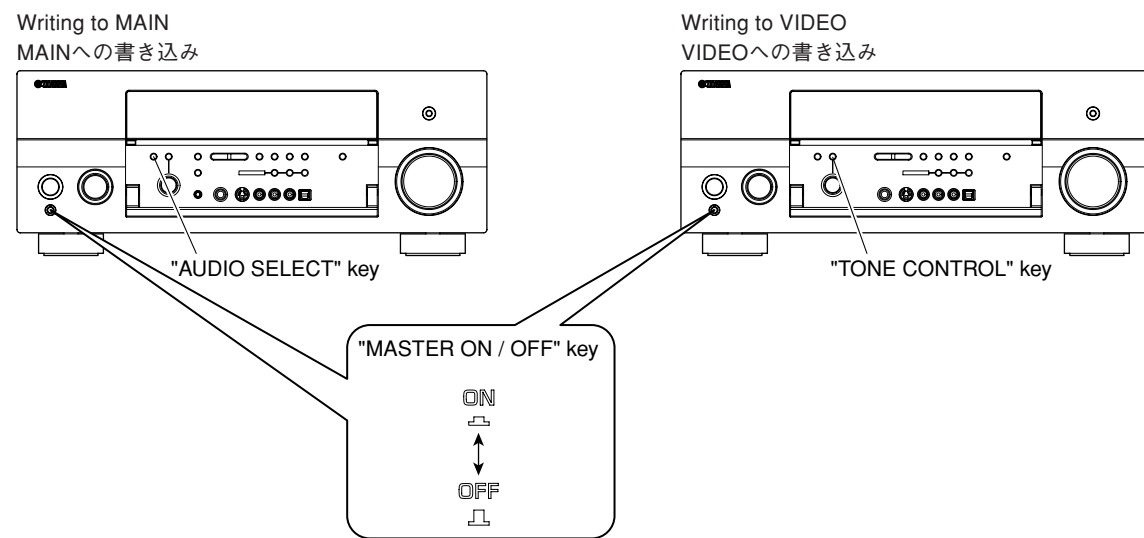


Fig. 8

- The writing ready state is set. (Fig. 9)
- * When the writing ready state is not obtained, press the [CANCEL] button and perform steps 1 to 5 of the procedure "Writing to MAIN" again.
7. Press the [E.P.S.] button and start writing. (Fig. 9)

- 書き込み待機の状態になります。(Fig. 9)
- ※ 書き込み予約の状態にならない場合、[CANCEL]ボタンを押し「MAINへの書き込み」の1から5までをもう一度やり直してください。
7. [E.P.S.]ボタンを押し、書き込みを開始します。(Fig. 9)

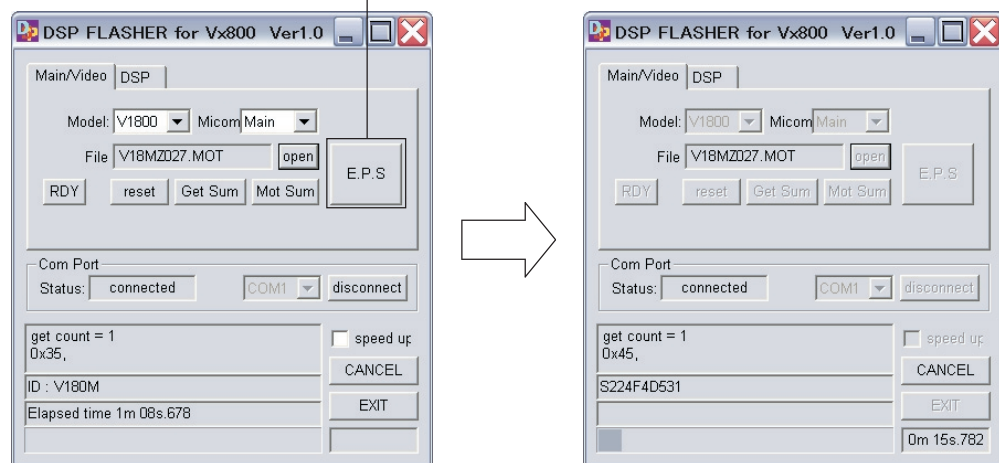
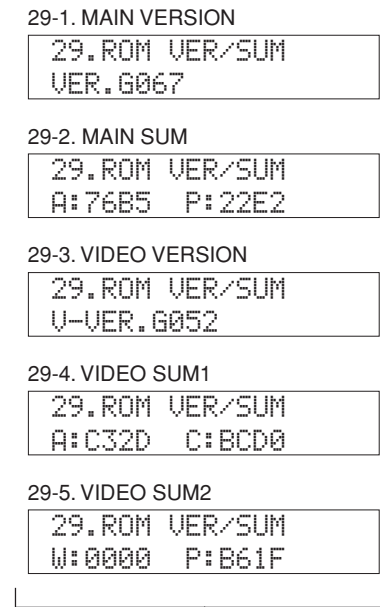
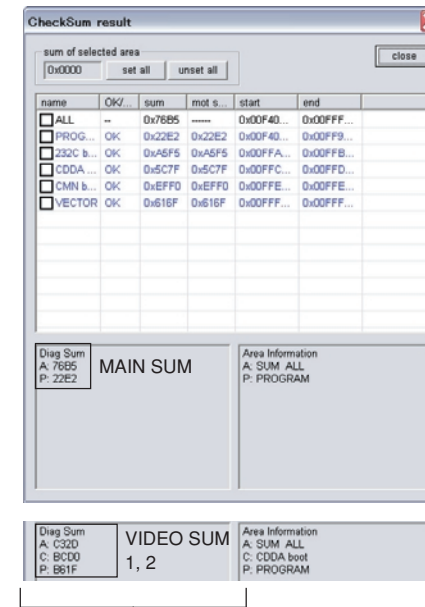


Fig. 9

8. After writing is completed, <CheckSum result> is displayed. (Fig. 10)
9. Disconnect the power cable of the main unit from the AC outlet.

8. 書き込み完了後、<CheckSum result>が表示されます。(Fig. 10)
9. 本機の電源コードをACコンセントから抜きます。



Check that the checksum is the same
チェックサムが同じであることを確認します

Fig. 10

- **Confirmation of firmware version and checksum**

Confirm the firmware is updated successfully with the self-diagnostic function.

For more information, refer to “SELF-DIAGNOSTIC FUNCTION”.

- Version of MAIN (Menu no. 29-1)
- Checksum of MAIN (Menu no. 29-2)
- Version of VIDEO (Menu no. 29-3)
- Checksum of VIDEO (Menu no. 29-4 and 29-5)
- * When the displayed firmware version and checksum are different from written firmware version and checksum, follow the steps from 1 to 13 of “Operation Procedures” again.
- * After confirming the firmware version and checksum, press the [close] button to close the “CheckSum result” window. Then, press the [EXIT] button to end “DSP_FLASHER_Vx800_1.0.exe”.

- **ファームウェアのバージョンおよびチェックサムの確認**

ダイアグメニューでファームウェアが正しく更新されたことを確認します。

ダイアグメニューの詳細は「ダイアグ(自己診断)」を参照してください。

- MAINのバージョン (ダイアグ 29-1)
- MAINのチェックサム (ダイアグ 29-2)
- VIDEOのバージョン (ダイアグ 29-3)
- VIDEOのチェックサム (ダイアグ 29-4、29-5)
- ※ 表示されたファームウェアのバージョンおよびチェックサムが、書き込んだファームウェアのバージョンおよびチェックサムと異なる場合、「操作方法」の1から13までをもう一度やり直してください。
- ※ ファームウェアのバージョンおよびチェックサムの確認後、[close]ボタンを押し「CheckSum result」を閉じます。そして[EXIT]ボタンを押し、「DSP_FLASHER_Vx800_v1.0.exe」を終了します。

- **Writing to DSP**

1. Start up “DSP_FLASHER_Vx800_v1.0.exe” of the PC. (Fig. 13)
2. Select “DSP”. (Fig. 11)

- **DSPへの書き込み**

1. “DSP_FLASHER_Vx800_v1.0.exe”を起動します。(Fig. 13)
2. 「DSP」を選択します。(Fig. 11)

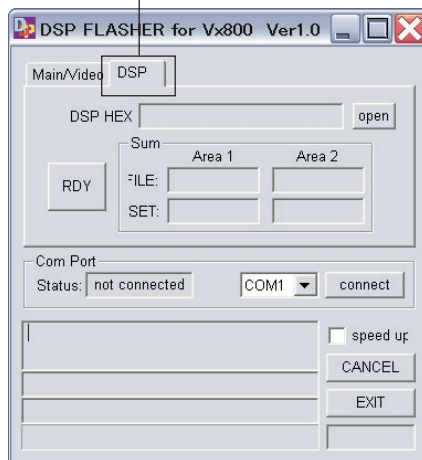


Fig. 11

3. Select the RS232C port (COMx) being set on the PC side and press the [connect] button, and <connected> appears as [Com Port Status]. (Fig. 12)

* If <connected> does not appear as [Com Port status], check the setting on the PC side again if the RS232C port (COMx) is selected properly.

4. Press the [open] button and select “Vx800a_data 1_verxxxxx.hex”. (Fig. 12)

* Select “Vx800a_data 1_verxxxxx.hex” also for HTR-6190.

3. PC側で設定されているRS232Cポート (COMx) を選択し[connect]ボタンを押します。(Fig. 12) すると「Com Port Status」に<connected>が表示されます。

※ 「Com Port Status」に<connected>が表示されない場合、RS232Cポート (COMx) が正しく選択されているかPC側の設定をもう一度確認してください。

4. [open]ボタンを押し、“Vx800a_data1_verxxxxx.hex”を選択します。(Fig. 12)

5. Press the [RDY] button. (Fig. 12)

5. [RDY] ボタンを押します。(Fig. 12)

The writing ready state will be set.

書き込み待機の状態になります。



Fig. 12

6. Press the "MASTER ON/OFF" key of the main unit to turn it on. (Fig. 13)

6. 本機の"MASTER ON/OFF"キーを押して、ONの状態にします。(Fig. 13)

7. While pressing the "A/B/C/D/E" key of the main unit, connect the power cable of the main unit to the AC outlet. (Fig. 13)

7. 本機の"A/B/C/D/E"キーを押しながら、本機の電源コードをACコンセントに接続します。(Fig. 13)

At this time, press and hold "A/B/C/D/E" key for 3 seconds or longer.

このとき、本機の"A/B/C/D/E"キーを3秒以上押し続けてください。

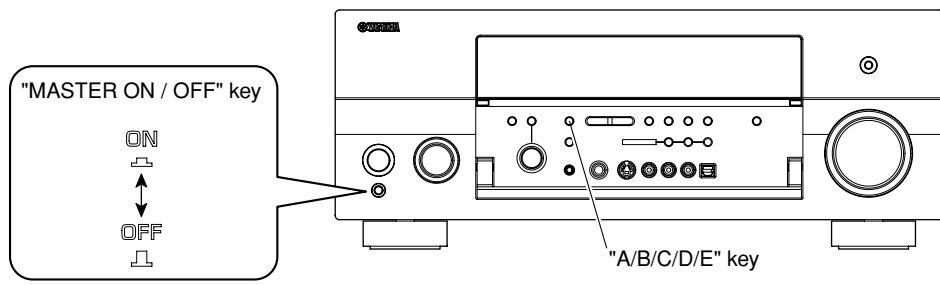


Fig. 13

After about 3 seconds, writing is started automatically. (Fig. 14)

- * If writing is not started, press the [CANCEL] button and perform Steps 1 to 7 of the procedure "Writing to DSP" again.

約3秒後、自動で書き込みを開始します。(Fig. 14)

- ※ 書き込みが開始されない場合、[CANCEL] ボタンを押し「DSPへの書き込み」の1から7までをもう一度やり直してください。

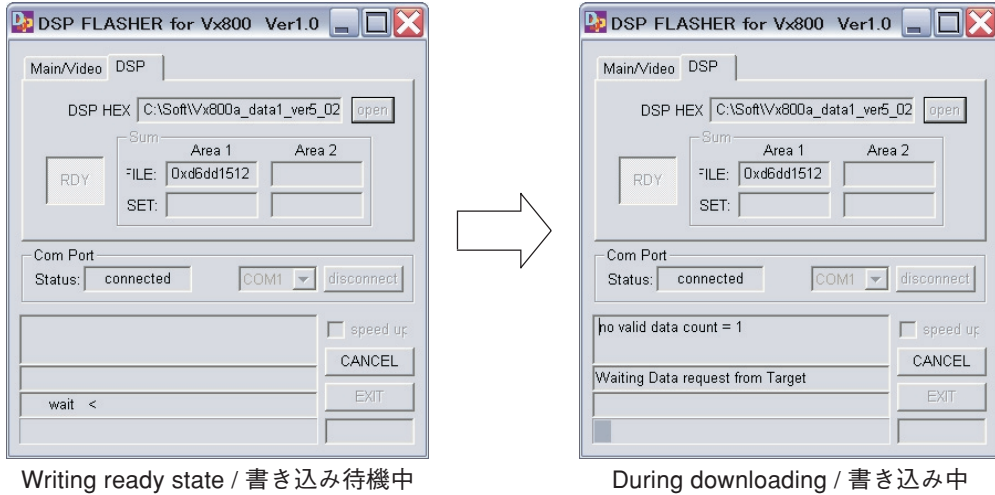


Fig. 14

- After writing is completed, the power of the main unit is turned off/on automatically.
- Press the "MASTER ON/OFF" key to turn off the power.
- Disconnect the power cable of the main unit from the AC outlet.

- 書き込み完了後、本機は自動で電源をオフ/オンします。
- "MASTER ON/OFF"キーを押し、電源オフします。
- 本機の電源コードをACコンセントから抜きます。

• **Confirmation of firmware version and checksum**

Confirm the firmware is updated successfully with the self-diagnostic function. For more information, refer to "SELF-DIAGNOSTIC FUNCTION".

- Version of DSP1 (TI-1) (Menu no. 29-6)
- Checksum of DSP1 (TI-1) (Menu no. 29-7)
- Version of DSP2 (TI-2) (Menu no. 29-11)
- * When the displayed firmware version and checksum are different from written firmware version and checksum, follow the steps from 1 to 19 of "Operation Procedures" again.

• **ファームウェアのバージョンおよびチェックサムの確認**

ダイアグメニューでファームウェアが正しく更新されたことを確認します。ダイアグメニューの詳細は「ダイアグ(自己診断)」を参照してください。

- DSP1 (TI-1)のバージョン (ダイアグ 29-6)
- DSP1 (TI-1)のチェックサム (ダイアグ 29-7)
- DSP2 (TI-2)のバージョン (ダイアグ 29-11)
- ※ 表示されたファームウェアのバージョンおよびチェックサムが、書き込んだファームウェアのバージョンおよびチェックサムと異なる場合、「操作方法」の1から19までをもう一度やり直してください。

After confirming the firmware version and checksum, press the [EXIT] button and end “DSP_FLASHER_Vx800_v1.0.exe”. (Fig. 15)

ファームウェアのバージョンおよびチェックサムの確認後、[EXIT]ボタンを押し、“DSP_FLASHER_Vx800_v1.0.exe”を終了します。(Fig. 15)

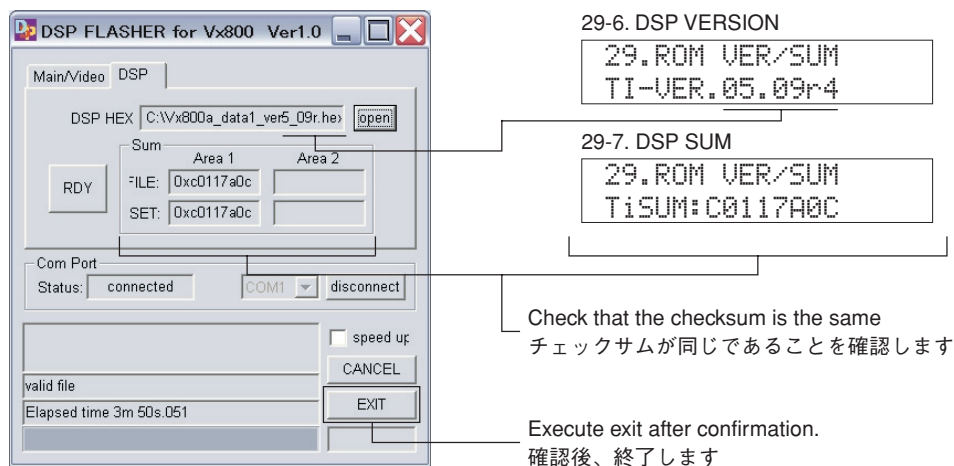


Fig. 15

Writing method using USER mode

● Required tools

- DVD or CD Player with DIGITAL OUTPUT (OPTICAL or COAXIAL) terminal
- Optical cable (when OPTICAL terminal is used)
- Digital audio pin cable (when COAXIAL terminal is used)
- Latest firmware CD

* To make the latest firmware CD, download the latest firmware from the specified download source.

● Operation procedures

- * Disconnect the power cable of the main unit and DVD/CD player from the AC outlet.
1. Connect the main unit and DVD/CD player as shown below. (Fig. 16)

When OPTICAL IN terminal is used / OPTICAL IN 端子使用時

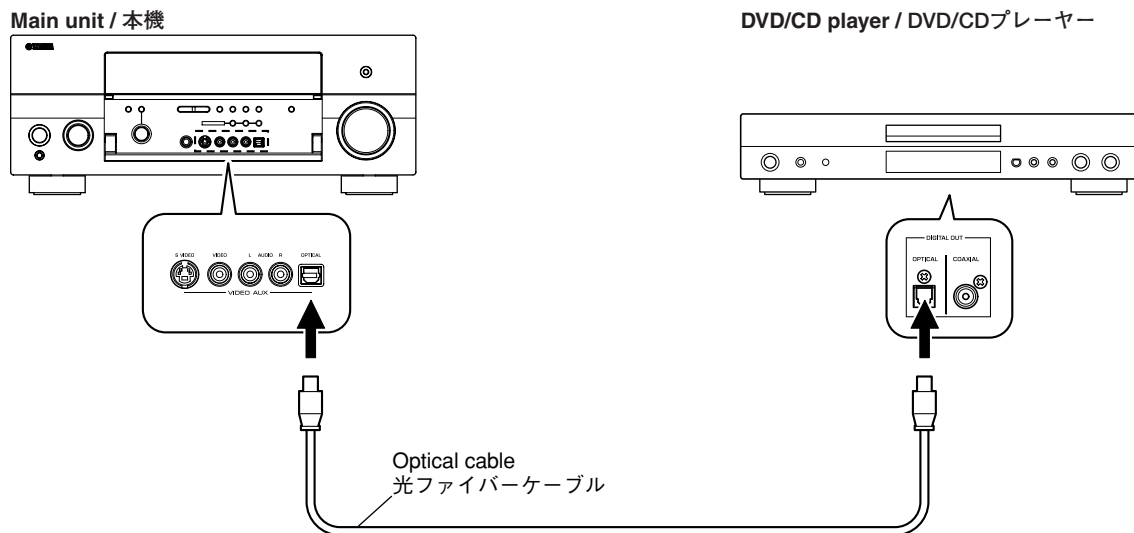


Fig. 16

2. Reconnect the power cable of DVD/CD player to the AC outlet.
3. Press the "MASTER ON/OFF" key of the main unit while simultaneously pressing the "STRAIGHT" key of the main unit. Then the ADVANCED SETUP mode is activated. (Fig. 17)
4. Press and hold the "SLEEP" key for about 3 seconds. (Fig. 17)
<CDDA Upgrader 1800> is displayed.

ユーザーモードで書き込む方法

● 必要なツール

- DVDまたはCDプレーヤー (DIGITAL OUTPUT (OPTICALまたはCOAXIAL) 端子付き)
- 光ファイバーケーブル (OPTICAL端子使用時)
- デジタル音声ピンケーブル (COAXIAL端子使用時)
- 最新のファームウェアCD
※ 最新のファームウェアCDは、最新のファームウェアを指定のダウンロード先からダウンロードして製作してください。

● 操作方法

- ※ 本機およびDVD/CDプレーヤーの電源コードをACコンセントから抜いてください。
1. 本機とDVD/CDプレーヤーを下記のように接続します。(Fig. 16)

2. DVD/CDプレーヤーの電源コードをACコンセントに接続します。
3. 本機の"STRAIGHT"キーを押しながら"MASTER ON/OFF"キーを押し、アドバンスドセットアップを起動します。(Fig. 17)
4. 本機の"SLEEP"キーを約3秒間押し続けます。(Fig. 17)
<CDDA Upgrader 1800>が表示されます。

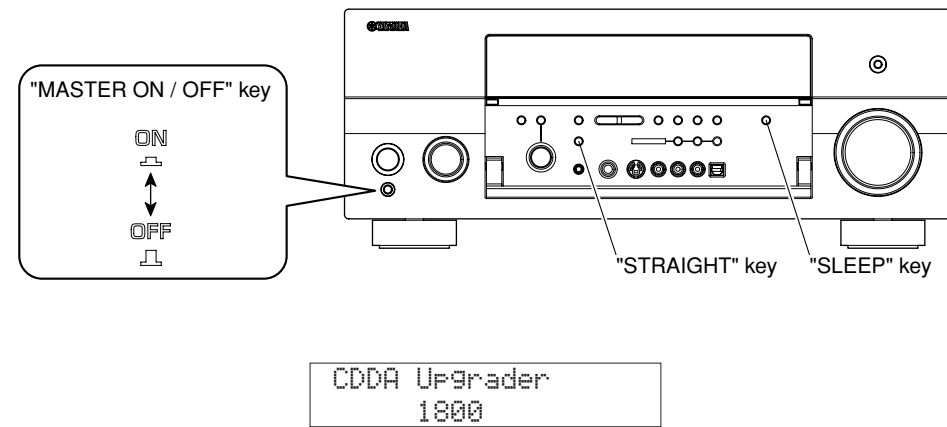


Fig. 17

5. Press the "POWER ON/OFF" key of DVD/CD player to turn on the power.
6. Press the "EJECT" key of the DVD/CD player to open the tray.
7. Put the firmware CD on the tray and close the tray.
8. Press the "PLAY" key of the DVD/CD player. Then writing of the firmware is started. (Fig. 18)
9. When writing of the firmware is completed, <Update Success Please MASTER Off!> is displayed. (Fig. 18)

5. DVD/CDプレーヤーの"POWER ON/OFF"キーを押し、電源オンします。
6. DVD/CDプレーヤーの"EJECT"キーを押し、トレイを開きます。
7. ファームウェアCDをトレイにのせ、トレイを閉じます。
8. DVD/CDプレーヤーの"PLAY"キーを押します。ファームウェアの書き込みが開始されます。
9. ファームウェアの書き込み完了後、<Update Success Please MASTER Off!>が表示されます。(Fig.18)

* If <Update Success Please MASTER Off!> is not displayed or <Error xxx> appears before coming to the end, perform Steps 1 to 8 of "Operation Procedures" again.

※ <Update Success Please MASTER Off!>が表示されない場合、または途中で<Error xxx>が表示された場合は、「操作方法」の1から8までをもう一度やり直してください。

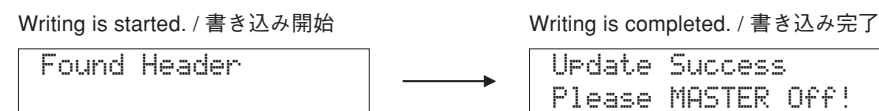


Fig. 18

10. Press the "STOP" key of the DVD/CD player.
11. Press the "EJECT" key of the DVD/CD player to open the tray.
12. Remove the firmware CD from the tray and close the tray.
13. Turn off the power of the DVD/CD player and disconnect the power cord from the AC outlet.
14. Press the "MASTER ON/OFF" key of the main unit to turn off the power.

10. DVD/CDプレーヤーの"STOP"キーを押します。
11. DVD/CDプレーヤーの"EJECT"キーを押し、トレイを開きます。
12. ファームウェアCDをトレイから外し、トレイを閉じます。
13. DVD/CDプレーヤーの電源を切り、電源コードをACコンセントから抜きます。
14. 本機の"MASTER ON/OFF"キーを押し、電源オフします。

● Confirmation of firmware version and checksum

1. Press the "MASTER ON/OFF" key of the main unit while simultaneously pressing the "STRAIGHT" key of the main unit. Then the ADVANCED SETUP mode is activated. (Fig. 19)
2. Keep pressing the "TUNING MODE" key for about 3 seconds. (Fig. 19)
<FIRMWARE VERSION> is displayed.
Press the "STRAIGHT" key to change operation.

● ファームウェアのバージョンおよびチェックサムの確認

1. 本機の"STRAIGHT"キーを押しながら"MASTER ON/OFF"キーを押し、アドバンスドセットアップを起動します。(Fig. 19)
2. 本機の"TUNING MODE"キーを約3秒間押し続けます。(Fig. 19)
<FIRMWARE VERSION>が表示されます。
操作は"STRAIGHT"キーを押し、切り替えます。

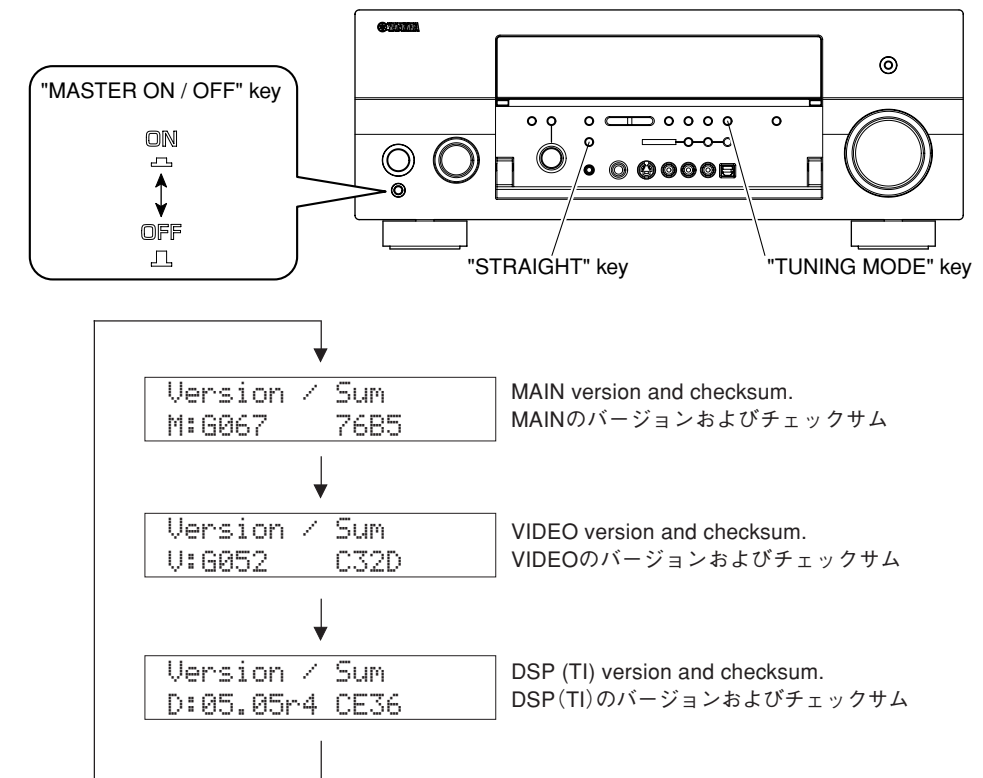


Fig. 19

* When the displayed firmware version and checksum are different from written firmware version and checksum, follow the steps from 1 to 14 of "Operation Procedures" again.

※ 表示されたファームウェアのバージョンおよびチェックサムが、書き込んだファームウェアのバージョンおよびチェックサムと異なる場合、「操作方法」の1から14までをもう一度やり直してください。

3. Press the "MASTER ON/OFF" key of the main unit to turn off the power.

3. 本機の"MASTER ON/OFF"キーを押し、電源オフします。

■ SELF-DIAGNOSTIC FUNCTION / ダイアグ (自己診断機能)

There are 29 main menu items, each of which has sub-menu items. Listed in the table below are menu items and sub-menu items.

メインメニューは29個あり、そのそれぞれにサブメニューがあります。下表はメニュー一覧です。

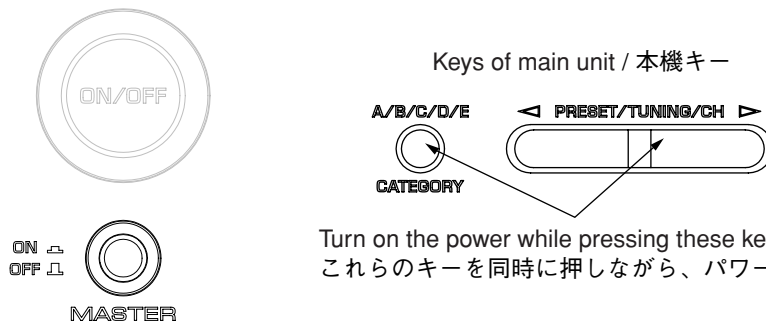
No.	MAIN MENU	SUB-MENU	INPUT SELECT
1	DSP THROUGH	1. MARGIN	—
		2. FULL BIT	—
2	BYPASS	1. ANALOG BYPASS	—
		2. DSP BYPASS	—
3	NO MENU (Not applied to these models. / このモデルには適用されません。)		—
4	HDMI AUDIO	1. SPDIF	—
		2. Multi	—
		3. DSD	—
		4. DSD Direct	—
5	SPEAKERS SET	1. FRONT:SMALL 0dB	—
		2. LFE/B:FRONT	—
		3. Pres Mix:5ch	—
		4. FATT1 GAIN	—
		5. FATT2 GAIN	—
		6. Surr B:MUTE	—
		7. Surr L/R:MUTE	—
		8. Zone Amp ON, Tone:MAX (U, C, R, T, K, A, B, G, E, L models)	—
		9. Zone Amp ON, Tone:MIN (U, C, R, T, K, A, B, G, E, L models)	—
		10. Effect Ch SML	—
		11. Relay presence	—
6	MULTI CH INPUT	1. 6ch INPUT_6-ohm	—
		2. 8ch INPUT_6-ohm	—
		3. 6ch INPUT_8-ohm	—
		4. 8ch INPUT_8-ohm	—
		5. TMP TEST	—
7	MIC CHECK	1. MIC CHECK	—
8	FL/OSD CHECK	1. VSYNC CHECK/VIDEO CONVERSION ON	DVD
		2. VFD DISP OFF/VIDEO MUTE	DVD
		3. VFD DISP ALL/OSD CHARACTERS (0-127)	DVD
		4. VFD DIMMER/OSD CHARACTERS (128-255)	DVD
		5. CHECK PATTERN/VIDEO CONVERSION OFF	DVD
9	MANUAL TEST	1. TEST ALL	BD/HD (Zone 2/3)
		2. TEST FRNT L	DVD (Zone 2/3)
		3. TEST CENTER	DTV/CBL (Zone 2/3)
		4. TEST FRNT R	DVR (Zone 2/3)
		5. TEST SURR R	VCR (Zone 2/3)
		6. TEST SB R	V-AUX (Zone 2/3)
		7. TEST SB L	MD/TAPE (Zone 2/3)
		8. TEST SURR L	CD-R (Zone 2/3)
		9. TEST PRES L	CD (Zone 2/3)
		10. TEST PRES R	PHONO (Zone 2/3)
		11. TEST LFE	TUNER (Zone 2/3)
10	RS-232C	1. TX DATA	—
		2. HARD FLOW	—
11	AD DATA CHECK	1. DC	—
		2. PS1/PS2	—
		3. TM1/TM2	—
		4. OUTLVL	—
		5. LMCNT	—
		6. AMPRELAY	—

No.	MAIN MENU	SUB-MENU	INPUT SELECT
		7. MODEL	—
		8. DESTINATION	—
		9. PANEL KEY (K0/K1)	—
12	XM TEST TONE (U, C models)	1. 1k -1dB/44.1k	—
		2. 1k -61dB/44.1k	—
		3. Mute /44.1k	—
		4. XM Tone/44.1k	—
		5. ISO Tone/44.1k	—
		6. 1k -1dB/32k	—
		7. 1k -61dB/32k	—
		8. Mute /32k	—
		9. XM Tone/32k	—
		10. ISO Tone/32k	—
		11. XM/DT Bus Power:OFF	—
13	IF STATUS	1. INSIDE STATUS 1 (5Byte)	BD/HD DVD
		2. INSIDE STATUS 2 (2Byte)	BD/HD DVD
		3. CHANNEL STATUS 1 (5Byte)	BD/HD DVD
		4. CHANNEL STATUS 2 (5Byte)	BD/HD DVD
		5. CHANNEL STATUS 3 (4Byte)	BD/HD DVD
		6. BSI 1 (2Word)	BD/HD DVD
		7. BSI 2 (2Word)	BD/HD DVD
		8. BSI 3 (2Word)	BD/HD DVD
		9. BSI 4 (2Word)	BD/HD DVD
		10. BSI 5 (2Word)	BD/HD DVD
		11. BSI 6 (2Word)	BD/HD DVD
		12. BSI 7 (2Word)	BD/HD DVD
		13. BSI 8 (2Word)	BD/HD DVD
		14. BSI 9 (2Word)	BD/HD DVD
		15. BSI a (2Word)	BD/HD DVD
		16. TI1 (5Byte)	BD/HD DVD
		17. TI2 (1Byte)	BD/HD DVD
		18. MTT (5Byte)	BD/HD DVD
14	iPod	1. DOCK	V-AUX
15	NET CHECK (Not applied to these models. / このモデルには適用されません。)	1. IP Address Check	—
		2. MAC Address Check	—
16	USB CHECK (Not applied to these models. / このモデルには適用されません。)	1. USB 1track	—
		2. USB 2track	—
17	PROTECTION HIST.	1. LAST	DVD
		2. HIST1	DVD
		3. HIST2	DVD
		4. HIST3	DVD
18	DSP PCB CHECK	1. TI1	—
		2. TI2	—
19	DVIDEO PCB CHECK	1. ALL Check	—
		2. Microprocessor/Flash Check	—
		3. SPI Read Check	—
		4. YGV Bus Check (Not applied to these models. / このモデルには適用されません。)	—
20	HDMI INFO	1. HDMI Model Name	—
		2. HDMI Product ID	—
		3. HDMI Vendor Name	—
21	HDMI SELECT	1. HDMI NONE	—

No.	MAIN MENU	SUB-MENU	INPUT SELECT
		2. HDMI IN 1	-
		3. HDMI IN 2	-
		4. HDMI IN 3	-
		5. HDMI IN 4	-
22	HDMI UP CONV.	1. HDMI DECODER	-
		2. HDMI YGV (Not applied to these models. / このモデルには適用されません。)	-
		3. HDMI I/P	-
		4. HDMI 720p	-
		5. HDMI 1080p	-
		6. HDMI SMART ZOOM	-
23	VIDEO	1. DIGITAL THR COMP	-
		2. DIGITAL THR CVBS	-
		3. DIGITAL THR Y/C	-
		4. DIGITAL BYPASS	-
		5. ANALOG BYPASS	-
		6. TEST PATTERN	-
		7. VIDEO INFO	-
24	NO MENU (Not applied to these models. / このモデルには適用されません。)		-
25	FIRMWARE UPDATE (Not applied to these models. / このモデル には適用されません。)	1. MAIN	-
		2. VIDEO	-
		3. TI	-
		4. NET/USB	-
26	SET INFO	1. MODEL	-
		2. DEST.	-
27	SOFT SW	1. SW MODE	-
		2. TV FORMAT	-
		3. AAC	-
		4. CSII	-
		5. RDS	-
		6. XM	-
		7. Neural Audio	-
		8. AM/FM	-
		9. TMP TEST	-
28	FACTORY PRESET	1. PRESET INH	-
		2. PRESET RSRV	-
29	ROM VER/SUM	1. MAIN VERSION	-
		2. MAIN SUM	-
		3. VIDEO VERSION	-
		4. VIDEO SUM 1	-
		5. VIDEO SUM 2	-
		6. TI1 FLASH VERSION	-
		7. TI1 FLASH SUM	-
		8. XM VERSION (U, C models)	-
		9. Net VERSION (Not applied to these models. / このモデルには適用されません。)	-
		10. Net SUM (Not applied to these models. / このモデルには適用されません。)	-
		11. TI2 FLASH VERSION	-

● Starting Self-Diagnostic Function

Press the “MASTER ON/OFF” key while simultaneously pressing those two keys of the main unit as indicated in the figure below.



Turn on the power while pressing these keys.
これらのキーを同時に押しながら、パワーオンする。

● ダイアグの起動

本機の下図に示すキーを同時に押しながら“MASTER ON/OFF”キーを押すと、ダイアグが起動します。

● Starting Self-Diagnostic Function in the protection cancel mode

If the protection function works and causes hindrance to trouble shoot, cancel the protection function as described below, and it will be possible to enter the self-diagnostic function mode. (The protection functions other than the excess current detect function will be disabled.)

Press the “MASTER ON/OFF” key while simultaneously pressing those two keys indicated in the figure above. At this time, press and hold those two keys for 3 seconds or longer.

In this mode, the “SLEEP” segment of the FL display of the main unit flashes to indicate that the mode is self-diagnostic function mode with the protection functions disabled.

CAUTION!

Using this product with the protection function disabled may cause damage to itself. Use special care when using this mode.

● プロテクション解除モードでの起動

プロテクションが動作することにより、故障箇所の診断に支障をきたすような場合は、次の方法によりプロテクションを解除した状態でダイアグモードに入ることができます。(過電流検出以外のプロテクション動作を解除する)

上図のキーを同時に押しながら“MASTER ON/OFF”キーを押します。このとき、上図のキーを3秒以上押し続けてください。

このモードでは本機FLの“SLEEP”セグメントが点滅し、プロテクションを解除した状態でのダイアグモードであることを知らせます。

注意！

プロテクションを解除した状態でのダイアグモードは、危険な状態でもプロテクションが作動しないため、動作させると、機器を破壊することがあります。このモードを使用する場合は十分注意してください。

● Canceling Self-Diagnostic Function

- ① Before canceling self-diagnostic function, execute setting for PRESET of main menu No. 28 (Memory initialization inhibited or Memory initialized).
 - * In order to keep the user memory stored, be sure to select PRESET INHIBIT (Memory initialization inhibited).
- ② Turn off the power by pressing the “MASTER ON/OFF” key of the main unit or the “STANDBY” key of the remote control.

● ダイアグの解除

- ① ダイアグを解除する前に、メインメニューNo. 28のFACTORY PRESET(メモリーの初期化禁止/またはメモリーの初期化)の設定をします。
 - ※ ユーザーメモリーを保持したい場合は、必ずPRESET INHIBIT(メモリー初期化禁止)を選択してください。
- ② 本機の“MASTER ON/OFF”キーかリモコンの“STANDBY”キーを押し、パワーオフにします。

● Display provided when Self-Diagnostic Function started

The FL display of the main unit displays the protection function history data and the version (1 alphabet) then the main menu (sub-menu MARGIN of main menu No. 1 DSP THROUGH) a few seconds later.

When there is no history of protection function:

Opening message / オープニング表示

When there is no protection history
プロテクション履歴が無い場合

DIAGNOSTIC

After a few seconds / 数秒後



1. DSP THROUGH
MARGIN

● ダイアグ起動時の表示

本機のFLディスプレイにプロテクション履歴情報とバージョン(英1文字)が表示され、数秒後にメインメニュー(No. 1 DSP THROUGHのサブメニューMARGIN)になります。

プロテクション履歴がない場合:

Main menu display / メインメニュー表示

When there is a history of protection function:

When there is a history of protection function due to excess current

When there is a history of protection function due to excess current
過電流によるプロテクション履歴がある場合

DIAGNOSTIC
I PROTECT

プロテクション履歴がある場合:

過電流によるプロテクション履歴がある場合

Cause: An excessive current flowed through the power amplifier.

Supplementary information: As current of the power transistor is detected, the abnormal channel can be identified by checking the current detect transistor.

Turning on the power without correcting the abnormality will cause the protection function to work immediately and the power supply will instantly be shut off.

原因: パワーアンプに過電流が流れた。

補足: パワートランジスタの電流を検出していますので、電流検出トランジスタをチェックすれば異常チャンネルが特定できます。

異常状態のままパワーオンすると、瞬時にプロテクションがかかり、すぐに電源が切れます。

Note)

- Applying the power to the main unit without correcting the abnormality can be dangerous and cause additional circuit damage. To avoid this, if protection function has been activated 3 times continuously, the power will not turn on even when the "MASTER ON/OFF" key is pressed. In order to turn on the power again, disconnect the power cable of the main unit from the AC outlet once and then reconnect it again.
- The output transistors in each amplifier channel should be checked for damage before applying power of the main unit.
- Amplifier current should be monitored by measuring DC voltage across the emitter resistors for each channel.

注意!

- 異常状態のまま本機の電源を入れると、危険な状態になり、さらに回路が損傷を受ける原因になります。そのため連続してプロテクションが働いた場合、3回目以降"MASTER ON/OFF"キーを押しても電源が入らなくなります。再度電源を入れる場合、一度本機の電源コードをAC電源コンセントから抜いて接続し直してください。
- 本機の電源をいれる前に、各アンプのチャンネル内の出力トランジスタに損傷がないかチェックしてください。
- アンプの電流は、各チャンネルのエミッターの抵抗器間電圧を測定することによりモニターしてください。

When there is a history of protection function due to abnormal voltage in the power supply section
電源部の電圧異常によるプロテクション履歴がある場合

```
DIAGNOSTIC
PSx PRT:000
```

A/D conversion value of voltage
電圧のA/D変換値

Cause: The voltage in the power supply section is abnormal.

Supplementary information: The abnormal voltage is displayed in based on 5V as 255.

Turning on the power without correcting the abnormality will cause the protection function to work 1 second later and the power supply will be shut off.

原因: 電源部の電圧が異常。

補足: 異常時の電圧の状態を、5Vを255とした値で表示します。

異常状態のままパワーオンすると、1秒後にプロテクションがかかり、電源が切れます。

When there is a history of protection function due to abnormal DC output
DC出力異常によるプロテクション履歴がある場合

```
DIAGNOSTIC
DC PRT:000
```

A/D conversion value of voltage
電圧のA/D変換値

Cause: DC output of the power amplifier is abnormal.

Supplementary information: The abnormal voltage is displayed in based on 5V as 255.

Turning on the power without correcting the abnormality will cause the protection function to work 3 seconds later and the power supply will be shut off.

原因: パワーアンプのDC出力が異常。

補足: 異常時の電圧の状態を、5Vを255とした値で表示します。

異常状態のままパワーオンすると、3秒後にプロテクションがかかり、電源が切れます。

When there is a history of protection function due to excessive heat sink temperature
放熱器の異常温度によるプロテクション履歴がある場合

```
DIAGNOSTIC
TMPx PRT:000
```

A/D conversion value of voltage
電圧のA/D変換値

Cause: The temperature of the heat sink is excessive.

Supplementary information: The abnormal voltage is displayed in based on 5V as 255.

Turning on the power without correcting the abnormality will cause the protection function to work 1 second later and the power supply will be shut off.

原因: 放熱器の温度が異常。

補足: 異常時の電圧の状態を、5Vを255とした値で表示します。

異常状態のままパワーオンすると、1秒後にプロテクションがかかり、電源が切れます。

* Additional causes of protection can be due to loose connections, associated components, Microprocessor, etc.

* For the protection voltage value, refer to main menu No. 11 described later.

※ 前記の異常原因の他に、コネクタのはずれやMicro-processor周辺などに原因があります。

※ プロテクションの電圧値に関しては、後述のメインメニューNo. 11を参照してください。

● History of protection function

When the protection function has worked, its history is stored in memory with a backup. Even if no abnormality is noted while servicing the unit, an abnormality which has occurred previously can be defined as long as the backup data has been stored.

The history of the protection function is cleared when self-diagnostic function is cancelled by selecting PRESET RESERVED (Memory initialized) of main menu No. 28 or when the backup data is erased.

● Display during menu operation

During the self-diagnostic function mode, the monitor screen shows the wall paper and the selected function among following functions as a short message.

- Input selection, multi channel input
- Muting
- Master volume

The FL display of the main unit shows the selected function. The displayed contents are described in the later section on details of self-diagnostic function menu.

● Operation procedure of Main menu and Sub-menu

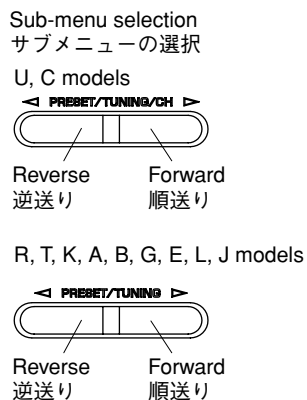
There are 29 menu items, each of having sub-menu items.

Main menu selection

Select the menu using "PROGRAM" knob.

Sub-menu selection

Select the sub-menu using "▷ (Forward)" and "◁ (Reverse)" keys of PRESET/TUNING.



● プロテクションの履歴

プロテクションが働いた場合、履歴をバックアップして記憶しています。サービスのときに異常が認められなくても、バックアップが残っていれば、お客様のところで起きた異常を区別できます。

プロテクションの履歴は、メインメニューNo. 28で PRESET RESERVED (メモリーの初期化) を選んでダイアグを解除した場合や、バックアップが消えたときにはクリアされます。

● メニュー動作中の表示

ダイアグ中、モニター画面には壁紙表示と以下の動作中の機能がショートメッセージとして表示されます。

- インプット切替、マルチチャンネルインプット
- ミューティング
- マスターボリューム

本機のFLディスプレイには動作中の機能が表示されます。機能動作中の表示内容については、後述の機能詳細で記述します。

● メインメニューとサブメニューの操作

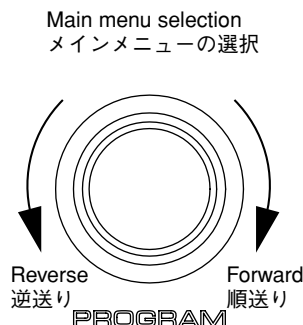
ダイアグにはNo. 1~29のメニューがあり、そのそれぞれにサブメニューがあります。

メインメニューの選択

PROGRAMツマミで選択します。

サブメニューの選択

PRESET/TUNING ▷ (順送り), ◁ (逆送り) キーで選択します。



● Functions in Self-Diagnostic Function mode

In addition to the self-diagnostic function menu items, functions listed below are available.

- Input selection, Multi channel input
- Center/Rear/Rear center/Sub-woofer level adjustment
- Muting
- Power on/off
- Master volume
- * Functions related to the tuner and the set menu are not available.
- * It is possible to confirm menu No. 13 IF STATUS while keeping the signal process (operation status) of each main menu by using the "AUDIO SELECT" key of the main unit.

● Initial settings used to start Self-Diagnostic Function

The following initial settings are used when starting self-diagnostic function. When self-diagnostic function is canceled, these settings are restored to those before starting self-diagnostic function.

- Master volume: -20dB
- Input: DVD (MULTI CHANNEL INPUT OFF)
- Effect level: 0dB
- Audio mute: OFF
- Speaker setting: LARGE / BASS OUT = BOTH
- Self-diagnostic function menu:
 1. DSP-THROUGH / MARGIN

● Input change when Main menu is selected

There are points where the input changes automatically when main menu is selected.

8. FL/OSD TEST: DVD
9. MANUAL TEST: DVD (ZONE2/3)
13. IF STATUS: DVD
14. iPod: V-AUX/DOCK
17. PROTECTION HISTORY: DVD

● ダイアグ中の機能

ダイアグメニューの他に、以下の機能が動作します。

- インプット切り換え、マルチチャンネルインプット
- センター、リア、リアセンター、サブウーファーレベル調整
- ミューティング
- パワーオン/オフ
- マスターボリューム

※ チューナー関連、セットメニュー関連は機能しません。

※ 本機の“AUDIO SELECT”キーにより、各ダイアグメニューの信号処理(動作状態)を維持したままメインメニューNo. 13 IF STATUSの確認ができます。

● ダイアグ開始時の初期設定

ダイアグ開始時に以下のような設定になります。ダイアグ解除時にはダイアグ開始前の状態に戻ります。

- マスターボリューム: -20dB
- インプット: DVD (マルチチャンネルINPUT オフ)
- エフェクトレベル: 0dB
- オーディオミュート: オフ
- スピーカー設定: LARGE / BASS OUT=BOTH
- ダイアグメニュー: 1. DSP-THROUGH / MARGIN

● メインメニュー選択時のインプット切り換え

メインメニュー選択時に、自動でインプットが切り換わる箇所があります。

8. FL/OSD TEST : DVD
13. IF STATUS : DVD
14. iPod : V-AUX/DOCK
17. PROTECTION HISTORY : DVD

● **Details of Self-Diagnostic Function menu**

With full-bit output specified in some modes, it is possible to execute 0dBFS output without head margin in each channel.

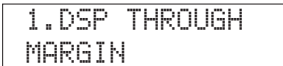
1. DSP THROUGH

This function is for DSP2 only. Main DSP of DSP2 is selected for FRONT output.

Using the sub-menu, it is possible to select 0dB output level or full-bit output.

MARGIN

- The signal is output including the head margin.



INPUT: DVD ANALOG

SPEAKER OUT: 1kHz, SUBWOOFER OUTPUT: 50Hz

Input level	Volume	SPEAKER OUT					SUBWOOFER OUTPUT
		FRONT	CENTER	SURROUND	SURROUND BACK	PRESENCE	
Both ch, -20 dBm	+6.5 dB	+12.5 dBm	+13.5 dBm	+13.5 dBm	+13.5 dBm	-∞	-5.5 dBm

FULL BIT

- The signal is output in digital full bit without including the head margin.
- The SWFR signal is output but not in digital full bit.



INPUT: DVD ANALOG

SPEAKER OUT: 1kHz, SUBWOOFER OUTPUT: 50Hz

Input level	Volume	SPEAKER OUT					SUBWOOFER OUTPUT
		FRONT	CENTER	SURROUND	SURROUND BACK	PRESENCE	
Both ch, -20 dBm	+6.5 dB	+12.5 dBm	+13.5 dBm	+13.5 dBm	+13.5 dBm	-∞	-5.5 dBm

● **ダイアグメニュー詳細**

一部のモードでフルビット指定することで、各チャンネルのヘッドマージンを廃して0dBFS出力することが可能です。

1. DSP THROUGH

DSP2のみの動作です。FRONT出力にはDSP2のMain DSPが選択されます。

サブメニューにより、出力レベル0dB、フルビット出力が選択可能です。

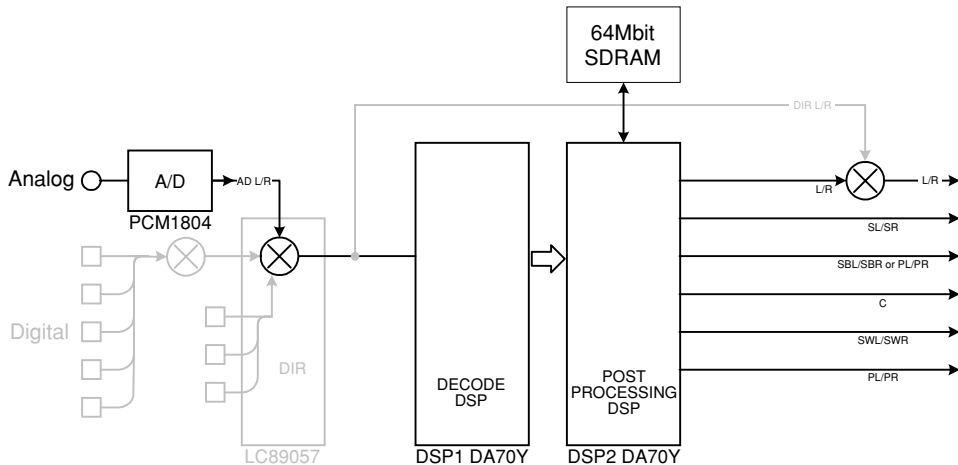
MARGIN

- ヘッドマージンを含んで出力されます。

FULL BIT

- ヘッドマージンを含まず、デジタルフルビットで出力されます。
- SWFRは出力されますが、デジタルフルビットではありません。

DSP THROUGH (ANALOG)



(Shaded items not used in this mode)

RX-V1800/HTR-6190/DSP-AX1800

**2. BYPASS
ANALOG BYPASS**

**2. BYPASS
ANALOG BYPASS**

2. BYPASS
ANALOG BYPASS

INPUT: DVD ANALOG
SPEAKER OUT: 1kHz, SUBWOOFER OUTPUT: 50Hz

Input level	Volume	SPEAKER OUT					SUBWOOFER OUTPUT
		FRONT	CENTER	SURROUND	SURROUND BACK	PRESENCE	
Both ch, -20 dBm	+6.5 dB	+12.5 dBm	-∞	-∞	-∞	-∞	-∞

DSP BYPASS

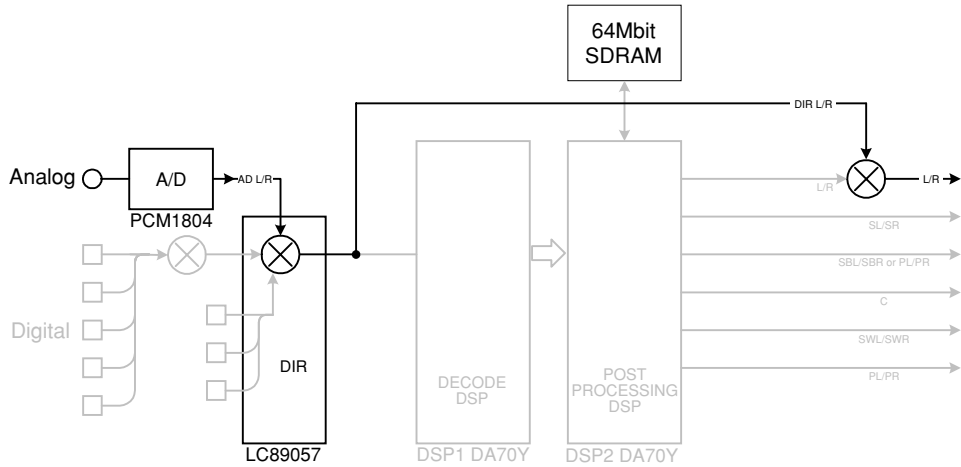
DSP BYPASS

2. BYPASS
DSP BYPASS

INPUT: DVD ANALOG
SPEAKER OUT: 1kHz, SUBWOOFER OUTPUT: 50Hz

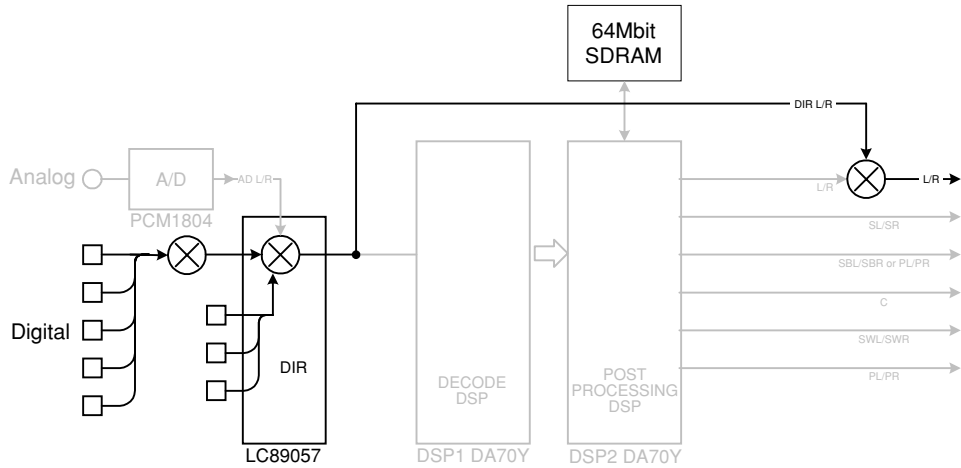
Input level	Volume	SPEAKER OUT					SUBWOOFER OUTPUT
		FRONT	CENTER	SURROUND	SURROUND BACK	PRESENCE	
Both ch, -20 dBm	+6.5 dB	+12.5 dBm	-∞	-∞	-∞	-∞	-∞

**ANALOG BYPASS
(ANALOG)**



(Shaded items not used in this mode)

**DSP BYPASS
(DIGITAL)**



(Shaded items not used in this mode)

RX-V1800/HTR-6190/
DSP-AX1800

3. NO MENU

Not applied to these models.

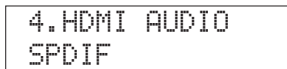
4. HDMI AUDIO

The audio signals input to HDMI IN are selected by the sub-menu and output.

* When selecting DSD or DSD Direct, be sure to connect an HDMI unit with DSD output function.

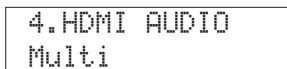
SPDIF

Only SPDIF is output.



Multi

Only Multi (DVD-AUDIO) is output.



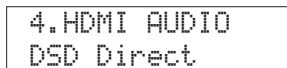
DSD

DSD (Direct Stream Digital) is output.



DSD Direct

DSD (Direct Stream Digital) is output by the direct mode.



3. NO MENU

このモデルには適用されません。

4. HDMI AUDIO

HDMI INに入力された音声信号をサブメニューで選択し、出力します。

※ DSDおよびDSD Directを選択する場合、必ずDSD出力が可能なHDMI機器を接続してください。

SPDIF

SPDIFのみを出力します。

Multi

Multi (DVD-AUDIO)のみを出力します。

DSD

DSD (Direct Stream Digital) を出力します。

DSD Direct

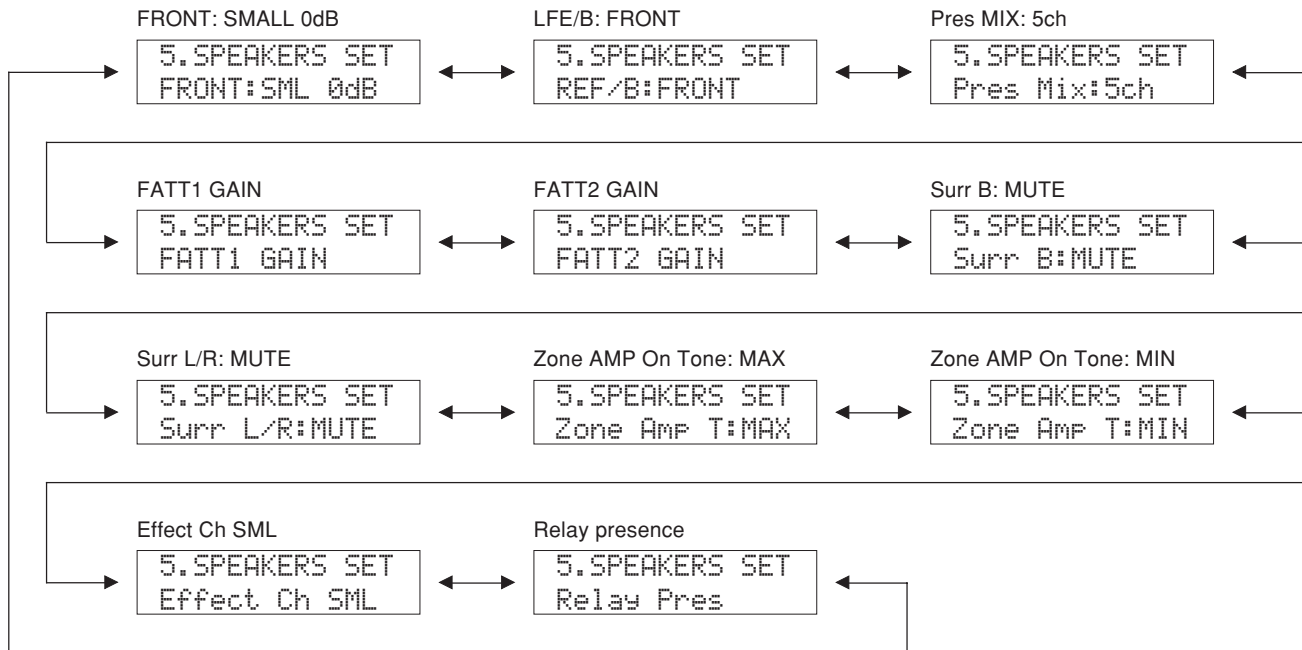
DSD (Direct Stream Digital) をダイレクトモードで出力します。

5. SPEAKERS SET

The input signal is automatically identified in the order of dts→ DOLBY DIGITAL→ AAC→ PCM→ Analog. There are 11 sub-menu items as follows.

5. SPEAKERS SET

入力は、dts→DOLBY DIGITAL→AAC→PCM→アナログの優先順で自動判別されます。サブメニューは以下の11つあります。



The analog switch settings for each sub-menu are as shown in the table below.

各サブメニューにおけるアナログスイッチの設定は以下の通りです。

SUB MENU	FL/FR	CENTER	SL/SR	SBL/SBR	LFE/BASS
1. FRONT: SMALL 0dB	SMALL	LARGE	LARGE	LARGE	SWFR
2. LFE/B: FRNT	LARGE	LARGE	LARGE	LARGE	FRONT
3. Pres Mix: 5ch	LARGE	LARGE	LARGE	LARGE	SWFR
4. FATT1 GAIN	LARGE	LARGE	LARGE	LARGE	SWFR
5. FATT2 GAIN	LARGE	LARGE	LARGE	LARGE	SWFR
6. Surr B: MUTE	LARGE	LARGE	LARGE	LARGE	SWFR
7. Surr L/R: MUTE	LARGE	LARGE	LARGE	LARGE	SWFR
8. Zone2/3, Zone Amp ON, Tone: Max	LARGE	LARGE	NONE	NONE	SWFR
9. Zone2/3, Zone Amp ON, Tone: Min	LARGE	LARGE	NONE	NONE	SWFR
10. EFFECT: SML 0dB	LARGE	SMALL	SMALL	SMALL	SWFR
11. Relay presence	LARGE	LARGE	LARGE	LARGE	SWFR

- LARGE: This mode is used for a speaker with high bass reproduction performance (a large unit). Full bandwidth signals are output.
- SMALL: This mode is used for a speaker with low bass reproduction performance (a small unit). The signals of 90Hz or less are mixed into the channel specified by LFE/BASS.
- NONE: This mode is used for no center speaker. The center content is reduced by 3dB and distributed to FRONT L/R.
- SWFR: LFE of 5.1ch signal or LFE/BASS lower than 90Hz is output through SUBWOOFER OUT.
- FRONT: LFE of 5.1ch signal or LFE/BASS lower than 90Hz is distributed to FRONT L/R.

- LARGE: 低音再生能力の高い(ユニットの大きい)スピーカーを使用するモードです。全帯域が出力されます。
- SMALL: 低音再生能力の低い(ユニットの小さい)スピーカーを使用するモードです。90Hz以下がLFE/BASSで指定したチャンネルにミックスされます。
- NONE: センタースピーカーを使用しないモードです。センター成分は-3dBされて、FRONT L/Rに振り分けられます。
- SWFR: 5.1ch信号のLFEまたは90Hz以下のLFE/BASSがSUBWOOFER OUTに出力されます。
- FRONT: 5.1ch信号のLFEまたは90Hz以下のLFE/BASSをFRONT L/Rに振り分けます。

INPUT: DVD ANALOG
 SPEAKER OUT: 1kHz, SUBWOOFER OUTPUT: 50Hz
 Input level: Both ch, -20 dBm
 Volume: +6.5 dB

SUB MENU	SPEAKER OUT					SUBWOOFER OUTPUT
	FRONT	CENTER	SURROUND	SURROUND BACK	PRESENCE	
1. FRONT: SMALL 0dB	+12.5 dBm	-∞	+13.5 dBm	-∞	-∞	-10.5 dBm
2. LFE/B: FRNT	+14.0 dBm	+13.5 dBm	+13.5 dBm	+13.5 dBm	-∞	+10.5 dBm
3. Pres Mix: 5ch	+12.5 dBm	+13.5 dBm	+13.5 dBm	+13.5 dBm	-∞	-∞
4. FATT1 GAIN	+16.5 dBm	+13.5 dBm	+13.5 dBm	+13.5 dBm	-∞	+20.5 dBm
5. FATT2 GAIN	+18.5 dBm	+13.5 dBm	+13.5 dBm	+13.5 dBm	-∞	+20.5 dBm
6. Surr B: MUTE	+12.5 dBm	+13.5 dBm	+13.5 dBm	-∞	-∞	-∞
7. Surr L/R: MUTE	+12.5 dBm	+13.5 dBm	-∞	+13.5 dBm	-∞	-∞
8. Zone2/3, Zone Amp ON, Tone: Max	+18.5 dBm	+13.5 dBm	-∞	-∞	-∞	+20.5 dBm
9. Zone2/3, Zone Amp ON, Tone: Min	+18.5 dBm	+13.5 dBm	-∞	-∞	-∞	+20.5 dBm
10. EFFECT: SML 0dB	+12.5 dBm	+13.5 dBm	+13.5 dBm	+13.5 dBm	-∞	-3.5 dBm
11. Relay presence	+12.5 dBm	+13.5 dBm	+13.5 dBm	-∞	+13.5 dBm	-3.5 dBm

6. MULTI CH INPUT

It is possible to select the 6ch/8ch input and 6-ohm/8-ohm by using the sub-menu.

6CH INPUT_6-ohm

```
6.Multi INPUT
6ch INPUT_6Ω
```

INPUT: MULTI CH INPUT

SPEAKER OUT: 1kHz, SUBWOOFER OUTPUT: 50Hz

Input level	Volume	SPEAKER OUT					SUBWOOFER OUTPUT
		FRONT	CENTER	SURROUND	SURROUND BACK	PRESENCE	
Both ch, -20 dBm	+6.5 dB	+12.5 dBm	+13.5 dBm	+13.5 dBm	-∞	-∞	-16.0 dBm

6. MULTI CH INPUT

サブメニューにより、6ch/8ch入力および6オーム/8オームが選択可能です。

6CH INPUT_6オーム**8CH INPUT_6-ohm**

```
6.Multi INPUT
8ch INPUT_6Ω
```

INPUT: MULTI CH INPUT

SPEAKER OUT: 1kHz, SUBWOOFER OUTPUT: 50Hz

Input level	Volume	SPEAKER OUT					SUBWOOFER OUTPUT
		FRONT	CENTER	SURROUND	SURROUND BACK	PRESENCE	
Both ch, -20 dBm	+6.5 dB	+12.5 dBm	+13.5 dBm	+13.5 dBm	+13.5 dBm	-∞	-16.0 dBm

8CH INPUT_6オーム**6CH INPUT_8-ohm**

```
6.Multi INPUT
6ch INPUT_8Ω
```

INPUT: MULTI CH INPUT

SPEAKER OUT: 1kHz, SUBWOOFER OUTPUT: 50Hz

Input level	Volume	SPEAKER OUT					SUBWOOFER OUTPUT
		FRONT	CENTER	SURROUND	SURROUND BACK	PRESENCE	
Both ch, -20 dBm	+6.5 dB	+12.5 dBm	+13.5 dBm	+13.5 dBm	-∞	-∞	-16.0 dBm

6CH INPUT_8オーム**8CH INPUT_8-ohm**

```
6.Multi INPUT
8ch INPUT_8Ω
```

INPUT: MULTI CH INPUT

SPEAKER OUT: 1kHz, SUBWOOFER OUTPUT: 50Hz

Input level	Volume	SPEAKER OUT					SUBWOOFER OUTPUT
		FRONT	CENTER	SURROUND	SURROUND BACK	PRESENCE	
Both ch, -20 dBm	+6.5 dB	+12.5 dBm	+13.5 dBm	+13.5 dBm	+13.5 dBm	-∞	-16.0 dBm

8CH INPUT_8オーム

TMP TEST/AMP. POWER CONTROL

TMP TEST:

TMP TEST, TM1 and TM2 are displayed.

AMP. POWER CONTROL:

Select the power relay H/M/L using the "STRAIGHT" key.

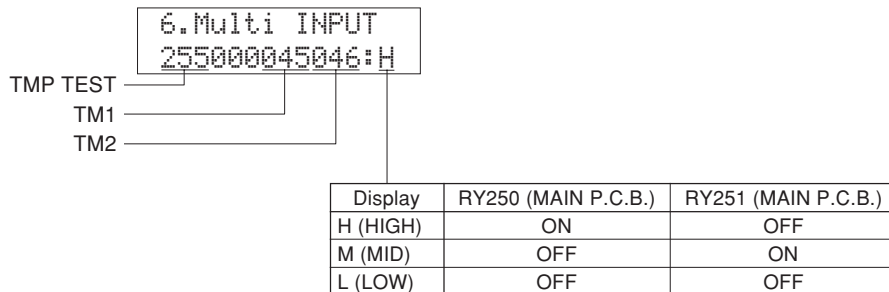
TMP TEST/AMP. POWER CONTROL

TMP TEST :

TMP TEST、TM1、TM2を表示します。

AMP. POWER CONTROL :

アンプ部電源リレーH/M/Lを"STRAIGHT"キーで切り替えます。

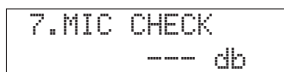


7. MIC CHECK

The signals input through the microphone are output via A/D - D/A.

7. MIC CHECK

マイク入力された信号をA/D-D/A経由で出力します。



The output level is not indicated.
出力レベルは表示されません。

8. FL/OSD CHECK

Use this program to check the FL display section and image control section. When checking the image control section, prepare a monitor, HDMI cable, component video cable, S video cable and video pin cable and connect them.

Using the sub-menu operation, the display status of the FL display section and image control section varies as shown below.

For audio signal processing, use EFFECT OFF (L/R output by using ANALOG MAIN BYPASS).

8. FL/OSD CHECK

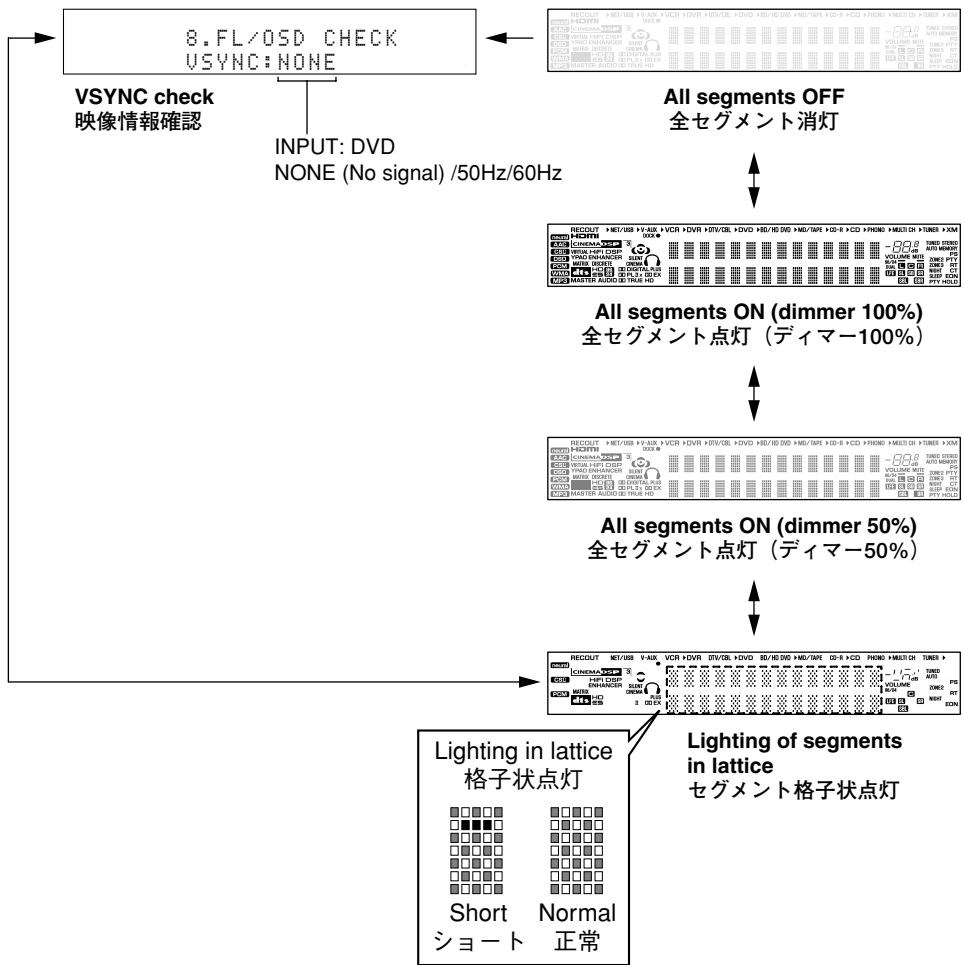
FL表示部と映像制御部のチェックプログラムです。映像制御部をチェックする場合には、モニター、HDMIケーブル、D端子ケーブル、コンポーネントビデオケーブル、Sビデオケーブル、ビデオ用ピンケーブルを準備し接続します。

サブメニュー操作により、FL表示部と映像制御部の表示状態が以下のように連動して変わります。

オーディオ信号処理はEFFECT OFF (ANALOG MAIN BYPASSでL/Rを出力)です。

Checking FL display section

FL表示部のチェック



Segment conditions of the FL driver and the FL tube are checked by turning ON and OFF all segments. Next, the operation of the FL driver is checked by using the dimmer control. Then a short between segments next to each other is checked by turning ON and OFF all segments alternately (in lattice). (In the above example, the segments in the second row from the top are shorted.)

全セグメント消灯・全セグメント点灯によりFLドライバー、FL管のセグメントの不良を確認します。次に、ディマーコントロールによってFLドライバーの動作チェックを行います。さらに全セグメントを交互(格子状)に点灯/消灯することで、隣り合うセグメントのショートをチェックします。

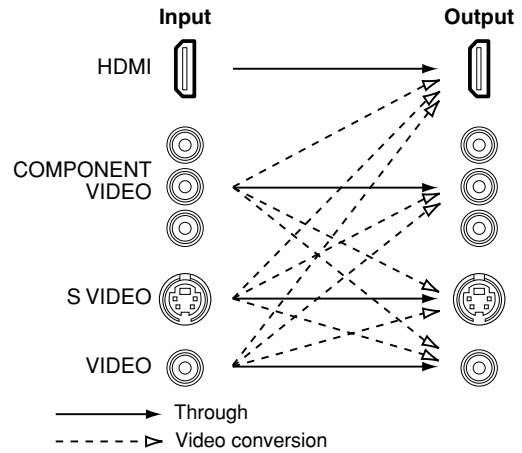
Check of the Video control circuit. (Monitor out) / 映像表示部のチェック (モニター出力)

The image signal is output as follows.

映像信号は以下のように出力されます。

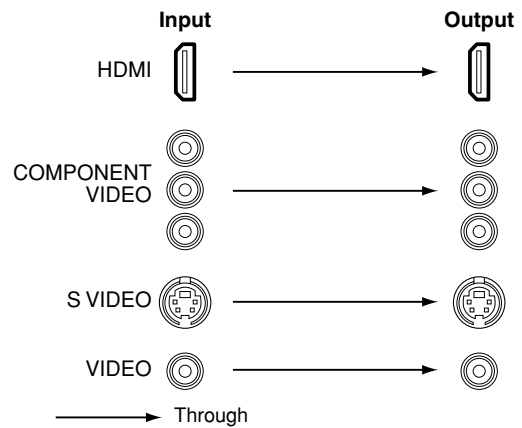
Initial display/Video conversion ON
初期表示/ビデオコンバージョンON

Video conversion ON



Video mute/Video conversion OFF
映像ミュート/ビデオコンバージョンOFF

Video conversion OFF



0-127 characters ON/Video conversion ON
キャラクターパターン0-127/ビデオコンバージョンON

0-127 characters OSD CHAR : 0 - 127



128-255 characters/Video conversion ON
キャラクターパターン128-255/ビデオコンバージョンON

128-255 characters OSD CHAR : 128 - 255



Video conversion OFF
ビデオコンバージョンOFF

RX-V1800/HTR-6190/
DSP-AX1800

9. MANUAL TEST

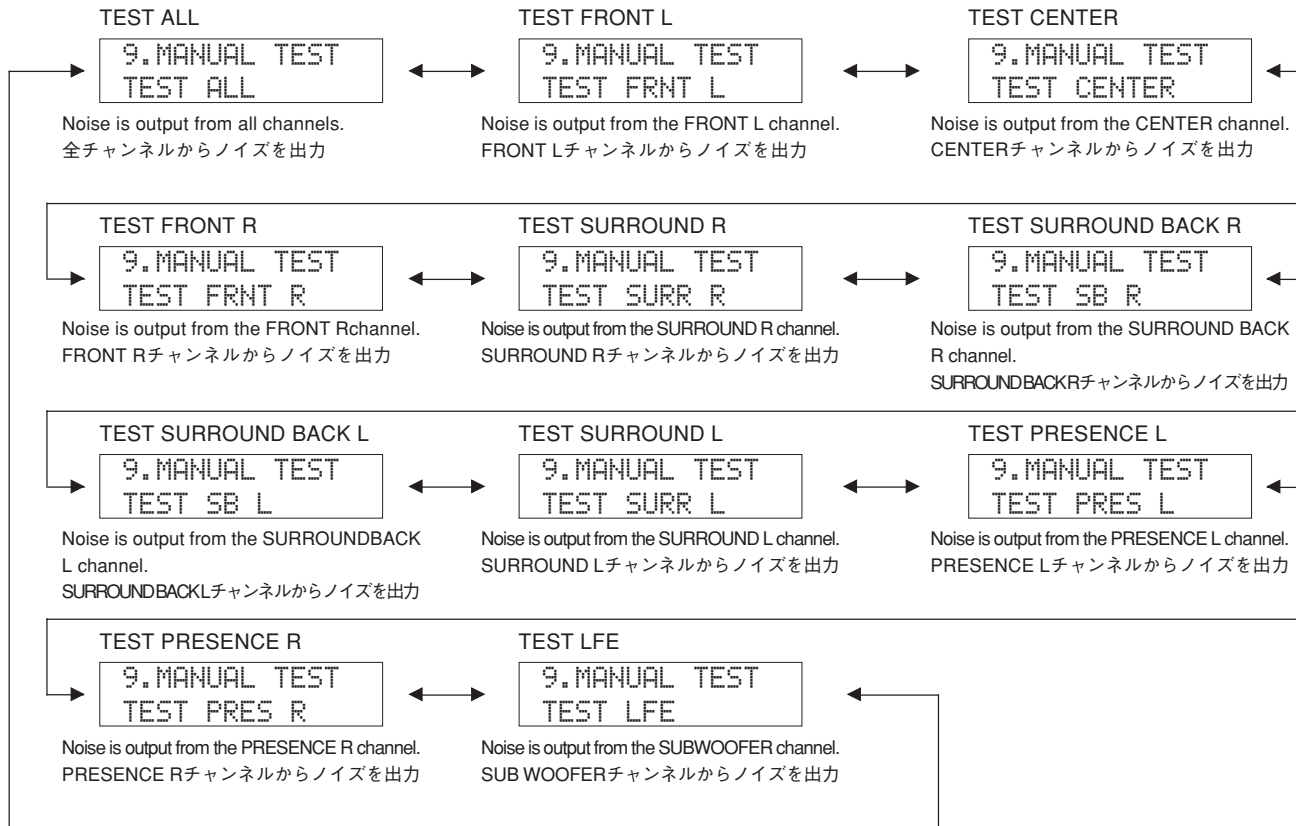
The noise generator with a built-in DSP outputs the test noise through the channels specified by the sub-menu.

The noise frequency for LFE is 30 to 80 Hz. Other than that, the noise frequency is 500 to 2 kHz.

9. MANUAL TEST

DSP内蔵のノイズ発生回路によって、サブメニューで指定したチャンネルへテストノイズを出力します。

LFE用のノイズ周波数は30~80Hz、それ以外はノイズ周波数500~2kHzとなります。



RX-V1800/HTR-6190 / DSP-AX1800

10.RS-232C

This menu is used to check transmission of the data and the flow port of the hardware.

With the power turned off, short between pins No.2 (Rx/D) and No.3 (Tx/D), and between pins No.7 (RTS) and No.8 (CTS) of the RS-232C terminal. (Be sure to turn off the power when shorting the pins.)

Start DIAG and select the menu.

There are two sub-menu items.

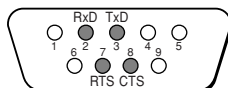
10.RS-232C

データ送受信チェック、ハードウェアフローポートチェックを行うメニューです。

パワーオフ状態にしてから、RS-232C端子の2ピン(Rx/D)と3ピン(Tx/D)、7ピン(RTS)と8ピン(CTS)をショートさせます。(ショートさせるときは必ず電源を切ってください。)

ダイアグを起動してメニューを選択します。

サブメニューは2つあります。



TX DATA

The sub-menu is used to check transmission of the test data. "OK" appears when the data is transmitted properly and "NG" when it is not.

In this mode, NULL command transmission is continued after the test command is transmitted.

TX DATA

テストの送受信チェックを行います。正常に送受信完了した場合、「OK」と表示します。正常に送受信しなかった場合は「NG」と表示します。

このモードでは、テストコマンド送信後、200msごとにNULLコマンド(無効なコマンド)を送信し続けます。



HARD FLOW

This sub-menu is used to check operation of the flow port of the hardware. "OK" appears when the check result is satisfactory and "NG" when it is not.

```
10.RS-232C
HARD FLOW: NG
```

HARD FLOW

ハードウェアフローポートの動作チェックを行います。正常にチェック完了した場合、“OK”と表示します。正常にチェック完了しなかった場合は“NG”と表示します。

11.AD DATA CHECK

This menu is used to display the A/D conversion value of the main Microprocessor which detects panel keys of the main unit and protection functions in using the sub-menu. During signal processing, the condition before execution is maintained.

When K0/K1 menu is selected, keys become non-operable due to detection of the values of all keys. However, it is possible to advance to the next main menu by turning the PROGRAM knob of the main unit.

* The figures in the diagram are given as reference only.

11.AD DATA CHECK

本機パネルキー、プロテクションなどを検出しているメインMicroprocessorのA/D変換の値を、サブメニューで表示します。信号処理は実行前の状態を維持します。K0/K1のメニューにすると、全キーの値を検出するためキー操作はできなくなりますが、本機のPROGRAMツマミを回すことにより、次のメインメニューに進めることができます。

※ 図中の数値は参考例です。

DC (Power supply voltage protection detection)

DC: DC detect protection value (Normal value: 3 to 33)

* If DC is out of the normal value range, the protection function works to turn off the power.

(Reference voltage: 5V=255)

DC (プロテクションの検出)

DC: 電源電圧プロテクションの値(正常値3~33)

※ DCは正常値を外れるとプロテクションが働き、電源オフされます。

(基準電圧：5V=255)

```
11.AD CHECK
DC:019
```

PS1/PS2 (Power supply voltage protection detection)

Power supply voltage protection value (Normal value: PS1: 54 to 87, PS2: 68 to 104)

PS1: Detects +BDV, +BVA, +12V, -12V, +5D2, +2.5D.

PS2: Detects +9V, +3.3VD, +5VA and -5VA.

* If PS is out of the normal value range, the protection function works to turn off the power.

(Reference voltage: 5V=255)

PS1/PS2 (電源電圧プロテクションの検出)

プロテクションの値(正常値 PS1: 54-87、PS2: 60-96)

PS1: +BDV、+BVA、-BVA、+12V、-12V、+5D2、+2.5Dを検出しています。

PS2: +9V、+3.3VD、+5VA、-5VAを検出しています。

※ PSは正常値を外れるとプロテクションが働き、電源オフされます。

(基準電圧：5V=255)

```
11.AD CHECK
PS1:067PS2:077
```

TM1/TM2 (temperature detection)

Temperature detected value
 (Normal value: 10 to 83) U, C, R, T, K, A, B, G, E models
 (Normal value: 10 to 78) L model
 TM1: Detects the temperature of the heat sink at the left side (power transformer side)
 TM2: Detects the temperature of the heat sink at the right side (volume side)
 (Reference voltage: 5V=255)

TM1/TM2 (温度検出)

温度検出値(正常値 10-83)
 TM1: ヒートシンク左側(電源トランス側)の温度を検出しています。
 TM2: ヒートシンク右側(ボリューム側)の温度を検出しています。
 (基準電圧: 5V=255)

```
11.AD CHECK
TM1:051TM2:052
```

OUTLVL (Power limiter output level)

Total value of amplifier output of each channel
 The voltage at 141 pin of IC402 is displayed with 5V/255 as a standard.

OUTLVL (パワーリミッターの出力)

各チャンネルのアンプ出力の合計値
 IC402の141ピンの電圧値を5V/255を基準にして表示します。

```
11.AD CHECK
OUTLVL:000
```

LMTCNT (Limiter control value)

The voltage at 3 pin of IC402 is displayed with 5V/255 as a standard.

LMTCNT (リミッター制御の値)

IC402の3ピンの電圧値を5V/255を基準にして表示します。

```
11.AD CHECK
LMTCNT:255
```

AMPRELAY (Amp. Power relay control)

The output condition of the power relay of the amplifier section is displayed.

AMPRELAY (Amp. Power relay control)

アンプ部電源リレーの出力状態を表示します。

```
11.AD CHECK
AMPRELAY:H
```

Display	RY250 (MAIN P.C.B.)	RY251 (MAIN P.C.B.)
H (HIGH)	ON	OFF
M (MID)	OFF	ON
L (LOW)	OFF	OFF

MODEL

Model detection value
 (Reference voltage: 5V=255)

MODEL

モデル検出の値
 (基準電圧: 5V=255)

```
11.AD CHECK
MODEL:133
```

Model	Value
RX-V3800/DSP-AX3800	0-64
RX-V1800/DSP-AX1800	65-191
HTR-6190	192-255

DESTINATION

Destination detection value
(Reference voltage: 5V=255)

DESTINATION

仕向け検出の値
(基準電圧：5V=255)

```
11.AD CHECK
DEST:027
```

Destination	Value
J	0 ± 4
C	27 ± 4
U	54 ± 4
R	81 ± 4
T	104 ± 4

Destination	Value
K	128 ± 4
A	152 ± 4
B, G, E	208 ± 4
L	228 ± 4

PANEL KEY (K0/K1)

(Panel key of main unit)

A/D of the key fails to function properly when the standard value is deviated by ±4. In this case, check the constant of partial pressure resistor, solder condition, etc. Refer to table.

(Reference voltage: 5V=255)

PANEL KEY (K0/K1)

(本機パネルキー)

キーのA/Dは基準値から±4を外れると、正常な動きをしません。下表をご覧になり、各キーの分圧抵抗の定数、ハンダ不良等の確認をしてください。

(基準電圧：5V=255)

```
11.AD CHECK
K0:255 K1:255
```

RX-V1800/HTR-6190 (U, C, R, T, K, A, B, G, E, L models)

Display	K0	K1
0+4	SLEEP	STRAIGHT/EFFECT
26±4	ZONE CONTROLS	A/B/C/D/E
51±4	TUNING MODE	—
77±4	MEMORY	TONE CONTROL
104±4	FM/AM	AUDIO SELECT
129±4	PRESET/TUNING	PURE DIRECT
154±4	PRESET/TUNING ▷	—
179±4	◁ PRESET/TUNING	—
205±4	—	—
230±4	—	—
255	KEY OFF	KEY OFF

DSP-AX1800 (J model)

Display	K0	K1
0+4	SLEEP	STRAIGHT/EFFECT
26±4	—	A/B/C/D/E
51±4	TUNING MODE	—
77±4	MEMORY	TONE CONTROL
104±4	FM/AM	AUDIO SELECT
129±4	PRESET/TUNING	PURE DIRECT
154±4	PRESET/TUNING ▷	—
179±4	◁ PRESET/TUNING	—
205±4	—	—
230±4	—	—
255	KEY OFF	KEY OFF

12.XM STATUS (U, C models)

The output check of XM Radio Antenna is executed.

1k -1dB/44.1k

The test tone (1kHz, -1dB/44.1kHz) is output.

```
12.XM STATUS
1k - 1dB/44
```

1k -61dB/44.1k

The test tone (1kHz, -61dB/44.1kHz) is output.

```
12.XM STATUS
1k -61dB/44
```

Mute /44.1k

Nothing is output.

```
12.XM STATUS
Mute /44
```

XM Tone/44.1k

The XM tone (44.1kHz) is output.

```
12.XM STATUS
XM Tone/44
```

ISO Tone/44.1k

The ISO tone (44.1kHz) is output.

```
12.XM STATUS
ISO Tone/44
```

1k -1dB/32k

The test tone (1kHz, -1dB/32kHz) is output.

```
12.XM STATUS
1k - 1dB/32
```

1k -61dB/32k

The test tone (1kHz, -61dB/32kHz) is output.

```
12.XM STATUS
1k -61dB/32
```

Mute /32k

Nothing is output.

```
12.XM STATUS
Mute /32
```

XM Tone/32k

The XM tone (32kHz) is output.

```
12.XM STATUS
XM Tone/32
```

12.XM STATUS(U, C models)

XM Radio Antennaの出力チェックを行います。

1k -1dB/44.1k

テストトーン(1kHz、-1dB/44.1kHz)を出力します。

1k -61dB/44.1k

テストトーン(1kHz、-61dB/44.1kHz)を出力します。

Mute /44.1k

何も出力されません。

XM Tone/44.1k

XMトーン(44.1kHz)を出力します。

ISO Tone/44.1k

ISOトーン(44.1kHz)を出力します。

1k -1dB/32k

テストトーン(1kHz、-1dB/32kHz)を出力します。

1k -61dB/32k

テストトーン(1kHz、-61dB/32kHz)を出力します。

Mute /32k

何も出力されません。

XM Tone/32k

XMトーン(32kHz)を出力します。

ISO Tone/32k

The ISO tone (32kHz) is output.

```
12.XM STATUS
ISO Tone/32
```

ISO Tone/32k

ISOトーン(32kHz)を出力します。

XM/DT Bus Power: OFF

The power of XM module is turned off.

```
12.XM STATUS
Bus Power:OFF
```

XM/DT Bus Power: OFF

XMモジュールの電源をOFFします。

13.IF STATUS (Input function status)

Using the sub-menu, the status data is displayed one after another in the hexadecimal notation. During signal processing, the status before execution of this menu is maintained.

- * The details of the following status information cannot be disclosed because of the development purpose.
- * The figures in the diagram are given as reference only.

13.IF STATUS

サブメニュー操作により、以下のステータス情報を順次16進数で表示します。信号処理は、本メニュー実行前の状態を維持します。

- ※ 下記のステータス情報の詳細説明に関しては、開発用のため記載できません。図中の数値は参考例です。

IS1, 2 (Inside status)

```
13.IF STATUS
IS1:1100020000
```

IS1、2 (内部ステータス)

```
13.IF STATUS
IS2:FF00
```

CS1-3 (Channel status):

```
13.IF STATUS
CS1:FFFFFFFF
```

CS1-3(Channel status):

```
13.IF STATUS
CS3:FF321100
```

BS1-a:

```
13.IF STATUS
BS1:00000000
```

BS1-a:

```
13.IF STATUS
BSa:00000000
```

TI1-2:

```
13.IF STATUS
TI1:0808000600
```

TI1-2:

```
13.IF STATUS
TI2:00
```

MTT: Mute Trigger

```
13.IF STATUS
MTT:00100012FF
```

MTT: Mute Trigger

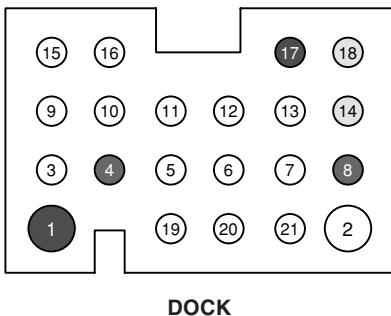
14.iPod

This menu is used to test the DOCK connector without the iPod itself. After turning off the power, short between pins No. 14 (TX) and No. 18 (RX), between pins No. 1 (PWR) and No. 17 (ACCPow) and between pins No. 4 (iPDET) and No. 8 (DGND). (Make sure that the power is turned off when shorting pins.)

Start the DIAG function and select the menu.

The check result is displayed according to the following display specifications.

Note) Be sure to return the shorted locations to their original state.



14.iPod

iPod本体無しで、DOCKコネクタの検査を行うメニューです。

パワーオフ状態にしてから、DOCKコネクタの14ピン(TX)と18ピン(RX)、1ピン(PWR)と17ピン(ACCPow)、4ピン(iPDET)と8ピン(DGND)をショートさせます。(ショートさせる時は、必ず電源を切ってください。)

ダイグを起動してメニューを選択します。

下記表示仕様に従って、チェック結果が表示されます。

注) ショート箇所は、必ず元に戻してください。

```
14.iPod CHECK
DOCK:  NG NNN
```

All Y / 全てY = OK
Others / その他 = NG

Check item / チェック項目	Judgment/ 判定	Display / 表示
Is UART loop pack check result OK? / UARTループバックチェック結果はOK?	YES	Y
	NO	N
Is detect function of iPod Accessory Power OK? / iPod Accessory Powerの検出機能はOK?	IC402 (DSP P.C.B.) pin No. 95 state High = YES	Y
	IC402 (DSP P.C.B.) 95 pinの状態 Low = No	N
Is detect function of iPod installation to DOCK OK? / DOCKへのiPod装着の検出機能はOK?	IC402 (DSP P.C.B.) pin No. 28 state Low = installed / 装着	Y
	IC402 (DSP P.C.B.) 28 pinの状態 High = not installed / 非装着	N

RX-V1800/HTR-6190/
DSP-AX1800

15.NET CHECK

Not applied to these models.

15.NET CHECK

このモデルには適用されません。

IP Address Check

IP Address Check

```
15.NET CHECK
IP CHECK:
```

MAC Address Check

MAC Address Check

```
15.NET CHECK
MAC CHECK:
```

16.USB CHECK

Not applied to these models.

16.USB CHECK

このモデルには適用されません。

USB 1track

USB 1track

```
16.USB CHECK
USB 1 TRACK
```

USB 2track

USB 2track

```
16.USB CHECK
USB 2 TRACK
```


17.PROTECTION HIST.

The history of protection function is displayed.
After selecting the sub-menu, press the “STRAIGHT” key, and the history will be erased.

17.PROTECTION HIST.

プロテクション履歴を表示します。
サブメニューを選んだ後、“STRAIGHT”キーを押すと履歴は消去されます。

Last

```
17.PRTCT HIST.
Last :NO PROT
```

Last

History1

```
17.PRTCT HIST.
Hist1:NO PROT
```

History1

History2

```
17.PRTCT HIST.
Hist2:NO PROT
```

History2

History3

```
17.PRTCT HIST.
Hist3:NO PROT
```

History3

18.DSP P.C.B. CHECK

Whether the bus of DSP P.C.B. is connected properly or not is self-diagnosed.

18.DSP P.S.B. CHECK

DSP P.C.B.のバス接続の正否を自己診断します。

TI1 (DSP1) BUS

TI1 (DSP1, IC534) data bus check is executed.

TI1 (DSP1) BUS

TI1 (DSP1、IC534)のデータバスチェックを行います。

```
18.DSP CHECK
TI1 BUSNoEr
```

TI2 (DSP2) BUS

TI2 (DSP2, IC567) data bus check is executed.

TI2 (DSP2) BUS

TI2 (DSP2、IC567)のデータバスチェックを行います。

```
18.DSP CHECK
TI2 BUSNoEr
```

Display	Description
WAIT	Bus is being checked.
NoEr	No error detected.
DATA	Data bus shorted or open.
RSCS	/RAS or /CAS shorted, or open.
ADDR	Address bus shorted or open.

表示	判断
WAIT	バスチェック中
NoEr	不良検出なし
DATA	データバスの短絡・解放
RSCS	/RASまたは/CASの短絡・解放
ADDR	アドレスバスの短絡・解放

19.D-VIDEO P.C.B. CHECK

Whether the bus of D-VIDEO P.C.B. is connected properly or not is self-diagnosed.

ALL Check

The synthetic judgment result is displayed.

- OK : No error detected
- NG : An error is detected
- No Check : Detection is not executed

```
19.DVIDEO CHK
ALL:OK
```

19.D-VIDEO P.C.B. CHECK

D-VIDEO P.C.B.のバス接続の正否を自己診断します。

ALL Check

総合判定結果を表示します。

- OK : 不良検出なし
- NG : 不良検出あり
- No Check : 未検出

Microprocessor/Flash Check

The data bus check of Microprocessor (IC182) and Flash (IC181) is executed.

- OK : No error detected
- NG : An error is detected

```
19.DVIDEO CHK
M:OK F:OK
```

Microprocessor/Flash Check

Microprocessor(IC182)とFlash(IC181)のデータバスチェックを行います。

- OK : 不良検出なし
- NG : 不良検出あり

SPI Read Check

The Line check of SPI is executed.

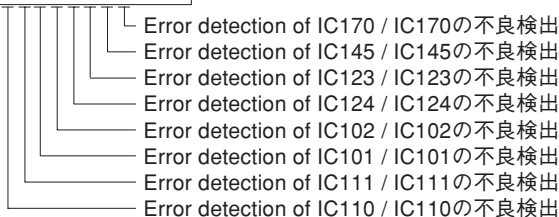
- OK : 0
- NG : 1

```
19.DVIDEO CHK
SPI:00000000
```

SPI Read Check

SPIラインのチェックを行います。

- OK : 0
- NG : 1



YGV BUS Check

Not applied to these models.

```
19.DVIDEO CHK
YGV:NoError
```

YGV BUS Check

このモデルには適用されません。

20.HDMI INFORMATION

HDMI Model Name

The model name of this unit written in HDMI module is displayed.

- RX-V1800
- HTR-6190

```
20.HDMI INFO
HMN:RX-V1800
```

20.HDMI INFORMATION

HDMI Model Name

HDMIモジュールに書き込まれている本機のモデル名を表示します。

DSP-AX1800

HDMI Product ID

The product ID of this unit written in HDMI module is displayed.

3116: RX-V1800
3117: HTR-6190

HDMI Product ID

HDMIモジュールに書き込まれている本機のプロダクトIDを表示します。

3115 : DSP-AX1800

```
20.HDMI INFO
HPI:3116
```

HDMI Vendor Name

The vendor name (YAMAHA) of this unit written in the HDMI module is displayed.

HDMI Vendor Name

HDMIモジュールに書き込まれている本機のベンダ名 (YAMAHA) を表示します。

```
20.HDMI INFO
HVN:YAMAHA
```

21.HDMI SELECT**HDMI NONE**

HDMI input is not selected.

21.HDMI SELECT**HDMI NONE**

HDMI入力を選択しません。

```
21.HDMI SELECT
HDMI NONE
```

HDMI IN 1: HDMI IN 1 Port

The HDMI device connected to HDMI IN 1 terminal is selected for input and HDMI is reproduced.

With the audio input terminal selection set to HDMI (Fix), it is selected automatically according to the audio format which is used for HDMI input.

Support Audio is set to "others".

HDMI IN 1: HDMI IN 1 Port

HDMI IN 1端子に接続したHDMI機器を入力セレクトして、HDMI再生します。

音声入力端子切替は、HDMI (Fix) に設定し、HDMI入力した音声フォーマットを自動で切り替えます。

対応音声 (Support Audio) を、その他の機器 (others) に設定します。

```
21.HDMI SELECT
HDMI IN 1
```

HDMI IN 2: HDMI IN 2 Port

The HDMI device connected to HDMI IN 2 terminal is selected for input and HDMI is reproduced.

With the audio input terminal selection set to HDMI (Fix), it is selected automatically according to the audio format which is used for HDMI input.

Support Audio is set to "others".

HDMI IN 2: HDMI IN 2 Port

HDMI IN 2端子に接続したHDMI機器を入力セレクトして、HDMI再生します。

音声入力端子切替は、HDMI (Fix) に設定し、HDMI入力した音声フォーマットを自動で切り替えます。

対応音声 (Support Audio) を、その他の機器 (others) に設定します。

```
21.HDMI SELECT
HDMI IN 2
```

HDMI IN 3: HDMI IN 3 Port

The HDMI device connected to HDMI IN 3 terminal is selected for input and HDMI is reproduced.

With the audio input terminal selection set to HDMI (Fix), it is selected automatically according to the audio format which is used for HDMI input.

Support Audio is set to "others".

HDMI IN 3: HDMI IN 3 Port

HDMI IN 3端子に接続したHDMI機器を入力セレクトして、HDMI再生します。

音声入力端子切替は、HDMI (Fix)に設定し、HDMI入力した音声フォーマットを自動で切り替えます。

対応音声(Support Audio)を、その他の機器(others)に設定します。

```
21.HDMI SELECT
HDMI IN 3
```

HDMI IN 4: HDMI IN 4 Port

The HDMI device connected to HDMI IN 4 terminal is selected for input and HDMI is reproduced.

With the audio input terminal selection set to HDMI (Fix), it is selected automatically according to the audio format which is used for HDMI input.

Support Audio is set to "others".

HDMI IN 4: HDMI IN 4 Port

HDMI IN 4端子に接続したHDMI機器を入力セレクトして、HDMI再生します。

音声入力端子切替は、HDMI (Fix)に設定し、HDMI入力した音声フォーマットを自動で切り替えます。

対応音声(Support Audio)を、その他の機器(others)に設定します。

```
21.HDMI SELECT
HDMI IN 4
```

22.HDMI UP CONV.

The image signal is converted and output to HDMI OUT as follows.

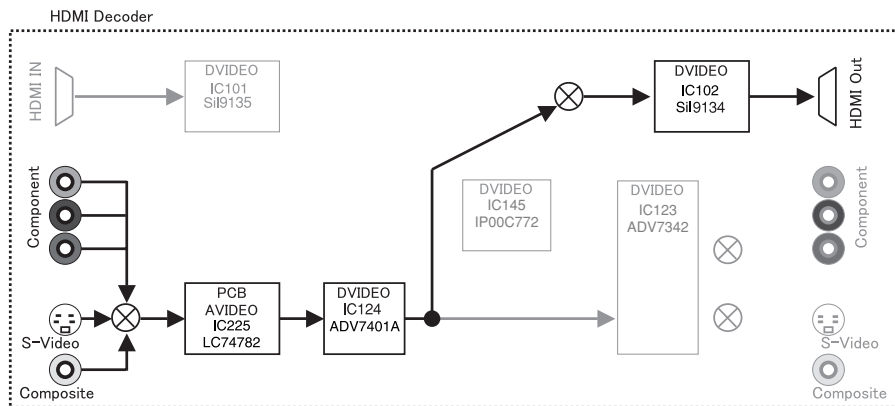
HDMI DECODER

22.HDMI UP CONV.

映像信号が以下のように変換され、HDMI OUTに出力されます。

HDMI DECODER

22.HDMI UPCONV
HDMI DECODER



HDMI YGV

Not applied to these models.

HDMI YGV

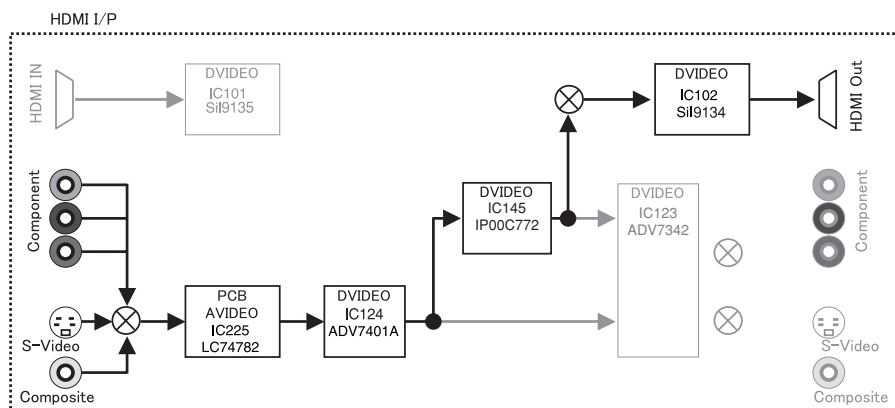
このモデルには適用されません。

22.HDMI UPCONV
HDMI YGV

HDMI I/P

HDMI I/P

22.HDMI UPCONV
HDMI I/P



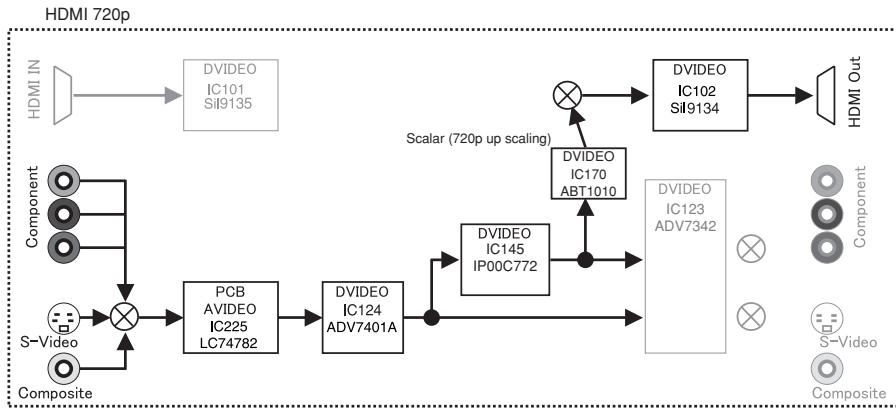
RX-V1800/HTR-6190/
DSP-AX1800

RX-V1800/HTR-6190/
DSP-AX1800

HDMI 720p

HDMI 720p

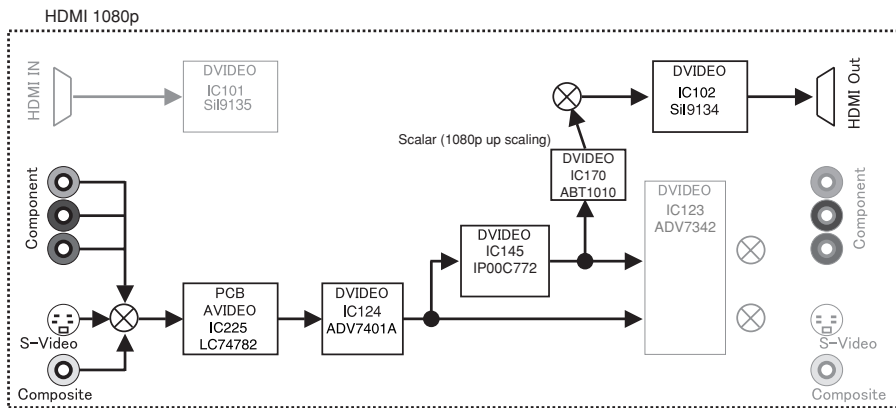
22.HDMI UPCONV
HDMI 720P



HDMI 1080p

HDMI 1080p

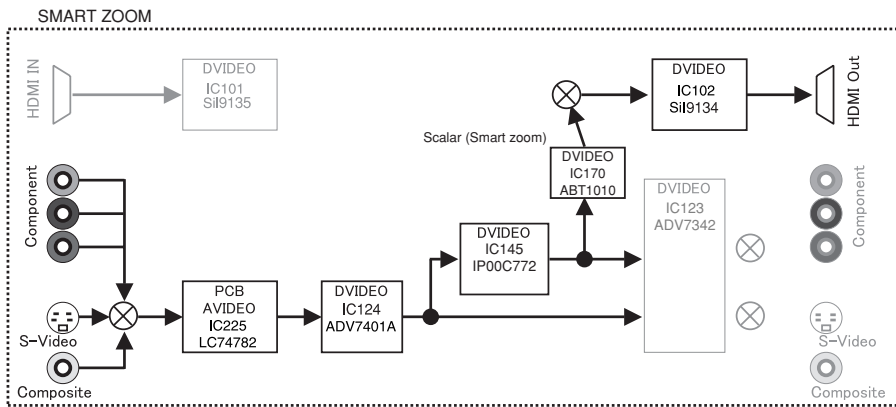
22.HDMI UPCONV
HDMI 1080P



HDMI SMART ZOOM

HDMI SMART ZOOM

22.HDMI UPCONV
SMART ZOOM



23.VIDEO

The image signal is converted and output as follows.

DIGITAL THR COMP

* The image signal 480P/580P is not output at S-VIDEO output and COMPOSITE output terminals.

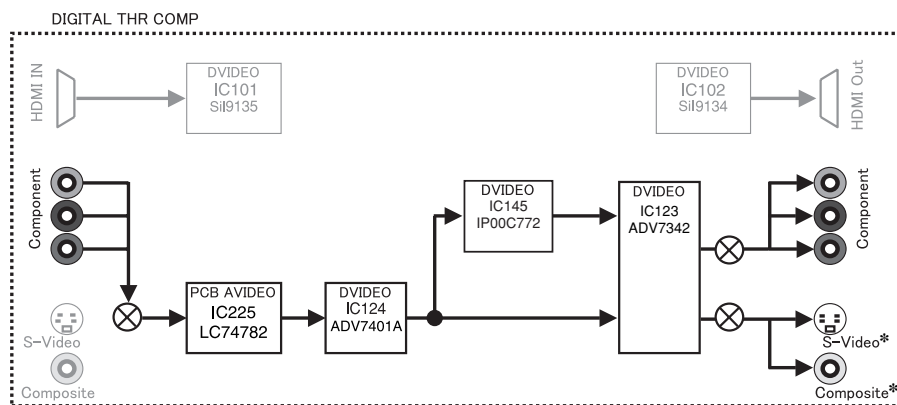
23.VIDEO

映像信号が以下のように変換され、出力されます。

DIGITAL THR COMP

* S-VIDEO出力、およびCOMPOSITE出力端子へ映像信号480P/580Pは出力されません。

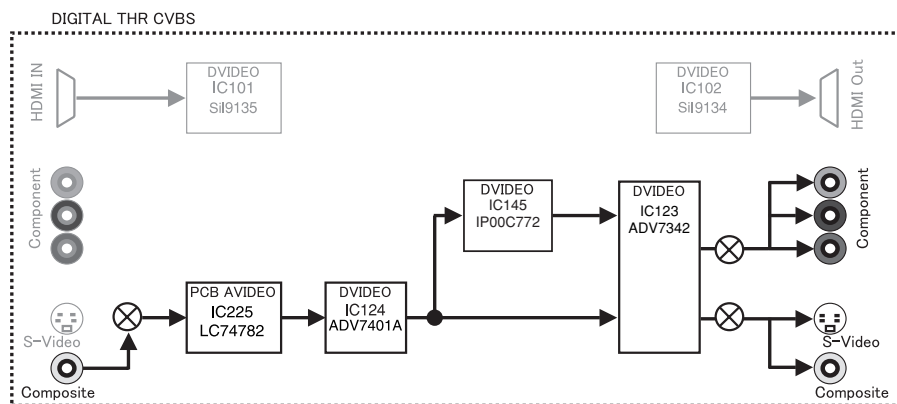
23.VIDEO
DIGITAL COMP



DIGITAL THR CVBS

DIGITAL THR CVBS

23.VIDEO
DIGITAL CVBS

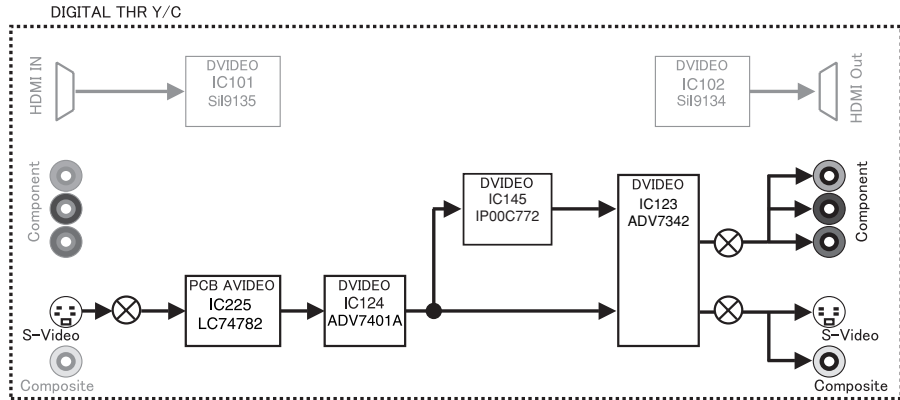


RX-V1800/HTR-6190/
DSP-AX1800

DIGITAL THR Y/C

DIGITAL THR Y/C

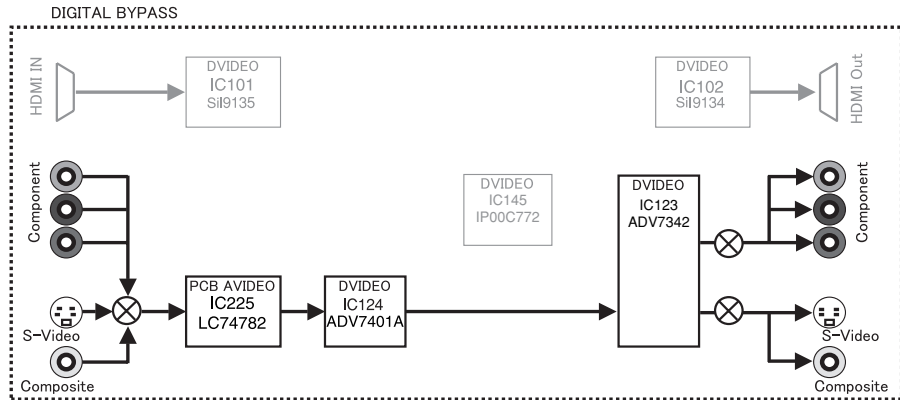
23.VIDEO
DIGITAL Y/C



DIGITAL BYPASS

DIGITAL BYPASS

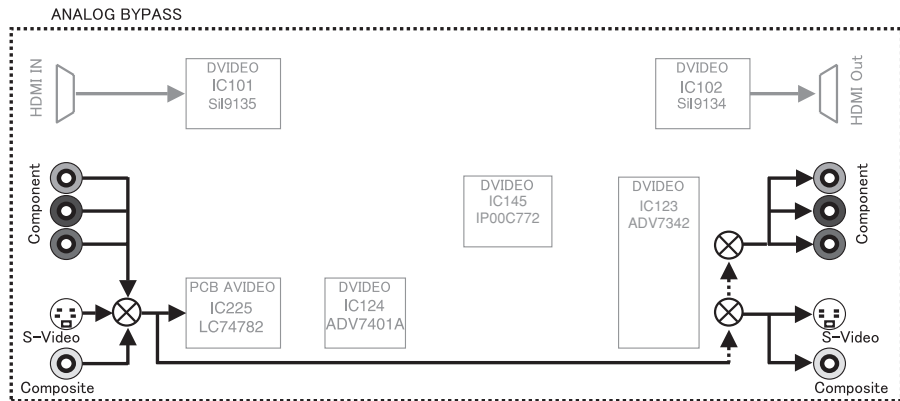
23.VIDEO
DIGITAL BYPASS



ANALOG BYPASS

ANALOG BYPASS

23.VIDEO
ANALOG BYPASS

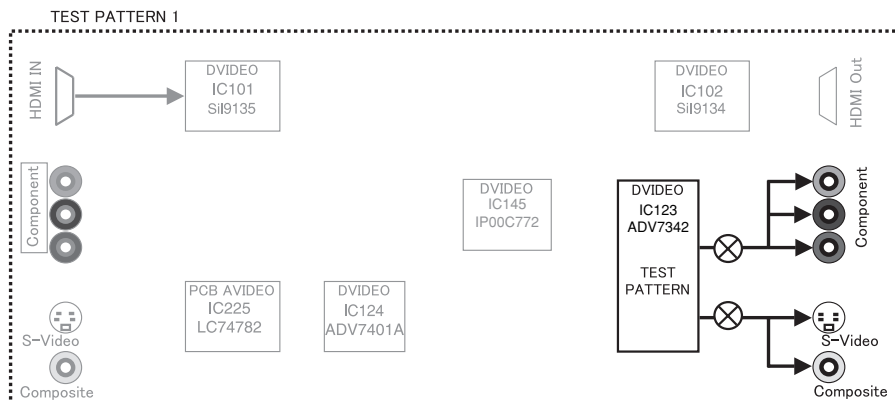


RX-V1800/HTR-6190/
DSP-AX1800

TEST PATTERN

TEST PATTERN

23.VIDEO
TEST PATTERN



RX-V1800/HTR-6190/
DSP-AX1800

VIDEO INFO

Displays the information of image signals being input.

VIDEO INFO

入力されている映像信号の情報を表示します。

23.VIDEO
VIDEO IN ----

24.NO MENU

Not applied to these models.

24.NO MENU

このモデルには適用されません。

24.NO MENU
Invalidity

25.Firm UPDATE

Select this when writing the firmware.
(Not applied to these models.)

MAIN

```
25.Firm UPDATE
MAIN
```

VIDEO

```
25.Firm UPDATE
VIDEO
```

TI

```
25.Firm UPDATE
TI
```

NET/USB

```
25.Firm UPDATE
NET/USB UPDATE
```

25.Firm UPDATE

ファームウェアの書き込み時に選択します。
(このモデルには適用されません。)

MAIN

VIDEO

TI

NET/USB

26.SET INFO

The information on the model and destination is displayed.

MODEL: V1800 or 6190

```
26.SET INFO
MODEL:V1800
```

DEST.: J, UC, R, T, K, A, BGE, L

J, UC, R, T, K, A, BGE or L is displayed.

```
26.SET INFO
DEST.:UC
```

26.SET INFO

モデル、仕向けの情報を表示します。

MODEL: V1800

DEST.: J, UC, R, T, K, A, BGE, L

J、UC、R、T、K、A、BGE、Lのいずれかを表示します。

27.SOFT SW

This menu is used to switch the function settings on P.C.B. through the software so as to activate the product.

The protection function follows the P.C.B. settings. When connected to AC or in the maker preset state, the unit is initialized to the P.C.B. setting. Display of each function after initialization varies depending on settings on P.C.B.. The operation mode can be changed by selecting the sub-menu and then using the "STRAIGHT" key.

SW MODE: PCB/SOFT

PCB or SOFT can be selected.

27.SOFT SW

P.C.B.上の機能設定をソフト的に切り替えて、製品を動作させる機能です。

プロテクション機能は、P.C.B.の設定に従います。AC接続またはメーカープリセットで、P.C.B.の設定に初期化されます。初期化後の各機能の表示は、P.C.B.上の設定によります。操作は、サブメニューを選んだ後、“STRAIGHT”キーで切り替えます。

SW MODE: PCB/SOFT

PCBまたはSOFTを選択できます。

```
27.SOFT SW
SW MODE : PCB
```

TV FORMAT: NTSC/PAL

NTSC or PAL can be selected.

NTSC (U, C, R, K, J models)

PAL (T, A, B, G, E, L models)

TV FORMAT: NTSC/PAL

NTSC、PALいずれかを選択できます。

NTSC (U、C、R、K、J models)

PAL (T、A、B、G、E、L models)

```
27.SOFT SW
TV FORMAT:NTSC
```

AAC EXIST: EXIST/NOT

EXIST or NOT can be selected.

EXIST (J model)

NOT (U, C, R, T, K, A, B, G, E, L models)

AAC EXIST: EXIST/NOT

EXIST、NOTいずれかを選択できます。

EXIST (J model)

NOT (U、C、R、T、K、A、B、G、E、L models)

```
27.SOFT SW
AAC      : NOT
```

CSII EXIST: EXIST/NOT

EXIST or NOT can be selected.

EXIST (J model)

NOT (U, C, R, T, K, A, B, G, E, L models)

CSII EXIST: EXIST/NOT

EXIST、NOTいずれかを選択できます。

EXIST (J model)

NOT (U、C、R、T、K、A、B、G、E、L models)

```
27.SOFT SW
CSII     : NOT
```

RDS EXIST: EXIST/NOT

EXIST or NOT can be selected.
 EXIST (B, G, E models)
 NOT (U, C, R, T, K, A, L, J models)

RDS EXIST: EXIST/NOT

EXIST、NOTいずれかを選択できます。
 EXIST (B、G、E models)
 NOT (U、C、R、T、K、A、L、J models)

```
27.SOFT SW
RDS      : NOT
```

XM EXIST: EXIST/NOT

EXIST or NOT can be selected.
 EXIST (U, C models)
 NOT (R, T, K, A, B, G, E, L, J models)

XM EXIST: EXIST/NOT

EXIST、NOTいずれかを選択できます。
 EXIST (U, C models)
 NOT (R、T、K、A、B、G、E、L、J models)

```
27.SOFT SW
XM       : EXIST
```

Neural Auido

EXIST or NOT can be selected.
 EXIST (U, C models)
 NOT (R, T, K, A, B, G, E, L, J models)

Neural Auido

EXIST、NOTいずれかを選択できます。
 EXIST (U, C models)
 NOT (R、T、K、A、B、G、E、L、J models)

```
27.SOFT SW
NEURAL   : EXIST
```

FM/AM

10/200, 9/50 or 10/100 can be selected.

FM/AM

10/200、9/50、10/100のいずれかを選択できます。

```
27.SOFT SW
AM/FM    : 10/200
```

TMP TEST J/UC/RL

J, UC, RTKA, BGE or L can be selected.
 J (J model)
 UC (U, C models)
 RTAK (R, T, K, A models)
 BG (B, G, E models)
 L (L model)

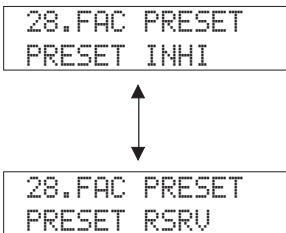
TMP TEST J/UC/RL

J、UC、RTKA、BGE、Lいずれかを選択できます。
 J (J model)
 UC (U、C models)
 RTKA (R、T、K、A models)
 BG (B、G、E models)
 L (L model)

```
27.SOFT SW
TMP TEST : UC
```

28.FACTORY PRESET

This menu is used to reserve and inhibit initialization of the back-up RAM. The signals are processed using EFFECT OFF. (The L/R signal is output using ANALOG MAIN BYPASS.)



PRESET INHIBIT (Initialization inhibited) / PRESET INHIBIT (初期化禁止)

RAM initialization is not executed. Select this sub-menu to protect the values set by the user.

RAMの初期化は行われません。ユーザーの設定値を保護するときは、こちらを選択してください。

PRESET RESERVED (Initialization reserved) / PRESET RESERVED (初期化予約)

Initialization of the back-up RAM is reserved. (Actually, initialization is executed the next time that the power is turned on.) Select this sub-menu to reset to the original factory settings or to reset the RAM. Any protection history will be cleared.

バックアップRAMの初期化が予約されます。(実際に初期化されるのは、次回の電源投入時です。)工場出荷時やRAMをリセットしたいときは、こちらを選択してください。

CAUTION: Before setting to the PRESET RESERVED, write down the existing preset memory content of the Tuner in a table as shown below. (This is because setting to the PRESET RESERVED will cause the user memory content to be erased.)

注意: PRESET RESERVEDを選んで初期化をする前に、チューナーのユーザーメモリー内容を下表に書き写してください。(初期化をすると、ユーザーメモリーの内容は消えてしまいます。)

Preset group	P1	P2	P3	P4	P5	P6	P7	P8
A								
B								
C								
D								
E								

• PRESET STATIONS / プリセット局

STATION		FM FACTORY PRESET DATA (MHz)		
PAGE	NO.	U, C	R, T, K, A, B, G, E, L	J
A/C/E	1	87.5	87.50	76.0
	2	90.1	90.10	83.0
	3	95.1	95.10	84.0
	4	98.1	98.10	86.0
	5	107.9	108.00	90.0
	6	88.1	88.10	78.0
	7	106.1	106.10	88.0
	8	107.9	108.00	82.1

STATION		AM FACTORY PRESET DATA (kHz)		
PAGE	NO.	U, C, R, T, K	A, B, G, E, L	J
B/D	1	630	630	630
	2	1080	1080	1080
	3	1440	1440	1440
	4	530	531	531
	5	1710	1611	1611
	6	900	900	900
	7	1350	1350	1350
	8	1400	1404	1404

RX-V1800/HTR-6190/DSP-AX1800

29.ROM VER/SUM

The version and checksum are displayed. The signal is processed using EFFECT OFF. The checksum is obtained by adding the data at every 8 bits for each program area and expressing the result as a 4-figure hexadecimal data.

29.ROM VER/SUM

プログラムのバージョン、チェックサムを表示します。
信号はエフェクトOFFです。チェックサムは、プログラムエリア別にデータを8ビットごとに加算していき、4桁の16進データで現したものです。



■ AMP ADJUSTMENT / アンプ部調整

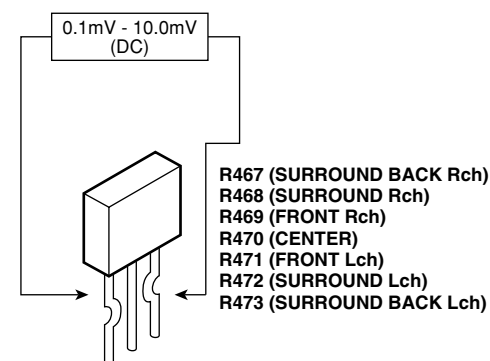
Confirmation of Idling Current of Amp Unit

- Right after power is turned on, confirm that the voltage across the terminals of R467 (SURROUND BACK Rch), R468 (SURROUND Rch), R469 (FRONT Rch), R470 (CENTER), R471 (FRONT Lch), R472 (SURROUND Lch), R473 (SURROUND BACK Lch) are between 0.1mV and 10.0mV.
- If it exceeds 10.0mV, open (cut off) R432 (SURROUND BACK Rch), R433 (SURROUND Rch), R434 (FRONT Rch), R435 (CENTER), R436 (FRONT Lch), R437 (SURROUND Lch), R438 (SURROUND BACK Lch) and reconfirm the voltage.

Attention

If the measured voltage exceeds 10.0mV after an amplifier repair, first check for a defective component before cutting the bias resistor.

- Confirm that the voltage is 0.2 mV to 15.0 mV after 60 minutes.



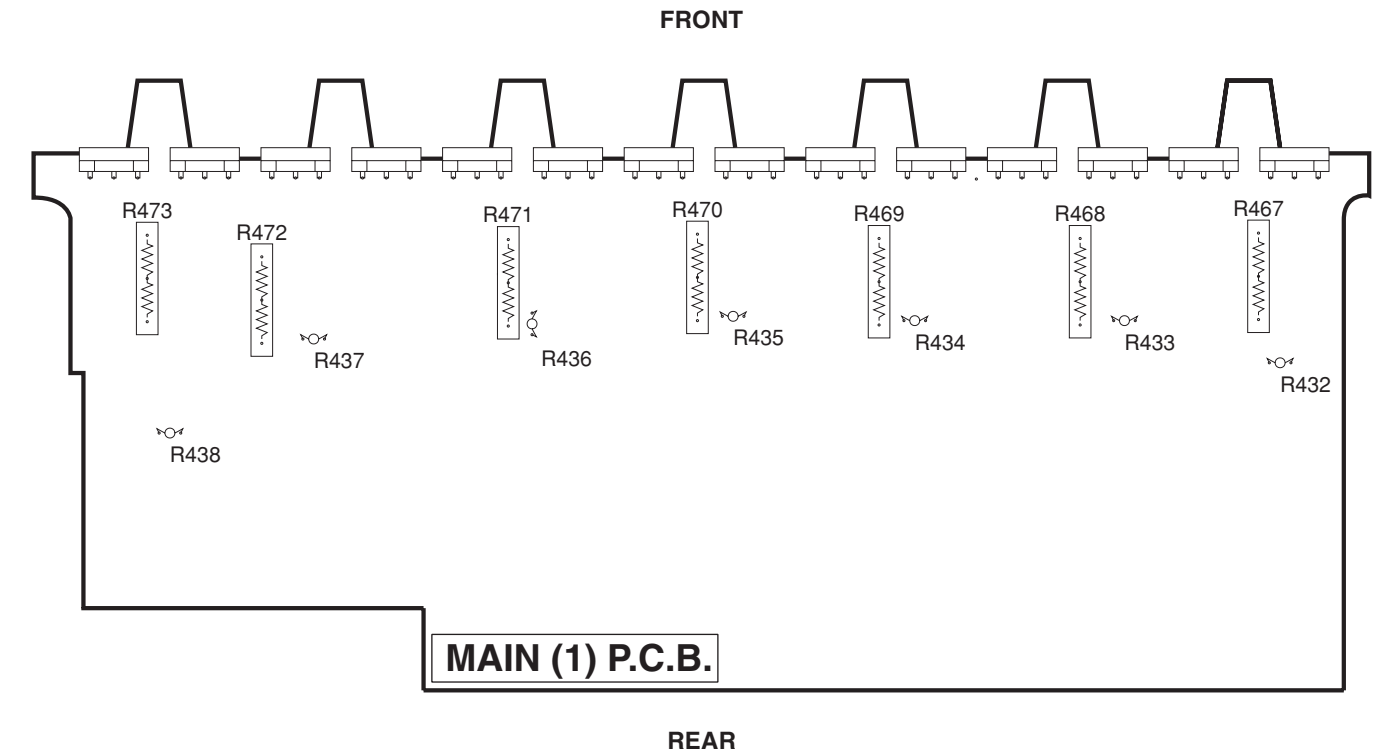
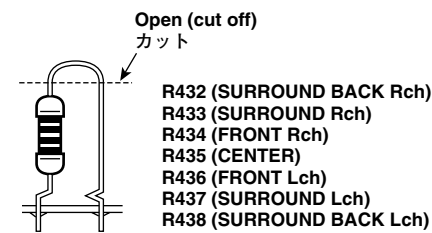
アンプユニットのアイドル電流の確認

- 電源投入直後、R467 (SURROUND BACK Rch)、R468 (SURROUND Rch)、R469 (FRONT Rch)、R470 (CENTER)、R471 (FRONT Lch)、R472 (SURROUND Lch)、R473 (SURROUND BACK Lch)の端子間電圧を測定し、0.1mVから10.0mVの間であることを確認してください。
- 電圧が10mVを超えている場合は、R432 (SURROUND BACK Rch)、R433 (SURROUND Rch)、R434 (FRONT Rch)、R435 (CENTER)、R436 (FRONT Lch)、R437 (SURROUND Lch)、R438 (SURROUND BACK Lch)をカットし、電圧を再確認してください。

注意

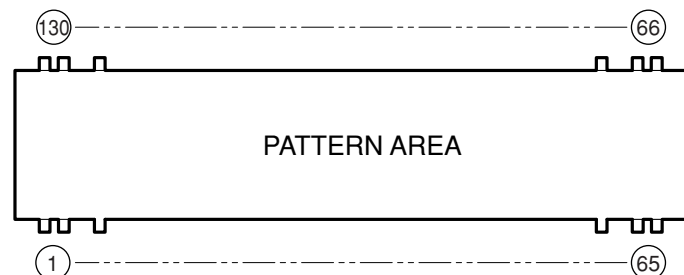
パワーアンプ修理後に10.0mVを超えている場合は、抵抗をカットする前に故障箇所を調べてください。

- 60分後、電圧が0.2mV～15.0mVであることを確認してください。



■ DISPLAY DATA

● V9001 : HNA-16ML13T (FL P.C.B.)

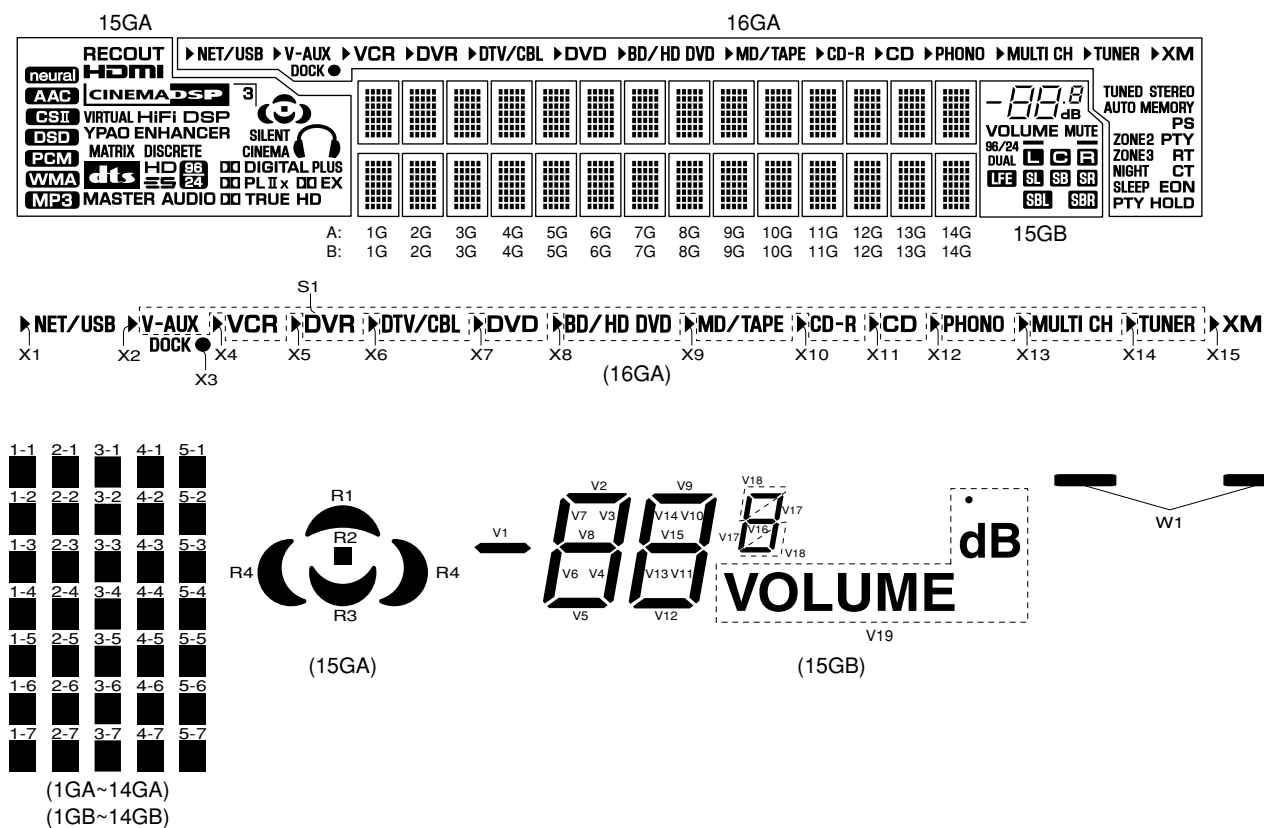


● PIN CONNECTION

Pin No.	130	129	128	127	126	125	124	123	122	121	120	119	118	117	116	115	114	113	112	111	110	109	108	107	106	105	104	103	102	101	100	99	
Connection	F1	F1	NP	NP	P	P	P	P	P	P	P	P	P	P	P	P	P	P	P	P	P	P	P	P	P	P	P	P	P	P	P	P	
					35A	34A	33A	32A	31A	30A	29A	28A	27A	26A	25A	24A	23A	22A	21A	20A	19A	18A	17A	16A	15A	14A	13A	12A	11A	10A	9A	8A	
Pin No.	98	97	96	95	94	93	92	91	90	89	88	87	86	85	84	83	82	81	80	79	78	77	76	75	74	73	72	71	70	69	68	67	66
Connection	P	P	P	P	P	P	P	NX	NX	NX	NX	NX	NX	16	15	14	13	12	11	10	9	8	7	6	5	4	3	2	1	NP	NP	F2	F2
	7A	6A	5A	4A	3A	2A	1A	(IC)						G	G	G	G	G	G	G	G	G	G	G	G	G	G	G	G				
Pin No.	34	35	36	37	38	39	40	41	42	43	44	45	46	47	48	49	50	51	52	53	54	55	56	57	58	59	60	61	62	63	64	65	
Connection	P	P	P	P	P	P	P	P	P	P	P	P	P	P	P	P	P	P	P	P	P	P	P	P	P	P	P	NP	NP	F2	F2		
	8B	9B	10B	11B	12B	13B	14B	15B	16B	17B	18B	19B	20B	21B	22B	23B	24B	25B	26B	27B	28B	29B	30B	31B	32B	33B	34B	35B					
Pin No.	1	2	3	4	5	6	7	8	9	10	11	12	13	14	15	16	17	18	19	20	21	22	23	24	25	26	27	28	29	30	31	32	33
Connection	F1	F1	NP	NP	1	2	3	4	5	6	7	8	9	10	11	12	13	14	15	NX	NX	NX	NX	NX	NX	NX	P	P	P	P	P	P	
					GB	GB	GB	GB	GB	GB	GB	GB	GB	GB	GB	GB	GB	GB	GB	(IC)							1B	2B	3B	4B	5B	6B	7B

Note: 1) F1, F2 Filament pin 2) 1GA~16GA, 1GB~15GB Grid pin 3) P1A~P35A, P1B~P35B Anode pin 4) NP No pin 5) NX No extended pin 6) NX(IC) Pins are internally connected, are should be electrically opened on the PCB

● GRID ASSIGNMENT



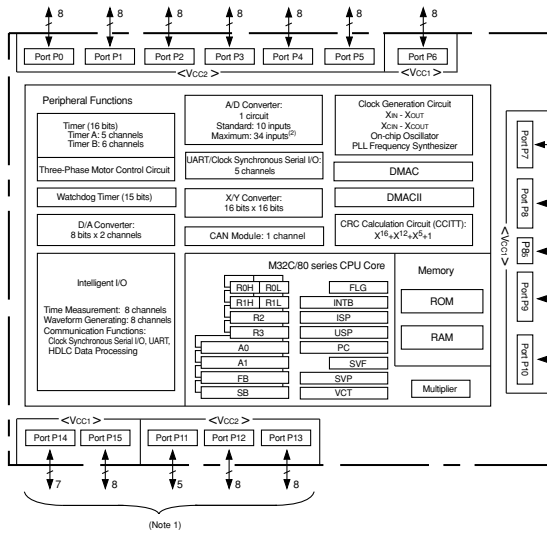
● ANODE CONNECTION

	1GA-14GA	15GA	16GA
P1A	1-1A	MASTER AUDIO	X1
P2A	2-1A	RECOUT	NET/USB
P3A	3-1A	HDMI	X2
P4A	4-1A	neural	S1
P5A	5-1A	AAC	DOCK
P6A	1-2A	CSI	X3
P7A	2-2A	DSD	X4
P8A	3-2A	PCM	X5
P9A	4-2A	WMA	X6
P10A	5-2A	CINEMA DSP	X7
P11A	1-3A	VIRTUAL	X8
P12A	2-3A	HIFI DSP	X9
P13A	3-3A	YPAO	X10
P14A	4-3A	ENHANCER	X11
P15A	5-3A	DIGITAL	X12
P16A	1-4A	PLUS	X13
P17A	2-4A	PL	X14
P18A	3-4A	I	X15
P19A	4-4A	x	XM
P20A	5-4A	EX	TUNED
P21A	1-5A	TRUE HD	STEREO
P22A	2-5A	3	AUTO
P23A	3-5A	MP3	MEMORY
P24A	4-5A	R1	ZONE2
P25A	5-5A	R2	ZONE3
P26A	1-6A	R3	NIGHT
P27A	2-6A	R4	SLEEP
P28A	3-6A	SILENT CINEMA	PS
P29A	4-6A	Headphones	PTY
P30A	5-6A	MATRIX	RT
P31A	1-7A	DISCRETE	CT
P32A	2-7A	dts	EON
P33A	3-7A	HD	PTY HOLD
P34A	4-7A	ES	
P35A	5-7A	98/24	

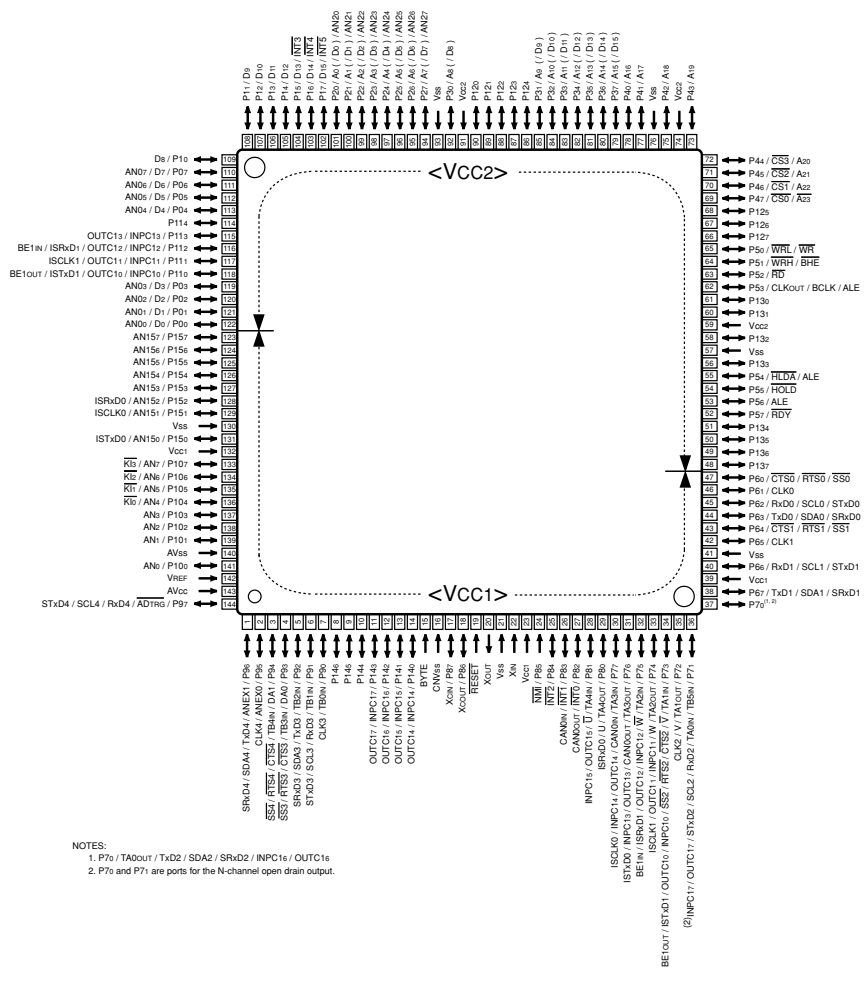
	1GB-14GB	15GB
P1B	1-1B	V1
P2B	2-1B	V2
P3B	3-1B	V3
P4B	4-1B	V4
P5B	5-1B	V5
P6B	1-2B	V6
P7B	2-2B	V7
P8B	3-2B	V8
P9B	4-2B	V9
P10B	5-2B	V10
P11B	1-3B	V11
P12B	2-3B	V12
P13B	3-3B	V13
P14B	4-3B	V14
P15B	5-3B	V15
P16B	1-4B	V16
P17B	2-4B	V17
P18B	3-4B	V18
P19B	4-4B	V19
P20B	5-4B	MUTE
P21B	1-5B	96/24
P22B	2-5B	DUAL
P23B	3-5B	LFE
P24B	4-5B	L
P25B	5-5B	C
P26B	1-6B	F
P27B	2-6B	SL
P28B	3-6B	SB
P29B	4-6B	SR
P30B	5-6B	W1
P31B	1-7B	SBL
P32B	2-7B	SBR
P33B	3-7B	
P34B	4-7B	
P35B	5-7B	

IC DATA

IC182: M30845MW-001-GP (D-VIDEO P.C.B)
Single chip 16/32-bit microprocessor



NOTES:
1. Ports P11 to P15 are provided in the 144-pin package only.
2. Included in the 144-pin package only.



NOTES:
1. P70 / TA0out / Tx2 / SDA2 / SRxD2 / INPC16 / OUTC16
2. P70 and P71 are ports for the N-channel open drain output.

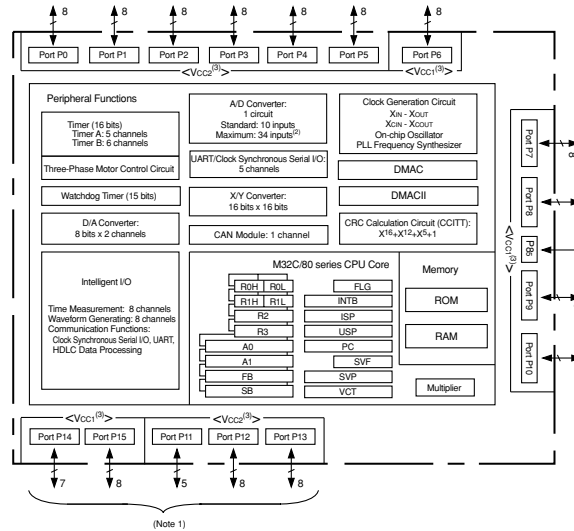
RX-V1800/HTR-6190/
DSP-AX1800

No.	Port Name	Function Name (P.C.B.)	I/O	Detail of Function
1	P96/SDA4	SDAL	SIO	I/O signal of I2C SDA (for 100kHz device)
2	P95/CLK4	NC	O	
3	P94/DA1/TB4in	LPFCTL	O	LPF fs select
4	P93/TB3in	P93	O	YGV VS output, spare
5	P92/SDA3	SDAH	SIO	I/O signal of I2C SDA (for HDMI device)
6	P91/SCL3	SCLH	SO	Output signal of I2C SCL (for HDMI device)
7	P90/TB0in	P90	HiZ	YGV brightness output, spare
8	P146	Test Point	O	Monitor terminal for development
9	P145	Test Point	O	Monitor terminal for development
10	P144/INT6	Test Point	O	Monitor terminal for development
11	P143	HDMI_SEL0	O	HDMI_INPUT Select (Bit0)
12	P142	HDMI_SEL1	O	HDMI_INPUT Select (Bit1)
13	P141	HDMI_SEL2	O	HDMI_INPUT Select (Bit2)
14	P140	HDMI_SEL	O	EEPROM (RxINPUT) select
15	BYTE	BYTE	MCU	Data bus width setting: Set to 16bit = LOW
16	CNVSS	CNVSS	MCU	Processor mode: Set to HI
17	P87	NC	O	
18	P86	BOOT	I	YDC boot signal input
		(/EN232)	O	232C line open request (Video -> Main)
19	/RESET	/RES	MCU	Reset signal input
20	XOUT	XOUT	MCU	Ceramic oscillator 10Mhz
21	Vss	GND	MCU	GND
22	XIN	XIN	MCU	Ceramic oscillator 10Mhz
23	Vcc1	5.0V	MCU	5.0V
24	P85/NMI	NMI	I	
25	P84/INT2	/REM	IRQ	Connection to the remote control light receiving section enabled
26	P83/INT1	/INTAD	IRQ	Interrupt signal from ADV7401
27	P82/INT0	/INT Rx	IRQ	HDMI Rx interrupt
28	P81/TA4in	FVS	I	VSYNC frequency measurement, spare
29	P80/TA4out	Test J1-1	I	Start-up option forced log output
30	P77/TA3in	Test J1-2	I	Start-up option HDCP ON/OFF
31	P76/TA3out	Test J1-3	I	Start-up option mobile mode
32	P75/TA2in	HDMINT	O	HDMI interrupt request
33	P74/TA2out	232PWR	I	232C Transceiver shutdown detect input
34	P73/TA1in	/ICEX	O	Reset signal I/O for expander
35	P72/CLK2	MREQ	O	Main microprocessor I/F REQ output signal
36	P71/SCL2	SCLV	SO	Output signal of I2C SCL (for video device)
37	P70/SDA2	SDAV	SIO	I/O signal of I2C SDA (for Video device)
38	P67/TxD1		SO	Serial I/F for YDC writing
				Serial I/F for Debugging/writing
39	Vcc1		MCU	5.0V
40	P66/RxD1	RXD1	SI	Serial I/F for YDC writing
				Serial I/F for Debugging/writing
41	Vss		MCU	GND
42	P65/CLK1	RTS1	O	Serial I/F for YDC/RS232C writing
43	P64/CTS1	CTS1	I	Serial I/F for YDC/RS232C writing
44	P63/TxD0	VtoM	SO	Main microprocessor I/F SPI
45	P62/RxD0	MtoV	SI	Main microprocessor I/F SPI
46	P61/CLK0	CLKH	SI	Main microprocessor I/F SPI
47	P60/CTS0/RTS0	MRES	O	Main microprocessor I/F RES output signal
48	P137	/RES_Rx	O	Reset HDMI Rx only
49	P136	TMDS_ENB	O	TMDS pull-up ON/OFF (CE of equalizer IC)
50	P135	EDID_ENB	O	Whether accessible to EEPROM or not
51	P134	/AUPS	O	Video passage to HDMI (scaler output) ON/OFF
52	P57/RDY	/RDY	I	YVG/WAIT signal input
53	P56/ALE/RAS	NC	O	
54	P55/HOLD	NC	I	
55	P54/HLDA/ALE	NC	O	
56	P133	PSENB	O	HDMI Tx power signal enable
57	Vss	GND	MCU	GND

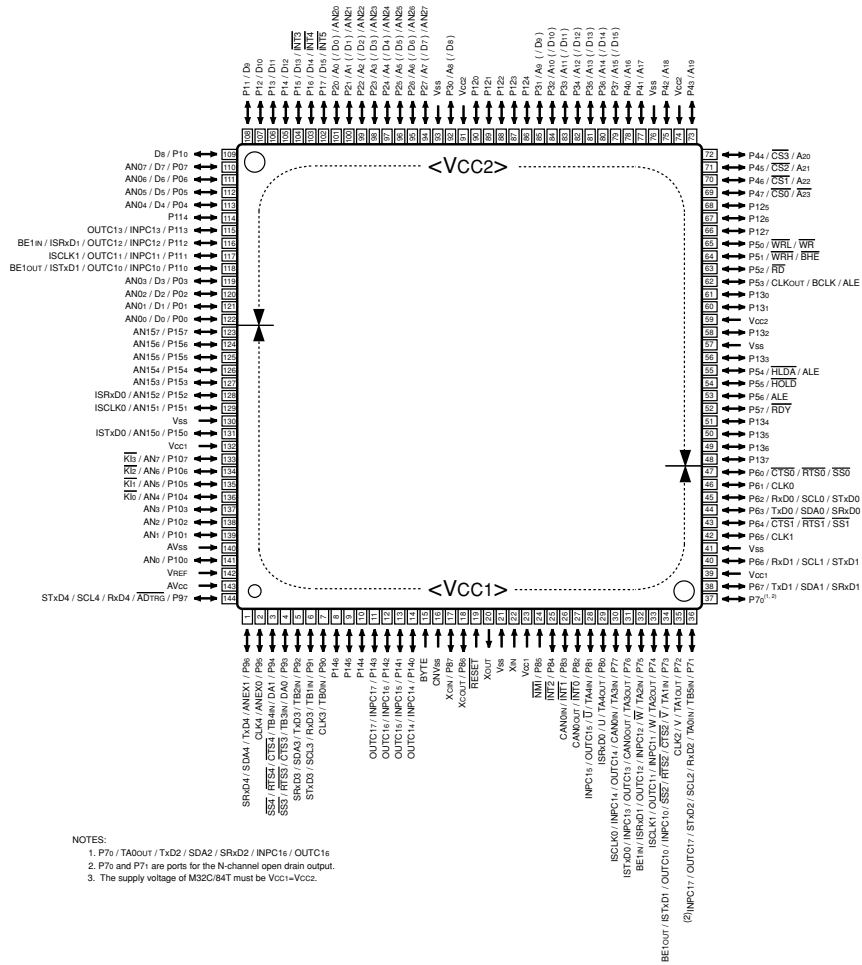
No.	Port Name	Function Name (P.C.B.)	I/O	Detail of Function
58	P132	DDCENB	O	HDMI DDC enable control
59	Vcc2	3.3V	MCU	3.3V
60	P131	AUPAUD	O	Audio passage to HDMI, output select
61	P130	HPDENB	O	Whether to return HPD to Source or not
62	P53/BCLK	DON'T USE	O	L output fixed
63	P52/RD/DW	/RD	BUS	BUS I/F
64	P51/WRH/BHE	/WRH	BUS	BUS I/F
65	P50/WRL/WR	/WRL	BUS	BUS I/F
66	P127	/IPSS	O	IP00C772 I/F
67	P126	IPCLK	O	IP00C772 I/F
68	P125	IPSI	SO	IP00C772 I/F
69	P47/CS0/A23	/A23	BUS	
70	P46/CS1/A22	A22	BUS	
71	P45/CS2/A21	A21	BUS	FLASH A20/NC2, YGV A21
72	P44/CS3/A20	A20	BUS	FLASH A19/NC1, YGV A20
73	P43/A19	A19	BUS	FLASH A18, YGV A19
74	Vcc2	3.3V	MCU	3.3V
75	P42/A18	A18	BUS	FLASH A17, YGV A18
76	Vss	GND	MCU	GND
77	P41/A17	A17	BUS	FLASH A16, YGV A17
78	P40/A16	A16	BUS	FLASH A15, YGV A16
79	P37/A15	A15	BUS	FLASH A14, YGV A15
80	P36/A14	A14	BUS	FLASH A13, YGV A14
81	P35/A13	A13	BUS	FLASH A12, YGV A13
82	P34/A12	A12	BUS	FLASH A11, YGV A12
83	P33/A11	A11	BUS	FLASH A10, YGV A11
84	P32/A10	A10	BUS	FLASH A9, YGV A10
85	P31/A9	A9	BUS	FLASH A8, YGV A9
86	P124	/RES_Tx	O	Reset HDMI Tx only
87	P123	IPSO	SI	IP00C772 I/F
88	P122	NC	O	
89	P121	/AUPEC	O	Video passage to HDMI (DECODER output) ON/OFF
90	P120	/AUIPC	O	Video passage to HDMI (IP conversion output) ON/OFF
91	Vcc2	3.3V	MCU	3.3V
92	P30/A8	A8	BUS	FLASH A7, YGV A8
93	Vss	GND	MCU	GND
94	P27/A7	A7	BUS	FLASH A6, YGV A7
95	P26/A6	A6	BUS	FLASH A5, YGV A6
96	P25/A5	A5	BUS	FLASH A4, YGV A5
97	P24/A4	A4	BUS	FLASH A3, YGV A4
98	P23/A3	A3	BUS	FLASH A2, YGV A4
99	P22/A2	A2	BUS	FLASH A1, YGV A2
100	P21/A1	A1	BUS	FLASH A0, YGV A1
101	P20/A0	A0	BUS	
102	P17/D15/INT5	D15	BUS	Data bus
103	P16/D14/INT4	D14	BUS	Data bus
104	P15/D13/INT3	D13	BUS	Data bus
105	P14/D12	D12	BUS	Data bus
106	P13/D11	D11	BUS	Data bus
107	P12/D10	D10	BUS	Data bus
108	P11/D9	D9	BUS	Data bus
109	P10/D8	D8	BUS	Data bus
110	P07/D7	D7	BUS	Data bus
111	P06/D6	D6	BUS	Data bus
112	P05/D5	D5	BUS	Data bus
113	P04/D4	D4	BUS	Data bus
114	P114	/ICS	O	/IC signal to ABT1010. Cancelled after clock supply
115	P113	/AUPYGV	O	Video passage to HDMI (YGV619 output) ON/OFF
116	P112	/ICIP	O	/IC signal to YGV619
117	P111	/ICY	O	/IC signal to YGV619

No.	Port Name	Function Name (P.C.B.)	I/O	Detail of Function
118	P110	/ICV	O	/IC signal to VDEC
119	P03/D3	D3	BUS	Data bus
120	P02/D2	D2	BUS	Data bus
121	P01/D1	D1	BUS	Data bus
122	P00/D0	D0	BUS	Data bus
123	P157	VTEST1	O	Output of self-check result, for product testing (Video)
124	P156	VTEST2	O	Output of self-check result, for product testing (Video)
125	P155	NC	O	
126	P154	/OSDCEV	O	Chip enable output to OSD (for CUI)
127	P153	NC	O	
128	P152	CSS	O	Chip enable output of LC709004A
129	P151	SDTV	O	Also used as Data *OSD (for CUI) to control LC709004A
130	Vss	GND	MCU	GND
131	P150	SCKV	O	Also used as Clock *OSD (for CUI) to control LC709004A
132	Vcc1	5.0V	MCU	5.0V
133	P107/AN7	/MTMON	O	Mute signal from Video microprocessor to monitor OUT
134	P106/AN6	/MTZ2	O	Mute signal from Video microprocessor to ZONE 2 OUT
135	P105/AN5	Reserve	O	
136	P104/AN4	SVDET	I	S input detect
137	P103/AN3	VBOOT	I	Boot mode enable
138	P102/AN2	BTSEL	I	Boot mode select
139	P101/AN1	Reserve	O	
140	Avss	GND	MCU	GND
141	P100/AN0	SENS	AD	Sensor input for Auto Lip Sinc
142	Vref	5.0V	MCU	5.0V
143	Avcc	5.0V	MCU	5.0V
144	P97/SCL4	SCLL	SO	Output signal of I2C SCL (for 100kHz device)

IC402: M3087BFKBGP (FUNCTION P.C.B)
Microprocessor



- NOTES:
1. Ports P11 to P15 are provided in the 144-pin package only.
 2. Included in the 144-pin package only.
 3. The supply voltage of M32C84T (High-reliability version) must be VCC1=VCC2.



- NOTES:
1. P70/TA0out/TxD2/SDA2/SRxD2/INPC16/OUTC16
 2. P70 and P71 are ports for the N-channel open drain output.
 3. The supply voltage of M32C84T must be VCC1=VCC2.

No.	Port Name	Function Name (P.C.B.)	Port I/O	Detail of Function
1	TXD4	TXDH	SO	Data transmission to VIDEO_CPU
2	CLK4	CLKH	SO	Clock transmission to VIDEO_CPU
3	DA1	LMTCNT	DA	Limiter control output
4	TB3in/DA0	HDMINT	TMR	HDMI MUTE input
5	SDA3/TXD3/TB2in	TXDi	SO	iPod asynchronous serial data input
6	SCL3/RXD3/TB1in	RXDi	SI	iPod asynchronous serial data output
7	TB0in	/VSYNC	TMR	Vertical sync pulse INT
8	P146	RSELDT0	O	Rec out SW1 control (ROHM) data (U, C, R, T, A, B, G, E, L models)
9	P145	RSELCK0	O	Rec out SW1 control (ROHM) clock (U, C, R, T, A, B, G, E, L models)
10	P144	ISELDT0	O	Rec out SW1 control (ROHM) data
11	P143	ISELCK0	O	Rec out SW1 control (ROHM) clock
12	P142	/ICTI1	O	TI#1 initial clear
13	P141	/CSDAC1	O	2sh DAC (PCM1791A) *6 chip enable
14	P140	/ICTI1	O	TI#1 chip enable
15	BYTE	BYTE	MCU	External data bus width change: 16bit
16	CNVss	CNVss	MCU	Processor mode select: Single chip mode
17	P87	/ICD	O	DIR initial clear
18	P86	/SPIRDY1	I	TI#1 SPI READY
19	RESET	RESET	MCU	
20	Xout	Xout	MCU	
21	Vss	Vss	MCU	
22	Xin	Xin	MCU	
23	Vcc	Vcc	MCU	
24	NMI	NMI	IRQ	
25	INT2	REM1	IRQ	Remote control pulse input 1
26	INT1	PDET	IRQ	Power detect
27	INT0	RXDR	IRQ	RS232C • YDC signal reception detect
28	TA4in	iPDET	TMR	iPod detect
29	P80	/CSTIO	O	TI#0 chip enable
30	TA3in/P77	/ICXM	O	DABIC IC reset (U model)
		RDSCE	O	RDS enable (G model)
31	P76	XMPWR	O	XM Radio power control (U, C models)
32	TA2in	/INTTI	TMR	TI#0/#1 (DA70Y) interrupt
33	P74/TA2out	/CSDIR	O	DIR chip enable
34	TA1in	/INTDIR	TMR	DIR interrupt
35	P72/CLK2/TA1out	SPIRDY	I	TI DA70Y serial ready / DIR WCK input (WCK input for CDDA writing)
36	P71/RxD2/SCO2	DRXM	SI	DABIC IC RxD (XM data reception) (U, C models)
37	P70/TXD2/SDA2	DTXM	SO	DABIC IC TxD (U, C models)
38	P67/TxD1	TXDR	SO	Usually RS-232C asynchronous communication data output / Data transmission terminal for AF220
39	Vcc	Vcc	MCU	
40	P66/RxD1	RXDR	SI	Usually RS-232C asynchronous communication data input / Data reception terminal for AF220
41	Vss	Vss	MCU	
42	P65/CLK1	RTS	SO	Usually RS-232C asynchronous RTS output
		CLKF	SO	Data clock for AF220
43	P64/CTS1/RTS1/	CTS	I	Usually RS-232C asynchronous CTS input
		YDCBUSY	O	BUSY output for AF220
44	P63/TxD0	TXDD	SO	Serial data output to DIR, TI, DAC
45	P62/RxD0	RXDD	SI	Serial data reception to DIR, TI, DAC
46	P61/CLK0	CLKD	SO	Serial clock output to DIR, TI, DAC
47	P60/CTS0/RTS0	DMT	O	Digital full mute (Hi=Mute)
48	P137	CDDA/XLIN1	I	CDDA write data input / XM LINK ACTIVE兼用
49	P136	TUDA	O	PLL data output for tuner
50	P135	TUCK	O	PLL clock output for tuner
51	P134	PLLr	I	PLL reception for tuner
52	P57/RDY	/TMUTE	O	TUNER mute output
53	P56/RAS	TUNED	I	TUNER TUNED input
54	P55/HOLD	TUCE	O	PLL chip select for TUNER
55	P54/HLDA	/ST	I	TUNER STEREO detect input
56	P133	CKZEV	O	ZONE tone control IC serial transmission clock (U, C, R, T, K, A, B, G, E, L models)

No.	Port Name	Function Name (P.C.B.)	I/O [OFF]	Detail of Function
57	Vss	Vss	MCU	
58	P132	DTZEV	O	ZONE tone control IC serial transmission data (U, C, R, T, K, A, B, G, E, L models)
59	Vcc	Vcc	MCU	
60	P131	/CEZEV0	O	ZONE tone control chip selector (U, C, R, T, K, A, B, G, E, L models)
61	P130	/CEZEV1	O	
62	P53/BCLK	/Z2MT	O	Zone2 mute control (U, C, R, T, K, A, B, G, E, L models)
63	P52/RD	/Z3MT	O	Zone3 mute control (U, C, R, T, K, A, B, G, E, L models)
64	P51/WRH	/FMTF	O	Full mute FL/FR/SBL/SBR
65	P50/WRL	-	O	
66	P127	/FMTS	O	Full mute SL/SR
67	P126	/FMTC	O	Full mute Center
68	P125	/FMFSW	O	Full mute SWL/SWR/SW MONO
69	P47/CS0	DTEV	O	E-VOLUME IC serial transmission data for MAIN ZONE (U, C, R, T, K, A, G, B, E, L models)
70	P46/CS1	CKEV	O	E-VOLUME IC serial transmission clock for MAIN ZONE (U, C, R, T, K, A, G, B, E, L models)
71	P45/CS2	/CEEV	O	E-VOLUME CE for MAIN, ZONE (U, C, R, T, K, A, G, B, E, L models)
72	P44/CS3	CEA	O	Chip select output for JRC audio select IC
73	P43/A19	SDTA	O	Data output for JRC audio select IC
74	Vcc	Vcc	MCU	
75	P42/A18	SCKA	O	Clock output for JRC audio select IC
76	Vss	Vss	MCU	
77	P41/A17	TRG2	O	DC trigger output2 (U, C, R, T, K, A, B, G, E, L models)
78	P40/A16	TRG1	O	DC trigger output1 (U, C, R, T, K, A, B, G, E, L models)
79	P37/A15	232PWR	O	RS232C driver ON/OFF control
80	P36/A14	PRY	O	Power relay control
81	P35/A13	RYBL	O	Relay control for power control of power amplifier B
82	P34/A12	RYBM	O	Relay control for power control of power amplifier B
83	P33/A11	/CSEX	O	Chip select for extension IC
84	P32/A10	/ICEX	O	Reset for extension IC
85	P31/A9	iPWR	O	iPod power control
86	P124	VPOWER	O	VIDEO power control
87	P123	PRI	I	Electric current protection detect
88	P122	SDTN	O	FL driver/OSD/ data output for extension IC/data output for RDS IC (G model)
89	P121	SCKN	O	FL driver/OSD/ data output for extension IC/data output for RDS IC (G model)
90	P120	EXDI	I	Data in for extension IC
91	Vcc		MCU	
92	P30/A8	VMT	O	Video output mute
93	Vss		MCU	
94	AN27/P27/A7	/OSDCE	O	OSD CE
95	AN26/P26/A6	iPAP	I	iPod accessory power detect
96	AN25/P25/A5	RSELDT1	O	Rec out SW1 control (ROHM) data (U, C, R, T, K, A, B, G, E, L models)
97	AN24/P24/A4	RSELCK1	O	Rec out SW1 control (ROHM) clock
98	AN23/P23/A3	ISELDT1	O	Rec out SW1 control (ROHM) data, clock speed: 20us
99	AN22/P22/A2	ISELCK1	O	Rec out SW1 control (ROHM) clock
100	AN21/P21/A1	/ICFL	O	FL driver initial clear
101	AN20/P20/A0	CEF2	O	FL enable2
102	P17/D15/INT5	PSWDET	IRQ	Main, Zone2, 3 power key interrupt
103	P16/D14/INT4	MSW	IRQ	Master SW (push lock SW)
104	P15/D13/INT3	REM2	IRQ	Remote control pulse input 2, remote control pulse input for Zone (U, C, R, T, K, A, B, G, E, L models)
105	P14/D12	CEF1	O	FL enable1
106	P13/D11	BT232C	I	RS232C Flash write mode detect
		/ICTIO	O	TI#0 initial clear
107	P12/D10	ISA	I	Input selector rotary A
108	P11/D9	ISB	I	Input selector rotary B
109	P10/D8	PSW2	I	INT5: PSW input after logic Key identification
110	P07/AN07/D7	PSW1	I	INT5: PSW input after logic Key identification
111	P06/AN06/D6	SPC	O	+5SPC power ON/OFF control (L-ON/H-OFF: to reduce stand-by power)
112	P05/AN05/D5	/HPMT	O	Headphone mute control

No.	Port Name	Function Name (P.C.B.)	I/O [OFF]	Detail of Function
113	P04/AN04/D4	PGA	I	Program rotary A
114	P114	PGB	I	Program rotary B
115	P113	VRA	I	Volume rotary A
116	P112/ISRXD1	RXDNW	SI	Asynchronous data input for NETWORK MODULE
117	P111/ISCLK1	NWRST	O	Reset output for NETWORK MODULE
118	P110/ISTXD1	TXDNW	SO	Asynchronous data output for NETWORK MODULE
119	P03/AN03/D3	VRB	I	Volume rotary B
120	P02/AN02/D2	PDLED	O	Pure direct LED
121	P01/AN01/D1	RDS	I	RDS RxD (B, G models)
122	P00/AN00/D0	HDIMT	I	HDMI mute input
123	AN157/P157	KEY1	AD	KEY 1 AD value taken in
124	AN156/P156	KEY0	AD	KEY 0 AD value taken in
125	AN155/P155	VBOOT	O	VIDEO_CPU boot enable
126	AN154/P154	BTSEL	O	VIDEO_CPU boot mode select
127	AN153/P153	/EN232C	I	VIDEO_CPU 232C communication line enable control detect
128	AN152/P152/ISRXD0	HRES	I	VIDEO_CPU response return input
129	AN151/P151/ISCLK0	HREQ	TMR	VIDEO_CPU transfer request input
130	Vss	Vss	MCU	
131	AN150/P150/ISTXD0	/ICH	O	VIDEO_CPU reset
132	Vcc	Vcc	MCU	
133	P107/AN7	DEST	AD	Destination identification by AD value
134	P106/AN6	MODEL	AD	Model identification by AD value
135	P105/AN5	THM1	AD	AD temperature detect 1
136	P104/AN4	THM2	AD	AD temperature detect 2
137	P103/AN3	PRD	AD	Power amplifier DC protect detect
138	P102/AN2	PRV	AD	Power protection detect 1
139	P101/AN1	PRVS	AD	Power protection detect 2 (power turned OFF by pure direct)
140	Avss	AVSS	MCU	
141	P100/AN0	OUTLVL	AD	AD power limiter output level detect
142	Vref	VREF	MCU	
143	Avcc	AVCC	MCU	
144	RXD4	RXDH	SI	Data reception from VIDEO_CPU

RX-V1800 (U, C, R, T, K, A, B, G, E, L models)

Key input(A-D) pull-up resistance 10 k-ohms

Ohm	0	+1.2k	+1.2k	+1.8k	+2.7k	+3.3k	+4.7k	+8.2k	+18.0k	+47.0k
V	-0.26	-0.75	-1.22	-1.76	-2.28	-2.75	-3.24	-3.75	-4.25	-4.72
Key0 (124pin/AN156)	NIGHT	ZONE CONTROLS	TUNING MODE	MEMORY	FM/AM	PRESET/TUNING	PRESET/TUNING >	PRESET/TUNING <	-	-
Key1 (123pin/AN157)	STRAIGHT/EFFECT	A/B/C/D/E	-	TONE CONTROL	AUDIO SELECT	PURE DIRECT	-	-	-	-

DSP-AX1800 (J model)

Key input(A-D) pull-up resistance 10 k-ohms

Ohm	0	+1.2k	+1.2k	+1.8k	+2.7k	+3.3k	+4.7k	+8.2k	+18.0k	+47.0k
V	-0.26	-0.75	-1.22	-1.76	-2.28	-2.75	-3.24	-3.75	-4.25	-4.72
Key0 (124pin/AN156)	NIGHT	-	TUNING MODE	MEMORY	FM/AM	PRESET/TUNING	PRESET/TUNING >	PRESET/TUNING <	-	-
Key1 (123pin/AN157)	STRAIGHT/EFFECT	A/B/C/D/E	-	TONE CONTROL	AUDIO SELECT	PURE DIRECT	-	-	-	-

Destination for AD Port / 仕向け先判別ポート

Pull-up resistance 10 k-ohms

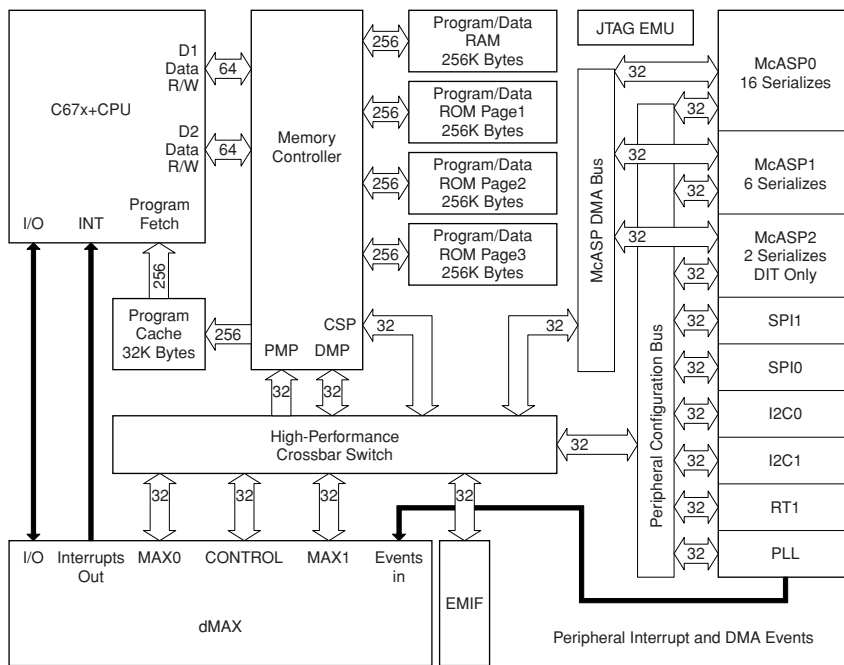
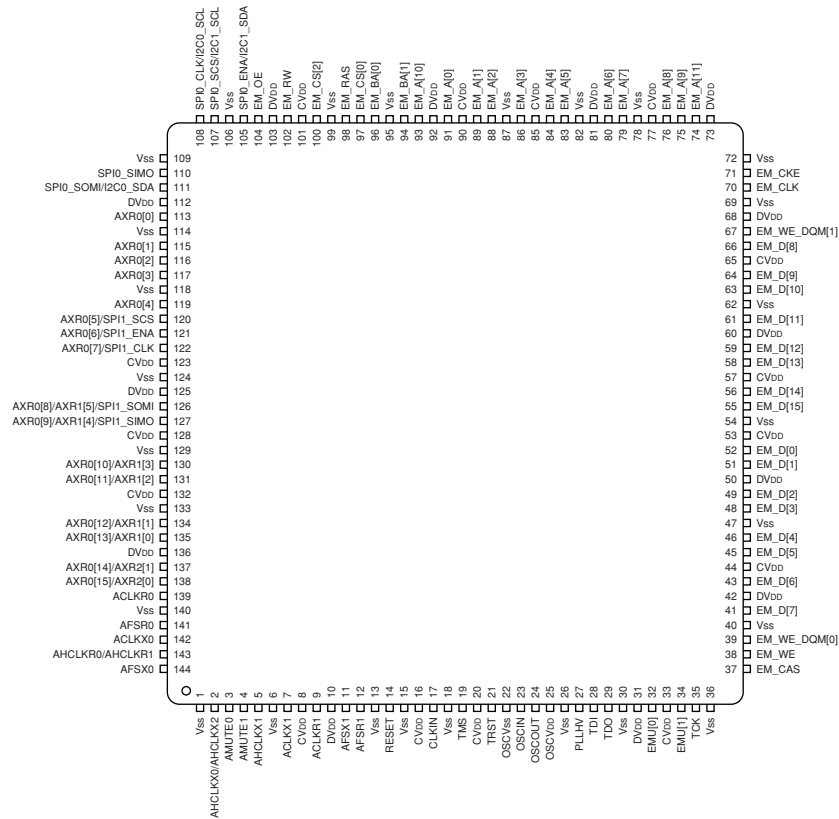
Ohm	0.0k	1.2k	2.7k	4.7k	6.8k	10.0k	15.0k	24.0k	47.0k	100.0k
V	0-0.2	0.3-0.8	0.9-1.3	1.4-1.8	1.8-2.2	2.3-2.7	2.8-3.2	3.3-3.8	3.9-4.3	4.4-4.7
A-D (5V=255)	0-13	14-40	41-68	69-92	93-115	116-140	141-167	168-195	196-221	222-243
DEST (AN7) 133pin	J	U, C	-	R	T	K	A	-	B, G, E	L

Model distinction for AD port / モデル判別ポート

Ohm	47k	∞
V	1.3-3.7	3.8-5.0
A-D (5V=255)	65-191	192-255
DEST (AN6) 134pin	RX-V1800/DSP-AX1800	HTR-6190

IC534, 567: D70YE101BRFP266 (DSP P.C.B.)
Decoder/Post processor

* No replacement part available. / サービス部品供給なし



RX-V1800/HTR-6190/
DSP-AX1800

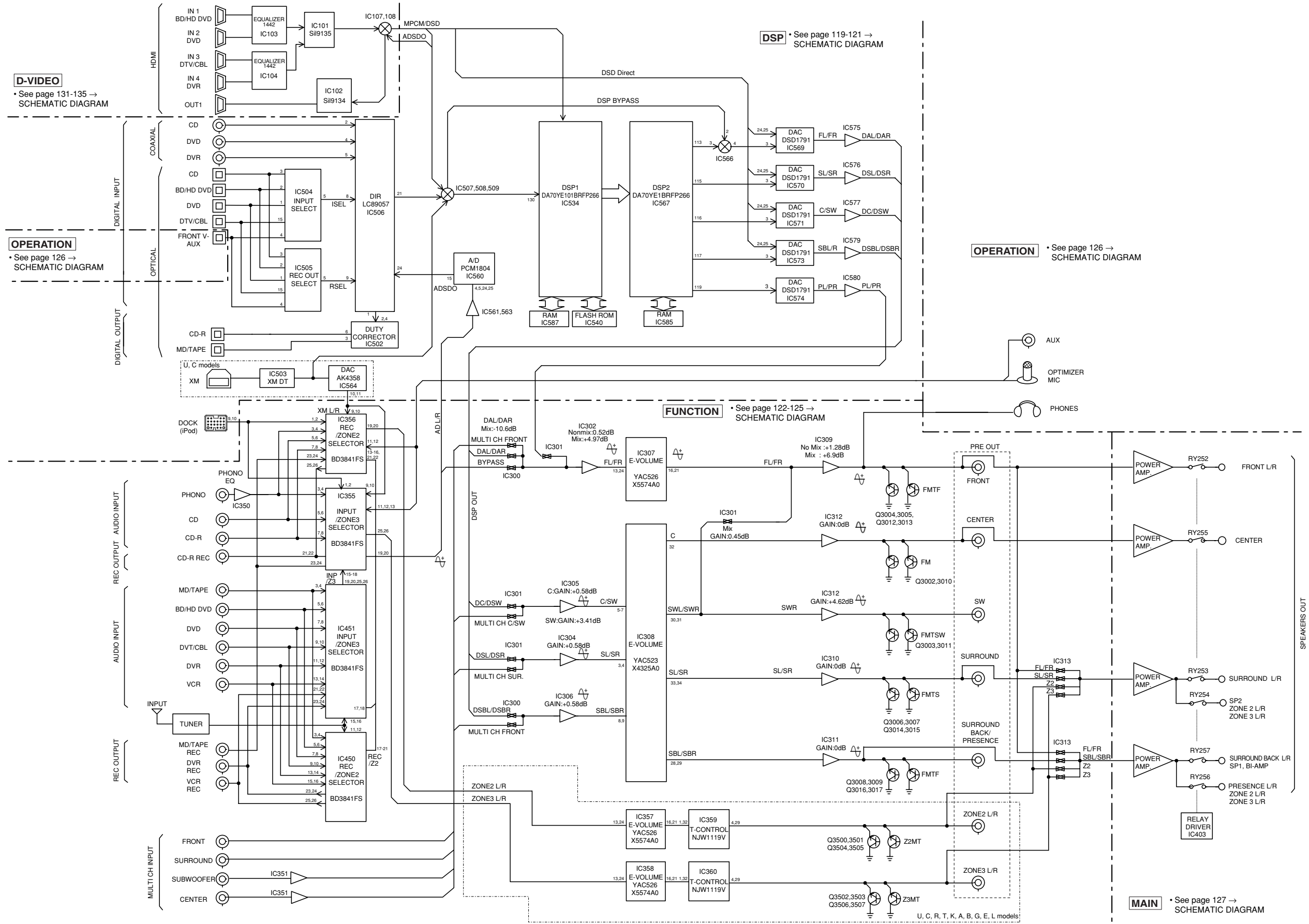
No.	Function Name	TYPE ⁽¹⁾	PULL ⁽²⁾	GPIO ⁽³⁾	Detail of Function
1	Ground(Vss)				
2	AHCLKX0/AHCLKX2	IO	-	Y	McASP0 and McASP2 transmit master clock
3	AMUTE0	IO	-	Y	McASP0 mute output
4	AMUTE1	IO	-	Y	McASP1 mute output
5	AHCLKX1	IO	-	Y	McASP1 transmit master clock
6	Ground(Vss)				
7	ACLKX1	IO	-	Y	McASP1 transmit bit clock
8	Core Supply (CVpp)				
9	ACLKR1	IO	-	Y	McASP1 receive bit clock
10	IO Supply (DVpp)				
11	AFSX1	IO	-	Y	McASP1 transmit frame Sync (L/R clock)
12	AFSR1	IO	-	Y	McASP1 receive frame Sync (L/R clock)
13	Ground(Vss)				
14	RESET	IO	-	N	Device reset pin
15	Ground(Vss)				
16	Core Supply (CVpp)				
17	CLKIN	IO	-	N	Alternate clock input (3.3-V LVCMOS input)
18	Ground(Vss)				
19	TMS	IO	IPU	N	Test mode select
20	Core Supply (CVpp)				
21	TRST	IO	IPU	N	Test reset
22	OSCVss	PWR	-	N	Oscillator Vss tap point (for filter only)
23	OSCIN	IO	-	N	1.2-V oscillator input
24	OSCOU	O	-	N	1.2-V oscillator output
25	OSCVpp	PWR	-	N	Oscillator 1.2-V Vpp tap point (for filter only)
26	Ground(Vss)				
27	PLLHV	PWR	-	N	PLL 3.3-V supply input (requires external filter)
28	TDI	IO	IPU	N	Test data in
29	TDO	OZ	IPU	N	Test data out
30	Ground(Vss)				
31	IO Supply (DVpp)				
32	EMU[0]	IO	IPU	N	Emulation pin 0
33	Core Supply (CVpp)				
34	EMU[1]	IO	IPU	N	Emulation pin 1
35	TCK	IO	IPU	N	Test clock
36	Ground(Vss)				
37	EM_CAS	O	-	N	SDRAM column address strobe
38	EM_WE	O	-	N	SDRAM write enable
39	EM_WE_DQM[0]	O	-	N	Write enable or byte enable for EM_D [7:0]
40	Ground(Vss)				
41	EM_D[7]	IO	-	N	EMIF data bus [lower 16-bits]
42	IO Supply (DVpp)				
43	EM_D[6]	IO	-	N	EMIF data bus [lower 16-bits]
44	Core Supply (CVpp)				
45	EM_D[5]	IO	-	N	EMIF data bus [lower 16-bits]
46	EM_D[4]	IO	-	N	EMIF data bus [lower 16-bits]
47	Ground(Vss)				
48	EM_D[3]	IO	-	N	EMIF data bus [lower 16-bits]
49	EM_D[2]	IO	-	N	EMIF data bus [lower 16-bits]
50	IO Supply (DVpp)				
51	EM_D[1]	IO	-	N	EMIF data bus [lower 16-bits]
52	EM_D[0]	IO	-	N	EMIF data bus [lower 16-bits]
53	Core Supply (CVpp)				
54	Ground(Vss)				
55	EM_D[15]	IO	-	N	EMIF data bus [lower 16-bits]

No.	Function Name	TYPE ⁽¹⁾	PULL ⁽²⁾	GPIO ⁽³⁾	Detail of Function
56	EM_D[14]	IO	-	N	EMIF data bus [lower 16-Bits]
57	Core Supply (CVpp)				
58	EM_D[13]	IO	-	N	EMIF data bus [lower 16-Bits]
59	EM_D[12]	IO	-	N	EMIF data bus [lower 16-Bits]
60	IO Supply (DVpp)				
61	EM_D[11]	IO	-	N	EMIF data bus [lower 16-Bits]
62	Ground(Vss)				
63	EM_D[10]	IO	-	N	EMIF data bus [lower 16-Bits]
64	EM_D[9]	IO	-	N	EMIF data bus [lower 16-Bits]
65	Core Supply (CVpp)				
66	EM_D[8]	IO	-	N	EMIF data bus [lower 16-bits]
67	EM_WE_DQM[1]	O	-	N	Write enable or byte enable for EM_D [15:8]
68	IO Supply (DVpp)				
69	Ground(Vss)				
70	EM_CLK	O	-	N	SDRAM clock
71	EM_CKE	O	-	N	SDRAM clock enable
72	Ground(Vss)				
73	IO Supply (DVpp)				
74	EM_A[11]	O	-	N	EMIF address bus
75	EM_A[9]	O	-	N	EMIF address bus
76	EM_A[8]	O	-	N	EMIF address bus
77	Core Supply (CVpp)				
78	Ground(Vss)				
79	EM_A[7]	O	-	N	EMIF address bus
80	EM_A[6]	O	-	N	EMIF address bus
81	IO Supply (DVpp)				
82	Ground(Vss)				
83	EM_A[5]	O	-	N	EMIF address bus
84	EM_A[4]	O	-	N	EMIF address bus
85	Core Supply (CVpp)				
86	EM_A[3]	O	-	N	EMIF address bus
87	Ground(Vss)				
88	EM_A[2]	O	-	N	EMIF address bus
89	EM_A[1]	O	-	N	EMIF address bus
90	Core Supply (CVpp)				
91	EM_A[0]	O	-	N	EMIF address bus
92	IO Supply (DVpp)				
93	EM_A[10]	O	-	N	EMIF address bus
94	EM_BA[1]	O	-	N	SDRAM bank address and asynchronous memory Low-Order address
95	Ground(Vss)				
96	EM_BA[0]	O	-	N	SDRAM bank address and asynchronous memory Low-Order address
97	EM_CS[0]	O	-	N	SDRAM chip select
98	EM_RAS	O	-	N	SDRAM row address strobe
99	Ground(Vss)				
100	EM_CS[2]	O	-	N	Asynchronous memory chip Select
101	Core Supply (CVpp)				
102	EM_RW	O	-	N	Asynchronous memory read/not write
103	IO Supply (DVpp)				
104	EM_OE	O	-	N	SDRAM output enable
105	SPI0_ENA/I2C1_SDA	IO	-	Y	SPI0 enable (ready) or I2c1 serial data
106	Ground(Vss)				
107	SPI0_ENA/I2C1_SCL	IO	-	Y	SPI0 enable (ready) or I2c1 serial clock
108	SPI0_CLK/I2C0_SCL	IO	-	Y	SPI0 serial clock or I2c0 serial clock
109	Ground(Vss)				
110	SPI0_SIMO	IO	-	Y	SPI0 data pin slave in master out

No.	Function Name	TYPE ⁽¹⁾	PULL ⁽²⁾	GPIO ⁽³⁾	Detail of Function
111	SPI0_SOMI/I2C0_SDA	IO	-	Y	SPI0 data pin slave out master in or I2C0 serial data
112	IO Supply (DVpp)				
113	AXR0[0]	IO	-	Y	McASP0 serial data 0
114	Ground(Vss)				
115	AXR0[1]	IO	-	Y	McASP0 serial data 1
116	AXR0[2]	IO	-	Y	McASP0 serial data 2
117	AXR0[3]	IO	-	Y	McASP0 serial data 3
118	Ground(Vss)				
119	AXR0[4]	IO	-	Y	McASP0 serial data 4
120	AXR0[5]/SPI1_SCS	IO	-	Y	McASP0 serial data 5 or SPI1 slave chip select
121	AXR0[6]/SPI1_ENA	IO	-	Y	McASP0 serial data 6 or SPI1 enable (ready)
122	AXR0[7]/SPI1_CLK	IO	-	Y	McASP0 serial data 7 or SPI1 serial clock
123	Core Supply (CVpp)				
124	Ground(Vss)				
125	IO Supply (DVpp)				
126	AXR0[8]/AXR1[5]/SPI1_SOMI	IO	-	Y	McASP0 serial data 8 or McASP1 serial data 5 or SPI1 data pin slave out master in
127	AXR0[9]/AXR1[4]/SPI1_SIMO	IO	-	Y	McASP0 serial data 9 or McASP1 serial data 4 or SPI1 data pin slave in master out
128	Core Supply (CVpp)				
129	Ground(Vss)	IO	-	Y	
130	AXR0[10]/AXR1[3]	IO	-	Y	McASP0 serial data 10 or McASP1 serial data 3
131	AXR0[11]/AXR1[2]				McASP0 serial data 11 or McASP1 serial data 2
132	Core Supply (CVpp)				
133	Ground(Vss)	IO	-	Y	
134	AXR0[12]/AXR1[1]	IO	-	Y	McASP0 serial data 12 or McASP1 serial data 1
135	AXR0[13]/AXR1[0]				McASP0 serial data 13 or McASP1 serial data 0
136	IO Supply (DVpp)	IO	-	Y	
137	AXR0[14]/AXR2[1]	IO	-	Y	McASP0 serial data 14 or McASP2 serial data 1
138	AXR0[15]/AXR2[0]	IO	-	Y	McASP0 serial data 15 or McASP2 serial data 0
139	ACLKR0				McASP0 receive bit clock
140	Ground(Vss)	IO	-	Y	
141	AFSR0	IO	-	Y	McASP0 receive frame Sync (L/R clock)
142	ACLKX0	IO	-	Y	McASP0 transmit bit clock
143	AHCLKR0/AHCLKR1	IO	-	Y	McASP0 and McASP1 receive master clock
144	AFSX0				McASP0 transmit frame Sync (L/R clock)

1 ■ BLOCK DIAGRAMS

AUDIO SECTION BLOCK DIAGRAM



D-VIDEO See page 131-135 → SCHEMATIC DIAGRAM

OPERATION See page 126 → SCHEMATIC DIAGRAM

DSP See page 119-121 → SCHEMATIC DIAGRAM

OPERATION See page 126 → SCHEMATIC DIAGRAM

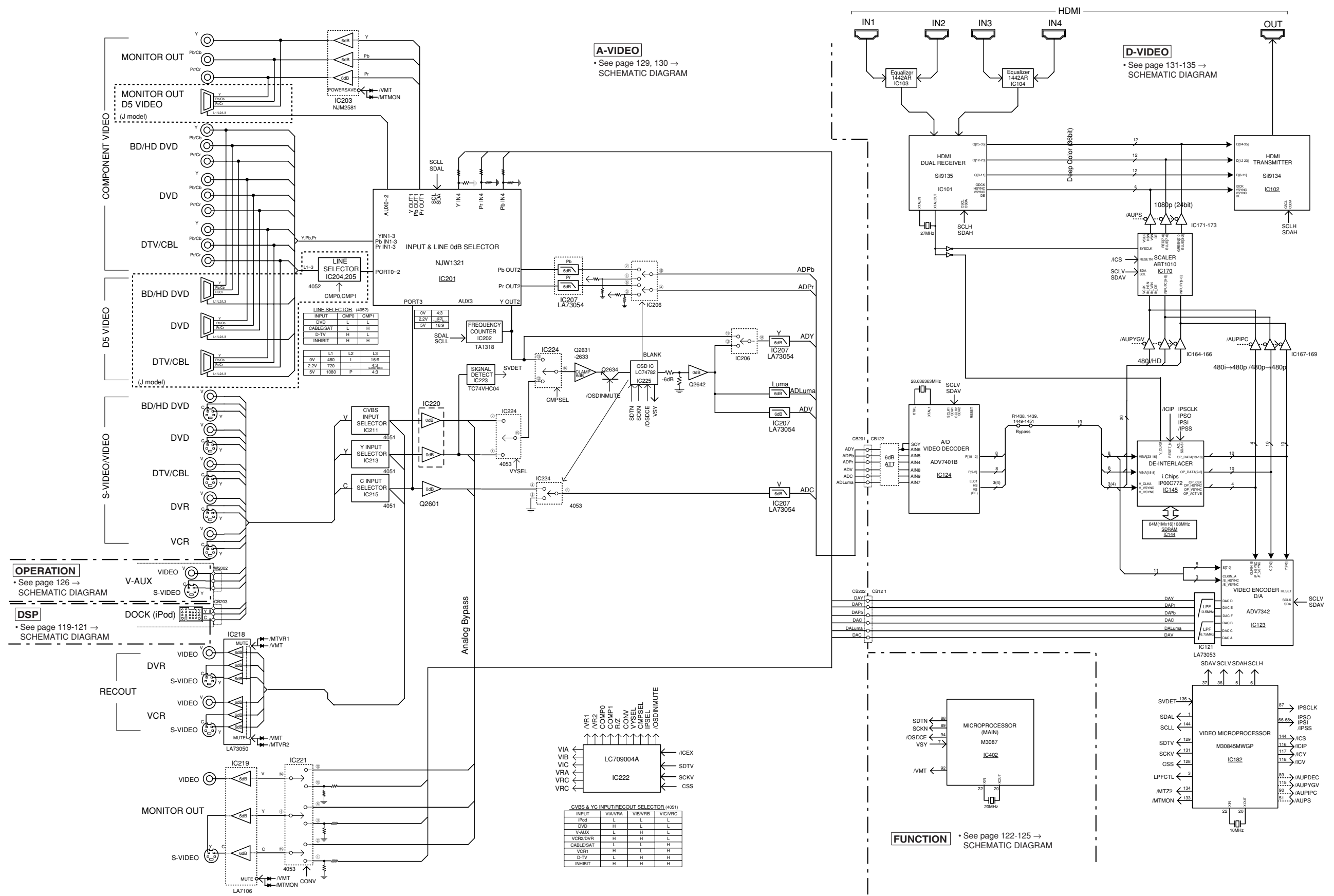
FUNCTION See page 122-125 → SCHEMATIC DIAGRAM

MAIN See page 127 → SCHEMATIC DIAGRAM

U, C, R, T, K, A, B, G, E, L models

1
2
3
4
5
6
7

VIDEO SECTION BLOCK DIAGRAM



A-VIDEO
 • See page 129, 130 →
 SCHEMATIC DIAGRAM

D-VIDEO
 • See page 131-135 →
 SCHEMATIC DIAGRAM

OPERATION
 • See page 126 →
 SCHEMATIC DIAGRAM

DSP
 • See page 119-121 →
 SCHEMATIC DIAGRAM

FUNCTION
 • See page 122-125 →
 SCHEMATIC DIAGRAM

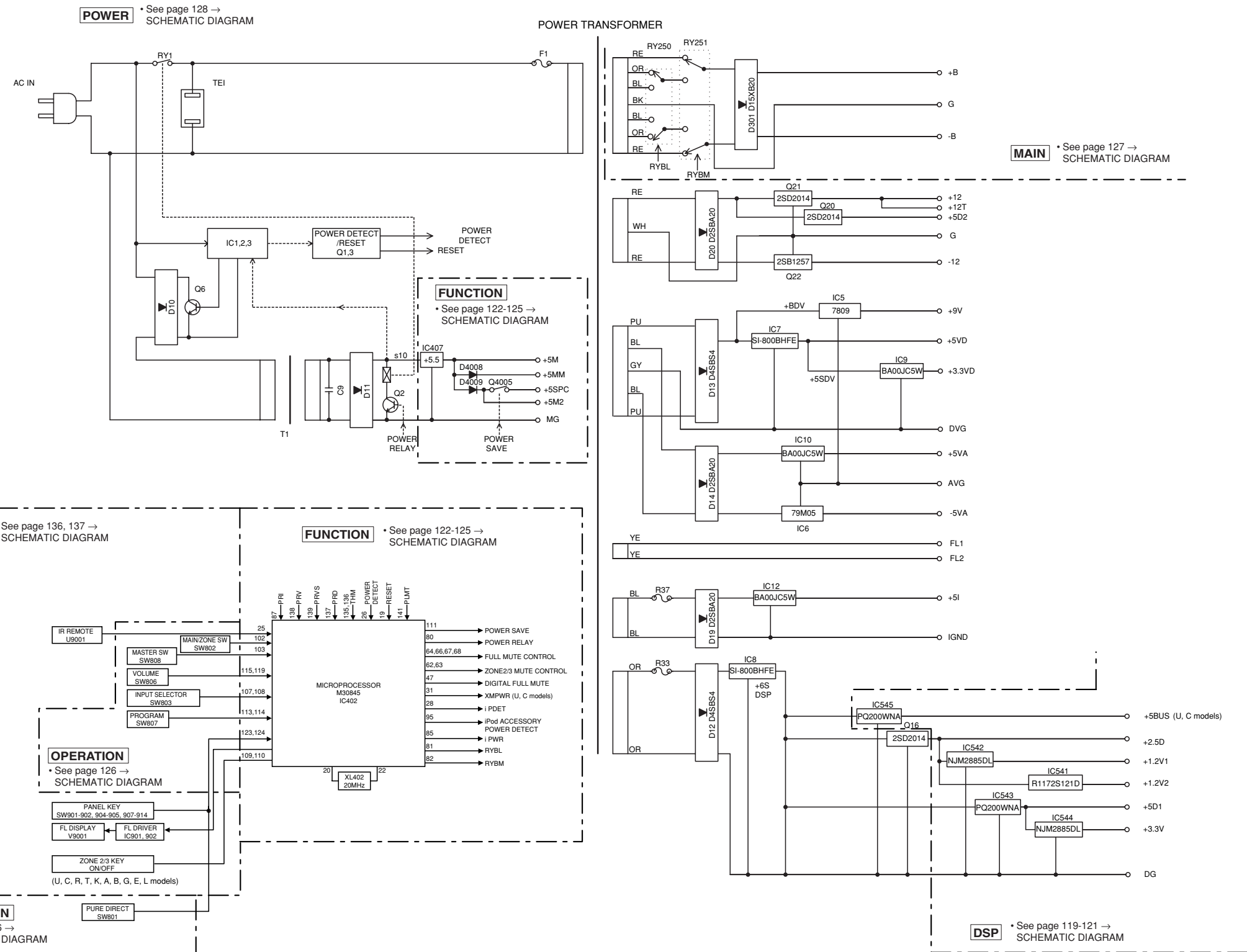
VIA

IC222	VIA	VIA	VIA
IC222	VIB	VIB	VIB
IC222	VIC	VIC	VIC
IC222	VRA	VRA	VRA
IC222	VRC	VRC	VRC
IC222	VRC	VRC	VRC
IC222	VRC	VRC	VRC
IC222	VRC	VRC	VRC

CVBS & YC INPUT/RECOU SELECTOR (4051)

INPUT	VIA/VRA	VIB/VRB	VIC/VRC
iPod	L	L	L
DVD	H	L	L
V-AUX	L	H	L
VCR/DVR	H	H	L
CABLE/SAT	L	L	H
VCR1	H	L	H
D-TV	L	H	H
INHIBIT	H	H	H

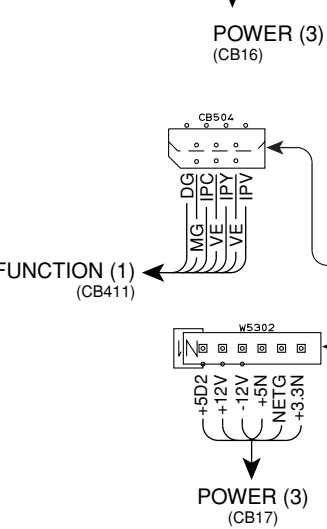
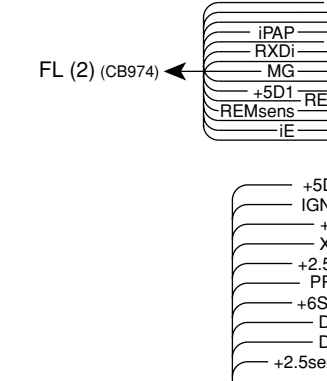
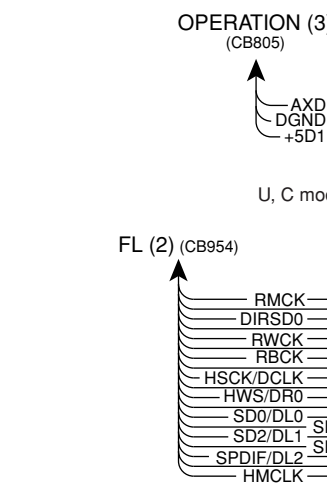
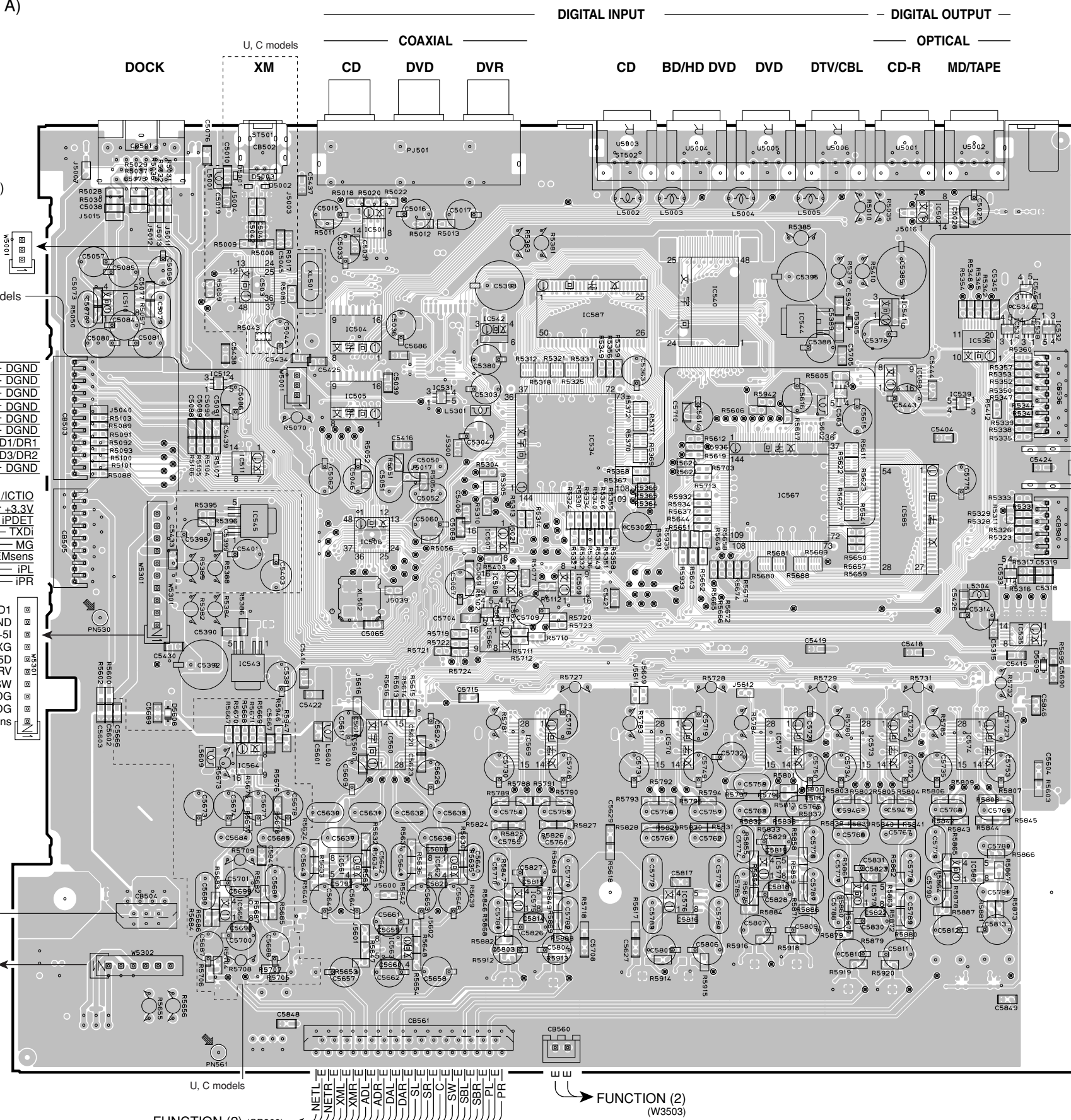
CONTROL/POWER SECTION BLOCK DIAGRAM



1
2
3
4
5
6
7

PRINTED CIRCUIT BOARDS

DSP P.C.B. (Side A)

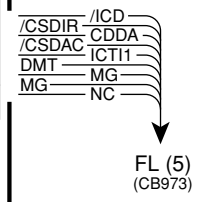
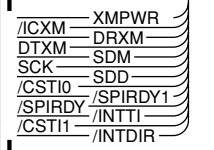


DIGITAL INPUT — DIGITAL OUTPUT —

COAXIAL — OPTICAL —

DOCK XM CD DVD DVR CD BD/HD DVD DVD DTV/CBL CD-R MD/TAPE

No replacement part available.
サービス部品供給なし

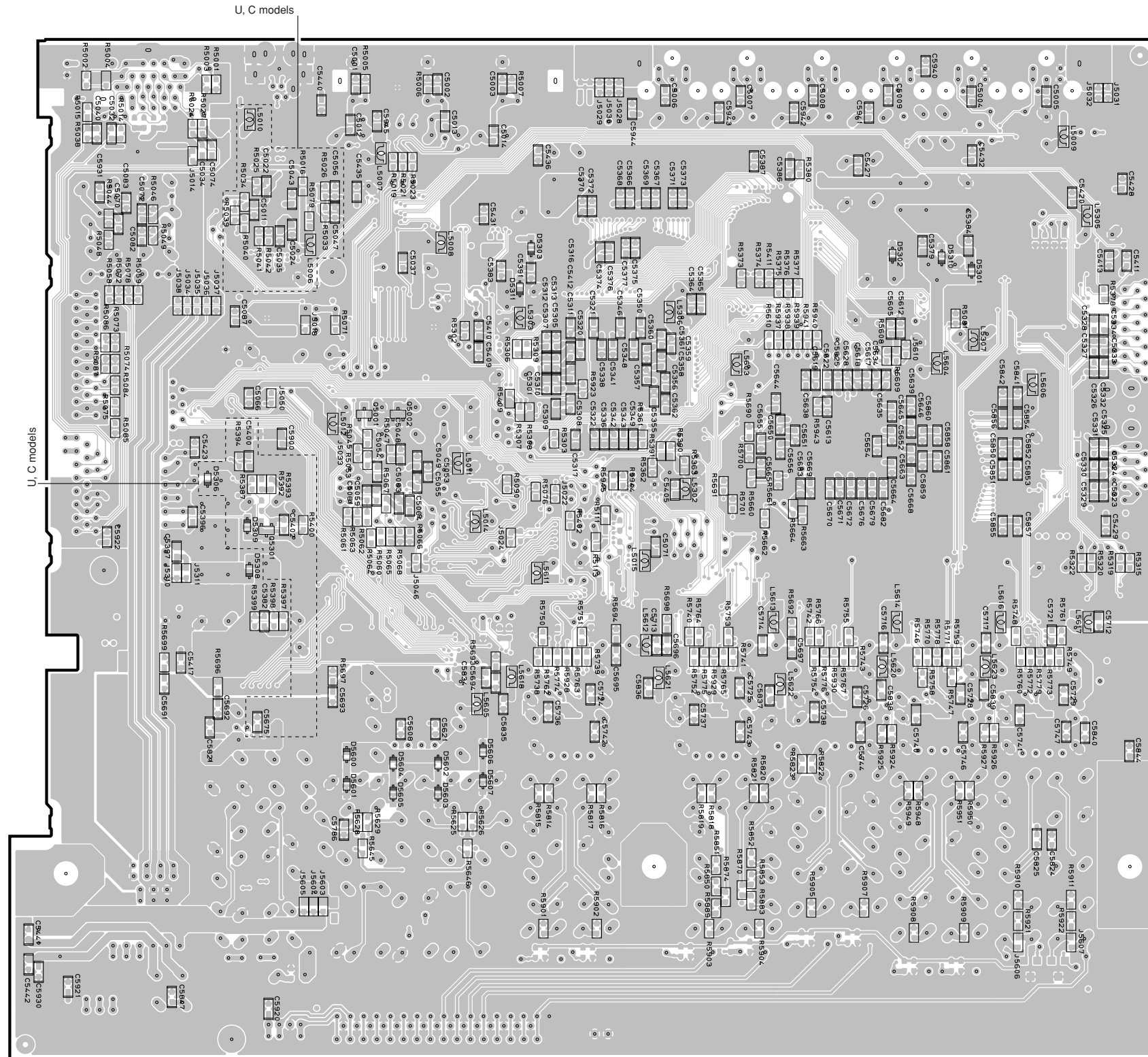


• Semiconductor Location

Ref no.	Location	Ref no.	Location
D5001	C2	IC542	E3
D5002	C2	IC543	C5
D5003	C2	IC544	F3
D5305	F3	IC545	C4
D5608	C5	IC546	G3
D5609	G5	IC560	D5
IC501	D2	IC561	D6
IC502	G2	IC562	D6
IC503	C3	IC563	D6
IC504	D3	IC564	C5
IC505	D3	IC565	C6
IC506	D4	IC566	E5
IC507	E4	IC567	F4
IC508	E4	IC569	E5
IC509	E4	IC570	F5
IC510	C3	IC571	F5
IC511	C4	IC573	G5
IC512	C3	IC574	G5
IC531	D3	IC575	E6
IC532	G3	IC576	F6
IC533	G4	IC577	F6
IC534	E4	IC579	G6
IC535	G5	IC580	G6
IC536	G3	IC581	E4
IC537	G3	IC582	E4
IC538	G3	IC583	F3
IC539	G3	IC585	G4
IC540	F3	IC587	E3
IC541	G3	IC588	G3

Circuit No.	U, C	R, T, K, A, B, G, E, L, J
R5077, 5102	X	O
X : NOT USED		
O : USED/APPLICABLE		

DSP P.C.B. (Side B)



• Semiconductor Location

Ref no.	Location	Ref no.	Location
D5301	G3	D5602	D5
D5302	F3	D5603	D6
D5303	E3	D5604	D5
D5306	C4	D5605	D6
D5308	C4	D5606	D5
D5309	C4	D5607	D6
D5310	G3	Q5001	D4
D5311	D3	Q5002	D4
D5600	D5	Q5301	C4
D5601	D6		

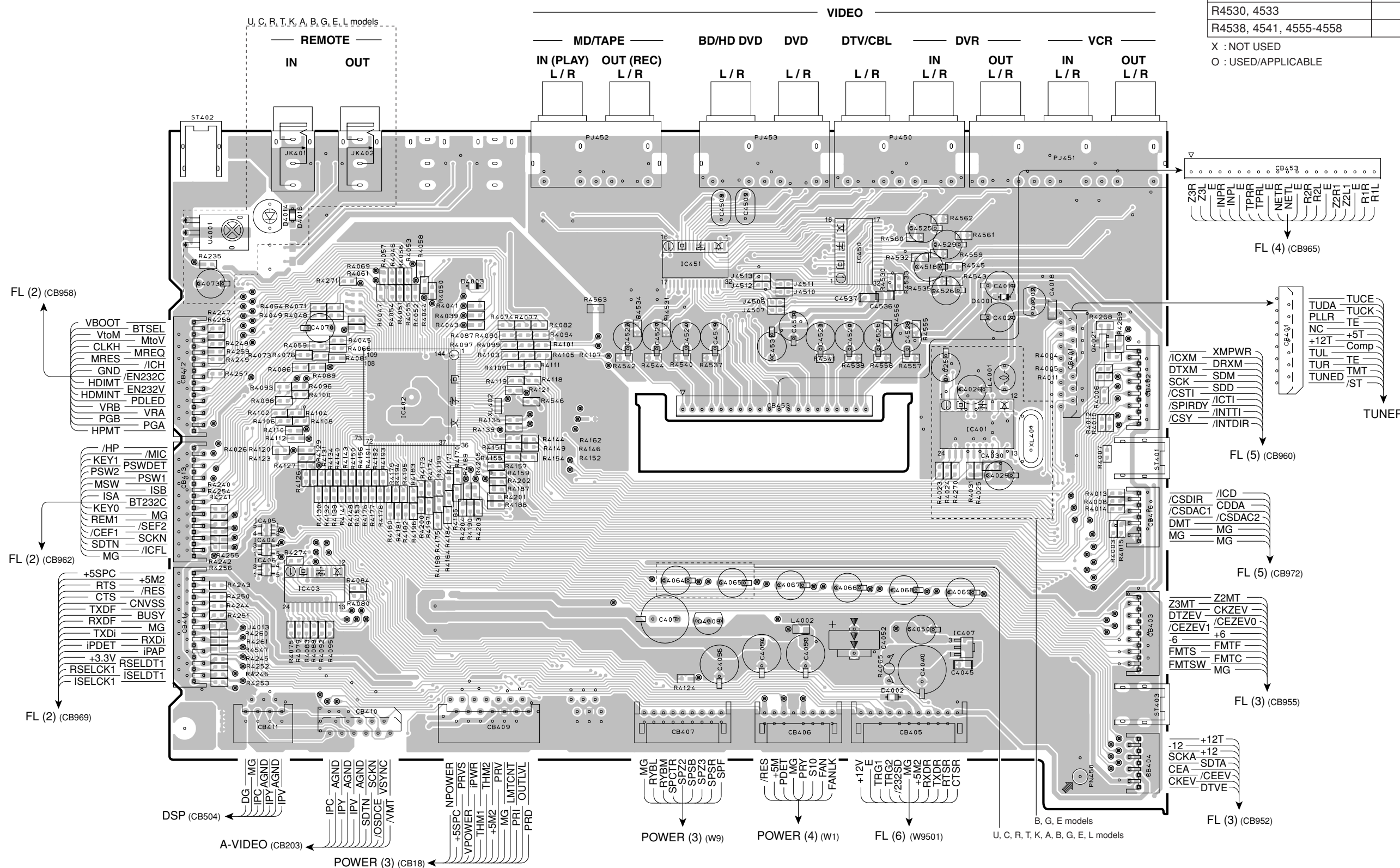
Circuit No.	U, C	R, T, K, A, B, G, E, L, J
R5076, 5090	X	O

X : NOT USED
O : USED/APPLICABLE

FUNCTION (1) P.C.B. (Side A)

Circuit No.	U, C, R, T, K, A, L	B, G, E,	J
C4520, 4521, 4523, 4528	O	O	X
IC450	O	O	X
J4506, 4507, 4512, 4513	X	X	O
J4510, 4511	O	O	X
R4026	X	O	X
R4530, 4533	O	O	X
R4538, 4541, 4555-4558	O	O	X

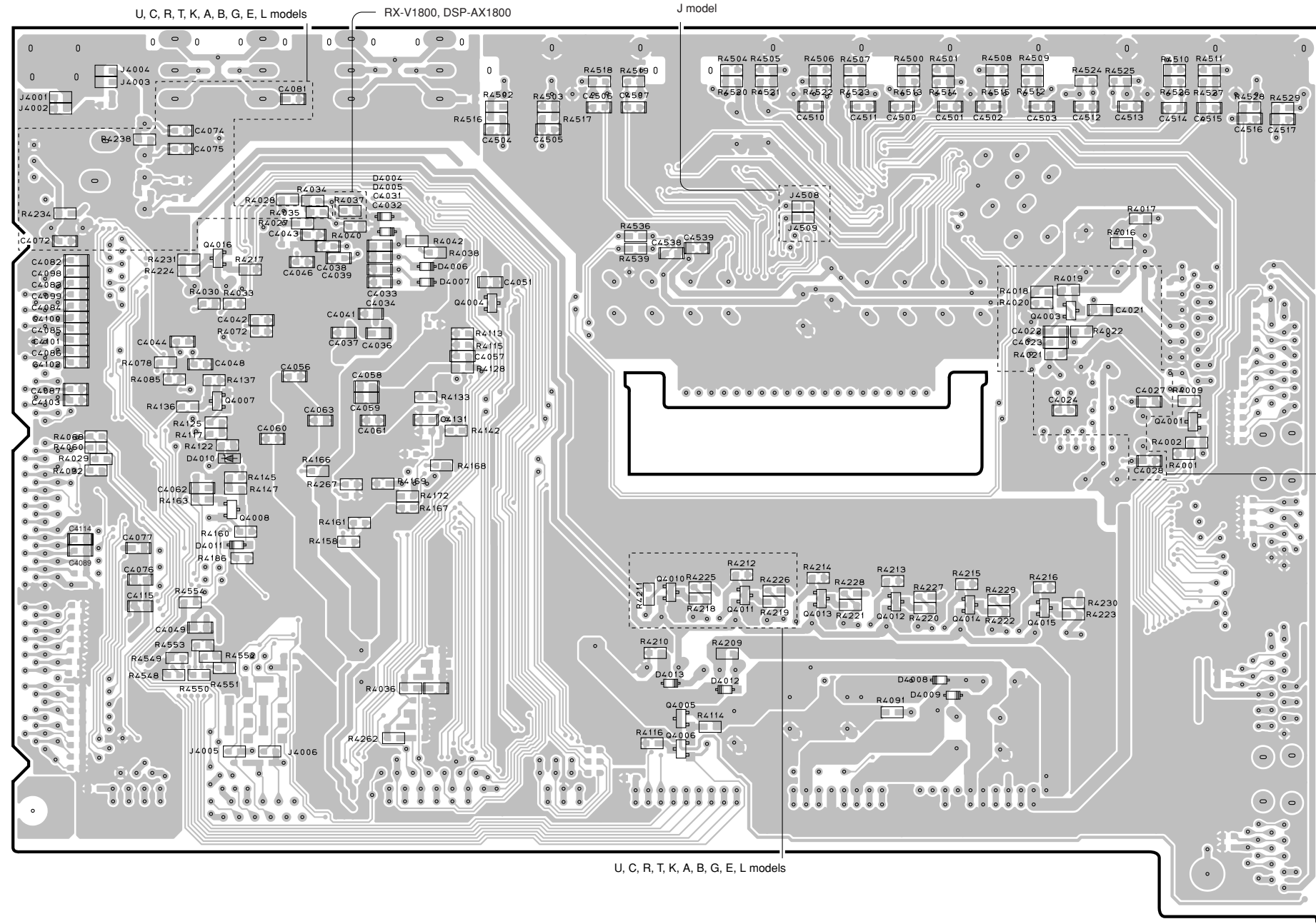
X : NOT USED
O : USED/APPLICABLE



• Semiconductor Location

Ref no.	Location
D4001	G3
D4002	F6
D4003	D3
D4014	B3
D4016	C3
IC401	G4
IC402	C4
IC403	C5
IC404	C5
IC405	C5
IC407	G6
IC450	F3
IC451	E3
Q4002	G3
Q4009	E5
Q4021	G4

FUNCTION (1) P.C.B. (Side B)



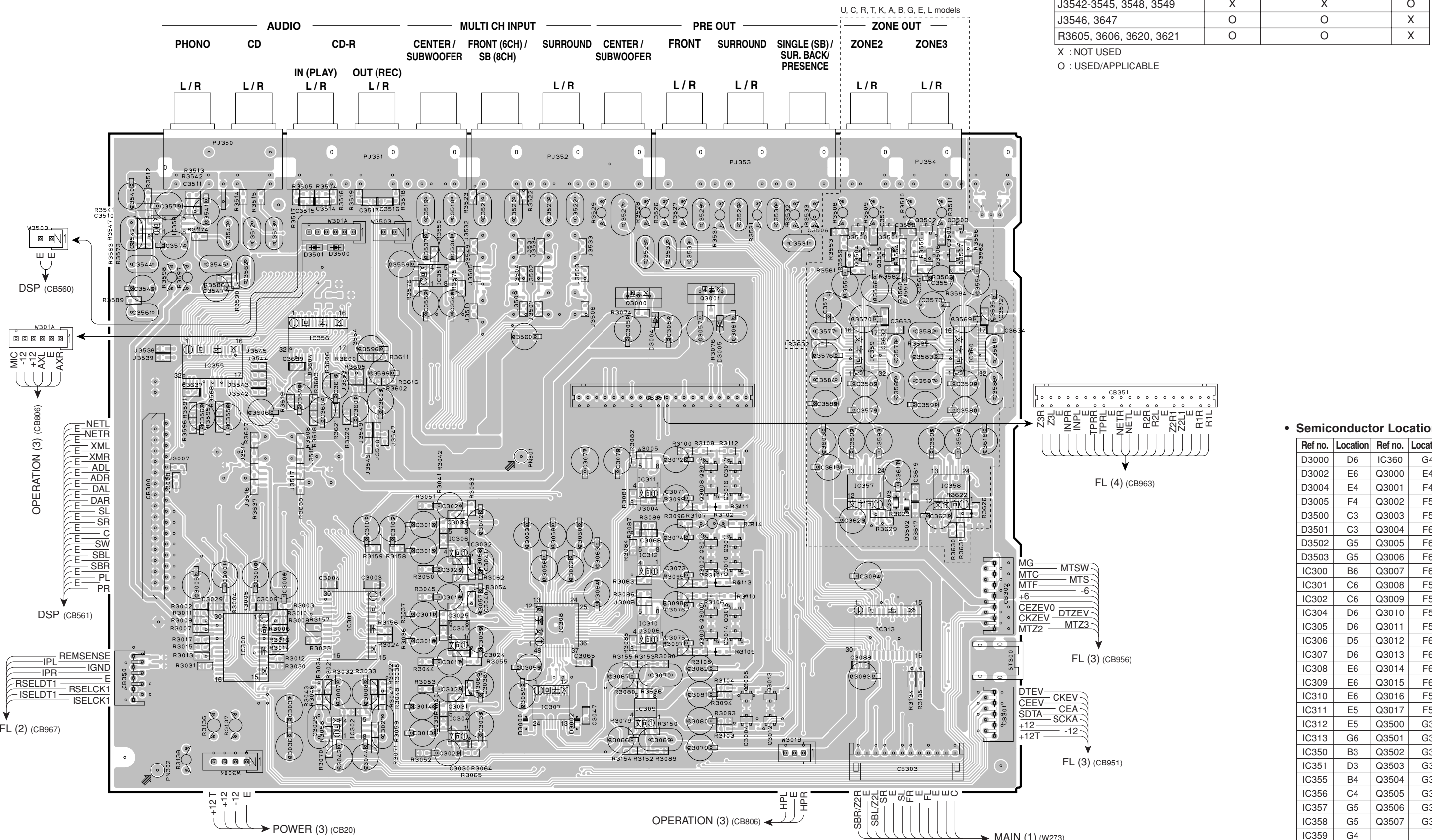
• **Semiconductor Location**

Ref no.	Location
D4004	D3
D4005	D3
D4006	D4
D4007	D4
D4008	G6
D4009	G6
D4010	C4
D4011	C5
D4012	F6
Q4001	H4
Q4003	G4
Q4004	E4
Q4005	E6
Q4006	E6
Q4007	C4
Q4008	C5
Q4010	E5
Q4011	F5
Q4012	F5
Q4013	F5
Q4014	G5
Q4015	G5
Q4016	C4

FUNCTION (2) P.C.B. (Side A)

Circuit No.	U, C	R, T, K, A, B, G, E, L	J
C3601, 3610	O	O	X
IC310, 311	X	O	O
IC356	O	O	X
J3003-3006	O	X	X
J3542-3545, 3548, 3549	X	X	O
J3546, 3647	O	O	X
R3605, 3606, 3620, 3621	O	O	X

X : NOT USED
O : USED/APPLICABLE



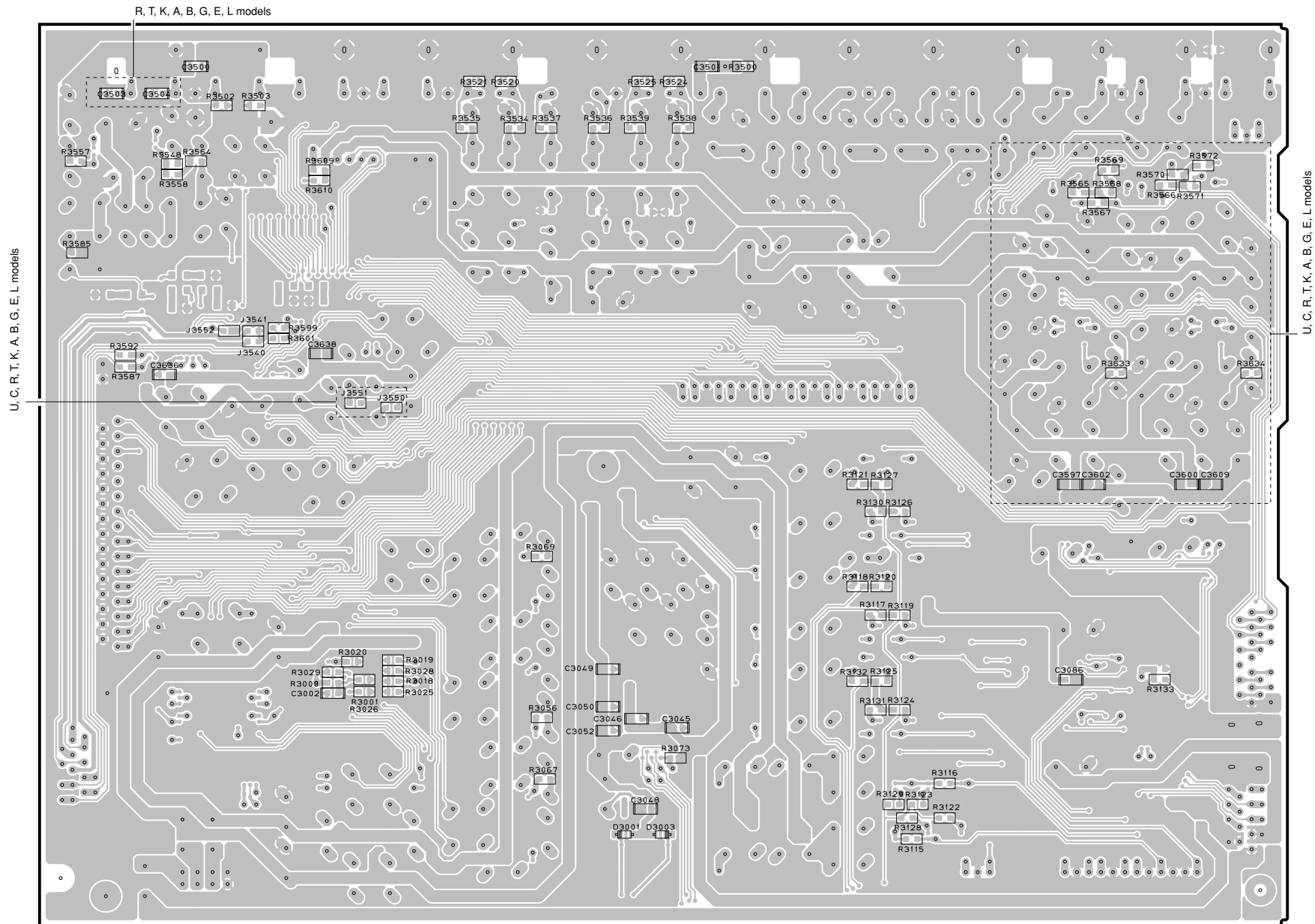
• Semiconductor Location

Ref no.	Location	Ref no.	Location
D3000	D6	IC360	G4
D3002	E6	Q3000	E4
D3004	E4	Q3001	F4
D3005	F4	Q3002	F5
D3500	C3	Q3003	F5
D3501	C3	Q3004	F6
D3502	G5	Q3005	F6
D3503	G5	Q3006	F6
IC300	B6	Q3007	F6
IC301	C6	Q3008	F5
IC302	C6	Q3009	F5
IC304	D6	Q3010	F5
IC305	D6	Q3011	F5
IC306	D5	Q3012	F6
IC307	D6	Q3013	F6
IC308	E6	Q3014	F6
IC309	E6	Q3015	F6
IC310	E6	Q3016	F5
IC311	E5	Q3017	F5
IC312	E5	Q3500	G3
IC313	G6	Q3501	G3
IC350	B3	Q3502	G3
IC351	D3	Q3503	G3
IC355	B4	Q3504	G3
IC356	C4	Q3505	G3
IC357	G5	Q3506	G3
IC358	G5	Q3507	G3
IC359	G4		

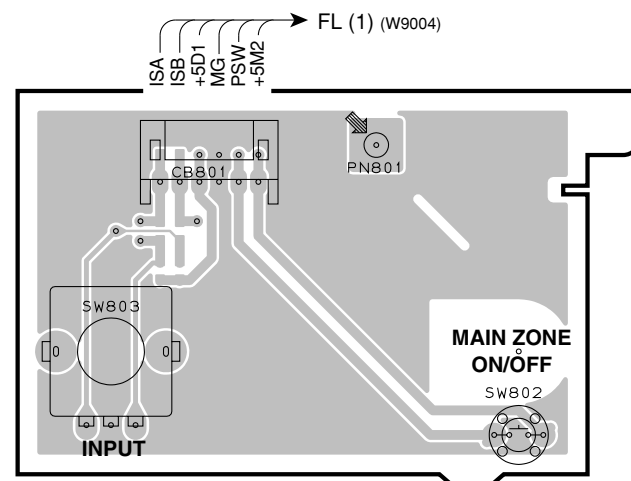
FUNCTION (2) P.C.B. (Side B)

• Semiconductor Location

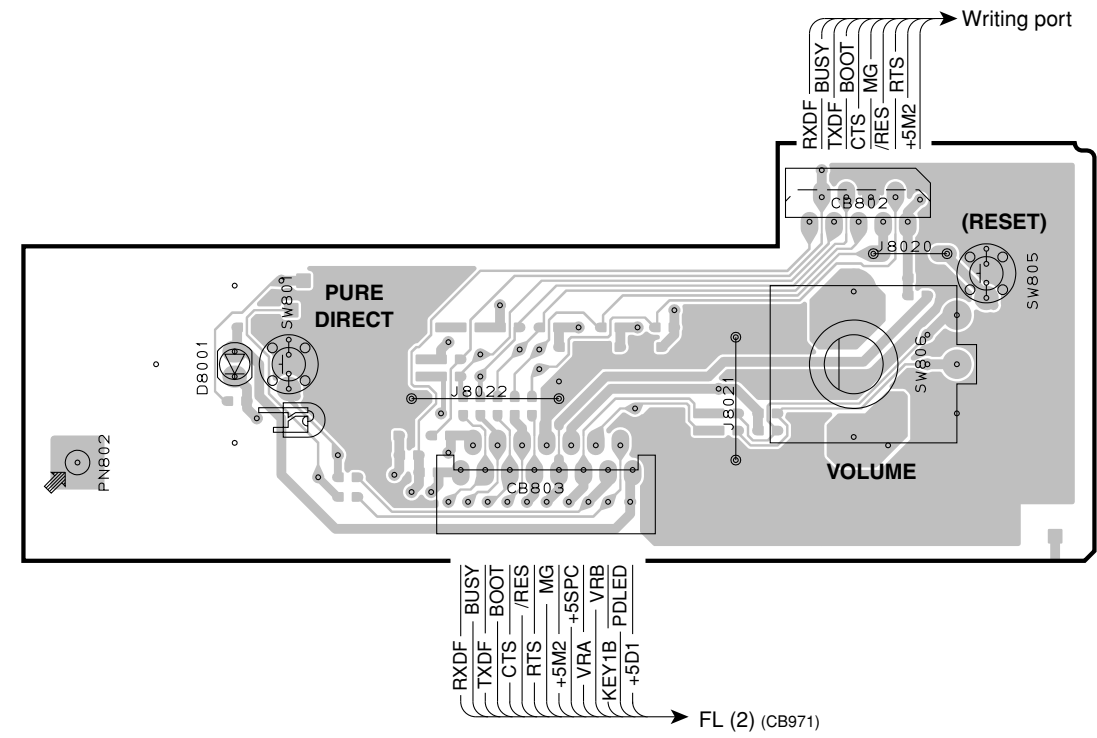
Ref no.	Location	Ref no.	Location
D3001	D6	D3003	E6



OPERATION (1) P.C.B. (Side A)



OPERATION (2) P.C.B. (Side A)

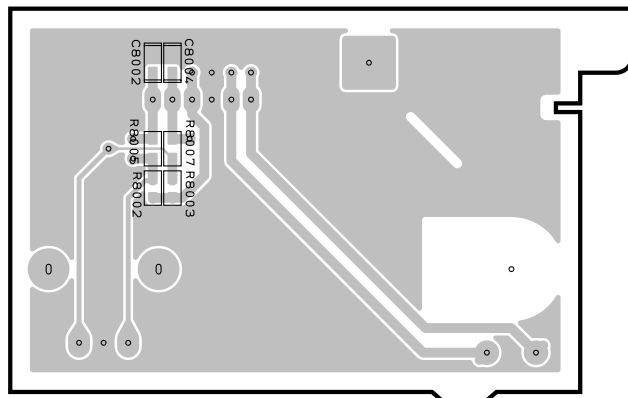


• **Semiconductor Location**

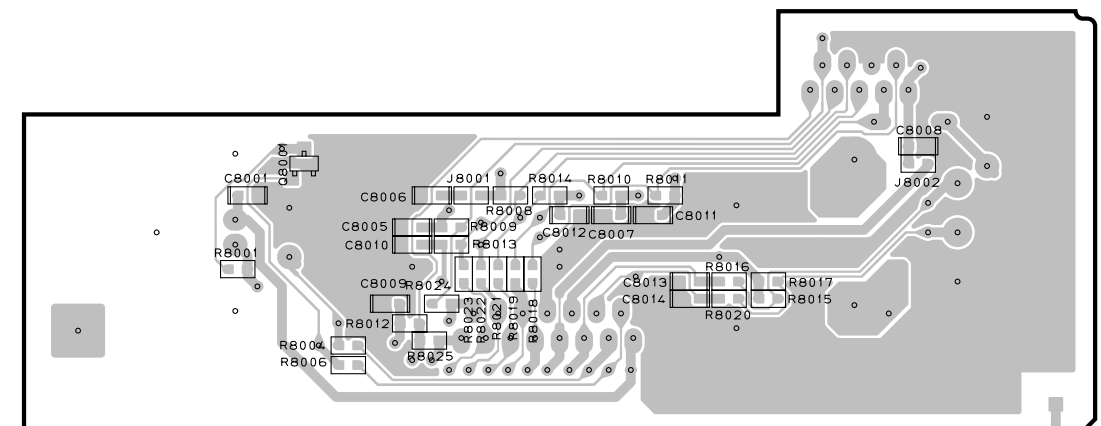
Ref no.	Location
D8001	G4

1
2
3
4
5
6
7

OPERATION (1) P.C.B. (Side B)



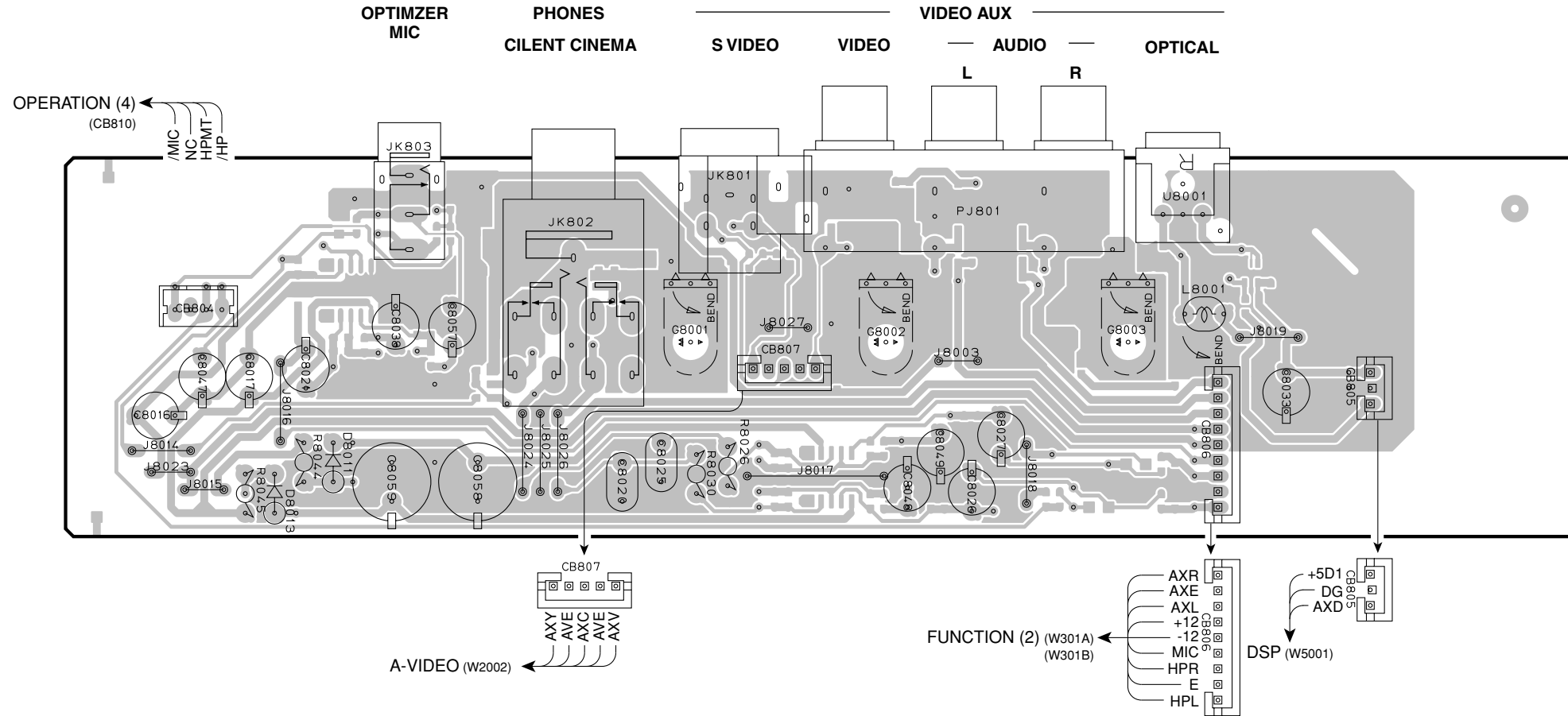
OPERATION (2) P.C.B. (Side B)



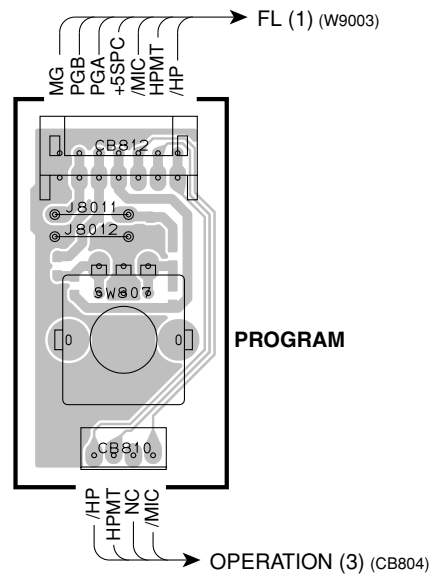
• Semiconductor Location

Ref no.	Location
Q8001	G4

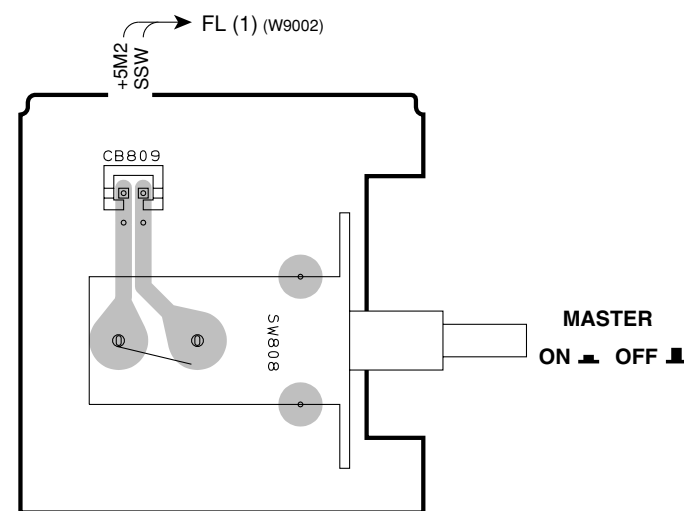
OPERATION (3) P.C.B. (Side A)



OPERATION (4) P.C.B. (Side A)



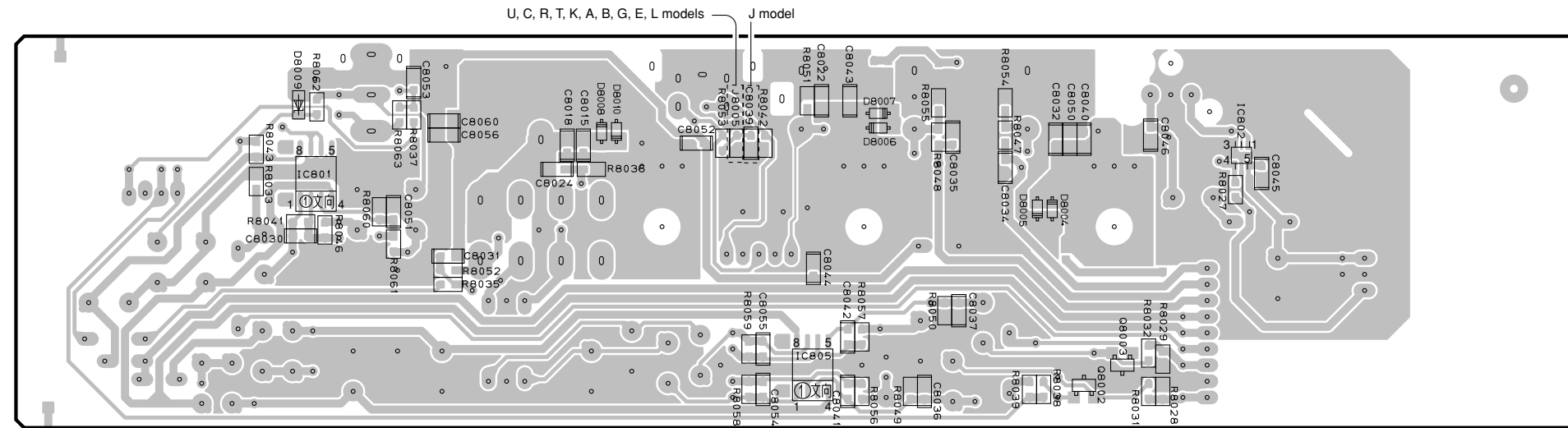
OPERATION (5) P.C.B. (Side A)



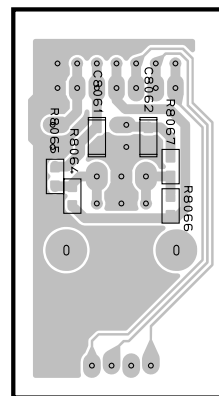
• Semiconductor Location

Ref no.	Location
D8011	C3
D8013	C4

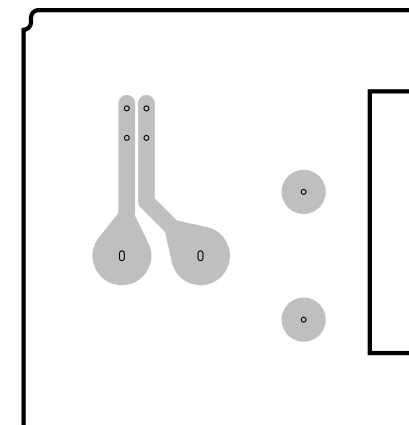
OPERATION (3) P.C.B. (Side B)



OPERATION (4) P.C.B. (Side B)



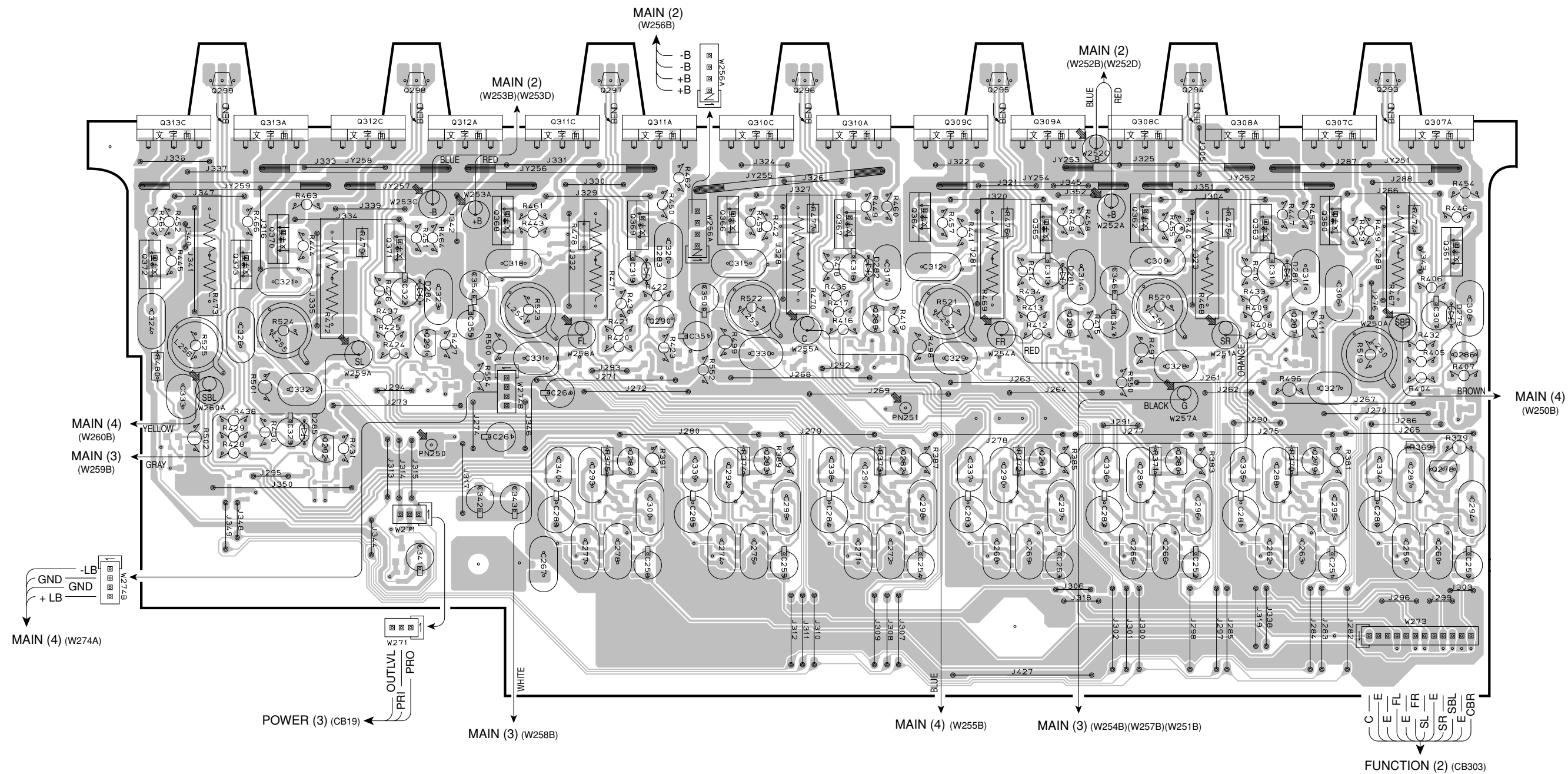
OPERATION (5) P.C.B. (Side B)



• Semiconductor Location

Ref no.	Location
D8004	F3
D8005	F3
D8006	E2
D8007	E2
D8008	D2
D8009	C2
D8010	D2
IC801	C3
IC802	G2
IC805	E3
Q8002	F3
Q8003	F3

MAIN (1) P.C.B. (Side A)



• **Semiconductor Location**

Ref no.	Location	Ref no.	Location	Ref no.	Location	Ref no.	Location	Ref no.	Location	Ref no.	Location	Ref no.	Location
D279	I3	Q279	H4	Q288	G3	Q296	E2	Q309A	G2	Q313A	B2	Q366	E3
D280	H3	Q280	G4	Q289	F3	Q297	D2	Q309C	F2	Q313C	B2	Q367	F3
D281	G3	Q281	G4	Q290	E3	Q298	C2	Q310A	F2	Q360	H3	Q368	D3
D282	F3	Q282	F4	Q291	C3	Q299	B2	Q310C	E2	Q361	I3	Q369	D3
D283	D3	Q283	E4	Q292	C4	Q307A	I2	Q311A	E2	Q362	G3	Q370	B3
D284	C3	Q284	D4	Q293	I2	Q307C	H2	Q311C	D2	Q363	H3	Q371	C3
D285	C4	Q286	I3	Q294	H2	Q308A	H2	Q312A	C2	Q364	F3	Q372	B3
Q278	I4	Q287	H3	Q295	F2	Q308C	G2	Q312C	C2	Q365	G3	Q373	B3

MAIN (1) P.C.B. (Side B)



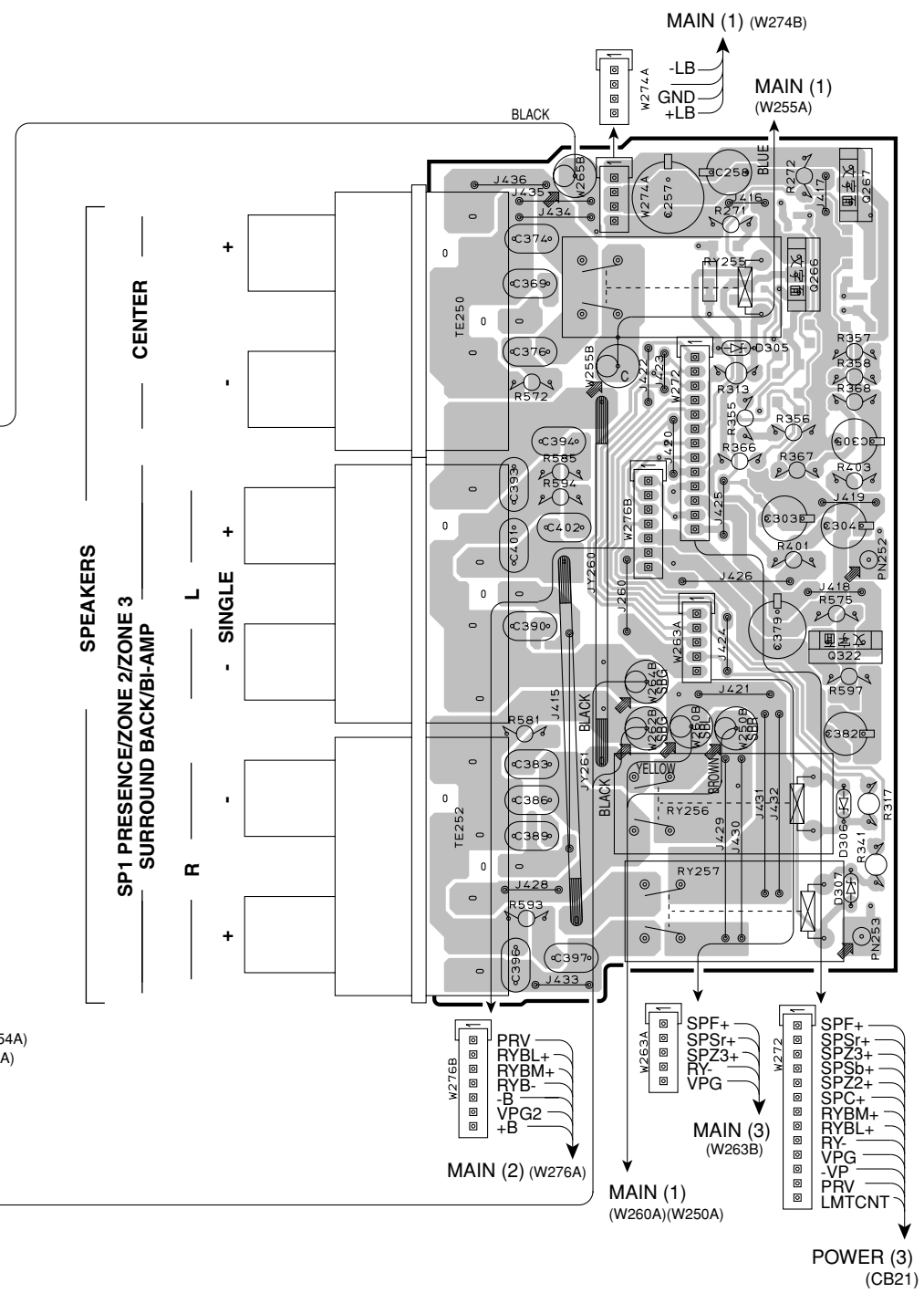
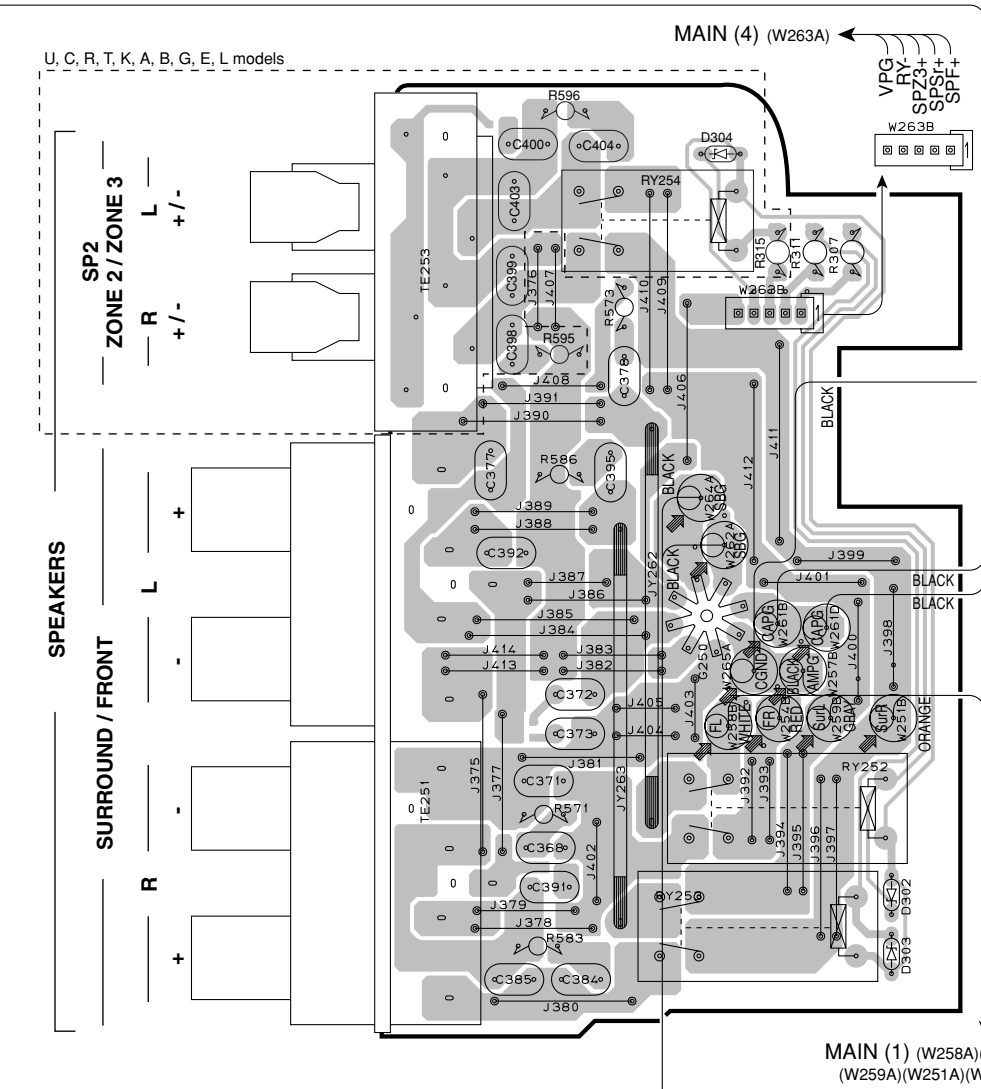
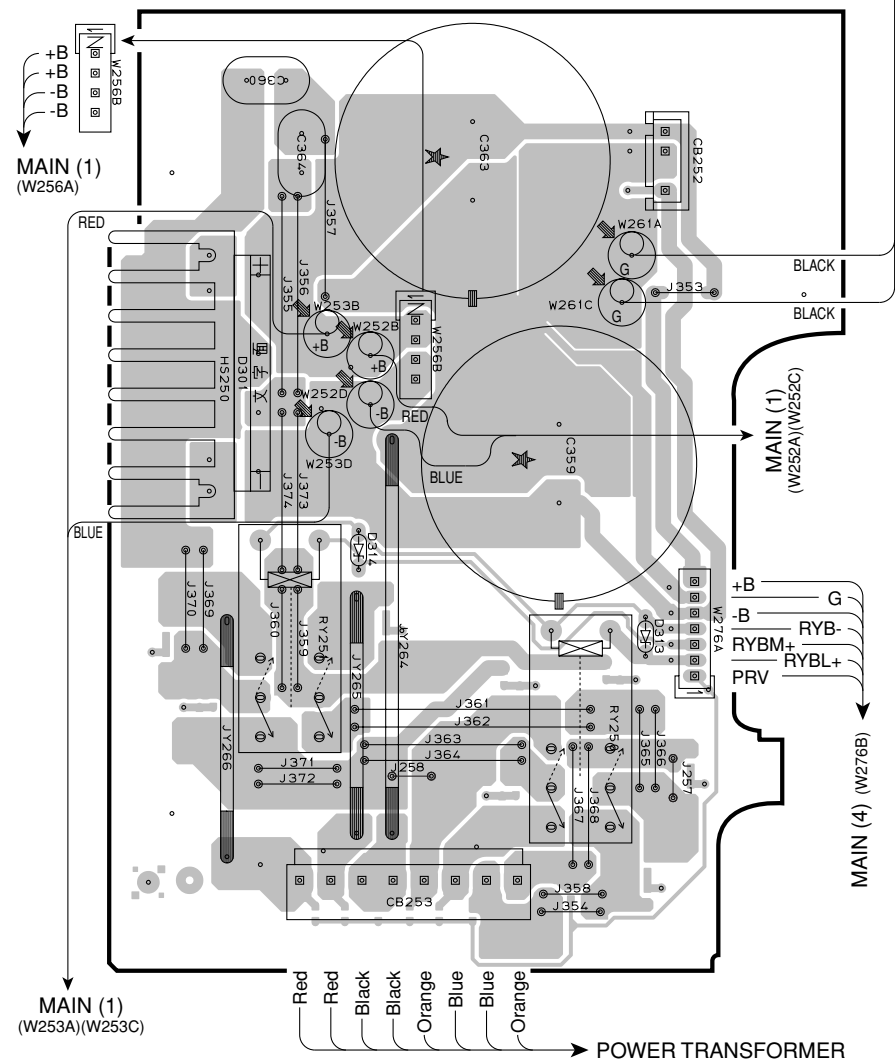
• **Semiconductor Location**

Ref no.	Location	Ref no.	Location	Ref no.	Location	Ref no.	Location	Ref no.	Location	Ref no.	Location
D252	I5	D270	G4	D289	E3	Q250	I4	Q262	E4	Q317	E3
D253	H5	D271	F4	D290	D3	Q251	H4	Q263	D4	Q318	D3
D254	G5	D272	F3	D291	B3	Q252	G4	Q270	I4	Q319	C3
D255	F5	D273	E4	D292	B4	Q253	F4	Q271	H4	Q320	B4
D256	F5	D274	E4	D293	H4	Q254	F4	Q272	G4	Q321	C5
D257	E5	D275	C4	D294	H4	Q255	E4	Q273	G4	Q340	I4
D258	D5	D276	C4	D295	F4	Q256	D4	Q274	F4	Q341	H4
D265	I4	D277	C4	D296	E4	Q257	I4	Q275	E4	Q342	G4
D266	I4	D278	C4	D297	D4	Q258	H4	Q276	D4	Q343	F3
D267	H4	D286	H3	D298	C4	Q259	G4	Q314	I3	Q344	D4
D268	H4	D287	G3	D299	B4	Q260	G4	Q315	H3	Q345	C4
D269	G4	D288	F3	D300	D4	Q261	F4	Q316	F3	Q346	B4

MAIN (2) P.C.B. (Side A)

MAIN (3) P.C.B. (Side A)

MAIN (4) P.C.B. (Side A)



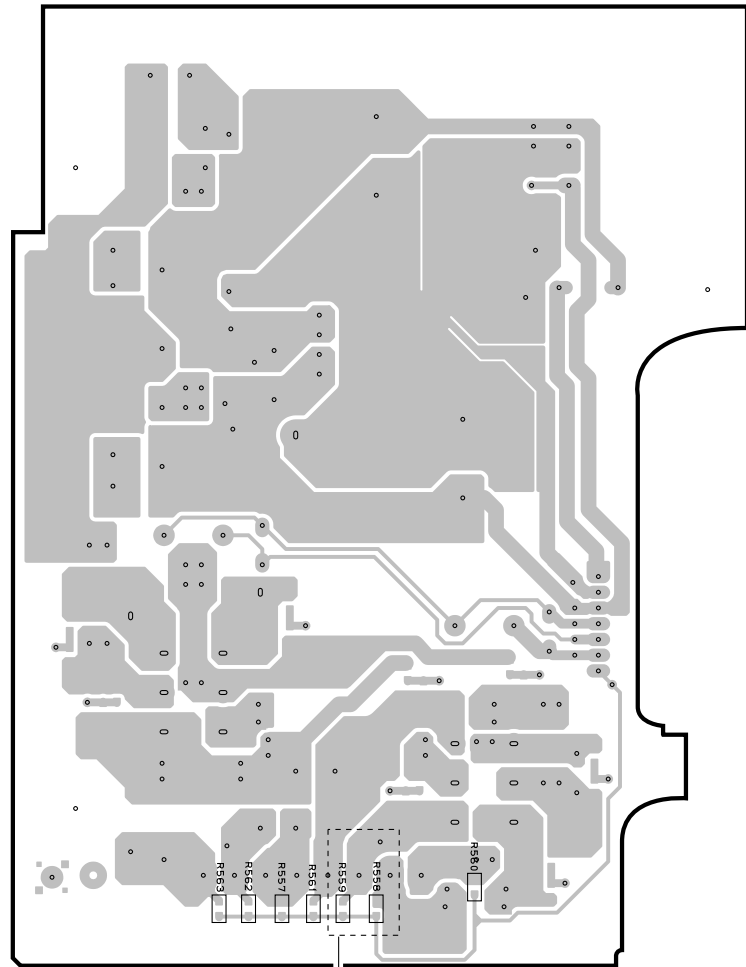
Circuit No.	U, C, R, T, K, A, B, G, E, L	J
D313	O	X
J257, J258	X	O
RY250	O	X

X : NOT USED
O : USED/APPLICABLE

• Semiconductor Location

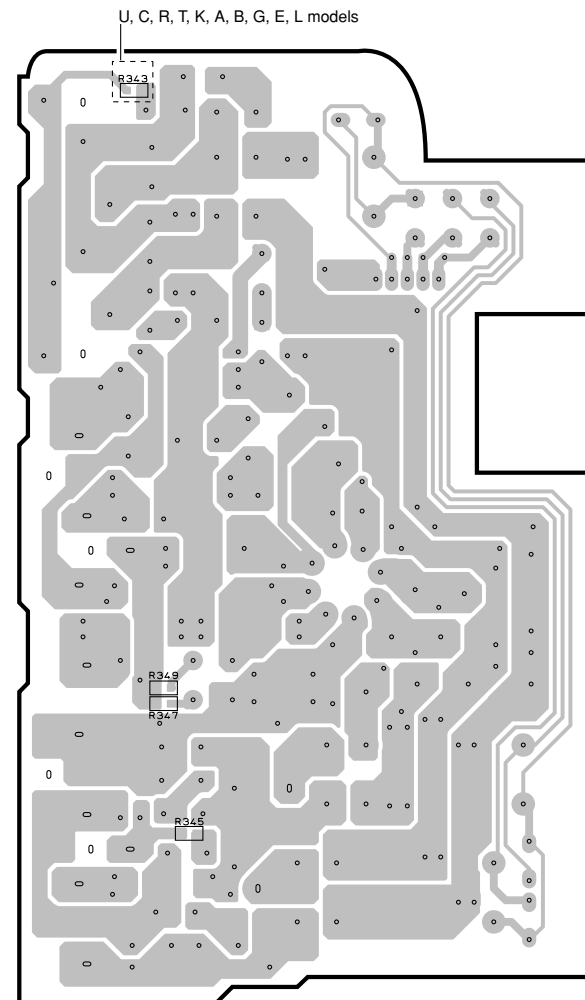
Ref no.	Location	Ref no.	Location	Ref no.	Location	Ref no.	Location
D301	B3	D304	F2	D307	J5	Q266	J3
D302	G5	D305	J3	D313	C4	Q267	J2
D303	G5	D306	J5	D314	B4	Q322	J4

1

MAIN (2) P.C.B. (Side B)

U, C, R, T, K, A, B, G, E, L models

2

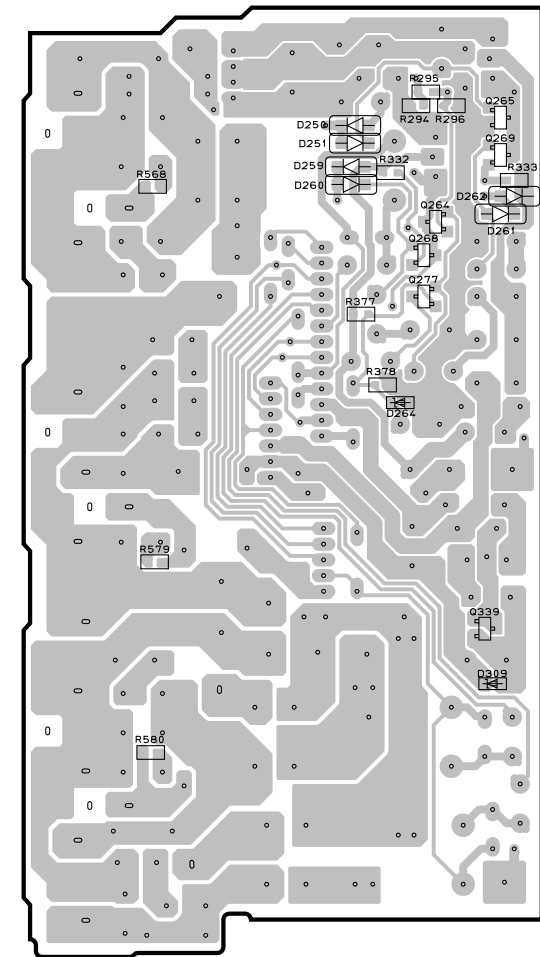
MAIN (3) P.C.B. (Side B)

U, C, R, T, K, A, B, G, E, L models

3

4

5

MAIN (4) P.C.B. (Side B)

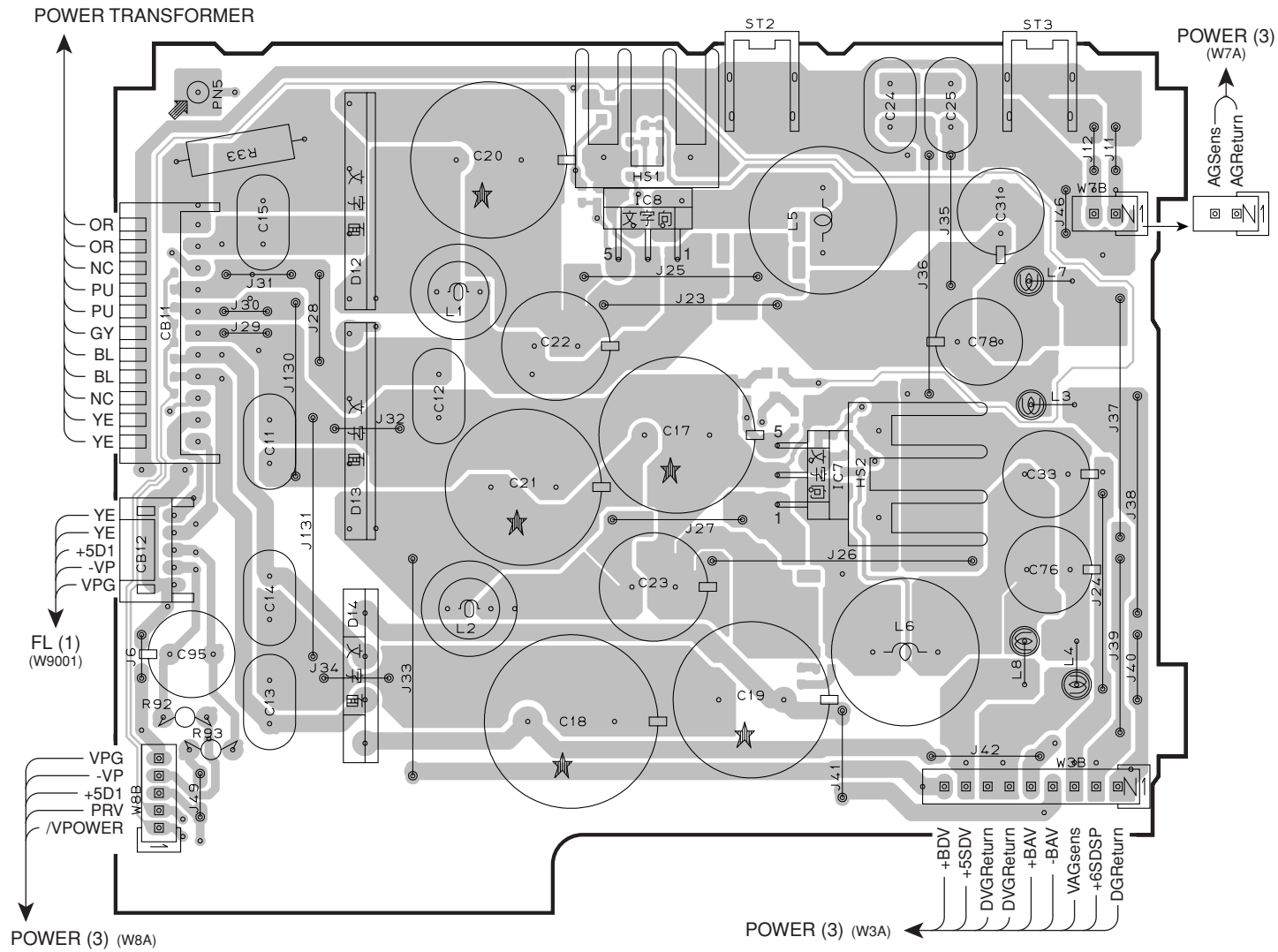
6

• **Semiconductor Location**

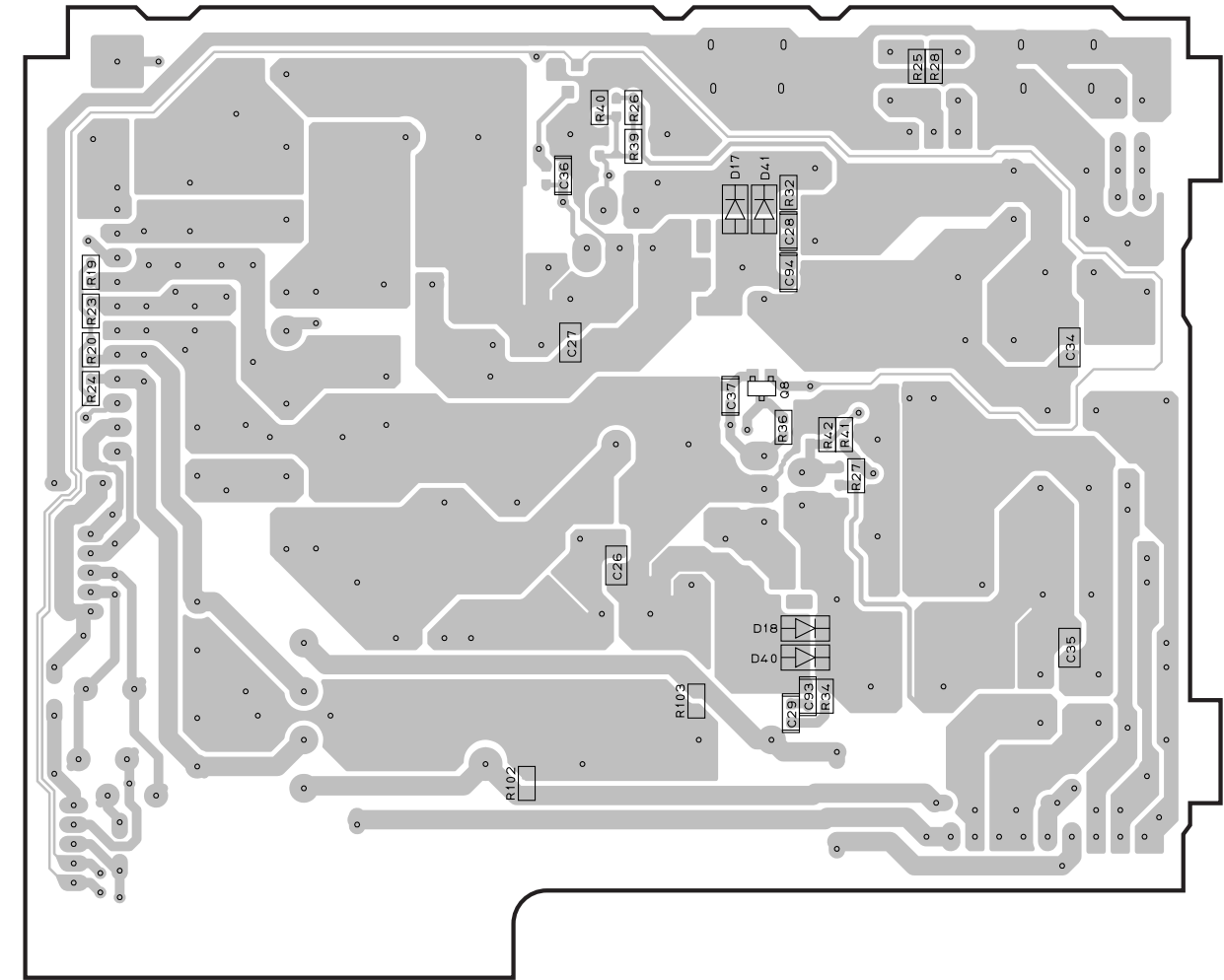
Ref no.	Location	Ref no.	Location	Ref no.	Location	Ref no.	Location
D250	I3	D261	I3	Q264	I3	Q277	I3
D251	I3	D262	I3	Q265	I3	Q339	I4
D259	I3	D264	I3	Q268	I3		
D260	I3	D309	I4	Q269	I3		

7

POWER (1) P.C.B. (Side A)



POWER (1) P.C.B. (Side B)



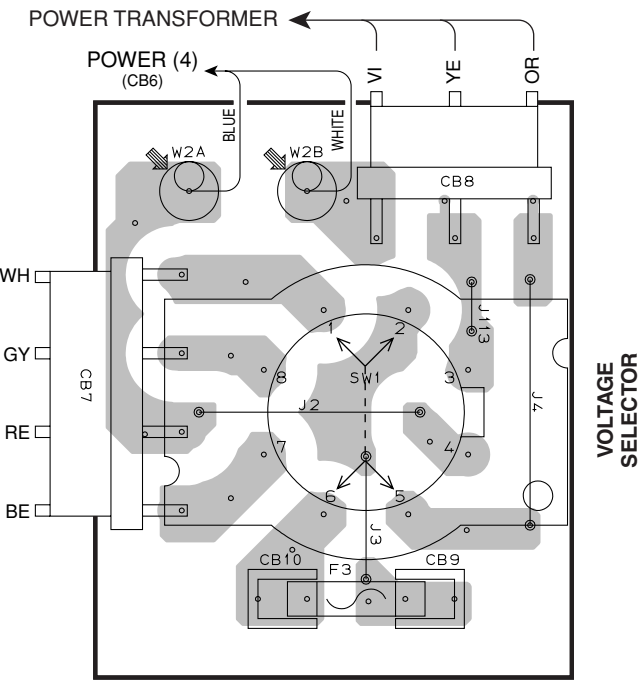
• Semiconductor Location

Ref no.	Location	Ref no.	Location
D12	B3	D40	I5
D13	B4	D41	I3
D14	B5	IC7	D4
D17	H3	IC8	C3
D18	I5	Q8	I4

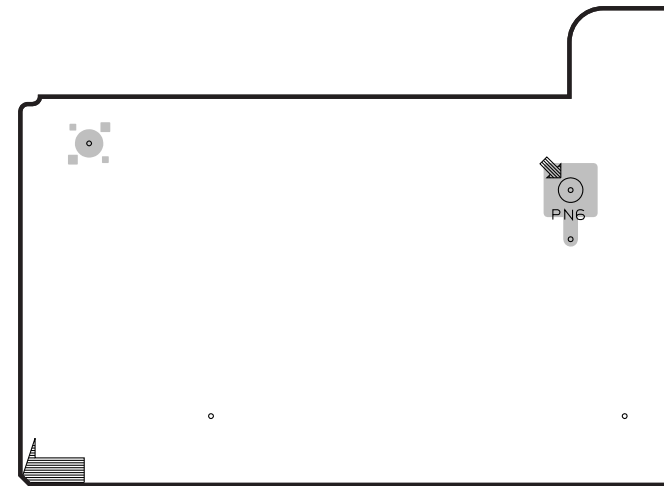
1
2
3
4
5
6
7

POWER (2) P.C.B. (Side A)

R, L models



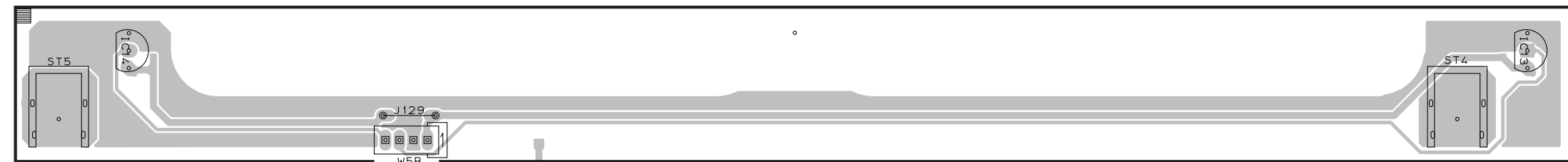
POWER (6) P.C.B. (Side A)



• **Semiconductor Location**

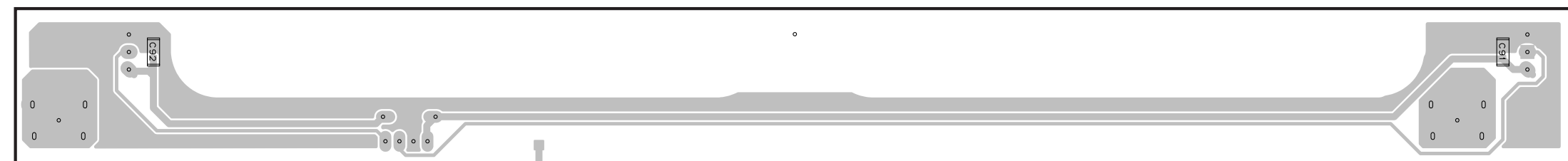
Ref no.	Location
IC13	H5
IC14	B5

POWER (5) P.C.B. (Side A)

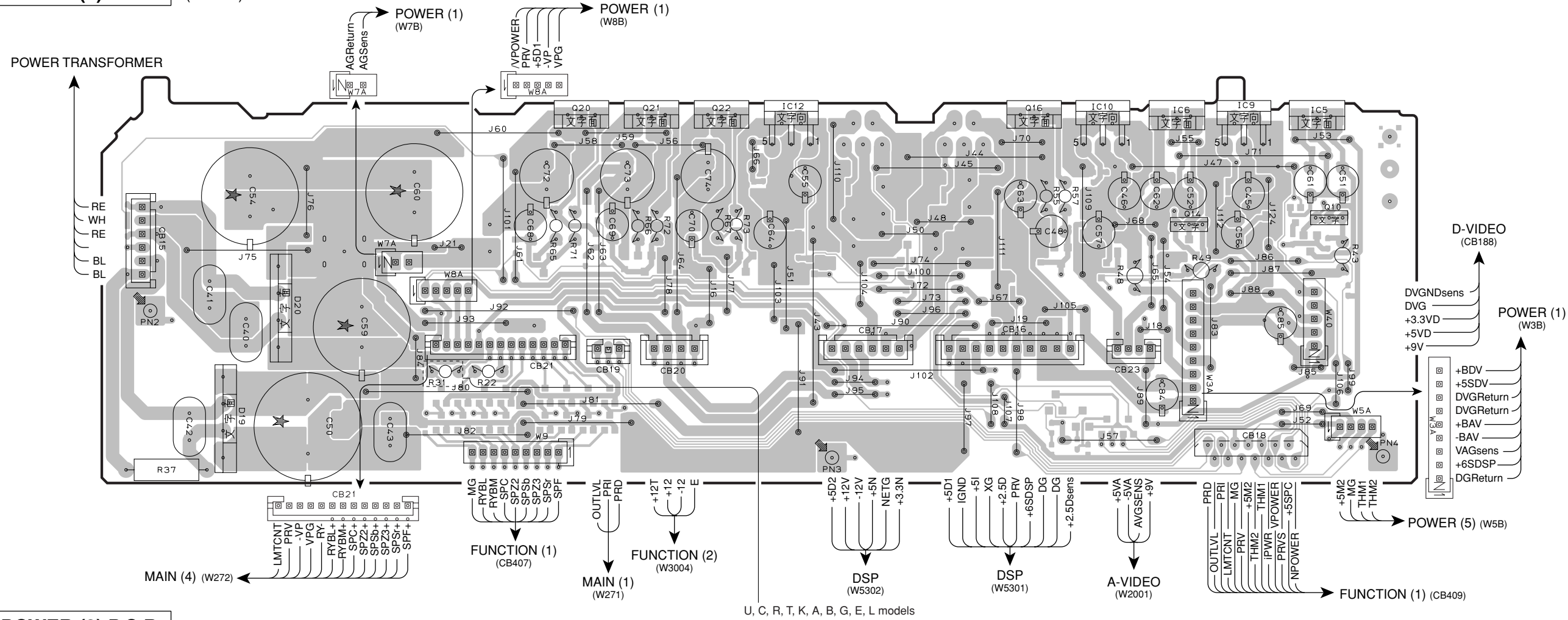


POWER (3) (W5A)

POWER (5) P.C.B. (Side B)

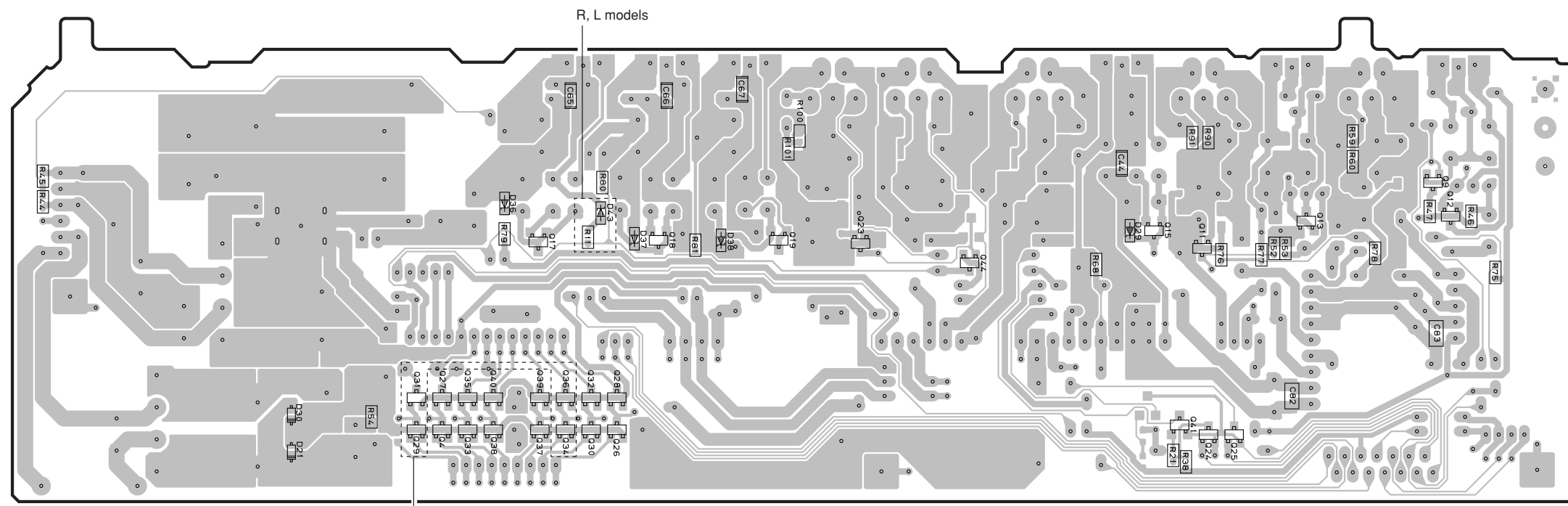


POWER (3) P.C.B. (Side A)



U, C, R, T, K, A, B, G, E, L models

POWER (3) P.C.B. (Side B)



U, C, R, T, K, A, B, G, E, L models

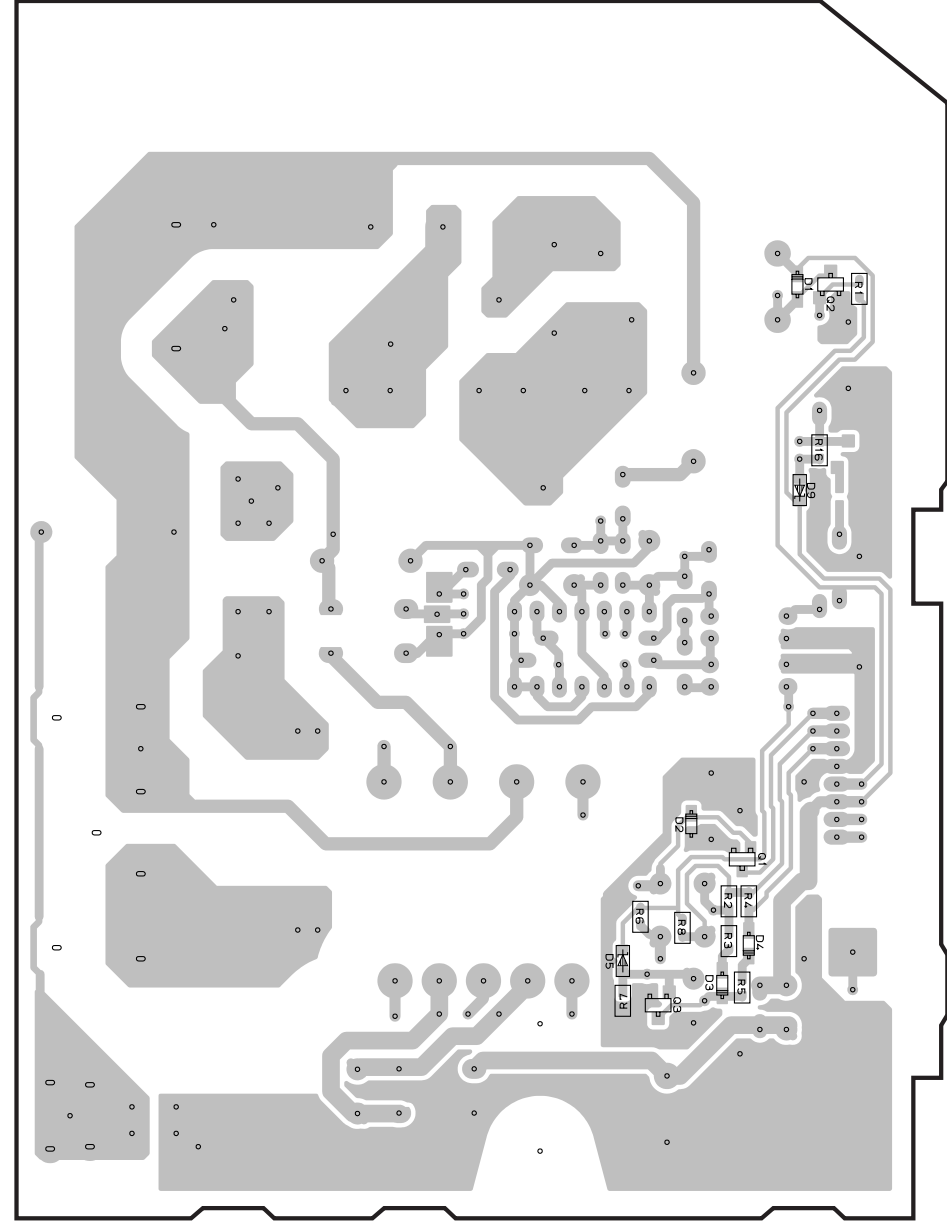
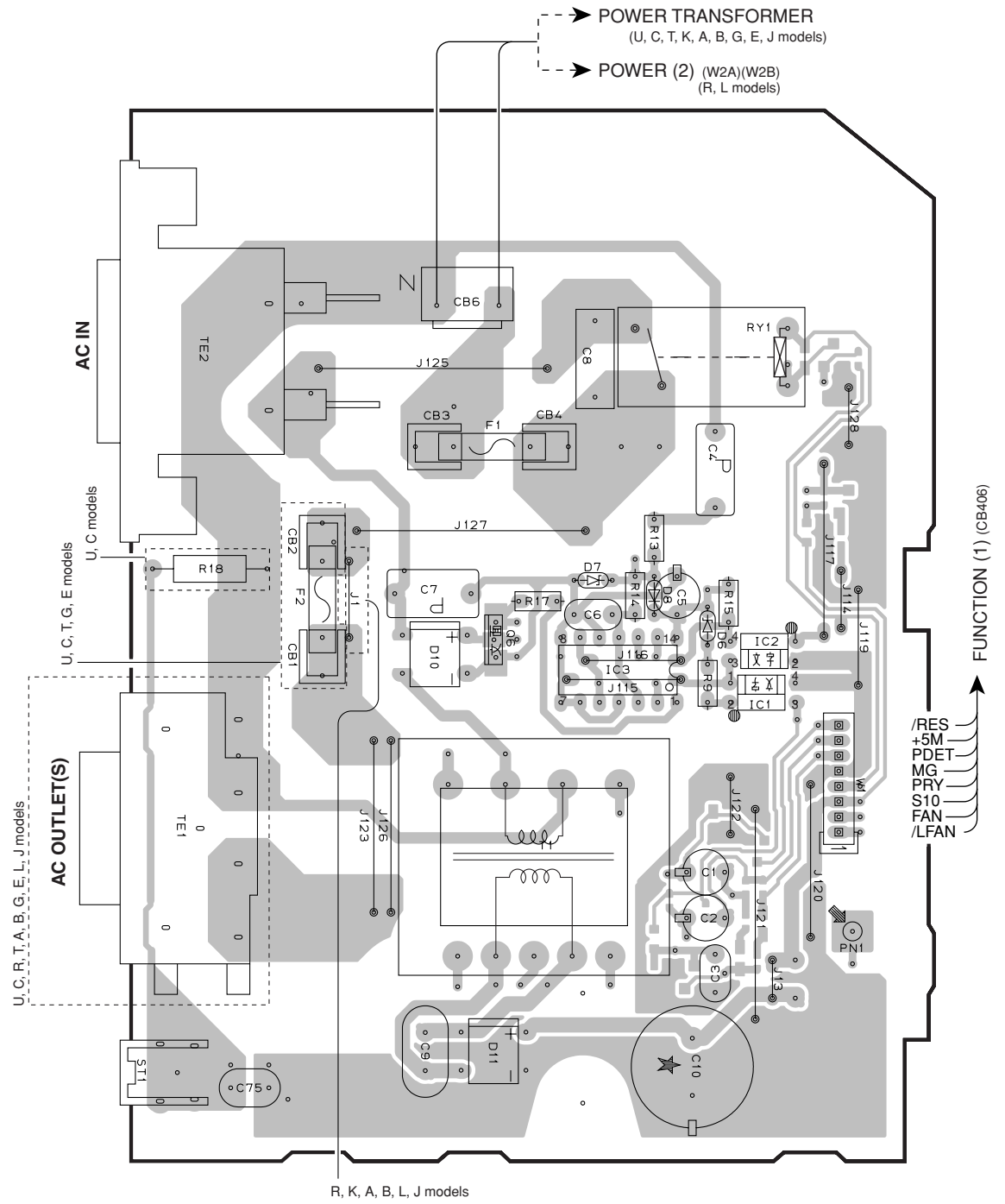
• Semiconductor Location

Ref no.	Location	Ref no.	Location
D19	B3	Q19	E6
D20	C3	Q20	D2
D21	C7	Q21	E2
D29	G6	Q22	E2
D30	C7	Q23	E6
D36	D6	Q24	G7
D37	D6	Q25	G7
D38	E6	Q26	D7
D43	D6	Q27	D7
IC5	H2	Q28	D7
IC6	G2	Q29	C7
IC9	H2	Q30	D7
IC10	G2	Q31	C7
IC12	E2	Q32	D7
Q4	D7	Q33	D7
Q9	H6	Q34	D7
Q10	H2	Q35	D7
Q11	G6	Q36	D7
Q12	H6	Q37	D7
Q13	G6	Q38	D7
Q14	G2	Q39	D7
Q15	G6	Q40	D7
Q16	G2	Q41	G7
Q17	D6	Q44	F6
Q18	E6		

POWER (4) P.C.B. (Side A)

POWER (4) P.C.B. (Side B)

1
2
3
4
5
6
7



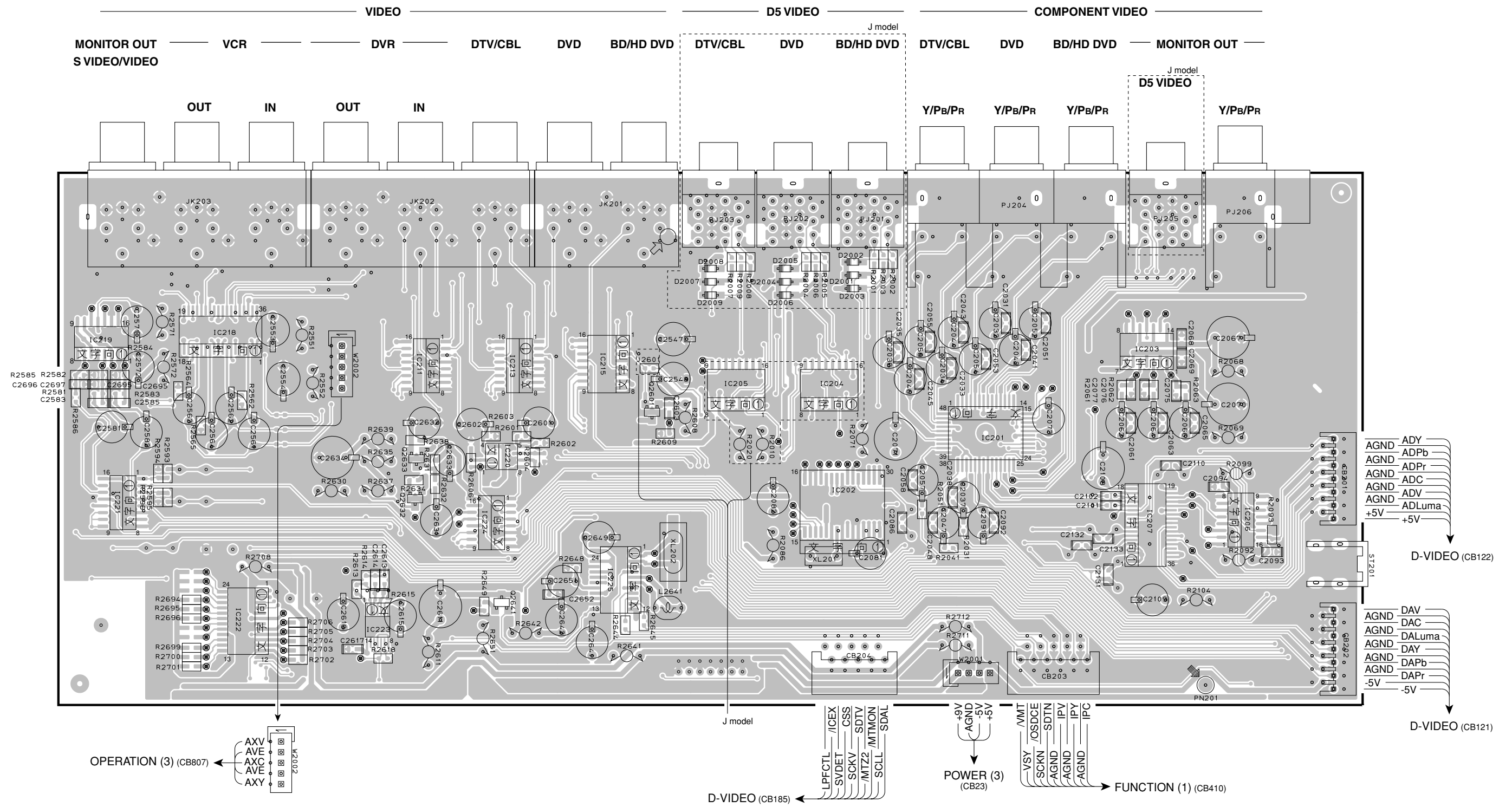
• **Semiconductor Location**

Ref no.	Location	Ref no.	Location
D1	H3	D10	B4
D2	H5	D11	C6
D3	H6	IC1	D5
D4	H5	IC2	D4
D5	G5	IC3	C4
D6	C4	Q1	H5
D7	C4	Q2	H3
D8	C4	Q3	G6
D9	H4	Q6	C4

A-VIDEO P.C.B. (Side A)

• **Semiconductor Location**

Ref no.	Location	Ref no.	Location	Ref no.	Location	Ref no.	Location	Ref no.	Location	Ref no.	Location
D2001	F4	D2007	E4	IC204	F5	IC215	E4	IC223	C6	Q2641	D6
D2002	F4	D2008	E4	IC205	F5	IC218	B4	IC224	D5		
D2003	F4	D2009	E4	IC206	I5	IC219	B4	IC225	E6		
D2004	F4	IC201	G5	IC207	H4	IC220	D5	Q2601	E5		
D2005	F4	IC202	F5	IC211	D4	IC221	B5	Q2632	D5		
D2006	F4	IC203	H4	IC213	D4	IC222	C6	Q2633	D5		



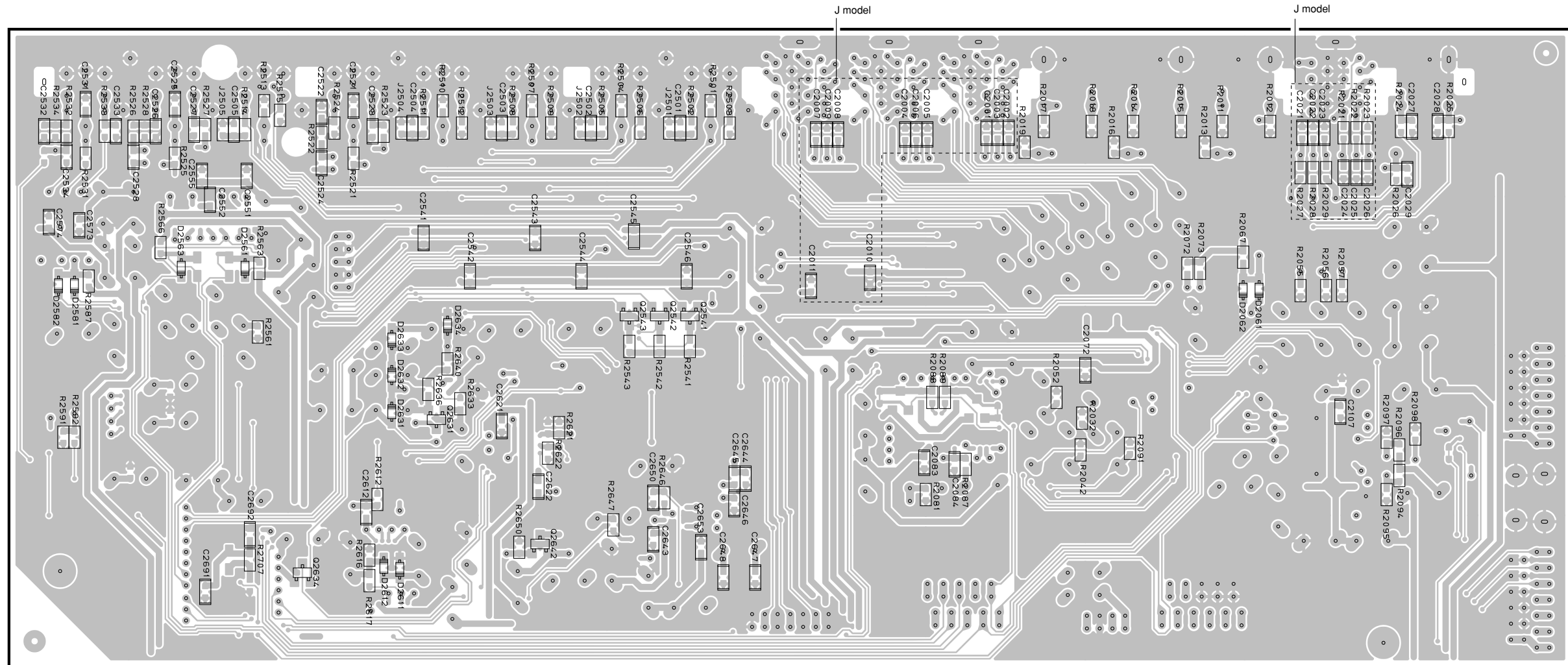
A-VIDEO P.C.B. (Side B)

Circuit No.	U, C, R, T, K, A, B, G, E, L	J
C2501-2505	X	O
J2501-2505	O	X

X : NOT USED
O : USED/APPLICABLE

• **Semiconductor Location**

Ref no.	Location	Ref no.	Location	Ref no.	Location	Ref no.	Location	Ref no.	Location	Ref no.	Location
D2061	H5	D2563	B5	D2611	C6	D2632	C5	Q2541	E5	Q2631	D5
D2062	H5	D2581	B5	D2612	C6	D2633	C5	Q2542	E5	Q2634	C6
D2561	C5	D2582	B5	D2631	C5	D2634	D5	Q2543	E5	Q2642	D6

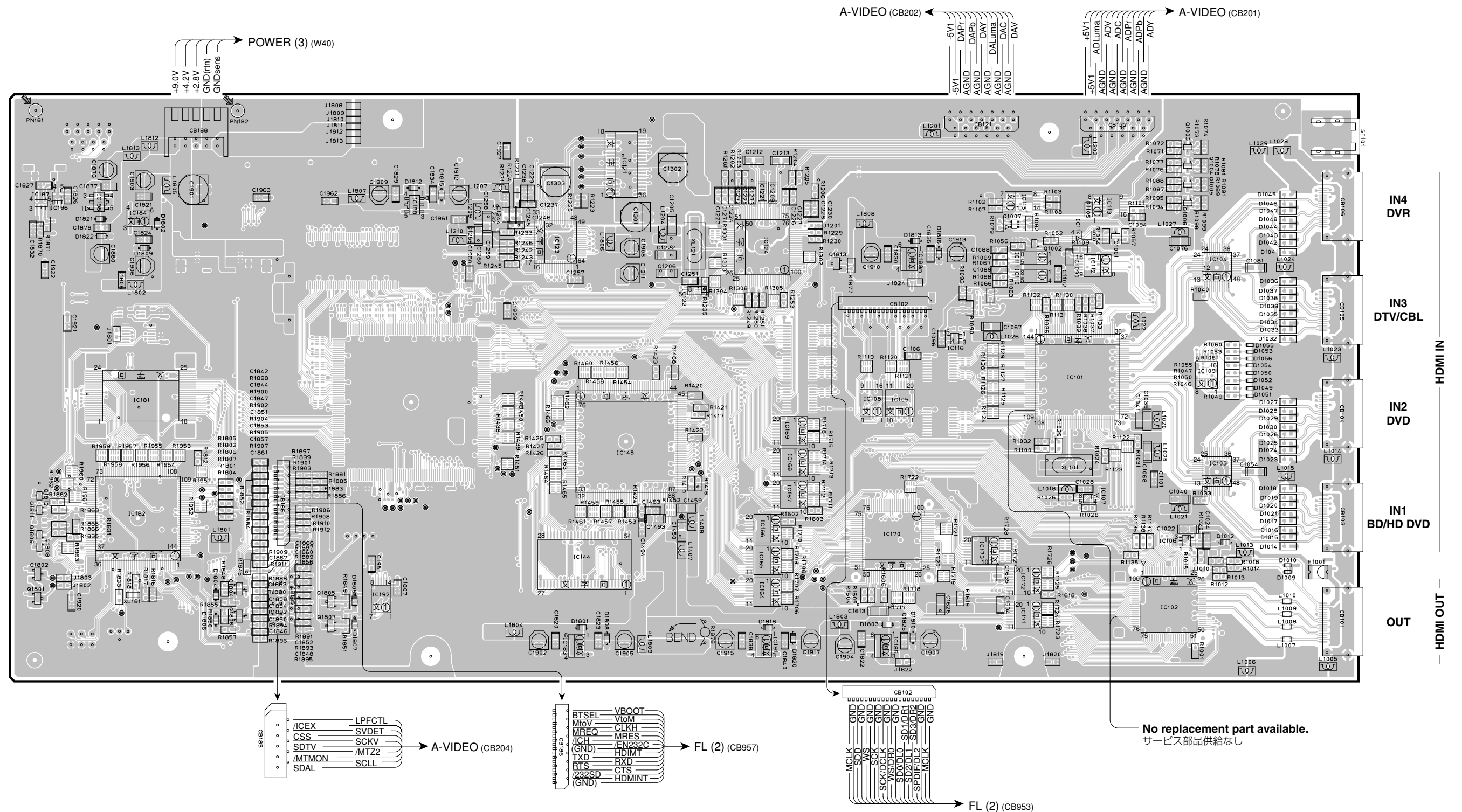


1
2
3
4
5
6
7

D-VIDEO P.C.B. (Side A)

• **Semiconductor Location**

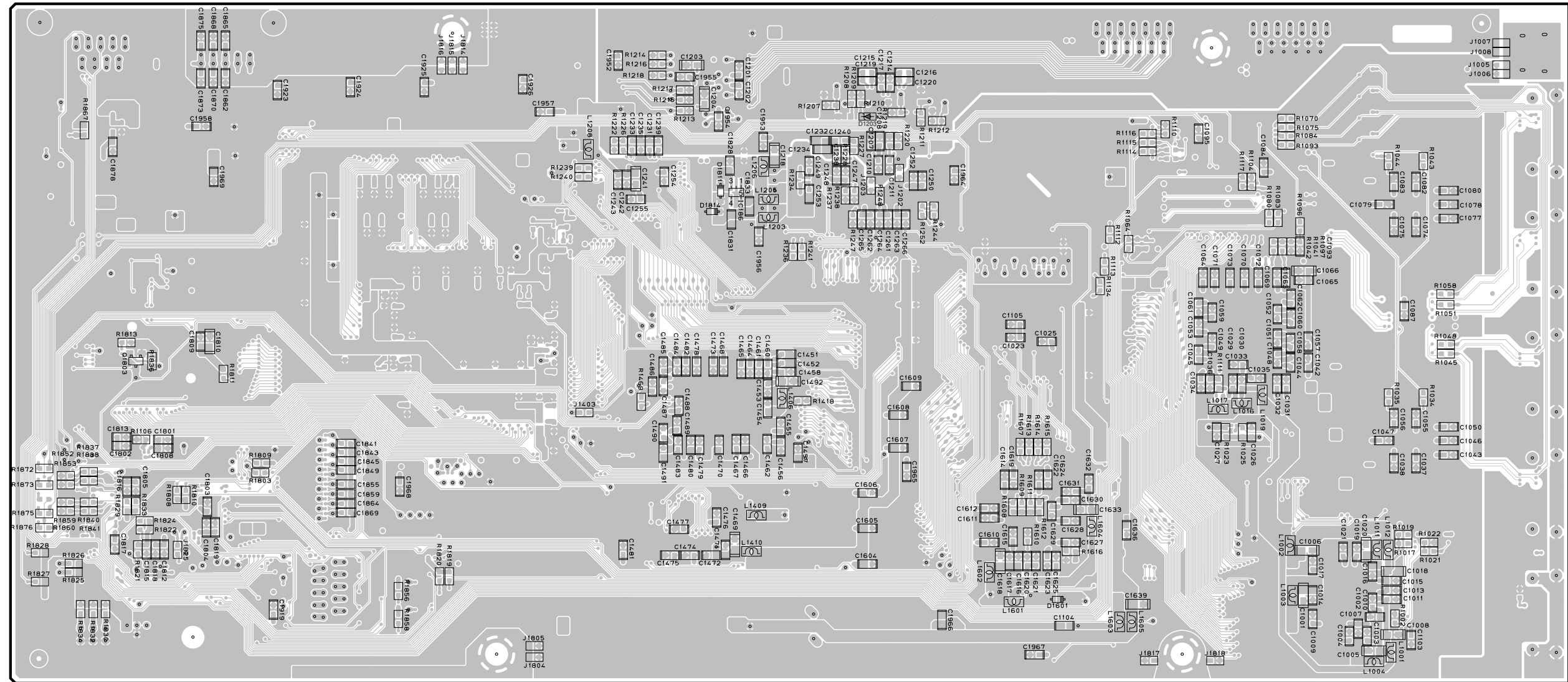
Ref no.	Location	Ref no.	Location	Ref no.	Location	Ref no.	Location	Ref no.	Location	Ref no.	Location	Ref no.	Location	Ref no.	Location	Ref no.	Location	Ref no.	Location	Ref no.	Location	Ref no.	Location		
D1009	I6	D1020	I5	D1032	I4	D1043	I4	D1053	I4	D1807	C6	D1821	B4	IC109	I5	IC123	E4	IC170	G6	IC188	D3	Q1005	H3	Q1809	A5
D1010	I6	D1021	I5	D1033	I4	D1044	I4	D1054	I4	D1808	E6	D1822	B4	IC110	G4	IC124	F4	IC171	G6	IC189	G4	Q1006	H3	Q1811	A5
D1011	-	D1023	I5	D1034	I4	D1045	I3	D1055	I4	D1809	B4	IC101	H5	IC111	G4	IC144	E6	IC172	G6	IC191	F6	Q1007	G4	Q1812	A5
D1012	I6	D1024	I5	D1035	I4	D1046	I3	D1056	I4	D1810	G6	IC102	H6	IC112	H4	IC145	E5	IC173	G6	IC192	D6	Q1801	A6	Q1813	F4
D1014	I6	D1025	I5	D1036	I4	D1047	I3	D1801	E6	D1812	D3	IC103	I5	IC113	H3	IC164	F6	IC181	B5	IC196	B3	Q1802	A6		
D1015	I6	D1026	I5	D1037	I4	D1048	I4	D1802	B4	D1813	G4	IC104	I4	IC114	H4	IC165	F6	IC182	B5	IC198	B3	Q1804	C6		
D1016	I5	D1027	I5	D1038	I4	D1049	I5	D1803	G6	D1815	D3	IC105	G5	IC115	G3	IC166	F5	IC183	E6	Q1001	H4	Q1805	C6		
D1017	I5	D1028	I5	D1039	I4	D1050	I4	D1804	B6	D1816	G4	IC106	H6	IC116	G4	IC167	F5	IC184	B4	Q1002	H4	Q1806	C6		
D1018	I5	D1029	I5	D1041	I4	D1051	I5	D1805	C6	D1818	F6	IC107	H5	IC121	E3	IC168	F5	IC185	G6	Q1003	H3	Q1807	C6		
D1019	I5	D1030	I5	D1042	I4	D1052	I5	D1806	B6	D1820	F6	IC108	G5	IC122	E4	IC169	F5	IC187	A3	Q1004	H3	Q1808	A6		



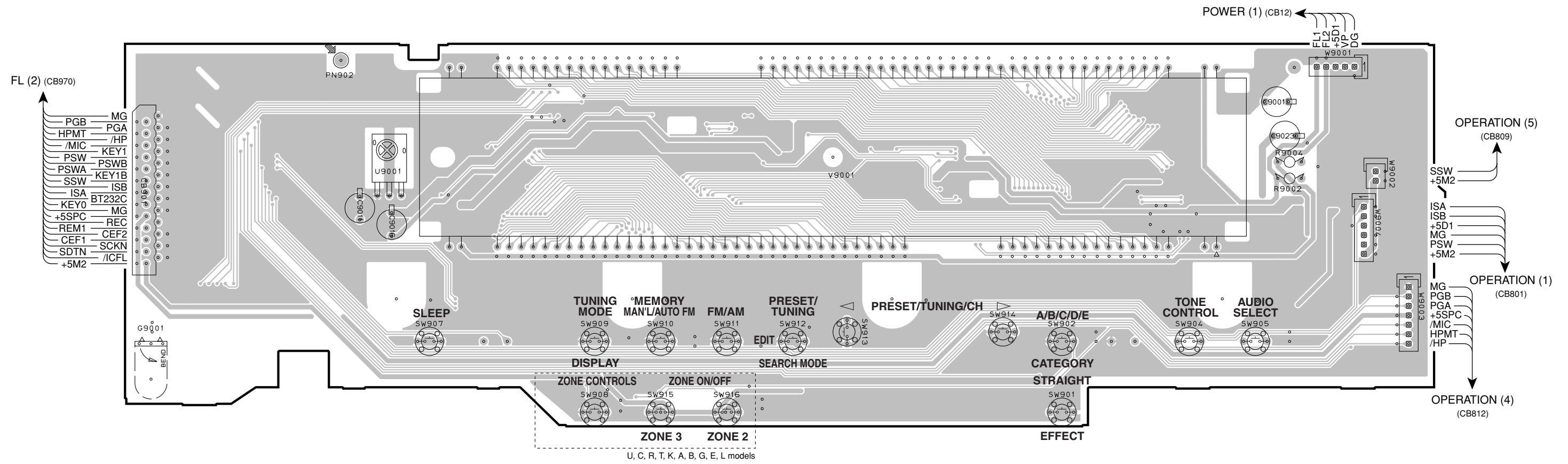
D-VIDEO P.C.B. (Side B)

• Semiconductor Location

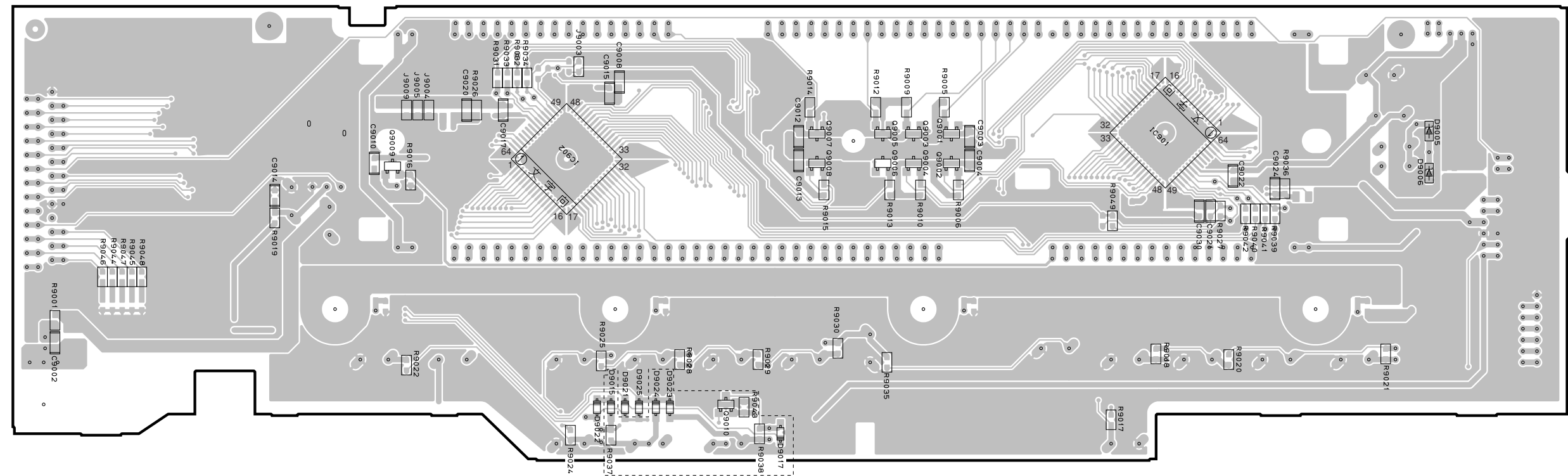
Ref no.	Location
D1203	F3
D1601	G6
D1811	E4
D1814	E4
IC186	E4
Q1803	B5



FL (1) P.C.B. (Side A)



FL (1) P.C.B. (Side B)

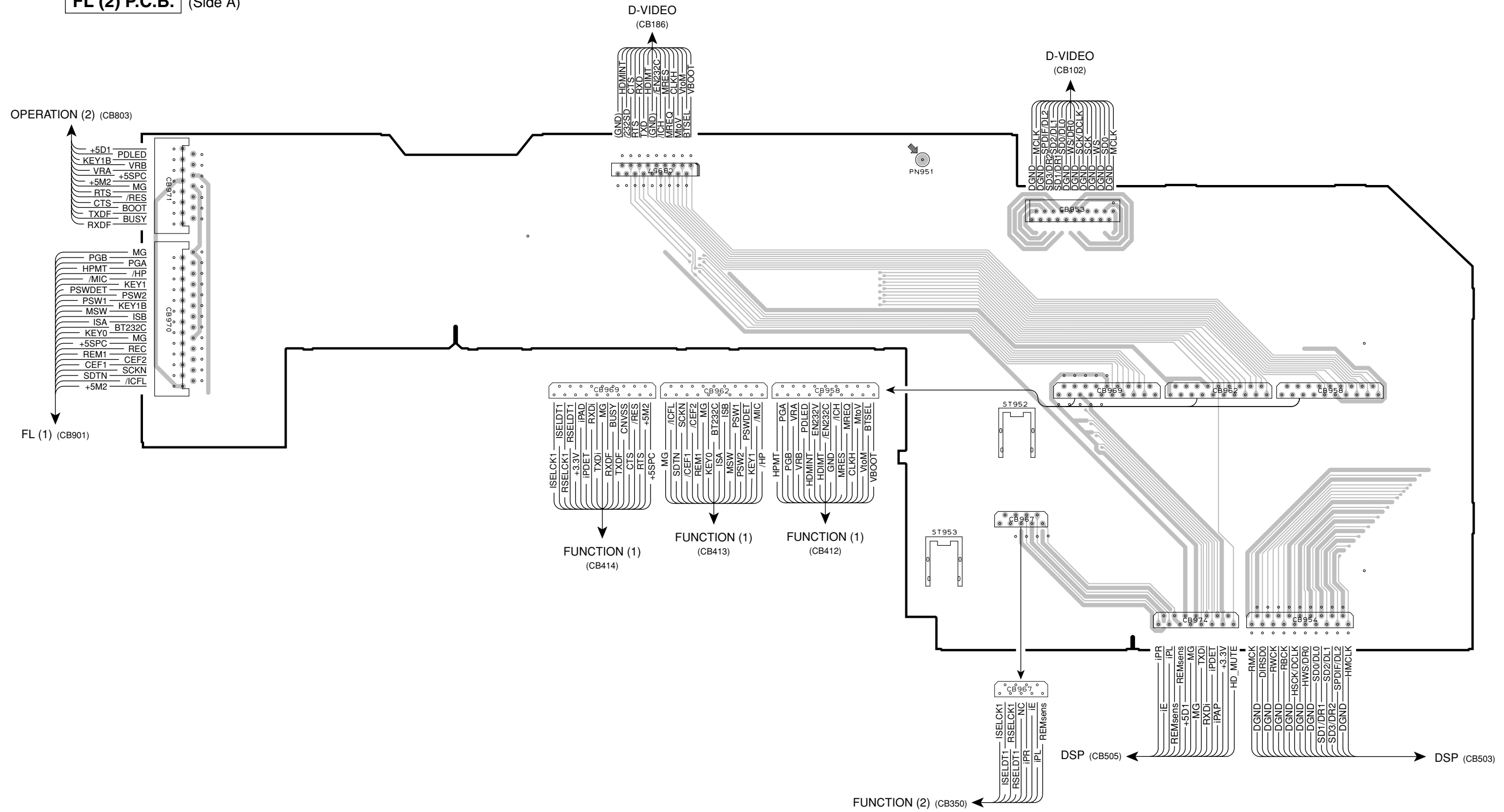


U, C, R, T, K, A, B, G, E, L models

• **Semiconductor Location**

Ref no.	Location	Ref no.	Location
D9005	I4	Q9001	G4
D9006	I4	Q9002	G4
D9015	E5	Q9003	F4
D9017	F5	Q9004	F4
D9021	E5	Q9005	F4
D9022	E5	Q9006	F4
D9023	E5	Q9007	F4
D9024	E5	Q9008	F4
D9025	E5	Q9009	D4
IC901	H3	Q9010	E5
IC902	D4		

FL (2) P.C.B. (Side A)



1

FL (2) P.C.B. (Side B)

2

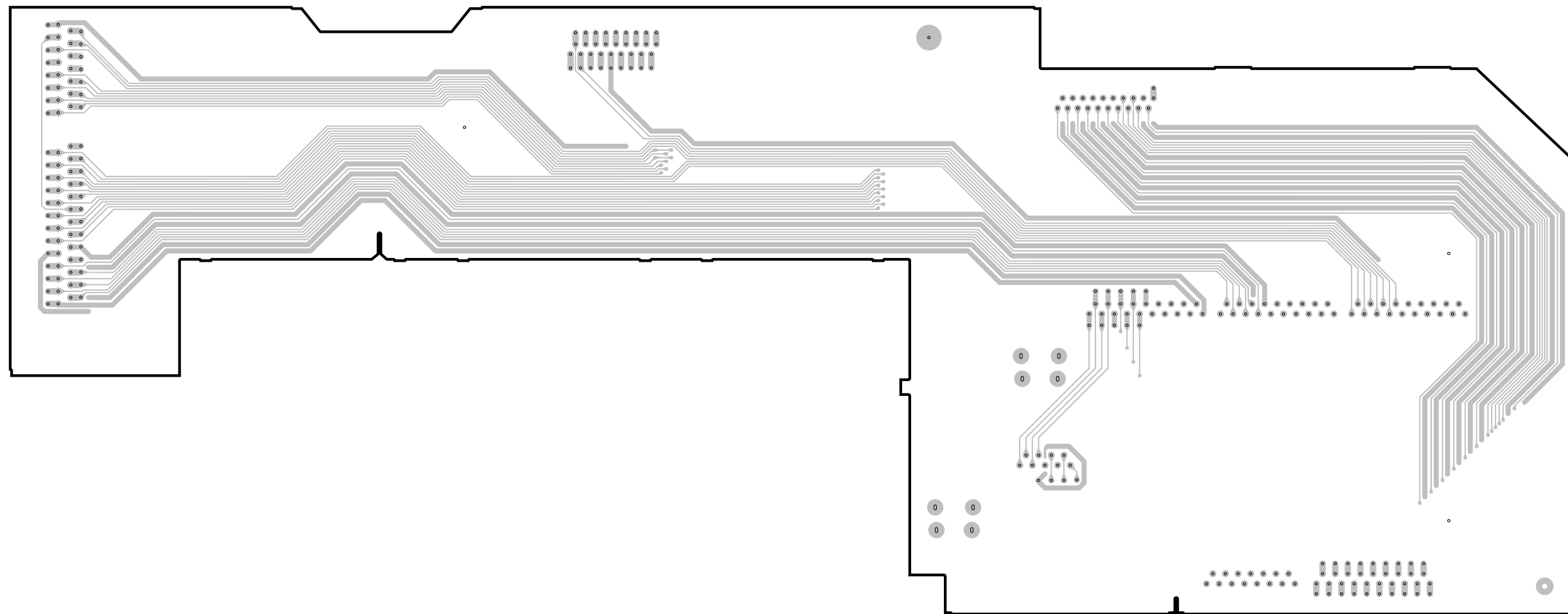
3

4

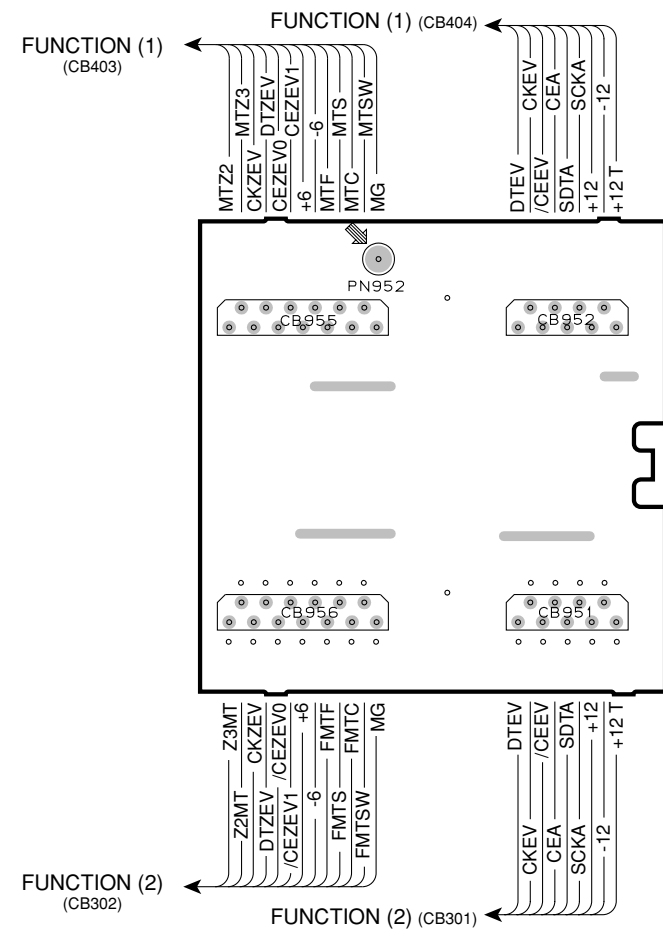
5

6

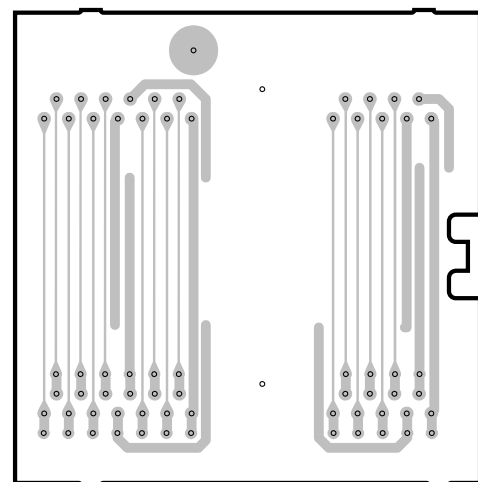
7



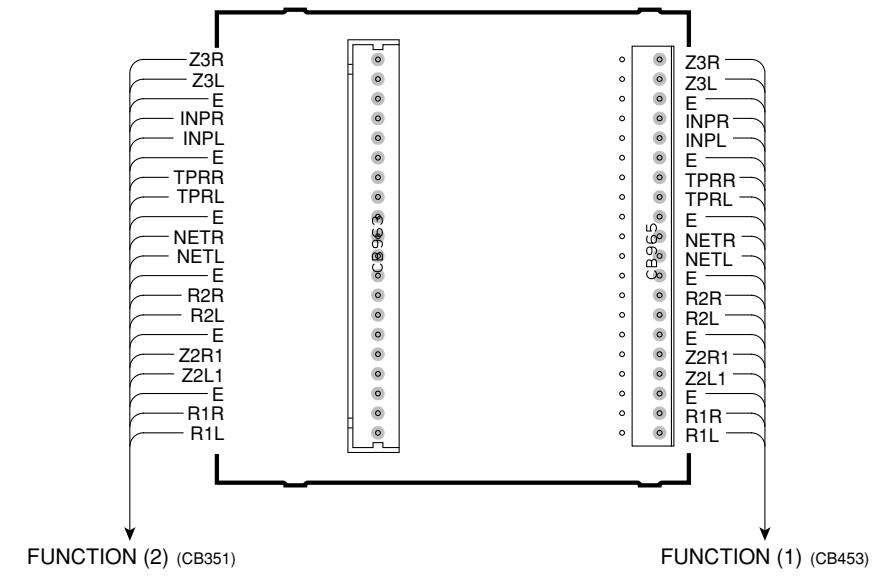
FL (3) P.C.B. (Side A)



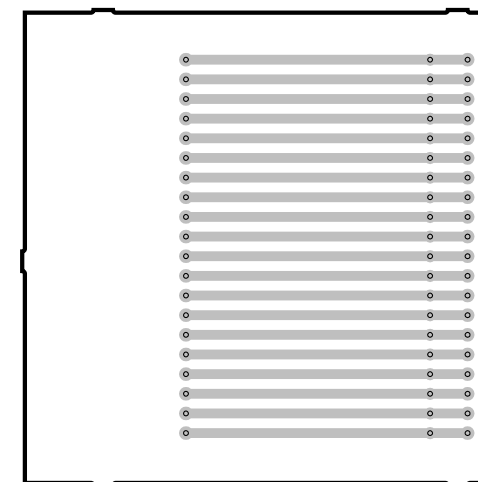
FL (3) P.C.B. (Side B)



FL (4) P.C.B. (Side A)

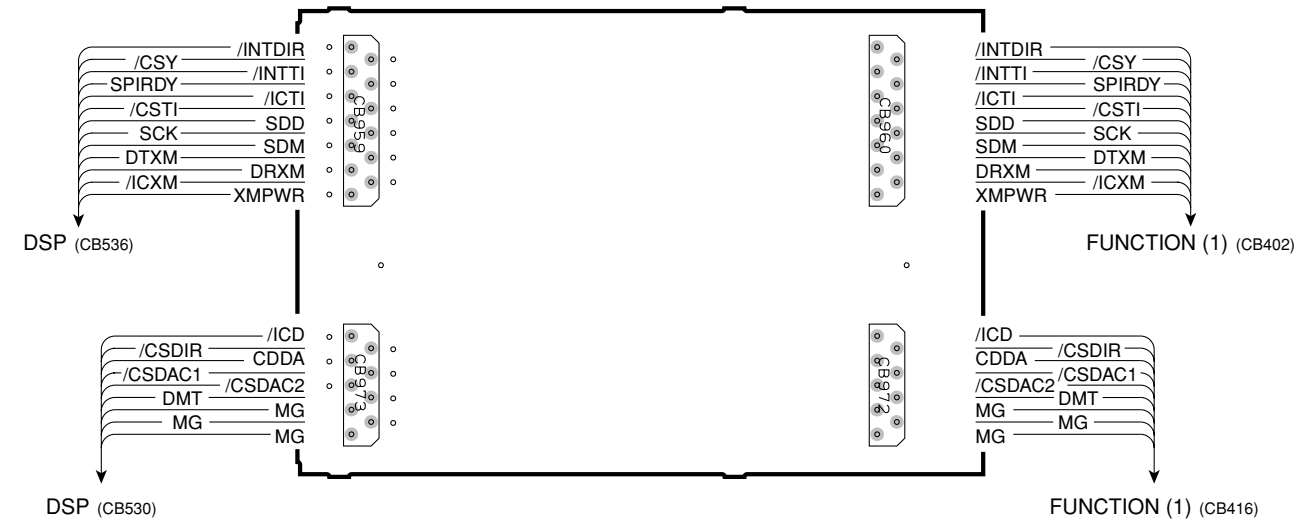


FL (4) P.C.B. (Side B)

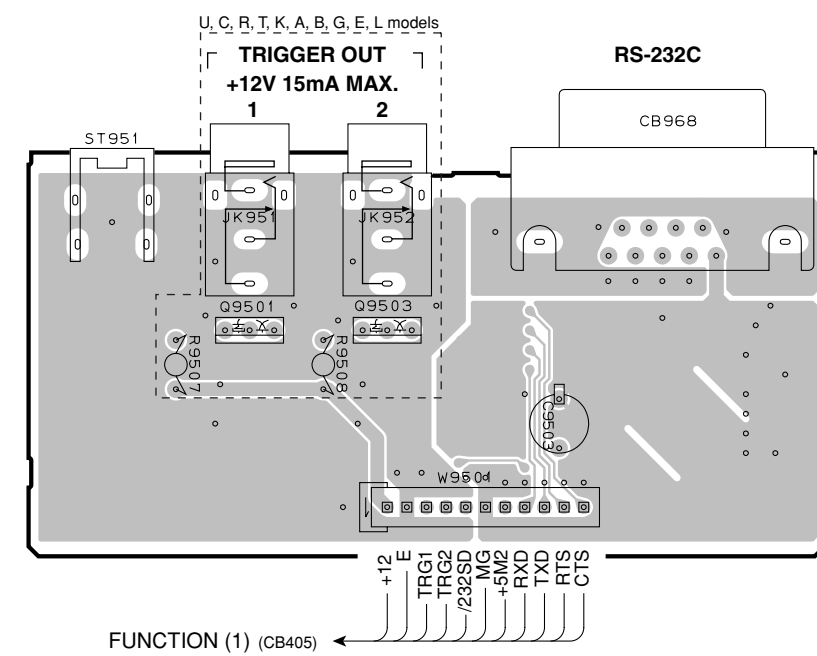


1
2
3
4
5
6
7

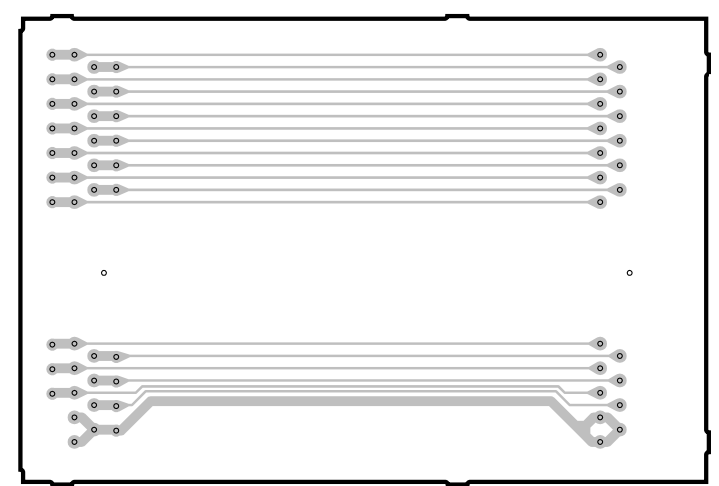
FL (5) P.C.B. (Side A)



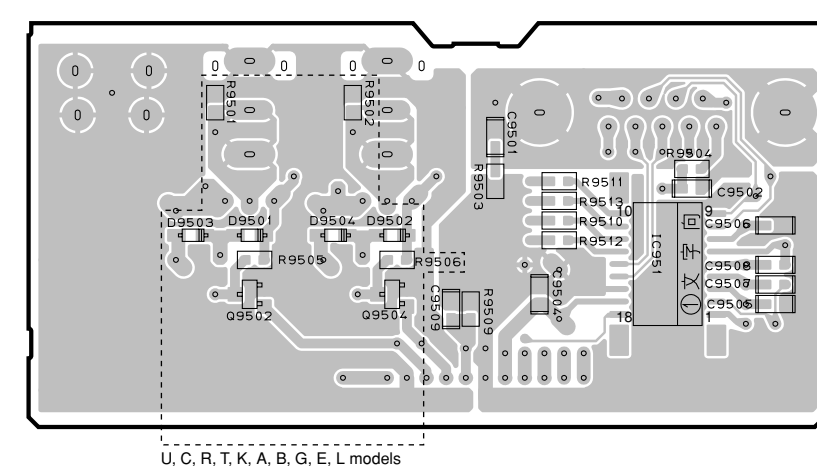
FL (6) P.C.B. (Side A)



FL (5) P.C.B. (Side B)



FL (6) P.C.B. (Side B)



• Semiconductor Location

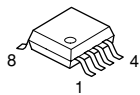
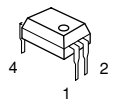
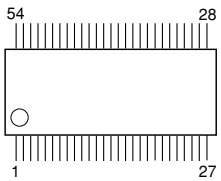
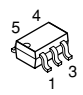
Ref no.	Location
D9501	G6
D9502	H6
D9503	G6
D9504	G6
IC951	H6
Q9501	G3
Q9502	G6
Q9503	G3
Q9504	H6

PIN CONNECTION DIAGRAMS

ICs

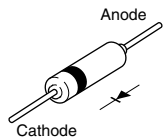
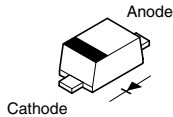
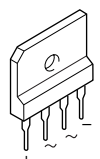
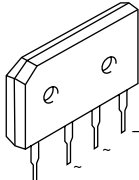
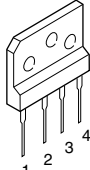
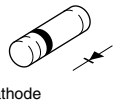
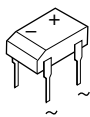
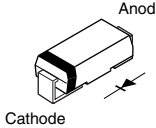
<p>ABT1010PQ100A</p>	<p>ADM222ARZ</p>	<p>ADV7342BSTZ</p>	<p>ADV7401BSTZ-80 SiI9134CTU</p>	
<p>AK4384ET CD4051BNSR</p>	<p>BA00JC5WT-V5</p>	<p>BA15218F</p>	<p>BD3841FS</p>	<p>CXB1442AR-T4</p>
<p>D70YE101BRFP266 M30845MW-001-GP M3087BFKBGP</p>	<p>DSD1791DBR</p>	<p>F2621E-01-TR YAC523-EVR2</p>	<p>IP00C772</p>	
<p>KIA7809API-U/P</p>	<p>KIA79M05PI-U</p>	<p>LA7106M-TLM-E MM74HC4051SJX MM74HC4053SJX SN74CBT3253CPWR</p>	<p>LA73050-TLM-E LA73053-TLM-E LA73054-TLM-E</p>	
<p>LC709004A-TLM-E LC72722PM LC74782JM-8A16-TLMC YAC526-EZE2</p>	<p>LC89057W-VF4AD-E</p>	<p>LM61CIZ</p>	<p>M24C02-WDW6TP</p>	
<p>NE5532DR</p>	<p>NJM2068MD-TE2</p>	<p>NJM2581M TC74VHCT08AFT TC74VHCU04FT</p>	<p>NJM2867F3-05 TC7SET08FU TC7SET32FU TC7SET125FU</p>	<p>NJM2885DL1-33</p>

<p>NJM4565M SN74LVC2G125DCUR</p>	<p>NJU7311AM NJU7312AM NJU7313AM</p>	<p>NJW1119AV</p>	<p>NJW1321FP1</p>	
<p>PCM1804DBR</p>	<p>PQ200WNA1ZPH</p>	<p>PT6302LQ-008</p>	<p>R1130H181B-T1-F R1154H050B-T1-F</p>	<p>R1131N181D R3112N421A-TR-F TC7SH08FU</p>
<p>R1171S181B-E2-F R1171S331B-E2-F R1172S121D-E2-F R1172S181B-E2-F R1172S331B-E2-F</p>	<p>RH5RE58AA-T1-FA</p>	<p>S29AL016D70TFI020</p>	<p>SI-8008HFE</p>	
<p>SN74AHCT00PWR</p>	<p>SN74AHCT08PWR SN74LV32APWR TC74VHC125FT</p>	<p>SN74CBT3257CPWR</p>	<p>SN74LS151NSR</p>	<p>SN74LV157APWR TC74VHC153FT TC74VHC157FT</p>
<p>SN74LV245APWR</p>	<p>SN74LVC245APWR SN74LVTH245APW</p>	<p>SN74LVU04APWR</p>	<p>SiI9135CTU</p>	
<p>TA1318AF</p>	<p>TC4013BP</p>	<p>TC74HC4052AF</p>	<p>TC7WZ02FK TC7WZ04FK</p>	

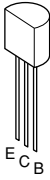

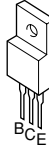
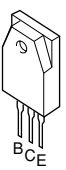
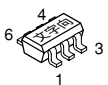
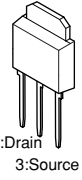
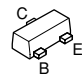
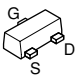
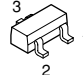

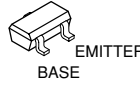
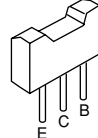
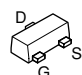
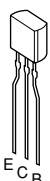
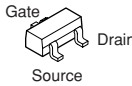
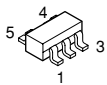
<p>TK15420M UPC4570G2-E1-A</p> 	<p>TLP421</p> 	<p>W9864G6GH-7</p> 	<p>SN74AHC1G08DCKR SN74AHCT1G32DCKR</p> 
--	---	---	---

RX-V1800/HTR-6190/
DSP-AX1800

• Diodes

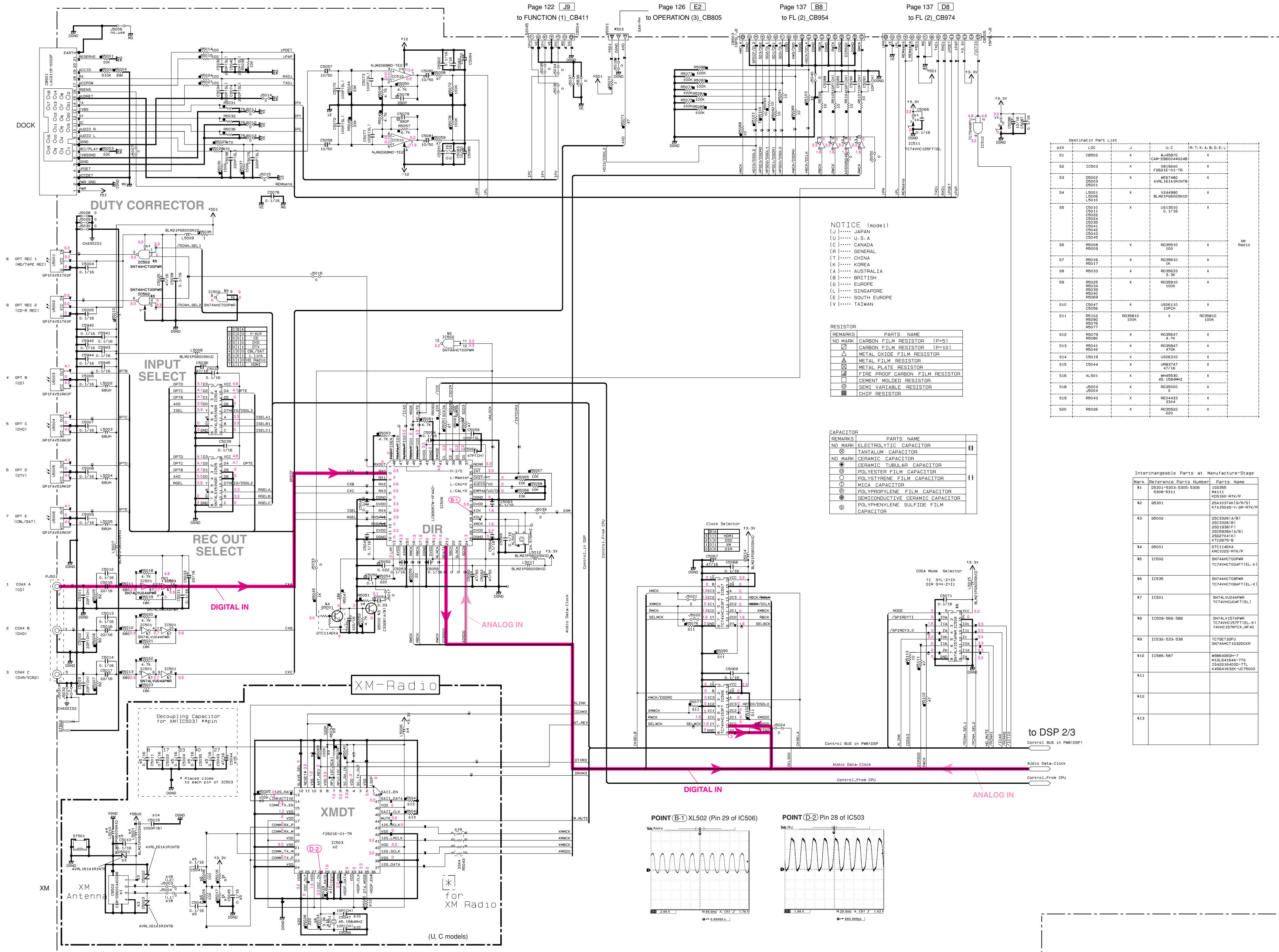
<p>1N4002S 1SS133,176 HZS242TD MTZJ10B MTZJ5.1C MTZJ6.8B</p> 	<p>1SS355 MA8240-M 1SS380 MA8300-L MA8030-L RB501V-40 MA-8039-H UDZS5.6BTE-17 MA8043-L MA8047 MA8047-L MA8051-M MA8062-M MA8068-M MA8075-M MA8130-M</p> 		
<p>D15XB20</p> 	<p>D2SBA20</p> 	<p>D4SBS4-4101</p> 	<p>RLS245</p> 
<p>DB105</p> 	<p>RB051L-40</p> 	Empty space	

• Transistors

<p>2SA949 2SC1815 2SC2229 2SC2878</p>  <p>E C B</p>	<p>2SA2168 2SC5291</p>  <p>E C B</p>	<p>2SB1257 2SB1274 2SC3852 2SD2014</p>  <p>B C E</p>	<p>A2151/C6011</p>  <p>B C E</p>	<p>μPA672T-T1-A</p>  <p>1. Source 1 (S1) 2. Gate 1 (G1) 3. Drain 2 (D2) 4. Source 2 (S2) 5. Gate 2 (G2) 6. Drain 1 (D1)</p>	<p>2SK3850</p>  <p>1:Gate 2:Drain 3:Source 4:Drain</p>
<p>2SA1036KT146 2SA1037K 2SC2412K 2SC3326 2SC3878K 2SC3906K 2SC4081 2SD1938F</p>  <p>C B E</p>	<p>2SK208 5HP01C-TB-E</p>  <p>G S D</p>	<p>DTC114EKA DTC144EKA</p>  <p>1: GND 2: IN 3: OUT</p>	<p>KRA102S-RTK/P KRA104S-RTK KRC102S-RTK KRC104S-RTK</p>  <p>OUT COMMON IN</p>	<p>KTA1504S KTA1517S KTC3875S KTC3911S</p>  <p>COLLECTOR EMITTER BASE</p>	<p>2SA1708 2SC4488</p>  <p>E C B</p>
<p>3LN01C-TB-E</p>  <p>D G S</p>	<p>2SD1915F</p>  <p>E C B</p>	<p>2SK208-Y</p>  <p>Gate Drain Source</p>	<p>HN4C06J</p>  <p>1. BASE 1 (B1) 2. EMITTER (E) 3. BASE 2 (B2) 4. COLLECTOR 2 (C2) 5. COLLECTOR 1 (G2)</p>		

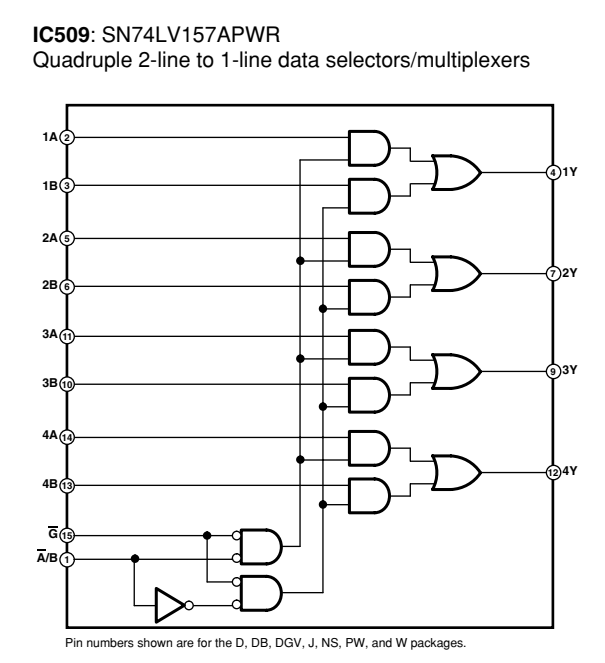
RX-V1800/HTR-6190/
DSP-AX1800

SCHEMATIC DIAGRAMS
DSP 1/3



Destination Part List

Part No.	LOC	U-C	Int. K.A. B-D-E-L
S1	CB502	X	X
S2	IC503	X	X
S3	DS502	X	X
S4	LS001	X	X
S5	CS010	X	X
S6	RS008	X	X
S7	RS010	X	X
S8	RS033	X	X
S9	RS026	X	X
S10	CS047	X	X
S11	RS102	X	X
S12	RS079	X	X
S13	RS043	X	X
S14	CS019	X	X
S15	CS044	X	X
S16	XL501	X	X
S18	JS004	X	X
S19	RS043	X	X
S20	RS026	X	X



NOTICE (model)
(J)..... JAPAN
(U)..... U.S.A.
(C)..... CANADA
(R)..... GENERAL
(T)..... CHINA
(K)..... KOREA
(A)..... AUSTRALIA
(B)..... BRITISH
(G)..... EUROPE
(L)..... SINGAPORE
(V)..... TAIWAN

RESISTOR

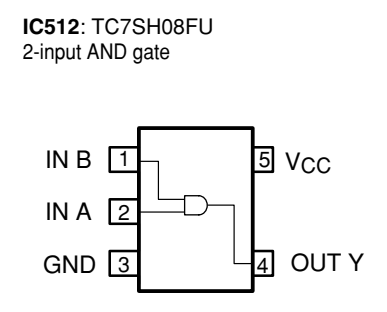
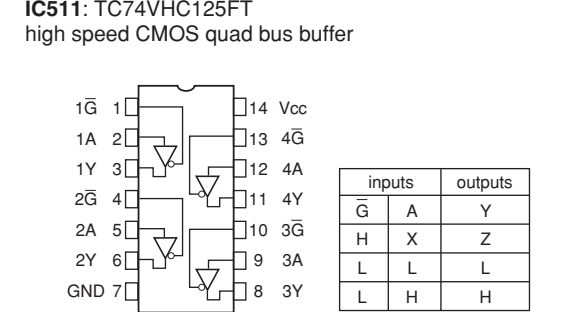
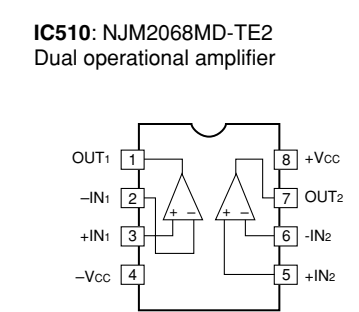
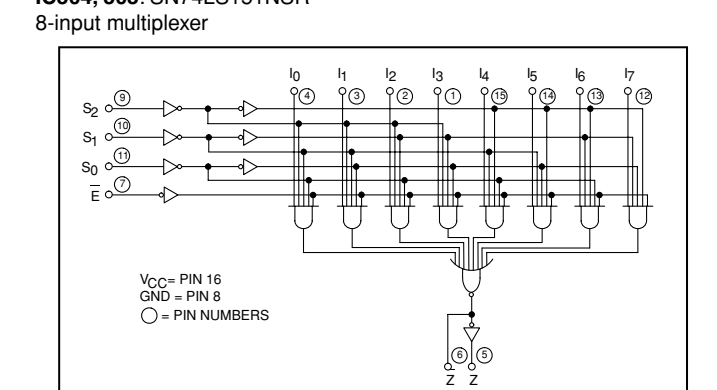
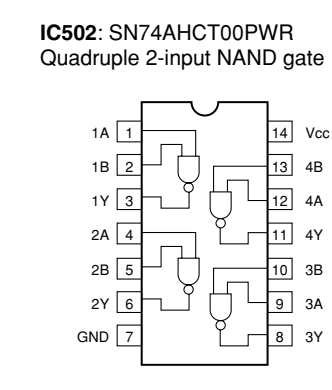
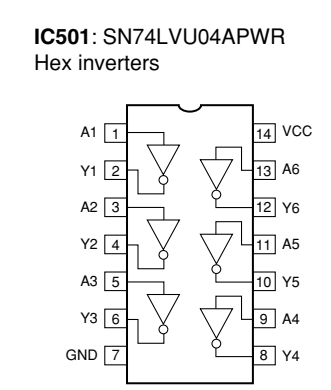
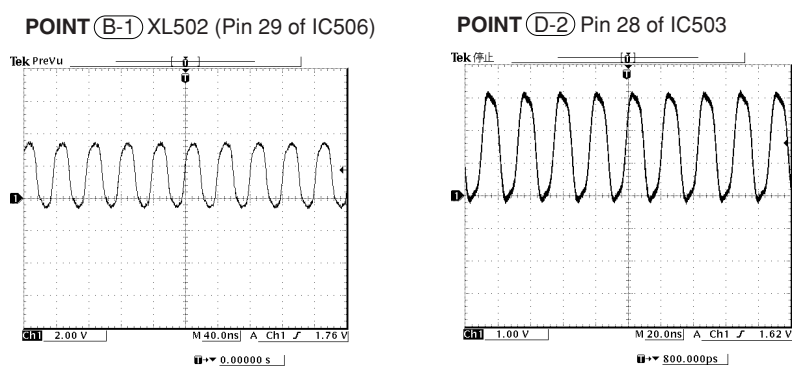
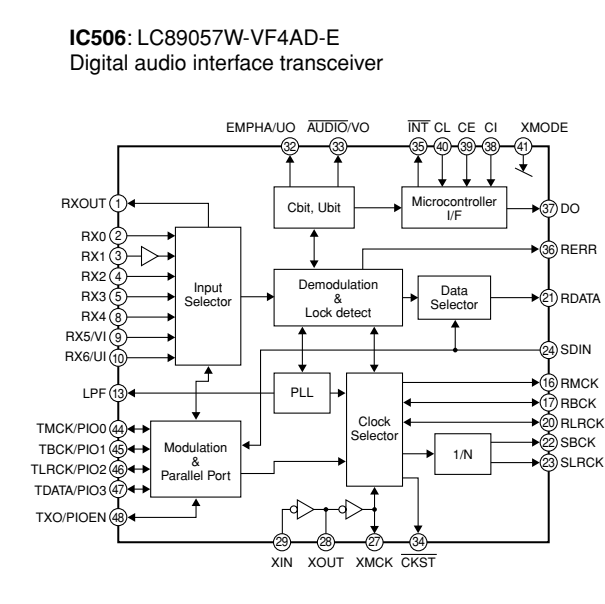
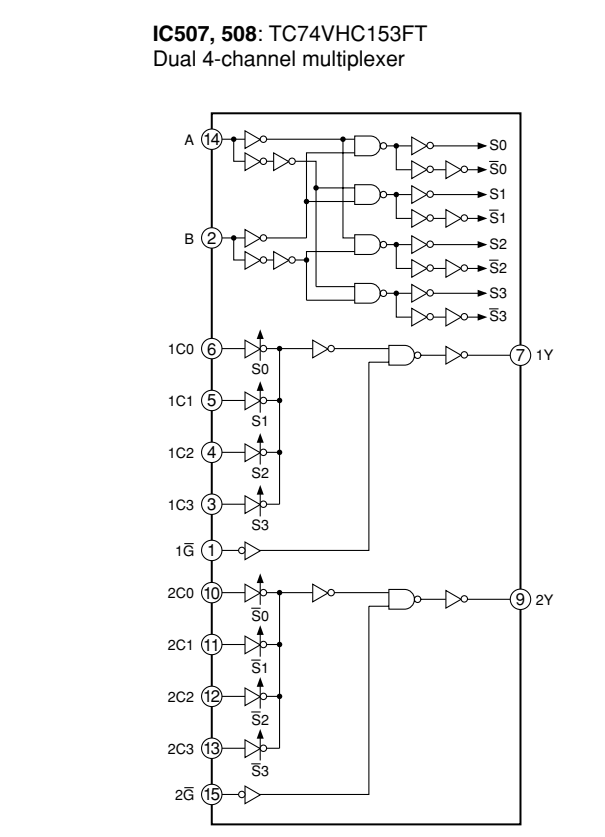
REMARKS	PARTS NAME
NO MARK	CARBON FILM RESISTOR (P=5)
□	CARBON FILM RESISTOR (P=10)
△	METAL OXIDE FILM RESISTOR
◇	METAL FILM RESISTOR
○	METAL PLATE RESISTOR
⊖	FIRE PROOF CARBON FILM RESISTOR
⊕	CEMENT MOLDED RESISTOR
⊗	SEMI VARIABLE RESISTOR
■	CHIP RESISTOR

CAPACITOR

REMARKS	PARTS NAME
NO MARK	ELECTROLYTIC CAPACITOR
⊗	TANTALUM CAPACITOR
□	CERAMIC TUBULAR CAPACITOR
○	POLYESTER FILM CAPACITOR
◇	POLYSTYRENE FILM CAPACITOR
△	MICA CAPACITOR
⊖	POLYPROPYLENE FILM CAPACITOR
⊕	SEMICONDUCTIVE CERAMIC CAPACITOR
⊗	POLYPHENYLENE SULFIDE FILM CAPACITOR

Interchangeable Parts at Manufacture Stage

Part No.	Reference Part Number	Part Name
41	9301-9303, 9305-9306	M5111
42	9301-9311	M5111
43	95002	2SC3206(A/B)
44	95001	2SC3206(B)
45	IC502	SN74AHC100PWR
46	IC505	SN74AHC100PWR
47	IC501	SN74LV04PWR
48	IC509-506-508	SN74LV157APWR
49	IC530-533-538	TC74VHC153FT
410	IC585-587	W884559-7
411		W884559-7
412		W884559-7
413		W884559-7

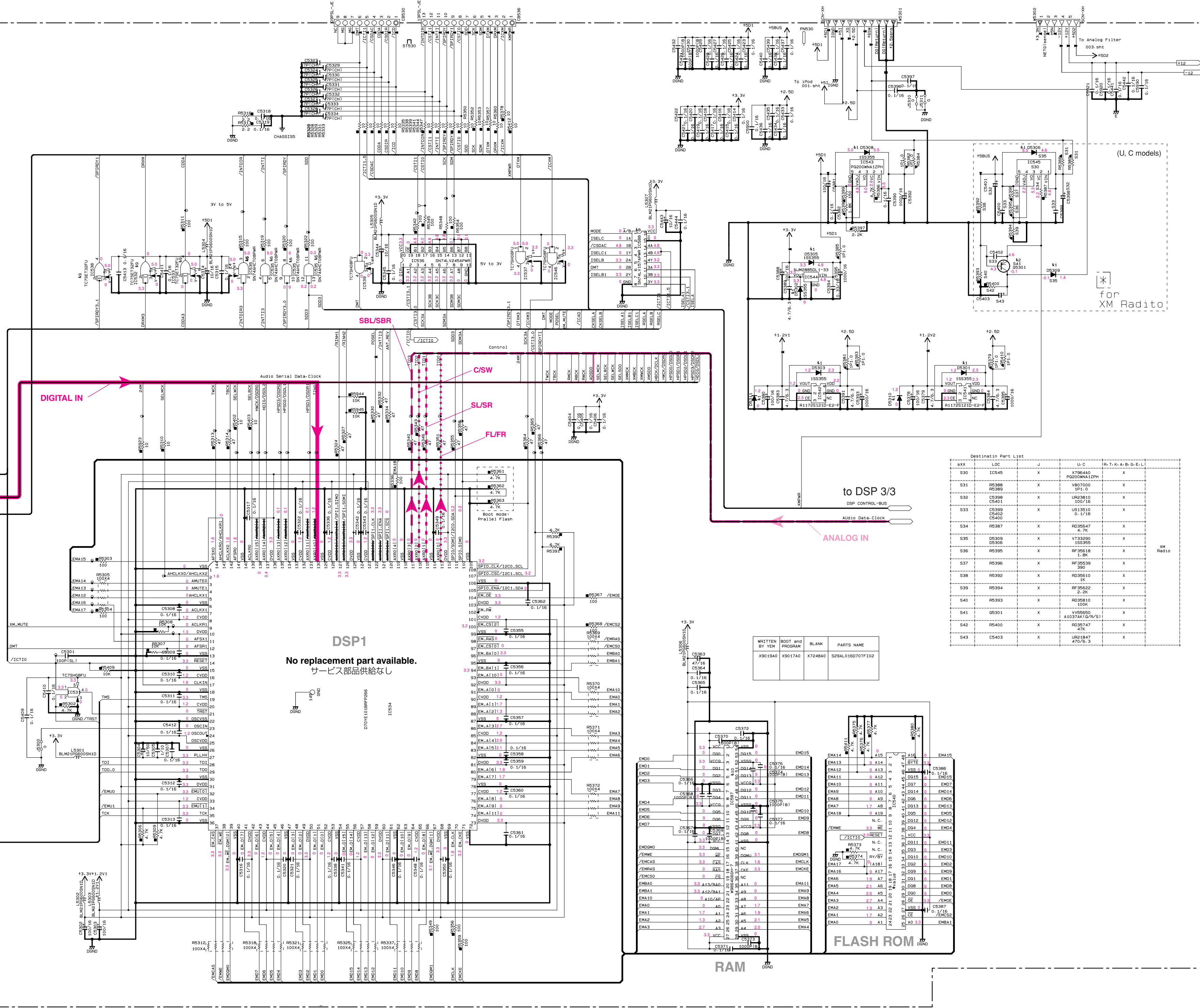


★ All voltages are measured with a 10MΩ/V DC electronic voltmeter.
★ Components having special characteristics are marked with a triangle and must be replaced with parts having specifications equal to those originally installed.
★ Schematic diagram is subject to change without notice.
● 電圧は、内部抵抗10MΩの電圧計で測定したものです。
● 印のある部品は、安全性確保部品を示しています。部品の交換が必要な場合、パーツリストに記載されている部品を使用してください。
● 本回路図は標準回路図です。改良のため予告なく変更することがございます。

NOTICE (model)
 (J)..... JAPAN
 (U)..... U.S.A
 (C)..... CANADA
 (R)..... GENERAL
 (T)..... CHINA
 (K)..... KOREA
 (A)..... AUSTRALIA
 (B)..... BRITISH
 (G)..... EUROPE
 (L)..... SINGAPORE
 (E)..... SOUTH EUROPE
 (V)..... TAIWAN

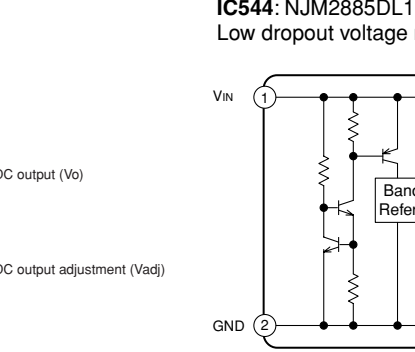
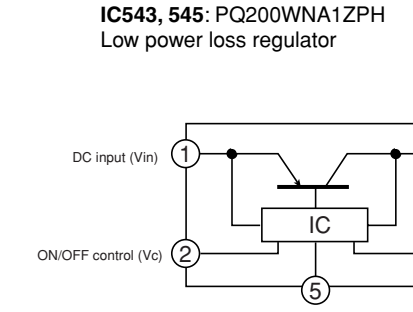
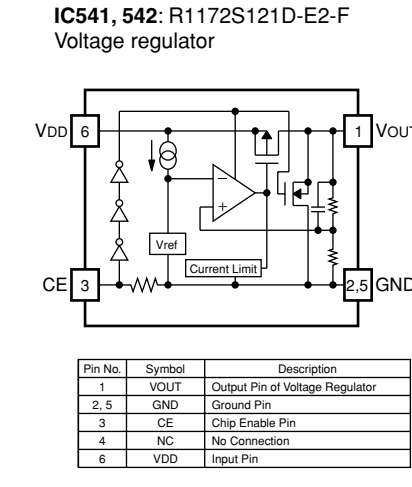
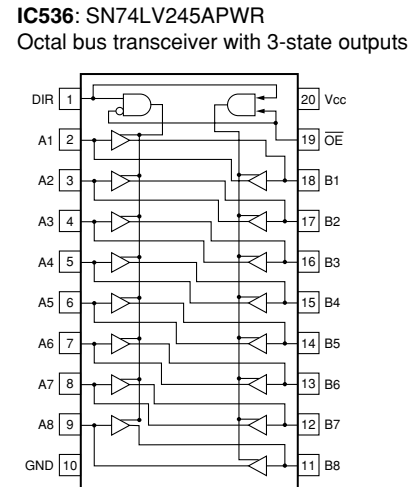
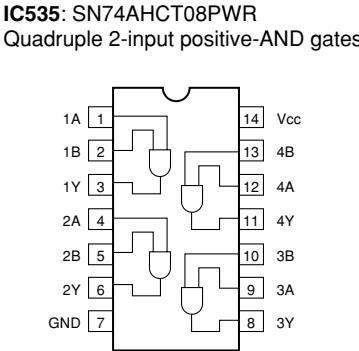
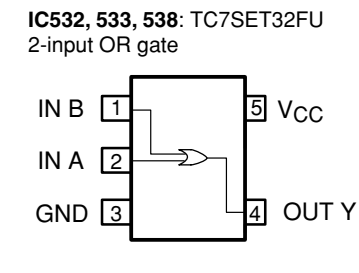
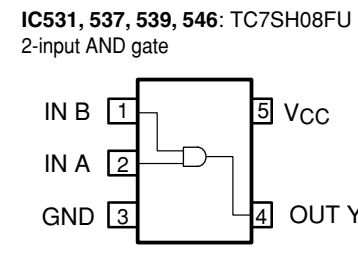
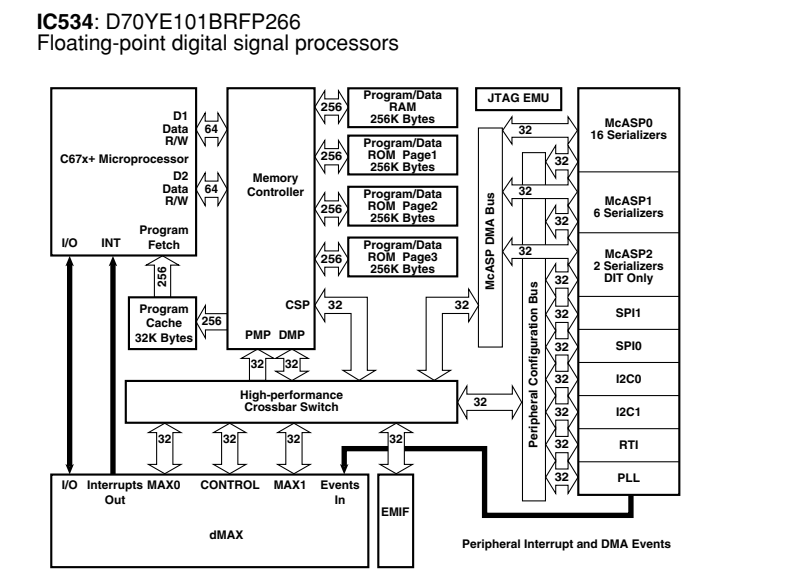
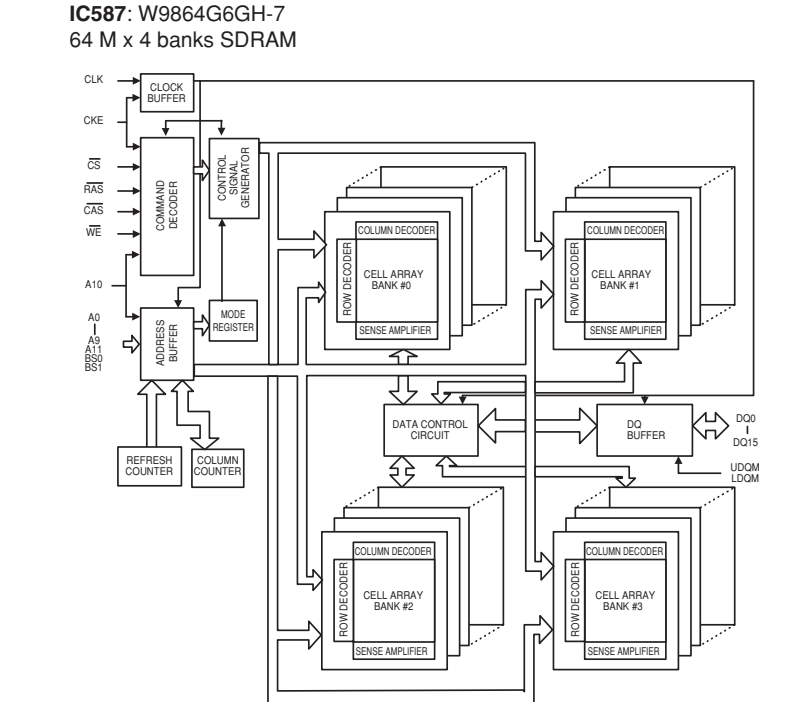
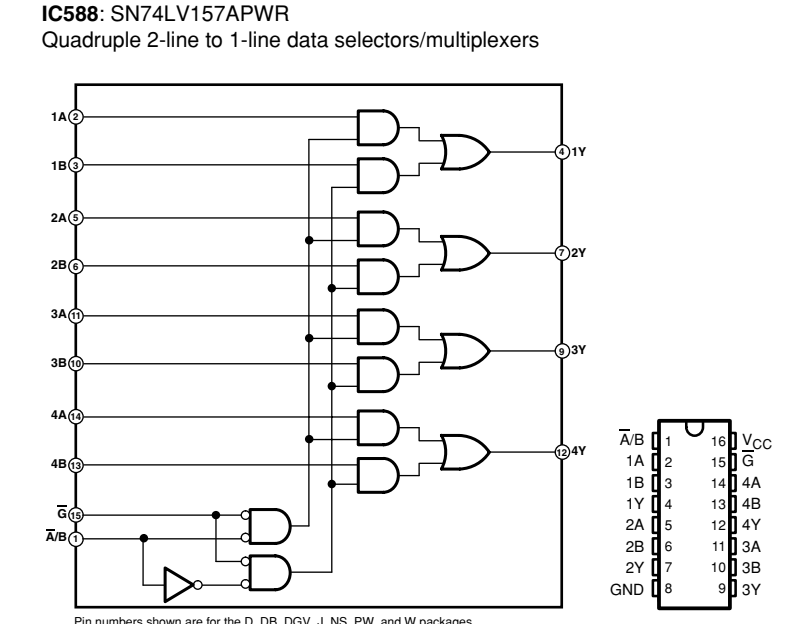
REMARKS	PARTS NAME
NO MARK	ELECTROLYTIC CAPACITOR
⊗	TANTALUM CAPACITOR
NO MARK	CERAMIC CAPACITOR
⊙	CERAMIC TUBULAR CAPACITOR
⊖	POLYESTER FILM CAPACITOR
○	POLYSTYRENE FILM CAPACITOR
⊕	MICA CAPACITOR
⊙	POLYPROPYLENE FILM CAPACITOR
⊙	SEMICONDUCTIVE CERAMIC CAPACITOR
⊙	POLYPHENYLENE SULFIDE FILM CAPACITOR

REMARKS	PARTS NAME
NO MARK	CARBON FILM RESISTOR (P+5)
□	CARBON FILM RESISTOR (P-10)
△	METAL OXIDE FILM RESISTOR
▲	METAL FILM RESISTOR
■	METAL PLATE RESISTOR
■	FIRE PROOF CARBON FILM RESISTOR
■	CEMENT MOLDED RESISTOR
■	SEMI VARIABLE RESISTOR
■	CHIP RESISTOR

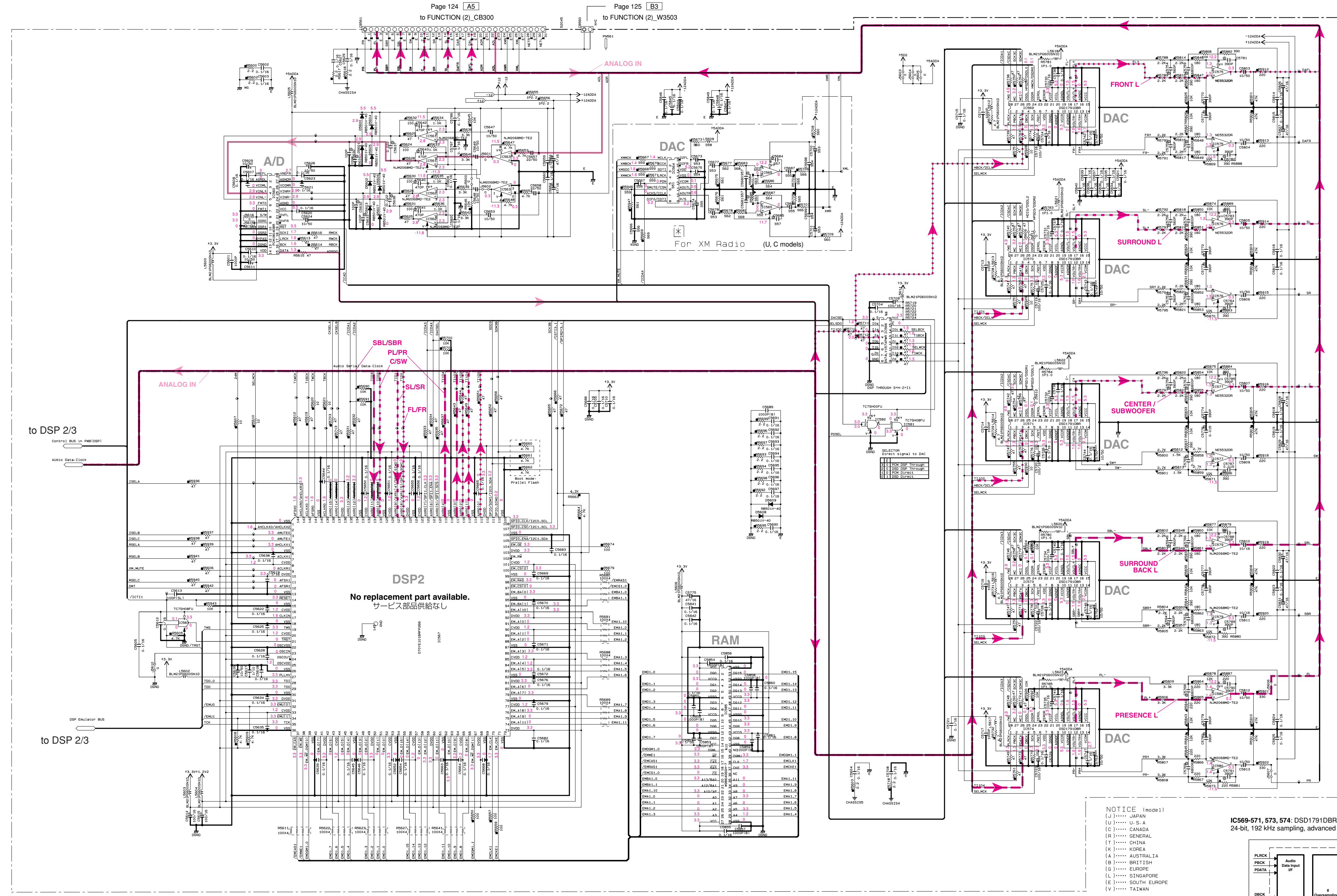


Destination Part List	Part No.	QTY	U-C	W	T	K	A	B	D	E	L
530	IC535	X	X706440								
531	IC536	X	PQ200WNA1ZPH								
532	IC537	X	W8964G6H-7								
533	IC538	X	U181510								
534	IC539	X	RD39847								
535	IC540	X	V133500								
536	IC541	X	HF39618								
537	IC542	X	HF39630								
538	IC543	X	RD39610								
539	IC544	X	HF39620								
540	IC545	X	RD39810								
541	IC546	X	V133500								
542	IC547	X	RD39618								
543	IC548	X	RD39610								

WRITTEN BY	BOOT and PROGRAM	PARTS NAME
X901940	X901740	X724840
		SERIAL16070FF102

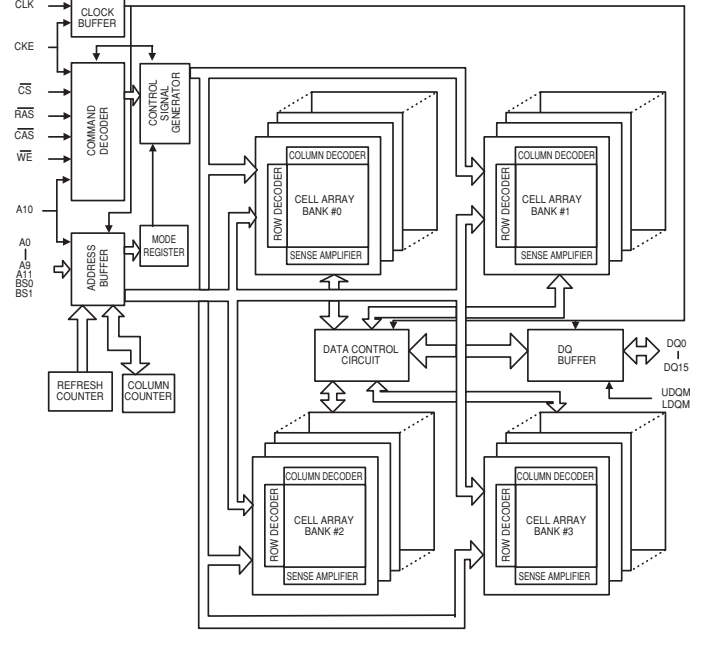


★ All voltages are measured with a 10MΩ/V DC electronic voltmeter.
 ★ Components having special characteristics are marked with a triangle, and must be replaced with parts having specifications equal to those originally installed.
 ★ Schematic diagram is subject to change without notice.
 ● 電圧は、内部抵抗10MΩの電圧計で測定したものです。
 ● 三角形印のある部品は、安全性確保部品を示しています。部品の交換が必要な場合、パーツリストに記載されている部品を使用してください。
 ● 本回路図は標準回路図です。改良のため予告なく変更することがございます。

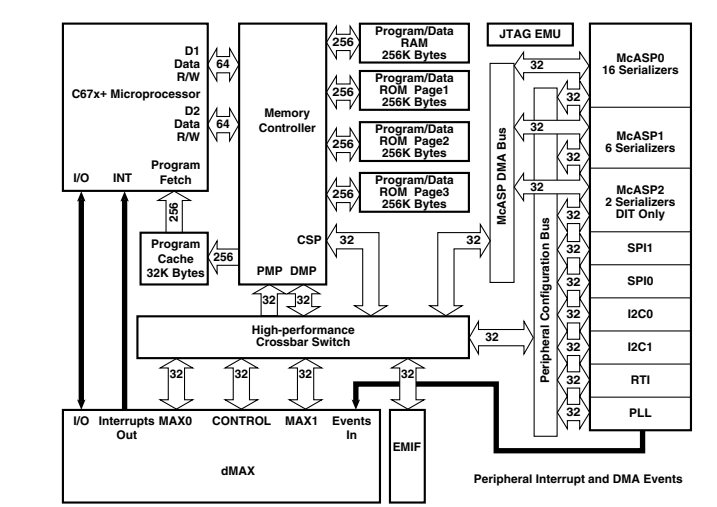


No replacement part available.
サービス部品供給なし

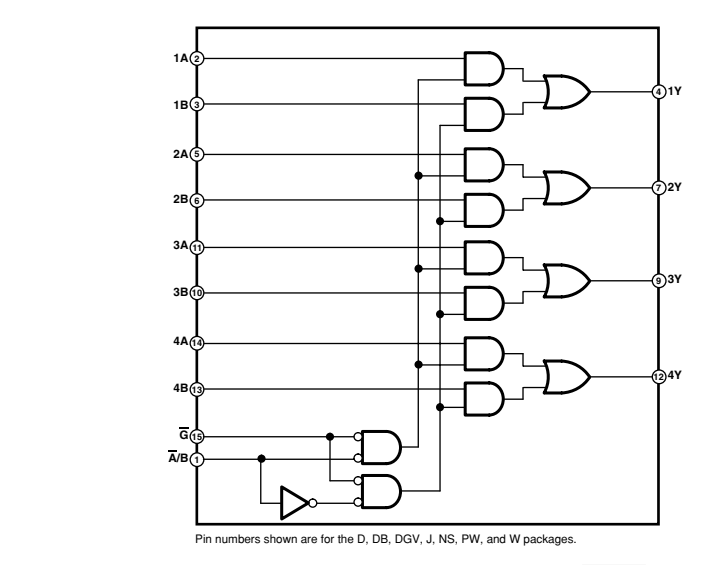
IC585: W9864G6H-7
64 M x 4 banks SDRAM



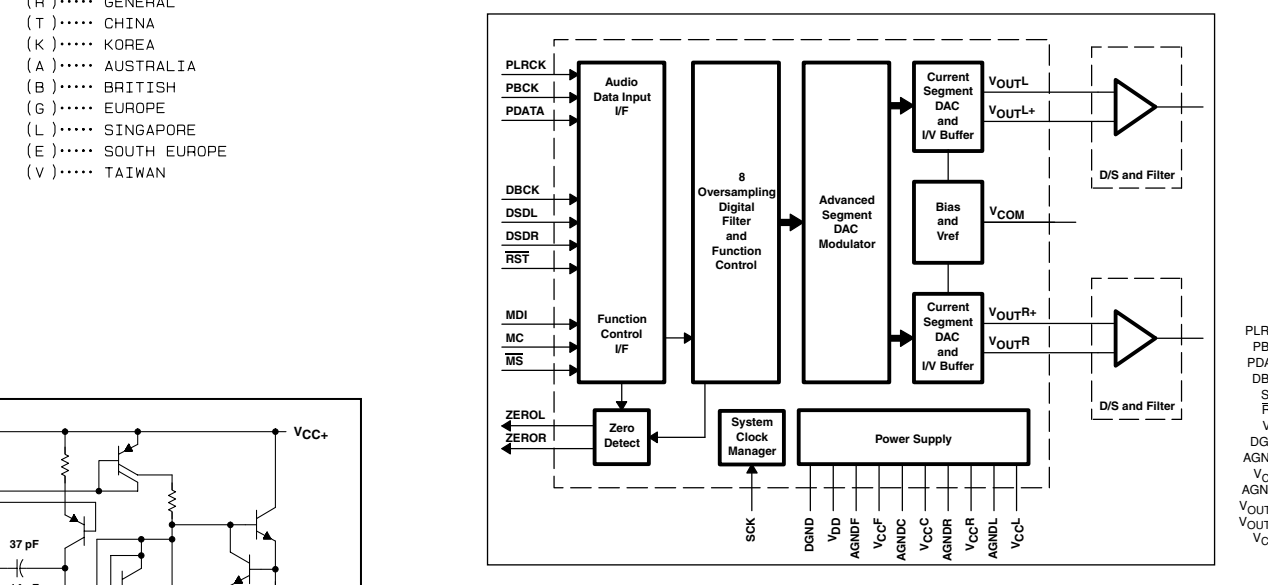
IC567: D70YE101BRFP266
Floating-point digital signal processors



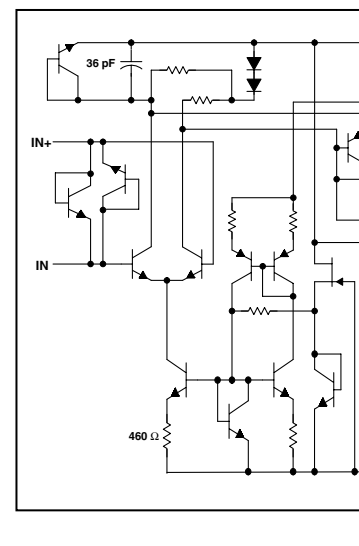
IC566: SN74LV157APWR
Quaduple 2-line to 1-line data selectors/multiplexers



IC569-571, 573, 574: DSD1791DBR
24-bit, 192 kHz sampling, advanced segment, audio stereo digital-to-analog converter



IC565, 575-577: NE5532DR
Dual low-noise operational amplifiers



Destination Part List

Part No.	LOC	U-C	Part No.	LOC	U-C
555	IC565	X	IC565	X	X
556	IC566	X	IC566	X	X
557	IC567	X	IC567	X	X
558	IC568	X	IC568	X	X

Destination Part List

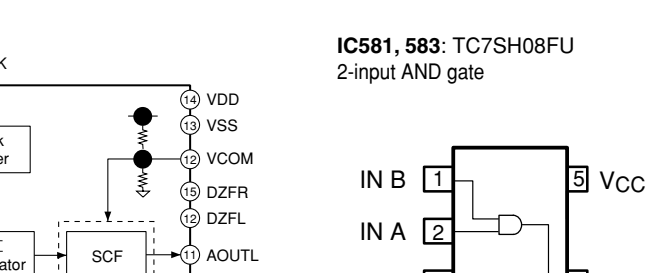
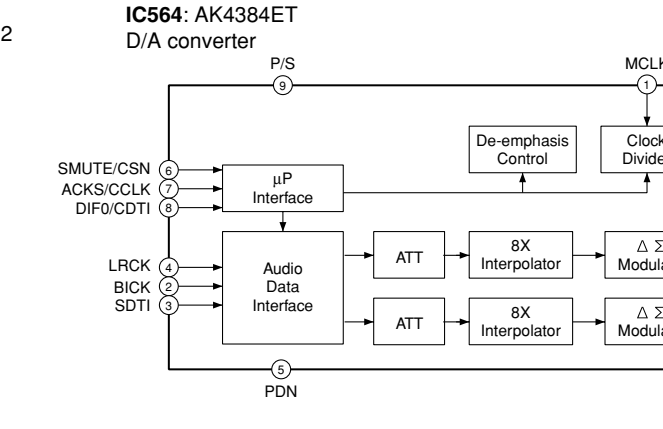
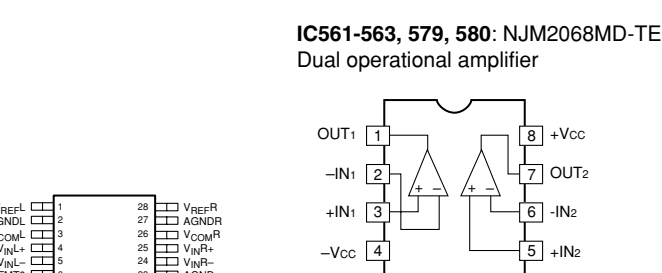
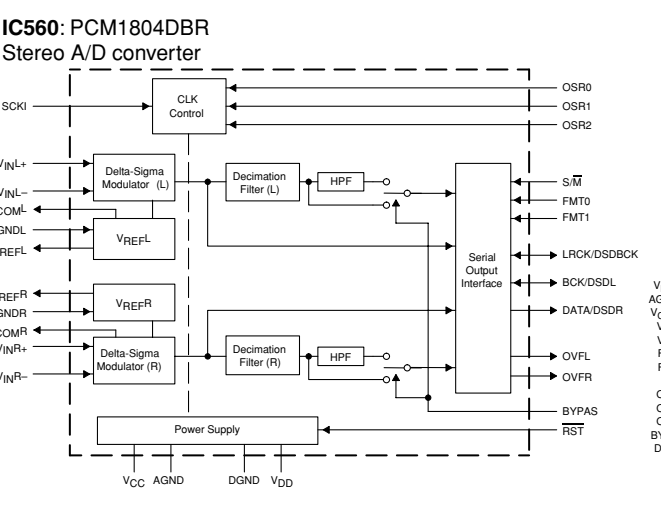
Part No.	LOC	U-C	Part No.	LOC	U-C
559	IC569	X	IC569	X	X
560	IC570	X	IC570	X	X
561	IC571	X	IC571	X	X
562	IC572	X	IC572	X	X

Destination Part List

Part No.	LOC	U-C	Part No.	LOC	U-C
563	IC573	X	IC573	X	X
564	IC574	X	IC574	X	X
565	IC575	X	IC575	X	X
566	IC576	X	IC576	X	X

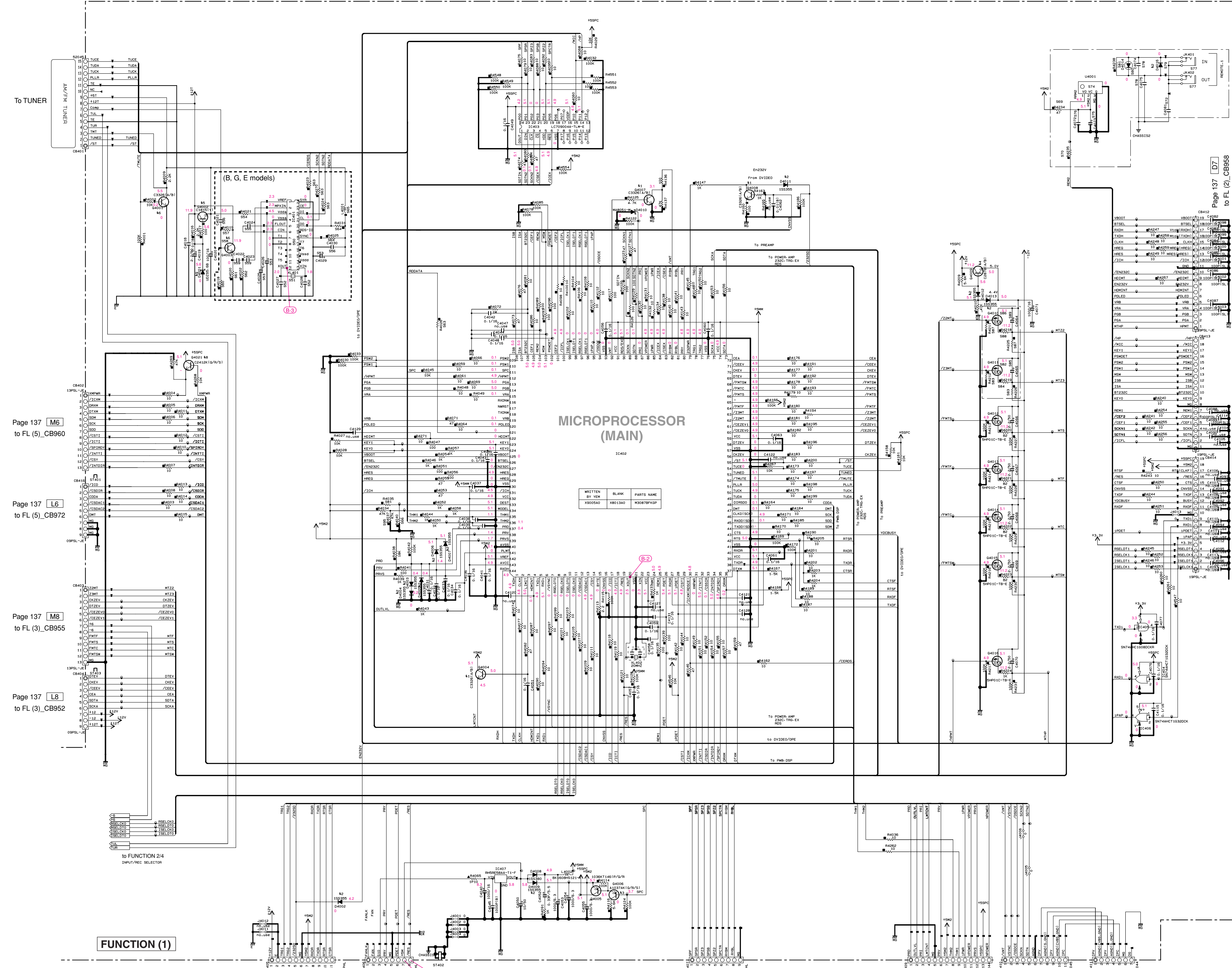
Destination Part List

Part No.	LOC	U-C	Part No.	LOC	U-C
567	IC577	X	IC577	X	X
568	IC578	X	IC578	X	X
569	IC579	X	IC579	X	X
570	IC580	X	IC580	X	X



★ All voltages are measured with a 10MΩ/V DC electronic voltmeter.
★ Components having special characteristics are marked with a triangle (▲) and must be replaced with parts having specifications equal to those originally installed.
● Schematic diagram is subject to change without notice.
● 電圧は、内部抵抗10MΩの電圧計で測定したものです。
● ▲印のある部品は、安全性確保部品を示しています。部品の交換が必要な場合、パーツリストに記載されている部品を使用してください。
● 本回路図は標準回路図です。改良のため予告なく変更することがございます。

FUNCTION 1/4



- NOTICE (note1)
- (J) JAPAN
 - (U) U.S.A
 - (C) CANADA
 - (R) GENERAL
 - (T) CHINA
 - (K) KOREA
 - (A) AUSTRALIA
 - (B) BRITISH
 - (G) EUROPE
 - (L) SINGAPORE
 - (E) SOUTH EUROPE
 - (V) TAIWAN

REMARKS	PARTS NAME	Interchangeable Parts at Manufacture Stage
NO MARK CARBON FILM RESISTOR (DPR)		Mark Reference Parts Number
⊗ CARBON FILM RESISTOR (DPR10)		Part Name
⊕ METAL OXIDE FILM RESISTOR		
⊙ METAL FILM RESISTOR		
⊖ METAL PLATE RESISTOR		
⊘ FINE PROOF CARBON FILM RESISTOR		
⊚ ELEMENT WOUND RESISTOR		
⊛ SEMI-VARIABLE RESISTOR		
⊜ CHIP RESISTOR		

REMARKS	PARTS NAME	Interchangeable Parts at Manufacture Stage
NO MARK ELECTROLYTIC CAPACITOR		Mark Reference Parts Number
⊗ TANTALUM CAPACITOR		Part Name
⊙ CERAMIC SUBSTRATE CAPACITOR		
⊕ POLYESTER FILM CAPACITOR		
⊖ POLYPROPYLENE FILM CAPACITOR		
⊘ MICA CAPACITOR		
⊚ POLYPROPYLENE FILM CAPACITOR		
⊛ SEMI-CONDUCTIVE CERAMIC CAPACITOR		
⊜ POLYETHYLENE SULFIDE FILM CAPACITOR		

Destination Part List		DSP-AX1800	RX-V1800	HTR-6190
100	IC401	X	X	X
101	KL401	X	X	X
102	CA208	X	X	X
103	CA207	X	X	X
104	CA209	X	X	X
105	CA210	X	X	X
106	RA119	X	X	X
107	RA120	X	X	X
108	RA121	X	X	X
109	RA122	X	X	X
110	RA123	X	X	X
111	RA124	X	X	X
112	RA125	X	X	X
113	RA126	X	X	X
114	RA127	X	X	X
115	RA128	X	X	X
116	RA129	X	X	X
117	RA130	X	X	X
118	RA131	X	X	X
119	RA132	X	X	X
120	RA133	X	X	X
121	RA134	X	X	X
122	RA135	X	X	X
123	RA136	X	X	X
124	RA137	X	X	X
125	RA138	X	X	X
126	RA139	X	X	X
127	RA140	X	X	X
128	RA141	X	X	X
129	RA142	X	X	X
130	RA143	X	X	X
131	RA144	X	X	X
132	RA145	X	X	X
133	RA146	X	X	X
134	RA147	X	X	X
135	RA148	X	X	X
136	RA149	X	X	X
137	RA150	X	X	X
138	RA151	X	X	X
139	RA152	X	X	X
140	RA153	X	X	X
141	RA154	X	X	X
142	RA155	X	X	X
143	RA156	X	X	X
144	RA157	X	X	X
145	RA158	X	X	X
146	RA159	X	X	X
147	RA160	X	X	X
148	RA161	X	X	X
149	RA162	X	X	X
150	RA163	X	X	X

Page 137 [M6] to FL (5)_CB960

Page 137 [L6] to FL (5)_CB972

Page 137 [M8] to FL (3)_CB955

Page 137 [L8] to FL (3)_CB952

FUNCTION (1)

Page 136 [M3] to FL (6)_W9501

Page 128 [I8] to POWER (4)_W1

Page 128 [E1] to POWER (3)_W9

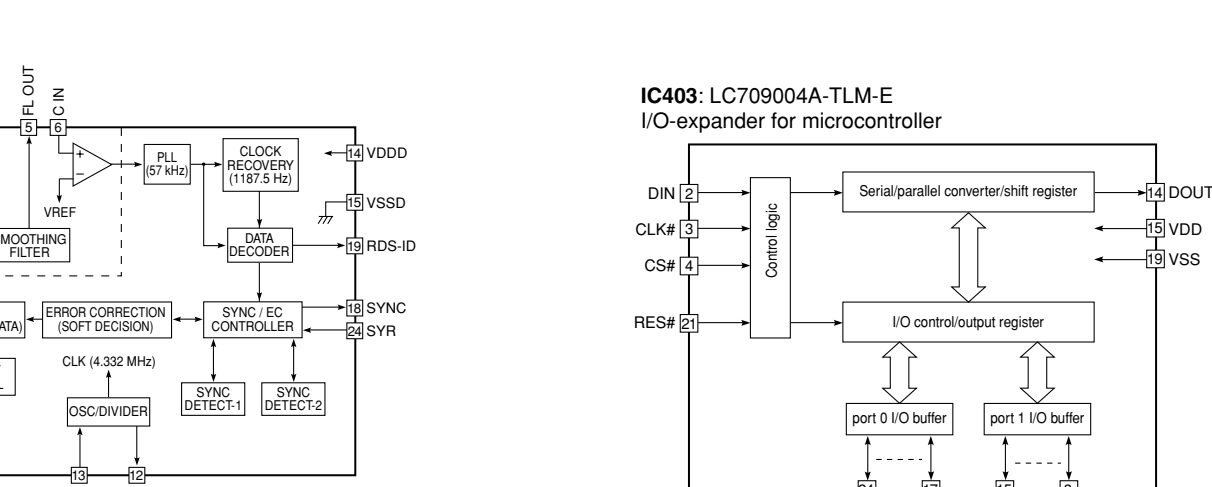
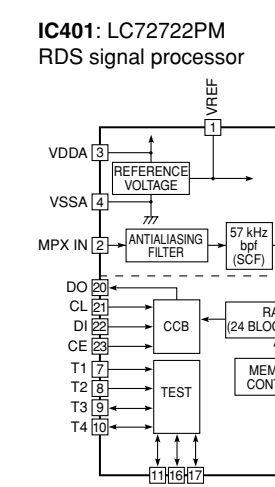
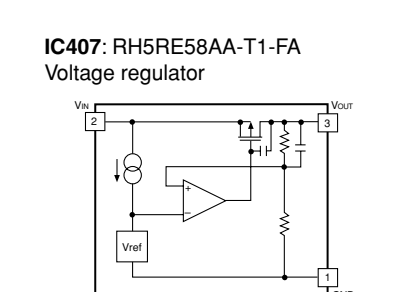
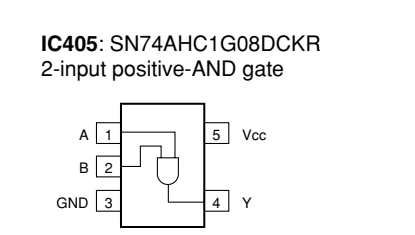
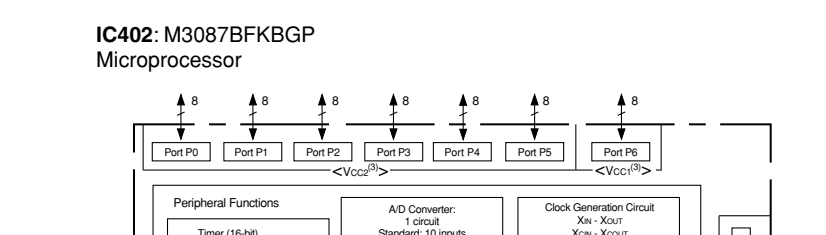
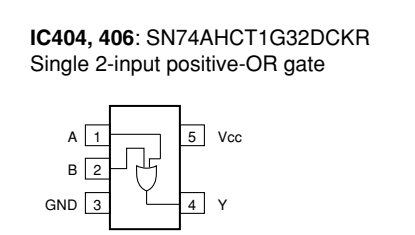
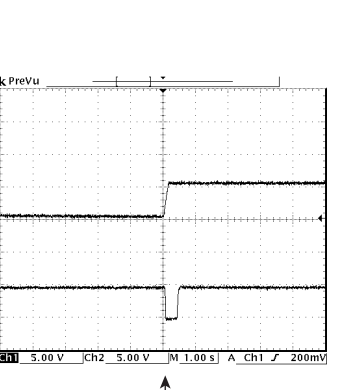
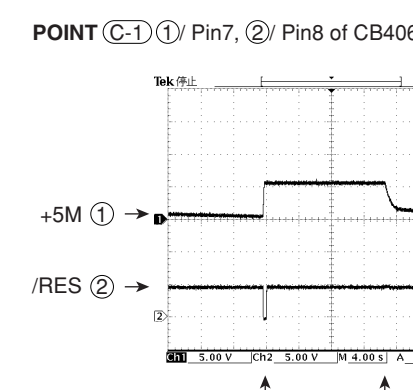
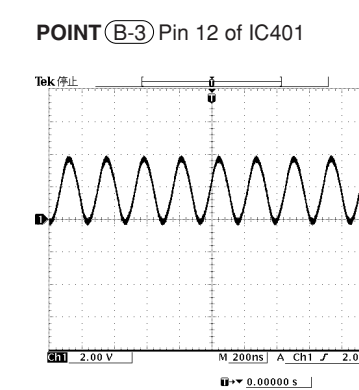
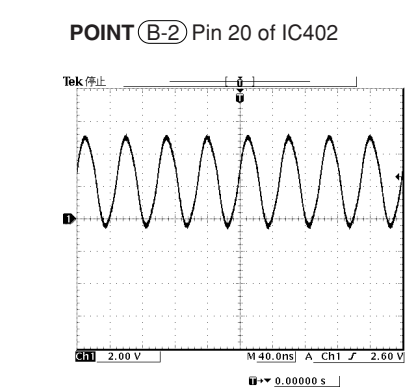
Page 128 [H7] to POWER (3)_CB18

Page 130 [J2] to A-VIDEO_CB203

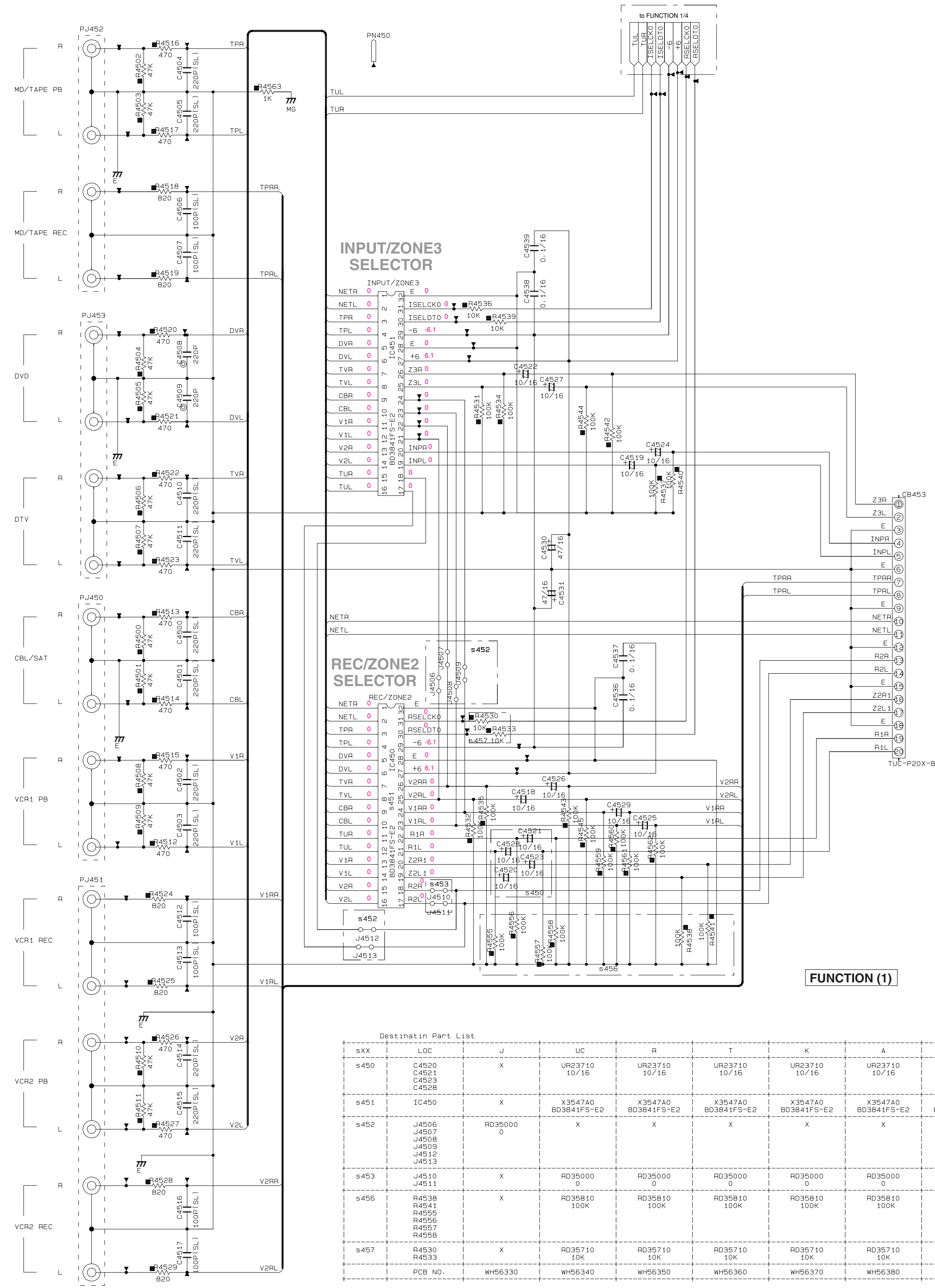
Page 119 [F1] to DSP_CB504

- ★ All voltages are measured with a 10M Ω /V DC electronic voltmeter.
- ★ Components having special characteristics are marked with Δ , and must be replaced with parts having specifications equal to those originally installed.
- ★ Schematic diagram is subject to change without notice.

- 電圧は、内部抵抗10M Ω の電圧計で測定したものです。
- Δ 印のある部品は、安全性確保部品を示しています。部品の交換が必要な場合、パーツリストに記載されている部品を使用してください。
- 本回路図は標準回路図です。改良のため予告なく変更することがございます。



FUNCTION 2/4



RESISTOR

REMARKS	PARTS NAME
NO MARK	CARBON FILM RESISTOR (P=5)
□	CARBON FILM RESISTOR (P=10)
△	METAL OXIDE FILM RESISTOR
▲	METAL FILM RESISTOR
▣	METAL PLATE RESISTOR
⊠	FIRE PROOF CARBON FILM RESISTOR
□	CEMENT MOLDED RESISTOR
⊙	SEMI VARIABLE RESISTOR
■	CHIP RESISTOR

CAPACITOR

REMARKS	PARTS NAME
NO MARK	ELECTROLYTIC CAPACITOR
⊗	TANTALUM CAPACITOR
NO MARK	CERAMIC CAPACITOR
●	CERAMIC TUBULAR CAPACITOR
⊙	POLYESTER FILM CAPACITOR
○	POLYSTYRENE FILM CAPACITOR
⊖	MICA CAPACITOR
⊕	POLYPROPYLENE FILM CAPACITOR
⊗	SEMICONDUCTIVE CERAMIC CAPACITOR
⊙	POLYPHENYLENE SULFIDE FILM CAPACITOR

NOTICE (model)

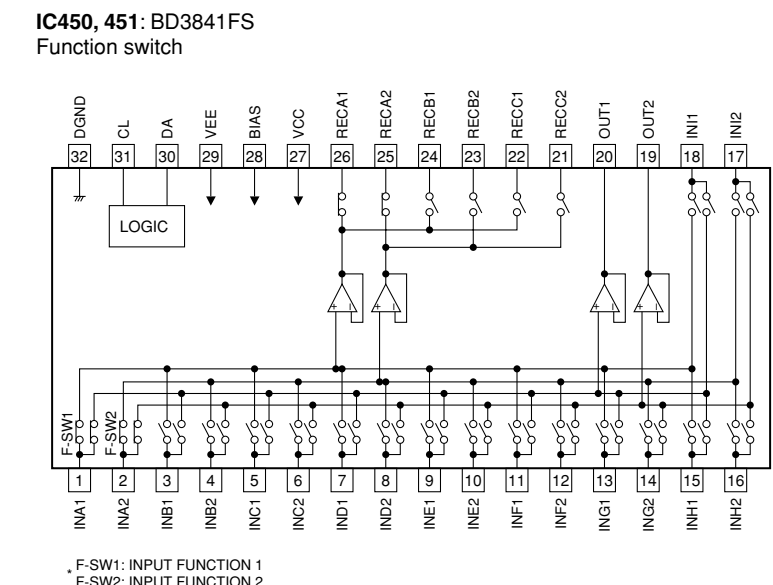
(J)..... JAPAN
 (U)..... U. S. A
 (C)..... CANADA
 (R)..... GENERAL
 (T)..... CHINA
 (K)..... KOREA
 (A)..... AUSTRALIA
 (B)..... BRITISH
 (G)..... EUROPE
 (L)..... SINGAPORE
 (E)..... SOUTH EUROPE
 (V)..... TAIWAN

Page 137 [M2] to FL (4)_CB965

FUNCTION (1)

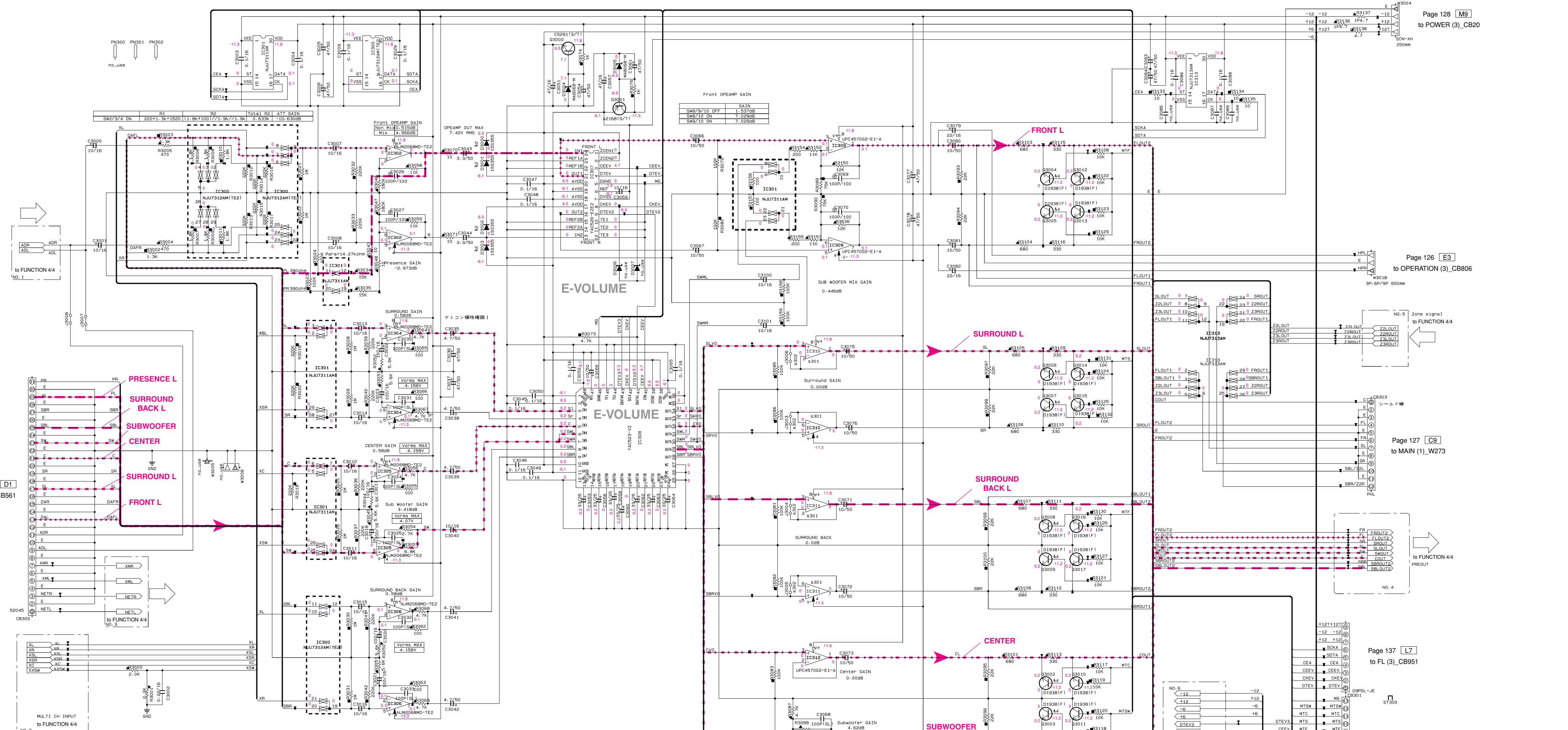
Destination Part List

Part No.	Part Name	J	UC	R	T	K	A	BGE	L	Notes
s450	C4520 C4521 C4523 C4526	X	UR23710 10/16	UR23710 10/16	UR23710 10/16	UR23710 10/16	UR23710 10/16	UR23710 10/16	UR23710 10/16	
s451	IC450	X	X3547A0 BD3841FS-E2	X3547A0 BD3841FS-E2	X3547A0 BD3841FS-E2	X3547A0 BD3841FS-E2	X3547A0 BD3841FS-E2	X3547A0 BD3841FS-E2	X3547A0 BD3841FS-E2	J: Different selector composition
s452	J4506 J4507 J4508 J4509 J4512 J4513		RD35000 0	X	X	X	X	X	X	
s453	J4510 J4511	X	RD35000 0	RD35000 0	RD35000 0	RD35000 0	RD35000 0	RD35000 0	RD35000 0	
s455	R4538 R4541 R4555 R4556 R4557 R4558	X	RD35810 100K	RD35810 100K	RD35810 100K	RD35810 100K	RD35810 100K	RD35810 100K	RD35810 100K	
s457	R4530 R4533	X	RD35710 10K	RD35710 10K	RD35710 10K	RD35710 10K	RD35710 10K	RD35710 10K	RD35710 10K	
PCB NO.		WH56330	WH56340	WH56350	WH56360	WH56370	WH56380	WH56390	WH56400	



★ All voltages are measured with a 10MΩ/V DC electronic voltmeter.
 ★ Components having special characteristics are marked with a triangle (▲) and must be replaced with parts having specifications equal to those originally installed.
 ★ Schematic diagram is subject to change without notice.
 ● 電圧は、内部抵抗10MΩの電圧計で測定したものです。
 ● ▲印のある部品は、安全性確保部品を示しています。部品の交換が必要な場合、パーツリストに記載されている部品を使用してください。
 ● 本回路図は標準回路図です。改良のため予告なく変更することがございます。

FUNCTION 3/4



Page 128 [M9] to POWER (3)_CB20

Page 126 [E3] to OPERATION (3)_CB806

Page 127 [C9] to MAIN (1)_W273

Page 137 [L7] to FL (3)_CB951

Page 137 [M7] to FL (3)_CB956

Destination Part List	U	J	UC	R	T	K	A	BOE	L
s301 IC310	X								
IC311	X								
J3003	X								
J3004	X								
J3005	X								
J3006	X								

REMARKS	PARTS NAME
NO MARK	CARBON FILM RESISTOR (P=5)
☑	CARBON FILM RESISTOR (P=10)
☐	METAL OXIDE FILM RESISTOR
☒	METAL FILM RESISTOR
☓	METAL PLATE RESISTOR
☔	FIRE PROOF CARBON FILM RESISTOR
☕	CEMENT MOLDED RESISTOR
☖	SEMI VARIABLE RESISTOR
☗	CHIP RESISTOR

REMARKS	PARTS NAME
NO MARK	ELECTROLYTIC CAPACITOR
☒	TANTALUM CAPACITOR
NO MARK	CERAMIC CAPACITOR
☐	CERAMIC TUBULAR CAPACITOR
☑	POLYESTER FILM CAPACITOR
☒	POLYETHYLENE FILM CAPACITOR
☑	MICA CAPACITOR
☑	POLYPROPYLENE FILM CAPACITOR
☑	SEMICONDUCTIVE CERAMIC CAPACITOR
☑	POLYPHENYLENE SULFIDE FILM CAPACITOR

NOTICE (mode1)
 (J)..... JAPAN
 (U)..... U.S.A
 (C)..... CANADA
 (R)..... GENERAL
 (T)..... CHINA
 (K)..... KOREA
 (A)..... AUSTRALIA
 (B)..... BRITISH
 (G)..... EUROPE
 (L)..... SINGAPORE
 (E)..... SOUTH EUROPE
 (V)..... TAIWAN

FUNCTION (2)

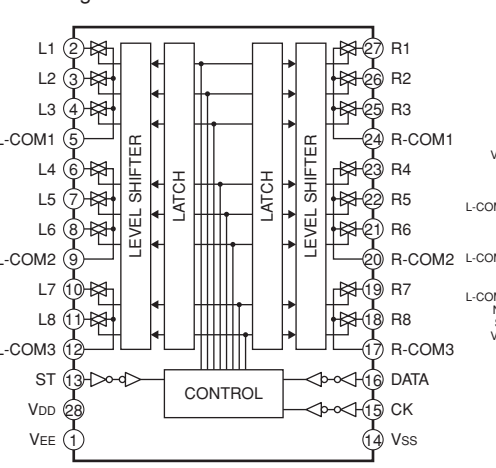
設計値	TOTAL 1498	定数計算値	TOTAL	
FRONT	0.0	12.5	1.5	14.0
CENTER	0.0	14.0	0.0	14.0
SURROUND	0.0	14.0	0.0	14.0
SURROUND BACK	0.0	14.0	0.0	14.0
SUB WOOFER	3.0	6.2	4.5	14.0
ZONE2 & ZONE3	0.0	14.0	0.0	14.0

設計値	TOTAL 1498	定数計算値	TOTAL	
FRONT	0.915	12.5	1.537	14.952
CENTER	0.984	14.0	0.0	14.964
SURROUND	0.984	14.0	0.0	14.964
SURROUND BACK	0.984	14.0	0.0	14.964
SUB WOOFER	3.418	6.5	4.933	14.937
ZONE2 & ZONE3	0.0	14.0	0.0	14.000

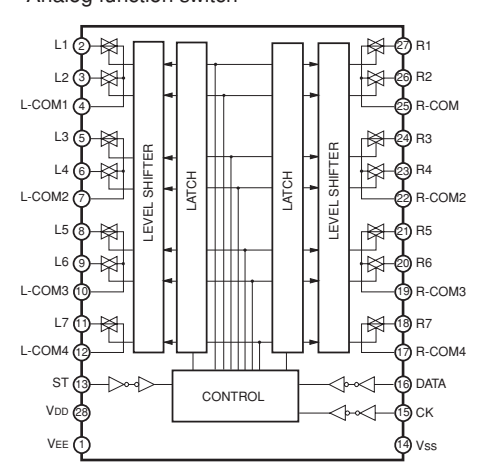
★ All voltages are measured with a 10MΩ/V DC electronic voltmeter.
 ★ Components having special characteristics are marked with a triangle and must be replaced with parts having specifications equal to those originally installed.
 ★ Schematic diagram is subject to change without notice.

● 電圧は、内部抵抗10MΩの電圧計で測定したものです。
 ● 1印のある部品は、安全性確保部品を示しています。部品の交換が必要な場合、パーツリストに記載されている部品を使用してください。
 ● 本回路図は標準回路図です。改良のため予告なく変更することがございます。

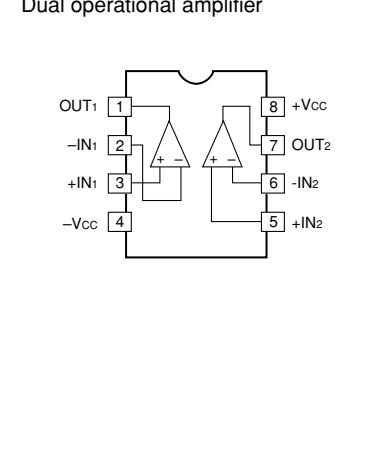
IC300: NJU7312AM Analog function switch



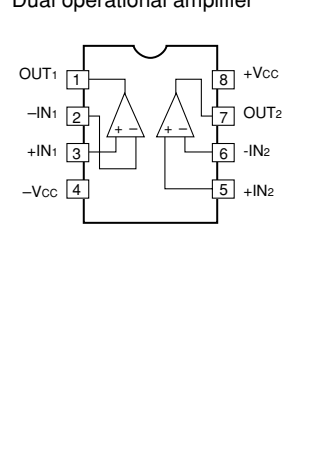
IC301: NJU7311AM Analog function switch



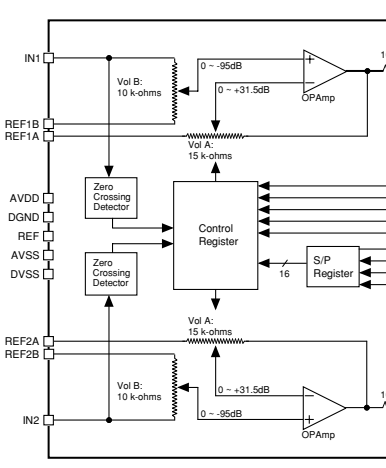
IC302, 304-306: NJM2068MD-TE2 Dual operational amplifier



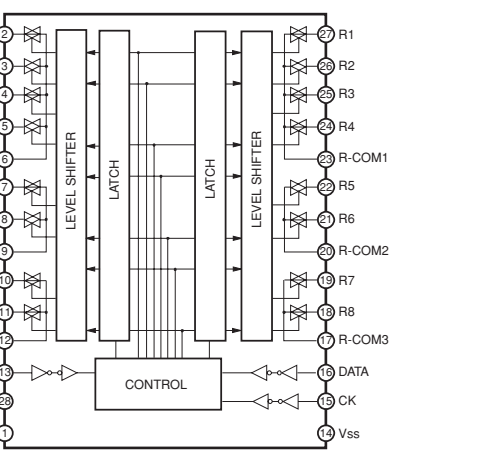
IC309-312: UPC4570G2-E1-A Dual operational amplifier



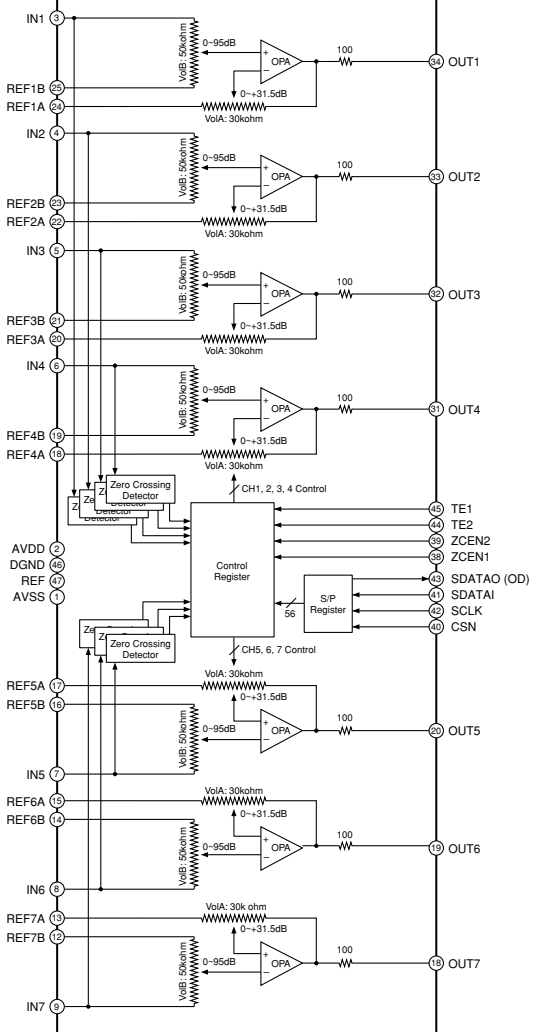
IC308: YAC526-EZE2 2-channel high grade digital volume LSI



IC313: NJU7313AM Analog function switch

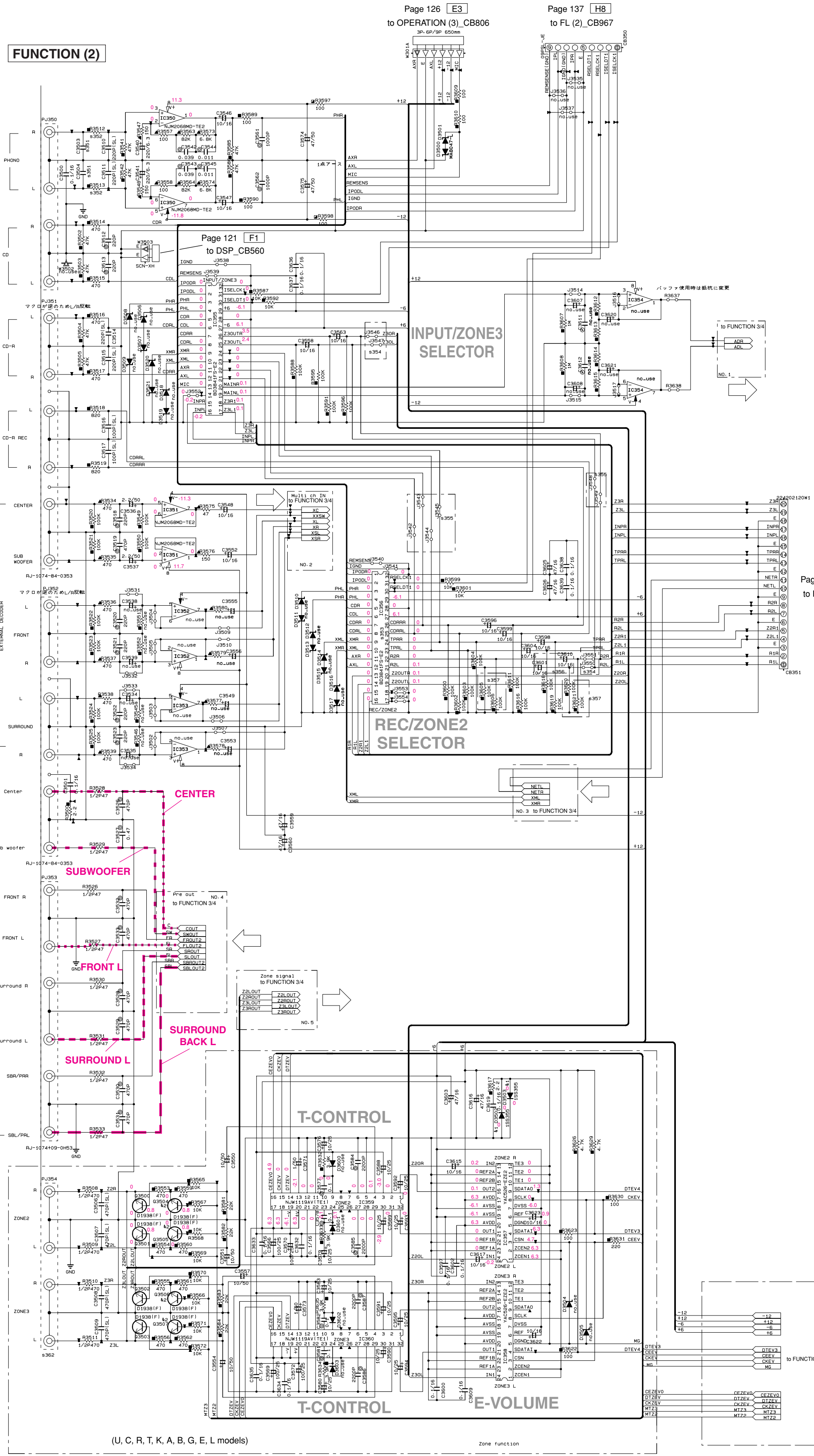


IC308: YAC523-EVR2 Digital volume



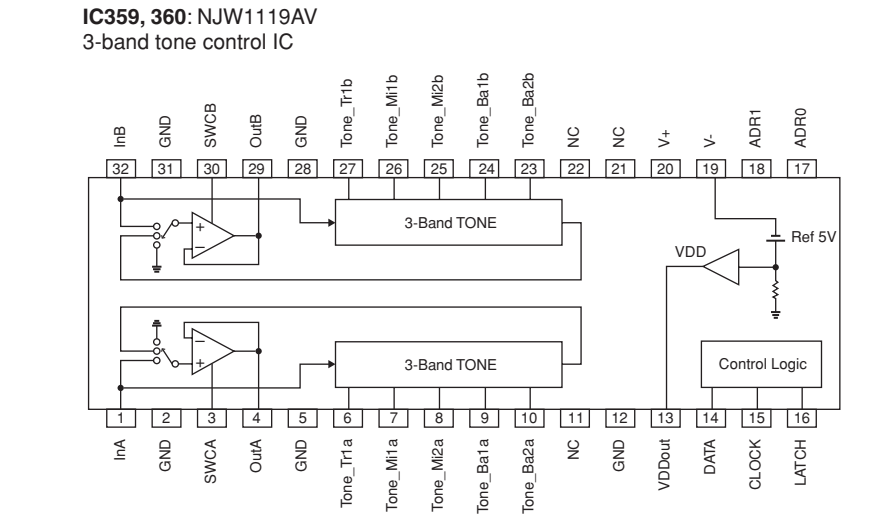
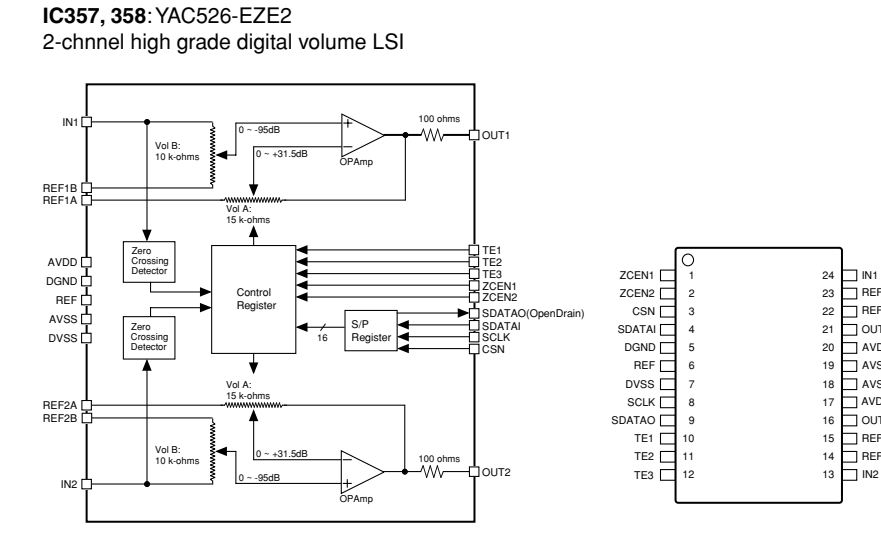
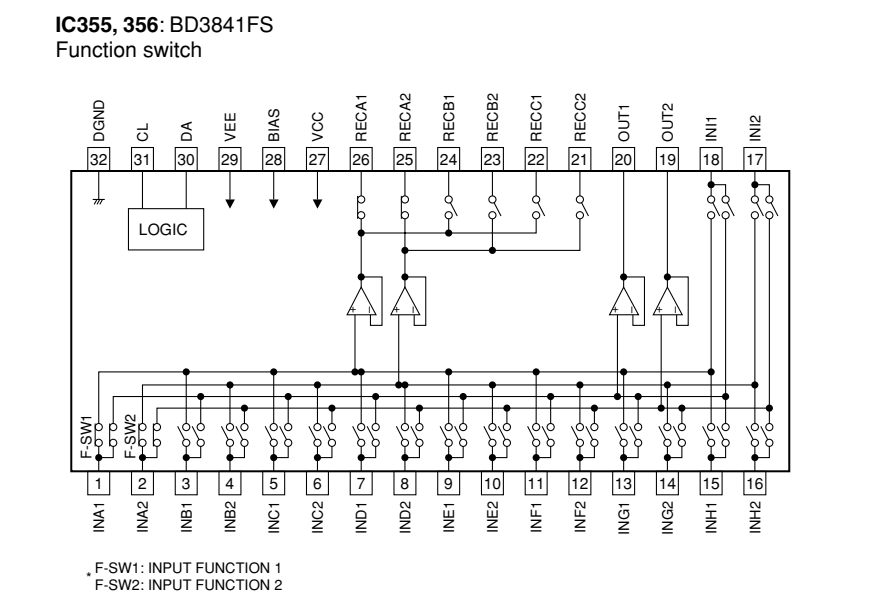
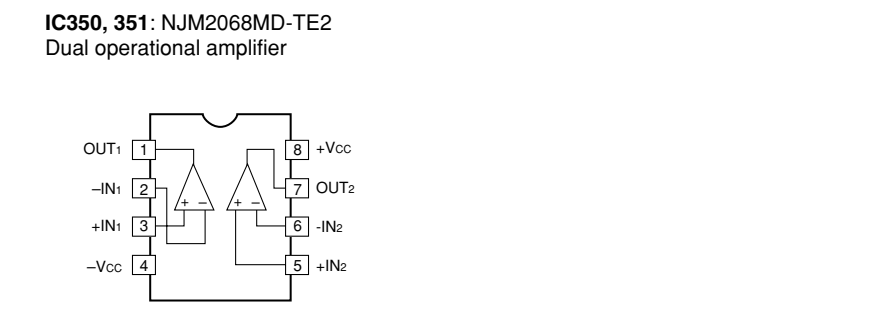
FUNCTION 4/4

FUNCTION (2)



Destination Part List

QTY	LOC	UC	R	T	X	Z	80K	L	REMARKS
391	UC303	X	UR6222	220P	UR6222	220P	UR6222	220P	countermeasure
392	RS14	RS3647	47	RS3647	47	RS3647	47	RS3647	
393	IC356	X	RD3847F-E2	RD3847F-E2	RD3847F-E2	RD3847F-E2	RD3847F-E2	RD3847F-E2	if different select part composition
394	J354E	X	RD39000	0	RD39000	0	RD39000	0	
395	J354E	RD39000	X	X	X	X	X	X	
396	CB10	X	UR29710	10/16	UR29710	10/16	UR29710	10/16	zone function
397	CB10	X	UR29710	10/16	UR29710	10/16	UR29710	10/16	
398	CB10	X	UR29710	10/16	UR29710	10/16	UR29710	10/16	
399	CB10	X	UR29710	10/16	UR29710	10/16	UR29710	10/16	
400	CB10	X	UR29710	10/16	UR29710	10/16	UR29710	10/16	
401	CB10	X	UR29710	10/16	UR29710	10/16	UR29710	10/16	
402	CB10	X	UR29710	10/16	UR29710	10/16	UR29710	10/16	
403	CB10	X	UR29710	10/16	UR29710	10/16	UR29710	10/16	
404	CB10	X	UR29710	10/16	UR29710	10/16	UR29710	10/16	
405	CB10	X	UR29710	10/16	UR29710	10/16	UR29710	10/16	
406	CB10	X	UR29710	10/16	UR29710	10/16	UR29710	10/16	
407	CB10	X	UR29710	10/16	UR29710	10/16	UR29710	10/16	
408	CB10	X	UR29710	10/16	UR29710	10/16	UR29710	10/16	
409	CB10	X	UR29710	10/16	UR29710	10/16	UR29710	10/16	
410	CB10	X	UR29710	10/16	UR29710	10/16	UR29710	10/16	
411	CB10	X	UR29710	10/16	UR29710	10/16	UR29710	10/16	
412	CB10	X	UR29710	10/16	UR29710	10/16	UR29710	10/16	
413	CB10	X	UR29710	10/16	UR29710	10/16	UR29710	10/16	
414	CB10	X	UR29710	10/16	UR29710	10/16	UR29710	10/16	
415	CB10	X	UR29710	10/16	UR29710	10/16	UR29710	10/16	
416	CB10	X	UR29710	10/16	UR29710	10/16	UR29710	10/16	
417	CB10	X	UR29710	10/16	UR29710	10/16	UR29710	10/16	
418	CB10	X	UR29710	10/16	UR29710	10/16	UR29710	10/16	
419	CB10	X	UR29710	10/16	UR29710	10/16	UR29710	10/16	
420	CB10	X	UR29710	10/16	UR29710	10/16	UR29710	10/16	
421	CB10	X	UR29710	10/16	UR29710	10/16	UR29710	10/16	
422	CB10	X	UR29710	10/16	UR29710	10/16	UR29710	10/16	
423	CB10	X	UR29710	10/16	UR29710	10/16	UR29710	10/16	
424	CB10	X	UR29710	10/16	UR29710	10/16	UR29710	10/16	
425	CB10	X	UR29710	10/16	UR29710	10/16	UR29710	10/16	
426	CB10	X	UR29710	10/16	UR29710	10/16	UR29710	10/16	
427	CB10	X	UR29710	10/16	UR29710	10/16	UR29710	10/16	
428	CB10	X	UR29710	10/16	UR29710	10/16	UR29710	10/16	
429	CB10	X	UR29710	10/16	UR29710	10/16	UR29710	10/16	
430	CB10	X	UR29710	10/16	UR29710	10/16	UR29710	10/16	
431	CB10	X	UR29710	10/16	UR29710	10/16	UR29710	10/16	
432	CB10	X	UR29710	10/16	UR29710	10/16	UR29710	10/16	
433	CB10	X	UR29710	10/16	UR29710	10/16	UR29710	10/16	
434	CB10	X	UR29710	10/16	UR29710	10/16	UR29710	10/16	
435	CB10	X	UR29710	10/16	UR29710	10/16	UR29710	10/16	
436	CB10	X	UR29710	10/16	UR29710	10/16	UR29710	10/16	
437	CB10	X	UR29710	10/16	UR29710	10/16	UR29710	10/16	
438	CB10	X	UR29710	10/16	UR29710	10/16	UR29710	10/16	
439	CB10	X	UR29710	10/16	UR29710	10/16	UR29710	10/16	
440	CB10	X	UR29710	10/16	UR29710	10/16	UR29710	10/16	
441	CB10	X	UR29710	10/16	UR29710	10/16	UR29710	10/16	
442	CB10	X	UR29710	10/16	UR29710	10/16	UR29710	10/16	
443	CB10	X	UR29710	10/16	UR29710	10/16	UR29710	10/16	
444	CB10	X	UR29710	10/16	UR29710	10/16	UR29710	10/16	
445	CB10	X	UR29710	10/16	UR29710	10/16	UR29710	10/16	
446	CB10	X	UR29710	10/16	UR29710	10/16	UR29710	10/16	
447	CB10	X	UR29710	10/16	UR29710	10/16	UR29710	10/16	
448	CB10	X	UR29710	10/16	UR29710	10/16	UR29710	10/16	
449	CB10	X	UR29710	10/16	UR29710	10/16	UR29710	10/16	
450	CB10	X	UR29710	10/16	UR29710	10/16	UR29710	10/16	



NOTICE (model)

- (J)..... JAPAN
- (U)..... U.S.A
- (C)..... CANADA
- (R)..... GENERAL
- (T)..... CHINA
- (K)..... KOREA
- (A)..... AUSTRALIA
- (B)..... BRITISH
- (G)..... EUROPE
- (L)..... SINGAPORE
- (E)..... SOUTH EUROPE
- (V)..... TAIWAN

RESISTOR

REMARKS	PARTS NAME
NO MARK	CARBON FILM RESISTOR (P=0)
□	CARBON FILM RESISTOR (P=1)
△	METAL OXIDE FILM RESISTOR
◇	METAL FILM RESISTOR
○	METAL PLATE RESISTOR
■	FIRE PROOF CARBON FILM RESISTOR
●	CEMENT MOLDED RESISTOR
◎	SEMI VARIABLE RESISTOR
⊗	CHIP RESISTOR

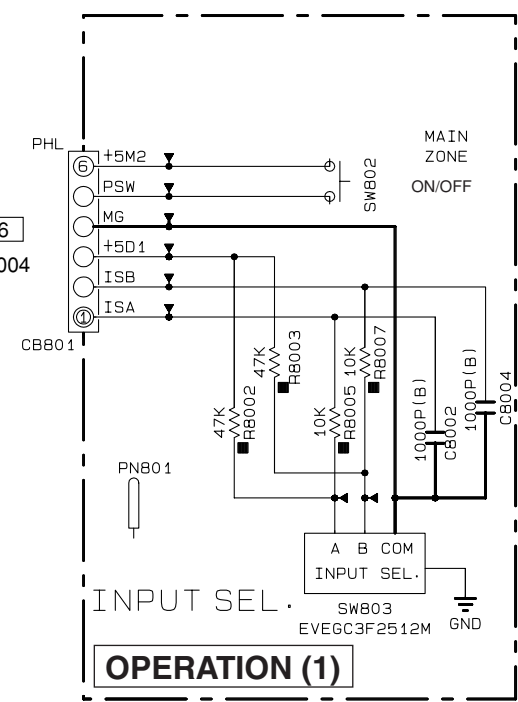
CAPACITOR

REMARKS	PARTS NAME
NO MARK	ELECTROLYTIC CAPACITOR
⊕	TANTALUM CAPACITOR
⊖	CERAMIC CAPACITOR
⊙	CERAMIC TUBULAR CAPACITOR
○	POLYESTER FILM CAPACITOR
◇	POLYSTYRENE FILM CAPACITOR
□	MICA CAPACITOR
◇	POLYPROPYLENE FILM CAPACITOR
●	SEMICONDUCTIVE CERAMIC CAPACITOR
◎	POLYPROPYLENE SULFIDE FILM CAPACITOR

* All voltages are measured with a 10MΩ/V DC electronic voltmeter.
 * Components having special characteristics are marked ⊕ and must be replaced with parts having specifications equal to those originally installed.
 * Schematic diagram is subject to change without notice.
 ● 電圧は、内部抵抗10MΩの電圧計で測定したものです。
 ⊕印のある部品は、安全確保部品を示しています。部品の交換が必要な場合、パーツリストに記載されている部品を使用してください。
 ● 本回路図は標準回路図です。改良のため予告なく変更することがございます。

OPERATION

Page 136 [J6]
to FL (1)_W9004



Page 119 [F1]
to DSP_W5001

Page 125 [D1]
to FUNCTION (2)_W301A

Page 124 [M3]
to FUNCTION (2)_W301B

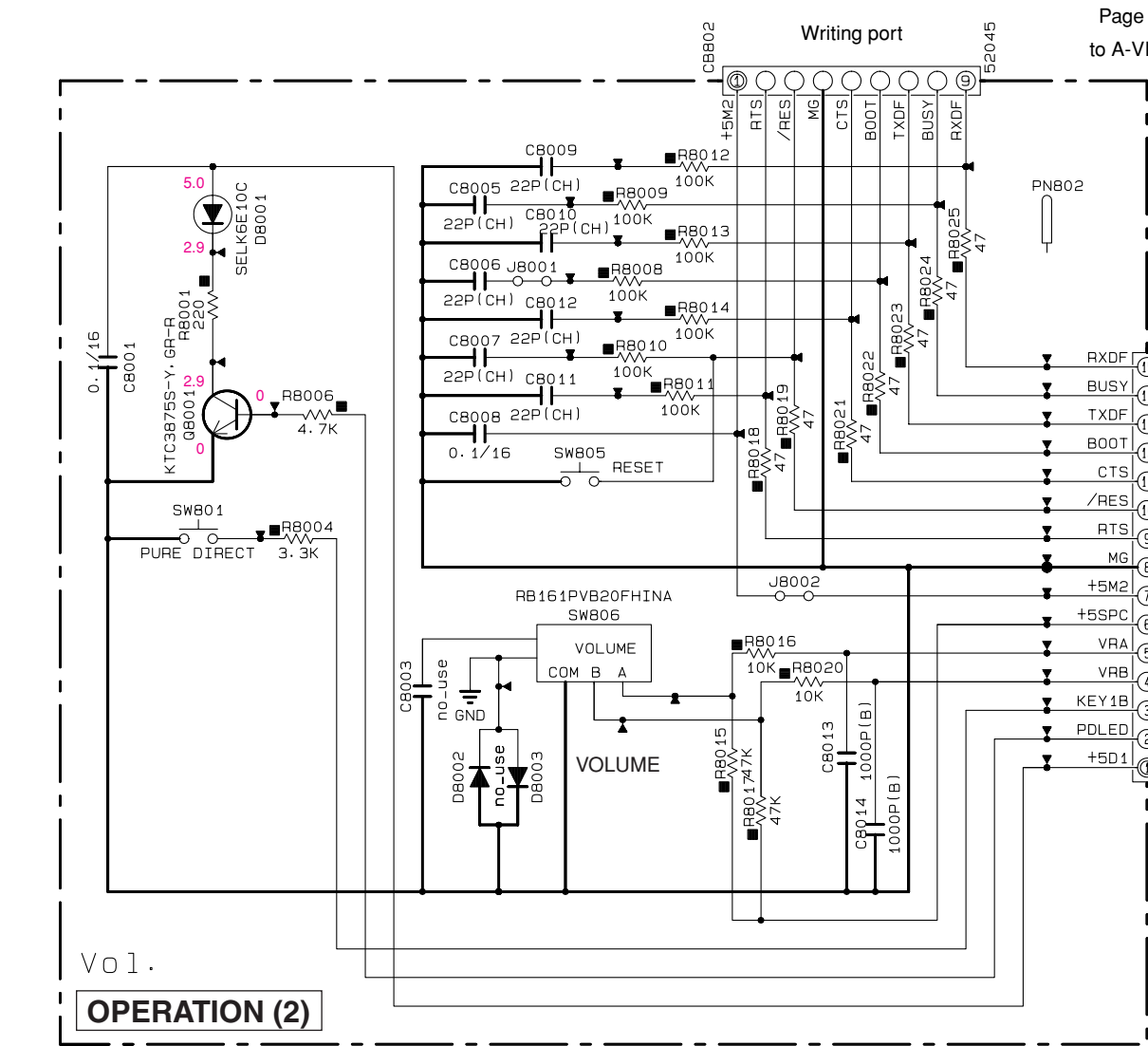
Page 130 [C2]
to A-VIDEO_W2002

Page 137 [K3]
to FL (2)_CB971

Page 136 [J4]
to FL (1)_W9002

Page 136 [E8]
to OPERATION (3)_CB804

Page 136 [J6]
to FL (1)_W9003



Interchangeable Parts at Manufacture-Stage

Mark	Reference Parts Number	Parts Name
k1	0B002-8003	2S01938(F)
		2S03326(A/B)
		2S03938(A1A/B)
k2	0B004-8008-8010	1S5355
		MA2-11100L
k3	UB001	GP1FA513RZ0F
		GP1FA512RZ

Destination Part List			
sXX	LOC	J	UCRTKABGEL
s1	CB039	U513510	X
s2	UB005	X	RD35000

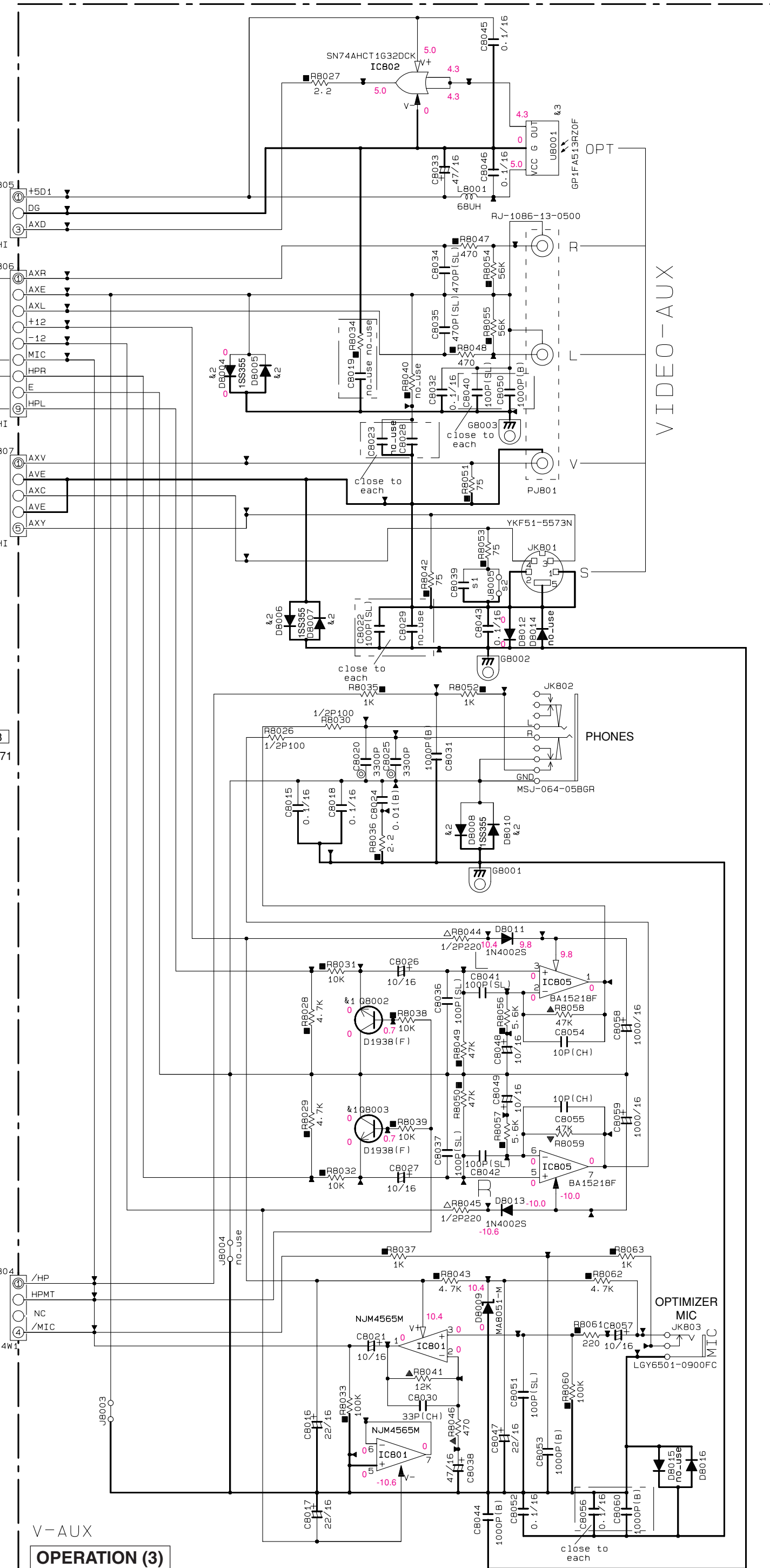
NOTICE (model)

- (J)..... JAPAN
- (U)..... U. S. A
- (C)..... CANADA
- (R)..... GENERAL
- (T)..... CHINA
- (K)..... KOREA
- (A)..... AUSTRALIA
- (B)..... BRITISH
- (G)..... EUROPE
- (L)..... SINGAPORE
- (E)..... SOUTH EUROPE
- (V)..... TAIWAN

Page 136 [J4]
to FL (1)_W9002

Page 136 [E8]
to OPERATION (3)_CB804

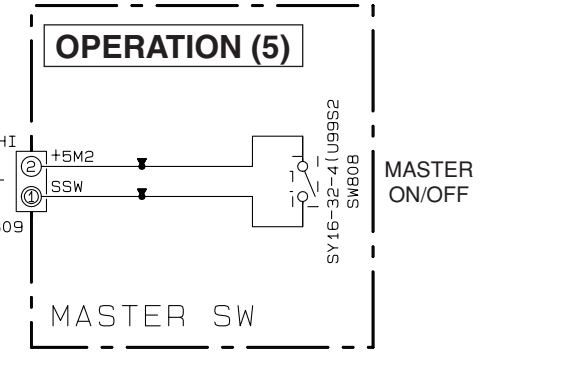
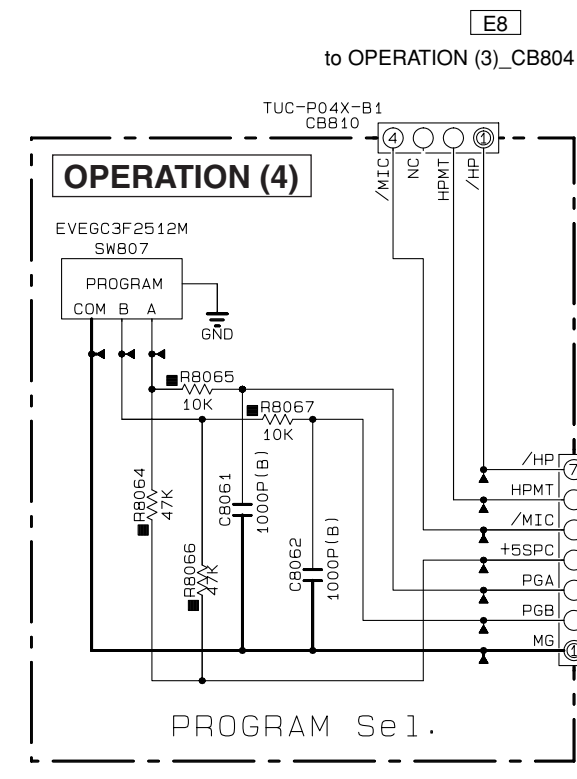
Page 136 [J6]
to FL (1)_W9003



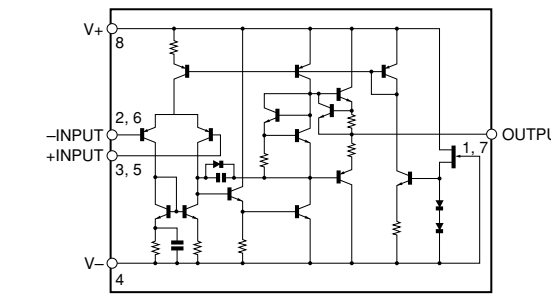
REMARKS	PARTS NAME
NO MARK	CARBON FILM RESISTOR (P=5)
□	CARBON FILM RESISTOR (P=10)
△	METAL OXIDE FILM RESISTOR
▲	METAL FILM RESISTOR
⊠	METAL PLATE RESISTOR
■	FIRE PROOF CARBON FILM RESISTOR
□	CEMENT MOLDED RESISTOR
⊕	SEMI VARIABLE RESISTOR
■	CHIP RESISTOR

REMARKS	PARTS NAME
NO MARK	ELECTROLYTIC CAPACITOR
⊗	TANTALUM CAPACITOR
NO MARK	CERAMIC CAPACITOR
●	CERAMIC TUBULAR CAPACITOR
○	POLYESTER FILM CAPACITOR
○	POLYSTYRENE FILM CAPACITOR
○	MICA CAPACITOR
○	POLYPROPYLENE FILM CAPACITOR
○	SEMICONDUCTIVE CERAMIC CAPACITOR

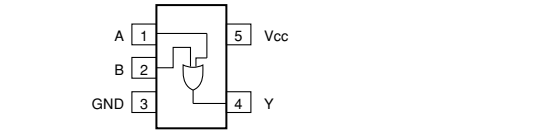
IMPLEMENTATION:
INPUT SELECTOR
VOLUME
VIDEO-AUX
HEAD PHONE AMP
MIC AMP
PROGRAM SELECTOR
MASTER SWITCH



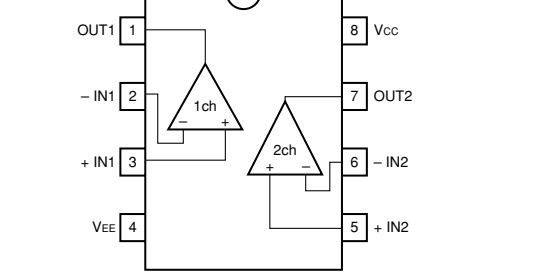
IC801: NJM4558M
Dual operational amplifier



IC802: SN74AHC1G32DCKR
Single 2-input positive-OR gate

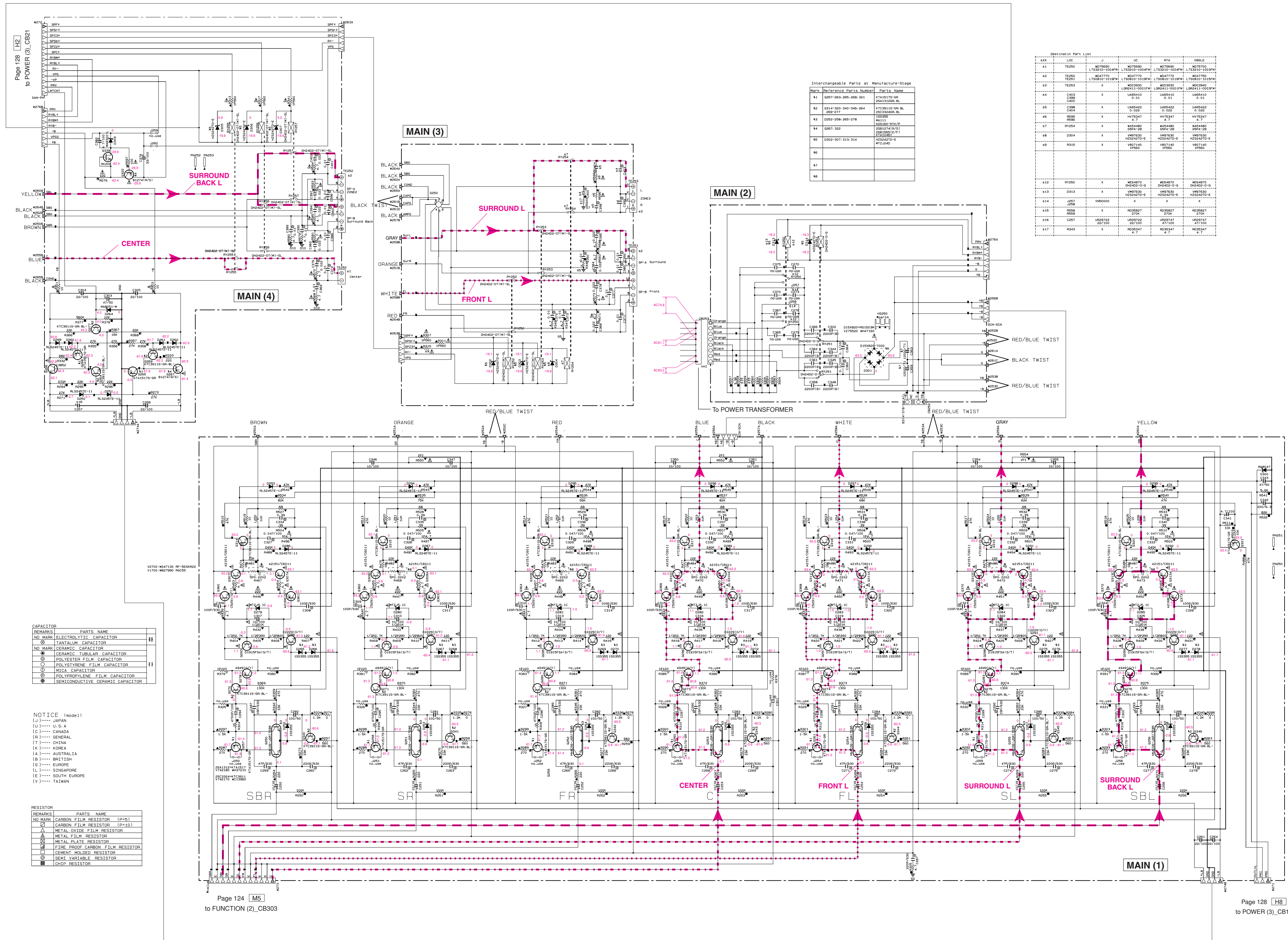


IC805: BA15218F
Dual high slew rate, low noise operational amplifier



* All voltages are measured with a 10MΩ/V DC electronic voltmeter.
* Components having special characteristics are marked with a triangle and must be replaced with parts having specifications equal to those originally installed.
* Schematic diagram is subject to change without notice.
●電圧は、内部抵抗10MΩの電圧計で測定したものです。
●△印のある部品は、安全性確保部品を示しています。部品の交換が必要な場合、パーツリストに記載されている部品を使用してください。
●本回路図は標準回路図です。改良のため予告なく変更することがございます。

MAIN



Interconnectable Parts at Manufacture Stage

NEW	REFERENCE DESIGN NUMBER	PARTS NAME
K1	0097-250-200-200-321	KT431970-GR
K2	0314-330-340-340-264	KT031910-GR-RL
K3	0352-250-200-278	M4111
K4	0067-320	DS187419/1
K5	0300-307-313-314	WT2-240

Destination Part List

SX	LOC	J	UC	ATA	MSOLE
R1	TE00	KT031910	KT031910-GR-RL	KT031910-GR-RL	KT031910-GR-RL
R2	TE00	KT031910	KT031910-GR-RL	KT031910-GR-RL	KT031910-GR-RL
R3	TE00	KT031910	KT031910-GR-RL	KT031910-GR-RL	KT031910-GR-RL
R4	C403	X	U403410	U403410	U403410
R5	C404	X	U403410	U403410	U403410
R6	C405	X	U403410	U403410	U403410
R7	RV00	X	NE48870	NE48870	NE48870
R8	D304	X	MS24270-E	MS24270-E	MS24270-E
R9	R315	X	VS07140	VS07140	VS07140

CAPACITOR

REMARKS	PARTS NAME
NO MARK	ELECTROLYTIC CAPACITOR
NO MARK	TANTALUM CAPACITOR
NO MARK	CERAMIC CAPACITOR
NO MARK	CERAMIC TUBULAR CAPACITOR
NO MARK	POLYESTER FILM CAPACITOR
NO MARK	POLYETHYLENE FILM CAPACITOR
NO MARK	MICA CAPACITOR
NO MARK	POLYPROPYLENE FILM CAPACITOR
NO MARK	SEMICONDUCTIVE CERAMIC CAPACITOR

NOTICE (Node1)

(J)..... JAPAN
 (U)..... U.S.A.
 (C)..... CANADA
 (R)..... GENERAL
 (T)..... CHINA
 (K)..... KOREA
 (A)..... AUSTRALIA
 (B)..... BRITISH
 (G)..... EUROPE
 (L)..... SINGAPORE
 (E)..... SOUTH EUROPE
 (V)..... TAIWAN

RESISTOR

REMARKS	PARTS NAME
NO MARK	CARBON FILM RESISTOR (P=1)
NO MARK	CARBON FILM RESISTOR (P=10)
NO MARK	METAL OXIDE FILM RESISTOR
NO MARK	METAL FILM RESISTOR
NO MARK	METAL PLATE RESISTOR
NO MARK	FILM PROOF CARBON FILM RESISTOR
NO MARK	CHEMIST MOUNTED RESISTOR
NO MARK	SEMI-VARIABLE RESISTOR
NO MARK	CHIP RESISTOR

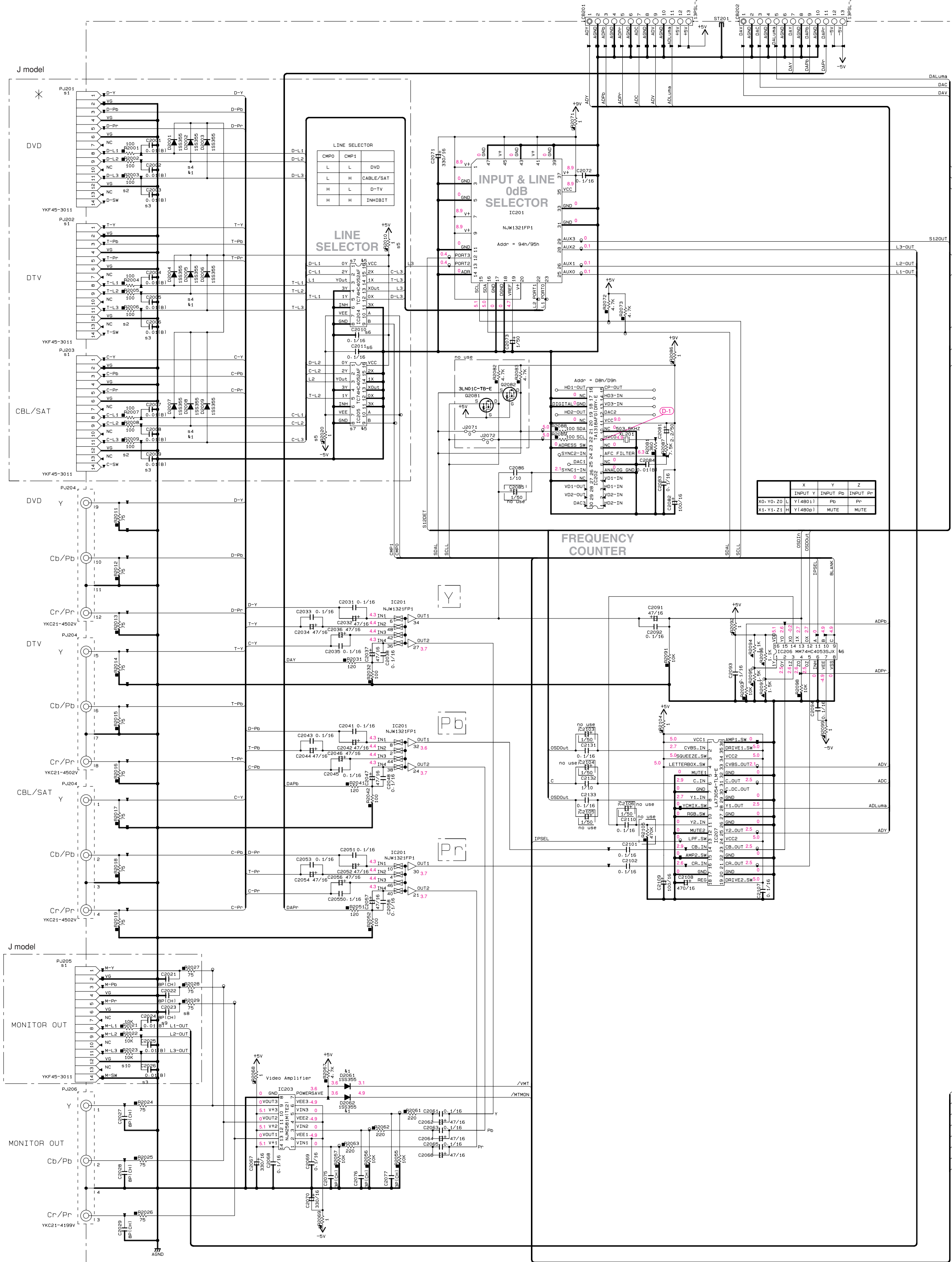
* All voltages are measured with a 10MΩ/V DC electronic voltmeter.
 * Components having special characteristics are marked with a triangle (▲) and must be replaced with parts having specifications equal to those originally installed.
 * Schematic diagram is subject to change without notice.

● 電圧は、内部抵抗10MΩの電圧計で測定したものです。
 ● ▲印のある部品は、安全性確保部品を示しています。部品の交換が必要な場合、パーツリストに記載されている部品を使用してください。
 ● 本回路図は標準回路図です。改良のため予告なく変更することがございます。

A-VIDEO 1/2

Page 132 [A4] to D-VIDEO_CB122

Page 132 [A3] to D-VIDEO_CB121

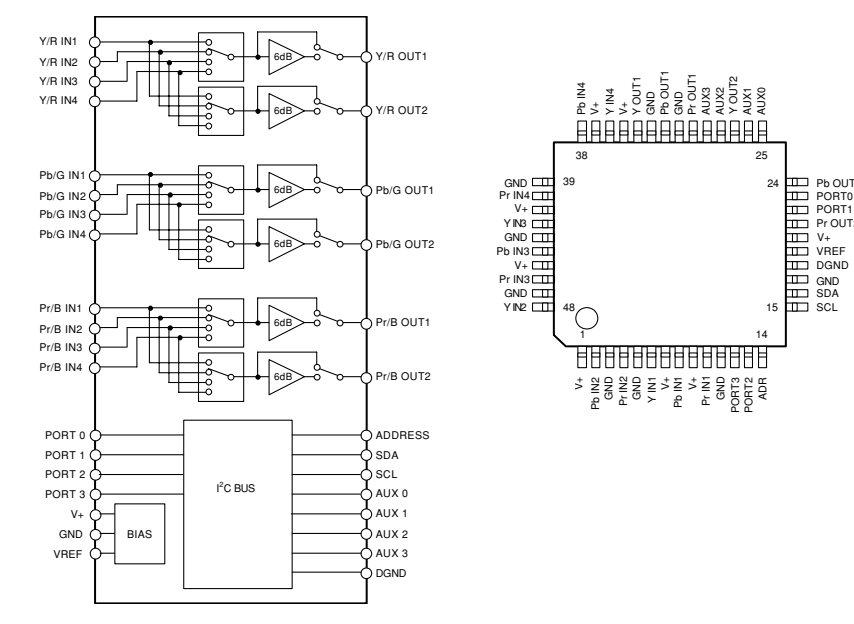


RESISTOR table with columns for REMARKS, PARTS NAME, and a list of resistor types such as CARBON FILM RESISTOR, METAL OXIDE FILM RESISTOR, etc.

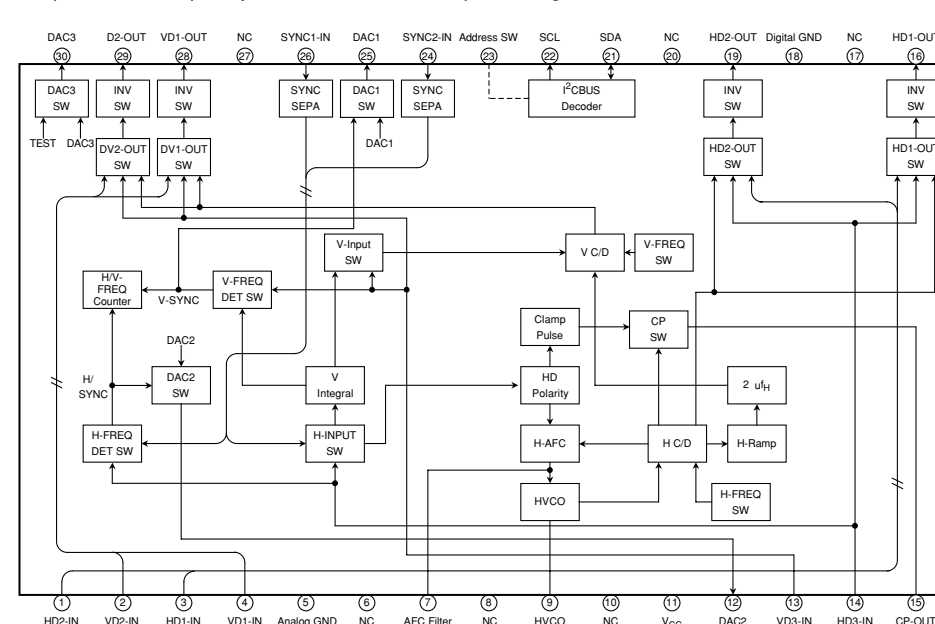
CAPACITOR table with columns for REMARKS, PARTS NAME, and a list of capacitor types such as ELECTROLYTIC CAPACITOR, CERAMIC CAPACITOR, POLYESTER FILM CAPACITOR, etc.

NOTICE (model) listing country codes: JAPAN, U.S.A, CANADA, GENERAL, CHINA, KOREA, AUSTRALIA, BRITISH, EUROPE, SINGAPORE, SOUTH EUROPE, TAIWAN.

IC201: NJW1321FP1 Wide band video switch with iC bus



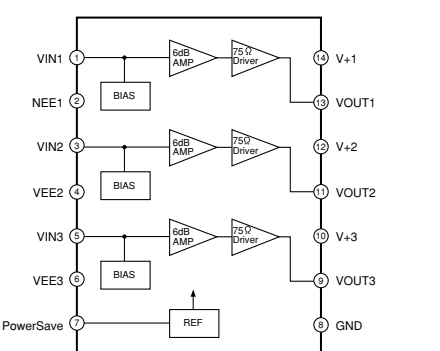
IC202: TA1318AF SYNC processor, frequency counter IC for TV component signals



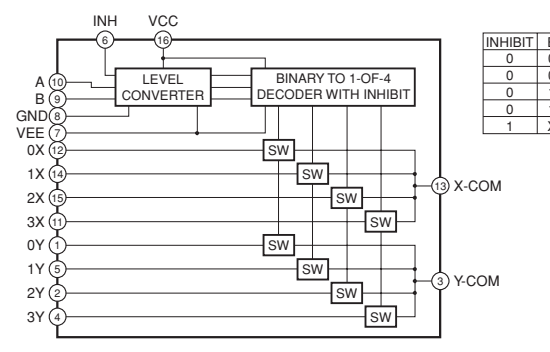
Destination Part List table with columns for BXX, LDC, J, U.C, B.K, T-A-B-G-L-E and rows for various components like R2001, R2002, etc.

Interchangeable Parts at Manufacture-Stage table with columns for Mark, Reference Parts Number, and Parts Name.

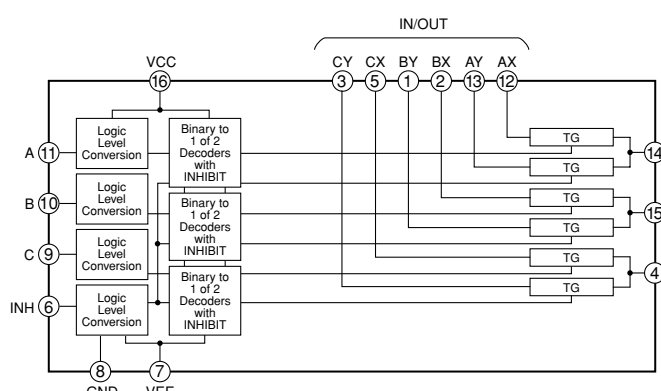
IC203: NJM2581M Video amplifier



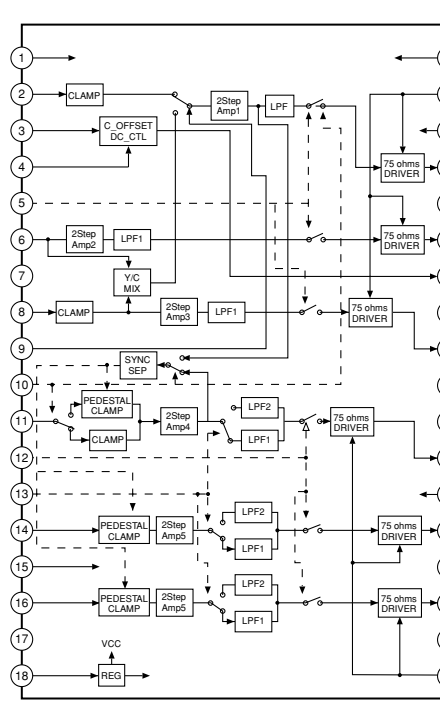
IC204, 205: TC74HC4052AF Analog multiplexer/demultiplexer



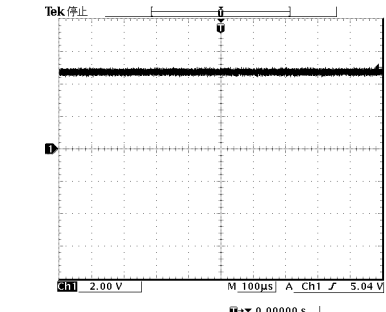
IC206: MM74HC4053SJX Triple 2-channel analog multiplexer



IC207: LA73054-TLM-E Analog dual operational amplifier

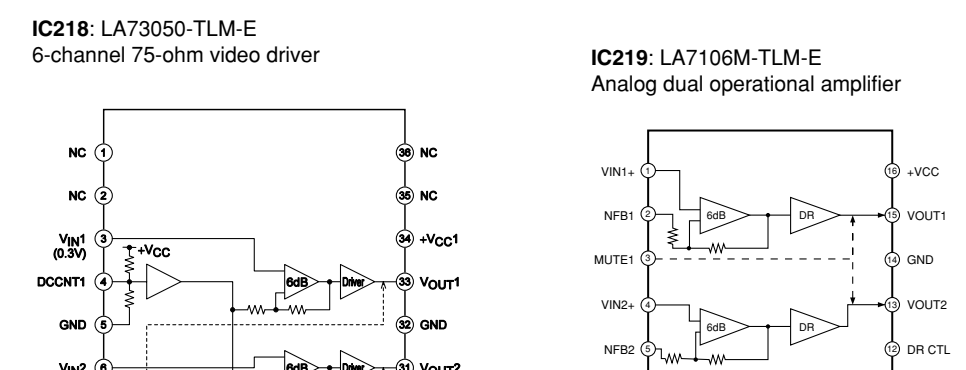
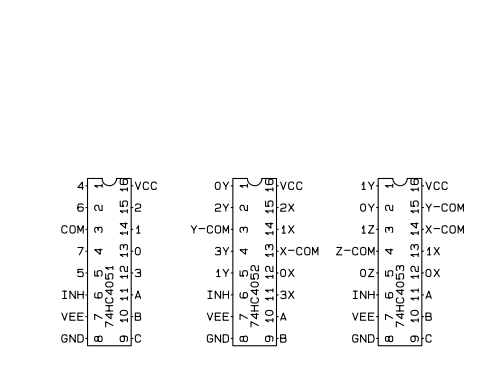
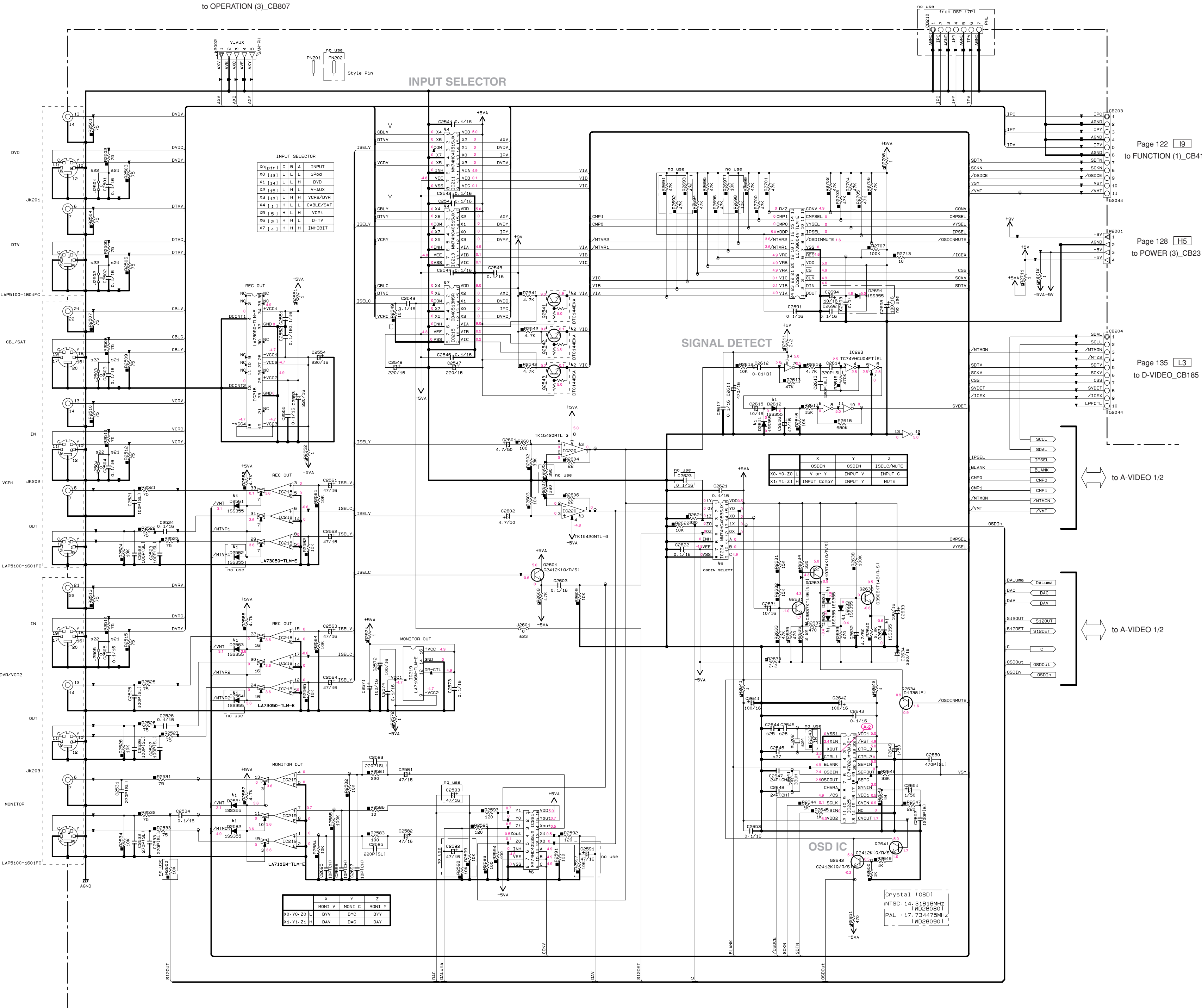


POINT (D-1) Pin 9 of IC202



to A-VIDEO 2/2

- ★ All voltages are measured with a 10MΩ/V DC electronic voltmeter.
★ Components having special characteristics are marked with a triangle and must be replaced with parts having specifications equal to those originally installed.
★ Schematic diagram is subject to change without notice.
● 電圧は、内部抵抗10MΩの電圧計で測定したものです。
● 印のある部品は、安全性確保部品を示しています。部品の交換が必要な場合、パーツリストに記載されている部品を使用してください。
● 本回路図は標準回路図です。改良のため予告なく変更することがございます。



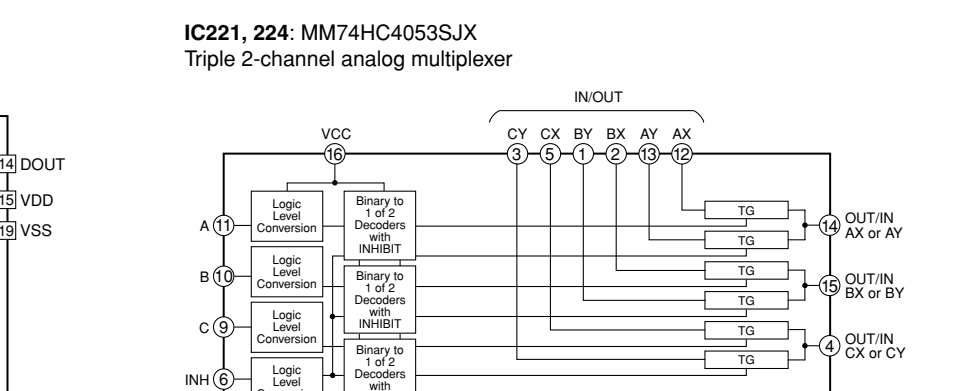
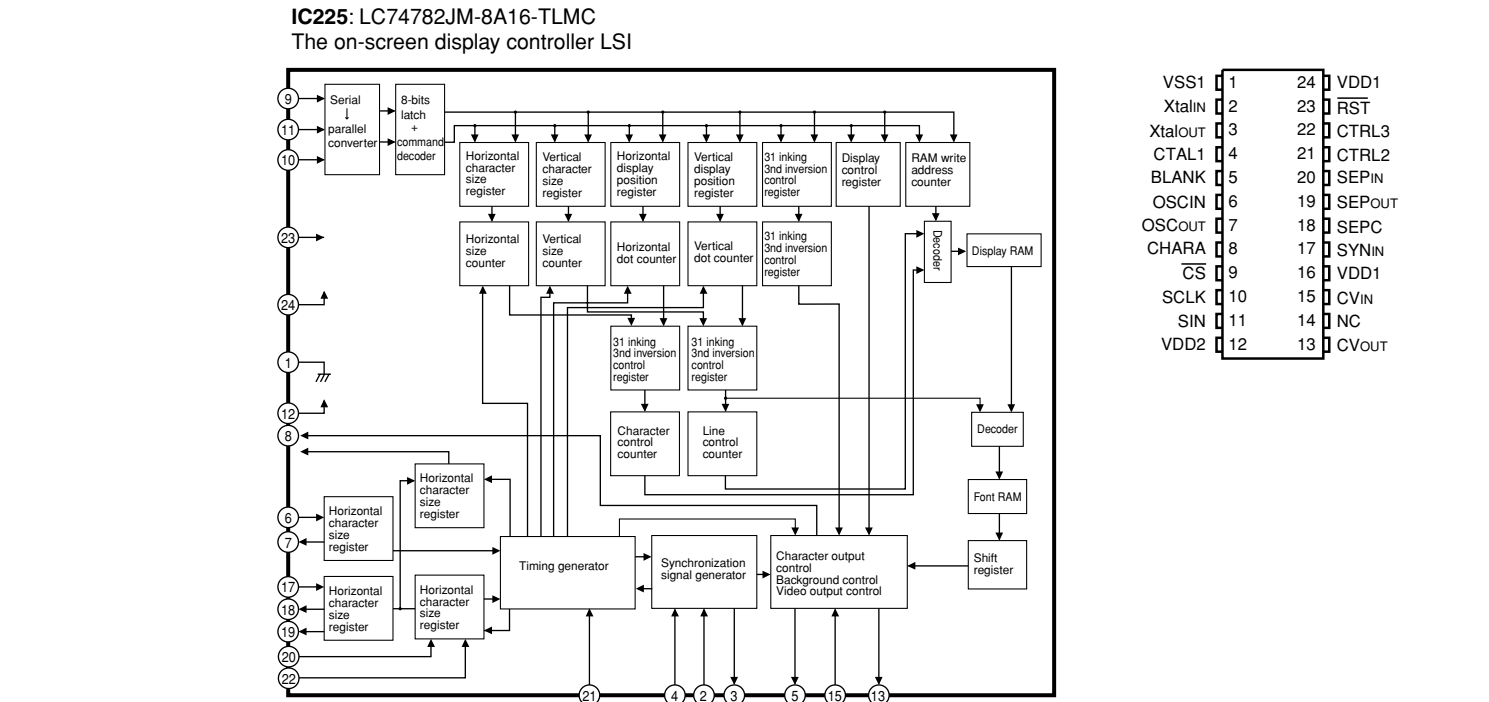
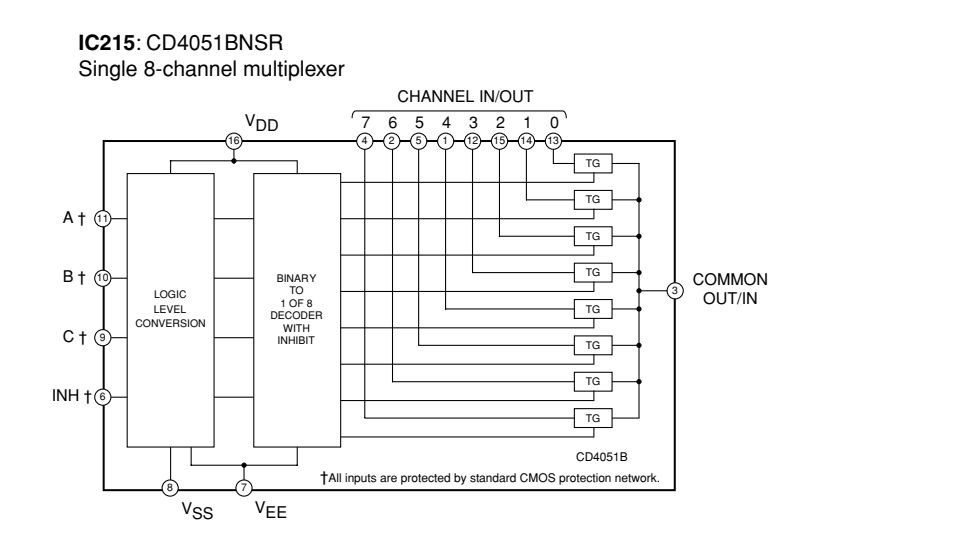
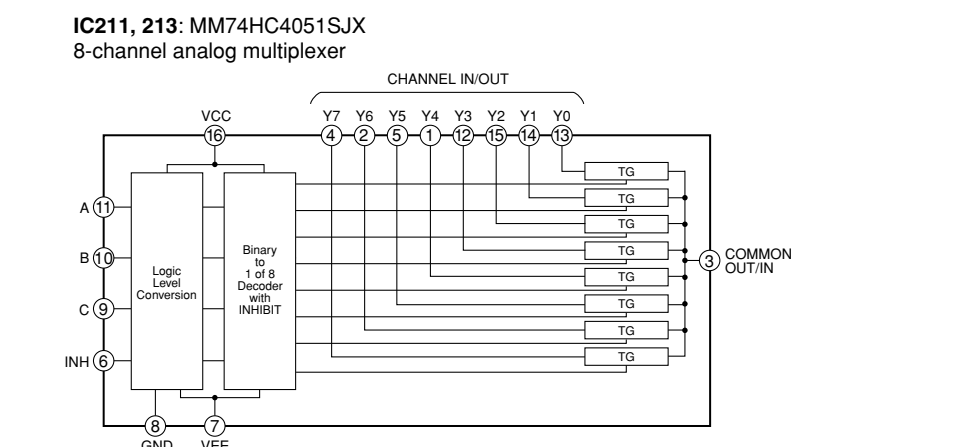
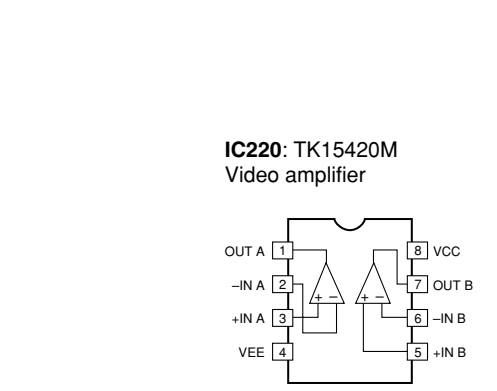
NOTICE (model)
(J)..... JAPAN
(U)..... U.S.A
(C)..... CANADA
(R)..... GENERAL
(T)..... CHINA
(K)..... KOREA
(A)..... AUSTRALIA
(B)..... BRITISH
(G)..... EUROPE
(L)..... SINGAPORE
(E)..... SOUTH EUROPE
(V)..... TAIWAN

RESISTOR

REMARKS	PARTS NAME
NO MARK	CARBON FILM RESISTOR (P=5)
□	CARBON FILM RESISTOR (P=10)
△	METAL OXIDE FILM RESISTOR
⊠	METAL FILM RESISTOR
⊞	METAL PLATE RESISTOR
⊞	FINE PROOF CARBON FILM RESISTOR
⊞	CEMENT MOLDED RESISTOR
⊞	SEMI VARIABLE RESISTOR
⊞	CHIP RESISTOR

CAPACITOR

REMARKS	PARTS NAME
NO MARK	ELECTROLYTIC CAPACITOR
□	TANTALUM CAPACITOR
○	CERAMIC CAPACITOR
⊙	CERAMIC TUBULAR CAPACITOR
⊖	POLYESTER FILM CAPACITOR
⊕	POLYSTYRENE FILM CAPACITOR
⊗	MICA CAPACITOR
⊘	POLYPROPYLENE FILM CAPACITOR
⊙	SEMICONDUCTIVE CERAMIC CAPACITOR
⊖	POLYPHENYLENE SULFIDE FILM CAPACITOR

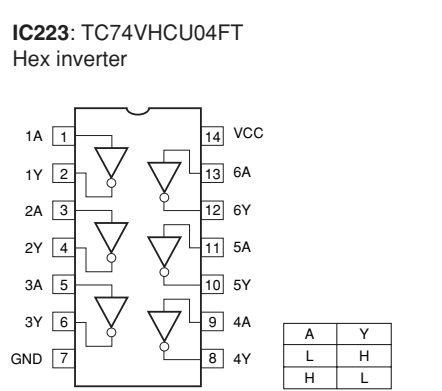
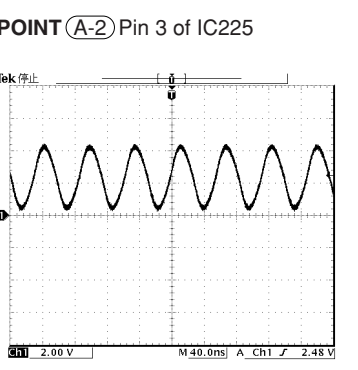


★ All voltages are measured with a 10MΩ/V DC electronic voltmeter.
★ Components having special characteristics are marked with a triangle and must be replaced with parts having specifications equal to those originally installed.
★ Schematic diagram is subject to change without notice.

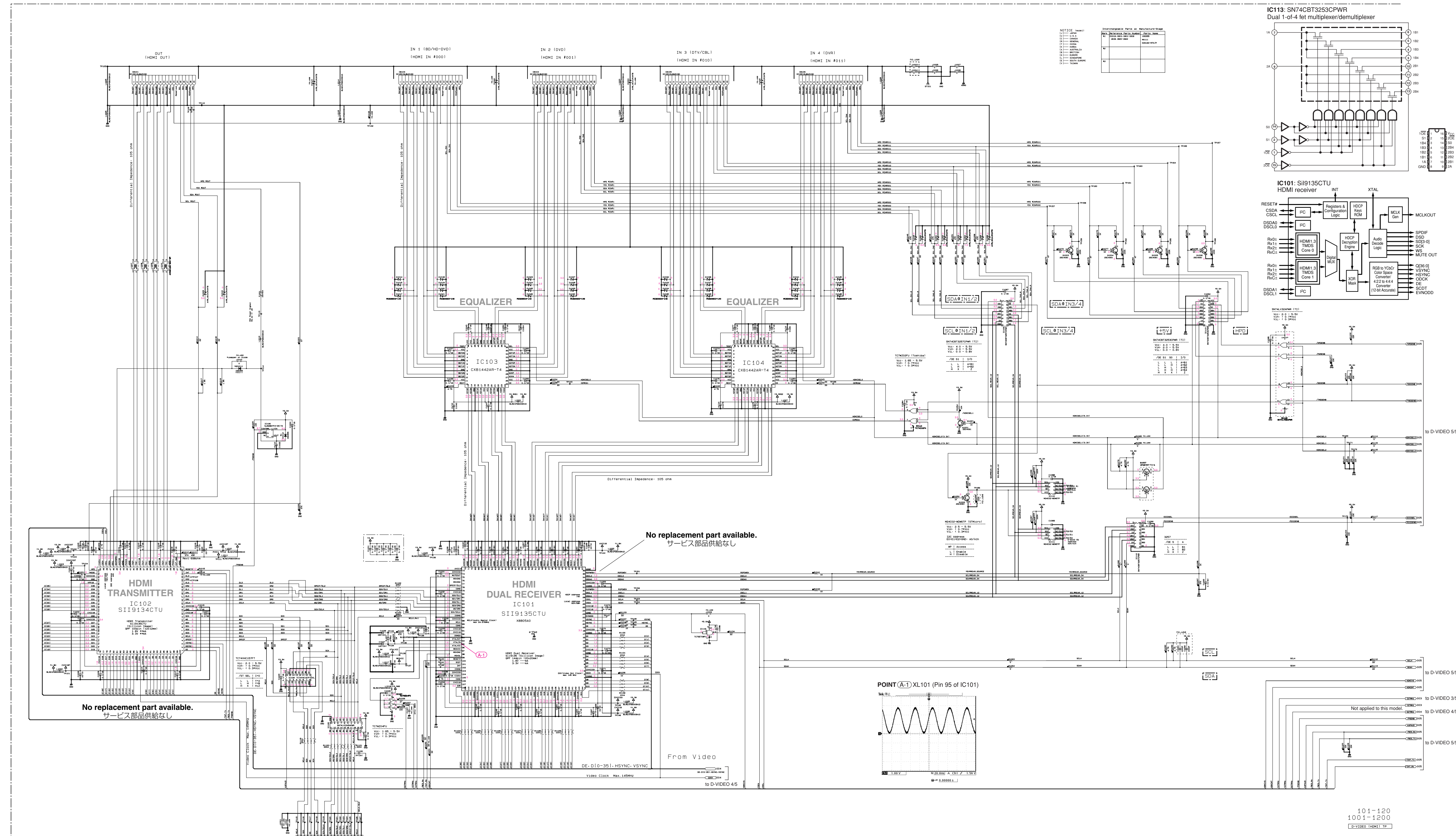
●電圧は、内部抵抗10MΩの電圧計で測定したものです。
●△印のある部品は、安全性確保部品を示しています。部品の交換が必要な場合、パーツリストに記載されている部品を使用してください。
●本回路図は標準回路図です。改良のため予告なく変更することがございます。

Destination Part List

SXX	LOC	J	U-C	R-K	T-A-B-G-L-E
801	C2501				
	C2502	US13510	X	X	X
	C2503				
	C2504				
	C2505				
822	U2001		RD35000	RD35000	RD35000
	U2002	X			
	U2003				
	U2004				
	U2005				
823	U2001		RD35000	X	X
824	AL302	ND38080	ND38080	ND38080	ND38080
	AL303	14.3181MHz	14.3181MHz	14.3181MHz	17.7344MHz
825	C2644	US06112	US06112	US06112	US06960
	US06112	1SP1(DH)	1SP1(DH)	1SP1(DH)	1SP1(DH)
826	C2645	US06112	US06112	US06112	US06960
	US06112	1SP1(DH)	1SP1(DH)	1SP1(DH)	1SP1(DH)
827	C2646	US06960	US06960	US06960	US06960
	BP1(DH)	BP1(DH)	BP1(DH)	BP1(DH)	BP1(DH)

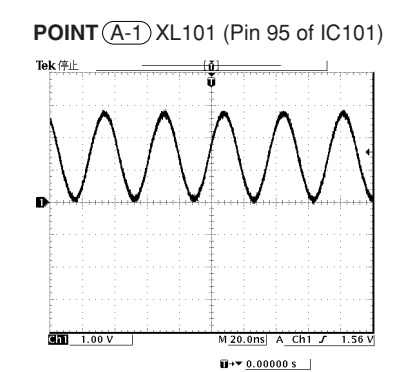


D-VIDEO 1/5

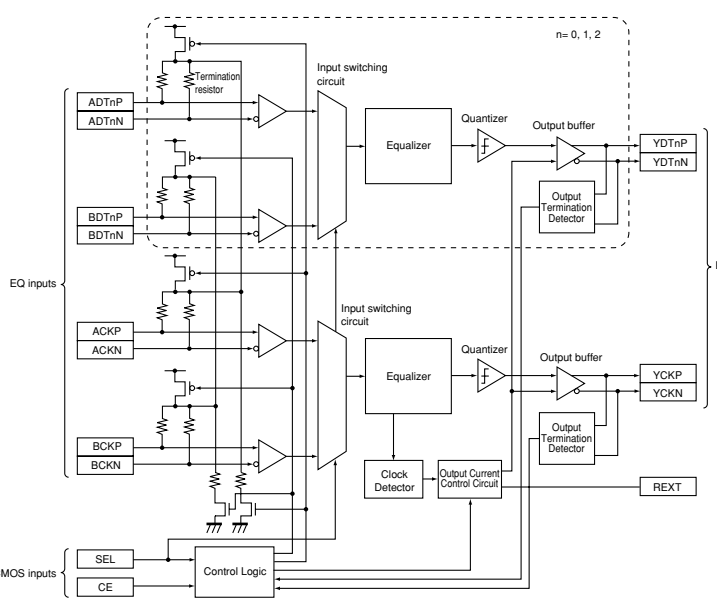


No replacement part available. サービス部品供給なし

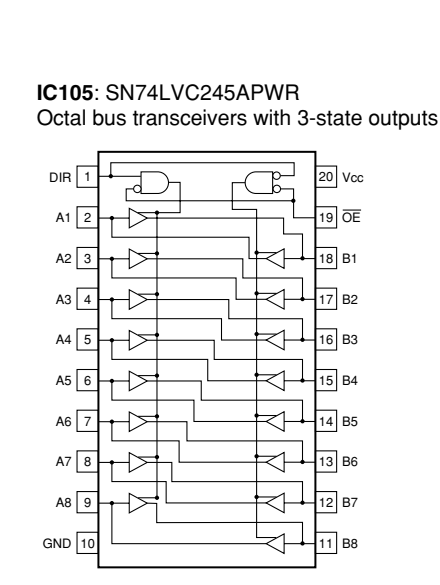
No replacement part available. サービス部品供給なし



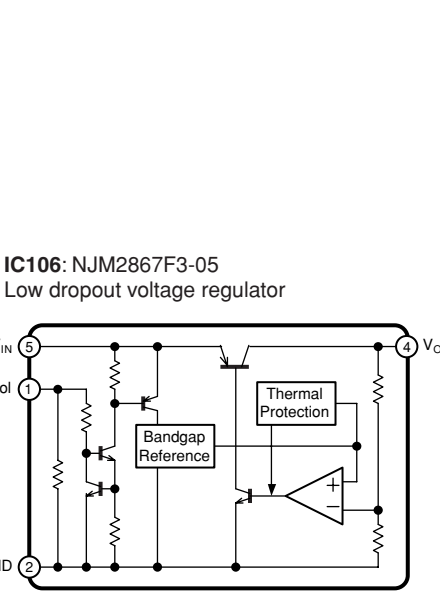
IC103, 104: CXB1442AR-T4 Cable equalizer with 2-system switching function



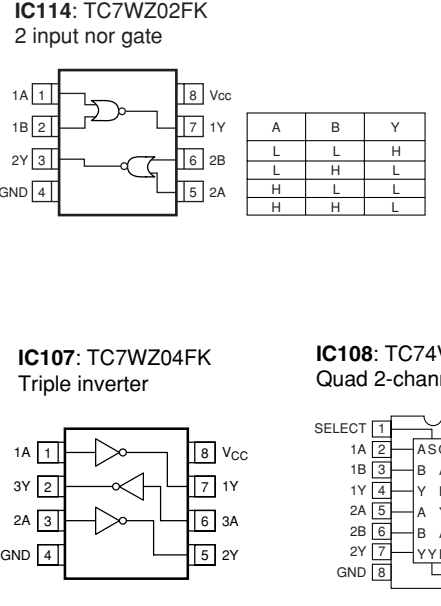
IC105: SN74VLC245APWR Octal bus transceivers with 3-state outputs



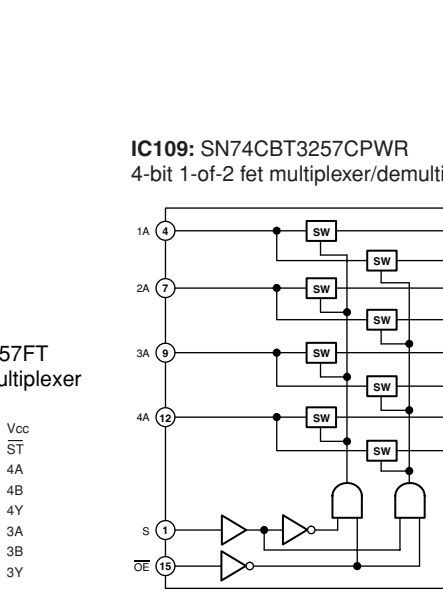
IC106: NJM2867F3-05 Low dropout voltage regulator



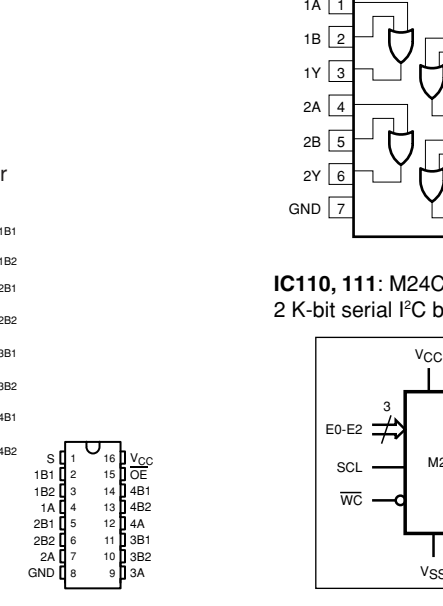
IC107: TC7WZ04FK Triple inverter



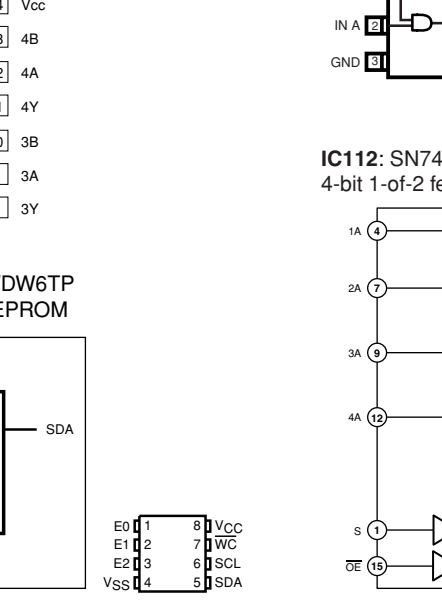
IC108: TC74VHC157FT Quad 2-channel multiplexer



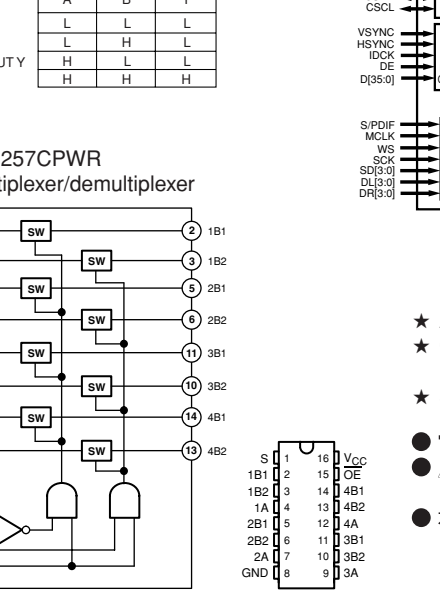
IC109: SN74CBT3257CPWR 4-bit 1-of-2 fct multiplexer/demultiplexer



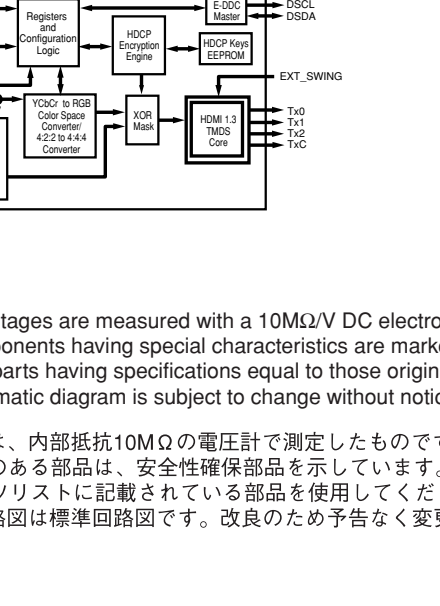
IC110, 111: M24C02-WDWP 2 K-bit serial I²C bus EEPROM



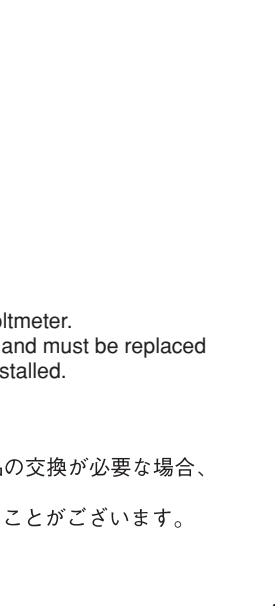
IC112: SN74CBT3257CPWR 4-bit 1-of-2 fct multiplexer/demultiplexer



IC113: SN74CBT3253CPWR Dual 1-of-4 fct multiplexer/demultiplexer



IC102: SII9134CTU HDMI transmitter

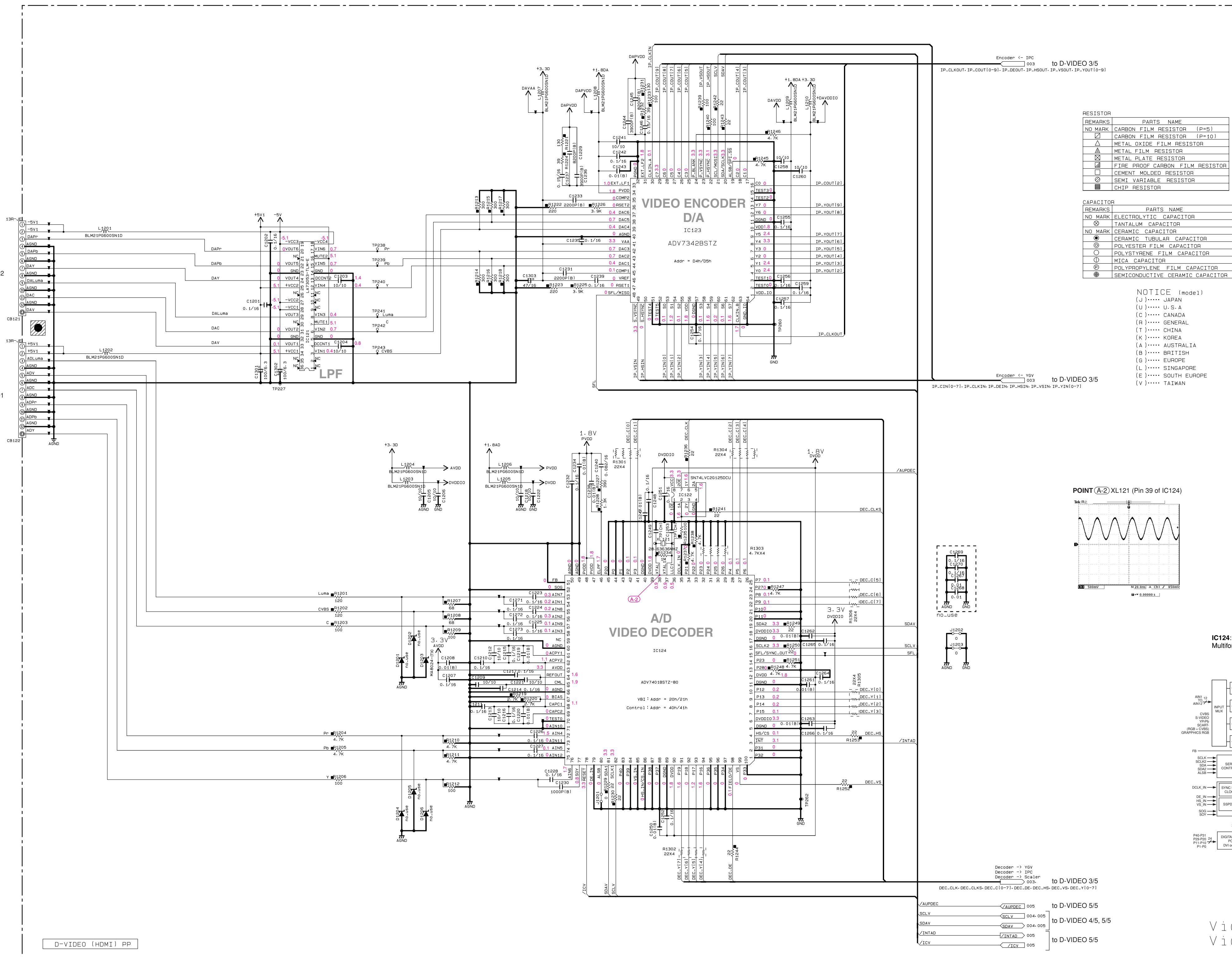


★ All voltages are measured with a 10MΩ/V DC electronic voltmeter.
 ★ Components having special characteristics are marked with a triangle (▲), and must be replaced with parts having specifications equal to those originally installed.
 ★ Schematic diagram is subject to change without notice.

● 電圧は、内部抵抗10MΩの電圧計で測定したものです。
 ● ▲印のある部品は、安全性確保部品を示しています。部品の交換が必要な場合、パーツリストに記載されている部品を使用してください。
 ● 本回路図は標準回路図です。改良のため予告なく変更することがございます。

101-120
1001-1200
D-VIDEO (HDMI) TX

D-VIDEO 2/5



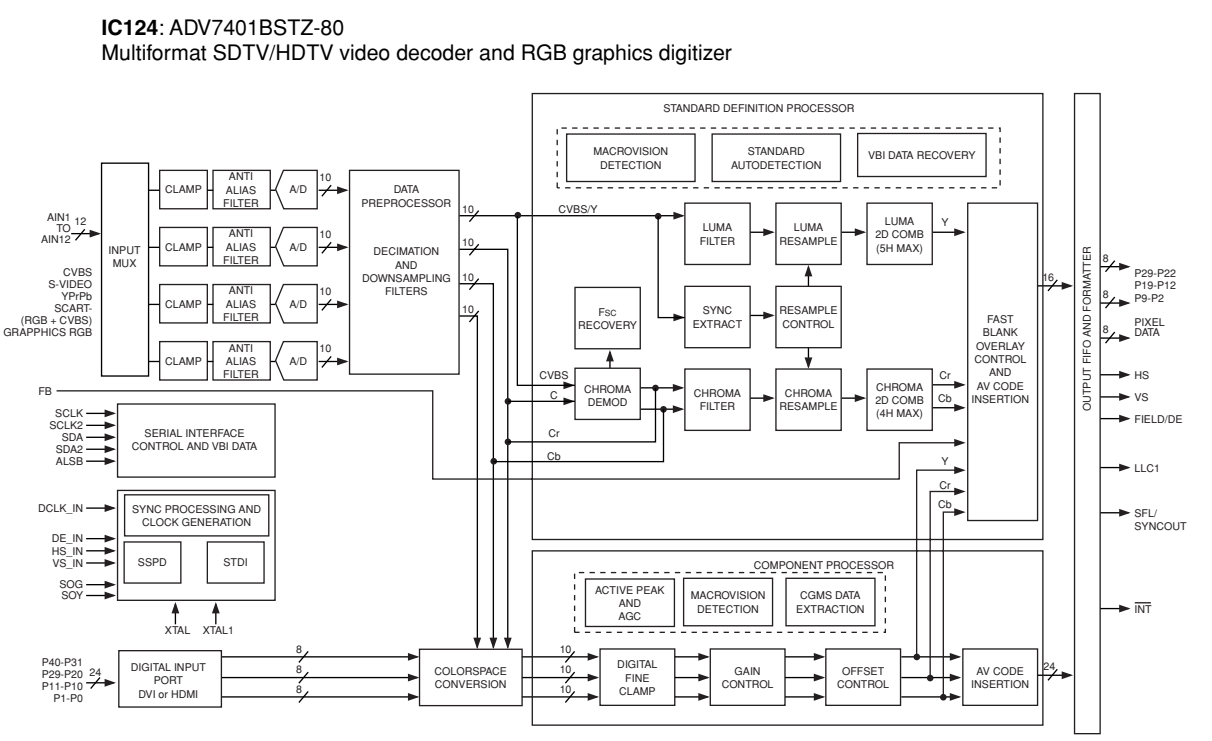
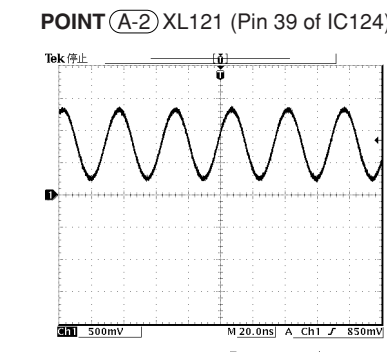
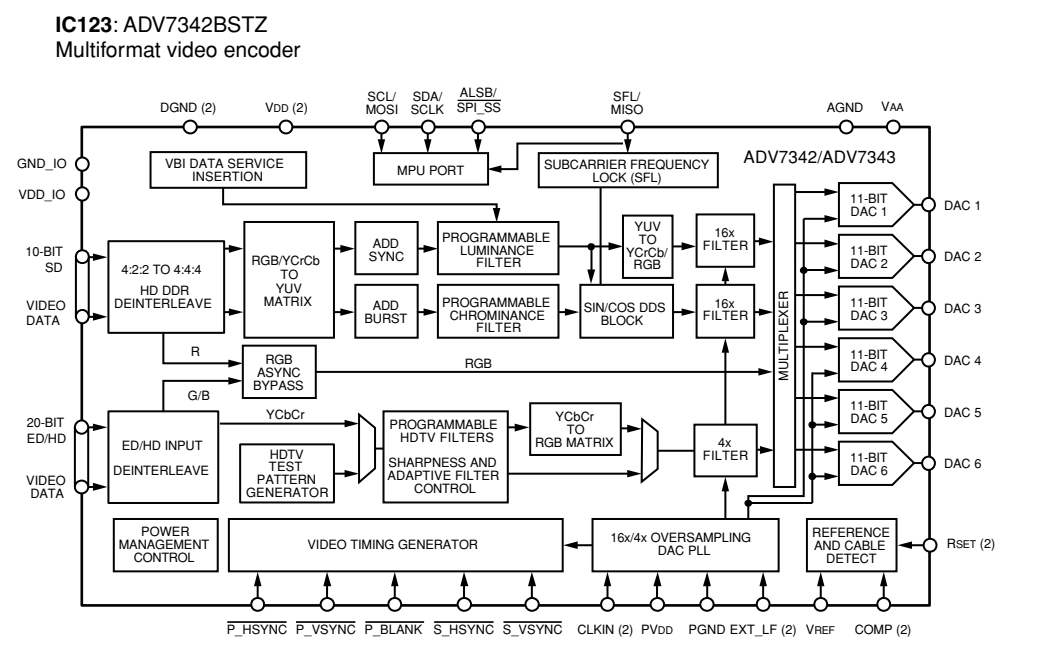
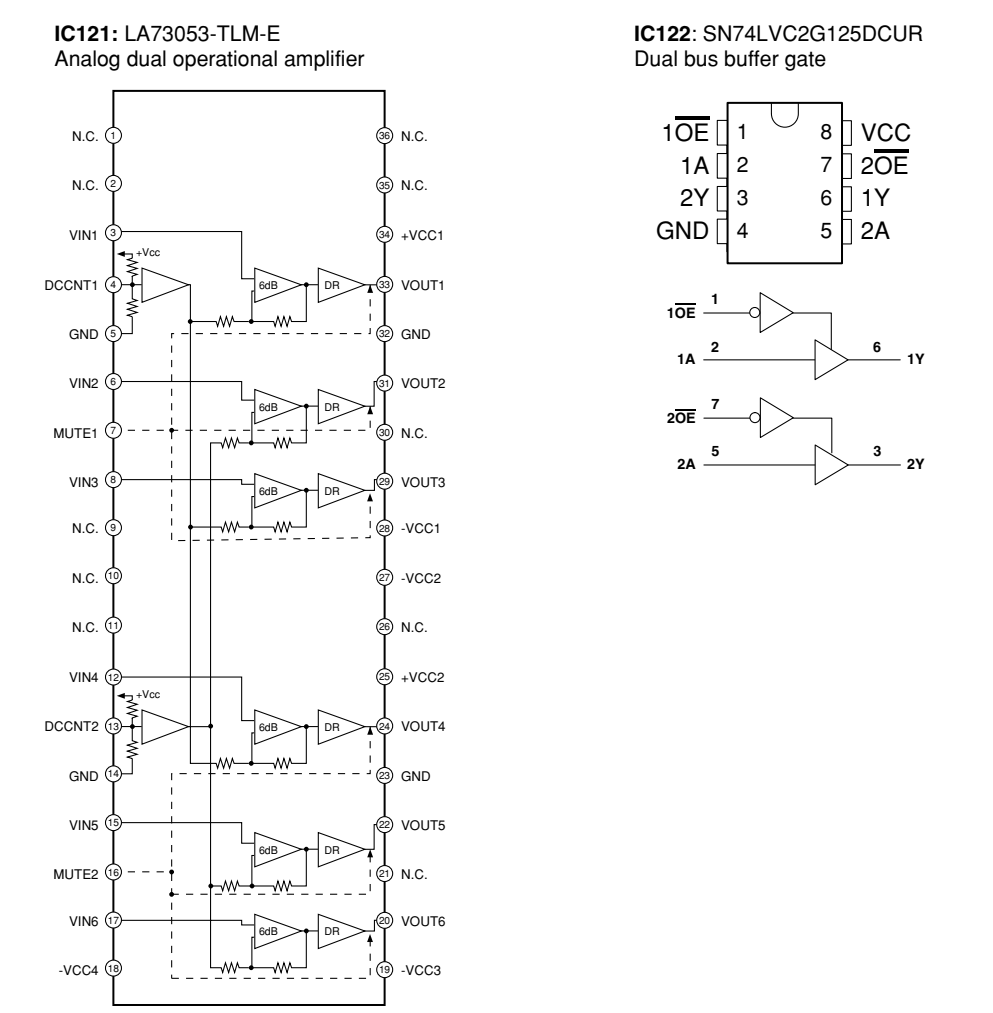
RESISTOR

REMARKS	PARTS NAME
NO MARK	CARBON FILM RESISTOR (P=5)
⊠	CARBON FILM RESISTOR (P=10)
△	METAL OXIDE FILM RESISTOR
□	METAL FILM RESISTOR
⊞	METAL PLATE RESISTOR
⊚	FINE PROOF CARBON FILM RESISTOR
⊛	CEMENT MOLDED RESISTOR
⊜	SEMI VARIABLE RESISTOR
⊝	CHIP RESISTOR

CAPACITOR

REMARKS	PARTS NAME
NO MARK	ELECTROLYTIC CAPACITOR
⊞	TANTALUM CAPACITOR
NO MARK	CERAMIC CAPACITOR
⊚	POLYESTER FILM CAPACITOR
○	POLYETHYLENE FILM CAPACITOR
⊙	MICA CAPACITOR
⊚	POLYPROPYLENE FILM CAPACITOR
⊚	SEMICONDUCTIVE CERAMIC CAPACITOR

NOTICE (model)
 (J)..... JAPAN
 (U)..... U.S.A
 (C)..... CANADA
 (R)..... GENERAL
 (T)..... CHINA
 (K)..... KOREA
 (A)..... AUSTRALIA
 (B)..... BRITISH
 (G)..... EUROPE
 (L)..... SINGAPORE
 (E)..... SOUTH EUROPE
 (V)..... TAIWAN



121-140
1201-1400
Video Encoder
Video Decoder

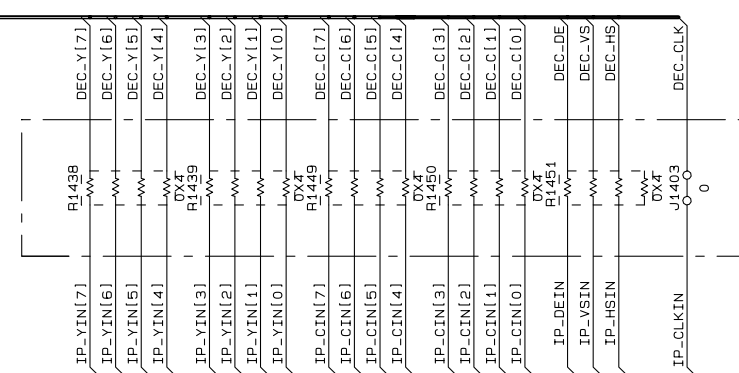
Page 129 [F1] to A-VIDEO_CB202

Page 129 [E1] to A-VIDEO_CB201

★ All voltages are measured with a 10MΩ/V DC electronic voltmeter.
 ★ Components having special characteristics are marked with a triangle, and must be replaced with parts having specifications equal to those originally installed.
 ★ Schematic diagram is subject to change without notice.
 ● 電圧は、内部抵抗10MΩの電圧計で測定したものです。
 ● 三角形印のある部品は、安全性確保部品を示しています。部品の交換が必要な場合、パーツリストに記載されている部品を使用してください。
 ● 本回路図は標準回路図です。改良のため予告なく変更することがございます。

D-VIDEO 3/5

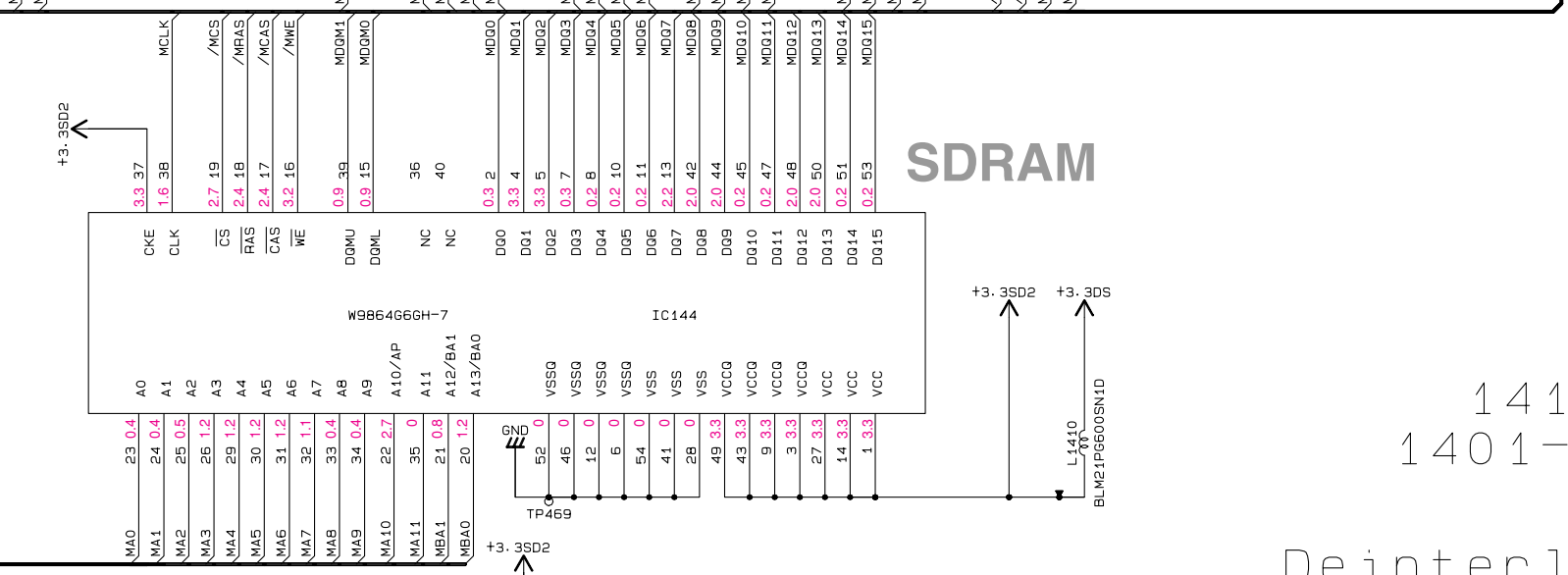
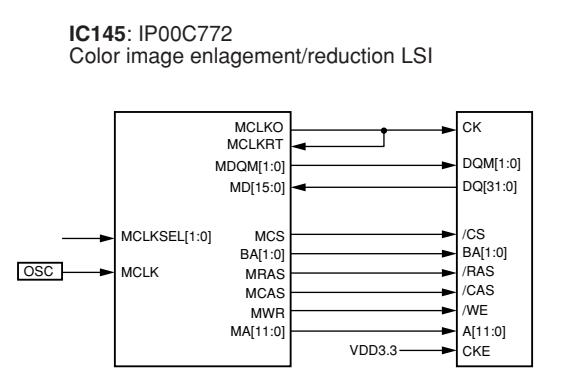
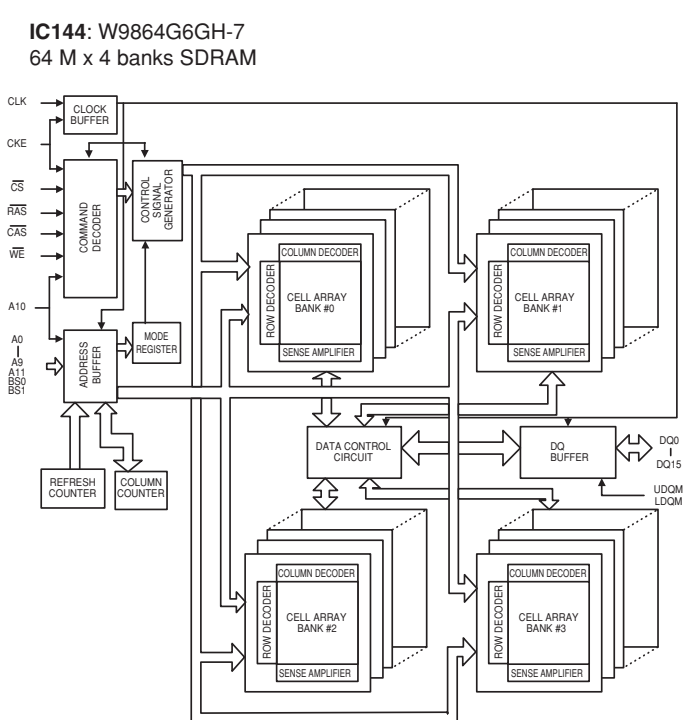
to D-VIDEO 2/5 Decoder -> YGV REG_CLK_DEC_C10-71 DEC_DEC_H5 DEC_V5 DEC_V10-71



to D-VIDEO 4/5 YGV -> Scaler IPC -> Scaler IPC -> Encoder to D-VIDEO 2/5, 4/5

DE-INTERLACER

IP00C772 IC145



SDRAM

141-160
1401-1600
GUI
Deinterlacer

REMARKS	PARTS NAME
NO MARK	CARBON FILM RESISTOR (D=5)
C	CARBON FILM RESISTOR (D=50)
Δ	METAL OXIDE FILM RESISTOR
□	METAL FILM RESISTOR
□	METAL PLATE RESISTOR
□	FIRE PROOF CARBON FILM RESISTOR
□	CEMENT MOLDED RESISTOR
□	SEMI-VARIABLE RESISTOR
■	CHIP RESISTOR

REMARKS	PARTS NAME
NO MARK	ELECTROLYTIC CAPACITOR
□	TANTALUM CAPACITOR
NO MARK	CERAMIC CAPACITOR
□	CERAMIC TUBULAR CAPACITOR
⊙	POLYESTER FILM CAPACITOR
□	POLYSTYRENE FILM CAPACITOR
□	MICA CAPACITOR
⊙	POLYPROPYLENE FILM CAPACITOR
⊙	SEMICONDUCTIVE CERAMIC CAPACITOR
⊙	POLYPHENYLENE SULFIDE FILM CAPACITOR

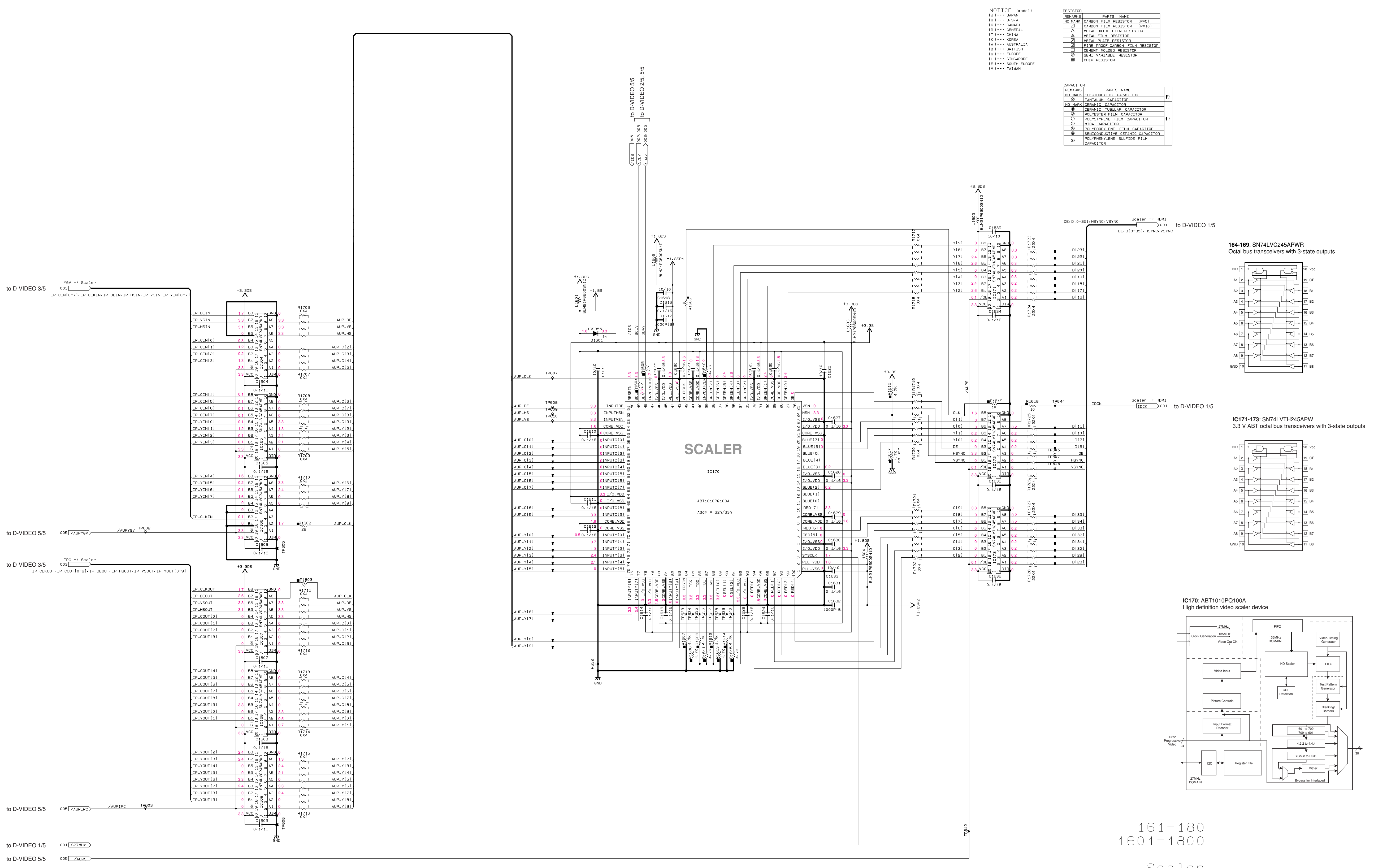
NOTICE (model)

- (J)..... JAPAN
- (U)..... U.S.A
- (C)..... CANADA
- (R)..... GENERAL
- (T)..... CHINA
- (K)..... KOREA
- (A)..... AUSTRALIA
- (B)..... BRITISH
- (G)..... EUROPE
- (L)..... SINGAPORE
- (E)..... SOUTH EUROPE
- (V)..... TAIWAN

- * All voltages are measured with a 10MΩ/V DC electronic voltmeter.
- * Components having special characteristics are marked **Δ**, and must be replaced with parts having specifications equal to those originally installed.
- * Schematic diagram is subject to change without notice.
- * 電圧は、内部抵抗10MΩの電圧計で測定したものです。
- * **Δ**印のある部品は、安全性確保部品を示しています。部品の交換が必要な場合、パーツリストに記載されている部品を使用してください。
- * 本回路図は標準回路図です。改良のため予告なく変更することがございます。

to D-VIDEO 5/5 005 127MHz

D-VIDEO 4/5



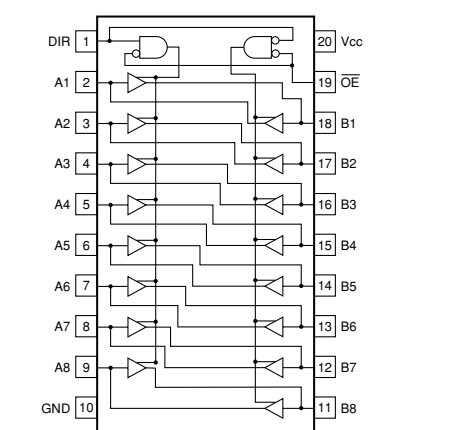
NOTICE (note1)

(J)..... JAPAN
(U)..... U.S.A
(C)..... CANADA
(R)..... GENERAL
(T)..... CHINA
(K)..... KOREA
(A)..... AUSTRALIA
(B)..... BRITISH
(E)..... EUROPE
(L)..... SINGAPORE
(S)..... SOUTH EUROPE
(V)..... TAIWAN

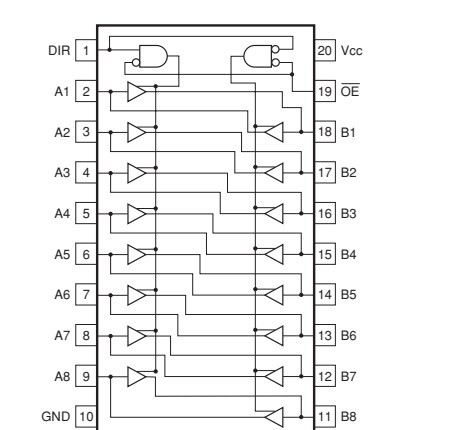
REMARKS	PARTS NAME
(R).....	CARBON FILM RESISTOR (R=5)
(P).....	CARBON FILM RESISTOR (P=10)
(A).....	METAL OXIDE FILM RESISTOR
(M).....	METAL FILM RESISTOR
(D).....	METAL PLATE RESISTOR
(F).....	FIRE PROOF CARBON FILM RESISTOR
(C).....	CEMENT MOLDED RESISTOR
(V).....	SEMI VARIABLE RESISTOR
(Q).....	QMP RESISTOR

REMARKS	PARTS NAME
(E).....	ELECTROLYTIC CAPACITOR
(L).....	INDUCTIVE CAPACITOR
(C).....	CERAMIC CAPACITOR
(T).....	CERAMIC TUBULAR CAPACITOR
(P).....	POLYESTER FILM CAPACITOR
(O).....	POLYSTYRENE FILM CAPACITOR
(N).....	NICA CAPACITOR
(D).....	POLYPROPYLENE FILM CAPACITOR
(S).....	SEMICONDUCTIVE CERAMIC CAPACITOR
(K).....	POLYMER/EPOLYMER SULFIDE FILM CAPACITOR

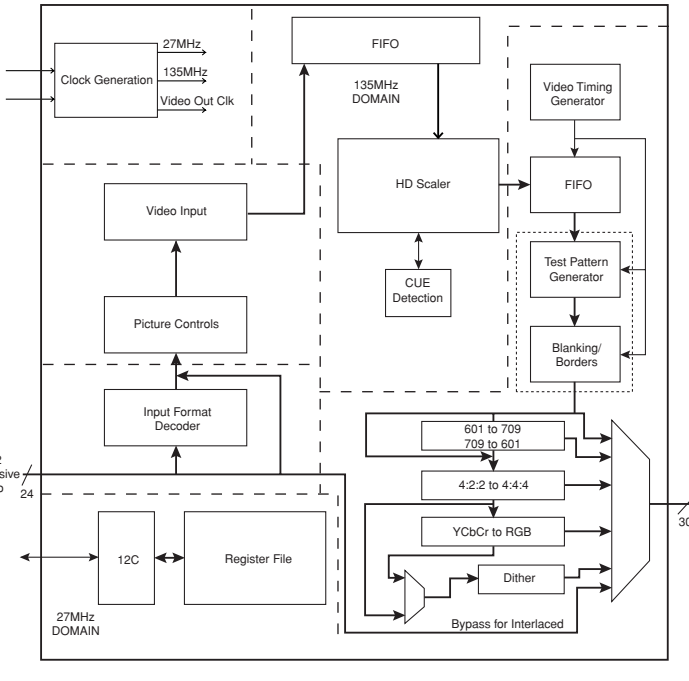
164-169: SN74LVC245APWR
Octal bus transceivers with 3-state outputs



IC171-173: SN74LVTH245APW
3.3 V ABT octal bus transceivers with 3-state outputs



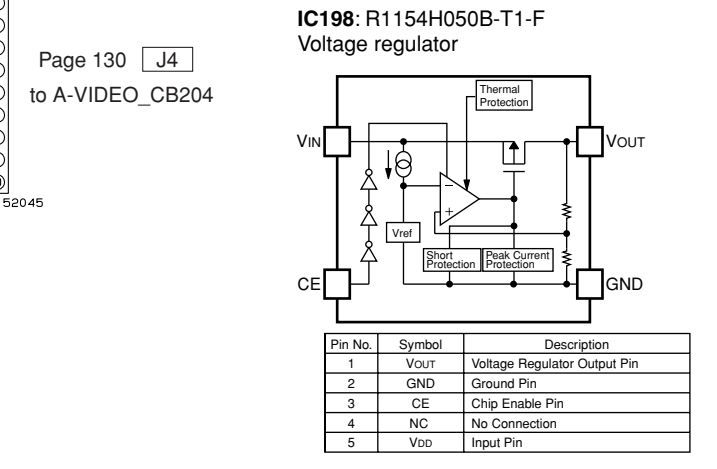
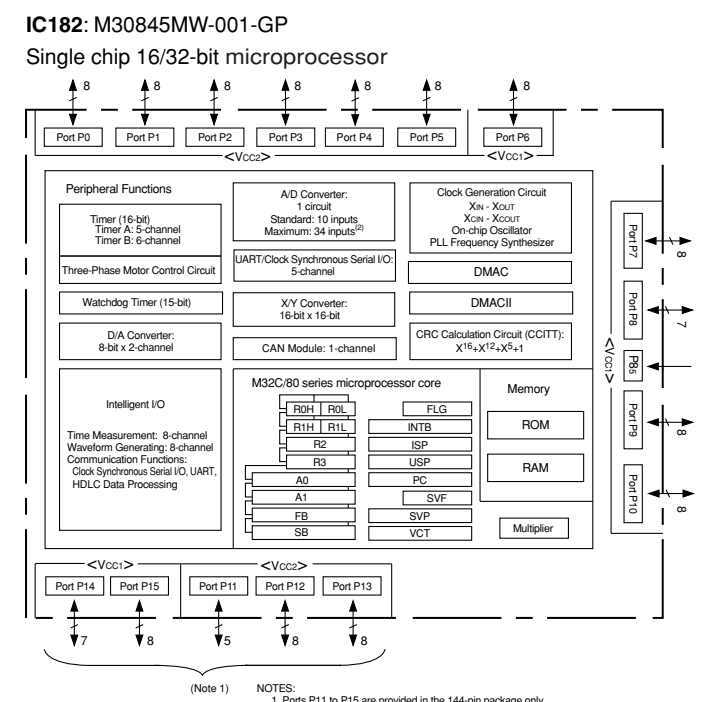
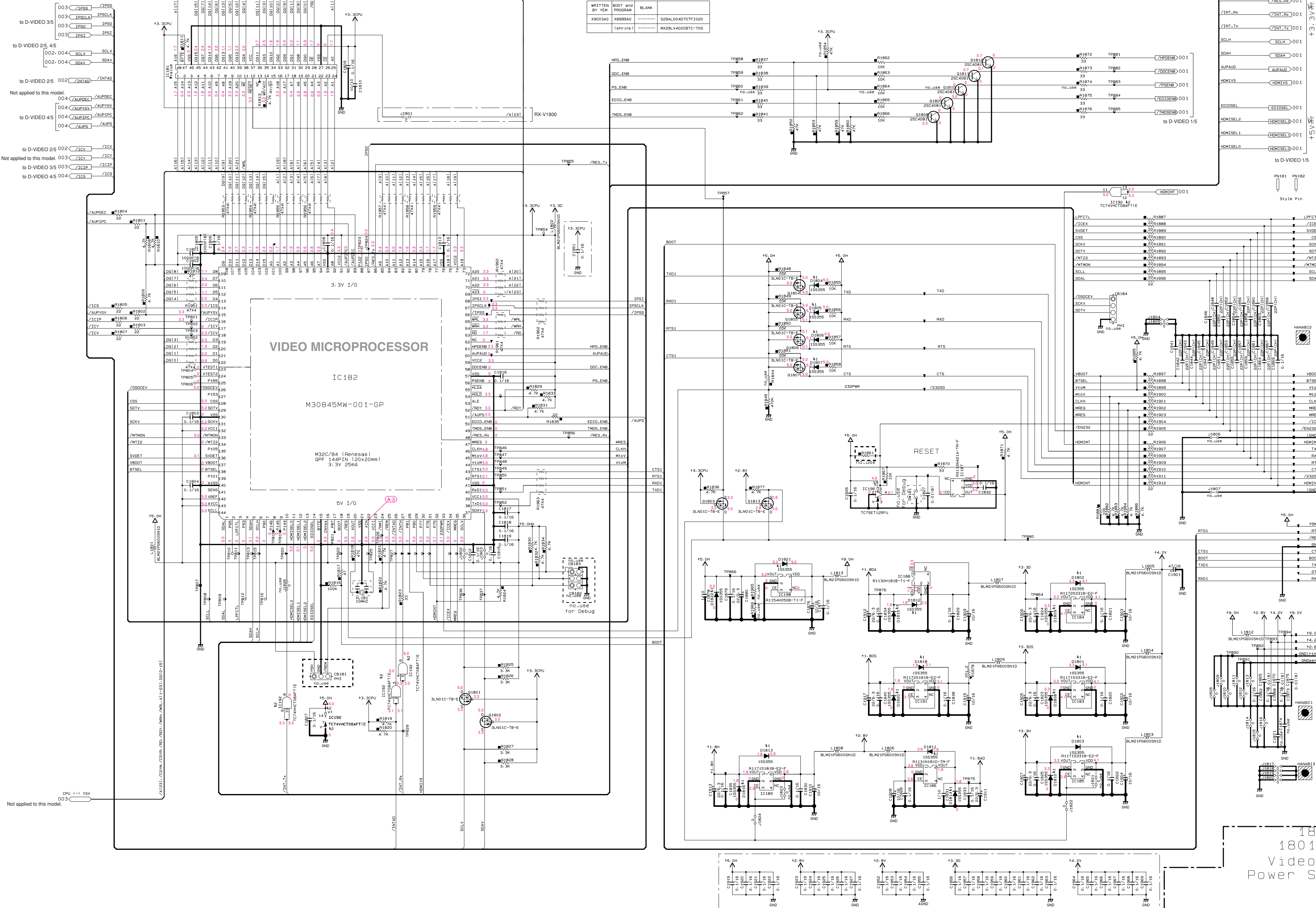
IC170: ABT1010PQ100A
High definition video scaler device



161-180
1601-1800
Scaler

★ All voltages are measured with a 10MΩ/V DC electronic voltmeter.
★ Components having special characteristics are marked with a dot (•) and must be replaced with parts having specifications equal to those originally installed.
★ Schematic diagram is subject to change without notice.

●電圧は、内部抵抗10MΩの電圧計で測定したものです。
●印のある部品は、安全性確保部品を示しています。部品の交換が必要な場合、パーツリストに記載されている部品を使用してください。
●本回路図は標準回路図です。改良のため予告なく変更することがございます。

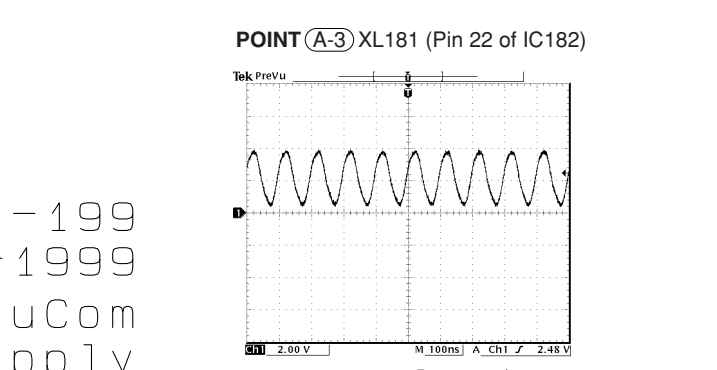


Pin No.	Symbol	Voltage	Description
1	VOUT		Voltage Regulator Output Pin
2	GND		Ground Pin
3	CE		Chip Enable Pin
4	NC		No Connection
5	VDD		Input Pin

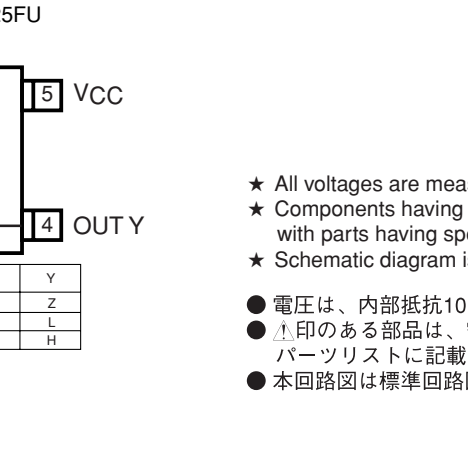
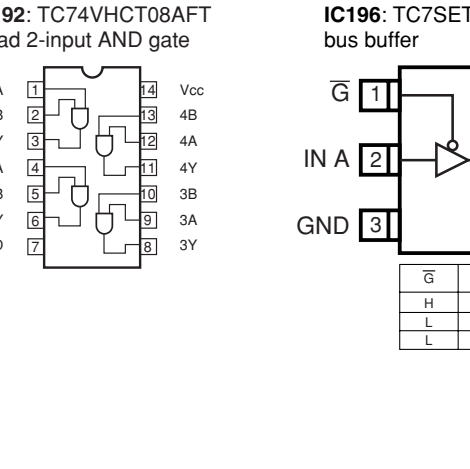
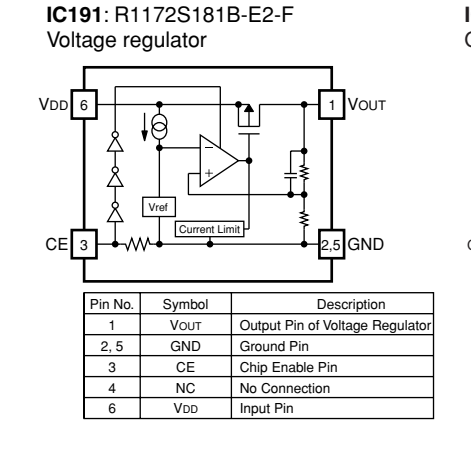
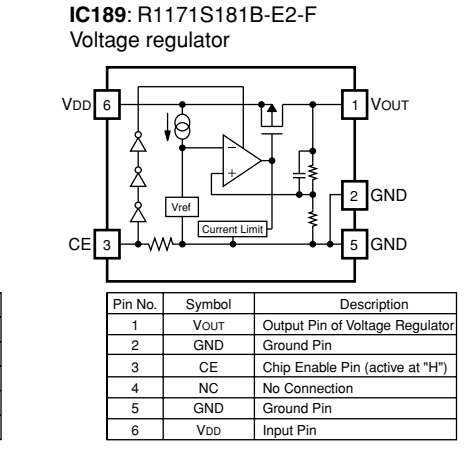
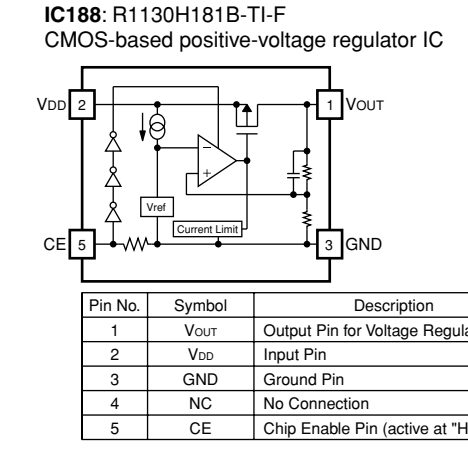
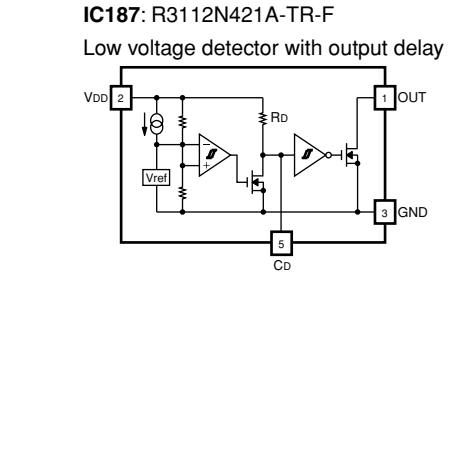
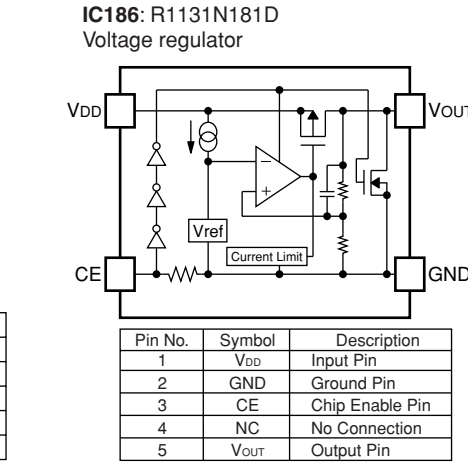
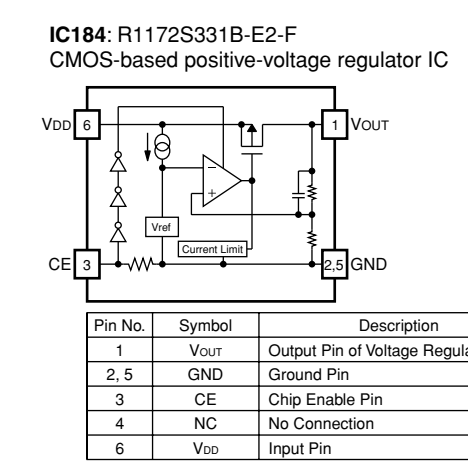
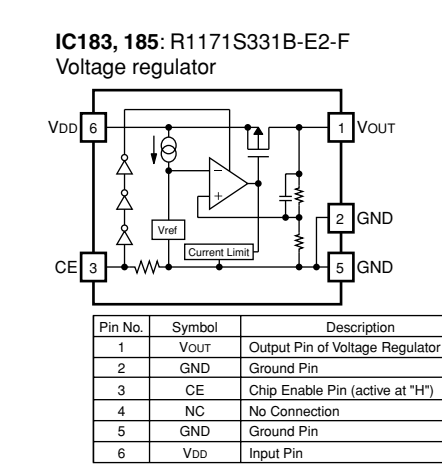
REMARKS	PARTS NAME
NO MARK	CARBON FILM RESISTOR (E=5)
△	METAL OXIDE FILM RESISTOR
▲	METAL FILM RESISTOR
■	METAL PLATE RESISTOR
□	FILM PROOF CARBON FILM RESISTOR
○	CEMENT MOLDED RESISTOR
◇	THICK VARIABLE RESISTOR
◎	CHIP RESISTOR

REMARKS	PARTS NAME
NO MARK	ELECTROLYTIC CAPACITOR
△	FANTAILM CAPACITOR
□	CERAMIC CAPACITOR
◇	CERAMIC TUBULAR CAPACITOR
○	POLYESTER FILM CAPACITOR
◎	POLYPROPYLENE FILM CAPACITOR
◇	MICA CAPACITOR
○	POLYPROPYLENE FILM CAPACITOR
◎	SEMICONDUCTIVE CERAMIC CAPACITOR
◇	POLYPROPYLENE SULFIDE FILM CAPACITOR

NOTICE [note11]
 (J) JAPAN
 (U) U.S.A.
 (C) CANADA
 (I) GENERAL
 (T) CHINA
 (K) KOREA
 (A) AUSTRALIA
 (B) BRITISH
 (G) EUROPE
 (L) SINGAPORE
 (E) SOUTH EUROPE
 (*) TAIWAN



181-199
 1801-1999
 Video uCom
 Power Supply



* All voltages are measured with a 10MΩ/V DC electronic voltmeter.
 * Components having special characteristics are marked △ and must be replaced with parts having specifications equal to those originally installed.
 * Schematic diagram is subject to change without notice.
 ●電圧は、内部抵抗10MΩの電圧計で測定したものです。
 ●△印のある部品は、安全性確保部品を示しています。部品の交換が必要な場合、パーツリストに記載されている部品を使用してください。
 ●本回路図は標準回路図です。改良のため予告なく変更することがございます。

Pin No.	Symbol	Description
1	VOUT	Output Pin of Voltage Regulator
2	GND	Ground Pin
3	CE	Chip Enable Pin (active at "H")
4	NC	No Connection
5	GND	Ground Pin
6	VDD	Input Pin

Pin No.	Symbol	Description
1	VOUT	Output Pin of Voltage Regulator
2, 5	GND	Ground Pin
3	CE	Chip Enable Pin
4	NC	No Connection
6	VDD	Input Pin

Pin No.	Symbol	Description
1	VDD	Input Pin
2	GND	Ground Pin
3	CE	Chip Enable Pin
4	NC	No Connection
5	VOUT	Output Pin

Pin No.	Symbol	Description
1	VOUT	Output Pin for Voltage Regulator
2	VDD	Input Pin
3	GND	Ground Pin
4	NC	No Connection
5	GND	Ground Pin
6	CE	Chip Enable Pin (active at "H")

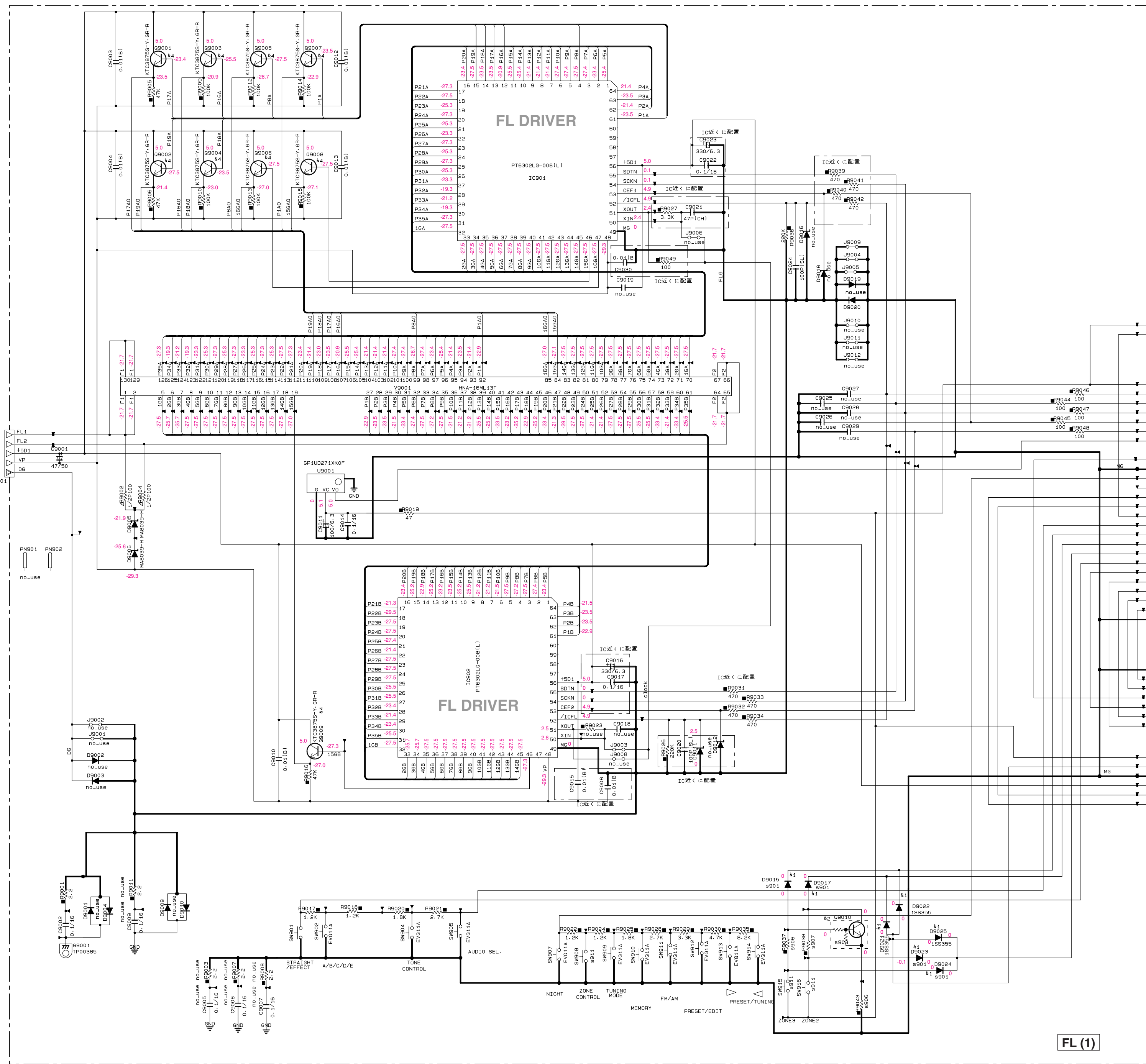
Pin No.	Symbol	Description
1	VOUT	Output Pin of Voltage Regulator
2	GND	Ground Pin
3	CE	Chip Enable Pin (active at "H")
4	NC	No Connection
5	GND	Ground Pin
6	VDD	Input Pin

Pin No.	Symbol	Description
1	VOUT	Output Pin of Voltage Regulator
2	GND	Ground Pin
3	CE	Chip Enable Pin
4	NC	No Connection
5	GND	Ground Pin
6	VDD	Input Pin

Pin No.	Symbol	Description
1	VOUT	Output Pin of Voltage Regulator
2, 5	GND	Ground Pin
3	CE	Chip Enable Pin
4	NC	No Connection
6	VDD	Input Pin

Pin No.	Symbol	Description
1A		
1B		
1Y		
2A		
2B		
2Y		
3A		
3Y		
GND		

Pin No.	Symbol	Description
1	VCC	
2	IN A	
3	GND	
4	OUT Y	



Page 126 [A4] to OPERATION (5)_CB809

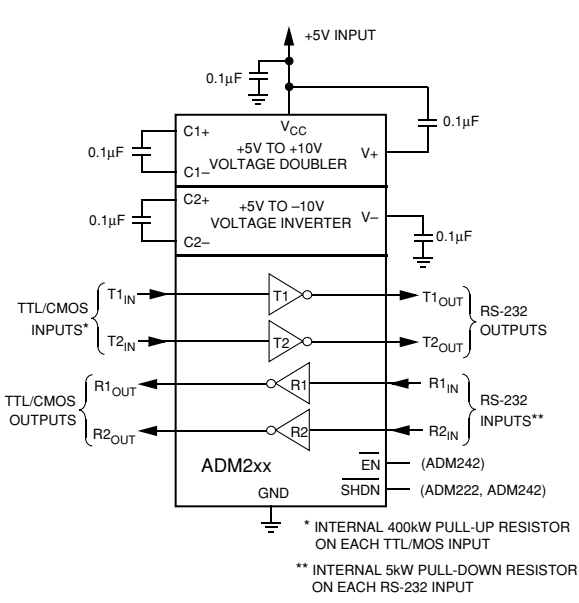
Page 137 [K4] to FL (2)_CB970

Page 126 [K3] to OPERATION (4)_CB812

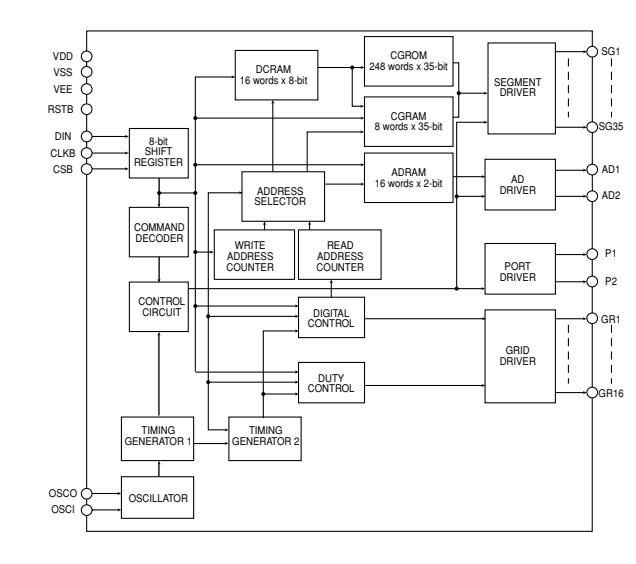
Page 126 [B2] to OPERATION (1)_CB801

FL (1)

IC951: ADM2242Z High speed RS-232 line drivers/receivers



IC901, 902: PT6302LQ-008 VFD driver/controller IC with character RAM



RESISTOR	REMARKS	PARTS NAME
NO MARK	NO MARK	CARBON FILM RESISTOR (P=5)
△	△	CARBON FILM RESISTOR (P=10)
□	□	METAL OXIDE FILM RESISTOR
◇	◇	METAL FILM RESISTOR
○	○	METAL PLATE RESISTOR
⊞	⊞	FIBRE PROOF CARBON FILM RESISTOR
⊠	⊠	CEMENT MOLDED FILM RESISTOR
⊡	⊡	SEMI VARIABLE RESISTOR
■	■	CHIP RESISTOR

CAPACITOR	REMARKS	PARTS NAME
NO MARK	NO MARK	ELECTROLYTIC CAPACITOR
⊖	⊖	TANTALUM CAPACITOR
NO MARK	NO MARK	CERAMIC CAPACITOR
⊙	⊙	CERAMIC TUBULAR CAPACITOR
⊚	⊚	POLYESTER FILM CAPACITOR
○	○	POLYSTYRENE FILM CAPACITOR
Ⓣ	Ⓣ	MICA CAPACITOR
⊕	⊕	POLYPROPYLENE FILM CAPACITOR
⊞	⊞	SEMICONDUCTIVE CERAMIC CAPACITOR
⊚	⊚	POLYPHENYLENE SULFIDE FILM CAPACITOR

Mark	Reference Parts Number	Parts Name
k1	09015, 9017, 9021-9025	ISS395
U	9501-9504	MA111
k2	09010	K2S160-RTK/P
k3	09502, 9504	DT144EKA
k4	09001-9009	HTC3875S-Y-GR-RTK/P
		28C241K (G/B/S1)

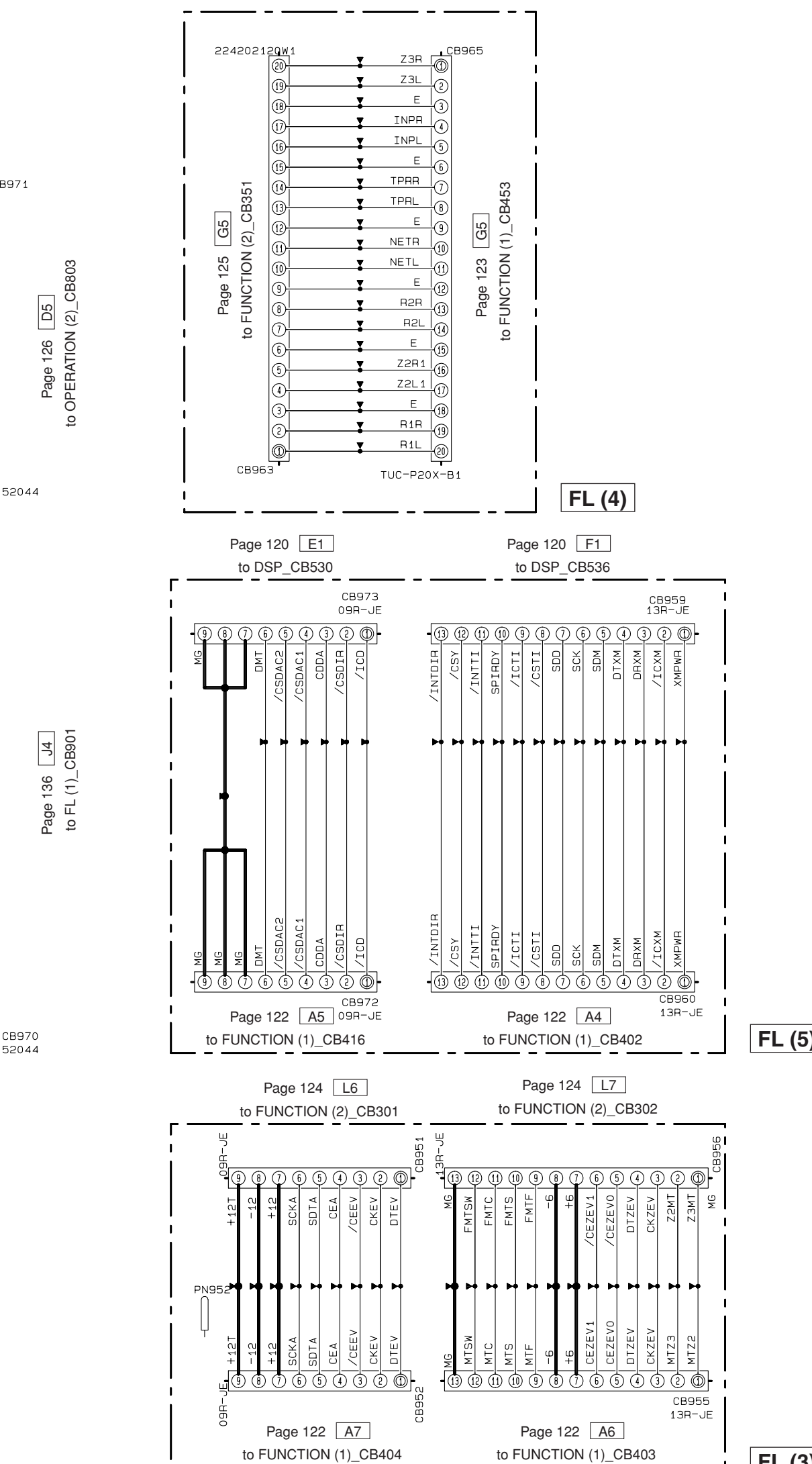
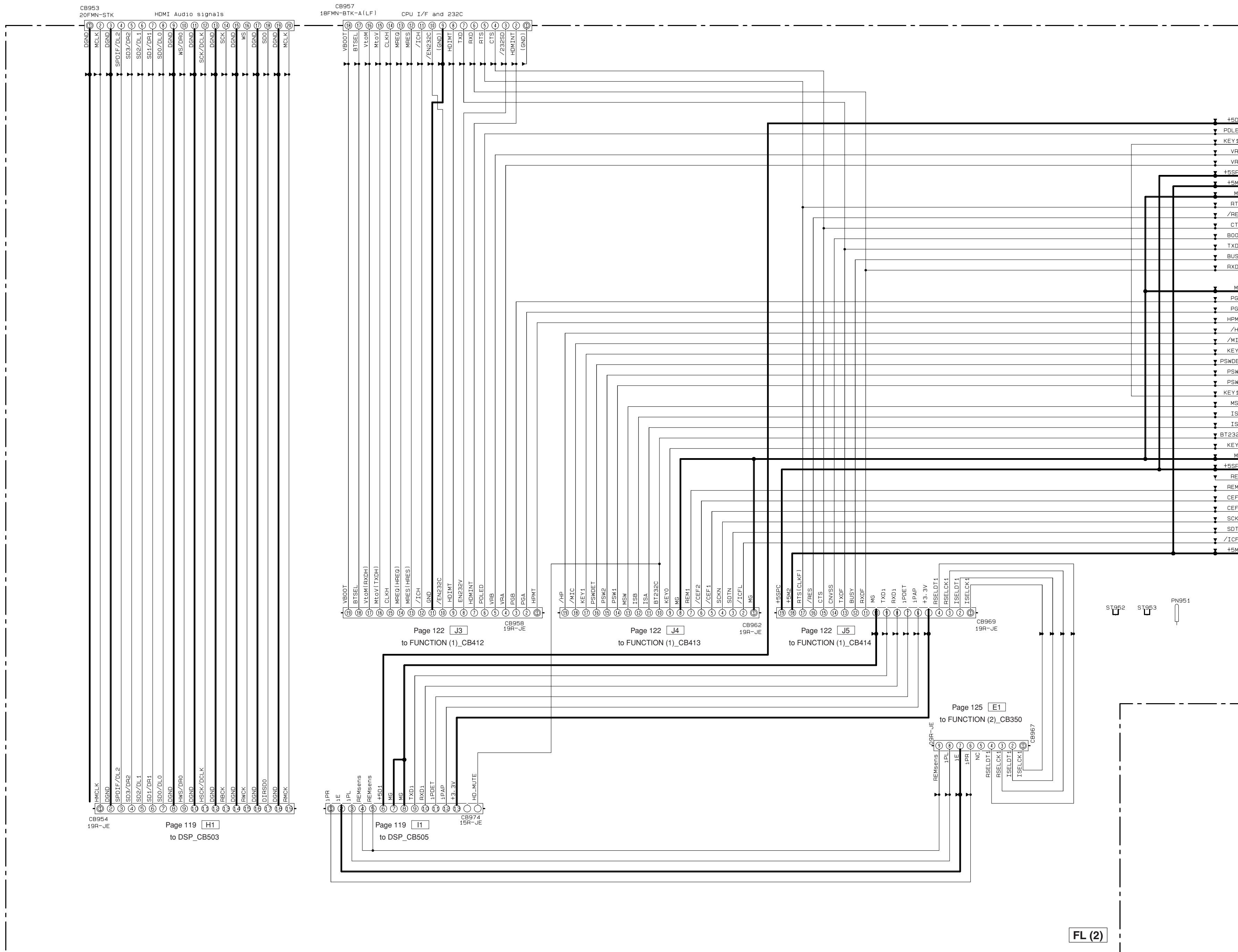
NOTICE (model)
 (J)..... JAPAN
 (U)..... U.S.A
 (C)..... CANADA
 (R)..... GENERAL
 (T)..... CHINA
 (K)..... KOREA
 (A)..... AUSTRALIA
 (B)..... BRITISH
 (G)..... EUROPE
 (L)..... SINGAPORE
 (E)..... SOUTH EUROPE
 (V)..... TAIWAN

* All voltages are measured with a 10MΩ/V DC electronic voltmeter.
 * Components having special characteristics are marked with a triangle and must be replaced with parts having specifications equal to those originally installed.
 * Schematic diagram is subject to change without notice.
 ●電圧は、内部抵抗10MΩの電圧計で測定したものです。
 ●△印のある部品は、安全性確保部品を示しています。部品の交換が必要な場合、パーツリストに記載されている部品を使用してください。
 ●本回路図は標準回路図です。改良のため予告なく変更することがございます。

FL 2/2

Page 131 [D9] to D-VIDEO_CB102

Page 135 [L5] to D-VIDEO_CB186



RESISTOR		CAPACITOR	
REMARKS	PARTS NAME	REMARKS	PARTS NAME
NO MARK	CARBON FILM RESISTOR (P=5)	NO MARK	ELECTROLYTIC CAPACITOR
□	CARBON FILM RESISTOR (P=10)	⊗	TANTALUM CAPACITOR
△	METAL OXIDE FILM RESISTOR	NO MARK	CERAMIC CAPACITOR
▲	METAL FILM RESISTOR	⊙	CERAMIC TUBULAR CAPACITOR
⊞	METAL PLATE RESISTOR	○	POLYESTER FILM CAPACITOR
⊠	FIRE PROOF CARBON FILM RESISTOR	○	POLYSTYRENE FILM CAPACITOR
□	CEMENT MOLDED RESISTOR	○	NIÇA CAPACITOR
⊗	SEMI VARIABLE RESISTOR	○	POLYPROPYLENE FILM CAPACITOR
■	CHIP RESISTOR	○	SEMICONDUCTIVE CERAMIC CAPACITOR
		○	POLYPHENYLENE SULFIDE FILM CAPACITOR

NOTICE [mode1]
 (J)..... JAPAN
 (U)..... U. S. A
 (C)..... CANADA
 (R)..... GENERAL
 (T)..... CHINA
 (K)..... KOREA
 (A)..... AUSTRALIA
 (B)..... BRITISH
 (G)..... EUROPE
 (L)..... SINGAPORE
 (E)..... SOUTH EUROPE
 (V)..... TAIWAN

- * All voltages are measured with a 10MΩ/V DC electronic voltmeter.
- * Components having special characteristics are marked with a triangle and must be replaced with parts having specifications equal to those originally installed.
- * Schematic diagram is subject to change without notice.
- 電圧は、内部抵抗10MΩの電圧計で測定したものです。
- 印のある部品は、安全性確保部品を示しています。部品の交換が必要な場合、パーツリストに記載されている部品を使用してください。
- 本回路図は標準回路図です。改良のため予告なく変更することがございます。

10

■ REPLACEMENT PARTS LIST

• ELECTRICAL COMPONENT PARTS

WARNING

- Components having special characteristics are marked \triangle and must be replaced with parts having specifications equal to those originally installed.
- The chip resistor is not supplied as a replacement part.
 - * When a chip resistor is necessary, use the following part.
AAX60720: CHIP RESISTOR SAMPLE BOOK
- \triangle 印のある部分は、安全確保部品を示しています。部品の交換が必要な場合、パーツリストに記載されている部品を使用してください。
- チップ抵抗はサービス部品として供給しません。
 - ※ チップ抵抗が必要な場合は、下記の部品をご利用ください。
AAX60720: CHIP RESISTOR SAMPLE BOOK
- 部品価格ランクは、予告なく変更することがあります。

ABBREVIATIONS IN THIS LIST ARE AS FOLLOWS:

C.A.EL.CHP	: CHIP ALUMI.ELECTROLYTIC CAP	L.EMIT	: LIGHT EMITTING MODULE
C.CE	: CERAMIC CAP	LED.DSPLY	: LED DISPLAY
C.CE.ARRAY	: CERAMIC CAP ARRAY	LED.INFRD	: LED,INFRARED
C.CE.CHP	: CHIP CERAMIC CAP	MODUL.RF	: MODULATOR,RF
C.CE.ML	: MULTILAYER CERAMIC CAP	PHOT.CPL	: PHOTO COUPLER
C.CE.M.CHP	: CHIP MULTILAYER CERAMIC CAP	PHOT.INTR	: PHOTO INTERRUPTER
C.CE.SAFTY	: RECOGNIZED CERAMIC CAP	PHOT.RFLCT	: PHOTO REFLECTOR
C.CE.TUBLR	: CERAMIC TUBULAR CAP	PIN.TEST	: PIN,TEST POINT
C.CE.SMI	: SEMI CONDUCTIVE CERAMIC CAP	PLST.RIVET	: PLASTIC RIVET
C.EL	: ELECTROLYTIC CAP	R.ARRAY	: RESISTOR ARRAY
C.MICA	: MICA CAP	R.CAR.	: CARBON RESISTOR
C.ML.FLM	: MULTILAYER FILM CAP	R.CAR.CHP	: CHIP RESISTOR
C.MP	: METALLIZED PAPER CAP	R.CAR.FP	: FLAME PROOF CARBON RESISTOR
C.MYLAR	: MYLAR FILM CAP	R.FUS	: FUSABLE RESISTOR
C.MYLAR.ML	: MULTILAYER MYLAR FILM CAP	R.MTL.CHP	: CHIP METAL FILM RESISTOR
C.PAPER	: PAPER CAPACITOR	R.MTL.FLM	: METAL FILM RESISTOR
C.PLS	: POLYSTYRENE FILM CAP	R.MTL.OXD	: METAL OXIDE FILM RESISTOR
C.POL	: POLYESTER FILM CAP	R.MTL.PLAT	: METAL PLATE RESISTOR
C.POLY	: POLYETHYLENE FILM CAP	RSNR.CE	: CERAMIC RESONATOR
C.PP	: POLYPROPYLENE FILM CAP	RSNR.CRYS	: CRYSTAL RESONATOR
C.TNTL	: TANTALUM CAP	R.TW.CEM	: TWIN CEMENT FIXED RESISTOR
C.TNTL.CHP	: CHIP TANTALUM CAP	R.CEMENT	: CEMENT RESISTOR
C.TRIM	: TRIMMER CAP	SCR.BND.HD	: BIND HEAD B-TIGHT SCREW
CN	: CONNECTOR	SCR.BW.HD	: BW HEAD TAPPING SCREW
CN.BS.PIN	: CONNECTOR,BASE PIN	SCR.CUP	: CUP TIGHT SCREW
CN.CANNON	: CONNECTOR,CANNON	SCR.TERM	: SCREW TERMINAL
CN.DIN	: CONNECTOR,DIN	SCR.TR	: SCREW,TRANSISTOR
CN.FLAT	: CONNECTOR,FLAT CABLE	SUPRT.PCB	: SUPPORT,P.C.B.
CN.POST	: CONNECTOR,BASE POST	SURG.PRTCT	: SURGE PROTECTOR
COIL.MX.AM	: COIL,AM MIX	SW.TACT	: TACT SWITCH
COIL.AT.FM	: COIL,FM ANTENNA	SW.LEAF	: LEAF SWITCH
COIL.DT.FM	: COIL,FM DETECT	SW.LEVER	: LEVER SWITCH
COIL.MX.FM	: COIL,FM MIX	SW.MICRO	: MICRO SWITCH
COIL.OUTPT	: OUTPUT COIL	SW.PUSH	: PUSH SWITCH
DIOD.ARRAY	: DIODE ARRAY	SW.RT.ENC	: ROTARY ENCODER
DIODE.BRG	: DIODE BRIDGE	SW.RT.MTR	: ROTARY SWITCH WITH MOTOR
DIODE.CHP	: CHIP DIODE	SW.RT	: ROTARY SWITCH
DIODE.VAR	: VARACTOR DIODE	SW.SLIDE	: SLIDE SWITCH
DIOD.Z.CHP	: CHIP ZENER DIODE	TERM.SP	: SPEAKER TERMINAL
DIODE.ZENR	: ZENER DIODE	TERM.WRAP	: WRAPPING TERMINAL
DSCR.CE	: CERAMIC DISCRIMINATOR	THRMST.CHP	: CHIP THERMISTOR
FER.BEAD	: FERRITE BEADS	TR.CHP	: CHIP TRANSISTOR
FER.CORE	: FERRITE CORE	TR.DGT	: DIGITAL TRANSISTOR
FET.CHP	: CHIP FET	TR.DGT.CHP	: CHIP DIGITAL TRANSISTOR
FL.DSPLY	: FLUORESCENT DISPLAY	TRANS	: TRANSFORMER
FLTR.CE	: CERAMIC FILTER	TRANS.PULS	: PULSE TRANSFORMER
FLTR.COMB	: COMB FILTER MODULE	TRANS.PWR	: POWER TRANSFORMER ASS'Y
FLTR.LC.RF	: LC FILTER,EMI	TUNER.AM	: TUNER PACK,AM
GND.MTL	: GROUND PLATE	TUNER.FM	: TUNER PACK,FM
GND.TERM	: GROUND TERMINAL	TUNER.PK	: FRONT-ENDTUNER PACK
HOLDER.FUS	: FUSE HOLDER	VR	: ROTARY POTENTIOMETER
IC.PRTCT	: IC PROTECTOR	VR.MTR	: POTENTIOMETER WITH MOTOR
JUMPER.CN	: JUMPER CONNECTOR	VR.SW	: POTENTIOMETER WITH ROTARY SW
JUMPER.TST	: JUMPER,TEST POINT	VR.SLIDE	: SLIDE POTENTIOMETER
L.DTCT	: LIGHT DETECTING MODULE	VR.TRIM	: TRIMMER POTENTIOMETER

P.C.B. DSP

Ref No.	Part No.	Description	Remarks	Markets	部 品 名	ラング
	WK647300	P. C. B.	DSP	J	P C B D S P	
	WK647400	P. C. B.	DSP	UC	P C B D S P	
	WK647500	P. C. B.	DSP	RTKABGEL	P C B D S P	
CB502	WJ458700	CN. XM	4P CAM-D96	UC	X Mコネクタ	
CB503	V9356900	CN. JE	19P SE		J Eコネクタ-プラグ	
CB504	VQ047100	CN. BS. PIN	7P		F F Cコネクタ	01
CB505	VU443800	CN. JE	15P SE		J Eコネクタ-プラグ	01
CB530	V8809800	CN. JE	9P SE		J Eコネクタ-プラグ	01
CB536	V8875300	CN. JE	13P SE		J Eコネクタ-プラグ	01
CB560	LB918020	CN. BS. PIN	2P		ベース付ポスト	01
CB561	VQ048000	CN. BS. PIN	31P		F F Cコネクタ	02
C5001-5003	US061220	C. CE. CHP	22pF 50V B		チップセラコン	01
C5004-5009	US135100	C. CE. CHP	0.1uF 16V		チップセラコン	01
C5010-5011	US135100	C. CE. CHP	0.1uF 16V	UC	チップセラコン	01
C5012-5014	US135100	C. CE. CHP	0.1uF 16V		チップセラコン	01
C5015-5017	UR237220	C. EL	22uF 16V		ケミコン	
C5019	US063100	C. CE. CHP	1000pF 50V B	UC	チップセラコン	01
C5022	US135100	C. CE. CHP	0.1uF 16V	UC	チップセラコン	01
C5024	US135100	C. CE. CHP	0.1uF 16V	UC	チップセラコン	01
C5025	UR237470	C. EL	47uF 16V		ケミコン	
C5028	US135100	C. CE. CHP	0.1uF 16V		チップセラコン	01
C5031	US135100	C. CE. CHP	0.1uF 16V		チップセラコン	01
C5032	US062220	C. CE. CHP	220pF 50V B		チップセラコン	01
C5033	UR237220	C. EL	22uF 16V		ケミコン	
C5034	US062220	C. CE. CHP	220pF 50V B		チップセラコン	01
C5035	US135100	C. CE. CHP	0.1uF 16V	UC	チップセラコン	01
C5036	UR237470	C. EL	47uF 16V		ケミコン	
C5037	US135100	C. CE. CHP	0.1uF 16V		チップセラコン	01
C5038	US062220	C. CE. CHP	220pF 50V B		チップセラコン	01
C5039	US135100	C. CE. CHP	0.1uF 16V		チップセラコン	01
C5040	US062220	C. CE. CHP	220pF 50V B		チップセラコン	01
C5041-5043	US135100	C. CE. CHP	0.1uF 16V	UC	チップセラコン	01
C5044	UR837470	C. EL	47uF 16V	UC	ケミコン	01
C5045	US135100	C. CE. CHP	0.1uF 16V	UC	チップセラコン	01
C5046	UR238100	C. EL	100uF 16V		ケミコン	
C5047	US061100	C. CE. CHP	10pF 50V B	UC	チップセラコン	01
C5048-5049	US135100	C. CE. CHP	0.1uF 16V		チップセラコン	01
C5050	VE326000	C. MYLAR	0.1uF 50V		マイラーコン	01
C5051	VE326600	C. MYLAR	0.33uF 50V		マイラーコン	01
C5052	UA654220	C. MYLAR	0.022uF 50V J		マイラーコン	01
C5053-5055	US135100	C. CE. CHP	0.1uF 16V		チップセラコン	01
C5056	US061100	C. CE. CHP	10pF 50V B	UC	チップセラコン	01
C5057-5058	UR267100	C. EL	10uF 50V		ケミコン	
C5059	US062100	C. CE. CHP	100pF 50V B		チップセラコン	01
C5060	UU267470	C. EL	47uF 50V		ケミコン FW	01
C5061	US061470	C. CE. CHP	47pF 50V B		チップセラコン	01
C5062	UU267470	C. EL	47uF 50V		ケミコン FW	01
C5063-5066	US135100	C. CE. CHP	0.1uF 16V		チップセラコン	01
C5067	UR237470	C. EL	47uF 16V		ケミコン	
C5068-5069	US135100	C. CE. CHP	0.1uF 16V		チップセラコン	01
C5070	US062100	C. CE. CHP	100pF 50V B		チップセラコン	01
C5071	US135100	C. CE. CHP	0.1uF 16V		チップセラコン	01
C5072-5073	US062100	C. CE. CHP	100pF 50V B		チップセラコン	01
C5074-5075	US062220	C. CE. CHP	220pF 50V B		チップセラコン	01
C5076	US135100	C. CE. CHP	0.1uF 16V		チップセラコン	01

* New Parts * 新規部品

P.C.B. DSP

Ref No.	Part No.	Description	Remarks	Markets	部 品 名	ランク	
C5077	US062100	C. CE. CHP	100pF	50V B		チップセラコン	01
C5078-5079	UA652390	C. MYLAR	390pF	50V J		マイラーコン	01
C5080-5081	UR267100	C. EL	10uF	50V		ケミコン	
C5082-5083	US135100	C. CE. CHP	0.1uF	16V		チップセラコン	01
C5084-5085	UR267100	C. EL	10uF	50V		ケミコン	
C5086	UR237100	C. EL	10uF	16V		ケミコン	
C5087	US135100	C. CE. CHP	0.1uF	16V		チップセラコン	01
C5301	US062100	C. CE. CHP	100pF	50V B		チップセラコン	01
C5302-5303	UR238100	C. EL	100uF	16V		ケミコン	
C5304	UR267100	C. EL	10uF	50V		ケミコン	
C5305	US126100	C. CE. CHP	1uF	10V		チップセラコン	01
C5307-5313	US135100	C. CE. CHP	0.1uF	16V		チップセラコン	01
C5314	UR237100	C. EL	10uF	16V		ケミコン	
C5315-5322	US135100	C. CE. CHP	0.1uF	16V		チップセラコン	01
C5323-5334	US061470	C. CE. CHP	47pF	50V B		チップセラコン	01
C5336	US135100	C. CE. CHP	0.1uF	16V		チップセラコン	01
C5338	US135100	C. CE. CHP	0.1uF	16V		チップセラコン	01
C5341-5343	US135100	C. CE. CHP	0.1uF	16V		チップセラコン	01
C5344	UR237100	C. EL	10uF	16V		ケミコン	
C5345-5346	US135100	C. CE. CHP	0.1uF	16V		チップセラコン	01
C5348-5350	US135100	C. CE. CHP	0.1uF	16V		チップセラコン	01
C5355-5362	US135100	C. CE. CHP	0.1uF	16V		チップセラコン	01
C5363	UR237470	C. EL	47uF	16V		ケミコン	
C5364-5367	US135100	C. CE. CHP	0.1uF	16V		チップセラコン	01
C5368-5370	US063100	C. CE. CHP	1000pF	50V B		チップセラコン	01
C5371-5372	US135100	C. CE. CHP	0.1uF	16V		チップセラコン	01
C5373-5375	US063100	C. CE. CHP	1000pF	50V B		チップセラコン	01
C5376-5377	US135100	C. CE. CHP	0.1uF	16V		チップセラコン	01
C5378	UU238100	C. EL	100uF	16V		ケミコン	01
C5379	WG251600	C. CE. CHP	4.7uF	6.3V		チップセラ	01
C5380	UU238100	C. EL	100uF	16V		ケミコン	01
C5381	UR238100	C. EL	100uF	16V		ケミコン	
C5382	US135100	C. CE. CHP	0.1uF	16V		チップセラコン	01
C5383-5384	WG251600	C. CE. CHP	4.7uF	6.3V		チップセラ	01
C5385	UR239100	C. EL	1000uF	16V		ケミコン	
C5386-5387	US135100	C. CE. CHP	0.1uF	16V		チップセラコン	01
C5388	UU238100	C. EL	100uF	16V		ケミコン	01
C5389	WG251600	C. CE. CHP	4.7uF	6.3V		チップセラ	01
C5390	US135100	C. CE. CHP	0.1uF	16V		チップセラコン	01
C5391	WG251600	C. CE. CHP	4.7uF	6.3V		チップセラ	01
C5392-5393	UR239100	C. EL	1000uF	16V		ケミコン	
C5394	US135330	C. CE. CHP	0.33uF	16V		チップセラコン	01
C5395	UR239100	C. EL	1000uF	16V		ケミコン	
C5396-5397	US135100	C. CE. CHP	0.1uF	16V		チップセラコン	01
C5398	UR238100	C. EL	100uF	16V	UC	ケミコン	
C5399-5400	US135100	C. CE. CHP	0.1uF	16V	UC	チップセラコン	01
C5401	UR238100	C. EL	100uF	16V	UC	ケミコン	
C5402	US135100	C. CE. CHP	0.1uF	16V	UC	チップセラコン	01
C5403	UR218470	C. EL	470uF	6.3V	UC	ケミコン	
C5404-5406	US135100	C. CE. CHP	0.1uF	16V		チップセラコン	01
C5409-5429	US135100	C. CE. CHP	0.1uF	16V		チップセラコン	01
C5430-5432	US063100	C. CE. CHP	1000pF	50V B		チップセラコン	01
C5433-5442	US135100	C. CE. CHP	0.1uF	16V		チップセラコン	01
C5443	UR237100	C. EL	10uF	16V		ケミコン	
C5444	US135100	C. CE. CHP	0.1uF	16V		チップセラコン	01

* New Parts * 新規部品

P.C.B. DSP

Ref No.	Part No.	Description	Remarks	Markets	部 品 名	ラング
C5601	US163100	C. CE. CHP	1000pF 50V		チップセラコン	01
C5602-5605	US135100	C. CE. CHP	0.1uF 16V		チップセラコン	01
C5607-5608	US135100	C. CE. CHP	0.1uF 16V		チップセラコン	01
C5609	UU267100	C. EL	10uF 50V		ケミコン FW	01
C5610	US135100	C. CE. CHP	0.1uF 16V		チップセラコン	01
C5611	UU267100	C. EL	10uF 50V		ケミコン FW	01
C5612	US135100	C. CE. CHP	0.1uF 16V		チップセラコン	01
C5613	US062100	C. CE. CHP	100pF 50V B		チップセラコン	01
C5614-5615	UR238100	C. EL	100uF 16V		ケミコン	
C5616	UR267100	C. EL	10uF 50V		ケミコン	
C5617	US126100	C. CE. CHP	1uF 10V		チップセラコン	01
C5618-5623	US135100	C. CE. CHP	0.1uF 16V		チップセラコン	01
C5624	UU267100	C. EL	10uF 50V		ケミコン FW	01
C5625	US135100	C. CE. CHP	0.1uF 16V		チップセラコン	01
C5626	UU267100	C. EL	10uF 50V		ケミコン FW	01
C5627-5629	US135100	C. CE. CHP	0.1uF 16V		チップセラコン	01
C5630-5633	UA652100	C. MYLAR	100pF 50V J		マイラーコン	01
C5634-5635	US135100	C. CE. CHP	0.1uF 16V		チップセラコン	01
C5636-5637	UA654220	C. MYLAR	0.022uF 50V J		マイラーコン	01
C5638-5639	US135100	C. CE. CHP	0.1uF 16V		チップセラコン	01
C5640-5643	UA652470	C. MYLAR	470pF 50V J		マイラーコン	01
C5644-5646	US135100	C. CE. CHP	0.1uF 16V		チップセラコン	01
C5647-5649	UU267100	C. EL	10uF 50V		ケミコン FW	01
C5650-5652	US135100	C. CE. CHP	0.1uF 16V		チップセラコン	01
C5653	UU267100	C. EL	10uF 50V		ケミコン FW	01
C5654-5656	US135100	C. CE. CHP	0.1uF 16V		チップセラコン	01
C5657-5658	UU267220	C. EL	22uF 50V		ケミコン FW	01
C5659-5660	US135100	C. CE. CHP	0.1uF 16V		チップセラコン	01
C5661-5662	UR237470	C. EL	47uF 16V		ケミコン	
C5663-5665	US135100	C. CE. CHP	0.1uF 16V		チップセラコン	01
C5666-5667	US064100	C. CE. CHP	0.01uF 50V B	UC	チップセラコン	01
C5668-5672	US135100	C. CE. CHP	0.1uF 16V		チップセラコン	01
C5673	UR237470	C. EL	47uF 16V	UC	ケミコン	
C5674	UR237100	C. EL	10uF 16V	UC	ケミコン	
C5675	US135100	C. CE. CHP	0.1uF 16V	UC	チップセラコン	01
C5676	US135100	C. CE. CHP	0.1uF 16V		チップセラコン	01
C5677-5678	UR237470	C. EL	47uF 16V	UC	ケミコン	
C5679	US135100	C. CE. CHP	0.1uF 16V		チップセラコン	01
C5680-5681	UA653270	C. MYLAR	2700pF 50V J	UC	マイラーコン	01
C5682-5683	US135100	C. CE. CHP	0.1uF 16V		チップセラコン	01
C5684-5685	UA653270	C. MYLAR	2700pF 50V J	UC	マイラーコン	01
C5686	US135100	C. CE. CHP	0.1uF 16V		チップセラコン	01
C5687-5688	UR237100	C. EL	10uF 16V	UC	ケミコン	
C5689	US063100	C. CE. CHP	1000pF 50V B		チップセラコン	01
C5690-5697	US135100	C. CE. CHP	0.1uF 16V		チップセラコン	01
C5698-5699	US135100	C. CE. CHP	0.1uF 16V	UC	チップセラコン	01
C5700-5701	UR237470	C. EL	47uF 16V	UC	ケミコン	
C5704-5705	US135100	C. CE. CHP	0.1uF 16V		チップセラコン	01
C5708	US135100	C. CE. CHP	0.1uF 16V		チップセラコン	01
C5709	UU238100	C. EL	100uF 16V		ケミコン	01
C5710	US135100	C. CE. CHP	0.1uF 16V		チップセラコン	01
C5712-5714	US163100	C. CE. CHP	1000pF 50V		チップセラコン	01
C5715	US135100	C. CE. CHP	0.1uF 16V		チップセラコン	01
C5716-5717	US163100	C. CE. CHP	1000pF 50V		チップセラコン	01
C5718-5720	UU238100	C. EL	100uF 16V		ケミコン	01

* New Parts * 新規部品

P.C.B. DSP

Ref No.	Part No.	Description	Remarks	Markets	部 品 名	ランク
C5721	US135100	C. CE. CHP	0.1uF 16V		チップセラコン	01
C5722-5723	UU238100	C. EL	100uF 16V		ケミコン	01
C5724-5726	US135100	C. CE. CHP	0.1uF 16V		チップセラコン	01
C5728-5729	US135100	C. CE. CHP	0.1uF 16V		チップセラコン	01
C5730-5732	UU238100	C. EL	100uF 16V		ケミコン	01
C5734-5735	UU238100	C. EL	100uF 16V		ケミコン	01
C5736-5738	US135100	C. CE. CHP	0.1uF 16V		チップセラコン	01
C5740-5744	US135100	C. CE. CHP	0.1uF 16V		チップセラコン	01
C5746-5747	US135100	C. CE. CHP	0.1uF 16V		チップセラコン	01
C5748-5750	UU267100	C. EL	10uF 50V		ケミコン FW	01
C5752-5753	UU267100	C. EL	10uF 50V		ケミコン FW	01
C5754-5758	UA652560	C. MYLAR	560pF 50V J		マイラーコン	02
C5759-5763	UA653680	C. MYLAR	6800pF 50V J		マイラーコン	01
C5765	UA654560	C. MYLAR	0.056uF 50V J		マイラーコン	
C5766-5769	UA653680	C. MYLAR	6800pF 50V J		マイラーコン	01
C5770-5774	UA652390	C. MYLAR	390pF 50V J		マイラーコン	01
C5775	UR237470	C. EL	47uF 16V		ケミコン	
C5776	UA654150	C. MYLAR	0.015uF 50V J		マイラーコン	01
C5777-5785	UA652390	C. MYLAR	390pF 50V J		マイラーコン	01
C5786	US135100	C. CE. CHP	0.1uF 16V		チップセラコン	01
C5787	UA654150	C. MYLAR	0.015uF 50V J		マイラーコン	01
C5788-5791	UA652390	C. MYLAR	390pF 50V J		マイラーコン	01
C5797	US135100	C. CE. CHP	0.1uF 16V		チップセラコン	01
C5803-5807	UU267100	C. EL	10uF 50V		ケミコン FW	01
C5808	US135100	C. CE. CHP	0.1uF 16V		チップセラコン	01
C5809	UU267100	C. EL	10uF 50V		ケミコン FW	01
C5810-5811	UR237100	C. EL	10uF 16V		ケミコン	
C5812-5813	UU267100	C. EL	10uF 50V		ケミコン FW	01
C5814-5825	US135100	C. CE. CHP	0.1uF 16V		チップセラコン	01
C5826-5831	UR237470	C. EL	47uF 16V		ケミコン	
C5834-5842	US135100	C. CE. CHP	0.1uF 16V		チップセラコン	01
C5844-5851	US135100	C. CE. CHP	0.1uF 16V		チップセラコン	01
C5852-5854	US063100	C. CE. CHP	1000pF 50V B		チップセラコン	01
C5855-5856	US135100	C. CE. CHP	0.1uF 16V		チップセラコン	01
C5857-5859	US063100	C. CE. CHP	1000pF 50V B		チップセラコン	01
C5860-5861	US135100	C. CE. CHP	0.1uF 16V		チップセラコン	01
C5900	US035100	C. CE. CHP	0.1uF 16V B		チップセラコン	01
C5920-5922	US035100	C. CE. CHP	0.1uF 16V B		チップセラコン	01
C5930-5931	US035100	C. CE. CHP	0.1uF 16V B		チップセラコン	01
C5940-5945	US035100	C. CE. CHP	0.1uF 16V B		チップセラコン	01
D5001-5003	WE674800	DIODE	AVRL161A1R1NTB	UC	チップバリスタ	01
D5301-5303	VT332900	DIODE	1SS355		ダイオード	01
D5305	VT332900	DIODE	1SS355		ダイオード	01
D5306	VT332900	DIODE	1SS355	UC	ダイオード	01
D5308	VT332900	DIODE	1SS355		ダイオード	01
D5309	VT332900	DIODE	1SS355	UC	ダイオード	01
D5310-5311	VT332900	DIODE	1SS355		ダイオード	01
D5600-5609	VV220700	DIODE. SHOT	RB501V-40		ショットキーダイオード	01
IC501	X3936A00	IC	SN74LVU04APWR		ロジックIC	
IC502	X3018A00	IC	SN74AHCT00PWR NAND		ロジックIC	01
IC503	X8192A00	IC	F2621E-01-TR	UC	IC	
IC504-505	XN518A00	IC	SN74LS151NSR 8-1 S		ロジックIC	04
IC506	X7746A00	IC	LC89057W-VF4AD-E		IC	07
IC507-508	XV894A00	IC	TC74VHC153FT MULTI		ロジックIC	03
IC509	X6123A00	IC	SN74LV157APWR		ロジックIC	02

*

* New Parts * 新規部品

P.C.B. DSP

Ref No.	Part No.	Description	Remarks	Markets	部 品 名	ランク
*	IC510	X3505A00 IC	NJM2068MD-TE2			アンプ IC 02
	IC511	XY074B00 IC	TC74VHC125FT (EL, K)			ロジック IC
	IC512	XR680A00 IC	TC7SH08FU (TE85L, JF)			ロジック IC 01
	IC531	XR680A00 IC	TC7SH08FU (TE85L, JF)			ロジック IC 01
	IC532-533	XW814A00 IC	TC7SET32FU			ロジック IC 01
	IC535	X3824A00 IC	SN74AHCT08PWR			ロジック IC 01
	IC536	X3693A00 IC	SN74LV245APWR TRAN			ロジック IC
	IC537	XR680A00 IC	TC7SH08FU (TE85L, JF)			ロジック IC 01
	IC538	XW814A00 IC	TC7SET32FU			ロジック IC 01
	IC539	XR680A00 IC	TC7SH08FU (TE85L, JF)			ロジック IC 01
*	IC540	X9104A00 IC. MEMORY	S29AL016D70TF102	boot only		メモリ IC 16M
	IC541-542	X7195A00 IC	R1172S121D-E2-F			電源 IC 04
	IC543	X7964A00 IC	PQ200WNA1ZPH			電源 IC 03
	IC544	X6869A00 IC	NJM2885DL1-33			電源 IC 03
	IC545	X7964A00 IC	PQ200WNA1ZPH		UC	電源 IC 03
	IC546	XR680A00 IC	TC7SH08FU (TE85L, JF)			ロジック IC 01
	IC560	X6872A00 IC	PCM1804DBR			A/Dコンバーター 07
	IC561-563	X3505A00 IC	NJM2068MD-TE2			アンプ IC 02
*	IC564	X6231A00 IC	AK4384ET		UC	IC
	IC565	X5482A00 IC	NE5532DR OP AMP		UC	アンプ IC
	IC566	X6123A00 IC	SN74LV157APWR			ロジック IC 02
	IC569-571	X7947A00 IC	DSD1791DBR			D/Aコンバーター 07
	IC573-574	X7947A00 IC	DSD1791DBR			D/Aコンバーター 07
	IC575-577	X5482A00 IC	NE5532DR OP AMP			アンプ IC
	IC579-580	X3505A00 IC	NJM2068MD-TE2			アンプ IC 02
	IC581	XR680A00 IC	TC7SH08FU (TE85L, JF)			ロジック IC 01
*	IC582	X7285A00 IC	TC7SH00FU (TE85L, F)			ロジック IC
*	IC583	XR680A00 IC	TC7SH08FU (TE85L, JF)			ロジック IC 01
	IC585	XZ414D00 IC	W9864G6GH-7 SDRAM			メモリ IC 64M 05
	IC587	XZ414D00 IC	W9864G6GH-7 SDRAM			メモリ IC 64M 05
	IC588	X6123A00 IC	SN74LV157APWR			ロジック IC 02
	PJ501	WB491400 JACK. PIN	3P MSD-253V-29 NI			ピンジャック 03
	PN530	V9637500 PIN	L=70 #18			スタイルピン
	PN561	V9637500 PIN	L=70 #18			スタイルピン
	Q5001	VV655400 TR. DGT	DTC114EKA			デジタルトランジスタ 01
	Q5002	VD303700 TR	2SC3326 A, B			トランジスタ 01
	Q5301	VV556500 TR	2SA1037K Q, R, S		UC	トランジスタ 01
	R5010	HV753100 R. CAR. FP	1Ω 1/4W			不燃化カーボン抵抗 01
	R5035	HV753100 R. CAR. FP	1Ω 1/4W			不燃化カーボン抵抗 01
	R5070	HV753100 R. CAR. FP	1Ω 1/4W			不燃化カーボン抵抗 01
	R5379	V8070000 R. MTL. FLM	1Ω 1W			金属被膜抵抗 01
	R5381-5385	V8070000 R. MTL. FLM	1Ω 1W			金属被膜抵抗 01
	R5388-5389	V8070000 R. MTL. FLM	1Ω 1W		UC	金属被膜抵抗 01
	R5410	V8070000 R. MTL. FLM	1Ω 1W			金属被膜抵抗 01
	R5655-5656	V8070100 R. MTL. FLM	2.2Ω 1W			金属被膜抵抗 01
	R5673	HV753100 R. CAR. FP	1Ω 1/4W		UC	不燃化カーボン抵抗 01
	R5708-5709	HV753100 R. CAR. FP	1Ω 1/4W		UC	不燃化カーボン抵抗 01
	R5727-5729	HV753470 R. CAR. FP	4.7Ω 1/4W			不燃化カーボン抵抗 01
	R5731-5732	HV753470 R. CAR. FP	4.7Ω 1/4W			不燃化カーボン抵抗 01
	R5780-5781	V8070000 R. MTL. FLM	1Ω 1W			金属被膜抵抗 01
	R5783-5785	V8070000 R. MTL. FLM	1Ω 1W			金属被膜抵抗 01
	ST530	V4040500 SCR. TERM	M3			スクリュー/ターミナル 01
	U5001-5002	WH536900 CN. PHOTO. T	1P GP1FAV51TK0F			光ファイバー送信器 04
	U5003-5006	WH169900 CN. PHOTO. R	1P GP1FAV51RK0F			光ファイバー受信器 04
*	XL501	WH455300 RSNR. CRYST	45.1584MHz		UC	水晶振動子

* New Parts * 新規部品

P.C.B. DSP and P.C.B. FUNCTION

Ref No.	Part No.	Description	Remarks	Markets	部 品 名	ランク	
XL502	V6931900	RESONATOR	24.576MHz DS0751SV		水晶発振器	05	
	WK650600	P. C. B.	FUNCTION	1800	J	P C B ファンクション	
	WK650700	P. C. B.	FUNCTION	1800	UC	P C B ファンクション	
	WK650800	P. C. B.	FUNCTION	1800	R	P C B ファンクション	
	WK650900	P. C. B.	FUNCTION	1800	T	P C B ファンクション	
	WK651000	P. C. B.	FUNCTION	1800	K	P C B ファンクション	
	WK651100	P. C. B.	FUNCTION	1800	A	P C B ファンクション	
	WK651200	P. C. B.	FUNCTION	1800	BGE	P C B ファンクション	
	WK651300	P. C. B.	FUNCTION	1800	L	P C B ファンクション	
	WK651400	P. C. B.	FUNCTION	6190	C	P C B ファンクション	
	WK651500	P. C. B.	FUNCTION	6190	G	P C B ファンクション	
CB300	V0048000	CN. BS. PIN	31P			F F C コネクタ	02
CB301	V8809800	CN	9P SE			J E コネクタプラグ	01
CB302	V8875300	CN	13P SE			J E コネクタプラグ	01
CB303	VC166500	CN. BS. PIN	12P			コネクタベースポスト	01
CB350	V8809800	CN	9P SE			J E コネクタプラグ	01
CB351	V7827000	CN	20P TE TUC SERIES			コネクタプラグ	01
CB401	VM859600	CN. BS. PIN	15P			F F C コネクタ	01
CB402-403	V8875300	CN	13P SE			J E コネクタプラグ	01
CB404	V8809800	CN	9P SE			J E コネクタプラグ	01
CB405	VB389600	CN. BS. PIN	11P			コネクタベースポスト	01
CB406	VB858700	CN. BS. PIN	8P			ベースピン	01
CB407	VB858800	CN. BS. PIN	9P			ベースピン	01
CB409	VF982200	CN. BS. PIN	14P			コネクタ	02
CB410	VM859500	CN. BS. PIN	11P			F F C コネクタ	01
CB411	V0044300	CN. BS. PIN	7P			F F C コネクタ	01
CB412-414	V9356900	CN	JE 19P SE			J E コネクタプラグ	
CB416	V8809800	CN	9P SE			J E コネクタプラグ	01
CB453	V7828700	SOCKET	20P SE TUC SERIES			コネクタソケット	01
C3000-3001	UR237100	C. EL	10uF 16V			ケミコン	
C3002	US135220	C. CE. CHP	0.22uF 16V			チップセラコン	01
C3003-3004	US135100	C. CE. CHP	0.1uF 16V			チップセラコン	01
C3005-3006	UR267470	C. EL	47uF 50V			ケミコン	01
C3007-3008	UR237100	C. EL	10uF 16V			ケミコン	
C3009	US135100	C. CE. CHP	0.1uF 16V			チップセラコン	01
C3010-3011	UR237100	C. EL	10uF 16V			ケミコン	
C3013-3016	UR237100	C. EL	10uF 16V			ケミコン	
C3017-3018	UR238100	C. EL	100uF 16V			ケミコン	
C3020-3023	UR238100	C. EL	100uF 16V			ケミコン	
C3024-3025	US062100	C. CE. CHP	100pF 50V B			チップセラコン	01
C3026-3027	UT952100	C. PP	100pF 100V			P P コン	
C3029	US135100	C. CE. CHP	0.1uF 16V			チップセラコン	01
C3030-3033	US062100	C. CE. CHP	100pF 50V B			チップセラコン	01
C3035	UR266470	C. EL	4.7uF 50V			ケミコン	
C3036-3037	UR267470	C. EL	47uF 50V			ケミコン	01
C3038-3039	UR266470	C. EL	4.7uF 50V			ケミコン	
C3040	UR237100	C. EL	10uF 16V			ケミコン	
C3041-3042	UR266470	C. EL	4.7uF 50V			ケミコン	
C3043-3044	UR266330	C. EL	3.3uF 50V			ケミコン	
C3045-3050	US135100	C. CE. CHP	0.1uF 16V			チップセラコン	01
C3051	UR237470	C. EL	47uF 16V			ケミコン	
C3052	US135100	C. CE. CHP	0.1uF 16V			チップセラコン	01

*
*
*
*
*
*
*
*
*
*
*RX-V1800/HTR-6190/
DSP-AX1800

* New Parts * 新規部品

P.C.B. FUNCTION

Ref No.	Part No.	Description	Remarks	Markets	部 品 名	ランク
C3053	UR247330	C. EL	33uF 25V		ケミコン	01
C3054	UR267470	C. EL	47uF 50V		ケミコン	01
C3055	UR267100	C. EL	10uF 50V		ケミコン	
C3056	UR247330	C. EL	33uF 25V		ケミコン	01
C3057	UR237470	C. EL	47uF 16V		ケミコン	
C3058	UR247330	C. EL	33uF 25V		ケミコン	01
C3059	UR237100	C. EL	10uF 16V		ケミコン	
C3060	UR247330	C. EL	33uF 25V		ケミコン	01
C3061	UR267470	C. EL	47uF 50V		ケミコン	01
C3062-3064	UR247330	C. EL	33uF 25V		ケミコン	01
C3065	US135100	C. CE. CHP	0.1uF 16V		チップセラコン	01
C3066-3067	UR267100	C. EL	10uF 50V		ケミコン	
C3068	US062100	C. CE. CHP	100pF 50V B		チップセラコン	01
C3069-3070	UT952100	C. PP	100pF 100V		PPコン	
C3071-3076	UU267100	C. EL	10uF 50V		ケミコン FW	01
C3077-3078	UR267470	C. EL	47uF 50V		ケミコン	01
C3079	UR237220	C. EL	22uF 16V		ケミコン	
C3080-3081	UU267100	C. EL	10uF 50V		ケミコン FW	01
C3082	UR237220	C. EL	22uF 16V		ケミコン	
C3083-3084	UR267470	C. EL	47uF 50V		ケミコン	01
C3086	US135100	C. CE. CHP	0.1uF 16V		チップセラコン	01
C3088	US135100	C. CE. CHP	0.1uF 16V		チップセラコン	01
C3100-3101	UR237100	C. EL	10uF 16V		ケミコン	
C3500-3501	US135100	C. CE. CHP	0.1uF 16V		チップセラコン	01
C3503	US062220	C. CE. CHP	220pF 50V B	RTKABGEL	チップセラコン	01
C3504	US062220	C. CE. CHP	220pF 50V B	RTKABGEL	チップセラコン	01
C3506	US062470	C. CE. CHP	470pF 50V B	UCRTKABGEL	チップセラコン	01
C3507	US062470	C. CE. CHP	470pF 50V B	UCRTKABGEL	チップセラコン	01
C3508	US062470	C. CE. CHP	470pF 50V B	UCRTKABGEL	チップセラコン	01
C3509	US062470	C. CE. CHP	470pF 50V B	UCRTKABGEL	チップセラコン	01
C3510-3511	US062220	C. CE. CHP	220pF 50V B		チップセラコン	01
C3512-3513	UA652220	C. MYLAR	220pF 50V J		マイラーコン	01
C3514-3515	US062220	C. CE. CHP	220pF 50V B		チップセラコン	01
C3516-3517	US062100	C. CE. CHP	100pF 50V B		チップセラコン	01
C3518	UA652220	C. MYLAR	220pF 50V J		マイラーコン	01
C3519	UA652470	C. MYLAR	470pF 50V J		マイラーコン	01
C3520-3523	UA652220	C. MYLAR	220pF 50V J		マイラーコン	01
C3526	UA652470	C. MYLAR	470pF 50V J		マイラーコン	01
C3527	VR169200	C. MYLAR	0.47uF 50V		マイラーコン	01
C3528-3533	UA652470	C. MYLAR	470pF 50V J		マイラーコン	01
C3536-3537	UR266220	C. EL	2.2uF 50V		ケミコン	
C3540-3541	UR218220	C. EL	220uF 6.3V		ケミコン	
C3542-3543	UA654390	C. MYLAR	0.039uF 50V J		マイラーコン	01
C3544-3545	UA654110	C. MYLAR	0.011uF 50V J		マイラーコン	01
C3546-3548	UR237100	C. EL	10uF 16V		ケミコン	
C3550	UR867100	C. EL	10uF 50V	UCRTKABGEL	ケミコン	01
C3551	UR867100	C. EL	10uF 50V	UCRTKABGEL	ケミコン	01
C3552	UR237100	C. EL	10uF 16V		ケミコン	
C3554	UR867100	C. EL	10uF 50V	UCRTKABGEL	ケミコン	01
C3557	UR867100	C. EL	10uF 50V	UCRTKABGEL	ケミコン	01
C3558	UR237100	C. EL	10uF 16V		ケミコン	
C3559-3560	UR237470	C. EL	47uF 16V		ケミコン	
C3561-3562	UA653100	C. MYLAR	1000pF 50V J		マイラーコン	03
C3563	UR237100	C. EL	10uF 16V		ケミコン	
C3566	UR248100	C. EL	100uF 25V	UCRTKABGEL	ケミコン	

* New Parts * 新規部品

P.C.B. FUNCTION

Ref No.	Part No.	Description	Remarks	Markets	部 品 名	ランク
C3569-3570	UR248100	C. EL	100uF 25V		UCRTKABGEL ケミコン	
C3571	UR266100	C. EL	1uF 50V		UCRTKABGEL ケミコン	01
C3572	UR248100	C. EL	100uF 25V		UCRTKABGEL ケミコン	
C3573	UR266100	C. EL	1uF 50V		UCRTKABGEL ケミコン	01
C3574-3575	UR267470	C. EL	47uF 50V		ケミコン	01
C3576	UR247100	C. EL	10uF 25V		UCRTKABGEL ケミコン	
C3577	VR168300	C. MYLAR	0.1uF 50V		UCRTKABGEL マイラーコン	01
C3578	VR168300	C. MYLAR	0.1uF 50V		UCRTKABGEL マイラーコン	01
C3579	UR247100	C. EL	10uF 25V		UCRTKABGEL ケミコン	
C3580	UR247100	C. EL	10uF 25V		UCRTKABGEL ケミコン	
C3581	VR168300	C. MYLAR	0.1uF 50V		UCRTKABGEL マイラーコン	01
C3582	VR168300	C. MYLAR	0.1uF 50V		UCRTKABGEL マイラーコン	01
C3583	UR247100	C. EL	10uF 25V		UCRTKABGEL ケミコン	
C3584	UA653220	C. MYLAR	2200pF 50V J		UCRTKABGEL マイラーコン	01
C3585-3586	UA653220	C. MYLAR	2200pF 50V J		UCRTKABGEL マイラーコン	01
C3587	UA653220	C. MYLAR	2200pF 50V J		UCRTKABGEL マイラーコン	01
C3588	UR247100	C. EL	10uF 25V		UCRTKABGEL ケミコン	
C3589	UR247100	C. EL	10uF 25V		UCRTKABGEL ケミコン	
C3590	UR247100	C. EL	10uF 25V		UCRTKABGEL ケミコン	
C3591	UR247100	C. EL	10uF 25V		UCRTKABGEL ケミコン	
C3592	UR847100	C. EL	10uF 25V		UCRTKABGEL ケミコン	01
C3593	UR847100	C. EL	10uF 25V		UCRTKABGEL ケミコン	01
C3594	UR847100	C. EL	10uF 25V		UCRTKABGEL ケミコン	01
C3595	UR847100	C. EL	10uF 25V		UCRTKABGEL ケミコン	01
C3596	UR237100	C. EL	10uF 16V		ケミコン	
C3597	US135100	C. CE. CHP	0.1uF 16V		UCRTKABGEL チップセラコン	01
C3598-3599	UR237100	C. EL	10uF 16V		ケミコン	
C3600	US135100	C. CE. CHP	0.1uF 16V		UCRTKABGEL チップセラコン	01
C3601	UR237100	C. EL	10uF 16V		UCRTKABGEL ケミコン	
C3602	US135100	C. CE. CHP	0.1uF 16V		UCRTKABGEL チップセラコン	01
C3603	UR237470	C. EL	47uF 16V		UCRTKABGEL ケミコン	
C3604	UR237100	C. EL	10uF 16V		ケミコン	
C3605-3606	UR237470	C. EL	47uF 16V		ケミコン	
C3609	US135100	C. CE. CHP	0.1uF 16V		UCRTKABGEL チップセラコン	01
C3610	UR237100	C. EL	10uF 16V		UCRTKABGEL ケミコン	
C3615	UR837100	C. EL	10uF 16V		UCRTKABGEL ケミコン	01
C3616	UR237470	C. EL	47uF 16V		UCRTKABGEL ケミコン	
C3617	UR837100	C. EL	10uF 16V		UCRTKABGEL ケミコン	01
C3619	US135100	C. CE. CHP	0.1uF 16V		UCRTKABGEL チップセラコン	01
C3622	UR237100	C. EL	10uF 16V		UCRTKABGEL ケミコン	
C3623	UR237100	C. EL	10uF 16V		UCRTKABGEL ケミコン	
C3632	US135100	C. CE. CHP	0.1uF 16V		UCRTKABGEL チップセラコン	01
C3633	US135100	C. CE. CHP	0.1uF 16V		UCRTKABGEL チップセラコン	01
C3634	US135100	C. CE. CHP	0.1uF 16V		UCRTKABGEL チップセラコン	01
C3635	US135100	C. CE. CHP	0.1uF 16V		UCRTKABGEL チップセラコン	01
C3636-3639	US135100	C. CE. CHP	0.1uF 16V		チップセラコン	01
C4018	US064100	C. CE. CHP	0.01uF 50V B		チップセラコン	01
C4019	UR266220	C. EL	2.2uF 50V		ケミコン	
C4020	UU238100	C. EL	100uF 16V		ケミコン	01
C4021	US135100	C. CE. CHP	0.1uF 16V		BGE チップセラコン	01
C4022-4023	US062330	C. CE. CHP	330pF 50V B		BGE チップセラコン	01
C4024	US062560	C. CE. CHP	560pF 50V B		BGE チップセラコン	01
C4025-4026	UR237470	C. EL	47uF 16V		BGE ケミコン	
C4027-4028	US061270	C. CE. CHP	27pF 50V B		BGE チップセラコン	01
C4029	UR237470	C. EL	47uF 16V		BGE ケミコン	

* New Parts * 新規部品

P.C.B. FUNCTION

Ref No.	Part No.	Description	Remarks	Markets	部 品 名	ランク	
C4030	US135100	C. CE. CHP	0. 1uF 16V		BGE	チップセラコン	01
C4031-4034	US135100	C. CE. CHP	0. 1uF 16V			チップセラコン	01
C4036-4039	US135100	C. CE. CHP	0. 1uF 16V			チップセラコン	01
C4040	UR239100	C. EL	1000uF 16V			ケミコン	
C4041-4044	US135100	C. CE. CHP	0. 1uF 16V			チップセラコン	01
C4045	US063100	C. CE. CHP	1000pF 50V B			チップセラコン	01
C4046	US135100	C. CE. CHP	0. 1uF 16V			チップセラコン	01
C4048-4049	US135100	C. CE. CHP	0. 1uF 16V			チップセラコン	01
C4050	UR267100	C. EL	10uF 50V			ケミコン	
C4051	US135100	C. CE. CHP	0. 1uF 16V			チップセラコン	01
C4052	WB165500	C. EL	0. 33F 5. 5V			ゴールドキャパシタ	04
C4053-4055	UR219100	C. EL	1000uF 6. 3V			ケミコン	
C4056-4061	US135100	C. CE. CHP	0. 1uF 16V			チップセラコン	01
C4062	US064100	C. CE. CHP	0. 01uF 50V B			チップセラコン	01
C4063	US135100	C. CE. CHP	0. 1uF 16V			チップセラコン	01
C4064	UR266220	C. EL	2. 2uF 50V	UCRTKABGEL		ケミコン	
C4065-4070	UR266220	C. EL	2. 2uF 50V	UCRTKABGEL		ケミコン	
C4071	UR239100	C. EL	1000uF 16V			ケミコン	
C4072	US135100	C. CE. CHP	0. 1uF 16V	UCRTKABGEL		チップセラコン	01
C4073	UR218100	C. EL	100uF 6. 3V	UCRTKABGEL		ケミコン	
C4074	US063100	C. CE. CHP	1000pF 50V B	UCRTKABGEL		チップセラコン	01
C4075	US063100	C. CE. CHP	1000pF 50V B	UCRTKABGEL		チップセラコン	01
C4076-4077	US135100	C. CE. CHP	0. 1uF 16V			チップセラコン	01
C4081	US063100	C. CE. CHP	1000pF 50V B	UCRTKABGEL		チップセラコン	01
C4082-4087	US062100	C. CE. CHP	100pF 50V B			チップセラコン	01
C4089	US062100	C. CE. CHP	100pF 50V B			チップセラコン	01
C4098-4103	US062100	C. CE. CHP	100pF 50V B			チップセラコン	01
C4114	US062100	C. CE. CHP	100pF 50V B			チップセラコン	01
C4115	US135100	C. CE. CHP	0. 1uF 16V			チップセラコン	01
C4131	US135100	C. CE. CHP	0. 1uF 16V			チップセラコン	01
C4500-4505	US062220	C. CE. CHP	220pF 50V B			チップセラコン	01
C4506-4507	US062100	C. CE. CHP	100pF 50V B			チップセラコン	01
C4508-4509	UA652220	C. MYLAR	220pF 50V J			マイラーコン	01
C4510-4511	US062220	C. CE. CHP	220pF 50V B			チップセラコン	01
C4512-4513	US062100	C. CE. CHP	100pF 50V B			チップセラコン	01
C4514-4515	US062220	C. CE. CHP	220pF 50V B			チップセラコン	01
C4516-4517	US062100	C. CE. CHP	100pF 50V B			チップセラコン	01
C4518	UR237100	C. EL	10uF 16V			ケミコン	
C4520	UR237100	C. EL	10uF 16V	UCRTKABGEL		ケミコン	
C4521	UR237100	C. EL	10uF 16V	UCRTKABGEL		ケミコン	
C4522	UR237100	C. EL	10uF 16V			ケミコン	
C4523	UR237100	C. EL	10uF 16V	UCRTKABGEL		ケミコン	
C4524	UR237100	C. EL	10uF 16V			ケミコン	
C4528	UR237100	C. EL	10uF 16V	UCRTKABGEL		ケミコン	
C4529	UR237100	C. EL	10uF 16V			ケミコン	
C4530-4531	UR237470	C. EL	47uF 16V			ケミコン	
C4536-4539	US135100	C. CE. CHP	0. 1uF 16V			チップセラコン	01
D3000-3003	VT332900	DIODE	1SS355			ダイオード	01
D3004-3005	VU993800	DIODE. ZENR	MA8068-M 6. 8V			ツェナーダイオード	01
D3500-3501	VU992100	DIODE. ZENR	MA8047-L 4. 6V			ツェナーダイオード	01
D3502	VT332900	DIODE	1SS355	UCRTKABGEL		ダイオード	01
D3503	VT332900	DIODE	1SS355	UCRTKABGEL		ダイオード	01
D4001	VU172000	DIODE. ZENR	UDZS5. 6BTE-17 5. 6V			ツェナーダイオード	01
D4002-4007	VT332900	DIODE	1SS355			ダイオード	01
D4008	VV833200	DIODE	1SS380			ダイオード	01

* New Parts * 新規部品

P.C.B. FUNCTION

Ref No.	Part No.	Description	Remarks	Markets	部 品 名	ランク
D4009	VT332900	DIODE	1SS355		ダイオード	01
D4010	VU992600	DIODE. ZENR	MA8051-M 5.1V		ツェナーダイオード	01
D4011-4013	VT332900	DIODE	1SS355		ダイオード	01
D4014	V2598200	LED	SIR-505ST	UCRTKABGEL	LED	
D4016	VT332900	DIODE	1SS355	UCRTKABGEL	ダイオード	01
IC300	X5045A00	IC	NJU7312AM		アナログIC	
IC301	X5044A00	IC	NJU7311AM		アナログIC	05
IC302	X3505A00	IC	NJM2068MD-TE2		アンプIC	02
IC304-306	X3505A00	IC	NJM2068MD-TE2		アンプIC	02
IC307	X5574A00	IC	YAC526-EZE2		アナログIC	05
IC308	X4325A00	IC	YAC523-EVR2		アナログIC	06
IC309	X7351A00	IC	UPC4570G2-E1-A		アンプIC	01
IC310	X7351A00	IC	UPC4570G2-E1-A	JRTKABGEL	アンプIC	01
IC311	X7351A00	IC	UPC4570G2-E1-A	JRTKABGEL	アンプIC	01
IC312	X7351A00	IC	UPC4570G2-E1-A		アンプIC	01
IC313	X5043A00	IC	NJU7313AM		アナログIC	
IC350-351	X3505A00	IC	NJM2068MD-TE2		アンプIC	02
IC355	X3547A00	IC	BD3841FS		IC	06
IC356	X3547A00	IC	BD3841FS	UCRTKABGEL	IC	06
IC357-358	X5574A00	IC	YAC526-EZE2	UCRTKABGEL	IC アナログ	05
IC359	X7785B00	IC	NJW1119AV (TE1)	UCRTKABGEL	トーンコントロールIC	
IC360	X7785B00	IC	NJW1119AV (TE1)	UCRTKABGEL	トーンコントロールIC	
IC401	X0082A00	IC	LC72722PM	BGE	IC	
IC402	X9616A00	IC. CPU	M3087BFKBP CPU	written	IC CPU	
IC403	X7779A00	IC	LC709004A-TLM-E		ロジックIC	04
IC404	X2080A00	IC	SN74AHCT1G32DCKR		ロジックIC	01
IC405	X3833A00	IC	SN74AHC1G08DCKR		ロジックIC	01
IC406	X2080A00	IC	SN74AHCT1G32DCKR		ロジックIC	01
IC407	X5886A00	IC	RH5RE58AA-T1-FA		電源IC	04
IC450	X3547A00	IC	BD3841FS	UCRTKABGEL	IC	06
IC451	X3547A00	IC	BD3841FS		IC	06
JK401-402	V9435700	JACK. MNI	MSJ-035-12APC	UCRTKABGEL	モノラル ミニジャック	01
PJ350	V5478700	JACK. PIN	4P RJ-1073F-09		ピンジャック	
PJ351-352	V5478900	JACK. PIN	RJ-1074-84-0353A		ピンジャック 6P	03
PJ353	VV325400	JACK. PIN	6P		ピンジャック	05
PJ354	VV306900	JACK. PIN	4P	UCRTKABGEL	ピンジャック	02
PJ450	VV306900	JACK. PIN	4P		ピンジャック	02
PJ451	VV325400	JACK. PIN	6P		ピンジャック	05
PJ452-453	VV306900	JACK. PIN	4P		ピンジャック	02
PN301-302	V9637500	PIN	L=70 #18		スタイルピン	
PN450	V9637500	PIN	L=70 #18		スタイルピン	
Q3000	WG408900	TR	2SC5291 S, T		トランジスタ	03
Q3001	WG408800	TR	2SA2168 S, T		トランジスタ	03
Q3002-3017	VZ725900	TR	2SD1938F S, T		トランジスタ	01
Q3500	VZ725900	TR	2SD1938F S, T	UCRTKABGEL	トランジスタ	01
Q3501	VZ725900	TR	2SD1938F S, T	UCRTKABGEL	トランジスタ	01
Q3502	VZ725900	TR	2SD1938F S, T	UCRTKABGEL	トランジスタ	01
Q3503	VZ725900	TR	2SD1938F S, T	UCRTKABGEL	トランジスタ	01
Q3504	VZ725900	TR	2SD1938F S, T	UCRTKABGEL	トランジスタ	01
Q3505-3506	VZ725900	TR	2SD1938F S, T	UCRTKABGEL	トランジスタ	01
Q3507	VZ725900	TR	2SD1938F S, T	UCRTKABGEL	トランジスタ	01
Q4001	VD303700	TR	2SC3326 A, B		トランジスタ	01
Q4002	iC181510	TR	2SC1815 Y		トランジスタ	01
Q4003	VD303700	TR	2SC3326 A, B	BGE	トランジスタ	01
Q4004	VD303700	TR	2SC3326 A, B		トランジスタ	01

* New Parts * 新規部品

P.C.B. FUNCTION and P.C.B. OPERATION

Ref No.	Part No.	Description	Remarks	Markets	部 品 名	ラング
Q4005	WD974200	TR	2SA1036KT146 P, Q, R		トランジスタ	01
Q4006	VV556500	TR	2SA1037K Q, R, S		トランジスタ	01
Q4007-4008	VD303700	TR	2SC3326 A, B		トランジスタ	01
Q4009	iC287820	TR	2SC2878 A, B		トランジスタ	01
Q4010	WF767900	FET	5HP01C-TB-E	UCRTKABGEL	F E T	01
Q4011	WF767900	FET	5HP01C-TB-E	UCRTKABGEL	F E T	01
Q4012-4016	WF767900	FET	5HP01C-TB-E		F E T	01
Q4021	VV556400	TR	2SC2412K Q, R, S		トランジスタ	01
R3102	HF355680	R. CAR	680Ω 1/2W		カーボン抵抗	
R3136-3137	V8070200	R. MTL. FLM	4.7Ω 1W		金属被膜抵抗	
R3138	HV753470	R. CAR. FP	4.7Ω 1/4W		不燃化カーボン抵抗	01
R3508	HF355470	R. CAR	470Ω 1/2W	UCRTKABGEL	カーボン抵抗	
R3509	HF355470	R. CAR	470Ω 1/2W	UCRTKABGEL	カーボン抵抗	
R3510	HF355470	R. CAR	470Ω 1/2W	UCRTKABGEL	カーボン抵抗	
R3511	HF355470	R. CAR	470Ω 1/2W	UCRTKABGEL	カーボン抵抗	
R3526-3533	HF354470	R. CAR	47Ω 1/2W		カーボン抵抗	
R3597-3598	HV755100	R. CAR. FP	100Ω 1/4W		不燃化カーボン抵抗	01
R4065	V8070300	R. MTL. FLM	10Ω 1W		金属被膜抵抗	
R4034	RF357470	R. CHP	47KΩ 1/16W J	1800	チップ抵抗	01
ST300	V4040500	SCR. TERM	M3		スクリューターミナル	01
ST401	V4040500	SCR. TERM	M3		スクリューターミナル	01
* ST402	WK497300	SCR. TERM	M3 3P		スクリューターミナル	
ST403	V4040500	SCR. TERM	M3		スクリューターミナル	01
U4001	V8210200	L. DTCT	GP1UD271XK	UCRTKABGEL	リモコン受光ユニット	03
* XL401	V7556000	RSNR. CRY	4.332MHz HC-49U	BGE	水晶振動子	
XL402	WF997400	RSNR. CE	20MHz		セラミック振動子	02
	WH567200	P. C. B.	OPERATION	J	P C B オペレーション	12
	WH567300	P. C. B.	OPERATION	UCRTKABGEL	P C B オペレーション	
CB801	VB858500	CN. BS. PIN	6P		ベースピン	01
CB802	VQ047200	CN. BS. PIN	9P		F F Cコネクター	01
CB803	VM929900	CN. BS. PIN	15P		F P Cコネクター	01
CB804	V7825400	CN	4P TE TUC SERIES		コネクタープラグ	01
CB805	VB389900	CN. BS. PIN	3P		ベースピン	01
CB806	VB390500	CN. BS. PIN	9P		コネクターベースポスト	03
CB807	VB390100	CN. BS. PIN	5P		ベースピン	01
CB809	VB389800	CN. BS. PIN	2P		ベースピン	01
CB810	V7827100	SOCKET	4P TE TUC SERIES		コネクターソケット	
CB812	VB858600	CN. BS. PIN	7P		ベースピン	01
C8001	US135100	C. CE. CHP	0.1uF 16V		チップセラコン	01
C8002	US063100	C. CE. CHP	1000pF 50V B		チップセラコン	01
C8004	US063100	C. CE. CHP	1000pF 50V B		チップセラコン	01
C8005-8007	US061220	C. CE. CHP	22pF 50V B		チップセラコン	01
C8008	US135100	C. CE. CHP	0.1uF 16V		チップセラコン	01
C8009-8012	US061220	C. CE. CHP	22pF 50V B		チップセラコン	01
C8013-8014	US063100	C. CE. CHP	1000pF 50V B		チップセラコン	01
C8015	US135100	C. CE. CHP	0.1uF 16V		チップセラコン	01
C8016-8017	UM397220	C. EL	22uF 25V		ケミコン	01
C8018	US135100	C. CE. CHP	0.1uF 16V		チップセラコン	01
C8020	UA653330	C. MYLAR	3300pF 50V J		マイラーコン	01
C8021	UR237100	C. EL	10uF 16V		ケミコン	
C8022	US062100	C. CE. CHP	100pF 50V B		チップセラコン	01
C8024	US064100	C. CE. CHP	0.01uF 50V B		チップセラコン	01

* New Parts * 新規部品

P.C.B. OPERATION

Ref No.	Part No.	Description	Remarks	Markets	部 品 名	ランク
C8025	UA653330	C. MYLAR	3300pF 50V J		マイラーコン	01
C8026-8027	UR237100	C. EL	10uF 16V		ケミコン	
C8030	US061330	C. CE. CHP	33pF 50V B		チップセラコン	01
C8031	US063100	C. CE. CHP	1000pF 50V B		チップセラコン	01
C8032	US135100	C. CE. CHP	0.1uF 16V		チップセラコン	01
C8033	UR237470	C. EL	47uF 16V		ケミコン	
C8034-8035	US062470	C. CE. CHP	470pF 50V B		チップセラコン	01
C8036-8037	US062100	C. CE. CHP	100pF 50V B		チップセラコン	01
C8038	UR237470	C. EL	47uF 16V		ケミコン	
C8039	US135100	C. CE. CHP	0.1uF 16V	J	チップセラコン	01
C8040-8042	US062100	C. CE. CHP	100pF 50V B		チップセラコン	01
C8043	US135100	C. CE. CHP	0.1uF 16V		チップセラコン	01
C8044	US063100	C. CE. CHP	1000pF 50V B		チップセラコン	01
C8045-8046	US135100	C. CE. CHP	0.1uF 16V		チップセラコン	01
C8047	UM397220	C. EL	22uF 25V		ケミコン	01
C8048-8049	UR237100	C. EL	10uF 16V		ケミコン	
C8050	US063100	C. CE. CHP	1000pF 50V B		チップセラコン	01
C8051	US062100	C. CE. CHP	100pF 50V B		チップセラコン	01
C8052	US135100	C. CE. CHP	0.1uF 16V		チップセラコン	01
C8053	US063100	C. CE. CHP	1000pF 50V B		チップセラコン	01
C8054-8055	US061100	C. CE. CHP	10pF 50V B		チップセラコン	01
C8056	US135100	C. CE. CHP	0.1uF 16V		チップセラコン	01
C8057	UR237100	C. EL	10uF 16V		ケミコン	
C8058-8059	WB553000	C. EL	1000uF 16V		ケミコン V K	
C8060-8062	US063100	C. CE. CHP	1000pF 50V B		チップセラコン	01
D8001	WG760400	LED	SELK6E10C BLUE		L E D	04
D8004-8008	VT332900	DIODE	1SS355		ダイオード	01
D8009	VU992600	DIODE. ZENR	MA8051-M 5.1V		ツェナーダイオード	01
D8010	VT332900	DIODE	1SS355		ダイオード	01
D8011	VV307700	DIODE	1N4002S		ダイオード	01
D8013	VV307700	DIODE	1N4002S		ダイオード	01
IC801	X7378A00	IC	NJM4565M(Te1)		アンプ I C	01
IC802	X2080A00	IC	SN74AHCT1G32DCKR		ロジック I C	01
IC805	XS377A00	IC	BA15218F OP AMP		アンプ I C	01
JK801	V2589500	CN. DIN	1P		ミニD I Nコネクタ	02
JK802	V9408200	JACK. PHONE	MSJ-064-05B GR		ホーンジャック	03
JK803	WE260000	JACK. MNI	LGY6501-0900FC		モノラルミニジャック	02
PJ801	V6222800	JACK. PIN	3P		ピンジャック	04
PN801-802	V9637500	PIN	L=70 #18		スタイルピン	
Q8001	WC529400	TR	KTC3875S Y GR RTK		トランジスタ	01
Q8002-8003	VZ725900	TR	2SD1938F S, T		トランジスタ	01
R8026	HF355100	R. CAR	100Ω 1/2W		カーボン抵抗	
R8030	HF355100	R. CAR	100Ω 1/2W		カーボン抵抗	
R8044-8045	HL005220	R. MTL. OXD	220Ω 1/2W		酸化金属被膜抵抗	
SW801-802	V4757100	SW. TACT	EVQ11A		タクトSW	01
SW803	V9281200	SW. RT. ENC	EVEGC1F2512B		ロータリーエンコーダ	02
SW805	V4757100	SW. TACT	EVQ11A		タクトSW	01
SW806	V6578000	SW. RT. ENC	RB161PVB20FHINA		ロータリーエンコーダ	04
SW807	V9281200	SW. RT. ENC	EVEGC1F2512B		ロータリーエンコーダ	02
SW808	V9661700	SW. PUSH	SY16-32-4(U99S2)/T		プッシュSW	03
U8001	WB547900	CN. PHOTO. R	1P GP1FA513RZ0F		光ファイバー受信器	03

* New Parts * 新規部品

P.C.B. MAIN

Ref No.	Part No.	Description	Remarks	Markets	部 品 名	ランク	
	WH559600	P. C. B.	MAIN		J	P C B メイン	35
	WH559700	P. C. B.	MAIN		UC	P C B メイン	
	WH559800	P. C. B.	MAIN		RTA	P C B メイン	
	WH559900	P. C. B.	MAIN		KBGEL	P C B メイン	
CB252	WB127100	CN. BS. PIN	3P			ベース付ポスト	
CB253	LB932080	CN	8P			ベースポスト	01
C250-256	UR237100	C. EL	10uF 16V			ケミコン	
C257	UR297220	C. EL	22uF 100V		JUC	ケミコン	
C257	UR297470	C. EL	47uF 100V		RTAKBGEL	ケミコン	01
C258	UR297220	C. EL	22uF 100V			ケミコン	
C259	WE100400	C. PP	47pF 630V			P P コン	
C260	WE100900	C. PP	220pF 630V			P P コン	02
C261	UR297220	C. EL	22uF 100V			ケミコン	
C262	WE100400	C. PP	47pF 630V			P P コン	
C263	WE100900	C. PP	220pF 630V			P P コン	02
C264	UR297220	C. EL	22uF 100V			ケミコン	
C265	WE100400	C. PP	47pF 630V			P P コン	
C266-267	WE100900	C. PP	220pF 630V			P P コン	02
C268	WE100400	C. PP	47pF 630V			P P コン	
C269	WE100900	C. PP	220pF 630V			P P コン	02
C271	WE100400	C. PP	47pF 630V			P P コン	
C272	WE100900	C. PP	220pF 630V			P P コン	02
C274	WE100400	C. PP	47pF 630V			P P コン	
C275	WE100900	C. PP	220pF 630V			P P コン	02
C277	WE100400	C. PP	47pF 630V			P P コン	
C278	WE100900	C. PP	220pF 630V			P P コン	02
C280-286	UR068100	C. EL	100uF 50V			ケミコン	01
C287-293	WE100100	C. PP	15pF 630V			P P コン	
C294-299	WE102500	C. PP	4700pF 100V			P P コン	01
C300	WE102500	C. PP	4700pF 100V			P P コン	01
C303	UR267470	C. EL	47uF 50V			ケミコン	01
C304-305	UR297220	C. EL	22uF 100V			ケミコン	
C306	WE100500	C. PP	100pF 630V			P P コン	
△ C307	UU297100	C. EL	10uF 100V			ケミコン FW	01
△ C308-309	WE100500	C. PP	100pF 630V			P P コン	
△ C310	UU297100	C. EL	10uF 100V			ケミコン FW	01
△ C311-312	WE100500	C. PP	100pF 630V			P P コン	
△ C313	UU297100	C. EL	10uF 100V			ケミコン FW	01
△ C314-315	WE100500	C. PP	100pF 630V			P P コン	
△ C316	UU297100	C. EL	10uF 100V			ケミコン FW	01
△ C317-318	WE100500	C. PP	100pF 630V			P P コン	
△ C319	UU297100	C. EL	10uF 100V			ケミコン FW	01
△ C320-321	WE100500	C. PP	100pF 630V			P P コン	
△ C322	UU297100	C. EL	10uF 100V			ケミコン FW	01
△ C323-324	WE100500	C. PP	100pF 630V			P P コン	
△ C325	UU297100	C. EL	10uF 100V			ケミコン FW	01
C326	WE100500	C. PP	100pF 630V			P P コン	
C327-333	VR325300	C. MYLAR	0.047uF 100V			マイラーコン	01
C334-340	VR169100	C. MYLAR	0.39uF 50V			マイラーコン	01
C341	UR296470	C. EL	4.7uF 100V			ケミコン	01
C342	UR218220	C. EL	220uF 6.3V			ケミコン	
C343	UR267470	C. EL	47uF 50V			ケミコン	01
C346-347	UR297100	C. EL	10uF 100V			ケミコン	
C350-351	UR297100	C. EL	10uF 100V			ケミコン	
C354-355	UR297100	C. EL	10uF 100V			ケミコン	

* New Parts * 新規部品

P.C.B. MAIN

Ref No.	Part No.	Description	Remarks	Markets	部 品 名	ランク
C359	WH673100	C. EL	12000uF 71V		ケミコン	08
C360	VR324900	C. MYLAR	0.1uF 100V		マイラーコン	01
C363	WH673100	C. EL	12000uF 71V		ケミコン	08
C364	VR324900	C. MYLAR	0.1uF 100V		マイラーコン	01
C368	UA654220	C. MYLAR	0.022uF 50V J		マイラーコン	01
C369	UA654100	C. MYLAR	0.01uF 50V J		マイラーコン	01
C371-374	UA654100	C. MYLAR	0.01uF 50V J		マイラーコン	01
C376	UA654220	C. MYLAR	0.022uF 50V J		マイラーコン	01
C377	UA654100	C. MYLAR	0.01uF 50V J		マイラーコン	01
C378	UA654220	C. MYLAR	0.022uF 50V J		マイラーコン	01
C379	UR297330	C. EL	33uF 100V		ケミコン	01
C382	UR296470	C. EL	4.7uF 100V		ケミコン	01
C383-384	UA654220	C. MYLAR	0.022uF 50V J		マイラーコン	01
C385-386	UA654100	C. MYLAR	0.01uF 50V J		マイラーコン	01
C389-393	UA654100	C. MYLAR	0.01uF 50V J		マイラーコン	01
C394-395	UA654220	C. MYLAR	0.022uF 50V J		マイラーコン	01
C396	UA654100	C. MYLAR	0.01uF 50V J		マイラーコン	01
C397	UA654220	C. MYLAR	0.022uF 50V J		マイラーコン	01
C398	UA654220	C. MYLAR	0.022uF 50V J	UCRTAKBGEL	マイラーコン	01
C399	UA654100	C. MYLAR	0.01uF 50V J	UCRTAKBGEL	マイラーコン	01
C400	UA654100	C. MYLAR	0.01uF 50V J	UCRTAKBGEL	マイラーコン	01
C401	UA654100	C. MYLAR	0.01uF 50V J		マイラーコン	01
C402	UA654220	C. MYLAR	0.022uF 50V J		マイラーコン	01
C403	UA654100	C. MYLAR	0.01uF 50V J	UCRTAKBGEL	マイラーコン	01
C404	UA654220	C. MYLAR	0.022uF 50V J	UCRTAKBGEL	マイラーコン	01
D250-251	VH282500	DIODE	RLS245		ダイオード	01
D252-258	VT332900	DIODE	1SS355		ダイオード	01
D259-262	VH282500	DIODE	RLS245		ダイオード	01
D264	VU992600	DIODE. ZENR	MA8051-M 5.1V		ツェナーダイオード	01
D265-278	VT332900	DIODE	1SS355		ダイオード	01
D279-285	VG437500	DIODE. ZENR	MTZJ5.1C 5.1V		ツェナーダイオード	01
D286-299	VH282500	DIODE	RLS245		ダイオード	01
D300	VU992000	DIODE. ZENR	MA8047 4.7V		ツェナーダイオード	01
D301	VZ755200	DIODE. BRG	D15XB20 15A 200V		ダイオードブリッジ	04
D302-303	VM976300	DIODE. ZENR	HZS242TD 24V		ツェナーダイオード	01
D304	VM976300	DIODE. ZENR	HZS242TD 24V	UCRTAKBGEL	ツェナーダイオード	01
D305-307	VM976300	DIODE. ZENR	HZS242TD 24V		ツェナーダイオード	01
D309	VU999800	DIODE. ZENR	MA8300-L 29V		ツェナーダイオード	01
D313	VM976300	DIODE. ZENR	HZS242TD 24V	UCRTAKBGEL	ツェナーダイオード	01
D314	VM976300	DIODE. ZENR	HZS242TD 24V		ツェナーダイオード	01
G250	V5995800	PLATE. GND			アースプレート	
PN250-253	V9637500	PIN	L=70 #18		スタイルピン	
Q250-256	WH199400	IC	HN4C06J		トランジスタアレイ	01
Q257-263	WH372100	TR	KTA1517S GR TP		トランジスタ	01
Q264	WC139600	TR	KTC3911S GR BL		トランジスタ	01
Q265	WH372100	TR	KTA1517S GR TP		トランジスタ	01
Q266	VC938500	TR	2SC3852		トランジスタ	02
Q267	VC614000	TR	2SB1274 Q,R,S		トランジスタ	02
Q268	WH372100	TR	KTA1517S GR TP		トランジスタ	01
Q269-277	WC139600	TR	KTC3911S GR BL		トランジスタ	01
Q278-284	V3966800	TR	2SA949 O,Y		トランジスタ	02
Q286-292	VR325600	TR	2SC2229 O,Y		トランジスタ	01
Q293-299	VK432900	TR	2SD1915F S,T		トランジスタ	01
Q307-313	WD281200	TR. PAIR	A2151/C6011 O,P,Y		ペアトランジスタ	07
Q314-320	WC139600	TR	KTC3911S GR BL		トランジスタ	01

* New Parts * 新規部品

P.C.B. MAIN

RX-V1800/HTR-6190/
DSP-AX1800

Ref No.	Part No.	Description	Remarks	Markets	部 品 名	ランク
Q321	WH372100	TR	KTA1517S GR TP		トランジスタ	01
△ Q322	VC614000	TR	2SB1274 Q, R, S		トランジスタ	02
Q339	VR043100	FET	2SK208 Y		チップ F E T	01
Q340-346	WC139600	TR	KTC3911S GR BL		トランジスタ	01
△ Q360	WG408900	TR	2SC5291 S, T		トランジスタ	03
△ Q361	WG408800	TR	2SA2168 S, T		トランジスタ	03
△ Q362	WG408900	TR	2SC5291 S, T		トランジスタ	03
△ Q363	WG408800	TR	2SA2168 S, T		トランジスタ	03
△ Q364	WG408900	TR	2SC5291 S, T		トランジスタ	03
△ Q365	WG408800	TR	2SA2168 S, T		トランジスタ	03
△ Q366	WG408900	TR	2SC5291 S, T		トランジスタ	03
△ Q367	WG408800	TR	2SA2168 S, T		トランジスタ	03
△ Q368	WG408900	TR	2SC5291 S, T		トランジスタ	03
△ Q369	WG408800	TR	2SA2168 S, T		トランジスタ	03
△ Q370	WG408900	TR	2SC5291 S, T		トランジスタ	03
△ Q371	WG408800	TR	2SA2168 S, T		トランジスタ	03
△ Q372	WG408900	TR	2SC5291 S, T		トランジスタ	03
△ Q373	WG408800	TR	2SA2168 S, T		トランジスタ	03
R271-272	HV757270	R. CAR. FP	27KΩ 1/4W		不燃化カーボン抵抗	01
△ R307	V8071400	R. MTL. FLM	560Ω 1W		金属被膜抵抗	
△ R311	V8071400	R. MTL. FLM	560Ω 1W		金属被膜抵抗	
△ R313	V8071400	R. MTL. FLM	560Ω 1W		金属被膜抵抗	
△ R315	V8071400	R. MTL. FLM	560Ω 1W	UCRTAKBGEL	金属被膜抵抗	
△ R317	V8071400	R. MTL. FLM	560Ω 1W		金属被膜抵抗	
△ R341	V8071400	R. MTL. FLM	560Ω 1W		金属被膜抵抗	
R355-358	HV757270	R. CAR. FP	27KΩ 1/4W		不燃化カーボン抵抗	01
R366	HV757100	R. CAR. FP	10KΩ 1/4W		不燃化カーボン抵抗	01
R367	HV757160	R. CAR. FP	16KΩ 1/4W		不燃化カーボン抵抗	01
R368	HV757200	R. CAR. FP	20KΩ 1/4W		不燃化カーボン抵抗	01
R379	VP940400	R. MTL. OXD	100Ω 1W		酸化金属被膜抵抗	01
R381	VP940400	R. MTL. OXD	100Ω 1W		酸化金属被膜抵抗	01
R383	VP940400	R. MTL. OXD	100Ω 1W		酸化金属被膜抵抗	01
R385	VP940400	R. MTL. OXD	100Ω 1W		酸化金属被膜抵抗	01
R387	VP940400	R. MTL. OXD	100Ω 1W		酸化金属被膜抵抗	01
R389	VP940400	R. MTL. OXD	100Ω 1W		酸化金属被膜抵抗	01
R391	VP940400	R. MTL. OXD	100Ω 1W		酸化金属被膜抵抗	01
△ R401	HV754100	R. CAR. FP	10Ω 1/4W		不燃化カーボン抵抗	01
△ R403	HV754100	R. CAR. FP	10Ω 1/4W		不燃化カーボン抵抗	01
R404	V3946100	R. MTL. OXD	2.7KΩ 1/2W		酸化金属被膜抵抗	01
R405	V3945100	R. MTL. OXD	390Ω 1/2W		酸化金属被膜抵抗	
R406	V3945500	R. MTL. OXD	820Ω 1/2W		酸化金属被膜抵抗	
△ R407	HV755120	R. CAR. FP	120Ω 1/4W		不燃化カーボン抵抗	01
R408	V3946100	R. MTL. OXD	2.7KΩ 1/2W		酸化金属被膜抵抗	01
R409	V3945100	R. MTL. OXD	390Ω 1/2W		酸化金属被膜抵抗	
R410	V3945500	R. MTL. OXD	820Ω 1/2W		酸化金属被膜抵抗	
△ R411	HV755120	R. CAR. FP	120Ω 1/4W		不燃化カーボン抵抗	01
R412	V3946100	R. MTL. OXD	2.7KΩ 1/2W		酸化金属被膜抵抗	01
R413	V3945100	R. MTL. OXD	390Ω 1/2W		酸化金属被膜抵抗	
R414	V3945500	R. MTL. OXD	820Ω 1/2W		酸化金属被膜抵抗	
△ R415	HV755120	R. CAR. FP	120Ω 1/4W		不燃化カーボン抵抗	01
R416	V3946100	R. MTL. OXD	2.7KΩ 1/2W		酸化金属被膜抵抗	01
R417	V3945100	R. MTL. OXD	390Ω 1/2W		酸化金属被膜抵抗	
R418	V3945500	R. MTL. OXD	820Ω 1/2W		酸化金属被膜抵抗	
△ R419	HV755120	R. CAR. FP	120Ω 1/4W		不燃化カーボン抵抗	01
R420	V3946100	R. MTL. OXD	2.7KΩ 1/2W		酸化金属被膜抵抗	01

* New Parts * 新規部品

P.C.B. MAIN

Ref No.	Part No.	Description	Remarks	Markets	部 品 名	ランク
	R421	V3945100 R. MTL. OXD	390Ω 1/2W		酸化金属被膜抵抗	
	R422	V3945500 R. MTL. OXD	820Ω 1/2W		酸化金属被膜抵抗	
△	R423	HV755120 R. CAR. FP	120Ω 1/4W		不燃化カーボン抵抗	01
	R424	V3946100 R. MTL. OXD	2.7KΩ 1/2W		酸化金属被膜抵抗	01
	R425	V3945100 R. MTL. OXD	390Ω 1/2W		酸化金属被膜抵抗	
	R426	V3945500 R. MTL. OXD	820Ω 1/2W		酸化金属被膜抵抗	
△	R427	HV755120 R. CAR. FP	120Ω 1/4W		不燃化カーボン抵抗	01
	R428	V3946100 R. MTL. OXD	2.7KΩ 1/2W		酸化金属被膜抵抗	01
	R429	V3945100 R. MTL. OXD	390Ω 1/2W		酸化金属被膜抵抗	
	R430	V3945500 R. MTL. OXD	820Ω 1/2W		酸化金属被膜抵抗	
△	R431	HV755120 R. CAR. FP	120Ω 1/4W		不燃化カーボン抵抗	01
	R432-438	V3945600 R. MTL. OXD	1KΩ 1/2W		酸化金属被膜抵抗	
△	R439-445	HV753470 R. CAR. FP	4.7Ω 1/4W		不燃化カーボン抵抗	01
△	R446-452	HV755220 R. CAR. FP	220Ω 1/4W		不燃化カーボン抵抗	01
△	R453-466	HV753470 R. CAR. FP	4.7Ω 1/4W		不燃化カーボン抵抗	01
△	R467-473	WG471300 R. WW	RF-5EGKR22		セメント抵抗	01
△	R496-499	V8070200 R. MTL. FLM	4.7Ω 1W		金属被膜抵抗	
△	R500-502	V8070200 R. MTL. FLM	4.7Ω 1W		金属被膜抵抗	
	R519-525	HV754100 R. CAR. FP	10Ω 1/4W		不燃化カーボン抵抗	01
△	R550	V8070000 R. MTL. FLM	1Ω 1W		金属被膜抵抗	01
△	R552	V8070000 R. MTL. FLM	1Ω 1W		金属被膜抵抗	01
△	R554	V8070000 R. MTL. FLM	1Ω 1W		金属被膜抵抗	01
△	R571-573	HV753470 R. CAR. FP	4.7Ω 1/4W		不燃化カーボン抵抗	01
△	R575	HV755100 R. CAR. FP	100Ω 1/4W		不燃化カーボン抵抗	01
△	R581	HV753470 R. CAR. FP	4.7Ω 1/4W		不燃化カーボン抵抗	01
△	R583	HV753470 R. CAR. FP	4.7Ω 1/4W		不燃化カーボン抵抗	01
△	R585-586	HV753470 R. CAR. FP	4.7Ω 1/4W		不燃化カーボン抵抗	01
△	R593-594	HV753470 R. CAR. FP	4.7Ω 1/4W		不燃化カーボン抵抗	01
△	R595	HV753470 R. CAR. FP	4.7Ω 1/4W	UCRTAKBGEL	不燃化カーボン抵抗	01
△	R596	HV753470 R. CAR. FP	4.7Ω 1/4W	UCRTAKBGEL	不燃化カーボン抵抗	01
△	R597	HV755100 R. CAR. FP	100Ω 1/4W		不燃化カーボン抵抗	01
	RY250	WE648700 RELAY	DC DH24D2-0-Q	UCRTAKBGEL	リレー 2 4 V	06
	RY251	WE648700 RELAY	DC DH24D2-0-Q		リレー 2 4 V	06
	RY252-253	V6322600 RELAY	DC DH24D2-0T(M)-SL		リレー 2 4 V	04
	RY254	WA544800 RELAY	DC G5PA-28	UCRTAKBGEL	リレー 2 4 V	04
	RY255-257	V6322600 RELAY	DC DH24D2-0T(M)-SL		リレー 2 4 V	04
	TE250	WD756900 TERM. SP	2PLTS3210-1004FM	JUCRTA	スピーカーターミナル	04
	TE250	WK434500 TERM. SP	2P LTS3210-1010FM	KBGEL	スピーカーターミナル	
	TE251	WD477700 TERM. SP	8P LTS0810-1019FM	JUCRTA	スピーカーターミナル	06
	TE251	WK466600 TERM. SP	8P LTS0810-1024FM	KBGEL	スピーカーターミナル	
	TE252	WD477700 TERM. SP	8P LTS0810-1019FM	JUCRTA	スピーカーターミナル	06
	TE252	WK466600 TERM. SP	8P LTS0810-1024FM	KBGEL	スピーカーターミナル	
	TE253	WD039300 TERM. SP	4P LQR2411-0001FM	JUCRTA	スピーカーターミナル	04
	TE253	WD039400 TERM. SP	4P LQR2411-0003FM	KBGEL	スピーカーターミナル	
		VT669300 SCR. BW. HD	3x8-8 MFC2		PWヘッドBタイトネジ	01

* New Parts * 新規部品

P.C.B. POWER

Ref No.	Part No.	Description	Remarks	Markets	部 品 名	ランク
*	WK648600	P. C. B.	POWER	J	P C B パワー	
*	WK648700	P. C. B.	POWER	UC	P C B パワー	
*	WK648800	P. C. B.	POWER	R	P C B パワー	
*	WK648900	P. C. B.	POWER	T	P C B パワー	
*	WK649000	P. C. B.	POWER	K	P C B パワー	
*	WK649100	P. C. B.	POWER	A	P C B パワー	
*	WK649200	P. C. B.	POWER	B	P C B パワー	
*	WK649300	P. C. B.	POWER	GE	P C B パワー	
*	WK649400	P. C. B.	POWER	L	P C B パワー	
CB1	WC050700	CLIP. FUSE	EYF-52BCY	UCTGE	ヒューズクリップ	01
CB2	WC050700	CLIP. FUSE	EYF-52BCY	UCTGE	ヒューズクリップ	01
CB3-4	WC050700	CLIP. FUSE	EYF-52BCY		ヒューズクリップ	01
CB6	VG879900	CN. BS. PIN	2P		ベースピン	01
CB7	V9377900	CN. BS. PIN	4P	RL	ベース付ポスト	
CB8	V9377800	CN. BS. PIN	3P	RL	ベース付ポスト	
CB9	WC050700	CLIP. FUSE	EYF-52BCY	RL	ヒューズクリップ	01
CB10	WC050700	CLIP. FUSE	EYF-52BCY	RL	ヒューズクリップ	01
CB11	LB919110	CN. BS. PIN	11P SE		ベースツキポスト	01
CB12	VB858400	CN. BS. PIN	5P		ベースピン	01
CB15	LB918060	CN. BS. PIN	6P		ベース付ポスト	01
CB16	LB918100	CN. BS. PIN	10P		ベース付ポスト	02
CB17	LB918060	CN. BS. PIN	6P		ベース付ポスト	01
CB18	VN394900	CN. BS. PIN	14P		F F Cコネクタ	01
CB19	VB389900	CN. BS. PIN	3P		ベースピン	01
CB20	LB918040	CN. BS. PIN	4P		ベース付ポスト	01
CB21	VF283100	CN. BS. PIN	13P		コネクタベースポスト	01
CB23	VB390000	CN. BS. PIN	4P		ベースピン	01
C1	UU266220	C. EL	2.2uF 50V		ケミコン FW	01
C2	UR266220	C. EL	2.2uF 50V		ケミコン	
C3	UA654100	C. MYLAR	0.01uF 50V J		マイラーコン	01
C4	WB687100	C. POL. MTL	0.047uF 400V	JUC	メタライズドポリコン	01
C4	WD054200	C. POL. MTL	0.047uF 630V	R	メタライズドポリコン	
C4	WC041600	C. POL. MTL	0.022uF 630V	TKABGEL	メタライズドポリコン	
C5	UU266100	C. EL	1uF 50V		ケミコン	01
C6	UA653470	C. MYLAR	4700pF 50V J		マイラーコン	01
C7	WB696300	C. POL. MTL	0.1uF 400V	JUC	メタライズドポリコン	
C7	WF081500	C. PP	0.047uF 630V J	RTKABGEL	P Pコン	
C8	V6185300	C. CE. SAFTY	0.01uF 275V		規格認定コン	01
C9	WE102900	C. PP	0.01uF 100V		P Pコン	
C10	UU249330	C. EL	3300uF 25V	JUCTKABGE	ケミコン FW	04
C10	WD047300	C. EL	3300uF 50V	RL	ケミコン KMQ	
C11-12	WA747600	C. MYLAR	1000pF 100V		マイラーコン	01
C13-14	VR325400	C. MYLAR	0.1uF 100V		マイラーコン	01
C15	WA747600	C. MYLAR	1000pF 100V		マイラーコン	01
C17	UR049680	C. EL	6800uF 25V		ケミコン	
C18	UR03A150	C. EL	15000uF 16V		ケミコン	05
C19	UR03A100	C. EL	10000uF 16V		ケミコン	
C20-21	UR049680	C. EL	6800uF 25V		ケミコン	
C22-23	WH776000	C. EL	1000uF 25V		ケミコン	01
C24-25	VR324900	C. MYLAR	0.1uF 100V		マイラーコン	01
C26-27	V7720300	C. CE. M. CHP	1uF 25V		チップ積層セラコン	
C28-29	US064100	C. CE. CHP	0.01uF 50V B		チップセラコン	01
C31	WH772100	C. EL	1000uF 10V		ケミコン	04
C33	WH772100	C. EL	1000uF 10V		ケミコン	04
C34-35	V7720300	C. CE. M. CHP	1uF 25V		チップ積層セラコン	

* New Parts * 新規部品

P.C.B. POWER

Ref No.	Part No.	Description	Remarks	Markets	部 品 名	ランク
C36-37	US065100	C. CE. CHP	0.1uF 50V B		チップセラコン	01
C40-43	VR324900	C. MYLAR	0.1uF 100V		マイラーコン	01
C44	US035100	C. CE. CHP	0.1uF 16V B		チップセラコン	01
C45	UR266100	C. EL	1uF 50V	JUCRTKABGE	ケミコン	01
C45	V7887800	C. EL	1uF 50V	L	ケミコン	
C46	UR266100	C. EL	1uF 50V	JUCRTKABGE	ケミコン	01
C46	V7887800	C. EL	1uF 50V	L	ケミコン	
C48	UR267100	C. EL	10uF 50V		ケミコン	
C50	UR03A150	C. EL	15000uF 16V		ケミコン	05
C51	UU266220	C. EL	2.2uF 50V	JUCRTKABGE	ケミコン FW	01
* C51	WJ335500	C. EL	2.2uF 50V	L	ケミコン	
* C52	UU266220	C. EL	2.2uF 50V	JUCRTKABGE	ケミコン FW	01
* C52	WJ335500	C. EL	2.2uF 50V	L	ケミコン	
C54	UU249680	C. EL	6800uF 25V		ケミコン FW	04
C55	UR266100	C. EL	1uF 50V		ケミコン	01
C56-57	WH771300	C. EL	100uF 10V		ケミコン	01
C59	UU249680	C. EL	6800uF 25V		ケミコン FW	04
C60	UU249680	C. EL	6800uF 25V		ケミコン FW	04
C61	UR266100	C. EL	1uF 50V	JUCRTKABGE	ケミコン	01
C61	V7887800	C. EL	1uF 50V	L	ケミコン	
C62	UU266100	C. EL	1uF 50V	JUCRTKABGE	ケミコン	01
C62	V7887800	C. EL	1uF 50V	L	ケミコン	
C63	UU238100	C. EL	100uF 16V	JUCRTKL	ケミコン	01
C63	UR038100	C. EL	100uF 16V	BGE	ケミコン	
C63	UU238100	C. EL	100uF 16V		ケミコン	01
C64	WH771300	C. EL	100uF 10V		ケミコン	01
C65-67	US065100	C. CE. CHP	0.1uF 50V B		チップセラコン	01
C68-69	UR267100	C. EL	10uF 50V		ケミコン	
C70	UR267100	C. EL	10uF 50V		ケミコン	
* C72	UU238100	C. EL	100uF 16V	JUCRTKAL	ケミコン	01
* C72	UR338100	C. EL	100uF 16V	BGE	ケミコン A S F	
C73-74	UU238100	C. EL	100uF 16V		ケミコン	01
C75	UA654100	C. MYLAR	0.01uF 50V J		マイラーコン	01
C76	WH772100	C. EL	1000uF 10V		ケミコン	04
C78	WH772100	C. EL	1000uF 10V		ケミコン	04
* C82-83	V7720300	C. CE. M. CHP	1uF 25V		チップ積層セラコン	
C84	UR238100	C. EL	100uF 16V		ケミコン	
C85	UU238220	C. EL	220uF 16V		ケミコン FW	01
C91-92	US065100	C. CE. CHP	0.1uF 50V B		チップセラコン	01
C93-94	US063680	C. CE. CHP	6800pF 50V B		チップセラコン	01
C95	UR068100	C. EL	100uF 50V		ケミコン	01
D1	VT332900	DIODE	1SS355		ダイオード	01
D2	VT332900	DIODE	1SS355		ダイオード	01
D3	VT332900	DIODE	1SS355		ダイオード	01
D4	VT332900	DIODE	1SS355		ダイオード	01
D5	VU990500	DIODE. ZENR	MA8030-L 2.9V		ツェナーダイオード	01
D6	VG438300	DIODE. ZENR	MTZJ6. 8B 6.8V		ツェナーダイオード	01
D7	VG439500	DIODE. ZENR	MTZJ10B 10V		ツェナーダイオード	01
D8	VD631600	DIODE	1SS133, 176		ダイオード	01
D9	VU994200	DIODE. ZENR	MA8075-M 7.5V		ツェナーダイオード	01
D10-11	WH471700	DIODE. BRG	DB105 1A 600V		ダイオードブリッジ	02
△ D12-13	V6855600	DIODE. BRG	D4SBS4-4101 4A		ダイオードブリッジ	03
△ D14	V4269600	DIODE. BRG	D2SBA20 1.5A200V		ダイオードブリッジ	04
△ D17-18	V6267600	DIODE	RB051L-40		ダイオード	01
△ D19	V4269600	DIODE. BRG	D2SBA20 1.5A200V		ダイオードブリッジ	04

* New Parts * 新規部品

P.C.B. POWER

Ref No.	Part No.	Description	Remarks	Markets	部 品 名	ランク
△ D20	V4269600	DIODE. BRG	D2SBA20 1.5A200V		ダイオードブリッジ	04
D21	VT332900	DIODE	1SS355		ダイオード	01
D29	VU991700	DIODE. ZENR	MA8043-L 4.1V		ツェナーダイオード	01
D30	VT332900	DIODE	1SS355		ダイオード	01
D36	VU993400	DIODE. ZENR	MA8062-M 6.2V		ツェナーダイオード	01
D37-38	VU996600	DIODE. ZENR	MA8130-M 13V		ツェナーダイオード	01
△ D40-41	V6267600	DIODE	RB051L-40		ダイオード	01
D43	VU999100	DIODE. ZENR	MA8240-M 24V	RL	ツェナーダイオード	01
F1	WG410800	FUSE	10A 125V	JUCRL	ヒューズ	01
F1	KB001760	FUSE	6.3A 250V	TKABGE	ヒューズ	02
F2	WG410800	FUSE	10A 125V	UC	ヒューズ	01
F2	VT942900	FUSE	T2.5A 250V	TGE	ヒューズ	01
F3	KB001760	FUSE	6.3A 250V	RL	ヒューズ	02
IC1-2	V8100500	PHOT. CPL	TLP421 GR		フォトカプラ	01
IC3	iG001180	IC	TC4013BP FF		ロジックIC	05
△ IC5	X7974A00	IC	K1A7809API-U/P		電源IC	02
△ IC6	X7973A00	IC	K1A79M05PI-U		電源IC	02
△ IC7-8	X7851A00	IC	S1-8008HFE 0.8-24		電源IC	07
△ IC9-10	X8035A00	IC	BA00JC5WT-V5		電源IC	04
△ IC12	X8035A00	IC	BA00JC5WT-V5		電源IC	04
△ IC13-14	X0515A00	IC	LM61CIZ THERMAL		電源IC	03
PN1-6	V9637500	PIN	L=70 #18		スタイルピン	
Q1	WC435100	TR. DGT	KRC104S-RTK		デジタルトランジスタ	01
Q2	WC529400	TR	KTC3875S Y GR RTK		トランジスタ	01
Q3	WC529400	TR	KTC3875S Y GR RTK		トランジスタ	01
Q4	WC435100	TR. DGT	KRC104S-RTK		デジタルトランジスタ	01
Q6	WC741200	FET	2SK3850		F E T	
Q8	WC435100	TR. DGT	KRC104S-RTK		デジタルトランジスタ	01
Q9	WC435000	TR. DGT	KRC102S-RTK		デジタルトランジスタ	01
△ Q10	VP872600	TR	2SA1708 S,T		トランジスタ	01
Q11	WC434800	TR. DGT	KRA102S-RTK/P		デジタルトランジスタ	01
Q12	WC529500	TR	KTA1504S Y GR RTK		トランジスタ	
Q13	WC529400	TR	KTC3875S Y GR RTK		トランジスタ	01
△ Q14	VP872700	TR	2SC4488 S,T		トランジスタ	01
Q15	VR043100	FET	2SK208 Y		チップF E T	01
△ Q16	WF691400	TR	2SD2014		トランジスタ	03
Q17-19	VR043100	FET	2SK208 Y		チップF E T	01
△ Q20-21	WF691400	TR	2SD2014		トランジスタ	03
△ Q22	WF691300	TR	2SB1257		トランジスタ	03
Q23-25	WC434900	TR. DGT	KRA104S-RTK		デジタルトランジスタ	01
Q26	WC435100	TR. DGT	KRC104S-RTK		デジタルトランジスタ	01
Q27-28	WC434900	TR. DGT	KRA104S-RTK		デジタルトランジスタ	01
Q29	WC435100	TR. DGT	KRC104S-RTK	UCRTKABGEL	デジタルトランジスタ	01
Q30	WC435100	TR. DGT	KRC104S-RTK		デジタルトランジスタ	01
Q31	WC434900	TR. DGT	KRA104S-RTK	UCRTKABGEL	デジタルトランジスタ	01
Q32	WC434900	TR. DGT	KRA104S-RTK		デジタルトランジスタ	01
Q33	WC435100	TR. DGT	KRC104S-RTK		デジタルトランジスタ	01
Q34	WC435100	TR. DGT	KRC104S-RTK	UCRTKABGEL	デジタルトランジスタ	01
Q35	WC434900	TR. DGT	KRA104S-RTK		デジタルトランジスタ	01
Q36	WC434900	TR. DGT	KRA104S-RTK	UCRTKABGEL	デジタルトランジスタ	01
Q37-38	WC435100	TR. DGT	KRC104S-RTK		デジタルトランジスタ	01
Q39	WC434900	TR. DGT	KRA104S-RTK		デジタルトランジスタ	01
Q40	WC434900	TR. DGT	KRA104S-RTK		デジタルトランジスタ	01
Q41	WC529500	TR	KTA1504S Y GR RTK		トランジスタ	
Q44	WC435000	TR. DGT	KRC102S-RTK		デジタルトランジスタ	01

* New Parts * 新規部品

P.C.B. POWER and P.C.B. A-VIDEO

Ref No.	Part No.	Description	Remarks	Markets	部 品 名	ランク
	R18	V6730000 R. CAR.	2.2MΩ 1/2W		UC 放電抵抗	01
△	R22	V8071400 R. MTL. FLM	560Ω 1W		金属被膜抵抗	
△	R31	V8071400 R. MTL. FLM	560Ω 1W	UCRTKABGEL	金属被膜抵抗	
△	R33	WH819500 R. FUSE	0.47Ω 1W		ヒューズ抵抗	01
△	R37	WH819500 R. FUSE	0.47Ω 1W		ヒューズ抵抗	01
△	R43	V8070000 R. MTL. FLM	1Ω 1W		金属被膜抵抗	01
△	R48-49	V8070000 R. MTL. FLM	1Ω 1W		金属被膜抵抗	01
△	R55	HV753470 R. CAR. FP	4.7Ω 1/4W		不燃化カーボン抵抗	01
△	R57	HV755100 R. CAR. FP	100Ω 1/4W		不燃化カーボン抵抗	01
△	R65-67	HV753470 R. CAR. FP	4.7Ω 1/4W		不燃化カーボン抵抗	01
△	R71-73	HV755100 R. CAR. FP	100Ω 1/4W		不燃化カーボン抵抗	01
	R92	HV755100 R. CAR. FP	100Ω 1/4W		不燃化カーボン抵抗	01
	R93	HV753100 R. CAR. FP	1Ω 1/4W		不燃化カーボン抵抗	01
	RY1	V9366900 RELAY	DLS9D1-0(M)0.25W		リレー 9V TV-8	05
*	ST1-3	WG095100 SCR. TERM	M3		スクリューターミナル	
	ST4-5	WA246200 SCR. TERM	3.5		スクリューターミナル	
*	SW1	WB493700 VOLT. SELECT	R8140246	RL	電圧切替器	
	T1	X7032A00 TRANS. PWR		J	電源トランス	05
*	T1	X7033A00 TRANS. PWR		UC	電源トランス	
*	T1	X7034A00 TRANS. PWR		RL	電源トランス	
*	T1	X7035A00 TRANS. PWR		TKABGE	電源トランス	
	TE1	VU543100 OUTLET. AC	2P	JUC	ACアウトレット	03
	TE1	V5867400 OUTLET. AC	2P	RT	ACアウトレット	
	TE1	VT915000 OUTLET. AC	1P	A	ACアウトレット	06
	TE1	VU543300 OUTLET. AC	1P	B	ACアウトレット	05
	TE1	VU543400 OUTLET. AC	2P	GEL	ACアウトレット	05
	TE2	WB782600 AC INLET	R-30190(26)		ACインレット 2P	
		WE774300 SCR. BND. HD	3x8 MFZN2W3		バインドBタイトネジ	01
		WH565200 P. C. B.	A-VIDEO	J	P C B Aビデオ	23
		WH565400 P. C. B.	A-VIDEO	UCRK	P C B Aビデオ	
		WH565500 P. C. B.	A-VIDEO	TABGEL	P C B Aビデオ	
	CB201-202	V8875300 CN	JE 13P SE		J Eコネクタープラグ	01
	CB203	V0044500 CN. BS. PIN	11P		F F Cコネクタ	01
	CB204	VP113500 CN. BS. PIN	10P		F F Cコネクタ	01
	C2001-2009	US064100 C. CE. CHP	0.01uF 50V B	J	チップセラコン	01
	C2010-2011	US135100 C. CE. CHP	0.1uF 16V	J	チップセラコン	01
	C2021-2023	US060800 C. CE. CHP	8pF 50V B	J	チップセラコン	01
	C2024-2026	US064100 C. CE. CHP	0.01uF 50V B	J	チップセラコン	01
	C2027-2029	US060800 C. CE. CHP	8pF 50V B		チップセラコン	01
	C2031	US135100 C. CE. CHP	0.1uF 16V		チップセラコン	01
	C2032	UR237470 C. EL	47uF 16V		ケミコン	
	C2033	US135100 C. CE. CHP	0.1uF 16V		チップセラコン	01
	C2034	UR237470 C. EL	47uF 16V		ケミコン	
	C2035	US135100 C. CE. CHP	0.1uF 16V		チップセラコン	01
	C2036-2037	UR237470 C. EL	47uF 16V		ケミコン	
	C2038	US135100 C. CE. CHP	0.1uF 16V		チップセラコン	01
	C2041	US135100 C. CE. CHP	0.1uF 16V		チップセラコン	01
	C2042	UR237470 C. EL	47uF 16V		ケミコン	
	C2043	US135100 C. CE. CHP	0.1uF 16V		チップセラコン	01
	C2044	UR237470 C. EL	47uF 16V		ケミコン	
	C2045	US135100 C. CE. CHP	0.1uF 16V		チップセラコン	01
	C2046-2047	UR237470 C. EL	47uF 16V		ケミコン	

* New Parts * 新規部品

P.C.B. A-VIDEO

Ref No.	Part No.	Description	Remarks	Markets	部 品 名	ランク
C2048	US135100	C. CE. CHP	0. 1uF 16V		チップセラコン	01
C2051	US135100	C. CE. CHP	0. 1uF 16V		チップセラコン	01
C2052	UR237470	C. EL	47uF 16V		ケミコン	
C2053	US135100	C. CE. CHP	0. 1uF 16V		チップセラコン	01
C2054	UR237470	C. EL	47uF 16V		ケミコン	
C2055	US135100	C. CE. CHP	0. 1uF 16V		チップセラコン	01
C2056-2057	UR237470	C. EL	47uF 16V		ケミコン	
C2058	US135100	C. CE. CHP	0. 1uF 16V		チップセラコン	01
C2061	US135100	C. CE. CHP	0. 1uF 16V		チップセラコン	01
C2062	UR237470	C. EL	47uF 16V		ケミコン	
C2063	US135100	C. CE. CHP	0. 1uF 16V		チップセラコン	01
C2064	UR237470	C. EL	47uF 16V		ケミコン	
C2065	US135100	C. CE. CHP	0. 1uF 16V		チップセラコン	01
C2066	UR237470	C. EL	47uF 16V		ケミコン	
C2067	UR238330	C. EL	330uF 16V		ケミコン	01
C2068-2069	US135100	C. CE. CHP	0. 1uF 16V		チップセラコン	01
C2070-2071	UR238330	C. EL	330uF 16V		ケミコン	01
C2072	US135100	C. CE. CHP	0. 1uF 16V		チップセラコン	01
C2073	UR266100	C. EL	1uF 50V		ケミコン	01
C2075-2077	US060300	C. CE. CHP	3pF 50V B		チップセラコン	01
C2081	UR266220	C. EL	2. 2uF 50V		ケミコン	
C2082	UR238100	C. EL	100uF 16V		ケミコン	
C2083	US135100	C. CE. CHP	0. 1uF 16V		チップセラコン	01
C2084	US064100	C. CE. CHP	0. 01uF 50V B		チップセラコン	01
C2086	US126100	C. CE. CHP	1uF 10V		チップセラコン	01
C2091	UR237470	C. EL	47uF 16V		ケミコン	
C2092-2094	US135100	C. CE. CHP	0. 1uF 16V		チップセラコン	01
C2101-2102	US135100	C. CE. CHP	0. 1uF 16V		チップセラコン	01
C2107	US135100	C. CE. CHP	0. 1uF 16V		チップセラコン	01
C2108	UR238470	C. EL	470uF 16V		ケミコン	
C2109	UR238100	C. EL	100uF 16V		ケミコン	
C2110	US135100	C. CE. CHP	0. 1uF 16V		チップセラコン	01
C2131	US135100	C. CE. CHP	0. 1uF 16V		チップセラコン	01
C2132	US126100	C. CE. CHP	1uF 10V		チップセラコン	01
C2133	US135100	C. CE. CHP	0. 1uF 16V		チップセラコン	01
C2501-2505	US135100	C. CE. CHP	0. 1uF 16V	J	チップセラコン	01
C2521-2523	US062100	C. CE. CHP	100pF 50V B		チップセラコン	01
C2524	US135100	C. CE. CHP	0. 1uF 16V		チップセラコン	01
C2525-2527	US062100	C. CE. CHP	100pF 50V B		チップセラコン	01
C2528	US135100	C. CE. CHP	0. 1uF 16V		チップセラコン	01
C2531-2533	US062270	C. CE. CHP	270pF 50V B		チップセラコン	01
C2534	US135100	C. CE. CHP	0. 1uF 16V		チップセラコン	01
C2541-2546	US135100	C. CE. CHP	0. 1uF 16V		チップセラコン	01
C2547-2548	UR238220	C. EL	220uF 16V		ケミコン	01
C2549	US135100	C. CE. CHP	0. 1uF 16V		チップセラコン	01
C2551-2552	US135100	C. CE. CHP	0. 1uF 16V		チップセラコン	01
C2553-2554	UR238220	C. EL	220uF 16V		ケミコン	01
C2555	US135100	C. CE. CHP	0. 1uF 16V		チップセラコン	01
C2561-2564	UR237470	C. EL	47uF 16V		ケミコン	
C2571-2572	UR238100	C. EL	100uF 16V		ケミコン	
C2573-2574	US135100	C. CE. CHP	0. 1uF 16V		チップセラコン	01
C2581-2582	UR237470	C. EL	47uF 16V		ケミコン	
C2583	US062220	C. CE. CHP	220pF 50V B		チップセラコン	01
C2585	US062220	C. CE. CHP	220pF 50V B		チップセラコン	01
C2601-2602	UR237470	C. EL	47uF 16V		ケミコン	

* New Parts * 新規部品

P.C.B. A-VIDEO

Ref No.	Part No.	Description	Remarks	Markets	部 品 名	ランク
C2603	US135100	C. CE. CHP	0. 1uF 16V		チップセラコン	01
C2611	UR238470	C. EL	470uF 16V		ケミコン	
C2612	US064100	C. CE. CHP	0. 01uF 50V B		チップセラコン	01
C2613	US062120	C. CE. CHP	120pF 50V B		チップセラコン	01
C2614	US062220	C. CE. CHP	220pF 50V B		チップセラコン	01
C2615	UR237100	C. EL	10uF 16V		ケミコン	
C2616	UR237470	C. EL	47uF 16V		ケミコン	
C2617	US135100	C. CE. CHP	0. 1uF 16V		チップセラコン	01
C2621-2622	US135100	C. CE. CHP	0. 1uF 16V		チップセラコン	01
C2631	UR237100	C. EL	10uF 16V		ケミコン	
C2632	UR266470	C. EL	4. 7uF 50V		ケミコン	
C2633	UR238100	C. EL	100uF 16V		ケミコン	
C2634	UR238330	C. EL	330uF 16V		ケミコン	01
C2641-2642	UR238100	C. EL	100uF 16V		ケミコン	
C2643	US135100	C. CE. CHP	0. 1uF 16V		チップセラコン	01
C2644	US061120	C. CE. CHP	12pF 50V B	JUCRK	チップセラコン	01
C2644	US060800	C. CE. CHP	8pF 50V B	TABGEL	チップセラコン	01
C2645	US061120	C. CE. CHP	12pF 50V B	JUCRK	チップセラコン	01
C2645	US060600	C. CE. CHP	6pF 50V B	TABGEL	チップセラコン	
C2646	US060800	C. CE. CHP	8pF 50V B	JUCRK	チップセラコン	01
C2646	US060600	C. CE. CHP	6pF 50V B	TABGEL	チップセラコン	
C2647-2648	US061240	C. CE. CHP	24pF 50V B		チップセラコン	01
C2649	UR266100	C. EL	1uF 50V		ケミコン	01
C2650	US062470	C. CE. CHP	470pF 50V B		チップセラコン	01
C2651	UR266100	C. EL	1uF 50V		ケミコン	01
C2652	US063120	C. CE. CHP	1200pF 50V B		チップセラコン	01
C2653	US135100	C. CE. CHP	0. 1uF 16V		チップセラコン	01
C2691-2692	US135100	C. CE. CHP	0. 1uF 16V		チップセラコン	01
C2695-2697	US061100	C. CE. CHP	10pF 50V B		チップセラコン	01
D2001-2009	VT332900	DIODE	1SS355	J	ダイオード	01
D2061-2062	VT332900	DIODE	1SS355		ダイオード	01
D2561	VT332900	DIODE	1SS355		ダイオード	01
D2563	VT332900	DIODE	1SS355		ダイオード	01
D2581-2582	VT332900	DIODE	1SS355		ダイオード	01
D2611-2612	VT332900	DIODE	1SS355		ダイオード	01
D2631-2634	VT332900	DIODE	1SS355		ダイオード	01
IC201	X6757A00	IC	NJW1321FP1		IC	08
IC202	X2484A00	IC	TA1318AF		IC	07
IC203	X2904A00	IC	NJM2581M VIDEO AMP		アンプIC	06
IC204-205	XS790A00	IC	TC74HC4052AF MPX	J	ロジックIC	02
IC206	XY877A00	IC	MM74HC4053SJX		ロジックIC	01
IC207	X6758A00	IC	LA73054-TLM-E		アンプIC	04
IC211	XY550A00	IC	MM74HC4051SJX		ロジックIC	01
IC213	XY550A00	IC	MM74HC4051SJX		ロジックIC	01
IC215	X4321A00	IC	CD4051BNSR		ロジックIC	01
IC218	X6742A00	IC	LA73050-TLM-E		アンプIC	04
IC219	X6741A00	IC	LA7106M-TLM-E		アンプIC	05
IC220	XW939A00	IC	TK15420M VIDEO AMP		アンプIC	03
IC221	XY877A00	IC	MM74HC4053SJX		ロジックIC	01
IC222	X7779A00	IC	LC709004A-TLM-E		ロジックIC	04
IC223	XZ509A00	IC	TC74VHC04FT INVER		ロジックIC	01
IC224	XY877A00	IC	MM74HC4053SJX		ロジックIC	01
IC225	X7818A00	IC	LC74782JM-8A16-TLM		IC	07
JK201	WD396100	JACK. PIN	LAP5100-1801FC		ピンジャック	04
JK202-203	WD396300	JACK. PIN	LAP5100-1601FC		ピンジャック	04

* New Parts * 新規部品

P.C.B. A-VIDEO and P.C.B. D-VIDEO

Ref No.	Part No.	Description	Remarks	Markets	部 品 名	ランク	
PJ201-203	WD398400	CN. DIN	14P YKF45-3011		J	D I Nコネクタ	05
PJ204	WH382000	JACK. PIN	9P G, B, R			ピンジャック 9 P	05
PJ205	WD398400	CN. DIN	14P YKF45-3011		J	D I Nコネクタ	05
PJ206	WH381800	JACK. PIN	3P G, B, R			ピンジャック 3 P	03
PN201	V9637500	PIN	L=70 #18			スタイルピン	
Q2541-2543	VV655700	TR. DGT	DTC144EKA			デジタルトランジスタ	01
Q2601	VV556400	TR	2SC2412K Q, R, S			トランジスタ	01
Q2631	WF550000	TR	2SC3837K T146 N, P			トランジスタ	01
Q2632	VV556500	TR	2SA1037K Q, R, S			トランジスタ	01
Q2633	WF549900	TR	2SC3906K T146 R, S			トランジスタ	01
Q2634	VZ725900	TR	2SD1938F S, T			トランジスタ	01
Q2641-2642	VV556400	TR	2SC2412K Q, R, S			トランジスタ	01
R2010	HV753100	R. CAR. FP	1Ω 1/4W		J	不燃化カーボン抵抗	01
R2020	HV753100	R. CAR. FP	1Ω 1/4W		J	不燃化カーボン抵抗	01
R2068-2069	HV753100	R. CAR. FP	1Ω 1/4W			不燃化カーボン抵抗	01
R2071	HV753100	R. CAR. FP	1Ω 1/4W			不燃化カーボン抵抗	01
R2086	HV753100	R. CAR. FP	1Ω 1/4W			不燃化カーボン抵抗	01
R2092	HV753100	R. CAR. FP	1Ω 1/4W			不燃化カーボン抵抗	01
R2099	HV753100	R. CAR. FP	1Ω 1/4W			不燃化カーボン抵抗	01
R2104	HV753100	R. CAR. FP	1Ω 1/4W			不燃化カーボン抵抗	01
R2551-2552	HV753100	R. CAR. FP	1Ω 1/4W			不燃化カーボン抵抗	01
R2571-2572	HV753100	R. CAR. FP	1Ω 1/4W			不燃化カーボン抵抗	01
R2608	HV756470	R. CAR. FP	4.7KΩ 1/4W			不燃化カーボン抵抗	01
R2611	HV753220	R. CAR. FP	2.2Ω 1/4W			不燃化カーボン抵抗	01
R2630	HV753220	R. CAR. FP	2.2Ω 1/4W			不燃化カーボン抵抗	01
R2635	HV755470	R. CAR. FP	470Ω 1/4W			不燃化カーボン抵抗	01
R2637	HV755470	R. CAR. FP	470Ω 1/4W			不燃化カーボン抵抗	01
R2639	HV755470	R. CAR. FP	470Ω 1/4W			不燃化カーボン抵抗	01
R2641-2642	HV753100	R. CAR. FP	1Ω 1/4W			不燃化カーボン抵抗	01
R2651	HV755470	R. CAR. FP	470Ω 1/4W			不燃化カーボン抵抗	01
R2708	HV753100	R. CAR. FP	1Ω 1/4W			不燃化カーボン抵抗	01
R2711-2712	HV753100	R. CAR. FP	1Ω 1/4W			不燃化カーボン抵抗	01
ST201	V4040500	SCR. TERM	M3			スクリュー/ターミナル	01
XL201	V5345200	RSNR. CE	CSBLA503KECF30-B0			セラミック振動子	01
XL202	WD280800	RSNR. CRYST	14.31818MHz		JUCRK	水晶振動子	03
XL202	WD280900	RSNR. CRYST	17.734475MHz		TABGEL	水晶振動子	
*	WK647000	P. C. B.	D-VIDEO			P C B D-VIDEO	
CB101	WH641400	CN. HDMI	19P SE			HDMIコネクター	03
CB102	WC197000	CN. FMN	20P TE			FMNコネクター	04
CB103-106	WH641400	CN. HDMI	19P SE			HDMIコネクター	03
CB121-122	V8875600	CN. JE	13P TE			JEコネクター	02
CB185	VM688900	CN. BS. PIN	10P			FFCコネクター	01
CB186	WC196800	CN. FMN	18P TE FMN			FMNコネクター	04
CB188	LB919050	CN. BS. PIN	5P			ベース付ポスト	01
C1001	WD758300	C. CE. CHP	10uF 10V			チップセラコン	01
C1002-1004	US135100	C. CE. CHP	0.1uF 16V			チップセラコン	01
C1005-1006	WD758300	C. CE. CHP	10uF 10V			チップセラコン	01
C1007	US063100	C. CE. CHP	1000pF 50V B			チップセラコン	01
C1008	WD758300	C. CE. CHP	10uF 10V			チップセラコン	01
C1009-1011	US135100	C. CE. CHP	0.1uF 16V			チップセラコン	01
C1013-1017	US135100	C. CE. CHP	0.1uF 16V			チップセラコン	01
C1018	WD758300	C. CE. CHP	10uF 10V			チップセラコン	01

* New Parts * 新規部品

P.C.B. D-VIDEO

Ref No.	Part No.	Description	Remarks	Markets	部 品 名	ランク
C1019	US135100	C. CE. CHP	0.1uF 16V		チップセラコン	01
C1020	WD758300	C. CE. CHP	10uF 10V		チップセラコン	01
C1021	US135100	C. CE. CHP	0.1uF 16V		チップセラコン	01
C1022	WD758300	C. CE. CHP	10uF 10V		チップセラコン	01
C1023-1025	US135100	C. CE. CHP	0.1uF 16V		チップセラコン	01
C1026	US061150	C. CE. CHP	15pF 50V B		チップセラコン	01
C1027	US061120	C. CE. CHP	12pF 50V B		チップセラコン	01
C1028-1038	US135100	C. CE. CHP	0.1uF 16V		チップセラコン	01
C1039-1040	WD758300	C. CE. CHP	10uF 10V		チップセラコン	01
C1041	US063100	C. CE. CHP	1000pF 50V B		チップセラコン	01
C1042-1045	US135100	C. CE. CHP	0.1uF 16V		チップセラコン	01
C1046	US063100	C. CE. CHP	1000pF 50V B		チップセラコン	01
C1047	US135100	C. CE. CHP	0.1uF 16V		チップセラコン	01
C1048	US063100	C. CE. CHP	1000pF 50V B		チップセラコン	01
C1049-1053	US135100	C. CE. CHP	0.1uF 16V		チップセラコン	01
C1054	WD758300	C. CE. CHP	10uF 10V		チップセラコン	01
C1055-1059	US135100	C. CE. CHP	0.1uF 16V		チップセラコン	01
C1060	US063100	C. CE. CHP	1000pF 50V B		チップセラコン	01
C1061-1064	US135100	C. CE. CHP	0.1uF 16V		チップセラコン	01
C1065	US063100	C. CE. CHP	1000pF 50V B		チップセラコン	01
C1066-1068	WD758300	C. CE. CHP	10uF 10V		チップセラコン	01
C1069-1072	US135100	C. CE. CHP	0.1uF 16V		チップセラコン	01
C1073	US064100	C. CE. CHP	0.01uF 50V B		チップセラコン	01
C1074-1075	US135100	C. CE. CHP	0.1uF 16V		チップセラコン	01
C1076	WD758300	C. CE. CHP	10uF 10V		チップセラコン	01
C1077	US135100	C. CE. CHP	0.1uF 16V		チップセラコン	01
C1078	US063100	C. CE. CHP	1000pF 50V B		チップセラコン	01
C1079-1080	US135100	C. CE. CHP	0.1uF 16V		チップセラコン	01
C1081	WD758300	C. CE. CHP	10uF 10V		チップセラコン	01
C1082-1084	US135100	C. CE. CHP	0.1uF 16V		チップセラコン	01
C1087-1090	US135100	C. CE. CHP	0.1uF 16V		チップセラコン	01
C1093	US064100	C. CE. CHP	0.01uF 50V B		チップセラコン	01
C1094-1096	US135100	C. CE. CHP	0.1uF 16V		チップセラコン	01
C1101-1105	US135100	C. CE. CHP	0.1uF 16V		チップセラコン	01
C1201-1202	US135100	C. CE. CHP	0.1uF 16V		チップセラコン	01
C1203-1206	WD758300	C. CE. CHP	10uF 10V		チップセラコン	01
C1207	US135100	C. CE. CHP	0.1uF 16V		チップセラコン	01
C1208	US064100	C. CE. CHP	0.01uF 50V B		チップセラコン	01
C1209	WD758300	C. CE. CHP	10uF 10V		チップセラコン	01
C1210-1211	US135100	C. CE. CHP	0.1uF 16V		チップセラコン	01
C1212-1213	WD758300	C. CE. CHP	10uF 10V		チップセラコン	01
C1214-1217	US135100	C. CE. CHP	0.1uF 16V		チップセラコン	01
C1218	WD758300	C. CE. CHP	10uF 10V		チップセラコン	01
C1219-1220	US064100	C. CE. CHP	0.01uF 50V B		チップセラコン	01
C1221-1222	WD758300	C. CE. CHP	10uF 10V		チップセラコン	01
C1223-1228	US135100	C. CE. CHP	0.1uF 16V		チップセラコン	01
C1229	US063820	C. CE. CHP	8200pF 50V B		チップセラコン	01
C1230	US063100	C. CE. CHP	1000pF 50V B		チップセラコン	01
C1231	US063220	C. CE. CHP	2200pF 50V B		チップセラコン	01
C1232	US135100	C. CE. CHP	0.1uF 16V		チップセラコン	01
C1233	US063220	C. CE. CHP	2200pF 50V B		チップセラコン	01
C1234	US064100	C. CE. CHP	0.01uF 50V B		チップセラコン	01
C1235	US135100	C. CE. CHP	0.1uF 16V		チップセラコン	01
C1236	US063390	C. CE. CHP	3900pF 50V B		チップセラコン	01
C1237	US135150	C. CE. CHP	0.15uF 16V		チップセラコン	01

* New Parts * 新規部品

P.C.B. D-VIDEO

Ref No.	Part No.	Description	Remarks	Markets	部 品 名	ランク
C1238	US064100	C. CE. CHP	0.01uF 50V B		チップセラコン	01
C1239	US135100	C. CE. CHP	0.1uF 16V		チップセラコン	01
C1240	US034820	C. CE. CHP	0.082uF 16V K		チップセラコン	01
C1241	WD758300	C. CE. CHP	10uF 10V		チップセラコン	01
C1242	US135100	C. CE. CHP	0.1uF 16V		チップセラコン	01
C1243	US064100	C. CE. CHP	0.01uF 50V B		チップセラコン	01
C1244	US063390	C. CE. CHP	3900pF 50V B		チップセラコン	01
C1245	US063820	C. CE. CHP	8200pF 50V B		チップセラコン	01
C1246	US135150	C. CE. CHP	0.15uF 16V		チップセラコン	01
C1247	US064100	C. CE. CHP	0.01uF 50V B		チップセラコン	01
C1248	US135100	C. CE. CHP	0.1uF 16V		チップセラコン	01
C1249	US060700	C. CE. CHP	7pF 50V B		チップセラコン	01
C1250	US064100	C. CE. CHP	0.01uF 50V B		チップセラコン	01
C1251-1252	US135100	C. CE. CHP	0.1uF 16V		チップセラコン	01
C1253	US060700	C. CE. CHP	7pF 50V B		チップセラコン	01
C1254-1257	US135100	C. CE. CHP	0.1uF 16V		チップセラコン	01
C1258	WD758300	C. CE. CHP	10uF 10V		チップセラコン	01
C1259	US135100	C. CE. CHP	0.1uF 16V		チップセラコン	01
C1260	WD758300	C. CE. CHP	10uF 10V		チップセラコン	01
C1261-1263	US064100	C. CE. CHP	0.01uF 50V B		チップセラコン	01
C1264-1266	US135100	C. CE. CHP	0.1uF 16V		チップセラコン	01
C1271-1273	US135100	C. CE. CHP	0.1uF 16V		チップセラコン	01
C1301-1302	UF018100	C. EL. CHP	100uF 6.3V		チップケミコン	01
C1303	UF037470	C. EL. CHP	47uF 16V		チップケミコン	01
C1450	WD758300	C. CE. CHP	10uF 10V		チップセラコン	01
C1451-1458	US135100	C. CE. CHP	0.1uF 16V		チップセラコン	01
C1459	WD758300	C. CE. CHP	10uF 10V		チップセラコン	01
C1460-1468	US135100	C. CE. CHP	0.1uF 16V		チップセラコン	01
C1469	WD758300	C. CE. CHP	10uF 10V		チップセラコン	01
C1470-1491	US135100	C. CE. CHP	0.1uF 16V		チップセラコン	01
C1492-1493	WD758300	C. CE. CHP	10uF 10V		チップセラコン	01
C1604-1612	US135100	C. CE. CHP	0.1uF 16V		チップセラコン	01
C1613	WD758300	C. CE. CHP	10uF 10V		チップセラコン	01
C1614-1616	US135100	C. CE. CHP	0.1uF 16V		チップセラコン	01
C1617	US063100	C. CE. CHP	1000pF 50V B		チップセラコン	01
C1618	WD758300	C. CE. CHP	10uF 10V		チップセラコン	01
C1619-1625	US135100	C. CE. CHP	0.1uF 16V		チップセラコン	01
C1626	WD758300	C. CE. CHP	10uF 10V		チップセラコン	01
C1627-1631	US135100	C. CE. CHP	0.1uF 16V		チップセラコン	01
C1632	US063100	C. CE. CHP	1000pF 50V B		チップセラコン	01
C1633	WD758300	C. CE. CHP	10uF 10V		チップセラコン	01
C1634-1636	US135100	C. CE. CHP	0.1uF 16V		チップセラコン	01
C1639	WD758300	C. CE. CHP	10uF 10V		チップセラコン	01
C1801-1802	US063100	C. CE. CHP	1000pF 50V B		チップセラコン	01
C1803-1804	US135100	C. CE. CHP	0.1uF 16V		チップセラコン	01
C1805	US063100	C. CE. CHP	1000pF 50V B		チップセラコン	01
C1806-1809	US135100	C. CE. CHP	0.1uF 16V		チップセラコン	01
C1810	WD758300	C. CE. CHP	10uF 10V		チップセラコン	01
C1812-1813	US135100	C. CE. CHP	0.1uF 16V		チップセラコン	01
C1815-1826	US135100	C. CE. CHP	0.1uF 16V		チップセラコン	01
C1827	US063100	C. CE. CHP	1000pF 50V B		チップセラコン	01
C1828-1830	US135100	C. CE. CHP	0.1uF 16V		チップセラコン	01
C1831	US126100	C. CE. CHP	1uF 10V		チップセラコン	01
C1832-1835	US135100	C. CE. CHP	0.1uF 16V		チップセラコン	01
C1838	US135100	C. CE. CHP	0.1uF 16V		チップセラコン	01

* New Parts * 新規部品

P.C.B. D-VIDEO

Ref No.	Part No.	Description	Remarks	Markets	部 品 名	ランク
C1840	US135100	C. CE. CHP	0. 1uF 16V		チップセラコン	01
C1841-1861	US061220	C. CE. CHP	22pF 50V B		チップセラコン	01
C1862	US135100	C. CE. CHP	0. 1uF 16V		チップセラコン	01
C1863-1864	US061220	C. CE. CHP	22pF 50V B		チップセラコン	01
C1865	US064100	C. CE. CHP	0. 01uF 50V B		チップセラコン	01
C1866-1867	US061220	C. CE. CHP	22pF 50V B		チップセラコン	01
C1868-1869	US135100	C. CE. CHP	0. 1uF 16V		チップセラコン	01
C1870	US064100	C. CE. CHP	0. 01uF 50V B		チップセラコン	01
C1873	US135100	C. CE. CHP	0. 1uF 16V		チップセラコン	01
C1875	US064100	C. CE. CHP	0. 01uF 50V B		チップセラコン	01
C1876	UF037100	C. EL. CHP	10uF 16V		チップケミコン	01
C1877	US135100	C. CE. CHP	0. 1uF 16V		チップセラコン	01
C1878	US126100	C. CE. CHP	1uF 10V		チップセラコン	01
C1879	US135100	C. CE. CHP	0. 1uF 16V		チップセラコン	01
C1880	UF017220	C. EL. CHP	22uF 6. 3V		チップケミコン	01
C1901	UF037470	C. EL. CHP	47uF 16V		チップケミコン	01
C1902-1904	UF037100	C. EL. CHP	10uF 16V		チップケミコン	01
C1905-1907	UF017220	C. EL. CHP	22uF 6. 3V		チップケミコン	01
C1908-1910	UF037100	C. EL. CHP	10uF 16V		チップケミコン	01
C1911-1913	UF017220	C. EL. CHP	22uF 6. 3V		チップケミコン	01
C1915	UF037100	C. EL. CHP	10uF 16V		チップケミコン	01
C1917	UF017220	C. EL. CHP	22uF 6. 3V		チップケミコン	01
C1919-1927	US135100	C. CE. CHP	0. 1uF 16V		チップセラコン	01
C1951-1969	US135100	C. CE. CHP	0. 1uF 16V		チップセラコン	01
D1009-1010	WE674800	DIODE	AVRL161A1R1NTB		チップバリスタ	01
D1011	VV220700	DIODE. SHOT	RB501V-40		ショットキーダイオード	
D1012	VT332900	DIODE	1SS355		ダイオード	01
D1014-1021	WH641900	ESD	PESD0603-140		ポリマーESD	01
D1023-1030	WH641900	ESD	PESD0603-140		ポリマーESD	01
D1032-1039	WH641900	ESD	PESD0603-140		ポリマーESD	01
D1041-1048	WH641900	ESD	PESD0603-140		ポリマーESD	01
D1049-1056	WE674800	DIODE	AVRL161A1R1NTB		チップバリスタ	01
D1203	V8960900	DIODE. ZENR	MA804-(TX) 2. 4V		ツェナーダイオード	01
D1601	VT332900	DIODE	1SS355		ダイオード	01
D1801-1816	VT332900	DIODE	1SS355		ダイオード	01
D1818	VT332900	DIODE	1SS355		ダイオード	01
D1820-1822	VT332900	DIODE	1SS355		ダイオード	01
F1001	V2997600	SW. POLY	SMDC050-02		ポリスイッチ	01
* IC103-104	X8900A00	IC	CXB1442AR-T4		IC	
IC105	XZ287A00	IC	SN74LVC245APWR		ロジックIC	02
IC106	X7741A00	IC	NJM2867F3-05(Te1)		電源IC	02
* IC107	X8527A00	IC	TC7WZ04FK		ロジックIC	
IC108	X0199B00	IC	TC74VHC157FT(EL, K)		ロジックIC	01
IC109	X8144A00	IC	SN74CBT3257CPWR		ロジックIC	04
* IC110-111	X8294A00	IC	M24C02-WDW6TP		メモリIC	
IC112	X8144A00	IC	SN74CBT3257CPWR		ロジックIC	04
IC113	X8005A00	IC	SN74CBT3253CPWR		ロジックIC	04
* IC114	X8526A00	IC	TC7WZ02FK(Te85L, F)		ロジックIC	
IC115	X5647A00	IC	SN74LV32APWR OR		ロジックIC	01
* IC116	X8398A00	IC	TC7SET08FU(T5L, JF)		ロジックIC	
IC121	X6848A00	IC	LA73053-TLM-E		アンプIC	05
IC122	X7171A00	IC	SN74LVC2G125DCUR		ロジックIC	03
* IC123	X8838A00	IC	ADV7342BSTZ		ICビデオエンコーダ	
IC124	X6802A00	IC	ADV7401BSTZ-80		ビデオデコーダ	14
IC144	XZ414D00	IC	W9864G6GH-7 SDRAM		メモリIC 64M	05

* New Parts * 新規部品

P.C.B. D-VIDEO and P.C.B. FL

Ref No.	Part No.	Description	Remarks	Markets	部 品 名	ランク
*	IC145	X8839A00 IC	IP00C772		IC デジタル	
	IC164-169	XZ287A00 IC	SN74LVC245APWR		ロジックIC	02
	IC170	X7762A00 IC	ABT1010		IC	14
	IC171-173	XZ283A00 IC	SN74LVTH245APW BUS		ロジックIC	04
*	IC182	X8999A00 IC. CPU	M30845MW-001-GP	boot only	IC CPU	11
	IC183	X7886A00 IC	R1171S331B-E2-F		電源IC	03
*	IC184	X8897A00 IC	R1172S331B-E2-F		電源IC	
	IC185	X7886A00 IC	R1171S331B-E2-F		電源IC	03
	IC186	X8009A00 IC	R1131N181D		電源IC	03
	IC187	X8147A00 IC	R3112N421A-TR-F		ロジックIC	01
*	IC188	X8943A00 IC	R1130H181B-T1-F		電源IC	
*	IC189	X8942A00 IC	R1171S181B-E2-F		電源IC	
	IC191	X7887A00 IC	R1172S181B-E2-F		電源IC	03
	IC192	X3586B00 IC	TC74VHCT08AFT EL,K		ロジックIC	01
*	IC196	X8404A00 IC	TC7SET125FU(TE85LF		ロジックIC	
*	IC198	X8944A00 IC	R1154H050B-T1-F		電源IC	
	PN181-182	V9637500 PIN	L=70 #18		スタイルピン	
	Q1001-1006	VQ986700 TR	2SC4081 T106		トランジスタ	01
	Q1007	WE834500 FET	UPA672T-T1-A		F E T	01
	Q1801-1807	WH445000 FET	3LN01C-TB-E		F E T	01
	Q1808-1809	VQ986700 TR	2SC4081 T106		トランジスタ	01
	Q1811-1812	VQ986700 TR	2SC4081 T106		トランジスタ	01
	Q1813	WH445000 FET	3LN01C-TB-E		F E T	01
	R1878	WB784100 R. MTL. FLM	1.2Ω 1W		金属被膜抵抗	01
	R1880	WB784100 R. MTL. FLM	1.2Ω 1W		金属被膜抵抗	01
	ST101	V4040500 SCR. TERM	M3		スクリュー/ターミナル	01
	XL101	WH625000 RSNR. CRY	27MHz		水晶振動子	03
	XL121	VZ772700 RSNR. CRY	28.63636MHz		水晶振動子	03
	XL181	V9864200 RSNR. CE	10.0MHz		セラミック発振子	01
*		WK648100 P. C. B.	FL		J PCB FL	
*		WK648200 P. C. B.	FL		UCRKBAGEL PCB FL	
	CB901	VN520900 CN. BS. PIN	26P TE 52045		F F Cコネクター	02
	CB951-952	V8810200 CN. JE	9P TE		J Eコネクター	02
	CB953	V7667200 CN. BS. PIN	20P TE		F F Cコネクター	
	CB954	V9357000 CN	19P TE		J Eコネクター	
	CB955-956	V8875600 CN	13P TE		J Eコネクター	02
	CB957	WA894400 CN. FMN	18P TE FMN		F M Nコネクター	02
	CB958	V9357000 CN	19P TE		J Eコネクター	
	CB959-960	V8875600 CN	13P TE		J Eコネクター	02
	CB962	V9357000 CN	19P TE		J Eコネクター	
	CB963	V7827000 CN	20P TE TUC SERIES		コネクタープラグ	01
	CB965	V7828700 SOCKET	20P SE TUC SERIES		コネクターソケット	01
	CB967	V8810200 CN. JE	9P TE		J Eコネクター	02
	CB968	V6509500 SOCKET	9P SE 3170		コネクターソケット	04
	CB969	V9357000 CN	19P TE		J Eコネクター	
	CB970	VQ045500 CN. BS. PIN	26P		F F Cコネクター	02
	CB971	VM929900 CN. BS. PIN	15P		F P Cコネクター	01
	CB972-973	V8810200 CN. JE	9P TE		J Eコネクター	02
	CB974	VU446000 CN. JE	15P TE		J E コネクタ	02
	C9001	UR267470 C. EL	47uF 50V		ケミコン	01
	C9002	US135100 C. CE. CHP	0.1uF 16V		チップセラコン	01
	C9003-9004	US064100 C. CE. CHP	0.01uF 50V B		チップセラコン	01

* New Parts * 新規部品

P.C.B. FL

Ref No.	Part No.	Description	Remarks	Markets	部 品 名	ランク
C9008	US064100	C. CE. CHP	0.01uF 50V B		チップセラコン	01
C9010	US064100	C. CE. CHP	0.01uF 50V B		チップセラコン	01
C9011	UM388100	C. EL	100uF 10V		ケミコン	01
C9012-9013	US064100	C. CE. CHP	0.01uF 50V B		チップセラコン	01
C9014	US135100	C. CE. CHP	0.1uF 16V		チップセラコン	01
C9015	US064100	C. CE. CHP	0.01uF 50V B		チップセラコン	01
C9016	UR218330	C. EL	330uF 6.3V		ケミコン	01
C9017	US135100	C. CE. CHP	0.1uF 16V		チップセラコン	01
C9020	US062100	C. CE. CHP	100pF 50V B		チップセラコン	01
C9021	US061470	C. CE. CHP	47pF 50V B		チップセラコン	01
C9022	US135100	C. CE. CHP	0.1uF 16V		チップセラコン	01
C9023	UR218330	C. EL	330uF 6.3V		ケミコン	01
C9024	US062100	C. CE. CHP	100pF 50V B		チップセラコン	01
C9030	US064100	C. CE. CHP	0.01uF 50V B		チップセラコン	01
C9501	US064100	C. CE. CHP	0.01uF 50V B		チップセラコン	01
C9502	US135100	C. CE. CHP	0.1uF 16V		チップセラコン	01
C9503	UR237470	C. EL	47uF 16V		ケミコン	01
C9504-9509	US135100	C. CE. CHP	0.1uF 16V		チップセラコン	01
D9005-9006	VU991500	DIODE. ZENR	MA8039-H 4V		ツェナーダイオード	01
D9015	VT332900	DIODE	1SS355	UCRTKABGEL	ダイオード	01
D9017	VT332900	DIODE	1SS355	UCRTKABGEL	ダイオード	01
D9021-9022	VT332900	DIODE	1SS355		ダイオード	01
D9023	VT332900	DIODE	1SS355	UCRTKABGEL	ダイオード	01
D9024-9025	VT332900	DIODE	1SS355	UCRTKABGEL	ダイオード	01
D9501	VT332900	DIODE	1SS355	UCRTKABGEL	ダイオード	01
D9502	VT332900	DIODE	1SS355	UCRTKABGEL	ダイオード	01
D9503	VT332900	DIODE	1SS355	UCRTKABGEL	ダイオード	01
D9504	VT332900	DIODE	1SS355	UCRTKABGEL	ダイオード	01
IC901-902	X7821A00	IC	PT6302LQ-008(L)		IC	07
IC951	X6876A00	IC	ADM222ARZ		IC	06
JK951	V9435700	JACK. MNI	MSJ-035-12APC	UCRTKABGEL	モノラル ミニジャック	01
JK952	V9435700	JACK. MNI	MSJ-035-12APC	UCRTKABGEL	モノラル ミニジャック	01
PN902	V9637500	PIN	L=70 #18		スタイルピン	
PN951-952	V9637500	PIN	L=70 #18		スタイルピン	
Q9001-9009	WC529400	TR	KTC3875S Y GR RTK		トランジスタ	01
Q9010	VV655400	TR. DGT	DTC114EKA	UCRTKABGEL	デジタルトランジスタ	01
Q9501	VP872600	TR	2SA1708 S,T	UCRTKABGEL	トランジスタ	01
Q9502	VV655700	TR. DGT	DTC144EKA	UCRTKABGEL	デジタルトランジスタ	01
Q9503	VP872600	TR	2SA1708 S,T	UCRTKABGEL	トランジスタ	01
Q9504	VV655700	TR. DGT	DTC144EKA	UCRTKABGEL	デジタルトランジスタ	01
R9002	HL005100	R. MTL. OXD	100Ω 1/2W		酸化金属被膜抵抗	
R9004	HL005100	R. MTL. OXD	100Ω 1/2W		酸化金属被膜抵抗	
R9507	HF354270	R. CAR	27Ω 1/2W J	UCRTKABGEL	カーボン抵抗	
R9508	HF354270	R. CAR	27Ω 1/2W J	UCRTKABGEL	カーボン抵抗	
ST951-953	V4040500	SCR. TERM	M3		スクリュウ/ターミナル	01
SW901-902	V4757100	SW. TACT	EVQ11A		タクトSW	01
SW904-905	V4757100	SW. TACT	EVQ11A		タクトSW	01
SW907	V4757100	SW. TACT	EVQ11A		タクトSW	01
SW908	V4757100	SW. TACT	EVQ11A	UCRTKABGEL	タクトSW	01
SW909-914	V4757100	SW. TACT	EVQ11A		タクトSW	01
SW915	V4757100	SW. TACT	EVQ11A	UCRTKABGEL	タクトSW	01
SW916	V4757100	SW. TACT	EVQ11A	UCRTKABGEL	タクトSW	01
U9001	V8210200	L. DTCT	GP1UD271XK		リモコン受光ユニット	03
V9001	WK589300	FL. DSPLY	HNA-16ML13T		蛍光表示管	
	V6007000	SHEET			シート/FL	03

*

* New Parts * 新規部品

P.C.B. FL

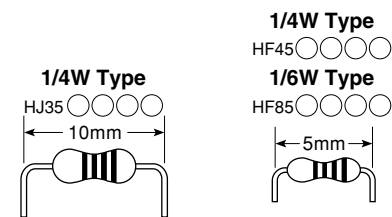
Ref No.	Part No.	Description	Remarks	Markets	部 品 名	ランク
	V3747400	SPACER.FL	T4x6x18		スペーサ／FL	01
	WF649700	SUPRT			サポート／FL	01

RX-V1800/HTR-6190/
DSP-AX1800

* New Parts * 新規部品

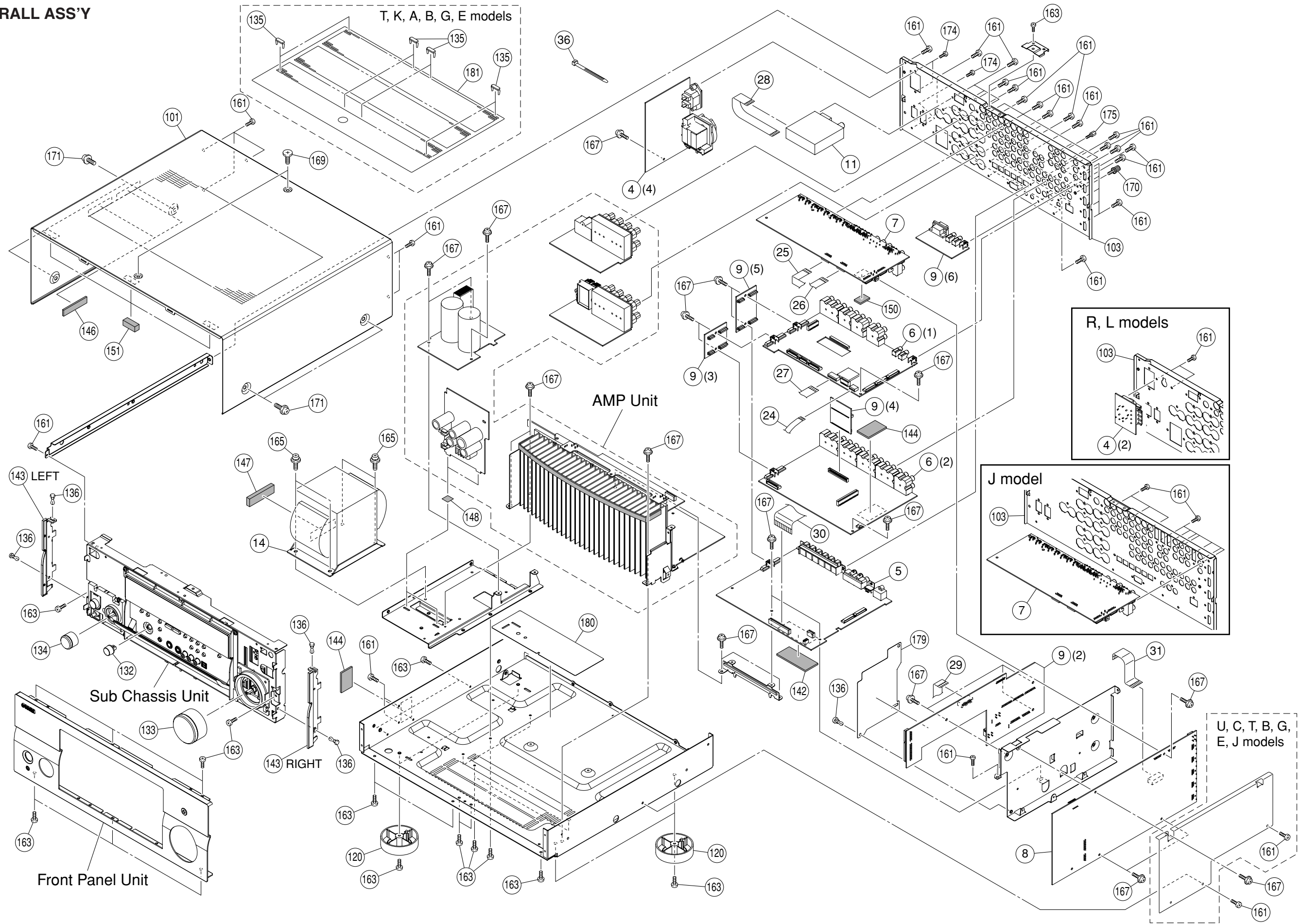
Carbon Resistors

Value	1/4W Type Part No.	1/6W Type Part No.	Value	1/4W Type Part No.	1/6W Type Part No.
1.0 Ω	HJ35 3100	HF85 3100	10 kΩ	HF45 7100	HF45 7100
1.8 Ω	HJ35 3180	*	11 kΩ	HF45 7110	HF45 7110
2.2 Ω	HJ35 3220	HF85 3220	12 kΩ	HJ35 7120	HF85 7120
3.3 Ω	HJ35 3330	HF85 3330	13 kΩ	HF45 7130	HF45 7130
4.7 Ω	HJ35 3470	HF85 3470	15 kΩ	HF45 7150	HF45 7150
5.6 Ω	HJ35 3560	HF85 3560	18 kΩ	HF45 7180	HF45 7180
10 Ω	HF45 4100	HF45 4100	22 kΩ	HF45 7220	HF45 7220
15 Ω	HJ35 4150	HF85 4150	24 kΩ	HF45 7240	HF45 7240
22 Ω	HF45 4220	HF45 4220	27 kΩ	HJ35 7270	HF85 7270
27 Ω	HJ35 4270	HF85 4270	30 kΩ	HF45 7300	HF45 7300
33 Ω	HF45 4330	HF45 4330	33 kΩ	HF45 7330	HF45 7330
39 Ω	HJ35 4470	HF85 4390	36 kΩ	HF45 7360	HF45 7360
47 Ω	HF45 4470	HF45 4470	39 kΩ	HF45 7390	HF45 7390
56 Ω	HF45 4560	HF45 4560	47 kΩ	HF45 7470	HF45 7470
68 Ω	HF45 4680	HF45 4680	51 kΩ	HF45 7510	HF45 7510
75 Ω	HF45 4750	HF45 4750	56 kΩ	HF45 7560	HF45 7560
82 Ω	HF45 4820	HF45 4820	62 kΩ	HF45 7620	HF45 7620
91 Ω	HF45 4910	HF45 4910	68 kΩ	HF45 7680	HF45 7680
100 Ω	HF45 5100	HF45 5100	82 kΩ	HF45 7820	HF45 7820
110 Ω	HJ35 5110	HF85 5110	91 kΩ	HF45 7910	HF45 7910
120 Ω	HF45 5120	HF45 5120	100 kΩ	HF45 8100	HF45 8100
150 Ω	HF45 5150	HF45 5150	110 kΩ	HF45 8110	HF45 8110
160 Ω	HJ35 5160	*	120 kΩ	HF45 8120	HF45 8120
180 Ω	HF45 5180	HF45 5180	150 kΩ	HF45 8150	HF45 8150
200 Ω	HF45 5200	HF45 5200	180 kΩ	HF45 8180	HF45 8180
220 Ω	HF45 5220	HF45 5220	220 kΩ	HJ35 8220	HF85 8220
270 Ω	HF45 5270	HF45 5270	270 kΩ	HF45 8270	HF45 8270
330 Ω	HF45 5330	HF45 5330	300 kΩ	HF45 8300	HF45 8300
390 Ω	HF45 5390	HF45 5390	330 kΩ	HF45 8330	HF45 8330
430 Ω	HF45 5430	HF45 5430	390 kΩ	HJ35 8390	HF85 8390
470 Ω	HF45 5470	HF45 5470	470 kΩ	HF45 8470	HF45 8470
510 Ω	HF45 5510	HF45 5510	560 kΩ	HJ35 8560	HF85 8560
560 Ω	HF45 5560	HF45 5560	680 kΩ	HJ35 8680	HF85 8680
680 Ω	HF45 5680	HF45 5680	820 kΩ	HJ35 8820	HF85 8820
820 Ω	HF45 5820	HF45 5820	1.0 MΩ	HF45 9100	HF45 9100
910 Ω	HF45 5910	HF45 5910	1.2 MΩ	HJ35 9120	*
1.0 kΩ	HF45 6100	HF45 6100	1.5 MΩ	HJ35 9150	HF85 9150
1.2 kΩ	HF45 6120	HF45 6120	1.8 MΩ	HJ35 9180	HF85 9180
1.5 kΩ	HF45 6150	HF45 6150	2.2 MΩ	HJ35 9220	HF85 9220
1.8 kΩ	HF45 6180	HF45 6180	3.3 MΩ	HJ35 9330	HF85 9330
2.0 kΩ	HJ35 6200	HF85 6200	3.9 MΩ	HJ35 9390	*
2.2 kΩ	HF45 6220	HF45 6220	4.7 MΩ	HJ35 9470	HF85 9470
2.4 kΩ	HJ35 6240	HF85 6240			
2.7 kΩ	HF45 6270	HF45 6270			
3.0 kΩ	HF45 6300	HF45 6300			
3.3 kΩ	HF45 6330	HF45 6330			
3.6 kΩ	HJ35 6360	HF85 6360			
3.9 kΩ	HF45 6390	HF45 6390			
4.7 kΩ	HF45 6470	HF45 6470			
5.1 kΩ	HF45 6510	HF45 6510			
5.6 kΩ	HF45 6560	HF45 6560			
6.8 kΩ	HF45 6680	HF45 6680			
8.2 kΩ	HF45 6820	HF45 6820			
9.1 kΩ	HF45 6910	HF45 6910			



* : Not available

• OVERALL ASS'Y



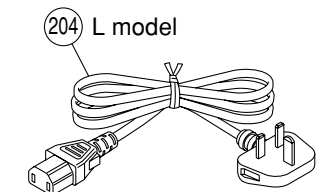
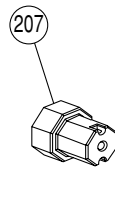
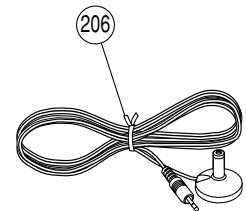
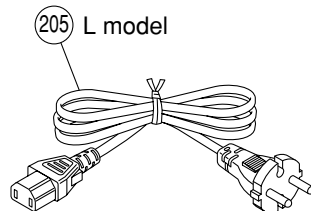
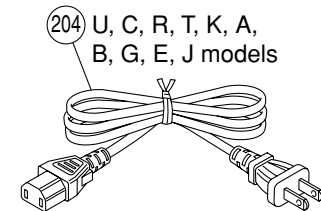
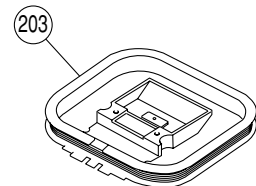
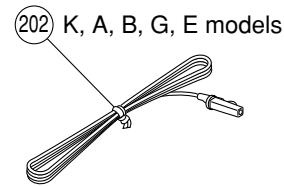
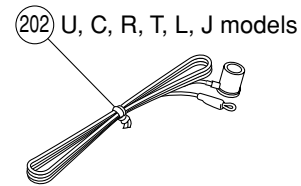
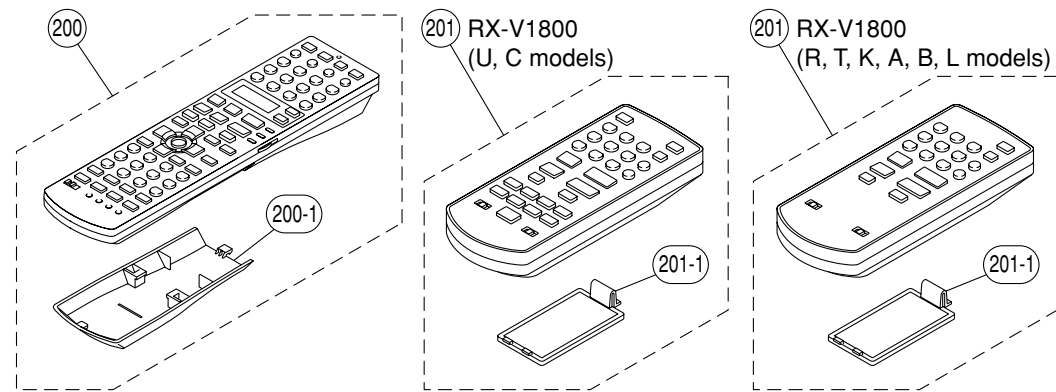
Ref No.	Part No.	Description	Remarks	Markets	部 品 名	ランク
* 4	WK648600	P. C. B. ASS' Y	POWER	J	P C B パワー	
* 4	WK648700	P. C. B. ASS' Y	POWER	UC	P C B パワー	
* 4	WK648800	P. C. B. ASS' Y	POWER	R	P C B パワー	
* 4	WK648900	P. C. B. ASS' Y	POWER	T	P C B パワー	
* 4	WK649000	P. C. B. ASS' Y	POWER	K	P C B パワー	
* 4	WK649100	P. C. B. ASS' Y	POWER	A	P C B パワー	
* 4	WK649200	P. C. B. ASS' Y	POWER	B	P C B パワー	
* 4	WK649300	P. C. B. ASS' Y	POWER	GE	P C B パワー	
* 4	WK649400	P. C. B. ASS' Y	POWER	L	P C B パワー	
* 5	WK647300	P. C. B. ASS' Y	DSP	J	P C B D S P	
* 5	WK647400	P. C. B. ASS' Y	DSP	UC	P C B D S P	
* 5	WK647500	P. C. B. ASS' Y	DSP	RTKABGEL	P C B D S P	
* 6	WK650600	P. C. B. ASS' Y	FUNCTION	J	P C B ファンクション	
* 6	WK650700	P. C. B. ASS' Y	FUNCTION	UC	P C B ファンクション	
* 6	WK650800	P. C. B. ASS' Y	FUNCTION	R	P C B ファンクション	
* 6	WK650900	P. C. B. ASS' Y	FUNCTION	T	P C B ファンクション	
* 6	WK651000	P. C. B. ASS' Y	FUNCTION	K	P C B ファンクション	
* 6	WK651100	P. C. B. ASS' Y	FUNCTION	A	P C B ファンクション	
* 6	WK651200	P. C. B. ASS' Y	FUNCTION	BGE	P C B ファンクション	
* 6	WK651300	P. C. B. ASS' Y	FUNCTION	L	P C B ファンクション	
* 6	WK651400	P. C. B. ASS' Y	FUNCTION	C	P C B ファンクション	
* 6	WK651500	P. C. B. ASS' Y	FUNCTION	G	P C B ファンクション	
* 7	WH565200	P. C. B. ASS' Y	A-VIDEO	J	P C B Aビデオ	23
* 7	WH565400	P. C. B. ASS' Y	A-VIDEO	UCRK	P C B Aビデオ	
* 7	WH565500	P. C. B. ASS' Y	A-VIDEO	TABGEL	P C B Aビデオ	
* 8	WK647000	P. C. B. ASS' Y	D-VIDEO	J	P C B Dビデオ	
* 9	WK648100	P. C. B. ASS' Y	FL	J	P C B F L	
* 9	WK648200	P. C. B. ASS' Y	FL	UCRTKABGEL	P C B F L	
* 11	WD048200	AM/FM TUNER	FAE385-J01F	J	AM/FM チューナー	12
* 11	WD048300	AM/FM TUNER	FAE385-A01F	UCRTL	AM/FM チューナー	
* 11	WD048400	AM/FM TUNER	FAE485-E01F	KABGE	AM/FM チューナー	
* 14	X8053C00	POWER TRANSFORMER		J	電源トランス	24
* 14	X8054A00	POWER TRANSFORMER		UC	電源トランス	
* 14	X8055A00	POWER TRANSFORMER		RL	電源トランス	
* 14	X8056A00	POWER TRANSFORMER		TK	電源トランス	
* 14	X8057A00	POWER TRANSFORMER		A	電源トランス	
* 14	X8058B00	POWER TRANSFORMER		BGE	電源トランス	
* 24	MF107070	FLEXIBLE FLAT CABLE	7P 70mm P=1.25		カード電線	01
* 25	MF110350	FLEXIBLE FLAT CABLE	10P 350mm P=1.25		カード電線	02
* 26	MF111070	FLEXIBLE FLAT CABLE	11P 70mm P=1.25		カード電線	01
* 27	MF114100	FLEXIBLE FLAT CABLE	14P 100mm P=1.25		カード電線	02
* 28	MF115140	FLEXIBLE FLAT CABLE	15P 140mm P=1.25		カード電線	03
* 29	MFA18140	FLEXIBLE FLAT CABLE	18P 140mm P=1.0		カード電線	
* 30	MF131180	FLEXIBLE FLAT CABLE	31P 180mm P=1.25		カード電線	03
* 31	MFA20100	FLEXIBLE FLAT CABLE	20P 100mm P=1.0		カード電線	01
* 36	VZ625600	BINDING TIE	SE140 L=140		インシュロックタイ	01
* 101	WH193000	TOP COVER		GD	トップカバー	11
* 101	WH192900	TOP COVER		BL	トップカバー	
* 101	WH193100	TOP COVER		TI	トップカバー	
* 103	WK274500	REAR PANEL		AX1800	リアパネル	
* 103	WK273800	REAR PANEL		V1800	リアパネル	
* 103	WK273900	REAR PANEL		V1800	リアパネル	
* 103	WK274000	REAR PANEL		V1800	リアパネル	
* 103	WK274100	REAR PANEL		V1800	リアパネル	
* 103	WK274200	REAR PANEL		V1800	リアパネル	
* 103	WK274300	REAR PANEL		V1800	リアパネル	
* 103	WK274400	REAR PANEL		V1800	リアパネル	
* 103	WK274600	REAR PANEL		V1800	リアパネル	
* 103	WK497500	REAR PANEL		6190	リアパネル	

* New Parts * 新規部品

Ref No.	Part No.	Description	Remarks	Markets	部 品 名	ランク
* 103	WK497600	REAR PANEL		G	リアパネル	
* 120	V0042500	LEG	D60xH21 GD	GD	レッグ	03
* 120	VS025000	LEG	D60xH21 HS	V1800BL, TI	レッグ	02
* 120	VV544300	LEG	D60xH21 BL	6190BL	レッグ	02
* 132	WF060100	KNOB D15	PROGRAM	GD	ノブD 15	01
* 132	WF060000	KNOB D15	PROGRAM	BL	ノブD 15	01
* 132	WF060200	KNOB D15	PROGRAM	TI	ノブD 15	
* 133	WH188800	KNOB D50	VOLUME	GD	ノブD 50	08
* 133	WH188700	KNOB D50	VOLUME	BL	ノブD 50	
* 133	WH188900	KNOB D50	VOLUME	TI	ノブD 50	
* 134	WH189400	KNOB D23	INPUT	GD	ノブD 23	07
* 134	WH189300	KNOB D23	INPUT	BL	ノブD 23	
* 134	WH189500	KNOB D23	INPUT	TI	ノブD 23	
* 135	WJ053800	RIVET TOP		TKABGE	リベットトップ	
* 136	VQ368600	PUSH RIVET	P3555-B		プッシュリベット	01
* 142	WA143800	DAMPER OSD	55x24x2		ダンパー OSD	
* 143	WD405500	PLATE SIDE		GD	プレートサイド	02
* 143	WD405400	PLATE SIDE		BL	プレートサイド	01
* 143	WD405600	PLATE SIDE		TI	プレートサイド	
* 144	V9597500	DAMPER BASE	36x20x3		ダンパー BASE	
* 146	VZ117100	DAMPER T2	50x10x2		ダンパー T2	01
* 147	WJ069300	DAMPER TRANS	55x15x5		ダンパー トランス	04
* 148	V8080600	CUSHION	10x20x3		クッション	
* 150	WE812900	DAMPER	18x12x2		ダンパー	
* 151	V7716700	DAMPER	5x5x15		ダンパー	01
* 161	WE774100	BIND HEAD BONDING B-T. SCREW	3x8 MFZN2B3		ボンディングBタイトネジ	01
* 163	WE936300	BIND HEAD B-TIGHT SCREW	3x6 MFZN2W3		バインドBタイトネジ	01
* 165	WE774700	BIND HEAD S-TIGHT SCREW	4x10 MFZN2W3		バインドSタイトネジ	01
* 167	WF002600	PW HEAD B-TIGHT SCREW	3x8 MFZN2W3		PWヘッドBタイトネジ	01
* 169	VZ893000	SPECIAL S-TIGHT SCREW	4x8-10 MFN133	GD, TI	化粧ネジSタイト	02
* 169	VK522100	SPECIAL S-TIGHT SCREW	4x8-10 MFC2BL	BL	化粧ネジSタイト	01
* 170	AA627310	GROUND TERMINAL			GNDターミナル	01
* 171	VD069600	PW HEAD S-TIGHT SCREW	4x8-10 MFN133	GD, TI	PWヘッドSタイトネジ	01
* 171	VH313200	PW HEAD S-TIGHT SCREW	4x8-10 MFN13BL	BL	PWヘッドSタイトネジ	01
* 174	WE774800	BIND HEAD P-TIGHT SCREW	3x8 MFZN2W3		バインドPタイトネジ	01
* 175	V6509600	JACK SCREW	SS6-A47511848		ジャックスクリュー	01
* 179	WJ097400	BARRIER FFC			バリアー FFC	02
* 180	WJ045200	SHEET BARRIER			シートバリアー	01
* 181	WJ053900	SHEET TOP		TKABGE	シートトップ	

* New Parts * 新規部品

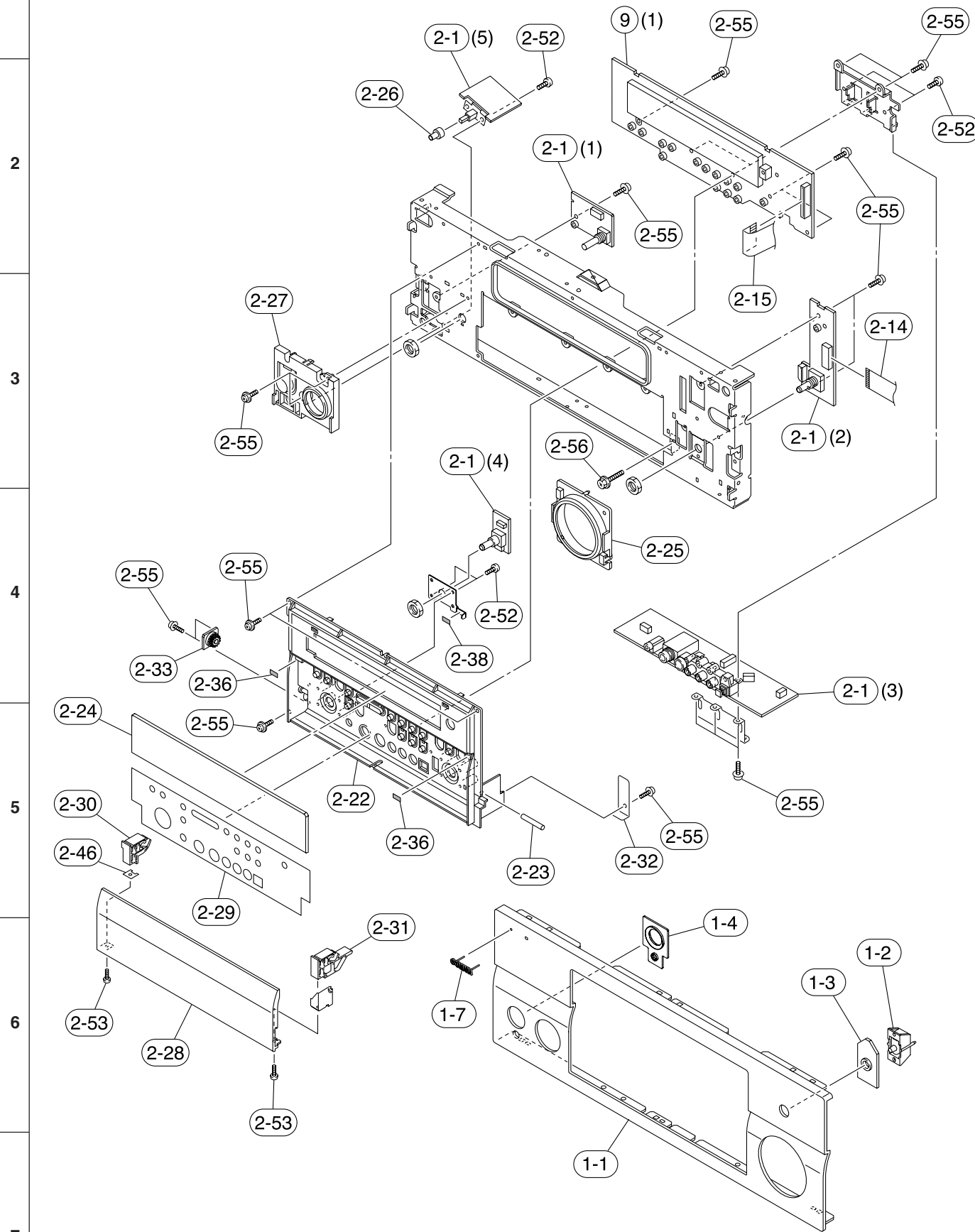
• ACCESSORIES



Ref No.	Part No.	Description	Remarks	Markets	部 品 名	ランク		
*	200	WK480600	REMOTE CONTROL	RAV368	JRTKABGEL	リモコン		
*	200	WK480500	REMOTE CONTROL	RAV367	UC	リモコン		
	200-1	AAX59640	BATTERY COVER		3139 238 08051	電池蓋	02	
*	201	WK674500	ZONE REMOTE CONTROL	RAV29	UC	ゾーンリモコン		
*	201	WK674600	ZONE REMOTE CONTROL	RAV30	RTKABL	ゾーンリモコン		
	201-1	AAX70730	BATTERY COVER		V1800 V1800 CG-8912	電池蓋	04	
	202	V6267000	INDOOR FM ANTENNA	1.4m 1pc	JUCRTL	F M簡易アンテナ	03	
	202	VQ147100	INDOOR FM ANTENNA	1.4m 1pc	KABGE	F M簡易アンテナ	02	
	203	VR248500	AM LOOP ANTENNA	1.0m 1pc		A Mループアンテナ	03	
⚠	204	WA642300	POWER CABLE	2m 1pc	J	電源コード	07	
⚠	204	V7704800	POWER CABLE	2m 1pc	UC	電源コード	05	
*	⚠	204	WK391000	POWER CABLE	2m 1pc	R	電源コード	
⚠	204	V9358400	POWER CABLE	2m 1pc	T	電源コード	05	
⚠	204	WH641300	POWER CABLE	2m 1pc	K	電源コード		
⚠	204	WB750900	POWER CABLE	2m 1pc	A	電源コード	07	
⚠	204	WB751000	POWER CABLE	2m 1pc	BL	電源コード	08	
⚠	204	V7704900	POWER CABLE	2m 1pc	GE	電源コード	06	
⚠	205	V7704900	POWER CABLE	2m 1pc	L	電源コード	06	
	206	WB929200	OPTIMIZER MICROPHONE	6m 1pc	EMX-251	オプティマイザーマイク	08	
	207	WC080100	SPEAKER TERMINAL WRENCH	1pc		S Pターミナルレンチ	01	
			BATTERY	R03, AAA, UM-4 4pcs	AX1800, V1800	単 4 乾電池		
			BATTERY	R03, AAA, UM-4 6pcs	V1800	単 4 乾電池		
			BATTERY	R03, AAA, UM-4 4pcs	6190	単 4 乾電池		
			SERVICE TOOLS			サービス用部品		
	AAX77610	RS232C CONVERSION ADAPTER	with CABLE 9P/300mm		JGE	R S 2 3 2 C 変換アダプタ		
	MF405400	CRIMPING ASS'Y	5P 400mm B to C		UCRTKABL	圧着 ASSY		
	MF115500	FLEXIBLE FLAT CABLE	15P 500mm P=1.25			カード電線 C & C		
	MF126500	FLEXIBLE FLAT CABLE	26P 500mm P=1.25			カード電線 C & C		
	MF111350	FLEXIBLE FLAT CABLE	11P 350mm P=1.25			カード電線 C & C		
	MFA18350	FLEXIBLE FLAT CABLE	18P 350mm P=1.0			カード電線 C & C		
	MFA20250	FLEXIBLE FLAT CABLE	20P 250mm P=1.0			カード電線 C & C		

* New Parts * 新規部品

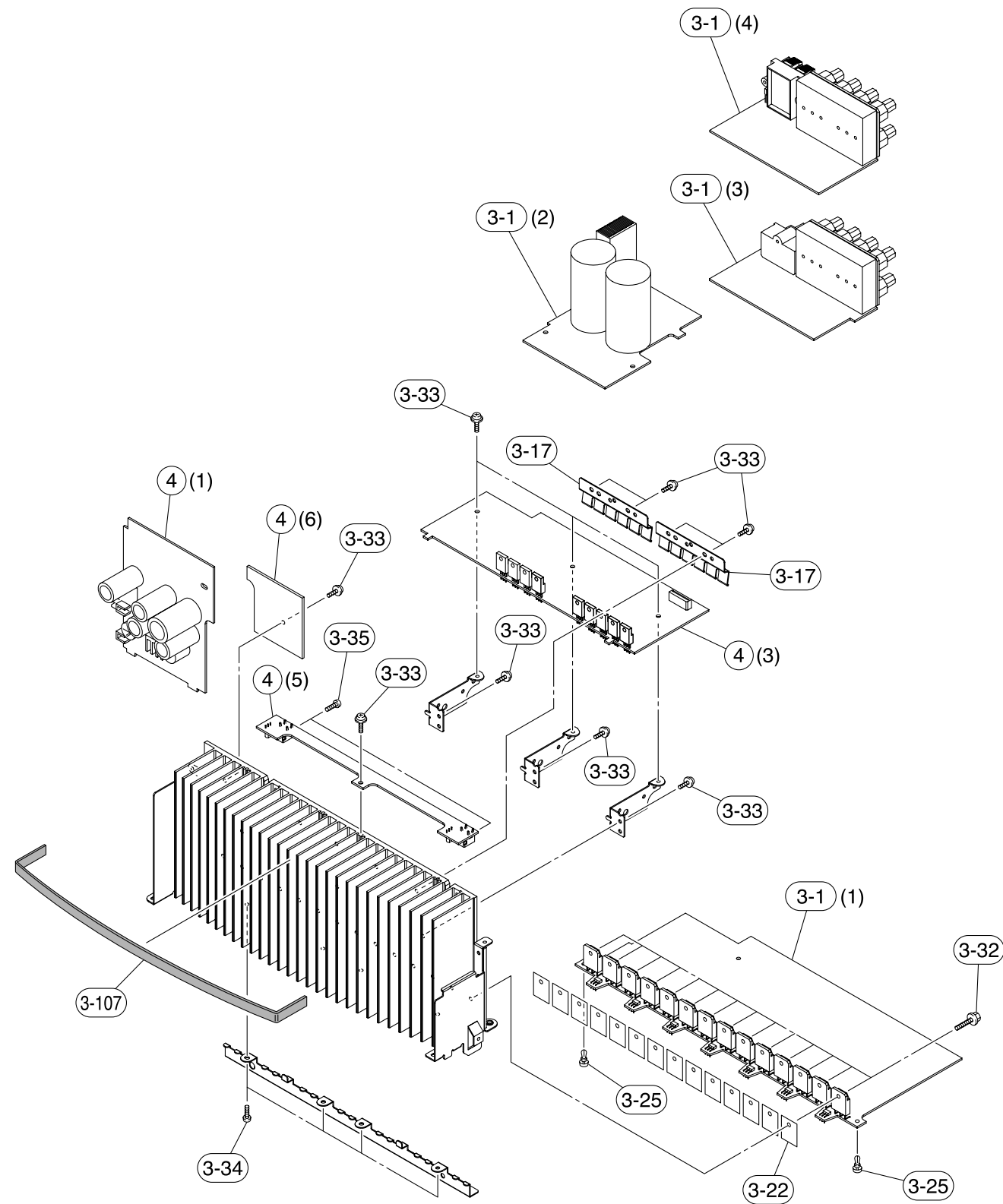
1 • FRONT PANEL and SUB CHASSIS UNIT



Ref No.	Part No.	Description	Remarks	Markets	部品名	ランク	
* 1-1	WK275700	FRONT PANEL		AX1800GD	J	フロントパネル	
* 1-1	WK275800	FRONT PANEL		V1800GD	RTKL	フロントパネル	
* 1-1	WK275600	FRONT PANEL		V1800BL		フロントパネル	
* 1-1	WK497700	FRONT PANEL		6190BL		フロントパネル	
* 1-1	WK275900	FRONT PANEL		V1800TI		フロントパネル	
1-2	WF121100	BUTTON LENS				ボタンレンズ	01
1-3	WH186000	ESCUTCHEON D5		GD		エスカッションD5	02
1-3	WH185800	ESCUTCHEON D5		BL		エスカッションD5	
1-3	WH186100	ESCUTCHEON D5		TI		エスカッションD5	
1-4	WH384900	ESCUTCHEON PJ		GD		エスカッションP	01
1-4	WH384800	ESCUTCHEON PJ		BL		エスカッションP	
1-4	WH385000	ESCUTCHEON PJ		TI		エスカッションP	
1-7	V6034200	EMBLEM		GD, 6190BL		エンブレム	03
1-7	V6034100	EMBLEM		V1800BL, TI		エンブレム	03
2-1	WH567200	P.C.B. ASS'Y	OPERATION		J	P C B オペレーション	12
2-1	WH567300	P.C.B. ASS'Y	OPERATION		UCRTKABGEL	P C B オペレーション	
2-14	MF115140	FLEXIBLE FLAT CABLE	15P 140mm P=1.25			カード電線 C&C	03
2-15	MF126100	FLEXIBLE FLAT CABLE	26P 100mm P=1.25			カード電線 C&C	01
* 2-22	WK499100	SUB PANEL		GD	J	サブパネル	
* 2-22	WK499000	SUB PANEL		GD	RTKL	サブパネル	
* 2-22	WK498900	SUB PANEL		BL		サブパネル	
* 2-22	WK499200	SUB PANEL		TI		サブパネル	
2-23	V9126500	SHAFT				シャフト	01
2-24	WK497400	WINDOW PANEL				ウインドウ	
2-25	WF551400	ESCUTCHEON VR		GD		エスカッション/V R	02
2-25	WF550600	ESCUTCHEON VR		BL		エスカッション/V R	
2-25	WF551500	ESCUTCHEON VR		TI		エスカッション/V R	
2-26	V6002000	BUTTON D5		GD		ボタン D5	01
2-26	V6001900	BUTTON D5		BL		ボタン D5	01
2-26	WG290000	BUTTON D5		TI		ボタン D5	
2-27	WD431900	ESCUTCHEON INPUT		GD	J	エスカッションINPUT	07
2-27	WF550300	BUTTON POWER		GD	RTKL	ボタン/パワー	03
2-27	WF550200	BUTTON POWER		BL		ボタン/パワー	
2-27	WF550400	BUTTON POWER		TI		ボタン/パワー	
* 2-28	WK276700	PANEL LID		GD	J	パネル/リッド	
* 2-28	WK276600	PANEL LID		GD	RTKL	パネル/リッド	
* 2-28	WK276500	PANEL LID		BL	UC	パネル/リッド	
* 2-28	WK498000	PANEL LID		BL	RABGE	パネル/リッド	
* 2-28	WK498100	PANEL LID		TI	BGEL	パネル/リッド	
* 2-29	WK500000	PLATE SP		GD	J	プレート/S P	
* 2-29	WK499900	PLATE SP		GD	RTKL	プレート/S P	
* 2-29	WK499700	PLATE SP		BL	UC	プレート/S P	
* 2-29	WK499800	PLATE SP		BL	RABGE	プレート/S P	
* 2-29	WK500200	PLATE SP		TI	BGEL	プレート/S P	
2-30	V6005100	HINGE L		GD		ヒンジ L	01
2-30	V6005000	HINGE L		BL		ヒンジ L	
2-30	V6005200	HINGE L		TI		ヒンジ L	
2-31	V6005400	HINGE R		GD		ヒンジ R	01
2-31	V6005300	HINGE R		BL		ヒンジ R	
2-31	V6005500	HINGE R		TI		ヒンジ R	
2-32	V4593300	SPRING LID				スプリングリッド	
2-33	V9124600	DAMPER GEAR				ダンパーギヤ	03
2-36	VY940400	CUSHION LID	T=0.8			クッションLID	01
2-38	WC144500	CUSHION	5x10			クッション	
2-46	WC308000	SPACER HINGE				スペーサヒンジ	01
2-52	WE774800	BIND HEAD P-TIGHT SCREW	3x8	MFZN2W3		バインドPタイトネジ	01
2-53	WE973700	BIND HEAD P-TIGHT SCREW	2.6x6	MFZN2W3		バインドPタイトネジ	01
2-55	WG959600	PW HEAD TAPPING B-T. SCREW	3x6-8	MFZN2W3		PWヘッドBタイトネジ	
2-56	WE774600	SCREW IC	3x18	MFZN2W3		スクリュー IC	01
* 9	WK648100	P.C.B. ASS'Y	FL		J	P C B F L	
* 9	WK648200	P.C.B. ASS'Y	FL		UCRTKABGEL	P C B F L	

* New Parts * 新規部品

• AMP UNIT

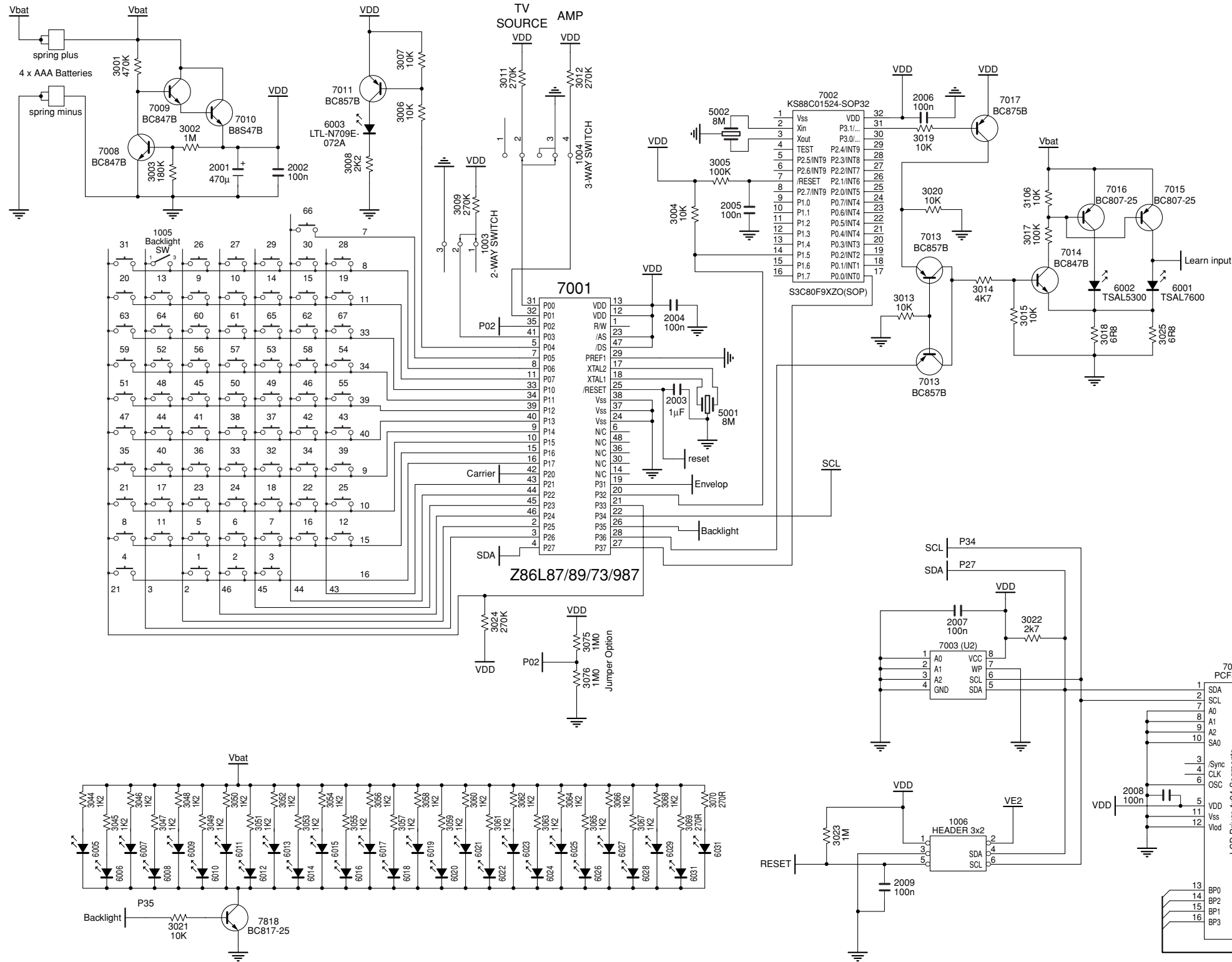


Ref No.	Part No.	Description	Remarks	Markets	部品名	ランク
△ 3-1	WH559600	P.C.B. ASS'Y	MAIN	J	P C B メイン	35
△ 3-1	WH559700	P.C.B. ASS'Y	MAIN	UC	P C B メイン	
△ 3-1	WH559800	P.C.B. ASS'Y	MAIN	RTA	P C B メイン	
△ 3-1	WH559900	P.C.B. ASS'Y	MAIN	KBGEL	P C B メイン	
3-17	WG432400	SUPPORT TR-6			サポートTR-6	03
3-22	WE807300	RADIATION SHEET	19x24		放熱シート	01
3-25	VQ368600	PUSH RIVET	P3555-B		プッシュリベット	01
3-32	VK173200	SCREW TRANSISTOR	3x15 SP MFC2		スクリューTR	01
3-33	WF002600	PW HEAD B-TIGHT SCREW	3x8 MFZN2W3		PWヘッドBタイトネジ	01
3-34	WE774100	BIND HEAD BONDING B-T. SCREW	3x8 MFZN2B3		ボンディングBタイトネジ	01
3-35	WE936300	BIND HEAD B-TIGHT SCREW	3x6 MFZN2W3		バインドBタイトネジ	01
3-107	WC879400	DAMPER	1x10x360		ダンパー	
* 4	WK648600	P.C.B. ASS'Y	POWER	J	P C B パワー	
* 4	WK648700	P.C.B. ASS'Y	POWER	UC	P C B パワー	
* 4	WK648800	P.C.B. ASS'Y	POWER	R	P C B パワー	
* 4	WK648900	P.C.B. ASS'Y	POWER	T	P C B パワー	
* 4	WK649000	P.C.B. ASS'Y	POWER	K	P C B パワー	
* 4	WK649100	P.C.B. ASS'Y	POWER	A	P C B パワー	
* 4	WK649200	P.C.B. ASS'Y	POWER	B	P C B パワー	
* 4	WK649300	P.C.B. ASS'Y	POWER	GE	P C B パワー	
* 4	WK649400	P.C.B. ASS'Y	POWER	L	P C B パワー	

* New Parts * 新規部品

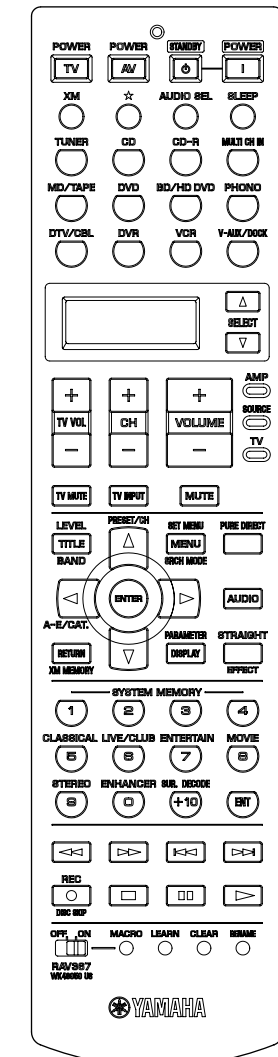
REMOTE CONTROL RAV367: U, C models RAV368: R, T, K, A, B, G, E, L, J models

• SCHEMATIC DIAGRAM

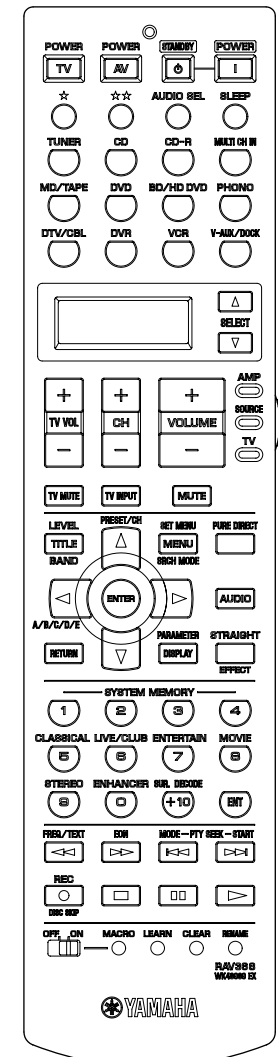


• PANELS

RAV367 (U, C models)

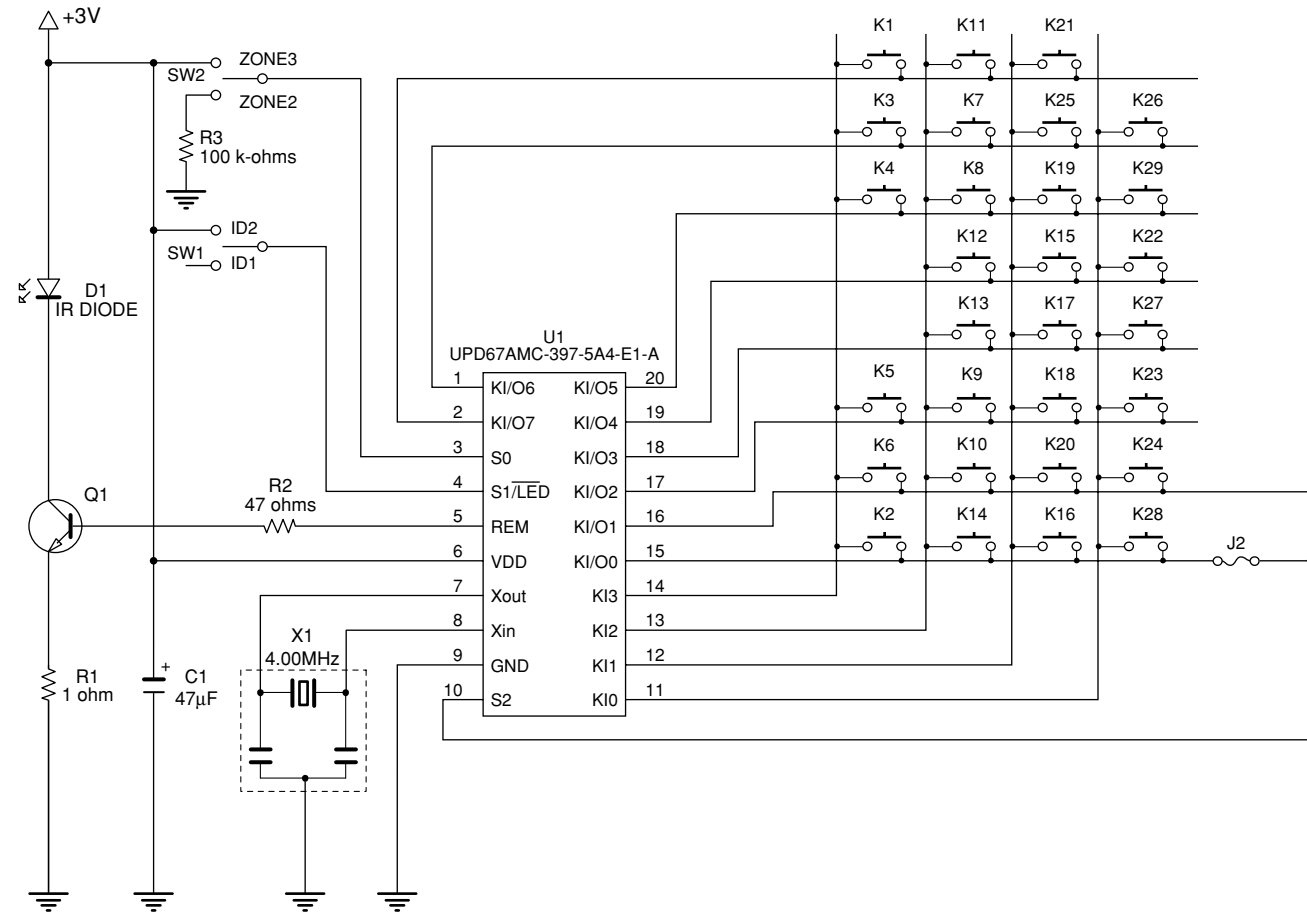


RAV368 (R, T, K, A, B, G, E, L, J models)



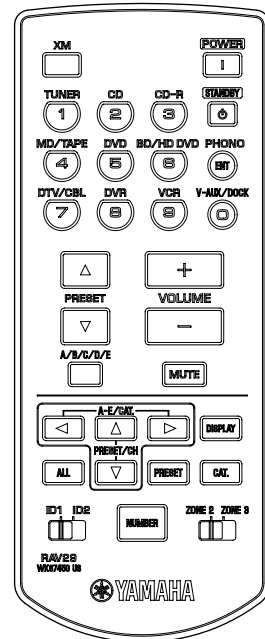
RAV29: RX-V1800 (U, C models)
RAV30: RX-V1800 (R, T, K, A, B, L models)

• SCHEMATIC DIAGRAM

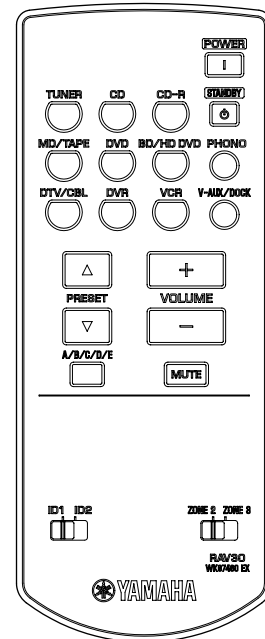


• PANELS

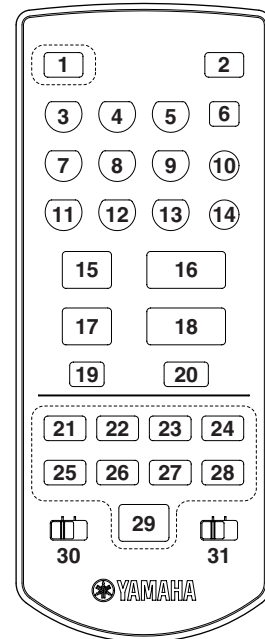
RAV29
RX-V1800 (U, C models)



RAV30
RX-V1800 (R, T, K, A, B, L models)



• KEY NO. LAYOUT



⊞ RAV29 (U, C models)

• KEY CODE

Key no.	Key name		Code							
			ID1			ID2				
	RAV29	RAV30	ZONE2	ZONE3	Pressing with "NUMBER" key	ZONE2	ZONE3	Pressing with "NUMBER" key		
1	XM	(no key)	7A-B8	7A-B9	(no code)	7D-2F	7D-30	(no code)		
2	POWER		7E-BA	7A-ED	(no code)	7D-64	7D-74	(no code)		
3	TUNER		7A-D2	7A-F3	1	7A-61	7D-66	7D-76	1	7D-A1
4	CD		7A-D1	7A-F2	2	7A-62	7D-67	7D-77	2	7D-A2
5	CD-R		7A-D4	7A-F5	3	7A-63	7D-6B	7D-7B	3	7D-A3
6	STANDBY		7E-BB	7A-EE	(no code)	7D-63	7D-73	(no code)		
7	MD/TAPE		7A-D3	7A-F4	4	7A-64	7D-6A	7D-7A	4	7D-A4
8	DVD		7A-CD	7A-FC	5	7A-65	7D-6F	7D-7F	5	7D-A5
9	BD/HD DVD		7A-CE	7A-FB	6	7A-66	7A-CE30	7A-FB05	6	7D-A6
10	PHONO		7A-D0	7A-F1	ENT	7A-BF	7D-65	7D-75	ENT	7D-3F
11	DTV/CBL		7A-D9	7A-F6	7	7A-67	7D-6C	7D-7C	7	7D-A7
12	DVR		7A-D7	7A-FA	8	7A-68	7D-6E	7D-7E	8	7D-A8
13	VCR		7A-D6	7A-F9	9	7A-69	7D-6D	7D-7D	9	7D-A9
14	V-AUX/DOCK		7A-D8	7A-F0	0	7A-60	7D-68	7D-78	0	7D-A0
15	PRESET (UP)		7A-10		(no code)	7D-F5		(no code)		
16	VOLUME (+)		7A-DA	7A-FD	(no code)	7D-70	7D-20	(no code)		
17	PRESET (DOWN)		7A-11		(no code)	7D-F6		(no code)		
18	VOLUME (-)		7A-DB	7A-FE	(no code)	7D-71	7D-21	(no code)		
19	A/B/C/D/E		7A-12		(no code)	7D-F7		(no code)		
20	MUTE		7A-DC	7A-FF	(no code)	7D-72	7D-22	(no code)		
21	A-E/CAT. (-)	(no key)	7A-6E		(no code)	7D-35		(no code)		
22	PRESET/CH (UP)	(no key)	7A-6A		(no code)	7D-31		(no code)		
23	A-E/CAT. (+)	(no key)	7A-6C		(no code)	7D-33		(no code)		
24	DISPLAY	(no key)	7A-72		(no code)	7D-39		(no code)		
25	ALL	(no key)	7A-B5		(no code)	7D-2C		(no code)		
26	PRESET/CH (DOWN)	(no key)	7A-6B		(no code)	7D-32		(no code)		
27	PRESET	(no key)	7A-B7		(no code)	7D-2E		(no code)		
28	CAT.	(no key)	7A-B6		(no code)	7D-2D		(no code)		
29	NUMBER	(no key)	-	-	(no code)	-	-	(no code)		
30	ID1/ID2		ID1	ID1	ID1	ID2	ID2	ID2		
31	ZONE2/ZONE3		ZONE2	ZONE3	ZONE2/3	ZONE2	ZONE3	ZONE2/3		

Resetting the system

Use this feature to reset all the parameters of this unit to the initial factory settings.

Notes

- This procedure completely resets all the parameters of this unit including the "SET MENU" parameters. However, the advanced setup menu parameters will not be initialized.
- The initial factory settings are activated next time you turn on this unit.

※

To cancel the initialization procedure at any time without making any changes, press **MASTER ON/OFF** on the front panel to release it outward to the OFF position.

- Press **MASTER ON/OFF** on the front panel to release it outward to the OFF position to turn off this unit.

- Press and hold **STRAIGHT** and then press **MASTER ON/OFF** inward to the ON position to turn on this unit.
This unit turns on, and "ADVANCED SETUP" appears in the front panel display.



- Rotate the **PROGRAM** selector to select "INITIALIZE".

INITIALIZE
CANCEL

- Press **STRAIGHT** repeatedly to select "ALL".

INITIALIZE
ALL

※

- Select "CANCEL" to cancel the initialization procedure without making any changes.
- You can initialize the video parameters or sound field program parameters separately.

- Press **MASTER ON/OFF** to release it outward to the OFF position to confirm your selection and turn off this unit.

ADDITIONAL INFORMATION

English

アドバンスセットアップメニューを設定する

フロントパネルディスプレイに表示されているメニューで、さまざまな項目を設定します。

- 本機の電源がオフになっていることを確認する

REMOTE SENSOR

リモコンでの本体操作を有効にするか無効にするかを設定します。

選択項目：ON, OFF
初期設定：ON

- STRAIGHT/EFFECTキーを押しながら、MASTER ON/OFFスイッチを押す
フロントパネルディスプレイにアドバンスセットアップメニューが表示されます。



- PROGRAMセクターを回して、変更したい項目を選ぶ
フロントパネルディスプレイに表示された項目が切り替わります。



- STRAIGHT/EFFECTキーを押して、設定を変更する

- MASTER ON/OFFスイッチを押して、本機の電源をオフにする
設定が保存されます。

QLED

次に電源を入れたときから、変更した設定が有効になります。



- 操作機器選択スイッチをスライドさせて、SOURCEを選ぶ

アドバンスセットアップメニューを設定する

- LEARNボタンを3秒以上押し続ける
ボールペンなど、先の細いもので押します。



ご注意

- LEARNボタンは3秒以上押し続けてください。短く押して離すと、ラーニングモードに切り替わります。
- 手順2以降の操作は、それぞれ操作後30秒以内に行ってください。そのままにしておくとライブラリリーコードの設定が自動的に中止されます。この場合は、手順2から操作しなおしてください。

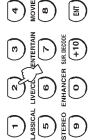
- リモコンディスプレイにL:AMPと表示されるまで<左/>キーを繰り返し押す



- ENTERキーを押す
現在設定されているライブラリリーコードがリモコンディスプレイに表示されます。



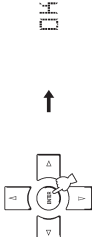
- 数字キーを押して、4桁のライブラリリーコードを入力する



アンブライブラリーコード設定 (リモコンの設定)	機能	リモコンアンブライブラリーコード (本体の設定)
2001 (初期設定)	通常コードで本機を操作する場合の設定です。	ID1 (初期設定)
2002	予備コードで本機を操作する場合の設定です。	ID2

- ENTERキーを押す
ライブラリリーコードが正しく入力されると、リモコンディスプレイにOKと表示されます。

誤って入力されると、「NG」と表示されます。この場合は、手順2から操作しなおしてください。



- LEARNボタンを押して、ライブラリリーコードの設定を終了する
リモコンが通常の状態に戻ります。



RC TUNER ID

複数のヤマハ製チューナーレシーバーを同じ部屋で使用している場合などに、それらが同時にリモコン操作を受け付けて動作してしまう場合があります。本体のチューナー用リモコンIDを変更します。リモコンのチューナー操作用ライブラリリーコードも合わせを変更してください。

選択項目：ID1, ID2
初期設定：ID1

ID1
リモコンのチューナー操作用ライブラリリー(2602)に対応しています。

ID2
リモコンのチューナー操作用ライブラリリー(2603)に対応しています。

- リモコンのチューナー操作用ライブラリリーコードを変更する
リモコンのチューナー操作用ライブラリリーコードを本機のリモコンIDに合わせて変更します。

- TUNERキーを押して、リモコンをチューナーモードに切り替える



メニューで設定を変更する

アドバンスセットアップメニューを設定する

2 LEARNボタンを3秒以上押し続ける

ボールペンなど、先の細いもので押します。



ご注意

- LEARNボタンは3秒以上押し続けてください。短く押し続けても、ラーニングモードに切り替わりません。
- ラーニングモードの操作は、それぞれ操作後30秒以内に行ってください。そのままにしておくとライブライターの設定が自動的に中止されます。この場合は、手順2から操作しなおしてください。

3 リモコンディスプレイに「L:TUN」および「TUNER」が交互に表示されるまで「</>」キーを繰り返し押し

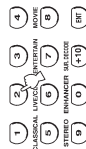


4 ENTERキーを押す

現在設定されているライブライターコードがリモコンディスプレイに表示されます。



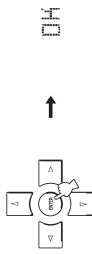
5 数字キーを押して、4桁のライブライターコードを入力する



チューナーライブライターコード設定 (リモコンの設定)	機能	リモコンチューナー用ID設定 (本体の設定)
2602 (初期設定)	通常コードで本機を操作する場合の設定です。	ID1 (初期設定)
2603	予備コードで本機を操作する場合の設定です。	ID2

6 ENTERキーを押す

ライブライターコードが正しく入力されると、リモコンディスプレイに「OK」と表示されます。誤って入力されると、「NG」と表示されます。この場合は、手順2から操作しなおしてください。



7 LEARNボタンを押し、ライブライターコードの設定を終了する

リモコンが通常の状態に戻ります。



BI-AMP

スピーカーをバイアンプ接続して、バイアンプ機能を使うが使わないかを設定します。

選択項目：OFF、ON
初期設定：OFF

OFF

バイアンプ機能を使いません。

ON

バイアンプ機能を使います。ウーファーとツイーターを別々のアンプで駆動します。

INITIALIZE

本機の設定を工場出荷状態に戻します。

選択項目：DSP PARAM、VIDEO、ALL、CANCEL
初期設定：CANCEL

DSP PARAM

音場パラメーターをすべて初期設定に戻します。

VIDEO

セットメニュー「DISPLAY SET」の「OSD SHIFT」、「GRAY BACK」、およびすべての「VIDEO SET」項目を初期設定に戻します。

ALL

本機の設定をすべて初期設定に戻します。

CANCEL

本機の設定を初期設定に戻しません。

ご注意

- アドバンスセットアップメニューの設定は初期設定に戻りません。
- 音場パラメーターをサブプログラムごとに初期設定に戻す場合は、音場パラメーター「PARAM INIT」をお使いください。

スピーカーと設置を参照する

アドバンスセットアップメニューを設定する

MONITOR CHECK

セットメニュー「VIDEO SET」の「HDMI SCALING」で、本機とHDMI接続したテレビが対応していない「*」が表示されていない解像度を選択できるようにするか、選択できないようにするかを設定します。

選択項目：YES、SKIP
初期設定：SKIP

YES

テレビが対応していない解像度を選択できないようにします（「HDMI SCALING」で「*」が表示されていない解像度は選択できません）。

SKIP

テレビが対応していない解像度を選択できるようにします（「HDMI SCALING」で「*」が表示されていない解像度も選択できます）。

RX-V1800/HTR-6190/ DSP-AX1800

