

# AV RECEIVER/AV AMPLIFIER RX-Z7/DSP-Z7

## SERVICE MANUAL

### IMPORTANT NOTICE

This manual has been provided for the use of authorized YAMAHA Retailers and their service personnel.

It has been assumed that basic service procedures inherent to the industry, and more specifically YAMAHA Products, are already known and understood by the users, and have therefore not been restated.

**WARNING:** Failure to follow appropriate service and safety procedures when servicing this product may result in personal injury, destruction of expensive components, and failure of the product to perform as specified. For these reasons, we advise all YAMAHA product owners that any service required should be performed by an authorized YAMAHA Retailer or the appointed service representative.

**IMPORTANT:** The presentation or sale of this manual to any individual or firm does not constitute authorization, certification or recognition of any applicable technical capabilities, or establish a principle-agent relationship of any form.

The data provided is believed to be accurate and applicable to the unit(s) indicated on the cover. The research, engineering, and service departments of YAMAHA are continually striving to improve YAMAHA products. Modifications are, therefore, inevitable and specifications are subject to change without notice or obligation to retrofit. Should any discrepancy appear to exist, please contact the distributor's Service Division.

**WARNING:** Static discharges can destroy expensive components. Discharge any static electricity your body may have accumulated by grounding yourself to the ground buss in the unit (heavy gauge black wires connect to this buss).

**IMPORTANT:** Turn the unit OFF during disassembly and part replacement. Recheck all work before you apply power to the unit.

## CONTENTS

TO SERVICE PERSONNEL .....	2-3	AMP ADJUSTMENT / アンプ部調整 .....	85
FRONT PANELS .....	4-5	DISPLAY DATA .....	86-87
REAR PANELS .....	6-10	IC DATA .....	88-105
REMOTE CONTROL PANELS .....	11	PIN CONNECTION DIAGRAMS .....	106-110
SPECIFICATIONS / 参考仕様 .....	12-17	BLOCK DIAGRAMS .....	111-115
INTERNAL VIEW .....	18	PRINTED CIRCUIT BOARDS .....	116-147
DISASSEMBLY PROCEDURES / 分解手順 .....	19-27	SCHEMATIC DIAGRAMS .....	149-175
UPDATING FIRMWARE / ファームウェアの書き込み .....	28-31	REPLACEMENT PARTS LIST .....	177-223
SELF-DIAGNOSTIC FUNCTION / ダイアグ (自己診断機能) .....	32-84	REMOTE CONTROL .....	224-227
		ADVANCED SETUP / 本機の設定を変更する .....	228-234



このサービスマニュアルは、エコマーク認定の再生紙を使用しています。  
This Service Manual uses recycled paper.

## ■ TO SERVICE PERSONNEL

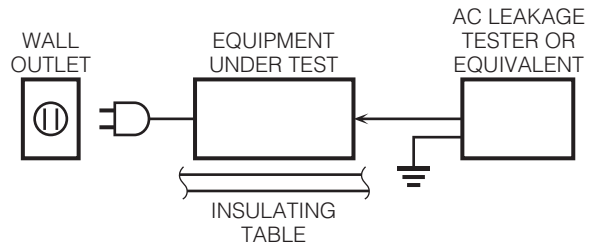
### 1. Critical Components Information

Components having special characteristics are marked  $\Delta$  and must be replaced with parts having specifications equal to those originally installed.

### 2. Leakage Current Measurement (For 120V Models Only)

When service has been completed, it is imperative to verify that all exposed conductive surfaces are properly insulated from supply circuits.

- Meter impedance should be equivalent to 1500 ohms shunted by 0.15  $\mu$ F.



- Leakage current must not exceed 0.5mA.
- Be sure to test for leakage with the AC plug in both polarities.



#### For U model

##### “CAUTION”

“F1: FOR CONTINUED PROTECTION AGAINST RISK OF FIRE, REPLACE ONLY WITH SAME TYPE 10A, 125V FUSE.”

“F2: FOR CONTINUED PROTECTION AGAINST RISK OF FIRE, REPLACE ONLY WITH SAME TYPE 4A, 125V FUSE.”

#### For C model

##### CAUTION

F1: REPLACE WITH SAME TYPE 10A, 125V FUSE.

F2: REPLACE WITH SAME TYPE 4A, 125V FUSE.

##### ATTENTION

F1: UTILISER UN FUSIBLE DE RECHANGE DE MÊME TYPE DE 10A, 125V.

F2: UTILISER UN FUSIBLE DE RECHANGE DE MÊME TYPE DE 4A, 125V.

## WARNING: CHEMICAL CONTENT NOTICE!

This product contains chemicals known to the State of California to cause cancer, or birth defects or other reproductive harm.

DO NOT PLACE SOLDER, ELECTRICAL/ELECTRONIC OR PLASTIC COMPONENTS IN YOUR MOUTH FOR ANY REASON WHATSOEVER!

Avoid prolonged, unprotected contact between solder and your skin! When soldering, do not inhale solder fumes or expose eyes to solder/flux vapor!

If you come in contact with solder or components located inside the enclosure of this product, wash your hands before handling food.

## About lead free solder / 無鉛ハンダについて

All of the P.C.B.s installed in this unit and solder joints are soldered using the lead free solder.

Among some types of lead free solder currently available, it is recommended to use one of the following types for the repair work.

- Sn + Ag + Cu (tin + silver + copper)
- Sn + Cu (tin + copper)
- Sn + Zn + Bi (tin + zinc + bismuth)

### Caution:

As the melting point temperature of the lead free solder is about 30°C to 40°C (50°F to 70°F) higher than that of the lead solder, be sure to use a soldering iron suitable to each solder.

本機に搭載されているすべての基板およびハンダ付けによる接合部は無鉛ハンダでハンダ付けされています。

無鉛ハンダにはいくつかの種類がありますが、修理時には下記のような無鉛ハンダの使用を推奨します。

- Sn+Ag+Cu (錫 + 銀 + 銅)
- Sn+Cu (錫 + 銅)
- Sn+Zn+Bi (錫 + 亜鉛 + ビスマス)

### 注意：

無鉛ハンダの融点温度は通常の鉛入りハンダに比べ 30～40°C程度高くなっていますので、それぞれのハンダに合ったハンダごてをご使用ください。

**WARNING: Lithium batteries****CAUTION**

Danger of explosion if battery is incorrectly replaced.  
Replace only with the same or equivalent type.

**WARNING:** Lithium batteries are dangerous because they can be exploded by improper handling. Observe the following precautions when handling or replacing lithium batteries.

- Leave lithium battery replacement to qualified service personnel.
- Always replace with batteries of the same type.
- When installing on the PC board by soldering, solder using the connection terminals provided on the battery cells. Never solder directly to the cells. Perform the soldering as quickly as possible.
- Never reverse the battery polarities when installing.
- Do not short the batteries.
- Do not attempt to recharge these batteries.
- Do not disassemble the batteries.
- Never heat batteries or throw them into fire.

**注意**

正しい電池と交換しないと爆発が起きるおそれがあります。  
同一型名または同等品以外の電池とは絶対に交換しないようにしてください。

**ADVARSEL!**

Lithiumbatteri –Eksplodingsfare ved fejlagtig håndtering.  
Udskiftning må kun ske med batteri af samme fabrikat og type. Levér det brugte batteri tilbage til leverandøren.

**VARNING**

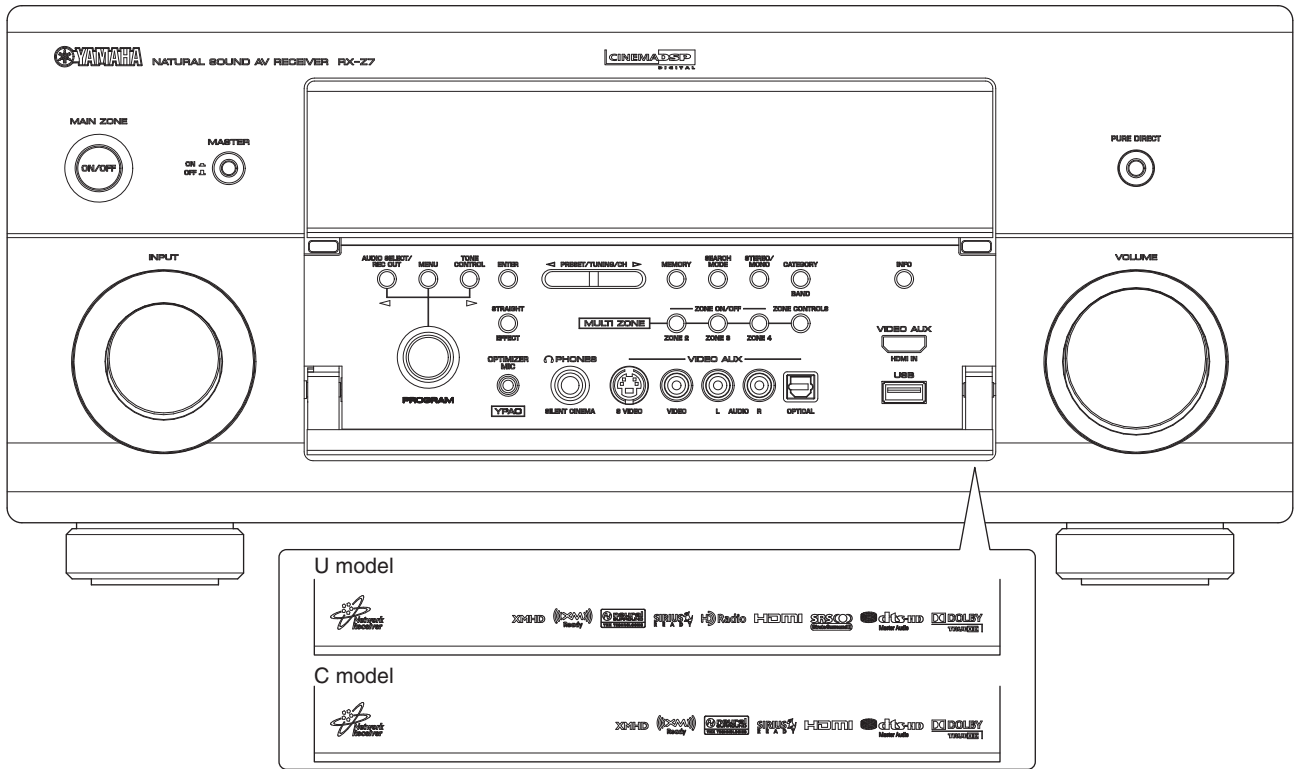
Explosionsfara vid felaktigt batteribyte. Använd samma batterityp eller en ekvivalent typ som rekommenderas av apparattillverkaren. Kassera använt batteri enligt fabrikan-  
tens instruktion.

**VAROITUS**

Paristo voi räjähtää, jos se on virheellisesti asennettu.  
Vaihda paristo ainoastaan laitevalmistajan suosittelemaan tyyppiin. Hävitä käytetty paristo valmistajan ohjeiden mukaisesti.

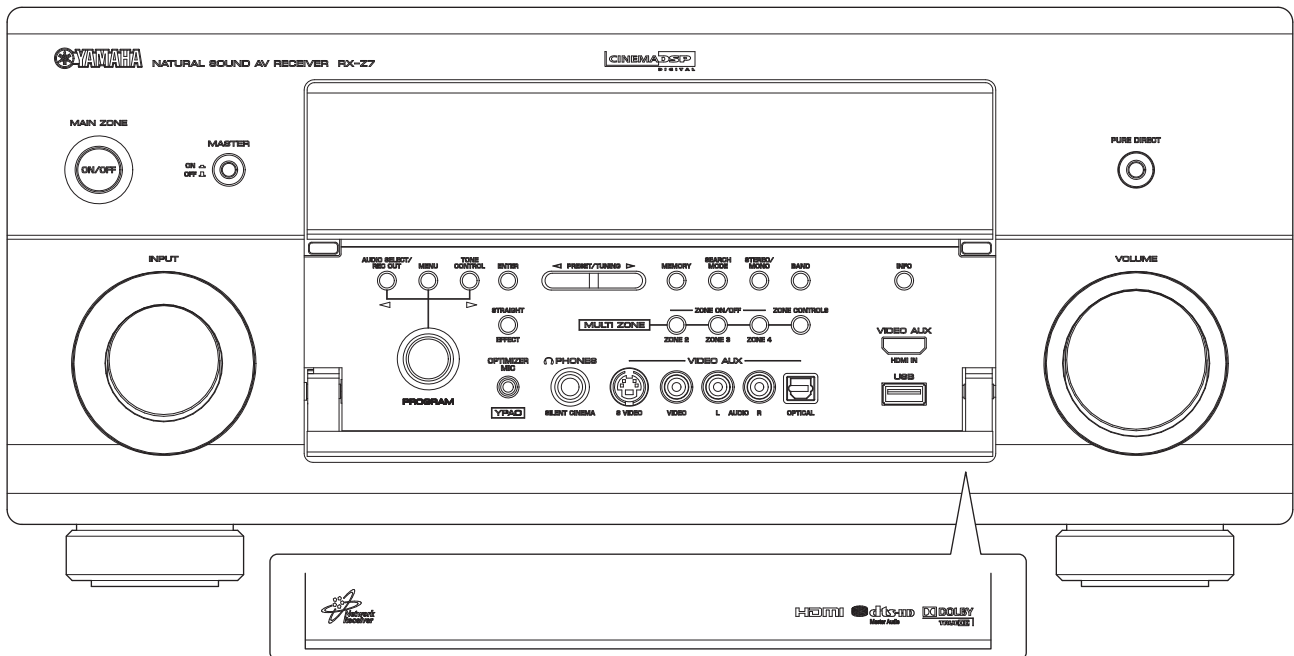
# FRONT PANELS

RX-Z7 (U, C models)

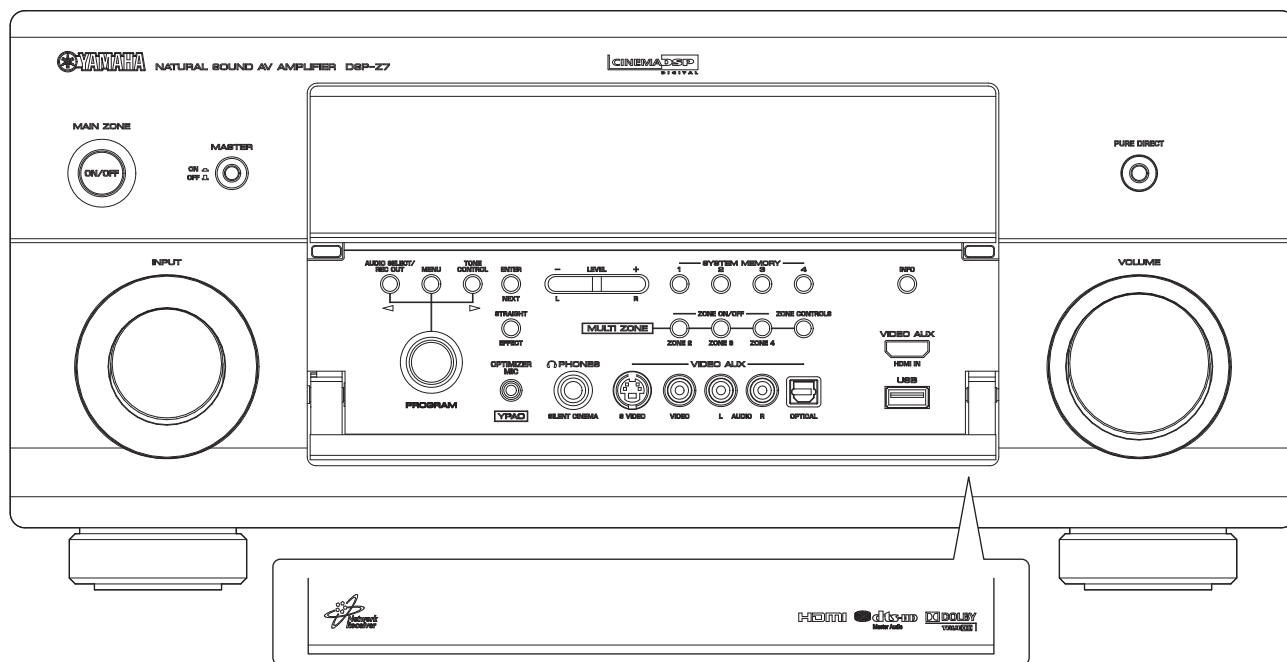


RX-Z7/DSP-Z7

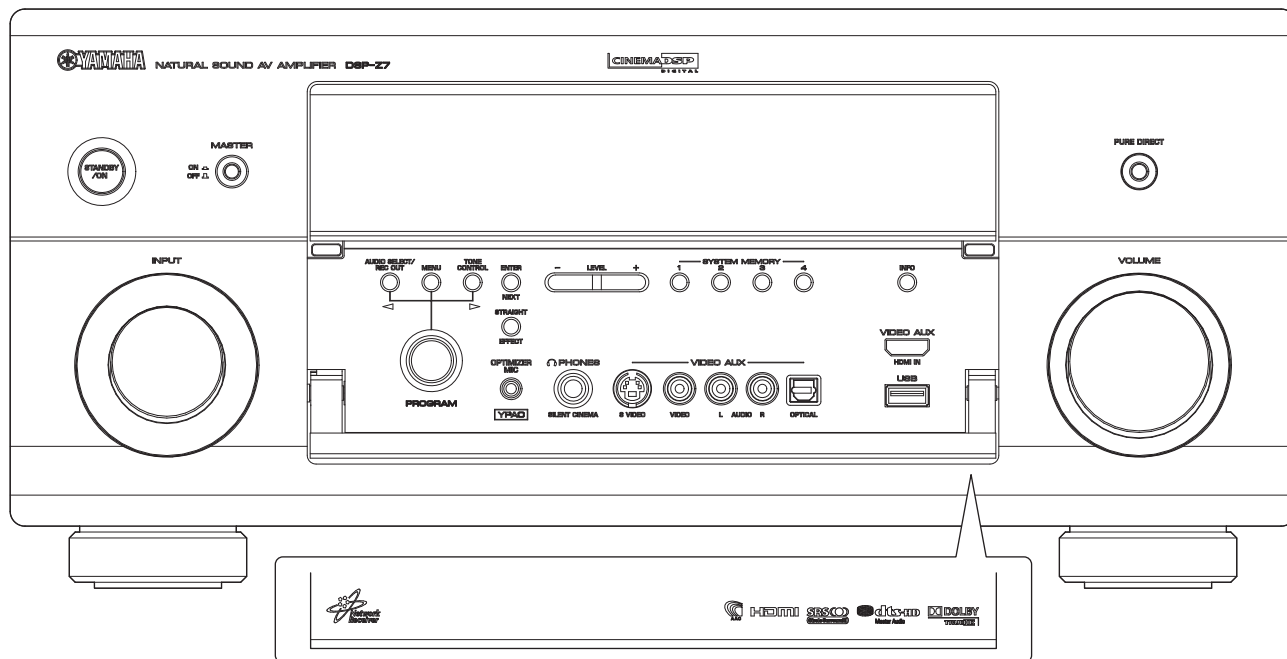
RX-Z7 (A model)



DSP-Z7 (R, T, K, B, G, E, L models)

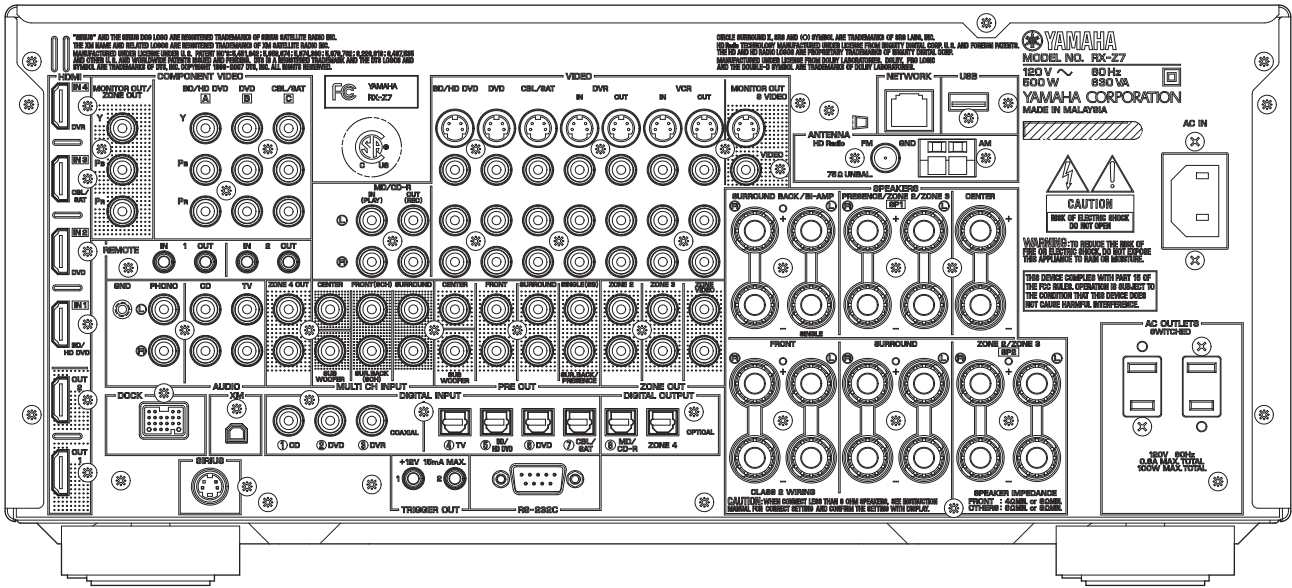


DSP-Z7 (J model)

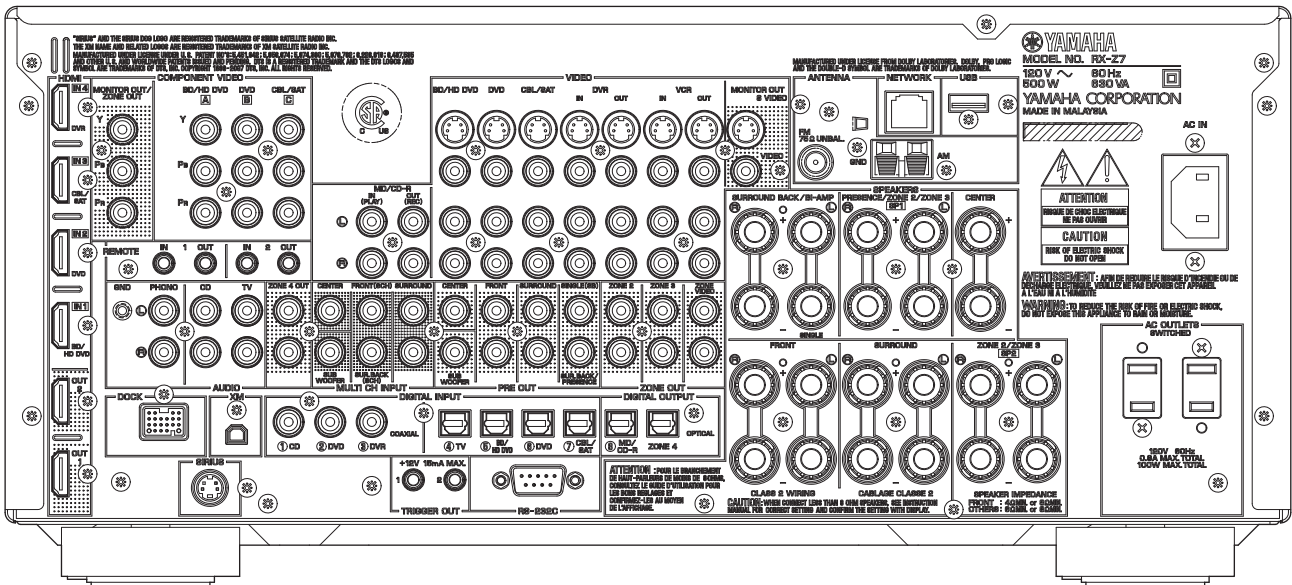


# REAR PANELS

## RX-Z7 (U model)

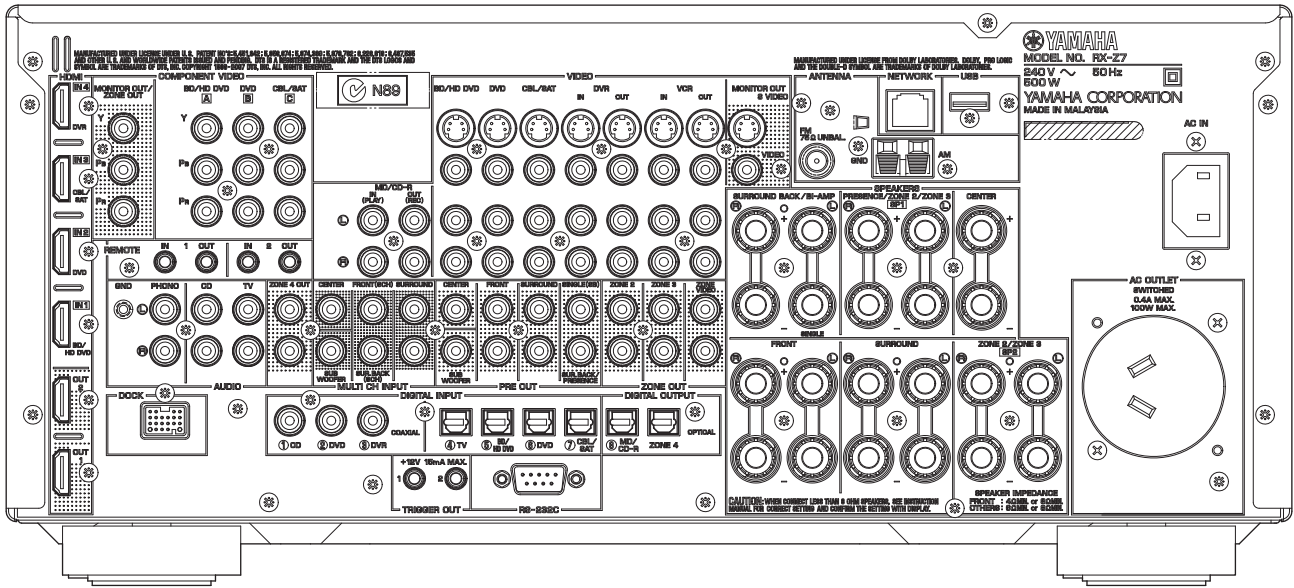


## RX-Z7 (C model)

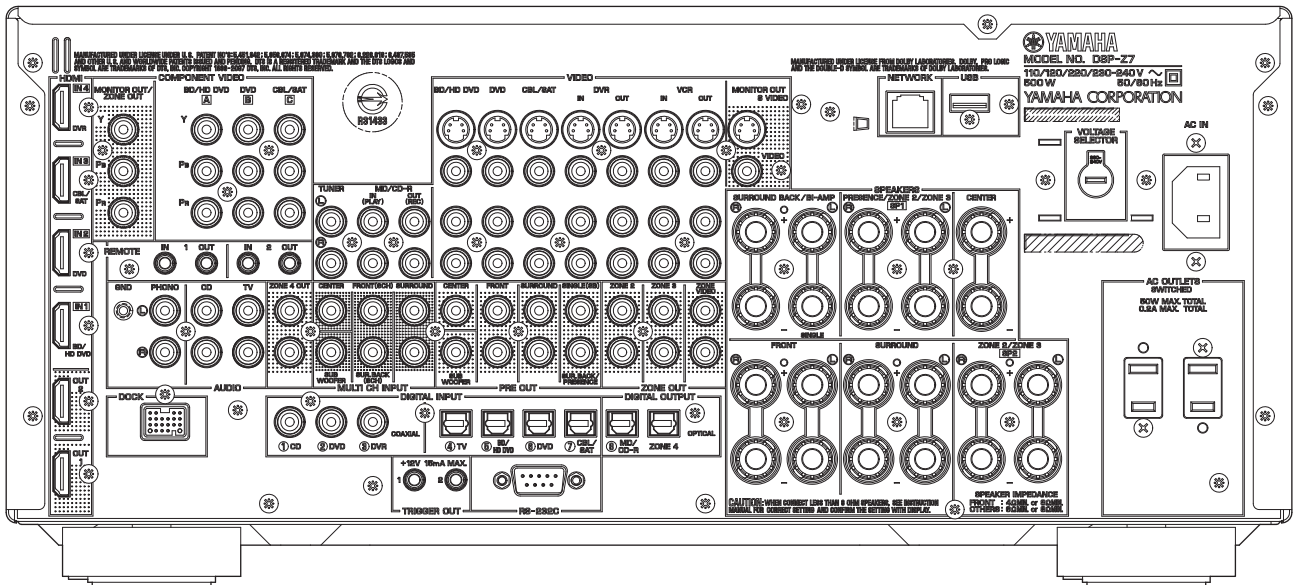


RX-Z7/DSP-Z7

RX-Z7 (A model)

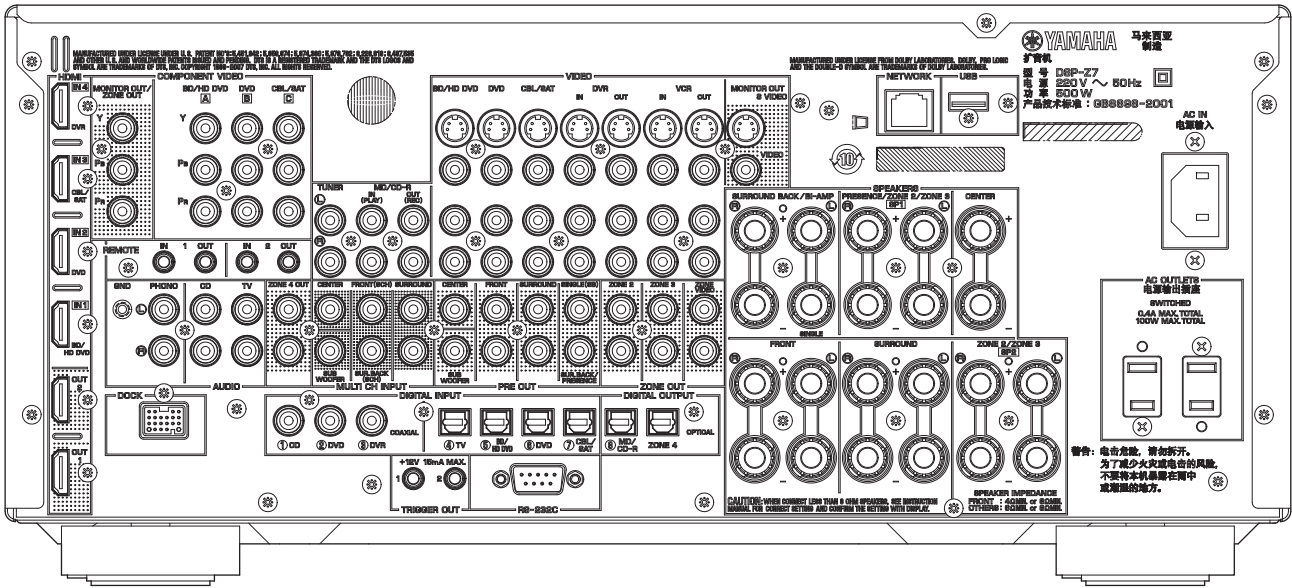


DSP-Z7 (R model)

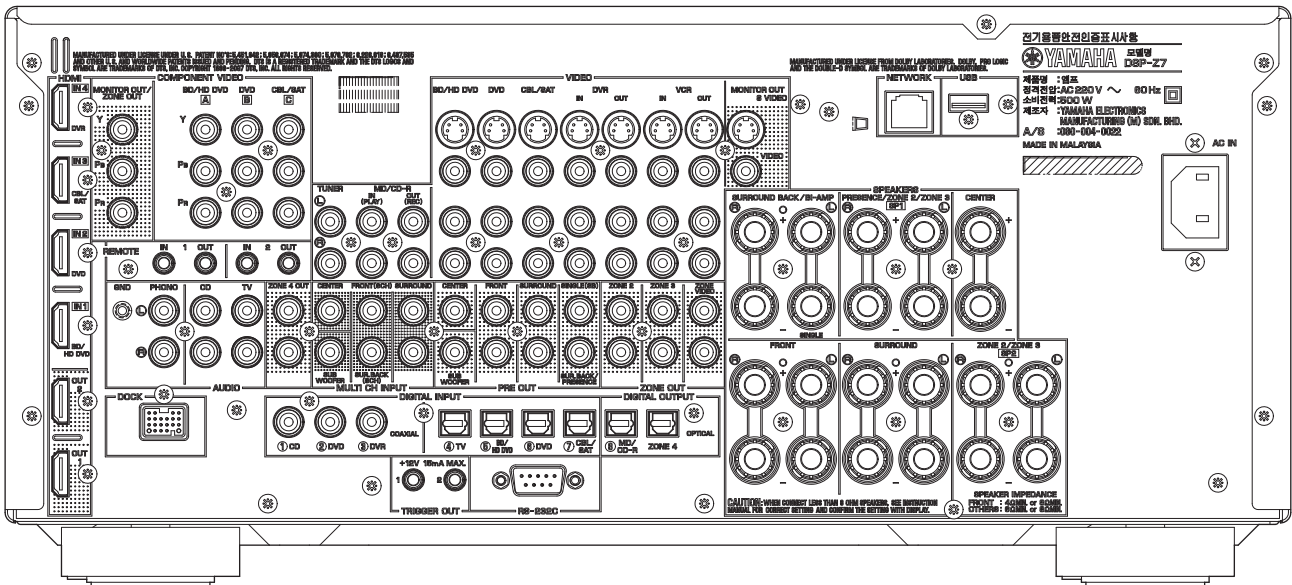


RX-Z7/DSP-Z7

DSP-Z7 (T model)



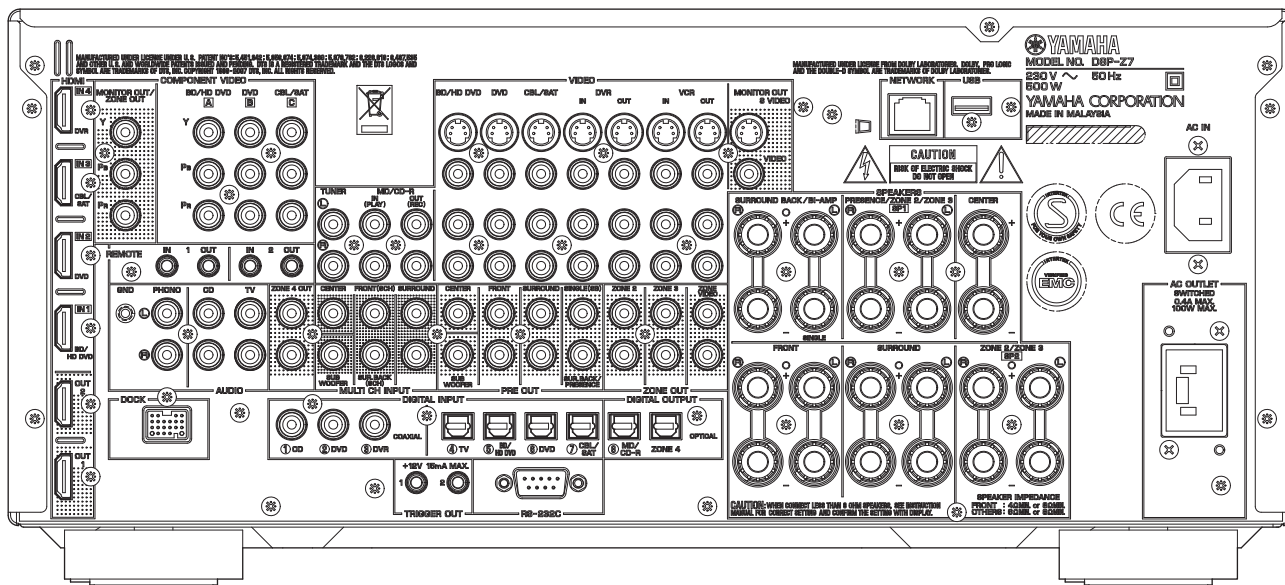
DSP-Z7 (K model)



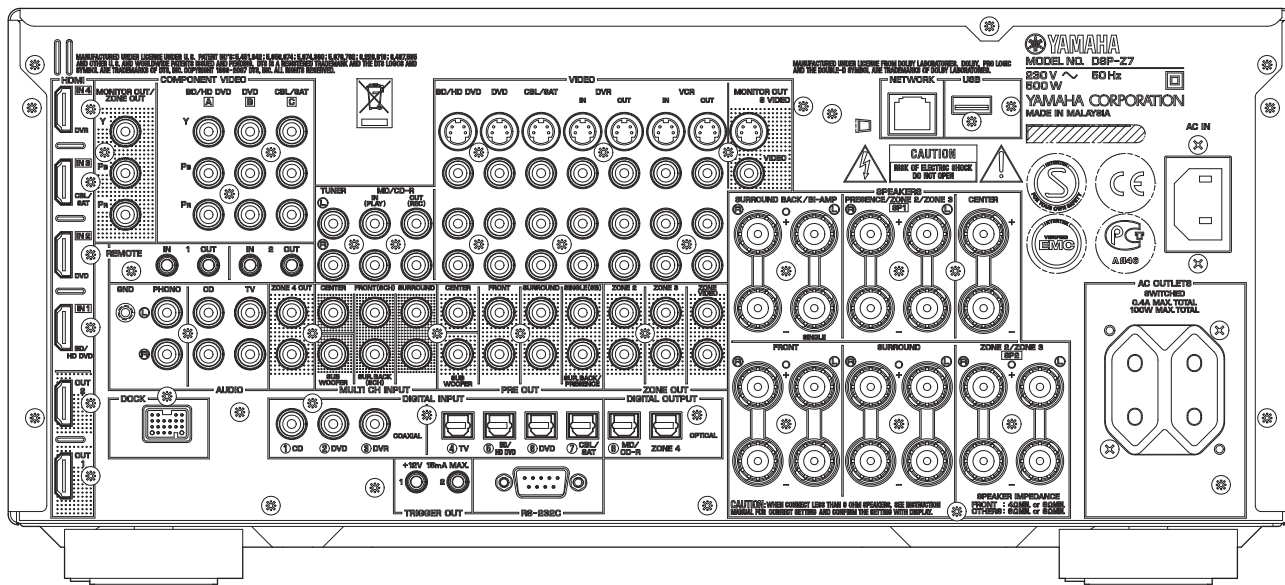
RX-Z7/DSP-Z7



DSP-Z7 (B model)

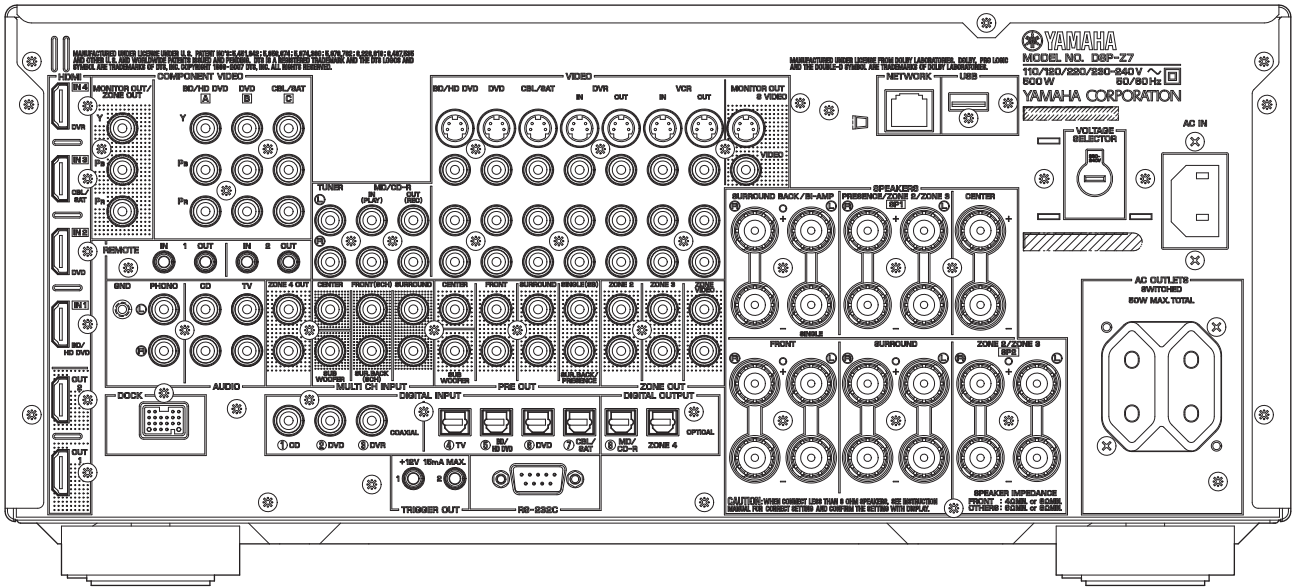


DSP-Z7 (G, E models)

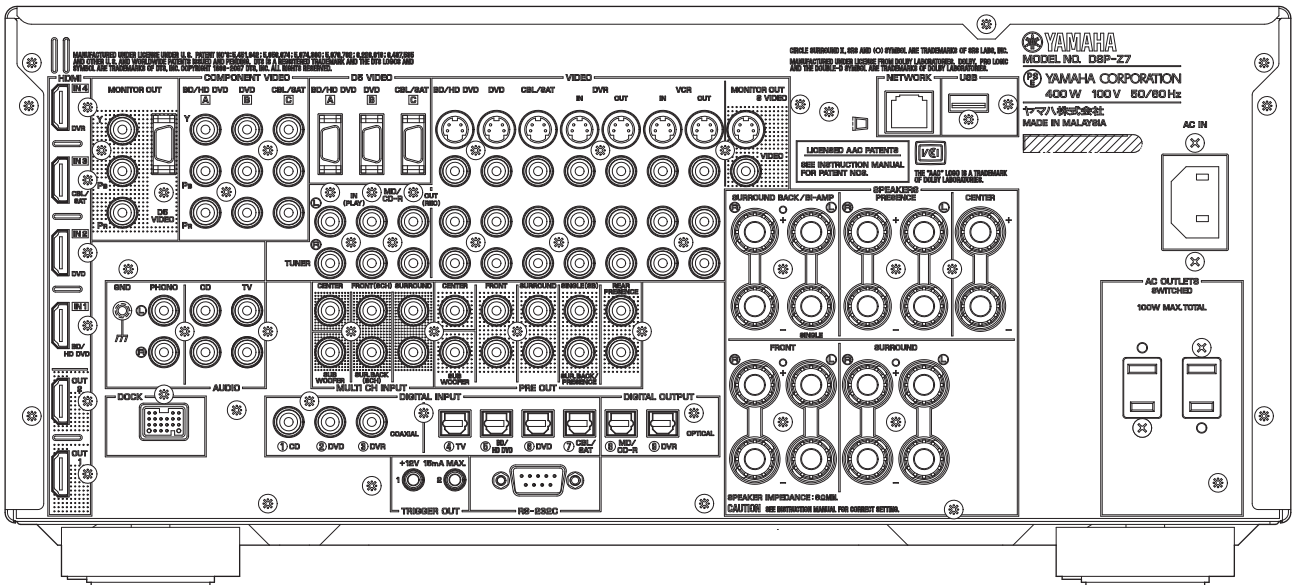


RX-Z7/DSP-Z7

DSP-Z7 (L model)



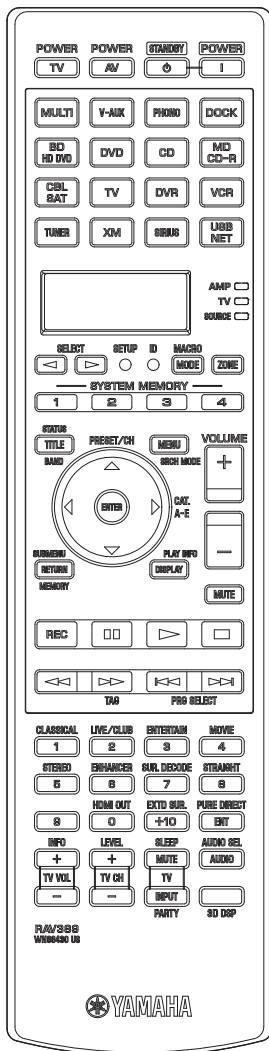
DSP-Z7 (J model)



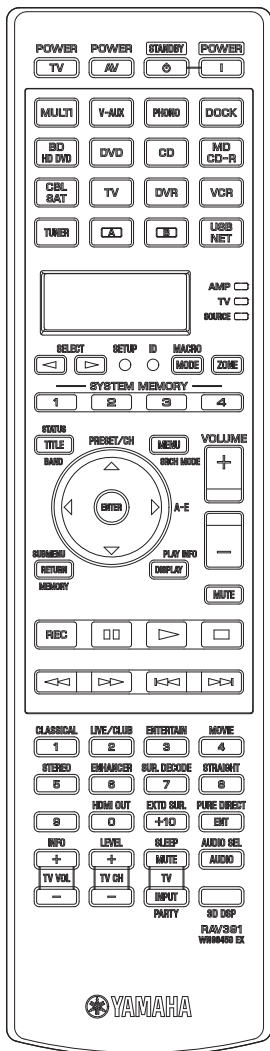
RX-Z7/DSP-Z7

# REMOTE CONTROL PANELS

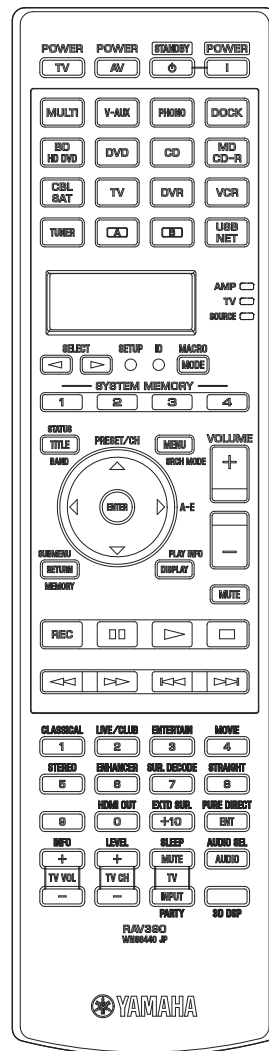
**RAV389**  
U, C models



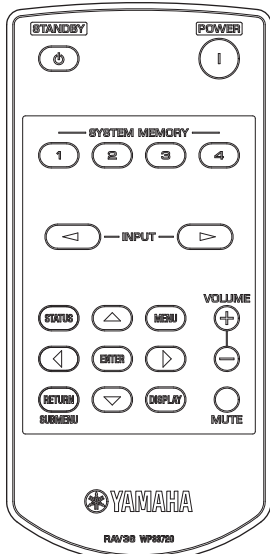
**RAV391**  
R, T, K, A, B, G, E, L models



**RAV390**  
J model



**RAV36**



RX-Z7/DSP-Z7

## ■ SPECIFICATIONS / 参考仕様

### ■ Audio Section / オーディオ部

#### Minimum RMS Output Power (Power Amp. Section) /

定格出力 (パワーアンプ部) (20 Hz to 20 kHz)

FRONT L/R

U, C, R, T, K, A, B, G, E, L models (0.04 % THD, 8 ohms) ..... 140 W + 140 W  
J model (0.06 % THD, 6 ohms) ..... 140 W + 140 W

CENTER

U, C, R, T, K, A, B, G, E, L models (0.04 % THD, 8 ohms) ..... 140 W  
J model (0.06 % THD, 6 ohms) ..... 140 W

SURROUND L/R

U, C, R, T, K, A, B, G, E, L models (0.04 % THD, 8 ohms) ..... 140 W + 140 W  
J model (0.06 % THD, 6 ohms) ..... 140 W + 140 W

SURROUND BACK L/R

U, C, R, T, K, A, B, G, E, L models (0.04 % THD, 8 ohms) ..... 140 W + 140 W  
J model (0.06 % THD, 6 ohms) ..... 140 W + 140 W

#### Maximum Power / 実用最大出力 (JEITA, 1 kHz, 10 % THD)

FRONT L/R

R, T, K, L models (8 ohms) ..... 185 W + 185 W  
J model (6 ohms) ..... 185 W + 185 W

CENTER

R, T, K, L models (8 ohms) ..... 185 W  
J model (6 ohms) ..... 185 W

SURROUND L/R

R, T, K, L models (8 ohms) ..... 185 W + 185 W  
J model (6 ohms) ..... 185 W + 185 W

SURROUND BACK L/R

R, T, K, L models (8 ohms) ..... 185 W + 185 W  
J model (6 ohms) ..... 185 W + 185 W

#### Dynamic Power Per Channel (IHF)

FRONT L/R (8/6/4/2 ohms)

U, C, R, T, K, A, L models ..... 170/205/265/345 W

#### Max. Power Per Channel (1 kHz, 0.7 % THD, 4 ohms)

[B, G, E models]

FRONT L/R ..... 200 W + 200 W  
CENTER ..... 200 W  
SURROUND L/R ..... 200 W + 200 W  
SURROUND BACK L/R ..... 200 W + 200 W

#### Dynamic Headroom [U, C, R, T, K, A, L models]

8 ohms ..... 0.84 dB

#### IEC Power (1 kHz, 0.04 % THD, 8 ohms) [B, G, E models]

FRONT L/R ..... 145 W + 145 W

#### Damping Factor / ダンピングファクタ (1 kHz, 8 ohms)

FRONT L/R ..... 150 or more

#### Input Sensitivity/Input Impedance / 入力感度/入力インピーダンス (1 kHz, 100 W/8 ohms)

PHONO (MM) ..... 3.5 mV / 47 k-ohms  
CD, etc. ..... 200 mV / 47 k-ohms

MULTI CH INPUT

FRONT L/R, CENTER, SURROUND L/R, SUBWOOFER ..... 200 mV / 47 k-ohms

#### Maximum Input Signal Level / 最大許容入力

PHONO (MM) (1 kHz, 0.1 % THD) ..... 60 mV or more  
CD, etc. (1 kHz, 0.5 % THD) ..... 2.4 V or more

#### Output Level/Output Impedance / 出力電圧/出力インピーダンス

REC OUT ..... 200 mV / 900 ohms

PRE OUT (FRONT L/R, CENTER, SURROUND L/R,

SURROUND BACK L/R) ..... 1.0 V / 500 ohms

SUBWOOFER (20 Hz) ..... 1.0 V / 1.2 k-ohms

[J model]

REAR PRESENCE ..... 1.0 V / 500 ohms

[U, C, R, T, K, A, B, G, E, L models]

ZONE 2 OUT ..... 1.0 V / 1.4 k-ohms

ZONE 3 OUT ..... 1.0 V / 1.4 k-ohms

ZONE 4 OUT ..... 1.0 V / 1.4 k-ohms

#### Headphone Jack Rated Output/Impedance /

ヘッドフォン出力/出力インピーダンス (1 kHz, 40 mV, 8 ohms)

CD, etc. .... 150 mV / 100 ohms

#### Frequency Response / 周波数特性 (10 Hz to 100 kHz)

CD, etc. to FRONT L/R (Pure direct) ..... +0/-3 dB

#### RIAA Equalization Deviation / RIAA 偏差 (20 Hz to 20 kHz)

PHONO (MM) ..... 0 ±0.5 dB

#### Total Harmonic Distortion / 全高調波歪率 (20 Hz to 20 kHz)

PHONO (MM) to REC OUT (1 V) ..... 0.02 % or less

CD, etc. to FRONT L/R SP OUT (70 W, 8 ohms) ..... 0.04 % or less

#### Signal to Noise Ratio / 信号対雑音比 (IHF-A network)

PHONO (MM) (Input shorted) to SP OUT

U, C, R, T, K, L models (5 mV) ..... 86 dB or more

A, B, G, E models (5 mV) ..... 81 dB or more

J model (2.5 mV) ..... 80 dB or more

CD, etc. (Input shorted) to SP OUT

250 mV ..... 100 dB or more

#### Residual Noise / 残留ノイズ (IHF-A network)

FRONT L/R SP OUT ..... 150 µV or less

#### Channel Separation / チャンネルセパレーション (1 kHz/10 kHz)

PHONO (Input shorted) ..... 60 dB or more/55 dB or more

CD, etc. (Input 5.1 k-ohms shorted) ... 60 dB or more/45 dB or more

#### Tone Control Characteristics / トーンコントロール特性

BASS

Boost/Cut ..... ±6 dB (50 Hz)

Turnover frequency ..... 350 Hz

TREBLE

Boost/Cut ..... ±6 dB (20 kHz)

Turnover frequency ..... 3.5 kHz

#### ZONE2, ZONE3 Tone Control Characteristics

[U, C, R, T, K, A, B, G, E, L models]

BASS

Boost/Cut ..... ±10 dB (100 Hz)

Turnover frequency ..... 450 Hz

TREBLE

Boost/Cut ..... ±10 dB (10 kHz)

Turnover frequency ..... 2.0 kHz

#### Filter Characteristics / フィルター特性

FRONT, CENTER, SURROUND, SURROUND BACK small (H.P.F.)

..... fc=40/60/80/90/100/110/120/160/200 Hz, 12 dB/oct.

SUBWOOFER (L.P.F.)

..... fc=40/60/80/90/100/110/120/160/200 Hz, 24 dB/oct.

### ■ Video Section / ビデオ部

#### Video Signal Type / ビデオ信号方式

Monitor out (Wall paper) / モニターアウト (壁紙)

U, C, R, K, J models ..... NTSC/PAL

T, A, B, G, E, L models ..... PAL/NTSC

Video conversion / ビデオコンバージョン

..... NTSC/PAL

Zone out (Gray back)

U, C, R, K models ..... NTSC

T, A, B, G, E, L models ..... PAL

#### Composite Video Signal Level / コンポジットビデオ信号

..... 1 Vp-p / 75 ohms

#### S-Video Signal Level / S ビデオ信号

Y ..... 1 Vp-p / 75 ohms

C

NTSC ..... 0.286 Vp-p / 75 ohms

PAL ..... 0.3 Vp-p / 75 ohms

#### Component Video Signal Level / コンポーネントビデオ信号

Y ..... 1 Vp-p / 75 ohms

Pb/Pr ..... 0.7 Vp-p / 75 ohms

#### Maximum Input Level / 最大許容入力

VIDEO CONV. OFF ..... 1.5 Vp-p or more

#### Signal to Noise Ratio / 信号対雑音比

VIDEO CONV. OFF ..... 60 dB or more

#### Monitor Out Frequency Response / モニターアウト周波数帯域 (VIDEO CONV. OFF)

Component video signal ..... 5 Hz to 100 MHz, ±3 dB

[J model]

D5-video signal ..... 5 Hz to 100 MHz, ±3 dB

## FM Section [U, C, A models]

### Tuning Range

U, C models	87.5 to 107.9 MHz
A model	87.50 to 108.00 MHz

### 50dB Quieting Sensitivity (IHF)

(1 kHz, 100 % MOD.)

Mono	2.0 $\mu$ V (17.3 dBf)
Stereo	25 $\mu$ V (39.2 dBf)

### Usable Sensitivity (IHF)

Mono	1.0 $\mu$ V (11.2 dBf)
------	------------------------

### Selectivity

at 400 kHz	70 dB
------------	-------

### Signal to Noise Ratio (IHF)

Mono	76 dB
Stereo	70 dB

### Harmonic Distortion (1 kHz)

Mono	0.2 %
Stereo	0.3 %

### Stereo Separation

	42 dB
--	-------

### Frequency Response (20 Hz to 15 kHz)

	+0.5 / -2 dB
--	--------------

### Antenna Input

	75 ohms unbalanced
--	--------------------

## AM Section [U, C, A models]

### Tuning Range

U, C models	530 to 1,710 kHz
A model	531 to 1,611 kHz

### Usable Sensitivity

	300 $\mu$ V/m
--	---------------

### Antenna Input

	Loop Antenna
--	--------------

## General / 総合

### Power Supply / 電源電圧

U, C models	AC 120 V, 60 Hz
R, L models	AC 110/120/220/230-240 V, 50/60 Hz
T model	AC 220 V, 50 Hz
K model	AC 220 V, 60 Hz
A model	AC 240 V, 50 Hz
B, G, E models	AC 230 V, 50 Hz
J model	AC 100 V, 50/60 Hz

### Power Consumption / 消費電力

U, C models	500 W / 630 VA
R, T, K, A, B, G, E, L models	500 W
J model	400 W

### Standby Power Consumption (reference data) /

#### 待機時消費電力 (参考値)

Advanced setup – wake on RS232C access: OFF

U, C, T, K, A, B, G, E, L, J models	0.1 W or less
R model (AC 240 V / 50 Hz)	0.33 W or less

### Maximum Power Consumption (6ch drive, 10 % THD) [R model]

	1100 W
--	--------

### AC Outlets / AC アウトレット

2 switched outlets

U, C models	100 W max. total / 0.8 A max. total
R model	50 W max. total / 0.2 A max. total
T, L models	50 W max. total
G, E models	100 W max. total / 0.4 A max. total
J model	100 W max. total

1 switched outlet

A model	100 W max.
B model	100 W max. / 0.4 A max.

### Dimensions (W x H x D) / 寸法 (幅 × 高さ × 奥行き)

	435 x 196 x 441 mm (17-1/8" x 7-3/4" x 17-3/8")
--	---

### Weight / 質量

U, C models	18.4 kg (40 lbs. 9 oz.)
R, T, K, A, B, G, E, L, J models	19.6 kg (43 lbs. 3 oz.)

## Finish / 仕上げ

[RX-Z7]	
Black color	U, C, A models
[DSP-Z7]	
Gold color	R, T, K, J models
Black color	R, T, K, B, G, E, L, J models
Titanium color	R, G, E, L models

## Accessories / 付属品

Remote control	x 1
Simplified remote control	x 1
Batteries (LR03, AAA, UM-4)	x 4
Lithium battery (CR2025)	x 1
Indoor FM antenna (1.4 m) (U, C, A models)	x 1
AM loop antenna (1.2 m) (U model)	x 1
(1.0 m) (C, A models)	x 1
Power cable (2 m) (U, C, R, T, K, A, B, G, E, J models)	x 1
(L model)	x 2
Optimizer microphone (6 m)	x 1
Ferrite core for AM loop antenna (U model)	x 1
Binding tie for AM loop antenna (U model)	x 1

\* Specifications are subject to change without notice due to product improvements.


※ 参考仕様および外観は予告なく変更されることがあります。

U	..... U.S.A. model	B	..... British model
C	..... Canadian model	G	..... European model
R	..... General model	E	..... South European model
T	..... Chinese model	L	..... Singapore model
K	..... Korean model	J	..... Japanese model
A	..... Australian model		



Manufactured under license from Dolby Laboratories.

Dolby, Pro Logic and the double-D symbol are trademarks of Dolby Laboratories.

ドルビーラボラトリーズからの実施権に基づき製造されています。「ドルビー」、「PRO LOGIC」、「Surround EX」およびダブルD記号  は、ドルビーラボラトリーズの商標です。



DTS is a registered trademark and the DTS logos, Symbol, DTS-HD and DTS-HD Master Audio are trademark of DTS, Inc.

DTS は DTS 社の登録商標です。また、DTS ロゴ、記号、および DTS-HD、DTS-HD Master Audio は DTS 社の商標です。

## iPod™

"iPod" is a trademark of Apple Inc., registered in the U.S. and other countries.

iPod は、米国およびその他の国々で登録された Apple Inc. の商標または登録商標です。



Fraunhofer Institut  
Integrierte Schaltungen

MPEG Layer-3 audio coding technology licensed from Fraunhofer IIS and Thomson.

MPEG Layer 3 音声圧縮技術は Fraunhofer IIS および Thomson によってライセンス供与されています。



This receiver supports network connections.  
本機はネットワーク接続に対応しています。

# HDMI

"HDMI", the "HDMI" logo and "High-Definition Multimedia Interface" are trademarks, or registered trademarks of HDMI Licensing LLC.

HDMI、HDMI ロゴ、および High-Definition Multimedia Interface は、HDMI Licensing, LLC の商標または登録商標です。

## x.v.Color™

"x.v.Color" is a trademark of Sony Corporation.

「x.v.Color」は、ソニー株式会社の商標です。

## SILENT™ CINEMA

"SILENT CINEMA" is a trademark of Yamaha Corporation.

「サイレントシネマ™ SILENT CINEMA™」はヤマハ株式会社の登録商標です。



The XM name and related logos are registered trademarks of XM Satellite Radio Inc.



This product is manufactured under license from Neural Audio Corporation and THX Ltd. YAMAHA CORPORATION hereby grants the user a non-exclusive, non-transferable, limited right of use to this product under U.S.A. and foreign patent, patent pending and other technology or trademarks owned by Neural Audio Corporation and THX Ltd. "Neural Surround", "Neural Audio", "Neural" and "NRL" are trademarks and logos owned by Neural Audio Corporation. THX is a trademark of THX Ltd., which may be registered in some jurisdictions. All rights reserved.



©2006 SIRIUS Satellite Radio Inc. "SIRIUS", "SiriusConnect", the SIRIUS dog logo, channel names and logos are trademarks of SIRIUS Satellite Radio Inc.



HD Radio™ Technology Manufactured Under License From iBiquity Digital Corp. U.S. and Foreign Patents. HD Radio™ and the HD Radio logo are proprietary trademarks of iBiquity Digital Corp.



Rhapsody and the Rhapsody logo are registered trademarks of RealNetworks, Inc.



Circle Surround II, Dialog Clarity, TruBass, SRS and the (●) symbol are trademarks of SRS Labs, Inc.

Circle Surround II, Dialog Clarity and TruBass technologies are incorporated under license from SRS Labs, Inc.

Circle Surround II, FOCUS, TruBass, SRS と (●) 記号は SRS Labs, Inc. の商標です。Circle Surround II, FOCUS と TruBass 技術は SRS Labs, Inc. からのライセンスに基づき製品化されています。

Windows XP, Windows Vista, Windows Media Audio, Windows Media Connect and Windows Media Player are either registered trademarks or trademarks of Microsoft corporation in the United States and/or other countries.

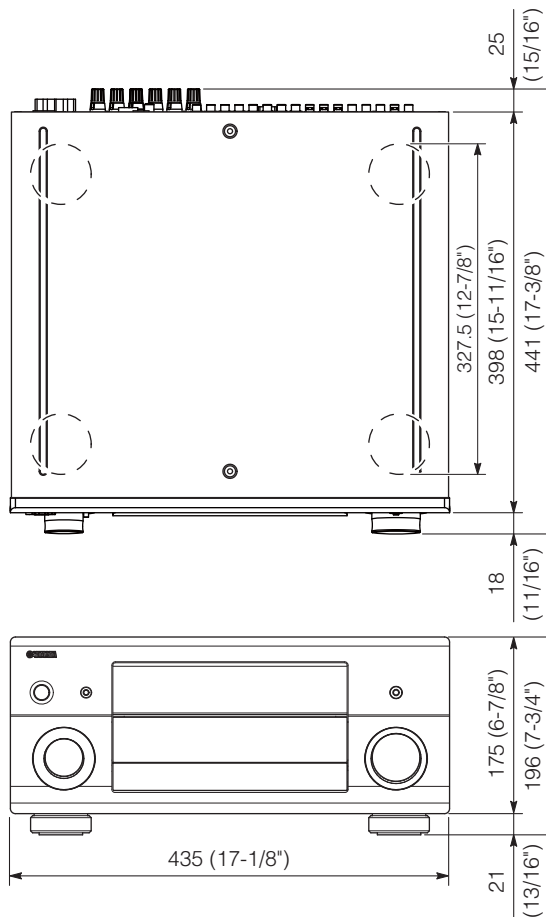
Windows XP, Windows Vista, Windows Media Audio, Windows Media Connect, Windows Media player は、米国 Microsoft Corporation の米国およびその他の国における登録商標、または商標です。



AAC ロゴマークはドルビーラボラトリーズの商標です。

PlaysForSure ロゴ、Windows Media、Windows ロゴは、米国 Microsoft Corporation の米国およびその他の国における商標、または登録商標です。

### • DIMENSIONS / 寸法図



Unit: mm (inch)  
単位: mm (インチ)

• SELECT MENU

Category	Sound Field	Parameter																																
		Decode Type	DSP Level: -6dB to +3dB	Init. Delay: 1 to 99ms	Room Size: 0.1 to 2.0	Liveness: 0 to 10	Sur. Init. Delay: 1 to 49ms	Sur. Room Size: 0.1 to 2.0	Sur. Liveness: 0 to 10	SB. Init. Delay: 1 to 49ms	SB. Room Size: 0.1 to 2.0	SB. Liveness: 0 to 10	Rev. Time: 1.0 to 5.0s	Rev. Delay: 0 to 250ms	Rev. Level: 0 to 100%	Dialogue Lift: 0 to 5	Center Level: 0 to 100%	Surround L Level: 0 to 100%	Surround R Level: 0 to 100%	Sur.Back Level: 0 to 100%	Presence L Level: 0 to 100%	Presence R Level: 0 to 100%	Rear Presence L Level: 0 to 100% (J model)	Rear Presence R Level: 0 to 100% (J model)	Direct: Auto/Off	Effect Level: High/Low	Panorama: On/Off	Center Width: 0 to 7	Dimension: -3 to +3	Center Image: 0.0 to 1.0	FOCUS: 0 to 8	TruBass: 0 to 8	Initialize	
CLASSICAL	Hall in Munich	●	●	●	●										●																			●
	Hall in Vienna	●	●	●	●										●																			●
	Hall in Amsterdam	●	●	●	●										●																			●
	Church in Freiburg	●	●		●									●	●	●	●																	●
LIVE/CLUB	Chamber	●	●		●								●	●	●	●																		●
	Village Vanguard	●	●	●	●										●																			●
	Warehouse Loft	●	●	●	●								●	●	●	●																		●
	Cellar Club	●	●	●	●										●																			●
	The Roxy Theatre	●	●	●	●								●	●	●	●																		●
ENTERTAINMENT	The Bottom Line	●	●	●	●										●																			●
	Sports	●	●	●		●	●				●	●			●																			●
	Action Game	●	●	●		●	●				●	●			●																			●
	Roleplaying Game	●	●	●		●	●				●	●			●																			●
	Music Video	●	●	●		●	●				●	●			●																			●
MOVIE	Recital/Opera	●	●	●		●	●				●	●			●																		●	
	Standard	● <sup>*1</sup>	●			●	●	●		●	●	●			●																			●
	Spectacle	● <sup>*1</sup>	●	●	●		●	●			●	●			●																			●
	Sci-Fi	● <sup>*1</sup>	●	●	●		●	●			●	●			●																			●
	Adventure	● <sup>*1</sup>	●	●	●		●	●			●	●			●																			●
	Drama	● <sup>*1</sup>	●	●	●		●	●			●	●			●																			●
STEREO	Mono Movie	●	●	●	●							●	●	●	●																		●	
	2ch Stereo																																	●
MUSIC ENHANCER	7ch Stereo														●	●	●	○	●	●	●	●	●										●	
	Straight Enhancer																										●							●
SUR. DECODE	7ch Enhancer																									●							●	
	Surround Decoder	● <sup>*2</sup>																										△	△	△	▲	■	■	●
STRAIGHT																																		

- : The parameter to be used varies between when there is one surround pack and when there are two. On the display, the parameter value varies accordingly while the same parameter name appears. / サラウンドバックの数が1つの場合と2つの場合で使用するパラメータは変わるが、パラメータ名は同じ表示でパラメータ値のみを切換えて表示
- △ : Setting is possible only when Pro Logic II x Music (Pro Logic II Music) is selected using decode type. / Decode Type で Pro Logic II x Music (Pro Logic II Music) を選択時のみ設定可
- ▲ : Setting is possible only when Neo:6 Music is selected using decode type. / Decode Type で Neo:6 Music を選択時のみ設定可
- : Setting is possible only when CS II Cinema/Music is selected using decode type. / Decode Type で CS II Cinema/Music を選択時のみ選択可

\*1 Decode Type

Decode Type	PL II x Movie	PL II when Surround Back is None. / Surround Back が None の場合は PL II
	Neo:6 Cinema	

\*2 Decode Type

Decode Type	Pro Logic	PL II when Surround Back is None. / Surround Back が None の場合は PL II	
	PL II x Movie		
	PL II x Music		
	PL II x Game		
	Neo:6 Cinema		
	Neo:6 Music		
	CS II Cinema		(U, J models)
	CS II Music		(U, J models)
	Neural-THX		(U, C modes)
Neural-THX Digital Music	(U, C modes)		

• SET MENU TABLE / セットメニュー  
MANUAL SETUP (GUI)

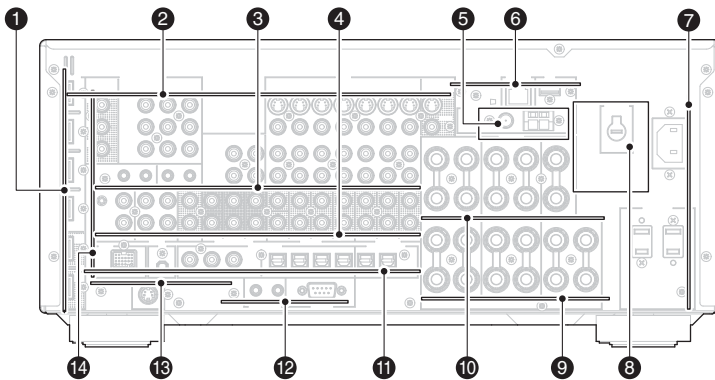
MAIN MENU	SUB MENU	PARAMETER	VALUE [INITIAL VALUE]	
1 SPEAKER MENU	CONFIG.	FRONT SP	[SMALL] / LARGE	
		CENTER SP	NONE / [SMALL] / LARGE	
		SUR. L/R SP	NONE / LRGx2 / [SMLx2] / SMLx1 / LRGx1	
		SUR. B L/R SP	NONE / LRGx2 / [SMLx2] / SMLx1 / LRGx1	
		CROSS OVER	FREQ . . . . 40 / 60 / [80] / 90 / 100 / 110 / 120 / 160 / 200 Hz	
		FRONT PR.	NONE / [YES]	
		REAR PR. (J model)	NONE / [YES]	
		SUBWOOFER PHASE	REVERSE / [NORMAL]	
		BASS OUT	LFE LOW-FREQ.	FRONT / [SWFR] / FRONT + SWFR
		DISTANCE	UNIT	feet (ft) / meters (m)
		FRONT L	0.30 to 24.00 m, [3.00 m], 0.05 m step / 1.0 to 80.0 ft, [10.0 ft], 0.2 ft step	
		FRONT R		
		CENTER		
		SUR. L		
		SUR. R		
		SB L		
		SB R		
		FRONT PR. L		
		FRONT PR. R		
		REAR PR. L (J model)		
		REAR PR. R (J model)		
		SWFR		
		LEVEL	-10.0 to +10.0 dB, [0.0 dB], 0.5 dB step	
		FRONT L		
		FRONT R		
		CENTER		
		SUR. L		
		SUR. R		
		SB L		
		SB R		
		FRONT PR. L		
		FRONT PR. R		
	REAR PR. L (J model)			
	REAR PR. R (J model)			
	SWFR			
2 VOLUME MENU	ADAPTIVE DRC		[OFF] / AUTO	
	ADAPTIVE DSP LEVEL		[OFF] / AUTO	
	MAX. VOL.		[+16.5 dB] / +15.0 dB / +10.0 dB / +5.0 dB / 0.0 dB / -5.0 dB / -10.0 dB / -15.0 dB / -20.0 dB / -25.0 dB / -30.0 dB	
	INIT. VOL.		[OFF] / MUTE / -80.0 to +16.5 dB, 0.5 dB step	
	MUTING TYPE		-40 dB / -20 dB / [FULL]	
3 SOUND MENU	A) LFE LEVEL	SPEAKER	-20 to 0.0 dB, [0.0 dB], 1.0 dB step	
		HEADPHONE		
	B) DYNAMIC RANGE	SPEAKER	MIN/AUTO / STD / [MAX]	
		HEADPHONE		
	C) PARAMETRIC EQ	PEQ data copy	NATURAL -> MANUAL / FRONT -> MANUAL / [FLAT -> MANUAL]	
		PEQ SELECT	THROUGH / [NATURAL] / FRONT / FLAT / MANUAL	
		TEST TONE	[OFF] / ON	
	D) TONE CONTROL	CONTROL	HEADPHONE / [SPEAKER]	
		BASS	125 / [350] / 500 Hz (-6.0 to +6.0, [0.0 dB])	
		TREBLE	2.5 / [3.5] / 8.0 kHz (-6.0 to +6.0, [0.0 dB])	
		AUTO BYPASS	OFF / [AUTO]	
	E) LIPSYNC	HDMI AUTO	MANUAL / [AUTO]	
		AUTO AUDIO DELAY	0 to 240 ms, [0 ms], 1 ms step	
		MANUAL AUDIO DELAY		
	F) PURE DIRECT		AUDIO+VIDEO / [AUDIO]	
		DUAL MONO (J model)	SUB / [MAIN] / ALL	
	E) CHANNEL MUTE	MODE	ENABLE / [DISABLE]	
		Each SP SET	FRONT L	[MUTE OFF] / MUTE ON
			FRONT R	
			CENTER	
SUR. L				
SUR. R				
SB. R				



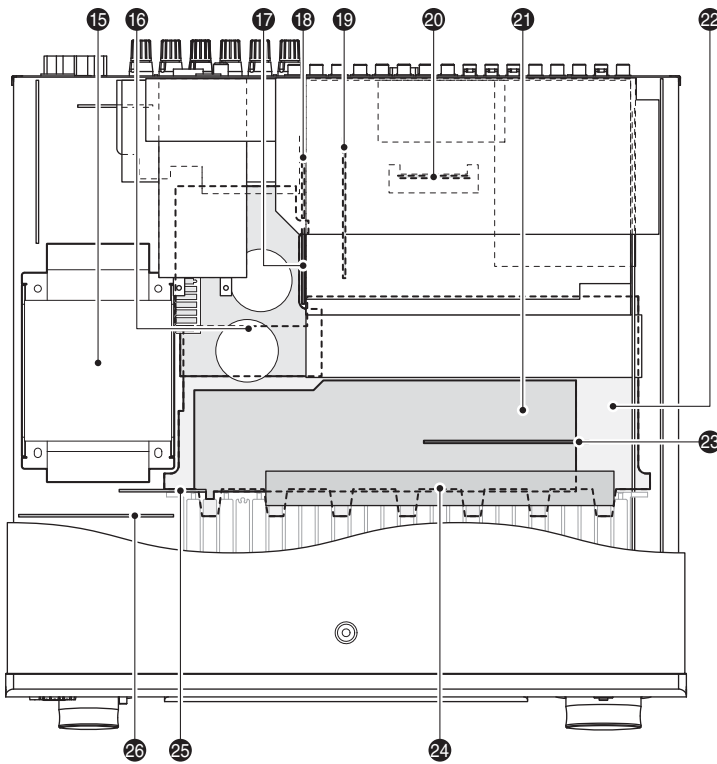
MAIN MENU	SUB MENU	PARAMETER	VALUE [INITIAL VALUE]	
		FRONT PR. L FRONT PR. R REAR PR. L (J model) REAR PR. R (J model) SWFR	[MUTE OFF] / MUTE ON	
4 VIDEO MENU	A) ANALOG -> ANALOG		[CONVERSION] / THROUGH	
	B) ANALOG -> HDMI		PROCESSING / [THROUGH]	
	C) HDMI -> HDMI			
	D) PROCESSING	Resolution		NTSC: [*THROUGH] / 480p / 720p / 1080i / 1080p PAL: [*THROUGH] / *576p / *720p / *1080i / *1080p
		Aspect		[THROUGH] / 16:9 (normal) / SMART ZOOM (smart zoom)
		Prog. Re-Processing		ON / [OFF]
		ADJ.	Mosquito NR	[OFF] / LOW / MEDIUM / HIGH
			Block NR	
			Detail Enh.	0 to 50, [0]
			Edge Enh.	
Brightness				
Contrast	-50 to 50, [0]			
	Saturation			
5 HDMI MENU	A) STANDBY THROUGH		MODE LAST / [OFF]	
		INPUT	IN1: BD/HD DVD / IN2: DVD / IN3: CBL/SAT / IN4: DVR / Front: VIDEO AUX	
		OUTPUT	OUT2 / OUT1 / [OUT1+OUT2]	
	B) AUDIO OUTPUT		AMP+TV / TV / [AMP]	
	C) CONTROL MONITOR		HDMI OUT2 / [HDMI OUT1]	
	D) MONITOR INFO.			
6 NETWORK MENU	A) CONFIG.		DHCP OFF (auto) / [ON (manual)]	
		I/P address	xxx.xxx.xx.x	
		SUBNET MASK	255.255.255.0	
		DEFAULT GATEWAY		
		DNS server (P)		
		DNS server (S)		
	B) NETWORK STANDBY		ON / [OFF]	
	C) INFO.		MAC address	
		STATUS	10BASE-T, 100BASE-TX, NO Link, Full Duplex, Half Duplex	
		SYSTEM		
7 MULTI ZONE (U, C, R, T, K, A, B, G, E, L models)	A) ZONE SP ASSIGN		M: Main zone, 2: Zone2, 3: Zone3	
	B) COMPONENT ASSIGN		MAIN / ZONE2 / ZONE3 / ZONE4	
	C) PARTY MODE SET		[ENABLE] / DISABLE	
	D) ZONE2, 3 SET	VOLUME		[VARIABLE] / FIXED
		MAX. VOLUME		-30.0 to +15.0 dB, [+16.5 dB], 5.0 dB step
		INITIAL VOLUME		[OFF] / MUTE / -80.0 to +16.5 dB, 0.5 dB step
		BALANCE		L10 to L1 / [0] / R1 to R10
		TONE CONTROL		BASS: -10.0 to -10.0 dB, [0.0 dB] / TREBLE: -10.0 to -10.0 dB, [0.0 dB]
		MUTE TYPE		-40 dB / -20 dB / [FULL]
		OSD		[ALL] / ZONE2 / OFF
RENAME				
8 OPTION MENU	A) MEMORY GUARD		ON / [OFF]	
	B) I/O ASSIGN			
	C) INPUT RENAME			
	D) DISPLAY SET	DIMMER		-4 to 0, [0], 1 step
		FL SCROLL		ONCE / [CONT]
		SHORT MESSAGE		OFF / [ON]
		PLAYBACK SCREEN		[30S] / 10S / ALWAYS
		GUI position		-5 to +5, [0], 1 step
		WALL paper		Gray / Electric Guitar / Horn / [Piano] / None
	E) iPod	STANDBY CHARGE		OFF / [AUTO]
	F) INITIAL SET	AUDIO SELECT		
		DECODER MODE		LAST / [AUTO]
		EXTD SUR.		
	G) TRIGGER OUTPUT		TRIGGER2 / [TRIGGER1]	
		MODE		MANUAL / SOURCE / POWER
	TARGET ZONE		ALL / ZONE4 / ZONE3 / ZONE2 / MAIN	
	INPUT LEVEL		LOW / [HIGH]	
	MANUAL TEST		LOW / [HIGH]	

## INTERNAL VIEW

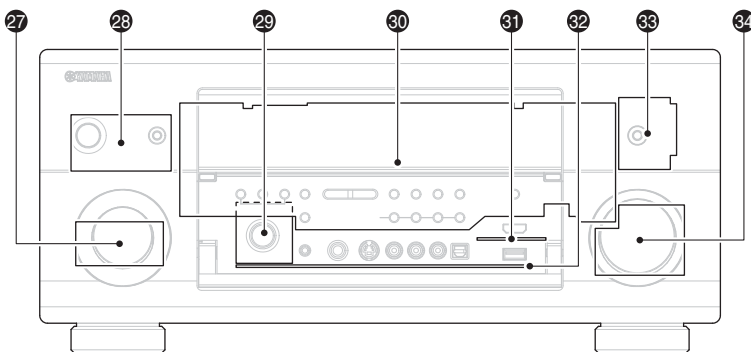
Rear view



Top view



Front view



- ① D-VIDEO (1) P.C.B.
- ② A-VIDEO P.C.B.
- ③ FUNCTION (1) P.C.B.
- ④ FUNCTION (2) P.C.B.
- ⑤ HD Radio Tuner (U model)  
AM/FM Tuner (C, A models)
- ⑥ DCCNVT (2) P.C.B.
- ⑦ POWER (4) P.C.B.
- ⑧ POWER (2) P.C.B. (R, L models)
- ⑨ MAIN (3) P.C.B.
- ⑩ MAIN (4) P.C.B.
- ⑪ DSP P.C.B.
- ⑫ FL (6) P.C.B.
- ⑬ CONNECT (2) P.C.B. (U, C models)
- ⑭ FL (2) P.C.B.
- ⑮ Power Transformer
- ⑯ MAIN (2) P.C.B.
- ⑰ FL (3) P.C.B.
- ⑱ FL (5) P.C.B.
- ⑲ CONNECT (1) P.C.B. (U model)
- ⑳ FL (4) P.C.B.
- ㉑ POWER (3) P.C.B.
- ㉒ MAIN (1) P.C.B.
- ㉓ DCCNVT (1) P.C.B.
- ㉔ POWER (5) P.C.B.
- ㉕ POWER (6) P.C.B.
- ㉖ POWER (1) P.C.B.
- ㉗ OPERATION (1) P.C.B.
- ㉘ OPERATION (5) P.C.B.
- ㉙ OPERATION (4) P.C.B.
- ㉚ FL (1) P.C.B.
- ㉛ D-VIDEO (2) P.C.B.
- ㉜ OPERATION (3) P.C.B.
- ㉝ OPERATION (6) P.C.B.
- ㉞ OPERATION (2) P.C.B.

## ■ DISASSEMBLY PROCEDURES / 分解手順

(Remove parts in the order as numbered.)  
Disconnect the power cable from the AC outlet.

(番号順に部品を取り外してください。)  
AC 電源コンセントから、電源コードを抜いてください。

### 1. Removal of Top Cover

- Remove 2 screws ( ① ), 8 screws ( ② ) and 5 screws ( ③ ). (Fig. 1)
- Slide the top cover rearward to remove it. (Fig. 1)

### 1. トップカバーの外し方

- ① のネジ 2 本、② のネジ 8 本、③ のネジ 5 本を外します。(Fig. 1)
- トップカバーを後方へスライドさせ、取り外します。(Fig. 1)

### 2. Removal of Front Panel

Remove 6 screws ( ④ ) and then remove the front panel forward. (Fig. 1)

### 2. フロントパネルの外し方

④ のネジ 6 本を外し、フロントパネルを前方に外します。(Fig. 1)

### 3. Removal of Sub Chassis Unit

- Remove 3 screws ( ⑤ ) and then remove the DCCNVT (2) P.C.B.. (Fig. 1)
- Remove 4 screws ( ⑥ ) and then remove the frame cross. (Fig. 1)
- Remove 3 screws ( ⑦ ) and then remove the frame top. (Fig. 1)
- Remove 2 screws ( ⑧ ), 2 screws ( ⑨ ) and 5 screws ( ⑩ ). (Fig. 1)
- Remove CB12, CB110, CB801, CB805~807, CB809, CB901 and CB971. (Fig. 2)
- Remove the sub chassis unit forward. (Fig. 1)

### 3. サブシャーシユニットの外し方

- ⑤ のネジ 3 本を外し、DCCNVT (2) P.C.B. を取り外します。(Fig. 1)
- ⑥ のネジ 4 本を外し、フレーム/クロスを取り外します。(Fig. 1)
- ⑦ のネジ 3 本を外し、フレーム/トップを取り外します。(Fig. 1)
- ⑧ のネジ 2 本、⑨ のネジ 2 本、⑩ のネジ 5 本を外します。(Fig. 1)
- CB12、CB110、CB801、CB805 ~ CB807、CB809、CB901、CB971 を外します。(Fig. 2)
- サブシャーシユニットを前方に取り外します。(Fig. 1)

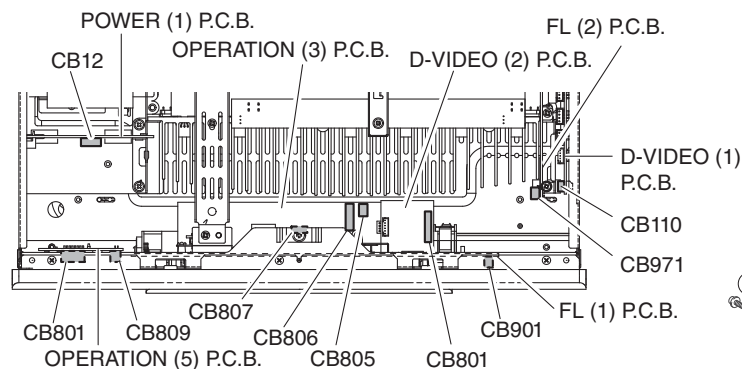


Fig. 2

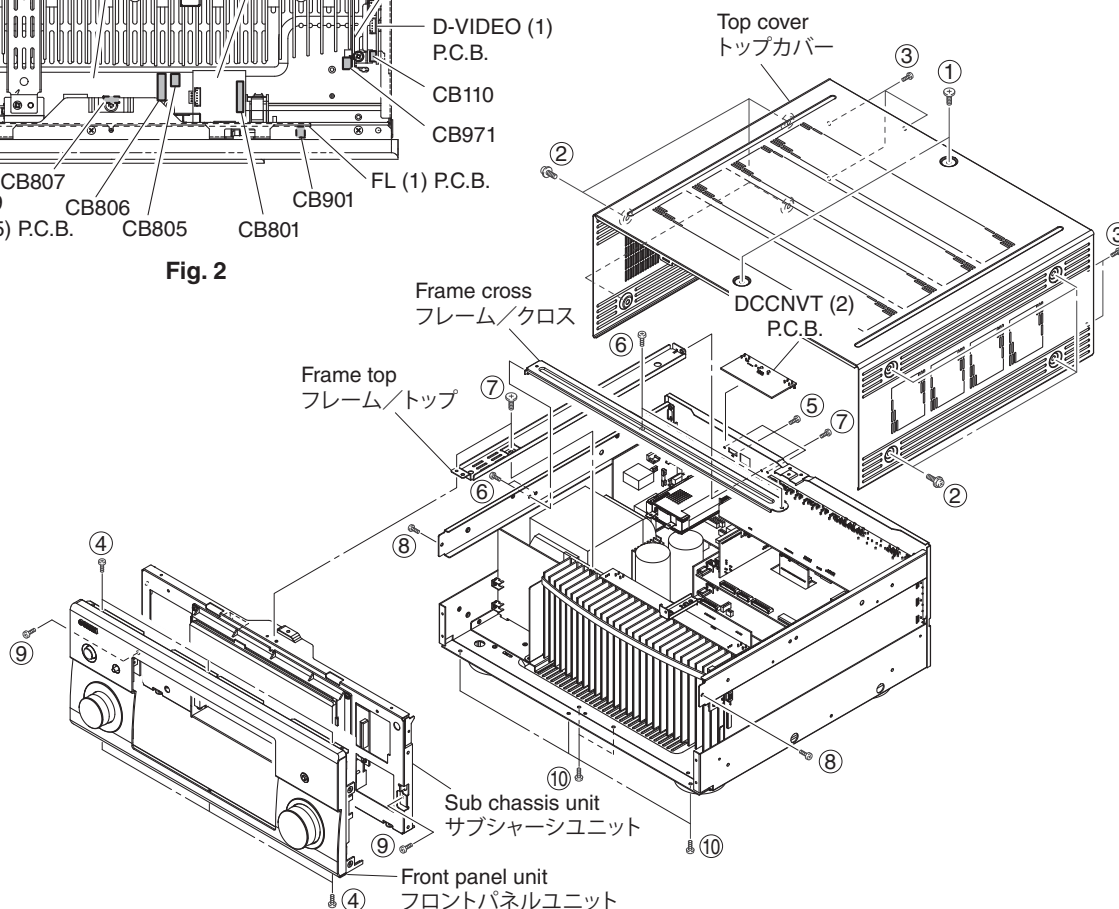


Fig. 1

**When checking the P.C.B.s:**

- Spread the rubber sheet and the cloth. Then place the sub chassis unit on the cloth and check it. (Fig. 3)
- Reconnect all cables (connectors) that have been disconnected. Be sure to use the extension cable for servicing for the following section.  
 FL (1) P.C.B. CB901~FL (2) P.C.B. CB970:  
 WQ662700 (27P, 320mm, P=1.0)  
 FL (2) P.C.B. CB971~OPERATION (6) P.C.B. CB803:  
 MF115300 (15P, 300mm, P=1.25)  
 FL (1) P.C.B. W9001~POWER (1) P.C.B. CB12:  
 MF405400 (5P, 400mm)  
 D-VIDEO (1) P.C.B. CB703~D-VIDEO (2) P.C.B. CB801:  
 WM785100 (20P, 300mm, P=1.0)
- When connecting the flexible flat cable, be careful with polarity.
- Connect the ground point of the sub chassis unit to the chassis with a ground lead or the like. (Fig. 3)

**P.C.B. をチェックする場合には：**

- ゴムシートと布を敷き、その上にサブシャーシユニットを置いてチェックします。(Fig. 3)
- 外したケーブル（コネクタ）をすべて接続します。ただし次の区間は、サービス用延長ケーブルを使用してください。  
 FL (1) P.C.B. CB901 ~ FL (2) P.C.B. CB970 :  
 WQ662700 (27P、320mm、P=1.0)  
 FL (2) P.C.B. CB971 ~ OPERATION (6) P.C.B. CB803 :  
 MF115300 (15P、300mm、P=1.25)  
 FL (1) P.C.B. W9001 ~ POWER (1) P.C.B. CB12 :  
 MF405400 (5P、400mm)  
 D-VIDEO (1) P.C.B. CB703 ~ D-VIDEO (2) P.C.B. CB801 :  
 WM785100 (20P、300mm、P=1.0)
- フラットケーブルを接続する際、極性に注意してください。
- サブシャーシのアースをアース線等でシャーシに接続してください。(Fig. 3)

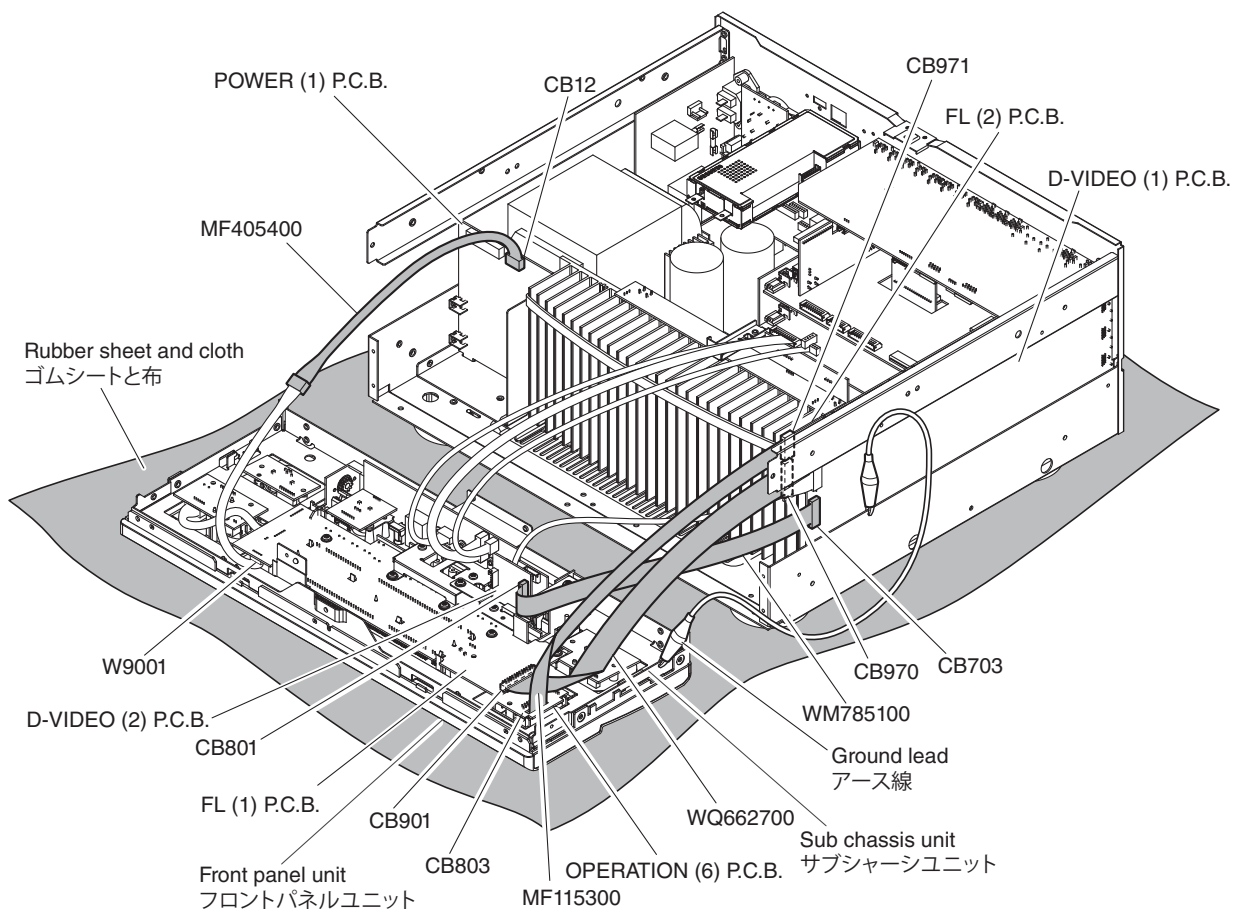


Fig. 3

#### 4. Removal of D-VIDEO (1) P.C.B.

- Remove screw ( ⑪ ). (Fig. 4)
- Remove the frame side L. (Fig. 4)
- Remove 4 screws ( ⑫ ). (Fig. 4)
- Remove 6 screws ( ⑬ ). (Fig. 6)
- Remove CB204, CB953 and CB957. (Fig. 5)
- Remove CB102, CB106-CB109, CB111, CB112, CB710 and then remove the D-VIDEO (1) P.C.B. which is connected directly to the A-VIDEO P.C.B. with board-to-board connectors. (Fig. 4)

#### 5. Removal of A-VIDEO P.C.B.

- Remove 6 screws ( ⑭ ). (Fig. 6)
- Remove CB23, CB203 and CB209. (Fig. 5)
- Remove the A-VIDEO P.C.B.. (Fig. 4)

#### 4. D-VIDEO (1) P.C.B. の外し方

- ⑪ のネジ 1 本を外します。(Fig. 4)
- フレーム/サイド L を取り外します。(Fig. 4)
- ⑫ のネジ 4 本を外します。(Fig. 4)
- ⑬ のネジ 6 本を外します。(Fig. 6)
- CB204、CB953、CB957 を外します。(Fig. 5)
- CB102、CB106～CB109、CB111、CB112、CB710 を外し、D-VIDEO (1) P.C.B. を取り外します。ただし、D-VIDEO (1) P.C.B. は、A-VIDEO P.C.B. に基板対基板コネクタで直接接続されています。(Fig. 4)

#### 5. A-VIDEO P.C.B. の外し方

- ⑭ のネジ 10 本を外します。(Fig. 6)
- CB23、CB203、CB209 を外します。(Fig. 5)
- A-VIDEO P.C.B. を取り外します。(Fig. 4)

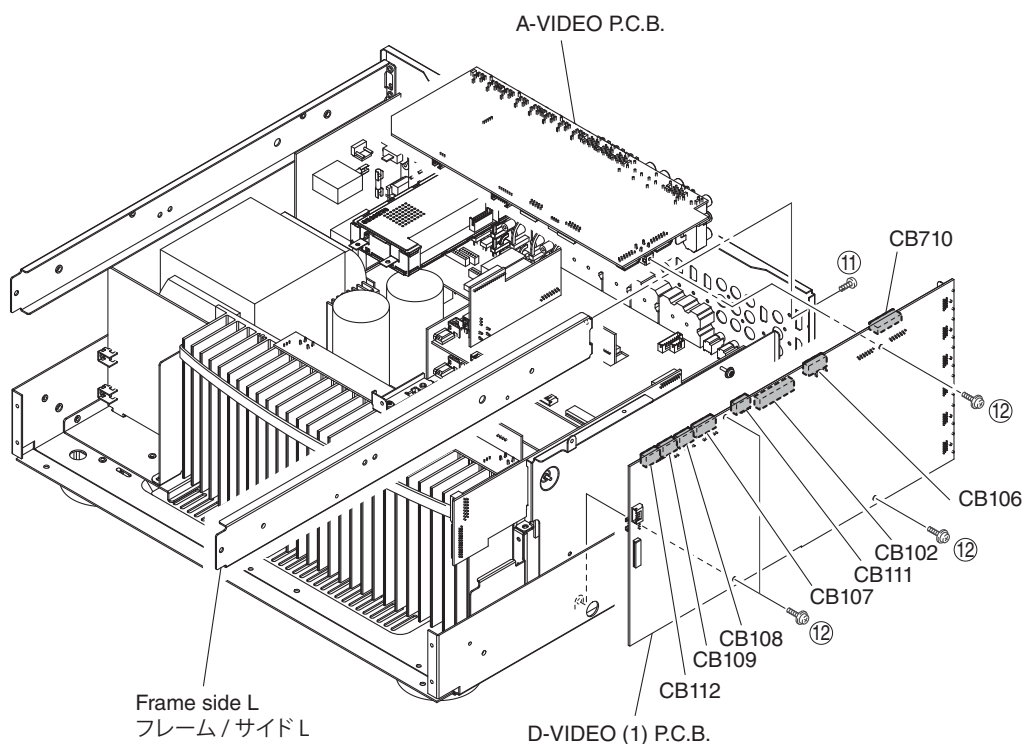


Fig. 4

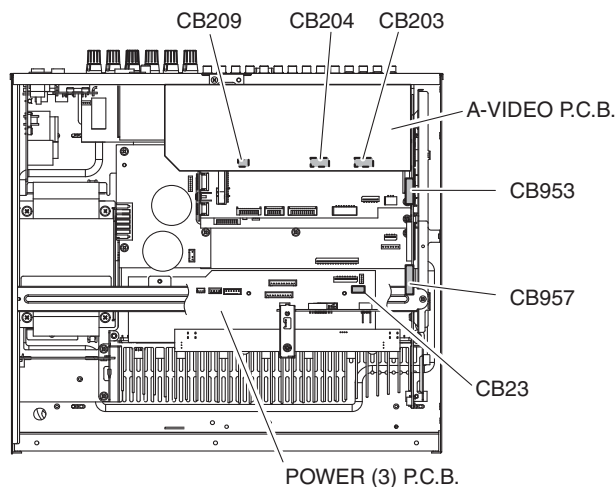
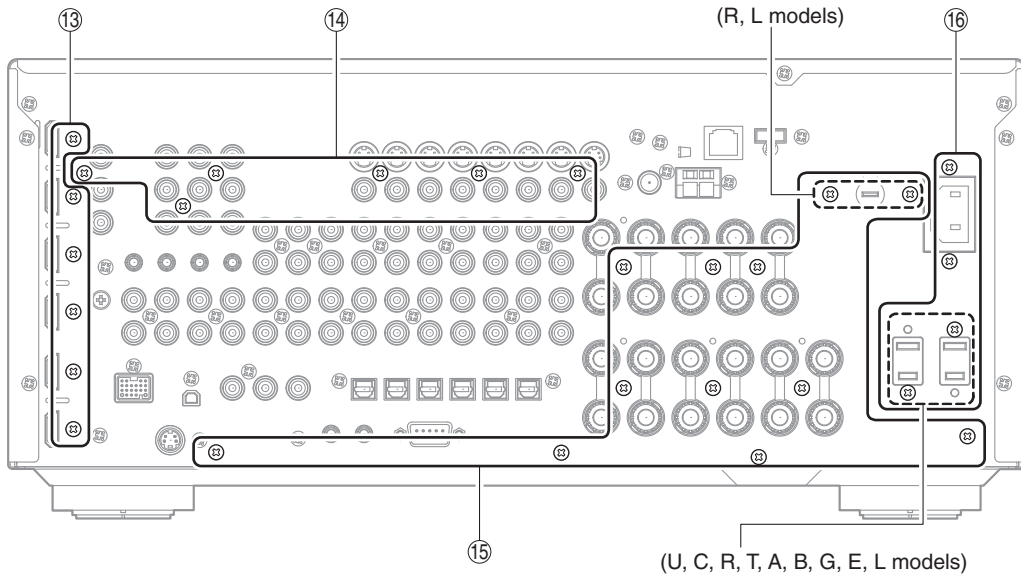


Fig. 5

U, C, R, T, K, A, B, G, E, L models



J model

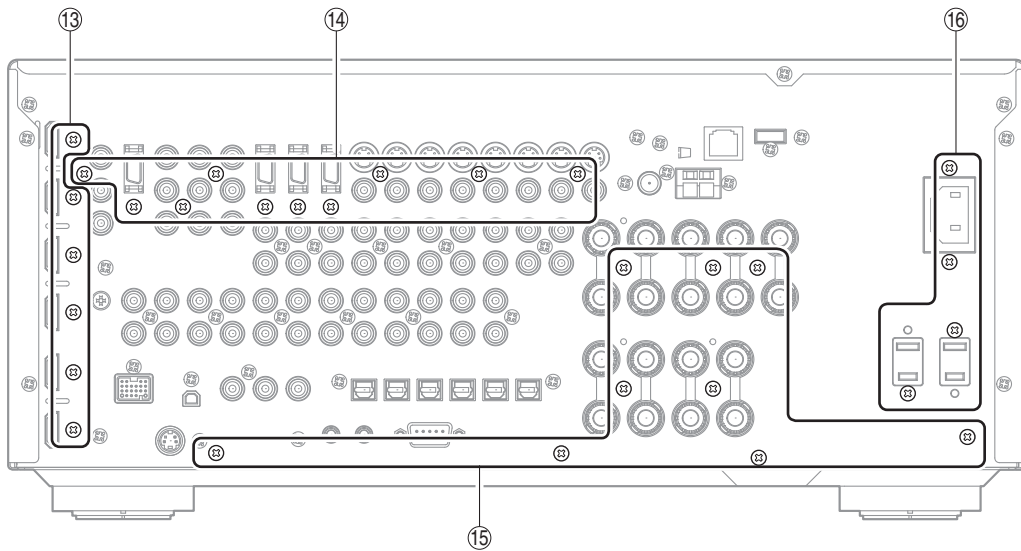


Fig. 6

**When checking the P.C.B.s:**

- Put the rubber sheet and the cloth over this unit. Then place the D-VIDEO and A-VIDEO P.C.B.s upside down on the cloth and check them. (Fig. 7)
- Reconnect all cables (connectors) that have been disconnected. Be sure to use the extension cable for servicing for the following section.  
 FL (2) P.C.B. CB953~D-VIDEO (1) P.C.B. CB102: WM785100 (20P, 300mm, P=1.0)  
 FUNCTION (1) P.C.B. CB410~A-VIDEO P.C.B. CB203: MF111300 (11P, 300mm, P=1.25)  
 D-VIDEO (1) P.C.B. CB703~D-VIDEO (2) P.C.B. CB801: WQ724300 (37P, 340mm, P=1.0)
- When connecting the flexible flat cable, be careful with polarity.
- Connect the ground point of each P.C.B. shown below to the chassis with a ground lead or the like. (Fig. 7)  
 D-VIDEO P.C.B. CB704 (HDMI IN1)  
 A-VIDEO P.C.B. PJ204 (COMPONENT VIDEO)

**P.C.B. をチェックする場合には：**

- 本機の上にゴムシートと布を敷き、その上に D-VIDEO および A-VIDEO P.C.B. を裏返しに置いてチェックします。(Fig. 7)
- 外したケーブル (コネクター) をすべて接続します。ただし次の区間は、サービス用延長ケーブルを使用してください。  
 FL (2) P.C.B. CB953 ~ D-VIDEO (1) P.C.B. CB102 : WM785100 (20P, 300mm, P = 1.0)  
 FUNCTION (1) P.C.B. CB410 ~ A-VIDEO P.C.B. CB203 : MF111300 (11P, 300mm, P = 1.25)  
 D-VIDEO (1) P.C.B. CB703 ~ D-VIDEO (2) P.C.B. CB801 : WQ724300 (37P, 340mm, P = 1.0)
- フラットケーブルを接続する際、極性に注意してください。
- 下記に示す各 P.C.B. のアースをアース線などでシャーシに接続してください。(Fig. 7)  
 D-VIDEO P.C.B. CB704 (HDMI IN1)  
 A-VIDEO P.C.B. PJ204 (COMPONENT VIDEO)

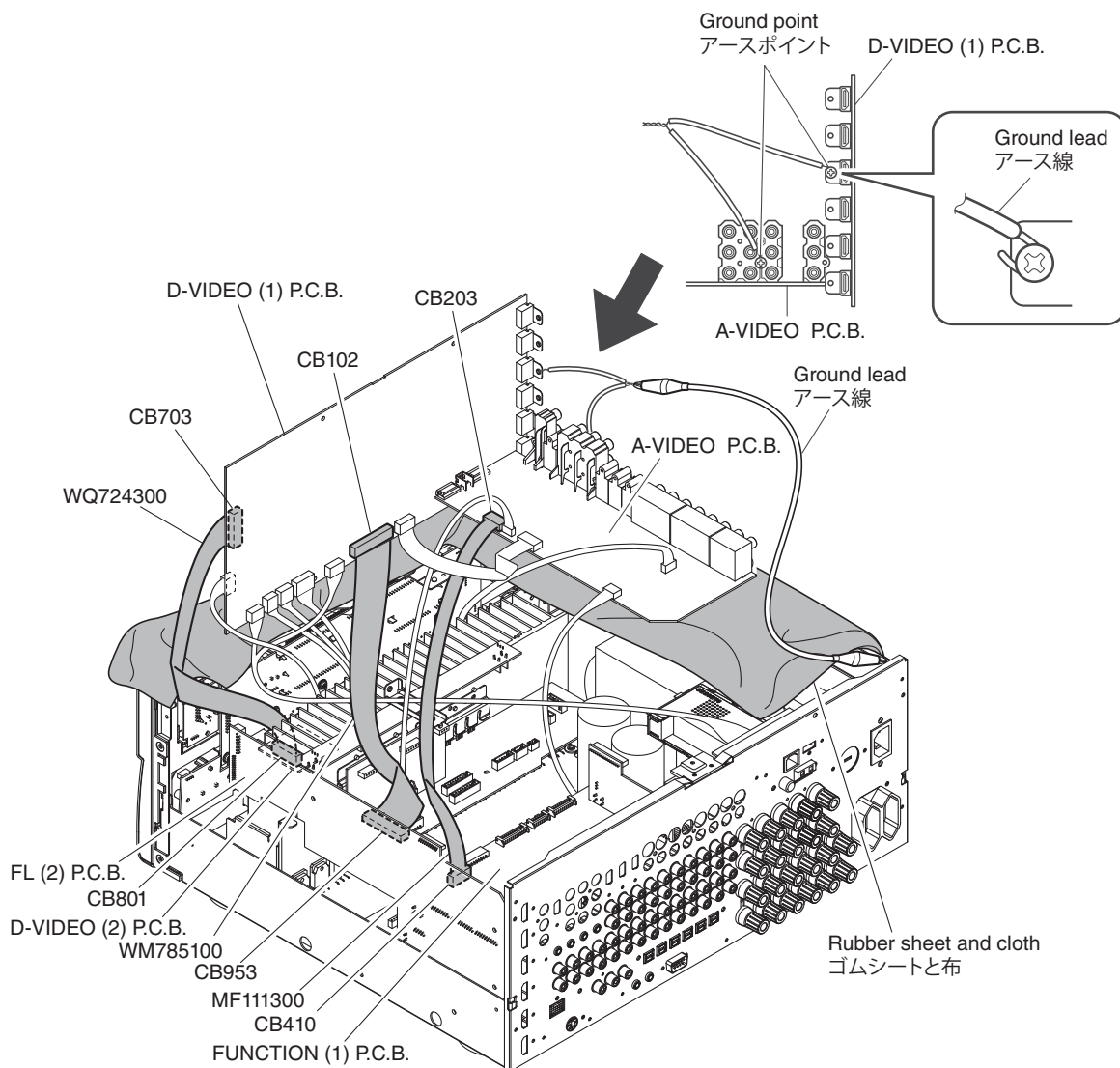


Fig. 7

## 6. Removal of Rear Unit

- Remove 10 (U, C, T, K, A, B, G, E models) / 12 (R, L models) screws ( ⑮ ) and 4 (U, C, R, T, A, B, G, E, L models) / 2 (K model) screws ( ⑯ ). (Fig. 6)
- Remove 4 screws ( ⑰ ) and screw ( ⑱ ). (Fig. 8)
- Remove screw ( ⑲ ). (Fig. 8)
- Remove CB16, CB17, CB20, CB406, CB407, CB409 and CB901. (Fig. 8)
- Remove the rear unit and MAIN (2) P.C.B.. (Fig. 8)

## 6. リアユニットの外し方

- ⑮ のネジ 9 本、⑯ のネジ 4 本を外します。(Fig. 6)
- ⑰ のネジ 4 本、⑱ のネジ 1 本を外します。(Fig. 8)
- CB16、CB17、CB20、CB406、CB407、CB409、CB901 を外します。(Fig. 8)
- リアユニットおよび MAIN (2) P.C.B. を取り外します。

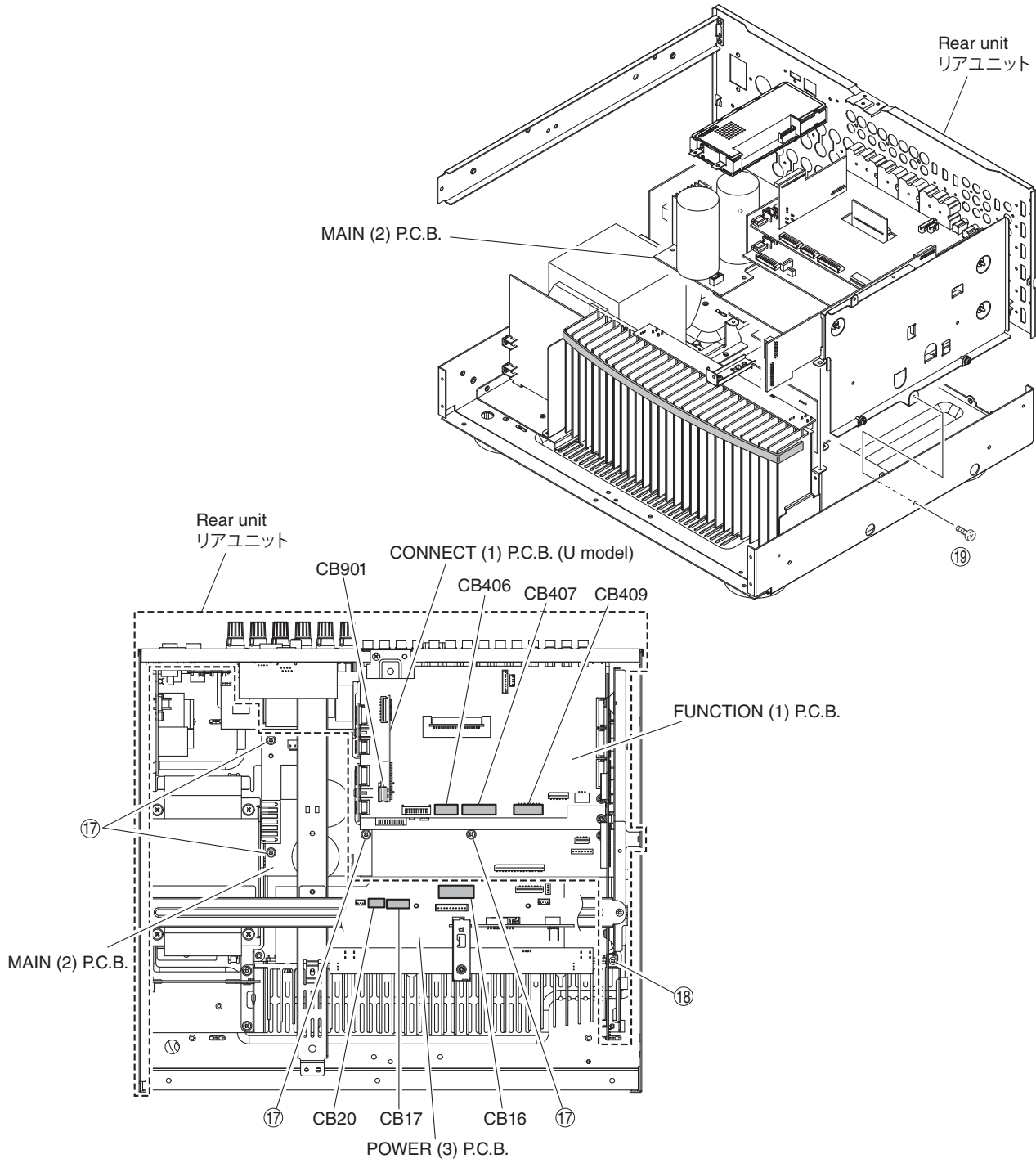


Fig. 8



### When checking the P.C.B.s:

- Put the rubber sheet and the cloth over this unit. Then place the rear unit upside down on the cloth and check it. (Fig. 9)
- Reconnect all cables (connectors) that have been disconnected. Be sure to use the extension cable for servicing for the following section.  
 FL (1) P.C.B. CB901~FL (2) P.C.B. CB970:  
 WQ662700 (27P, 320mm, P=1.0)  
 FL (2) P.C.B. CB971~OPERATION (6) P.C.B. CB803:  
 MF115300 (5P, 300mm, P=1.25)
- When connecting the flexible flat cable, be careful with polarity.
- Connect the ground point of the rear unit to the chassis with a ground lead or the like. (Fig. 9)

### P.C.B. をチェックする場合には：

- 本機の上にゴムシートと布を敷き、その上にリアユニットを裏返しに置いてチェックします。(Fig. 9)
- 外したケーブル (コネクター) をすべて接続します。ただし次の区間は、サービス用延長ケーブルを使用してください。  
 FL (1) P.C.B. CB901 ~ FL (2) P.C.B. CB970 :  
 WQ662700 (27P, 320mm, P=1.0)  
 FL (2) P.C.B. CB971 ~ OPERATION (6) P.C.B. CB803 :  
 MF115300 (15P, 300mm, P = 1.25)
- フラットケーブルを接続する際、極性に注意してください。
- リアユニットのアースをアース線等でシャーシに接続してください。(Fig. 9)

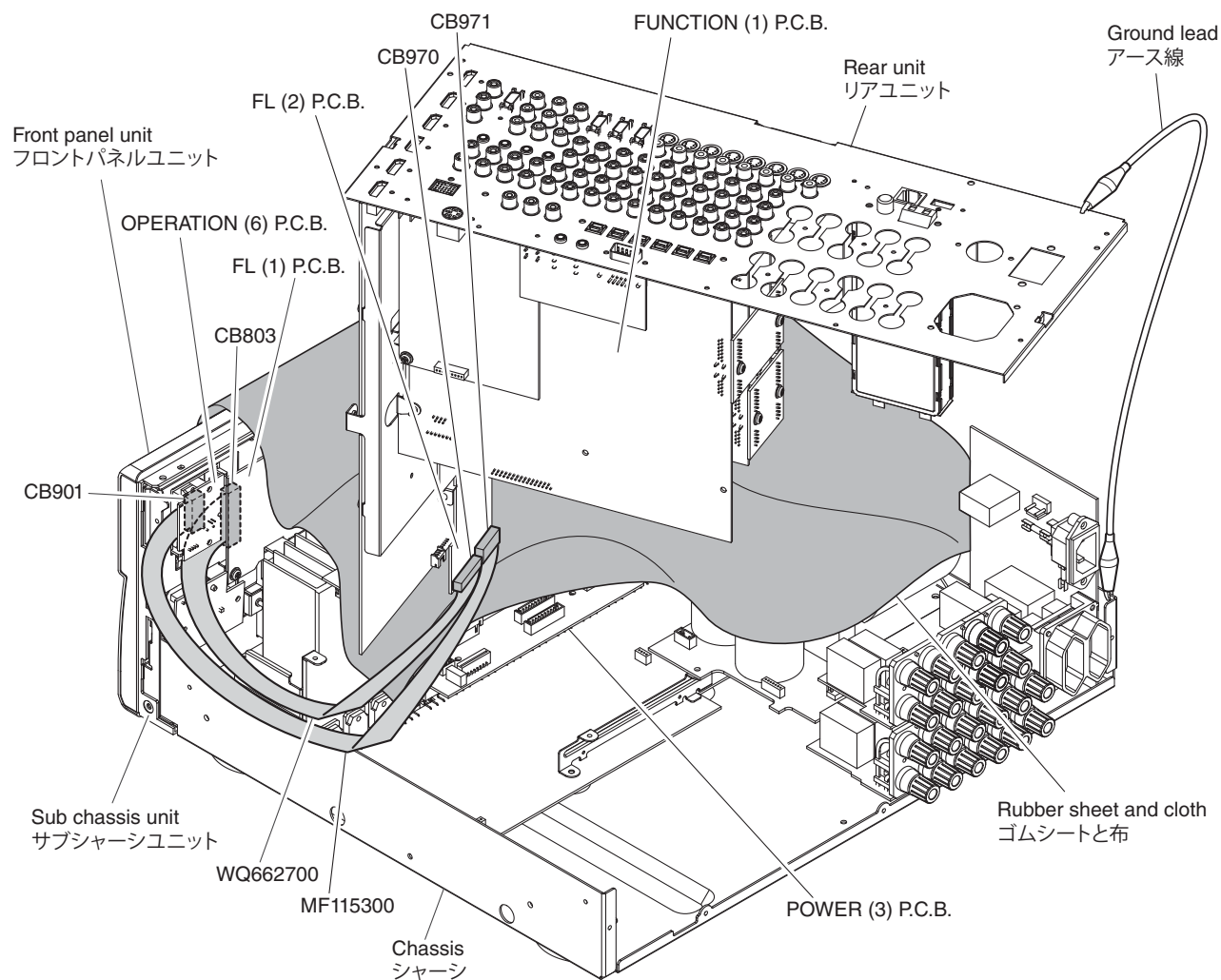


Fig. 9

## 7. Removal of Amp Unit

- Remove 2 screws ( ⑳ ), 5 screws ( ㉑ ) and 2 screws ( ㉒ ). (Fig. 10)
- Remove CB11, CB15 and CB253. (Fig. 10)
- Remove the amp unit. (Fig. 10)

## 7. アンプユニットの外し方

- ⑳ のネジ 2 本、㉑ のネジ 5 本、㉒ のネジ 2 本を外します。(Fig. 10)
- CB11、CB15、CB253 を外します。(Fig. 10)
- アンプユニットを取り外します。(Fig. 10)

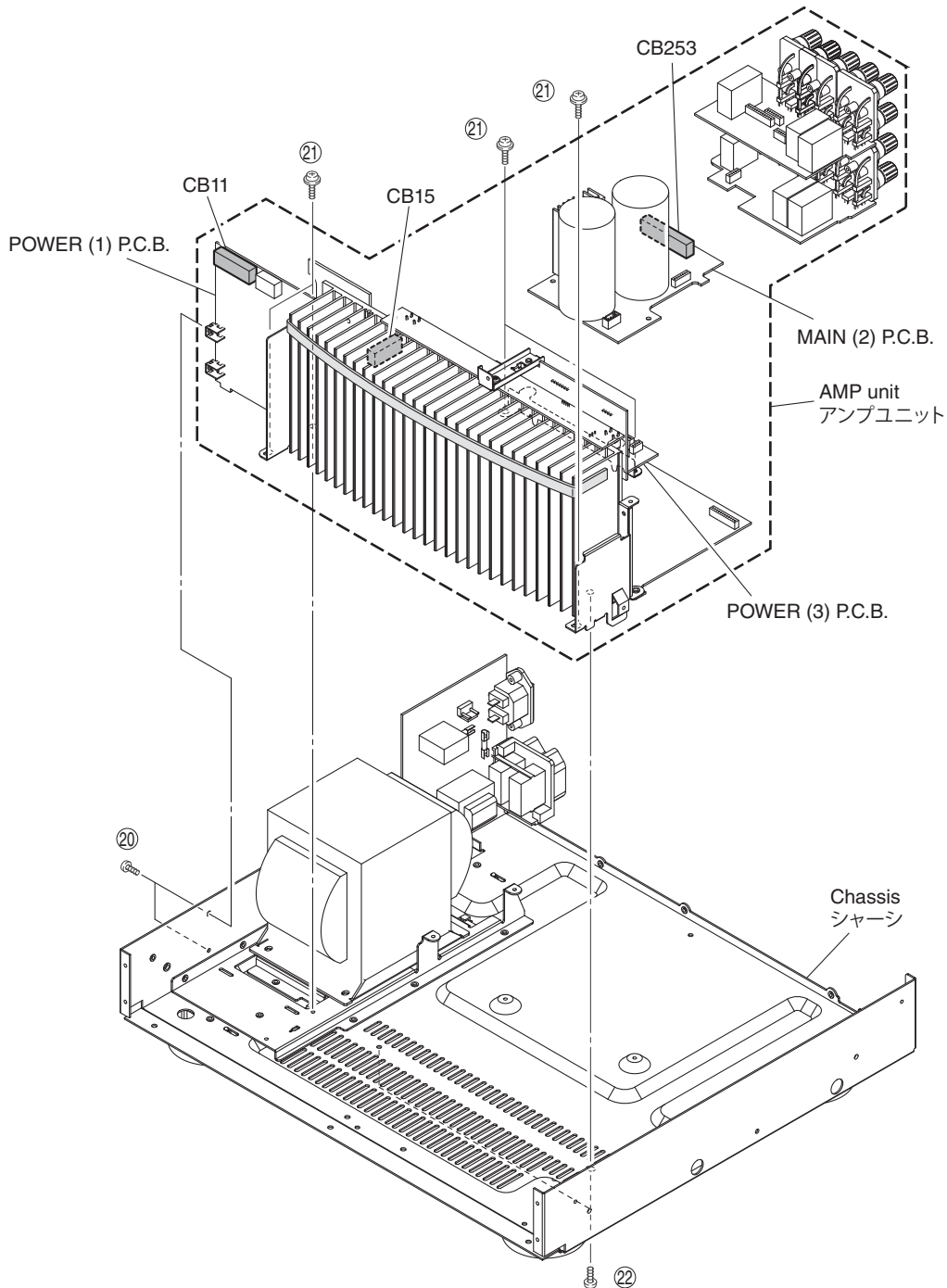


Fig. 10

**When checking the P.C.B.s:**

- Put the rubber sheet and the cloth over this unit. Then put the amp unit upright on the cloth and check it. (Fig. 11)
- Put the amp unit together with the heat sink upright and check. (Fig. 11)
- Reconnect all cables (connectors) that have been disconnected. Be sure to use the extension cable for servicing for the following section.  
 FL (1) P.C.B. CB901~FL (2) P.C.B. CB970:  
 WQ662700 (27P, 320mm, P=1.0)  
 FL (2) P.C.B. CB971~OPERATION (6) P.C.B. CB803:  
 MF115300 (15P, 300mm, P=1.25)  
 FL (1) P.C.B. W9001~POWER (1) P.C.B. CB12:  
 MF405400 (5P, 400mm)  
 D-VIDEO (1) P.C.B. CB703~D-VIDEO (2) P.C.B. CB801:  
 WM785100 (20P, 300mm, P=1.0)
- When connecting the flexible flat cable, be careful with polarity.
- Connect the ground points of the sub chassis unit, POWER (1) P.C.B. and heat sink to the chassis with a ground lead or the like. (Fig. 11)

**P.C.B. をチェックする場合には：**

- 本機の上にゴムシートと布を敷き、その上に アンプユニットを立てて置いてチェックします。(Fig. 11)
- アンプユニットはヒートシンクといっしょに立ててチェックします。(Fig. 11)
- 外したケーブル (コネクター) をすべて接続します。ただし次の区間は、サービス用延長ケーブルを使用してください。  
 FL (1) P.C.B. CB901 ~ FL (2) P.C.B. CB970 :  
 WQ662700 (27P、320mm、P=1.0)  
 FL (2) P.C.B. CB971 ~ OPERATION (6) P.C.B. CB803 :  
 MF115300 (15P、300mm、P=1.25)  
 FL (1) P.C.B. W9001 ~ POWER (1) P.C.B. CB12 :  
 MF405400 (5P、400mm)  
 D-VIDEO (1) P.C.B. CB703 ~ D-VIDEO (2) P.C.B. CB801 :  
 WM785100 (20P、300mm、P=1.0)
- フラットケーブルを接続する際、極性に注意してください。
- サブシャーシユニット、POWER (1) P.C.B.、ヒートシンクのアースをアース線等でシャーシに接続してください。(Fig. 11)

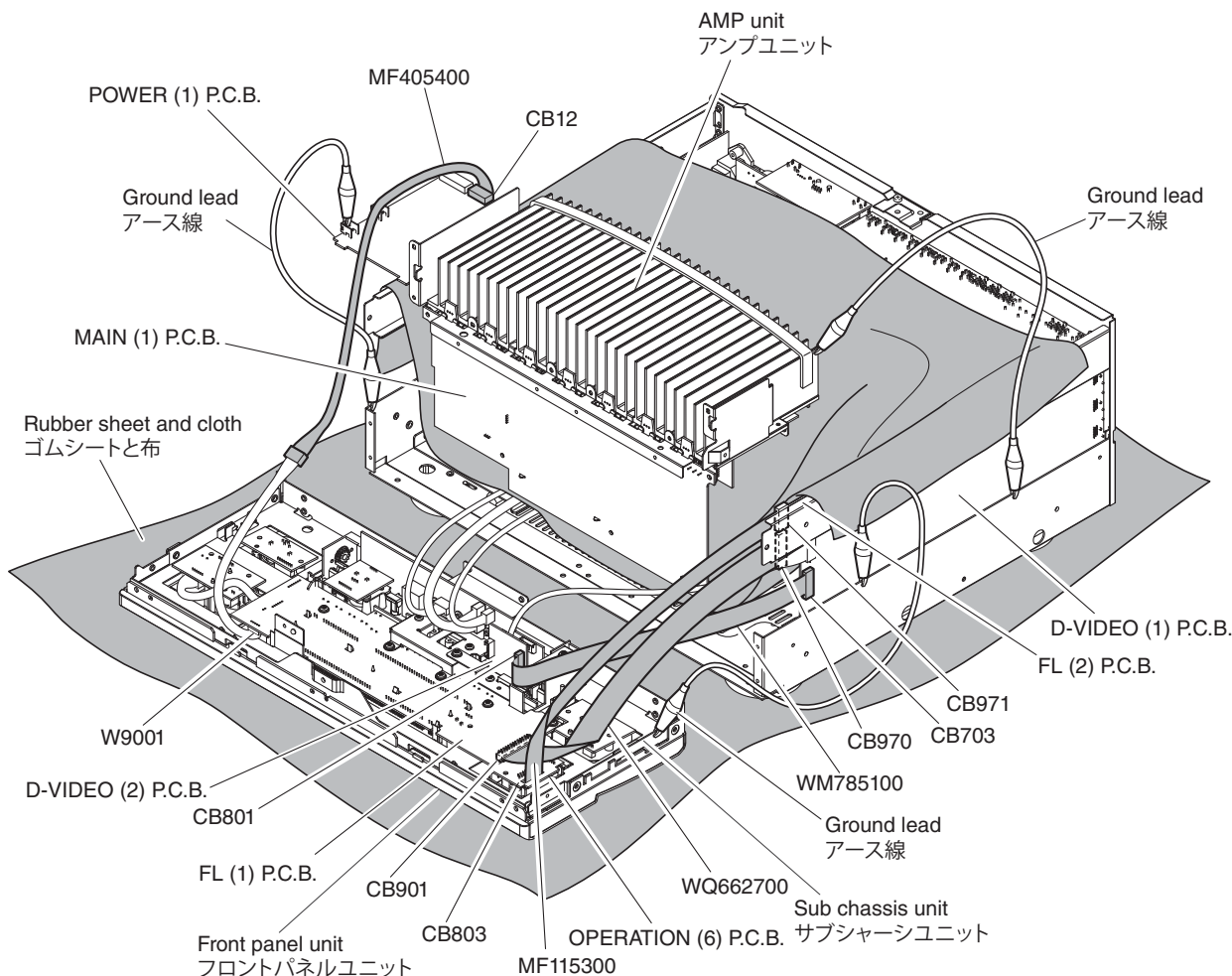


Fig. 11

## ■ UPDATING FIRMWARE / ファームウェアの書き込み

**Note)** The user memories (sound field parameters, system memory, tuner presetting, etc.) are kept stored even when you write the firmware.

**注意)** ファームウェアの書き込みを行っても、ユーザーメモリー（音場プログラムのパラメーターやシステムメモリー、チューナープリセット等）は保持されます。

When replacing the following parts, be sure to write the latest firmware.

P.C.B. Ass'y DSP, FUNCTION or D-VIDEO P.C.B.s  
IC540 (DSP flash ROM) of DSP P.C.B.  
IC402 (Main microprocessor) of FUNCTION P.C.B.  
IC103 (VNP2 flash ROM) of D-VIDEO P.C.B.

下記の部品をサービス部品に交換した場合、最新のファームウェアの書き込みを行ってください。

P.C.B. ASSY : DSP、FUNCTION、D-VIDEO  
DSP P.C.B. : IC540 (DSP フラッシュ ROM)  
FUNCTION P.C.B. : IC402 (メインマイコン)  
D-VIDEO P.C.B. : IC103 (VNP2 フラッシュ ROM)

### ● Required tools

- USB flash memory
- Firmware (RXZ7-xxxx.bin)

### ● 必要なツール

- USB フラッシュメモリー
- ファームウェア (RXZ7-xxxx.bin)

### ● Confirmation of firmware version and checksum

Before and after writing firmware, check the firmware version and checksum by using the self-diagnostic function menu.

Start up the self-diagnostic function and select "S4. ROM/CHECSUM" menu.

Have the firmware version and checksum displayed by using sub-menu, and note down them.

### ● ファームウェアのバージョンとチェックサムの確認

ファームウェアの書き込みの前後に、ファームウェアのバージョンとチェックサムをダイアグメニューで確認します。

ダイアグを起動し、「S4. ROM VER/SUM」メニューを選択します。

サブメニューでファームウェアのバージョンとチェックサムを表示し、それらを書きとめます。

#### S4. ROM VER/SUM

S4. ROM VER/SUM  
V H. 0055. 0091

##### VNP2 (Video Microprocessor) VERSION

The version of VNP2 (IC105 D-VIDEO P.C.B.) firmware is displayed.  
VNP2 (IC105 D-VIDEO P.C.B.) のファームウェアのバージョンを表示します。

S4. ROM VER/SUM  
SUM. B15C4A56

##### VNP2 (Video Microprocessor) SUM

The checksum of VNP2 (IC105 D-VIDEO P.C.B.) is displayed.  
VNP2 (IC105 D-VIDEO P.C.B.) のチェックサムを表示します。

S4. ROM VER/SUM  
M32C-VER. H068

##### M32C (Main Microprocessor) VERSION

The version of Main microprocessor (IC402 FUNCTION P.C.B.) firmware is displayed.  
メインマイコン (IC402 FUNCTION P.C.B.) のファームウェアのバージョンを表示します。

S4. ROM VER/SUM  
M32C-SUM. F5F4

##### M32C (Main Microprocessor) SUM

The checksum of Main microprocessor (IC402 FUNCTION P.C.B.) is displayed.  
メインマイコン (IC402 FUNCTION P.C.B.) のチェックサムを表示します。

S4. ROM VER/SUM  
DSP1-V. 02. 02r

##### DSP1 VERSION

The version of DSP1 (IC534 DSP P.C.B.) firmware is displayed.  
DSP1 (IC534 DSP P.C.B.) のファームウェアのバージョンを表示します。

S4. ROM VER/SUM  
DSP2-V. 02. 05r

##### DSP2 VERSION

The version of DSP2 (IC567 DSP P.C.B.) firmware is displayed.  
DSP2 (IC567 DSP P.C.B.) のファームウェアのバージョンを表示します。

S4. ROM VER/SUM  
D-SUM. 61a0c13d

##### DSP FLASH SUM (4Byte)

The checksum of DSP (IC540 DSP P.C.B.) is displayed.  
DSP (IC540 DSP P.C.B.) のチェックサムを表示します。

S4. ROM VER/SUM  
GUI-VER. 105

##### GUI VERSION

The version of GUI (IC714 D-VIDEO P.C.B.) firmware is displayed.  
GUI (IC714 D-VIDEO P.C.B.) のファームウェアのバージョンを表示します。

S4. ROM VER/SUM  
FPGA-VER. 0020

##### FPGA VERSION

The version of FPGA (IC737 D-VIDEO P.C.B.) firmware is displayed.  
FPGA (IC737 D-VIDEO P.C.B.) のファームウェアのバージョンを表示します。

S4. ROM VER/SUM  
XM-VER. A002

##### XM VERSION (U, C models)

The version of XM firmware is displayed.

S4. ROM VER/SUM  
SIRIUS-V. A004

##### SIRIUS VERSION (U, C models)

The version of SIRIUS firmware is displayed.

S4. ROM VER/SUM  
CEC-VER. -----

##### CEC VERSION (J model)

The version of CEC (IC100 D-VIDEO P.C.B.) firmware is displayed.  
CEC (IC100 D-VIDEO P.C.B.) のファームウェアのバージョンを表示します。

S4. ROM VER/SUM  
BT V. BTVR1. 13

##### BT VERSION (DOCK (YBA-10) is connected)

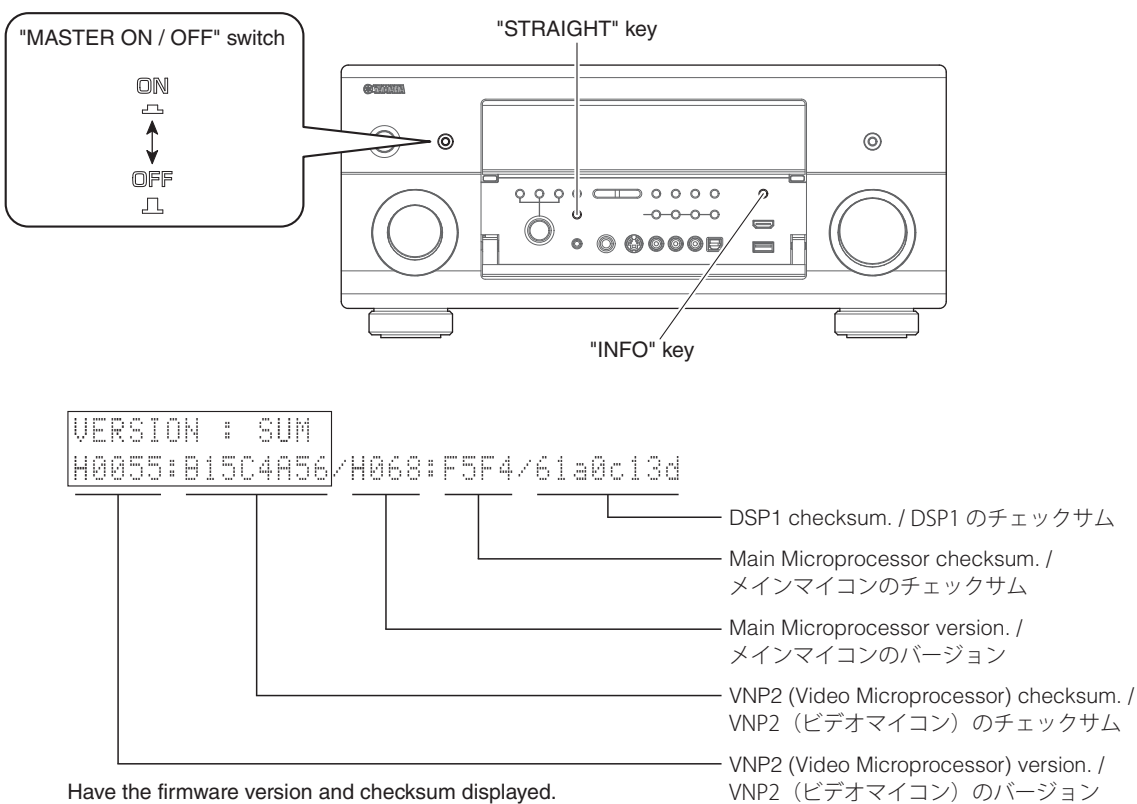
The version of DOCK (YBA-10) version is displayed.  
DOCK (YBA-10) のファームウェアのバージョンを表示します。

**Note:** With this unit, it is possible to check the firmware version and checksum by using the ADVANCED SETUP menu.

1. While pressing the "STRAIGHT" key of this unit, press the "MASTER ON/OFF" switch of this unit to turn on the power.  
The ADVANCED SETUP mode is activated. (Fig. 1)
2. Keep pressing the "INFO" key of this unit for about 3 seconds. (Fig. 1)  
"Version/Sum" is displayed.

**備考:** 本機には、アドバンスドセットアップのメニューからファームウェアのバージョンおよびチェックサムを確認する方法があります。

1. 本機の "STRAIGHT" キーを押しながら "MASTER ON/OFF" スイッチを押して電源を入れます。  
アドバンスドセットアップモードが起動します。(Fig. 1)
2. 本機の "INFO" キーを約 3 秒間押し続けます。(Fig. 1)  
"Version/Sum" が表示されます。



**Fig. 1**

3. Press the "MASTER ON/OFF" switch of this unit to turn off the power.

3. 本機の "MASTER ON/OFF" スイッチを押して電源を切ります。

● Operation procedures

1. Download the latest firmware from the specified download source to PC.
2. Copy the latest firmware into the root folder of the USB flash memory.

**Note) When the firmware is copied into the sub-folder, it is impossible to update firmware.**

3. Insert the USB flash memory to the USB terminal of this unit. (Fig. 2)
4. Press the "MASTER ON/OFF" switch of this unit to the ON position. (Fig. 2)
5. While pressing the "INFO" key of this unit, connect the power cable to the AC outlet. (Fig. 2)  
Writing of the firmware is started. (Fig. 3)

● 操作方法

1. PCへ指定のダウンロード先から最新のファームウェアをダウンロードしてください。
2. 最新のファームウェアをUSBフラッシュメモリのルートフォルダにコピーします。

**注意) ファームウェアをサブフォルダにコピーした場合、本機へ書き込みできません。**

3. 本機のUSB端子にUSBフラッシュメモリーを差し込みます。(Fig. 2)
4. 本機の"MASTER ON/OFF"スイッチを押してオンにします。(Fig. 2)
5. 本機の"INFO"キーを押しながら、電源コードをACコンセントに接続します。(Fig. 2)  
ファームウェアの書き込みが開始されます。(Fig. 3)

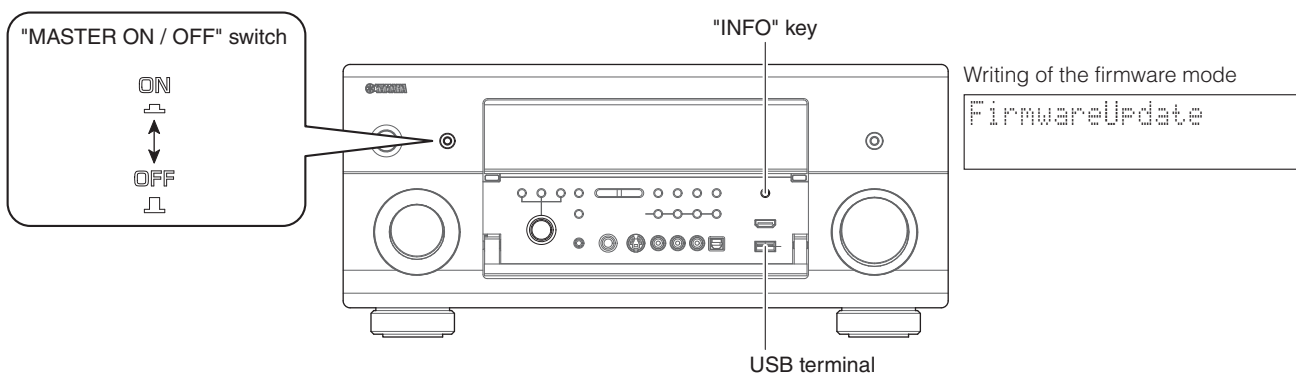


Fig. 2

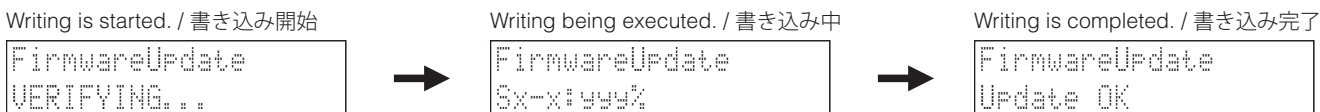


Fig. 3

6. When writing of the firmware is completed, the power of this unit turns off automatically.
- \* The error message is displayed before writing is completed, perform the operation procedures from step 1 to 5 all over again.
6. ファームウェアの書き込みが完了すると、自動で本機の電源が切れます。
- ※ 途中でエラーが表示された場合は、操作手順の1から5までをもう一度やり直してください。

Error display / エラー表示	Contents / 内容	
<b>INVALID FILE</b>	File error ファイルエラー	The firmware is not applicable to RX-Z7/DSP-Z7. ファームウェアが RX-Z7 / DSP-Z7 用ではない
<b>DEVICE ERROR</b>	USB flash memory error USB フラッシュメモリーエラー	The USB flash memory is damaged. USB フラッシュメモリーが壊れている
<b>SYSTEM ERROR</b>	System error システムエラー	<ul style="list-style-type: none"> <li>• An un-applicable USB flash memory is used.</li> <li>• When the USB flash memory is disconnected while the firmware is being written.</li> <li>• The hardware is damaged.</li> </ul> <ul style="list-style-type: none"> <li>• 未対応の USB フラッシュメモリーが使われている</li> <li>• ファームウェアの書き込みの途中で USB フラッシュメモリーが抜かれた</li> <li>• ハードウェアが壊れている</li> </ul>
<b>NOT FOUND</b>	No file error ファイルが無いエラー	The firmware is not written in the USB flash memory or does not exist in the root folder. ファームウェアが USB フラッシュメモリーに書き込まれていない、またはルートフォルダに無い
<b>SOFTWARE ERROR</b>	Software error ソフトウェア	The system software is damaged. システムソフトが壊れている
<b>UNKNOWN ERROR</b>	Other error その他のエラー	
<b>ERASE ERROR</b>	Device data clear error デバイスデータ消去エラー	
<b>SUM ERROR</b>	Checksum error チェックサムエラー	
<b>FORMAT ERROR</b>	Data format error データフォーマットエラー	
<b>WRITE ERROR</b>	Data writing error データ書込エラー	
<b>VERIFY ERROR</b>	Verification error after writing 書込後のベリファイエラー	

7. Press the "MASTER ON/OFF" switch of this unit to turn off the power.
8. Start up the self-diagnostic function and select "S4. ROM VER/SUM" menu.  
Have the firmware version and checksum displayed by using sub-menu, and then check that they are same as written ones.
- \* When the displayed firmware version and checksum are different from written ones, perform the "Writing the Firmware" procedure all over again.
9. Press the "MASTER ON/OFF" switch to turn off the power.
7. 本機の "MASTER ON/OFF" スイッチを押して電源を切ります。
8. ダイアグを起動し、"S4. ROM VER/SUM" メニューを選択します。  
サブメニューでファームウェアのバージョンとチェックサムを表示し、それらが書き込んだものと同じであることを確認します。
- ※ 表示されたファームウェアのバージョンとチェックサムが、書き込まれたものと異なる場合、「ファームウェアの書き込み」をもう一度やり直してください。
9. 本機の "MASTER ON/OFF" スイッチを押して電源を切ります。

## ■ SELF-DIAGNOSTIC FUNCTION / ダイアグ (自己診断機能)

There are 30 main menu items, each of which has sub-menu items. Listed in the table below are menu items and sub-menu items.

メインメニューは30個あり、そのそれぞれにサブメニューがあります。下表はメニュー一覧です。

No.	MAIN MENU	SUB-MENU
<b>A: Audio (Audio system / オーディオ系)</b>		
A1	DSP THROUGH	1. MARGIN 2. FULL BIT 3. PLL=OFF
A2	BYPASS	1. ANALOG BYPASS 2. DSP BYPASS
A3	HDMI AUDIO	1. AUTO 2. DSD Direct
A4	SPEAKERS SET	1. LFE/B:FRONT 2. Pres Mix 3. FATT1 GAIN 4. FATT2 GAIN 5. Zone/Tone=MAX (U, C, R, T, K, A, B, G, E, L models) 6. Zone/Tone=MIN (U, C, R, T, K, A, B, G, E, L models) 7. Zone mono on (U, C, R, T, K, A, B, G, E, L models) 8. Zone mono off (U, C, R, T, K, A, B, G, E, L models) 9. Full mute 10. D-Party mode
A5	MULTI CH INPUT	1. 6ch INPUT_6-ohm 2. 8ch INPUT_6-ohm 3. 6ch INPUT_8-ohm 4. 8ch INPUT_8-ohm 5. 8ch INPUT_6-ohm SP 6. 8ch INPUT_8-ohm SP
A6	MIC CHECK	1. ENTER TO START 2. MIC ROUTE
A7	MANUAL TEST	1. TEST ALL 2. TEST FRNT L 3. TEST CENTER 4. TEST FRNT R 5. TEST SURR R 6. TEST SB R 7. TEST SB L 8. TEST SURR L 9. TEST FP L 10. TEST FP R 11. TEST RP L 12. TEST RP R 13. TEST LFE
<b>G: Graphic (Display system / 表示系)</b>		
G1	FL CHECK	1. FL CHECK 2. VFD DISP OFF 3. VFD DISP ALL 4. VFD DIMMER 5. CHECK PATTERN
<b>Z: Zone (Zone function confirmation item / Zone 機能確認項目)</b>		
Z1	ZONE TEST (U, C, R, T, K, A, B, G, E, L models)	1. ZONE2, 3, 4 INPUT : BD/HD DVD 2. ZONE2, 3, 4 INPUT : DVD 3. ZONE2, 3, 4 INPUT : CBL/SAT 4. ZONE2, 3, 4 INPUT : DVR 5. ZONE2, 3, 4 INPUT : VCR 6. ZONE2, 3, 4 INPUT : VIDEO-AUX 7. ZONE2, 3, 4 INPUT : DOCK 8. ZONE2, 3, 4 INPUT : MD/CD-R 9. ZONE2, 3, 4 INPUT : TV 10. ZONE2, 3, 4 INPUT : CD 11. ZONE2, 3, 4 INPUT : TUNER 12. ZONE2, 3, 4 INPUT : PHONO 13. ZONE2, 3, 4 INPUT : XM (U, C models)



No.	MAIN MENU	SUB-MENU
		14. ZONE2, 3, 4 INPUT : NET/USB
		15. ZONE2, 3, 4 INPUT : SIRIUS (U, C models)
<b>R:</b> Radio (Tuner and Satellite broadcasting system / TUNER、衛星放送系)		
R1	XM TEST (U, C models)	1. 1k -1dB/44.1k 2. 1k -61dB/44.1k 3. Mute /44.1k 4. XM Tone/44.1k 5. ISO Tone/44.1k 6. 1k -1dB/32k 7. 1k -61dB/32k 8. Mute /32k 9. XM Tone/32k 10. ISO Tone/32k 11. XM/DT Bus Power:OFF
R2	SIRIUS TEST (U, C models)	1. SIRIUS : -- 2. SR : xx xx xx 3. SSP : xx xx xx 4. MAC : xx xx xx 5. ADP : xx xx xx 6. PRDID : xx xx xx 7. SEGID : xx xx xx
R3	HD RADIO TEST (U model)	1. CPU version 2. DIR version 3. DOCK version
<b>U:</b> Universal (Special terminal system / 特殊端子系 (USB, Dock))		
U1	iPod	1. DOCK
U2	USB	1. VNP2 TEST 1k 2. VNP2 TEST 20Hz 3. VNP2 TEST 20k 4. VNP2 TEST2 5. USB_F 1 TRACK 6. USB_F 2 TRACK 7. USB_R 1 TRACK
<b>N:</b> Network (Network function system / ネットワーク機能系)		
N1	Net	1. IP Address check 2. MAC Address check 3. MAC LABEL No. SET 4. LINK check 5. EXT TEST 6. PHY TEST 7. Line noise measurement 10Mbps 8. Line noise measurement 100Mbps
<b>C:</b> Communication (Communication and BUS line check item, etc.. / 通信・バスラインチェック項目等)		
C1	FUNCTION P.C.B. CHECK	1. 232C DATA : xx 2. ALL : xx xx xx
C2	DSP P.C.B. CHECK	1. T11 BUS : xx 2. T12 BUS : xx
C3	D-VIDEO P.C.B. CHECK	1. ALL check 2. SDRAM Bus check 3. NPGA Bus check 4. YGV Bus check 5. I2C check 6. FPGA SPI check 7. EEPROM I2C check
C4	HDMI INFO.	1. HDMI Model Name 2. HDMI Product ID 3. HDMI Vendor Name
C5	EPROM CHECK	1. SPI-EPROM check

No.	MAIN MENU	SUB-MENU
<b>V: Video (Video system / ビデオ系)</b>		
V1	A-VIDEO P.C.B. CHECK	1. ANALOG BYPASS 2. DIGITAL BYPASS 3. REC ZONE 4. MUTE CHECK 1 5. MUTE CHECK 2 6. OSD character pattern 1 (0-127) 7. OSD character pattern 2 (128-255) 8. TEST PATTERN 9. VIDEO INFO.
V2	D-VIDEO P.C.B. ROUTE CHECK	1. HDMI loopback test 1 2. HDMI loopback test 2 3. HDMI loopback test 3 4. HDMI loopback test 4 5. HDMI to HDMI_out1 6. CVBS to DA & HDMI_out1 7. CVBS to DA & HDMI_out1 with DDR 8. Y/C to DA & HDMI_out1 9. Component_480p to DA & HDMI_out1 10. Component_720p to HDMI_out1 11. YGV to DA & HDMI_out1
<b>P: Power Supply (Power supply system / パワー系)</b>		
P1	SYSTEM MONITOR	1. DC 1 : xxx 2. PS1 / PS2 / PS3 3. THM 1 / THM2 4. OUTLVL 1 5. LMCNT : xxx 6. AMP-POW 7. AMP-RY 8. MODEL : xxx 9. DESTINATION 10. PANEL KEY (K0/K1)
P2	PROTECTION HIST.	1. LAST : I PROT 2. HIST1 : DCxxx 3. HIST2 : PCxxx
<b>S: System (System setting confirmation item / システム設定確認項目)</b>		
S1	FIRM UPDATE	1. Microprocessor UPDATE ALL 2. Microprocessor UPDATE VNP2 3. Microprocessor UPDATE M32C 4. Microprocessor UPDATE T11
S2	TOOL UPDATE (Not applied to these models. / このモデルには適用されません。)	1. CEC MCU (J model) 2. HD RADIO MOD. (U model)
S3	FACTORY PRESET	1. PRESET INH 2. PRESET RSRV
S4	ROM VER/SUM	1. VNP2 microprocessor version 2. VNP2 microprocessor SUM 3. M32C microprocessor version 4. M32C microprocessor SUM 5. DSP#1 version 6. DSP#2 version 7. DSP#1 SUM 8. GUI version 9. FPGA version 10. XM version 11. SIRIUS version 12. CEC version 13. BT version 14. HD-RADIO version (U model)
S5	SET INFO.	1. MODEL 2. DEST 3. HARD
S6	SOFT SW (Not applied to these models. / このモデルには適用されません。)	

## ● Starting Self-Diagnostic Function

While pressing those 2 keys of this unit as indicated in the figure below, press the "MASTER ON/OFF" switch to turn on the power and keep pressing those 2 keys.

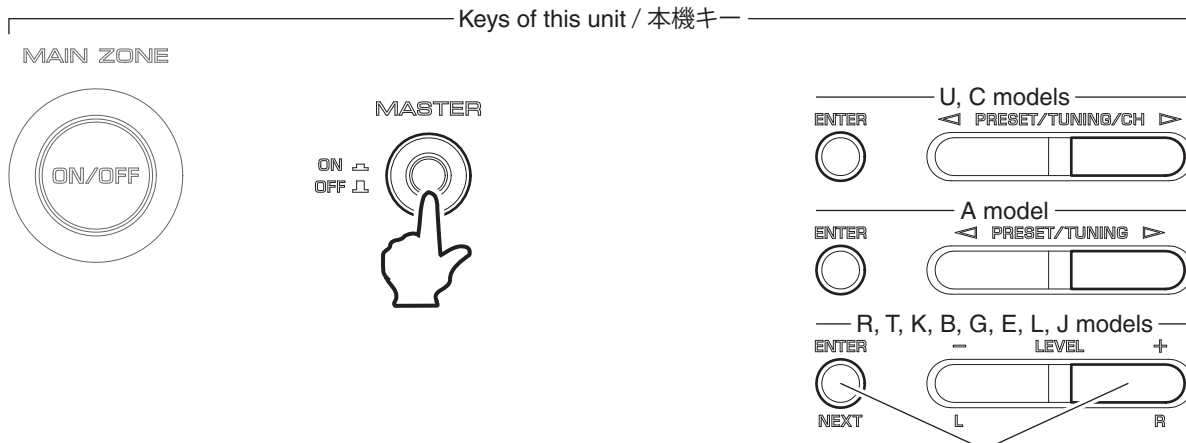
When the "DIAGNOSTIC RX-Z7" (U, C, A models) / "DIAGNOSTIC DSP-Z7" (R, T, K, B, G, E, L models) is displayed, release those 2 keys.

The self-diagnostic function mode is activated.

## ● ダイアグの起動

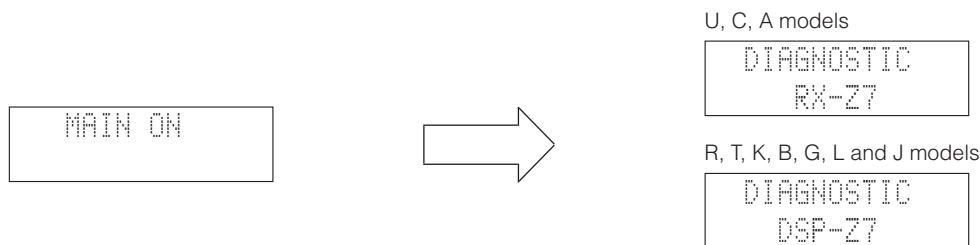
本機の下図に示す 2 つのキーを押しながら "MASTER ON/OFF" スイッチを押して電源を入れ、2 つのキーを押し続けます。"DIAGNOSTIC DSP-Z7" が表示されたら 2 つのキーを放します。

ダイアグが起動します。



Turn on the power while pressing these keys.  
これらのキーを押しながら、電源オンする。

Display / ディスプレイ表示



## ● Starting Self-Diagnostic Function in the protection cancel mode

If the protection function works and causes hindrance to trouble shoot, cancel the protection function as described below, and it will be possible to enter the self-diagnostic function mode. (The protection functions other than the excess current detect function will be disabled.)

While pressing those 2 keys of this unit as indicated in the figure above, press the "MASTER ON/OFF" switch to turn on the power and keep pressing those 2 keys.

When the "SLEEP" flashes after the "DIAGNOSTIC RX-Z7" (U, C, A models) / "DIAGNOSTIC DSP-Z7" (R, T, K, B, G, E, L models) is displayed, release those 2 keys.

The self-diagnostic function mode is activated with protection functions disabled.

In this mode, the "SLEEP" segment of the FL display of this unit flashes to indicate that the mode is self-diagnostic function mode with the protection functions disabled.

## ● プロテクション解除モードでの起動

プロテクションが動作することにより、故障箇所の診断に支障をきたすような場合は、次の方法によりプロテクションを解除した状態でダイアグモードに入ることができます。(過電流検出以外のプロテクション動作を解除する)

上図に示す 2 つのキーを同時に押しながら "MASTER ON/OFF" スイッチを押して電源を入れ、2 つのキーを押し続けます。"DIAGNOSTIC DSP-Z7" が表示された後、"SLEEP" が点滅したら 2 つのキーを放します。

プロテクション解除モードでダイアグが起動します。

このモードでは本機 FL の "SLEEP" セグメントが点滅し、プロテクションを解除した状態でのダイアグモードであることを知らせます。

### CAUTION!

Using this product with the protection function disabled may cause further damage to itself. Use special care when using this mode.

### 注意!

プロテクションを解除した状態でのダイアグモードは、危険な状態でもプロテクションが作動しないため、動作させると、機器を破壊することがあります。このモードを使用する場合は十分注意してください。

## ● Canceling Self-Diagnostic Function

- ① Before canceling self-diagnostic function, execute setting for PRESET of main menu No. S3 (Memory initialization inhibited or Memory initialized).
  - \* In order to keep the user memory stored, be sure to select PRESET INHIBIT (Memory initialization inhibited).
- ② Press the "MASTER ON/OFF" switch of this unit to turn off the power.

## ● Display provided when Self-Diagnostic Function started

The FL display of this unit displays the model name, followed by the protection function history data, the version (1 alphabet) and the main menu (sub-menu MARGIN of main menu No. A1 DSP THROUGH) at a few seconds intervals.

### When there is no history of protection function:

Opening message / オープニング表示

When there is no protection history  
プロテクション履歴が無い場合



Main menu display / メインメニュー表示

## ● ダイアグの解除

- ① ダイアグを解除する前に、メインメニュー No. S3 の FACTORY PRESET (メモリーの初期化禁止 / またはメモリーの初期化) の設定をします。
  - ※ ユーザーメモリーを保持したい場合は、必ず PRESET INHIBIT (メモリー初期化禁止) を選択してください。
- ② 本機の "MASTER ON/OFF" スイッチを押して電源を切ります。

## ● ダイアグ起動時の表示

本機の FL ディスプレイにモデル名が表示されます。その後、数秒間隔でプロテクション履歴情報とバージョン (英 1 文字)、メインメニュー (No. A1 DSP THROUGH のサブメニュー MARGIN) が表示されます。

### プロテクション履歴がない場合:

### When there is a history of protection function:

#### When there is a history of protection function due to excess current

When there is a history of protection function due to excess current  
過電流によるプロテクション履歴がある場合

DIAGNOSTIC  
I PROTECT H

Firmware version  
ファームウェアバージョン

### プロテクション履歴がある場合:

#### 過電流によるプロテクション履歴がある場合

**原因:** パワーアンプに過電流が流れた。  
**補足:** パワートランジスタの電流を検出していますので、電流検出トランジスタをチェックすれば異常チャンネルが特定できます。

**Cause:** An excessive current flowed through the power amplifier.

**Supplementary information:** As current of the power transistor is detected, the abnormal channel can be identified by checking the current detect transistor.

The power will not turn on even when the "MASTER ON/OFF" switch is pressed. To turn on the power again, disconnect the power cable to this unit from the AC outlet and then reconnect it again.

"MASTER ON/OFF" スイッチを押しても電源が入らなくなります。再度電源を入れる場合、一度本機の電源コードを AC 電源コンセントから抜いて接続し直してください。

### When there is a history of protection function due to a short between speaker terminals

### スピーカー端子間のショートによるプロテクション履歴がある場合

When there is a history of protection function due to a short between speaker terminals  
スピーカー端子間のショートによるプロテクション履歴がある場合

```
DIAGNOSTIC
I(SP) PRT H
```

Firmware version  
ファームウェアバージョン

**Cause:** The line between speaker terminals is shorted.

**Supplementary information:** As the excess current is detected after operation of the speaker relay, the shorted speaker terminal and the connected speaker can be identified.

Turning on the power without correcting the abnormality will cause the protection function to work immediately and the power supply will instantly be shut off.

**原因:** スピーカー端子間がショートしている。

**補足:** スピーカーリレー動作後に過電流を検出しているため、スピーカー端子および接続しているスピーカーのショートが特定できます。

異常状態のまま電源を入れると、瞬時にプロテクションが働き、すぐに電源が切れます。

When there is a history of protection function due to abnormal voltage in the power supply section  
電源部の電圧異常によるプロテクション履歴がある場合

```
DIAGNOSTIC
PSx PRT:000 H
```

A/D conversion value of voltage      Firmware version  
電圧の A/D 変換値      ファームウェアバージョン

**Cause:** The voltage in the power supply section is abnormal.  
(Normal value: PS1 43 to 66, PS2 107 to 133,  
PS3 140 to 179)

**Supplementary information:** The abnormal voltage is displayed in based on 5V as 255.

Turning on the power without correcting the abnormality will cause the protection function to work 1 second later and the power supply will be shut off.

**原因:** 電源部の電圧が異常。  
(正常値: PS1 40 ~ 69, PS2 103 ~ 133,  
PS3 140 ~ 179)

**補足:** 異常時の電圧の状態を、5V を 255 とした値で表示します。

異常状態のまま電源を入れると、1 秒後にプロテクションが働き、電源が切れます。

#### Note)

- Applying the power to this unit without correcting the abnormality can be dangerous and cause additional circuit damage. To avoid this, if protection function has been activated 3 times continuously, the power will not turn on even when the "MASTER ON/OFF" switch is pressed. In order to turn on the power again, disconnect the power cable of this unit from the AC outlet once and then reconnect it again.
- The output transistors in each amplifier channel should be checked for damage before applying power of this unit.
- Amplifier current should be monitored by measuring DC voltage across the emitter resistors for each channel.

#### 注意!

- 異常状態のまま本機の電源を入れると、危険な状態になり、さらに回路が損傷を受ける原因になります。それを避けるために、プロテクションが連続して3回働いた場合、それ以降 "MASTER ON/OFF" スイッチを押しても電源が入らなくなります。再度電源を入れる場合、一度本機の電源コードを AC 電源コンセントから抜いて接続し直してください。
- 本機の電源をいれる前に、各アンプのチャンネル内の出力トランジスタに損傷がないかチェックしてください。
- アンプの電流は、各チャンネルのエミッターの抵抗器間電圧を測定することによりモニターしてください。

When there is a history of protection function due to abnormal DC output  
DC出力異常によるプロテクション履歴がある場合

```
DIAGNOSTIC
DC FRT:000 H
```

A/D conversion value of voltage    Firmware version  
電圧の A/D 変換値    ファームウェアバージョン

**Cause:** DC output of the power amplifier is abnormal.  
(Normal value: 5 to 34)

**Supplementary information:** The abnormal voltage is displayed in based on 5V as 255.

Turning on the power without correcting the abnormality will cause the protection function to work 4 seconds later and the power supply will be shut off.

**原因:** パワーアンプの DC 出力が異常。  
(正常値: 5 ~ 34)

**補足:** 異常時の電圧の状態を、5V を 255 とした値で表示します。

異常状態のまま電源を入れると、4 秒後にプロテクションが働き、電源が切れます。

When there is a history of protection function due to excessive heat sink temperature  
放熱器の異常温度によるプロテクション履歴がある場合

```
DIAGNOSTIC
TMPx FRT:000 H
```

A/D conversion value of voltage    Firmware version  
電圧の A/D 変換値    ファームウェアバージョン

**Cause:** The temperature of the heat sink is excessive.  
(Normal value: TMP1/TMP2 10 to 83)

**Supplementary information:** The abnormal voltage is displayed in based on 5V as 255.

Turning on the power without correcting the abnormality will cause the protection function to work 1 second later and the power supply will be shut off.

- \* Additional causes of protection can be due to loose connections, associated components, Microprocessor, etc.
- \* For the protection voltage value, refer to main menu No. P1 described later.

**原因:** 放熱器の温度が異常。  
(正常値: TMP1/TMP2 10 ~ 83)

**補足:** 異常時の電圧の状態を、5V を 255 とした値で表示します。

異常状態のまま電源を入れると、1 秒後にプロテクションが働き、電源が切れます。

- ※ 前記の異常原因の他に、コネクタのはずれやマイコン周辺などに原因がある場合があります。
- ※ プロテクションの電圧値に関しては、後述のメインメニュー No. P1 を参照してください。

### ● History of protection function

When the protection function has worked, its history is stored in memory with a backup. Even if no abnormality is noted while servicing the unit, an abnormality which has occurred previously can be defined as long as the backup data has been stored. The history of the protection function is cleared when self-diagnostic function is cancelled by selecting PRESET RESERVED (Memory initialized) of main menu No. S3 or when the backup data is erased.

### ● プロテクションの履歴

プロテクションが働いた場合、履歴をバックアップして記憶しています。サービスのときに異常が認められなくても、バックアップが残っていれば、お客様のところで起きた異常を区別できます。プロテクションの履歴は、メインメニュー No. S3 で PRESET RESERVED (メモリーの初期化) を選んでダイアグを解除した場合や、バックアップが消えたときにはクリアされます。

## ● Display during menu operation

During the self-diagnostic function mode, the monitor screen shows the wall paper and the selected function among following functions as a short message.

- Input selection, multi channel input
- Muting
- Master volume

The FL display of this unit shows the selected function. The displayed contents are described in the later section on details of self-diagnostic function menu.

## ● Operation procedure of Main menu and Sub-menu

There are 30 menu items, each of having sub-menu items.

### Main menu selection

Select the main menu using "PROGRAM" knob.

### Sub-menu selection

#### – U, C models –

Select the sub-menu using key of "ENTER" (Forward).

#### – R, T, K, A, B, G, E, L, J models –

Select the sub-menu using key of "ENTER / NEXT" (Forward).

## ● メニュー動作中の表示

ダイアグ中、モニター画面には壁紙表示と以下の動作中の機能がショートメッセージとして表示されます。

- インプット切替、マルチチャンネルインプット
- ミューティング
- マスターボリューム

本機のFLディスプレイには動作中の機能が表示されます。機能動作中の表示内容については、後述の機能詳細で記述します。

## ● メインメニューとサブメニューの操作

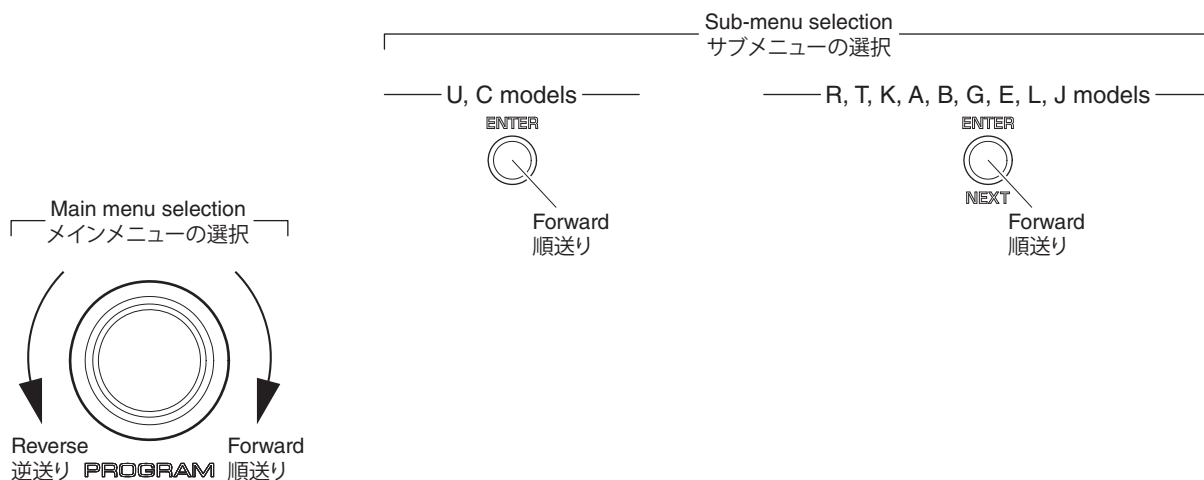
ダイアグには30のメニューがあり、そのそれぞれにサブメニューがあります。

### メインメニューの選択

"PROGRAM" ツマミで選択します。

### サブメニューの選択

"ENTER / NEXT" (順送り) キーで選択します。



## ● Functions in Self-Diagnostic Function mode

In addition to the self-diagnostic function menu items, functions listed below are available.

- Input selection, Multi channel input
  - Center/Rear/Rear center/Sub-woofer level adjustment
  - Muting
  - Power on/off
  - Master volume
- \* Functions related to the tuner and the set menu are not available.

## ● Initial settings used to start Self-Diagnostic Function

The following initial settings are used when starting self-diagnostic function. When self-diagnostic function is canceled, these settings are restored to those before starting self-diagnostic function.

- Master volume: -20dB
- Input: DVD (MULTI CHANNEL INPUT OFF)
- Effect level: 0dB
- Audio mute: OFF
- Speaker setting: LARGE / BASS OUT = BOTH
- Self-diagnostic function menu:  
A1. DSP-THROUGH / MARGIN

## ● Input change when Main menu is selected

There are points where the input changes automatically when main menu is selected.

- A1. DVD
- A4. DVD
- A5. MULTI CH IN
- A7. CD
- R1. XM (U, C models)
- R2. SIRIUS (U, C models)
- R3. TUNER
- U1. DOCK
- U2. USB
- C2. DVD

## ● ダイアグ中の機能

ダイアグメニューの他に、以下の機能が動作します。

- インプット切り換え、マルチチャンネルインプット
  - センター、リア、リアセンター、サブウーファーレベル調整
  - ミューティング
  - パワーオン/オフ
  - マスターボリューム
- ※ チューナー関連、セットメニュー関連は機能しません。

## ● ダイアグ開始時の初期設定

ダイアグ開始時に以下のような設定になります。ダイアグ解除時にはダイアグ開始前の状態に戻ります。

- マスターボリューム：-20dB
- インプット：DVD (マルチチャンネル INPUT オフ)
- エフェクトレベル：0dB
- オーディオミュート：オフ
- スピーカー設定：LARGE / BASS OUT=BOTH
- ダイアグメニュー：A1. DSP-THROUGH / MARGIN

## ● メインメニュー選択時のインプット切り換え

メインメニュー選択時に、自動でインプットが切り換わる箇所があります。

- A1. DVD
- A4. DVD
- A5. MULTI CH IN
- A7. CD
- R1. XM (U, C models)
- R2. SIRIUS (U, C models)
- R3. TUNER
- U1. DOCK
- U2. USB
- C2. DVD



## ● Details of Self-Diagnostic Function menu

With full-bit output specified in some modes, it is possible to execute 0dBFS output without head margin in each channel.

### – A: Audio (Audio system) –

#### A1. DSP THROUGH

This function is for DSP2 only. Main DSP of DSP2 is selected for FRONT output.

Using the sub-menu, it is possible to select 0dB output level or full-bit output.

#### MARGIN

- The signal is output including the head margin.

```
AL DSP THROUGH
MARGIN
```

INPUT: DVD ANALOG

SPEAKER OUT: 1kHz, SUBWOOFER OUTPUT: 50Hz

Input level	Volume	SPEAKER OUT						SUBWOOFER OUTPUT
		FRONT	CENTER	SURROUND	SURROUND BACK	PRESENCE (SP1)	ZONE2 (SP2)	
Both ch, -20 dBm	+6.5 dB	+13.0 dBm	+13.0 dBm	+13.0 dBm	+13.0 dBm	-∞	-∞	-16.0 dBm

#### FULL BIT

- The signal is output in digital full bit without including the head margin.
- The SWFR signal is output but not in digital full bit.

```
AL DSP THROUGH
FULL BIT
```

INPUT: DVD ANALOG

SPEAKER OUT: 1kHz, SUBWOOFER OUTPUT: 50Hz

Input level	Volume	SPEAKER OUT						SUBWOOFER OUTPUT
		FRONT	CENTER	SURROUND	SURROUND BACK	PRESENCE (SP1)	ZONE2 (SP2)	
Both ch, -20 dBm	+6.5 dB	+13.0 dBm	+13.0 dBm	+13.0 dBm	+13.0 dBm	-∞	-∞	-16.0 dBm

#### PLL=OFF

- Output with PLL (IC513) turned off.

```
AL DSP THROUGH
PLL=OFF
```

INPUT: DVD ANALOG

SPEAKER OUT: 1kHz, SUBWOOFER OUTPUT: 50Hz

Input level	Volume	SPEAKER OUT						SUBWOOFER OUTPUT
		FRONT	CENTER	SURROUND	SURROUND BACK	PRESENCE (SP1)	ZONE2 (SP2)	
Both ch, -20 dBm	+6.5 dB	+13.0 dBm	+13.0 dBm	+13.0 dBm	+13.0 dBm	-∞	-∞	-16.0 dBm

## ● ダイアグメニュー詳細

一部のモードでフルビット指定することで、各チャンネルのヘッドマージンを廃して 0dBFS 出力することが可能です。

### – A : Audio (オーディオ系) –

#### A1. DSP THROUGH

DSP2 のみの動作です。FRONT 出力には DSP2 の Main DSP が選択されます。

サブメニューにより、出力レベル 0dB、フルビット出力が選択可能です。

#### MARGIN

- ヘッドマージンを含んで出力されます。

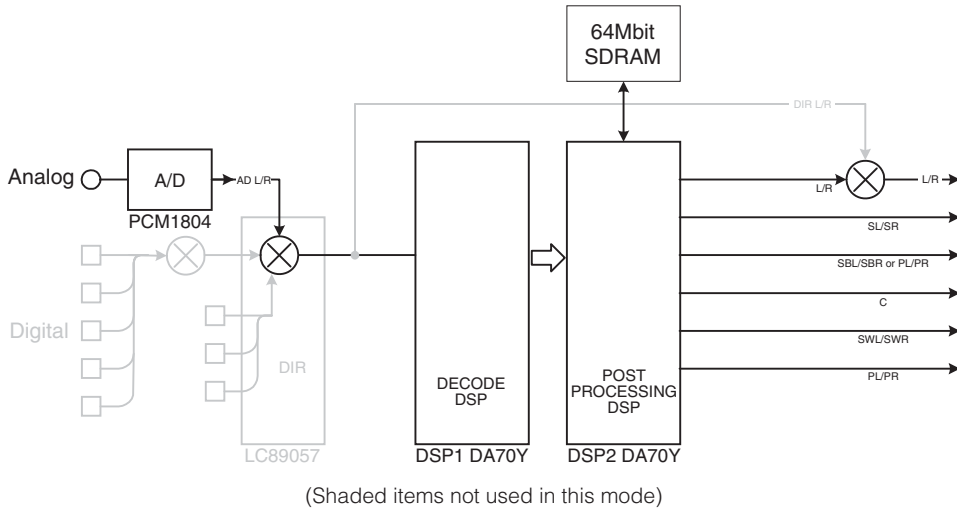
#### FULL BIT

- ヘッドマージンを含まず、デジタルフルビットで出力されます。
- SWFR は出力されますが、デジタルフルビットではありません。

#### PLL=OFF

- PLL (IC513) をオフにして出力します。

DSP THROUGH  
(ANALOG)



**A2. BYPASS**

**A2. BYPASS**

**ANALOG BYPASS**

**ANALOG BYPASS**

A2. BYPASS  
ANALOG

INPUT: DVD ANALOG  
SPEAKER OUT: 1kHz, SUBWOOFER OUTPUT: 50Hz

Input level	Volume	SPEAKER OUT						SUBWOOFER OUTPUT
		FRONT	CENTER	SURROUND	SURROUND BACK	PRESENCE (SP1)	ZONE2 (SP2)	
Both ch, -20 dBm	+6.5 dB	+13.0 dBm	-∞	-∞	-∞	-∞	-∞	-∞

**DSP BYPASS**

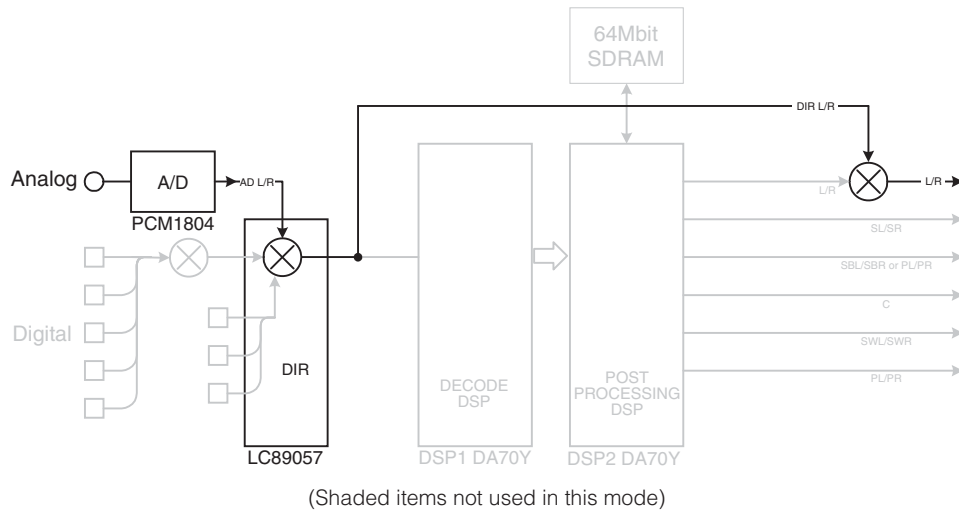
**DSP BYPASS**

A2. BYPASS  
DSP BYPASS

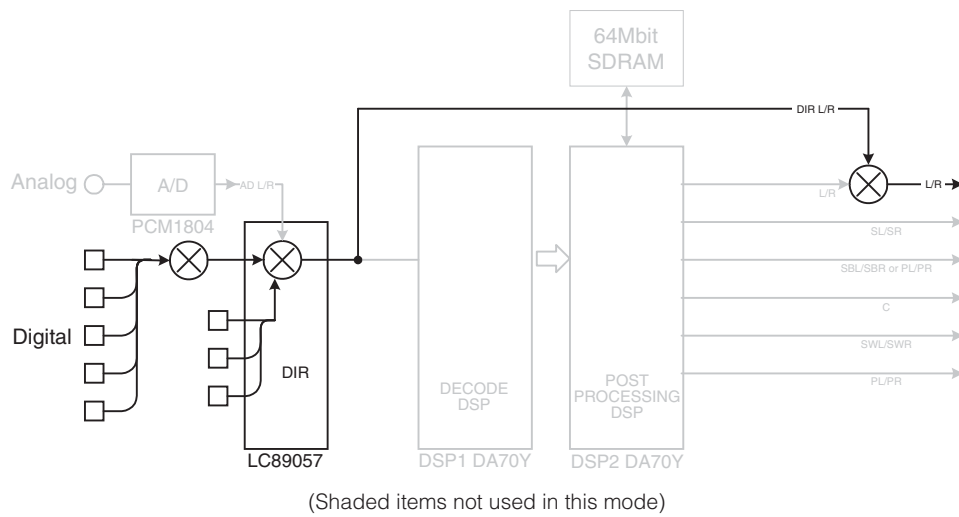
INPUT: DVD ANALOG  
SPEAKER OUT: 1kHz, SUBWOOFER OUTPUT: 50Hz

Input level	Volume	SPEAKER OUT						SUBWOOFER OUTPUT
		FRONT	CENTER	SURROUND	SURROUND BACK	PRESENCE (SP1)	ZONE2 (SP2)	
Both ch, -20 dBm	+6.5 dB	-∞	-∞	-∞	-∞	-∞	-∞	-∞

ANALOG BYPASS  
(ANALOG)



DSP BYPASS  
(DIGITAL)



### A3. HDMI AUDIO

The audio signals input to HDMI IN are selected by the sub-menu and output.

- \* When you select DSD Direct, be sure to connect an HDMI unit with DSD output function.

**AUTO**



### DSD Direct

DSD (Direct Stream Digital) is output by the direct mode.



### A3. HDMI AUDIO

HDMI IN に入力された音声信号をサブメニューで選択し、出力します。

- ※ DSD Direct を選択する場合、必ず DSD 出力が可能な HDMI 機器を接続してください。

**AUTO**

### DSD Direct

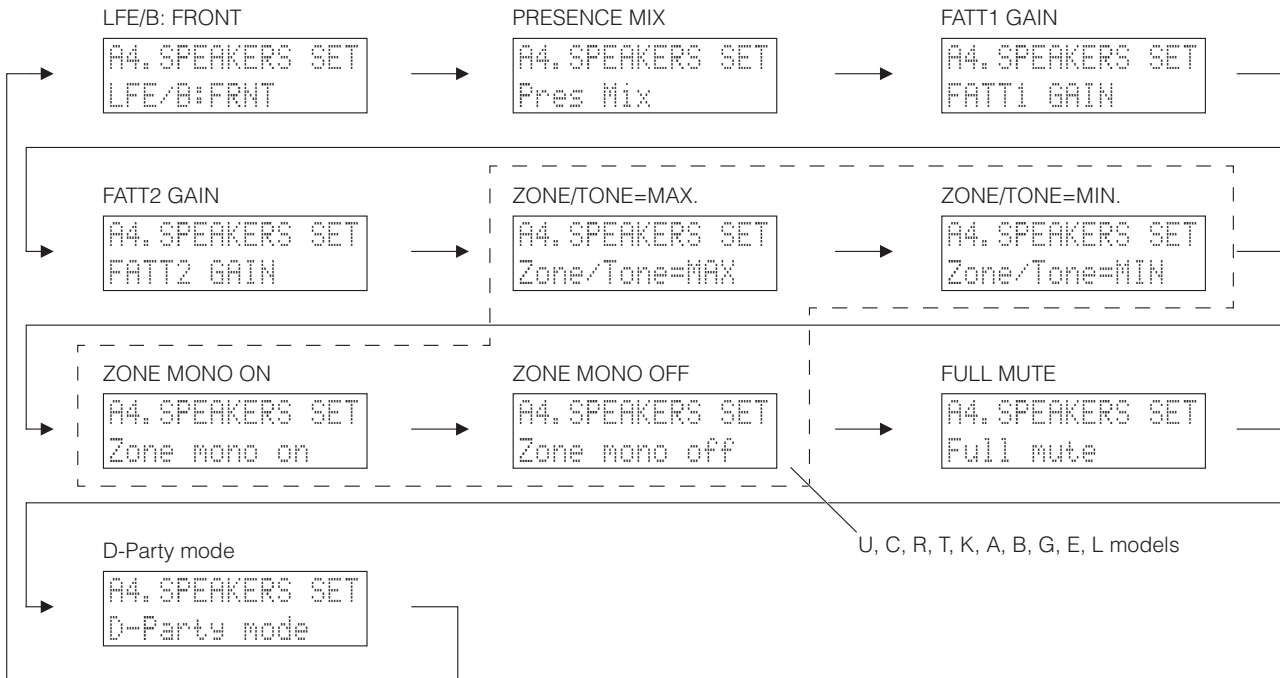
DSD (Direct Stream Digital) をダイレクトモードで出力します。

### A4. SPEAKERS SET

The input signal is automatically identified in the order of dts → DOLBY DIGITAL → AAC → PCM → Analog. There are 10 sub-menu items as follows.

### A4. SPEAKERS SET

入力は、dts → DOLBY DIGITAL → AAC → PCM → アナログの優先順で自動判別されます。サブメニューは以下の 10 あります。



The analog switch settings for each sub-menu are as shown in the table below.

各サブメニューにおけるアナログスイッチの設定は以下の通りです。

SUB MENU	FRONT	CENTER	SURROUND	SURROUND BACK	PRESENCE (SP1)	ZONE2 (SP2)	SUB WOOFER
1. LFE/B: FRONT	LARGE	LARGE	LARGE	LARGE	-	-	FRONT
2. PRESENCE MIX	-	-	-	-	-	-	-
3. FATT1 GAIN	-	-	-	-	-	-	-
4. FATT2 GAIN	-	-	-	-	-	-	-
5. ZONE/TONE=MAX.	LARGE	LARGE	LARGE	LARGE	-	-	SWFR
6. ZONE/TONE=MIN.	LARGE	LARGE	LARGE	LARGE	-	-	SWFR
7. ZONE MONO ON (*1)	LARGE	LARGE	NONE	NONE	-	-	SWFR
8. ZONE MONO OFF (*1)	LARGE	LARGE	NONE	NONE	-	-	SWFR
9. FULL MUTE	LARGE	SMALL	SMALL	SMALL	-	-	SWFR
10. D-Party mode (*2)	LARGE	LARGE	LARGE	LARGE	-	-	SWFR

\*1 ZONE MONO mode: The analog Zone2/3 input is output as a monaural signal.  
アナログの Zone2 / 3 入力がモノラル信号として出力されます。

\*2 D-Party mode: The digital input signal is output to Zone2/3.  
Digital 入力信号が Zone2 / 3 に出力されます。

LARGE: This mode is used for a speaker with high bass reproduction performance (a large unit). Full bandwidth signals are output.

SMALL: This mode is used for a speaker with low bass reproduction performance (a small unit). The signals of 90Hz or less are mixed into the channel specified by LFE/BASS.

NONE: This mode is used for no center speaker. The center content is reduced by 3dB and distributed to FRONT L/R.

SWFR: LFE of 5.1ch signal or LFE/BASS lower than 90Hz is output through SUBWOOFER OUT.

FRONT: LFE of 5.1ch signal or LFE/BASS lower than 90Hz is distributed to FRONT L/R.

LARGE: 低音再生能力の高い（ユニットの大きい）スピーカーを使用するモードです。全帯域が出力されます。

SMALL: 低音再生能力の低い（ユニットの小さい）スピーカーを使用するモードです。90Hz 以下が LFE/BASS で指定したチャンネルにミックスされます。

NONE: センタースピーカーを使用しないモードです。センター成分は -3dB されて、FRONT L/R に振り分けられます。

SWFR: 5.1ch 信号の LFE または 90Hz 以下の LFE/BASS が SUBWOOFER OUT に出力されます。

FRONT: 5.1ch 信号の LFE または 90Hz 以下の LFE/BASS を FRONT L/R に振り分けます。

INPUT: DVD ANALOG

SPEAKER OUT: 1kHz, SUBWOOFER OUTPUT: 50Hz

Input level: Both ch, -20 dBm

Volume: +6.5 dB

SUB MENU	SPEAKER OUT						SUBWOOFER OUTPUT
	FRONT	CENTER	SURROUND	SURROUND BACK	PRESENCE (SP1)	ZONE2 (SP2)	
1. LFE/B: FRONT	+3.0 dBm	+13.0 dBm	+13.0 dBm	+13.0 dBm	-∞	-∞	-∞
2. PRESENCE MIX	+13.0 dBm	+13.0 dBm	+13.0 dBm	+13.0 dBm	-∞	-∞	-16.0 dBm
3. FATT1 GAIN	+8.5 dBm	-∞	-∞	-∞	-∞	-∞	-∞
4. FATT2 GAIN	-∞	+13.0 dBm	+13.0 dBm	+13.0 dBm	-∞	-∞	-16.0 dBm
5. ZONE/TONE=MAX.	-∞	-∞	-∞	-∞	+5.5 dBm	+5.5 dBm	-∞
6. ZONE/TONE=MIN.	-∞	-∞	-∞	-∞	+0.5 dBm	+0.5 dBm	-∞
7. ZONE MONO ON	-∞	-∞	-∞	-∞	-∞	-∞	-∞
8. ZONE MONO OFF	-∞	-∞	-∞	-∞	-∞	-∞	-∞
9. FULL MUTE	-∞	-∞	-∞	-∞	-∞	-∞	-∞
10. D-Party mode	+13.0 dBm	+13.0 dBm	+13.0 dBm	+13.0 dBm	-∞	-∞	-16.0 dBm

**A5. MULTI CH INPUT**

It is possible to select the 6ch/8ch input and 6-ohm/8-ohm by using the sub-menu.

**6CH INPUT\_6-ohm**

```
A5. Multi ch IN
6ch INPUT_60
```

INPUT: MULTI CH INPUT

SPEAKER OUT: 1kHz, SUBWOOFER OUTPUT: 50Hz

Input level	Volume	SPEAKER OUT						SUBWOOFER OUTPUT
		FRONT	CENTER	SURROUND	SURROUND BACK	PRESENCE (SP1)	ZONE2 (SP2)	
Both ch, -20 dBm	+6.5 dB	+13.0 dBm	+13.0 dBm	+13.0 dBm	-∞	-∞	-∞	+16.0 dBm

**A5. MULTI CH INPUT**

サブメニューにより、6ch/8ch 入力および6 オーム/8 オームが選択可能です。

**6CH INPUT\_6 オーム****8CH INPUT\_6-ohm**

```
A5. Multi ch IN
8ch INPUT_60
```

INPUT: MULTI CH INPUT

SPEAKER OUT: 1kHz, SUBWOOFER OUTPUT: 50Hz

Input level	Volume	SPEAKER OUT						SUBWOOFER OUTPUT
		FRONT (DVD)	CENTER	SURROUND	SURROUND BACK	PRESENCE (SP1)	ZONE2 (SP2)	
Both ch, -20 dBm	+6.5 dB	-∞	+13.0 dBm	+13.0 dBm	+13.0 dBm	-∞	-∞	-16.0 dBm

**8CH INPUT\_6 オーム****6CH INPUT\_8-ohm**

```
A5. Multi ch IN
6ch INPUT_80
```

INPUT: MULTI CH INPUT

SPEAKER OUT: 1kHz, SUBWOOFER OUTPUT: 50Hz

Input level	Volume	SPEAKER OUT						SUBWOOFER OUTPUT
		FRONT	CENTER	SURROUND	SURROUND BACK	PRESENCE (SP1)	ZONE2 (SP2)	
Both ch, -20 dBm	+6.5 dB	+13.0 dBm	+13.0 dBm	+13.0 dBm	-∞	-∞	-∞	-16.0 dBm

**6CH INPUT\_8 オーム****8CH INPUT\_8-ohm**

```
A5. Multi ch IN
8ch INPUT_80
```

INPUT: MULTI CH INPUT

SPEAKER OUT: 1kHz, SUBWOOFER OUTPUT: 50Hz

Input level	Volume	SPEAKER OUT						SUBWOOFER OUTPUT
		FRONT (DVD)	CENTER	SURROUND	SURROUND BACK	PRESENCE (SP1)	ZONE2 (SP2)	
Both ch, -20 dBm	+6.5 dB	+13.0 dBm	+13.0 dBm	+13.0 dBm	+13.0 dBm	-∞	-∞	-16.0 dBm

**8CH INPUT\_8 オーム**

## 8CH INPUT\_6-ohm SP

## 8CH INPUT\_6 オーム SP

```
A5. Multi ch IN
8ch INPUT_6OSF
```

INPUT: MULTI CH INPUT

SPEAKER OUT: 1kHz, SUBWOOFER OUTPUT: 50Hz

Input level	Volume	SPEAKER OUT						SUBWOOFER OUTPUT
		FRONT (DVD)	CENTER	SURROUND	SURROUND BACK	PRESENCE (SP1)	ZONE2 (SP2)	
Both ch, -20 dBm	+6.5 dB	+13.0 dBm	-∞	-∞	-∞	-∞	-∞	-∞

## 8CH INPUT\_8-ohm SP

## 8CH INPUT\_8 オーム SP

```
A5. Multi ch IN
8ch INPUT_8OSF
```

INPUT: MULTI CH INPUT

SPEAKER OUT: 1kHz, SUBWOOFER OUTPUT: 50Hz

Input level	Volume	SPEAKER OUT						SUBWOOFER OUTPUT
		FRONT (DVD)	CENTER	SURROUND	SURROUND BACK	PRESENCE (SP1)	ZONE2 (SP2)	
Both ch, -20 dBm	+6.5 dB	+13.0 dBm	-∞	-∞	-∞	-∞	-∞	-∞

## A6. FL/OSD CHECK

The signals input through the microphone are output via A/D - D/A.

## A6. MIC CHECK

マイク入力された信号を A/D - D/A 経由で出力します。

```
A6. MIC CHECK
ENTER TO START
```



```
A6. MIC CHECK
MIC ROUTE
```

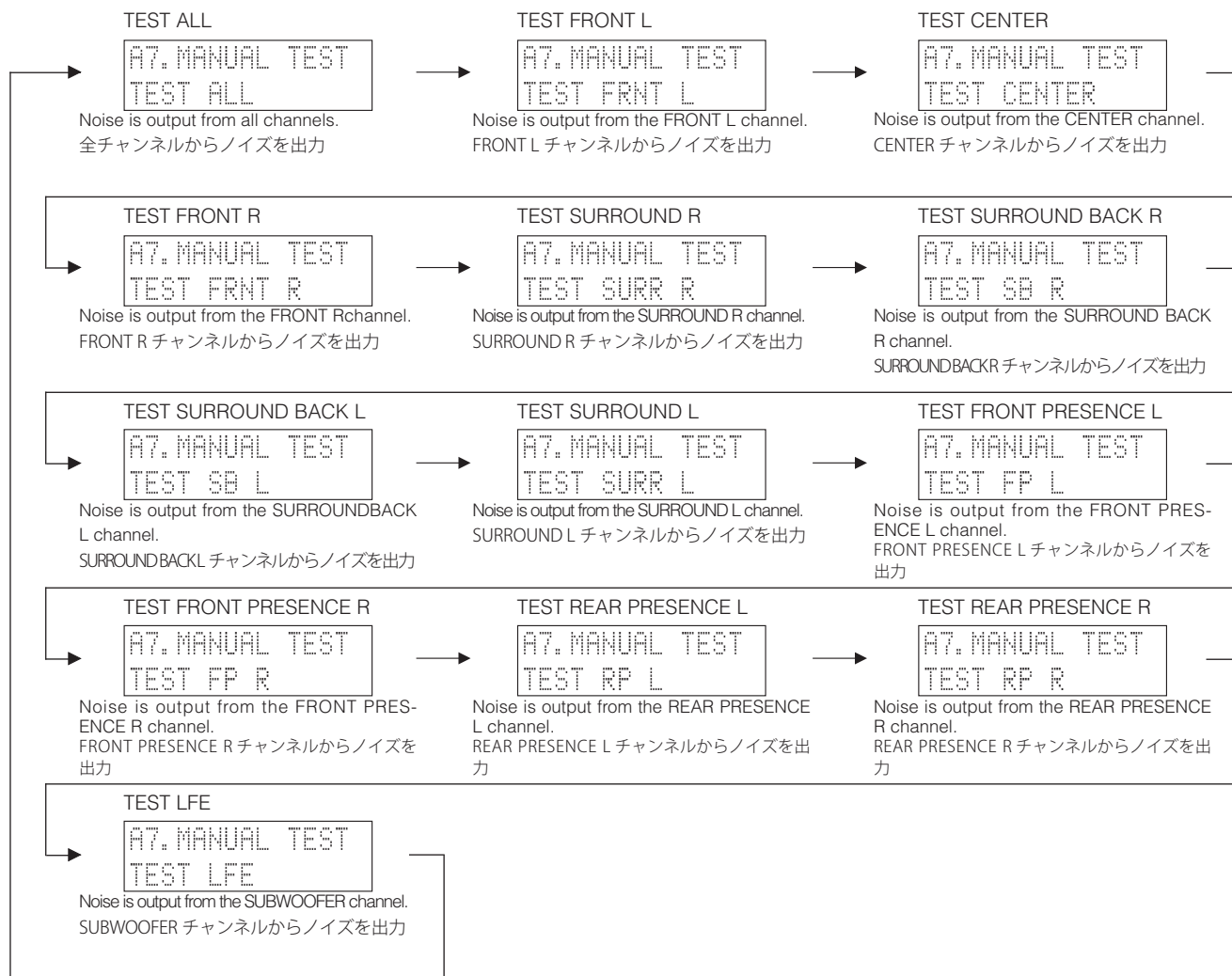
### A7. MANUAL TEST

The noise generator with a built-in DSP outputs the test noise through the channels specified by the sub-menu.

The noise frequency for LFE is 30 to 80 Hz. Other than that, the noise frequency is 500 to 2 kHz.

### A7. MANUAL TEST

DSP 内蔵のノイズ発生回路によって、サブメニューで指定したチャンネルへテストノイズを出力します。LFE用のノイズ周波数は30～80Hz、それ以外はノイズ周波数500～2kHzとなります。



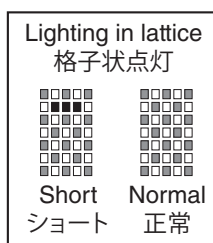
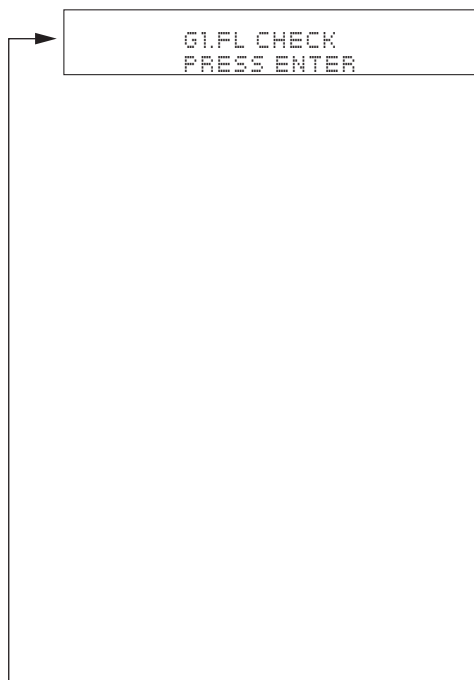


– G: Graphic (Display system) –

G1. FL CHECK

This menu is used to check the FL display section.  
Using the sub-menu operation, the display status of the FL display section vary as shown below.  
The audio signal is processed using EFFECT OFF. (The L/R signal is output using ANALOG MAIN BYPASS.)

Checking FL display section



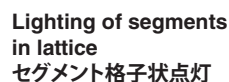
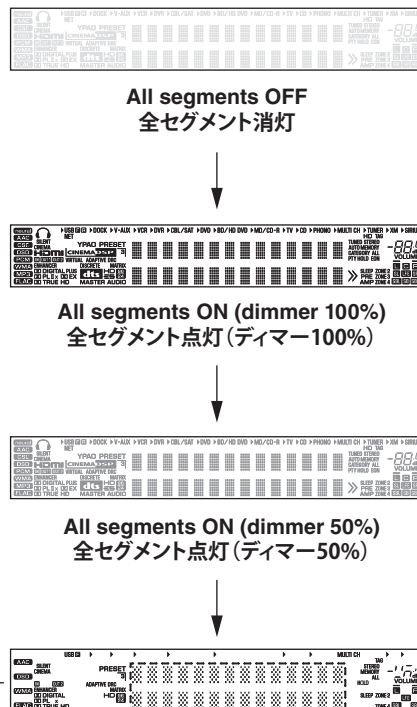
Segment conditions of the FL driver and the FL tube are checked by turning ON and OFF all segments. Next, the operation of the FL driver is checked by using the dimmer control. Then a short between segments next to each other is checked by turning ON and OFF all segments alternately (in lattice). (In the above example, the segments in the second row from the top are shorted.)

– G : Graphic (表示系) –

G1. FL CHECK

FL 表示部をチェックします。  
サブメニュー操作により、FL 表示部の表示状態が以下のように連動して変わります。  
オーディオ信号処理は EFFECT OFF (ANALOG MAIN BYPASS で L/R を出力) です。

FL 表示部のチェック



全セグメント消灯・全セグメント点灯により FL ドライバー、FL 管のセグメントの不良を確認します。  
次に、ディマーコントロールによって FL ドライバーの動作チェックを行います。  
さらに全セグメントを交互 (格子状) に点灯/消灯することで、隣り合うセグメントのショートをチェックします。

– Z: Zone  
(Zone function confirmation item) –

– Z : Zone (Zone 機能確認項目) –

**Z1. ZONE TEST (U, C, R, T, K, A, B, G, E, L models)**

The INPUT source selected from SUB-MENU is output to ZONE 2, 3, 4.

**Z1. ZONE TEST (U, C, R, T, K, A, B, G, E, L models)**

**ZONE2, 3, 4 INPUT : BD/HD DVD**

**ZONE2、3、4 INPUT : BD/HD DVD**

Z1. ZONE TEST  
BD/HD DVD

**ZONE2, 3, 4 INPUT : DVD**

**ZONE2、3、4 INPUT : DVD**

Z1. ZONE TEST  
DVD

**ZONE2, 3, 4 INPUT : CBL/SAT**

**ZONE2、3、4 INPUT : CBL/SAT**

Z1. ZONE TEST  
CBL/SAT

**ZONE2, 3, 4 INPUT : DVR**

**ZONE2、3、4 INPUT : DVR**

Z1. ZONE TEST  
DVR

**ZONE2, 3, 4 INPUT : VCR**

**ZONE2、3、4 INPUT : VCR**

Z1. ZONE TEST  
VCR

**ZONE2, 3, 4 INPUT : VIDEO AUX**

**ZONE2、3、4 INPUT : VIDEO AUX**

Z1. ZONE TEST  
VIDEO AUX

**ZONE2, 3, 4 INPUT : DOCK**

**ZONE2、3、4 INPUT : DOCK**

Z1. ZONE TEST  
DOCK

**ZONE2, 3, 4 INPUT : MD/CD-R**

**ZONE2、3、4 INPUT : MD/CD-R**

Z1. ZONE TEST  
MD/CD\_R

**ZONE2, 3, 4 INPUT : TV**

**ZONE2、3、4 INPUT : TV**

Z1. ZONE TEST  
TV

**ZONE2, 3, 4 INPUT : CD**

**ZONE2、3、4 INPUT : CD**

Z1. ZONE TEST  
CD

**ZONE2, 3, 4 INPUT : TUNER**

```
Z1. ZONE TEST
TUNER
```

**ZONE2、3、4 INPUT : TUNER**

**ZONE2, 3, 4 INPUT : PHONO**

```
Z1. ZONE TEST
PHONO
```

**ZONE2、3、4 INPUT : PHONO**

**ZONE2, 3, 4 INPUT : XM (U, C models)**

```
Z1. ZONE TEST
XM
```

**ZONE2、3、4 INPUT : XM (U、C models)**

**ZONE2, 3, 4 INPUT : NET/USB**

```
Z1. ZONE TEST
NET/USB
```

**ZONE2、3、4 INPUT : NET/USB**

**ZONE2, 3, 4 INPUT : SIRIUS (U, C models)**

```
Z1. ZONE TEST
SIRIUS
```

**ZONE2、3、4 INPUT : SIRIUS (U、C models)**

**– R: Radio  
(Tuner and Satellite broadcasting system) –**

**R1. XM TEST (U, C models)**

This menu is used to check the output of XM Radio Antenna.

**1k -1dB/44.1k**

The test tone (1kHz, -1dB/44.1kHz) is output.

```
R1. XM TEST
1k - 1dB/44
```

**1k -61dB/44.1k**

The test tone (1kHz, -61dB/44.1kHz) is output.

```
R1. XM TEST
1k -61dB/44
```

**Mute /44.1k**

Nothing is output.

```
R1. XM TEST
Mute /44
```

**– R : Radio (TUNER、衛星放送系) –**

**R1. XM TEST (U、C models)**

**1k -1dB/44.1k**

**1k -61dB/44.1k**

**Mute /44.1k**

**XM Tone/44.1k**

The XM tone (44.1kHz) is output.

```
R1.XM TEST
XM Tone/44
```

**XM Tone/44.1k**

**ISO Tone/44.1k**

The ISO tone (44.1kHz) is output.

```
R1.XM TEST
ISO Tone/44
```

**ISO Tone/44.1k**

**1k -1dB/32k**

The test tone (1kHz, -1dB/32kHz) is output.

```
R1.XM TEST
1k - 1dB/32
```

**1k -1dB/32k**

**1k -61dB/32k**

The test tone (1kHz, -61dB/32kHz) is output.

```
R1.XM TEST
1k -61dB/32
```

**1k -61dB/32k**

**Mute /32k**

Nothing is output.

```
R1.XM TEST
Mute /32
```

**Mute /32k**

**XM Tone/32k**

The XM tone (32kHz) is output.

```
R1.XM TEST
XM Tone/32
```

**XM Tone/32k**

**ISO Tone/32k**

The ISO tone (32kHz) is output.

```
R1.XM TEST
ISO Tone/32
```

**ISO Tone/32k**

**XM/DT Bus Power: OFF**

The power of XM module is turned off.

```
R1.XM TEST
Bus Power:OFF
```

**XM/DT Bus Power: OFF**

**R2. SIRIUS TEST (U, C models)**

**R2. SIRIUS TEST (U, C models)**

**SIRIUS:**

Connection of the SIRIUS antenna module is checked.

**SIRIUS :**

```
R2. SIRIUS TEST
SIRIUS:NG
```

OK : Normal  
NG : Abnormal  
- : No connected

**SR:**

The connection information of the SIRIUS antenna module is displayed.

**SR :**

```
R2. SIRIUS TEST
SR:00 00 00
```

The result of antenna diagnostic mode (status)  
Antenna error history (SSP Error Codes)  
Antenna generation (gen\_id)

**SSP:**

The SIRIUS version #0 (SSP) is displayed.

**SSP :**

```
R2. SIRIUS TEST
SSP:00 00 00
```

**MAC:**

The SIRIUS version #1 (MAC) is displayed.

**MAC :**

```
R2. SIRIUS TEST
MAC:00 00 00
```

**ADP:**

The SIRIUS version #2 (ADP) is displayed.

**ADP :**

```
R2. SIRIUS TEST
ADP:00 00 00
```

**PRDID:**

The PRD ID (product id) is displayed.

**PRDID :**

```
R2. SIRIUS TEST
PRDID:00 00 00
```

**SEGID:**

The SEG ID (sequence id) is displayed.

**SEGID :**

```
R2. SIRIUS TEST
SEGID:00 00 00
```

**R3. HD RADIO TEST (U model)**

**CPU version**

The firmware version is displayed.

```
R3. HD Radio  
UPU VER:ta07.
```

**DIR version**

The DIR version is displayed.

```
R3. HD Radio  
D:DIR-352-U016
```

**DOCK version**

The DOCK version is displayed.

```
R3. HD Radio  
DOCK:
```

**R3. HD RADIO TEST (U model)**

**CPU version**

**DIR version**

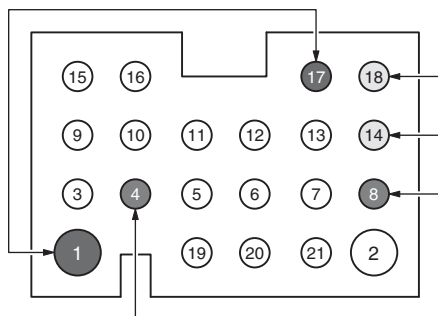
**DOCK version**

– U: Universal  
(Special terminal system (USB, Dock)) –

U1. DOCK

This menu is used to check the DOCK connector without the iPod itself. With the power to this unit turned off, short between pins No. 14 (TX) and No. 18 (RX), between pins No. 1 (PWR) and No. 17 (ACCPOW) and between pins No. 4 (iPDET) and No. 8 (DGND). (Make sure that the power is turned off when shorting pins.) Start up the self-diagnostic function and select this menu. The check result is displayed according to the following display specifications.

**Note) Be sure to return the shorted pins to their original condition after executing this test.**



DOCK CONNECTOR

– U : Universal  
(特殊端子系 (USB、Dock)) –

U1. DOCK

iPod 本体無しで、DOCK コネクタの検査を行うメニューです。  
本機の電源を切った状態で、DOCK コネクタの 14 ピン (TX) と 18 ピン (RX)、1 ピン (PWR) と 17 ピン (ACCPOW)、4 ピン (iPDET) と 8 ピン (DGND) をショートさせます。(ショートさせる時は、必ず電源を切ってください。)  
ダイアグを起動して本メニューを選択します。  
下記表示仕様に従って、チェック結果が表示されます。

**注) 検査後、ショートしたピンを必ず元の状態に戻してください。**

```
U1. iPod
DOCK:  NG NNNN
```

All Y / 全て Y= OK  
Others / その他 = NG

Check item / チェック項目	Judgment / 判定	Display / 表示
Is UART loop pack check result OK? / UART ループバックチェック結果は OK?	YES	Y
	NO	N
Is detect function of iPod Accessory Power OK? / iPod Accessory Power の検出機能は OK ?	IC105 (D-VIDEO P.C.B.) pin No. R25 state High = YES	Y
	IC105 (D-VIDEO P.C.B.) R25 pin の状態 Low = No	N
Is detect function of iPod installation to DOCK OK? / DOCK への iPod 装着の検出機能は OK ?	IC402 (FUNCTION P.C.B.) pin No. 28 state Low = installed / 装着	Y
	IC402 (FUNCTION P.C.B.) 28 pin の状態 High = not installed / 非装着	N
Is the identification of the DOCK type correct? / DOCK タイプの識別は正しいか?	IC402 (FUNCTION P.C.B.) pin No. 125 state iPod DOCK	Y
	IC402 (FUNCTION P.C.B.) 125 pin の 状態 Excluding iPod DOCK / iPod DOCK 以外	N

**U2. USB CHECK**

**VNP2 TEST 1k**

1kHz test tone is output.



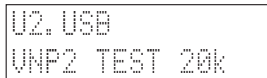
**VNP2 TEST 20Hz**

20Hz test tone is output.



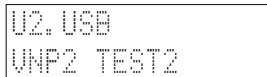
**VNP2 TEST 20k**

20kHz test tone is output.



**VNP2 TEST2**

1kHz test tone is output.



**U2. USB CHECK**

**VNP2 TEST 1k**

1kHz のテストトーンを出力します。

**VNP2 TEST 20Hz**

20Hz のテストトーンを出力します。

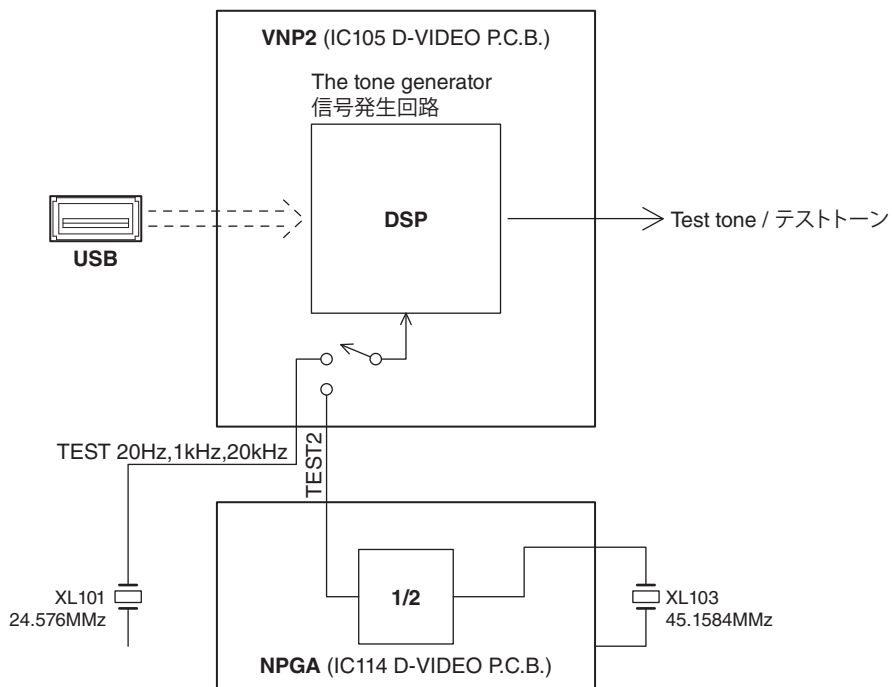
**VNP2 TEST 20k**

20kHz のテストトーンを出力します。

**VNP2 TEST2**

1kHz のテストトーンを出力します。

**Signal path of test tone output / テストトーン出力の信号経路**





The music file recorded in the USB flash memory is reproduced.

- a. Copy 2 or more music files from PC into the root folder of the USB flash memory.
- b. Insert the USB flash memory to the USB terminal of this unit.

#### USB\_FRONT 1track

Reproduced at this time is the first piece of the music file in the USB flash memory connected to the USB terminal on the front panel.

```
U2.USB
USB_F 1 TRACK
```

#### USB\_FRONT 2track

Reproduced at this time is the second piece of the music file in the USB flash memory connected to the USB terminal on the front panel.

```
U2.USB
USB_F 2 TRACK
```

#### USB\_REAR 1track

Reproduced at this time is the first piece of the music file in the USB flash memory connected to the USB terminal on the rear panel.

```
U2.USB
USB_R 1 TRACK
```

USB フラッシュメモリーに記録された音楽ファイルを再生します。

- a. USB フラッシュメモリーのルートフォルダに（PC から）音楽ファイルを 2 曲以上コピーします。
- b. USB フラッシュメモリーを本機の USB 端子に接続します。

#### USB\_FRONT 1track

前面の USB 端子に接続された USB フラッシュメモリーの音楽ファイルの 1 曲目を再生します。

#### USB\_FRONT 2track

前面の USB 端子に接続された USB フラッシュメモリーの音楽ファイルの 2 曲目を再生します。

#### USB\_REAR 1track

後面の USB 端子に接続された USB フラッシュメモリーの音楽ファイルの 1 曲目を再生します。

## – N: Network (Network function system) –

### N1. NET CHECK

- \* When the network condition varies while SUB-MENU is displayed (e.g., the network is deactivated once), the correct result will not be displayed. In that case, once turn off the power to this unit, then start up the self-diagnostic function again and select this menu.

#### IP Address Check

IP address obtained is checked.

```
N1. Net
IP CHECK:NG
```

- OK: Connected (IP address obtained)  
接続 (IP アドレス取得完了)  
NG: No traffic / Unconnected  
通信不能 / 未接続

#### MAC Address Check

MAC address information is checked.

```
N1. Net
MAC CHECK:OK
```

- OK: Normal  
正常  
NG: Unwritten  
書き込まれていない

#### MAC LABEL No SET

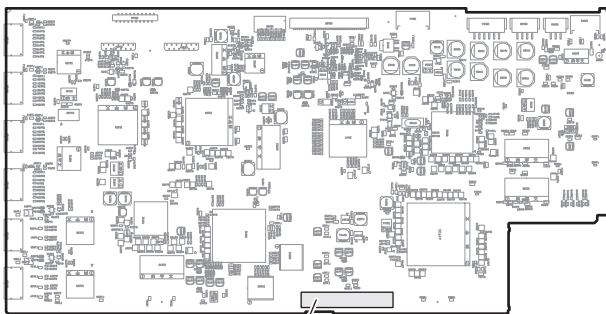
After replacing D-VIDEO P.C.B., restore the MAC address number to old MAC address number which you wrote down when replacing D-VIDEO P.C.B..

```
N1. Net
MAC No:1B0835
```

#### MAC LABEL No SET

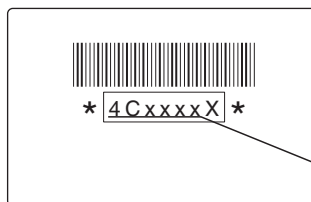
D-VIDEO P.C.B. を交換後、MAC アドレスナンバーを古い MAC アドレスナンバー (D-VIDEO P.C.B 交換時にメモしたもの) に戻します。

D-VIDEO P.C.B. top view



MAC address label  
MAC アドレスラベル

#### MAC address label / MAC アドレスラベル



MAC address number  
MAC アドレスナンバー

## – N : Network (ネットワーク機能系) –

### N1. NET CHECK

- ※ サブメニュー表示中にネットワークの状態が変わると (たとえばネットワークが一時切れるなど) 正しい結果が表示されません。その場合、一度本機の電源を切り、ダイアグを再起動して本メニューを選択します。

#### IP Address Check

IP アドレスの取得状態を確認します。

#### MAC Address Check

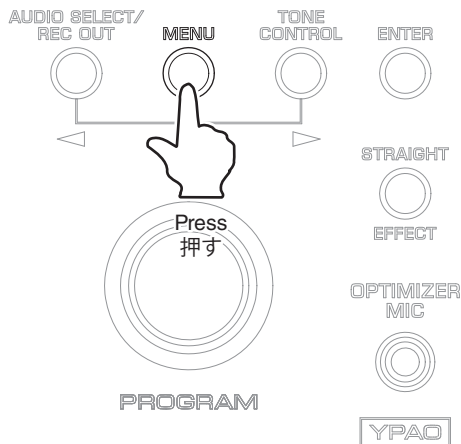
MAC アドレス情報を確認します。

#### MAC LABEL No SET

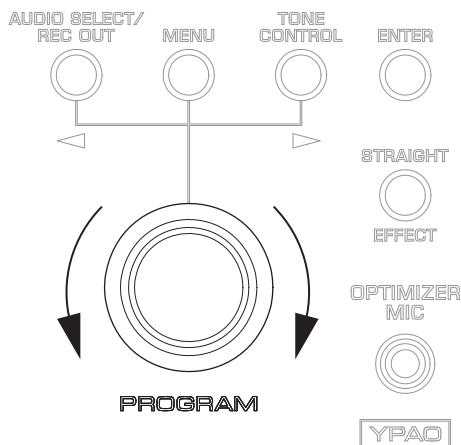
D-VIDEO P.C.B. を交換後、MAC アドレスナンバーを古い MAC アドレスナンバー (D-VIDEO P.C.B 交換時にメモしたもの) に戻します。

• **Operation procedures**

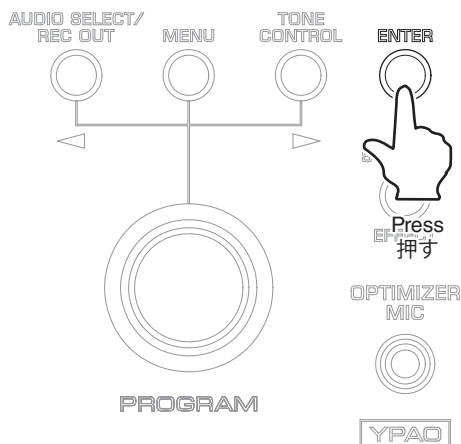
- a. Press the "MENU" key.  
The digit that can be changed is indicated with [ \* ].



- b. Turn the "PROGRAM" knob to change the alpha-numerical letter in the first digit.



- c. Press the "ENTER" (U, C models) / "ENTER / NEXT" (R, T, K, A, B, G, E, L models) key to shift to the next digit.

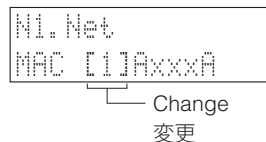


• **操作手順**

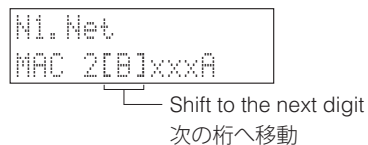
- a. "MENU" キーを押します。  
変更できる桁が [\*] で表示されます。



- b. "PROGRAM" ノブを回転し、1 桁目の英数字を変更します。



- c. "ENTER / NEXT" キーを押し次の桁へ移動します。



- d. Repeat steps b. and c. to change all settings to the MAC address number of the old D-VIDEO P.C.B..

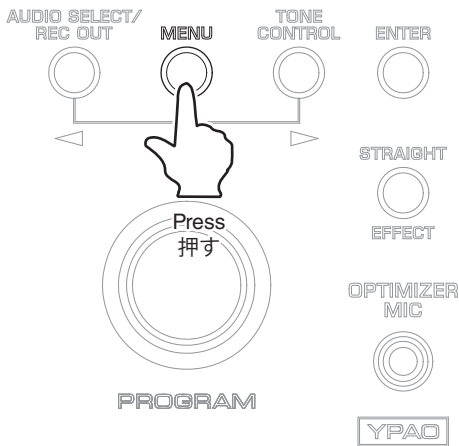
- d. 操作手順 b.、c. を繰り返し、すべての設定を古い D-VIDEO P.C.B. の MAC アドレスナンバーに変更します。

```
N1.Net
MAC 2Bxxx[C]
```

— Last digit  
最後の桁

- e. Press the "MENU" key.  
The procedure is completed when "OK" is displayed.

- e. "MENU" キーを押します。  
"OK" が表示されれば、完了です。



```
N1.Net
MAC 2BxxxC :OK
```

— OK

**LINK CHECK**

LAN cable connection is checked.

**LINK CHECK**

LAN ケーブルの接続状態を確認します。

```
N1.Net
LINK CHECK:NG
```

— OK: Normal  
正常  
— NG: Unconnected  
未接続

**Ext loopback test**

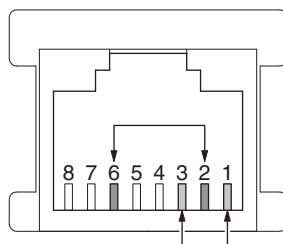
This menu is used to check the NETWORK connector.  
 With the power to this unit turned off, short between pins No. 1 (Tx+) and No. 3 (Rx+) and between pins No. 2 (Tx-) and No. 6 (Rx-) of the NETWORK connector.  
 (Be sure to turn off the power to this unit when shorting these pins.)  
 Start up the self-diagnostic function and select this menu.

**Note) Be sure to return the shorted pins to their original condition after executing this test.**

**Ext loopback test**

NETWORK コネクタの送受信テストを行います。  
 本機の電源を切った状態で、NETWORK コネクタの1ピン (Tx+) と3ピン (Rx+)、2ピン (Tx-) と6ピン (Rx-) をショートさせます。  
 (ショートさせるときは必ず本機の電源を切ってください。)  
 ダイアグを起動して本メニューを選択します。

**注) テスト後、ショートしたピンを必ず元の状態に戻してください。**



N1: Net  
 EXT TEST: NG

OK: Normal  
 正常  
 NG: Abnormal  
 異常

**PHY TEST**

Connection between PHY (IC118 D-VIDEO P.C.B.) and VNP2 (IC105 D-VIDEO P.C.B.) is checked.

**PHY TEST**

PHY (IC118 D-VIDEO P.C.B.) と VNP2 (IC105 D-VIDEO P.C.B.) 間の接続状態を確認します。

N1: Net  
 PHY TEST: OK

OK: Normal  
 正常  
 NG: Abnormal  
 異常

**Line noise measurement 10Mbps**

The line noise 10Mbps is measured.

**Line noise measurement 10Mbps**

ラインノイズ 10Mbps を測定します。

N1: Net  
 LINE 10Mbps

**Line noise measurement 100Mbps**

The line noise 100Mbps is measured.

**Line noise measurement 100Mbps**

ラインノイズ 100Mbps を測定します。

N1: Net  
 LINE 100Mbps

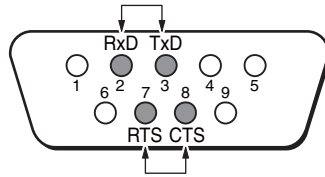
– C: Communication  
(Communication and  
BUS line check item, etc..) –

**C1. FUNCTION P.C.B. CHECK**

This menu is used to check transmission of the data and the flow port of the hardware.

With the power to this unit turned off, short between pins No. 2 (RxD) and No. 3 (TxD), and between pins No. 7 (RTS) and No. 8 (CTS) of the RS232C terminal. (Be sure to turn off the power when shorting the pins.) Start up the self-diagnostic function and select this menu.

There are two sub-menu items.



**RS232C DATA**

Transmission of the test data is checked. "OK" appears when the data is transmitted properly and "NG" when it is not. In this mode, NULL command transmission is continued after the test command is transmitted.

```
C1.FUNC PCB
232C DATA:NG
```

**ALL: (U, C, A models)**

Transmission of the tuner and satellite broadcasting are checked.  
 OK : Normal  
 NG : Abnormal/No checked

```
C1.FUNC PCB
ALL:NG NG NG
```

– C : Communication  
(通信・バスラインチェック項目等) –

**C1. FUNCTION P.C.B. CHECK**

データ送受信チェック、ハードウェアフローポートチェックを行うメニューです。

本機の電源を切った状態で、RS232C 端子の 2 ピン (RxD) と 3 ピン (TxD)、7 ピン (RTS) と 8 ピン (CTS) をショートさせます。(ショートさせるときは必ず電源を切ってください。)

ダイアグを起動して本メニューを選択します。サブメニューは 2 つあります。

**RS232C DATA**

テストデータの送受信チェックを行います。正常に送受信完了した場合は、"OK" と表示します。正常に送受信しなかった場合は "NG" と表示します。このモードでは、テストコマンド送信後、200ms ごとに NULL コマンド (無効なコマンド) を送信し続けます。

**ALL : (U, C, A models)**

チューナーの送受信チェックを行います。  
 OK : 正常  
 NG : 異常/未確認

- SIRIUS (U, C models)
- XM (U, C models)
- HD radio tuner (U model)
- AM/FM tuner (C, A models)

**C2. DSP P.C.B. CHECK**

Communication and bus line connection between devices on the DSP P.C.B. are checked.

**TI1 (DSP1) BUS**

The TI1 (DSP1, IC534) bus line connection is checked.

OK : No error detected  
 NG : An error is detected

**C2. DSP P.C.B. CHECK**

DSP P.C.B. 内のデバイス間の通信とバスラインの接続をチェックします。

**TI1 (DSP1) BUS**

TI1 (DSP1、IC534) のバスラインの接続をチェックします。

OK : 不良検出なし  
 NG : 不良検出あり

```

C1: FUNC PCB
TI1 BUS:OK

```

**TI2 (DSP2) BUS**

The TI2 (DSP2, IC567) bus line connection is checked.

OK : No error detected  
 NG : An error is detected

**TI2 (DSP2) BUS**

TI2 (DSP2、IC567) のバスラインの接続をチェックします。

OK : 不良検出なし  
 NG : 不良検出あり

```

C1: FUNC PCB
TI2 BUS:OK

```

**C3. D-VIDEO P.C.B. CHECK**

Communication and bus line connection between devices on the D-VIDEO P.C.B. are checked.

**ALL Check**

The synthetic judgment result is displayed.

- OK : No error detected
- NG : An error is detected
- No Check : Detection is not executed

```
C3. DVIDEO PCB
ALL:OK
```

**C3. D-VIDEO P.C.B. CHECK**

D-VIDEO P.C.B. 内のデバイス間の通信とバスライン接続をチェックします。

**ALL Check**

総合判定結果を表示します。

- OK : 不良検出なし
- NG : 不良検出あり
- No Check : 未検出

**SDRAM BUS Check**

Read/Write of SDRAM (IC104, IC125) is checked.

- OK : No error detected
- NG : An error is detected

```
C3. DVIDEO PCB
BUS RAM:OK
```

**SDRAM BUS Check**

SDRAM (IC104、IC125) の読み出し・書き込みをチェックします。

- OK : 不良検出なし
- NG : 不良検出あり

**NPGA BUS Check**

The NPGA (IC114) bus line connection is checked.

- OK : No error detected
- NG : An error is detected

```
C3. DVIDEO PCB
BUS NPGA:OK
```

**NPGA BUS Check**

NPGA (IC114) のバスラインの接続をチェックします。

- OK : 不良検出なし
- NG : 不良検出あり

**YGV BUS Check**

The YGV619 (IC714) bus line connection is checked.

- OK : No error detected
- NG : An error is detected

```
C3. DVIDEO PCB
BUS_YGV:OK
```

**YGV BUS Check**

YGV619 (IC714) のバスラインの接続をチェックします。

- OK : 不良検出なし
- NG : 不良検出あり

**I2C Check**

The I2C bus line connection is checked.

- 0 : No error detected
- 1 : An error is detected

```
C3. DVIDEO PCB
I2C:00000000
```

**I2C Check**

I2C バスラインの接続をチェックします。

- 0 : 不良検出なし
- 1 : 不良検出あり

- Error detection of Video Encoder (IC702) / ビデオエンコーダー (IC702) の不良検出
- Error detection of Video decoder (IC701) / ビデオデコーダー (IC701) の不良検出
- Error detection of Video Processor (IC751) / ビデオプロセッサ (IC751) の不良検出
- Error detection of HDMI Switch 1 (IC726) / HDMI SWITCH 1 (IC726) の不良検出
- Error detection of HDMI Switch 2 (IC728) / HDMI SWITCH 2 (IC728) の不良検出
- Error detection of HDMI Dual Receiver (IC727) / HDMI デュアルレシーバー (IC727) の不良検出
- Error detection of HDMI Transmitter 1 (IC729) / HDMI トランスミッター 1 (IC729) の不良検出
- Error detection of HDMI Transmitter 2 (IC732) / HDMI トランスミッター 2 (IC732) の不良検出



**FPGA BUS Check**

The FPGA (IC737) SPI line connection is checked.

OK : No error detected  
 NG : An error is detected

**FPGA BUS Check**

FPGA (IC737) の SPI ラインの接続をチェックします。

OK : 不良検出なし  
 NG : 不良検出あり

```
C3. DIVIDED PCB
FPGA: OK
```

**EEPROM Check**

The EEPROM (IC113, IC124) I2C line connection is checked.

OK : No error detected  
 NG : An error is detected

**EEPROM Check**

EEPROM (IC113、IC124) の I2C ラインの接続をチェックします。

OK : 不良検出なし  
 NG : 不良検出あり

```
C3. DIVIDED PCB
EEPROM: OK
```

**C4. HDMI INFORMATION****HDMI Model Name**

The model name of this unit written in HDMI module is displayed.

RX-Z7 (U, C, A models)  
 DSP-Z7 (R, T, K, B, G, E, L, J models)

**C4. HDMI INFORMATION****HDMI Model Name**

HDMI モジュールに書き込まれている本機のモデル名を表示します。

DSP-Z7

```
C4. HDMI INFO
HMN: DSP-Z7
```

**HDMI Product ID**

The product ID of this unit written in HDMI module is displayed.

3132: RX-Z7 (U, C, A models)  
 3131: DSP-Z7 (R, T, K, B, G, E, L, J models)

**HDMI Product ID**

HDMI モジュールに書き込まれている本機のプロダクト ID を表示します。

3131 : DSP-Z7

```
C4. HDMI INFO
HPI: 3131
```

**HDMI Vendor Name**

The vendor name (YAMAHA) of this unit written in the HDMI module is displayed.

**HDMI Vendor Name**

HDMI モジュールに書き込まれている本機のベンダー名 (YAMAHA) を表示します。

```
C4. HDMI INFO
HVN: YAMAHA
```

C5. EPROM CHECK

SPI-EPROM CHECK

C5. EPROM CHECK

SPI-EPROM CHECK



– V: Video (Video system) –

– V : Video (ビデオ系) –

V1. A-VIDEO P.C.B. CHECK

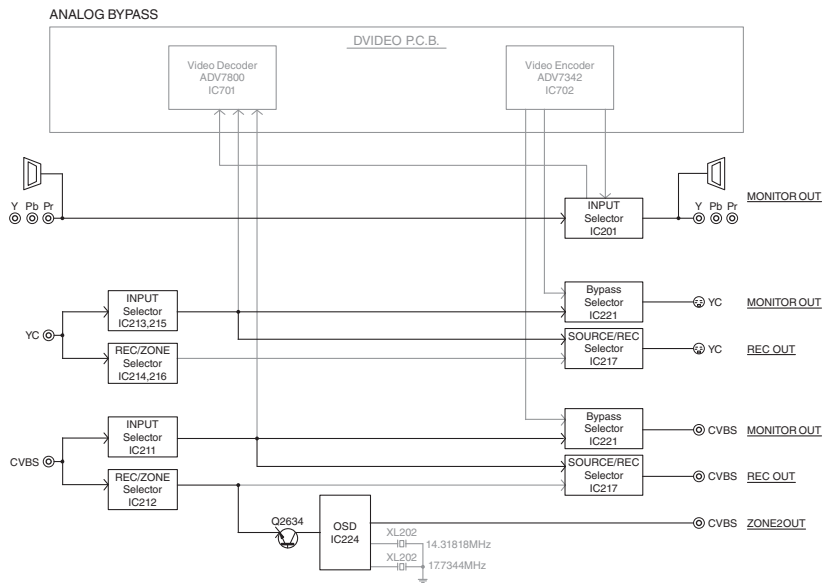
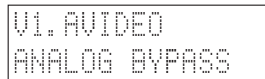
V1. A-VIDEO P.C.B. CHECK

The video signal is converted and output as shown below.

映像信号が以下のように変換され、出力されます。

ANALOG BYPASS

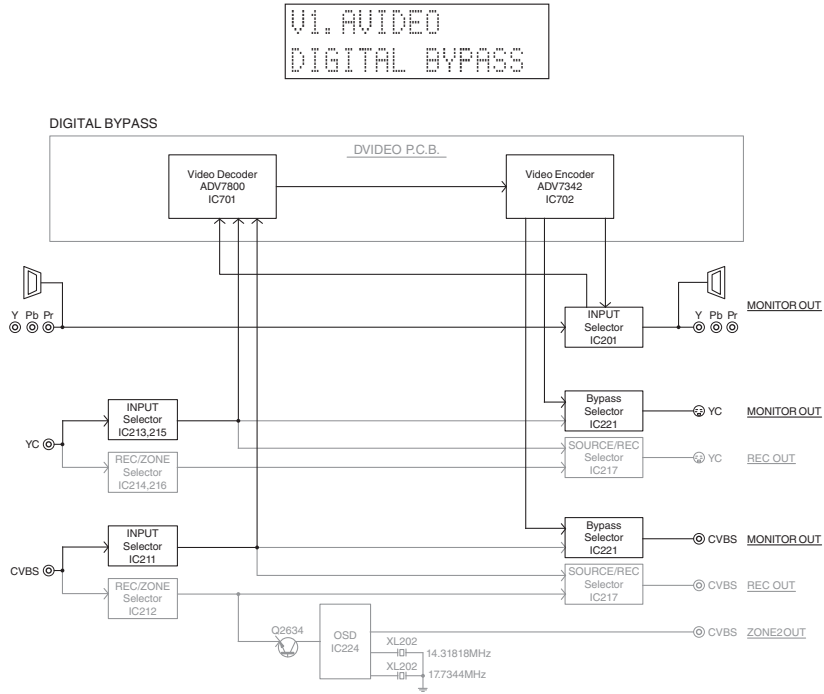
ANALOG BYPASS



RX-Z7/DSP-Z7

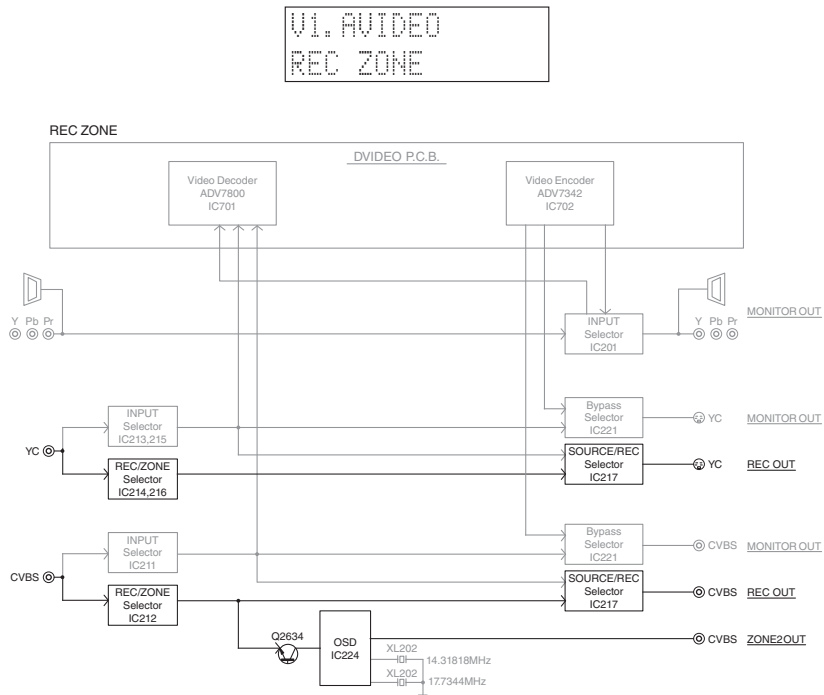
DIGITAL BYPASS

DIGITAL BYPASS



REC ZONE

REC ZONE



RX-Z7/DSP-Z7

**MUTE CHECK 1**

MUTE signal "VMT" (92 pin) is output from the sub-microprocessor (FUNCTION P.C.B. IC402).



**MUTE CHECK 1**

サブマイコン (FUNCTION P.C.B. IC402) から MUTE 信号 "VMT" (92 pin) を出力します。

**MUTE CHECK 2**

- MUTE signals "MON\_N\_VMT" (AE4) and "Z2\_N\_VMT" (AD4) are output from the NPGA (D-VIDEO P.C.B. IC114).
- MUTE signals "/MTVR1 (18 pin)" and "/MTVR2 (17 pin)" are output from IC222 (A-VIDEO P.C.B.).



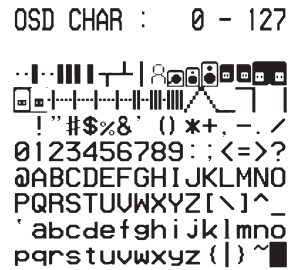
**MUTE CHECK 2**

- NPGA (D-VIDEO P.C.B. IC114) から MUTE 信号 "MON\_N\_VMT" (AE4) と "Z2\_N\_VMT" (AD4) を出力します。
- IC222 (A-VIDEO P.C.B.) から MUTE 信号 "/MTVR1" (18 pin) と "/MTVR2" (17 pin) を出力します。

**OSD character pattern (0-127)**



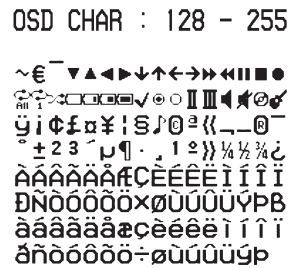
**OSD character pattern (0-127)**



**OSD character pattern (128-255)**



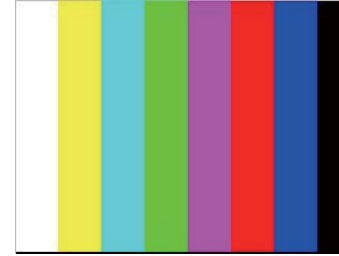
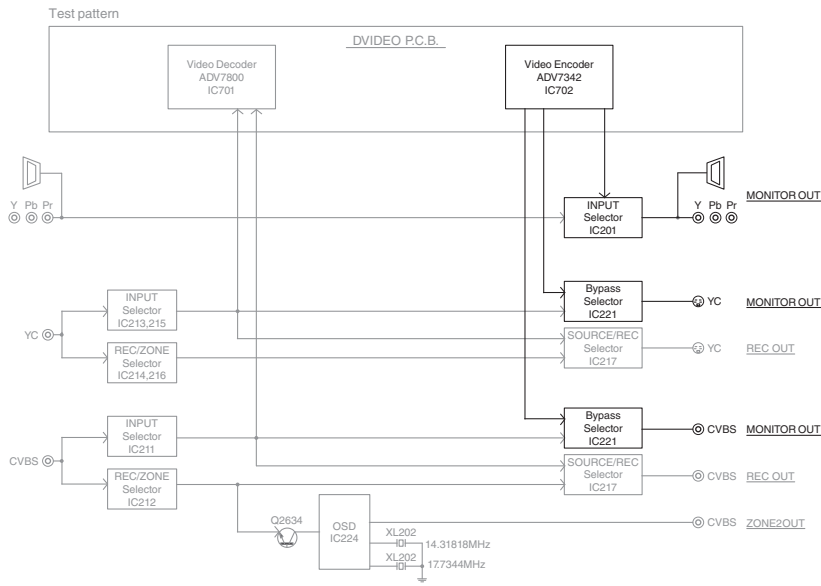
**OSD character pattern (128-255)**



TEST PATTERN

TEST PATTERN

V1. AVVIDEO  
TEST PATTERN



VIDEO INFO

The information of input video signals is displayed.

VIDEO INFO

入力されている映像信号の情報を表示します。

V1. AVVIDEO  
VIDEO IN: ----

V2. D-VIDEO P.C.B. ROUTE CHECK

The video signal route as shown below is checked.

HDMI loop-back test

V2. VIDEO ROUTE  
TEST1:NG

OK  
NG

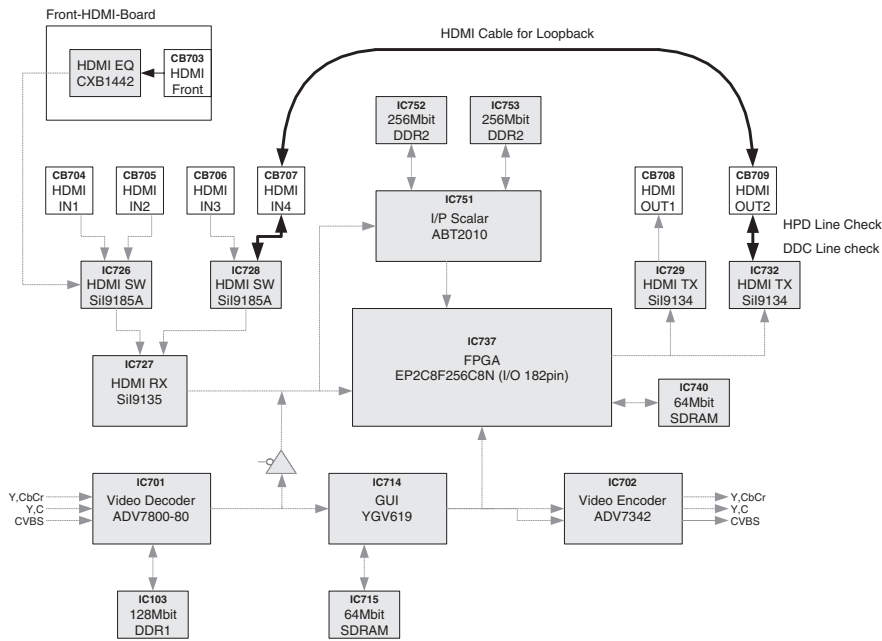
V2. D-VIDEO P.C.B. ROUTE CHECK

以下の映像信号経路をチェックします。

HDMI loop-back test

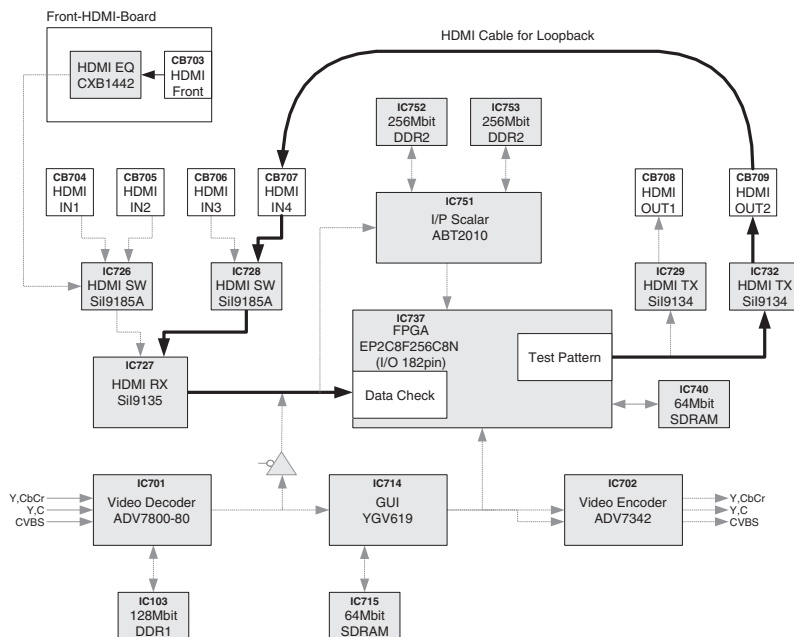
TEST1

Loop-back check 1



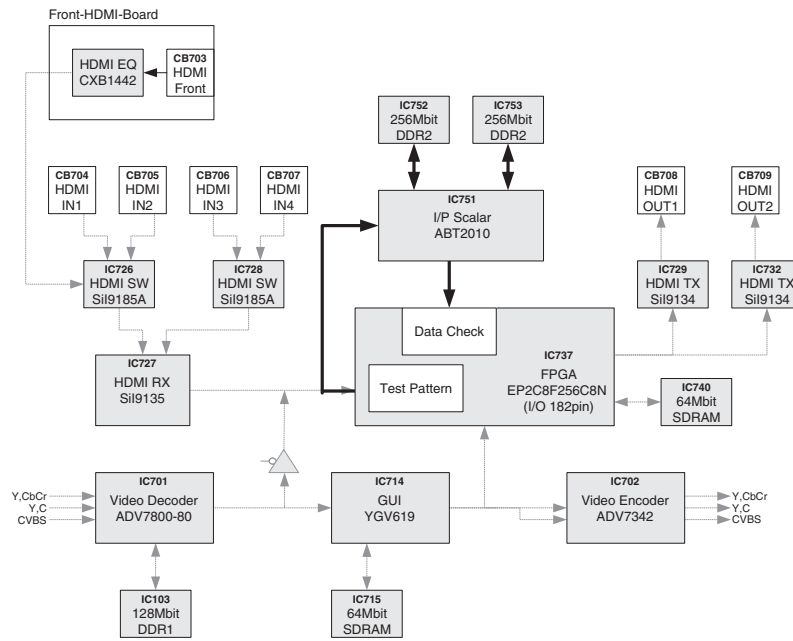
TEST2

Loop-back check 2



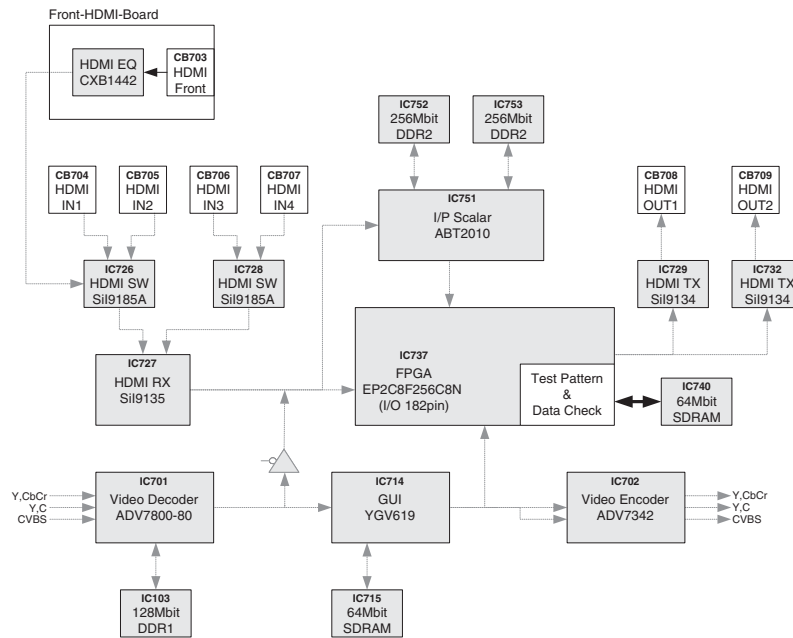
**TEST3**

Test pattern 480p to 1080p (I/P Scalar check)



**TEST4**

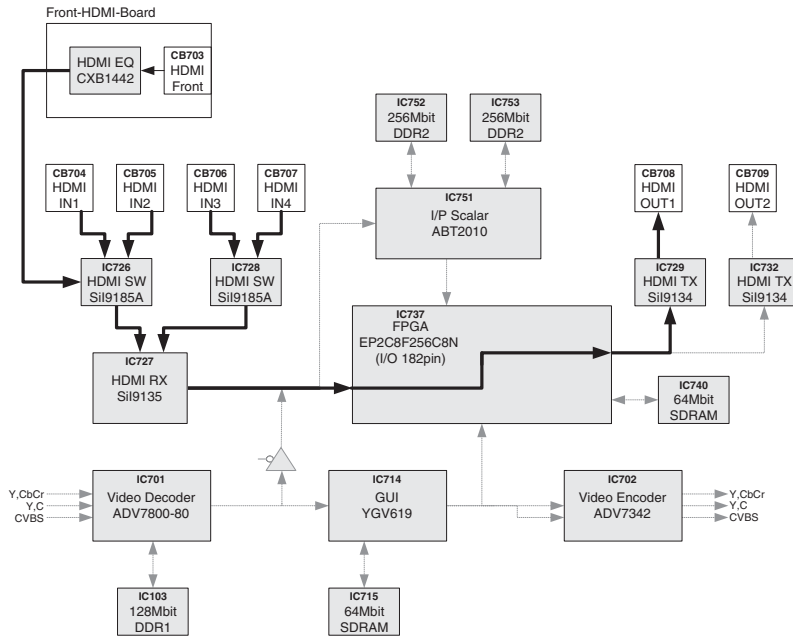
Test pattern 480i to 1080p (FPGA check)



HDMI to HDMI\_out1

HDMI to HDMI\_out1

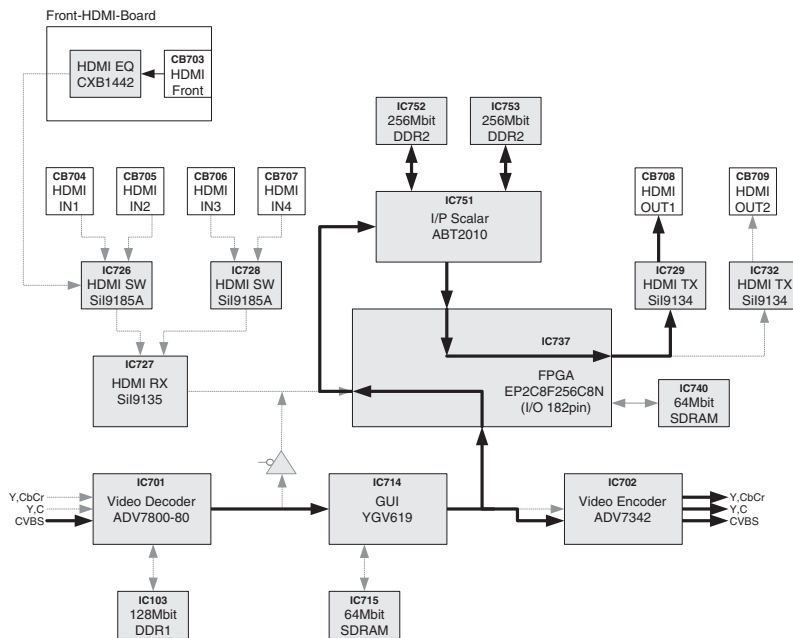
V2. VIDEO ROUTE  
HDMI rft



CVBS to DA and HDMI\_out1

CVBS to DA and HDMI\_out1

V2. VIDEO ROUTE  
DIGITAL CVBS1



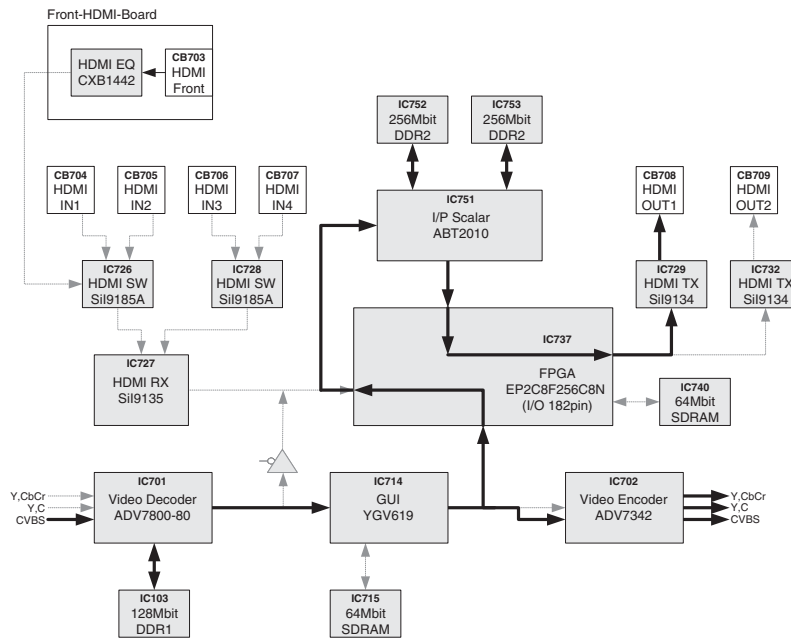
RX-Z7/DSP-Z7



CVBS to DA and HDMI\_out1 with DDR

CVBS to DA and HDMI\_out1 with DDR

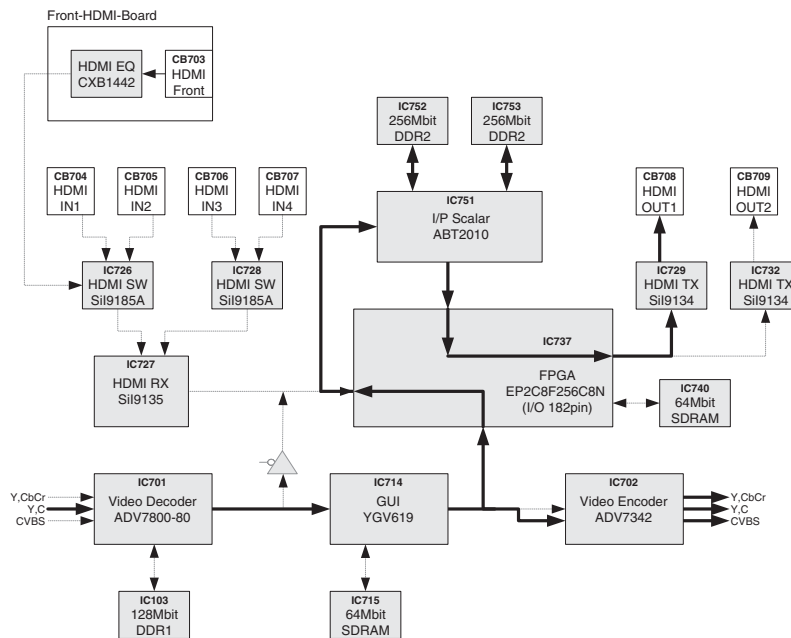
V2.VIDEO ROUTE  
DIGITAL CVBS2



Y/C to DA and HDMI\_out1

Y/C to DA and HDMI\_out1

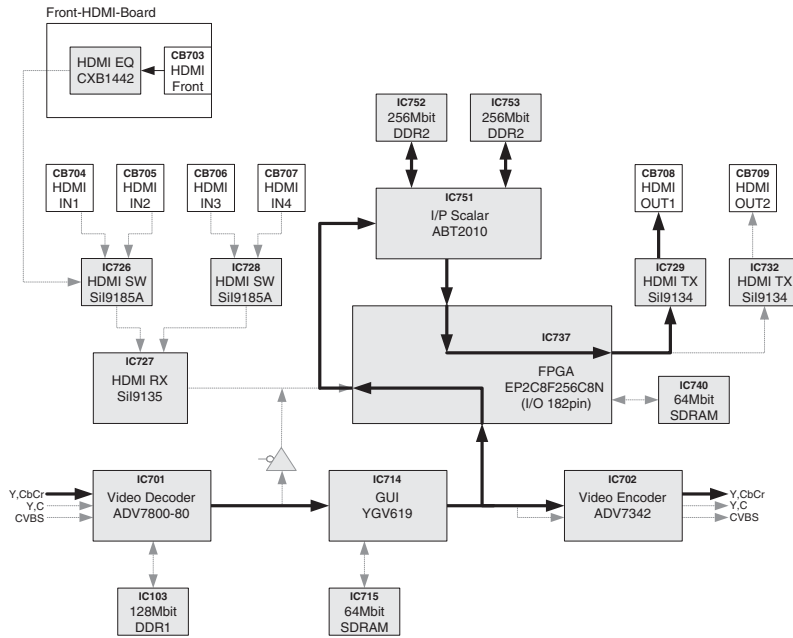
V2.VIDEO ROUTE  
DIGITAL Y/C



Component\_480p to DA and HDMI\_out1

Component\_480p to DA and HDMI\_out1

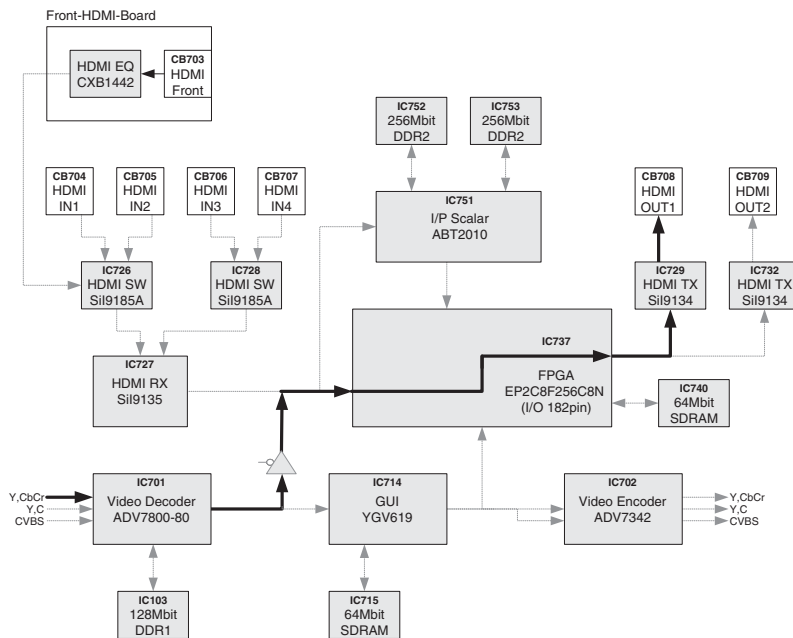
V2.VIDEO ROUTE  
D\_CONF. 480P



Component\_720p to HDMI\_out1

Component\_720p to HDMI\_out1

V2.VIDEO ROUTE  
D\_CONF. 720P

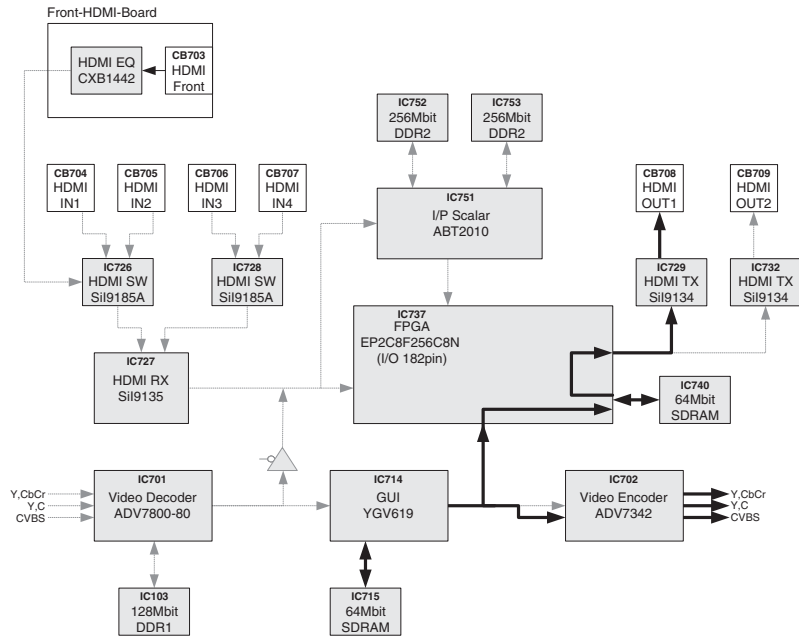


RX-Z7/DSP-Z7

YGV to DA and HDMI\_out1

YGV to DA and HDMI\_out1

V2.VIDEO ROUTE  
YGV



## – P: Power Supply (Power supply system) –

### P1. SYSTEM MONITOR

This menu is used to display the A/D conversion value of the main microprocessor which detects panel keys of this unit and protection functions by using the sub-menu. Signal processing is maintained in the status before execution.

When K0/K1 menu is selected, keys become non-operable due to detection of the values of all keys. However, it is possible to advance to the next main menu by turning the PROGRAM knob of this unit.

\* The figures in the diagram are given as reference only.

**DC** (Protection detection)

**DC:** DC detect protection value (Normal value: 5 to 34)

\* If DC is out of the normal value range, the protection function works to turn off the power.

(Reference voltage: 5V=255)

```
P1. SYS MONITOR
DC 1:018
```

**PS1/PS2/PS3** (Protection detection)

Power supply voltage protection value

(Normal value: PS1: 43 to 66, PS2: 107 to 133, PS3: 140 to 179)

**PS1:** Detects ±B1, B2, ±12, ±RY, +5D2, +5I, +3.3HD.

**PS2:** Detects +2DSW, +3DSW, +4DSW, +6DSW, -VP.

**PS3:** Detects +5VA, -5VA, +9VA.

\* If PS is out of the normal value range, the protection function works to turn off the power.

(Reference voltage: 5V=255)

```
P1. SYS MONITOR
PS:054 112 158
```

## – P : Power Supply (パワー系) –

### P1. SYSTEM MONITOR

本機パネルキー、プロテクションなどを検出しているメインマイコンの A/D 変換の値を、サブメニューで表示します。信号処理は実行前の状態を維持します。K0/K1 のメニューにすると、全キーの値を検出するためキー操作はできなくなりますが、本機の PROGRAM ツマミを回すことにより、次のメインメニューに進めることができます。

※ 図中の数値は参考例です。

**DC** (プロテクションの検出)

**DC:** DC 検出プロテクションの値 (正常値 5 ~ 34)

※ DC は正常値を外れるとプロテクションが働き、電源が切れます。

(基準電圧 : 5V=255)

**PS1/PS2/PS3** (電源電圧プロテクションの検出)

プロテクションの値

(正常値 PS1 : 40 ~ 69, PS2 : 103 ~ 133, PS3 : 140 ~ 179)

**PS1 :** ± B1、B2、± 12、± RY、+5D2、+5I、+3.3D を検出しています。

**PS2 :** +2DSW、+3DSW、+4DSW、+6DSW、-VP を検出しています。

**PS3 :** +5VA、-5VA、+9VA を検出しています。

※ PS は正常値を外れるとプロテクションが働き、電源が切れます。

(基準電圧 : 5V=255)

```
PS3
PS2
PS1
```

**TM1/TM2** (Temperature detection)

Temperature detected value  
(Normal value: 10 to 83)

**TM1:** Detects the temperature of the heat sink at the left side (power transformer side)

**TM2:** Detects the temperature of the heat sink at the right side (volume side)

(Reference voltage: 5V=255)

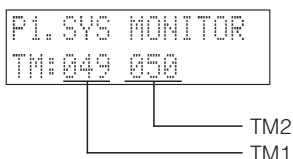
**TM1/TM2** (温度検出)

温度検出値 (正常値 10 ~ 83)

**TM1:** ヒートシンク左側 (電源トランス側) の温度を検出しています。

**TM2:** ヒートシンク右側 (ボリューム側) の温度を検出しています。

(基準電圧: 5V=255)

**OUTLVL** (Power limiter output level)

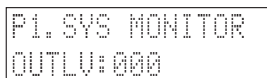
Total value of amplifier output of each channel

The voltage at 141 pin of IC402 is displayed with 5V/255 as a standard.

**OUTLVL** (パワーリミッターの出力)

各チャンネルのアンプ出力の合計値

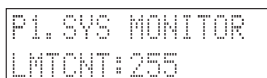
IC402 の 141 ピンの電圧値を 5V/255 を基準にして表示します。

**LMTCNT** (Limiter control value)

The voltage at 3 pin of IC402 is displayed with 5V/255 as a standard.

**LMTCNT** (リミッター制御の値)

IC402 の 3 ピンの電圧値を 5V/255 を基準にして表示します。

**AMPPOW** (Amp. Power control)

Use the "PURE DIRECT" key to change the normal mode or PREAMP mode.

**AMPPOW** (Amp. Power control)

通常モードまたはプリアンプモードを "PURE DIRECT" キーで切り替えます。



POW: Normal mode / 通常モード

PRE: PREAMP mode / プリアンプモード

**AMPRELAY** (Amp. Power relay control)

Use the "PURE DIRECT" key to change the output of the relay for power supply of the amplifier (RY250, RY251 MAIN (2) P.C.B.).

**AMPRELAY** (Amp. Power relay control)

アンプ部電源リレー (RY250、RY251 MAIN (2) P.C.B.) の出力を "PURE DIRECT" キーで切り替えます。

P1. SYS MONITOR  
AMPRY:VAR.

- VAR.: Variable  
通常
- LOW: RY250 ON, RY251 ON  
RY250 オン、RY251 オン
- MID: RY250 OFF, RY251 ON  
RY250 オフ、RY251 オン
- HIGH: RY250 OFF, RY251 OFF  
RY250 オフ、RY251 オフ

**MODEL**

Model detection value  
(Reference voltage: 5V=255)

**MODEL**

モデル検出の値  
(基準電圧：5V=255)

P1. SYS MONITOR  
MODEL:000

Model	Value
RX-Z7/DSP-Z7	0-64

**DESTINATION**

Destination detection value  
(Reference voltage: 5V=255)

**DESTINATION**

仕向け検出の値  
(基準電圧：5V=255)

P1. SYS MONITOR  
DEST.#211

Destination	Value
J	0 ± 4
U	27 ± 4
C	54 ± 4
R	81 ± 4
T	104 ± 4

Destination	Value
K	128 ± 4
A	152 ± 4
B, G, E	208 ± 4
L	228 ± 4

**PANEL KEY (K0/K1)**

(Panel key of this unit)

When the A/D conversion value of the panel key becomes out of the specified range (standard value  $\pm 4$ ), normal operation will not be available. In this case, check the constant of voltage dividing resistor, solder condition, etc. Refer to table.

(Reference voltage: 5V=255)

**PANEL KEY (K0/K1)**

(本機パネルキー)

パネルキーの A/D 値が規定範囲 (基準値  $\pm 4$ ) から外れると、正常な動きをしません。下表をご覧になり、各キーの分圧抵抗の定数、ハンダ不良等の確認をしてください。

(基準電圧 : 5V=255)

```

F1.SYS MONITOR
K0:255 K1:255

```

RX-Z7 (U, C, A models)

Display	K0	K1
0+4	INFO	STRAIGHT / EFFECT
26±4	ZONE CONTROLS	ENTER
51±4	CATEGORY / BAND	TONE CONTROL / ▶
77±4	STEREO/MONO	MENU
104±4	SEARCH MODE	AUDIO SELECT/REC OUT / ◀
129±4	MEMORY	PURE DIRECT
154±4	PRESET/TUNING/CH ▶	-
179±4	PRESET/TUNING/CH ◀	-
205±4	-	-
230±4	-	-
255	KEY OFF	KEY OFF

DSP-Z7 (R, T, K, B, G, E, L, J models)

Display	K0		K1
	R, T, K, B, G, E, L models	J model	
0+4	INFO	INFO	STRAIGHT / EFFECT
26±4	ZONE CONTROLS	-	ENTER / NEXT
51±4	SYSTEM MEMORY 4	SYSTEM MEMORY 4	TONE CONTROL / ▶
77±4	SYSTEM MEMORY 3	SYSTEM MEMORY 3	MENU
104±4	SYSTEM MEMORY 2	SYSTEM MEMORY 2	AUDIO SELECT/REC OUT / ◀
129±4	SYSTEM MEMORY 1	SYSTEM MEMORY 1	PURE DIRECT
154±4	LEVEL + / R	LEVEL +	-
179±4	LEVEL - / L	LEVEL -	-
205±4	-	-	-
230±4	-	-	-
255	KEY OFF	KEY OFF	KEY OFF

**P2. PROTECTION HIST.**

The history of protection function is displayed.  
 After selecting the sub-menu, press the "STRAIGHT" key, and the history will be erased.

**Last**

Example

```
P2. PRCT HIST.
1st: NONE
```

**P2. PROTECTION HIST.**

プロテクション履歴を表示します。  
 サブメニューを選んだ後、"STRAIGHT" キーを押すと履歴は消去されます。

**Last**

**History1**

Example

```
P2. PRCT HIST.
2nd: Dc 034H
```

Protection name  
 プロテクション名

H: When the upper limit of the protection function is exceeded.  
 プロテクションの上限を超えた場合

L: When the lower limit of the protection function is exceeded.  
 プロテクションの下限を超えた場合

AD value when the protection function is activated.  
 プロテクション動作時の AD 値

**History1**

**History2**

Example

```
P2. PRCT HIST.
3rd: Dc 035H
```

**History2**



– S: System  
(System setting confirmation item) –

**S1. FIRM UPDATE**

Not applied to these models.

**CPU UPDATE : ALL**

```
S1.FIRM UPDATE
CPU UPDATE:ALL
```

**CPU UPDATE : VNP2**

```
S1.FIRM UPDATE
CPU UPDATE:VNP
```

**CPU UPDATE : M32C**

```
S1.FIRM UPDATE
CPU UPDATE:M32
```

**CPU UPDATE : TI**

```
S1.FIRM UPDATE
CPU UPDATE:TI
```

**S2. TOOL UPDATE**

Not applied to these models.

**UPDATE : CEC (J model)**

```
S2.TOOL UPDATE
CEC MCU
```

**UPDATE : HD-RADIO (U model)**

```
S2.TOOL UPDATE
HD RADIO MOD.
```

– S : System (システム設定確認項目) –

**S1. FIRM UPDATE**

このモデルには適用されません。

**CPU UPDATE : ALL**

**CPU UPDATE : VNP2**

**CPU UPDATE : M32C**

**CPU UPDATE : TI**

**S2. TOOL UPDATE**

このモデルには適用されません。

**UPDATE : CEC (J model)**

**UPDATE : HD-RADIO (U model)**

**S3. FACTORY PRESET**

This menu is used to reserve and inhibit initialization of the back-up RAM. The signals are processed using EFFECT OFF. (The L/R signal is output using ANALOG MAIN BYPASS.)

S3. FAC PRESET  
PRESET INH



S3. FAC PRESET  
PRESET RSRV

**PRESET INHIBIT** (Initialization inhibited) / PRESET INHIBIT (初期化禁止)

RAM initialization is not executed. Select this sub-menu to protect the values set by the user. RAM の初期化は行われません。ユーザーの設定値を保護するときは、こちらを選択してください。

**PRESET RESERVED** (Initialization reserved) / PRESET RESERVED (初期化予約)

Initialization of the back-up RAM is reserved. (Actually, initialization is executed the next time that the power is turned on.) Select this sub-menu to reset to the original factory settings or to reset the RAM. Any protection history will be cleared.

バックアップ RAM の初期化が予約されます。(実際に初期化されるのは、次の電源投入時です。)工場出荷時や RAM をリセットしたいときは、こちらを選択してください。

**CAUTION:** Before setting to the PRESET RESERVED, write down the existing preset memory content of the Tuner in a table as shown below. (This is because setting to the PRESET RESERVED will cause the user memory content to be erased.)

**S3. FACTORY PRESET**

バックアップ用 RAM (音場プログラムのパラメーターやセットメニュー内容等) の初期化を予約 / 禁止します。

信号処理は EFFECT OFF と同じです。(ANALOG MAIN BYPASS で L/R を出力)

**注意：** PRESET RESERVED を選んで初期化をする前に、チューナーのユーザーメモリー内容を下表に書き写してください。(初期化をすると、ユーザーメモリーの内容は消えてしまいます。)

Preset group	P1	P2	P3	P4	P5	P6	P7	P8
A								
B								
C								
D								
E								

• PRESET STATIONS / プリセット局

STATION		FM FACTORY PRESET DATA (MHz)	
PAGE	NO.	U, C	A
A/C/E	1	87.5	87.50
	2	90.1	90.10
	3	95.1	95.10
	4	98.1	98.10
	5	107.9	108.00
	6	88.1	88.10
	7	106.1	106.10
	8	107.9	108.00

STATION		AM FACTORY PRESET DATA (kHz)	
PAGE	NO.	U, C	A
B/D	1	630	630
	2	1080	1080
	3	1440	1440
	4	530	531
	5	1710	1611
	6	900	900
	7	1350	1350
	8	1400	1404

RX-Z7/DSP-Z7

## S4. ROM VER/SUM

The version and checksum are displayed. The signal is processed using EFFECT OFF. The checksum is obtained by adding the data at every 8 bits for each program area and expressing the result as a 4-figure hexadecimal data.

## S4. ROM VER/SUM

プログラムのバージョン、チェックサムを表示します。  
信号はエフェクト OFF です。チェックサムは、プログラムエリア別にデータを 8 ビットごとに加算していき、4 桁の 16 進データで現したものです。



**S5. SET INFO.**

The information on the model are displayed.

**MODEL: RX-Z7, DSP-Z7**

The model name is displayed.

```
S5. SET INFO
MODEL: DSP-Z7
```

**DEST.: U, C, R, T, K, A, BGE, L, J**

U, C, R, T, K, A, B, GE, L or J is displayed.

```
S5. SET INFO
DEST.: U
```

**HARD :**

Not applied to these models.

```
S5. SET INFO
HARD: PP U. xx
```

**S5. SET INFO.**

モデル、仕向け等の情報を表示します。

**MODEL: DSP-Z7**

モデル名を表示します。

**DEST. : U、C、R、T、K、A、BGE、L、J**

U、C、R、T、K、A、B、GE、L、Jのいずれかを表示します。

**HARD :**

このモデルには適用されません。

**S6. SOFT SW**

Not applied to these models.

**S6. SOFT SW**

このモデルには適用されません。

## ■ AMP ADJUSTMENT / アンプ部調整

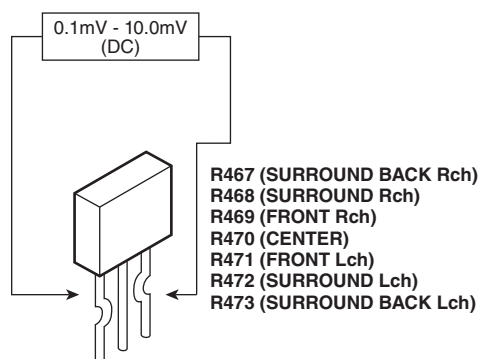
### Confirmation of Idling Current of Amp Unit

- Right after power is turned on, confirm that the voltage across the terminals of R467 (SURROUND BACK Rch), R468 (SURROUND Rch), R469 (FRONT Rch), R470 (CENTER), R471 (FRONT Lch), R472 (SURROUND Lch), R473 (SURROUND BACK Lch) are between 0.1mV and 10.0mV.
- If it exceeds 10.0mV, open (cut off) R432 (SURROUND BACK Rch), R433 (SURROUND Rch), R434 (FRONT Rch), R435 (CENTER), R436 (FRONT Lch), R437 (SURROUND Lch), R438 (SURROUND BACK Lch) and reconfirm the voltage.

#### Attention

If the measured voltage exceeds 10.0mV after an amplifier repair, first check for a defective component before cutting the bias resistor.

- Confirm that the voltage is 0.2 mV to 15.0 mV after 60 minutes.



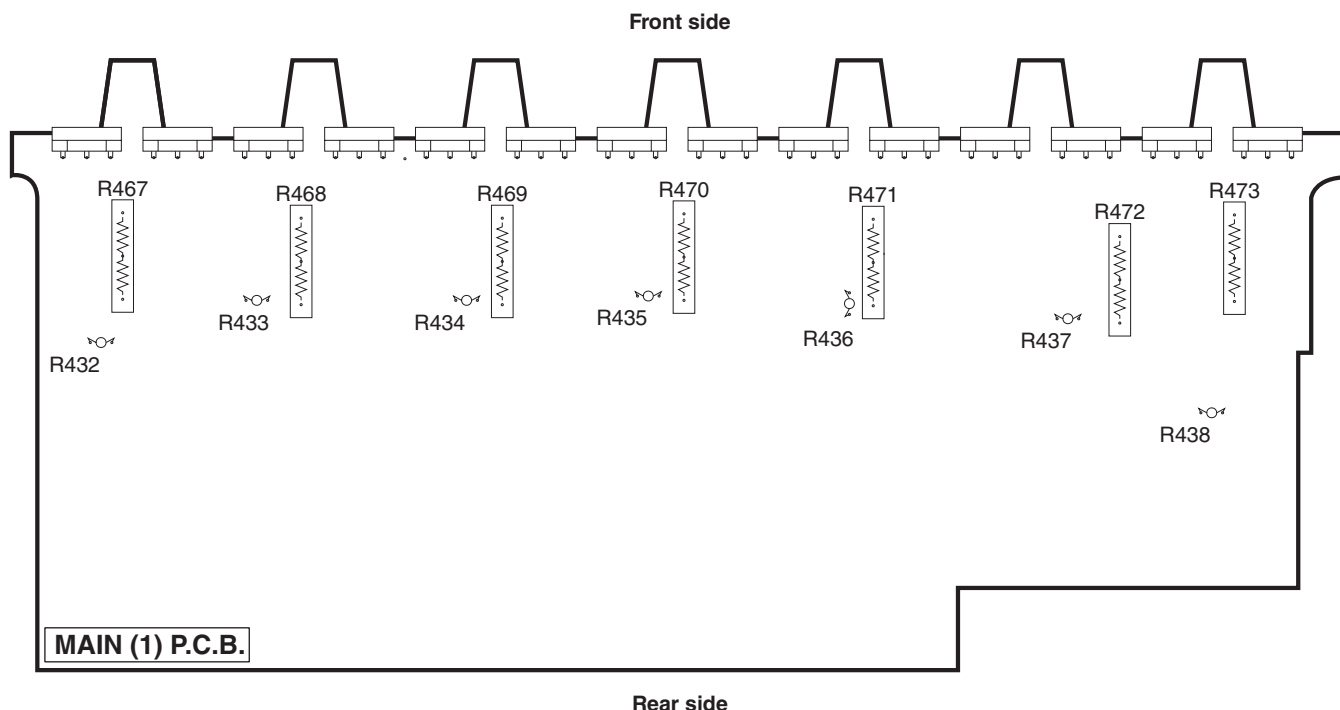
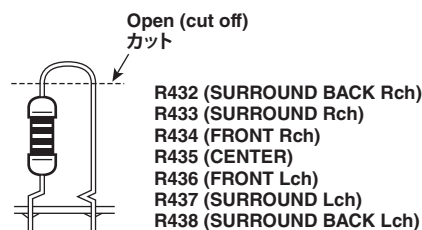
### アンプユニットのアイドリング電流の確認

- 電源投入直後、R467 (SURROUND BACK Rch)、R468 (SURROUND Rch)、R469 (FRONT Rch)、R470 (CENTER)、R471 (FRONT Lch)、R472 (SURROUND Lch)、R473 (SURROUND BACK Lch) の端子間電圧を測定し、0.1mV から 10.0mV の間であることを確認してください。
- 電圧が 10mV を超えている場合は、R432 (SURROUND BACK Rch)、R433 (SURROUND Rch)、R434 (FRONT Rch)、R435 (CENTER)、R436 (FRONT Lch)、R437 (SURROUND Lch)、R438 (SURROUND BACK Lch) をカットし、電圧を再確認してください。

#### 注意

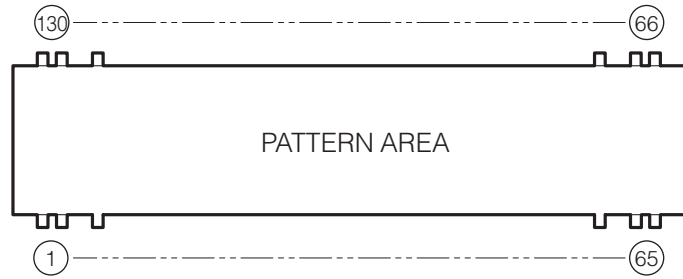
パワーアンプ修理後に 10.0mV を超えている場合は、抵抗をカットする前に故障箇所を調べてください。

- 60 分後、電圧が 0.2mV ~ 15.0mV であることを確認してください。



## ■ DISPLAY DATA

- V9001: HNA-16ML15T (FL P.C.B.)

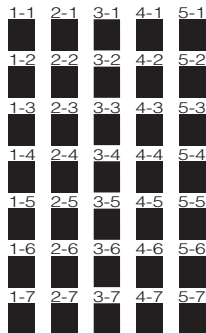
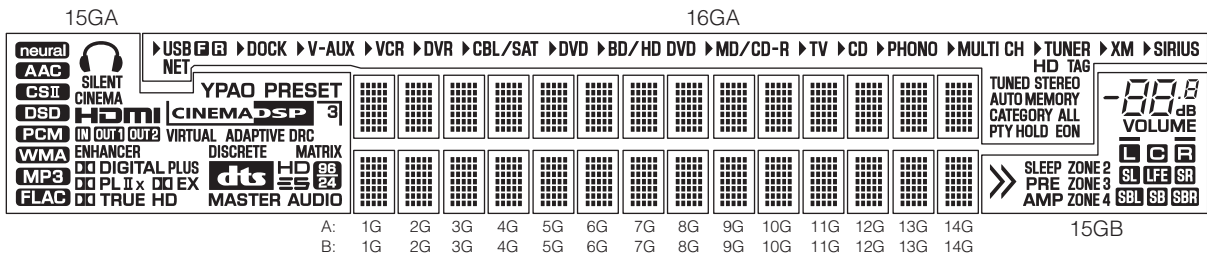


## • PIN CONNECTION

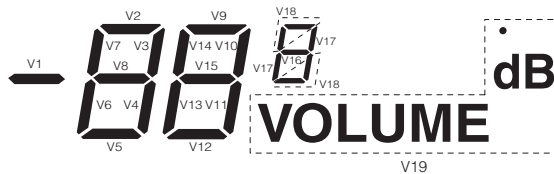
Pin No.	130	129	128	127	126	125	124	123	122	121	120	119	118	117	116	115	114	113	112	111	110	109	108	107	106	105	104	103	102	101	100	99	
Connection	F1	F1	NP	NP	P35A	P34A	P33A	P32A	P31A	P30A	P29A	P28A	P27A	P26A	P25A	P24A	P23A	P22A	P21A	P20A	P19A	P18A	P17A	P16A	P15A	P14A	P13A	P12A	P11A	P10A	P9A	P8A	
Pin No.	98	97	96	95	94	93	92	91	90	89	88	87	86	85	84	83	82	81	80	79	78	77	76	75	74	73	72	71	70	69	68	67	66
Connection	P7A	P6A	P5A	P4A	P3A	P2A	P1A	NX (IC)	NX	NX	NX	NX	NX	16GA	15GA	14GA	13GA	12GA	11GA	10GA	9GA	8GA	7GA	6GA	5GA	4GA	3GA	2GA	1GA	NP	NP	F2	F2
Pin No.	34	35	36	37	38	39	40	41	42	43	44	45	46	47	48	49	50	51	52	53	54	55	56	57	58	59	60	61	62	63	64	65	
Connection	P8B	P9B	P10B	P11B	P12B	P13B	P14B	P15B	P16B	P17B	P18B	P19B	P20B	P21B	P22B	P23B	P24B	P25B	P26B	P27B	P28B	P29B	P30B	P31B	P32B	P33B	P34B	P35B	NP	NP	F2	F2	
Pin No.	1	2	3	4	5	6	7	8	9	10	11	12	13	14	15	16	17	18	19	20	21	22	23	24	25	26	27	28	29	30	31	32	33
Connection	F1	F1	NP	NP	1GB	2GB	3GB	4GB	5GB	6GB	7GB	8GB	9GB	10GB	11GB	12GB	13GB	14GB	15GB	NX (IC)	NX	NX	NX	NX	NX	NX	P1B	P2B	P3B	P4B	P5B	P6B	P7B

Note: 1) F1, F2 ..... Filament pin 2) 1GA to 16GA, 1GB to 15GB ..... Grid pin 3) P1A to P35A, P1B to P35B ..... Anode pin 4) NP ..... No pin  
 5) NX ..... No extended pin 6) NX (IC) ..... Pins are internally connected, are should be electrically opened on the PCB

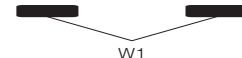
## • GRID ASSIGNMENT



(1GA~14GA)  
(1GB~14GB)



(15GB)



• ANODE CONNECTION

	1GA-14GA	15GA	16GA
P1A	1-1A		X1
P2A	2-1A		USB
P3A	3-1A		NET
P4A	4-1A		
P5A	5-1A		XM
P6A	1-2A		X2
P7A	2-2A		DOCK
P8A	3-2A		X3
P9A	4-2A		S1
P10A	5-2A	SILENT CINEMA	X4
P11A	1-3A		X5
P12A	2-3A		X6
P13A	3-3A		X7
P14A	4-3A		X8
P15A	5-3A	ENHANCER	X9
P16A	1-4A		X10
P17A	2-4A	PLUS	X11
P18A	3-4A		X12
P19A	4-4A	II	X13
P20A	5-4A	x	MULTI CH
P21A	1-5A		X14
P22A	2-5A		X15
P23A	3-5A	YPAO	SIRIUS
P24A	4-5A	PRESET	X16
P25A	5-5A		HD
P26A	1-6A		TAG
P27A	2-6A	VIRTUAL	TUNED
P28A	3-6A	ADAPTIVE DRC	STEREO
P29A	4-6A	DISCRETE	AUTO
P30A	5-6A	MATRIX	MEMORY
P31A	1-7A		CATEGORY
P32A	2-7A	HD	ALL
P33A	3-7A		PTY
P34A	4-7A		HOLD
P35A	5-7A	MASTER AUDIO	EON

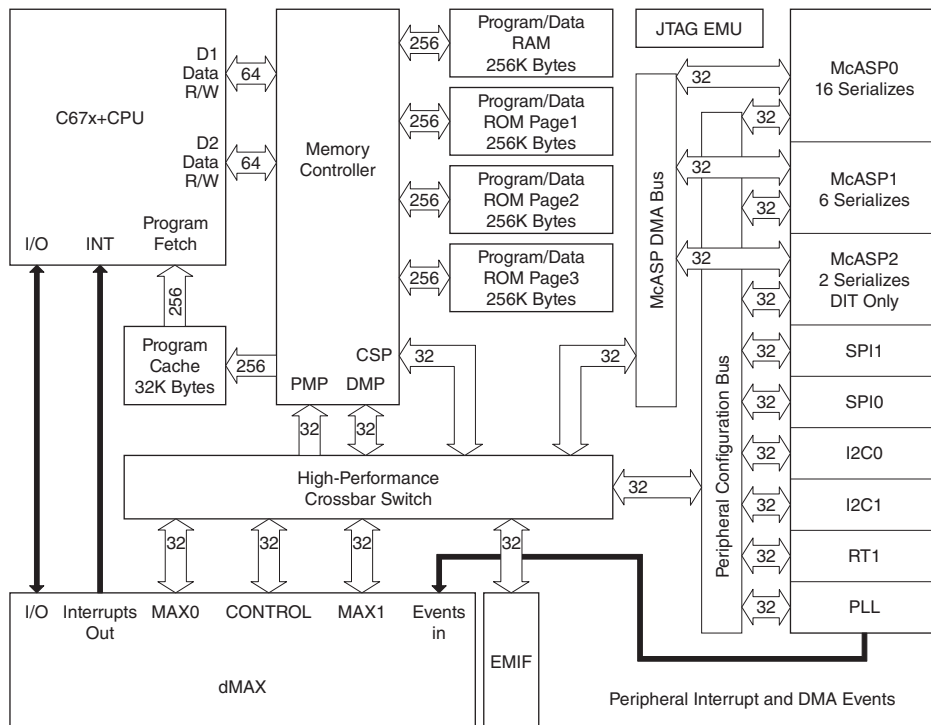
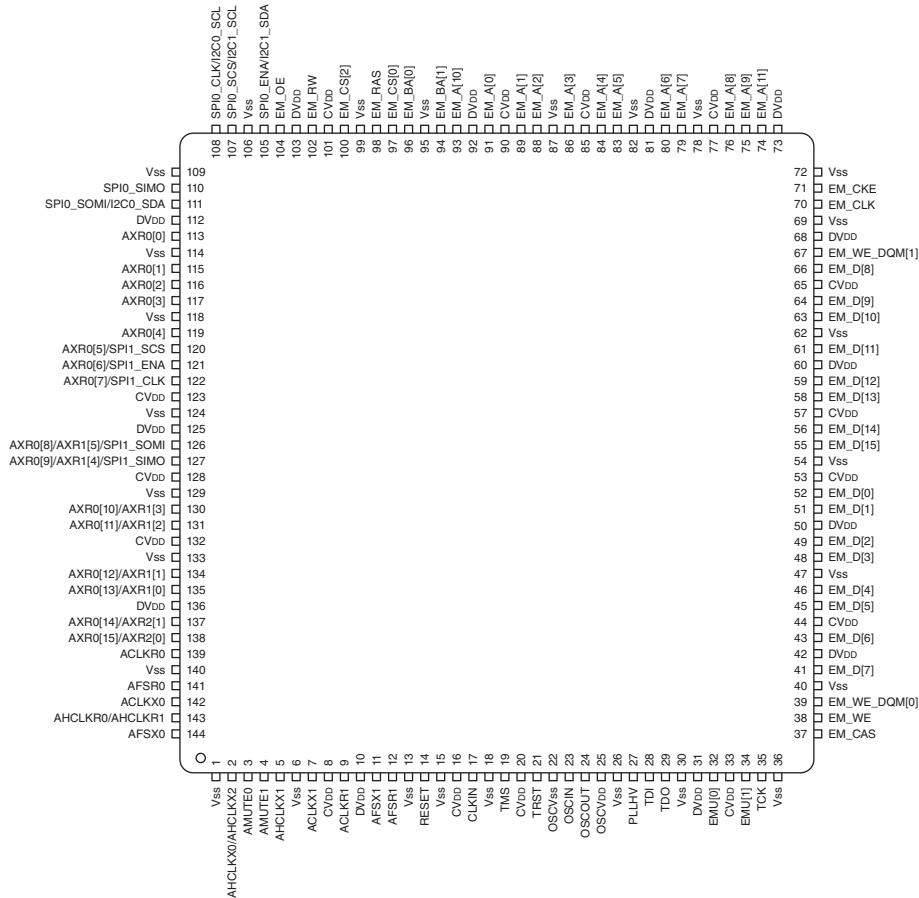
	1GB-14GB	15GB
P1B	1-1B	V1
P2B	2-1B	V2
P3B	3-1B	V3
P4B	4-1B	V4
P5B	5-1B	V5
P6B	1-2B	V6
P7B	2-2B	V7
P8B	3-2B	V8
P9B	4-2B	V9
P10B	5-2B	V10
P11B	1-3B	V11
P12B	2-3B	V12
P13B	3-3B	V13
P14B	4-3B	V14
P15B	5-3B	V15
P16B	1-4B	V16
P17B	2-4B	V17
P18B	3-4B	V18
P19B	4-4B	V19
P20B	5-4B	
P21B	1-5B	SLEEP
P22B	2-5B	PRE AMP
P23B	3-5B	ZONE 2
P24B	4-5B	ZONE 3
P25B	5-5B	ZONE 4
P26B	1-6B	W1
P27B	2-6B	
P28B	3-6B	
P29B	4-6B	
P30B	5-6B	
P31B	1-7B	
P32B	2-7B	
P33B	3-7B	
P34B	4-7B	
P35B	5-7B	

# IC DATA

IC534, 567: D70YE101BRFP266 (DSP P.C.B.)

Decoder/Post processor

\* No replacement part available. / サービス部品供給なし



RX-Z7/DSP-Z7



No.	Function Name (P.C.B.)	TYPE <sup>(1)</sup>	PULL <sup>(2)</sup>	GPIO <sup>(3)</sup>	Detail of Function
1	VSS				
2	AHCLKX0/AHCLKX2	IO	–	Y	McASP0 and McASP2 transmit master clock
3	AMUTE0	IO	–	Y	McASP0 mute output
4	AMUTE1	IO	–	Y	McASP1 mute output
5	AHCLKX1	IO	–	Y	McASP1 transmit master clock
6	VSS				
7	ACLKX1	IO	–	Y	McASP1 transmit bit clock
8	CVDD				
9	ACLKR1	IO	–	Y	McASP1 receive bit clock
10	DVDD				
11	AFSX1	IO	–	Y	McASP1 transmit frame Sync (L/R clock)
12	AFSR1	IO	–	Y	McASP1 receive frame Sync (L/R clock)
13	VSS				
14	RESET	IO	–	N	Device reset pin
15	VSS				
16	CVDD				
17	CLKIN	IO	–	N	Alternate clock input (3.3-V LVCMOS input)
18	VSS				
19	TMS	IO	IPU	N	Test mode select
20	CVDD				
21	TRST	IO	IPU	N	Test reset
22	OSCVSS	PWR	–	N	Oscillator Vss tap point (for filter only)
23	OSCIN	IO	–	N	1.2-V oscillator input
24	NC	O	–	N	
25	OSCVDD	PWR	–	N	Oscillator 1.2-V Vpp tap point (for filter only)
26	VSS				
27	PLLHV	PWR	–	N	PLL 3.3-V supply input (requires external filter)
28	TDI	IO	IPU	N	Test data in
29	TDO	OZ	IPU	N	Test data out
30	VSS				
31	DVDD				
32	EMU[0]	IO	IPU	N	Emulation pin 0
33	CVDD				
34	EMU[1]	IO	IPU	N	Emulation pin 1
35	TCK	IO	IPU	N	Test clock
36	Ground(Vss)				
37	EM_CAS	O	–	N	SDRAM column address strobe
38	EM_WE	O	–	N	SDRAM write enable
39	EM_WE_DQM[0]	O	–	N	Write enable or byte enable for EM_D [7:0]
40	VSS				
41	EM_D[7]	IO	–	N	EMIF data bus [lower 16-bits]
42	DVDD				
43	EM_D[6]	IO	–	N	EMIF data bus [lower 16-bits]
44	CVDD				
45	EM_D[5]	IO	–	N	EMIF data bus [lower 16-bits]
46	EM_D[4]	IO	–	N	EMIF data bus [lower 16-bits]
47	VSS				
48	EM_D[3]	IO	–	N	EMIF data bus [lower 16-bits]
49	EM_D[2]	IO	–	N	EMIF data bus [lower 16-bits]
50	DVDD				
51	EM_D[1]	IO	–	N	EMIF data bus [lower 16-bits]
52	EM_D[0]	IO	–	N	EMIF data bus [lower 16-bits]
53	CVDD				
54	VSS				
55	EM_D[15]	IO	–	N	EMIF data bus [lower 16-bits]
56	EM_D[14]	IO	–	N	EMIF data bus [lower 16-Bits]
57	CVDD				
58	EM_D[13]	IO	–	N	EMIF data bus [lower 16-Bits]
59	EM_D[12]	IO	–	N	EMIF data bus [lower 16-Bits]
60	DVDD				
61	EM_D[11]	IO	–	N	EMIF data bus [lower 16-Bits]

No.	Function Name (P.C.B.)	TYPE <sup>(1)</sup>	PULL <sup>(2)</sup>	GPIO <sup>(3)</sup>	Detail of Function
62	VSS				
63	EM_D[10]	IO	–	N	EMIF data bus [lower 16-Bits]
64	EM_D[9]	IO	–	N	EMIF data bus [lower 16-Bits]
65	CVDD				
66	EM_D[8]	IO	–	N	EMIF data bus [lower 16-bits]
67	EM_WE_DQM[1]	O	–	N	Write enable or byte enable for EM_D [15:8]
68	DVDD				
69	VSS				
70	EM_CLK	O	–	N	SDRAM clock
71	EM_CKE	O	–	N	SDRAM clock enable
72	VSS				
73	DVDD				
74	EM_A[11]	O	–	N	EMIF address bus
75	EM_A[9]	O	–	N	EMIF address bus
76	EM_A[8]	O	–	N	EMIF address bus
77	CVDD				
78	VSS				
79	EM_A[7]	O	–	N	EMIF address bus
80	EM_A[6]	O	–	N	EMIF address bus
81	DVDD				
82	VSS				
83	EM_A[5]	O	–	N	EMIF address bus
84	EM_A[4]	O	–	N	EMIF address bus
85	CVDD				
86	EM_A[3]	O	–	N	EMIF address bus
87	VSS				
88	EM_A[2]	O	–	N	EMIF address bus
89	EM_A[1]	O	–	N	EMIF address bus
90	CVDD				
91	EM_A[0]	O	–	N	EMIF address bus
92	DVDD				
93	EM_A[10]	O	–	N	EMIF address bus
94	EM_BA[1]	O	–	N	SDRAM bank address and asynchronous memory Low-Order address
95	VSS				
96	EM_BA[0]	O	–	N	SDRAM bank address and asynchronous memory Low-Order address
97	EM_CS[0]	O	–	N	SDRAM chip select
98	EM_RAS	O	–	N	SDRAM row address strobe
99	VSS				
100	EM_CS[2]	O	–	N	Asynchronous memory chip Select
101	CVDD				
102	NC	O	–	N	Asynchronous memory read/not write
103	DVDD				
104	EM_OE	O	–	N	SDRAM output enable
105	SPI0_ENA/I2C1_SDA	IO	–	Y	SPI0 enable (ready) or I2c1 serial data
106	VSS				
107	SPI0_ENA/I2C1_SCL	IO	–	Y	SPI0 enable (ready) or I2c1 serial clock
108	SPI0_CLK/I2C0_SCL	IO	–	Y	SPI0 serial clock or I2c0 serial clock
109	VSS				
110	SPI0_SIMO	IO	–	Y	SPI0 data pin slave in master out
111	SPI0_SOMI/I2C0_SDA	IO	–	Y	SPI0 data pin slave out master in or I2C0 serial data
112	DVDD				
113	AXR0[0]	IO	–	Y	McASP0 serial data 0
114	VSS				
115	AXR0[1]	IO	–	Y	McASP0 serial data 1
116	AXR0[2]	IO	–	Y	McASP0 serial data 2
117	AXR0[3]	IO	–	Y	McASP0 serial data 3
118	VSS				
119	AXR0[4]	IO	–	Y	McASP0 serial data 4
120	SPI1_SCS	IO	–	Y	McASP0 serial data 5 or SPI1 slave chip select
121	SPI1_ENA	IO	–	Y	McASP0 serial data 6 or SPI1 enable (ready)
122	SPI1_CLK	IO	–	Y	McASP0 serial data 7 or SPI1 serial clock

No.	Function Name (P.C.B.)	TYPE <sup>(1)</sup>	PULL <sup>(2)</sup>	GPIO <sup>(3)</sup>	Detail of Function
123	CVDD				
124	VSS				
125	DVDD				
126	/SPI1_SOMI	IO	–	Y	McASP0 serial data 8 or McASP1 serial data 5 or SPI1 data pin slave out master in
127	/SPI1_SIMO	IO	–	Y	McASP0 serial data 9 or McASP1 serial data 4 or SPI1 data pin slave in master out
128	CVDD				
129	VSS	IO	–	Y	
130	AXR0[10]	IO	–	Y	McASP0 serial data 10 or McASP1 serial data 3
131	AXR0[11]				McASP0 serial data 11 or McASP1 serial data 2
132	CVDD				
133	VSS	IO	–	Y	
134	AXR0[12]	IO	–	Y	McASP0 serial data 12 or McASP1 serial data 1
135	AXR0[13]				McASP0 serial data 13 or McASP1 serial data 0
136	DVDD	IO	–	Y	
137	AXR0[14]	IO	–	Y	McASP0 serial data 14 or McASP2 serial data 1
138	AXR0[15]	IO	–	Y	McASP0 serial data 15 or McASP2 serial data 0
139	ACLKRO				McASP0 receive bit clock
140	VSS	IO	–	Y	
141	AFSR0	IO	–	Y	McASP0 receive frame Sync (L/R clock)
142	ACLKX0	IO	–	Y	McASP0 transmit bit clock
143	AHCLKR0/AHCLKR1	IO	–	Y	McASP0 and McASP1 receive master clock
144	AFSX0				McASP0 transmit frame Sync (L/R clock)



Pin No.	Port Name	Function Name (P.C.B.)	I/O					Detail of Function
			Power On	Standby	MCU Sleep [AC OFF]	CEC Standby [OFF]	Sleep	
1	TXD4	SIRTXD	SO	O				Asynchronous data output for SIRIUS (U, C models)
			O	O			O	Hardware connection is NC / Perform Low Fix treatment also when power on (R, T, K, A, B, G, E, L, J models)
2	P9_5	SCKN	O	O	O			Clock output for FL DRIVER IC / PT6302
			O	O	O			Clock output for EPROM IC / BR25L320F-W
			O	O	O			Clock output for expanded IC / LC709004A Max. 2MHz when using VDD=4.5 to 6V
3	P9-4	PRI	I	O	O			Current protection detection / 100k pull-down
4	DA1	LMTCNT	DA	O	O			Limiter control output
5	SDA3	-	O	O				Hardware connection is NC / Perform Low Fix treatment also when power on (U, C, R, T, K, A, B, G, E, L models)
		SDACEC	SIO			SIO	O	CEC microprocessor I2C_SDA port (open drain input/output) Set to "Low Fix" when 4.7k pull-up and CEC_PE=Low (ES only) Set to "L" before [CEC_PE, VPOWER]=[0, 0] and to "H" after [CEC_PE, VPOWER]≠[0, 0] (J model)
6	SCL3	-	O	O				Hardware connection is NC / Perform Low Fix treatment also when power on (U, C, R, T, K, A, B, G, E, L models)
		SCLCEC	SIO			SIO	O	CEC microprocessor I2C_SCL port (open drain input/output) Set to "Low Fix" when 4.7k pull-up and CEC_PE=Low (ES only) Set to "L" before [CEC_PE, VPOWER]=[0, 0] and to "H" after [CEC_PE, VPOWER]≠[0, 0] (J model)
7	TB0in	/VSYNC	TMR	O	O			Vertical sync pulse INT
8	P146	RSELDT0	O	O	O			Recout SW1 control (ROHM) data (U, C, R, T, K, A, B, G, E, L models) Clock speed: 20us, MSBF
		-	O	O			O	Hardware connection is NC because J model has no Zone 2, 3 Perform Low Fix treatment also when power on (J model)
9	P145	RSELCK0	O	O	O			Recout SW1 control (ROHM) clock (U, C, R, T, K, A, B, G, E, L models)
		-	O	O			O	Hardware connection is NC because J model has no Zone 2, 3 Perform Low Fix treatment also when power on (J model)
10	P144	ISELDT0	O	O	O			Recout SW1 control (ROHM) data / Clock speed: 20us, MSBF
11	P143	ISELCK0	O	O	O			Recout SW1 control (ROHM) clock
12	INPC1_6	HDIMT	IRQ	O				HDMI MUTE input
13	P141	/CSDAC1	O	O	O			Chip enable of 2shDAC (PCM1791A) *6
14	P140	-	O	O				Hardware connection is NC / Perform Low Fix treatment also when power on (U, C, R, T, K, A, B, G, E, L models)
		/INTCEC				TMR [O]	O	CEC command processing request interrupt input / 10k pull-up CEC_PUPWR (Pin113@M32C)=Hi-Z -> Low Fix (OUT) (J model)
15	BYTE	BYTE	MCU	MCU	MCU		MCU	External data bus width change: 16bit
16	CNVss	CNVss	MCU	MCU	MCU		MCU	Processor mode selection: Single chip mode / Hi: To flash built-in boot mode To boot mode with P50=H, P55=L, CNVss=H setting when resetting the hardware
17	P87	/ICD	O	O	O			DIR initial clear
18	P86	/CSTI	I	O	O			TI #1 SPI READY
19	RESET	RESET	MCU	MCU	MCU		MCU	
20	Xout	Xout	MCU	MCU	MCU		MCU	
21	Vss	Vss	MCU	MCU	MCU		MCU	
22	Xin	Xin	MCU	MCU	MCU		MCU	
23	Vcc	Vcc	MCU	MCU	MCU		MCU	
24	NMI	NMI	IRQ	I	I			
25	INT2	REM2	IRQ	IRQ	IRQ [O]			Remote control pulse input 2 / Remote control pulse input for Zone (U, C, R, T, K, A, B, G, E, L models)
			O	O			O	Hardware connection is NC Perform Low Fix treatment also when power on because there is no remote control input for Zone Perform Low Fix treatment also when power on (J model)
26	INT1	PDET	IRQ	IRQ	IRQ			Power detection / 100k pull-up to 5M2 on SUB TR P.C.B.
27	INT0	RXDR	IRQ	IRQ	IRQ [O]			RS232C · YDC reception detection
28	TA4in	iPDET	TMR	O	O			iPod detection
29	RXD5	HDRXD	SI	O				Asynchronous data input for HD-Radio (U model)
		PLL	I	O	O			PLL reception for tuner / Reception clock 20us / LSB fast (C, A models)
		-	O	O			O	Hardware connection is NC / Perform Low Fix treatment also when power on (R, T, K, B, G, E, L, J models)

Pin No.	Port Name	Function Name (P.C.B.)	I/O					Detail of Function
			Power On	Standby	MCU Sleep [AC OFF]	CEC Standby [OFF]	Sleep	
30	CLK5	-	0	0			0	HD-Radio connection is NC / Perform Low Fix treatment also when power on (U model)
		TUCK	0	0	0			PLL clock output for tuner (C, A models)
		-	0	0			0	Hardware connection is NC / Perform Low Fix treatment also when power on (R, T, K, B, G, E, L, J models)
31	TXD5	HDTXD	SO	0			0	Asynchronous data output for HD-Radio (U model)
		TUDA	0	0	0			PLL data output for tuner / Transmission clock 4us / LSB fast (C, A models)
		-	0	0			0	Hardware connection is NC / Perform Low Fix treatment also when power on (R, T, K, B, G, E, L, J models)
32	TA2in	/INTTI	TMR	0	0			TI #0 / #1(DA70Y) interrupt
33	INPC1_1	-	0	0			0	Hardware connection is NC / Perform Low Fix treatment also when power on (U, C, R, T, K, A, B, G, E, L models)
		CEC-D	I			I [O]	0	CEC initialization request input / 10k pull-up CEC_PUPWR (Pin113@M32C)=Hi-Z -> Low Fix (OUT) (J model)
34	TA1in	/INTDIR	TMR	0	0			DIR interruption
35	P72/CLK2/TA1out	SPIRDY	I	0	0			TI DA70Y serial ready
		/SPIRDY /SPURDY0	I	0	0			DIR WCK input (WCK input for CDDA writing)
36	P71/RxD2/SCL2	DRXM	SI	0			0	DABIC IC RxD (XM data reception) / 1.5k pull-up to +5SPC (U, C models)
		-	0	0			0	Hardware connection is NC / Perform Low Fix treatment also when power on (R, T, K, A, B, G, E, L, J models)
37	P70/TXD2/SDA2	DTXM	SO	SIO			0	DABIC IC TxD (open drain) / 1.5k pull-up to +5SPC (U, C models)
		-	0	0			0	Hardware connection is NC / Perform Low Fix treatment also when power on (R, T, K, A, B, G, E, L, J models)
38	P67/TxD1	TXDH (M to V)	SO	SO	0			Asynchronous data transmission to VIDEO_CPU usually RS-232C asynchronous communication data output Data transmission terminal for AF220
39	Vcc	Vcc	MCU	MCU	MCU		MCU	
40	P66/RxD1	RXDH (V to M)	SI	SI	SI			Asynchronous data input to VIDEO_CPU usually RS-232C Asynchronous communication data input Data reception terminal for AF220 [RS232C ON]
					0			[RS232C OFF] Perform Low Fix treatment because the driver output becomes HiZ when 232C driver is OFF
41	Vss	Vss	MCU	MCU	MCU		MCU	
42	P65/CLK1	RTSH	SO	SO	0			D-VIDEO asynchronous communication RTS output usually RS-232C asynchronous communication RTS output
		CLKF	SO					Clock input for AF220
43	P64/CTS1/RTS1/	CTSH	I	I	[O]			D-VIDEO asynchronous communication CTS input usually RS-232C asynchronous communication CTS input
		YDCBUSY	0					BUSY output for AF220
44	P63/TxD0	TXDD	SO	0	0			To DIR, TI (DA70Y), DAC serial data output / DIR: 4M, LSBF TI: 1M, MSBF
45	P62/RxD0	RXDD	SI	0	0			To DIR, TI (DA70Y), DAC serial data reception / DIR: 4M, LSBF TI: 1M, MSBF
46	P61/CLK0	CLKD	SO	0	0			To DIR, TI (DA70Y), DAC serial clock output
47	P60/CTS0/RTS0	DMT	0	0	0			Digital FULL MUTE (HI=MUTE)
48	P137	CDDA/XLINK	I	0	0			CDDA writing for both DATA input / XMLINK ACTIVE
49	P136	/CSTI0	0	0	0			T1 #0 chip enable
50	P135	/CSTI1 /CSY	0	0	0			T1 #1 chip enable
51	P134	XMPWR	0	0	0			XM Radio power supply control (U, C models)
		-	0	0			0	Perform Low Fix treatment / NC for hardware (R, T, K, A, B, G, E, L, J models)
52	P57/RDY	-	0	0			0	Set to "High" before turning on the main power and to "Low" after turning it off (U model)
		/TMUTE	0	0	0			TUNER mute output / Logical inversion by Tr on FUNCTION P.C.B. (C, R, T, K, A, B, G, E, L, J models)
53	P56/RAS	-	I	0			0	Pull-down to GND when connected HD-Radio is connected (U model)
		TUNED	I	0	0			TUNER TUNED input / Pull-up to +5SPC (C, R, T, K, A, B, G, E, L, J models)
54	P55/HOLD	HD_PE	0	0			0	HD-Radio reset output (L+Reset) (U model)
		TUCE	0	0	0			PLL chip select for tuner (C, R, T, K, A, B, G, E, L, J models)

Pin No.	Port Name	Function Name (P.C.B.)	I/O					Detail of Function
			Power On	Standby	MCU Sleep [AC OFF]	CEC Standby [OFF]	Sleep	
55	P54/HLDA	-	I	O			O	Pull-down to GND when HD-Radio is connected (U model)
		/ST	I	O	O			TUNER STEREO detection input Pull-up to +5SPC (C, R, T, K, A, B, G, E, L, J models)
56	P133	CKZEV	O	O	O			T-CONT/EVOL IC serial transmission clock for ZONE NJW1194V (U, C, R, T, K, A, B, G, E, L models)
		-	O	O			O	Hardware connection is NC because J model has no Zone2, 3 Perform Low Fix treatment also when power on (J model)
57	Vss	Vss	MCU	MCU	MCU		MCU	
58	P132	DTZEV	O	O	O			T-CONT/EVOL IC chip select for ZONE NJW1194V (U, C, R, T, K, A, B, G, E, L models)
		-	O	O			O	Hardware connection is NC because J model has no Zone2, 3 Perform Low Fix treatment also when power on (J model)
59	Vcc	Vcc	MCU	MCU	MCU		MCU	
60	P131	/CEZEV0	O	O	O			T-CONT/EVOL IC serial transmission data for ZONE NJW1194V (U, C, R, T, K, A, B, G, E, L models)
		-	O	O			O	Hardware connection is NC because J model has no Zone2, 3 Perform Low Fix treatment also when power on (J model)
61	P130	/Z4MT	O	O	O [O]			Zone4 Mute control (U, C, R, T, K, A, B, G, E, L models)
		/MODE	I	I	I [O]			High: Normal mode / Low: Special mode (circuit board check, etc.) (J model)
62	P53/BCLK	/Z2MT	O	O	O [O]			Zone2 Mute control (U, C, R, T, K, A, B, G, E, L models)
		-	O	O			O	Hardware connection is NC because J model has no Zone2 Perform Low Fix treatment also when power on (J model)
63	P52/RD	/Z3MT	O	O	O [O]			Zone3 Mute control (U, C, R, T, K, A, B, G, E, L models)
		-	O	O			O	Hardware connection is NC because J has no Zone3 Perform Low Fix treatment also when power on (J model)
64	P51/WRH	/FMTF	O	O	O [O]			Full Mute FL/SBL/SBR
65	P50/WRL	-	O	O	O			
66	P127	/FMFS	O	O	O [O]			Full Mute SL/SR
67	P126	/FMTC	O	O	O [O]			Full Mute Center
68	P125	/FMFSW	O	O	O [O]			Full Mute SWL/SWR/SW MONO
69	P47/CS0	DTEV	O	O	O			EVOL IC serial transmission data for MAIN
70	P46/CS1	CKEV	O	O	O			EVOL IC serial transmission clock for MAIN
71	P45/CS2	/CEEV	O	O	O			EVOL CE for MAIN
72	P44/CS3	CEA	O	O	O			Chip select output for JRC audio select IC / NJU731xAM
73	P43/A19	SDTA	O	O	O			Data output for JRC Audio select IC NJU731xAM: Transmission clock 10us MSB fast
74	Vcc	Vcc	MCU	MCU	MCU		MCU	
75	P42/A18	SCKA	O	O	O			Clock output for JRC Audio select IC NJU731xAM: Transmission clock 10us MSB fast
76	Vss	Vss	MCU	MCU	MCU		MCU	
77	P41/A17	TRG2	O	O	O			DC TRIGGER output 2
78	P40/A16	TRG1	O	O	O			DC TRIGGER output 1
79	P37/A15	232PWR	O	O	O			Rear232C driver ON/OFF control
80	P36/A14	PRY	O	O	O			Power relay control
81	P35/A13	RYBL	O	O	O			POWER AMP B relay control for power supply control ON at Low power supply
82	P34/A12	RYBM	O	O	O			POWER AMP B relay control for power supply control ON at Mid. power supply
83	P33/A11	/CSEX	O	O	O			Chip select for expanded IC / LC709004A Max. 2MHz when using VDD=4.5 to 6V
84	P32/A10	/ICEX	O	O	O			Reset for expanded IC / LC709004A / Max. 2MHz when using VDD=4.5 to 6V
85	P31/A9	iPWR	O	O	O			iPod power supply control
86	P142	/CSDAC2	O	O	O			TI#1 initial clear
87	CTS6	CTSR	I	O				O
88	RXD6	RXDR	SI	O	O			

Pin No.	Port Name	Function Name (P.C.B.)	I/O					Detail of Function	
			Power On	Standby	MCU Sleep [AC OFF]	CEC Standby [OFF]	Sleep		
89	P121	RTSR	0	0			0		
90	TXD6	TXDR	SO	0	0				
91	Vcc		MCU	MCU	MCU		MCU		
92	P30/A8	VMT	0	0	0			Video output MUTE / This port is logically inverted at ON*Tr when Power ON/OFF and Pure Direct ON/OFF	
93	Vss		MCU	MCU	MCU		MCU		
94	AN27/P27/A7	/EPROM	0	0			0	Chip select output for EPROM IC (Unused, High_Fix or Low_Fix) / BR25L320F-W	
95	AN26/P26/A6	VPOWER	0					VIDEO power supply control (Low when VIDEO OFF) iPAP is received by VNP2	
96	AN25/P25/A5	RSELDT1	0	0	0			Recout SW1 control (ROHM) data / Clock speed: 20us, MSBF (U, C, R, T, K, A, B, G, E, L models)	
		-	0	0			0	Hardware connection is NC because J model has no Zone 2, 3 Perform Low Fix treatment also when power on (J model)	
97	AN24/P24/A4	RSELCK1	0	0	0			Recout SW1 control (ROHM) clock (U, C, R, T, K, A, B, G, E, L models)	
		-	0	0	0			Hardware connection is NC because J model has no Zone 2, 3 Perform Low Fix treatment also when power on (J model)	
98	AN23/P23/A3	ISELDT1	0	0	0			Recout SW1 control (ROHM) data / Clock speed: 20us, MSBF	
99	AN22/P22/A2	ISELCK1	0	0	0			Recout SW1 control (ROHM) clock	
100	AN21/P21/A1	/ICFL	0	0	0			FL driver initial clear	
101	AN20/P20/A0	CEF2	0	0	0			FL enable2	
102	P17/D15/INT5	PSWDET	IRQ	IRQ	IRQ	[O]		Main Zone 2, 3 power key interrupt	
103	P16/D14/INT4	MSW	IRQ	IRQ	IRQ	[O]		MASTER SW (Push lock SW)	
104	P15/D13/INT3	REM1	IRQ	IRQ	IRQ	[O]		Remote control pulse input 1	
105	P14/D12	CEF1	0	0	0			FL enable 1	
106	P13/D11	BT232C	I	I	0			RS232C Flash writing mode detection	
		-	0	0	0			Ti#0 Initial clear	
107	P12/D10	-	0	0			0	Hardware connection is NC / Perform Low Fix treatment also when Power On (U, C, R, T, K, A, B, G, E, L models)	
		CEC_PE	0	0	0			Power for CEC circuit ON/OFF (J model)	
108	P11/D9	-	0	0			0	Hardware connection is NC / Perform Low Fix treatment also when Power On (U, C, R, T, K, A, B, G, E, L models)	
		/ICCEC	OD	0	0			CEC microprocessor initial clear Open drain output (Pull-up to +3.3V on CEC side) (J model)	
109	P10/D8	PSW2	I	I	0			Logical key discriminated after INT5: PSW input	
110	P07/AN07/D7	PSW1	I	I	0			Logical key discriminated after INT5: PSW input	
111	P06/AN06/D6	SPC	0	0	0	[O]		<ul style="list-style-type: none"> <li>+5SPC Power ON/OFF control (L=ON, H=OFF: To reduce stand-by power)</li> <li>Fixed to Low usually. Setting to HI after the stand-by related process reduces stand-by power (MCUSleep) (Neither expansion port nor expansion A/D does not operate when set to HI)</li> <li>Keep "HighFix" as it is until Power ON signal is inputted when AC IN or MCU-Sleep is used</li> </ul>	
112	P05/AN05/D5	/HPMT	0	0	0	[O]		Headphone Mute control	
113	P04/AN04/D4	CEC_PUPWR					0 [I]	I	Power supply for pull-up resistor of CEC microprocessor interface (12C, IRQ) OFF/ON Set to "Hi-Z" before [CEC_PE, VPOWER]=[0, 0] and to "L" after [CEC_PE, VPOWER]≠[0, 0] (To prevent +5V/+3.3V voltage from being applied to CEC microprocessor port when CEC microprocessor power is OFF) (J model)
		-	0	0				0	Hardware connection is NC because there is no CEC other than J model Perform Low Fix treatment also when Power On (U, C, R, T, K, A, B, G, E, L models)
114	P114	/ICEQ	0	0	0			HDMI Equalizer reset output	
115	INPC1_3	H2MIRQ	IRQ	0	0			VIDEO_CPU1 transfer request input	
116	P112	EXDI	I	I			0	Data IN for expanded IC, EEPROM / LC709004A Max. 2MHz when using VDD=4.5 to 6V	
117	P111/ISCLK1	HDMINT	TMR	0	0			HDMI interrupt input	

RX-Z7/DSP-Z7



Pin No.	Port Name	Function Name (P.C.B.)	I/O					Detail of Function
			Power On	Standby	MCU Sleep [AC OFF]	CEC Standby [OFF]	Sleep	
118	P110	SDTN	0	0	0			Data output for FL DRIVER IC / PT6302
			0	0	0			Data output for expanded IC / LC709004A Max. 2MHz when using VDD=4.5 to 6V
119	P03/AN03/D3	VRB	I	0	0			Volume rotary B
120	P02/AN02/D2	PLED	0	0	0			Pure direct LED
121	P01/AN01/D1	/ICH	0	0	0			VIDEO_CPU reset
		-	0	0			0	
122	P00/AN00/D0	/ICXM	0	0			0	XMDT IC reset (U, C models)
		-	0	0			0	Hardware connection is NC Perform Low Fix treatment also when Power On (R, T, K, A, B, G, E, L, J models)
123	AN157	KEY1	AD	0	I [O]			KEY1 AD value taken in
124	AN156	KEY0	AD	0	I [O]			KEY0 AD value taken in
125	AN155	DOCK_ID	AD	0			0	DOCK_ID detection input: YBA or YDS or others ?
126	AN154	SIR_PE	AD	0	0			SIRIUS power enable (U, C models)
127	AN153	PRV2	AD	0			0	Power protection detection 2
128	AN152/P152/ISRXD0	M2HIRQ	0	0			0	MAIN_CPU1 transfer request output
129	AN151/P151/ISCLK0	VRA	I	0	0			Volume rotary A
130	Vss	Vss	MCU	MCU	MCU		MCU	
131	AN150/P150/ISTXD0	/CSDIR	0	0	0			DIR chip enable
132	Vcc	Vcc	MCU	MCU	MCU		MCU	
133	P107/AN7	DEST	AD	AD	I [O]			Destination discrimination by AD value When AD is taken in at Power On, there is 1msec waiting time after AD input port setting
134	AN0_1	MODEL	AD	AD	I [O]			Model discrimination by AD value When AD is taken in at Power On, there is 1msec waiting time after AD input port setting
135	AN5	THM1	AD	0	I [O]			AD temperature detection 1
136	AN4	THM2	AD	0	I [O]			AD temperature detection 2
137	AN3	PRD	AD	0	0			Power amplifier DC protection detection
138	AN2	PRV1	AD	0	0			Power protection detection 1
139	AN1	PRVS (PRVP)	AD	0	0			Power protection detection 3 (Power turned off by Pure Direct)
140	Avss	AVSS	MCU	MCU	MCU		MCU	
141	ANO	OUTLVL	AD	0	0			AD power limiter output level detection
142	Vref	VREF	MCU	MCU	MCU		MCU	
143	Avcc	AVCC	MCU	MCU	MCU		MCU	
144	RXD4	SIRRXD	SI	0			0	Asynchronous data input for SIRIUS (U, C models)
		-	0	0			0	Hardware connection is NC / Perform Low Fix treatment also when Power On (R, T, K, A, B, G, E, L, J models)

Expansion of serial parameter / シリパラ拡張 (LC709004A)

Pin No.	Port Name	Function Name (P.C.B.)	I/O				Detail of Function
			Power On	Standby	MCU Sleep	OUTPUT	
24	P00	SPF	O				Front speaker relay control
23	P01	SPSR	O				Surround speaker relay control
22	P02	SPZ3	O				Z3 speaker relay control
21	P03	SPZ2	O				Z2 speaker relay control
20	P04	SPSB	O				Surround Back speaker relay control
19	P05	SPC	O				Center speaker relay control
18	P06	-				O	TUNER power ON/OFF (High=ON, Low=OFF)
17	P07					O	
15	P10	/MIC	I	O	O		MIC detection / 220k pull-down (U, C, R, T, K, A, B, G, E, F, L models)
14	P11	/HP	I	O	O		Headphone detection / 100k pull-up to +5SPC (U, C, R, T, K, A, B, G, E, F, L models)
13	P12					O	
12	P13					O	
11	P14					O	
10	P15					O	
9	P16					O	
8	P17					O	

RX-Z7 (U, C, A models)

Key input(A-D) pull-up resistance 10 k-ohms

Ohm	0	+1.2k	+1.2k	+1.8k	+2.7k	+3.3k	+4.7k	+8.2k	+18.0k	+47.0k
V	-0.26	-0.75	-1.22	-1.76	-2.28	-2.75	-3.24	-3.75	-4.25	-4.72
Key0 (124pin/AN156)	INFO	ZONE CONTROLS	CATEGORY / BAND	STEREO/ MONO	SEARCH MODE	MEMORY	PRESET/ TUNING >	PRESET/ TUNING <	-	-
Key1 (123pin/AN157)	STRAIGHT / EFFECT	ENTER	ZONE CONTROL	MENU	AUDIO SELECT / REC OUT	PURE DIRECT	-	-	-	-

DSP-Z7 (R, T, K, B, G, E, L models)

Key input(A-D) pull-up resistance 10 k-ohms

Ohm	0	+1.2k	+1.2k	+1.8k	+2.7k	+3.3k	+4.7k	+8.2k	+18.0k	+47.0k
V	-0.26	-0.75	-1.22	-1.76	-2.28	-2.75	-3.24	-3.75	-4.25	-4.72
Key0 (124pin/AN156)	INFO	ZONE CONTROLS	SYSTEM MEMORY 4	SYSTEM MEMORY 3	SYSTEM MEMORY 2	SYSTEM MEMORY 1	LEVEL + / R	LEVEL - / L	-	-
Key1 (123pin/AN157)	STRAIGHT / EFFECT	ENTER / NEXT	ZONE CONTROL	MENU	AUDIO SELECT / REC OUT	PURE DIRECT	-	-	-	-

DSP-Z7 (J model)

Key input(A-D) pull-up resistance 10 k-ohms

Ohm	0	+1.2k	+1.2k	+1.8k	+2.7k	+3.3k	+4.7k	+8.2k	+18.0k	+47.0k
V	-0.26	-0.75	-1.22	-1.76	-2.28	-2.75	-3.24	-3.75	-4.25	-4.72
Key0 (124pin/AN156)	INFO	-	SYSTEM MEMORY 4	SYSTEM MEMORY 3	SYSTEM MEMORY 2	SYSTEM MEMORY 1	LEVEL +	LEVEL -	-	-
Key1 (123pin/AN157)	STRAIGHT / EFFECT	ENTER / NEXT	ZONE CONTROL	MENU	AUDIO SELECT / REC OUT	PURE DIRECT	-	-	-	-

Destination for AD Port / 仕向け先判別ポート

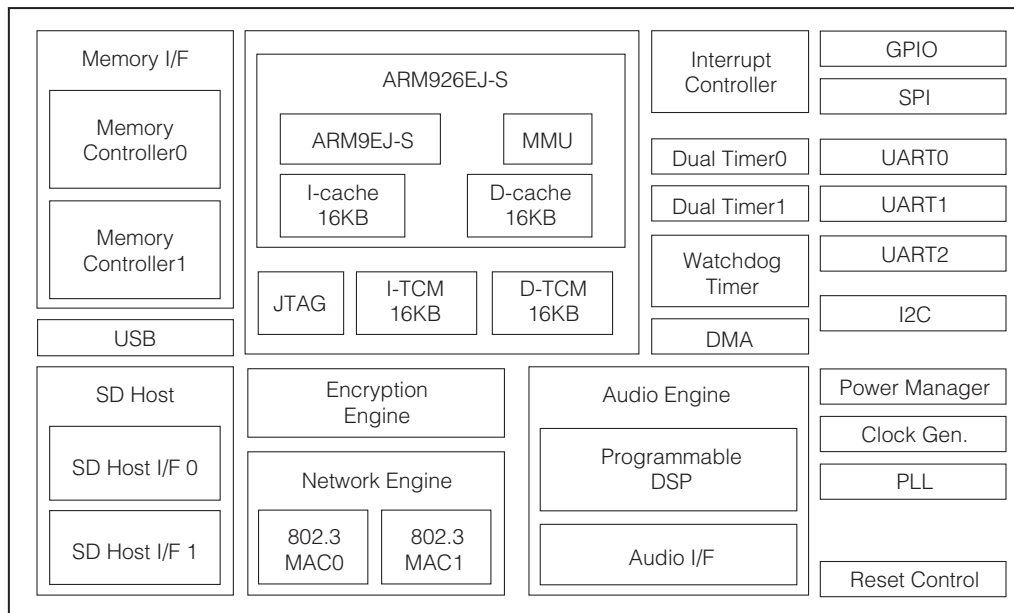
Pull-up resistance 10 k-ohms

Ohm	0.0k	1.2k	2.7k	4.7k	6.8k	10.0k	15.0k	24.0k	47.0k	100.0k
V	0-0.2	0.3-0.8	0.9-1.3	1.4-1.8	1.8-2.2	2.3-2.7	2.8-3.2	3.3-3.8	3.9-4.3	4.4-4.7
A-D (5V=255)	0-13	14-40	41-68	69-92	93-115	116-140	141-167	168-195	196-221	222-243
DEST (AN7) 133pin	J	U	C	R	T	K	A	-	B, G, E	L

**IC105:** YTD-446CZ (D-VIDEO P.C.B.)

VNP2 (Video and network processor)

\* **No replacement part available. / サービス部品供給なし**



Pin No.	Port Name	Function Name (P.C.B.)	I/O	Detail of Function
M25	nRESET	VNP2_N_RST	MCU	System reset terminal
T25	XI_S		MCU	System clock crystal oscillation terminal
T24	XO_S		MCU	System clock crystal oscillation terminal
AE24	XI_A		MCU	Audio clock crystal oscillation terminal
AD24	XO_A		MCU	Audio clock crystal oscillation terminal
T22	TEST0	TEST0	MCU	System reset terminal
R23	TEST1		MCU	Test mode setting
T23	TEST2		MCU	Test mode setting
AA3	nTRST	VNP2_N_TRST	MCU	
AB1	TDI	VNP2_TDI	MCU	
AC1	TDO	VNP2_TDO	MCU	
AA2	TCK	VNP2_TCK	MCU	
AB3	TMS	TNP2_TMS	MCU	
AB2	RTCK		MCU	
L23	nSCS3		CS	Chip select 3 for accessing YGV619 MEM
L24	nSCS2		CS	Chip select 2 for accessing YGV619 REG
K23	nSCS1		CS	Chip select 1 for accessing Flash ROM
K24	nSCS0		CS	Chip select 0 for accessing NPGA
J23	nSLBE		BUS	Lower byte write enable
J24	nSUBE		BUS	Upper byte write enable
K25	nSWR		BUS	8bit device write enable
J25	nSRD		BUS	Read enable
**	SA[22:0]		BUS	SRAM address bus / CS0 space CS1 space CS2 space CS3 space
**	SD[15:0]		BUS	SRAM data bus
B1	SCLK0		BUS	SDRAM clock
C1	SCKE0		BUS	SDRAM clock enable
D1	SCLK1		BUS	SDRAM clock
E1	SCKE1		BUS	SDRAM clock enable
F1	nCS1		CS	SDRAM chip select 1
C2	nCS0		CS	SDRAM chip select 0
E3	nWE		BUS	SDRAM write enable
F2	nRAS		BUS	SDRAM row address strobe
E2	nCAS		BUS	SDRAM column address strobe
A9	DQM3		BUS	SDRAM data input/output mask 3
B9	DQM2		BUS	SDRAM data input/output mask 2
C9	DQM1		BUS	SDRAM data input/output mask 1
C10	DQM0		BUS	SDRAM data input/output mask 0
**	A[11:0]		BUS	SDRAM address bus
F3	A12		BUS	
J2	A13		BUS	
J1	A14		BUS	
**	D[31:0]		BUS	SDRAM data bus
L25	nINT0	VNP2_TCK	IRQ	
M24	nINT1	M2V_N_INT_3	IRQ	Interrupt input from main microprocessor
M23	nINT2	GA_N_INT	IRQ	Interrupt input from NPGA
AE7	TXD0/AGPIO[3]	DBG_TXD	SO	For debugging
AE8	RXD0/AGPIO[0]	DBG_RXD	SI	For debugging
AD7	nCTS0/AGPIO[4]	DBG_LED0	O	LED output 0 for debugging
AD8	nRTS0/AGPIO[1]	DBG_LED1	O	LED output 1 for debugging
AC8	EXTCLK0/AGPIO[2]	V2M_N_INT_3	O	Interrupt output from main microprocessor
AE5	TXD1/AGPIO[9]	VCPU_TXD_3	SO	Communication between microprocessors (Asynchronous)
AE6	RXD1/AGPIO[6]	VCPU_RXD	SI	Communication between microprocessors (Asynchronous)
AD5	nCTS1/AGPIO[10]	VCPU_N_CTS	SI	Communication between microprocessors (Asynchronous)
AD6	nRTS1/AGPIO[7]	VCPU_N_RTS_3	SO	Communication between microprocessors (Asynchronous)
AC6	nDCD1/AGPIO[8]	DEV_N_RST	O	System reset

Pin No.	Port Name	Function Name (P.C.B.)	I/O	Detail of Function
AD4	nDSR1/AGPIO[13]	USB_HIZ	O	H: USB disconnected, L: USB connected
AC5	nDTR1/AGPIO[11]	FLASH_N_WP	O	H: FLASH write enable L: FLASH write disable (Only top sector is effective)
AE4	EXTCLK1/AGPIO[12]	USB_N_FRONT	O	H: Rear USB terminal is effective L: Front USB terminal is effective
AC7	nR11/AGPIO[5]	HDMI_INT	I	
AE2	TXD2/AGPIO[18]	IPD_TXD	O	TXD to iPOD DOC
AE3	RXD2/AGPIO[15]	IPD_RXD	I	RXD from iPOD DOC
AD2	nCTS2/AGPIO[19]	HTX1_N_PWEN	O	IC733 (HDMI OUT2) +5V enable
AD3	nRTS2/AGPIO[16]	PHY_N_100M	I	H: Ether 10Mbps L: Ether 100Mbps
AD1	EXTCLK2/AGPIO[20]	HTX2_N_PWEN	O	IC730 (HDMI OUT1) +5V enable
AC4	PARITY/AGPIO[14]	PHY_N_FDX	I	H: Ether half duplex L: Ether full duplex
AC3	SIMRST/AGPIO[17]	PHY_PD	O	H: Ether low power mode L: Ether normal mode
AA1	I2C_SDA/BGPI0[0]	HDMI_SDA	SIO	I2C SDA input/output for HDMI RX (SII9135A) I2C SDA input/output for HDMI TX#1 (SII9134) I2C SDA input/output for HDMI TX#2 (SII9134)
Y1	I2C_SCL/BGPI0[1]	HDMI_SCL	SO	I2C SCL output for HDMI RX (SII9135A) 300k I2C SCL output for HDMI TX#1 (SII9134) 300k I2C SCL output for HDMI TX#2 (SII9134) 300k
Y3	SPI_SCK/BGPI0[3]	OSD_N_SCK_3	SO	OSD serial CK
W3	SPI_CS0/BGPI0[6]	OSD_N_CS_3	O	OSD chip select
V1	SPI_CS1/BGPI0[7]	ABT_1.0_EN_C	O	
V2	SPI_CS2/BGPI0[8]	ABT_1.8_EN_C	O	
V3	SPI_CS3/BGPI0[9]	ABT_3.3_EN_C	O	
W1	SPI_SDI/BGPI0[4]	WIFI_N_RST	O	
W2	SPI_SDO/BGPI0[5]	OSD_MOSI_3	SO	OSD serial data transmission
N25	BGPI0[16]	VOL_RA	I	Volume rotary A
N24	BGPI0[17]	VOL_RB	I	Volume rotary B
N23	BGPI0[18]	ISEL_RA	I	Input selector rotary A
P25	BGPI0[19]	ISEL_RB	I	Input selector rotary B
P24	BGPI0[20]	PRG_RA	I	PROGRAM rotary A
P23	BGPI0[21]	PRG_RB	I	PROGRAM rotary B
Y2	BGPI0[2]	NUDAC_MUT	O	NET/USB DAC H: Mute on / L: MUTE off
R25	BGPI0[22]	IPAP_DET	I	iPod accessory power detection
R24	BGPI0[23]	Z7_DET	I	Model discrimination H: RX-Z7/DSP-Z7 / L: RX-V3900/DSP-3900 (Applicable only when testing P.C.B.)
R1	SDO_ABCK	VNP2_BCK	MCU	Bit clock output for audio
U2	SDO_BBCK/BGPI0[11]	-		
P1	SDO_AWCK	VNP2_LRCK	MCU	LR clock output for audio
U3	SDO_BWCK/BGPI0[12]	-	I	USB excess current detection spare
U1	SDO_MCK/BGPI0[10]	VNP2_MCK	MCU	Master clock output for audio
P2	SDO3		MCU	Data output 3 for audio
P3	SDO2		MCU	Data output 2 for audio
R2	SDO1		MCU	Data output 1 for audio
R3	SDO0	VNP2_SDO	MCU	Data output 0 for audio
N1	SDI_ABCK		MCU	Bit clock input for audio
T2	SDI_BBCK/BGPI0[14]	DBG_DIP0	I	Mode switching DIP SW for debugging
M1	SDI_AWCK		MCU	LR clock input for audio
T3	SDI_BWCK/BGPI0[15]	DBG_DIP1	I	Mode switching DIP SW for debugging
T1	SDI_MCK/BGPI0[13]	GA_AMCKO	MCU	Master clock input for audio
M2	SDI3		MCU	Data input 3 for audio
M3	SDI2		MCU	Data input 2 for audio
N2	SDI1		MCU	Data input 1 for audio
N3	SDI0		MCU	Data input 0 for audio
AE16	USBP		MCU	USB data +
AD16	USBM		MCU	USB data -
AB16	USB_PWREN		MCU	USB power enable

Pin No.	Port Name	Function Name (P.C.B.)	I/O	Detail of Function
AC17	USB_OC		MCU	USB excess current detection
AE12	MAC_REF_CLK		MCU	RMII clock output
AE13	MAC0_RXD0		MCU	RMII reception data
AD13	MAC0_RXD1		MCU	RMII reception data
AC13	MAC0_RXER		MCU	RMII reception error
AE14	MAC0_TXD0		MCU	RMII transmission data
AD14	MAC0_TXD1		MCU	RMII transmission data
AC14	MAC0_TXEN		MCU	RMII transmission enable
AD12	MAC0_CRSDV		MCU	RMII carrier detection
AE15	MAC0_MDC		MCU	RMII MI clock
AD15	MAC0_MDIO		MCU	RMII MI data
AE10	MAC1_RXD0		MCU	MAC1 RMII (no used)
AD10	MAC1_RXD1		MCU	MAC1 RMII (no used)
AC10	MAC1_RXER		MCU	MAC1 RMII (no used)
AE11	MAC1_TXD0		MCU	MAC1 RMII (no used)
AD11	MAC1_TXD1		MCU	MAC1 RMII (no used)
AC11	MAC1_TXEN		MCU	MAC1 RMII (no used)
AC12	MAC1_CRSDV		MCU	MAC1 RMII (no used)
AE9	MAC1_MDC		MCU	MAC1 RMII (no used)
AD9	MAC1_MDIO		MCU	MAC1 RMII (no used)
AE20	SD0_CLK		MCU	
AC21	SD0_CMD		MCU	
AD21	SD0_DATA3		MCU	
AE21	SD0_DATA2		MCU	
AD22	SD0_DATA1		MCU	
AE22	SD0_DATA0		MCU	
AC22	SD0_SDCD		MCU	
AE23	SD0_SDWP		MCU	
AE17	SD1_CLK		MCU	
AC18	SD1_CMD		MCU	
AD18	SD1_DATA3		MCU	
AE18	SD1_DATA2		MCU	
AD19	SD1_DATA1		MCU	
AE19	SD1_DATA0		MCU	
AC19	SD1_SDCD		MCU	
AD20	SD1_SDWP		MCU	

## IC114: MB87L8760 (D-VIDEO P.C.B.)

NPGA

\* No replacement part available. / サービス部品供給なし

Pin No.	Port Name	Function Name (P.C.B.)	I/O	Detail of Function
1	VDD		MCU	
2	VSS		MCU	
3	PIO[0]	VDEC_N_INT	IRQ	Interrupt from ADV7800
4	PIO[1]	HTX1_N_INT	IRQ	Interrupt from SII9134 #1
5	PIO[2]	HTX2_N_INT	IRQ	Interrupt from SII9134 #2
6	PIO[3]	HRX_N_INT	IRQ	Interrupt from SII9135A
7	PIO[4]	HEQ0_N_INT_F	IRQ	Interrupt from SII9185A #0
8	PWM[0]	—		
9	VSS		MCU	
10	VDD		MCU	
11	SCL0	HEQ_SCL	SO	SII9185A control
12	SDA0	HEQ_SDA	SIO	SII9185A control
13	PIO[16]	IOEX_N_CS	O	I/O expanded device chip select
14	PIO[17]	VIPC_N_CS	O	
15	PIO[18]	CXB1442_CE	O	CXB1442 chip enable
16	PIO[19]	FPGA_N_CS	O	FPGA chip select
17	PIO[20]	FPGA_N_CFG	O	FPGA configuration
18	VDD		MCU	
19	VSS		MCU	
20	PIO[21]	FPGA_CDONE	I	FPGA configuration
21	PIO[22]	FPGA_N_STA	I	FPGA configuration
22	PIO[23]	HDMI_MUT_3	I	HDMI Mute input
23	PWM[1]	—		
24	PIO[5]	HEQ1_N_INT_F	IRQ	Interrupt from SII9185A #1
25	SCL1	DV_SCL	SO	Video Encoder/Decoder ABT2010 analog video device control
26	SDA1	DV_SDA	SIO	Video Encoder/Decoder ABT2010 analog video device control
27	SCL2	EEP_SCL	SO	EEPROM read/write
28	SDA2	EEP_SDL	SIO	EEPROM read/write
29	VDD		MCU	
30	VSS		MCU	
31	PIO[6]	PHY_N_INT	IRQ	Interrupt from PHY
32	SCK0	FPGA_SCK	SO	FGPA control
33	SO0	FPGA_MOSI	SO	FGPA control
34	SI0	FPGA_MISO	SI	FGPA control
35	PIO[7]	—		
36	PIO[8]	HTX1_N_RST	O	SII9134 #1 reset
37	VDD		MCU	
38	VSS		MCU	
39	PIO[24]	HTX_AUSEL	O	Source selector when updating HDMI conversion L: HDMI input / H: Analog input
40	SCK1	IOEX_N_SCK	SO	Serial clock for I/O expanded device chip
41	SO1	IOEX_MOSI	SO	Serial data for I/O expanded device chip
42	SI1	—		
43	SCK2	VIPC_N_SCK		
44	SO2	VIPC_MOSI		
45	VSS		MCU	
46	VDD		MCU	
47	SI2	VIPC_MISO		
48	TXD0	—		
49	RXD0	—		
50	PI4_XCTS0	—		
51	PO4_XRTS0	—		
52	PIO[25]	VDEC_FPGA_N_OE	O	Path from ADV7800 to FPGA ON/OFF (L: ON / H: OFF)
53	PIO[26]	LPF_HD	O	LPF switching L: when SD, PS signal is input H: when HD signal is input

Pin No.	Port Name	Function Name (P.C.B.)	I/O	Detail of Function
54	VDD		MCU	
55	VSS		MCU	
56	PIO[27]	MON_N_VMT_3	O	Video monitor signal mute L: Mute on / H: Mute off
57	TXD1	--		
58	RXD1	--		
59	PI5_XCTS1	--		
60	PO5_XRTS1	--		
61	PIO[9]	HTX2_N_RST	O	Resetting for SII9134 #2
62	PIO[10]	HRX_N_RST	O	Resetting for SII9135A
63	PIO[11]	HEQ_N_RST_F	O	Resetting for SII9185A
64	PIO[12]	VDEC_N_RST	O	Resetting for ADV7800
65	VDD		MCU	
66	VSS		MCU	
67	PIO[13]	YGV_N_RST	O	Resetting for YGV619
68	PIO[14]	VIPC_N_RST	O	Resetting for ABT2010
69	TXD2	--		
70	RXD2	--		
71	PI6_XCTS2	--		
72	PO6_XRTS2	--		
73	VDD		MCU	
74	VSS		MCU	
75	VCXI0	--		
76	VDD		MCU	
77	PI2_X0IN	--		
78	NC		MCU	
79	VCX00	--		
80	PI3_X1IN	--		
81	VSS		MCU	
82	VDD		MCU	
83	VCXI1	--		
84	VSS		MCU	
85	XIC	DEV_N_RST	MCU	Hardware reset input for NPGA
86	NC			
87	VCX01	--		
88	TEST0			For testing
89	CLKIN	GA_24M	I	NPGA system clock 24.576MHz
90	VDD		MCU	
91	VSS		MCU	
92	TEST1			For testing
93	TEST2			For testing
94	PO1_XLOCK	CEC_RY2	O	CEC line switching control
95	XPCO	--		
96	PCO	--		
97	PO2	(AVI2S_ON)	O	Set to "H" when turning on power to AVIDEO
98	PO3	--		
99	PO0_MCLKO	CEC_RY1	O	Switching control of CEC line
100	AMCKO	GA_AMCKO	O	Master clock for audio
101	VDD		MCU	
102	VSS		MCU	
103	AHCKI	45.1584MHz	PLL	45.158MHz clock input for generation of 11.2896MHz
104	A[7]	SA[7]	BUS	HOST I/F address bus
105	A[6]	SA[6]	BUS	HOST I/F address bus
106	A[5]	SA[5]	BUS	HOST I/F address bus
107	A[4]	SA[4]	BUS	HOST I/F address bus
108	VDD		MCU	
109	PI0_MCLKI	--		
110	VSS		MCU	
111	PI1_LRCK	--		
112	A[3]	SA[3]	BUS	HOST I/F address bus
113	A[2]	SA[2]	BUS	HHOST I/F address bus
114	A[1]	SA[1]	BUS	HHOST I/F address bus



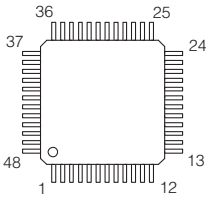
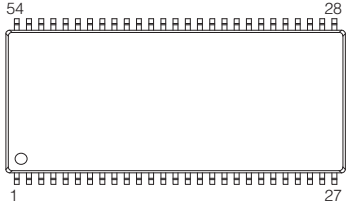
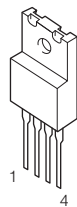
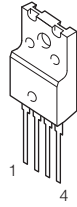
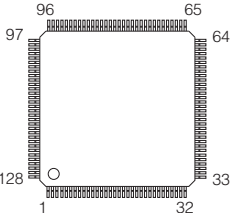
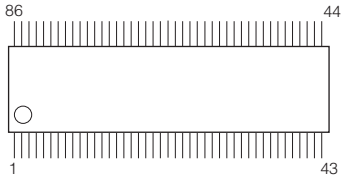
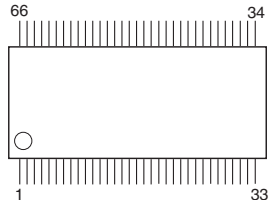
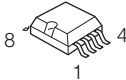
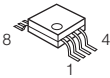
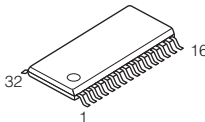
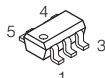
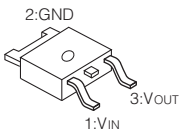
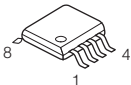
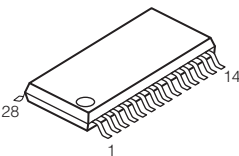
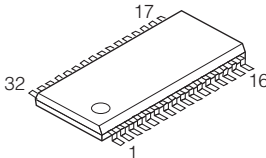
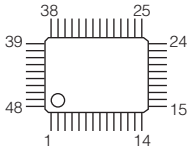
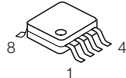
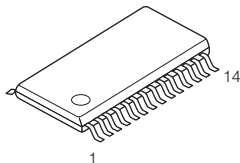
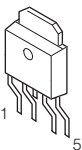
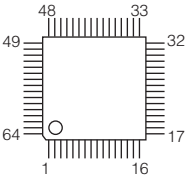
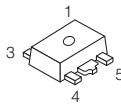
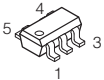
Pin No.	Port Name	Function Name (P.C.B.)	I/O	Detail of Function
115	A[0]	SA[0]	BUS	HOST I/F address bus
116	XTCK		MCU	For testing
117	VSS		MCU	
118	VDD		MCU	
119	PIO[28]	Z2_N_VMT_3	O	Zone2 video mute
120	PIO[15]	IOEX_N_RST	O	Reset signal to IO expanded device
121	PIO[29]	SV_DET	I	S-Video detection signal
122	VSS		MCU	
123	PIO[30]			
124	XIRQ	GA_N_INT	O	Request for interrupt to microprocessor
125	PIO[31]			
126	VDD		MCU	
127	VSS		MCU	
128	D[0]	SD[0]	BUS	HOST I/F data bus
129	D[1]	SD[1]	BUS	HOST I/F data bus
130	D[2]	SD[2]	BUS	HOST I/F data bus
131	D[3]	SD[3]	BUS	HOST I/F data bus
132	VDD		MCU	
133	VSS		MCU	
134	D[4]	SD[4]	BUS	HOST I/F data bus
135	D[5]	SD[5]	BUS	HOST I/F data bus
136	D[6]	SD[6]	BUS	HHOST I/F data bus
137	D[7]	SD[7]	BUS	HOST I/F data bus
138	VSS		MCU	
139	VDD		MCU	
140	XWR	GA_N_WR	BUS	Write enable input
141	VSS		MCU	
142	XCS	GA_N_CS	BUS	Chip select input
143	XTST		MCU	For testing
144	XRD	GA_N_RD	BUS	Read enable input

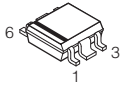
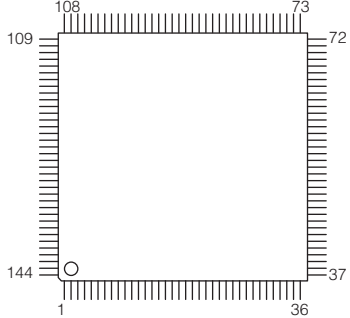
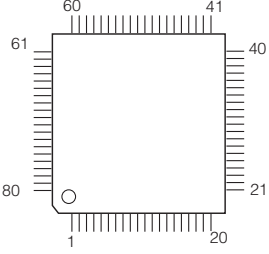
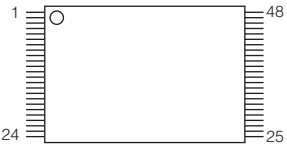
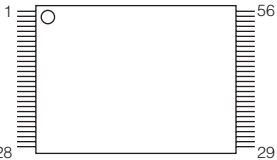
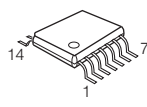
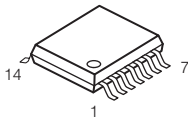
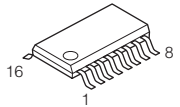
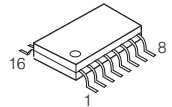
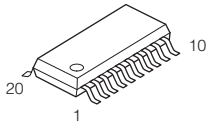
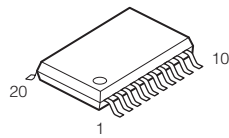
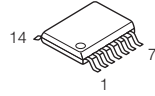
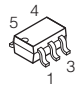
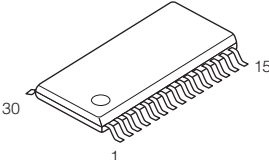
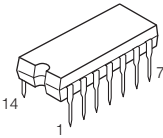
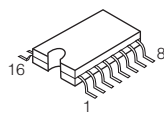
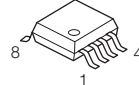
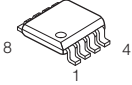
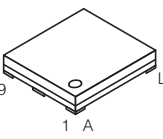
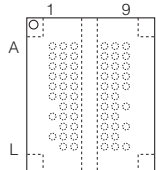
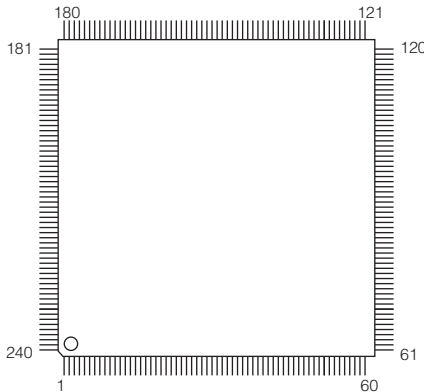
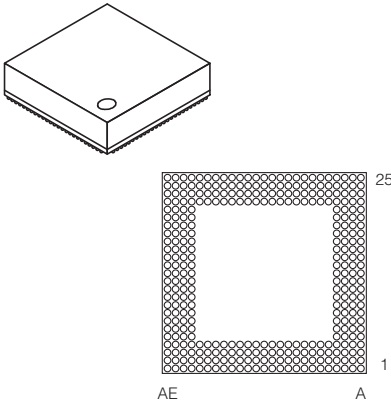
# PIN CONNECTION DIAGRAMS

• ICs

<p>ADV7800BSTZ-80</p>	<p>ADM222ARZ</p>	<p>ADV7342BSTZ</p>	<p>Sii9134CTU</p>	
<p>AK4384ET CD4051BNSR TC7MBL3257AFK</p>	<p>BA15218F</p>	<p>BD3841FS</p>	<p>BD6517F-E2</p>	<p>CS230003-CZZR</p>
<p>BD3508EKN-E2</p>	<p>BD9011EKN-E2</p>	<p>EP2C8F256C8N</p>		
<p>CXB1442AR-T4</p>	<p>D70YE101BRFP266 M3087BFK BGP MB87L8760</p>	<p>DSD1791DBR</p>	<p>F2621E-01-TR YAC523-EVR2</p>	<p>K4S281632K-UC75000 M12L64164A-5TG</p>
<p>KIA7812API</p>	<p>KIA7912PI</p>	<p>LA7106M-TLM-E LC72725KM-UY-TLM-E MM74HC4051SJX MM74HC4053SJX PCM1781DBQR</p>	<p>LA73050-TLM-E LA73053-TLM-E</p>	
<p>LB1836M-TLM-E NJM2581M TC74VHCT08AFT TC74VHCU04FT</p>	<p>LC709004A-TLM-E LC74782JM-8A16-TLMC YAC526-EZE2</p>	<p>LC89057W-VF4AD-E</p>	<p>LM61CIZ</p>	<p>M24256-BRDW6TP</p>

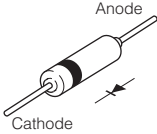
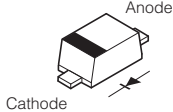
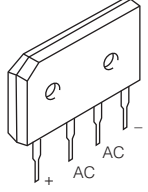
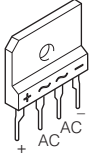
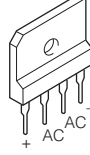
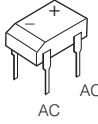
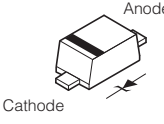
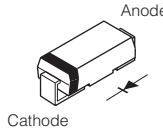
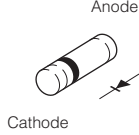
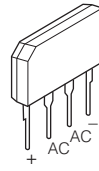
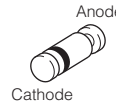
RX-Z7/DSP-Z7

<p>IP101ALF</p> 	<p>K4S641632K-UC75000</p> 	<p>NJM2388F05 NJM2388F33</p>  <p>1. V<sub>IN</sub> 2. V<sub>OUT</sub> 3. GND 4. ON/OFF CONTROL</p>	<p>NJM2388F09</p>  <p>1. V<sub>IN</sub> 2. V<sub>OUT</sub> 3. GND 4. ON/OFF CONTROL</p>		
<p>MN103SFD7G</p> 	<p>M12L64322A-7TG 0.1UM</p> 	<p>M13S128168A-6TG</p> 			
<p>NE5532DR</p> 	<p>NJM2068MD-TE2 NJM5532M-D</p> 	<p>NJM2566AV</p> 	<p>NJM2867F3-05 TC7SET32FU</p> 	<p>NJM2885DL1-33</p> 	
<p>LP2995MX NJM4565M</p> 	<p>NJU7311AM NJU7312AM NJU7313AM</p> 	<p>NJW1194V</p> 	<p>NJW1321FP1</p> 		
<p>PCA9517DP</p> 	<p>PCM1804DBR</p> 	<p>PQ200WNA1ZPH</p> 	<p>PT6302LQ-008</p> 	<p>R1154H050B-T1-F R1172H121D-T1-F</p> 	<p>R3112N251A-TR TC7SH00FU TC7SH08FU TC7SH125FU TC7SZ02FU</p> 

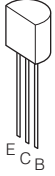

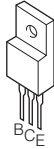
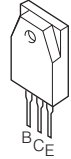
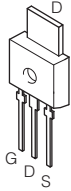
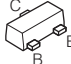
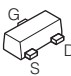
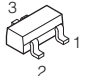


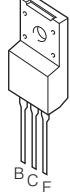
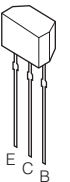
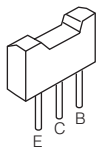

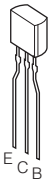
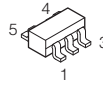
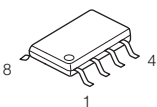
<p>R1172S121D-E2-F R1172S181B-E2-F R1172S251B-E2-F R1172S331B-E2-F</p> 	<p>SiI9135ACTU</p> 	<p>SiI9185ACTU</p> 	<p>S29AL016D70TFI020</p> 	
<p>S29GL128P90TFCR20</p> 	<p>SN74AHCT00PWR</p> 	<p>SN74AHCT08PWR SN74LVC74APWR TC74VHC125FT</p> 	<p>SN74CB3Q3257PWR SN74LS151NSR</p> 	<p>SN74LV157APWR TC74VHC153FT</p> 
<p>SN74LV245APWR</p> 	<p>SN74LVC245APWR TC74VHCT245AFT</p> 	<p>SN74LVU04APWR</p> 	<p>SN74AHCT1G32DCKR</p> 	
<p>TA1318AF</p> 	<p>TC4013BP</p> 	<p>TC74HC4052AF</p> 	<p>TK15420M</p> 	<p>TC7WH08FK TC7WH14FK TC7WZ04FK</p> 
<p>V59C1256164QAF25</p>  	<p>YGV619</p> 	<p>YTD446-CZ</p> 		

RX-Z7/DSP-Z7

• Diodes

<p>1N4002S MTZJ5.1C</p> 	<p>1SS355 1SS380 MA8030-L MA-8039-H MA8047 MA8047-L MA8051-M MA8056-M MA8062-M MA8068-M MA8075-M</p>	<p>MA8100-M 10.0V MA8130-M MA8160-H 16.7V MA8240-M RB501V-40 RB160M-30 RB160M-60 TR RB500V-40 UDZS5.6BTE-17</p> 	<p>D2SBA20</p> 
<p>D4SBS6-7101</p> 	<p>D15XBN20 D20XBS6-7101</p> 	<p>DB105</p> 	<p>MA8024-(TX) 2.4V</p> 
<p>RB051L-40</p> 	<p>RLS245</p> 	<p>RS203M-B-C-J80</p> 	<p>RLZ5.1A 5.1V</p> 

• Transistors

<p>2SA949 2SC1815 2SC2229 2SC2878</p> 	<p>2SA2168 2SC5291</p> 	<p>2SB1257 2SB1274 2SC3852 2SD2014</p> 	<p>A2151/C6011</p> 	<p>2SK3850</p> 	<p>2SA1036KT146 2SA1037K 2SA1576A 2SC2412K 2SC3326 2SC3837K 2SC3906K 2SC4081 2SD1938F</p> 
<p>2SK208 5HP01C-TB-E</p> 	<p>DTA143EKA DTC114EKA DTC144EKA</p>  <p>1: GND 2: IN 3: OUT</p>	<p>KRA102S-RTK/P KRA104S-RTK KRC102S-RTK KRC104S-RTK</p> 	<p>KTA1504S KTA1517S KTC3875S KTC3911S</p> 	<p>KTA1046-Y-U/P</p> 	
<p>KRC102M-AT</p> 	<p>2SA1708</p> 	<p>3LN01C-TB-E</p> 	<p>2SD1915F</p> 	<p>HN4C06J</p>  <p>1. BASE 1 (B1) 2. EMITTER (E) 3. BASE 2 (B2) 4. COLLECTOR 2 (C2) 5. COLLECTOR 1 (G2)</p>	<p>SP8K2</p>  <p>1. SOURCE1 2. GATE1 3. SOURCE2 4. GATE2 5. DRAIN2 6. DRAIN2 7. DRAIN1 8. DRAIN1</p>

1 ■ BLOCK DIAGRAMS

AUDIO SECTION BLOCK DIAGRAM

2

**D-VIDEO**  
•See page 161-171 →  
SCHEMATIC DIAGRAM

**DSP** •See page 149-151 →  
SCHEMATIC DIAGRAM

3

**FL**  
•See page 172, 173 →  
SCHEMATIC DIAGRAM

**D-VIDEO**  
•See page 161-171 →  
SCHEMATIC DIAGRAM

**FUNCTION** •See page 152-155 →  
SCHEMATIC DIAGRAM

**OPERATION**  
•See page 156 →  
SCHEMATIC DIAGRAM

4

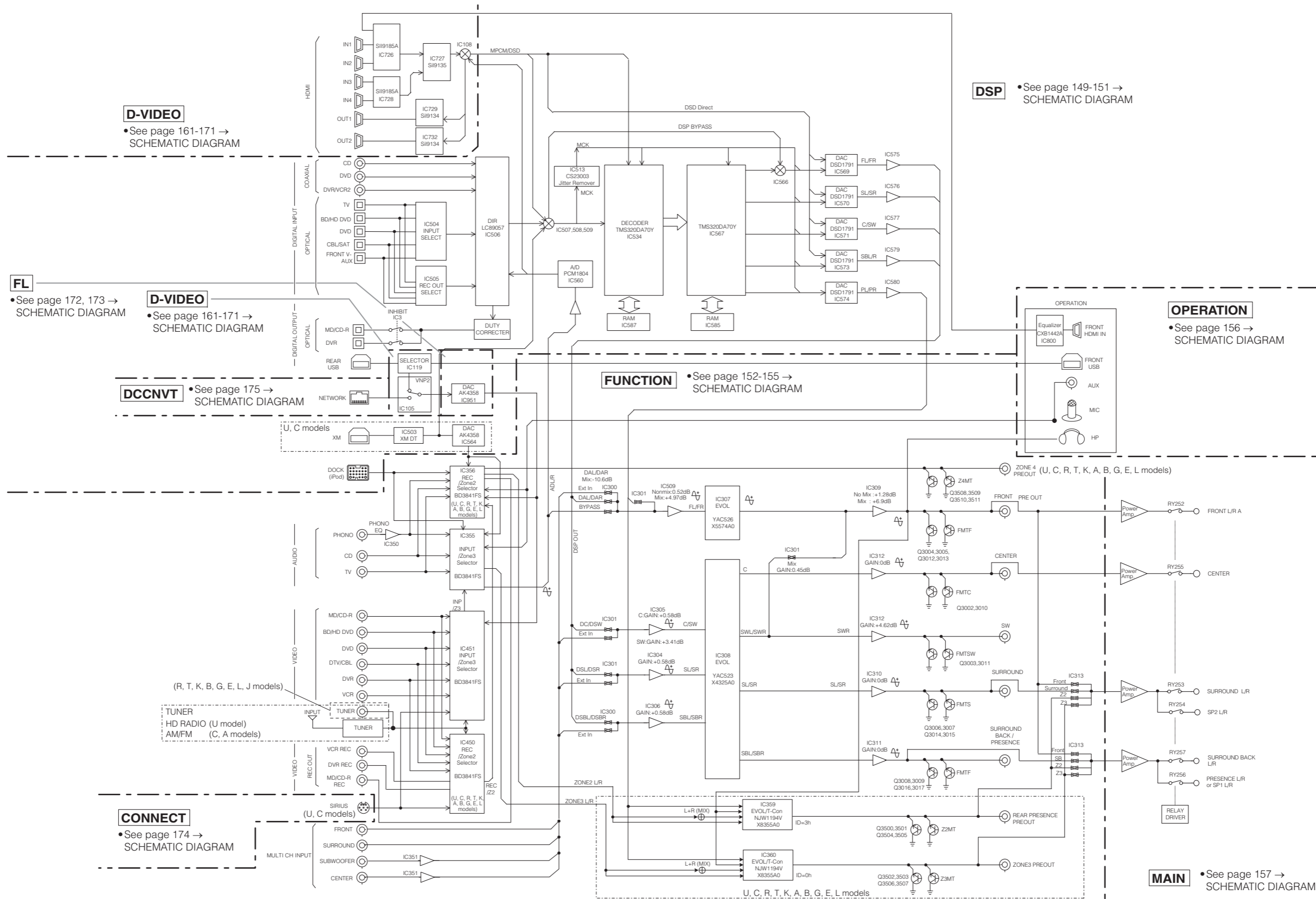
**DCCNVT** •See page 175 →  
SCHEMATIC DIAGRAM

5

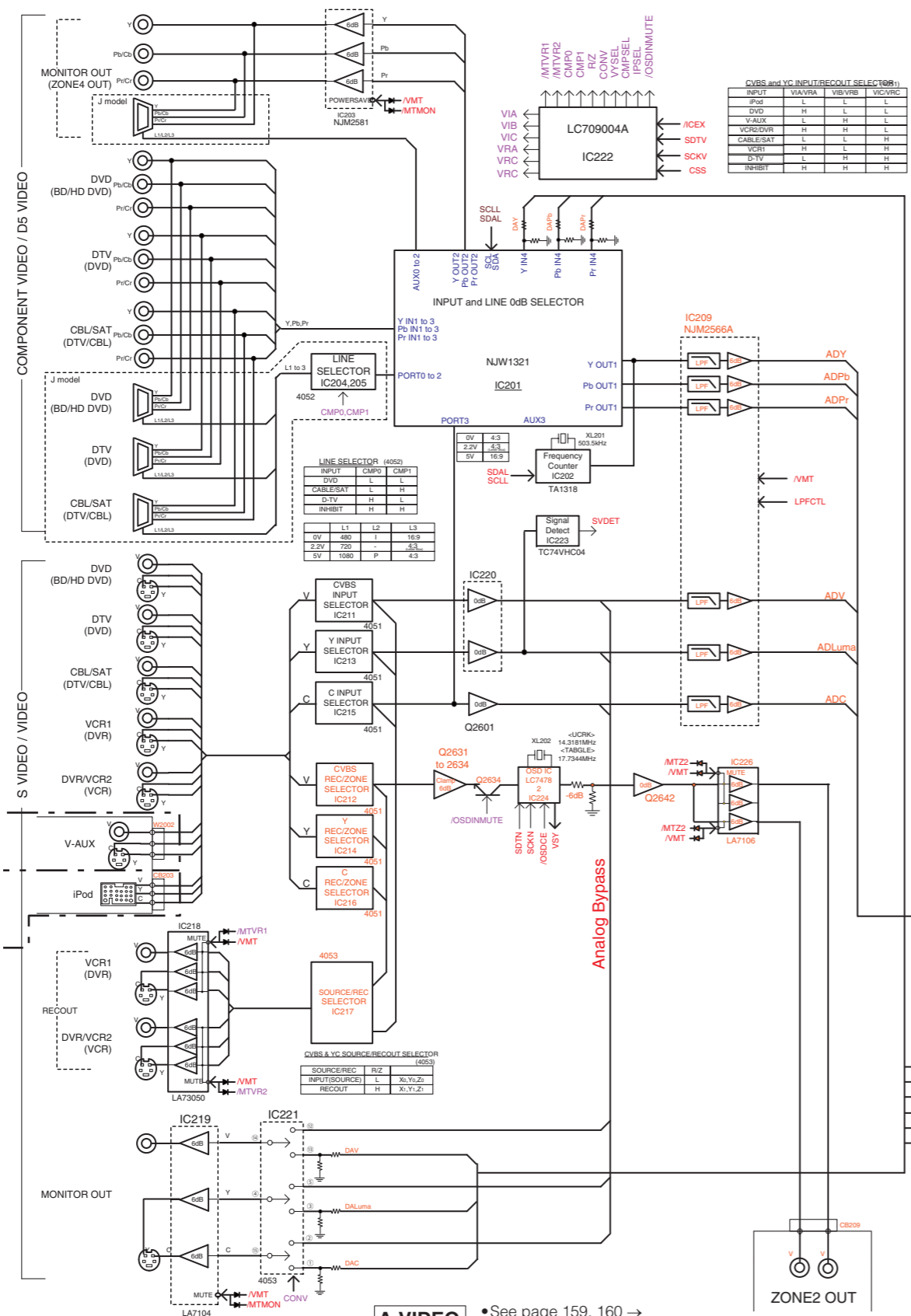
**CONNECT**  
•See page 174 →  
SCHEMATIC DIAGRAM

**MAIN** •See page 157 →  
SCHEMATIC DIAGRAM

7



VIDEO SECTION BLOCK DIAGRAM

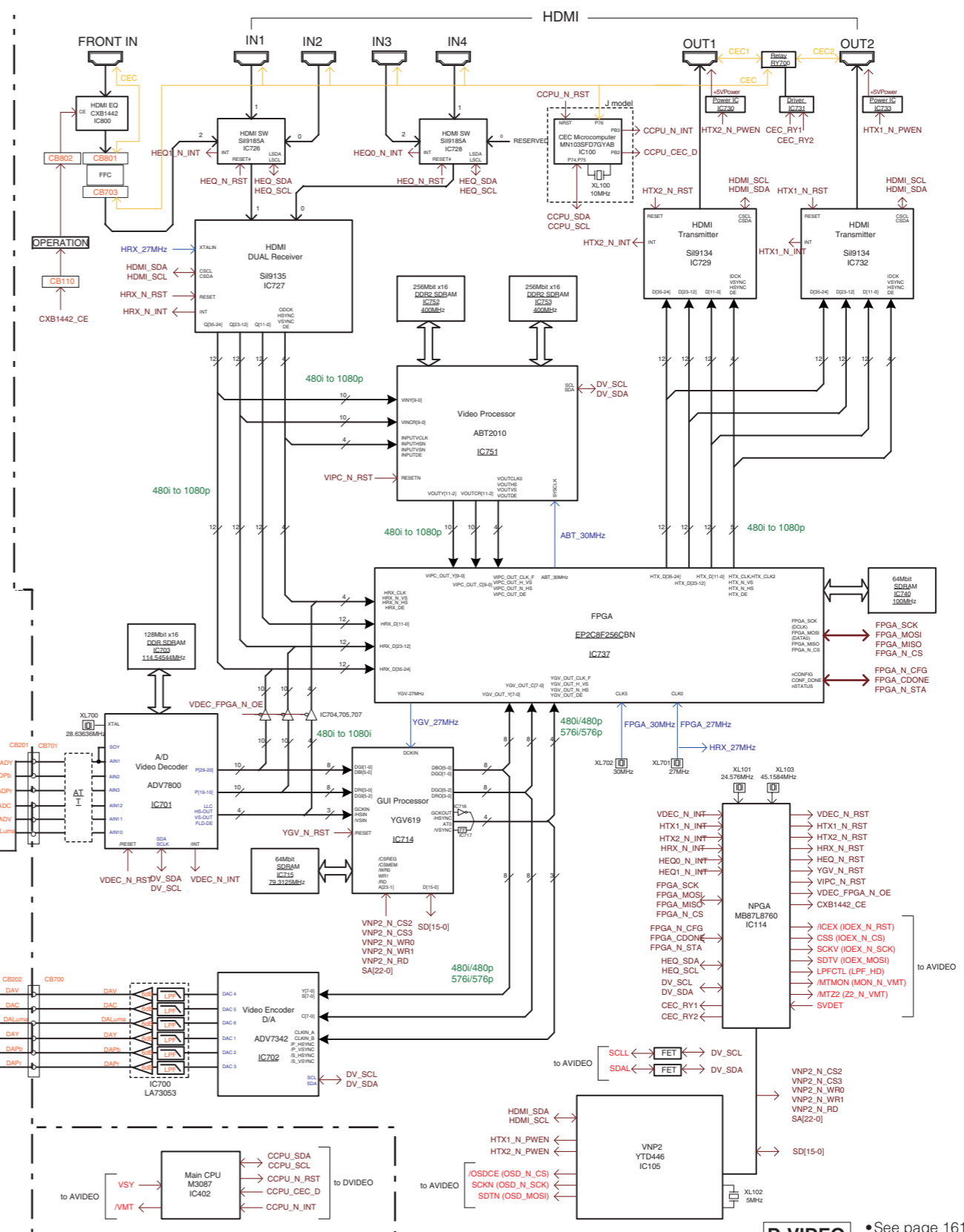


OPERATION

• See page 156 → SCHEMATIC DIAGRAM

DSP

• See page 149-151 → SCHEMATIC DIAGRAM

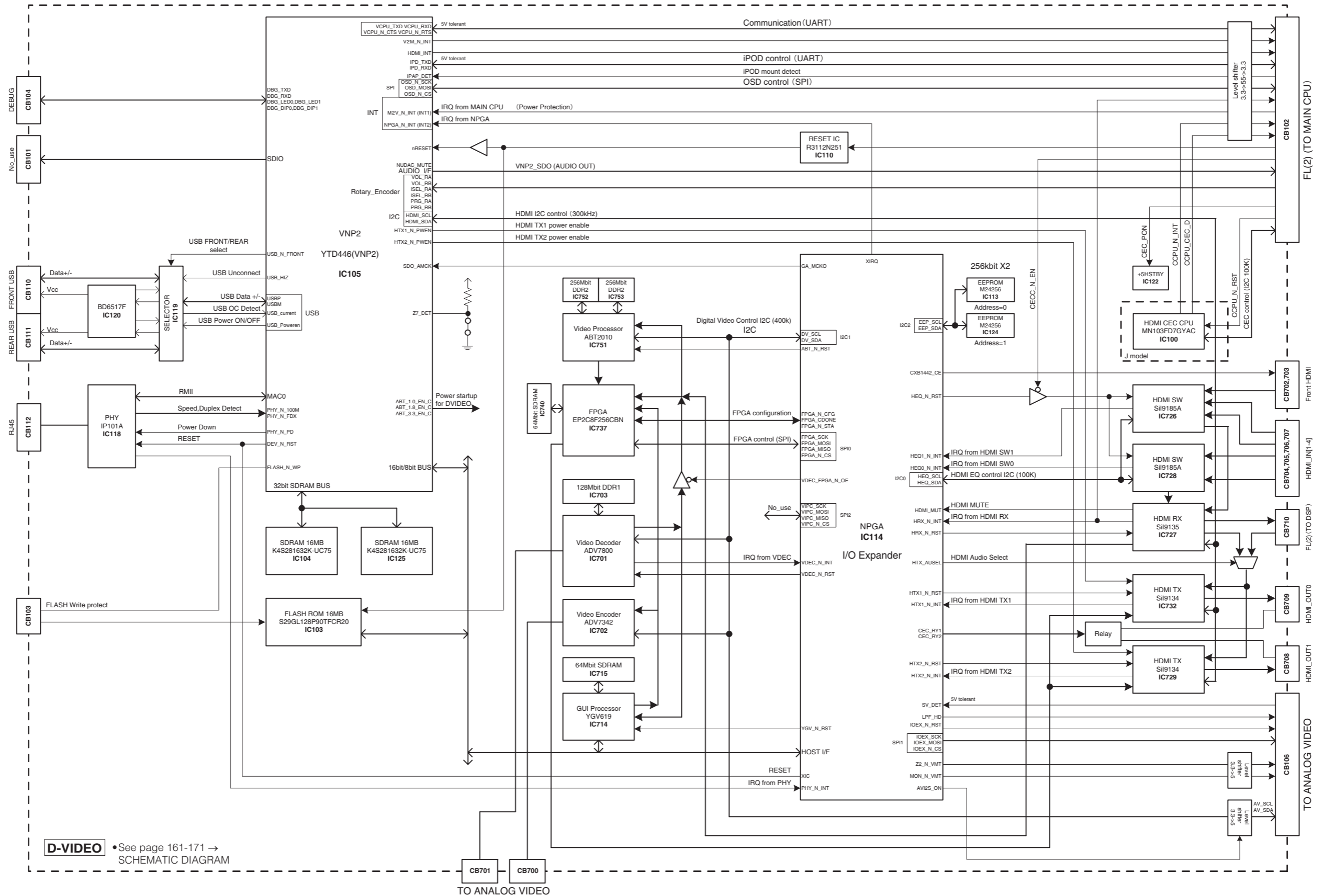


A-VIDEO • See page 159, 160 → SCHEMATIC DIAGRAM

D-VIDEO • See page 161-171 → SCHEMATIC DIAGRAM



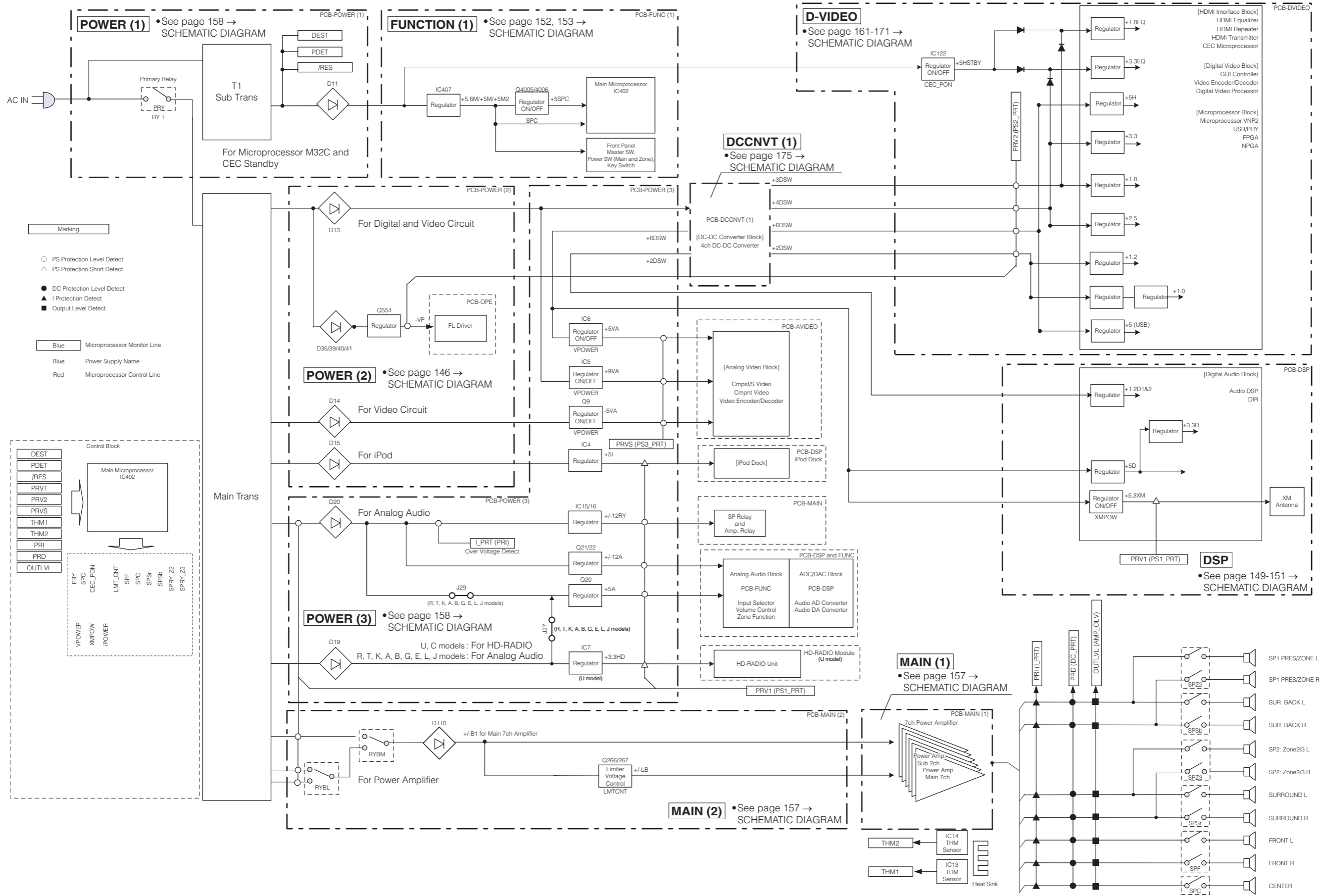
### D-VIDEO SECTION BLOCK DIAGRAM



**D-VIDEO** • See page 161-171 → SCHEMATIC DIAGRAM

1  
2  
3  
4  
5  
6  
7

# POWER SUPPLY SECTION BLOCK DIAGRAM



CONTROL SECTION BLOCK DIAGRAM

1

2

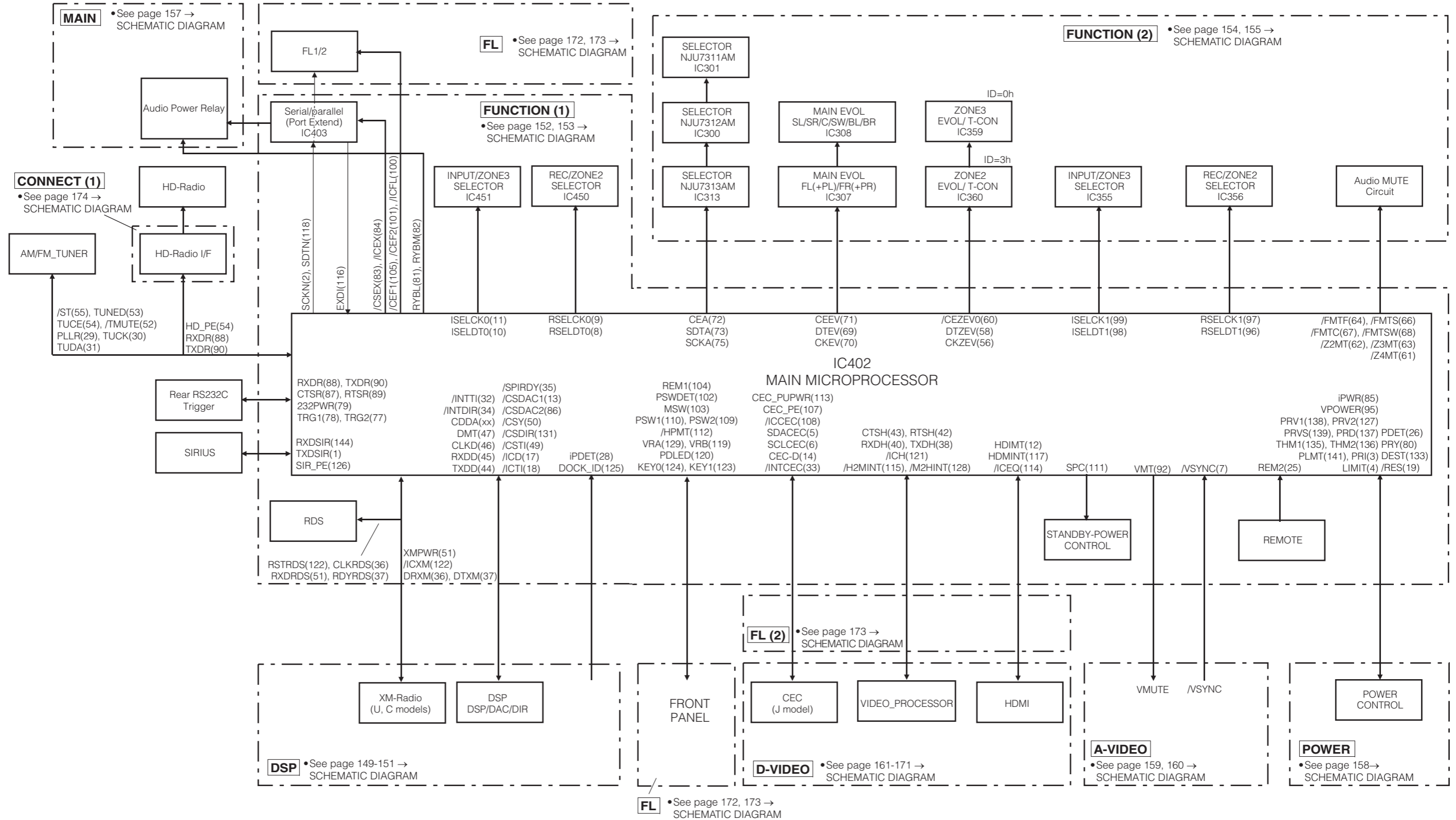
3

4

5

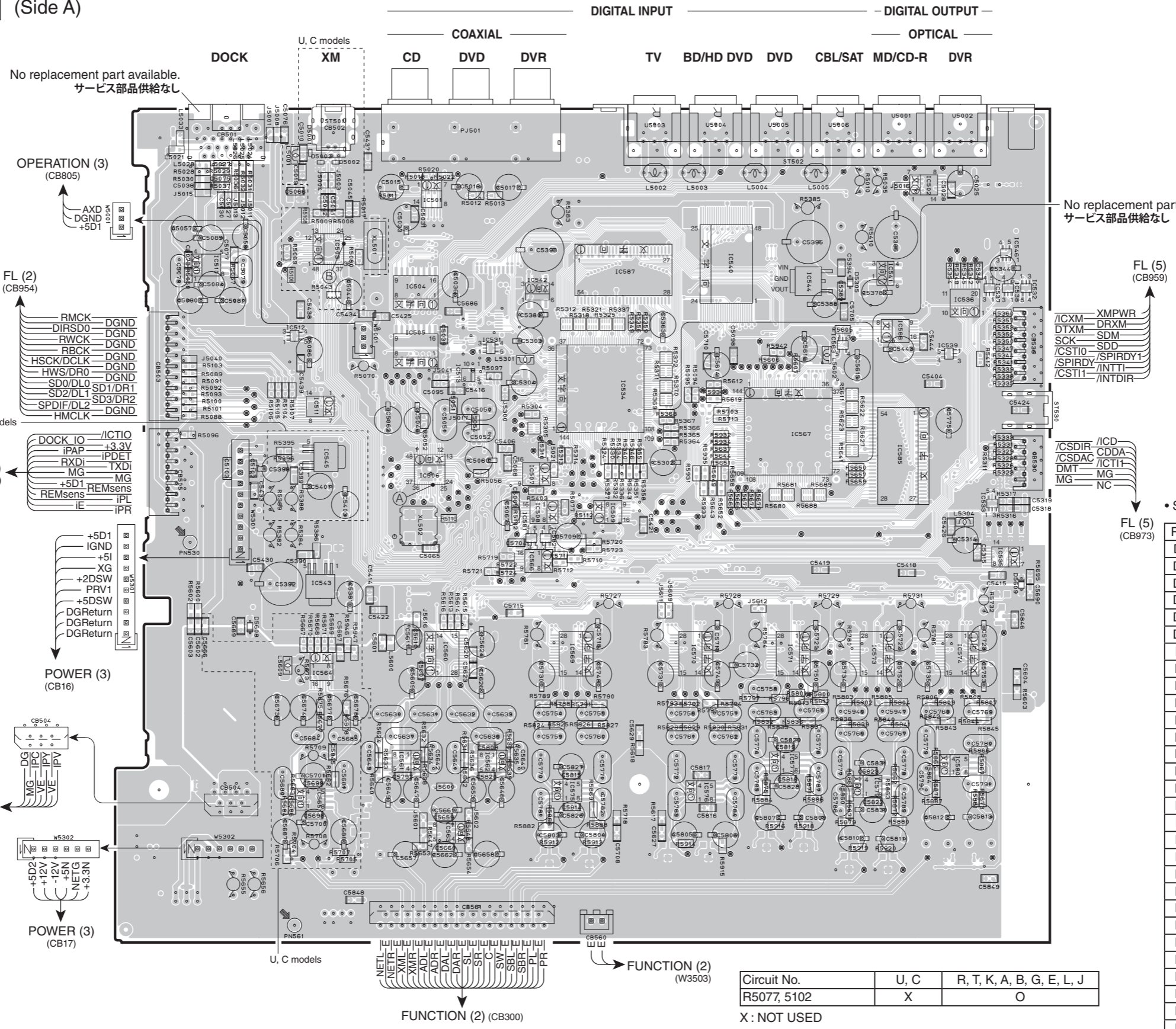
6

7



PRINTED CIRCUIT BOARDS

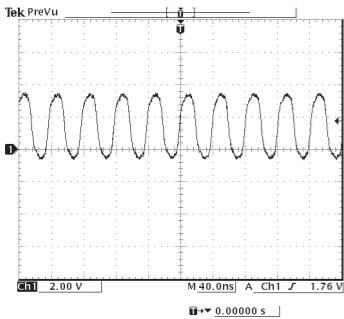
DSP P.C.B. (Side A)



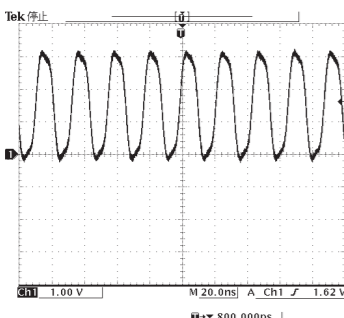
No replacement part available.  
サービス部品供給なし

No replacement part available.  
サービス部品供給なし

POINT A XL502 (Pin 29 of IC506)



POINT B XL501 (Pin 28 of IC503)



- RMCK DGND
- DIRSD0 DGND
- RWCK DGND
- RBCK DGND
- HSCCK/DCLK DGND
- HWS/DR0 DGND
- SD/DL0 DGND
- SD2/DL1 SD1/DR1
- SPDIF/DL2 SD3/DR2
- HMCLK DGND

- DOCK IO /ICTIO
- IPAP +3.3V
- RXDI IPDET
- MG TXDI
- +5D1 MG
- REMsens
- IE iPL

- +5D1
- IGND
- +5I
- XG
- +2DSW
- PRV1
- +5DSW
- DGReturn
- DGReturn
- DGReturn

- DG
- IFC
- IPV
- IFV
- MG
- IFV

- +5D2
- +12V
- +5N
- NETG
- +3.3N

- /ICXM
- DTXM
- SCK
- /CSTIO
- /SPIRDY
- /CST1
- DRXM
- SDM
- SDD
- /SPIRDY1
- /INTI
- /INTDIR

- /CSDIR
- /CSDAC
- DMT
- MG
- NC
- /ICD
- CDDA
- /ICT1

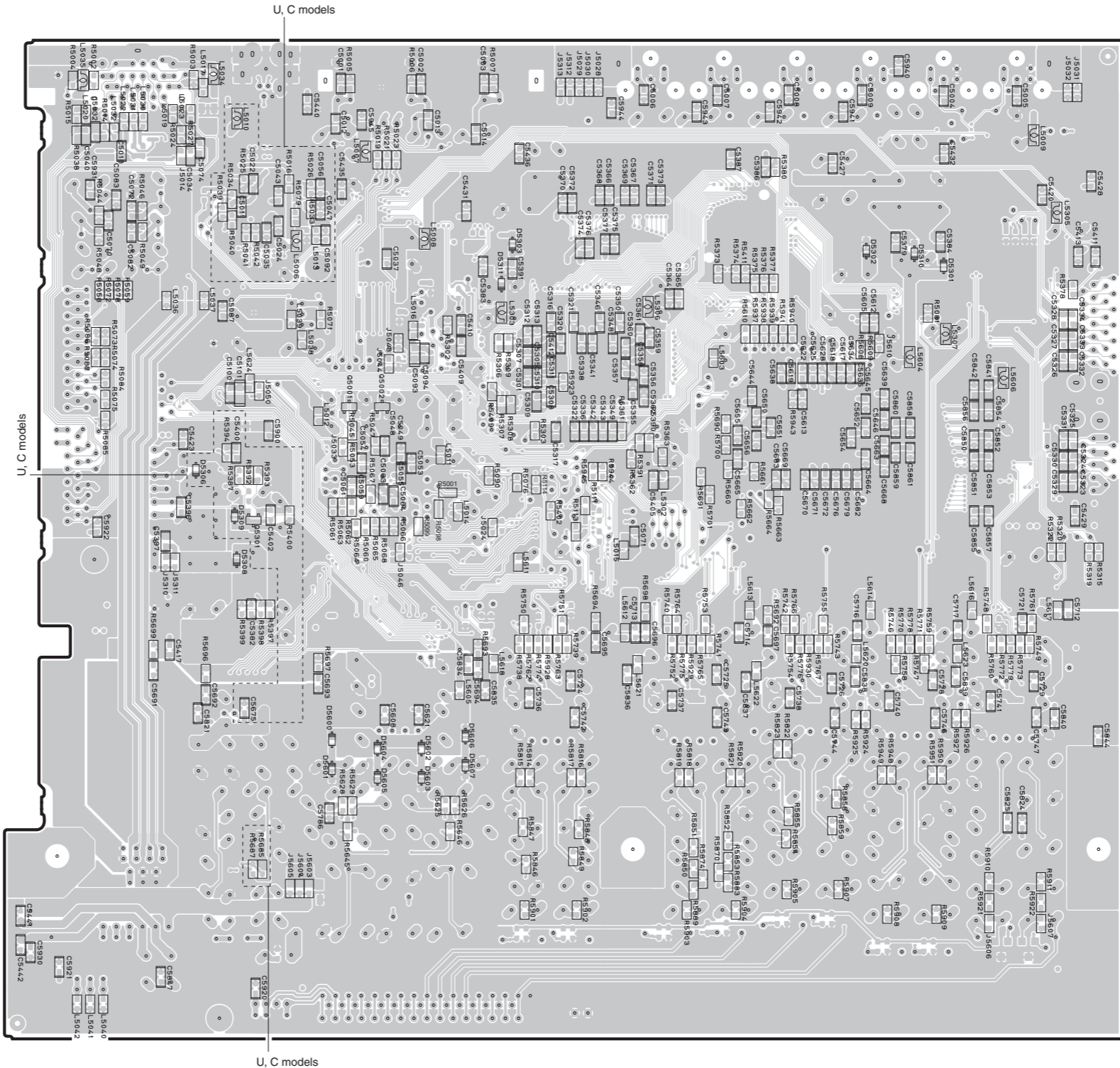
• Semiconductor Location

Ref No.	Location	Ref No.	Location
D5001	D2	IC542	F3
D5002	E2	IC543	D5
D5003	D2	IC544	G3
D5305	G3	IC545	E4
D5608	D5	IC546	H3
D5609	H5	IC560	E5
IC501	E2	IC561	E6
IC502	H2	IC562	E6
IC503	E3	IC563	E6
IC504	E3	IC564	D5
IC505	E3	IC565	D6
IC506	E4	IC566	F4
IC507	F4	IC567	G4
IC508	F4	IC569	F5
IC509	F4	IC570	G5
IC510	D3	IC571	G5
IC511	D4	IC573	H5
IC512	D3	IC574	H5
IC513	E3	IC575	F6
IC531	E3	IC576	G6
IC532	H3	IC577	G6
IC533	H4	IC579	H6
IC534	F3	IC580	H6
IC535	H4	IC581	F4
IC536	H3	IC582	F4
IC537	H3	IC583	G3
IC538	H3	IC585	H4
IC539	H3	IC587	F3
IC540	G3	IC588	H3
IC541	H3		

Circuit No.	U, C	R, T, K, A, B, G, E, L, J
R5077, 5102	X	O

X : NOT USED  
O : USED/APPLICABLE

DSP P.C.B. (Side B)



• Semiconductor Location

Ref No.	Location
side B	H3
D5301	G3
D5302	F3
D5303	D4
D5306	D4
D5308	D4
D5309	G3
D5310	F3
D5311	E5
D5600	E5
D5601	E5
D5602	E5
D5603	E5
D5604	E5
D5605	E5
D5606	E5
D5607	E4
Q5001	E4
Q5002	D4
Q5301	

Circuit No.	U, C	R, T, K, A, B, G, E, L, J
R5076, 5090	X	O

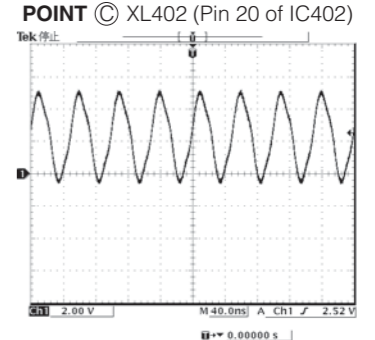
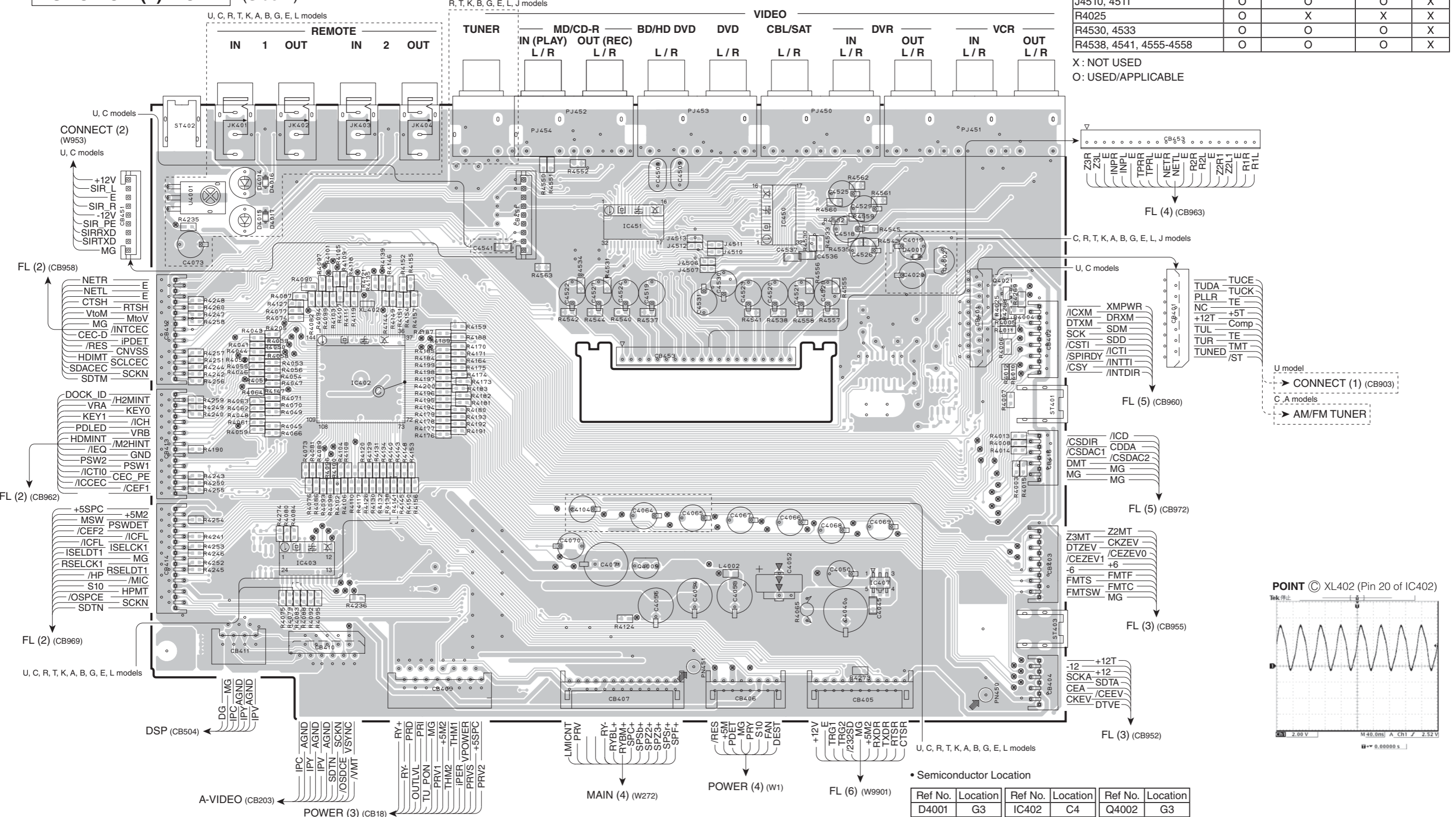
X : NOT USED  
O : USED/APPLICABLE

1  
2  
3  
4  
5  
6  
7

**FUNCTION (1) P.C.B. (Side A)**

Circuit No.	U	C, R, T, K, A, L	B, G, E	J
C4520, 4521, 4523, 4528	O	O	O	X
IC450	O	O	O	X
J4506, 4507, 4512, 4513	X	X	X	O
J4510, 4511	O	O	O	X
R4025	O	X	X	X
R4530, 4533	O	O	O	X
R4538, 4541, 4555-4558	O	O	O	X

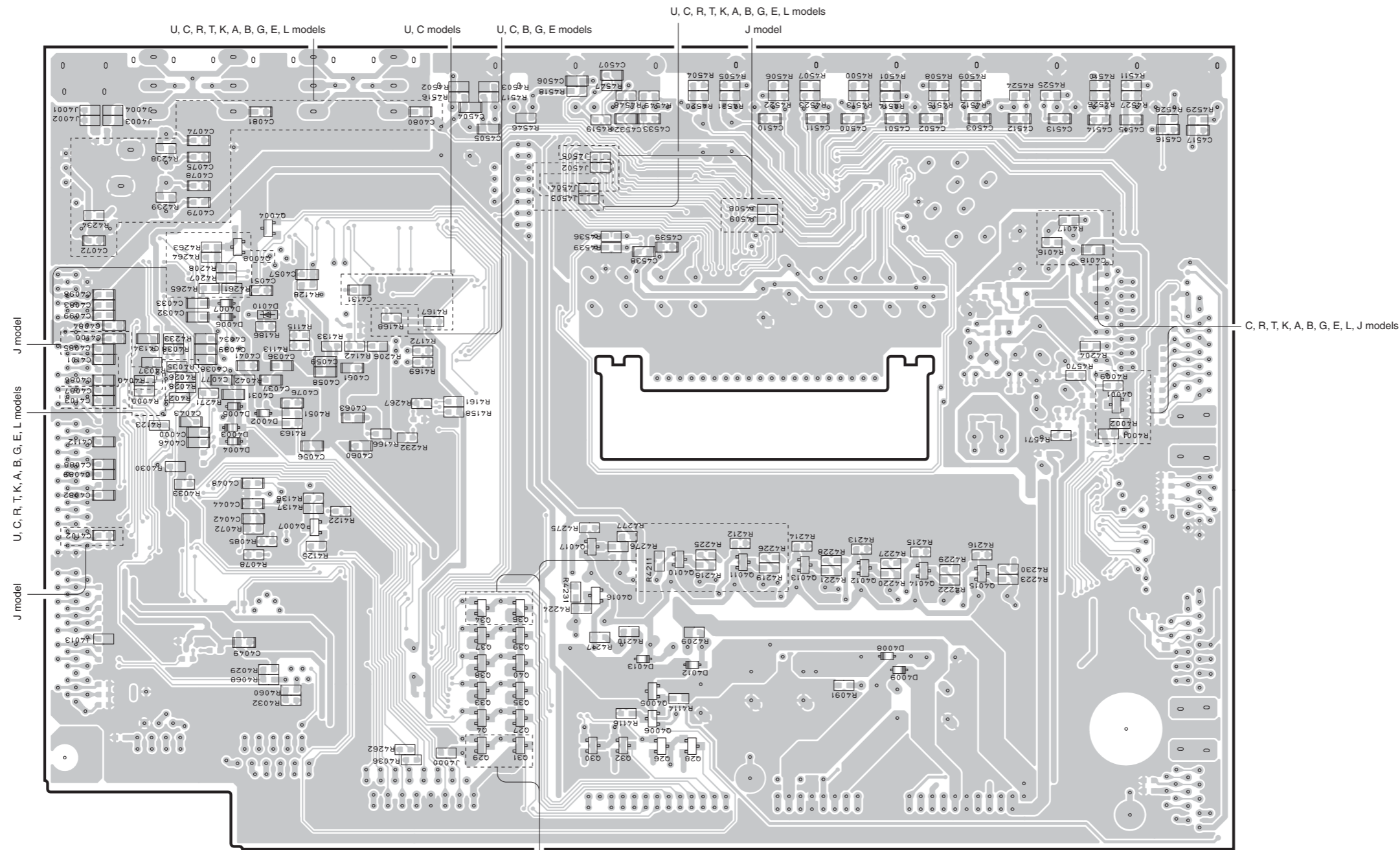
X : NOT USED  
O : USED/APPLICABLE



• Semiconductor Location

Ref No.	Location	Ref No.	Location	Ref No.	Location
D4001	G3	IC402	C4	Q4002	G3
D4014	C3	IC403	C5	Q4009	E5
D4015	C3	IC407	G5	Q4021	H3
D4016	C3	IC450	F3		
D4017	C3	IC451	E3		

**FUNCTION (1) P.C.B.** (Side B)



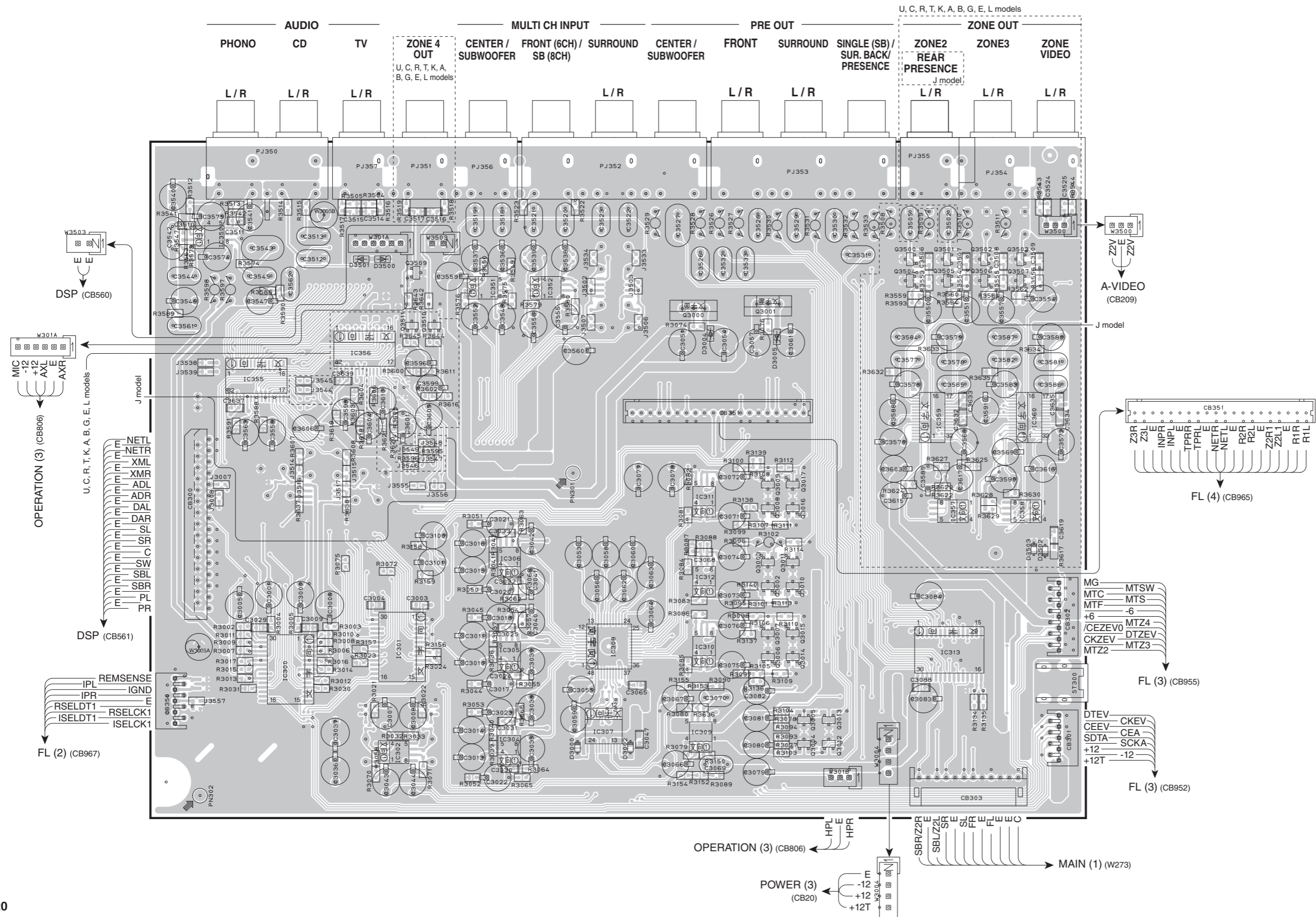
• Semiconductor Location

Ref No.	Location
D4002	C4
D4003	C4
D4004	C4
D4005	C4
D4006	C3
D4007	C3
D4008	F5
D4009	F5
D4010	C3
D4012	E5
D4013	E5
Q4	D5
Q26	E6
Q27	D5
Q28	E6
Q29	D6
Q30	D6
Q31	D6
Q32	E6
Q33	D5
Q34	D5
Q35	D5
Q36	D5
Q37	D5
Q38	D5
Q39	D5
Q40	D5
Q4001	G4
Q4003	G3
Q4004	C3
Q4005	E5
Q4006	E5
Q4007	C5
Q4008	C3
Q4010	E5
Q4011	E5
Q4012	F5
Q4013	F5
Q4014	F5
Q4015	F5
Q4016	D5

Circuit No.	U, C	R, T, K, A, B, G, E, L	J
C3601, 3610	O	O	X
IC310, 311	X	O	O
IC356	O	O	X
J3003-3006	O	X	X
J3544-3545, 3548, 3549	X	X	O
J3546, 3647	O	O	X
R3605, 3606, 3620, 3621	O	O	X

X : NOT USED  
O : USED/APPLICABLE

**FUNCTION (2) P.C.B. (Side A)**



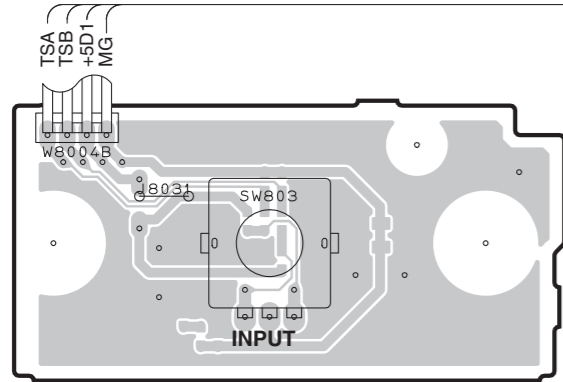
• Semiconductor Location

Ref No.	Location
D3000	E6
D3002	E6
D3004	E4
D3005	F4
D3500	C3
D3501	C3
D3502	H5
D3503	H5
IC300	C6
IC301	C6
IC302	C6
IC304	D6
IC305	D6
IC306	D5
IC307	E6
IC308	E6
IC309	E6
IC310	E6
IC311	E5
IC312	E5
IC313	G6
IC350	B3
IC351	D3
IC352	D3
IC355	B4
IC356	C4
IC357	G5
IC358	G5
IC359	G4
Q3000	E3
Q3001	F3
Q3002	F5
Q3003	F5
Q3004	F6
Q3005	F6
Q3006	F6
Q3007	F6
Q3008	F5
Q3009	F5
Q3010	F5
Q3011	F5
Q3012	F6
Q3013	F6
Q3014	F6
Q3015	F6
Q3016	F5
Q3017	F5
Q3500	G3
Q3501	G3
Q3502	G3
Q3503	G3
Q3504	G3
Q3505	G3
Q3506	G3
Q3507	G3
Q3509	C3
Q3510	C3
Q3511	C3

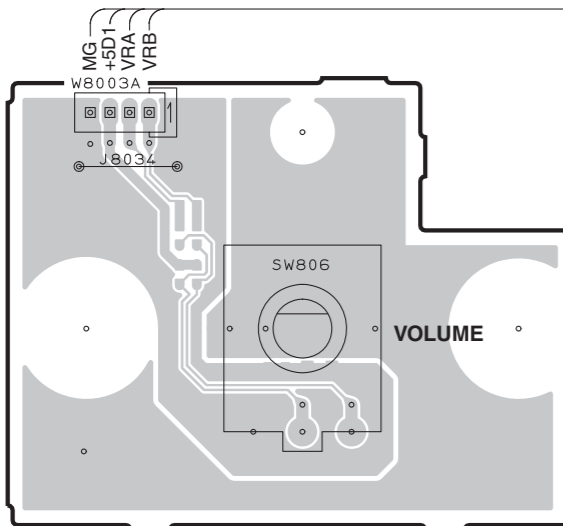




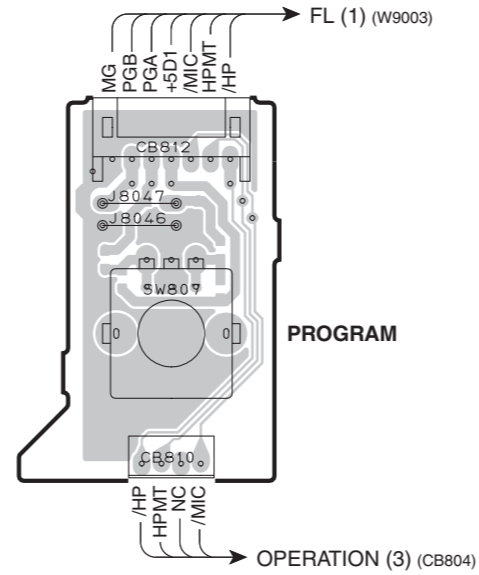
**OPERATION (1) P.C.B.** (Side A)



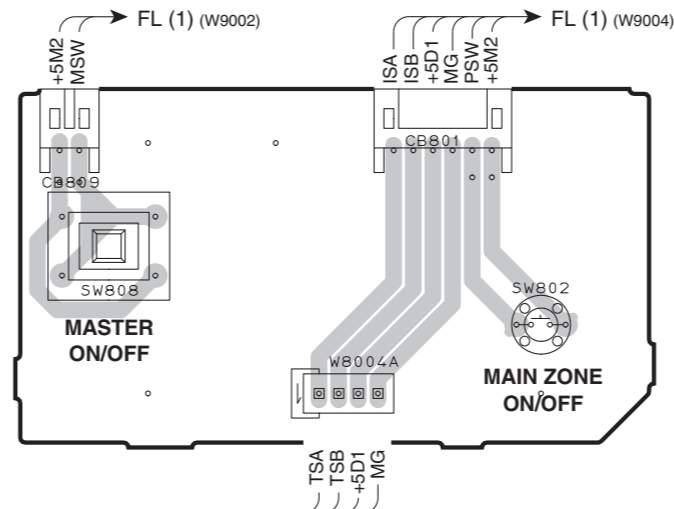
**OPERATION (2) P.C.B.** (Side A)



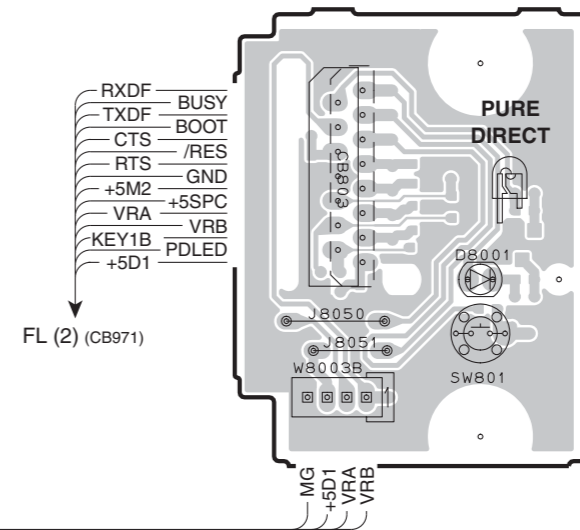
**OPERATION (4) P.C.B.** (Side A)



**OPERATION (5) P.C.B.** (Side A)



**OPERATION (6) P.C.B.** (Side A)

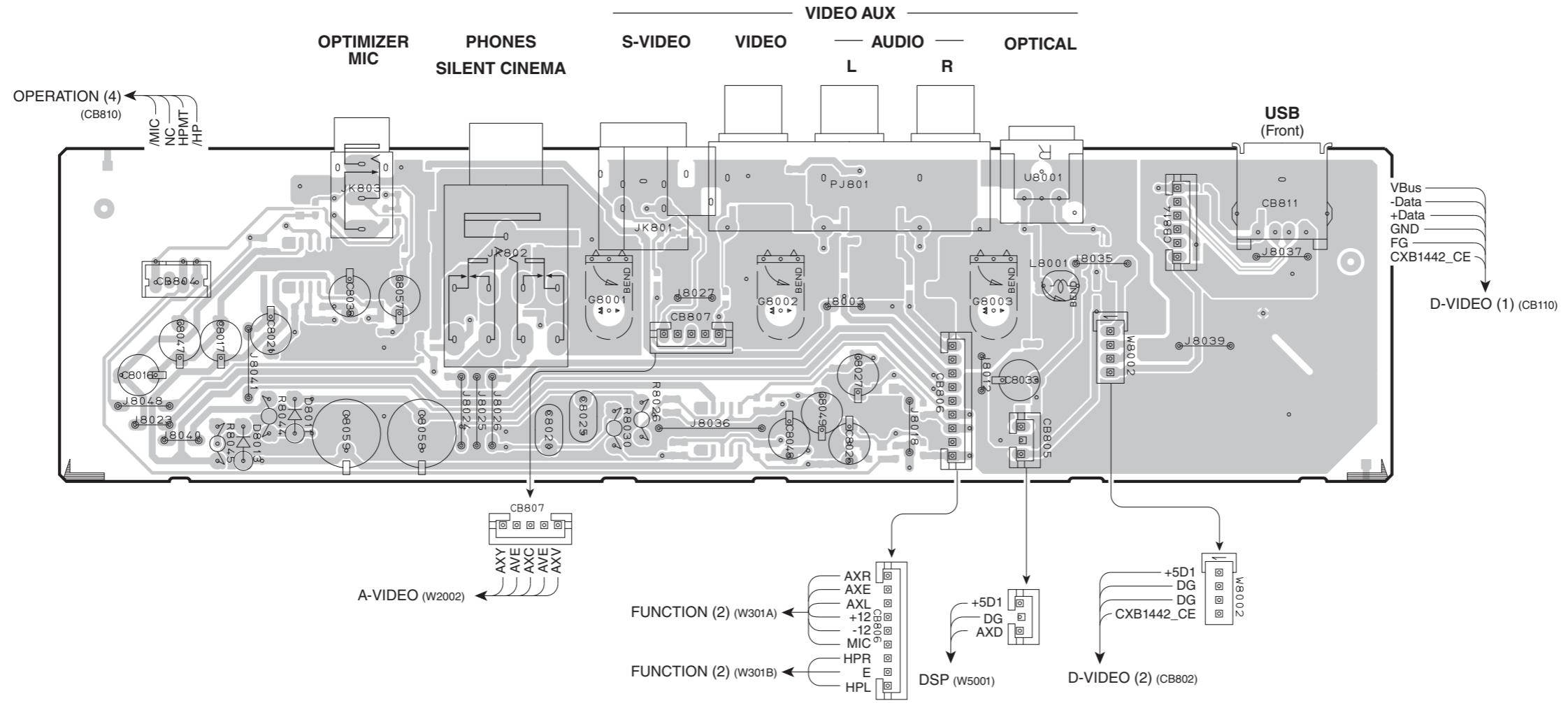


• Semiconductor Location

Ref No.	Location
D8001	I3



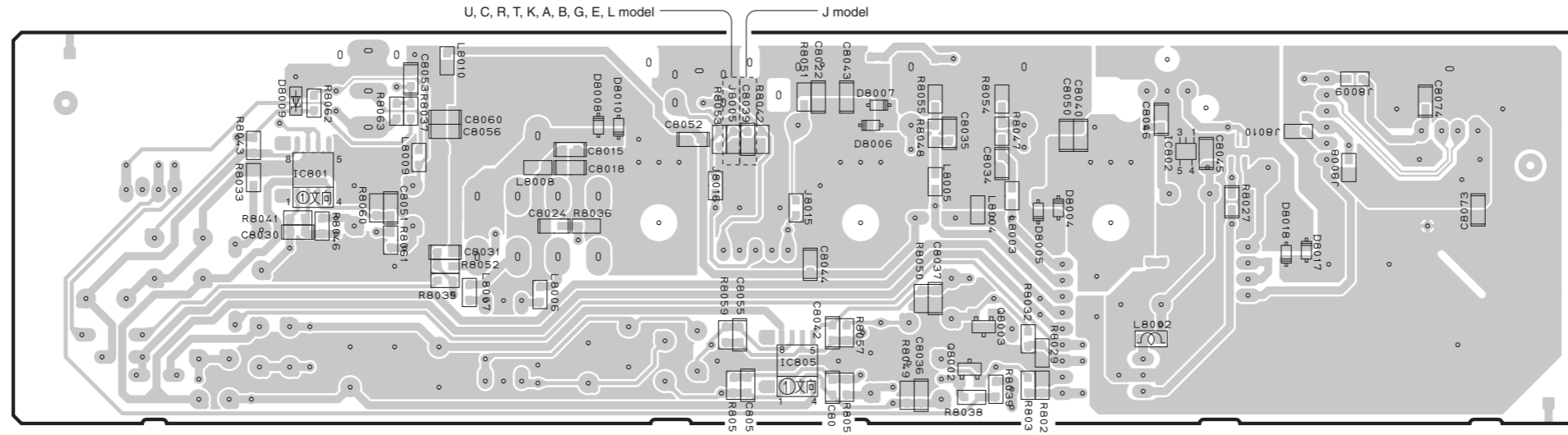
**OPERATION (3) P.C.B.** (Side A)



• Semiconductor Location

Ref No.	Location
D8011	C4
D8013	C4

**OPERATION (3) P.C.B.** (Side B)



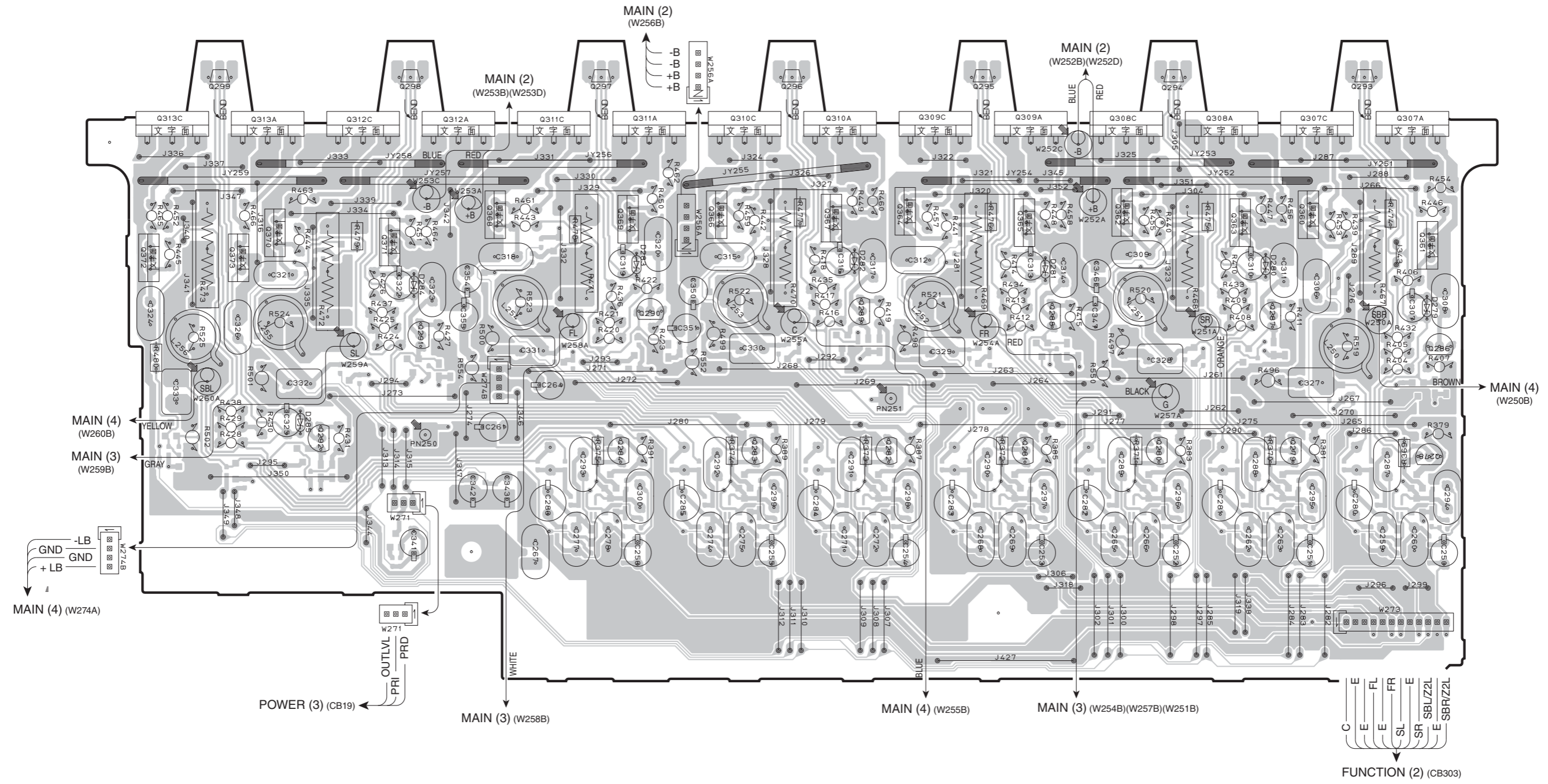
• Semiconductor Location

Ref No.	Location
D8004	F4
D8005	F4
D8006	E3
D8007	E3
D8008	D3
D8009	C3
D8010	D3
D8017	G4
D8018	G4
IC801	C3
IC802	G3
IC805	E4
Q8002	F4
Q8003	F4

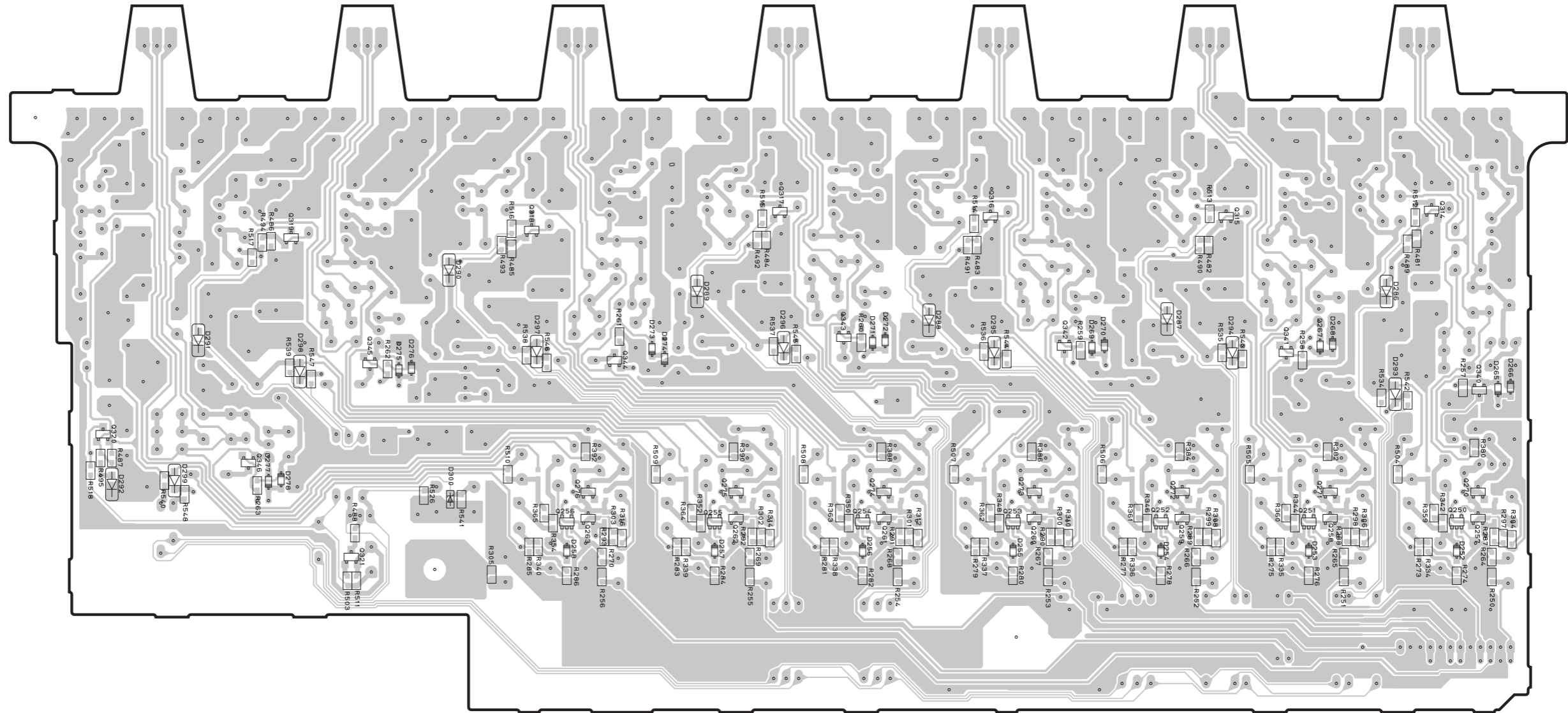
**MAIN (1) P.C.B.** (Side A)

• Semiconductor Location

Ref No.	Location	Ref No.	Location	Ref No.	Location	Ref No.	Location	Ref No.	Location	Ref No.	Location	Ref No.	Location
D279	I4	Q279	I5	Q288	G4	Q296	F3	Q309A	G3	Q313A	C3	Q366	E3
D280	H4	Q280	H5	Q289	F4	Q297	E3	Q309C	G3	Q313C	B3	Q367	F3
D281	G4	Q281	G5	Q290	E4	Q298	D3	Q310A	F3	Q360	I3	Q368	D3
D282	F4	Q282	F5	Q291	D4	Q299	B3	Q310C	E3	Q361	I4	Q369	E3
D283	E4	Q283	E5	Q292	C5	Q307A	I3	Q311A	E3	Q362	H3	Q370	C3
D284	D4	Q284	E5	Q293	I3	Q307C	I3	Q311C	D3	Q363	H3	Q371	C4
D285	C5	Q286	I4	Q294	H3	Q308A	H3	Q312A	D3	Q364	F3	Q372	B4
Q278	I5	Q287	H4	Q295	G3	Q308C	H3	Q312C	C3	Q365	G3	Q373	C4



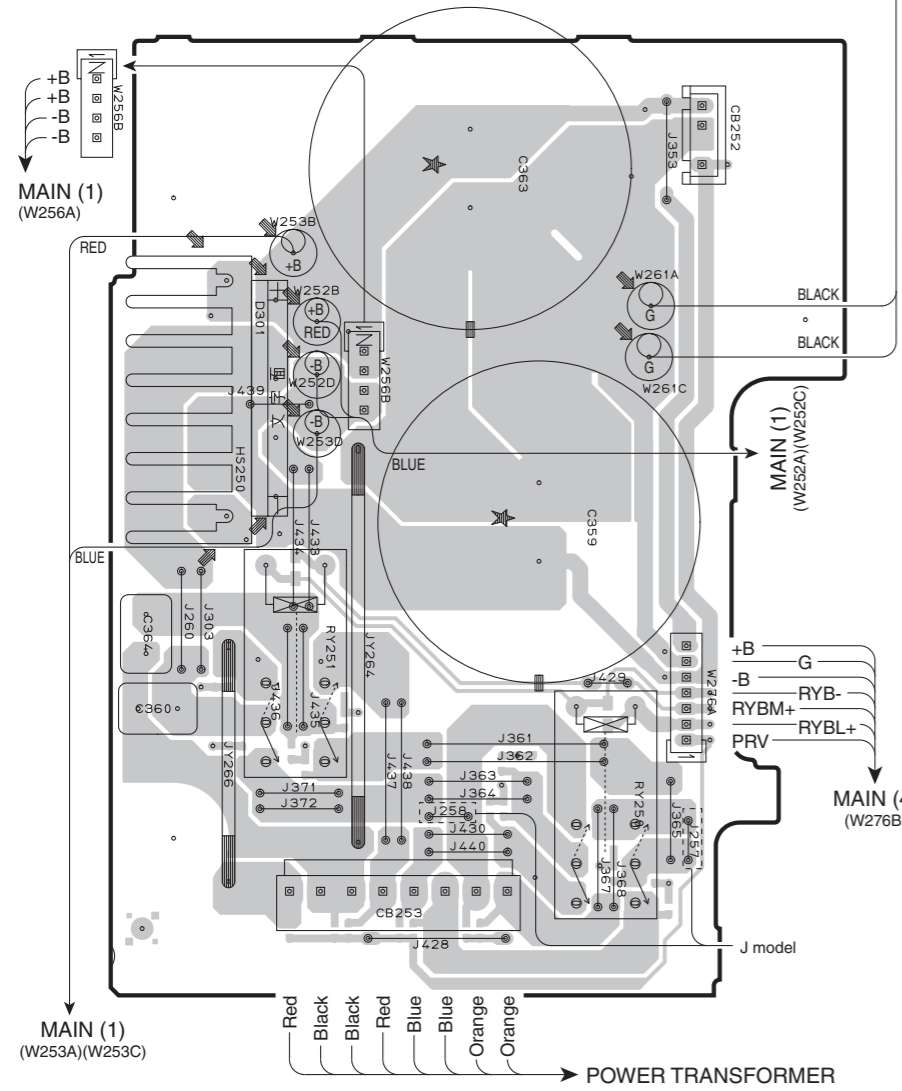
**MAIN (1) P.C.B.** (Side B)



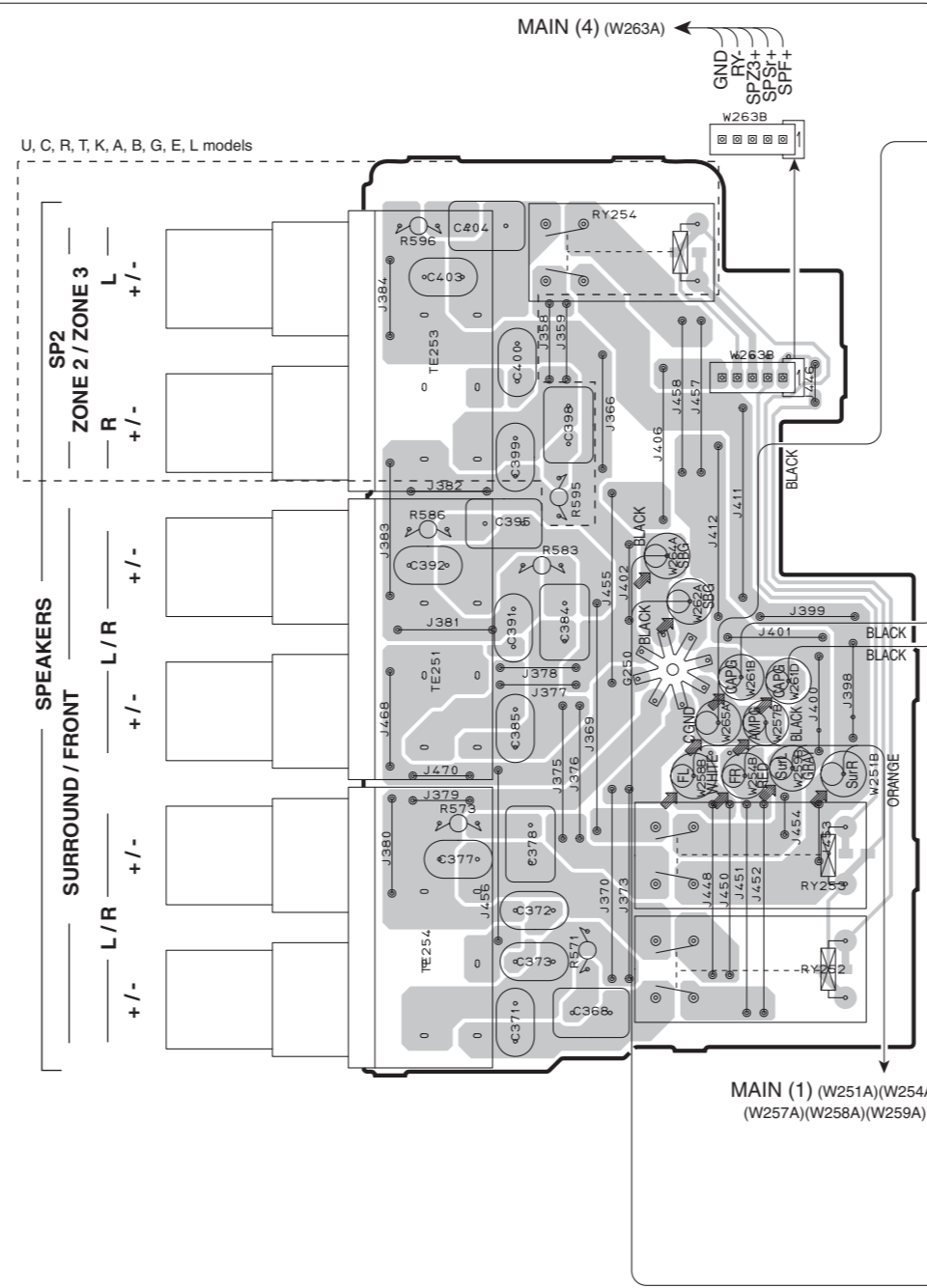
• Semiconductor Location

Ref No.	Location	Ref No.	Location	Ref No.	Location	Ref No.	Location	Ref No.	Location	Ref No.	Location	Ref No.	Location	Ref No.	Location	Ref No.	Location				
D252	I5	D265	I4	D272	F4	D286	I4	D293	I4	D300	D5	Q256	D5	Q263	D5	Q276	D5	Q320	B5	Q345	C4
D253	H5	D266	I4	D273	E4	D287	G4	D294	H4	Q250	I5	Q257	I5	Q270	I5	Q314	I3	Q321	C5	Q346	C5
D254	G5	D267	H4	D274	E4	D288	F4	D295	G4	Q251	H5	Q258	H5	Q271	H5	Q315	H3	Q340	I4		
D255	G5	D268	H4	D275	D4	D289	E4	D296	F4	Q252	G5	Q259	H5	Q272	H5	Q316	G3	Q341	H4		
D256	F5	D269	G4	D276	D4	D290	D4	D297	D4	Q253	G5	Q260	G5	Q273	G5	Q317	E3	Q342	G4		
D257	E5	D270	G4	D277	C5	D291	B4	D298	C4	Q254	F5	Q261	F5	Q274	F5	Q318	D4	Q343	F4		
D258	D5	D271	F4	D278	C5	D292	B5	D299	B5	Q255	E5	Q262	E5	Q275	E5	Q319	C4	Q344	E4		

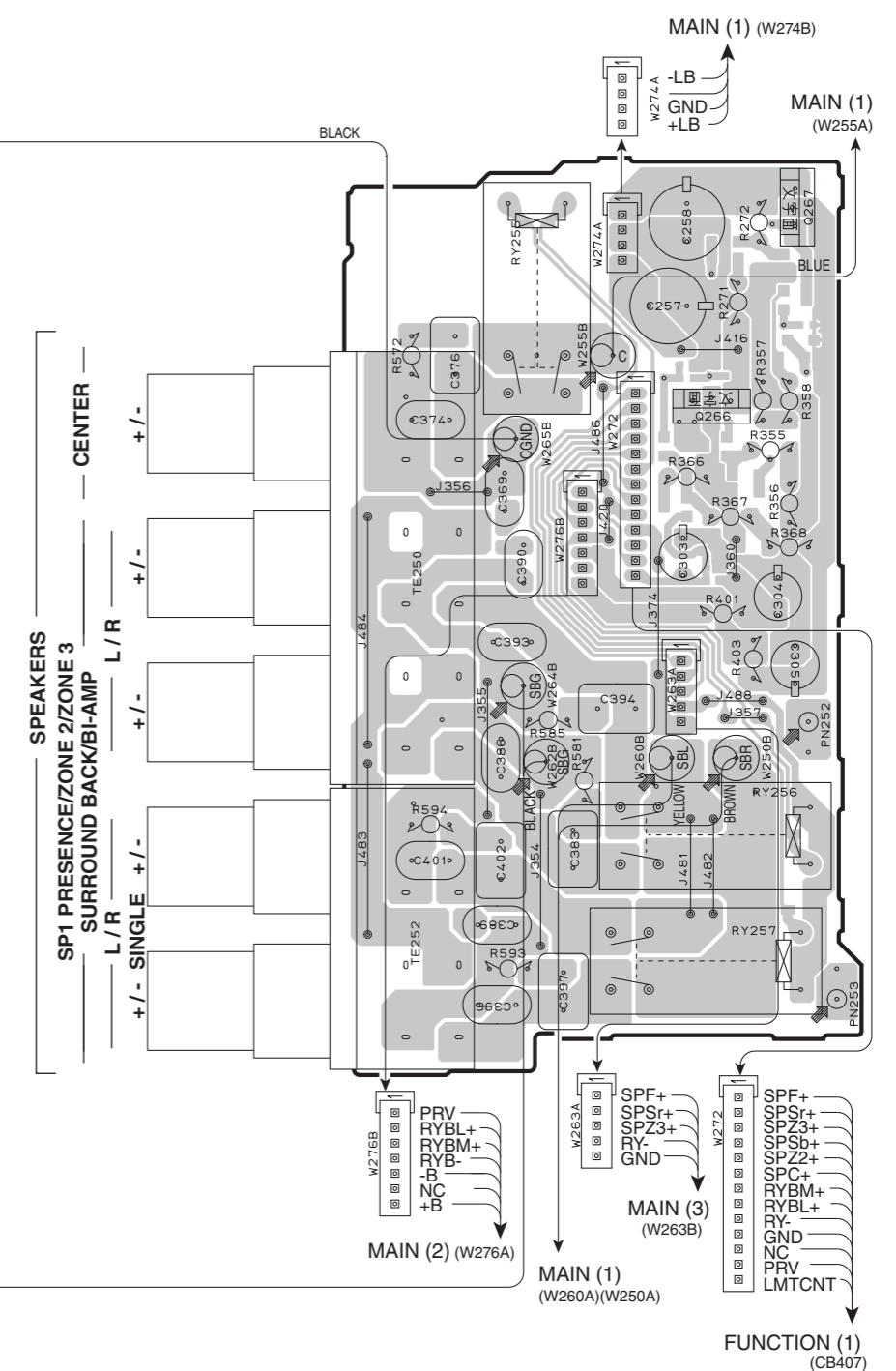
**MAIN (2) P.C.B. (Side A)**



**MAIN (3) P.C.B. (Side A)**

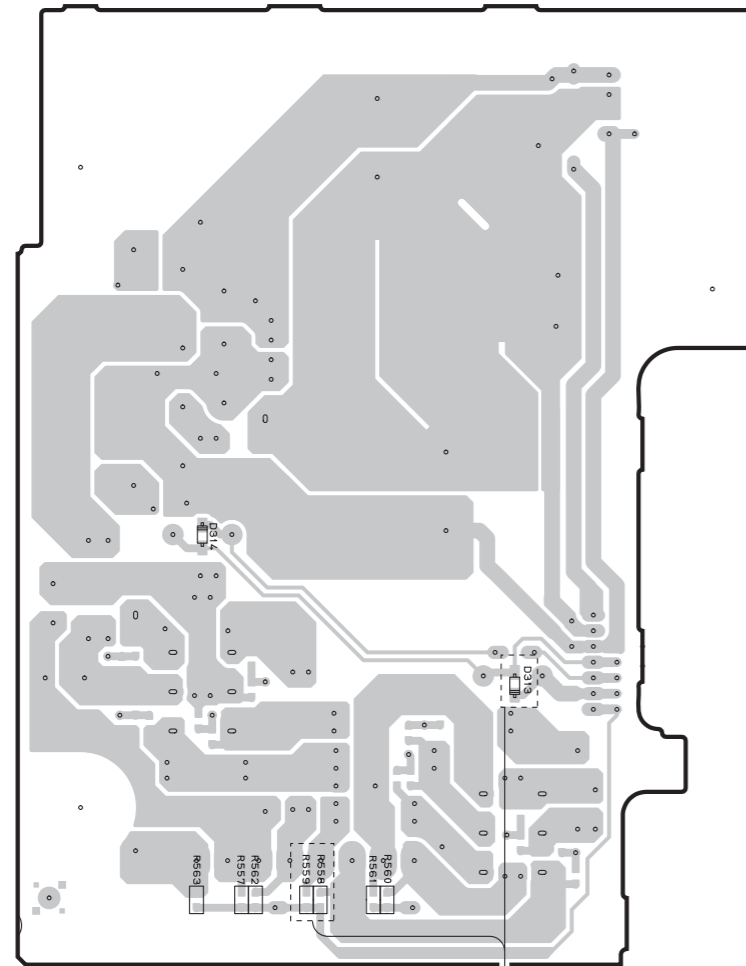


**MAIN (4) P.C.B. (Side A)**

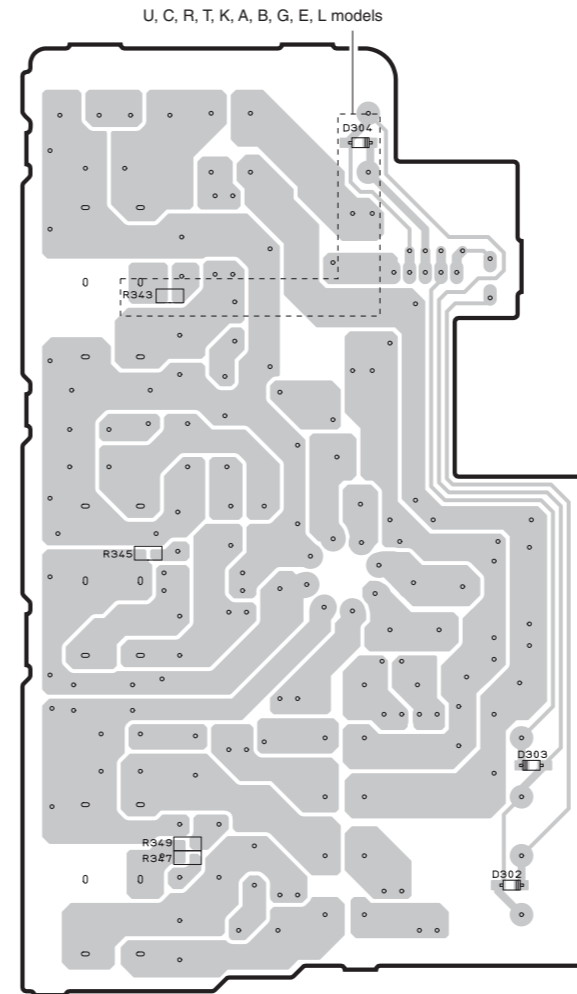




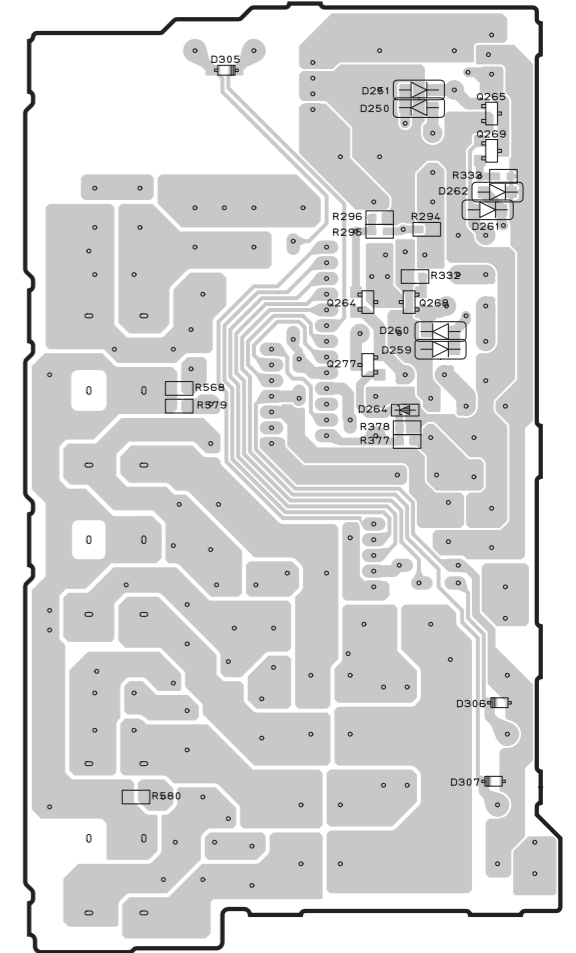
**MAIN (2) P.C.B.** (Side B)



**MAIN (3) P.C.B.** (Side B)



**MAIN (4) P.C.B.** (Side B)

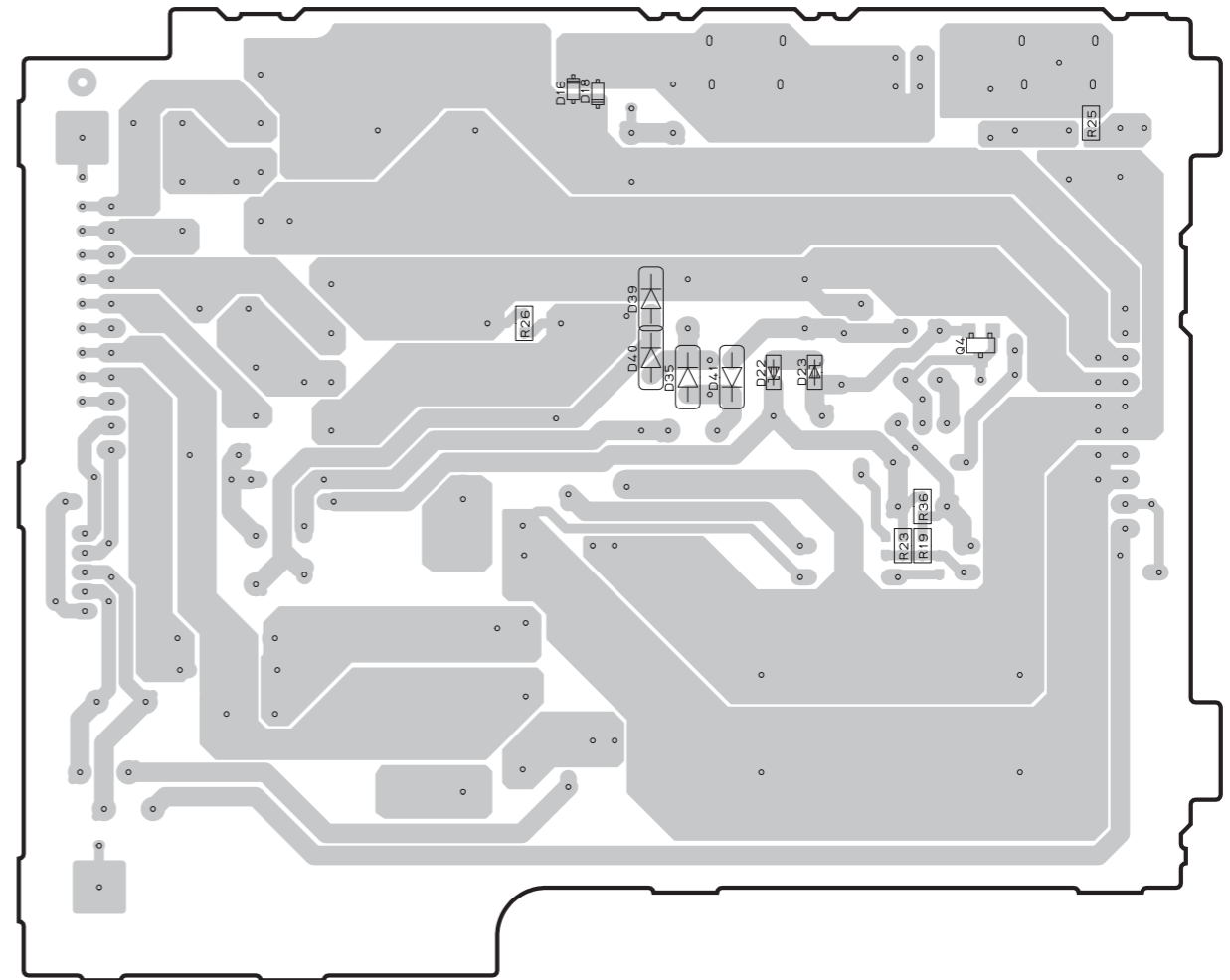
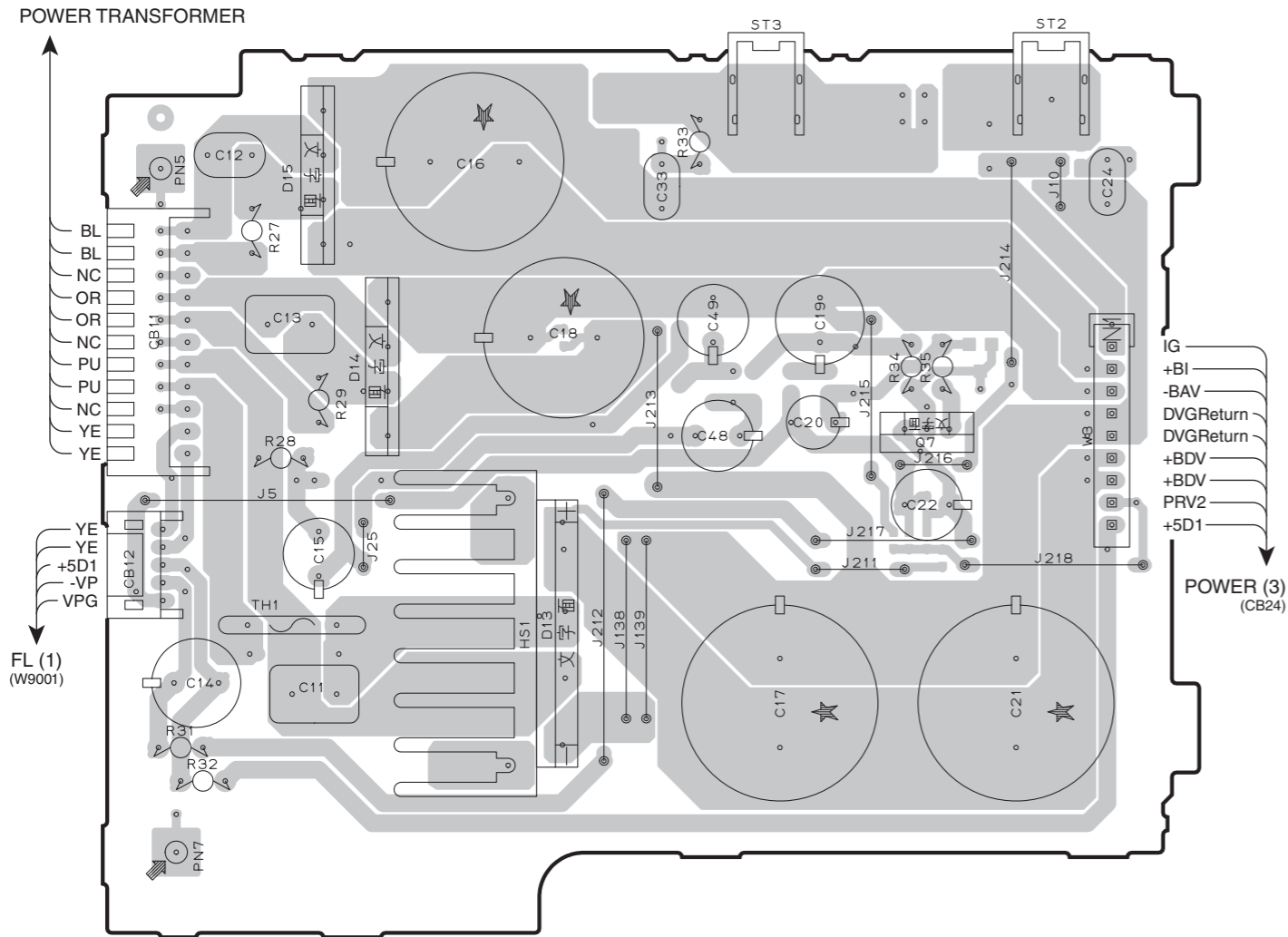


• Semiconductor Location

Ref No.	Location	Ref No.	Location
D250	J2	D305	I2
D251	J2	D306	J4
D259	J3	D307	J4
D260	J3	D313	C4
D261	J3	D314	B4
D262	J3	Q264	J3
D264	J3	Q265	J2
D302	G5	Q268	J3
D303	G4	Q269	J2
D304	F2	Q277	J3

**POWER (1) P.C.B.** (Side A)

**POWER (1) P.C.B.** (Side B)

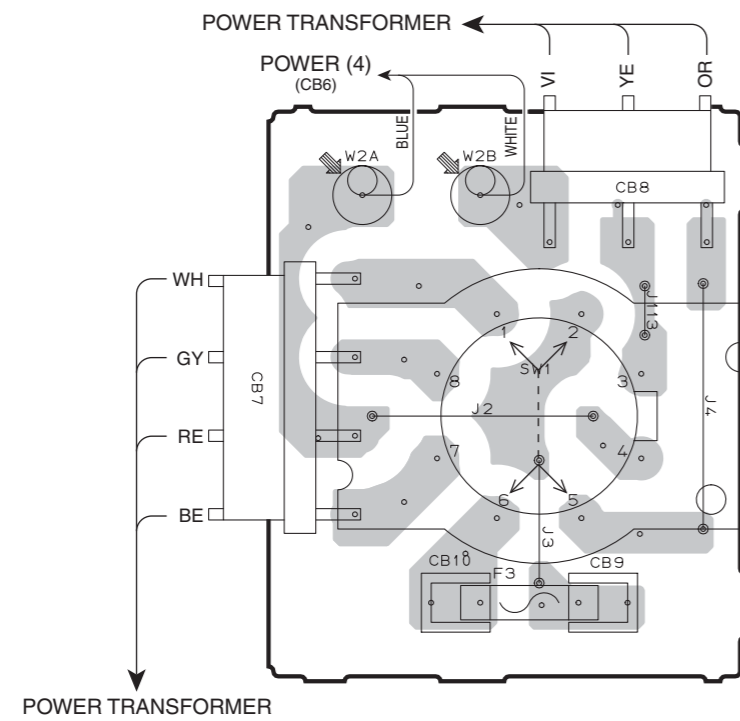


• Semiconductor Location

Ref No.	Location
D13	C4
D14	B3
D15	B3
D16	H3
D18	H3
D22	I3
D23	I3
D35	I3
D40	H3
D41	I3
Q4	I3
Q7	D4

**POWER (2) P.C.B. (Side A)**

R, L models

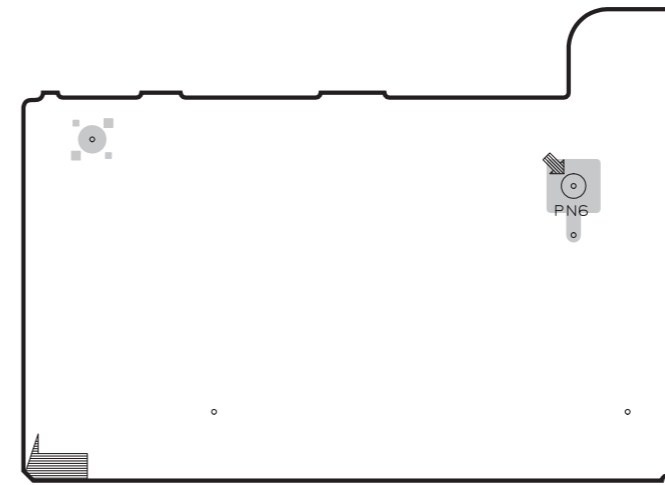


**VOLTAGE SELECTOR**

VOLTAGE SELECTOR

230-240V	1-2/5-6
220V	2-3/6-7
110V	3-4/7-8
120V	4-5/8-1

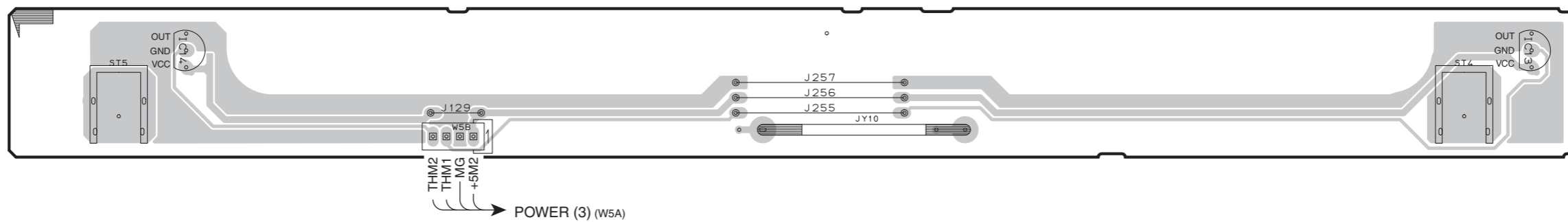
**POWER (6) P.C.B. (Side A)**



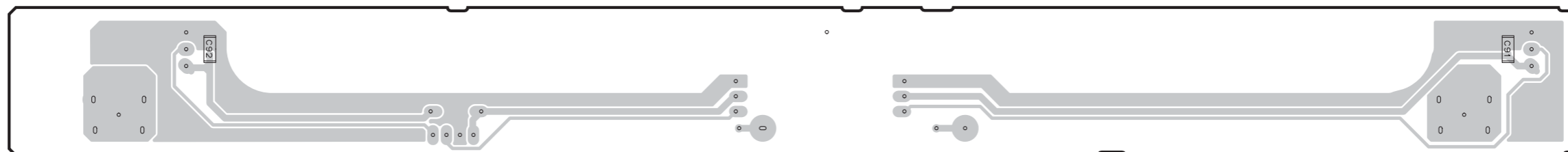
• Semiconductor Location

Ref No.	Location
IC13	I5
IC14	B5

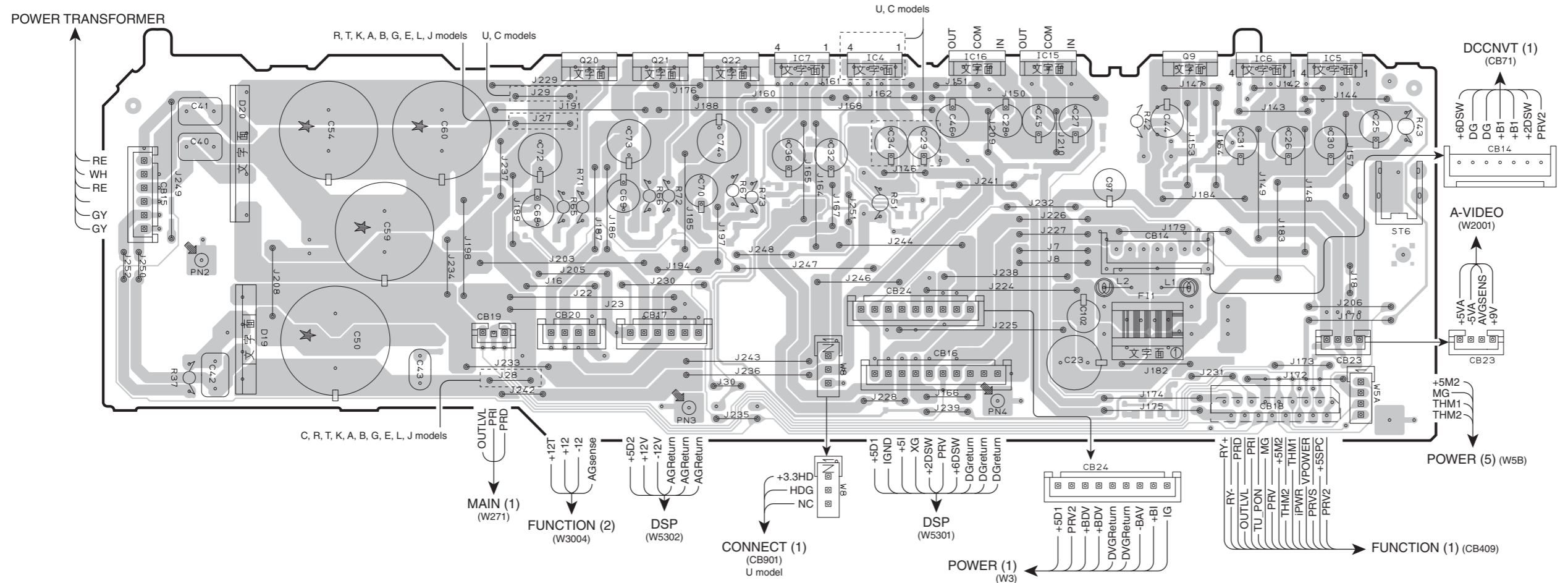
**POWER (5) P.C.B. (Side A)**



**POWER (5) P.C.B. (Side B)**



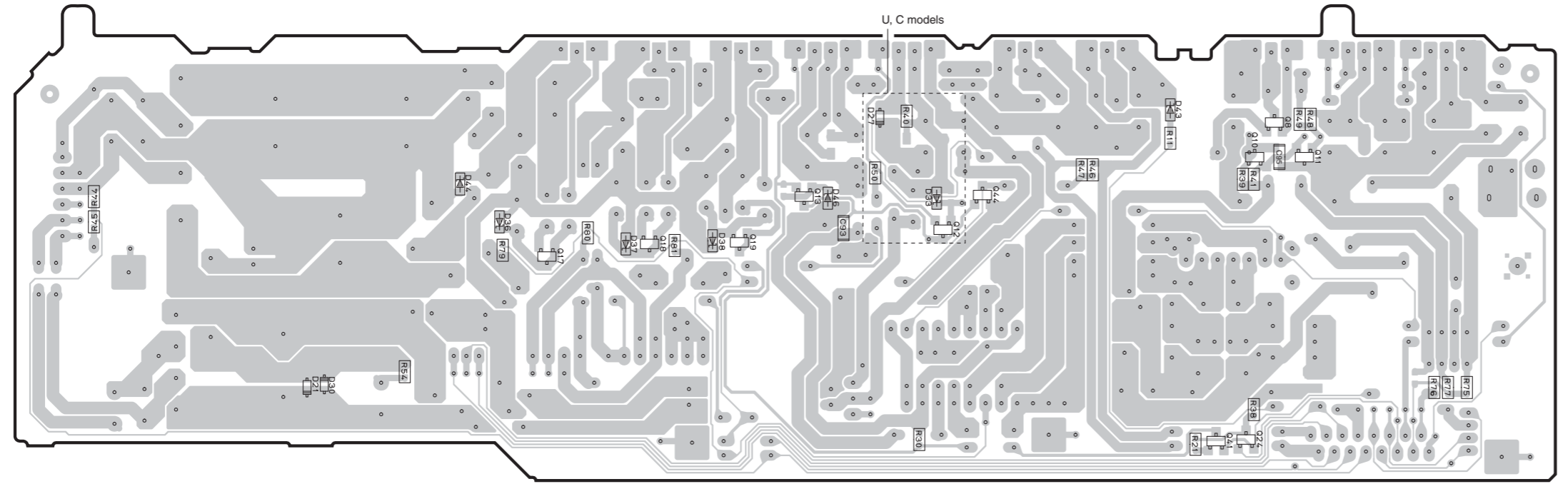
**POWER (3) P.C.B. (Side A)**



**Semiconductor Location**

Ref No.	Location
D19	B3
D20	B2
D21	C7
D27	E5
D30	C7
D36	D6
D37	D6
D38	E6
D43	G5
D44	C6
D46	E6
IC4	F2
IC5	H2
IC6	H2
IC7	E2
IC15	F2
IC16	F2
Q8	G5
Q9	G2
Q10	G6
Q11	G6
Q12	F6
Q13	E6
Q17	D6
Q18	D6
Q19	E6
Q20	D2
Q21	D2
Q22	E2
Q24	G7
Q41	G7
Q44	F6

**POWER (3) P.C.B. (Side B)**

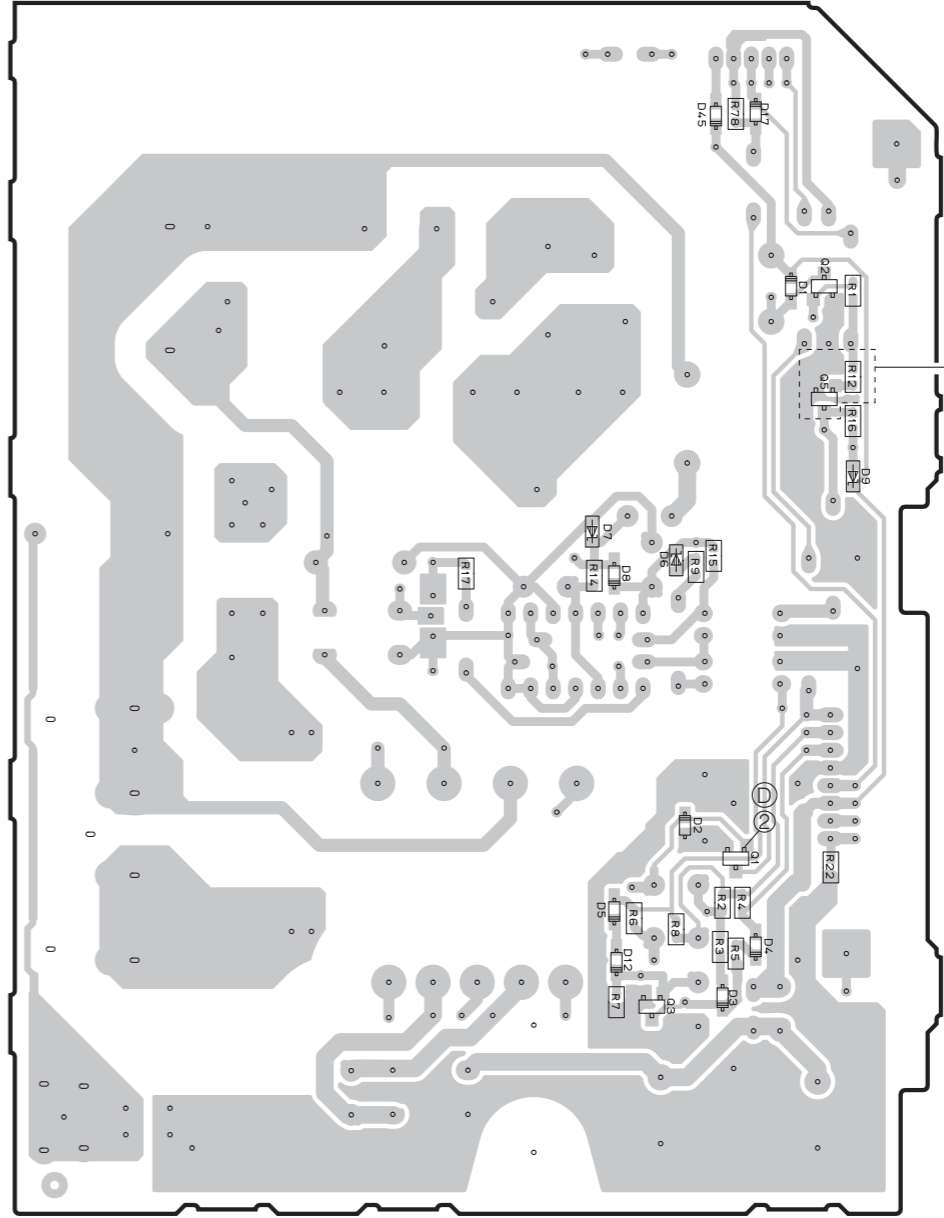
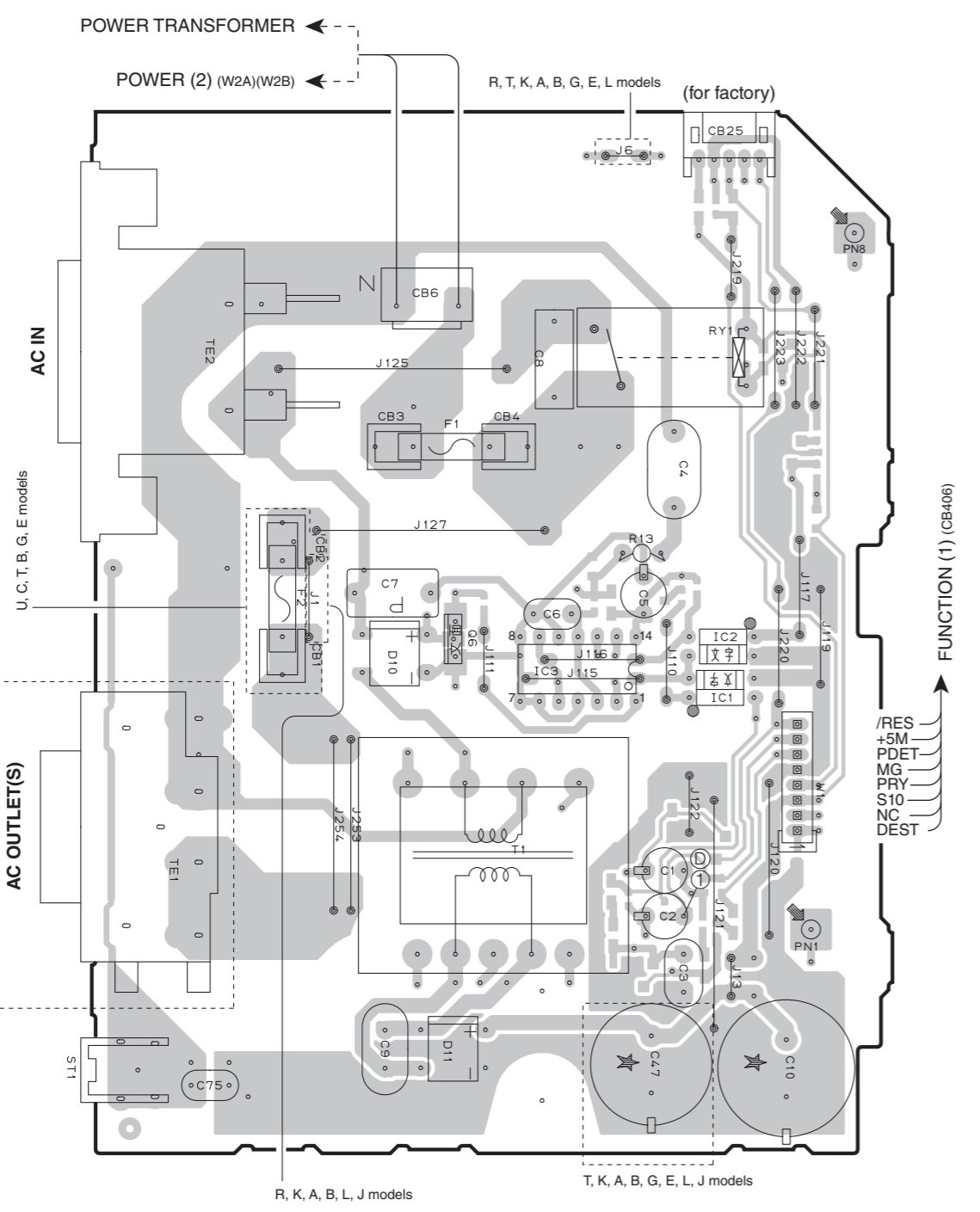


**POWER (4) P.C.B.** (Side A)

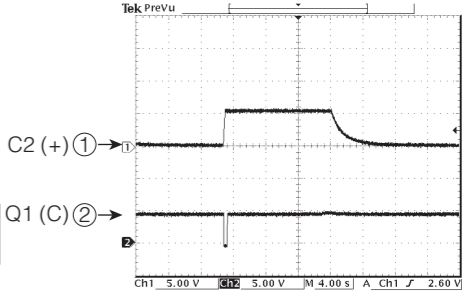
**POWER (4) P.C.B.** (Side B)

• Semiconductor Location

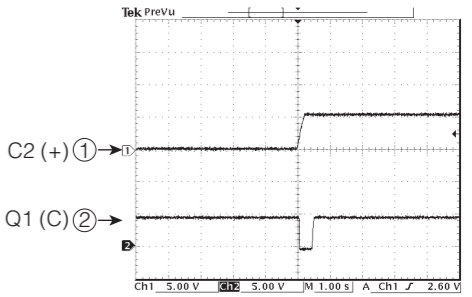
Ref No.	Location
D1	H3
D2	H5
D3	H5
D4	H5
D5	H5
D6	H4
D7	H4
D8	H4
D9	H4
D10	C4
D11	C6
D12	H5
D17	H2
D45	H2
IC1	D4
IC2	D4
Q1	H5
Q2	H3
Q3	H5
Q5	H3
Q6	C4



POINT ① / C2, ② / Q1

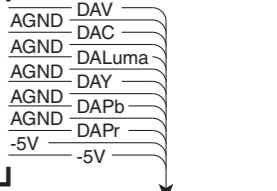
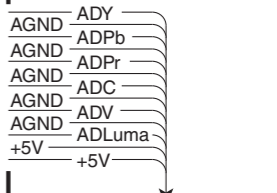
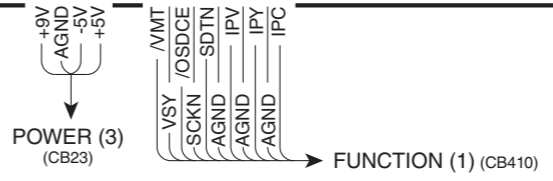
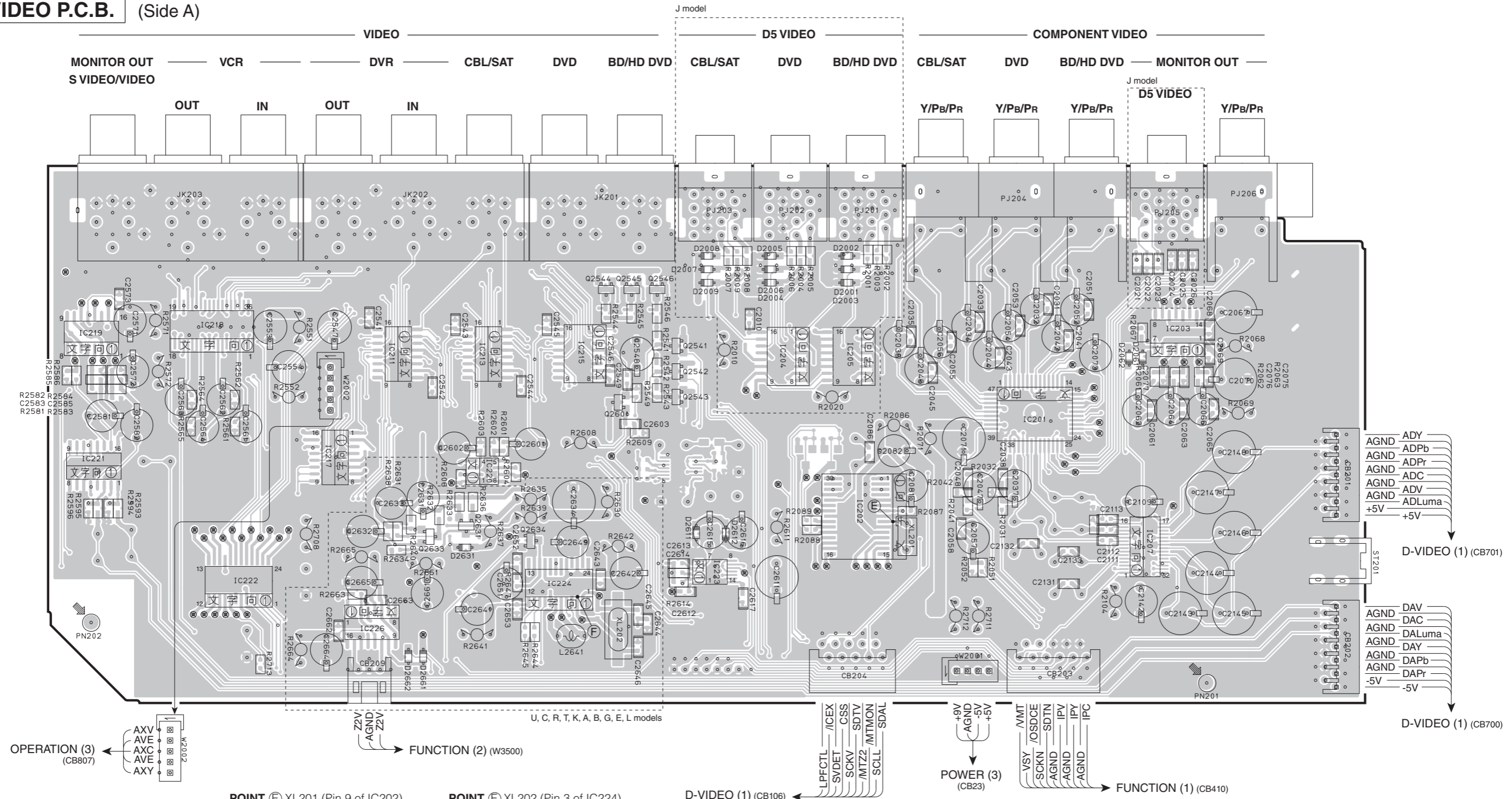


AC cable ON AC cable OFF

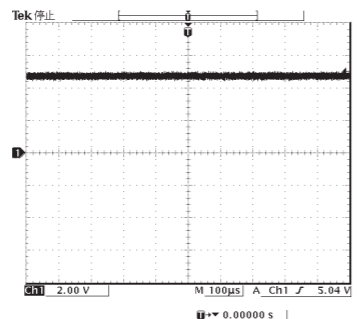


AC cable ON

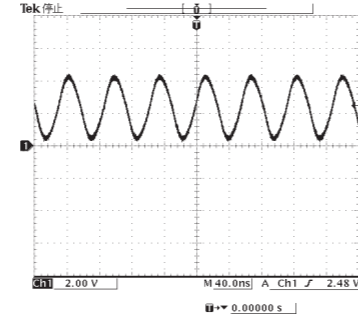
**A-VIDEO P.C.B.** (Side A)



POINT (E) XL201 (Pin 9 of IC202)



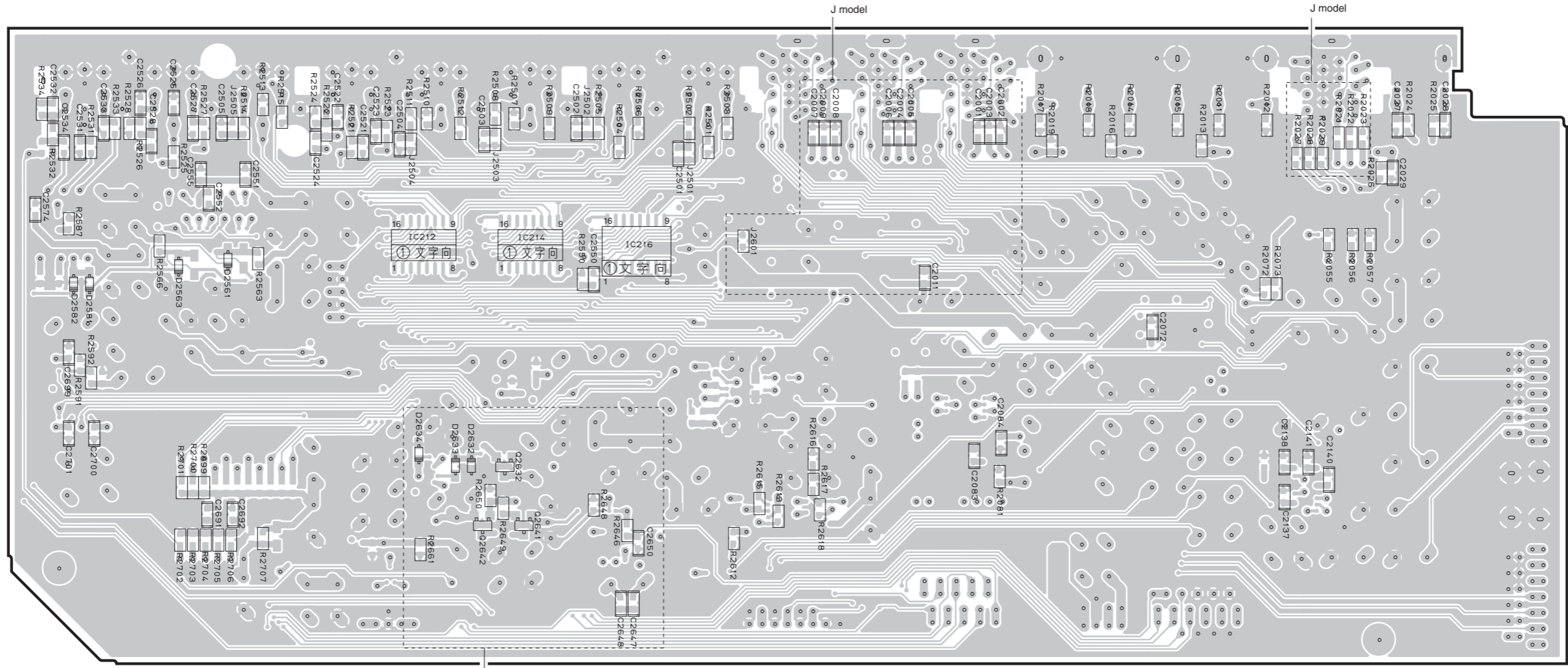
POINT (F) XL202 (Pin 3 of IC224)



• Semiconductor Location

Ref No.	Location	Ref No.	Location	Ref No.	Location	Ref No.	Location	Ref No.	Location	Ref No.	Location
D2001	F3	D2008	F3	D2661	D5	IC207	H5	IC220	D4	Q2542	E3
D2002	F3	D2009	F3	D2662	D5	IC211	D3	IC221	B4	Q2543	E4
D2003	F3	D2061	H3	IC201	H4	IC213	D3	IC222	C5	Q2544	E3
D2004	F3	D2062	H3	IC202	G4	IC215	E3	IC223	F5	Q2545	E3
D2005	F3	D2611	F4	IC203	H3	IC217	C4	IC224	E5	Q2546	E3
D2006	F3	D2612	F4	IC204	F3	IC218	C3	IC226	D5	Q2601	E4
D2007	F3	D2631	D5	IC205	F3	IC219	B3	Q2541	E3	Q2631	D4
										Q2633	D4
										Q2634	E4

**A-VIDEO P.C.B.** (Side B)



U, C, R, T, K, A, B, G, E, L models

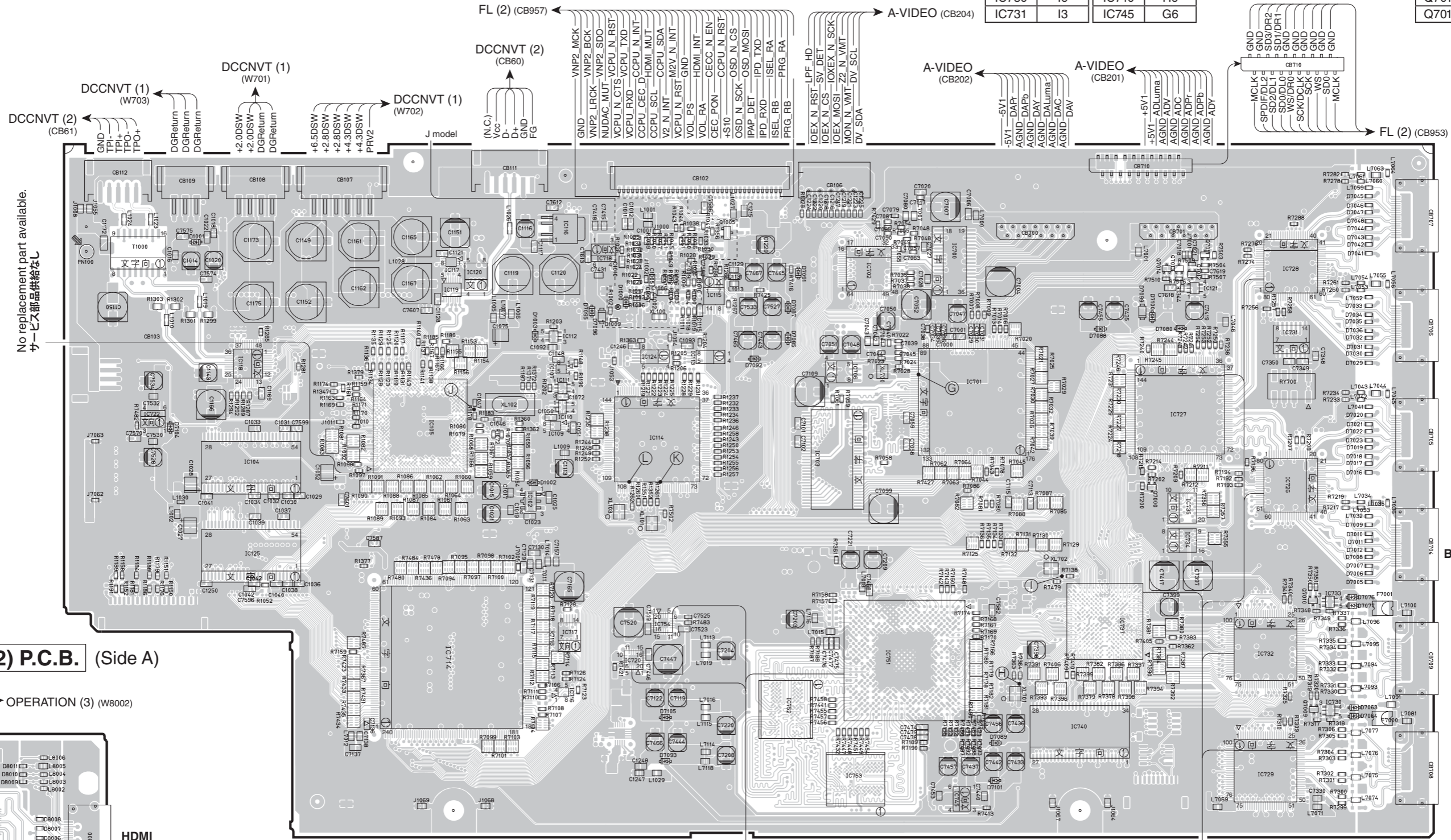
Circuit No.	U, C, R, T, K, A, B, G, E, L	J
C2501-2505	X	O
J2501-2505	O	X

X : NOT USED  
O : USED/APPLICABLE

• Semiconductor Location

Ref No.	Location	Ref No.	Location
D2561	C3	IC212	D3
D2563	B3	IC214	D3
D2581	B4	IC216	E3
D2632	D4	Q2632	D4
D2633	D4	Q2642	D5
D2634	D4		

**D-VIDEO (1) P.C.B. (Side A)**



No replacement part available.  
サービス部品供給なし

No replacement part available.  
サービス部品供給なし

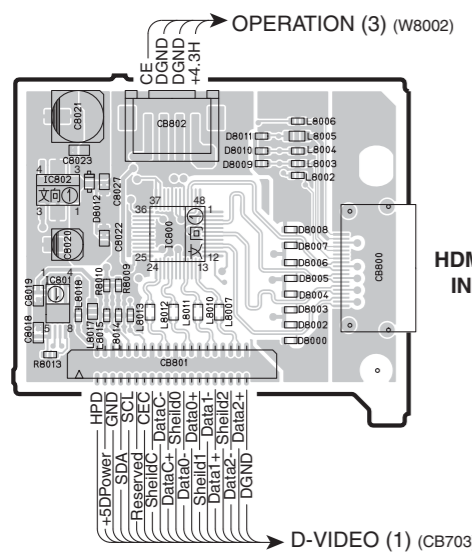
No replacement part available.  
サービス部品供給なし

• Semiconductor Location

Ref No.	Location	Ref No.	Location	Ref No.	Location	Ref No.	Location	Ref No.	Location	Ref No.	Location	Ref No.	Location	Ref No.	Location	Ref No.	Location	Ref No.	Location				
D1000	E3	D7007	J5	D7017	J4	D7029	J3	D7036	J3	D7047	J3	D7096	E3	IC102	E4	IC112	E3	IC120	D3	IC703	F4		
D1001	C3	D7008	J5	D7018	J4	D7030	J3	D7041	J3	D7048	J3	D7099	H3	IC104	C4	IC113	F3	IC121	I3	IC704	F4		
D1002	E4	D7009	J4	D7019	J4	D7031	J3	D7042	J3	D7063	I6	D7089	G6	D7100	H3	IC105	D4	IC114	E4	IC124	E3	IC714	D5
D1003	E3	D7010	J4	D7020	J4	D7032	J3	D7043	J3	D7064	I6	D7091	F3	D7101	G6	IC107	E4	IC115	F3	IC125	C5	IC716	E5
D1009	E3	D7011	J5	D7021	J4	D7033	J3	D7044	J3	D7076	I5	D7092	F3	D7104	C4	IC109	E4	IC116	E3	IC700	G3	IC717	E5
D7005	J5	D7012	J5	D7022	J4	D7034	J3	D7045	J3	D7077	I5	D7093	E6	D7105	E6	IC110	E4	IC117	D3	IC701	G4	IC718	E3
D7006	J5	D7016	J4	D7023	J4	D7035	J3	D7046	J3	D7080	H3	D7095	E3	D8012	A6	IC111	E4	IC118	C4	IC702	G3	IC720	E5

Ref No.	Location	Ref No.	Location	Ref No.	Location	Ref No.	Location	Ref No.	Location	Ref No.	Location
IC722	B4	IC732	I5	IC751	G5	IC800	A6	Q7000	H4		
IC726	I4	IC733	I5	IC752	F6	IC801	A6	Q7009	I6		
IC727	H4	IC734	H5	IC753	G6	IC802	A6	Q7010	I5		
IC728	I3	IC735	H4	IC754	E5	Q1005	F3	Q7011	I3		
IC729	I6	IC737	H5					Q7012	I3		
IC730	I6	IC740	H6					Q7013	H3		
IC731	I3	IC745	G6					Q7014	H3		

**D-VIDEO (2) P.C.B. (Side A)**



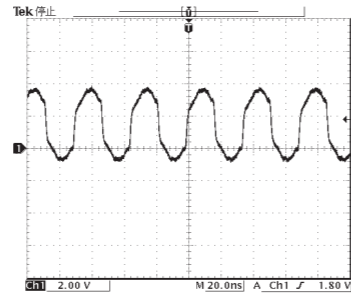
HDMI IN

IN4 DVR  
IN3 CBL/SAT  
HDMI IN  
IN2 DVD  
IN1 BD/HD DVD  
OUT2  
HDMI OUT  
OUT1

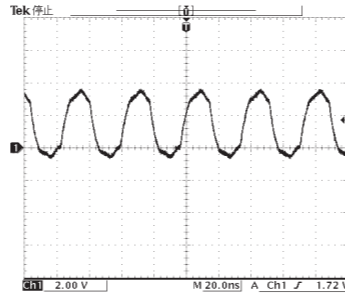


**D-VIDEO (1) P.C.B. (Side B)**

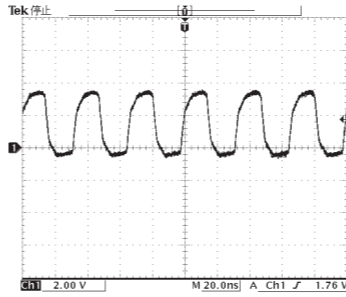
**POINT ㉔ XL700 (Pin 80 of IC701)**



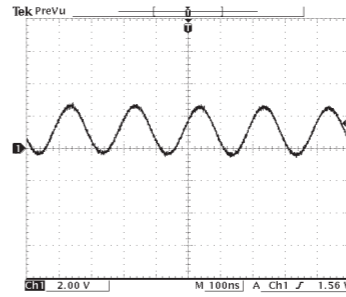
**POINT ㉕ XL701 (OUT)**



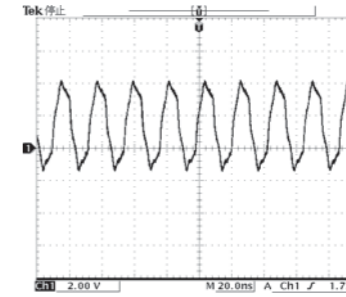
**POINT ㉖ XL702 (OUT)**



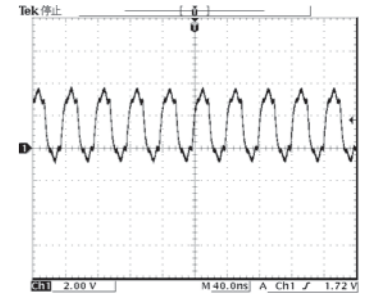
**POINT ㉗ XL102 (IC105)**



**POINT ㉘ XL101 (Pin 89 of IC114)**



**POINT ㉙ XL103 (Pin 103 of IC114)**



(Writing port) (Writing port)

J model

OPERATION (3)  
(CB814)

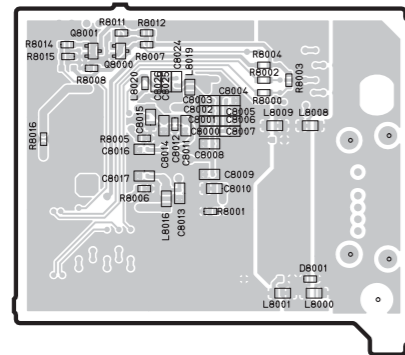
- Vcc
- D+
- GND
- FG
- CXB1442
- CE

(for factory)

D-VIDEO (2)  
(CB801)

- +5DPower
- HPD
- GND
- SCL
- Reserved
- ShieldC
- DataC+
- DataC-
- Shield0
- Data0+
- Shield1
- Data1+
- Shield2
- Data2+
- DGND
- Data2-

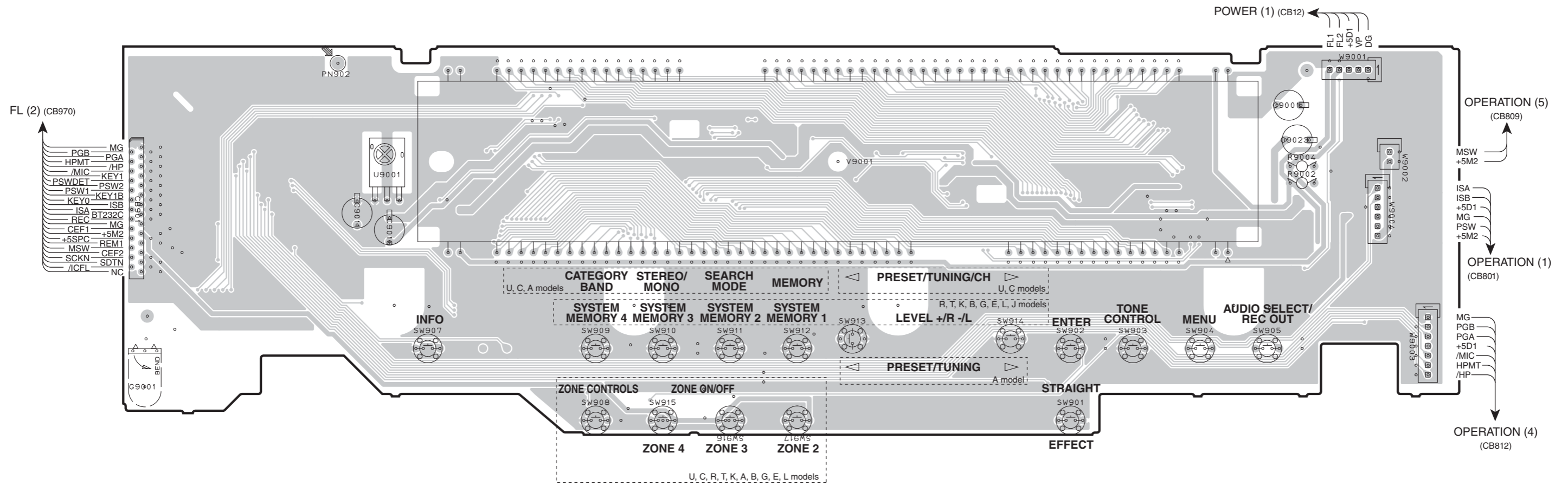
**D-VIDEO (2) P.C.B. (Side B)**



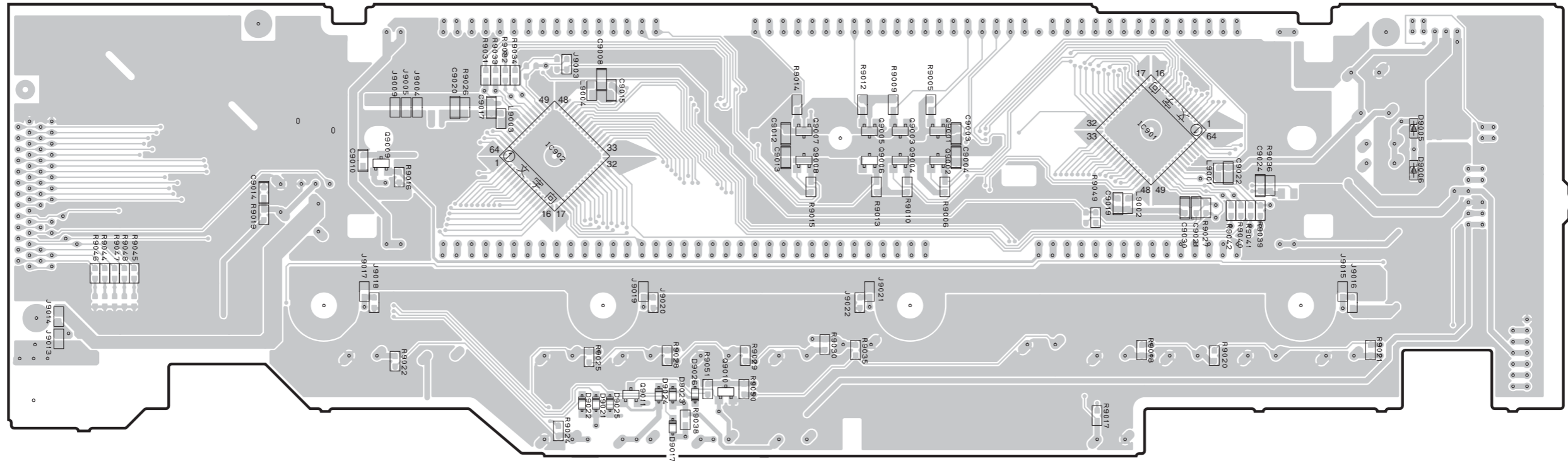
• Semiconductor Location

Ref No.	Location	Ref No.	Location	Ref No.	Location	Ref No.	Location	Ref No.	Location	Ref No.	Location	Ref No.	Location	Ref No.	Location				
D1004	E3	D7014	I4	D7037	I3	D7061	I6	D7082	H3	D7103	F3	IC704	G4	IC743	H3	Q1006	E4	Q7006	I3
D1006	F3	D7015	J4	D7038	I3	D7062	J6	D7083	G6	D8001	B7	IC705	H4	IC744	G6	Q1007	E4	Q7007	I2
D1008	F3	D7024	I4	D7040	J2	D7073	I5	D7084	G6	IC100	E3	IC707	G4	IC748	F3	Q7001	I4	Q8000	A6
D7000	G3	D7025	I4	D7049	I2	D7074	I5	D7090	G6	IC101	C3	IC715	D5	IC749	E6	Q7002	I4	Q8001	A6
D7003	I4	D7026	I4	D7050	I2	D7075	J5	D7094	F3	IC103	C5	IC719	G6	IC750	F3	Q7003	I4		
D7004	J5	D7027	J4	D7051	I2	D7079	H3	D7097	E5	IC106	E3	IC721	F3	IC755	E5	Q7004	I4		
D7013	I4	D7028	I3	D7060	I6	D7081	E3	D7102	F5	IC122	F3	IC741	H3	Q1004	F3	Q7005	I3		

FL (1) P.C.B. (Side A)



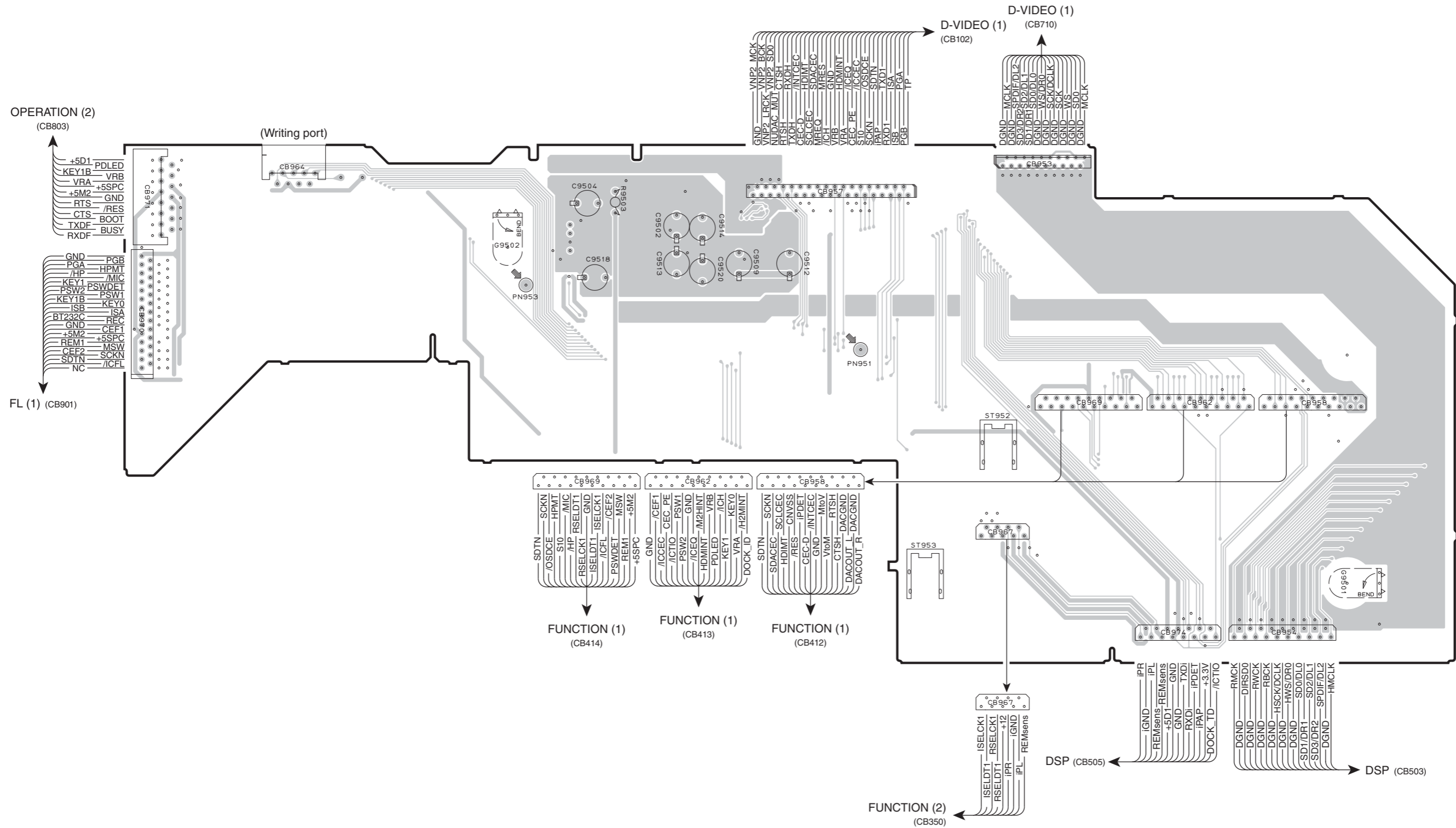
**FL (1) P.C.B.** (Side B)



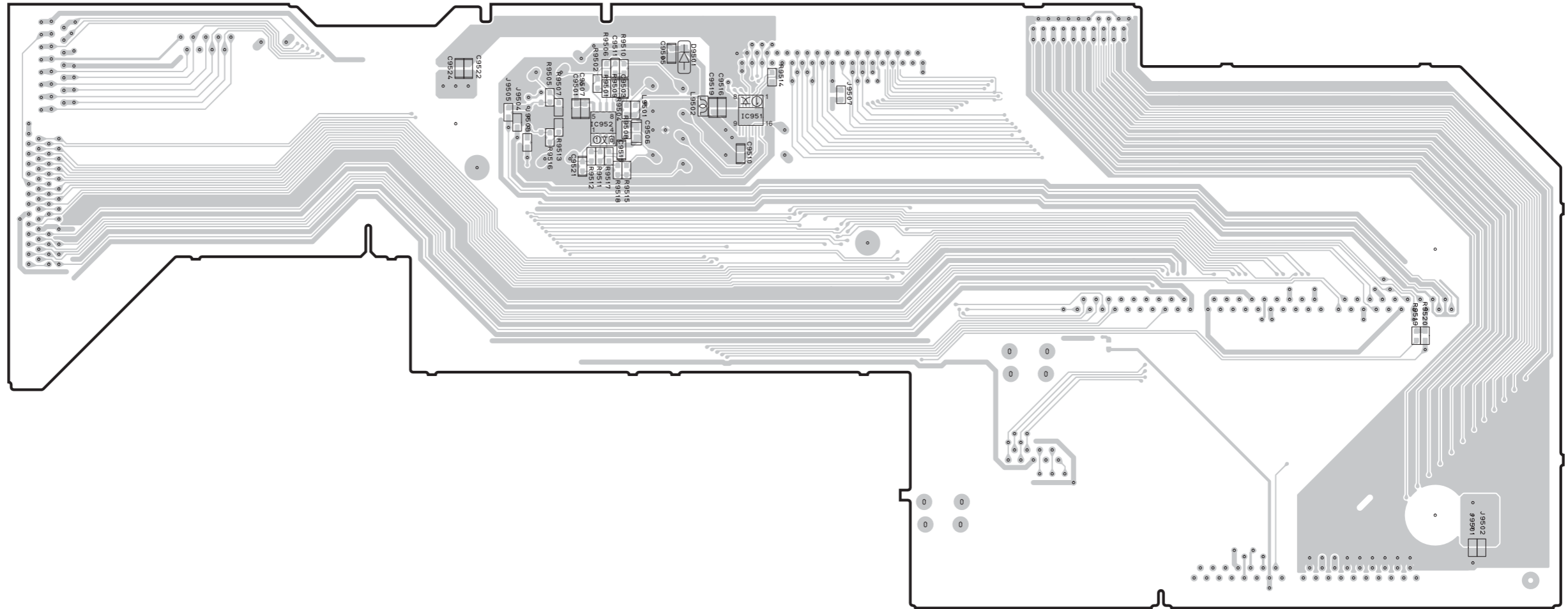
• Semiconductor Location

Ref No.	Location	Ref No.	Location
D9005	I3	Q9001	F3
D9006	I3	Q9002	F3
D9017	E5	Q9003	F3
D9021	E5	Q9004	F3
D9022	E5	Q9005	F3
D9023	E4	Q9006	F3
D9024	E4	Q9007	F3
D9025	E5	Q9008	F3
D9026	E4	Q9009	C3
IC901	G3	Q9010	E4
IC902	D3	Q9011	E4

FL (2) P.C.B. (Side A)



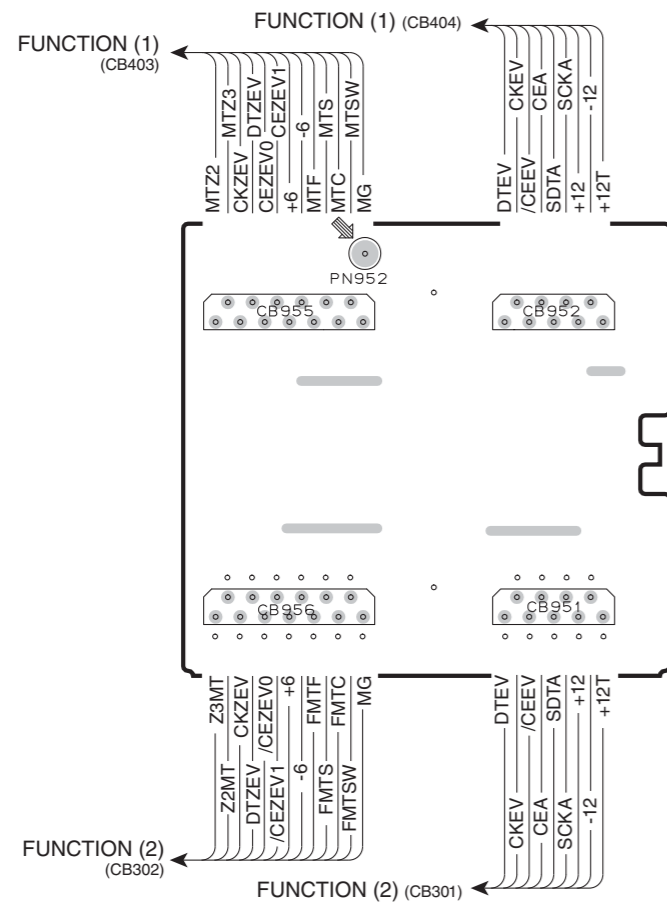
**FL (2) P.C.B.** (Side B)



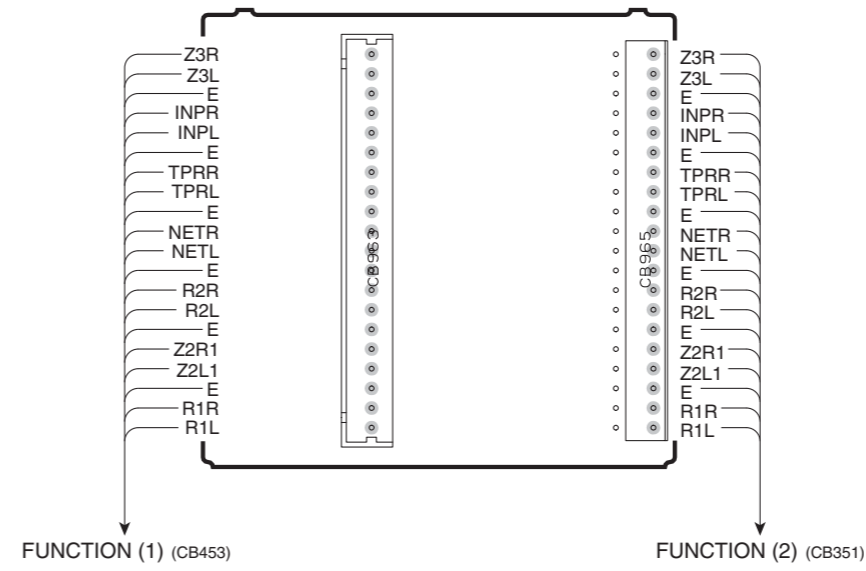
• Semiconductor Location

Ref No.	Location
D9501	E3
IC951	F3
IC952	E3

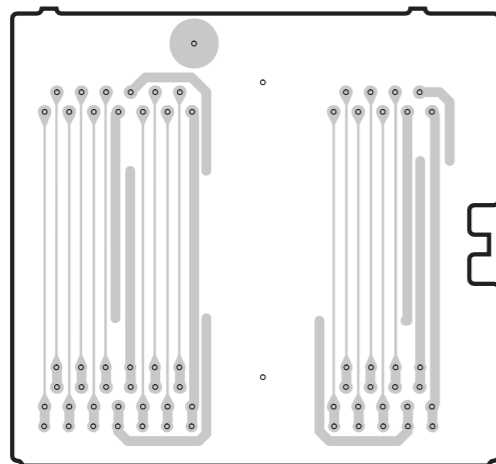
**FL (3) P.C.B. (Side A)**



**FL (4) P.C.B. (Side A)**



**FL (3) P.C.B. (Side B)**

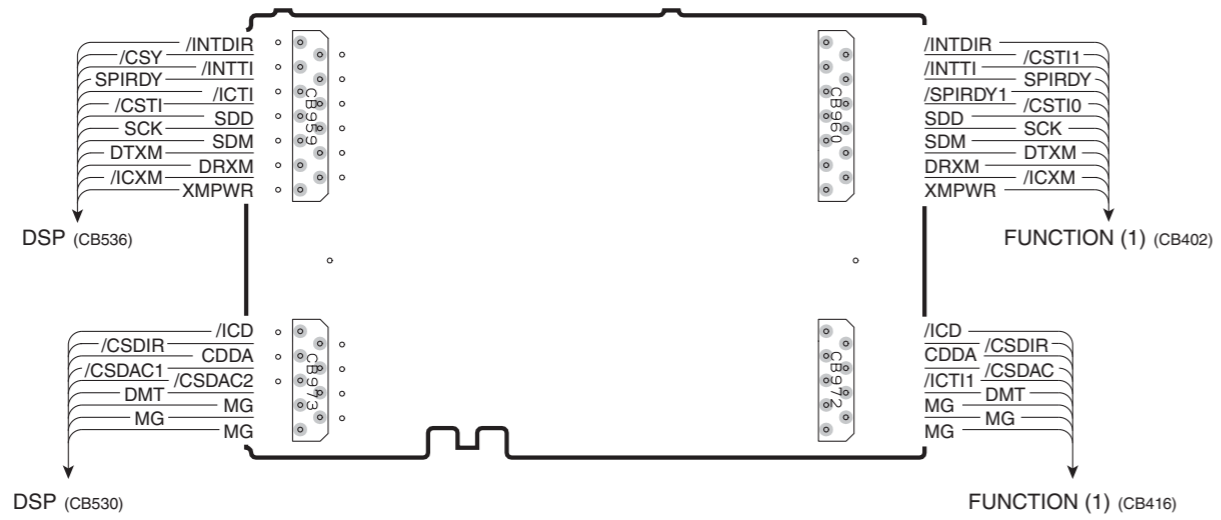


**FL (4) P.C.B. (Side B)**

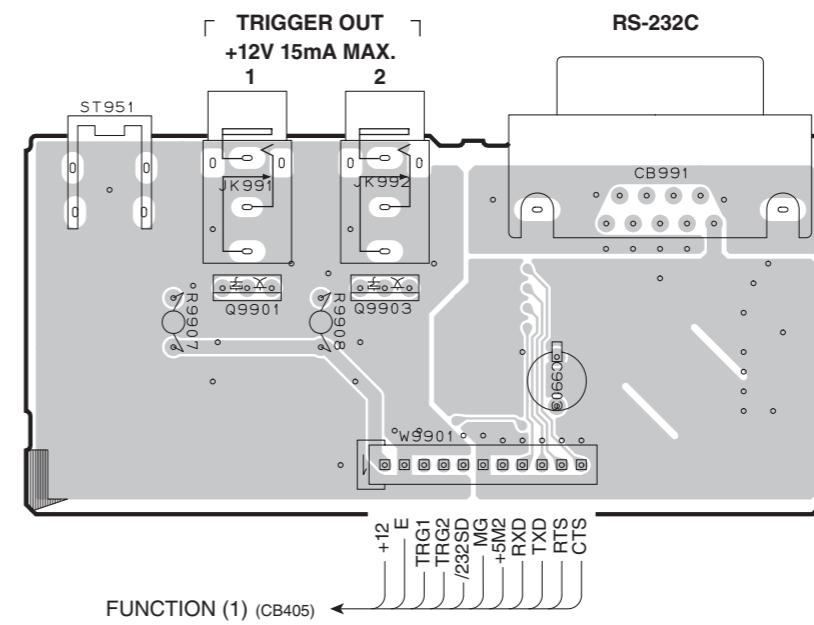


1  
2  
3  
4  
5  
6  
7

**FL (5) P.C.B. (Side A)**



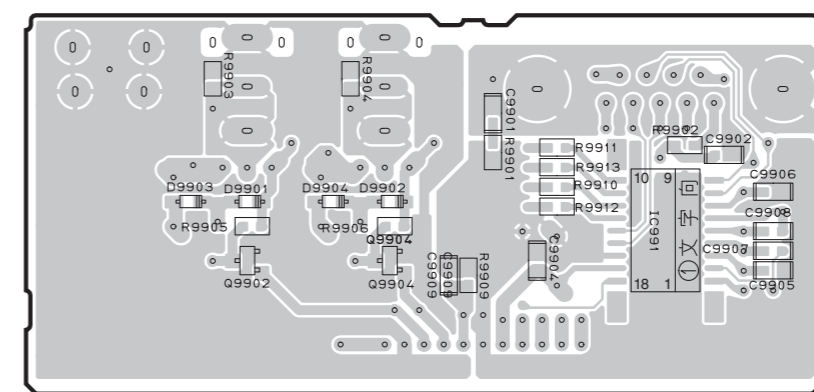
**FL (6) P.C.B. (Side A)**



**FL (5) P.C.B. (Side B)**



**FL (6) P.C.B. (Side B)**

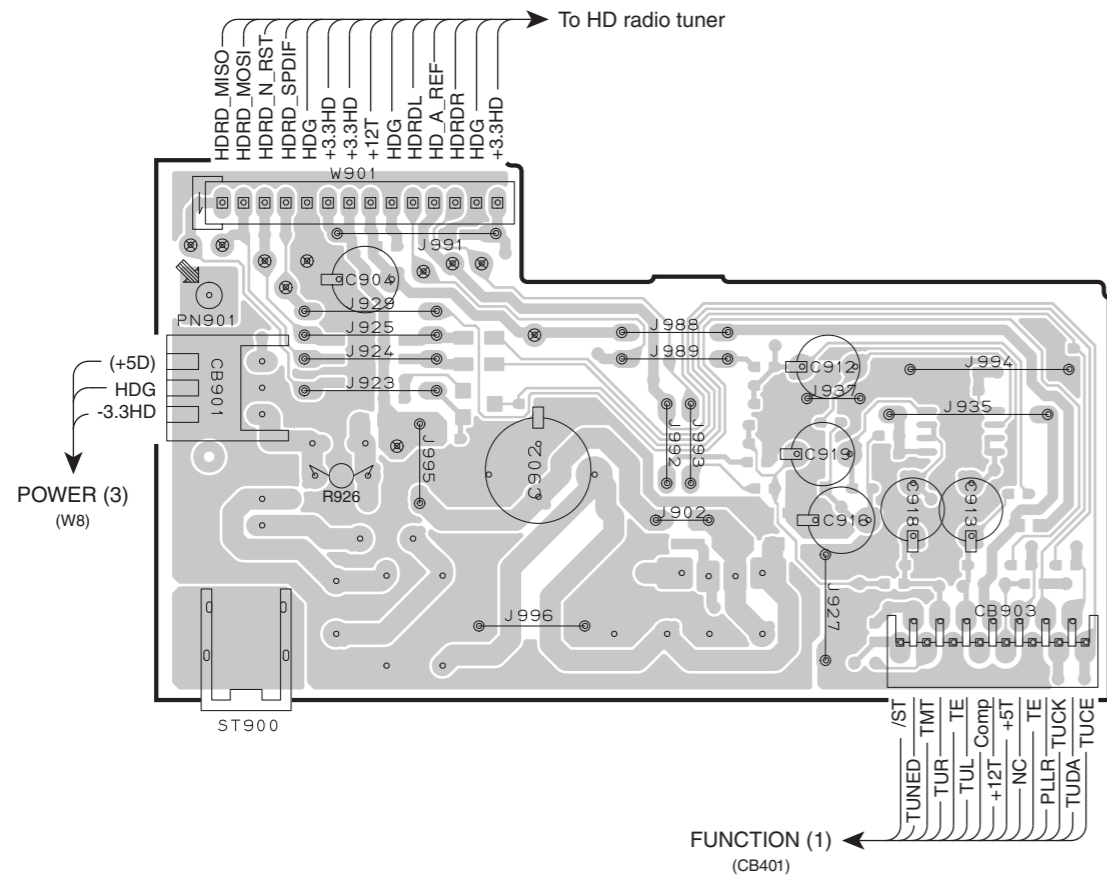


• Semiconductor Location

Ref No.	Location
D9901	G6
D9902	G6
D9903	G6
D9904	G6
IC991	H6
Q9001	G3
Q9901	G3
Q9902	G6
Q9903	G3
Q9904	G6

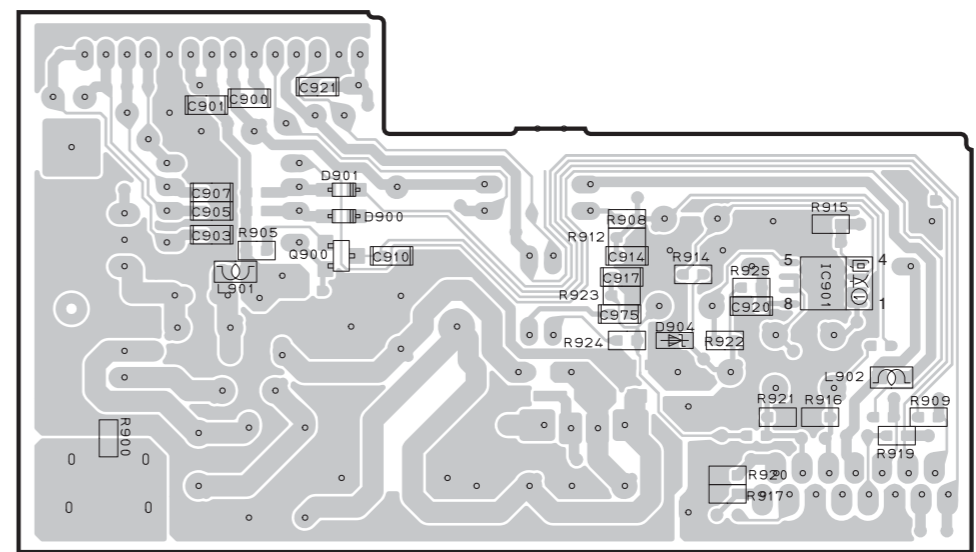
**CONNECT (1) P.C.B.** (Side A)

U model



**CONNECT (1) P.C.B.** (Side B)

U model



• Semiconductor Location

Ref No.	Location
D900	G3
D901	G3
D904	I4
IC901	I3
Q900	G3

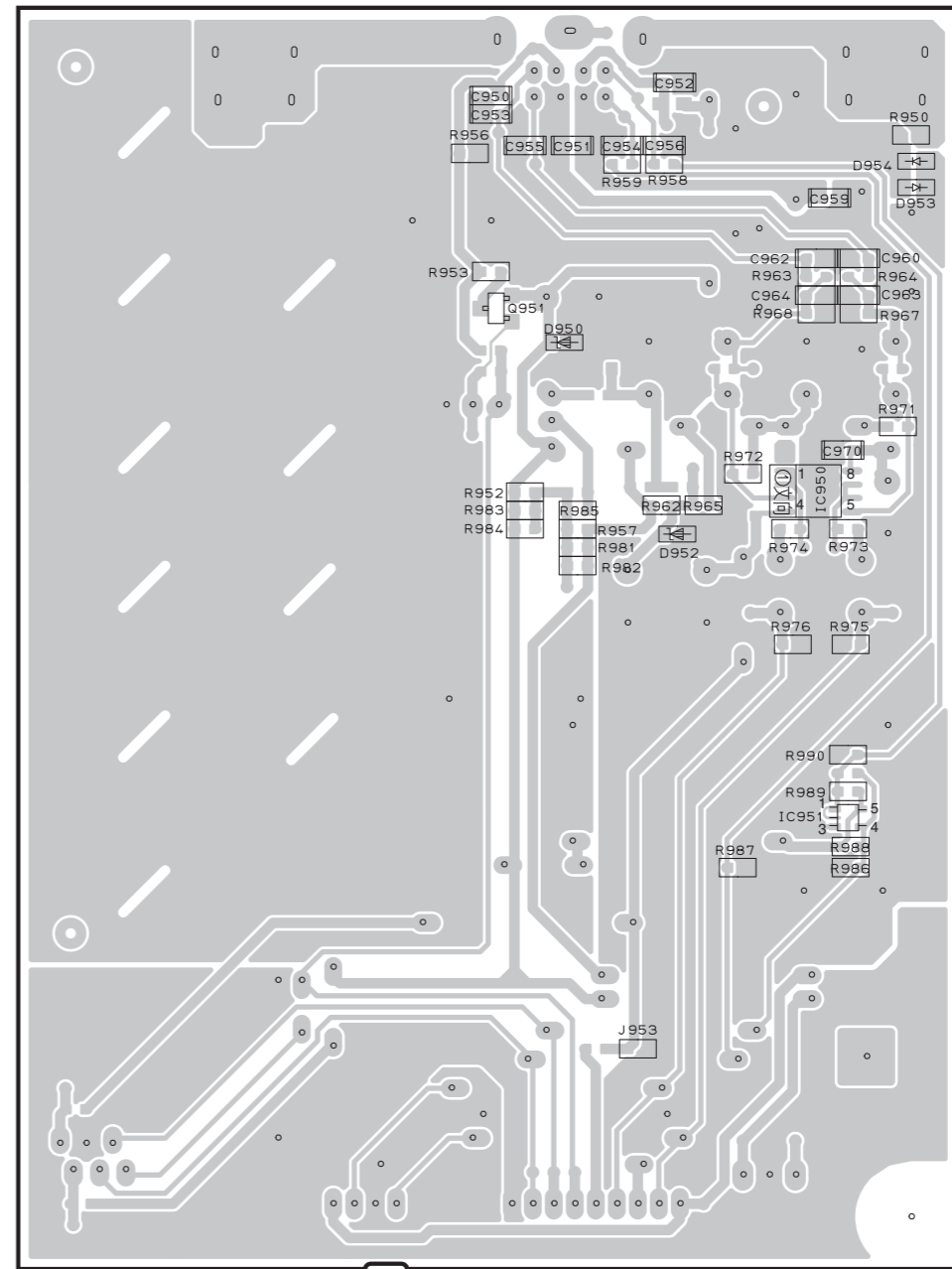
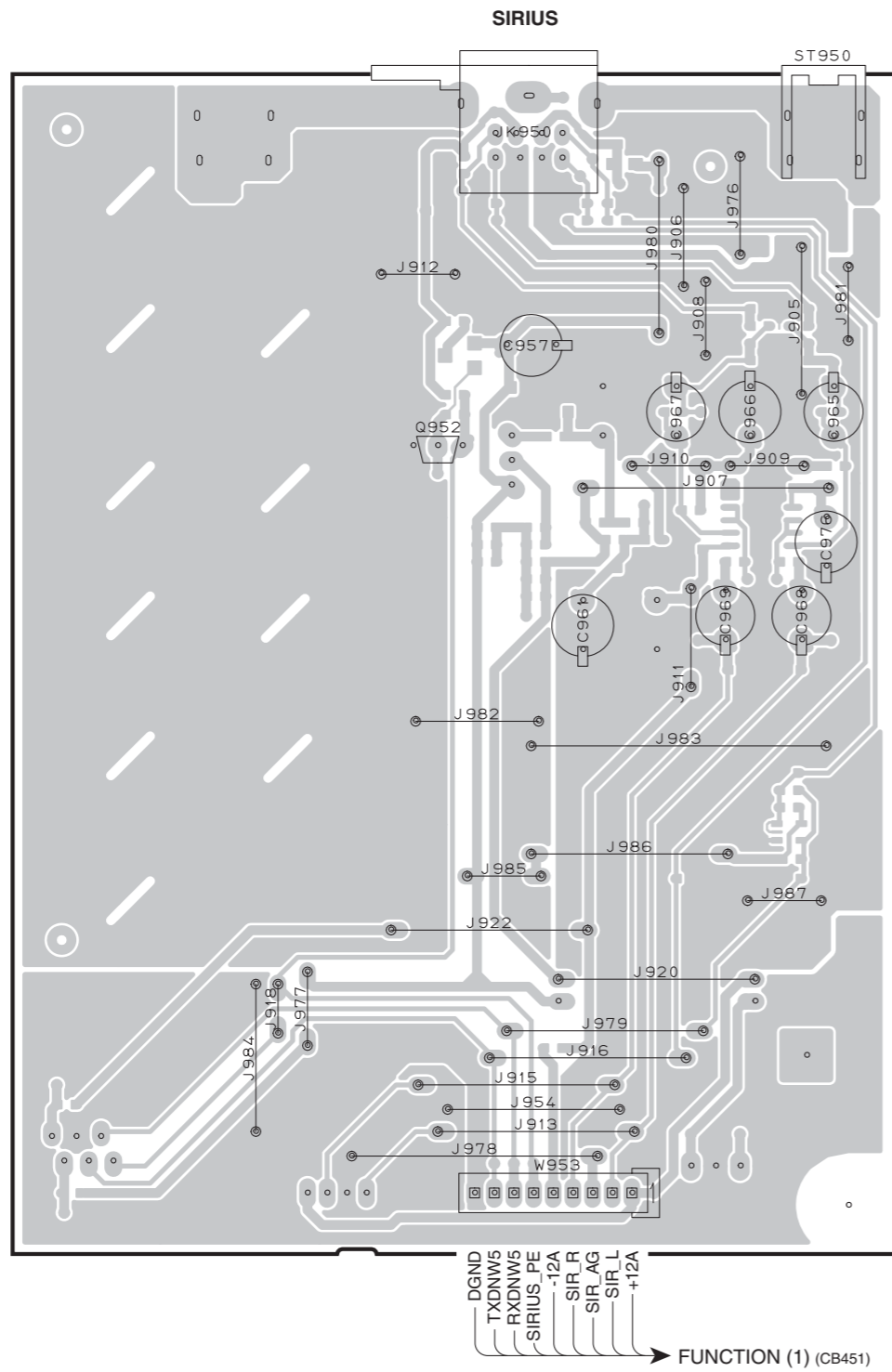


**CONNECT (2) P.C.B. (Side A)**

U, C models

**CONNECT (2) P.C.B. (Side B)**

U, C models

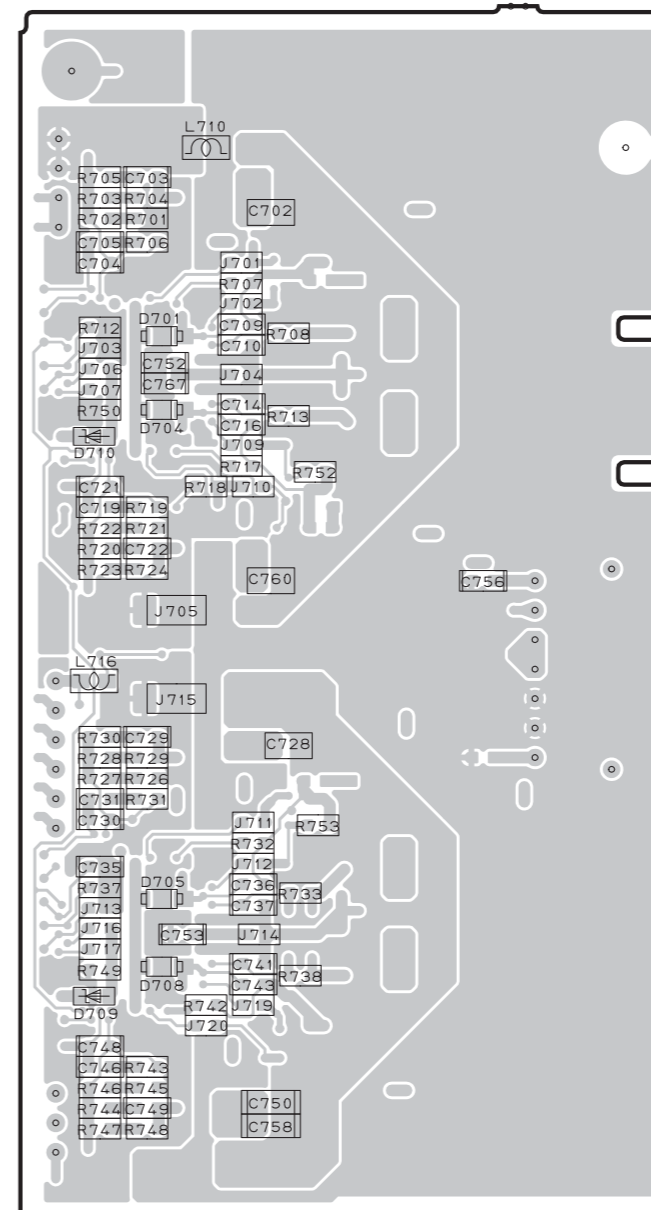
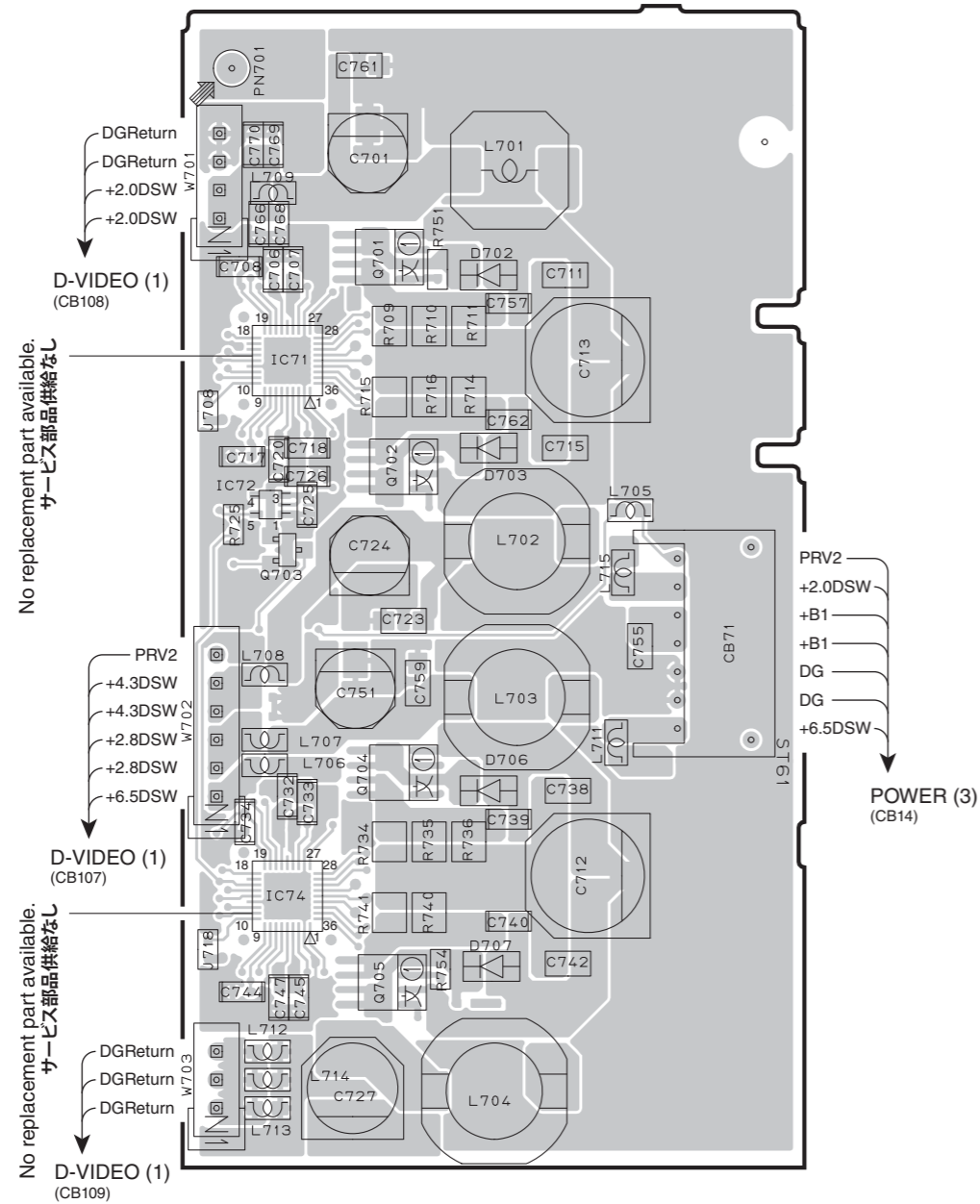


• Semiconductor Location

Ref No.	Location
D950	H3
D952	H4
D953	I3
D954	I3
IC950	H4
IC951	I5
Q951	G3
Q952	C3

**DCCNVT (1) P.C.B.** (Side A)

**DCCNVT (1) P.C.B.** (Side B)

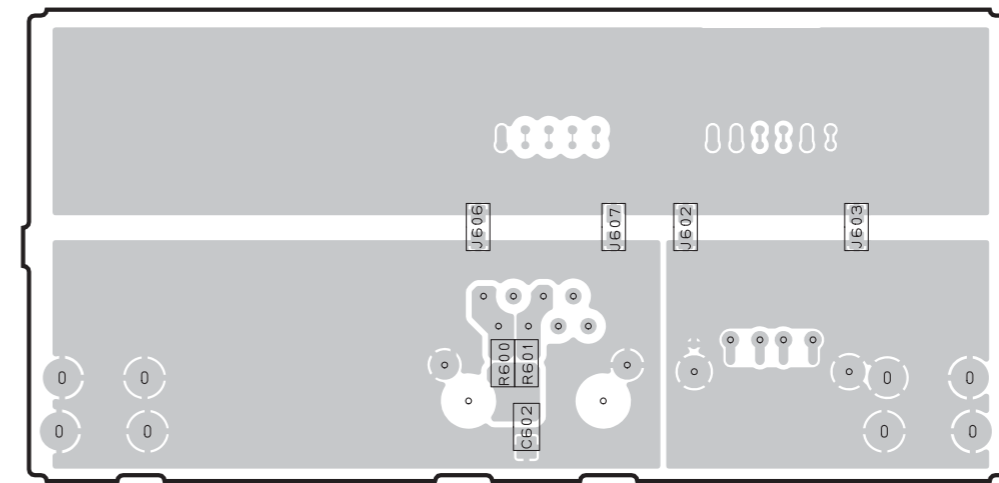
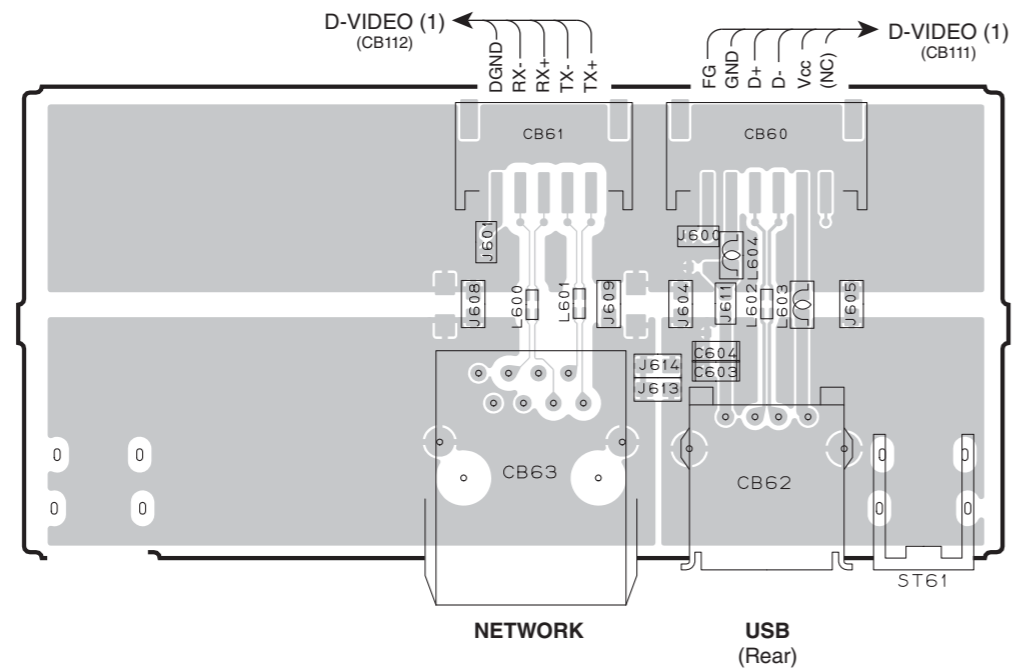


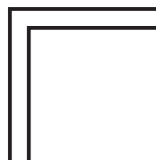
• Semiconductor Location

Ref No.	Location
D701	G3
D702	D3
D703	D4
D704	G4
D705	G5
D706	D5
D707	D6
D708	D5
D709	G6
D710	G4
IC71	C4
IC72	C4
IC74	C5
Q701	C3
Q702	C4
Q703	C4
Q704	C5
Q705	C6

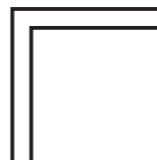
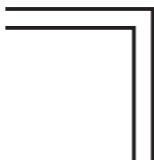
**DCCNVT (2) P.C.B.** (Side A)

**DCCNVT (2) P.C.B.** (Side B)

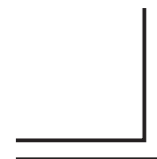
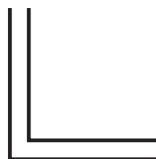
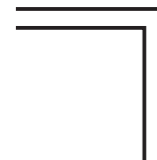




MEMO



MEMO

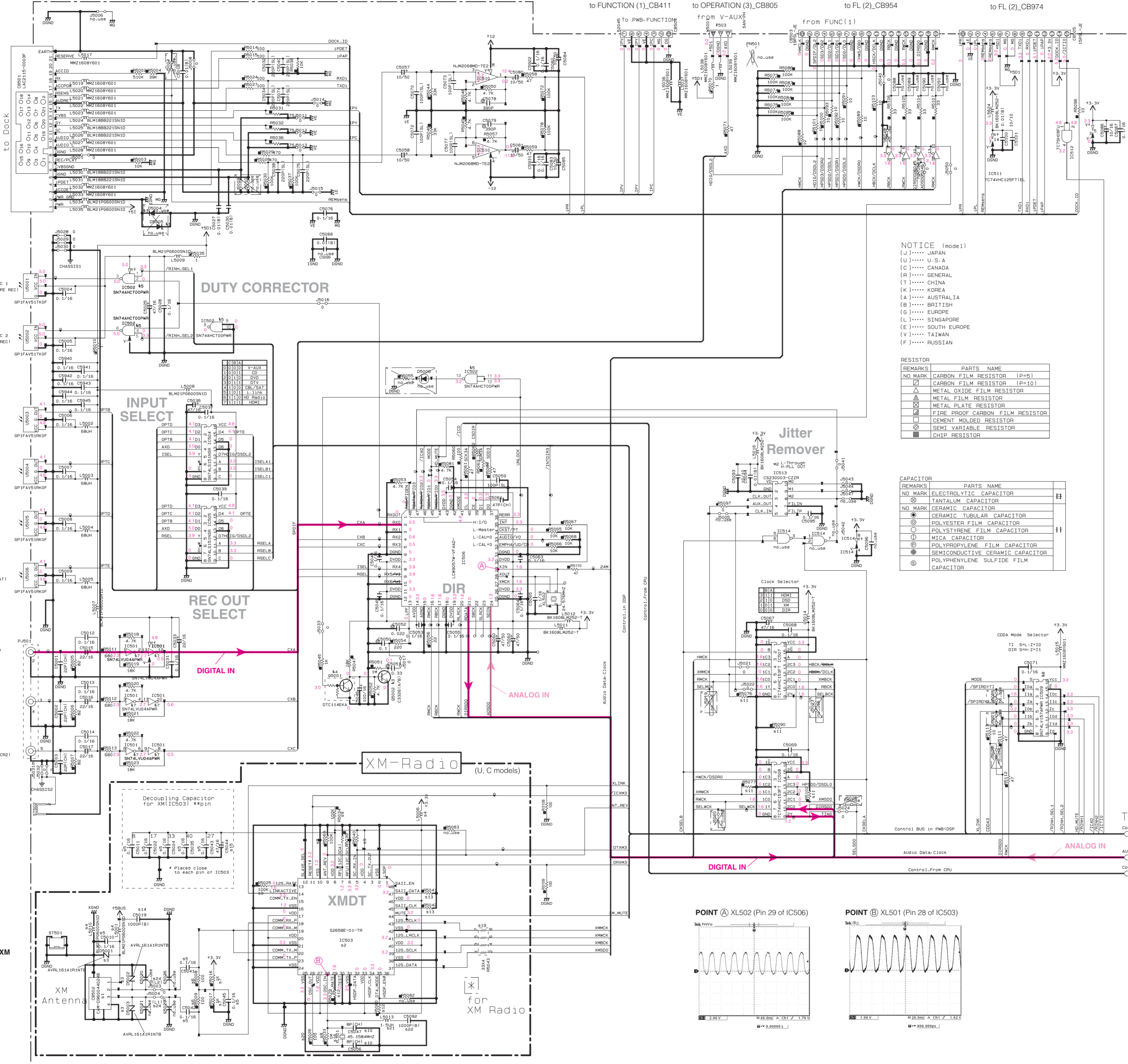


SCHEMATIC DIAGRAMS  
DSP 1/3

Page 152 [J8] to FUNCTION (1)\_CB411  
Page 156 [F3] to OPERATION (3)\_CB805  
Page 173 [B8] to FL (2)\_CB954  
Page 173 [E8] to FL (2)\_CB974

No replacement part available.  
サービスマン提供なし

DIGITAL OUTPUT  
OPTICAL  
ZONE 4  
MD/CDC-R  
TV  
BD/HD DVD  
DVD  
CBL/SAT  
CD  
COAXIAL DVD  
DVR



NOTICE (mode1)  
(J)..... JAPAN  
(U)..... U.S.A  
(C)..... CANADA  
(B)..... GENERAL  
(T)..... CHINA  
(K)..... KOREA  
(A)..... AUSTRALIA  
(E)..... BRITISH  
(G)..... EUROPE  
(L)..... SINGAPORE  
(S)..... SOUTH EUROPE  
(V)..... TAIWAN  
(F)..... RUSSIAN

RESISTOR

REMARKS	PARTS NAME
NO MARK	CARBON FILM RESISTOR [P#5]
□	CARBON FILM RESISTOR [P#10]
△	METAL OXIDE FILM RESISTOR
▲	METAL FILM RESISTOR
○	METAL PLATE RESISTOR
■	FIRE PROOF CARBON FILM RESISTOR
□	CEMENT MOLDED RESISTOR
■	CHIP RESISTOR

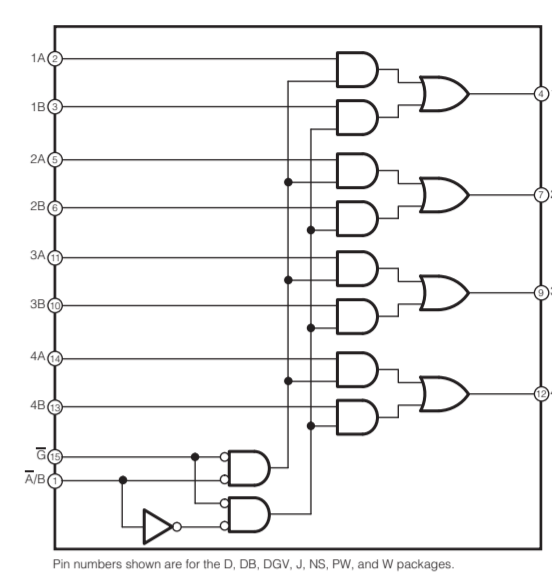
CAPACITOR

REMARKS	PARTS NAME
NO MARK	ELECTROLYTIC CAPACITOR
□	TANTALUM CAPACITOR
○	CERAMIC TUBULAR CAPACITOR
●	POLYESTER FILM CAPACITOR
○	POLYPROPYLENE FILM CAPACITOR
○	MICA CAPACITOR
○	POLYPROPYLENE FILM CAPACITOR
○	SEMICONDUCTIVE CERAMIC CAPACITOR
○	POLYPHENE SULFIDE FILM CAPACITOR

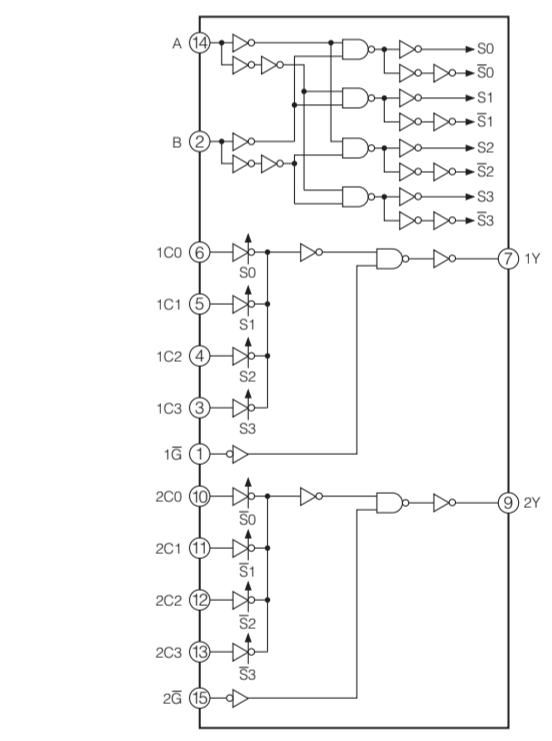
Destination Part List

LOC	J	UC	RTKABLE
#1	CB902	X	A45870
#2	IC503	X	CAM3360244024B
#3	DS001	X	ME7480
#4	LS010	X	AVL1614191N18
#5	LS008	X	AVL1614191N18
#6	LS043	X	U65930
#7	LS044	X	U65930
#8	LS045	X	U65930
#9	LS046	X	U65930
#10	LS047	X	U65930
#11	LS048	X	U65930
#12	LS049	X	U65930
#13	LS050	X	U65930
#14	LS051	X	U65930
#15	LS052	X	U65930
#16	LS053	X	U65930
#17	LS054	X	U65930
#18	LS055	X	U65930
#19	LS056	X	U65930
#20	LS057	X	U65930
#21	LS058	X	U65930
#22	LS059	X	U65930
#23	LS060	X	U65930
#24	LS061	X	U65930

IC509: SN74LV157APWR  
Quaduple 2-line to 1-line data selectors/multiplexers



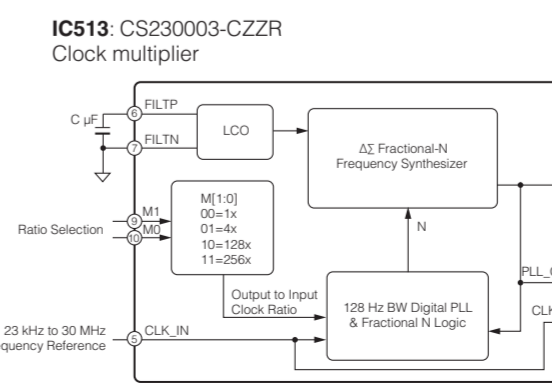
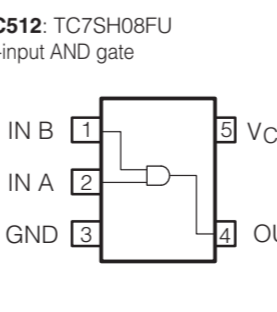
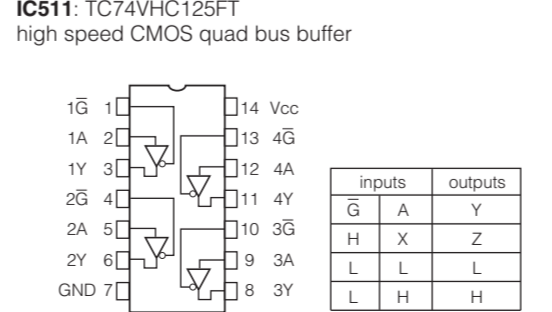
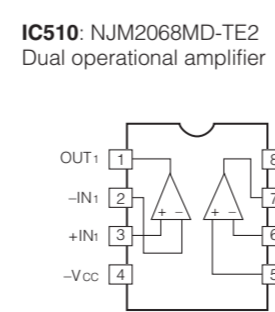
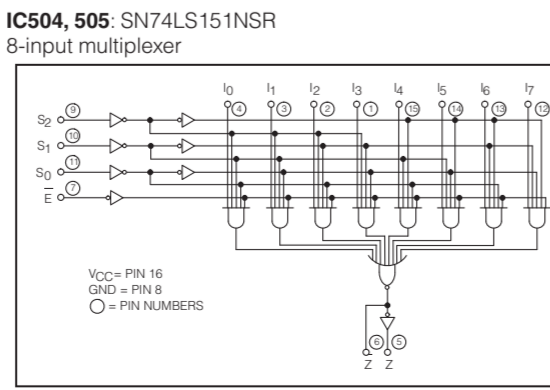
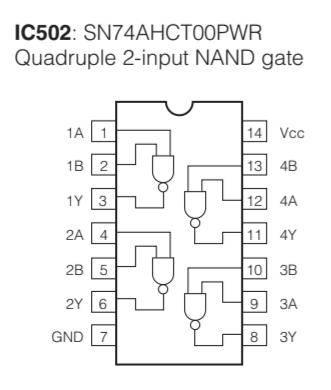
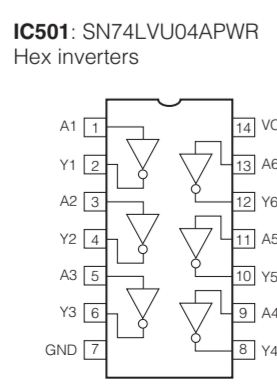
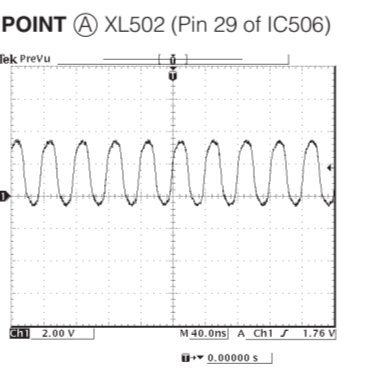
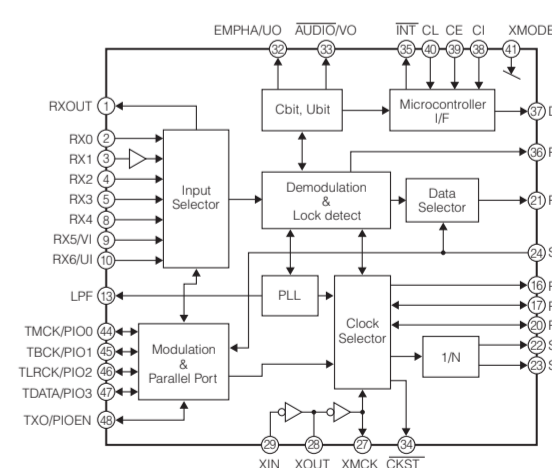
IC507, 508: TC74VHC153FT  
Dual 4-channel multiplexer



Interchangeable Parts at Manufacture-Stage

Mark	Reference Parts Number	Parts Name
#1	05001-0300 5305-5306	188399
#2	05001-0300 5307-5308	M211100L
#3	05002	K05160-RTK/P
#4	05001	0503302(A/B)
#5	05002	0503303(B)
#6	05001	0503304(A/B)
#7	05002	0503305(B)
#8	05001	0503306(A/B)
#9	05002	0503307(B)
#10	05001	0503308(A/B)
#11	05002	0503309(B)
#12	05001	0503310(A/B)
#13	05002	0503311(B)
#14	05001	0503312(A/B)
#15	05002	0503313(B)
#16	05001	0503314(A/B)
#17	05002	0503315(B)
#18	05001	0503316(A/B)
#19	05002	0503317(B)
#20	05001	0503318(A/B)
#21	05002	0503319(B)
#22	05001	0503320(A/B)
#23	05002	0503321(B)
#24	05001	0503322(A/B)
#25	05002	0503323(B)

IC506: LC89057W-VF4AD-E  
Digital audio interface transceiver



\* All voltages are measured with a 10MΩ/V DC electronic voltmeter.  
\* Components having special characteristics are marked with a triangle (▲) and must be replaced with parts having specifications equal to those originally installed.  
\* Schematic diagram is subject to change without notice.

● 電圧は、内部抵抗10MΩの電圧計で測定したものです。  
● 印のある部品は、安全確保部品を示しています。部品の交換が必要な場合、パーツリストに記載されている部品を使用してください。  
● 本回路図は標準回路図です。改良のため予告なく変更することがございます。

NOTICE (mode1)

(J)..... JAPAN  
 (U)..... U.S.A  
 (C)..... CANADA  
 (A)..... GENERAL  
 (T)..... CHINA  
 (K)..... KOREA  
 (A)..... AUSTRALIA  
 (B)..... BRITISH  
 (G)..... EUROPE  
 (L)..... SINGAPORE  
 (E)..... SOUTH EUROPE  
 (V)..... TAIWAN  
 (F)..... RUSSIAN

CAPACITOR

REMARKS	PARTS NAME
NO MARK	ELECTROLYTIC CAPACITOR
◎	TANTALUM CAPACITOR
NO MARK	CERAMIC CAPACITOR
○	CERAMIC TUBULAR CAPACITOR
○	POLYESTER FILM CAPACITOR
○	POLYSTYRENE FILM CAPACITOR
○	MICA CAPACITOR
○	POLYPROPYLENE FILM CAPACITOR
○	SEMICONDUCTIVE CERAMIC CAPACITOR
○	POLYPHENYLENE SULFIDE FILM CAPACITOR

RESISTOR

REMARKS	PARTS NAME
NO MARK	CARBON FILM RESISTOR (P=H)
NO MARK	CARBON FILM RESISTOR (P=10)
△	METAL OXIDE FILM RESISTOR
△	METAL FILM RESISTOR
△	METAL PLATE RESISTOR
△	FINE PROOF CARBON FILM RESISTOR
△	CEMENT MOLDED RESISTOR
△	SEMI-VARIABLE RESISTOR
△	CHIP RESISTOR

To/From 001.sht

to DSP 1/3

Control Bus in PWB(DSP)

ANALOG IN

Control From CPU

Control From DSP

Control From DSP

Control From DSP

Control From DSP

Control From DSP

Control From DSP

Control From DSP

Control From DSP

Control From DSP

Control From DSP

Control From DSP

Control From DSP

Control From DSP

Control From DSP

Control From DSP

Control From DSP

Control From DSP

Control From DSP

Control From DSP

Control From DSP

Control From DSP

Control From DSP

Control From DSP

Control From DSP

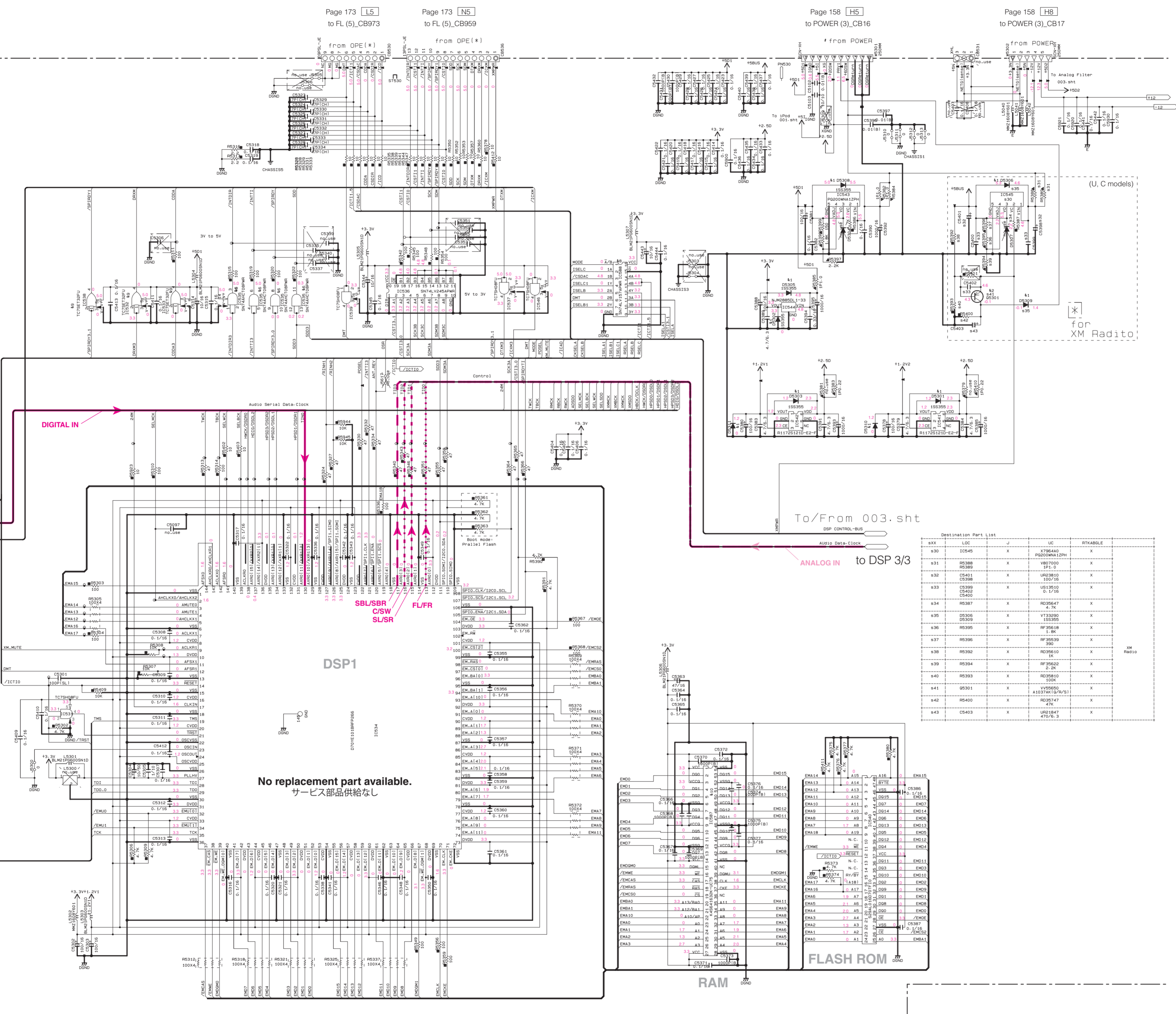
Control From DSP

Control From DSP

Control From DSP

Control From DSP

Control From DSP



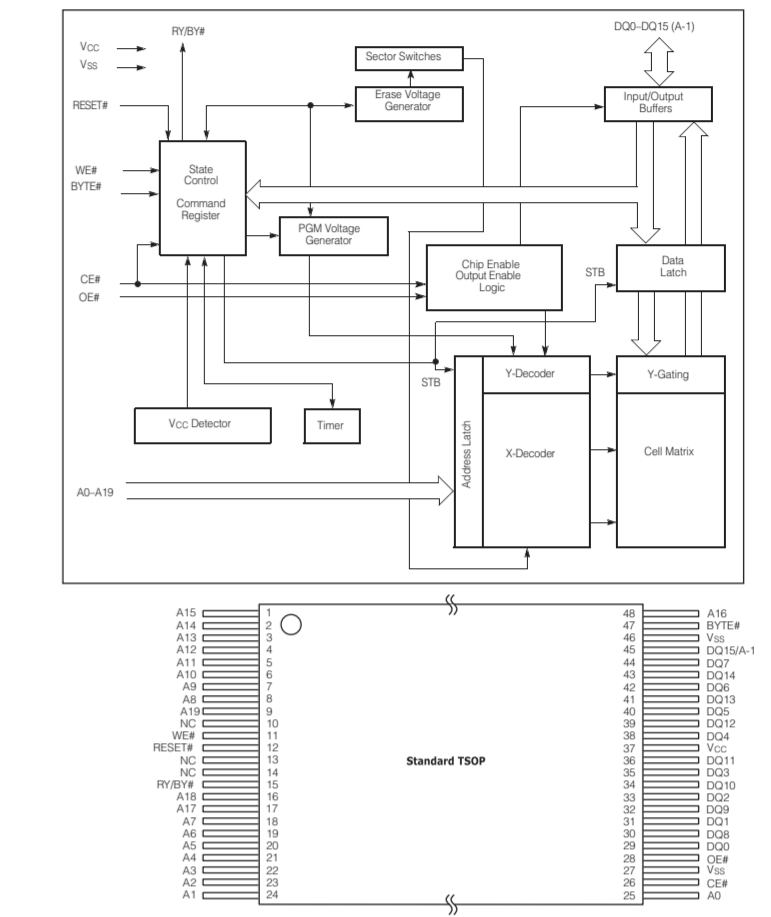
Page 173 [L5] to FL (5)\_CB973

Page 173 [N5] to FL (5)\_CB959

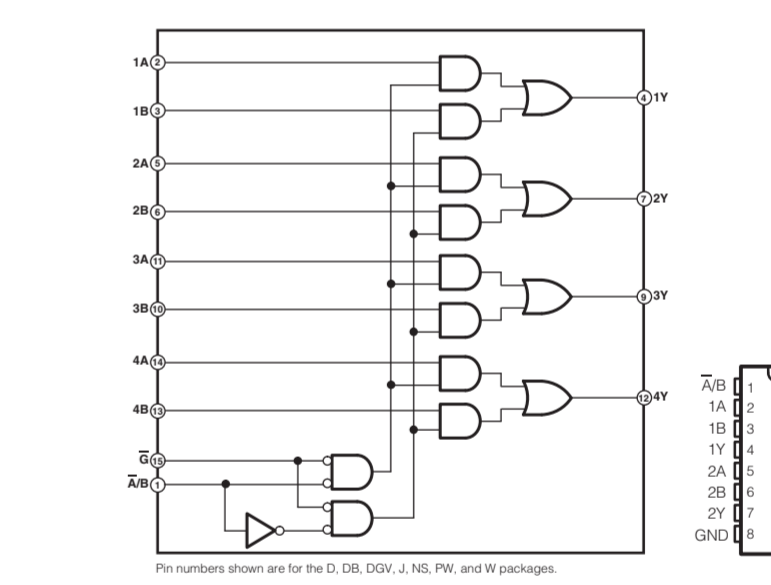
Page 158 [H5] to POWER (3)\_CB16

Page 158 [H8] to POWER (3)\_CB17

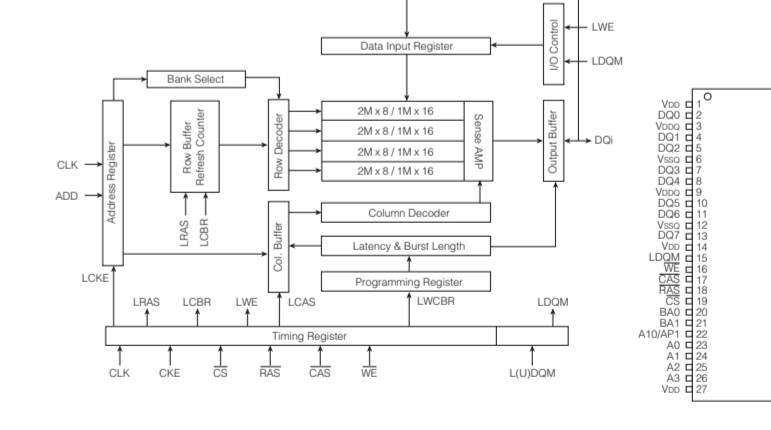
IC540: S29AL016D70TF020  
 16 M-bits CMOS 3.0 volt-only boot sector flash memory



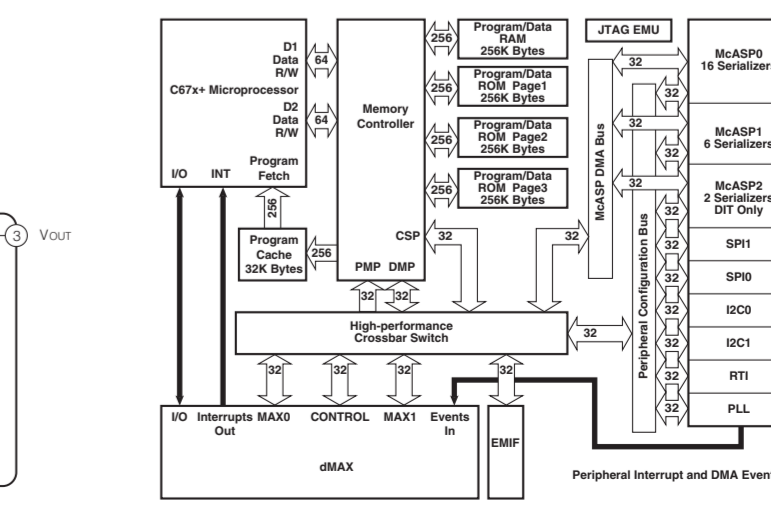
IC588: SN74LV157APWR  
 Quaduple 2-line to 1-line data selectors/multiplexers



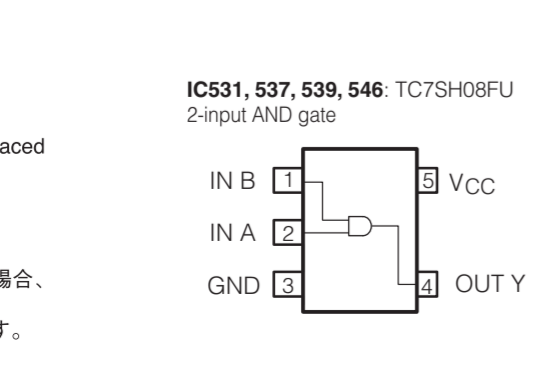
IC587: K4S641632K-UC75000  
 64 M synchronous DRAM



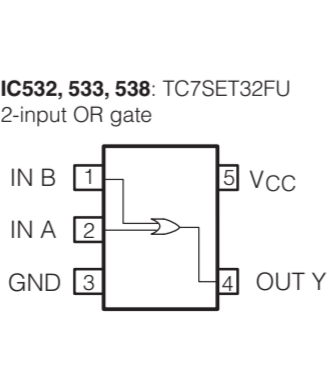
IC534: D70YE101BRFP266  
 Floating-point digital signal processors



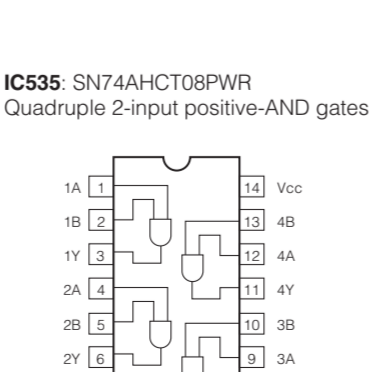
IC531, 537, 539, 546: TC7SH08FU  
 2-input AND gate



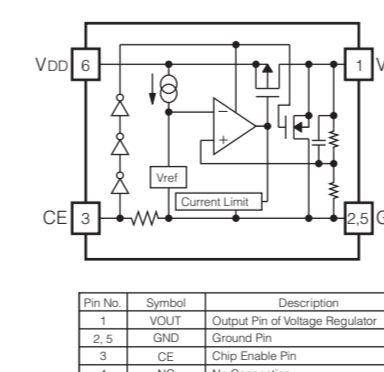
IC532, 533, 538: TC7SET32FU  
 2-input OR gate



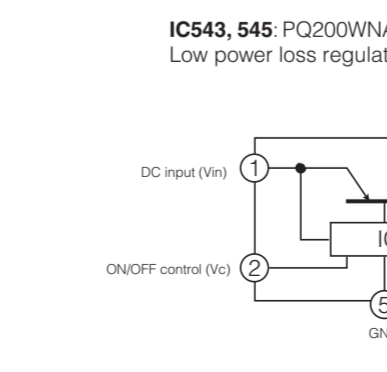
IC535: SN74AHC08PWR  
 Quaduple 2-input positive-AND gates



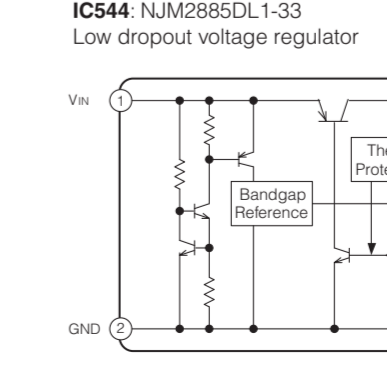
IC541, 542: R1172S121D-E2-F  
 Voltage regulator



IC543, 545: PQ200WNA1ZPH  
 Low power loss regulator



IC544: NJM2885DL1-33  
 Low dropout voltage regulator



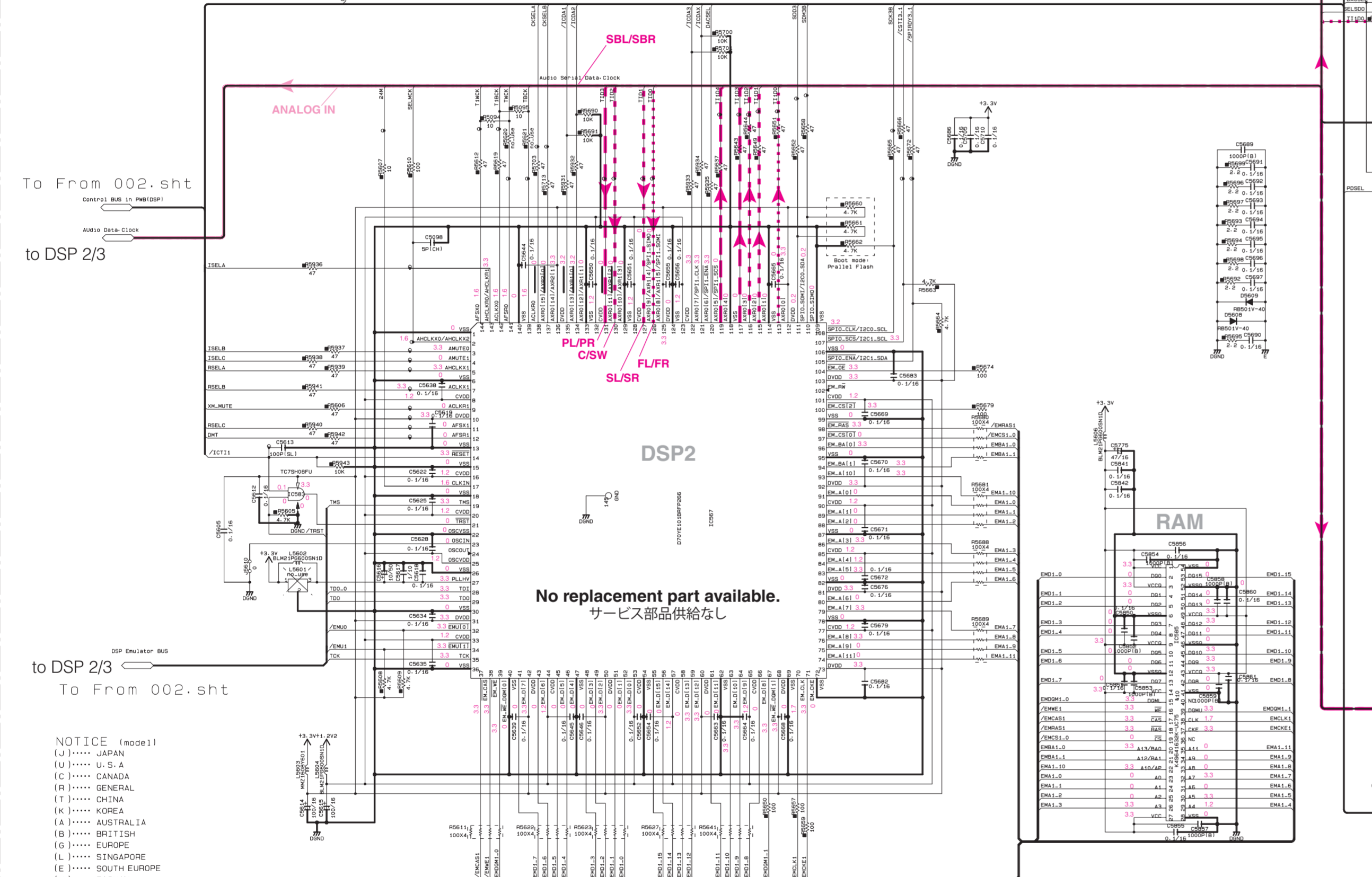
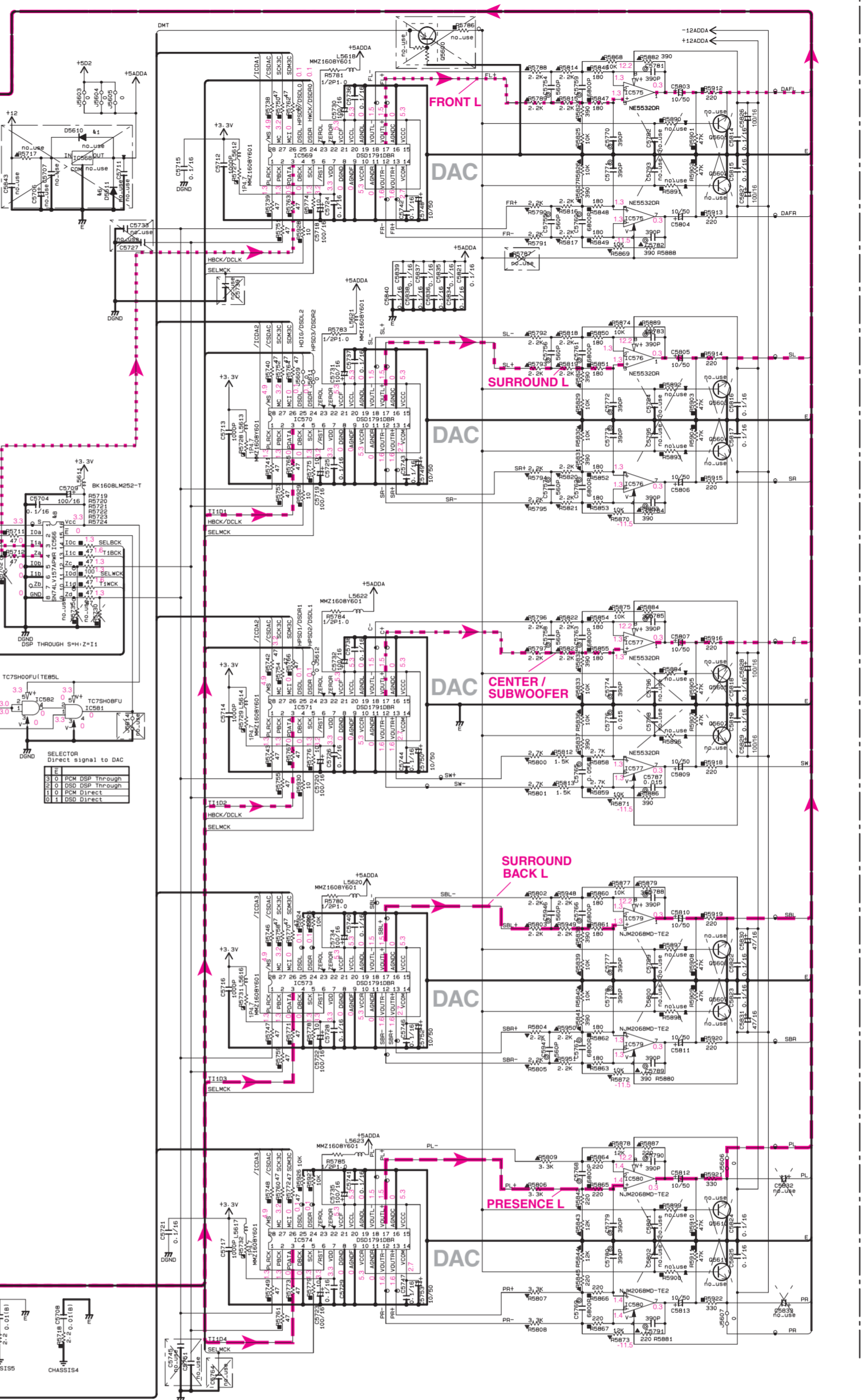
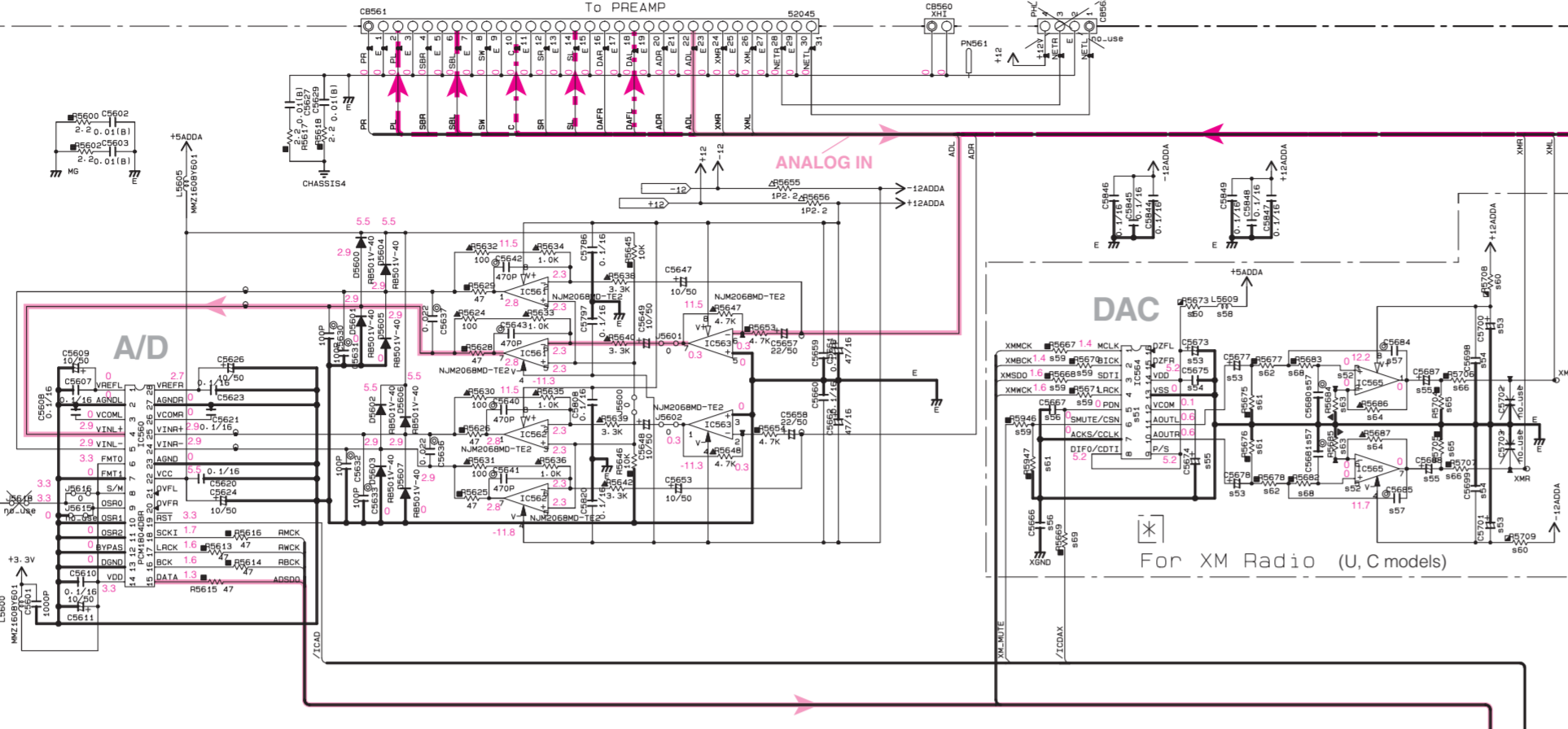
★ All voltages are measured with a 10MΩ/V DC electronic voltmeter.  
 ★ Components having special characteristics are marked with a star and must be replaced with parts having specifications equal to those originally installed.  
 ★ Schematic diagram is subject to change without notice.

● 電圧は、内部抵抗10MΩの電圧計で測定したものです。  
 ● 1印のある部品は、安全性確保部品を示しています。部品の交換が必要な場合、パーツリストに記載されている部品を使用してください。  
 ● 本回路図は標準回路図です。改良のため予告なく変更することがございます。

DSP 3/3

Page 154 [B5] to FUNCTION (2)\_CB300 Page 155 [C3] to FUNCTION (2)\_W3503

Table with 4 columns: Part No., Qty., Part Name, Remarks. Lists various electronic components like resistors and capacitors.



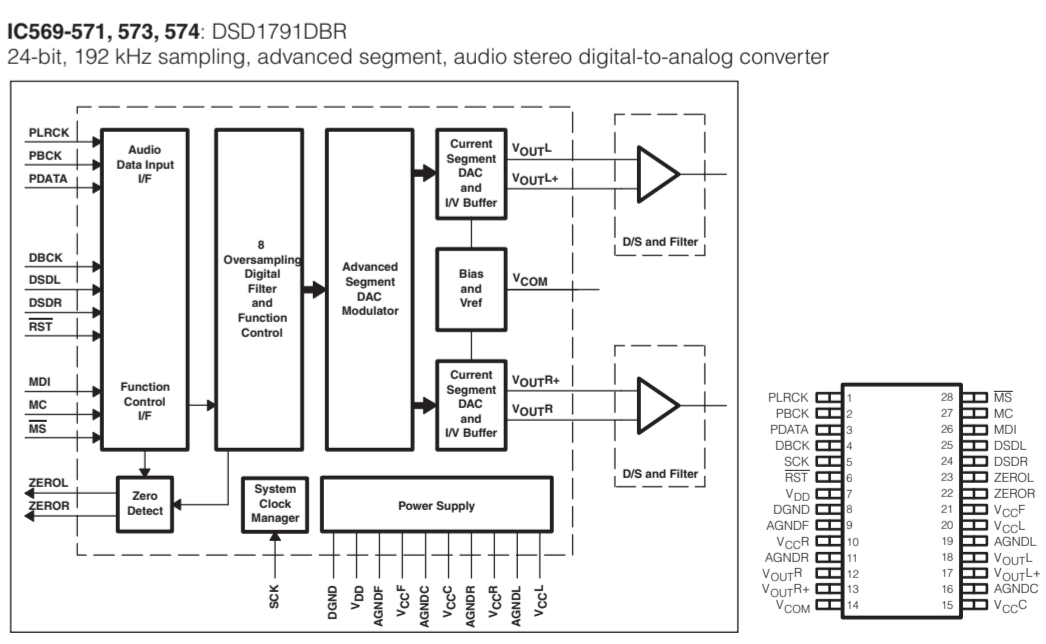
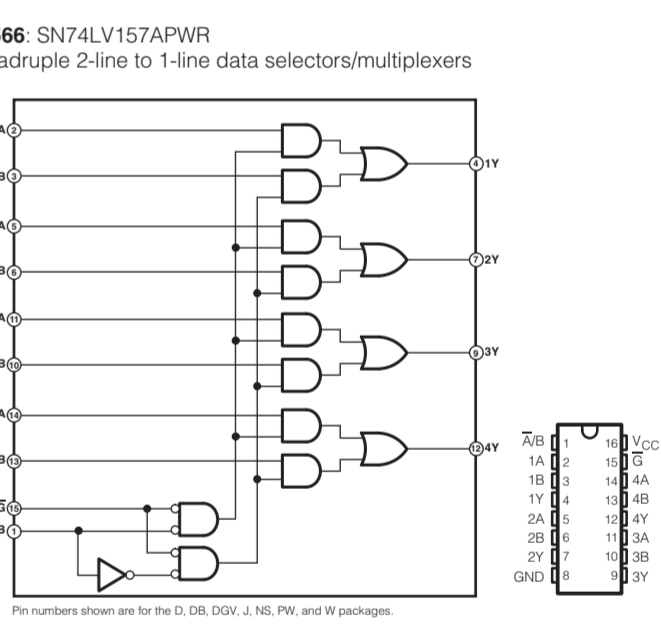
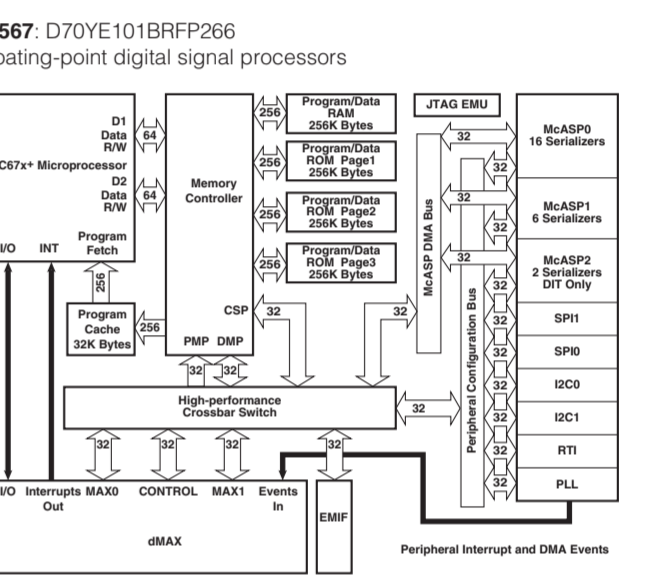
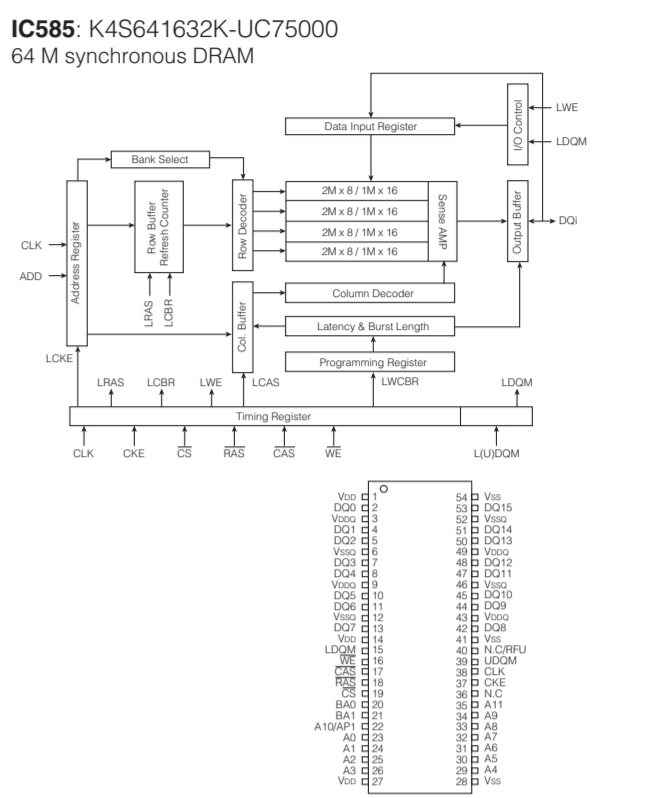
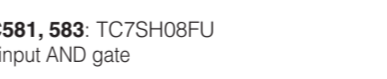
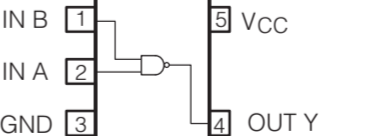
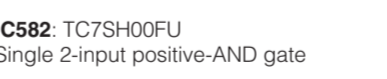
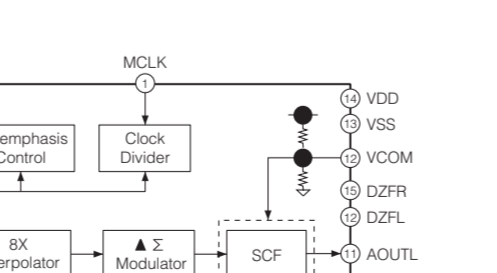
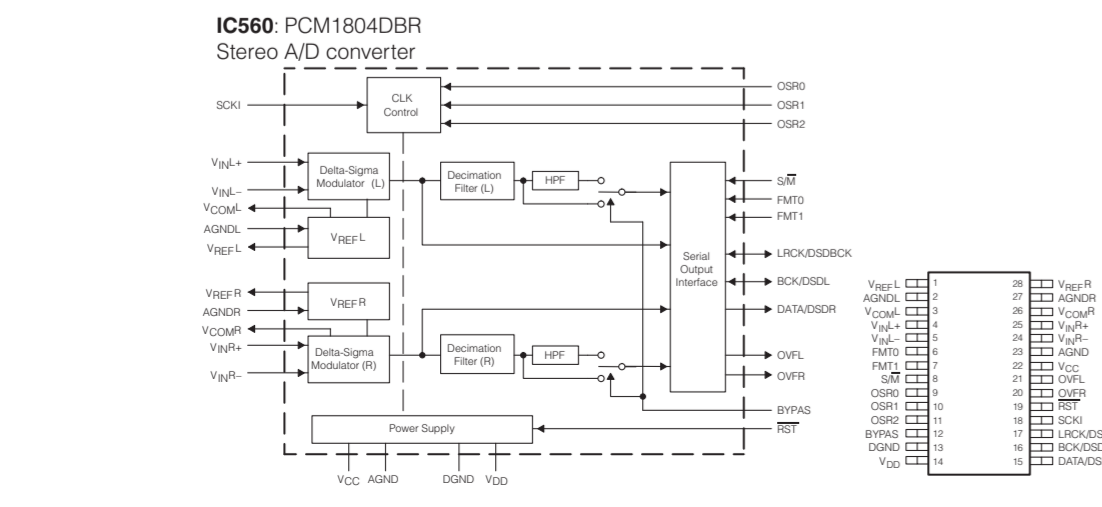
To From 002.sht

to DSP 2/3

to DSP 2/3

- NOTICE (note1)
(J)..... JAPAN
(U)..... U.S.A
(C)..... CANADA
(R)..... GENERAL
(T)..... CHINA
(K)..... KOREA
(A)..... AUSTRALIA
(B)..... BRITISH
(G)..... EUROPE
(L)..... SINGAPORE
(E)..... SOUTH EUROPE
(V)..... TAIWAN
(F)..... RUSSIAN

RESISTOR and CAPACITOR tables with columns for Part Name, Remarks, and Part Name. Lists various resistor and capacitor types and values.



- All voltages are measured with a 10MΩ/V DC electronic voltmeter.
Components having special characteristics are marked with a triangle and must be replaced with parts having specifications equal to those originally installed.
電圧は、内部抵抗10MΩの電圧計で測定したものです。
●印のある部品は、安全性確保部品を示しています。部品の交換が必要な場合、パーツリストに記載されている部品を使用してください。
●本回路図は標準回路図です。改良のため予告なく変更することがございます。

FUNCTION 1/4

Page 174 [B7] to CONNECT (1)\_CB903 (U model) To AMFM TUNER (C, A models)

Page 173 [M6] to FL (5)\_CB960

Page 173 [L6] to FL (5)\_CB972

Page 173 [N8] to FL (3)\_CB955

Page 173 [M8] to FL (3)\_CB952

Page 172 [N3] to FL (6)\_W9901

Page 158 [J8] to POWER (4)\_W1

Page 157 [B1] to MAIN (4)\_W272

Page 158 [H7] to POWER (3)\_CB18

Page 160 [J2] to A-VIDEO\_CB203

Page 149 [F1] to DSP\_CB504

Page 173 [G7] to FL (2)\_CB962

Page 173 [H7] to FL (2)\_CB969

Page 173 [E7] to FL (2)\_CB958

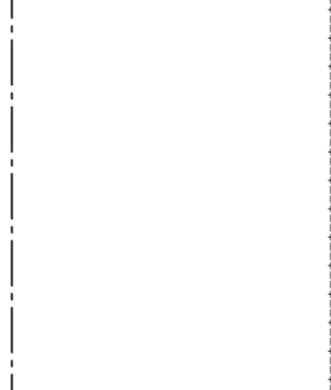
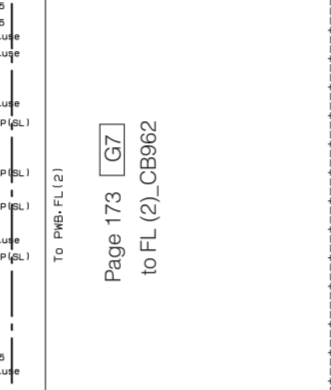
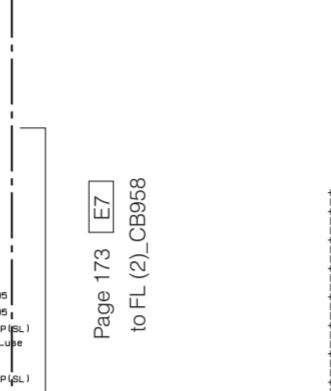
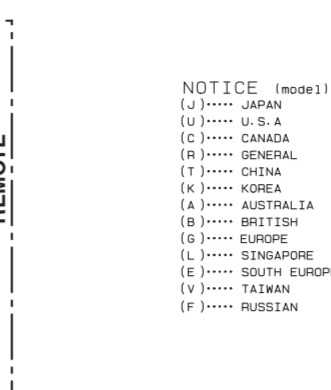
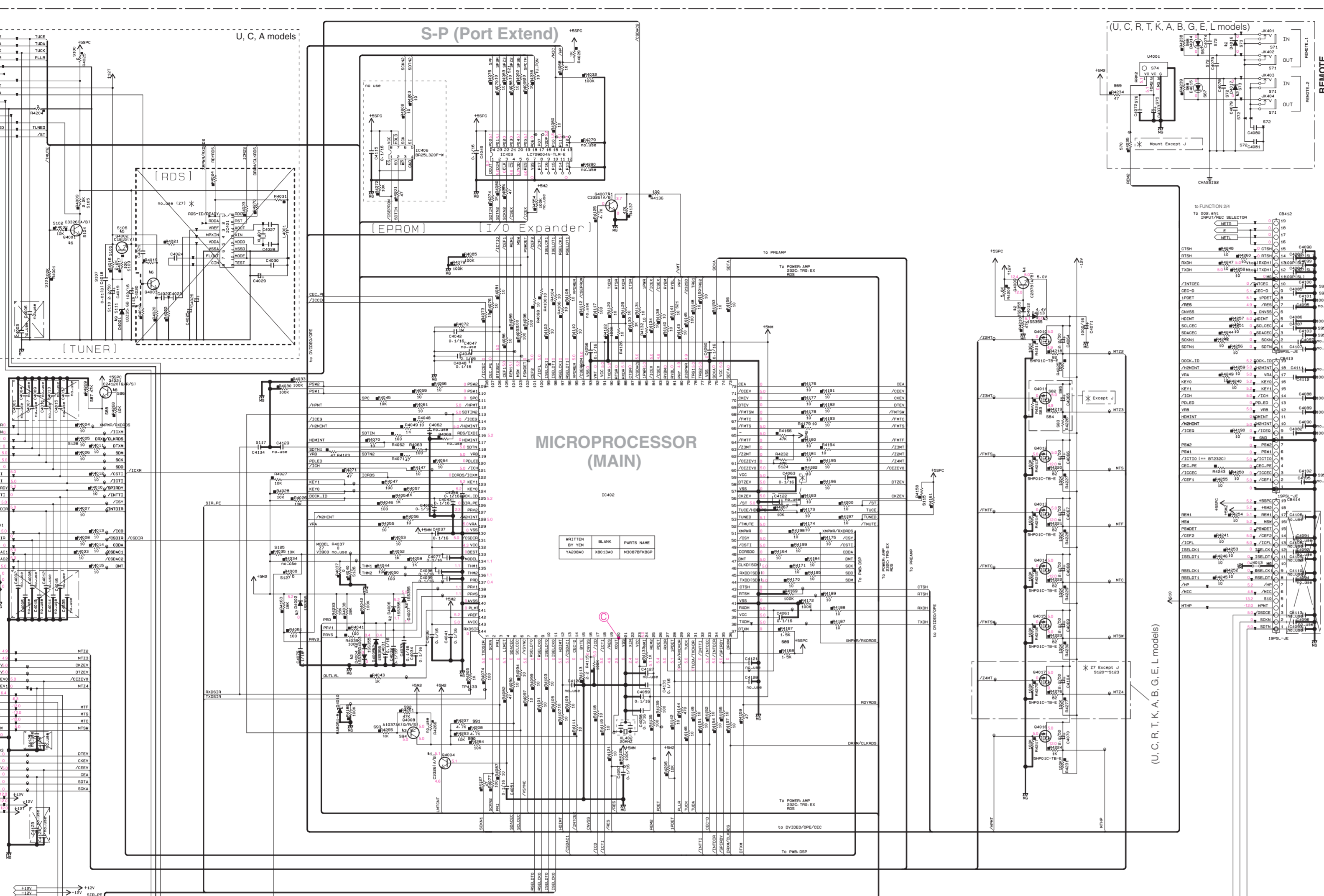
Page 173 [G7] to FL (2)\_CB962

Page 173 [H7] to FL (2)\_CB969

Page 173 [E7] to FL (2)\_CB958

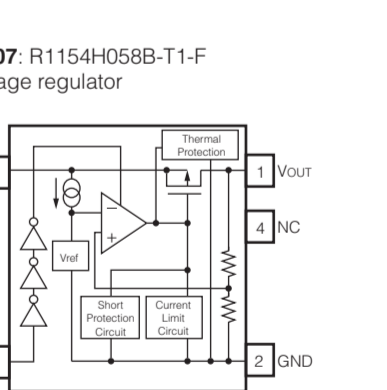
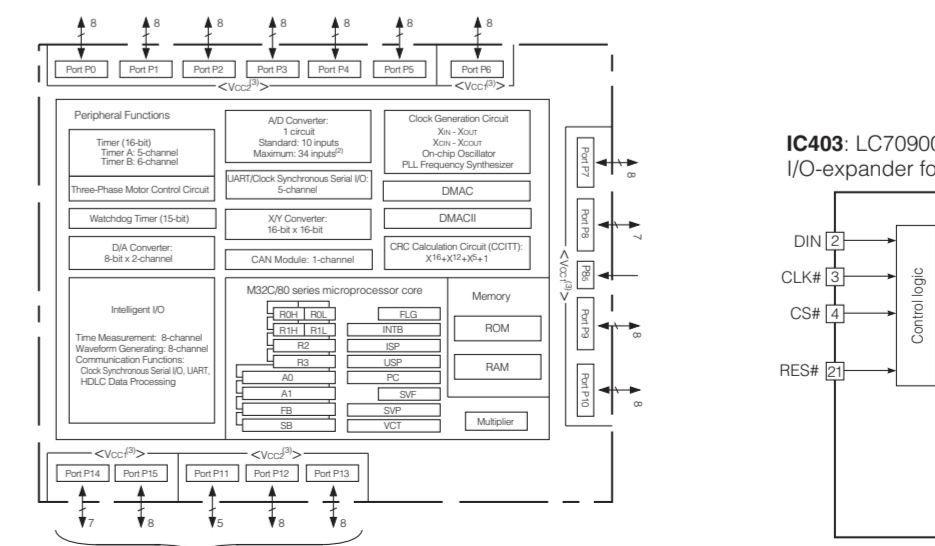
Page 173 [G7] to FL (2)\_CB962

Page 173 [H7] to FL (2)\_CB969



RESISTOR and CAPACITOR tables with columns for Remarks, Part Name, and Interchangeable Parts at Manufacture Stage.

Large table listing various components (resistors, capacitors) with columns for Part No., Part Name, and Interchangeable Parts at Manufacture Stage.

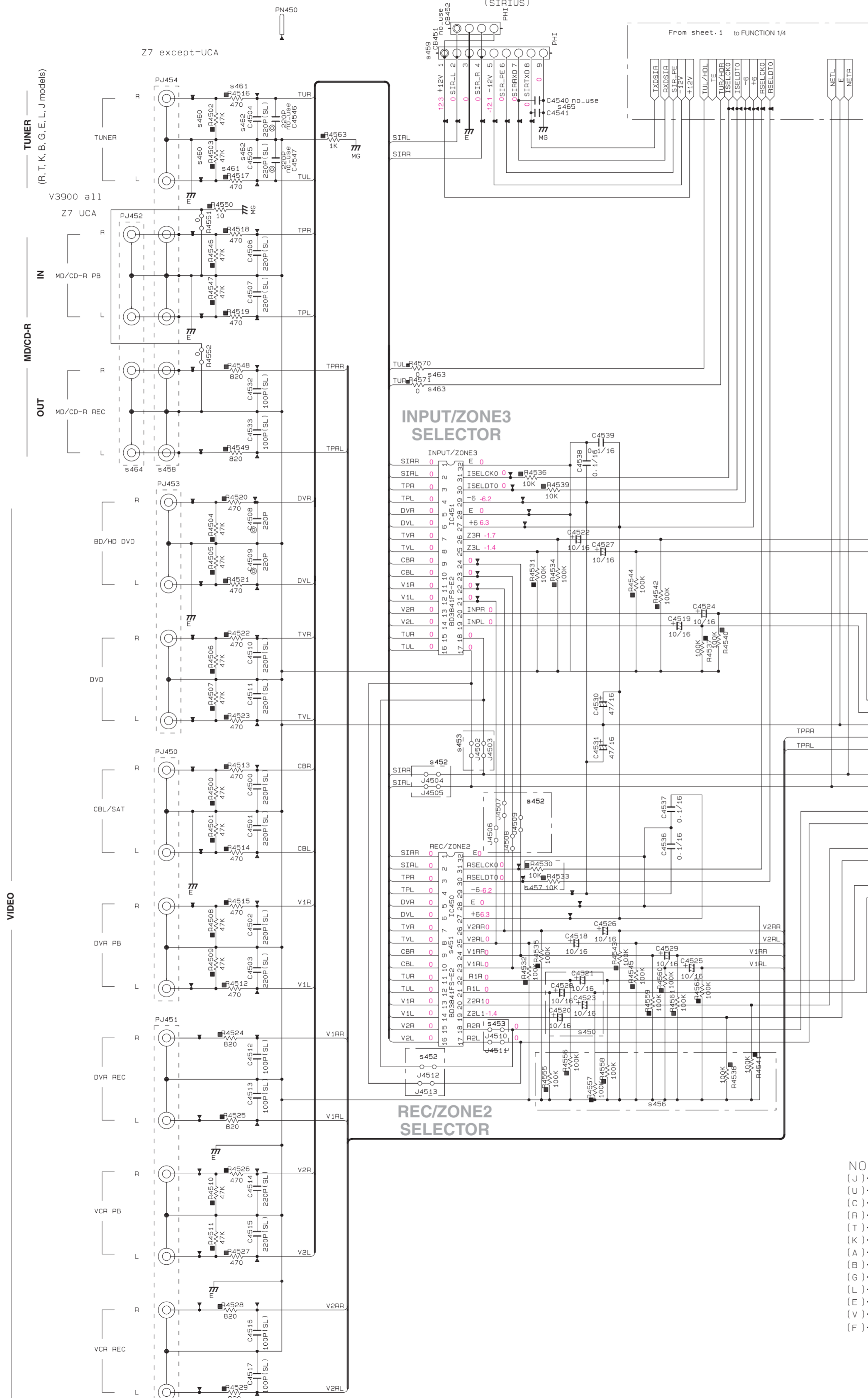


★ All voltages are measured with a 10MΩ/D.C electronic voltmeter.
★ Components having special characteristics are marked with a triangle and must be replaced with parts having specifications equal to those originally installed.
★ Schematic diagram is subject to change without notice.
● 電圧は、内部抵抗10MΩの電圧計で測定したものです。
● !印のある部品は、安全性確保部品を示しています。部品の交換が必要な場合、パーツリストに記載されている部品を使用してください。
● 本回路図は標準回路図です。改良のため予告なく変更することがございます。

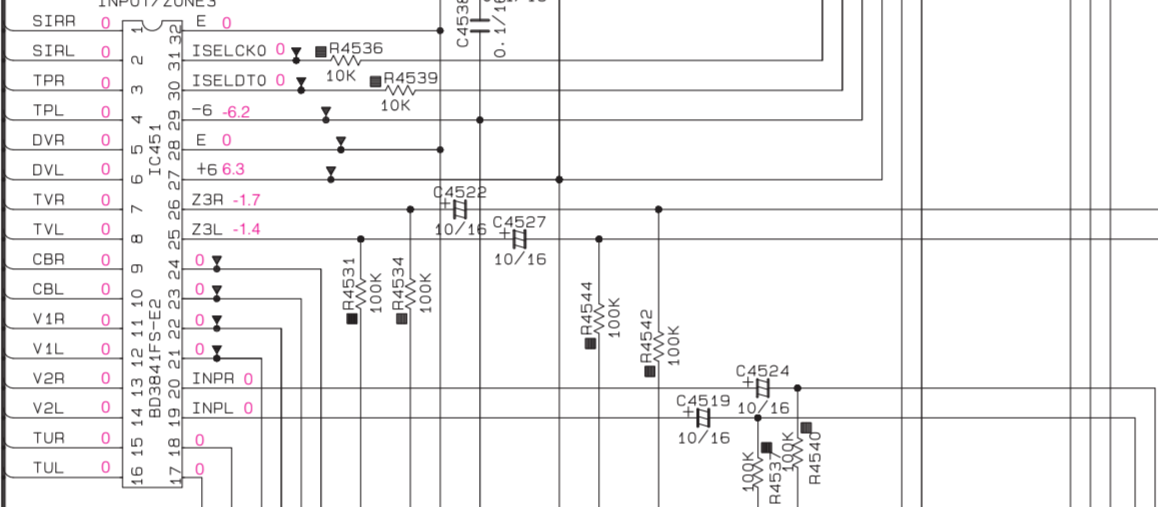


FUNCTION 2/4

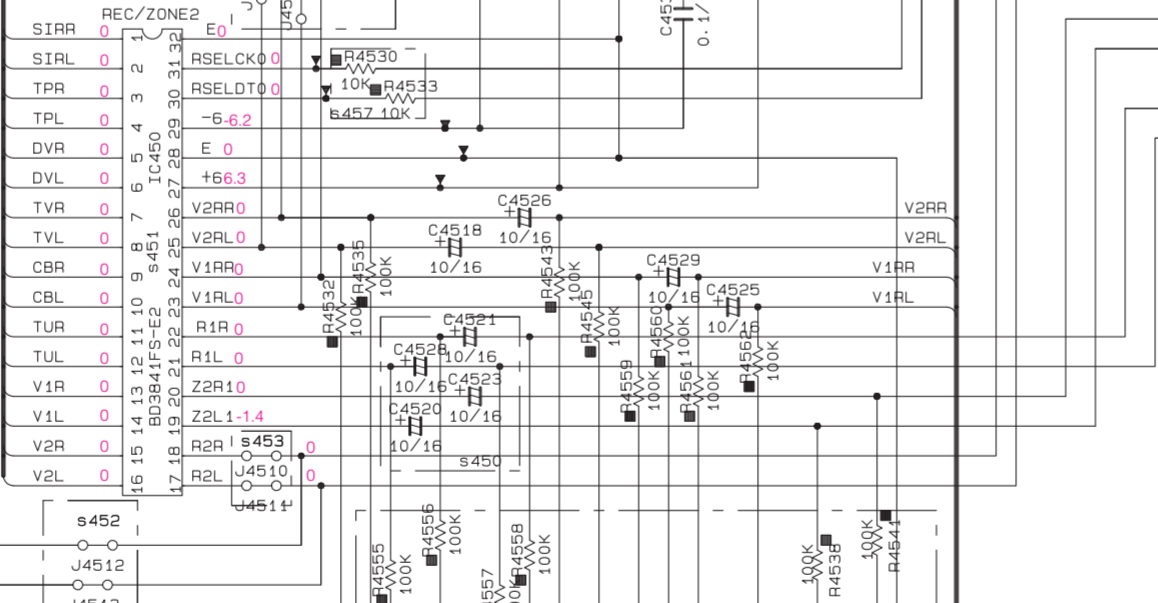
Page 174 [17] to CONNECT (2)\_W953 (U, C models)



INPUT/ZONE3 SELECTOR



REC/ZONE2 SELECTOR



Destination Part List (Z7\_Sht-2)

QXX	LOC	J	U	C	RTKL	A	BGE
9450	C452 C452B C452C C452I	X	UR23710 10/16	UR23710 10/16	UR23710 10/16	UR23710 10/16	UR23710 10/16
9451	IC450	X	X354740 BD3841FS-E2	X354740 BD3841FS-E2	X354740 BD3841FS-E2	X354740 BD3841FS-E2	X354740 BD3841FS-E2
9452	J4513 J4508 J4505 J4506 J4512 J4504 J4507 J4509			X	X	X	X
9453	J4503 J4511 J4510 J4502	X	RD35000 0	RD35000 0	RD35000 0	RD35000 0	RD35000 0
9454	PJ450 PJ453	VV55150 RJ-1073-09-0551	VV55150 RJ-1073-09-0551	VV55150 RJ-1073-09-0551	VV55150 RJ-1073-09-0551	VV55150 RJ-1073-09-0551	VV55150 RJ-1073-09-0551
9455	PJ451	V563480 RJ-1074-09-0553	V563480 RJ-1074-09-0553	V563480 RJ-1074-09-0553	V563480 RJ-1074-09-0553	V563480 RJ-1074-09-0553	V563480 RJ-1074-09-0553
9456	R4555 R4558 R4538 R4541 R4557 R4556	X	RD35810 100K	RD35810 100K	RD35810 100K	RD35810 100K	RD35810 100K
9457	R4533 R4530	X	RD35710 10K	RD35710 10K	RD35710 10K	RD35710 10K	RD35710 10K
9458	PJ454	V563480 RJ-1074-09-0553	X	X	V563480 RJ-1074-09-0553	X	V563480 RJ-1074-09-0553
9459	CB451	X	VB39050 PH1	VB39050 PH1	X	X	X
9460	R4502 R4503	RD35747 47K	X	X	RD35747 47K	X	RD35747 47K
9461	R4516 R4517	RD35547 470	X	X	RD35547 470	X	RD35547 470
9462	C4505 C4504	US06222 220P(SL)	X	X	US06222 220P(SL)	X	US06222 220P(SL)
9463	R4571 R4570	X	RD35000 0	RD35000 0	X	RD35000 0	X
9464	PJ452	X	VV55150 RJ-1073-09-0551	VV55150 RJ-1073-09-0551	X	VV55150 RJ-1073-09-0551	X
9465	C4541	X	US06222 220P(SL)	US06222 220P(SL)	X	X	X

Page 173 [M3] to FL (4)\_CB965

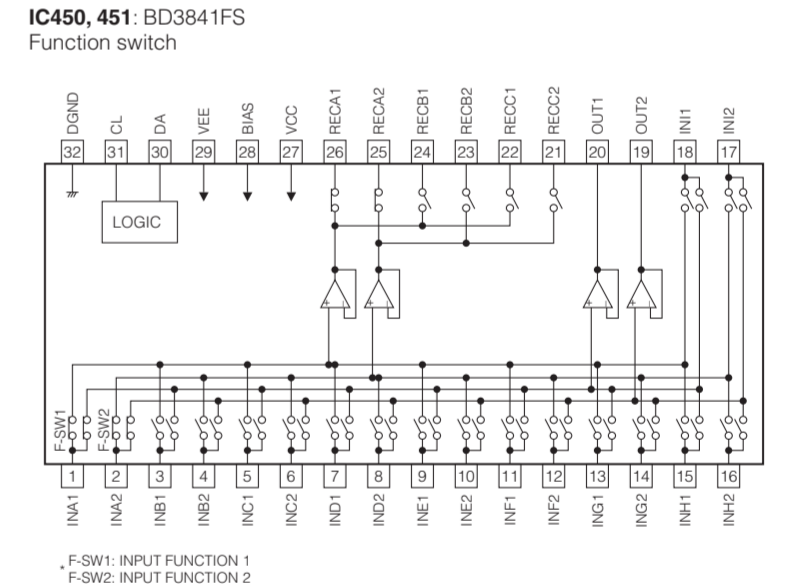
FUNCTION (1)

NOTICE (model)

(J)..... JAPAN  
 (U)..... U.S. A  
 (C)..... CANADA  
 (R)..... GENERAL  
 (T)..... CHINA  
 (K)..... KOREA  
 (A)..... AUSTRALIA  
 (B)..... BRITISH  
 (G)..... EUROPE  
 (L)..... SINGAPORE  
 (E)..... SOUTH EUROPE  
 (V)..... TAIWAN  
 (F)..... RUSSIAN

REMARKS	PARTS NAME
[X]	CARBON FILM RESISTOR (P=5)
[Z]	CARBON FILM RESISTOR (P=10)
[Δ]	METAL OXIDE FILM RESISTOR
[▲]	METAL FILM RESISTOR
[⊠]	METAL PLATE RESISTOR
[⊞]	FIRE PROOF CARBON FILM RESISTOR
[□]	CEMENT MOLDED RESISTOR
[⊞]	SEMI VARIABLE RESISTOR
[■]	CHIP RESISTOR

REMARKS	PARTS NAME
[E]	ELECTROLYTIC CAPACITOR
[⊗]	TANTALUM CAPACITOR
[NO MARK]	CERAMIC CAPACITOR
[●]	CERAMIC TUBULAR CAPACITOR
[⊙]	POLYESTER FILM CAPACITOR
[○]	POLYSTYRENE FILM CAPACITOR
[⊖]	MICA CAPACITOR
[⊕]	POLYPROPYLENE FILM CAPACITOR
[⊙]	SEMICONDUCTIVE CERAMIC CAPACITOR
[⊖]	POLYPHENYLENE SULFIDE FILM CAPACITOR



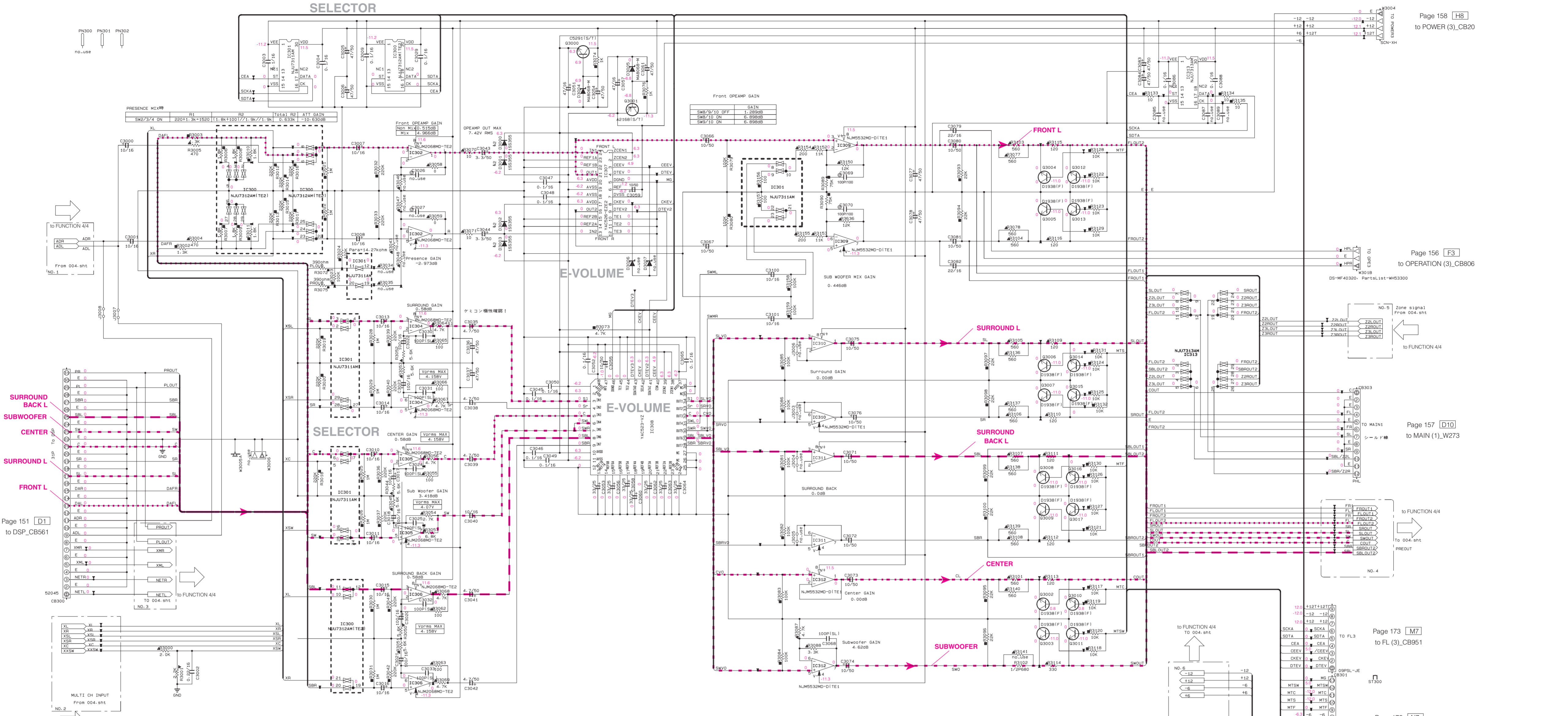
\* All voltages are measured with a 10MΩ/V DC electronic voltmeter.  
 \* Components having special characteristics are marked [!], and must be replaced with parts having specifications equal to those originally installed.  
 \* Schematic diagram is subject to change without notice.

●電圧は、内部抵抗10MΩの電圧計で測定したものです。  
 ●[!]印のある部品は、安全性確保部品を示しています。部品の交換が必要な場合、パーツリストに記載されている部品を使用してください。  
 ●本回路図は標準回路図です。改良のため予告なく変更することがございます。

RX-Z7

FUNC ( 1 )

FUNCTION 3/4



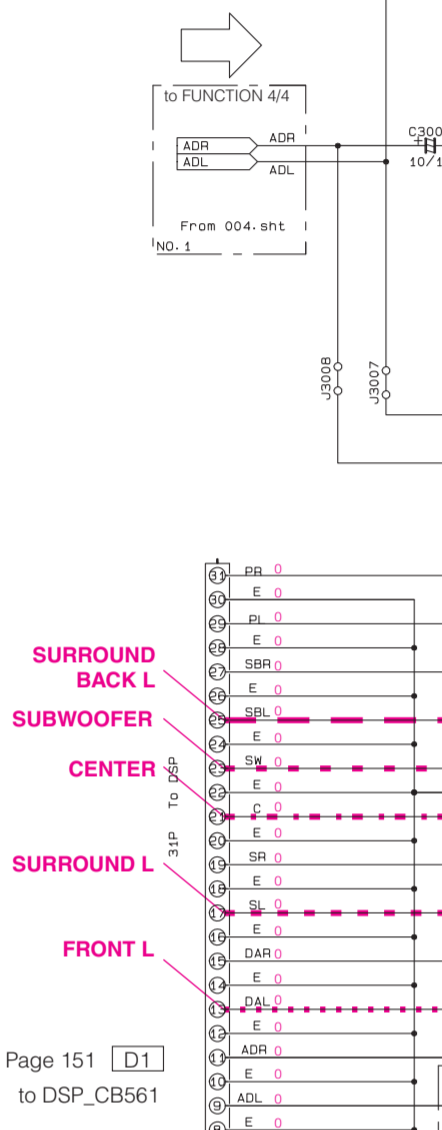
Page 158 [HB] to POWER (3)\_CB20

Page 156 [F3] to OPERATION (3)\_CB906

Page 157 [D10] to MAIN (1)\_W273

Page 173 [M7] to FL (3)\_CB951

Page 173 [N7] to FL (3)\_CB956



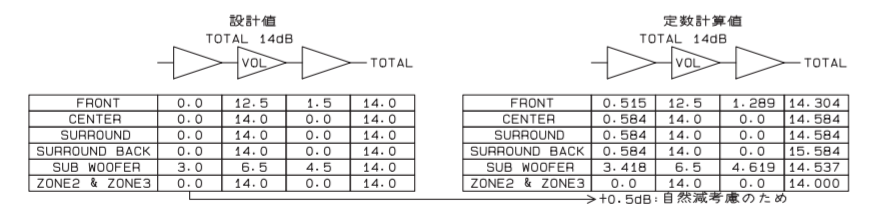
Page 151 [D1] to DSP\_CB561

to FUNCTION 4/4

to FUNCTION 4/4

RX-Z7

FUNC (2)



**RESISTOR**

REMARKS	PARTS NAME
NO MARK	CARBON FILM RESISTOR (P=5)
△	CARBON FILM RESISTOR (P=10)
□	METAL OXIDE FILM RESISTOR
△	METAL FILM RESISTOR
□	METAL PLATE RESISTOR
□	FIRE PROOF CARBON FILM RESISTOR
□	CEMENT MOLDED RESISTOR
□	SEMI VARIABLE RESISTOR
■	CHIP RESISTOR

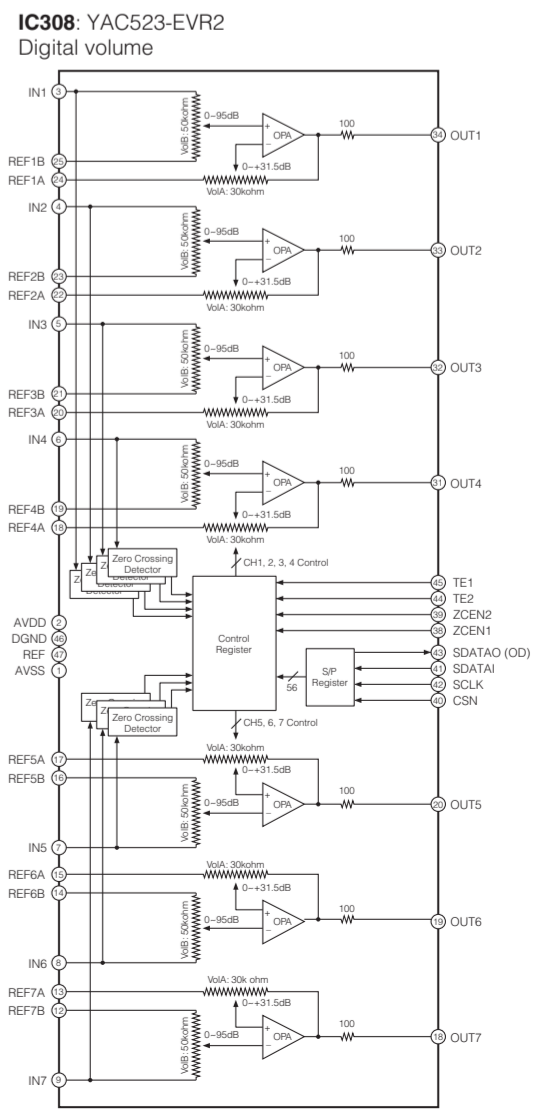
**CAPACITOR**

REMARKS	PARTS NAME
NO MARK	ELECTROLYTIC CAPACITOR
⊗	TANTALUM CAPACITOR
NO MARK	CERAMIC CAPACITOR
⊗	CERAMIC TUBULAR CAPACITOR
○	POLYESTER FILM CAPACITOR
○	POLYSTYRENE FILM CAPACITOR
⊖	POLYPROPYLENE FILM CAPACITOR
⊖	SEMICONDUCTIVE CERAMIC CAPACITOR
⊖	POLYPHENYLENE SULFIDE FILM CAPACITOR

**NOTICE (model)**

(J)..... JAPAN  
 (U)..... U.S.A.  
 (C)..... CANADA  
 (R)..... GENERAL  
 (T)..... CHINA  
 (K)..... KOREA  
 (A)..... AUSTRALIA  
 (B)..... BRITISH  
 (G)..... EUROPE  
 (L)..... SINGAPORE  
 (E)..... SOUTH EUROPE  
 (V)..... TAIWAN  
 (F)..... RUSSIAN

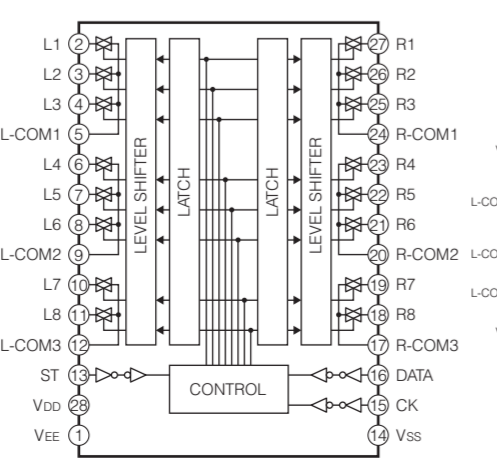
FUNCTION (2)



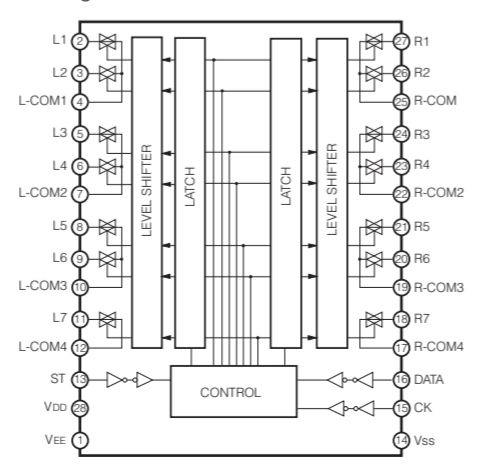
★ All voltages are measured with a 10MΩ/V DC electronic voltmeter.  
 ★ Components having special characteristics are marked with a triangle and must be replaced with parts having specifications equal to those originally installed.  
 ★ Schematic diagram is subject to change without notice.

● 電圧は、内部抵抗10MΩの電圧計で測定したものです。  
 ● 三角形印のある部品は、安全性確保部品を示しています。部品の交換が必要な場合、パーツリストに記載されている部品を使用してください。  
 ● 本回路図は標準回路図です。改良のため予告なく変更することがございます。

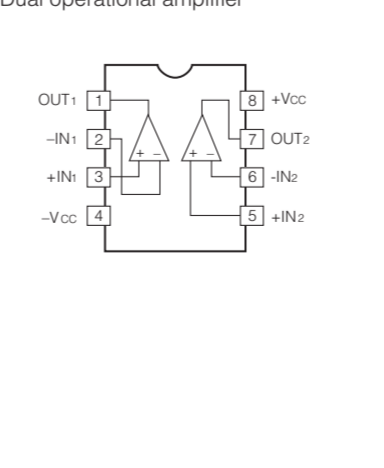
IC300: NJU7312AM Analog function switch



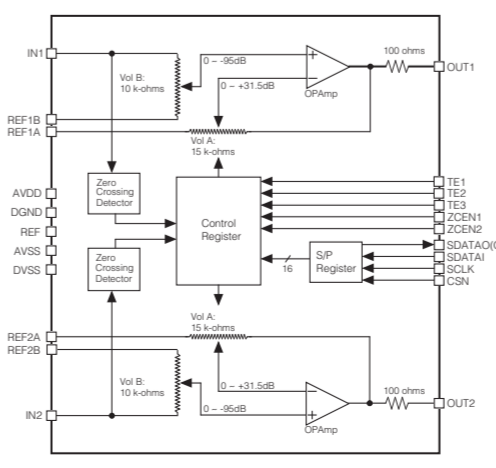
IC301: NJU7311AM Analog function switch



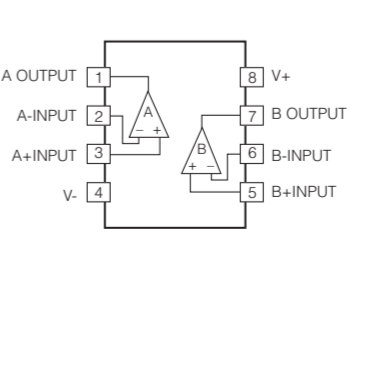
IC302, 304-306: NJM2068MD-TE2 Dual operational amplifier



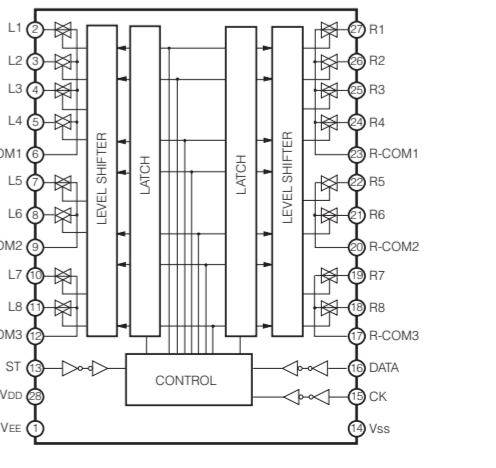
IC307: YAC526-EZE2 2-channel high grade digital volume LSI



IC309-312: NJM5532M-D Dual low noise operational amplifier

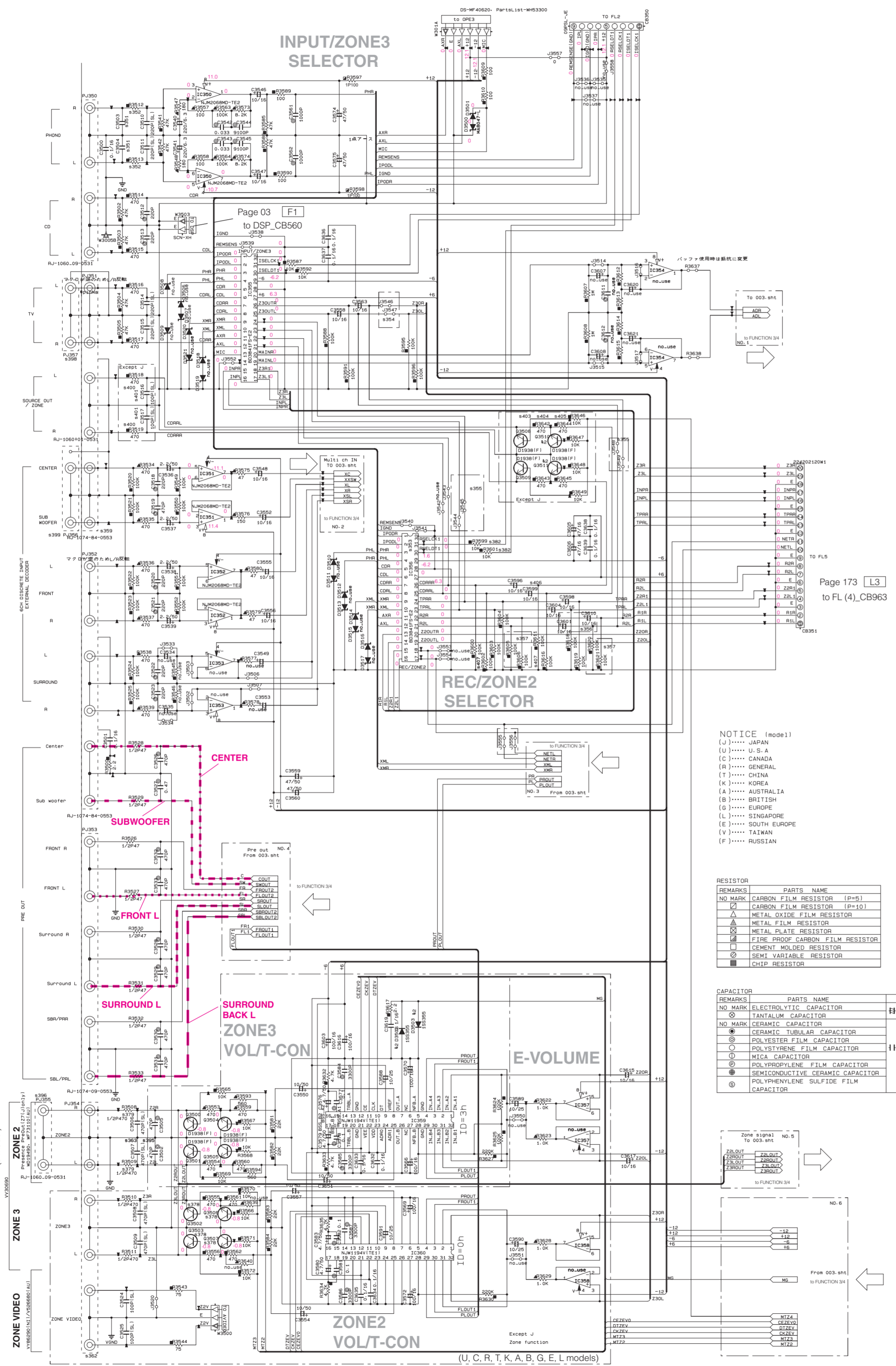


IC313: NJU7313AM Analog function switch



FUNCTION 4/4

Page 156 [F3] to OPERATION (3), CB906  
Page 173 [L7] to FL (2), CB967



Page 160 [J8] to A-VIDEO\_CB209

RX-Z7 FUNC(2)

Part No.	LOC	U	C	RTL	A	BOE
9351	C303	X	X	UR0222	UR0222	UR0222
9352	B312	RD3547	RD3547	RD3547	RD3547	RD3547
9353	IC356	X	X	IC356	IC356	IC356
9354	J354	X	X	J354	J354	J354
9355	J354	X	X	J354	J354	J354
9356	C301	X	X	UR0210	UR0210	UR0210
9357	B305	X	X	RD3580	RD3580	RD3580
9359	PJ351	X	X	PJ351	PJ351	PJ351
9362	PJ354	X	X	PJ354	PJ354	PJ354
9363	C306	X	X	UR0247	UR0247	UR0247
9364	C305	X	X	UR0210	UR0210	UR0210
9365	C351	X	X	UR0210	UR0210	UR0210
9366	C306	X	X	UR0247	UR0247	UR0247
9367	C301	X	X	UR0210	UR0210	UR0210
9369	C302	X	X	UR0210	UR0210	UR0210
9370	C305	X	X	UR0210	UR0210	UR0210
9372	C308	X	X	UR0210	UR0210	UR0210
9373	C309	X	X	UR0210	UR0210	UR0210
9374	C308	X	X	UR0210	UR0210	UR0210
9377	IC360	X	X	IC360	IC360	IC360
9378	IC303	X	X	IC303	IC303	IC303
9379	IC308	X	X	IC308	IC308	IC308
9380	IC342	X	X	IC342	IC342	IC342
9381	IC355	X	X	IC355	IC355	IC355
9382	IC372	X	X	IC372	IC372	IC372
9383	IC383	X	X	IC383	IC383	IC383
9384	IC310	X	X	IC310	IC310	IC310
9386	IC314	X	X	IC314	IC314	IC314
9387	IC353	X	X	IC353	IC353	IC353
9388	IC355	X	X	IC355	IC355	IC355
9390	IC350	X	X	IC350	IC350	IC350
9391	IC352	X	X	IC352	IC352	IC352
9392	IC354	X	X	IC354	IC354	IC354
9393	IC356	X	X	IC356	IC356	IC356
9394	IC358	X	X	IC358	IC358	IC358
9395	IC359	X	X	IC359	IC359	IC359
9396	IC357	X	X	IC357	IC357	IC357
9397	IC351	X	X	IC351	IC351	IC351
9399	IC355	X	X	IC355	IC355	IC355
9400	IC318	X	X	IC318	IC318	IC318
9401	IC317	X	X	IC317	IC317	IC317
9403	IC315	X	X	IC315	IC315	IC315
9404	IC316	X	X	IC316	IC316	IC316
9405	IC314	X	X	IC314	IC314	IC314
9406	IC309	X	X	IC309	IC309	IC309
9407	IC311	X	X	IC311	IC311	IC311

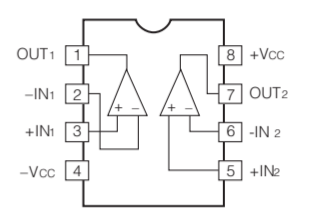
NOTICE (model)

(J)..... JAPAN  
 (U)..... U.S.A.  
 (C)..... CANADA  
 (R)..... GENERAL  
 (T)..... CHINA  
 (K)..... KOREA  
 (A)..... AUSTRALIA  
 (B)..... BRITISH  
 (G)..... EUROPE  
 (L)..... SINGAPORE  
 (E)..... SOUTH EUROPE  
 (V)..... TAIWAN  
 (P)..... RUSSIAN

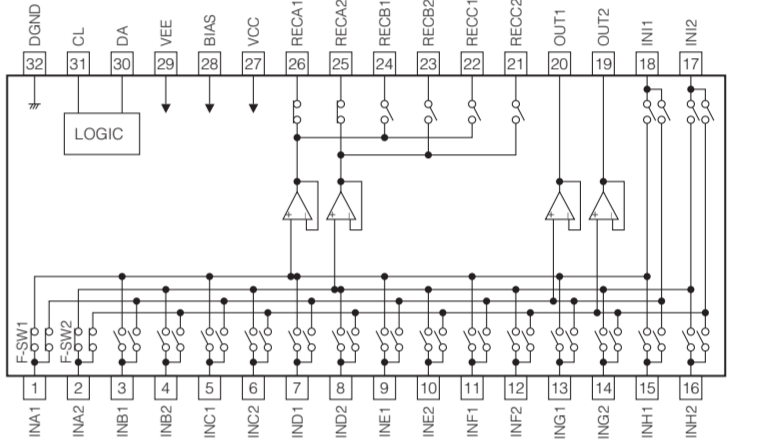
REMARKS	PARTS NAME
NO MARK	CARBON FILM RESISTOR (P=5)
⊠	CARBON FILM RESISTOR (P=10)
⊡	METAL OXIDE FILM RESISTOR
⊢	METAL FILM RESISTOR
⊣	METAL PLATE RESISTOR
⊤	FIRE PROOF CARBON FILM RESISTOR
⊥	CEMENT MOLDED RESISTOR
⊦	SEMI VARIABLE RESISTOR
⊧	CHIP RESISTOR

REMARKS	PARTS NAME
NO MARK	ELECTROLYTIC CAPACITOR
⊞	TANTALUM CAPACITOR
⊟	CERAMIC CAPACITOR
⊠	CERAMIC TUBULAR CAPACITOR
⊡	POLYESTER FILM CAPACITOR
⊢	POLYPROPYLENE FILM CAPACITOR
⊣	POLYBUTYLENE FILM CAPACITOR
⊤	MICA CAPACITOR
⊥	SEMICONDUCTIVE CERAMIC CAPACITOR
⊦	POLYPHENYLENE SULFIDE FILM CAPACITOR

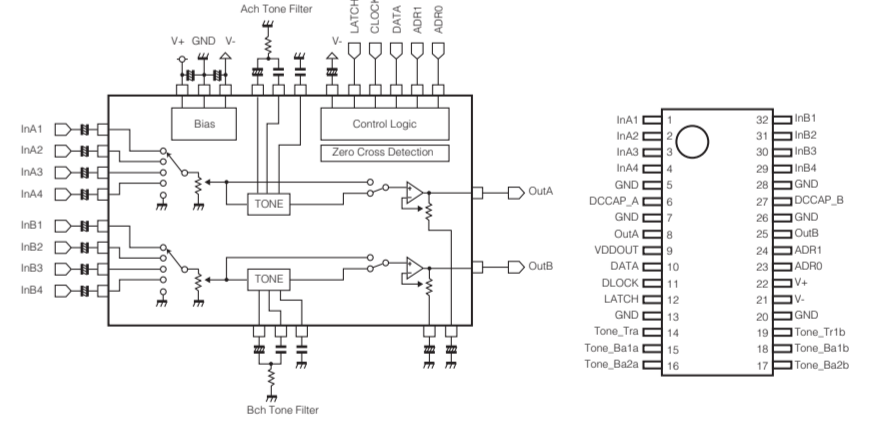
IC350-352: NJM2068MD-TE2  
Dual operational amplifier



IC355, 356: BD3841FS  
Function switch



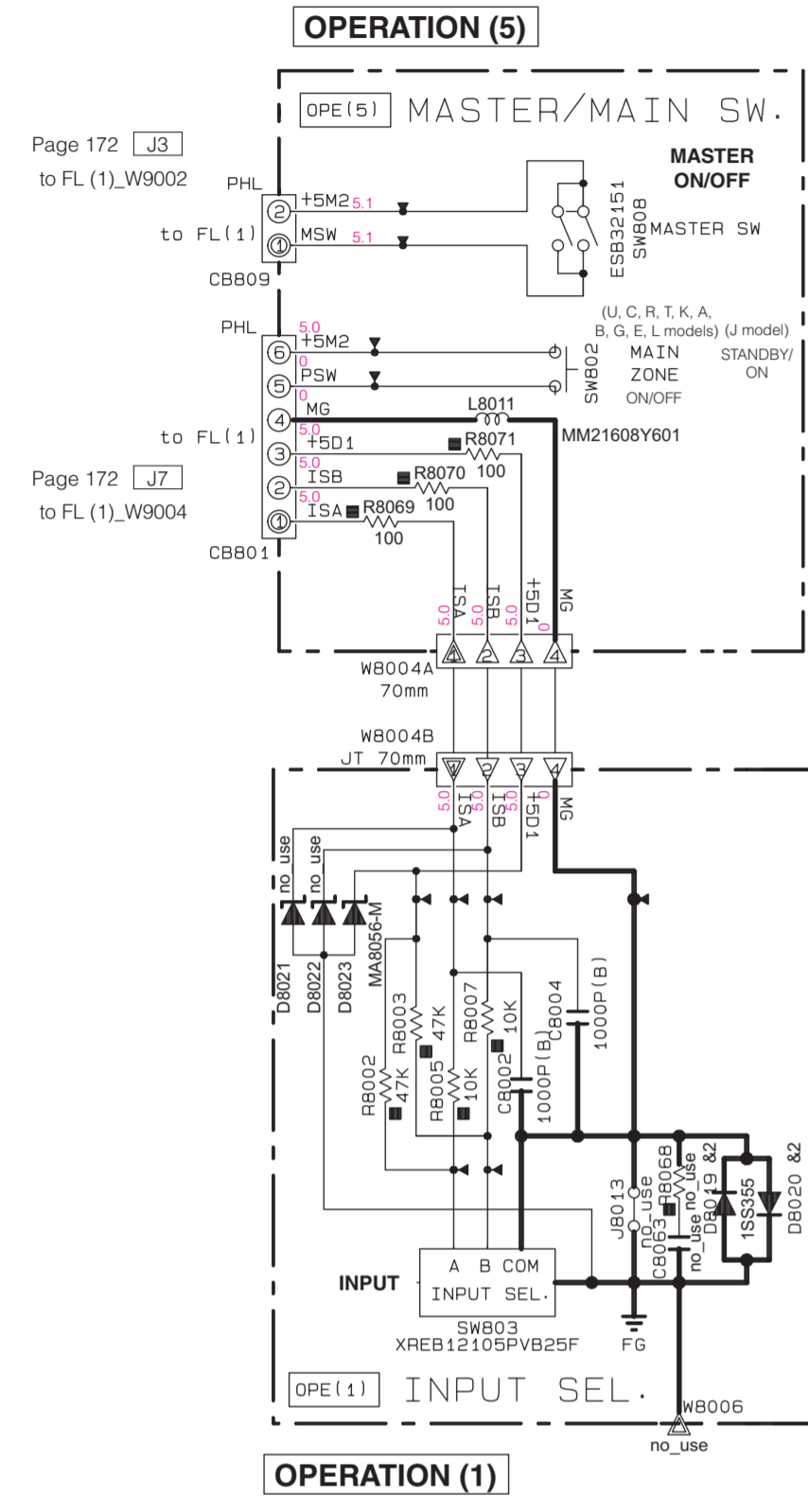
IC359, 360: NJW1194V  
2-channel electronic volume input selector and tone control



\* All voltages are measured with a 10MΩ/DC electronic voltmeter.  
 \* Components having special characteristics are marked !, and must be replaced with parts having specifications equal to those originally installed.  
 \* Schematic diagram is subject to change without notice.

● 電圧は、内部抵抗10MΩの電圧計で測定したものです。  
 ● !印のある部品は、安全性確保部品を示しています。部品の交換が必要な場合、パーツリストに記載されている部品を使用してください。  
 ● 本回路図は標準回路図です。改良のため予告なく変更することがございます。

OPERATION



[部品ID]

\*8001~8200  
\*801~820  
(TP801~910)

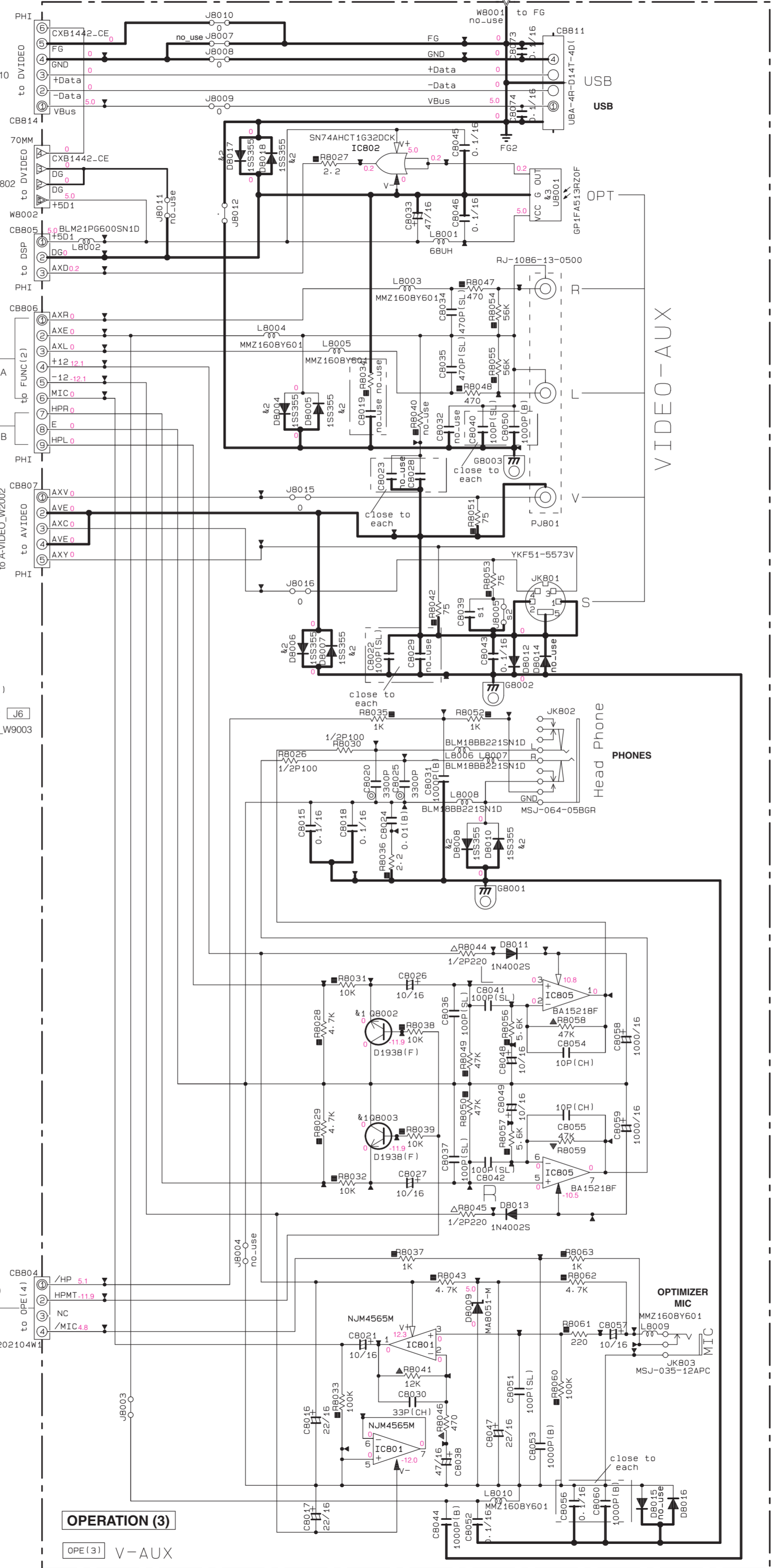
Interchangeable Parts at Manufacture-Stage

Mark	Reference Parts Number	Parts Name
k1	0B002-8003	2SD1938(F) 2SC3326(A/B) 2SC5938(A/B) 2SD2704K
k2	DB004-8008-8010-8017-DB018	1SS355 MA2J1110GL KDS160-RTK/P
k3	UB001	GP1FA513R20F GP1FAV51RK0F

Destination Part List

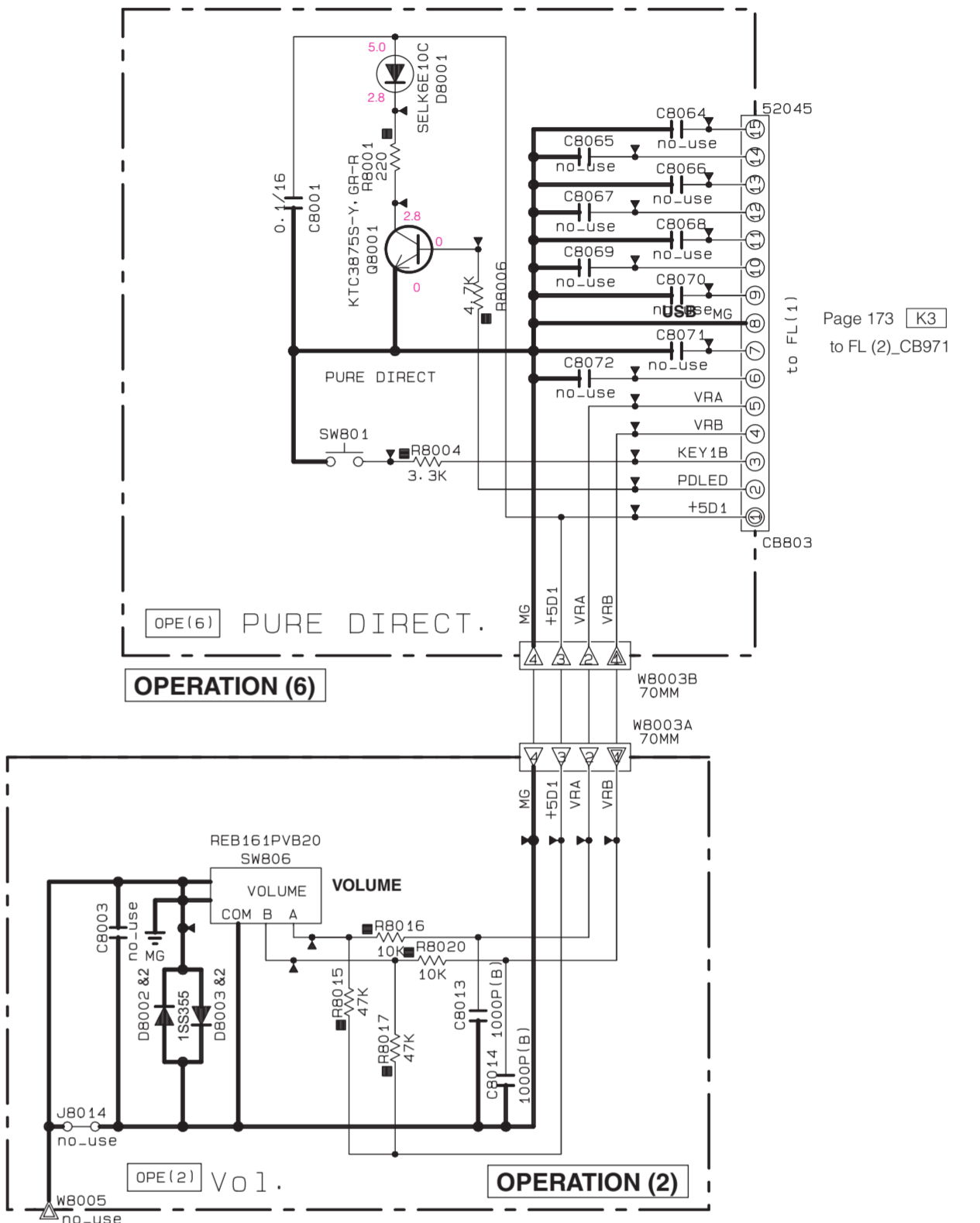
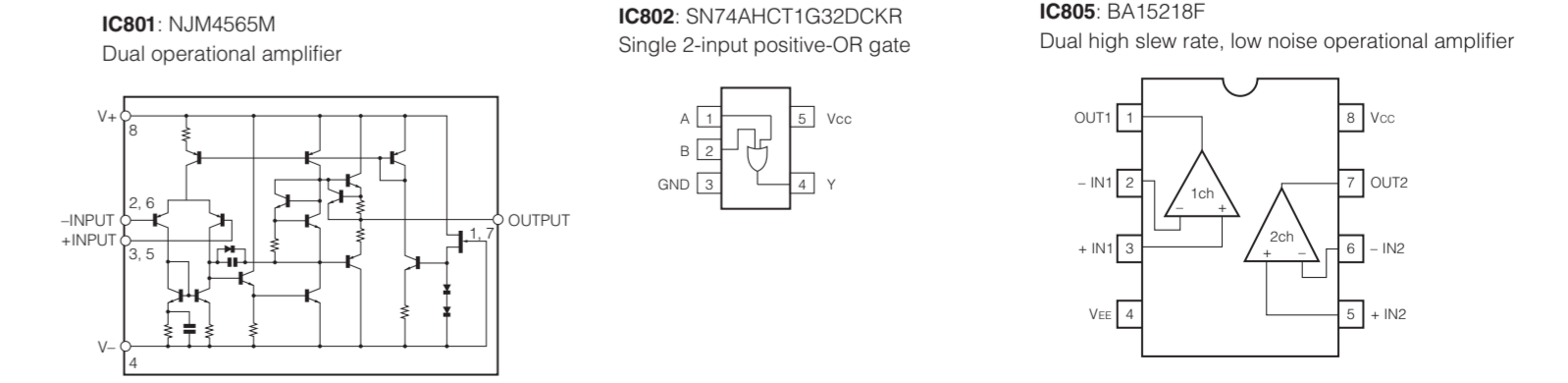
sXX	LOC	J	UCRTKABGLE
s1	CB039	US13510 0.1/16	X
s2	JB005	X	RD35000 0

★ All voltages are measured with a 10MQ/V DC electronic voltmeter.  
● 電圧は、内部抵抗10MΩの電圧計で測定したものです。  
★ Components having special characteristics are marked Δ and must be replaced with parts having specifications equal to those originally installed.  
● Δ印のある部品は、安全性確保部品を示しています。部品の交換が必要な場合、パーツリストに記載されている部品を使用してください。  
★ Schematic diagram is subject to change without notice.  
● 本回路図は標準回路図です。改良のため予告なく変更することがございます。



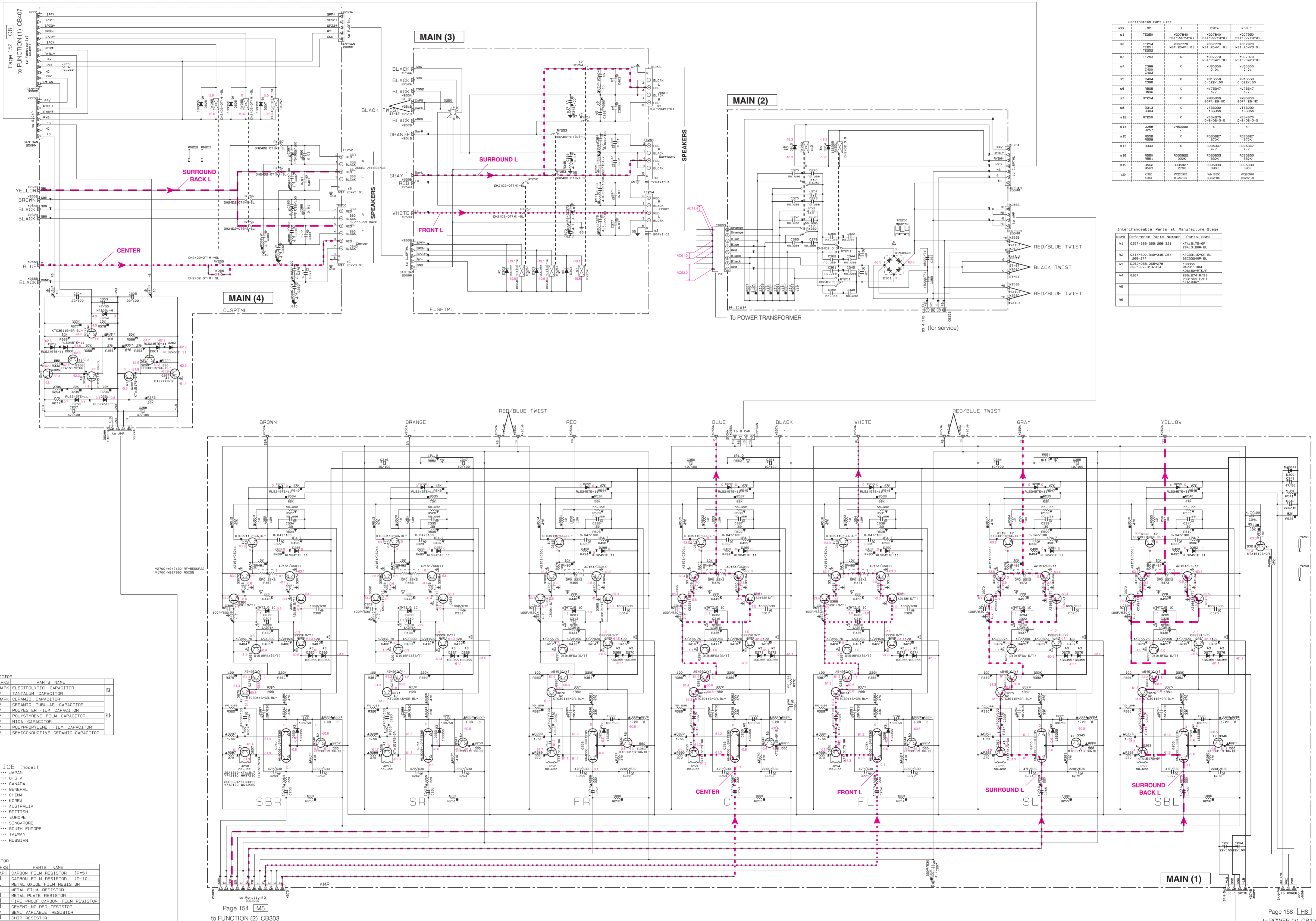
REMARKS	PARTS NAME	REMARKS	PARTS NAME
NO MARK	CARBON FILM RESISTOR (P=5)	NO MARK	ELECTROLYTIC CAPACITOR
△	CARBON FILM RESISTOR (P=10)	⊗	TANTALUM CAPACITOR
▲	METAL OXIDE FILM RESISTOR	NO MARK	CERAMIC CAPACITOR
▲	METAL FILM RESISTOR	⊙	CERAMIC TUBULAR CAPACITOR
⊠	METAL PLATE RESISTOR	⊖	POLYESTER FILM CAPACITOR
⊡	FIRE PROOF CARBON FILM RESISTOR	○	POLYSTYRENE FILM CAPACITOR
□	CEMENT MOLDED RESISTOR	Ⓛ	MICA CAPACITOR
⊙	SEMI VARIABLE RESISTOR	Ⓞ	POLYPROPYLENE FILM CAPACITOR
■	CHIP RESISTOR	Ⓟ	SEMICONDUCTIVE CERAMIC CAPACITOR

IMPLEMENTATION:  
INPUT SELECTOR  
VOLUME  
VIDEO-AUX  
HEAD PHONE AMP  
MIC AMP  
PROGRAM SELECTOR  
MASTER SWITCH  
USB CONNECTOR



Page 173 [K3]  
to FL (2)\_CB971

MAIN



Destination Part List	Part No.	Part Name
81	TE85	RES
82	TE85	RES
83	TE85	RES
84	C399	CAP
85	C399	CAP
86	C399	CAP
87	RY254	RES
88	D313	RES
89	RY250	RES
90	RY250	RES

Mark	Reference Part Number	Part Name
41	0297-263-268-269-331	KT1A15175-GR
42	0314-300-340-346-264-269-277	KT1C9115-GR-BL
43	0297-267-319-314	KT1A15175-GR
44	0267	KT1A15175-GR
45		
46		

REMARKS	PARTS NAME
NO MARK	ELECTROLYTIC CAPACITOR
NO MARK	TANTALUM CAPACITOR
NO MARK	CERAMIC CAPACITOR
○	CERAMIC TUBULAR CAPACITOR
○	POLYESTER FILM CAPACITOR
○	POLYSTYRENE FILM CAPACITOR
○	MICA CAPACITOR
○	POLYPROPYLENE FILM CAPACITOR
○	SEMICONDUCTIVE CERAMIC CAPACITOR

REMARKS	PARTS NAME
NO MARK	CARBON FILM RESISTOR (P=5)
□	CARBON FILM RESISTOR (P=10)
△	METAL OXIDE FILM RESISTOR
△	METAL FILM RESISTOR
△	METAL PLATE RESISTOR
△	FINE PROOF CARBON FILM RESISTOR
□	CEMENT MOLDED RESISTOR
○	SEMI VARIABLE RESISTOR
■	CHIP RESISTOR

REMARKS	PARTS NAME
(J)	JAPAN
(U)	U.S.A
(C)	CANADA
(R)	GENERAL
(T)	CHINA
(K)	KOREA
(A)	AUSTRALIA
(B)	BRITISH
(G)	EUROPE
(L)	SINGAPORE
(E)	SOUTH EUROPE
(V)	TAIWAN
(F)	RUSSIAN

\* All voltages are measured with a 10MΩ DC electronic voltmeter.  
 \* Components having special characteristics are marked with a triangle and must be replaced with parts having special characteristics or those originally installed.  
 \* Schematic diagram is subject to change without notice.

● 電圧は、内部抵抗10MΩの電圧計で測定したものです。  
 ● 印のある部品は、安全性確保部品を示しています。部品の交換が必要な場合、パーツリストに記載されている部品を使用してください。  
 ● 本回路図は標準回路図です。改良のため予告なく変更することがございます。

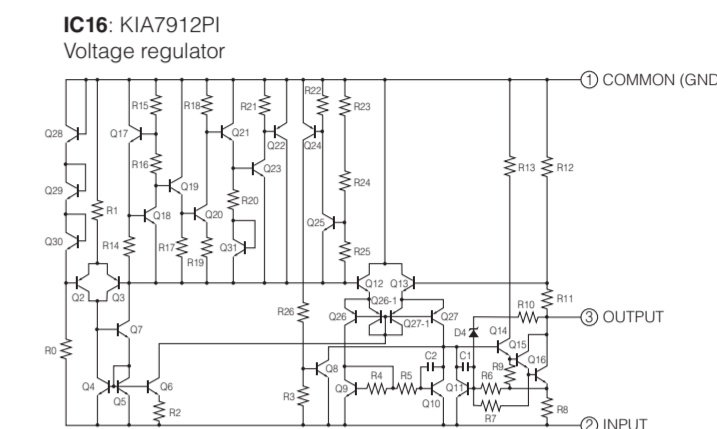
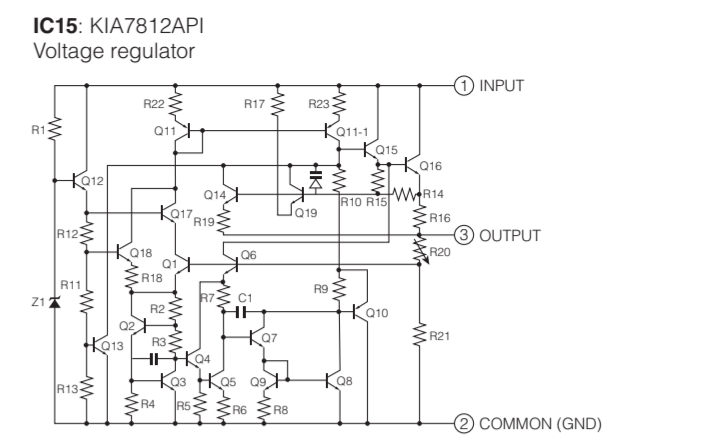
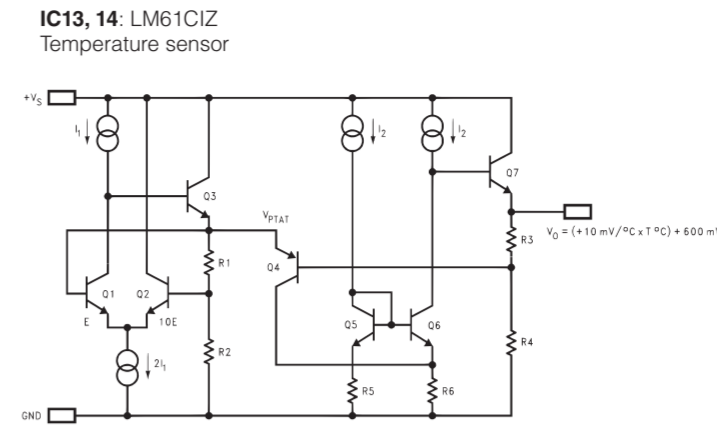
POWER

Destination Part List table with columns for part number, location, and various model identifiers.

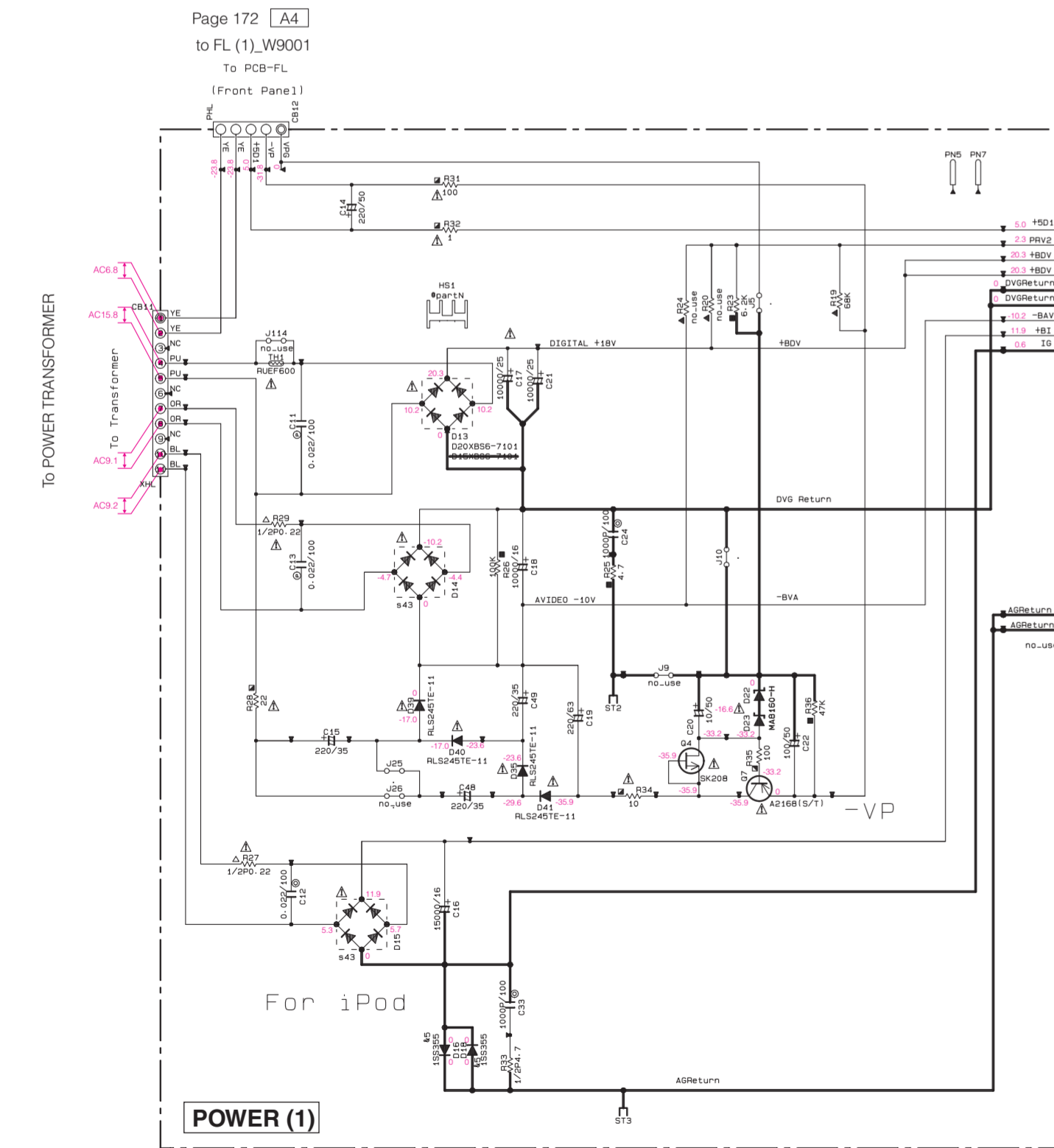
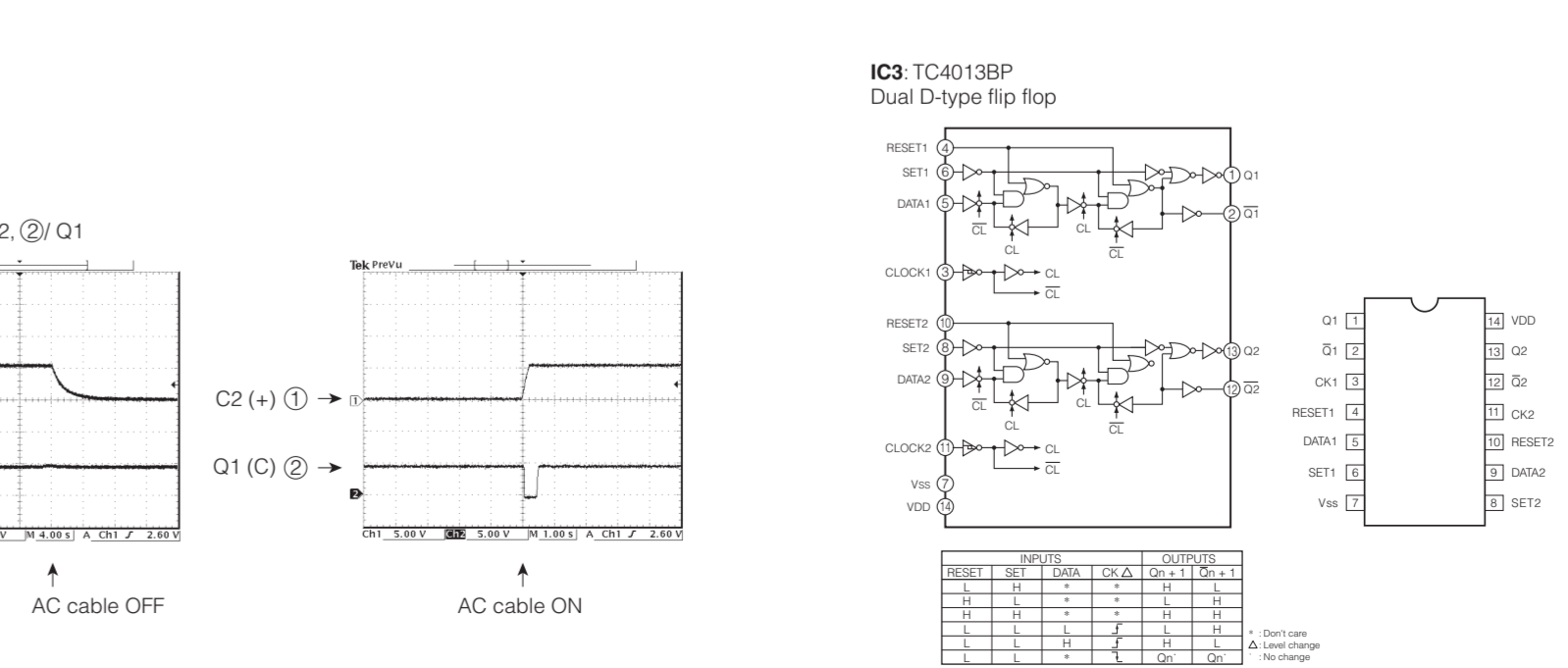
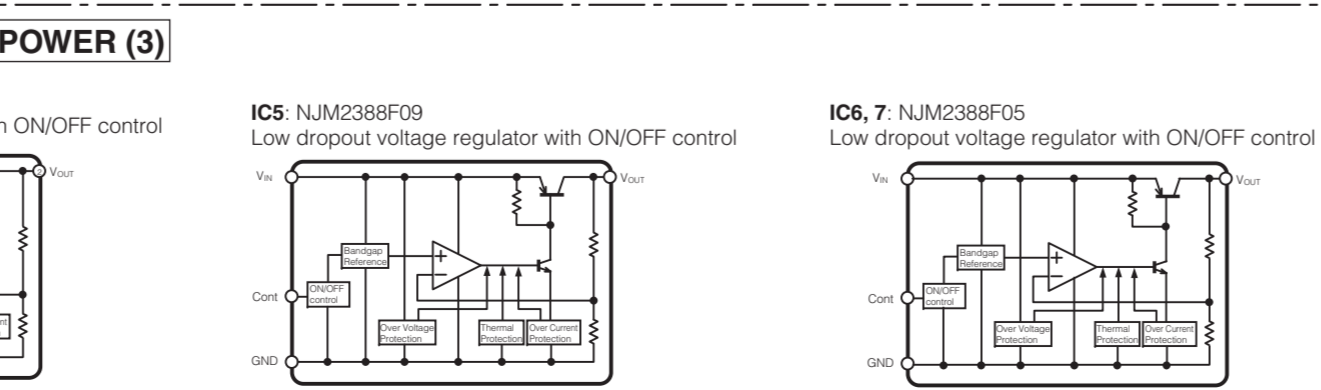
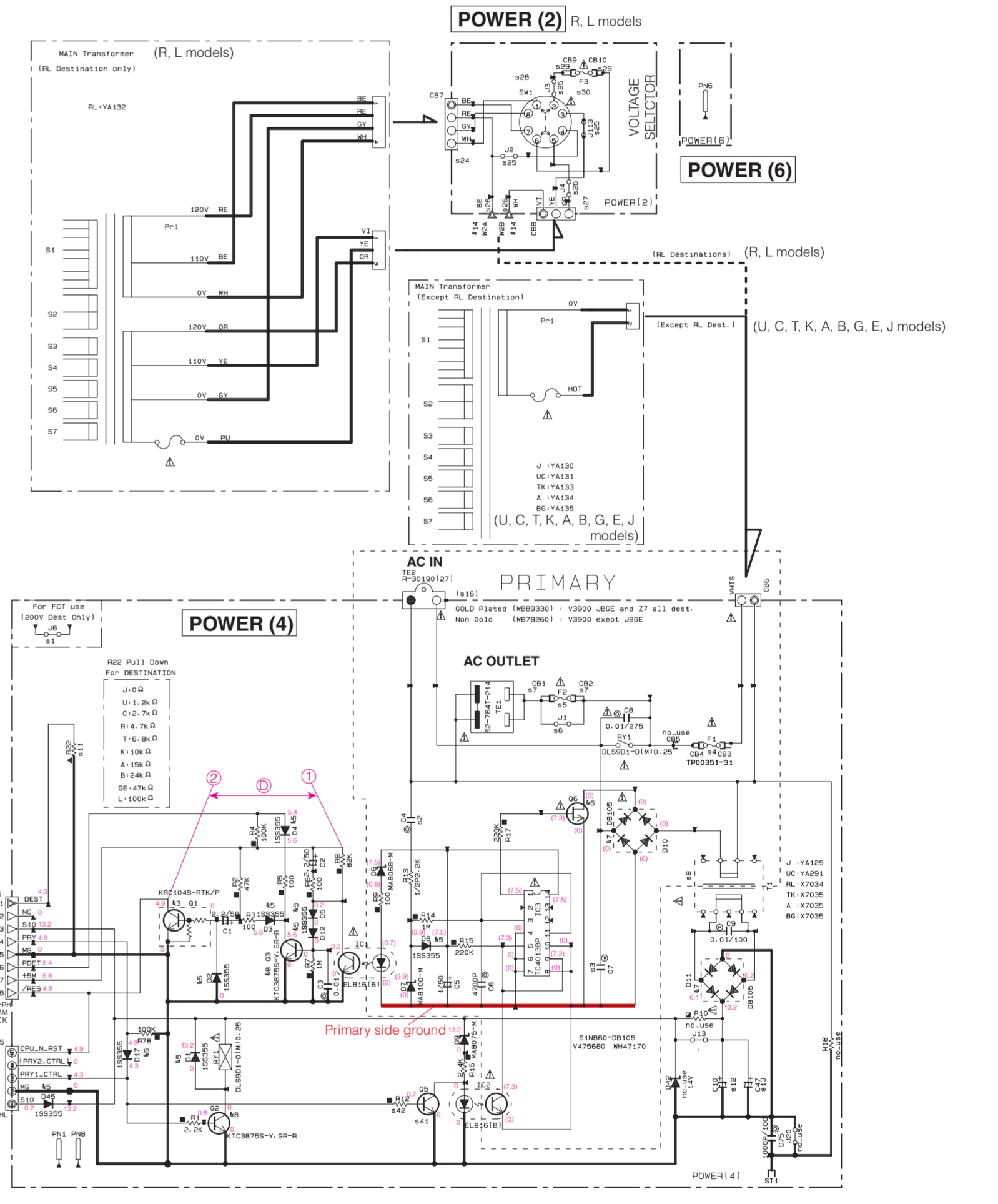
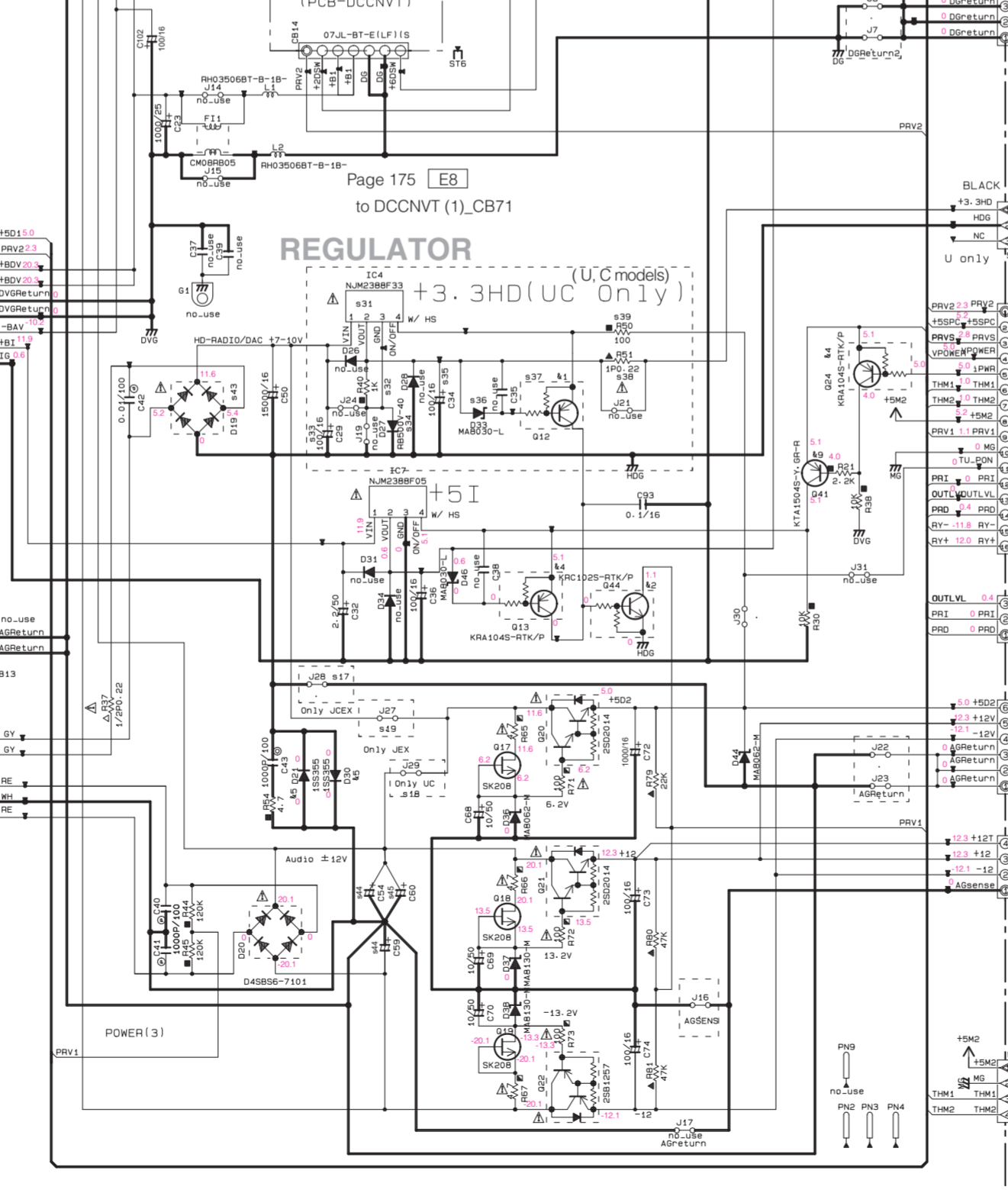
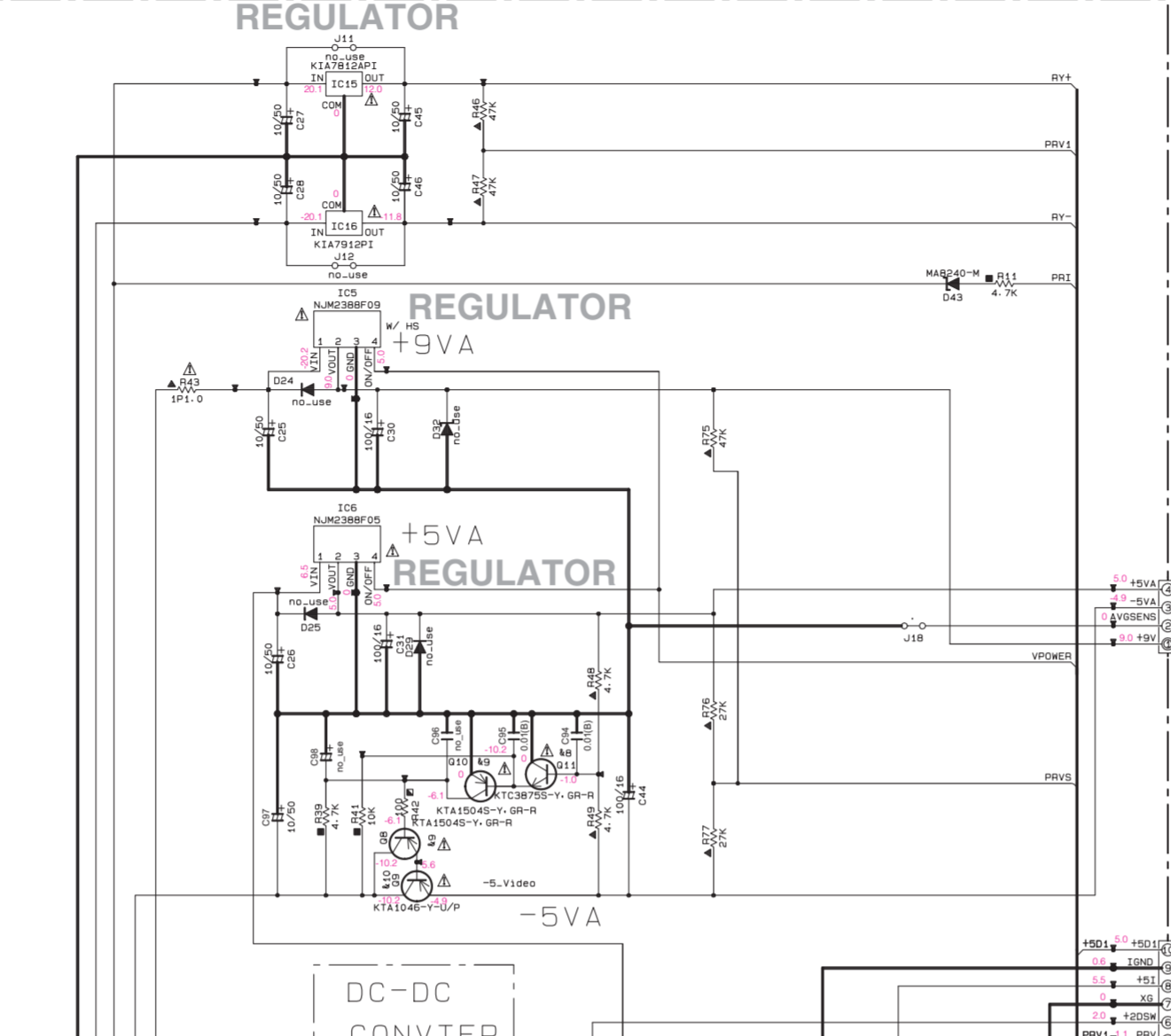
Capacitor and Resistor parts lists with columns for remarks, parts name, and values.

NOTICE (Model) (J)..... JAPAN (U)..... U.S.A (C)..... CANADA (R)..... GENERAL (T)..... CHINA (K)..... KOREA (A)..... AUSTRALIA (B)..... BRITISH (G)..... EUROPE (L)..... SINGAPORE (E)..... SOUTH EUROPE (V)..... TAIWAN (F)..... RUSSIAN

Interchangeable Parts at Manufacture Stage table with columns for mark, reference parts number, and parts name.



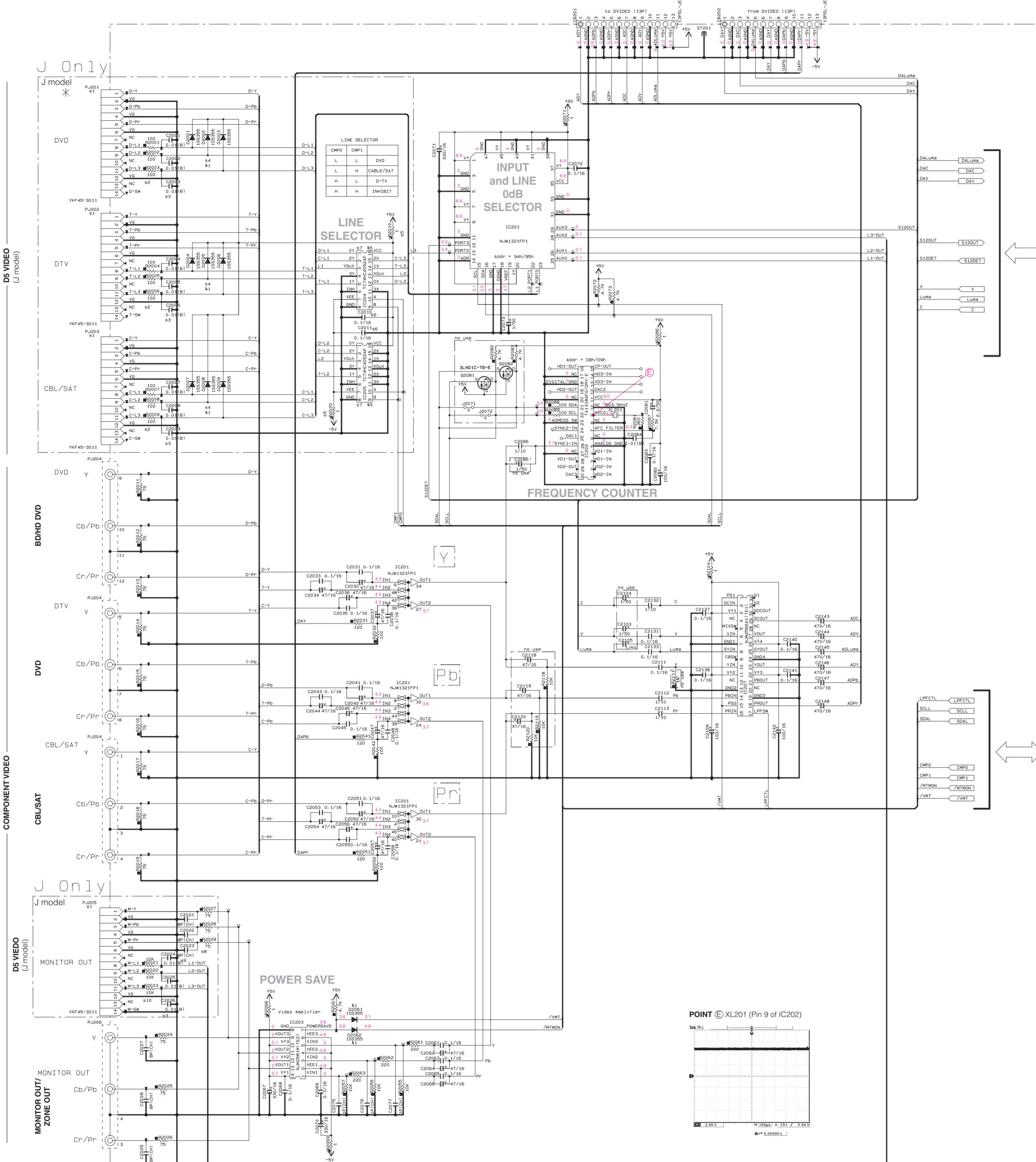
VOLTAGE SELECTOR table with columns for input voltage and output voltage ranges.



Notes regarding voltage measurements, component specifications, and safety warnings.

A-VIDEO 1/2

Page 161 [A3] to D-VIDEO (1)\_CB701  
Page 161 [A2] to D-VIDEO (1)\_CB700



RESISTOR PARTS NAME table with remarks and values.

CAPACITOR PARTS NAME table with remarks and values.

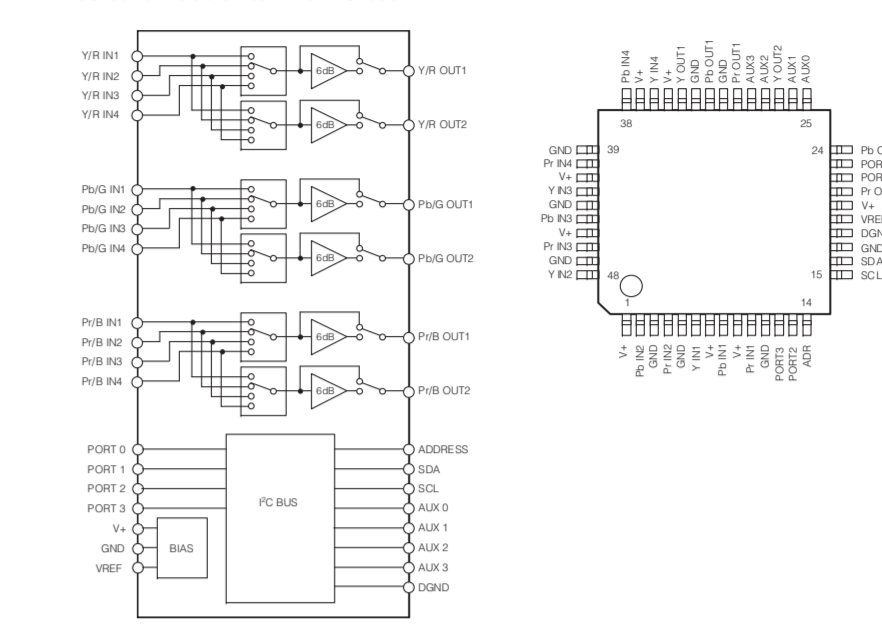
002.sht to A-VIDEO 2/2

Destination Part List table with columns for sxx, LDC, J, U.C.R.K, T.A.B.G.L.E.

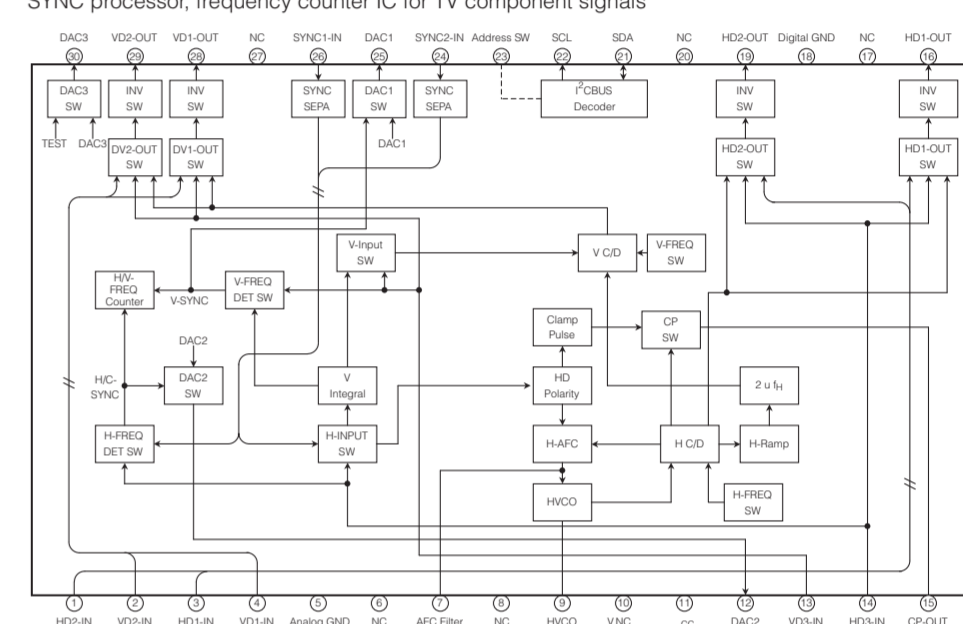
002.sht to A-VIDEO 2/2

Interchangeable Parts at Manufacture-Stage table with Mark, Reference Parts Number, Parts Name.

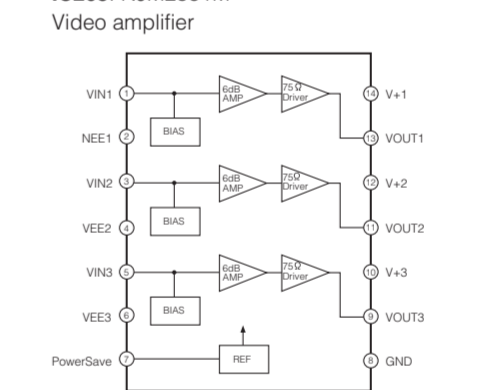
IC201: NJW1321FP1 Wide band video switch with IC bus



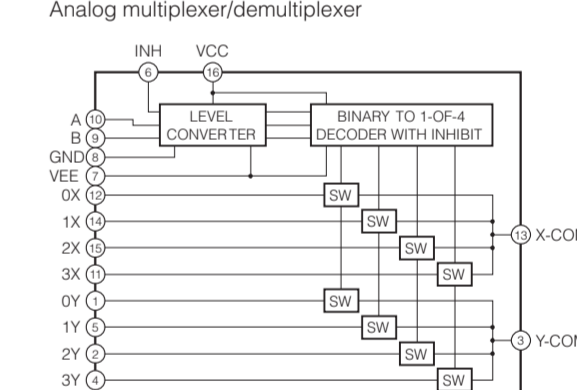
IC202: TA1318AF SYNC processor, frequency counter IC for TV component signals



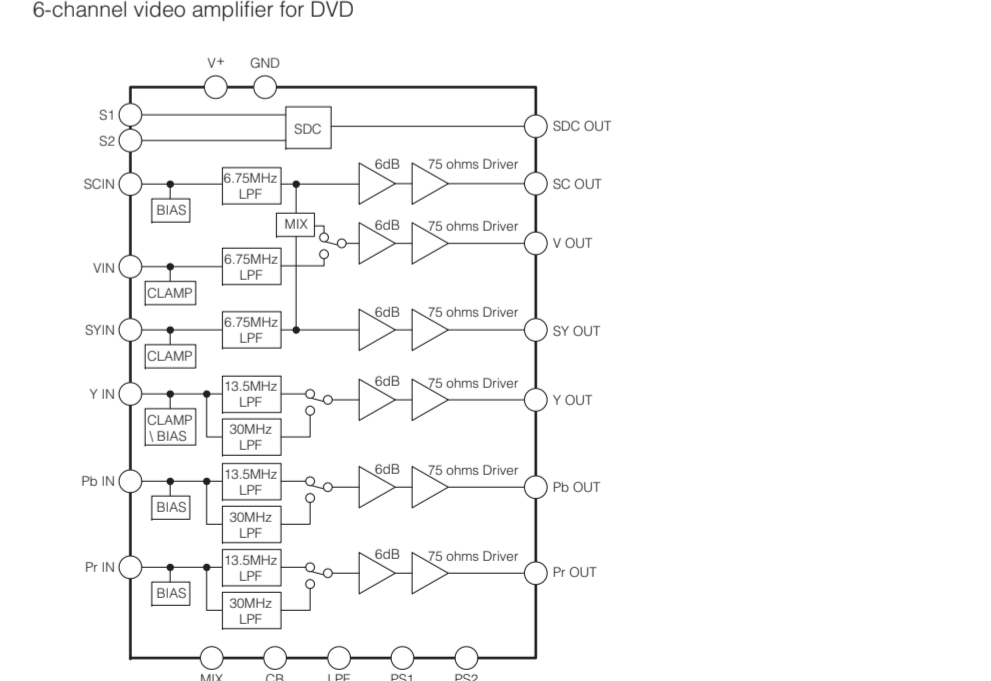
IC203: NJM2581M Video amplifier



IC204, 205: TC74HC4052AF Analog multiplexer/demultiplexer



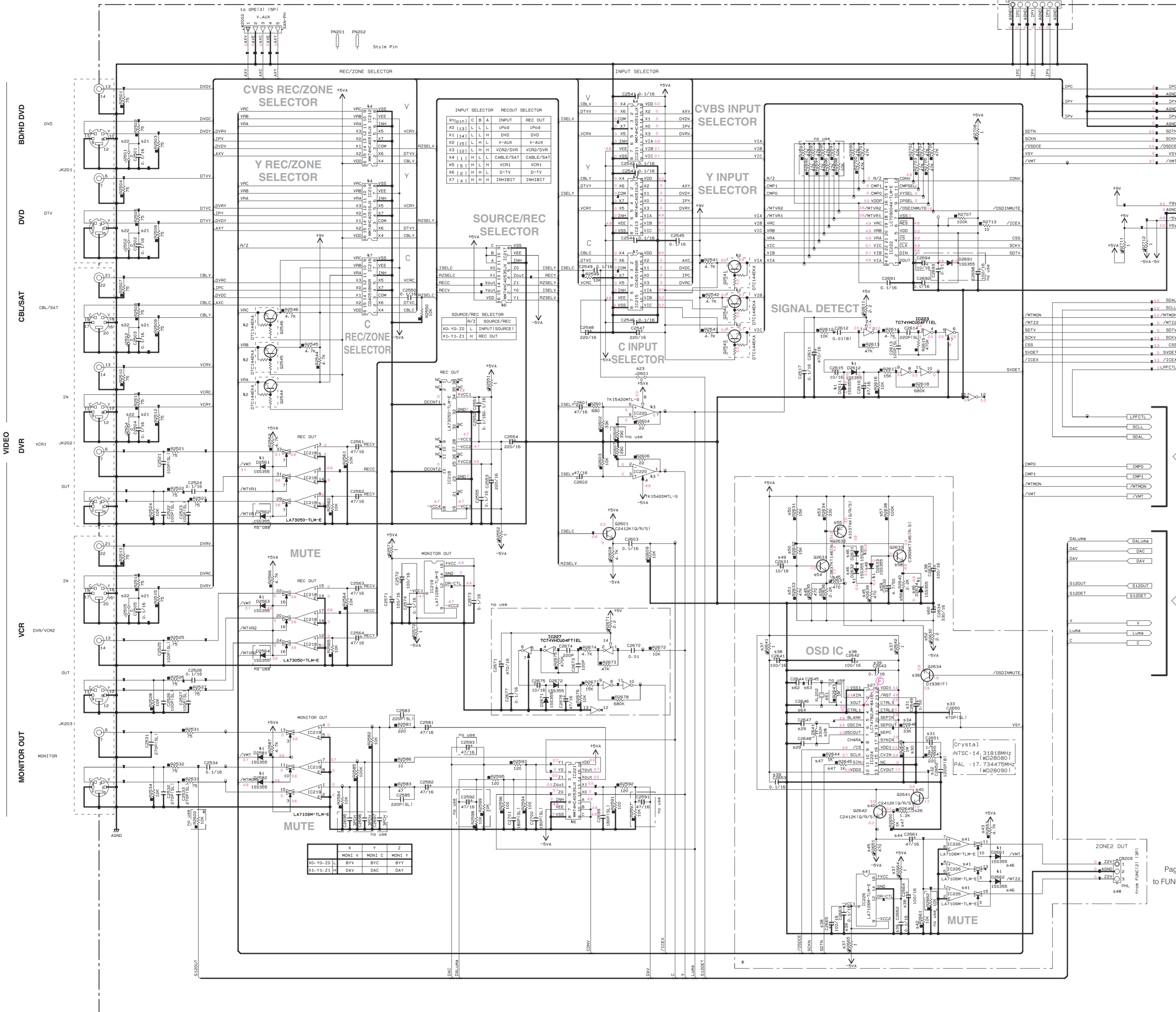
IC207: NJM2566AV 6-channel video amplifier for DVD



\* All voltages are measured with a 10MΩ DC electronic voltmeter. \* 電圧は、内部抵抗10MΩの電圧計で測定したものです。 \* Components having special characteristics are marked 1, and must be replaced with parts having specifications equal to those originally installed. \* 印のある部品は、安全確保部品を示しています。部品の交換が必要な場合、パーツリストに記載されている部品を使用してください。 \* Schematic diagram is subject to change without notice. \* 本回路図は標準回路図です。改良のため予告なく変更することがございます。

A-VIDEO 2/2

Page 156 [F4] to OPERATION (3)\_CB807

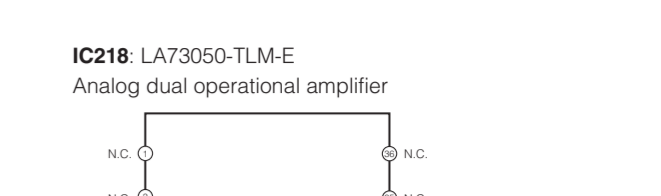


RESISTOR

REMARKS	PARTS NAME
NO MARK	CARBON FILM RESISTOR (P=5)
□	CARBON FILM RESISTOR (P=10)
△	METAL OXIDE FILM RESISTOR
◇	METAL PLATE RESISTOR
○	FILM PROOF CARBON FILM RESISTOR
⊠	CEMENT MOUNTED RESISTOR
⊕	SEMI-VARIABLE RESISTOR
■	CHIP RESISTOR

NOTICE (model)

(J)..... JAPAN  
(U)..... U.S.A  
(C)..... CANADA  
(R)..... GENERAL  
(T)..... CHINA  
(K)..... KOREA  
(A)..... AUSTRALIA  
(B)..... BRITISH  
(E)..... EUROPE  
(L)..... SINGAPORE  
(V)..... SOUTH EUROPE  
(F)..... TAIWAN  
(P)..... RUSSIAN



Page 152 [I8] to FUNCTION (1)\_CB410

Page 158 [H4] to POWER (3)\_CB23

Page 169 [M3] to D-VIDEO (1)\_CB106

001.sht to A-VIDEO 1/2

001.sht to A-VIDEO 1/2

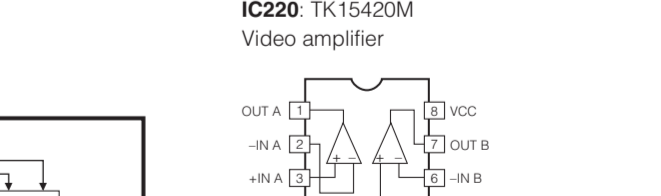
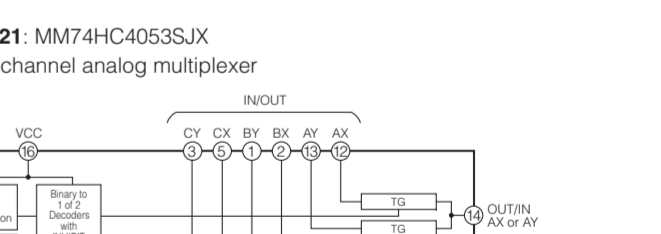
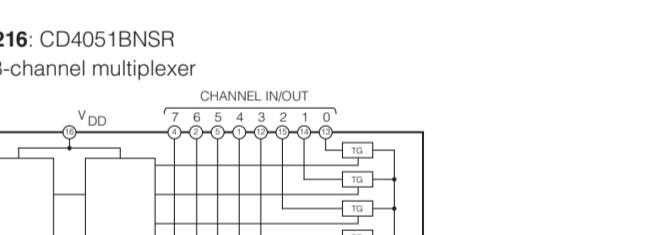
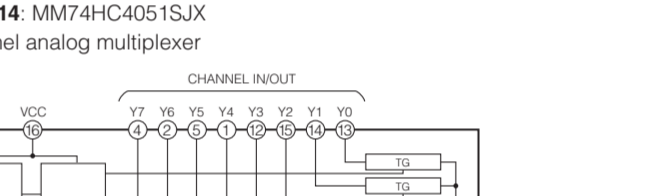
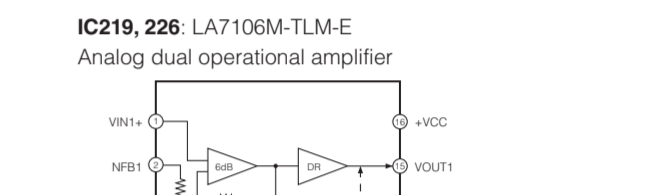
Page 155 [C10] to FUNCTION (2)\_W3500

CAPACITOR

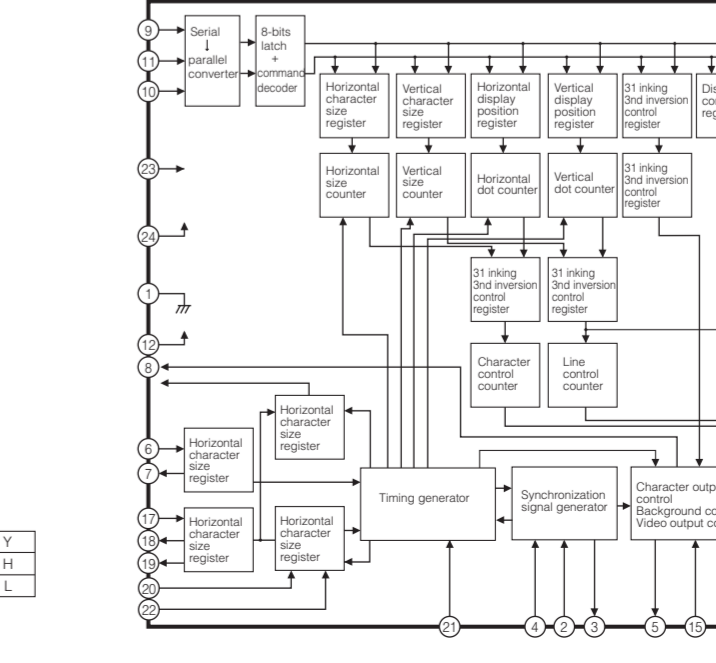
REMARKS	PARTS NAME
NO MARK	ELECTROLYTIC CAPACITOR
□	TANTALUM CAPACITOR
○	CERAMIC TUBULAR CAPACITOR
◇	POLYESTER FILM CAPACITOR
△	POLYSTYRENE FILM CAPACITOR
⊠	MICA CAPACITOR
⊕	POLYPROPYLENE FILM CAPACITOR
⊗	SEMICONDUCTIVE CERAMIC CAPACITOR
⊖	POLYPHENYLENE SULFIDE FILM CAPACITOR

Destination Part List

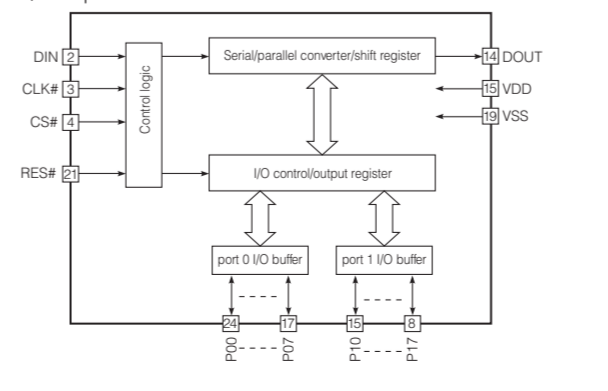
NO.	LOC.	QTY.	U.C.R.K.	T.A.B.S.L.E	REMARKS
821	CP02	1	US19510	0.1/16	
822	US905	X	RD39000	0	85/52 Detection
823	US901	0	RD39000	0	
824	US901	0	RD39012	RD39012	
825	US903	X	LA7106M-TLM-E	LA7106M-TLM-E	
826	US904	X	US90640	US90640	
827	US904	X	US90624	US90624	
828	US904	X	US90610	US90610	
829	US904	X	US90610	US90610	
830	US904	X	US90610	US90610	
831	US904	X	US90610	US90610	
832	US904	X	US90610	US90610	
833	US904	X	US90610	US90610	
834	US904	X	US90610	US90610	
835	US904	X	US90610	US90610	
836	US904	X	US90610	US90610	
837	US904	X	US90610	US90610	
838	US904	X	US90610	US90610	
839	US904	X	US90610	US90610	
840	US904	X	US90610	US90610	
841	US904	X	US90610	US90610	
842	US904	X	US90610	US90610	
843	US904	X	US90610	US90610	
844	US904	X	US90610	US90610	
845	US904	X	US90610	US90610	
846	US904	X	US90610	US90610	
847	US904	X	US90610	US90610	
848	US904	X	US90610	US90610	
849	US904	X	US90610	US90610	
850	US904	X	US90610	US90610	
851	US904	X	US90610	US90610	
852	US904	X	US90610	US90610	
853	US904	X	US90610	US90610	
854	US904	X	US90610	US90610	
855	US904	X	US90610	US90610	
856	US904	X	US90610	US90610	
857	US904	X	US90610	US90610	
858	US904	X	US90610	US90610	
859	US904	X	US90610	US90610	
860	US904	X	US90610	US90610	
861	US904	X	US90610	US90610	
862	US904	X	US90610	US90610	
863	US904	X	US90610	US90610	
864	US904	X	US90610	US90610	



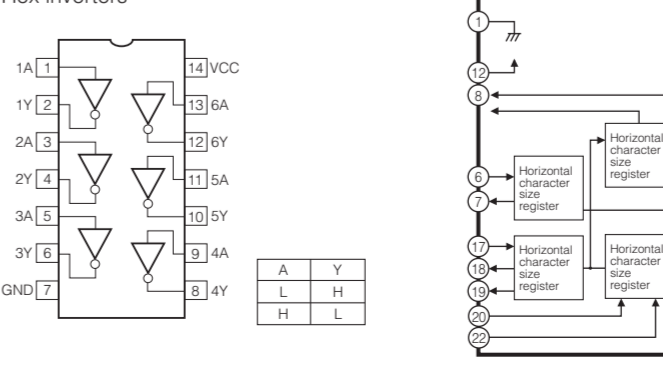
IC224: LC74782JM-BA16-TLM The on-screen display controller LSI



IC222: LC70904A-TLM-E I/O-expander for microcontroller

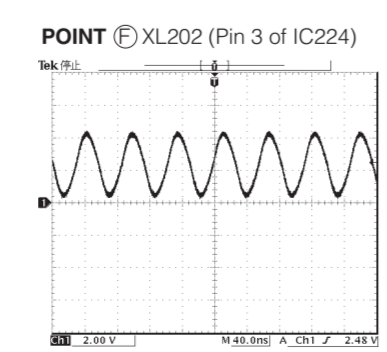


IC223: TC74VHC04FT Hex inverters



★ All voltages are measured with a 10MΩ/V DC electronic voltmeter.  
★ Components having special characteristics are marked '!' and must be replaced with parts having specifications equal to those originally installed.  
★ Schematic diagram is subject to change without notice.

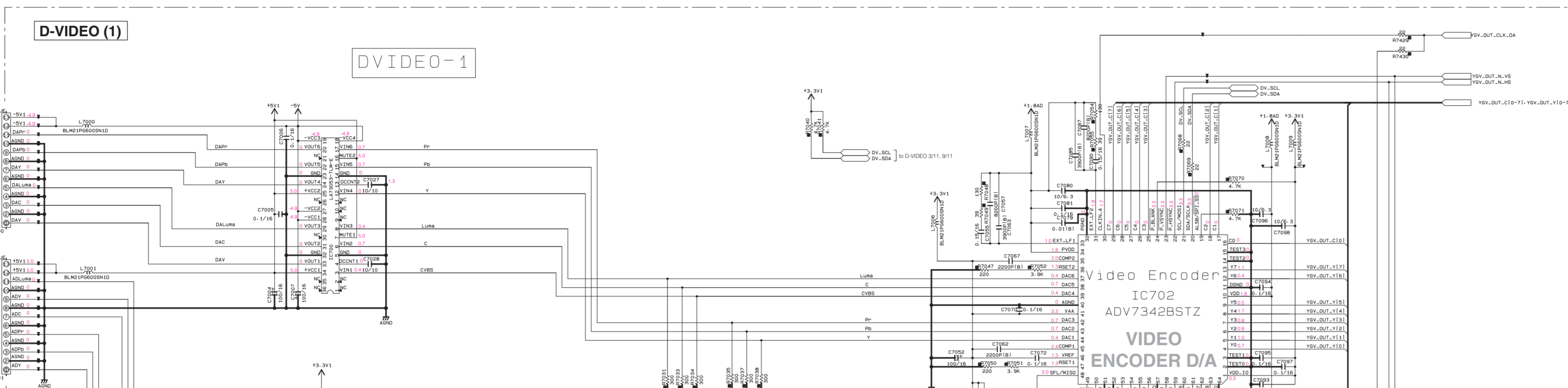
● 電圧は、内部抵抗10MΩの電圧計で測定したものです。  
● !印のある部品は、安全性確保部品を示しています。部品の交換が必要な場合、パーツリストに記載されている部品を使用してください。  
● 本回路図は標準回路図です。改良のため予告なく変更することがございます。



NO.	LOC.	QTY.	U.C.R.K.	T.A.B.S.L.E	REMARKS
865	VSS1	1	VSS1	24	VDD1
866	X0A0N	2	23	RST	
867	X0A0OUT	5	23	CTRL3	
868	CTAL1	4	21	CTRL2	
869	BLANK	5	20	SEPN	
870	OSCIN	6	19	SEPOUT	
871	OSCOUT	7	18	SEPC	
872	CHARA	8	17	SYNIN	
873	CS	9	16	VDD1	
874	SCLK	10	15	CVN	
875	SIN	11	14	NC	
876	VDD2	12	13	CVOUT	



D-VIDEO 1/11



Page 159 [G2] to A-VIDEO\_CB202

Page 159 [F2] to A-VIDEO\_CB201

Page 159 [E2] to A-VIDEO\_CB200

Page 159 [D2] to A-VIDEO\_CB199

Page 159 [C2] to A-VIDEO\_CB198

Page 159 [B2] to A-VIDEO\_CB197

Page 159 [A2] to A-VIDEO\_CB196

Page 159 [Z2] to A-VIDEO\_CB195

Page 159 [Y2] to A-VIDEO\_CB194

Interchangeable Parts at Manufacturer's Stage

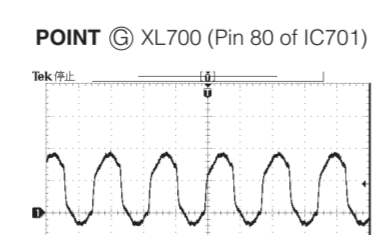
Mark	Reference Number	Parts Name
K1	01001-1004-1006-1008	100305
	7064-7077-7079-7080	MA01100L
	7307-7308-7307	K03160-RTV-P
	7307-7308-7018	7307-7308-7018
K2	IC104-L25	K4021830N-UC7000
	W1200L1	M12L128168A-7T5
K3	15000	W1200L1
	8550-8599-U7-F	

RESISTOR

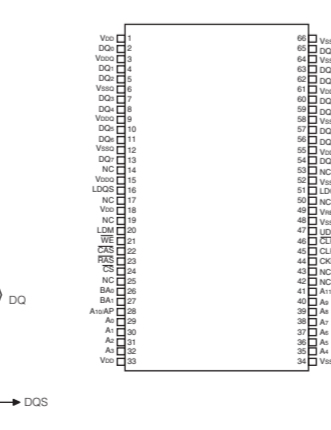
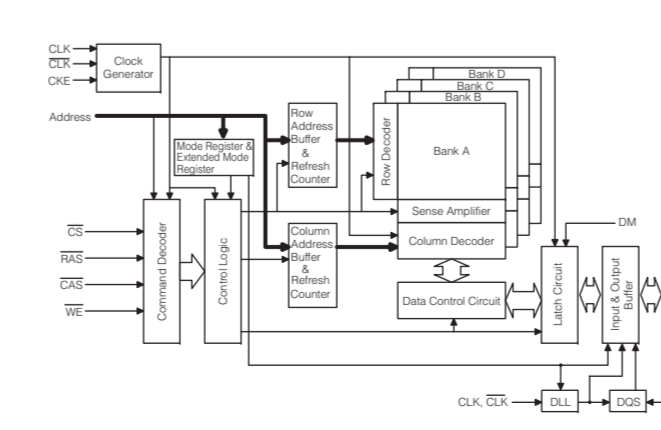
MARK	REFERENCE NUMBER	PARTS NAME
NO MARK	CARBON FILM RESISTOR (P=5)	
Δ	CARBON FILM RESISTOR (P=10)	
□	METAL OXIDE FILM RESISTOR	
◇	METAL FILM RESISTOR	
■	METAL PLATE RESISTOR	
○	FINE PITCH CARBON FILM RESISTOR	
□	CEMENT MOLDED RESISTOR	
◇	SEMI VARIABLE RESISTOR	
■	CHIP RESISTOR	

NOTICE (model)

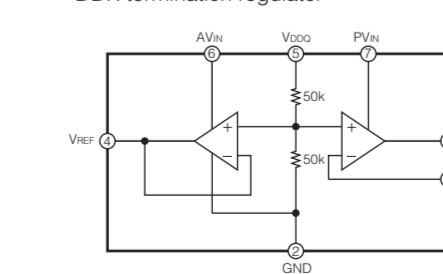
(J) JAPAN  
 (U) U.S.A.  
 (C) CANADA  
 (R) GENERAL  
 (T) CHINA  
 (K) KOREA  
 (A) AUSTRALIA  
 (B) BRITISH  
 (G) EUROPE  
 (L) SINGAPORE  
 (E) SOUTH EUROPE  
 (V) TAIWAN  
 (F) RUSSIAN



IC703: M13S128168A-6TG  
 2 M x 16-bit x 4 banks double data rate SDRAM

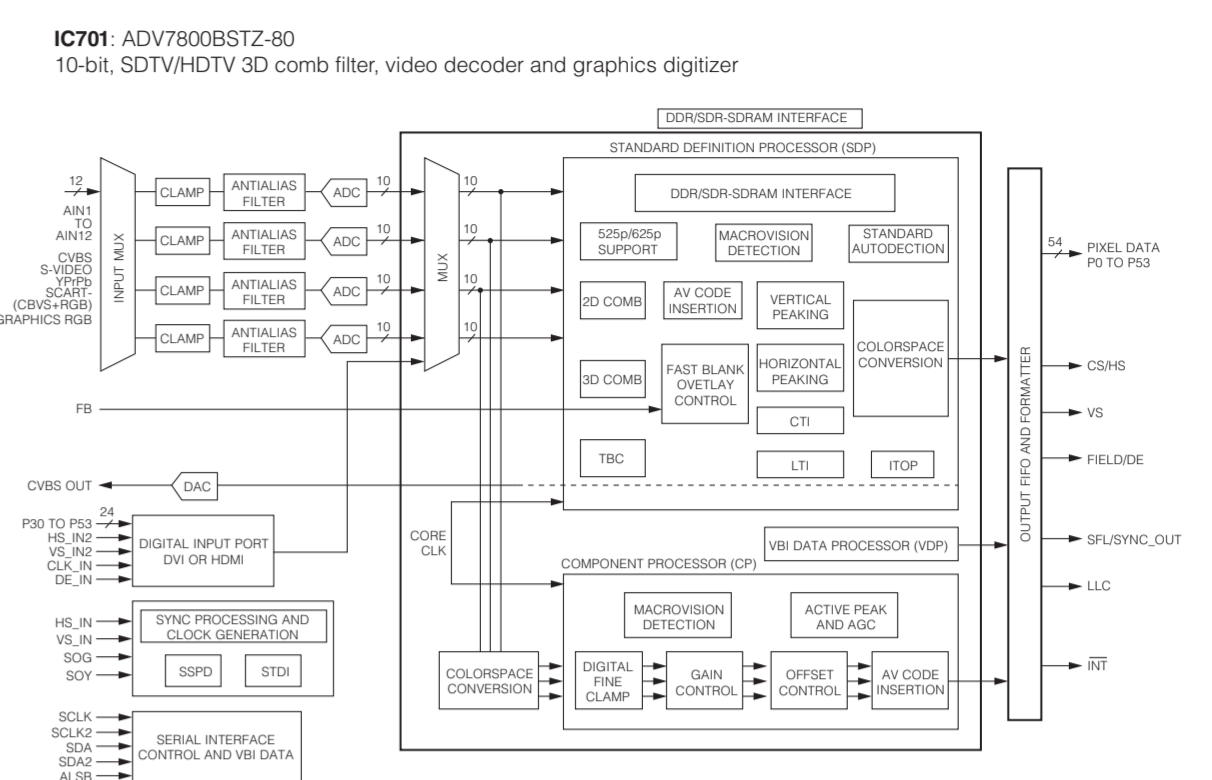


IC706: LP2955MX  
 DDR termination regulator

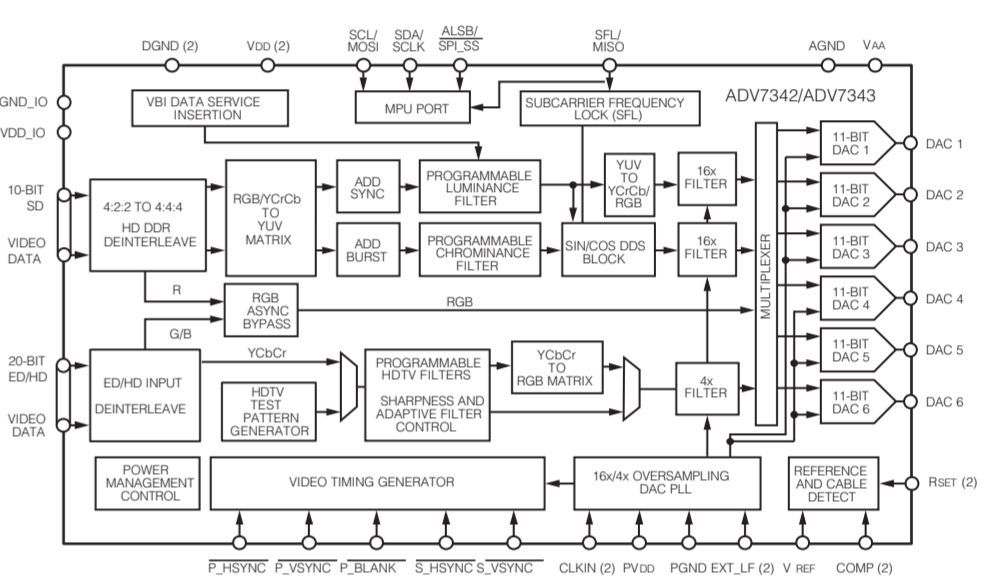


\* All voltages are measured with a 10MΩ/V DC electronic voltmeter.  
 \* Components having special characteristics are marked with a triangle and must be replaced with parts having specifications equal to those originally installed.  
 \* Schematic diagram is subject to change without notice.

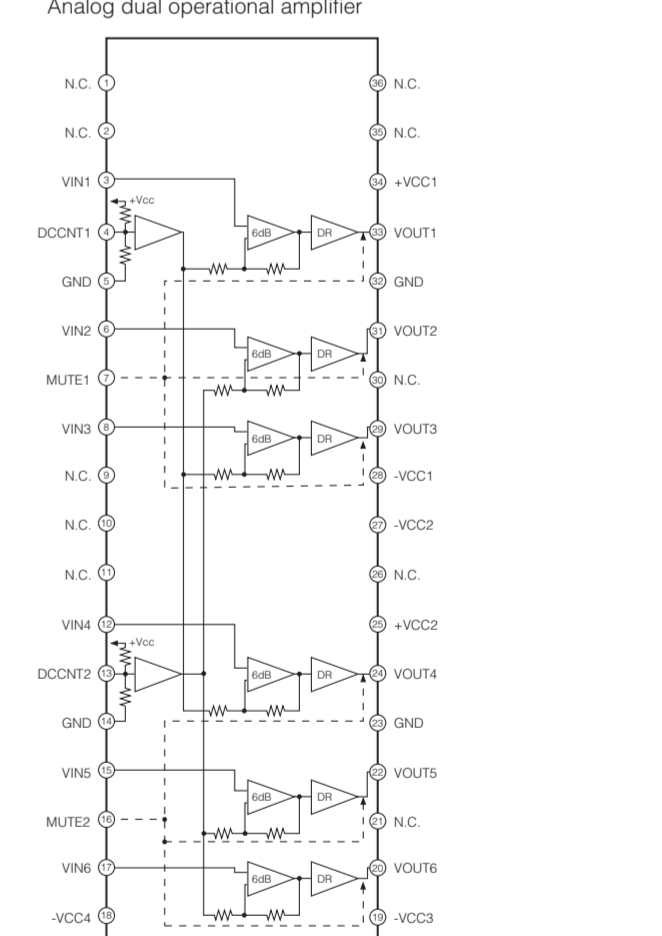
●電圧は、内部抵抗10MΩの電圧計で測定したものです。  
 ●△印のある部品は、安全性確保部品を示しています。部品の交換が必要な場合、パーツリストに記載されている部品を使用してください。  
 ●本回路図は標準回路図です。改良のため予告なく変更することがございます。



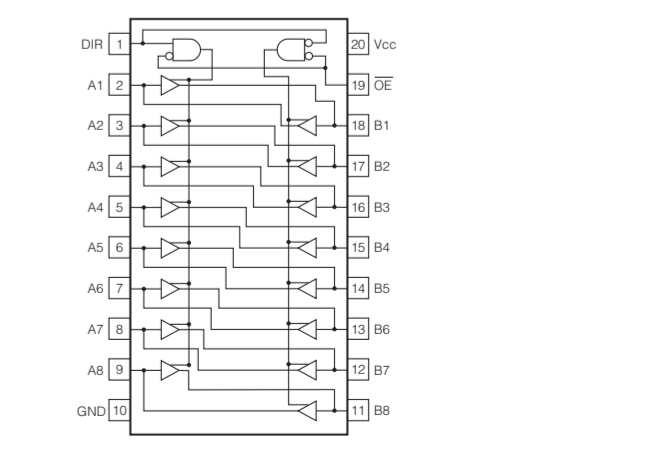
IC702: ADV7342BSTZ  
 Multifunction video encoder



IC700: LA73053-TLM-E  
 Analog dual operational amplifier

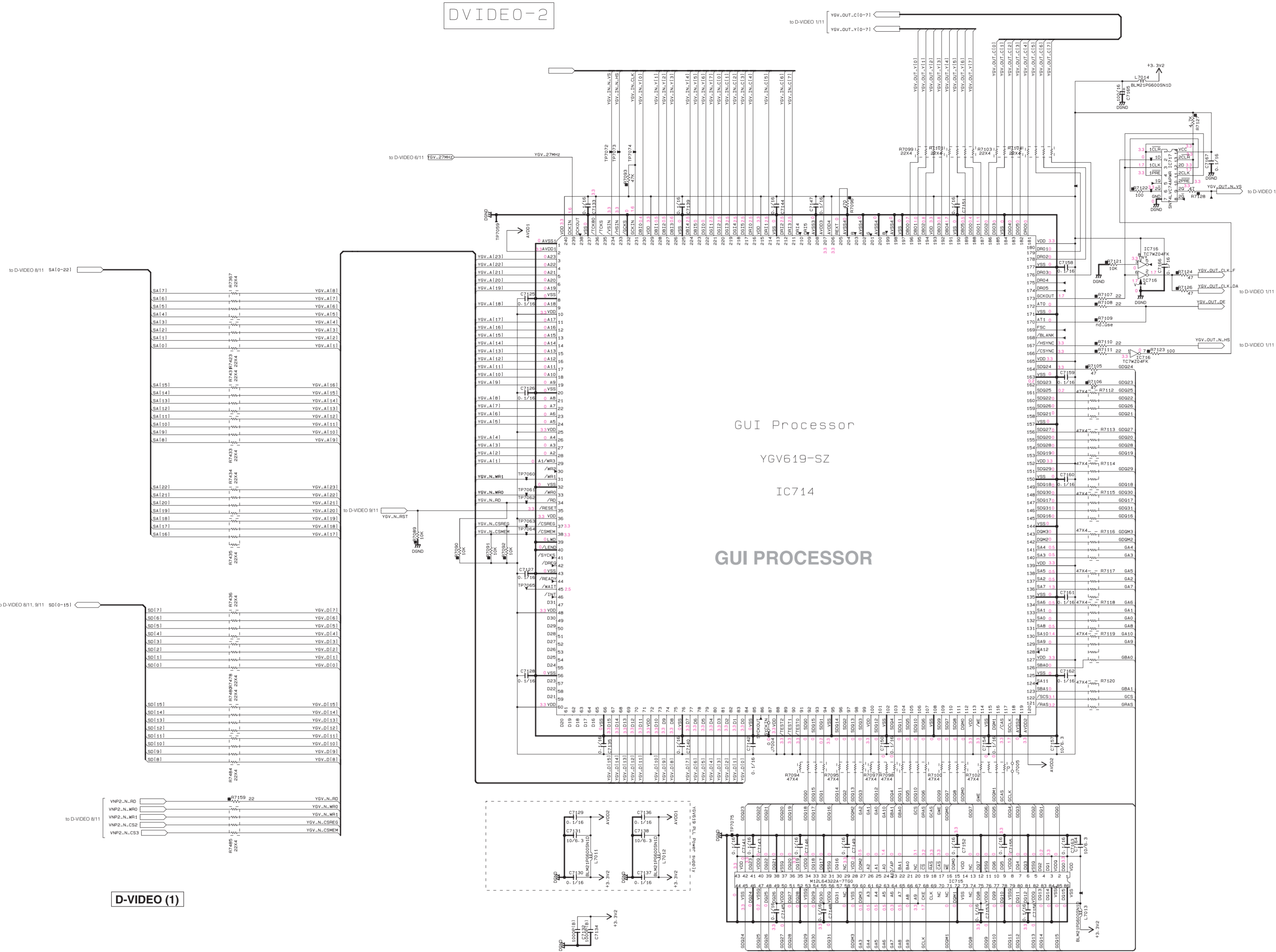


IC704, 705, 707: SN74LV245APWR  
 Octal bus transceivers with 3-state outputs



D-VIDEO 2/11

DVIDEO-2



GUI Processor  
YGV619-SZ  
IC714

GUI PROCESSOR

64 Mbit SDRAM

REMARKS	PARTS NAME
NO MARK	CARBON FILM RESISTOR [P=5]
□	CARBON FILM RESISTOR [P=10]
△	METAL OXIDE FILM RESISTOR
▲	METAL FILM RESISTOR
⊠	METAL PLATE RESISTOR
⊞	FIRE PROOF CARBON FILM RESISTOR
■	CEMENT MOLDED RESISTOR
⊙	SEMI VARIABLE RESISTOR
■	CHIP RESISTOR

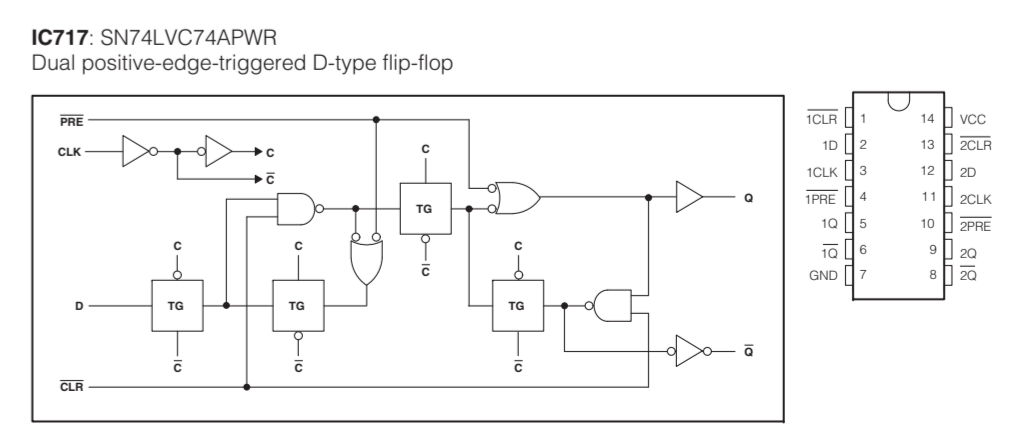
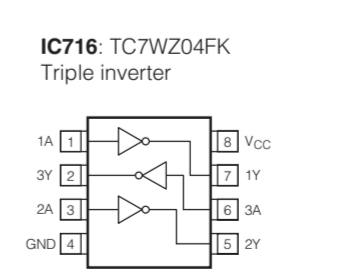
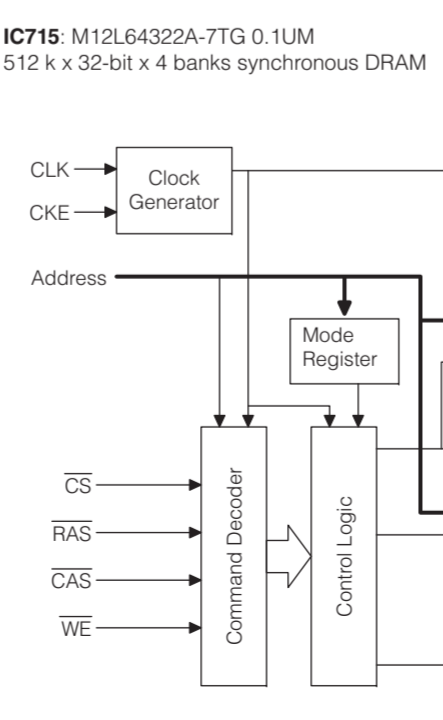
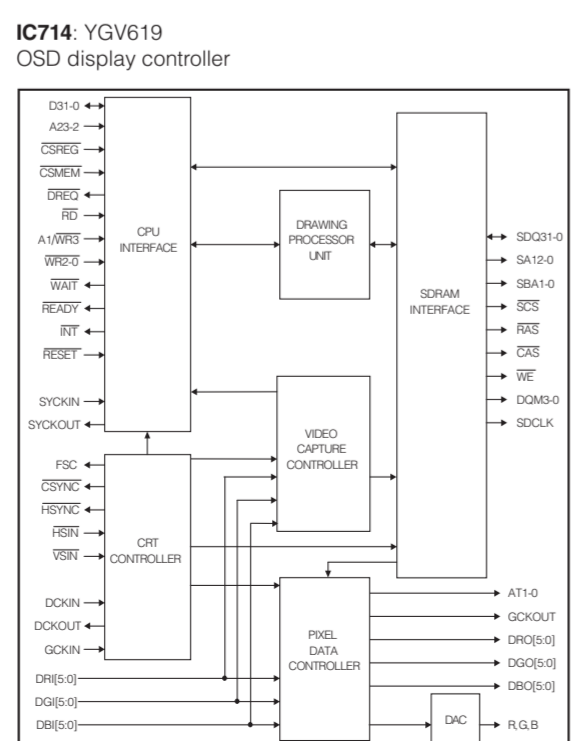
REMARKS	PARTS NAME
NO MARK	ELECTROLYTIC CAPACITOR
⊙	TANTALUM CAPACITOR
NO MARK	CERAMIC CAPACITOR
⊙	CERAMIC TUBULAR CAPACITOR
⊙	POLYESTER FILM CAPACITOR
⊙	POLYSTYRENE FILM CAPACITOR
⊙	MICA CAPACITOR
⊙	POLYPROPYLENE FILM CAPACITOR
⊙	SEMICONDUCTIVE CERAMIC CAPACITOR

NOTICE (model)

(J)..... JAPAN  
(U)..... U.S.A  
(C)..... CANADA  
(R)..... GENERAL  
(K)..... CHINA  
(T)..... KOREA  
(A)..... AUSTRALIA  
(B)..... BRITISH  
(G)..... EUROPE  
(L)..... SINGAPORE  
(E)..... SOUTH EUROPE  
(V)..... TAIWAN  
(F)..... RUSSIAN

D-VIDEO (1)

- ★ All voltages are measured with a 10MΩV DC electronic voltmeter.
- ★ Components having special characteristics are marked 1, and must be replaced with parts having specifications equal to those originally installed.
- ★ Schematic diagram is subject to change without notice.
- 電圧は、内部抵抗10MΩの電圧計で測定したものです。
- 1印のある部品は、安全性確保部品を示しています。部品の交換が必要な場合、パーツリストに記載されている部品を使用してください。
- 本回路図は標準回路図です。改良のため予告なく変更することがございます。



D-VIDEO 3/11

DVIDEO-3

No replacement part available. サービス部品供給なし

REMARKS	NO MARK	PARTS NAME	QTY
		CARBON FILM RESISTOR (P=5)	
		CARBON FILM RESISTOR (P=10)	
		METAL OXIDE FILM RESISTOR	
		METAL FILM RESISTOR	
		METAL PLATE RESISTOR	
		FIRE-PROOF CARBON FILM RESISTOR	
		CEMENT MOLDED RESISTOR	
		SEMI-VARIABLE RESISTOR	
		CHIP RESISTOR	

REMARKS	NO MARK	PARTS NAME	QTY
		ELECTROLYTIC CAPACITOR	
		TANTALUM CAPACITOR	
		CERAMIC CAPACITOR	
		CERAMIC TUBULAR CAPACITOR	
		POLYESTER FILM CAPACITOR	
		POLYSTYRENE FILM CAPACITOR	
		MICA CAPACITOR	
		POLYPROPYLENE FILM CAPACITOR	
		SEMICONDUCTIVE CERAMIC CAPACITOR	

NOTICE (mode)

(J)..... JAPAN  
 (U)..... U.S.A  
 (C)..... CANADA  
 (R)..... GENERAL  
 (T)..... CHINA  
 (K)..... KOREA  
 (A)..... AUSTRALIA  
 (B)..... BRITISH  
 (G)..... EUROPE  
 (L)..... SINGAPORE  
 (E)..... SOUTH EUROPE  
 (V)..... TAIWAN  
 (F)..... RUSSIAN

**VIDEO PROCESSOR**  
 No replacement part available.  
 サービス部品供給なし

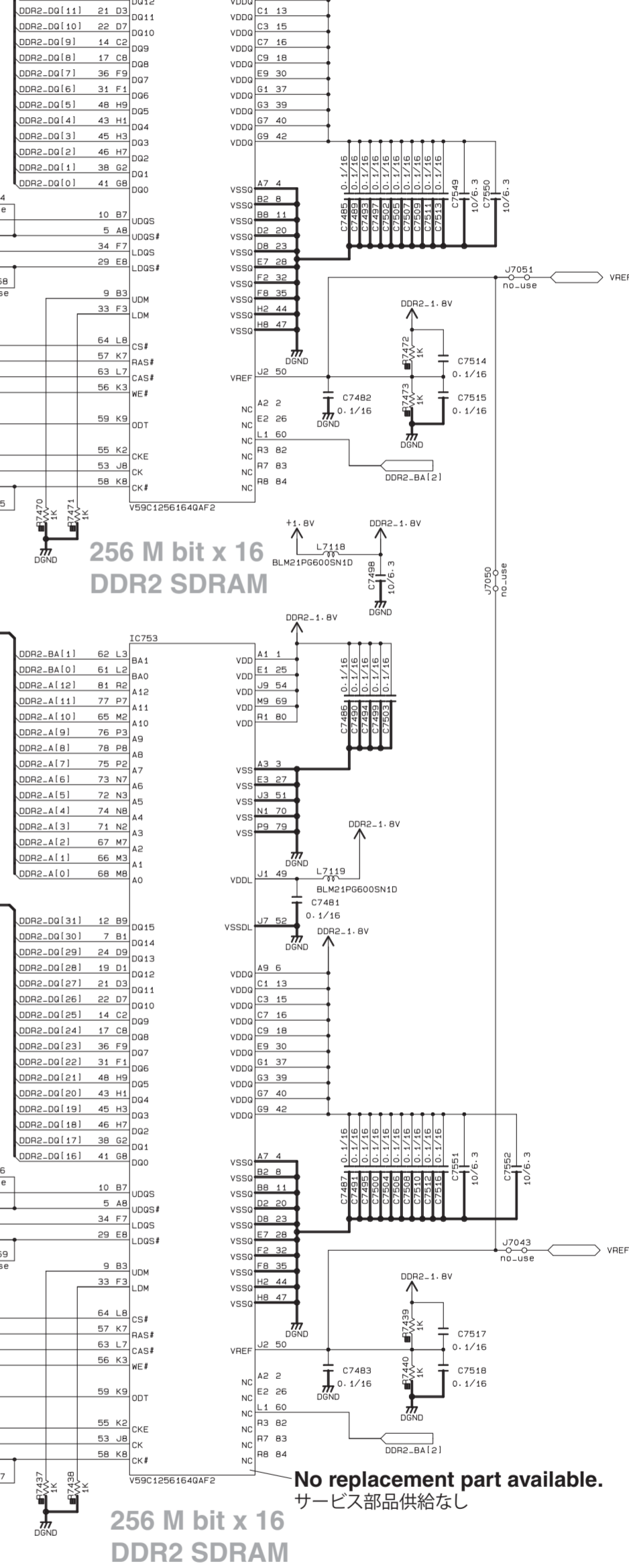
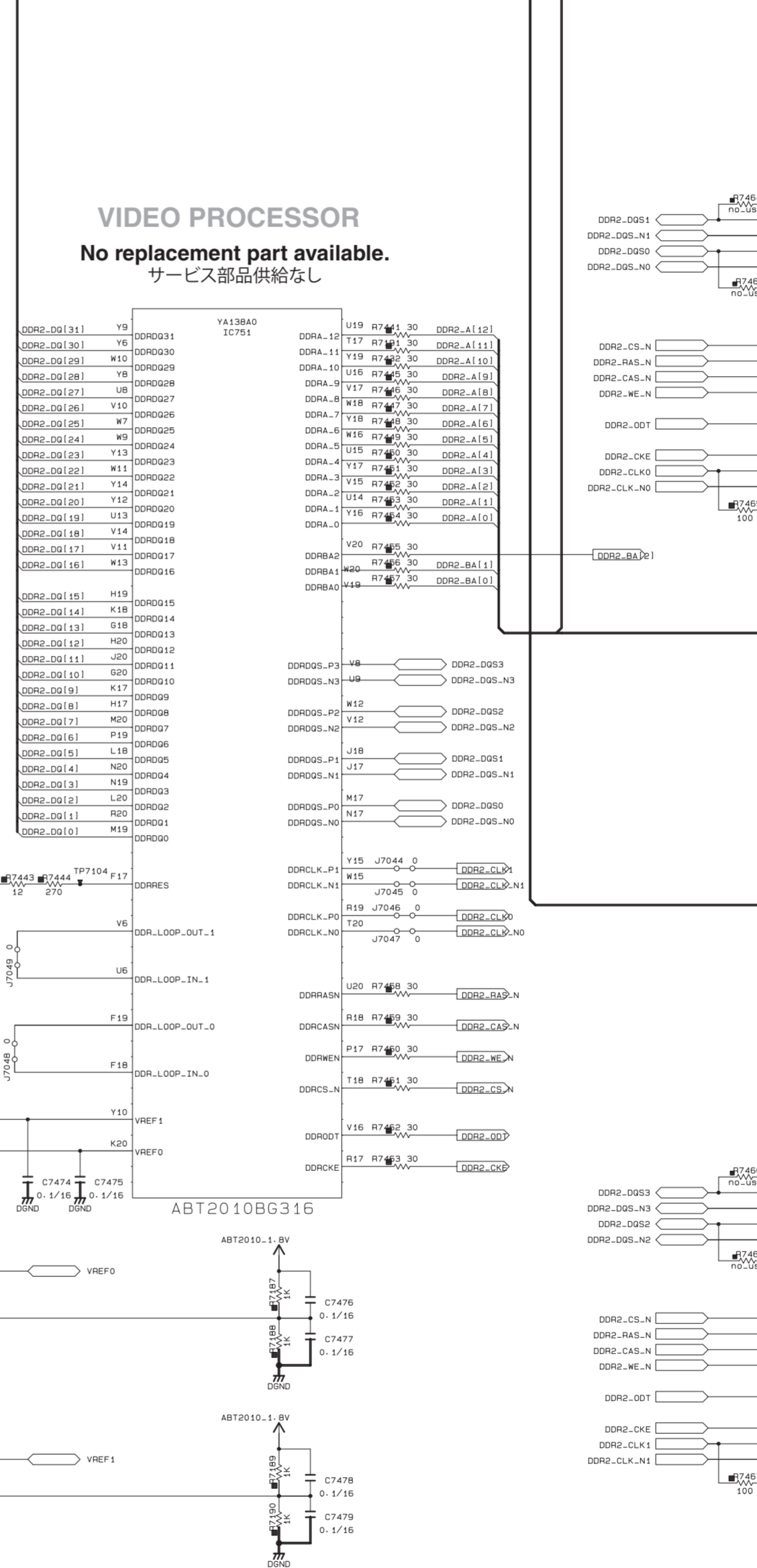
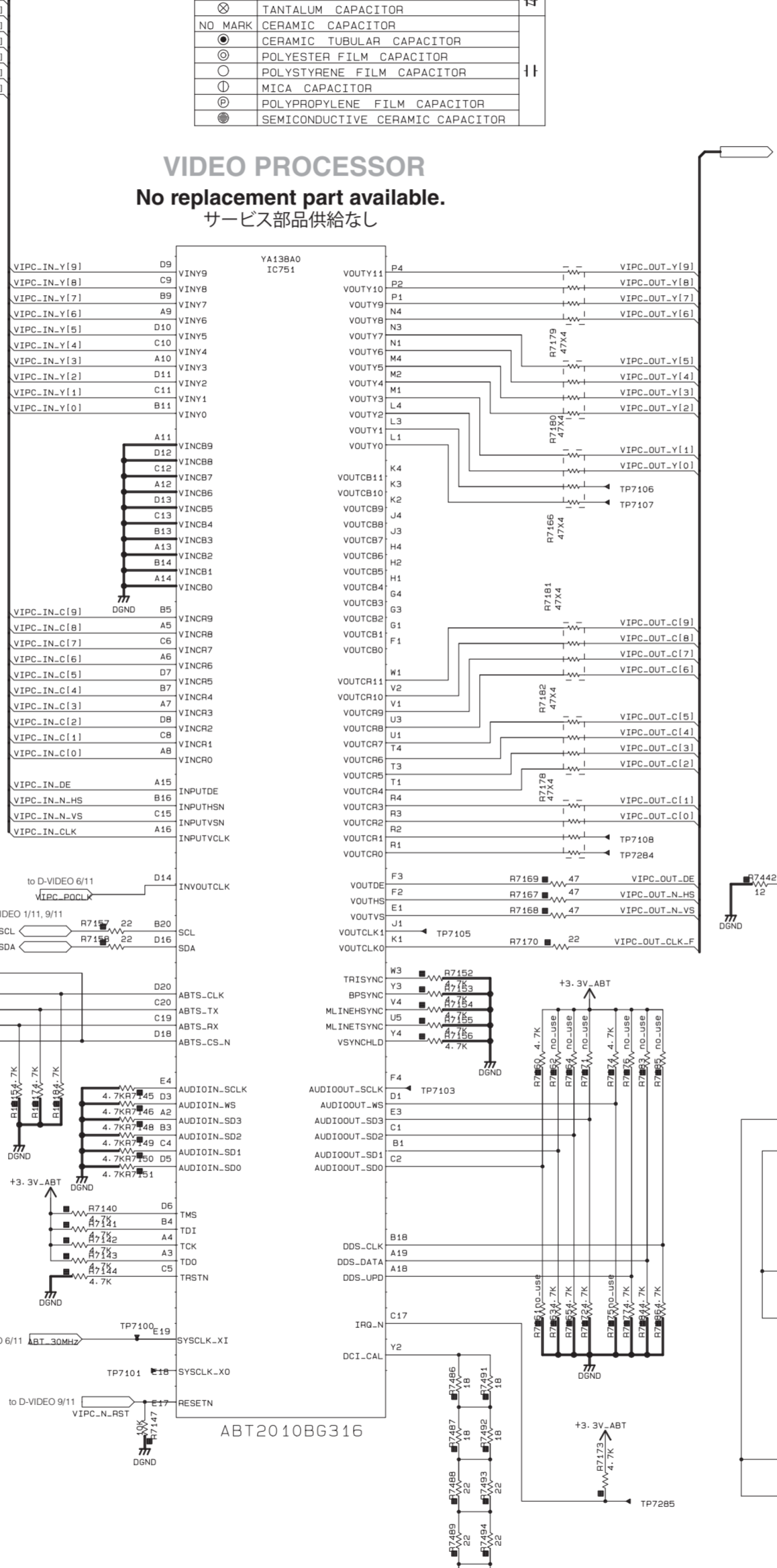
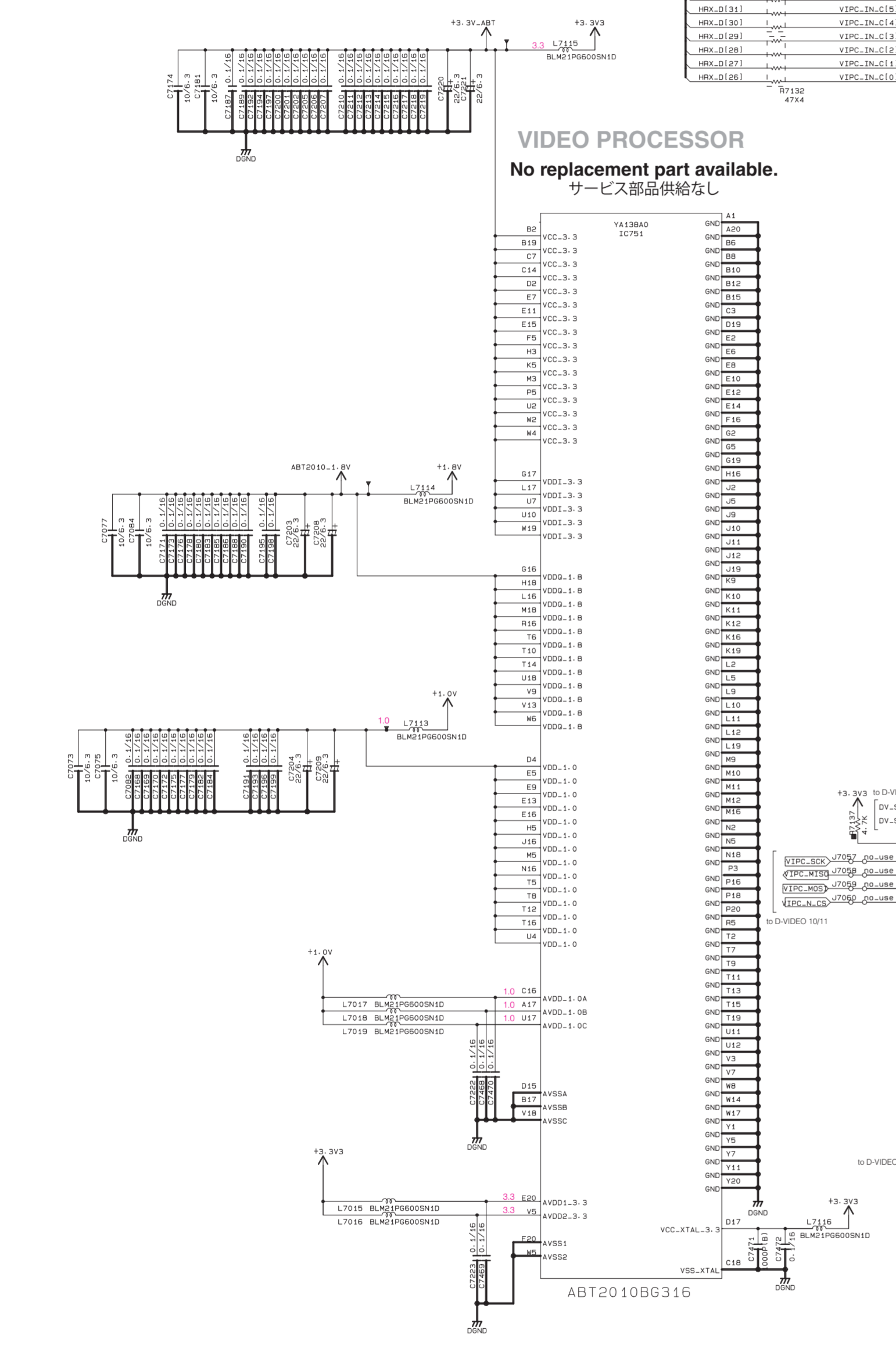
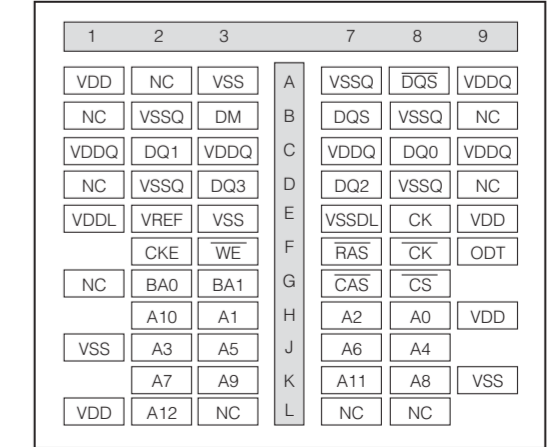
**VIDEO PROCESSOR**  
 No replacement part available.  
 サービス部品供給なし

**VIDEO PROCESSOR**  
 No replacement part available.  
 サービス部品供給なし

**256 M bit x 16 DDR2 SDRAM**

**256 M bit x 16 DDR2 SDRAM**

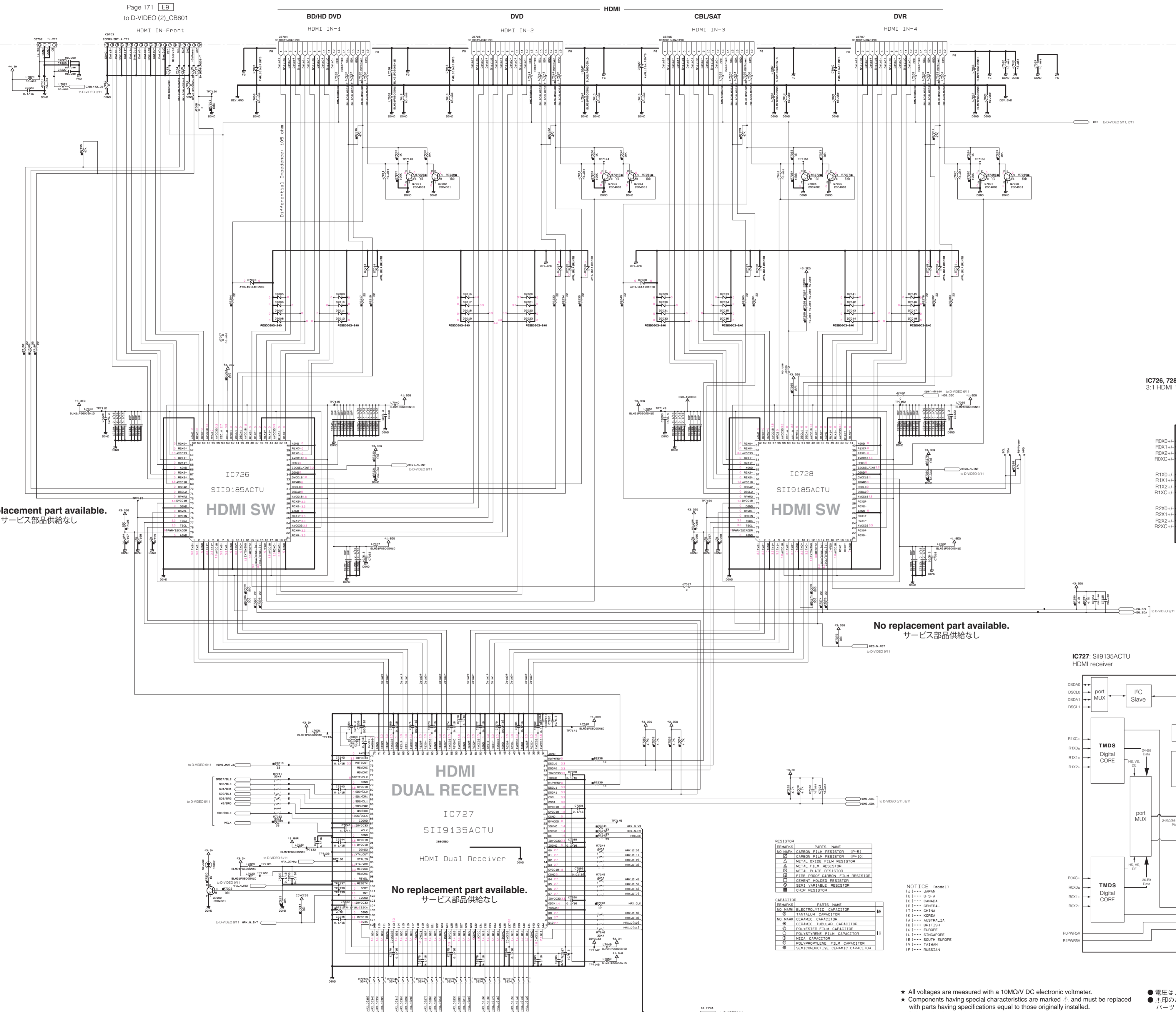
IC752, 753: V59C1256164QAF2  
 256 M-bit DDR2 SDRAM



\* All voltages are measured with a 10MΩ/V DC electronic voltmeter.  
 \* Components having special characteristics are marked !, and must be replaced with parts having specifications equal to those originally installed.  
 \* Schematic diagram is subject to change without notice.

● 電圧は、内部抵抗10MΩの電圧計で測定したものです。  
 ● !印のある部品は、安全性確保部品を示しています。部品の交換が必要な場合、パーツリストに記載されている部品を使用してください。  
 ● 本回路図は標準回路図です。改良のため予告なく変更することがございます。

D-VIDEO (1)



No replacement part available.  
サービス部品供給なし

No replacement part available.  
サービス部品供給なし

HDMI  
DUAL RECEIVER

IC727  
SI19135ACTU  
HDMI Dual Receiver

No replacement part available.  
サービス部品供給なし

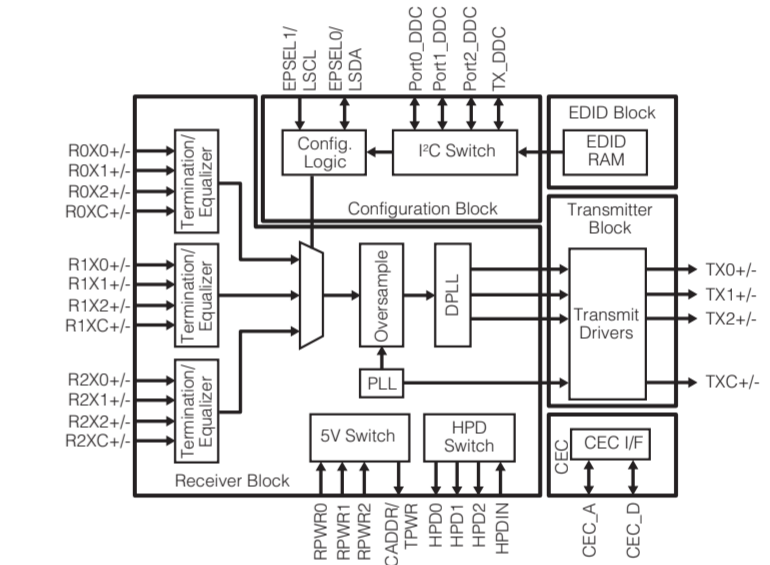
REMARKS	PARTS NAME	VALUE
NO MARK	CARBON FILM RESISTOR (E-5)	
◎	CARBON FILM RESISTOR (E-3)	
○	METAL OXIDE FILM RESISTOR	
□	METAL FILM RESISTOR	
◇	METAL IN-LAY RESISTOR	
△	FILM PROOF CARBON FILM RESISTOR	
■	CEMENT RESISTOR	
□	SEMI VARIABLE RESISTOR	
■	CHIP RESISTOR	

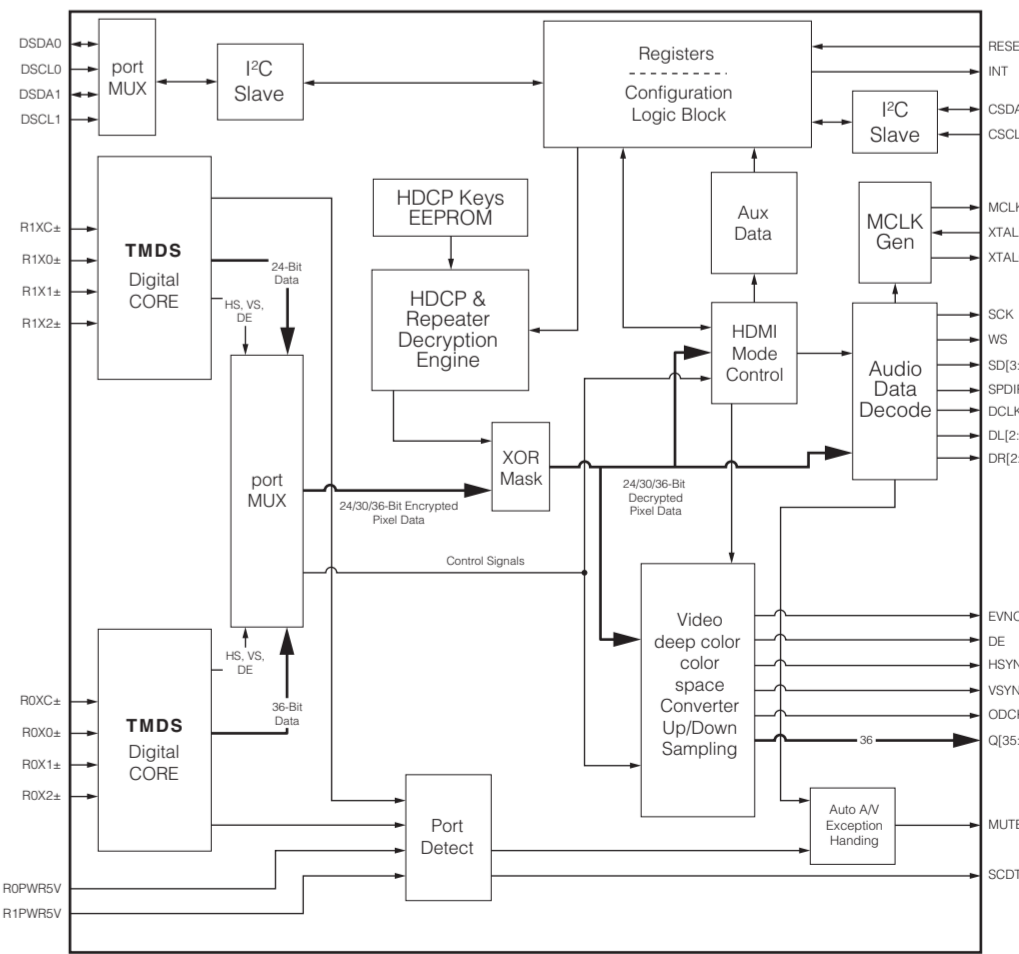
REMARKS	PARTS NAME	VALUE
NO MARK	SELECTOR TPC CAPACITOR	
◎	TANTALUM CAPACITOR	
○	CERAMIC CAPACITOR	
◇	CERAMIC TUBULAR CAPACITOR	
□	POLYESTER FILM CAPACITOR	
△	POLYETHYLENE FILM CAPACITOR	
■	SEMICONDUCTIVE CERAMIC CAPACITOR	

NOTICE (a0001)  
 (U) JAPAN  
 (C) U.S.A.  
 (I) CANADA  
 (E) GENERAL  
 (T) CHINA  
 (K) KOREA  
 (A) AUSTRALIA  
 (B) BRITISH  
 (EU) EUROPE  
 (L) SINGAPORE  
 (E) SOUTH EUROPE  
 (V) TAIWAN  
 (F) RUSSIAN

IC726, 728: SI19185ACTU  
3.1 HDMI 1.3 switch



IC727: SI19135ACTU  
HDMI receiver



★ All voltages are measured with a 10MQ/V DC electronic voltmeter.  
 ★ Components having special characteristics are marked with a triangle (▲), and must be replaced with parts having specifications equal to those originally installed.  
 ★ Schematic diagram is subject to change without notice.

● 電圧は、内部抵抗10MQの電圧計で測定したものです。  
 ● ▲印のある部品は、安全性確保部品を示しています。部品の交換が必要な場合、パーツリストに記載されている部品を使用してください。  
 ● 本回路図は標準回路図です。改良のため予告なく変更することがございます。

D-VIDEO 5/11

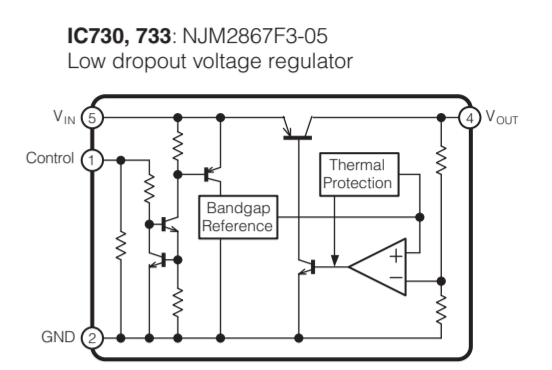
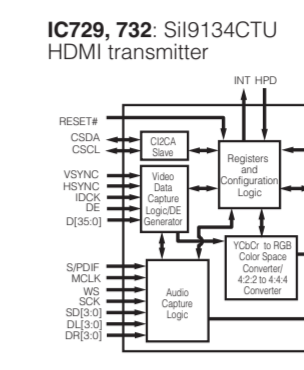
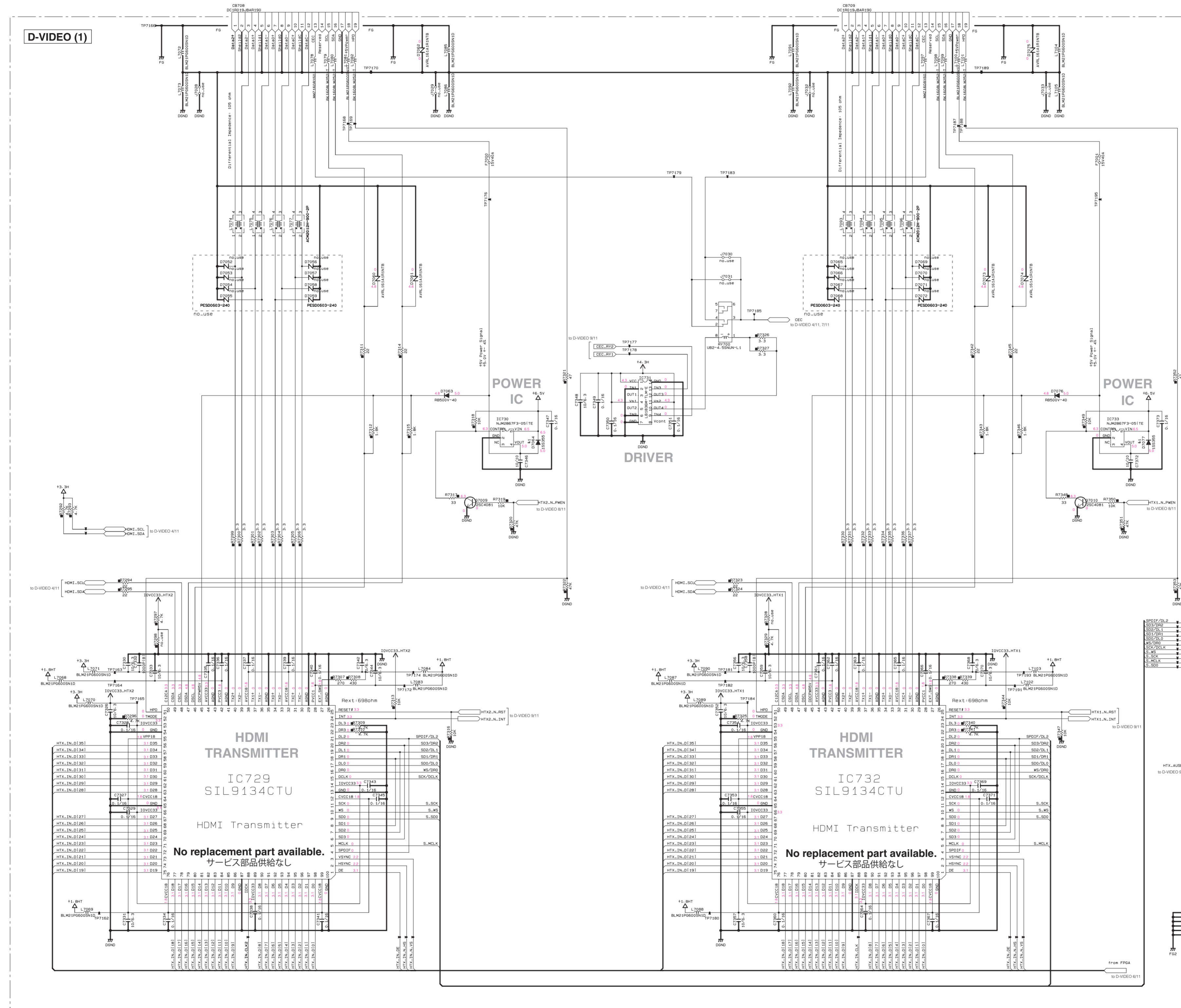
DVIDEO-5

HDMI OUT1

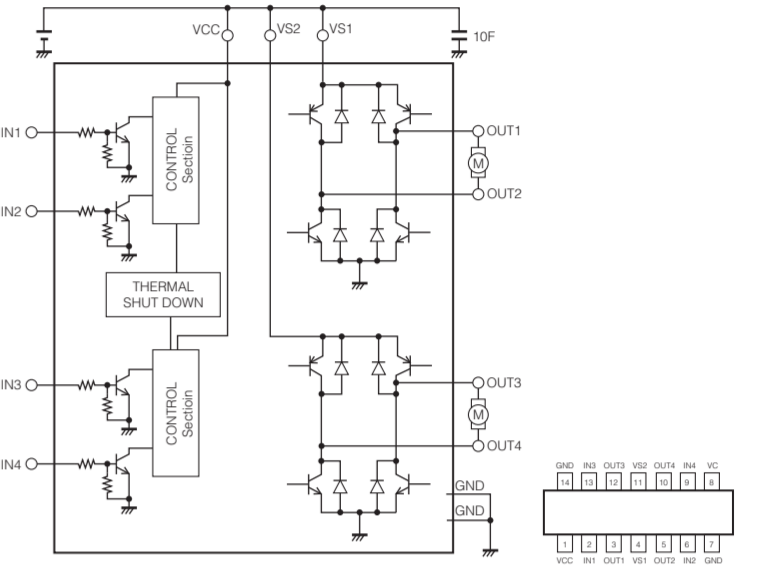
HDMI

HDMI OUT2

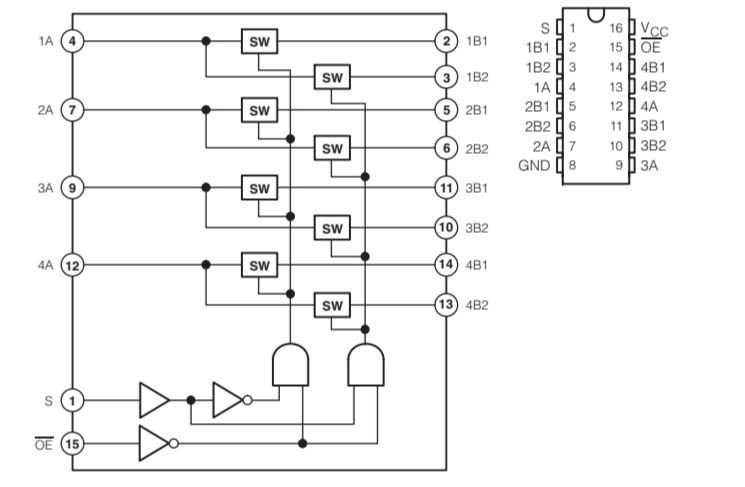
D-VIDEO (1)



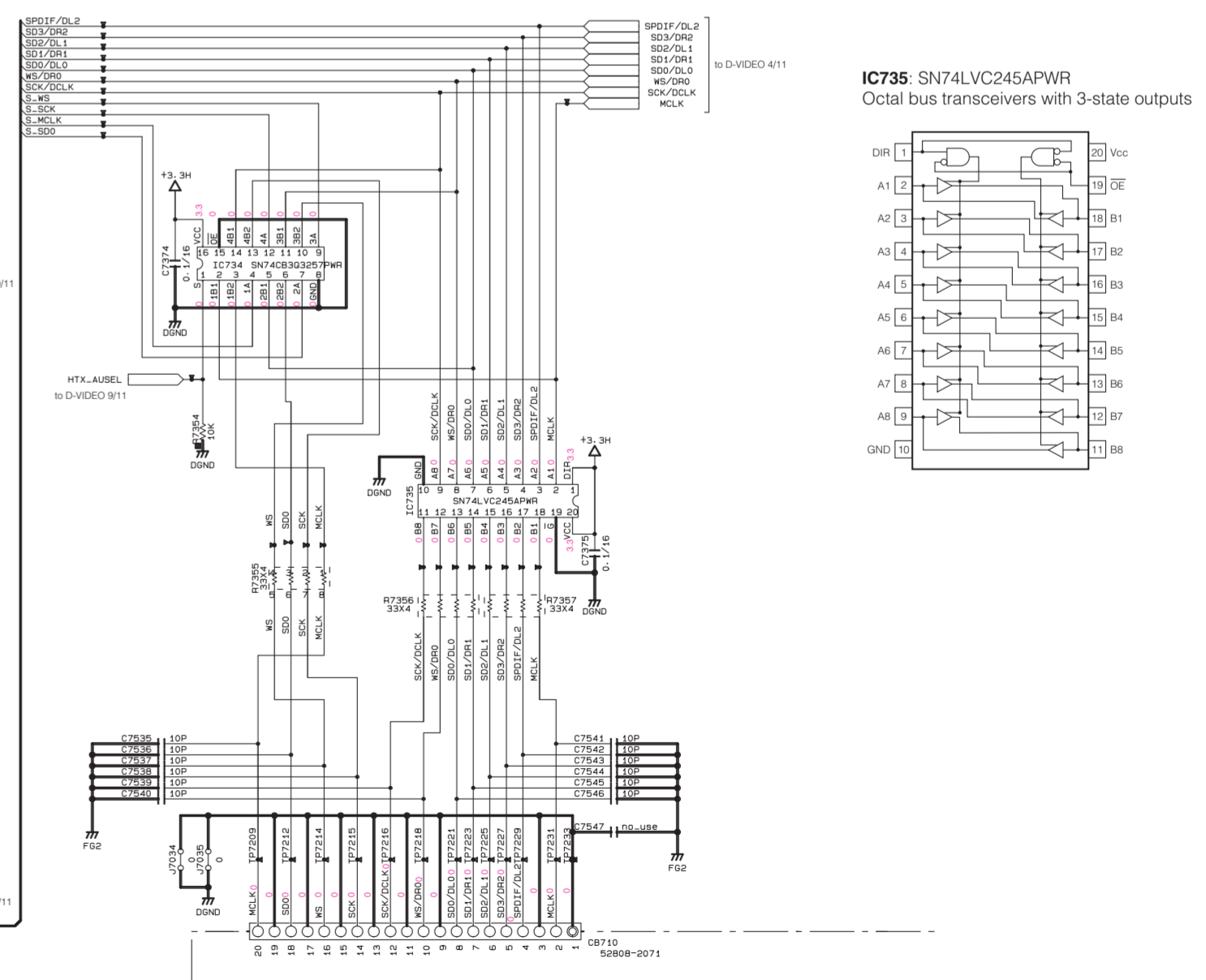
IC731: LB1836M-TLM-E Motor driver IC



IC734: SN74CB3Q3257PWR Low voltage high-bandwidth bus switch



IC735: SN74LVC245APWR Octal bus transceivers with 3-state outputs



REMARKS	PARTS NAME	REMARKS	PARTS NAME
NO MARK	CARBON FILM RESISTOR (P-S)	NO MARK	ELECTROLYTIC CAPACITOR
△	CARBON FILM RESISTOR (P-10)	NO MARK	TANTALUM CAPACITOR
□	METAL OXIDE FILM RESISTOR	NO MARK	CERAMIC CAPACITOR
○	METAL FILM RESISTOR	○	CERAMIC TUBULAR CAPACITOR
□	METAL PLATE RESISTOR	○	POLYESTER FILM CAPACITOR
□	FIRE PROOF CARBON FILM RESISTOR	○	POLYESTER FILM CAPACITOR
□	CEMENT MOLDED RESISTOR	○	MICA CAPACITOR
□	SEMI VARIABLE RESISTOR	○	POLYPROPYLENE FILM CAPACITOR
□	CHIP RESISTOR	○	SEMICONDUCTIVE CERAMIC CAPACITOR

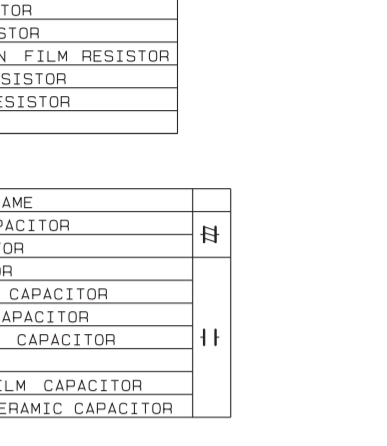
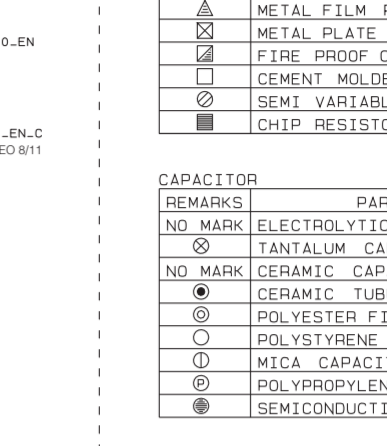
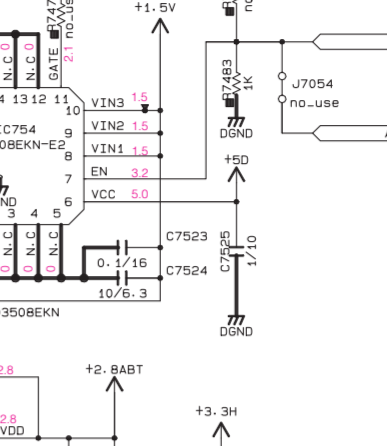
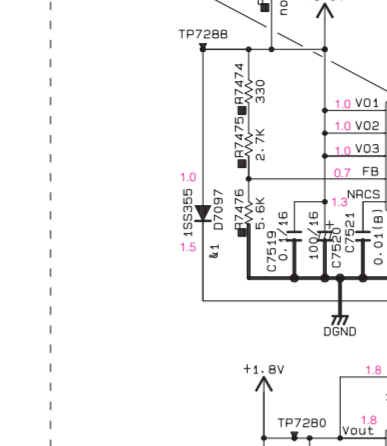
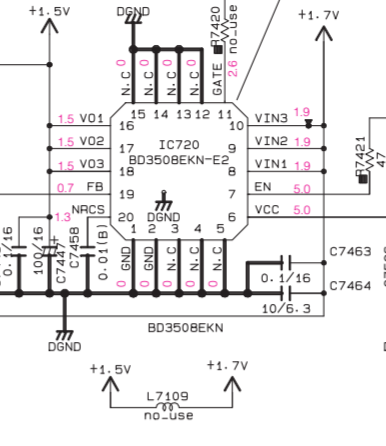
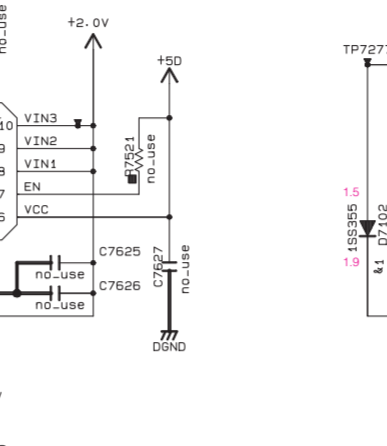
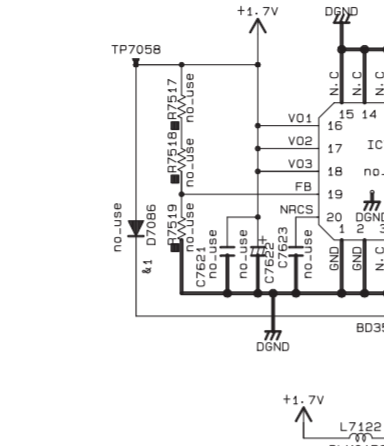
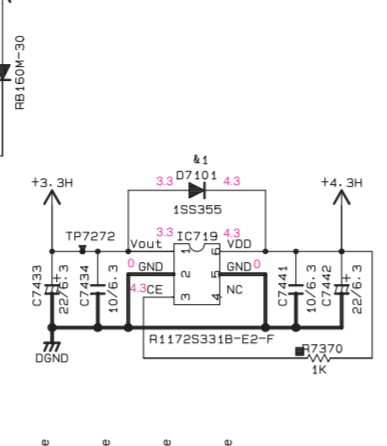
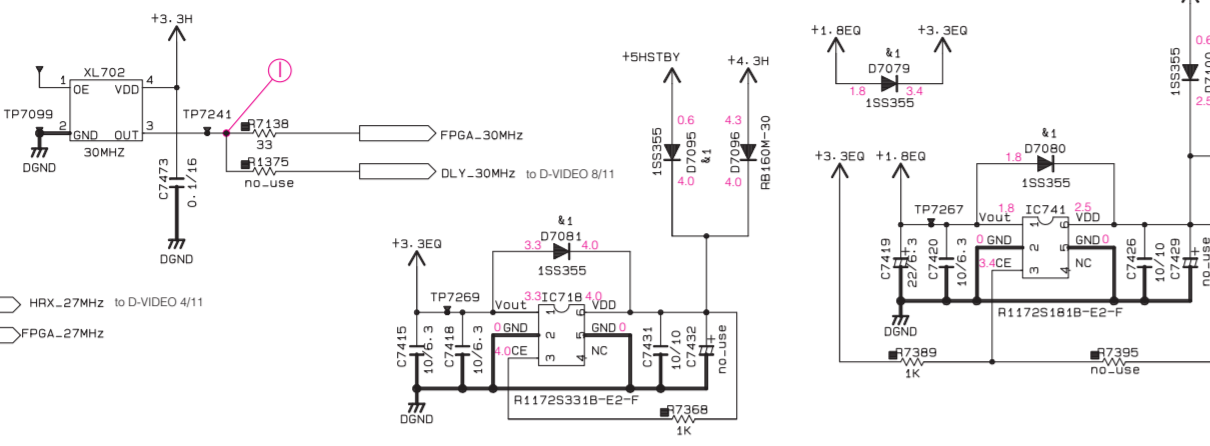
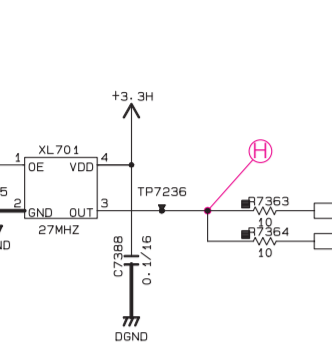
NOTICE [mode1]  
 (J)..... JAPAN  
 (U)..... U.S.A  
 (C)..... CANADA  
 (R)..... GENERAL  
 (T)..... CHINA  
 (K)..... KOREA  
 (A)..... AUSTRALIA  
 (B)..... BRITISH  
 (G)..... EUROPE  
 (S)..... SINGAPORE  
 (E)..... SOUTH EUROPE  
 (V)..... TAIWAN  
 (F)..... RUSSIAN

★ All voltages are measured with a 10M $\Omega$  DC electronic voltmeter.  
 ★ Components having special characteristics are marked !, and must be replaced with parts having specifications equal to those originally installed.  
 ★ Schematic diagram is subject to change without notice.

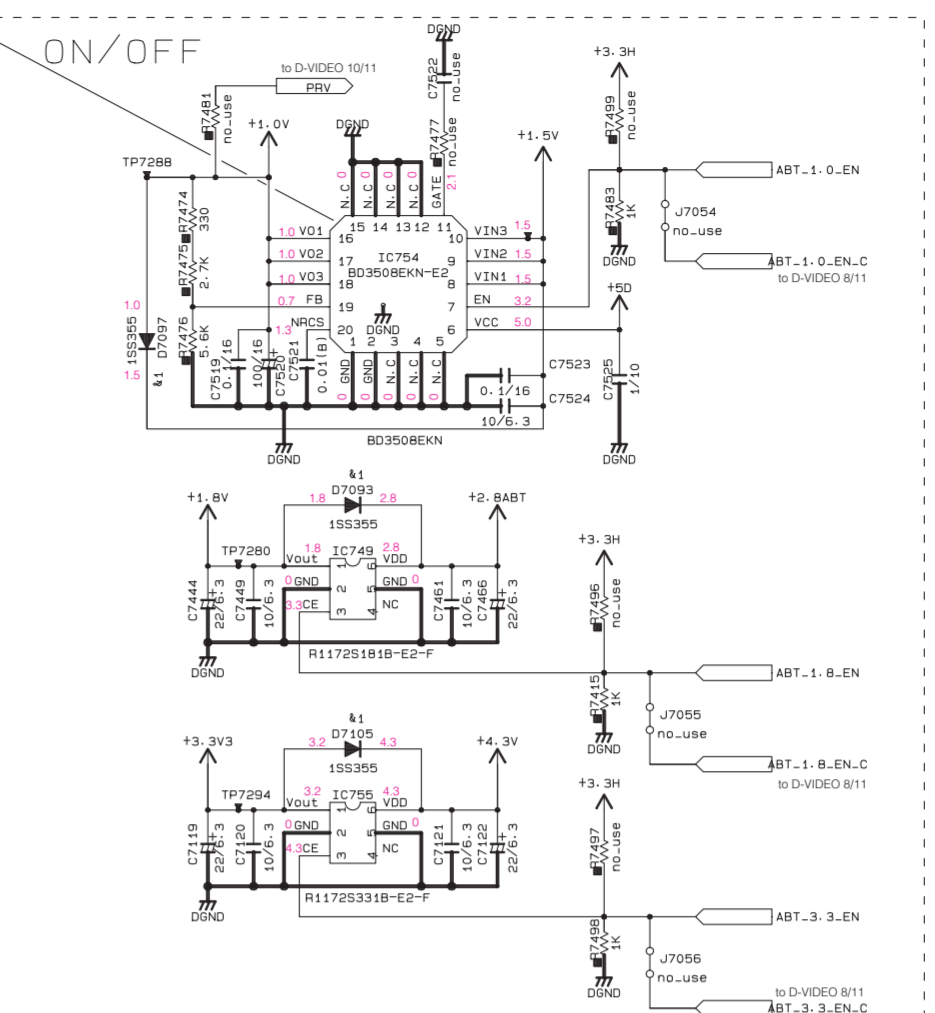
● 電圧は、内部抵抗10M $\Omega$ の電圧計で測定したものです。  
 ● !印のある部品は、安全性確保部品を示しています。部品の交換が必要な場合、パーツリストに記載されている部品を使用してください。  
 ● 本回路図は標準回路図です。改良のため予告なく変更することがございます。

D-VIDEO 6/11

DVIDEO-6



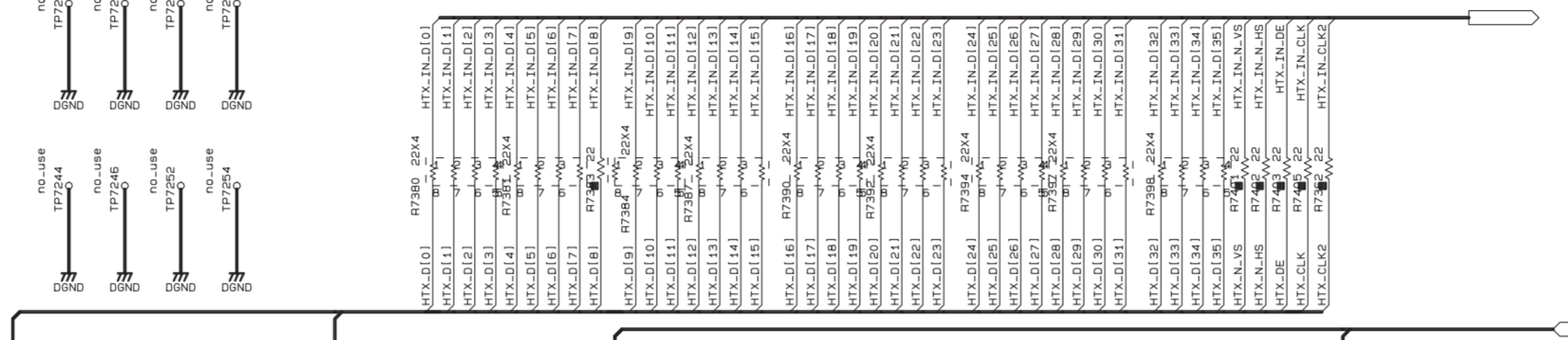
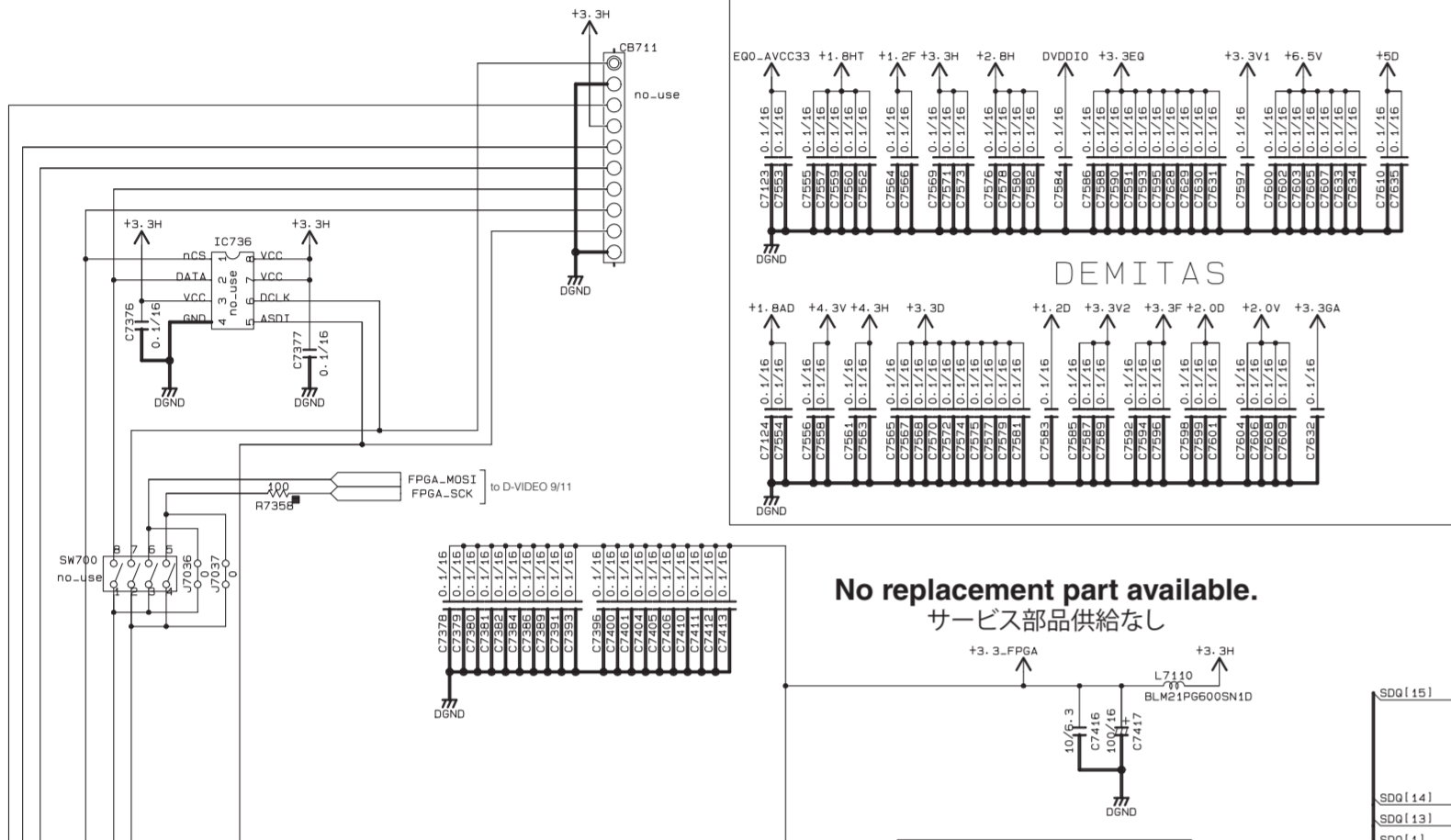
No replacement part available. サービス部品供給なし



RESISTOR table with columns for Remarks, Parts Name, and values.

CAPACITOR table with columns for Remarks, Parts Name, and values.

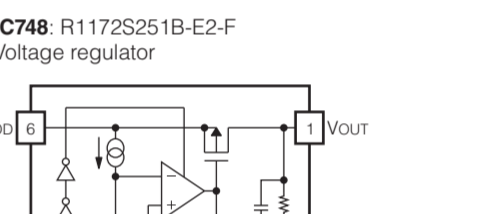
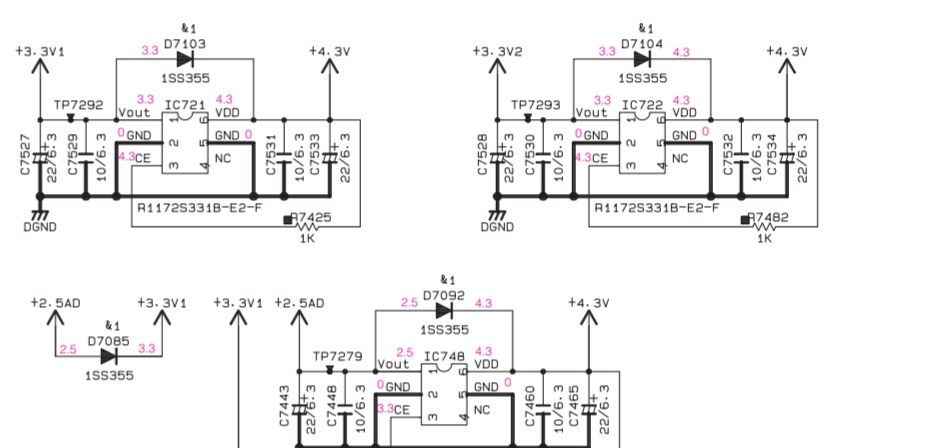
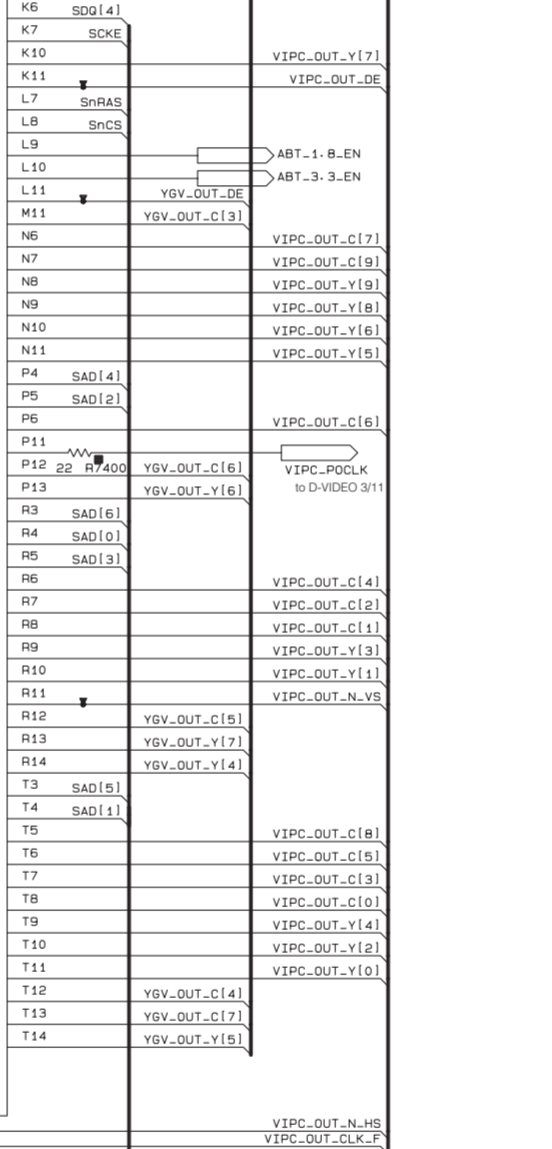
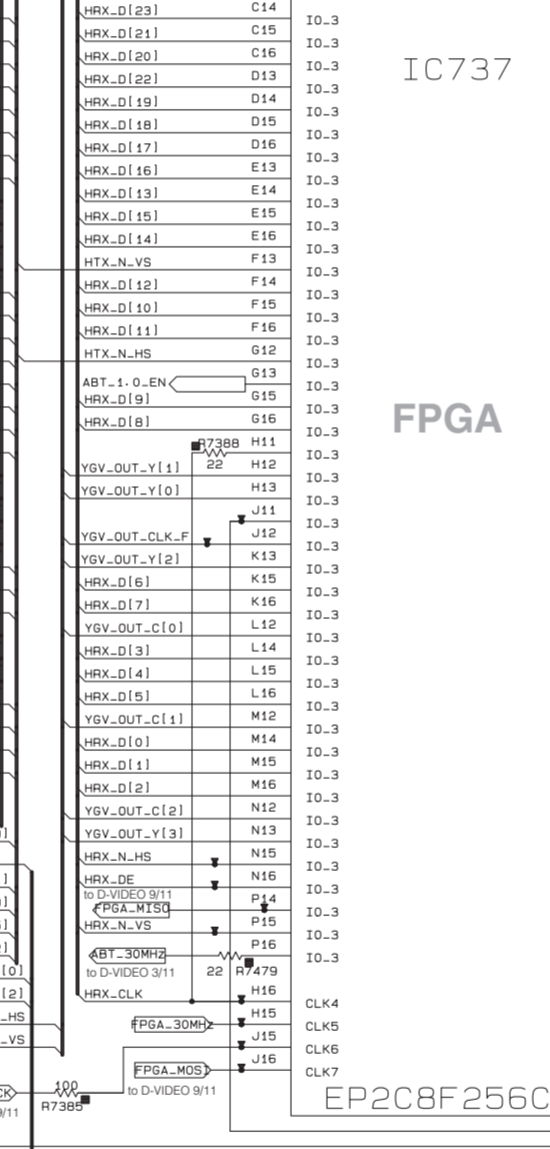
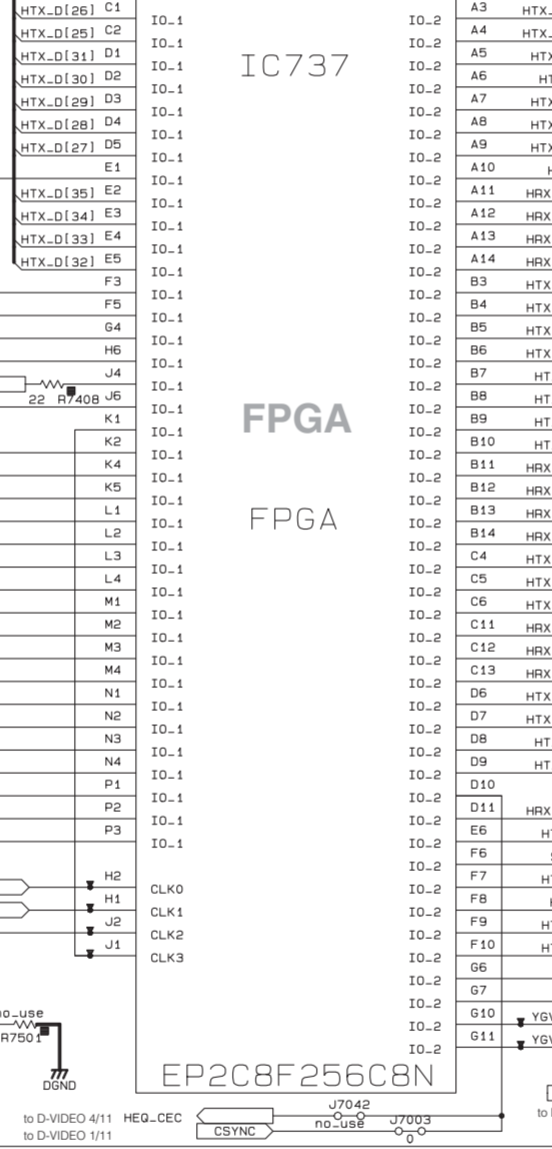
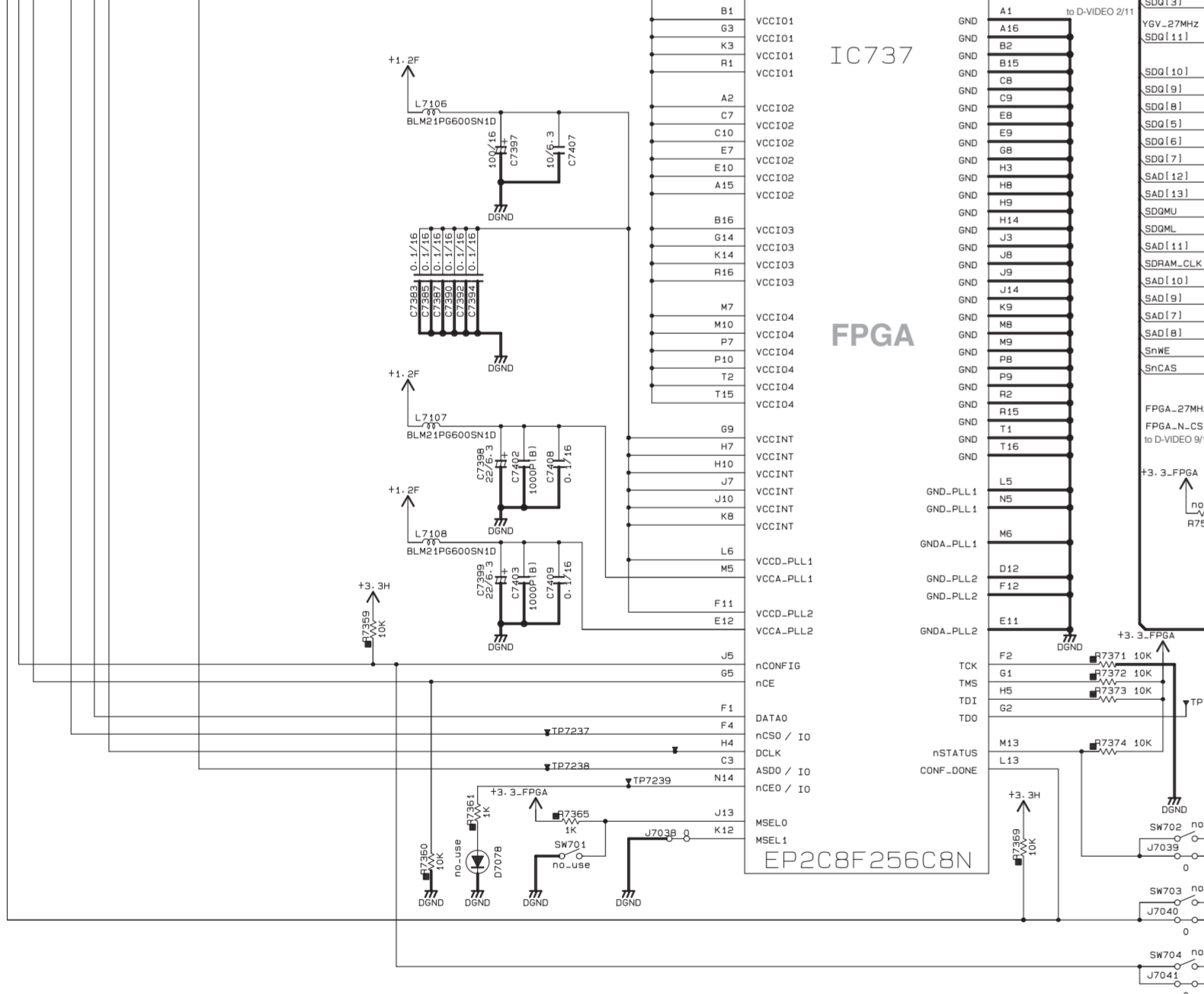
NOTICE (model) with a list of country codes: (J) JAPAN, (U) U.S.A., (C) CANADA, (R) GENERAL, (T) CHINA, (K) KOREA, (A) AUSTRALIA, (B) BRITISH, (E) EUROPE, (L) SINGAPORE, (E) SOUTH EUROPE, (V) TAIWAN, (F) RUSSIAN.



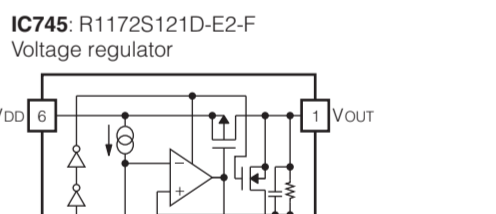
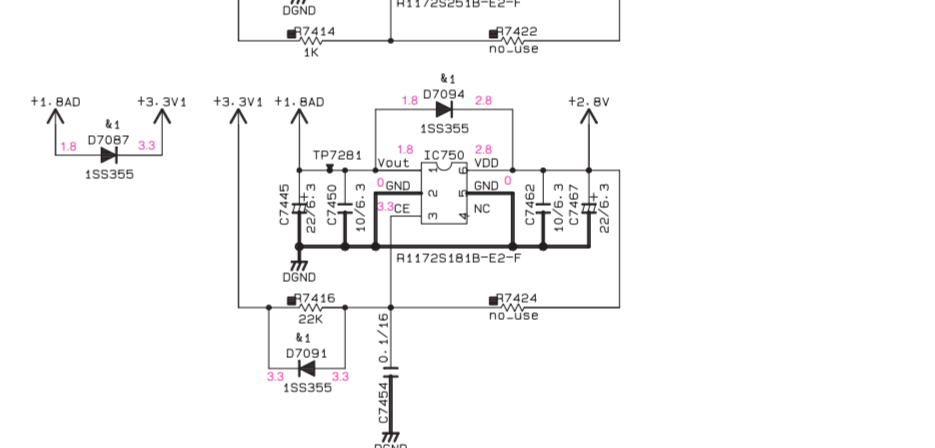
No replacement part available. サービス部品供給なし

No replacement part available. サービス部品供給なし

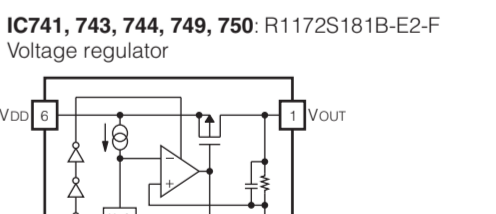
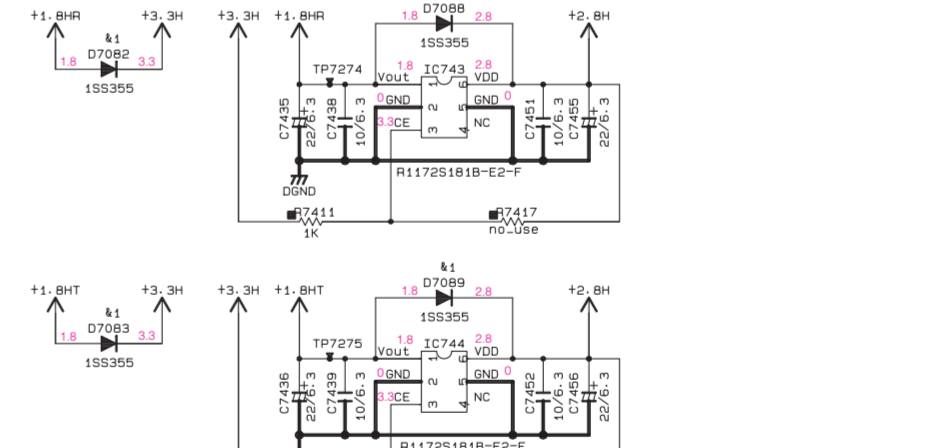
No replacement part available. サービス部品供給なし



Pin No. Symbol Description table for IC748.

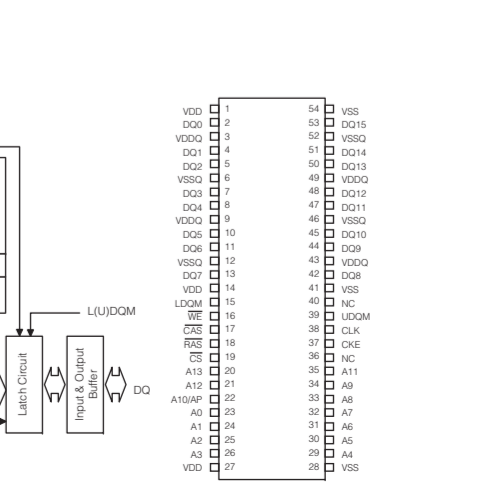
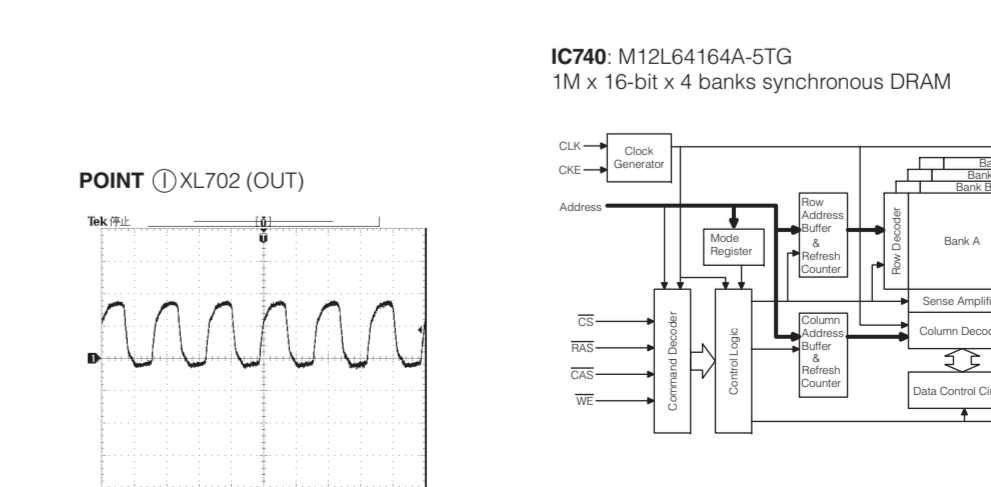
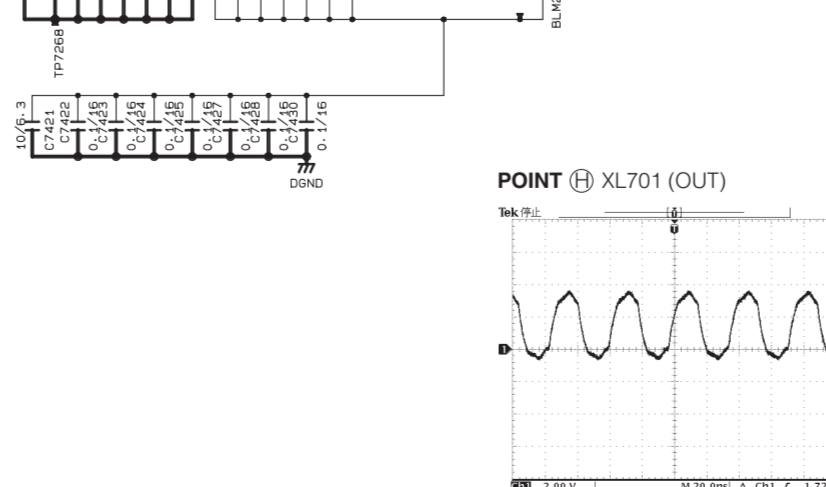
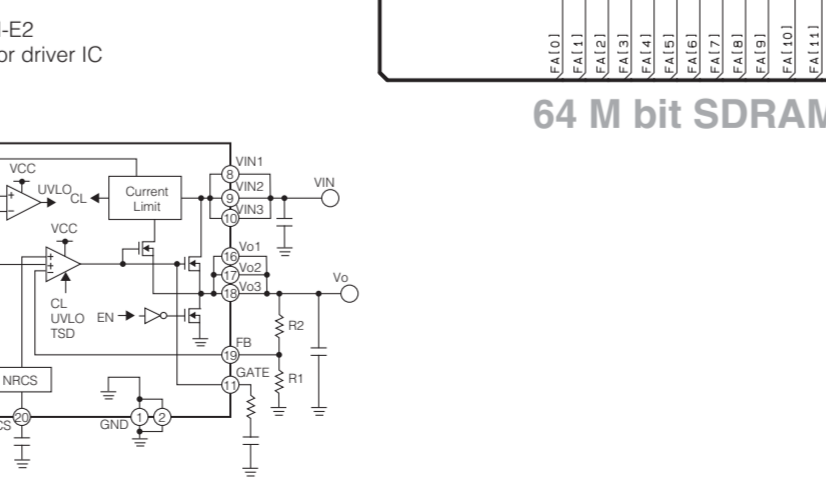
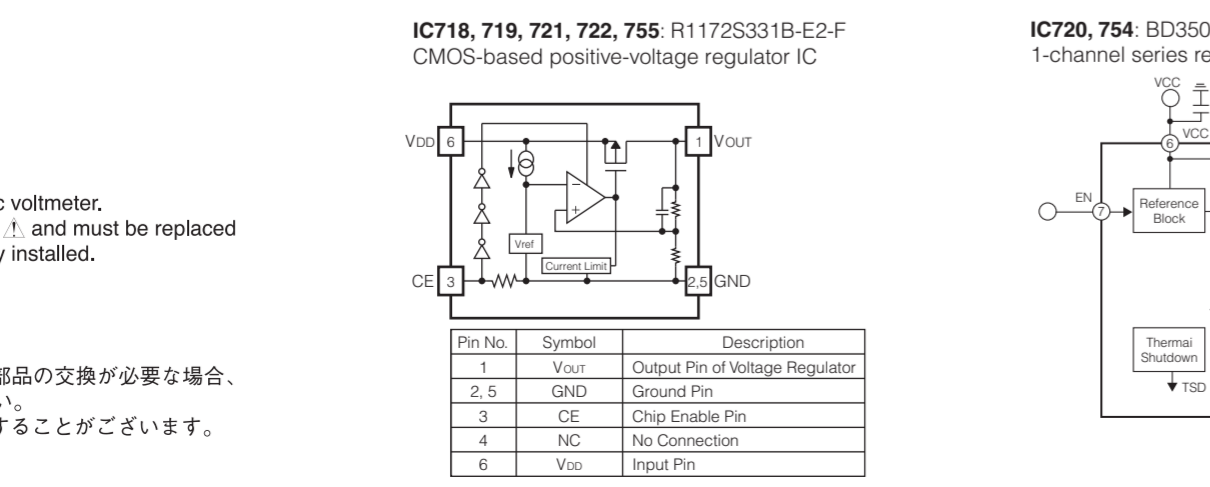


Pin No. Symbol Description table for IC745.



Pin No. Symbol Description table for IC741, 743, 744, 749, 750.

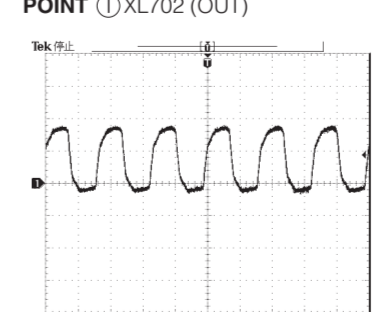
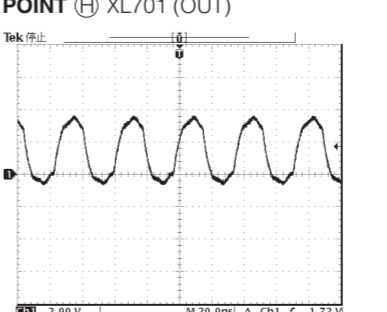
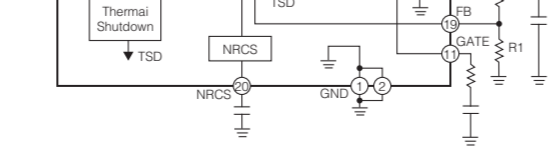
D-VIDEO (1)



All voltages are measured with a 10MQ/V DC electronic voltmeter. Components having special characteristics are marked with a triangle and must be replaced with parts having specifications equal to those originally installed. Schematic diagram is subject to change without notice.

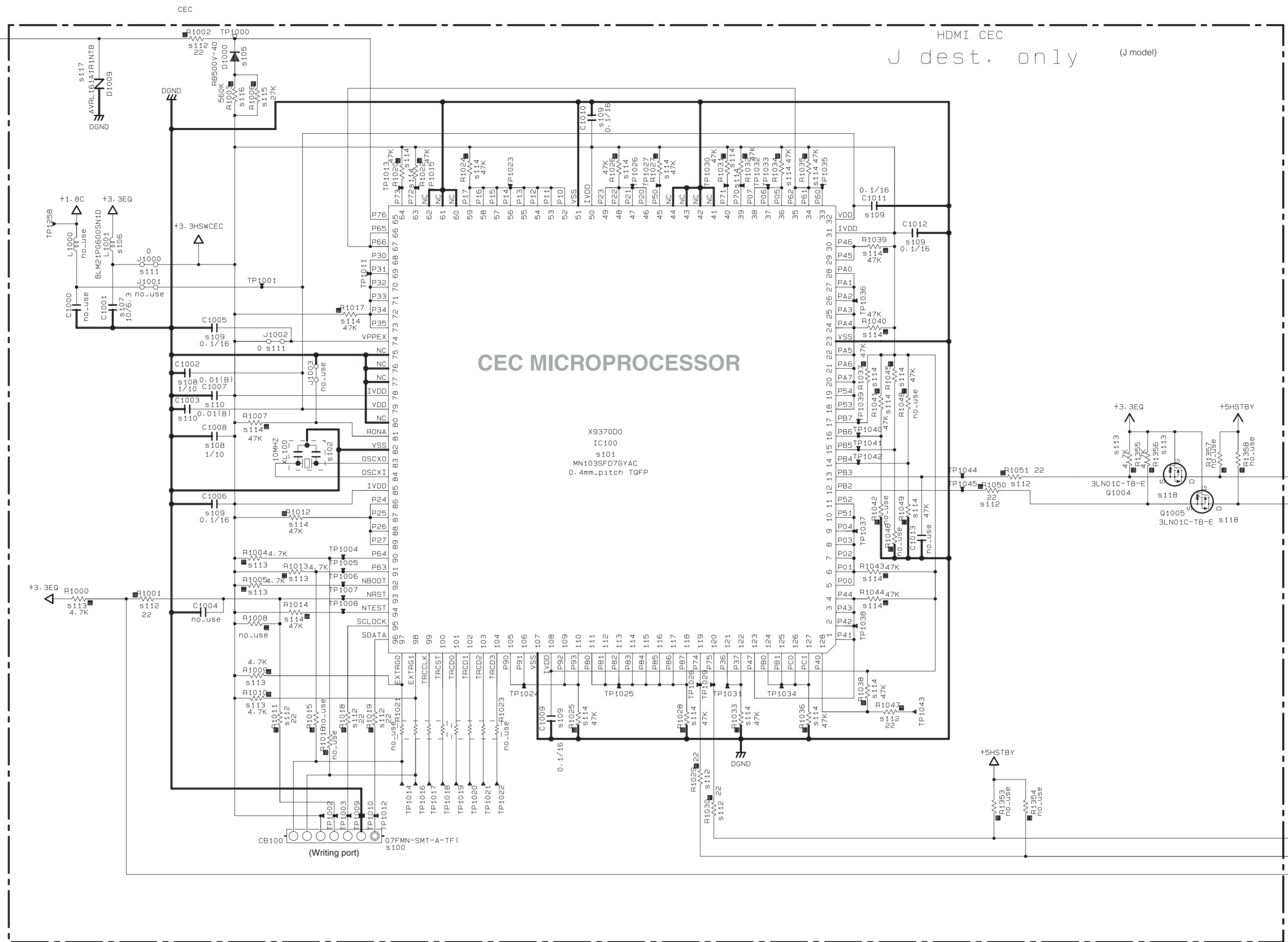
電圧は、内部抵抗10MQの電圧計で測定したものです。印のある部品は、安全性確保部品を示しています。部品の交換が必要な場合、パーツリストに記載されている部品を使用してください。本回路図は標準回路図です。改良のため予告なく変更することがございます。

Pin No. Symbol Description table for IC718, 719, 721, 722, 755.



D-VIDEO 7/11

sXX	LOC	J	UCRTKABEL
s100	CB100	KA90070 07FMN-SMT-A-TF I	X
s101	IC100	X937000 MN103SFD7G7AC	X
s102	XL100	WM22790 10MHZ	X
s105	D1000	V237660 RBS00V-40	X
s106	L1001	V244990 BLM21P6600SN1D	X
s107	C1001	WG88890	X
s108	C1008	US12510 1/10	X
s109	C1011 C1005 C1012 C1009 C1010 C1006	US63510 0.1/16	X
s110	C1003 C1007	US06410 0.01(B)	X
s111	J1002 J1000	RD35000 0	X
s112	R1029 R1030 R1019 R1018 R1047 R1011 R1001 R1050 R1051 R1002	RD35422 22	X
s113	R1013 R1036 R1004 R1010 R1009 R1005 R1385 R1000	RD35647 4.7K	X
s114	R1026 R1034 R1033 R1028 R1027 R1007 R1032 R1012 R1017 R1031 R1014 R1035 R1030 R1036 R1038 R1049 R1024 R1025 R1045 R1044 R1043 R1039 R1040 R1041 R1037 R1022	RD35747 47K	X
s115	R1006	RF45727 27K	X
s116	R1003	RF45856	X
s117	D1009	WE57480 AVR115141B1NTB1	X
s118	Q1004 Q1005	NH45000 3LN01C-TB-E	X

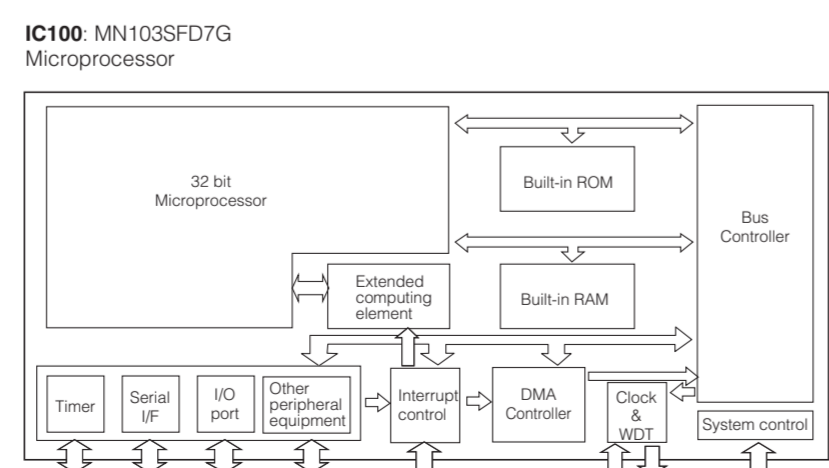


REMARKS	PARTS NAME
NO MARK	CARBON FILM RESISTOR (P=5)
□	CARBON FILM RESISTOR (P=10)
△	METAL OXIDE FILM RESISTOR
⊠	METAL FILM RESISTOR
⊞	METAL PLATE RESISTOR
⊞	FIRE PROOF CARBON FILM RESISTOR
□	CEMENT MOLDED RESISTOR
⊞	SEMI VARIABLE RESISTOR
■	CHIP RESISTOR

REMARKS	PARTS NAME
NO MARK	ELECTROLYTIC CAPACITOR
⊗	TANTALUM CAPACITOR
NO MARK	CERAMIC CAPACITOR
⊙	CERAMIC TUBULAR CAPACITOR
⊙	POLYESTER FILM CAPACITOR
⊙	POLYSTYRENE FILM CAPACITOR
⊙	MICA CAPACITOR
⊙	POLYPROPYLENE FILM CAPACITOR
⊙	SEMICONDUCTIVE CERAMIC CAPACITOR

NOTICE (mode1)  
 (J)..... JAPAN  
 (U)..... U.S.A  
 (C)..... CANADA  
 (R)..... GENERAL  
 (T)..... CHINA  
 (K)..... KOREA  
 (A)..... AUSTRALIA  
 (B)..... BRITISH  
 (G)..... EUROPE  
 (L)..... SINGAPORE  
 (E)..... SOUTH EUROPE  
 (V)..... TAIWAN  
 (F)..... RUSSIAN

D-VIDEO (1)

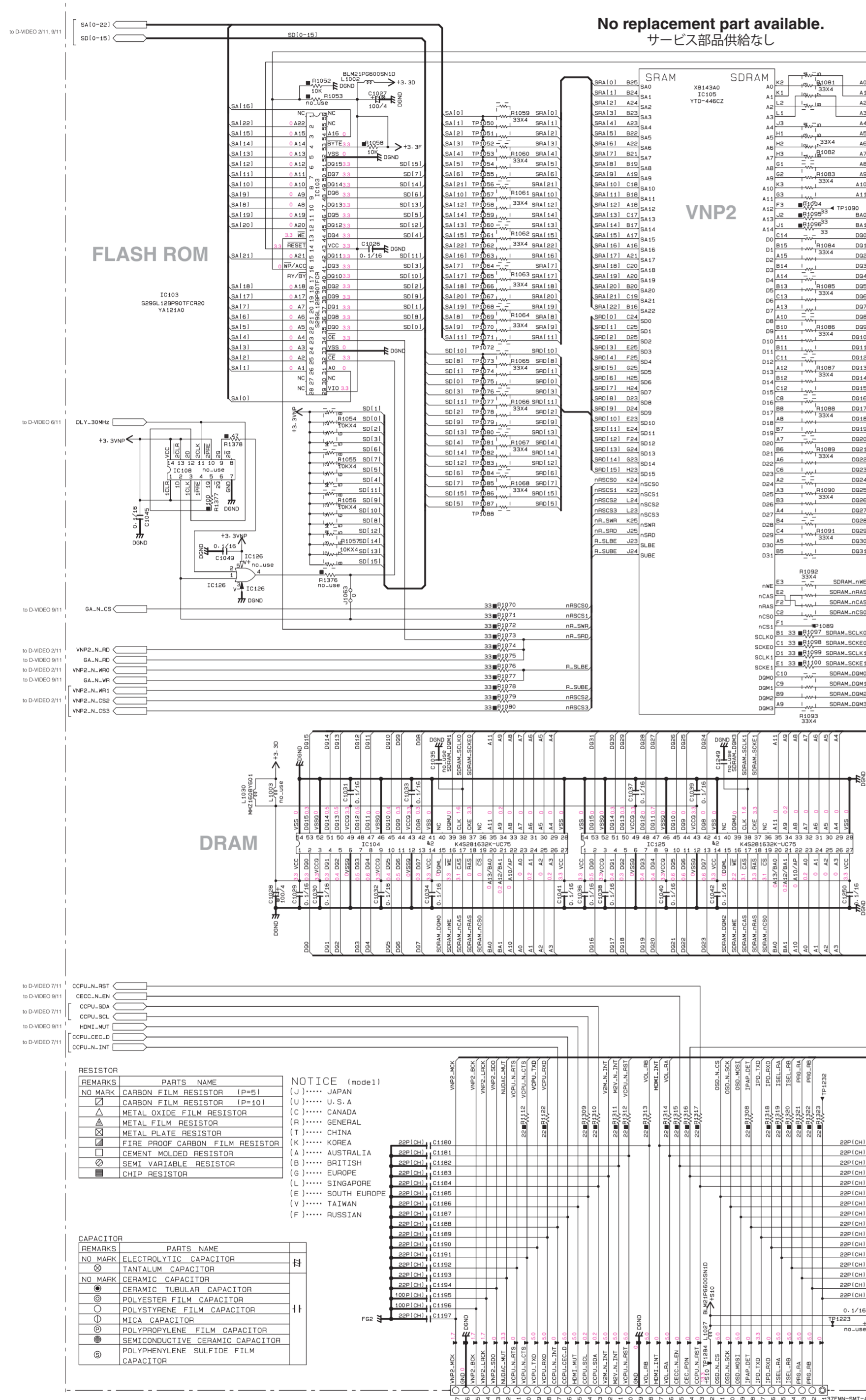


DVIDEO-7

- ★ All voltages are measured with a 10MΩ/V DC electronic voltmeter.
- ★ Components having special characteristics are marked with a triangle (▲) and must be replaced with parts having specifications equal to those originally installed.
- ★ Schematic diagram is subject to change without notice.
- 電圧は、内部抵抗10MΩの電圧計で測定したものです。
- 印のある部品は、安全確保部品を示しています。部品の交換が必要な場合、パーツリストに記載されている部品を使用してください。
- 本回路図は標準回路図です。改良のため予告なく変更することがございます。

D-VIDEO 8/11

D-VIDEO (1)

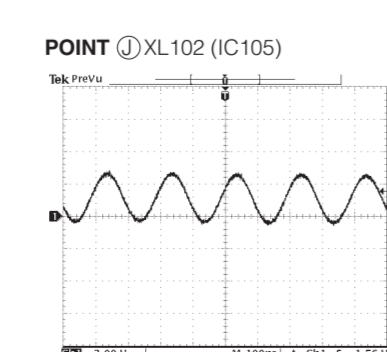


No replacement part available. サービス部品供給なし

No replacement part available. サービス部品供給なし

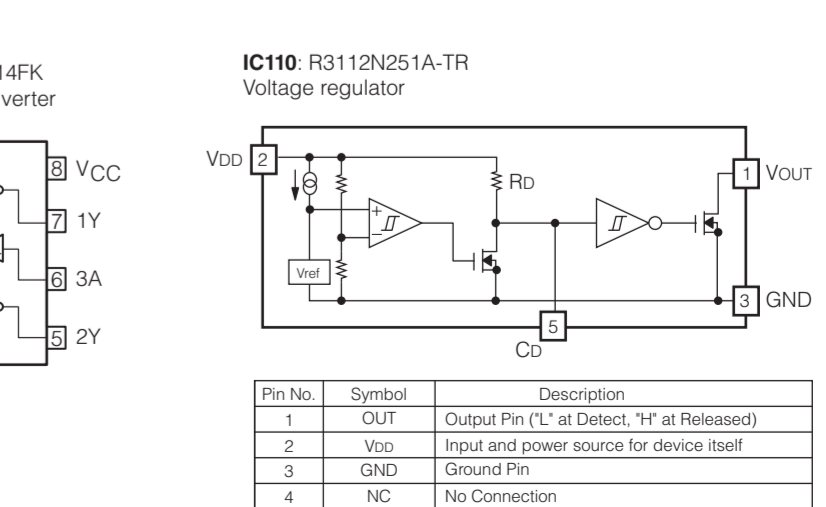
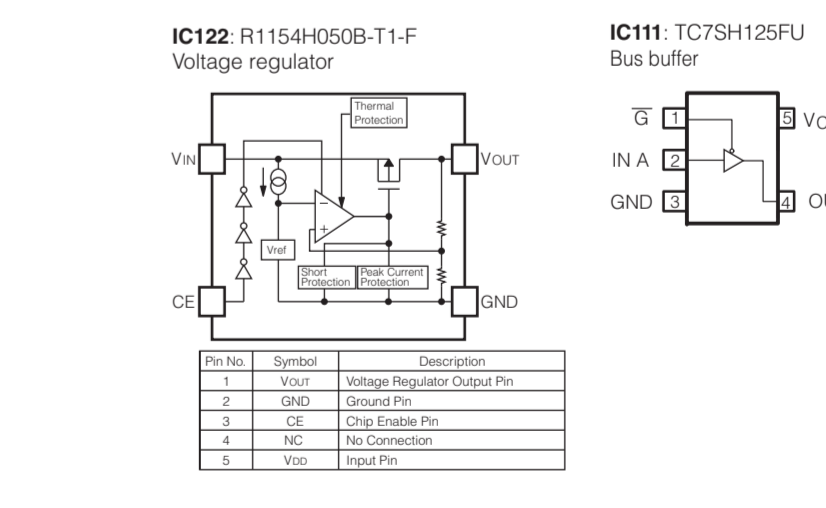
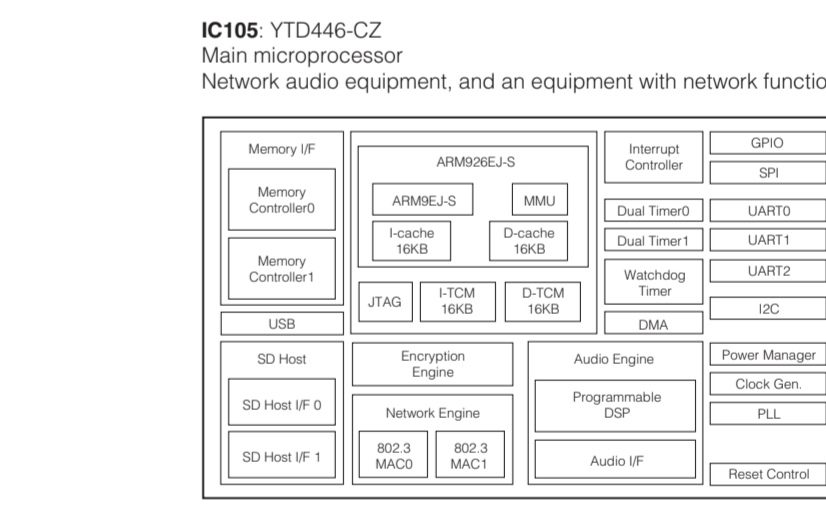
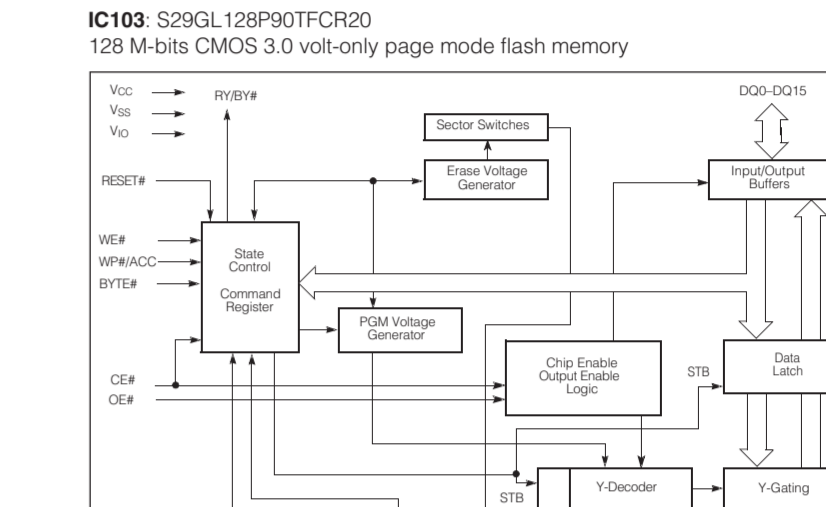
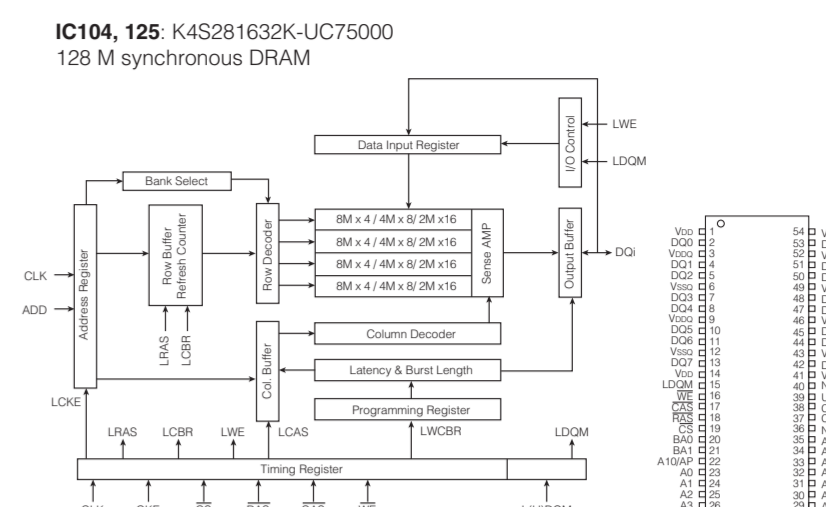
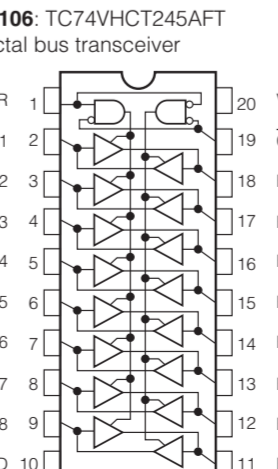
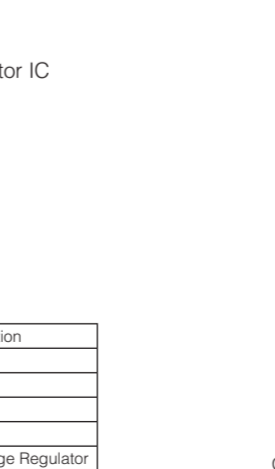
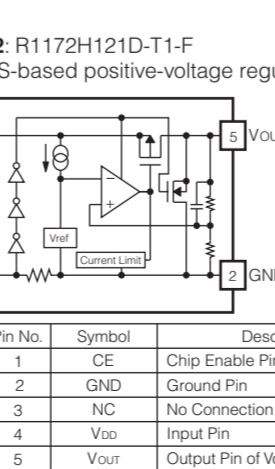
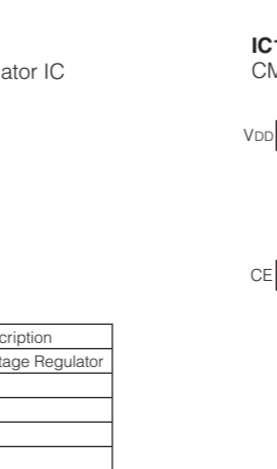
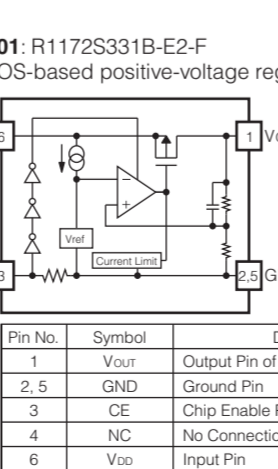
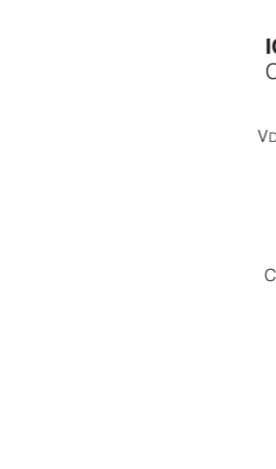
No replacement part available. サービス部品供給なし

Page 173 of FL (2)\_CB957



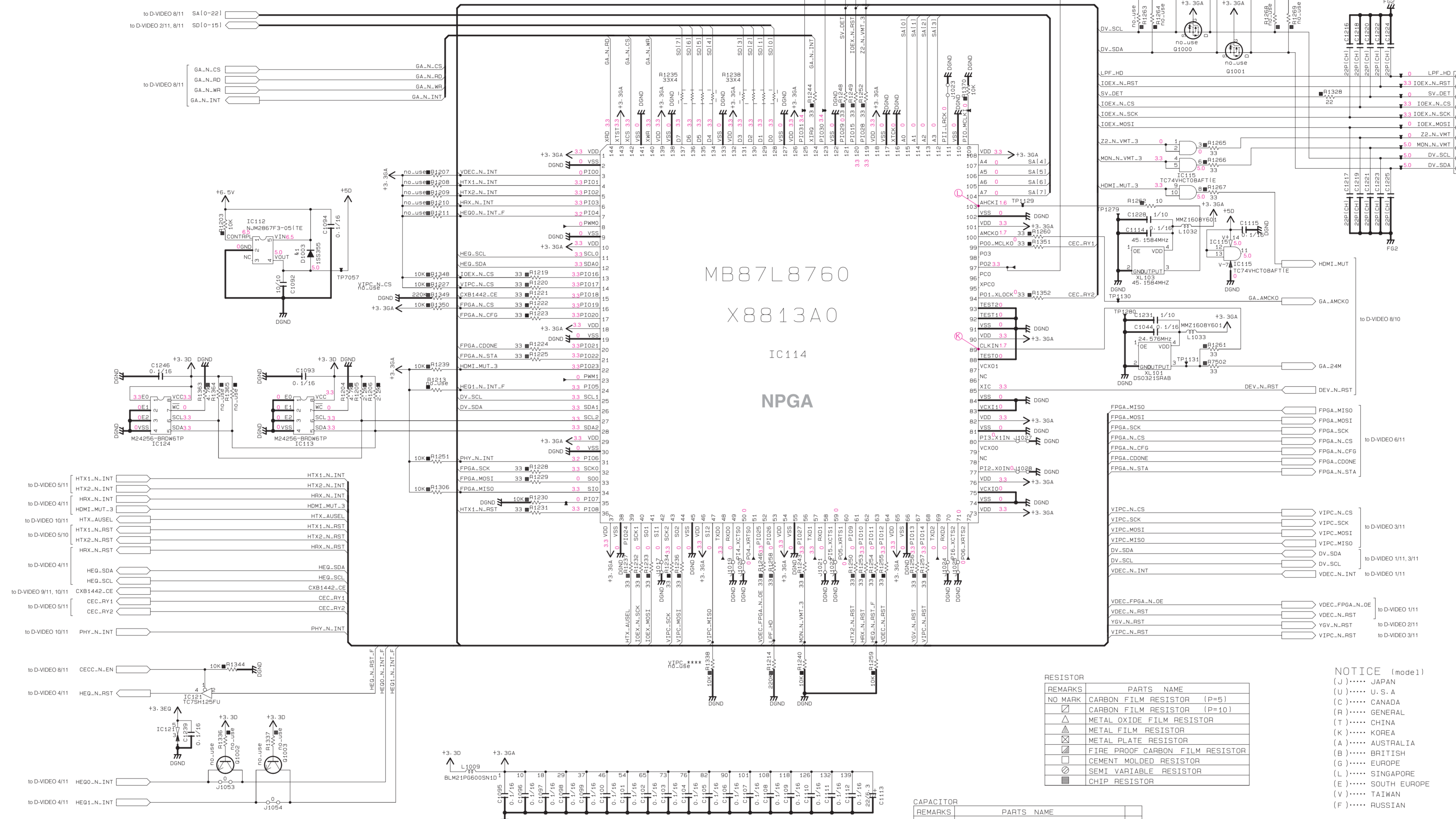
All voltages are measured with a 10MΩ/V DC electronic voltmeter.  
 Components having special characteristics are marked with a special character and must be replaced with parts having specifications equal to those originally installed.  
 Schematic diagram is subject to change without notice.

●電圧は、内部抵抗10MΩの電圧計で測定したものです。  
 ●1印のある部品は、安全性確保部品を示しています。部品の交換が必要な場合、パーツリストに記載されている部品を使用してください。  
 ●本回路図は標準回路図です。改良のため予告なく変更することがございます。





D-VIDEO (1)



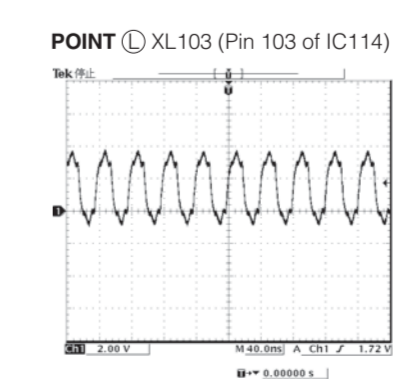
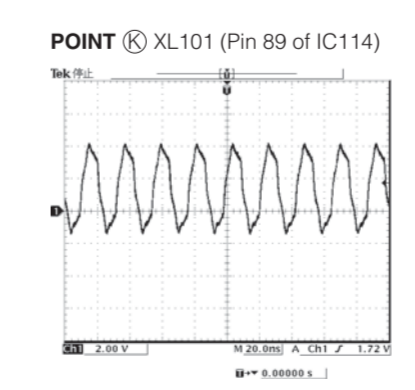
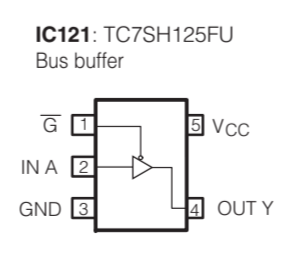
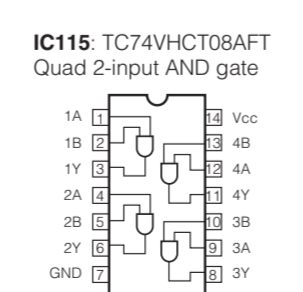
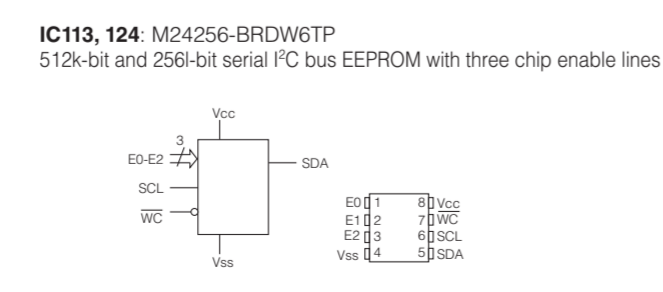
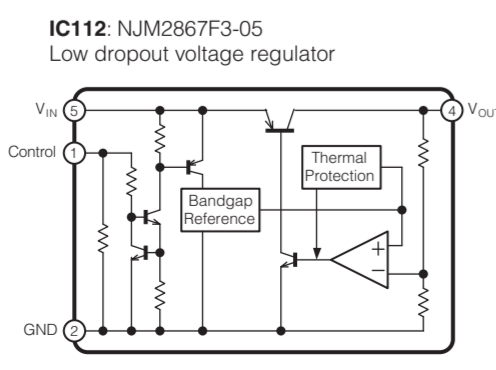
MB87L8760  
X8813A0  
IC114  
NPGA

REMARKS	PARTS NAME
NO MARK	CARBON FILM RESISTOR (P=5)
⊠	CARBON FILM RESISTOR (P=10)
△	METAL OXIDE FILM RESISTOR
⊠	METAL FILM RESISTOR
⊠	METAL PLATE RESISTOR
⊠	FIRE PROOF CARBON FILM RESISTOR
⊠	CEMENT MOLDED RESISTOR
⊠	SEMI VARIABLE RESISTOR
⊠	CHIP RESISTOR

NOTICE (mode1)  
(J)..... JAPAN  
(U)..... U.S.A  
(C)..... CANADA  
(R)..... GENERAL  
(T)..... CHINA  
(K)..... KOREA  
(A)..... AUSTRALIA  
(B)..... BRITISH  
(G)..... EUROPE  
(L)..... SINGAPORE  
(E)..... SOUTH EUROPE  
(V)..... TAIWAN  
(F)..... RUSSIAN

REMARKS	PARTS NAME
NO MARK	ELECTROLYTIC CAPACITOR
⊠	TANTALUM CAPACITOR
NO MARK	CERAMIC CAPACITOR
⊠	CERAMIC TUBULAR CAPACITOR
⊠	POLYESTER FILM CAPACITOR
⊠	POLYSTYRENE FILM CAPACITOR
⊠	MICA CAPACITOR
⊠	POLYPROPYLENE FILM CAPACITOR
⊠	SEMICONDUCTIVE CERAMIC CAPACITOR
⊠	POLYPHENYLENE SULFIDE FILM CAPACITOR

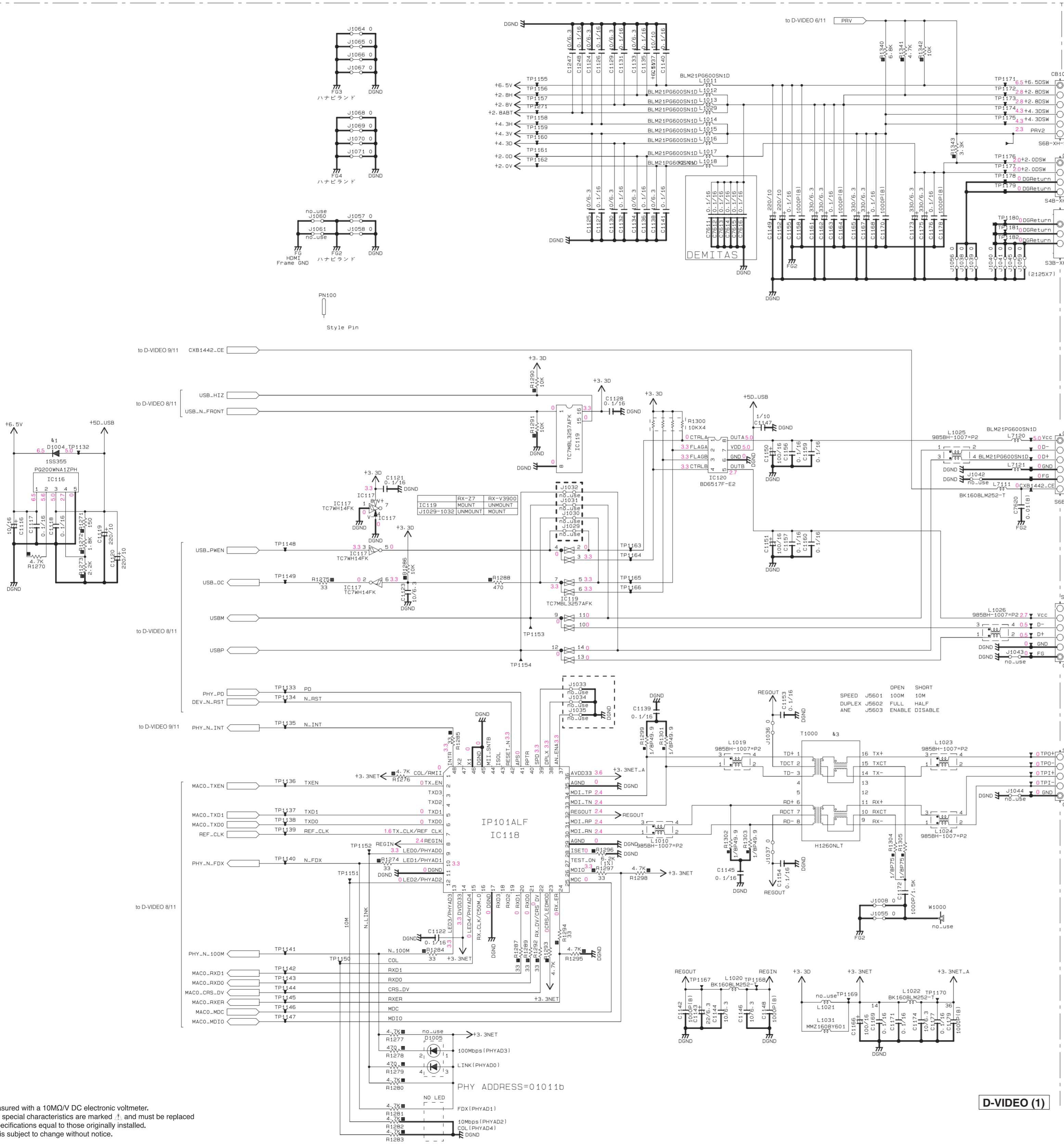
DVIDEO 009  
Lo:100-199 1000-1999



- ★ All voltages are measured with a 10MΩ/V DC electronic voltmeter.
- ★ Components having special characteristics are marked ⊠ and must be replaced with parts having specifications equal to those originally installed.
- ★ Schematic diagram is subject to change without notice.
- 電圧は、内部抵抗10MΩの電圧計で測定したものです。
- ⊠印のある部品は、安全性確保部品を示しています。部品の交換が必要な場合、パーツリストに記載されている部品を使用してください。
- 本回路図は標準回路図です。改良のため予告なく変更することがございます。

Page 160 [J4]  
to A-VIDEO\_CB204

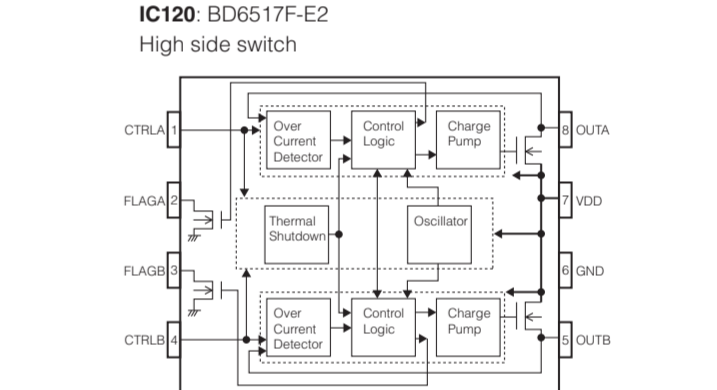
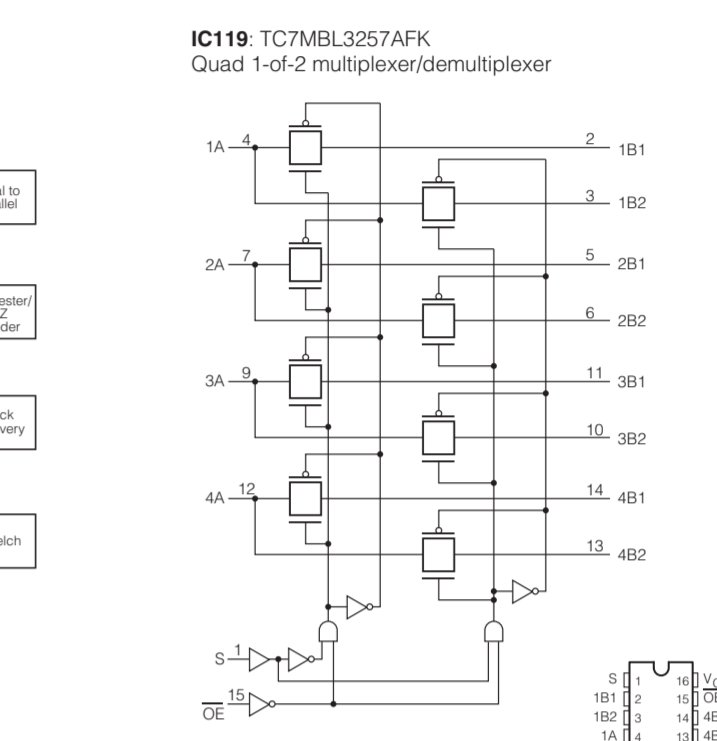
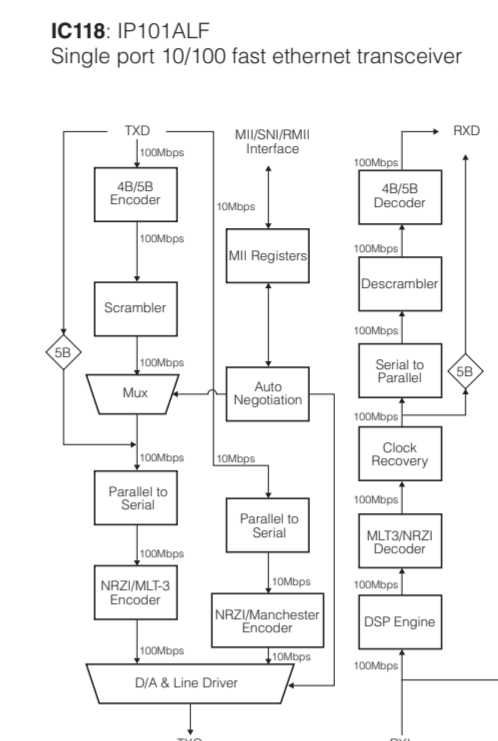
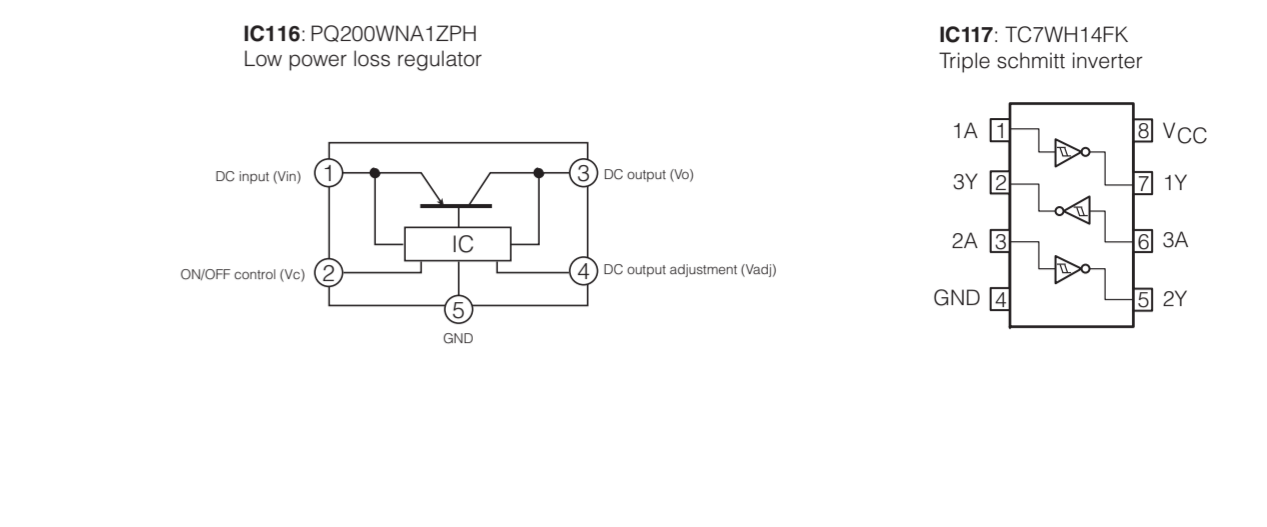
D-VIDEO 10/11



Page 175 [D2] to DCCNVT (1)\_W702

Page 175 [B2] to DCCNVT (1)\_W701

Page 175 [C2] to DCCNVT (1)\_W703



Page 156 [F1] to OPERATION (3)\_CB814

Page 175 [K3] to DCCNVT (2)\_CB60

Page 175 [K6] to DCCNVT (2)\_CB61

NOTICE (mode1)

(J)..... JAPAN  
 (U)..... U.S.A  
 (C)..... CANADA  
 (R)..... GENERAL  
 (T)..... CHINA  
 (K)..... KOREA  
 (A)..... AUSTRALIA  
 (B)..... BRITISH  
 (G)..... EUROPE  
 (L)..... SINGAPORE  
 (E)..... SOUTH EUROPE  
 (V)..... TAIWAN  
 (F)..... RUSSIAN

REMARKS	PARTS NAME
NO MARK	CARBON FILM RESISTOR (P=5)
□	CARBON FILM RESISTOR (P=10)
△	METAL OXIDE FILM RESISTOR
⊗	METAL FILM RESISTOR
⊙	METAL PLATE RESISTOR
⊕	FIRE PROOF CARBON FILM RESISTOR
⊖	CEMENT MOLDED RESISTOR
⊗	SEMI VARIABLE RESISTOR
⊙	CHIP RESISTOR

REMARKS	PARTS NAME
NO MARK	ELECTROLYTIC CAPACITOR
⊗	TANTALUM CAPACITOR
NO MARK	CERAMIC CAPACITOR
●	CERAMIC TUBULAR CAPACITOR
⊙	POLYESTER FILM CAPACITOR
○	POLYSTYRENE FILM CAPACITOR
⊖	MICA CAPACITOR
⊕	POLYPROPYLENE FILM CAPACITOR
⊗	SEMICONDUCTIVE CERAMIC CAPACITOR
⊙	POLYPHENYLENE SULFIDE FILM CAPACITOR

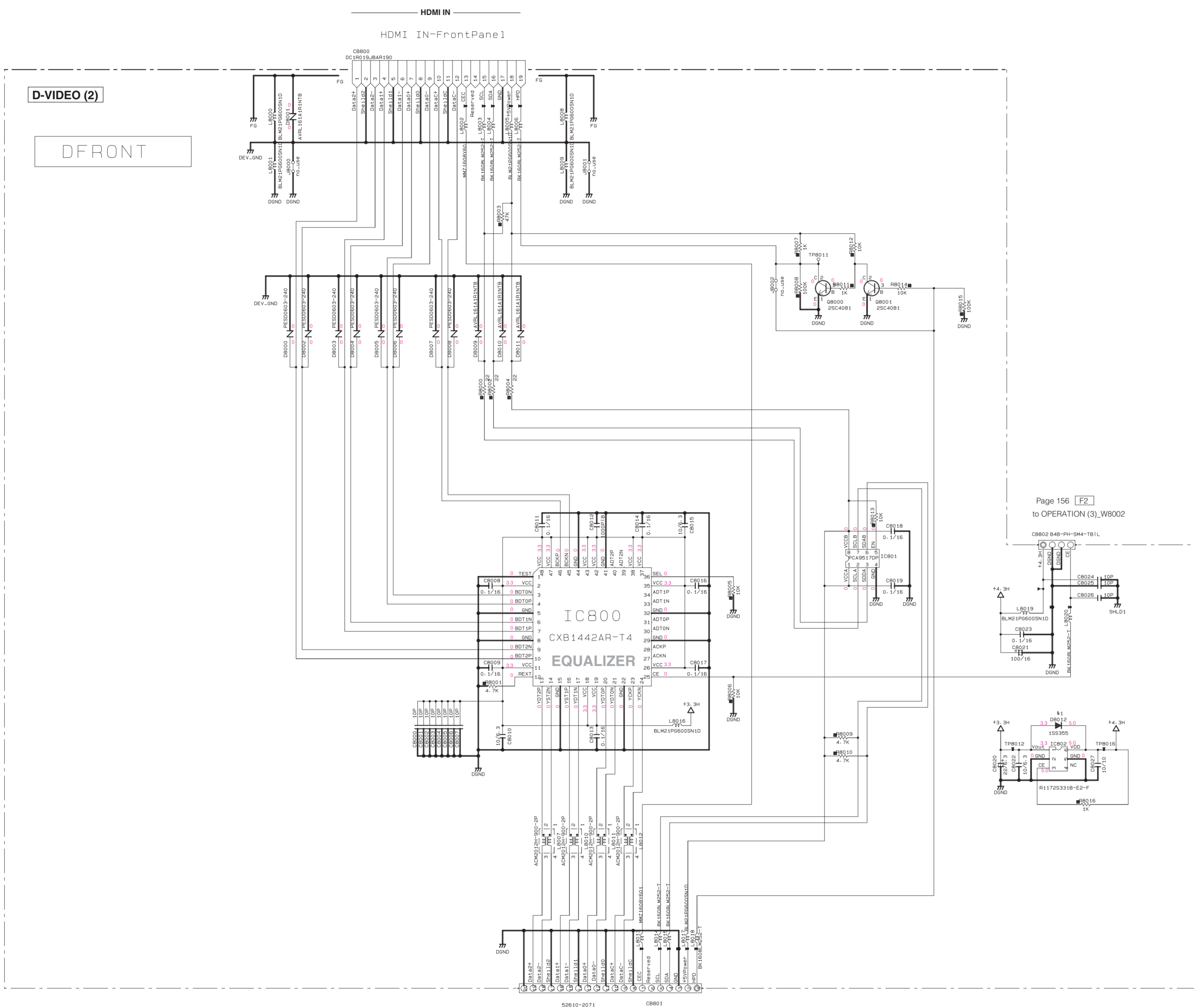
★ All voltages are measured with a 10MQ/V DC electronic voltmeter.  
 ★ Components having special characteristics are marked !, and must be replaced with parts having specifications equal to those originally installed.  
 ★ Schematic diagram is subject to change without notice.

●電圧は、内部抵抗10MΩの電圧計で測定したものです。  
 ●!印のある部品は、安全性確保部品を示しています。部品の交換が必要な場合、パーツリストに記載されている部品を使用してください。  
 ●本回路図は標準回路図です。改良のため予告なく変更することがございます。

DVIDEO 010

Lo:100-199 1000-1999

D-VIDEO 11/11



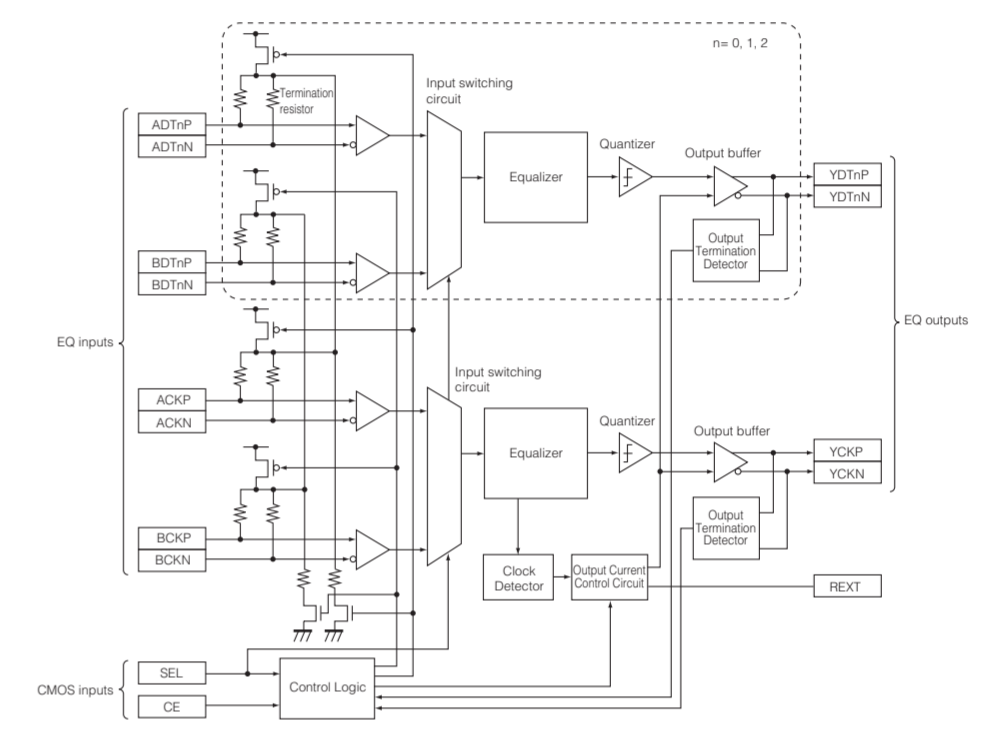
Page 164 [C2] to D-VIDEO (1)\_CB703

REMARKS	PARTS NAME
NO MARK	CARBON FILM RESISTOR (P=5)
□	CARBON FILM RESISTOR (P=10)
△	METAL OXIDE FILM RESISTOR
▲	METAL FILM RESISTOR
⊠	METAL PLATE RESISTOR
⊞	FIRE PROOF CARBON FILM RESISTOR
□	CEMENT MOLDED RESISTOR
⊙	SEMI VARIABLE RESISTOR
■	CHIP RESISTOR

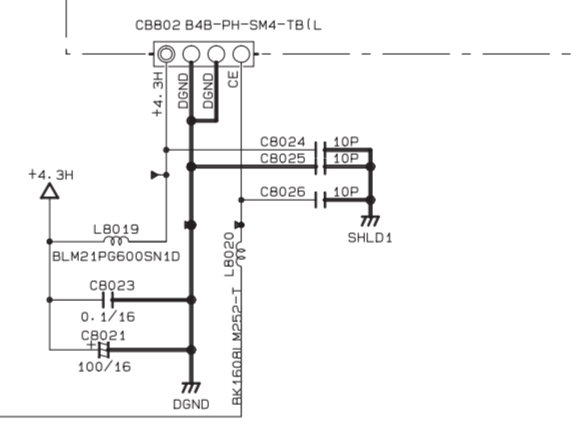
REMARKS	PARTS NAME
NO MARK	ELECTROLYTIC CAPACITOR
⊖	TANTALUM CAPACITOR
NO MARK	CERAMIC CAPACITOR
●	CERAMIC TUBULAR CAPACITOR
⊙	POLYESTER FILM CAPACITOR
○	POLYSTYRENE FILM CAPACITOR
⊖	MICA CAPACITOR
⊖	POLYPROPYLENE FILM CAPACITOR
⊖	SEMICONDUCTIVE CERAMIC CAPACITOR

NOTICE (mode1)  
 (J)..... JAPAN  
 (U)..... U.S.A  
 (C)..... CANADA  
 (R)..... GENERAL  
 (T)..... CHINA  
 (K)..... KOREA  
 (A)..... AUSTRALIA  
 (B)..... BRITISH  
 (G)..... EUROPE  
 (L)..... SINGAPORE  
 (E)..... SOUTH EUROPE  
 (V)..... TAIWAN  
 (F)..... RUSSIAN

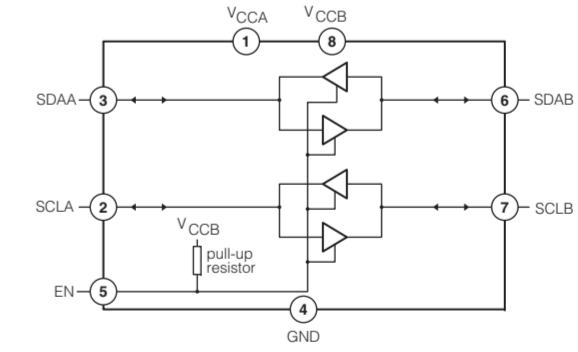
IC800: CXB1442AR-T4  
Cable equalizer with 2-system switching function



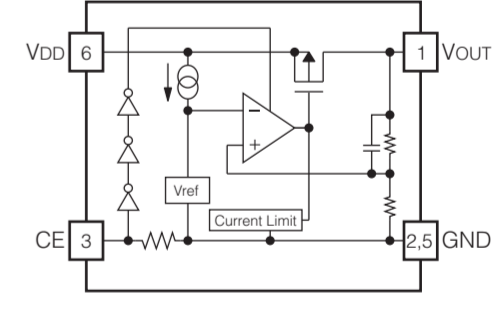
Page 156 [E2] to OPERATION (3)\_W8002



IC801: PCA9517DP  
Level translating I<sup>2</sup>C-bus repeater



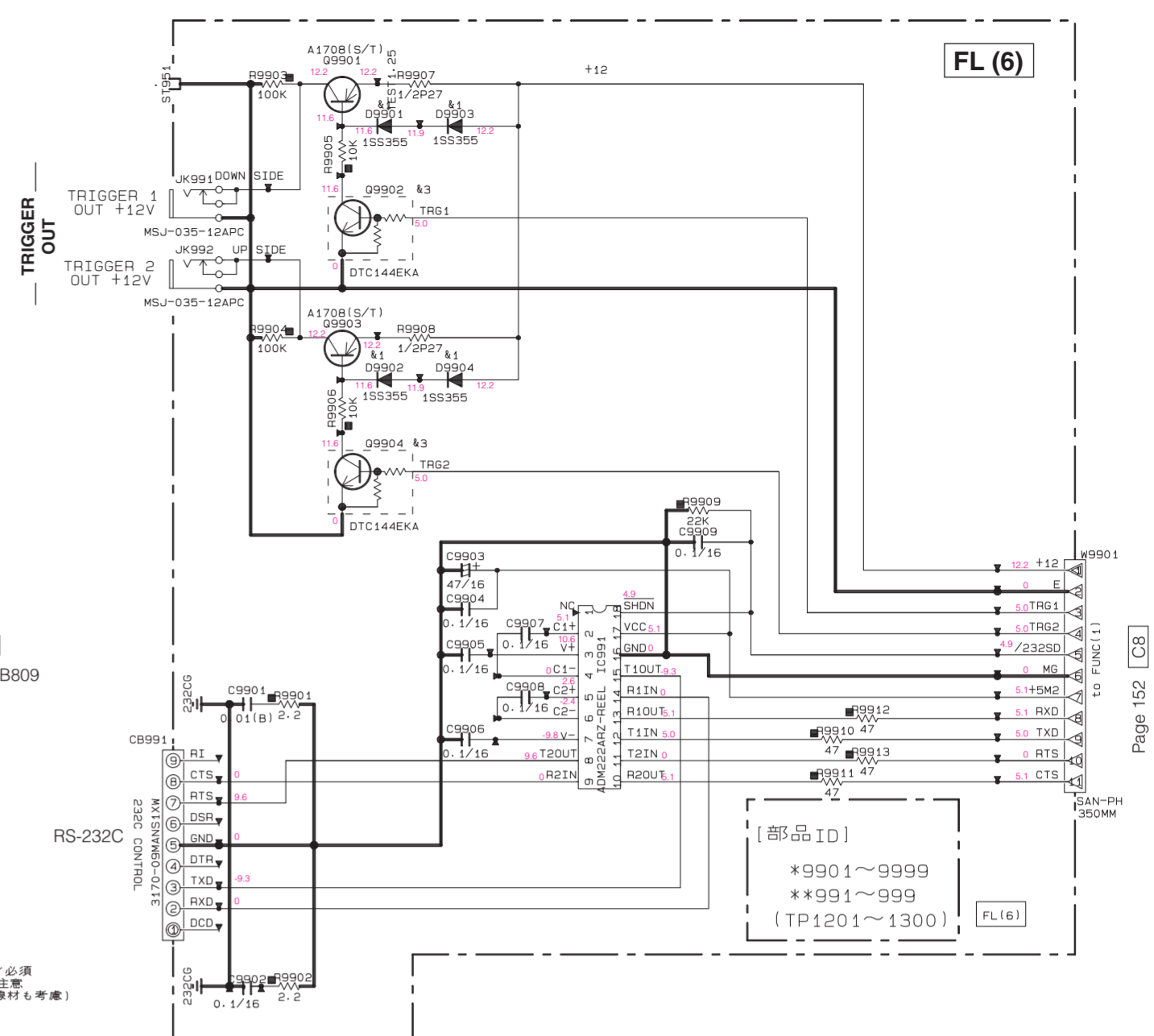
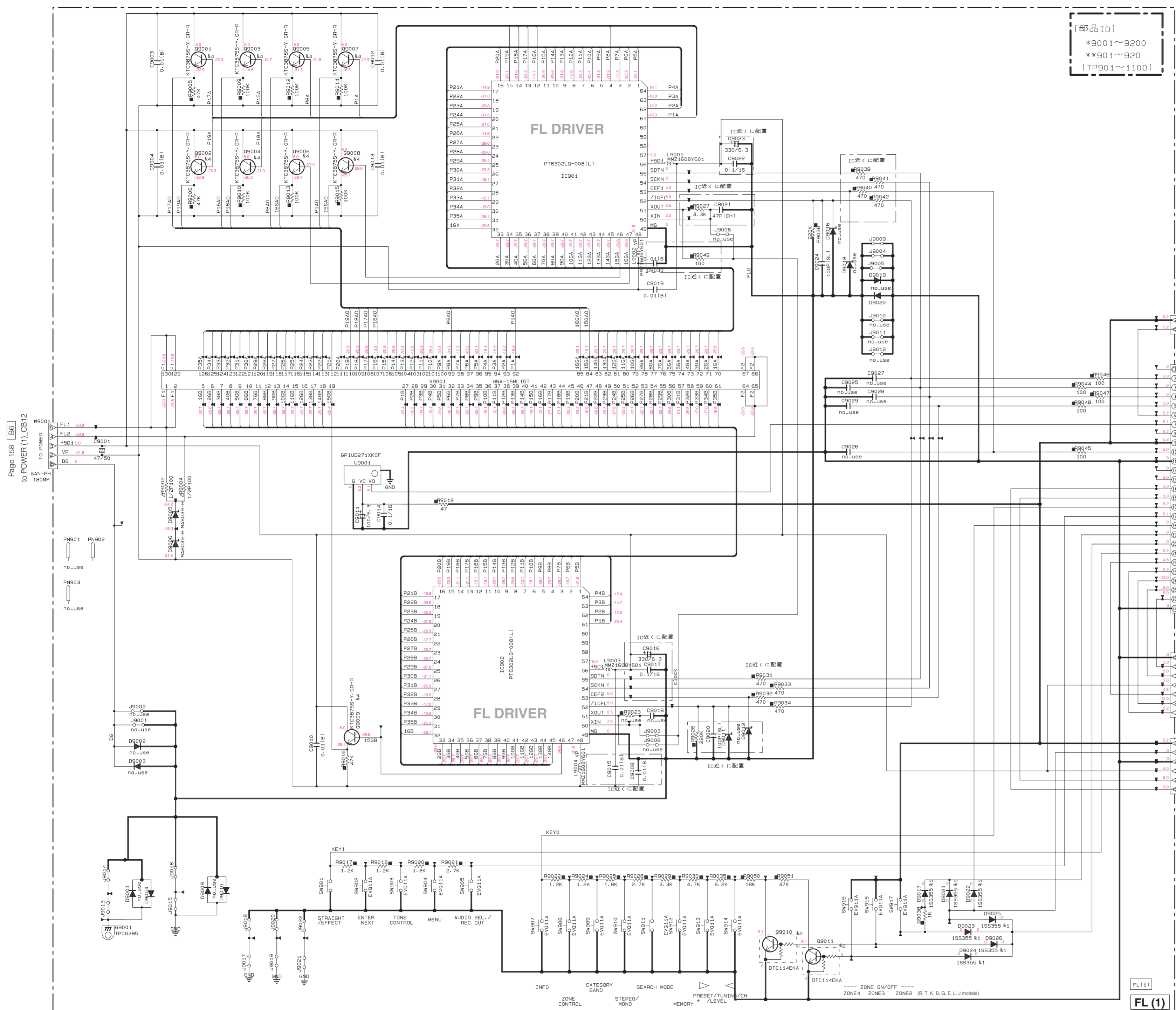
IC802: R1172S331B-E2-F  
CMOS-based positive-voltage regulator IC



Pin No.	Symbol	Description
1	Vout	Output Pin of Voltage Regulator
2, 5	GND	Ground Pin
3	CE	Chip Enable Pin
4	NC	No Connection
6	Vcc	Input Pin

★ All voltages are measured with a 10MΩ/V DC electronic voltmeter.  
 ★ Components having special characteristics are marked with a triangle and must be replaced with parts having specifications equal to those originally installed.  
 ★ Schematic diagram is subject to change without notice.

● 電圧は、内部抵抗10MΩの電圧計で測定したものです。  
 ● 印のある部品は、安全性確保部品を示しています。部品の交換が必要な場合、パーツリストに記載されている部品を使用してください。  
 ● 本回路図は標準回路図です。改良のため予告なく変更することがございます。



Page 156 [B2] to OPERATION (5)\_CB809

Page 173 [K5] to FL (2)\_CB970

Page 156 [E5] to OPERATION (4)\_CB812

Page 156 [A3] to OPERATION (5)\_CB801

Interchangeable Parts at Manufacture-Stage

Mark	Reference Parts Number	Parts Name
41	D9017-9021-9026 9901-9904	ISS355 MAJ1110GL KDC1025-RTK/P
42	D9010-9011	DTC114EKA KRC1025-RTK/P
43	D9902-9904	DTC144EKA KRC1043-RTK/P
44	D9001-9009	KTC38755-Y-GR-RTK/P 25C2412K1G/R/S1
45		

NOTICE (model)

(J)..... JAPAN  
(U)..... U.S.A  
(C)..... CANADA  
(R)..... GENERAL  
(T)..... CHINA  
(K)..... KOREA  
(A)..... AUSTRALIA  
(B)..... BRITISH  
(L)..... EUROPE  
(S)..... SINGAPORE  
(E)..... SOUTH EUROPE  
(V)..... TAIWAN  
(F)..... RUSSIAN

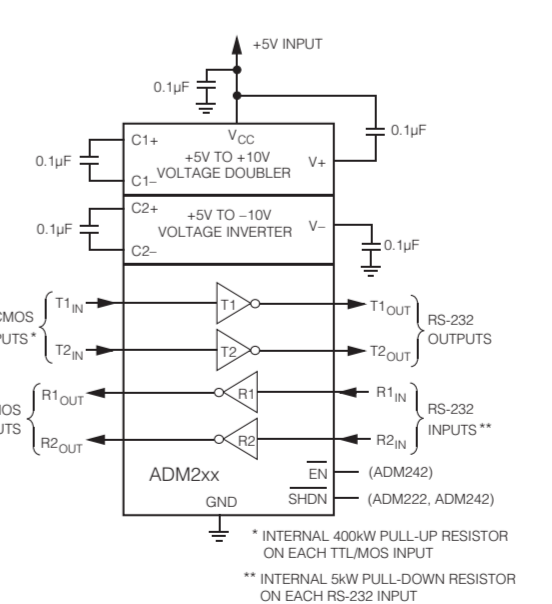
RESISTOR

REMARKS	PARTS NAME
NO MARK	CARBON FILM RESISTOR (P=5)
⊠	CARBON FILM RESISTOR (P=10)
△	METAL OXIDE FILM RESISTOR
⊙	METAL FILM RESISTOR
⊚	METAL PLATE RESISTOR
⊛	FIRE PROOF CARBON FILM RESISTOR
⊜	CEMENT MOLDED RESISTOR
⊝	SEMI VARIABLE RESISTOR
⊞	CHIP RESISTOR

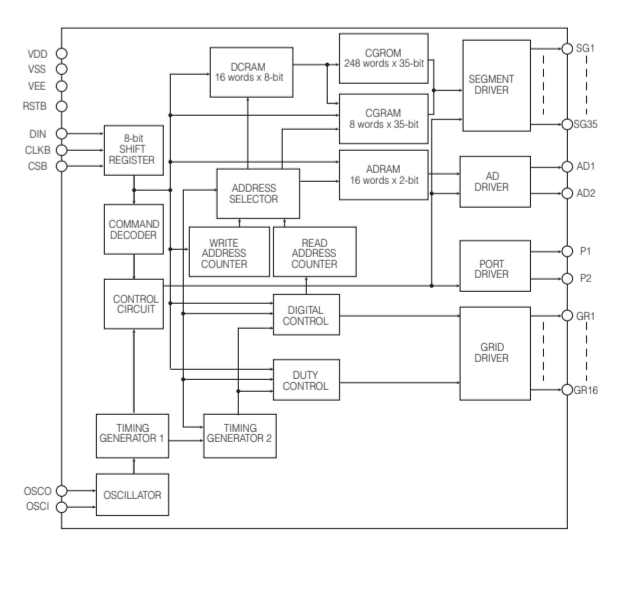
CAPACITOR

REMARKS	PARTS NAME
NO MARK	ELECTROLYTIC CAPACITOR
⊠	TANTALUM CAPACITOR
NO MARK	CERAMIC CAPACITOR
⊙	CERAMIC TUBULAR CAPACITOR
⊚	POLYESTER FILM CAPACITOR
○	POLYSTYRENE FILM CAPACITOR
⊕	MICA CAPACITOR
⊖	POLYPROPYLENE FILM CAPACITOR
⊗	SEMICONDUCTIVE CERAMIC CAPACITOR
⊘	POLYPHENYLENE SULFIDE FILM CAPACITOR

IC991: ADM222ARZ High speed RS-232 line drivers/receivers



IC901: 902: PT6302L-Q008 VFD driver/controller IC with character RAM



RX-Z7 (U, C, A models)  
Key input(A-D) pull-up resistance 10 k-ohms

Ohm	0	+1.2k	+1.2k	+1.8k	+2.7k	+3.3k	+4.7k	+8.2k	+18.0k	+47.0k
V	-0.26	-0.75	-1.22	-1.76	-2.28	-2.75	-3.24	-3.75	-4.25	-4.72
Key0 (124pin/AN156)	INFO	ZONE CONTROLS	CATEGORY / BAND	STEREO/ MONO	SEARCH MODE	MEMORY	PRESET/ TUNING >	PRESET/ TUNING <	-	-
Key1 (123pin/AN157)	STRAIGHT / EFFECT	ENTER / NEXT	ZONE CONTROL	MENU	AUDIO SELECT / REC OUT	PURE DIRECT	-	-	-	-

DSP-Z7 (R, T, K, B, G, E, L models)  
Key input(A-D) pull-up resistance 10 k-ohms

Ohm	0	+1.2k	+1.2k	+1.8k	+2.7k	+3.3k	+4.7k	+8.2k	+18.0k	+47.0k
V	-0.26	-0.75	-1.22	-1.76	-2.28	-2.75	-3.24	-3.75	-4.25	-4.72
Key0 (124pin/AN156)	INFO	ZONE CONTROLS	SYSTEM MEMORY 4	SYSTEM MEMORY 3	SYSTEM MEMORY 2	SYSTEM MEMORY 1	LEVEL + / R	LEVEL - / L	-	-
Key1 (123pin/AN157)	STRAIGHT / EFFECT	ENTER / NEXT	TONE CONTROL	MENU	AUDIO SELECT / REC OUT	PURE DIRECT	-	-	-	-

DSP-Z7 (J model)  
Key input(A-D) pull-up resistance 10 k-ohms

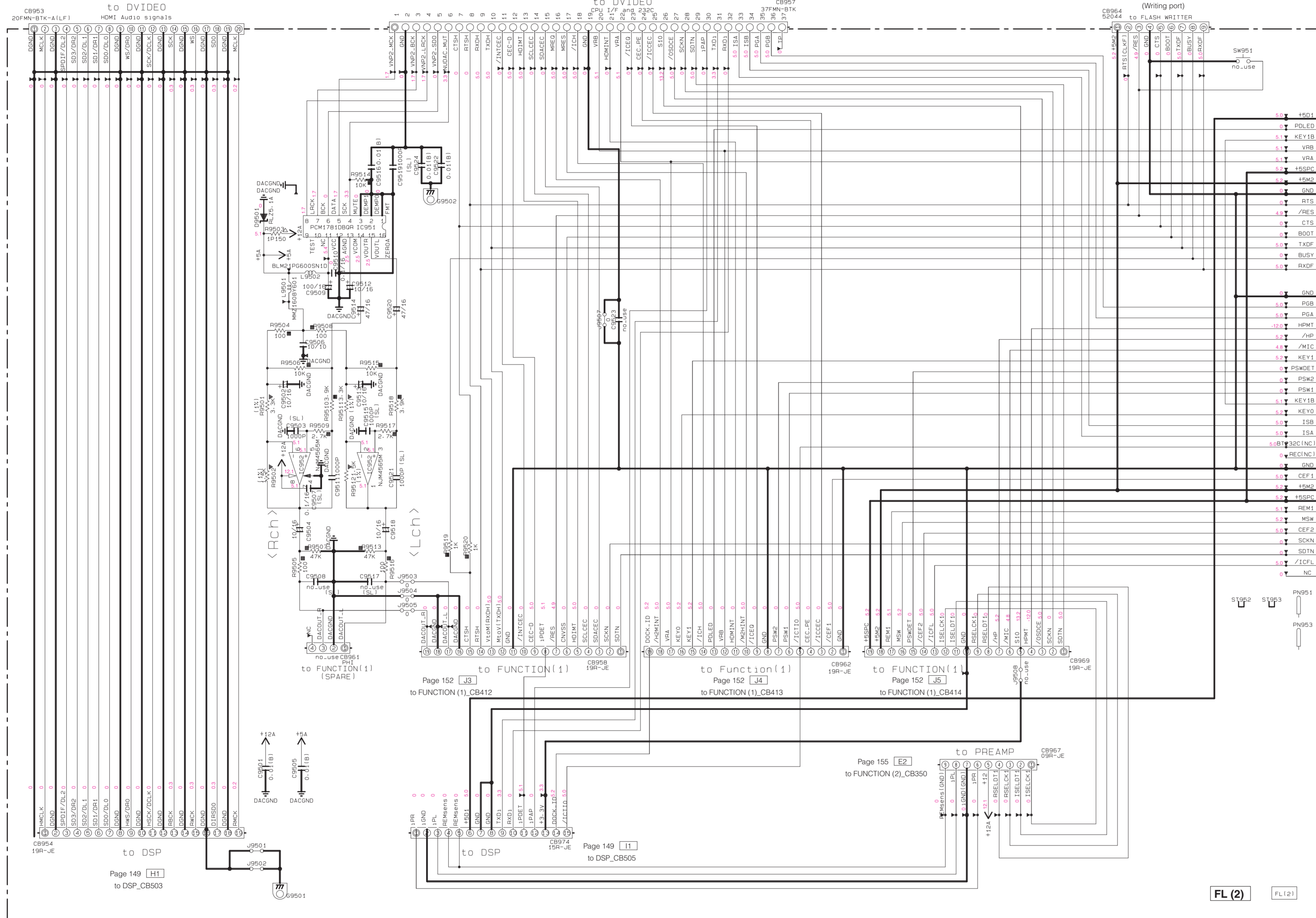
Ohm	0	+1.2k	+1.2k	+1.8k	+2.7k	+3.3k	+4.7k	+8.2k	+18.0k	+47.0k
V	-0.26	-0.75	-1.22	-1.76	-2.28	-2.75	-3.24	-3.75	-4.25	-4.72
Key0 (124pin/AN156)	INFO	-	SYSTEM MEMORY 4	SYSTEM MEMORY 3	SYSTEM MEMORY 2	SYSTEM MEMORY 1	LEVEL +	LEVEL -	-	-
Key1 (123pin/AN157)	STRAIGHT / EFFECT	ENTER / NEXT	TONE CONTROL	MENU	AUDIO SELECT / REC OUT	PURE DIRECT	-	-	-	-

- ★ All voltages are measured with a 10MΩ/V DC electronic voltmeter.
- ★ Components having special characteristics are marked ⊠ and must be replaced with parts having specifications equal to those originally installed.
- ★ Schematic diagram is subject to change without notice.
- 電圧は、内部抵抗10MΩの電圧計で測定したものです。
- ⊠印のある部品は、安全性確保部品を示しています。部品の交換が必要な場合、パーツリストに記載されている部品を使用してください。
- 本回路図は標準回路図です。改良のため予告なく変更することがございます。

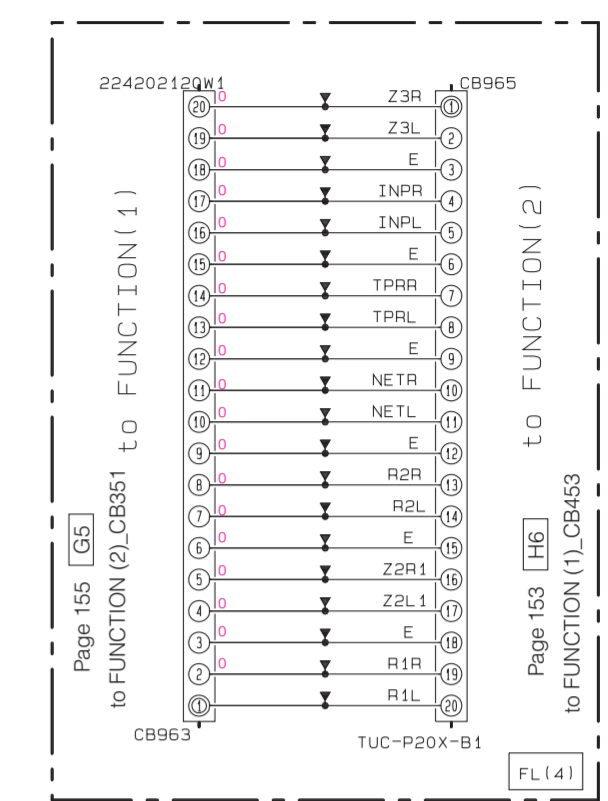
Page 165 [K9] to D-VIDEO (1)\_CB710

Page 168 [D9] to D-VIDEO (1)\_CB102

(Writing port)

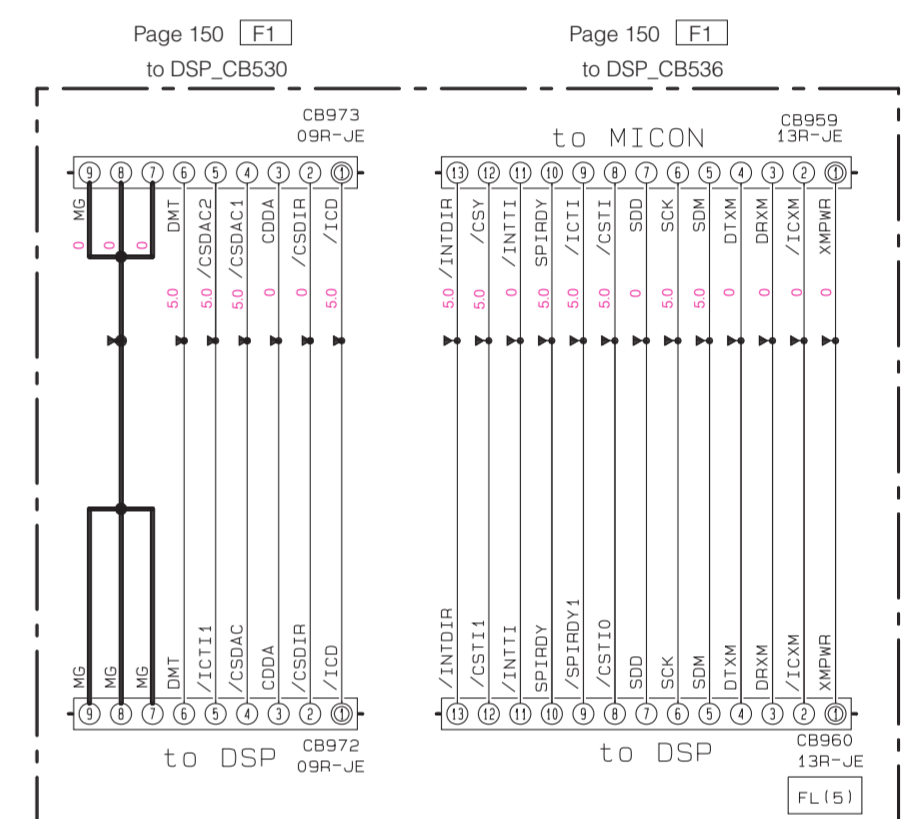


to D-VIDEO (1)\_CB953  
to OPERATION (6)\_CB803  
to OPE (6)  
520.44 CB971  
127FMN-STK-A1LF1 CB970



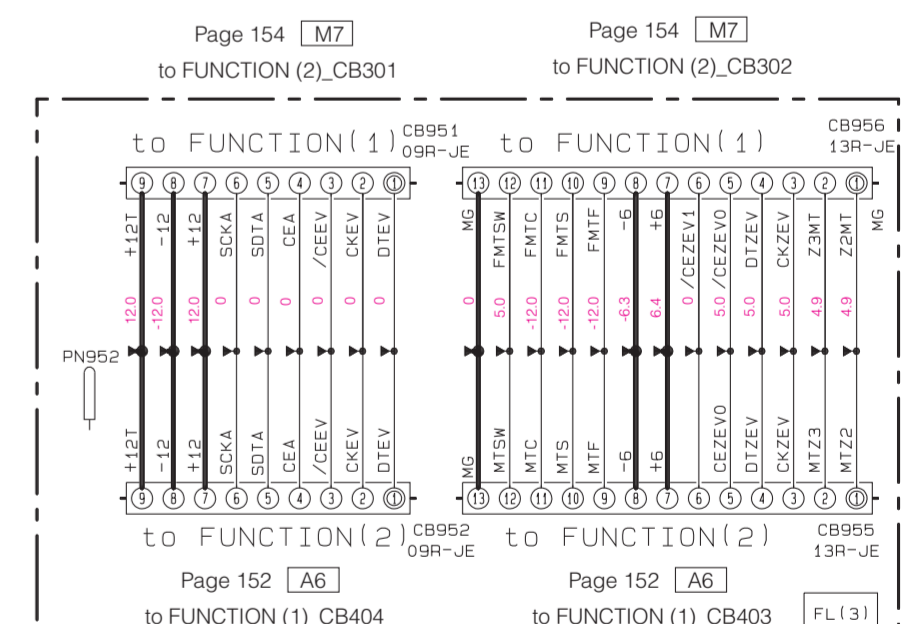
FL (4)

to FL (1)  
Page 172 [J5] to FL(1)\_CB901



FL (5)

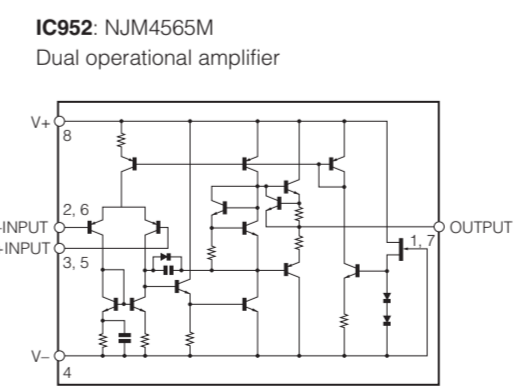
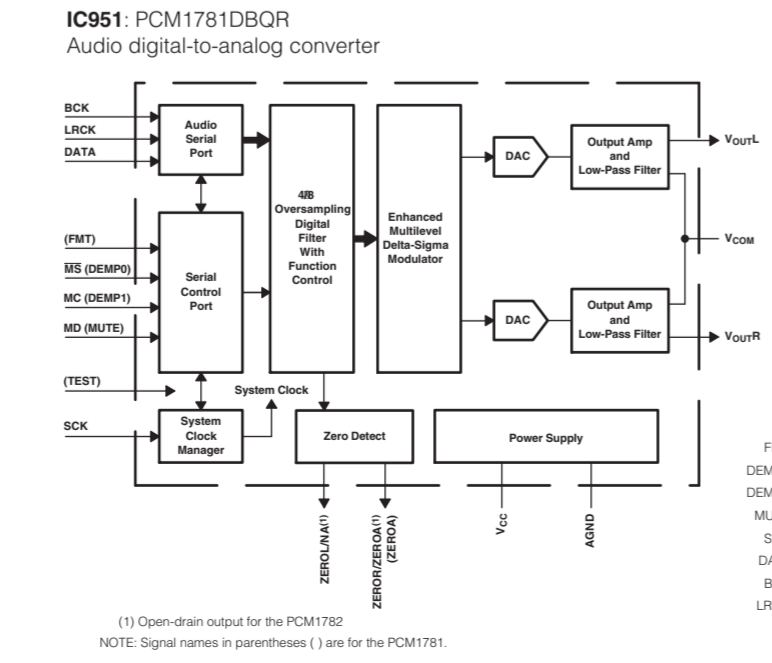
to FUNCTION (2)\_CB301  
Page 154 [M7]



FL (3)

FL (2)

FL (1)



REMARKS	PARTS NAME
NO MARK	CARBON FILM RESISTOR (P=5)
□	CARBON FILM RESISTOR (P=10)
△	METAL OXIDE FILM RESISTOR
▲	METAL FILM RESISTOR
■	METAL PLATE RESISTOR
⊠	FIRE PROOF CARBON FILM RESISTOR
□	CEMENT MOLDED RESISTOR
⊞	SEMI VARIABLE RESISTOR
■	CHIP RESISTOR

REMARKS	PARTS NAME
NO MARK	ELECTROLYTIC CAPACITOR
⊕	TANTALUM CAPACITOR
⊖	NO MARK CERAMIC CAPACITOR
⊙	CERAMIC TUBULAR CAPACITOR
⊗	POLYESTER FILM CAPACITOR
⊘	POLYSTYRENE FILM CAPACITOR
⊚	MICA CAPACITOR
⊛	POLYPROPYLENE FILM CAPACITOR
⊜	SEMICONDUCTIVE CERAMIC CAPACITOR

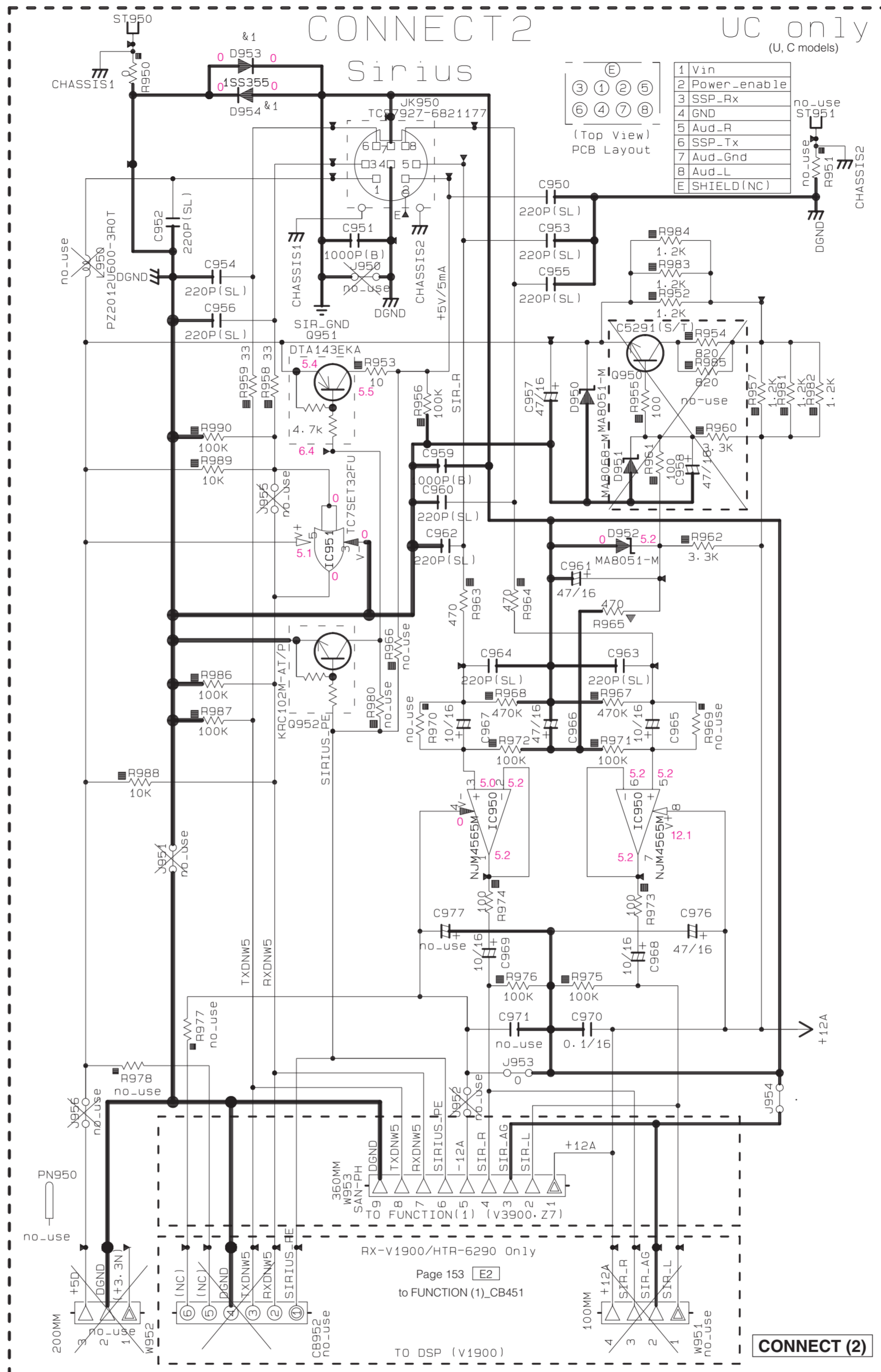
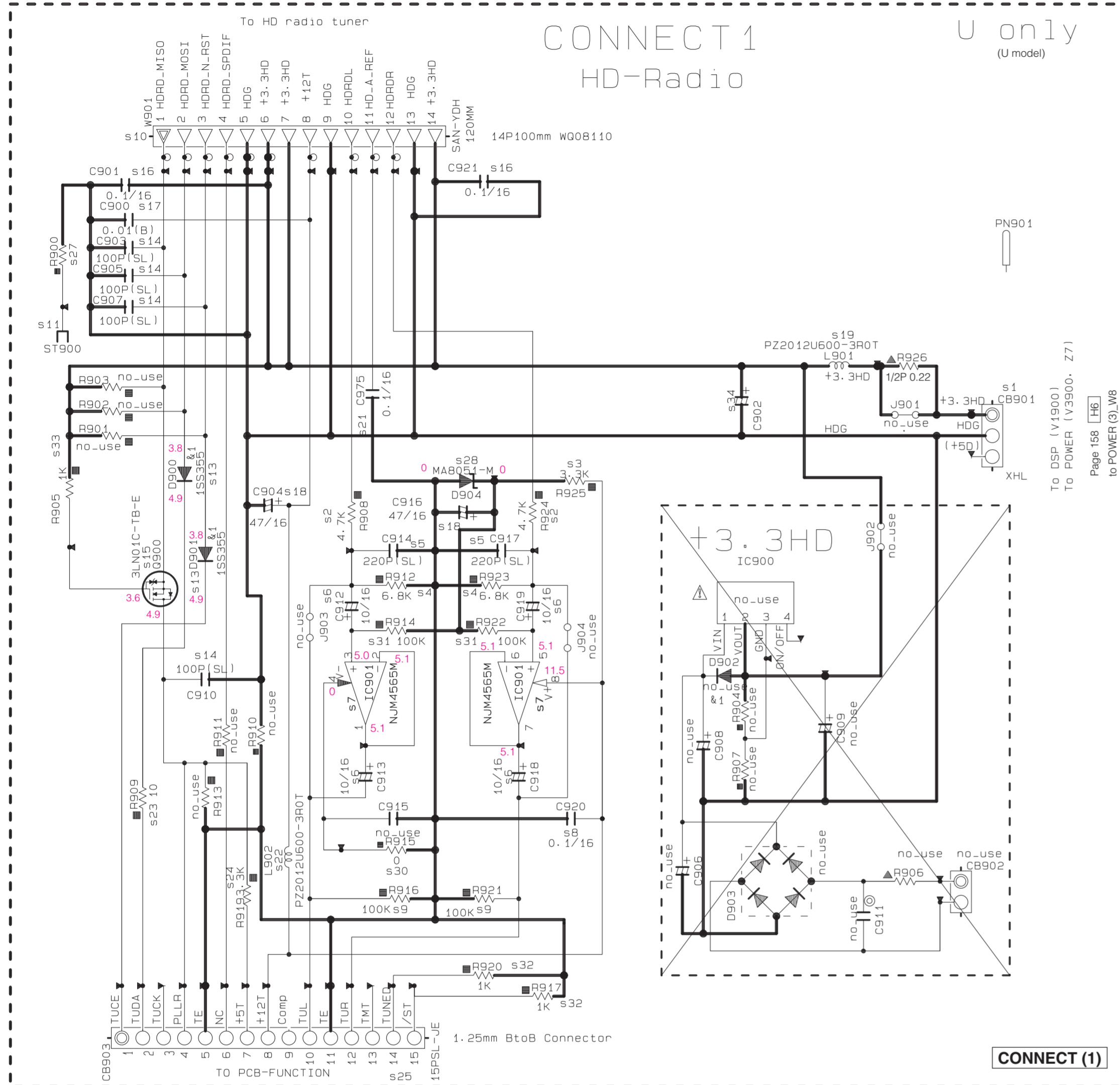
NOTICE (model)  
(J)..... JAPAN  
(U)..... U.S.A  
(C)..... CANADA  
(R)..... GENERAL  
(T)..... CHINA  
(K)..... KOREA  
(A)..... AUSTRALIA  
(B)..... BRITISH  
(G)..... EUROPE  
(S)..... SINGAPORE  
(E)..... SOUTH EUROPE  
(V)..... TAIWAN  
(F)..... RUSSIAN

[部品ID]  
\*9501~9800  
\*\*951~980  
(TP2001~2300)

\* All voltages are measured with a 10MΩ/V DC electronic voltmeter.  
\* Components having special characteristics are marked !, and must be replaced with parts having specifications equal to those originally installed.  
\* Schematic diagram is subject to change without notice.  
● 電圧は、内部抵抗10MΩの電圧計で測定したものです。  
● !印のある部品は、安全性確保部品を示しています。部品の交換が必要な場合、パーツリストに記載されている部品を使用してください。  
● 本回路図は標準回路図です。改良のため予告なく変更することがございます。

(1) Open-drain output for the PCM1782  
NOTE: Signal names in parentheses ( ) are for the PCM1781.

CONNECT  
U, C models



Destination Part List

sXX	LOC	U	C
s1	CB901	LB91903 XH	X
s2	R908 R924	RD35647 4.7K	X
s3	R925	RD35633 3.3K	X
s4	R912 R923	RD35668 5.8K	X
s5	C914 C917	US06222 220P(SL)	X
s6	C912 C919 C913 C918	UM39710 10/16	X
s7	IC901	X7378A0 NJM4565M	X
s8	C920	US13510 0.1/16	X
s9	R921 R916	RD35810 100K	X
s10	W901	W008110 SAN-YDH	X
s11	ST900	V404050	X
s13	D901 D900	VT33290 1SS355	X
s14	C907 C905 C910 C903	US06210 100P(SL)	X
s15	Q900	WH44500 3LN01C-TB-E	X
s16	C901 C921	US13510 0.1/16	X
s17	C900	US06410 0.01(B)	X
s18	C915 C904	UM39747 47/16	X
s19	L901	W653720 PZ2012U600-3ROT	X
s21	C975	US13510 0.1/16	X
s22	L902	W653720 PZ2012U600-3ROT	X
s23	R909	RD35410 10	X
s24	R919	RD35633 3.3K	X
s25	CB903	VU44380 15PSL-JE	X
s27	R900	RD35000 0	X
s28	D904	VU99260 MA8051-M	X
s29	PN901	V963750	X
s30	R915	RD35000 0	X
s31	R914 R922	RD35810 100K	X
s32	R920 R917	RD35610 1K	X
s33	R905	RD35610 1K	X
s34	C902	UR21929 2200/B-3	X
NA No.		WP15650 WP15650	
NC No.		X9907	

Page 152 [A2] to FUNCTION (1), CB401

NOTICE (model)  
(J)..... JAPAN  
(U)..... U. S. A  
(C)..... CANADA  
(R)..... GENERAL  
(T)..... CHINA  
(K)..... KOREA  
(A)..... AUSTRALIA  
(B)..... BRITISH  
(G)..... EUROPE  
(L)..... SINGAPORE  
(E)..... SOUTH EUROPE  
(V)..... TAIWAN  
(F)..... RUSSIAN

Interchangeable Parts at Manufacture-Stage

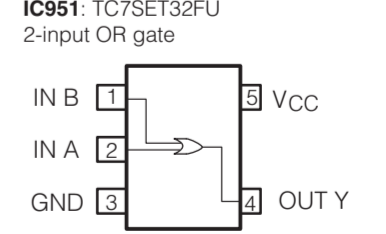
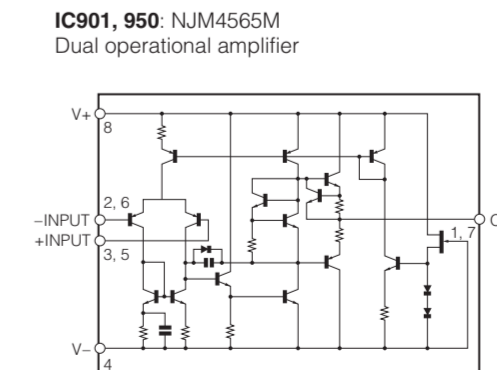
Mark	Reference Parts Number	Parts Name
&1	D900.901.953.954	1SS355
		MA2J1110GL
		KDS160-RTK/P

RESISTOR

REMARKS	PARTS NAME
NO MARK	CARBON FILM RESISTOR (P=5)
□	CARBON FILM RESISTOR (P=10)
△	METAL OXIDE FILM RESISTOR
▲	METAL FILM RESISTOR
⊠	METAL PLATE RESISTOR
▨	FIRE PROOF CARBON FILM RESISTOR
□	CEMENT MOLDED RESISTOR
⊗	SEMI VARIABLE RESISTOR
■	CHIP RESISTOR

CAPACITOR

REMARKS	PARTS NAME
NO MARK	ELECTROLYTIC CAPACITOR
⊗	TANTALUM CAPACITOR
NO MARK	CERAMIC CAPACITOR
●	CERAMIC TUBULAR CAPACITOR
⊙	POLYESTER FILM CAPACITOR
○	POLYSTYRENE FILM CAPACITOR
⊖	MICA CAPACITOR
Ⓟ	POLYPROPYLENE FILM CAPACITOR
Ⓢ	SEMICONDUCTIVE CERAMIC CAPACITOR
Ⓣ	POLYPHENYLENE SULFIDE FILM CAPACITOR

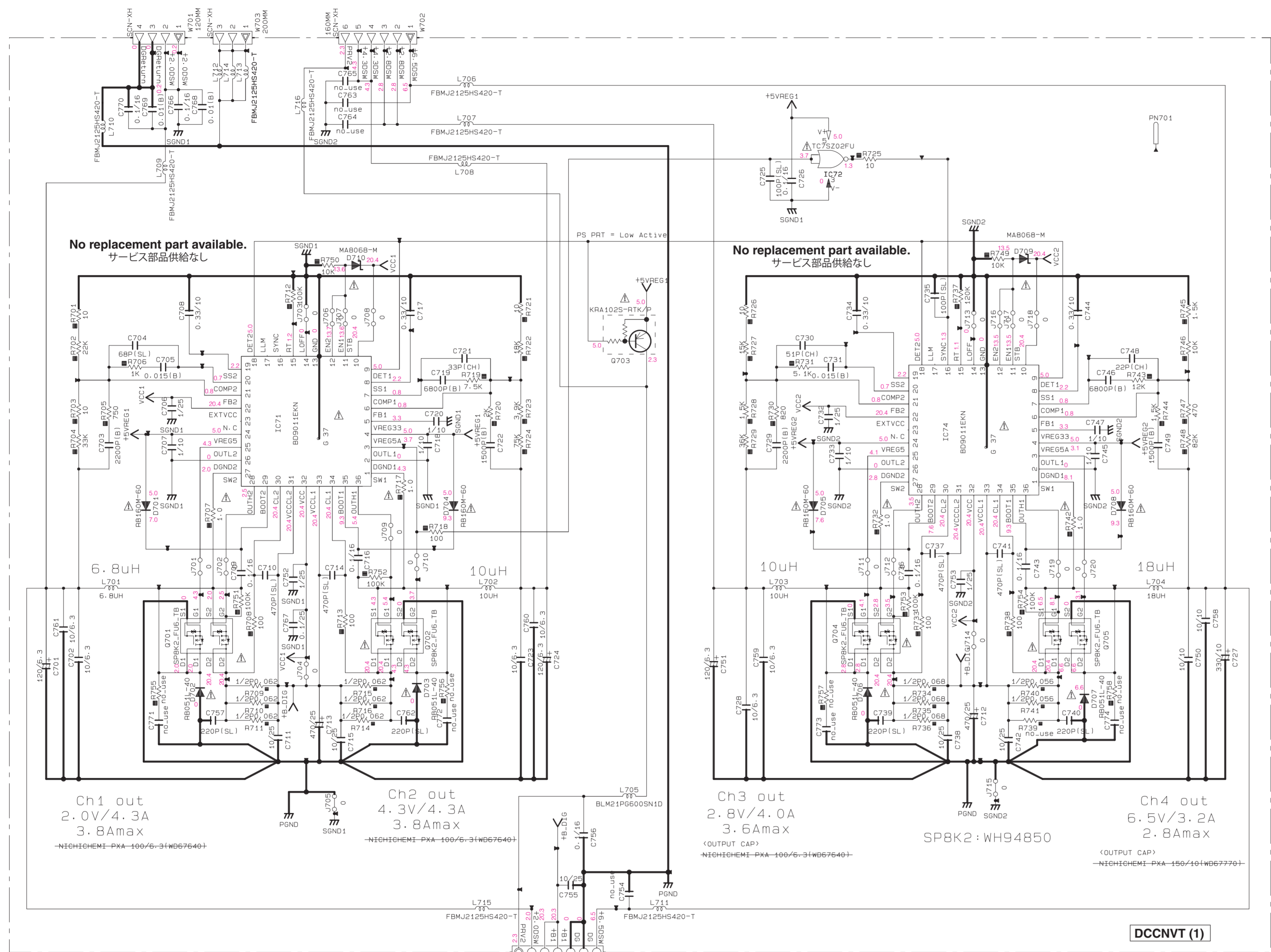


\* All voltages are measured with a 10MΩ/V DC electronic voltmeter.  
\* Components having special characteristics are marked \* and must be replaced with parts having specifications equal to those originally installed.  
\* Schematic diagram is subject to change without notice.

●電圧は、内部抵抗10MΩの電圧計で測定したものです。  
●\*印のある部品は、安全性確保部品を示しています。部品の交換が必要な場合、パーツリストに記載されている部品を使用してください。  
●本回路図は標準回路図です。改良のため予告なく変更することがございます。

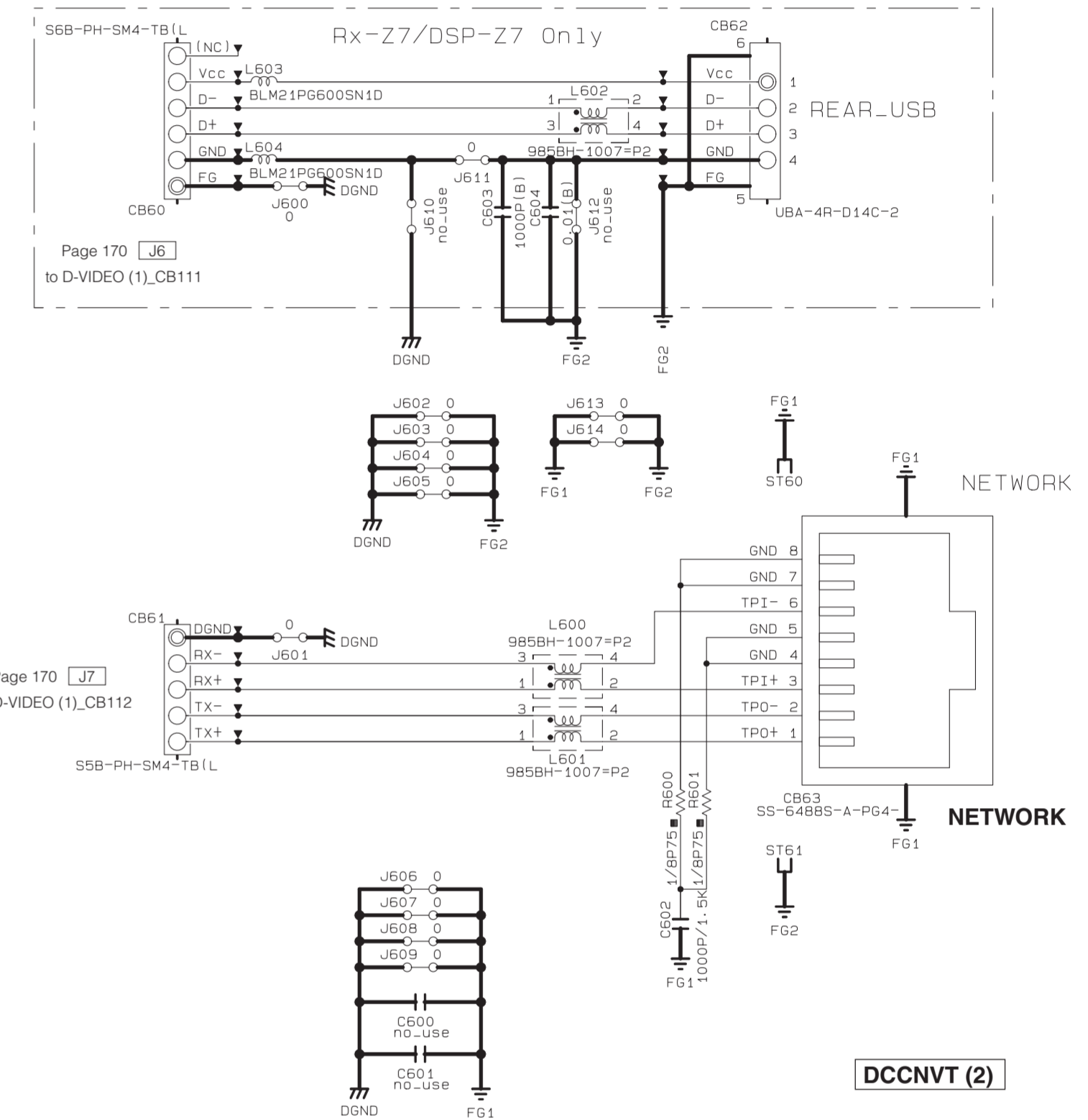
DCCNVT

Page 170 [J3] to D-VIDEO (1)\_CB108 to D-VIDEO (1)\_CB109  
Page 170 [J2] to D-VIDEO (1)\_CB107

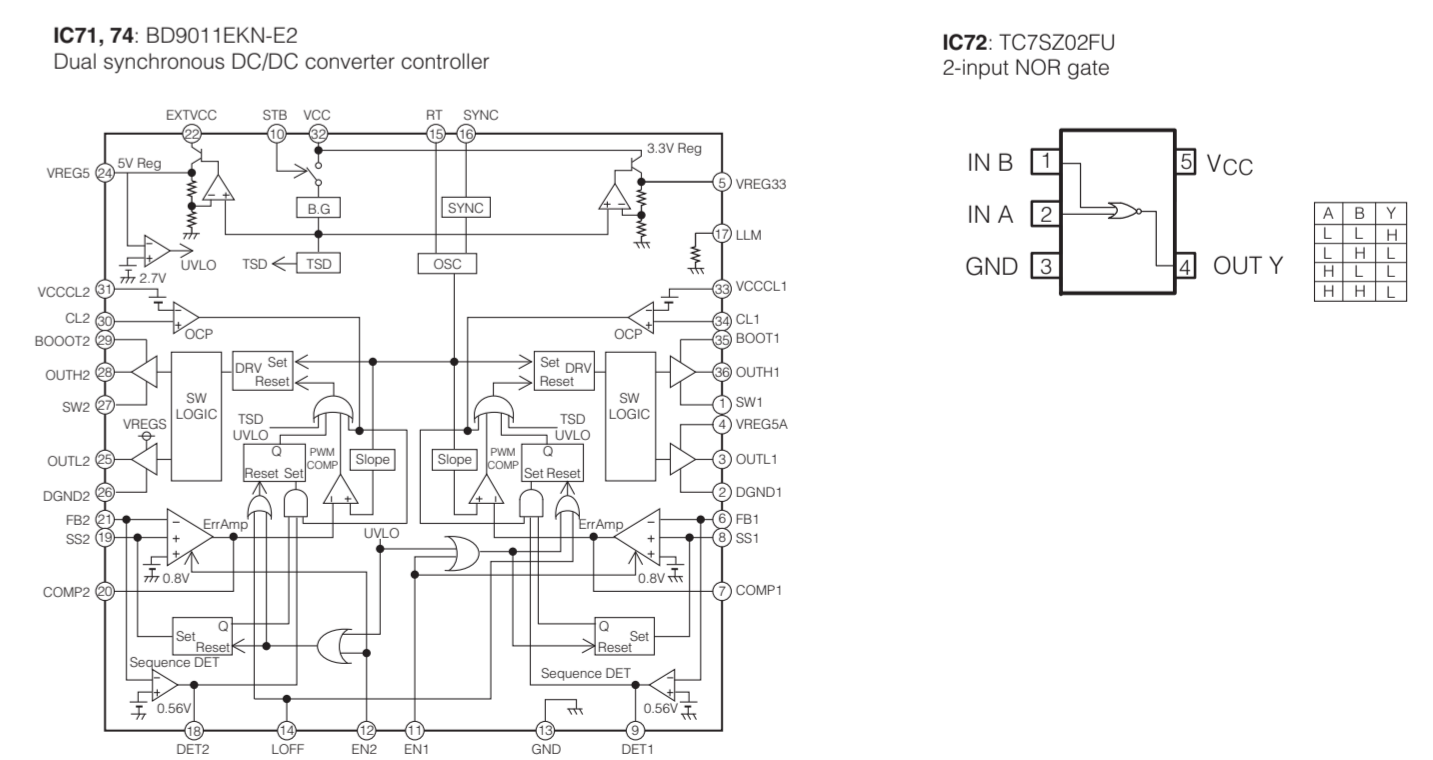


RESISTOR and CAPACITOR tables with columns for REMARKS, PARTS\_NAME, and NO MARK. The resistor table lists types like CARBON FILM RESISTOR, METAL OXIDE FILM RESISTOR, etc. The capacitor table lists types like ELECTROLYTIC CAPACITOR, TANTALUM CAPACITOR, etc.

NOTICE (model)  
(J)..... JAPAN  
(U)..... U.S. A  
(C)..... CANADA  
(R)..... GENERAL  
(T)..... CHINA  
(K)..... KOREA  
(A)..... AUSTRALIA  
(B)..... BRITISH  
(G)..... EUROPE  
(L)..... SINGAPORE  
(E)..... SOUTH EUROPE  
(V)..... TAIWAN  
(F)..... RUSSIAN



DCCNVT 001  
REF : 71 - 80, 701 - 800



\* All voltages are measured with a 10MΩ/V DC electronic voltmeter.  
\* Components having special characteristics are marked !, and must be replaced with parts having specifications equal to those originally installed.  
\* Schematic diagram is subject to change without notice.  
● 電圧は、内部抵抗10MΩの電圧計で測定したものです。  
● !印のある部品は、安全性確保部品を示しています。部品の交換が必要な場合、パーツリストに記載されている部品を使用してください。  
● 本回路図は標準回路図です。改良のため予告なく変更することがございます。

## ■ REPLACEMENT PARTS LIST

### ● ELECTRICAL COMPONENT PARTS

#### WARNING

- Components having special characteristics are marked  $\Delta$  and must be replaced with parts having specifications equal to those originally installed.
- The chip resistor is not supplied as a replacement part.
  - \* When a chip resistor is necessary, use the following part.  
AAX60720: CHIP RESISTOR SAMPLE BOOK
- $\Delta$ 印のある部分は、安全確保部品を示しています。部品の交換が必要な場合、パーツリストに記載されている部品を使用してください。
- チップ抵抗はサービス部品として供給しません。
  - ※ チップ抵抗が必要な場合は、下記の部品をご利用ください。  
AAX60720 : CHIP RESISTOR SAMPLE BOOK
- 部品価格ランクは、予告なく変更することがあります。

#### ABBREVIATIONS IN THIS LIST ARE AS FOLLOWS:

C.A.EL.CHP	: CHIP ALUMI.ELECTROLYTIC CAP	L.EMIT	: LIGHT EMITTING MODULE
C.CE	: CERAMIC CAP	LED.DSPLY	: LED DISPLAY
C.CE.ARRAY	: CERAMIC CAP ARRAY	LED.INFRD	: LED,INFRARED
C.CE.CHP	: CHIP CERAMIC CAP	MODUL.RF	: MODULATOR,RF
C.CE.ML	: MULTILAYER CERAMIC CAP	PHOT.CPL	: PHOTO COUPLER
C.CE.M.CHP	: CHIP MULTILAYER CERAMIC CAP	PHOT.INTR	: PHOTO INTERRUPTER
C.CE.SAFY	: RECOGNIZED CERAMIC CAP	PHOT.RFLCT	: PHOTO REFLECTOR
C.CE.TUBLR	: CERAMIC TUBULAR CAP	PIN.TEST	: PIN,TEST POINT
C.CE.SMI	: SEMI CONDUCTIVE CERAMIC CAP	PLST.RIVET	: PLASTIC RIVET
C.EL	: ELECTROLYTIC CAP	R.ARRAY	: RESISTOR ARRAY
C.MICA	: MICA CAP	R.CAR.	: CARBON RESISTOR
C.ML.FLM	: MULTILAYER FILM CAP	R.CAR.CHP	: CHIP RESISTOR
C.MP	: METALLIZED PAPER CAP	R.CAR.FP	: FLAME PROOF CARBON RESISTOR
C.MYLAR	: MYLAR FILM CAP	R.FUS	: FUSABLE RESISTOR
C.MYLAR.ML	: MULTILAYER MYLAR FILM CAP	R.MTL.CHP	: CHIP METAL FILM RESISTOR
C.PAPER	: PAPER CAPACITOR	R.MTL.FLM	: METAL FILM RESISTOR
C.PLS	: POLYSTYRENE FILM CAP	R.MTL.OXD	: METAL OXIDE FILM RESISTOR
C.POL	: POLYESTER FILM CAP	R.MTL.PLAT	: METAL PLATE RESISTOR
C.POLY	: POLYETHYLENE FILM CAP	RSNR.CE	: CERAMIC RESONATOR
C.PP	: POLYPROPYLENE FILM CAP	RSNR.CRYS	: CRYSTAL RESONATOR
C.TNTL	: TANTALUM CAP	R.TW.CEM	: TWIN CEMENT FIXED RESISTOR
C.TNTL.CHP	: CHIP TANTALUM CAP	R.CEMENT	: CEMENT RESISTOR
C.TRIM	: TRIMMER CAP	SCR.BND.HD	: BIND HEAD B-TIGHT SCREW
CN	: CONNECTOR	SCR.BW.HD	: BW HEAD TAPPING SCREW
CN.BS.PIN	: CONNECTOR,BASE PIN	SCR.CUP	: CUP TIGHT SCREW
CN.CANNON	: CONNECTOR,CANNON	SCR.TERM	: SCREW TERMINAL
CN.DIN	: CONNECTOR,DIN	SCR.TR	: SCREW,TRANSISTOR
CN.FLAT	: CONNECTOR,FLAT CABLE	SUPRT.PCB	: SUPPORT,P.C.B.
CN.POST	: CONNECTOR,BASE POST	SURG.PRTCT	: SURGE PROTECTOR
COIL.MX.AM	: COIL,AM MIX	SW.TACT	: TACT SWITCH
COIL.AT.FM	: COIL,FM ANTENNA	SW.LEAF	: LEAF SWITCH
COIL.DT.FM	: COIL,FM DETECT	SW.LEVER	: LEVER SWITCH
COIL.MX.FM	: COIL,FM MIX	SW.MICRO	: MICRO SWITCH
COIL.OUTPT	: OUTPUT COIL	SW.PUSH	: PUSH SWITCH
DIOD.ARRAY	: DIODE ARRAY	SW.RT.ENC	: ROTARY ENCODER
DIODE.BRG	: DIODE BRIDGE	SW.RT.MTR	: ROTARY SWITCH WITH MOTOR
DIODE.CHP	: CHIP DIODE	SW.RT	: ROTARY SWITCH
DIODE.VAR	: VARACTOR DIODE	SW.SLIDE	: SLIDE SWITCH
DIOD.Z.CHP	: CHIP ZENER DIODE	TERM.SP	: SPEAKER TERMINAL
DIODE.ZENR	: ZENER DIODE	TERM.WRAP	: WRAPPING TERMINAL
DSCR.CE	: CERAMIC DISCRIMINATOR	THRMST.CHP	: CHIP THERMISTOR
FER.BEAD	: FERRITE BEADS	TR.CHP	: CHIP TRANSISTOR
FER.CORE	: FERRITE CORE	TR.DGT	: DIGITAL TRANSISTOR
FET.CHP	: CHIP FET	TR.DGT.CHP	: CHIP DIGITAL TRANSISTOR
FL.DSPLY	: FLUORESCENT DISPLAY	TRANS	: TRANSFORMER
FLTR.CE	: CERAMIC FILTER	TRANS.PULS	: PULSE TRANSFORMER
FLTR.COMB	: COMB FILTER MODULE	TRANS.PWR	: POWER TRANSFORMER ASS'Y
FLTR.LC.RF	: LC FILTER,EMI	TUNER.AM	: TUNER PACK,AM
GND.MTL	: GROUND PLATE	TUNER.FM	: TUNER PACK,FM
GND.TERM	: GROUND TERMINAL	TUNER.PK	: FRONT-ENDTUNER PACK
HOLDER.FUS	: FUSE HOLDER	VR	: ROTARY POTENTIOMETER
IC.PRTCT	: IC PROTECTOR	VR.MTR	: POTENTIOMETER WITH MOTOR
JUMPER.CN	: JUMPER CONNECTOR	VR.SW	: POTENTIOMETER WITH ROTARY SW
JUMPER.TST	: JUMPER,TEST POINT	VR.SLIDE	: SLIDE POTENTIOMETER
L.DTCT	: LIGHT DETECTING MODULE	VR.TRIM	: TRIMMER POTENTIOMETER



## P.C.B. DSP

Ref No.	Part No.	Description	Remarks	Markets	部 品 名	ランク	
*	WQ133600	P. C. B.	DSP		J	P C B D S P	
*	WQ133700	P. C. B.	DSP		UC	P C B D S P	
*	WQ133800	P. C. B.	DSP		RTKABGEL	P C B D S P	
*	CB502	WJ458700 CN. XM	4P, CAM-D96		UC	X Mコネクタ	
	CB503	V9356900 CN. JE	19P SE			J Eコネクタプラグ	
	CB504	VQ047100 CN. BS. PIN	7P			F F Cコネクタ	01
	CB505	VU443800 CN. JE	15P SE			J Eコネクタプラグ	01
	CB530	V8809800 CN. JE	9P SE			J Eコネクタプラグ	01
	CB536	V8875300 CN. JE	13P SE			J Eコネクタプラグ	01
	CB560	LB918020 CN. BS. PIN	2P			ベース付ポスト	01
	CB561	VQ048000 CN. BS. PIN	31P			F F Cコネクタ	02
	C5001-5003	US061220 C. CE. CHP	22pF 50V B			チップセラコン	01
	C5004-5009	US135100 C. CE. CHP	0. 1uF 16V			チップセラコン	01
	C5010-5011	US135100 C. CE. CHP	0. 1uF 16V	UC		チップセラコン	01
	C5012-5014	US135100 C. CE. CHP	0. 1uF 16V			チップセラコン	01
	C5015-5017	UR237220 C. EL	22uF 16V			ケミコン	
	C5018	US064100 C. CE. CHP	0. 01uF 50V B			チップセラコン	01
	C5019	US063100 C. CE. CHP	1000pF 50V B	UC		チップセラコン	01
	C5022	US135100 C. CE. CHP	0. 1uF 16V	UC		チップセラコン	01
	C5024	US135100 C. CE. CHP	0. 1uF 16V	UC		チップセラコン	01
	C5025	UR237470 C. EL	47uF 16V			ケミコン	01
	C5027	US064100 C. CE. CHP	0. 01uF 50V B			チップセラコン	01
	C5028	US135100 C. CE. CHP	0. 1uF 16V			チップセラコン	01
	C5030	US064100 C. CE. CHP	0. 01uF 50V B			チップセラコン	01
	C5031	US135100 C. CE. CHP	0. 1uF 16V			チップセラコン	01
	C5032	US062220 C. CE. CHP	220pF 50V B			チップセラコン	01
	C5033	UR237220 C. EL	22uF 16V			ケミコン	
	C5034	US062220 C. CE. CHP	220pF 50V B			チップセラコン	01
	C5035	US135100 C. CE. CHP	0. 1uF 16V	UC		チップセラコン	01
	C5036	UR237470 C. EL	47uF 16V			ケミコン	01
	C5037	US135100 C. CE. CHP	0. 1uF 16V			チップセラコン	01
	C5038	US062220 C. CE. CHP	220pF 50V B			チップセラコン	01
	C5039	US135100 C. CE. CHP	0. 1uF 16V			チップセラコン	01
	C5040	US062220 C. CE. CHP	220pF 50V B			チップセラコン	01
	C5041-5043	US135100 C. CE. CHP	0. 1uF 16V	UC		チップセラコン	01
	C5044	UR837470 C. EL	47uF 16V	UC		ケミコン	01
	C5045	US135100 C. CE. CHP	0. 1uF 16V	UC		チップセラコン	01
	C5046	UR238100 C. EL	100uF 16V			ケミコン	
	C5047	US060800 C. CE. CHP	8pF 50V B	UC		チップセラコン	01
	C5048-5049	US135100 C. CE. CHP	0. 1uF 16V			チップセラコン	01
	C5050	VE326000 C. MYLAR	0. 1uF 50V			マイラーコン	01
	C5051	VE326600 C. MYLAR	0. 33uF 50V			マイラーコン	01
	C5052	WJ605400 C. MYLAR	0. 022uF 50V J			マイラーコン	01
	C5053-5055	US135100 C. CE. CHP	0. 1uF 16V			チップセラコン	01
	C5056	US060800 C. CE. CHP	8pF 50V B	UC		チップセラコン	01
	C5057-5058	UR267100 C. EL	10uF 50V			ケミコン	
	C5059	US062100 C. CE. CHP	100pF 50V B			チップセラコン	01
	C5060	UU267470 C. EL	47uF 50V			ケミコン FW	01
	C5061	US061470 C. CE. CHP	47pF 50V B			チップセラコン	01
	C5062	UU267470 C. EL	47uF 50V			ケミコン FW	01
	C5063-5065	US135100 C. CE. CHP	0. 1uF 16V			チップセラコン	01
	C5066	US064100 C. CE. CHP	0. 01uF 50V B			チップセラコン	01

\* New Parts \* 新規部品

## P.C.B. DSP

Ref No.	Part No.	Description	Remarks	Markets	部 品 名	ランク
C5067	UR237470	C. EL	47uF 16V		ケミコン	01
C5068-5069	US135100	C. CE. CHP	0. 1uF 16V		チップセラコン	01
C5070	US062100	C. CE. CHP	100pF 50V B		チップセラコン	01
C5071	US135100	C. CE. CHP	0. 1uF 16V		チップセラコン	01
C5072-5073	US062100	C. CE. CHP	100pF 50V B		チップセラコン	01
C5074-5075	US062220	C. CE. CHP	220pF 50V B		チップセラコン	01
C5076	US135100	C. CE. CHP	0. 1uF 16V		チップセラコン	01
C5077	US062100	C. CE. CHP	100pF 50V B		チップセラコン	01
* C5078-5079	WP172700	C. MYLAR	390pF 50V		マイラーコン	
C5080-5081	UR267100	C. EL	10uF 50V		ケミコン	
C5082-5083	US135100	C. CE. CHP	0. 1uF 16V		チップセラコン	01
C5084-5085	UR267100	C. EL	10uF 50V		ケミコン	
C5086	UR237100	C. EL	10uF 16V		ケミコン	
C5087	US135100	C. CE. CHP	0. 1uF 16V		チップセラコン	01
C5092	US063100	C. CE. CHP	1000pF 50V B	UC	チップセラコン	01
C5093	WD758300	C. CE. CHP	10uF 10V		チップセラコン	01
C5094	US064100	C. CE. CHP	0. 01uF 50V B		チップセラコン	01
C5095	US035100	C. CE. CHP	0. 1uF 16V B		チップセラコン	01
C5098	US060500	C. CE. CHP	5pF 50V B		チップセラコン	01
C5099	WD758300	C. CE. CHP	10uF 10V		チップセラコン	01
C5100	US064100	C. CE. CHP	0. 01uF 50V B		チップセラコン	01
C5101	WD758300	C. CE. CHP	10uF 10V		チップセラコン	01
C5102	US064100	C. CE. CHP	0. 01uF 50V B		チップセラコン	01
C5103	WD758300	C. CE. CHP	10uF 10V		チップセラコン	01
C5301	US062100	C. CE. CHP	100pF 50V B		チップセラコン	01
C5302-5303	UR238100	C. EL	100uF 16V		ケミコン	
C5304	UR267100	C. EL	10uF 50V		ケミコン	
C5305	US126100	C. CE. CHP	1uF 10V		チップセラコン	01
C5307-5313	US135100	C. CE. CHP	0. 1uF 16V		チップセラコン	01
C5314	UR237100	C. EL	10uF 16V		ケミコン	
C5315-5322	US135100	C. CE. CHP	0. 1uF 16V		チップセラコン	01
C5323-5334	US061470	C. CE. CHP	47pF 50V B		チップセラコン	01
C5336	US135100	C. CE. CHP	0. 1uF 16V		チップセラコン	01
C5338	US135100	C. CE. CHP	0. 1uF 16V		チップセラコン	01
C5341-5343	US135100	C. CE. CHP	0. 1uF 16V		チップセラコン	01
C5344	UR237100	C. EL	10uF 16V		ケミコン	
C5345-5346	US135100	C. CE. CHP	0. 1uF 16V		チップセラコン	01
C5348-5350	US135100	C. CE. CHP	0. 1uF 16V		チップセラコン	01
C5355-5362	US135100	C. CE. CHP	0. 1uF 16V		チップセラコン	01
C5363	UR237470	C. EL	47uF 16V		ケミコン	01
C5364-5367	US135100	C. CE. CHP	0. 1uF 16V		チップセラコン	01
C5368-5370	US063100	C. CE. CHP	1000pF 50V B		チップセラコン	01
C5371-5372	US135100	C. CE. CHP	0. 1uF 16V		チップセラコン	01
C5373-5375	US063100	C. CE. CHP	1000pF 50V B		チップセラコン	01
C5376-5377	US135100	C. CE. CHP	0. 1uF 16V		チップセラコン	01
C5378	UU238100	C. EL	100uF 16V		ケミコン	01
C5379	WG251600	C. CE. CHP	4. 7uF 6. 3V		チップセラコン	01
C5380	UU238100	C. EL	100uF 16V		ケミコン	01
C5381	UR238100	C. EL	100uF 16V		ケミコン	
C5382	US135100	C. CE. CHP	0. 1uF 16V		チップセラコン	01
C5383-5384	WG251600	C. CE. CHP	4. 7uF 6. 3V		チップセラコン	01
C5385	UR239100	C. EL	1000uF 16V		ケミコン	

\* New Parts \* 新規部品

## P.C.B. DSP

Ref No.	Part No.	Description	Remarks	Markets	部 品 名	ランク
C5386-5387	US135100	C. CE. CHP	0. 1uF 16V		チップセラコン	01
C5388	UU238100	C. EL	100uF 16V		ケミコン	01
C5389	WG251600	C. CE. CHP	4. 7uF 6. 3V		チップセラコン	01
C5390	US135100	C. CE. CHP	0. 1uF 16V		チップセラコン	01
C5391	WG251600	C. CE. CHP	4. 7uF 6. 3V		チップセラコン	01
C5392-5393	UR239100	C. EL	1000uF 16V		ケミコン	
C5394	US135330	C. CE. CHP	0. 33uF 16V		チップセラコン	01
C5395	UR239100	C. EL	1000uF 16V		ケミコン	
C5396-5397	US064100	C. CE. CHP	0. 01uF 50V B		チップセラコン	01
C5398	UR238100	C. EL	100uF 16V	UC	ケミコン	
C5399-5400	US135100	C. CE. CHP	0. 1uF 16V	UC	チップセラコン	01
C5401	UR238100	C. EL	100uF 16V	UC	ケミコン	
C5402	US135100	C. CE. CHP	0. 1uF 16V	UC	チップセラコン	01
C5403	UR218470	C. EL	470uF 6. 3V	UC	ケミコン	
C5404-5406	US135100	C. CE. CHP	0. 1uF 16V		チップセラコン	01
C5409-5429	US135100	C. CE. CHP	0. 1uF 16V		チップセラコン	01
C5430-5432	US063100	C. CE. CHP	1000pF 50V B		チップセラコン	01
C5433-5442	US135100	C. CE. CHP	0. 1uF 16V		チップセラコン	01
C5443	UR237100	C. EL	10uF 16V		ケミコン	
C5444	US135100	C. CE. CHP	0. 1uF 16V		チップセラコン	01
C5601	US163100	C. CE. CHP	1000pF 50V		チップセラコン	01
C5602-5604	US064100	C. CE. CHP	0. 01uF 50V B		チップセラコン	01
C5605	US135100	C. CE. CHP	0. 1uF 16V		チップセラコン	01
C5607-5608	US135100	C. CE. CHP	0. 1uF 16V		チップセラコン	01
C5609	UU267100	C. EL	10uF 50V		ケミコン FW	01
C5610	US135100	C. CE. CHP	0. 1uF 16V		チップセラコン	01
C5611	UU267100	C. EL	10uF 50V		ケミコン FW	01
C5612	US135100	C. CE. CHP	0. 1uF 16V		チップセラコン	01
C5613	US062100	C. CE. CHP	100pF 50V B		チップセラコン	01
C5614-5615	UR238100	C. EL	100uF 16V		ケミコン	
C5616	UR267100	C. EL	10uF 50V		ケミコン	
C5617	US126100	C. CE. CHP	1uF 10V		チップセラコン	01
C5618-5623	US135100	C. CE. CHP	0. 1uF 16V		チップセラコン	01
C5624	UU267100	C. EL	10uF 50V		ケミコン FW	01
C5625	US135100	C. CE. CHP	0. 1uF 16V		チップセラコン	01
C5626	UU267100	C. EL	10uF 50V		ケミコン FW	01
C5627	US064100	C. CE. CHP	0. 01uF 50V B		チップセラコン	01
C5628	US135100	C. CE. CHP	0. 1uF 16V		チップセラコン	01
C5629	US064100	C. CE. CHP	0. 01uF 50V B		チップセラコン	01
C5630-5633	WJ602900	C. MYLAR	100pF 50V K		マイラーコン	01
C5634-5635	US135100	C. CE. CHP	0. 1uF 16V		チップセラコン	01
C5636-5637	WJ605400	C. MYLAR	0. 022uF 50V J		マイラーコン	01
C5638-5639	US135100	C. CE. CHP	0. 1uF 16V		チップセラコン	01
C5640-5643	WJ603300	C. MYLAR	470pF 50V J		マイラーコン	01
C5644-5646	US135100	C. CE. CHP	0. 1uF 16V		チップセラコン	01
C5647-5649	UU267100	C. EL	10uF 50V		ケミコン FW	01
C5650-5652	US135100	C. CE. CHP	0. 1uF 16V		チップセラコン	01
C5653	UU267100	C. EL	10uF 50V		ケミコン FW	01
C5654-5656	US135100	C. CE. CHP	0. 1uF 16V		チップセラコン	01
C5657-5658	UU267220	C. EL	22uF 50V		ケミコン FW	01
C5659-5660	US135100	C. CE. CHP	0. 1uF 16V		チップセラコン	01
C5661-5662	UR237470	C. EL	47uF 16V		ケミコン	01

\* New Parts \* 新規部品

## P.C.B. DSP

Ref No.	Part No.	Description	Remarks	Markets	部 品 名	ランク
C5663-5665	US135100	C. CE. CHP	0. 1uF 16V		チップセラコン	01
C5666-5667	US064100	C. CE. CHP	0. 01uF 50V B		チップセラコン	01
C5668-5672	US135100	C. CE. CHP	0. 1uF 16V	UC	チップセラコン	01
C5673	UR237470	C. EL	47uF 16V	UC	ケミコン	01
C5674	UR237100	C. EL	10uF 16V	UC	ケミコン	
C5675	US135100	C. CE. CHP	0. 1uF 16V	UC	チップセラコン	01
C5676	US135100	C. CE. CHP	0. 1uF 16V		チップセラコン	01
C5677-5678	UR237470	C. EL	47uF 16V	UC	ケミコン	01
C5679	US135100	C. CE. CHP	0. 1uF 16V		チップセラコン	01
C5680-5681	WJ604200	C. MYLAR	2700pF 50V	UC	マイラーコン	01
C5682-5683	US135100	C. CE. CHP	0. 1uF 16V		チップセラコン	01
C5684-5685	WJ604200	C. MYLAR	2700pF 50V	UC	マイラーコン	01
C5686	US135100	C. CE. CHP	0. 1uF 16V		チップセラコン	01
C5687-5688	UR237100	C. EL	10uF 16V	UC	ケミコン	
C5689	US063100	C. CE. CHP	1000pF 50V B		チップセラコン	01
C5690-5697	US064100	C. CE. CHP	0. 01uF 50V B		チップセラコン	01
C5698-5699	US135100	C. CE. CHP	0. 1uF 16V	UC	チップセラコン	01
C5700-5701	UR237470	C. EL	47uF 16V	UC	ケミコン	01
C5704-5705	US135100	C. CE. CHP	0. 1uF 16V		チップセラコン	01
C5708	US064100	C. CE. CHP	0. 01uF 50V B		チップセラコン	01
C5709	UU238100	C. EL	100uF 16V		ケミコン	01
C5710	US135100	C. CE. CHP	0. 1uF 16V		チップセラコン	01
C5712-5714	US163100	C. CE. CHP	1000pF 50V		チップセラコン	01
C5715	US135100	C. CE. CHP	0. 1uF 16V		チップセラコン	01
C5716-5717	US163100	C. CE. CHP	1000pF 50V		チップセラコン	01
C5718-5720	UR038100	C. EL	100uF 16V		ケミコン	
C5721	US135100	C. CE. CHP	0. 1uF 16V		チップセラコン	01
C5722-5723	UR038100	C. EL	100uF 16V		ケミコン	
C5724-5726	US135100	C. CE. CHP	0. 1uF 16V		チップセラコン	01
C5728-5729	US135100	C. CE. CHP	0. 1uF 16V		チップセラコン	01
C5730-5732	UR038100	C. EL	100uF 16V		ケミコン	
C5734-5735	UR038100	C. EL	100uF 16V		ケミコン	
C5736-5738	US135100	C. CE. CHP	0. 1uF 16V		チップセラコン	01
C5740-5744	US135100	C. CE. CHP	0. 1uF 16V		チップセラコン	01
C5746-5747	US135100	C. CE. CHP	0. 1uF 16V		チップセラコン	01
C5748-5750	UU267100	C. EL	10uF 50V		ケミコン FW	01
C5752-5753	UU267100	C. EL	10uF 50V		ケミコン FW	01
C5754-5758	WJ603400	C. MYLAR	560pF 50V		マイラーコン	
C5759-5763	WJ604700	C. MYLAR	6800pF 50V		マイラーコン	
C5765	WJ605900	C. MYLAR	0. 056uF 50V		マイラーコン	
C5766-5769	WJ604700	C. MYLAR	6800pF 50V		マイラーコン	
* C5770-5774	WP172700	C. MYLAR	390pF 50V		マイラーコン	
C5775	UR237470	C. EL	47uF 16V		ケミコン	01
C5776	WJ605200	C. MYLAR	0. 015uF 50V		マイラーコン	
* C5777-5785	WP172700	C. MYLAR	390pF 50V		マイラーコン	
C5786	US135100	C. CE. CHP	0. 1uF 16V		チップセラコン	01
C5787	WJ605200	C. MYLAR	0. 015uF 50V		マイラーコン	
* C5788-5791	WP172700	C. MYLAR	390pF 50V		マイラーコン	
C5797	US135100	C. CE. CHP	0. 1uF 16V		チップセラコン	01
C5803-5807	UU267100	C. EL	10uF 50V		ケミコン FW	01
C5808	US135100	C. CE. CHP	0. 1uF 16V		チップセラコン	01
C5809-5813	UU267100	C. EL	10uF 50V		ケミコン FW	01

\* New Parts \* 新規部品

## P.C.B. DSP

Ref No.	Part No.	Description	Remarks	Markets	部 品 名	ランク
C5814-5825	US135100	C. CE. CHP	0. 1uF 16V		チップセラコン	01
C5826-5831	UU237470	C. EL	47uF 16V		ケミコン FW	01
C5834-5842	US135100	C. CE. CHP	0. 1uF 16V		チップセラコン	01
C5844-5851	US135100	C. CE. CHP	0. 1uF 16V		チップセラコン	01
C5852-5854	US063100	C. CE. CHP	1000pF 50V B		チップセラコン	01
C5855-5856	US135100	C. CE. CHP	0. 1uF 16V		チップセラコン	01
C5857-5859	US063100	C. CE. CHP	1000pF 50V B		チップセラコン	01
C5860-5861	US135100	C. CE. CHP	0. 1uF 16V		チップセラコン	01
C5900	US035100	C. CE. CHP	0. 1uF 16V B		チップセラコン	01
C5920-5922	US035100	C. CE. CHP	0. 1uF 16V B		チップセラコン	01
C5930-5931	US035100	C. CE. CHP	0. 1uF 16V B		チップセラコン	01
C5940-5945	US035100	C. CE. CHP	0. 1uF 16V B		チップセラコン	01
C5946-5947	WJ603400	C. MYLAR	560pF 50V		マイラーコン	
D5001-5003	WE674800	D10DE	AVRL161A1R1NTB	UC	チップバリスタ	01
D5301-5303	VT332900	D10DE	1SS355		ダイオード	01
D5305	VT332900	D10DE	1SS355		ダイオード	01
D5306	VT332900	D10DE	1SS355	UC	ダイオード	01
D5308	VT332900	D10DE	1SS355		ダイオード	01
D5309	VT332900	D10DE	1SS355	UC	ダイオード	01
D5310-5311	VT332900	D10DE	1SS355		ダイオード	01
D5600-5609	VV220700	D10DE. SHOT	RB501V-40		ショットキーダイオード	01
IC501	X3936A00	IC	SN74LVU04APWR		ロジック IC	
IC502	X3018A00	IC	SN74AHCT00PWR NAND		ロジック IC	01
IC504-505	XN518A00	IC	SN74LS151NSR 8-1 S		ロジック IC	04
IC506	X7746A00	IC	LC89057W-VF4AD-E		IC	07
IC507-508	XV894A00	IC	TC74VHC153FT MULT1		ロジック IC	03
IC509	X6123A00	IC	SN74LV157APWR		ロジック IC	02
IC510	X3505A00	IC	NJM2068MD-TE2		アンプ IC	02
IC511	XY074B00	IC	TC74VHC125FT (EL, K)		ロジック IC	01
IC512	XR680A00	IC	TC7SH08FU (TE85L, JF		ロジック IC	01
IC513	X9798A00	IC	CS230003-CZZR		IC デジタル	07
IC531	XR680A00	IC	TC7SH08FU (TE85L, JF		ロジック IC	01
IC532-533	XW814A00	IC	TC7SET32FU		ロジック IC	01
IC535	X3824A00	IC	SN74AHCT08PWR		ロジック IC	01
IC536	X3693A00	IC	SN74LV245APWR TRAN		ロジック IC	
IC537	XR680A00	IC	TC7SH08FU (TE85L, JF		ロジック IC	01
IC538	XW814A00	IC	TC7SET32FU		ロジック IC	01
IC539	XR680A00	IC	TC7SH08FU (TE85L, JF		ロジック IC	01
*	IC400	IC. MEMORY	S29AL016D70TFI020	written	メモリ IC 16M	
IC541-542	X7195A00	IC	R1172S121D-E2-F		電源 IC	04
IC543	X7964A00	IC	PQ200WNA1ZPH		電源 IC	03
IC544	X6869A00	IC	NJM2885DL1-33		電源 IC	03
IC545	X7964A00	IC	PQ200WNA1ZPH	UC	電源 IC	03
IC546	XR680A00	IC	TC7SH08FU (TE85L, JF		ロジック IC	01
IC560	X6872A00	IC	PCM1804DBR		A/Dコンバーター	07
IC561-563	X3505A00	IC	NJM2068MD-TE2		アンプ IC	02
IC564	X6231A00	IC	AK4384ET	UC	IC	
IC565	X5482A00	IC	NE5532DR OP AMP	UC	アンプ IC	01
IC566	X6123A00	IC	SN74LV157APWR		ロジック IC	02
IC569-571	X7947A00	IC	DSD1791DBR		D/Aコンバーター	07
IC573-574	X7947A00	IC	DSD1791DBR		D/Aコンバーター	07
IC575-577	X5482A00	IC	NE5532DR OP AMP		アンプ IC	01

\* New Parts \* 新規部品

## P.C.B. DSP and P.C.B. FUNCTION

Ref No.	Part No.	Description	Remarks	Markets	部 品 名	ランク
IC579-580	X3505A00	IC	NJM2068MD-TE2		アンプ IC	02
IC581	XR680A00	IC	TC7SH08FU (TE85L, JF		ロジック IC	01
IC582	X7285A00	IC	TC7SH00FU (TE85L, F)		ロジック IC	01
IC583	XR680A00	IC	TC7SH08FU (TE85L, JF		ロジック IC	01
IC585	X2760C00	IC	K4S641632K-UC75000		メモリ IC 64M	07
IC587	X2760C00	IC	K4S641632K-UC75000		メモリ IC 64M	07
IC588	X6123A00	IC	SN74LV157APWR		ロジック IC	02
PJ501	WB824400	JACK. PIN	YKC21-4228N		ピンジャック 3P	04
Q5001	VV655400	TR. DGT	DTC114EKA		デジタルトランジスタ	01
Q5002	VD303700	TR	2SC3326 A, B		トランジスタ	01
Q5301	VV556500	TR	2SA1037K Q, R, S	UC	トランジスタ	01
R5010	HV753100	R. CAR. FP	1 Ω 1/4W		不燃化カーボン抵抗	01
R5035	HV753100	R. CAR. FP	1 Ω 1/4W		不燃化カーボン抵抗	01
R5070	HV753100	R. CAR. FP	1 Ω 1/4W		不燃化カーボン抵抗	01
R5382	V8070000	R. MTL. FLM	1 Ω 1W		金属被膜抵抗	01
R5383	WJ787500	R. MTL. FLM	0.22 Ω 1W		金属被膜抵抗	01
R5384-5385	V8070000	R. MTL. FLM	1 Ω 1W		金属被膜抵抗	01
R5388-5389	V8070000	R. MTL. FLM	1 Ω 1W	UC	金属被膜抵抗	01
R5410	WJ787500	R. MTL. FLM	0.22 Ω 1W		金属被膜抵抗	01
* R5655-5656	WQ072300	R. MTL. OXD	2.2 Ω 1W		酸化金属被膜抵抗	
R5673	HV753100	R. CAR. FP	1 Ω 1/4W	UC	不燃化カーボン抵抗	01
R5708-5709	HV753100	R. CAR. FP	1 Ω 1/4W	UC	不燃化カーボン抵抗	01
R5727-5729	HV753470	R. CAR. FP	4.7 Ω 1/4W		不燃化カーボン抵抗	01
R5731-5732	HV753470	R. CAR. FP	4.7 Ω 1/4W		不燃化カーボン抵抗	01
R5780-5781	HF353100	R. CAR	1 Ω 1/2W		カーボン抵抗	
R5783-5785	HF353100	R. CAR	1 Ω 1/2W		カーボン抵抗	
ST530	V4040500	SCR. TERM	M3		スクリュー/ターミナル	01
U5001-5002	WH536900	CN. PHOTO. T	1P GP1FAV51TKOF		光ファイバー送信器	04
U5003-5006	WH169900	CN. PHOTO. R	1P GP1FAV51RKOF		光ファイバー受信器	04
XL501	WH455300	RSNR. CRYST	45.1584MHz	UC	水晶振動子	
XL502	V6931900	RESONATOR	24.576MHz DS0751SV		水晶発振器	05
* * * * *	WQ137500	P. C. B.	FUNCTION	J	PCB FUNCTION	
	WQ137600	P. C. B.	FUNCTION	U	PCB FUNCTION	
	WQ137700	P. C. B.	FUNCTION	C	PCB FUNCTION	
	WQ137800	P. C. B.	FUNCTION	RTKL	PCB FUNCTION	
	WQ137900	P. C. B.	FUNCTION	A	PCB FUNCTION	
	WQ138000	P. C. B.	FUNCTION	BGE	PCB FUNCTION	
CB300	VQ048000	CN. BS. PIN	31P		FFCコネクタ	02
CB301	V8809800	CN. JE	9P SE		JEコネクタプラグ	01
CB302	V8875300	CN. JE	13P SE		JEコネクタプラグ	01
CB303	VC166500	CN. BS. PIN	12P		コネクタベースポスト	01
CB350	V8809800	CN. JE	9P SE		JEコネクタプラグ	01
CB351	V7827000	CN	20P TE TUC SERIES		コネクタプラグ	01
CB401	VM859600	CN. BS. PIN	15P	CA	FFCコネクタ	01
CB401	VU446000	CN. BS. PIN	15P TE	U	JE コネクタ	02
CB402-403	V8875300	CN. JE	13P SE		JEコネクタプラグ	01
CB404	V8809800	CN. JE	9P SE		JEコネクタプラグ	01
CB405	VB389600	CN. BS. PIN	11P		コネクタベースポスト	01
CB406	VB858700	CN. BS. PIN	8P		ベースピン	01

\* New Parts \* 新規部品

## P.C.B. FUNCTION

Ref No.	Part No.	Description	Remarks	Markets	部 品 名	ランク
CB407	VK015400	CN. BS. PIN	13P		コネクタベースポスト	01
CB409	VQ044700	CN. BS. PIN	16P		F F Cコネクタ	01
CB410	VM859500	CN. BS. PIN	11P		F F Cコネクタ	01
CB411	VQ044300	CN. BS. PIN	7P		F F Cコネクタ	01
CB412-414	V9356900	CN. JE	19P SE		J Eコネクタプラグ	
CB416	V8809800	CN. JE	9P SE		J Eコネクタプラグ	01
CB451	VB390500	CN. BS. PIN	9P	UC	コネクタベースポスト	03
CB453	V7828700	SOCKET	20P SE TUC SERIES		コネクタソケット	01
C3000-3001	UR237100	C. EL	10uF 16V		ケミコン	
C3002	US135220	C. CE. CHP	0. 22uF 16V		チップセラコン	01
C3003-3004	US135100	C. CE. CHP	0. 1uF 16V		チップセラコン	01
C3005-3006	UR267470	C. EL	47uF 50V		ケミコン	01
C3007-3008	UU237100	C. EL	10uF 16V		ケミコン FW	01
C3009	US135100	C. CE. CHP	0. 1uF 16V		チップセラコン	01
C3010-3011	UU237100	C. EL	10uF 16V		ケミコン FW	01
C3013-3016	UU237100	C. EL	10uF 16V		ケミコン FW	01
C3017-3018	UR238100	C. EL	100uF 16V		ケミコン	
C3020-3023	UR238100	C. EL	100uF 16V		ケミコン	
C3024-3025	US062100	C. CE. CHP	100pF 50V B		チップセラコン	01
C3029	US135100	C. CE. CHP	0. 1uF 16V		チップセラコン	01
C3030-3033	US062100	C. CE. CHP	100pF 50V B		チップセラコン	01
C3035	UR266470	C. EL	4. 7uF 50V		ケミコン	
C3036-3037	UR267470	C. EL	47uF 50V		ケミコン	01
C3038-3039	UR266470	C. EL	4. 7uF 50V		ケミコン	
C3040	UR237100	C. EL	10uF 16V		ケミコン	
C3041-3042	UR266470	C. EL	4. 7uF 50V		ケミコン	
C3043-3044	UR266330	C. EL	3. 3uF 50V		ケミコン	
C3045-3050	US135100	C. CE. CHP	0. 1uF 16V		チップセラコン	01
C3051	UR237470	C. EL	47uF 16V		ケミコン	01
C3052	US135100	C. CE. CHP	0. 1uF 16V		チップセラコン	01
C3053	UR247330	C. EL	33uF 25V		ケミコン	01
C3054	UR267470	C. EL	47uF 50V		ケミコン	01
C3055	UR267100	C. EL	10uF 50V		ケミコン	
C3056	UR247330	C. EL	33uF 25V		ケミコン	01
C3057	UR237470	C. EL	47uF 16V		ケミコン	01
C3058	UR247330	C. EL	33uF 25V		ケミコン	01
C3059	UR337100	C. EL	10uF 16V		ケミコン	03
C3060	UR247330	C. EL	33uF 25V		ケミコン	01
C3061	UR267470	C. EL	47uF 50V		ケミコン	01
C3062-3064	UR247330	C. EL	33uF 25V		ケミコン	01
C3065	US135100	C. CE. CHP	0. 1uF 16V		チップセラコン	01
C3066-3067	UR267100	C. EL	10uF 50V		ケミコン	
C3068	US062100	C. CE. CHP	100pF 50V B		チップセラコン	01
C3069-3070	WJ602900	C. MYLAR	100pF 50V K		マイラーコン	01
C3071-3076	UU267100	C. EL	10uF 50V		ケミコン FW	01
C3077-3078	UR267470	C. EL	47uF 50V		ケミコン	01
C3079	UR237220	C. EL	22uF 16V		ケミコン	
C3080-3081	UU267100	C. EL	10uF 50V		ケミコン FW	01
C3082	UR237220	C. EL	22uF 16V		ケミコン	
C3083-3084	UR267470	C. EL	47uF 50V		ケミコン	01
C3086	US135100	C. CE. CHP	0. 1uF 16V		チップセラコン	01
C3088	US135100	C. CE. CHP	0. 1uF 16V		チップセラコン	01

\* New Parts \* 新規部品

## P.C.B. FUNCTION

Ref No.	Part No.	Description	Remarks	Markets	部 品 名	ランク
C3100-3101	UR237100	C. EL	10uF 16V		ケミコン	
C3500-3501	US135100	C. CE. CHP	0. 1uF 16V		チップセラコン	01
C3502	WJ603300	C. MYLAR	470pF 50V J	J	マイラーコン	01
C3503	US062220	C. CE. CHP	220pF 50V B	RTKABGEL	チップセラコン	01
C3504	US062220	C. CE. CHP	220pF 50V B	RTKABGEL	チップセラコン	01
C3505	WJ603300	C. MYLAR	470pF 50V J	J	マイラーコン	01
C3506	US062470	C. CE. CHP	470pF 50V B	UCRTKABGEL	チップセラコン	01
C3507	US062470	C. CE. CHP	470pF 50V B	UCRTKABGEL	チップセラコン	01
C3508	US062470	C. CE. CHP	470pF 50V B	UCRTKABGEL	チップセラコン	01
C3509	US062470	C. CE. CHP	470pF 50V B	UCRTKABGEL	チップセラコン	01
C3510-3511	US062220	C. CE. CHP	220pF 50V B		チップセラコン	01
C3512-3513	WJ603100	C. MYLAR	220pF 50V		マイラーコン	01
C3514-3515	US062220	C. CE. CHP	220pF 50V B		チップセラコン	01
C3516	US062100	C. CE. CHP	100pF 50V B	UCRTKABGEL	チップセラコン	01
C3517	US062100	C. CE. CHP	100pF 50V B	UCRTKABGEL	チップセラコン	01
C3518	WJ603100	C. MYLAR	220pF 50V		マイラーコン	01
C3519	WJ603300	C. MYLAR	470pF 50V J		マイラーコン	01
C3520-3523	WJ603100	C. MYLAR	220pF 50V		マイラーコン	01
C3524	US062100	C. CE. CHP	100pF 50V B	UCRTKABGEL	チップセラコン	01
C3525	US062100	C. CE. CHP	100pF 50V B	UCRTKABGEL	チップセラコン	01
C3526	WJ603300	C. MYLAR	470pF 50V J		マイラーコン	01
C3527	VR169200	C. MYLAR	0. 47uF 50V		マイラーコン	01
C3528-3533	WJ603300	C. MYLAR	470pF 50V J		マイラーコン	01
C3536-3539	UR266220	C. EL	2. 2uF 50V		ケミコン	
C3540-3541	UR218220	C. EL	220uF 6. 3V		ケミコン	
C3542-3543	WJ605600	C. MYLAR	0. 033uF 50V		マイラーコン	
C3544-3545	WJ604900	C. MYLAR	9100pF 50V		マイラーコン	
C3546-3548	UR237100	C. EL	10uF 16V		ケミコン	
C3550-3551	UU267100	C. EL	10uF 50V		ケミコン FW	01
C3552	UR237100	C. EL	10uF 16V		ケミコン	
C3554	UU267100	C. EL	10uF 50V	UCRTKABGEL	ケミコン FW	01
C3555-3556	UR237100	C. EL	10uF 16V		ケミコン	
C3557	UU267100	C. EL	10uF 50V	UCRTKABGEL	ケミコン FW	01
C3558	UR237100	C. EL	10uF 16V		ケミコン	
C3559-3560	UR267470	C. EL	47uF 50V		ケミコン	01
C3561-3562	WJ603700	C. MYLAR	1000pF 50V		マイラーコン	
C3563	UR237100	C. EL	10uF 16V		ケミコン	
C3566	UR038100	C. EL	100uF 16V		ケミコン	
C3569	UR038100	C. EL	100uF 16V	UCRTKABGEL	ケミコン	
C3570	UR038100	C. EL	100uF 16V		ケミコン	
C3572	UR038100	C. EL	100uF 16V	UCRTKABGEL	ケミコン	
C3574-3575	UR267470	C. EL	47uF 50V		ケミコン	01
C3576	UR266470	C. EL	4. 7uF 50V		ケミコン	
C3577-3578	VR168300	C. MYLAR	0. 1uF 50V		マイラーコン	01
C3579	UR266470	C. EL	4. 7uF 50V		ケミコン	
C3580	UR266470	C. EL	4. 7uF 50V	UCRTKABGEL	ケミコン	
C3581	VR168300	C. MYLAR	0. 1uF 50V	UCRTKABGEL	マイラーコン	01
C3582	VR168300	C. MYLAR	0. 1uF 50V	UCRTKABGEL	マイラーコン	01
C3583	UR266470	C. EL	4. 7uF 50V	UCRTKABGEL	ケミコン	
C3584-3585	WJ604300	C. MYLAR	3300pF 50V		マイラーコン	
C3586	WJ604300	C. MYLAR	3300pF 50V	UCRTKABGEL	マイラーコン	
C3587	WJ604300	C. MYLAR	3300pF 50V	UCRTKABGEL	マイラーコン	

\* New Parts \* 新規部品



## P.C.B. FUNCTION

Ref No.	Part No.	Description	Remarks	Markets	部 品 名	ランク
C3588	UR247100	C. EL	10uF 25V		ケミコン	
C3589	UR247100	C. EL	10uF 25V	UCRTKABGEL	ケミコン	
C3590	UR247100	C. EL	10uF 25V	UCRTKABGEL	ケミコン	
C3591	UR247100	C. EL	10uF 25V	UCRTKABGEL	ケミコン	
C3596	UR237100	C. EL	10uF 16V	UCRTKABGEL	ケミコン	
C3598	UR237100	C. EL	10uF 16V		ケミコン	
C3599	UR237100	C. EL	10uF 16V	UCRTKABGEL	ケミコン	
C3601	UR237100	C. EL	10uF 16V	UCRTKABGEL	ケミコン	
C3603	UR038100	C. EL	100uF 16V		ケミコン	
C3604	UR237100	C. EL	10uF 16V		ケミコン	
C3605-3606	UR237470	C. EL	47uF 16V		ケミコン	01
C3610	UR237100	C. EL	10uF 16V	UCRTKABGEL	ケミコン	
C3615	UR237100	C. EL	10uF 16V	UCRTKABGEL	ケミコン	
C3616	UR038100	C. EL	100uF 16V		ケミコン	
C3617	UR237100	C. EL	10uF 16V	UCRTKABGEL	ケミコン	
C3619	US135100	C. CE. CHP	0. 1uF 16V		チップセラコン	01
C3632-3633	US135100	C. CE. CHP	0. 1uF 16V		チップセラコン	01
C3634	US135100	C. CE. CHP	0. 1uF 16V	UCRTKABGEL	チップセラコン	01
C3635	US135100	C. CE. CHP	0. 1uF 16V	UCRTKABGEL	チップセラコン	01
C3636-3639	US135100	C. CE. CHP	0. 1uF 16V		チップセラコン	01
C4000	US135100	C. CE. CHP	0. 1uF 16V		チップセラコン	01
C4018	US064100	C. CE. CHP	0. 01uF 50V B	CA	チップセラコン	01
C4019	UR266220	C. EL	2. 2uF 50V	CA	ケミコン	
C4020	UU238100	C. EL	100uF 16V	CA	ケミコン	01
C4031-4034	US135100	C. CE. CHP	0. 1uF 16V		チップセラコン	01
C4036-4039	US135100	C. CE. CHP	0. 1uF 16V		チップセラコン	01
C4040	UR239100	C. EL	1000uF 16V		ケミコン	
C4041-4044	US135100	C. CE. CHP	0. 1uF 16V		チップセラコン	01
C4045	US063100	C. CE. CHP	1000pF 50V B		チップセラコン	01
C4046	US135100	C. CE. CHP	0. 1uF 16V		チップセラコン	01
C4048-4049	US135100	C. CE. CHP	0. 1uF 16V		チップセラコン	01
C4050	UR067100	C. EL	10uF 50V		ケミコン	01
C4051	US135100	C. CE. CHP	0. 1uF 16V		チップセラコン	01
C4052	WB165500	C. EL	0. 33F 5. 5V		ゴールドキャパシタ	04
C4053-4055	UR219100	C. EL	1000uF 6. 3V		ケミコン	
C4056-4061	US135100	C. CE. CHP	0. 1uF 16V		チップセラコン	01
C4063	US135100	C. CE. CHP	0. 1uF 16V		チップセラコン	01
C4064	UR266220	C. EL	2. 2uF 50V		ケミコン	
C4065	UR266220	C. EL	2. 2uF 50V	UCRTKABGEL	ケミコン	
C4066-4070	UR266220	C. EL	2. 2uF 50V		ケミコン	
C4071	UR239100	C. EL	1000uF 16V		ケミコン	
C4072	US135100	C. CE. CHP	0. 1uF 16V	UCRTKABGEL	チップセラコン	01
C4073	UR218100	C. EL	100uF 6. 3V	UCRTKABGEL	ケミコン	
C4074-4075	US063100	C. CE. CHP	1000pF 50V B	UCRTKABGEL	チップセラコン	01
C4076-4077	US135100	C. CE. CHP	0. 1uF 16V		チップセラコン	01
C4078	US063100	C. CE. CHP	1000pF 50V B	UCRTKABGEL	チップセラコン	01
C4079	US063100	C. CE. CHP	1000pF 50V B	UCRTKABGEL	チップセラコン	01
C4080	US063100	C. CE. CHP	1000pF 50V B	UCRTKABGEL	チップセラコン	01
C4081	US063100	C. CE. CHP	1000pF 50V B	UCRTKABGEL	チップセラコン	01
C4082-4084	US062100	C. CE. CHP	100pF 50V B		チップセラコン	01
C4085	US062100	C. CE. CHP	100pF 50V B	J	チップセラコン	01
C4086	US062100	C. CE. CHP	100pF 50V B		チップセラコン	01

\* New Parts \* 新規部品

## P.C.B. FUNCTION

Ref No.	Part No.	Description	Remarks	Markets	部 品 名	ランク	
C4087	US062100	C. CE. CHP	100pF 50V B		J	チップセラコン	01
C4088-4089	US062100	C. CE. CHP	100pF 50V B			チップセラコン	01
C4098-4099	US062100	C. CE. CHP	100pF 50V B			チップセラコン	01
C4100	US062100	C. CE. CHP	100pF 50V B		J	チップセラコン	01
C4101	US062100	C. CE. CHP	100pF 50V B			チップセラコン	01
C4102-4103	US062100	C. CE. CHP	100pF 50V B		J	チップセラコン	01
C4104	UR266220	C. EL	2. 2uF 50V		UCRTKABGEL	ケミコン	
C4112	US062100	C. CE. CHP	100pF 50V B			チップセラコン	01
C4131	US135100	C. CE. CHP	0. 1uF 16V			チップセラコン	01
C4134	US061470	C. CE. CHP	47pF 50V B		UC	チップセラコン	01
C4500	US062220	C. CE. CHP	220pF 50V B			チップセラコン	01
C4504	US062220	C. CE. CHP	220pF 50V B		JRTKBGEL	チップセラコン	01
C4505	US062220	C. CE. CHP	220pF 50V B		JRTKBGEL	チップセラコン	01
C4506-4507	US062220	C. CE. CHP	220pF 50V B			チップセラコン	01
C4508-4509	WJ603100	C. MYLAR	220pF 50V			マイラーコン	01
C4510-4511	US062220	C. CE. CHP	220pF 50V B			チップセラコン	01
C4512-4513	US062100	C. CE. CHP	100pF 50V B			チップセラコン	01
C4514-4515	US062220	C. CE. CHP	220pF 50V B			チップセラコン	01
C4516-4517	US062100	C. CE. CHP	100pF 50V B			チップセラコン	01
C4518-4519	UR237100	C. EL	10uF 16V			ケミコン	
C4520	UR237100	C. EL	10uF 16V		UCRTKABGEL	ケミコン	
C4521	UR237100	C. EL	10uF 16V		UCRTKABGEL	ケミコン	
C4522	UR237100	C. EL	10uF 16V			ケミコン	
C4523	UR237100	C. EL	10uF 16V		UCRTKABGEL	ケミコン	
C4524-4527	UR237100	C. EL	10uF 16V			ケミコン	
C4528-4529	UR237100	C. EL	10uF 16V		UCRTKABGEL	ケミコン	
C4530-4531	UR237470	C. EL	47uF 16V			ケミコン	01
C4532-4533	US062100	C. CE. CHP	100pF 50V B			チップセラコン	01
C4536-4539	US135100	C. CE. CHP	0. 1uF 16V			チップセラコン	01
C4541	US062220	C. CE. CHP	220pF 50V B		UC	チップセラコン	01
D3000-3003	VT332900	DIODE	1SS355			ダイオード	01
D3004-3005	VU993800	DIODE. ZENR	MA8068-M 6. 8V			ツェナーダイオード	01
D3500-3501	VU992100	DIODE. ZENR	MA8047-L 4. 6V			ツェナーダイオード	01
D3502-3503	VT332900	DIODE	1SS355			ダイオード	01
D4001	VU172000	DIODE. ZENR	UDZS5. 6BTE-17 5. 6V		CA	ツェナーダイオード	01
D4002-4007	VT332900	DIODE	1SS355			ダイオード	01
D4008	VV833200	DIODE	1SS380			ダイオード	01
D4009	VT332900	DIODE	1SS355			ダイオード	01
D4010	VU992600	DIODE. ZENR	MA8051-M 5. 1V			ツェナーダイオード	01
D4012-4013	VT332900	DIODE	1SS355			ダイオード	01
D4014	V2598200	LED	SIR-505ST		UCRTKABGEL	LED	01
D4015	V2598200	LED	SIR-505ST		UCRTKABGEL	LED	01
D4016	VT332900	DIODE	1SS355		UCRTKABGEL	ダイオード	01
D4017	VT332900	DIODE	1SS355		UCRTKABGEL	ダイオード	01
IC300	X5045A00	IC	NJU7312AM			アナログIC	05
IC301	X5044A00	IC	NJU7311AM			アナログIC	05
IC302	X3505A00	IC	NJM2068MD-TE2			アンプIC	02
IC304-306	X3505A00	IC	NJM2068MD-TE2			アンプIC	02
IC307	X5574A00	IC	YAC526-EZE2			IC アナログ	05
IC308	X4325A00	IC	YAC523-EVR2			IC, アナログ	06
IC309-312	X9127A00	IC	NJM5532M-D			アンプIC	04
IC313	X5043A00	IC	NJU7313AM			アナログIC	05

\* New Parts \* 新規部品

## P.C.B. FUNCTION

Ref No.	Part No.	Description	Remarks	Markets	部 品 名	ランク
IC350-352	X3505A00	IC	NJM2068MD-TE2		アンプ IC	02
IC355	X3547A00	IC	BD3841FS		IC	06
IC356	X3547A00	IC	BD3841FS	UCRTKABGEL	IC	06
IC357	X3505A00	IC	NJM2068MD-TE2	UCRTKABGEL	アンプ IC	02
IC358	X3505A00	IC	NJM2068MD-TE2	UCRTKABGEL	アンプ IC	02
IC359	X8355A00	IC	NJW1194		IC アナログ	07
IC360	X8355A00	IC	NJW1194	UCRTKABGEL	IC アナログ	07
IC402	X8013A00	IC. CPU	M3087BFKBGP CPU	unwritten	CPU/周辺 IC	
IC403	X7779A00	IC	LC709004A-TLM-E		ロジック IC	04
IC407	X9428A00	IC	R1154H058B-T1-F		電源 IC	03
IC450-451	X3547A00	IC	BD3841FS	UCRTKABGEL	IC	06
JK401	V9435700	JACK. MNI	MSJ-035-12APC	UCRTKABGEL	モノラル ミニジャック	01
JK402-403	V9435700	JACK. MNI	MSJ-035-12APC	UCRTKABGEL	モノラル ミニジャック	01
JK404	V9435700	JACK. MNI	MSJ-035-12APC	UCRTKABGEL	モノラル ミニジャック	01
PJ350	V9763900	JACK. PIN	6P RJ-1073F-09-055		ピンジャック 4P	04
PJ351	V9764300	JACK. PIN	6P RJ-1074-84-0553	UCRTKABGEL	ピンジャック 6P	04
PJ352	V9764300	JACK. PIN	6P RJ-1074-84-0553		ピンジャック 6P	04
PJ353	V5634800	JACK. PIN	6P		ピンジャック	04
* PJ354	WQ017100	JACK. PIN	6P RJ-1074-83-0553	UCRTKABGEL	ピンジャック	
PJ355	WD194900	JACK. PIN	RJ-1060_09-0531A	J	ピンジャック 2P	02
* PJ356	WQ380300	JACK. PIN	2P RJ-1060_01-0531	J	ピンジャック 2P	04
PJ357	WD194900	JACK. PIN	RJ-1060_09-0531A	J	ピンジャック 2P	02
PJ450	VV551500	JACK. PIN	4P		ピンジャック	05
PJ451	V5634800	JACK. PIN	6P		ピンジャック	04
PJ452	VV551500	JACK. PIN	4P	UCA	ピンジャック	05
PJ453	VV551500	JACK. PIN	4P		ピンジャック	05
PJ454	V5634800	JACK. PIN	6P	JRTKABGEL	ピンジャック	04
Q4	WC435100	TR. DGT	KRC104S-RTK		デジタルトランジスタ	01
Q26	WC435100	TR. DGT	KRC104S-RTK		デジタルトランジスタ	01
Q27-28	WC434900	TR. DGT	KRA104S-RTK		デジタルトランジスタ	01
Q29	WC435100	TR. DGT	KRC104S-RTK	UCRTKABGEL	デジタルトランジスタ	01
Q30	WC435100	TR. DGT	KRC104S-RTK		デジタルトランジスタ	01
Q31-32	WC434900	TR. DGT	KRA104S-RTK	UCRTKABGEL	デジタルトランジスタ	01
Q33	WC435100	TR. DGT	KRC104S-RTK		デジタルトランジスタ	01
Q34	WC435100	TR. DGT	KRC104S-RTK	UCRTKABGEL	デジタルトランジスタ	01
Q35	WC434900	TR. DGT	KRA104S-RTK		デジタルトランジスタ	01
Q36	WC434900	TR. DGT	KRA104S-RTK	UCRTKABGEL	デジタルトランジスタ	01
Q37-38	WC435100	TR. DGT	KRC104S-RTK		デジタルトランジスタ	01
Q39-40	WC434900	TR. DGT	KRA104S-RTK		デジタルトランジスタ	01
Q3000	WG408900	TR	2SC5291 S, T		トランジスタ	03
Q3001	WG408800	TR	2SA2168 S, T		トランジスタ	03
Q3002-3017	VZ725900	TR	2SD1938F S, T		トランジスタ	01
Q3500-3501	VZ725900	TR	2SD1938F S, T		トランジスタ	01
Q3502	VZ725900	TR	2SD1938F S, T	UCRTKABGEL	トランジスタ	01
Q3503-3505	VZ725900	TR	2SD1938F S, T	UCRTKABGEL	トランジスタ	01
Q3506	VZ725900	TR	2SD1938F S, T	UCRTKABGEL	トランジスタ	01
Q3507	VZ725900	TR	2SD1938F S, T	UCRTKABGEL	トランジスタ	01
Q3508	VZ725900	TR	2SD1938F S, T	UCRTKABGEL	トランジスタ	01
Q3509	VZ725900	TR	2SD1938F S, T	UCRTKABGEL	トランジスタ	01
Q3510	VZ725900	TR	2SD1938F S, T	UCRTKABGEL	トランジスタ	01
Q3511	VZ725900	TR	2SD1938F S, T	UCRTKABGEL	トランジスタ	01
Q4001	VD303700	TR	2SC3326 A, B	CA	トランジスタ	01

\* New Parts \* 新規部品

<b>P.C.B. FUNCTION and P.C.B. OPERATION</b>
---

Ref No.	Part No.	Description	Remarks	Markets	部 品 名	ランク	
Q4002	iC181510	TR	2SC1815 Y		CA	トランジスタ	01
Q4004	VD303700	TR	2SC3326 A, B			トランジスタ	01
Q4005	WD974200	TR	2SA1036KT146 P, Q, R			トランジスタ	01
Q4006	VV556500	TR	2SA1037K Q, R, S			トランジスタ	01
Q4007	VD303700	TR	2SC3326 A, B			トランジスタ	01
Q4008	VV556500	TR	2SA1037K Q, R, S		J	トランジスタ	01
Q4009	iC287820	TR	2SC2878 A, B			トランジスタ	01
Q4010	WF767900	FET	5HP01C-TB-E			F E T	01
Q4011	WF767900	FET	5HP01C-TB-E		UCRTKABGEL	F E T	01
Q4012-4016	WF767900	FET	5HP01C-TB-E			F E T	01
Q4017	WF767900	FET	5HP01C-TB-E		UCRTKABGEL	F E T	01
Q4021	VV556400	TR	2SC2412K Q, R, S		UC	トランジスタ	01
R3102	HF355680	R. CAR	680 Ω 1/2W			カーボン抵抗	
R3508	HF354470	R. CAR	47 Ω 1/2W		J	カーボン抵抗	
R3508	HF355470	R. CAR	470 Ω 1/2W		UCRTKABGEL	カーボン抵抗	
R3509	HF354470	R. CAR	47 Ω 1/2W		J	カーボン抵抗	
R3509	HF355470	R. CAR	470 Ω 1/2W		UCRTKABGEL	カーボン抵抗	
R3510	HF355470	R. CAR	470 Ω 1/2W		UCRTKABGEL	カーボン抵抗	
R3511	HF355470	R. CAR	470 Ω 1/2W		UCRTKABGEL	カーボン抵抗	
R3526-3533	HF354470	R. CAR	47 Ω 1/2W			カーボン抵抗	
R3597-3598	HV755100	R. CAR. FP	100 Ω 1/4W			不燃化カーボン抵抗	01
R4065	V8070300	R. MTL. FLM	10 Ω 1W			金属被膜抵抗	
ST300	V4040500	SCR. TERM	M3			スクリュー／ターミナル	01
ST401-403	V4040500	SCR. TERM	M3			スクリュー／ターミナル	01
U4001	V8210200	L. DTCT	GP1UD271XK		UCRTKABGEL	リモコン受光ユニット	03
XL402	WF997400	RSNR. GE	20MHz			セラミック振動子	02
	WQ140600	P. C. B.	OPERATION		J	PCB OPERATION	
	WQ140700	P. C. B.	OPERATION		UCRTKABGEL	PCB OPERATION	
CB801	VB858500	CN. BS. PIN	6P			ベースピン	01
CB803	VM859600	CN. BS. PIN	15P			F F Cコネクター	01
CB804	V7825400	CN	4P TE TUC SERIES			コネクタープラグ	01
CB805	VB389900	CN. BS. PIN	3P			ベースピン	01
CB806	VB390500	CN. BS. PIN	9P			コネクターベースポスト	03
CB807	VB390100	CN. BS. PIN	5P			ベースピン	01
CB809	VB858100	CN. BS. PIN	2P			コネクターベースポスト	01
CB810	V7827100	SOCKET	4P TE TUC SERIES			コネクターソケット	01
CB811	WG668100	CN. USB	USB 4P SE			USBコネクター	04
CB812	VB858600	CN. BS. PIN	7P			ベースピン	01
CB814	VB390200	CN. BS. PIN	6P			コネクターベースポスト	01
C8001	US135100	C. CE. CHP	0.1uF 16V			チップセラコン	01
C8002	US063100	C. CE. CHP	1000pF 50V B			チップセラコン	01
C8004	US063100	C. CE. CHP	1000pF 50V B			チップセラコン	01
C8013-8014	US063100	C. CE. CHP	1000pF 50V B			チップセラコン	01
C8015	US135100	C. CE. CHP	0.1uF 16V			チップセラコン	01
C8016-8017	UM397220	C. EL	22uF 25V			ケミコン	01
C8018	US135100	C. CE. CHP	0.1uF 16V			チップセラコン	01
C8020	WJ604300	C. MYLAR	3300pF 50V			マイラーコン	
C8021	UR237100	C. EL	10uF 16V			ケミコン	
C8022	US062100	C. CE. CHP	100pF 50V B			チップセラコン	01

\* New Parts \* 新規部品

## P.C.B. OPERATION

Ref No.	Part No.	Description	Remarks	Markets	部 品 名	ランク
C8024	US064100	C. CE. CHP	0.01uF 50V B		チップセラコン	01
C8025	WJ604300	C. MYLAR	3300pF 50V		マイラーコン	
C8026-8027	UR237100	C. EL	10uF 16V		ケミコン	
C8030	US061330	C. CE. CHP	33pF 50V B		チップセラコン	01
C8031	US063100	C. CE. CHP	1000pF 50V B		チップセラコン	01
C8033	UR237470	C. EL	47uF 16V		ケミコン	01
C8034-8035	US062470	C. CE. CHP	470pF 50V B		チップセラコン	01
C8036-8037	US062100	C. CE. CHP	100pF 50V B		チップセラコン	01
C8038	UR237470	C. EL	47uF 16V		ケミコン	01
C8039	US135100	C. CE. CHP	0.1uF 16V	J	チップセラコン	01
C8040-8042	US062100	C. CE. CHP	100pF 50V B		チップセラコン	01
C8043	US135100	C. CE. CHP	0.1uF 16V		チップセラコン	01
C8044	US063100	C. CE. CHP	1000pF 50V B		チップセラコン	01
C8045-8046	US135100	C. CE. CHP	0.1uF 16V		チップセラコン	01
C8047	UM397220	C. EL	22uF 25V		ケミコン	01
C8048-8049	UR237100	C. EL	10uF 16V		ケミコン	
C8050	US063100	C. CE. CHP	1000pF 50V B		チップセラコン	01
C8051	US062100	C. CE. CHP	100pF 50V B		チップセラコン	01
C8052	US135100	C. CE. CHP	0.1uF 16V		チップセラコン	01
C8053	US063100	C. CE. CHP	1000pF 50V B		チップセラコン	01
C8054-8055	US061100	C. CE. CHP	10pF 50V B		チップセラコン	01
C8056	US135100	C. CE. CHP	0.1uF 16V		チップセラコン	01
C8057	UR237100	C. EL	10uF 16V		ケミコン	
C8058-8059	WB553000	C. EL	1000uF 16V		ケミコン VK	
C8060-8062	US063100	C. CE. CHP	1000pF 50V B		チップセラコン	01
C8073-8074	US135100	C. CE. CHP	0.1uF 16V		チップセラコン	01
D8001	WG760400	LED	SELK6E10C BLUE		LED	04
D8002-8008	VT332900	DIODE	1SS355		ダイオード	01
D8009	VU992600	DIODE. ZENR	MA8051-M 5.1V		ツェナーダイオード	01
D8010	VT332900	DIODE	1SS355		ダイオード	01
D8011	VV307700	DIODE	1N4002S		ダイオード	01
D8013	VV307700	DIODE	1N4002S		ダイオード	01
D8017-8020	VT332900	DIODE	1SS355		ダイオード	01
D8023	VU993000	DIODE. ZENR	MA8056-M 5.6V		ツェナーダイオード	01
IC801	X7378A00	IC	NJM4565M (TE1)		アンプ IC	01
IC802	X2080A00	IC	SN74AHCT1G32DCKR		ロジック IC	01
IC805	XS377A00	IC	BA15218F OP AMP		アンプ IC	01
JK801	V2589500	CN. DIN	1P		ミニDINコネクタ	02
JK802	V9408200	JACK. PHONE	MSJ-064-05B GR		ホーンジャック	03
JK803	V9435700	JACK. MNI	MSJ-035-12APC		モノラル ミニジャック	01
PJ801	V6222800	JACK. PIN	3P		ピンジャック	04
Q8001	WC529400	TR	KTC3875S Y GR RTK		トランジスタ	01
Q8002-8003	VZ725900	TR	2SD1938F S, T		トランジスタ	01
R8026	HF355100	R. CAR	100 Ω 1/2W		カーボン抵抗	
R8030	HF355100	R. CAR	100 Ω 1/2W		カーボン抵抗	
R8044-8045	HL005220	R. MTL. OXD	220 Ω 1/2W		酸化金属被膜抵抗	
SW801-802	V4757100	SW. TACT	EVQ11A		タクトSW	01
* SW803	WQ291600	SW. RT. ENC	XREB12105PVB25FINA		ロータリーエンコーダ	02
SW806	V6578000	SW. RT. ENC	RB161PVB20FHINA		ロータリーエンコーダ	04
* SW807	WQ291600	SW. RT. ENC	XREB12105PVB25FINA		ロータリーエンコーダ	02
SW808	WK414700	SW. PUSH	ESB32151		プッシュSW	07
U8001	WB547900	CN. PHOTO. R	1P GP1FA513RZ0F		光ファイバー受信器	03

\* New Parts \* 新規部品

## P.C.B. MAIN

Ref No.	Part No.	Description	Remarks	Markets	部 品 名	ランク	
	WQ139000	P. C. B.	MAIN		J	PCB MAIN	
	WQ139100	P. C. B.	MAIN		UCRTA	PCB MAIN	
	WQ139200	P. C. B.	MAIN		KBGEL	PCB MAIN	
CB252	WB127100	CN. BS. PIN	3P			ベース付ポスト	
CB253	LB932080	CN	8P			ベースポスト	01
C250-256	WK041800	C. EL	10uF 16V			ケミコン	01
C257-258	UR297470	C. EL	47uF 100V			ケミコン	01
C259	WE100400	C. PP	47pF 630V			PPコン	
C260	WE100900	C. PP	220pF 630V			PPコン	02
C261	UR297220	C. EL	22uF 100V			ケミコン	01
C262	WE100400	C. PP	47pF 630V			PPコン	
C263	WE100900	C. PP	220pF 630V			PPコン	02
C264	UR297220	C. EL	22uF 100V			ケミコン	01
C265	WE100400	C. PP	47pF 630V			PPコン	
C266-267	WE100900	C. PP	220pF 630V			PPコン	02
C268	WE100400	C. PP	47pF 630V			PPコン	
C269	WE100900	C. PP	220pF 630V			PPコン	02
C271	WE100400	C. PP	47pF 630V			PPコン	
C272	WE100900	C. PP	220pF 630V			PPコン	02
C274	WE100400	C. PP	47pF 630V			PPコン	
C275	WE100900	C. PP	220pF 630V			PPコン	02
C277	WE100400	C. PP	47pF 630V			PPコン	
C278	WE100900	C. PP	220pF 630V			PPコン	02
C280-286	UR068100	C. EL	100uF 50V			ケミコン	01
C287-293	WE100100	C. PP	15pF 630V			PPコン	
C294-300	WE102500	C. PP	4700pF 100V			PPコン	01
C303	UR267470	C. EL	47uF 50V			ケミコン	01
C304-305	UR297220	C. EL	22uF 100V			ケミコン	01
C306	WE100500	C. PP	100pF 630V			PPコン	
△ C307	UU297220	C. EL	22uF 100V			ケミコン	01
C308-309	WE100500	C. PP	100pF 630V			PPコン	
△ C310	UU297220	C. EL	22uF 100V			ケミコン	01
C311-312	WE100500	C. PP	100pF 630V			PPコン	
△ C313	UU297220	C. EL	22uF 100V			ケミコン	01
C314-315	WE100500	C. PP	100pF 630V			PPコン	
△ C316	UU297220	C. EL	22uF 100V			ケミコン	01
C317-318	WE100500	C. PP	100pF 630V			PPコン	
△ C319	UU297220	C. EL	22uF 100V			ケミコン	01
C320-321	WE100500	C. PP	100pF 630V			PPコン	
△ C322	UU297220	C. EL	22uF 100V			ケミコン	01
C323-324	WE100500	C. PP	100pF 630V			PPコン	
△ C325	UU297220	C. EL	22uF 100V			ケミコン	01
C326	WE100500	C. PP	100pF 630V			PPコン	
C327-333	WP421000	C. PP	0. 047uF 100V			PPコン	
C341	UR296470	C. EL	4. 7uF 100V			ケミコン	01
C342	UR238220	C. EL	220uF 16V			ケミコン	01
C343	UR067470	C. EL	47uF 50V			ケミコン	01
C346-347	UR397100	C. EL	10uF 100V			ケミコン	03
C350-351	UR397100	C. EL	10uF 100V			ケミコン	03
C354-355	UR397100	C. EL	10uF 100V			ケミコン	03
* C359	WQ239100	C. EL	18000uF 71V			ケミコン	11
C360	WN165500	C. PP	0. 022uF 100V			PPコン	01

\* New Parts \* 新規部品

## P.C.B. MAIN

	Ref No.	Part No.	Description	Remarks	Markets	部 品 名	ランク
*	C363	WQ239100	C. EL	1800uF 71V		ケミコン	11
	C364	WN165500	C. PP	0.022uF 100V		PPコン	01
	C368	WN165500	C. PP	0.022uF 100V		PPコン	01
	C369	WJ605000	C. MYLAR	0.01uF 50V J		マイラーコン	01
	C371-374	WJ605000	C. MYLAR	0.01uF 50V J		マイラーコン	01
	C376	WN165500	C. PP	0.022uF 100V		PPコン	01
	C377	WJ605000	C. MYLAR	0.01uF 50V J		マイラーコン	01
	C378	WN165500	C. PP	0.022uF 100V		PPコン	01
	C383-384	WN165500	C. PP	0.022uF 100V		PPコン	01
	C385-386	WJ605000	C. MYLAR	0.01uF 50V J		マイラーコン	01
	C389-393	WJ605000	C. MYLAR	0.01uF 50V J		マイラーコン	01
	C394-395	WN165500	C. PP	0.022uF 100V		PPコン	01
	C396	WJ605000	C. MYLAR	0.01uF 50V J		マイラーコン	01
	C397	WN165500	C. PP	0.022uF 100V		PPコン	01
	C398	WN165500	C. PP	0.022uF 100V	UCRTKABGEL	PPコン	01
	C399	WJ605000	C. MYLAR	0.01uF 50V J	UCRTKABGEL	マイラーコン	01
	C400	WJ605000	C. MYLAR	0.01uF 50V J	UCRTKABGEL	マイラーコン	01
	C401	WJ605000	C. MYLAR	0.01uF 50V J		マイラーコン	01
	C402	WN165500	C. PP	0.022uF 100V		PPコン	01
	C403	WJ605000	C. MYLAR	0.01uF 50V J	UCRTKABGEL	マイラーコン	01
	C404	WN165500	C. PP	0.022uF 100V	UCRTKABGEL	PPコン	01
	D250-251	VH282500	DIODE	RLS245		ダイオード	01
	D252-258	VT332900	DIODE	1SS355		ダイオード	01
	D259-262	VH282500	DIODE	RLS245		ダイオード	01
	D264	VU992600	DIODE. ZENR	MA8051-M 5.1V		ツェナーダイオード	01
	D265-278	VT332900	DIODE	1SS355		ダイオード	01
△	D279-285	VG437500	DIODE. ZENR	MTZJ5.1C 5.1V		ツェナーダイオード	01
	D286-299	VH282500	DIODE	RLS245		ダイオード	01
	D300	VU992000	DIODE. ZENR	MA8047 4.7V		ツェナーダイオード	01
△	D301	WD890200	DIODE. BRG	D15XBN20 30A 200V		ダイオードブリッジ	06
	D302	VT332900	DIODE	1SS355		ダイオード	01
	D304	VT332900	DIODE	1SS355	UCRTKABGEL	ダイオード	01
	D305-307	VT332900	DIODE	1SS355		ダイオード	01
	D313	VT332900	DIODE	1SS355	UCRTKABGEL	ダイオード	01
	D314	VT332900	DIODE	1SS355		ダイオード	01
	G250	V5995800	PLATE. GND			アースプレート	
	Q250-256	WH199400	IC	HN4C06J		トランジスタアレイ	01
	Q257-263	WH372100	TR	KTA1517S GR TP		トランジスタ	01
	Q264	WC139600	TR	KTC3911S GR BL		トランジスタ	01
	Q265	WH372100	TR	KTA1517S GR TP		トランジスタ	01
△	Q266	VC938500	TR	2SC3852		トランジスタ	02
△	Q267	VC614000	TR	2SB1274 Q, R, S		トランジスタ	02
	Q268	WH372100	TR	KTA1517S GR TP		トランジスタ	01
	Q269-277	WC139600	TR	KTC3911S GR BL		トランジスタ	01
	Q278-284	V3966800	TR	2SA949 O, Y		トランジスタ	02
△	Q286-292	VR325600	TR	2SC2229 O, Y		トランジスタ	01
△	Q293-299	VK432900	TR	2SD1915F S, T		トランジスタ	01
△	Q307-313	WD281200	TR. PAIR	A2151/C6011 O, P, Y	WD28100, WD28110	ペアトランジスタ	07
	Q314-320	WC139600	TR	KTC3911S GR BL		トランジスタ	01
	Q321	WH372100	TR	KTA1517S GR TP		トランジスタ	01
	Q340-346	WC139600	TR	KTC3911S GR BL		トランジスタ	01
	Q360	WG408900	TR	2SC5291 S, T		トランジスタ	03

\* New Parts \* 新規部品

## P.C.B. MAIN

Ref No.	Part No.	Description	Remarks	Markets	部 品 名	ランク
△ Q361	WG408800	TR	2SA2168 S, T		トランジスタ	03
Q362	WG408900	TR	2SC5291 S, T		トランジスタ	03
△ Q363	WG408800	TR	2SA2168 S, T		トランジスタ	03
Q364	WG408900	TR	2SC5291 S, T		トランジスタ	03
△ Q365	WG408800	TR	2SA2168 S, T		トランジスタ	03
Q366	WG408900	TR	2SC5291 S, T		トランジスタ	03
△ Q367	WG408800	TR	2SA2168 S, T		トランジスタ	03
Q368	WG408900	TR	2SC5291 S, T		トランジスタ	03
△ Q369	WG408800	TR	2SA2168 S, T		トランジスタ	03
Q370	WG408900	TR	2SC5291 S, T		トランジスタ	03
△ Q371	WG408800	TR	2SA2168 S, T		トランジスタ	03
Q372	WG408900	TR	2SC5291 S, T		トランジスタ	03
△ Q373	WG408800	TR	2SA2168 S, T		トランジスタ	03
R271-272	HV757270	R. CAR. FP	27K Ω 1/4W		不燃化カーボン抵抗	01
R355-358	HV757270	R. CAR. FP	27K Ω 1/4W		不燃化カーボン抵抗	01
R366	HV757100	R. CAR. FP	10K Ω 1/4W		不燃化カーボン抵抗	01
R367	HV757160	R. CAR. FP	16K Ω 1/4W		不燃化カーボン抵抗	01
R368	HV757200	R. CAR. FP	20K Ω 1/4W		不燃化カーボン抵抗	01
R379	HV755100	R. CAR. FP	100 Ω 1/4W		不燃化カーボン抵抗	01
R381	HV755100	R. CAR. FP	100 Ω 1/4W		不燃化カーボン抵抗	01
R383	HV755100	R. CAR. FP	100 Ω 1/4W		不燃化カーボン抵抗	01
R385	HV755100	R. CAR. FP	100 Ω 1/4W		不燃化カーボン抵抗	01
R387	HV755100	R. CAR. FP	100 Ω 1/4W		不燃化カーボン抵抗	01
R389	HV755100	R. CAR. FP	100 Ω 1/4W		不燃化カーボン抵抗	01
R391	HV755100	R. CAR. FP	100 Ω 1/4W		不燃化カーボン抵抗	01
△ R401	HV754100	R. CAR. FP	10 Ω 1/4W		不燃化カーボン抵抗	01
△ R403	HV754100	R. CAR. FP	10 Ω 1/4W		不燃化カーボン抵抗	01
R404	V3946100	R. MTL. OXD	2. 7K Ω 1/2W		酸化金属被膜抵抗	01
R405	V3945100	R. MTL. OXD	390 Ω 1/2W		酸化金属被膜抵抗	
R406	V3945500	R. MTL. OXD	820 Ω 1/2W		酸化金属被膜抵抗	
△ R407	HV755120	R. CAR. FP	120 Ω 1/4W		不燃化カーボン抵抗	01
R408	V3946100	R. MTL. OXD	2. 7K Ω 1/2W		酸化金属被膜抵抗	01
R409	V3945100	R. MTL. OXD	390 Ω 1/2W		酸化金属被膜抵抗	
R410	V3945500	R. MTL. OXD	820 Ω 1/2W		酸化金属被膜抵抗	
△ R411	HV755120	R. CAR. FP	120 Ω 1/4W		不燃化カーボン抵抗	01
R412	V3946100	R. MTL. OXD	2. 7K Ω 1/2W		酸化金属被膜抵抗	01
R413	V3945100	R. MTL. OXD	390 Ω 1/2W		酸化金属被膜抵抗	
R414	V3945500	R. MTL. OXD	820 Ω 1/2W		酸化金属被膜抵抗	
△ R415	HV755120	R. CAR. FP	120 Ω 1/4W		不燃化カーボン抵抗	01
R416	V3946100	R. MTL. OXD	2. 7K Ω 1/2W		酸化金属被膜抵抗	01
R417	V3945100	R. MTL. OXD	390 Ω 1/2W		酸化金属被膜抵抗	
R418	V3945500	R. MTL. OXD	820 Ω 1/2W		酸化金属被膜抵抗	
△ R419	HV755120	R. CAR. FP	120 Ω 1/4W		不燃化カーボン抵抗	01
R420	V3946100	R. MTL. OXD	2. 7K Ω 1/2W		酸化金属被膜抵抗	01
R421	V3945100	R. MTL. OXD	390 Ω 1/2W		酸化金属被膜抵抗	
R422	V3945500	R. MTL. OXD	820 Ω 1/2W		酸化金属被膜抵抗	
△ R423	HV755120	R. CAR. FP	120 Ω 1/4W		不燃化カーボン抵抗	01
R424	V3946100	R. MTL. OXD	2. 7K Ω 1/2W		酸化金属被膜抵抗	01
R425	V3945100	R. MTL. OXD	390 Ω 1/2W		酸化金属被膜抵抗	
R426	V3945500	R. MTL. OXD	820 Ω 1/2W		酸化金属被膜抵抗	
△ R427	HV755120	R. CAR. FP	120 Ω 1/4W		不燃化カーボン抵抗	01
R428	V3946100	R. MTL. OXD	2. 7K Ω 1/2W		酸化金属被膜抵抗	01

\* New Parts \* 新規部品



## P.C.B. MAIN

Ref No.	Part No.	Description	Remarks	Markets	部 品 名	ランク
R429	V3945100	R. MTL. OXD	390 Ω 1/2W		酸化金属被膜抵抗	
R430	V3945500	R. MTL. OXD	820 Ω 1/2W		酸化金属被膜抵抗	
△ R431	HV755120	R. CAR. FP	120 Ω 1/4W		不燃化カーボン抵抗	01
R432-438	V3945600	R. MTL. OXD	1K Ω 1/2W		酸化金属被膜抵抗	
△ R439-445	HV753470	R. CAR. FP	4.7 Ω 1/4W		不燃化カーボン抵抗	01
△ R446-452	HV755220	R. CAR. FP	220 Ω 1/4W		不燃化カーボン抵抗	01
△ R453-466	HV753470	R. CAR. FP	4.7 Ω 1/4W		不燃化カーボン抵抗	01
R467-473	WG471300	R. WW	0.22 Ω x2 5W	RF-5EGKR22	セメント抵抗	01
R496-502	V8070200	R. MTL. FLM	4.7 Ω 1W		金属被膜抵抗	
R519-525	HV754100	R. CAR. FP	10 Ω 1/4W		不燃化カーボン抵抗	01
△ R550	V8070000	R. MTL. FLM	1 Ω 1W		金属被膜抵抗	01
△ R552	V8070000	R. MTL. FLM	1 Ω 1W		金属被膜抵抗	01
△ R554	V8070000	R. MTL. FLM	1 Ω 1W		金属被膜抵抗	01
R571-573	HV753470	R. CAR. FP	4.7 Ω 1/4W		不燃化カーボン抵抗	01
R581	HV753470	R. CAR. FP	4.7 Ω 1/4W		不燃化カーボン抵抗	01
R583	HV753470	R. CAR. FP	4.7 Ω 1/4W		不燃化カーボン抵抗	01
R585-586	HV753470	R. CAR. FP	4.7 Ω 1/4W		不燃化カーボン抵抗	01
R593-594	HV753470	R. CAR. FP	4.7 Ω 1/4W		不燃化カーボン抵抗	01
R595	HV753470	R. CAR. FP	4.7 Ω 1/4W	UCRTKABGEL	不燃化カーボン抵抗	01
R596	HV753470	R. CAR. FP	4.7 Ω 1/4W	UCRTKABGEL	不燃化カーボン抵抗	01
RY250	WE648700	RELAY	DC DH24D2-0-Q	UCRTKABGEL	リレー 24V	06
RY251	WE648700	RELAY	DC DH24D2-0-Q		リレー 24V	06
RY252-253	V6322600	RELAY	DC DH24D2-0T(M)-SL		リレー 24V	04
RY254	WM959000	RELAY	DC24V G5PA-28-MC	UCRTKABGEL	リレー 24V	
RY255-257	V6322600	RELAY	DC DH24D2-0T(M)-SL		リレー 24V	04
* TE250	WQ078400	TERM. SP	6P MST-207V3-01 LF	JUCRTA	スピーカ端子	
* TE250	WQ079500	TERM. SP	6P MST-207V3-01 WC	KBGEL	スピーカ端子	
* TE251	WQ077700	TERM. SP	4P MST-204V1-01 LF	JUCRTA	スピーカ端子	
* TE251	WQ079700	TERM. SP	4P MST-204V3-01 WC	KBGEL	スピーカ端子	
* TE252	WQ077700	TERM. SP	4P MST-204V1-01 LF	JUCRTA	スピーカ端子	
* TE252	WQ079700	TERM. SP	4P MST-204V3-01 WC	KBGEL	スピーカ端子	
* TE253	WQ077700	TERM. SP	4P MST-204V1-01 LF	UCRTA	スピーカ端子	
* TE253	WQ079700	TERM. SP	4P MST-204V3-01 WC	KBGEL	スピーカ端子	
* TE254	WQ077700	TERM. SP	4P MST-204V1-01 LF	JUCRTA	スピーカ端子	
* TE254	WQ079700	TERM. SP	4P MST-204V3-01 WC	KBGEL	スピーカ端子	
* WN440100	DAMPER		15x80 t=2		ダンパー	01
VT669300	SCR. PW. HD		3x8-8 MFC2		PWヘッドBタイトネジ	01

\* New Parts \* 新規部品

## P.C.B. POWER

Ref No.	Part No.	Description	Remarks	Markets	部 品 名	ランク	
*	WQ135500	P. C. B.	POWER		J	PCB POWER	
*	WQ135600	P. C. B.	POWER		U	PCB POWER	
*	WQ135700	P. C. B.	POWER		C	PCB POWER	
*	WQ135800	P. C. B.	POWER		R	PCB POWER	
*	WQ135900	P. C. B.	POWER		T	PCB POWER	
*	WQ136000	P. C. B.	POWER		K	PCB POWER	
*	WQ136100	P. C. B.	POWER		A	PCB POWER	
*	WQ136200	P. C. B.	POWER		B	PCB POWER	
*	WQ136300	P. C. B.	POWER		GE	PCB POWER	
*	WQ136400	P. C. B.	POWER		L	PCB POWER	
	CB1	WN103000	CLIP. FUSE	TP00351-31	UCTBGE	ヒューズクリップ	01
	CB2	WN103000	CLIP. FUSE	TP00351-31	UCTBGE	ヒューズクリップ	01
	CB3-4	WN103000	CLIP. FUSE	TP00351-31		ヒューズクリップ	01
△	CB6	VG879900	CN. BS. PIN	2P		ベースピン	01
	CB7	V9377900	CN. BS. PIN	4P	RL	ベース付ポスト	
	CB8	V9377800	CN. BS. PIN	3P	RL	ベース付ポスト	
△	CB9	WN103000	CLIP. FUSE	TP00351-31	RL	ヒューズクリップ	01
△	CB10	WN103000	CLIP. FUSE	TP00351-31	RL	ヒューズクリップ	01
	CB11	LB919110	CN. BS. PIN	11P SE		ベースツキポスト	01
	CB12	VB858400	CN. BS. PIN	5P		ベースピン	01
	CB14	VL954900	SOCKET	7P TE		J L ソケット	01
	CB15	LB918060	CN. BS. PIN	6P		ベース付ポスト	01
	CB16	LB918100	CN. BS. PIN	10P		ベース付ポスト	02
	CB17	LB918060	CN. BS. PIN	6P		ベース付ポスト	01
	CB18	VM859700	CN. BS. PIN	16P		FFCコネクター	01
	CB19	VB389900	CN. BS. PIN	3P		ベースピン	01
	CB20	LB918040	CN. BS. PIN	4P		ベース付ポスト	01
	CB23	VB390000	CN. BS. PIN	4P		ベースピン	01
	CB24	LB918090	CN. BS. PIN	9P		ベース付ポスト	01
	CB25	VB858400	CN. BS. PIN	5P		ベースピン	01
	C1	UU266220	C. EL	2. 2uF 50V		ケミコン FW	01
	C2	UR266220	C. EL	2. 2uF 50V		ケミコン	
	C3	WJ605000	C. MYLAR	0. 01uF 50V J		マイラーコン	01
	C4	WJ361200	C. POL. MTL	0. 047uF 400V	JUC	メタライズドポリコン	
	C4	WD054200	C. POL. MTL	0. 047uF 630V	RL	メタライズドポリコン	02
*	C4	WJ361800	C. POL. MTL	0. 022uF 630V	TKABGE	メタライズドポリコン	
	C5	UU266100	C. EL	1uF 50V		ケミコン	01
	C6	WJ604500	C. MYLAR	4700pF 50V		マイラーコン	
	C7	WB696300	C. POL. MTL	0. 1uF 400V	JUC	メタライズドポリコン	
	C7	WF081500	C. PP	0. 047uF 630V J	RTKABGEL	PPコン	
	C8	V6185300	C. GE. SAFTY	0. 01uF 275V		規格認定コンデンサ	01
	C9	WE102900	C. PP	0. 01uF 100V		PPコン	
	C10	UU249330	C. EL	3300uF 25V	JUCTKABGE	ケミコン FW	04
	C10	WD047300	C. EL	3300uF 50V	RL	ケミコン KMQ	
	C11	WN165500	C. PP	0. 022uF 100V		PPコン	01
	C12	VR324700	C. MYLAR	0. 022uF 100V		マイラーコン	
	C13	WN165500	C. PP	0. 022uF 100V		PPコン	01
	C14	UR068220	C. EL	220uF 50V		ケミコン	01
	C15	UR058220	C. EL	220uF 35V		ケミコン	01
	C16	UU23A150	C. EL	15000uF 16V		ケミコン FW	06
△	C17	UR04A100	C. EL	10000uF 25V		ケミコン	07
	C18	UR03A100	C. EL	10000uF 16V		ケミコン	

\* New Parts \* 新規部品

## P.C.B. POWER

Ref No.	Part No.	Description	Remarks	Markets	部 品 名	ランク
C19	UR078220	C. EL	220uF 63V		ケミコン	01
C20	UR267100	C. EL	10uF 50V		ケミコン	
C21	UR04A100	C. EL	10000uF 25V		ケミコン	07
C22	UR068100	C. EL	100uF 50V		ケミコン	01
C23	UR049100	C. EL	1000uF 25V		ケミコン	01
C24	WA747600	C. MYLAR	1000pF 100V		マイラーコン	01
* C25-28	WQ712000	C. EL	10uF 50V		ケミコン	01
C29	UR238100	C. EL	100uF 16V	UC	ケミコン	
C30-31	WG218100	C. EL	100uF 16V		ケミコン	
C32	UR266220	C. EL	2. 2uF 50V		ケミコン	
C33	WA747600	C. MYLAR	1000pF 100V		マイラーコン	01
C34	UR038100	C. EL	100uF 16V	UC	ケミコン	
C36	UR038100	C. EL	100uF 16V		ケミコン	
C40-41	WN164600	C. PP	1000pF 100V		PPコン	01
C42	WN165300	C. PP	0. 01uF 100V		PPコン	01
C43	WA747600	C. MYLAR	1000pF 100V		マイラーコン	01
C44	WG218100	C. EL	100uF 16V		ケミコン	
* C45-46	WQ712000	C. EL	10uF 50V		ケミコン	01
C47	UU249330	C. EL	3300uF 25V	JTKABGE	ケミコン FW	04
C48-49	UR058220	C. EL	220uF 35V		ケミコン	01
C50	UR03A150	C. EL	15000uF 16V		ケミコン	05
* C54	WQ785400	C. EL	6800uF 25V	JBGE	ケミコン	
C54	UR049680	C. EL	6800uF 25V	UCRTKAL	ケミコン	
* C59	WQ785400	C. EL	6800uF 25V	JBGE	ケミコン	
C59	UR049680	C. EL	6800uF 25V	UCRTKAL	ケミコン	
* C60	WQ785400	C. EL	6800uF 25V	JBGE	ケミコン	
C60	UR049680	C. EL	6800uF 25V	UCRTKAL	ケミコン	
C68-70	UR267100	C. EL	10uF 50V		ケミコン	
C72	UR348100	C. EL	100uF 25V		ケミコン	01
C73-74	UU238100	C. EL	100uF 16V		ケミコン	01
C75	WA747600	C. MYLAR	1000pF 100V		マイラーコン	01
C91-92	US135100	C. CE. CHP	0. 1uF 16V		チップセラコン	01
C93	US035100	C. CE. CHP	0. 1uF 16V B		チップセラコン	01
C94-95	US064100	C. CE. CHP	0. 01uF 50V B		チップセラコン	01
* C97	WQ712000	C. EL	10uF 50V		ケミコン	01
C102	WG218100	C. EL	100uF 16V		ケミコン	
D1-5	VT332900	D1ODE	1SS355		ダイオード	01
D6	VU993800	D1ODE. ZENR	MA8068-M 6. 8V		ツェナーダイオード	01
D7	VU995400	D1ODE. ZENR	MA8100-M 10V		ツェナーダイオード	
D8	VT332900	D1ODE	1SS355		ダイオード	01
D9	VU994200	D1ODE. ZENR	MA8075-M 7. 5V		ツェナーダイオード	01
△ D10-11	WH471700	D1ODE. BRG	DB105 1A 600V		ダイオードブリッジ	02
D12	VT332900	D1ODE	1SS355		ダイオード	01
* △ D13	WP331500	D1ODE. BRG	D20XS6-7101 20A		ダイオードブリッジ	07
△ D14	V4269600	D1ODE. BRG	D2SBA20 1. 5A200V	JBGE	ダイオードブリッジ	04
△ D14	WH487300	D1ODE. BRG	RS203M 2. 0A 200V	UCRTKAL	ダイオードブリッジ	02
△ D15	V4269600	D1ODE. BRG	D2SBA20 1. 5A200V	JBGE	ダイオードブリッジ	04
△ D15	WH487300	D1ODE. BRG	RS203M 2. 0A 200V	UCRTKAL	ダイオードブリッジ	02
D16-18	VT332900	D1ODE	1SS355		ダイオード	01
△ D19	V4269600	D1ODE. BRG	D2SBA20 1. 5A200V	JBGE	ダイオードブリッジ	04
△ D19	WH487300	D1ODE. BRG	RS203M 2. 0A 200V	UCRTKAL	ダイオードブリッジ	02
△ D20	WN629800	D1ODE. BRG	4A 60V D4SBS6-7101		ダイオードブリッジ	05

\* New Parts \* 新規部品

## P.C.B. POWER

Ref No.	Part No.	Description	Remarks	Markets	部 品 名	ランク	
	D21	VT332900	DIODE	1SS355		ダイオード	01
△	D22-23	VU997600	DIODE. ZENR	MA8160-H 16.7V		ツェナーダイオード	01
	D27	V2376600	DIODE. SHOT	RB500V-40	UC	ショットキーダイオード	01
	D30	VT332900	DIODE	1SS355		ダイオード	01
	D33	VU990500	DIODE. ZENR	MA8030-L 2.9V	UC	ツェナーダイオード	01
△	D35	VH282500	DIODE	RLS245		ダイオード	01
	D36	VU993400	DIODE. ZENR	MA8062-M 6.2V		ツェナーダイオード	01
	D37-38	VU996600	DIODE. ZENR	MA8130-M 13V		ツェナーダイオード	01
△	D39-41	VH282500	DIODE	RLS245		ダイオード	01
	D43	VU999100	DIODE. ZENR	MA8240-M 24V		ツェナーダイオード	01
	D44	VU993400	DIODE. ZENR	MA8062-M 6.2V		ツェナーダイオード	01
	D45	VT332900	DIODE	1SS355		ダイオード	01
	D46	VU990500	DIODE. ZENR	MA8030-L 2.9V		ツェナーダイオード	01
* △	F1	WQ211200	FUSE	10A 125V	JUCRL	ヒューズ	01
△	F1	WB760600	FUSE	T6. 3A 250V	TKABGE	ヒューズ	01
△	F2	VT942900	FUSE	T2. 5A 250V	T	ヒューズ	01
△	F2	WG410300	FUSE	4A 125V	UC	ヒューズ	01
△	F2	VT942900	FUSE	T2. 5A 250V	TBGE	ヒューズ	01
△	F3	WB760600	FUSE	T6. 3A 250V	R	ヒューズ	01
△	F3	WB760600	FUSE	T6. 3A 250V	RL	ヒューズ	01
△	IC1-2	WJ688100	PHOT. CPL	EL816 (B)		フォトカブラ	01
△	IC3	iG001180	IC	TC4013BP FF		ロジック I C	05
△	IC4	X6248A00	IC	NJM2388F33	UC	電源 I C	04
△	IC5	X8274A00	IC	NJM2388F09		電源 I C	04
△	IC6-7	X6143A00	IC	NJM2388F05 5.0V		電源 I C	04
△	IC13-14	X0515B00	IC	LM61CIZ THERMAL		電源 I C	04
△	IC15	X4153A00	IC	KIA7812API		電源 I C	02
△	IC16	X4154A00	IC	KIA7912PI		電源 I C	02
	PN1-8	V9637500	PIN	L=70 #18		スタイルピン	
	Q1	WC435100	TR. DGT	KRC104S-RTK		デジタルトランジスタ	01
	Q2-3	WC529400	TR	KTC3875S Y GR RTK		トランジスタ	01
△	Q4	VR043100	FET	2SK208 Y		チップ F E T	01
	Q5	WC529400	TR	KTC3875S Y GR RTK	JUCTKABGE	トランジスタ	01
△	Q6	WC741200	FET	2SK3850		F E T	03
△	Q7	WG408800	TR	2SA2168 S, T		トランジスタ	03
△	Q8	WC529500	TR	KTA1504S Y GR RTK		トランジスタ	
△	Q9	WG538600	TR	KTA1046-Y-U/P		トランジスタ	02
△	Q10	WC529500	TR	KTA1504S Y GR RTK		トランジスタ	
△	Q11	WC529400	TR	KTC3875S Y GR RTK		トランジスタ	01
	Q12	WC434800	TR. DGT	KRA102S-RTK/P	UC	デジタルトランジスタ	01
	Q13	WC434900	TR. DGT	KRA104S-RTK		デジタルトランジスタ	01
	Q17-19	VR043100	FET	2SK208 Y		チップ F E T	01
△	Q20-21	WF691400	TR	2SD2014		トランジスタ	03
	Q22	WF691300	TR	2SB1257		トランジスタ	03
	Q24	WC434900	TR. DGT	KRA104S-RTK		デジタルトランジスタ	01
	Q41	WC529500	TR	KTA1504S Y GR RTK		トランジスタ	
	Q44	WC435000	TR. DGT	KRC102S-RTK		デジタルトランジスタ	01
	R13	HF356220	R. CAR	2. 2K Ω 1/2W		カーボン抵抗	
△	R27	HL002220	R. MTL. OXD	0. 22 Ω 1/2W		酸化金属被膜抵抗	01
△	R28	HV754220	R. CAR. FP	22 Ω 1/4W		不燃化カーボン抵抗	01
△	R29	HL002220	R. MTL. OXD	0. 22 Ω 1/2W		酸化金属被膜抵抗	01
△	R31	HV755100	R. CAR. FP	100 Ω 1/4W		不燃化カーボン抵抗	01

\* New Parts \* 新規部品

## P.C.B. POWER and P.C.B. A-VIDEO

Ref No.	Part No.	Description	Remarks	Markets	部 品 名	ランク
△ R32	HV753100	R. CAR. FP	1 Ω 1/4W		不燃化カーボン抵抗	01
R33	HF353470	R. CAR	4.7 Ω 1/2W		カーボン抵抗	
△ R34	HV754100	R. CAR. FP	10 Ω 1/4W		不燃化カーボン抵抗	01
R35	HV755100	R. CAR. FP	100 Ω 1/4W		不燃化カーボン抵抗	01
△ R37	HL002220	R. MTL. OXD	0.22 Ω 1/2W		酸化金属被膜抵抗	01
R42	HV755100	R. CAR. FP	100 Ω 1/4W		不燃化カーボン抵抗	01
△ R43	V8070000	R. MTL. FLM	1 Ω 1W		金属被膜抵抗	01
△ R51	WJ787500	R. MTL. FLM	0.22 Ω 1W	UC	金属被膜抵抗	01
△ R65-67	HV753470	R. CAR. FP	4.7 Ω 1/4W		不燃化カーボン抵抗	01
△ R71-73	HV755100	R. CAR. FP	100 Ω 1/4W		不燃化カーボン抵抗	01
△ RY1	V9366900	RELAY	DLS9D1-0(M) 0.25W		リレー 9V TV-8	05
ST1-3	WG095100	SCR. TERM	M3		スクリューターミナル	01
ST4-5	WA246200	SCR. TERM	3.5		スクリューターミナル	
ST6	V4040500	SCR. TERM	M3		スクリューターミナル	01
△ SW1	WB493700	VOLT. SELECT	R8140246	RL	電圧切替器	
* △ T1	YA129A00	TRANS. PWR		J	電源トランス	
* △ T1	YA291A00	TRANS. PWR		UC	電源トランス	
△ T1	X7034A00	TRANS. PWR		RL	電源トランス	
△ T1	X7035A00	TRANS. PWR		TKABGE	電源トランス	
△ TE1	VU543100	OUTLET. AC	2P	JUC	ACアウトレット	03
△ TE1	V5867400	OUTLET. AC	2P	RT	ACアウトレット	03
△ TE1	VT915000	OUTLET. AC	1P	A	ACアウトレット	06
△ TE1	VU543300	OUTLET. AC	1P	B	ACアウトレット	05
△ TE1	VU543400	OUTLET. AC	2P	GEL	ACアウトレット	05
△ TE2	WB893300	AC INLET	R-30190		ACインレット 2P	03
△ TH1	VV458400	SW. POLY	RUEF600 6.00A 30V		ポリスイッチ	04
	WA143800	DAMPER	15x24 t=2		ダンパー	01
	VT669300	SCR. PW. HD	3x8-8 MFC2		PWヘッドBタイトネジ	01
* * *	WQ140100	P. C. B.	A-VIDEO	J	PCB A-VIDEO	
	WQ140200	P. C. B.	A-VIDEO	UCRK	PCB A-VIDEO	
	WQ140300	P. C. B.	A-VIDEO	TABGEL	PCB A-VIDEO	
CB201-202	V8875300	CN. JE	13P SE		JEコネクタープラグ	01
CB203	VQ044500	CN. BS. PIN	11P		FFCコネクタ	01
CB204	VP113500	CN. BS. PIN	10P		FFCコネクタ	01
CB209	VB858200	CN. BS. PIN	3P	UCRK TABGEL	ベースピン	01
C2001-2009	US064100	C. CE. CHP	0.01uF 50V B	J	チップセラコン	01
C2010-2011	US135100	C. CE. CHP	0.1uF 16V	J	チップセラコン	01
C2021-2023	US060800	C. CE. CHP	8pF 50V B	J	チップセラコン	01
C2024-2026	US064100	C. CE. CHP	0.01uF 50V B	J	チップセラコン	01
C2027-2029	US060800	C. CE. CHP	8pF 50V B		チップセラコン	01
C2031	US135100	C. CE. CHP	0.1uF 16V		チップセラコン	01
C2032	UR237470	C. EL	47uF 16V		ケミコン	01
C2033	US135100	C. CE. CHP	0.1uF 16V		チップセラコン	01
C2034	UR237470	C. EL	47uF 16V		ケミコン	01
C2035	US135100	C. CE. CHP	0.1uF 16V		チップセラコン	01
C2036-2037	UR237470	C. EL	47uF 16V		ケミコン	01
C2038	US135100	C. CE. CHP	0.1uF 16V		チップセラコン	01
C2041	US135100	C. CE. CHP	0.1uF 16V		チップセラコン	01
C2042	UR237470	C. EL	47uF 16V		ケミコン	01

\* New Parts \* 新規部品

## P.C.B. A-VIDEO

Ref No.	Part No.	Description	Remarks	Markets	部 品 名	ランク
C2043	US135100	C. CE. CHP	0. 1uF 16V		チップセラコン	01
C2044	UR237470	C. EL	47uF 16V		ケミコン	01
C2045	US135100	C. CE. CHP	0. 1uF 16V		チップセラコン	01
C2046-2047	UR237470	C. EL	47uF 16V		ケミコン	01
C2048	US135100	C. CE. CHP	0. 1uF 16V		チップセラコン	01
C2051	US135100	C. CE. CHP	0. 1uF 16V		チップセラコン	01
C2052	UR237470	C. EL	47uF 16V		ケミコン	01
C2053	US135100	C. CE. CHP	0. 1uF 16V		チップセラコン	01
C2054	UR237470	C. EL	47uF 16V		ケミコン	01
C2055	US135100	C. CE. CHP	0. 1uF 16V		チップセラコン	01
C2056-2057	UR237470	C. EL	47uF 16V		ケミコン	01
C2058	US135100	C. CE. CHP	0. 1uF 16V		チップセラコン	01
C2061	US135100	C. CE. CHP	0. 1uF 16V		チップセラコン	01
C2062	UR237470	C. EL	47uF 16V		ケミコン	01
C2063	US135100	C. CE. CHP	0. 1uF 16V		チップセラコン	01
C2064	UR237470	C. EL	47uF 16V		ケミコン	01
C2065	US135100	C. CE. CHP	0. 1uF 16V		チップセラコン	01
C2066	UR237470	C. EL	47uF 16V		ケミコン	01
C2067	UR238330	C. EL	330uF 16V		ケミコン	01
C2068-2069	US135100	C. CE. CHP	0. 1uF 16V		チップセラコン	01
C2070-2071	UR238330	C. EL	330uF 16V		ケミコン	01
C2072	US135100	C. CE. CHP	0. 1uF 16V		チップセラコン	01
C2073	UR266100	C. EL	1uF 50V		ケミコン	01
C2075-2077	US060100	C. CE. CHP	1pF 50V C		チップセラコン	01
C2081	UR266220	C. EL	2. 2uF 50V		ケミコン	
C2082	UR238100	C. EL	100uF 16V		ケミコン	
C2083	US135100	C. CE. CHP	0. 1uF 16V		チップセラコン	01
C2084	US064100	C. CE. CHP	0. 01uF 50V B		チップセラコン	01
C2086	US126100	C. CE. CHP	1uF 10V		チップセラコン	01
C2109	UR238100	C. EL	100uF 16V		ケミコン	
C2111	US135100	C. CE. CHP	0. 1uF 16V		チップセラコン	01
C2112-2113	US126100	C. CE. CHP	1uF 10V		チップセラコン	01
C2131	US135100	C. CE. CHP	0. 1uF 16V		チップセラコン	01
C2132	US126100	C. CE. CHP	1uF 10V		チップセラコン	01
C2133	US135100	C. CE. CHP	0. 1uF 16V		チップセラコン	01
C2137-2138	US135100	C. CE. CHP	0. 1uF 16V		チップセラコン	01
C2140-2141	US135100	C. CE. CHP	0. 1uF 16V		チップセラコン	01
C2142	UR238100	C. EL	100uF 16V		ケミコン	
C2143-2148	UR238470	C. EL	470uF 16V		ケミコン	
C2501-2505	US135100	C. CE. CHP	0. 1uF 16V	J	チップセラコン	01
C2521-2523	US062100	C. CE. CHP	100pF 50V B		チップセラコン	01
C2524	US135100	C. CE. CHP	0. 1uF 16V		チップセラコン	01
C2525-2527	US062100	C. CE. CHP	100pF 50V B		チップセラコン	01
C2528	US135100	C. CE. CHP	0. 1uF 16V		チップセラコン	01
C2531-2533	US062270	C. CE. CHP	270pF 50V B		チップセラコン	01
C2534	US135100	C. CE. CHP	0. 1uF 16V		チップセラコン	01
C2541-2546	US135100	C. CE. CHP	0. 1uF 16V		チップセラコン	01
C2547-2548	UR238220	C. EL	220uF 16V		ケミコン	01
C2549-2552	US135100	C. CE. CHP	0. 1uF 16V		チップセラコン	01
C2553-2554	UR238220	C. EL	220uF 16V		ケミコン	01
C2555	US135100	C. CE. CHP	0. 1uF 16V		チップセラコン	01
C2561-2564	UR237470	C. EL	47uF 16V		ケミコン	01

\* New Parts \* 新規部品

## P.C.B. A-VIDEO

Ref No.	Part No.	Description	Remarks	Markets	部 品 名	ランク
C2571-2572	UR238100	C. EL	100uF 16V		ケミコン	
C2573-2574	US135100	C. CE. CHP	0. 1uF 16V		チップセラコン	01
C2581-2582	UR237470	C. EL	47uF 16V		ケミコン	01
C2583	US062220	C. CE. CHP	220pF 50V B		チップセラコン	01
C2585	US062220	C. CE. CHP	220pF 50V B		チップセラコン	01
C2601-2602	UR237470	C. EL	47uF 16V		ケミコン	01
C2603	US135100	C. CE. CHP	0. 1uF 16V		チップセラコン	01
C2611	UR238470	C. EL	470uF 16V		ケミコン	
C2612	US064100	C. CE. CHP	0. 01uF 50V B		チップセラコン	01
C2613	US062120	C. CE. CHP	120pF 50V B		チップセラコン	01
C2614	US062220	C. CE. CHP	220pF 50V B		チップセラコン	01
C2615	UR237100	C. EL	10uF 16V		ケミコン	
C2616	UR237470	C. EL	47uF 16V		ケミコン	01
C2617	US135100	C. CE. CHP	0. 1uF 16V		チップセラコン	01
C2631	UR237100	C. EL	10uF 16V	UCRKTABGEL	ケミコン	
C2632	UR266470	C. EL	4. 7uF 50V	UCRKTABGEL	ケミコン	
C2633	UR238100	C. EL	100uF 16V	UCRKTABGEL	ケミコン	
C2634	UR238330	C. EL	330uF 16V	UCRKTABGEL	ケミコン	01
C2641-2642	UR238100	C. EL	100uF 16V	UCRKTABGEL	ケミコン	
C2643	US135100	C. CE. CHP	0. 1uF 16V	UCRKTABGEL	チップセラコン	01
C2644	US060800	C. CE. CHP	8pF 50V B	UCRK	チップセラコン	01
C2644	US060300	C. CE. CHP	3pF 50V B	TABGEL	チップセラコン	01
C2645	US060500	C. CE. CHP	5pF 50V B	UCRK	チップセラコン	01
C2645	US060300	C. CE. CHP	3pF 50V B	TABGEL	チップセラコン	01
C2646	US060500	C. CE. CHP	5pF 50V B	UCRK	チップセラコン	01
C2646	US060200	C. CE. CHP	2pF 50V B	TABGEL	チップセラコン	01
C2647-2648	US061240	C. CE. CHP	24pF 50V B	UCRKTABGEL	チップセラコン	01
C2649	UR266100	C. EL	1uF 50V	UCRKTABGEL	ケミコン	01
C2650	US062470	C. CE. CHP	470pF 50V B	UCRKTABGEL	チップセラコン	01
C2651	UR266100	C. EL	1uF 50V	UCRKTABGEL	ケミコン	01
C2652	US063120	C. CE. CHP	1200pF 50V B	UCRKTABGEL	チップセラコン	01
C2653	US135100	C. CE. CHP	0. 1uF 16V	UCRKTABGEL	チップセラコン	01
C2661	UR237470	C. EL	47uF 16V	UCRKTABGEL	ケミコン	01
C2662	US135100	C. CE. CHP	0. 1uF 16V	UCRKTABGEL	チップセラコン	01
C2663	US135100	C. CE. CHP	0. 1uF 16V	UCRKTABGEL	チップセラコン	01
C2664-2665	UR238100	C. EL	100uF 16V	UCRKTABGEL	ケミコン	
C2691-2692	US135100	C. CE. CHP	0. 1uF 16V		チップセラコン	01
C2699-2701	US062180	C. CE. CHP	180pF 50V B		チップセラコン	01
D2001-2009	VT332900	DIODE	1SS355	J	ダイオード	01
D2061-2062	VT332900	DIODE	1SS355		ダイオード	01
D2561	VT332900	DIODE	1SS355		ダイオード	01
D2563	VT332900	DIODE	1SS355		ダイオード	01
D2581-2582	VT332900	DIODE	1SS355		ダイオード	01
D2611-2612	VT332900	DIODE	1SS355		ダイオード	01
D2631	VT332900	DIODE	1SS355	UCRKTABGEL	ダイオード	01
D2632	VT332900	DIODE	1SS355	UCRKTABGEL	ダイオード	01
D2633-2634	VT332900	DIODE	1SS355	UCRKTABGEL	ダイオード	01
D2661	VT332900	DIODE	1SS355	UCRKTABGEL	ダイオード	01
D2662	VT332900	DIODE	1SS355	UCRKTABGEL	ダイオード	01
IC201	X6757A00	IC	NJW1321FP1		I C	08
IC202	X2484A00	IC	TA1318AF		I C	07
IC203	X2904A00	IC	NJM2581M VIDEO AMP		アンプ I C	06

\* New Parts \* 新規部品

## P.C.B. A-VIDEO

Ref No.	Part No.	Description	Remarks	Markets	部 品 名	ランク	
IC204-205	XS790A00	IC	TC74HC4052AF MPX		J	ロジック I C	02
IC207	X7780A00	IC	NJM2566AV (TE1)			ビデオドライバー	07
IC211-214	XY550A00	IC	MM74HC4051SJX			ロジック I C	01
IC215-216	X4321A00	IC	GD4051BNSR			ロジック I C	01
IC217	XY877A00	IC	MM74HC4053SJX			ロジック I C	01
IC218	X6742A00	IC	LA73050-TLM-E			アンプ I C	04
IC219	X6741A00	IC	LA7106M-TLM-E			アンプ I C	05
IC220	XW939A00	IC	TK15420M VIDEO AMP			アンプ I C	03
IC221	XY877A00	IC	MM74HC4053SJX			ロジック I C	01
IC222	X7779A00	IC	LC709004A-TLM-E			ロジック I C	04
IC223	XZ509A00	IC	TC74VHC04FT INVER			ロジック I C	01
IC224	X7818A00	IC	LC74782JM-8A16-TLM		UCRKTABGEL	I C	07
IC226	X6741A00	IC	LA7106M-TLM-E		UCRKTABGEL	アンプ I C	05
JK201	WD396200	JACK. PIN	LAP5100-1805FC			ピンジャック + S	05
JK202-203	WD396400	JACK. PIN	LAP5100-1605FC			ピンジャック + S	05
PJ201-203	WD398400	CN. DIN	14P YKF45-3011		J	D I Nコネクタ	05
PJ204	WH382100	JACK. PIN	9P G, B, R			ピンジャック 9 P	10
PJ205	WD398400	CN. DIN	14P YKF45-3011		J	D I Nコネクタ	05
PJ206	WH381900	JACK. PIN	3P G, B, R			ピンジャック 3 P	
PN201-202	V9637500	PIN	L=70 #18			スタイルピン	
Q2541-2546	VV655700	TR. DGT	DTC144EKA			デジタルトランジスタ	01
Q2601	VV556400	TR	2SC2412K Q, R, S			トランジスタ	01
Q2631	WF550000	TR	2SC3837K T146 N, P		UCRKTABGEL	トランジスタ	01
Q2632	VV556500	TR	2SA1037K Q, R, S		UCRKTABGEL	トランジスタ	01
Q2633	WF549900	TR	2SC3906K T146 R, S		UCRKTABGEL	トランジスタ	01
Q2634	VZ725900	TR	2SD1938F S, T		UCRKTABGEL	トランジスタ	01
Q2641-2642	VV556400	TR	2SC2412K Q, R, S		UCRKTABGEL	トランジスタ	01
R2010	HV753100	R. CAR. FP	1 Ω 1/4W		J	不燃化カーボン抵抗	01
R2020	HV753100	R. CAR. FP	1 Ω 1/4W		J	不燃化カーボン抵抗	01
R2068-2069	HV753100	R. CAR. FP	1 Ω 1/4W			不燃化カーボン抵抗	01
R2071	HV753100	R. CAR. FP	1 Ω 1/4W			不燃化カーボン抵抗	01
R2086	HV753100	R. CAR. FP	1 Ω 1/4W			不燃化カーボン抵抗	01
R2104	HV753100	R. CAR. FP	1 Ω 1/4W			不燃化カーボン抵抗	01
R2551-2552	HV753100	R. CAR. FP	1 Ω 1/4W			不燃化カーボン抵抗	01
R2571-2572	HV753100	R. CAR. FP	1 Ω 1/4W			不燃化カーボン抵抗	01
R2608	HV756470	R. CAR. FP	4. 7K Ω 1/4W			不燃化カーボン抵抗	01
R2611	HV753220	R. CAR. FP	2. 2 Ω 1/4W			不燃化カーボン抵抗	01
R2630	HV753220	R. CAR. FP	2. 2 Ω 1/4W		UCRKTABGEL	不燃化カーボン抵抗	01
R2635	HV755470	R. CAR. FP	470 Ω 1/4W		UCRKTABGEL	不燃化カーボン抵抗	01
R2637	HV755470	R. CAR. FP	470 Ω 1/4W		UCRKTABGEL	不燃化カーボン抵抗	01
R2639	HV755470	R. CAR. FP	470 Ω 1/4W		UCRKTABGEL	不燃化カーボン抵抗	01
R2641	HV753100	R. CAR. FP	1 Ω 1/4W		UCRKTABGEL	不燃化カーボン抵抗	01
R2642	HV753100	R. CAR. FP	1 Ω 1/4W		UCRKTABGEL	不燃化カーボン抵抗	01
R2651	HV755470	R. CAR. FP	470 Ω 1/4W		UCRKTABGEL	不燃化カーボン抵抗	01
R2664	HV753100	R. CAR. FP	1 Ω 1/4W		UCRKTABGEL	不燃化カーボン抵抗	01
R2665	HV753100	R. CAR. FP	1 Ω 1/4W		UCRKTABGEL	不燃化カーボン抵抗	01
R2708	HV753100	R. CAR. FP	1 Ω 1/4W			不燃化カーボン抵抗	01
R2711-2712	HV753100	R. CAR. FP	1 Ω 1/4W			不燃化カーボン抵抗	01
ST201	V4040500	SCR. TERM	M3			スクリュー/ターミナル	01
XL201	V5345200	RSNR. CE	CSBLA503KECF30-B0			セラミック振動子	01
XL202	WD280800	RSNR. CRY5	14. 31818MHz		UCRK	水晶振動子	03
XL202	WD280900	RSNR. CRY5	17. 734475MHz		TABGEL	水晶振動子	

\* New Parts \* 新規部品



## P.C.B. D-VIDEO

Ref No.	Part No.	Description	Remarks	Markets	部 品 名	ランク	
*	WQ132300	P. C. B.	D-VIDEO		J	P C B D - V I D E O	
*	WQ132400	P. C. B.	D-VIDEO		UCRTKABGEL	P C B D - V I D E O	
CB100	WA900700	CN. FMN	7P SE FMN		J	FMNコネクタ	02
CB102	WA903700	CN	37P SE			FMNコネクタ	04
CB103	VT388300	CN. BS. PIN	2P			ベース付ポスト	
CB104	WA901000	CN	10P SE			FMNコネクタ	02
CB106	VP113500	CN. BS. PIN	10P			F F Cコネクタ	01
CB107	WD018200	CN. BS. PIN	6P SE			X Hベースピン	02
CB108	V9192700	CN. BS. PIN	4P			ベース付ポスト	01
CB109	WJ789500	CN. BS. PIN	3P SE			X Hベースピン	02
CB110-111	VR134300	CN. BS. PIN	6P			ベース付ポスト	01
CB112	VT619100	CN. BS. PIN	5P			ベース付ポスト	01
CB700-701	V8875600	CN	13P TE			J Eコネクタ	02
CB703	WA902000	CN. FMN	20P SE FMN			FMNコネクタ	04
CB704-709	WH641400	CN. HDMI	19P SE			H D M Iコネクタ	03
CB710	WC199500	CN	20P TE			F F C / F P Cコネクタ	01
CB800	WH641400	CN. HDMI	19P SE			H D M Iコネクタ	03
CB801	VY939800	CN. BS. PIN	20P TE			F F Cコネクタ	02
CB802	VT388500	CN. BS. PIN	4P			ベース付ポスト	01
C1001	WG888300	C. CE. M. CHP	10uF 6.3V		J	チップ積層セラコン	01
C1002	US126100	C. CE. CHP	1uF 10V		J	チップセラコン	01
C1003	US064100	C. CE. CHP	0.01uF 50V B		J	チップセラコン	01
C1005-1006	US635100	C. CE. CHP	0.1uF 16V		J	チップセラコン	01
C1007	US064100	C. CE. CHP	0.01uF 50V B		J	チップセラコン	01
C1008	US126100	C. CE. CHP	1uF 10V		J	チップセラコン	01
C1009-1012	US635100	C. CE. CHP	0.1uF 16V		J	チップセラコン	01
C1014-1015	UF417220	C. EL. CHP	22uF 6.3V			チップケミコン	01
C1016-1019	WG888300	C. CE. M. CHP	10uF 6.3V			チップ積層セラコン	01
C1020-1021	UF417220	C. EL. CHP	22uF 6.3V			チップケミコン	01
C1022-1026	US635100	C. CE. CHP	0.1uF 16V			チップセラコン	01
C1027-1028	WK978200	C. NbO	100uF 4V			酸化ニオブコンデンサ	
C1029-1034	US635100	C. CE. CHP	0.1uF 16V			チップセラコン	01
C1036-1045	US635100	C. CE. CHP	0.1uF 16V			チップセラコン	01
C1046-1047	US061220	C. CE. CHP	22pF 50V B			チップセラコン	01
C1048-1051	US635100	C. CE. CHP	0.1uF 16V			チップセラコン	01
C1052	WK978200	C. NbO	100uF 4V			酸化ニオブコンデンサ	
C1053-1054	US635100	C. CE. CHP	0.1uF 16V			チップセラコン	01
C1055	US126100	C. CE. CHP	1uF 10V			チップセラコン	01
C1056	US635100	C. CE. CHP	0.1uF 16V			チップセラコン	01
C1057	US126100	C. CE. CHP	1uF 10V			チップセラコン	01
C1058-1066	US635100	C. CE. CHP	0.1uF 16V			チップセラコン	01
C1067	US126100	C. CE. CHP	1uF 10V			チップセラコン	01
C1068	US063680	C. CE. CHP	6800pF 50V B			チップセラコン	01
C1069-1071	WG888300	C. CE. M. CHP	10uF 6.3V			チップ積層セラコン	01
C1072-1074	US635100	C. CE. CHP	0.1uF 16V			チップセラコン	01
C1075	WK978200	C. NbO	100uF 4V			酸化ニオブコンデンサ	
C1076	US635100	C. CE. CHP	0.1uF 16V			チップセラコン	01
C1077	WG888300	C. CE. M. CHP	10uF 6.3V			チップ積層セラコン	01
C1078	US635100	C. CE. CHP	0.1uF 16V			チップセラコン	01
C1079	US126100	C. CE. CHP	1uF 10V			チップセラコン	01
C1080	US635100	C. CE. CHP	0.1uF 16V			チップセラコン	01
C1081	US126100	C. CE. CHP	1uF 10V			チップセラコン	01

\* New Parts \* 新規部品

## P.C.B. D-VIDEO

Ref No.	Part No.	Description	Remarks	Markets	部 品 名	ランク
C1082	US635100	C. CE. CHP	0. 1uF 16V		チップセラコン	01
C1083	US126100	C. CE. CHP	1uF 10V		チップセラコン	01
C1084	US635100	C. CE. CHP	0. 1uF 16V		チップセラコン	01
C1085	US126100	C. CE. CHP	1uF 10V		チップセラコン	01
C1086-1087	US635100	C. CE. CHP	0. 1uF 16V		チップセラコン	01
C1088-1089	US062100	C. CE. CHP	100pF 50V B		チップセラコン	01
C1090-1091	US635100	C. CE. CHP	0. 1uF 16V		チップセラコン	01
C1092	WD758300	C. CE. CHP	10uF 10V		チップセラコン	01
C1093-1112	US635100	C. CE. CHP	0. 1uF 16V		チップセラコン	01
C1113	UF417220	C. EL. CHP	22uF 6. 3V		チップケミコン	01
C1114-1115	US635100	C. CE. CHP	0. 1uF 16V		チップセラコン	01
C1116	UF437100	C. EL. CHP	10uF 16V		チップケミコン	01
C1117-1118	US635100	C. CE. CHP	0. 1uF 16V		チップセラコン	01
C1119-1120	WC891400	C. EL. CHP	220uF 10V		チップケミコン	01
C1121-1122	US635100	C. CE. CHP	0. 1uF 16V		チップセラコン	01
C1123-1125	WG888300	C. CE. M. CHP	10uF 6. 3V		チップ積層セラコン	01
C1126-1128	US635100	C. CE. CHP	0. 1uF 16V		チップセラコン	01
C1129-1130	WG888300	C. CE. M. CHP	10uF 6. 3V		チップ積層セラコン	01
C1131-1132	US635100	C. CE. CHP	0. 1uF 16V		チップセラコン	01
C1133-1134	WG888300	C. CE. M. CHP	10uF 6. 3V		チップ積層セラコン	01
C1135-1136	US635100	C. CE. CHP	0. 1uF 16V		チップセラコン	01
C1137	WD758300	C. CE. CHP	10uF 10V		チップセラコン	01
C1138	WG888300	C. CE. M. CHP	10uF 6. 3V		チップ積層セラコン	01
C1139-1141	US635100	C. CE. CHP	0. 1uF 16V		チップセラコン	01
C1142	US063100	C. CE. CHP	1000pF 50V B		チップセラコン	01
C1143	UF417220	C. EL. CHP	22uF 6. 3V		チップケミコン	01
C1144	WG888300	C. CE. M. CHP	10uF 6. 3V		チップ積層セラコン	01
C1145	US635100	C. CE. CHP	0. 1uF 16V		チップセラコン	01
C1146	WG888300	C. CE. M. CHP	10uF 6. 3V		チップ積層セラコン	01
C1147	US126100	C. CE. CHP	1uF 10V		チップセラコン	01
C1148	US063100	C. CE. CHP	1000pF 50V B		チップセラコン	01
C1149	WC891400	C. EL. CHP	220uF 10V		チップケミコン	01
C1150-1151	UF438100	C. EL. CHP	100uF 16V		チップケミコン	01
C1152	WC891400	C. EL. CHP	220uF 10V		チップケミコン	01
C1153-1157	US635100	C. CE. CHP	0. 1uF 16V		チップセラコン	01
C1158	US063100	C. CE. CHP	1000pF 50V B		チップセラコン	01
C1159-1160	US635100	C. CE. CHP	0. 1uF 16V		チップセラコン	01
C1161-1162	WC890600	C. EL	330uF 6. 3V		ケミコン PURE	01
C1163	US635100	C. CE. CHP	0. 1uF 16V		チップセラコン	01
C1164	US063100	C. CE. CHP	1000pF 50V B		チップセラコン	01
C1165	WC890600	C. EL	330uF 6. 3V		ケミコン PURE	01
C1166	UF438100	C. EL. CHP	100uF 16V		チップケミコン	01
C1167	WC890600	C. EL	330uF 6. 3V		ケミコン PURE	01
C1168-1169	US635100	C. CE. CHP	0. 1uF 16V		チップセラコン	01
C1170	US063100	C. CE. CHP	1000pF 50V B		チップセラコン	01
C1171	US635100	C. CE. CHP	0. 1uF 16V		チップセラコン	01
C1172	V9878800	C. CE. CHP	1000pF		チップセラコン	01
C1173	WC890600	C. EL	330uF 6. 3V		ケミコン PURE	01
C1174	WG888300	C. CE. M. CHP	10uF 6. 3V		チップ積層セラコン	01
C1175	WC890600	C. EL	330uF 6. 3V		ケミコン PURE	01
C1176-1177	US635100	C. CE. CHP	0. 1uF 16V		チップセラコン	01
C1178-1179	US063100	C. CE. CHP	1000pF 50V B		チップセラコン	01

\* New Parts \* 新規部品

## P.C.B. D-VIDEO

Ref No.	Part No.	Description	Remarks	Markets	部 品 名	ランク
C1180-1194	US061220	C. CE. CHP	22pF 50V B		チップセラコン	01
C1195-1196	US061220	C. CE. CHP	100pF 50V B		チップセラコン	01
C1197	US061220	C. CE. CHP	22pF 50V B		チップセラコン	01
C1199-1214	US061220	C. CE. CHP	22pF 50V B		チップセラコン	01
C1215	US635100	C. CE. CHP	0.1uF 16V		チップセラコン	01
C1216-1225	US061220	C. CE. CHP	22pF 50V B		チップセラコン	01
C1226	WD758300	C. CE. CHP	10uF 10V		チップセラコン	01
C1227	US635100	C. CE. CHP	0.1uF 16V		チップセラコン	01
C1228	US126100	C. CE. CHP	1uF 10V		チップセラコン	01
C1229	UF437100	C. EL. CHP	10uF 16V		チップケミコン	01
C1230	US635100	C. CE. CHP	0.1uF 16V		チップセラコン	01
C1231	US126100	C. CE. CHP	1uF 10V		チップセラコン	01
C1239	US635100	C. CE. CHP	0.1uF 16V		チップセラコン	01
C1246	US635100	C. CE. CHP	0.1uF 16V		チップセラコン	01
C1247	WG888300	C. CE. M. CHP	10uF 6.3V		チップ積層セラコン	01
C1248	US635100	C. CE. CHP	0.1uF 16V		チップセラコン	01
C1250	US635100	C. CE. CHP	0.1uF 16V		チップセラコン	01
C7000-7001	US635100	C. CE. CHP	0.1uF 16V		チップセラコン	01
C7002-7003	US064100	C. CE. CHP	0.01uF 50V B		チップセラコン	01
C7004	UF438100	C. EL. CHP	100uF 16V		チップケミコン	01
C7005-7006	US635100	C. CE. CHP	0.1uF 16V		チップセラコン	01
C7007	UF438100	C. EL. CHP	100uF 16V		チップケミコン	01
C7008-7010	US635100	C. CE. CHP	0.1uF 16V		チップセラコン	01
C7011-7012	WG888300	C. CE. M. CHP	10uF 6.3V		チップ積層セラコン	01
C7013-7014	US635100	C. CE. CHP	0.1uF 16V		チップセラコン	01
C7015-7016	WG888300	C. CE. M. CHP	10uF 6.3V		チップ積層セラコン	01
C7017-7019	US064100	C. CE. CHP	0.01uF 50V B		チップセラコン	01
C7020-7024	US635100	C. CE. CHP	0.1uF 16V		チップセラコン	01
C7025-7026	US064100	C. CE. CHP	0.01uF 50V B		チップセラコン	01
C7027-7028	WD758300	C. CE. CHP	10uF 10V		チップセラコン	01
C7029-7036	US635100	C. CE. CHP	0.1uF 16V		チップセラコン	01
C7037-7038	US063100	C. CE. CHP	1000pF 50V B		チップセラコン	01
C7039	US034390	C. CE. CHP	0.039uF 16V B		チップセラコン	01
C7040-7041	US064100	C. CE. CHP	0.01uF 50V B		チップセラコン	01
C7042	VZ243400	C. CE. CHP	0.33uF 16V		チップセラコン	01
C7043	VZ281900	C. CE. CHP	0.47uF 16V K		チップセラ	01
C7044	US034820	C. CE. CHP	0.082uF 16V K		チップセラコン	01
C7045	US064100	C. CE. CHP	0.01uF 50V B		チップセラコン	01
C7046	US635100	C. CE. CHP	0.1uF 16V		チップセラコン	01
C7047-7048	UF417220	C. EL. CHP	22uF 6.3V		チップケミコン	01
C7049	US635100	C. CE. CHP	0.1uF 16V		チップセラコン	01
C7050-7051	UF417220	C. EL. CHP	22uF 6.3V		チップケミコン	01
C7052	UF438100	C. EL. CHP	100uF 16V		チップケミコン	01
C7053-7054	US635100	C. CE. CHP	0.1uF 16V		チップセラコン	01
C7055	US135150	C. CE. CHP	0.15uF 16V		チップセラコン	01
C7056	US635100	C. CE. CHP	0.1uF 16V		チップセラコン	01
C7057	US063820	C. CE. CHP	8200pF 50V B		チップセラコン	01
C7058-7061	US635100	C. CE. CHP	0.1uF 16V		チップセラコン	01
C7062	US063220	C. CE. CHP	2200pF 50V B		チップセラコン	01
C7063	US063390	C. CE. CHP	3900pF 50V B		チップセラコン	01
C7064-7066	US635100	C. CE. CHP	0.1uF 16V		チップセラコン	01
C7067	US063220	C. CE. CHP	2200pF 50V B		チップセラコン	01

\* New Parts \* 新規部品

## P.C.B. D-VIDEO

Ref No.	Part No.	Description	Remarks	Markets	部 品 名	ランク
C7068-7072	US635100	C. CE. CHP	0. 1uF 16V		チップセラコン	01
C7073	WG888300	C. CE. M. CHP	10uF 6. 3V		チップ積層セラコン	01
C7074	US635100	C. CE. CHP	0. 1uF 16V		チップセラコン	01
C7075	WG888300	C. CE. M. CHP	10uF 6. 3V		チップ積層セラコン	01
C7076	US635100	C. CE. CHP	0. 1uF 16V		チップセラコン	01
C7077	WG888300	C. CE. M. CHP	10uF 6. 3V		チップ積層セラコン	01
C7078	US635100	C. CE. CHP	0. 1uF 16V		チップセラコン	01
C7079	US064100	C. CE. CHP	0. 01uF 50V B		チップセラコン	01
C7080	WG888300	C. CE. M. CHP	10uF 6. 3V		チップ積層セラコン	01
C7081-7083	US635100	C. CE. CHP	0. 1uF 16V		チップセラコン	01
C7084	WG888300	C. CE. M. CHP	10uF 6. 3V		チップ積層セラコン	01
C7085	US063390	C. CE. CHP	3900pF 50V B		チップセラコン	01
C7086	US661100	C. CE. CHP	10pF 50V D		チップセラコン	01
C7087	US063820	C. CE. CHP	8200pF 50V B		チップセラコン	01
C7088-7089	US661100	C. CE. CHP	10pF 50V D		チップセラコン	01
C7090	US135150	C. CE. CHP	0. 15uF 16V		チップセラコン	01
C7091	US661100	C. CE. CHP	10pF 50V D		チップセラコン	01
C7092-7095	US635100	C. CE. CHP	0. 1uF 16V		チップセラコン	01
C7096	WG888300	C. CE. M. CHP	10uF 6. 3V		チップ積層セラコン	01
C7097	US635100	C. CE. CHP	0. 1uF 16V		チップセラコン	01
C7098	WG888300	C. CE. M. CHP	10uF 6. 3V		チップ積層セラコン	01
C7099	UF438100	C. EL. CHP	100uF 16V		チップケミコン	01
C7100-7108	US635100	C. CE. CHP	0. 1uF 16V		チップセラコン	01
C7109	UF438100	C. EL. CHP	100uF 16V		チップケミコン	01
C7110-7115	US635100	C. CE. CHP	0. 1uF 16V		チップセラコン	01
C7116-7118	WG888300	C. CE. M. CHP	10uF 6. 3V		チップ積層セラコン	01
C7119	UF417220	C. EL. CHP	22uF 6. 3V		チップケミコン	01
C7120-7121	WG888300	C. CE. M. CHP	10uF 6. 3V		チップ積層セラコン	01
C7122	UF417220	C. EL. CHP	22uF 6. 3V		チップケミコン	01
C7123-7130	US635100	C. CE. CHP	0. 1uF 16V		チップセラコン	01
C7131	WG888300	C. CE. M. CHP	10uF 6. 3V		チップ積層セラコン	01
C7132	US063100	C. CE. CHP	1000pF 50V B		チップセラコン	01
C7133	US635100	C. CE. CHP	0. 1uF 16V		チップセラコン	01
C7134	US063100	C. CE. CHP	1000pF 50V B		チップセラコン	01
C7135-7137	US635100	C. CE. CHP	0. 1uF 16V		チップセラコン	01
C7138	WG888300	C. CE. M. CHP	10uF 6. 3V		チップ積層セラコン	01
C7139-7156	US635100	C. CE. CHP	0. 1uF 16V		チップセラコン	01
C7157	WG888300	C. CE. M. CHP	10uF 6. 3V		チップ積層セラコン	01
C7158-7163	US635100	C. CE. CHP	0. 1uF 16V		チップセラコン	01
C7164	WG888300	C. CE. M. CHP	10uF 6. 3V		チップ積層セラコン	01
C7165	UF438100	C. EL. CHP	100uF 16V		チップケミコン	01
C7166-7173	US635100	C. CE. CHP	0. 1uF 16V		チップセラコン	01
C7174	WG888300	C. CE. M. CHP	10uF 6. 3V		チップ積層セラコン	01
C7175-7180	US635100	C. CE. CHP	0. 1uF 16V		チップセラコン	01
C7181	WG888300	C. CE. M. CHP	10uF 6. 3V		チップ積層セラコン	01
C7182-7202	US635100	C. CE. CHP	0. 1uF 16V		チップセラコン	01
C7203-7204	UF417220	C. EL. CHP	22uF 6. 3V		チップケミコン	01
C7205-7207	US635100	C. CE. CHP	0. 1uF 16V		チップセラコン	01
C7208-7209	UF417220	C. EL. CHP	22uF 6. 3V		チップケミコン	01
C7210-7219	US635100	C. CE. CHP	0. 1uF 16V		チップセラコン	01
C7220-7221	UF417220	C. EL. CHP	22uF 6. 3V		チップケミコン	01
C7222-7224	US635100	C. CE. CHP	0. 1uF 16V		チップセラコン	01

\* New Parts \* 新規部品

## P.C.B. D-VIDEO

Ref No.	Part No.	Description	Remarks	Markets	部 品 名	ランク
C7228	WG888300	C. CE. M. CHP	10uF 6. 3V		チップ積層セラコン	01
C7229-7232	US635100	C. CE. CHP	0. 1uF 16V		チップセラコン	01
C7233-7236	US661100	C. CE. CHP	10pF 50V D		チップセラコン	01
C7237	US635100	C. CE. CHP	0. 1uF 16V		チップセラコン	01
C7238	US064100	C. CE. CHP	0. 01uF 50V B		チップセラコン	01
C7239	US635100	C. CE. CHP	0. 1uF 16V		チップセラコン	01
C7240-7241	US661100	C. CE. CHP	10pF 50V D		チップセラコン	01
C7242-7245	US635100	C. CE. CHP	0. 1uF 16V		チップセラコン	01
C7246-7247	US661100	C. CE. CHP	10pF 50V D		チップセラコン	01
C7248-7249	US635100	C. CE. CHP	0. 1uF 16V		チップセラコン	01
C7250-7253	US661100	C. CE. CHP	10pF 50V D		チップセラコン	01
C7254	WG888300	C. CE. M. CHP	10uF 6. 3V		チップ積層セラコン	01
C7255	US661100	C. CE. CHP	10pF 50V D		チップセラコン	01
C7256-7258	US635100	C. CE. CHP	0. 1uF 16V		チップセラコン	01
C7259	US063100	C. CE. CHP	1000pF 50V B		チップセラコン	01
C7260-7262	US635100	C. CE. CHP	0. 1uF 16V		チップセラコン	01
C7263	WG888300	C. CE. M. CHP	10uF 6. 3V		チップ積層セラコン	01
C7264-7267	US635100	C. CE. CHP	0. 1uF 16V		チップセラコン	01
C7268	WG888300	C. CE. M. CHP	10uF 6. 3V		チップ積層セラコン	01
C7269-7270	US635100	C. CE. CHP	0. 1uF 16V		チップセラコン	01
C7271	US063100	C. CE. CHP	1000pF 50V B		チップセラコン	01
C7272-7278	US635100	C. CE. CHP	0. 1uF 16V		チップセラコン	01
C7279	US063100	C. CE. CHP	1000pF 50V B		チップセラコン	01
C7280-7283	US635100	C. CE. CHP	0. 1uF 16V		チップセラコン	01
C7284	US063100	C. CE. CHP	1000pF 50V B		チップセラコン	01
C7285-7287	WG888300	C. CE. M. CHP	10uF 6. 3V		チップ積層セラコン	01
C7288-7291	US635100	C. CE. CHP	0. 1uF 16V		チップセラコン	01
C7292	US064100	C. CE. CHP	0. 01uF 50V B		チップセラコン	01
C7293	WG888300	C. CE. M. CHP	10uF 6. 3V		チップ積層セラコン	01
C7294-7297	US635100	C. CE. CHP	0. 1uF 16V		チップセラコン	01
C7298-7301	US661100	C. CE. CHP	10pF 50V D		チップセラコン	01
C7304-7312	US661100	C. CE. CHP	10pF 50V D		チップセラコン	01
C7313-7317	US635100	C. CE. CHP	0. 1uF 16V		チップセラコン	01
C7318	WG888300	C. CE. M. CHP	10uF 6. 3V		チップ積層セラコン	01
C7319-7322	US635100	C. CE. CHP	0. 1uF 16V		チップセラコン	01
C7323	WG888300	C. CE. M. CHP	10uF 6. 3V		チップ積層セラコン	01
C7326	WG888300	C. CE. M. CHP	10uF 6. 3V		チップ積層セラコン	01
C7327-7329	US635100	C. CE. CHP	0. 1uF 16V		チップセラコン	01
C7330-7331	WG888300	C. CE. M. CHP	10uF 6. 3V		チップ積層セラコン	01
C7332	US063100	C. CE. CHP	1000pF 50V B		チップセラコン	01
C7333	WG888300	C. CE. M. CHP	10uF 6. 3V		チップ積層セラコン	01
C7334-7341	US635100	C. CE. CHP	0. 1uF 16V		チップセラコン	01
C7342	WG888300	C. CE. M. CHP	10uF 6. 3V		チップ積層セラコン	01
C7343	US635100	C. CE. CHP	0. 1uF 16V		チップセラコン	01
C7344	WG888300	C. CE. M. CHP	10uF 6. 3V		チップ積層セラコン	01
C7345	US635100	C. CE. CHP	0. 1uF 16V		チップセラコン	01
C7346	WD758300	C. CE. CHP	10uF 10V		チップセラコン	01
C7347	US635100	C. CE. CHP	0. 1uF 16V		チップセラコン	01
C7348	WG888300	C. CE. M. CHP	10uF 6. 3V		チップ積層セラコン	01
C7349-7351	US635100	C. CE. CHP	0. 1uF 16V		チップセラコン	01
C7352	WG888300	C. CE. M. CHP	10uF 6. 3V		チップ積層セラコン	01
C7353-7355	US635100	C. CE. CHP	0. 1uF 16V		チップセラコン	01

\* New Parts \* 新規部品

## P.C.B. D-VIDEO

Ref No.	Part No.	Description	Remarks	Markets	部 品 名	ランク
C7356-7357	WG888300	C. CE. M. CHP	10uF 6.3V		チップ積層セラコン	01
C7358	US063100	C. CE. CHP	1000pF 50V B		チップセラコン	01
C7359	WG888300	C. CE. M. CHP	10uF 6.3V		チップ積層セラコン	01
C7360-7367	US635100	C. CE. CHP	0.1uF 16V		チップセラコン	01
C7368	WG888300	C. CE. M. CHP	10uF 6.3V		チップ積層セラコン	01
C7369	US635100	C. CE. CHP	0.1uF 16V		チップセラコン	01
C7370	WG888300	C. CE. M. CHP	10uF 6.3V		チップ積層セラコン	01
C7371	US635100	C. CE. CHP	0.1uF 16V		チップセラコン	01
C7372	WD758300	C. CE. CHP	10uF 10V		チップセラコン	01
C7373-7396	US635100	C. CE. CHP	0.1uF 16V		チップセラコン	01
C7397	UF438100	C. EL. CHP	100uF 16V		チップケミコン	01
C7398-7399	UF417220	C. EL. CHP	22uF 6.3V		チップケミコン	01
C7400-7401	US635100	C. CE. CHP	0.1uF 16V		チップセラコン	01
C7402-7403	US063100	C. CE. CHP	1000pF 50V B		チップセラコン	01
C7404-7406	US635100	C. CE. CHP	0.1uF 16V		チップセラコン	01
C7407	WG888300	C. CE. M. CHP	10uF 6.3V		チップ積層セラコン	01
C7408-7414	US635100	C. CE. CHP	0.1uF 16V		チップセラコン	01
C7415-7416	WG888300	C. CE. M. CHP	10uF 6.3V		チップ積層セラコン	01
C7417	UF438100	C. EL. CHP	100uF 16V		チップケミコン	01
C7418	WG888300	C. CE. M. CHP	10uF 6.3V		チップ積層セラコン	01
C7419	UF417220	C. EL. CHP	22uF 6.3V		チップケミコン	01
C7420-7421	WG888300	C. CE. M. CHP	10uF 6.3V		チップ積層セラコン	01
C7422-7425	US635100	C. CE. CHP	0.1uF 16V		チップセラコン	01
C7426	WD758300	C. CE. CHP	10uF 10V		チップセラコン	01
C7427-7428	US635100	C. CE. CHP	0.1uF 16V		チップセラコン	01
C7430	US635100	C. CE. CHP	0.1uF 16V		チップセラコン	01
C7431	WD758300	C. CE. CHP	10uF 10V		チップセラコン	01
C7433	UF417220	C. EL. CHP	22uF 6.3V		チップケミコン	01
C7434	WG888300	C. CE. M. CHP	10uF 6.3V		チップ積層セラコン	01
C7435-7437	UF417220	C. EL. CHP	22uF 6.3V		チップケミコン	01
C7438-7441	WG888300	C. CE. M. CHP	10uF 6.3V		チップ積層セラコン	01
C7442-7445	UF417220	C. EL. CHP	22uF 6.3V		チップケミコン	01
C7446	US635100	C. CE. CHP	0.1uF 16V		チップセラコン	01
C7447	UF438100	C. EL. CHP	100uF 16V		チップケミコン	01
C7448-7453	WG888300	C. CE. M. CHP	10uF 6.3V		チップ積層セラコン	01
C7454	US635100	C. CE. CHP	0.1uF 16V		チップセラコン	01
C7455-7457	UF417220	C. EL. CHP	22uF 6.3V		チップケミコン	01
C7458	US064100	C. CE. CHP	0.01uF 50V B		チップセラコン	01
C7460-7462	WG888300	C. CE. M. CHP	10uF 6.3V		チップ積層セラコン	01
C7463	US635100	C. CE. CHP	0.1uF 16V		チップセラコン	01
C7464	WG888300	C. CE. M. CHP	10uF 6.3V		チップ積層セラコン	01
C7465-7467	UF417220	C. EL. CHP	22uF 6.3V		チップケミコン	01
C7468-7470	US635100	C. CE. CHP	0.1uF 16V		チップセラコン	01
C7471	US063100	C. CE. CHP	1000pF 50V B		チップセラコン	01
C7472-7497	US635100	C. CE. CHP	0.1uF 16V		チップセラコン	01
C7498	WG888300	C. CE. M. CHP	10uF 6.3V		チップ積層セラコン	01
C7499-7519	US635100	C. CE. CHP	0.1uF 16V		チップセラコン	01
C7520	UF438100	C. EL. CHP	100uF 16V		チップケミコン	01
C7521	US064100	C. CE. CHP	0.01uF 50V B		チップセラコン	01
C7523	US635100	C. CE. CHP	0.1uF 16V		チップセラコン	01
C7524	WG888300	C. CE. M. CHP	10uF 6.3V		チップ積層セラコン	01
C7525-7526	US126100	C. CE. CHP	1uF 10V		チップセラコン	01

\* New Parts \* 新規部品

## P.C.B. D-VIDEO

Ref No.	Part No.	Description	Remarks	Markets	部 品 名	ランク
C7527-7528	UF417220	C. EL. CHP	22uF 6. 3V		チップケミコン	01
C7529-7532	WG888300	C. CE. M. CHP	10uF 6. 3V		チップ積層セラコン	01
C7533-7534	UF417220	C. EL. CHP	22uF 6. 3V		チップケミコン	01
C7535-7546	US661100	C. CE. CHP	10pF 50V D		チップセラコン	01
C7548-7552	WG888300	C. CE. M. CHP	10uF 6. 3V		チップ積層セラコン	01
C7553-7616	US635100	C. CE. CHP	0. 1uF 16V		チップセラコン	01
C7617	US661100	C. CE. CHP	10pF 50V D		チップセラコン	01
C7618	US635100	C. CE. CHP	0. 1uF 16V		チップセラコン	01
C7619	US126100	C. CE. CHP	1uF 10V		チップセラコン	01
C7620	US064100	C. CE. CHP	0. 01uF 50V B		チップセラコン	01
C7628-7635	US635100	C. CE. CHP	0. 1uF 16V		チップセラコン	01
C8000-8007	US661100	C. CE. CHP	10pF 50V D		チップセラコン	01
C8008-8009	US635100	C. CE. CHP	0. 1uF 16V		チップセラコン	01
C8010	WG888300	C. CE. M. CHP	10uF 6. 3V		チップ積層セラコン	01
C8011	US635100	C. CE. CHP	0. 1uF 16V		チップセラコン	01
C8012	US063100	C. CE. CHP	1000pF 50V B		チップセラコン	01
C8013-8014	US635100	C. CE. CHP	0. 1uF 16V		チップセラコン	01
C8015	WG888300	C. CE. M. CHP	10uF 6. 3V		チップ積層セラコン	01
C8016-8019	US635100	C. CE. CHP	0. 1uF 16V		チップセラコン	01
C8020	UF417220	C. EL. CHP	22uF 6. 3V		チップケミコン	01
C8021	UF438100	C. EL. CHP	100uF 16V		チップケミコン	01
C8022	WG888300	C. CE. M. CHP	10uF 6. 3V		チップ積層セラコン	01
C8023	US635100	C. CE. CHP	0. 1uF 16V		チップセラコン	01
C8024-8026	US661100	C. CE. CHP	10pF 50V D		チップセラコン	01
C8027	WD758300	C. CE. CHP	10uF 10V		チップセラコン	01
D1000	V2376600	D10DE. SHOT	RB500V-40	J	ショットキーダイオード	01
D1001-1004	VT332900	D10DE	1SS355		ダイオード	01
D1006	VT332900	D10DE	1SS355		ダイオード	01
D1008	VT332900	D10DE	1SS355		ダイオード	01
D1009	WE674800	D10DE	AVRL161A1R1NTB	J	チップバリスタ	01
D7000	V8960900	D10DE. ZENR	MA8024-(TX) 2. 4V		ツェナーダイオード	01
D7003-7004	WE674800	D10DE	AVRL161A1R1NTB		チップバリスタ	01
* D7005-7012	WP385600	PESD	PESD0603-240		ポリマーESD	
* D7013-7015	WE674800	D10DE	AVRL161A1R1NTB		チップバリスタ	01
* D7016-7023	WP385600	PESD	PESD0603-240		ポリマーESD	
* D7024-7028	WE674800	D10DE	AVRL161A1R1NTB		チップバリスタ	01
* D7029-7036	WP385600	PESD	PESD0603-240		ポリマーESD	
D7037-7038	WE674800	D10DE	AVRL161A1R1NTB		チップバリスタ	01
D7040	WE674800	D10DE	AVRL161A1R1NTB		チップバリスタ	01
* D7041-7048	WP385600	PESD	PESD0603-240		ポリマーESD	
D7049-7051	WE674800	D10DE	AVRL161A1R1NTB		チップバリスタ	01
D7060-7062	WE674800	D10DE	AVRL161A1R1NTB		チップバリスタ	01
D7063	V2376600	D10DE. SHOT	RB500V-40		ショットキーダイオード	01
D7064	VT332900	D10DE	1SS355		ダイオード	01
D7073-7075	WE674800	D10DE	AVRL161A1R1NTB		チップバリスタ	01
D7076	V2376600	D10DE. SHOT	RB500V-40		ショットキーダイオード	01
D7077	VT332900	D10DE	1SS355		ダイオード	01
D7079-7085	VT332900	D10DE	1SS355		ダイオード	01
D7087-7095	VT332900	D10DE	1SS355		ダイオード	01
D7096	WC549600	D10DE. CHP	RB160M-30 TR		チップダイオード	04
D7097	VT332900	D10DE	1SS355		ダイオード	01
D7099	WC549600	D10DE. CHP	RB160M-30 TR		チップダイオード	04

\* New Parts \* 新規部品

## P.C.B. D-VIDEO

Ref No.	Part No.	Description	Remarks	Markets	部 品 名	ランク	
D7100-7105	VT332900	DIODE	1SS355		ダイオード	01	
* D8000	WP385600	PESD	PESD0603-240		ポリマーESD		
D8001	WE674800	DIODE	AVRL161A1R1NTB		チップバリスタ	01	
* D8002-8008	WP385600	PESD	PESD0603-240		ポリマーESD		
D8009-8011	WE674800	DIODE	AVRL161A1R1NTB		チップバリスタ	01	
D8012	VT332900	DIODE	1SS355		ダイオード	01	
F7000-7001	V2997600	SW. POLY	SMD050-02		ポリスイッチ	01	
IC100	X9370D00	IC. CEC	MN103SFD7GYAC CPU	written	J	IC CEC	11
IC101	X8897A00	IC	R1172S331B-E2-F		電源IC	03	
* IC102	X9292A00	IC	R1172H121D-T1-F		電源IC	01	
* IC103	YA191B00	IC. MEMORY	S29GL128P90TFCR20	written		メモリIC	
IC104	X3585E00	IC. MEMORY	K4S281632K-UC75000		メモリIC 128M	05	
IC106	XT744B00	IC	TC74VHCT245AFT E, K		ロジックIC	02	
IC107	X8382A00	IC	TC7WH08FK (TE85L, F)		ロジックIC	01	
IC109	X8386A00	IC	TC7WH14FK (TE85L, F)		ロジックIC	01	
IC110	X7717A00	IC	R3112N251A-TR		リセットIC	01	
IC111	X8378A00	IC	TC7SH125FU (TE85L, F)		ロジックIC	01	
IC112	X7741A00	IC	NJM2867F3-05 (TE1)		電源IC	02	
IC113	X9063A00	IC	M24256-BRDW6TP		メモリIC	05	
IC114	X8813A00	IC	MB87L8760		IC デジタル	08	
IC115	X3586B00	IC	TC74VHCT08AFT EL, K		ロジックIC	01	
IC116	X7964A00	IC	PQ200WNA1ZPH		電源IC	03	
IC117	X8386A00	IC	TC7WH14FK (TE85L, F)		ロジックIC	01	
IC118	X9174A00	IC	IP101ALF		IC デジタル	07	
IC119	X8845A00	IC	TC7MBL3257AFK		ロジックIC	03	
IC120	X7951A00	IC	BD6517F-E2		電源IC	04	
IC121	X8378A00	IC	TC7SH125FU (TE85L, F)		ロジックIC	01	
IC122	X8944A00	IC	R1154H050B-T1-F		電源IC	03	
IC124	X9063A00	IC	M24256-BRDW6TP		メモリIC	05	
IC125	X3585E00	IC. MEMORY	K4S281632K-UC75000		メモリIC 128M	05	
IC700	X6848A00	IC	LA73053-TLM-E		アンプIC	05	
IC701	X9393A00	IC	ADV7800BSTZ-80		ICビデオデコーダ	13	
IC702	X8838A00	IC	ADV7342BSTZ		ICビデオエンコーダ	11	
IC703	X9151A00	IC	M13S128168A-6TG		メモリIC		
IC704-705	XZ287A00	IC	SN74LVC245APWR		ロジックIC	02	
IC706	X5415A00	IC	LP2995M		DDRターミネーター	03	
IC707	XZ287A00	IC	SN74LVC245APWR		ロジックIC	02	
IC714	X2479A00	IC	YGV619		IC	12	
IC715	X4627C00	IC	M12L64322A-7TG0. 11		メモリIC 64M	06	
IC716	X8527A00	IC	TC7WZ04FK		ロジックIC	01	
IC717	X5731A00	IC	SN74LVC74APWR		ロジックIC	02	
IC718-719	X8897A00	IC	R1172S331B-E2-F		電源IC	03	
IC721-722	X8897A00	IC	R1172S331B-E2-F		電源IC	03	
IC730	X7741A00	IC	NJM2867F3-05 (TE1)		電源IC	02	
IC731	X2482A00	IC	LB1836M-TE-L		IC	03	
IC733	X7741A00	IC	NJM2867F3-05 (TE1)		電源IC	02	
IC734	X7743A00	IC	SN74CB3Q3257PWR		ロジックIC	04	
IC735	XZ287A00	IC	SN74LVC245APWR		ロジックIC	02	
IC740	X9625A00	IC	M12L64164A-5TG		メモリIC 64M	07	
IC741	X7887A00	IC	R1172S181B-E2-F		電源IC	03	
IC743-744	X7887A00	IC	R1172S181B-E2-F		電源IC	03	
IC745	X7195A00	IC	R1172S121D-E2-F		電源IC	04	

\* New Parts \* 新規部品



## P.C.B. D-VIDEO and P.C.B. FL

Ref No.	Part No.	Description	Remarks	Markets	部 品 名	ランク
IC748	X8894A00	IC	R1172S251B-E2-F		電源 I C	03
IC749-750	X7887A00	IC	R1172S181B-E2-F		電源 I C	03
IC755	X8897A00	IC	R1172S331B-E2-F		電源 I C	03
IC800	X8900A00	IC	CXB1442AR-T4		I C	06
IC801	X8368A00	IC	PCA9517DP		ロジック I C	
IC802	X8897A00	IC	R1172S331B-E2-F		電源 I C	03
Q1004-1005	WH445000	FET	3LN01C-TB-E	J	F E T	01
Q1006-1007	VQ986700	TR	2SC4081 T106		トランジスタ	01
Q7000-7012	VQ986700	TR	2SC4081 T106		トランジスタ	01
Q7013	VR936300	TR	2SA1576A T106		トランジスタ	01
Q7014	VQ986700	TR	2SC4081 T106		トランジスタ	01
Q8000-8001	VQ986700	TR	2SC4081 T106		トランジスタ	01
RY700	WN307700	RELAY	DC4. 5V UB2-4. 5SNUN		リレー	07
XL100	WM227900	RSNR. CE	10MHz	J	セラミック振動子	03
XL101	WH714200	RESONATOR	24. 576MHz DS0321SR		水晶発振器	05
XL102	WDO46100	RSNR. CRY	5. 00MHz		水晶振動子	
XL103	WK456400	RSNR. CRY	45. 1584MHz DS0321S		水晶振動子	05
XL700	WK841300	RESONATOR	28. 63636MHz		水晶発振器	05
XL701	WK841200	RESONATOR	27MHz DS0321SRAB		水晶発振器	05
*	XL702	WQ047800	RESONATOR		水晶発振器	05
*		WQ134200	P. C. B.		FL	P C B F L
CB901	V6313400	CN. BS. PIN	27P TE		FMNコネクタ	
CB951-952	V8810200	CN	9P TE		J E コネクタ	02
CB953	V7667200	CN. BS. PIN	20P TE		F F C コネクタ	
CB954	V9357000	CN	19P TE		J E コネクタ	
CB955-956	V8875600	CN	13P TE		J E コネクタ	02
CB957	WE221200	CN. BS. PIN	FMN 37P TE		FMNコネクタ	04
CB958	V9357000	CN	19P TE		J E コネクタ	
CB959-960	V8875600	CN	13P TE		J E コネクタ	02
CB962	V9357000	CN	19P TE		J E コネクタ	
CB963	V7827000	CN	20P TE TUC SERIES		コネクタプラグ	01
CB964	VQ044400	CN. BS. PIN	9P		F F C コネクタ	01
CB965	V7828700	SOCKET	20P SE TUC SERIES		コネクタソケット	01
CB967	V8810200	CN	9P TE		J E コネクタ	02
CB969	V9357000	CN	19P TE		J E コネクタ	
CB970	V6313500	CN. BS. PIN	27P SE		FMNコネクタ	
CB971	VM929900	CN. BS. PIN	15P		F P C コネクタ	01
CB972-973	V8810200	CN	9P TE		J E コネクタ	02
CB974	VU446000	CN. BS. PIN	15P TE		J E コネクタ	02
CB991	V6509500	SOCKET	9P SE 3170		コネクタソケット	04
C9001	UR267470	C. EL	47uF 50V		ケミコン	01
C9003-9004	US064100	C. CE. CHP	0. 01uF 50V B		チップセラコン	01
C9008	US064100	C. CE. CHP	0. 01uF 50V B		チップセラコン	01
C9010	US064100	C. CE. CHP	0. 01uF 50V B		チップセラコン	01
C9011	UM388100	C. EL	100uF 10V		ケミコン	01
C9012-9013	US064100	C. CE. CHP	0. 01uF 50V B		チップセラコン	01
C9014	US135100	C. CE. CHP	0. 1uF 16V		チップセラコン	01
C9015	US064100	C. CE. CHP	0. 01uF 50V B		チップセラコン	01
C9016	UR218330	C. EL	330uF 6. 3V		ケミコン	

\* New Parts \* 新規部品

## P.C.B. FL

Ref No.	Part No.	Description	Remarks	Markets	部 品 名	ランク
C9017	US135100	C. CE. CHP	0. 1uF 16V		チップセラコン	01
C9019	US064100	C. CE. CHP	0. 01uF 50V B		チップセラコン	01
C9020	US062100	C. CE. CHP	100pF 50V B		チップセラコン	01
C9021	US061470	C. CE. CHP	47pF 50V B		チップセラコン	01
C9022	US135100	C. CE. CHP	0. 1uF 16V		チップセラコン	01
C9023	UR218330	C. EL	330uF 6. 3V		ケミコン	
C9024	US062100	C. CE. CHP	100pF 50V B		チップセラコン	01
C9030	US064100	C. CE. CHP	0. 01uF 50V B		チップセラコン	01
C9031-9034	US065100	C. CE. CHP	0. 1uF 50V B		チップセラコン	01
C9501	US064100	C. CE. CHP	0. 01uF 50V B		チップセラコン	01
C9502	UR237100	C. EL	10uF 16V		ケミコン	
C9503	US163100	C. CE. CHP	1000pF 50V		チップセラコン	01
C9504	UR237100	C. EL	10uF 16V		ケミコン	
C9505	US064100	C. CE. CHP	0. 01uF 50V B		チップセラコン	01
C9506	WD758300	C. CE. CHP	10uF 10V		チップセラコン	01
C9507	US135100	C. CE. CHP	0. 1uF 16V		チップセラコン	01
C9509	UR238100	C. EL	100uF 16V		ケミコン	
C9510	US135100	C. CE. CHP	0. 1uF 16V		チップセラコン	01
C9511	US163100	C. CE. CHP	1000pF 50V		チップセラコン	01
C9512-9513	UR237100	C. EL	10uF 16V		ケミコン	
C9514	UR237470	C. EL	47uF 16V		ケミコン	01
C9515	US163100	C. CE. CHP	1000pF 50V		チップセラコン	01
C9516	US064100	C. CE. CHP	0. 01uF 50V B		チップセラコン	01
C9518	UR237100	C. EL	10uF 16V		ケミコン	
C9519	US163100	C. CE. CHP	1000pF 50V		チップセラコン	01
C9520	UR237470	C. EL	47uF 16V		ケミコン	01
C9521	US163100	C. CE. CHP	1000pF 50V		チップセラコン	01
C9522	US064100	C. CE. CHP	0. 01uF 50V B		チップセラコン	01
C9524	US064100	C. CE. CHP	0. 01uF 50V B		チップセラコン	01
C9901	US064100	C. CE. CHP	0. 01uF 50V B		チップセラコン	01
C9902	US135100	C. CE. CHP	0. 1uF 16V		チップセラコン	01
C9903	UR237470	C. EL	47uF 16V		ケミコン	01
C9904-9909	US135100	C. CE. CHP	0. 1uF 16V		チップセラコン	01
D9005-9006	VU991500	DIODE. ZENR	MA8039-H 4V		ツェナーダイオード	01
D9011-9012	VU993000	DIODE. ZENR	MA8056-M 5. 6V		ツェナーダイオード	01
D9016	VU993000	DIODE. ZENR	MA8056-M 5. 6V		ツェナーダイオード	01
D9017	VT332900	DIODE	1SS355		ダイオード	01
D9018	VU993000	DIODE. ZENR	MA8056-M 5. 6V		ツェナーダイオード	01
D9019-9026	VT332900	DIODE	1SS355		ダイオード	01
D9501	VV658000	DIODE. ZENR	RLZ5. 1A 5. 1V		ツェナーダイオード	01
D9901-9904	VT332900	DIODE	1SS355		ダイオード	01
IC901-902	X7821A00	IC	PT6302LQ-008(L)		IC	07
IC951	X7375A00	IC	PCM1781DBQR		IC	04
IC952	X7378A00	IC	NJM4565M(TE1)		アンプIC	01
IC991	X6876A00	IC	ADM222ARZ		IC	06
JK991-992	V9435700	JACK. MNI	MSJ-035-12APC		モノラル ミニジャック	01
PN902	V9637500	PIN	L=70 #18		スタイルピン	
PN951-953	V9637500	PIN	L=70 #18		スタイルピン	
Q9001-9009	WC529400	TR	KTC3875S Y GR RTK		トランジスタ	01
Q9010-9011	VV655400	TR. DGT	DTC114EKA		デジタルトランジスタ	01
Q9901	VP872600	TR	2SA1708 S, T		トランジスタ	01
Q9902	VV655700	TR. DGT	DTC144EKA		デジタルトランジスタ	01

\* New Parts \* 新規部品

<b>P.C.B. FL and P.C.B. CONNECT</b>
-------------------------------------

Ref No.	Part No.	Description	Remarks	Markets	部 品 名	ランク
Q9903	VP872600	TR	2SA1708 S, T		トランジスタ	01
Q9904	VV655700	TR. DGT	DTC144EKA		デジタルトランジスタ	01
R9002	HL005100	R. MTL. OXD	100 Ω 1/2W		酸化金属被膜抵抗	
R9004	HL005100	R. MTL. OXD	100 Ω 1/2W		酸化金属被膜抵抗	
R9503	VP940500	R. MTL. OXD	150 Ω 1W		酸化金属被膜抵抗	01
R9907-9908	HF354270	R. CAR	27 Ω 1/2W J		カーボン抵抗	
ST951-953	V4040500	SCR. TERM	M3		スクリュー／ターミナル	01
SW901-905	V4757100	SW. TACT	EVQ11A		タクトSW	01
SW907-917	V4757100	SW. TACT	EVQ11A		タクトSW	01
U9001	V8210200	L. DTCT	GP1UD271XK		リモコン受光ユニット	03
* V9001	WP195500	FL. DSPLY	HNA-16ML15T		蛍光表示管	
	V6007000	SHEET			シート／FL	03
	V3747400	SPACER. FL	T4x6x18		スペーサ／FL	01
	WF649700	SUPRT			サポート／FL	01
* * *	WP156500	P. C. B.	CONNECT		PCB CONNECT	
	WP156600	P. C. B.	CONNECT	U C	PCB CONNECT	
CB901	LB919030	CN. BS. PIN	3P	U	ベース付ポスト	01
CB903	VU443800	CN. JE	15P SE	U	Jエコネクタプラグ	01
C900	US064100	C. CE. CHP	0. 01uF 50V B	U	チップセラコン	01
C901	US135100	C. CE. CHP	0. 1uF 16V	U	チップセラコン	01
C902	UR219220	C. EL	2200uF 6. 3V	U	ケミコン	
C903	US062100	C. CE. CHP	100pF 50V B	U	チップセラコン	01
C904	UM397470	C. EL	47uF 16V	U	ケミコン	01
C905	US062100	C. CE. CHP	100pF 50V B	U	チップセラコン	01
C907	US062100	C. CE. CHP	100pF 50V B	U	チップセラコン	01
C910	US062100	C. CE. CHP	100pF 50V B	U	チップセラコン	01
C912-913	UM397100	C. EL	10uF 16V	U	ケミコン	01
C914	US062220	C. CE. CHP	220pF 50V B	U	チップセラコン	01
C916	UM397470	C. EL	47uF 16V	U	ケミコン	01
C917	US062220	C. CE. CHP	220pF 50V B	U	チップセラコン	01
C918-919	UM397100	C. EL	10uF 16V	U	ケミコン	01
C920	US135100	C. CE. CHP	0. 1uF 16V	U	チップセラコン	01
C921	US135100	C. CE. CHP	0. 1uF 16V	UC	チップセラコン	01
C950	US062220	C. CE. CHP	220pF 50V B	UC	チップセラコン	01
C951	US063100	C. CE. CHP	1000pF 50V B	UC	チップセラコン	01
C952-956	US062220	C. CE. CHP	220pF 50V B	UC	チップセラコン	01
C957	UM397470	C. EL	47uF 16V	UC	ケミコン	01
C959	US063100	C. CE. CHP	1000pF 50V B	UC	チップセラコン	01
C960	US062220	C. CE. CHP	220pF 50V B	UC	チップセラコン	01
C961	UM397470	C. EL	47uF 16V	UC	ケミコン	01
C962-964	US062220	C. CE. CHP	220pF 50V B	UC	チップセラコン	01
C965	UM397100	C. EL	10uF 16V	UC	ケミコン	01
C966	UM397470	C. EL	47uF 16V	UC	ケミコン	01
C967-969	UM397100	C. EL	10uF 16V	UC	ケミコン	01
C970	US135100	C. CE. CHP	0. 1uF 16V	UC	チップセラコン	01
C975	US135100	C. CE. CHP	0. 1uF 16V	U	チップセラコン	01
C976	UM397470	C. EL	47uF 16V	UC	ケミコン	01
D900-901	VT332900	DIODE	1SS355	U	ダイオード	01
D904	VU992600	DIODE. ZENR	MA8051-M 5. 1V	U	ツェナーダイオード	01

\* New Parts \* 新規部品

## P.C.B. CONNECT and P.C.B. DCCNVT

Ref No.	Part No.	Description	Remarks	Markets	部 品 名	ランク	
D950	VU992600	DIODE. ZENR	MA8051-M 5.1V		UC	ツェナーダイオード	01
D952	VU992600	DIODE. ZENR	MA8051-M 5.1V		UC	ツェナーダイオード	01
D953-954	VT332900	DIODE	1SS355		UC	ダイオード	01
IC901	X7378A00	IC	NJM4565M(TE1)		U	アンプ I C	01
IC950	X7378A00	IC	NJM4565M(TE1)		UC	アンプ I C	01
IC951	XW814A00	IC	TC7SET32FU		UC	ロジック I C	01
JK950	WP418600	JACK. DIN	8P TCS7927-6821177		UC	ミニ D I Nコネクター	
Q900	WH445000	FET	3LN01C-TB-E		U	F E T	01
Q951	VV655200	TR. DGT	DTA143EKA		UC	デジタルトランジスタ	01
Q952	WC529200	TR. DGT	KRC102M-AT		UC	デジタルトランジスタ	01
R926	HL002220	R. MTL. OXD	0.22 Ω 1/2W		U	酸化金属被膜抵抗	01
ST900	V4040500	SCR. TERM	M3		U	スクリューノターミナル	01
ST950	V4040500	SCR. TERM	M3			スクリューノターミナル	01
*	WQ141100	P. C. B.	DCCNVT			P C B D C C N V T	
CB60	VR134300	CN. BS. PIN	6P			ベース付ポスト	01
CB61	VT619100	CN. BS. PIN	5P			ベース付ポスト	01
CB62	WG939700	CN. USB	4P SE			U S B コネクタ	04
* CB63	WN905300	CN. LAN	SS-6488S-A-PG4-BA			モジュラーコネクタ	05
CB71	VL956100	CN. BS. PINP	7P SE			J L ベースポスト	01
C602	V9878800	C. CE. CHP	1000pF			チップセラコン	01
C603	US063100	C. CE. CHP	1000pF 50V B			チップセラコン	01
C604	US064100	C. CE. CHP	0.01uF 50V B			チップセラコン	01
C701	WE772500	C. EL. CHP	120uF 6.3V			チップ O S ケミコン	02
C702	V5333500	C. CE. CHP	10uF 6.3V			チップセラコン	01
C703	US063220	C. CE. CHP	2200pF 50V B			チップセラコン	01
C704	US061680	C. CE. CHP	68pF 50V B			チップセラコン	01
C705	US064150	C. CE. CHP	0.015uF 50V B			チップセラコン	01
C706	US046100	C. CE. CHP	1uF 25V			チップセラコン	01
C707	WE773800	C. CE. M. CHP	1uF 10V B			チップ積層セラコン	01
C708	WJ343900	C. CE. CHP	0.33uF 10V			チップセラコン	01
C709	US035100	C. CE. CHP	0.1uF 16V B			チップセラコン	01
C710	US062470	C. CE. CHP	470pF 50V B			チップセラコン	01
C711	WF547900	C. CE. CHP	10uF 25V			チップセラ	01
C712-713	WM098400	C. EL. CHP	470uF 25V			チップケミコン	02
C714	US062470	C. CE. CHP	470pF 50V B			チップセラコン	01
C715	WF547900	C. CE. CHP	10uF 25V			チップセラ	01
C716	US035100	C. CE. CHP	0.1uF 16V B			チップセラコン	01
C717	WJ343900	C. CE. CHP	0.33uF 10V			チップセラコン	01
C718	WE773800	C. CE. M. CHP	1uF 10V B			チップ積層セラコン	01
C719	US063680	C. CE. CHP	6800pF 50V B			チップセラコン	01
C720	WE773800	C. CE. M. CHP	1uF 10V B			チップ積層セラコン	01
C721	US061330	C. CE. CHP	33pF 50V B			チップセラコン	01
C722	US063150	C. CE. CHP	1500pF 50V B			チップセラコン	01
C723	V5333500	C. CE. CHP	10uF 6.3V			チップセラコン	01
C724	WE772500	C. EL. CHP	120uF 6.3V			チップ O S ケミコン	02
C725	US062100	C. CE. CHP	100pF 50V B			チップセラコン	01
C726	US035100	C. CE. CHP	0.1uF 16V B			チップセラコン	01
C727	WE476800	C. EL	330uF 10V			ケミコン	03
C728	V5333500	C. CE. CHP	10uF 6.3V			チップセラコン	01

\* New Parts \* 新規部品

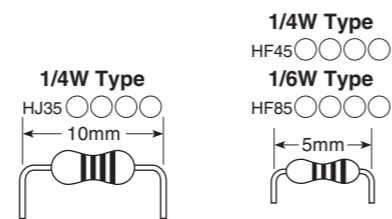
## P.C.B. DCCNVT

Ref No.	Part No.	Description	Remarks	Markets	部 品 名	ランク
C729	US063220	C. CE. CHP	2200pF 50V B		チップセラコン	01
C730	US061510	C. CE. CHP	51pF 50V		チップセラコン	01
C731	US064150	C. CE. CHP	0. 015uF 50V B		チップセラコン	01
C732	US046100	C. CE. CHP	1uF 25V		チップセラコン	01
C733	WE773800	C. CE. M. CHP	1uF 10V B		チップ積層セラコン	01
C734	WJ343900	C. CE. CHP	0. 33uF 10V		チップセラコン	01
C735	US062100	C. CE. CHP	100pF 50V B		チップセラコン	01
C736	US035100	C. CE. CHP	0. 1uF 16V B		チップセラコン	01
C737	US062470	C. CE. CHP	470pF 50V B		チップセラコン	01
C738	WF547900	C. CE. CHP	10uF 25V		チップセラ	01
C739-740	US062220	C. CE. CHP	220pF 50V B		チップセラコン	01
C741	US062470	C. CE. CHP	470pF 50V B		チップセラコン	01
C742	WF547900	C. CE. CHP	10uF 25V		チップセラ	01
C743	US035100	C. CE. CHP	0. 1uF 16V B		チップセラコン	01
C744	WJ343900	C. CE. CHP	0. 33uF 10V		チップセラコン	01
C745	WE773800	C. CE. M. CHP	1uF 10V B		チップ積層セラコン	01
C746	US063680	C. CE. CHP	6800pF 50V B		チップセラコン	01
C747	WE773800	C. CE. M. CHP	1uF 10V B		チップ積層セラコン	01
C748	US061220	C. CE. CHP	22pF 50V B		チップセラコン	01
C749	US063150	C. CE. CHP	1500pF 50V B		チップセラコン	01
C750	WD758300	C. CE. CHP	10uF 10V		チップセラコン	01
C751	WE772500	C. EL. CHP	120uF 6. 3V		チップOSケミコン	02
C752-753	US046100	C. CE. CHP	1uF 25V		チップセラコン	01
C755	WF547900	C. CE. CHP	10uF 25V		チップセラ	01
C756	US035100	C. CE. CHP	0. 1uF 16V B		チップセラコン	01
C757	US062220	C. CE. CHP	220pF 50V B		チップセラコン	01
C758	WD758300	C. CE. CHP	10uF 10V		チップセラコン	01
C759-761	V5333500	C. CE. CHP	10uF 6. 3V		チップセラコン	01
C762	US062220	C. CE. CHP	220pF 50V B		チップセラコン	01
C766	US035100	C. CE. CHP	0. 1uF 16V B		チップセラコン	01
C767	US145100	C. CE. CHP	0. 1uF 25V		チップセラコン	01
C768-769	US064100	C. CE. CHP	0. 01uF 50V B		チップセラコン	01
C770	US035100	C. CE. CHP	0. 1uF 16V B		チップセラコン	01
D701	WK272200	D1ODE. CHP	RB160M-60 TR		チップダイオード	01
D702-703	V6267600	D1ODE	RB051L-40		ダイオード	01
D704-705	WK272200	D1ODE. CHP	RB160M-60 TR		チップダイオード	01
D706-707	V6267600	D1ODE	RB051L-40		ダイオード	01
D708	WK272200	D1ODE. CHP	RB160M-60 TR		チップダイオード	01
D709-710	VU993800	D1ODE. ZENR	MA8068-M 6. 8V		ツェナーダイオード	01
IC72	X8533A00	IC	TC7SZ02FU		ロジックIC	01
Q701-702	WH948500	FET. ARRAY	SP8K2		FETアレイ	04
Q703	WC434800	TR. DGT	KRA102S-RTK/P		デジタルトランジスタ	01
Q704-705	WH948500	FET. ARRAY	SP8K2		FETアレイ	04
ST60-61	V4040500	SCR. TERM	M3		スクリュー/ターミナル	01

\* New Parts \* 新規部品

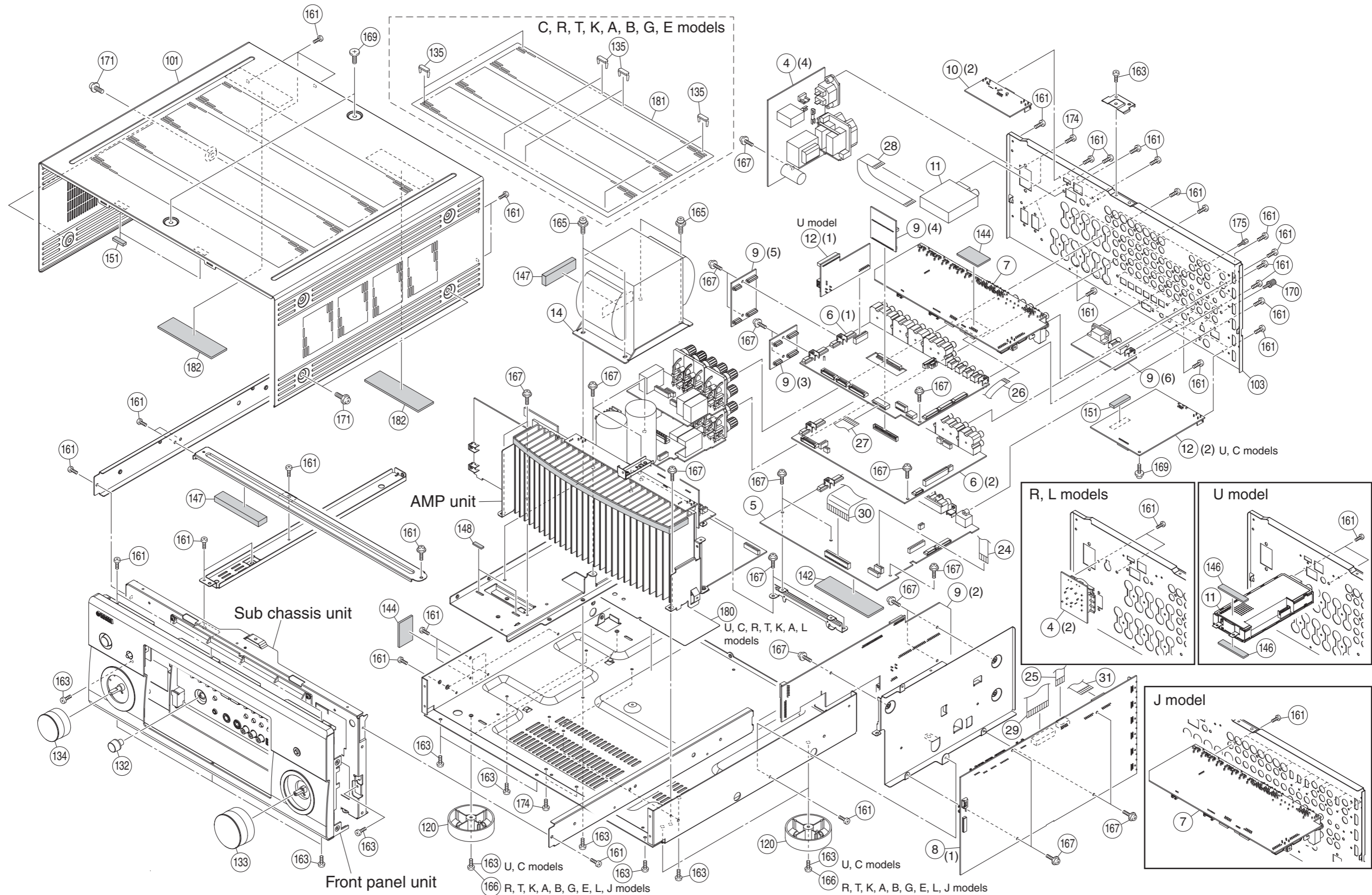
**Carbon Resistors**

Value	1/4W Type Part No.	1/6W Type Part No.	Value	1/4W Type Part No.	1/6W Type Part No.
1.0 Ω	HJ35 3100	HF85 3100	11 kΩ	HF45 7110	HF45 7110
1.8 Ω	HJ35 3180	*	12 kΩ	HJ35 7120	HF85 7120
2.2 Ω	HJ35 3220	HF85 3220	13 kΩ	HF45 7130	HF45 7130
3.3 Ω	HJ35 3330	HF85 3330	15 kΩ	HF45 7150	HF45 7150
4.7 Ω	HJ35 3470	HF85 3470	18 kΩ	HF45 7180	HF45 7180
5.6 Ω	HJ35 3560	HF85 3560	22 kΩ	HF45 7220	HF45 7220
10 Ω	HF45 4100	HF45 4100	24 kΩ	HF45 7240	HF45 7240
15 Ω	HJ35 4150	HF85 4150	27 kΩ	HJ35 7270	HF85 7270
22 Ω	HF45 4220	HF45 4220	30 kΩ	HF45 7300	HF45 7300
27 Ω	HJ35 4270	HF85 4270	33 kΩ	HF45 7330	HF45 7330
33 Ω	HF45 4330	HF45 4330	36 kΩ	HF45 7360	HF45 7360
39 Ω	HJ35 4470	HF85 4390	39 kΩ	HF45 7390	HF45 7390
47 Ω	HF45 4470	HF45 4470	47 kΩ	HF45 7470	HF45 7470
56 Ω	HF45 4560	HF45 4560	51 kΩ	HF45 7510	HF45 7510
68 Ω	HF45 4680	HF45 4680	56 kΩ	HF45 7560	HF45 7560
75 Ω	HF45 4750	HF45 4750	62 kΩ	HF45 7620	HF45 7620
82 Ω	HF45 4820	HF45 4820	68 kΩ	HF45 7680	HF45 7680
91 Ω	HF45 4910	HF45 4910	82 kΩ	HF45 7820	HF45 7820
100 Ω	HF45 5100	HF45 5100	91 kΩ	HF45 7910	HF45 7910
110 Ω	HJ35 5110	HF85 5110	100 kΩ	HF45 8100	HF45 8100
120 Ω	HF45 5120	HF45 5120	110 kΩ	HF45 8110	HF45 8110
150 Ω	HF45 5150	HF45 5150	120 kΩ	HF45 8120	HF45 8120
160 Ω	HJ35 5160	*	150 kΩ	HF45 8150	HF45 8150
180 Ω	HF45 5180	HF45 5180	180 kΩ	HF45 8180	HF45 8180
200 Ω	HF45 5200	HF45 5200	220 kΩ	HJ35 8220	HF85 8220
220 Ω	HF45 5220	HF45 5220	270 kΩ	HF45 8270	HF45 8270
270 Ω	HF45 5270	HF45 5270	300 kΩ	HF45 8300	HF45 8300
330 Ω	HF45 5330	HF45 5330	330 kΩ	HF45 8330	HF45 8330
390 Ω	HF45 5390	HF45 5390	390 kΩ	HJ35 8390	HF85 8390
430 Ω	HF45 5430	HF45 5430	470 kΩ	HF45 8470	HF45 8470
470 Ω	HF45 5470	HF45 5470	560 kΩ	HJ35 8560	HF85 8560
510 Ω	HF45 5510	HF45 5510	680 kΩ	HJ35 8680	HF85 8680
560 Ω	HF45 5560	HF45 5560	820 kΩ	HJ35 8820	HF85 8820
680 Ω	HF45 5680	HF45 5680	1.0 MΩ	HF45 9100	HF45 9100
820 Ω	HF45 5820	HF45 5820	1.2 MΩ	HJ35 9120	*
910 Ω	HF45 5910	HF45 5910	1.5 MΩ	HJ35 9150	HF85 9150
1.0 k	HF45 6100	HF45 6100	1.8 MΩ	HJ35 9180	HF85 9180
1.2 kΩ	HF45 6120	HF45 6120	2.2 MΩ	HJ35 9220	HF85 9220
1.5 kΩ	HF45 6150	HF45 6150	3.3 MΩ	HJ35 9330	HF85 9330
1.8 kΩ	HF45 6180	HF45 6180	3.9 MΩ	HJ35 9390	*
2.0 kΩ	HJ35 6200	HF85 6200	4.7 MΩ	HJ35 9470	HF85 9470
2.2 kΩ	HF45 6220	HF45 6220			
2.4 kΩ	HJ35 6240	HF85 6240			
2.7 kΩ	HF45 6270	HF45 6270			
3.0 kΩ	HF45 6300	HF45 6300			
3.3 kΩ	HF45 6330	HF45 6330			
3.6 kΩ	HJ35 6360	HF85 6360			
3.9 kΩ	HF45 6390	HF45 6390			
4.7 kΩ	HF45 6470	HF45 6470			
5.1 kΩ	HF45 6510	HF45 6510			
5.6 kΩ	HF45 6560	HF45 6560			
6.8 kΩ	HF45 6680	HF45 6680			
8.2 kΩ	HF45 6820	HF45 6820			
9.1 kΩ	HF45 6910	HF45 6910			
10 kΩ	HF45 7100	HF45 7100			



\* : Not available

• OVERALL ASS'Y



Ref No.	Part No.	Description	Remarks	Markets	部 品 名	ランク	
*	4	WQ135500	P. C. B. ASS' Y		J	PCB POWER	
*	4	WQ135600	P. C. B. ASS' Y		U	PCB POWER	
*	4	WQ135700	P. C. B. ASS' Y		C	PCB POWER	
*	4	WQ135800	P. C. B. ASS' Y		R	PCB POWER	
*	4	WQ135900	P. C. B. ASS' Y		T	PCB POWER	
*	4	WQ136000	P. C. B. ASS' Y		K	PCB POWER	
*	4	WQ136100	P. C. B. ASS' Y		A	PCB POWER	
*	4	WQ136200	P. C. B. ASS' Y		B	PCB POWER	
*	4	WQ136300	P. C. B. ASS' Y		GE	PCB POWER	
*	4	WQ136400	P. C. B. ASS' Y		L	PCB POWER	
*	5	WQ133600	P. C. B. ASS' Y		J	PCB DSP	
*	5	WQ133700	P. C. B. ASS' Y		UC	PCB DSP	
*	5	WQ133800	P. C. B. ASS' Y		RTABGEL	PCB DSP	
*	6	WQ137500	P. C. B. ASS' Y		J	PCB FUNCTION	
*	6	WQ137600	P. C. B. ASS' Y		U	PCB FUNCTION	
*	6	WQ137700	P. C. B. ASS' Y		C	PCB FUNCTION	
*	6	WQ137800	P. C. B. ASS' Y		RTKL	PCB FUNCTION	
*	6	WQ137900	P. C. B. ASS' Y		A	PCB FUNCTION	
*	6	WQ138000	P. C. B. ASS' Y		BGE	PCB FUNCTION	
*	7	WQ140100	P. C. B. ASS' Y		J	PCB AVIDEO	
*	7	WQ140200	P. C. B. ASS' Y		UCRK	PCB AVIDEO	
*	7	WQ140300	P. C. B. ASS' Y		TABGEL	PCB AVIDEO	
*	8	WQ132300	P. C. B. ASS' Y		J	PCB DVIDEO	
*	8	WQ132400	P. C. B. ASS' Y		UCRTKABGEL	PCB DVIDEO	
*	9	WQ134200	P. C. B. ASS' Y			PCB FL	
*	10	WQ141100	P. C. B. ASS' Y			PCB DCCNVT	
*	11	WP979800	HD RADIO TUNER		U	HDチューナー	
*	11	WD048300	AM/FM TUNER		C	AM/FM チューナー	
*	11	WD048400	AM/FM TUNER		A	AM/FM チューナー	
*	12	WP156500	P. C. B. ASS' Y		U	PCB CONNECT	
*	12	WP156600	P. C. B. ASS' Y		C	PCB CONNECT	
*	△	YA130A00	POWER TRANSFORMER		J	電源トランス	
*	△	YA131A00	POWER TRANSFORMER		UC	電源トランス	
*	△	YA132A00	POWER TRANSFORMER		RL	電源トランス	
*	△	YA133A00	POWER TRANSFORMER		TK	電源トランス	
*	△	YA134A00	POWER TRANSFORMER		A	電源トランス	
*	△	YA135A00	POWER TRANSFORMER		BGE	電源トランス	
*	24	MF107070	FLEXIBLE FLAT CABLE			カード電線 C&C	01
*	25	WQ208100	FLEXIBLE FLAT CABLE			カード電線	02
*	26	MF111070	FLEXIBLE FLAT CABLE			カード電線 C&C	01
*	27	WP510300	FLEXIBLE FLAT CABLE			カード電線	02
*	28	WP505200	FLEXIBLE FLAT CABLE		CA	カード電線	01
*	29	WP510600	FLEXIBLE FLAT CABLE			カード電線	03
*	30	WP510400	FLEXIBLE FLAT CABLE			カード電線	04
*	31	WQ082300	FLEXIBLE FLAT CABLE			カード電線	03
*	101	WN984800	TOP COVER			トップカバー	
*	101	WN984700	TOP COVER	GD		トップカバー	
*	101	WN984900	TOP COVER	BL		トップカバー	
*	103	WN987300	REAR PANEL		J	リアパネル	
*	103	WN986000	REAR PANEL		U	リアパネル	
*	103	WN986200	REAR PANEL		C	リアパネル	
*	103	WN986400	REAR PANEL		R	リアパネル	
*	103	WN986500	REAR PANEL		T	リアパネル	

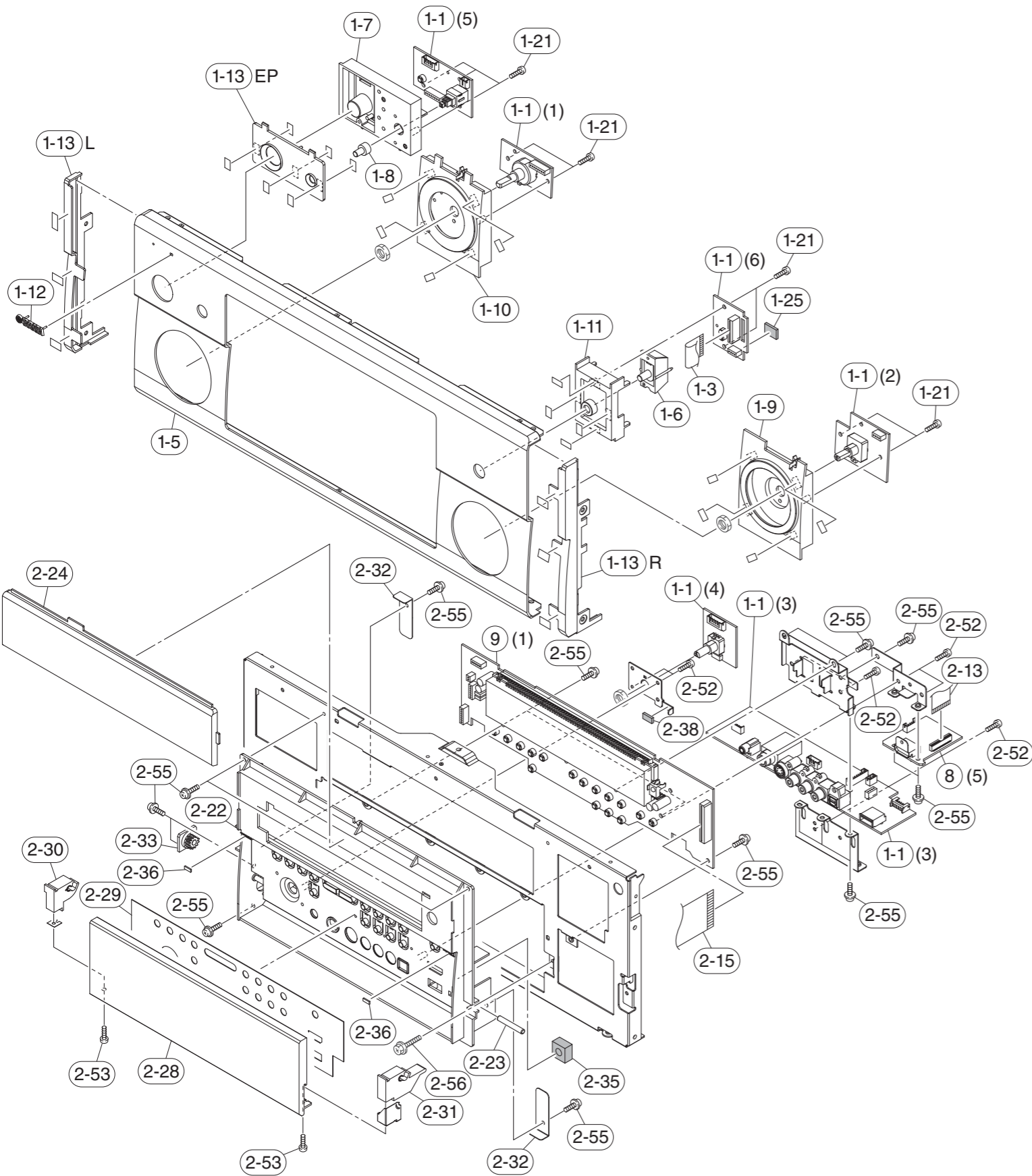
\* New Parts \*新規部品

Ref No.	Part No.	Description	Remarks	Markets	部 品 名	ランク	
*	103	WN986700	REAR PANEL		K	リアパネル	
*	103	WN986800	REAR PANEL		A	リアパネル	
*	103	WN986900	REAR PANEL		B	リアパネル	
*	103	WN987100	REAR PANEL		GE	リアパネル	
*	103	WN987500	REAR PANEL		L	リアパネル	
	120	WK556500	LEG		JRTKABGEL	レッグ	08
	120	VS025000	LEG		UC	レッグ	02
	132	WF060100	KNOB D15	GD		ノブD15	01
	132	WF060000	KNOB D15	BL		ノブD15	01
	132	WF060200	KNOB D15	TI		ノブD15	
*	133	WN992000	KNOB D48	GD		ノブD48	08
*	133	WN991900	KNOB D48	BL		ノブD48	08
*	133	WN992100	KNOB D48	TI		ノブD48	
*	134	WP191800	KNOB D38	GD		ノブD38	
*	134	WP191700	KNOB D38	BL		ノブD38	
*	134	WP191900	KNOB D38	TI		ノブD38	
	135	WJ053800	RIVET TOP		CRTKABGE	リベットトップ	
	142	V6742300	DAMPER			ダンパー	
	144	V9597500	DAMPER BASE			ダンパー ベース	
	146	VZ117100	DAMPER T2		U	ダンパー T2	01
	147	WJ069300	DAMPER TRANS			ダンパー トランス	04
	148	V8080600	CUSHION			クッション	01
	151	V7716700	DAMPER			ダンパー	01
	161	WE774100	BIND HEAD BONDING B-T. SCREW			ボンディングBタイトネジ	01
	163	WE774300	BIND HEAD B-TIGHT SCREW			バインドBタイトネジ	01
	165	WE774700	BIND HEAD S-TIGHT SCREW			バインドSタイトネジ	01
	166	WE774600	SCREW IC		JRTKABGEL	スクリュー IC	01
	167	WF002600	PW HEAD B-TIGHT SCREW			PWヘッドBタイトネジ	01
	169	VZ893000	SPECIAL S-TIGHT SCREW	GD, TI		化粧ネジSタイト	02
	169	VK522100	SPECIAL S-TIGHT SCREW	BL		化粧ネジSタイト	01
	170	AA627310	GROUND TERMINAL			GNDターミナル	01
	171	V069600	PW HEAD S-TIGHT SCREW	GD, TI		PWヘッドSタイトネジ	01
	171	VH313200	PW HEAD S-TIGHT SCREW	BL		PWヘッドSタイトネジ	01
	174	WE774800	BIND HEAD P-TIGHT SCREW			バインドPタイトネジ	01
	175	V6509600	JACK SCREW			ジャックスクリュー	01
	180	WJ045200	SHEET BARRIER			シートバリアー	01
	181	WJ589700	SHEET TOP		CRTKABGE	シート トップ	
	182	WG160000	DAMPER		JBGE	ダンパー	04

\* New Parts \*新規部品



• FRONT PANEL and SUB CHASSIS UNIT



Ref No.	Part No.	Description	Remarks	Markets	部品名	ランク
*	1-1	WQ140600 P. C. B. ASS'Y	OPERATION		J PCB OPERATION	
*	1-1	WQ140700 P. C. B. ASS'Y	OPERATION		UCRTKABGEL PCB OPERATION	
	1-3	MF115100 FLEXIBLE FLAT CABLE	15P 100mm P=1.25			02
*	1-5	WP295300 FRONT PANEL		GD	J フロントパネル	
*	1-5	WN990100 FRONT PANEL		GD	RTK フロントパネル	
*	1-5	WP295200 FRONT PANEL		BL	J フロントパネル	
*	1-5	WN989700 FRONT PANEL		BL	UCA フロントパネル	
*	1-5	WN990000 FRONT PANEL		BL	RTBGEL フロントパネル	
*	1-5	WN990400 FRONT PANEL		TI		
	1-6	WK555200 BUTTON PURE DIRECT		GD		04
	1-6	WK555100 BUTTON PURE DIRECT		BL		03
*	1-6	WK555300 BUTTON PURE DIRECT		TI		
*	1-7	WP171700 BUTTON POWER		GD	J ボタン パワー	04
*	1-7	WP171600 BUTTON POWER		GD	RTK ボタン パワー	
*	1-7	WP295800 BUTTON POWER		BL	J ボタン パワー	03
*	1-7	WP171500 BUTTON POWER		BL	UCRTABGL ボタン パワー	
*	1-7	WP171800 BUTTON POWER		TI		
	1-8	V6002000 BUTTON D5		GD		01
	1-8	V6001900 BUTTON D5		BL		01
	1-8	V6002100 BUTTON D5		TI		
*	1-9	WN994900 ESCUTCHEON VOLUME		GD		
*	1-9	WN994800 ESCUTCHEON VOLUME		BL		
*	1-9	WN995000 ESCUTCHEON VOLUME		TI		
*	1-10	WN993500 ESCUTCHEON INPUT		GD		
*	1-10	WN993400 ESCUTCHEON INPUT		BL		
*	1-10	WN993600 ESCUTCHEON INPUT		TI		
*	1-11	WN995900 ESCUTCHEON PURE DIRECT		GD		03
*	1-11	WN995800 ESCUTCHEON PURE DIRECT		BL		03
*	1-11	WN996000 ESCUTCHEON PURE DIRECT		TI		
	1-12	V6034200 EMBLEM		GD		03
	1-12	V6034100 EMBLEM		BL, TI		03
*	1-13	WN997100 PLATE SIDE		GD		
*	1-13	WN997000 PLATE SIDE		BL, TI		02
	1-21	WE774800 BIND HEAD P-TIGHT SCREW	3x8 MFZN2W3			01
	1-25	WE812900 DAMPER	18x12 t=2			01
*	2-13	WQ082400 FLEXIBLE FLAT CABLE	20P 160mm P=1.0			03
	2-15	WM784800 FLEXIBLE FLAT CABLE	27P 100mm P=1.0			03
*	2-22	WN996500 SUB PANEL		GD	J サブパネル	07
*	2-22	WN996400 SUB PANEL		GD	RTK サブパネル	
*	2-22	WP295600 SUB PANEL		BL	J サブパネル	05
*	2-22	WN996200 SUB PANEL		BL	UCRTABGEL サブパネル	
*	2-22	WN996700 SUB PANEL		TI		
	2-23	V9126500 SHAFT				01
	2-24	WN996800 WINDOW PANEL LID				07
*	2-28	WN991600 PANEL LID		GD	J パネルリッド	
*	2-28	WN991500 PANEL LID		GD	RTK パネルリッド	
*	2-28	WN991800 PANEL LID		TI		
*	2-28	WP295500 PANEL LID		BL	J パネルリッド	
*	2-28	WN991200 PANEL LID		BL	U パネルリッド	
*	2-28	WN991300 PANEL LID		BL	C パネルリッド	
*	2-28	WN991400 PANEL LID		BL	RTABGEL パネルリッド	
*	2-28	WN991800 PANEL LID		TI		
*	2-29	WN998500 PLATE SP		GD	J プレートSP	04

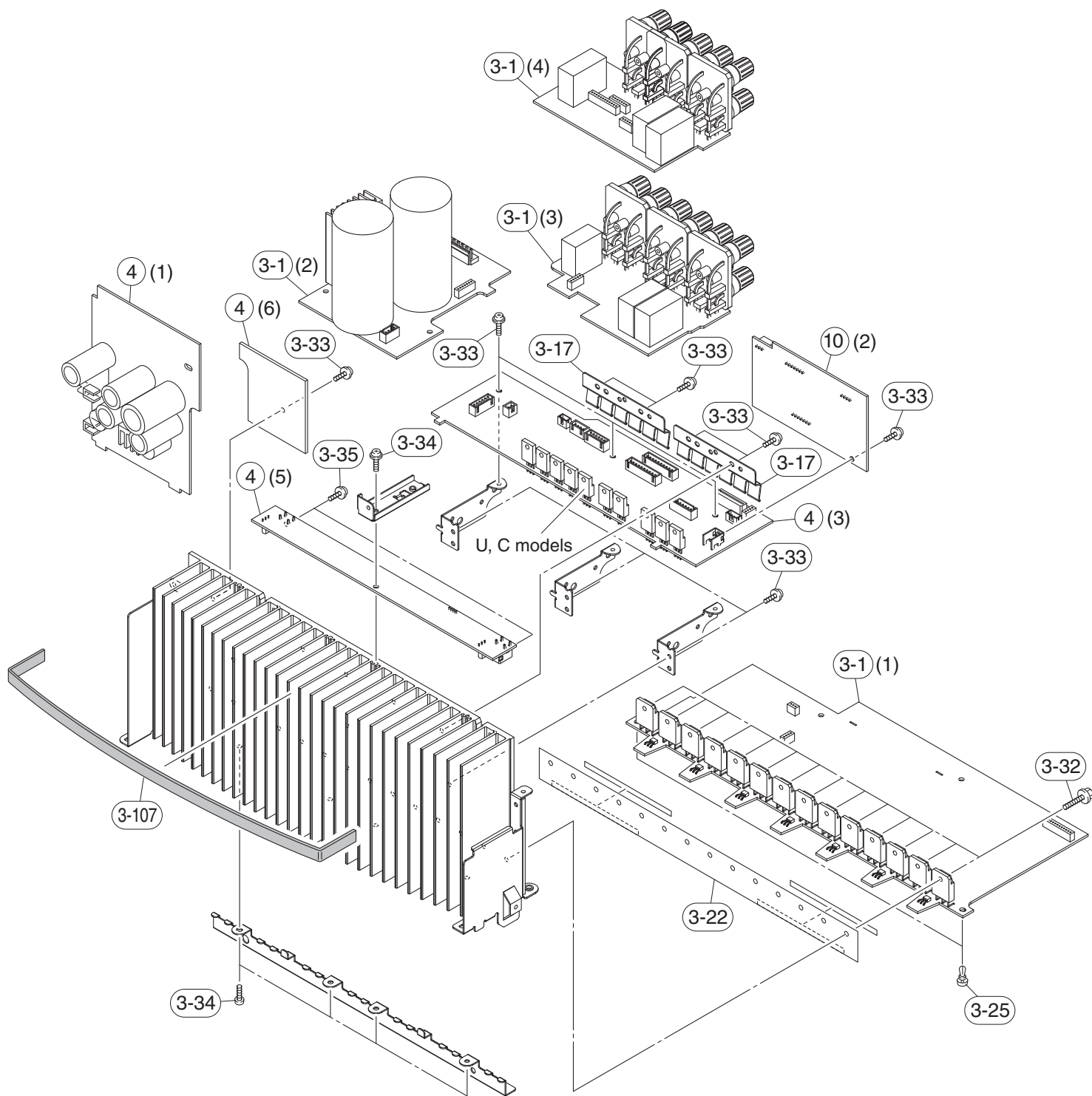
\* New Parts \* 新規部品

	Ref No.	Part No.	Description	Remarks	Markets	部 品 名	ランク
*	2-29	WN998400	PLATE SP	GD	RTK	プレートSP	
*	2-29	WP295700	PLATE SP	BL	J	プレートSP	04
*	2-29	WN998100	PLATE SP	BL	UC	プレートSP	
*	2-29	WN998300	PLATE SP	BL	RTBGEL	プレートSP	
*	2-29	WN998200	PLATE SP	BL	A	プレートSP	
*	2-29	WN998600	PLATE SP	TI		プレートSP	
*	2-29	WN998600	PLATE SP	TI		プレートSP	
*	2-30	WQ432000	HINGE L	BL		ヒンジ L	01
*	2-30	WQ432200	HINGE L	TI		ヒンジ L	
	2-31	V6005400	HINGE R	GD		ヒンジ R	01
	2-31	V6005300	HINGE R	BL		ヒンジ R	
	2-31	V6005500	HINGE R	TI		ヒンジ R	
*	2-32	WQ974900	SPRING LID			スプリングLID	
	2-33	V9124600	DAMPER GEAR			ダンパーギヤ	03
	2-35	WC879000	DAMPER			ダンパー	
	2-36	VY940400	CUSHION LID			クッションLID	01
	2-38	WC144500	CUSHION			クッション	
	2-52	WE774800	BIND HEAD P-TIGHT SCREW	3x8	MFZN2W3	バインドPタイトネジ	01
	2-53	WE973700	BIND HEAD P-TIGHT SCREW	2.6x6	MFZN2W3	バインドPタイトネジ	01
	2-55	WE977900	PW HEAD B-TIGHT SCREW	3x6-8	MFZN2B3	PWヘッドBタイトネジ	01
	2-56	WM220800	HEXAGONAL HEAD B-TIGHT SCREW	3x15 SP	MFZN2W3	六角Bタイトネジ	01

\* New Parts \* 新規部品

RX-Z7/DSP-Z7

• AMP UNIT

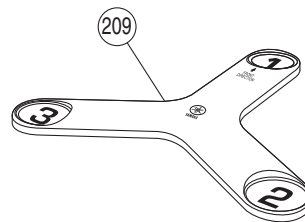
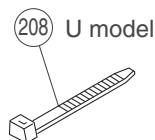
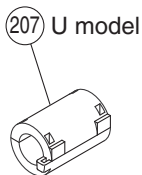
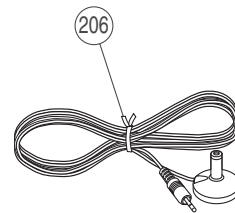
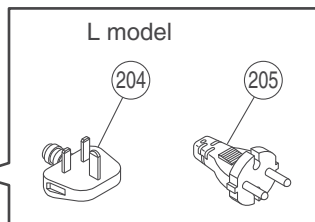
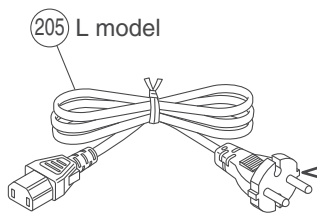
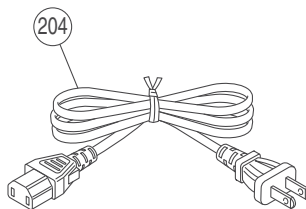
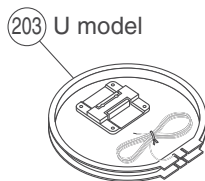
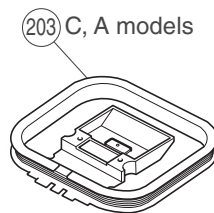
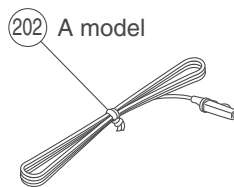
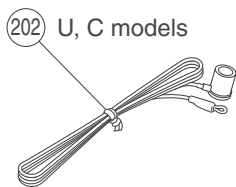
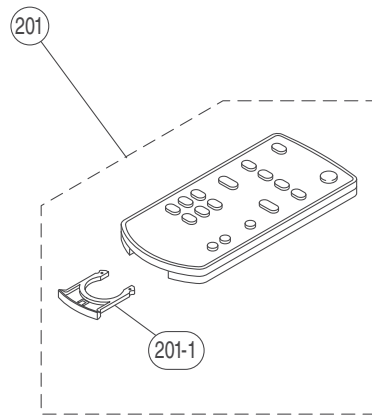
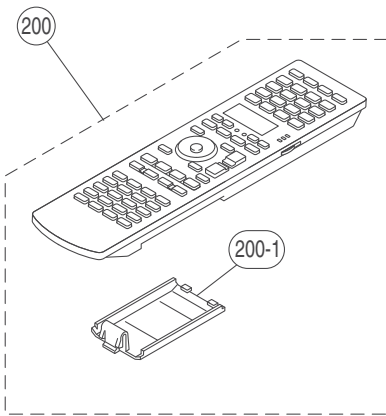


Ref No.	Part No.	Description	Remarks	Markets	部 品 名	ランク	
*	3-1	WQ139000 P. C. B. ASS' Y	MAIN		J	PCB MAIN	
*	3-1	WQ139100 P. C. B. ASS' Y	MAIN		UCRTA	PCB MAIN	
*	3-1	WQ139200 P. C. B. ASS' Y	MAIN		KBGEL	PCB MAIN	
	3-17	WG432400 SUPPORT TR-6				サポートTR-6	03
*	3-22	WP952300 RADIATION SHEET	295x24.5x0.2 TC-20EG			シート 放熱	07
	3-25	VQ368600 PUSH RIVET	P3555-B			ブッシュリベット	01
	3-32	WM220800 HEXAGONAL HEAD B-TIGHT SCREW	3x15 SP MFZN2W3			六角Bタイトネジ	01
	3-33	WF002600 PW HEAD B-TIGHT SCREW	3x8 MFZN2W3			PWヘッドBタイトネジ	01
	3-34	WE774100 BIND HEAD BONDING B-T. SCREW	3x8 MFZN2B3			ボンディングBタイトネジ	01
	3-35	WE774300 BIND HEAD B-TIGHT SCREW	3x8 MFZN2W3			バインドBタイトネジ	01
	3-107	WC879400 DAMPER	360x10 t=1			ダンパー	
*	4	WQ135500 P. C. B. ASS' Y	POWER		J	PCB POWER	
*	4	WQ135600 P. C. B. ASS' Y	POWER		U	PCB POWER	
*	4	WQ135700 P. C. B. ASS' Y	POWER		C	PCB POWER	
*	4	WQ135800 P. C. B. ASS' Y	POWER		R	PCB POWER	
*	4	WQ135900 P. C. B. ASS' Y	POWER		T	PCB POWER	
*	4	WQ136000 P. C. B. ASS' Y	POWER		K	PCB POWER	
*	4	WQ136100 P. C. B. ASS' Y	POWER		A	PCB POWER	
*	4	WQ136200 P. C. B. ASS' Y	POWER		B	PCB POWER	
*	4	WQ136300 P. C. B. ASS' Y	POWER		GE	PCB POWER	
*	4	WQ136400 P. C. B. ASS' Y	POWER		L	PCB POWER	
*	10	WQ141100 P. C. B. ASS' Y	DCCNVT			PCB DCCNVT	
		SERVICE TOOLS				サービス用部品	
	MF115300	FLEXIBLE FLAT CABLE	15P 300mm P=1.25			カード電線	
*	WQ662700	FLEXIBLE FLAT CABLE	27P 320mm P=1.0			カード電線	
	WM785100	FLEXIBLE FLAT CABLE	20P 300mm P=1.0			カード電線	
	MF111300	FLEXIBLE FLAT CABLE	11P 300mm P=1.25			カード電線	
*	WQ724300	FLEXIBLE FLAT CABLE	37P 340mm P=1.0			カード電線	

\* New Parts \* 新規部品

RX-Z7/DSP-Z7

• ACCESSORIES



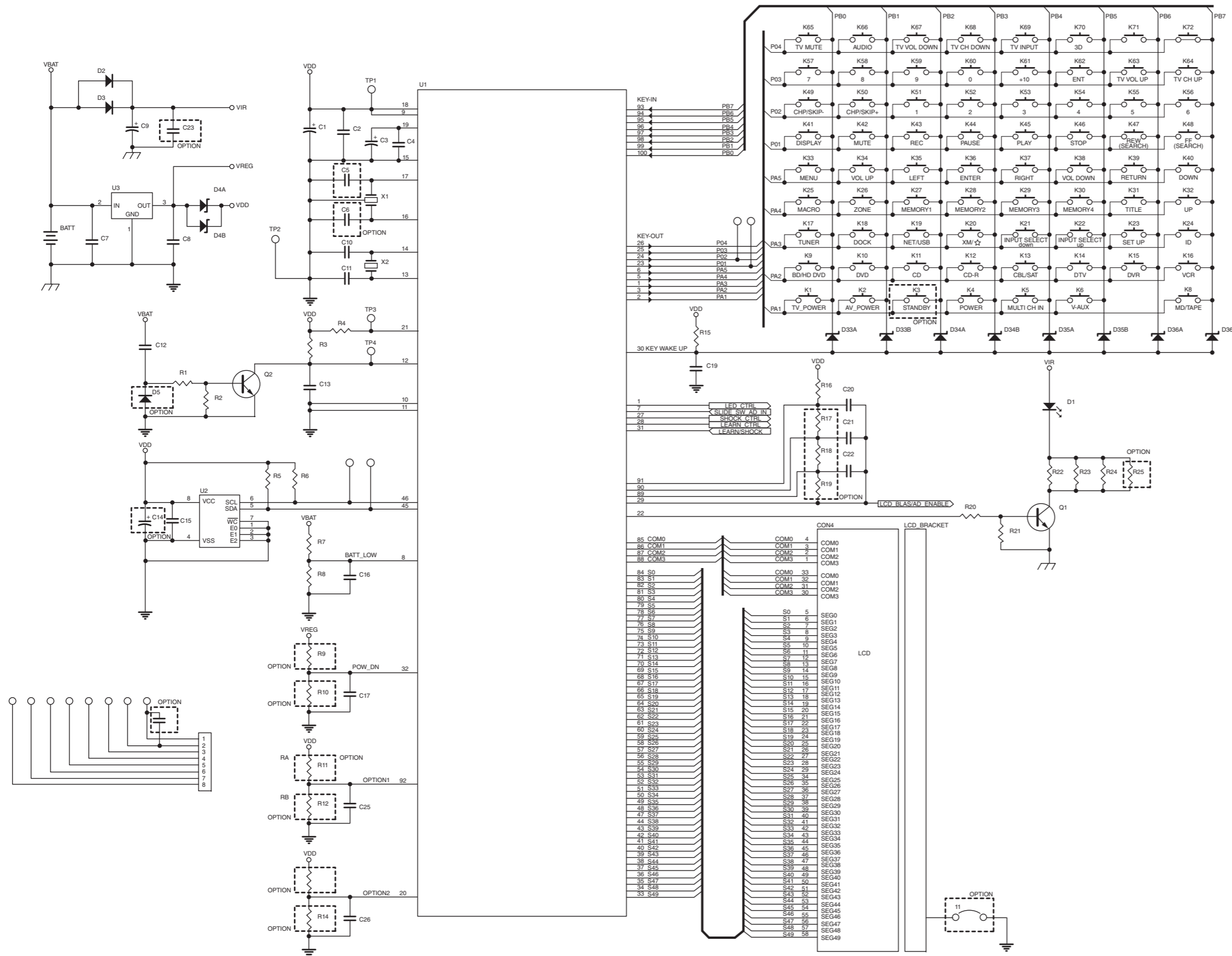
Ref No.	Part No.	Description	Remarks	Markets	部 品 名	ランク
		ACCESSORIES			付属品	
*	200	WN984400 REMOTE CONTROL	RAV390	J	リモコン	
*	200	WN984300 REMOTE CONTROL	RAV389	UC	リモコン	
*	200	WN984500 REMOTE CONTROL	RAV391	RTKABGEL	リモコン	
*	200-1	AAX90660 BATTERY COVER	V1900/3900	F71-7320-02001	電池蓋	03
*	201	WP337200 REMOTE CONTROL	RAV36		リモコン	07
	201-1	AAX71770 BATTERY HOLDER	CG-4335 Black	2AA041110	電池ホルダー	04
	202	V6267000 INDOOR FM ANTENNA	1.4m 1pc	UC	FM簡易アンテナ	03
	202	VQ147100 INDOOR FM ANTENNA	1.4m 1pc	A	FM簡易アンテナ	02
	203	WE746800 AM LOOP ANTENNA	1.2m 1pc	U	AM ループアンテナ	
	203	VR248500 AM LOOP ANTENNA	1.0m 1pc	CA	AMループアンテナ	03
△	204	V8466900 POWER CABLE	2m 1pc	J	電源コード	10
△	204	V7704800 POWER CABLE	2m 1pc	UC	電源コード	05
△	204	WK391000 POWER CABLE	2m 1pc	R	電源コード	
△	204	V9358400 POWER CABLE	2m 1pc	T	電源コード	05
△	204	WH641300 POWER CABLE	2m 1pc	K	電源コード	
△	204	WB750900 POWER CABLE	2m 1pc	A	電源コード	07
*	△	WQ749200 POWER CABLE	2m 1pc	B	電源コード	
△	204	WK991900 POWER CABLE	2m 1pc	GEL	電源コード	
*	△	WQ749200 POWER CABLE	2m 1pc	L	電源コード	
	206	WB929200 OPTIMIZER MICROPHONE	6m 1pc	EMX-251	オプティマイザーマイク	08
*	207	WQ600800 FERRITE CORE for AM LOOP ANT	1pc	ZCAT1518-0730-B	クランプフィルタ	
	208	VU590000 BINDING TIE for AM LOOP ANT	100mm Black 1pc	CBTD001B	インシュロックタイ	01
	209	WK557200 MICROPHONE BASE			マイクベース	05
		BATTERY	LRO3, AAA, UM-4 4pcs		乾電池	
		LITHIUM BATTERY	CR2025 1pc	UCRTKABGEL	リチウム電池	

\* New Parts \* 新規部品

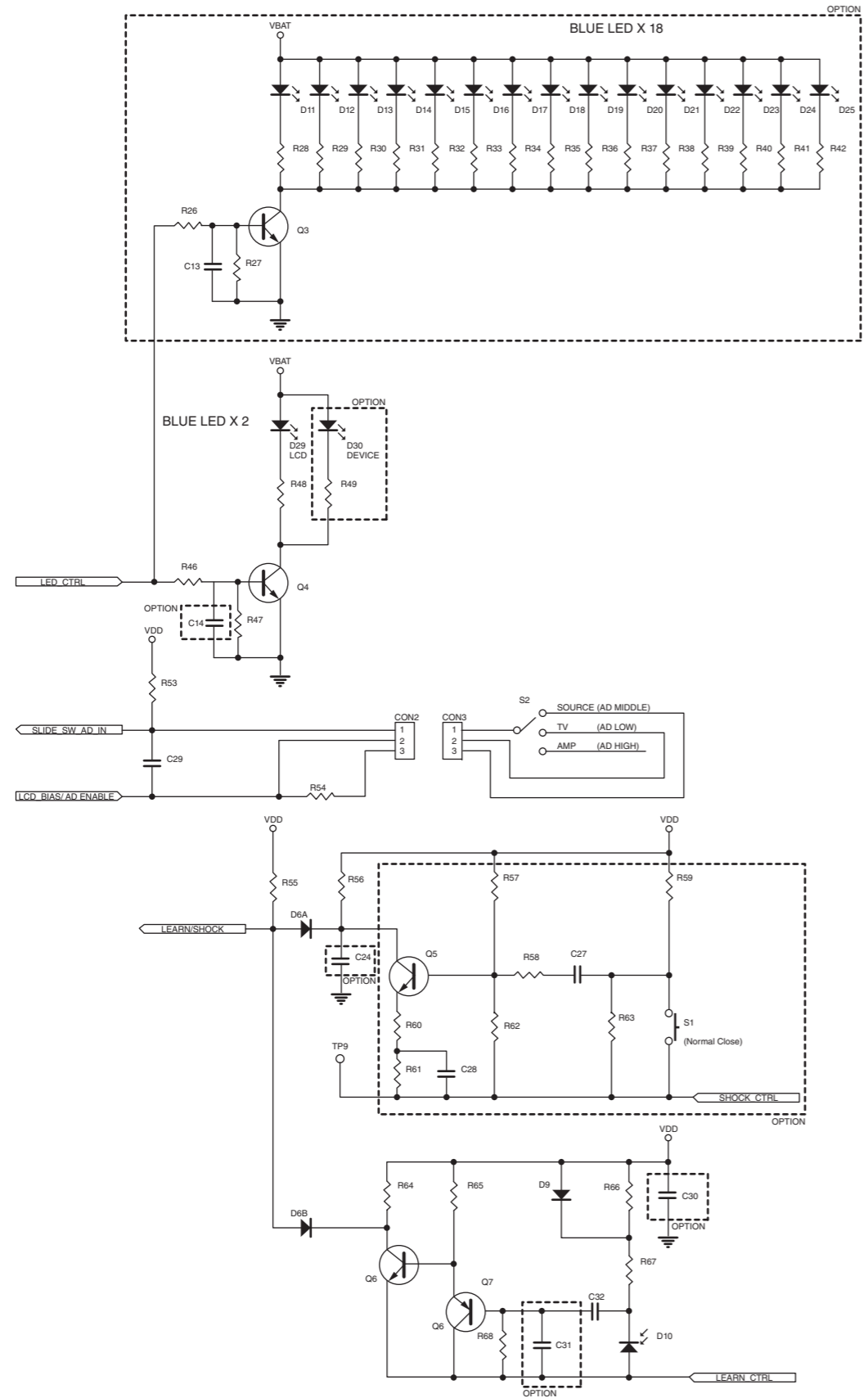
# REMOTE CONTROL

● RAV389 (U, C models), RAV391 (R, T, K, A, B, G, E, L models), RAV390 (J model)

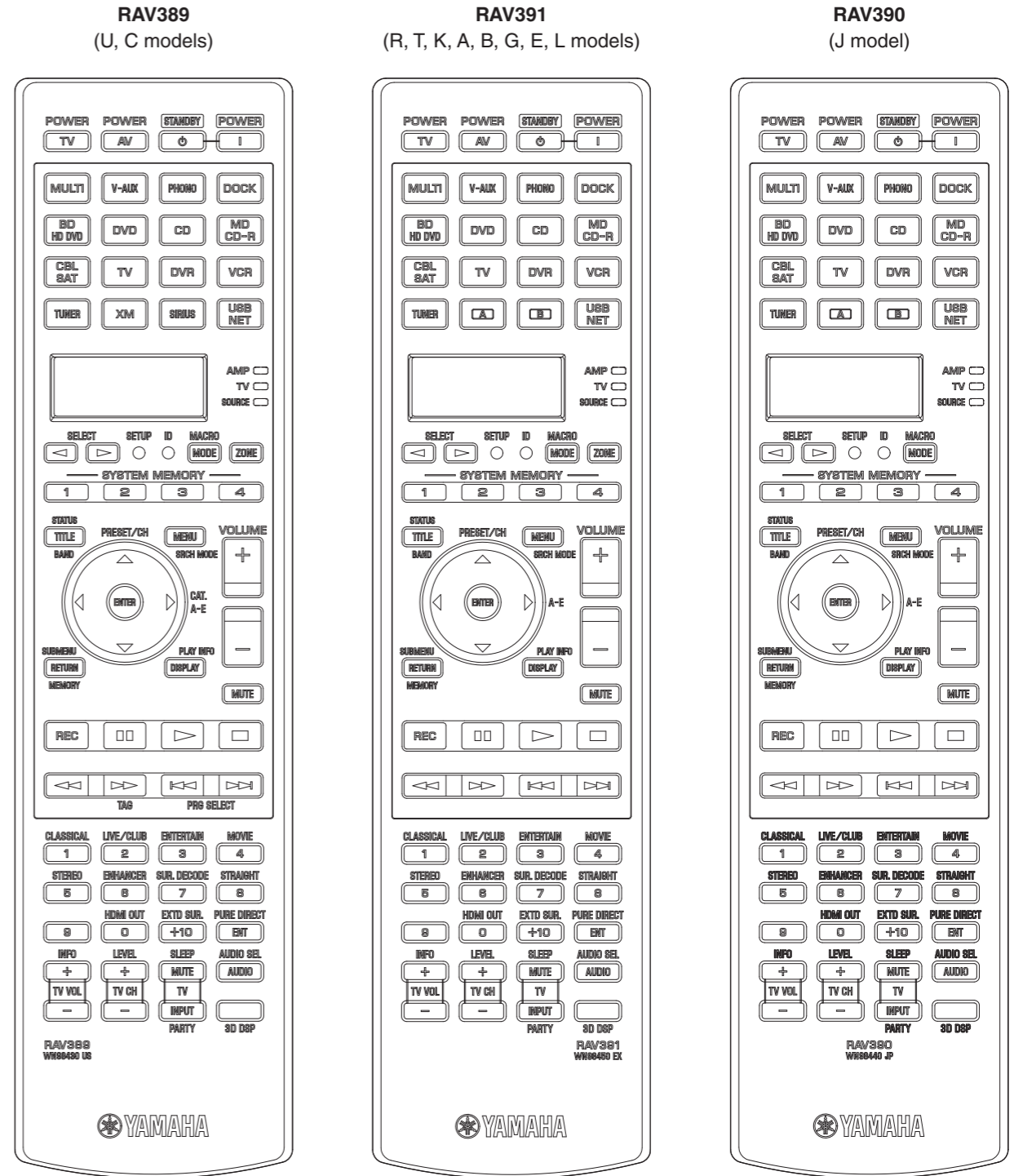
SCHEMATIC DIAGRAMS 1/2



**SCHEMATIC DIAGRAMS 2/2**

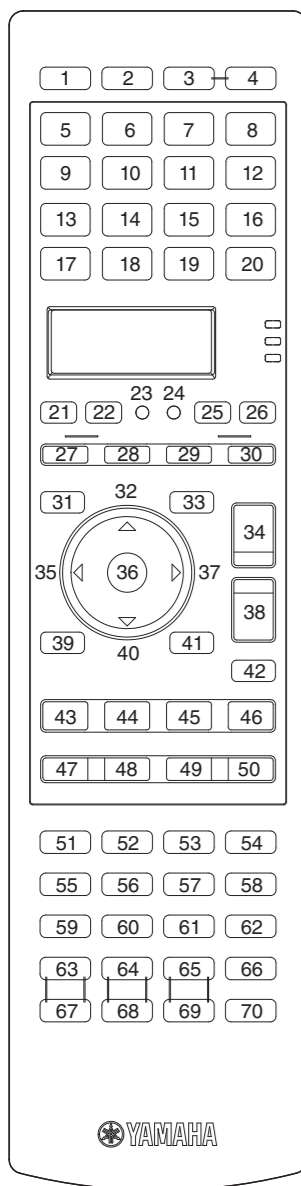


**PANELS**





KYE NO. LAYOUT



KEY CODE

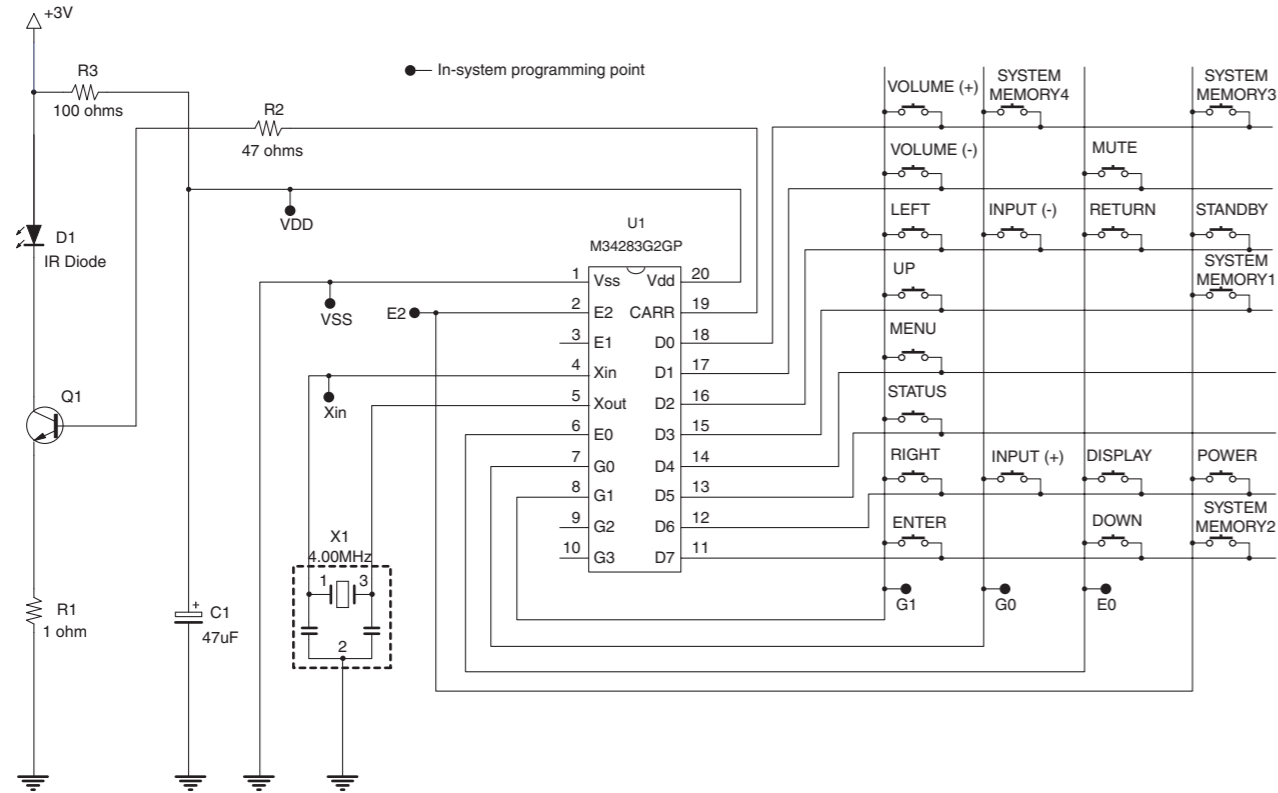
Main key code table with columns for NO., Label, MODE, LEARN, MACRO operation, BACK LIGHT, AMP ID1 (default), AMP ID2, OFF, ON, LCD display, and Preset code. Includes sub-tables for AMP TV/SOURCE switch and TV SOURCE.

Macro default table with columns for NO., MACRO, 1, 2, 3, 4-10, NO., MACRO, 1, 2, 3, 4-10.

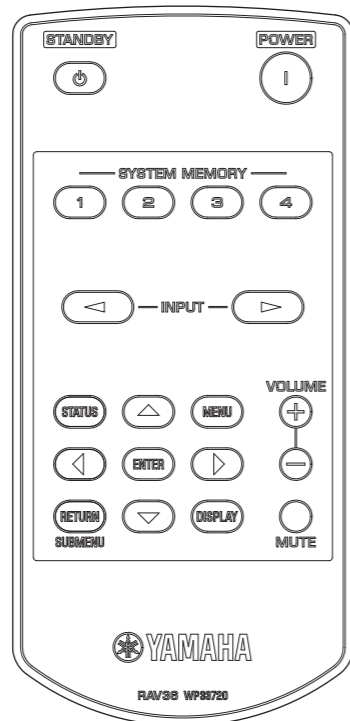
\* Punch to AMP : Punch through to AMP mode
\* Punch to SOURCE : Punch through to SOURCE mode
\* Punch to TV : Punch through to TV mode

<Protocol>
16bit NEC (Custom), 16bit NEC (Data), 16bit NEC (Custom and Data)
All timings are identical with standard NEC protocol except data configuration.
Standard NEC protocol
Leader code
Custom code (8bit)
Custom code (8bit reverse data)
Data code (8bit)
(Data code (8bit reverse data)
EX) 7A-00
16bit NEC (Custom)
Leader code
Custom code (16bit, no 8bit reverse data)
Data code (8bit)
(Data code (8bit reverse data)
EX) 7F01-00
16bit NEC (Data)
Leader code
Custom code (8bit)
Custom code (8bit reverse data)
Data code (16bit, no 8bit reverse data)
EX) 7F-0000

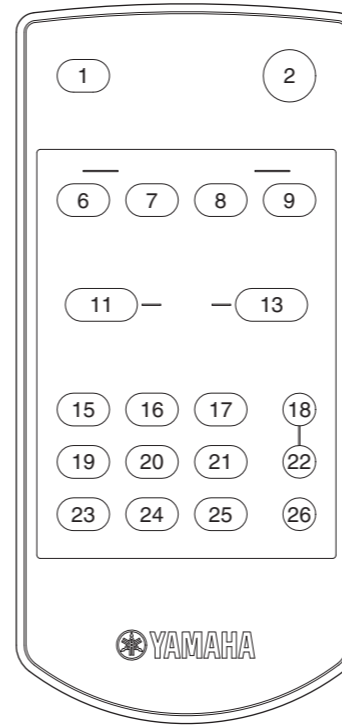
● RAV36  
SCHEMATIC DIAGRAM



PANEL



KEY NO. LAYOUT



KEY CODE

Key No.	Key name	Code							
		ID1				ID2			
		MAIN	ZONE2	ZONE3	ZONE4	MAIN	ZONE2	ZONE3	ZONE4
1	STANDBY	7E-7F	7E-BB	7A-EE	7A-7C	7E-7F81	7E-BB45	7A-EE10	7A-7C82
2	POWER	7E-7E	7E-BA	7A-ED	7A-7B	7E-7E80	7E-BA44	7A-ED13	7A-7B85
6	SYSTEM MEMORY 1	7A-007F	7A-017E	7A-027D	7A-1867	7A-007E	7A-017F	7A-027C	7A-1866
7	SYSTEM MEMORY 2	7A-037C	7A-047B	7A-057A	7A-1966	7A-037D	7A-047A	7A-057B	7A-1967
8	SYSTEM MEMORY 3	7A-0679	7A-0778	7A-0877	7A-1A65	7A-0678	7A-0779	7A-0876	7A-1A64
9	SYSTEM MEMORY 4	7A-0976	7A-0A75	7A-0B74	7A-1B64	7A-0977	7A-0A74	7A-0B75	7A-1B65
11	INPUT ◀	7A-235C	7A-245B	7A-255A	7A-2659	7A-235D	7A-245A	7A-255B	7A-2658
13	INPUT ▶	7A-1F60	7A-205F	7A-215E	7A-225D	7A-1F61	7A-205E	7A-215F	7A-225C
15	STATUS	7A-433C	7A-3A45	7A-3D42	7A-403F	7A-433D	7A-3A44	7A-3D43	7A-403E
16	▲ (up)	7A-9D	7A-2B54	7A-304F	7A-354A	7A-9D63	7A-2B55	7A-304E	7A-354B
17	MENU	7A-84	7A-3B44	7A-3E41	7A-413E	7A-847A	7A-3B45	7A-3E40	7A-413F
18	VOLUME +	7A-1A	7A-DA	7A-FD	7A-2B	7A-1A44	7A-DA24	7A-FD03	7A-2B45
19	◀ (left)	7A-9F	7A-2D52	7A-324D	7A-3748	7A-9F61	7A-2D53	7A-324C	7A-3749
20	ENTER	7A-DE	7A-2F50	7A-344B	7A-3946	7A-DE20	7A-2F51	7A-344A	7A-3947
21	▶ (right)	7A-9E	7A-2E51	7A-334C	7A-3847	7A-9E60	7A-2E50	7A-334D	7A-3846
22	VOLUME -	7A-1B	7A-DB	7A-FE	7A-2C	7A-1B45	7A-DB25	7A-FE00	7A-2C42
23	RETURN / SUBMENU	7A-AA	7A-3C43	7A-3F40	7A-423D	7A-AA54	7A-3C42	7A-3F41	7A-423C
24	▼ (down)	7A-9C	7A-2C53	7A-314E	7A-3649	7A-9C62	7A-2C52	7A-314F	7A-3648
25	DISPLAY	7A-C2	7A-36	7A-37	7A-38	7A-C23C	7A-36C8	7A-37C9	7A-38C6
26	MUTE	7A-1C	7A-DC	7A-FF	7A-2D	7A-1C42	7A-DC22	7A-FF01	7A-2D43

ID SETTING

Key No.	Key name	Key No.	Key name	SETTING
19	◀ (left)	6	SYSTEM MEMORY 1	ID1
		7	SYSTEM MEMORY 2	ID2

ZONE SETTING

Key No.	Key name	Key No.	Key name	SETTING
21	▶ (right)	6	SYSTEM MEMORY 1	MAIN
		7	SYSTEM MEMORY 2	ZONE2
		8	SYSTEM MEMORY 3	ZONE3
		9	SYSTEM MEMORY 4	ZONE4

1  
2  
3  
4  
5  
6  
7

## Advanced setup

This unit has additional menus that are displayed in the front panel display. The advanced setup menu offers additional operations to adjust and customize the way this unit operates. Change the initial settings (indicated in bold under each parameter) to reflect the needs of your listening environment.

### Notes

- Only **MASTER ON/OFF**, **STRAIGHT** and the **PROGRAM** selector are effective while you are using the advanced setup menu.
- All the other operations cannot be made while you are using the advanced setup menu.
- The advanced setup menu is only available in the front panel display.

### Using the advanced setup menu

- 1 Press **MASTER ON/OFF** on the front panel to release it outward to the OFF position to turn off this unit.
- 2 Press and hold **STRAIGHT** and then press **MASTER ON/OFF** inward to the ON position to turn on this unit.  
This unit turns on, and "ADVANCED SETUP" appears in the front panel display.



- 3 Rotate the **PROGRAM** selector to select the parameter you want to adjust.
- 4 Press **STRAIGHT** repeatedly to change the selected parameter setting.
- 5 Press **MASTER ON/OFF** to release it outward to the OFF position to save the new setting and turn off this unit.



The settings you made are reflected next time you turn on this unit.

### Speaker impedance **SPEAKER IMP.**

Use this feature to set the speaker impedance of this unit so that it matches that of your speakers.

Choice	Descriptions
<b>8ΩMIN</b>	Select this setting to set the speaker impedance to 8 Ω. The impedance of each speaker must be 8 Ω or higher.
6ΩMIN	Select this setting to set the speaker impedance to 6 Ω. The impedance of each speaker must be 6 Ω or higher (front speakers only: 4 Ω or higher).

### Remote sensor **REMOTE SENSOR**

Use this feature to activate or deactivate the signal-receiving capability of the remote control sensor on the front panel of this unit.

Choice	Descriptions
<b>ON</b>	Select this setting if you want to activate the signal-receiving capability of the remote control sensor.
OFF	Select this setting if you want to deactivate the signal-receiving capability of the remote control sensor.

### Note

We recommend setting the parameter to "ON" in most cases.

### Wake on RS-232C access **RS232C STANDBY**

Use this feature to set this unit to transmit data via the RS-232C interface when this unit is in the standby mode.

Choice	Functions
<b>YES</b>	Select this setting to set this unit to transmit data via the RS-232C interface.
NO	Select this setting to set this unit not to transmit data via the RS-232C interface.

Initial setting:

[U.S.A. and Canada models]: YES

[Australia model]: NO

### Remote control ID setting **REMOTE CON AMP**

Use this feature to set the remote control ID of this unit for remote control recognition.

Choice	Descriptions
<b>ID1</b>	Select this setting when the ID of the remote control is set to "ID1"
ID2	Select this setting when the ID of the remote control is set to "ID2"

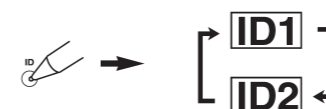
### Setting remote control ID

Use this feature to set the remote control ID. This feature is useful when you control multiple Yamaha AV receiver or amplifier with using the remote control.

## Advanced setup

Press **ID** repeatedly using a ballpoint pen or similar object on the remote control to select the desired remote control ID.

Each time you press **ID**, the remote control ID indicator changes as shown below.



### SIRIUS Satellite Radio Parental Lock code number reset **SIRIUS PIN (U.S.A. and Canada models only)**

Use this feature to set the code number for the SIRIUS Satellite Radio Parental Lock feature to the initial factory setting.

Choice	Descriptions
<b>RESET</b>	Sets the code number to the initial factory setting.
<b>CANCEL</b>	Cancels the reset of the code number.

### Bi-amplifier mode **BI-AMP**

Use this feature to activate or deactivate the bi-amplifier function.

Choice	Descriptions
<b>ON</b>	Select this setting if you want to activate the bi-amplifier function.
<b>OFF</b>	Select this setting if you want to deactivate the bi-amplifier function.

### Note

When "BI-AMP" is set to "ON", the SURROUND BACK terminals cannot be used to connect surround back speakers in that the terminals are already used for the bi-amplifier connection.

### Pre-amplifier mode **PREAMP MODE**

Use this feature to select whether you use this unit as the preamplifier in the main zone and use all the internal amplifiers for the other zones.

Choice	Descriptions
<b>ON</b>	Select this setting when you use this unit as the preamplifier in the main zone. The audio signals for the main zone are only output at the PRE OUT jacks of this unit. You can assign all speaker terminals for the other zones.
<b>OFF</b>	Select this setting to use the internal amplifiers of this unit for the main zone, Zone 2, Zone 3 or Zone 4.

### Recovery and backup of the system settings **RECOV./BACKUP**

Use this feature to save and restore the settings of this unit.

Choice	Descriptions
<b>RECOVERY</b>	Restoring the saved setting of this unit.
<b>BACKUP</b>	Saves the current settings of this unit.
<b>CANCEL</b>	Cancels the recovery or backup of the settings of this unit.

### Notes

- This unit does not save the FM/AM preset stations, preset USB/network items, and system memory settings.
- If no settings are saved, you cannot select "RECOVERY".

### Parameter initialization **INITIALIZE**

Use this feature to reset the parameters of this unit to the initial factory settings. You can select the category of parameters to be initialized.

Choice	Descriptions
<b>DSP PARAM</b>	Select this setting to initialize all the parameters of the sound field parameters.
<b>VIDEO</b>	Select this setting to initialize all the parameters in "Video" and "Display Set" (except "Short Message" and "Playback Screen").
<b>NETWORK</b>	Select this setting to initialize all the parameters in "Network" and MusicCAST information stored in this unit.
<b>ALL</b>	Select this setting to initialize all the parameters of this unit.
<b>CANCEL</b>	Select this setting to cancel the initialization procedure.



To initialize the parameters of each sound field program, use "Initialize" in "Stereo/Surround".

### MAC address filter **MAC FILTER**

Use this feature to filter the access to this unit via LAN to control this unit by the MAC address of the accessing PC.

Choice	Descriptions
<b>ON</b>	Only allows to accept the access from the PC whose MAC address is registered to this unit.
<b>OFF</b>	Allows to accept the access from any PC.



You can register the MAC address that is allowed to access when "MAC FILTER" is set to "ON" by using the Web browser.

**Advanced setup**

■ **TV format** TV FORMAT

Use this feature to set the color encoding format of your television.

Choices: NTSC, PAL

Initial setting:

[U.S.A. and Canada models]: NTSC

[Australia model]: PAL

■ **HDMI monitor check** MONITOR CHECK

Use this feature to activate or deactivate the monitor check function of this unit.

Choice	Descriptions
YES	This unit receives the information of the available video signal resolutions from the video monitor connected via HDMI and you can only select the resolutions supported by the video monitor in "Resolution".
SKIP	You can select any resolution in "Resolution".

■ **Language** LANGUAGE

Use this feature to select the language of your choice that appears in the GUI (graphical user interface) menu, OSD display in the zone monitor and the messages that appear in the front panel display.

Choices: **ENGLISH** (English), **JAPANESE** (Japanese), **FRENCH** (French), **GERMAN** (German), **SPANISH** (Spanish), **RUSSIAN** (Russian)



You can also select the display language with the GUI menu.

LANGUAGE	GUI menu	Front panel display	Zone OSD
RUSSIAN	○	○	—
JAPANESE	○	—	—
Other languages	○	○	○

- ... The selected language is displayed.
- ... The selected language is not displayed. The menu items and messages are displayed in English.

■ **Firmware update** FIRM UPDATE

Use this feature to update the firmware of this unit. For details on how to update the firmware, refer to information supplied with updates.

Choice	Descriptions
USB	Updates the firmware of this unit using a USB memory.
NETWORK	Updates the firmware of this unit via network.



To start updating the firmware, rotate the **M**PROGRAM selector to select "USB" or "NETWORK" and then press **M**MENU.

**Notes**

- Do not use this feature unless you need to update the firmware.
- Be sure to read information supplied with updates before performing firmware updates.

■ **Firmware version** VERSION

Use this feature to check the version of the firmware currently installed on this unit.

## Resetting the system

Use this feature to reset all the parameters of this unit to the initial factory settings.

### Notes

- This procedure completely resets all the parameters of this unit including the “GUI menu” parameters.
- The initial factory settings are activated next time you turn on this unit.

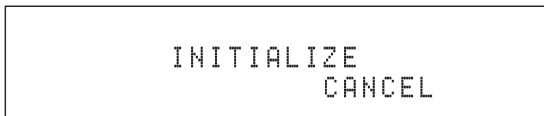


To cancel the initialization procedure at any time without making any changes, press **ⓑ** **MASTER ON/OFF** on the front panel to release it outward to the OFF position.

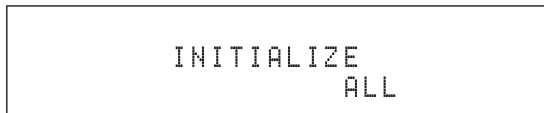
- 1 Press **ⓑ** **MASTER ON/OFF** on the front panel to release it outward to the OFF position to turn off this unit.
- 2 Press and hold **Ⓝ** **STRAIGHT** and then press **ⓑ** **MASTER ON/OFF** inward to the ON position to turn on this unit.  
This unit turns on, and “ADVANCED SETUP” appears in the front panel display.



- 3 Rotate the **Ⓜ** **PROGRAM** selector to select “INITIALIZE”.



- 4 Press **Ⓝ** **STRAIGHT** repeatedly to select “ALL”.



Select “CANCEL” to cancel the initialization procedure without making any changes.

- 5 Press **Ⓐ** **MASTER ON/OFF** to release it outward to the OFF position to confirm your selection and turn off this unit.

## 本機の設定を変更する (ADVANCED SETUP)

フロントパネルディスプレイに表示されるメニューを見ながらさまざまな項目を設定します。アドバンスドセットアップメニューでは、本機の設定を初期設定に戻したりリモコン ID を変更したりすることができます。お好みに合わせて、設定を変更してください。各項目の初期設定は太字で記載しています。

### ご注意

- アドバンスドセットアップメニューの操作中は、本体の **Ⓜ**MASTER ON/OFF スイッチ、**Ⓚ**STRAIGHT キー、**Ⓛ**PROGRAM セレクター以外は機能しません。
- アドバンスドセットアップメニューの操作中は他の操作はできません。
- アドバンスドセットアップメニューはフロントパネルディスプレイでのみ操作できます。

## アドバンスドセットアップメニューの操作手順

**1** 本体の **Ⓜ**MASTER ON/OFF スイッチを押して本機の電源をオフにする。

**2** **Ⓚ**STRAIGHT キーを押しながらもう一度 **Ⓜ**MASTER ON/OFF スイッチを押す。  
本機の電源がオンになり、アドバンスドセットアップメニューがフロントパネルディスプレイに表示されます。



**3** **Ⓛ**PROGRAM セレクターを回して、設定したいメニューを選ぶ。

**4** **Ⓚ**STRAIGHT キーを繰り返し押して、設定したい項目を選ぶ。

**5** **Ⓜ**MASTER ON/OFF スイッチを押して本機の電源をオフにし、変更した設定を保存する。



変更した設定は、次回電源を入れたときから有効になります。

■ **リモコンセンサー設定** REMOTE SENSOR  
フロントパネルのリモコンセンサーを有効にするか無効にするかを設定します。

選択項目	説明
ON	フロントパネルのリモコンセンサーを有効にします。リモコン受光部からリモコン信号を受信できます。通常はこの設定でお使いください。
OFF	フロントパネルのリモコンセンサーを無効にします。リモコン受光部からリモコン信号を受信できません。

### ご注意

通常は「ON」に設定することをおすすめします。

■ **RS-232C 通信設定** RS232C STANDBY  
本機がスタンバイのときに、RS-232C 端子からのデータを受信するか、受信しないかを設定します。

選択項目	説明
YES	RS-232C 端子からのデータを受信します。
NO	RS-232C 端子からのデータを受信しません。

■ **リモコン ID 設定** REMOTE COM AMP  
本体操作のリモコン ID をリモコンの操作コードに合わせて変更します。

選択項目	説明
ID1	リモコンの操作コードを「ID1」に設定しているときに選びます。
ID2	リモコンの操作コードを「ID2」に設定しているときに選びます。

## 本機の設定を変更する (ADVANCED SETUP)

## リモコンの操作コードを設定する

リモコンの操作コードを設定します。複数のヤマハ製アンプをリモコンを使って操作する場合に、本機とは別のアンプが動作するのを防止します。

## ボールペンなどで ⑦ID ボタンを押して ID を切り替える。

⑦ID ボタンを押すごとに、ID インジケータが以下のように表示されます。



## ■ バイアンプ設定 BI-AMP

バイアンプ機能を設定します。

選択項目	説明
ON	バイアンプ機能をオンにします。
OFF	バイアンプ機能をオフにします。

## ご注意

「BI-AMP」を「ON」に設定すると SURROUND BACK 端子はバイアンプ用として使われるので、サラウンドバックスピーカー接続用としては使えません。

## ■ プリアンプモード設定 PREAMP MODE

本機をプリアンプとして使うか使わないかを設定します。

選択項目	説明
ON	プリアンプとして使います。スピーカー端子からは信号が出力されません。
OFF	プリアンプとして使いません。通常モードで使います。

## ■ 設定の保存／呼び出し RECOV./BACKUP

本機の設定を保存したり、呼び出したりします。

選択項目	説明
RECOVERY	本機の設定を呼び出します。
BACKUP	本機の現在の設定を保存します。
CANCEL	設定の保存／呼び出しを中止します。

## ご注意

- プリセットした USB デバイス／ネットワークオーディオの音楽ファイル、システムメモリーの内容は保存しません。
- 設定を保存していない場合、「RECOVERY」は選べません。

## ■ 初期設定に戻す INITIALIZE

変更した設定を初期設定に戻します。初期設定に戻す項目を選んでください。

選択項目	説明
DSP PARAM	すべての音場プログラムパラメーターを初期設定に戻します。
VIDEO	すべての「映像の設定」、および「表示設定」(「ショートメッセージ」、「プレイバック表示」を除く)の内容を初期設定に戻します。
NETWORK	すべての「ネットワーク設定」の内容を初期設定に戻します。
ALL	本機のすべての設定を初期設定に戻します。
CANCEL	初期設定に戻しません。



音場プログラムごとに音場パラメーターを初期設定に戻すには、「サラウンド選択」の「初期化」で設定してください。

## ■ MAC フィルター設定 MAC FILTER

ネットワークからの接続を、特定の MAC アドレスのパソコンからに制限するか制限しないかを設定します。

選択項目	説明
ON	特定の MAC アドレスのパソコンからに制限します。
OFF	MAC アドレスによる制限をしません。



「MAC FILTER」を「ON」に設定した場合に制御できるパソコンの MAC アドレスは Web メニューで設定できます。

## ■ 映像信号方式設定 TV FORMAT

テレビの信号方式に合わせて、本機の MONITOR OUT 端子、および HDMI OUT 端子から出力される壁紙の信号方式を切り替えます。

選択項目：NTSC、PAL

## ■ HDMI モニターチェック設定

## MONITOR CHECK

本機のモニターチェック機能のオン、オフを設定します。

選択項目	説明
YES	HDMI 接続したモニターが対応している解像度の情報を自動的にチェックします。「解像度」で、モニターが対応している解像度のみ選べます。
SKIP	「解像度」のすべての解像度を選べます。

## 本機の設定を変更する (ADVANCED SETUP)

### ■ 表示言語設定 LANGUAGE

モニター画面やフロントパネルディスプレイに表示する文字の言語を設定します。

選択項目： **JAPANESE** (日本語)、 **FRENCH** (フランス語)、 **GERMAN** (ドイツ語)、 **SPANISH** (スペイン語)、 **RUSSIAN** (ロシア語)、 **ENGLISH** (英語)



セットメニューでも表示言語を設定できます。

### ご注意

「JAPANESE」を選んだ場合でもフロントパネルディスプレイには英語で表示されます。

### ■ ファームウェアの更新 FIRM UPDATE

本機のファームウェアを更新するときに使用します。ファームウェアの更新方法について詳しくはファームウェアと共に提供される情報をご覧ください。

選択項目	説明
USB	USB メモリーを使って本機のファームウェアを更新します。
NETWORK	ネットワークを経由して本機のファームウェアを更新します。



ファームウェアの更新を開始するには、**①PROGRAM** セレクターを回して「USB」、または「NETWORK」を選び、**②MENU** キーを押してください。

### ご注意

- ・ファームウェアを更新する必要がない場合は本機能を操作しないでください。
- ・ファームウェアを更新する前に、ファームウェアと共に提供される情報をご確認ください。

### ■ ファームウェアのバージョン確認 VERSION

現在本機にインストールされているファームウェアのバージョンを表示します。



## すべての設定を初期設定に戻す

変更したセットメニューの設定や音場パラメーターなどをすべて初期設定に戻します。

### ご注意

- セットメニューを含む本機のすべての設定が初期化されます。
- 変更した設定は、次回電源を入れたときから有効になります。

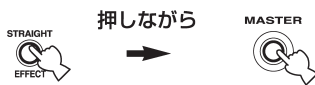


初期化操作を中止するにはフロントパネルの **ⓂMASTER ON/OFF** スイッチを押して本機の電源をオフにしてください。

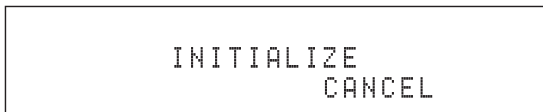
**1** **ⓂMASTER ON/OFF** スイッチを押して本機の電源をオフにする。

**2** **ⓀSTRAIGHT** キーを押しながら **ⓂMASTER ON/OFF** スイッチを押して本機の電源をオンにする。

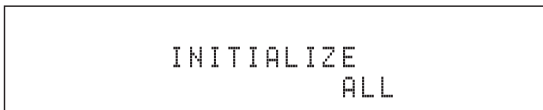
本機の電源がオンになり、フロントパネルディスプレイにアドバンストセットアップメニューが表示されます。



**3** **ⓁPROGRAM** セレクターを回して「INITIALIZE」を選ぶ。



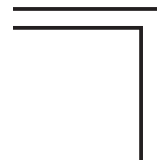
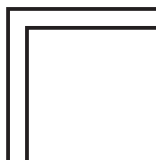
**4** **ⓀSTRAIGHT** キーを繰り返し押しして「ALL」を選ぶ。



初期設定に戻さない場合は「CANCEL」を選んでください。

**5** **ⓂMASTER ON/OFF** スイッチを押して本機の電源をオフにする。  
すべての設定が初期設定に戻ります。

MEMO



# RX-Z7/DSP-Z7

---

