

AV RECEIVER/AV AMPLIFIER RX-Z9/DSP-Z9

SERVICE MANUAL

IMPORTANT NOTICE

This manual has been provided for the use of authorized YAMAHA Retailers and their service personnel. It has been assumed that basic service procedures inherent to the industry, and more specifically YAMAHA Products, are already known and understood by the users, and have therefore not been restated.

WARNING: Failure to follow appropriate service and safety procedures when servicing this product may result in personal injury, destruction of expensive components, and failure of the product to perform as specified. For these reasons, we advise all YAMAHA product owners that any service required should be performed by an authorized YAMAHA Retailer or the appointed service representative.

IMPORTANT: The presentation or sale of this manual to any individual or firm does not constitute authorization, certification or recognition of any applicable technical capabilities, or establish a principle-agent relationship of any form.

The data provided is believed to be accurate and applicable to the unit(s) indicated on the cover. The research, engineering, and service departments of YAMAHA are continually striving to improve YAMAHA products. Modifications are, therefore, inevitable and specifications are subject to change without notice or obligation to retrofit. Should any discrepancy appear to exist, please contact the distributor's Service Division.

WARNING: Static discharges can destroy expensive components. Discharge any static electricity your body may have accumulated by grounding yourself to the ground buss in the unit (heavy gauge black wires connect to this buss).

IMPORTANT: Turn the unit OFF during disassembly and part replacement. Recheck all work before you apply power to the unit.

Please note that no program is written into the microprocessor supplied for servicing. Therefore, it is necessary to write the program when the microprocessor is replaced. (For the details, refer to "UPDATING FIRMWARE".)

サービス供給されるマイコンはプログラムが書き込まれていないため、修理でマイコンを交換した場合、プログラムの書き込みが必要です。(詳細は「ファームウェアの更新方法」を参照してください。)

CONTENTS

| | |
|---|-------|
| TO SERVICE PERSONNEL | 2 |
| FRONT PANELS | 3 |
| REMOTE CONTROL PANELS | 4 |
| REAR PANELS | 5-7 |
| SPECIFICATIONS / 参考仕様 | 8-12 |
| INTERNAL VIEW | 13-15 |
| DISASSEMBLY PROCEDURES / 分解手順 | 16-27 |
| DISASSEMBLY & REPAIR PROCEDURES / 分解修理方法 | 28-31 |
| SELF DIAGNOSIS FUNCTION (DIAG) / 自己診断機能 (ダイアグ) | 32-75 |
| UPDATING FIRMWARE / ファームウェアの更新方法 | 76-79 |

| | |
|--|---------|
| VIDEO SIGNAL PROCESSING / ビデオ信号について | 80-82 |
| AMP ADJUSTMENT / 調整 | 83 |
| DISPLAY DATA | 84-85 |
| IC DATA | 86-105 |
| BLOCK DIAGRAM | 106-109 |
| PRINTED CIRCUIT BOARD | 110-129 |
| PIN CONNECTION DIAGRAM | 130 |
| SCHEMATIC DIAGRAM | 131-144 |
| PARTS LIST | 145-188 |
| REMOTE CONTROL | 189 |
| GUI REMOTE CONTROL | 190 |



このサービスマニュアルは、エコマーク認定の再生紙を使用しています。
This Service Manual uses recycled paper.



■ TO SERVICE PERSONNEL

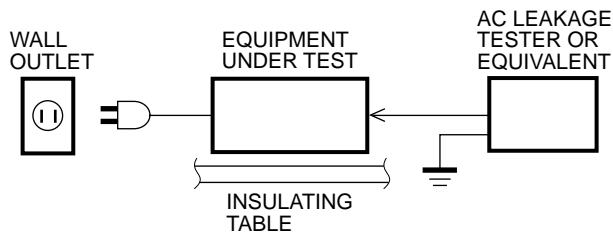
1. Critical Components Information

Components having special characteristics are marked \triangle and must be replaced with parts having specifications equal to those originally installed.

2. Leakage Current Measurement (For 120V Models Only)

When service has been completed, it is imperative to verify that all exposed conductive surfaces are properly insulated from supply circuits.

- Meter impedance should be equivalent to 1500 ohm shunted by 0.15 μ F.



- Leakage current must not exceed 0.5mA.
- Be sure to test for leakage with the AC plug in both polarities.



“CAUTION”

“F801 : FOR CONTINUED PROTECTION AGAINST RISK OF FIRE, REPLACE ONLY WITH SAME TYPE 5A, 125V FUSE.”

“F802 : FOR CONTINUED PROTECTION AGAINST RISK OF FIRE, REPLACE ONLY WITH SAME TYPE 20A, 250V FUSE.”

CAUTION

F801 : REPLACE WITH SAME TYPE 5A, 125V FUSE.

F802 : REPLACE WITH SAME TYPE 20A, 250V FUSE.

ATTENTION

F801 : UTILISER UN FUSIBLE DE RECHANGE DE MEME TYPE DE 5A, 125V.

F802 : UTILISER UN FUSIBLE DE RECHANGE DE MEME TYPE DE 20A, 250V.

WARNING: CHEMICAL CONTENT NOTICE!

The solder used in the production of this product contains LEAD. In addition, other electrical/electronic and/or plastic (where applicable) components may also contain traces of chemicals found by the California Health and Welfare Agency (and possibly other entities) to cause cancer and/or birth defects or other reproductive harm.

DO NOT PLACE SOLDER, ELECTRICAL/ELECTRONIC OR PLASTIC COMPONENTS IN YOUR MOUTH FOR ANY REASON WHATSOEVER!

Avoid prolonged, unprotected contact between solder and your skin! When soldering, do not inhale solder fumes or expose eyes to solder/flux vapor!

If you come in contact with solder or components located inside the enclosure of this product, wash your hands before handling food.

About Lead Free Solder / 無鉛ハンダについて

The P.C.B.s installed in this unit are soldered using the following solder.

本機に搭載されている基板のハンダ付けに使用されているハンダは下記の通りです。

| | Component Side / 部品面 | Foil Side / ハンダ面 |
|---------------------|--------------------------|--------------------------|
| DSP1 P.C.B. | Lead Solder / 鉛入りハンダ | Lead Free Solder / 無鉛ハンダ |
| DSP2 P.C.B. | Lead Free Solder / 無鉛ハンダ | Lead Free Solder / 無鉛ハンダ |
| 1394 P.C.B. | Lead Solder / 鉛入りハンダ | Lead Free Solder / 無鉛ハンダ |
| FUNCTION P.C.B. | Lead Solder / 鉛入りハンダ | Lead Free Solder / 無鉛ハンダ |
| MAIN (L) P.C.B. | - | Lead Free Solder / 無鉛ハンダ |
| MAIN (R) P.C.B. | - | Lead Free Solder / 無鉛ハンダ |
| VIDEO TOP P.C.B. | Lead Solder / 鉛入りハンダ | Lead Free Solder / 無鉛ハンダ |
| VIDEO BOTTOM P.C.B. | Lead Solder / 鉛入りハンダ | Lead Free Solder / 無鉛ハンダ |
| OPERATION P.C.B. | - | Lead Free Solder / 無鉛ハンダ |
| POWER P.C.B. | - | Lead Free Solder / 無鉛ハンダ |
| SUB TRANS P.C.B. | - | Lead Free Solder / 無鉛ハンダ |

Among some types of lead free solder currently available, it is recommended to use one of the following types for the repair work.

- Sn + Ag + Cu (tin + silver + copper)
- Sn + Cu (tin + copper)
- Sn + Zn + Bi (tin + zinc + bismuth)

無鉛ハンダにはいくつかの種類がありますが、修理時には下記のような無鉛ハンダの使用を推奨します。

- Sn+Ag+Cu (錫 + 銀 + 銅)
- Sn+Cu (錫 + 銅)
- Sn+Zn+Bi (錫 + 亜鉛 + ビスマス)

Caution:

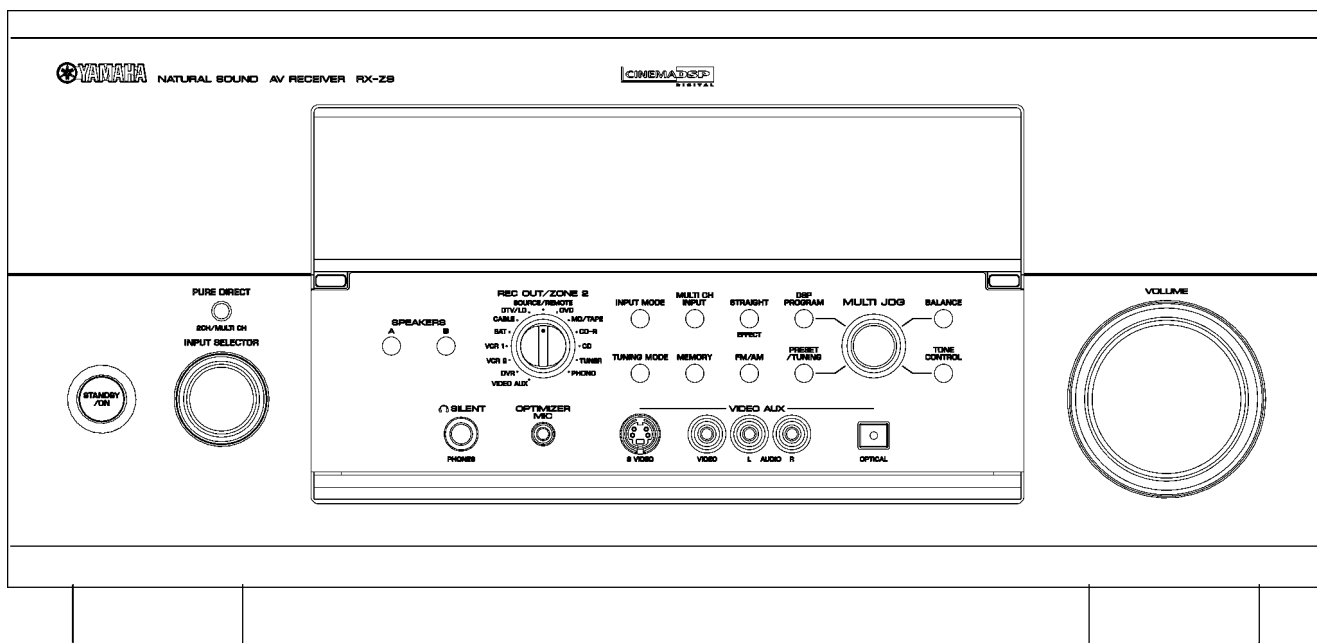
1. As the melting point temperature of the lead free solder is about 30°C to 40°C (50°F to 70°F) higher than that of the lead solder, be sure to use a soldering iron suitable to each solder.
2. If lead solder must be used, be sure to remove lead-free solder from each terminal section of the parts to be replaced and from the area around it completely before soldering, or make sure that the lead free solder and lead solder melt together fully.

注意:

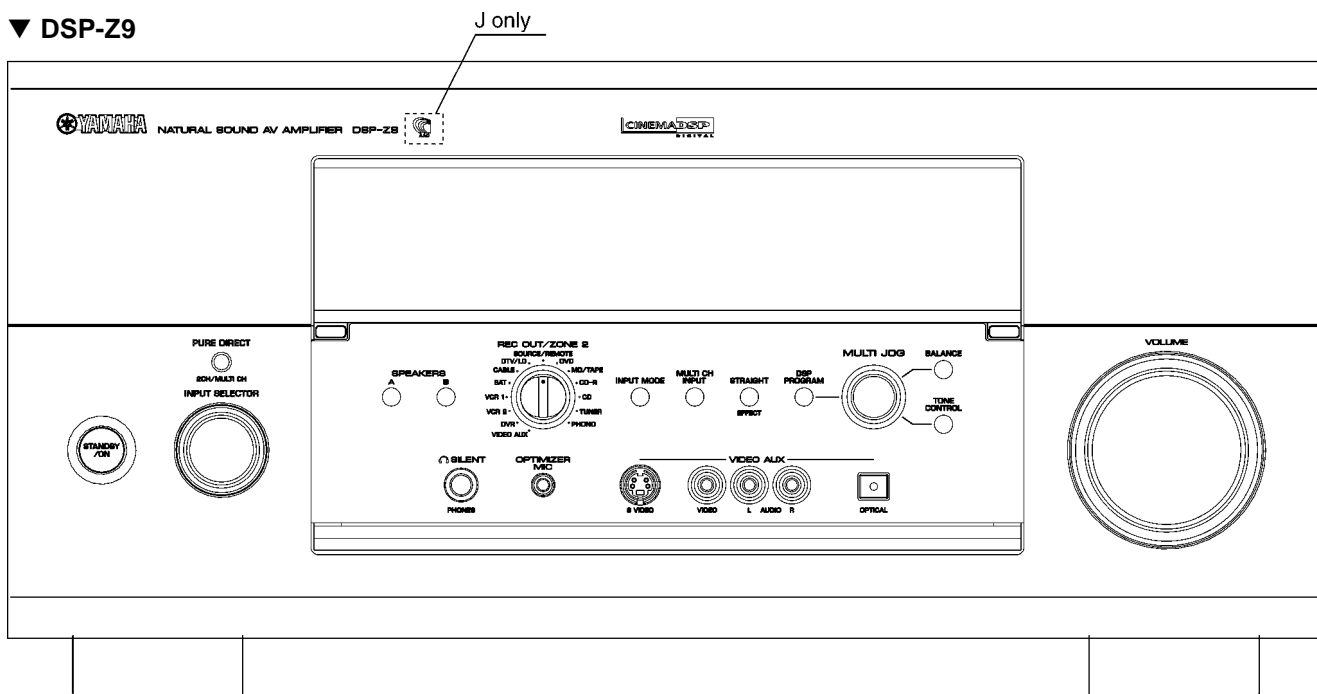
1. 無鉛ハンダの融点温度は通常の鉛入りハンダに比べ30～40程度高くなっていますので、それぞれのハンダに合ったハンダごてをご使用ください。
2. 鉛入りハンダを使わざるを得ない場合は、あらかじめ交換する部品端子部やその周辺部の無鉛ハンダをすべて取り除くか、あるいは無鉛ハンダと鉛入りハンダが十分に溶けた状態となるようにハンダ付けしてください。

■ FRONT PANELS

▼ RX-Z9



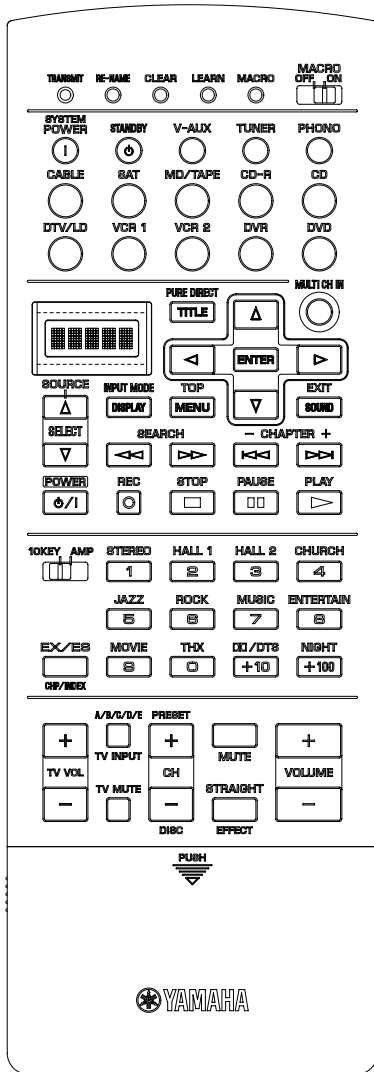
▼ DSP-Z9



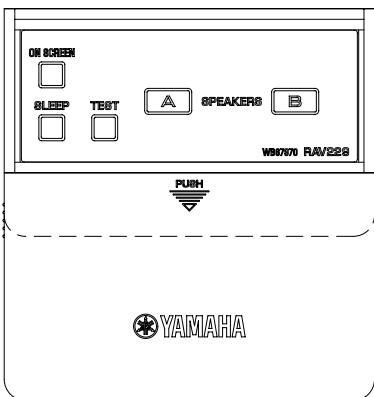
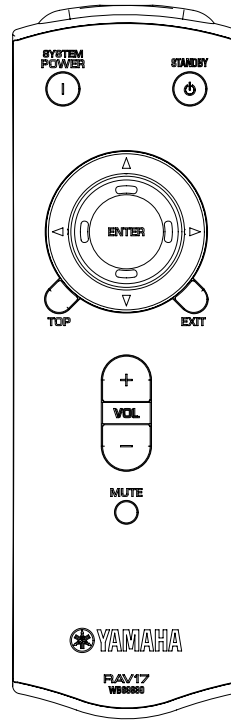
RX-Z9/DSP-Z9

■ REMOTE CONTROL PANELS

▼ Remote Control



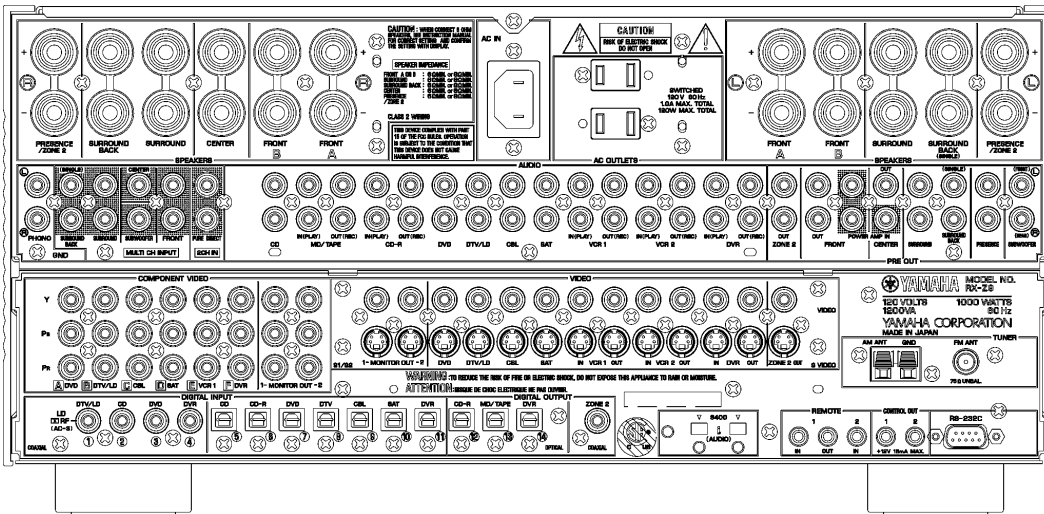
▼ GUI Remote Control



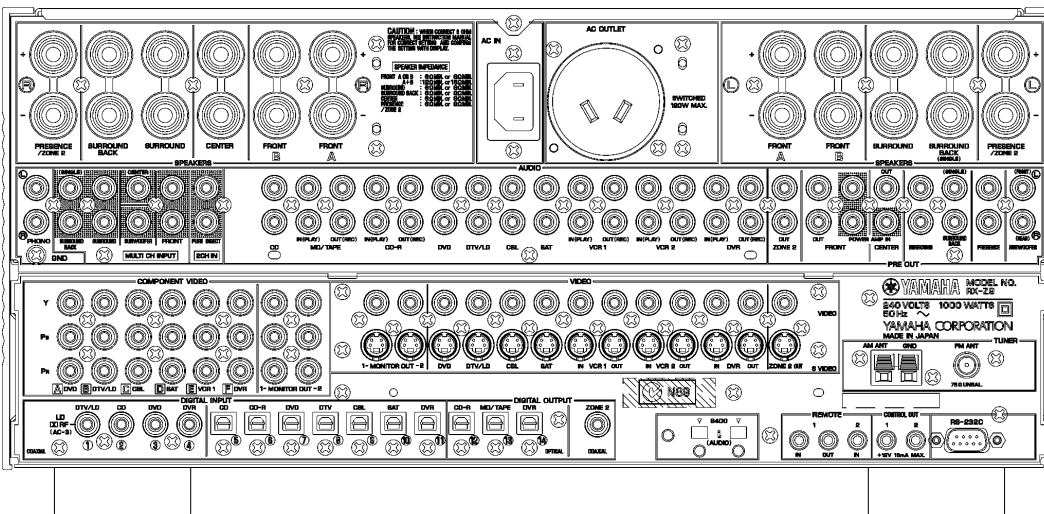
RX-Z9/DSP-Z9

REAR PANELS

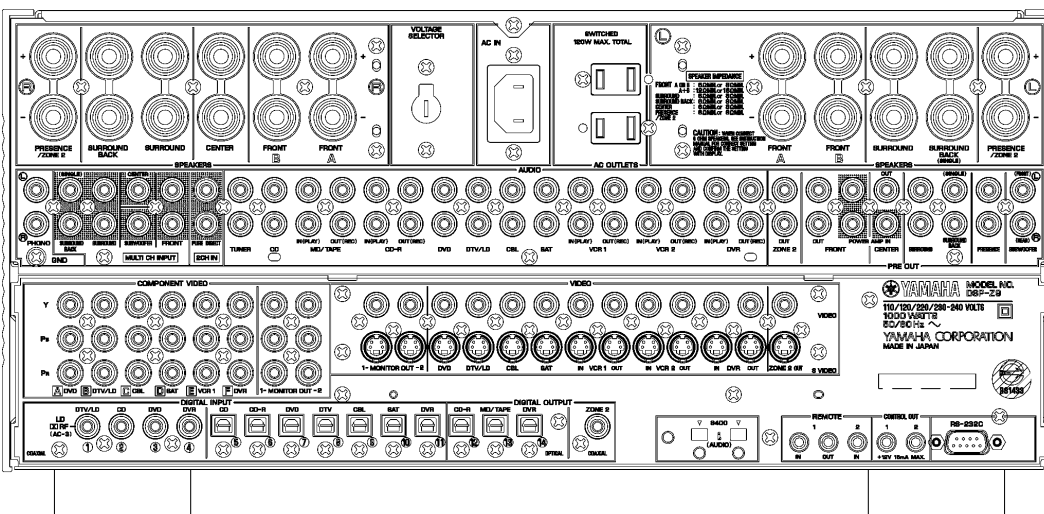
▼ RX-Z9 (U, C models)



▼ RX-Z9 (A model)

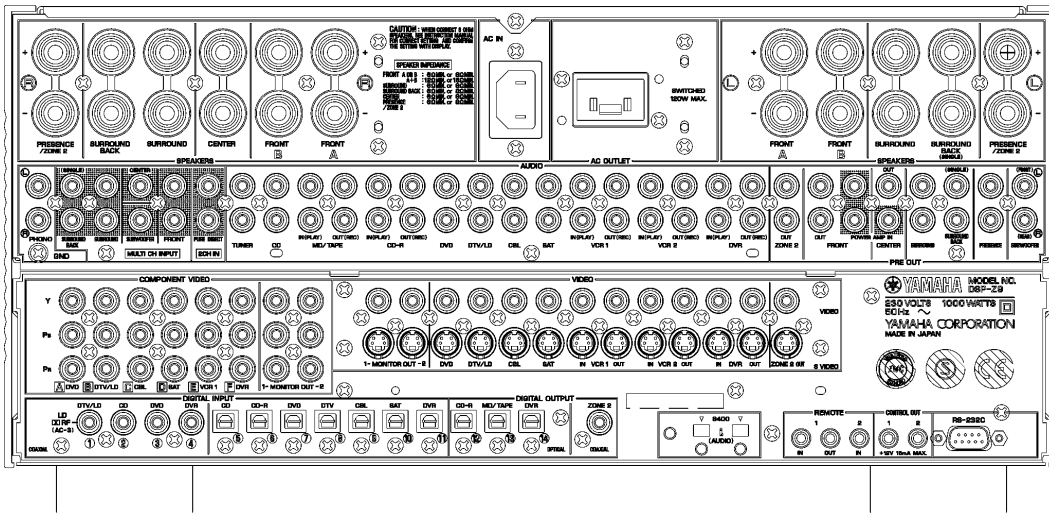


▼ DSP-Z9 (R model)

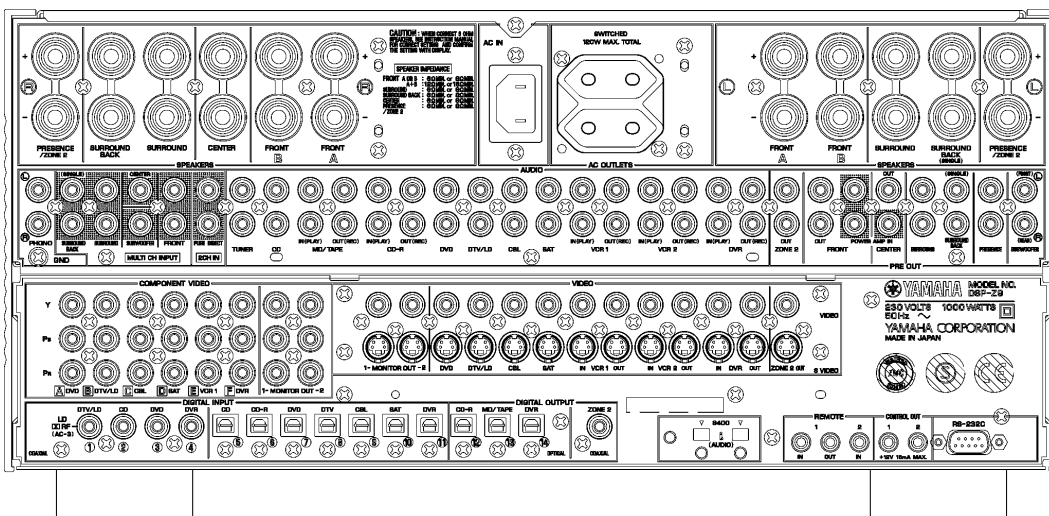


RX-Z9/DSP-Z9

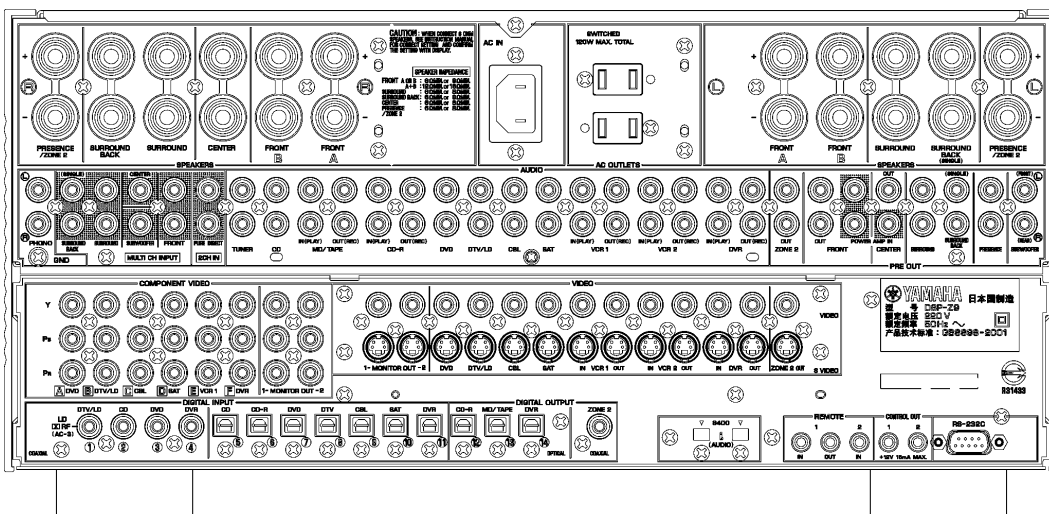
▼ DSP-Z9 (B model)



▼ DSP-Z9 (G model)



▼ DSP-Z9 (T model)



■ SPECIFICATIONS / 参考仕様

AMPLIFIER SECTION / オーディオ部

Minimum RMS Output Power Per Channel / 定格出力

| | |
|---|---------------|
| FRONT (20 Hz to 20 kHz, 0.015% THD) | |
| U, C, R, T, K, A, B, G models (8 ohms) | 170 W + 170 W |
| J model (6 ohms) | 170 W + 170 W |
| CENTER (20 Hz to 20 kHz, 0.015% THD) | |
| U, C, R, T, K, A, B, G models (8 ohms) | 170 W |
| J model (6 ohms) | 170 W |
| SURROUND (20 Hz to 20 kHz, 0.015% THD) | |
| U, C, R, T, K, A, B, G models (8 ohms) | 170 W + 170 W |
| J model (6 ohms) | 170 W + 170 W |
| SURROUND BACK (20 Hz to 20 kHz, 0.015% THD) | |
| U, C, R, T, K, A, B, G models (8 ohms) | 170 W + 170 W |
| J model (6 ohms) | 170 W + 170 W |
| PRESENCE (1 kHz, 0.05% THD) | |
| U, C, R, T, K, A, B, G models (8 ohms) | 50 W + 50 W |
| J model (6 ohms) | 50 W + 50 W |

Maximum Power (EIAJ) / 実用最大出力

| | |
|---------------------------------|---------------|
| FRONT (1 kHz, 10 % THD) | |
| R, T, K models (8 ohms) | 250 W + 250 W |
| J model (6 ohms) | 250 W + 250 W |
| CENTER (1 kHz, 10 % THD) | |
| R, T, K models (8 ohms) | 250 W |
| J model (6 ohms) | 250 W |
| SURROUND (1 kHz, 10 % THD) | |
| R, T, K models (8 ohms) | 250 W + 250 W |
| J model (6 ohms) | 250 W + 250 W |
| SURROUND BACK (1 kHz, 10 % THD) | |
| R, T, K models (8 ohms) | 250 W |
| J model (6 ohms) | 250 W |
| PRESENCE (1 kHz, 10 % THD) | |
| R, T, K models (8 ohms) | 70 W + 70 W |
| J model (6 ohms) | 70 W + 70 W |

Dynamic Power Per Channel (IHF) (U, C, R, T, K models)

| | |
|--------|---------------|
| 8 ohms | 210 W + 210 W |
| 6 ohms | 260 W + 260 W |
| 4 ohms | 340 W + 340 W |
| 2 ohms | 580 W + 580 W |

DIN Standard Output Power Per Channel (B, G models)

| | |
|------------------------------------|---------------|
| (1 kHz, 0.7 % THD, Stereo, 4 ohms) | |
| FRONT | 300 W + 300 W |
| CENTER | 300 W |
| SURROUND | 300 W + 300 W |
| SURROUND BACK | 300 W + 300 W |
| PRESENCE | 90 W + 90 W |

IEC Power (B, G models)

| | |
|-----------------------------------|-------|
| 1 kHz, 0.015% THD, Stereo, 8 ohms | 175 W |
|-----------------------------------|-------|

Power Band Width / パワーバンド幅

| | |
|-------------------------------|-----------------|
| 0.04% THD, Stereo, 85W/8 ohms | 10 Hz to 60 kHz |
|-------------------------------|-----------------|

Damping Factor / ダンピングファクタ

| | |
|--------------------------------|-------------|
| 20 Hz to 20 kHz, L/C/R, 8 ohms | 200 or more |
|--------------------------------|-------------|

Input Sensitivity/Impedance / 入力感度/インピーダンス

| | |
|------------------------|------------------|
| CD, etc. (100W/8 ohms) | 200 mV/47 k-ohms |
| PHONO MM (100W/8 ohms) | 3.5 mV/47 k-ohms |
| FRONT IN (100W/8 ohms) | 1 V/47 k-ohms |

Maximum Input Signal / 最大許容入力

| | |
|--|-------------|
| 1kHz, 0.05 % THD, CD, etc. (Normal/High) | 2.4 V/3.0 V |
| 1kHz, 0.05 % THD, PHONO MM (Straight) | 75 mV |

Output Level/Impedance / 出力電圧/インピーダンス

| | |
|--|-------------------|
| REC OUT | 200 mV/0.5 k-ohms |
| PRE OUT (FRONT, CENTER, SURROUND, SURROUND BACK, PRESENCE) | 1.0 V/0.5 k-ohms |
| PRE OUT (SUBWOOFER SPLIT, Stereo & Main Small) | 2.0 V/1.5 k-ohms |
| PRE OUT (SUBWOOFER MONO, Stereo & Main Small) | 4.0 V/1.5 k-ohms |

Maximum Voltage Output / 最大出力

| | |
|---|-------------|
| 20 Hz to 20 kHz, 1% THD, PRE OUT MAIN L/R | 3 V or more |
|---|-------------|

Headphone Jack Rated Output/Impedance /

ヘッドホン出力/インピーダンス

| | |
|------------------------|-----------------|
| CD, etc. 40 mV, 8 ohms | 200 mV/100 ohms |
|------------------------|-----------------|

Frequency Response / 周波数特性

| | |
|-------------------------------------|-----------|
| CD, etc. 10 Hz to 100 kHz, MAIN L/R | 0/-3.0 dB |
|-------------------------------------|-----------|

RIAA Equalization Deviation / RIAA偏差

| | |
|---------------------------|------------|
| PHONO MM, 20 Hz to 20 kHz | 0 ± 0.5 dB |
|---------------------------|------------|

Speaker/ Head Phone Tone Control Characteristics / トーンコントロール

| | |
|---------------------------|-------------------------|
| FRONT, CENTER SUBWOOFER | |
| BASS Boost/Cut (50 Hz) | +6 dB/-6 dB |
| Turnover Frequency | 125 Hz/350 Hz/500 Hz |
| TREBLE Boost/Cut (20 kHz) | +6 dB/-6 dB |
| Turnover Frequency | 2.5 kHz/3.5 kHz/8.0 kHz |

Manual Graphic Equalizer / マニュアルGEQ

| | |
|--|-----------------------------------|
| FRONT, CENTER, SURROUND, SURROUND BACK, PRESENCE | |
| Frequency | 63/125/250/500/1k/2k/4k/8k/16k Hz |
| Boost/Cut | +6 dB/-6 dB |
| Q | 1.2 |
| Step | 0.5 |

YPAO (YAMAHA Parametric Room Acoustic Optimizer)

| | |
|---------------------|------------------------|
| f = 63 Hz to 16 kHz | +6 dB/-20 dB (10 Band) |
|---------------------|------------------------|

Cross Over Characteristics / クロスオーバー特性

| | |
|---------------|------------------------------------|
| SUBWOOFER OUT | 40/60/80/90/100/110/120/160/200 Hz |
|---------------|------------------------------------|

Cinema Equalizer / シネマイコライザー

| | |
|----------------------|---------------------|
| High Shelving Filter | |
| Frequency | 1.0 kHz to 12.7 kHz |
| Boost/Cut | +6 dB/-9 dB |
| Parametric Equalizer | |
| Frequency | 1.0 kHz to 12.7 kHz |
| Boost/Cut | +6 dB/-9 dB |

Total Harmonic Distortion (20 Hz to 20 kHz) / 全高調波歪率

| | |
|---|-----------------|
| PHONO MM to REC OUT (1 V) | 0.01 % or less |
| CD, etc. to PRE OUT MAIN L/R (1 V) | 0.005 % or less |
| FRONT/CENTER IN to SP OUT L/C/R | |
| J model (85 W/6 ohms) | 0.008 % or less |
| U, C, R, T, K, A, B, G models (85 W/8 ohms) | 0.005 % or less |

Signal to Noise Ratio (IHF-A Network) / S/N比

| | |
|--|---------------|
| PHONO MM (Input shorted, Stereo) | |
| J model (2.5 mV) | 80 dB or more |
| U, C, R, T, K, A, B, G models (5 mV) | 86 dB or more |
| CD, etc. (Input shorted, Straight, 200mV) | 97 dB or more |
| CD, etc. (Input shorted, Pure Direct, 200mV) | 98 dB or more |

Residual Noise (IHF-A Network) / 残留ノイズ

| | |
|-----------------|----------------|
| MAIN L/R SP OUT | 150 μV or less |
|-----------------|----------------|

Channel Separation / チャンネルセパレーション

| | |
|---------------------------------|---------------|
| PHONO MM (Input shorted) | |
| 1 kHz | 70 dB or more |
| 10 kHz | 60 dB or more |
| CD, etc. (Input 5.1 kΩ shorted) | |
| 1 kHz | 70 dB or more |
| 10 kHz | 60 dB or more |

Muting / ミューティング

| | |
|--|----|
| | -∞ |
|--|----|

VIDEO SECTION / ビデオ部**TV Format / TV方式**

| | |
|----------------------|------|
| J, U, C, R, K models | NTSC |
| T, A, B, G models | PAL |

Video Conversion / ビデオコンバージョン

| | |
|-------|--------------------|
| | NTSC/PAL/480i/576i |
|-------|--------------------|

Composite Video Signal Level / コンポジット信号

| | |
|-------|----------------|
| | 1 Vp-p/75 ohms |
|-------|----------------|

S-Video Signal Level / Sビデオ信号

| | |
|---|--------------------|
| Y | 1 Vp-p/75 ohms |
| C | 0.286 Vp-p/75 ohms |

Component Signal Level / コンポーネントビデオ信号

| | |
|-------|------------------|
| Y | 1 Vp-p/75 ohms |
| Cb/Cr | 0.7 Vp-p/75 ohms |

Video Maximum Input Level / ビデオ最大許容入力

| | |
|-------|------------------|
| | 1.5 Vp-p or more |
|-------|------------------|

Video Signal to Noise Ratio / ビデオS/N比

| | |
|---------------|---------------|
| Processor Off | 70 dB or more |
|---------------|---------------|

Monitor Out Frequency Response / モニターアウト周波数帯域

| | |
|---------------------------|------------------------|
| Processor Off | |
| Composite Video Signal | 5 Hz to 10 MHz, -3 dB |
| S-Video Signal | 5 Hz to 10 MHz, -3 dB |
| Component Video Signal | 5 Hz to 100 MHz, -3 dB |
| D5 Video Signal (J model) | 5 Hz to 100 MHz, -3 dB |

FM SECTION (U, C, A models) / FMチューナー部**Tuning Range**

| | |
|-------------|---------------------|
| U, C models | 87.5 to 107.9 MHz |
| A model | 87.50 to 108.00 MHz |

50 dB Quieting Sensitivity (IHF)

| | |
|-----------------|------------------------|
| 1 kHz 100% MOD. | |
| Mono | 2.0 μ V (17.3 dBf) |
| Stereo | 25 μ V (39.2 dBf) |

Usable Sensitivity (IHF)

| | |
|------|------------------------|
| Mono | 1.0 μ V (11.2 dBf) |
|------|------------------------|

Selectivity

| | |
|------------|-------|
| at 400 kHz | 70 dB |
|------------|-------|

Signal to Noise Ratio (IHF)

| | |
|--------|-------|
| Mono | 76 dB |
| Stereo | 70 dB |

Harmonic Distortion (1 kHz)

| | |
|--------|-------|
| Mono | 0.2 % |
| Stereo | 0.3 % |

Stereo Separation (1 kHz)

| | |
|-------|-------|
| | 45 dB |
|-------|-------|

Frequency Response

| | |
|-----------------|--------------|
| 20 Hz to 15 kHz | +0.5/-2.0 dB |
|-----------------|--------------|

Antenna Input

| | |
|-------|------------------------|
| | 75 Ω unbalanced |
|-------|------------------------|

AM SECTION (U, C, A models) / AMチューナー部**Tuning Range**

| | |
|-------------|-----------------|
| U, C models | 530 to 1710 kHz |
| A model | 531 to 1611 kHz |

Usable Sensitivity

| | |
|-------|---------------|
| | 300 μ V/m |
|-------|---------------|

Antenna

| | |
|-------|--------------|
| | Loop antenna |
|-------|--------------|

GENERAL / 総合**Power Supply / 電源電圧**

| | |
|-------------|------------------------------------|
| U, C models | AC 120 V, 60 Hz |
| R model | AC 110/120/220/230-240 V, 50/60 Hz |
| T model | AC 220 V, 50 Hz |
| K model | AC 220 V, 60 Hz |
| A model | AC 240 V, 50 Hz |
| B, G models | AC 230 V, 50 Hz |
| J model | AC 100 V, 50/60 Hz |

Power Consumption / 消費電力

| | |
|-------------------------|--------------|
| U, C models | 1000W/1200VA |
| R, T, K, A, B, G models | 1000W |
| J model | 700 W |

Maximum Power Consumption

| | |
|----------------|--------|
| R, T, K models | 1.3 kW |
|----------------|--------|

Standby Power Consumption / 待機時消費電力

| | |
|--------------------------------|--------|
| U, C, A, B, G, J models | 0.85 W |
| R, T, K models (AC 220V, 50Hz) | 1.0 W |

AC Outlet / ACアウトレット

| | |
|-------------------|------------------|
| 2 Switched Outlet | |
| R, T, G, J models | 120 W Max. |
| U, C models | 120 W/1.0 A Max. |
| 1 Switched Outlet | |
| A, B models | 120 W Max. |

Dimensions (W x H x D) / 寸法 (幅 x 高さ x 奥行き)

| | |
|-------|--------------------------------|
| | 435 x 211 x 471 mm |
| | (17-1/8" x 8-5/16" x 18-9/16") |

Weight / 質量

| | |
|-------|-----------------------|
| | 30.0 kg (66 lbs 2 oz) |
|-------|-----------------------|

Finish / 仕上げ

| | |
|--------|--------------------------------|
| RX-Z9 | Black color (U, C, A models) |
| DSP-Z9 | Black color (R, G, J models) |
| | Titanium color (B, G models) |
| | Gold color (R, T, K, J models) |

Accessories / 付属品

| | |
|-------------------------|----------------------|
| Remote Control | x 1 |
| Battery (LR6(G)) | x 3 |
| GUI Remote Control | x 1 |
| Battery (UM-4) | x 2 |
| Power Cable | x 1 |
| Optimizer Microphone | x 1 |
| Speaker Terminal Wrench | x 1 |
| Indoor FM antenna | x 1 (U, C, A models) |
| AM loop antenna | x 1 (U, C, A models) |

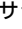
* Specifications subject to change without notice.

| | | |
|----------|-------|-------------------------|
| U | | USA model |
| C | | Canadian model |
| R | | General model |
| T | | Chinese model |
| K | | Korean model |
| A | | Australian model |
| B | | British model |
| G | | European model |
| J | | Japanese model |



Manufactured under license from Dolby Laboratories.


“Dolby”, “Pro Logic”, “Surround EX”, and the double-D symbol are trademarks of Dolby Laboratories.


ドルビーラボラトリーズからの実施権により製造されています。
 「ドルビー」, 「DOLBY」, 「ドルビーデジタル」, 「PRO LOGIC」
 「サラウンド EX」 およびダブルD 記号  は、ドルビーラボラトリーズの商標です。



“DTS”, “DTS-ES Digital Surround”, “Neo:6” and “DTS 96/24” are registered trademarks of Digital Theater Systems, Inc.

DTS、DTS-ES デジタルサラウンドおよびNeo:6 はデジタルシアターシステムズの登録商標です。

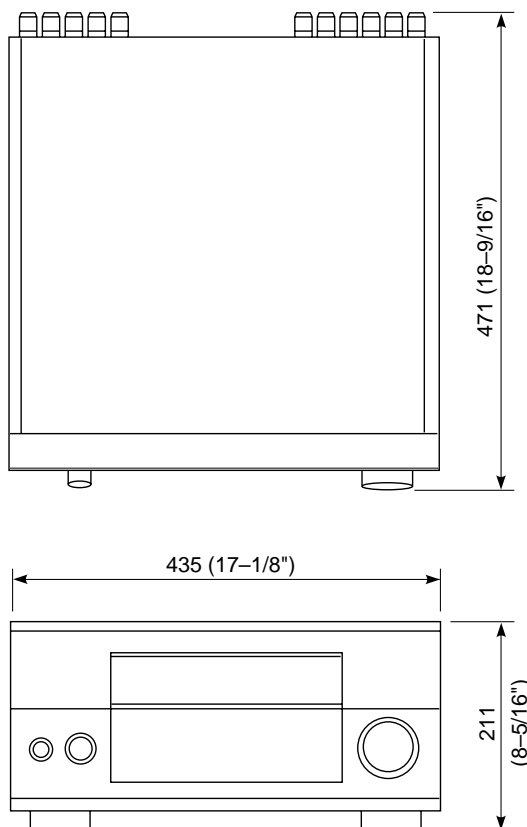
“i.LINK” and the “i.LINK” logo  are trademarks of Sony Corporation.

i.LINK と i.LINK ロゴ  はソニー株式会社の登録商標です。

“SILENT CINEMA” is a trademark of YAMAHA CORPORATION.

「サイレントシアター / SILENT THEATER」 はヤマハ株式会社の登録商標です。

DIMENSIONS / 寸法図



Unit : mm (inch)




“THX” and the “THX” logo are registered trademarks of THX Ltd. “Surround EX” is a jointly developed technology of THX and Dolby Laboratories, Inc. and is a trademark of Dolby Laboratories, Inc. All rights reserved. Used under authorization.



“DCDi” is a trademark of Faroudja, a division of Genesis Microchip, Inc.

DCDi は米国 GENESIS MICROCHIP 社 FAROUDJA Division の登録商標です。



AAC ロゴマーク  はドルビーラボラトリーズの登録商標です。

● SET MENU TABLE (Manual Set Up)

| Main Menu | Sub Menu | Parameter | Setting value ([] Initial value) / 設定値 ([] 初期値) |
|--------------|---------------|---------------------------|--|
| Sound | Cinema EQ | Front & Center | [off] / on / PEQ / HIGH |
| | | Surround | PEC Freq 1.0k ~ 12.7kHz, 1/6oct step [8.0k], Gain -9 ~ +3dB, 0.5dB step [-1.5dB] |
| | | Surround Back | HIGH Freq 1.0k ~ 12.7kHz, 1/6oct step [12.7k, gain -9 ~ +3dB, 0.5dB step [0.0dB] |
| | | Presence | |
| | Graphic EQ | EQ Select | Auto Setup PEQ / [Manual GEQ] / EQ Defear |
| | | Front L | 63Hz -6.0 ~ +6.0 dB, 0.5dB step [±0.0dB] |
| | | Front R | 125Hz -6.0 ~ +6.0 dB, 0.5dB step [±0.0dB] |
| | | Center | 250Hz -6.0 ~ +6.0 dB, 0.5dB step [±0.0dB] |
| | | Surround L | 500Hz -6.0 ~ +6.0 dB, 0.5dB step [±0.0dB] |
| | | Surround R | 1kHz -6.0 ~ +6.0 dB, 0.5dB step [±0.0dB] |
| | | Surround Back L | 2kHz -6.0 ~ +6.0 dB, 0.5dB step [±0.0dB] |
| | | Surround Back R | 4kHz -6.0 ~ +6.0 dB, 0.5dB step [±0.0dB] |
| | | Presence L | 8kHz -6.0 ~ +6.0 dB, 0.5dB step [±0.0dB] |
| | | Presence R | 16kHz -6.0 ~ +6.0 dB, 0.5dB step [±0.0dB] |
| | | Subwoofer L | |
| | | Subwoofer R | |
| | | Tone Control | Contorol |
| | Bass | | Freq 125 / [350] / 500Hz, Gain -6.0dB ~ +6.0dB, 0.5dB step [±0.0dB] |
| | Treble | | Freq 2.5k / [3.5k] / 8.0kHz, Gain -6.0dB ~ +6.0dB, 0.5dB step [±0.0dB] |
| | LFE Level | Speaker | -20dB ~ ±0.0dB, 0.5dB step [±0.0dB] |
| | | Headphone | -20dB ~ ±0.0dB, 0.5dB step [±0.0dB] [Speaker] / Headphone |
| | Dynamic Range | Speaker | [MAX] / STD / MIN |
| | | Headphone | [MAX] / STD / MIN |
| Audio Option | Audio Delay | 0 ~ 200ms, 1ms step [0ms] | |
| | Muting Type | [Full] / -20dB | |
| | Dual Mono | Main / Sub / All | |
| Basic | THX Set | THX Ultra2 SWFR | [No] / Yes |
| | | Bndry Gain Comp | [off] / On |
| | | SB Speaker Dist. | Under 0.3m / [0.3-1.2m] / over 1.2m, under 1ft / [1-4ft] / over 4ft |
| | Subwoofer Set | Config | Front&Rear / [Stereo] / Monaural / None |
| | | Phase | [Normal] / L Reverse / R Reverse / L&R Reverse |
| | | Bass Out | Both / [SWFR] / Front |
| | Speaker Set | Front | Large / [Small] |
| | | Center | Large / [Small] / None |
| | | Surround | Large / [Small] / None |
| | | Surround Back | Large x1 / Small x1 / [Small x2] / Large x2 / None |
| | | Presence | [Yes] / None |
| | | Cross Over | 40 / 60 / [80(THX)] / 90 / 100 / 110 / 120 / 160 / 200 Hz |
| | | Presence | |
| | Speaker Level | Front L | -10.0 ~ +10.0dB 0.5dB step [0dB] |
| | | Front R | -10.0 ~ +10.0dB 0.5dB step [0dB] |
| | | Center | -10.0 ~ +10.0dB 0.5dB step [0dB] |
| | | Surround L | -10.0 ~ +10.0dB 0.5dB step [0dB] |
| | | Surround R | -10.0 ~ +10.0dB 0.5dB step [0dB] |
| | | Surround Back L | -10.0 ~ +10.0dB 0.5dB step [0dB] |
| | | Surround Back R | -10.0 ~ +10.0dB 0.5dB step [0dB] |
| | | Presence L | -10.0 ~ +10.0dB 0.5dB step [0dB] |
| | | Presence R | -10.0 ~ +10.0dB 0.5dB step [0dB] |
| | | Subwoofer L | -10.0 ~ +10.0dB 0.5dB step [0dB] |
| | | Subwoofer R | -10.0 ~ +10.0dB 0.5dB step [0dB] |

| Main Menu | Sub Menu | Parameter | Setting value ([] Initial value) / 設定値 ([] 初期値) | | |
|--------------|------------------|--------------------|--|---|---|
| Basic | Speaker Distance | Front L | 0.30 ~ 24.00m, 0.05m step [3.00m] / 1.0 ~ 80.0ft 0.1ft step [10.0ft] | | |
| | | Front R | 0.30 ~ 24.00m, 0.05m step [3.00m] / 1.0 ~ 80.0ft 0.1ft step [10.0ft] | | |
| | | Center | 0.30 ~ 24.00m, 0.05m step [3.00m] / 1.0 ~ 80.0ft 0.1ft step [10.0ft] | | |
| | | Surround L | 0.30 ~ 24.00m, 0.05m step [3.00m] / 1.0 ~ 80.0ft 0.1ft step [10.0ft] | | |
| | | Surround R | 0.30 ~ 24.00m, 0.05m step [3.00m] / 1.0 ~ 80.0ft 0.1ft step [10.0ft] | | |
| | | Surround Back L | 0.30 ~ 24.00m, 0.05m step [3.00m] / 1.0 ~ 80.0ft 0.1ft step [10.0ft] | | |
| | | Surround Back R | 0.30 ~ 24.00m, 0.05m step [3.00m] / 1.0 ~ 80.0ft 0.1ft step [10.0ft] | | |
| | | Presence L | 0.30 ~ 24.00m, 0.05m step [3.00m] / 1.0 ~ 80.0ft 0.1ft step [10.0ft] | | |
| | | Presence R | 0.30 ~ 24.00m, 0.05m step [3.00m] / 1.0 ~ 80.0ft 0.1ft step [10.0ft] | | |
| | | Subwoofer L | 0.30 ~ 24.00m, 0.05m step [3.00m] / 1.0 ~ 80.0ft 0.1ft step [10.0ft] | | |
| | | Subwoofer R | 0.30 ~ 24.00m, 0.05m step [3.00m] / 1.0 ~ 80.0ft 0.1ft step [10.0ft] | | |
| | | Unit | [Meter] / Feet | | |
| | | Video | Processor | | off / [on] |
| | | | | Picture Mode | Cinema Enhancer off, +1 ~ +24, 1 step [+2] 3D NR off, +1 ~ +10, 1 step [off] Brightness -24 ~ +24, 1 step [±0] Contrast -24 ~ +24, 1 step [-6] Saturation -24 ~ +24, 1 step [±0] Reset: > Key |
| Standard | | | Enhancer off, +1 ~ +24, 1 step [off] 3D NR off, +1 ~ +10, 1 step [off] Brightness -24 ~ +24, 1 step [±0] Contrast -24 ~ +24, 1 step [±0] Saturation -24 ~ +24, 1 step [±0] Reset: > Key | | |
| | Dynamic | | | Enhancer off, +1 ~ +24, 1 step [+4] 3D NR off, +1 ~ +10, 1 step [off] Brightness -24 ~ +24, 1 step [±0] Contrast -24 ~ +24, 1 step [+6] Saturation -24 ~ +24, 1 step [+8] Reset: > Key | |
| | | | Resolution | 480p / 576p / [480i / 576i] / 1080i / 720p | |
| | | | Aspect | [Through] / Auto / 16 : 9 Normal / 16 : 9 Zoom | |
| | | | Cross Color | Not Suppress / [Suppress] | |
| | | | TV Format | [PAL] / NTSC | |
| TV Format | | | S / [S1] / S2 | | |
| Option | Surr. Initialize | | | 1 ~ 11 / ALL / EXIT | |
| | Input Mode | | Default | [Auto] / Last | |
| | Display | | Wall Paper | None / [1 DSP-Z9] / 2 Hoen / 3 Piano / 4 Gray | |
| | | | Postoin | Horizontal / 水平 -5 ~ +5, 1 step [±0] , Vertical / 垂直 -5 ~ +5, 1 step [±0] | |
| | | | On Screen | off / [on] | |
| | | | Dimmer | 0 ~ 4, 1 step [0] | |
| | | | Language | English / [Japanese] | |
| | Multi Zone | | Speaker B | [Zone1] / ZoneB | |
| | | | Zone2 Amplifier | Internal / [External] / Non | |
| Zone2 Volume | | Fixed / [Variable] | | | |

- 1 Setting can be made when Manual GEQ is selected. / Manual GEQ 選択時 設定可
- 2 Setting can be made when Tone Control Speaker or Headphone is selected. / Tone Control Speaker or Headphone 選択時 設定可
- 3 J only / J 仕様のみ
- 4 The display is variable depending on selection of Speaker Distance > Unit > Meter/Feet. / Speaker Distance > Unit > Meter/Feet 選択により表示が異なる
- 5 "Front" is displayed. No setting can be made. / Front表示はします。設定できません
- 6 The parameter display scrolls by rolling. / Parameterはロールスクロールします

- 7 The parameter display scrolls by rolling. / Parameterはロールスクロールします
The display is variable depending on selection of Unit > Meter/Feet. / Unit > Meter/Feet 選択により表示が異なる
- 8 The setting distance is reset by changing the unit. / 単位変更で設定距離リセット
- 9 Setting can be made when Processor on is selected. / Processor on 選択時 設定可
- 10 Setting can be made when 480p / 576p / 1080i / 720p is selected. / 480p/576p/1080i / 720p 選択時 設定可
- 11 Setting can be made when Processor on is selected. / Processor on 時 設定可
- 12 J, UC only / J, UC仕様のみ
(When TV is set by mistake, GUI display disappears. Pressing the EXIT key of the remote controller for 5 seconds will initialize the Video setting.)
(誤ってTV設定した場合、GUI表示が見えなくなります。リモコン EXITキーを5秒押しすとVideo設定を初期化します)

● SOUND/SURROUND SELECT MENU

Sound Select Min./Max./Step 最小 / 最大 / step

| Main Menu | Parameter | Center Level 0 / 100 / 1 % | Surround L Level 0 / 100 / 1 % | Surround R Level 0 / 100 / 1 % | Sur. Back L Level 0 / 100 / 1 % | Sur. Back R Level 0 / 100 / 1 % | Sur. Back Level 0 / 100 / 1 % | Presence L Level 0 / 100 / 1 % | Presence R Level 0 / 100 / 1 % | Initialize NO / YES |
|-----------|------------|-------------------------------|-----------------------------------|-----------------------------------|------------------------------------|------------------------------------|----------------------------------|-----------------------------------|-----------------------------------|------------------------|
| STEREO | 2ch Stereo | — | — | — | — | — | — | — | — | NO |
| | Direct | — | — | — | — | — | — | — | — | NO |
| | 9ch Stereo | 100 | 100 | 100 | 100 | 35 | 35 | 33 | 33 | NO |

Surround Select Min./Max./Step 最小 / 最大 / step

| | | Decode Type | DSP Level -6 / +3 / 1 dB | Init. Deley 1 / 99 / 1 ms | Room Ssize 0.1 / 2.0 / 0.1 | Liveness 0 / 10 / 1 | Sur. Deley (ms) 0 / 15 / 1 ms | Sur. Init. Deley 1 / 49 / 1 ms | Sur. Room Size 0.1 / 2.0 / 0.1 | Sur. Liveness 1 / 5 / 1 | SB Init. Deley 1 / 49 / 1 ms | SB Room Size 0.1 / 2.0 / 0.1 | SB Liveness 1 / 5 / 1 | Rev. Time 1.0 / 5.0 / 0.1 ms | Rev. Deley 0 / 250 / 1 ms | Rev. Level 0 / 100 / 1 % | Dialogue Lift 0 / 5 / 1 | Initialize NO / YES | |
|----------------|------------------|---------------|-----------------------------|------------------------------|-------------------------------|------------------------|----------------------------------|-----------------------------------|-----------------------------------|----------------------------|---------------------------------|---------------------------------|--------------------------|---------------------------------|------------------------------|-----------------------------|----------------------------|------------------------|----|
| CONCERT HALL 1 | Munich A | | 0 | 30 | 1.0 | 5 | — | — | — | — | — | — | — | — | — | — | 0 | NO | |
| | Frankfurt | | 0 | 30 | 1.0 | 5 | — | — | — | — | — | — | — | — | — | — | 0 | NO | |
| | Stuttgart | | 0 | 30 | 1.0 | 5 | — | — | — | — | — | — | — | — | — | — | 0 | NO | |
| | Munich B | | 0 | 30 | 1.0 | 5 | — | — | — | — | — | — | — | — | — | — | 0 | NO | |
| | Vienna | | 0 | 30 | 1.0 | 5 | — | — | — | — | — | — | — | — | — | — | 0 | NO | |
| CONCERT HALL 2 | U.S.A Hall A | | 0 | 35 | 1.0 | 5 | — | — | — | — | — | — | — | — | — | — | 0 | NO | |
| | U.S.A Hall B | | 0 | 30 | 1.0 | 5 | — | — | — | — | — | — | — | — | — | — | 0 | NO | |
| | Live Concert | | 0 | 45 | 1.0 | 5 | — | — | — | — | — | — | — | — | — | — | 0 | NO | |
| CHURCH | Tokyo | | 0 | 40 | — | — | — | — | — | — | — | — | — | — | — | — | 0 | NO | |
| | Freiburg | | 0 | 95 | — | — | — | — | — | — | — | — | — | — | — | — | 0 | NO | |
| | Royaumont | | 0 | 69 | — | — | — | — | — | — | — | — | — | — | — | — | 0 | NO | |
| JAZZ CLUB | Village Gate | | 0 | 21 | 1.0 | 3 | — | — | — | — | — | — | — | — | — | — | 0 | NO | |
| | Village Vanguard | | 0 | 26 | 1.0 | 5 | — | — | — | — | — | — | — | — | — | — | 0 | NO | |
| | The Bottom Line | | 0 | 30 | 1.0 | 5 | — | — | — | — | — | — | — | — | — | — | 0 | NO | |
| ROCK CONCERT | The Roxy Theatre | | 0 | 15 | 1.0 | 5 | — | — | — | — | — | — | — | 1.0 | 100 | 7 | 0 | NO | |
| | Warehouse Loft | | 0 | 15 | 1.0 | 5 | — | — | — | — | — | — | — | 2.0 | 160 | 6 | 0 | NO | |
| | Arena | | 0 | 15 | 1.0 | 7 | — | — | — | — | — | — | — | 2.0 | 120 | 8 | 0 | NO | |
| MUSIC VIDEO | Pop/Rock | | 0 | 21 | 1.0 | — | 5 | 25 | 1.0 | — | (15) | (15) | — | 2.2 | 120 | 1 | 0 | NO | |
| | DJ | | 0 | 23 | 1.0 | — | 5 | 30 | 1.0 | — | (15) | (15) | — | — | — | — | 0 | NO | |
| | Classical/Opera | | 0 | 28 | 1.0 | — | 5 | 30 | 1.0 | — | (15) | (15) | — | — | — | — | 0 | NO | |
| | Pavillion | | 0 | 23 | 1.0 | — | 5 | 30 | 1.0 | — | (15) | (15) | — | 2.5 | 142 | 4 | 0 | NO | |
| ENTERTAINMENT | TV Sports | | 0 | 10 | 1.0 | — | 8 | 30 | 1.0 | — | (15) | — | — | 1.6 | 100 | 4 | 0 | NO | |
| | Mono Moive | | 0 | 49 | 1.0 | — | — | — | — | — | — | — | — | 2.5 | 160 | 2 | 0 | NO | |
| | Game | | 0 | 36 | 1.0 | — | 15 | 15 | 1.0 | — | (15) | — | — | — | — | — | 0 | NO | |
| | Disco | | 0 | 26 | — | — | — | — | — | — | — | — | — | 2.7 | 120 | 4 | 0 | NO | |
| | Party | | 0 | 15 | — | — | — | — | — | — | — | — | — | 2.5 | 140 | 4 | 0 | NO | |
| MOVIE THEATER | Spectacle | Pro Logic | ±0 | 13 | 1.0 | — | 15 | 23 | 1.0 | — | (15) | (1.0) | — | — | — | — | 0 | NO | |
| | | Pro Logic II | ±0 | 13 | 1.0 | — | 15 | 32 | 1.0 | — | (15) | (1.0) | — | — | — | — | 0 | NO | |
| | | Neo : 6 | ±0 | 13 | 1.0 | — | 15 | 32 | 1.0 | — | 15 | 1.0 | — | — | — | — | 0 | NO | |
| | | Pro Logic IIx | ±0 | 13 | 1.0 | — | 15 | 32 | 1.0 | — | 15 | 1.0 | — | — | — | — | 0 | NO | |
| | Sci-Fi | Pro Logic | ±0 | 16 | 1.0 | — | 15 | 20 | 1.0 | — | (15) | (1.0) | — | — | — | — | — | 0 | NO |
| | | Pro Logic II | ±0 | 16 | 1.0 | — | 15 | 2 | 1.0 | — | (15) | (1.0) | — | — | — | — | — | 0 | NO |
| | | Neo : 6 | ±0 | 16 | 1.0 | — | 15 | 2 | 1.0 | — | 15 | 1.0 | — | — | — | — | — | 0 | NO |
| | Adventure | Pro Logic IIx | ±0 | 16 | 1.0 | — | 15 | 2 | 1.0 | — | 15 | 1.0 | — | — | — | — | — | 0 | NO |
| | | Pro Logic | ±0 | 16 | 1.0 | — | 15 | 20 | 1.0 | — | (15) | (1.0) | — | — | — | — | — | 0 | NO |
| | | Pro Logic II | ±0 | 15 | 1.0 | — | 15 | 12 | 1.0 | — | (15) | (1.0) | — | — | — | — | — | 0 | NO |
| | | Neo : 6 | ±0 | 15 | 1.0 | — | 15 | 12 | 1.0 | — | 15 | 1.0 | — | — | — | — | — | 0 | NO |
| | General | Pro Logic IIx | ±0 | 15 | 1.0 | — | 15 | 12 | 1.0 | — | 15 | 1.0 | — | — | — | — | — | 0 | NO |
| | | Pro Logic | ±0 | 15 | 1.0 | — | 15 | 20 | 1.0 | — | (15) | (1.0) | — | — | — | — | — | 0 | NO |
| Pro Logic II | | ±0 | 15 | 1.0 | — | 15 | 23 | 1.0 | — | (15) | (1.0) | — | — | — | — | — | 0 | NO | |
| Neo : 6 | | ±0 | 15 | 1.0 | — | 15 | 23 | 1.0 | — | 15 | 1.0 | — | — | — | — | — | 0 | NO | |
| Pro Logic IIx | | ±0 | 15 | 1.0 | — | 15 | 23 | 1.0 | — | 15 | 1.0 | — | — | — | — | — | 0 | NO | |

| Main Menu | Sub Menu | Parameter | Setting value ([] Initial value) / 設定値 ([] 初期値) |
|-----------------------|----------|-------------|---|
| THX | Cinema | Decode Type | [Pro Logic] |
| | | | Pro Logic II |
| | | | Neo : 6 |
| | | | Pro Logic IIx |
| | | | PL IIx Music |
| SURROUND | (Music) | Standard | Decode Type |
| | | | [Pro Logic] |
| | | | PL II Movie |
| | | | PL II Music |
| | | | PL II Game |
| | | | Neo : 6 Cinema |
| | | | Neo : 6 Music |
| | | | PL IIx Movie |
| | | | PL IIx Music |
| | | | PL IIx Game |
| | | | Panarama |
| | | | [OFF] / ON |
| | | | Dimension |
| -3 / +3 / 1 [STD] | | | |
| Center Width | | | |
| 0 / 7 / 1 [3] | | | |
| Center Image | | | |
| 0.0 / 1.0 / 0.1 [0.3] | | | |
| Initialize | | | |
| [NO] / YES | | | |

(Setting can be made when PL II Music is selected / PL II Music 選択時 設定可)

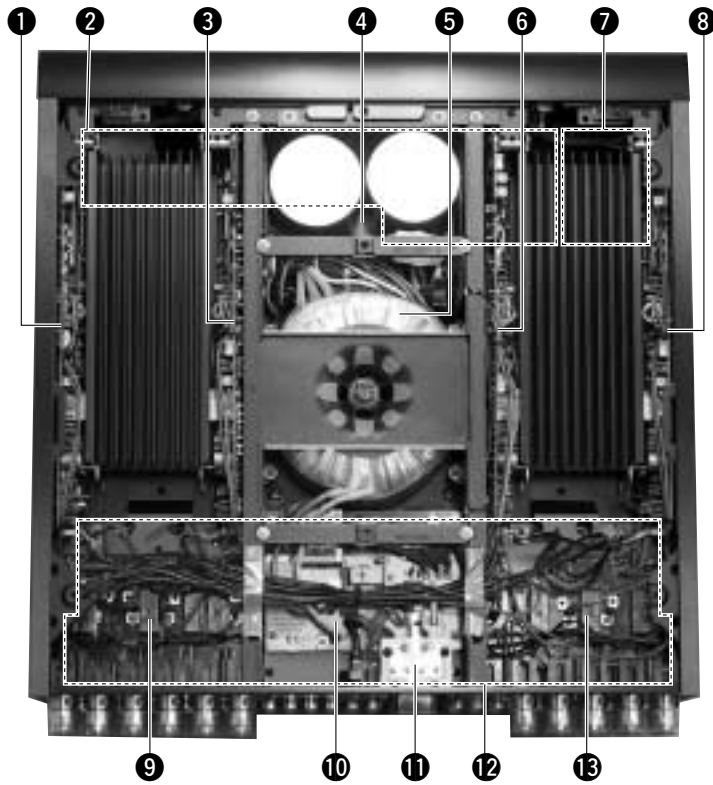
(Setting can be made when Neo : 6 is selected / Neo : 6 選択時 設定可)

| Parameter | Decode Type | DSP Level -6 / +3 / 1 dB | Init. Deley 1 / 99 / 1 ms | Room Ssize 0.1 / 2.0 / 0.1 | Liveness 0 / 10 / 1 | Sur. Deley (ms) 0 / 15 / 1 ms | Sur. Init. Deley 1 / 49 / 1 ms | Sur. Room Size 0.1 / 2.0 / 0.1 | Sur. Liveness 1 / 5 / 1 | SB Init. Deley 1 / 49 / 1 ms | SB Room Size 0.1 / 2.0 / 0.1 | SB Liveness 1 / 5 / 1 | Rev. Time 1.0 / 5.0 / 0.1 ms | Rev. Deley 0 / 250 / 1 ms | Rev. Level 0 / 100 / 1 % | Dialogue Lift 0 / 5 / 1 | Initialize NO / YES |
|-----------|---------------|-----------------------------|------------------------------|-------------------------------|------------------------|----------------------------------|-----------------------------------|-----------------------------------|----------------------------|---------------------------------|---------------------------------|--------------------------|---------------------------------|------------------------------|-----------------------------|----------------------------|------------------------|
| Enhanced | Pro Logic | ±0 | — | — | — | 5 | 20 | 1.0 | 4 | (15) | (1.0) | (5) | — | — | — | 0 | NO |
| | Pro Logic II | ±0 | — | — | — | 5 | 19 | 1.0 | 4 | (15) | (1.0) | (5) | — | — | — | 0 | NO |
| | Neo 6 | ±0 | — | — | — | 5 | 19 | 1.0 | 4 | 15 | 1.0 | 5 | — | — | — | 0 | NO |
| | Pro Logic IIx | ±0 | — | — | — | 5 | 19 | 1.0 | 4 | 15 | 1.0 | 5 | — | — | — | 0 | NO |

STRAIGHT

■ INTERNAL VIEW

▼ Top View



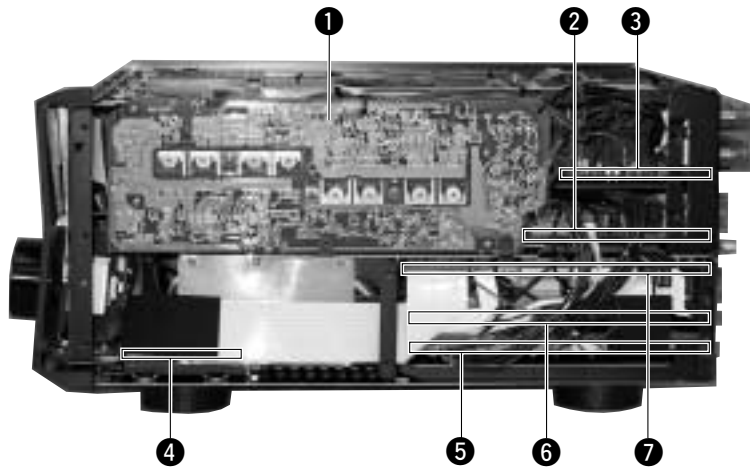
- ① MAIN (R)-R P.C.B.
- ② POWER (1) P.C.B.
- ③ MAIN (R)-L P.C.B.
- ④ SUB TRANS (3) P.C.B.
- ⑤ POWER TRANSFORMER
- ⑥ MAIN (L)-R P.C.B.
- ⑦ POWER (2) P.C.B.
- ⑧ MAIN (L)-L P.C.B.
- ⑨ SUB TRANS (5) P.C.B.
- ⑩ SUB TRANS (1) P.C.B.
- ⑪ SUB TRANS (2) P.C.B.
- ⑫ FUNCTION P.C.B.
- ⑬ SUB TRANS (4) P.C.B.

▼ Bottom View



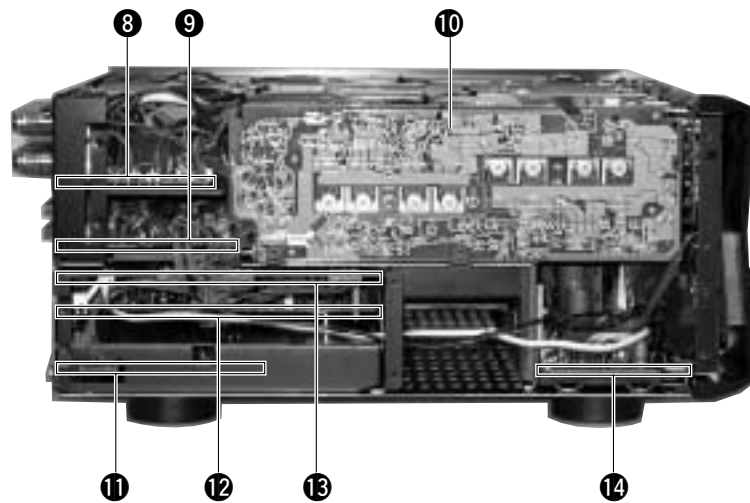
- ⑭ DC FAN UNITS
- ⑮ 1394 P.C.B.
- ⑯ DSP2 P.C.B.
- ⑰ DSP1 (1) P.C.B.

▼ Right Side View



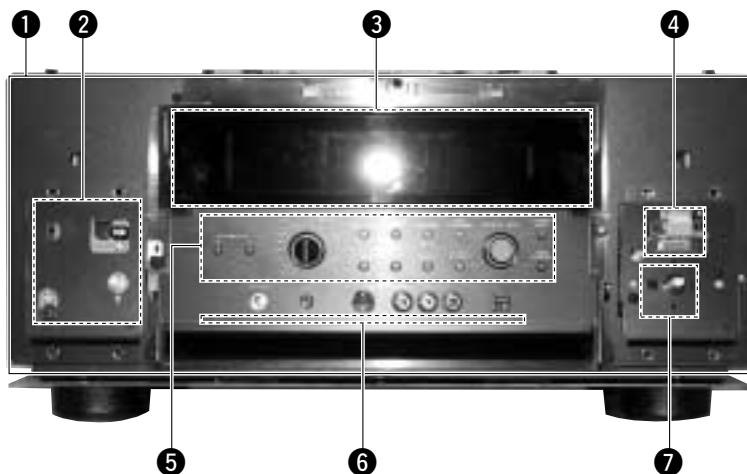
- ① MAIN (R)-R P.C.B.
- ② FUNCTION P.C.B.
- ③ SUB TRANS (5) P.C.B.
- ④ POWER (1) P.C.B.
- ⑤ DSP1 (1) P.C.B.
- ⑥ VIDEO BOTTOM P.C.B.
- ⑦ VIDEO TOP P.C.B.

▼ Left Side View



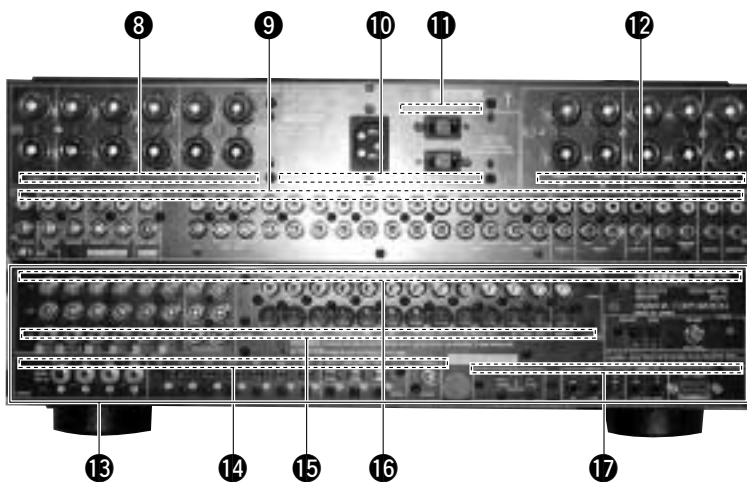
- ⑧ SUB TRANS (4) P.C.B.
- ⑨ FUNCTION P.C.B.
- ⑩ MAIN (L)-L P.C.B.
- ⑪ 1394 P.C.B.
- ⑫ VIDEO BOTTOM P.C.B.
- ⑬ VIDEO TOP P.C.B.
- ⑭ POWER (2) P.C.B.

▼ Front View



- ❶ SUB CHASSIS UNIT(サブシャーシユニット)
- ❷ OPERATION (7) P.C.B.
- ❸ OPERATION (1) P.C.B.
- ❹ OPERATION (3) P.C.B.
- ❺ OPERATION (5) P.C.B.
- ❻ OPERATION (6) P.C.B.
- ❼ OPERATION (2) P.C.B.

▼ Rear View



- ❽ SUB TRANS (5) P.C.B.
- ❾ FUNCTION P.C.B.
- ❿ SUB TRANS (1) P.C.B.
- ⓫ SUB TRANS (2) P.C.B.
- ⓬ SUB TRANS (4) P.C.B.
- ⓭ REAR PANEL UNIT
- ⓮ DSP1 (1) P.C.B.
- ⓯ VIDEO BOTTOM P.C.B.
- ⓰ VIDEO TOP P.C.B.
- ⓱ 1394 P.C.B.

■ DISASSEMBLY PROCEDURES / 分解手順

(Remove parts in disassembly order as numbered.)

(番号順に部品を取り外してください。)

1. Removal of Top Cover

- a. Remove 6 screws (①), 6 washers (②) and 1 screw (③). (Fig. 1)
- b. Slide the Top Cover rearward to remove it. (Fig. 1)

1. トップカバーの外し方

- a. ①のネジ6本、②のワッシャー6個、③のネジ1本を外します。(Fig. 1)
- b. トップカバーを後方へスライドさせ取り外します。(Fig. 1)

2. Removal of Side Panel L/R

- a. Remove 4 screws (④) and then remove the Side Panel L. (Fig. 1)
- b. Remove 4 screws (⑤) and then remove the Side Panel R. (Fig. 2)

2. サイドパネルL/Rの外し方

- a. ④のネジ4本を外し、サイドパネルLを取り外します。(Fig. 1)
- b. ⑤のネジ4本を外し、サイドパネルRを取り外します。(Fig. 2)

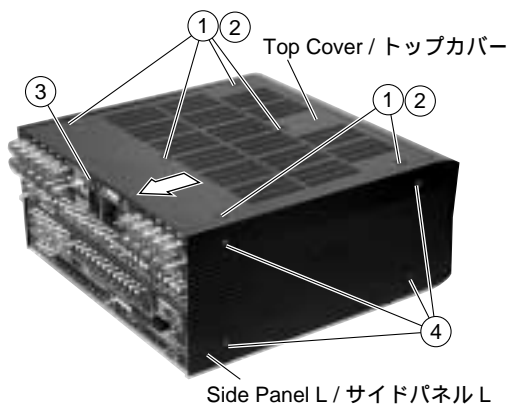


Fig. 1

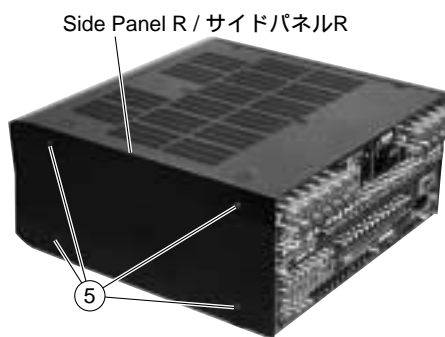


Fig. 2

3. Removal of Front Panel

- a. Remove the VOLUME knob and the INPUT knob.
- b. Remove 3 screws (⑥) and 3 screws (⑦) and then remove the Side Panel L. (Fig. 3, 4)

3. フロントパネルの外し方

- a. VOLUMEツマミとINPUTツマミを外します。
- b. ⑥のネジ3本、⑦のネジ3本を外し、フロントパネルを取り外します。(Fig. 3, 4)

4. Removal of Bottom Cover

Remove 15 screws (⑧) and then remove the Bottom Cover. (Fig. 4)

4. ボトムカバーの外し方

- ⑧のネジ15本を外し、ボトムカバーを取り外します。(Fig. 4)

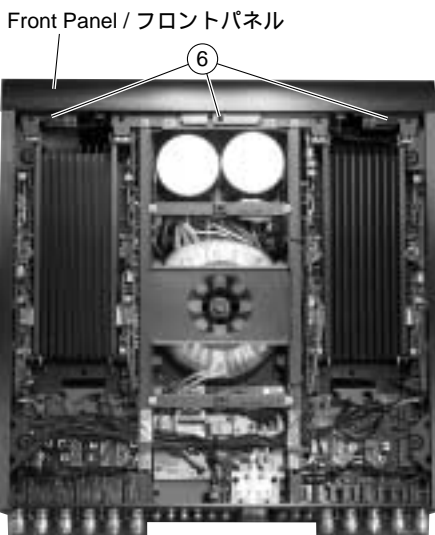


Fig. 3

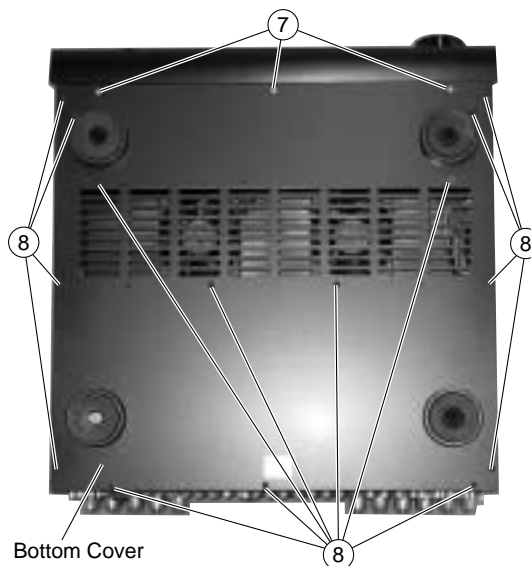
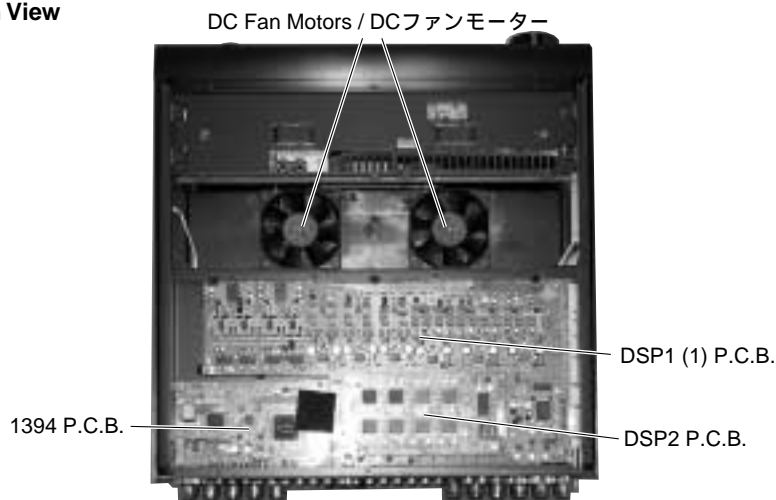


Fig. 4

● Bottom View



5. Removal of Side Frame L/R

- a. Remove 6 screws (⑨) and 2 screws (⑩) and then remove the Side Frame L (Upper). (Fig. 5)
- b. Remove 6 screws (⑪) and then remove the Side Frame L (Lower). (Fig. 5)
- c. Remove 6 screws (⑫) and 2 screws (⑬) and then remove the Side Frame R (Upper). (Fig. 6)
- d. Remove 6 screws (⑭) and then remove the Side Frame R (Lower). (Fig. 6)

5. サイドフレームL/Rの外し方

- a. ⑨のネジ6本と⑩のネジ2本を外し、サイドフレーム L (Upper)を取り外します。(Fig. 5)
- b. ⑪のネジ6本を外し、サイドフレーム L (Lower)を取り外します。(Fig. 5)
- c. ⑫のネジ6本と⑬のネジ2本を外し、サイドフレーム R (Upper)を取り外します。(Fig. 6)
- d. ⑭のネジ6本を外し、サイドフレーム R (Lower)を取り外します。(Fig. 6)

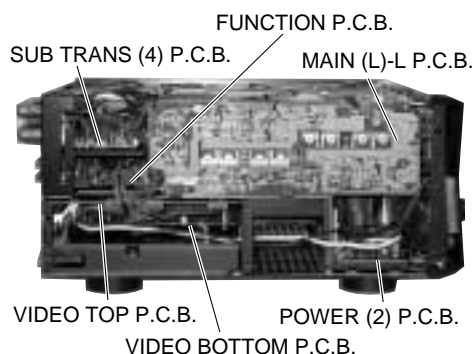
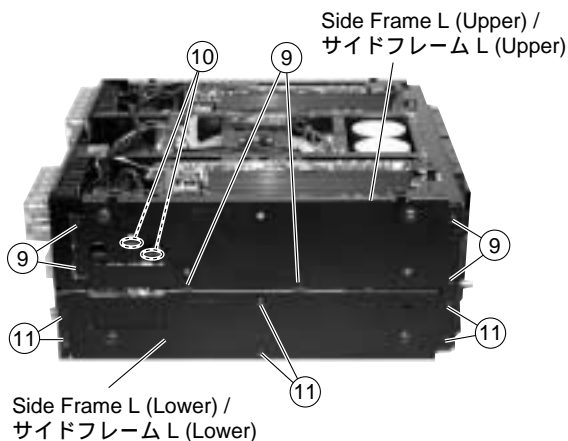


Fig. 5

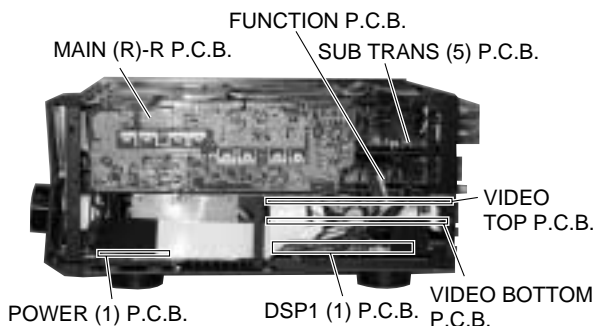
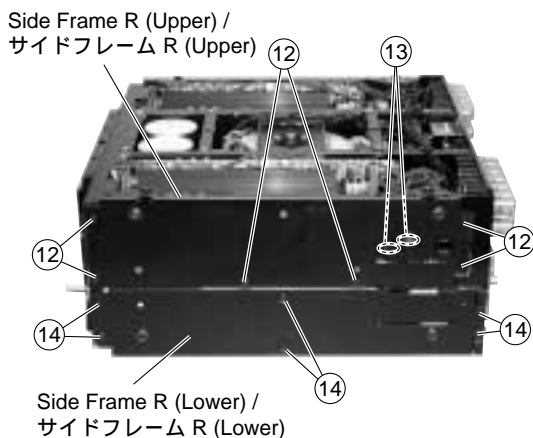


Fig. 6

6. Removal of Amp Unit L/R

- a. Remove the Side Frame L/R (Upper).
(See procedure 5)
- b. Remove 4 screws (15) and 5 screws (16) in Fig. 7.
- c. Remove connectors CB852 (3P), CB853 (2P), CB301 (3P) and CB421 (4P). (Fig. 7)
- d. Remove 2 screws (17) and then remove the Support (Top). (Fig. 7)
- e. Remove connector CB821 (6P). (Fig. 7)
- f. Remove the Amp Unit L. (Fig. 7)
- g. Remove 4 screws (18) and 4 screws (19). (Fig. 7)
- h. Remove connectors CB822 (6P), CB877 (2P), CB876 (3P), CB301 (3P) and CB661 (4P). (Fig. 7)
- i. Remove the Amp Unit R. (Fig. 7)

6. アンプユニットL/Rの外し方

- a. サイドフレーム L/R (Upper)を取り外します。(5項参照)
- b. 15のネジ4本と16のネジ5本を外します。(Fig. 7)
- c. コネクターCB852 (3P)、CB853 (2P)、CB301 (3P)、CB421 (4P)を外します。(Fig. 7)
- d. 17のネジ2本を外し、サポート(TOP)を取り外します。(Fig. 7)
- e. コネクターCB821 (6P)を外します。(Fig. 7)
- f. アンプユニットLを取り外します。(Fig. 7)
- g. 18のネジ4本と19のネジ4本を外します。(Fig. 7)
- h. コネクターCB822 (6P)、CB877 (2P)、CB876 (3P)、CB301 (3P)、CB661 (4P)を外します。(Fig. 7)
- i. アンプユニットRを取り外します。(Fig. 7)

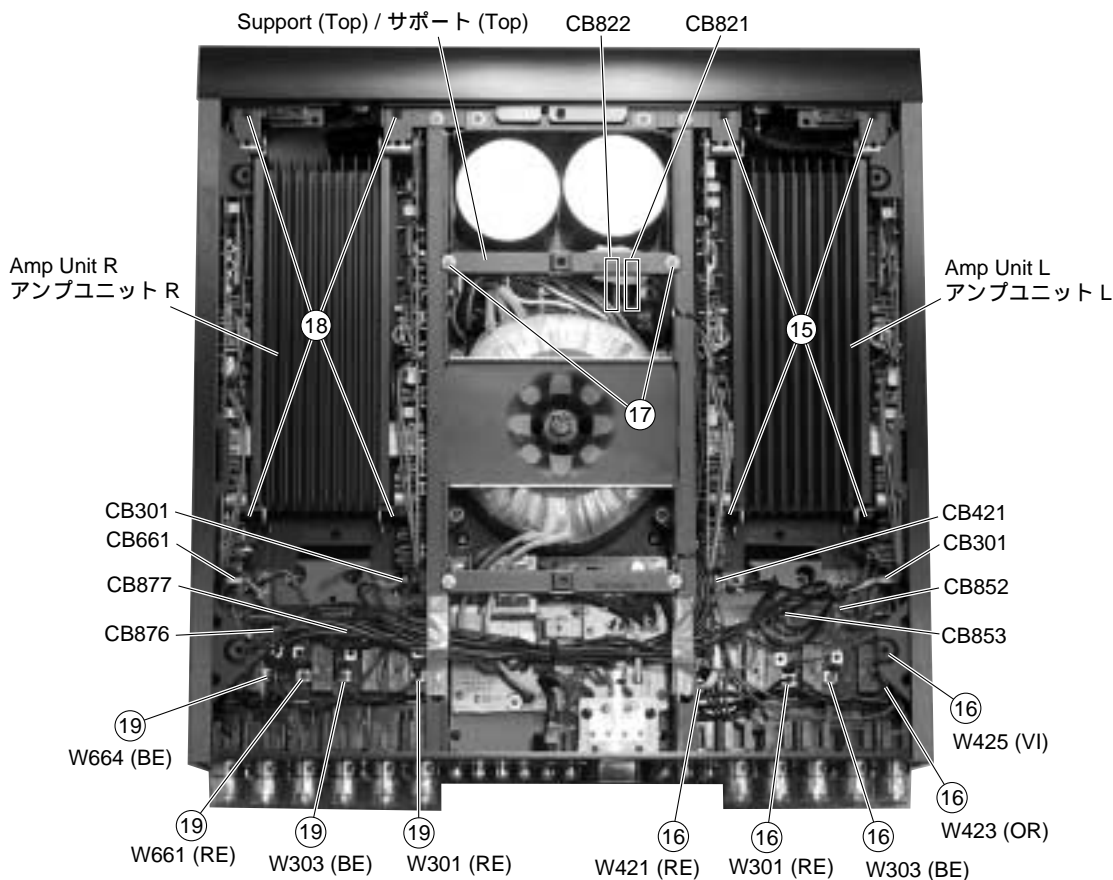


Fig. 7

● Wiring Table

Amp Unit L

| P.C.B. | Schm Ref. |
|--------------|------------|
| MAIN (L)-R | W423 (OR) |
| MAIN (L)-R | W425 (VI) |
| MAIN (L)-L | W303 (BE) |
| MAIN (L)-L | W301 (RE) |
| MAIN (L)-R | W421 (RE) |
| MAIN (L)-L | W309 (3P) |
| MAIN (L)-R | W427 (2P) |
| MAIN (L)-L | CB301 (3P) |
| MAIN (L)-R | CB421 (4P) |
| MAIN (L)-L/R | W429 (6P) |

Amp Unit R

| P.C.B. | Schm Ref. |
|---------------|------------|
| SUB TRANS (4) | Z861 |
| SUB TRANS (4) | Z860 |
| SUB TRANS (4) | Z858 |
| SUB TRANS (4) | Z856 |
| SUB TRANS (4) | Z855 |
| SUB TRANS (4) | CB852 (3P) |
| SUB TRANS (4) | CB853 (2P) |
| FUNCTION | W11 (3P) |
| FUNCTION | W9 (4P) |
| SUB TRANS (3) | CB821 (6P) |

| P.C.B. | Schm Ref. |
|--------------|------------|
| MAIN (R)-L | W301 (RE) |
| MAIN (R)-L | W303 (BE) |
| MAIN (R)-R | W661 (RE) |
| MAIN (R)-R | W664 (BE) |
| MAIN (R)-L | W309 (2P) |
| MAIN (R)-R | W663 (3P) |
| MAIN (R)-L | CB301 (3P) |
| MAIN (R)-R | CB661 (4P) |
| MAIN (R)-L/R | W307 (6P) |

| P.C.B. | Schm Ref. |
|---------------|------------|
| SUB TRANS (5) | Z878 |
| SUB TRANS (5) | Z880 |
| SUB TRANS (5) | Z883 |
| SUB TRANS (5) | Z884 |
| SUB TRANS (5) | CB877 (2P) |
| SUB TRANS (5) | CB876 (3P) |
| FUNCTION | W10 (3P) |
| FUNCTION | W12 (4P) |
| SUB TRANS (3) | CB822 (6P) |

7. Removal of SUB TRANS (4) P.C.B. & SUB TRANS (5) P.C.B.

- a. Remove the Side Frame L/R. (See procedure 5)
- b. Remove the Amp Unit L/R. (See procedure 6)
- c. Remove 6 screws (⑱). (Fig. 8)
- d. Remove 2 screws (⑳) and 1 screw (㉑). (Fig. 9)
- e. Remove connectors CB862 (4P), CB810 (13P), CB811 (9P) and CB20 (13P). (Fig. 9, 10)
- f. Remove the SUB TRANS (4) P.C.B. and the SUB TRANS (5) P.C.B. (Fig. 9)

7. SUB TRANS (4) & SUB TRANS (5) P.C.B.の外し方

- a. サイドフレーム L/Rを取り外します。(5項参照)
- b. アンプユニットL/Rを取り外します。(6項参照)
- c. ⑱のネジ6本を外します。(Fig. 8)
- d. ⑳のネジ2本と㉑のネジ1本を外します。(Fig. 9)
- e. コネクターCB862 (4P)、CB810 (13P)、CB811 (9P)、CB20 (13P)を外します。(Fig. 9, 10)
- f. SUB TRANS (4) & SUB TRANS (5) P.C.B.を取り外します。(Fig. 9)

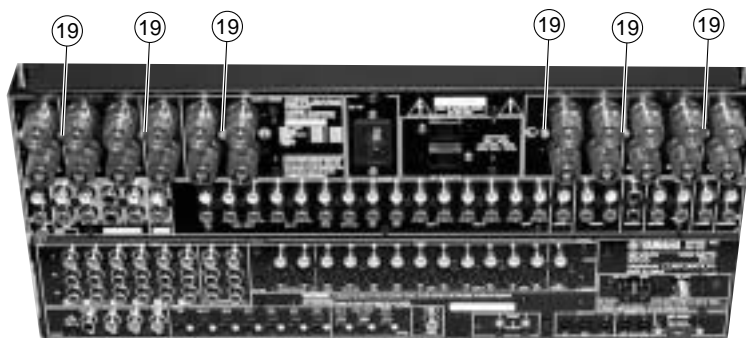


Fig. 8

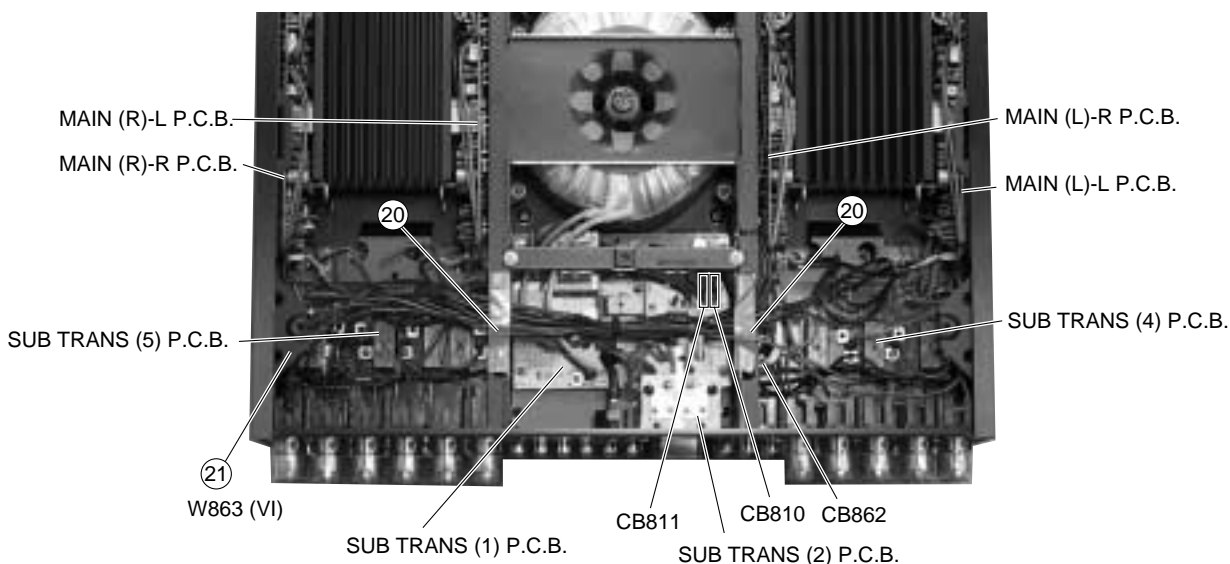


Fig. 9

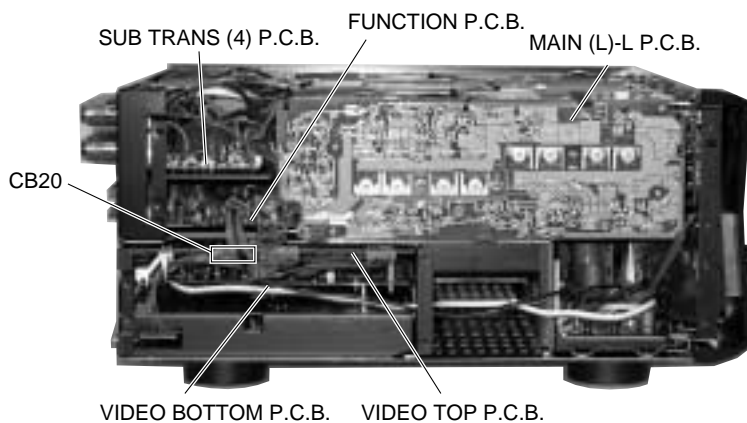


Fig. 10

8. Removal of SUB TRANS (1) P.C.B. & SUB TRANS (2) P.C.B.

- a. Remove 2 screws (22) and then remove the AC OUTLET. (Fig. 11)
- b. Remove 2 screws (23) and then remove the AC INLET. (Fig. 11)
- c. Remove 2 screws (24) and then remove the Support (Top). (Fig. 12)
- d. Remove 4 screws (25) and 3 screws (26). (Fig. 12)
- e. Remove connectors CB810 (13P), CB811 (9P) and CB812 (4P). (Fig. 12)
- f. Remove the SUB TRANS (1) P.C.B. and the SUB TRANS (2) P.C.B. (Fig. 12)

- 8. SUB TRANS (1) & SUB TRANS (2) P.C.B.の外し方
 - a. 22のネジ2本を外し、AC OUTLETを外します。(Fig. 11)
 - b. 23のネジ2本を外し、AC INLETを外します。(Fig. 11)
 - c. 24のネジ2本を外し、サポート(TOP)を取り外します。(Fig. 12)
 - d. 25のネジ4本と26のネジ3本を外します。(Fig. 12)
 - e. コネクターCB810 (13P)、CB811 (9P)、CB812 (4P)を外します。(Fig. 12)
 - f. SUB TRANS (1) & SUB TRANS (2) P.C.B.を取り外します。(Fig. 12)

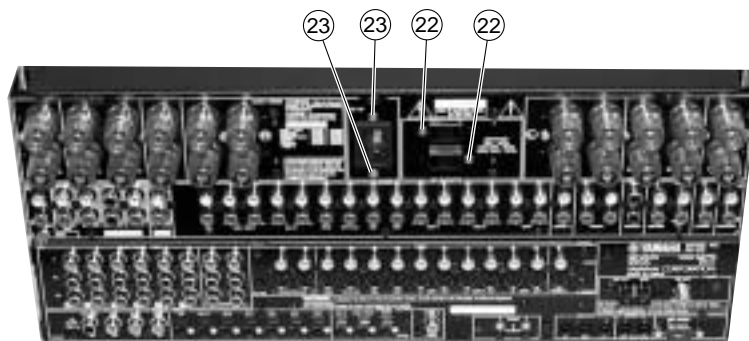


Fig. 11

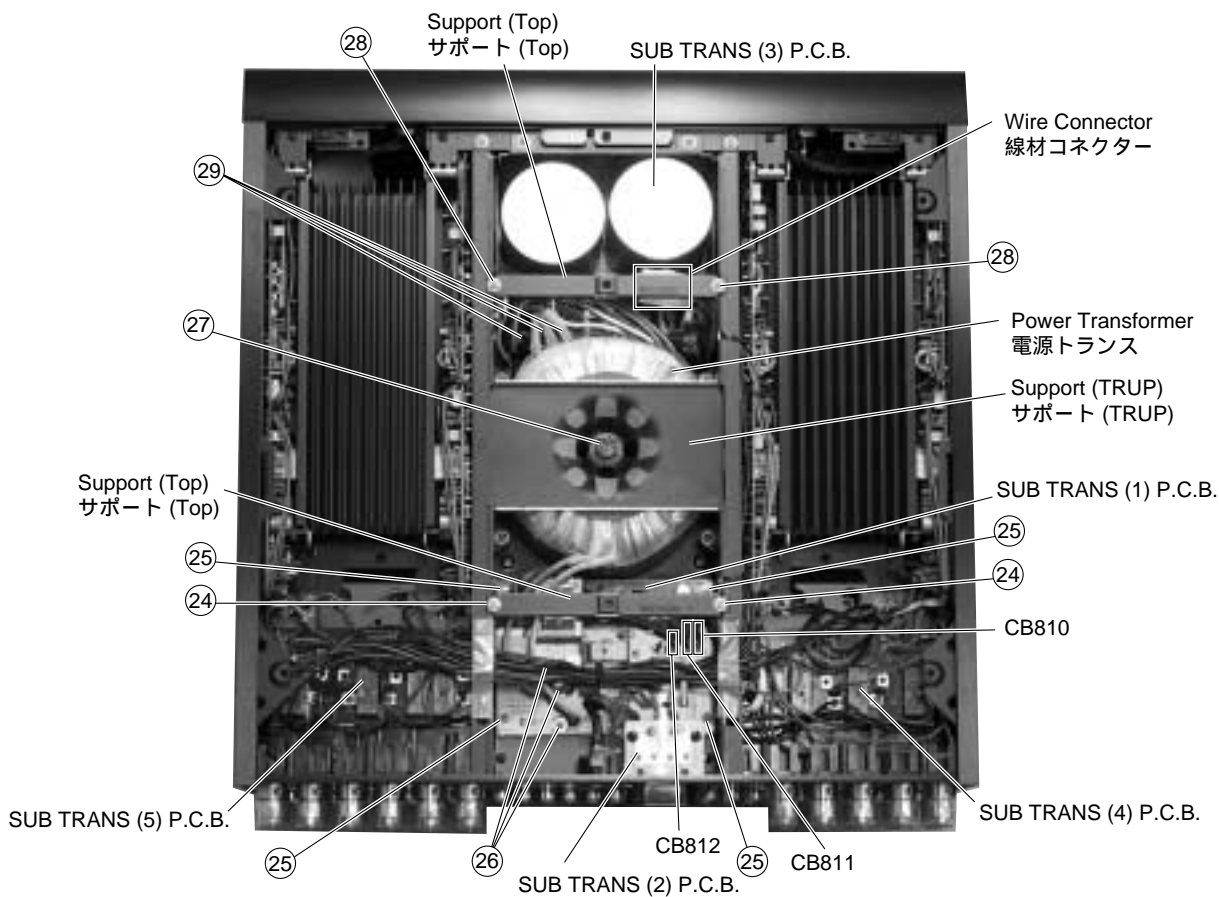


Fig. 12

9. Removal of Power Transformer

- Remove 1 bolt (27) and then remove the Support (TRUP). (Fig. 12)
- Remove 2 screws (28) and then remove the Support (Top). (Fig. 12)
- Remove 3 screws (26) and 3 screws (29). (Fig. 12)
- Remove the wire connector. (Fig. 12)
- Remove the Power Transformer. (Fig. 12)

9. 電源トランスの外し方

- 27のボルトを外し、サポート(TRUP)を取り外します。(Fig. 12)
- 28のネジ2本を外し、サポート(TOP)を取り外します。(Fig. 12)
- 26のネジ3本と29のネジ3本を外します。(Fig. 12)
- 線材コネクタを外します。(Fig. 12)
- 電源トランスを取り外します。(Fig. 12)

10. Removal of SUB TRANS (3) P.C.B.

- Remove the Amp Unit L/R. (See procedure 6)
- Remove the Power Transformer. (See procedure 9)
- Remove 4 screws (30). (Fig. 13)
- Remove 2 screws (31). (Fig. 13)
- Remove connector CB905 (7P). (Fig. 13)
- Remove the SUB TRANS (3) P.C.B. (Fig. 13)

10. SUB TRANS (3) P.C.B.の外し方

- アンプユニットL/Rを取り外します。(6項参照)
- 電源トランスを取り外します。(9項参照)
- 30のネジ4本を外します。(Fig. 13)
- 31のネジ2本を外します。(Fig. 13)
- コネクタ-CB905 (7P)を外します。(Fig. 13)
- SUB TRANS (3) P.C.B.を取り外します。(Fig. 13)

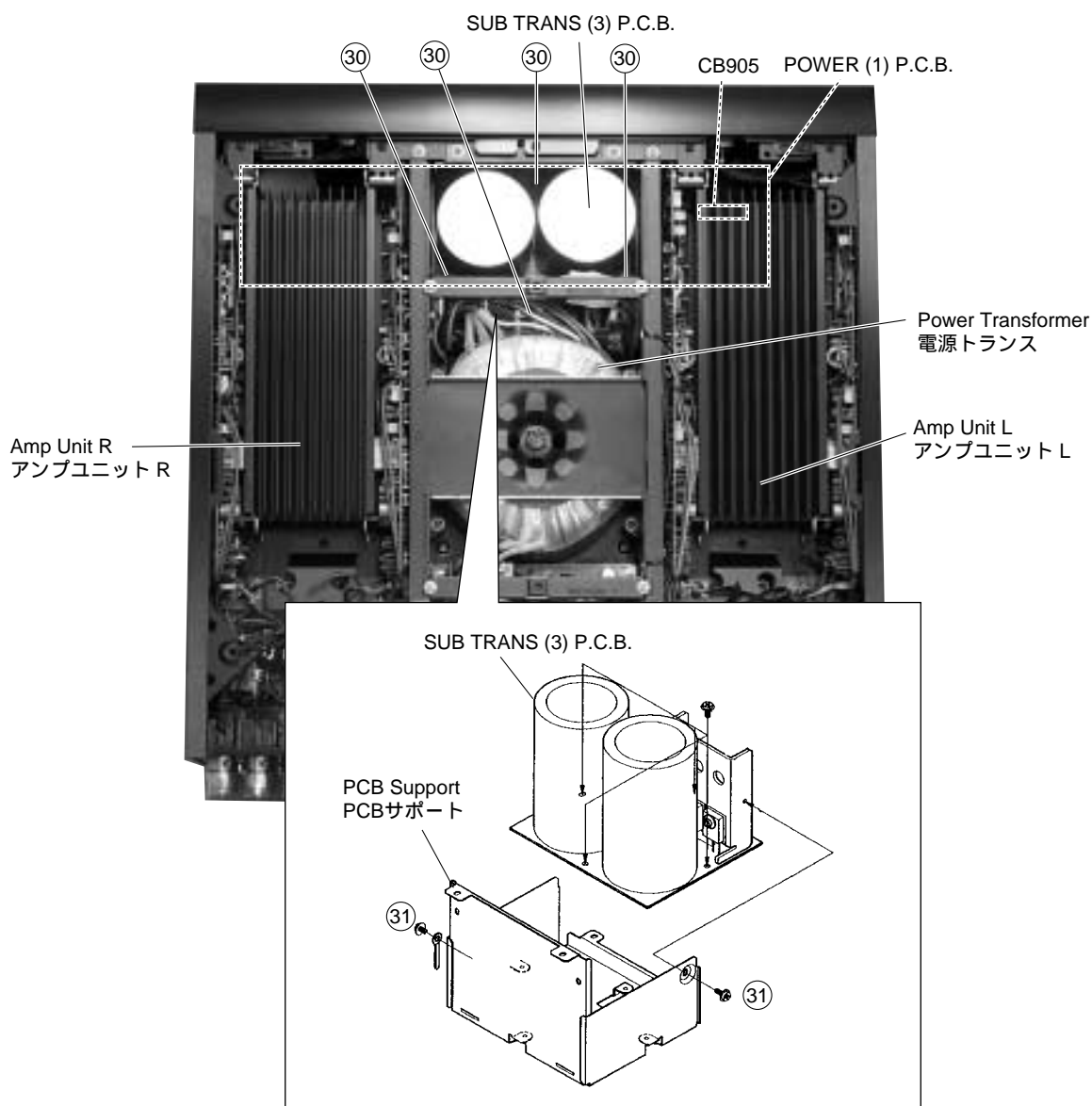


Fig. 13

11. Removal of FUNCTION P.C.B.

- a. Remove the Side Frame L/R. (See procedure 5)
- b. Remove the Amp Unit L/R. (See procedure 6)
- c. Remove the SUB TRANS (4) P.C.B. and SUB TRANS (5) P.C.B. (See procedure 7)
- d. Remove the SUB TRANS (1) P.C.B. and SUB TRANS (2) P.C.B. (See procedure 8)
- e. Remove 3 screws (32) and then remove the Cover (FUNC-L). (Fig. 14)
- f. Remove 2 screws (33) and then remove the Cover (POWER). (Fig. 14)
- g. Remove 3 screws (34) and then remove the Cover (FUNC-R). (Fig. 14)

11. FUNCTION P.C.B.の外し方

- a. サイドフレーム L/Rを取り外します。(5項参照)
- b. アンプユニットL/Rを取り外します。(6項参照)
- c. SUB TRANS (4) & SUB TRANS (5) P.C.B.を取り外します。(7項参照)
- d. SUB TRANS (1) & SUB TRANS (2) P.C.B.を取り外します。(8項参照)
- e. 32のネジ3本を外し、カバー(FUNC-L)を取り外します。(Fig. 14)
- f. 33のネジ2本を外し、カバー(POWER)を取り外します。(Fig. 14)
- g. 34のネジ3本を外し、カバー(FUNC-R)を取り外します。(Fig. 14)

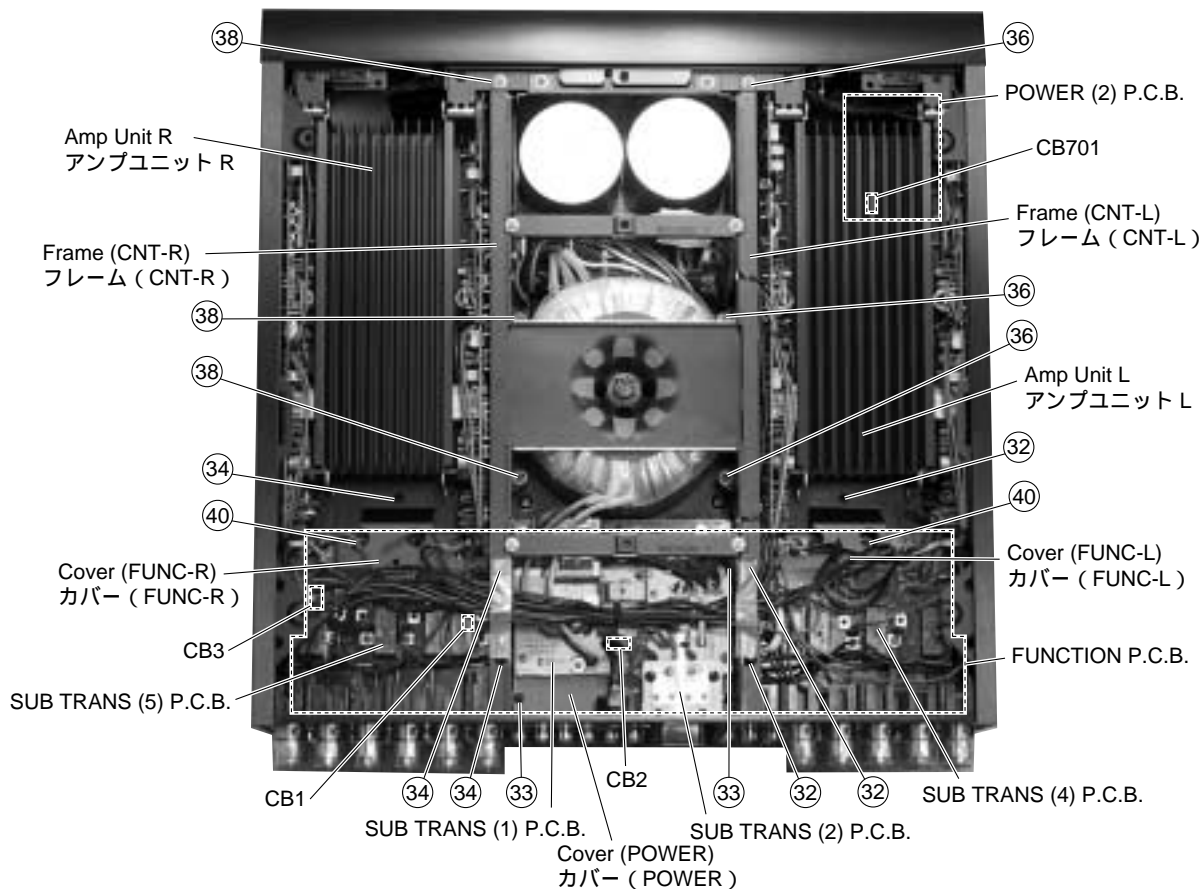


Fig. 14

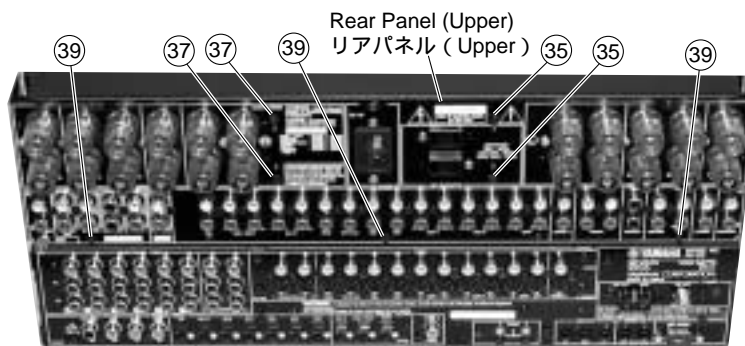


Fig. 15

- h. Remove 2 screws (35) and 3 screws (36) and then remove the Frame (CNT-L). (Fig. 14, 15)
- i. Remove 2 screws (37) and 3 screws (38) and then remove the Frame (CNT-R). (Fig. 14, 15)
- j. Remove 3 screws (39) and 2 screws (40). (Fig. 14, 15)
- k. Disconnect the following connectors.
 FUNCTION P.C.B.(Fig. 14)
 ・ CB1 (2P), CB2 (3P), CB3 (3P)
 POWER (2) P.C.B.(Fig. 14)
 ・ CB701 (4P)
 VIDEO TOP P.C.B.(Fig. 16)
 ・ CB24 (9P), CB23 (12P), [CB18 (3P) U, C, A only]
 DSP1 (1) P.C.B.(Fig. 17)
 ・ CB13 (13P), CB12 (3P), CB16 (6P), CB14 (9P), CB15 (12P)
- l. Remove the FUNCTION P.C.B. with the Rear Panel (Upper) attached to it. (Fig. 14)

CAUTION

The FUNCTION P.C.B. has many wires connected internally on both the top and the back faces. Be careful not to change routing of these wires. (The hum level may vary when their routing is changed.)

- h. 35のネジ2本と36のネジ3本を外し、フレーム(CNT-L)を取り外します。(Fig. 14, 15)
- i. 37のネジ2本と38のネジ3本を外し、フレーム(CNT-R)を取り外します。(Fig. 14, 15)
- j. 39のネジ3本と40のネジ2本を外します。(Fig. 14, 15)
- i. 下記のコネクタを外します。
 FUNCTION P.C.B.(Fig. 14)
 ・ CB1 (2P), CB2 (3P), CB3 (3P)
 POWER (2) P.C.B.(Fig. 14)
 ・ CB701 (4P)
 VIDEO TOP P.C.B.(Fig. 16)
 ・ CB24 (9P), CB23 (12P), [CB18 (3P) U, C, A only]
 DSP1 (1) P.C.B.(Fig. 17)
 ・ CB13 (13P), CB12 (3P), CB16 (6P), CB14 (9P), CB15 (12P)
- l. リアパネル(Upper)が付いた状態で、FUNCTION P.C.B.を取り外します。(Fig. 14)

注意

FUNCTION P.C.B.は、表 / 裏面共に基板内配線が多数あります。配線の引き回しを変えないように注意してください。(配線の引き回し方によって、ハムのレベルが変わる可能性があります。)

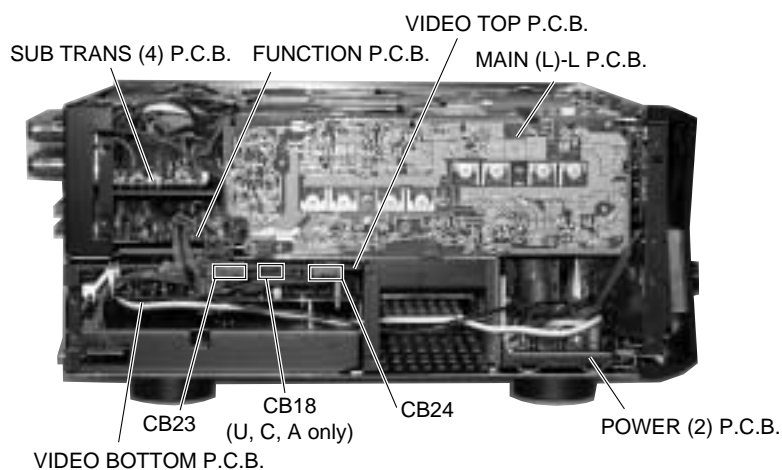


Fig. 16

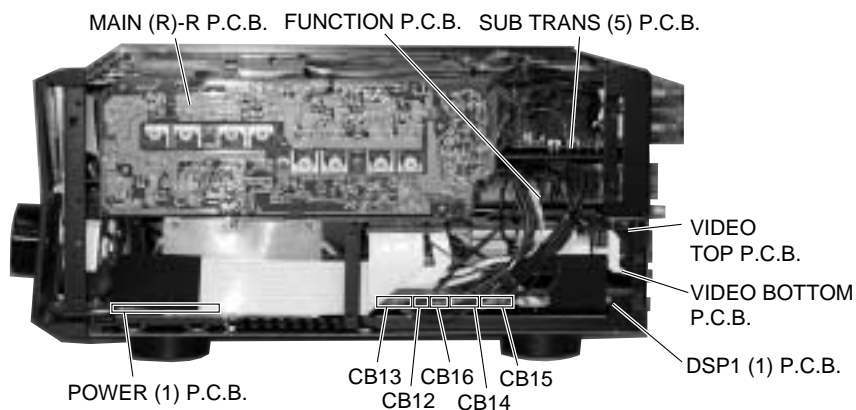


Fig. 17

12. Removal of Sub Chassis Unit

- Remove the Front Panel. (See procedure 3)
- Remove the Side Frame L/R. (See procedure 5)
- Remove 4 screws (④①). (Fig. 18)
- Remove 4 screws (④②). (Fig. 18)
- Remove 4 screws (④③). (Fig. 18)
- Remove connectors CB702 (11P) and CB703 (3P). (Fig. 18)
- Remove the Sub Chassis Unit. (Fig. 18)

12. サブシャーシユニットの外し方

- フロントパネルを取り外します。(3項参照)
- サイドフレーム L/Rを取り外します。(5項参照)
- ④①のネジ4本を外します。(Fig. 18)
- ④②のネジ4本を外します。(Fig. 18)
- ④③のネジ4本を外します。(Fig. 18)
- コネクタCB702 (11P)、CB703 (3P)を外します。(Fig. 18)
- サブシャーシユニットを取り外します。(Fig. 18)

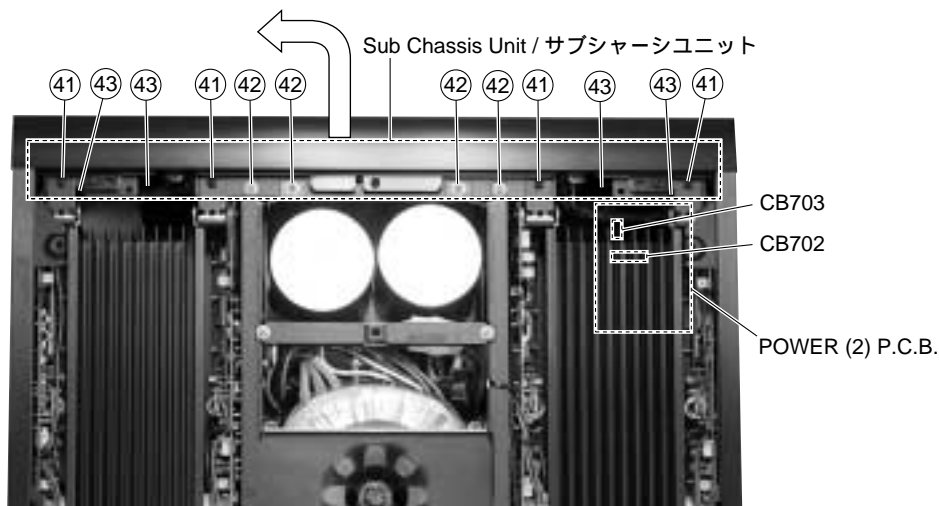


Fig. 18

13. Removal of POWER (1) P.C.B. & POWER (2) P.C.B.

- Remove the Front Panel. (See procedure 3)
- Remove the Side Frame L/R. (See procedure 5)
- Remove the Amp Unit L/R. (See procedure 6)
- Remove the Power Transformer. (See procedure 9)
- Remove the SUB TRANS (3) P.C.B. (See procedure 10)
- Remove the Sub Chassis Unit. (See procedure 12)
- Remove 2 screws (④④) and then remove the Support (PCB). (Fig. 19)
- Remove 8 screws (④⑤). (Fig. 19)
- Disconnect the following connectors.
 - VIDEO TOP P.C.B.(Fig. 20)
 - CB26 (3P)
 - SUB TRANS (4) P.C.B.(Fig. 19)
 - CB862 (4P)
 - POWER (1) P.C.B.(Fig. 19)
 - CB903 (3P), CB904 (3P)
 - POWER (2) P.C.B.(Fig. 19)
 - CB701
- Remove the POWER (1) P.C.B. and the POWER (2) P.C.B. (Fig. 19)

13. POWER (1) & (2) P.C.B.の外し方

- フロントパネルを取り外します。(3項参照)
- サイドフレーム L/Rを取り外します。(5項参照)
- アンプユニットL/Rを取り外します。(6項参照)
- 電源トランスを取り外します。(9項参照)
- SUB TRANS (3) P.C.B.を取り外します。(10項参照)
- サブシャーシユニットを取り外します。(12項参照)
- ④④のネジ2本を外し、サポート(PCB)を取り外します。(Fig. 19)
- ④⑤のネジ8本を外します。(Fig. 19)
- 下記のコネクタを外します。
 - VIDEO TOP P.C.B.(Fig. 20)
 - CB26 (3P)
 - SUB TRANS (4) P.C.B.(Fig. 19)
 - CB862 (4P)
 - POWER (1) P.C.B.(Fig. 19)
 - CB903 (3P), CB904 (3P)
 - POWER (2) P.C.B.(Fig. 19)
 - CB701
- POWER (1) & (2) P.C.B.を取り外します。(Fig. 18)

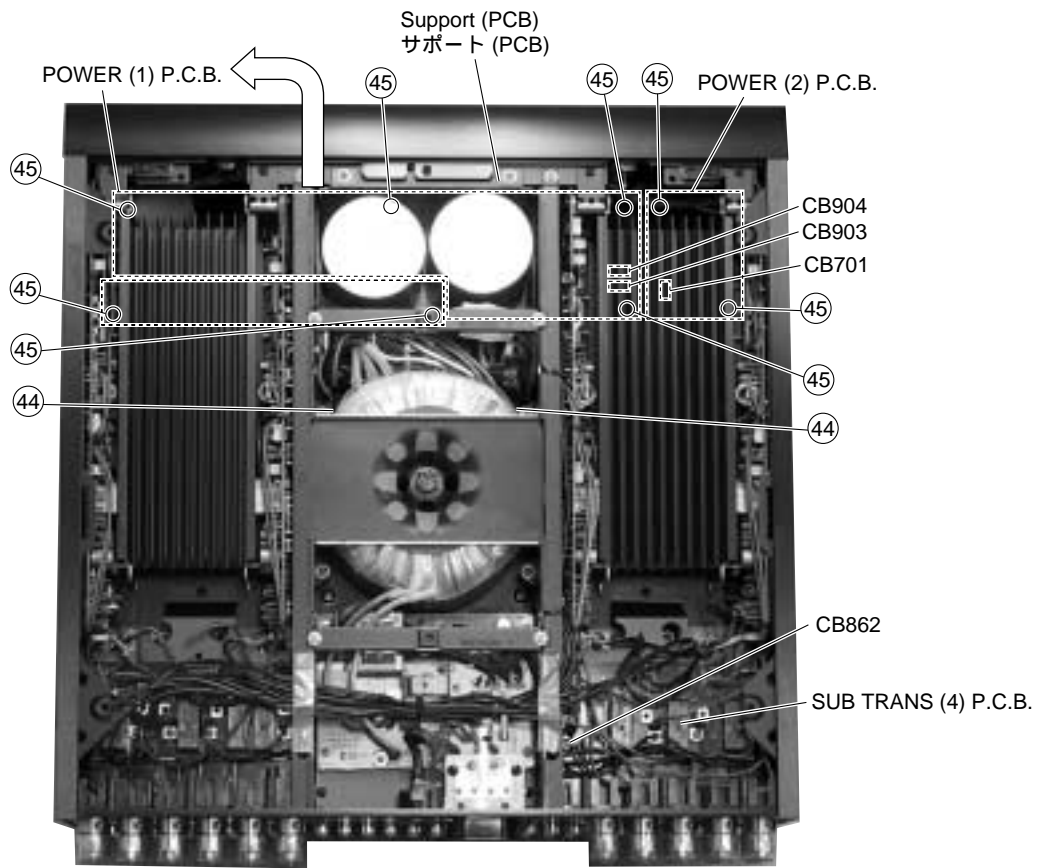


Fig. 19

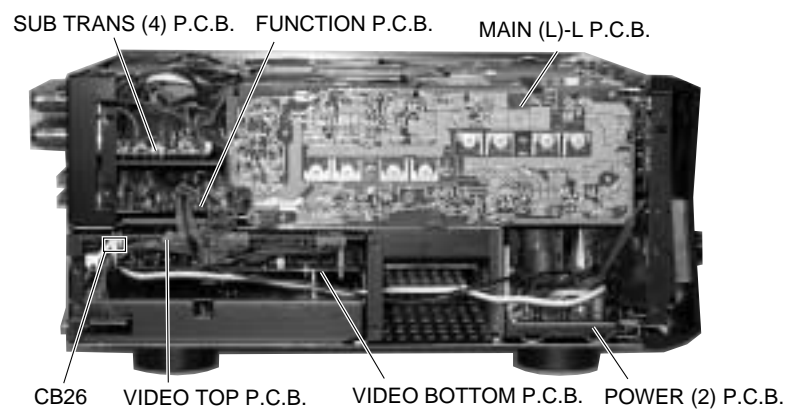


Fig. 20

14. Removal of DC Fan Motor

- a. Remove the Bottom Cover. (See procedure 4)
- b. Remove the Side Frame L/R. (See procedure 5)
- c. Remove the Sub Chassis Unit. (See procedure 12)
- d. Disconnect the following connectors.
 - POWER (1) P.C.B.(Fig. 19)
 - CB904 (3P), CB903 (3P)
- e. Remove 8 screws (④⑥) and then remove the DC Fan Motors. (Fig. 21)

14. DCファンモーターの外し方

- a. ボトムカバーを取り外します。(4項参照)
- b. サイドフレーム L/Rを取り外します。(5項参照)
- c. サブシャーシユニットを取り外します。(12項参照)
- d. 下記のコネクターを外します。
 - POWER (1) P.C.B.(Fig. 19)
 - CB904 (3P), CB903 (3P)
- e. ④⑥のネジ8本を外し、DCファンモーターを取り外します。(Fig. 21)

15. Removal of Rear Panel Unit

- a. Remove the Bottom Cover. (See procedure 4)
- b. Remove the Side Frame L/R. (See procedure 5)
- c. Remove 3 screws (④⑦). (Fig. 21)
- d. Remove 2 screws (④⑧). (Fig. 22)
- e. Disconnect the following connectors.
 - DSP1 (1) P.C.B.(Fig. 23)
 - CB9 (4P), CB11 (7P), CB15 (12P), CB14 (9P), CB16 (6P), CB12 (3P), CB13 (13P)
 - VIDEO BOTTOM P.C.B.(Fig. 23)
 - CB6 (4P)
 - VIDEO TOP P.C.B.(Fig. 23)
 - CB12 (5P), CB16 (9P), CB14 (30P)
 - VIDEO TOP P.C.B.(Fig. 24)
 - CB26 (3P), CB20 (13P), CB23 (12P), CB24 (9P), [CB18 (3P) U, C, A only]
- f. Remove the Rear Panel Unit. (Fig. 22)

15. リアパネルユニットの外し方

- a. ボトムカバーを取り外します。(4項参照)
- b. サイドフレーム L/Rを取り外します。(5項参照)
- c. ④⑦のネジ3本を外します。(Fig. 21)
- d. ④⑧のネジ2本を外します。(Fig. 22)
- e. 下記のコネクターを外します。
 - DSP1 (1) P.C.B.(Fig. 23)
 - CB9 (4P), CB11 (7P), CB15 (12P), CB14 (9P), CB16 (6P), CB12 (3P), CB13 (13P)
 - VIDEO BOTTOM P.C.B.(Fig. 23)
 - CB6 (4P)
 - VIDEO TOP P.C.B.(Fig. 23)
 - CB12 (5P), CB16 (9P), CB14 (30P)
 - VIDEO TOP P.C.B.(Fig. 24)
 - CB26 (3P), CB20 (13P), CB23 (12P), CB24 (9P), [CB18 (3P) U, C, A only]
- f. リアパネルユニットを取り外します。(Fig. 22)

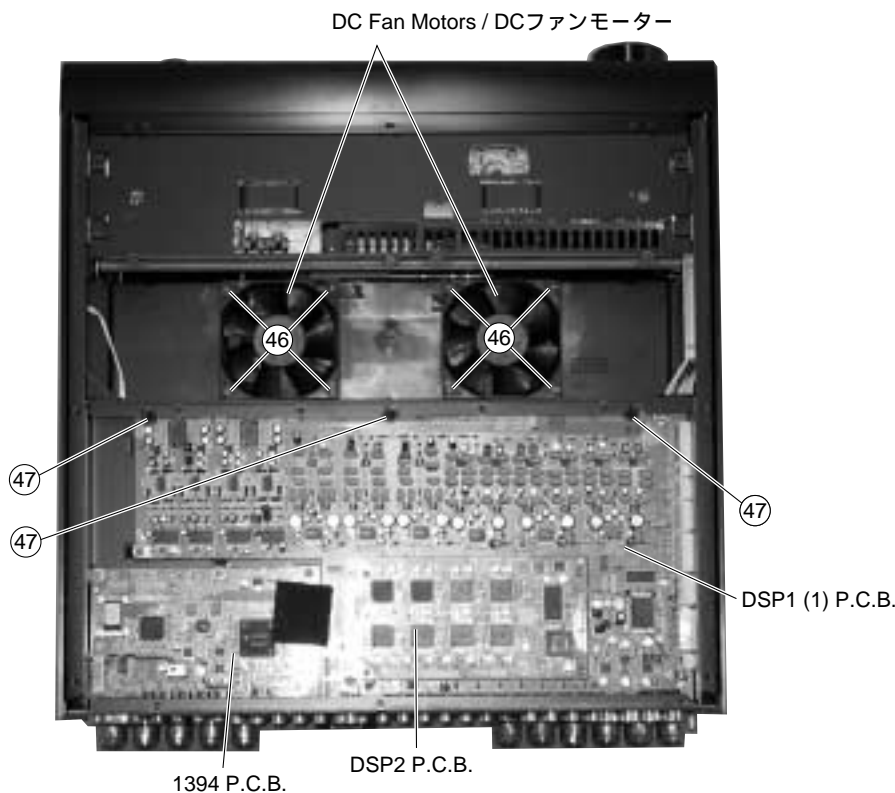
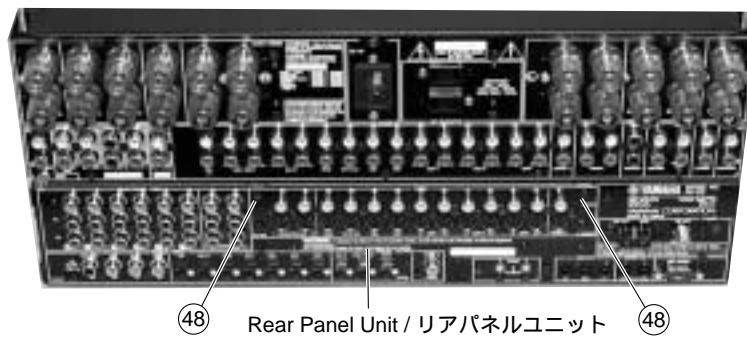


Fig. 21



48 Rear Panel Unit / リアパネルユニット 48

Fig. 22

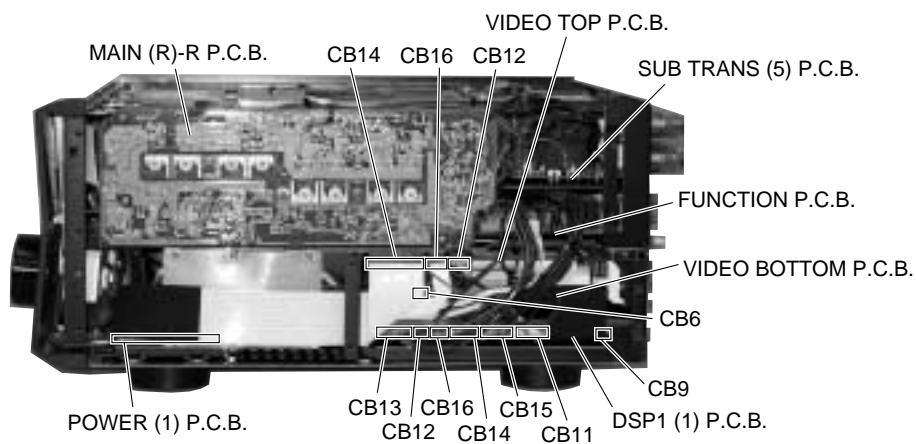


Fig. 23

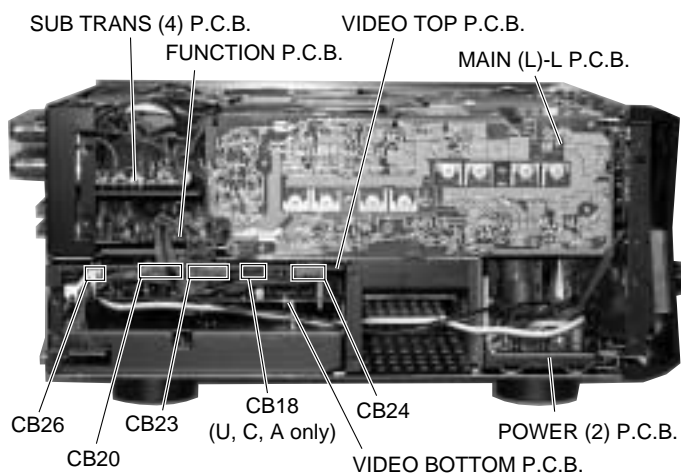


Fig. 24

■ DISASSEMBLY & REPAIR PROCEDURES / 分解修理方法

- Required tools : Connector kit for RX-Z9/DSP-Z9 repair
(Part No : AAX56660)

This kit consists of the following items.

- 必要なツール : RX-Z9/DSP-Z9 修理用コネクタ Ass'y
(パーツ No: AAX56660)
下記に内訳を示します。

| Tag No. / タグ No. | | Used for / 用途 |
|------------------|--|--|
| 1 | Connector Ass'y / コネクタ Ass'y 2P, 100mm x1 | MAIN (L)-R P.C.B. W427 - SUB TRANS (4) P.C.B. CB853 MAIN (R)-L P.C.B. W309 - SUB TRANS (5) P.C.B. CB877 |
| 2 | Connector Ass'y / コネクタ Ass'y 3P, 100mm x1 | MAIN (L)-L P.C.B. W309 - SUB TRANS (4) P.C.B. CB852 MAIN (R)-R P.C.B. W663 - SUB TRANS (5) P.C.B. CB876 |
| 3 | Connector Ass'y / コネクタ Ass'y 3P, 200mm x2 | FUNCTION P.C.B. W11 - MAIN (L)-L P.C.B. CB301 FUNCTION P.C.B. W10 - MAIN (R)-L P.C.B. CB301 |
| 4 | Connector Ass'y / コネクタ Ass'y 4P, 500mm x1 | FUNCTION P.C.B. W9 - MAIN (L)-R P.C.B. CB421 |
| 5 | Connector Ass'y / コネクタ Ass'y 9P, 200mm x3 | FUNCTION P.C.B. W7 - VIDEO TOP P.C.B. CB24 |
| 6 | Connector Ass'y / コネクタ Ass'y 12P, 350mm x1 | FUNCTION P.C.B. W6 - VIDEO TOP P.C.B. CB23 |
| 7 | Connector Ass'y / コネクタ Ass'y 11P, 260mm x1 | OPERATION (1) P.C.B. W931 - POWER (2) P.C.B. CB702 |
| 8 | Connector Ass'y / コネクタ Ass'y 13P, 140mm x1 | SUB TRANS (4) P.C.B. W862 - VIDEO TOP P.C.B. CB820 |
| None / なし | Card power cable / カード電線 30P, 450mm x1 | OPERATION (1) P.C.B. CB904 - VIDEO TOP P.C.B. CB14 |
| None / なし | FFC connector / FFC コネクタ 30P x2 | |

1. Operation check of Amp Unit L/R

- 1) Remove amplifier mounting screws and harness clamps.
- 2) Put an insulating sheet under the amp unit L/R before performing any checks for proper operation.
- 3) Extend each cable and connect it as described below.

For amplifier unit L

- Using the tag No.1 cable, extend MAIN (L)-R P.C.B. W427 and connect it to SUB TRANS (4) P.C.B. CB853.
- Using the tag No.2 cable, extend MAIN (L)-L P.C.B. W309 and connect it to SUB TRANS (4) P.C.B. CB852.

For amplifier unit R

- Using the tag No.1 cable, extend MAIN (R)-L P.C.B. W309 and connect it to SUB TRANS (5) P.C.B. CB877.
- Using the tag No.2 cable, extend MAIN (R)-R P.C.B. W663 and connect it to SUB TRANS (5) P.C.B. CB876.

1. アンプユニット L/R の動作チェック

- 1) アンプユニット固定ネジや束線止めを外します。
- 2) ショート防止のために絶縁シート等をアンプユニット L/R の下に入れます。
- 3) 下記に従ってケーブルを延長し、接続します。

アンプユニット L の場合

- タグ No. 1 のケーブルを使って MAIN (L)-R P.C.B. W427 を延長し、SUB TRANS (4) P.C.B. CB853 に接続します。
- タグ No. 2 のケーブルを使って MAIN (L)-L P.C.B. W309 を延長し、SUB TRANS (4) P.C.B. CB852 に接続します。

アンプユニット R の場合

- タグ No. 1 のケーブルを使って MAIN (R)-L P.C.B. W309 を延長し、SUB TRANS (5) P.C.B. CB877 に接続します。
- タグ No. 2 のケーブルを使って MAIN (R)-R P.C.B. W663 を延長し、SUB TRANS (5) P.C.B. CB876 に接続します。

(The figure below shows the R side.)

(Fig は R 側)



Fig. 25

(The figure below shows the R side.)

(Fig は R 側)



Fig. 26

2. Operation check of SUB TRANS (4), (5) P.C.B.s

- 1) With the amplifier unit removed, release the SUB TRANS (4) P.C.B or SUB TRANS (5) P.C.B. and take it out.
- 2) Put the amplifier unit back in place (without tightening the screw), place the SUB TRANS P.C.B. as shown in Fig. 28 and perform check and part replacement (e.g., a relay).

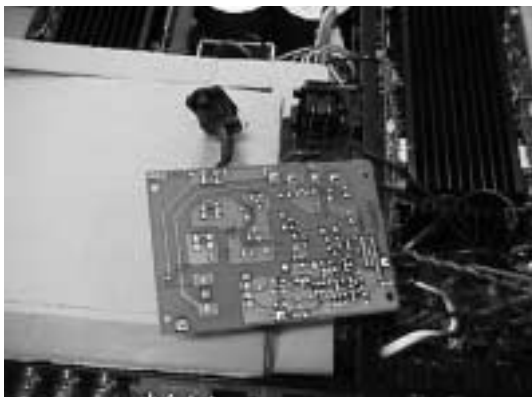


Fig. 27

3. Operation check of FUNCTION P.C.B.

With the cables extended, place the FUNCTION P.C.B. beside the main unit as shown in Fig. 29 and 30 and perform check and repair.

- Using the tag No.3 cable, extend FUNCTION P.C.B. W11 and connect it to MAIN (L)-L P.C.B. CB301.
 - Using the tag No.3 cable, extend FUNCTION P.C.B. W10 and connect it to MAIN (R)-L P.C.B. CB301.
 - Using the tag No.4 cable, extend FUNCTION P.C.B. W9 and connect it to MAIN (L)-R P.C.B. CB421.
 - Using 3 tag No.5 cable, extend FUNCTION P.C.B. W7 and connect it to VIDEO TOP P.C.B. CB24.
 - Using the tag No.6 cables, extend FUNCTION P.C.B. W6 and connect it to VIDEO TOP P.C.B. CB23.
- FUNCTION P.C.B. W12 can be connected to MAIN (R)-R P.C.B. CB661 without being extended.
W8 which is HP, needs not be connected.

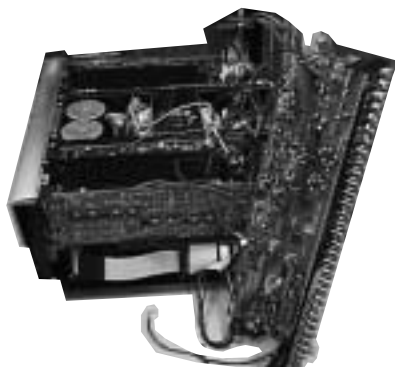


Fig. 29

2. SUB TRANS (4),(5) P.C.B. の動作チェック

- 1) アンプユニットを一旦外し、SUB TRANS (4) P.C.B. またはSUB TRANS (5) P.C.B.を外し、浮かせて取り出します。
- 2) アンプユニットを元の位置に戻し（ネジ止めしない）、SUB TRANS P.C.B.をFig 28のように置いて、チェック、部品交換（リレーなど）を行います。

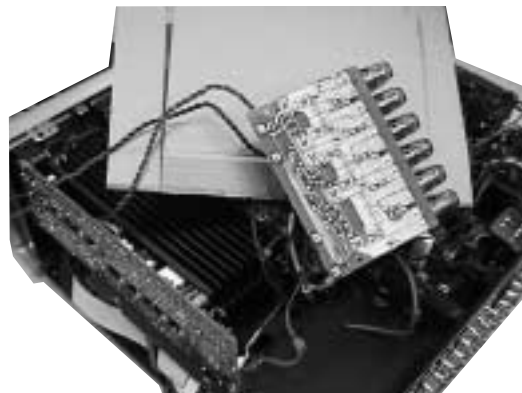


Fig. 28

3. FUNCTION P.C.B. の動作チェック

下記に従ってケーブルを接続し、Fig. 29, 30のように本体の横に置いて、チェック、修理します。

- タグ No. 3 のケーブルを使って FUNCTION P.C.B. W11 を延長し、MAIN (L)-L P.C.B. CB301 に接続します。
 - タグ No. 3 のケーブルを使って FUNCTION P.C.B. W10 を延長し、MAIN (R)-L P.C.B. CB301 に接続します。
 - タグ No. 4 のケーブルを使って FUNCTION P.C.B. W9 を延長し、MAIN (L)-R P.C.B. CB421 に接続します。
 - タグ No. 5 を 3 本使って FUNCTION P.C.B. W7 を延長し、VIDEO TOP P.C.B. CB24 に接続します。
 - タグ No. 6 を使って FUNCTION P.C.B. W6 を延長し、VIDEO TOP P.C.B. CB23 に接続します。
- なお、FUNCTION P.C.B. W12 は延長せずに MAIN (R) - R P.C.B. CB661 に接続することができます。
また、W8 は HP なので接続不要です。

(Put an insulating sheet under the SUB TRANS circuit board to avoid a short.)

(ショートしないように SUBTRANS シートの下に布を入れます。)



Fig. 30

4. Operation check of sub-chassis unit

- Using tag No.7 cables, extend OPERATION (1) P.C.B. W931 and connect it to POWER (2) P.C.B. CB702. W956 which is HP, needs not be connected. The front panel should be removed for this check.

4. サブシャーシユニットの動作チェック

- タグ No.7 のケーブルを使って OPERATION (1) P.C.B. W931 を延長し、POWER (2) P.C.B. CB702 に接続します。なお、W956 は HP なので接続不要です。また、作業時はフロントパネルを取り外します。



Fig. 31

5. Operation check of POWER (1)/(2) P.C.B.s

- Remove the sub-chassis unit.
- Remove the amplifier unit L (so that the POWER circuit board fixing screw can be removed).
- Raise the POWER (1) circuit board from the front toward the back.

5. POWER (1)/(2) P.C.B.の動作チェック

- サブシャーシユニットを外します。
- アンプユニットLを外します。
(POWER 基板固定ネジ1箇所が外せないため)
- POWER(1)基板を手前から裏側に起こします。

6. Operation check of VIDEO TOP/VIDEO BOTTOM P.C.B.s

- * Connect the analog ground of DSP1 to the chassis.
- * Leave the DSP1 circuit board as it is.

6. VIDEO TOP/VIDEO BOTTOM P.C.B.の動作チェック

- * DSP1 のアナログアースをシャーシーに落とす
- * DSP1 シートはそのままの状態



Fig. 32



Fig. 33

- Using the tag No.8 cable, extend SUB TRANS (4) P.C.B. W862 and connect it to VIDEO TOP P.C.B. CB20.
- Using the tag No.6 cable, extend FUNCTION P.C.B. W6 and connect it to VIDEO TOP P.C.B. CB23.
- Using 3 tag No.5 cables, extend FUNCTION P.C.B. W7 and connect it to VIDEO TOP P.C.B. CB24.
- Using the card power cable 30P, 450mm, connect OPERATION (1) P.C.B. CB904 and VIDEO TOP P.C.B. CB14. (*1)

The POWER (1) P.C.B. W908 can be connected to VIDEO TOP P.C.B. CB26 without being extended.

The FUNCTION P.C.B. W13 can be connect to VIDEO TOP P.C.B. CB18. (U, C, A models)

- タグ No. 8 のケーブルを使って SUB TRANS (4) P.C.B. W862 を延長し、VIDEO TOP P.C.B. CB20 に接続します。
- タグNo. 6を使ってFUNCTION P.C.B. W6を延長し、VIDEO TOP P.C.B. CB23 に接続します。
- タグ No. 5 を 3 本使って FUNCTION P.C.B. W7 を延長し、VIDEO TOP P.C.B. CB24 に接続します。
- カード電線 30P, 450mm を使って延長し、OPERATION (1) P.C.B. CB904 と VIDEO TOP P.C.B. CB14 を接続します。 (* 1)

なお、POWER (1) P.C.B. W908 は延長せずに VIDEO TOP P.C.B. CB26 に接続することができます。

また、FUNCTION P.C.B. W13 は VIDEO TOP P.C.B. の CB18 に接続することができます。(U, C, A models)

*1

When extending the card power cable, it is recommended to prepare 2 VQ04590 FFC connectors and solder the terminals as shown in Fig. 34 and 35.



Fig. 34

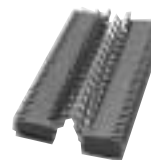


Fig. 35

* 1

カード電線延長に、VQ04590 FFCコネクタを2個用意しFig.34, 35のように端子をハンダ付けして使うと良いです。

■ SELF DIAGNOSIS FUNCTION (DIAG) / 自己診断機能(ダイアグ)

This product has a built-in self diagnosis function (DIAG) to facilitate inspection, measurement and determination of a faulty item, if any. There are 24 DIAG menu items, each having sub-menu items.

Also, there are 15 types of DSP HIF STATUS menus.

本機には、検査、測定、不良個所の発見を目的にした自己診断機能(ダイアグ)があります。

ダイアグメニューは24種類あり、そのそれぞれにサブメニューがあります。

また、DSP HIF STATUSメニューは15種類あります。

| No. | DIAG menu | Sub-menu |
|-----|--------------|--|
| 1 | DSP THROUGH | 1. 0dB |
| | | 2. FULL BIT |
| | | 3. ANALOG LV=H |
| | | 4. MIC TEST |
| 2 | RAM THROUGH | 1. 0dB |
| | | 2. FULL BIT |
| 3 | BYPASS | 1. ANALOG BYPASS |
| | | 2. DSP BYPASS |
| | | 3. DECODER BYPASS |
| | | 4. PURE DIRECT |
| 4 | i.LINK | 1. AUTO |
| | | 2. DIRECT |
| | | 3. DSD ALL-CH |
| 5 | PRO LOGIC | 1. PRO LOGIC |
| | | 2. PRO LOGIC II |
| 6 | SPEAKERS SET | 1. CENTER : NONE |
| | | 2. SURROUND : NONE |
| | | 3. LFE/BASS : FRONT |
| | | 4. PRESENCE : NONE |
| | | 5. FRONT : SMALL |
| | | 6. CENTER : SMALL |
| | | 7. SURROUND : SMALL |
| | | 8. SUR.BACK : SMALL |
| | | 9. LIMITER |
| 7 | MANUAL TEST | 1. ALL |
| | | 2. FRONT L |
| | | 3. CENTER |
| | | 4. FRONT R |
| | | 5. SURROUND R |
| | | 6. SUR.BACK R |
| | | 7. SUR.BACK L |
| | | 8. SURROUND L |
| | | 9. LFE |
| | | 10. PRESENCE L |
| | | 11. PRESENCE R |
| 8 | VFD CHECK | 1. EFFECT OFF (Initial display / 初期表示) |
| | | 2. VFD OFF (All segments OFF / 全セグメント消灯) |
| | | 3. VFD ALL (All segments ON 100% / 全セグメント点灯 100%) |
| | | 4. VFD DIMMER (All segments ON 50% / 全セグメント点灯 50%) |
| | | 5. CHECKED PATTERN (ON in lattice / 格子状点灯) |
| 9 | VIDEO | 1. DIGITAL THR |
| | | 2. FLI BYPASS |
| | | 3. DIGITAL BYPASS |
| | | 4. ANALOG BYPASS |
| | | 5. DIGITAL THR 480p |
| | | 6. DIGITAL THR 1080p |
| | | 7. DIGITAL THR 720p |
| | | 8. TEST PATTERN 1 |

| No. | DIAG menu | Sub-menu |
|-----|-------------|---|
| | | 9. TEST PATTERN 2 |
| | | 10. CUI MODE (GUI) |
| | | 11. VIDEO INFO |
| 10 | i.LINK CNCT | --- |
| 11 | i.LINK CMD | 1. RESERVED |
| | | 2. EJECT |
| 12 | PCB CHECK | 1. YSS |
| | | 2. 1394 |
| | | 3. YG/MN |
| 13 | RESERVED | --- |
| 14 | RS-232C | 1. TX RX DATA |
| | | 2. HARD FLOW |
| 15 | BOOT DSP | 1. FLASH WRITE |
| | | 2. EXTERNAL START |
| | | 3. START MODE |
| 16 | BOOT 1394 | 1. FLASH WRITE |
| | | 2. START MODE |
| 17 | BOOT VIDEO | 1. FLASH WRITE |
| | | 2. START MODE |
| 18 | PRESET | 1. INHIBITED (memory initialization inhibited / メモリーの初期化禁止) |
| | | 2. RESERVED (memory initialized / メモリーの初期化) |
| 19 | AD/FAN | 1. DC PROTECTION 0/1 |
| | | 2. PS PROTECTION 0/1 |
| | | 3. TEMP PROTECTION 0 |
| | | 4. TEMP PROTECTION 1 |
| | | 5. TEMP PROTECTION 2 |
| | | 6. FAN TEST HIGH |
| | | 7. FAN TEST MID |
| | | 8. FAN TEST LOW |
| | | 9. PANEL KEY |
| 20 | SOFT SWITCH | 1. SWITCH |
| | | 2. MODEL |
| | | 3. DEST |
| | | 4. TSTEP |
| | | 5. TUNER |
| | | 6. AAC |
| 21 | DSP INFO | 1. MC VER/SUM |
| | | 2. DSP VER/SUM |
| 22 | 1394 INFO | 1. VERSION |
| | | 2. Check SUM |
| | | 3. MODEL NAME |
| | | 4. VENDER NAME |
| | | 5. VENDER ID |
| | | 6. CHIP ID |
| 23 | VIDEO INFO | 1. VER/SUM |
| | | 2. CPU |
| | | 3. TA |
| | | 4. MN BUS |
| | | 5. XV |
| | | 6. ADV |
| | | 7. YGV BUS |
| | | 8. FLI |
| 24 | MAIN INFO | 1. VERSION |
| | | 2. CHECK SUM1 |
| | | 3. CHECK SUM2 |
| | | 4. IPORT |
| | | 5. EX IPORT |

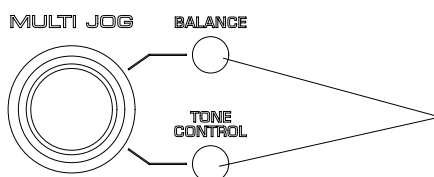
| No. | DSP HIF STATUS menu | FL Display |
|-----|------------------------|------------|
| 1 | Status (1) | ST1 |
| 2 | Status (2) | ST2 |
| 3 | Stream Info | STR |
| 4 | System (PLD, Sel, etc) | SYS |
| 5 | Mute Info | MTI |
| 6 | Channel Status (1) | CS1 |
| 7 | Channel Status (2) | CS2 |
| 8 | DIR Info (1) | DR1 |
| 9 | DIR Info (2) | DR2 |
| 10 | ADI Info (1) | AD1 |
| 11 | ADI Info (2) | AD2 |
| 12 | ADI Info (3) | AD3 |
| 13 | YSS930 fs count (1) | YS1 |
| 14 | YSS930 fs count (2) | YS2 |
| 15 | i.LINK Info | ILK |

The STATUS menu may be displayed with its number increased by the number of the download codes in the future.

今後、STATUS数はダウンロードコードの数だけ、増えて表示されることがあります。

● Starting DIAG

Press the “STANDBY/ON” key of the main unit while simultaneously pressing the “BALANCE” key and the “TONE CONTROL” key located in the sealing panel of the main unit to activate the DIAG function.



ダイアグの起動

本体のシーリングパネル内にある“BALANCE”キーと“TONE CONTROL”キーを同時に押しながら、“STANDBY/ON”キーを押すとダイアグが起動します。

Turn on the power while pressing these keys.
これらのキーを同時に押しながら、パワーオンする。

● Starting DIAG in the protection cancel mode

If the protection function works and causing hindrance to trouble diagnosis, cancel the protection function as described below and it will be possible to enter the DIAG mode. (The protection functions other than the excess current detect function will be disabled.)

Press the “STANDBY/ON” key while simultaneously pressing those two keys indicated in the figure above. At this time, keep pressing those two keys for 3 seconds or longer.

In this mode, the “SLEEP” segment of the FL display of the main unit flashes to indicate that the mode is DIAG mode with the protection functions disabled.

CAUTION!

Using this product with the protection function disabled may cause damage to itself. Use special care for this point when using this mode.

プロテクション解除モードでの起動

プロテクションが動作することにより、故障箇所の診断に支障をきたすような場合は、次の方法によりプロテクションを解除した状態でダイアグモードに入ることができます。(過電流検出以外のプロテクション動作を解除する)

上図のキーを同時に押しながら“STANDBY/ON”キーを押します。このとき、上図のキーを3秒以上押し続けてください。

このモードでは本体FLの“SLEEP”セグメントが点滅し、プロテクションを解除した状態でのダイアグモードであることを知らせます。

注意!

プロテクションを解除した状態でのダイアグモードは、危険な状態でもプロテクションが作動しないため、動作させると、機器を破壊することがあります。このモードを使用する場合は十分注意してください。

● **Canceling DIAG**

- 1 Before canceling DIAG, execute setting for PRESET of DIAG menu No.18 (Memory initialization inhibited or Memory initialized).
- * *In order to keep the user memory stored, be sure to select PRESET INHIBITED (Memory initialization inhibited). Protection history will remain in memory.*
- 2 Turn off the power by pressing the "STANDBY/ON" key of the main unit.

ダイアグの解除

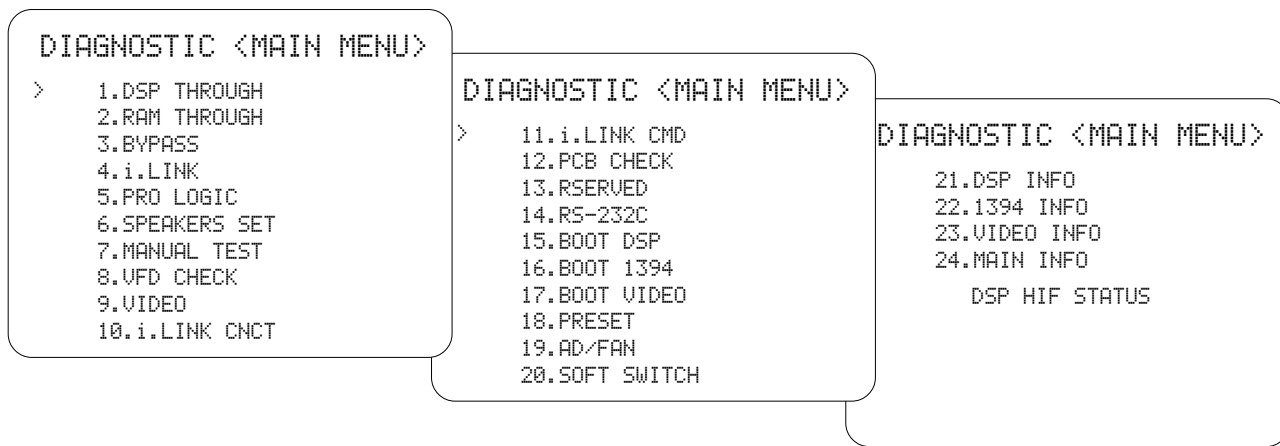
- 1 ダイアグを解除する前に、ダイアグメニュー No. 18 の PRESET (メモリーの初期化禁止/またはメモリーの初期化) の設定をします。
ユーザーメモリーを保持したい場合は、必ず PRESET INHIBITED (メモリー初期化禁止) を選択してください。
- 2 本体の "STANDBY/ON" キーを押し、パワーオフにします。

● **Display provided when DIAG started**

When the monitor is connected, DIAGNOSTIC MENU consisting of 3 sections appears on its screen as shown in the figure.
On the FL display of the main unit, an opening message (including the version and the protection history) appears for a few seconds followed by the diagnostic menu display (1. DSP THROUGH).

ダイアグ起動時の表示

モニターを接続してある場合は、モニターの画面に図のようにダイアグメニューが表示されます。
画面は3つに分かれています。
本体FLディスプレイには、オープニング(プロテクション履歴/バージョン)が表示され、数秒後にダイアグメニュー表示(1. DSP THROUGH)となります。



On the DIAG MENU screen, the current mode is indicated with the cursor ">". When the main menu selection is confirmed, SUB-MENU appears on the screen.
ダイアグメニューが表示され、現在のモードをカーソル ">" で示します。メインメニューを選択確定すると、サブメニューの一覧が表示されます。

When there is no history of protection function:

プロテクション履歴が無い場合:

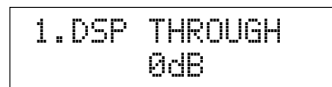
Opening message / オープニング表示

DIAG menu display / ダイアグメニュー表示

When there is no protection history
プロテクション履歴が無い場合



After a few seconds
数秒後



When there is a history of protection function:

The FL display appears as shown below depending on the type of the protection function.

プロテクション履歴がある場合:

プロテクションの種類によって下記の表示が現れます。

The protection function worked due to excessive current through the amplifier. Causes could be a short at the speaker terminal or a defect in the amplifier. The protection function activates immediately to turn off the power, with no history display at turn-on, if the amplifier is defective.

```
I PROTECT:xx
VER M/V/D=B/E/G
```

スピーカーをショートさせた時などが原因で、プロテクションが働いたことを示します。

The protection function worked due to a defect or overload in the power supply. If the power is turned on with the abnormality unsolved, the protection function works in about 1.5 seconds to turn off the power.

```
PSx PROTECT:xx
VER M/V/D=B/E/G
```

電源電圧による原因で、プロテクションが働いたことを示します。異常状態のままパワーオンすると、約1.5秒後にプロテクションが掛かり、電源が切れます。

The protection function worked due to a DC voltage appearing at the speaker terminal. A cause could be a defect in the amplifier. If the power is turned on with the abnormality unsolved, the protection function works in about 4 seconds to turn off the power.

```
DCx PROTECT:xx
VER M/V/D=B/E/G
```

アンプの故障でスピーカーに直流電圧が掛かるなどが原因で、プロテクションが働いたことを示します。異常状態のままパワーオンすると、約4秒後にプロテクションが掛かり、電源が切れます。

The protection function worked due to the temperature limit being exceeded. Causes could be poor ventilation or a defect related to the thermal sensor. If the power is turned on with the abnormality unsolved, the protection function works in about 2 seconds to turn off the power.

```
TMPx PROTECT:xx
VER M/V/D=B/E/G
```

温度制限を越えた原因で、プロテクションが働いたことを示します。異常状態のままパワーオンすると、約2秒後にプロテクションが掛かり、電源が切れます。

For detection of each protection function (except I-PROTECT), refer to DIAG MENU No.19 AD/FAN (p.64).

各プロテクションの検出に関しては、後述のダイアグメニューNo. 19 AD/FAN(64ページ)を参照してください。

● History of protection function

When the protection function has worked, its history is stored in memory with a backup. Even if no abnormality is noted while servicing the unit, an abnormality which has occurred previously can be defined as long as the backup data has been stored.

The history of the protection function is cleared when DIAG is cancelled by selecting PRESET RESERVED (Memory initialized) of DIAG menu No.18 or when the backup data is erased.

プロテクションの履歴

プロテクションが働いた場合、履歴をバックアップして記憶しています。サービスのときに異常が認められなくても、バックアップが残っていれば、お客様のところで起きた異常を区別できます。ダイアグメニューNo.18でPRESET RESERVED(メモリーの初期化)を選んでダイアグを解除した場合、またはバックアップが消えた場合に、プロテクションの履歴はクリアされます。

● Display during menu operation

During the DIAG operation, the menu list described in the section of the startup screen appears on the monitor screen and the function at work is indicated on the FL indicator. The contents displayed during the function operation are described later in the "Details of DIAG menu" section.

● Operation procedure of DIAG MENU and SUB-MENU

DIAG MENU, SUB-MENU or HIF STATUS MENU can be selected by using either the keys of the main unit or the remote controller.

Operation by using the keys of the main unit

Select the DIAG MAIN menu, using the "MULTI JOG" knob in the sealing panel. Here, the initial sub-menu of each MAIN menu is at work.

Press the "DSP PROGRAM" key when the intended MAIN menu item is selected and the MAIN menu selection is confirmed. In this state, the SUB-MENU item can be changed using the "MULTI JOG" knob.

At this time, the "PROGRESSIVE" indicator located at the lower left of the display of the main unit is on. Pressing the "DSP PROGRAM" key again can cancel the MAIN menu fixed state and the "PROGRESSIVE" indicator also turns off.

There is another method applicable only for the RX-Z9.

The SUB-MENU can be changed simply by using the <PRE-SET/TUNING> key.

* When having the information displayed by using DIAG menu No.9 VIDEO INFO, use of the keys of the main unit does not work. Use the remote controller only.

メニュー動作中の表示

ダイアグ中、モニター画面には起動画面の項で説明したメニュー一覧が表示されます。本体のFLディスプレイには動作中の機能が表示されます。機能動作中の表示内容については、後述の機能詳細で記述します。

ダイアグメニューとサブメニューの操作

ダイアグメニューとサブメニュー、HIF STATUSメニューは、本体キーとリモコンでの選択操作ができます。

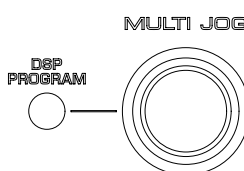
本体キーでの操作

シーリングパネル内にある"MULTI JOG"でダイアグメインメニューを切り換えます。ここでは各メインメニューの最初のサブメニューが機能しています。

目的のメインメニューが選択されたところで" DSP PROGRAM "キーを押すと、メインメニューが確定され、" MULTI JOG "でサブメニューを切り換えることができます。

このとき本体表示器左下付近の" PROGRESSIVE "インジケータが点灯しています。再度" DSP PROGRAM "キーを押すとメインメニュー確定状態から抜けることができ、" PROGRESSIVE "インジケータも消灯します。

* ダイアグメニューのNo. 9 VIDEO INFOで情報表示をさせる場合は、本体キーでの操作はできません。リモコン操作のみ可能です。

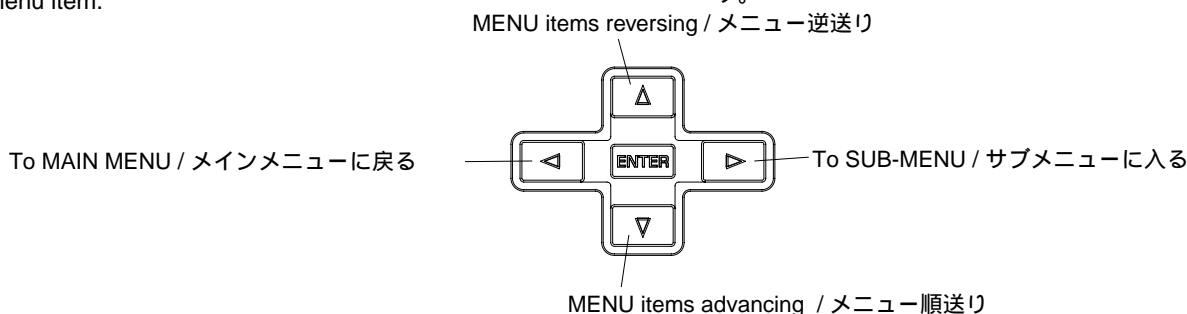


Operation by using the remote controller

While watching the MENU list on the monitor screen, operate the operation keys of the remote controller to select the menu item.

リモコンでの操作

モニター画面のメニューリストを見ながら、リモコンのオペレーションキーを操作して、メニュー選択を行います。



● Functions available during DIAG

In addition to the DIAG menu, the functions listed below are available. Each initial setting at the start of DIAG function is given at the right.

- INPUT: DVD
- MULTI CH INPUT: OFF
- REC OUT: indicated position of selector
- ZONE2 input, Volume: DVD, +10 dB
- Muting: OFF
- Speaker/Subwoofer level adjustment: 0 dB
- SPEAKERS A/B: ON
- Master volume: -20 dB

ダイアグ中の機能

ダイアグメニューの他に以下の機能が動作します。また、ダイアグ開始時のそれぞれの初期設定は右に記します。

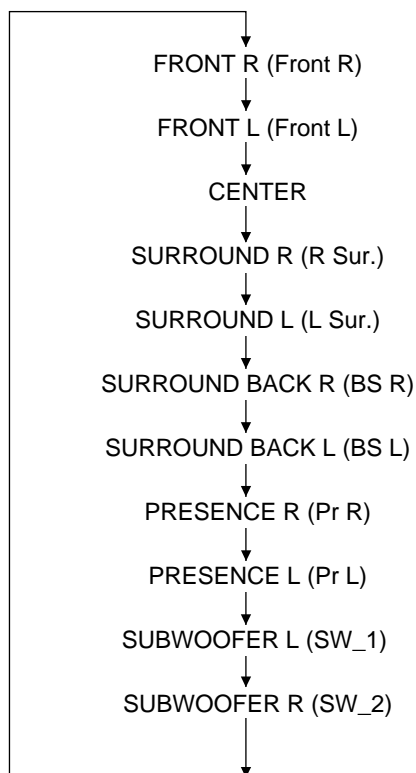
- INPUT : DVD
- MULTI CH INPUT : OFF
- REC OUT : セレクタの指示位置
- ZONE2インプット、ボリューム : DVD, +10 dB
- ミューティング : オフ
- スピーカー、サブウーファーレベル調整 : 0 dB
- SPEAKERS A/B : ON
- マスターボリューム : -20 dB

● Adjusting speaker level

When the "TONE CONTROL" key is pressed in the DIAG mode, the channel subject to the level adjustment is displayed and every time it is pressed, the channel subject to adjustment is changed in the order as given below. At the intended channel, turn the "MULTI JOG" knob to adjust the level.

スピーカーレベルの調整方法

ダイアグモード中に“ TONE CONTROL ”キーを押すと、レベル調整対象チャンネルが表示されます。“ TONE CONTROL ”キーを押すごとに調整対象チャンネルが下記の順に切り換わります。目的のチャンネルのところで“ MULTI JOG ”を回してレベル調整します。

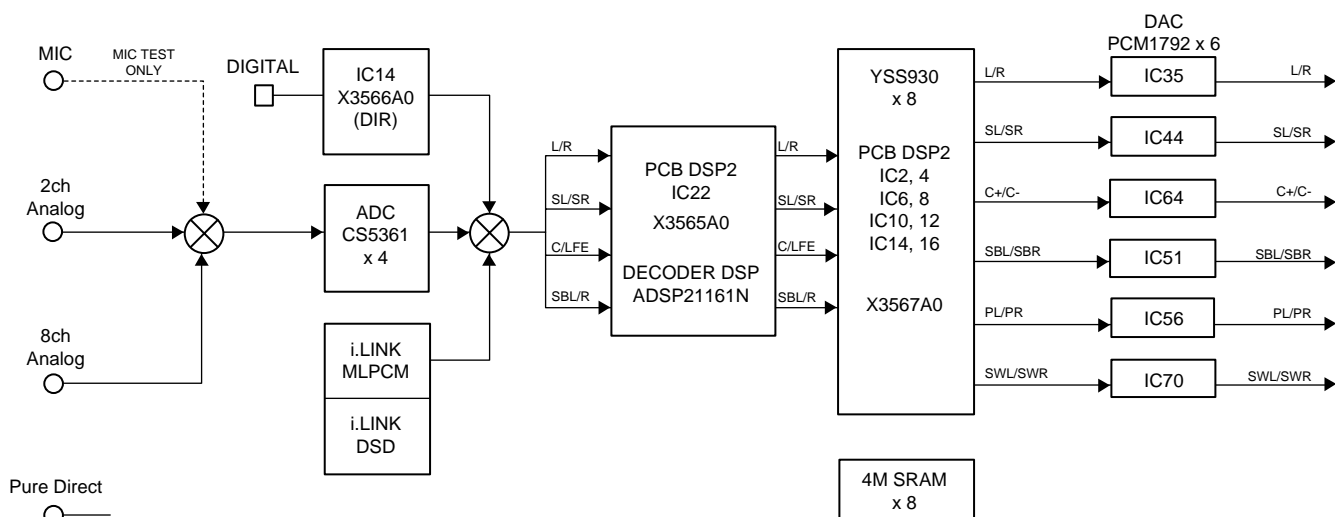


Details of DIAG menu

The DIAG menu items from "DIAG 1" to "DIAG 5" are for confirmation of the audio signal path and settings. (The signal path is shown in the block diagram.)

1. DSP THROUGH

- This is the signal path passing DSP, using the Auto input mode.
- The signal input to the DSP from AD/DIR is processed according to the Audio Coding Mode of that signal.
In case of 2/0: Signals are divided into L and R.
L.....L, SL, CL, CR, SBL, PL
R.....R, SR, SBR, SWL, SWR, PR
Other than 2/0: Multi-channel decoding (although PL=L, PR=R)
- When fs is 128kHz or more, the above processing is executed after the down sampling process.
- For Sp Config, Valid/Invalid is selected as necessary. (When Valid is selected, LFE+10dB, DC Offset, DC Cut and HPF are valid.)
- When this DIAG menu is selected, Dolby Digital RF has a priority in the DTV/LD INPUT mode. (The priority order of the input signals is DD-RF COAX OPTICAL Analog.)
- Even when full bit is used, the link processing of DSP Margin and Volume offset is valid.



ダイアグメニュー詳細

「DIAG 1」から「DIAG 5」までのダイアグメニューはオーディオ経路及び設定確認用のメニューです。(信号経路をブロック図で説明しています)

1. DSP THROUGH

- 入力モードは Auto で DSP を通る信号経路です。
- AD/DIR より DSP に入力された信号は信号の Audio Coding Mode に応じて処理されます。
2/0 の場合: L/R を振り分けず
L..... L, SL, CL, CR, SBL, PL
R.....R, SR, SBR, SWL, SWR, PR
2/0以外の場合:マルチchデコード(ただし、PL=L, PR=R)
- fs 128kHz では Down Sampling 後に上記の処理を行います。
- Sp Config は必要に応じて有効 / 無効を切り替えます。(有効時は LFE +10 dB、DC offset、DC Cut、HPF 有効)
- 本ダイアグ中、DTV/LD の INPUT モードは、Dolby Digital RF を優先します。(入力信号の優先順位は、DD-RF COAX OPTICAL Analog です)
- Full bit 時も DSP Margin と Volume offset の連携処理は有効です。

0dB

- The input mode is Auto. When fs is 128kHz or more, Down Sampling to 1/2 is executed.

0dB

- 入力モードは Auto です。 fs 128kHz の場合は 1/2 に Down Sampling します。

```
1.DSP THROUGH
0dB
```

INPUT: DVD ANALOG

| Input level | Volume | SPEAKERS OUT (1KHz) | | | | | SUBWOOFER (50 Hz) |
|------------------|---------|---------------------|-----------|--------------|-------------------|--------------|----------------------|
| | | FRONT L/R | CENTER | SURROUND L/R | SURROUND BACK L/R | PRESENCE L/R | |
| Both ch, -20 dBm | +6.5 dB | +13.0 dBm | +13.0 dBm | +13.0 dBm | +13.0 dBm | +13.0 dBm | - 16.2 dBm |

FULL BIT

- The input mode is Auto and signals are output in full bit. When fs is 128kHz or more, Down Sampling to 1/2 is executed. SWL/SWR signals are also output in full bit.

FULL BIT

- 入力モードは Auto で Full bit 出力します。 fs 128kHz の場合は 1/2 に Down Sampling します。 SWL/SWR も Full bit 出力します。

```
1.DSP THROUGH
FULL BIT
```

INPUT: DVD ANALOG

| Input level | Volume | SPEAKERS OUT (1KHz) | | | | | SUBWOOFER (50 Hz) |
|------------------|---------|---------------------|-----------|--------------|-------------------|--------------|----------------------|
| | | FRONT L/R | CENTER | SURROUND L/R | SURROUND BACK L/R | PRESENCE L/R | |
| Both ch, -20 dBm | +6.5 dB | +13.0 dBm | +13.0 dBm | +13.0 dBm | +13.0 dBm | +13.0 dBm | - 16.2 dBm |

ANALOG LV=H

- The analog level is set to HI under the same conditions as "0dB".

ANALOG LV=H

- 「0dB」と同じ条件で、 Analog Level=HI の設定になります。

```
1.DSP THROUGH
ANALOG LV=H
```

INPUT: DVD ANALOG

| Input level | Volume | SPEAKERS OUT (1KHz) | | | | | SUBWOOFER (50 Hz) |
|------------------|---------|---------------------|----------|--------------|-------------------|--------------|----------------------|
| | | FRONT L/R | CENTER | SURROUND L/R | SURROUND BACK L/R | PRESENCE L/R | |
| Both ch, -20 dBm | +6.5 dB | +13.0 dBm | +9.5 dBm | +13.7 dBm | +14.0 dBm | +6.0 dBm | - 25.0 dBm |

MIC TEST

- This is the signal path to reproduce the MIC input.

MIC TEST

- MIC 入力を再生する経路です。

```
1.DSP THROUGH
MIC TEST
```

INPUT: OPTIMIZER MIC

| Input level | Volume | SPEAKERS OUT (1KHz) | | | | | SUBWOOFER (50 Hz) |
|-------------|---------|---------------------|-----------|--------------|-------------------|--------------|----------------------|
| | | FRONT L/R | CENTER | SURROUND L/R | SURROUND BACK L/R | PRESENCE L/R | |
| -40 dBm | +6.5 dB | - ∞ dBm | +21.5 dBm | - ∞ dBm | - ∞ dBm | - ∞ dBm | - ∞ dBm |

2. DSP RAM THROUGH

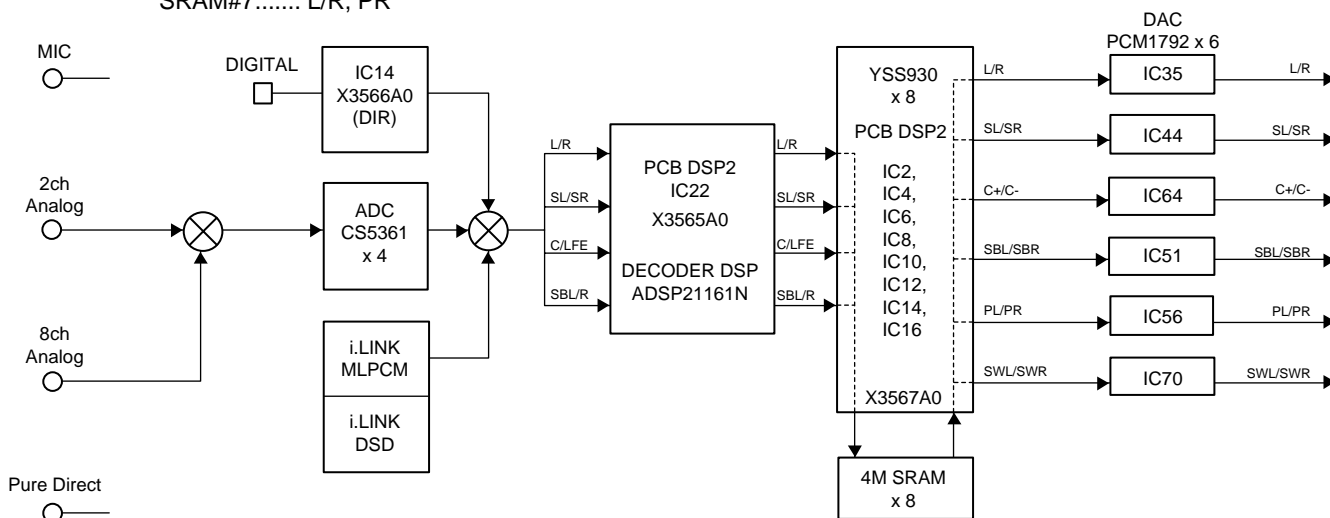
- When using the digital PCM input, this is the signal path through which the DIR output signals are inputted to all the input ports of the decoder (SHARC) with the selector (PLD) set to "DIAG MODE1". With other signal types, they are reproduced using the ordinary process.
- Sp Config is always invalid.
- The operation of each SRAM is checked by the channel output as listed below.

- SRAM#0..... L/R, C
- SRAM#1..... L/R, LFE (SWL/SWR)
- SRAM#2..... L/R, SL
- SRAM#3..... L/R, SR
- SRAM#4..... L/R, SBL
- SRAM#5..... L/R, SBR
- SRAM#6..... L/R, PL
- SRAM#7..... L/R, PR

2. DSP RAM THROUGH

- Digital PCM 入力の場合は、セクタ(PLD)設定を "DIAG MODE1" にして DIR 出力をデコーダー (SHARC) の入力ポート全てに入力される信号経路です。その他は通常処理で再生します。
- Sp Config は常時無効です。
- 各 SRAM の動作チェックは下記のチャンネル出力で判定します。

- SRAM#0..... L/R, C
- SRAM#1..... L/R, LFE (SWL/SWR)
- SRAM#2..... L/R, SL
- SRAM#3..... L/R, SR
- SRAM#4..... L/R, SBL
- SRAM#5..... L/R, SBR
- SRAM#6..... L/R, PL
- SRAM#7..... L/R, PR



0dB

0dB

2. RAM THROUGH
0dB

INPUT: DVD ANALOG

| Input level | Volume | SPEAKERS OUT (1KHz) | | | | | SUBWOOFER (50 Hz) |
|------------------|---------|---------------------|-----------|--------------|-------------------|--------------|----------------------|
| | | FRONT L/R | CENTER | SURROUND L/R | SURROUND BACK L/R | PRESENCE L/R | |
| Both ch, -20 dBm | +6.5 dB | +13.0 dBm | +13.0 dBm | +13.0 dBm | +13.0 dBm | +13.0 dBm | - 16.2 dBm |

FULL BIT

- The signals are output in full bit.

FULL BIT

- Full bit 出力します。

2. RAM THROUGH
FULL BIT

INPUT: DVD ANALOG

| Input level | Volume | SPEAKERS OUT (1KHz) | | | | | SUBWOOFER (50 Hz) |
|------------------|---------|---------------------|-----------|--------------|-------------------|--------------|----------------------|
| | | FRONT L/R | CENTER | SURROUND L/R | SURROUND BACK L/R | PRESENCE L/R | |
| Both ch, -20 dBm | +6.5 dB | +13.0 dBm | +13.0 dBm | +13.0 dBm | +13.0 dBm | +13.0 dBm | - 16.2 dBm |

3. BYPASS

ANALOG BYPASS

- This is the DIRECT ANALOG signal path with the analog input fixed.
- On the DSP P.C.B., D/A and A/D are not used.

3. BYPASS

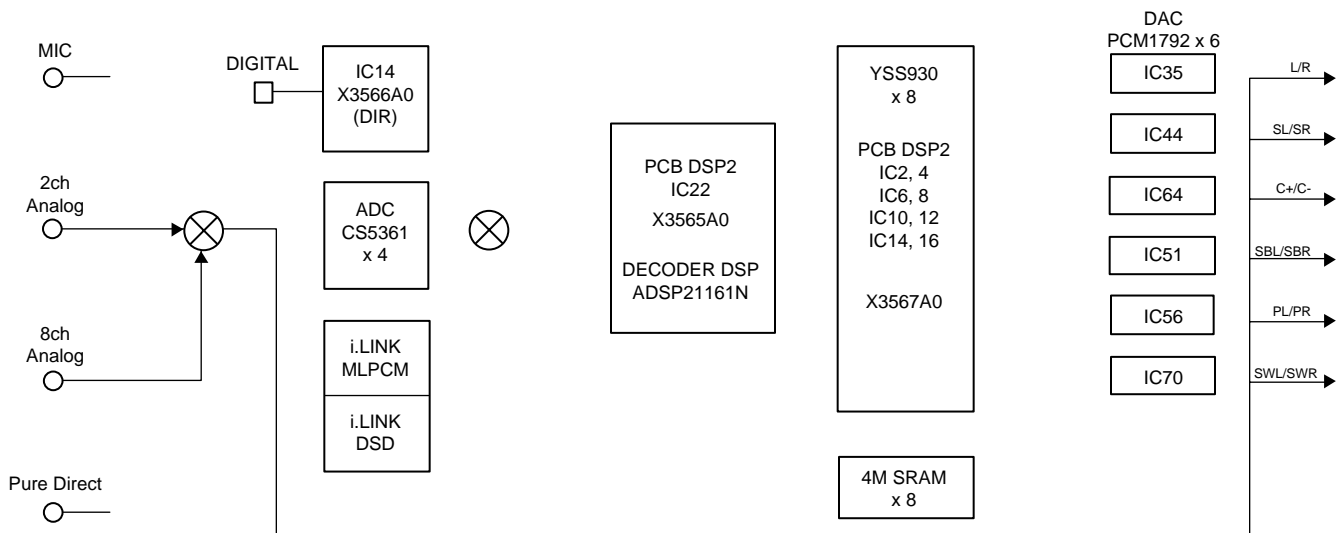
ANALOG BYPASS

- Analog 入力固定で、DIRECT ANALOG の信号経路です。
- DSP 基板の D/A A/D は通りません。

3. BYPASS
ANALOG BYPASS

INPUT: DVD ANALOG

| Input level | Volume | SPEAKERS OUT (1KHz) | | | | | SUBWOOFER (50 Hz) |
|------------------|---------|---------------------|-----------|--------------|-------------------|--------------|----------------------|
| | | FRONT L/R | CENTER | SURROUND L/R | SURROUND BACK L/R | PRESENCE L/R | |
| Both ch, -20 dBm | +6.5 dB | +13.0 dBm | +13.0 dBm | - ∞ dBm | - ∞ dBm | - ∞ dBm | - ∞ dBm |



DSP BYPASS

- This signal path distributes DIR output signals to all DACs with the selector (PLD) set to "DIAG MODE2".
- The analog input is invalid.

DSP BYPASS

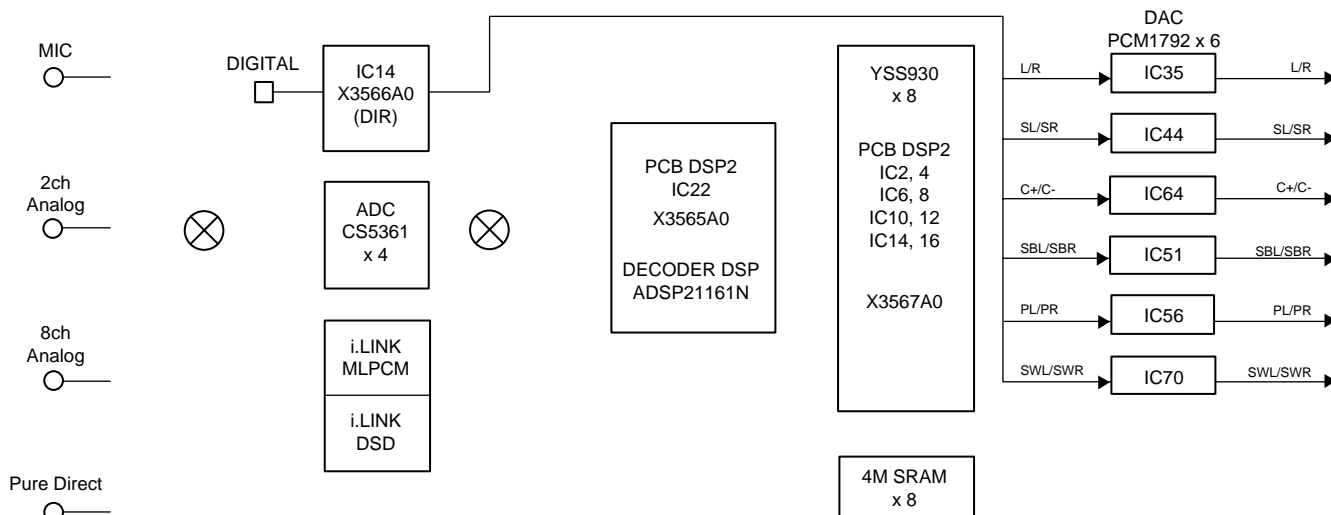
- セレクタ(PLD)設定を“DIAG MODE2”にして DIR 出力信号を全ての DAC に振り分ける信号経路です。
- Analog 入力は無効です。

3. BYPASS
DSP BYPASS

INPUT: DVD ANALOG

| Input level | Volume | SPEAKERS OUT (1KHz) | | | | | SUBWOOFER (50 Hz) |
|------------------|---------|---------------------|---------|--------------|-------------------|--------------|----------------------|
| | | FRONT L/R | CENTER | SURROUND L/R | SURROUND BACK L/R | PRESENCE L/R | |
| Both ch, -20 dBm | +6.5 dB | - ∞ dBm | - ∞ dBm | - ∞ dBm | - ∞ dBm | - ∞ dBm | - ∞ dBm |

DSP BYPASS



DECODER BYPASS

- This is the signal path that bypasses the decoder (SHARC). The setting for the YSS930 is the same as in DSP THROUGH (for other than 2/0) but Sp Config is always invalid.

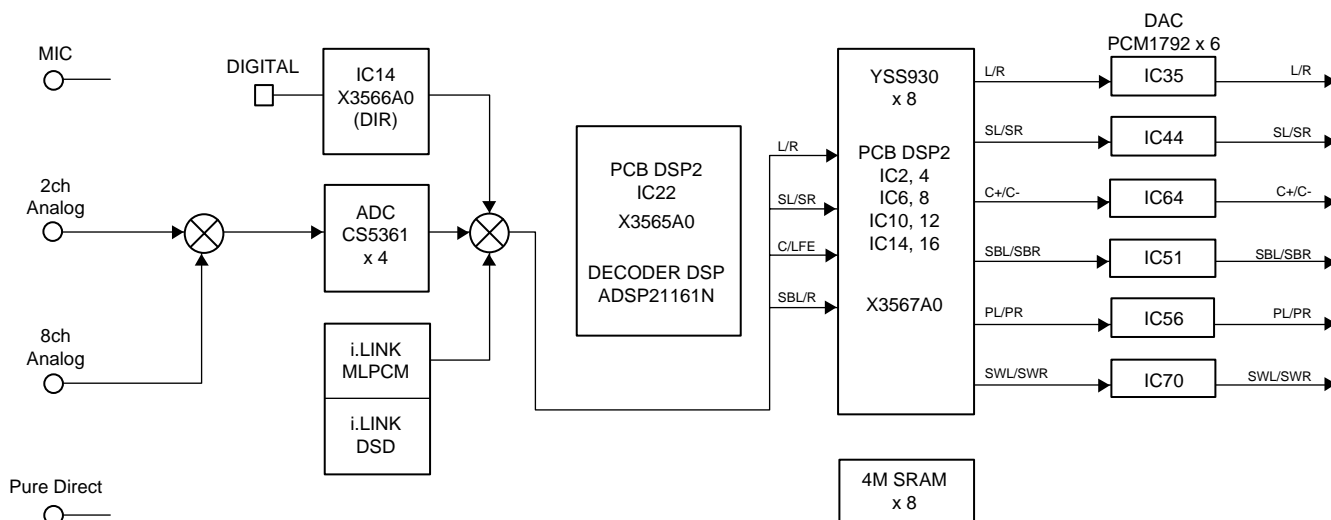
DECODER BYPASS

- デコーダー (SHARC) をバイパスする信号経路です。YSS930 の経路設定は DSP THROUGH (2/0 以外の場合) に準じますが、Sp Config は常時無効です。

3. BYPASS
DECODER BYPASS

INPUT: DVD ANALOG

| Input level | Volume | SPEAKERS OUT (1KHz) | | | | | SUBWOOFER (50 Hz) |
|------------------|---------|---------------------|-----------|--------------|-------------------|--------------|----------------------|
| | | FRONT L/R | CENTER | SURROUND L/R | SURROUND BACK L/R | PRESENCE L/R | |
| Both ch, -20 dBm | +6.5 dB | +13.0 dBm | +13.0 dBm | +13.0 dBm | +13.0 dBm | +13.0 dBm | - 16.2 dBm |



PURE DIRECT

- This is the Pure Direct signal path. When this DIAG menu is selected, the power of DSP and VIDEO is not turned off but only the signal path is set.

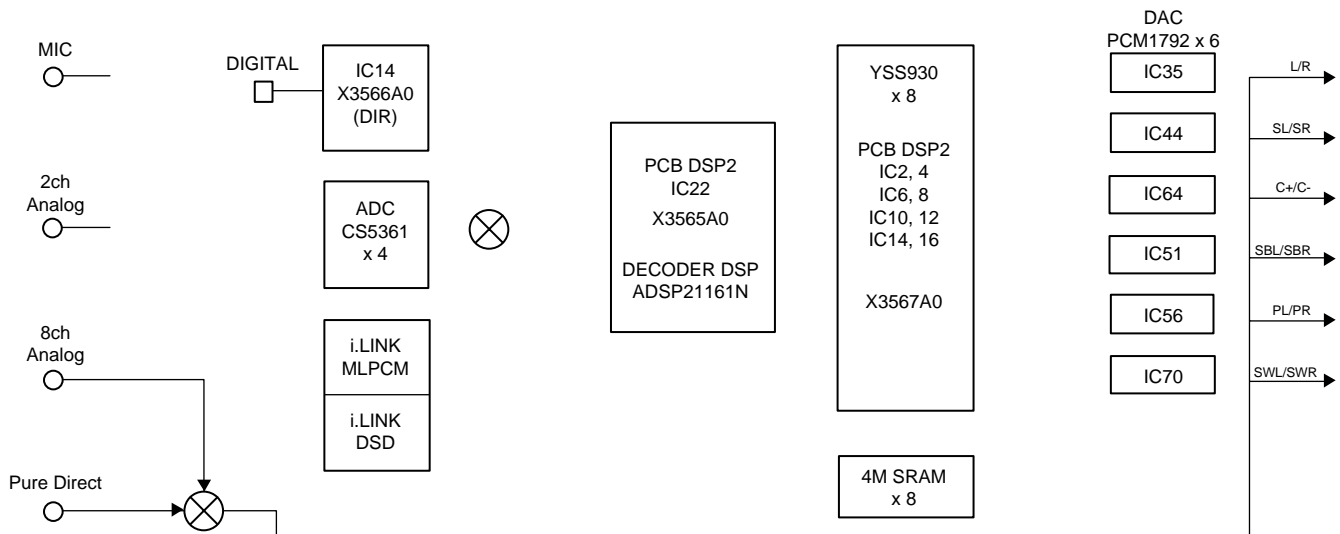
PURE DIRECT

- Pure Directの信号経路です。本ダイアグではDSP及びVIDEO電源のOFF処理は行わず、信号経路のみの設定です。

3. BYPASS
PURE DIRECT

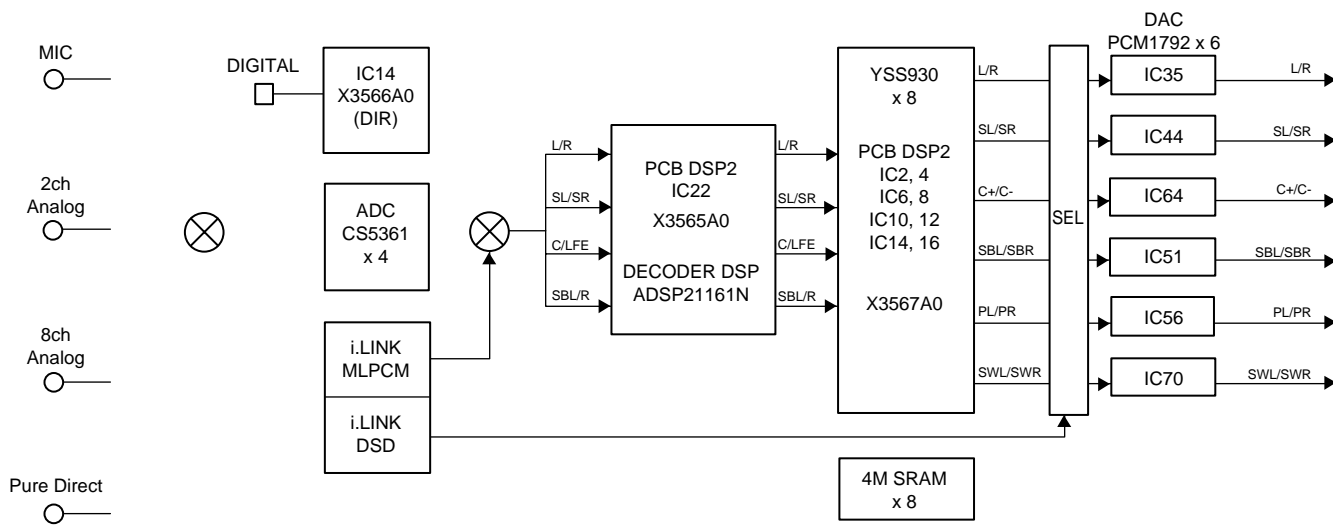
INPUT: DVD ANALOG

| Input level | Volume | SPEAKERS OUT (1KHz) | | | | | SUBWOOFER (50 Hz) |
|------------------|---------|---------------------|---------|--------------|-------------------|--------------|----------------------|
| | | FRONT L/R | CENTER | SURROUND L/R | SURROUND BACK L/R | PRESENCE L/R | |
| Both ch, -20 dBm | +6.5 dB | - ∞ dBm | - ∞ dBm | - ∞ dBm | - ∞ dBm | - ∞ dBm | - ∞ dBm |



4. i.LINK AUDIO

- In this DIAG mode, any input other than i.LINK is invalid.



4. i.LINK AUDIO

- 本 DIAG モードでは、i.LINK 以外の入力は無効です。

AUTO

- For the i.LINK equipment being connected, reproduction is executed in accordance with the stream. The input selector is used for selection of the equipment being connected.
- For YSS930, the same processing as DSP THROUGH is used but Sp Config is always valid.
- The DSD input signals are PCM converted and reproduced.

4.i.LINK
AUTO

AUTO

- 接続されている i.LINK 機器について、ストリームに応じた再生を行います。接続機器の選択は、インプットセレクタで操作します。
- YSS930 は DSP THROUGH と同じ処理をしますが、Sp Config は常時有効です。
- DSD 入力時は PCM 変換して再生します。

DIRECT

- The i.LINK input signals are reproduced using the DIRECT signal path.
- The DSD signals are reproduced directly without PCM conversion.

4.i.LINK
DIRECT

DIRECT

- i.LINK 入力 DIRECT の信号経路で再生します。
- DSD は PCM 変換せずに直接再生します。

DSD ALL-CH

- In case of the DSD input signal, the DSD L/R signals are distributed to all DACs for reproduction with the selector (PLD) set to "DIAG MODE3".

4.i.LINK
DSD ALL-CH

DSD ALL-CH

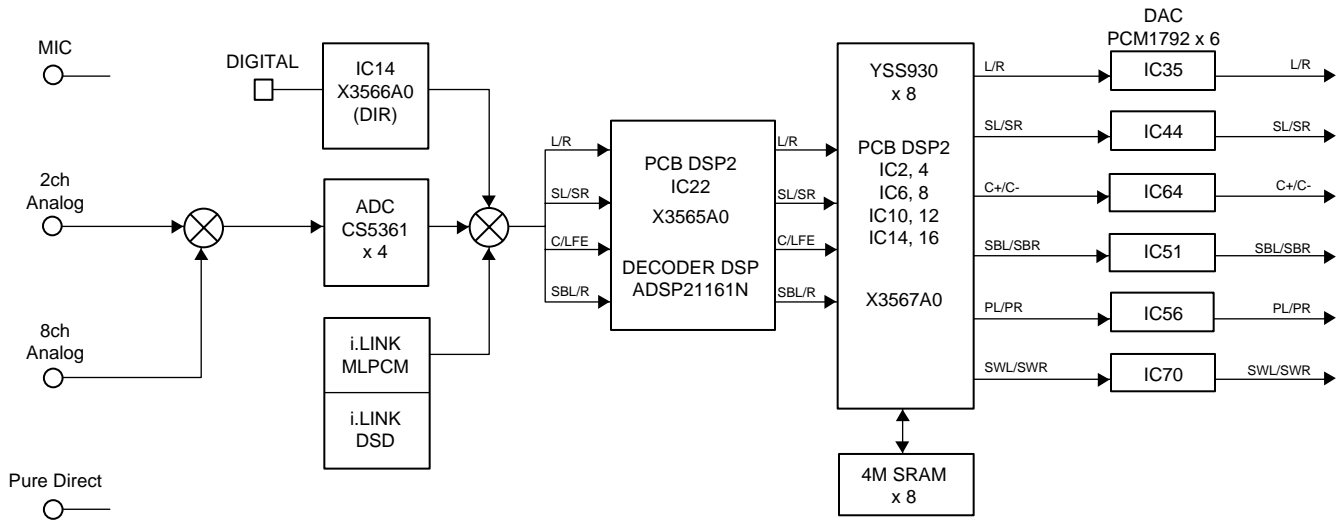
- DSD 入力の場合、セレクタ(PLD)設定を " DIAG MODE3 " にすることで、DSD L/R を全ての DAC に振り分けて再生します。

5. PRO LOGIC/PRO LOGIC II

- Other than when the auto input balance is OFF, Pro Logic functions in the same manner as usual.
- Pro Logic II functions in the same manner as usual.
- When fs is 128kHz or more, Down Sampling is executed in the previous stage.
- Sp Config is always valid.

5. PRO LOGIC/PRO LOGIC II

- Pro Logic のオートインプットバランスオフの他は通常時と同じです。
- Pro Logic II は通常動作と同じです。
- fs 128kHz では前段で Down Sampling 処理を行います。
- Sp Config は常時有効です。



PRO LOGIC

PRO LOGIC

5.PRO LOGIC
PRO LOGIC

INPUT: DVD ANALOG

| Input level | Volume | SPEAKERS OUT (1KHz) | | | | | SUBWOOFER (50 Hz) |
|------------------|---------|---------------------|-----------|--------------|-------------------|--------------|----------------------|
| | | FRONT L/R | CENTER | SURROUND L/R | SURROUND BACK L/R | PRESENCE L/R | |
| Each ch, -20 dBm | +6.5 dB | +10.0 dBm | +10.0 dBm | +10.0 dBm | +10.0 dBm | +10.0 dBm | - ∞ dBm |
| Both ch, -20 dBm | +6.5 dB | - ∞ dBm | - ∞ dBm | - ∞ dBm | - ∞ dBm | - ∞ dBm | - ∞ dBm |

PRO LOGIC II

PRO LOGIC II

5.PRO LOGIC
PRO LOGIC II

INPUT: DVD ANALOG

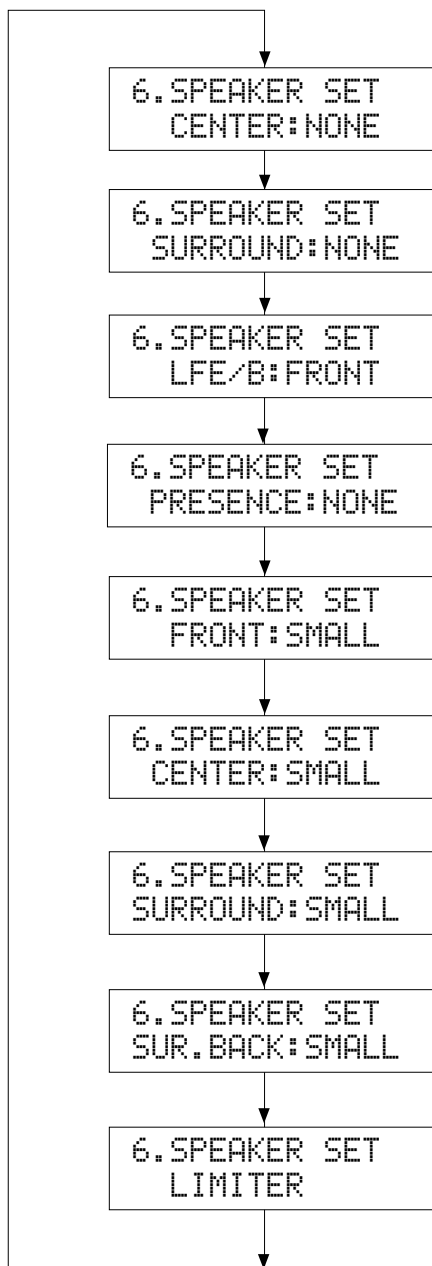
| Input level | Volume | SPEAKERS OUT (1KHz) | | | | | SUBWOOFER (50 Hz) |
|------------------|---------|---------------------|-----------|--------------|-------------------|--------------|----------------------|
| | | FRONT L/R | CENTER | SURROUND L/R | SURROUND BACK L/R | PRESENCE L/R | |
| Each ch, -20 dBm | +6.5 dB | +10.0 dBm | +10.0 dBm | +10.0 dBm | +10.0 dBm | +10.0 dBm | - ∞ dBm |
| Both ch, -20 dBm | +6.5 dB | - ∞ dBm | - ∞ dBm | - ∞ dBm | - ∞ dBm | - ∞ dBm | - ∞ dBm |

6. SPEAKER SET

- The input signals are automatically judged in the priority order of DD DTS AAC PCM Analog (A/D).
- The same signal as the 0dB signal of No.1 DSP THROUGH is output from the DSP section.
- In order to cope with the 6 ohms load in the "LIMITER" mode, the input voltage of the power amplifier is limited.

6. SPEAKER SET

- 入力は、DD DTS AAC PCM アナログ(A/D)の優先順で自動判別します。
- DSP部からは、No. 1 DSP THROUGHの0dBと同様の信号が出力されます。
- “LIMITER”モードでは6Ω負荷に対応するため、パワーアンプの入力電圧を制限しています。J仕向けはリミッタ回路はありませんのでこのモードは機能しません。



The analog switch settings for each sub-menu are as shown in the table below.

各サブメニューにおけるアナログスイッチの設定は以下の通りです。

| | Sub-menu | FRONT SP | CENTER SP | SUR SP | SUR.B SP | LFE/BASS | PRESENCE |
|---|-----------------|----------|-----------|--------|-----------|----------|----------|
| 1 | CENTER: NONE | LARGE | NONE | LARGE | LARGE x 2 | SWFR ST | YES |
| 2 | SURROUND: NONE | LARGE | LARGE | NONE | LARGE x 2 | SWFR ST | YES |
| 3 | LFE/B: FRONT | LARGE | LARGE | LARGE | LARGE x 2 | FRONT | YES |
| 4 | PRESENCE: NONE | LARGE | LARGE | LARGE | LARGE x 2 | SWFR ST | NONE |
| 5 | FRONT: SMALL | SMALL | LARGE | LARGE | LARGE x 2 | SWFR ST | YES |
| 6 | CENTER: SMALL | LARGE | SMALL | LARGE | LARGE x 2 | SWFR ST | YES |
| 7 | SURROUND: SMALL | LARGE | LARGE | SMALL | LARGE x 2 | SWFR ST | YES |
| 8 | SUR.BACK: SMALL | LARGE | LARGE | LARGE | SMALL | SWFR ST | YES |
| 9 | LIMITER | LARGE | LARGE | LARGE | LARGE x 2 | SWFR ST | YES |

LARGE: The signals in full bandwidth are output.

SMALL: The signals passing through LPF of 80Hz, -6dB are output and those in the low range are mixed into the SUBWOOFER channel.

NONE: L/R signals of each channel are mixed into FRONT L/R. The center content is reduced by 3dB and distributed to FRONT L/R.

LARGE : 全帯域が出力されます。

SMALL : 80Hz, -6 dB の LPF を通した信号が出力され、その低域はSUBWOOFERチャンネルにミックスされます。

NONE : 各チャンネルの L/R が FRONT L/R にそれぞれミックスされます。センター成分は 3dBされて、FRONT L/R に振り分けられます。

INPUT: DVD ANALOG

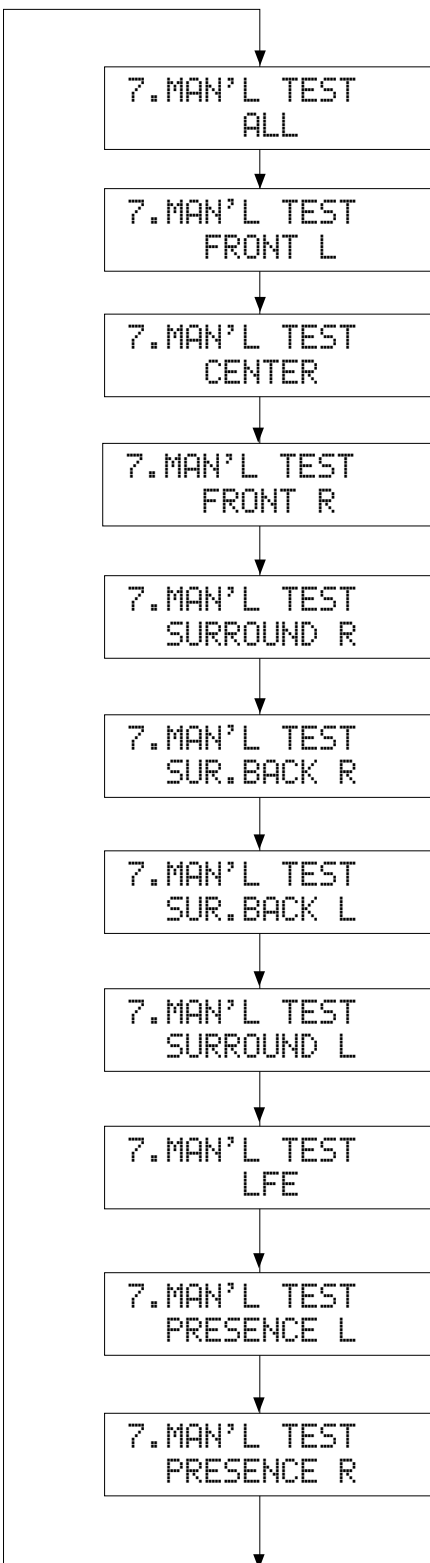
| | Sub-menu | Input level | Volume | SPEAKERS OUT (1KHz) | | | | | SUBWOOFER (50 Hz) |
|---|-----------------|------------------|---------|---------------------|-----------|-----------|-----------|--------------|----------------------|
| | | | | FRONT L/R | CENTER | SUR L/R | SUR.B L/R | PRESENCE L/R | |
| 1 | CENTER: NONE | Both ch, -20 dBm | +6.5 dB | +19.2 dBm | - ∞ dBm | +13.0 dBm | +13.0 dBm | +13.0 dBm | - 22.0 dBm |
| 2 | SURROUND: NONE | Both ch, -20 dBm | +6.5 dB | +19.2 dBm | +13.0 dBm | +13.0 dBm | +13.0 dBm | +13.0 dBm | - 22.0 dBm |
| 3 | LFE/B: FRONT | Both ch, -20 dBm | +6.5 dB | +13.0 dBm | +13.0 dBm | +13.0 dBm | +13.0 dBm | +13.0 dBm | - ∞ dBm |
| 4 | PRESENCE: NONE | Both ch, -20 dBm | +6.5 dB | +18.9 dBm | +13.0 dBm | +13.0 dBm | +13.0 dBm | +13.0 dBm | - 22.0 dBm |
| 5 | FRONT: SMALL | Both ch, -20 dBm | +6.5 dB | +13.0 dBm | +13.0 dBm | +13.0 dBm | +13.0 dBm | +13.0 dBm | - 22.0 dBm |
| 6 | CENTER: SMALL | Both ch, -20 dBm | +6.5 dB | +13.0 dBm | +13.0 dBm | +13.0 dBm | +13.0 dBm | +13.0 dBm | - 22.0 dBm |
| 7 | SURROUND: SMALL | Both ch, -20 dBm | +6.5 dB | +13.0 dBm | +13.0 dBm | +13.0 dBm | +13.0 dBm | +13.0 dBm | - 22.0 dBm |
| 8 | SUR.BACK: SMALL | Both ch, -20 dBm | +6.5 dB | +13.0 dBm | +13.0 dBm | +13.0 dBm | +13.0 dBm | +13.0 dBm | - 22.0 dBm |
| 9 | LIMITER | Both ch, -20 dBm | +6.5 dB | +13.0 dBm | +13.0 dBm | +13.0 dBm | +13.0 dBm | +13.0 dBm | - 22.0 dBm |

7. MANUAL TEST

- The noise generation circuit built into the DSP outputs the test noise to the channels specified by the sub-menu.

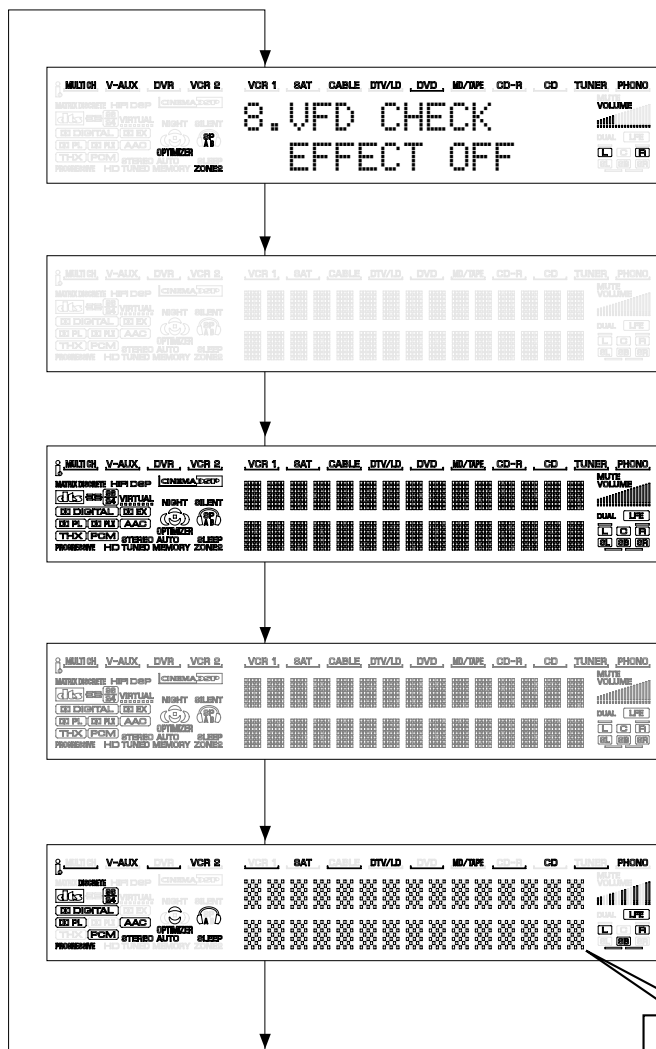
7. MANUAL SET

- DSP 内蔵のノイズ発生回路によって、サブメニューで指定したチャンネルへテストノイズを出力します。



8. VFD CHECK

- This program is used to check the FL display section. The display condition varies as shown below according to the sub-menu operation.
- Internal /external synchronization of the image signals subject to the microprocessor control is set to forced external synchronization.



8. VFD CHECK

- FL 表示部のチェックプログラムです。サブメニュー操作により、表示状態が以下のように変わります。
- マイコン制御による映像信号の内部 / 外部同期切り替えは、強制外部同期となります。

Initial display /

初期表示

All segments OFF /

全セグメント消灯

All segments ON (dimmer 100%) /

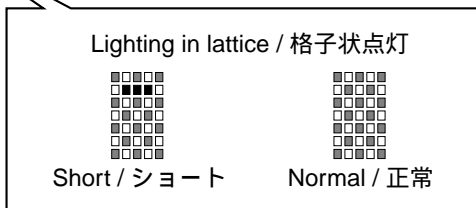
全セグメント点灯 (ディマー 100%)

All segments ON (dimmer 50%) /

全セグメント点灯 (ディマー 50%)

Lighting of segments in lattice /

セグメント格子状点灯



Segment conditions of the FL driver and the FL tube are checked by turning ON and OFF all segments. Next, the operation of the FL driver is checked by using the dimmer control. Then a short between segments next to each other is checked by turning ON and OFF all segments alternately (in lattice). (In the above example, the segments in the second row from the top are shorted.)

全セグメント消灯・全セグメント点灯によりFLドライバー、FL管のセグメントの不良を確認します。次に、ディマーコントロールによってFLドライバーの動作チェックを行います。さらに全セグメントを交互(格子状)に点灯/消灯することで、隣り合うセグメントのショートをチェックします。

9. VIDEO

- This menu is intended for checking the video circuit.
- Various signal path and operation checks are performed by changing the sub-menu.

DIGITAL THROUGH 480i

- Signals are output through all devices with the resolution set to 480i/576i.

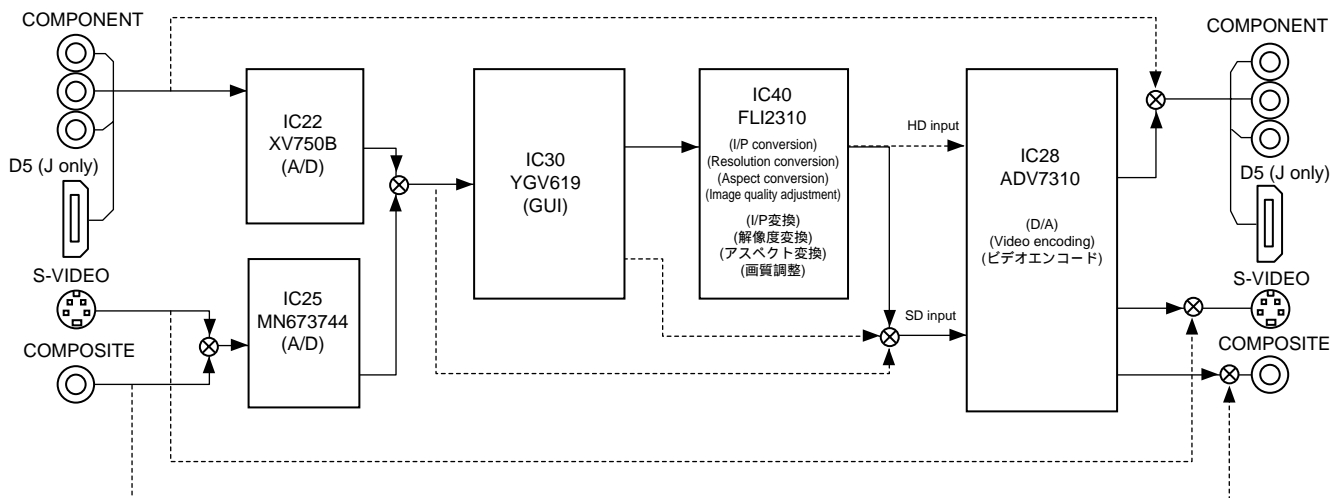
9. VIDEO

- ビデオ回路のチェックを行う為のメニューです。
- サブメニューを切り替えることにより、各種信号経路チェック・動作チェックを行います。

DIGITAL THROUGH 480i

- 解像度 480i/576i の設定で、全てのデバイスを経由して信号出力します。

9.VIDEO
DIGITAL THR



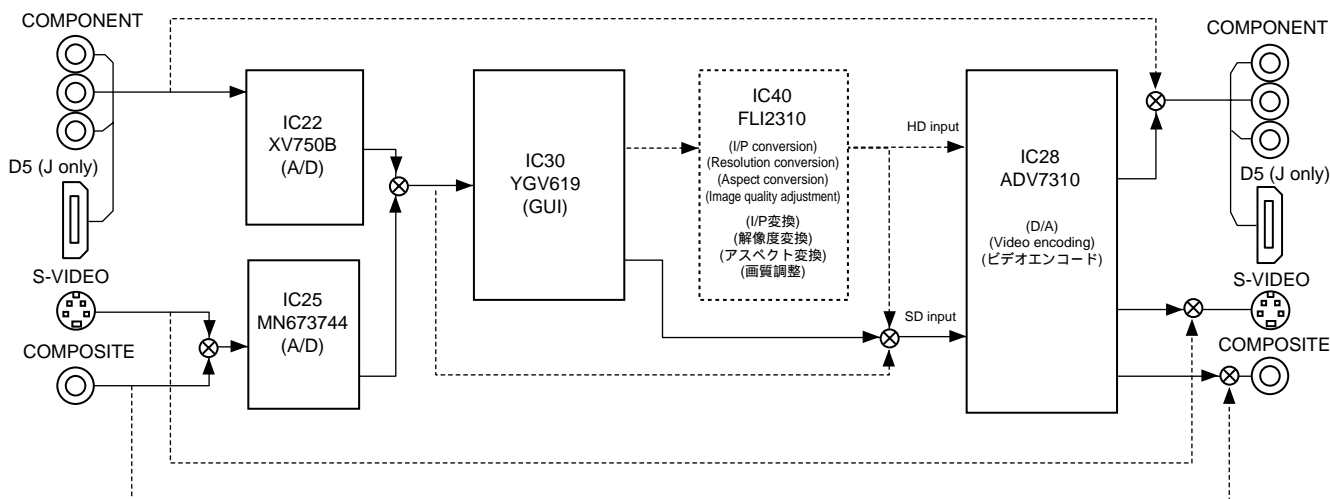
FLI BYPASS

- The signals are output through the path bypassing IC40(FLI2310).

FLI BYPASS

- IC40 (FLI2310)をバイパスした経路で信号出力します。

9.VIDEO
FLI BYPASS



RX-Z9/DSP-Z9

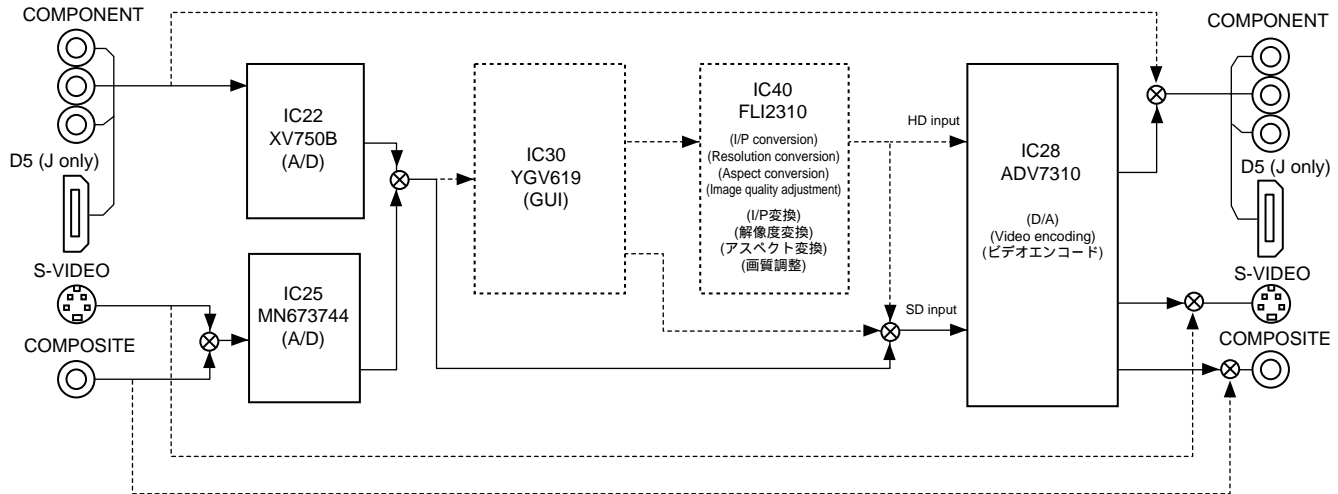
DIGITAL BYPASS

- The signals are output through the path bypassing IC30 (YGV619) and IC40 (FLI2310).

DIGITAL BYPASS

- IC30 (YGV619)及び IC40 (FLI2310)をバイパスした経路で信号出力します。

9.VIDEO
DIGITAL BYPASS



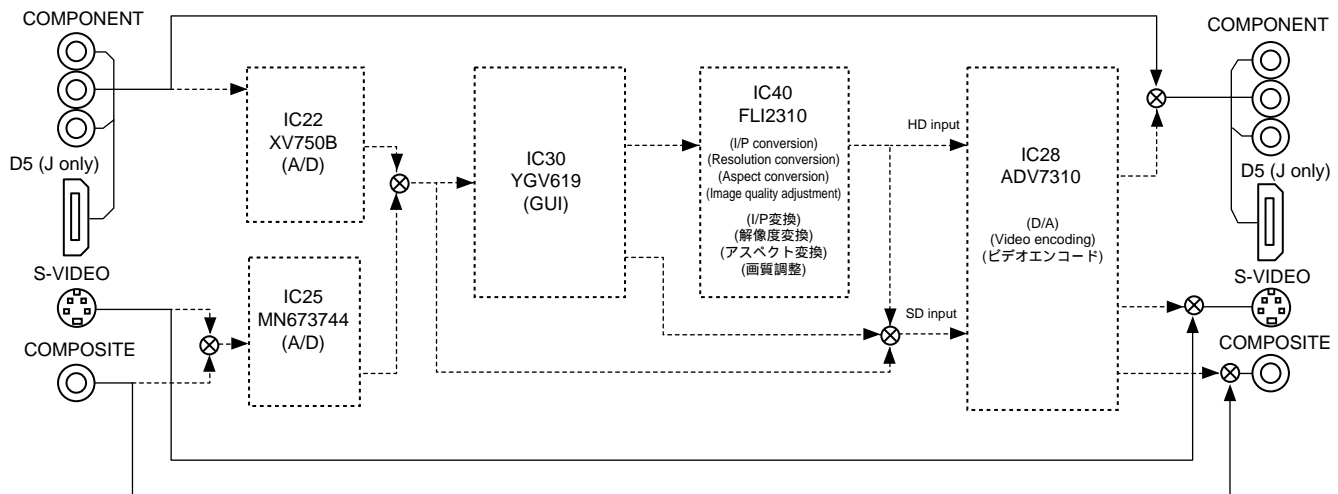
ANALOG BYPASS

- These signals are output through the path bypassing the digital circuit.

ANALOG BYPASS

- デジタル回路をバイパスした経路で信号出力します。

9.VIDEO
ANALOG BYPASS

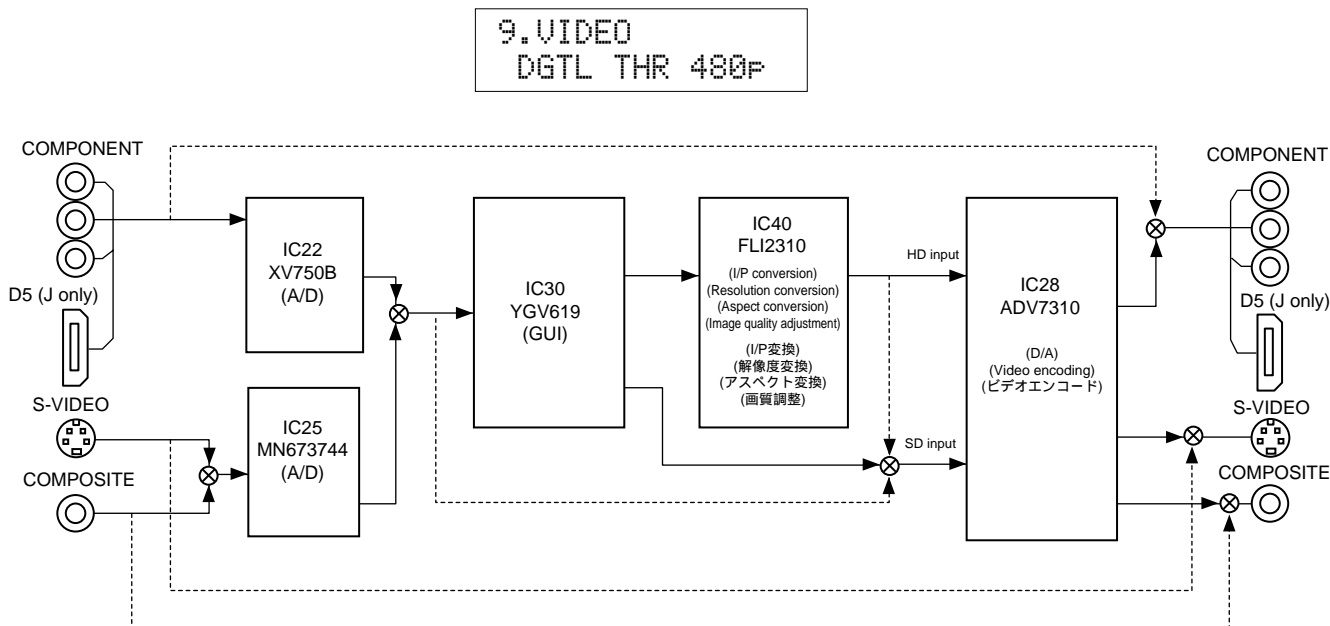


DIGITAL THR 480p

- The signals are output after 480p conversion.

DIGITAL THR 480p

- 480p 変換して信号出力します。

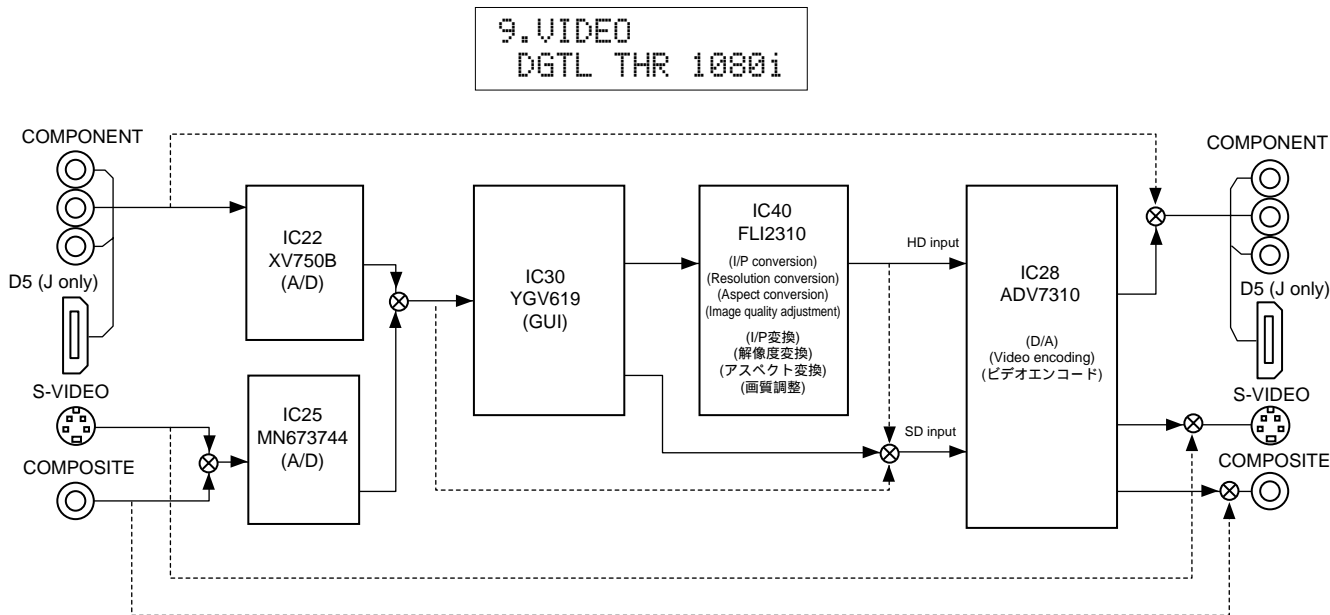


DIGITAL THR 1080i

- The signals are output after 1080i conversion.

DIGITAL THR 1080i

- 1080i 変換して信号出力します。



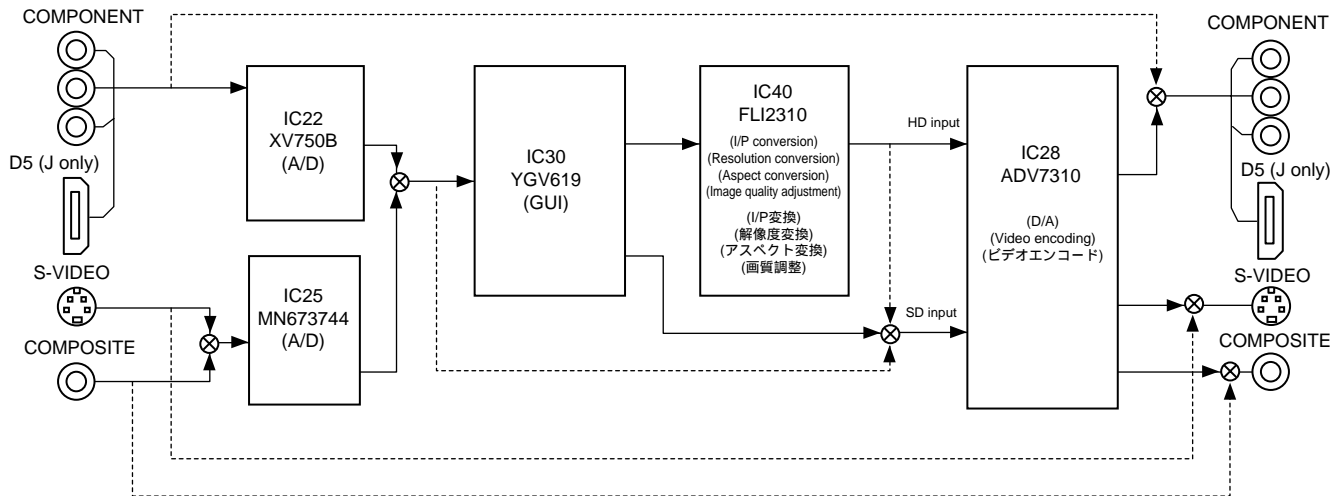
DIGITAL THR 720p

- The signals are output after 720p conversion.

DIGITAL THR 720p

- 720p 変換して信号出力します。。

9.VIDEO
DGTL THR 720P



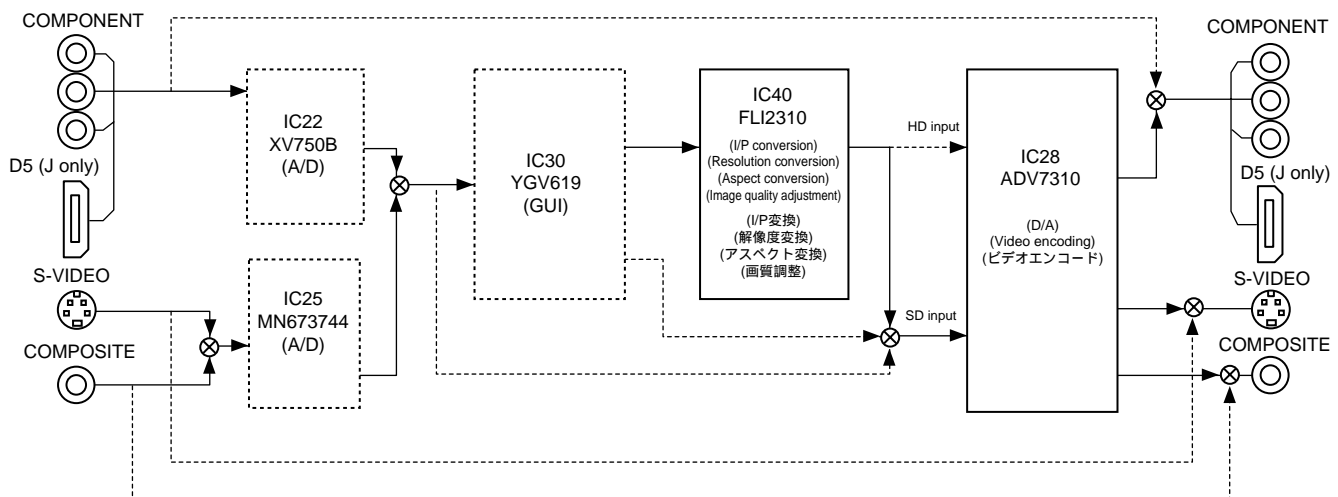
TEST PATTERN 1

- The test pattern is output from IC40 (FLI2310).

TEST PATTERN 1

- IC40 (FLI2310)からテストパターンを出力します。。

9.VIDEO
TEST PATTERN 1

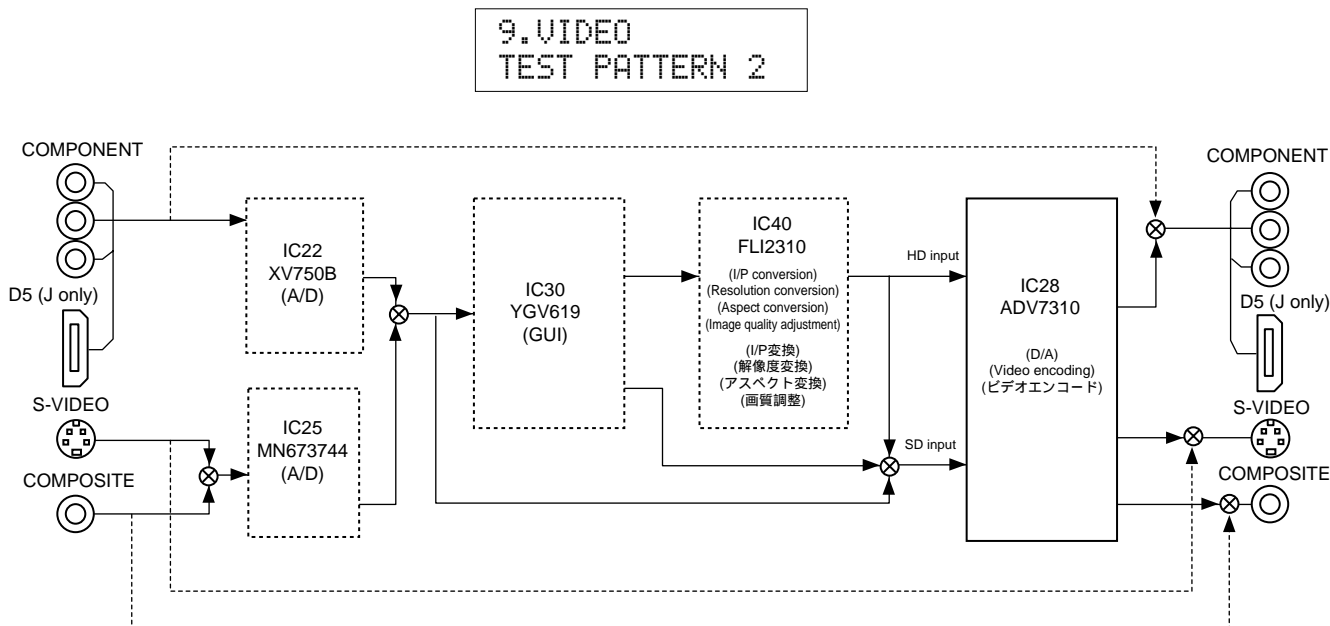


TEST PATTERN 2

- The test pattern is output from IC28 (ADV7310).

TEST PATTERN 2

- IC28 (ADV7310)からテストパターンを出力します。



9.VIDEO
TEST PATTERN 2

CUI MODE (GUI)

- The GUI video device register information is displayed. (unused)

CUI MODE (GUI)

- ビデオデバイスのレジスタの情報を表示します。(使用しません)

9.VIDEO
CUI MODE

VIDEO INFO

- With VIDEO INFO selected, the screen display is activated by using the ">" key on the remote controller and the list is restored when the "<" key is pressed.

VIDEO INFO

- VIDEO INFO を選択し、リモコンの ">" キーで画面表示します。"<" キーでリストに戻ります。

9.VIDEO
VIDEO INFO

| Item | Status history / 状態表示 |
|----------------|--|
| 1 TERMINAL | YCbCr/CVBS/YC |
| 2 YCbCr RESO | 525i/625i/525p/625p/750p/1125i/1125p/Unknown/None |
| 3 ASPECT RATIO | 4: 3/4: 3 LB/16: 9 |
| 4 COPYRIGHT | No/Yes |
| 5 COLOR SYS | PAL/NTSC/PAL-M/PAL-N/NTSC 4.43/PAL60/SECAM/Unknown |
| 6 MACRO VISION | 525i None/525i AGC/525i AGC+CS2/525i AGC+CS4 625i None/625i AGC/PAL60 AGC |
| 7 CGMS 0 | 8Bit Binary Data |
| 8 CGMS 1 | 8Bit Binary Data |
| 9 WSS 0 | 8Bit Binary Data |
| 10 WSS 1 | 8Bit Binary Data |

10. i.LINK CONNECTION

(This function is not currently supported.)

GUID of the equipment which is i.LINK connected currently is displayed. GUID stands for Global Unique ID and means the ID assigned to each manufacturer and each unit of equipment.

- [1] Connected equipment 1 GUID
- [2] Connected equipment 2 GUID
- [3]

```
10.i.LINK CNCT
```

10. i.LINK CONNECTION

(現在、対応していません)

現在i.LINK接続されている機器のGUIDを表示します。

GUIDとはGlobal Unique IDの略で、各メーカー及び各機器1台ごとに割り当てられたIDを意味します。

- ① 接続機器 1 GUID
- ② 接続機器 2 GUID
- ③

11. i.LINK COMMAND

(This function is not currently supported.)

The Pass Through command "eject" is issued to the equipment which is i.LINK connected.

RESERVED

Standby state

(Nothing occurs in this state because the EJECT function is not supported.)

```
11.i.LINK CMD
RESERVED
```

EJECT

The "eject" command of the external equipment is issued.

```
11.i.LINK CMD
EJECT
```

11. i.LINK COMMAND

(現在、対応していません)

i.LINK接続されている機器に対して、Pass Throupghコマンドの "eject" を発行します。

RESERVED

待機状態

(EJECT 対応していないためにここでは何も起こりません。)

EJECT

外部機器の "eject" コマンドを発行します。

12. PCB CHECK

Each P.C.B. is self-checked and the result is displayed.

YSS

- The Address/Data bus and signal line connection of YSS930 on the DSP2 P.C.B. are checked and the result is displayed.

Display indicating no error: NoEr

```
12.PCB CHECK
YSS:NoEr
```

Also, as the DSP microprocessor P1-6 (CHECK) terminal is used for outputting judgment while DIAG is working, High output is provided when there is no trouble.

12. PCB CHECK

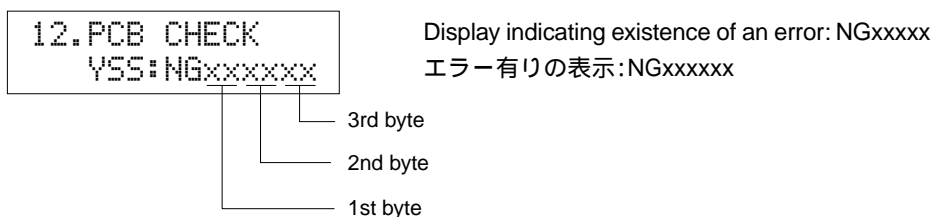
各基板のセルフチェックを実施して、結果を表示します。

YSS

- DSP2基板上にあるYSS930のAddress/Dataバスチェック及び信号ライン接続チェックを行い、結果を表示します。

エラー無しの表示:NoEr

尚、DIAG 中は DSP マイコン P1 - 6 (CHECK) 端子を判定出力として使用していますので、問題が無い場合はHigh出力します。



"xxxxx" represents details of the error point in YSS930 #0-#7 expressed in hexadecimal.

"xxxxxx"はYSS930 #0-#7でのエラー箇所の詳細を16進数で表示しています。

<1st byte>

Check result of address bus between YSS930 and SRAM

<第1バイト>

YSS930- SRAM間のアドレスバスのチェック結果

<2nd byte>

Check result of data bus between YSS930 and SRAM

<第2バイト>

YSS930- SRAM間のデータバスのチェック結果

<3rd byte>

Check result of connecting line between YSS930 and YSS930

<第3バイト>

YSS930 同士の接続ラインのチェック結果

Check result of address bus/data bus between YSS930 and SRAM

YSS930-SRAM間のアドレスバス/データバスのチェック結果について

When "xx" is converted into binary, "1" appears where there is an error.

"xx"を2進数に変換した時に、エラーがある箇所に"1"が立つようになっています。

1st bit: IC4 data bus check result (0=OK / 1=NG)
2nd bit: IC8 data bus check result (0=OK / 1=NG)
3rd bit: IC12 data bus check result (0=OK / 1=NG)
4th bit: IC16 data bus check result (0=OK / 1=NG)
5th bit: IC2 data bus check result (0=OK / 1=NG)
6th bit: IC6 data bus check result (0=OK / 1=NG)
7th bit: IC10 data bus check result (0=OK / 1=NG)
8th bit: IC14 data bus check result (0=OK / 1=NG)

1bit目: IC4のデータバスチェック結果(0=OK/1=NG)
2bit目: IC8のデータバスチェック結果(0=OK/1=NG)
3bit目: IC12のデータバスチェック結果(0=OK/1=NG)
4bit目: IC16のデータバスチェック結果(0=OK/1=NG)
5bit目: IC2のデータバスチェック結果(0=OK/1=NG)
6bit目: IC6のデータバスチェック結果(0=OK/1=NG)
7bit目: IC10のデータバスチェック結果(0=OK/1=NG)
8bit目: IC14のデータバスチェック結果(0=OK/1=NG)

| "xx" value "xx"の値 | xx in binary xxの2進数 | Check result of address bus/data bus between YSS930 and SRAM YSS930 - SRAM間のアドレスバス/データバスチェック判定結果 | | | | | | | |
|----------------------|------------------------|---|------|-----|-----|------|------|-----|-----|
| | | IC14 | IC10 | IC6 | IC2 | IC16 | IC12 | IC8 | IC4 |
| 00 | 0000_0000 | OK | OK | OK | OK | OK | OK | OK | OK |
| 01 | 0000_0001 | OK | OK | OK | OK | OK | OK | OK | NG |
| 02 | 0000_0010 | OK | OK | OK | OK | OK | OK | NG | OK |
| 04 | 0000_0100 | OK | OK | OK | OK | OK | NG | OK | OK |
| 08 | 0000_1000 | OK | OK | OK | OK | NG | OK | OK | OK |
| 10 | 0001_0000 | OK | OK | OK | NG | OK | OK | OK | OK |
| 20 | 0010_0000 | OK | OK | NG | OK | OK | OK | OK | OK |
| 40 | 0100_0000 | OK | NG | OK | OK | OK | OK | OK | OK |
| 80 | 1000_0000 | NG | OK | OK | OK | OK | OK | OK | OK |
| FF | 1111_1111 | NG | NG | NG | NG | NG | NG | NG | NG |

The value of "xx" can be any of all patterns from 00 to FF depending on the combination of NG points.

Example: When IC10, IC8 and IC4 are NG xx=43 (Binary: 0100_0011)

不良箇所の組み合わせにより、“xx”の値は00～FFまでの全パターンが存在します。

例) IC10とIC8とIC4がNGの場合 xx=43(2進数: 0100_0011)

Check result of SDO -> SDI line between YSS930 and YSS930

When the value "xx" is converted into binary, "1" appears where there is an error.

- 1st bit: Check result of SDO -> SDI connection between IC4 and IC8 (0=OK / 1=NG)
- 2nd bit: Check result of SDO -> SDI connection between IC8 and IC12 (0=OK / 1=NG)
- 3rd bit: Check result of SDO -> SDI connection between IC12 and IC16 (0=OK / 1=NG)
- 4th bit: Check result of SDO -> SDI connection between IC16 and IC2 (0=OK / 1=NG)
- 5th bit: Check result of SDO -> SDI connection between IC2 and IC6 (0=OK / 1=NG)
- 6th bit: Check result of SDO -> SDI connection between IC6 and IC10 (0=OK / 1=NG)
- 7th bit: Check result of SDO -> SDI connection between IC10 and IC14 (0=OK / 1=NG)
- 8th bit: Unused : 0 always

The value of "xx" can be any of all patterns from 00 to 7F depending on the combination of NG points.

Example) When both IC10 to IC16 and IC8 to IC4 are NG
xx=41 (Binary: 0100_0001)

YSS930 同士の SDO SDI ラインのチェック結果について

“ xx ”を2進数に変換した時に、エラーがある箇所に“ 1 ”が立つようになっています。

- 1bit 目 : IC4 - IC8 間の SDO SDI 接続チェック結果
(0=OK / 1=NG)
- 2bit 目 : IC8 - IC12 間の SDO SDI 接続チェック結果
(0=OK / 1=NG)
- 3bit 目 : IC12 - IC16 間の SDO SDI 接続チェック結果
(0=OK / 1=NG)
- 4bit 目 : IC16 - IC2 間の SDO SDI 接続チェック結果
(0=OK / 1=NG)
- 5bit 目 : IC2 - IC6 間の SDO SDI 接続チェック結果
(0=OK / 1=NG)
- 6bit 目 : IC6 - IC10 間の SDO SDI 接続チェック結果
(0=OK / 1=NG)
- 7bit 目 : IC10 - IC14 間の SDO SDI 接続チェック結果
(0=OK / 1=NG)
- 8bit 目 : 未使用 : 常時 0

不良箇所の組み合わせにより、“ xx ”の値は00 ~ 7Fまでの全パターンが存在します。

例) IC10 と IC6 の間、IC8 と IC4 の間が両方とも NG の場合
xx=41 (2 進数 : 0100_0001)

| Hexadecimal | Binary | | | |
|-------------|--------|---|---|---|
| 0 | 0 | 0 | 0 | 0 |
| 1 | 0 | 0 | 0 | 1 |
| 2 | 0 | 0 | 1 | 0 |
| 3 | 0 | 0 | 1 | 1 |
| 4 | 0 | 1 | 0 | 0 |
| 5 | 0 | 1 | 0 | 1 |
| 6 | 0 | 1 | 1 | 0 |
| 7 | 0 | 1 | 1 | 1 |
| 8 | 1 | 0 | 0 | 0 |
| 9 | 1 | 0 | 0 | 1 |
| A | 1 | 0 | 1 | 0 |
| B | 1 | 0 | 1 | 1 |
| C | 1 | 1 | 0 | 0 |
| D | 1 | 1 | 0 | 1 |
| E | 1 | 1 | 1 | 0 |
| F | 1 | 1 | 1 | 1 |

1394

- The 1394 P.C.B. is self-checked and the result is displayed.

1394

- 1394基板のセルフチェックを行い、結果を表示します。

Display indicating no error : NoEr

```
12.PCB CHECK
1394:NoEr
```

エラー無しの表示:NoEr

Display indicating existence of an error : NGxx

```
12.PCB CHECK
1394:NGxx
```

エラー有りの表示:NGxx

"xx" represents the error item in hexadecimal.

"xx"はエラー項目を16進数で表示しています。

00: FLASH read error

00 : FLASH 読み出しエラー

01: TSB43CA42 OSD memory access error

01 : TSB43CA42 OSD メモリアクセスエラー

02: TSB43CA42 (LINK) CFR register access error

02 : TSB43CA42 (LINK) CFR レジスタアクセスエラー

03: TSB43CA42 (PHY) register access error

03 : TSB43CA42 (PHY)レジスタアクセスエラー

YG/MN

- The device connected to the video microprocessor using a bus is checked and the result is displayed.

YG/MN

- ビデオマイコンにバス接続されているデバイスのチェックを行い、結果を表示します。

Display indicating no error : NoEr

```
12.PCB CHECK
YG:NoEr/MN:NoEr
```

エラー無しの表示:NoEr

Display indicating existence of an error (Example)

```
12.PCB CHECK
YG:YGV/MN:Err
```

エラー有りの表示(例)

YG: YGV619-S (IC30) check result

YGV: The bust between MPU and YTGV is open.

RAMA: There is an address bus error.

RAMD: There is a data bus error.

YG : YGV619-S (IC30)のチェック結果

YGV : MPU - YGV 間のバスオープン

RAMA : アドレスバスのエラー

RAMD : データバスのエラー

MN: MN673744HL (IC44) check result

Err: There is an error.

MN : MN673744HL (IC44)のチェック結果

Err :エラー有り

13. RESERVED

Unused

13. RESERVED

使用しません。

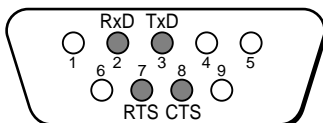
14. RS-232C

This menu is used to check transmission and reception of the data and the flow port of the hardware.

With the power turned off, short between pins No.2 (RxD) and No.3 (TxD) and between pins No.7 (RTS) and No.8 (CTS) of the RS-232C terminal. (Be sure to turn off the power when shorting pins.)

Start the DIAG function and select the menu.

There are two sub-menu items.



TX RX DATA

This sub-menu is used to check transmission and reception of the test data. "OK" appears when the data is transmitted and received properly and "NG" when it is not.

In this mode, the NULL (invalid command) transmission is continued at 200ms intervals after the test command is transmitted.

```
14.RS-232C
TX RX DATA:xx
```

HARD FLOW

This sub-menu is used to check operation of the flow port of the hardware. "OK" appears when the check result is satisfactory and "NG" when it is not.

```
14.RS-232C
HARD FLOW:xx
```

14. RS-232C

データ送受信チェック、ハードウェアフローポートチェックを行うメニューです。

パワーオフ状態にしてから、RS-232C端子の2ピン(RxD)と3ピン(TxD)、7ピン(RTS)と8ピン(CTS)をショートさせます。(ショートさせるときは、必ず電源を切ってください。)

ダイアグを起動してメニューを選択します。

サブメニューは2つあります。

TX RX DATA

テストデータの送受信チェックを行います。正常に送受信完了した場合、“OK”と表示します。正常に送受信しなかった場合は“NG”と表示します。

このモードでは、テストコマンド送信後、200ms毎にNULLコマンド(無効なコマンド)を送信し続けます。

HARD FLOW

ハードウェアフローポートの動作チェックを行います。正常にチェック完了した場合、“OK”と表示します。正常にチェック完了しなかった場合は“NG”と表示します。

15. BOOT DSP

This item is used to write in ROM for the DSP microprocessor and decoder through RS-232C.

FLASH WRITE

This indicates that the menu is for writing the DSP (microprocessor, decoder) program. (No internal operation is executed here.)

```
15.BOOT DSP
  FLASH WRITE
```

EXTERNAL START

This is that mode for writing the decoder (SHARC) external ROM.

The software for writing is activated and writing is executed.

```
15.BOOT DSP
  EXTERNAL START
```

START MODE

This is the mode for writing the DSP microprocessor.

The software for writing is activated and writing is executed.

```
15.BOOT DSP
  START MODE
```

- For more information about program writing, refer to "Writing of Firmware".
- Once the writing mode is used, the DSP microprocessor is reset when the mode is cancelled.

15. BOOT DSP

RS-232C経由でDSPマイコン及びデコーダ用ROMの書き込みを行う際にこの項目を設定します。

FLASH WRITE

DSR(マイコン、デコーダ)プログラム書き込みメニューであることを示します。

(ここでは内部的に何も操作されません)

EXTERNAL START

デコーダ(SHARC)外付ROM書き込みモードです。

ここで書き込みソフトを起動して、書き込みを行います。

START MODE

DSPマイコン書き込みモードです。

ここで書き込みソフトを起動して、書き込みを行います。

- プログラム書き込みに関する詳細は、「ファームウェアの書き込み」を参照してください。
- 一旦書き込みモードに入ると、抜ける時DSPマイコンにリセットがかかります。

16. BOOT1394

This item is used to write the program in FLASH ROM in the 1394 P.C.B. through RS-232C.

FLASH WRITE

This indicates that the menu is for writing in FLASH ROM in the 1394 P.C.B. (No internal operation is executed here.)

```
16.BOOT 1394
FLASH WRITE
```

START MODE

This is the mode for writing in FLASH ROM in the 1394 P.C.B. The software for writing is activated and writing is executed.

```
16.BOOT 1394
START MODE
```

- For more information on program writing, refer to "Writing of Firmware".
- Once the writing mode is used, the DSP microprocessor is reset when the mode is cancelled.

16. BOOT 1394

RS-232C経由で1394基板内のフラッシュROMにプログラムを書き込みを行う際にこの項目を設定します。

FLASH WRITE

1394基板内のフラッシュROM書き込みメニューであることを示します。

(ここでは内部的に何も操作されません)

START MODE

1394基板内のフラッシュROM書き込みモードです。ここで書き込みソフトを起動して、書き込みを行います。

- プログラム書き込みに関する詳細は、「ファームウェアの書き込み」を参照してください。
- 一旦書き込みモードに入ると、抜ける時DSPマイコンにリセットがかかります。

17. BOOT VIDEO

This item should be set to write the program in ROM of the video microprocessor through RS-232C.

FLASH WRITE

This indicates that the menu is for writing in ROM of the video microprocessor (No internal operation is executed here.)

```
17.BOOT VIDEO
FLASH WRITE
```

START MODE

This is the mode for writing in ROM of the video microprocessor.

The software for writing is activated and writing is executed.

```
17.BOOT VIDEO
START MODE
```

- For more information on program writing, refer to "Writing of Firmware".
- Once the writing mode is used, the video microprocessor is reset when the mode is cancelled.

17. BOOT VIDEO

RS-232C経由でビデオマイコンのROMにプログラムを書き込む際にこの項目を設定します。

FLASH WRITE

ビデオマイコンのROM書き込みメニューであることを示します。

(ここでは内部的に何も操作されません)

START MODE

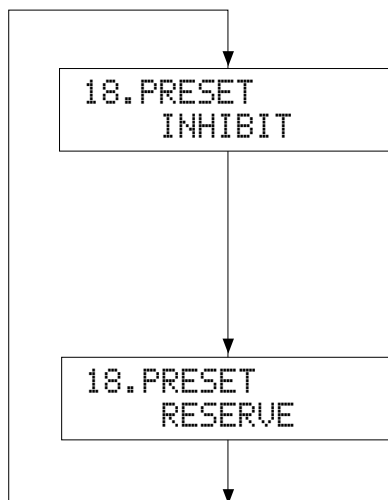
ビデオマイコンのROM書き込みモードです。

ここで書き込みソフトを起動して、書き込みを行います。

- プログラム書き込みに関する詳細は、「ファームウェアの書き込み」を参照してください。
- 一旦書き込みモードに入ると、抜ける時ビデオマイコンにリセットがかかります。

18. PRESET

This menu is used to reserve/inhibit initialization of the back-up RAM (Parameters and set menu contents, etc. of the sound field program).

**PRESET INHIBIT (Initialization inhibited) / PRESET INHIBIT(初期化禁止)**

RAM initialization is not executed. Select this sub-menu to protect the values set by the user.

Note: The protection history will not be erased using PRESET INHIBIT.

RAMの初期化は行われません。ユーザーの設定値を保護するときは、こちらを選択してください。

PRESET RESERVED (Initialization reserved) / PRESET RESERVED(初期化予約)

Initialization of the back-up RAM is reserved. (Actually, initialization is executed the next time that the power is turned on.) Select this sub-menu to reset to the original factory settings or to reset the RAM. Use PRESET RESERVED to erase the protection history.

バックアップRAMの初期化が予約されます。(実際に初期化されるのは、次回の電源投入時です。)工場出荷時やRAMをリセットしたいときは、こちらを選択してください。

CAUTION: Before setting to the PRESET RESERVED, write down the existing preset memory content of the Tuner in a table as shown below. (This is because setting to the PRESET RESERVED will cause ALL user memory contents to be erased.)

注意：PRESET RESERVEDを選んで初期化をする前に、チューナーのユーザーメモリー内容を下表に書き写してください。(初期化をすると、ユーザーメモリーの内容は消えてしまいます。)

| Preset group | P1 | P2 | P3 | P4 | P5 | P6 | P7 | P8 |
|--------------|----|----|----|----|----|----|----|----|
| A | | | | | | | | |
| B | | | | | | | | |
| C | | | | | | | | |
| D | | | | | | | | |
| E | | | | | | | | |

● PRESET STATIONS / プリセット局

| STATION | | FM FACTORY PRESET DATA (MHz) | | | STATION | | AM FACTORY PRESET DATA (kHz) | |
|---------|-----|------------------------------|------------------|------|---------|-----|------------------------------|------------|
| PAGE | NO. | U, C | R, T, K, A, G, B | J | PAGE | NO. | U, C, R, T, K | A, G, B, J |
| A/C/E | 1 | 87.5 | 87.50 | 76.0 | B/D | 1 | 630 | 630 |
| | 2 | 90.1 | 90.10 | 83.0 | | 2 | 1080 | 1080 |
| | 3 | 95.1 | 95.10 | 84.0 | | 3 | 1440 | 1440 |
| | 4 | 98.1 | 98.10 | 86.0 | | 4 | 530 | 531 |
| | 5 | 107.9 | 108.00 | 90.0 | | 5 | 1710 | 1611 |
| | 6 | 88.1 | 88.10 | 78.0 | | 6 | 900 | 900 |
| | 7 | 106.1 | 106.10 | 88.0 | | 7 | 1350 | 1350 |
| | 8 | 107.9 | 108.00 | 82.1 | | 8 | 1400 | 1404 |

19. AD/FAN

With this sub-menu used, the key scanning, A/D value of the voltage at the abnormality detect (protection) port, etc. are displayed. Also, this is the menu for executing the FAN drive test. The A/D conversion value is displayed in % (reference voltage of 5V as 100%). The state before audio signal processing is kept.

**The numeric value in the diagram is for reference.*

D0/D1

This is the A/D value of the speaker DC output detect ports PRD0 and PRD1 (main microprocessors).

D0 (PRD0): Detects the output signals of speakers Front L, SURROUND L, SURROUND BACK L and PRESENCE L/R.

(Normal value: 1 to 13)

D1 (PRD1): Detects the output signals of speakers Front R, CENTER, SURROUND R and SURROUND BACK R.

(Normal value: 1 to 13)

When the value is outside of the normal range, the protection function works to turn off the power.

```
19.AD/FAN
D0:006 D1:006
```

P0/P1

This is the A/D value of the power voltage abnormality detect ports PRV1 and PRV2 (main microprocessors).

P0 (PRV1): Detects ± 12 , +5V, transformer secondary winding voltage (RE-BL-RE, YE-BR-YE, GY-VI-GY).

(Normal value: 12 to 23)

P1 (PRV2): Detects +5V1, +5V2, +5D1, +5D2, +3.3D, +9V, -5V and +5A.

(Normal value: 65 to 75)

When the value is outside of the normal range, the protection function works to turn off the power.

In the PURE DIRECT setting, only P0 (PRV1) is detected.

```
19.AD/FAN
P0:018 P1:070
```

19. AD/FAN

キースキャン、異常検出(プロテクション)ポート電圧のA/D値などを表示します。

またFANの駆動テストを行うメニューです。A/D変換値をサブメニューで%表示します。(基準電圧は5V:100%)オーディオ信号処理は実行前の状態を維持します。

図中の数値は参考例です。

D0/D1

スピーカーDC出力検出ポートPRD0、PRD1(メインマイコン)のA/D値です。

D0 (PRD0): FRONT L, SURROUND L, SURROUND BACK L, PRESENCE L/Rのスピーカー出力を検出しています。

(正常値 1 ~ 13)

D1 (PRD1): FRONT R, CENTER, SURROUND R, SURROUND BACK Rのスピーカー出力を検出しています。

(正常値 1 ~ 13)

正常値を外れるとプロテクションが働き、電源オフされます。

P0/P1

電源電圧異常検出ポートPRV1、PRV2(メインマイコン)のA/D値です。

P0 (PRV1): ± 12 、+5V、トランス2次巻線電圧(RE-BL-RE, YE-BR-YE, GY-VI-GY)を検出しています。

(正常値 12 ~ 23)

P1 (PRV2): +5V1、+5V2、+5D1、+5D2、+3.3D、+9V、-5V、+5Aを検出しています。

(正常値 65 ~ 75)

正常値を外れるとプロテクションが働き、電源オフされます。

PURE DIRECT時は、P0(PRV1)のみの検出となります。

TM0/TM1/TM2

This is the A/D value of the heat sink temperature detect ports THM0, THM1, and THM2 (main microprocessors).

TM0 (THM0): Detects the temperature of heat sink L.
(Normal value: 5 to 24)

TM1 (THM1): Detects the temperature of heat sink R.
(Normal value: 5 to 24)

TM2 (THM2): Detects the temperature of the regulator heat sink.
(Normal value: 5 to 24)

When the value is outside of the normal range, the protection function works to turn off the power.

TM0/TM1/TM2

ヒートシンク温度検出ポートTHM0、THM1、THM2(メインマイコン)のA/D値です。

TM0 (THM0): ヒートシンクLの温度を検出しています。
(正常値 5 ~ 24)

TM1 (THM1): ヒートシンクRの温度を検出しています。
(正常値 5 ~ 24)

TM2 (THM2): レギュレータヒートシンクの温度を検出しています。
(正常値 5 ~ 24)

正常値を外れるとプロテクションが働き、電源オフされます。

```
19.AD/FAN
TM0:15 PL: 0/_
```

```
19.AD/FAN
TM1:15 PL: 0/_
```

```
19.AD/FAN
TM2:15 PL: 0/_
```

FAN TEST (Fan drive test)

HIGH: High fan speed

MID: Medium fan speed

LOW: Low fan speed

FAN TEST (ファン駆動テスト)

HIGH : ファン高速回転

MID : ファン中速回転

LOW : ファン低速回転

```
19.AD/FAN
FAN TEST:HIGH
```

```
19.AD/FAN
FAN TEST:MID
```

```
19.AD/FAN
FAN TEST:LOW
```

K0/K1

This is the A/D value of the panel key input ports KEY0 and KEY1 (main microprocessors of the main unit). The table below shows the A/D value obtained when each key is pressed. When the value is not within the standard value range, no correct operation is provided. Referring to the table below, check the value of each voltage dividing resistor of each key, solder condition, etc.

K0/K1

本体パネルキー入力ポートKEY0、KEY1(メインマイコン)のA/D値です。それぞれのキーが押された場合のA/D値は下表の通りです。

基準値から外れると、正常な動きをしません。下表をご覧ください。各キーの分圧抵抗の定数、ハンダ不良等の確認をしてください。

```
19.AD/FAN
K0:100 K1:100
```

[Table 1]

| Display (%) | K0 | K1 |
|-------------|----------------|-----------------------|
| 0 ± 4 | - | SPEAKERS B |
| 10 ± 4 | BALANCE | - |
| 20 ± 4 | DSP PROGRAM | - |
| 30 ± 4 | STRAIGHT | FM/AM (RX-Z9) |
| 40 ± 4 | MULTI CH INPUT | MEMORY (RX-Z9) |
| 50 ± 4 | INPUT MODE | TUNING MODE (RX-Z9) |
| 60 ± 4 | SPEAKERS A | PRESET/TUNING (RX-Z9) |
| 70 ± 4 | - | - |
| 80 ± 4 | - | TONE CONTROL |

The keys of the main unit are different between DXP-Z9 and RX-Z9 (with/without TUNER) but keys of the same function have the same AD value.

The "PURE DIRECT" key is not detected by the AD function.

DSP-Z9とRX-Z9(TUNER有無)で本体キーが異なりますが、同じ機能のキーは同じAD値となります。

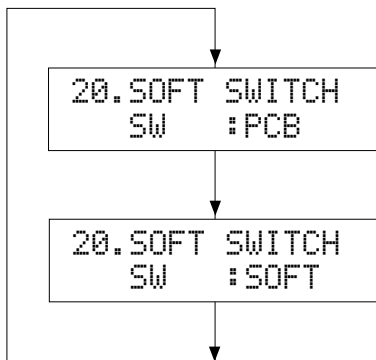
"PURE DIRECT"キーはAD機能で検出していません。

20. SOFT SWITCH

It is possible to change various settings by using the software switch.
(The "STRAIGHT" key operates the toggle for changing each item setting.)

The operation is specified by the P.C.B. port setting.

The setting can be changed ignoring the P.C.B. port setting.



P.C.B.のポート設定により動作が規定されます。

P.C.B.のポート設定を無視して設定を変更することができます。

Valid/invalid of the software switch is selected by the toggle operation of the "STRAIGHT" key.

ソフトウェアスイッチの有効/無効は、“STRAIGHT”キーのトグル操作で切り換わります。

* **In order to make the software switch valid, select "RESERVED" (initialization of memory) from DIAG menu No.18 PRESET and after turning off the power (standby state) once, turn it on again. To make it invalid, disconnect the AC plug (resetting CPU).**

* ソフトウェアスイッチを有効にするためには、ダイアグメニュー No. 18のPRESETで“RESERVED”(メモリーの初期化)を選択し、一度電源をOFF(STANDBY状態)にしてから、再び電源をONにしてください。また、ACコンセントを抜く(CPUをリセットする)と無効になります。

Display examples / 表示例

● Selection of model
Select DSP-Z9 or RX-Z9.

```
20. SOFT SWITCH
MODEL: DSP-Z9
```

● モデルの選択
DSP-Z9またはRX-Z9を選択します。

● Selection of destination
Select J, UC, R, TK, A or BG.

```
20. SOFT SWITCH
DEST : BG
```

● 仕向きの選択
J、UC、R、TK、A、BGのいずれかを選択します。

● Selection of tuner tuning frequency step
The frequency step can be changed by using the destination display.
Select J, UC or A. (RSV for no care)

```
20. SOFT SWITCH
TSTEP: A
```

● チューナーチューニング周波数ステップの選択
仕向け表示にて周波数ステップを切り換えられます。
J、UC、Aのいずれかを選択します。(RSVはno care)

● Selection of existence of tuner
Select EXIST or NOT.
Do not use the "EXIST" setting for the model not equipped with a tuner (DSP-Z9).

```
20. SOFT SWITCH
TUNER: NOT
```

● チューナーの有無選択
EXIST(有り)/NOT(無し)を選択します。
チューナー非搭載機種(DSP-Z9)で“EXIST”には設定しないでください。

● Selection of existence of AAC decoder function
Select EXIST or NOT.

```
20. SOFT SWITCH
AAC : NOT
```

● AACデコーダ機能の有無選択
EXIST(有り)/NOT(無し)を選択します。

21. DSP INFO

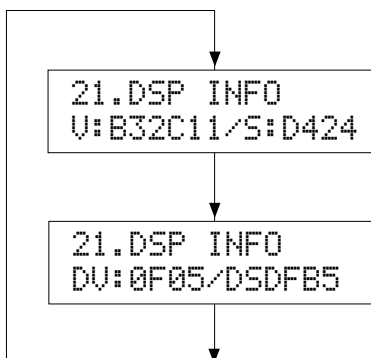
The DSP microprocessor and decoder (SHARC) program code version information is displayed by the sub-menu operation.

DSP microprocessor program version

V: Version
S: Checksum

Decoder (SHARC) program version

DV: Version
DS: Checksum



DSPマイコンプログラムバージョン表示です。

V: バージョン
S: チェックサム

デコーダ (SHARC)プログラムバージョン表示です。

DV: バージョン
DS: チェックサム

21. DSP INFO

サブメニュー操作により、DSPマイコン、及びデコーダ (SHARC)プログラムコードバージョン情報を表示します。

22. 1394 INFO

The IEEE-1394 (i.LINK) firmware version information is displayed by the sub-menu operation.

**The numeric value in the diagram is for reference.*

Firmware version

Checksum

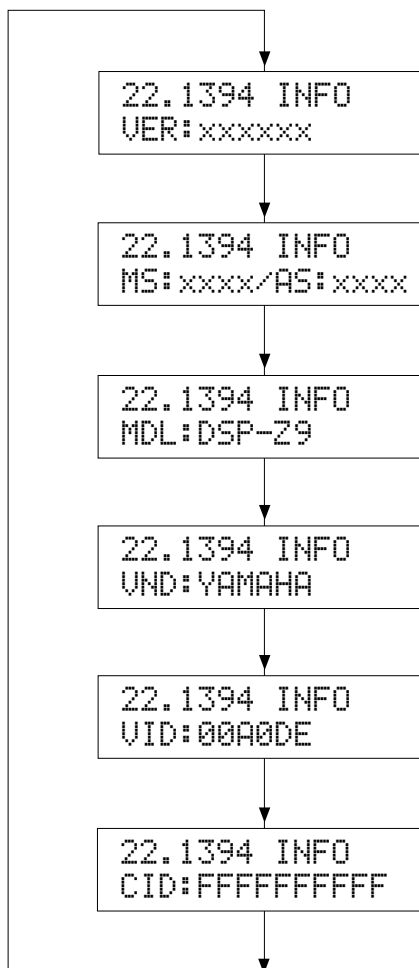
MS: Microprocessor checksum
AS: ARM code checksum

Model name
(DSP-Z9 or RX-Z9)

Vender name
(YAMAHA)

Vender ID assigned to
each manufacturer
(00A0DE)

ID assigned to each unit of
equipment



ファームウェアバージョン表示です。

チェックサム表示です。

MS: マイコンチェックサム
AS: ARMコードチェックサム

モデル名表示です。
(DSP-Z9もしくはRX-Z9)

ベンダ名表示です。
(YAMAHA)

各メーカーごとに割り当てられたID表示
です。
(00A0DE)

各機器1台ごとに割り当てられたID表示
です。

22. 1394 INFO

サブメニュー操作により、IEEE-1394 (i.LINK)ファームウェアバージョン情報などを表示します。

図中数値は参考例です。

23. VIDEO INFO

The video microprocessor software version information and related information are displayed by the sub-menu operation.

Video microprocessor software version
(It can take a minute or more to display.)

V: Version
S: Checksum

Video microprocessor related information
Image delay time / I2C communication error / image MUTE trigger / image MUTE information

TA1318 related information
Unused.

MN673744 related information.
The BUS check result is displayed.
NoEr: No error.
Err: A communication error with the video microprocessor.

XV750B related information.
Unused.

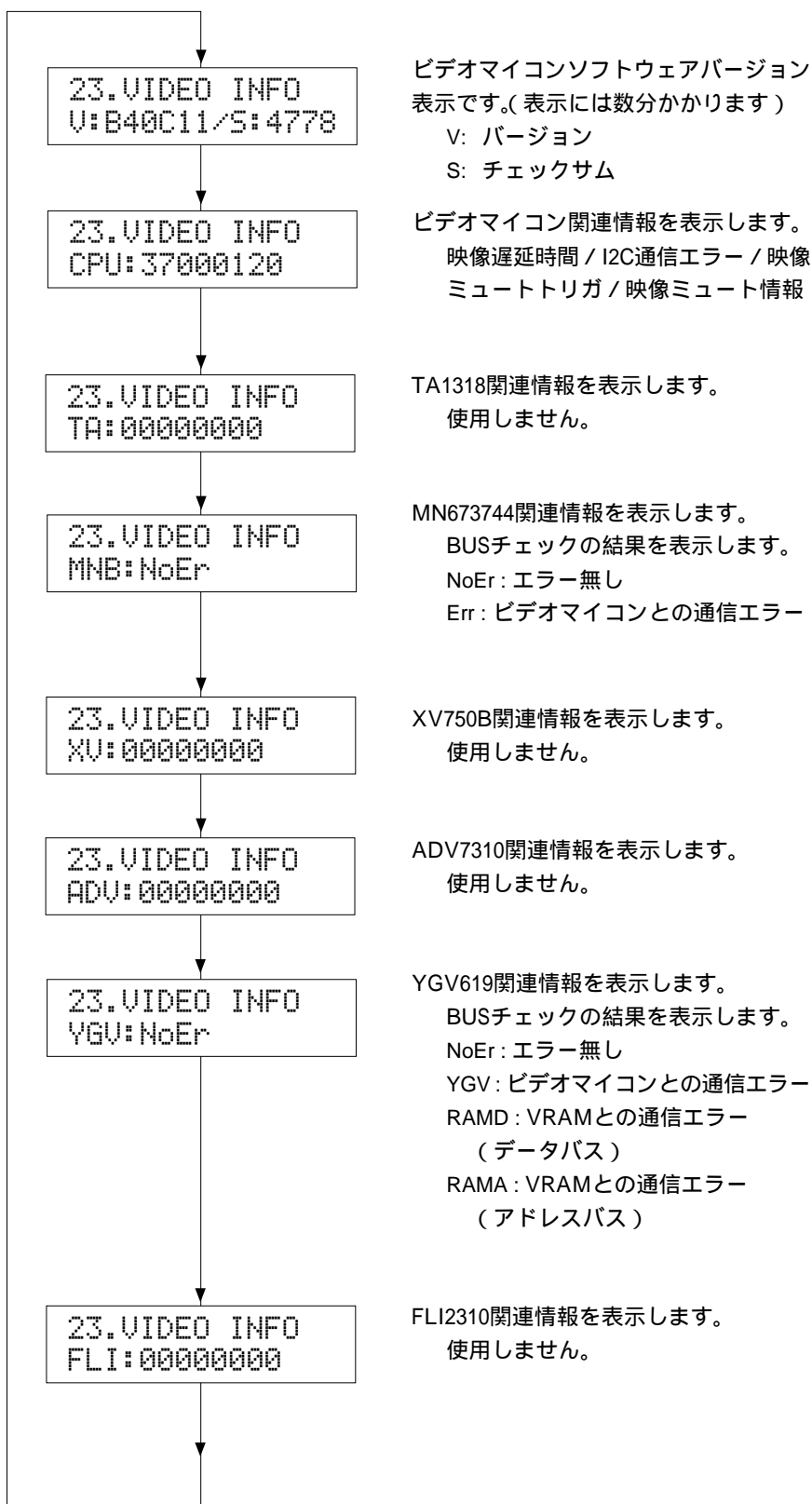
ADV7310 related information.
Unused.

YGV619 related information.
The BUS check result is displayed.
NoEr: No error.
YGV: A communication error with the video microprocessor.
RAMD: Communication error with VRAM (data bus)
RAMA: Communication error with VRAM (address bus)

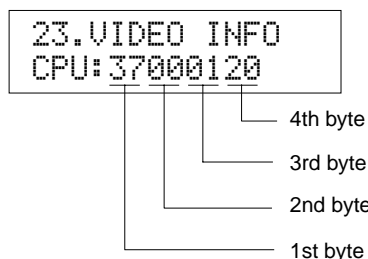
FL12310 related information.
Unused.

23. VIDEO INFO

サブメニュー操作により、ビデオマイコンソフトウェアバージョン情報や関連情報などを表示します。



● Details of video microprocessor related information / ビデオマイコン関連情報の詳細



* The numeric value in the diagram is for reference.
図中数値は参考例です。

<1st byte: Image delay time>

Displays the setting time of the Audio Delay offset value.
(HEX)

Example) 37 = 55msec

<第1バイト：映像遅延時間>

Audio Delay オフセット値の設定時間を表示します。(HEX)
例) 37 = 55msec

<2nd byte: I2C communication error>

Displays the I2C error condition using the bit unit. (HEX)

bit 0 = TA1318 communication error (1: an error exists)
bit 1 = XV750B communication error (1: an error exists)
bit 2 = FLI2310 communication error (1: an error exists)
bit 3 = ADV7310 communication error (1: an error exists)
bit 4 = Error at device initialization (1: an error exists)
Example) 00 = 0b00000000

<第2バイト：I2C 通信エラー>

I2C エラーの状態をビット単位で表示します。(HEX)

bit 0 = TA1318 通信エラー (1: エラー有り)
bit 1 = XV750B 通信エラー (1: エラー有り)
bit 2 = FLI2310 通信エラー (1: エラー有り)
bit 3 = ADV7310 通信エラー (1: エラー有り)
bit 4 = デバイス初期化時のエラー (1: エラー有り)
例) 00 = 0b00000000

<3rd byte: Image MUTE trigger>

Displays the image MUTE trigger (cause) immediately before.

01 = Change in internal synchronization/external synchronization
02 = Change in color system, resolution or aspect conversion
03 = Change of path from analog bypass to digital processing system
04 = Input change
05 = Input change
06 = Start mode for video P.C.B. alone
07 = Immediately after power ON
08 = Change in decoders in use (MN673744, XV750B)

<第3バイト：映像ミュートトリガ>

直前の映像ミュートトリガ(原因)を表示します。

01 = 内部同期 / 外部同期の変化
02 = カラーシステム変化、または解像度、アスペクト変換の変更
03 = アナログバイパスからデジタル処理系への経路変更
04 = インプット切り替え
05 = インプット切り替え
06 = ビデオ基板単体起動モード
07 = 電源 ON 直後
08 = 使用デコーダ(MN673744、XV750B)の変化

<4th byte: Image MUTE information>

Displays the current image MUTE information. (HEX)

bit 0 = VCR1 REC OUT MUTE (1: muting being executed)
bit 1 = VCR2 REC OUT MUTE (1: muting being executed)
bit 2 = DVR REC OUT MUTE (1: muting being executed)
bit 3 = MONITOR OUT MUTE (1: muting being executed)
bit 4 = ZONE2 MUTE (1: muting being executed)
bit 5 = REC OUT SOURCE select (1: SOURCE select)
bit 6 = MUTE by ADV7310 DAC Power OFF (1: muting being executed)
Example) 20 = 0b00100000

<第4バイト：映像ミュート情報>

現在の映像ミュート情報を表示します。(HEX)

bit 0 = VCR1 REC OUT ミュート (1: ミュート中)
bit 1 = VCR2 REC OUT ミュート (1: ミュート中)
bit 2 = DVR REC OUT ミュート (1: ミュート中)
bit 3 = MONITOR OUT ミュート (1: ミュート中)
bit 4 = ZONE2 ミュート (1: ミュート中)
bit 5 = REC OUT SOURCE 選択 (1: SOURCE 選択)
bit 6 = ADV7310 DAC Power OFF によるミュート (1: ミュート中)
例) 20 = 0b00100000

24. MAIN INFO

The information such as main microprocessor software version is displayed by the sub-menu operation.

Main microprocessor software version.

Main microprocessor software checksum 1.
 * **The numeric value in the diagram is for reference.**

- A:** All checksum including the boot section
- P:** Checksum of the program section except the boot section (The software usually released is this part (P).)

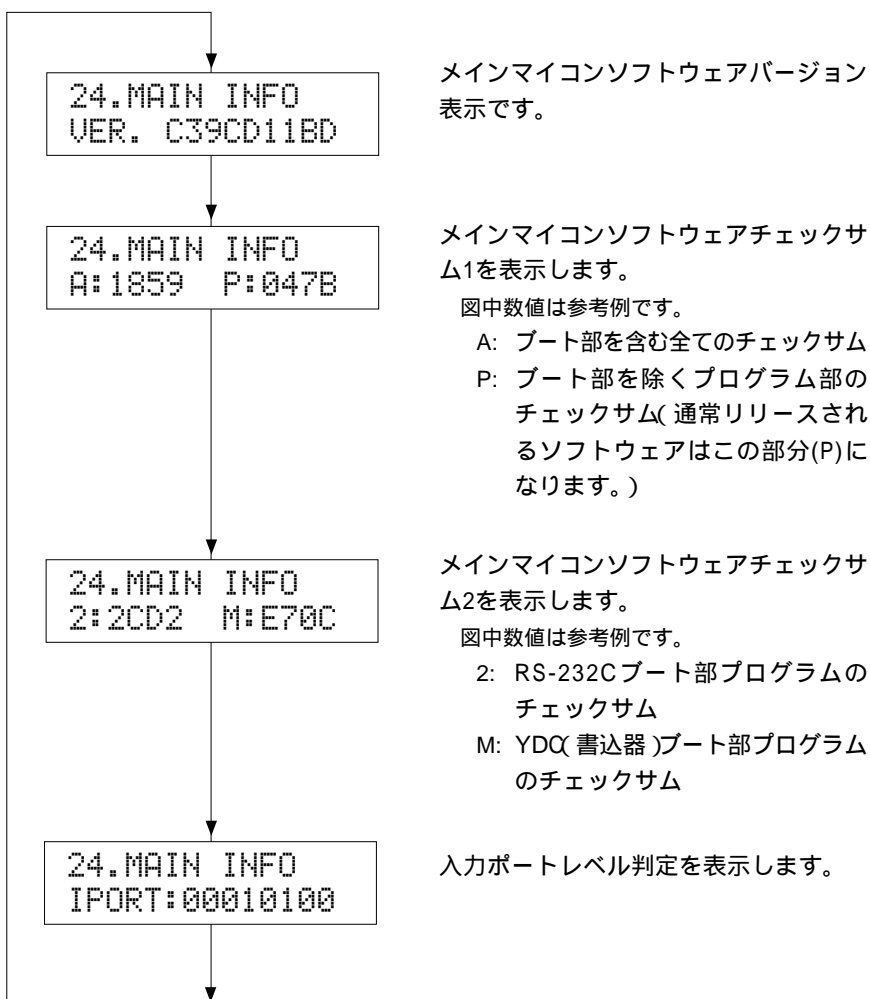
Main microprocessor software checksum 2.
 * **The numeric value in the diagram is for reference.**

- 2:** Checksum of RS-232C boot section program
- M:** Checksum of YDC (writing unit) boot section program

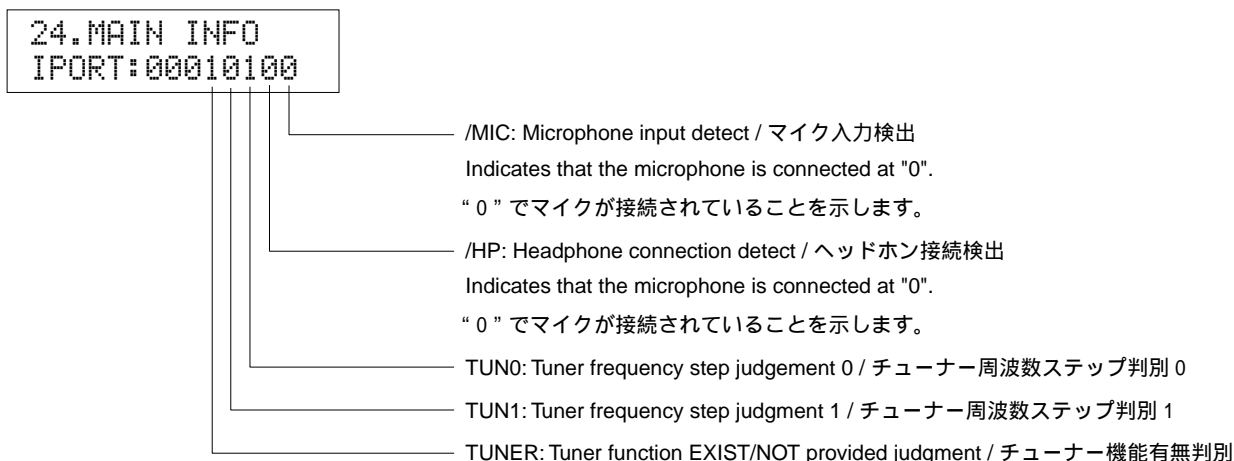
Input port level judgment.

24. MAIN INFO

サブメニュー操作により、メインマイコンソフトウェアバージョン情報などを表示します。



● Details of input port level judgment / 入力ポートレベル判定の詳細



● HIF status for DSP microprocessor signal detection / DSPマイコン信号検出用HIFステータス

HIF stands for Host Interface.

It is possible to have the information on the status inside of the DSP microprocessor displayed by operating the "INPUT MODE" key with any DIAG menu selected or by sending the menu using the MULTI JOG knob or other keys.

There are 15 types of DSP HIF STATUS menu.

- The status information is displayed in hexadecimal one after another.
- The signal processing status before execution of this menu is kept.

HIFはHost Interfaceの略です。

任意のダイアグメニュー時に“INPUT MODE”キー操作をする、あるいはMULTI JOG等でメニューを送ることで、DSPマイコン内部ステータスの情報を表示することができます。DSP HIF STATUSメニューは15種類あります。

- ステータス情報を順次16進数で表示します。
- 信号処理は、本メニュー実行前の状態を維持します。

| No. | DSP HIF STATUS menu | FL Display |
|-----|------------------------|------------|
| 1 | Status (1) | ST1 |
| 2 | Status (2) | ST2 |
| 3 | Stream Info | STR |
| 4 | System (PLD, Sel, etc) | SYS |
| 5 | Mute Info | MTI |
| 6 | Channel Status (1) | CS1 |
| 7 | Channel Status (2) | CS2 |
| 8 | DIR Info (1) | DR1 |
| 9 | DIR Info (2) | DR2 |
| 10 | ADI Info (1) | AD1 |
| 11 | ADI Info (2) | AD2 |
| 12 | ADI Info (3) | AD3 |
| 13 | YSS930 fs count (1) | YS1 |
| 14 | YSS930 fs count (2) | YS2 |
| 15 | i.LINK Info | ILK |

The number of STATUS menu may be displayed with its number increased by the number of download codes in the future.

今後、STATUS数はダウンロードコードの数だけ、増えて表示されることがあります。

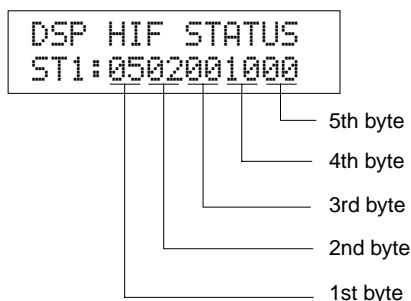
ST1 (STATUS 1):

DSP status information of DSP microprocessor status information 1.

**The numeric value in the diagram is for reference.*

ST1 (STATUS 1) DSP マイコンステータス情報 1
DSP ステータス情報を示します。

図中数値は参考例です。



<1st byte>

Indicates INPUT that is currently selected by the DSP microprocessor to prevent an error and flickering in display caused by the communication time lag between microprocessors.

<第1バイト>

マイコン間通信タイムラグに起因する誤表示、チラツキを抑止するためにDSPマイコンが現在選択しているINPUTなどを示します。

<2nd byte>

Indicates the Fs information (bit 7-4) and audio code mode information (bit 3-0) of the reproduction signals.

<3rd byte>

Indicates the format information of the reproduction signals.
XXX_ANY judged by upper 4bit
DD/dts FLAG judged by lower 4bit

<4th byte>

Indicates the signal processing status information.

<5th byte>

Indicates the decode information.
(For the details, refer to page 74.)

<第2バイト>

再生信号のFs情報 (bit 7-4) とオーディオコードモード情報 (bit 3-0) を示します。

<第3バイト>

再生信号のフォーマット情報を示します。
上位4bitでXXX_ANY判定
DD/dtsは下位4bitでフラグ判定

<第4バイト>

信号処理ステータス情報を示します。

<第5バイト>

デコード情報を示します。

(詳しくは74ページを参照)

ST2 (STATUS 2):

DSP microprocessor status information 2

Unused

* *The numeric value in the diagram is for reference.*

```
DSP HIF STATUS
ST2:0000000000
```

ST2 (STATUS 2) DSP マイコンステータス情報 2

使用しません。

図中数値は参考例です。

STR (Stream Info): Input stream information

Unused

* The numeric value in the diagram is for reference.

```
DSP HIF STATUS
STR:00FF0000FF
```

STR (Stream Info) 入力ストリーム情報

使用しません。

図中数値は参考例です。

SYS (System Info): Each device setting information

Unused

* *The numeric value in the diagram is for reference.*

```
DSP HIF STATUS
SYS:00000000
```

SYS (System Info) 各デバイスの設定情報

使用しません。

図中数値は参考例です。

MTI (Mute Info): DSP microprocessor MUTE history

Indicates the MUTE history and MUTE factors of the DSP microprocessor.

* *The numeric value in the diagram is for reference.*

```
DSP HIF STATUS
MTI:0012400000
```

MTI (Mute Info) DSP マイコンミュート履歴

DSPマイコンのミュート履歴とミュート要因を表示します。

図中数値は参考例です。

MUTE starting factor for the previous time / 前回のミュート開始要因

Final MUTE factor for the previous time / 前回の最後のミュート要因

MUTE starting factor for this time / 現在のミュート開始要因

| No | 0x0* | 0x1* | 0x2* | 0x3* | 0x4* |
|------|----------|--------|---------|---------|------------|
| 0x*0 | off | input | Unlock | CHS | RESET |
| 0x*1 | 2/8ch SP | SP/HP | DIR INT | DECODE | Input Mode |
| 0x*2 | - | YSS930 | VBIT | FORMAT | Others |
| 0x*3 | - | SHARC | RED_DTS | FS | MIC |
| 0x*4 | - | CONFIG | - | ACMOD | YPAO |
| 0x*5 | - | YSK | - | KARAOKE | WAIT |
| 0x*6 | - | PLD | - | DL | i.LINK |
| 0x*7 | - | - | - | RAM CLR | - |

CS1, 2 (Channel Status 1, 2): Channel status 1, 2

Unused

**The numeric value in the diagram is for reference.*

```
DSP HIF STATUS
CS1:00000000
```

CS1、2 (Channel Status 1、2)チャンネルステータス1、2

使用しません。

図中数値は参考例です。

```
DSP HIF STATUS
CS2:00000000
```

DIR1, 2 (DIR Info 1, 2): DIR status information 1, 2

Unused

**The numeric value in the diagram is for reference.*

```
DSP HIF STATUS
DR1:14010000
```

DIR1、2 (DIR Info 1、2)DIR のステータス情報1、2

使用しません。

図中数値は参考例です。

```
DSP HIF STATUS
DR2:00FF0000
```

AD1 to 3 (Decoder Info 1 to 3):

Decoder DSP information 1 to 3

Unused

**The numeric value in the diagram is for reference.*

```
DSP HIF STATUS
AD1:01180000
```

```
DSP HIF STATUS
AD2:00000000
```

```
DSP HIF STATUS
AD3:37300000
```

AD1 ~ 3 (Decoder Info 1 ~ 3)デコーダ DSP の情報1 ~ 3

使用しません。

図中数値は参考例です。

YS1, 2 (YSS930 fs count 1, 2):

DSP (YSS930) information 1, 2

Unused

**The numeric value in the diagram is for reference.*

```
DSP HIF STATUS
YS1:20202020
```

YS1、2 (YSS930 fs count 1、2)DSP (YSS930)の情報1、2

使用しません。

図中数値は参考例です。

```
DSP HIF STATUS
YS2:39364237
```

ILK (i.LINK Info): i.LINK related information

Unused

**The numeric value in the diagram is for reference.*

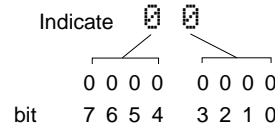
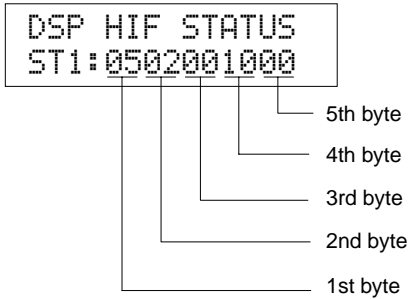
```
DSP HIF STATUS
ILK:00000000
```

ILK (i.LINK Info)i.LINK 関連の情報

使用しません。

図中数値は参考例です。

● Details of STATUS 1 / STATUS 1の詳細



*The numeric value in the diagram is for reference.
図中数値は参考例です。

<1 st byte> / <第1バイト>

| | |
|---------|---|
| bit 7 | - |
| bit 6 | - |
| bit 5 | - |
| bit 4 | 8CH IN on |
| bit 3-0 | 0x00 : PHONO 0x0C : V-AUX 0x0F : NONE |

| Indicate | bit | | | |
|----------|-----|---|---|---|
| | 7 | 6 | 5 | 4 |
| 0 | 0 | 0 | 0 | 0 |
| 1 | 0 | 0 | 0 | 1 |
| 2 | 0 | 0 | 1 | 0 |
| 3 | 0 | 0 | 1 | 1 |
| 4 | 0 | 1 | 0 | 0 |
| 5 | 0 | 1 | 0 | 1 |
| 6 | 0 | 1 | 1 | 0 |
| 7 | 0 | 1 | 1 | 1 |
| 8 | 1 | 0 | 0 | 0 |
| 9 | 1 | 0 | 0 | 1 |
| A | 1 | 0 | 1 | 0 |
| B | 1 | 0 | 1 | 1 |
| C | 1 | 1 | 0 | 0 |
| D | 1 | 1 | 0 | 1 |
| E | 1 | 1 | 1 | 0 |
| F | 1 | 1 | 1 | 1 |

| Indicate | bit | | | |
|----------|-----|---|---|---|
| | 3 | 2 | 1 | 0 |
| 0 | 0 | 0 | 0 | 0 |
| 1 | 0 | 0 | 0 | 1 |
| 2 | 0 | 0 | 1 | 0 |
| 3 | 0 | 0 | 1 | 1 |
| 4 | 0 | 1 | 0 | 0 |
| 5 | 0 | 1 | 0 | 1 |
| 6 | 0 | 1 | 1 | 0 |
| 7 | 0 | 1 | 1 | 1 |
| 8 | 1 | 0 | 0 | 0 |
| 9 | 1 | 0 | 0 | 1 |
| A | 1 | 0 | 1 | 0 |
| B | 1 | 0 | 1 | 1 |
| C | 1 | 1 | 0 | 0 |
| D | 1 | 1 | 0 | 1 |
| E | 1 | 1 | 1 | 0 |
| F | 1 | 1 | 1 | 1 |

<2nd byte> / <第2バイト>

Fs information of reproduction signal /
再生信号のFs 情報

bit 7-4

| | |
|-------|------------|
| 0x00 | Analog |
| 0x01 | 32kHz |
| 0x02 | 44.1kHz |
| 0x03 | 48kHz |
| 0x04 | 64kHz |
| 0x05 | 88.2kHz |
| 0x06 | 96kHz |
| 0x07 | 128kHz |
| 0x08 | 176.4kHz |
| 0x09 | 192kHz |
| 0x0A | Unknown x1 |
| 0x0B | Unknown x2 |
| 0x0C | Unknown x4 |
| 0x0D | Unknown |
| Other | Error |

Audio code mode information of reproduction signal /
再生信号のオーディオコードモード情報

bit 3-0

| | |
|-------|------------|
| 0x00 | 1+1 |
| 0x01 | 1/0 |
| 0x02 | 2/0 |
| 0x03 | 3/0 |
| 0x04 | 2/1 |
| 0x05 | 3/1 |
| 0x06 | 2/2 |
| 0x07 | 3/2 |
| 0x08 | 2/3 |
| 0x09 | 3/3 |
| 0x0A | 3/4 |
| 0x0B | over 6.1 |
| 0x0C | Multi Mono |
| 0x0D | Unknown |
| Other | Error |

PCE of AAC is judged by SHARC.
(Multi PCE is absorbed into unknown.)
AAC のPCE は SHARC にて判定。
(Multi PCE は unknown に吸収)

<3rd byte> / <第3バイト>

Format information of reproduction signal

XXX_ANY is judged by upper 4 bits.

DD/dts is FLAG judged by lower 4 bits.

再生信号のフォーマット情報

上位4bitでXXX_ANY判定

DD/dtsは下位4bitでフラグ判定

| | |
|-------|---|
| 0x00 | Analog (Unlock) |
| 0x01 | Incorrect digital (*1) |
| 0x02 | TEST being executed / TEST 処理中 |
| 0x03 | Automatic measurement being executed/ 自動測定処理中 |
| 0x10 | PCM Audio |
| 0x20 | Digital Data |
| 0x21 | IEC1937 Data |
| 0x22 | None PCM |
| 0x23 | Unknown (being judged) (判定中) |
| 0x3x | Dolby Digital bit 0 : KARAOKE bit 2 : DD EX |
| 0x4x | dts bit 0 : Red dts bit 1 : 96-24 bit 2 : Mtx ES bit 3 : Dsc ES |
| 0x50 | AAC |
| 0x60 | MBLA (IEEE1394) |
| 0x70 | DSD (IEEE1394) |
| Other | Error |

(*1): Analog processing is used as digital reproduction is not possible because of a commercial bit or 4-ch audio reason.

(*1): 業務用ビットや4ch オーディオなどの理由で、デジタル再生できずアナログ処理されます。

<4th byte> / <第4バイト>

Signal processing status information /

信号処理ステータス情報

| | |
|-------|--------------------------------|
| bit 7 | SP: 0 / HP: 1 |
| bit 6 | Virtual processing / Virtual処理 |
| bit 5 | Silent processing / Silent処理 |
| bit 4 | RF-DEM exists / RF-DEM有り |
| bit 3 | Night on/off |
| bit 2 | THR & BYPASS |
| bit 1 | THX processing / THX処理 |
| bit 0 | AAC exists / AAC有り |

<5th byte> / <第5バイト>

Decode information / デコード情報

| | |
|---------|---|
| bit 7 | 96-24 on |
| bit 6 | THX Ultra/Music valid / THX Ultra/Music 有効 |
| bit 5-4 | 0b00: off 0b01: DD on 0b10: dts on 0b11: AAC on |
| bit 3-0 | 0b0000: off 0b0001: DPL 0b0010: Neo:6 0b0011: PL2 0b0100: PL2x (2ch) 0b0101: Dolby EX 0b0110: Dsc ES 0b0111: Mtx ES 0b1000: +PL2x Movie 0b1001: +PL2x Music 0b1010-1111: reserved |

■ UPDATING FIRMWARE / ファームウェアの更新方法

Equipment required

- PC with RS-232C serial port (OS: Windows 98/2000/Me/XP)
- Firmware Loading Program (YAV Boot V511.exe)
- Firmware (xxx.mts or xxx.mot file)
- RS-232C cross cable "D-Sub 9-pin Female".
(Specification)

| | |
|--------------|--------------|
| Pin No.2 RxD | Pin No.2 RxD |
| Pin No.3 TxD | Pin No.3 TxD |
| Pin No.5 GND | Pin No.5 GND |
| Pin No.7 RTS | Pin No.7 RTS |
| Pin No.8 CTS | Pin No.8 CTS |

 RX-Z9/DSP-Z9 side PC side
- RS-232C Conversion Adapter (Part No.: AAX24910)

Installation procedure of firmware loading program

Download the firmware loading program (YAV Boot.exe) and firmware (xxx.mts or xxx.mot file) from the specified download sources into the same folder of the PC for updating the firmware.

UPDATING FIRMWARE

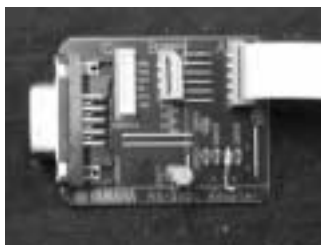
CAUTION

- **As updating the main microprocessor will cause the memory to be initialized, take notes of the parameters changed by the user before updating and change the parameters according to these notes after updating. (With some other microprocessors, the memory will be initialized but not with some others.)**

- 1 Before turning on the power to the amplifier and PC, connect between RS232C ports of both units with the RS232C cable (cross cable). When updating the firmware from the front panel side, remove the volume knob and use the RS232C conversion adapter.

RS-232C Conversion Adapter

RS232C 変換アダプター



RS-232C Conversion Adapter
RS232C 変換アダプター

必要なツール

- RS232Cシリアルポート付きPC (OS:Windows 98 /2000/Me/XP)
- ファームウェア書き込み用プログラム(YAVBoot V511.exe)
- ファームウェア(xxx.mts or xxx.mot file)
- RS232Cクロスケーブル“ D-sub 9pin メス ”
(仕様)

| | |
|--------------|--------------|
| Pin No.2 RxD | Pin No.2 RxD |
| Pin No.3 TxD | Pin No.3 TxD |
| Pin No.5 GND | Pin No.5 GND |
| Pin No.7 RTS | Pin No.7 RTS |
| Pin No.8 CTS | Pin No.8 CTS |

 RX-Z9/DSP-Z9 side PC side
- RS232C変換アダプター (Part #: AAX24910)

ファームウェア書き込み用プログラムのインストール
ファームウェア書き込み用プログラム(YAVBoot.exe)とファームウェア(xxx.mts or xxx.mot file)をCSホームページからバージョンアップ用PCの同じフォルダー内にダウンロードします。

ファームウェアの更新方法

注意

- メインマイコンを更新しますとメモリーが初期化されますので、ユーザーが変更したパラメータを更新前にメモしておき、更新後にメモに従ってパラメータを変更してください。(他のマイコンでは初期化される場合とされない場合があります)

- 1 アンプとPCの電源を入れる前に、それぞれ RS232Cポート間をRS232Cケーブル(クロスケーブル)で接続します。フロントパネル側からファームの更新する場合はボリュームツマミを外しRS232C 変換アダプターを使用します。



| |
|------------------------------|
| [For Z9 Main Microprocessor] |
|------------------------------|

- 2 Connect the power cable of the amplifier to the AC outlet.
- 3 Execute the firmware loading program (YAV Boot. exe)
- 4 Select the model.
- 5 Select MAIN among Type choices.
- 6 Enter the check mark (レ) for "AUTO" located beside the red-letter CONNECT button. No check mark is needed when loading the firmware manually.
- 7 Click the red-letter CONNECT button.
- 8 Click the red-letter Program Macro button.
- 9 As the file select screen appears, open the folder where the file is stored, specify the program and click the "Open" button.
- 10 Loading of the program starts.
When loading is completed properly, RST: Software ... appears at the end of the display window, followed by the SUM information.
Click the "OK" button and this completes the loading procedure.
- 11 Click the "BREAK" button to disconnect the line.
- 12 Disconnect the plug of the power cable.
- 13 Disconnect the RS232C cable.

(CAUTION)

When executing the firmware loading program failed by using the AUTO loading mode, a message "No Response" appears on the log screen.

In such case, click the "BREAK" button and perform the above procedure again starting from Step 7. Also, when manual loading of the firmware failed, perform the same procedure again.

| |
|---------------|
| Z9 メインマイコンの場合 |
|---------------|

- 2 アンプの電源をコンセントに接続します。
- 3 ファームウェア書き込み用プログラム(YAVBoot.exe)を立ち上げます。
- 4 次にモデルを選択します。
- 5 Typeの中から MAIN を選択します。
- 6 赤文字CONNECT横のAutoにレ点チェックをいれます。手動で書き込みする場合はAutoのレ点チェックはいれません。
- 7 赤い文字のCONNECTを押します。
- 8 赤い文字のProgram Macroを押します。
- 9 ファイル選択画面が出ますのでファイルが収納されているフォルダを開き、プログラムを指定し、“開く”をクリックします。
- 10 プログラムの書き込みがスタートします。
書き込みが正しく終了すると、表示窓の最後に RST: Software... の後、SUM 表示されます。
“OK” をクリックして終了です。
- 11 終了後、BREAK ボタンを押します。(接続が切断されます)
- 12 電源のコンセントを抜きます。
- 13 RS232C ケーブルを外します。

(注意)

AUTO で起動に失敗した場合、ログ画面に “ No Response ” という表示がでますので、BREAK ボタン押した後 7. の手順からやり直してください。又手動で書き込みに失敗した場合、同様の手順でやり直してください。

[For Z9 Video, Z9 DSP External ROM, Z9 iLINK, Z9 DSP Microprocessors]

Automatic loading function is available only with the main microprocessor of version D52 or after.

Automatic loading procedure

- 2** Connect the power cable of the amplifier to the AC outlet.
- 3** Execute the firmware loading program. (YAV Boot. exe)
- 4** Select the model.
- 5** Select (VIDEO/DSP_MC/DSP_EXT_ROM/iLINK) among Type choices.
- 6** Enter the check mark (レ) for "AUTO" located beside the red-letter CONNECT button. No check mark is needed when loading the firmware manually.
- 7** Click the red-letter CONNECT button.
- 8** Click the red-letter Program Macro button.
- 9** As the file select screen appears, open the folder where the file is stored, specify the program and click the "Open" button.
- 10** Loading of the program starts.
When loading is completed properly, RST: Software ... appears at the end of the display window, followed by the SUM information.
Click the "OK" button and this completes the loading procedure.
- 11** Click the "BREAK" button to disconnect the line.
- 12** Disconnect the plug of the power cable.
- 13** Disconnect the RS232C cable.

(CAUTION)

When executing the firmware loading program failed by using the AUTO loading mode, a message "No Response" appears on the log screen. In such case, click the "BREAK" button and perform the above procedure again starting from Step 7.

Manual loading procedure

- 2** Connect the power cable of the amplifier to the AC outlet.
- 3** While pressing the "BALANCE" and "CONTROL" buttons of the amplifier, turn on the power (to enter the DIAG mode).

Z9 ビデオ、Z9 DSP 外ROM、Z9 iLINK、Z9 DSP マイコンの場合

自動書き込みはメインマイコンのバージョン D52 以降に限り可能です。

自動書き込み方法

- 2** アンプの電源をコンセントに接続します。
- 3** ファームウェア書き込み用プログラム(YAVBoot.exe)を立ち上げます。
- 4** 次にモデルを選択します
- 5** Typeの中から(VIDEO/DSP_MC/DSP_EXT_ROM/iLINK)を選択します。
- 6** 赤文字CONNECT横のAutoにレ点チェックをいれます。手動で書き込みする場合はAutoのレ点チェックはいれません。
- 7** 赤い文字のCONNECTを押します。
- 8** 赤い文字のProgram Macroを押します。
- 9** ファイル選択画面が出ますのでファイルが収納されているフォルダを開き、プログラムを指定し、“開く”をクリックします。
- 10** プログラムの書き込みがスタートします。
書き込みが正しく終了すると、表示窓の最後に RST: Software... の後、SUM 表示されます。
“OK” をクリックして終了です。
- 11** 終了後、BREAKボタンを押します。(接続が切断されま
す)
- 12** 電源のコンセントを抜きます。
- 13** RS232C ケーブルを外します。

(注意)

AUTO で起動に失敗した場合、ログ画面に “ No Response ” という表示がでますので、BREAKボタン押した後7.の手順からやり直してください。

手動書き込み方法

- 2** アンプの電源をコンセントに接続します。
- 3** アンプのBALANCEとCONTROLを押しながら、パワーをONにします。(ダイアグモードに入ります)

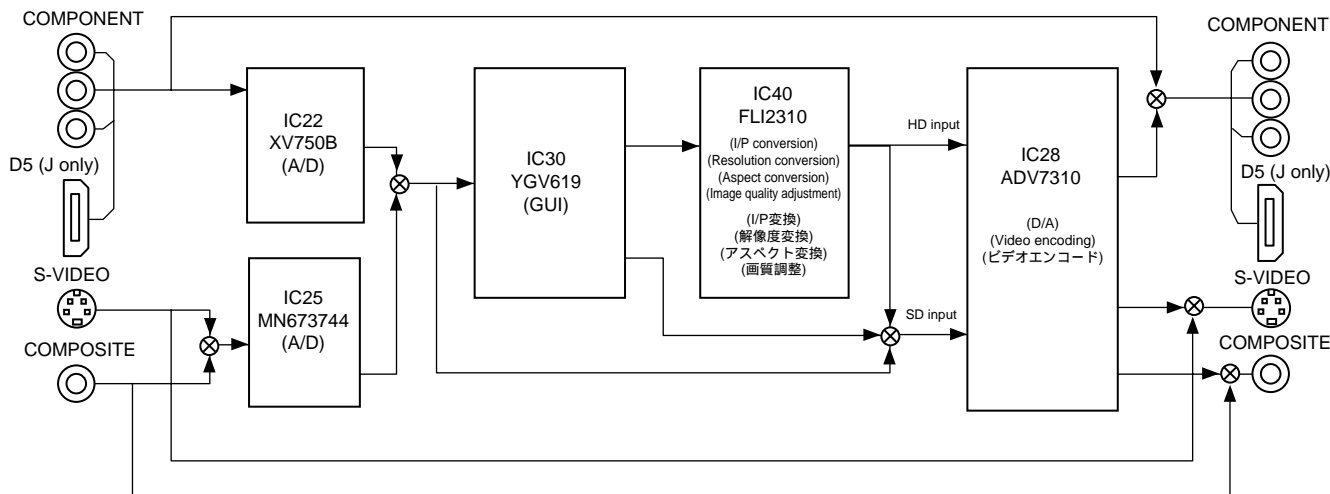
- 4 Select the menu to be loaded by turning the MULTI JOG knob.
Video 17
DSP microprocessor, DSP external ROM 15
iLINK 16
 - 5 After selecting the menu, click the DSP PROGRAM button, and the PROGRESSIVE segment lights up.
 - 6 Execute the firmware loading program (YAV Boot.exe) and then select the model.
 - 7 Select (VIDEO/DSP_MC/DSP_EXT_ROM/iLINK) among Type choices.
 - 8 Check to make sure that there is no check mark (レ) for "AUTO" located beside the red-letter CONNECT button.
 - 9 Click the "CONNECT" button.
 - 10 Select the start mode by turning the MULTI JOG knob.
Video : Make 1 full turn clockwise and select Start Mode.
DSP microprocessor : Make 2 full turns clockwise and select Start Mode.
External ROM : Make 1 full turn clockwise and select External Start.
iLINK : Make 1 full turn clockwise and select Start Mode.
 - 11 The message that appears on the PC application screen is as follows.
Z9 video BS : Boot Start
Z9 DSP external ROM : SUM information
Z9 iLINK : Version information
Z9 DSP microprocessor : None
 - 12 Press the red-letter Program Macro button.
 - 13 When no file has been selected, the file select screen appears.
Select the file to be loaded.
 - 14 Loading of the program starts.
When loading is completed properly, RST: Software ... appears at the end of the display window, followed by the SUM information.
Click the "OK" button and this completes the loading procedure.
 - 15 Click the "BREAK" button to disconnect the line.
 - 16 Turn off the power.
- 4 MULTI JOG を回し、書き込むメニューを選択します。
ビデオ 17
DSP マイコン、DSP 外 ROM 15
iLINK 16
 - 5 メニューを選択後、DSP PROGRAM を押します。
PROGRESSIVE セグメントが点灯します。
 - 6 ファームウェア書き込み用プログラム(YAVBoot.exe)を立ち上げます。
次にモデルを選択します
 - 7 Typeの中から(VIDEO/DSP_MC/DSP_EXT_ROM/iLINK)を選択します。
 - 8 赤文字CONNECT横のAutoチェックは非チェックにします。
 - 9 CONECT ボタンをクリックします。
 - 10 MULTI JOG を回しスタートモードを選択します。
VIDEO の場合、時計方向に1回、回し Start Mode を選択します。
DSP マイコンの場合、時計方向に2回、回し Start Mode を選択します。
外付けROMの場合、時計方向に1回、回し External Start を選択します。
iLINK の場合、時計方向に1回、回し Start Mode を選択します。
 - 11 PC アプリケーションの画面に下記表示が出来ます。
Z9 ビデオ BS : BootStart の表示
Z9 DSP 外 ROM : SUM 表示
Z9 iLINK の場合 : バージョン表示
Z9 DSP マイコン : なし
 - 12 Program Macro ボタン(赤字)を押します。
 - 13 ファイルを選択していない場合、ファイル選択画面が出来ます。
書き込むファイルを選択します。
 - 14 書き込みがスタートします。
書き込みが正しく終了すると、表示窓の最後に RST: Software... の後、SUM 表示されます。
“OK” をクリックして終了です。
 - 15 終了後、BREAK ボタンを押します。(接続が切断されません)
 - 16 電源を切ります。

When loading of the program has failed before completion, perform the same procedure again.

もしプログラム書き込み途中で失敗した場合、同様の手順でやり直してください。

VIDEO SIGNAL PROCESSING / ビデオ信号について

Video Signal Processing Circuit Block Diagram / ビデオ信号処理回路ブロック



- XV750B
A/D conversion for component terminal
TBC equipped
Various image signal information detection
(Macro-vision, CGMS, WSS, CC)
- MN673744
A/D conversion for composite, S terminal
3-dimensional Y/C separation, TBC equipped
- YGV619
GUI generation, overlay processing
- FLI2310
I/P conversion (DCDi processing)
Resolution, aspect conversion
Image quality adjustment
- ADV7310
D/A conversion, color encoding
Various image signal information addition
- XV750B
コンポーネント端子用 A/D 変換
TBC 搭載
各種映像信号情報検出
(マクロビジョン・CGMS・WSS・CC)
- MN673744
コンポジット・S 端子用 A/D 変換
3次元 Y/C 分離・TBC 搭載
- YGV619
GUI 生成・オーバーレイ処理
- FLI2310
I/P 変換(DCDi 処理)
解像度・アスペクト変換
画質調整
- ADV7310
D/A 変換・カラーエンコード
各種映像信号情報付加

1 Most of the video signals of RX-Z9/DSP-Z9 are digitalized. However, only NTSC (480i)/PAL (576i) signals can be A/D converted and 480p/576p/1080i/720p and other signals do not undergo video signal processing when they are input. Therefore, they are subject to the following restrictions:

1-1 GUI display

NTSC(480i)/PAL(576i) The input image is used for the background (overlay display).

480p/576p/1080i/720p The wall paper is used for the background.

1 DSP-Z9のビデオ信号はそのほとんどがデジタル処理されています。しかし、A/D変換ができる信号はNTSC(480i)/PAL(576i)のみなので480p/576p/1080i/720p等の信号入力時はビデオ信号処理が行われなため、以下の様な制約事項があります。

1-1 GUI表示について

NTSC(480i)/PAL(576i) 背景は入力画像
(オーバーレイ表示)

480p/576p/1080i/720p 背景は壁紙

1-2 The video signals that can be digitalized are NTSC (480i)/PAL(576i) only.

When 480p/576p/1080i/720p signals are input, none of the image related functions such as resolution, aspect conversion and image quality adjustment is usable.

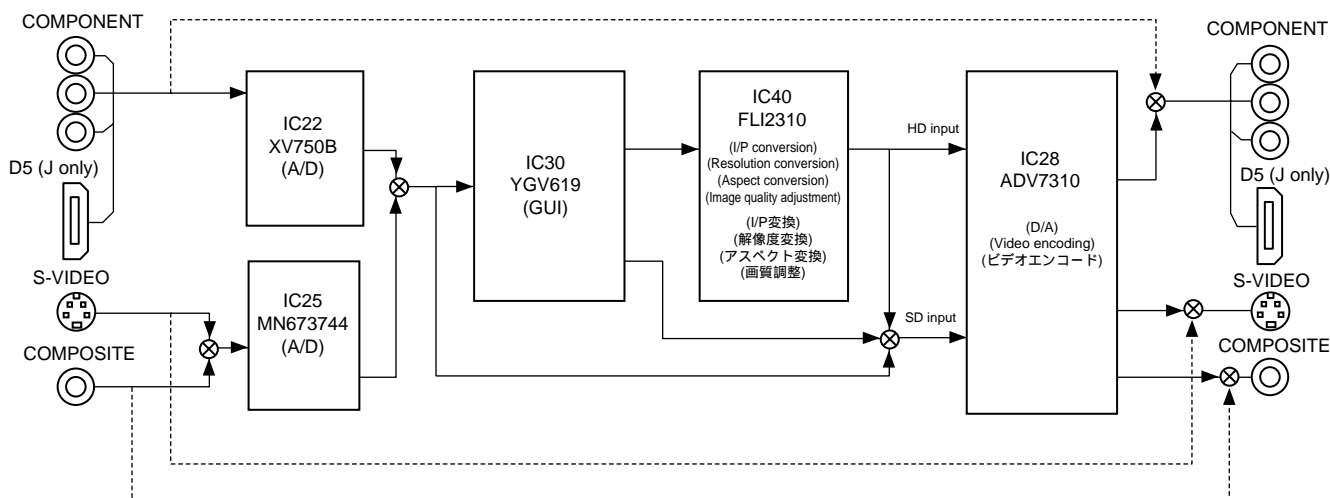
1-3 When 480p/576p/1080i/720p signals are input, OSD is not displayed. (Example: a short message when the volume is operated)

1-2 デジタル処理が可能なビデオ信号はNTSC(480i)/PAL(576i)のみです。

入力信号が480p/576p/1080i/720pの場合は、解像度・アスペクト変換、画質調整機能等の映像系に関する機能は全て使用できなくなります。

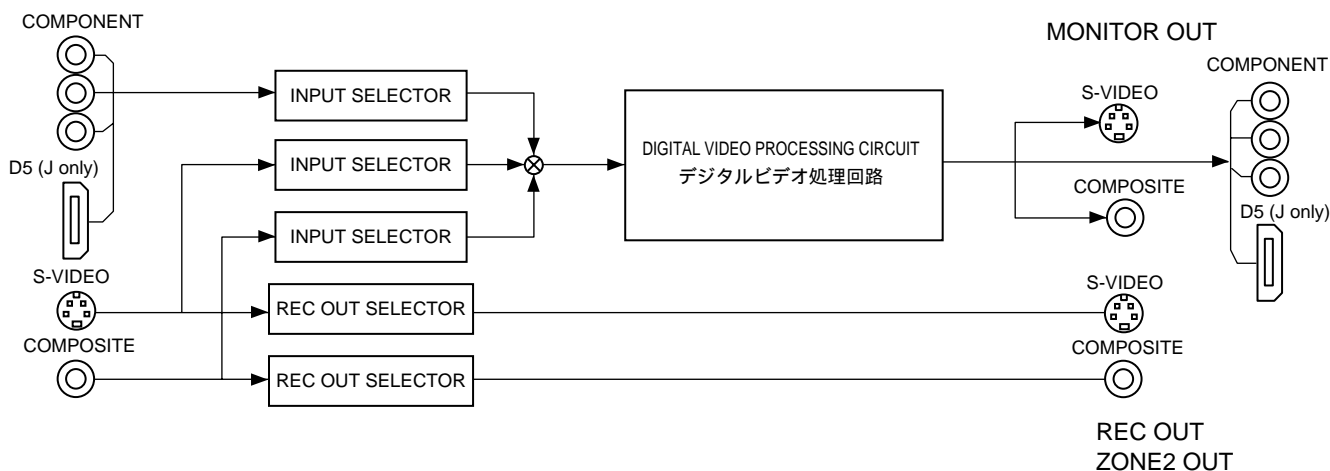
1-3 入力信号が480p/576p/1080i/720pの場合はOSD表示はされません。

(例：ボリューム操作時のショートメッセージ表示等)



2 Video signal processing is executed on monitor out signals only. None of the function, such as the video conversion and image quality adjustment are executed on the LEC out signal or ZONE 2 MONITOR out signal.

2 ビデオ信号処理はモニターアウト信号に対してのみ行われます。レックアウト信号及びZONE2モニターアウト信号に対してはビデオコンバージョン機能・画質調整機能等は行われません。

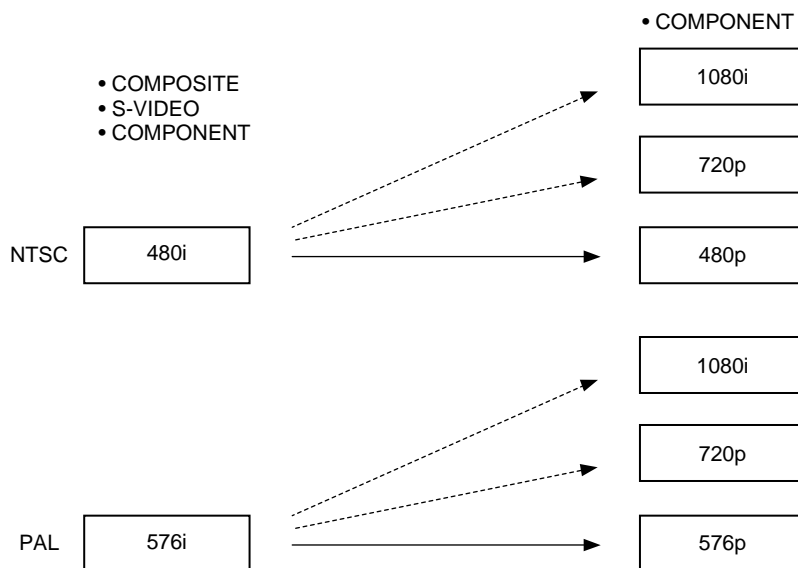


- 3** The non-interlace type component signals cannot be handled. When such signal is input, the digital image processing circuit is bypassed automatically.

Example: If the software of Play Station 1 is used on the Play Station 2 unit, the non-interlace signals may be output from the component terminal.

* *The non-interlace type composite • signal can be handled.*

- 4** When converting the resolution of RX-Z9/DSP-Z9, the copyright protected signals are subject to the 480p/576p conversion even if 1080i/720p setting is used.



- 5** Executing the digital image processing on the image including the added signals such as character broadcasting, the added signals may be erased. To avoid this, select "NOT EXECUTE" for the digital image processing setting.

- 6** Extreme adjustment of the parameter for the image adjustment may cause the image to be unnatural or distorted depending on the TV set.

- 7** Depending on combination of the image equipment and software to be connected or installed, the image may not be output properly, although rarely. To avoid this, select "NOT EXECUTE" for the digital image processing setting.

- 3** ノンインターレース方式のコンポーネント信号には対応していません。その様な信号が入力された場合は、自動的にデジタル映像処理回路は、バイパスされます。

例：Play Station 2では、Play Station 1のソフトを再生するとコンポーネント端子からノンインターレース信号が出力される事が有ります。

* ノンインターレース方式のコンポジット・S信号には対応しています。

- 4** DSP-Z9の解像度変換は、1080i/720pの設定でも著作権保護された信号では480p/576p変換になります。

- 5** 文字放送など、付加信号を含む映像ではデジタル映像処理を行うと、付加信号が消去される場合があります。この様な場合、デジタル映像処理を「しない」に設定する事で回避できます。

- 6** 画質調整のパラメーターを極端に調整すると、不自然な映像になったりテレビによっては映像が乱れる場合があります。

- 7** 接続する映像機器やソフトの組み合わせによっては、まれに映像が正常に出力されなくなる場合があります。このような場合は、デジタル映像処理を「しない」に設定する事で回避できる場合があります。

■ AMP ADJUSTMENT / 調整

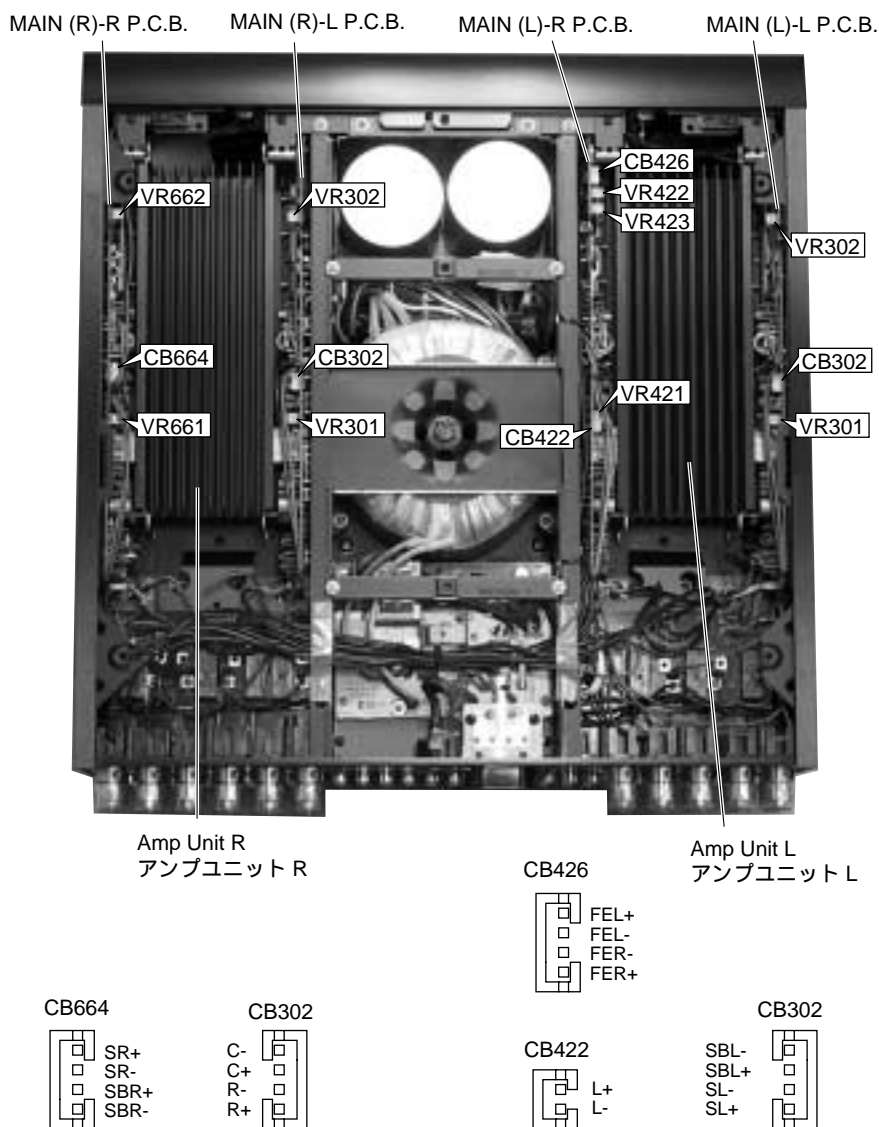
● IDLING CURRENT ADJUSTMENT

Wait for 10 minutes with no signal applied after turning on the power and then make adjustments with no signal applied.













● アイドリング調整









電源投入後、無信号状態で10分間経過した後に無信号状態で調整を行ってください。

| Item / チャンネル | Test Point / テストポイント | Adjustment Point/ 調整箇所 | Rating/ 規格(DC) |
|------------------|----------------------|------------------------|----------------|
| SURROUND L | CB302 | VR301 | 8 ± 4mV |
| SURROUND BACK L | | VR302 | 8 ± 4mV |
| FRONT L | CB422 | VR421 | 8 ± 4mV |
| PRESENCE/ZONE2 L | CB426 | VR422 | 8 ± 4mV |
| PRESENCE/ZONE2 R | | VR423 | 8 ± 4mV |
| FRONT R | CB302 | VR301 | 8 ± 4mV |
| CENTER | | VR302 | 8 ± 4mV |
| SURROUND R | CB664 | VR661 | 8 ± 4mV |
| SURROUND BACK R | | VR662 | 8 ± 4mV |



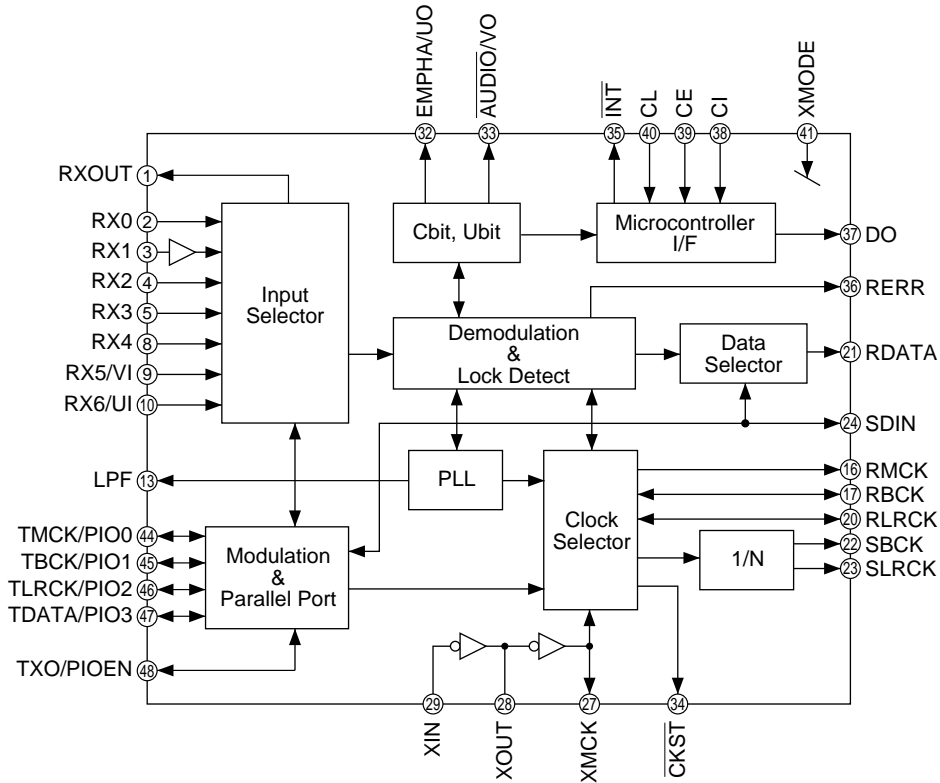
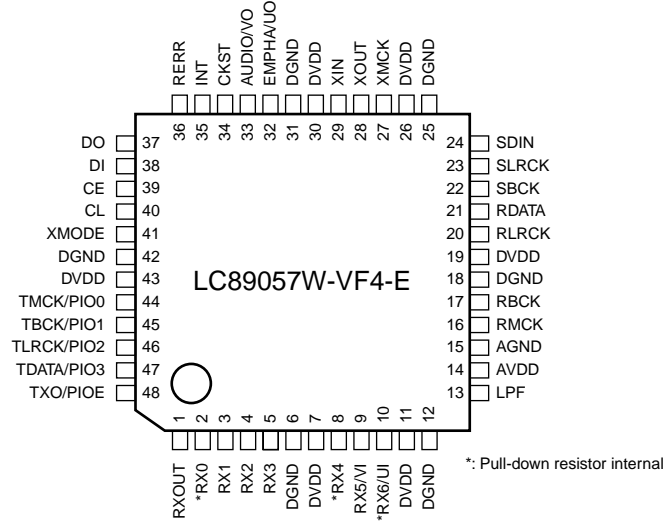
● ANODE CONNECTION

| | 16GA | 15GA ~ 1GA |
|------|---|------------|
| P1A |  | 1-1A |
| P2A | MULTICH | 2-1A |
| P3A | S2 | 3-1A |
| P4A | MATRIX | 4-1A |
| P5A | DISCRETE | 5-1A |
| P6A | HIFI DSP | 1-2A |
| P7A |  | 2-2A |
| P8A |  | 3-2A |
| P9A |  | 4-2A |
| P10A | VIRTUAL | 5-2A |
| P11A |  DIGITAL | 1-3A |
| P12A |  EX | 2-3A |
| P13A |  PL | 3-3A |
| P14A |  LI | 4-3A |
| P15A |  AAC | 5-3A |
| P16A |  THX | 1-4A |
| P17A |  PCM | 2-4A |
| P18A | NIGHT | 3-4A |
| P19A | S16 | 4-4A |
| P20A | S17 | 5-4A |
| P21A | S18 | 1-5A |
| P22A | S19 | 2-5A |
| P23A | OPTIMIZER | 3-5A |
| P24A | SILENT | 4-5A |
| P25A |  | 5-5A |
| P26A | SP | 1-6A |
| P27A | A | 2-6A |
| P28A | B | 3-6A |
| P29A | PROGRESSIVE | 4-6A |
| P30A | HD | 5-6A |
| P31A | STEREO | 1-7A |
| P32A | TUNED | 2-7A |
| P33A | AUTO | 3-7A |
| P34A | MEMORY | 4-7A |
| P35A | SLEEP | 5-7A |
| P36A | ZONE2 | - |

| | 16GB | 15GB ~ 1GB |
|------|---|------------|
| P1B |  | 1-1B |
| P2B | S1 | 2-1B |
| P3B | S15 | 3-1B |
| P4B | S14 | 4-1B |
| P5B | S13 | 5-1B |
| P6B | S12 | 1-2B |
| P7B | S11 | 2-2B |
| P8B | S10 | 3-2B |
| P9B | S9 | 4-2B |
| P10B | S8 | 5-2B |
| P11B | S7 | 1-3B |
| P12B | S6 | 2-3B |
| P13B | S5 | 3-3B |
| P14B | S4 | 4-3B |
| P15B | S3 | 5-3B |
| P16B | MUTE | 1-4B |
| P17B | S20 | 2-4B |
| P18B | B1 | 3-4B |
| P19B | B2 | 4-4B |
| P20B | B3 | 5-4B |
| P21B | B4 | 1-5B |
| P22B | B5 | 2-5B |
| P23B | B6 | 3-5B |
| P24B | B7 | 4-5B |
| P25B | B8 | 5-5B |
| P26B | B9 | 1-6B |
| P27B | DUAL | 2-6B |
| P28B |  | 3-6B |
| P29B | S21 | 4-6B |
| P30B |  | 5-6B |
| P31B |  | 1-7B |
| P32B |  | 2-7B |
| P33B |  | 3-7B |
| P34B |  | 4-7B |
| P35B |  | 5-7B |
| P36B | S22 | - |

■ IC DATA

IC14 : LC89057W-VF-E (DSP1 P.C.B.)
Digital Audio Interface Transceiver



IC14 : LC89057W-VF-E (DSP1 P.C.B.)
Digital Audio Interface Transceiver

| No. | Name | I/O | Function |
|-----|------------|----------------|--|
| 1 | RXOUT | O | Input bi-phase selection data output pin |
| 2 | RX0 | I _S | TTL-compatible digital data input pin |
| 3 | RX1 | I | Coaxial-compatible digital data input pin with built-in amplifier |
| 4 | RX2 | I _S | TTL-compatible digital data input pin |
| 5 | RX3 | I _S | TTL-compatible digital data input pin |
| 6 | DGND | | Digital GND |
| 7 | DVDD | | Digital power supply |
| 8 | RX4 | I _S | TTL-compatible digital data input pin |
| 9 | RX5/VI | I _S | TTL-compatible digital data / Validity flag input pin for modulation |
| 10 | RX6/UI | I _S | TTL-compatible digital data / User data input pin for modulation |
| 11 | DVDD | | PLL digital power supply |
| 12 | DGND | | PLL digital GND |
| 13 | LPF | O | PLL loop filter connection pin |
| 14 | ACDD | | PLL analog power supply |
| 15 | AGND | | PLL analog GND |
| 16 | RMCK | O | R system clock output pin (256fs, 512fs, XIN, VCO) |
| 17 | RBCK | O/I | R bit clock input/output pin |
| 18 | DGND | | Digital GND |
| 19 | DVDD | | Digital power supply |
| 20 | RLRCK | O/I | R LR clock input/output pin (fs) |
| 21 | RDATA | O | Serial audio data input pin |
| 22 | SBCK | O | S bit clock output pin (32fs, 64fs, 128fs) |
| 23 | SLRCK | O | S LR clock output pin (fs/s, fs, 2fs) |
| 24 | SDIN | I _S | Serial audio data input pin |
| 25 | DGND | | Digital GND |
| 26 | DVDD | | Digital power supply |
| 27 | XMCK | O | Oscillation amplifier output pin |
| 28 | XOUT | O | Crystal resonator connection output pin |
| 29 | XIN | I | Crystal resonator connection, external supply clock input pin (24.576 MHz or 12.288 MHz) |
| 30 | DVDD | | Digital power supply |
| 31 | DGND | | Digital GND |
| 32 | EMPHA/UO | I/O | Emphasis information / U data output / Chip address setting pin |
| 33 | AUDIO/VO | I/O | Non-PCM output / V flag output / Chip address setting pin |
| 34 | CKST | I/O | Clock switch transition period signal / Demodulation master or slave function switch pin |
| 35 | INT | I/O | Microcontroller interrupt output / Modulation or general-purpose I/O switch pin |
| 36 | RERR | O | PLL clock error, data error flag output |
| 37 | DO | O | Microcontroller I/F read data output pin (3-state) |
| 38 | DI | I _S | Microcontroller I/F write data input pin |
| 39 | CE | I _S | Microcontroller I/F chip enable input pin |
| 40 | CL | I _S | Microcontroller I/F clock input pin |
| 41 | XMODE | I _S | System reset input pin |
| 42 | DGND | | Digital GND |
| 43 | DVDD | | Digital power supply |
| 44 | TMCK/PIO0 | I/O | Modulation 256fs system clock input / General-purpose I/O input/output pin |
| 45 | TMCK/PIO1 | I/O | Modulation 64fs bit clock input / General-purpose I/O input/output pin |
| 46 | TLRCK/PIO2 | I/O | Modulation fs clock input / General-purpose I/O input/output pin |
| 47 | TLRCK/PIO3 | I/O | Modulation serial audio data input / General-purpose I/O input/output pin |
| 48 | TXO/PIOEN | O/I | Modulation data output / General-purpose I/O enable input pin |

1) Input/output I or O = -0.3 to 3.6V, I_S = -0.3 to 5.5V

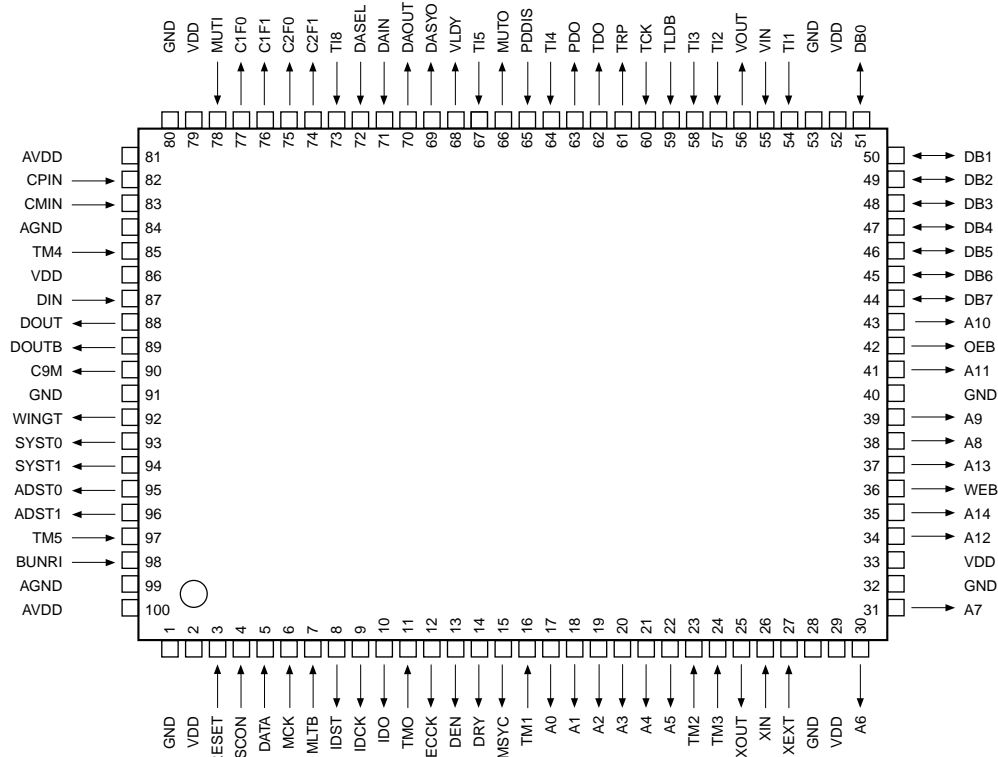
2) Pins 32 and 33 are latch address setting input pins when pin 41 = "L".

3) Pin 34 is a demodulation function master or slave setting input pin when pin 41 = "L".

4) Pin 35 is a modulation function or general-purpose I/O function switch setting input pin when pin 41 = "L".

5) Perform ON/OFF for all power supplies with the same timing as a latch-up countermeasure.

IC18 : PM4007A (DSP1 P.C.B.)
AC-3 RF Demodulator



| No. | Name | I/O | Function |
|-----|-------|-----|---|
| 1 | GND | | Ground (0V) |
| 2 | VDD | | +5V power supply |
| 3 | RESET | I | System resetting terminal (reset at "L") |
| 4 | OSCON | I | Oscillation control terminal. Oscillation ON at "H", set to "H" normally and to "L" when in standby state |
| 5 | DATA | I | IC test terminal, normally connected to ground (or unconnected) |
| 6 | MCK | I | IC test terminal, normally connected to ground (or unconnected) |
| 7 | MLTB | I | IC test terminal, normally connected to ground (or unconnected) |
| 8 | IDST | O | Output terminal for IC test |
| 9 | IDCK | O | Output terminal for IC test |
| 10 | IDO | O | Output terminal for IC test |
| 11 | TM0 | I | IC test terminal, normally connected to ground (or unconnected) |
| 12 | ECCK | O | Output terminal for IC test |
| 13 | DEN | O | Output terminal for IC test |
| 14 | DRY | O | Output terminal for IC test |
| 15 | MSYC | O | Output terminal for IC test |
| 16 | TM1 | I | IC test terminal, normally connected to ground (or unconnected) |
| 17 | A0 | O | External RAM address output. Address 0 (LSB) |
| 18 | A1 | O | External RAM address output. Address 1 |
| 19 | A2 | O | External RAM address output. Address 2 |
| 20 | A3 | O | External RAM address output. Address 3 |
| 21 | A4 | O | External RAM address output. Address 4 |
| 22 | A5 | O | External RAM address output. Address 5 |
| 23 | TM2 | I | IC test terminal, normally connected to ground (or unconnected) |
| 24 | TM3 | I | IC test terminal, normally connected to ground (or unconnected) |
| 25 | XOUT | O | Output terminal for IC test |
| 26 | XIN | I | IC test terminal, normally connected to ground (or unconnected) |
| 27 | XEXT | I | IC test terminal, normally connected to ground (or unconnected) |
| 28 | GND | | Ground terminal (0V) |
| 29 | VDD | | +5V power supply |

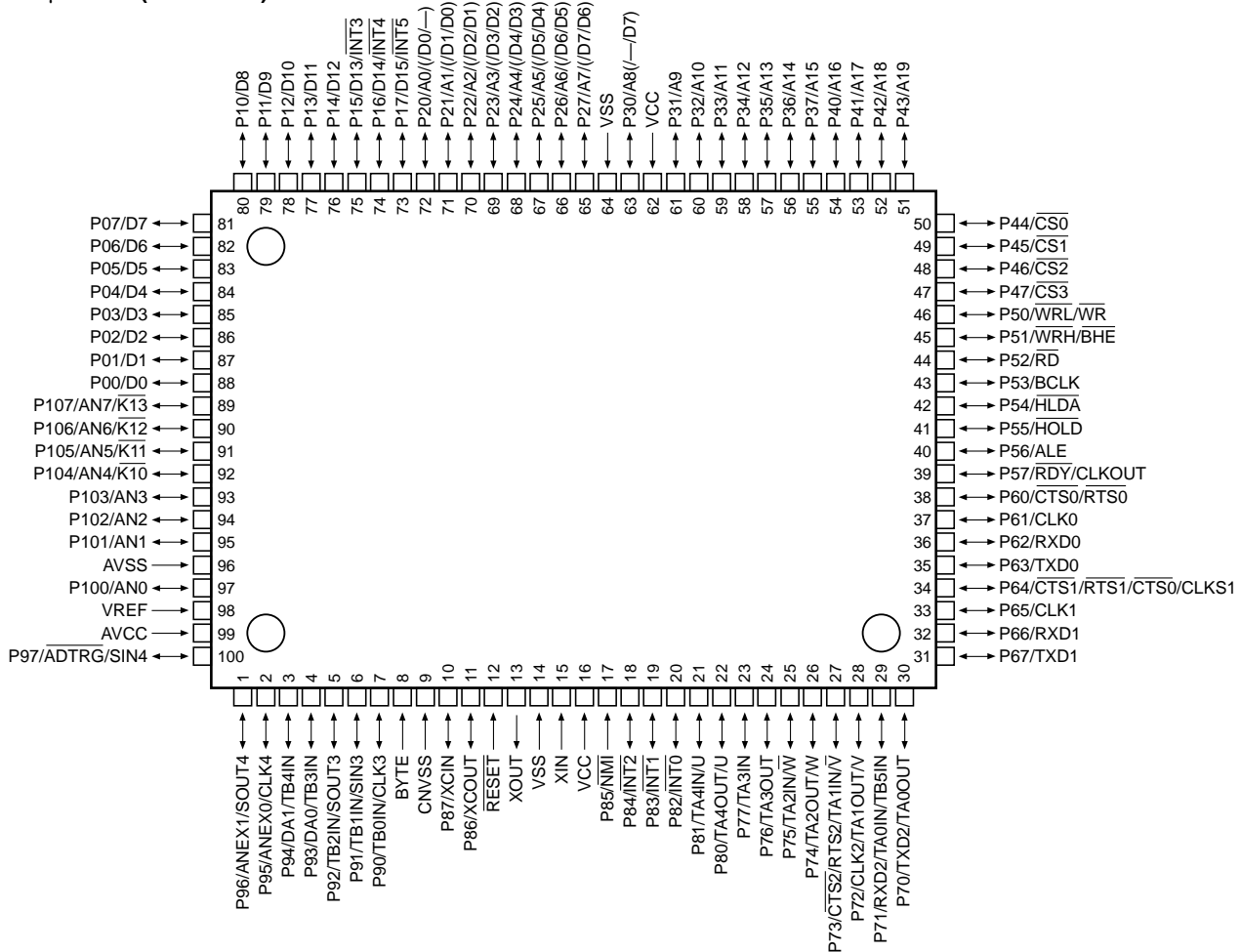
IC18 : PM4007A (DSP1 P.C.B.)
AC-3 RF Demodulator

| No. | Name | I/O | Function |
|-----|-------|-----|---|
| 30 | A6 | O | External RAM address output. Address 6 |
| 31 | A7 | O | External RAM address output. Address 7 |
| 32 | GND | | Ground terminal (0V) |
| 33 | VDD | | +5V power supply |
| 34 | A12 | O | External RAM address output. Address 12 |
| 35 | A14 | O | External RAM address output. Address 14 (MSB) |
| 36 | WEB | O | External RAM write enable signal, active at "L" |
| 37 | A13 | O | External RAM address output. Address 13 |
| 38 | A8 | O | External RAM address output. Address 8 |
| 39 | A9 | O | External RAM address output. Address 9 |
| 40 | GND | | Ground terminal (0V) |
| 41 | A11 | O | External RAM address output. Address 11 |
| 42 | OEB | O | External RAM output enable signal, active at "L" |
| 43 | A10 | O | External RAM address output. Address 10 |
| 44 | DB7 | I/O | External RAM data terminal. Data bus 7 |
| 45 | DB6 | I/O | External RAM data terminal. Data bus 6 |
| 46 | DB5 | I/O | External RAM data terminal. Data bus 5 |
| 47 | DB4 | I/O | External RAM data terminal. Data bus 4 |
| 48 | DB3 | I/O | External RAM data terminal. Data bus 3 |
| 49 | DB2 | I/O | External RAM data terminal. Data bus 2 |
| 50 | DB1 | I/O | External RAM data terminal. Data bus 1 |
| 51 | DB0 | I/O | External RAM data terminal. Data bus 0 |
| 52 | VDD | | +5V power supply |
| 53 | GND | | Ground terminal (0V) |
| 54 | TI1 | I | IC test terminal, normally connected to VDD |
| 55 | VIN | I | VCXO input |
| 56 | VOUT | O | VCXO output |
| 57 | TI2 | I | IC test terminal, normally connected to GND (or unconnected) |
| 58 | TI3 | I | IC test terminal, normally connected to GND (or unconnected) |
| 59 | TLDB | I | IC test terminal, normally connected to GND (or unconnected) |
| 60 | TCK | I | IC test terminal, normally connected to GND (or unconnected) |
| 61 | TRP | O | Output terminal for IC test |
| 62 | TDO | O | Output terminal for IC test |
| 63 | PDO | O | Output terminal for phase comparator (tri-state) |
| 64 | TI4 | I | IC test terminal, normally connected to GND (or unconnected) |
| 65 | PDDIS | I | Input terminal to control PDO output. Output ON at "L" |
| 66 | MUTO | O | Muting output. Muting available at "H". Setting becomes "H" when "MUTI=H" or AC-3 is asynchronous. |
| 67 | TI5 | I | IC test terminal, normally connected to GND (or unconnected) |
| 68 | VDY | O | Output terminal for IC test |
| 69 | DASYO | O | Output terminal for IC test |
| 70 | DAOUT | O | Digital out output (serial data stream output) |
| 71 | DAIN | I | Digital external input, through to DAOUT when DASEL is "H". |
| 72 | DASEL | I | Digital out select |
| 73 | TI8 | I | IC test terminal, normally connected to GND (or unconnected) |
| 74 | C2F1 | O | Terminal used to indicate error condition after C2 correction, whether completely corrected or not. |
| 75 | C2F0 | O | Terminal used to indicate error condition after C2 correction, number of errors at C2. |
| 76 | C1F1 | O | Terminal used to indicate error condition after C1 correction, whether any error exists at C1 or not. |
| 77 | C1F0 | O | Terminal used to indicate error condition after C1 correction, number of errors at C1. |
| 78 | MUTI | I | Muting input. Muting available at "H" |
| 79 | VDD | | +5V power supply |
| 80 | GND | | Ground terminal (0V) |

IC18 : PM4007A (DSP1 P.C.B.)
AC-3 RF Demodulator

| No. | Name | I/O | Function |
|-----|-------|-----|---|
| 81 | AVDD | | +5V power supply for analog comparator |
| 82 | CPIN | I | Analog comparator input, positive side (Non-reverse side: QPSK input) |
| 83 | CMIN | I | Analog comparator input, negative side (reverse side) |
| 84 | AGND | | Ground terminal for analog comparator (0V) |
| 85 | TM4 | I | IC test terminal, normally connected to GND (or unconnected) |
| 86 | VDD | | +5V power supply |
| 87 | DIN | I | IC test terminal, normally connected to GND (or unconnected) |
| 88 | DOUT | O | Analog comparator result output |
| 89 | DOUTB | O | Analog comparator result reverse output |
| 90 | C9M | O | 9.216MHz output, output divided into 2 at VIN (No.55 pin) |
| 91 | GND | | Ground terminal (0V) |
| 92 | WINGT | O | Output for IC test |
| 93 | SYST0 | O | Output for IC test |
| 94 | SYST1 | O | Output for IC test |
| 95 | ADST0 | O | Output for IC test |
| 96 | ADST1 | O | Output for IC test |
| 97 | TM5 | I | IC test terminal, normally connected to GND (or unconnected) |
| 98 | BUNRI | I | IC test terminal, normally connected to GND (or unconnected) |
| 99 | AGND | | Ground terminal (0V) for 46.08MHz oscillator |
| 100 | AVDD | | +5V power supply for 46.08MHz oscillator |

IC27 : M30624FGNFP (DSP1 P.C.B.)
16 bit μ-COM (DSP CPU)



RX-Z9/DSP-Z9

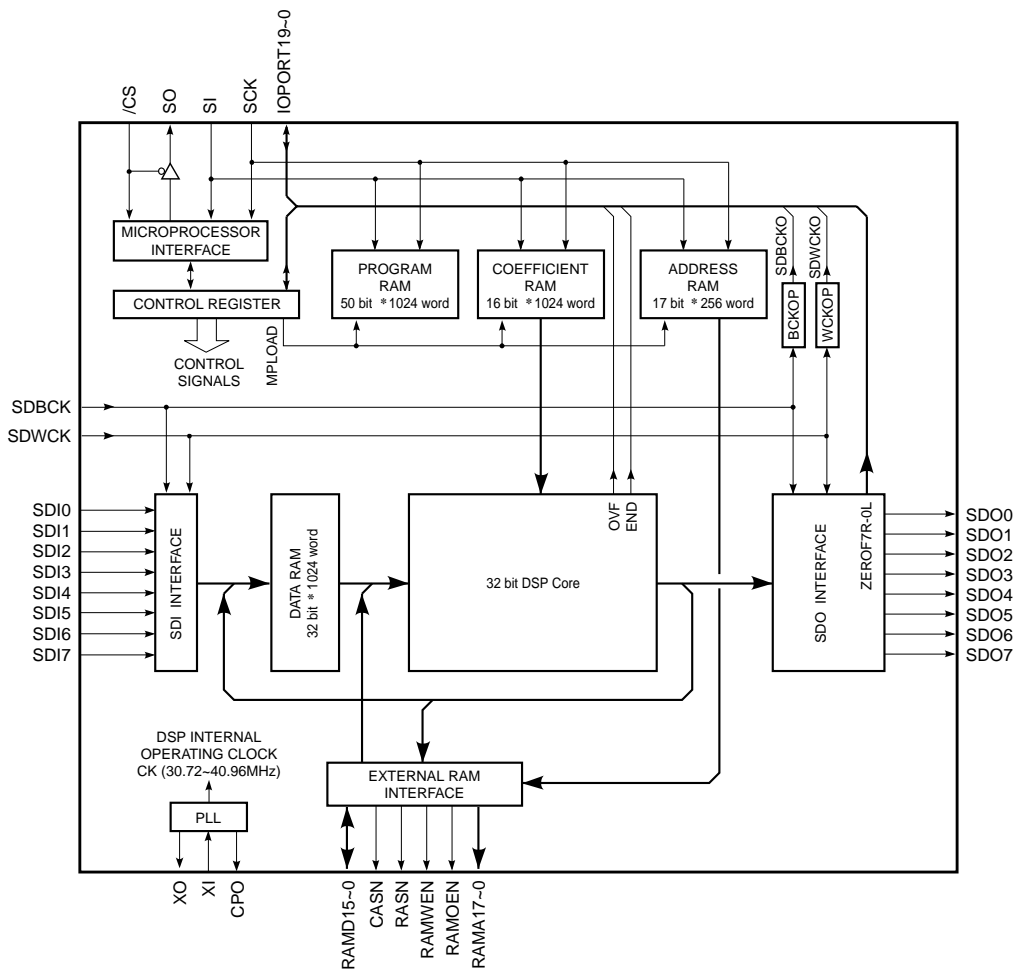
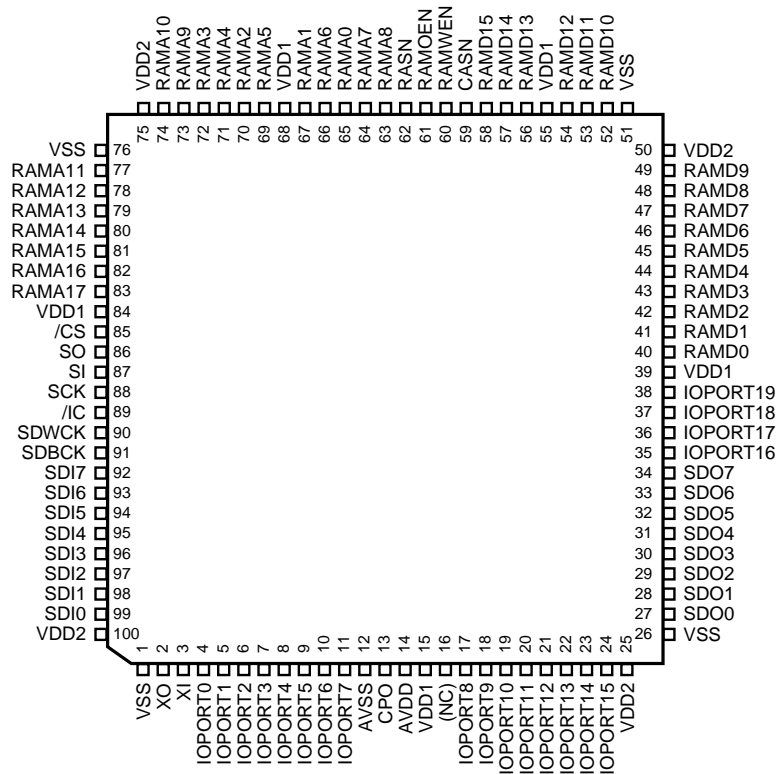
IC27 : M30624FGNFP (DSP1 P.C.B.)
16 bit μ -COM (DSP CPU)

| No. | Port | Name | I/O | Function |
|-----|------------|----------|-----|---|
| 1 | P96/SOUT4 | DTV | O | CPU I/F DSP Video |
| 2 | P95/CLK4 | DVCK | O | VIDEO CPU I/F Clock |
| 3 | P94/TB4in | VBIT | I | DIR Validity (event timer Interrupt) |
| 4 | P93/TB3in | CSD | O | CS for DIR |
| 5 | P92/SOUT3 | SDMY | TXD | Tx for YSS/PLD/DIR/DAC |
| 6 | P91/SIN3 | SDDY | RXD | Rx for YSS/DIR |
| 7 | P90/CLK3 | SCKY | CLK | CLK for YSS/PLD/DIR/DAC |
| 8 | BYTE | BYTE | | GND |
| 9 | CNVss | MODE | | Control from Main CPU + PD |
| 10 | P87/XCIN | /CSY | O | CS for YSS930 |
| 11 | P86/XCOUT | /CSP | O | CS for PLD |
| 12 | /RESET | /RST | | Reset from Main +PU +SW |
| 13 | XOUT | XOUT | | 16MHz |
| 14 | Vss | GND | | GND |
| 15 | XIN | XIN | | 16MHz |
| 16 | Vcc | Vcc | | +3.3V |
| 17 | P85/NMI | /NMI | I | +3.3V |
| 18 | P84/INT2 | UNLOCK | IRQ | SANYO-DIR UNLOCK |
| 19 | P83/INT1 | /IRQD | IRQ | SANYO-DIR INT |
| 20 | P82/INT0 | MTREQ | O | MUTE Request to Main Microprocessor |
| 21 | P81/TA4in | 1394ERR | I | 1394 Error Inform (event timer Interrupt) |
| 22 | P80/TA4out | /ICD | O | IC YSS/DIR/PLD (reset time only) |
| 23 | P77 | MUTE | I | DEM MUTE Detect (voltage conversion required) |
| 24 | P76 | FLWT | I | For Discrimination of External FLASH Write by YDC |
| 25 | P75 | MRQ | O | Main Mute Request |
| 26 | P74 | TRQD | O | CPU I/F Request |
| 27 | P73/RTS2 | RTND | O | CPU I/F Return |
| 28 | P72/CLK2 | MCBC | CLK | CPU I/F Bit Clock |
| 29 | P71/RXD2 | MTS | RXD | CPU I/F Main DSP |
| 30 | P70/TXD2 | STM | TXD | CPU I/F DSP Main |
| 31 | P67/TXD1 | TXFL | I | Tx for FLASH/RS232C TXD |
| 32 | P66/RXD1 | RXFL | I | Rx for FLASH/RS232C RXD |
| 33 | P65/CLK1 | CLKFL | I | CLK for FLASH/RS232C CTS (PD) |
| 34 | P64/RTS1 | BSYFL | I | BUSY for FLASH/RS232C RTS |
| 35 | P63/TXD0 | DT1394 | TXD | CPU I/F DSP 1394 |
| 36 | P62/RXD0 | 1394TD | RXD | CPU I/F 1394 DSP |
| 37 | P61/CLK0 | /1394CTS | I | /CTS 1394 DSP |
| 38 | P60/RTS0 | RTNV | I | VIDEO CPU I/F Return |
| 39 | P57/RDY | TRQV | I | VIDEO CPU I/F Request |
| 40 | P56/ALE | /ICX | O | 1394 System Reset |
| 41 | P55/HOLD | /EPM | I | for FLASH (GND) |
| 42 | P54/HLDA | 1394MUTE | I | 1394 MUTE Inform Input (positive logic) |
| 43 | P53/BCLK | | | |
| 44 | P52/RD | | | |
| 45 | P51/WRH | MCSEL | I | u-COM SELECT |
| 46 | P50/WRL | /CE | I | for FLASH (+3.3V Pull-up) |
| 47 | P47/CS3 | ADM0 | O | ADC Operation Mode Select (96k/48k) |
| 48 | P46/CS2 | /ICAD | O | /IC ADC |
| 49 | P45/CS1 | /ICDA | O | /IC DAC |
| 50 | P44/CS0 | /CSDA | O | CS for DAC(PCM1738) |

IC27 : M30624FGNFP (DSP1 P.C.B.)
16 bit μ -COM (DSP CPU)

| No. | Port | Name | I/O | Function |
|-----|----------|----------|-----|--|
| 51 | P43/A19 | /DMT | O | Digital MUTE (mute=L) for PLD |
| 52 | P42/A18 | /IRQS2 | O | IRQ to SHARC (reserve) |
| 53 | P41/A17 | /REQ | O | Parallel: /REQ to SHARC |
| 54 | P40/A16 | A16C | O | FLASH A16 Control(H A16=H) |
| 55 | P37/A15 | /ICS | O | IC for SHARC |
| 56 | P36/A14 | /RSTOUT | I | RESET OUT from SHARC (Ver 1.2) |
| 57 | P35/A13 | /ICFL | O | FLASH-ROM RESET |
| 58 | P34/A12 | FLG4 | I | Used in SPI mode (reserve) |
| 59 | P33/A11 | FLG2 | I | Parallel: SHARC BUSY |
| 60 | P32/A10 | FLG1 | I | Parallel: SHARC /ACK |
| 61 | P31/A9 | FLG0 | O | Parallel: RD_WR / SPI:BUSY |
| 62 | Vcc | Vcc | | +3.3V |
| 63 | P30/A8 | FLG11 | O | For SHARC FLASH Write |
| 64 | Vss | Vss | | GND |
| 65 | P27/A7 | SD7 | I/O | 8bit Parallel for SHARC |
| 66 | P26/A6 | SD6 | I/O | 8bit Parallel for SHARC |
| 67 | P25/A5 | SD5 | I/O | 8bit Parallel for SHARC |
| 68 | P24/A4 | SD4 | I/O | 8bit Parallel for SHARC |
| 69 | P23/A3 | SD3 | I/O | 8bit Parallel for SHARC |
| 70 | P22/A2 | SD2 | I/O | 8bit Parallel for SHARC |
| 71 | P21/A1 | SD1 | I/O | 8bit Parallel for SHARC |
| 72 | P20/A0 | SD0 | I/O | 8bit Parallel for SHARC |
| 73 | P17/INT5 | /1394RTS | O | /RTS DSP 1394 |
| 74 | P16/INT4 | Check | O | DIAG Result Judgment Output (while DIAG working: OK H) |
| 75 | P15/INT3 | IRQEX | IRQ | IEEE1394 Interrupt |
| 76 | P14/D12 | FLG10 | | FLAG Port Settable by User |
| 77 | P13/D11 | FLG9 | | Intended Use Undetermined |
| 78 | P12/D10 | FLG8 | | Intended Use Undetermined |
| 79 | P11/D9 | /AAC | I | AAC Presence Judge (L: Present) |
| 80 | P10/D8 | /RINH1 | O | Recount 1 Inhibit L: Inhibit/H: Permit (CD-R) |
| 81 | P07/D7 | /RINH2 | O | Recount 2 Inhibit L: Inhibit/H: Permit (MD/TAPE) |
| 82 | P06/D6 | /RINH3 | O | Recount 3 Inhibit L: Inhibit/H: Permit (DVR) |
| 83 | P05/D5 | ISEL0 | O | Digital Input Selector Control 0 |
| 84 | P04/D4 | ISEL1 | O | Digital Input Selector Control 1 |
| 85 | P03/D3 | ISEL2 | O | Digital Input Selector Control 2 |
| 86 | P02/D2 | RSEL0 | O | Digital RecOut Selector Control 0 |
| 87 | P01/D1 | RSEL1 | O | Digital RecOut Selector Control 1 |
| 88 | P00/D0 | RSEL2 | O | Digital RecOut Selector Control 2 |
| 89 | P107/AN7 | Z2SEL | O | ZONE2 OUT Selector Control |
| 90 | P106/AN6 | /Z2INH | O | ZONE2 OUT Selector Control |
| 91 | P105/AN5 | | | |
| 92 | P104/AN4 | | | |
| 93 | P103/AN3 | | | |
| 94 | P102/AN2 | | | |
| 95 | P101/AN1 | | | |
| 96 | AVss | AVss | | GND |
| 97 | P100/AN0 | | | |
| 98 | VREF | VREF | | +3.3V |
| 99 | AVcc | Avcc | | +3.3V |
| 100 | P97/SIN4 | VTD | I | CPU I/F Video DSP |

IC2, 4, 6, 8, 10, 12, 14, 16 : YSS930-SZ (DSP2 P.C.B.)
DSP



**IC2, 4, 6, 8, 10, 12, 14, 16 : YSS930-SZ (DSP2 P.C.B.)
DSP**

| No. | Name | I/O | Function |
|-----|----------|------|---|
| 1 | VSS | - | Digital ground terminal |
| 2 | XO | O | Terminal for connecting crystal oscillator |
| 3 | XI | I | Terminal for connecting crystal oscillator (12.288 ~ 15.0MHz) |
| 4 | IOPORT0 | I+/O | General purpose input/output terminal, SDO0 Lch zero-flag output terminal, input/output terminal for branching program conditions |
| 5 | IOPORT1 | I+/O | General purpose input/output terminal, SDO0 Rch zero-flag output terminal, input/output terminal for branching program conditions |
| 6 | IOPORT2 | I+/O | General purpose input/output terminal, SDO1 Lch zero-flag output terminal, input/output terminal for branching program conditions |
| 7 | IOPORT3 | I+/O | General purpose input/output terminal, SDO1 Rch zero-flag output terminal, input/output terminal for branching program conditions |
| 8 | IOPORT4 | I+/O | General purpose input/output terminal, SDO2 Lch zero-flag output terminal, input/output terminal for branching program conditions |
| 9 | IOPORT5 | I+/O | General purpose input/output terminal, SDO2 Rch zero-flag output terminal, input/output terminal for branching program conditions |
| 10 | IOPORT6 | I+/O | General purpose input/output terminal, SDO3 Lch zero-flag output terminal, input/output terminal for branching program conditions |
| 11 | IOPORT7 | I+/O | General purpose input/output terminal, SDO3 Rch zero-flag output terminal, input/output terminal for branching program conditions |
| 12 | AVSS | - | Analog ground terminal (for PLL) |
| 13 | CPO | A | Terminal for connecting PLL filter |
| 14 | AVDD | - | +2.5V digital power supply (for PLL) |
| 15 | VDD1 | - | +3.3V digital power supply (for input/output terminal) |
| 16 | (NC) | - | (Unconnected) |
| 17 | IOPORT8 | I+/O | General purpose input/output terminal, SD04 Lch zero-flag output terminal |
| 18 | IOPORT9 | I+/O | General purpose input/output terminal, SD04 Rch zero-flag output terminal |
| 19 | IOPORT10 | I+/O | General purpose input/output terminal, SD05 Lch zero-flag output terminal |
| 20 | IOPORT11 | I+/O | General purpose input/output terminal, SD05 Rch zero-flag output terminal |
| 21 | IOPORT12 | I+/O | General purpose input/output terminal, SD06 Lch zero-flag output terminal, input terminal 0 for chip address setting |
| 22 | IOPORT13 | I+/O | General purpose input/output terminal, SD06 Rch zero-flag output terminal, input terminal 1 for chip address setting |
| 23 | IOPORT14 | I+/O | General purpose input/output terminal, SD07 Lch zero-flag output terminal, input terminal 2 for chip address setting |
| 24 | IOPORT15 | I+/O | General purpose input/output terminal, SD07 Rch zero-flag output terminal, input terminal 3 for chip address setting |
| 25 | VDD2 | - | +2.5V digital power supply (for internal circuit) |
| 26 | VSS | - | Digital ground terminal |
| 27 | SDO0 | O | PCM output terminal |
| 28 | SDO1 | O | PCM output terminal |
| 29 | SDO2 | O | PCM output terminal |
| 30 | SDO3 | O | PCM output terminal |
| 31 | SDO4 | O | PCM output terminal |
| 32 | SDO5 | O | PCM output terminal |
| 33 | SDO6 | O | PCM output terminal |
| 34 | SDO7 | O | PCM output terminal |
| 35 | IOPORT16 | I+/O | General purpose input/output terminal, overflow detect output terminal |
| 36 | IOPORT17 | I+/O | General purpose input/output terminal, program end detect output terminal |
| 37 | IOPORT18 | I+/O | General purpose input/output terminal, 64fs clock output terminal |
| 38 | IOPORT19 | I+/O | General purpose input/output terminal, fs clock output terminal |
| 39 | VDD1 | - | +3.3V digital power supply (for input/output terminal) |
| 40 | RAMD0 | I+/O | Data input/output terminal 0 for external memory |
| 41 | RAMD1 | I+/O | Data input/output terminal 1 for external memory |
| 42 | RAMD2 | I+/O | Data input/output terminal 2 for external memory |
| 43 | RAMD3 | I+/O | Data input/output terminal 3 for external memory |
| 44 | RAMD4 | I+/O | Data input/output terminal 4 for external memory |
| 45 | RAMD5 | I+/O | Data input/output terminal 5 for external memory |
| 46 | RAMD6 | I+/O | Data input/output terminal 6 for external memory |
| 47 | RAMD7 | I+/O | Data input/output terminal 7 for external memory |
| 48 | RAMD8 | I+/O | Data input/output terminal 8 for external memory |
| 49 | RAMD9 | I+/O | Data input/output terminal 9 for external memory |
| 50 | VDD2 | - | +2.5V digital power supply (for internal circuit) |
| 51 | VSS | - | Digital ground terminal |
| 52 | RAMD10 | I+/O | Data input/output terminal 10 for external memory |
| 53 | RAMD11 | I+/O | Data input/output terminal 11 for external memory |
| 54 | RMD12 | I+/O | Data input/output terminal 12 for external memory |
| 55 | VDD1 | - | +3.3V digital power supply (for input/output terminal) |
| 56 | RAMD13 | I+/O | Data input/output terminal 13 for external memory |

**IC2, 4, 6, 8, 10, 12, 14, 16 : YSS930-SZ (DSP2 P.C.B.)
DSP**

| No. | Name | I/O | Function |
|-----|--------|------|---|
| 57 | RAMD14 | I+/O | Data input/output terminal 14 for external memory |
| 58 | RAMD15 | I+/O | Data input/output terminal 15 for external memory |
| 59 | CASN | O | Column address strobe output terminal for external DRAM |
| 60 | RAMWEN | O | Write enable output terminal for external memory |
| 61 | RAMOEN | O | Output enable output terminal for external memory |
| 62 | RASN | O | Low address strobe output terminal for external DRAM |
| 63 | RAMA8 | O | Address output terminal 8 for external memory |
| 64 | RAMA7 | O | Address output terminal 7 for external memory |
| 65 | RAMA0 | O | Address output terminal 0 for external memory |
| 66 | RAMA6 | O | Address output terminal 6 for external memory |
| 67 | RAMA1 | O | Address output terminal 1 for external memory |
| 68 | VDD1 | - | +3.3V digital power supply (for input/output terminal) |
| 69 | RAMA5 | O | Address output terminal 5 for external memory |
| 70 | RAMA2 | O | Address output terminal 2 for external memory |
| 71 | RAMA4 | O | Address output terminal 4 for external memory |
| 72 | RAMA3 | O | Address output terminal 3 for external memory |
| 73 | RAMA9 | O | Address output terminal 9 for external memory |
| 74 | RAMA10 | O | Address output terminal 10 for external memory |
| 75 | VDD2 | - | +2.5V digital power supply (for internal circuit) |
| 76 | VSS | - | Digital ground terminal |
| 77 | RAMA11 | O | Address output terminal 11 for external memory |
| 78 | RAMA12 | O | Address output terminal 12 for external memory |
| 79 | RAMA13 | O | Address output terminal 13 for external memory |
| 80 | RAMA14 | O | Address output terminal 14 for external memory |
| 81 | RAMA15 | O | Address output terminal 15 for external memory |
| 82 | RAMA16 | O | Address output terminal 16 for external memory |
| 83 | RAMA17 | O | Address output terminal 17 for external memory |
| 84 | VDD1 | - | +3.3V digital power supply (for input/output terminal) |
| 85 | /CS | Is | Microprocessor interface chip select input terminal |
| 86 | SO | Ot | Microprocessor interface data output terminal |
| 87 | SI | Is | Microprocessor interface data input terminal |
| 88 | SCK | Is | Microprocessor interface clock input terminal |
| 89 | /IC | Is | Initial clear input terminal |
| 90 | SDWCK | I | Word clock (fs) input terminal for SDI/SDO interface |
| 91 | SDBCK | Is | Bit clock (64fs) input terminal for SDI/SDO interface |
| 92 | SDI7 | I | PCM input terminal |
| 93 | SDI6 | I | PCM input terminal |
| 94 | SDI5 | I | PCM input terminal |
| 95 | SDI4 | I | PCM input terminal |
| 96 | SDI3 | I | PCM input terminal |
| 97 | SDI2 | I | PCM input terminal |
| 98 | SDI1 | I | PCM input terminal |
| 99 | SDI0 | I | PCM input terminal |
| 100 | VDD2 | - | +2.5V digital power supply (for internal circuit) |

Is: Schmidt trigger input terminal

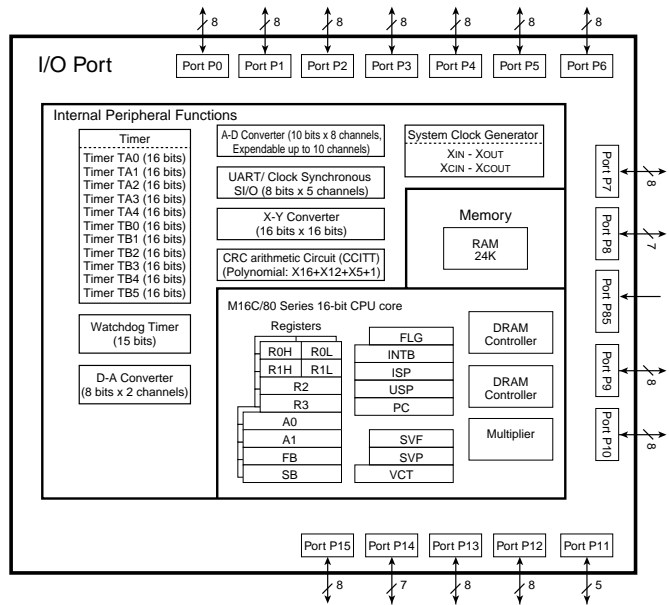
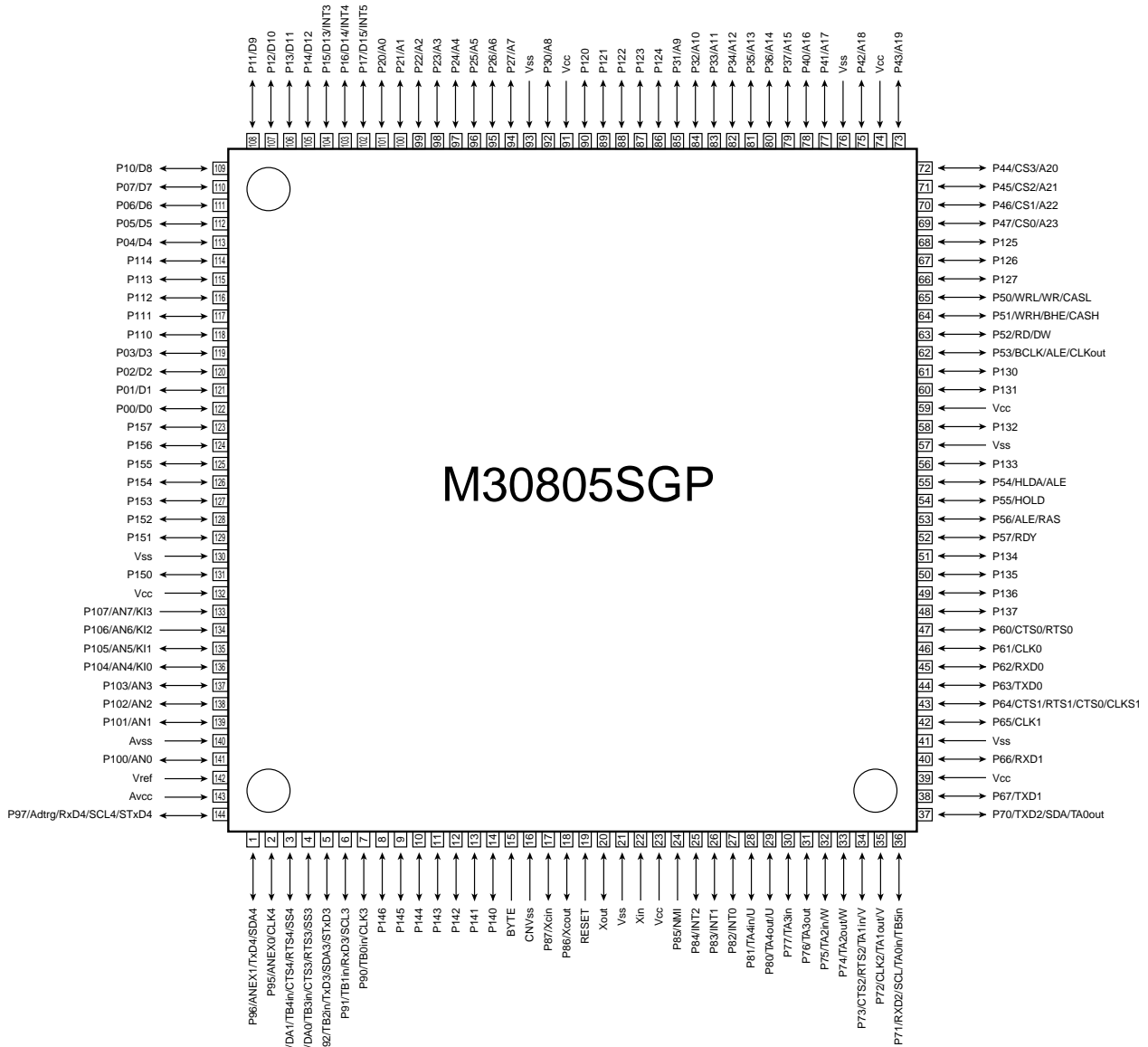
I+: Input terminal with pull-up resistor

O: digital output terminal

Ot: Tri-state digital output terminal

A: Analog terminal

IC56 : M30805SGP (VIDEO TOP P.C.B.)
16 bit μ -COM (Main CPU)



RX-Z9/DSP-Z9

IC56 : M30805SGP (VIDEO TOP P.C.B.)
16 bit μ -COM (Main CPU)

| No. | Pin function | Function | Name | Detail of function | ON | OFF | BU |
|-----|-----------------------------|-----------|--------|---|------|-----|-----|
| 1 | P96/ANEX1/TxD4/SDA4 | TxD4 | TXDR | 232C Transmit/Yokogawa Data Transmit | O | OL | OL |
| 2 | P95/ANEX0/CLK4 | CLK4 | RTS | 232C RTS Output/Yokogawa Clock Input | I/O | OL | OL |
| 3 | P94/DA1/TB4in/CTS4/RTS4/SS4 | P94 | CTS | 232C CTS Input | I | I | OL |
| 4 | P93/DA0/TB3in/CTS3/RTS3/SS3 | DA0 | FAN | FAN Control | I | I | OL |
| 5 | P92/TB2in/TxD3/SDA3/STxD3 | SDA3/TXD3 | PLL | PLL Transmit | SO | OL | OL |
| 6 | P91/TB1in/RxD3/SCL3 | SCL3/RXD3 | PLL | PLL CLOCK | SI | I | OL |
| 7 | P90/TB0in/CLK3 | CLK3 | PLLE | PLL CE / Tuner Presence | I/O | OL | OL |
| 8 | P146 | P146 | | | O | OL | OL |
| 9 | P145 | P145 | | | O | OL | OL |
| 10 | P144 | P144 | PLL | PLL Receive | I | OL | OL |
| 11 | P143 | P143 | /Z2MT | ZONE2 MUTE | O | OL | OL |
| 12 | P142 | P142 | /HPMT | HEAD PHONE MUTE | O | OL | OL |
| 13 | P141 | P141 | P141 | DSP MUTE Request Enable | O | OL | OL |
| 14 | P140 | P140 | CEF2 | FL2 Enable | O | OL | OL |
| 15 | BYTE | BYTE | BYTE | When 16 Bit Data used: Vss | Vss | Vss | Vss |
| 16 | CNVss | CNVss | CNVss | When in Microprocessor Mode: Vcc | Vcc | Vcc | Vcc |
| 17 | P87/Xcin | P87 | BT232C | Boot Terminal for RS-232C/ Analog Special Key | I | I | OL |
| 18 | P86/Xcout | P86 | BTYDC | Boot Terminal for Yokogawa Tool | I | I | OL |
| 19 | RESET | RESET | RESET | Reset | | | |
| 20 | Xout | Xout | Xout | Oscillation Output | | | |
| 21 | Vss | Vss | Vss | Microprocessor Ground | | | |
| 22 | Xin | Xin | Xin | Oscillation Input | | | |
| 23 | Vcc | Vcc | Vcc | Microprocessor Power Supply +5V | | | |
| 24 | P85/NMI | NMI | NMI | MUTE Request Interrupt | I | I | |
| 25 | P84/INT2 | INT2 | REM1 | Remote Control Pulse Input | I | I | OL |
| 26 | P83/INT1 | INT1 | REM2 | ZONE2 Remote Control Pulse Input | I | I | OL |
| 27 | P82/INT0 | INT0 | PDET | Power Detect | I | I | I |
| 28 | P81/TA4in/U | TA4in | PSW | Power Switch | I | I | OL |
| 29 | P80/TA4out/U | P80 | CEF1 | FL Enable | O | OL | OL |
| 30 | P77/TA3in | TA3in | RXDR | 232C Receive Data | I | I | OL |
| 31 | P76/TA3out | P76 | PRY2 | Power Relay 2 | O | OL | OL |
| 32 | P75/TA2in/W | P75 | RXSEL | RX SELECT VIDEO/DSP=L/H | O | OL | OL |
| 33 | P74/TA2out/W | P74 | /DMCR | DSP Microprocessor Reset | I/OL | OL | OL |
| 34 | P73/CTS2/RTS2/TA1in/V | P73 | TRQMD | Communication between Microprocessors: Transfer Request (DSP) | I | OL | OL |
| 35 | P72/CLK2/TA1out/V | CLK2 | SCKN | NONE AUDIO Clock | SCK | OL | OL |
| 36 | P71/RXD2/SCL/TA0in/TB5in | | RTNMD | Communication between Microprocessors: Response Return (DSP) | I | OL | OL |
| 37 | P70/TXD2/SDA/TA0out | TXD2 | SDTN | NONE AUDIO Serial Transmit Data | SDT | OL | OL |
| 38 | P67/TXD1 | TXD1 | MTX | Communication between Microprocessors: Data Transmit | SDT | OL | OL |
| 39 | Vcc | Vcc | Vcc | Microprocessor Power Supply +5V | | | |
| 40 | P66/RXD1 | RXD1 | MRX | Communication between Microprocessors: Data Receive | RDT | OL | OL |
| 41 | Vss | Vss | Vss | Microprocessor Ground | | | |
| 42 | P65/CLK1 | CLK1 | MVBC | Communication between Microprocessors: Bit Clock (VIDEO) | SCK | OL | OL |
| 43 | P64/CTS1/RTS1/CTS0/CLKS1 | CLKS1 | MDBC | Communication between Microprocessors: Bit Clock (DSP) | SCK | OL | OL |
| 44 | P63/TXD0 | TXD0 | DTEV | EVOL Serial Transmit Data | SDT | OL | OL |
| 45 | P62/RXD0 | P62 | CEEV | EVOL Enable | O | OL | OL |
| 46 | P61/CLK0 | CLK0 | CKEV | EVOL Serial Clock | SCK | OL | OL |
| 47 | P60/CTS0/RTS0 | P60 | TRQMV | Communication between Microprocessors: Transmit Request (video) | I | OL | OL |
| 48 | P137 | P137 | RTNMV | Communication between Microprocessors: Response Return (video) | I | OL | OL |

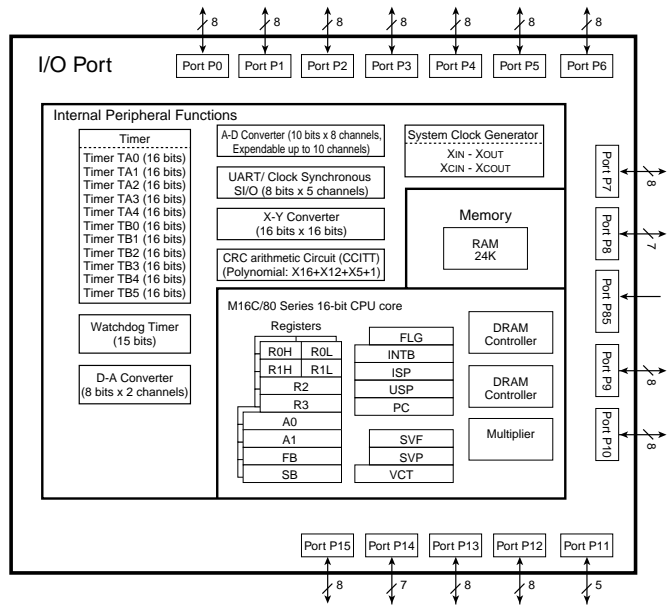
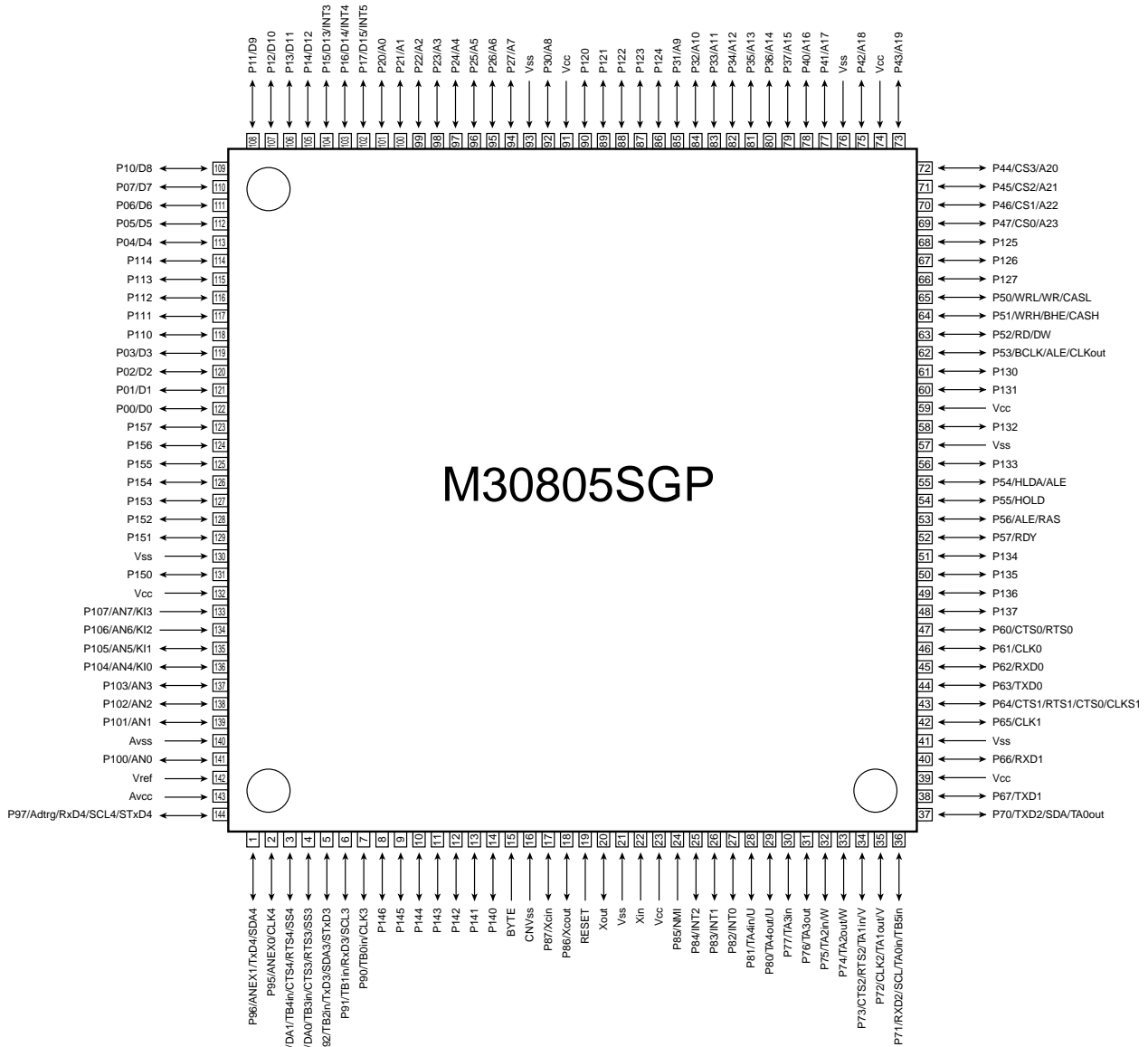
IC56 : M30805SGP (VIDEO TOP P.C.B.)
16 bit μ -COM (Main CPU)

| No. | Pin function | Function | Name | Detail of function | ON | OFF | BU |
|-----|---------------------|----------|---------|---|------|-----|------|
| 49 | P136 | P136 | /VMCR | Video Microprocessor Reset | I/OL | OL | OL |
| 50 | P135 | P135 | /ICEV | EVOL DC Bias Initialize | O | OL | OL |
| 51 | P134 | P134 | CETD | Enable Output for Toshiba IC (DSP) | O | OL | OL |
| 52 | P57/RDY | | | | | | HI |
| 53 | P56/ALE/RAS | | | | | | HI |
| 54 | P55/HOLD | | | | | | HI |
| 55 | P54/HLDA/ALE | | | | | | HI |
| 56 | P133 | P133 | SPC | Standby Power Control | O | OL | OL |
| 57 | Vss | Vss | Vss | Microprocessor Ground | | | |
| 58 | P132 | P132 | CETIR | Enable Output for Toshiba IC (INPUT, REC OUT) | O | OL | OL |
| 59 | Vcc | Vcc | Vcc | Microprocessor Power Supply +5V | | | |
| 60 | P131 | P131 | CETA1 | Enable Output for Toshiba IC (ANALOG 1) | O | OL | OL |
| 61 | P130 | P130 | CETA0 | Enable Output for Toshiba IC (ANALOG 0) | O | OL | OL |
| 62 | P53/BCLK/ALE/CLKout | | | | | | HI |
| 63 | P52/RD/DW | RD | | OE | | | HI |
| 64 | P51/WRH/BHE/CASH | WRH | | | | | HI |
| 65 | P50/WRL/WR/CASL | WRL | | WE | | | HI |
| 66 | P127 | P127 | SCKA | Clock Output for Audio IC | O | OL | OL |
| 67 | P126 | P126 | SDTA | Data Output for Audio IC | O | OL | OL |
| 68 | P125 | P125 | /FMTF | FULL MUTE FEL/FER Output | O | OL | OL |
| 69 | P47/CS0/A23 | CS0 | | | | | KEEP |
| 70 | P46/CS1/A22 | CS1 | | LV-A573 OUTPUT | | | KEEP |
| 71 | P45/CS2/A21 | CS2 | | LV-A573 INPUT | | | KEEP |
| 72 | P44/CS3/A20 | | | | | | KEEP |
| 73 | P43/A19 | A19 | | | | | KEEP |
| 74 | Vcc | Vcc | Vcc | Microprocessor Power Supply +5V | | | |
| 75 | P42/A18 | A16 | | | | | KEEP |
| 76 | Vss | Vss | Vss | Microprocessor Ground | | | |
| 77 | P41/A17 | A17 | | | | | KEEP |
| 78 | P40/A16 | A16 | | | | | KEEP |
| 79 | P37/A15 | A15 | | | | | KEEP |
| 80 | P36/A14 | A14 | | | | | KEEP |
| 81 | P35/A13 | A13 | | | | | KEEP |
| 82 | P34/A12 | A12 | | | | | KEEP |
| 83 | P33/A11 | A11 | | | | | KEEP |
| 84 | P32/A10 | A10 | | | | | KEEP |
| 85 | P31/A9 | A9 | | | | | KEEP |
| 86 | P124 | P124 | /FMTSW | FULL MUTE SWL/SWR/SW MONO | O | OL | OL |
| 87 | P123 | P123 | /FMTC | FULL MUTE CENTER | O | OL | OL |
| 88 | P122 | P122 | /FMTC | FULL MUTE SL/SR | O | OL | OL |
| 89 | P121 | P121 | /FMTCBR | FULL MUTE SBR | O | OL | OL |
| 90 | P120 | P120 | /FMTCM | FULL MUTE MAIN L/R/SBL | O | OL | OL |
| 91 | Vcc | Vcc | Vcc | Microprocessor Power Supply +5V | | | |
| 92 | P30/A8 | A8 | | | | | KEEP |
| 93 | Vss | Vss | Vss | Microprocessor ground | | | |
| 94 | P27/A7 | A7 | | | | | KEEP |
| 95 | P26/A6 | A6 | | | | | KEEP |
| 96 | P25/A5 | A5 | | | | | KEEP |
| 97 | P24/A4 | A4 | | | | | KEEP |
| 98 | P23/A3 | A3 | | | | | KEEP |
| 99 | P22/A2 | A2 | | | | | KEEP |
| 100 | P21/A1 | A1 | | | | | KEEP |
| 101 | P20/A0 | A0 | | | | | KEEP |
| 102 | P17/D15/INT5 | D15 | | | | | KEEP |
| 103 | P16/D14/INT4 | D14 | | | | | KEEP |

IC56 : M30805SGP (VIDEO TOP P.C.B.)
16 bit μ -COM (Main CPU)

| No. | Pin function | Function | Name | Detail of function | ON | OFF | BU |
|-----|---------------------------|----------|-------|---|-----|-----|------|
| 104 | P15/D13/INT3 | D13 | | | | | KEEP |
| 105 | P14/D12 | D12 | | | | | KEEP |
| 106 | P13/D11 | D11 | | | | | KEEP |
| 107 | P12/D10 | D10 | | | | | KEEP |
| 108 | P11/D9 | D9 | | | | | KEEP |
| 109 | P10/D8 | D8 | | | | | KEEP |
| 110 | P07/D7 | D7 | | | | | KEEP |
| 111 | P06/D6 | D6 | | | | | KEEP |
| 112 | P05/D5 | D5 | | | | | KEEP |
| 113 | P04/D4 | D4 | | | | | KEEP |
| 114 | P114 | P114 | PRI | Current Protection | I | I | I |
| 115 | P113 | P113 | PRY1 | Power Relay 1 | O | OL | OL |
| 116 | P112 | P112 | SPE | Speaker Relay Effect | O | OL | OL |
| 117 | P111 | P111 | SPB | Speaker Relay Main B | O | OL | OL |
| 118 | P110 | P110 | SPA | Speaker Relay Main A | O | OL | OL |
| 119 | P03/D3 | D3 | | | | | KEEP |
| 120 | P02/D2 | D2 | | | | | KEEP |
| 121 | P01/D1 | D1 | | | | | KEEP |
| 122 | P00/D0 | D0 | | | | | KEEP |
| 123 | P157 | P157 | VRB | Volume Rotary B | I | I | OL |
| 124 | P156 | P156 | VRA | Volume Rotary A | I | I | OL |
| 125 | P155 | P155 | ISB | Input Rotary B | I | I | OL |
| 126 | P154 | P154 | ISA | Input Rotary A | I | I | OL |
| 127 | P153 | P153 | MSLB | Multi-Rotary A | I | I | OL |
| 128 | P152 | P152 | MSLA | Multi-Rotary B | I | I | OL |
| 129 | P151 | P151 | HCC | HC4051 C | O | OL | OL |
| 130 | Vss | Vss | Vss | Microprocessor Ground | | | |
| 131 | P150 | P150 | HCB | HC4051 B | O | OL | OL |
| 132 | Vcc | Vcc | Vcc | Microprocessor Power Supply +5V | | | |
| 133 | P107/AN7/KI3 | P107 | HCA | HC4051 A | O | OL | OL |
| 134 | P106/AN6/KI2 | P106 | PRV2 | Power Supply Protection 2 | I | I | I |
| 135 | P105/AN5/KI1 | AN5 | PREMT | KEY0/KEY1/T.LVL/REC0/1/2/3 : 4051 | I | I | I |
| 136 | P104/AN4/KI0 | AN4 | THM1 | Temperature Detect 1 | I | I | I |
| 137 | P103/AN3 | AN3 | THM0 | Temperature Detect 0 | I | I | I |
| 138 | P102/AN2 | AN2 | PRD1 | Power Amplifier DC Protection 1 | I | I | I |
| 139 | P101/AN1 | AN1 | PRD0 | Power Amplifier DC Protection 0 | I | I | I |
| 140 | Avss | Avss | Avss | AD Ground | Vss | Vss | Vss |
| 141 | P100/AN0 | AN0 | PRV1 | Power Supply Protection 1 | I | I | I |
| 142 | Vref | Vref | Vref | AD Reference | Vcc | Vcc | Vcc |
| 143 | Avcc | Avcc | Avcc | AD Power Supply | Vcc | Vcc | Vcc |
| 144 | P97/Adtrg/RxD4/SCL4/STxD4 | RxD4 | RXDR | 232C Receive Data/Yokogawa Data Receive | I | I | OL |

IC33 : M30805SGP (VIDEO BOTTOM P.C.B.)
16 bit μ -COM (Video CPU)



RX-Z9/DSP-Z9

IC33 : M30805SGP (VIDEO BOTTOM P.C.B.)
16 bit μ -COM (Video CPU)

| No. | Port | Name | I/O | Function |
|-----|---------------|----------------|--------|---------------------------------|
| 1 | P96/SDA4 | SDA4 | SDA | IIC Data |
| 2 | P95/CLK4 | /INTF | I | FLI2310 INT |
| 3 | P94/DA1 | DACSEL | DAC | DAC fs Select |
| 4 | P93/TB3in | /VSY | INT | Vsync INT |
| 5 | P92/TxD3 | TXYDC | TXD | YDC TXD |
| 6 | P91/RxD3 | RXYDC | RXD | YDC RXD |
| 7 | P90/CLK3 | CLKYDC | CLK | YDC CLK |
| 8 | P146 | ADV12C | O | Output Hi |
| 9 | P145 | | | |
| 10 | P144 | I2CFIL | O | Output Low |
| 11 | P143 | | | |
| 12 | P142 | /CSPL | O | /CS for PLD |
| 13 | P141 | TXPL | O | TxD for PLD |
| 14 | P140 | CLKPL | O | CLK for PLD |
| 15 | BYTE | | | GND:16bit Bus |
| 16 | CNVss | | I | Vcc/Vss from Main |
| 17 | P87/XCIN | /IC | O | Device Init. Clear |
| 18 | P86/XCOUT | BTYDC | I | Boot YDC (Vcc=YDC) |
| 19 | /RESET | /RESET | | RESET from Main |
| 20 | XOUT | XOUT | | 10MHz |
| 21 | Vss | Vss | | GND |
| 22 | XIN | XIN | | 10MHz |
| 23 | Vcc | Vcc | | +3.3V |
| 24 | P85/NMI | /NMI | | Vcc |
| 25 | P84/INT2 | /REM | INT | Remocon INT |
| 26 | P83/INT1 | INTW | INT | Video Dec. RWW |
| 27 | P82/INT0 | INTR | INT | Video Dec. RWR |
| 28 | P81/TA4in | /INTX | INT | X-VEIN INT |
| 29 | P80/TA4out | XYDC | I | XCLK for YDC:Vcc |
| 30 | P77/TA3in | YCDT | I | Y/C Detect |
| 31 | P76/TA3out | CVBSYC/232Boot | I/O | Composite/Y-C Sel (232Boot Det) |
| 32 | P75/TA2in | /INTY | INT | YGV INT |
| 33 | P74/TA2out | TRQMV | O | CPU IF Req to Main |
| 34 | P73/RTS2 | RTNMV | O | CPU IF Return to Main |
| 35 | P72/CLK2 | MVBC | CLK | CPU IF Bit Clock |
| 36 | P71/RXD2 | MTV | RXD | CPU IF Main Video |
| 37 | P70/TXD2 (PU) | VTM | TXD | CPU IF Video Main |
| 38 | P67/TXD1 | TXRS | TXD | RS232C TXD/Flash |
| 39 | Vcc | Vcc | | +3.3V |
| 40 | P66/RXD1 | RXRS | RXD | RS232C RXD/Flash |
| 41 | Vss | Vss | | GND |
| 42 | P65/CLK1 | RTS | O | RS232C CTS/Flash CLK |
| 43 | P64/CTS1 | CTS | CTS(I) | RS232C CTS |
| 44 | P63/TXD0 | VTD | TXD | CPU IF Video DSP |
| 45 | P62/RXD0 | DTV | RXD | CPU IF DSP Video |
| 46 | P61/CLK0 | DVBC | CLK | CPU IF bit Clock |
| 47 | P60/RTS0 | RTNDV | O | CPU IF Return to DSP |
| 48 | P137 | TRQDV | O | CPU IF Req to DSP |
| 49 | P136 | RXSEL | I | RX Select from Main |
| 50 | P135 | | | |
| 51 | P134 | | | |
| 52 | P57/RDY | /RDY | | |
| 53 | P56/ALE | NC | | |
| 54 | P55/HOLD | /EPM | | Vcc |
| 55 | P54/HLDA | NC | | |

IC33 : M30805SGP (VIDEO BOTTOM P.C.B.)
16 bit μ -COM (Video CPU)

| No. | Port | Name | I/O | Function |
|-----|-------------|-------|-----|-----------------------|
| 56 | P133 | | | |
| 57 | Vss | Vss | | GND |
| 58 | P132 | RSRC | O | Recout Source Select |
| 59 | Vcc | Vcc | | +3.3V |
| 60 | P131 | /ZINH | O | Zone2 Monitor Inhibit |
| 61 | P130 | /VINH | O | Video Monitor Inhibit |
| 62 | P53/BCLK | NC | | |
| 63 | P52/RD | /RD | | |
| 64 | P51/WRH | /WRH | | |
| 65 | P50/WRL | /WRL | | /WRL/for Flash (Vcc) |
| 66 | P127 | /DVI | O | DVR Recout Inhibit |
| 67 | P126 | /VR2I | O | VCR2 Recout Inhibit |
| 68 | P125 | /VR1I | O | VCR1 Recout Inhibit |
| 69 | P47/CS3/A23 | /A23 | | To Address Decoder |
| 70 | P46/CS2/A22 | A22 | | A22 & Address Decoder |
| 71 | P45/CS1/A21 | A21 | | A21 & Address Decoder |
| 72 | P44/CS0/A20 | A20 | | A20 & Address Decoder |
| 73 | P43/A19 | A19 | | |
| 74 | Vcc | Vcc | | +3.3V |
| 75 | P42/A18 | A18 | | |
| 76 | Vss | Vss | | GND |
| 77 | P41/A17 | A17 | | |
| 78 | P40/A16 | A16 | | |
| 79 | P37/A15 | A15 | | |
| 80 | P36/A14 | A14 | | |
| 81 | P35/A13 | A13 | | |
| 82 | P34/A12 | A12 | | |
| 83 | P33/A11 | A11 | | |
| 84 | P32/A10 | A10 | | |
| 85 | P31/A9 | A9 | | |
| 86 | P124 | | | |
| 87 | P123 | | | |
| 88 | P122 | | | |
| 89 | P121 | | | |
| 90 | P120 | | | |
| 91 | Vcc | Vcc | | +3.3V |
| 92 | P30/A8 | A8 | | |
| 93 | Vss | Vss | | GND |
| 94 | P27/A7 | A7 | | |
| 95 | P26/A6 | A6 | | |
| 96 | P25/A5 | A5 | | |
| 97 | P24/A4 | A4 | | |
| 98 | P23/A3 | A3 | | |
| 99 | P22/A2 | A2 | | |
| 100 | P21/A1 | A1 | | |
| 101 | P20/A0 | A0 | | |
| 102 | P17/D15 | D15 | | |
| 103 | P16/D14 | D14 | | |
| 104 | P15/D13 | D13 | | |
| 105 | P14/D12 | D12 | | |
| 106 | P13/D11 | D11 | | |
| 107 | P12/D10 | D10 | | |
| 108 | P11/D9 | D9 | | |
| 109 | P10/D8 | D8 | | |
| 110 | P07/D7 | D7 | | |

IC33 : M30805SGP (VIDEO BOTTOM P.C.B.)
16 bit μ -COM (Video CPU)

| No. | Port | Name | I/O | Function |
|-----|---------------|--------|-----|------------------------------------|
| 111 | P06/D6 | D6 | | |
| 112 | P05/D5 | D5 | | |
| 113 | P04/D4 | D4 | | |
| 114 | P114 | | | |
| 115 | P113 | | | |
| 116 | P112 | | | |
| 117 | P111 | | | |
| 118 | P110 | | | |
| 119 | P03/D3 | D3 | | |
| 120 | P02/D2 | D2 | | |
| 121 | P01/D1 | D1 | | |
| 122 | P00/D0 | D0 | | |
| 123 | P157 | | | |
| 124 | P156 | | | |
| 125 | P155 | | | |
| 126 | P154 | | | |
| 127 | P153 | | | |
| 128 | P152 | | | |
| 129 | P151 | | | |
| 130 | Vss | Vss | | GND |
| 131 | P150 | | | |
| 132 | Vcc | Vcc | | +3.3V |
| 133 | P107/AN7 | P/N | AD | PAL/NTSC Detect PAL=Hi |
| 134 | P106/AN6 | DEST | AD | Destination Discriminate |
| 135 | P105/AN5 | | | |
| 136 | P104/AN4 | DDET3 | AD | D Terminal Control Signal Detect 3 |
| 137 | P103/AN3 | DDET2 | AD | D Terminal Control Signal Detect 2 |
| 138 | P102/AN2 | DDET1 | AD | D Terminal Control Signal Detect 1 |
| 139 | P101/AN1 | S12DET | AD | S1/S2 Detect |
| 140 | AVss | Avss | | GND |
| 141 | P100/AN0 | | | |
| 142 | VREF | VREF | | +3.3V |
| 143 | AVcc | Avcc | | +3.3V |
| 144 | P97/RxD4/SCL4 | SCL4 | SCL | IIC Clock |

IC10 : HD6413008VF25 (1394 P.C.B.)
1394 CPU

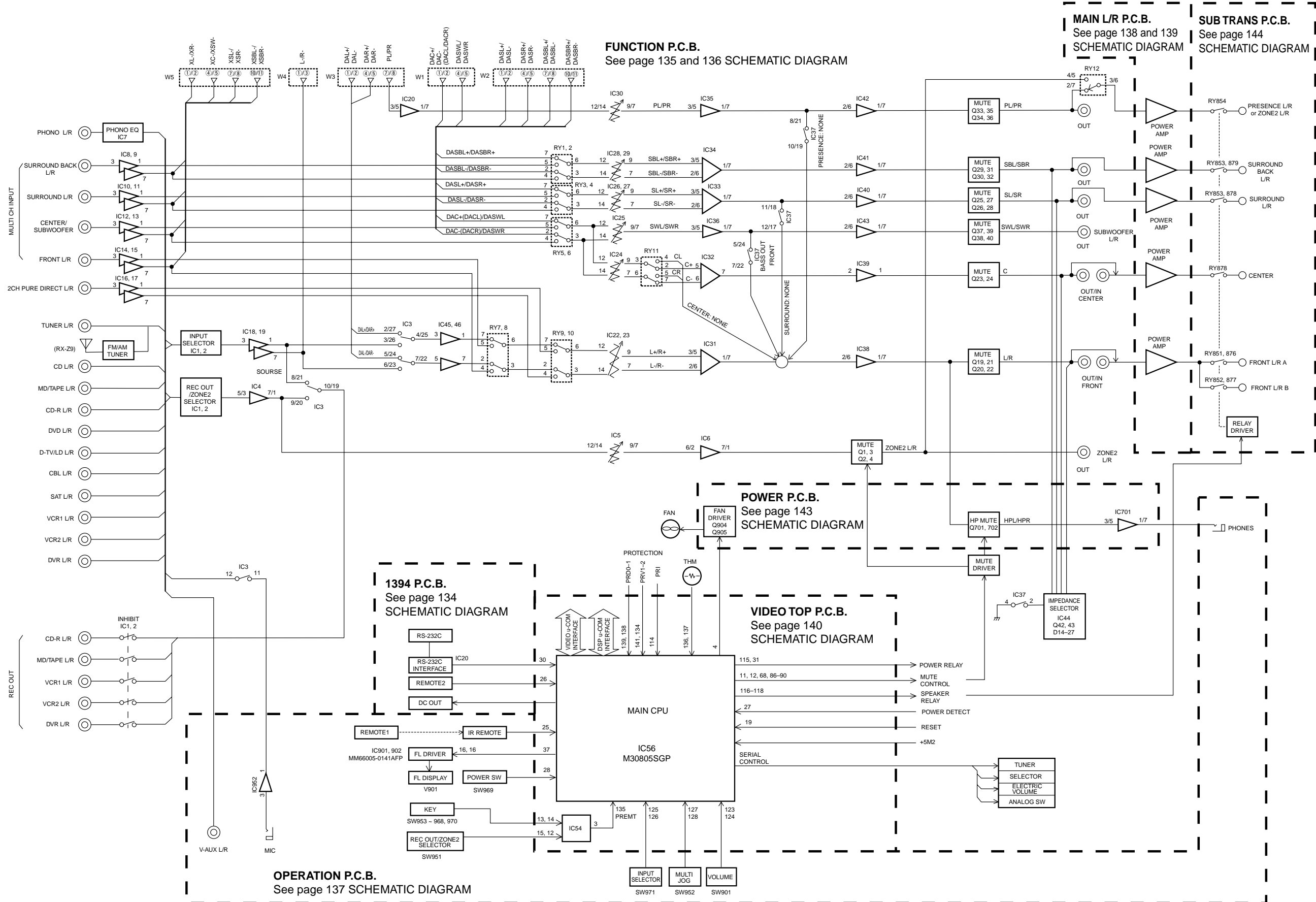
| No. | Name | Description | Function | I/O | Connected to |
|-----|-------|-----------------|----------------------|--------|--------------------------------|
| 1 | Vcc | Power supply | Power supply | - | +3.3V |
| 2 | PB0 | I/O Port P80 | Clock Gen. Control | IN/OUT | CY22381 (OE) + 10K PD |
| 3 | PB1 | I/O Port P81 | Unused | IN/OUT | Test Point |
| 4 | PB2 | I/O Port P82 | Output Select | IN/OUT | SM5819A (SELEXT) |
| 5 | PB3 | I/O Port P83 | DSD Gain | IN/OUT | SM5819A (DSGAIN) |
| 6 | PB4 | I/O Port P84 | DSD Mute | IN/OUT | SM5819A (XMTPCM) |
| 7 | PB5 | I/O Port P85 | Format Select | IN/OUT | SM5819A (FMTPCM) |
| 8 | PB6 | I/O Port P86 | Fs Select (4fs) | IN/OUT | SM5819A (SEL4FS) |
| 9 | PB7 | I/O Port P87 | Fs Select (1fs) | IN/OUT | SM5819A (SEL1FS) |
| 10 | /RESO | Reset Output | Unused | OUT | Test Point |
| 11 | Vss | Ground | Power Supply | - | GND |
| 12 | TxD0 | Transmit Data | | OUT | Main Microprocessor I/F (TxD0) |
| 13 | TxD1 | Transmit Data | Serial for Debugging | OUT | For Debugging (TxD1) |
| 14 | RxD0 | Receive Data | Main System I/F | IN | Main Microprocessor I/F (RxD0) |
| 15 | RxD1 | Receive Data | Serial for Debugging | IN | For Debugging (RxD1) |
| 16 | P94 | I/O Port P94 | Main System I/F | IN/OUT | Main Microprocessor I/F (RTS) |
| 17 | P95 | I/O Port P95 | Main System I/F | INIOUT | Main Microprocessor I/F (CTS) |
| 18 | D0 | Data Bus D0 | MCIF | IN/OUT | IceLynx, FLASH |
| 19 | D1 | Data Bus D1 | MCIF | IN/OUT | IceLynx, FLASH |
| 20 | D2 | Data Bus D2 | MCIF | IN/OUT | IceLynx, FLASH |
| 21 | D3 | Data Bus D3 | MCIF | IN/OUT | IceLynx, FLASH |
| 22 | Vss | Ground | Power Supply | - | GND |
| 23 | D4 | Data Bus D4 | MCIF | IN/OUT | IceLynx, FLASH |
| 24 | D5 | Data Bus D5 | MCIF | IN/OUT | IceLynx, FLASH |
| 25 | D6 | Data Bus D6 | MCIF | IN/OUT | IceLynx, FLASH |
| 26 | D7 | Data Bus D7 | MCIF | IN/OUT | IceLynx, FLASH |
| 27 | D8 | Data Bus D8 | MCIF | IN/OUT | IceLynx, FLASH |
| 28 | D9 | Data Bus D9 | MCIF | IN/OUT | IceLynx, FLASH |
| 29 | D10 | Data Bus D10 | MCIF | IN/OUT | IceLynx, FLASH |
| 30 | D11 | Data Bus D11 | MCIF | IN/OUT | IceLynx, FLASH |
| 31 | D12 | Data Bus D12 | MCIF | IN/OUT | IceLynx, FLASH |
| 32 | D13 | Data Bus D13 | MCIF | IN/OUT | IceLynx, FLASH |
| 33 | D14 | Data Bus D14 | MCIF | IN/OUT | IceLynx, FLASH |
| 34 | D15 | Data Bus D15 | MCIF | IN/OUT | IceLynx, FLASH |
| 35 | Vcc | Power Supply | Power Supply | - | +3.3V |
| 36 | A0 | Address Bus A0 | Unused | OUT | Test Point |
| 37 | A1 | Address Bus A1 | MCIF | OUT | IceLynx, FLASH |
| 38 | A2 | Address Bus A2 | MCIF | OUT | IceLynx, FLASH |
| 39 | A3 | Address Bus A3 | MCIF | OUT | IceLynx, FLASH |
| 40 | A4 | Address Bus A4 | MCIF | OUT | IceLynx, FLASH |
| 41 | A5 | Address Bus A5 | MCIF | OUT | IceLynx, FLASH |
| 42 | A6 | Address Bus A6 | MCIF | OUT | IceLynx, FLASH |
| 43 | A7 | Address Bus A7 | MCIF | OUT | IceLynx, FLASH |
| 44 | Vss | Ground | Power Supply | - | GND |
| 45 | A8 | Address Bus A8 | MCIF | OUT | IceLynx, FLASH |
| 46 | A9 | Address Bus A9 | MCIF | OUT | IceLynx, FLASH |
| 47 | A10 | Address Bus A10 | MCIF | OUT | IceLynx, FLASH |
| 48 | A11 | Address Bus A11 | MCIF | OUT | FLASH |
| 49 | A12 | Address Bus A12 | MCIF | OUT | FLASH |
| 50 | A13 | Address Bus A13 | MCIF | OUT | FLASH |

IC10 : HD6413008VF25 (1394 P.C.B.)
1394 CPU

MEMO

| No. | Name | Description | Function | I/O | Connected to |
|-----|-------|------------------------|--------------------------|--------|--------------------------------|
| 51 | A14 | Address Bus A14 | MCIF | OUT | FLASH |
| 52 | A15 | Address Bus A15 | MCIF | OUT | FLASH |
| 53 | A16 | Address Bus A16 | MCIF | OUT | FLASH |
| 54 | A17 | Address Bus A17 | MCIF | OUT | FLASH |
| 55 | A18 | Address Bus A18 | MCIF | OUT | FLASH |
| 56 | A19 | Address Bus A19 | MCIF | OUT | FLASH |
| 57 | Vss | Ground | Power Supply | - | GND |
| 58 | /WAIT | Wait | MCIF | IN | IceLynx (MCIF_WAIT) |
| 59 | P61 | I/O Port P61 | ARM Reset | IN/OUT | IceLynx (/RESET_ARMz) |
| 60 | P62 | I/O Port P62 | SM5819A Reset | IN/OUT | SM5819A (/RESET_DSD) |
| 61 | (CK) | System Clock | MCIF | OUT | IceLynx (MCIF_BUSCLK) |
| 62 | /STBY | Standby | Unused | IN | +3.3V |
| 63 | /RES | Reset Input | MCIF | IN | System Reset |
| 64 | /NMI | NMI Interrupt | Unused | IN | +3.3V |
| 65 | Vss | Ground | Power Supply | - | GND |
| 66 | EXTAL | Clock | Clock | IN | Crystal Oscillator |
| 67 | XTAL | Clock | Clock | IN | Crystal Oscillator |
| 68 | Vcc | Power Supply | Power Supply | - | +3.3V |
| 69 | /AS | Address Strobe Signal | Unused | OUT | NC |
| 70 | /RD | Read Signal | MCIF | OUT | IceLynx (MCIF_OEz), FLASH |
| 71 | /HWR | High Write Signal | MCIF | OUT | IceLynx (MCIF_WEz), FLASH |
| 72 | /LWR | Low Write Signal | Unused | OUT | NC |
| 73 | MD0 | Mode Terminal 0 | Mode Setting | IN | GND for Mode 4(16bit,16MByte) |
| 74 | MD1 | Mode Terminal 1 | Mode Setting | IN | GND for Mode 4(16bit,16MByte) |
| 75 | MD2 | Mode Terminal 2 | Mode Setting | IN | +3.3Vfor Mode 4(16bit,16MByte) |
| 76 | Avcc | Analog Power Supply | Power Supply | - | +3.3V |
| 77 | Vref | Reference Power Supply | Power Supply | - | +3.3V |
| 78 | P70 | Input Port P70 | DIP-SW | IN | DIP-SW + 10K PU (+3.3V) |
| 79 | P71 | Input Port P71 | DIP-SW | IN | DIP-SW + 10K PU (+3.3V) |
| 80 | P72 | Input Port P72 | DIP-SW | IN | DIP-SW + 10K PU (+3.3V) |
| 81 | P73 | Input Port P73 | DIP-SW | IN | DIP-SW + 10K PU (+3.3V) |
| 82 | P74 | Input Port P74 | Unused | IN | GND |
| 83 | P75 | Input Port P75 | Unused | IN | GND |
| 84 | P76 | Input Port P76 | Unused | IN | 10k PU (+3.3V) |
| 85 | P77 | Input Port P77 | Pin-Header | IN | Pin Header + 10k PU (+3.3V) |
| 86 | Avss | Analog Power Supply | Power Supply | - | GND |
| 87 | /IRQ0 | Interrupt 0 | MCIF | IN | IceLynx (MCIF_INTz) |
| 88 | /IRQ1 | Interrupt 1 | MCIF | IN | IceLynx (WTCHDOG_TMR) |
| 89 | /CS2 | Chip Select 2 | MCIF | OUT | IceLynx (MCIF_CS_MEMz) +PU |
| 90 | /CS1 | Chip Select 1 | MCIF | OUT | IceLynx (MCIF_CS_loz) +PU |
| 91 | /CS0 | Chip Select 0 | MCIF | OUT | FLASH (CS_FLASH) |
| 92 | Vss | Ground | Power Supply | - | GND |
| 93 | PA0 | I/O Port PA0 | HW Self-diagnosis Result | IN/OUT | Test Point + 10K PD |
| 94 | PA1 | I/O Port PA1 | HW Self-diagnosis Result | IN/OUT | Test Point + 10K PD |
| 95 | PA2 | I/O Port PA2 | HW Self-diagnosis Result | IN/OUT | Test Point + 10K PD |
| 96 | PA3 | I/O Port PA3 | HW Self-diagnosis Result | IN/OUT | Test Point + 10K PD |
| 97 | A23 | Address Bus A23 | MCIF | IN/OUT | Test Point + 10K PD |
| 98 | A22 | Address Bus A22 | MCIF | IN/OUT | Test Point + 10K PD |
| 99 | A21 | Address Bus A21 | MCIF | IN/OUT | Test Point + 10K PD |
| 100 | A20 | Address Bus A20 | MCIF | IN/OUT | Test Point + 10K PD |

■ BLOCK DIAGRAM / ブロックダイアグラム



■ BLOCK DIAGRAM / ブロックダイアグラム

1

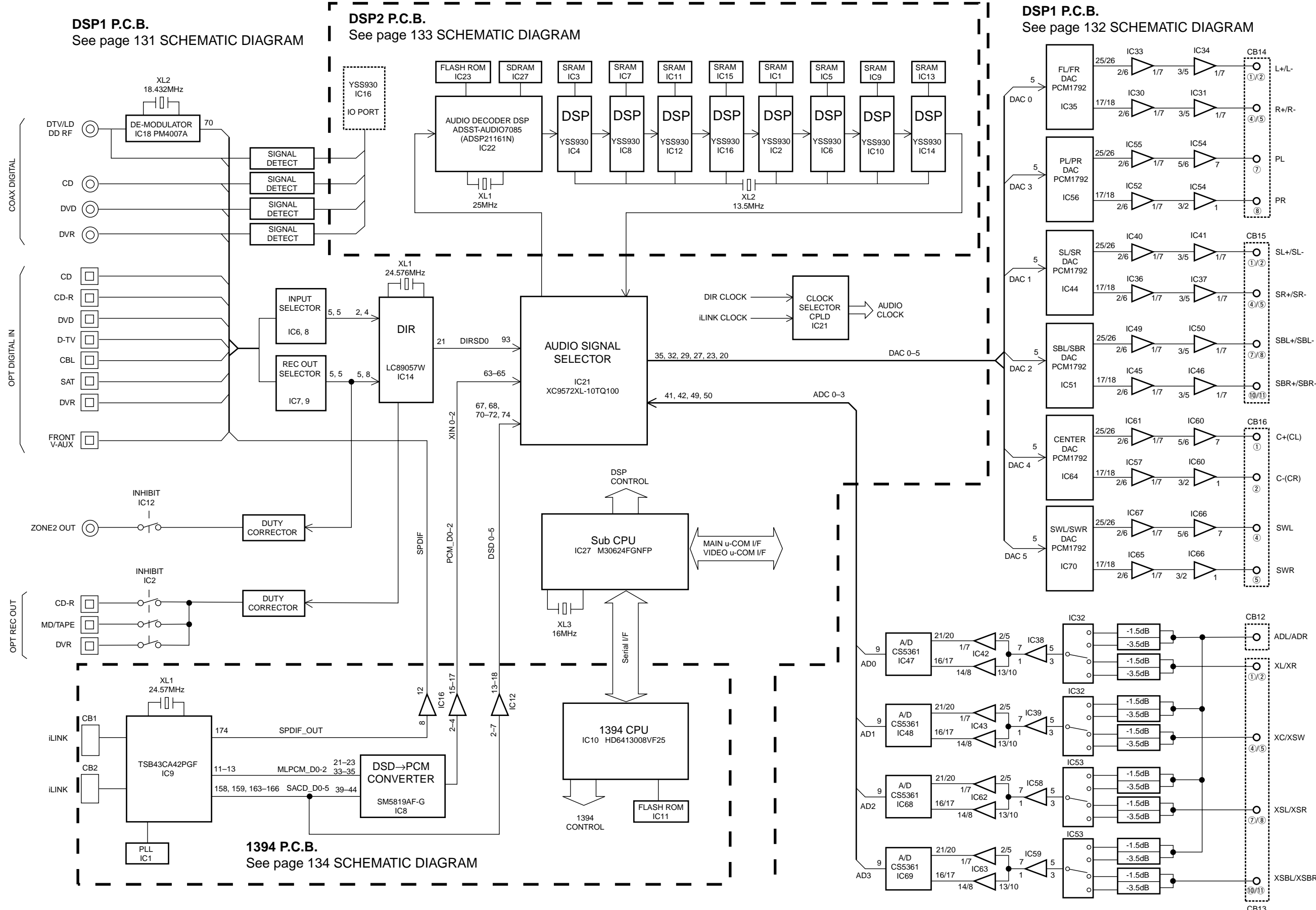
2

3

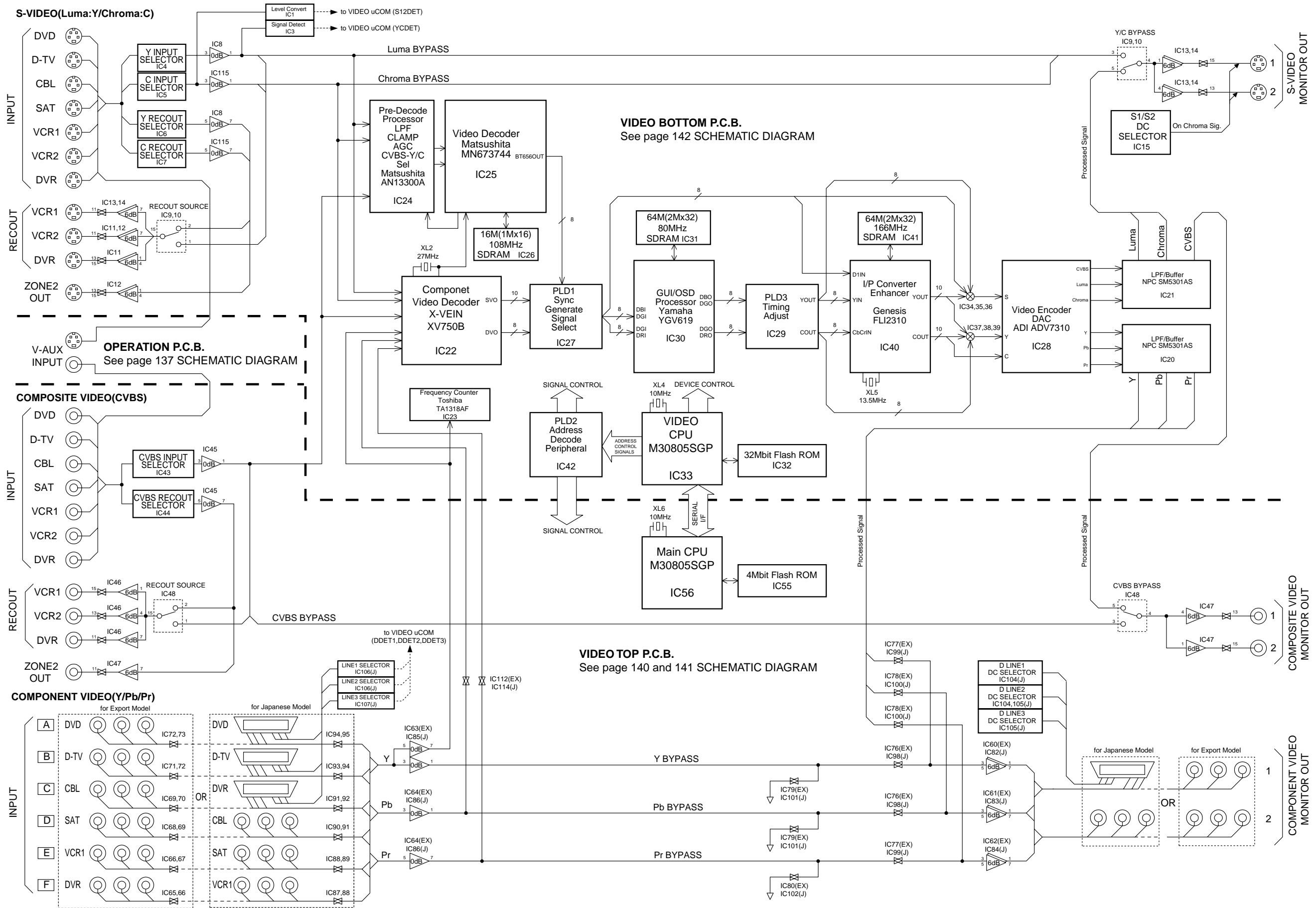
4

5

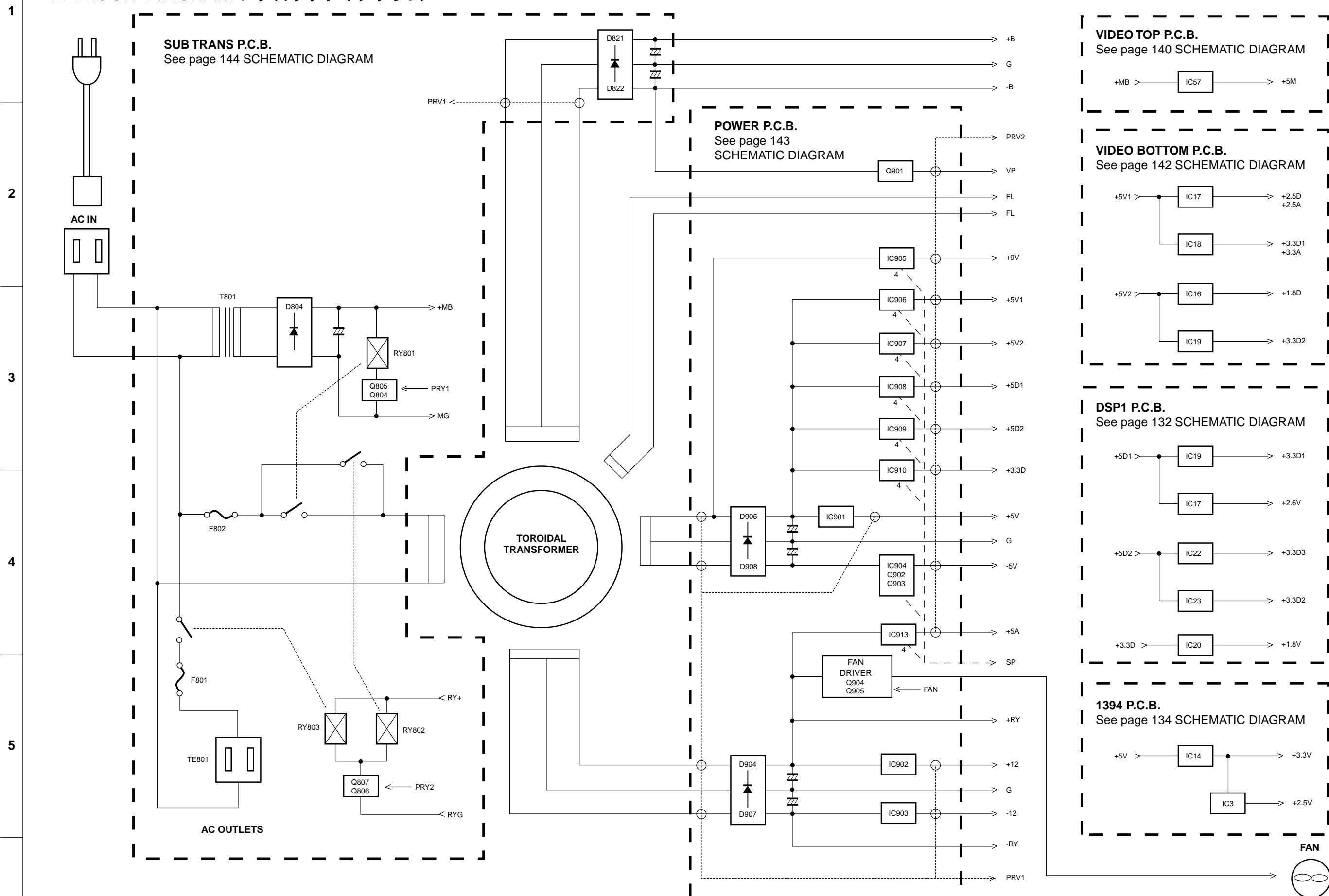
6



■ BLOCK DIAGRAM / ブロックダイアグラム



■ BLOCK DIAGRAM / ブロックダイアグラム



SUB TRANS P.C.B.
See page 144 SCHEMATIC DIAGRAM

POWER P.C.B.
See page 143
SCHEMATIC DIAGRAM

VIDEO TOP P.C.B.
See page 140 SCHEMATIC DIAGRAM

VIDEO BOTTOM P.C.B.
See page 142 SCHEMATIC DIAGRAM

DSP1 P.C.B.
See page 132 SCHEMATIC DIAGRAM

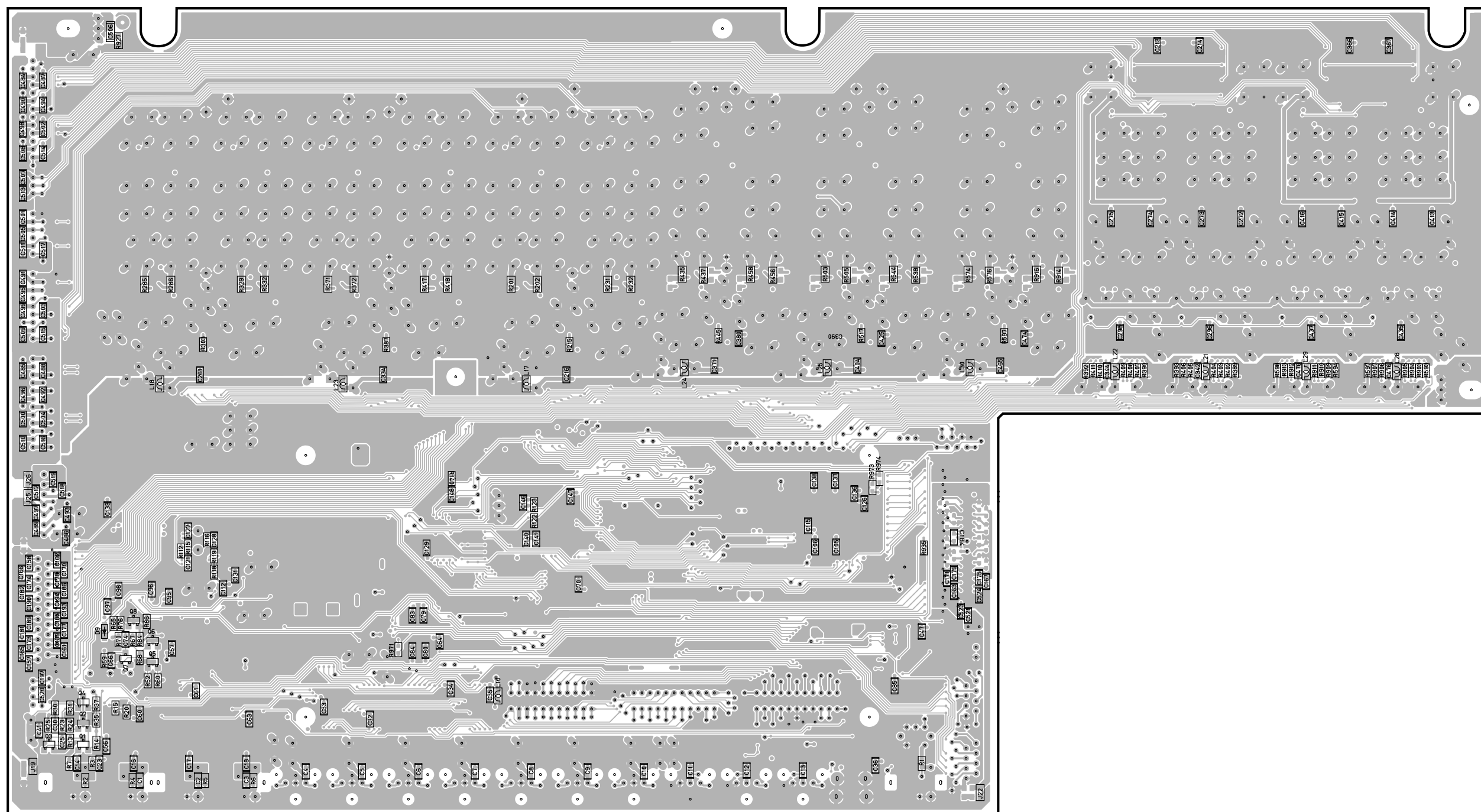
1394 P.C.B.
See page 134 SCHEMATIC DIAGRAM



■ PRINTED CIRCUIT BOARD (Foil side)

DSP1 (1) P.C.B.

(Surface Mount Device)



NOTE)

The DSP1 (1) P.C.B. actually has a four-layer pattern structure (part face pattern, internal pattern 1, internal pattern 2 and solder face pattern) but it is shown as "part face pattern + solder face pattern" in this diagram.

NOTE)

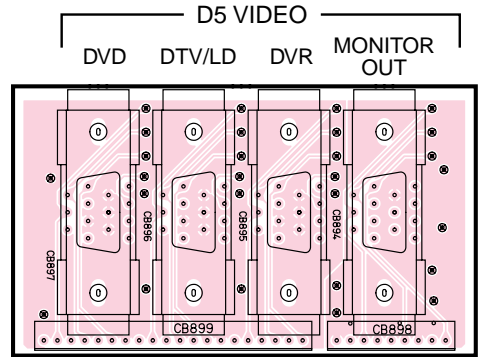
DSP1 (1) P.C.B.は、4層パターン構造 (部品面パターン、内層1パターン、内層2パターン、ハンダ面パターン) ですが、本図のDSP1 (1) P.C.B.は、部品面パターン + ハンダ面パターンを表記しております。

PRINTED CIRCUIT BOARD (Foil side)

J model

DSP1 (3) P.C.B.

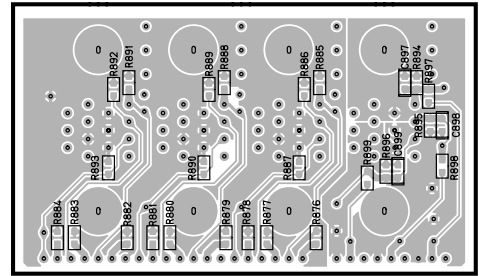
(Lead Type Device)



VIDEO TOP CB35 VIDEO TOP CB34

DSP1 (3) P.C.B.

(Surface Mount Device)



NOTE)
The DSP1 (3) P.C.B. actually has a four-layer pattern structure (part face pattern, internal pattern 1, internal pattern 2 and solder face pattern) but it is shown as "part face pattern + solder face pattern" in this diagram.

NOTE)
DSP1 (3) P.C.B.は、4層パターン構造 (部品面パターン、内層1パターン、内層2パターン、ハンダ面パターン) ですが、本図のDSP1 (3) P.C.B.は、部品面パターン + ハンダ面パターンを表記しております。

NOTE)
• The DSP2 P.C.B. actually has a four-layer pattern structure (part face pattern, internal pattern 1, internal pattern 2 and solder face pattern) but it is shown as "part face pattern + solder face pattern" in this diagram.

• When IC22 has failed, replace the P.C.B. assembly as a whole.

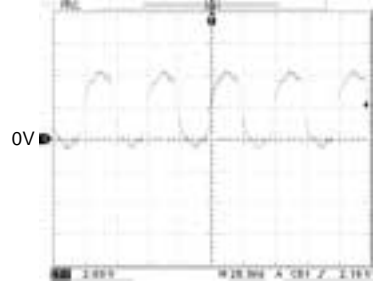
NOTE)
• DSP2 P.C.B.は、4層パターン構造 (部品面パターン、内層1パターン、内層2パターン、ハンダ面パターン) ですが、本図のDSP2 P.C.B.は、部品面パターン + ハンダ面パターンを表記しております。

• IC22が故障した場合、基板Ass yを交換してください。

Point ④ (Pin 3 of IC20)
V : 2V/div, H : 40nsec/div
DC, 1 : 1 probe

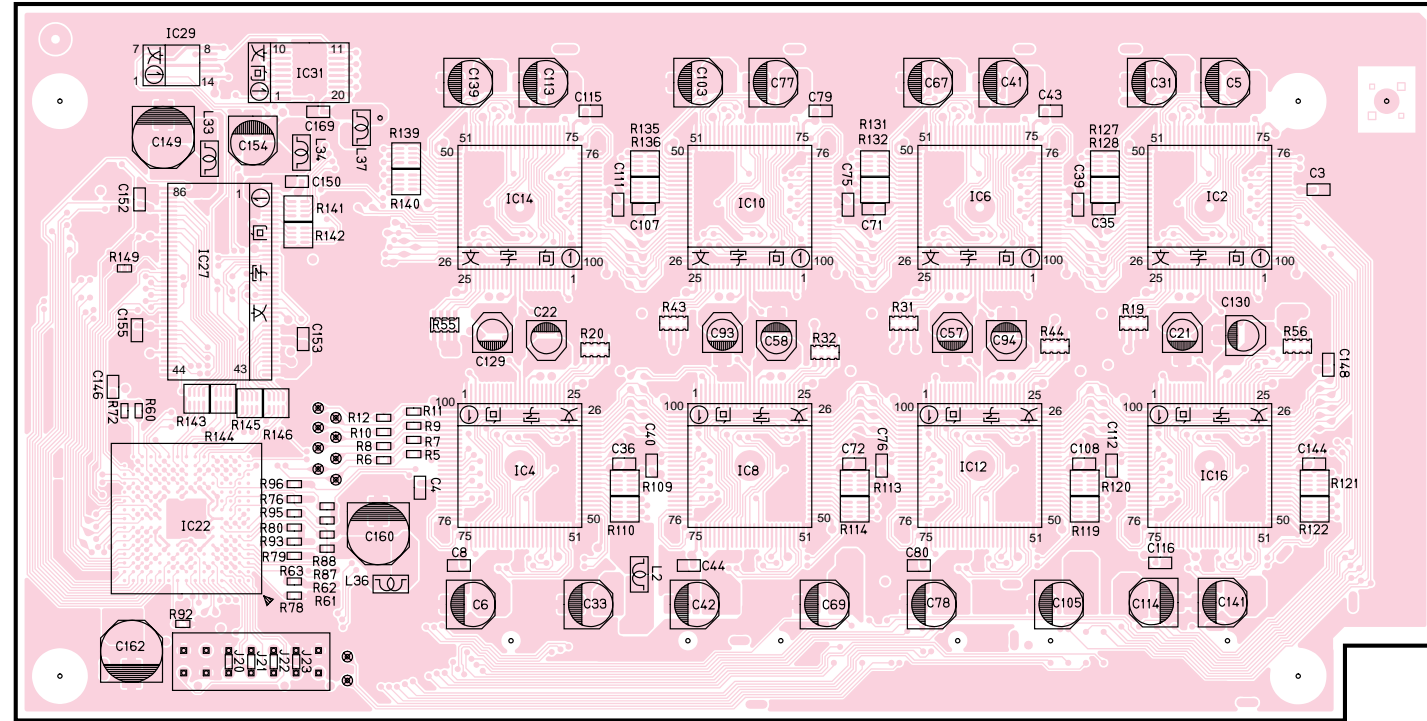


Point ⑤ (Pin 12 of IC22)
V : 2V/div, H : 20nsec/div
DC, 1 : 1 probe



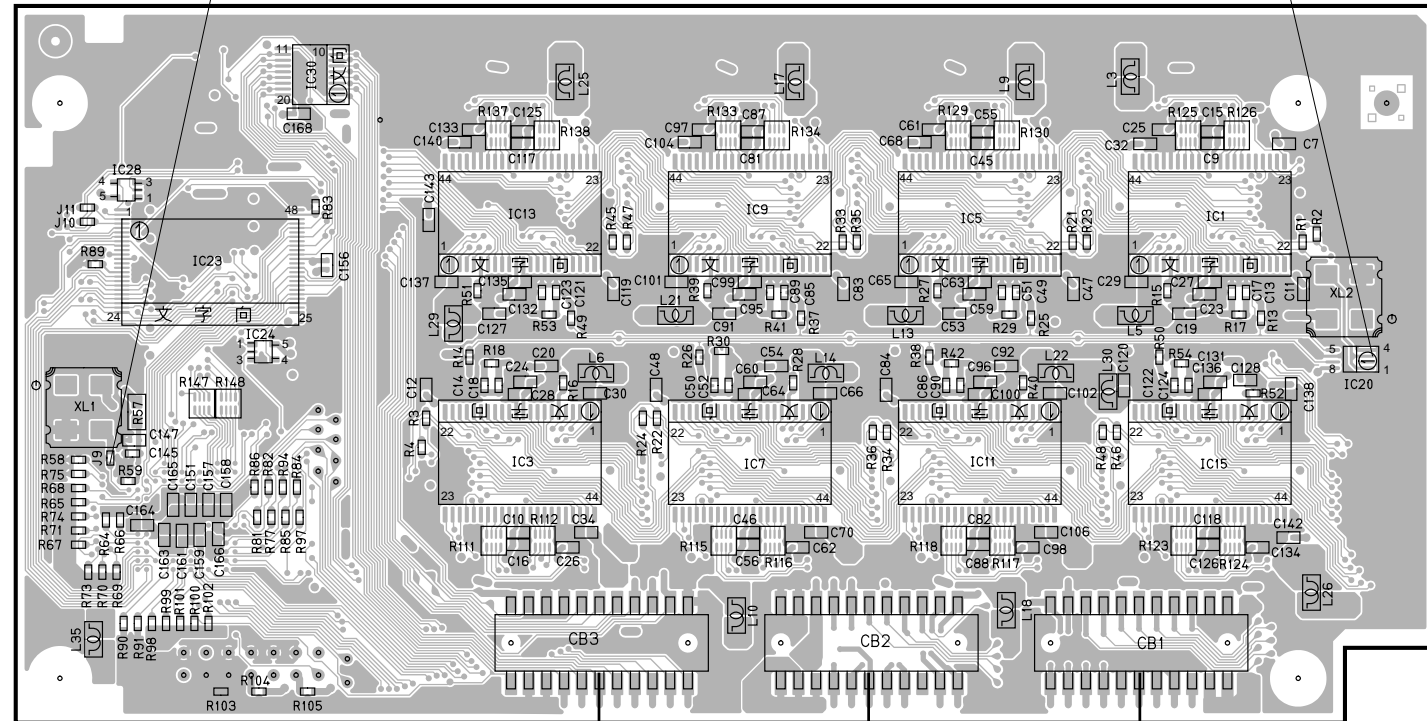
DSP2 P.C.B.

(Lead Type Device)



DSP2 P.C.B.

(Surface Mount Device)

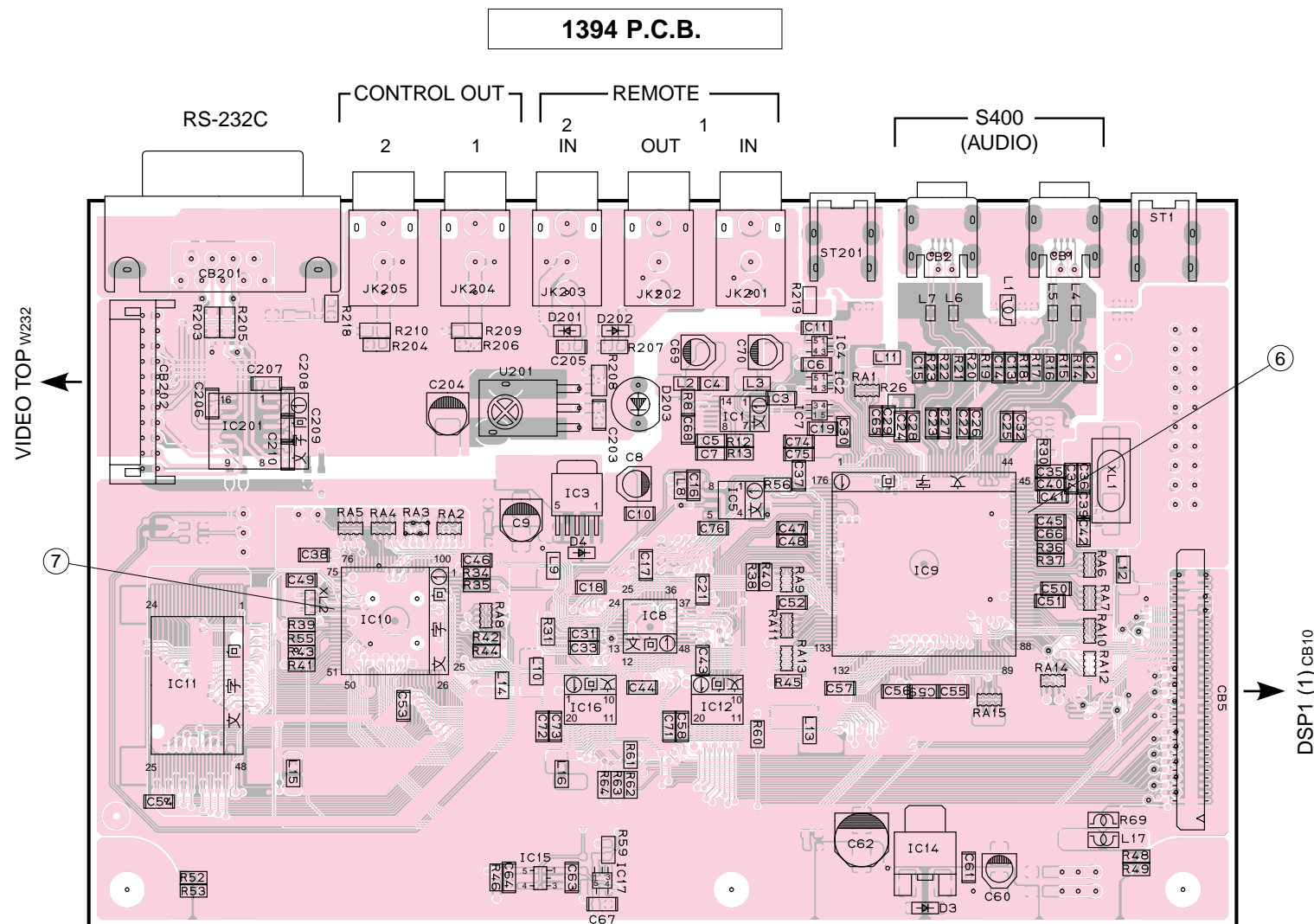


DSP1 (1) CB4

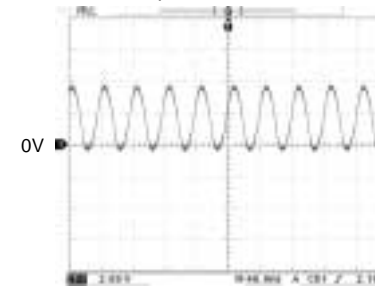
DSP1 (1) CB3

DSP1 (1) CB2

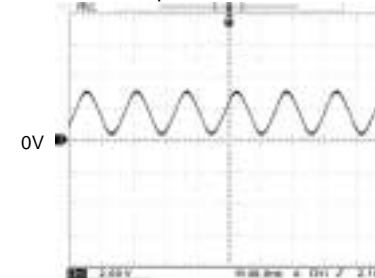
PRINTED CIRCUIT BOARD (Foil side)



Point ⑥ (Pin 53 of IC8)
V : 2V/div, H : 40nsec/div
DC, 1 : 1 probe



Point ⑦ (Pin 86 of IC10)
V : 2V/div, H : 40nsec/div
DC, 1 : 1 probe



NOTE)

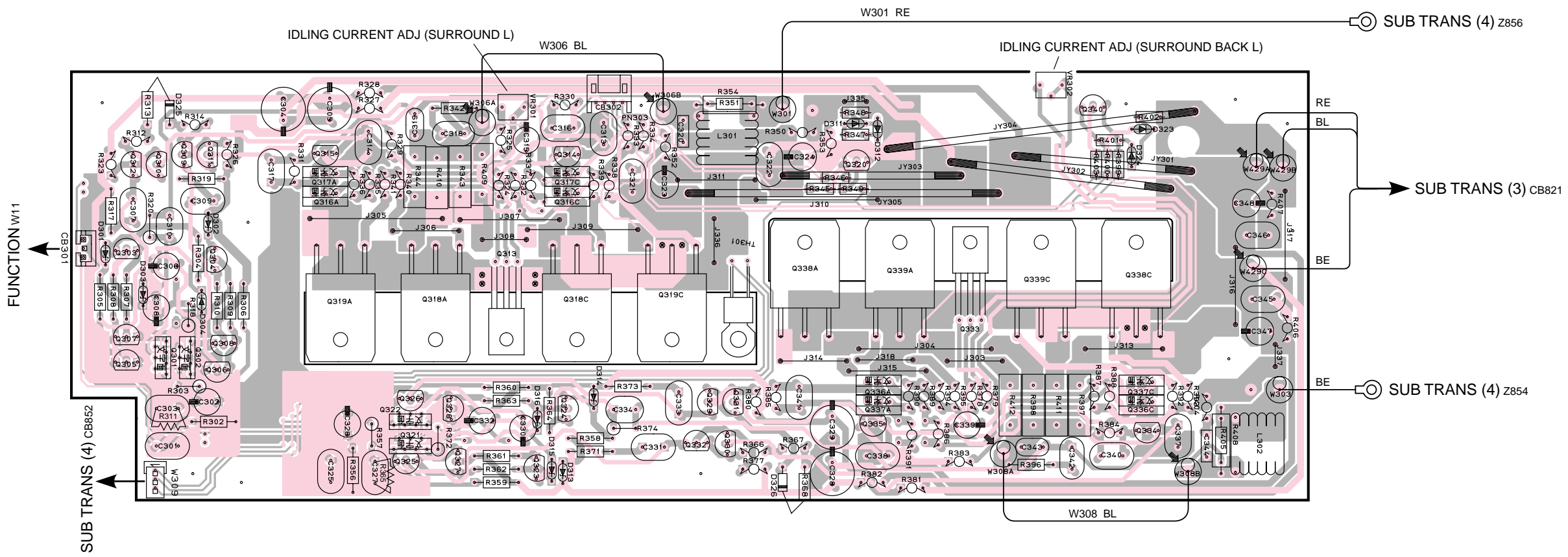
The 1394 P.C.B. actually has a four-layer pattern structure (part face pattern, internal pattern 1, internal pattern 2 and solder face pattern) but it is shown as "part face pattern + solder face pattern" in this diagram.

NOTE)

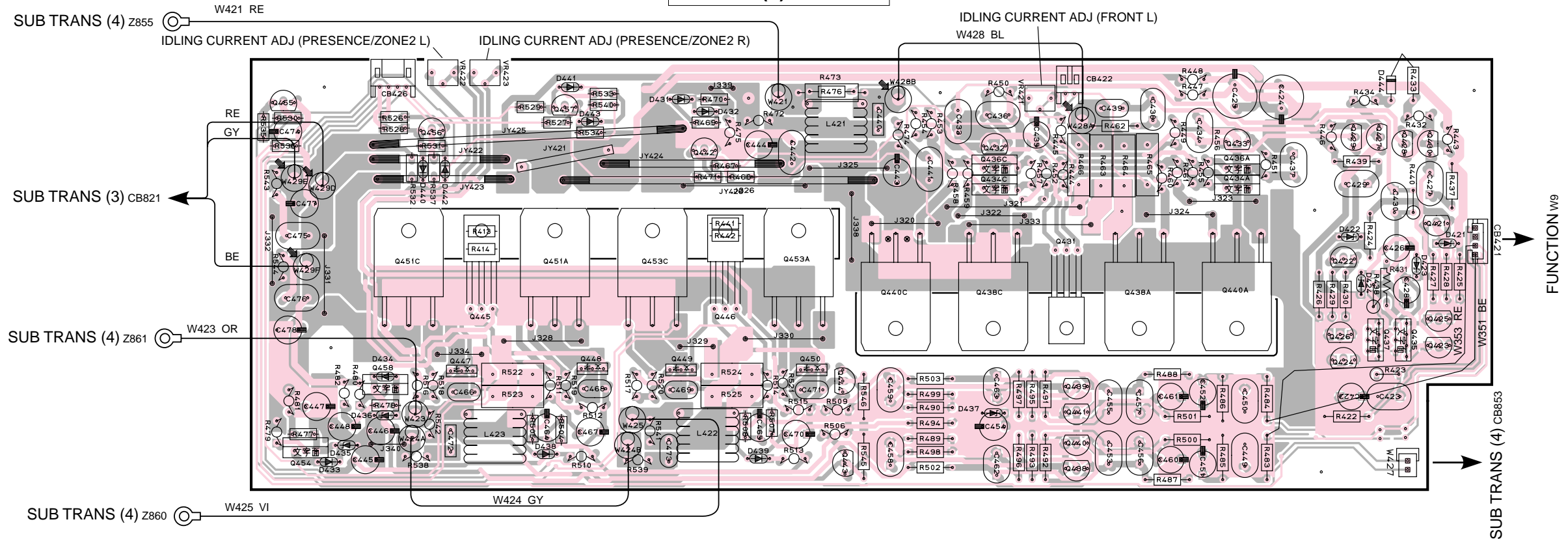
1394 P.C.B.は、4層パターン構造(部品面パターン、内層1パターン、内層2パターン、ハンダ面パターン)ですが、本図の1394 P.C.B.は、部品面パターン+ハンダ面パターンを表記しております。

PRINTED CIRCUIT BOARD (Foil side)

MAIN (L)-L P.C.B.



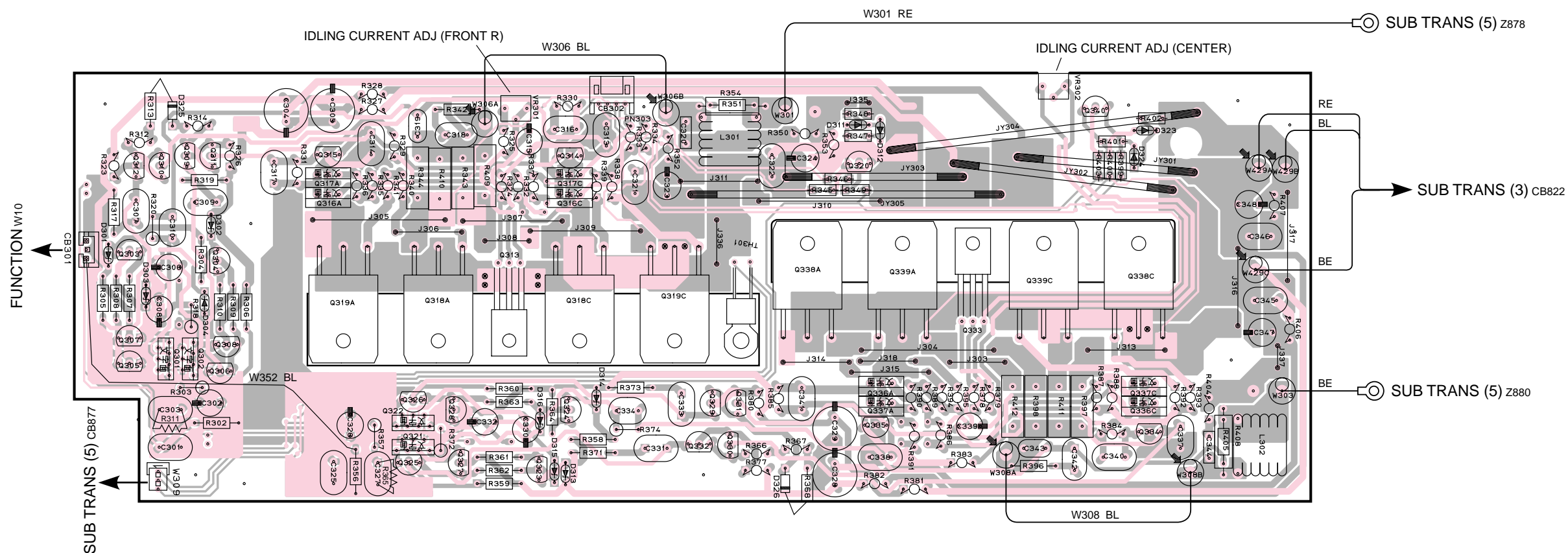
MAIN (L)-R P.C.B.



PRINTED CIRCUIT BOARD (Foil side)

1

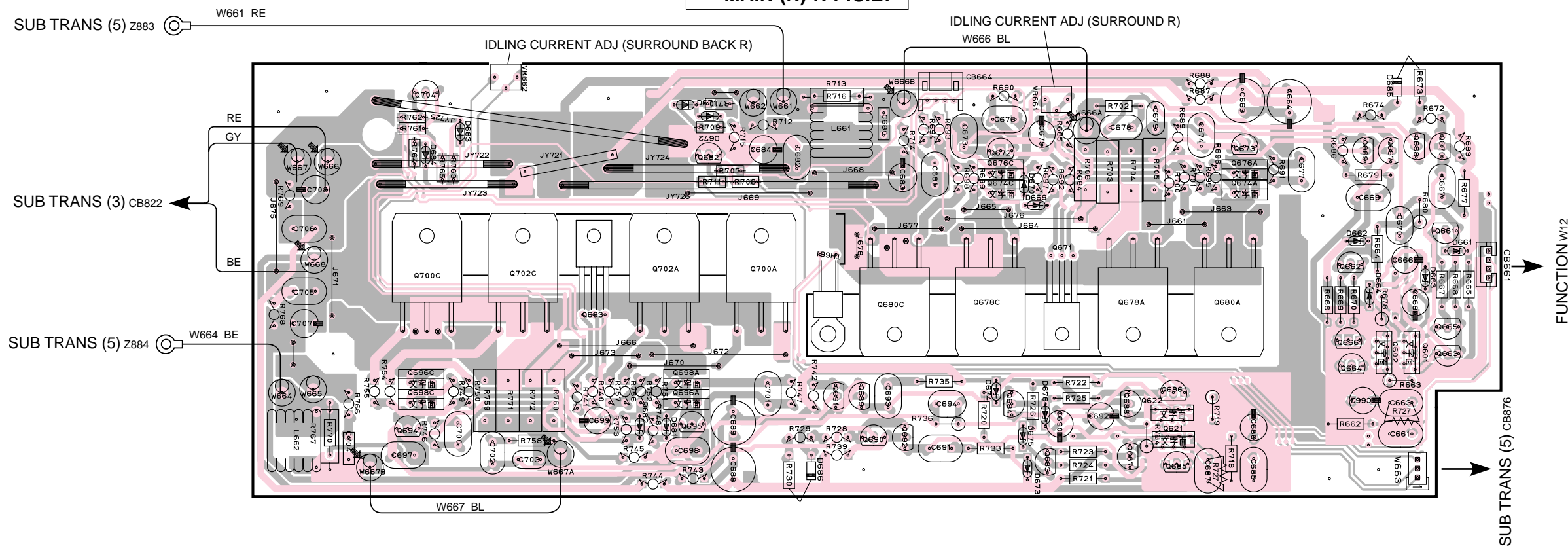
MAIN (R)-L P.C.B.



2

3

MAIN (R)-R P.C.B.



4

5

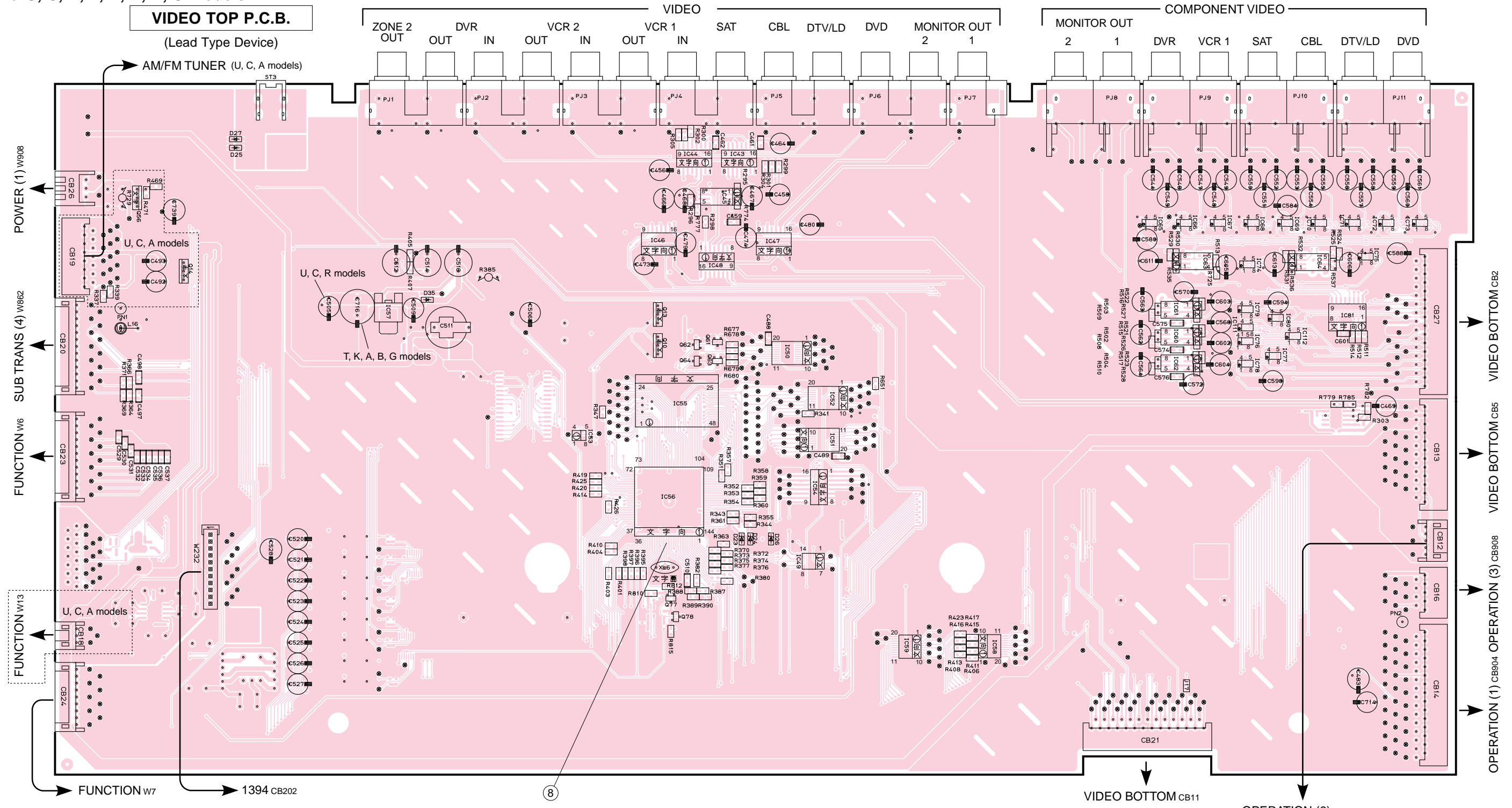
6

PRINTED CIRCUIT BOARD (Foil side)

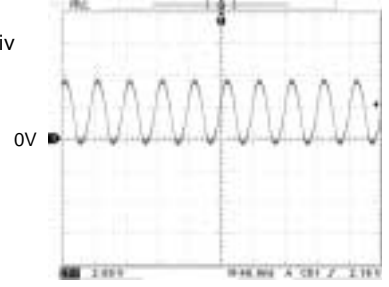
U, C, R, T, K, A, B, G models

VIDEO TOP P.C.B.

(Lead Type Device)



Point ⑧ (Pin 20 of IC56)
 V : 2V/div, H : 100nsec/div
 DC, 1 : 1 probe



NOTE)
 The VIDEO TOP P.C.B. actually has a four-layer pattern structure (part face pattern, internal pattern 1, internal pattern 2 and solder face pattern) but it is shown as "part face pattern + solder face pattern" in this diagram.

NOTE)
 VIDEO TOP P.C.B.は、4層パターン構造 (部品面パターン、内層1パターン、内層2パターン、ハンダ面パターン) ですが、本図のVIDEO TOP P.C.B.は、部品面パターン+ハンダ面パターンを表記しております。

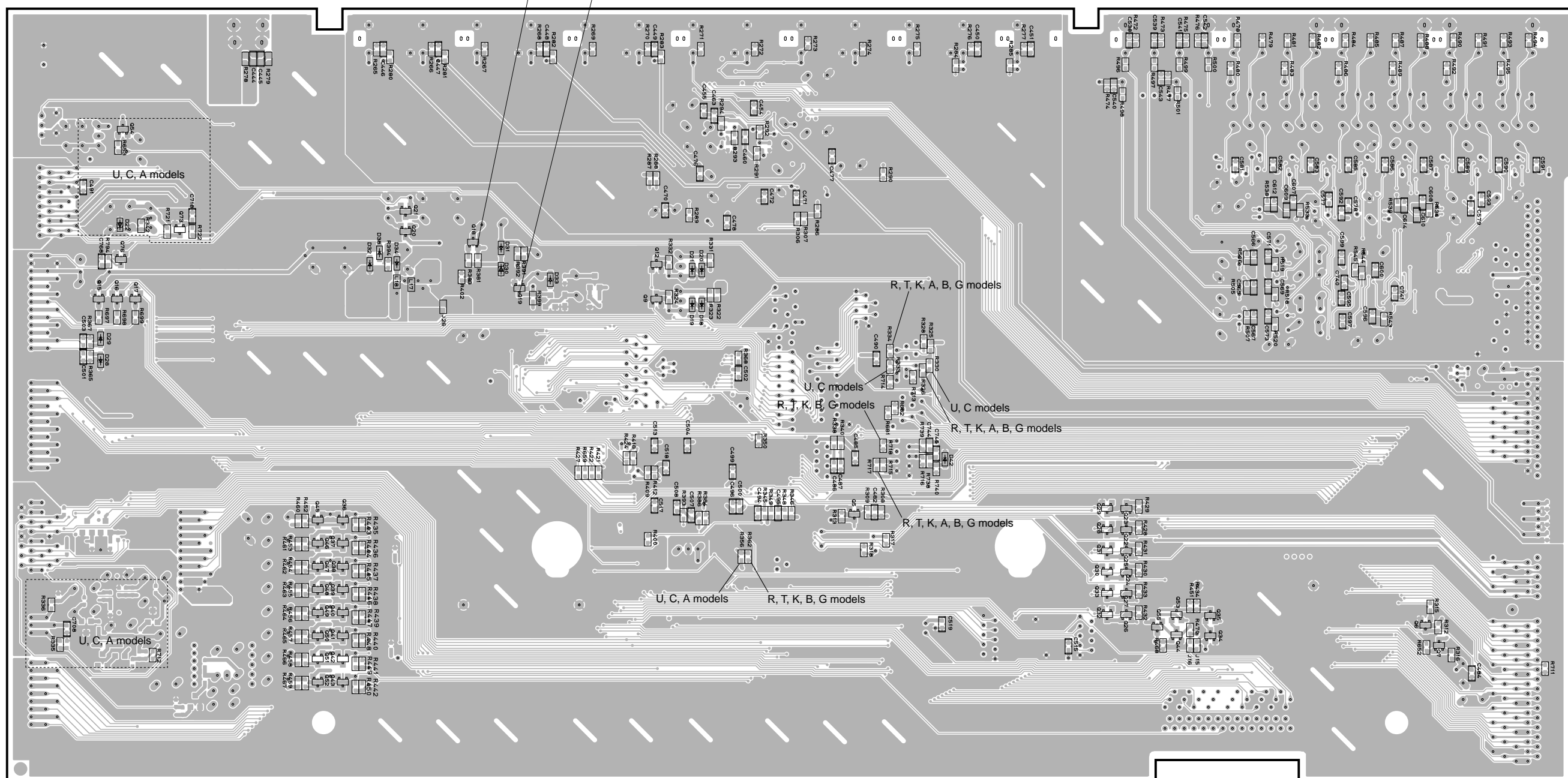
PRINTED CIRCUIT BOARD (Foil side)

● U, C, R, T, K, A, B, G models

VIDEO TOP P.C.B.

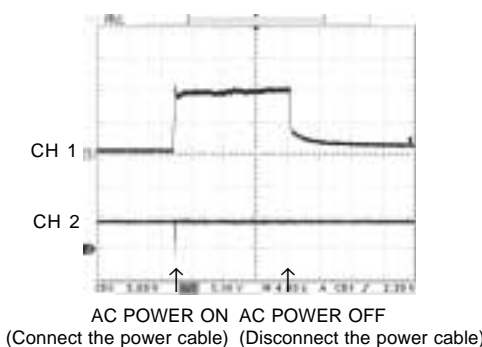
(Surface Mount Device)

⑨ CH1 ⑨ CH2



1
2
3
4
5
6

Point ⑨
 CH 1 : Emitter of Q18
 CH 2 : Collector of Q19
 V : 5V/div (CH 1)
 V : 5V/div (CH 2)
 DC, 1 : 1 probe, H : 4.0sec/div

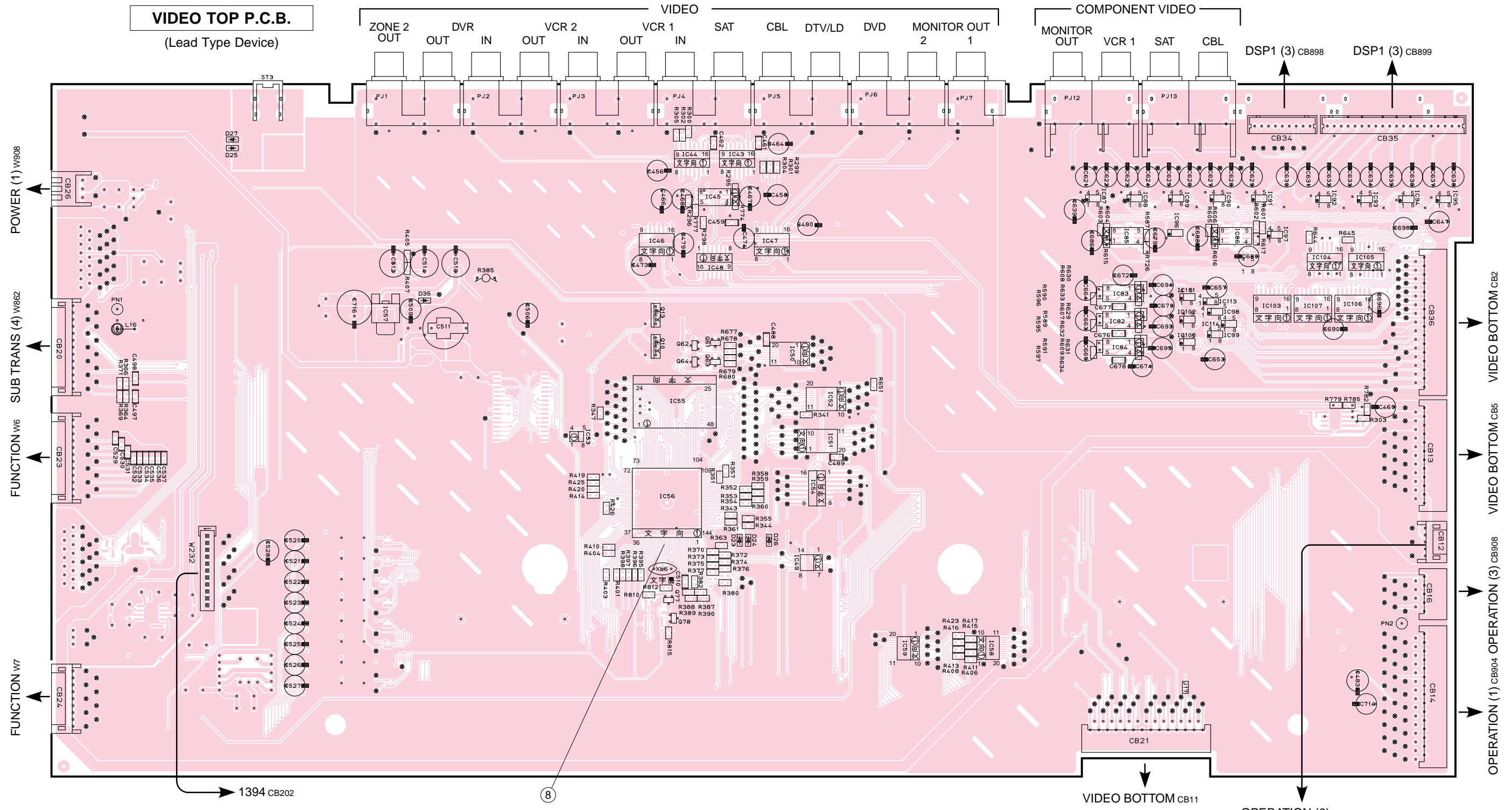


NOTE)
 The VIDEO TOP P.C.B. actually has a four-layer pattern structure (part face pattern, internal pattern 1, internal pattern 2 and solder face pattern) but it is shown as "part face pattern + solder face pattern" in this diagram.

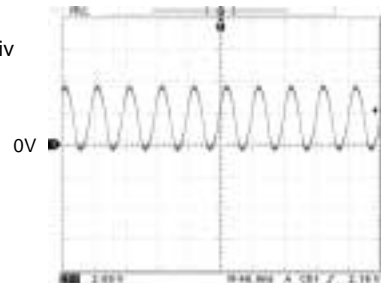
NOTE)
 VIDEO TOP P.C.B.は、4層パターン構造 部品面パターン、内層1パターン、内層2パターン、ハンダ面パターンですが、本図のVIDEO TOP P.C.B.は、部品面パターン+ハンダ面パターンを表記しております。

PRINTED CIRCUIT BOARD (Foil side)

J model



Point ⑧ (Pin 20 of IC56)
 V : 2V/div, H : 100nsec/div
 DC, 1 : 1 probe



NOTE)
 The VIDEO TOP P.C.B. actually has a four-layer pattern structure (part face pattern, internal pattern 1, internal pattern 2 and solder face pattern) but it is shown as "part face pattern + solder face pattern" in this diagram.

NOTE)
 VIDEO TOP P.C.B.は、4層パターン構造 (部品面パターン、内層1パターン、内層2パターン、ハンダ面パターン) ですが、本図のVIDEO TOP P.C.B.は、部品面パターン+ハンダ面パターンを表記しております。

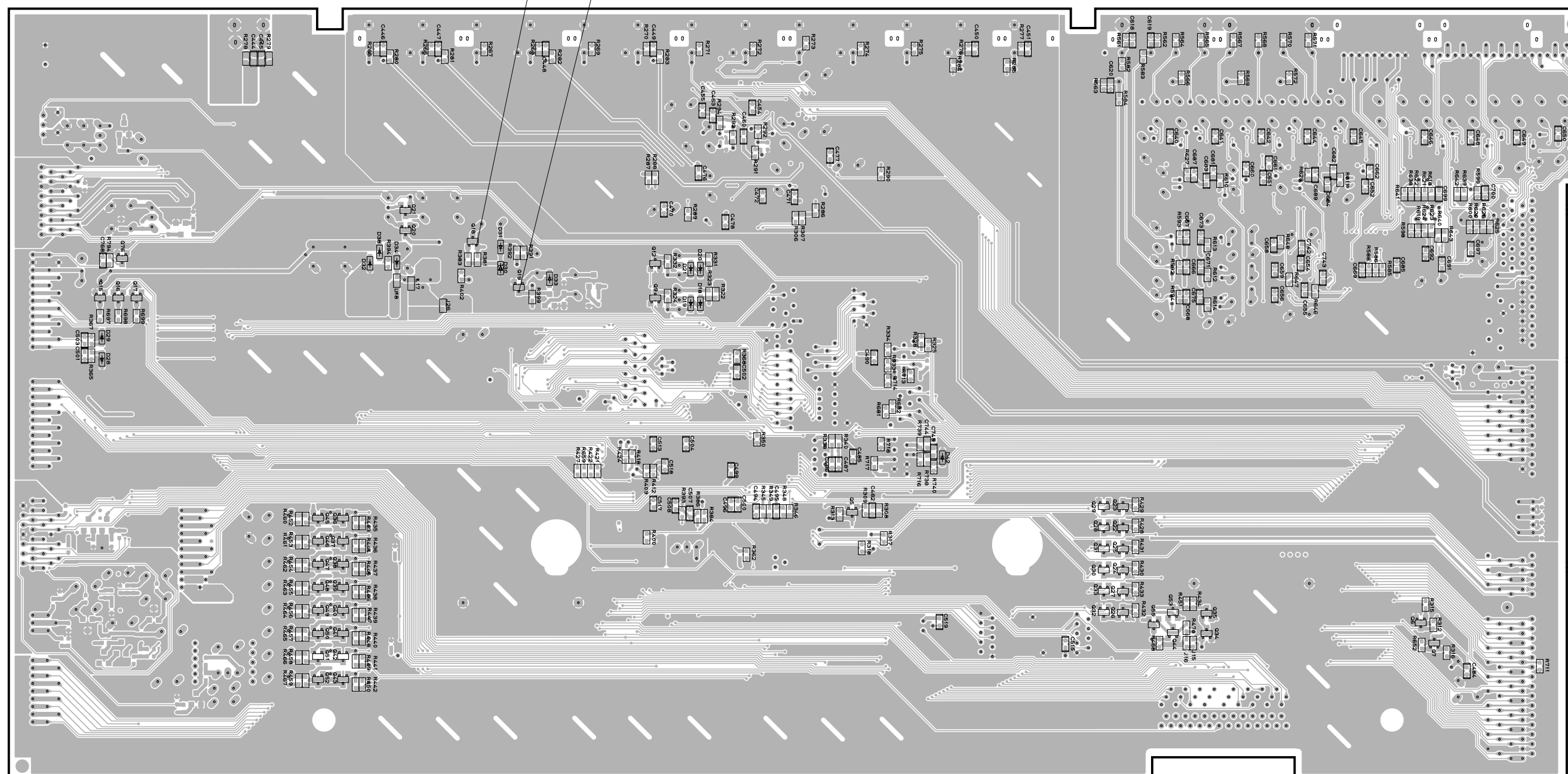
PRINTED CIRCUIT BOARD (Foil side)

● J model

VIDEO TOP P.C.B.

(Surface Mount Device)

⑨ CH1 ⑨ CH2



Point ⑨

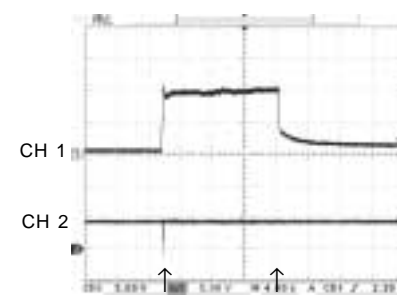
CH 1 : Emitter of Q18

CH 2 : Collector of Q19

V : 5V/div (CH 1)

V : 5V/div (CH 2)

DC, 1 : 1 probe, H : 4.0sec/div



AC POWER ON AC POWER OFF
(Connect the power cable) (Disconnect the power cable)

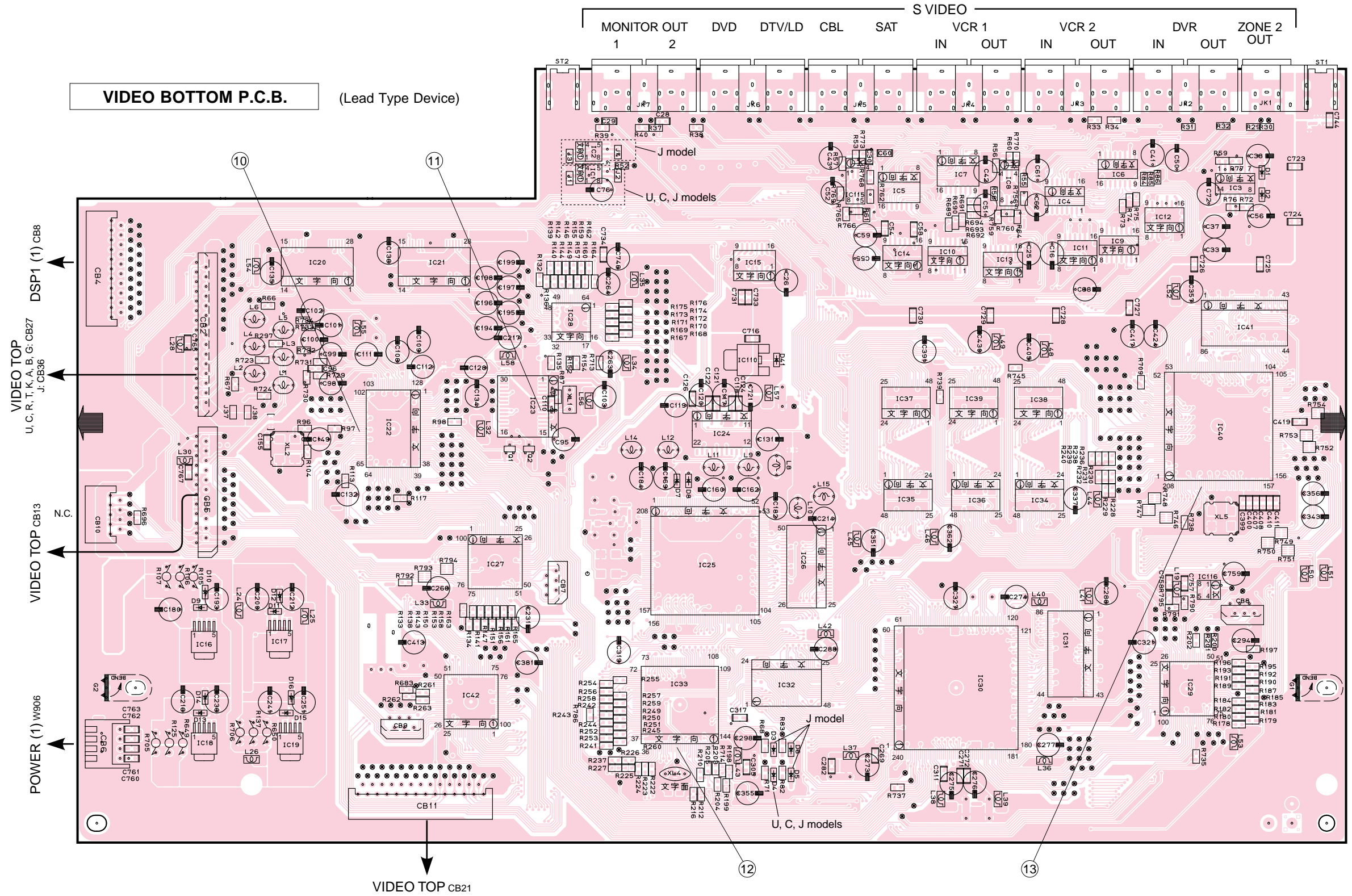
NOTE)

The VIDEO TOP P.C.B. actually has a four-layer pattern structure (part face pattern, internal pattern 1, internal pattern 2 and solder face pattern) but it is shown as "part face pattern + solder face pattern" in this diagram.

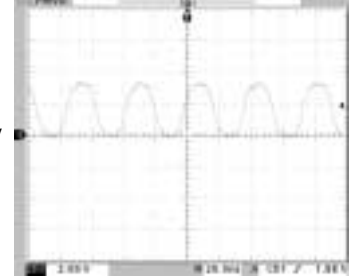
NOTE)

VIDEO TOP P.C.B.は、4層パターン構造 部品面パターン、内層1パターン、内層2パターン、ハンダ面パターンですが、本図のVIDEO TOP P.C.B.は、部品面パターン+ハンダ面パターンを表記しております。

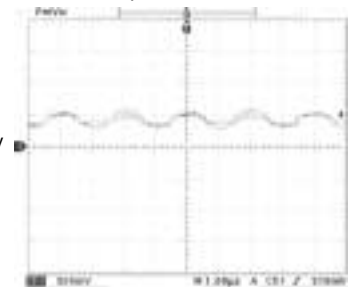
PRINTED CIRCUIT BOARD (Foil side)



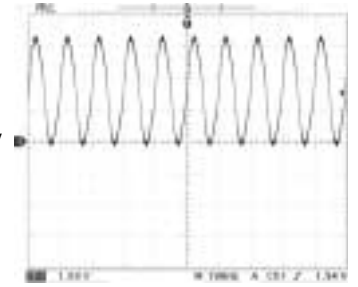
Point ⑩ (Pin 82 of IC22)
V : 2V/div, H : 20nsec/div
DC, 1 : 1 probe



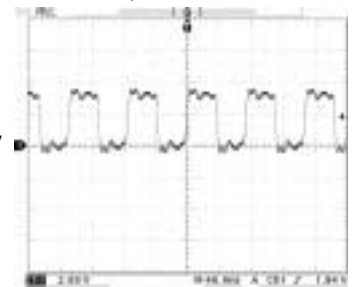
Point ⑪ (Pin 9 of IC23)
V : 500mV/div, H : 1μsec/div
DC, 1 : 1 probe



Point ⑫ (Pin 20 of IC33)
V : 1V/div, H : 100nsec/div
DC, 1 : 1 probe



Point ⑬ (Pin 191 of IC40)
V : 2V/div, H : 40nsec/div
DC, 1 : 1 probe



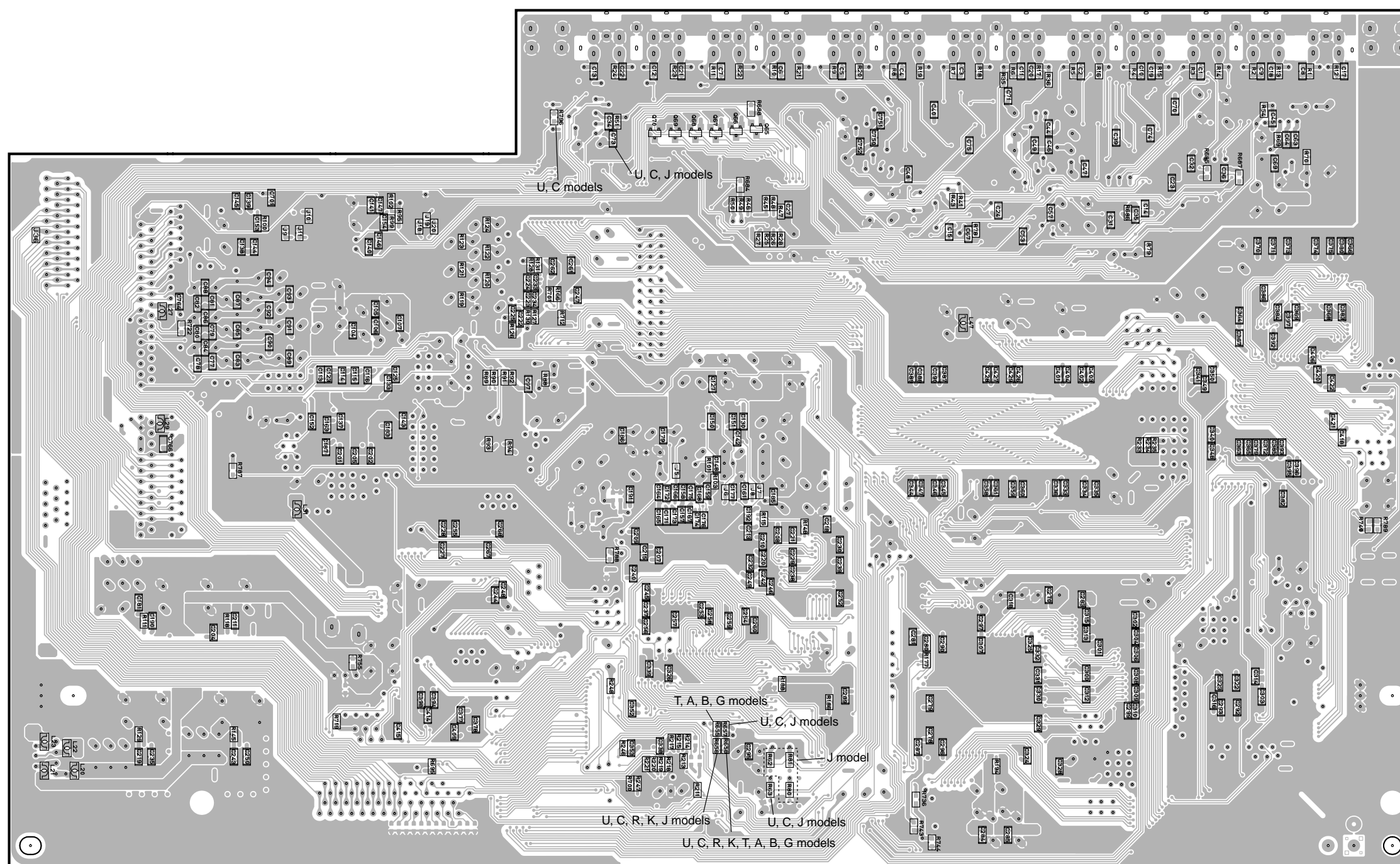
NOTE
The VIDEO BOTTOM P.C.B. actually has a four-layer pattern structure (part face pattern, internal pattern 1, internal pattern 2 and solder face pattern) but it is shown as "part face pattern + solder face pattern" in this diagram.

NOTE
VIDEO BOTTOM P.C.B.は、4層パターン構造 (部品面パターン、内層1パターン、内層2パターン、ハンダ面パターン) ですが、本図のVIDEO BOTTOM P.C.B.は、部品面パターン+ハンダ面パターンを表記しております。

■ PRINTED CIRCUIT BOARD (Foil side)

VIDEO BOTTOM P.C.B.

(Surface Mount Device)



NOTE)

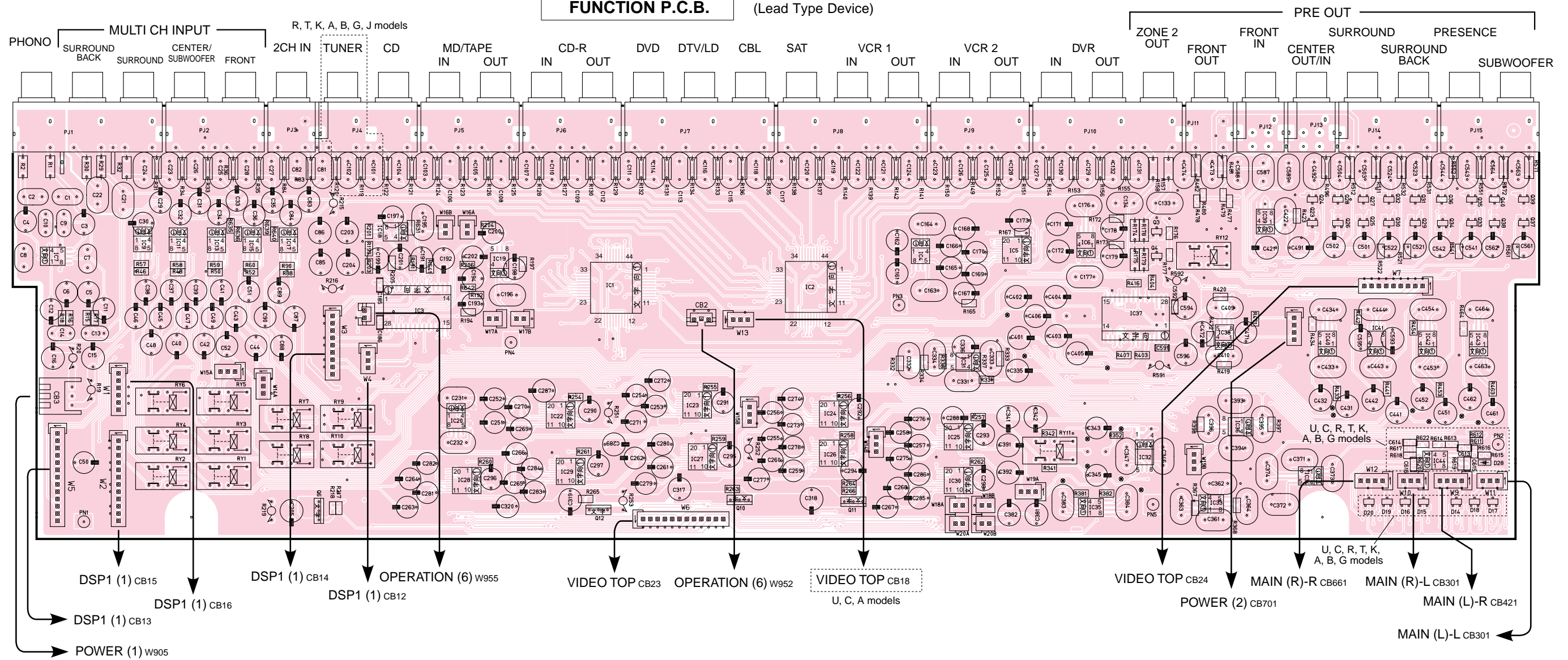
The VIDEO BOTTOM P.C.B. actually has a four-layer pattern structure (part face pattern, internal pattern 1, internal pattern 2 and solder face pattern) but it is shown as "part face pattern + solder face pattern" in this diagram.

NOTE)

VIDEO BOTTOM P.C.B.は、4層パターン構造(部品面パターン、内層1パターン、内層2パターン、ハンダ面パターン)ですが、本図のVIDEO BOTTOM P.C.B.は、部品面パターン+ハンダ面パターンを表記しております。

PRINTED CIRCUIT BOARD (Foil side)

FUNCTION P.C.B. (Lead Type Device)

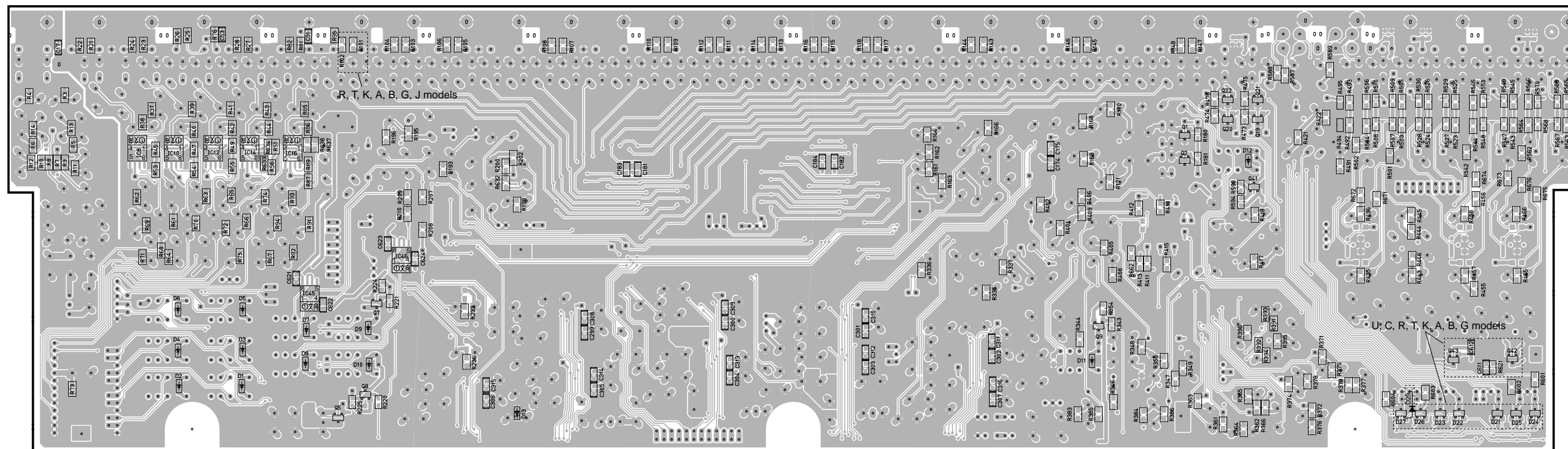


NOTE)
The FUNCTION P.C.B. actually has a four-layer pattern structure (part face pattern, internal pattern 1, internal pattern 2 and solder face pattern) but it is shown as "part face pattern + solder face pattern" in this diagram.

NOTE)
FUNCTION P.C.B.は、4層パターン構造 (部品面パターン、内層1パターン、内層2パターン、ハンダ面パターン) ですが、本図のFUNCTION P.C.B.は、部品面パターン + ハンダ面パターンを表記しております。

■ PRINTED CIRCUIT BOARD (Foil side)

FUNCTION P.C.B. (Surface Mount Device)



NOTE)

The FUNCTION P.C.B. actually has a four-layer pattern structure (part face pattern, internal pattern 1, internal pattern 2 and solder face pattern) but it is shown as "part face pattern + solder face pattern" in this diagram.

NOTE)

FUNCTION P.C.B.は、4層パターン構造 (部品面パターン、内層1パターン、内層2パターン、ハンダ面パターン) ですが、本図のFUNCTION P.C.B.は、部品面パターン+ハンダ面パターンを表記しております。

■ PRINTED CIRCUIT BOARD (Foil side)

FUNCTION P.C.B.

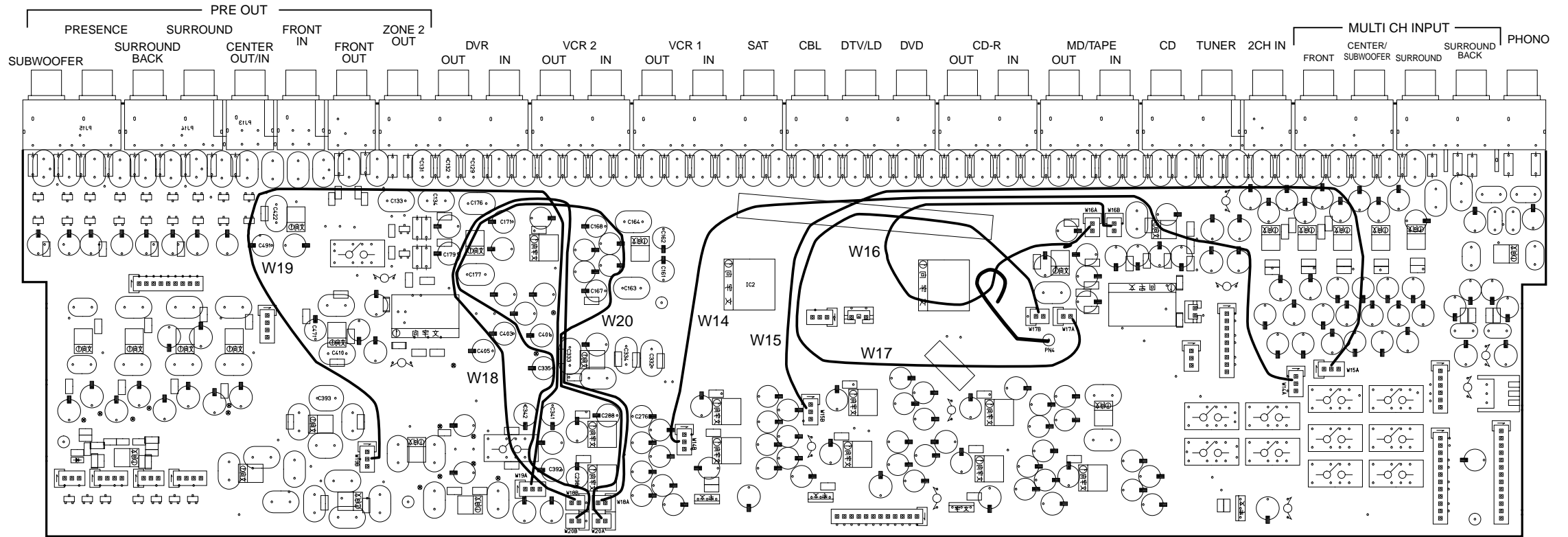
● Wiring Diagram to keep proper hum level (Top face) / ハム対策用配線図 (表面)

CAUTION

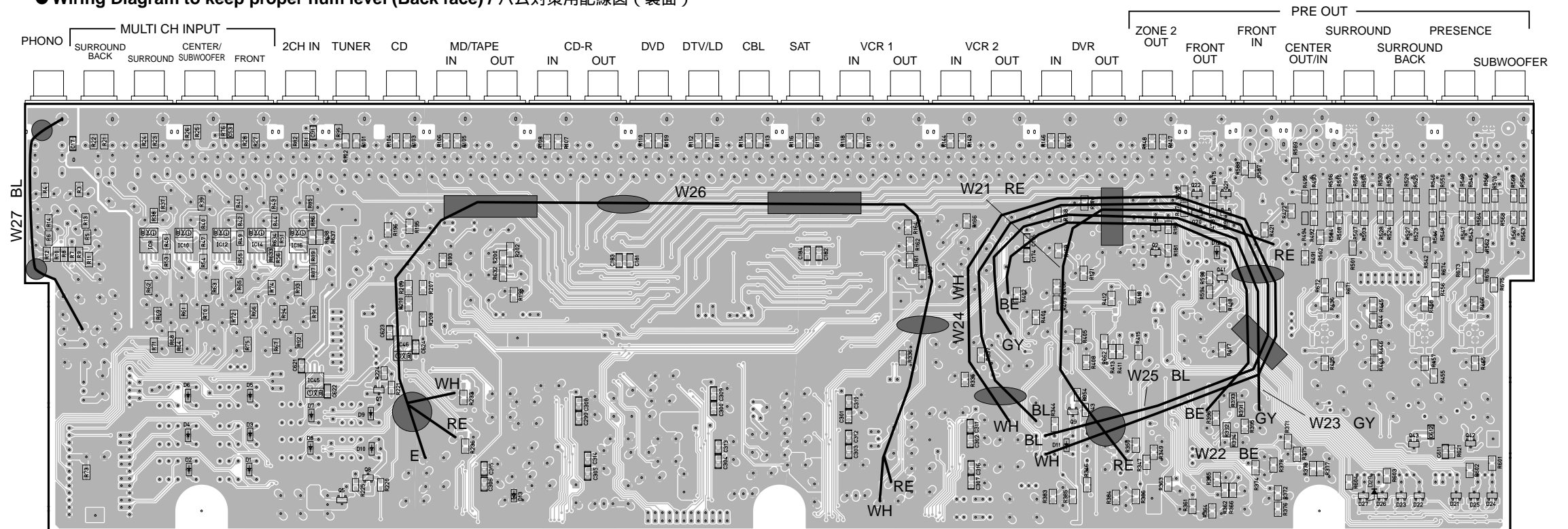
The FUNCTION P.C.B. has many wires connected internally on both the top and the back faces. Be careful not to change routing of these wires. (The hum level may vary when their routing is changed.)

注意

FUNCTION P.C.B.は、表 / 裏面共に基板内配線が多数あります。配線の引き回しを変えないように注意してください。(配線の引き回し方によって、ハムのレベルが変わる可能性があります。)



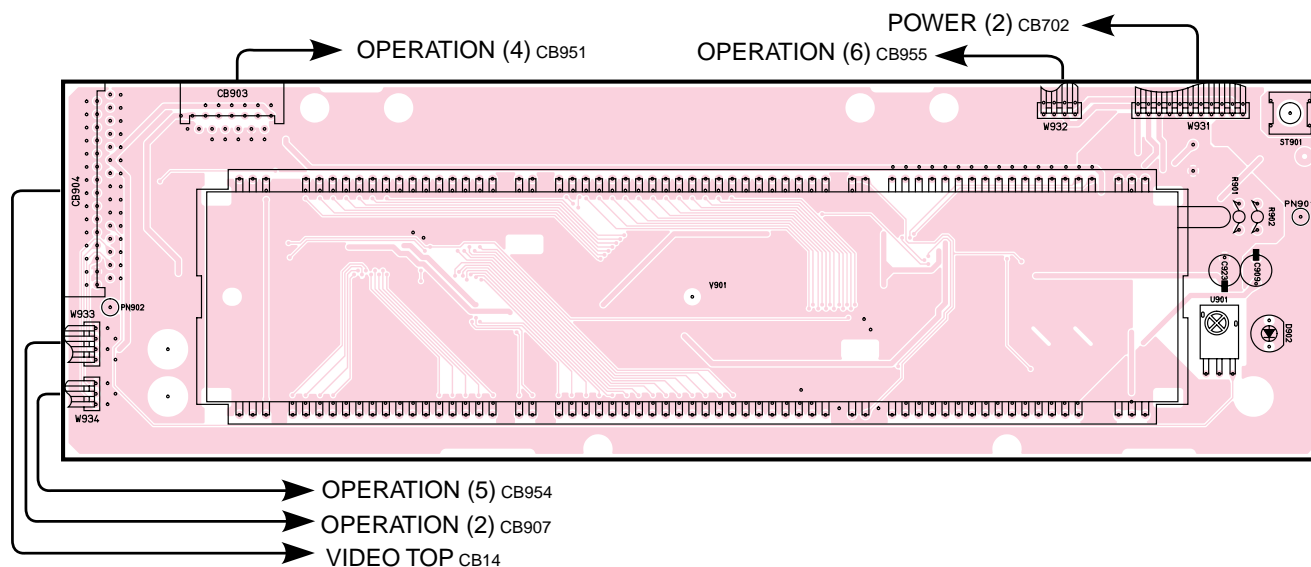
● Wiring Diagram to keep proper hum level (Back face) / ハム対策用配線図 (裏面)



PRINTED CIRCUIT BOARD (Foil side)

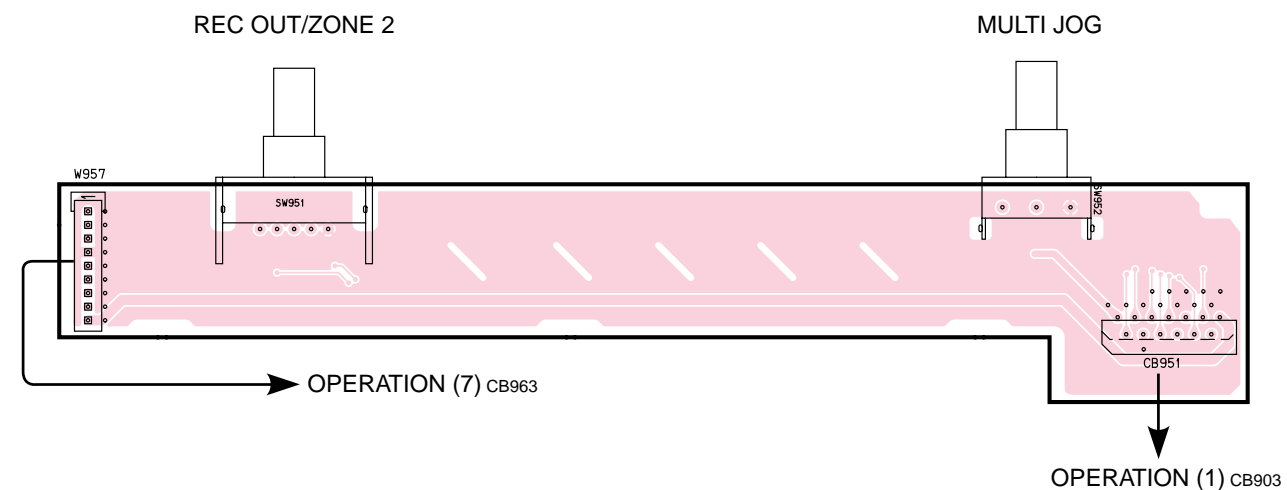
1

OPERATION (1) P.C.B. (Lead Type Device)



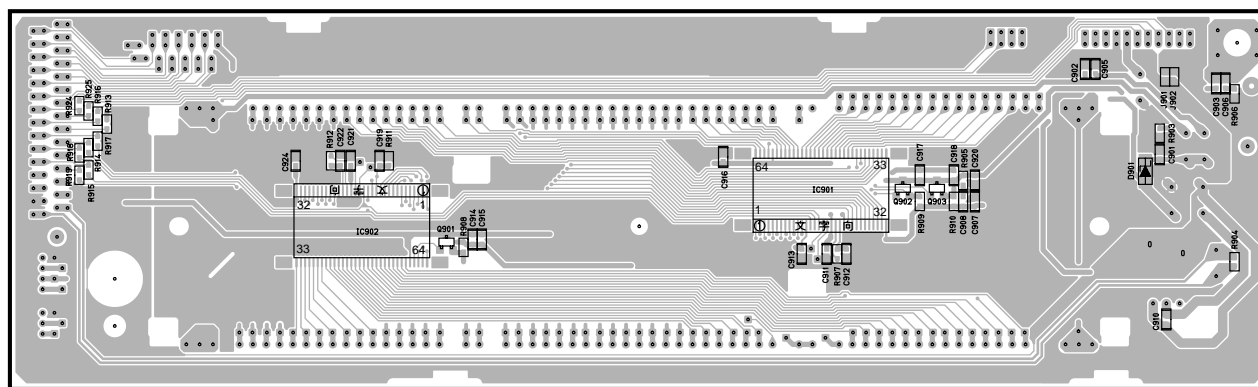
2

OPERATION (4) P.C.B. (Lead Type Device)



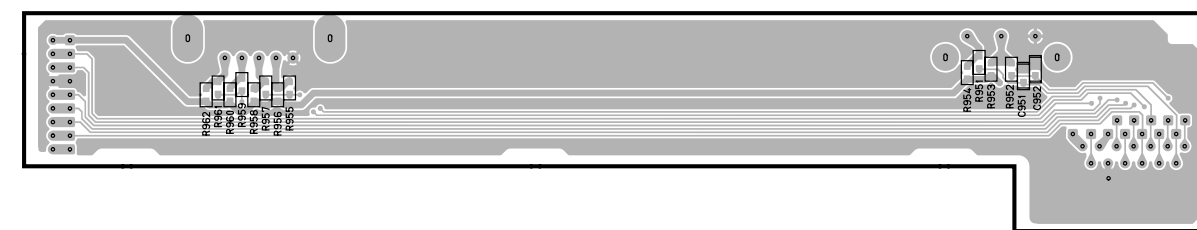
3

OPERATION (1) P.C.B. (Surface Mount Device)



4

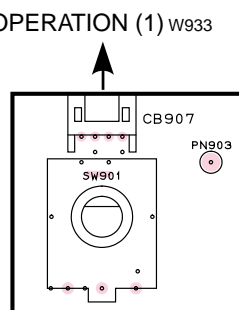
OPERATION (4) P.C.B. (Surface Mount Device)



5

OPERATION (2) P.C.B. (Lead Type Device)

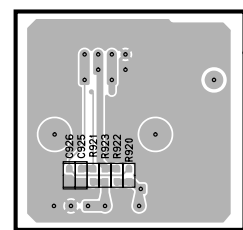
OPERATION (1) W933



VOLUME

OPERATION (2) P.C.B. (Surface Mount Device)

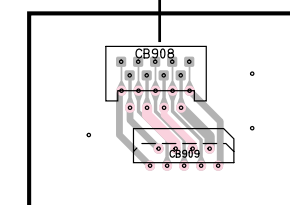
OPERATION (1) W933



6

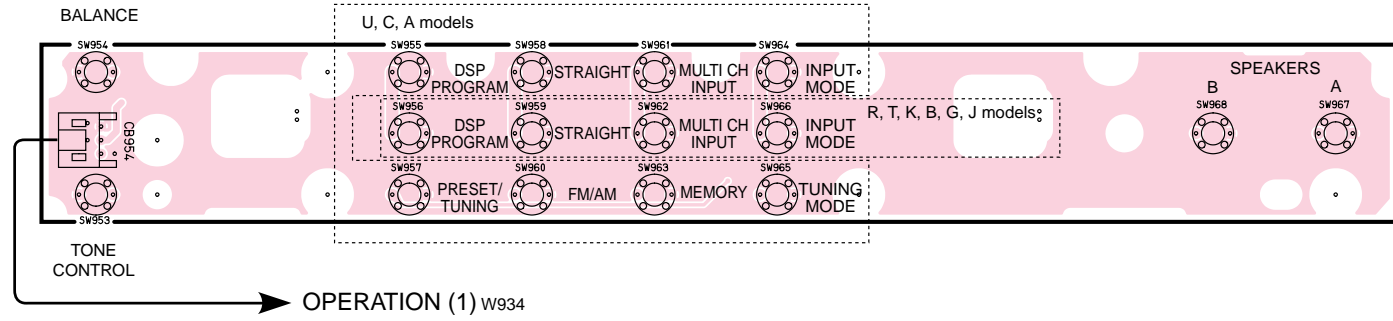
OPERATION (3) P.C.B.

VIDEO TOP CB16

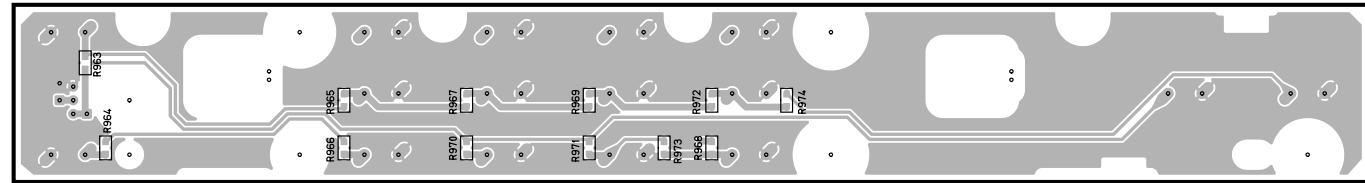


PRINTED CIRCUIT BOARD (Foil side)

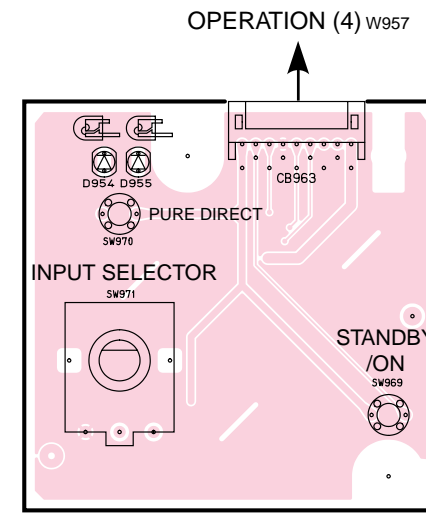
OPERATION (5) P.C.B. (Lead Type Device)



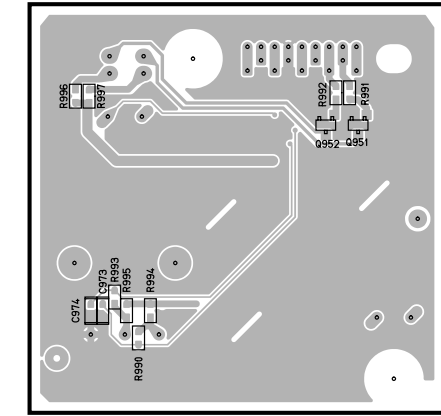
OPERATION (5) P.C.B. (Surface Mount Device)



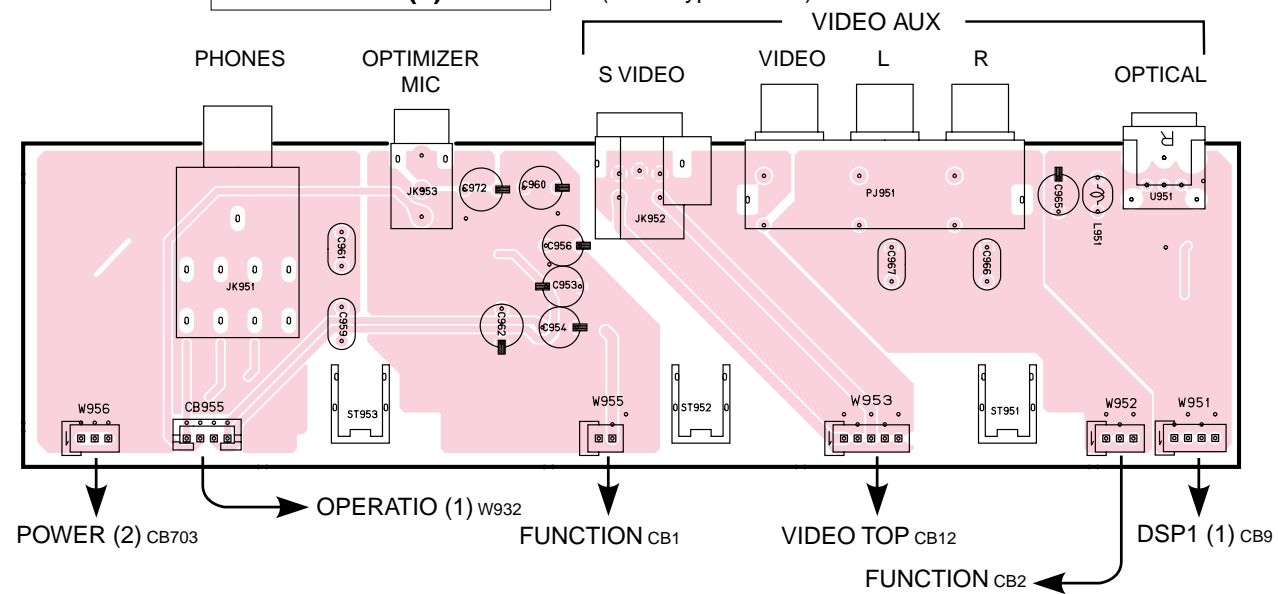
OPERATION (7) P.C.B. (Lead Type Device)



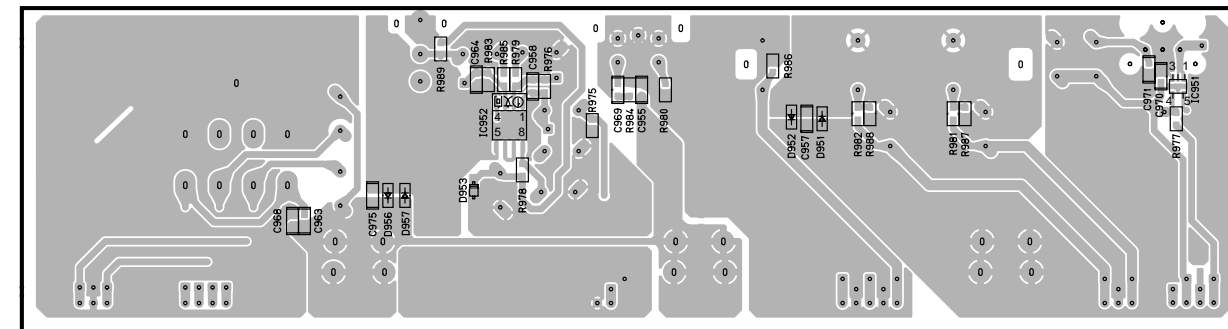
OPERATION (7) P.C.B. (Surface Mount Device)



OPERATION (6) P.C.B. (Lead Type Device)



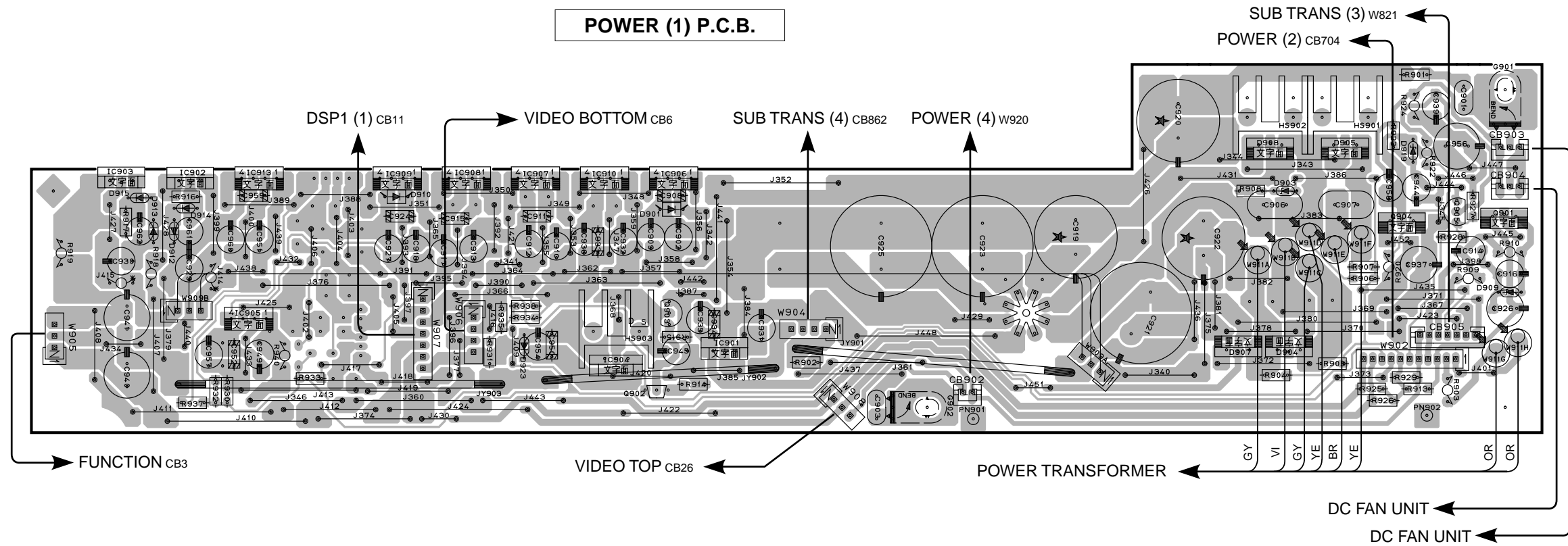
OPERATION (6) P.C.B. (Surface Mount Device)



■ PRINTED CIRCUIT BOARD (Foil side)

1

POWER (1) P.C.B.



2

3

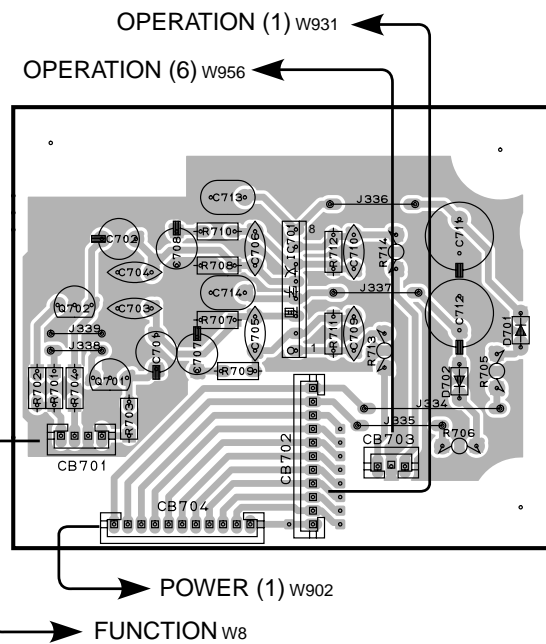
4

● R model

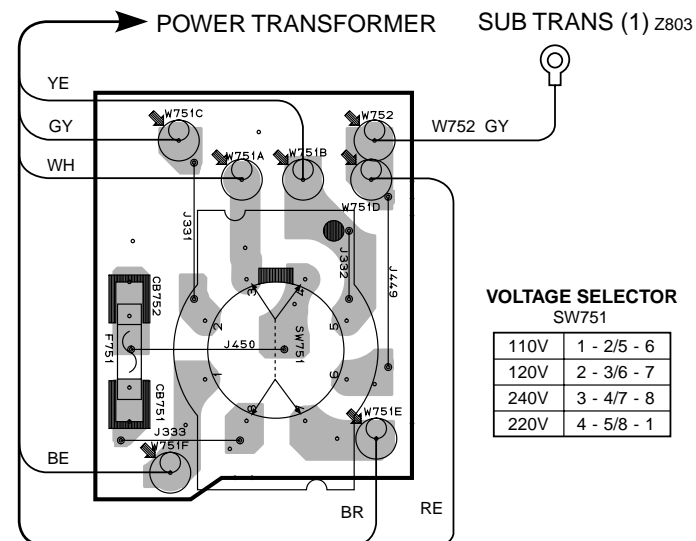
POWER (2) P.C.B.

POWER (3) P.C.B.

POWER (4) P.C.B.

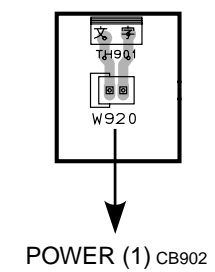


5



VOLTAGE SELECTOR
SW751

| | |
|------|-------------|
| 110V | 1 - 2/5 - 6 |
| 120V | 2 - 3/6 - 7 |
| 240V | 3 - 4/7 - 8 |
| 220V | 4 - 5/8 - 1 |

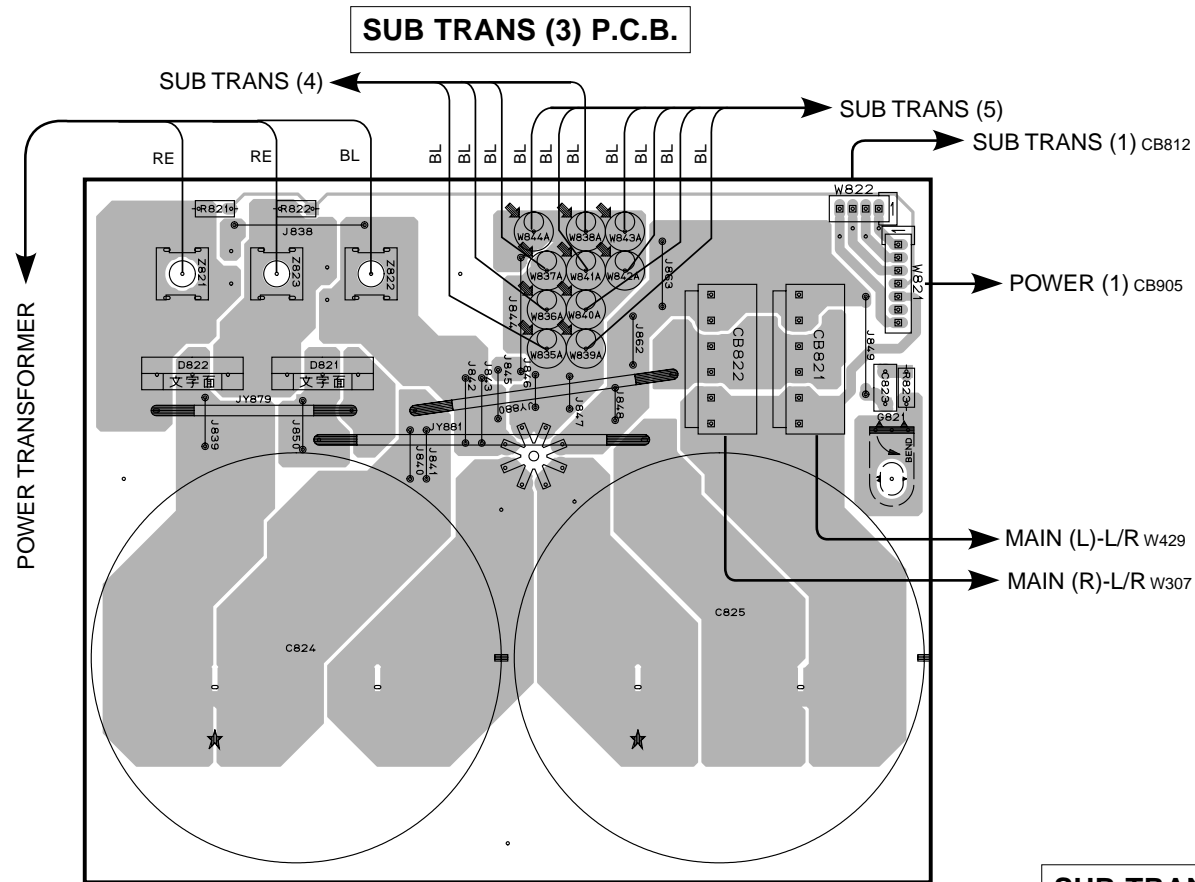
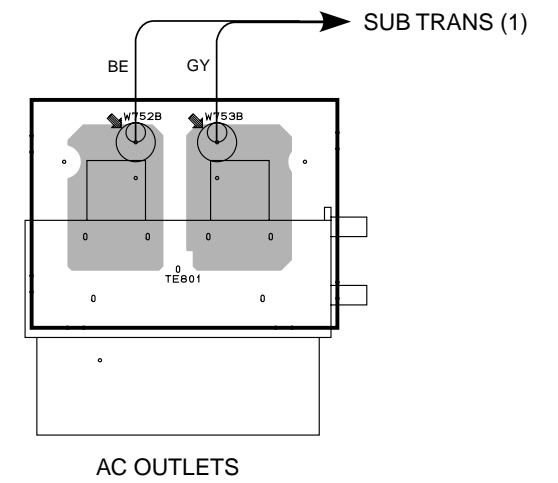


6

PRINTED CIRCUIT BOARD (Foil side)

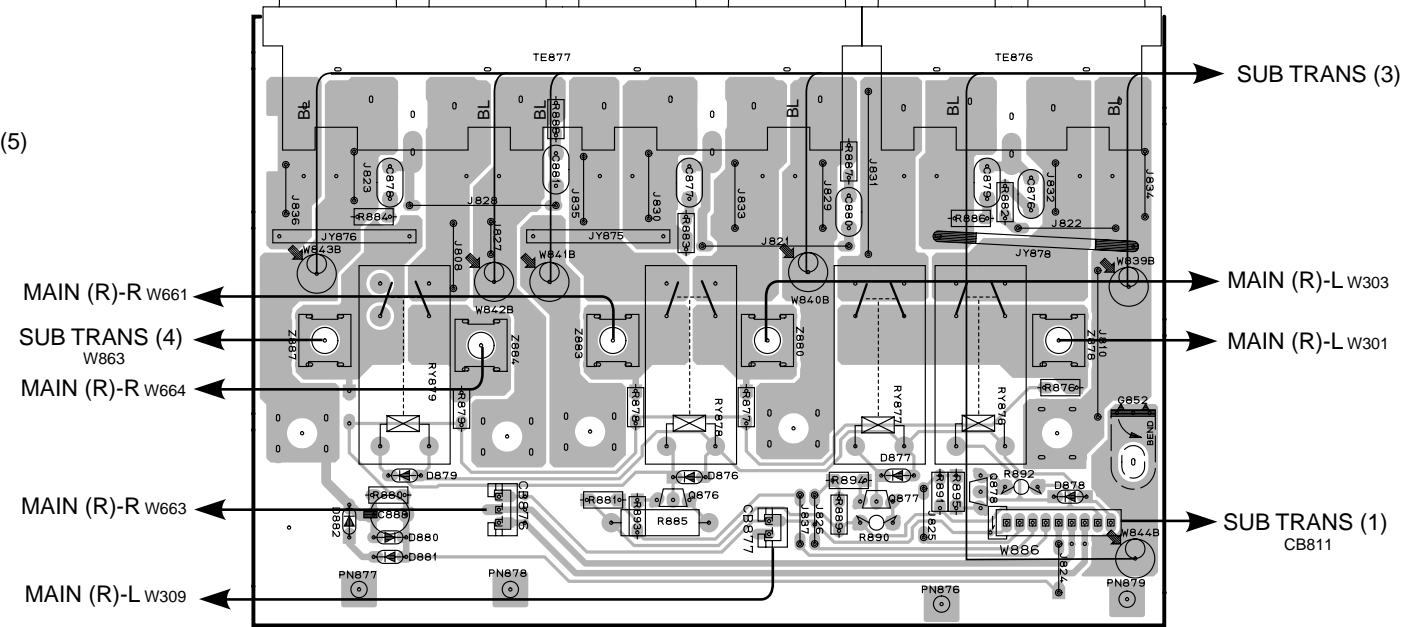
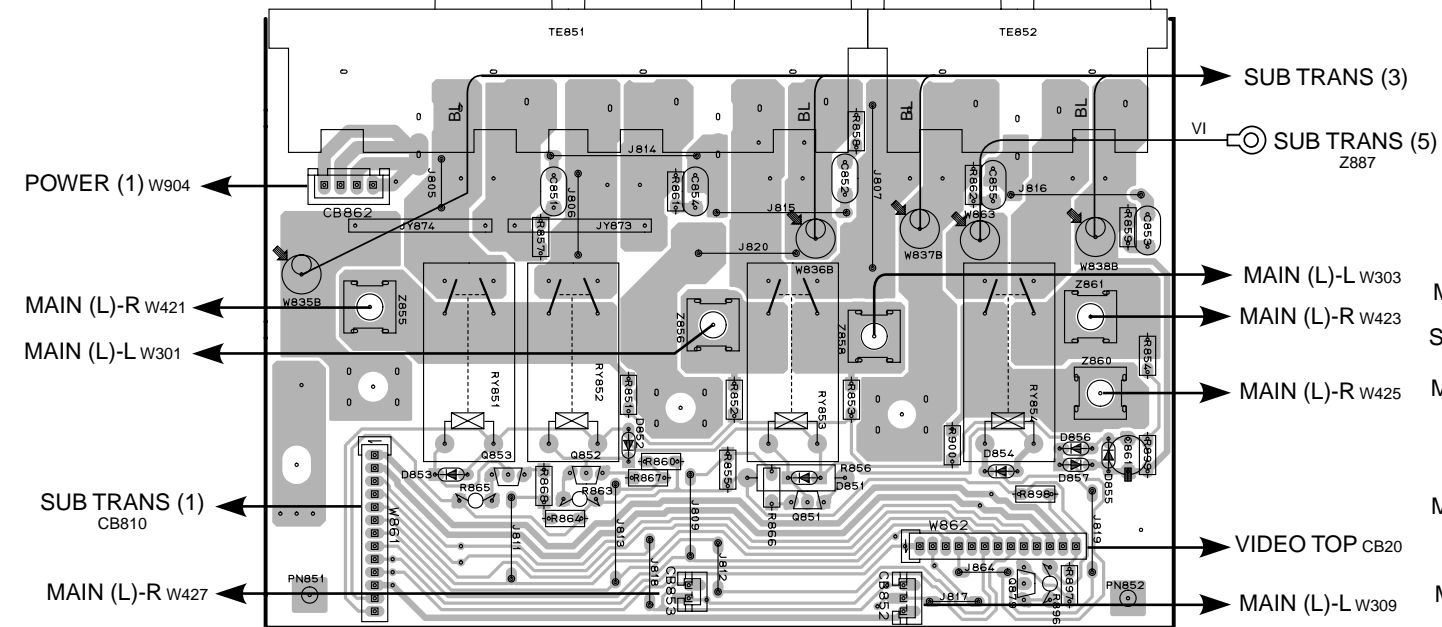
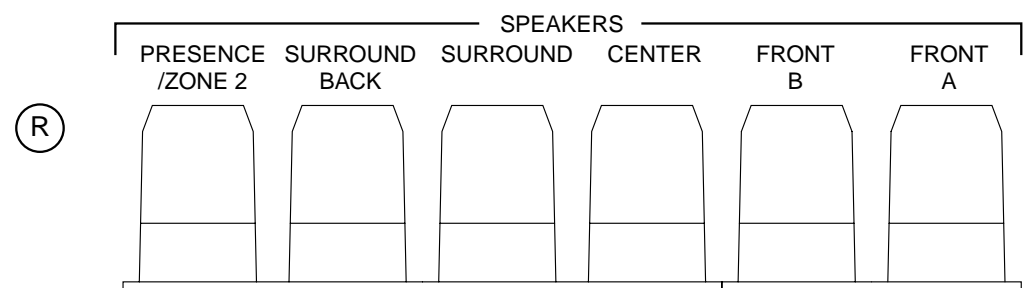
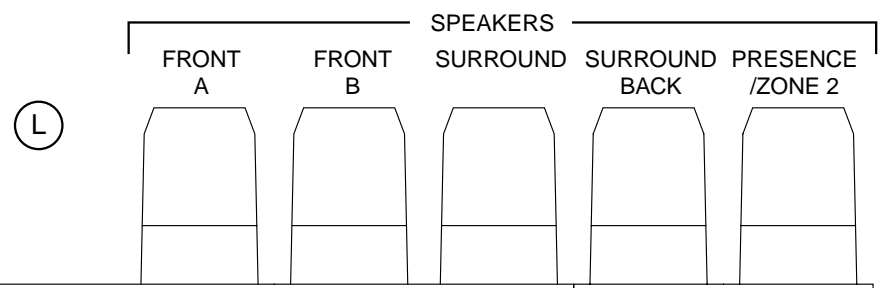
U, C, R, T, A, B, G, J models

SUB TRANS (2) P.C.B.



SUB TRANS (4) P.C.B.

SUB TRANS (5) P.C.B.

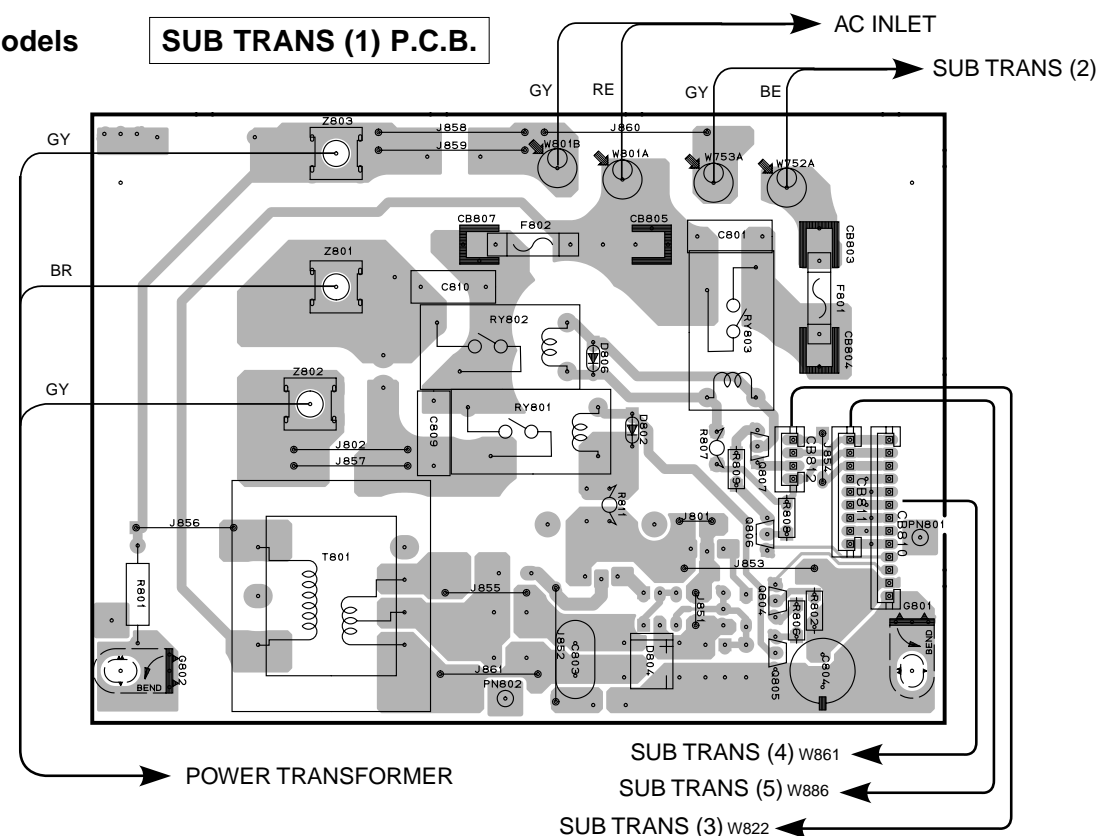


PRINTED CIRCUIT BOARD (Foil side)

1

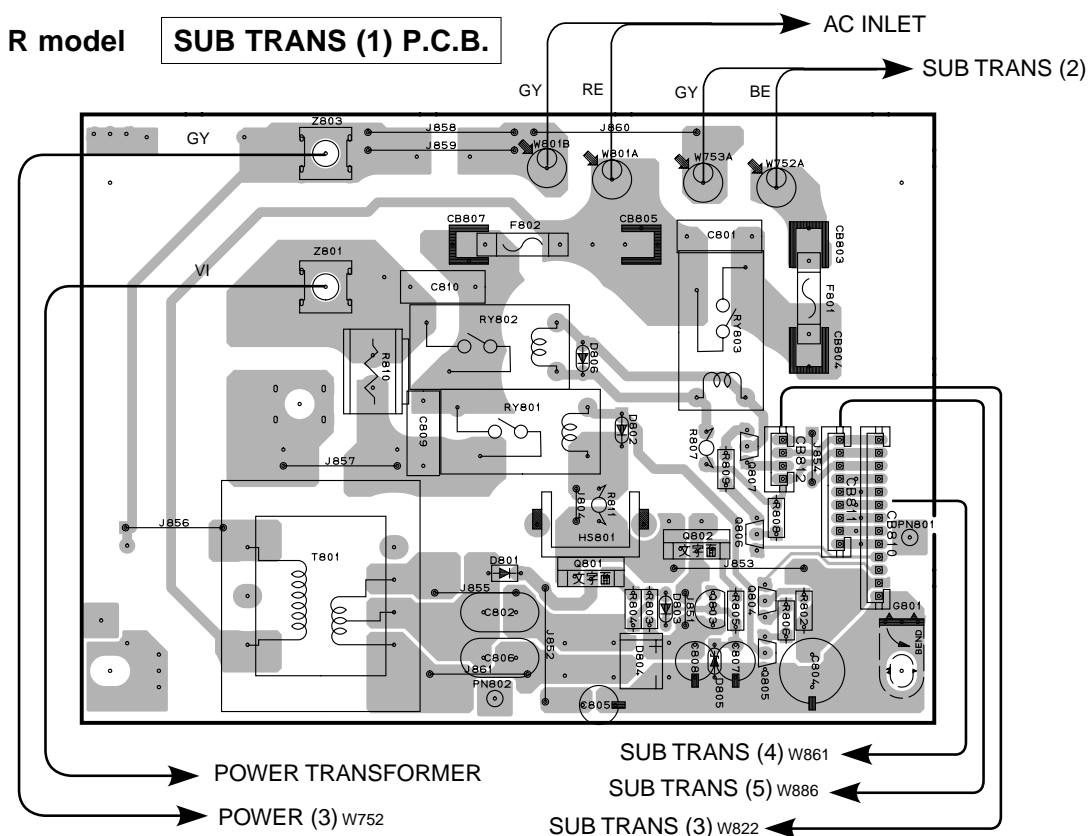
U, C models

SUB TRANS (1) P.C.B.



R model

SUB TRANS (1) P.C.B.

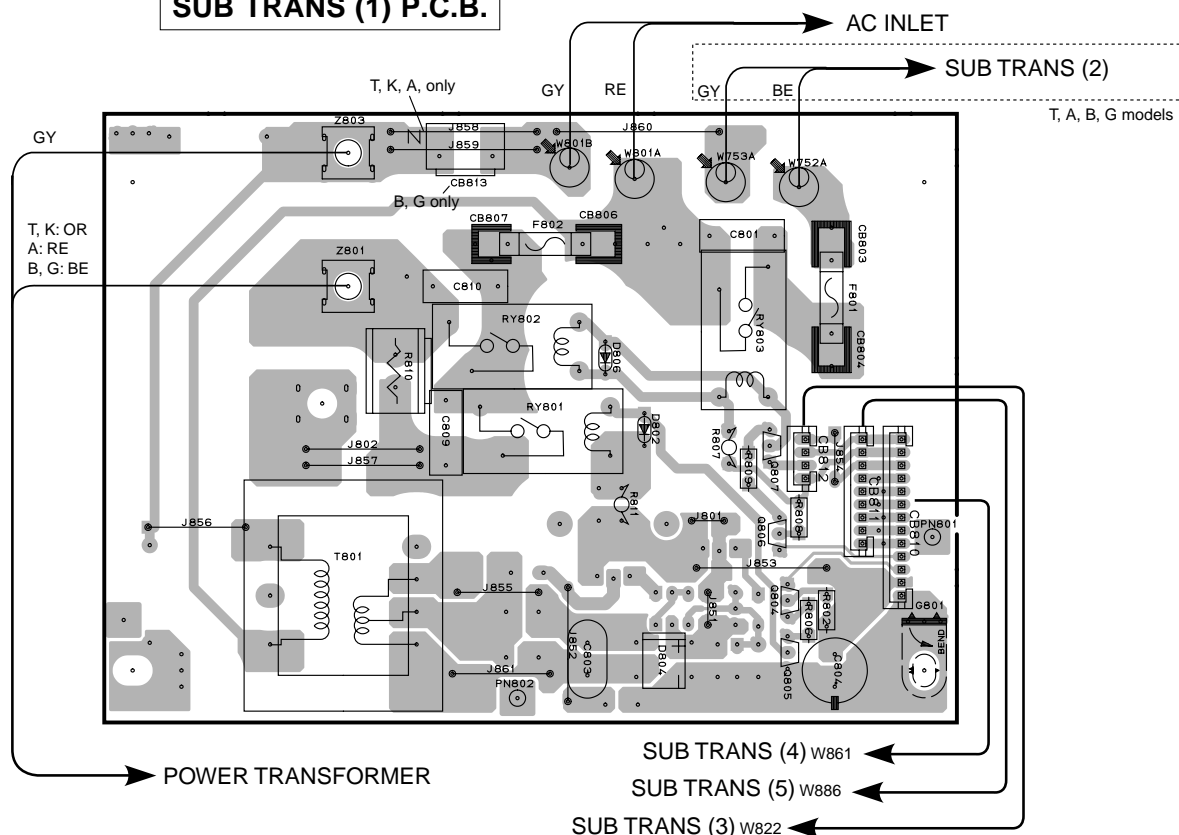


2

3

T, K, A, B, G models

SUB TRANS (1) P.C.B.

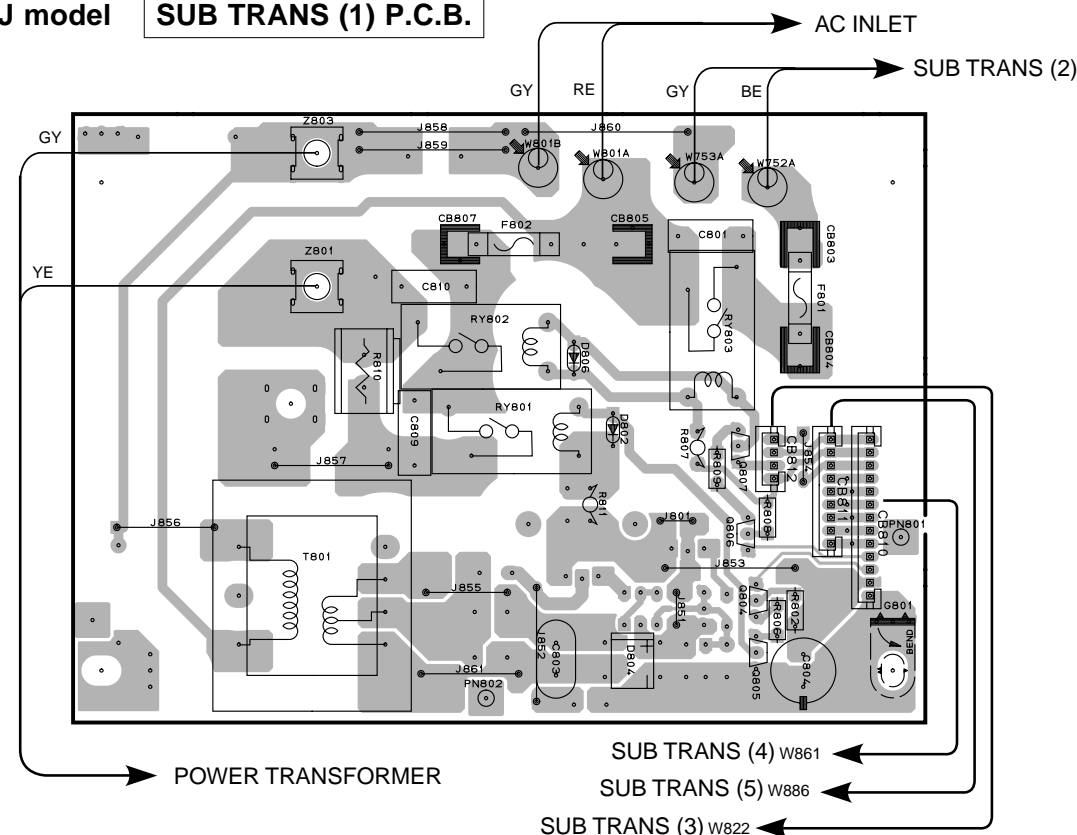


4

5

J model

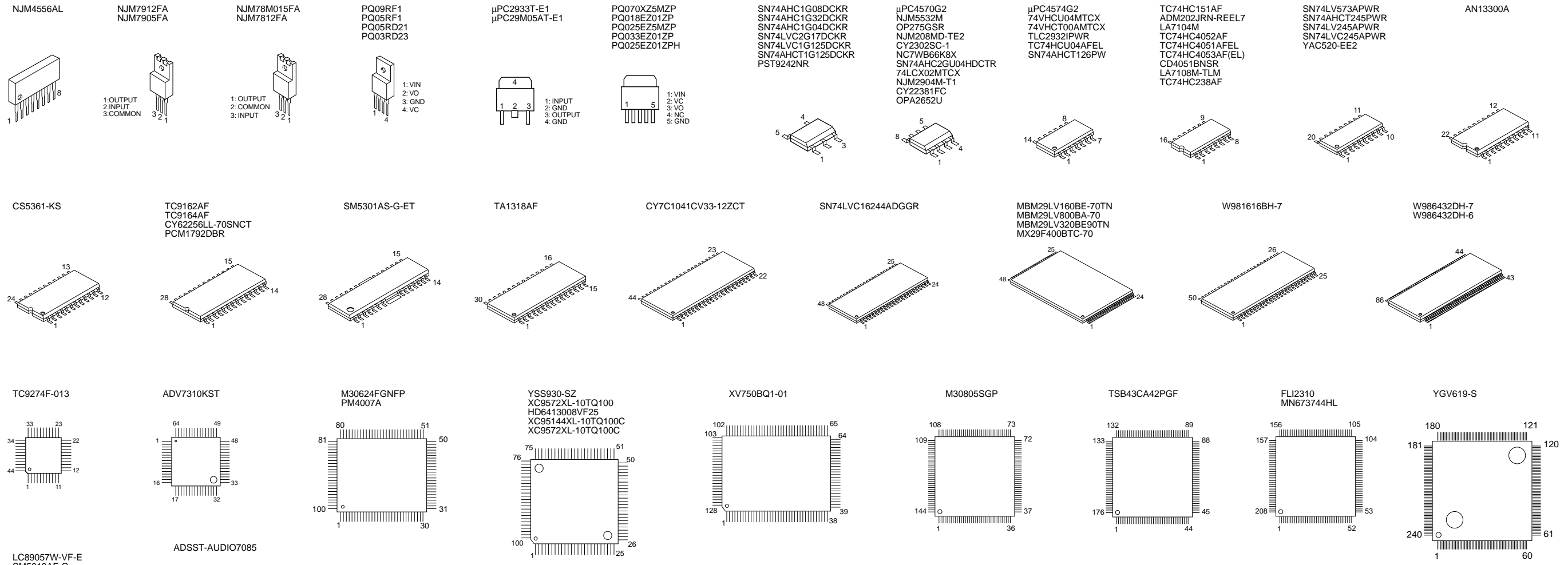
SUB TRANS (1) P.C.B.



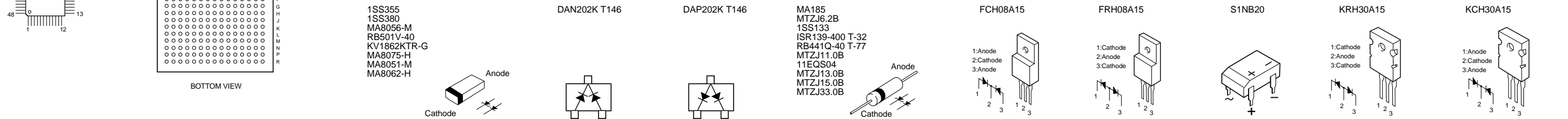
6

■ PIN CONNECTION DIAGRAM / 半導体外形図

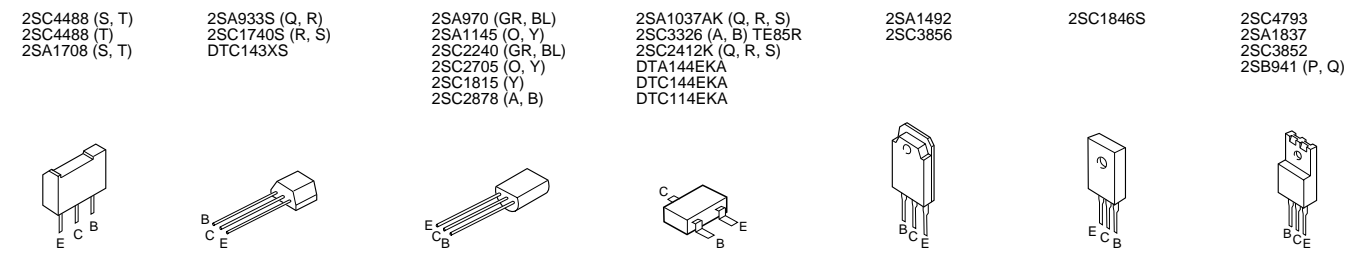
● ICs



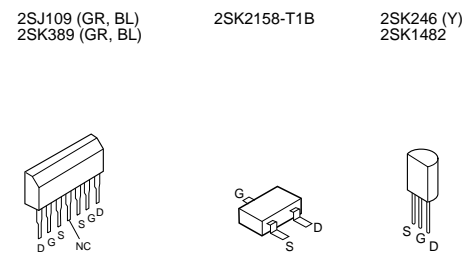
● Diodes



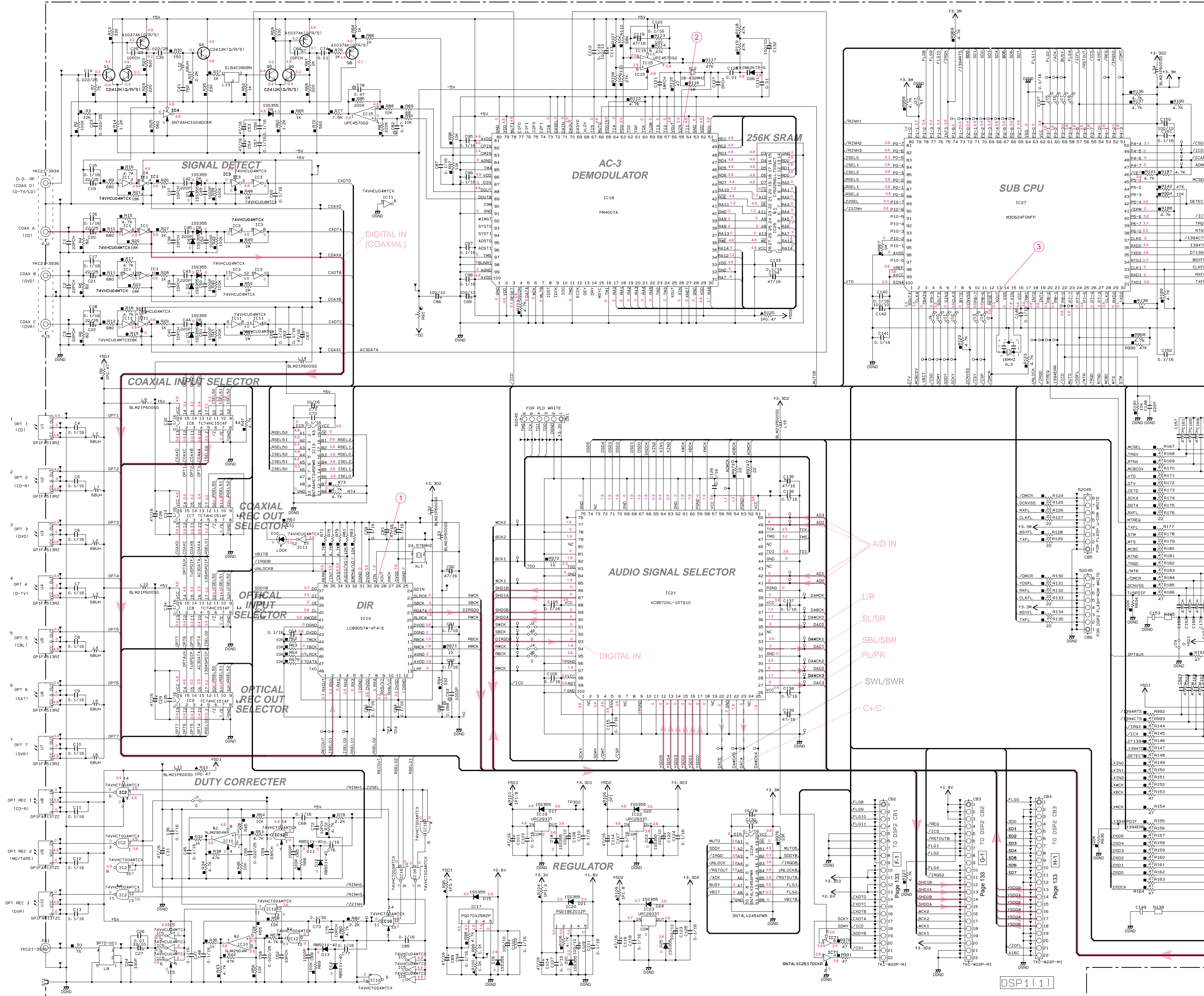
● Transistors



● FETs



■ SCHEMATIC DIAGRAM (DSP1 1/2)



CAPACITOR

| REMARKS | PARTS NAME |
|---------|----------------------------------|
| NO MARK | ELECTROLYTIC CAPACITOR |
| ⊗ | TANTALUM CAPACITOR |
| NO MARK | CERAMIC CAPACITOR |
| ⊙ | CERAMIC TUBULAR CAPACITOR |
| ⊕ | POLYESTER FILM CAPACITOR |
| ⊖ | POLYSTYRENE FILM CAPACITOR |
| ⊗ | POLYPROPYLENE FILM CAPACITOR |
| ⊙ | SEMICONDUCTIVE CERAMIC CAPACITOR |

RESISTOR

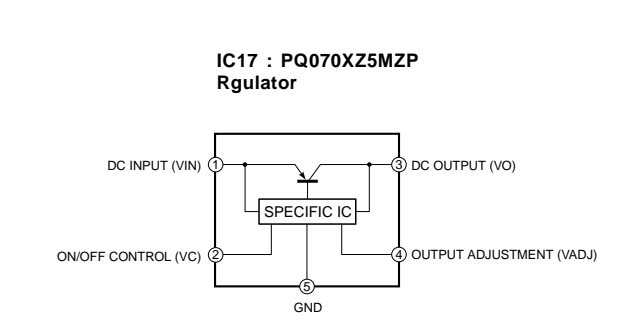
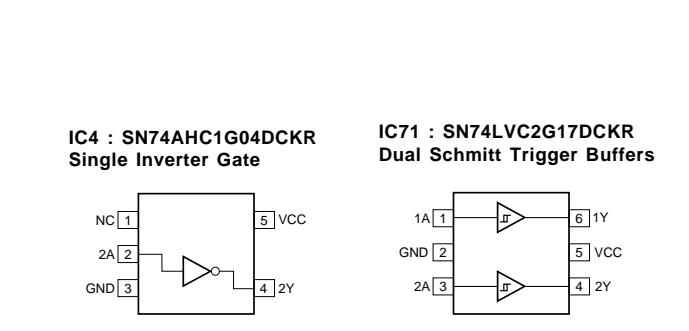
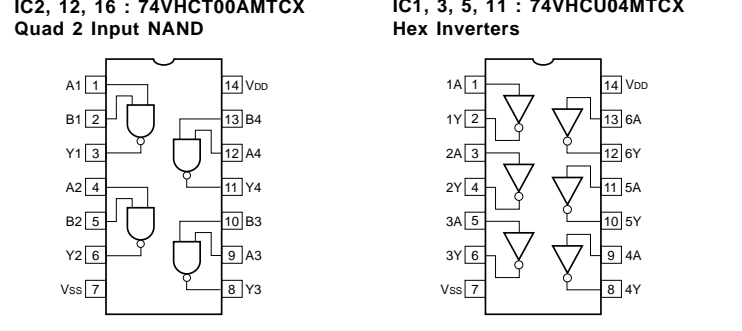
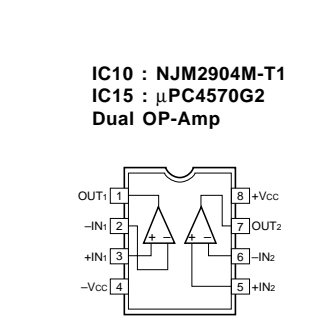
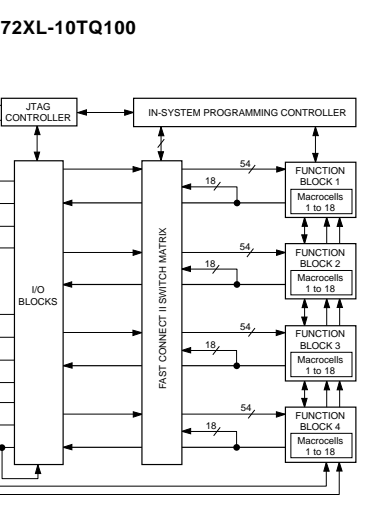
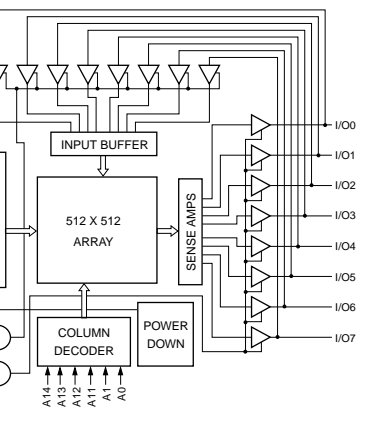
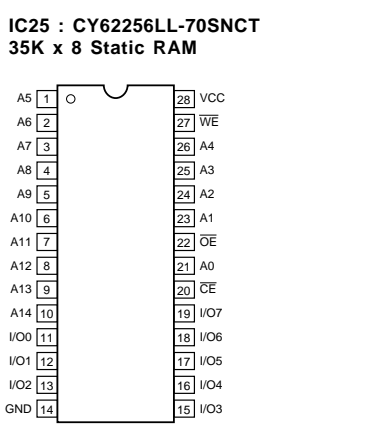
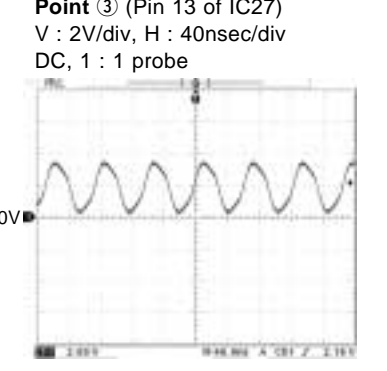
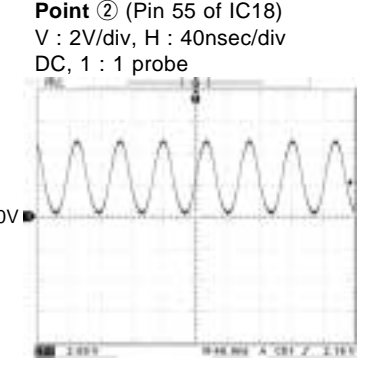
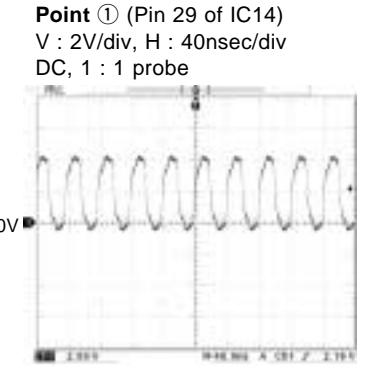
| REMARKS | PARTS NAME |
|---------|---------------------------------|
| NO MARK | CARBON FILM RESISTOR (P=5) |
| ⊗ | CARBON FILM RESISTOR (P=10) |
| ⊕ | METAL OXIDE FILM RESISTOR |
| ⊖ | METAL FILM RESISTOR |
| ⊗ | FIRE PROOF CARBON FILM RESISTOR |
| ⊕ | CEMENT MOLDED RESISTOR |
| ⊖ | SEMI VARIABLE RESISTOR |
| ⊗ | CHIP RESISTOR |

DSP1 (1)

| G1 | J27 | RD3000 | X |
|--|------------------------|-----------------|---|
| Interchangeable Parts at Manufacture-Stage | | | |
| Mark | Reference Parts Number | Parts Name | |
| #1 | IC25 | CY62256LL70SNCT | |
| #2 | IC10 | NM2904M | |
| #3 | IC13 | SN74AHC245PWR | |
| #4 | IC6-9 | TC74HC151AF | |

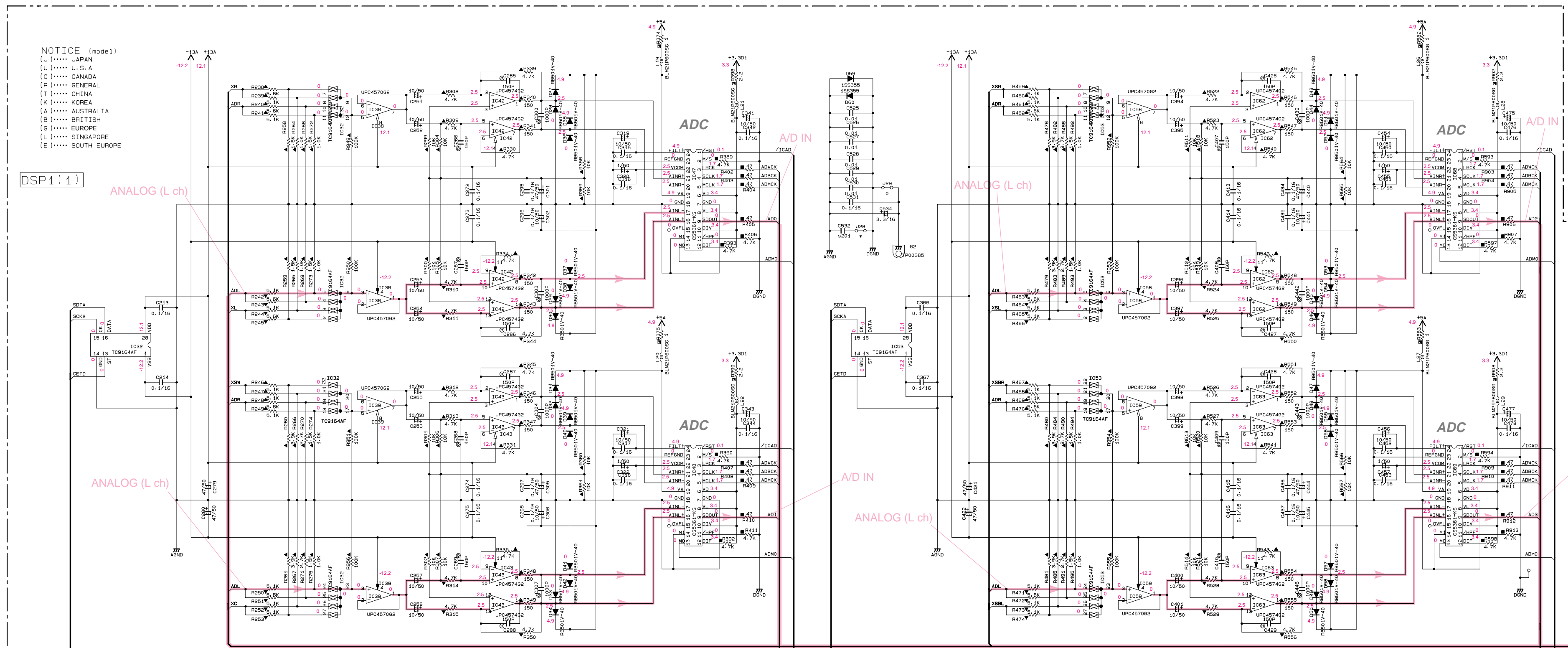
NOTICE (model)

(J)..... JAPAN
 (U)..... U.S.A
 (C)..... CANADA
 (R)..... GENERAL
 (T)..... CHINA
 (K)..... KOREA
 (A)..... AUSTRALIA
 (B)..... BRITISH
 (G)..... EUROPE
 (L)..... SINGAPORE



* All voltages are measured with a 10MΩ/V DC electronic volt meter.
 * Components having special characteristics are marked Δ and must be replaced with parts having specifications equal to those originally installed.
 * Schematic diagram is subject to change without notice.

SCHEMATIC DIAGRAM (DSP1 2/2)

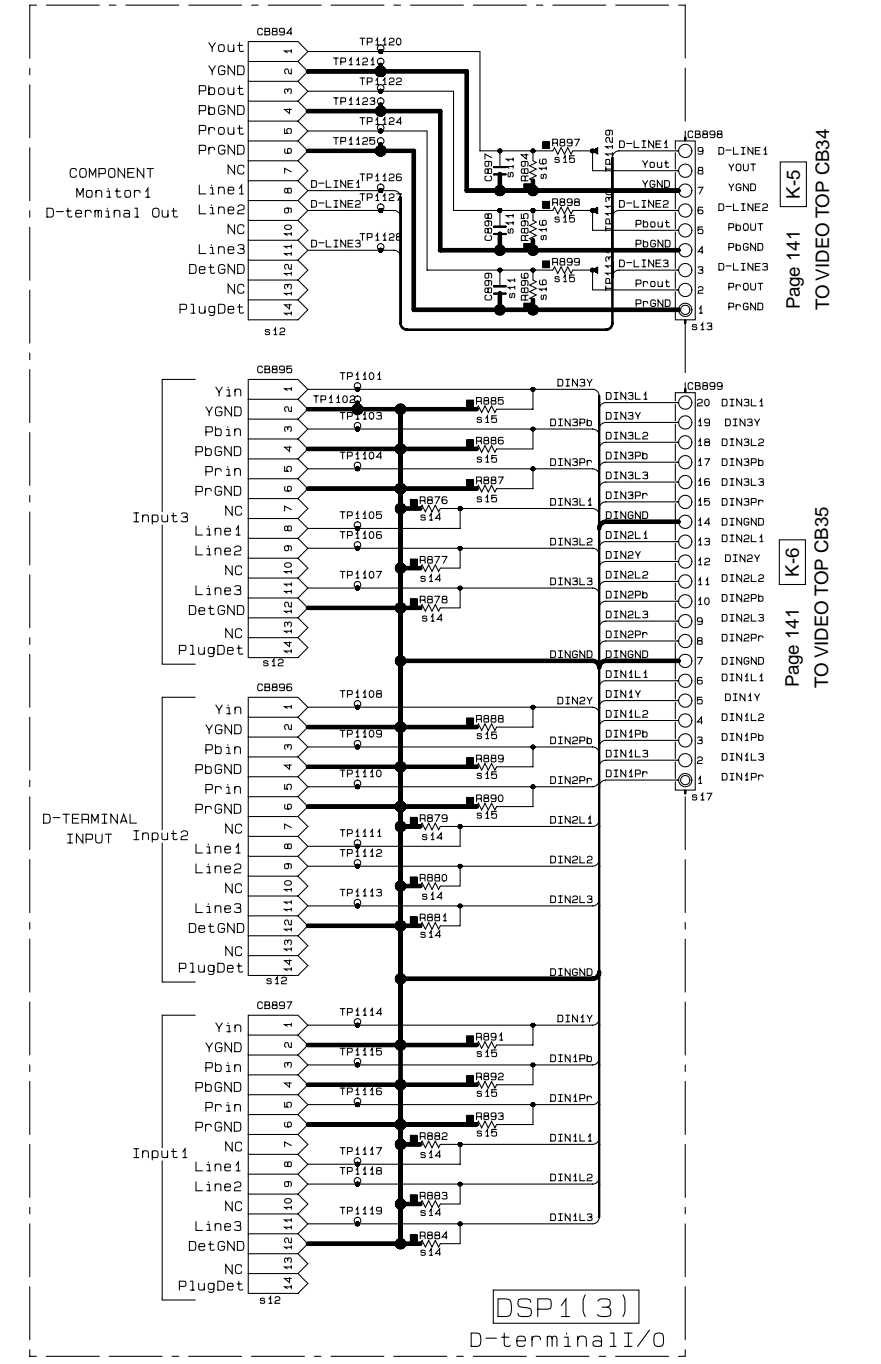


CAPACITOR

| REMARKS | PARTS NAME | UNIT |
|---------|----------------------------------|------|
| NO MARK | ELECTROLYTIC CAPACITOR | μF |
| NO MARK | TANTALUM CAPACITOR | μF |
| NO MARK | CERAMIC CAPACITOR | μF |
| ◎ | POLYESTER FILM CAPACITOR | μF |
| ◎ | POLYSTYRENE FILM CAPACITOR | μF |
| ◎ | MICA CAPACITOR | μF |
| ◎ | POLYPROPYLENE FILM CAPACITOR | μF |
| ◎ | SEMICONDUCTIVE CERAMIC CAPACITOR | μF |

RESISTOR

| REMARKS | PARTS NAME | UNIT |
|---------|---------------------------------|------|
| NO MARK | CARBON FILM RESISTOR (P=5) | Ω |
| NO MARK | CARBON FILM RESISTOR (P=10) | Ω |
| △ | METAL OXIDE FILM RESISTOR | Ω |
| △ | METAL PLATE RESISTOR | Ω |
| △ | FIRE PROOF CARBON FILM RESISTOR | Ω |
| △ | CEMENT MOLDED RESISTOR | Ω |
| △ | SEMI VARIABLE RESISTOR | Ω |
| △ | CHIP RESISTOR | Ω |

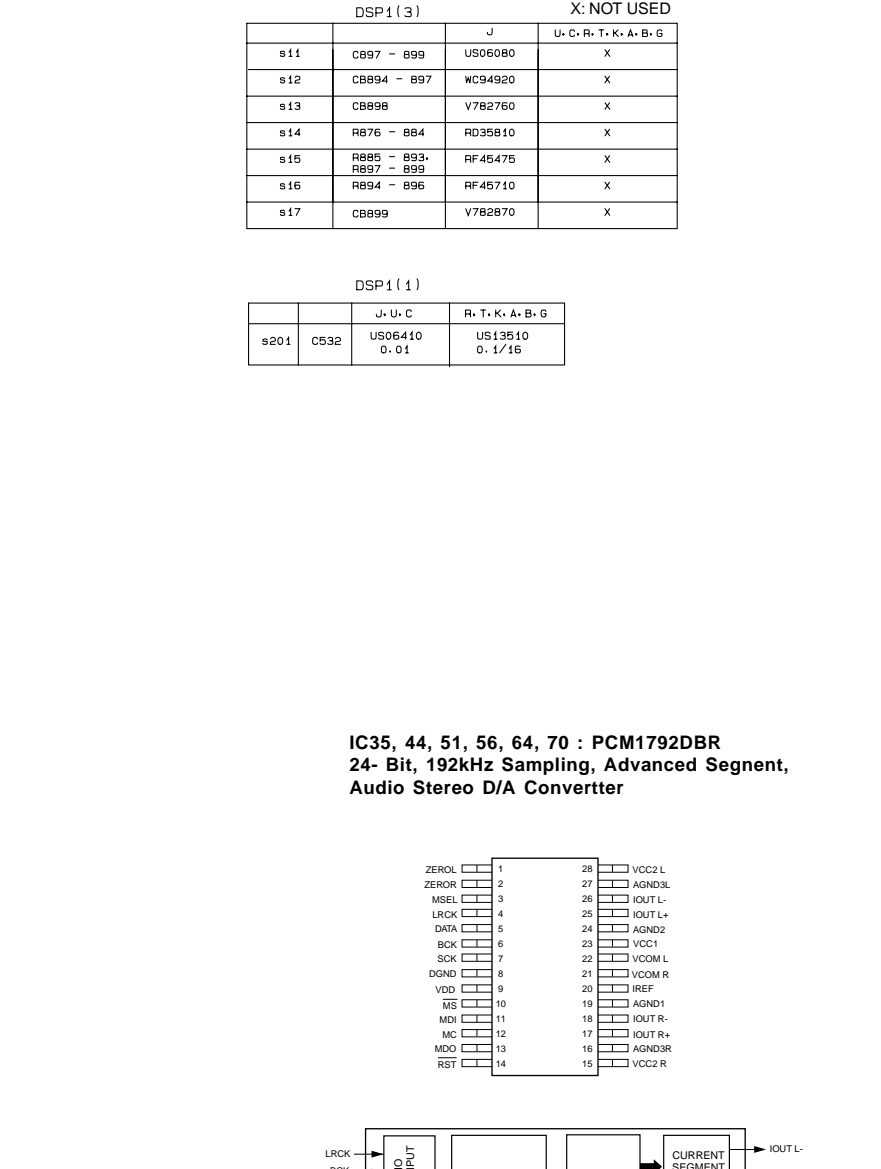
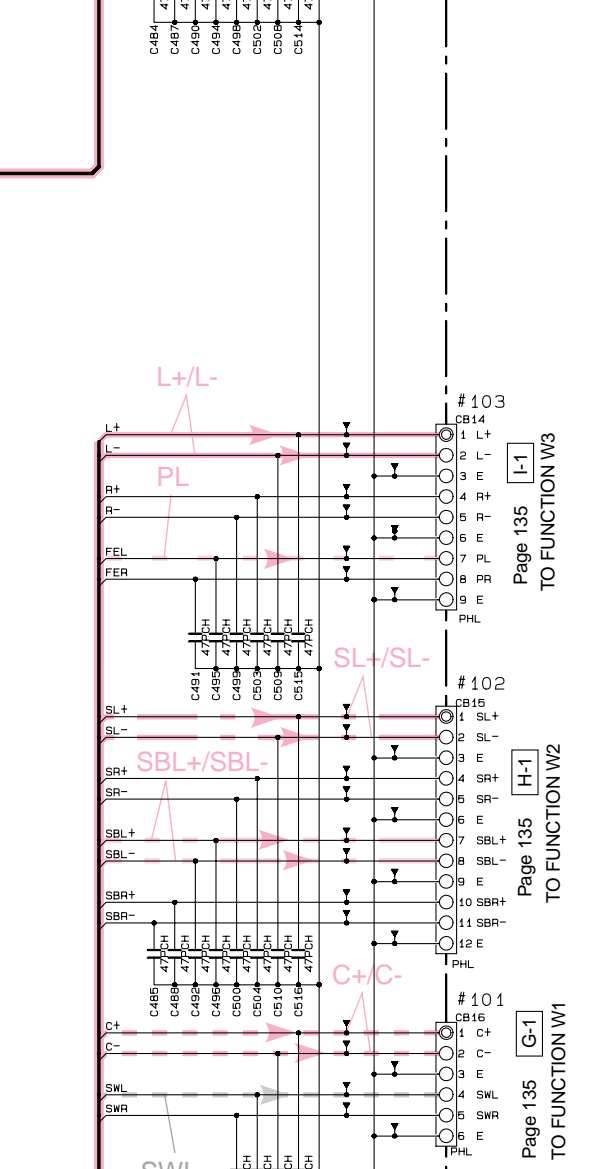
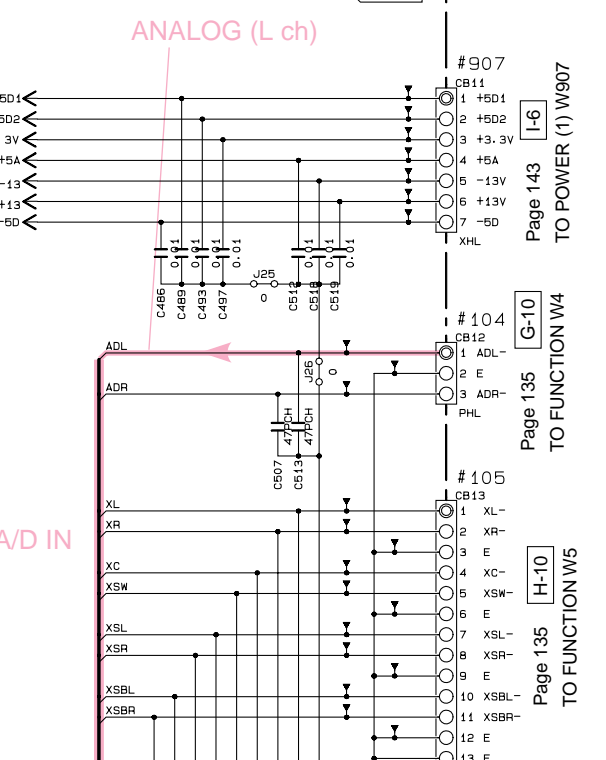
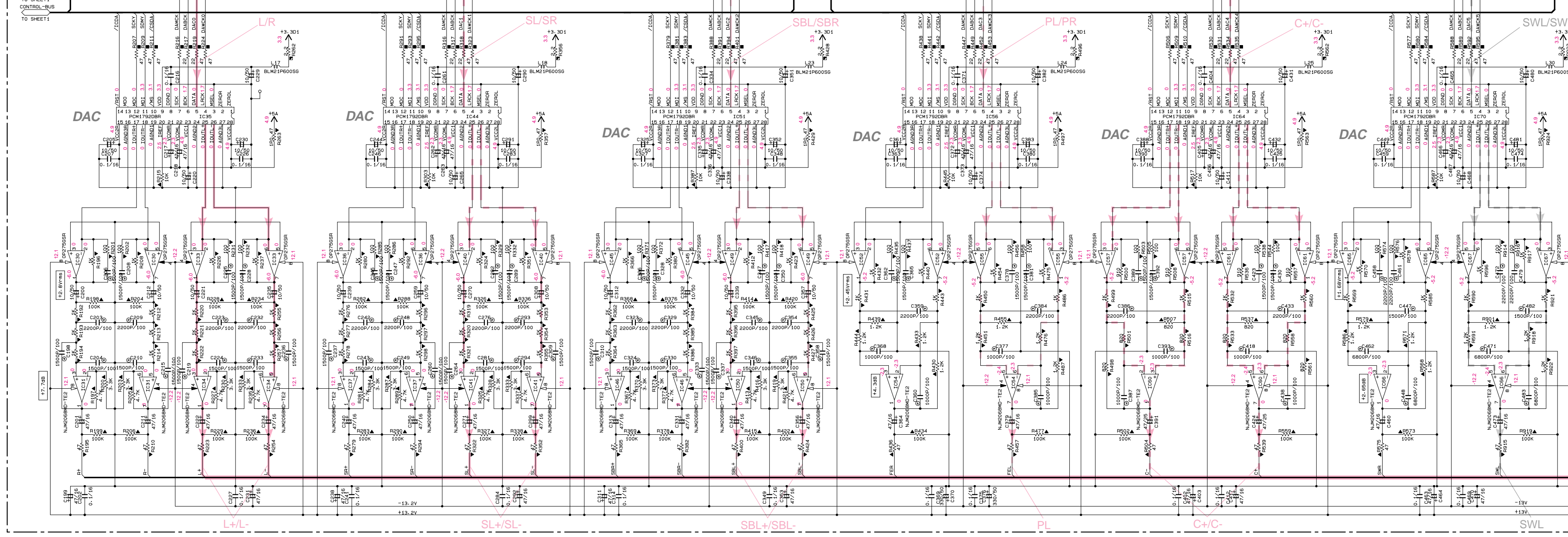


DSP1(3)

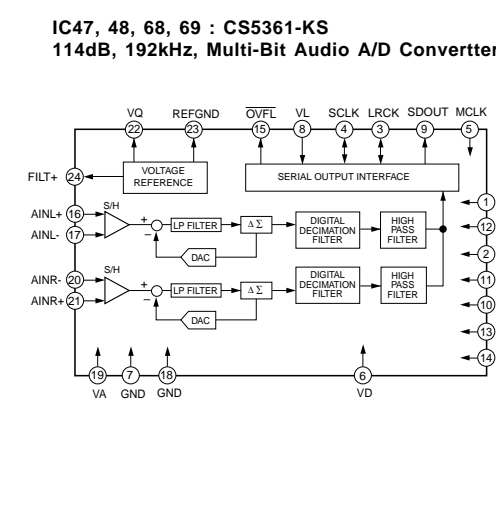
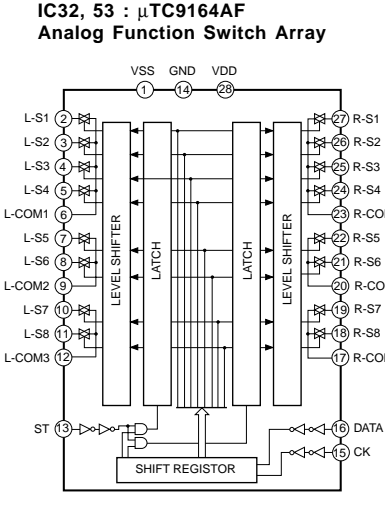
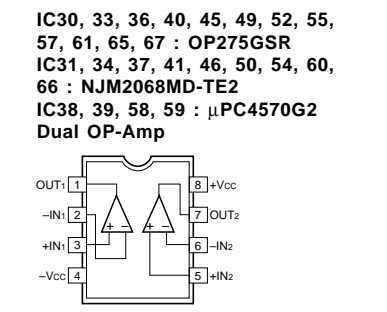
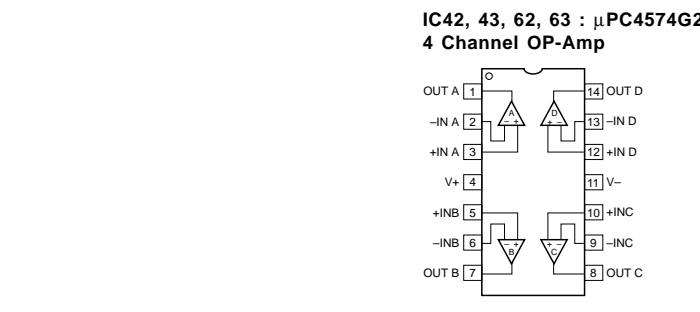
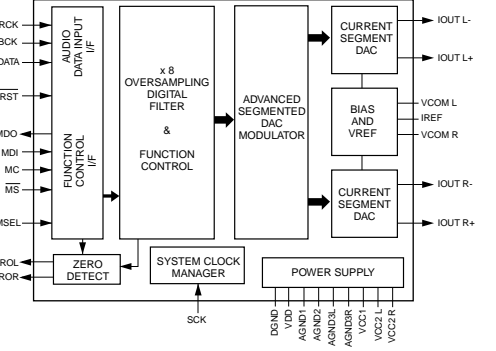
| U | X NOT USED | |
|----------------|------------|---|
| #11 CB97 - 899 | US06080 | X |
| #12 CB94 - 897 | MS4920 | X |
| #13 CB96 | V82760 | X |
| #14 8876 - 884 | 8D38810 | X |
| #15 8887 - 882 | 8F45470 | X |
| #16 8884 - 896 | 8F45710 | X |
| #17 CB99 | V768170 | X |

DSP1(1)

| U | X NOT USED | |
|----------|------------|--------|
| #201 CS3 | US1510 | 0.1750 |



IC35, 44, 51, 56, 64, 70 : PCM1792DBR
24-Bit, 192kHz Sampling, Advanced Segment,
Audio Stereo D/A Converter



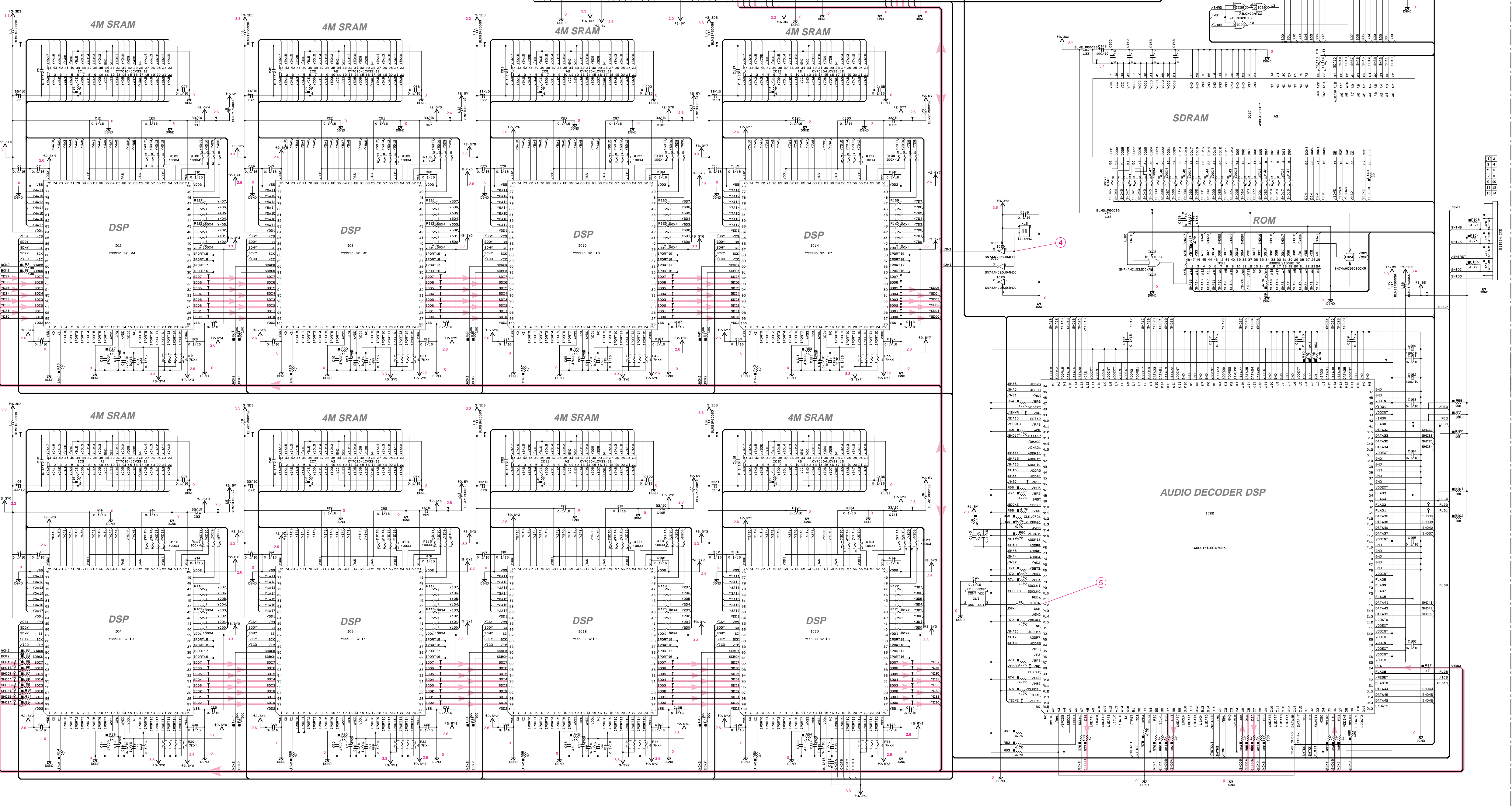
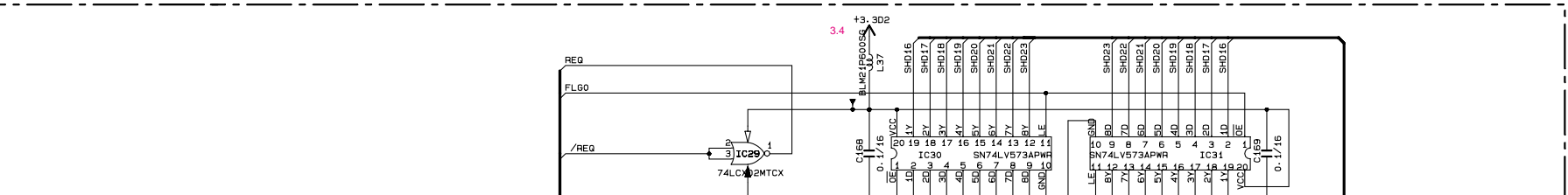
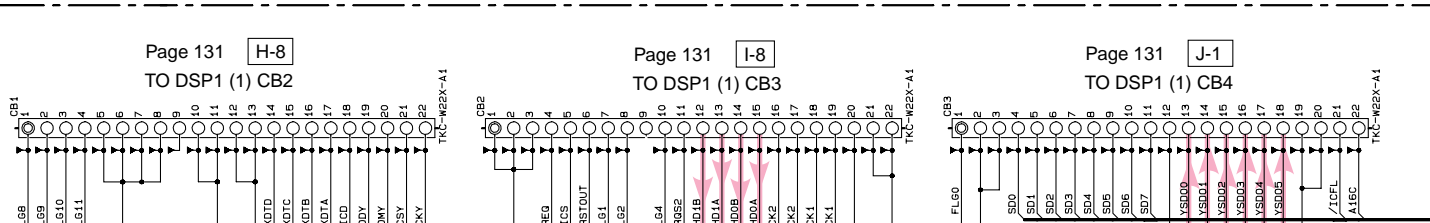
* All voltages are measured with a 10MΩ/V DC electronic volt meter.
* Components having special characteristics are marked Δ and must be replaced with parts having specifications equal to those originally installed.
* Schematic diagram is subject to change without notice.

SCHEMATIC DIAGRAM (DSP)

| RESISTOR | | CAPACITOR | |
|----------|---------------------------------|-----------|----------------------------------|
| REMARKS | PARTS NAME | REMARKS | PARTS NAME |
| NO MARK | CARBON FILM RESISTOR (DIP) | NO MARK | ELECTROLYTIC CAPACITOR |
| △ | METAL FILM RESISTOR (DIP) | △ | TANTALUM CAPACITOR |
| □ | METAL FILM RESISTOR (SMD) | ○ | CERAMIC CAPACITOR |
| ◇ | METAL PLATE RESISTOR | ⊙ | POLYESTER FILM CAPACITOR |
| ○ | FIRE PROOF CARBON FILM RESISTOR | ⊖ | POLYSTYRENE FILM CAPACITOR |
| □ | CHEMIST INSULATED RESISTOR | ⊕ | MICA CAPACITOR |
| ◇ | SEMI VARIABLE RESISTOR | ⊖ | POLYPROPYLENE FILM CAPACITOR |
| ○ | CHIP RESISTOR | ⊕ | SEMICONDUCTIVE CERAMIC CAPACITOR |

NOTICE (note)
 (U) U.S.A
 (C) CANADA
 (R) GENERAL
 (T) CHINA
 (K) KOREA
 (A) AUSTRALIA
 (B) BRITISH
 (G) EUROPE
 (L) SINGAPORE
 (E) SOUTH EUROPE

| Part No. | Interchangeable Part No. | Part Name |
|----------|----------------------------|-----------------|
| 41 | IC28 | SN74HC153DCCR |
| 42 | IC1-3, 5, 7, 9, 11, 13, 15 | CY7C1041CV33-12 |
| 43 | IC27 | W98642DQ-10 |
| | | WT48C032015-6 |



IC29 : 74LCX02MTCX Quad 2 Input NOR

IC24 : SN74AHC1G08DCKB Octal 2-Input AND Gate

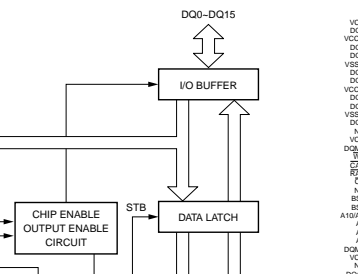
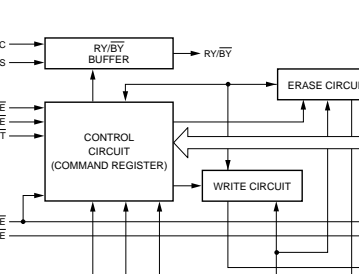
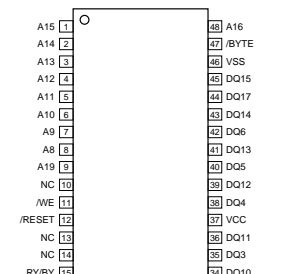
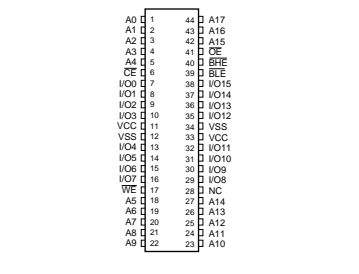
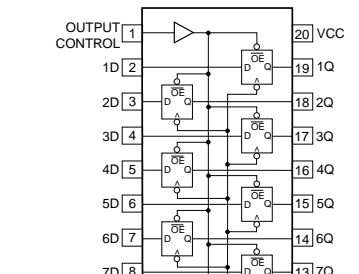
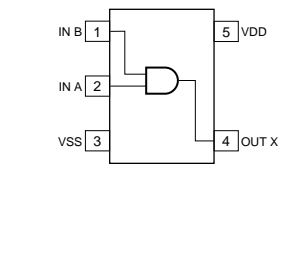
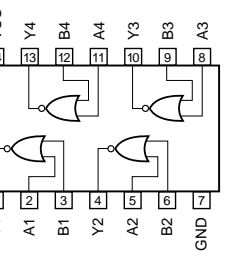
IC30, 31 : SN74LV573APWR Octal 3-State D-Latches

IC1, 3, 5, 7, 9, 11, 13, 15 : CY7C1041CV33-12CT Static RAM

IC23 : MBM29LV160BE-70TN 16M-Bit Flash ROM

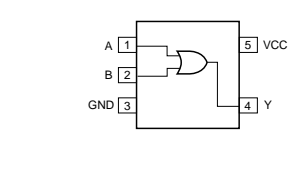
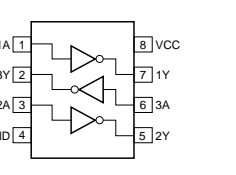
IC27 : W986432DH-7 512K x 4 Banks x 32Bits SDRAM

IC22 : AD527-AUDIO7085 DSP Microcomputer

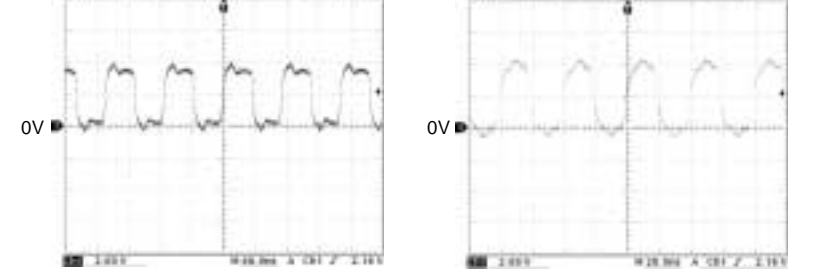


IC20 : SN74AHC2G04HDCR Triple inverters

IC28 : SN74AHC1G32DCKR Single 2-Input Positive-OR Gate



Point ④ (Pin 3 of IC20)
 V : 2V/div, H : 40nsec/div
 DC, 1 : 1 probe

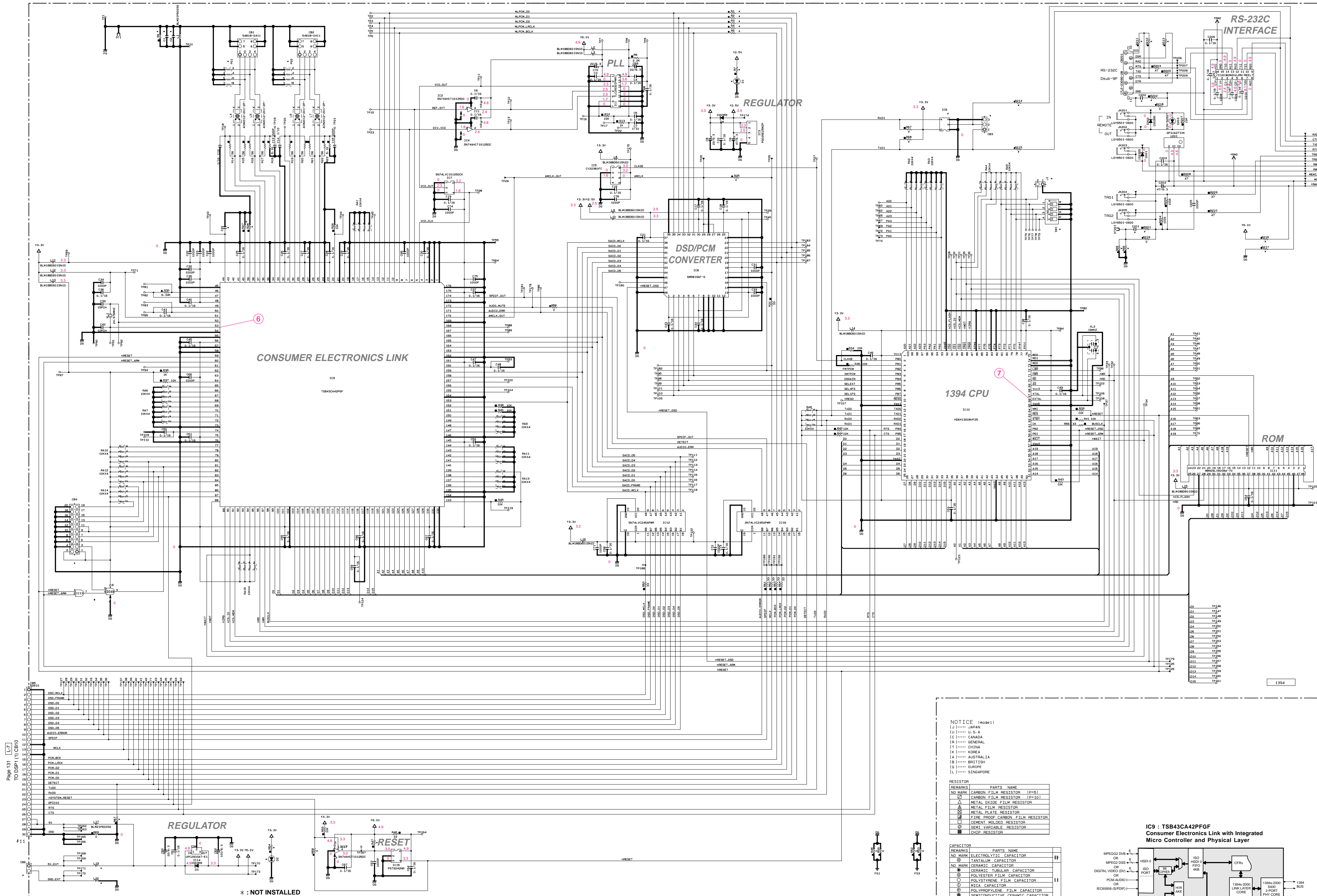


Point ⑤ (Pin 12 of IC22)
 V : 2V/div, H : 20nsec/div
 DC, 1 : 1 probe

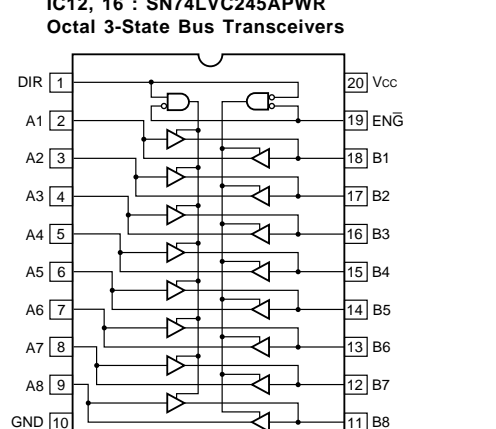
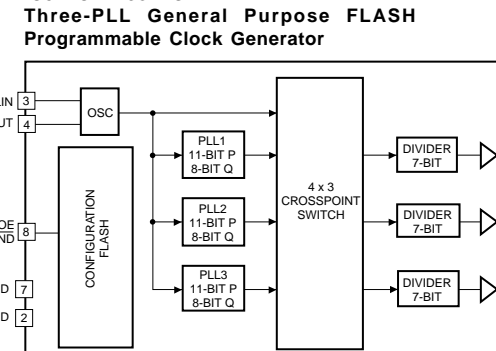
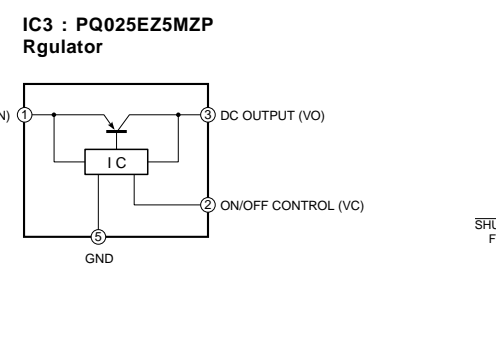
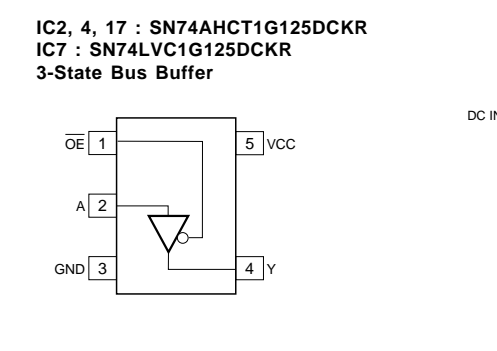
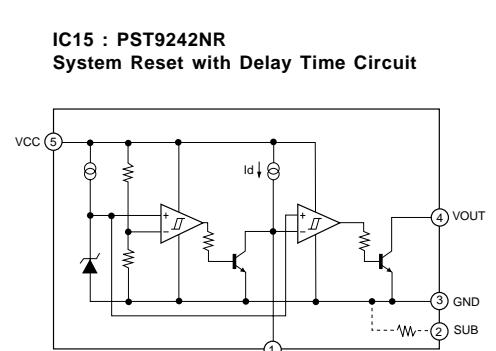
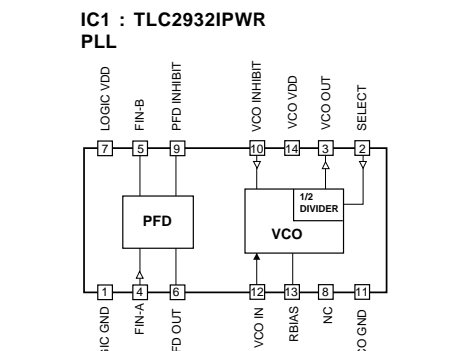


All voltages are measured with a 10MΩ/V DC electronic volt meter. Components having special characteristics are marked Δ and must be replaced with parts having specifications equal to those originally installed. Schematic diagram is subject to change without notice.

SCHEMATIC DIAGRAM (1394)



Page 131 TO DSP1 (U) CB10

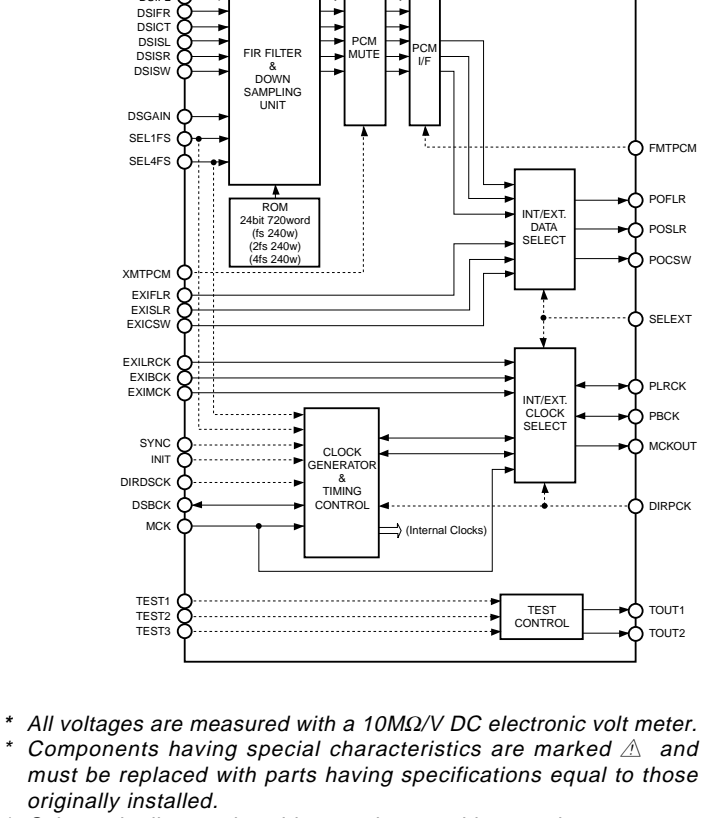
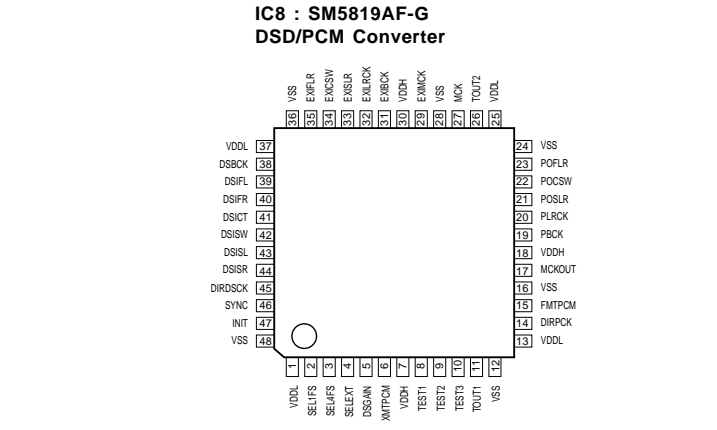
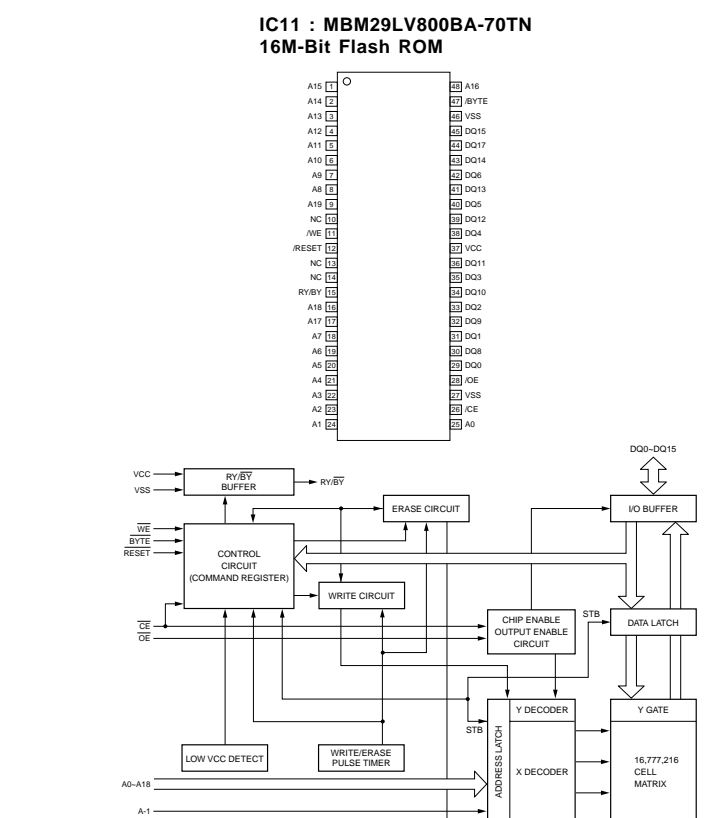
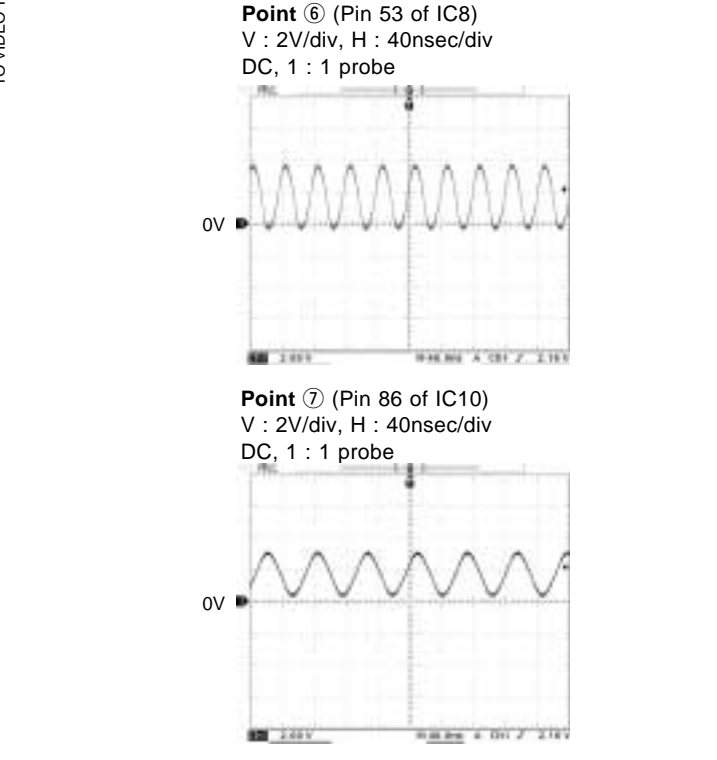
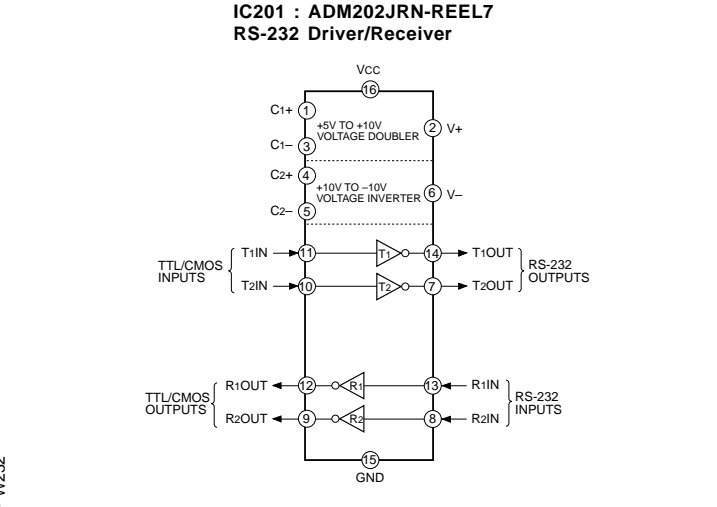
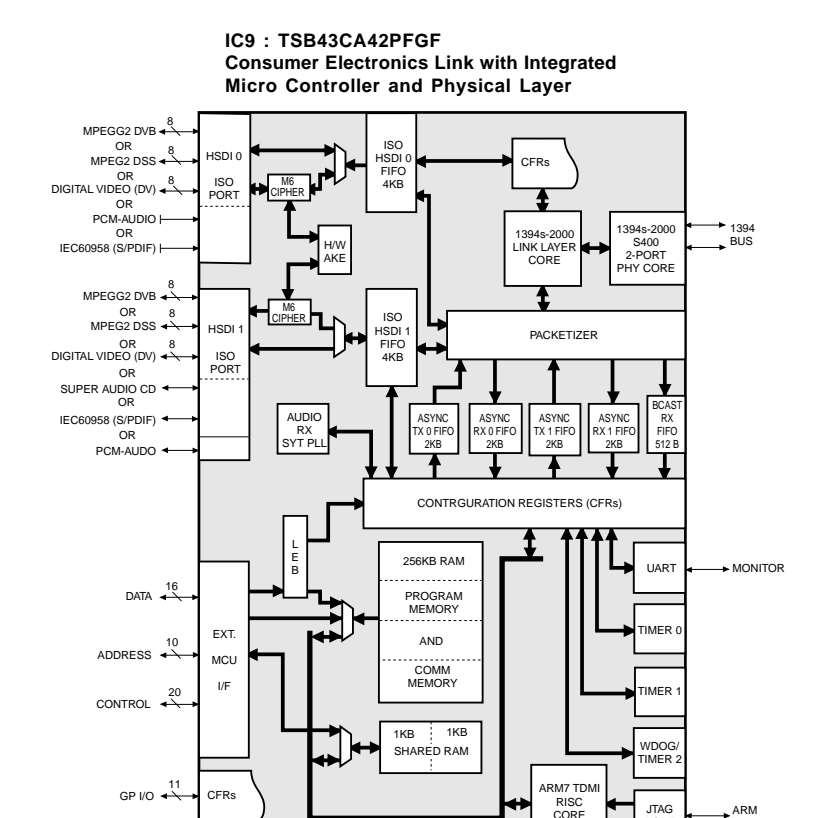


NOTICE (note 1)

(J) JAPAN
(U) U.S.A
(C) CANADA
(B) GENERAL
(I) CHINA
(K) KOREA
(A) AUSTRALIA
(E) BRITISH
(G) EUROPE
(L) SWITZERLAND

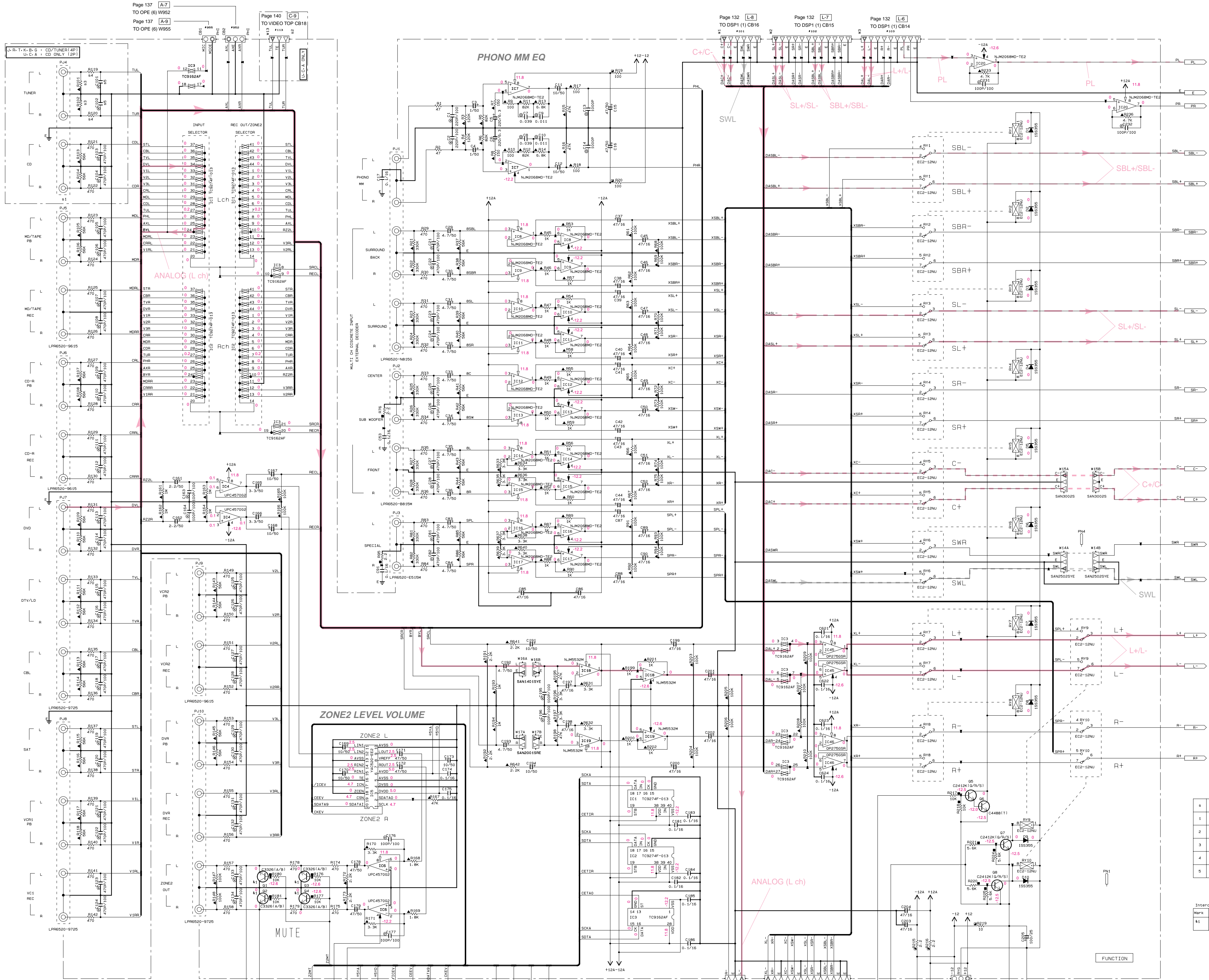
| REMARKS | PARTS NAME | VALUE |
|---------|----------------------------------|-------|
| NO MARK | CARBON FILM RESISTOR (F00) | |
| NO MARK | CARBON FILM RESISTOR (F0-10) | |
| △ | METAL OXIDE FILM RESISTOR | |
| △ | METAL FILM RESISTOR | |
| □ | METAL SLATE RESISTOR | |
| □ | FINE TROPIC CARBON FILM RESISTOR | |
| □ | CEMENT MOUNTED RESISTOR | |
| □ | SERIAL MOUNTABLE RESISTOR | |
| ■ | CHIP RESISTOR | |

| CAPACITOR | PARTS NAME | VALUE |
|-----------|----------------------------------|-------|
| NO MARK | ELECTROLYTIC CAPACITOR | |
| NO MARK | CERAMIC CAPACITOR | |
| NO MARK | CERAMIC CAPACITOR | |
| ○ | POLYESTER FILM CAPACITOR | |
| ○ | POLYETHYLENE FILM CAPACITOR | |
| ○ | MICA CAPACITOR | |
| ○ | POLYPROPYLENE FILM CAPACITOR | |
| ○ | SEMICONDUCTIVE CERAMIC CAPACITOR | |



* All voltages are measured with a 10MΩV DC electronic volt meter.
* Components having special characteristics are marked △ and must be replaced with parts having specifications equal to those originally installed.
* Schematic diagram is subject to change without notice.

SCHEMATIC DIAGRAM (FUNCTION 1/2)



CAPACITOR

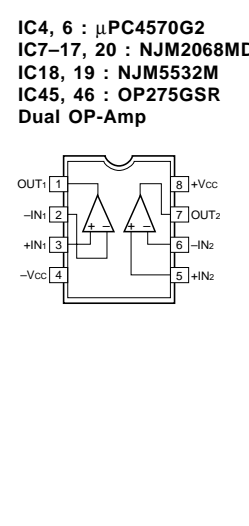
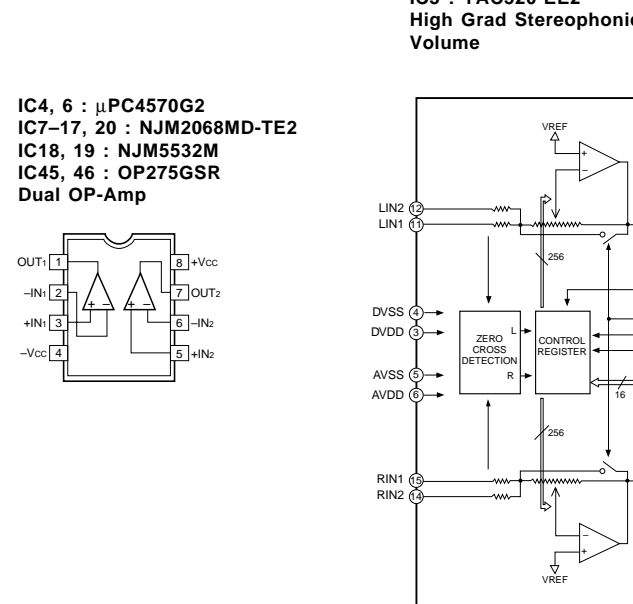
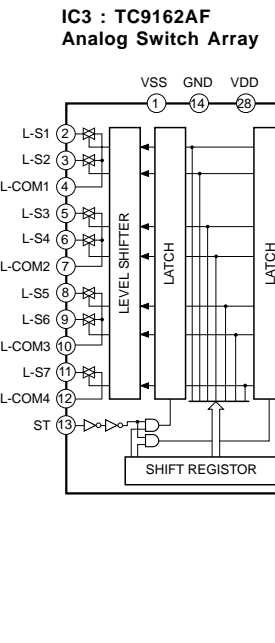
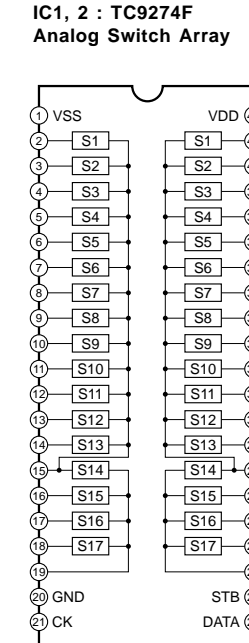
| REMARKS | PARTS NAME |
|---------|--------------------------------------|
| ⊗ | ELECTROLYTIC CAPACITOR |
| ⊙ | TANTALUM CAPACITOR |
| ⊖ | CERAMIC CAPACITOR |
| ⊕ | CERAMIC TUBULAR CAPACITOR |
| ⊗ | POLYESTER FILM CAPACITOR |
| ⊙ | POLYSTYRENE FILM CAPACITOR |
| ⊖ | MLCA CAPACITOR |
| ⊕ | POLYPROPYLENE FILM CAPACITOR |
| ⊗ | SEMICONDUCTIVE CERAMIC CAPACITOR |
| ⊙ | POLYPHENYLENE SULFIDE FILM CAPACITOR |

RESISTOR

| REMARKS | PARTS NAME |
|---------|---------------------------------|
| □ | CARBON FILM RESISTOR (P=5) |
| △ | CARBON FILM RESISTOR (P=10) |
| ◇ | METAL OXIDE FILM RESISTOR |
| ⊖ | METAL FILM RESISTOR |
| ⊕ | METAL PLATE RESISTOR |
| ⊗ | FIRE PROOF CARBON FILM RESISTOR |
| ⊙ | CEMENT MOLDED RESISTOR |
| ⊖ | SEMI VARIABLE RESISTOR |
| ⊕ | CHIP RESISTOR |

NOTICE (Model)

(J)..... JAPAN
 (U)..... U.S.A
 (C)..... CANADA
 (A)..... GENERAL
 (T)..... CHINA
 (K)..... KOREA
 (A)..... AUSTRALIA
 (B)..... BRITISH
 (G)..... EUROPE
 (L)..... SINGAPORE
 (E)..... SOUTH EUROPE



X: NOT USED

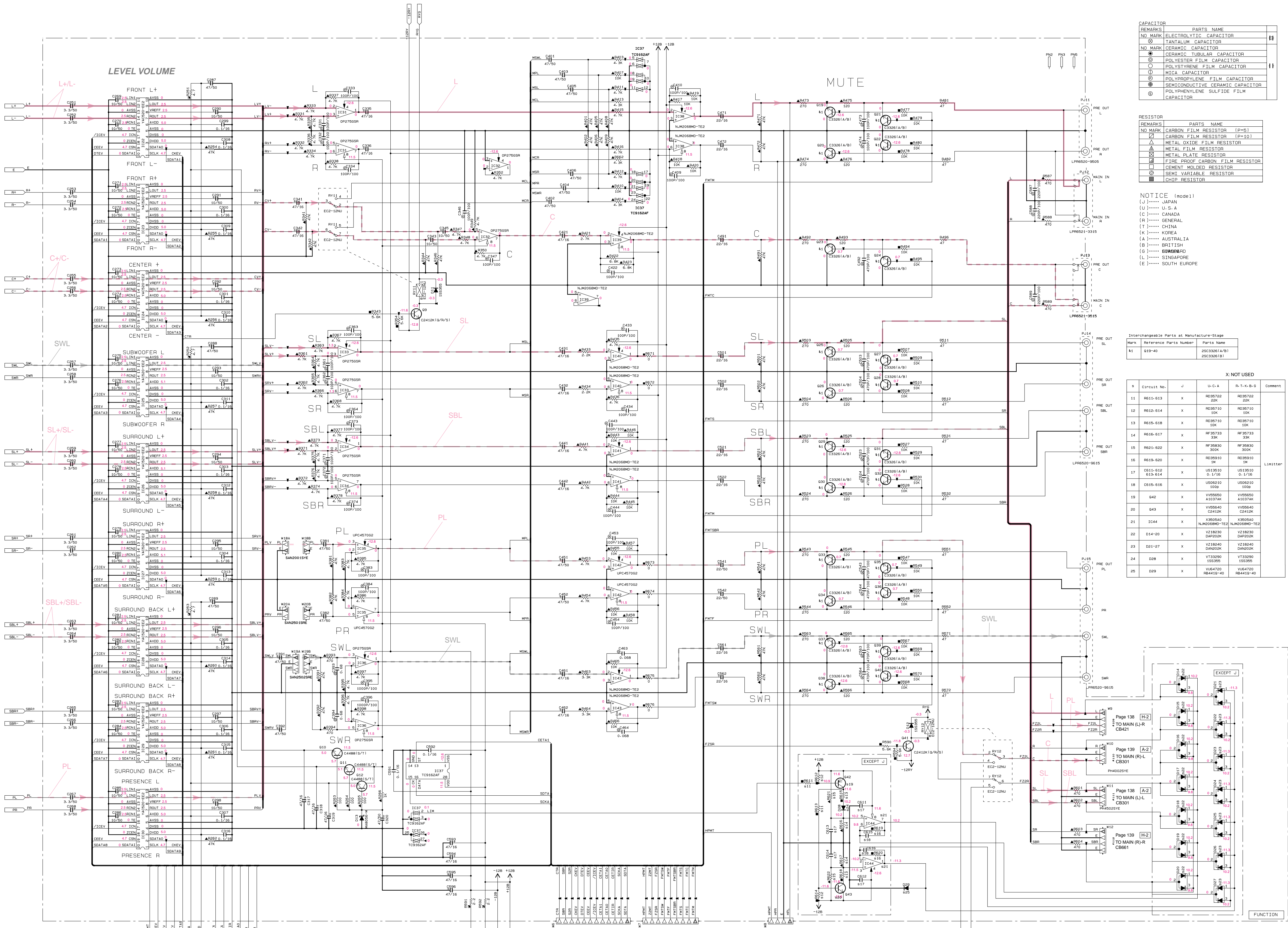
| 9 | Circuit No. | J | U-C-A | R.T.-K-B-G | Comment |
|---|-------------|---|---------------------|--------------------|---------------------|
| 1 | PJ4 | X | V480700 #PINAUK | V480660 #PINAUK | V480700 #PINAUK |
| 2 | W13 | X | VM07800 | X | X |
| 3 | R101-102 | X | V119920 56K | X | V119920 56K |
| 4 | R159-160 | X | WF45647 470 | X | WF45647 470 |
| 5 | C101-102 | X | V669110 470P/100 | X | V669110 470P/100 |

Interchangeable Parts at Manufacture Stage

| Mark | Reference Parts Number | Parts Name |
|------|------------------------|----------------------------|
| 41 | G1-4 | 25C3306(A/B) 25C3306(B) |

* All voltages are measured with a 10MΩ/V DC electronic volt meter.
 * Components having special characteristics are marked Δ and must be replaced with parts having specifications equal to those originally installed.
 * Schematic diagram is subject to change without notice.

SCHEMATIC DIAGRAM (FUNCTION 2/2)



CAPACITOR

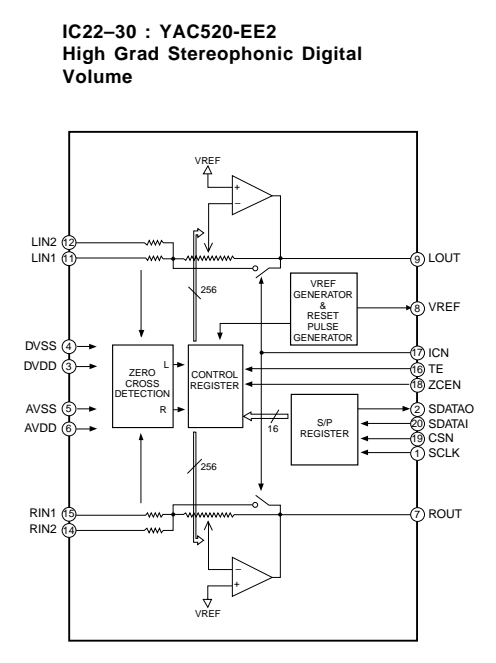
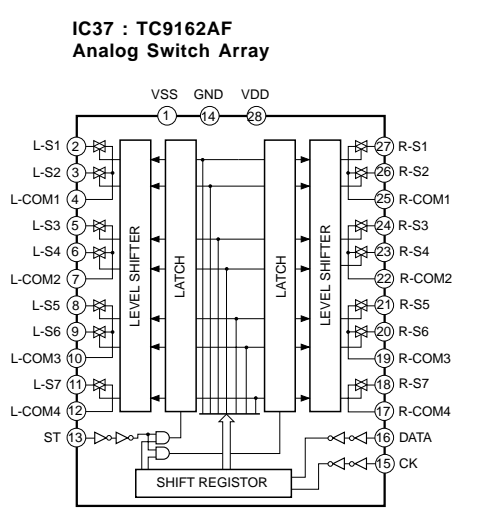
| REMARKS | PARTS NAME |
|---------|--------------------------------------|
| NO MARK | ELECTROLYTIC CAPACITOR |
| ⊗ | TANTALUM CAPACITOR |
| NO MARK | CERAMIC CAPACITOR |
| ⊙ | CERAMIC TUBULAR CAPACITOR |
| ⊖ | POLYESTER FILM CAPACITOR |
| ⊕ | POLYETHYLENE FILM CAPACITOR |
| ⊖ | MICA CAPACITOR |
| ⊖ | POLYPROPYLENE FILM CAPACITOR |
| ⊖ | SEMICONDUCTIVE CERAMIC CAPACITOR |
| ⊖ | POLYPHENYLENE SULFIDE FILM CAPACITOR |

RESISTOR

| REMARKS | PARTS NAME |
|---------|---------------------------------|
| NO MARK | CARBON FILM RESISTOR (P=5) |
| ⊗ | CARBON FILM RESISTOR (P=10) |
| ⊖ | METAL OXIDE FILM RESISTOR |
| ⊖ | METAL FILM RESISTOR |
| ⊖ | FILM PROOF CARBON FILM RESISTOR |
| ⊖ | CEMENT MOLDED RESISTOR |
| ⊖ | SEMI VARIABLE RESISTOR |
| ⊖ | CHIP RESISTOR |

NOTICE (mode1)

(J)..... JAPAN
 (U)..... U.S.A
 (C)..... CANADA
 (R)..... GENERAL
 (T)..... CHINA
 (K)..... KOREA
 (A)..... AUSTRALIA
 (B)..... BRITISH
 (G)..... GERMANY
 (L)..... SINGAPORE
 (E)..... SOUTH EUROPE

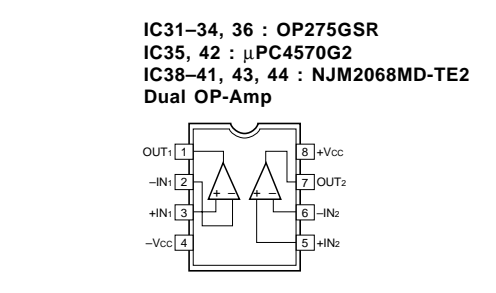


Interchangeable Parts at Manufacture-Stage

| Mark | Reference Parts Number | Parts Name |
|------|------------------------|----------------------------|
| 41 | G19-40 | 2SC3326(A/B) 2SC3326(B) |

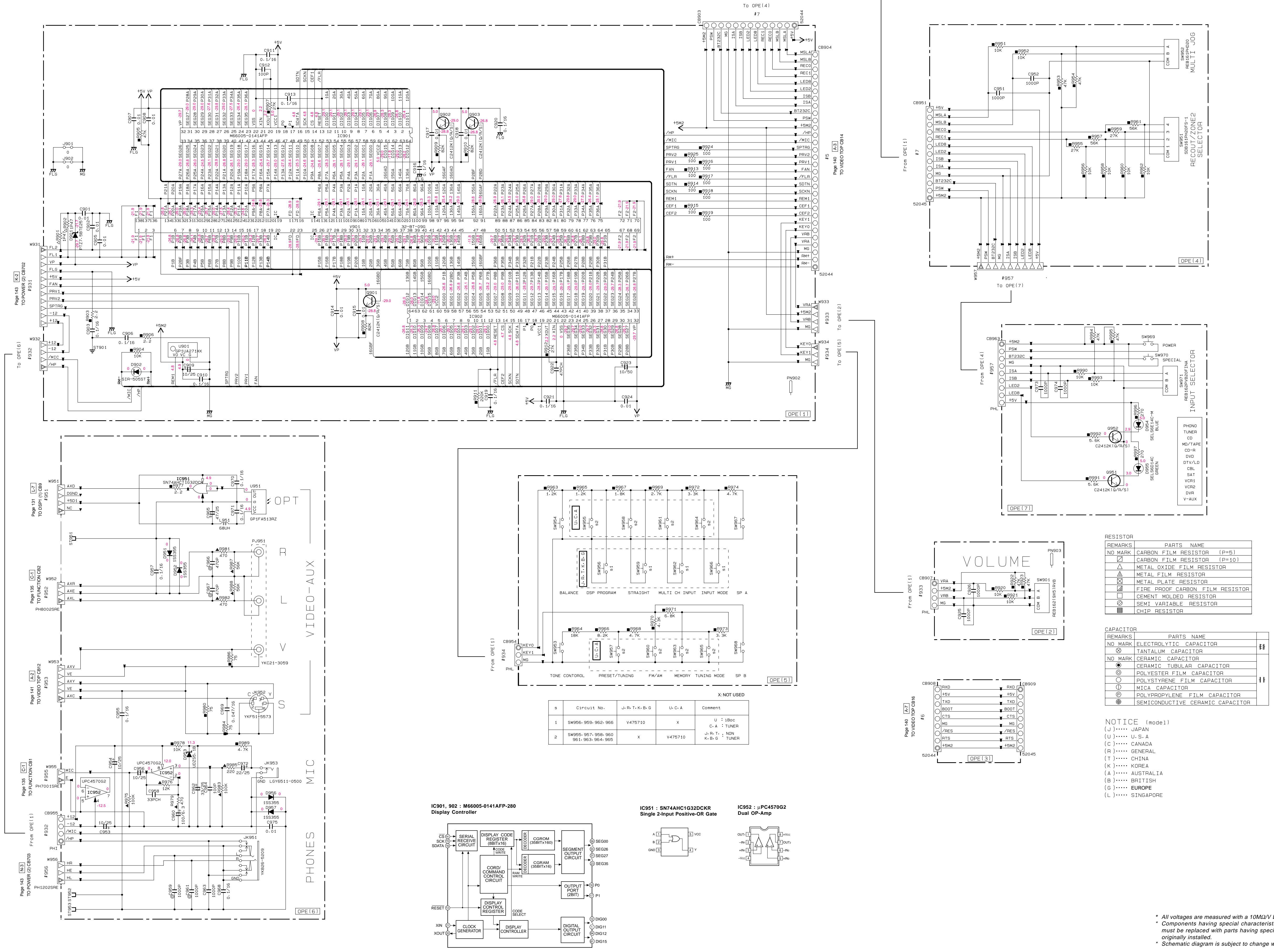
X: NOT USED

| 9 | Circuit No. | J | U.C.A | R-T, K, B, G | Comment |
|----|-------------|---|--------------------------|--------------------------|---------|
| 11 | R011-613 | X | RD36732 20K | RD36732 20K | |
| 12 | R010-614 | X | RD36710 10K | RD36710 10K | |
| 13 | R010-616 | X | RD36710 10K | RD36710 10K | |
| 14 | R016-617 | X | RF35733 33K | RF35733 33K | |
| 15 | R021-620 | X | RF30830 300K | RF30830 300K | |
| 16 | R019-620 | X | RD36910 1M | RD36910 1M | Limiter |
| 17 | G011-612 | X | US13910 0.1V16 | US13910 0.1V16 | |
| 18 | G019-616 | X | US06210 100p | US06210 100p | |
| 19 | G42 | X | VY55650 | VY55650 | |
| 20 | G43 | X | VY55640 C2412K | VY55640 C2412K | |
| 21 | IC44 | X | X300540 NJM2068MD-TE2 | X300540 NJM2068MD-TE2 | |
| 22 | D14-20 | X | V218330 DAP202K | V218330 DAP202K | |
| 23 | D01-27 | X | V218340 DAP202K | V218340 DAP202K | |
| 24 | D28 | X | VY33300 1S3355 | VY33300 1S3355 | |
| 25 | D39 | X | VU64720 RB4410-40 | VU64720 RB4410-40 | |



* All voltages are measured with a 10MΩ/V DC electronic volt meter.
 * Components having special characteristics are marked Δ and must be replaced with parts having specifications equal to those originally installed.
 * Schematic diagram is subject to change without notice.

SCHEMATIC DIAGRAM (OPERATION)



Page 143 [K2] TO POWER (Q) CB702

Page 131 [L7] TO DSP1 (I) CB9

Page 135 [C1] TO FUNCTION CB2

Page 141 [A2] TO VIDEO TOP CB12

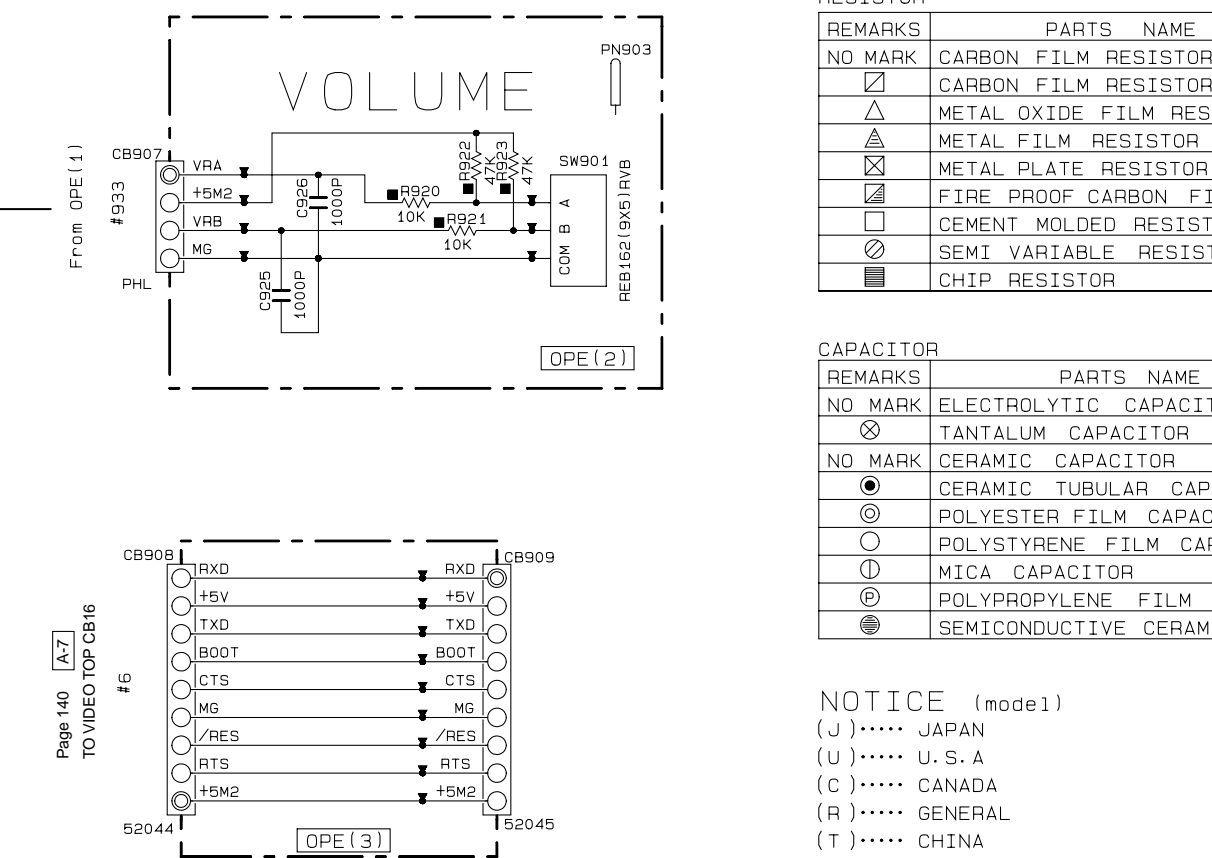
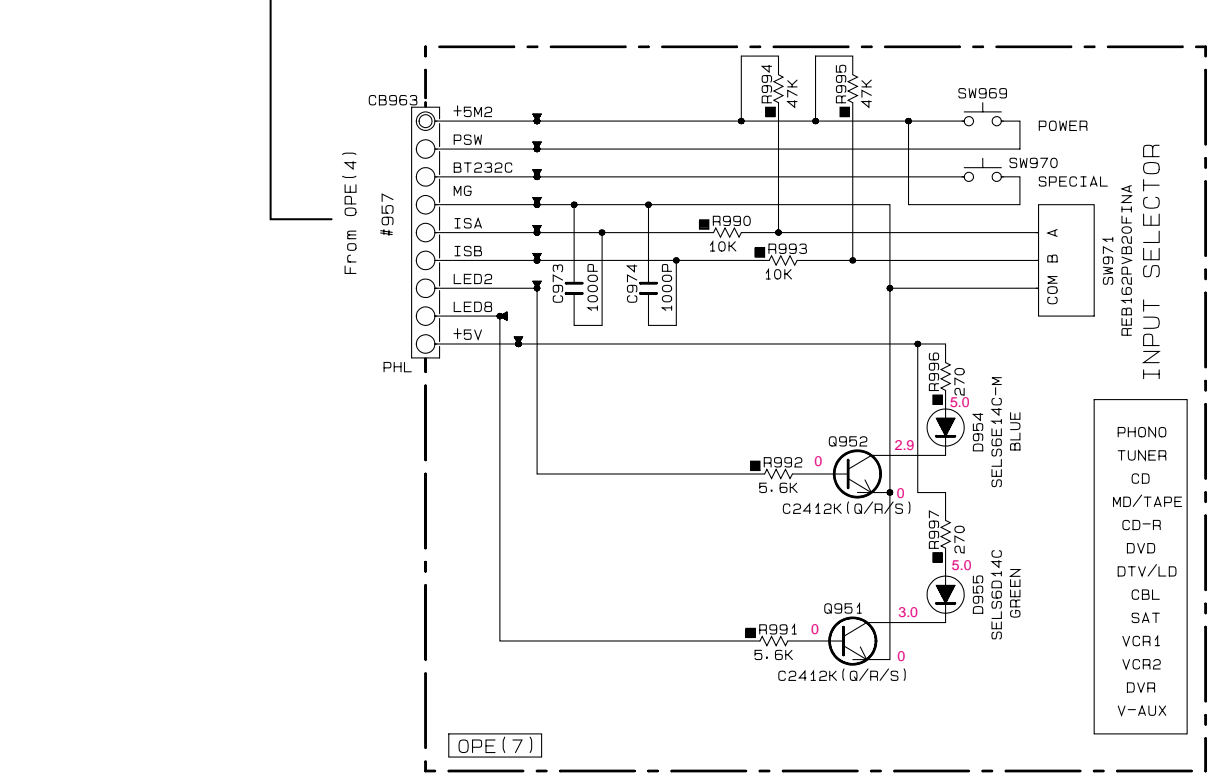
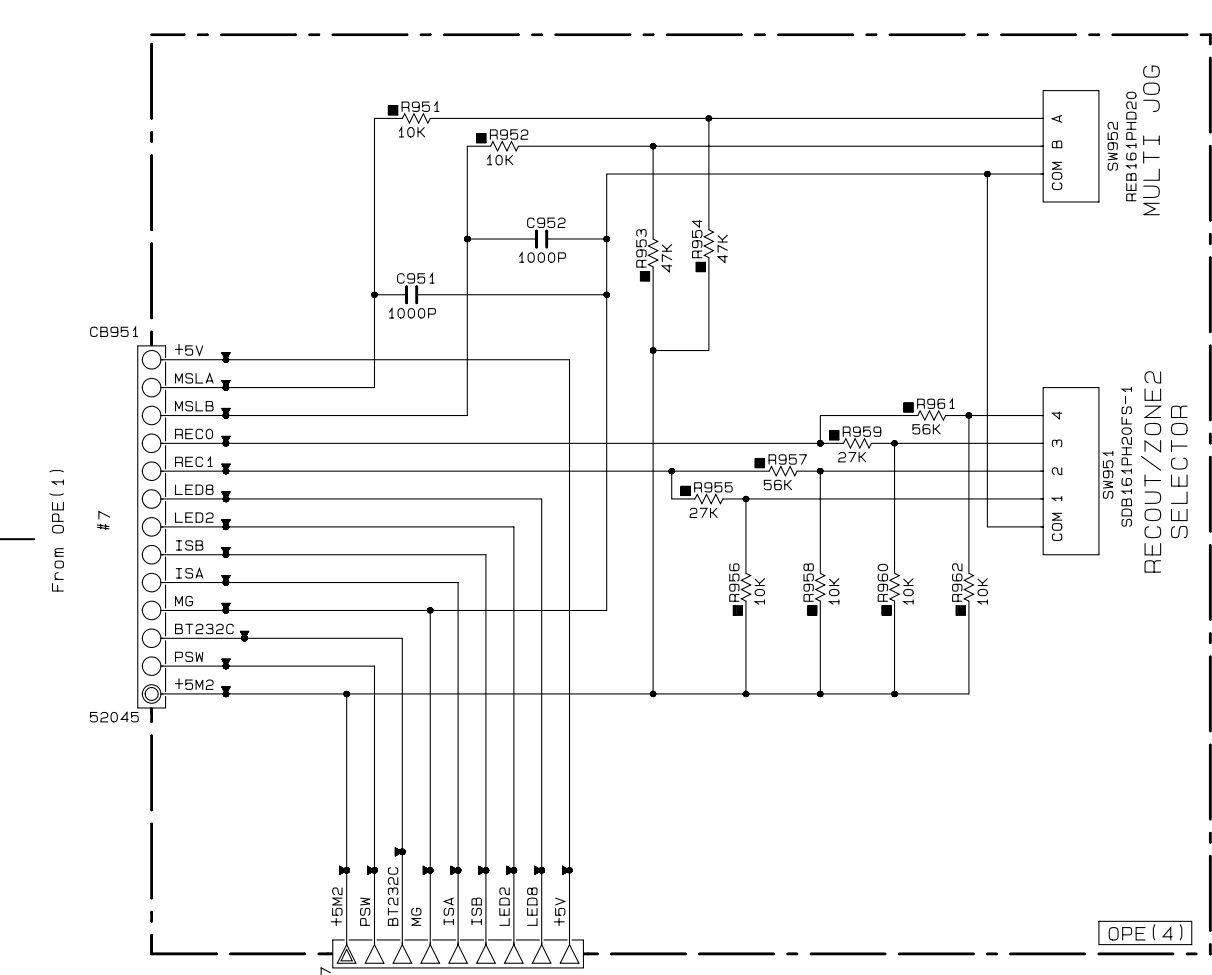
Page 135 [C1] TO FUNCTION CB1

Page 143 [K3] TO POWER (Q) CB703

Page 140 [A3] TO VIDEO TOP CB14

Page 140 [A3] TO VIDEO TOP CB14

Page 140 [A7] TO VIDEO TOP CB16



RESISTOR

| REMARKS | PARTS NAME |
|---------|---------------------------------|
| NO MARK | CARBON FILM RESISTOR (P=5) |
| □ | CARBON FILM RESISTOR (P=10) |
| △ | METAL OXIDE FILM RESISTOR |
| ▲ | METAL FILM RESISTOR |
| ■ | METAL PLATE RESISTOR |
| ⊗ | FIRE PROOF CARBON FILM RESISTOR |
| □ | CEMENT MOLDED RESISTOR |
| ⊙ | SEMI VARIABLE RESISTOR |
| ■ | CHIP RESISTOR |

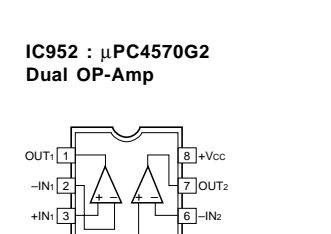
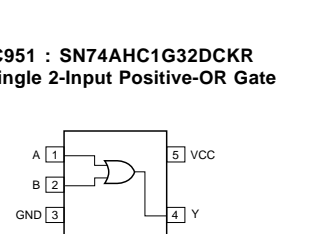
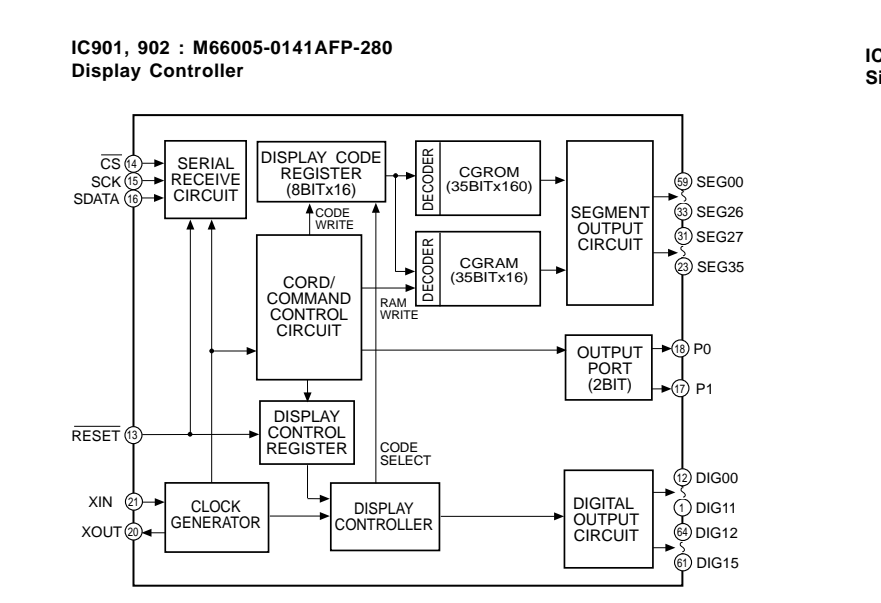
CAPACITOR

| REMARKS | PARTS NAME |
|---------|----------------------------------|
| NO MARK | ELECTROLYTIC CAPACITOR |
| ⊗ | TANTALUM CAPACITOR |
| NO MARK | CERAMIC CAPACITOR |
| ⊙ | CERAMIC TUBULAR CAPACITOR |
| ○ | POLYESTER FILM CAPACITOR |
| ○ | POLYSTYRENE FILM CAPACITOR |
| ⊖ | MICA CAPACITOR |
| ⊕ | POLYPROPYLENE FILM CAPACITOR |
| ⊙ | SEMICONDUCTIVE CERAMIC CAPACITOR |

NOTICE (model)

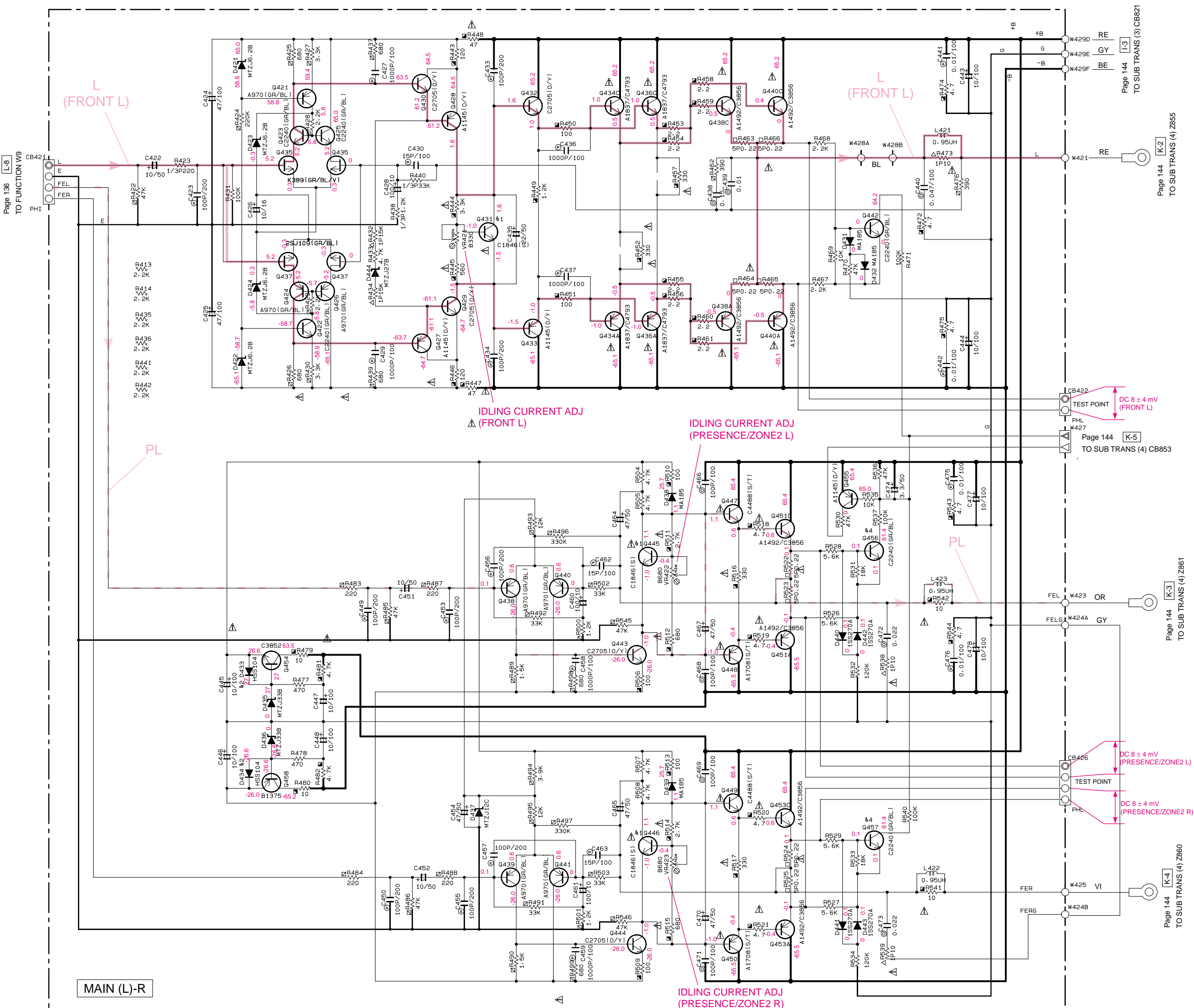
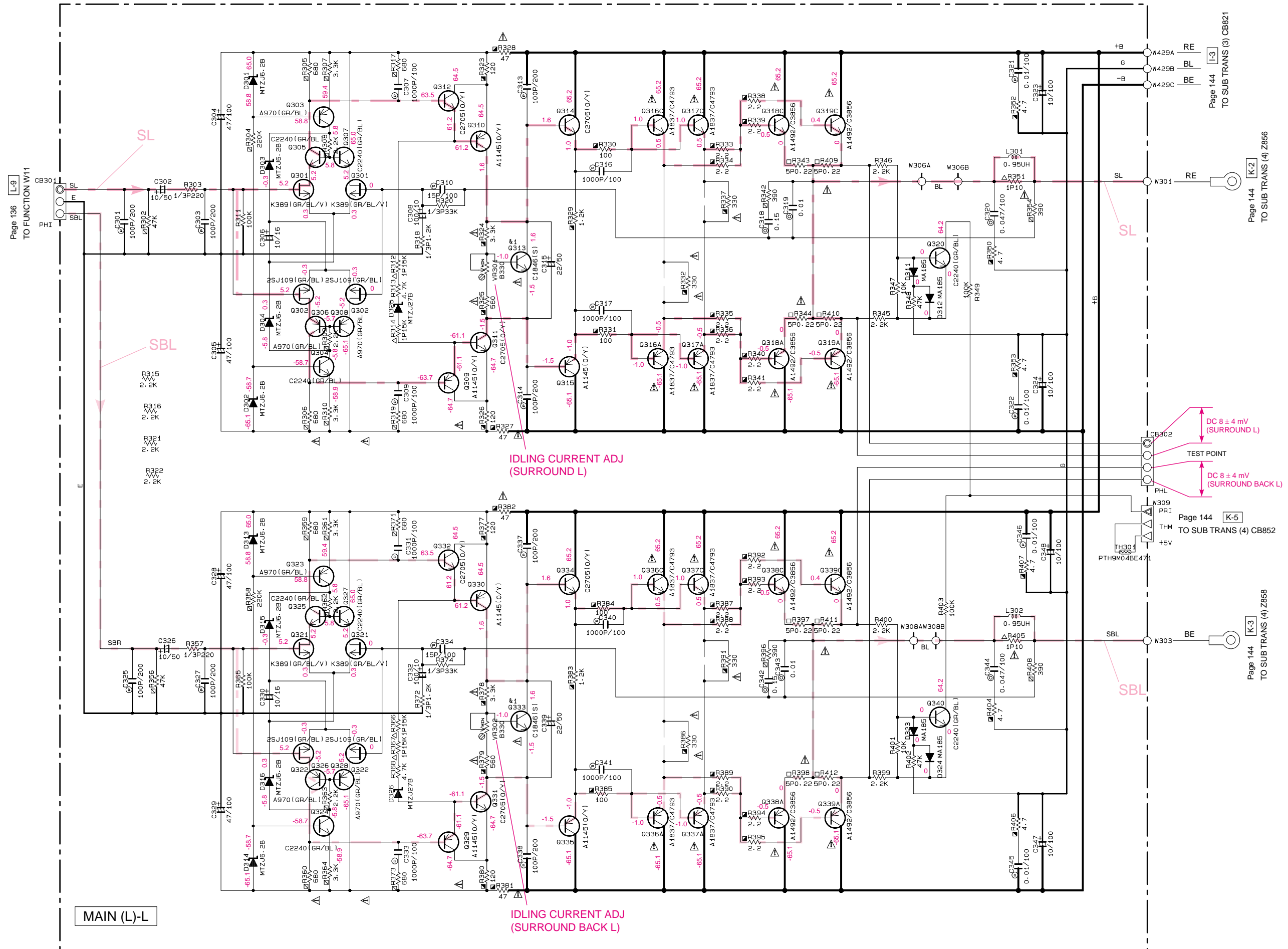
(J)..... JAPAN
 (U)..... U. S. A.
 (C)..... CANADA
 (R)..... GENERAL
 (T)..... CHINA
 (K)..... KOREA
 (A)..... AUSTRALIA
 (B)..... BRITISH
 (G)..... EUROPE
 (L)..... SINGAPORE

| s | Circuit No. | J-R-T-K-B-G | U-C-A | Comment |
|---|--------------------------------------|-------------|---------|------------------------------|
| 1 | SW956-959-962-966 | V475710 | X | U : Jloc C : A : TUNER |
| 2 | SW955-957-958-960 961-963-964-965 | X | V475710 | J-R-T : NON K-B-G : TUNER |



* All voltages are measured with a 10MΩ/1 DC electronic volt meter.
 * Components having special characteristics are marked Δ and must be replaced with parts having specifications equal to those originally installed.
 * Schematic diagram is subject to change without notice.

SCHEMATIC DIAGRAM (MAIN L)



| REMARKS | PARTS NAME |
|---------|---------------------------------|
| NO MARK | CARBON FILM RESISTOR (P=5) |
| □ | CARBON FILM RESISTOR (P=10) |
| △ | METAL OXIDE FILM RESISTOR |
| ⊙ | METAL FILM RESISTOR |
| ⊠ | METAL PLATE RESISTOR |
| ⊡ | FINE PROOF CARBON FILM RESISTOR |
| ⊞ | CEMENT MOLDED RESISTOR |
| ⊚ | SEMI VARIABLE RESISTOR |
| ■ | CHIP RESISTOR |

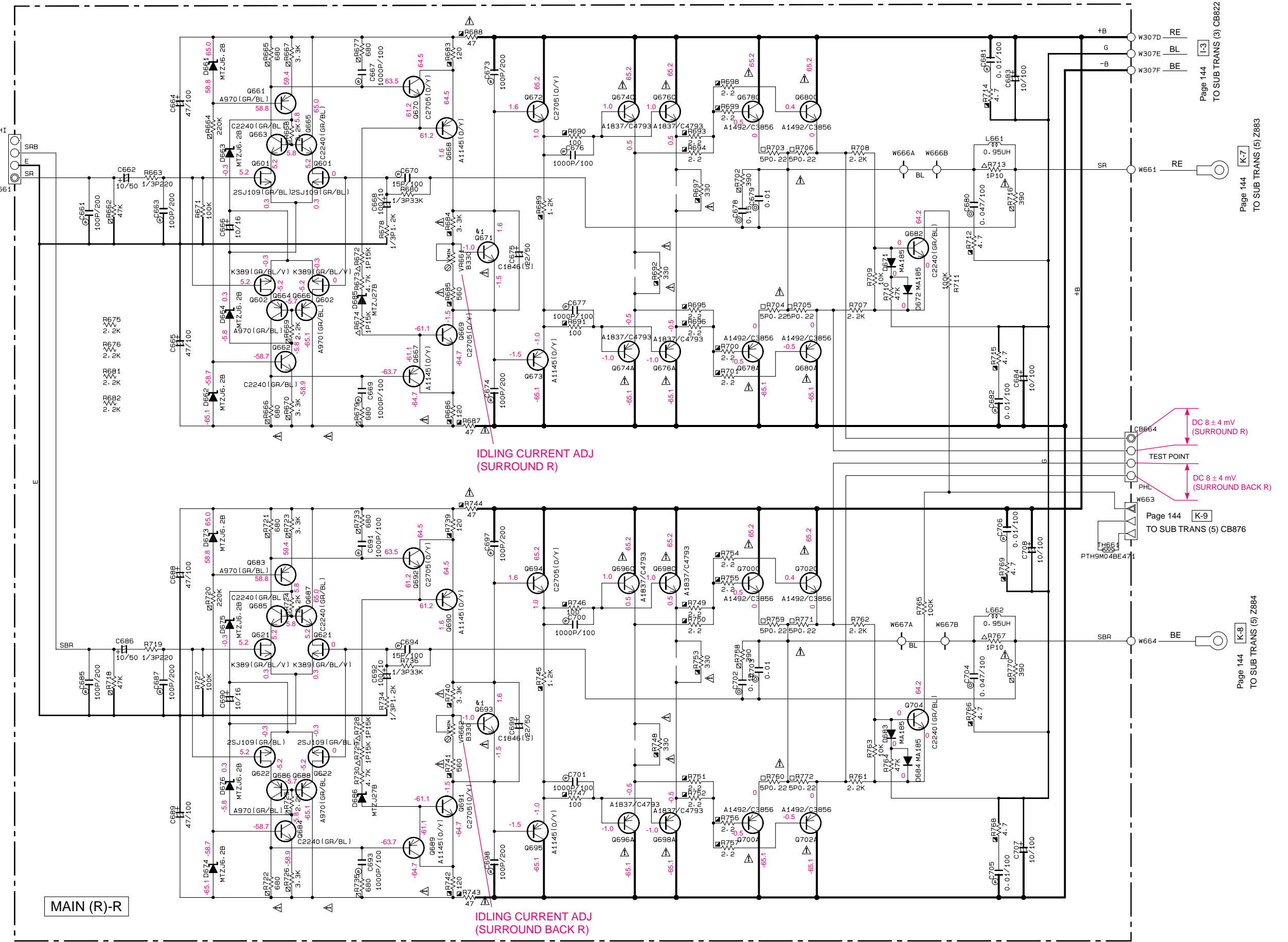
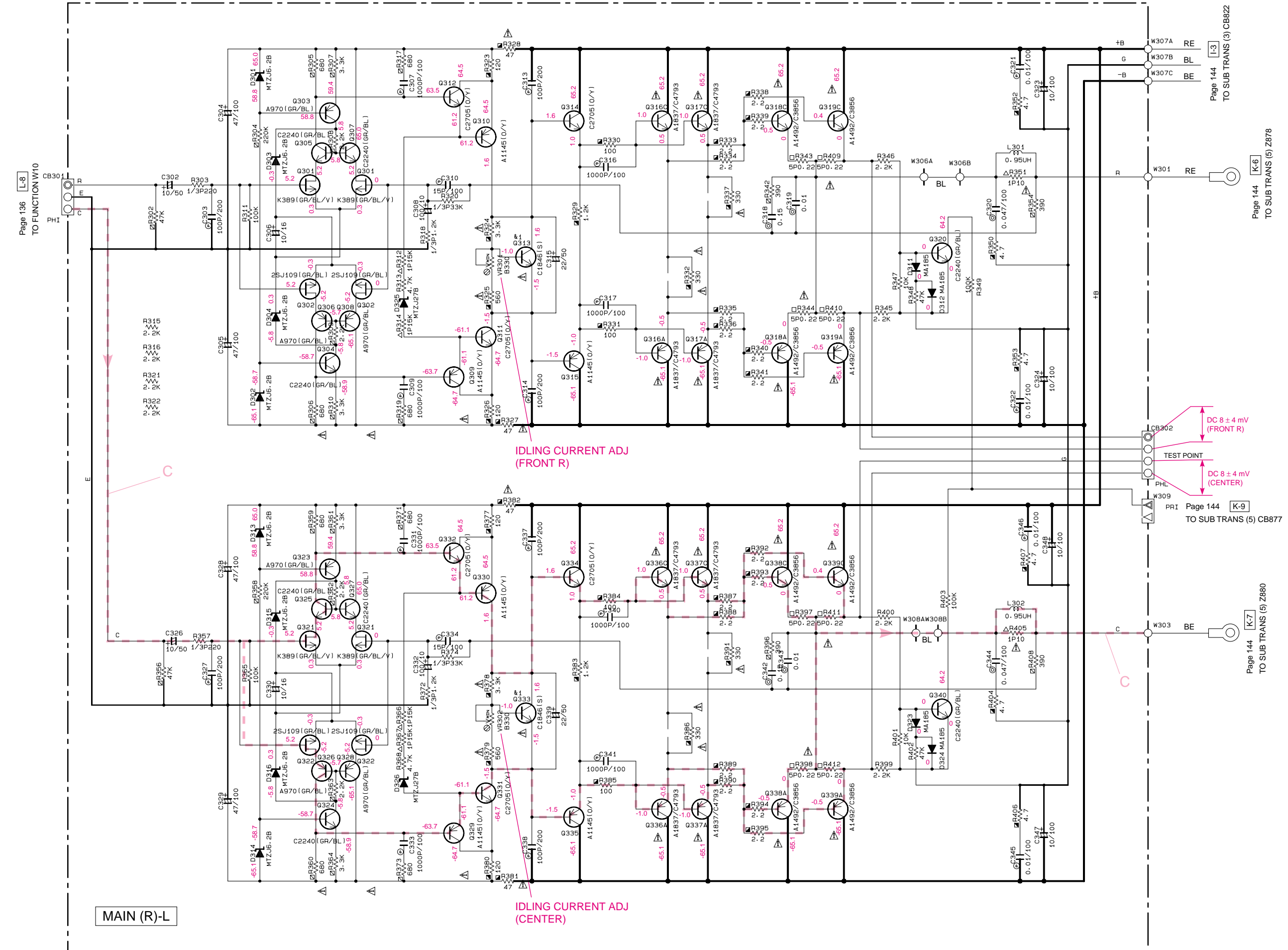
| REMARKS | PARTS NAME |
|---------|----------------------------------|
| NO MARK | ELECTROLYTIC CAPACITOR |
| ⊗ | TANTALUM CAPACITOR |
| NO MARK | CERAMIC CAPACITOR |
| ⊙ | CERAMIC TUBULAR CAPACITOR |
| ⊠ | POLYESTER FILM CAPACITOR |
| ○ | POLYSTYRENE FILM CAPACITOR |
| ⊞ | MICA CAPACITOR |
| ⊚ | POLYPROPYLENE FILM CAPACITOR |
| ⊗ | SEMICONDUCTIVE CERAMIC CAPACITOR |

NOTICE (model)
 (J)..... JAPAN
 (U)..... U.S.A.
 (C)..... CANADA
 (R)..... GENERAL
 (T)..... CHINA
 (K)..... KOREA
 (A)..... AUSTRALIA
 (B)..... BRITISH
 (G)..... EUROPE
 (L)..... SINGAPORE
 (E)..... SOUTH EUROPE

| Mark | Reference Parts Number | Parts Name |
|------|------------------------|-------------------------|
| 41 | G315-333-431-445-446 | 2SC1840(S) |
| 42 | D433-434 | HS104 HS133 HS176 |

* All voltages are measured with a 10MΩ/V DC electronic volt meter.
 * Components having special characteristics are marked △ and must be replaced with parts having specifications equal to those originally installed.
 * Schematic diagram is subject to change without notice.

SCHEMATIC DIAGRAM (MAIN R)



RESISTOR

| REMARKS | PARTS NAME |
|---------|---------------------------------|
| NO MARK | CARBON FILM RESISTOR (P=5) |
| □ | CARBON FILM RESISTOR (P=10) |
| △ | METAL OXIDE FILM RESISTOR |
| ▲ | METAL FILM RESISTOR |
| ⊠ | METAL PLATE RESISTOR |
| ▤ | FIRE PROOF CARBON FILM RESISTOR |
| ▥ | CEMENT MOLDED RESISTOR |
| ⊞ | SEMI VARIABLE RESISTOR |
| ■ | CHIP RESISTOR |

CAPACITOR

| REMARKS | PARTS NAME |
|---------|----------------------------------|
| NO MARK | ELECTROLYTIC CAPACITOR |
| □ | TANTALUM CAPACITOR |
| NO MARK | CERAMIC CAPACITOR |
| ● | CERAMIC TUBULAR CAPACITOR |
| ⊙ | POLYESTER FILM CAPACITOR |
| ○ | POLYSTYRENE FILM CAPACITOR |
| ◇ | MICA CAPACITOR |
| ▨ | POLYPROPYLENE FILM CAPACITOR |
| ● | SEMICONDUCTIVE CERAMIC CAPACITOR |

NOTICE (model)

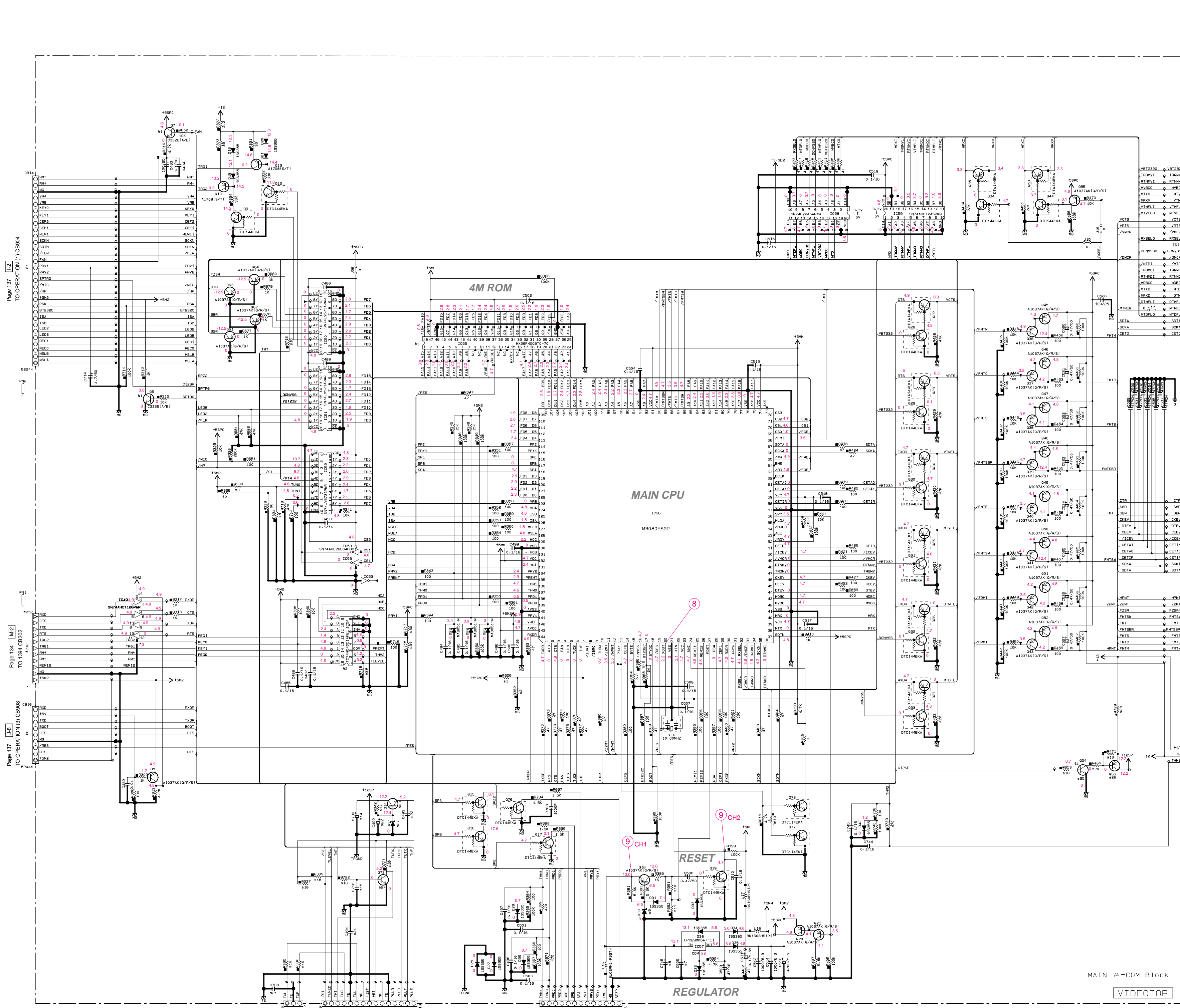
(J)..... JAPAN
 (U)..... U.S.A
 (C)..... CANADA
 (R)..... GENERAL
 (T)..... CHINA
 (K)..... KOREA
 (A)..... AUSTRALIA
 (B)..... BRITISH
 (G)..... EUROPE
 (L)..... SINGAPORE
 (E)..... SOUTH EUROPE

Interchangeable Parts at Manufacture-Stage

| Mark | Reference Parts Number | Parts Name |
|------|------------------------|----------------------------|
| k1 | 0313-333-671-693 | 25C18461S1 25C18461S/R1 |

* All voltages are measured with a 10MΩ/1V DC electronic volt meter.
 * Components having special characteristics are marked Δ, and must be replaced with parts having specifications equal to those originally installed.
 * Schematic diagram is subject to change without notice.

SCHEMATIC DIAGRAM (VIDEO TOP 1/2)



CAPACITOR

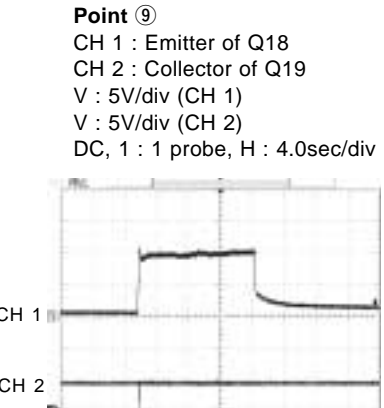
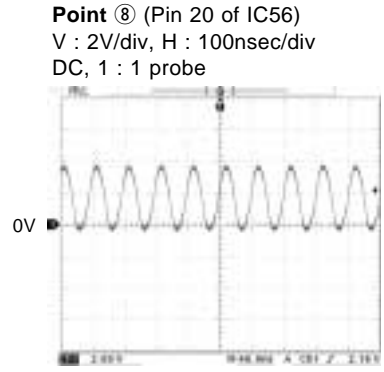
| REMARKS | PARTS NAME |
|---------|--------------------------------------|
| NO MARK | ELECTROLYTIC CAPACITOR |
| NO MARK | TANTALUM CAPACITOR |
| NO MARK | CERAMIC CAPACITOR |
| NO MARK | CERAMIC TUBULAR CAPACITOR |
| ⊙ | POLYESTER FILM CAPACITOR |
| ⊙ | POLYETHYLENE FILM CAPACITOR |
| ⊙ | MICA CAPACITOR |
| ⊙ | POLYPROPYLENE FILM CAPACITOR |
| ⊙ | SEMICONDUCTIVE CERAMIC CAPACITOR |
| ⊙ | POLYPHENYLENE SULFIDE FILM CAPACITOR |

RESISTOR

| REMARKS | PARTS NAME |
|---------|----------------------------------|
| NO MARK | CARBON FILM RESISTOR (P=5) |
| NO MARK | CARBON FILM RESISTOR (P=10) |
| △ | METAL OXIDE FILM RESISTOR |
| △ | METAL FILM RESISTOR |
| △ | METAL PLATE RESISTOR |
| △ | FILM RESIDE CARBON FILM RESISTOR |
| △ | CEMENT MOLDED RESISTOR |
| △ | SEMI-VARIABLE RESISTOR |
| △ | CHIP RESISTOR |

NOTICE (model)

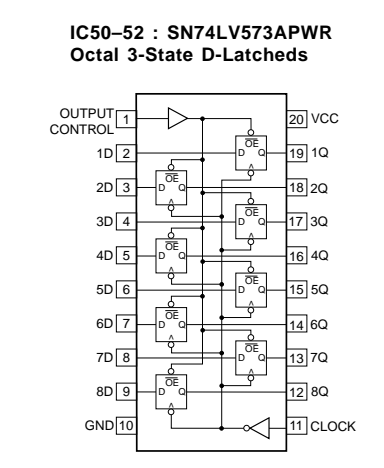
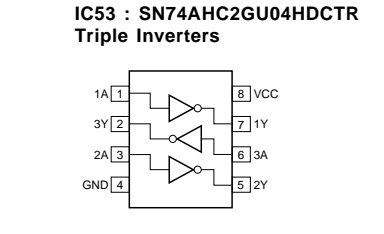
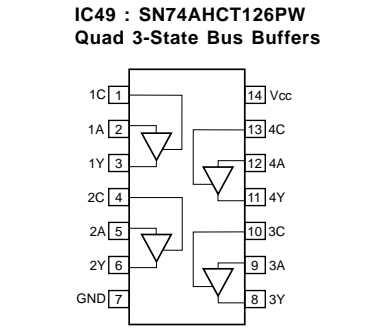
(J)..... JAPAN
 (U)..... U.S.A.
 (C)..... CANADA
 (R)..... GENERAL
 (T)..... CHINA
 (K)..... KOREA
 (A)..... AUSTRALIA
 (B)..... BRITISH
 (G)..... EUROPE
 (L)..... SINGAPORE
 (E)..... SOUTH EUROPE



AC POWER ON AC POWER OFF
 (Connect the power cable) (Disconnect the power cable)

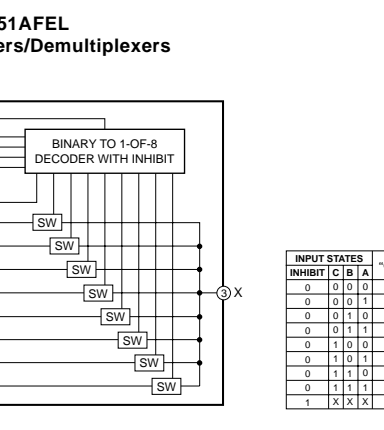
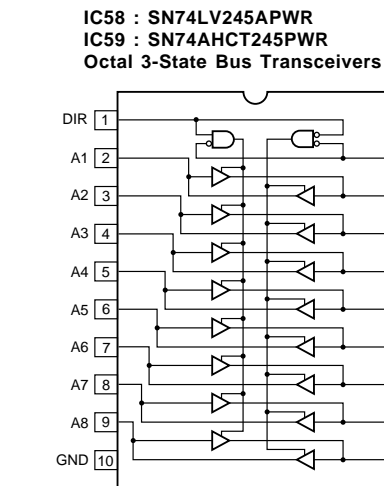
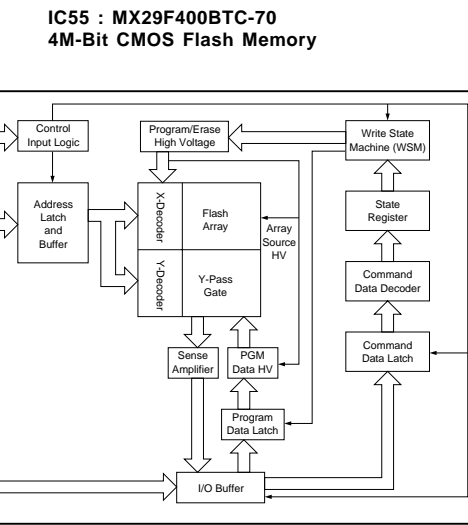
X: NOT USED

| NO | IC/FUN# No. | J | U.C | R | T.K | A | B.S | Comment | |
|----|--------------|--------|---------|---------|--------|---------|---------|---------------------|-----|
| 1 | R036 | X | RD3847 | 47k | X | RD3847 | X | TUNER W (Fu31 Up) | |
| 2 | R062 | RD3847 | X | RD3847 | 47k | RD3847 | X | TUNER W (Fu31 Down) | |
| 3 | R030 | X | RD3847 | 47k | X | X | X | 調音抵抗器 (Fu31 Up) | |
| 4 | R034 | RD3847 | X | RD3847 | 47k | RD3847 | X | 調音抵抗器 (Fu31 Up) | |
| 5 | R036 | X | RD3847 | 47k | X | RD3847 | X | 調音抵抗器 (Fu31 Down) | |
| 6 | R033 | RD3847 | X | RD3847 | 47k | X | X | 調音抵抗器 (Fu31 Down) | |
| 7 | C005 | X | UU14750 | 10/25 | X | X | X | 調音抵抗器 (Fu31 Down) | |
| 8 | C716 | X | UU14810 | 100/50 | X | UU14830 | 100/50 | POET | |
| 9 | D30 | X | VW9030 | MAR070H | X | VW9030 | MAR070H | POET | |
| 10 | R091 | X | RD3853 | 2.2k | X | RD3853 | 2.2k | POET | |
| 11 | R092 | RD3867 | 4.7k | RD3867 | 4.7k | RD3867 | 4.7k | TUNER W | |
| 12 | C818 | X | VW8620 | 33k | X | VW8620 | 33k | TUNER W | |
| 13 | C819 | X | VW8290 | 100k | X | VW8290 | 100k | TUNER W | |
| 14 | C739 | X | UU14850 | 100/25 | X | UU14850 | 100/25 | TUNER W | |
| 15 | C718 | X | VW9030 | 1000P | X | VW9030 | 1000P | TUNER W | |
| 16 | R030-336-716 | X | RD3847 | 47k | X | RD3847 | 47k | TUNER W | |
| 17 | R040 | X | RD3855 | X | X | RD3855 | X | TUNER W | |
| 18 | R037-336-716 | X | RD3810 | 10k | X | RD3810 | 10k | TUNER W | |
| 19 | R721 | X | RD3820 | 20k | X | RD3820 | 20k | TUNER W | |
| 20 | R469 | X | RD3868 | 5.6k | X | RD3868 | 5.6k | TUNER W | |
| 21 | C491-700 | X | US1310 | 5.1/15 | X | US1310 | 5.1/15 | TUNER W | |
| 22 | C492-493 | X | UU14750 | 10/25 | X | UU14750 | 10/25 | TUNER W | |
| 23 | D14 | X | VP9270 | 10488 | X | VP9270 | 10488 | TUNER W | |
| 24 | Q73 | X | VY5540 | CN14H | X | VY5540 | CN14H | TUNER W | |
| 25 | Q64 | X | VY3070 | CN36 | X | VY3070 | CN36 | TUNER W | |
| 26 | Q56 | X | VW7000 | A1708 | X | VW7000 | A1708 | TUNER W | |
| 27 | Q20 | X | VW9030 | MAR070H | X | VW9030 | MAR070H | TUNER W | |
| 28 | R722 | X | HY79368 | 6.8 | X | HY79368 | 6.8 | TUNER W | |
| 29 | R718 | RD3810 | X | RD3810 | 10k | RD3810 | 10k | TUNER W | |
| 30 | R717 | RD3847 | X | RD3847 | 47k | RD3868 | 5.6k | TUNER W | |
| 31 | R715 | X | RD3847 | 47k | RD3868 | 5.6k | RD3810 | 10k | 内部用 |



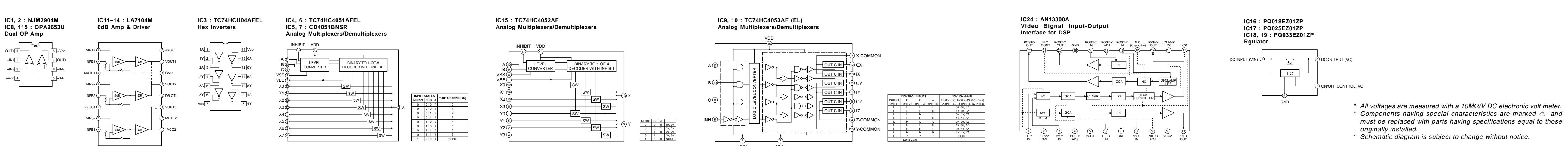
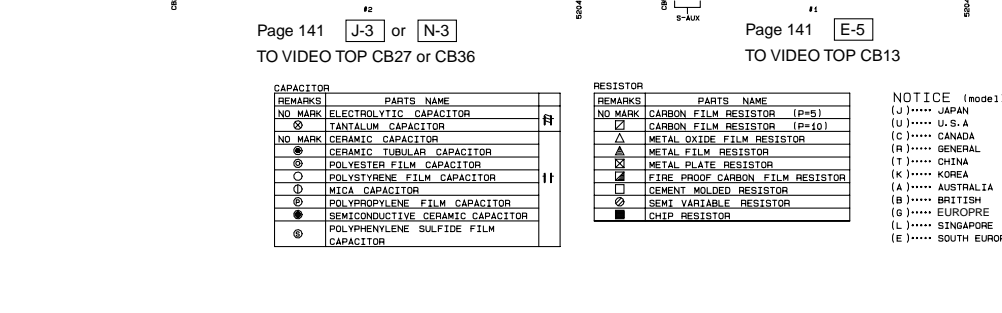
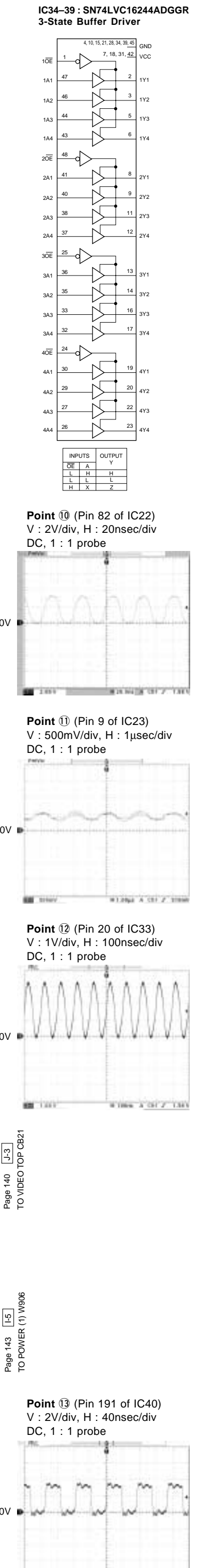
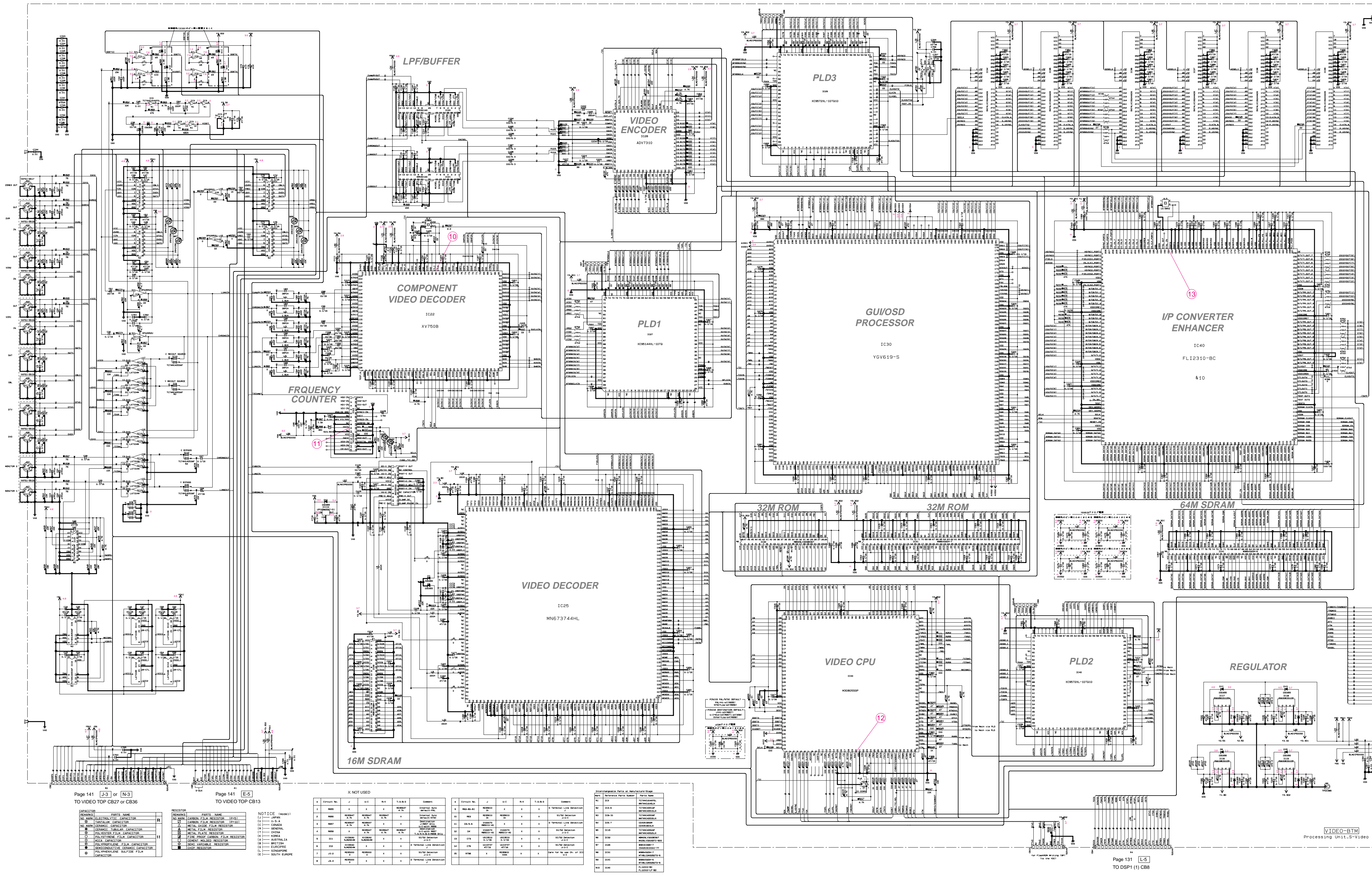
Interchangeable Parts at Manufacture-Stage

| Parts Reference Number | Parts Name |
|------------------------|--|
| 41 | 56-7-54 SCS3261A/B1 SCS3261 |
| 42 | IC49-44-54 T74VHC4014PML M724C4014SLA |
| 43 | IC55 MX29F400BT-70 8000K400C-T00T N |
| 44 | IC48-104-105 T74VHC4051AFEL M724C4051SLA |
| 45 | IC104-107 T74VHC4052AFEL M724C4052SLA |



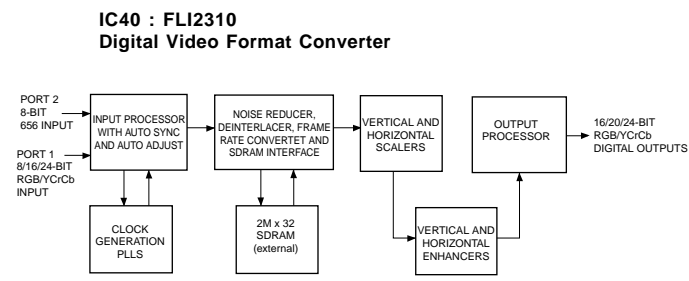
* All voltages are measured with a 10MΩ/V DC electronic volt meter.
 * Components having special characteristics are marked △ and must be replaced with parts having specifications equal to those originally installed.
 * Schematic diagram is subject to change without notice.

SCHEMATIC DIAGRAM (VIDEO BOTTOM)

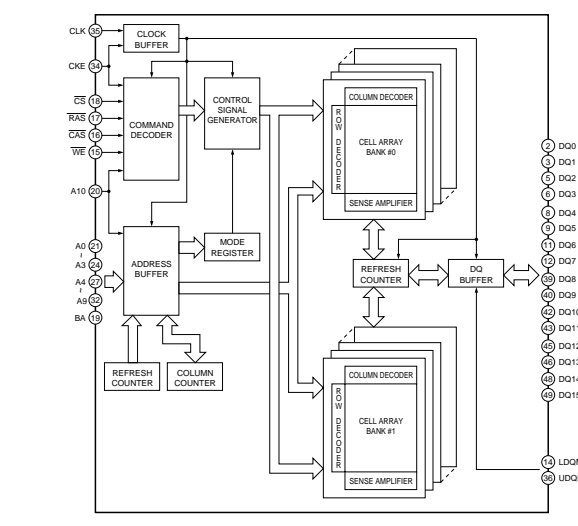


* All voltages are measured with a 10MΩ/V DC electronic volt meter.
 * Components having special characteristics are marked with a triangle and must be replaced with parts having specifications equal to those originally installed.
 * Schematic diagram is subject to change without notice.

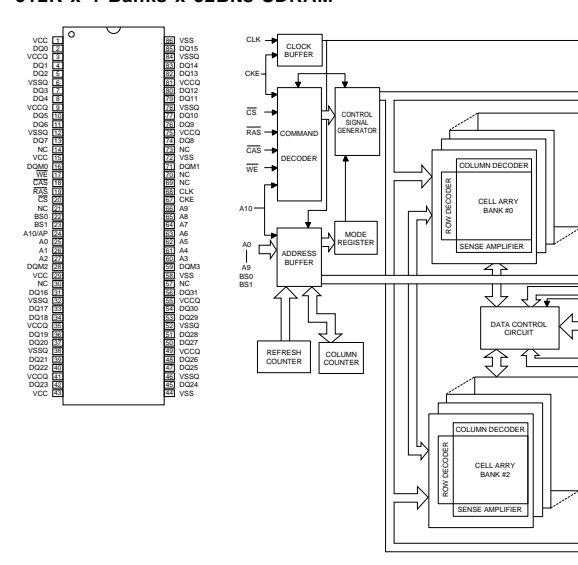
SCHEMATIC DIAGRAM (POWER)



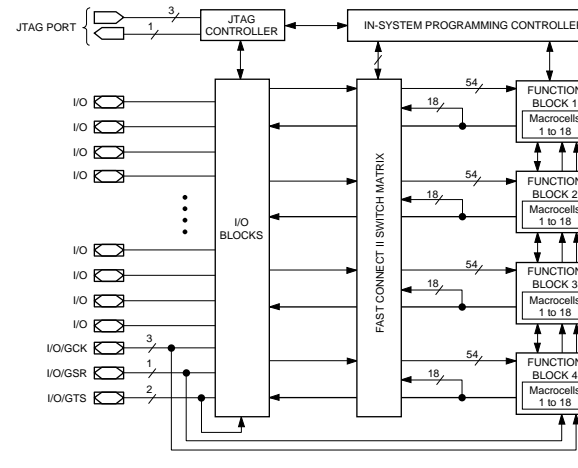
IC26 : W981616BH-7 512K x 2 Banks x 16Bits SDRAM



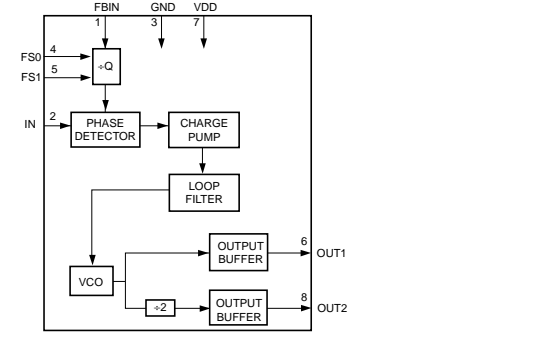
IC31 : W986432DH-7 IC41 : W986432DH-6 512K x 4 Banks x 32Bits SDRAM



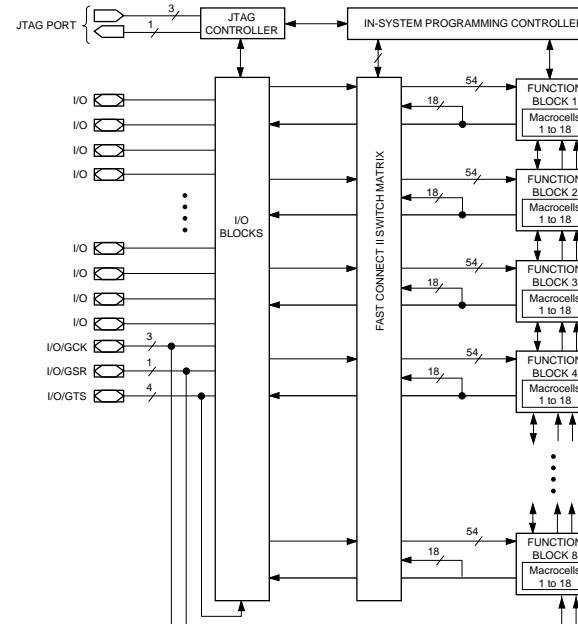
IC29, 42 : XC9572XL-10TQ100C CPLD



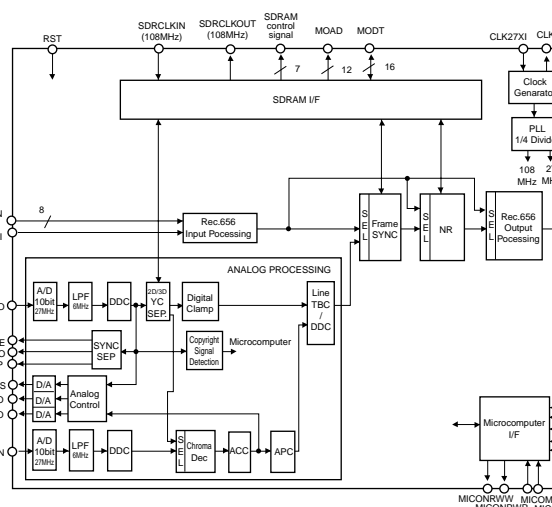
IC116 : CY232SC-1 Clock Generator



IC22 : XC95144XL-10TQ100C CPLD



IC25 : MN673744HL 3D Y/C Separation, TBC, and Frame Synchronizer



IC28 : ADV7310KST Video Encoder

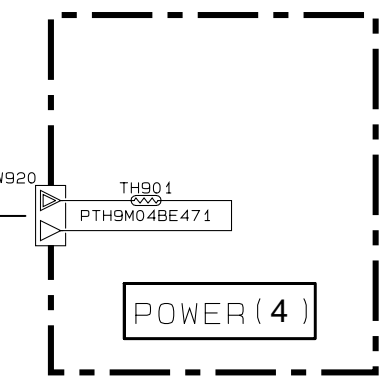
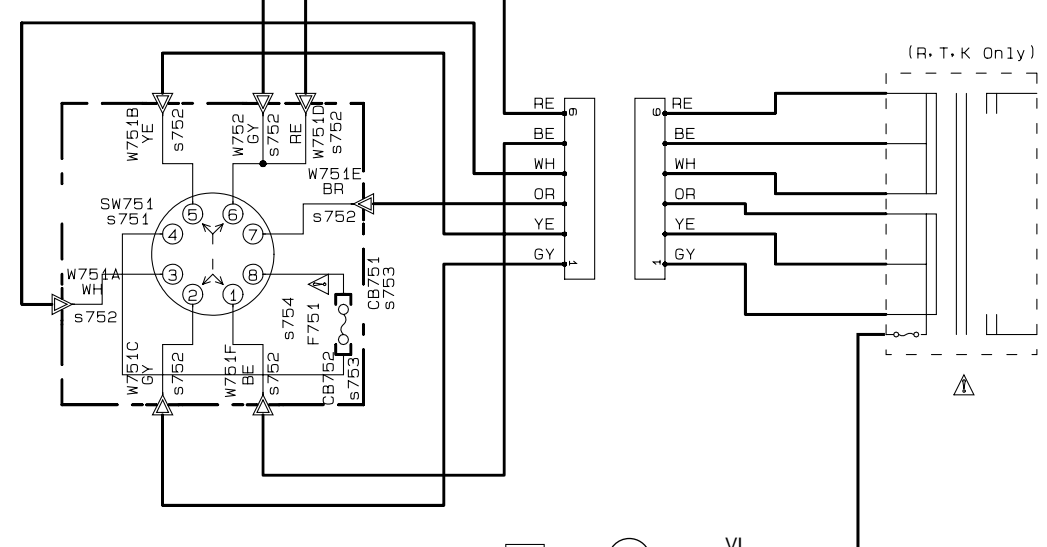
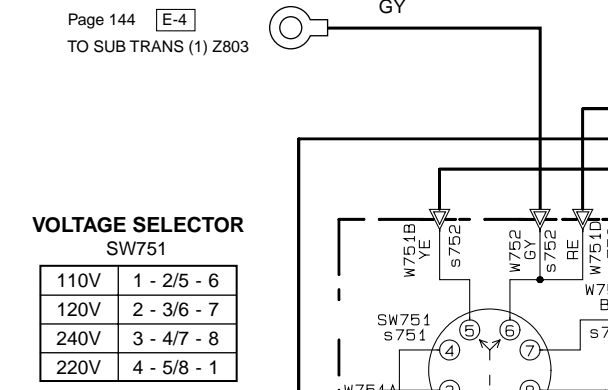
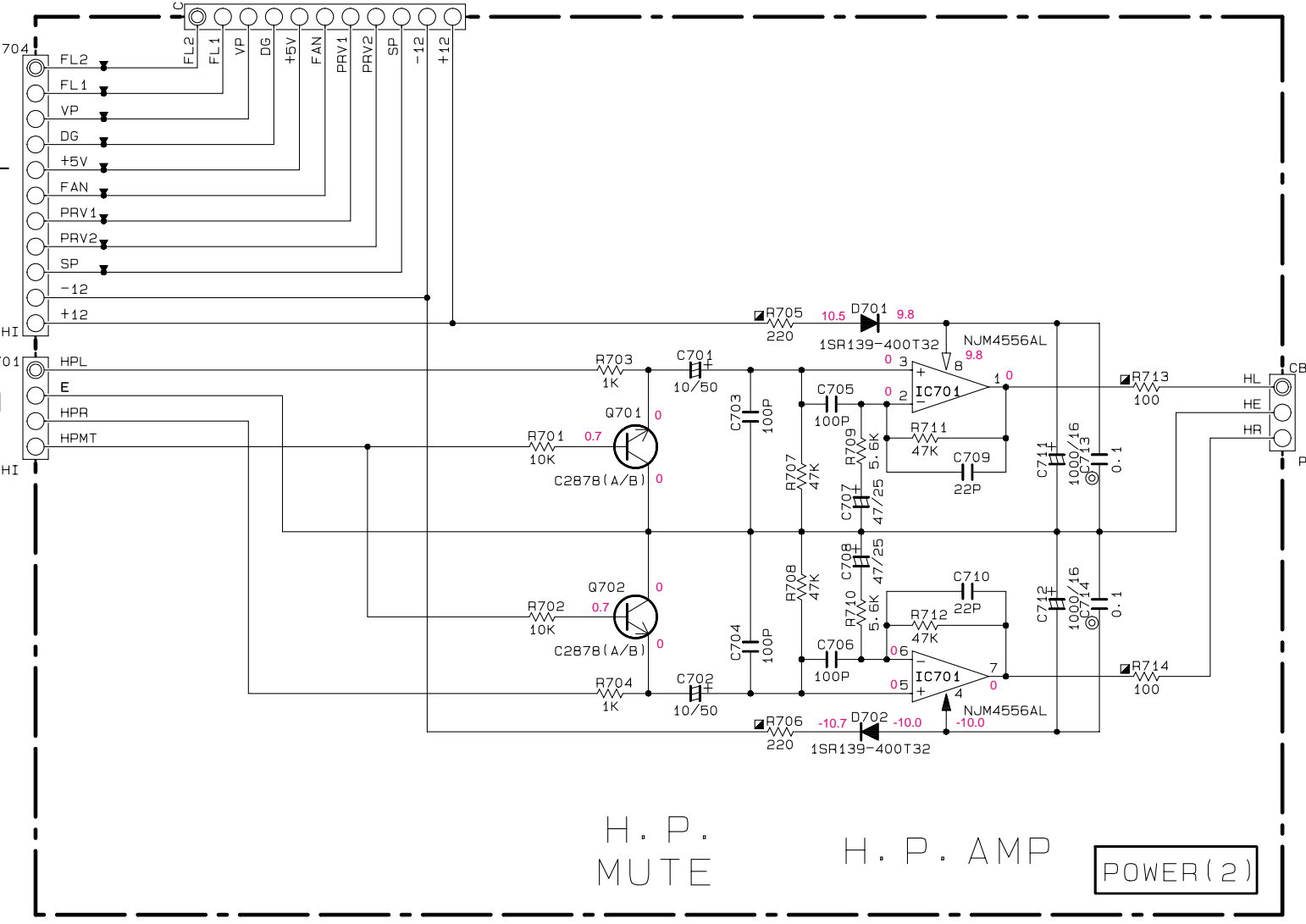
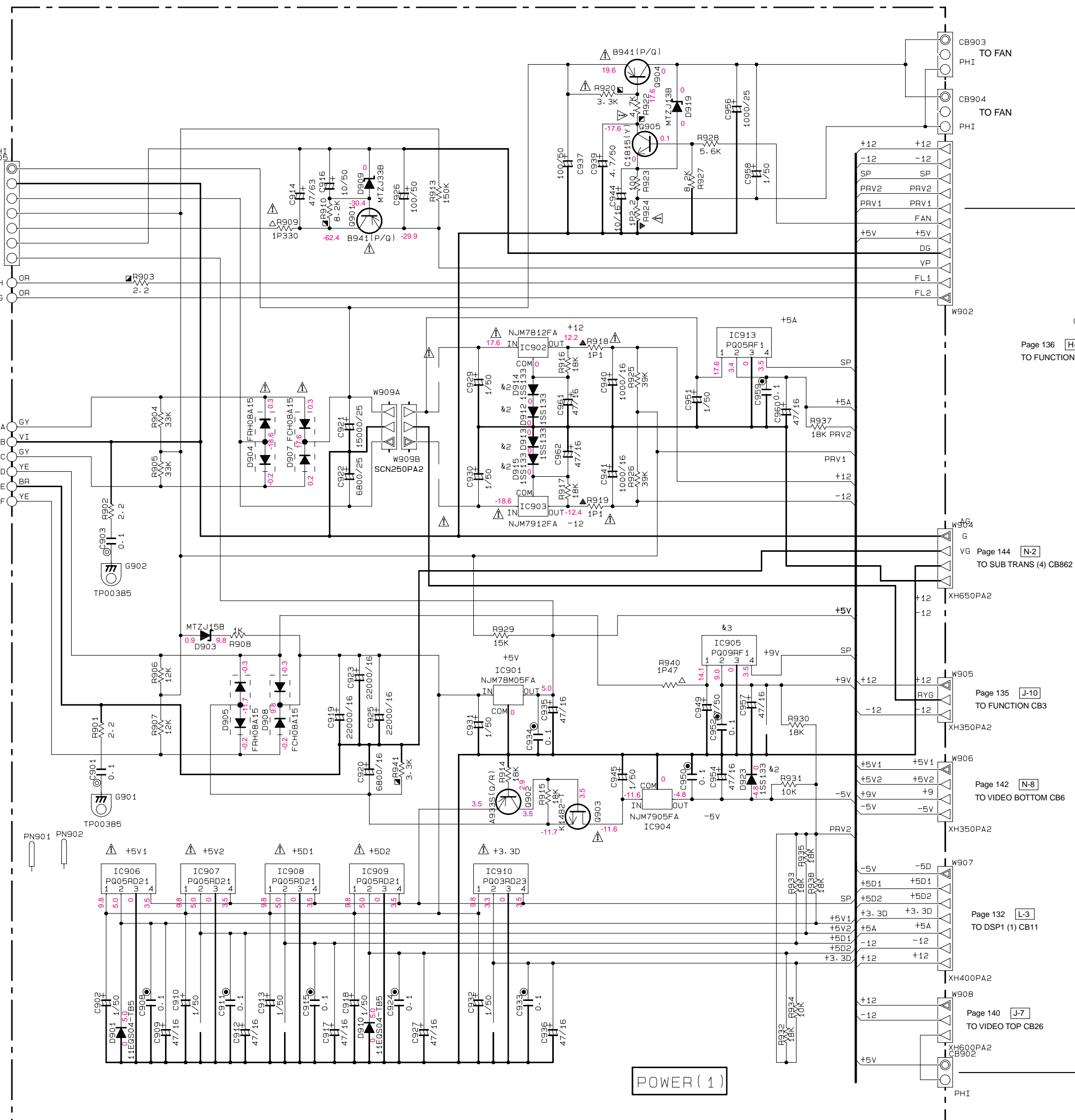
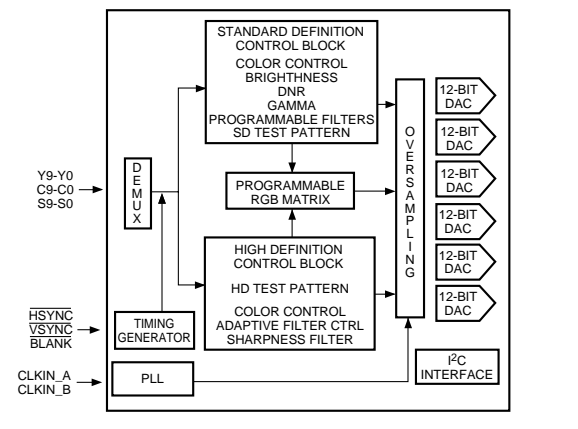
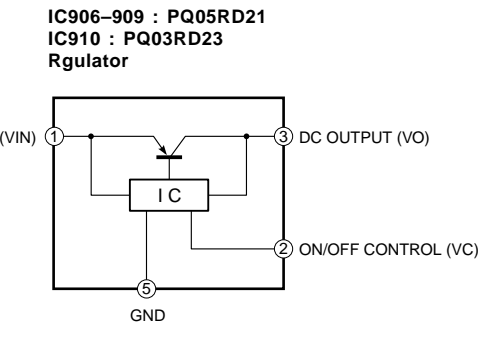
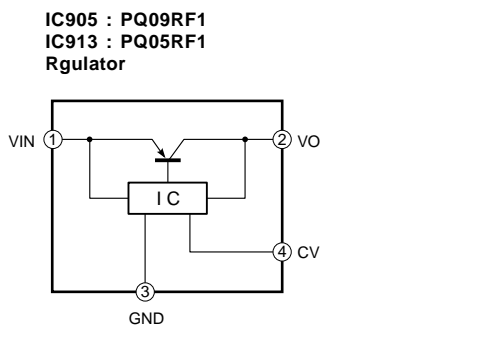


Table with columns: Reference No, J-C-T-K-A-B-G, U, R, Mark, Reference Parts Number, Parts Name. Includes parts like SW751, W751, CB751, F751, W752, IC905, IC913, IC905, IC913.



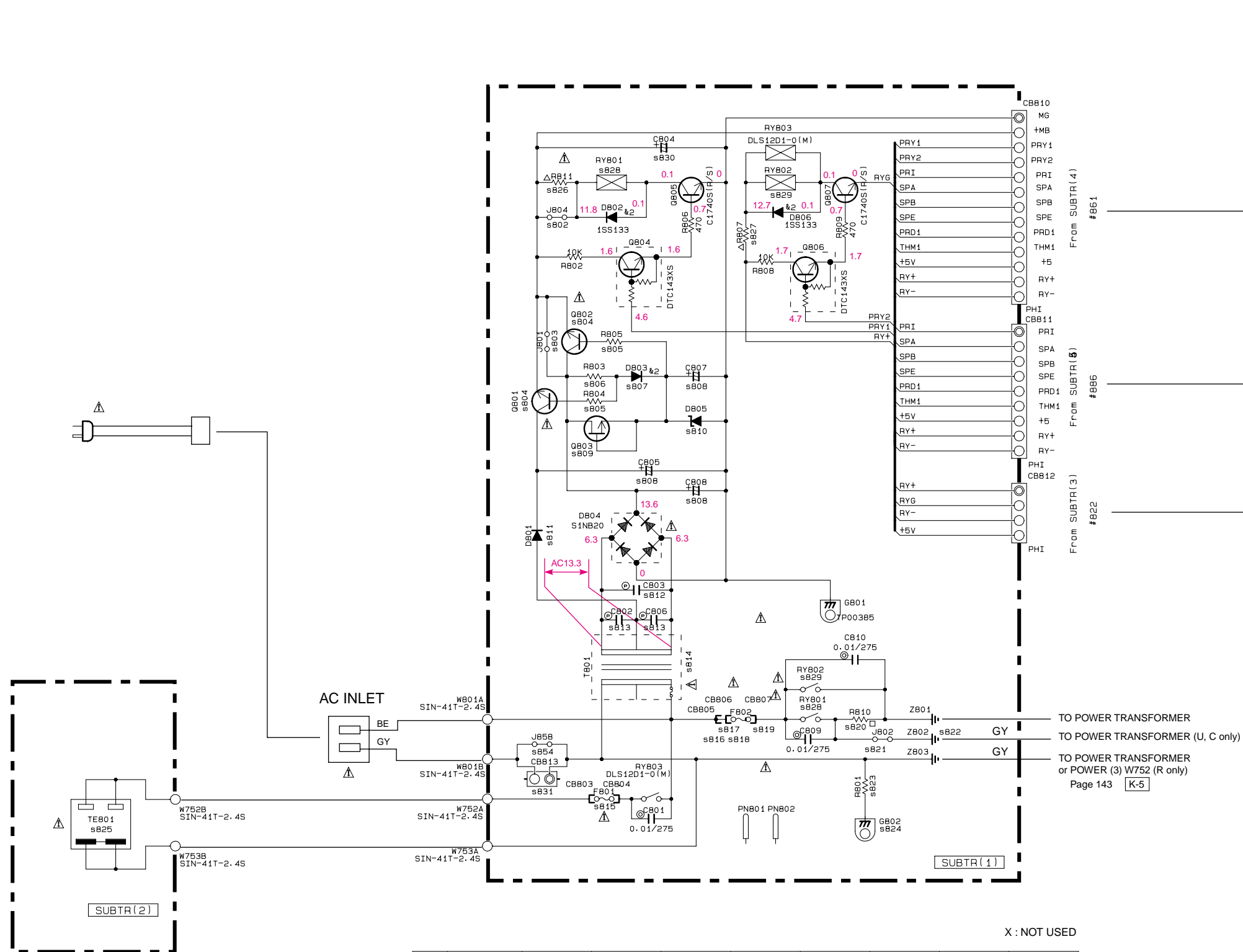
RESISTOR table with columns: REMARKS, PARTS NAME. Lists various resistor types like carbon film, metal oxide film, metal plate, fire proof carbon film, cement molded, semi variable, and chip resistors.

CAPACITOR table with columns: REMARKS, PARTS NAME. Lists various capacitor types like electrolytic, tantalum, ceramic, polyester film, polystyrene film, mica, and polypropylene film capacitors.

NOTICE (model) (J)..... JAPAN (U)..... U.S.A (C)..... CANADA (R)..... GENERAL (T)..... CHINA (K)..... KOREA (A)..... AUSTRALIA (B)..... BRITISH (G)..... EUROPE (L)..... SINGAPORE (E)..... SOUTH EUROPE

All voltages are measured with a 10MΩ/1V DC electronic volt meter. Components having special characteristics are marked Δ and must be replaced with parts having specifications equal to those originally installed. Schematic diagram is subject to change without notice.

SCHEMATIC DIAGRAM (SUB TRANS)



X : NOT USED

| S | CIP/Kit No. | J | U-C | R | T | K | A | B | G |
|-----|--------------|---------------------|---------------------|-----------------------|---------------------|------------------|---------------------|---------------------|---------------------|
| 801 | | | | | | | | | |
| 802 | J804 | x | x | VM60000 | x | x | x | x | x |
| 803 | J801 | VM60000 | VM60000 | x | VM60000 | VM60000 | VM60000 | VM60000 | VM60000 |
| 804 | G801-802 | x | x | VC3890 C3892 | x | x | x | x | x |
| 805 | R804-R805 | x | x | HF48510 100 | x | x | x | x | x |
| 806 | R803 | x | x | HF48710 10K | x | x | x | x | x |
| 807 | D803 | x | x | TF00460 1S5133 | x | x | x | x | x |
| 808 | C805-807-808 | x | x | UJ16710 10/50 | x | x | x | x | x |
| 809 | G803 | x | x | E10282 K246111 | x | x | x | x | x |
| 810 | D805 | x | x | V843990 MT2J15B | x | x | x | x | x |
| 811 | D801 | x | x | VU06410 1S8139-400138 | x | x | x | x | x |
| 812 | C803 | V569200 0.01/100 | V569200 0.01/100 | V569200 0.01/100 | V569200 0.01/100 | V569200 0.01/100 | V569200 0.01/100 | V569200 0.01/100 | V569200 0.01/100 |
| 813 | C802-R806 | x | x | V569200 0.01/100 | x | x | x | x | x |
| 814 | T801 | X4575 | X4575 | X2229 | X4577 | X4577 | X4578 | X4579 | X4579 |
| 815 | F801 | V582300 5A125V | V582300 5A125V | V584330 2.5A250V | V584330 2.5A250V | V584330 2.5A250V | V584330 2.5A250V | V584330 2.5A250V | V584330 2.5A250V |
| 816 | C809 | V844600 TP00335-31 | V844600 TP00335-31 | V844600 TP00335-31 | x | x | x | x | x |
| 817 | C806 | x | x | VP20650 | VP20650 | VP20650 | VP20650 | VP20650 | VP20650 |
| 818 | F802 | V893210 20A250V | V893210 20A250V | V893210 20A250V | V841370 10A250V | V841370 10A250V | V841370 10A250V | V841370 10A250V | V841370 10A250V |
| 819 | C8807 | V844600 TP00335-31 | V844600 TP00335-31 | V844600 TP00335-31 | VP20650 | VP20650 | VP20650 | VP20650 | VP20650 |
| 820 | R810 | WC81570 20R6-8 | x | WC81570 20R6-8 | WC81570 20R6-8 | WC81570 20R6-8 | WC81570 20R6-8 | WC81570 20R6-8 | WC81570 20R6-8 |
| 821 | J802 | x | VM60000 | x | x | x | x | x | x |
| 822 | Z802 | x | VP79660 | x | x | x | x | x | x |
| 823 | R801 | x | V873000 1/2PQ-2M | x | x | x | x | x | x |
| 824 | G802 | x | V846340 TP00385 | x | x | x | x | x | x |
| 825 | TE801 | VU54310 S2-7841-214 | VU54310 S2-7841-214 | V586740 AC188-0811V | V896740 AC188-0811V | x | V791500 S2-7731-210 | VU54330 S2-7821-214 | VU54340 S2-7821-214 |
| 826 | R811 | IP150 VP94050 | IP150 VP94050 | IP150 VP94050 | IP150 VP94050 | IP150 VP94050 | IP150 VP94050 | IP150 VP94050 | IP150 VP94050 |
| 827 | R807 | IP120 VV90110 | IP150 VP94050 | IP120 VV90110 | IP120 VV90110 | IP120 VV90110 | IP120 VV90110 | IP120 VV90110 | IP120 VV90110 |
| 828 | R801 | TV-5 V896930 | V843460 V896930 | TV-5 V896930 | TV-5 V896930 | TV-5 V896930 | TV-5 V896930 | TV-5 V896930 | TV-5 V896930 |
| 829 | RY802 | TV-10 V843460 | TV-8 V843460 | TV-10 V843460 | TV-10 V843460 | TV-10 V843460 | TV-10 V843460 | TV-10 V843460 | TV-10 V843460 |
| 830 | C804 | 470/25 UJ14847 | 1000/25 UJ14910 | 1000/25 UJ14910 | 470/25 UJ14847 | 470/25 UJ14847 | 470/25 UJ14847 | 470/25 UJ14847 | 470/25 UJ14847 |
| 831 | C8813 | x | x | x | x | x | x | V887990 | V887990 |
| 851 | TE851 | WB40680 | WB40680 | WB40680 | WB40680 | WB75390 | WB40680 | WB75390 | WB75390 |
| 852 | TE852-876 | WB40670 | WB40670 | WB40670 | WB40670 | WD10660 | WB40670 | WD10660 | WD10660 |
| 853 | TE877 | WB40690 | WB40690 | WB40690 | WB40690 | WB75400 | WB40690 | WB75400 | WB75400 |
| 854 | J858 | VM60000 | VM60000 | VM60000 | VM60000 | VM60000 | VM60000 | x | x |

RESISTOR

| REMARKS | PARTS NAME |
|---------|---------------------------------|
| NO MARK | CARBON FILM RESISTOR (Pn5) |
| □ | CARBON FILM RESISTOR (Pn10) |
| △ | METAL OXIDE FILM RESISTOR |
| ▲ | METAL FILM RESISTOR |
| ▣ | METAL PLATE RESISTOR |
| ■ | FIRE PROOF CARBON FILM RESISTOR |
| □ | CEMENT MOLDED RESISTOR |
| ⊙ | SEMI VARIABLE RESISTOR |
| ■ | CHIP RESISTOR |

NOTICE (model)

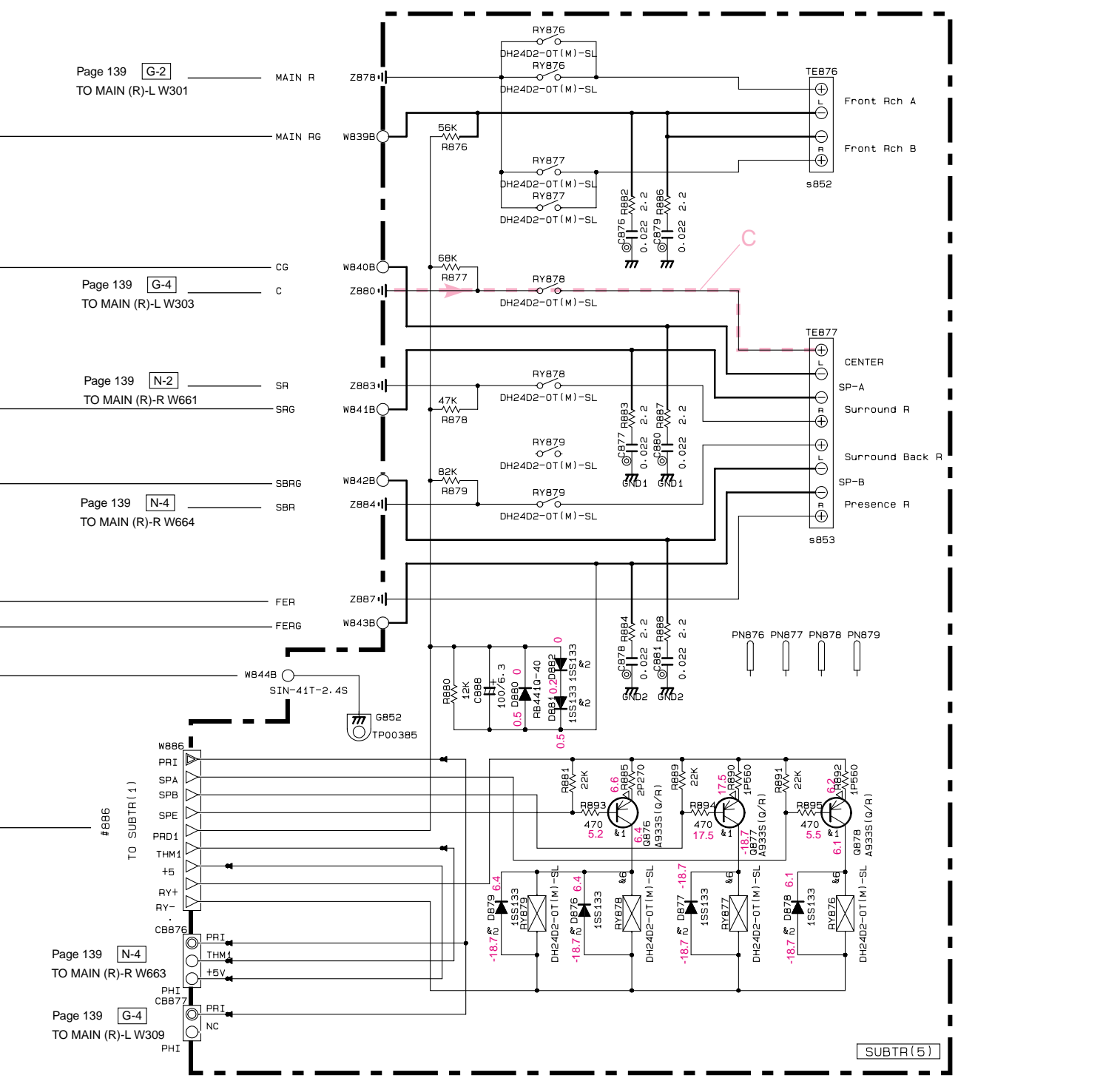
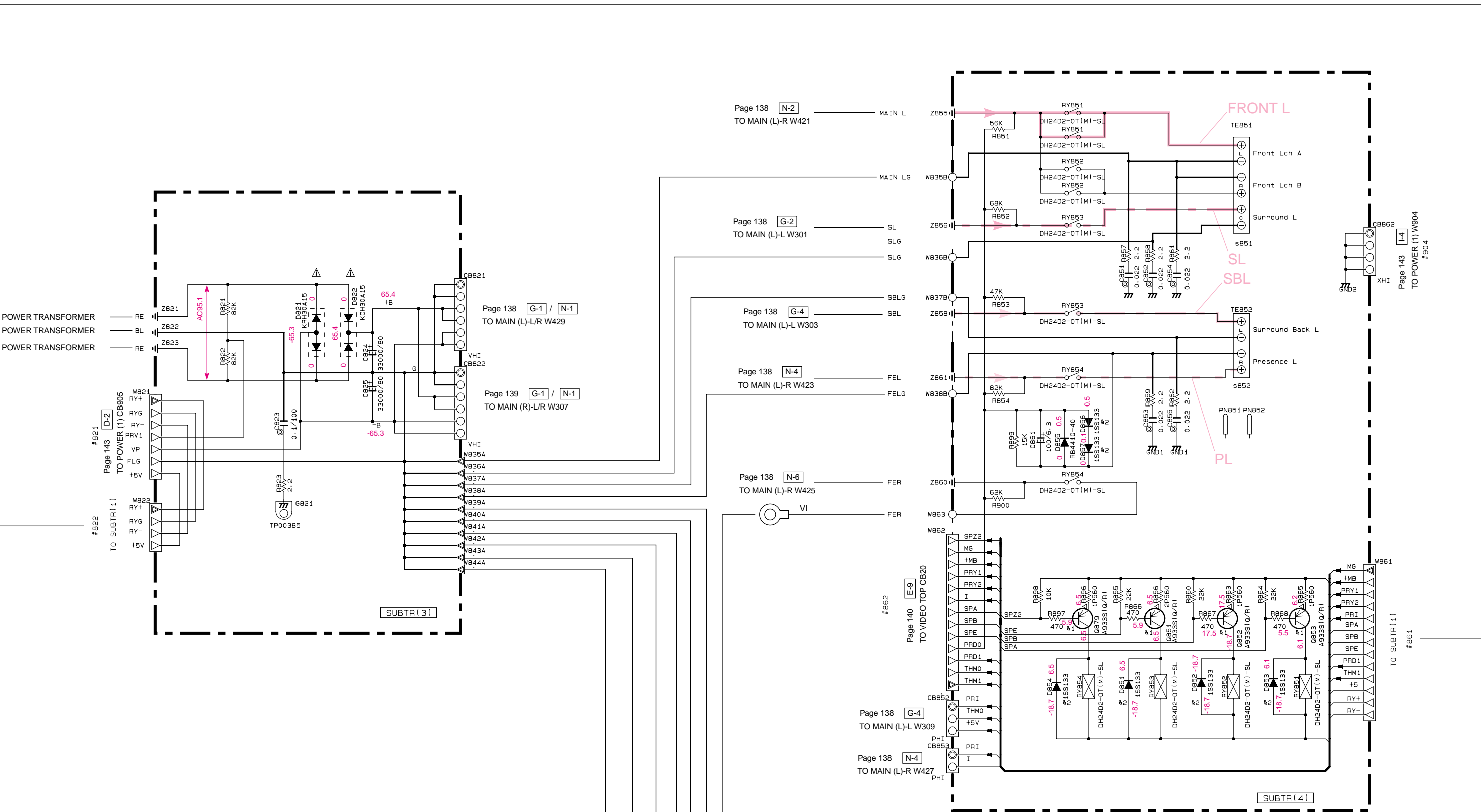
(J)..... JAPAN
 (U)..... U. S. A
 (C)..... CANADA
 (R)..... GENERAL
 (T)..... CHINA
 (K)..... KOREA
 (A)..... AUSTRALIA
 (B)..... BRITISH
 (G)..... EUROPE
 (L)..... SINGAPORE
 (E)..... SOUTH EUROPE

CAPACITOR

| REMARKS | PARTS NAME |
|---------|----------------------------------|
| NO MARK | ELECTROLYTIC CAPACITOR |
| ⊗ | TANTALUM CAPACITOR |
| NO MARK | CERAMIC CAPACITOR |
| ● | CERAMIC TUBULAR CAPACITOR |
| ○ | POLYESTER FILM CAPACITOR |
| ○ | POLYSTYRENE FILM CAPACITOR |
| ○ | MICA CAPACITOR |
| ○ | POLYPROPYLENE FILM CAPACITOR |
| ○ | SEMICONDUCTIVE CERAMIC CAPACITOR |

Interchangeable Parts at Manufacture-Stage

| Mark | Reference Part Number | Parts Name |
|------|--|--|
| 81 | 8851-8853-876-878 | 2S40335 (D/R) 2S41166 (E/P) 2S41309A (G/R/S) |
| 82 | D802-803-806-851-884-856-857-876-879-881-882 | 1S5133 HSS104TD |



* All voltages are measured with a 10MΩ/V DC electronic volt meter.
 * Components having special characteristics are marked △ and must be replaced with parts having specifications equal to those originally installed.
 * Schematic diagram is subject to change without notice.

PARTS LIST

■ ELECTRICAL PARTS

■ WARNING

- Components having special characteristics are marked \triangle and must be replaced with parts having specifications equal to those originally installed.
- For the capacitor not found in the list, refer to the schematic diagram.
- Carbon resistors (1/6W or 1/4W) are not included in the ELECTRICAL PARTS List. For the parts No. of the carbon resistors, refer to last page.

\triangle 印のある部分は、安全確保部品を示しています。部品の交換が必要な場合、パーツリストに記載されている部品を使用してください。
リストに記載されていないコンデンサは、回路図を参照してください。
本機に使用しているカーボン抵抗は、1/6Wです。このパーツリストには、記載しておりませんので、部品番号がHF85 タイプまたは同等品を使用してください。

ABBREVIATIONS IN THIS LIST ARE AS FOLLOWS :

| | | | |
|------------|--------------------------------|------------|--------------------------------|
| C.A.EL.CHP | : CHIP ALUMI. ELECTROLYTIC CAP | L.DTCT | : LIGHT DETECTING MODULE |
| C.CE | : CERAMIC CAP | L.EMIT | : LIGHT EMITTING MODULE |
| C.CE.ARRAY | : CERAMIC CAP ARRAY | LED.DSPLY | : LED DISPLAY |
| C.CE.CHP | : CHIP CERAMIC CAP | LED.INFRD | : LED, INFRARED |
| C.CE.ML | : MULTILAYER CERAMIC CAP | MODUL.RF | : MODULATOR, RF |
| C.CE.M.CHP | : CHIP MULTILAYER CERAMIC CAP | PHOT.CPL | : PHOTO COUPLER |
| C.CE.SAFTY | : RECOGNIZED CERAMIC CAP | PHOT.INTR | : PHOTO INTERRUPTER |
| C.CE.TUBLR | : CERAMIC TUBULAR CAP | PHOT.RFLCT | : PHOTO REFLECTOR |
| C.CE.SMI | : SEMI CONDUCTIVE CERAMIC CAP | PIN.TEST | : PIN, TEST POINT |
| C.EL | : ELECTROLYTIC CAP | PLST.RIVET | : PLASTIC RIVET |
| C.MICA | : MICA CAP | R.ARRAY | : RESISTOR ARRAY |
| C.ML.FLM | : MULTILAYER FILM CAP | R.CAR | : CARBON RESISTOR |
| C.MP | : METALLIZED PAPER CAP | R.CAR.CHP | : CHIP RESISTOR |
| C.MYLAR | : MYLAR FILM CAP | R.CAR.FP | : FLAME PROOF CARBON RESISTOR |
| C.MYLAR.ML | : MULTILAYER MYLAR FILM CAP | R.FUS | : FUSABLE RESISTOR |
| C.PAPER | : PAPER CAPACITOR | R.MTL.CHP | : CHIP METAL FILM RESISTOR |
| C.PLS | : POLYSTYRENE FILM CAP | R.MTL.FLM | : METAL FILM RESISTOR |
| C.POL | : POLYESTER FILM CAP | R.MTL.OXD | : METAL OXIDE FILM RESISTOR |
| C.POLY | : POLYETHYLENE FILM CAP | R.MTL.PLAT | : METAL PLATE RESISTOR |
| C.PP | : POLYPROPYLENE FILM CAP | RSNR.CE | : CERAMIC RESONATOR |
| C.TNTL | : TANTALUM CAP | RSNR.CRYS | : CRYSTAL RESONATOR |
| C.TNTL.CHP | : CHIP TANTALUM CAP | R.TW.CEM | : TWIN CEMENT FIXED RESISTOR |
| C.TRIM | : TRIMMER CAP | R.WW | : WIRE WOUND RESISTOR |
| CN | : CONNECTOR | SCR.BND.HD | : BIND HEAD B-TITE SCREW |
| CN.BS.PIN | : CONNECTOR, BASE PIN | SCR.BW.HD | : BW HEAD TAPPING SCREW |
| CN.CANNON | : CONNECTOR, CANNON | SCR.CUP | : CUP TITE SCREW |
| CN.DIN | : CONNECTOR, DIN | SCR.TERM | : SCREW TERMINAL |
| CN.FLAT | : CONNECTOR, FLAT CABLE | SCR.TR | : SCREW, TRANSISTOR |
| CN.POST | : CONNECTOR, BASE POST | SUPRT.PCB | : SUPPORT, P.C.B. |
| COIL.MX.AM | : COIL, AM MIX | SURG.PRTCT | : SURGE PROTECTOR |
| COIL.AT.FM | : COIL, FM ANTENNA | SW.TACT | : TACT SWITCH |
| COIL.DT.FM | : COIL, FM DETECT | SW.LEAF | : LEAF SWITCH |
| COIL.MX.FM | : COIL, FM MIX | SW.LEVER | : LEVER SWITCH |
| COIL.OUTPT | : OUTPUT COIL | SW.MICRO | : MICRO SWITCH |
| DIOD.ARRAY | : DIODE ARRAY | SW.PUSH | : PUSH SWITCH |
| DIODE.BRG | : DIODE BRIDGE | SW.RT.ENC | : ROTARY ENCODER |
| DIODE.CHP | : CHIP DIODE | SW.RT.MTR | : ROTARY SWITCH WITH MOTOR |
| DIODE.SHOT | : SCHOTTKY BARRIER DIODE | SW.RT | : ROTARY SWITCH |
| DIODE.VAR | : VARACTOR DIODE | SW.SLIDE | : SLIDE SWITCH |
| DIOD.Z.CHP | : CHIP ZENER DIODE | TERM.SP | : SPEAKER TERMINAL |
| DIODE.ZENR | : ZENER DIODE | TERM.WRAP | : WRAPPING TERMINAL |
| DSCR.CE | : CERAMIC DISCRIMINATOR | THRMST.CHP | : CHIP THERMISTOR |
| FER.BEAD | : FERRITE BEADS | TR.CHP | : CHIP TRANSISTOR |
| FER.CORE | : FERRITE CORE | TR.DGT | : DIGITAL TRANSISTOR |
| FET.CHP | : CHIP FET | TR.DGT.CHP | : CHIP DIGITAL TRANSISTOR |
| FL.DSPLY | : FLUORESCENT DISPLAY | TRANS | : TRANSFORMER |
| FLTR.CE | : CERAMIC FILTER | TRANS.PULS | : PULSE TRANSFORMER |
| FLTR.COMB | : COMB FILTER MODULE | TRANS.PWR | : POWER TRANSFORMER ASS'y |
| FLTR.LC.RF | : LC FILTER, EMI | TUNER.AM | : TUNER PACK, AM |
| GND.MTL | : GROUND PLATE | TUNER.FM | : TUNER PACK, FM |
| GND.TERM | : GROUND TERMINAL | TUNER.PK | : FRONT-END TUNER PACK |
| HOLDER.FUS | : FUSE HOLDER | VR | : ROTARY POTENTIOMETER |
| IC.PRTCT | : IC PROTECTOR | VR.MTR | : POTENTIOMETER WITH MOTOR |
| JUMPER.CN | : JUMPER CONNECTOR | VR.SW | : POTENTIOMETER WITH ROTARY SW |
| JUMPER.TST | : JUMPER, TEST POINT | VR.SLIDE | : SLIDE POTENTIOMETER |
| | | VR.TRIM | : TRIMMER POTENTIOMETER |

P.C.B. FUNCTION

| Ref. No. | PART NO. | Description | Remarks | Markets | 部品名 | Rank | |
|-----------|----------|-------------|----------|---------|--------|---------------|----|
| * | WB744500 | P.C.B. | FUNCTION | | J | P C B ファンクション | |
| * | WB744600 | P.C.B. | FUNCTION | | UCA | P C B ファンクション | |
| * | WB744700 | P.C.B. | FUNCTION | | RTKBG | P C B ファンクション | |
| CB1 | VB389800 | CN.BS.PIN | 2P | | | ベースピン | 01 |
| CB2 | VB389900 | CN.BS.PIN | 3P | | | ベースピン | 01 |
| CB3 | LB919030 | CN.BS.PIN | 3P | | | ベース付ポスト | 01 |
| C1 | UP652220 | C.POL | 220pF | 100V | | ポリエステルコン | |
| C2 | UP652220 | C.POL | 220pF | 100V | | ポリエステルコン | |
| C3 | UU166100 | C.EL | 1uF | 50V | | ケミコン | |
| C4 | UU166100 | C.EL | 1uF | 50V | | ケミコン | |
| C5 | UU118220 | C.EL | 220uF | 6.3V | | ケミコン | |
| C6 | UU118220 | C.EL | 220uF | 6.3V | | ケミコン | |
| C7 | UA654390 | C.MYLAR | 0.039uF | 50V | | マイラーコン | 01 |
| C8 | UA654390 | C.MYLAR | 0.039uF | 50V | | マイラーコン | 01 |
| C9 | UA654110 | C.MYLAR | 0.011uF | 50V | | マイラーコン | 01 |
| C10 | UA654110 | C.MYLAR | 0.011uF | 50V | | マイラーコン | 01 |
| C11 | UU167100 | C.EL | 10uF | 50V | | ケミコン | |
| C12 | UU167100 | C.EL | 10uF | 50V | | ケミコン | |
| C13 | UA653100 | C.MYLAR | 1000pF | 50V | | マイラーコン | 03 |
| C14 | UA653100 | C.MYLAR | 1000pF | 50V | | マイラーコン | 03 |
| C15 | UU167470 | C.EL | 47uF | 50V | | ケミコン | |
| C16 | UU167470 | C.EL | 47uF | 50V | | ケミコン | |
| * C21-28 | V5691100 | C.PP | 470pF | 100V | | P Pコン | |
| C29-36 | UU166470 | C.EL | 4.7uF | 50V | | ケミコン | |
| C37-52 | UU137470 | C.EL | 47uF | 16V | | ケミコン | |
| * C81 | V5691100 | C.PP | 470pF | 100V | | P Pコン | |
| * C82 | V5691100 | C.PP | 470pF | 100V | | P Pコン | |
| C83 | UU166470 | C.EL | 4.7uF | 50V | | ケミコン | |
| C84 | UU166470 | C.EL | 4.7uF | 50V | | ケミコン | |
| * C85 | V9415400 | C.EL | 47uF | 16V | | ケミコン | |
| * C86 | V9415400 | C.EL | 47uF | 16V | | ケミコン | |
| C87-90 | UU167470 | C.EL | 47uF | 50V | | ケミコン | |
| * C101 | V5691100 | C.PP | 470pF | 100V | JRTKBG | P Pコン | |
| * C102 | V5691100 | C.PP | 470pF | 100V | JRTKBG | P Pコン | |
| * C103-34 | V5691100 | C.PP | 470pF | 100V | | P Pコン | |
| C161 | UU166220 | C.EL | 2.2uF | 50V | | ケミコン | |
| C162 | UU166220 | C.EL | 2.2uF | 50V | | ケミコン | |
| * C163 | V5690500 | C.PP | 100pF | 100V | | P Pコン | |
| * C164 | V5690500 | C.PP | 100pF | 100V | | P Pコン | |
| C165 | UU166330 | C.EL | 3.3uF | 50V | | ケミコン | |
| C166 | UU166330 | C.EL | 3.3uF | 50V | | ケミコン | |
| C167-70 | UU167100 | C.EL | 10uF | 50V | | ケミコン | |
| C171 | UU167470 | C.EL | 47uF | 50V | | ケミコン | |
| C172 | UU167470 | C.EL | 47uF | 50V | | ケミコン | |
| C173 | UU167100 | C.EL | 10uF | 50V | | ケミコン | |
| * C176 | V5690500 | C.PP | 100pF | 100V | | P Pコン | |
| * C177 | V5690500 | C.PP | 100pF | 100V | | P Pコン | |
| C178 | UU167470 | C.EL | 47uF | 50V | | ケミコン | |
| C179 | UU167470 | C.EL | 47uF | 50V | | ケミコン | |
| C191 | UU167100 | C.EL | 10uF | 50V | | ケミコン | |
| C192 | UU166470 | C.EL | 4.7uF | 50V | | ケミコン | |
| C193 | UU166470 | C.EL | 4.7uF | 50V | | ケミコン | |
| C194 | UU167100 | C.EL | 10uF | 50V | | ケミコン | |

* New Parts (新規部品)

Note) Those parts marked with “#” are not included in the P.C.B. ass'y. (マーク#の部品は、基板に含まれません)

P.C.B. FUNCTION

| Ref. No. | PART NO. | Description | Remarks | Markets | 部品名 | Rank | |
|-----------|----------|-------------|---------------|---------|-----|----------|-----|
| * C195 | V5690500 | C.PP | 100pF | 100V | | P P コン | |
| * C196 | V5690500 | C.PP | 100pF | 100V | | P P コン | |
| C197-202 | UU137470 | C.EL | 47uF | 16V | | ケミコン | |
| C203 | V9415400 | C.EL | 47uF | 16V | | ケミコン | |
| C204 | V9415400 | C.EL | 47uF | 16V | | ケミコン | |
| C205 | UU148100 | C.EL | 100uF | 25V | | ケミコン | F W |
| * C231 | V5690500 | C.PP | 100pF | 100V | | P P コン | 01 |
| * C232 | V5690500 | C.PP | 100pF | 100V | | P P コン | |
| C251-68 | UU166330 | C.EL | 3.3uF | 50V | | ケミコン | |
| C269-98 | UU167100 | C.EL | 10uF | 50V | | ケミコン | |
| C317-19 | V9415400 | C.EL | 47uF | 16V | | ケミコン | |
| C320 | UU167470 | C.EL | 47uF | 50V | | ケミコン | |
| * C331-34 | V5690500 | C.PP | 100pF | 100V | | P P コン | |
| C335 | UU167470 | C.EL | 47uF | 50V | | ケミコン | |
| C336 | UU167470 | C.EL | 47uF | 50V | | ケミコン | |
| C341 | UU167470 | C.EL | 47uF | 50V | | ケミコン | |
| C342 | UU167470 | C.EL | 47uF | 50V | | ケミコン | |
| C343-45 | UU167100 | C.EL | 10uF | 50V | | ケミコン | |
| * C346 | V5690500 | C.PP | 100pF | 100V | | P P コン | |
| * C347 | V5690500 | C.PP | 100pF | 100V | | P P コン | |
| * C361-64 | V5690500 | C.PP | 100pF | 100V | | P P コン | |
| * C371-74 | V5690500 | C.PP | 100pF | 100V | | P P コン | |
| C381 | UU167470 | C.EL | 47uF | 50V | | ケミコン | |
| C382 | UU167470 | C.EL | 47uF | 50V | | ケミコン | |
| * C383 | V5690500 | C.PP | 100pF | 100V | | P P コン | |
| * C384 | V5690500 | C.PP | 100pF | 100V | | P P コン | |
| C391 | UU167470 | C.EL | 47uF | 50V | | ケミコン | |
| C392 | UU167470 | C.EL | 47uF | 50V | | ケミコン | |
| * C393 | VR169400 | C.MYLAR.ML | ECQ-V1H684JL3 | | | 積層マイラーコン | |
| * C394 | VR169400 | C.MYLAR.ML | ECQ-V1H684JL3 | | | 積層マイラーコン | |
| * C395 | V5691300 | C.PP | 1000pF | 100V | | P P コン | |
| * C396 | V5691300 | C.PP | 1000pF | 100V | | P P コン | |
| C401-08 | UU167470 | C.EL | 47uF | 50V | | ケミコン | |
| * C409 | V5690500 | C.PP | 100pF | 100V | | P P コン | |
| * C410 | V5690500 | C.PP | 100pF | 100V | | P P コン | |
| C421 | UU167470 | C.EL | 47uF | 50V | | ケミコン | |
| * C422 | V5690500 | C.PP | 100pF | 100V | | P P コン | |
| C431 | UU167470 | C.EL | 47uF | 50V | | ケミコン | |
| C432 | UU167470 | C.EL | 47uF | 50V | | ケミコン | |
| * C433 | V5690500 | C.PP | 100pF | 100V | | P P コン | |
| * C434 | V5690500 | C.PP | 100pF | 100V | | P P コン | |
| C441 | UU167470 | C.EL | 47uF | 50V | | ケミコン | |
| C442 | UU167470 | C.EL | 47uF | 50V | | ケミコン | |
| * C443 | V5690500 | C.PP | 100pF | 100V | | P P コン | |
| * C444 | V5690500 | C.PP | 100pF | 100V | | P P コン | |
| C451 | UU167470 | C.EL | 47uF | 50V | | ケミコン | |
| C452 | UU167470 | C.EL | 47uF | 50V | | ケミコン | |
| * C453 | V5690500 | C.PP | 100pF | 100V | | P P コン | |
| * C454 | V5690500 | C.PP | 100pF | 100V | | P P コン | |
| C461 | UU167470 | C.EL | 47uF | 50V | | ケミコン | |
| C462 | UU167470 | C.EL | 47uF | 50V | | ケミコン | |
| C463 | UA654680 | C.MYLAR | 0.068uF | 50V | | マイラーコン | 01 |
| C464 | UA654680 | C.MYLAR | 0.068uF | 50V | | マイラーコン | 01 |

* New Parts (新規部品)

Note) Those parts marked with “#” are not included in the P.C.B. ass'y. (マーク#の部品は、基板に含まれません)

P.C.B. FUNCTION

| Ref. No. | PART NO. | Description | Remarks | Markets | 部品名 | Rank |
|----------|----------|-------------|-------------------|---------|-----------|------|
| C471 | UU167220 | C.EL | 22uF 50V | | ケミコン | |
| C472 | UU167220 | C.EL | 22uF 50V | | ケミコン | |
| * C473 | V5690500 | C.PP | 100pF 100V | | PPコン | |
| * C474 | V5690500 | C.PP | 100pF 100V | | PPコン | |
| C491 | UU167220 | C.EL | 22uF 50V | | ケミコン | |
| * C492 | V5691100 | C.PP | 470pF 100V | | PPコン | |
| C501 | UU167220 | C.EL | 22uF 50V | | ケミコン | |
| C502 | UU167220 | C.EL | 22uF 50V | | ケミコン | |
| * C503 | V5691100 | C.PP | 470pF 100V | | PPコン | |
| * C504 | V5691100 | C.PP | 470pF 100V | | PPコン | |
| C521 | UU167220 | C.EL | 22uF 50V | | ケミコン | |
| C522 | UU167220 | C.EL | 22uF 50V | | ケミコン | |
| * C523 | V5691100 | C.PP | 470pF 100V | | PPコン | |
| * C524 | V5691100 | C.PP | 470pF 100V | | PPコン | |
| C541 | UU167220 | C.EL | 22uF 50V | | ケミコン | |
| C542 | UU167220 | C.EL | 22uF 50V | | ケミコン | |
| * C543 | V5691100 | C.PP | 470pF 100V | | PPコン | |
| * C544 | V5691100 | C.PP | 470pF 100V | | PPコン | |
| C561 | UU167220 | C.EL | 22uF 50V | | ケミコン | |
| C562 | UU167220 | C.EL | 22uF 50V | | ケミコン | |
| * C563 | V5691100 | C.PP | 470pF 100V | | PPコン | |
| * C564 | V5691100 | C.PP | 470pF 100V | | PPコン | |
| C587-89 | V5690800 | C.PP | 220pF 100V | | PPコン | |
| C593-96 | V9415400 | C.EL | 47uF 16V | | ケミコン | |
| D1-12 | VT332900 | DIODE | 1SS355 | | ダイオード | |
| D13 | VU993000 | DIODE.ZENR | MA8056-M 5.6V | | ツェナーダイオード | |
| * D14-20 | VZ182300 | DIOD.ARRAY | DAP202K T146 | UCARTKB | ダイオードアレイ | |
| * D21-27 | VZ182400 | DIOD.ARRAY | DAN202K T146 | UCARTKB | ダイオードアレイ | |
| D28 | VT332900 | DIODE | 1SS355 | UCARTKB | ダイオード | |
| * IC1 | X4103A00 | IC | TC9274F-013 | | アナログSW IC | |
| * IC2 | X4103A00 | IC | TC9274F-013 | | アナログSW IC | |
| * IC3 | X4104A00 | IC | TC9162AF | | アナログSW IC | |
| IC4 | XF291A00 | IC | uPC4570G2 | | IC | 03 |
| IC5 | XZ545A00 | IC | YAC520-EE2 | | IC | |
| IC6 | XF291A00 | IC | uPC4570G2 | | IC | 03 |
| IC7 | X3505A00 | IC | NJM2068MD-TE2 | | アンプIC SOP | |
| IC8-17 | X3505A00 | IC | NJM2068MD-TE2 | | IC | 03 |
| IC18 | XC011A00 | IC | NJM5532M | | IC | |
| IC19 | XC011A00 | IC | NJM5532M | | IC | |
| IC20 | X3505A00 | IC | NJM2068MD-TE2 | | IC | 03 |
| IC22-30 | XZ545A00 | IC | YAC520-EE2 | | IC | |
| IC31-36 | XF291A00 | IC | uPC4570G2 | | IC | 03 |
| * IC37 | X4104A00 | IC | TC9162AF | | アナログSW IC | |
| IC38-41 | X3505A00 | IC | NJM2068MD-TE2 | | IC | 03 |
| IC42 | XF291A00 | IC | uPC4570G2 | | IC | 03 |
| IC43 | X3505A00 | IC | NJM2068MD-TE2 | | IC | 03 |
| IC44 | X3505A00 | IC | NJM2068MD-TE2 | UCARTKB | IC | 03 |
| IC45 | XV763A00 | IC | OP275GSR | | IC | 03 |
| IC46 | XV763A00 | IC | OP275GSR | | IC | 03 |
| * PJ1 | WB762100 | JACK.PIN | 6P LPR6520-N815GM | | ピンジャック | |
| * PJ2 | WB762000 | JACK.PIN | 4P LPR6520-B815M | | ピンジャック | |
| * PJ3 | WB761900 | JACK.PIN | 2P LPR6520-E515M | | ピンジャック | |
| PJ4 | V4807000 | JACK.PIN | 4P | JRTKBG | ピンジャック | |

* New Parts (新規部品)

Note) Those parts marked with “#” are not included in the P.C.B. ass'y. (マーク#の部品は、基板に含まれません)

P.C.B. FUNCTION & DSP1

| Ref. No. | PART NO. | Description | Remarks | Markets | 部品名 | Rank | |
|------------|----------|-------------|-------------------|---------|---------|-------------------|----|
| PJ4 | V4806600 | JACK.PIN | 2P | | UCA | ピンジャック | |
| PJ5 | V4807000 | JACK.PIN | 4P | | | ピンジャック | |
| PJ6 | V4807000 | JACK.PIN | 4P | | | ピンジャック | |
| PJ7 | V4807100 | JACK.PIN | 6P | | | ピンジャック | |
| PJ8 | V4807100 | JACK.PIN | 6P | | | ピンジャック | |
| PJ9 | V4807000 | JACK.PIN | 4P | | | ピンジャック | |
| PJ10 | V4807100 | JACK.PIN | 6P | | | ピンジャック | |
| PJ11 | V4806600 | JACK.PIN | 2P | | | ピンジャック | |
| PJ12 | V8179900 | JACK.PIN | 2P WH/RE LPR6521 | | | ピンジャック | |
| PJ13 | V4806700 | JACK.PIN | 2P | | | ピンジャック | |
| PJ14 | V4807000 | JACK.PIN | 4P | | | ピンジャック | |
| PJ15 | V4807000 | JACK.PIN | 4P | | | ピンジャック | |
| Q1-4 | VD303700 | TR | 2SC3326 A,B | | | トランジスタ | 01 |
| Q5 | VV556400 | TR | 2SC2412K Q,R,S | | | トランジスタ | |
| Q6 | V9107400 | TR | 2SC4488 T | | | トランジスタ | |
| Q7-9 | VV556400 | TR | 2SC2412K Q,R,S | | | トランジスタ | |
| Q10-12 | VP872700 | TR | 2SC4488 S,T | | | トランジスタ | |
| Q19-40 | VD303700 | TR | 2SC3326 A,B | | | トランジスタ | 01 |
| Q41 | VV556400 | TR | 2SC2412K Q,R,S | | | トランジスタ | |
| Q42 | VV556500 | TR | 2SA1037K Q,R,S | | UCARTKB | トランジスタ | |
| Q43 | VV556400 | TR | 2SC2412K Q,R,S | | UCARTKB | トランジスタ | |
| R19 | HV755100 | R. CAR. FP | 100 1/4W | | | 不燃化カーボン抵抗 | 01 |
| R20 | HV755100 | R. CAR. FP | 100 1/4W | | | 不燃化カーボン抵抗 | 01 |
| R215 | HV753220 | R. CAR. FP | 2.2 1/4W | | | 不燃化カーボン抵抗 | 01 |
| R216 | HV753220 | R. CAR. FP | 2.2 1/4W | | | 不燃化カーボン抵抗 | 01 |
| R219 | HV754100 | R. CAR. FP | 10 1/4W | | | 不燃化カーボン抵抗 | 01 |
| R251-53 | HV753470 | R. CAR. FP | 4.7 1/4W | | | 不燃化カーボン抵抗 | 01 |
| R591 | HV753220 | R. CAR. FP | 2.2 1/4W | | | 不燃化カーボン抵抗 | 01 |
| R592 | HV753220 | R. CAR. FP | 2.2 1/4W | | | 不燃化カーボン抵抗 | 01 |
| * RY1-12 | WB751900 | RELAY | DC EC2-12NU-F | | | リレー 12V | |
| * * * | WB746200 | P.C.B. | DSP(1) | | J | P C B D S P (1) | |
| * * * | WB746300 | P.C.B. | DSP(1) | | UC | P C B D S P (1) | |
| * * * | WB746400 | P.C.B. | DSP(1) | | RTKABG | P C B D S P (1) | |
| CB1 | VQ047000 | CN.BS.PIN | 6P | | | F F C コネクタ | |
| CB2-4 | V6088600 | CN | 22P TE | | | コネクタプラグ | |
| CB5 | VP682200 | CN.BS.PIN | 8P | | | F F C コネクタ | 01 |
| CB6 | VP682200 | CN.BS.PIN | 8P | | | F F C コネクタ | 01 |
| CB8 | VQ045100 | CN.BS.PIN | 21P | | | F F C コネクタ | |
| CB9 | VB858300 | CN.BS.PIN | 4P | | | コネクタベースポスト | 01 |
| * CB10 | VT387400 | CN.BS.PIN | 30P | | | F F C コネクタ | |
| CB11 | LB919070 | CN.BS.PIN | 7P | | | ベース付ポスト | 01 |
| * CB12 | VD005500 | CN.BS.PIN | 3P | | | ベースピン | 01 |
| CB13 | VK015400 | CN.BS.PIN | 13P | | | コネクタベースポスト | 01 |
| CB14 | VB858800 | CN.BS.PIN | 9P | | | ベースピン | 01 |
| CB15 | VC166500 | CN.BS.PIN | 12P | | | コネクタベースポスト | 01 |
| CB16 | VB858500 | CN.BS.PIN | 6P | | | ベースピン | 01 |
| * CB894-97 | WC949200 | CN | CSS 14P TE | | J | Dタンシコネクタ I | |
| CB898 | V7827600 | SOCKET | 9P SE TUC SERIES | | J | コネクタソケット | |
| CB899 | V7828700 | SOCKET | 20P SE TUC SERIES | | J | コネクタソケット | |
| C78 | VR169200 | C.MYLAR.ML | ECQ-V1H474JL3 | | | 積層マイラーコン | |

* New Parts (新規部品)

Note) Those parts marked with "#" are not included in the P.C.B. ass'y. (マーク#の部品は、基板に含まれません)

P.C.B. DSP1

| Ref. No. | PART NO. | Description | Remarks | Markets | 部品名 | Rank |
|----------|----------|-------------|---------------|---------|----------|------|
| C82 | VR169200 | C.MYLAR.ML | ECQ-V1H474JL3 | | 積層マイラーコン | |
| * C88 | VE325800 | C.POL.MLT | 0.068uF 50V | | 積層マイラーコン | |
| C93 | UA653100 | C.MYLAR | 1000pF 50V | | マイラーコン | 03 |
| C119 | UN837470 | C.EL | 47uF 16V | | B Pケミコン | 01 |
| * C198 | WB758800 | C.PP | 1200pF 100V | | P Pコン | |
| * C199 | V9415400 | C.EL | 47uF 16V | | ケミコン | |
| C200 | UU167100 | C.EL | 10uF 50V | | ケミコン | |
| C201 | UU137470 | C.EL | 47uF 16V | | ケミコン | |
| * C203 | WB758900 | C.PP | 2700pF 100V | | P Pコン | |
| * C204 | WB758800 | C.PP | 1200pF 100V | | P Pコン | |
| C205 | UU167100 | C.EL | 10uF 50V | | ケミコン | |
| * C206 | V5691400 | C.PP | 1500pF 100V | | P Pコン | |
| * C208 | V5691400 | C.PP | 1500pF 100V | | P Pコン | |
| * C209 | WB758900 | C.PP | 2700pF 100V | | P Pコン | |
| * C210 | WB758800 | C.PP | 1200pF 100V | | P Pコン | |
| C211 | UU137470 | C.EL | 47uF 16V | | ケミコン | |
| C212 | UU167100 | C.EL | 10uF 50V | | ケミコン | |
| * C215 | WB758800 | C.PP | 1200pF 100V | | P Pコン | |
| C217 | UU137470 | C.EL | 47uF 16V | | ケミコン | |
| C218 | UU137470 | C.EL | 47uF 16V | | ケミコン | |
| * C219 | WB758800 | C.PP | 1200pF 100V | | P Pコン | |
| C220 | UU167100 | C.EL | 10uF 50V | | ケミコン | |
| C221 | UU167100 | C.EL | 10uF 50V | | ケミコン | |
| C222 | UU137470 | C.EL | 47uF 16V | | ケミコン | |
| * C223 | WB758900 | C.PP | 2700pF 100V | | P Pコン | |
| * C224 | WB758800 | C.PP | 1200pF 100V | | P Pコン | |
| * C225 | V5691400 | C.PP | 1500pF 100V | | P Pコン | |
| * C228 | V5691400 | C.PP | 1500pF 100V | | P Pコン | |
| C229 | UU167100 | C.EL | 10uF 50V | | ケミコン | |
| C230 | UU167100 | C.EL | 10uF 50V | | ケミコン | |
| * C231 | V9415400 | C.EL | 47uF 16V | | ケミコン | |
| * C232 | WB758900 | C.PP | 2700pF 100V | | P Pコン | |
| * C233 | WB758800 | C.PP | 1200pF 100V | | P Pコン | |
| C234 | UU137470 | C.EL | 47uF 16V | | ケミコン | |
| C235 | UU167100 | C.EL | 10uF 50V | | ケミコン | |
| * C236 | WB758800 | C.PP | 1200pF 100V | | P Pコン | |
| * C237 | WB758800 | C.PP | 1200pF 100V | | P Pコン | |
| * C238 | V9415400 | C.EL | 47uF 16V | | ケミコン | |
| C239 | UU167100 | C.EL | 10uF 50V | | ケミコン | |
| C240 | UU137470 | C.EL | 47uF 16V | | ケミコン | |
| * C242 | WB758900 | C.PP | 2700pF 100V | | P Pコン | |
| * C243 | WB758800 | C.PP | 1200pF 100V | | P Pコン | |
| C244 | UU167100 | C.EL | 10uF 50V | | ケミコン | |
| * C245 | V5691400 | C.PP | 1500pF 100V | | P Pコン | |
| * C247 | V5691400 | C.PP | 1500pF 100V | | P Pコン | |
| * C248 | WB758900 | C.PP | 2700pF 100V | | P Pコン | |
| * C249 | WB758800 | C.PP | 1200pF 100V | | P Pコン | |
| C250 | UU137470 | C.EL | 47uF 16V | | ケミコン | |
| C251-59 | UU167100 | C.EL | 10uF 50V | | ケミコン | |
| * C260 | WB758800 | C.PP | 1200pF 100V | | P Pコン | |
| C262 | UU137470 | C.EL | 47uF 16V | | ケミコン | |
| C263 | UU137470 | C.EL | 47uF 16V | | ケミコン | |
| * C264 | WB758800 | C.PP | 1200pF 100V | | P Pコン | |

* New Parts (新規部品)

P.C.B. DSP1

| Ref. No. | PART NO. | Description | Remarks | Markets | 部品名 | Rank | |
|----------|----------|-------------|---------|---------|-----|--------|----|
| C265 | UU167100 | C.EL | 10uF | 50V | | ケミコン | |
| C266-69 | UA652150 | C.MYLAR | 150pF | 50V | | マイラーコン | |
| C270 | UU167100 | C.EL | 10uF | 50V | | ケミコン | |
| C271 | UU137470 | C.EL | 47uF | 16V | | ケミコン | |
| * C276 | WB758900 | C.PP | 2700pF | 100V | | PPコン | |
| C279 | UU167470 | C.EL | 47uF | 50V | | ケミコン | |
| C280 | UU167470 | C.EL | 47uF | 50V | | ケミコン | |
| * C281 | WB758800 | C.PP | 1200pF | 100V | | PPコン | |
| * C282 | V5691400 | C.PP | 1500pF | 100V | | PPコン | |
| C285-88 | UA652150 | C.MYLAR | 150pF | 50V | | マイラーコン | |
| * C289 | V5691400 | C.PP | 1500pF | 100V | | PPコン | |
| C290 | UU167100 | C.EL | 10uF | 50V | | ケミコン | |
| C291 | UU167100 | C.EL | 10uF | 50V | | ケミコン | |
| * C292 | V9415400 | C.EL | 47uF | 16V | | ケミコン | |
| * C293 | WB758900 | C.PP | 2700pF | 100V | | PPコン | |
| * C294 | WB758800 | C.PP | 1200pF | 100V | | PPコン | |
| C299 | UU137470 | C.EL | 47uF | 16V | | ケミコン | |
| C300 | UA653100 | C.MYLAR | 1000pF | 50V | | マイラーコン | 03 |
| C301 | UU167470 | C.EL | 47uF | 50V | | ケミコン | |
| C302 | UU167100 | C.EL | 10uF | 50V | | ケミコン | |
| C303 | UA653100 | C.MYLAR | 1000pF | 50V | | マイラーコン | 03 |
| C304 | UA653100 | C.MYLAR | 1000pF | 50V | | マイラーコン | 03 |
| C305 | UU167470 | C.EL | 47uF | 50V | | ケミコン | |
| C306 | UU167100 | C.EL | 10uF | 50V | | ケミコン | |
| C307 | UA653100 | C.MYLAR | 1000pF | 50V | | マイラーコン | 03 |
| C308 | UU167100 | C.EL | 10uF | 50V | | ケミコン | |
| * C309 | WB758800 | C.PP | 1200pF | 100V | | PPコン | |
| * C310 | WB758800 | C.PP | 1200pF | 100V | | PPコン | |
| * C311 | V9415400 | C.EL | 47uF | 16V | | ケミコン | |
| C312 | UU167100 | C.EL | 10uF | 50V | | ケミコン | |
| C313 | UU137470 | C.EL | 47uF | 16V | | ケミコン | |
| C319 | UU167100 | C.EL | 10uF | 50V | | ケミコン | |
| C320 | UU166100 | C.EL | 1uF | 50V | | ケミコン | |
| C321 | UU167100 | C.EL | 10uF | 50V | | ケミコン | |
| C322 | UU166100 | C.EL | 1uF | 50V | | ケミコン | |
| * C323 | WB758900 | C.PP | 2700pF | 100V | | PPコン | |
| * C324 | WB758800 | C.PP | 1200pF | 100V | | PPコン | |
| C325 | UU167100 | C.EL | 10uF | 50V | | ケミコン | |
| * C326 | V5691400 | C.PP | 1500pF | 100V | | PPコン | |
| * C328 | V5691400 | C.PP | 1500pF | 100V | | PPコン | |
| * C329 | WB758900 | C.PP | 2700pF | 100V | | PPコン | |
| * C330 | WB758800 | C.PP | 1200pF | 100V | | PPコン | |
| C331 | UU137470 | C.EL | 47uF | 16V | | ケミコン | |
| C332 | UU167100 | C.EL | 10uF | 50V | | ケミコン | |
| * C333 | WB758800 | C.PP | 1200pF | 100V | | PPコン | |
| C335 | UU137470 | C.EL | 47uF | 16V | | ケミコン | |
| C336 | UU137470 | C.EL | 47uF | 16V | | ケミコン | |
| * C337 | WB758800 | C.PP | 1200pF | 100V | | PPコン | |
| C338 | UU167100 | C.EL | 10uF | 50V | | ケミコン | |
| C339 | UU167100 | C.EL | 10uF | 50V | | ケミコン | |
| C340 | UU137470 | C.EL | 47uF | 16V | | ケミコン | |
| C341 | UU167100 | C.EL | 10uF | 50V | | ケミコン | |
| C343 | UU167100 | C.EL | 10uF | 50V | | ケミコン | |

* New Parts (新規部品)

Note) Those parts marked with “#” are not included in the P.C.B. ass'y. (マーク#の部品は、基板に含まれません)

P.C.B. DSP1

| Ref. No. | PART NO. | Description | Remarks | Markets | 部品名 | Rank |
|----------|----------|-------------|---------|---------|-----|----------|
| * C345 | WB758900 | C.PP | 2700pF | 100V | | P P コン |
| * C346 | WB758800 | C.PP | 1200pF | 100V | | P P コン |
| * C347 | V5691400 | C.PP | 1500pF | 100V | | P P コン |
| * C350 | V5691400 | C.PP | 1500pF | 100V | | P P コン |
| C351 | UU167100 | C.EL | 10uF | 50V | | ケミコン |
| C352 | UU167100 | C.EL | 10uF | 50V | | ケミコン |
| * C353 | V9415400 | C.EL | 47uF | 16V | | ケミコン |
| * C354 | WB758900 | C.PP | 2700pF | 100V | | P P コン |
| * C355 | WB758800 | C.PP | 1200pF | 100V | | P P コン |
| C356 | UU137470 | C.EL | 47uF | 16V | | ケミコン |
| C357 | UU167100 | C.EL | 10uF | 50V | | ケミコン |
| * C358 | WB758800 | C.PP | 1200pF | 100V | | P P コン |
| * C359 | V5691500 | C.PP | 2200pF | 100V | | P P コン |
| * C360 | WB758700 | C.PP | 820pF | 100V | | P P コン |
| C361 | UU167100 | C.EL | 10uF | 50V | | ケミコン |
| * C362 | V5691400 | C.PP | 1500pF | 100V | | P P コン |
| C364 | UU137470 | C.EL | 47uF | 16V | | ケミコン |
| * C365 | V5691400 | C.PP | 1500pF | 100V | | P P コン |
| * C368 | WB758700 | C.PP | 820pF | 100V | | P P コン |
| * C370 | UU168330 | C.EL | 330uF | 50V | | ケミコン F W |
| C372 | UU137470 | C.EL | 47uF | 16V | | ケミコン |
| C373 | UU137470 | C.EL | 47uF | 16V | | ケミコン |
| C374 | UU167100 | C.EL | 10uF | 50V | | ケミコン |
| * C376 | UU168330 | C.EL | 330uF | 50V | | ケミコン F W |
| * C377 | WB758700 | C.PP | 820pF | 100V | | P P コン |
| * C378 | V5691400 | C.PP | 1500pF | 100V | | P P コン |
| C379 | UU137470 | C.EL | 47uF | 16V | | ケミコン |
| * C381 | V5691400 | C.PP | 1500pF | 100V | | P P コン |
| C382 | UU167100 | C.EL | 10uF | 50V | | ケミコン |
| C383 | UU167100 | C.EL | 10uF | 50V | | ケミコン |
| * C384 | V5691500 | C.PP | 2200pF | 100V | | P P コン |
| * C385 | WB758700 | C.PP | 820pF | 100V | | P P コン |
| * C386 | V5691500 | C.PP | 2200pF | 100V | | P P コン |
| * C387 | WB758700 | C.PP | 820pF | 100V | | P P コン |
| C388 | UU167100 | C.EL | 10uF | 50V | | ケミコン |
| * C389 | V5691400 | C.PP | 1500pF | 100V | | P P コン |
| C391 | UU147470 | C.EL | 47uF | 25V | | ケミコン F W |
| * C392 | V5691400 | C.PP | 1500pF | 100V | | P P コン |
| * C393 | WB758700 | C.PP | 820pF | 100V | | P P コン |
| C394-401 | UU167100 | C.EL | 10uF | 50V | | ケミコン |
| * C403 | V9415400 | C.EL | 47uF | 16V | | ケミコン |
| C405 | UU137470 | C.EL | 47uF | 16V | | ケミコン |
| C406 | UU137470 | C.EL | 47uF | 16V | | ケミコン |
| C407-10 | UA652150 | C.MYLAR | 150pF | 50V | | マイラーコン |
| C411 | UU167100 | C.EL | 10uF | 50V | | ケミコン |
| * C417 | V9415400 | C.EL | 47uF | 16V | | ケミコン |
| * C418 | WB758700 | C.PP | 820pF | 100V | | P P コン |
| C421 | UU167470 | C.EL | 47uF | 50V | | ケミコン |
| C422 | UU167470 | C.EL | 47uF | 50V | | ケミコン |
| * C423 | V5691400 | C.PP | 1500pF | 100V | | P P コン |
| C424 | UU147470 | C.EL | 47uF | 25V | | ケミコン F W |
| C426-29 | UA652150 | C.MYLAR | 150pF | 50V | | マイラーコン |
| * C430 | V5691400 | C.PP | 1500pF | 100V | | P P コン |

* New Parts (新規部品)

P.C.B. DSP1

| Ref. No. | PART NO. | Description | Remarks | Markets | 部品名 | Rank | |
|----------|----------|-------------|-----------------|---------|-----|-------------|----|
| C431 | UU167100 | C.EL | 10uF | 50V | | ケミコン | |
| C432 | UU167100 | C.EL | 10uF | 50V | | ケミコン | |
| * C433 | V5691500 | C.PP | 2200pF | 100V | | PPコン | |
| * C438 | WB758700 | C.PP | 820pF | 100V | | PPコン | |
| C439 | UA653100 | C.MYLAR | 1000pF | 50V | | マイラーコン | 03 |
| C440 | UU167470 | C.EL | 47uF | 50V | | ケミコン | |
| C441 | UU167100 | C.EL | 10uF | 50V | | ケミコン | |
| C442 | UA653100 | C.MYLAR | 1000pF | 50V | | マイラーコン | 03 |
| C443 | UA653100 | C.MYLAR | 1000pF | 50V | | マイラーコン | 03 |
| C444 | UU167470 | C.EL | 47uF | 50V | | ケミコン | |
| C445 | UU167100 | C.EL | 10uF | 50V | | ケミコン | |
| C446 | UA653100 | C.MYLAR | 1000pF | 50V | | マイラーコン | 03 |
| * C447 | V5691400 | C.PP | 1500pF | 100V | | PPコン | |
| * C448 | WB759000 | C.PP | 8200pF | 100V | | PPコン | |
| C449 | UU167100 | C.EL | 10uF | 50V | | ケミコン | |
| C454 | UU167100 | C.EL | 10uF | 50V | | ケミコン | |
| C455 | UU166100 | C.EL | 1uF | 50V | | ケミコン | |
| C456 | UU167100 | C.EL | 10uF | 50V | | ケミコン | |
| C457 | UU166100 | C.EL | 1uF | 50V | | ケミコン | |
| * C458 | V5691500 | C.PP | 2200pF | 100V | | PPコン | |
| C460 | UU137470 | C.EL | 47uF | 16V | | ケミコン | |
| * C461 | V5691500 | C.PP | 2200pF | 100V | | PPコン | |
| * C462 | WB759000 | C.PP | 8200pF | 100V | | PPコン | |
| * C464 | V9415400 | C.EL | 47uF | 16V | | ケミコン | |
| C466 | UU137470 | C.EL | 47uF | 16V | | ケミコン | |
| C467 | UU137470 | C.EL | 47uF | 16V | | ケミコン | |
| C468 | UU167100 | C.EL | 10uF | 50V | | ケミコン | |
| * C470 | V9415400 | C.EL | 47uF | 16V | | ケミコン | |
| * C471 | WB759000 | C.PP | 8200pF | 100V | | PPコン | |
| * C472 | V5691500 | C.PP | 2200pF | 100V | | PPコン | |
| C473 | UU137470 | C.EL | 47uF | 16V | | ケミコン | |
| C475 | UU167100 | C.EL | 10uF | 50V | | ケミコン | |
| C477 | UU167100 | C.EL | 10uF | 50V | | ケミコン | |
| * C479 | V5691500 | C.PP | 2200pF | 100V | | PPコン | |
| C480 | UU167100 | C.EL | 10uF | 50V | | ケミコン | |
| C481 | UU167100 | C.EL | 10uF | 50V | | ケミコン | |
| * C482 | V5691400 | C.PP | 1500pF | 100V | | PPコン | |
| * C483 | WB759000 | C.PP | 8200pF | 100V | | PPコン | |
| * C533 | VS732600 | C.OS | 3.3uF | 16V | | OSコン | |
| * C534 | VS732600 | C.OS | 3.3uF | 16V | | OSコン | |
| D1-9 | VT332900 | DIODE | 1SS355 | | | ダイオード | |
| D11-14 | VV220700 | DIODE.SHOT | RB501V-40 | | | ショットキーダイオード | |
| D15-25 | VT332900 | DIODE | 1SS355 | | | ダイオード | |
| * D26 | WB686800 | DIODE.VAR | KV1862KTR-G | | | バリキャップ | |
| D27-58 | VV220700 | DIODE.SHOT | RB501V-40 | | | ショットキーダイオード | |
| D59 | VT332900 | DIODE | 1SS355 | | | ダイオード | |
| D60 | VT332900 | DIODE | 1SS355 | | | ダイオード | |
| * IC1 | X3721A00 | IC | 74VHCU04MTCX | | | ロジックIC | |
| IC2 | X4150A00 | IC | 74VHCT00AMTCX | | | ロジックIC | |
| * IC3 | X3721A00 | IC | 74VHCU04MTCX | | | ロジックIC | |
| * IC4 | X4137A00 | IC | SN74AHC1G04DCKR | | | ロジックIC | |
| * IC5 | X3721A00 | IC | 74VHCU04MTCX | | | ロジックIC | |
| IC6-9 | XR041A00 | IC | TC74HC151AF | | | IC | |

* New Parts (新規部品)

Note) Those parts marked with “#” are not included in the P.C.B. ass'y. (マーク#の部品は、基板に含まれません)

P.C.B. DSP1

| Ref. No. | PART NO. | Description | Remarks | Markets | 部品名 | Rank |
|----------|----------|-----------------|--------------------|---------|---------------|------|
| | IC10 | XRO38A00 IC | NJM2904M OP AMP | | IC | |
| * | IC11 | X3721A00 IC | 74VHCU04MTCX | | ロジック IC | |
| | IC12 | X4150A00 IC | 74VHCT00AMTCX | | ロジック IC | |
| * | IC13 | X2709A00 IC | SN74AHCT245PWR | | ロジック IC | |
| | IC14 | X3566A00 IC | LC89057W-VF4-E | | IC | |
| | IC15 | XF291A00 IC | uPC4570G2 | | IC | 03 |
| | IC16 | X4150A00 IC | 74VHCT00AMTCX | | ロジック IC | |
| | IC17 | X3204A00 IC | PQ070XZ5MZP | | 電源 IC | |
| | IC18 | XT958A00 IC | PM4007A | | IC | |
| | IC19 | XS516A00 IC | uPC2933T-E1 3.3V | | 電源 IC | 03 |
| | IC20 | X3401A00 IC | PQ018EZ01ZP 1.8V | | 電源 IC | |
| * | IC21 | X4473B00 IC | XC9572XL-10TQ100 | | IC | |
| | IC22 | XS516A00 IC | uPC2933T-E1 3.3V | | 電源 IC | 03 |
| | IC23 | XS516A00 IC | uPC2933T-E1 3.3V | | 電源 IC | 03 |
| | IC24 | X3693A00 IC | SN74LV245APWR TRAN | | ロジック IC TSSOP | |
| | IC25 | XW433A00 IC | CY62256LL-70SNCT | | メモリ IC 256K | 05 |
| * | IC27 | X4474A00 IC.CPU | M30624FGNFP CPU | | CPU / 周辺 IC | |
| * | IC30 | XV763A00 IC | OP275GSR OP AMP | | アンプ IC SOP | |
| | IC31 | X3505A00 IC | NJM2068MD-TE2 | | IC | 03 |
| * | IC32 | X4106A00 IC | TC9164AF | | アナログ SW IC | |
| * | IC33 | XV763A00 IC | OP275GSR OP AMP | | アンプ IC SOP | |
| | IC34 | X3505A00 IC | NJM2068MD-TE2 | | IC | 03 |
| * | IC35 | X4537A00 IC | PCM1792DBR | | D/Aコンバーター | |
| * | IC36 | XV763A00 IC | OP275GSR OP AMP | | アンプ IC SOP | |
| | IC37 | X3505A00 IC | NJM2068MD-TE2 | | IC | 03 |
| | IC38 | XF291A00 IC | uPC4570G2 | | IC | 03 |
| | IC39 | XF291A00 IC | uPC4570G2 | | IC | 03 |
| * | IC40 | XV763A00 IC | OP275GSR OP AMP | | アンプ IC SOP | |
| | IC41 | X3505A00 IC | NJM2068MD-TE2 | | IC | 03 |
| | IC42 | XE518A00 IC | uPC4574G2 | | IC | 03 |
| | IC43 | XE518A00 IC | uPC4574G2 | | IC | 03 |
| * | IC44 | X4537A00 IC | PCM1792DBR | | D/Aコンバーター | |
| * | IC45 | XV763A00 IC | OP275GSR OP AMP | | アンプ IC SOP | |
| | IC46 | X3505A00 IC | NJM2068MD-TE2 | | IC | 03 |
| * | IC47 | X3447A00 IC | CS5361-KS | | IC | |
| * | IC48 | X3447A00 IC | CS5361-KS | | IC | |
| * | IC49 | XV763A00 IC | OP275GSR OP AMP | | アンプ IC SOP | |
| | IC50 | X3505A00 IC | NJM2068MD-TE2 | | IC | 03 |
| * | IC51 | X4537A00 IC | PCM1792DBR | | D/Aコンバーター | |
| * | IC52 | XV763A00 IC | OP275GSR OP AMP | | アンプ IC SOP | |
| * | IC53 | X4106A00 IC | TC9164AF | | アナログ SW IC | |
| | IC54 | X3505A00 IC | NJM2068MD-TE2 | | IC | 03 |
| * | IC55 | XV763A00 IC | OP275GSR OP AMP | | アンプ IC SOP | |
| * | IC56 | X4537A00 IC | PCM1792DBR | | D/Aコンバーター | |
| * | IC57 | XV763A00 IC | OP275GSR OP AMP | | アンプ IC SOP | |
| | IC58 | XF291A00 IC | uPC4570G2 | | IC | 03 |
| | IC59 | XF291A00 IC | uPC4570G2 | | IC | 03 |
| | IC60 | X3505A00 IC | NJM2068MD-TE2 | | IC | 03 |
| * | IC61 | XV763A00 IC | OP275GSR OP AMP | | アンプ IC SOP | |
| | IC62 | XE518A00 IC | uPC4574G2 | | IC | 03 |
| | IC63 | XE518A00 IC | uPC4574G2 | | IC | 03 |
| * | IC64 | X4537A00 IC | PCM1792DBR | | D/Aコンバーター | |
| * | IC65 | XV763A00 IC | OP275GSR OP AMP | | アンプ IC SOP | |

* New Parts (新規部品)

Note) Those parts marked with “#” are not included in the P.C.B. ass'y. (マーク#の部品は、基板に含まれません)

P.C.B. DSP1

| Ref. No. | PART NO. | Description | Remarks | Markets | 部品名 | Rank |
|----------|----------|--------------------|--------------------|---------|------------|------|
| | IC66 | X3505A00 IC | NJM2068MD-TE2 | | IC | 03 |
| * | IC67 | XV763A00 IC | OP275GSR OP AMP | | アンプ IC SOP | |
| * | IC68 | X3447A00 IC | CS5361-KS | | IC | |
| * | IC69 | X3447A00 IC | CS5361-KS | | IC | |
| * | IC70 | X4537A00 IC | PCM1792DBR | | D/Aコンバーター | |
| | IC71 | X4454A00 IC | SN74LVC2G17DCKR | | ロジック IC | |
| | L13 | V7386700 FLTR.LC | ELB4C080BN | | LCフィルター | |
| | PJ1 | V2283400 JACK.PIN | 1P | | ピンジャック | |
| | PJ2 | VZ726300 JACK.PIN | 2P | | ピンジャック 2P | |
| | PJ3 | VZ726400 JACK.PIN | 2P | | ピンジャック 2P | |
| | Q1 | VV556400 TR | 2SC2412K Q,R,S | | トランジスタ | |
| | Q2 | VV556400 TR | 2SC2412K Q,R,S | | トランジスタ | |
| | Q3 | VV556500 TR | 2SA1037K Q,R,S | | トランジスタ | |
| | Q4-6 | VV556400 TR | 2SC2412K Q,R,S | | トランジスタ | |
| | Q7 | VV556500 TR | 2SA1037K Q,R,S | | トランジスタ | |
| | Q8 | VV556500 TR | 2SA1037K Q,R,S | | トランジスタ | |
| | R8 | VU224200 R.MTL.FLM | 0.47 1W | | 金属被膜抵抗 | |
| | R33 | VU224200 R.MTL.FLM | 0.47 1W | | 金属被膜抵抗 | |
| | R91 | HV753100 R.CAR.FP | 1 1/4W | | 不燃化カーボン抵抗 | |
| * | R95 | WB784500 R.MTL.FLM | 3.3 1W | | 金属被膜抵抗 | |
| * | R101 | WB784300 R.MTL.FLM | 1.8 1W | | 金属被膜抵抗 | |
| * | R104 | WB784100 R.MTL.FLM | 1.2 1W | | 金属被膜抵抗 | |
| | R106 | VP939500 R.MTL.FLM | 1 1W | | 金属被膜抵抗 | |
| * | R109 | WB784300 R.MTL.FLM | 1.8 1W | | 金属被膜抵抗 | |
| | R120 | VU224200 R.MTL.FLM | 0.47 1W | | 金属被膜抵抗 | |
| | R262 | HV753220 R.CAR.FP | 2.2 1/4W | | 不燃化カーボン抵抗 | 01 |
| | R263 | VU224200 R.MTL.FLM | 0.47 1W | | 金属被膜抵抗 | |
| | R356 | HV753220 R.CAR.FP | 2.2 1/4W | | 不燃化カーボン抵抗 | 01 |
| | R357 | VU224200 R.MTL.FLM | 0.47 1W | | 金属被膜抵抗 | |
| | R374 | HV753100 R.CAR.FP | 1 1/4W | | 不燃化カーボン抵抗 | |
| | R375 | HV753100 R.CAR.FP | 1 1/4W | | 不燃化カーボン抵抗 | |
| | R398 | HV753220 R.CAR.FP | 2.2 1/4W | | 不燃化カーボン抵抗 | 01 |
| | R399 | HV753220 R.CAR.FP | 2.2 1/4W | | 不燃化カーボン抵抗 | 01 |
| | R428 | HV753220 R.CAR.FP | 2.2 1/4W | | 不燃化カーボン抵抗 | 01 |
| | R429 | VU224200 R.MTL.FLM | 0.47 1W | | 金属被膜抵抗 | |
| | R496 | HV753220 R.CAR.FP | 2.2 1/4W | | 不燃化カーボン抵抗 | 01 |
| | R497 | VU224200 R.MTL.FLM | 0.47 1W | | 金属被膜抵抗 | |
| | R562 | HV753220 R.CAR.FP | 2.2 1/4W | | 不燃化カーボン抵抗 | 01 |
| | R563 | VU224200 R.MTL.FLM | 0.47 1W | | 金属被膜抵抗 | |
| | R582 | HV753100 R.CAR.FP | 1 1/4W | | 不燃化カーボン抵抗 | |
| | R583 | HV753100 R.CAR.FP | 1 1/4W | | 不燃化カーボン抵抗 | |
| | R902 | HV753220 R.CAR.FP | 2.2 1/4W | | 不燃化カーボン抵抗 | 01 |
| | R908 | HV753220 R.CAR.FP | 2.2 1/4W | | 不燃化カーボン抵抗 | 01 |
| | R923 | HV753220 R.CAR.FP | 2.2 1/4W | | 不燃化カーボン抵抗 | 01 |
| | R924-26 | VU224200 R.MTL.FLM | 0.47 1W | | 金属被膜抵抗 | |
| * | U1-7 | WB547900 L.DTCT | 1P GP1FA513RZ | | 光ファイバ受信器 | |
| * | U8-10 | WB548000 L.DTCT | 1P GP1FA513TZC | | 光ファイバ受信器 | |
| * | XL1 | WB537000 RSNR.CRYS | 24.576MHz FX0-31FL | | 水晶振動子 | |
| | XL2 | VT928600 RSNR.CRYS | 18.432MHz | | 水晶振動子 | |
| | XL3 | V4739000 RSNR.CE | 16MHz | | セラミック振動子 | |
| | | V5575000 SUPRT.PCB | Y 2V70 WD-50 | | PCサポート | |

* New Parts (新規部品)

Note) Those parts marked with "#" are not included in the P.C.B. ass'y. (マーク#の部品は、基板に含まれません)

| |
|------------------------------------|
| P.C.B. DSP2 & OPERATION |
|------------------------------------|

| Ref. No. | PART NO. | Description | Remarks | Markets | 部品名 | Rank |
|----------|----------|-------------|--------------------|---------|-------------------|------|
| * | WB746500 | P.C.B. | DSP(2) | | P C B D S P (2) | |
| * CB1-3 | WB188500 | CN | 22P TE TKC | | コネクタプラグ | |
| C323 | WB715400 | C.EL | 10uF 100V | | ケミコン | |
| * IC1 | X4202A00 | IC | CY7C1041CV33-12ZCT | | メモリIC | |
| IC2 | X3567A00 | IC | YSS930-SZ | | IC | |
| * IC3 | X4202A00 | IC | CY7C1041CV33-12ZCT | | メモリIC | |
| IC4 | X3567A00 | IC | YSS930-SZ | | IC | |
| * IC5 | X4202A00 | IC | CY7C1041CV33-12ZCT | | メモリIC | |
| IC6 | X3567A00 | IC | YSS930-SZ | | IC | |
| * IC7 | X4202A00 | IC | CY7C1041CV33-12ZCT | | メモリIC | |
| IC8 | X3567A00 | IC | YSS930-SZ | | IC | |
| * IC9 | X4202A00 | IC | CY7C1041CV33-12ZCT | | メモリIC | |
| IC10 | X3567A00 | IC | YSS930-SZ | | IC | |
| * IC11 | X4202A00 | IC | CY7C1041CV33-12ZCT | | メモリIC | |
| IC12 | X3567A00 | IC | YSS930-SZ | | IC | |
| * IC13 | X4202A00 | IC | CY7C1041CV33-12ZCT | | メモリIC | |
| IC14 | X3567A00 | IC | YSS930-SZ | | IC | |
| * IC15 | X4202A00 | IC | CY7C1041CV33-12ZCT | | メモリIC | |
| IC16 | X3567A00 | IC | YSS930-SZ | | IC | |
| IC20 | X4061A00 | IC | SN74AHC2GU04HDCTR | | ロジックIC | |
| * IC23 | X4538B00 | IC | MBM29LV160BE-70TN | | メモリIC 16M | |
| IC24 | X3833A00 | IC | SN74AHC1G08DCKR | | ロジックIC SOP | |
| * IC27 | X0176A00 | IC | W986432DH-7 SDRAM | | メモリIC | |
| * IC28 | X4642A00 | IC | SN74AHC1G32DCKR | | ロジックICフラット | |
| * IC29 | X0473A00 | IC | 74LCX02MTCX | | ロジックIC | |
| * IC30 | X4285A00 | IC | SN74LV573APWR | | ロジックIC | |
| * IC31 | X4285A00 | IC | SN74LV573APWR | | ロジックIC | |
| * XL1 | V9910200 | RSNR.CRYS | 25.000M FX0-31FL | | 水晶振動子 | |
| * XL2 | WB536900 | RSNR.CRYS | 13.5MHz FX0-31FL | | 水晶振動子 | |
| * | WB746000 | P.C.B. | OPERATION | JRTKBG | P C B オペレーション | |
| * | WB746100 | P.C.B. | OPERATION | UCA | P C B オペレーション | |
| CB903 | VQ044600 | CN.BS.PIN | 13P | | FFCコネクタ | |
| CB904 | VQ045900 | CN.BS.PIN | 30P | | FFCコネクタ | |
| CB907 | VB858300 | CN.BS.PIN | 4P | | コネクタベースポスト | 01 |
| CB908 | VQ044400 | CN.BS.PIN | 9P | | FFCコネクタ | |
| CB909 | VQ047200 | CN.BS.PIN | 9P | | FFCコネクタ | |
| CB951 | VM923600 | CN.BS.PIN | 13P | | FFCコネクタ | 01 |
| CB954 | VB858200 | CN.BS.PIN | 3P | | ベースピン | 01 |
| CB955 | VB390000 | CN.BS.PIN | 4P | | ベースピン | 01 |
| CB963 | VB858800 | CN.BS.PIN | 9P | | ベースピン | 01 |
| C909 | UU147100 | C.EL | 10uF 25V | | ケミコン | |
| C923 | UU167100 | C.EL | 10uF 50V | | ケミコン | |
| C953-56 | UM407100 | C.EL | 10uF 50V | | ケミコン | 01 |
| C959 | UA653100 | C.MYLAR | 1000pF 50V | | マイラーコン | 03 |
| C960 | UM388100 | C.EL | 100uF 10V | | ケミコン | 01 |
| C961 | UA653100 | C.MYLAR | 1000pF 50V | | マイラーコン | 03 |
| C962 | UM407330 | C.EL | 33uF 25V | | ケミコンKS | |
| C965 | UU147470 | C.EL | 47uF 25V | | ケミコンFW | |
| C966 | UA652470 | C.MYLAR | 470pF 50V | | マイラーコン | 01 |
| C967 | UA652470 | C.MYLAR | 470pF 50V | | マイラーコン | 01 |

* New Parts (新規部品)

Note) Those parts marked with “#” are not included in the P.C.B. ass'y. (マーク#の部品は、基板に含まれません)

P.C.B. OPERATION

| Ref. No. | PART NO. | Description | Remarks | Markets | 部品名 | Rank |
|----------|----------|-------------|--------------------|---------|------------|------|
| C972 | UM407220 | C.EL | 22uF 25V | | ケミコン | 01 |
| D901 | VU305200 | DIODE.ZENR | PTZ 7.5BTE25 7.5V | | ツェナーダイオード | 01 |
| D902 | V2598200 | LED | SIR-505ST | | LED | |
| D951 | VT332900 | DIODE | 1SS355 | | ダイオード | |
| D952 | VT332900 | DIODE | 1SS355 | | ダイオード | |
| D953 | VU171900 | DIODE.ZENR | UDZ5.1B 5.1V | | ツェナーダイオード | 01 |
| * D954 | WB829100 | LED | BE SELS6E14C-M | | LED | |
| * D955 | WB829200 | LED | GR SELS6D14C | | LED | |
| D956 | VT332900 | DIODE | 1SS355 | | ダイオード | |
| D957 | VT332900 | DIODE | 1SS355 | | ダイオード | |
| IC901 | X4194A00 | IC | M66005-0141AFP-280 | | IC | |
| IC902 | X4194A00 | IC | M66005-0141AFP-280 | | IC | |
| IC951 | X2080A00 | IC | SN74AHCT1G32DCKR | | ロジックIC | |
| IC952 | XF291A00 | IC | uPC4570G2 | | IC | 03 |
| JK951 | V4164400 | JACK.PHONE | YKB21-5209 | | ホンジャック | |
| JK952 | V2589500 | CN | 1P | | ミニDINコネクタ | |
| * JK953 | WB751700 | JACK.MNI | LGY6511-0500 | | モノラルミニジャック | |
| PJ951 | V6319100 | JACK.PIN | YWR G2 YKC21-3059 | | ピンジャック 3P | |
| Q901-03 | VV556400 | TR | 2SC2412K Q,R,S | | トランジスタ | |
| Q951 | VV556400 | TR | 2SC2412K Q,R,S | | トランジスタ | |
| Q952 | VV556400 | TR | 2SC2412K Q,R,S | | トランジスタ | |
| R901 | VP940200 | R.MTL.OXD | 47 1W | | 酸化金属被膜抵抗 | 01 |
| R902 | VP940200 | R.MTL.OXD | 47 1W | | 酸化金属被膜抵抗 | 01 |
| ST901 | VP750600 | SCR.TERM | MEP1700 | | ネジ端子 | |
| SW901 | V6886700 | SW.RT.ENC | REB162(9X5)RVB55 | | ロータリーエンコーダ | |
| SW951 | V4104600 | SW.RT.ENC | SDB161PH20F-1-4-14 | | ロータリーエンコーダ | |
| * SW952 | WC941100 | SW.RT.ENC | REB161PHB20 | | ロータリーエンコーダ | |
| SW953-70 | V4757100 | SW.TACT | EVQ11A | | タクトSW | |
| * SW971 | WB802000 | SW.RT.ENC | REB162PVB20FINA | | ロータリーエンコーダ | |
| U901 | V8085300 | L.DTCT | GP1UA271X | | リモコン受光ユニット | |
| * U951 | WB547900 | L.DTCT | 1P GP1FA513RZ | | 光ファイバ受信器 | |
| * V901 | WB585900 | FL.DSPLY | 32-BT-09G | | 蛍光表示管 | |
| * V901 | WC218000 | SPACER | LDS-60C | | スペーサー/LED | |
| | V4329800 | SUPPORT | FL | | サポート/FL | |
| | V4329900 | SHEET | FL | | シート/FL | |

* New Parts (新規部品)

Note) Those parts marked with “#” are not included in the P.C.B. ass'y. (マーク#の部品は、基板に含まれません)

P.C.B. VIDEO TOP

| Ref. No. | PART NO. | Description | Remarks | Markets | 部品名 | Rank | |
|----------|----------|-------------|-----------|-------------------|-----|--------------|----|
| * | WB747100 | P.C.B. | VIDEO TOP | | J | P C B ビデオトップ | |
| * | WB747200 | P.C.B. | VIDEO TOP | | UC | P C B ビデオトップ | |
| * | WB747300 | P.C.B. | VIDEO TOP | | R | P C B ビデオトップ | |
| * | WB747400 | P.C.B. | VIDEO TOP | | TK | P C B ビデオトップ | |
| * | WB747500 | P.C.B. | VIDEO TOP | | A | P C B ビデオトップ | |
| * | WB747600 | P.C.B. | VIDEO TOP | | BG | P C B ビデオトップ | |
| | CB12 | VB858400 | CN.BS.PIN | 5P | | ベースピン | 01 |
| | CB13 | VQ045300 | CN.BS.PIN | 23P | | F F C コネクター | |
| | CB14 | VQ045900 | CN.BS.PIN | 30P | | F F C コネクター | |
| | CB16 | VQ044400 | CN.BS.PIN | 9P | | F F C コネクター | |
| | CB18 | VB858200 | CN.BS.PIN | 3P | UCA | ベースピン | 01 |
| | CB19 | VM929900 | CN.BS.PIN | 15P | UCA | F P C コネクター | 01 |
| | CB20 | VK015400 | CN.BS.PIN | 13P | | コネクタベースポスト | 01 |
| | CB21 | VQ045600 | CN.BS.PIN | 27P | | F F C コネクター | |
| | CB23 | VC166500 | CN.BS.PIN | 12P | | コネクタベースポスト | 01 |
| | CB24 | VB858800 | CN.BS.PIN | 9P | | ベースピン | 01 |
| | CB26 | LB919030 | CN.BS.PIN | 3P | | ベースピン | 01 |
| | CB27 | VQ046000 | CN.BS.PIN | 31P | | F F C コネクター | |
| | CB34 | V7825900 | CN | 9P TE TUC SERIES | | コネクタープラグ | |
| | CB35 | V7827000 | CN | 20P TE TUC SERIES | | コネクタープラグ | |
| | CB36 | VQ046000 | CN.BS.PIN | 31P | | F F C コネクター | |
| | C452 | UU119100 | C.EL | 1000uF 6.3V | | ケミコン | |
| | C453 | UU119100 | C.EL | 1000uF 6.3V | | ケミコン | |
| | C456-58 | UU137470 | C.EL | 47uF 16V | | ケミコン | |
| | C464-69 | UU137470 | C.EL | 47uF 16V | | ケミコン | |
| | C473-75 | UU137470 | C.EL | 47uF 16V | | ケミコン | |
| | C479-81 | UU137470 | C.EL | 47uF 16V | | ケミコン | |
| | C483 | UU148100 | C.EL | 100uF 25V | | ケミコン F W | 01 |
| | C492 | UU147100 | C.EL | 10uF 25V | UCA | ケミコン | |
| | C493 | UU147100 | C.EL | 10uF 25V | UCA | ケミコン | |
| | C505 | UU147100 | C.EL | 10uF 25V | UCR | ケミコン | |
| | C506 | UU165470 | C.EL | 0.47uF 50V | | ケミコン | |
| | C509 | UU137470 | C.EL | 47uF 16V | | ケミコン | |
| * | C511 | WB751800 | C.EL | 0.1F 5.5V | | 電気 2重層コンデンサ | |
| | C512 | UU119100 | C.EL | 1000uF 6.3V | | ケミコン | |
| | C514 | UU119100 | C.EL | 1000uF 6.3V | | ケミコン | |
| | C516 | VT180400 | C.EL | 4700uF 5.5V | | ケミコン | |
| | C520-27 | UU165470 | C.EL | 0.47uF 50V | | ケミコン | |
| | C528 | UU148100 | C.EL | 100uF 25V | | ケミコン F W | 01 |
| | C544-64 | UU137470 | C.EL | 47uF 16V | | ケミコン | |
| | C568 | UU137470 | C.EL | 47uF 16V | | ケミコン | |
| | C570 | UU137470 | C.EL | 47uF 16V | | ケミコン | |
| | C572 | UU137470 | C.EL | 47uF 16V | | ケミコン | |
| | C580 | UU137470 | C.EL | 47uF 16V | | ケミコン | |
| | C584 | UU137470 | C.EL | 47uF 16V | | ケミコン | |
| | C588 | UU137470 | C.EL | 47uF 16V | | ケミコン | |
| | C594 | UU137470 | C.EL | 47uF 16V | | ケミコン | |
| | C598 | UU137470 | C.EL | 47uF 16V | | ケミコン | |
| | C602-06 | UU137470 | C.EL | 47uF 16V | | ケミコン | |
| | C611 | UU137470 | C.EL | 47uF 16V | | ケミコン | |
| | C613 | UU137470 | C.EL | 47uF 16V | | ケミコン | |
| | C621-39 | UU137470 | C.EL | 47uF 16V | | ケミコン | |
| | C647 | UU137470 | C.EL | 47uF 16V | | ケミコン | |

* New Parts (新規部品)

Note) Those parts marked with “#” are not included in the P.C.B. ass'y. (マーク#の部品は、基板に含まれません)

P.C.B. VIDEO TOP

| Ref. No. | PART NO. | Description | Remarks | Markets | 部品名 | Rank |
|-----------|----------|-------------|--------------------|---------|-------------------|------|
| C653 | UU137470 | C.EL | 47uF 16V | | ケミコン | |
| C657 | UU137470 | C.EL | 47uF 16V | | ケミコン | |
| C663 | UU137470 | C.EL | 47uF 16V | | ケミコン | |
| C664 | UU137470 | C.EL | 47uF 16V | | ケミコン | |
| C665 | UU137470 | C.EL | 47uF 16V | | ケミコン | |
| C670 | UU137470 | C.EL | 47uF 16V | | ケミコン | |
| C672 | UU137470 | C.EL | 47uF 16V | | ケミコン | |
| C674 | UU137470 | C.EL | 47uF 16V | | ケミコン | |
| C679 | UU137470 | C.EL | 47uF 16V | | ケミコン | |
| C680 | UU137470 | C.EL | 47uF 16V | | ケミコン | |
| C686 | UU137470 | C.EL | 47uF 16V | | ケミコン | |
| C688 | UU137470 | C.EL | 47uF 16V | | ケミコン | |
| C690 | UU137470 | C.EL | 47uF 16V | | ケミコン | |
| C693 | UU137470 | C.EL | 47uF 16V | | ケミコン | |
| C694 | UU137470 | C.EL | 47uF 16V | | ケミコン | |
| C695 | UU137470 | C.EL | 47uF 16V | | ケミコン | |
| C696 | UU137470 | C.EL | 47uF 16V | | ケミコン | |
| C698 | UU137470 | C.EL | 47uF 16V | | ケミコン | |
| C714 | UU166470 | C.EL | 4.7uF 50V | | ケミコン | |
| C716 | UU148100 | C.EL | 100uF 25V | JABG | ケミコン F W | 01 |
| C716 | UU148330 | C.EL | 330uF 25V | TK | ケミコン F W | |
| C738 | UU137470 | C.EL | 47uF 16V | | ケミコン | |
| C739 | UU148100 | C.EL | 100uF 25V | UCA | ケミコン F W | 01 |
| D18-21 | VT332900 | DIODE | 1SS355 | | ダイオード | |
| D22 | VU993000 | DIODE.ZENR | MA8056-M 5.6V | UCA | ツェナーダイオード | |
| D23 | VU992600 | DIODE.ZENR | MA8051-M 5.1V | | ツェナーダイオード | |
| D24 | VU992600 | DIODE.ZENR | MA8051-M 5.1V | | ツェナーダイオード | |
| D25 | VT332900 | DIODE | 1SS355 | | ダイオード | |
| D26 | VU992600 | DIODE.ZENR | MA8051-M 5.1V | | ツェナーダイオード | |
| D27-29 | VT332900 | DIODE | 1SS355 | | ダイオード | |
| D30 | VU994300 | DIODE.ZENR | MA8075-H 7.7V | JTKABG | ツェナーダイオード | |
| D30 | VU993500 | DIODE.ZENR | MA8062-H 6.4V | UCR | ツェナーダイオード | |
| D31-35 | VT332900 | DIODE | 1SS355 | | ダイオード | |
| D38 | VT332900 | DIODE | 1SS355 | | ダイオード | |
| D42 | VT332900 | DIODE | 1SS355 | | ダイオード | |
| IC43 | XY549A00 | IC | TC74HC4051AFEL | | ロジック IC S O P | |
| IC44 | XY549A00 | IC | TC74HC4051AFEL | | ロジック IC S O P | |
| IC45 | X0428A00 | IC | OPA2652U OP AMP | | アンプ IC | |
| IC46 | XW911A00 | IC | LA7108M VIDEO AMP | | アンプ IC | |
| IC47 | XZ177A00 | IC | LA7104M VIDEO AMP | | アンプ IC S O P | |
| IC48 | XY879A00 | IC | TC74HC4053AF(EL) | | ロジック IC S O P | |
| IC49 | X4536A00 | IC | SN74AHCT126PW | | ロジック IC | |
| * IC50-52 | X4285A00 | IC | SN74LV573APWR | | ロジック IC | |
| IC53 | X4061A00 | IC | SN74AHC2GU04HDCTR | | ロジック IC | |
| IC54 | XY549A00 | IC | TC74HC4051AFEL | | ロジック IC S O P | |
| * IC55 | X4625B00 | IC | MX29F400BTC-70 | | メモリ IC T S O P | |
| IC56 | X2965A00 | IC.CPU | M30805SGP | | C P U / 周辺 IC | |
| * IC57 | X4458A00 | IC | UPC29M05AT-E1 | | 電源 IC | |
| IC58 | X3693A00 | IC | SN74LV245APWR TRAN | | ロジック IC T S S O P | |
| * IC59 | X2709A00 | IC | SN74AHCT245PWR | | ロジック IC | |
| IC60-64 | X0428A00 | IC | OPA2652U OP AMP | | アンプ IC | |
| * IC65-80 | X4344A00 | IC | NC7WB66K8X 2BIT | | ロジック IC | |
| * IC81 | XT163A00 | IC | TC74HC238AF | | ロジック IC | |

* New Parts (新規部品)

Note) Those parts marked with “#” are not included in the P.C.B. ass'y. (マーク#の部品は、基板に含まれません)

P.C.B. VIDEO TOP

| Ref. No. | PART NO. | Description | Remarks | Markets | 部品名 | Rank |
|------------|----------|-------------|------------------|---------|----------------|------|
| IC82-86 | XO428A00 | IC | OPA2652U OP AMP | | アンプ I C | |
| * IC87-102 | X4344A00 | IC | NC7WB66K8X 2BIT | | ロジック I C | |
| * IC103 | XT163A00 | IC | TC74HC238AF | | ロジック I C | |
| IC104 | XY879A00 | IC | TC74HC4053AF(EL) | | ロジック I C S O P | |
| IC105 | XY879A00 | IC | TC74HC4053AF(EL) | | ロジック I C S O P | |
| IC106 | XS790A00 | IC | TC74HC4052AF MPX | | ロジック I C | |
| IC107 | XS790A00 | IC | TC74HC4052AF MPX | | ロジック I C | |
| * IC111-14 | X4344A00 | IC | NC7WB66K8X 2BIT | | ロジック I C | |
| PJ1-6 | VL834600 | JACK.PIN | 2P | | ピンジャック | |
| PJ7 | VU144200 | JACK.PIN | 1P | | ピンジャック | |
| * PJ8-13 | WB419200 | JACK.PIN | LPR6520-M615GC | | ピンジャック 6 P | |
| Q5 | VV556500 | TR | 2SA1037K Q,R,S | | トランジスタ | |
| Q6 | VD303700 | TR | 2SC3326 A,B | | トランジスタ | 01 |
| Q7 | VD303700 | TR | 2SC3326 A,B | | トランジスタ | 01 |
| Q9 | VV655700 | TR.DGT | DTC144EKA | | デジタルトランジスタ | 01 |
| Q10 | VP872600 | TR | 2SA1708 S,T | | トランジスタ | |
| Q12 | VV655700 | TR.DGT | DTC144EKA | | デジタルトランジスタ | 01 |
| Q13 | VP872600 | TR | 2SA1708 S,T | | トランジスタ | |
| Q14 | VP872700 | TR | 2SC4488 S,T | UCA | トランジスタ | |
| Q15-17 | VV655700 | TR.DGT | DTC144EKA | | デジタルトランジスタ | 01 |
| Q18 | VV556500 | TR | 2SA1037K Q,R,S | | トランジスタ | |
| Q19 | VV655700 | TR.DGT | DTC144EKA | | デジタルトランジスタ | 01 |
| Q20 | VV556500 | TR | 2SA1037K Q,R,S | | トランジスタ | |
| Q21 | VV556500 | TR | 2SA1037K Q,R,S | | トランジスタ | |
| Q22-35 | VV655300 | TR.DGT | DTA144EKA | | デジタルトランジスタ | 01 |
| Q36-43 | VV556500 | TR | 2SA1037K Q,R,S | | トランジスタ | |
| Q44 | VV655700 | TR.DGT | DTC144EKA | | デジタルトランジスタ | 01 |
| Q45-52 | VV556500 | TR | 2SA1037K Q,R,S | | トランジスタ | |
| Q53 | VV655300 | TR.DGT | DTA144EKA | | デジタルトランジスタ | 01 |
| Q54 | VD303700 | TR | 2SC3326 A,B | UCA | トランジスタ | 01 |
| Q55 | VV556500 | TR | 2SA1037K Q,R,S | | トランジスタ | |
| Q56 | VP872600 | TR | 2SA1708 S,T | UCA | トランジスタ | |
| Q61-64 | VV556500 | TR | 2SA1037K Q,R,S | | トランジスタ | |
| Q73 | VV556400 | TR | 2SC2412K Q,R,S | UCA | トランジスタ | |
| R385 | HV756100 | R.CAR.FP | 1K 1/4W | | 不燃化カーボン抵抗 | 01 |
| R729 | HV753680 | R.CAR.FP | 6.8 1/4W | UCA | 不燃化カーボン抵抗 | 01 |
| XL6 | V8222200 | RSNR.CE | 10MHz CSTLS10MO | | セラミック振動子 | |

* New Parts (新規部品)

Note) Those parts marked with “#” are not included in the P.C.B. ass'y. (マーク#の部品は、基板に含まれません)

P.C.B. VIDEO BOTTOM

| Ref. No. | PART NO. | Description | Remarks | Markets | 部品名 | Rank | |
|----------|----------|-------------|--------------|---------|------|--------------|----------|
| * | WB746600 | P.C.B. | VIDEO BOTTOM | | J | P C B ビデオボトム | |
| * | WB746700 | P.C.B. | VIDEO BOTTOM | | UC | P C B ビデオボトム | |
| * | WB746800 | P.C.B. | VIDEO BOTTOM | | RK | P C B ビデオボトム | |
| * | WB746900 | P.C.B. | VIDEO BOTTOM | | TABG | P C B ビデオボトム | |
| CB2 | VQ048000 | CN.BS.PIN | 31P | | | F F C コネクター | 02 01 |
| CB4 | VQ045100 | CN.BS.PIN | 21P | | | F F C コネクター | |
| CB5 | VM689000 | CN.BS.PIN | 23P | | | F F C コネクター | |
| CB6 | LB919040 | CN.BS.PIN | 4P | | | ベース付ポスト | |
| CB7-9 | VQ047000 | CN.BS.PIN | 6P | | | F F C コネクター | |
| CB10 | VQ044400 | CN.BS.PIN | 9P | | | F F C コネクター | |
| CB11 | VQ045600 | CN.BS.PIN | 27P | | | F F C コネクター | |
| C16 | UU137470 | C.EL | 47uF 16V | | | ケミコン | |
| C25 | UU137470 | C.EL | 47uF 16V | | | ケミコン | |
| C26 | UU137470 | C.EL | 47uF 16V | | | ケミコン | |
| C33 | UU137470 | C.EL | 47uF 16V | | | ケミコン | |
| C37 | UU137470 | C.EL | 47uF 16V | | | ケミコン | |
| C38 | UU137100 | C.EL | 10uF 16V | | | ケミコン | |
| C41-43 | UU137470 | C.EL | 47uF 16V | | | ケミコン | |
| C50-52 | UU137470 | C.EL | 47uF 16V | | | ケミコン | |
| C55 | UU137470 | C.EL | 47uF 16V | | | ケミコン | |
| C56 | UU137470 | C.EL | 47uF 16V | | | ケミコン | |
| C59 | UU137470 | C.EL | 47uF 16V | | | ケミコン | |
| C61 | UU137220 | C.EL | 22uF 16V | | | ケミコン | |
| C62 | UU137220 | C.EL | 22uF 16V | | | ケミコン | |
| C68 | UU137470 | C.EL | 47uF 16V | | | ケミコン | |
| C72 | UU137470 | C.EL | 47uF 16V | | | ケミコン | |
| C76 | UU137470 | C.EL | 47uF 16V | | | ケミコン | |
| C95 | UU138100 | C.EL | 100uF 16V | | | ケミコン | |
| C98-102 | UU137100 | C.EL | 10uF 16V | | | ケミコン | |
| C103 | UU166220 | C.EL | 2.2uF 50V | | | ケミコン | |
| C108 | UU137100 | C.EL | 10uF 16V | | | ケミコン | |
| C109 | UU137100 | C.EL | 10uF 16V | | | ケミコン | |
| C111 | UU137470 | C.EL | 47uF 16V | | | ケミコン | |
| C112 | UU137100 | C.EL | 10uF 16V | | | ケミコン | |
| C117 | UU137470 | C.EL | 47uF 16V | | | ケミコン | |
| C119 | UU137100 | C.EL | 10uF 16V | | | ケミコン | |
| C120 | UU137100 | C.EL | 10uF 16V | | | ケミコン | |
| C128 | UU166100 | C.EL | 1uF 50V | | | ケミコン | |
| C131-36 | UU137470 | C.EL | 47uF 16V | | | ケミコン | |
| C149 | UU137100 | C.EL | 10uF 16V | | | ケミコン | |
| C160 | UU137470 | C.EL | 47uF 16V | | | ケミコン | |
| C162 | UU137470 | C.EL | 47uF 16V | | | ケミコン | |
| C169 | UU137470 | C.EL | 47uF 16V | | | ケミコン | |
| C180 | UU137470 | C.EL | 47uF 16V | | | ケミコン | |
| C182 | UU137470 | C.EL | 47uF 16V | | | ケミコン | |
| C184 | UU137470 | C.EL | 47uF 16V | | | ケミコン | |
| C193 | UU137470 | C.EL | 47uF 16V | | | ケミコン | |
| C194-99 | UU118100 | C.EL | 100uF 6.3V | | | ケミコン | |
| C200 | UU137470 | C.EL | 47uF 16V | | | ケミコン | |
| C212 | UU137470 | C.EL | 47uF 16V | | | ケミコン | |
| C214 | UU137470 | C.EL | 47uF 16V | | | ケミコン | |
| C216 | UU137470 | C.EL | 47uF 16V | | | ケミコン | |
| C217 | UU137470 | C.EL | 47uF 16V | | | ケミコン | |

* New Parts (新規部品)

Note) Those parts marked with “#” are not included in the P.C.B. ass'y. (マーク#の部品は、基板に含まれません)

P.C.B. VIDEO BOTTOM

| Ref. No. | PART NO. | Description | Remarks | Markets | 部品名 | Rank | |
|----------|----------|-------------|------------------|-----------|-----|-------------|----|
| C231 | UU137470 | C.EL | 47uF | 16V | | ケミコン | |
| C236 | UU137470 | C.EL | 47uF | 16V | | ケミコン | |
| C241 | UU137470 | C.EL | 47uF | 16V | | ケミコン | |
| C251 | UU137470 | C.EL | 47uF | 16V | | ケミコン | |
| C263 | UU137470 | C.EL | 47uF | 16V | | ケミコン | |
| C264 | UU137470 | C.EL | 47uF | 16V | | ケミコン | |
| C266 | UU137470 | C.EL | 47uF | 16V | | ケミコン | |
| C273-76 | UU137100 | C.EL | 10uF | 16V | | ケミコン | |
| C277 | UU138100 | C.EL | 100uF | 16V | | ケミコン | |
| C286 | UU137470 | C.EL | 47uF | 16V | | ケミコン | |
| C288 | UU137470 | C.EL | 47uF | 16V | | ケミコン | |
| C294 | UU137470 | C.EL | 47uF | 16V | | ケミコン | |
| C298 | UU137100 | C.EL | 10uF | 16V | | ケミコン | |
| C319 | UU137470 | C.EL | 47uF | 16V | | ケミコン | |
| C321 | UU137470 | C.EL | 47uF | 16V | | ケミコン | |
| C327 | UU138100 | C.EL | 100uF | 16V | | ケミコン | |
| C337 | UU137470 | C.EL | 47uF | 16V | | ケミコン | |
| C343 | UU138100 | C.EL | 100uF | 16V | | ケミコン | |
| C351 | UU137470 | C.EL | 47uF | 16V | | ケミコン | |
| C355 | UU137470 | C.EL | 47uF | 16V | | ケミコン | |
| C356 | UU138100 | C.EL | 100uF | 16V | | ケミコン | |
| C357 | UU137470 | C.EL | 47uF | 16V | | ケミコン | |
| C362 | UU137470 | C.EL | 47uF | 16V | | ケミコン | |
| C381 | UU137470 | C.EL | 47uF | 16V | | ケミコン | |
| C391 | UU137470 | C.EL | 47uF | 16V | | ケミコン | |
| C405 | UU137470 | C.EL | 47uF | 16V | | ケミコン | |
| C413 | UU137470 | C.EL | 47uF | 16V | | ケミコン | |
| C417 | UU138100 | C.EL | 100uF | 16V | | ケミコン | |
| C424 | UU138100 | C.EL | 100uF | 16V | | ケミコン | |
| C430 | UU137470 | C.EL | 47uF | 16V | | ケミコン | |
| * C721 | VU195500 | C.OS | 47uF | 16V | | OSコンデンサ | |
| * C746 | VS732600 | C.OS | 3.3uF | 16V | | OSコン | |
| C759 | UU137100 | C.EL | 10uF | 16V | | ケミコン | |
| D1 | VT332900 | DIODE | 1SS355 | | | ダイオード | |
| D2 | VT332900 | DIODE | 1SS355 | | | ダイオード | |
| D3-6 | VV220700 | DIODE. SHOT | RB501V-40 | | | ショットキーダイオード | |
| D7-16 | VT332900 | DIODE | 1SS355 | | | ダイオード | |
| D41 | VT332900 | DIODE | 1SS355 | | | ダイオード | |
| * IC1 | XV190A00 | IC | NJM2904M | OP AMP | | アンプIC | 01 |
| * IC2 | XV190A00 | IC | NJM2904M | OP AMP | | アンプIC | 01 |
| IC3 | XD598A00 | IC | TC74HCU04AFEL | INV | | ロジックIC | |
| IC4 | XY549A00 | IC | TC74HC4051AFEL | | | ロジックIC SOP | |
| * IC5 | X4321A00 | IC | CD4051BNSR | | | ロジックIC | |
| IC6 | XY549A00 | IC | TC74HC4051AFEL | | | ロジックIC SOP | |
| * IC7 | X4321A00 | IC | CD4051BNSR | | | ロジックIC | |
| IC8 | X0428A00 | IC | OPA2652U | OP AMP | | アンプIC | |
| IC9 | XY879A00 | IC | TC74HC4053AF(EL) | | | ロジックIC SOP | |
| IC10 | XY879A00 | IC | TC74HC4053AF(EL) | | | ロジックIC SOP | |
| IC11-14 | XZ177A00 | IC | LA7104M | VIDEO AMP | | アンプIC SOP | |
| IC15 | XS790A00 | IC | TC74HC4052AF | MPX | | ロジックIC | |
| IC16 | X3401A00 | IC | PQ018EZ01ZP | 1.8V | | 電源IC | |
| * IC17 | X5193A00 | IC | PQ025EZ01ZPH | | | 電源IC QFP | |
| IC18 | X3402A00 | IC | PQ033EZ01ZP | 3.3V | | 電源IC | |

* New Parts (新規部品)

Note) Those parts marked with “#” are not included in the P.C.B. ass'y. (マーク#の部品は、基板に含まれません)

P.C.B. VIDEO BOTTOM

| Ref. No. | PART NO. | Description | Remarks | Markets | 部品名 | Rank |
|-----------|----------|-------------|--------------------|---------|----------------|------|
| IC19 | X3402A00 | IC | PQ033EZ01ZP 3.3V | | 電源 I C | |
| * IC20 | X3010A00 | IC | SM5301AS-G-ET | | I C | |
| * IC21 | X3010A00 | IC | SM5301AS-G-ET | | I C | |
| * IC22 | X3711A00 | IC | XV750BQ1-01 | | I C | |
| * IC23 | X2484A00 | IC | TA1318AF | | I C | |
| * IC24 | X3609A00 | IC | AN13300A | | I C | |
| * IC25 | X3612A00 | IC | MN673744HL | | I C | |
| IC26 | X2590A00 | IC | W981616BH-7 SDRAM | | メモリ I C 1 6 M | |
| * IC27 | X4619A00 | IC | XC95144XL-10TQ100C | | 書込済 C P L D | |
| * IC28 | X4773A00 | IC | ADV7310KST | | I C | |
| * IC29 | X4620B00 | IC | XC9572XL-10TQ100C | | 書込済み C P L D | |
| IC30 | X2479A00 | IC | YGV619 | | I C P Q F P | |
| * IC31 | X0176A00 | IC | W986432DH-7 SDRAM | | メモリ I C | |
| * IC32 | X4618B00 | IC | MBM29LV320BE90TN | | 書込済み F L A S H | |
| IC33 | X2965A00 | IC.CPU | M30805SGP | | C P U / 周辺 I C | |
| * IC34-39 | XZ513A00 | IC | SN74LVC16244ADGGR | | ロジック I C | |
| * IC40 | X3611A00 | IC | FL12310 | | I C | |
| * IC41 | X4657A00 | IC | W986432DH-6 SDRAM | | メモリ I C | |
| * IC42 | X4621A00 | IC | XC9572XL-10TQ100C | | 書込済み C P L D | |
| * IC110 | X4458A00 | IC | UPC29M05AT-E1 | | 電源 I C | |
| IC115 | X0428A00 | IC | OPA2652U OP AMP | | アンプ I C | |
| * IC116 | X5144A00 | IC | CY2302SC | | P L L I C | |
| JK1 | VP594600 | CN.DIN | 1P S | | 1 連 S 端子コネクタ | |
| JK2-7 | VU144900 | CN.DIN | 2P | | D I N コネクタ | |
| * Q1 | WA847500 | FET | 2SK2158-T1B | | F E T | |
| * Q2 | WA847500 | FET | 2SK2158-T1B | | F E T | |
| * Q65-70 | WA847500 | FET | 2SK2158-T1B | | F E T | |
| R105-07 | VP939800 | R.MTL.OXD | 10 1W | | 酸化金属被膜抵抗 | 01 |
| R125 | VP939600 | R.MTL.FLM | 2.2 1W | | 金属被膜抵抗 | 01 |
| R137 | VP939600 | R.MTL.FLM | 2.2 1W | | 金属被膜抵抗 | 01 |
| R649 | VP939600 | R.MTL.FLM | 2.2 1W | | 金属被膜抵抗 | 01 |
| R650 | VP939600 | R.MTL.FLM | 2.2 1W | | 金属被膜抵抗 | 01 |
| R705 | VP939600 | R.MTL.FLM | 2.2 1W | | 金属被膜抵抗 | 01 |
| R706 | VP939600 | R.MTL.FLM | 2.2 1W | | 金属被膜抵抗 | 01 |
| XL1 | V5345200 | RSNR.CE | CSBLA503KECF30-B0 | | セラミック振動子 | |
| * XL2 | WA182000 | RESONATOR | VC-FX0-35FL 27MHZ | | 水晶発振器 | |
| XL4 | V8222200 | RSNR.CE | 10MHz CSTLS10M0 | | セラミック振動子 | |
| * XL5 | WB536900 | RSNR.CRYS | 13.5MHz FX0-31FL | | 水晶振動子 | |

* New Parts (新規部品)

Note) Those parts marked with “#” are not included in the P.C.B. ass'y. (マーク#の部品は、基板に含まれません)

P.C.B. SUB TRANS

| Ref. No. | PART NO. | Description | Remarks | Markets | 部品名 | Rank | |
|----------|----------|-------------|---------------------------|---------|----------|--------------|----|
| * | WB744800 | P.C.B. | SUB TRANS | | J | P C B サブトランス | |
| * | WB744900 | P.C.B. | SUB TRANS | | UC | P C B サブトランス | |
| * | WB745000 | P.C.B. | SUB TRANS | | R | P C B サブトランス | |
| * | WB745100 | P.C.B. | SUB TRANS | | T | P C B サブトランス | |
| * | WB745200 | P.C.B. | SUB TRANS | | K | P C B サブトランス | |
| * | WB745300 | P.C.B. | SUB TRANS | | A | P C B サブトランス | |
| * | WB745400 | P.C.B. | SUB TRANS | | B | P C B サブトランス | |
| * | WB745500 | P.C.B. | SUB TRANS | | G | P C B サブトランス | |
| | CB803 | VP206500 | HOLDER.FUS EYF-52BCT | | | ヒューズホルダー | 01 |
| | CB804 | VP206500 | HOLDER.FUS EYF-52BCT | | | ヒューズホルダー | 01 |
| | CB805 | V8446000 | CLIP.FUSE TP00335-31 | | JUCR | ヒューズクリップ | |
| | CB806 | VP206500 | HOLDER.FUS EYF-52BCT | | TKABG | ヒューズホルダー | 01 |
| | CB807 | V8446000 | CLIP.FUSE TP00335-31 | | JUCR | ヒューズクリップ | |
| | CB807 | VP206500 | HOLDER.FUS EYF-52BCT | | TKABG | ヒューズホルダー | 01 |
| * | CB810 | VF283100 | CN.BS.PIN 13P | | | コネクタベースポスト | 01 |
| | CB811 | VB390500 | CN.BS.PIN 9P | | | コネクタベースポスト | 03 |
| | CB812 | VB390000 | CN.BS.PIN 4P | | | ベースピン | 01 |
| | CB813 | VG879900 | CN.BS.PIN 2P | | BG | ベースポスト | 01 |
| | CB821 | LB932060 | CN.BS.PIN 6P | | | ベースポスト | 01 |
| | CB822 | LB932060 | CN.BS.PIN 6P | | | ベースポスト | 01 |
| | CB852 | VD004600 | CN.BS.PIN 3P | | | ベースピン | 01 |
| | CB853 | VD004500 | CN.BS.PIN 2P | | | ベースピン | 01 |
| | CB862 | LB918040 | CN.BS.PIN 4P | | | ベース付ポスト | 01 |
| | CB876 | VD004600 | CN.BS.PIN 3P | | | ベースピン | 01 |
| | CB877 | VD004500 | CN.BS.PIN 2P | | | ベースピン | 01 |
| | C801 | V6185300 | C.CE.SAFTY 0.01uF 275V | | | 規格認定コン | |
| * | C802 | V5692000 | C.PP 0.01uF 100V | | R | P Pコン | |
| * | C803 | V5692000 | C.PP 0.01uF 100V | | JUCTKABG | P Pコン | |
| | C804 | UU148470 | C.EL 470uF 25V | | JTKABG | ケミコン F W | |
| | C804 | UU149100 | C.EL 1000uF 25V | | UCR | ケミコン | |
| | C805 | UU167100 | C.EL 10uF 50V | | R | ケミコン | |
| * | C806 | V5692000 | C.PP 0.01uF 100V | | R | P Pコン | |
| | C807 | UU167100 | C.EL 10uF 50V | | R | ケミコン | |
| | C808 | UU167100 | C.EL 10uF 50V | | R | ケミコン | |
| | C809 | V6185300 | C.CE.SAFTY 0.01uF 275V | | | 規格認定コン | |
| | C810 | V6185300 | C.CE.SAFTY 0.01uF 275V | | | 規格認定コン | |
| | C823 | Vi862200 | C.POLY 0.1uF 100V | | | メタライズドポリコン | 01 |
| * | C824 | WB428600 | C.EL 28000uF 80V | | | ケミコン | |
| * | C825 | WB428600 | C.EL 28000uF 80V | | | ケミコン | |
| | C851-55 | UA654220 | C.MYLAR 0.022uF 50V | | | マイラーコン | |
| | C861 | UU118100 | C.EL 100uF 6.3V | | | ケミコン | |
| | C876-81 | UA654220 | C.MYLAR 0.022uF 50V | | | マイラーコン | |
| | C888 | UU118100 | C.EL 100uF 6.3V | | | ケミコン | |
| | D801 | VU264100 | DIODE 1SR139-400 | | R | ダイオード | |
| | D802 | iF004600 | DIODE 1SS133 | | | ダイオード | 01 |
| | D803 | iF004600 | DIODE 1SS133 | | R | ダイオード | 01 |
| △ | D804 | VR253700 | DIODE.BRG S1NB20 1A 200V | | | D Iブリッジ X 4 | 01 |
| | D805 | VG439900 | DIODE.ZENR MTZJ11B 11V | | R | ツェナーダイオード | 01 |
| | D806 | iF004600 | DIODE 1SS133 | | | ダイオード | 01 |
| △* | D821 | WB409200 | DIODE KRH30A15 30.0A | | | ショットキダイオード | |
| △* | D822 | WB409300 | DIODE KCH30A15 30.0A | | | ショットキダイオード | |
| | D851-54 | iF004600 | DIODE 1SS133 | | | ダイオード | 01 |
| | D855 | VU647200 | DIODE.SHOT RB441Q-40 T-77 | | | ショットキダイオード | |

* New Parts (新規部品)

Note) Those parts marked with "#" are not included in the P.C.B. ass'y. (マーク#の部品は、基板に含まれません)

P.C.B. SUB TRANS

| Ref. No. | PART NO. | Description | Remarks | Markets | 部品名 | Rank |
|----------|----------|-------------|--------------------|---------|---------------------|-----------|
| D856 | iF004600 | DIODE | 1SS133 | | ダイオード | 01 |
| D857 | iF004600 | DIODE | 1SS133 | | ダイオード | 01 |
| D876-79 | iF004600 | DIODE | 1SS133 | | ダイオード | 01 |
| D880 | VU647200 | DIODE .SHOT | RB441Q-40 T-77 | | ショットキーダイオード | |
| D881 | iF004600 | DIODE | 1SS133 | | ダイオード | 01 |
| D882 | iF004600 | DIODE | 1SS133 | | ダイオード | 01 |
| △ F801 | VS823000 | FUSE | T5A 125V | JUC | ヒューズ | |
| △ F801 | VT943300 | FUSE | 6.30A 250V | R | ヒューズ | |
| △ F801 | VT942900 | FUSE | T2.5A 250V | TKABG | ヒューズ | |
| △* F802 | V8932100 | FUSE | 20A 250V | JUCR | ヒューズ 2 5 0 V | |
| △* F802 | V5413700 | FUSE | TH10A 1EC | TKABG | ヒューズ 2 5 0 V | |
| △ Q801 | VC938500 | TR | 2SC3852 | R | トランジスタ | 02 |
| △ Q802 | VC938500 | TR | 2SC3852 | R | トランジスタ | 02 |
| Q803 | iE102620 | FET | 2SK246 Y | R | F E T | |
| Q804 | VD488500 | TR .DGT | DTC143XS | | デジタルトランジスタ | 03 |
| Q805 | iC174020 | TR | 2SC1740S R,S | | トランジスタ | 01 |
| Q806 | VD488500 | TR .DGT | DTC143XS | | デジタルトランジスタ | 03 |
| Q807 | iC174020 | TR | 2SC1740S R,S | | トランジスタ | 01 |
| Q851-53 | iA093320 | TR | 2SA933S Q,R | | トランジスタ | |
| Q876-78 | iA093320 | TR | 2SA933S Q,R | | トランジスタ | |
| R801 | V6730000 | R .CAR. | 2.2M 1/2W | UC | 放電抵抗 | |
| R807 | VV901100 | R .MTL .OXD | 120 1W | JRTKABG | 酸化金属被膜抵抗 | 01 |
| R807 | VP940500 | R .MTL .OXD | 150 1W | UC | 酸化金属被膜抵抗 | |
| * R810 | WC815700 | R .WW | 6.8 20W | JRTKABG | セメント抵抗 | |
| △ R811 | VP940500 | R .MTL .OXD | 150 1W | JRTKABG | 酸化金属被膜抵抗 | |
| △ R811 | VP940400 | R .MTL .OXD | 100 1W | UC | 酸化金属被膜抵抗 | 01 |
| * R856 | VC759700 | R .MTL .OXD | 270 2W | | 酸化金属被膜抵抗 | 01 |
| R863 | VP940900 | R .MTL .OXD | 560 1W | | 酸化金属被膜抵抗 | |
| R865 | VP940900 | R .MTL .OXD | 560 1W | | 酸化金属被膜抵抗 | |
| * R885 | VC759700 | R .MTL .OXD | 270 2W | | 酸化金属被膜抵抗 | 01 |
| R890 | VP940900 | R .MTL .OXD | 560 1W | | 酸化金属被膜抵抗 | |
| R892 | VP940900 | R .MTL .OXD | 560 1W | | 酸化金属被膜抵抗 | |
| * RY801 | V5859300 | RELAY | DC DLS12D1-0(M) | JRTKABG | リレー 1 2 V | |
| RY801 | V6434900 | RELAY | DC DLS12D1-0(M) | UC | リレー 1 2 V T V - 8 | |
| RY802 | V8434600 | RELAY | DC DLS12D1-0(M) | JRTKABG | リレー 1 2 V T V - 1 0 | |
| RY802 | V6434900 | RELAY | DC DLS12D1-0(M) | UC | リレー 1 2 V T V - 8 | |
| * RY803 | V5859300 | RELAY | DC DLS12D1-0(M) | | リレー 1 2 V | |
| RY851-54 | V6322600 | RELAY | DC DH24D2-0T(M)-SL | | リレー 2 4 V | |
| RY876-79 | V6322600 | RELAY | DC DH24D2-0T(M)-SL | | リレー 2 4 V | |
| △* T801 | X4575A00 | TRANS | | J | サブトランス | |
| △* T801 | X4576A00 | TRANS | | UC | サブトランス | |
| △ T801 | XZ229B00 | TRANS | | R | サブトランス | |
| △* T801 | X4577A00 | TRANS | | TK | サブトランス | |
| △* T801 | X4578A00 | TRANS | | A | サブトランス | |
| △* T801 | X4579A00 | BON FILM C | | BG | サブトランス | |
| △ TE801 | VU543100 | OUTLET .AC | 2P | JUC | A C アウトレット | |
| △ TE801 | V5867400 | OUTLET .AC | 2P AC-182-GB-11V | RT | A C アウトレット 2 P | |
| △ TE801 | VT915000 | OUTLET .AC | 1P | A | A C アウトレット | |
| △ TE801 | VU543300 | OUTLET .AC | 1P | B | A C アウトレット | |
| △ TE801 | VU543400 | OUTLET .AC | 2P | G | A C アウトレット | |
| * TE851 | WB406800 | TERM. SP | LTS0615-3001F | 6P | JUCRTA | スピーカターミナル |
| * TE851 | WB753900 | TERM. SP | LTS0615-3002F | 6P | KBG | スピーカターミナル |
| * TE852 | WB406700 | TERM. SP | LTS0415-3004F | 4P | JUCRTA | スピーカターミナル |

* New Parts (新規部品)

Note) Those parts marked with "#" are not included in the P.C.B. ass'y. (マーク#の部品は、基板に含まれません)

P.C.B. SUB TRANS & MAIN (L)

| Ref. No. | PART NO. | Description | Remarks | Markets | 部品名 | Rank | |
|----------|----------|--------------|---------------|---------|--------|-----------------|----|
| * TE852 | WB753800 | TERM. SP | LTS0415-3005F | 4P | KBG | スピーカターミナル | |
| * TE876 | WB406700 | TERM. SP | LTS0415-3004F | 4P | JUCRTA | スピーカターミナル | |
| * TE876 | WB753800 | TERM. SP | LTS0415-3005F | 4P | KBG | スピーカターミナル | |
| * TE877 | WB406900 | TERM. SP | LTS0815-3005F | 8P | JUCRTA | スピーカターミナル | |
| * TE877 | WB754000 | TERM. SP | LTS0815-3006F | 8P | KBG | スピーカターミナル | |
| | BB070700 | GND. MTL | | | | アース金具 | 01 |
| | VK195900 | SHEET | 19x24 | | | シート / 放熱 | 01 |
| | VK697600 | SCR. BND. HD | 3x10 SP MFZ2Y | | | バインド B タイトネジ | 01 |
| | VP750600 | SCR. TERM | MEP1700 | | | ネジ端子 | |
| * | WB745600 | P. C. B. | MAIN(L) | | | P C B メイン (L) | |
| CB301 | VB389900 | CN. BS. PIN | 3P | | | ベースピン | 01 |
| CB302 | VB858300 | CN. BS. PIN | 4P | | | コネクタベースポスト | 01 |
| CB421 | VB390000 | CN. BS. PIN | 4P | | | ベースピン | 01 |
| CB422 | VB858100 | CN. BS. PIN | 2P | | | コネクタベースポスト | 01 |
| CB426 | VB858300 | CN. BS. PIN | 4P | | | コネクタベースポスト | 01 |
| * C301 | WB759300 | C. PP | 100pF 200V | | | P Pコン | |
| C302 | UU167100 | C. EL | 10uF 50V | | | ケミコン | |
| * C303 | WB759300 | C. PP | 100pF 200V | | | P Pコン | |
| C304 | UU197470 | C. EL | 47uF 100V | | | ケミコン | |
| C305 | UU197470 | C. EL | 47uF 100V | | | ケミコン | |
| C306 | UU137100 | C. EL | 10uF 16V | | | ケミコン | |
| * C307 | V5691300 | C. PP | 1000pF 100V | | | P Pコン | |
| C308 | UU128100 | C. EL | 100uF 10V | | | ケミコン | |
| * C309 | V5691300 | C. PP | 1000pF 100V | | | P Pコン | |
| C310 | V5690000 | C. PP | 15pF 100V | | | P Pコン | |
| * C313 | WB759300 | C. PP | 100pF 200V | | | P Pコン | |
| * C314 | WB759300 | C. PP | 100pF 200V | | | P Pコン | |
| C315 | UU167220 | C. EL | 22uF 50V | | | ケミコン | |
| * C316 | V5691300 | C. PP | 1000pF 100V | | | P Pコン | |
| * C317 | V5691300 | C. PP | 1000pF 100V | | | P Pコン | |
| C318 | VE326200 | C. MYLAR. ML | 0.15uF 50V | | | 積層マイラーコン | |
| C319 | VE324800 | C. MYLAR. ML | 0.01uF 50V | | | 積層マイラーコン | |
| C320 | Vi862100 | C. POL. MTL | 0.047uF 100V | | | メタライズドポリコン | 01 |
| * C321 | V5692000 | C. PP | 0.01uF 100V | | | P Pコン | |
| * C322 | V5692000 | C. PP | 0.01uF 100V | | | P Pコン | |
| * C323 | WB715400 | C. EL | 10uF 100V | | | ケミコン | |
| C324 | UU197100 | C. EL | 10uF 100V | | | ケミコン | |
| * C325 | WB759300 | C. PP | 100pF 200V | | | P Pコン | |
| C326 | UU167100 | C. EL | 10uF 50V | | | ケミコン | |
| * C327 | WB759300 | C. PP | 100pF 200V | | | P Pコン | |
| C328 | UU197470 | C. EL | 47uF 100V | | | ケミコン | |
| C329 | UU197470 | C. EL | 47uF 100V | | | ケミコン | |
| C330 | UU137100 | C. EL | 10uF 16V | | | ケミコン | |
| * C331 | V5691300 | C. PP | 1000pF 100V | | | P Pコン | |
| C332 | UU128100 | C. EL | 100uF 10V | | | ケミコン | |
| * C333 | V5691300 | C. PP | 1000pF 100V | | | P Pコン | |
| C334 | V5690000 | C. PP | 15pF 100V | | | P Pコン | |
| * C337 | WB759300 | C. PP | 100pF 200V | | | P Pコン | |
| * C338 | WB759300 | C. PP | 100pF 200V | | | P Pコン | |
| C339 | UU167220 | C. EL | 22uF 50V | | | ケミコン | |

* New Parts (新規部品)

Note) Those parts marked with “#” are not included in the P.C.B. ass'y. (マーク#の部品は、基板に含まれません)

P.C.B. MAIN (L)

| Ref. No. | PART NO. | Description | Remarks | Markets | 部品名 | Rank | |
|-----------|----------|-------------|---------|---------|-----|------------|----|
| * C340 | V5691300 | C.PP | 1000pF | 100V | | PPコン | |
| * C341 | V5691300 | C.PP | 1000pF | 100V | | PPコン | |
| C342 | VE326200 | C.MYLAR.ML | 0.15uF | 50V | | 積層マイラーコン | |
| C343 | VE324800 | C.MYLAR.ML | 0.01uF | 50V | | 積層マイラーコン | |
| C344 | Vi862100 | C.POL.MTL | 0.047uF | 100V | | メタライズドポリコン | 01 |
| * C345 | V5692000 | C.PP | 0.01uF | 100V | | PPコン | |
| * C346 | V5692000 | C.PP | 0.01uF | 100V | | PPコン | |
| C347 | UU197100 | C.EL | 10uF | 100V | | ケミコン | |
| C348 | UU197100 | C.EL | 10uF | 100V | | ケミコン | |
| C422 | UU167100 | C.EL | 10uF | 50V | | ケミコン | |
| * C423 | WB759300 | C.PP | 100pF | 200V | | PPコン | |
| C424 | UU197470 | C.EL | 47uF | 100V | | ケミコン | |
| C425 | UU197470 | C.EL | 47uF | 100V | | ケミコン | |
| C426 | UU137100 | C.EL | 10uF | 16V | | ケミコン | |
| * C427 | V5691300 | C.PP | 1000pF | 100V | | PPコン | |
| C428 | UU128100 | C.EL | 100uF | 10V | | ケミコン | |
| * C429 | V5691300 | C.PP | 1000pF | 100V | | PPコン | |
| C430 | V5690000 | C.PP | 15pF | 100V | | PPコン | |
| * C433 | WB759300 | C.PP | 100pF | 200V | | PPコン | |
| * C434 | WB759300 | C.PP | 100pF | 200V | | PPコン | |
| C435 | UU167220 | C.EL | 22uF | 50V | | ケミコン | |
| * C436 | V5691300 | C.PP | 1000pF | 100V | | PPコン | |
| * C437 | V5691300 | C.PP | 1000pF | 100V | | PPコン | |
| C438 | VE326200 | C.MYLAR.ML | 0.15uF | 50V | | 積層マイラーコン | |
| C439 | VE324800 | C.MYLAR.ML | 0.01uF | 50V | | 積層マイラーコン | |
| C440 | Vi862100 | C.POL.MTL | 0.047uF | 100V | | メタライズドポリコン | 01 |
| * C441 | V5692000 | C.PP | 0.01uF | 100V | | PPコン | |
| * C442 | V5692000 | C.PP | 0.01uF | 100V | | PPコン | |
| C443-48 | UU197100 | C.EL | 10uF | 100V | | ケミコン | |
| * C449 | WB759300 | C.PP | 100pF | 200V | | PPコン | |
| * C450 | WB759300 | C.PP | 100pF | 200V | | PPコン | |
| C451 | UU167100 | C.EL | 10uF | 50V | | ケミコン | |
| C452 | UU167100 | C.EL | 10uF | 50V | | ケミコン | |
| * C453 | WB759300 | C.PP | 100pF | 200V | | PPコン | |
| C454 | UU167470 | C.EL | 47uF | 50V | | ケミコン | |
| * C455-57 | WB759300 | C.PP | 100pF | 200V | | PPコン | |
| * C458 | V5691300 | C.PP | 1000pF | 100V | | PPコン | |
| * C459 | V5691300 | C.PP | 1000pF | 100V | | PPコン | |
| C460 | UU128100 | C.EL | 100uF | 10V | | ケミコン | |
| C461 | UU128100 | C.EL | 100uF | 10V | | ケミコン | |
| C462 | V5690000 | C.PP | 15pF | 100V | | PPコン | |
| C463 | V5690000 | C.PP | 15pF | 100V | | PPコン | |
| C464 | UU167470 | C.EL | 47uF | 50V | | ケミコン | |
| C465 | UU167470 | C.EL | 47uF | 50V | | ケミコン | |
| C466 | VR325000 | C.MYLAR | 100pF | 100V | | マイラーコン | |
| C467 | UU167470 | C.EL | 47uF | 50V | | ケミコン | |
| C468 | VR325000 | C.MYLAR | 100pF | 100V | | マイラーコン | |
| C469 | VR325000 | C.MYLAR | 100pF | 100V | | マイラーコン | |
| C470 | UU167470 | C.EL | 47uF | 50V | | ケミコン | |
| C471 | VR325000 | C.MYLAR | 100pF | 100V | | マイラーコン | |
| C472 | UA654220 | C.MYLAR | 0.022uF | 50V | | マイラーコン | |
| C473 | UA654220 | C.MYLAR | 0.022uF | 50V | | マイラーコン | |
| C474 | UU166330 | C.EL | 3.3uF | 50V | | ケミコン | |

* New Parts (新規部品)

Note) Those parts marked with “#” are not included in the P.C.B. ass'y. (マーク#の部品は、基板に含まれません)

P.C.B. MAIN (L)

| Ref. No. | PART NO. | Description | Remarks | Markets | 部品名 | Rank | |
|----------|----------|-------------|------------|---------|-----|-----------|----|
| * C475 | V5692000 | C.PP | 0.01uF | 100V | | PPコン | |
| * C476 | V5692000 | C.PP | 0.01uF | 100V | | PPコン | |
| C477 | UU197100 | C.EL | 10uF | 100V | | ケミコン | |
| C478 | UU197100 | C.EL | 10uF | 100V | | ケミコン | |
| D301-04 | VG438000 | DIODE.ZENR | MTZJ6.2B | 6.2V | | ツェナーダイオード | 01 |
| D311 | VC398400 | DIODE | MA185 | | | ダイオード | 01 |
| D312 | VC398400 | DIODE | MA185 | | | ダイオード | 01 |
| D313-16 | VG438000 | DIODE.ZENR | MTZJ6.2B | 6.2V | | ツェナーダイオード | 01 |
| D323 | VC398400 | DIODE | MA185 | | | ダイオード | 01 |
| D324 | VC398400 | DIODE | MA185 | | | ダイオード | 01 |
| D325 | VG442900 | DIODE.ZENR | MTZJ27B | 27V | | ツェナーダイオード | 01 |
| D326 | VG442900 | DIODE.ZENR | MTZJ27B | 27V | | ツェナーダイオード | 01 |
| D421-24 | VG438000 | DIODE.ZENR | MTZJ6.2B | 6.2V | | ツェナーダイオード | 01 |
| D431 | VC398400 | DIODE | MA185 | | | ダイオード | 01 |
| D432 | VC398400 | DIODE | MA185 | | | ダイオード | 01 |
| D433 | VD631600 | DIODE | 1SS133,176 | | | ダイオード | 01 |
| D434 | VD631600 | DIODE | 1SS133,176 | | | ダイオード | 01 |
| D435 | VG443700 | DIODE.ZENR | MTZJ33B | 33V | | ツェナーダイオード | |
| D436 | VG443700 | DIODE.ZENR | MTZJ33B | 33V | | ツェナーダイオード | |
| D437 | VG440300 | DIODE.ZENR | MTZJ12C | 12V | | ツェナーダイオード | 01 |
| D438 | VC398400 | DIODE | MA185 | | | ダイオード | 01 |
| D439 | VC398400 | DIODE | MA185 | | | ダイオード | 01 |
| D440-43 | VN008700 | DIODE | 1SS270A | | | ダイオード | 01 |
| D444 | VG442900 | DIODE.ZENR | MTZJ27B | 27V | | ツェナーダイオード | 01 |
| Q301 | iE104500 | FET | 2SK389 | GR,BL | | FET | 03 |
| * Q302 | WB519700 | FET | 2SJ109 | GR,BL | | FET | |
| Q303 | iA097030 | TR | 2SA970 | GR,BL | | トランジスタ | 01 |
| Q304 | iC224030 | TR | 2SC2240 | GR,BL | | トランジスタ | 01 |
| Q305 | iC224030 | TR | 2SC2240 | GR,BL | | トランジスタ | 01 |
| Q306 | iA097030 | TR | 2SA970 | GR,BL | | トランジスタ | 01 |
| Q307 | iC224030 | TR | 2SC2240 | GR,BL | | トランジスタ | 01 |
| Q308 | iA097030 | TR | 2SA970 | GR,BL | | トランジスタ | 01 |
| Q309 | VE198700 | TR | 2SA1145 | 0,Y | | トランジスタ | 01 |
| Q310 | VE198700 | TR | 2SA1145 | 0,Y | | トランジスタ | 01 |
| Q311 | VE198800 | TR | 2SC2705 | 0,Y | | トランジスタ | 01 |
| Q312 | VE198800 | TR | 2SC2705 | 0,Y | | トランジスタ | 01 |
| △ Q313 | VC398100 | TR | 2SC1846 | S | | トランジスタ | 01 |
| Q314 | VE198800 | TR | 2SC2705 | 0,Y | | トランジスタ | 01 |
| Q315 | VE198700 | TR | 2SA1145 | 0,Y | | トランジスタ | 01 |
| Q316A | iX632610 | TR.PAIR | 2SA1837 | 0,Y | | トランジスタ | 02 |
| △ Q316C | iX632620 | | 2SC4793 | 0,Y | | トランジスタ | 02 |
| △ Q317A | iX632610 | TR.PAIR | 2SA1837 | 0,Y | | トランジスタ | 02 |
| △ Q317C | iX632620 | | 2SC4793 | 0,Y | | トランジスタ | 02 |
| △* Q318A | iX609750 | TR | 2SA1492 | 0,Y | | トランジスタ | |
| △ Q318C | iX609760 | | 2SC3856 | 0,Y | | トランジスタ | |
| △* Q319A | iX609750 | TR | 2SA1492 | 0,Y | | トランジスタ | |
| △ Q319C | iX609760 | | 2SC3856 | 0,Y | | トランジスタ | |
| Q320 | iC224030 | TR | 2SC2240 | GR,BL | | トランジスタ | 01 |
| Q321 | iE104500 | FET | 2SK389 | GR,BL | | FET | 03 |
| * Q322 | WB519700 | FET | 2SJ109 | GR,BL | | FET | |
| Q323 | iA097030 | TR | 2SA970 | GR,BL | | トランジスタ | 01 |
| Q324 | iC224030 | TR | 2SC2240 | GR,BL | | トランジスタ | 01 |
| Q325 | iC224030 | TR | 2SC2240 | GR,BL | | トランジスタ | 01 |

* New Parts (新規部品)

Note) Those parts marked with "#" are not included in the P.C.B. ass'y. (マーク#の部品は、基板に含まれません)

P.C.B. MAIN (L)

| Ref. No. | PART NO. | Description | Remarks | Markets | 部品名 | Rank |
|----------|----------|------------------|---------------|---------|--------|------|
| | Q326 | iA097030 TR | 2SA970 GR,BL | | トランジスタ | 01 |
| | Q327 | iC224030 TR | 2SC2240 GR,BL | | トランジスタ | 01 |
| | Q328 | iA097030 TR | 2SA970 GR,BL | | トランジスタ | 01 |
| | Q329 | VE198700 TR | 2SA1145 O,Y | | トランジスタ | 01 |
| | Q330 | VE198700 TR | 2SA1145 O,Y | | トランジスタ | 01 |
| | Q331 | VE198800 TR | 2SC2705 O,Y | | トランジスタ | 01 |
| | Q332 | VE198800 TR | 2SC2705 O,Y | | トランジスタ | 01 |
| △ | Q333 | VC398100 TR | 2SC1846 S | | トランジスタ | 01 |
| | Q334 | VE198800 TR | 2SC2705 O,Y | | トランジスタ | 01 |
| | Q335 | VE198700 TR | 2SA1145 O,Y | | トランジスタ | 01 |
| △ | Q336A | iX632610 TR.PAIR | 2SA1837 O,Y | | トランジスタ | 02 |
| △ | Q336C | iX632620 | 2SC4793 O,Y | | トランジスタ | 02 |
| △ | Q337A | iX632610 TR.PAIR | 2SA1837 O,Y | | トランジスタ | 02 |
| △ | Q337C | iX632620 | 2SC4793 O,Y | | トランジスタ | 02 |
| △* | Q338A | iX609750 TR | 2SA1492 O,Y | | トランジスタ | |
| △ | Q338C | iX609760 | 2SC3856 O,Y | | トランジスタ | |
| △* | Q339A | iX609750 TR | 2SA1492 O,Y | | トランジスタ | |
| △ | Q339C | iX609760 | 2SC3856 O,Y | | トランジスタ | |
| | Q340 | iC224030 TR | 2SC2240 GR,BL | | トランジスタ | 01 |
| | Q421 | iA097030 TR | 2SA970 GR,BL | | トランジスタ | 01 |
| | Q422 | iC224030 TR | 2SC2240 GR,BL | | トランジスタ | 01 |
| | Q423 | iC224030 TR | 2SC2240 GR,BL | | トランジスタ | 01 |
| | Q424 | iA097030 TR | 2SA970 GR,BL | | トランジスタ | 01 |
| | Q425 | iC224030 TR | 2SC2240 GR,BL | | トランジスタ | 01 |
| | Q426 | iA097030 TR | 2SA970 GR,BL | | トランジスタ | 01 |
| | Q427 | VE198700 TR | 2SA1145 O,Y | | トランジスタ | 01 |
| | Q428 | VE198700 TR | 2SA1145 O,Y | | トランジスタ | 01 |
| | Q429 | VE198800 TR | 2SC2705 O,Y | | トランジスタ | 01 |
| | Q430 | VE198800 TR | 2SC2705 O,Y | | トランジスタ | 01 |
| △ | Q431 | VC398100 TR | 2SC1846 S | | トランジスタ | 01 |
| | Q432 | VE198800 TR | 2SC2705 O,Y | | トランジスタ | 01 |
| | Q433 | VE198700 TR | 2SA1145 O,Y | | トランジスタ | 01 |
| △ | Q434A | iX632610 TR.PAIR | 2SA1837 O,Y | | トランジスタ | 02 |
| △ | Q434C | iX632620 | 2SC4793 O,Y | | トランジスタ | 02 |
| | Q435 | iE104500 FET | 2SK389 GR,BL | | F E T | 03 |
| △ | Q436A | iX632610 TR.PAIR | 2SA1837 O,Y | | トランジスタ | 02 |
| △ | Q436C | iX632620 | 2SC4793 O,Y | | トランジスタ | 02 |
| * | Q437 | WB519700 FET | 2SJ109 GR,BL | | F E T | |
| | Q438 | iA097030 TR | 2SA970 GR,BL | | トランジスタ | 01 |
| △* | Q438A | iX609750 TR | 2SA1492 O,Y | | トランジスタ | |
| △ | Q438C | iX609760 | 2SC3856 O,Y | | トランジスタ | |
| | Q439 | iA097030 TR | 2SA970 GR,BL | | トランジスタ | 01 |
| | Q440 | iA097030 TR | 2SA970 GR,BL | | トランジスタ | 01 |
| △* | Q440A | iX609750 TR | 2SA1492 O,Y | | トランジスタ | |
| △ | Q440C | iX609760 | 2SC3856 O,Y | | トランジスタ | |
| | Q441 | iA097030 TR | 2SA970 GR,BL | | トランジスタ | 01 |
| | Q442 | iC224030 TR | 2SC2240 GR,BL | | トランジスタ | 01 |
| | Q443 | VE198800 TR | 2SC2705 O,Y | | トランジスタ | 01 |
| | Q444 | VE198800 TR | 2SC2705 O,Y | | トランジスタ | 01 |
| △ | Q445 | VC398100 TR | 2SC1846 S | | トランジスタ | 01 |
| △ | Q446 | VC398100 TR | 2SC1846 S | | トランジスタ | 01 |
| △ | Q447 | VP872700 TR | 2SC4488 S,T | | トランジスタ | |
| △ | Q448 | VP872600 TR | 2SA1708 S,T | | トランジスタ | |

* New Parts (新規部品)

Note) Those parts marked with "#" are not included in the P.C.B. ass'y. (マーク#の部品は、基板に含まれません)

P.C.B. MAIN (L)

| Ref. No. | PART NO. | Description | Remarks | Markets | 部品名 | Rank |
|----------|----------|--------------------|---------------|---------|-----------|------|
| △ | Q449 | VP872700 TR | 2SC4488 S,T | | トランジスタ | |
| △ | Q450 | VP872600 TR | 2SA1708 S,T | | トランジスタ | |
| △* | Q451A | iX609750 TR | 2SA1492 O,Y | | トランジスタ | |
| △ | Q451C | iX609760 | 2SC3856 O,Y | | トランジスタ | |
| △* | Q453A | iX609750 TR | 2SA1492 O,Y | | トランジスタ | |
| △ | Q453C | iX609760 | 2SC3856 O,Y | | トランジスタ | |
| | Q454 | VC938500 TR | 2SC3852 | | トランジスタ | 02 |
| | Q455 | VE198700 TR | 2SA1145 O,Y | | トランジスタ | 01 |
| | Q456 | iC224030 TR | 2SC2240 GR,BL | | トランジスタ | 01 |
| | Q457 | iC224030 TR | 2SC2240 GR,BL | | トランジスタ | 01 |
| | Q458 | VS548300 TR | 2SBM | | トランジスタ | |
| | R311 | HF458100 R.CAR.FP | 100K 1/4W | | 不燃化カーボン抵抗 | 01 |
| | R312 | VP941900 R.MTL.OXD | 15K 1W | | 酸化金属皮膜抵抗 | 01 |
| | R313 | HV756470 R.CAR.FP | 4.7K 1/4W | | 不燃化カーボン抵抗 | 01 |
| | R314 | VP941900 R.MTL.OXD | 15K 1W | | 酸化金属皮膜抵抗 | 01 |
| | R323 | HV755120 R.CAR.FP | 120 1/4W | | 不燃化カーボン抵抗 | 01 |
| △ | R324 | HV756330 R.CAR.FP | 3.3K 1/4W | | 不燃化カーボン抵抗 | 01 |
| △ | R325 | HV755560 R.CAR.FP | 560 1/4W | | 不燃化カーボン抵抗 | 01 |
| | R326 | HV755120 R.CAR.FP | 120 1/4W | | 不燃化カーボン抵抗 | 01 |
| △ | R327 | HV754470 R.CAR.FP | 47 1/4W | | 不燃化カーボン抵抗 | 01 |
| △ | R328 | HV754470 R.CAR.FP | 47 1/4W | | 不燃化カーボン抵抗 | 01 |
| | R329 | HV756120 R.CAR.FP | 1.2K 1/4W | | 不燃化カーボン抵抗 | 01 |
| | R330 | HV755100 R.CAR.FP | 100 1/4W | | 不燃化カーボン抵抗 | 01 |
| | R331 | HV755100 R.CAR.FP | 100 1/4W | | 不燃化カーボン抵抗 | 01 |
| △ | R332 | HV755330 R.CAR.FP | 330 1/4W | | 不燃化カーボン抵抗 | 01 |
| | R333-36 | HV753220 R.CAR.FP | 2.2 1/4W | | 不燃化カーボン抵抗 | 01 |
| △ | R337 | HV755330 R.CAR.FP | 330 1/4W | | 不燃化カーボン抵抗 | 01 |
| | R338-41 | HV753220 R.CAR.FP | 2.2 1/4W | | 不燃化カーボン抵抗 | 01 |
| △* | R343 | VR150200 R.WW | 0.22 5W | | セメント抵抗 | |
| △* | R344 | VR150200 R.WW | 0.22 5W | | セメント抵抗 | |
| | R350 | HV753470 R.CAR.FP | 4.7 1/4W | | 不燃化カーボン抵抗 | 01 |
| △ | R351 | HL214100 R.MTL.OXD | 10 1W | | 酸化金属被膜抵抗 | 01 |
| | R352 | HV753470 R.CAR.FP | 4.7 1/4W | | 不燃化カーボン抵抗 | 01 |
| | R353 | HV753470 R.CAR.FP | 4.7 1/4W | | 不燃化カーボン抵抗 | 01 |
| | R365 | HF458100 R.CAR.FP | 100K 1/4W | | 不燃化カーボン抵抗 | 01 |
| | R366 | VP941900 R.MTL.OXD | 15K 1W | | 酸化金属皮膜抵抗 | 01 |
| | R367 | VP941900 R.MTL.OXD | 15K 1W | | 酸化金属皮膜抵抗 | 01 |
| | R368 | HV756470 R.CAR.FP | 4.7K 1/4W | | 不燃化カーボン抵抗 | 01 |
| | R377 | HV755120 R.CAR.FP | 120 1/4W | | 不燃化カーボン抵抗 | 01 |
| | R378 | HV756330 R.CAR.FP | 3.3K 1/4W | | 不燃化カーボン抵抗 | 01 |
| | R379 | HV755560 R.CAR.FP | 560 1/4W | | 不燃化カーボン抵抗 | 01 |
| | R380 | HV755120 R.CAR.FP | 120 1/4W | | 不燃化カーボン抵抗 | 01 |
| △ | R381 | HV754470 R.CAR.FP | 47 1/4W | | 不燃化カーボン抵抗 | 01 |
| △ | R382 | HV754470 R.CAR.FP | 47 1/4W | | 不燃化カーボン抵抗 | 01 |
| | R383 | HV756120 R.CAR.FP | 1.2K 1/4W | | 不燃化カーボン抵抗 | 01 |
| | R384 | HV755100 R.CAR.FP | 100 1/4W | | 不燃化カーボン抵抗 | 01 |
| | R385 | HV755100 R.CAR.FP | 100 1/4W | | 不燃化カーボン抵抗 | 01 |
| △ | R386 | HV755330 R.CAR.FP | 330 1/4W | | 不燃化カーボン抵抗 | 01 |
| | R387-90 | HV753220 R.CAR.FP | 2.2 1/4W | | 不燃化カーボン抵抗 | 01 |
| △ | R391 | HV755330 R.CAR.FP | 330 1/4W | | 不燃化カーボン抵抗 | 01 |
| | R392-95 | HV753220 R.CAR.FP | 2.2 1/4W | | 不燃化カーボン抵抗 | 01 |
| △* | R397 | VR150200 R.WW | 0.22 5W | | セメント抵抗 | |
| △* | R398 | VR150200 R.WW | 0.22 5W | | セメント抵抗 | |

* New Parts (新規部品)

P.C.B. MAIN (L)

| Ref. No. | PART NO. | Description | Remarks | Markets | 部品名 | Rank |
|----------|----------|----------------------|-----------------|---------|-----------|------|
| | R404 | HV753470 R. CAR. FP | 4.7 1/4W | | 不燃化カーボン抵抗 | 01 |
| △ | R405 | HL214100 R. MTL. OXD | 10 1W | | 酸化金属被膜抵抗 | 01 |
| | R406 | HV753470 R. CAR. FP | 4.7 1/4W | | 不燃化カーボン抵抗 | 01 |
| | R407 | HV753470 R. CAR. FP | 4.7 1/4W | | 不燃化カーボン抵抗 | 01 |
| △* | R409-12 | VR150200 R. WW | 0.22 5W | | セメント抵抗 | |
| | R431 | HF458100 R. CAR. FP | 100K 1/4W | | 不燃化カーボン抵抗 | 01 |
| | R432 | VP941900 R. MTL. OXD | 15K 1W | | 酸化金属皮膜抵抗 | 01 |
| | R433 | HV756470 R. CAR. FP | 4.7K 1/4W | | 不燃化カーボン抵抗 | 01 |
| | R434 | VP941900 R. MTL. OXD | 15K 1W | | 酸化金属皮膜抵抗 | 01 |
| | R443 | HV755120 R. CAR. FP | 120 1/4W | | 不燃化カーボン抵抗 | 01 |
| △ | R444 | HV756330 R. CAR. FP | 3.3K 1/4W | | 不燃化カーボン抵抗 | 01 |
| △ | R445 | HV755560 R. CAR. FP | 560 1/4W | | 不燃化カーボン抵抗 | 01 |
| | R446 | HV755120 R. CAR. FP | 120 1/4W | | 不燃化カーボン抵抗 | 01 |
| △ | R447 | HV754470 R. CAR. FP | 47 1/4W | | 不燃化カーボン抵抗 | 01 |
| △ | R448 | HV754470 R. CAR. FP | 47 1/4W | | 不燃化カーボン抵抗 | 01 |
| | R449 | HV756120 R. CAR. FP | 1.2K 1/4W | | 不燃化カーボン抵抗 | 01 |
| | R450 | HV755100 R. CAR. FP | 100 1/4W | | 不燃化カーボン抵抗 | 01 |
| | R451 | HV755100 R. CAR. FP | 100 1/4W | | 不燃化カーボン抵抗 | 01 |
| △ | R452 | HV755330 R. CAR. FP | 330 1/4W | | 不燃化カーボン抵抗 | 01 |
| | R453 | HV753220 R. CAR. FP | 2.2 1/4W | | 不燃化カーボン抵抗 | 01 |
| | R454-56 | HV753220 R. CAR. FP | 2.2 1/4W | | 不燃化カーボン抵抗 | 01 |
| △ | R457 | HV755330 R. CAR. FP | 330 1/4W | | 不燃化カーボン抵抗 | 01 |
| | R458-61 | HV753220 R. CAR. FP | 2.2 1/4W | | 不燃化カーボン抵抗 | 01 |
| △* | R463-66 | VR150200 R. WW | 0.22 5W | | セメント抵抗 | |
| | R472 | HV753470 R. CAR. FP | 4.7 1/4W | | 不燃化カーボン抵抗 | 01 |
| △ | R473 | HL214100 R. MTL. OXD | 10 1W | | 酸化金属被膜抵抗 | 01 |
| | R474 | HV753470 R. CAR. FP | 4.7 1/4W | | 不燃化カーボン抵抗 | 01 |
| | R475 | HV753470 R. CAR. FP | 4.7 1/4W | | 不燃化カーボン抵抗 | 01 |
| | R479 | HV754100 R. CAR. FP | 10 1/4W | | 不燃化カーボン抵抗 | 01 |
| | R480 | HV754100 R. CAR. FP | 10 1/4W | | 不燃化カーボン抵抗 | 01 |
| | R481 | HV756470 R. CAR. FP | 4.7K 1/4W | | 不燃化カーボン抵抗 | 01 |
| | R482 | HV756470 R. CAR. FP | 4.7K 1/4W | | 不燃化カーボン抵抗 | 01 |
| | R506 | HV755100 R. CAR. FP | 100 1/4W | | 不燃化カーボン抵抗 | 01 |
| | R509 | HV755100 R. CAR. FP | 100 1/4W | | 不燃化カーボン抵抗 | 01 |
| | R510 | HV755100 R. CAR. FP | 100 1/4W | | 不燃化カーボン抵抗 | 01 |
| △ | R511 | HV756270 R. CAR. FP | 2.7K 1/4W | | 不燃化カーボン抵抗 | 01 |
| △ | R512 | HV755680 R. CAR. FP | 680 1/4W | | 不燃化カーボン抵抗 | 01 |
| | R513 | HV755100 R. CAR. FP | 100 1/4W | | 不燃化カーボン抵抗 | 01 |
| △ | R514 | HV756270 R. CAR. FP | 2.7K 1/4W | | 不燃化カーボン抵抗 | 01 |
| △ | R515 | HV755680 R. CAR. FP | 680 1/4W | | 不燃化カーボン抵抗 | 01 |
| △ | R516 | HV755330 R. CAR. FP | 330 1/4W | | 不燃化カーボン抵抗 | 01 |
| △ | R517 | HV755330 R. CAR. FP | 330 1/4W | | 不燃化カーボン抵抗 | 01 |
| △ | R518-21 | HV753470 R. CAR. FP | 4.7 1/4W | | 不燃化カーボン抵抗 | 01 |
| △* | R522-25 | VR150200 R. WW | 0.22 5W | | セメント抵抗 | |
| △ | R538 | VP939800 R. MTL. OXD | 10 1W | | 酸化金属被膜抵抗 | 01 |
| △ | R539 | VP939800 R. MTL. OXD | 10 1W | | 酸化金属被膜抵抗 | 01 |
| △ | R541 | HV754100 R. CAR. FP | 10 1/4W | | 不燃化カーボン抵抗 | 01 |
| △ | R542 | HV754100 R. CAR. FP | 10 1/4W | | 不燃化カーボン抵抗 | 01 |
| | R543 | HV753470 R. CAR. FP | 4.7 1/4W | | 不燃化カーボン抵抗 | 01 |
| | R544 | HV753470 R. CAR. FP | 4.7 1/4W | | 不燃化カーボン抵抗 | 01 |
| | TH301 | VM842400 POSISTOR | PTH9M04 BE/90°C | | ポジスター | |
| * | VR301 | WB756200 VR. TRIM | B330 RH063LCN2R | | 半固定VR | |
| * | VR302 | WB756200 VR. TRIM | B330 RH063LCN2R | | 半固定VR | |

* New Parts (新規部品)

Note) Those parts marked with “#” are not included in the P.C.B. ass'y. (マーク#の部品は、基板に含まれません)

| |
|---------------------------------------|
| P.C.B. MAIN (L) & MAIN (R) |
|---------------------------------------|

| Ref. No. | PART NO. | Description | Remarks | Markets | 部品名 | Rank | |
|----------|----------|--------------|---------|------------|-----------------|--------|--|
| * VR421 | WB756200 | VR. TRIM | B330 | RH063LCN2R | | 半固定V R | |
| * VR422 | WB756300 | VR. TRIM | B680 | RH063LCW2R | | 半固定V R | |
| * VR423 | WB756300 | VR. TRIM | B680 | RH063LCW2R | | 半固定V R | |
| * | WB745800 | P. C. B. | MAIN(R) | | P C B メイン (R) | | |
| CB301 | VB389900 | CN. BS. PIN | 3P | | ベースピン | 01 | |
| CB302 | VB858300 | CN. BS. PIN | 4P | | コネクタベースポスト | 01 | |
| CB661 | VB390000 | CN. BS. PIN | 4P | | ベースピン | 01 | |
| CB664 | VB858300 | CN. BS. PIN | 4P | | コネクタベースポスト | 01 | |
| C302 | UU167100 | C. EL | 10uF | 50V | ケミコン | | |
| * C303 | WB759300 | C. PP | 100pF | 200V | P Pコン | | |
| C304 | UU197470 | C. EL | 47uF | 100V | ケミコン | | |
| C305 | UU197470 | C. EL | 47uF | 100V | ケミコン | | |
| C306 | UU137100 | C. EL | 10uF | 16V | ケミコン | | |
| * C307 | V5691300 | C. PP | 1000pF | 100V | P Pコン | | |
| C308 | UU128100 | C. EL | 100uF | 10V | ケミコン | | |
| * C309 | V5691300 | C. PP | 1000pF | 100V | P Pコン | | |
| C310 | V5690000 | C. PP | 15pF | 100V | P Pコン | | |
| * C313 | WB759300 | C. PP | 100pF | 200V | P Pコン | | |
| * C314 | WB759300 | C. PP | 100pF | 200V | P Pコン | | |
| C315 | UU167220 | C. EL | 22uF | 50V | ケミコン | | |
| * C316 | V5691300 | C. PP | 1000pF | 100V | P Pコン | | |
| * C317 | V5691300 | C. PP | 1000pF | 100V | P Pコン | | |
| C318 | VE326200 | C. MYLAR. ML | 0.15uF | 50V | 積層マイラーコン | | |
| C319 | VE324800 | C. MYLAR. ML | 0.01uF | 50V | 積層マイラーコン | | |
| C320 | Vi862100 | C. POL. MTL | 0.047uF | 100V | メタライズドポリコン | 01 | |
| * C321 | V5692000 | C. PP | 0.01uF | 100V | P Pコン | | |
| * C322 | V5692000 | C. PP | 0.01uF | 100V | P Pコン | | |
| * C323 | WB715400 | C. EL | 10uF | 100V | ケミコン | | |
| C324 | UU197100 | C. EL | 10uF | 100V | ケミコン | | |
| C326 | UU167100 | C. EL | 10uF | 50V | ケミコン | | |
| * C327 | WB759300 | C. PP | 100pF | 200V | P Pコン | | |
| C328 | UU197470 | C. EL | 47uF | 100V | ケミコン | | |
| C329 | UU197470 | C. EL | 47uF | 100V | ケミコン | | |
| C330 | UU137100 | C. EL | 10uF | 16V | ケミコン | | |
| * C331 | V5691300 | C. PP | 1000pF | 100V | P Pコン | | |
| C332 | UU128100 | C. EL | 100uF | 10V | ケミコン | | |
| * C333 | V5691300 | C. PP | 1000pF | 100V | P Pコン | | |
| C334 | V5690000 | C. PP | 15pF | 100V | P Pコン | | |
| * C337 | WB759300 | C. PP | 100pF | 200V | P Pコン | | |
| * C338 | WB759300 | C. PP | 100pF | 200V | P Pコン | | |
| C339 | UU167220 | C. EL | 22uF | 50V | ケミコン | | |
| * C340 | V5691300 | C. PP | 1000pF | 100V | P Pコン | | |
| * C341 | V5691300 | C. PP | 1000pF | 100V | P Pコン | | |
| C342 | VE326200 | C. MYLAR. ML | 0.15uF | 50V | 積層マイラーコン | | |
| C343 | VE324800 | C. MYLAR. ML | 0.01uF | 50V | 積層マイラーコン | | |
| C344 | Vi862100 | C. POL. MTL | 0.047uF | 100V | メタライズドポリコン | 01 | |
| * C345 | V5692000 | C. PP | 0.01uF | 100V | P Pコン | | |
| * C346 | V5692000 | C. PP | 0.01uF | 100V | P Pコン | | |
| C347 | UU197100 | C. EL | 10uF | 100V | ケミコン | | |
| C348 | UU197100 | C. EL | 10uF | 100V | ケミコン | | |

* New Parts (新規部品)

Note) Those parts marked with “#” are not included in the P.C.B. ass'y. (マーク#の部品は、基板に含まれません)

P.C.B. MAIN (R)

| Ref. No. | PART NO. | Description | Remarks | Markets | 部品名 | Rank | |
|----------|----------|-------------|----------|---------|-----|------------|----|
| * C661 | WB759300 | C.PP | 100pF | 200V | | PPコン | |
| C662 | UU167100 | C.EL | 10uF | 50V | | ケミコン | |
| * C663 | WB759300 | C.PP | 100pF | 200V | | PPコン | |
| C664 | UU197470 | C.EL | 47uF | 100V | | ケミコン | |
| C665 | UU197470 | C.EL | 47uF | 100V | | ケミコン | |
| C666 | UU137100 | C.EL | 10uF | 16V | | ケミコン | |
| * C667 | V5691300 | C.PP | 1000pF | 100V | | PPコン | |
| C668 | UU128100 | C.EL | 100uF | 10V | | ケミコン | |
| * C669 | V5691300 | C.PP | 1000pF | 100V | | PPコン | |
| C670 | V5690000 | C.PP | 15pF | 100V | | PPコン | |
| * C673 | WB759300 | C.PP | 100pF | 200V | | PPコン | |
| * C674 | WB759300 | C.PP | 100pF | 200V | | PPコン | |
| C675 | UU167220 | C.EL | 22uF | 50V | | ケミコン | |
| * C676 | V5691300 | C.PP | 1000pF | 100V | | PPコン | |
| * C677 | V5691300 | C.PP | 1000pF | 100V | | PPコン | |
| C678 | VE326200 | C.MYLAR.ML | 0.15uF | 50V | | 積層マイラーコン | |
| C679 | VE324800 | C.MYLAR.ML | 0.01uF | 50V | | 積層マイラーコン | |
| C680 | Vi862100 | C.POL.MTL | 0.047uF | 100V | | メタライズドポリコン | 01 |
| * C681 | V5692000 | C.PP | 0.01uF | 100V | | PPコン | |
| * C682 | V5692000 | C.PP | 0.01uF | 100V | | PPコン | |
| C683 | UU197100 | C.EL | 10uF | 100V | | ケミコン | |
| C684 | UU197100 | C.EL | 10uF | 100V | | ケミコン | |
| * C685 | WB759300 | C.PP | 100pF | 200V | | PPコン | |
| C686 | UU167100 | C.EL | 10uF | 50V | | ケミコン | |
| * C687 | WB759300 | C.PP | 100pF | 200V | | PPコン | |
| C688 | UU197470 | C.EL | 47uF | 100V | | ケミコン | |
| C689 | UU197470 | C.EL | 47uF | 100V | | ケミコン | |
| C690 | UU137100 | C.EL | 10uF | 16V | | ケミコン | |
| * C691 | V5691300 | C.PP | 1000pF | 100V | | PPコン | |
| C692 | UU128100 | C.EL | 100uF | 10V | | ケミコン | |
| * C693 | V5691300 | C.PP | 1000pF | 100V | | PPコン | |
| C694 | V5690000 | C.PP | 15pF | 100V | | PPコン | |
| * C697 | WB759300 | C.PP | 100pF | 200V | | PPコン | |
| * C698 | WB759300 | C.PP | 100pF | 200V | | PPコン | |
| C699 | UU167220 | C.EL | 22uF | 50V | | ケミコン | |
| * C700 | V5691300 | C.PP | 1000pF | 100V | | PPコン | |
| * C701 | V5691300 | C.PP | 1000pF | 100V | | PPコン | |
| C702 | VE326200 | C.MYLAR.ML | 0.15uF | 50V | | 積層マイラーコン | |
| C703 | VE324800 | C.MYLAR.ML | 0.01uF | 50V | | 積層マイラーコン | |
| C704 | Vi862100 | C.POL.MTL | 0.047uF | 100V | | メタライズドポリコン | 01 |
| * C705 | V5692000 | C.PP | 0.01uF | 100V | | PPコン | |
| * C706 | V5692000 | C.PP | 0.01uF | 100V | | PPコン | |
| C707 | UU197100 | C.EL | 10uF | 100V | | ケミコン | |
| C708 | UU197100 | C.EL | 10uF | 100V | | ケミコン | |
| D301-04 | VG438000 | DIODE.ZENR | MTZJ6.2B | 6.2V | | ツェナーダイオード | 01 |
| D311 | VC398400 | DIODE | MA185 | | | ダイオード | 01 |
| D312 | VC398400 | DIODE | MA185 | | | ダイオード | 01 |
| D313-16 | VG438000 | DIODE.ZENR | MTZJ6.2B | 6.2V | | ツェナーダイオード | 01 |
| D323 | VC398400 | DIODE | MA185 | | | ダイオード | 01 |
| D324 | VC398400 | DIODE | MA185 | | | ダイオード | 01 |
| D325 | VG442900 | DIODE.ZENR | MTZJ27B | 27V | | ツェナーダイオード | 01 |
| D326 | VG442900 | DIODE.ZENR | MTZJ27B | 27V | | ツェナーダイオード | 01 |
| D661-64 | VG438000 | DIODE.ZENR | MTZJ6.2B | 6.2V | | ツェナーダイオード | 01 |

* New Parts (新規部品)

Note) Those parts marked with “#” are not included in the P.C.B. ass'y. (マーク#の部品は、基板に含まれません)

P.C.B. MAIN (R)

| Ref. No. | PART NO. | Description | Remarks | Markets | 部品名 | Rank |
|----------|----------|-------------|---------------|---------|-----------|------|
| D671 | VC398400 | DIODE | MA185 | | ダイオード | 01 |
| D672 | VC398400 | DIODE | MA185 | | ダイオード | 01 |
| D673-76 | VG438000 | DIODE.ZENR | MTZJ6.2B 6.2V | | ツェナーダイオード | 01 |
| D683 | VC398400 | DIODE | MA185 | | ダイオード | 01 |
| D684 | VC398400 | DIODE | MA185 | | ダイオード | 01 |
| D685 | VG442900 | DIODE.ZENR | MTZJ27B 27V | | ツェナーダイオード | 01 |
| D686 | VG442900 | DIODE.ZENR | MTZJ27B 27V | | ツェナーダイオード | 01 |
| Q301 | iE104500 | FET | 2SK389 GR,BL | | F E T | 03 |
| * Q302 | WB519700 | FET | 2SJ109 GR,BL | | F E T | |
| Q303 | iA097030 | TR | 2SA970 GR,BL | | トランジスタ | 01 |
| Q304 | iC224030 | TR | 2SC2240 GR,BL | | トランジスタ | 01 |
| Q305 | iC224030 | TR | 2SC2240 GR,BL | | トランジスタ | 01 |
| Q306 | iA097030 | TR | 2SA970 GR,BL | | トランジスタ | 01 |
| Q307 | iC224030 | TR | 2SC2240 GR,BL | | トランジスタ | 01 |
| Q308 | iA097030 | TR | 2SA970 GR,BL | | トランジスタ | 01 |
| Q309 | VE198700 | TR | 2SA1145 O,Y | | トランジスタ | 01 |
| Q310 | VE198700 | TR | 2SA1145 O,Y | | トランジスタ | 01 |
| Q311 | VE198800 | TR | 2SC2705 O,Y | | トランジスタ | 01 |
| Q312 | VE198800 | TR | 2SC2705 O,Y | | トランジスタ | 01 |
| △ Q313 | VC398100 | TR | 2SC1846 S | | トランジスタ | 01 |
| Q314 | VE198800 | TR | 2SC2705 O,Y | | トランジスタ | 01 |
| Q315 | VE198700 | TR | 2SA1145 O,Y | | トランジスタ | 01 |
| △ Q316A | iX632610 | TR.PAIR | 2SA1837 O,Y | | トランジスタ | 02 |
| △ Q316C | iX632620 | | 2SC4793 O,Y | | トランジスタ | 02 |
| △ Q317A | iX632610 | TR.PAIR | 2SA1837 O,Y | | トランジスタ | 02 |
| △ Q317C | iX632620 | | 2SC4793 O,Y | | トランジスタ | 02 |
| △* Q318A | iX609750 | TR | 2SA1492 O,Y | | トランジスタ | |
| △ Q318C | iX609760 | | 2SC3856 O,Y | | トランジスタ | |
| △* Q319A | iX609750 | TR | 2SA1492 O,Y | | トランジスタ | |
| △ Q319C | iX609760 | | 2SC3856 O,Y | | トランジスタ | |
| Q320 | iC224030 | TR | 2SC2240 GR,BL | | トランジスタ | 01 |
| Q321 | iE104500 | FET | 2SK389 GR,BL | | F E T | 03 |
| * Q322 | WB519700 | FET | 2SJ109 GR,BL | | F E T | |
| Q323 | iA097030 | TR | 2SA970 GR,BL | | トランジスタ | 01 |
| Q324 | iC224030 | TR | 2SC2240 GR,BL | | トランジスタ | 01 |
| Q325 | iC224030 | TR | 2SC2240 GR,BL | | トランジスタ | 01 |
| Q326 | iA097030 | TR | 2SA970 GR,BL | | トランジスタ | 01 |
| Q327 | iC224030 | TR | 2SC2240 GR,BL | | トランジスタ | 01 |
| Q328 | iA097030 | TR | 2SA970 GR,BL | | トランジスタ | 01 |
| Q329 | VE198700 | TR | 2SA1145 O,Y | | トランジスタ | 01 |
| Q330 | VE198700 | TR | 2SA1145 O,Y | | トランジスタ | 01 |
| Q331 | VE198800 | TR | 2SC2705 O,Y | | トランジスタ | 01 |
| Q332 | VE198800 | TR | 2SC2705 O,Y | | トランジスタ | 01 |
| △ Q333 | VC398100 | TR | 2SC1846 S | | トランジスタ | 01 |
| Q334 | VE198800 | TR | 2SC2705 O,Y | | トランジスタ | 01 |
| Q335 | VE198700 | TR | 2SA1145 O,Y | | トランジスタ | 01 |
| △ Q336A | iX632610 | TR.PAIR | 2SA1837 O,Y | | トランジスタ | 02 |
| △ Q336C | iX632620 | | 2SC4793 O,Y | | トランジスタ | 02 |
| △ Q337A | iX632610 | TR.PAIR | 2SA1837 O,Y | | トランジスタ | 02 |
| △ Q337C | iX632620 | | 2SC4793 O,Y | | トランジスタ | 02 |
| △* Q338A | iX609750 | TR | 2SA1492 O,Y | | トランジスタ | |
| △ Q338C | iX609760 | | 2SC3856 O,Y | | トランジスタ | |
| △* Q339A | iX609750 | TR | 2SA1492 O,Y | | トランジスタ | |

* New Parts (新規部品)

P.C.B. MAIN (R)

| Ref. No. | PART NO. | Description | Remarks | Markets | 部品名 | Rank |
|----------|----------|--------------------|-----------|---------|-----------|------|
| △ | Q339C | iX609760 | | | トランジスタ | |
| | Q340 | iC224030 TR | | | トランジスタ | 01 |
| | Q601 | iE104500 FET | | | F E T | 03 |
| * | Q602 | WB519700 FET | | | F E T | |
| | Q621 | iE104500 FET | | | F E T | 03 |
| * | Q622 | WB519700 FET | | | F E T | |
| | Q661 | iA097030 TR | | | トランジスタ | 01 |
| | Q662 | iC224030 TR | | | トランジスタ | 01 |
| | Q663 | iC224030 TR | | | トランジスタ | 01 |
| | Q664 | iA097030 TR | | | トランジスタ | 01 |
| | Q665 | iC224030 TR | | | トランジスタ | 01 |
| | Q666 | iA097030 TR | | | トランジスタ | 01 |
| | Q667 | VE198700 TR | | | トランジスタ | 01 |
| | Q668 | VE198700 TR | | | トランジスタ | 01 |
| | Q669 | VE198800 TR | | | トランジスタ | 01 |
| | Q670 | VE198800 TR | | | トランジスタ | 01 |
| △ | Q671 | VC398100 TR | | | トランジスタ | 01 |
| | Q672 | VE198800 TR | | | トランジスタ | 01 |
| | Q673 | VE198700 TR | | | トランジスタ | 01 |
| △ | Q674A | iX632610 TR.PAIR | | | トランジスタ | 02 |
| △ | Q674C | iX632620 | | | トランジスタ | 02 |
| △ | Q676A | iX632610 TR.PAIR | | | トランジスタ | 02 |
| △ | Q676C | iX632620 | | | トランジスタ | 02 |
| △* | Q678A | iX609750 TR | | | トランジスタ | |
| △ | Q678C | iX609760 | | | トランジスタ | |
| △* | Q680A | iX609750 TR | | | トランジスタ | |
| △ | Q680C | iX609760 | | | トランジスタ | |
| | Q682 | iC224030 TR | | | トランジスタ | 01 |
| | Q683 | iA097030 TR | | | トランジスタ | 01 |
| | Q684 | iC224030 TR | | | トランジスタ | 01 |
| | Q685 | iC224030 TR | | | トランジスタ | 01 |
| | Q686 | iA097030 TR | | | トランジスタ | 01 |
| | Q687 | iC224030 TR | | | トランジスタ | 01 |
| | Q688 | iA097030 TR | | | トランジスタ | 01 |
| | Q689 | VE198700 TR | | | トランジスタ | 01 |
| | Q690 | VE198700 TR | | | トランジスタ | 01 |
| | Q691 | VE198800 TR | | | トランジスタ | 01 |
| | Q692 | VE198800 TR | | | トランジスタ | 01 |
| △ | Q693 | VC398100 TR | | | トランジスタ | 01 |
| | Q694 | VE198800 TR | | | トランジスタ | 01 |
| | Q695 | VE198700 TR | | | トランジスタ | 01 |
| △ | Q696A | iX632610 TR.PAIR | | | トランジスタ | 02 |
| △ | Q696C | iX632620 | | | トランジスタ | 02 |
| △ | Q698A | iX632610 TR.PAIR | | | トランジスタ | 02 |
| △ | Q698C | iX632620 | | | トランジスタ | 02 |
| △* | Q700A | iX609750 TR | | | トランジスタ | |
| △ | Q700C | iX609760 | | | トランジスタ | |
| △* | Q702A | iX609750 TR | | | トランジスタ | |
| △ | Q702C | iX609760 | | | トランジスタ | |
| | Q704 | iC224030 TR | | | トランジスタ | 01 |
| | R311 | HF458100 R.CAR.FP | 100K 1/4W | | 不燃化カーボン抵抗 | 01 |
| | R312 | VP941900 R.MTL.OXD | 15K 1W | | 酸化金属皮膜抵抗 | 01 |
| | R313 | HV756470 R.CAR.FP | 4.7K 1/4W | | 不燃化カーボン抵抗 | 01 |

* New Parts (新規部品)

Note) Those parts marked with “#” are not included in the P.C.B. ass'y. (マーク#の部品は、基板に含まれません)

P.C.B. MAIN (R)

| Ref. No. | PART NO. | Description | Remarks | Markets | 部品名 | Rank | | |
|----------|----------|-------------|-----------|---------|------|------|-----------|----|
| | R314 | VP941900 | R.MTL.OXD | 15K | 1W | | 酸化金属皮膜抵抗 | 01 |
| | R323 | HV755120 | R.CAR.FP | 120 | 1/4W | | 不燃化カーボン抵抗 | 01 |
| △ | R324 | HV756330 | R.CAR.FP | 3.3K | 1/4W | | 不燃化カーボン抵抗 | 01 |
| △ | R325 | HV755560 | R.CAR.FP | 560 | 1/4W | | 不燃化カーボン抵抗 | 01 |
| | R326 | HV755120 | R.CAR.FP | 120 | 1/4W | | 不燃化カーボン抵抗 | 01 |
| △ | R327 | HV754470 | R.CAR.FP | 47 | 1/4W | | 不燃化カーボン抵抗 | 01 |
| △ | R328 | HV754470 | R.CAR.FP | 47 | 1/4W | | 不燃化カーボン抵抗 | 01 |
| | R329 | HV756120 | R.CAR.FP | 1.2K | 1/4W | | 不燃化カーボン抵抗 | 01 |
| | R330 | HV755100 | R.CAR.FP | 100 | 1/4W | | 不燃化カーボン抵抗 | 01 |
| | R331 | HV755100 | R.CAR.FP | 100 | 1/4W | | 不燃化カーボン抵抗 | 01 |
| △ | R332 | HV755330 | R.CAR.FP | 330 | 1/4W | | 不燃化カーボン抵抗 | 01 |
| | R333-36 | HV753220 | R.CAR.FP | 2.2 | 1/4W | | 不燃化カーボン抵抗 | 01 |
| △ | R337 | HV755330 | R.CAR.FP | 330 | 1/4W | | 不燃化カーボン抵抗 | 01 |
| | R338-41 | HV753220 | R.CAR.FP | 2.2 | 1/4W | | 不燃化カーボン抵抗 | 01 |
| △* | R343 | VR150200 | R.WW | 0.22 | 5W | | セメント抵抗 | |
| △* | R344 | VR150200 | R.WW | 0.22 | 5W | | セメント抵抗 | |
| | R350 | HV753470 | R.CAR.FP | 4.7 | 1/4W | | 不燃化カーボン抵抗 | 01 |
| △ | R351 | HL214100 | R.MTL.OXD | 10 | 1W | | 酸化金属被膜抵抗 | 01 |
| | R352 | HV753470 | R.CAR.FP | 4.7 | 1/4W | | 不燃化カーボン抵抗 | 01 |
| | R353 | HV753470 | R.CAR.FP | 4.7 | 1/4W | | 不燃化カーボン抵抗 | 01 |
| | R365 | HF458100 | R.CAR.FP | 100K | 1/4W | | 不燃化カーボン抵抗 | 01 |
| | R366 | VP941900 | R.MTL.OXD | 15K | 1W | | 酸化金属皮膜抵抗 | 01 |
| | R367 | VP941900 | R.MTL.OXD | 15K | 1W | | 酸化金属皮膜抵抗 | 01 |
| | R368 | HV756470 | R.CAR.FP | 4.7K | 1/4W | | 不燃化カーボン抵抗 | 01 |
| | R377 | HV755120 | R.CAR.FP | 120 | 1/4W | | 不燃化カーボン抵抗 | 01 |
| △ | R378 | HV756330 | R.CAR.FP | 3.3K | 1/4W | | 不燃化カーボン抵抗 | 01 |
| △ | R379 | HV755560 | R.CAR.FP | 560 | 1/4W | | 不燃化カーボン抵抗 | 01 |
| | R380 | HV755120 | R.CAR.FP | 120 | 1/4W | | 不燃化カーボン抵抗 | 01 |
| △ | R381 | HV754470 | R.CAR.FP | 47 | 1/4W | | 不燃化カーボン抵抗 | 01 |
| △ | R382 | HV754470 | R.CAR.FP | 47 | 1/4W | | 不燃化カーボン抵抗 | 01 |
| | R383 | HV756120 | R.CAR.FP | 1.2K | 1/4W | | 不燃化カーボン抵抗 | 01 |
| | R384 | HV755100 | R.CAR.FP | 100 | 1/4W | | 不燃化カーボン抵抗 | 01 |
| | R385 | HV755100 | R.CAR.FP | 100 | 1/4W | | 不燃化カーボン抵抗 | 01 |
| △ | R386 | HV755330 | R.CAR.FP | 330 | 1/4W | | 不燃化カーボン抵抗 | 01 |
| | R387-90 | HV753220 | R.CAR.FP | 2.2 | 1/4W | | 不燃化カーボン抵抗 | 01 |
| △ | R391 | HV755330 | R.CAR.FP | 330 | 1/4W | | 不燃化カーボン抵抗 | 01 |
| | R392-95 | HV753220 | R.CAR.FP | 2.2 | 1/4W | | 不燃化カーボン抵抗 | 01 |
| △* | R397 | VR150200 | R.WW | 0.22 | 5W | | セメント抵抗 | |
| △* | R398 | VR150200 | R.WW | 0.22 | 5W | | セメント抵抗 | |
| | R404 | HV753470 | R.CAR.FP | 4.7 | 1/4W | | 不燃化カーボン抵抗 | 01 |
| △ | R405 | HL214100 | R.MTL.OXD | 10 | 1W | | 酸化金属被膜抵抗 | 01 |
| | R406 | HV753470 | R.CAR.FP | 4.7 | 1/4W | | 不燃化カーボン抵抗 | 01 |
| | R407 | HV753470 | R.CAR.FP | 4.7 | 1/4W | | 不燃化カーボン抵抗 | 01 |
| △* | R409-12 | VR150200 | R.WW | 0.22 | 5W | | セメント抵抗 | |
| | R671 | HF458100 | R.CAR.FP | 100K | 1/4W | | 不燃化カーボン抵抗 | 01 |
| | R672 | VP941900 | R.MTL.OXD | 15K | 1W | | 酸化金属皮膜抵抗 | 01 |
| | R673 | HV756470 | R.CAR.FP | 4.7K | 1/4W | | 不燃化カーボン抵抗 | 01 |
| | R674 | VP941900 | R.MTL.OXD | 15K | 1W | | 酸化金属皮膜抵抗 | 01 |
| | R683 | HV755120 | R.CAR.FP | 120 | 1/4W | | 不燃化カーボン抵抗 | 01 |
| △ | R684 | HV756330 | R.CAR.FP | 3.3K | 1/4W | | 不燃化カーボン抵抗 | 01 |
| △ | R685 | HV755560 | R.CAR.FP | 560 | 1/4W | | 不燃化カーボン抵抗 | 01 |
| | R686 | HV755120 | R.CAR.FP | 120 | 1/4W | | 不燃化カーボン抵抗 | 01 |
| △ | R687 | HV754470 | R.CAR.FP | 47 | 1/4W | | 不燃化カーボン抵抗 | 01 |

* New Parts (新規部品)

Note) Those parts marked with “#” are not included in the P.C.B. ass'y. (マーク#の部品は、基板に含まれません)

P.C.B. MAIN (R) & POWER

| Ref. No. | PART NO. | Description | Remarks | Markets | 部品名 | Rank |
|----------|----------|----------------------|-----------------|----------|------------|------|
| △ | R688 | HV754470 R. CAR. FP | 47 1/4W | | 不燃化カーボン抵抗 | 01 |
| | R689 | HV756120 R. CAR. FP | 1.2K 1/4W | | 不燃化カーボン抵抗 | 01 |
| | R690 | HV755100 R. CAR. FP | 100 1/4W | | 不燃化カーボン抵抗 | 01 |
| | R691 | HV755100 R. CAR. FP | 100 1/4W | | 不燃化カーボン抵抗 | 01 |
| △ | R692 | HV755330 R. CAR. FP | 330 1/4W | | 不燃化カーボン抵抗 | 01 |
| | R693-96 | HV753220 R. CAR. FP | 2.2 1/4W | | 不燃化カーボン抵抗 | 01 |
| △ | R697 | HV755330 R. CAR. FP | 330 1/4W | | 不燃化カーボン抵抗 | 01 |
| | R698-701 | HV753220 R. CAR. FP | 2.2 1/4W | | 不燃化カーボン抵抗 | 01 |
| △* | R703-06 | VR150200 R. WW | 0.22 5W | | セメント抵抗 | |
| | R712 | HV753470 R. CAR. FP | 4.7 1/4W | | 不燃化カーボン抵抗 | 01 |
| △ | R713 | HL214100 R. MTL. OXD | 10 1W | | 酸化金属被膜抵抗 | 01 |
| | R714 | HV753470 R. CAR. FP | 4.7 1/4W | | 不燃化カーボン抵抗 | 01 |
| | R715 | HV753470 R. CAR. FP | 4.7 1/4W | | 不燃化カーボン抵抗 | 01 |
| | R727 | HF458100 R. CAR. FP | 100K 1/4W | | 不燃化カーボン抵抗 | 01 |
| | R728 | VP941900 R. MTL. OXD | 15K 1W | | 酸化金属皮膜抵抗 | 01 |
| | R729 | VP941900 R. MTL. OXD | 15K 1W | | 酸化金属皮膜抵抗 | 01 |
| | R730 | HV756470 R. CAR. FP | 4.7K 1/4W | | 不燃化カーボン抵抗 | 01 |
| | R739 | HV755120 R. CAR. FP | 120 1/4W | | 不燃化カーボン抵抗 | 01 |
| △ | R740 | HV756330 R. CAR. FP | 3.3K 1/4W | | 不燃化カーボン抵抗 | 01 |
| △ | R741 | HV755560 R. CAR. FP | 560 1/4W | | 不燃化カーボン抵抗 | 01 |
| | R742 | HV755120 R. CAR. FP | 120 1/4W | | 不燃化カーボン抵抗 | 01 |
| △ | R743 | HV754470 R. CAR. FP | 47 1/4W | | 不燃化カーボン抵抗 | 01 |
| △ | R744 | HV754470 R. CAR. FP | 47 1/4W | | 不燃化カーボン抵抗 | 01 |
| | R745 | HV756120 R. CAR. FP | 1.2K 1/4W | | 不燃化カーボン抵抗 | 01 |
| | R746 | HV755100 R. CAR. FP | 100 1/4W | | 不燃化カーボン抵抗 | 01 |
| | R747 | HV755100 R. CAR. FP | 100 1/4W | | 不燃化カーボン抵抗 | 01 |
| △ | R748 | HV755330 R. CAR. FP | 330 1/4W | | 不燃化カーボン抵抗 | 01 |
| | R749-52 | HV753220 R. CAR. FP | 2.2 1/4W | | 不燃化カーボン抵抗 | 01 |
| △ | R753 | HV755330 R. CAR. FP | 330 1/4W | | 不燃化カーボン抵抗 | 01 |
| | R754-57 | HV753220 R. CAR. FP | 2.2 1/4W | | 不燃化カーボン抵抗 | 01 |
| △* | R759 | VR150200 R. WW | 0.22 5W | | セメント抵抗 | |
| △* | R760 | VR150200 R. WW | 0.22 5W | | セメント抵抗 | |
| | R766 | HV753470 R. CAR. FP | 4.7 1/4W | | 不燃化カーボン抵抗 | 01 |
| △ | R767 | HL214100 R. MTL. OXD | 10 1W | | 酸化金属被膜抵抗 | 01 |
| | R768 | HV753470 R. CAR. FP | 4.7 1/4W | | 不燃化カーボン抵抗 | 01 |
| | R769 | HV753470 R. CAR. FP | 4.7 1/4W | | 不燃化カーボン抵抗 | 01 |
| △* | R771 | VR150200 R. WW | 0.22 5W | | セメント抵抗 | |
| △* | R772 | VR150200 R. WW | 0.22 5W | | セメント抵抗 | |
| | TH661 | VM842400 POSISTOR | PTH9M04 BE/90°C | | ポジスター | |
| * | VR301 | WB756200 VR. TRIM | B330 RH063LCN2R | | 半固定VR | |
| * | VR302 | WB756200 VR. TRIM | B330 RH063LCN2R | | 半固定VR | |
| * | VR661 | WB756200 VR. TRIM | B330 RH063LCN2R | | 半固定VR | |
| * | VR662 | WB756200 VR. TRIM | B330 RH063LCN2R | | 半固定VR | |
| * | | WB751200 P.C.B. | POWER | JUCTKABG | P C B パワー | |
| * | | WB751300 P.C.B. | POWER | R | P C B パワー | |
| | CB701 | VD004700 CN. BS. PIN | 4P | | ベースピン | 01 |
| | CB702 | VB390700 CN. BS. PIN | 11P | | コネクタベースポスト | 01 |
| | CB703 | VD004600 CN. BS. PIN | 3P | | ベースピン | 01 |
| | CB704 | VB390700 CN. BS. PIN | 11P | | コネクタベースポスト | 01 |
| | CB751 | VP206500 HOLDER. FUS | EYF-52BCT | R | ヒューズホルダー | 01 |

* New Parts (新規部品)

Note) Those parts marked with “#” are not included in the P.C.B. ass'y. (マーク#の部品は、基板に含まれません)

P.C.B. POWER

| Ref. No. | PART NO. | Description | Remarks | Markets | 部品名 | Rank | |
|----------|----------|-------------|---------------|---------|-----|----------|----|
| CB752 | VP206500 | HOLDER.FUS | EYF-52BCT | | R | ヒューズホルダー | 01 |
| CB902 | VD004500 | CN.BS.PIN | 2P | | | ベースピン | 01 |
| CB903 | VD004600 | CN.BS.PIN | 3P | | | ベースピン | 01 |
| CB904 | VD004600 | CN.BS.PIN | 3P | | | ベースピン | 01 |
| CB905 | VD005000 | CN.BS.PIN | 7P | | | ベースピン | 01 |
| C701 | UU167100 | C.EL | 10uF 50V | | | ケミコン | |
| C702 | UU167100 | C.EL | 10uF 50V | | | ケミコン | |
| C703-06 | FG652100 | C.CE | 100pF 50V | | | セラコン | 01 |
| C707 | UU147470 | C.EL | 47uF 25V | | | ケミコン F W | |
| C708 | UU147470 | C.EL | 47uF 25V | | | ケミコン F W | |
| C709 | FG651220 | C.CE | 22pF 50V | | | セラコン | 01 |
| C710 | FG651220 | C.CE | 22pF 50V | | | セラコン | 01 |
| C711 | UU139100 | C.EL | 1000uF 16V | | | ケミコン | |
| C712 | UU139100 | C.EL | 1000uF 16V | | | ケミコン | |
| C713 | VR168300 | C.MYLAR.ML | ECQ-V1H104JL3 | | | 積層マイラーコン | 01 |
| C714 | VR168300 | C.MYLAR.ML | ECQ-V1H104JL3 | | | 積層マイラーコン | 01 |
| C901 | VR168300 | C.MYLAR.ML | ECQ-V1H104JL3 | | | 積層マイラーコン | 01 |
| C902 | UU166100 | C.EL | 1uF 50V | | | ケミコン | |
| C903 | VR168300 | C.MYLAR.ML | ECQ-V1H104JL3 | | | 積層マイラーコン | 01 |
| C908 | VJ599100 | C.CE.TUBLR | 0.1uF 50V | | | 円筒セラコン | 01 |
| C909 | UU137470 | C.EL | 47uF 16V | | | ケミコン | |
| C910 | UU166100 | C.EL | 1uF 50V | | | ケミコン | |
| C911 | VJ599100 | C.CE.TUBLR | 0.1uF 50V | | | 円筒セラコン | 01 |
| C912 | UU137470 | C.EL | 47uF 16V | | | ケミコン | |
| C913 | UU166100 | C.EL | 1uF 50V | | | ケミコン | |
| C914 | UU177470 | C.EL | 47uF 63V | | | ケミコン | |
| C915 | VJ599100 | C.CE.TUBLR | 0.1uF 50V | | | 円筒セラコン | 01 |
| C916 | UU167100 | C.EL | 10uF 50V | | | ケミコン | |
| C917 | UU137470 | C.EL | 47uF 16V | | | ケミコン | |
| C918 | UU166100 | C.EL | 1uF 50V | | | ケミコン | |
| * C919 | UU13A220 | C.EL | 22000uF 16V | | | ケミコン F W | |
| C920 | UU139680 | C.EL | 6800uF 16V | | | ケミコン | |
| * C921 | UU14A150 | C.EL | 15000uF 25V | | | ケミコン F W | |
| C922 | UU149680 | C.EL | 6800uF 25V | | | ケミコン | |
| * C923 | UU13A220 | C.EL | 22000uF 16V | | | ケミコン F W | |
| C924 | VJ599100 | C.CE.TUBLR | 0.1uF 50V | | | 円筒セラコン | 01 |
| * C925 | UU13A220 | C.EL | 22000uF 16V | | | ケミコン F W | |
| C926 | UU168100 | C.EL | 100uF 50V | | | ケミコン | |
| C927 | UU137470 | C.EL | 47uF 16V | | | ケミコン | |
| C929-32 | UU166100 | C.EL | 1uF 50V | | | ケミコン | |
| C933 | VJ599100 | C.CE.TUBLR | 0.1uF 50V | | | 円筒セラコン | 01 |
| C934 | VJ599100 | C.CE.TUBLR | 0.1uF 50V | | | 円筒セラコン | 01 |
| C935 | UU137470 | C.EL | 47uF 16V | | | ケミコン | |
| C936 | UU137470 | C.EL | 47uF 16V | | | ケミコン | |
| C937 | UU168100 | C.EL | 100uF 50V | | | ケミコン | |
| C939 | UU166470 | C.EL | 4.7uF 50V | | | ケミコン | |
| C940 | UU139100 | C.EL | 1000uF 16V | | | ケミコン | |
| C941 | UU139100 | C.EL | 1000uF 16V | | | ケミコン | |
| C944 | UU137100 | C.EL | 10uF 16V | | | ケミコン | |
| C945 | UU166100 | C.EL | 1uF 50V | | | ケミコン | |
| C949 | UU167470 | C.EL | 47uF 50V | | | ケミコン | |
| C950 | VJ599100 | C.CE.TUBLR | 0.1uF 50V | | | 円筒セラコン | 01 |
| C951 | UU166100 | C.EL | 1uF 50V | | | ケミコン | |

* New Parts (新規部品)

Note) Those parts marked with “#” are not included in the P.C.B. ass'y. (マーク#の部品は、基板に含まれません)

P.C.B. POWER

| Ref. No. | PART NO. | Description | Remarks | Markets | 部品名 | Rank |
|------------|----------|-------------|-------------------|---------|--------------|------|
| C952 | VJ599100 | C.CE.TUBLR | 0.1uF 50V | | 円筒セラコン | 01 |
| C954 | UU137470 | C.EL | 47uF 16V | | ケミコン | |
| C956 | UU149100 | C.EL | 1000uF 25V | | ケミコン | |
| C957 | UU137470 | C.EL | 47uF 16V | | ケミコン | |
| C958 | UU166100 | C.EL | 1uF 50V | | ケミコン | |
| C959 | VJ599100 | C.CE.TUBLR | 0.1uF 50V | | 円筒セラコン | 01 |
| C960-62 | UU137470 | C.EL | 47uF 16V | | ケミコン | |
| D701 | VU264100 | DIODE | 1SR139-400 | | ダイオード | |
| D702 | VU264100 | DIODE | 1SR139-400 | | ダイオード | |
| D901 | V2379000 | DIODE | 11EQS04 | | ダイオード | |
| D903 | VG440800 | DIODE.ZENR | MTZJ15B 15V | | ツェナーダイオード | |
| △ D904 | V8877400 | DIODE.BRG | FRH08A15 8A 150V | | ダイオードブリッジ | |
| D905 | V8877400 | DIODE.BRG | FRH08A15 8A 150V | | ダイオードブリッジ | |
| △ D907 | V8877200 | DIODE.BRG | FCH08A15 8A 150V | | ダイオードブリッジ | |
| D908 | V8877200 | DIODE.BRG | FCH08A15 8A 150V | | ダイオードブリッジ | |
| D909 | VG443700 | DIODE.ZENR | MTZJ33B 33V | | ツェナーダイオード | |
| D910 | V2379000 | DIODE | 11EQS04 | | ダイオード | |
| D912-15 | iF004600 | DIODE | 1SS133 | | ダイオード | 01 |
| D919 | VG440500 | DIODE.ZENR | MTZJ13B 13V | | ツェナーダイオード | 01 |
| D923 | iF004600 | DIODE | 1SS133 | | ダイオード | 01 |
| △ * F751 | V5413700 | FUSE | TH10A IEC | R | ヒューズ 2 5 0 V | |
| IC701 | XP844A00 | IC | NJM4556AL | | IC | |
| IC901 | XF740A00 | IC | NJM78M05FA | | IC | 02 |
| △ IC902 | XJ608A00 | IC | NJM7812FA | | IC | 02 |
| △ IC903 | XC721A00 | IC | NJM7912FA -12V | | 電源 IC | |
| IC904 | XK309A00 | IC | NJM7905FA -5V | | 電源 IC | 03 |
| * IC905 | XQ223A00 | IC | PQ09RF1 | | アンプ IC S I L | |
| △ IC906-09 | X2530A00 | IC | PQ05RD21 +5V 2.0A | | 電源 IC | |
| △ * IC910 | X4358A00 | IC | PQ03RD23 | | 電源 IC | |
| IC913 | X2530A00 | IC | PQ05RD21 +5V 2.0A | | 電源 IC | |
| Q701 | iC287820 | TR | 2SC2878 A,B | | トランジスタ | 01 |
| Q702 | iC287820 | TR | 2SC2878 A,B | | トランジスタ | 01 |
| △ Q901 | VC141900 | TR | 2SB941 P,Q | | トランジスタ | 02 |
| Q902 | iA093320 | TR | 2SA933S Q,R | | トランジスタ | |
| △ * Q903 | WB686500 | FET | 2SK1482-T | | F E T | |
| △ Q904 | VC141900 | TR | 2SB941 P,Q | | トランジスタ | 02 |
| Q905 | iC181510 | TR | 2SC1815 Y | | トランジスタ | 01 |
| R705 | HV755220 | R.CAR.FP | 220 1/4W | | 不燃化カーボン抵抗 | 01 |
| R706 | HV755220 | R.CAR.FP | 220 1/4W | | 不燃化カーボン抵抗 | 01 |
| R713 | HV755100 | R.CAR.FP | 100 1/4W | | 不燃化カーボン抵抗 | 01 |
| R714 | HV755100 | R.CAR.FP | 100 1/4W | | 不燃化カーボン抵抗 | 01 |
| R903 | HV753220 | R.CAR.FP | 2.2 1/4W | | 不燃化カーボン抵抗 | 01 |
| △ R909 | VP940700 | R.MTL.OXD | 330 1W | | 酸化金属被膜抵抗 | 01 |
| R910 | HV756820 | R.CAR.FP | 8.2K 1/4W | | 不燃化カーボン抵抗 | |
| △ R918 | VP939500 | R.MTL.FLM | 1 1W | | 金属被膜抵抗 | |
| △ R919 | VP939500 | R.MTL.FLM | 1 1W | | 金属被膜抵抗 | |
| △ R920 | HV756330 | R.CAR.FP | 3.3K 1/4W | | 不燃化カーボン抵抗 | 01 |
| △ R922 | HV756470 | R.CAR.FP | 4.7K 1/4W | | 不燃化カーボン抵抗 | 01 |
| R924 | VP939600 | R.MTL.FLM | 2.2 1W | | 金属被膜抵抗 | 01 |
| R940 | VP940200 | R.MTL.OXD | 47 1W | | 酸化金属被膜抵抗 | 01 |
| R941 | HV756330 | R.CAR.FP | 3.3K 1/4W | | 不燃化カーボン抵抗 | 01 |
| △ SW751 | WB493700 | VOLT.SELCT | R8140246 | R | 電圧切替器 | |
| TH901 | VM842400 | POSISTOR | PTH9M04 BE/90°C | | ポジスター | |

* New Parts (新規部品)

Note) Those parts marked with "#" are not included in the P.C.B. ass'y. (マーク#の部品は、基板に含まれません)

P.C.B. POWER & 1394

| Ref. No. | PART NO. | Description | Remarks | Markets | 部品名 | Rank |
|----------|----------------------|----------------------------------|---------|---------|------------------|----------|
| | BB070700 EG330360 | GND.MTL SCR.BND.HD 3x6 MFZ2BL | | | アース金具 バインド小ネジ | 01 01 |
| * | WB875500 | P.C.B. 1394 | | | P C B 1 3 9 4 | |
| * CB1 | WB677000 | CN 4P SE IEEE1394 | | | I / Oコネクタ | |
| * CB2 | WB677000 | CN 4P SE IEEE1394 | | | I / Oコネクタ | |
| * CB5 | VT387400 | CN.BS.PIN 30P | | | F F Cコネクタ | |
| CB201 | V3768800 | SOCKET 17LE-23090-28 | | | コネクタソケット | |
| * CB202 | VB389600 | CN.BS.PIN 11P | | | コネクタベースポスト | 01 |
| D3 | VT332900 | DIODE 1SS355 | | | ダイオード | |
| D4 | VT332900 | DIODE 1SS355 | | | ダイオード | |
| D201 | VT332900 | DIODE 1SS355 | | | ダイオード | |
| D202 | VT332900 | DIODE 1SS355 | | | ダイオード | |
| D203 | V2598200 | LED SIR-505ST | | | L E D | |
| * IC1 | XV064A00 | IC TLC29321PWR | | | P L L I C | 06 |
| IC2 | X4465A00 | IC SN74AHCT1G125DCKR | | | ロジック I C | |
| IC3 | XZ003A00 | IC PQ025EZ5M2P 2.5V | | | 電源 I C Q F P | |
| IC4 | X4465A00 | IC SN74AHCT1G125DCKR | | | ロジック I C | |
| * IC5 | X4506A00 | IC.CPU CY22381FC | | | C P U / 周辺 I C | |
| * IC7 | X3801A00 | IC SN74LVC1G125DCKR | | | ロジック I C | |
| * IC8 | X4505A00 | IC SM5819AF-G | | | I C | |
| * IC9 | X4507A00 | IC.CPU TSB43CA42PGF | | | C P U / 周辺 I C | |
| * IC10 | X4196A00 | IC.CPU HD6413008VF25 | | | C P U / 周辺 I C | |
| * IC11 | X4636B00 | IC MBM29LV800BA-70PFT | | | 書込済 F L A S H | |
| * IC12 | XZ287A00 | IC SN74LVC245APWR | | | ロジック I C | |
| * IC14 | X0638A00 | IC UPC2933AT-E1 3.3V | | | 電源 I C | |
| * IC15 | XZ000A00 | IC PST9242NR | | | リセット I C | |
| * IC16 | XZ287A00 | IC SN74LVC245APWR | | | ロジック I C | |
| IC17 | X4465A00 | IC SN74AHCT1G125DCKR | | | ロジック I C | |
| IC201 | XW863A00 | IC ADM202JRN-REEL7 | | | I C | |
| JK201-05 | VJ726800 | JACK.MNI | | | モノラルミニジャック | 01 |
| U201 | V8085300 | L.DTCT GP1UA271X | | | リモコン受光ユニット | |
| XL1 | V3625700 | RSNR.CRYS 24.576MHZ | | | 水晶振動子 | |
| XL2 | WB440500 | RSNR.CE CSTCE16MOV53-R0 | | | セラミック発振子 | |

* New Parts (新規部品)

Note) Those parts marked with “#” are not included in the P.C.B. ass'y. (マーク#の部品は、基板に含まれません)

CHIP CAPACITORS

| Ref. No. | PART NO. | Description | Remarks | Markets | 部品名 | Rank |
|----------|----------|-------------------------|---------|---------|---------------|------|
| | UF017220 | C.EL. CHP 22uF 6.3V | | | チップケミコン | 01 |
| | UF017470 | C.EL. CHP 47uF 6.3V | | | チップケミコン | |
| | UF018100 | C.EL. CHP 100uF 6.3V | | | チップケミコン | 01 |
| * | UF427330 | C.EL. CHP 33uF 10V | | | チップケミコン | |
| * | UF428100 | C.EL. CHP 100uF 10V | | | チップケミコン | |
| * | UF437100 | C.EL. CHP 10uF 16V | | | チップケミコン | |
| * | UF437470 | C.EL. CHP 47uF 16V | | | チップケミコン | |
| * | UF447220 | C.EL. CHP 22uF 25V | | | チップケミコン | |
| | US034470 | C.CE.M. CHP 0.047uF 16V | | | チップセラコン | |
| | US035100 | C.CE.M. CHP 0.1uF 16V | | | チップセラコン | |
| | US044220 | C.CE.M. CHP 0.022uF 25V | | | チップセラコン | |
| | US060200 | C.CE. CHP 2pF 50V | | | チップセラ (C K) | |
| | US060800 | C.CE. CHP 8pF 50V | | | チップセラコン | |
| | US061100 | C.CE.M. CHP 10pF 50V | | | チップセラコン | |
| | US061120 | C.CE. CHP 12pF 50V | | | チップセラコン | |
| | US061150 | C.CE. CHP 15pF 50V | | | チップセラコン | 01 |
| | US061180 | C.CE. CHP 18pF 50V | | | チップセラコン | |
| | US061220 | C.CE.M. CHP 22pF 50V | | | チップセラコン | |
| | US061330 | C.CE.M. CHP 33pF 50V | | | チップセラコン | |
| | US061470 | C.CE.M. CHP 47pF 50V | | | チップセラコン | |
| | US061750 | C.CE. CHP 75pF 50V | | | チップセラ (S L) | |
| | US062100 | C.CE.M. CHP 100pF 50V | | | チップセラコン | |
| | US062120 | C.CE. CHP 120pF 50V | | | チップセラコン | 01 |
| | US062220 | C.CE. CHP 220pF 50V | | | チップセラコン | |
| | US062330 | C.CE.M. CHP 330pF 50V | | | チップセラコン | |
| | US062470 | C.CE.M. CHP 470pF 50V | | | チップセラコン | |
| | US062820 | C.CE. CHP 820pF 50V | | | チップセラ (B) | |
| | US063100 | C.CE.M. CHP 1000pF 50V | | | チップセラコン | |
| | US063390 | C.CE. CHP 3900pF 50V | | | チップセラコン | |
| | US063470 | C.CE. CHP 4700pF 50V | | | チップセラコン | |
| | US064100 | C.CE.M. CHP 0.01uF 50V | | | チップセラコン | |
| | US126100 | C.CE. CHP 1uF 10V | | | チップセラ F | |
| | US135100 | C.CE. CHP 0.1uF 16V | | | チップセラコン | |
| | US635100 | C.CE. CHP 0.1uF 16V | | | チップセラ (F) | |

* New Parts (新規部品)

Note) Those parts marked with “#” are not included in the P.C.B. ass'y. (マーク#の部品は、基板に含まれません)

CHIP RESISTORS

| Ref. No. | PART NO. | Description | Remarks | Markets | 部品名 | Rank |
|----------|----------|-------------------|---------|---------|-------|------|
| | RD253220 | R. CHP 2.2 1/10W | | | チップ抵抗 | 01 |
| | RD254100 | R. CHP 10 1/10W | | | チップ抵抗 | 01 |
| | RD254470 | R. CHP 47 1/10W | | | チップ抵抗 | 01 |
| | RD350000 | R. CHP 0 1/16W | | | チップ抵抗 | 01 |
| | RD353220 | R. CHP 2.2 1/16W | | | チップ抵抗 | |
| | RD353470 | R. CHP 4.7 1/16W | | | チップ抵抗 | 01 |
| | RD354100 | R. CHP 10 1/16W | | | チップ抵抗 | 01 |
| | RD354220 | R. CHP 22 1/16W | | | チップ抵抗 | 01 |
| | RD354330 | R. CHP 33 1/16W | | | チップ抵抗 | 01 |
| | RD354390 | R. CHP 39 1/16W | | | チップ抵抗 | |
| | RD354470 | R. CHP 47 1/16W | | | チップ抵抗 | 01 |
| | RD354680 | R. CHP 68 1/16W | | | チップ抵抗 | 01 |
| | RD354750 | R. CHP 75 1/16W | | | チップ抵抗 | 01 |
| | RD354820 | R. CHP 82 1/16W | | | チップ抵抗 | |
| | RD355100 | R. CHP 100 1/16W | | | チップ抵抗 | 01 |
| | RD355120 | R. CHP 120 1/16W | | | チップ抵抗 | |
| | RD355150 | R. CHP 150 1/16W | | | チップ抵抗 | 01 |
| | RD355220 | R. CHP 220 1/16W | | | チップ抵抗 | 01 |
| | RD355270 | R. CHP 270 1/16W | | | チップ抵抗 | 01 |
| | RD355300 | R. CHP 300 1/16W | | | チップ抵抗 | 01 |
| | RD355330 | R. CHP 330 1/16W | | | チップ抵抗 | 01 |
| | RD355360 | R. CHP 360 1/16W | | | チップ抵抗 | |
| | RD355390 | R. CHP 390 1/16W | | | チップ抵抗 | 01 |
| | RD355470 | R. CHP 470 1/16W | | | チップ抵抗 | 01 |
| | RD355560 | R. CHP 560 1/16W | | | チップ抵抗 | 01 |
| | RD355680 | R. CHP 680 1/16W | | | チップ抵抗 | 01 |
| | RD355820 | R. CHP 820 1/16W | | | チップ抵抗 | 01 |
| | RD356100 | R. CHP 1K 1/16W | | | チップ抵抗 | 01 |
| | RD356120 | R. CHP 1.2K 1/16W | | | チップ抵抗 | 01 |
| | RD356150 | R. CHP 1.5K 1/16W | | | チップ抵抗 | 01 |
| | RD356180 | R. CHP 1.8K 1/16W | | | チップ抵抗 | 01 |
| | RD356200 | R. CHP 2K 1/16W | | | チップ抵抗 | 01 |
| | RD356220 | R. CHP 2.2K 1/16W | | | チップ抵抗 | 01 |
| | RD356270 | R. CHP 2.7K 1/16W | | | チップ抵抗 | 01 |
| | RD356300 | R. CHP 3K 1/16W | | | チップ抵抗 | 01 |
| | RD356330 | R. CHP 3.3K 1/16W | | | チップ抵抗 | 01 |
| | RD356430 | R. CHP 4.3K 1/16W | | | チップ抵抗 | 01 |
| | RD356470 | R. CHP 4.7K 1/16W | | | チップ抵抗 | 01 |
| | RD356510 | R. CHP 5.1K 1/16W | | | チップ抵抗 | 01 |
| | RD356560 | R. CHP 5.6K 1/16W | | | チップ抵抗 | 01 |
| | RD356680 | R. CHP 6.8K 1/16W | | | チップ抵抗 | 01 |
| | RD356750 | R. CHP 7.5K 1/16W | | | チップ抵抗 | 01 |
| | RD356820 | R. CHP 8.2K 1/16W | | | チップ抵抗 | 01 |
| | RD357100 | R. CHP 10K 1/16W | | | チップ抵抗 | 01 |
| | RD357150 | R. CHP 15K 1/16W | | | チップ抵抗 | 01 |
| | RD357180 | R. CHP 18K 1/16W | | | チップ抵抗 | 01 |
| | RD357200 | R. CHP 20K 1/16W | | | チップ抵抗 | 01 |
| | RD357220 | R. CHP 22K 1/16W | | | チップ抵抗 | 01 |
| | RD357270 | R. CHP 27K 1/16W | | | チップ抵抗 | 01 |
| | RD357330 | R. CHP 33K 1/16W | | | チップ抵抗 | 01 |
| | RD357470 | R. CHP 47K 1/16W | | | チップ抵抗 | 01 |
| | RD357560 | R. CHP 56K 1/16W | | | チップ抵抗 | 01 |
| | RD357680 | R. CHP 68K 1/16W | | | チップ抵抗 | 01 |
| | RD357820 | R. CHP 82K 1/16W | | | チップ抵抗 | 01 |
| | RD358100 | R. CHP 100K 1/16W | | | チップ抵抗 | 01 |

* New Parts (新規部品)

Note) Those parts marked with “#” are not included in the P.C.B. ass'y. (マーク#の部品は、基板に含まれません)

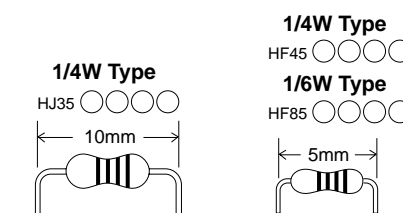
CHIP RESISTORS

Parts List for Carbon Resistors

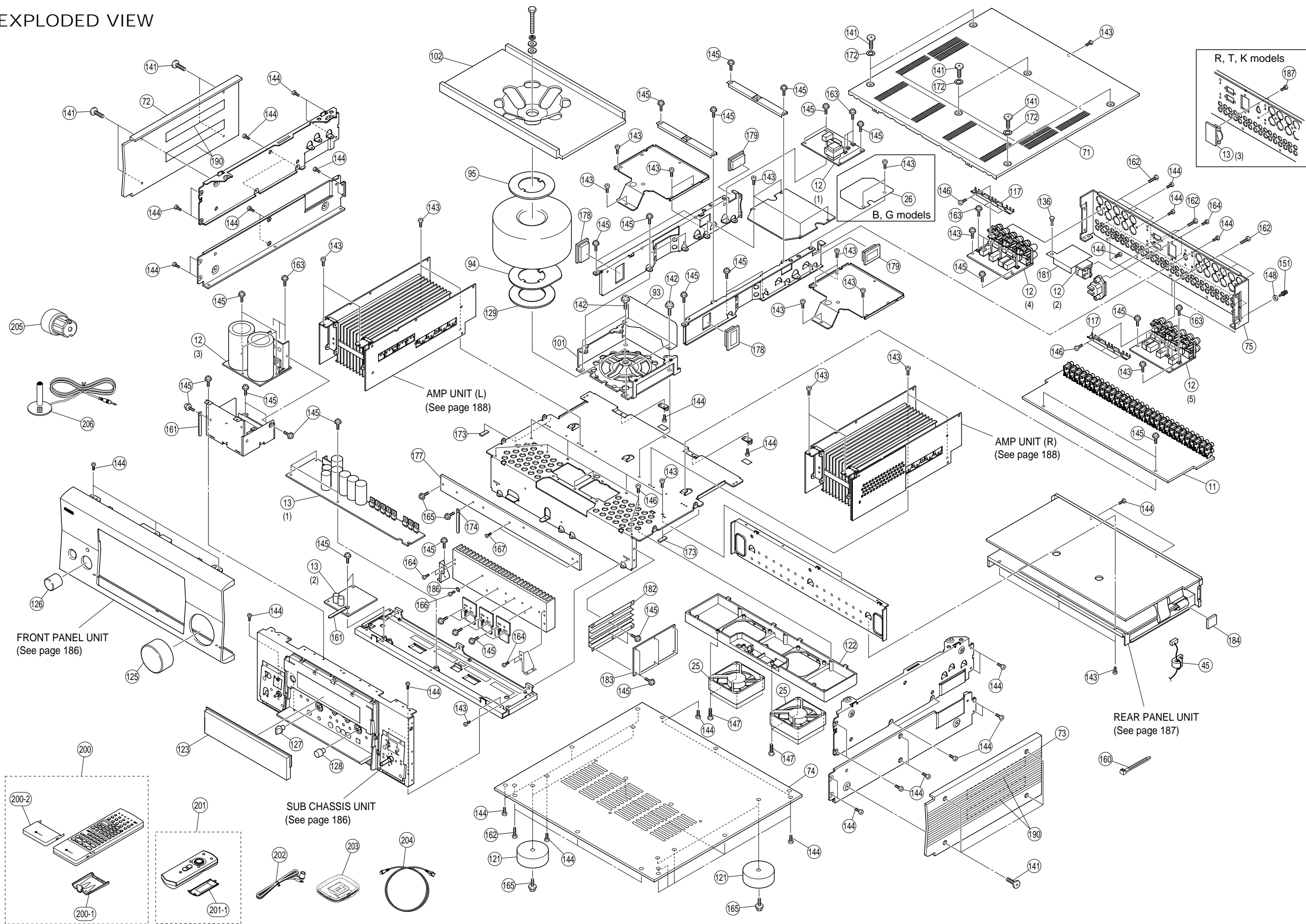
| Ref. No. | PART NO. | Description | Remarks | Markets | 部品名 | Rank |
|----------|----------|-------------|---------|---------|---------|------|
| | RD358220 | R. CHP | 220K | 1/16W | チップ抵抗 | 01 |
| | RD358470 | R. CHP | 470K | 1/16W | チップ抵抗 | 01 |
| | RD358680 | R. CHP | 680K | 1/16W | チップ抵抗 | 01 |
| | RD359100 | R. CHP | 1M | 1/16W | チップ抵抗 | 01 |
| | RF355150 | R. CHP | 150 | 1/16W | チップ抵抗 | |
| | RF355220 | R. CHP | 220 | 1/16W | チップ抵抗 | |
| | RF355470 | R. CHP | 470 | 1/16W | チップ抵抗 | |
| | RF356100 | R. CHP | 1.0K | 1/16W | チップ抵抗 | |
| | RF356110 | R. CHP | 1.1K | 1/16W | チップ抵抗 | |
| | RF356150 | R. CHP | 1.5K | 1/16W | チップ抵抗 | |
| | RF356270 | R. CHP | 2.7K | 1/16W | チップ抵抗 | |
| * | RF356390 | R. CAR. CHP | 3.9K | 1/16W | チップ抵抗 | 01 |
| | RF356470 | R. CHP | 4.7K | 1/16W | チップ抵抗 | |
| | RF356510 | R. CHP | 5.1K | 1/16W | チップ抵抗 | |
| * | RF356560 | R. CHP | 5.6K | 1/16W | チップ抵抗 | |
| | RF356630 | R. CAR. CHP | 6.34K | 1/16W | チップ抵抗 | |
| | RF357100 | R. CHP | 10K | 1/16W | チップ抵抗 | |
| | RF357120 | R. CHP | 12K | 1/16W | チップ抵抗 | |
| | RF357240 | R. CHP | 24K | 1/16W | チップ抵抗 | |
| | RF357560 | R. CHP | 56K | 1/16W | チップ抵抗 | |
| | RF358100 | R. CHP | 100K | 1/16W | チップ抵抗 | |
| * | RF358270 | R. CAR. CHP | 270K | 1/16W | チップ抵抗 | |
| * | RF454560 | R. CHP | 56 | 1/16W | チップ抵抗 | |
| | RF456510 | R. CHP | 5.1K | 1/16W | チップ抵抗 | |
| | Vi191700 | R. MTL. CHP | 47 | 1/10W | チップ金被抵抗 | |
| * | Vi192500 | R. MTL. CHP | 100 | 1/10W | チップ金被抵抗 | |
| | Vi192700 | R. MTL. CHP | 120 | 1/10W | チップ金被抵抗 | 01 |
| | Vi192900 | R. MTL. CHP | 150 | 1/10W | チップ金被抵抗 | 01 |
| | Vi193500 | R. MTL. CHP | 270 | 1/10W | チップ金被抵抗 | |
| | Vi194100 | R. MTL. CHP | 470 | 1/10W | チップ金被抵抗 | |
| * | Vi194700 | R. MTL. CHP | 820 | 1/10W | チップ金被抵抗 | 01 |
| * | Vi194800 | R. MTL. CHP | 910 | 1/10W | チップ金被抵抗 | |
| | Vi194900 | R. MTL. CHP | 1K | 1/10W | チップ金被抵抗 | 01 |
| | Vi195100 | R. MTL. CHP | 1.2K | 1/10W | チップ金被抵抗 | |
| | Vi195400 | R. MTL. CHP | 1.6K | 1/10W | チップ金被抵抗 | 01 |
| * | Vi195500 | R. MTL. CHP | 1.8K | 1/10W | チップ金被抵抗 | 01 |
| * | Vi195600 | R. MTL. CHP | 2K | 1/10W | チップ金被抵抗 | |
| | Vi195700 | R. MTL. CHP | 2.2K | 1/10W | チップ金被抵抗 | 01 |
| | Vi195900 | R. MTL. CHP | 2.7K | 1/10W | チップ金被抵抗 | |
| | Vi196100 | R. MTL. CHP | 3.3K | 1/10W | チップ金被抵抗 | 01 |
| | Vi196600 | R. MTL. CHP | 4.7K | 1/10W | チップ金被抵抗 | |
| | Vi197000 | R. MTL. CHP | 6.8K | 1/10W | チップ金被抵抗 | |
| | Vi197400 | R. MTL. CHP | 10K | 1/10W | チップ金被抵抗 | 01 |
| | Vi198600 | R. MTL. CHP | 33K | 1/10W | チップ金被抵抗 | |
| | Vi199000 | R. MTL. CHP | 47K | 1/10W | チップ金被抵抗 | |
| | Vi199200 | R. MTL. CHP | 56K | 1/10W | チップ金被抵抗 | 01 |
| | Vi199600 | R. MTL. CHP | 82K | 1/10W | チップ金被抵抗 | 01 |
| | Vi200000 | R. MTL. CHP | 100K | 1/10W | チップ金被抵抗 | 01 |
| | VK581200 | R. MTL. CHP | 120K | 1/10W | チップ金被抵抗 | 01 |
| | VK582200 | R. MTL. CHP | 330K | 1/10W | チップ金被抵抗 | |
| | VK583400 | R. MTL. CHP | 1M | 1/10W | チップ金被抵抗 | 01 |
| | RE046470 | R. ARRAY | 4.7K | x4 | 抵抗アレイ | 01 |
| | RE047100 | R. ARRAY | 10K | x4 | 抵抗アレイ | 01 |

* New Parts (新規部品)

| Value | 1/4W Type Part No. | 1/6W Type Part No. | Value | 1/4W Type Part No. | 1/6W Type Part No. |
|--------|--------------------|--------------------|--------|--------------------|--------------------|
| 1.0 Ω | HJ35 3100 | HF85 3100 | 10 kΩ | HF45 7100 | HF45 7100 |
| 1.8 Ω | HJ35 3180 | * | 11 kΩ | HF45 7110 | HF45 7110 |
| 2.2 Ω | HJ35 3220 | HF85 3220 | 12 kΩ | HJ35 7120 | HF85 7120 |
| 3.3 Ω | HJ35 3330 | HF85 3330 | 13 kΩ | HF45 7130 | HF45 7130 |
| 4.7 Ω | HJ35 3470 | HF85 3470 | 15 kΩ | HF45 7150 | HF45 7150 |
| 5.6 Ω | HJ35 3560 | HF85 3560 | 18 kΩ | HF45 7180 | HF45 7180 |
| 10 Ω | HF45 4100 | HF45 4100 | 22 kΩ | HF45 7220 | HF45 7220 |
| 15 Ω | HJ35 4150 | HF85 4150 | 24 kΩ | HF45 7240 | HF45 7240 |
| 22 Ω | HF45 4220 | HF45 4220 | 27 kΩ | HJ35 7270 | HF85 7270 |
| 27 Ω | HJ35 4270 | HF85 4270 | 30 kΩ | HF45 7300 | HF45 7300 |
| 33 Ω | HF45 4330 | HF45 4330 | 33 kΩ | HF45 7330 | HF45 7330 |
| 39 Ω | HJ35 4470 | HF85 4390 | 36 kΩ | HF45 7360 | HF45 7360 |
| 47 Ω | HF45 4470 | HF45 4470 | 39 kΩ | HF45 7390 | HF45 7390 |
| 56 Ω | HF45 4560 | HF45 4560 | 47 kΩ | HF45 7470 | HF45 7470 |
| 68 Ω | HF45 4680 | HF45 4680 | 51 kΩ | HF45 7510 | HF45 7510 |
| 75 Ω | HF45 4750 | HF45 4750 | 56 kΩ | HF45 7560 | HF45 7560 |
| 82 Ω | HF45 4820 | HF45 4820 | 62 kΩ | HF45 7620 | HF45 7620 |
| 91 Ω | HF45 4910 | HF45 4910 | 68 kΩ | HF45 7680 | HF45 7680 |
| 100 Ω | HF45 5100 | HF45 5100 | 82 kΩ | HF45 7820 | HF45 7820 |
| 110 Ω | HJ35 5110 | HF85 5110 | 91 kΩ | HF45 7910 | HF45 7910 |
| 120 Ω | HF45 5120 | HF45 5120 | 100 kΩ | HF45 8100 | HF45 8100 |
| 150 Ω | HF45 5150 | HF45 5150 | 110 kΩ | HF45 8110 | HF45 8110 |
| 160 Ω | HJ35 5160 | * | 120 kΩ | HF45 8120 | HF45 8120 |
| 180 Ω | HF45 5180 | HF45 5180 | 150 kΩ | HF45 8150 | HF45 8150 |
| 200 Ω | HF45 5200 | HF45 5200 | 180 kΩ | HF45 8180 | HF45 8180 |
| 220 Ω | HF45 5220 | HF45 5220 | 220 kΩ | HJ35 8220 | HF85 8220 |
| 270 Ω | HF45 5270 | HF45 5270 | 270 kΩ | HF45 8270 | HF45 8270 |
| 330 Ω | HF45 5330 | HF45 5330 | 300 kΩ | HF45 8300 | HF45 8300 |
| 390 Ω | HF45 5390 | HF45 5390 | 330 kΩ | HF45 8330 | HF45 8330 |
| 430 Ω | HF45 5430 | HF45 5430 | 390 kΩ | HJ35 8390 | HF85 8390 |
| 470 Ω | HF45 5470 | HF45 5470 | 470 kΩ | HF45 8470 | HF45 8470 |
| 510 Ω | HF45 5510 | HF45 5510 | 560 kΩ | HJ35 8560 | HF85 8560 |
| 560 Ω | HF45 5560 | HF45 5560 | 680 kΩ | HJ35 8680 | HF85 8680 |
| 680 Ω | HF45 5680 | HF45 5680 | 820 kΩ | HJ35 8820 | HF85 8820 |
| 820 Ω | HF45 5820 | HF45 5820 | 1.0 MΩ | HF45 9100 | HF45 9100 |
| 910 Ω | HF45 5910 | HF45 5910 | 1.2 MΩ | HJ35 9120 | * |
| 1.0 kΩ | HF45 6100 | HF45 6100 | 1.5 MΩ | HJ35 9150 | HF85 9150 |
| 1.2 kΩ | HF45 6120 | HF45 6120 | 1.8 MΩ | HJ35 9180 | HF85 9180 |
| 1.5 kΩ | HF45 6150 | HF45 6150 | 2.2 MΩ | HJ35 9220 | HF85 9220 |
| 1.8 kΩ | HF45 6180 | HF45 6180 | 3.3 MΩ | HJ35 9330 | HF85 9330 |
| 2.0 kΩ | HJ35 6200 | HF85 6200 | 3.9 MΩ | HJ35 9390 | * |
| 2.2 kΩ | HF45 6220 | HF45 6220 | 4.7 MΩ | HJ35 9470 | HF85 9470 |
| 2.4 kΩ | HJ35 6240 | HF85 6240 | | | |
| 2.7 kΩ | HF45 6270 | HF45 6270 | | | |
| 3.0 kΩ | HF45 6300 | HF45 6300 | | | |
| 3.3 kΩ | HF45 6330 | HF45 6330 | | | |
| 3.6 kΩ | HJ35 6360 | HF85 6360 | | | |
| 3.9 kΩ | HF45 6390 | HF45 6390 | | | |
| 4.7 kΩ | HF45 6470 | HF45 6470 | | | |
| 5.1 kΩ | HF45 6510 | HF45 6510 | | | |
| 5.6 kΩ | HF45 6560 | HF45 6560 | | | |
| 6.8 kΩ | HF45 6680 | HF45 6680 | | | |
| 8.2 kΩ | HF45 6820 | HF45 6820 | | | |
| 9.1 kΩ | HF45 6910 | HF45 6910 | | | |



EXPLODED VIEW



MECHANICAL PARTS

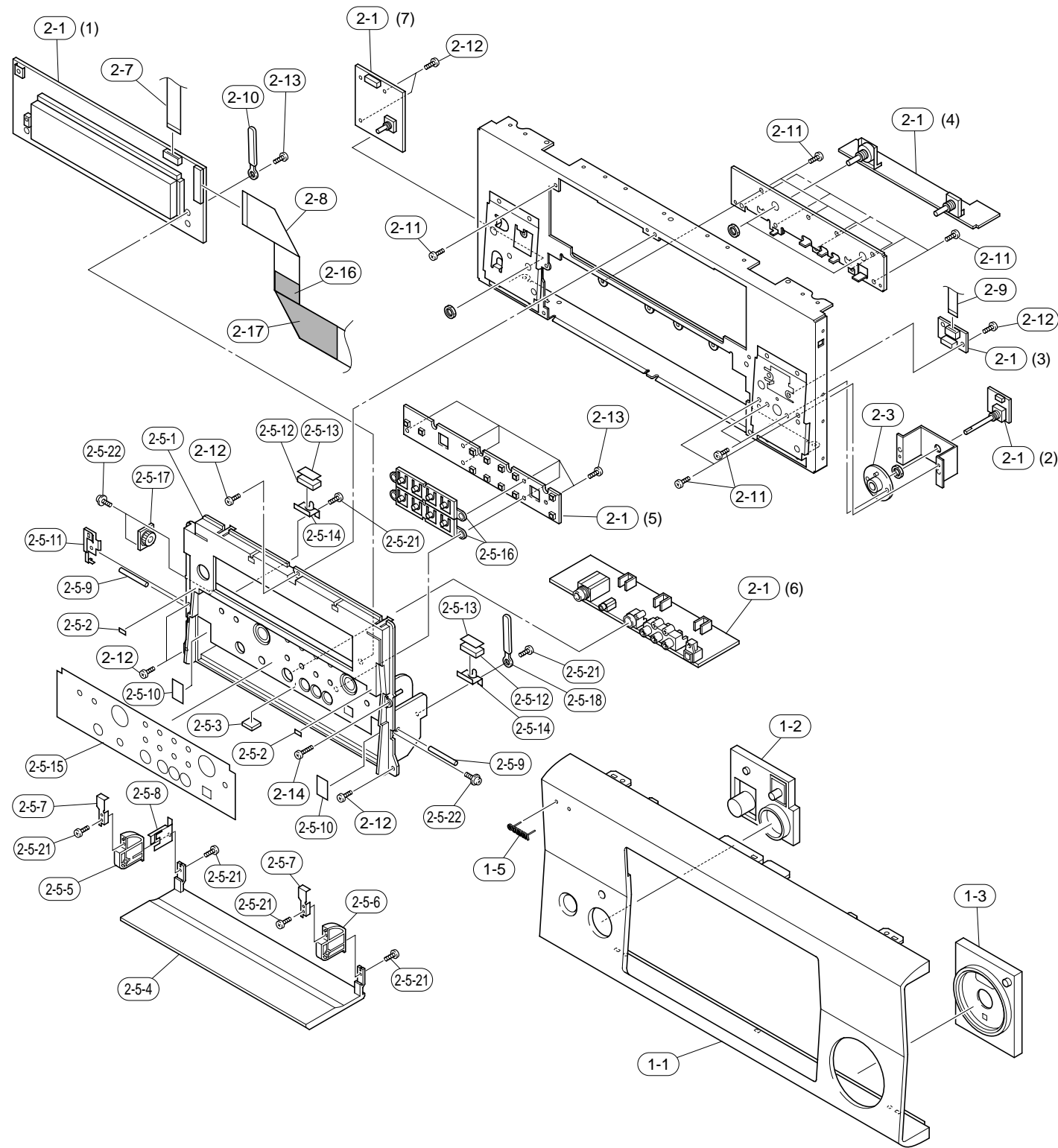
| Ref. No. | PART NO. | Description | Remarks | Markets | 部品名 | Rank |
|----------|----------|-------------------|---------------|----------|---------------|------|
| * 11 | WB744500 | P.C.B. ASS'Y | | J | P C B ファンクション | |
| * 11 | WB744600 | P.C.B. ASS'Y | | UCA | P C B ファンクション | |
| * 11 | WB744700 | P.C.B. ASS'Y | | RTKBG | P C B ファンクション | RES |
| * 12 | WB744800 | P.C.B. ASS'Y | | J | P C B サブトランス | |
| * 12 | WB744900 | P.C.B. ASS'Y | | UC | P C B サブトランス | |
| * 12 | WB745000 | P.C.B. ASS'Y | | R | P C B サブトランス | |
| * 12 | WB745100 | P.C.B. ASS'Y | | T | P C B サブトランス | |
| * 12 | WB745200 | P.C.B. ASS'Y | | K | P C B サブトランス | |
| * 12 | WB745300 | P.C.B. ASS'Y | | A | P C B サブトランス | |
| * 12 | WB745400 | P.C.B. ASS'Y | | B | P C B サブトランス | |
| * 12 | WB745500 | P.C.B. ASS'Y | | G | P C B サブトランス | |
| * 13 | WB751200 | P.C.B. ASS'Y | | JUCTKABG | P C B パワー | |
| * 13 | WB751300 | P.C.B. ASS'Y | | R | P C B パワー | |
| △ | X4580A00 | POWER TRANSFORMER | | J | 電源トランス | |
| △ | X4581B00 | POWER TRANSFORMER | | UC | 電源トランス | |
| △ | X4582A00 | POWER TRANSFORMER | | R | 電源トランス | |
| △ | X4583A00 | POWER TRANSFORMER | | TK | 電源トランス | |
| △ | X4584A00 | POWER TRANSFORMER | | A | 電源トランス | |
| △ | X4585A00 | POWER TRANSFORMER | | BG | 電源トランス | |
| * 25 | WC353600 | DC FAN MOTOR | DC D08A-12TU | | D C ファンモーター | |
| * 26 | WD071100 | REACTOR | ST-3Y25-11779 | BG | リアクトル | |
| * 45 | VD947800 | FERRITE CORE | ESD-R-25D-B | | データラインフィルター | |
| * 71 | WB513200 | TOP COVER | | | トップカバー | GD |
| * 71 | WB513300 | TOP COVER | | | トップカバー | BL |
| * 71 | WB540800 | TOP COVER | | | トップカバー | TI |
| * 72 | WB507500 | PANEL/SIDE L | | | パネル/サイドL | GD |
| * 72 | WB507600 | PANEL/SIDE L | | | パネル/サイドL | BL |
| * 72 | WB540900 | PANEL/SIDE L | | | パネル/サイドL | TI |
| * 73 | WB507700 | PANEL/SIDE R | | | パネル/サイドR | GD |
| * 73 | WB507800 | PANEL/SIDE R | | | パネル/サイドR | BL |
| * 73 | WB541000 | PANEL/SIDE R | | | パネル/サイドR | TI |
| * 74 | WB513400 | BOTTOM COVER | | | ボトムカバー | |
| * 75 | WB515200 | REAR PANEL/UP | | J | リアパネル/UP | |
| * 75 | WB515700 | REAR PANEL/UP | | UC | リアパネル/UP | |
| * 75 | WB515300 | REAR PANEL/UP | | R | リアパネル/UP | |
| * 75 | WB542600 | REAR PANEL/UP | | T | リアパネル/UP | |
| * 75 | WB515600 | REAR PANEL/UP | | K | リアパネル/UP | |
| * 75 | WB515900 | REAR PANEL/UP | | A | リアパネル/UP | |
| * 75 | WB515400 | REAR PANEL/UP | | B | リアパネル/UP | |
| * 75 | WB515500 | REAR PANEL/UP | | G | リアパネル/UP | |
| * 93 | WC994900 | COVER/PW | | | カバー/PW | |
| * 94 | WD017200 | PLATE/BASE-PW | | | プレート/ベース PW | |
| * 95 | WD045900 | PLATE/TR-UP | | | プレート/TR UP | |
| * 101 | WB516200 | SUPPORT/BASE-TR | | | サポート/ベース - TR | |
| * 102 | WB516300 | SUPPORT/TR-UP | | | サポート/TR - UP | |
| 117 | WC947300 | SUPPORT/SP | | | サポート/SP | |
| * 121 | WB891700 | LEG | D56/H21 | | レッグ | |
| * 122 | WB518000 | BRACKET/FAN | | | ブラケット/FAN | |
| * 123 | WB511700 | WINDOW PANEL | | | ウィンドウ | |
| * 125 | WB509200 | KNOB/D52 | | | ノブ/D52 | GD |
| * 125 | WB509300 | KNOB/D52 | | | ノブ/D52 | BL |
| * 125 | WB541300 | KNOB/D52 | | | ノブ/D52 | TI |
| * 126 | WB509600 | KNOB/D23 | | | ノブ/D23 | GD |
| * 126 | WB509700 | KNOB/D23 | | | ノブ/D23 | BL |
| * 126 | WB541500 | KNOB/D23 | | | ノブ/D23 | TI |
| 127 | V8477900 | KNOB D15 | | | ノブ D15 | GD |
| 127 | V8477800 | KNOB D15 | | | ノブ D15 | BL |
| * 127 | WB762300 | KNOB D15 | | | ノブ D15 | TI |

* New Parts (新規部品)

| Ref. No. | PART NO. | Description | Remarks | Markets | 部品名 | Rank |
|----------|----------|------------------------------|-------------------|----------------|--------------|------|
| 128 | V6078800 | KNOB/D15 | | | ノブ/D15 | |
| 128 | V6078600 | KNOB/D15 | | | ノブ/D15 | |
| * 128 | WB762400 | KNOB D15 | | | ノブ/D15 | S C |
| 129 | WD188000 | DAMPER/BASE-TR | | | ダンパー/ベース TR | |
| 136 | WB586000 | PL RUBBER RIVET | P3555B | | ナイロンリベット | |
| 141 | VZ893000 | SPECIAL SCREW S-TITE | 4x8-10 MFN133 | GD,TI | 化粧ネジSタイト | 01 |
| 141 | VK522000 | SPECIAL SCREW S-TITE | 4x8-10 MFC2BL | BL | 化粧ネジSタイト | 01 |
| 142 | VK625000 | CUP S-TITE SCREW | 5x10-12 MFZN2Y | | カップSタイトネジ | 01 |
| 143 | EP600230 | BIND HEAD B-TIGHT SCREW | 3x6 MFZN2BL | | バインドBタイトネジ | |
| 144 | VN413300 | BIND HEAD BONDING B-T. SCREW | 3x8 MFZN2BL | | ボンディングBタイトネジ | 01 |
| 145 | VQ541700 | PW HEAD B-TIGHT SCREW | 3x8-8 MFC2 | | BWヘッドBタイトネジ | 01 |
| 146 | EP630220 | BIND HEAD P-TIGHT SCREW | 3x8 MFZN2BL | | バインドPタイトネジ | |
| * 147 | WC220400 | BIND HEAD P-TIGHT SCREW | 3x30 MFZN2Y | | +バインドPタイト | |
| 148 | O3765560 | PLAIN WASHER | 3.6x10x0.8 MFN133 | | 平座金みがき丸 | 01 |
| 151 | AA627310 | GROUND TERMINAL | | | GNDターミナル | 01 |
| 160 | CB069250 | BINDING TIE | BK-1 | | 束線止め | 01 |
| 161 | CB502030 | BINDING TIE | S-75B | | 束線止め | 01 |
| 162 | VY731200 | BONDING HEAD TAPPING SCREW | 3x10 MFN133 | | ボンディングBタイトネジ | |
| * 163 | WC224800 | PAN HEAD SCREW | SP 3x8 MFC2 | | +ナベ小ネジ | |
| 164 | EP600220 | BIND HEAD B-TIGHT SCREW | 3x10 MFZN2Y | | バインドBタイトネジ | 01 |
| 165 | VK173200 | SCREW, TRANSISTOR | 3x15 SP MFC2 | | スクリューTR | 01 |
| 166 | VV220300 | BIND HEAD B-TIGHT SCREW | 3x30 MFZN2BL | | バインドBタイトネジ | |
| 167 | EP600790 | FLAT HEAD B-TIGHT SCREW | 3x8 MFZN2BL | | 皿Bタイトネジ | |
| * 172 | WD027800 | WASHER 3.9-9 | | | ワッシャ 3.9-9 | |
| * 173 | WC187800 | SPACER 34X5 | | | スペーサ 34X5 | |
| 174 | CB836200 | BINDING TIE | S-70B | | 束線止め | 02 |
| 177 | WC660500 | PLATE | | | プレート | |
| 178 | WC182900 | SQUARE BUSH | SB-2718 | | スクウェアブッシュ | |
| 179 | V3079400 | SQUARE BUSH | SB-1909 | | スクウェアブッシュ | |
| 181 | WD007500 | SHEET/AC | | | シート/AC | |
| 182 | WC589200 | HOLDER/WIRE | | | ホルダー/ワイヤー | |
| 183 | WC611900 | PLATE/COVER | | | プレート/カバー | |
| 184 | WC322500 | CUSHION | 40x40 | | クッション | |
| 186 | O3765160 | SPRING WASHER | #23 NFZN2Y | | バネ座金 | |
| 187 | EG330360 | BIND HEAD SCREW | 3.0x6 MFZN2BL | | +バインド小ネジ | |
| 189 | WD058400 | DAMPER | 15x30 | | ダンパー | |
| 190 | WC908800 | DAMPER | 240x30 | | ダンパー | |
| | | ACCESSORIES | | | 付属品 | |
| * 200 | WB679700 | REMOTE CONTROL | RAV229 | RRC4001-0006LM | リモコン | |
| 200-1 | AAX12830 | BATTERY COVER | 103RRC-170-01R | 103RRC-170-01R | 電池蓋 | 05 |
| * 200-2 | AAX56730 | SLIDE COVER | 103RRC-171-03L | 103RRC-171-03L | スライドカバー | |
| * 201 | WB699300 | REMOTE CONTROL | RAV17 | RRS4003-8901E | リモコン | |
| * 201-1 | AAX56740 | BATTERY COVER | 103RRS-138-06L | 103RRS-138-06L | 電池蓋 | |
| 202 | V6267000 | INDOOR FM ANTENNA | 1.4m | | F M簡易アンテナ | |
| 202 | VG850700 | INDOOR FM ANTENNA | 1.4m | | F M簡易アンテナ | 02 |
| 203 | VQ307400 | AM LOOP ANTENNA | 81-653-645-110 | | A Mループアンテナ | 05 |
| △ | 204 | V8466900 | POWER CABLE | INLET 2m | 電源コード | |
| △ | 204 | V8467000 | POWER CABLE | INLET 2m | 電源コード | |
| △ | 204 | V9358400 | POWER CABLE | INLET 2m | 電源コード | |
| △ | 204 | V6545900 | POWER CABLE | INLET 2m | 電源コード | |
| △ | 204 | WB750900 | POWER CABLE | INLET 2m | 電源コード | |
| △ | 204 | WB751000 | POWER CABLE | INLET 2m | 電源コード | |
| * 205 | WC221000 | SP TERMINAL WRENCH | LT50090-7001G | | S Pターミナルレンチ | |
| * 206 | WB555400 | MICROPHONE | EXM-248 | | マイクロホン | |
| | | BATTERY, ALKALINE DRY | LR6(G) | | アルカリ乾電池 | |
| | | BATTERY, MANGANESE | UM-4 | | マンガン乾電池 | |

* New Parts (新規部品)

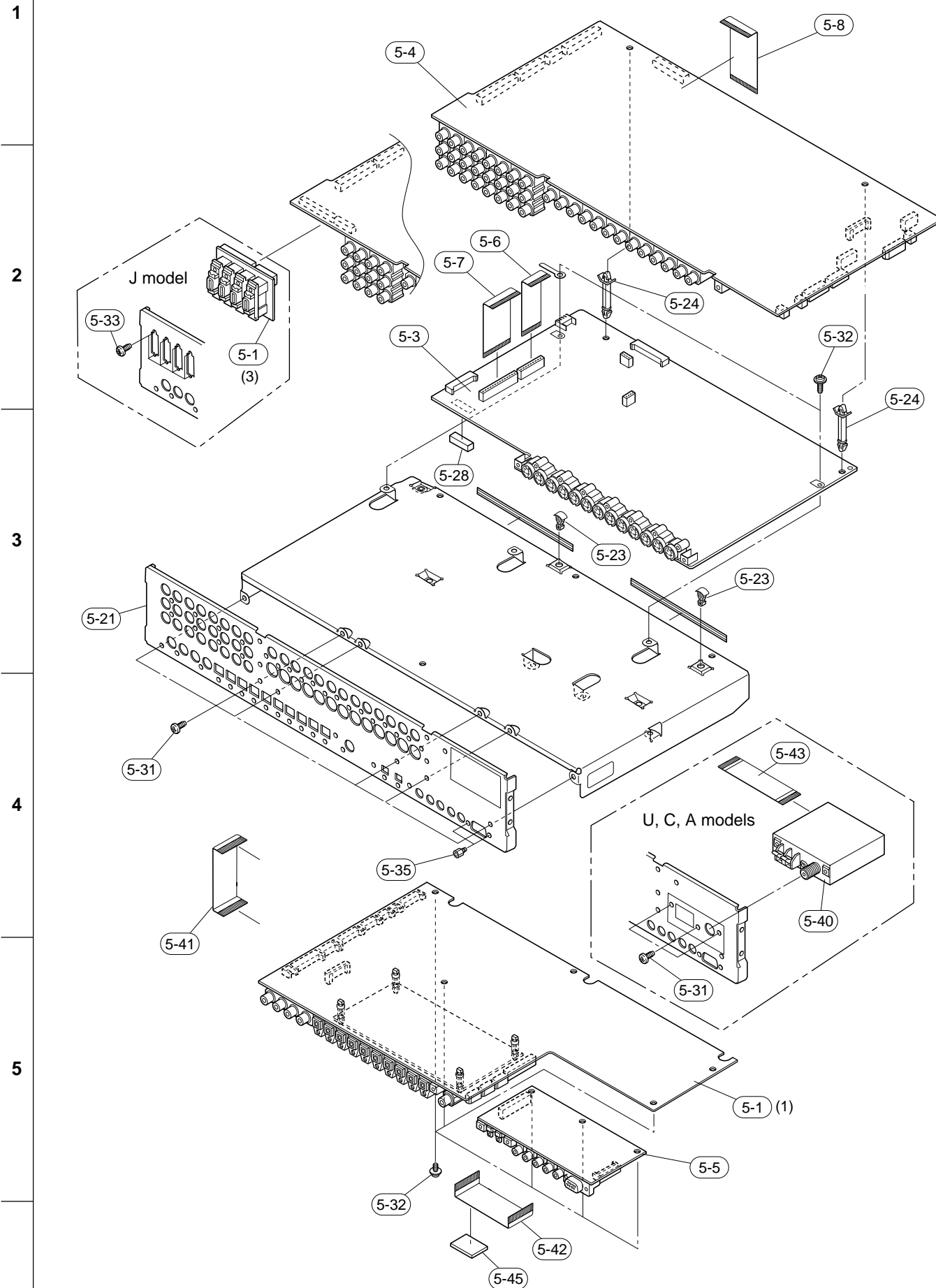
FRONT PANEL & SUB CHASSIS UNIT



| Ref. No. | PART NO. | Description | Remarks | Markets | 部品名 | Rank |
|----------|----------|------------------------------|------------------|---------|--------------|------|
| * 1-1 | WB508000 | FRONT PANEL | DSPZ9GD | J | フロントパネル | |
| * 1-1 | WB508100 | FRONT PANEL | DSPZ9GD | RTK | フロントパネル | |
| * 1-1 | WB508200 | FRONT PANEL | DSPZ9BL | J | フロントパネル | |
| * 1-1 | WB508600 | FRONT PANEL | RXZ9BL | UCA | フロントパネル | |
| * 1-1 | WB508300 | FRONT PANEL | DSPZ9BL | RG | フロントパネル | |
| * 1-1 | WB508400 | FRONT PANEL | DSPZ9TI | BG | フロントパネル | |
| * 1-2 | WB511800 | BUTTON/POWER | GD | | ボタン/パウ | |
| * 1-2 | WB511900 | BUTTON/POWER | BL | | ボタン/パウ | |
| * 1-2 | WB541900 | BUTTON/POWER | TI | | ボタン/パウ | |
| * 1-3 | WB510300 | ESCUTCHEON/VOL | GD | | エスカッションVOL | |
| * 1-3 | WB510500 | ESCUTCHEON/VOL | BL | | エスカッションVOL | |
| * 1-3 | WB541700 | ESCUTCHEON/VOL | TI | | エスカッションVOL | |
| 1-5 | V6004900 | EMBLEM | GD | | エンブレム | |
| 1-5 | V6004800 | EMBLEM | BL, TI | | エンブレム | |
| * 2-1 | WB746000 | P.C.B. ASS'Y | OPERATION | JRTKBG | P C Bオペレーション | |
| * 2-1 | WB746100 | P.C.B. ASS'Y | OPERATION | UCA | P C Bオペレーション | |
| 2-3 | V6071000 | SUPPORT/SHAFT | | | サポート/シャフト | |
| * 2-5-1 | WB512400 | CASE, SUB PANEL | GD | | サブパネルケース | |
| * 2-5-1 | WB512500 | CASE, SUB PANEL | BL | | サブパネルケース | |
| * 2-5-1 | WB542100 | CASE, SUB PANEL | TI | | サブパネルケース | |
| 2-5-2 | V2048500 | CUSHION, LID | GD | | クッション/リッド | |
| 2-5-2 | VT062900 | CUSHION, LID | BL | | クッション/リッド | |
| 2-5-2 | VU182300 | CUSHION, LID | TI | | クッション/リッド | |
| 2-5-3 | WC878700 | DAMPER, LID | | | ダンパー/リッド | |
| * 2-5-4 | WB541100 | PANEL, LID | GD | | パネル/リッド | |
| * 2-5-4 | WB541200 | PANEL, LID | BL | | パネル/リッド | |
| * 2-5-4 | WB750100 | PANEL, LID | TI | | パネル/リッド | |
| * 2-5-5 | WB512800 | HINGE/L | | | ヒンジ/L | |
| * 2-5-6 | WB512900 | HINGE/R | | | ヒンジ/R | |
| * 2-5-7 | WB517200 | SUPPORT/HINGE | | | サポート/ヒンジ | |
| * 2-5-8 | WB511600 | EARTHPLATE/HINGE | | | アースプレートヒンジ | |
| 2-5-9 | VZ621800 | SHAFT | AA | | シャフト | |
| * 2-5-10 | WB788600 | SHEET/HINGE | | | シート/ヒンジ | |
| * 2-5-11 | WB511500 | EARTH PLATE | | | アースプレート | |
| 2-5-12 | VZ621900 | MAGNET | MG | | マグネット/MG | |
| 2-5-13 | VZ875000 | SPACER | | | スペーサー/MG | |
| 2-5-14 | VZ830500 | SUPPORT | | | サポート | |
| * 2-5-15 | WB508700 | PLATE, SP | DSPZ9GD | JRTK | プレート/S P | |
| * 2-5-15 | WB508800 | PLATE, SP | DSPZ9BL | JRG | プレート/S P | |
| * 2-5-15 | WB509000 | PLATE, SP | RXZ9BL | UCA | プレート/S P | |
| * 2-5-15 | WB508900 | PLATE, SP | DSPZ9TI | BG | プレート/S P | |
| * 2-5-16 | WB512600 | BUTTON/SUB | GD | | ボタン/サブ | |
| * 2-5-16 | WB512700 | BUTTON/SUB | BL | | ボタン/サブ | |
| * 2-5-16 | WB542200 | BUTTON/SUB | TI | | ボタン/サブ | |
| * 2-5-17 | WC131700 | DAMPER, GEAR | DPL-001-B280B | | ダンパー/ギヤ | |
| 2-5-18 | CB836200 | BINDING TIE | S-70B | | 束線止め | 02 |
| 2-5-21 | EP600280 | BIND HEAD P-TIGHT SCREW | 3x8 MFZN2Y | | バインドPタイトネジ | 01 |
| 2-5-22 | V3317100 | PW HEAD P-TIGHT SCREW | 3x6-8 MFZN2BL | | カード電線 C & C | |
| 2-7 | MF113140 | FLEXIBLE FLAT CABLE | 13P 140mm P=1.25 | | カード電線 C & C | |
| * 2-8 | MF130450 | FLEXIBLE FLAT CABLE | 30P 450mm P=1.25 | | カード電線 C & C | |
| * 2-9 | MF109400 | FLEXIBLE FLAT CABLE | 9P 400mm P=1.25 | | カード電線 C & C | |
| 2-10 | CB836200 | BINDING TIE | S-70B | | 束線止め | 02 |
| 2-11 | VN413300 | BIND HEAD BONDING B-T. SCREW | 3x8 MFZN2BL | | ボンディングBタイトネジ | 01 |
| 2-12 | EP600190 | BIND HEAD B-TIGHT SCREW | 3x8 MFZN2BL | | バインドBタイトネジ | 01 |
| 2-13 | EP600280 | BIND HEAD P-TIGHT SCREW | 3x8 MFZN2Y | | バインドPタイトネジ | 01 |
| 2-14 | V6012600 | BIND HEAD B-TIGHT SCREW | 3x12 MFN133 | | +バインドBハッキ | |
| * 2-16 | WC322500 | CUSHION/40X40 | | | クッション40x40 | |
| * 2-17 | WC655700 | CUSHION/SIDE | | | クッション/サイド | |

* New Parts (新規部品)

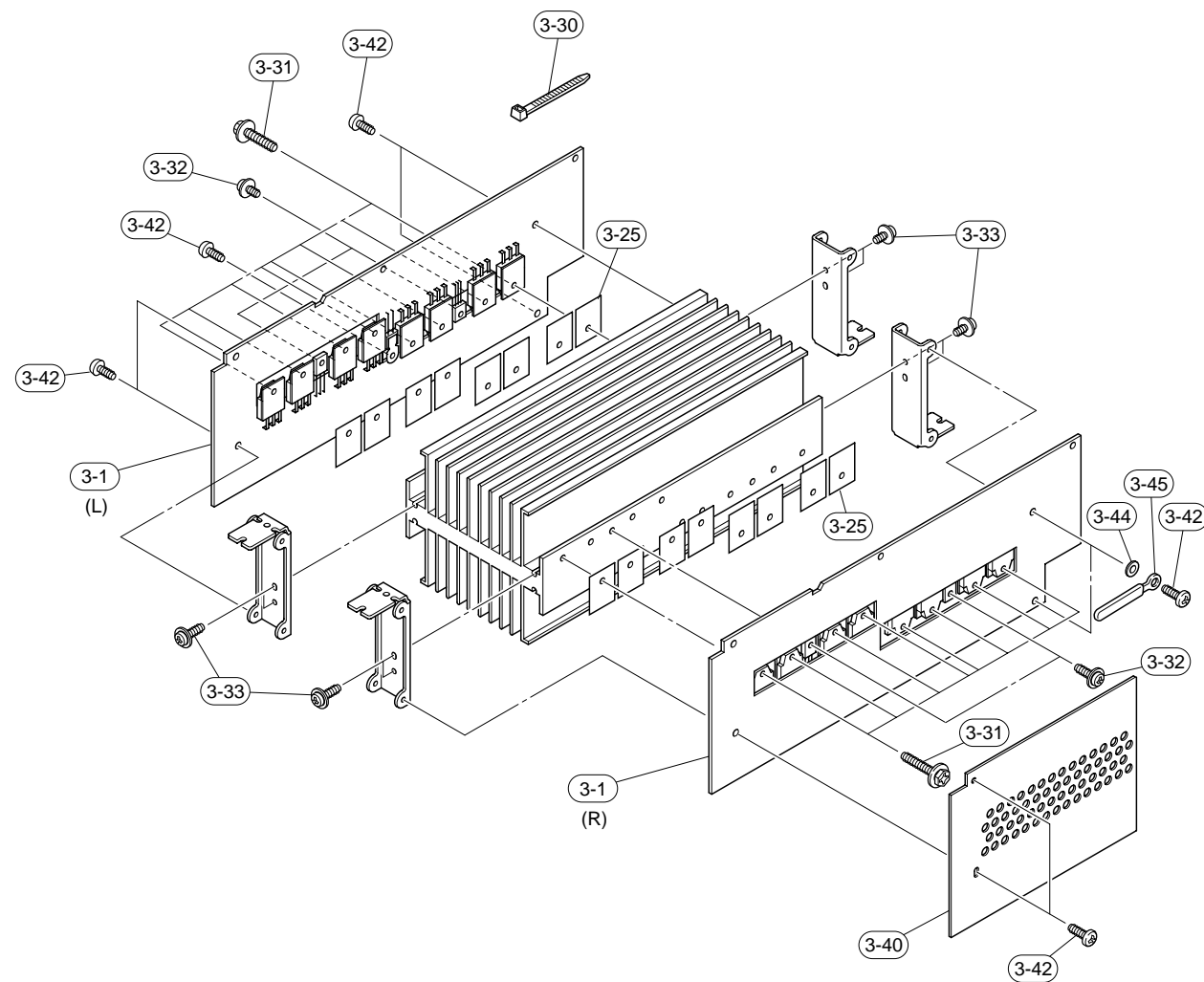
REAR PANEL UNIT



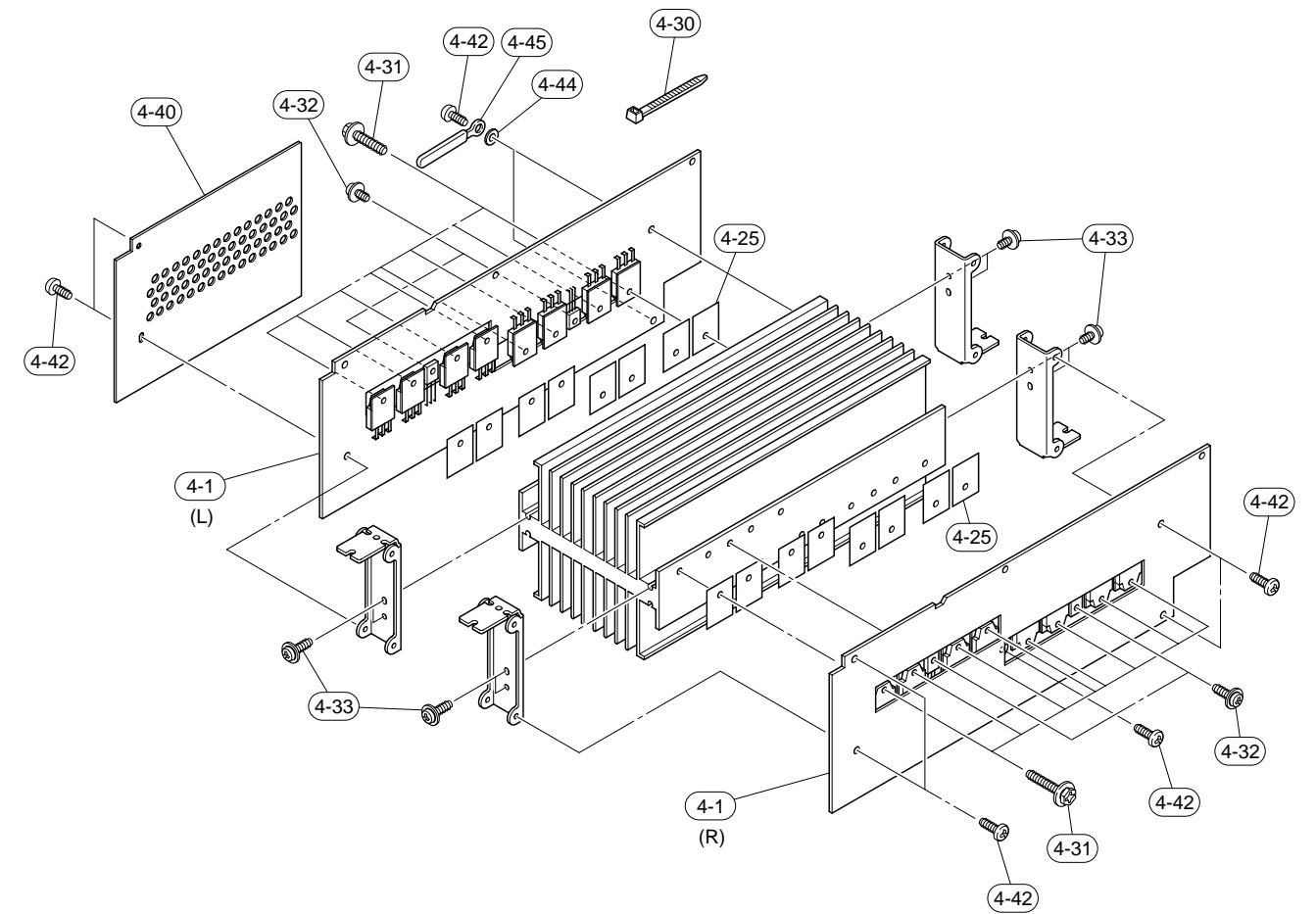
| Ref. No. | PART NO. | Description | Remarks | Markets | 部品名 | Rank |
|----------|----------|------------------------------|------------------|---------|-------------------|------|
| * 5-1 | WB746200 | P.C.B. ASS'Y | DSP(1) | J | P C B D S P (1) | |
| * 5-1 | WB746300 | P.C.B. ASS'Y | DSP(1) | UC | P C B D S P (1) | |
| * 5-1 | WB746400 | P.C.B. ASS'Y | DSP(1) | RTKABG | P C B D S P (1) | |
| * 5-3 | WB746600 | P.C.B. ASS'Y | VIDEO BOTTOM | J | P C B ビデオボトム | |
| * 5-3 | WB746700 | P.C.B. ASS'Y | VIDEO BOTTOM | UC | P C B ビデオボトム | |
| * 5-3 | WB746800 | P.C.B. ASS'Y | VIDEO BOTTOM | RK | P C B ビデオボトム | |
| * 5-3 | WB746900 | P.C.B. ASS'Y | VIDEO BOTTOM | TABG | P C B ビデオボトム | |
| * 5-4 | WB747100 | P.C.B. ASS'Y | VIDEO TOP | J | P C B ビデオトップ | |
| * 5-4 | WB747200 | P.C.B. ASS'Y | VIDEO TOP | UC | P C B ビデオトップ | |
| * 5-4 | WB747300 | P.C.B. ASS'Y | VIDEO TOP | R | P C B ビデオトップ | |
| * 5-4 | WB747400 | P.C.B. ASS'Y | VIDEO TOP | TK | P C B ビデオトップ | |
| * 5-4 | WB747500 | P.C.B. ASS'Y | VIDEO TOP | A | P C B ビデオトップ | |
| * 5-4 | WB747600 | P.C.B. ASS'Y | VIDEO TOP | BG | P C B ビデオトップ | |
| * 5-5 | WB875500 | P.C.B. ASS'Y | 1394 | | P C B 1 3 9 4 | |
| * 5-6 | MF123070 | FLEXIBLE FLAT CABLE | 23P 70mm P=1.25 | | カード電線 C & C | |
| * 5-7 | MF131070 | FLEXIBLE FLAT CABLE | 31P 70mm P=1.25 | | カード電線 C & C | |
| * 5-8 | MF127070 | FLEXIBLE FLAT CABLE | 27P 70mm P=1.25 | | カード電線 C & C | |
| * 5-21 | WB514400 | REAR PANEL/BTM | | J | リアパネル / B T M | |
| * 5-21 | WB514900 | REAR PANEL/BTM | | UC | リアパネル / B T M | |
| * 5-21 | WB514500 | REAR PANEL/BTM | | RTK | リアパネル / B T M | |
| * 5-21 | WB515100 | REAR PANEL/BTM | | A | リアパネル / B T M | |
| * 5-21 | WB514600 | REAR PANEL/BTM | | BG | リアパネル / B T M | |
| * 5-23 | WB754500 | SUPPORT, P.C.B. | LSR-6R KOYO | | P C サポート | |
| * 5-24 | WB754800 | SUPPORT, P.C.B. | PCB-18L KOYO | | P C サポート | |
| * 5-28 | WC187600 | DAMPER | 10x10x20 | | ダンパー | |
| 5-31 | VN413300 | BIND HEAD BONDING B-T. SCREW | 3x8 MFZN2BL | | ボンディングBタイトネジ | 01 |
| 5-32 | VQ541700 | PW HEAD B-TIGHT SCREW | 3x8-8 MFC2 | | BWヘッドBタイトネジ | 01 |
| * 5-33 | VG893800 | BIND HEAD P-TIGHT SCREW | 2.0x6 MFZN2BL | J | バインドPタイトネジ | 01 |
| 5-35 | V3768900 | SCREW, LOCK | 17L-003C41 | | ロックネジ | |
| 5-40 | V7424300 | AM/FM TUNER | FAE350-A10F | UC | A M / F M チューナ | |
| 5-40 | V7424400 | AM/FM TUNER | FAE404-E10F | A | A M / F M チューナ | |
| * 5-41 | MF121100 | FLEXIBLE FLAT CABLE | 21P 100mm P=1.25 | | カード電線 | |
| * 5-42 | VT387300 | FLEXIBLE FLAT CABLE | 30P 70mm P=1.0 | | バンカード | |
| * 5-43 | MF115140 | FLEXIBLE FLAT CABLE | 15P 140mm P=1.25 | | カード電線 | |
| 5-45 | WC322500 | CUSHION | 40x40 | UCA | クッション | |
| 5-46 | WC702900 | CUSHION, SHIELD | | UCABG | クッション / シールド | |

* New Parts (新規部品)

AMP UNIT L



AMP UNIT R



| Ref. No. | PART NO. | Description | Remarks | Markets | 部品名 | Rank |
|----------|----------|-------------------------|---------|---------|---------------|------|
| * 3-1 | WB745600 | P.C.B. ASS'Y | | | PCB メイン (L) | |
| 3-25 | VK195900 | SHEET | | | シート / 放熱 | 01 |
| 3-30 | CB069250 | BINDING TIE | | | 束線止め | 01 |
| 3-31 | VK173200 | SCREW, TRANSISTOR | | | スクリューTR | 01 |
| 3-32 | VK697600 | BIND HEAD B-TIGHT SCREW | | | バインドBタイトネジ | 01 |
| 3-33 | VQ541700 | PW HEAD B-TIGHT SCREW | | | BWヘッドBタイトネジ | 01 |
| * 3-40 | WC391900 | SHEET/HS | | | シート / HS | |
| * 3-42 | VL035100 | BIND HEAD TAPPING SCREW | | | バインドタッピングネジ | |
| * 3-44 | WA676000 | WASHER | | | ワッシャ | 01 |
| 3-45 | CB836200 | BINDING TIE | | | 束線止め | 02 |

* New Parts (新規部品)

| Ref. No. | PART NO. | Description | Remarks | Markets | 部品名 | Rank |
|----------|----------|-------------------------|---------|---------|---------------|------|
| * 4-1 | WB745800 | P.C.B. ASS'Y | | | PCB メイン (R) | |
| 4-25 | VK195900 | SHEET | | | シート / 放熱 | 01 |
| 4-30 | CB069250 | BINDING TIE | | | 束線止め | 01 |
| 4-31 | VK173200 | SCREW, TRANSISTOR | | | スクリューTR | 01 |
| 4-32 | VK697600 | BIND HEAD B-TIGHT SCREW | | | バインドBタイトネジ | 01 |
| 4-33 | VQ541700 | PW HEAD B-TIGHT SCREW | | | BWヘッドBタイトネジ | 01 |
| * 4-40 | WC391900 | SHEET/HS | | | シート / HS | |
| * 4-42 | VL035100 | BIND HEAD TAPPING SCREW | | | バインドタッピングネジ | |
| * 4-44 | WA676000 | WASHER | | | ワッシャ | 01 |
| 4-45 | CB836200 | BINDING TIE | | | 束線止め | 02 |

* New Parts (新規部品)

1

REMOTE CONTROL

SCHEMATIC DIAGRAM

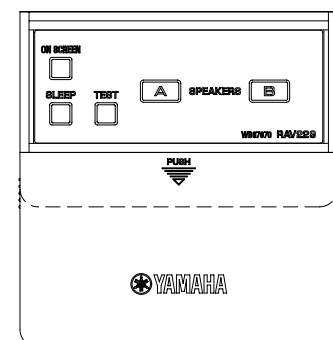
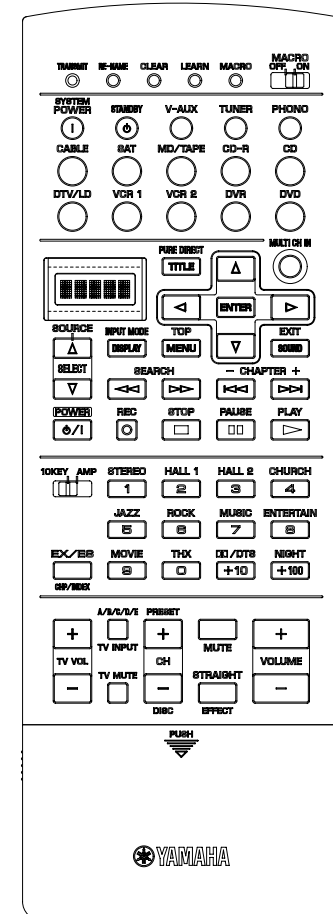
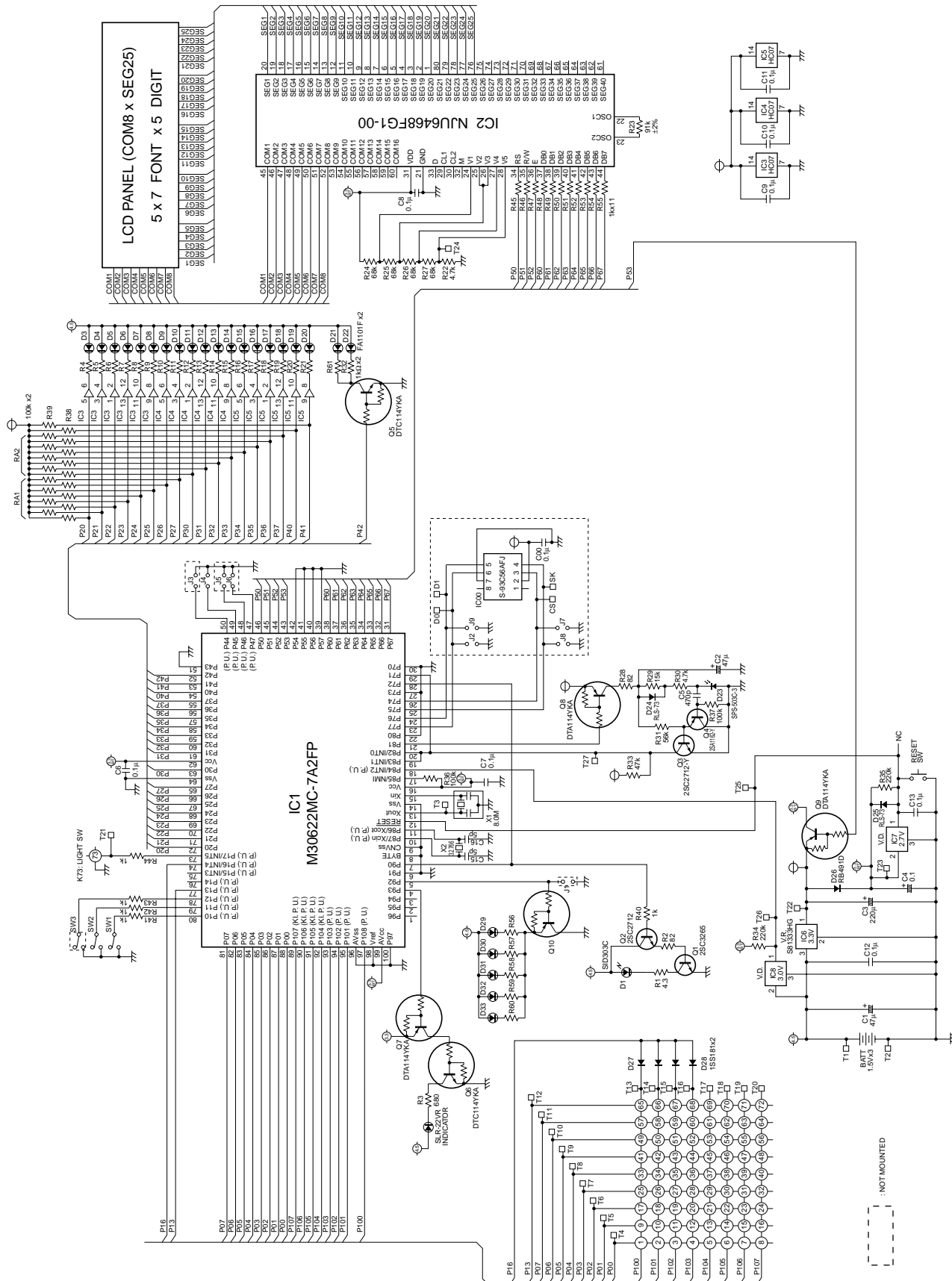
2

3

4

5

6



Initial Code

| Key No. | Key Name | YPC | DSP #1 | Zone #2 | |
|---------|-------------|--------|--------|---------|--------------------|
| | | | | MAIN | ZONE2 #4 SYSTEM #5 |
| 1 | --- | --- | --- | --- | --- |
| 2 | RE-NAME | --- | --- | --- | --- |
| 3 | CLEAR | --- | --- | --- | --- |
| 4 | LEARN | --- | --- | --- | --- |
| 5 | MACRO | --- | --- | --- | --- |
| 6 | POWER on | *7A-1D | 7D-90 | *37E-7E | *7E-BA *7A-1D |
| 7 | STANDBY | 7A-1E | 7D-91 | *37E-7F | 7E-BB 7A-1E |
| 8 | V-AUX | 7A-55 | 7D-8A | 7A-55 | 7A-D8 |
| 9 | TUNER | 7A-16 | 7D-89 | 7A-16 | 7A-D2 |
| 10 | PHONO | 7A-14 | 7D-88 | 7A-14 | 7A-D0 |
| 11 | CABLE | 7A-C0 | 7D-96 | 7A-C0 | 7A-CC |
| 12 | SAT | 7A-CA | 7D-98 | 7A-CA | 7A-CB |
| 13 | MD/TAPE | 7A-18 | 7D-8B | 7A-18 | 7A-D3 |
| 14 | CD-R | 7A-19 | 7D-99 | 7A-19 | 7A-D4 |
| 15 | CD | 7A-15 | 7D-87 | 7A-15 | 7A-D1 |
| 16 | DTV/LD | 7A-54 | 7D-84 | 7A-54 | 7A-D9 |
| 17 | VCR1 | 7A-0F | 7D-81 | 7A-0F | 7A-D6 |
| 18 | VCR2 | 7A-13 | 7D-82 | 7A-13 | 7A-D7 |
| 19 | DVR | 7A-C8 | 7D-85 | 7A-C8 | 7A-CE |
| 20 | DVD | 7A-C1 | 7D-97 | 7A-C1 | 7A-CD |
| 21 | MULTI CH IN | 7A-87 | 7D-8C | 7A-87 | 7A-87 |

| Key No. | Key Name | Device | | | | |
|---------|--------------|-----------|------------|----------|---------------|-------------------------|
| | | DVD (K20) | CD-R (K14) | CD (K15) | MD/TAPE (K13) | TUNER (K12) |
| 22 | Up | 7A-9D | --- | 7A-9D | --- | --- |
| 23 | TITLE | 7A-DD | --- | 7A-DD | --- | --- |
| 24 | Left | 7A-9F | --- | 7A-9F | --- | --- |
| 25 | ENTER | 7A-DE | --- | 7A-DE | --- | --- |
| 26 | Right | 7A-9E | --- | 7A-9E | --- | --- |
| 27 | SOUND | 7A-A1 | --- | 7A-A1 | --- | --- |
| 28 | Down | 7A-9C | --- | 7A-9C | --- | --- |
| 29 | MENU | 7A-A0 | --- | 7A-A0 | --- | --- |
| 30 | DISPLAY | 7A-C3 | --- | 7A-C3 | --- | --- |
| 31 | REW (SEARCH) | --- | --- | --- | --- | --- |
| 32 | FF (SEARCH) | --- | --- | --- | --- | --- |
| 33 | CHP/SKIP - | --- | --- | --- | --- | --- |
| 34 | CHP/SKIP + | --- | --- | --- | --- | --- |
| 35 | PLAY | --- | --- | --- | --- | --- |
| 36 | PAUSE | --- | --- | --- | --- | --- |
| 37 | STOP | --- | --- | --- | --- | --- |
| 38 | REC | --- | --- | --- | --- | --- |
| 39 | POWER | --- | --- | --- | --- | --- |
| 40 | SELECT down | --- | --- | --- | --- | --- |
| 41 | SELECT up | --- | --- | --- | --- | --- |
| 42 | PRG1 | 7A-88 | 7D-D0 | 7A-88 | 7C-94 | 7F-91 79-11 79-85 7A-E5 |
| 43 | PRG2 | 7A-89 | 7D-D1 | 7A-89 | 7C-95 | 7F-92 79-12 79-86 7A-E6 |
| 44 | PRG3 | 7A-8A | 7D-D2 | 7A-8A | 7C-96 | 7F-93 79-13 79-87 7A-E7 |
| 45 | PRG4 | 7A-8B | 7D-D3 | 7A-8B | 7C-97 | 7F-94 79-14 79-88 7A-E8 |
| 46 | PRG5 | 7A-8C | 7D-D4 | 7A-8C | 7C-98 | 7F-95 79-15 79-89 7A-E9 |
| 47 | PRG6 | 7A-8D | 7D-D5 | 7A-8D | 7C-99 | 7F-96 79-16 79-8A 7A-EA |
| 48 | PRG7 | 7A-8E | 7D-D6 | 7A-8E | 7C-9A | 7F-97 79-17 79-8B 7A-EB |
| 49 | PRG8 | 7A-8F | 7D-D7 | 7A-8F | 7C-9B | 7F-98 79-18 79-8C 7A-EC |
| 50 | PRG9 | 7A-90 | 7D-D8 | 7A-90 | 7C-9C | 7F-99 79-19 79-8D 7A-E1 |
| 51 | PRG10 | 7A-91 | 7D-D9 | 7A-91 | 7C-93 | 7F-90 79-10 79-8E 7A-E2 |
| 52 | +10 | 7A-92 | 7D-DA | 7A-92 | 7C-9D | 7F-9A 79-1A 79-8F 7A-E3 |
| 53 | +100 | 7A-95 | 7D-DB | 7A-95 | 7C-9F | 7F-8C 79-0D --- 7A-E4 |
| 54 | CHP/INDEX | 7A-97 | 7D-DF | 7A-97 | 7C-9E | 7F-8A 79-0B --- 7A-E0 |
| 55 | TV VOL up | --- | --- | --- | --- | --- |
| 56 | TV VOL down | --- | --- | --- | --- | --- |
| 57 | TV INPUT | --- | --- | --- | --- | --- |
| 58 | TV MUTE | --- | --- | --- | --- | --- |
| 59 | CH up | --- | --- | --- | 7C-8B | --- |
| 60 | CH down | --- | --- | --- | 7C-8A | --- |
| 61 | MUTE | 7A-1C | 7D-94 | 7A-1C | 7A-DC | --- |
| 62 | EFFECT | 7A-56 | 7D-C1 | 7A-56 | 7A-56 | --- |
| 63 | VOLUME up | 7A-1A | 7D-8D | 7A-1A | 7A-DA | --- |
| 64 | VOLUME down | 7A-1B | 7D-8E | 7A-1B | 7A-DB | --- |
| 65 | ON SCREEN | 7A-C2 | 7D-C2 | 7A-C2 | --- | --- |
| 66 | SLEEP | 7A-57 | 7D-93 | 7A-57 | --- | --- |
| 68 | TEST | 7A-85 | 7D-CA | 7A-85 | --- | --- |
| 69 | SPEAKERS A | 7A-9A | 7D-C7 | 7A-9A | --- | --- |
| 72 | SPEAKERS B | 7A-9B | 7D-C6 | 7A-9B | --- | --- |

- *1: These code are transmitted when "DSP" is set-up as AMP library.
- *2: These code are transmitted when "ZONE" is set-up as AMP library.
- *3: "MAIN" is shown on LCD for 2 second, then return to previous status.
- *4: These code are transmitted when "ZONE2" is chosen with Select key.
- *5: These code are transmitted when "SYSTEM" is chosen with Select key. In case the key except K6 or K7 pressed, return to previous status and transmit the code it has.
- *: Transmitting Code of K6, "7A-1D", "7E-7E", "7E-BA" Full word transmitted twice.

- *1: AMPライブラリをDSPに設定することで送信される。
- *2: AMPライブラリをZONEに設定することで送信される。
- *3: LCD上に2秒間"MAIN"が表示され、その後元の状態に戻る。
- *4: SelectキーによってZONE2を選択することで送信される。
- *5: SelectキーによってSYSTEMを選択することで送信される。K6またはK7以外のキーを押した場合、前の状態に戻り、持っているコードが送信される。
- *: K6送信コード"7A-1D"、"7E-7E"、"7E-BA"についてフルワードが2回送信される。

Initial Macro setup

| Key No. | Key Name | 1 | 2 | 3 | 4-10 |
|---------|----------|----|--------|-----|------|
| 6 | POWER on | K6 | K39 TV | --- | --- |
| 7 | STANDBY | K7 | --- | --- | --- |
| 8 | V-AUX | K6 | K8 | --- | --- |
| 9 | TUNER | K6 | K9 | --- | --- |
| 10 | PHONO | K6 | K10 | --- | --- |
| 11 | CABLE | K6 | K11 | --- | --- |
| 12 | SAT | K6 | K12 | --- | --- |
| 13 | MD/TAPE | K6 | K13 | K35 | MD |
| 14 | CD-R | K6 | K14 | K35 | CD-R |
| 15 | CD | K6 | K15 | K35 | CD |
| 16 | DTV/LD | K6 | K16 | --- | --- |
| 17 | VCR1 | K6 | K17 | K35 | VCR1 |
| 18 | VCR2 | K6 | K18 | K35 | VCR2 |
| 19 | DVR | K6 | K19 | K35 | DVR |
| 20 | DVD | K6 | K20 | K35 | DVD |

