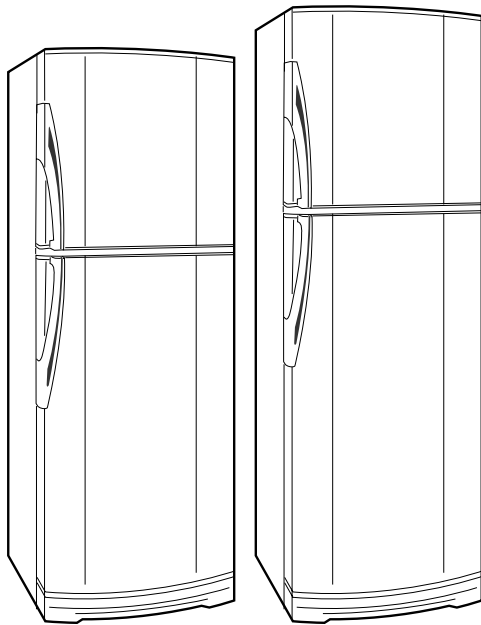


SHARP SERVICE MANUAL

S5219SE47JPS3



SJ-43L

SJ-47L

REFRIGERATOR-FREEZER

MODELS

SJ-43L-A2G/A2S/A2A

SJ-47L-A2G/A2S/A2A

In the interests of user-safety (Required by safety regulations in some countries) the set should be restored to its original condition and only parts identical to those specified should be used.



This equipment complies with the requirements of Directives 96/57/EC, 89/336/EEC and 73/23/EEC as amended by 93/68/EEC.

DESTINATION3

Refrigerant; HFC-134a

Refer to "HFC-134a COOLING UNIT" Service Manual for handling this refrigerant.

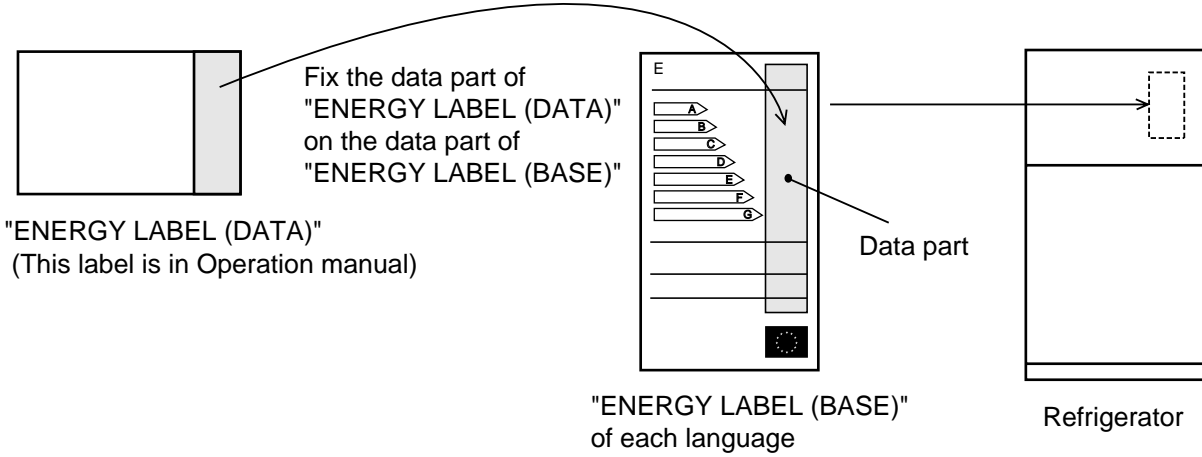
TABLE OF CONTENTS

	page
ENERGY LABEL	2
INSTALLATION	2
CAUTIONS AND INFORMATIONS	3
SPECIFICATIONS	4
THE FICHE	5
DESIGNATION OF VARIOUS PARTS	6
DIMENSIONS	7
LIST OF ELECTRICAL PARTS	9
WIRING DIAGRAM	10
FUNCTIONS	12
ASSEMBLING PROCEDURES OF MAIN PARTS AND CAUTIONS	15
COOLING UNIT	21
REPLACEMENT PARTS LIST	23

ENERGY LABEL

Usage of "the ENERGY LABEL"

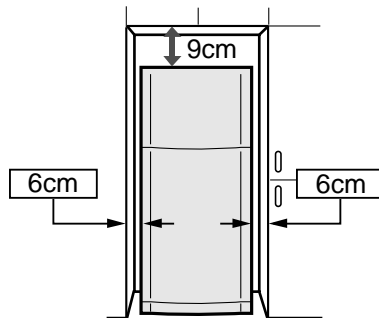
When displaying this refrigerator in the shop-window, attach the "ENERGY LABEL" to it in the following procedure.



INSTALLATION

Free standing type

To ensure adequate ventilation for this refrigerator, install with 6 cm space at the rear and both sides, with a minimum space of 9 cm above the refrigerator.



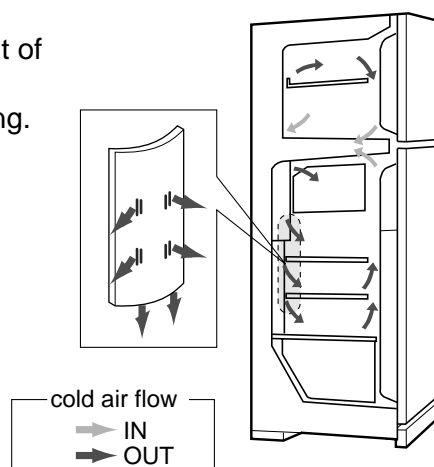
- This refrigerator shall be used under the ordinary place condition between +5°C and +38°C of ambient temperature, and also not be left under -10°C for long days.
- To be used this refrigerator within the range of the rated voltage $\pm 6\%$

CAUTIONS AND INFORMATIONS

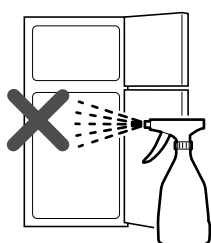
In case of following troubles, the cause is not related with the failure of refrigerator.
Please mention the correct way to the customer for the use of refrigerator when the repairing.

1. Some foods freezed in the refrigerator compartment.

Do not place food directly in front of cold air outlet.
This may lead to the food freezing.



2. Some plastic parts were cracked or splitted.



Some household cleaning chemicals may affect the internal food liner and plastic parts resulting in splitting or cracks occurring.

When cleaning all plastic parts inside this refrigerator, only use diluted dishwashing liquid(soapy water). Make sure that all plastic parts are thoroughly rinsed with water after cleaning.

3. IT IS NORMAL for the refrigerator to produce the following sounds.

Cracking or crunching sound;

Sound produced by expansion and contraction of inner walls and internal parts during cooling.

Squeaking sound;

Sound produced by expansion and contraction of internal parts.

Sound of flowing fluid (gurgling sound, fizzing sound);

Sound of refrigerant flowing in pipes (sound may become louder from time to time).

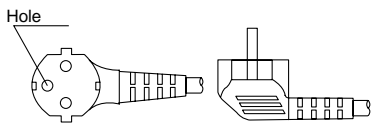
SPECIFICATIONS

Items		SJ-43L-A2	SJ-47L-A2
Type		2-Door	2-Door
Outer dimensions (Including spacer)	Height	1700mm(66.9")	1820mm(71.7")
	Width	680mm(26.8")	680mm(26.8")
	Depth	660mm(26.0")	660mm(26.0")
Rated storage volume (Rated volume)		347 liter (12.3cu.ft) F: 99liter (3.5 cu.ft) R: 248 liter(8.8 cu.ft)	384 liter (13.6 cu.ft) F: 99 liter (3.5 cu.ft) R: 285 liter(10.1 cu.ft)
Gross volume		370 liter (13.1cu.ft) F: 107liter (3.8 cu.ft) R: 263 liter(9.3 cu.ft)	407 liter (14.4 cu.ft) F: 107 liter (3.8 cu.ft) R: 300 liter(10.6 cu.ft)
Defrosting	System	Heater system	
	Start	Automatic	
	Finish	Automatic	
Temperature control		Automatic (Adjustable)	
No-frost freezer		Yes	
Interior lamp		1	
Caster		2	
Evaporating pan		1	
Refrigerator Compartment	Refrigerator tray	2	
	Vegetable tray	1	
	Vegetable case	1	
	V parting plate	1	
	R door pocket	1	
	Egg tray	1	
	R door pocket S	2	
	Bottle pocket	1	
	Bottle stopper	1	
	Door pocket	1	
	Fresh case	1	
Freezer Compartment	Freezer tray	1	
	Ice cube maker	Twin ice cube maker	
	Ice storage box	1	
	Door pocket	2	
Deodorizing unit		2 (Honeycomb type)	

RATING

Items		SJ-43L-A2	SJ-47L-A2
Rated voltage	(V~)	220-240	
Rated frequency	(Hz)	50	
Climate class		ST	
Rated current	(A)	1.2-1.3	
Rated input	(W)	115-120	
Rated input of heating elements	(W)	128-152	
Refrigerant (Charging quantity)		HFC-134a(105g)	
Net Weight	(kg)	66	68

PLUG TYPE

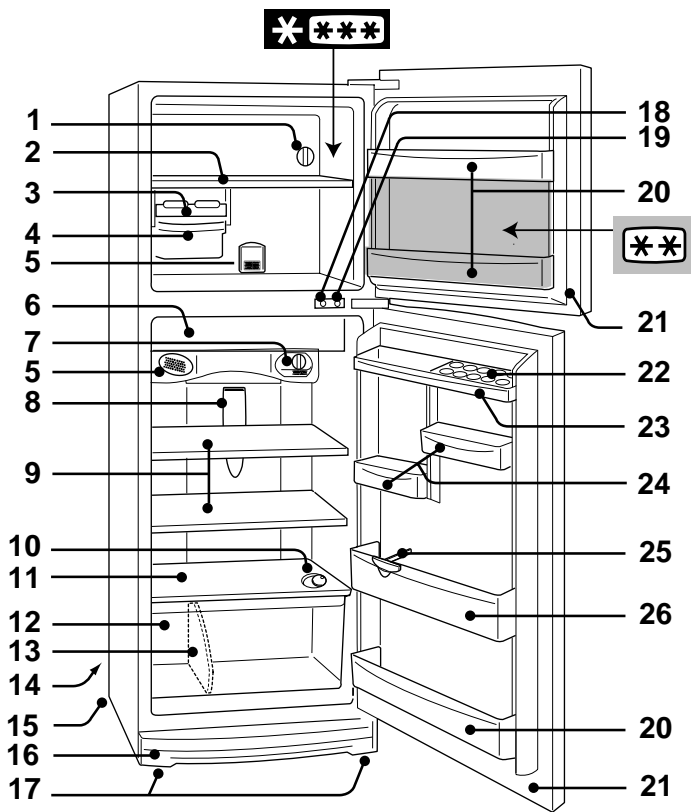
Plug cord	3 Wires		
Plug type	CS		
			
Destination mark	3		

COLOR

Items	-A2G	-A2S	-A2A
Outside color	Gray	Silver	Beige
Inside color	White		

DESIGNATION OF VARIOUS PARTS

The names are the denominations used in the REPLACEMENT PARTS LIST.



1. Freezer temp. control knob
2. Freezer shelf(Freezer tray)
3. Ice cube maker
4. Ice cube box(Ice storage box)
5. Deodorizing unit
6. Fresh case
7. Refrigerator temp. control knob
8. Light(Lamp)
9. Refrigerator shelf(Refrigerator tray)
10. Lever
11. Shelf(Vegetable tray)
12. Vegetable crisper(Vegetable case)
13. Separator plate(V parting plate)
14. Evaporating pan
15. Casters
16. Ventilating grille
17. Adjustable feet(Adjustable leg ass'y)
18. Fan switch
19. Fan & light switch
20. Utility pocket(Door pocket)
21. Magnetic door seal(Door packing)
22. Egg holder(Egg tray)
23. Egg pocket(R door pocket)
24. Small pocket(R door pocket S)
25. Bottle guard(Bottle stopper)
26. Bottle pocket

Figure D-1. External Description

NOTE : 2 star section ****** for storing frozen food only. (not freezing)

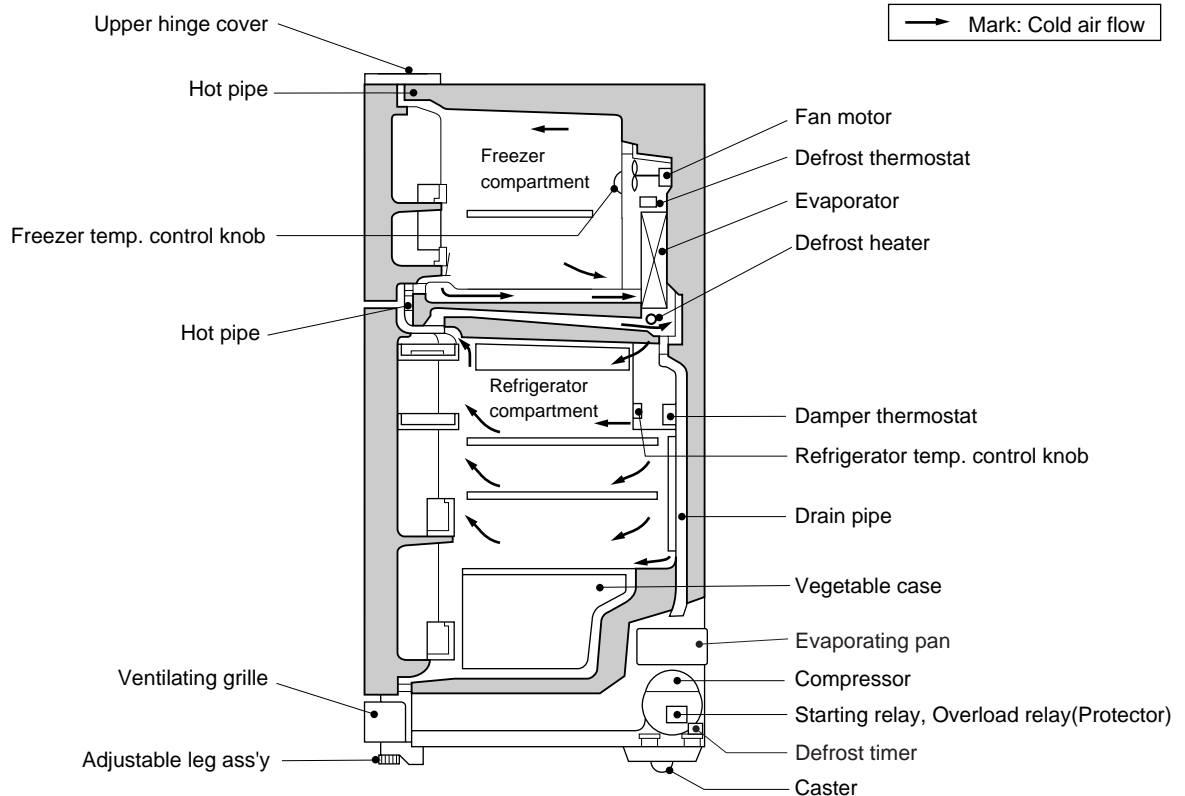

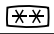


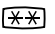



Figure D-2. Constructions

THE FICHE (according to ANNEX II : 94/2/EC)

NO.	Items	Description		Remarks
1	Trade mark	SHARP	SHARP	
2	Model name	SJ-43L	SJ-47L	
3	Type	Category; 7	Category; 7	fridge / freezer
4	Energy efficiency class	B	B	A-G
5	Eco-award mark	—	—	880/92
6	Energy consumption (220V 50Hz at 25°C)	510 kWh/year	560 kWh/year	EN153
7	Net storage volume of fresh food storage compartment	248 L	285L	
8	Net storage volume of frozen food storage compartment	88 L	88 L	
		11 L	11 L	
9	Star rating of frozen food compartment	4-STAR 	4-STAR 	
		2-STAR 	2-STAR 	
10	No frost	No frost	No frost	
11	Temperature rise time	9 h	9 h	
12	Freezing capacity	6.0 kg /24h	6.0 kg /24h	
13	Climate class	ST	ST	
14	Noise	39 dB(A) re 1 pw	39 dB(A) re 1 pw	86/594/EEC

(96/57/EC)

15	Maximum allowable electricity consumption (E _{max})	708 kWh/year	744 kWh/year	E max
		(1.94)	(2.04)	(kWh/day)

DIMENSIONS

OUTER DIMENSIONS AND CLEARANCE

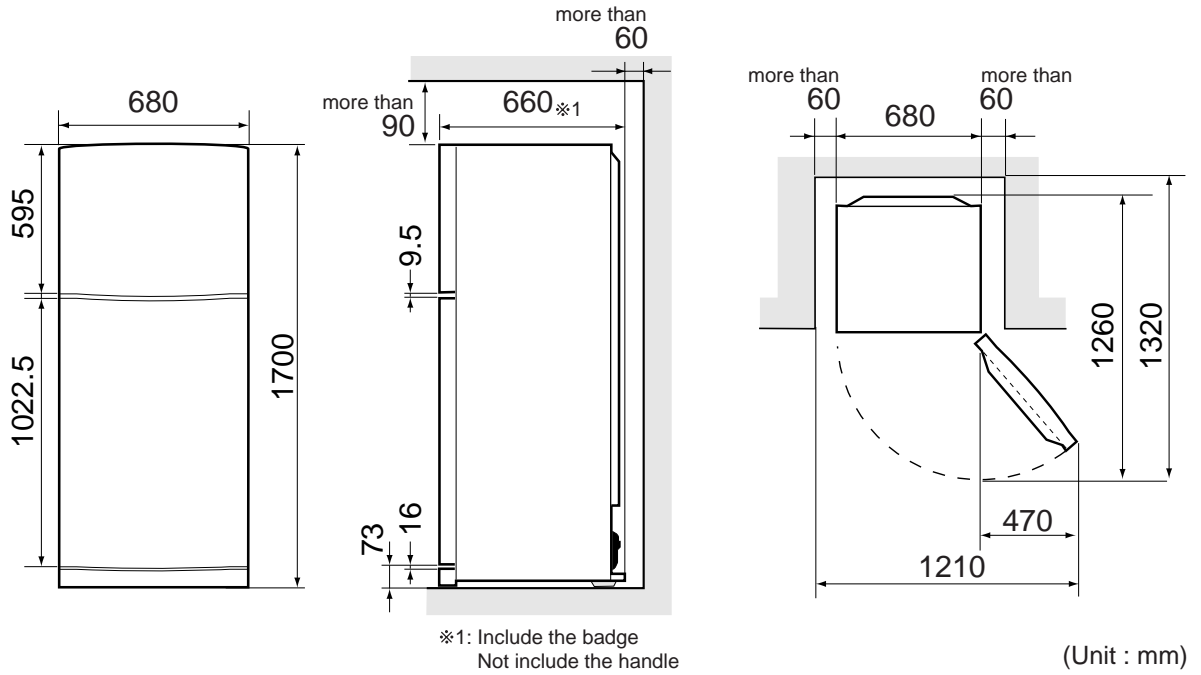


Fig. E-1(SJ-43L)

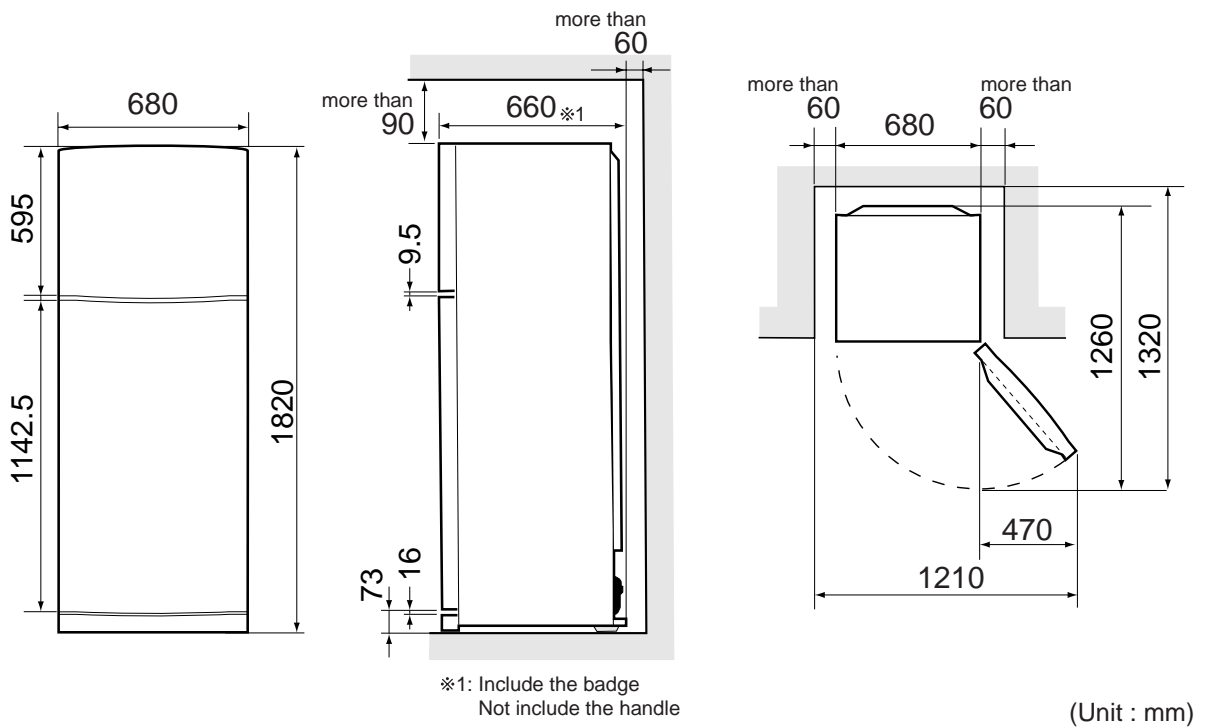


Fig. E-2(SJ-47L)

INNER DIMENSIONS

The dimensions between shelves can be changed by setting the shelves on the other rails.

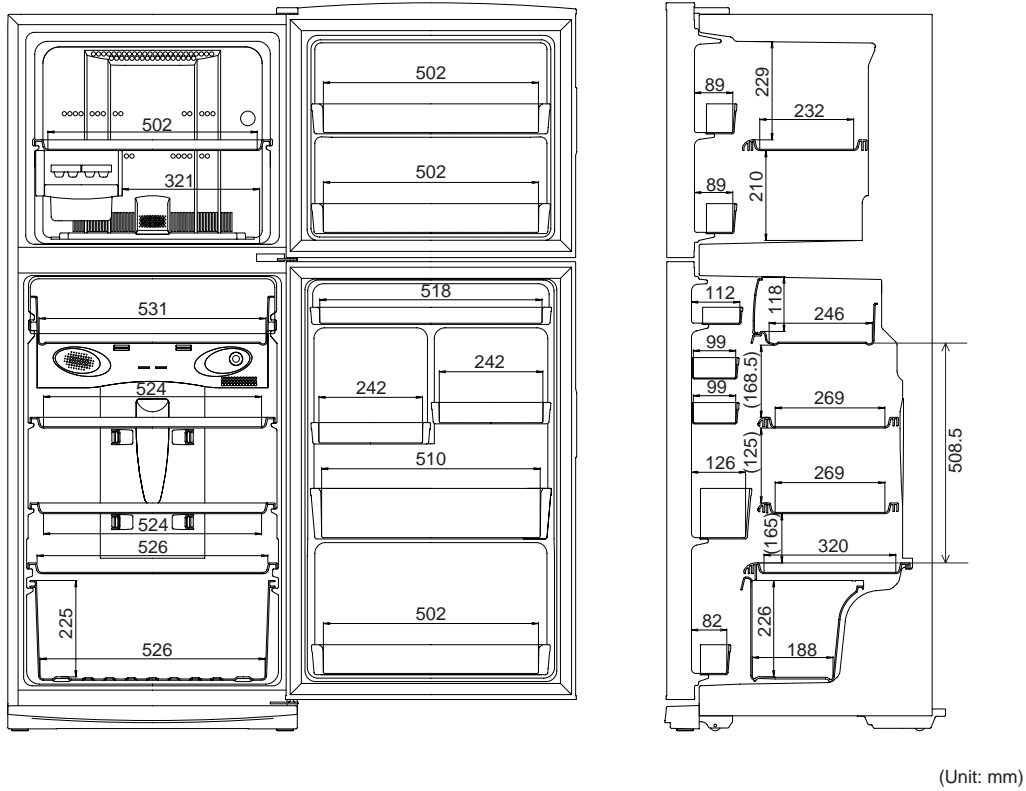


Fig. E-3(SJ-43L)

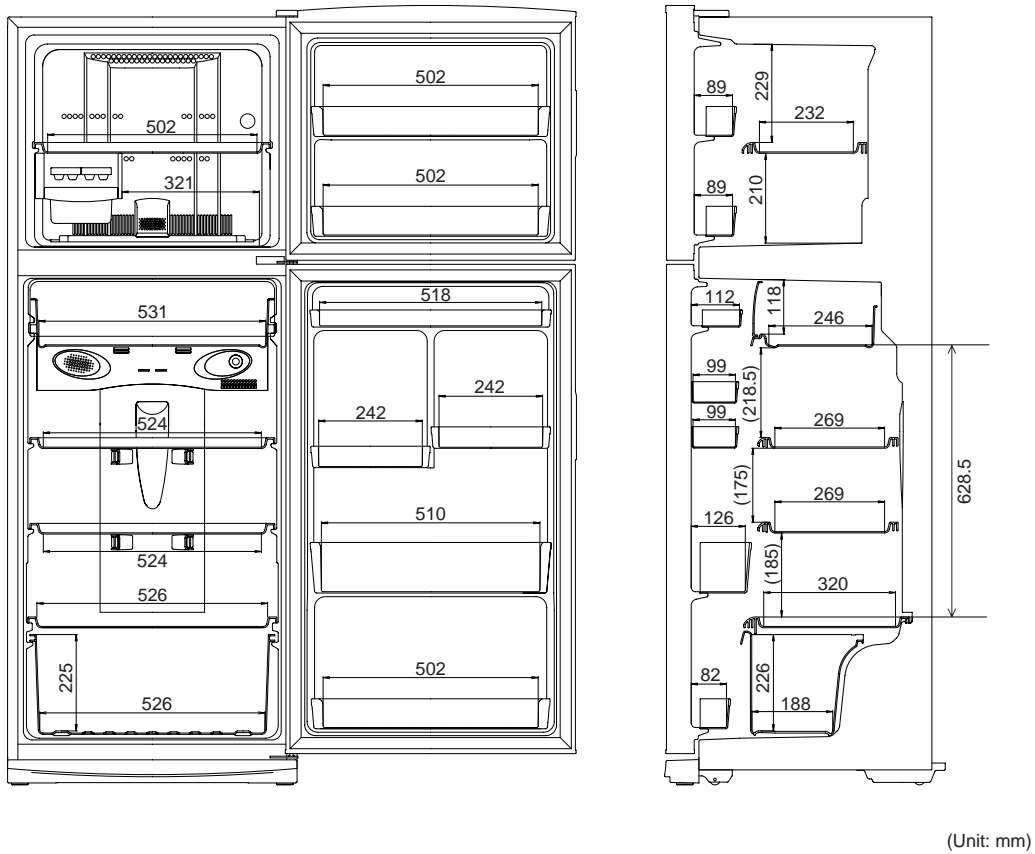
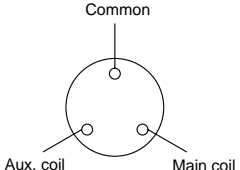


Fig. E-4(SJ-47L)

LIST OF ELECTRICAL PARTS

ITEMS	TYPE NAME	RATING	SPECIFICATIONS
Thermostat	MM1-8149	125V 6A 250V 3A	(At normal notch) ON/OFF : -20 / -25°C
Defrost thermostat	S101	250V 8A	Open/Close : 8 / 1°C
Thermo. fuse	SF70E	250V 10A	Working temp. : 70°C
Fan motor	3R00121A	220-240V 50/60Hz	Working with ø100 fan
Defrost heater	MM6-4264	220-240V 378Ω	140W at 230V
Door switch	DSD-5	250V 0.25A	4 terminals push-button type
Damper thermostat	MM1-6173	—	Open/Close : 5 / 0°C
Defrost timer	ND1004M2	220-240V 50/60Hz	Integration type Cycle time : 10h44m/8h57m(50/60Hz) Delay time : 4m20s/3m37s(50/60Hz)
Lamp socket	—	250V 1A	E-12(Hard plastic body type)
Lamp	—	240V 15W	E-12
Compressor	FL1568SD	220-240V/50Hz	Cooling capacity : 188W (50Hz) Main coil : 13.3Ω Aux. coil : 25.6Ω (at 25°C) 
Starting relay	PET0SAT	—	22 Ω 300V
Overload relay(Protector)	1.8C36A1	—	Open/ Close : 130/60°C
Running capacitor	—	420V or 450V 4μF	—

WIRING DIAGRAM

Be sure to replace the electrical parts with specified ones for maintaining the safety and performance of the set.

- | | |
|----------------------------|-----------------------------|
| GY : GRAY | ⊙ CONNECTED IN TERMINAL BOX |
| BR : BROWN (live) | □ CONNECTOR |
| OR : ORANGE | |
| Y : YELLOW | |
| R : RED | |
| P : PINK | |
| BL : BLUE (neutral) | |
| BK : BLACK | |
| SB : SKY-BLUE | |
| G-Y : GREEN-YELLOW (earth) | |
| W : WHITE | |

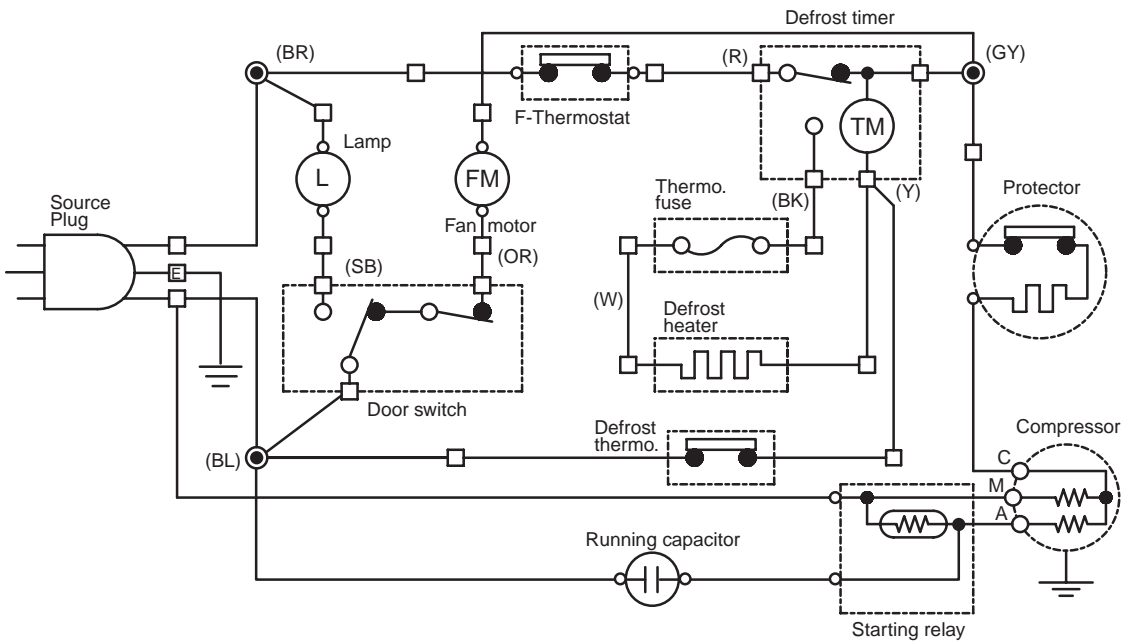


Figure W-1. Wiring Diagram

FUNCTIONS

1. ADJUSTABLE TEMPERATURE CONTROL

(1) Temperature control of freezer

- Thermostat (senses freezer temperature) operates on ON/OFF switchover to control the compressor and cool air circulating fan, and allows the freezer temperature to keep at a suitable temperature.
- However adjust the freezer temp. control knob as follows depending upon the storing condition of foods.

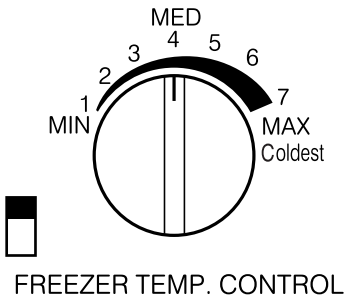



Figure F-1.

KNOB SETTING	PURPOSE
MAX(Coldest)	• For making ice rapidly or fast freezing.
↑	• When restocking with fresh food.
MED	• For normal freezing.
↓	• For storing frozen food for a short period (up to one month).
MIN	• When frozen food or ice cream is not stored.

2 star section  for storing frozen food only.(not freezing)

(2) Temperature control of refrigerator

- Damper-thermostat senses temperature of the refrigerator and changes the opening angle of the damper automatically.
- However, as the Damper-thermostat has no function to switch on or off the compressor and fan motor, the freezer temperature control causes temperature in the refrigerator to vary to some extent.
- However, adjust the refrigerator temp. control knob as follows depending upon the cooling condition.

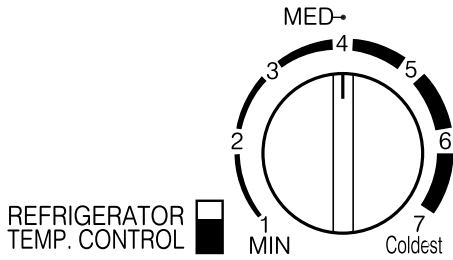

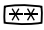


Figure F-2.

KNOB SETTING	PURPOSE
Coldest	• For keeping freshness of food longer.
↑	• When the refrigerator does not provide sufficient cooling.
MED	• For normal operation.
↓	• When the refrigerator provides excessive cooling.
MIN	

- NOTE:
- The refrigerator temperature is affected also by the freezer temperature. If the freezer temp. control knob is set at the position "MAX", the temperature tends to be lower than the following values, and if set at near the position "MIN", temperature tends to be higher.
 - If the refrigerator is operated for a long time with the freezer temperature control sets the "MAX" position, foods stored in the refrigerator compartment may also freeze.
 - When refrigerator temperature control sets to the "Coldest", some foods stored may freeze. In this case adjust control set back to the "MED" position.
 - When refrigerator temperature control sets to the "Coldest", some foods stored in Fresh case may also become frozen.

(3) Reference value of temperature

SETTING OF FREEZER TEMP. CONTROL KNOB	MAX (Coldest)	MED	MIN
Freezer temperature 	Approx. -21°C	Approx. -18°C	Approx. -15°C
2 star section 	-15°C	-12°C	-9°C

SETTING OF REFRIGERATOR TEMP. CONTROL KNOB	Coldest	MED	MIN
Refrigerator temperature	Approx. 0°C	Approx. 3°C	Approx. 6°C
Fresh case temperature	Approx. -3°C	Approx. 1°C	Approx. 4°C

The values shown above refer to the case where the freezer temp. control knob is set at "MED".

The values shown above refer to the measurement carried out center area and 1/3 of overall height from the bottom at each of the refrigerator and the freezer after machine has been operated at an ambient temperature of 30°C with no food stored and the door closed until the temperature is stabilized.

The values vary depending upon frequency of opening and closing the door, ambient temperature, amount of stored foods and manner of storing foods.

2. DEFROSTING

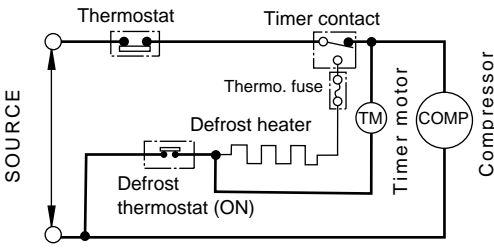
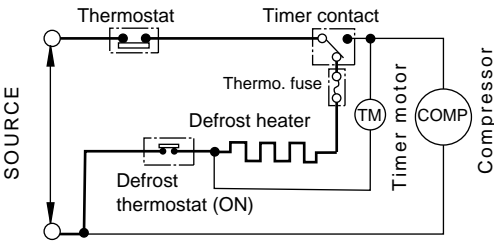
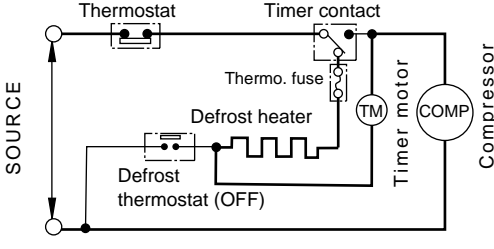
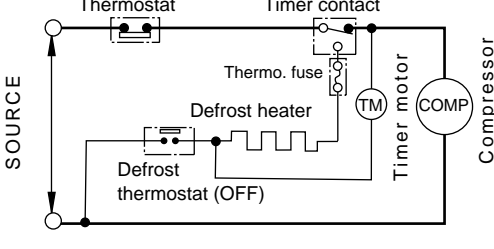
(1) No defrosting operation is necessary

No defrosting operation is necessary. As this machine is so designed that a built-in evaporator cools air and a fan circulates cooled air, neither the freezer nor the refrigerator is frosted, though the evaporator is frosted. The frosted evaporator is defrosted automatically due to the function of defrosting timer and heater, requiring no defrosting operation.

(2) Where is melted frost brought

1. Melted frost is brought into the evaporating pan at the back of the set and is evaporated here by the heat of compressor.
2. Be sure to use Evaporating pan as inserted so as to be level with the outer case.

(3) The following circuit diagrams in the table show automatic defrosting function of the refrigerator with timer and defrost thermostat.

Operation	Electric diagram	Description
<p>1. Cooling (Normal)</p>	<ul style="list-style-type: none"> ● Defrost thermostat ON ● Compressor running ● Timer motor running  <p style="text-align: center;">Figure F-3.</p>	<p>The integration timer integrates running time of the compressor. When it reaches cycle time of defrost timer, the timer contact is changed to start defrosting.</p>
<p>2. Defrosting (Time 20 to 30 min.)</p>	<ul style="list-style-type: none"> ● Defrost thermostat ON ● Compressor stops ● Timer motor stops  <p style="text-align: center;">Figure F-4 .</p>	<ul style="list-style-type: none"> ● The timer contact is changed to start defrosting, the timer motor stops, and power is supplied to the defrost heater. ● It takes about 20 to 30 min. to defrost. When little frosted, the defrosting takes little time. When much frosted, the defrosting takes much time.
<p>3. Drain (Time approx. 5 min.)</p>	<ul style="list-style-type: none"> ● Defrost thermostat OFF ● Compressor stops ● Timer motor running  <p style="text-align: center;">Figure F-5.</p>	<p>When the defrost thermostat becomes OFF, the timer motor starts running. During the operation time (delay time of defrost time) defrosted water is drained outside the refrigerator.</p>
<p>4. Restart (Time approx. 5 min.)</p>	<ul style="list-style-type: none"> ● Defrost thermostat OFF ● Compressor running ● Timer motor stops  <p style="text-align: center;">Figure F-6.</p>	<ul style="list-style-type: none"> ● Timer contact is changed to cooling operation and the compressor starts running and the timer motor stops. ● Defrost thermostat contact becomes ON when it's cooled. And the timer motor starts running. (Figure F-3.)

(4) As a reference to determine the causes of trouble, malfunction and phenomena are described below. Refer to the following when repairing.

1. Disconnection of defrost heater

As off-cycle defrosting is performed, the defrosting time is extremely prolonged. Each time defrosting is started, the freezer temperature rises and a portion of ice and stored foods are melted.

2. Melted thermo. fuse or opened-circuit due to the defect of defrost thermostat.

When the above mentioned trouble occurs in cooling operation, the timer motor does not run, defrosting will not take place, and consequently freezing is caused. In the above mentioned condition, when the timer shaft is turned by hand to defrost, the timer motor runs during the operation time. However, the motor stops from the time when the contact is changed, and freezing causes.

NOTE:

- As the thermo. fuse assembly is intended to prevent dangers, do not use it under shorted condition even for a short period.

3. DEW PREVENTION

The hot pipe, namely D.P.-condenser, is arranged around the flange part of cabinet and the C-partition plate, preventing dew from being generated on the cabinet.

NOTE:

- D.P.-condenser pipe may be felt hot if touched by hand while the compressor is in operation.
- If you are asked about this, please explain that the hot pipe serve to prevent the dew generation.

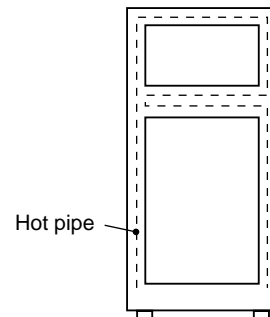


Figure F-7

4. INSPECTION OF INITIAL STARTING

(1) Inspection of cooling unit

1. Set the temperature control knob to "MAX" and check that the compressor starts to operate.
2. Depress the door switch to run the fan and check that cool air is blown out of the cold air outlet of the freezer and the refrigerator.
3. When the compressor does not work, check that the timer is not set to "defrost" position.
- 4 It takes about an hour and a half or two hours to put food in the refrigerator after starting operation.

NOTE:

- After return the temperature control knob to "MED" position.
- When the refrigerator is operated initially after installed, the compressor may vibrate excessively for 1 to 2 min. However, vibration becomes normal if it is continuously operated.

(2) Inspection of defrost device

Operate the refrigerator for 20 to 30 min. and then check the defrost device in the following procedures :
Allow 5 min. to restart the compressor since immediate starting after stopping will cause unsmooth operation.

1. Turn the timer shaft clockwise with a screw driver.
At this time, make certain the timer clicks and the compressor stops.
2. After more than 5 min., turn the shaft further to operate.
Make certain cooling operation is started again.

ASSEMBLING PROCEDURES OF MAIN PARTS AND CAUTIONS

CAUTION: DISCONNECT THE UNIT FROM THE POWER SUPPLY BEFORE ANY REPAIRING.

1. R-AIR GUIDER ASSEMBLY

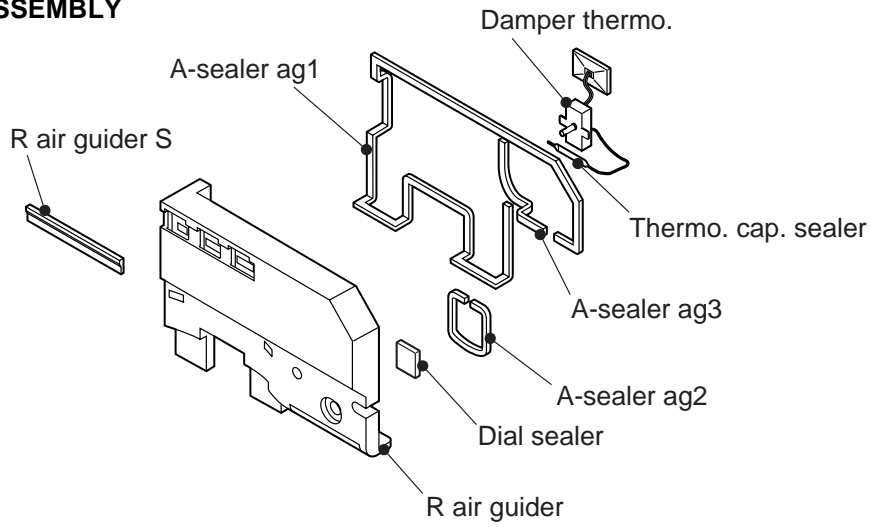
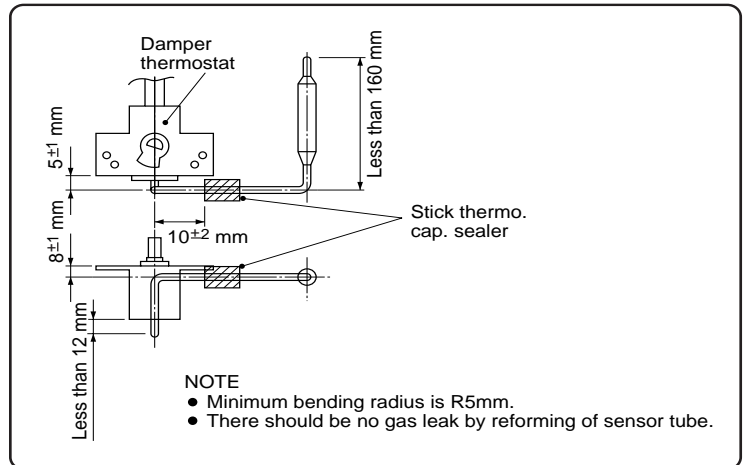


Figure A-1

(1) Forming sensor of Damper thermo.



After forming, fix it to the refrigerator.

Figure A-2

(2) Setting R air guider S and sticking sealers to R air guider.

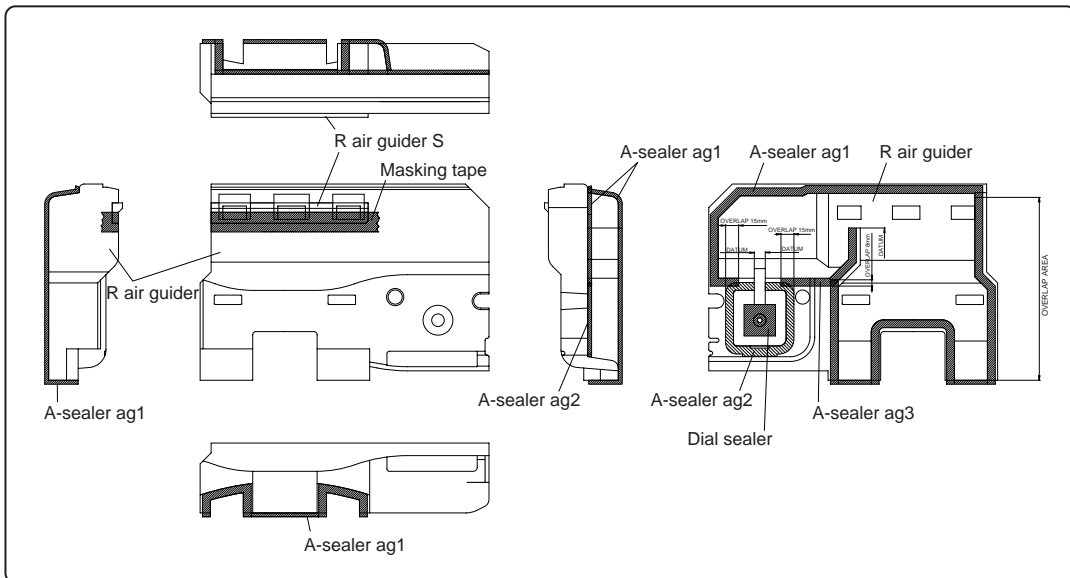


Figure A-3

2. FAN LOUVER AND E.V COVER ASSEMBLY

2-1. How to remove the Fan louver

- (1) Take out 2 screws.
- (2) Insert the screwdriver into the air hole of the Fan louver.
- (3) Press the Fan louver to the left side with the screwdriver, and pull it toward yourself to take off the Fan louver.

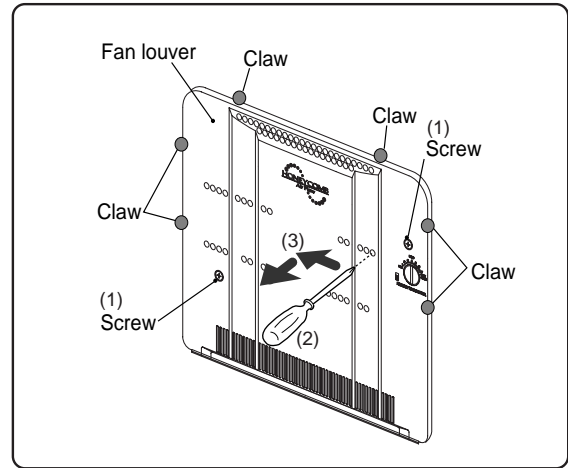


Figure A-4

2-2. E.v cover assembly

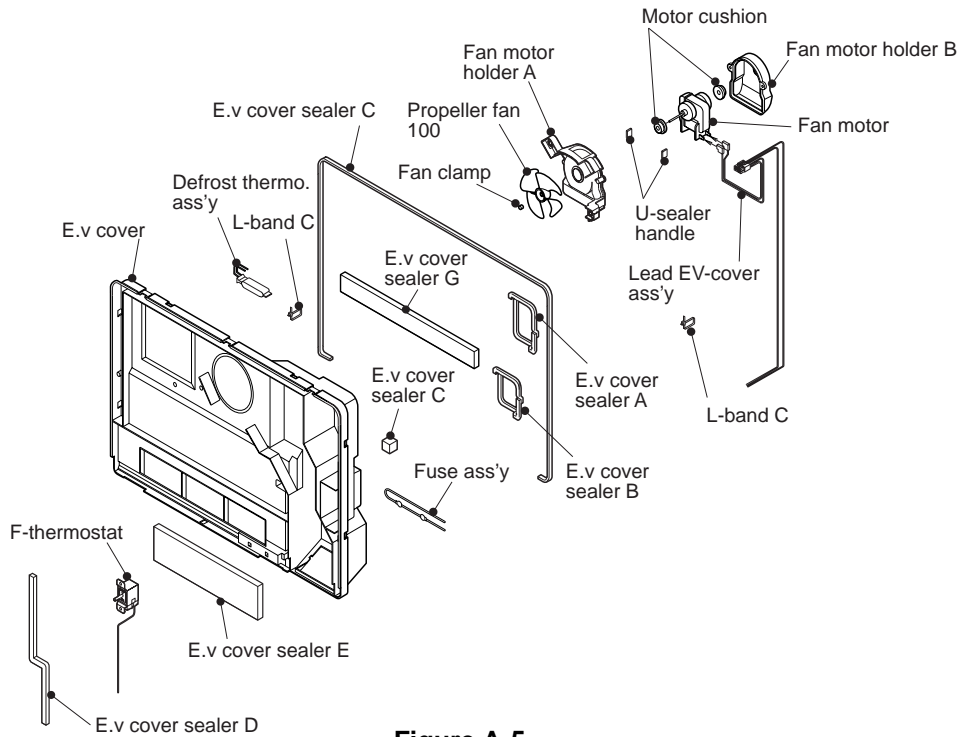


Figure A-5

(1) Sticking of Sealers to E.V cover

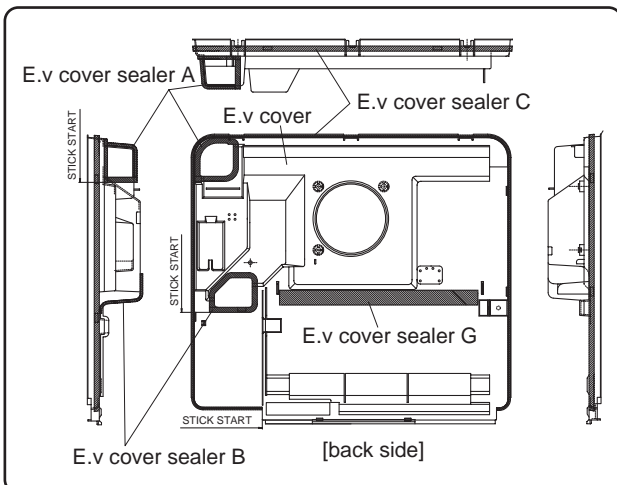


Figure A-6

(2) Fixing of Fan motor and Fan

(2-1) Stick U-sealer handle to Fan motor holder A.

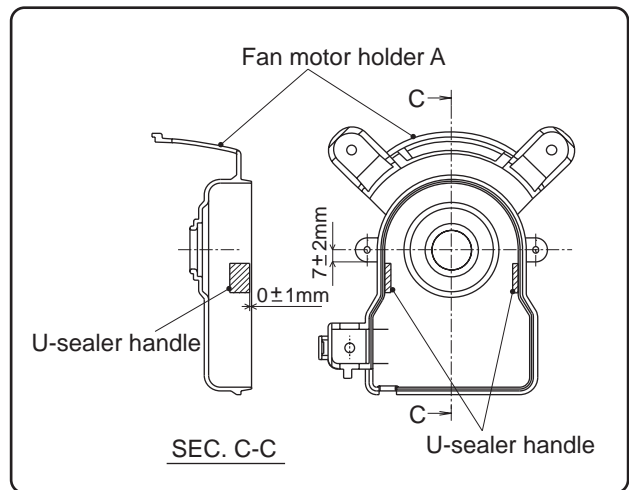


Figure A-7

- (2)-2 Insert the terminals of Lead EV-cover ass'y to Fan motor.
- (2)-3 Fix two Motor cushions to Fan motor, and set it at Fan motor holder A and B. Then fix with Tapping screw.

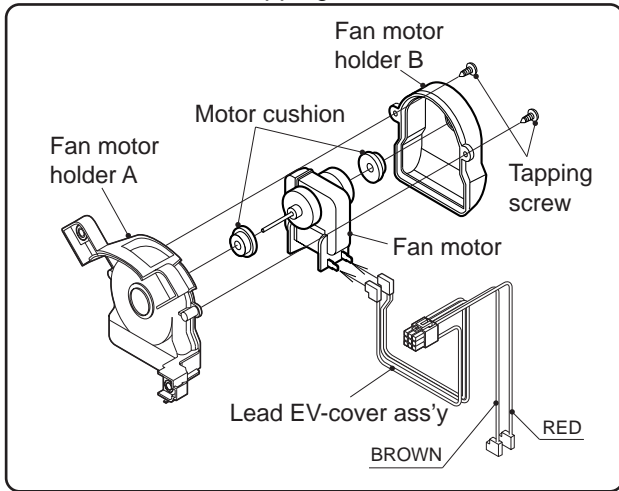


Figure A-8

- (2)-4 Set Fan clamp to Propeller fan 100 and insert it to the shaft of Fan motor.

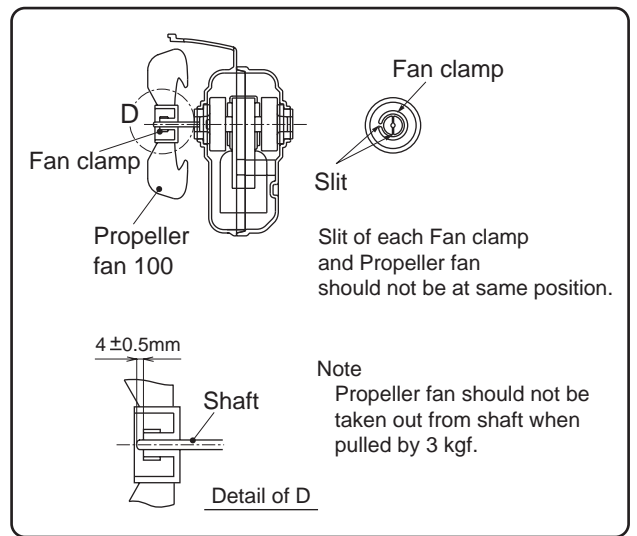


Figure A-9

- (3) Setting of Fan motor ass'y , Defrost thermo. ass'y and Fuse ass'y.

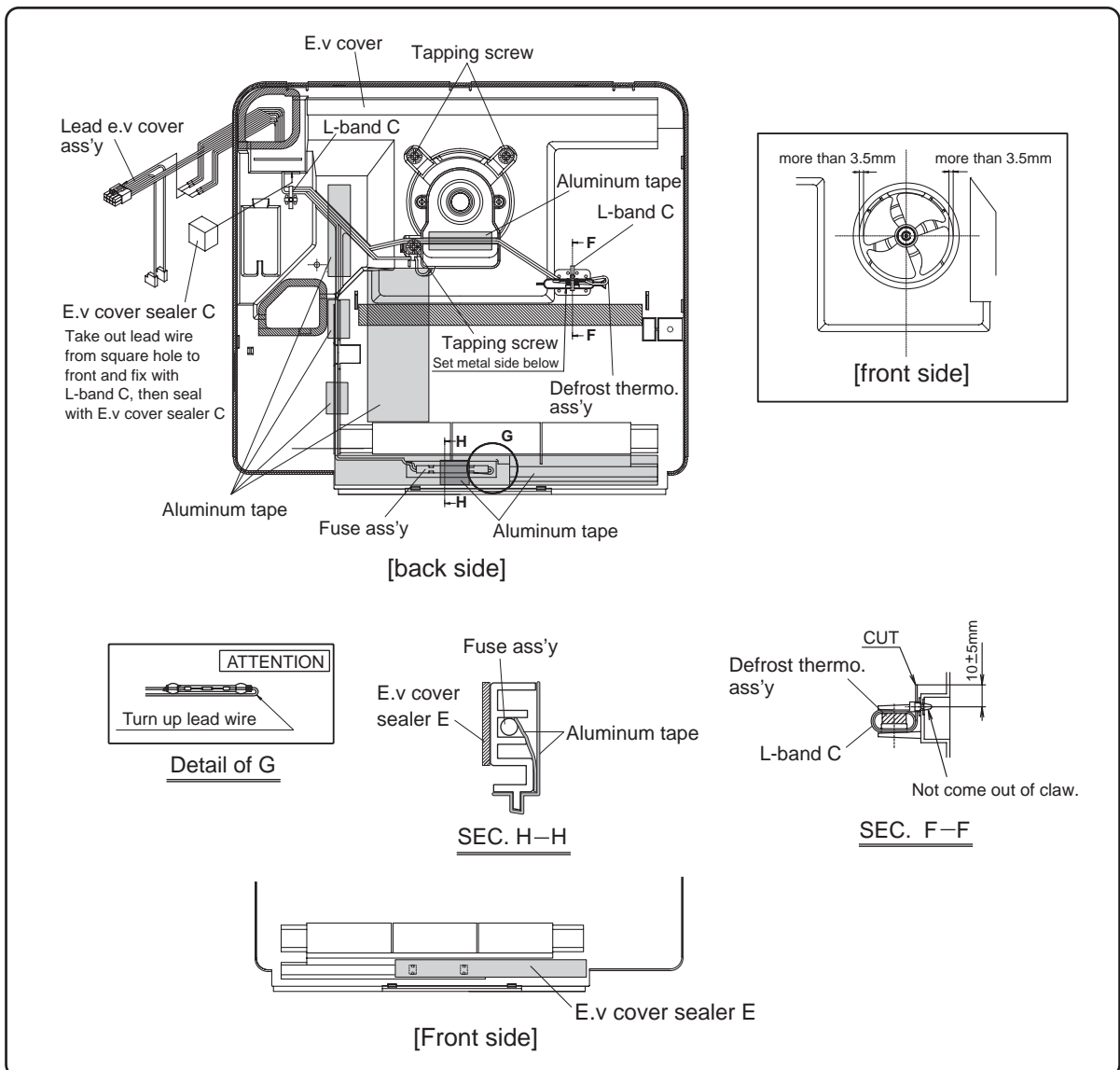


Figure A-10

(4) Inserting of pins

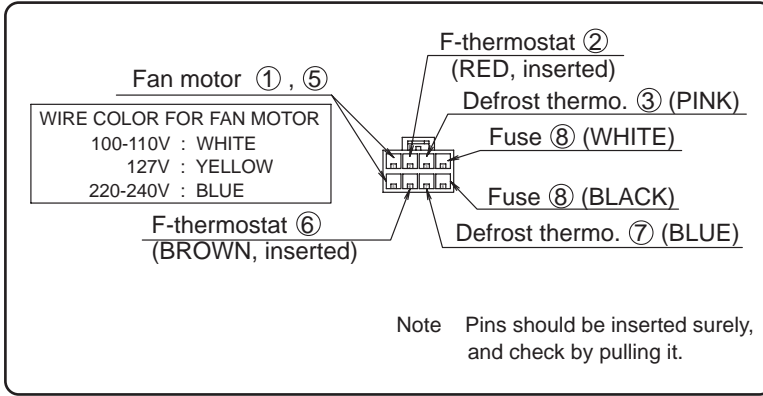


Figure A-11

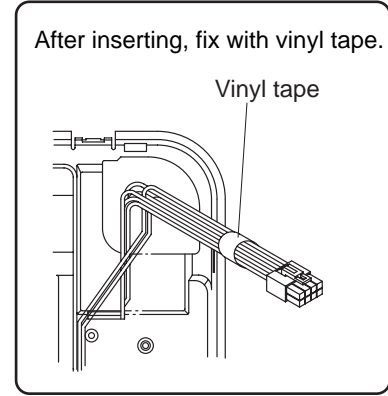


Figure A-12

(5) Setting of F-thermostat

(5)-1 Form capillary tube of F-thermostat.

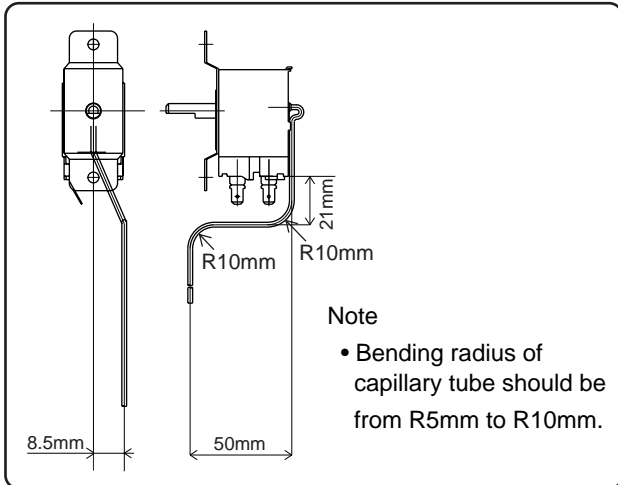


Figure A-13

(5)-3 Set to E.V cover.
Stick E.v cover sealer D.

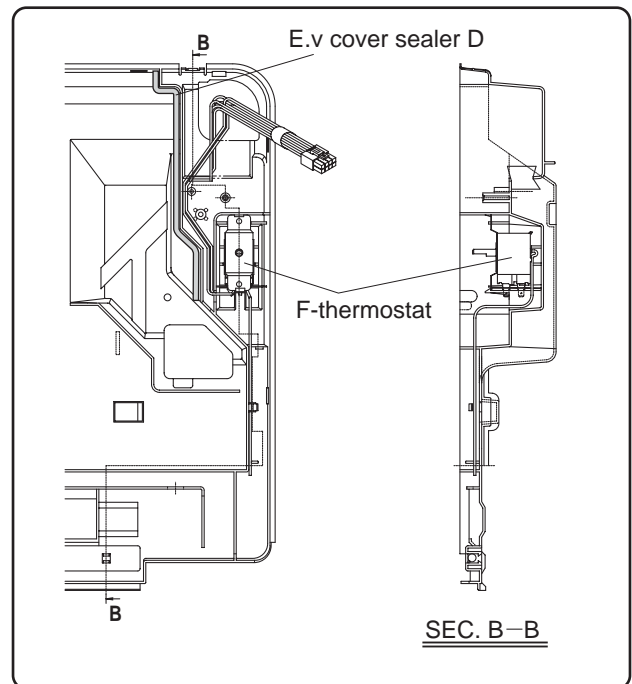


Figure A-15

(5)-2 Insert terminal of Lead EV-cover ass'y.

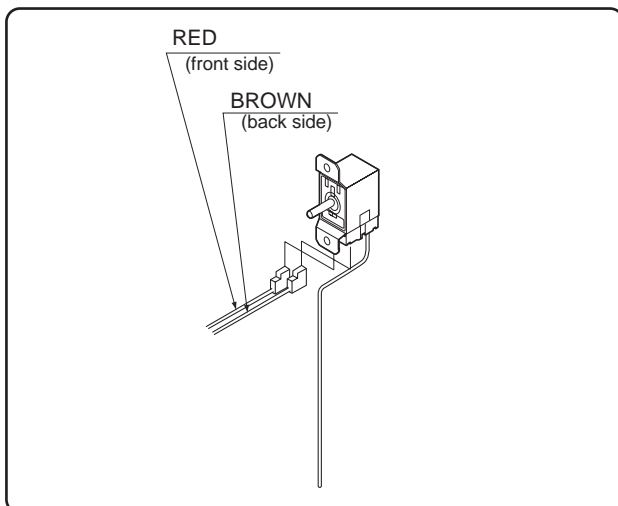


Figure A-14

3. DEFROST HEATER

(1) Taking-out Evaporator

(1)-1. Take out E.v cover ass'y (Fig. A-16).

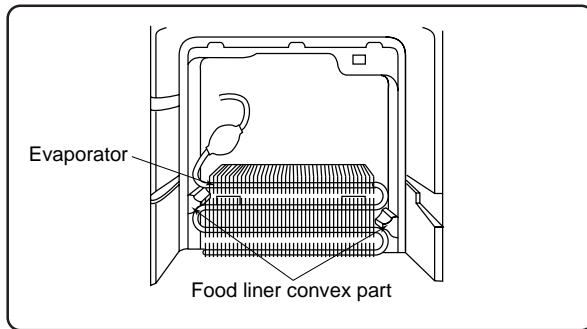


Fig. A-16

(1)-2. As shown in Fig. A-17, pull the upper part of Evaporator toward you, pull it diagonally so that the pipe of Evaporator does not contact the convex part of food liner.

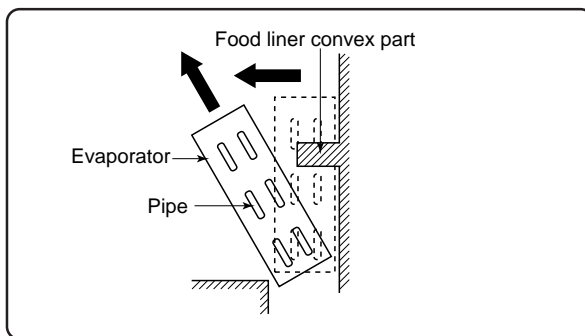


Fig. A-17

(1)-3. As shown in Fig. A-18, bend the removed Evaporator horizontally so that Defrost heater can be replaced easily.

NOTE: When pulling Evaporator and bending the pipes, pay attention so as not to break and deform the pipes. Still, take care not to hurt yourself by fin of Evaporator.

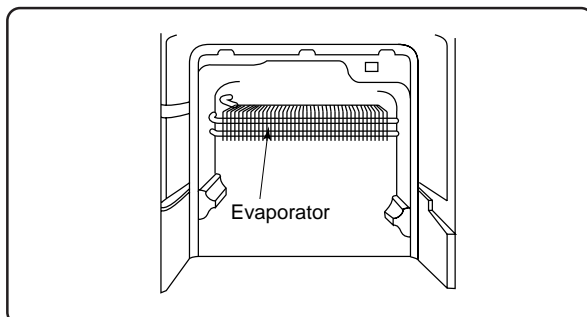


Fig. A-18

(2) Replacement of Def. heater ass'y.

(2)-1 Remove the center screw of Drain support al to take it off from the food liner.

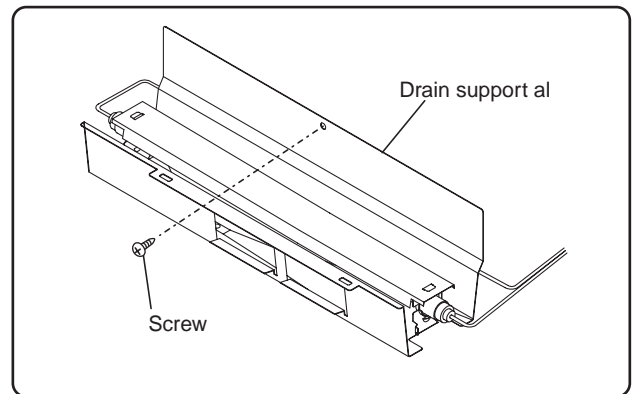


Fig. A-19

(2)-2 Raise the protrusion part of Drain support al. Then remove Heater cover.

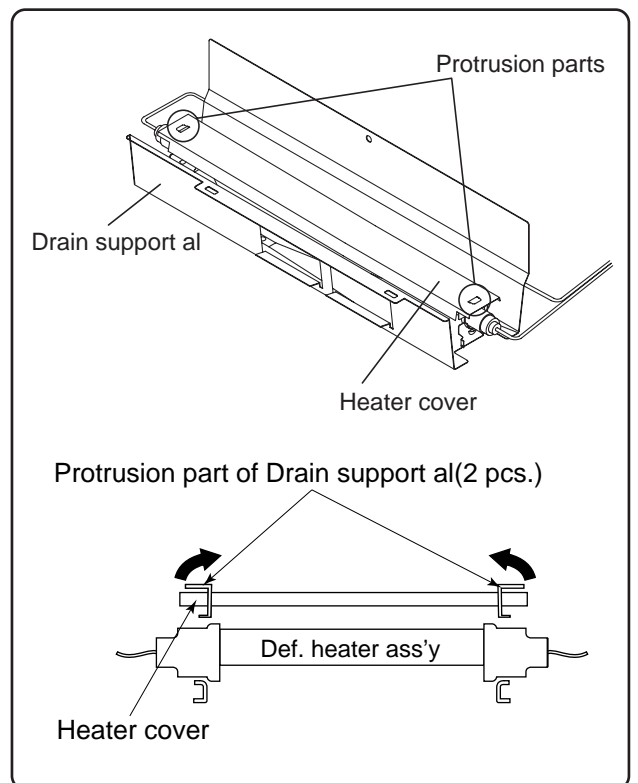


Fig. A-20

(2)-3 Open Def.heater fixed part of Drain support al to the right and left, then remove Def.heater ass'y.

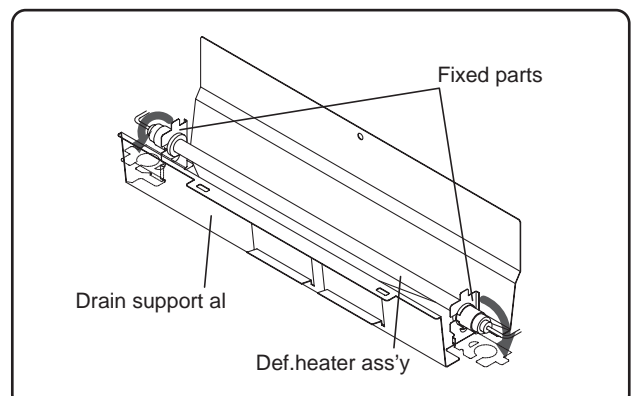


Fig. A-21

(2)-4. Replace Def. heater ass'y with new one.

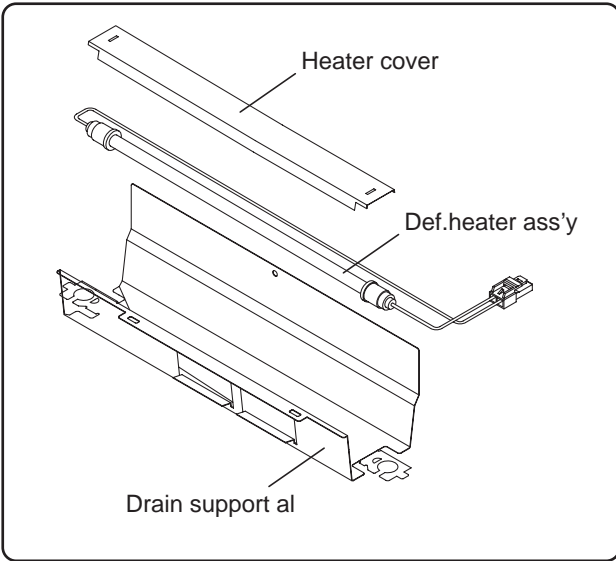


Fig. A-22

(2)-5. Wind the Glass cloth tape (3M: No. 27) to lead wire of Def. heater ass'y. (2 places)

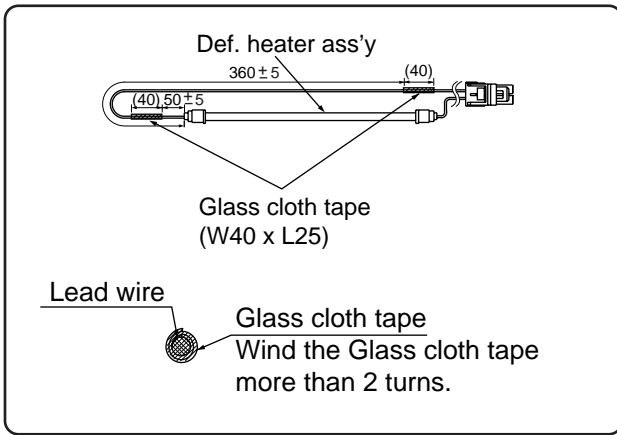


Fig. A-23

(2)-6. Bend (a) and (b) of Drain support al to right angle (90°) to set Def. heater ass'y. (Fig. A-24)

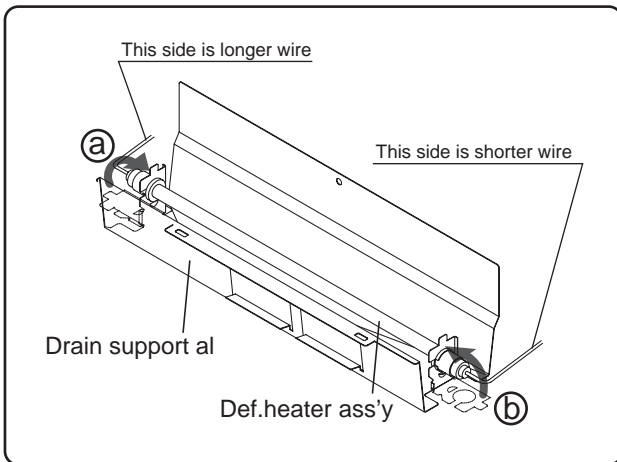


Fig. A-24

(2)-7. Stick the longer wire to the Drain support by aluminum tape (2 pieces), and wind vinyl tape (2 pieces) to lead wires of Def. heater ass'y by aluminum tape as shown in Fig. A-25.

Note: Glass cloth tape part shall be both side of Drain support to protect the lead wire from damaged.

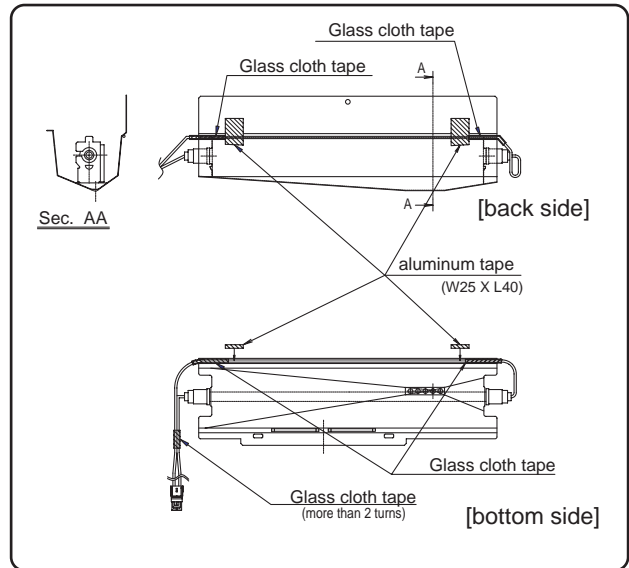


Fig. A-25

(2)-8. Set Heater cover on Drain support, and bend top edge (c) and (d) to outside as shown in Fig. A-26.

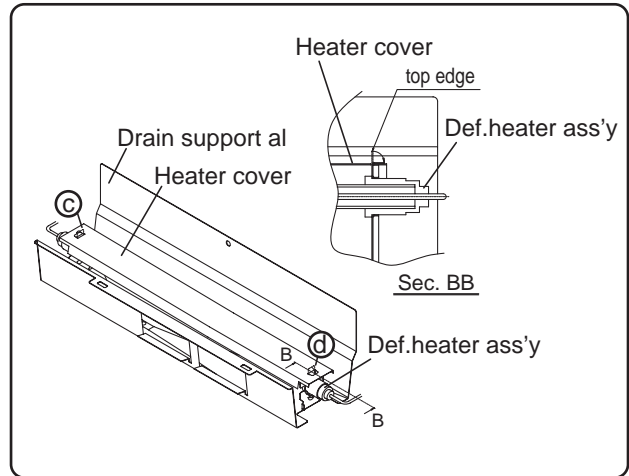


Fig. A-26

(2)-9. Wind up Leading wire sealer as shown in Fig. A-27

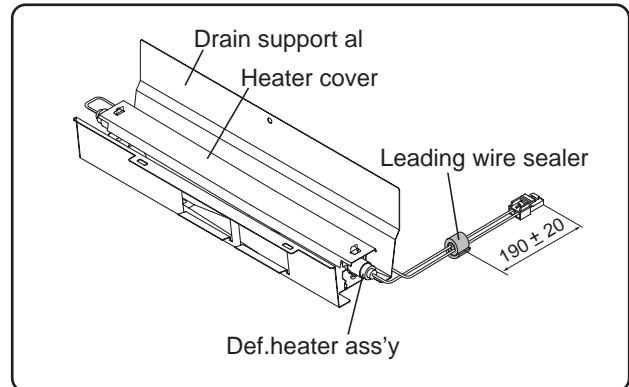


Fig. A-27

(2)-10. Set the assembly above on the food liner by fixing a screw.

(3) Installing of Evaporator

- (3)-1. Install Evaporator as shown in Fig. A-16 in the reverse order of Fig. A-17.
- (3)-2. Correct the deformed fin.

NOTE

- 1. When installing Evaporator, take care not to deform significantly and break the pipes.
- 2. Take care not to damage the lead wires and hurt yourself by the fin of Evaporator.

COOLING UNIT

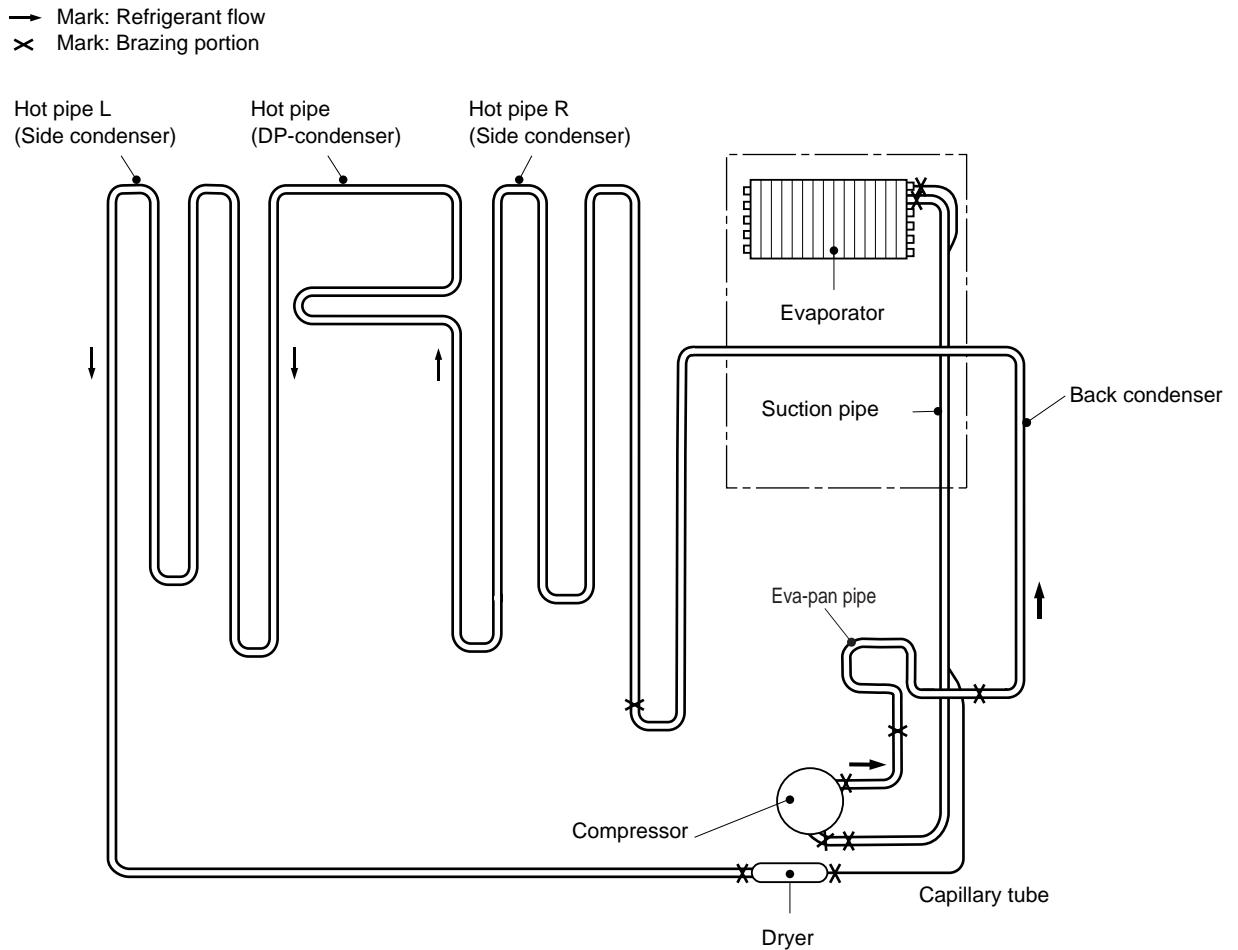


Figure C-1. Cooling unit

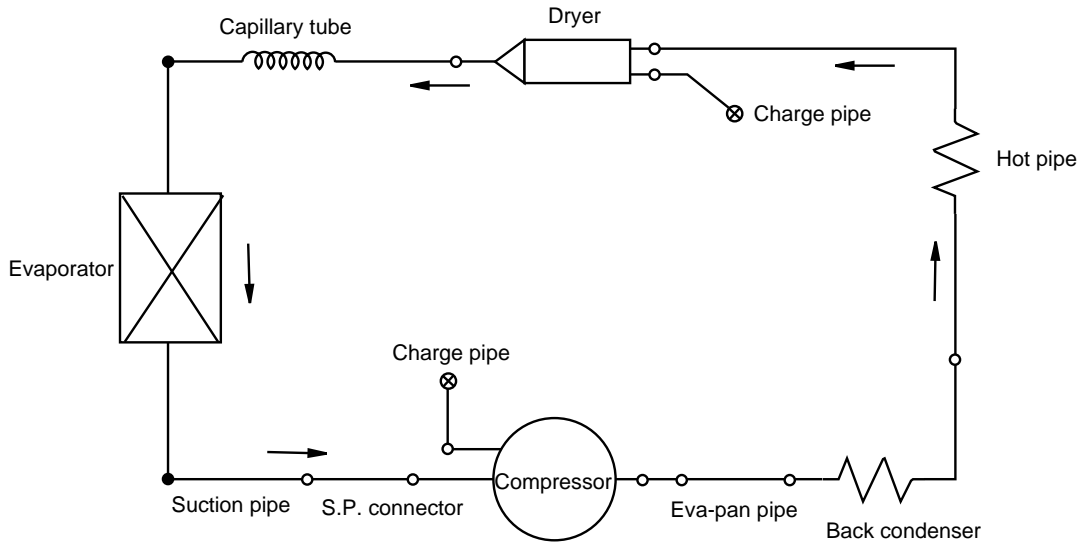


Figure C-2. Location

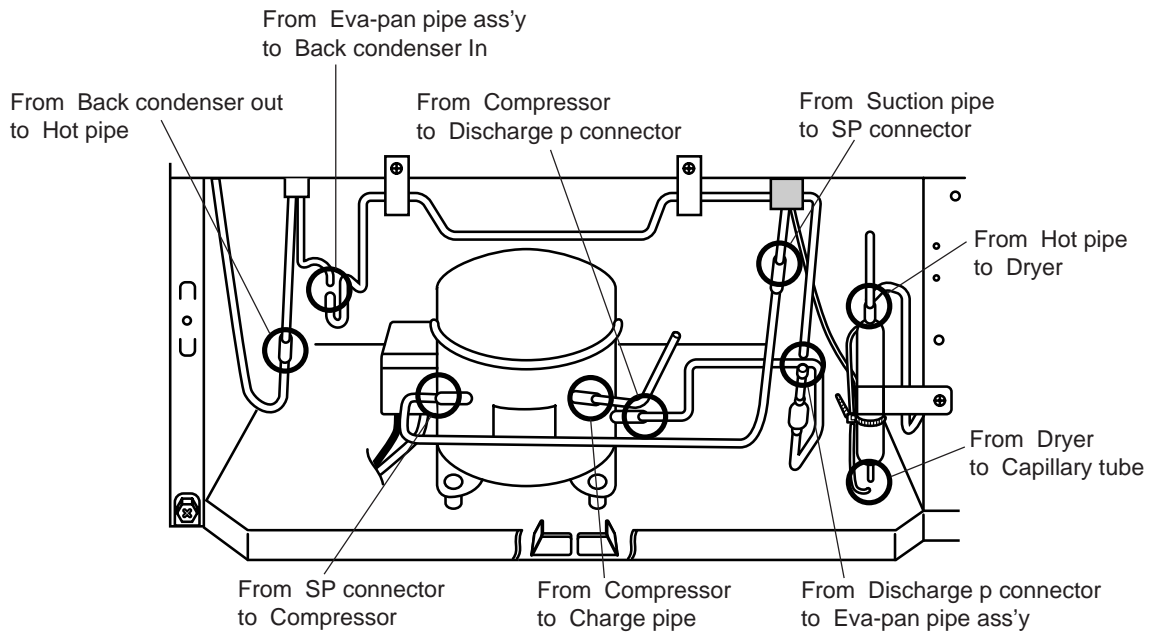


Figure C-3. Location

REPLACEMENT PARTS LIST(SJ-43L-A2G/A2S/A2A)

REF. NO.	PART NO.	DESCRIPTION	Q'TY			CODE
			SJ-43L -A2G	SJ-43L -A2S	SJ-43L -A2A	

ELECTRIC PARTS

1-1	RTHM-A103CBZZ	F-themostat	1	1	1	AV
1-2	RSTT-A134CBE0	Starting relay	1	1	1	AS
1-3	QSWTDA047CBZZ	Defrost timer	1	1	1	AZ
1-4	PDMP-A050CBEZ	Damper thermo	1	1	1	AW
1-5	FTHM-A039CBKZ	Defrost thermo.ass'y	1	1	1	AM
1-6	RMOTRA046CBE0	Fan motor	1	1	1	AZ
1-7	QSOCOA084CBEZ	Lamp socket	1	1	1	AL
1-8	RLMP-A029CBEZ	Lamp15w	1	1	1	AH
1-9	QACC-A142CBZZ	Source cord	1	1	1	AQ
1-10	QSW-PA090CBZA	Door switch	1	1	1	AS
1-11	RHOG-A161CBZZ	Protector	1	1	1	AX
1-17	FFS-TA061CBKZ	Fuse ass'y	1	1	1	AM
1-20	FW-VZA146CBEZ	Lead ev-cover ass'y	1	1	1	AL
1-21	FHETBA161CBEZ	Def.heater ass'y	1	1	1	AY
1-22	FCNW-A688CBKZ	Relay cord s ass'y	1	1	1	AR
1-23	QCNW-A671CBE0	Reray wire rc	1	1	1	AD
1-32	RC-EZA199CBZZ	Running capacitor	1	1	1	AT
1-33	QCNW-A886CBE0	Olr cord	1	1	1	AE

MECHANICAL PARTS

2-2	JKNB-A036CBFC	F-temp. control knob	1	1	1	AC
2-4	LHLD-A489CBFA	E.v. holder	2	2	2	AD
2-7	FLEGPA083CBKZ	Leg holder l ass'y	1	1	1	AF
2-7-1	FAJS-A015CBKZ	Adjustable leg ass'y	2	2	2	AE
2-7-2	LHLD-A533CBPZ	Leg holder l	1	1	1	AL
2-8	FLEGPA084CBKZ	Leg holder r ass'y	1	1	1	AF
2-8-2	LHLD-A534CBPZ	Leg holder r	1	1	1	AP
2-13	DHNG-A417CBMZ	Upper hinge ass'y	1	1	1	AE
2-14	DHNG-A419CBMZ	Bottom hinge r ass'y	1	1	1	AD
2-15	DHNG-A418CBMZ	Center hinge r ass'y	1	1	1	AE
2-16	GCOV-A210CBFZ	E.v cover	1	1	1	AR
2-17	LCRA-A010CBE0	Fan clamp	1	1	1	AD
2-19	LHLD-A389CBF0	Motor cushion	2	2	2	AF
2-20	NFANPA011CBF0	Propeller fan 100	1	1	1	AD
2-21	PSEL-C067CBEZ	E.v cover sealer a	1	1	1	AA
2-22	PSEL-C068CBEZ	E.v cover sealer b	1	1	1	AA
2-23	PSEL-C066CBEZ	E.v cover sealer c	1	1	1	AC
2-24	PCOVPA308CBFA	Terminal cover	1	1	1	AE
2-26	PCOV-A277CBFA	R lamp cover	1	1	1	AE
2-27	GCOVPA142CBRA	R-c box cover	1	1	1	AQ
2-28	HGRL-A206CBRA	Fan louver	1	1	1	AS
2-29	GCOV-A209CBFA	Upper hinge cover	1	-	-	AC
2-29	GCOV-A209CBFB	Upper hinge cover	-	1	-	AC
2-29	GCOV-A209CBFE	Upper hinge cover	-	-	1	AD
2-31	JKNB-A033CBFC	R-temp.control knob	1	1	1	AC
2-32	JKNB-A063CBFA	V-tray control knob	1	1	1	AC
2-36	PCAP-A006CBFX	Screw cover	2	-	-	AB
2-36	PCAP-A006CBFY	Screw cover	-	-	2	AB
2-36	PCAP-A077CBFA	Screw cover	-	2	-	AA
2-38	PGID-A161CBFZ	R-air guider	1	1	1	AG
2-39	PGID-A162CBFZ	R-air guider s	1	1	1	AC
2-41	PSEL-B848CBEZ	A-sealer thermo.cap	1	1	1	AC
2-44	HGRL-A203CBRA	F deodo.louver	1	1	1	AF
2-45	HGRL-A204CBFA	R deodo.louver	1	1	1	AE
2-46	PFIL-A047CBEZ	Deodorizer	2	2	2	AC
2-49	LSTPPA108CBFA	Chilled stopper	2	2	2	AC
2-50	LSTPPA118CBFA	Case stopper v	2	2	2	AC
2-55	HGRL-A209CBFA	Multi louver s	1	1	1	AM
2-56	PFPFPB345CBFZ	R-louver insu.s	1	1	1	AE
2-57	PSEL-C095CBEZ	A-sealer r-louver	2	2	2	AB
2-63	LHLD-A484CBFA	Fan motor holder b	1	1	1	AH
2-64	LHLD-A485CBFA	Fan motor holder a	1	1	1	AH
2-65	PSEL-B209CBE0	U-sealer handle	2	2	2	AB
2-66	PSHEMA225CBPZ	Heater cover	1	1	1	AC
2-67	LPLTMA633CBPZ	Drain support al	1	1	1	AF
2-68	PSEL-A415CBE0	E.v cover sealer c	1	1	1	AC
2-69	PSEL-C069CBEZ	E.v cover sealer d	1	1	1	AA
2-70	PSEL-C135CBEZ	E.v cover sealer e	1	1	1	AC
2-71	PSEL-A552CBE0	Dial sealer	1	1	1	AC
2-72	PSEL-C078CBEZ	A-sealer ag1	2	2	2	AC
2-73	PSEL-C079CBEZ	A-sealer ag2	1	1	1	AB
2-77	LHLD-A391CBE0	Sl-5n clip	1	1	1	AD
2-78	LPLTMA399CBP0	Dryer support	1	1	1	AD

REF. NO.	PART NO.	DESCRIPTION	Q'TY			CODE
			SJ-43L -A2G	SJ-43L -A2S	SJ-43L -A2A	
2-79	LBND-A019CBE0	Nylon band	1	1	1	AB
2-80	PBOX-A132CBFA	Terminal box	1	1	1	AF
2-83	PSEL-C080CBEZ	A-sealer ag3	1	1	1	AA
2-84	PSEL-C081CBEZ	A-sealer ag4	2	2	2	AA
2-87	LBND-A018CBE0	Fastening band a	1	1	1	AP
2-91	HGRL-A202CBFA	F return cover	1	1	1	AF
2-93	PCAP-A068CBFA	C sliding cap a	4	4	4	AC
2-99	PSEL-A562CBE0	Leading wire sealer	1	1	1	AC
2-100	PSEL-C138CBEZ	E.v cover sealer g	1	1	1	AA
2-101	PSEL-C139CBEZ	Ev-insulation 47	2	2	2	AC

DOOR PARTS

3-5	FDORFB512CBKZ	F-door s ass'y	1	-	-	BM
3-5	FDORFB513CBKZ	F-door s ass'y	-	1	-	BL
3-5	FDORFB528CBKZ	F-door s ass'y	-	-	1	BK
3-5-1	LSTPPA082CBFA	Fd-stopper spring r	1	1	1	AD
3-5-2	NBRGPA013CBFB	Nylon bearing 2	1	1	1	AH
3-5-3	LSTPMA008CBM0	F-door stopper r	1	1	1	AD
3-5-4	GDAI-A059CBMZ	Badge base	1	1	1	AK
3-5-5	HBDGDA922CBEA	Badge	1	-	-	AP
3-5-5	HBDGDA922CBEA	Badge	-	-	1	AP
3-5-5	HBDGDA928CBEA	Badge	-	1	-	AM
3-6	FPACGA346CBKZ	F-door packing	1	1	1	AT
3-8	FHNDPA062CBKZ	Door handle fl ass'y	1	-	-	AU
3-8	FHNDPA063CBKZ	Door handle fl ass'y	-	1	-	AU
3-8	FHNDPA065CBKZ	Door handle fl ass'y	-	-	1	AU
3-10	LPLTPA286CBFA	Handle base fl	1	-	-	AK
3-10	LPLTPA286CBFB	Handle base fl	-	1	-	AK
3-10	LPLTPA286CBFE	Handle base fl	-	-	1	AK
3-15	FDORRB302CBKZ	R-door ass'y	1	-	-	BR
3-15	FDORRB304CBKZ	R-door ass'y	-	1	-	BR
3-15	FDORRB347CBKZ	R-door ass'y	-	-	1	BQ
3-15-1	LSTPPA084CBFA	Rd-stopper spring r	1	1	1	AD
3-15-2	NBRGPA022CBFA	Nylon bearing 3s	1	1	1	AC
3-15-3	LSTP-A058CBM0	R-door stopper r	1	1	1	AF
3-17	FPACGA348CBKZ	R-door packing	1	1	1	AV
3-19	FHNDPA070CBKZ	Door handle rl ass'y	1	-	-	AU
3-19	FHNDPA071CBKZ	Door handle rl ass'y	-	1	-	AU
3-19	FHNDPA073CBKZ	Door handle rl ass'y	-	-	1	AU
3-21	LPLTPA287CBFA	Handle base rl	1	-	-	AK
3-21	LPLTPA287CBFB	Handle base rl	-	1	-	AK
3-21	LPLTPA287CBFE	Handle base rl	-	-	1	AK

OTHER PARTS

4-1	LBND-A023CBE0	L-band c	2	2	2	AC
4-3	LX-VZA003CBE0	Special screw	2	2	2	AB
4-11	QTAN-A012CBE0	Solderless term. b	3	3	3	AH
4-15	LX-BZA018CBE0	Special screw	1	1	1	AA
4-17	LX-WZA003CBE0	Washer	4	4	4	AA

ATTACHMENT PARTS

5-1	UPOK-A180CBRA	Bottle pocket	1	1	1	AR
5-2	UPOKPA268CBFA	R door pocket s	2	2	2	AH
5-3	UPOK-A179CBRA	Door pocket	3	3	3	AM
5-4	UPOK-A181CBRA	R door pocket	1	1	1	AL
5-5	UTNA-A282CBFA	Egg tray	1	1	1	AH
5-6	FSRA-A193CBYZ	Ice cube maker	1	1	1	AS
5-9	USRA-A270CBFA	Freezer tray	1	1	1	AT
5-13	HGRL-A201CBFA	Ventilating grille	1	-	-	AM
5-13	HGRL-A201CBFB	Ventilating grille	-	1	-	AM
5-13	HGRL-A201CBFE	Ventilating grille	-	-	1	AM
5-14	USRA-A268CBFA	Evaporating pan	1	1	1	AM
5-15	GGAD-A032CBFA	V parting plate	1	1	1	AG
5-16	UYOK-A401CBFA	Vegetable case	1	1	1	AX
5-17	UYOK-A399CBFA	Ice storage box	1	1	1	AL
5-18	UYOK-A400CBFA	Fresh case	1	1	1	AV
5-19	GDORPA072CBRA	Fresh door hs	1	1	1	AN
5-24	USRA-A272CBFA	Refrigerator tray	2	2	2	AU
5-25	USRA-A271CBFA	Vegetable tray	1	1	1	AW
5-31	LRALPA136CBFA	Ice tray holder 1	1	1	1	AG
5-32	LRALPA137CBFA	Ice tray holder r	1	1	1	AG
5-35	UPOKPA269CBFA	Bottle stopper	1	1	1	AC

REF. NO.	PART NO.	DESCRIPTION	Q'TY			CODE
			SJ-43L -A2G	SJ-43L -A2S	SJ-43L -A2A	

CYCLE PARTS

6-1	PCMPLA215CBEZ	Compressor	1	1	1	BW
6-2	PSPAGA042CBE0	Rubber grommet	4	4	4	AE
6-4	FFRM-A120CBKZ	Base frame ass'y	1	1	1	AG
6-5	FDRY-A006CBK0	Dryer ass'y	1	1	1	AX
6-6	PCLI-A050CBE0	Clip	1	1	1	AD
6-9	PSPAFA034CBE0	Sleeve	4	4	4	AD
6-11	PPIPICA386CBEZ	S.p connector	1	1	1	AF
6-18	PPIPICA252CBE0	Charge pipe	2	2	2	AD
6-19	FPIPICA172CBKZ	Discharge p. ass'y	1	1	1	AM
6-21	PCOVPA246CBE0	Terminal cover	1	1	1	AL
6-24	PGUM-A004CBF0	Absorbent rubber a	2	2	2	AH
6-25	QTAN-A045CBE0	Terminal block	1	1	1	AQ
6-26	FPIPICA162CBKZ	Eva pan pipe s ass'y	1	1	1	AS
6-28	LANG-A058CBPZ	Absorbent rubber clm	2	2	2	AC
6-29	PGUM-A003CBF0	Absorbent rubber b	2	2	2	AH

MISCELLANEOUS

90-1	TINS-A542CBRZ	Operation manual	1	1	1	AE
90-2	TLAB-A876CBRZ	Warning label	1	1	1	AC
90-3	SPAKCJ150YDEZ	Packing case 431-3	1	1	1	AZ
90-5	TLAB-A897CBEZ	Case label a2g	4	-	-	AC
90-5	TLAB-A937CBEZ	Case label a2a	-	-	4	AB
90-5	TLAB-A973CBEZ	Case label a2s	-	4	-	AC
90-6	CPADBA799YDKZ	Bottom pad ass'y	1	1	1	AV
90-7	CPADBA798YDKZ	Top pad ass'y	1	1	1	AQ
90-8	SPADBC439YDEZ	Corner post fl	1	1	1	AK
90-9	SPADBC440YDEZ	Corner post fr	1	1	1	AK
90-10	SPADBC435YDEZ	Corner post bl	1	1	1	AG
90-11	SPADBC436YDEZ	Corner post br	1	1	1	AG
90-12	TLAB-B032CBRZ	Energy label	1	1	1	AE
90-16	TLAB-A985CBRZ	Two star label	1	1	1	AF
90-21	TLAB-A939CBRZ	Caution label rof	1	1	1	AD

HOW TO ORDER REPLACEMENT PARTS

To have your order filled promptly and correctly, please furnish the following information.

1. MODEL NUMBER
2. REF. NO.
3. PART NO.
4. DESCRIPTION

REPLACEMENT PARTS LIST(SJ-47L-A2G/A2S/A2A)

REF. NO.	PART NO.	DESCRIPTION	Q'TY			CODE
			SJ-47L -A2G	SJ-47L -A2S	SJ-47L -A2A	

ELECTRIC PARTS

1-1	RTHM-A103CBZZ	F-themostat	1	1	1	AV
1-2	RSTT-A134CBE0	Starting relay	1	1	1	AS
1-3	QSWTDA047CBZZ	Defrost timer	1	1	1	AZ
1-4	PDMP-A050CBEZ	Damper thermo	1	1	1	AW
1-5	FTHM-A039CBKZ	Defrost thermo.ass'y	1	1	1	AM
1-6	RMOTRA046CBE0	Fan motor	1	1	1	AZ
1-7	QSOCAA084CBEZ	Lamp socket	1	1	1	AL
1-8	RLMP-A029CBEZ	Lamp15w	1	1	1	AH
1-9	QACC-A142CBZZ	Source cord	1	1	1	AQ
1-10	QSW-PA090CBZA	Door switch	1	1	1	AS
1-11	RHOG-A161CBZZ	Protector	1	1	1	AX
1-17	FFS-TA061CBKZ	Fuse ass'y	1	1	1	AM
1-20	FW-VZA146CBEZ	Lead ev-cover ass'y	1	1	1	AL
1-21	FHETBA161CBEZ	Def.heater ass'y	1	1	1	AY
1-22	FCNW-A688CBKZ	Relay cord s ass'y	1	1	1	AR
1-23	QCNW-A969CBZZ	Reray wire rc	1	1	1	AD
1-32	RC-EZA195CBZZ	Running capacitor	1	1	1	BB
1-33	QCNW-A886CBE0	Olr cord	1	1	1	AE

MECHANICAL PARTS

2-2	JKNB-A036CBFC	F-temp. control knob	1	1	1	AC
2-4	LHLD-A489CBFA	E.v. holder	2	2	2	AD
2-7	FLEGPA083CBKZ	Leg holder l ass'y	1	1	1	AF
2-7-1	FAJS-A015CBKZ	Adjustable leg ass'y	2	2	2	AE
2-7-2	LHLD-A533CBPZ	Leg holder l	1	1	1	AL
2-8	FLEGPA084CBKZ	Leg holder r ass'y	1	1	1	AF
2-8-2	LHLD-A534CBPZ	Leg holder r	1	1	1	AP
2-13	DHNG-A417CBMZ	Upper hinge ass'y	1	1	1	AE
2-14	DHNG-A419CBMZ	Bottom hinge r ass'y	1	1	1	AD
2-15	DHNG-A418CBMZ	Center hinge r ass'y	1	1	1	AE
2-16	GCOV-A210CBFZ	E.v cover	1	1	1	AR
2-17	LCRA-A010CBE0	Fan clamp	1	1	1	AD
2-19	LHLD-A389CBF0	Motor cushion	2	2	2	AF
2-20	NFANPA011CBF0	Propeller fan 100	1	1	1	AD
2-21	PSEL-C067CBEZ	E.v cover sealer a	1	1	1	AA
2-22	PSEL-C068CBEZ	E.v cover sealer b	1	1	1	AA
2-23	PSEL-C066CBEZ	E.v cover sealer c	1	1	1	AC
2-24	PCOVPA308CBFA	Terminal cover	1	1	1	AE
2-26	PCOV-A277CBFA	R lamp cover	1	1	1	AE
2-27	GCOVPA142CBRA	R-c box cover	1	1	1	AQ
2-28	HGRL-A206CBRA	Fan louver	1	1	1	AS
2-29	GCOV-A209CBFA	Upper hinge cover	1	-	-	AC
2-29	GCOV-A209CBFB	Upper hinge cover	-	1	-	AC
2-29	GCOV-A209CBFE	Upper hinge cover	-	-	1	AD
2-31	JKNB-A033CBFC	R-temp.control knob	1	1	1	AC
2-32	JKNB-A063CBFA	V-tray control knob	1	1	1	AC
2-36	PCAP-A006CBFX	Screw cover	2	-	-	AB
2-36	PCAP-A006CBFY	Screw cover	-	-	2	AB
2-36	PCAP-A077CBFA	Screw cover	-	2	-	AA
2-38	PGID-A161CBFZ	R-air guider	1	1	1	AG
2-39	PGID-A162CBFZ	R-air guider s	1	1	1	AC
2-41	PSEL-B848CBEZ	A-sealer thermo.cap	1	1	1	AC
2-44	HGRL-A203CBRA	F deodo.louver	1	1	1	AF
2-45	HGRL-A204CBFA	R deodo.louver	1	1	1	AE
2-46	PFIL-A047CBEZ	Deodorizer	2	2	2	AC
2-49	LSTPPA108CBFA	Chilled stopper	2	2	2	AC
2-50	LSTPPA118CBFA	Case stopper v	2	2	2	AC
2-55	HGRL-A205CBFA	Multi louver l	1	1	1	AM
2-56	PFPFPB334CBFZ	R-louver insu.l	1	1	1	AE
2-57	PSEL-C085CBEZ	A-sealer r-louver	2	2	2	AC
2-63	LHLD-A484CBFA	Fan motor holder b	1	1	1	AH
2-64	LHLD-A485CBFA	Fan motor holder a	1	1	1	AH
2-65	PSEL-B209CBE0	U-sealer handle	2	2	2	AB
2-66	PSHEMA225CBPZ	Heater cover	1	1	1	AC
2-67	LPLTMA633CBPZ	Drain support al	1	1	1	AF
2-68	PSEL-A415CBE0	E.v cover sealer c	1	1	1	AC
2-69	PSEL-C069CBEZ	E.v cover sealer d	1	1	1	AA
2-70	PSEL-C135CBEZ	E.v cover sealer e	1	1	1	AC
2-71	PSEL-A552CBE0	Dial sealer	1	1	1	AC
2-72	PSEL-C078CBEZ	A-sealer ag1	2	2	2	AC
2-73	PSEL-C079CBEZ	A-sealer ag2	1	1	1	AB
2-77	LHLD-A391CBE0	Sl-5n clip	1	1	1	AD
2-78	LPLTMA399CBP0	Dryer support	1	1	1	AD

REF. NO.	PART NO.	DESCRIPTION	Q'TY			CODE
			SJ-47L -A2G	SJ-47L -A2S	SJ-47L -A2A	
2-79	LBND-A019CBE0	Nylon band	1	1	1	AB
2-80	PBOX-A132CBFA	Terminal box	1	1	1	AF
2-83	PSEL-C080CBEZ	A-sealer ag3	1	1	1	AA
2-84	PSEL-C081CBEZ	A-sealer ag4	2	2	2	AA
2-87	LBND-A018CBE0	Fastening band a	1	1	1	AP
2-91	HGRL-A202CBFA	F return cover	1	1	1	AF
2-93	PCAP-A068CBFA	C sliding cap a	4	4	4	AC
2-99	PSEL-A562CBE0	Leading wire sealer	1	1	1	AC
2-100	PSEL-C138CBEZ	E.v cover sealer g	1	1	1	AA
2-101	PSEL-C139CBEZ	Ev-insulation 47	2	2	2	AC

DOOR PARTS

3-5	FDORFB512CBKZ	F-door s ass'y	1	-	-	BM
3-5	FDORFB513CBKZ	F-door s ass'y	-	1	-	BL
3-5	FDORFB528CBKZ	F-door s ass'y	-	-	1	BK
3-5-1	LSTPPA082CBFA	Fd-stopper spring r	1	1	1	AD
3-5-2	NBRGPA013CBFB	Nylon bearing 2	1	1	1	AH
3-5-3	LSTPMA008CBM0	F-door stopper r	1	1	1	AD
3-5-4	GDAI-A059CBMZ	Badge base	1	1	1	AK
3-5-5	HBDGDA922CBEA	Badge	1	-	-	AP
3-5-5	HBDGDA922CBEB	Badge	-	-	1	AP
3-5-5	HBDGDA928CBEA	Badge	-	1	-	AM
3-6	FPACGA346CBKZ	F-door packing	1	1	1	AT
3-8	FHNDPA062CBKZ	Door handle fl ass'y	1	-	-	AU
3-8	FHNDPA063CBKZ	Door handle fl ass'y	-	1	-	AU
3-8	FHNDPA065CBKZ	Door handle fl ass'y	-	-	1	AU
3-10	LPLTPA286CBFA	Handle base fl	1	-	-	AK
3-10	LPLTPA286CBFB	Handle base fl	-	1	-	AK
3-10	LPLTPA286CBFE	Handle base fl	-	-	1	AK
3-15	FDORRB300CBKZ	R-door ass'y	1	-	-	BS
3-15	FDORRB303CBKZ	R-door ass'y	-	1	-	BR
3-15	FDORRB343CBKZ	R-door ass'y	-	-	1	BR
3-15-1	LSTPPA084CBFA	Rd-stopper spring r	1	1	1	AD
3-15-2	NBRGPA022CBFA	Nylon bearing 3s	1	1	1	AC
3-15-3	LSTP-A058CBM0	R-door stopper r	1	1	1	AF
3-17	FPACGA347CBKZ	R-door packing	1	1	1	AV
3-19	FHNDPA070CBKZ	Door handle rl ass'y	1	-	-	AU
3-19	FHNDPA071CBKZ	Door handle rl ass'y	-	1	-	AU
3-19	FHNDPA073CBKZ	Door handle rl ass'y	-	-	1	AU
3-21	LPLTPA287CBFA	Handle base rl	1	-	-	AK
3-21	LPLTPA287CBFB	Handle base rl	-	1	-	AK
3-21	LPLTPA287CBFE	Handle base rl	-	-	1	AK

OTHER PARTS

4-1	LBND-A023CBE0	L-band c	2	2	2	AC
4-3	LX-VZA003CBE0	Special screw	2	2	2	AB
4-11	QTAN-A012CBE0	Solderless term. b	3	3	3	AH
4-15	LX-BZA018CBE0	Special screw	1	1	1	AA
4-17	LX-WZA003CBE0	Washer	4	4	4	AA

ATTACHMENT PARTS

5-1	UPOK-A180CBRA	Bottle pocket	1	1	1	AR
5-2	UPOKPA268CBFA	R door pocket s	2	2	2	AH
5-3	UPOK-A179CBRA	Door pocket	3	3	3	AM
5-4	UPOK-A181CBRA	R door pocket	1	1	1	AL
5-5	UTNA-A282CBFA	Egg tray	1	1	1	AH
5-6	FSRA-A193CBYZ	Ice cube maker	1	1	1	AS
5-9	USRA-A270CBFA	Freezer tray	1	1	1	AT
5-13	HGRL-A201CBFA	Ventilating grille	1	-	-	AM
5-13	HGRL-A201CBFB	Ventilating grille	-	1	-	AM
5-13	HGRL-A201CBFE	Ventilating grille	-	-	1	AM
5-14	USRA-A268CBFA	Evaporating pan	1	1	1	AM
5-15	GGAD-A032CBFA	V parting plate	1	1	1	AG
5-16	UYOK-A401CBFA	Vegetable case	1	1	1	AX
5-17	UYOK-A399CBFA	Ice storage box	1	1	1	AL
5-18	UYOK-A400CBFA	Fresh case	1	1	1	AV
5-19	GDORPA072CBRA	Fresh door hs	1	1	1	AN
5-24	USRA-A272CBFA	Refrigerator tray	2	2	2	AU
5-25	USRA-A271CBFA	Vegetable tray	1	1	1	AW
5-31	LRALPA136CBFA	Ice tray holder l	1	1	1	AG
5-32	LRALPA137CBFA	Ice tray holder r	1	1	1	AG
5-35	UPOKPA269CBFA	Bottle stopper	1	1	1	AC

REF. NO.	PART NO.	DESCRIPTION	Q'TY			CODE
			SJ-47L -A2G	SJ-47L -A2S	SJ-47L -A2A	

CYCLE PARTS

6-1	PCMPLA215CBEZ	Compressor	1	1	1	BW
6-2	PSPAGA042CBE0	Rubber grommet	4	4	4	AE
6-4	FFRM-A120CBKZ	Base frame ass'y	1	1	1	AG
6-5	FDRY-A006CBK0	Dryer ass'y	1	1	1	AX
6-6	PCLI-A050CBE0	Clip	1	1	1	AD
6-9	PSPAFA034CBE0	Sleeve	4	4	4	AD
6-11	PPIPCA386CBEZ	S.p connector	1	1	1	AF
6-18	PPIPCA252CBE0	Charge pipe	2	2	2	AD
6-19	FPIPCA172CBKZ	Discharge p. ass'y	1	1	1	AM
6-21	PCOVPA246CBE0	Terminal cover	1	1	1	AL
6-24	PGUM-A004CBF0	Absorbent rubber a	2	2	2	AH
6-25	QTAN-A045CBE0	Terminal block	1	1	1	AQ
6-26	FPIPCA162CBKZ	Eva pan pipe s ass'y	1	1	1	AS
6-28	LANG-A058CBPZ	Absorbent rubber clm	2	2	2	AC
6-29	PGUM-A003CBF0	Absorbent rubber b	2	2	2	AH

MISCELLANEOUS

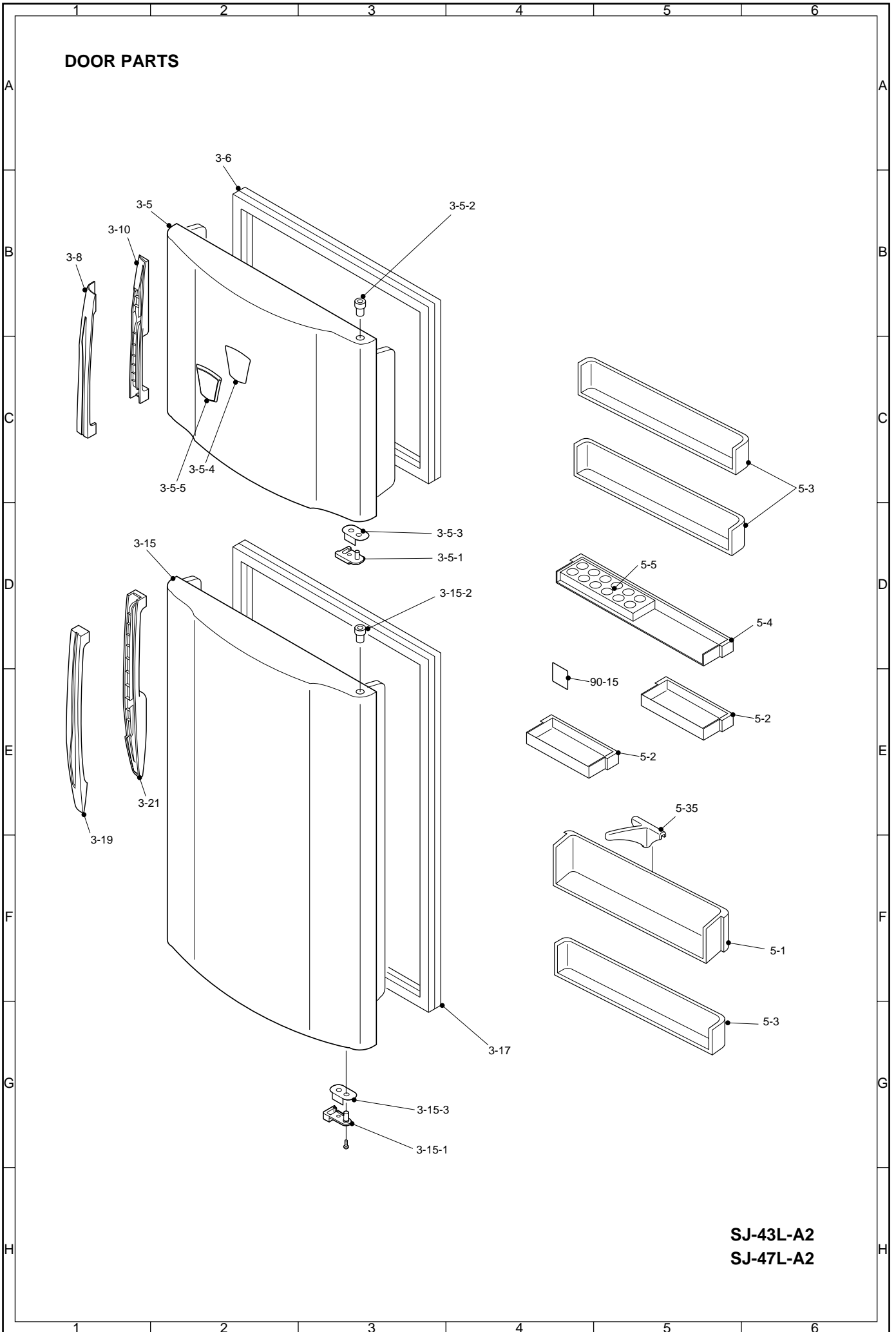
90-1	TINS-A542CBRZ	Operation manual	1	1	1	AE
90-2	TLAB-A876CBRZ	Warning label	1	1	1	AC
90-3	SPAKCJ148YDEZ	Packing case 47l-3	1	1	1	BA
90-5	TLAB-A897CBEZ	Case label a2g	4	-	-	AC
90-5	TLAB-A937CBEZ	Case label a2a	-	-	4	AB
90-5	TLAB-A973CBEZ	Case label a2s	-	4	-	AC
90-6	CPADBA799YDKZ	Bottom pad ass'y	1	1	1	AV
90-7	CPADBA798YDKZ	Top pad ass'y	1	1	1	AQ
90-8	SPADBC439YDEZ	Corner post fl	1	1	1	AK
90-9	SPADBC440YDEZ	Corner post fr	1	1	1	AK
90-10	SPADBC435YDEZ	Corner post bl	1	1	1	AG
90-11	SPADBC436YDEZ	Corner post br	1	1	1	AG
90-12	TLAB-B029CBRZ	Energy label	1	1	1	AE
90-15	TLAB-B055CBEZ	R-door pocket label	1	1	1	AC
90-16	TLAB-A985CBRZ	Two star label	1	1	1	AF
90-21	TLAB-A939CBRZ	Caution label rof	1	1	1	AD

HOW TO ORDER REPLACEMENT PARTS

To have your order filled promptly and correctly, please furnish the following information.

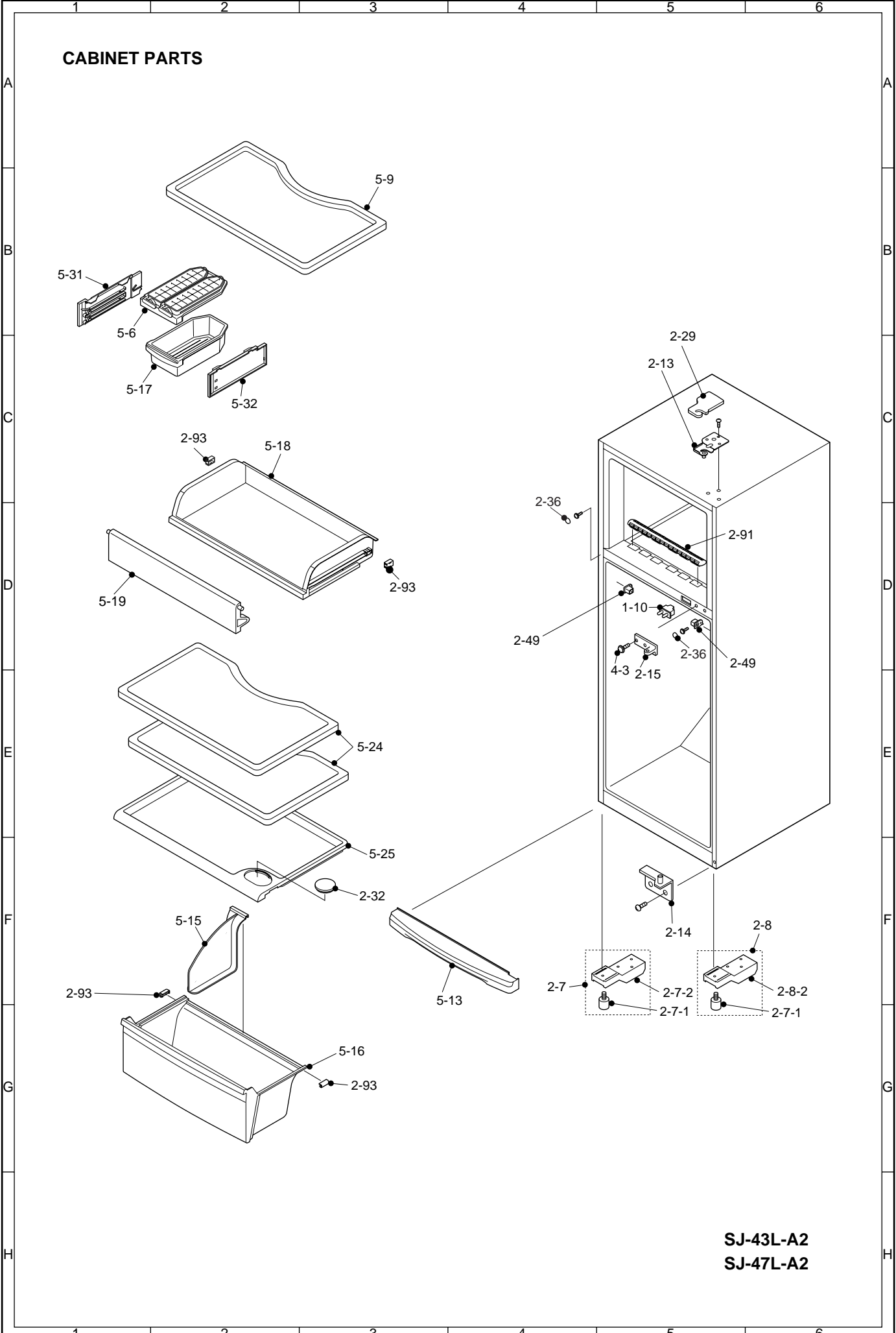
- | | |
|-----------------|----------------|
| 1. MODEL NUMBER | 2. REF. NO. |
| 3. PART NO. | 4. DESCRIPTION |

DOOR PARTS



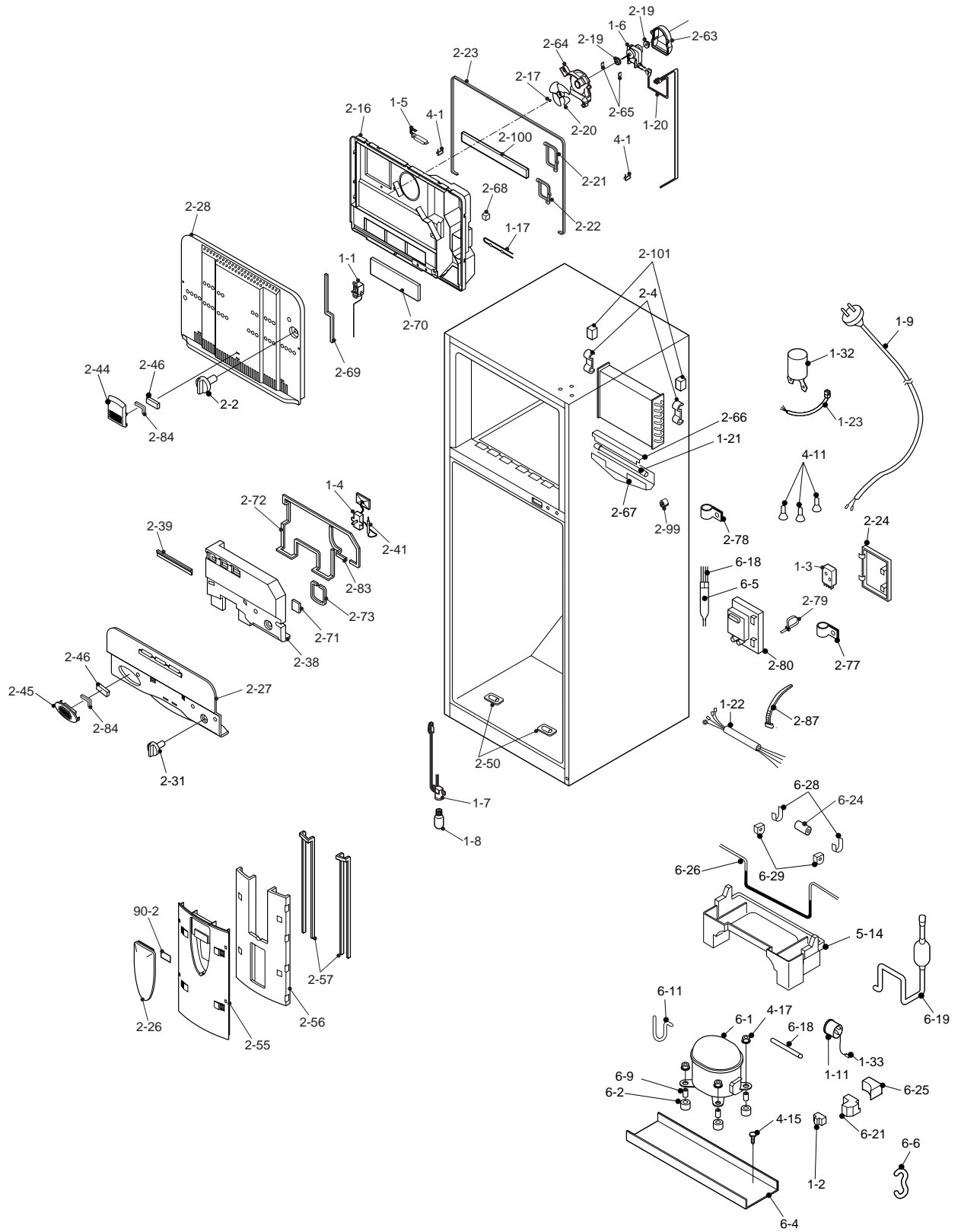
SJ-43L-A2
SJ-47L-A2

CABINET PARTS



SJ-43L-A2
SJ-47L-A2

CABINET PARTS



SJ-43L-A2
SJ-47L-A2

SHARP

COPYRIGHT © 2002 BY SHARP CORPORATION

ALL RIGHTS RESERVED.

No part of this publication may be reproduced, stored in retrieval systems, or transmitted in any form or by any means, electronic, mechanical, photocopying, recording, or otherwise, without prior written permission of the publisher.