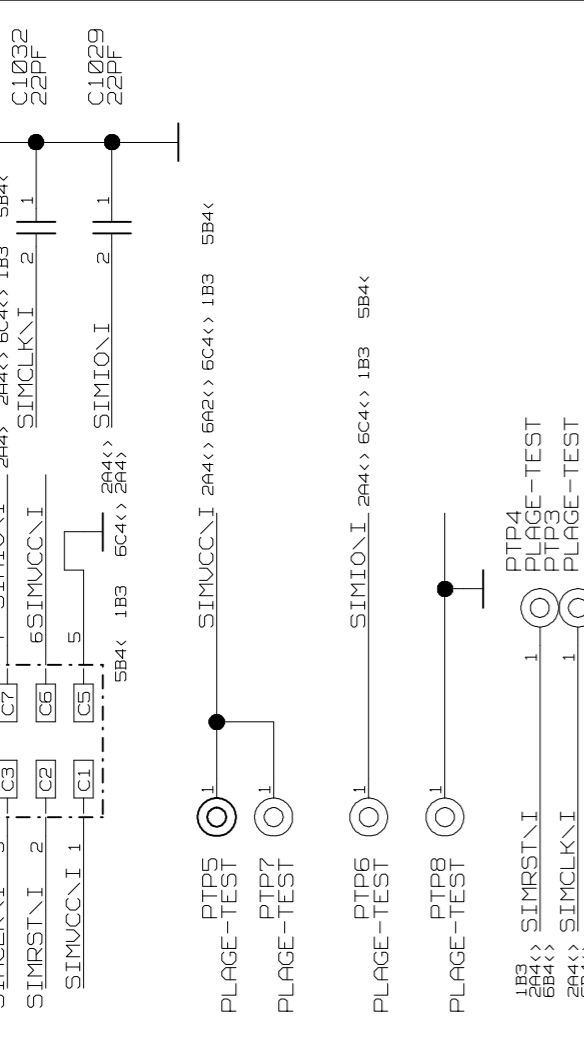
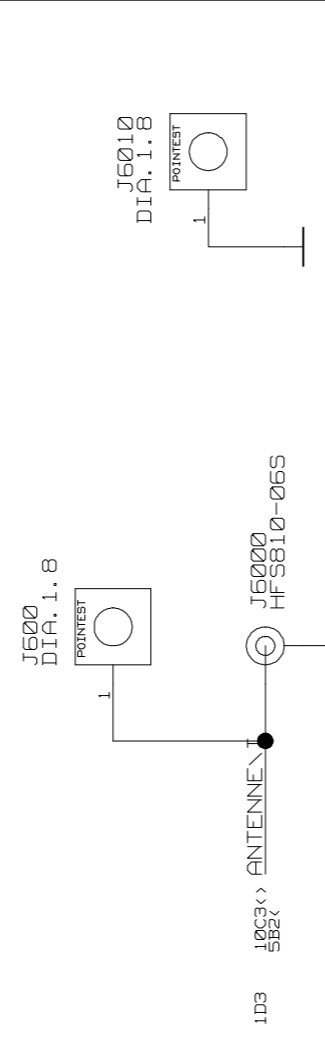


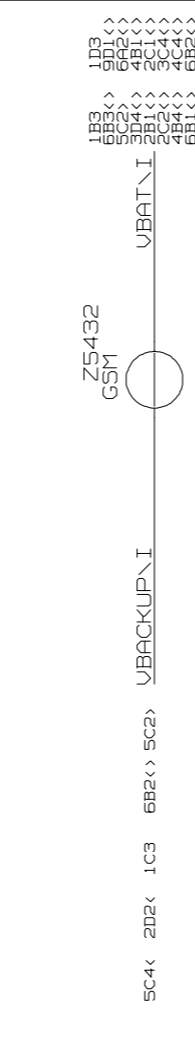
CONNECTEUR SIM



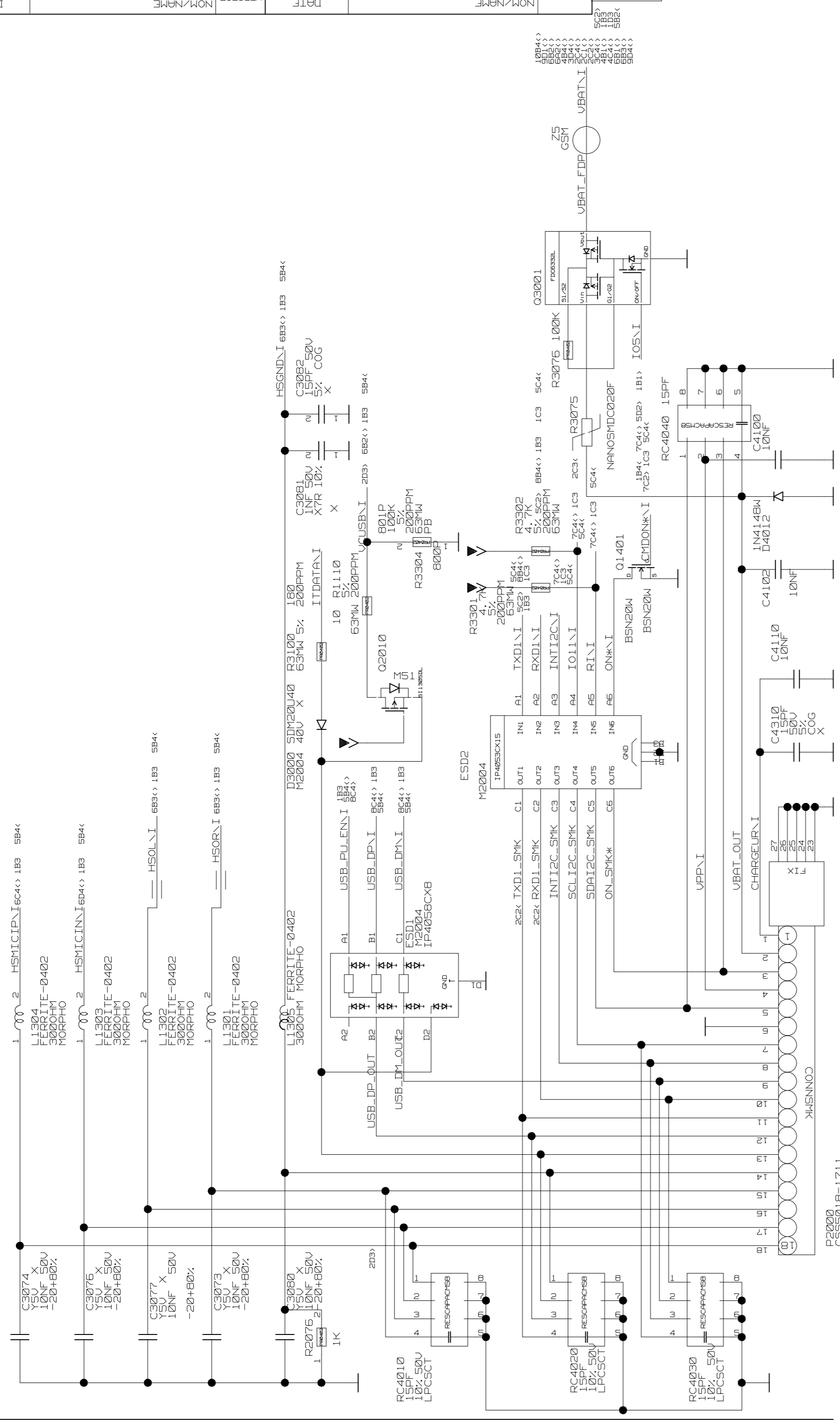
CONNEXION ANTENNE



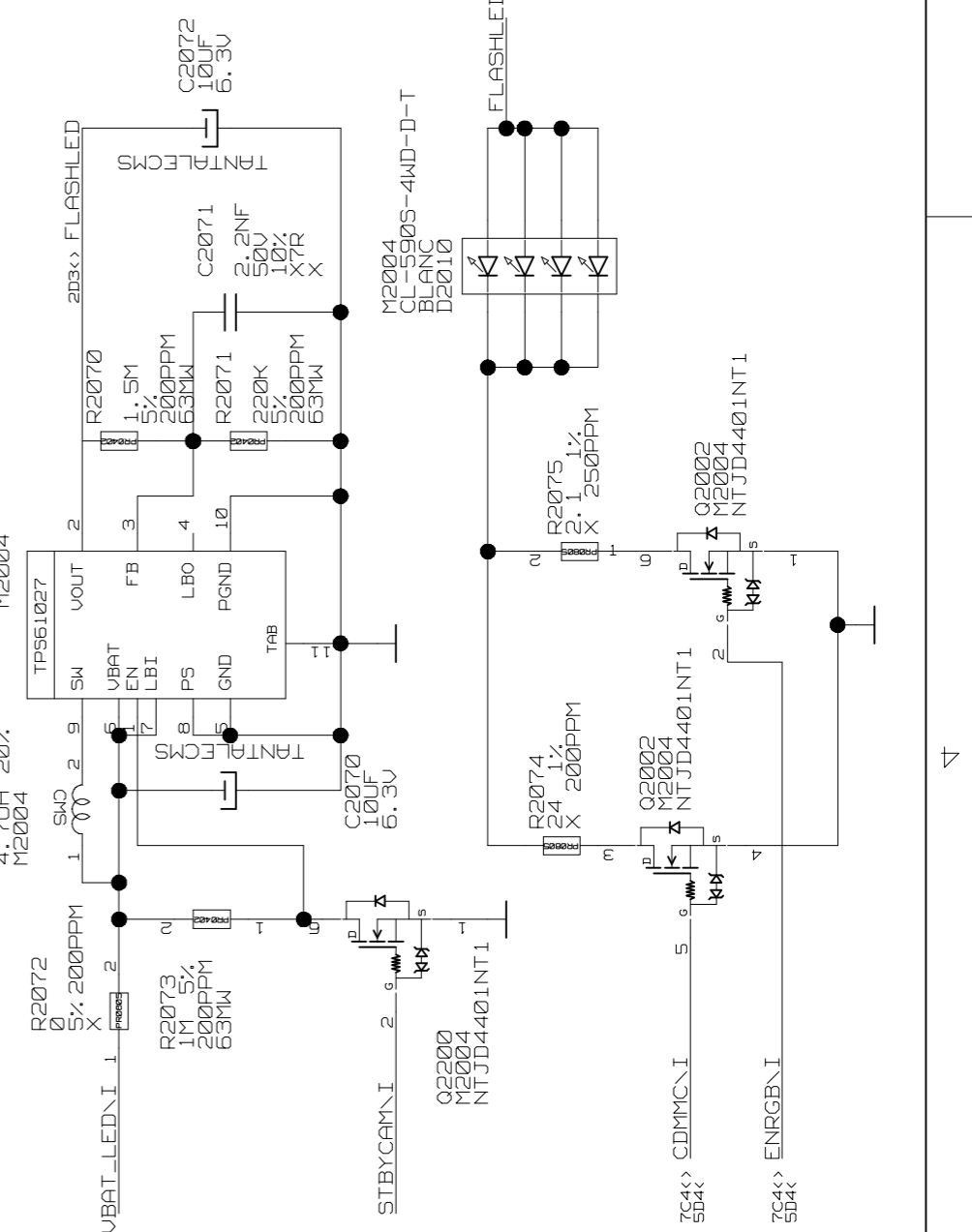
VBACKUPI



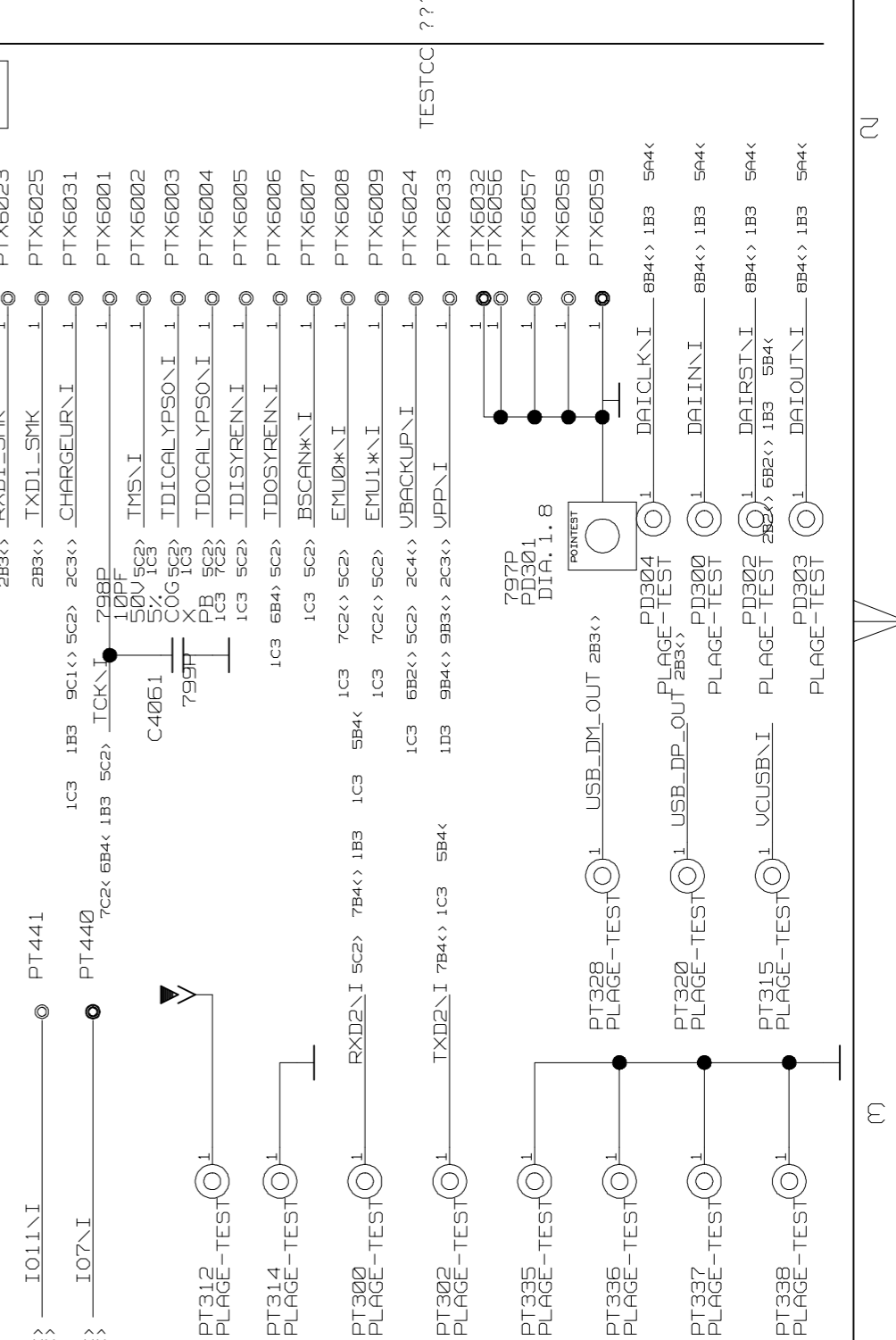
CONNECTEUR SMK



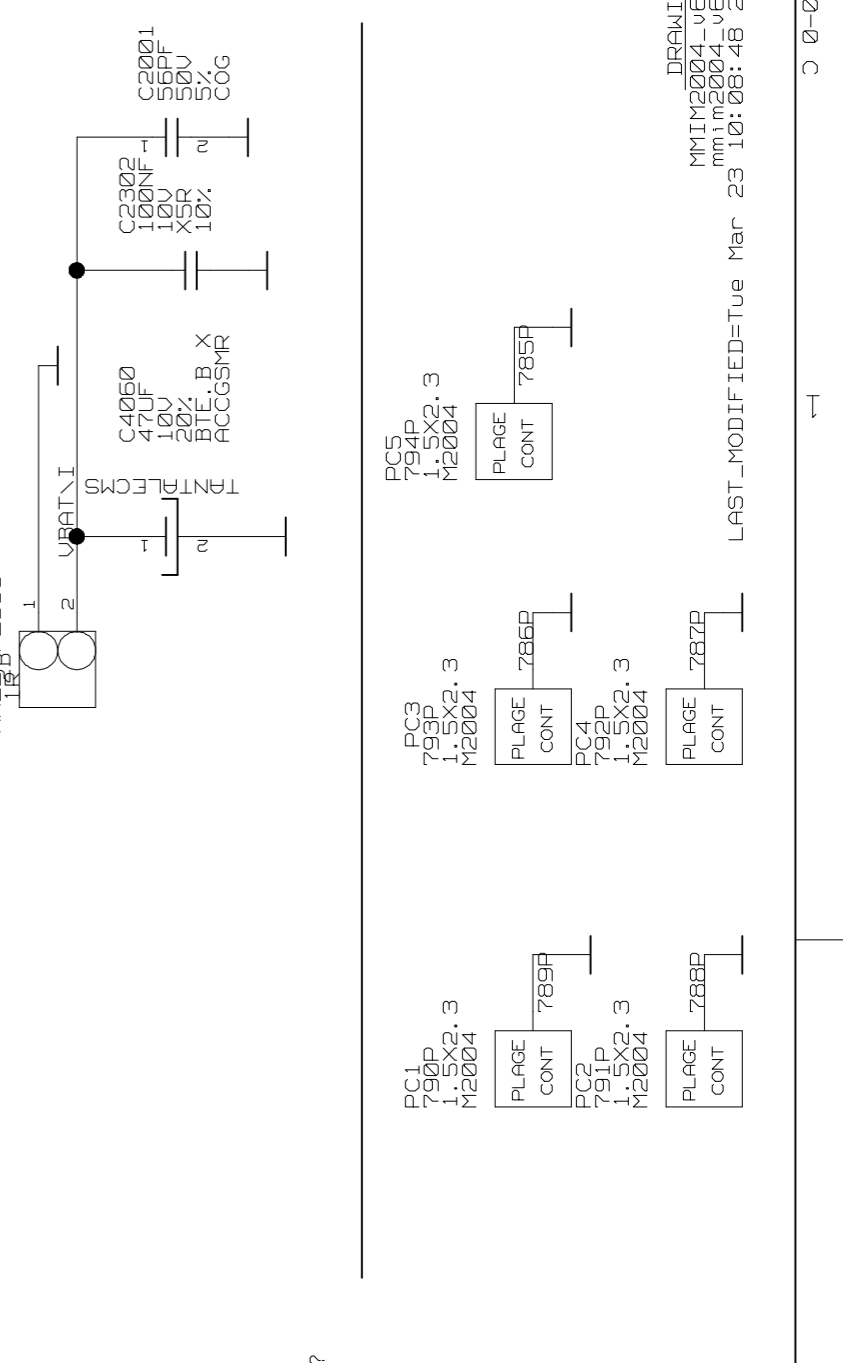
FLASH LED



TEST JTAG / DEPANNAGE / DAI



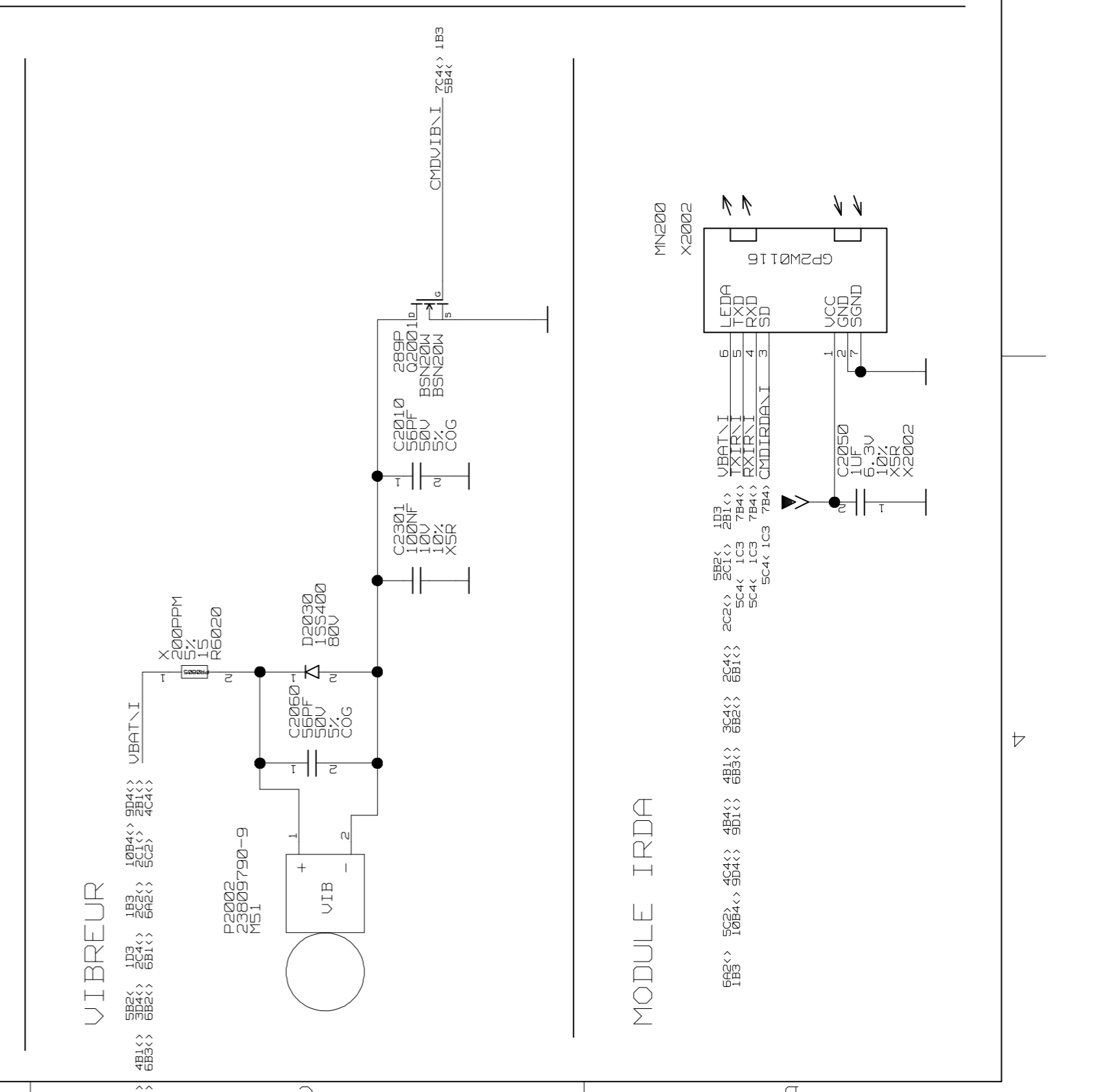
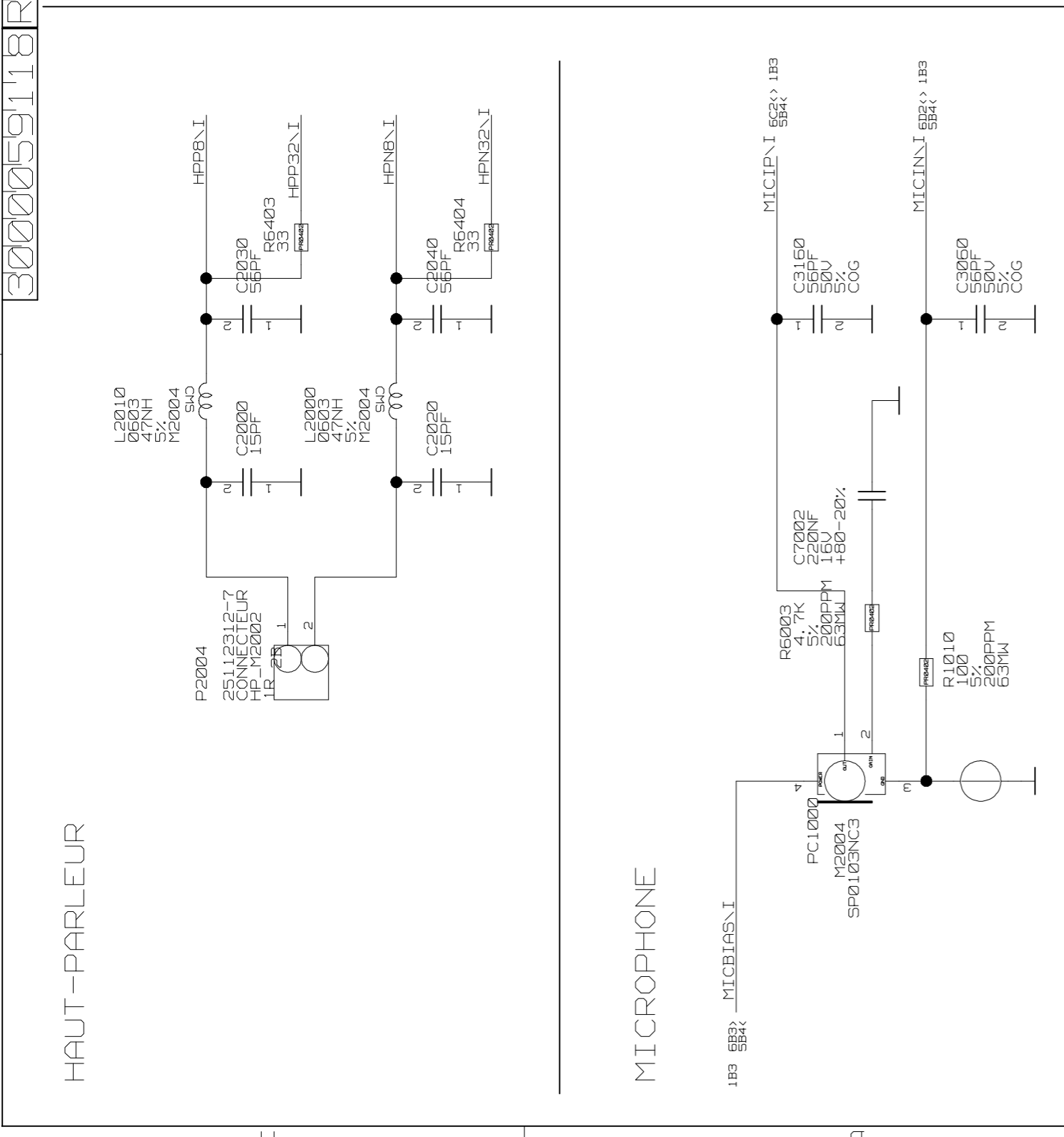
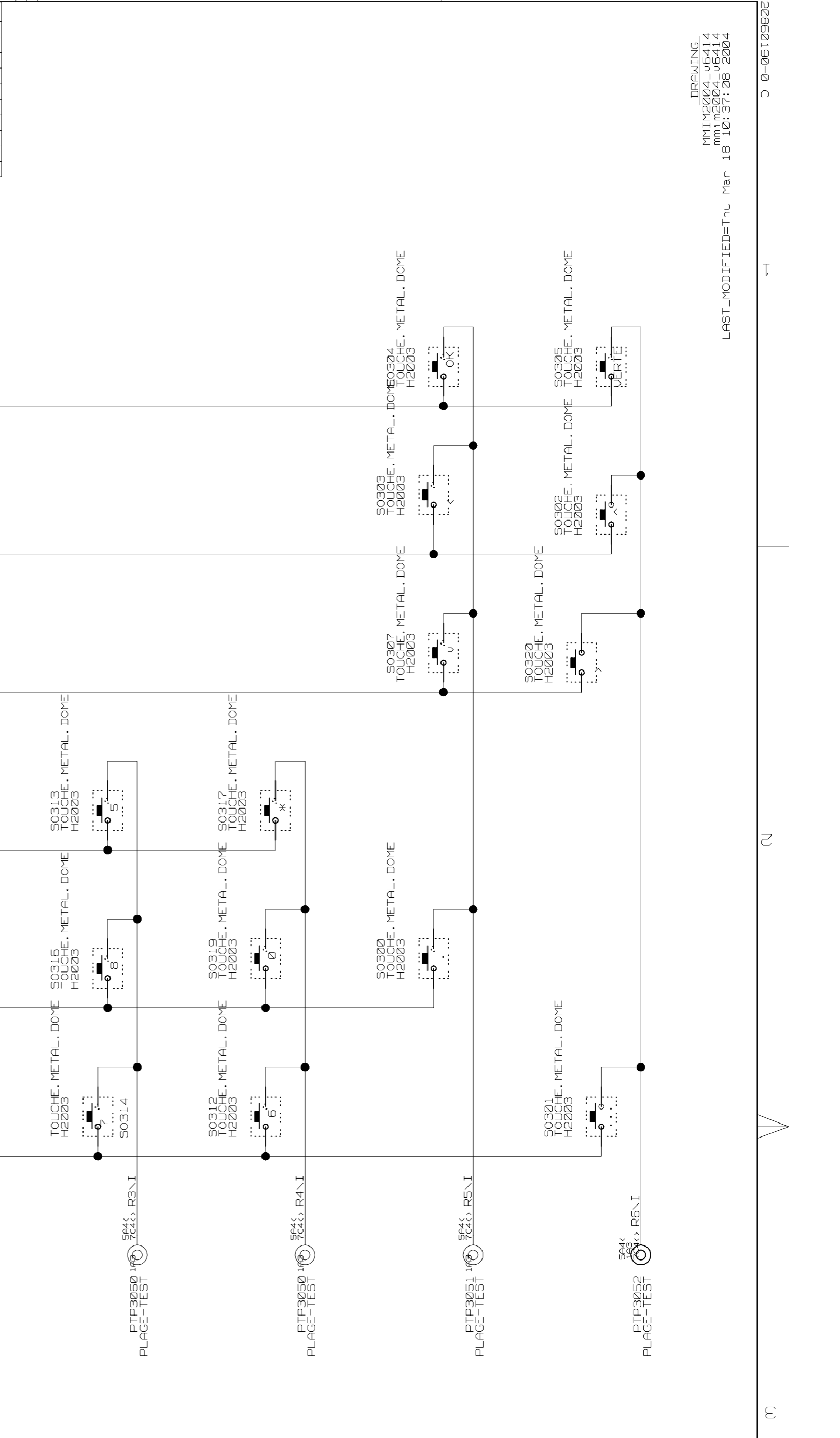
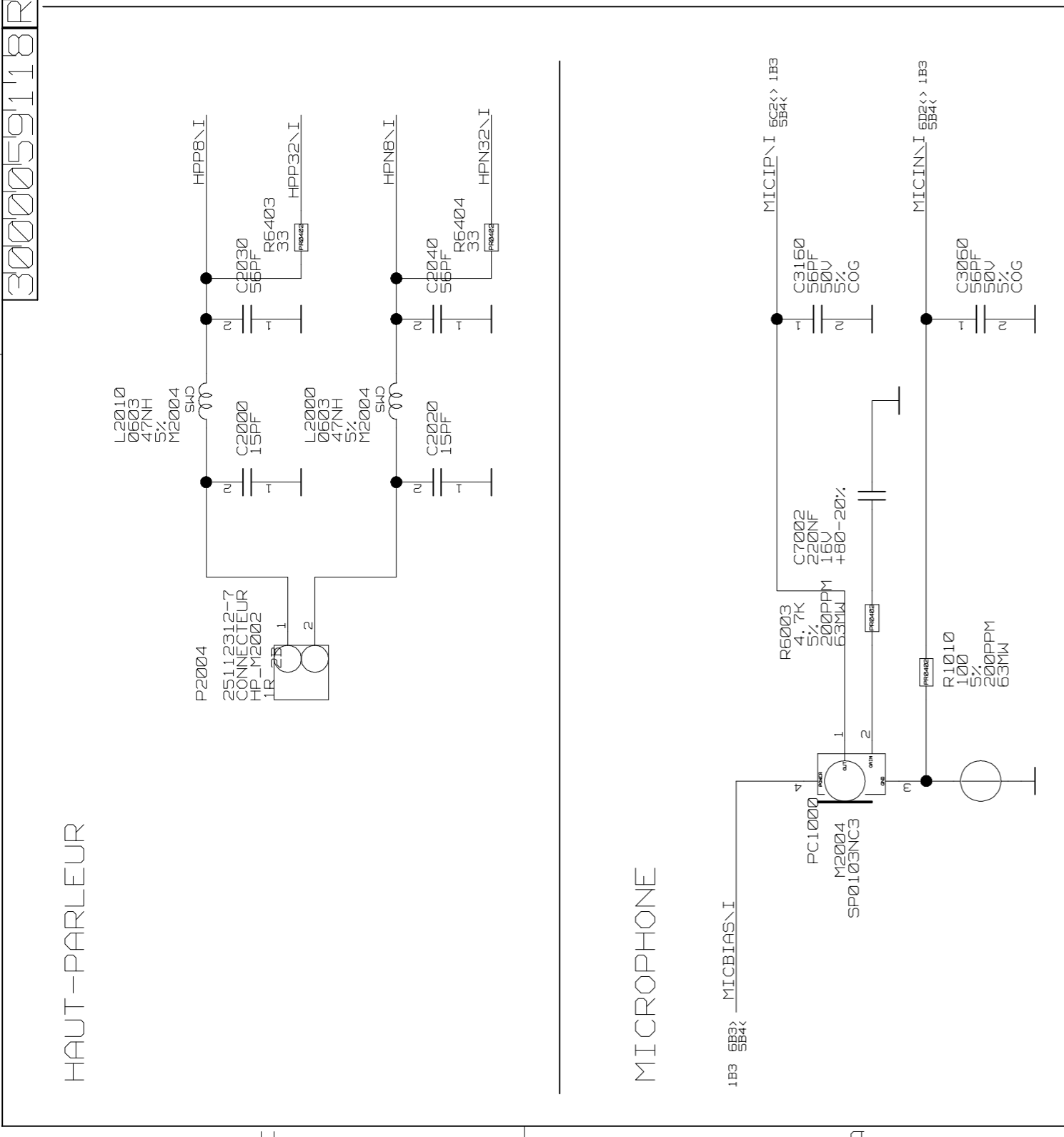
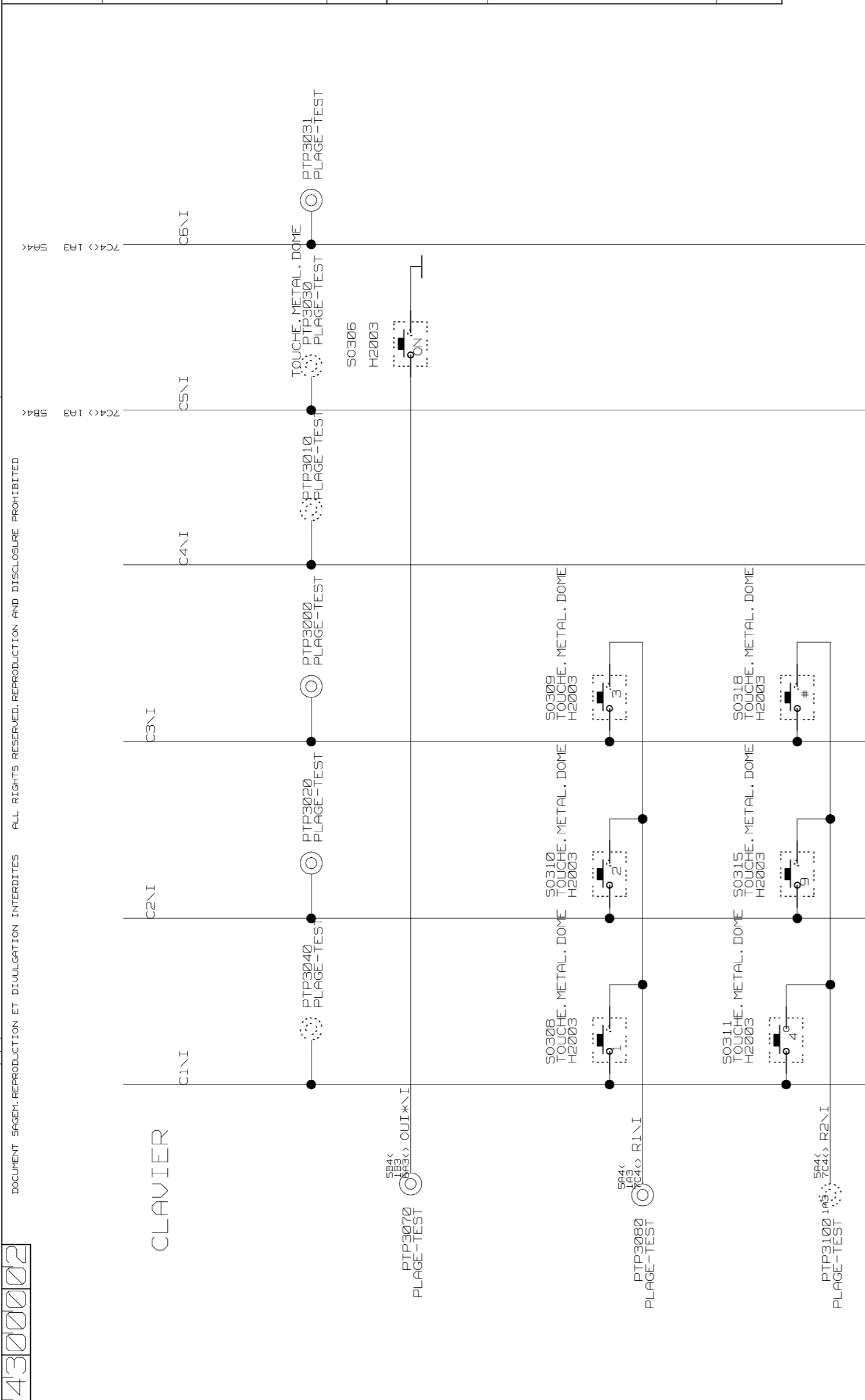
BATTERIE



VER.	DATE	MODIFIE	NOM/NOME	DATE	VERIFIE	CHEQUE	NOM/NOME	DATE
			THIERION	15/03/2004				

R. FAB/P. N.	SAGEM SA
DENOMINATION	SCHEMA M2004 V614
LIBELLE	SCHEMA M2004 V614
FEUILLE/SHEET	21
FORMAT	A2
SIZE	F6151
NUMERO DU DOCUMENT	300059118
TYPE	R43
PART	000
REVISIONS	02

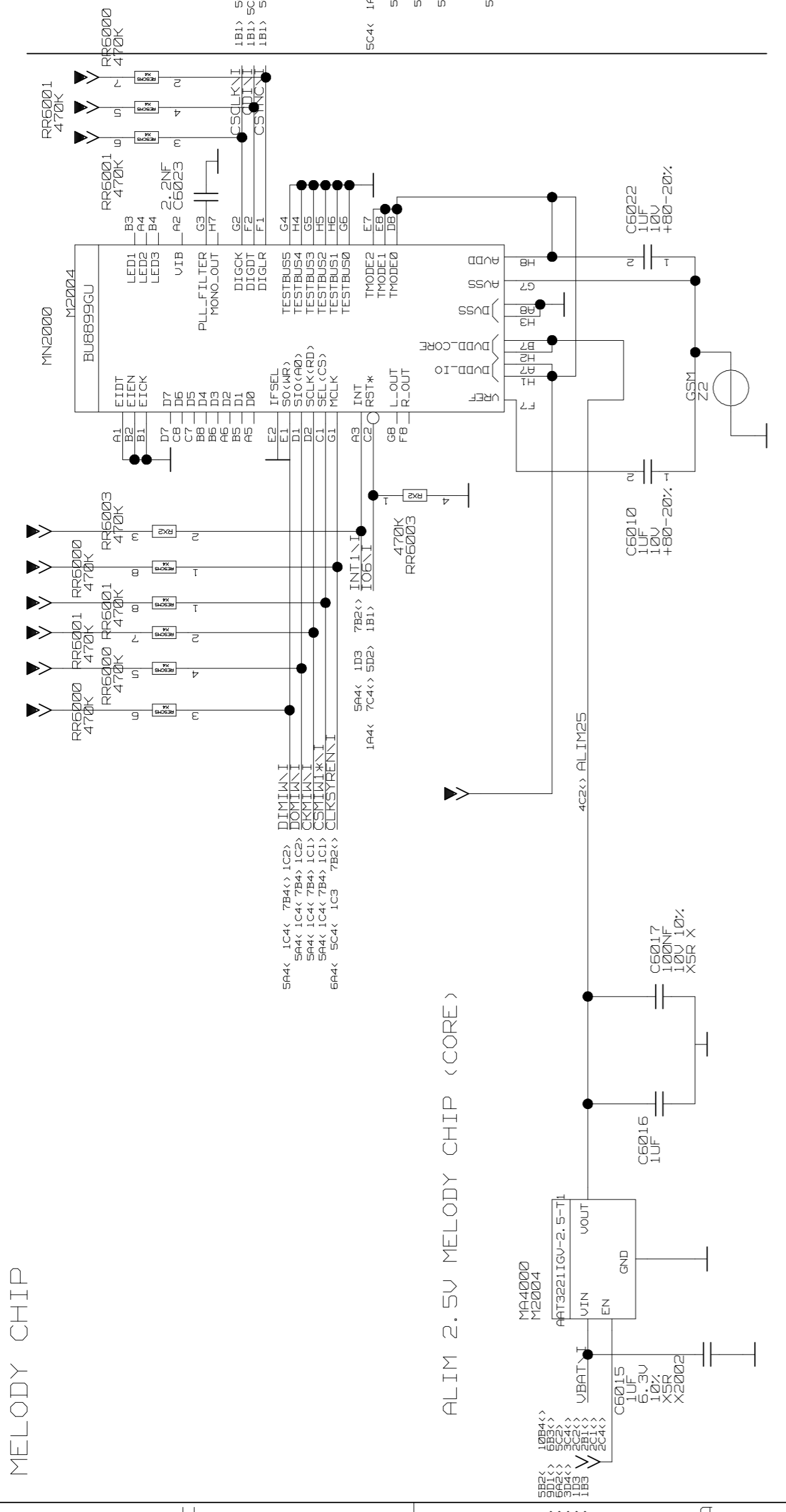
VER.	DATE	MODIFIE	NOM/NAME	DATE	VERIFIE	NOM/NAME	DATE
			THIERION	15/03/2004			
R. FAB/P. N.		LIBELLE		CHECKED		DATE	
SAGEM SA		SCHEMA M2004_V6414					
FORMAT		DENOMINATION		FEUILLE/SHEET		3 /	
A2		SCHEMA M2004_V6414					
F6151							
N° D'UN DOCUMENT		TYPE		PART		REVISIONS	
3000059118		R43		000		02	



MELODY CHIP

300059118R430002

DOCUMENT SAGEM, REPRODUCTION ET DIVULGATION INTERDITES ALL RIGHTS RESERVED, REPRODUCTION AND DISCLOSURE PROHIBITED

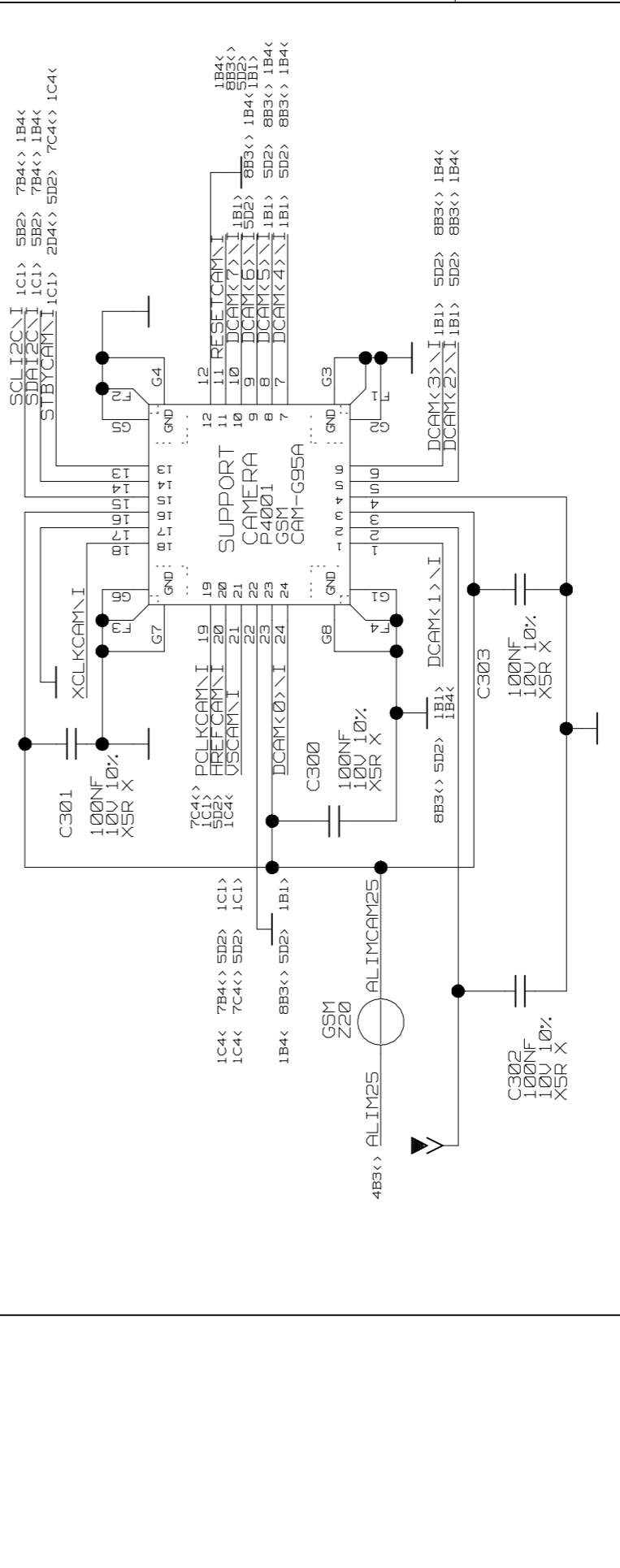
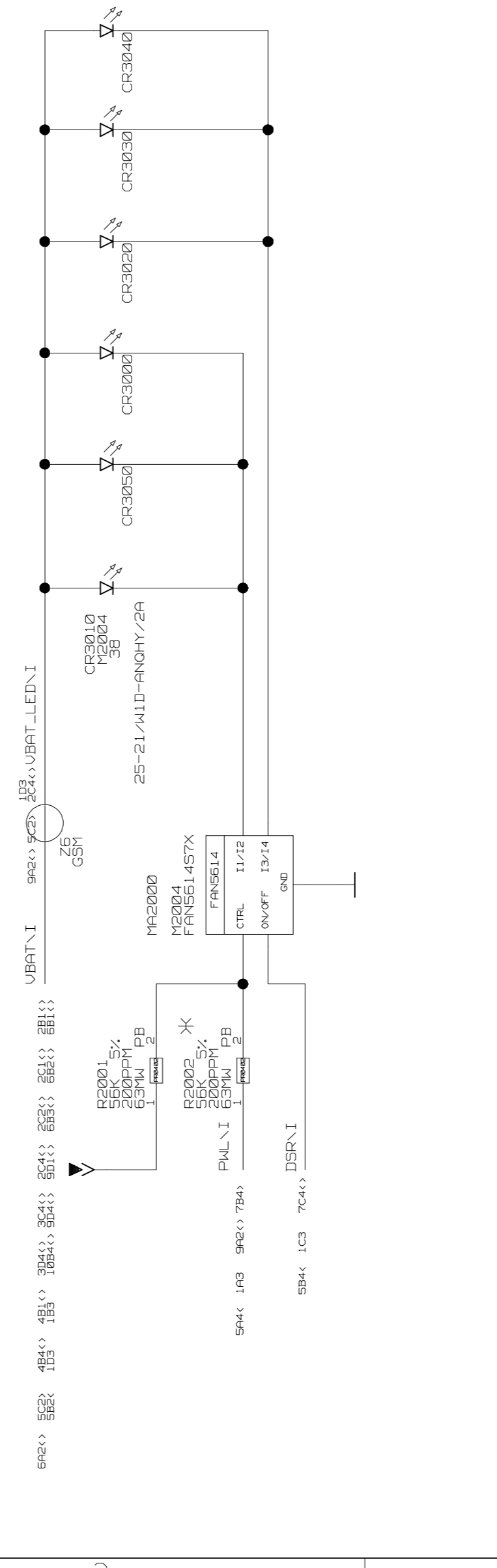


AFFICHEUR COULEUR
HITACHI 66HD773
8 BITS

R. FAB/P. N.		SAGEM SA	
FORM. SIZE		F6151	
NOM/NAME		SCHEMA M2004_V614	
VERIFIE		15/03/2004	
CHECKED			
FEUILLE/SHEET		4 /	
NUMERO DU DOCUMENT		3000059118	
TYPE		R43	
PART		000	
REVISIONS		02	

RETRO-ECLAIRAGE CLAVIER

CAMERA



DRAWING
M2004-V614
MM11.57.39.2004

LAST_MODIFIED=Mon Mar 15 11:37:39 2004

3000059118R4300002

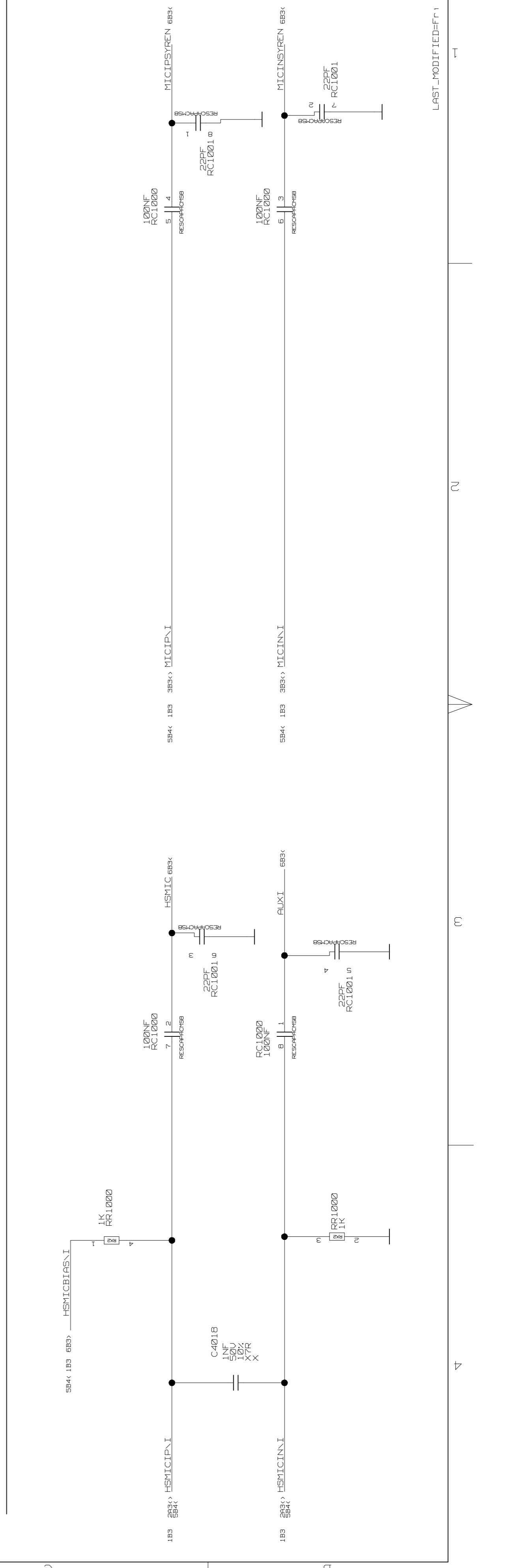
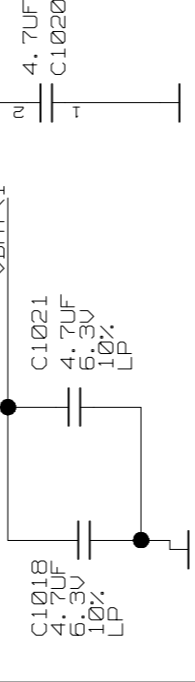
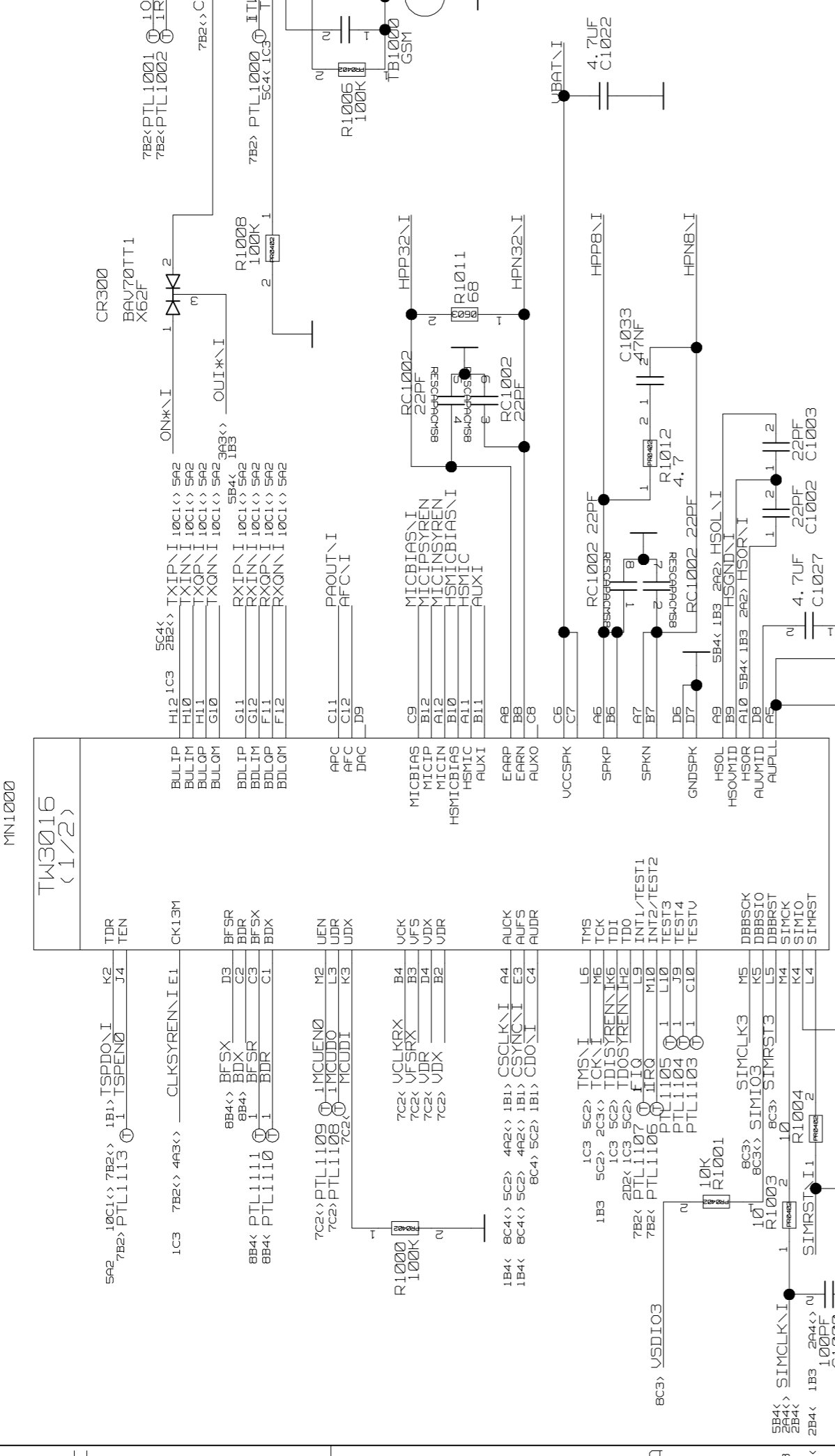
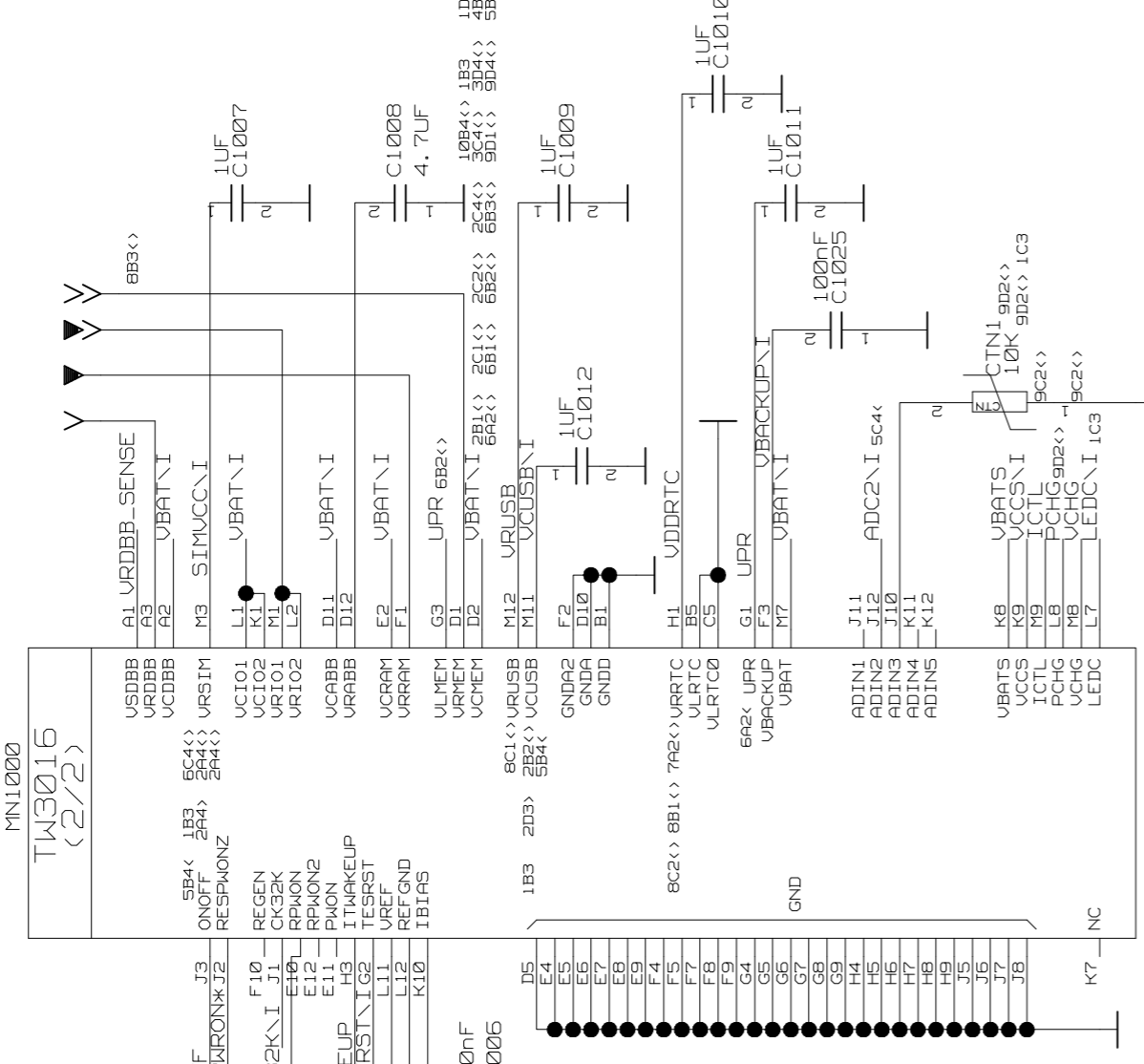
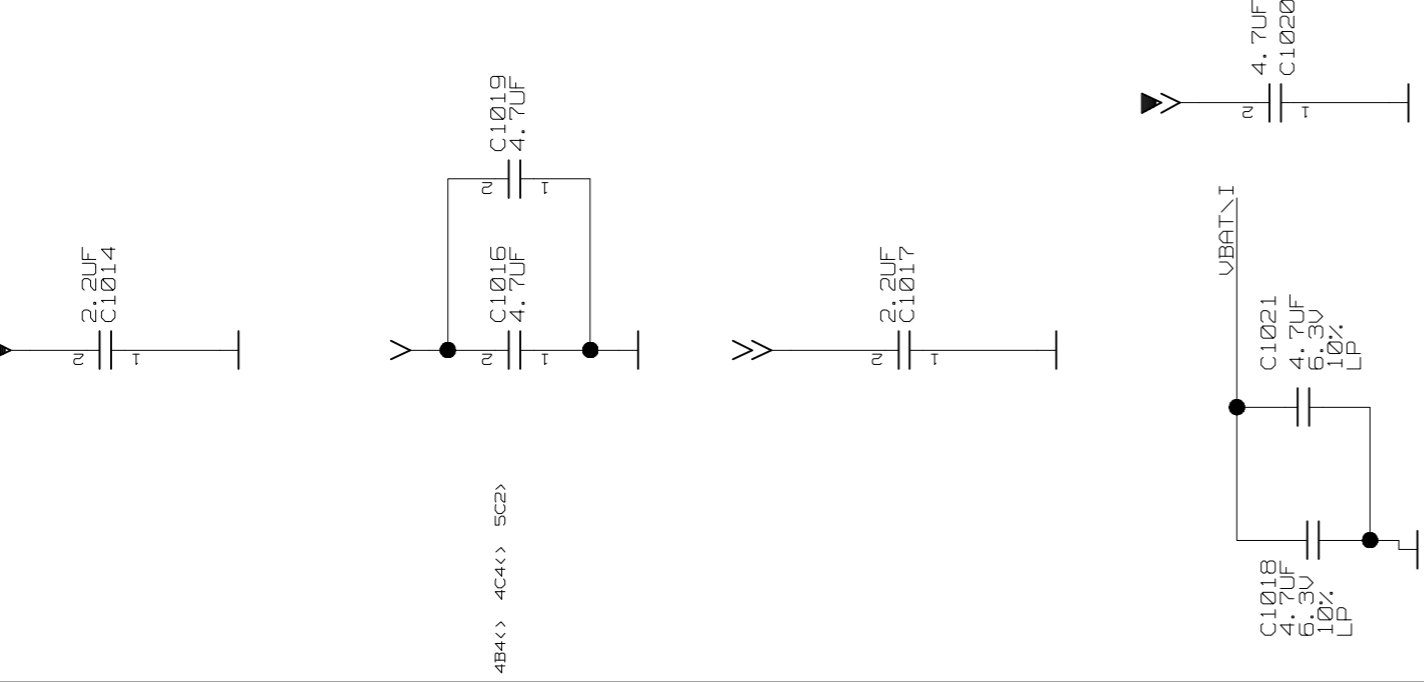
DOCUMENT SAGEM, REPRODUCTION ET DEVALUATION INTERDITES ALL RIGHTS RESERVED. REPRODUCTION AND DISCLOSURE PROHIBITED

LIBELLE	SCHÉMA M2004 V6414
DENOMINATION	SYREN
R. FAB/P. N.	SAGEM SA
FORMAT	3000059118
NUMERO DU DOCUMENT	R43
TYPE	002
PARTE	002
VERS.	02

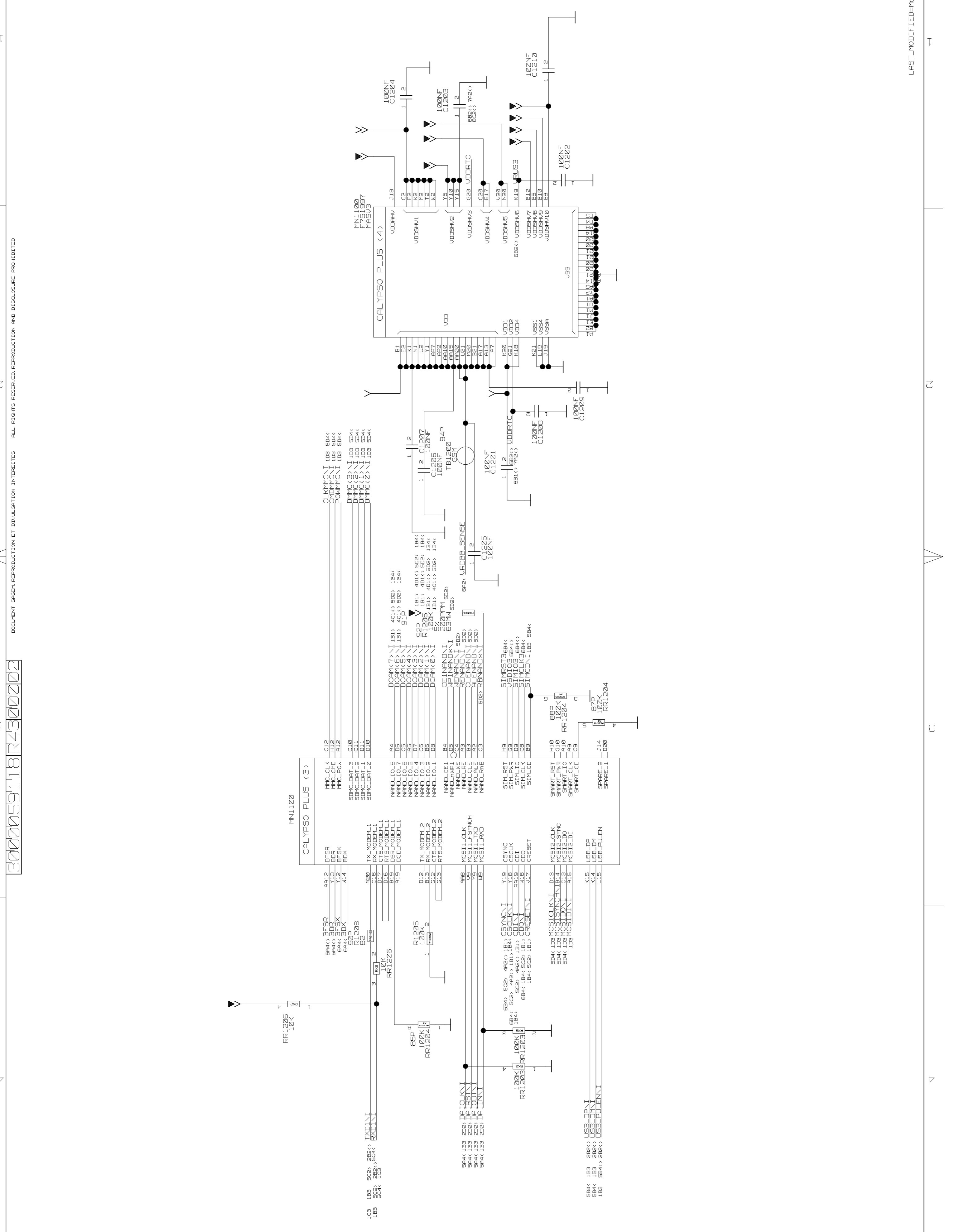
DATE	15/03/2004
MODIFIED	THIERION
NOM/NAME	
VERIFIE	
CHECKED	
DATE	

FEUILLE/SHEET	71
NUMERO DU DOCUMENT	3000059118
TYPE	R43
PARTE	002
VERS.	02

DECOUPLAGES SYREN



VER.	DATE	MODIFIED	NOM/NAME	DATE	VERIFIED	CHECKED	NOM/NAME	DATE
			THIERION	15/03/2004				
LIBELLE			SCHEMA M2004_V6414			SCHEMA M2004_V6414		
DENOMINATION			SCHEMA M2004_V6414			SCHEMA M2004_V6414		
R. FAB/P. N.			SAGEM SA			SAGEM SA		
FORMAT			A2			F6151		
NOMBRE DU DOCUMENT			3000059118			3000059118		
TYPE			R43			R43		
PART			000			000		
REVISIONS			02			02		

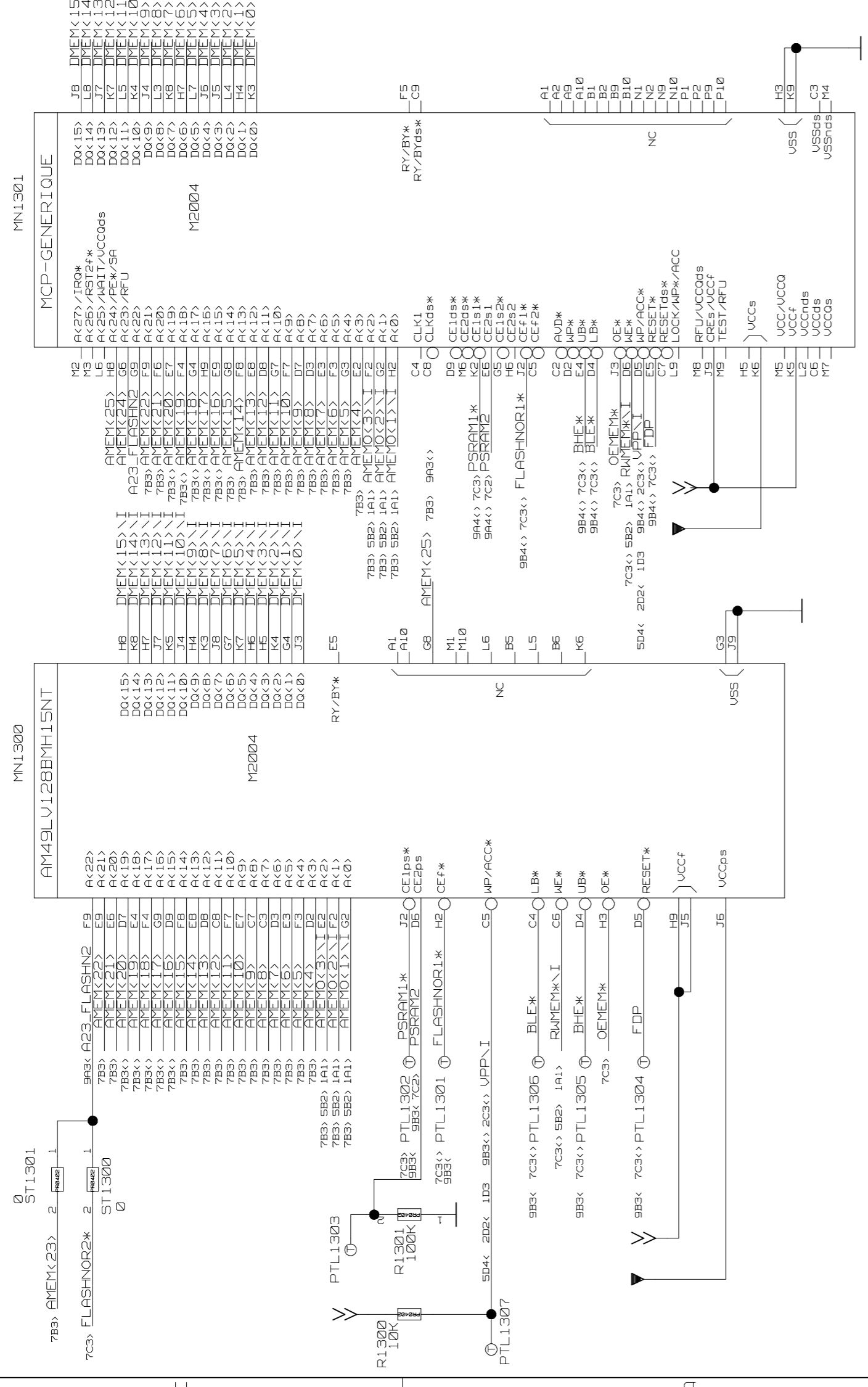
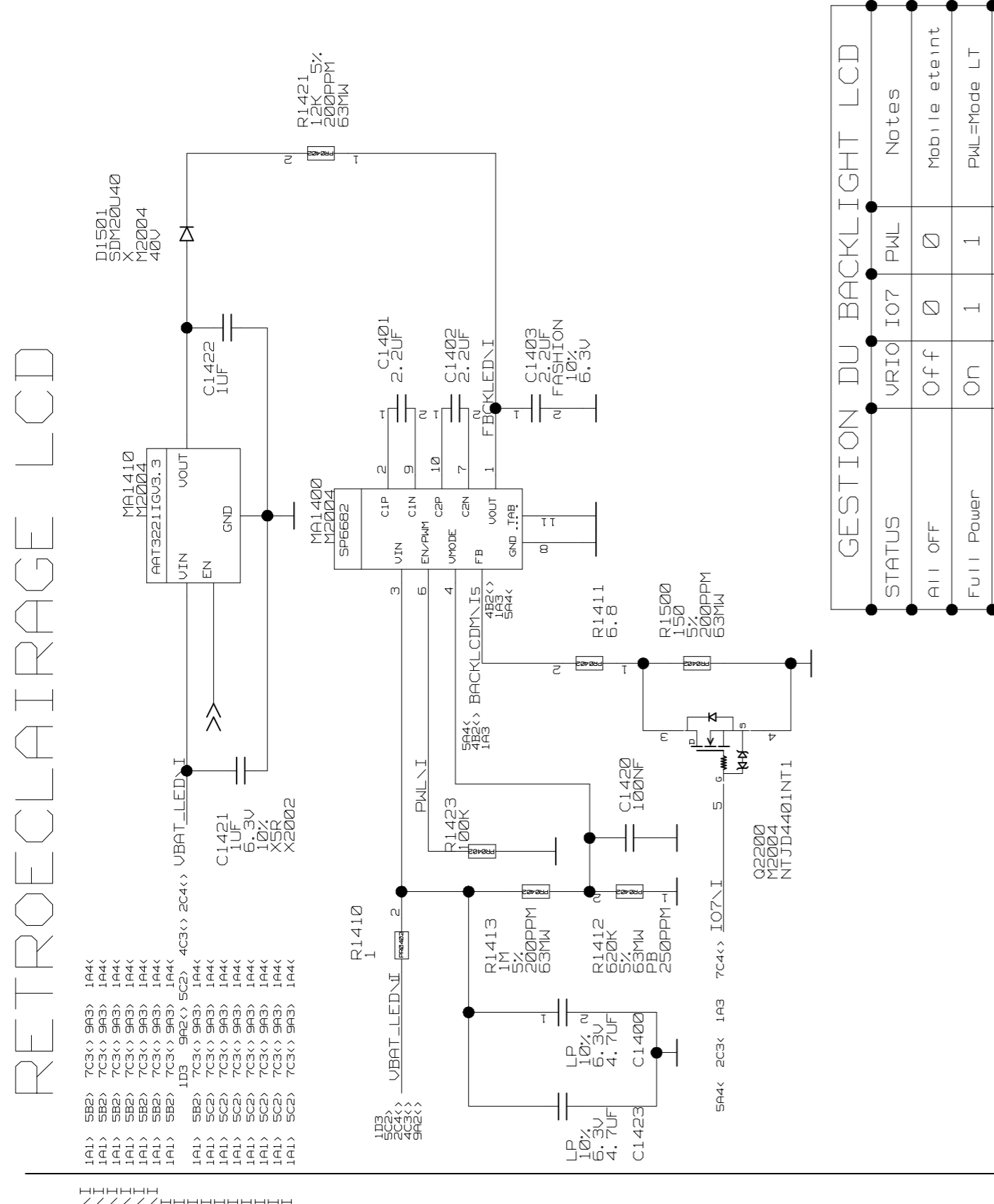


SCHEMA M2004 V6414
SCHEMA M2004 V6414
SCHEMA M2004 V6414
SCHEMA M2004 V6414

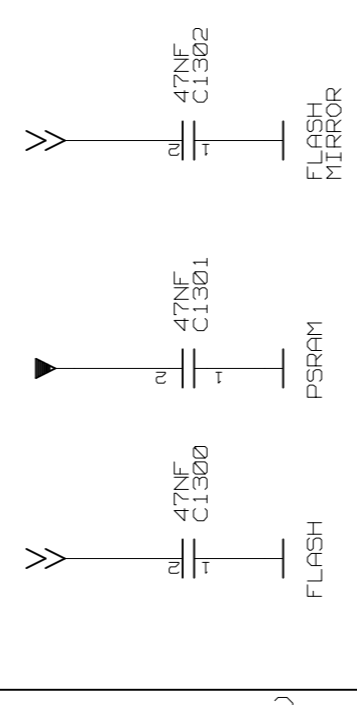
MEMOIRS

R. FAB/P. N. SAGEM SA
DATE 15/03/2004
VER. 1

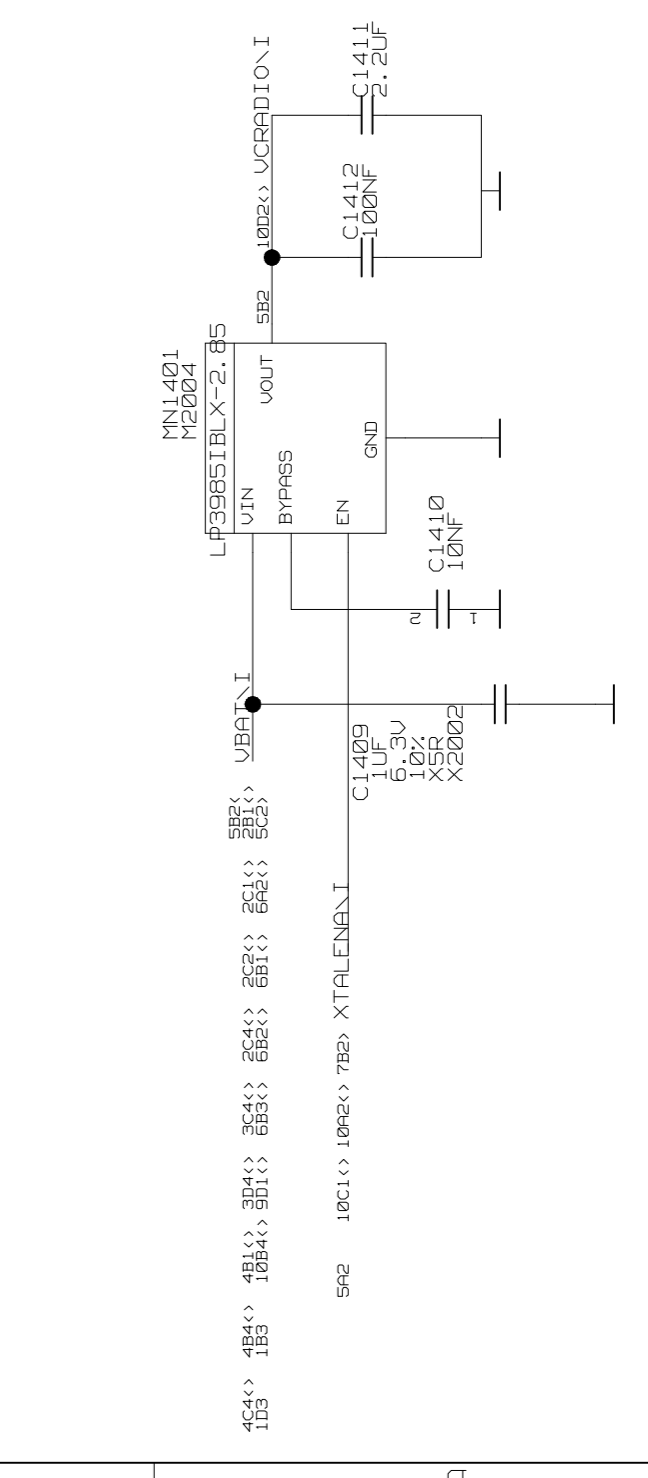
FORMAT 3000059118 R43 000 02
TYPE R43
N° D'UN DOCUMENT 3000059118
FEUILLE/SHEET 1/1



MCP Flash 128Mbit + PSRAM32 Mbit
Am49PDL128BM15N
SUR EMPREINTE GENERIQUE

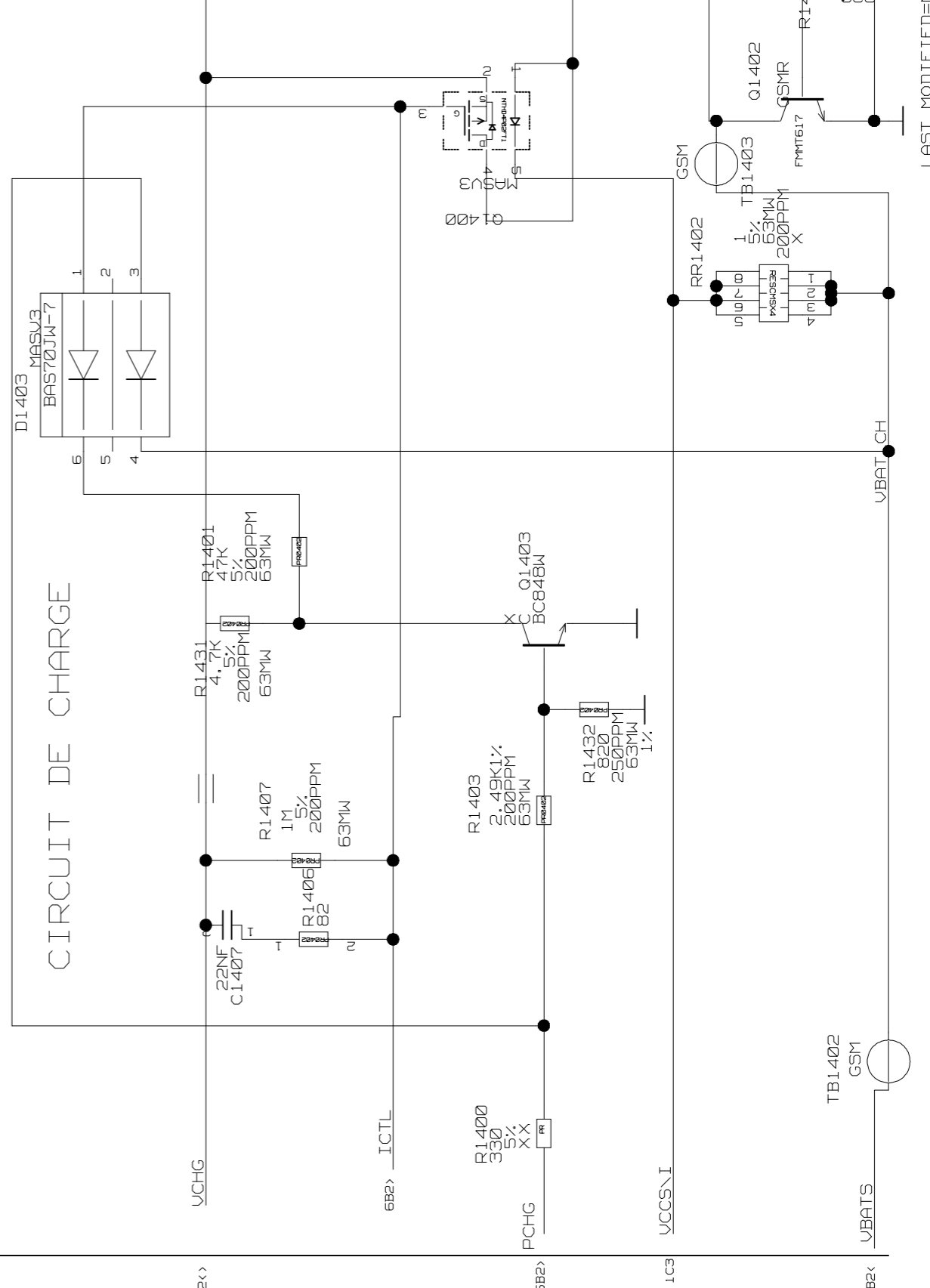


ALIMENTATION RADIO



GESTION DU BACKLIGHT LCD

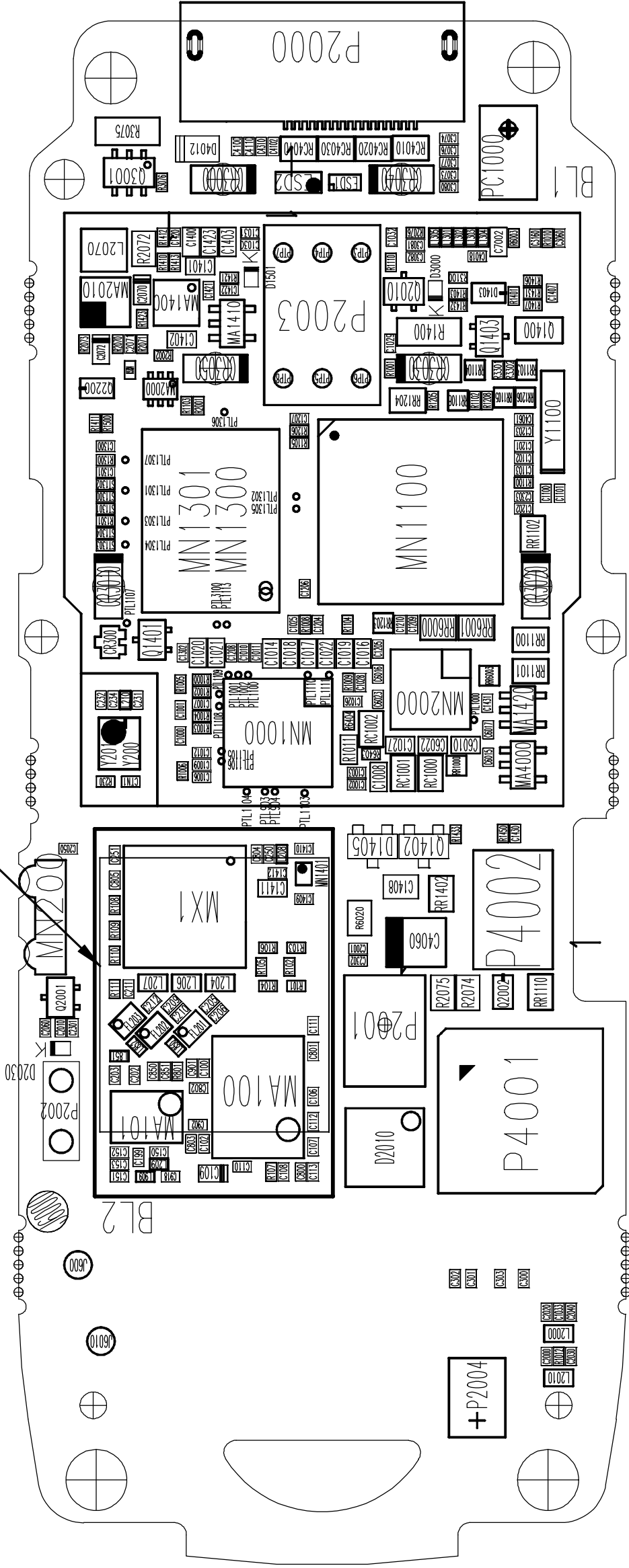
STATUS	VRIO	IO7	PWL	Notes
All OFF	Off	0	0	Mobile eteint
Full Power	On	1	1	PWL=Mode LT
Small Power	On	0	1	PWL=Mode PWM
Fading	On	1	1	PWL=Mode LT
Very Small Power	On	X	0	Toujours ON si mobile allume



MANDATORY REQUIREMENTS'S STENCIL THICKNESS : 125 µm + 5
AND STENCIL TYPE : NICKEL ELECTROFORMED

CONDITIONS IMPERATIVES SUR L'ÉPAISSEUR DU POCHOIR : 125 µm + 5
ET SUR LA NATURE DU POCHOIR : NICKEL ELECTROFORME

ETIQUETTE (No SERIE + IDENTIFICATION)



PLAN D'EQUIPEMENT 1/TOP EQUIPMENT DRAWING

ECHELLE
SCALE 3

MODIFIEE MODIFIED	NOM/NAME DECOIN JC	DATE 21/04/2004	VERIFIEE CHECKED	NOM/NAME MARCQ P	DATE 21/04/2004
----------------------	-----------------------	--------------------	---------------------	---------------------	--------------------

LIBELLE PL EQUIP M2004 V6414		FEUILLE/SHEET 1/2	
DENOMINATION ELEC BOARD M2004 V6414		SAGEM	

R.FAB/P.N.	3000059120	R4400002
VER	F6151	DATE
02		21/04/2004
01		19/03/2004

20884421-6 B

DOCUMENT SAGEM SA. REPRODUCTION ET DIVULGATION INTERDITES ALL RIGHTS RESERVED. REPRODUCTION AND DISCLOSURE PROHIBITED

