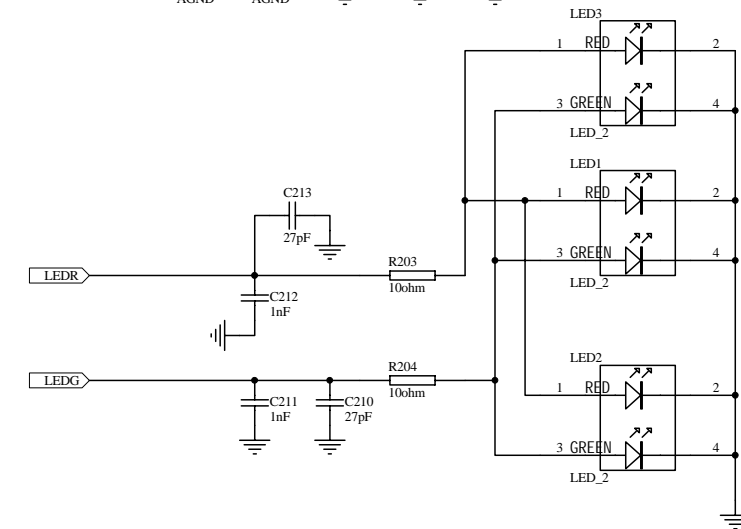
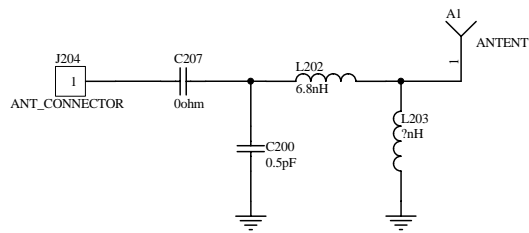
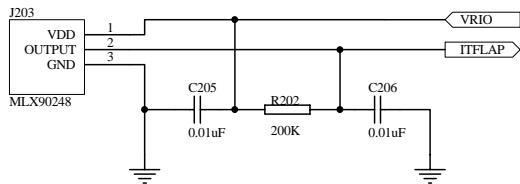
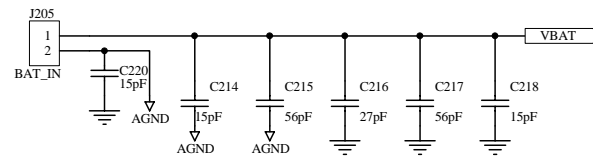
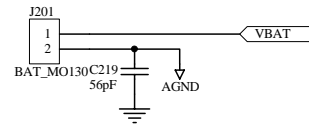
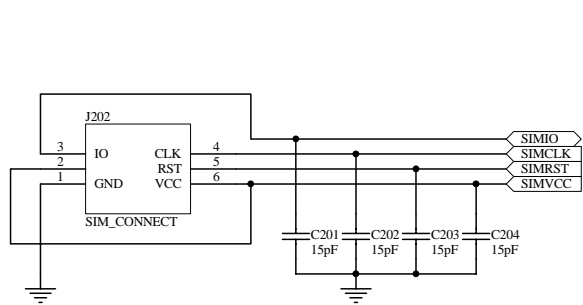
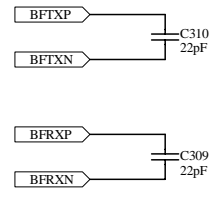
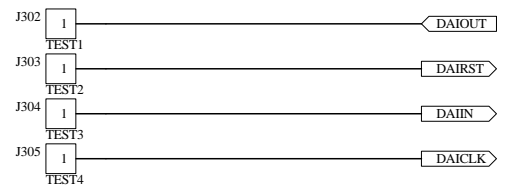
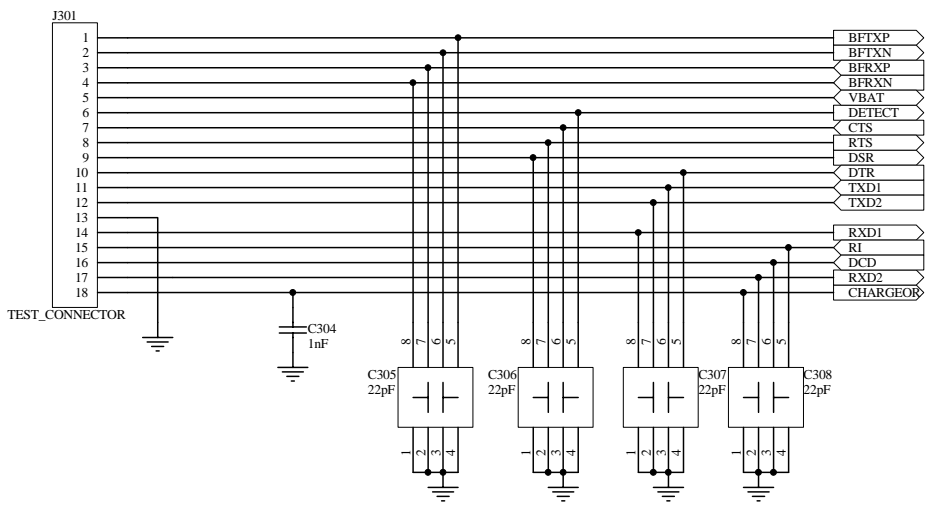
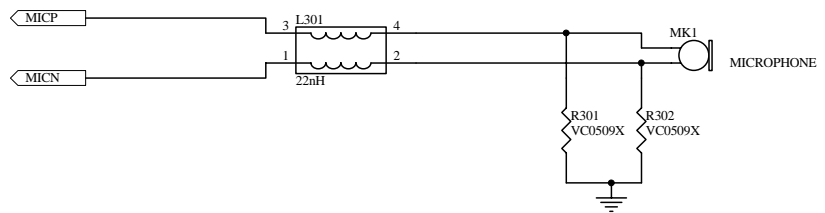


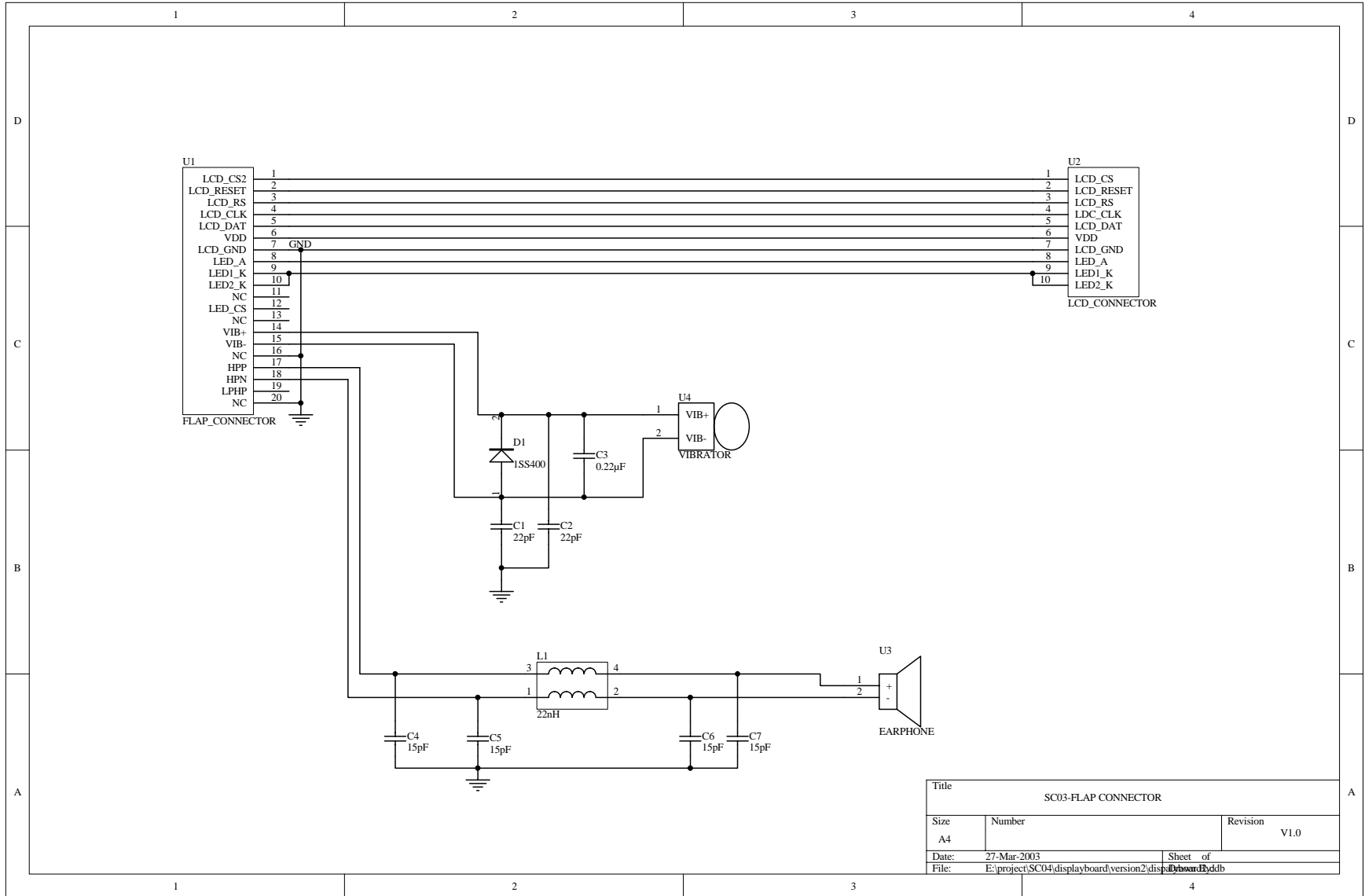
Title		
MO130 MODULE		
Size	Number	Revision
A4	NO. 1	
Date:	27-Mar-2003	Sheet of
File:	E:\project\SC04\mainboard\version2B\sc04 Drawn:ZB.Ddb	



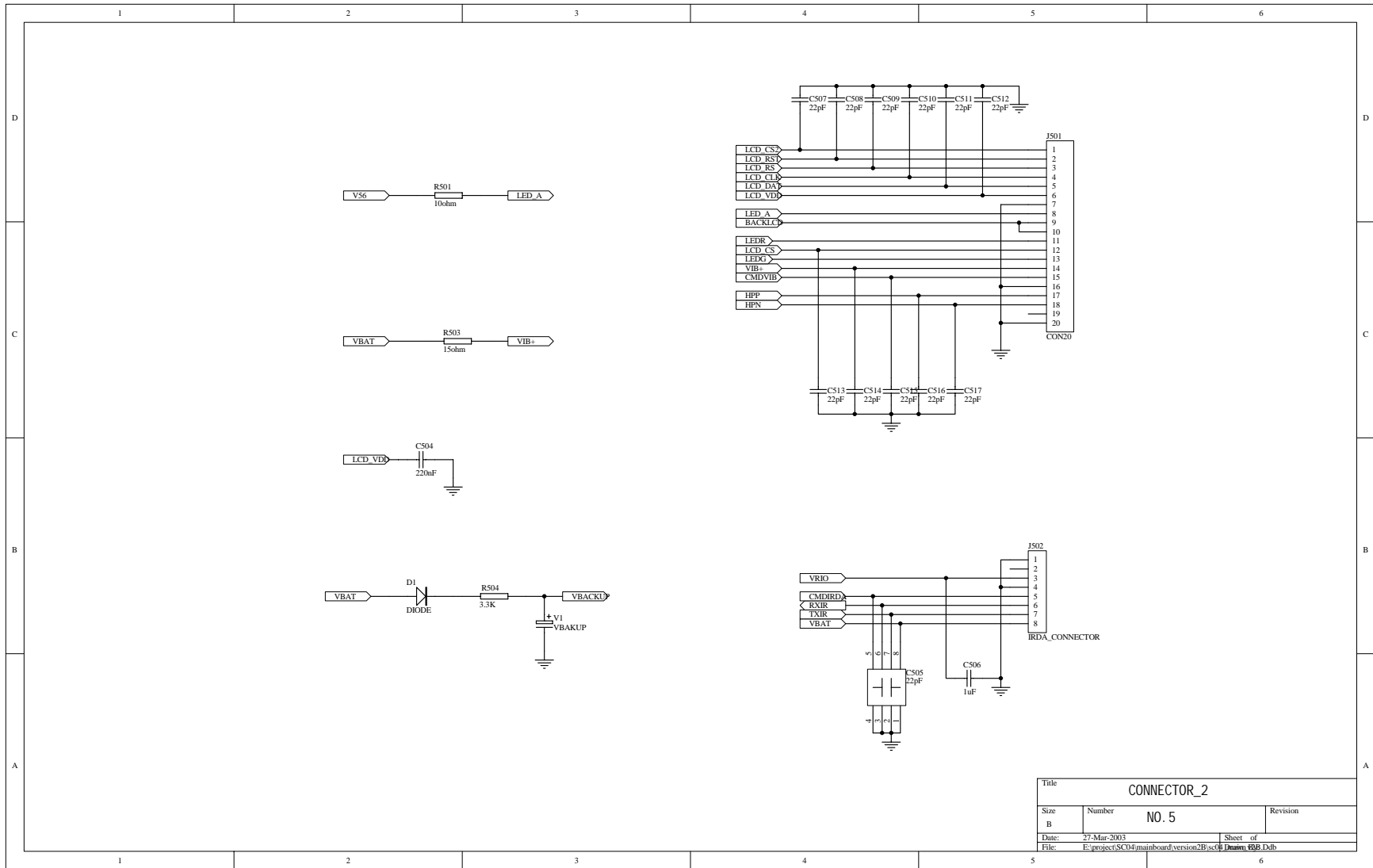
Title			
CONNECTOR_1			
Size	Number	Revision	
A4	NO. 2		
Date:	27-Mar-2003	Sheet of	
File:	E:\project\SC04\mainboard\version2B\sc04\mainboard.Ddb		



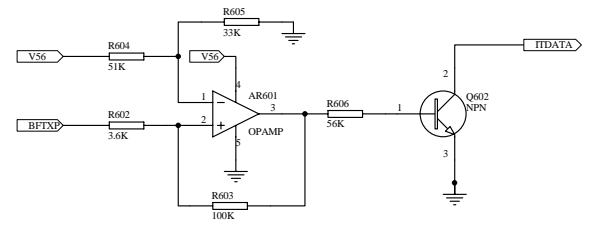
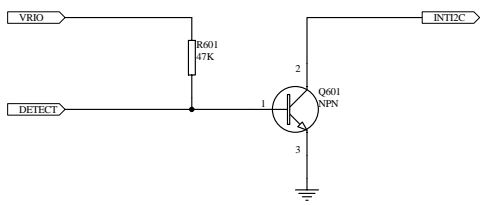
Title		
AUDI0_TEST		
Size	Number	Revision
A4	NO. 3	
Date:	27-Mar-2003	Sheet of
File:	E:\project\SC04\mainboard\version2B\sc04_Drawing\BR.Ddb	



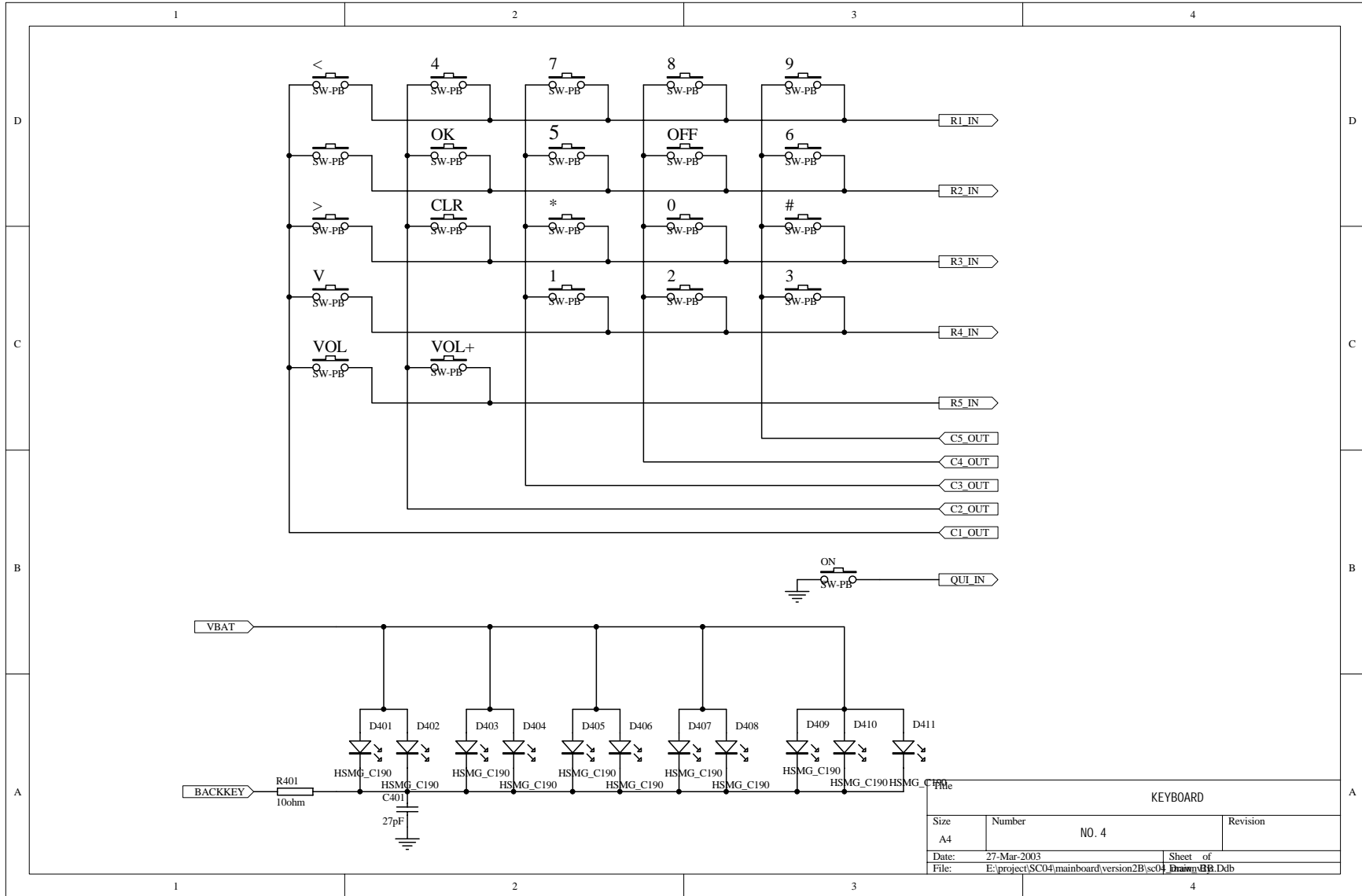
Title		
SC03-FLAP CONNECTOR		
Size	Number	Revision
A4		V1.0
Date:	27-Mar-2003	Sheet of
File:	E:\project\SC04\displayboard\version2\displayboard.ddb	



Title		
CONNECTOR_2		
Size	Number	Revision
B	NO. 5	
Date:	27-Mar-2003	Sheet of
File:	E:\project\SC04\mainboard\version2B\sc04\main\90B.Ddb	



Title			DETECT		
Size	Number				Revision
B	NO.6				
Date:	27-Mar-2003	Sheet		of	
File:	E:\project\SC04\mainboard\version2B\sc04\main\606.Ddb				

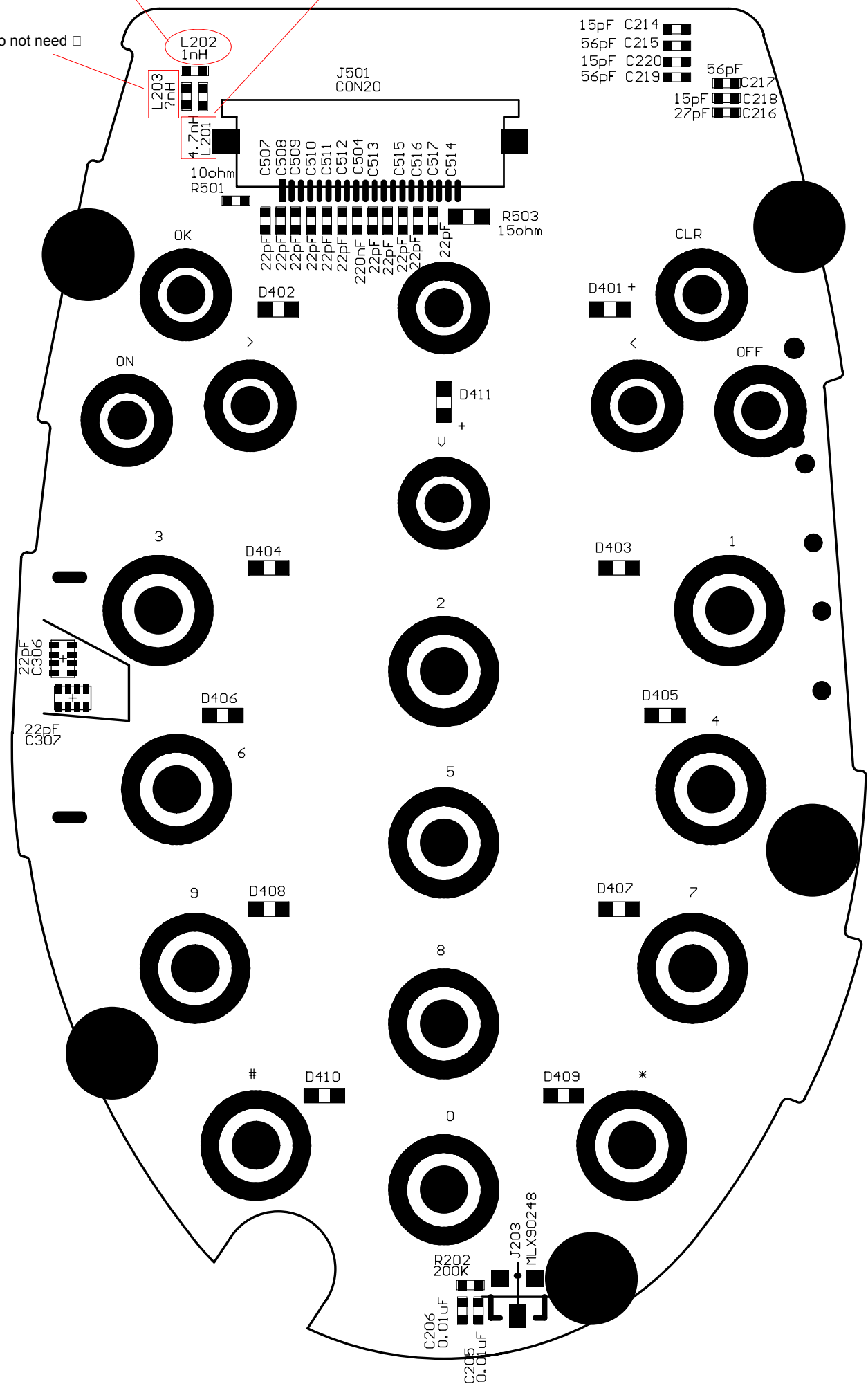


KEYBOARD		
Size A4	Number NO. 4	Revision
Date: 27-Mar-2003	Sheet of	
File: E:\project\SC04\mainboard\version2B\sc04	Drawn: BR.Ddb	

This component's value need to change to 6.8nH.

This component's value need to change to 0.5pF.

This component do not need to SMT.



- 15pF C214
- 56pF C215
- 15pF C220
- 56pF C219
- 56pF C217
- 15pF C218
- 27pF C216

- 22pF C306
- 22pF C307

- C206 0.01uF
- C205 0.01uF

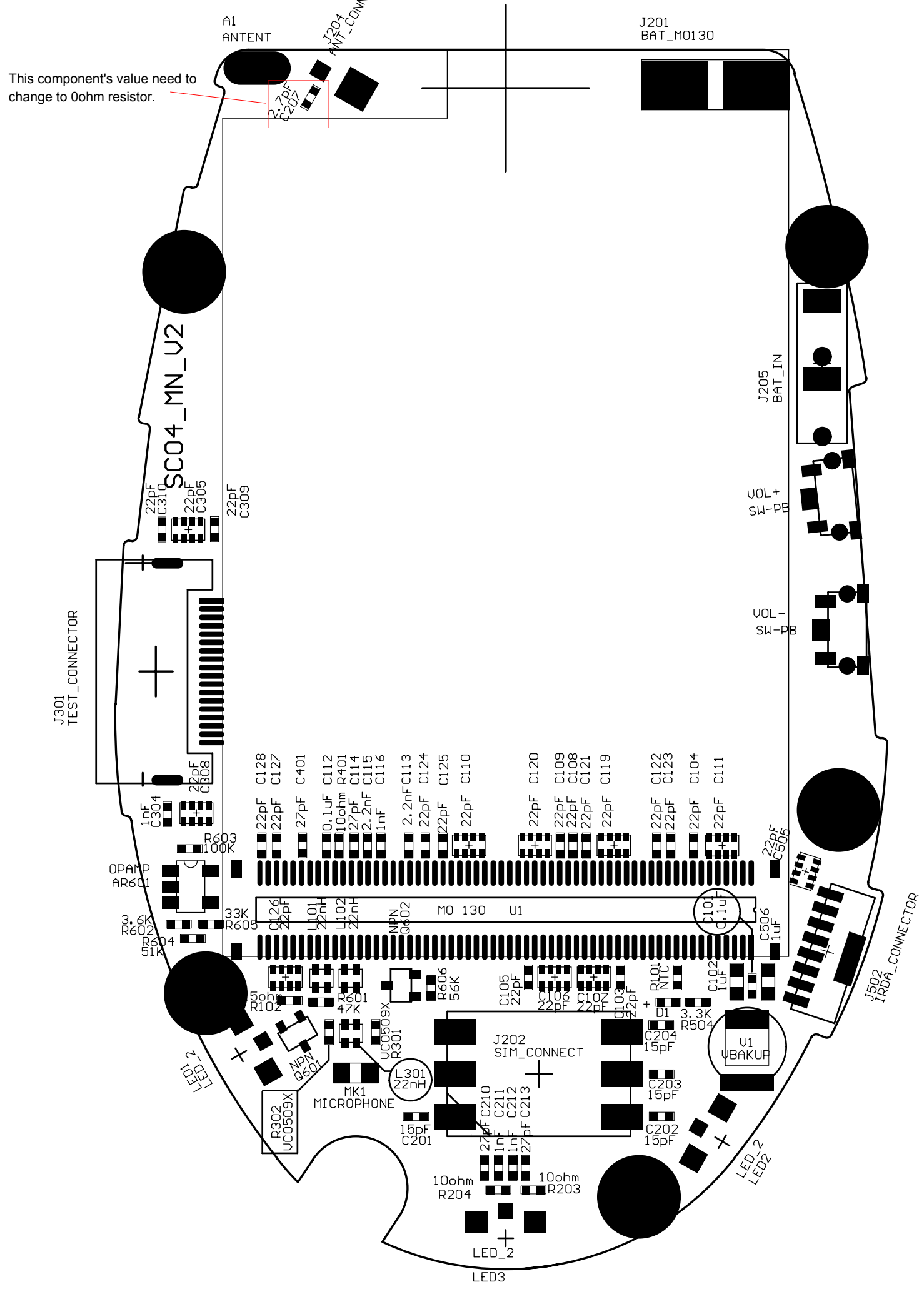
This component's value need to change to 0ohm resistor.

A1
ANTENT

J204
ANTENNA_CONNECTOR

J201
BAT_M0130

R201
220



SC04_MN_U2

J301
TEST_CONNECTOR

J205
BAT_IN

U0L+
SW-PB

U0L-
SW-PB

J502
IRDA_CONNECTOR

LED_1

UC0509X
MICROPHONE

LED_2
LED_2

LED_3

J202
SIM_CONNECT

U1
UBAKUP

OPAMP
AR601

R204
10ohm

R203
10ohm

R302
UC0509X

R301
UC0509X

R606
56K

R605
51K

R604
51K

R603
100K

R602
51K

R601
47K

R600
50ohm

R600
50ohm

R600
50ohm

R600
50ohm

R600
50ohm

R600
50ohm

R600
50ohm

R600
50ohm

R600
50ohm

R600
50ohm

R600
50ohm

R600
50ohm

R600
50ohm

R600
50ohm

R600
50ohm

R600
50ohm

R600
50ohm